



CUSHMAN®
LET'S WORK.™

SERVICE PARTS MANUAL
HAULER Pro

653052-U

ISSUED AUGUST 2016

REVISED SEPTEMBER 2018

SERVICE PARTS MANUAL

72V ELECTRIC POWERED VEHICLE

HAULER Pro

STARTING MODEL YEAR 2017

CALIFORNIA Proposition 65 Warning

WARNING: Motor vehicles may contain fuels, oils and fluids, battery posts, terminals, and related accessories which contain lead and lead compounds and other chemicals identified by the State of California to potentially cause cancer, birth defects, and other reproductive harm. These chemicals are found in vehicles, vehicle parts and accessories, both new and replacements. During maintenance, these vehicles generate used oil, waste fluids, grease, fumes, and particulates, all identified by the State of California to potentially cause cancer, birth defects, and other reproductive harm.

Never modify the vehicle in any way that will alter the weight distribution of the vehicle, decrease its stability or increase the speed beyond the factory specifications. Such modifications can cause serious personal injury or death. Textron Specialized Vehicles prohibits and dis-claims responsibility for any such modifications or any other alteration which would adversely affect the safety of the vehicle. TSV reserves the right to incorporate engineering and design changes to products in this manual, without obligation to include these changes on units sold previously.

The information contained in this manual may be revised periodically by TSV, and therefore is subject to change without notice.

TSV DISCLAIMS LIABILITY FOR ERRORS IN THIS MANUAL, and SPECIFICALLY DISCLAIMS LIABILITY FOR INCIDENTAL AND CONSEQUENTIAL DAMAGES resulting from the use of the information and materials in this manual.

These are the original instructions as defined by 2006/42/EC.

TO CONTACT US:

Textron Specialized Vehicles, Inc.

1451 Marvin Griffin Road

Augusta, Georgia, USA 30906-3852

NORTH AMERICA:

Technical Assistance & Warranty PHONE: 1-800-774-3946, FAX: 1-800-448-8124

Service Parts PHONE: 1-888-438-3946, FAX: 1-800-752-6175

International: PHONE: 001-706-798-4311, FAX: 001-706-771-4609

cushmancomm@textron.com

GENERAL INFORMATION

This vehicle has been designed and manufactured in the United States of America (USA). The Standards and Specifications listed in the following text originate in the USA unless otherwise indicated.

The use of non-Original Equipment Manufacturer (OEM) approved parts may void the warranty.

Failure to properly maintain batteries may void the warranty. Refer to the battery manual for instructions on the proper maintenance and care of the batteries.

BATTERY PROLONGED STORAGE

Batteries self-discharge over time. The rate of self-discharge varies depending on the ambient temperature, the age and condition of the batteries.

Fully charged batteries will not freeze in winter temperatures unless the temperature falls below -75°F (-60°C).

For winter storage, the batteries must be clean, fully charged and disconnected from any source of electrical drain.

The battery charger may remain connected to the vehicle to maintain a full charge on the batteries, provided the charger is plugged into an active electrical source. If power to the electrical source is disconnected or interrupted, the battery charger continues to check the charge on the battery pack. This pulls power from the battery pack and eventually drains the batteries if power is not restored in a timely manner.

As with all electric vehicles, the batteries must be checked and recharged as required or at a minimum of 30 day intervals.

Check and maintain the proper fluid level in all battery cells during the storage period. Proper fluid level is required for maximum battery performance.

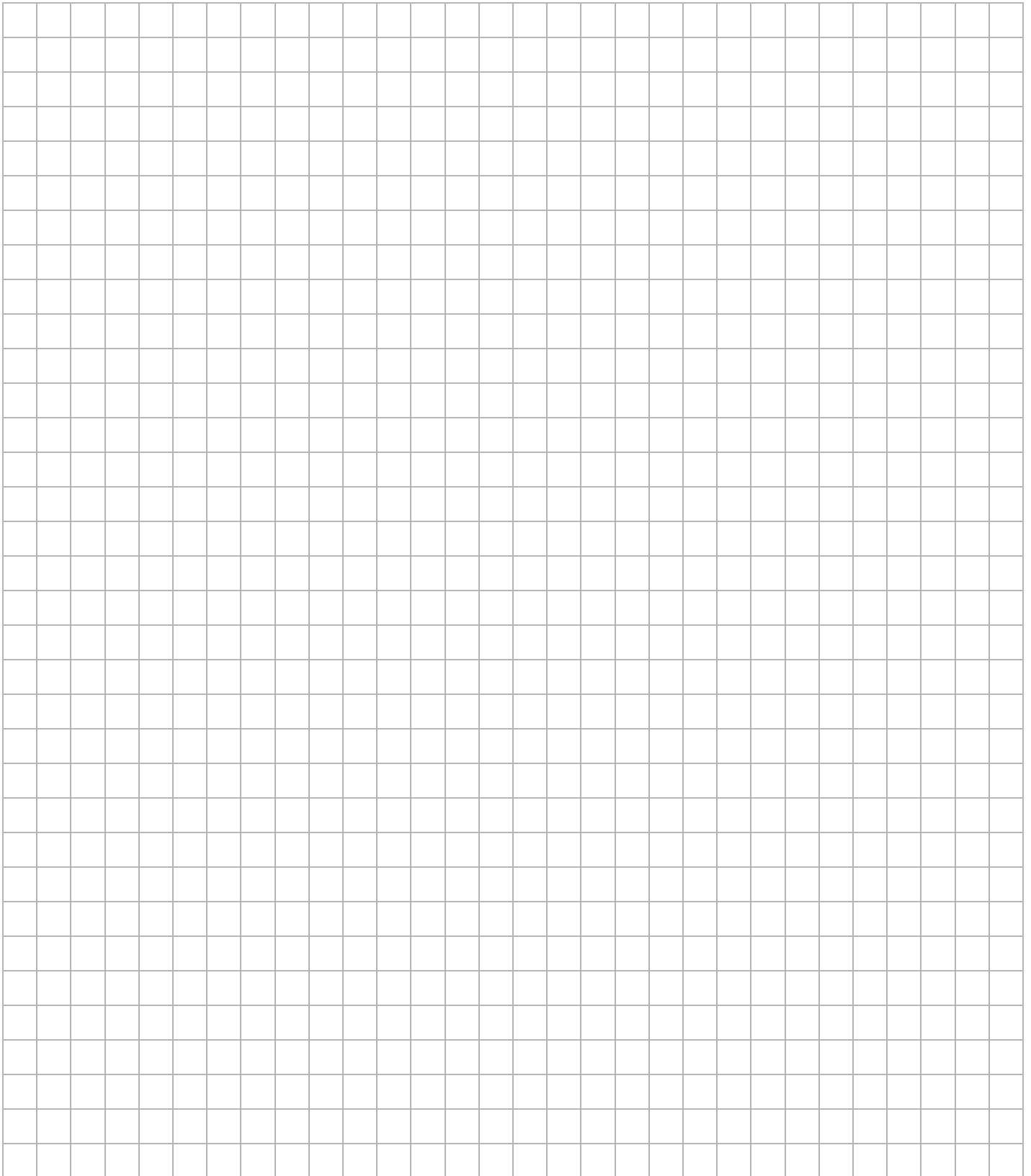
BATTERY DISPOSAL

Lead-acid batteries are recyclable. Return whole scrap batteries to distributor, manufacturer or lead smelter for recycling. For neutralized spills, place residue in acid-resistant containers with absorbent material such as sand. Dispose in accordance with local, state and federal regulations for acid and lead compounds. Contact local and/or state environmental officials regarding disposal information.

TABLE OF CONTENTS

| SECTION | Page No. |
|--|-----------------|
| HOW TO USE THE SERVICE PARTS MANUAL..... | V |
| ACCELERATOR..... | A |
| BATTERY CHARGER..... | B |
| BODY..... | C |
| BRAKES..... | D |
| CAB..... | E |
| ELECTRICAL..... | F |
| ELECTRONIC SPEED CONTROL..... | G |
| FRONT SUSPENSION AND STEERING..... | H |
| MOTOR..... | J |
| REAR AXLE..... | K |
| REAR SUSPENSION..... | L |
| SEATING..... | M |
| TRUCK BED..... | N |
| WEATHER PROTECTION..... | P |
| WHEELS AND TIRES..... | R |
| DECALS AND LABELS..... | S |

NOTES



HOW TO USE THE SERVICE PARTS MANUAL

This manual is divided into several sections:

- GENERAL INFORMATION
- ILLUSTRATED PARTS BREAKDOWN
- APPENDIX

The first section, GENERAL INFORMATION, contains the following information:

- WARRANTY INFORMATION
- GENERAL INDEX
- HOW TO USE THE SERVICE PARTS MANUAL

The second section, ILLUSTRATED PARTS BREAKDOWN, contains illustrations and parts lists for all systems of your vehicle.

The third section, APPENDIX, contains a listing of specialty products and accessories.

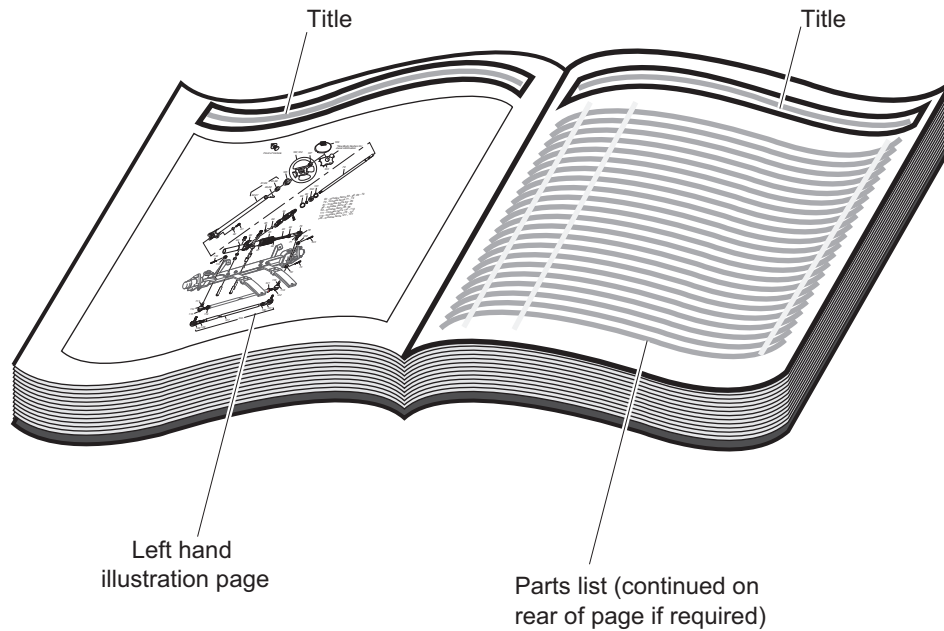
USE OF THE MANUAL

To use this manual, consult the GENERAL INDEX to locate the information or illustration required.

Introduction of some revisions varies due to supply of components; therefore, it is possible that various combinations of components may be found that are not directly reflected by each illustration. Consult the illustration that best suits your situation and then contact the Service Parts Department. It is important that the serial number of your vehicle and its model number be supplied to Service Parts when ordering any replacement components.

Locate the serial number plate (see BODY located in the Illustrated Parts Breakdown section of this manual for its location) and note the complete number shown on the plate.

HOW TO USE THE SERVICE PARTS MANUAL



1. WHEN THE PART NUMBER IS NOT KNOWN

- Determine the function and application of the part required. Turn to the General Index and select the most appropriate title.
- Turn to the page number indicated and locate the desired part on the illustration.
- From the illustration, obtain the item number assigned to the desired part. Refer to the accompanying description for specific information regarding the part.

2. IF YOU KNOW THE PART NUMBER

- Locate the part number or description in the appropriate column on the parts list page.

NOTE: Confirm the part selected is correct by verifying it with the illustration.

If an asterisk (*) appears in the part number column on the parts list page, read upward until a part number is found. The part number is the lowest assembly sold by Service Parts and the asterisk (*) indicates the part depicted is not available for purchase.

NOTE: Descriptions are indented under the assembly that they are used on. That assembly is, in turn listed under the assembly that it is used on. This process is repeated until the highest final assembly is reached.

To facilitate the maintenance and repair of the vehicle, a Technician's Repair and Service Manual is available from the Service Parts Department.

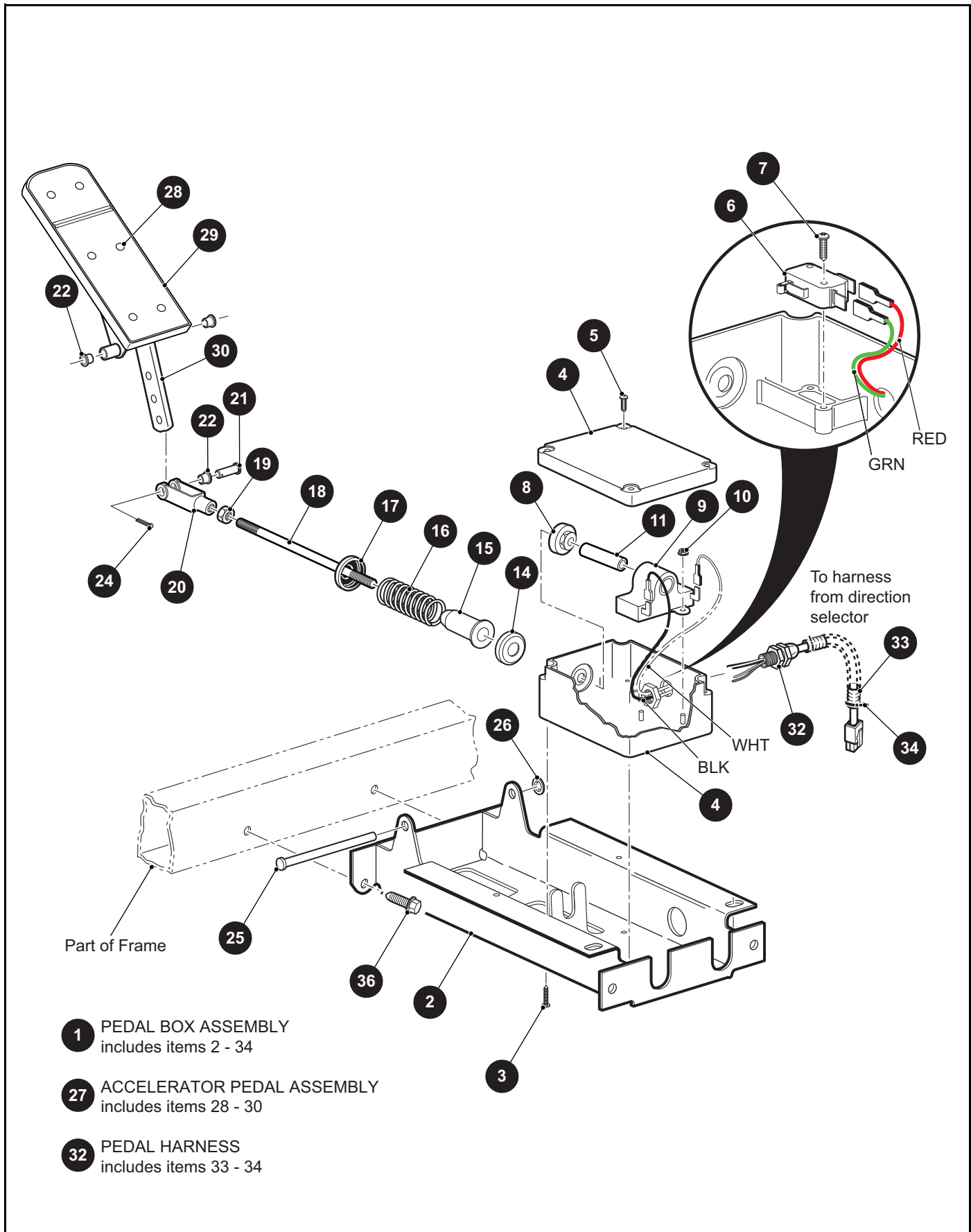
HOW TO USE THE SERVICE PARTS MANUAL

3. COLOR CODE FOR BODY COMPONENTS

The last two digits of the part number for the body part will denote the color code, locate the part number for the cowl, rear body, seat pod, side panel or seat wrap then locate your color in the list below, replace the last ** or XX with the two digit color code.

| <u>CODE #</u> | <u>DESCRIPTION</u> |
|----------------------|----------------------------------|
| 11 | BLACK |
| 19 | PATRIOT BLUE PEARL |
| 20 | INFERNO RED METALLIC |
| 26 | STEEL BLUE PEARL |
| 31 | METALLIC CHARCOAL |
| 35 | SAFETY YELLOW |
| 36 | IVORY |
| 37 | FOREST GREEN |
| 38 | BRIGHT WHITE |
| 39 | FLAME RED |
| 41 | ELECTRIC BLUE |
| 42 | PLATINUM |
| 43 | BURGUNDY |
| 44 | ALMOND |
| 51 | SUNBURST ORANGE |
| 52 | BRITISH RACING GREEN |
| 69 | MONSTER GREEN |
| 72 | MATTE BLACK |
| 73 | MATTE GREEN |
| 74 | BARLEY GOLD |
| 75 | OASIS GREEN |
| 76 | JAVA BROWN |
| 78 | REAL TREE XTRA DIPPED |
| 79 | JACOBSEN ORANGE 172 |
| 80 | REAL TREE ADVANTAGE MAX 5-DIPPED |

ACCELERATOR



THE USE OF NON U.L. PARTS WILL VOID ANY U.L. LISTING.

When ordering parts, please specify the model and serial number of the product.

* Indicates a component that is not available as an individual part.

*** Indicates consult Customer Service Department for additional information.

| ITEM | PART NO. | 1 2 3 4 5 | DESCRIPTION | QTY. |
|------|-----------|-----------|---|------|
| 1 | 73333G11 | | PEDAL BOX ASSEMBLY (PDS) (INCLUDES ITEMS 2 - 34) | 1 |
| 2 | 652241G03 | | ACCELERATOR PEDAL BRACKET | 1 |
| 3 | 01051G01 | | PAN HEAD PHILLIPS SCREW, #8 - 10 X 1/2" LG | 4 |
| 4 | 25853G01 | | PEDAL BOX AND COVER | 1 |
| 5 | 00684G6 | | TRUSS HEAD SCREW (SS), #8 - 32 X 3/4" LG | 2 |
| 6 | 25861G01 | | MICRO SWITCH | 1 |
| 7 | 01050G01 | | PAN HEAD SCREW, #4 - 20 X 5/8" LG | 2 |
| 8 | 28444G01 | | ACCELERATOR ROD CAM | 1 |
| 9 | 25854G01 | | INDUCTIVE THROTTLE SENSOR | 1 |
| 10 | 00983G01 | | SELF THREADING NUT, .38" | 2 |
| 11 | 602484 | | PLUNGER | 1 |
| 12 | | | | |
| 13 | | | | |
| 14 | 17677G1 | | SPRING RETAINER | 1 |
| 15 | 17979G1 | | BUSHING, .75" X 2" LG | 1 |
| 16 | 73046G01 | | COMPRESSION SPRING | 1 |
| 17 | 17677G2 | | SPRING RETAINER, 3/8" | 1 |
| 18 | 73332G01 | | ACCELERATOR ROD | 1 |
| 19 | 00532G4 | | HEX NUT, 5/16" - 24 | 1 |
| 20 | 10385G4 | | CLEVIS YOKE (ADJUSTABLE) | 1 |
| 21 | 10386G3 | | CLEVIS PIN, 5/16" X 13/16" LG | 1 |
| 22 | 17838G1 | | NYLON BUSHING, .37" X .31" LG | 3 |
| 23 | | | | |
| 24 | 10387G3 | | COTTER PIN, 3/32" X 3/4" LG | 1 |
| 25 | 74432G01 | | PEDAL PIVOT PIN | 1 |
| 26 | 12064G6 | | PUSH NUT, 5/16" | 1 |
| 27 | 25799G03 | | ACCELERATOR PEDAL ASSEMBLY (INCLUDES ITEMS 28 - 30) | 1 |
| 28 | 16409G1 | | OVAL RIVET, 3/16" X 7/16" LG | 6 |
| 29 | 27512G01 | | ACCELERATOR PEDAL PAD | 1 |
| 30 | 70125G04 | | ACCELERATOR PEDAL | 1 |
| 31 | | | | |

ACCELERATOR

THE USE OF NON U.L. PARTS WILL VOID ANY U.L. LISTING.

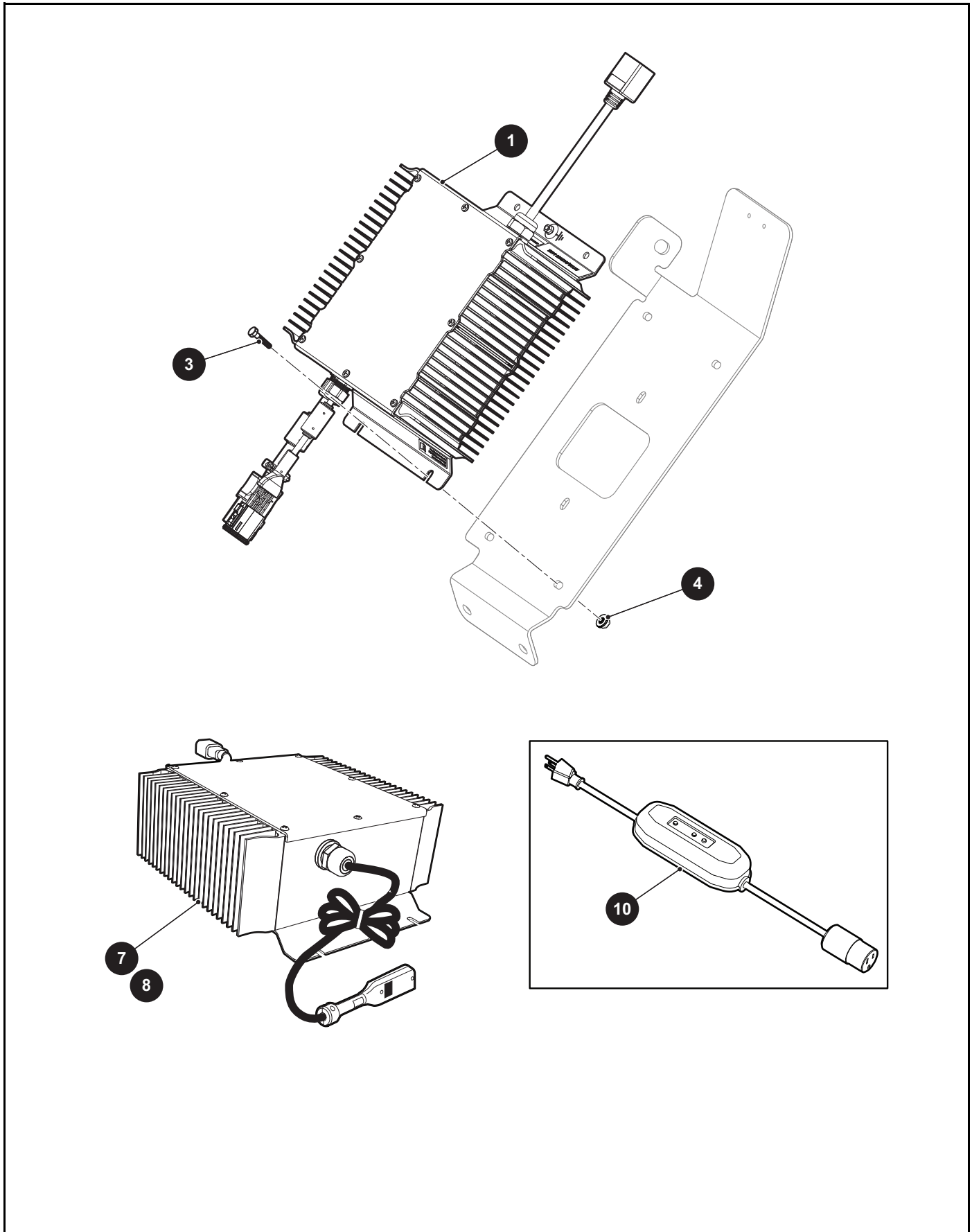
When ordering parts, please specify the model and serial number of the product.

* Indicates a component that is not available as an individual part.

*** Indicates consult Customer Service Department for additional information.

| ITEM | PART NO. | 1 | 2 | 3 | 4 | 5 | DESCRIPTION | QTY. |
|------|----------|---|---|---|---|---|--|------|
| 32 | 25879G08 | | | | | | PEDAL HARNESS (INCLUDES ITEMS 33 - 34) | 1 |
| 33 | 17313G1 | | | | | | LOOM FLEX (BULK), 3/8" | 1 |
| 34 | 17618G1 | | | | | | NYLON CLAMP, 8" LG | 2 |
| 35 | | | | | | | | |
| 36 | 00715G2 | | | | | | HEX HEAD BOLT, 5/16" - 18 X 3/4" LG..... | 4 |

BATTERY CHARGER



BATTERY CHARGER

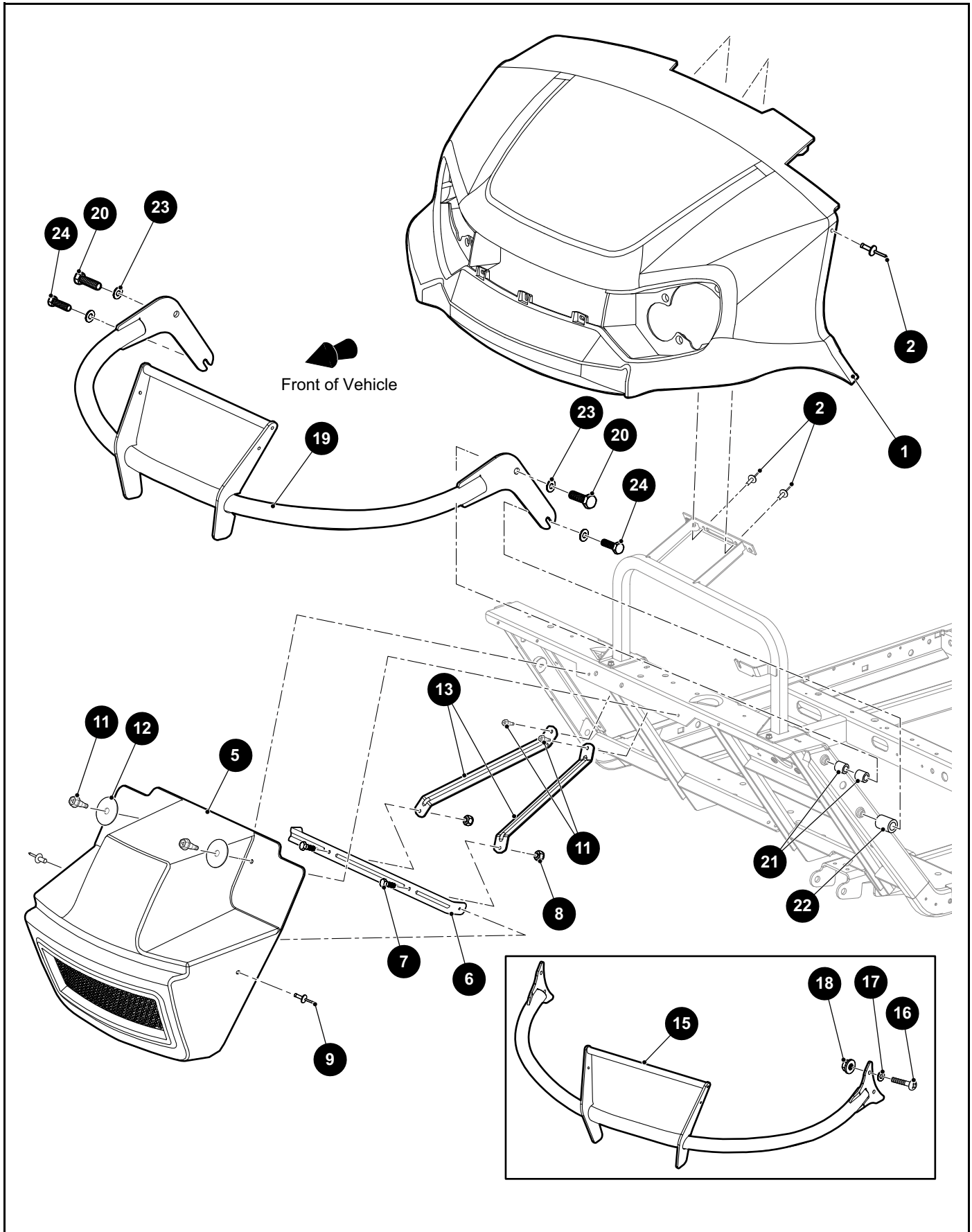
THE USE OF NON U.L. PARTS WILL VOID ANY U.L. LISTING.

When ordering parts, please specify the model and serial number of the product.

* Indicates a component that is not available as an individual part.

*** Indicates consult Customer Service Department for additional information.

| ITEM | PART NO. | 1 2 3 4 5 | DESCRIPTION | QTY. |
|------|----------|-----------|--|------|
| 1 | 640261 | | 72V ON-BOARD BATTERY CHARGER | 1 |
| 2 | | | | |
| 3 | 00414G6 | | HEX HEAD BOLT, 1/2" - 20 X 3/4" LG | 4 |
| 4 | 11027G2 | | FLANGED LOCK NUT, 1/2" - 20..... | 4 |
| 5 | | | | |
| 6 | | | | |
| 7 | 634567 | | 72V BATTERY CHARGER, 1000W | 1 |
| 8 | 645743 | | 72V BATTERY CHARGER, 1500W | 1 |
| 9 | | | | |
| 10 | 652503 | | ON-BOARD CHARGER, 5 METER DC CORD | 1 |



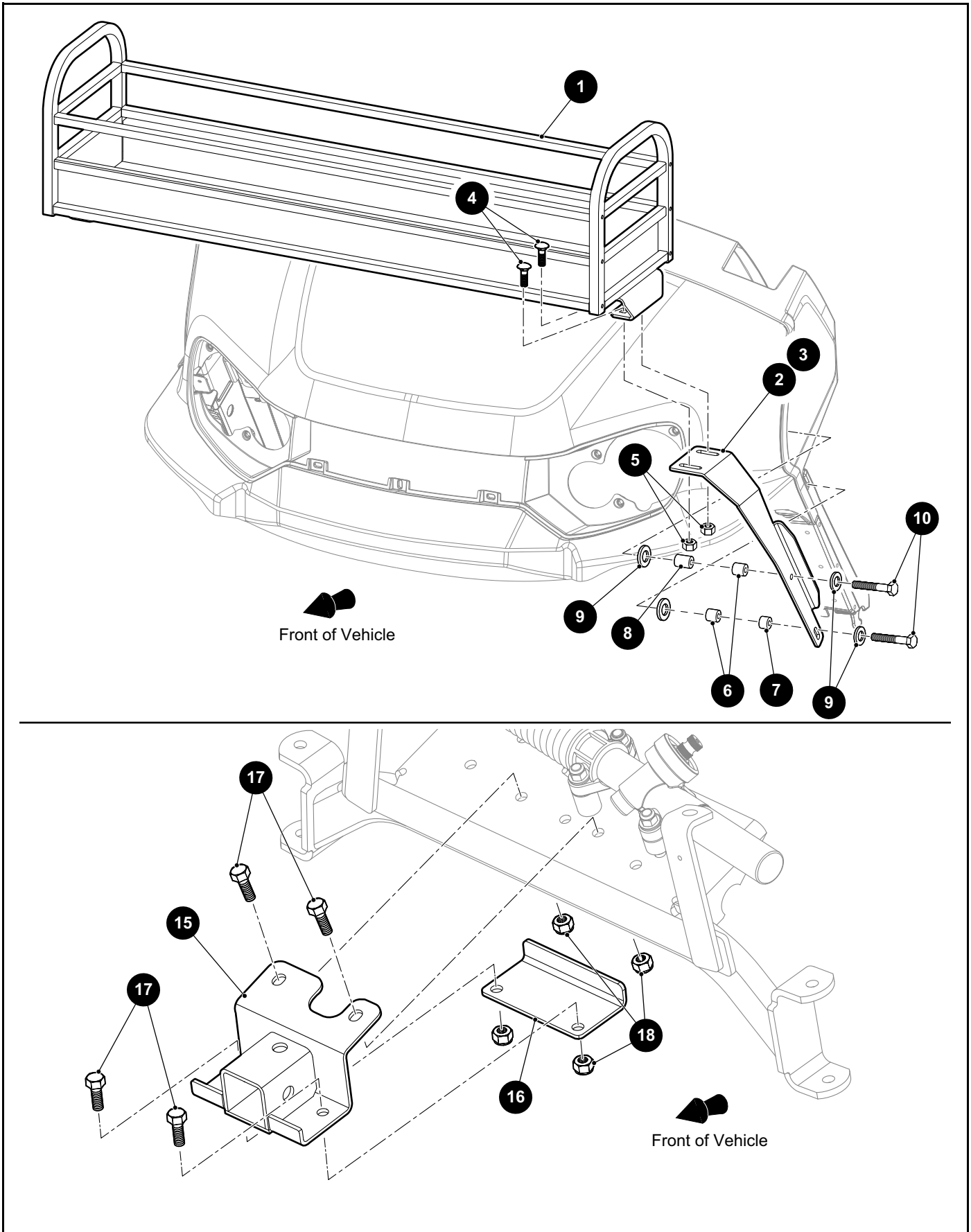
THE USE OF NON U.L. PARTS WILL VOID ANY U.L. LISTING.

When ordering parts, please specify the model and serial number of the product.

* Indicates a component that is not available as an individual part.

*** Indicates consult Customer Service Department for additional information.

| ITEM | PART NO. | 1 2 3 4 5 | DESCRIPTION | QTY. |
|------|-------------|-----------|--|------|
| 1 | 648566G00XX | | COWL (SEE COLOR CODE IN HOW TO USE SECTION) | 1 |
| 2 | 71055G02 | | RIVET (ALUMINUM), 3/16" X 1.18" LG | 4 |
| 3 | | | | |
| 4 | | | | |
| 5 | 613273 | | FRONT FASCIA | 1 |
| 6 | 654275 | | MOUNTING BRACKET | 1 |
| 7 | 00414G6 | | HEX HEAD BOLT, 1/4" - 20 X 3/4" LG | 2 |
| 8 | 14390G4 | | LOCK NUT, 1/4" - 20 | 2 |
| 9 | 15058G1 | | RIVET (ALUMINUM), 3/16" X .45" LG | 2 |
| 10 | | | | |
| 11 | 01038G01 | | HEX WASHER HEAD SWAGEFORM SCREW, 1/4" - 20 X .70" LG | 4 |
| 12 | 16469G1 | | FENDER WASHER | 2 |
| 13 | 654276 | | FRONT FASCIA MOUNTING BRACE | 1 |
| 14 | | | | |
| 15 | 662016 | | BRUSH GUARD (FOR VEHICLES FITTED WITH CAB) | 1 |
| 16 | 600530 | | BUTTON HEAD TORX BOLT, M10 - 1.5 X 25MM LG | 4 |
| 17 | 603823 | | FLAT WASHER, M10 X 22MM X 2.5MM LG | 4 |
| 18 | 600525 | | FLANGED LOCK NUT, M10 - 15 | 4 |
| 19 | 662022 | | BRUSH GUARD | 1 |
| 20 | 00441G2 | | HEX HEAD BOLT, 5/16 - 18 X 3 1/4" LG | 2 |
| 21 | 75048G04 | | SPACER, .328" I.D. X .75" O.D. X 1" LG | 4 |
| 22 | 75048G03 | | SPACER, .328" I.D. X .75" O.D. X 1.5" LG | 2 |
| 23 | 00559G8 | | FLAT WASHER, .349" I.D. X .692" O.D. | 4 |
| 24 | 00440G6 | | HEX HEAD BOLT, 5/16 - 18 X 2 3/4" LG | 2 |



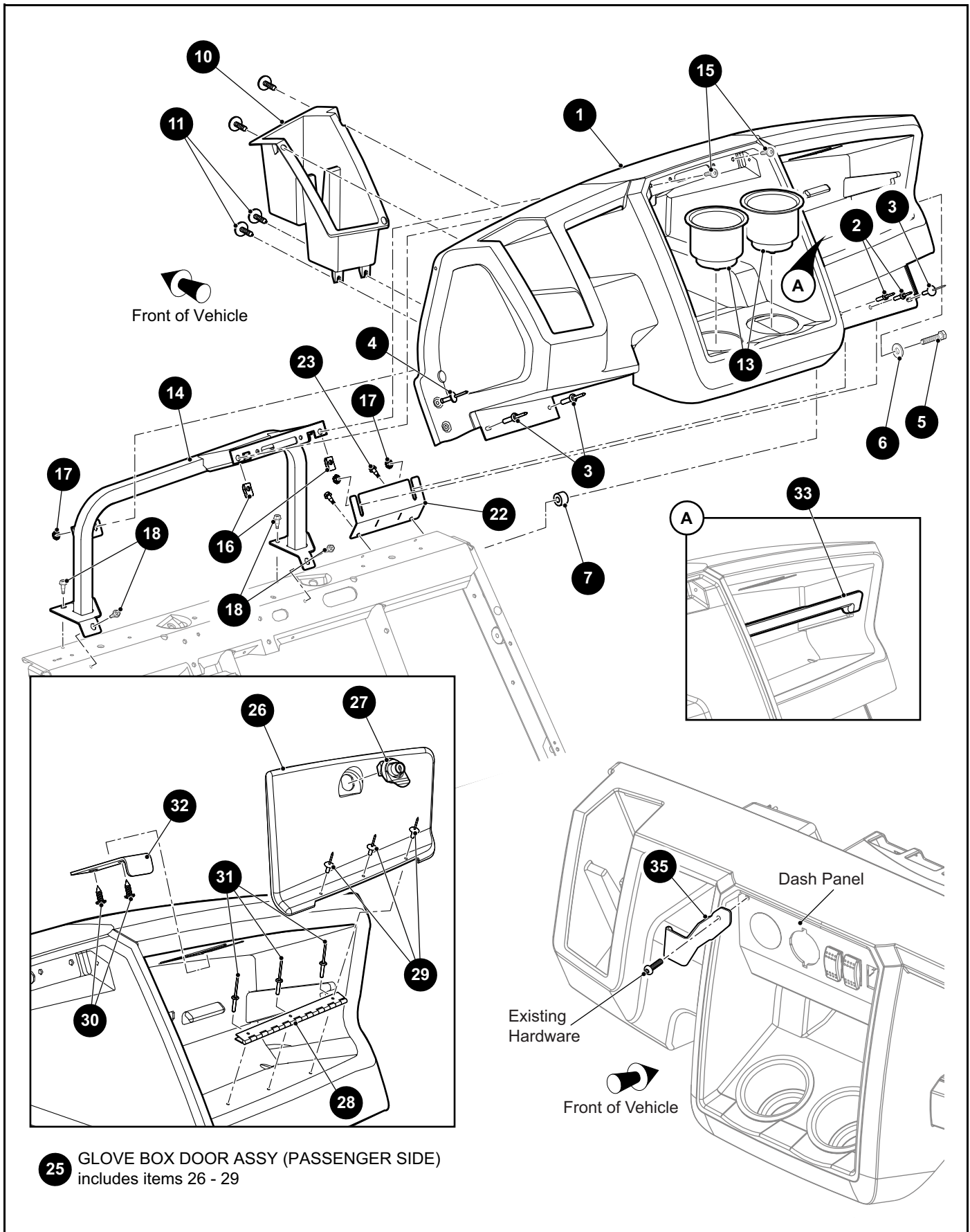
THE USE OF NON U.L. PARTS WILL VOID ANY U.L. LISTING.

When ordering parts, please specify the model and serial number of the product.

* Indicates a component that is not available as an individual part.

*** Indicates consult Customer Service Department for additional information.

| ITEM | PART NO. | 1 2 3 4 5 | DESCRIPTION | QTY. |
|------|-----------|-----------|---|------|
| 1 | 74523G01 | | FRONT BASKET | 1 |
| 2 | 651010G01 | | FRONT BASKET BRACKET (DRIVER SIDE) | 1 |
| 3 | 651010G02 | | FRONT BASKET BRACKET (PASSENGER SIDE) | 1 |
| 4 | 00769G2 | | ROUND HEAD CARRIAGE BOLT, 3/8" - 16 X 1 1/4" LG | 4 |
| 5 | 11098G5 | | LOCK NUT, 3/8" - 16 | 4 |
| 6 | 619586 | | SPACER .328" O.D. X .75" I.D. X .75" L.G. | 4 |
| 7 | 634807 | | SPACER, .328" O.D. X .75" I.D. X .50" L.G. | 2 |
| 8 | 75048G04 | | SPACER .328" O.D. X .75" I.D. X 1" L.G. | 2 |
| 9 | 00570G2 | | FLAT WASHER, 5/16" | 8 |
| 10 | 00440G6 | | HEX HEAD BOLT, 5/16" - 18 X 2 3/4" LG | 4 |
| 11 | | | | |
| 12 | | | | |
| 13 | | | | |
| 14 | | | | |
| 15 | 635202 | | WINCH RECEIVER | 1 |
| 16 | 604572 | | WINCH RECEIVER RETAINER | 1 |
| 17 | 00462G8 | | HEX HEAD BOLT, 7/16" - 14 X 7/8" LG | 4 |
| 18 | 00734G1 | | LOCK NUT, 7/16" - 14..... | 4 |



25 GLOVE BOX DOOR ASSY (PASSENGER SIDE)
includes items 26 - 29

THE USE OF NON U.L. PARTS WILL VOID ANY U.L. LISTING.

When ordering parts, please specify the model and serial number of the product.

* Indicates a component that is not available as an individual part.

*** Indicates consult Customer Service Department for additional information.

| ITEM | PART NO. | 1 2 3 4 5 | DESCRIPTION | QTY. |
|------|----------|-----------|--|------|
| 1 | 648568 | | INSTRUMENT PANEL | 1 |
| 2 | 71055G01 | | RIVET (ALUMINUM), 3/16" X 1 1/8" LG | 2 |
| 3 | 14601G11 | | RIVET (ALUMINUM), 3/16" X 9/16" LG | 3 |
| 4 | 71055G02 | | RIVET (ALUMINUM), 3/16" X 1.18" LG | 2 |
| 5 | 651011 | | HEX HEAD BOLT, 5/16" - 18 X 1.5" LG | 2 |
| 6 | 634808 | | FLAT WASHER, 5/16" | 2 |
| 7 | 75048G01 | | SPACER, .328" X .75" X .5" | 2 |
| 8 | | | | |
| 9 | | | | |
| 10 | 648562 | | CUP HOLDER (DRIVER SIDE) | 1 |
| 11 | 613373 | | PAN HEAD TAPPING SCREW (WITH WASHER), M4.8 - 1.6 X 22MM LG ... | 4 |
| 12 | | | | |
| 13 | 650913 | | SINGLE CENTER CUP HOLDER | 2 |
| 14 | 650043 | | IP SUPPORT | 1 |
| 15 | 645323 | | PAN WASHER HEAD TORX SCREW, M6 - 1 X 23.4MM LG | 2 |
| 16 | 602409 | | BARREL CLIP, M6 - 1 | 2 |
| 17 | 71597G01 | | SELF THREADING NUT, 5MM X 10MM X 15MM | 3 |
| 18 | 01038G01 | | HEX WASHER HEAD SWAGEFORM SCREW, 1/4" - 20 X .70" LG | 4 |
| 19 | | | | |
| 20 | | | | |
| 21 | | | | |
| 22 | 650042 | | INSTRUMENT PANEL SUPPORT BRACKET (PASSENGER SIDE) | 1 |
| 23 | 01038G01 | | HEX WASHER HEAD SWAGEFORM SCREW, 1/4" - 20 X .70" LG | 2 |
| 24 | | | | |
| 25 | 650784 | | GLOVE BOX DOOR ASSY (PASSENGER SIDE) (INCLUDES ITEM 26 - 29) | 1 |
| 26 | 650813 | | DOOR | 1 |
| 27 | 654475 | | LOCK ASSEMBLY | 1 |
| 28 | 652386 | | HINGE | 1 |
| 29 | 14601G10 | | RIVET (ALUMINUM), 5/32" X .425" LG..... | 3 |
| 30 | 00614G4 | | PAN HEAD PHILLIPS TAPPING SCREW, #8 - 18 X 1/2" LG | 2 |
| 31 | 71045G01 | | RIVET (ALUMINUM), 5/32" X .785" LG | 3 |

BODY

THE USE OF NON U.L. PARTS WILL VOID ANY U.L. LISTING.

When ordering parts, please specify the model and serial number of the product.

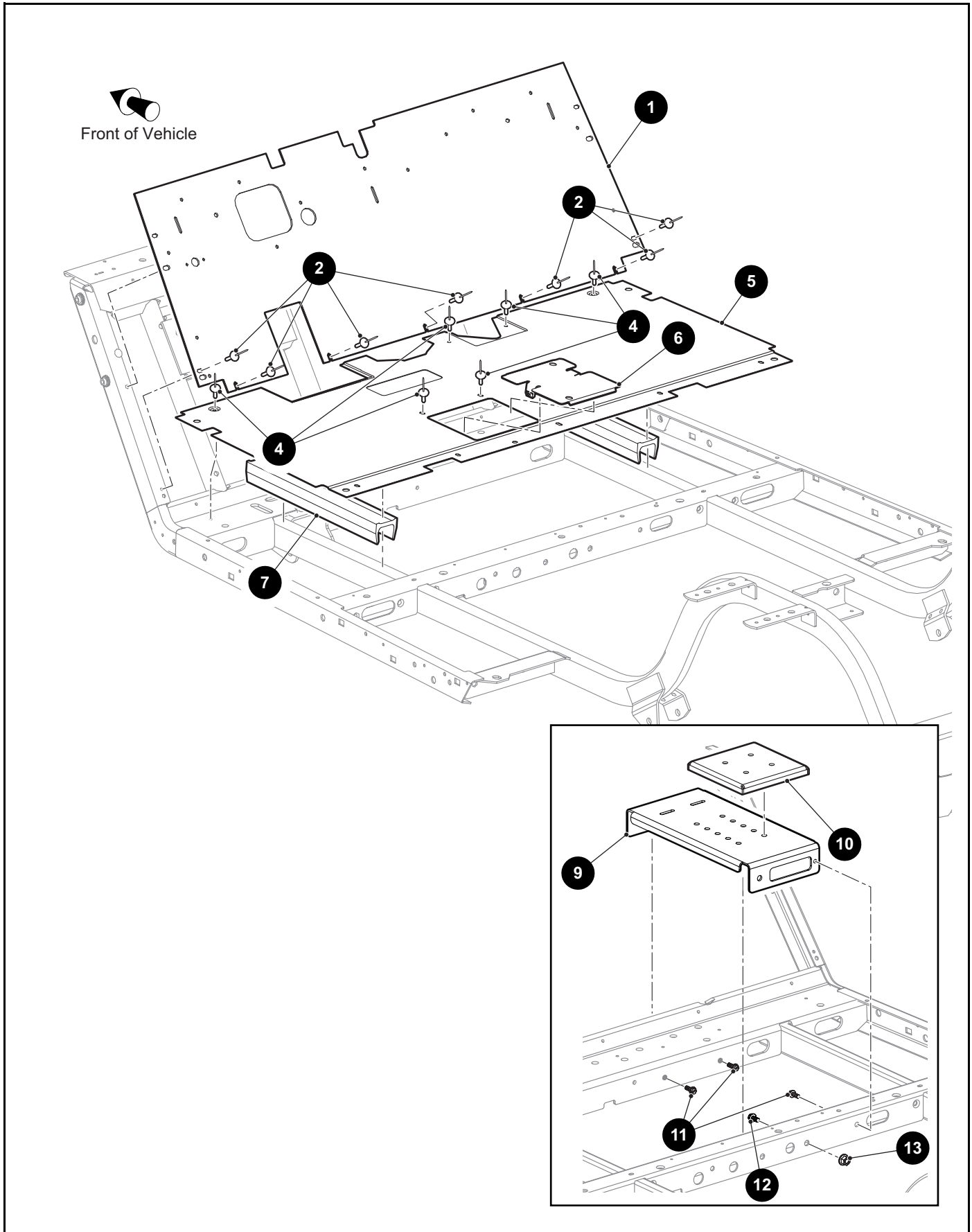
* Indicates a component that is not available as an individual part.

*** Indicates consult Customer Service Department for additional information.

| ITEM | PART NO. | 1 2 3 4 5 | DESCRIPTION | QTY. |
|------|----------|-----------|-----------------------------------|------|
| 32 | 652390 | | GLOVE BOX STRIKER | 1 |
| 33 | 648561 | | TRAY PANEL (PASSENGER SIDE) | 1 |
| 34 | | | | |
| 35 | 664044 | | RADIO CLIP | 1 |

Notes:

A large grid of graph paper, consisting of 20 columns and 30 rows of small squares, intended for taking notes. The grid is completely blank.



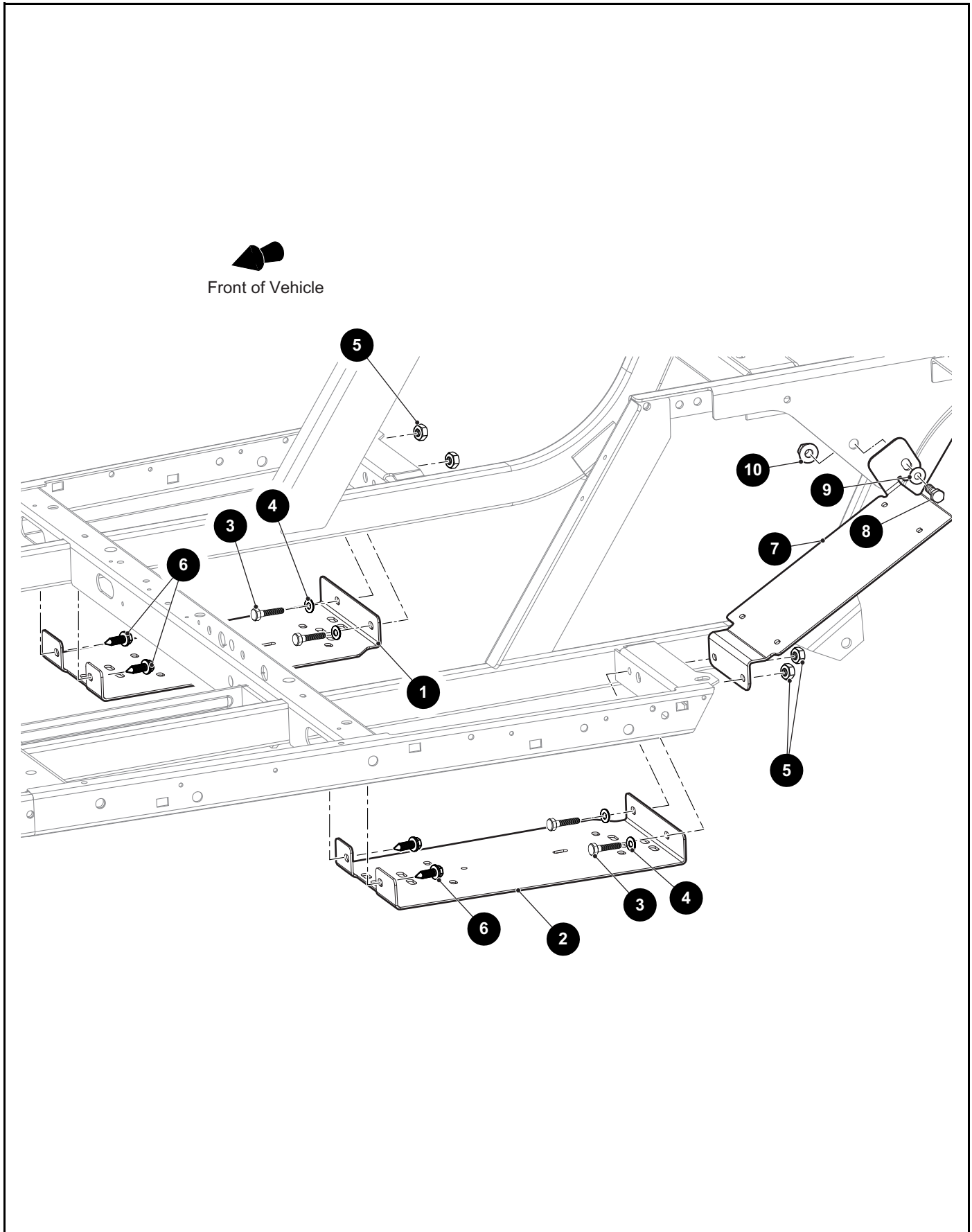
THE USE OF NON U.L. PARTS WILL VOID ANY U.L. LISTING.

When ordering parts, please specify the model and serial number of the product.

* Indicates a component that is not available as an individual part.

*** Indicates consult Customer Service Department for additional information.

| ITEM | PART NO. | 1 2 3 4 5 | DESCRIPTION | QTY. |
|------|-----------|-----------|--|------|
| 1 | 641260 | | UPPER FLOOR PANEL..... | 1 |
| 2 | 14601G11 | | RIVET (ALUMINUM), 3/16" X .575" LG | 7 |
| 3 | | | | |
| 4 | 14601G11 | | RIVET (ALUMINUM), 3/16" X .575" LG | 6 |
| 5 | 664052G02 | | FLOOR PANEL (LOWER) | 1 |
| 6 | 665025 | | ACCESS COVER (MICRO SWITCH) | 1 |
| 7 | 664735 | | FLOORBOARD SPACER | 2 |
| 8 | | | | |
| 9 | 653010 | | BASE PLATE | 1 |
| 10 | 74365G01 | | GUN HOLDER MOUNTING | 1 |
| 11 | 00114G6 | | HEX WASHER HEAD SCREW, 1/4" - 14 X 3/4" LG | 3 |
| 12 | 800385 | | FLANGED HEX HEAD BOLT, 3/8" - 16 X 3/4" LG | 1 |
| 13 | 11027G5 | | FLANGED LOCK NUT, 3/8" - 16 | 1 |



THE USE OF NON U.L. PARTS WILL VOID ANY U.L. LISTING.

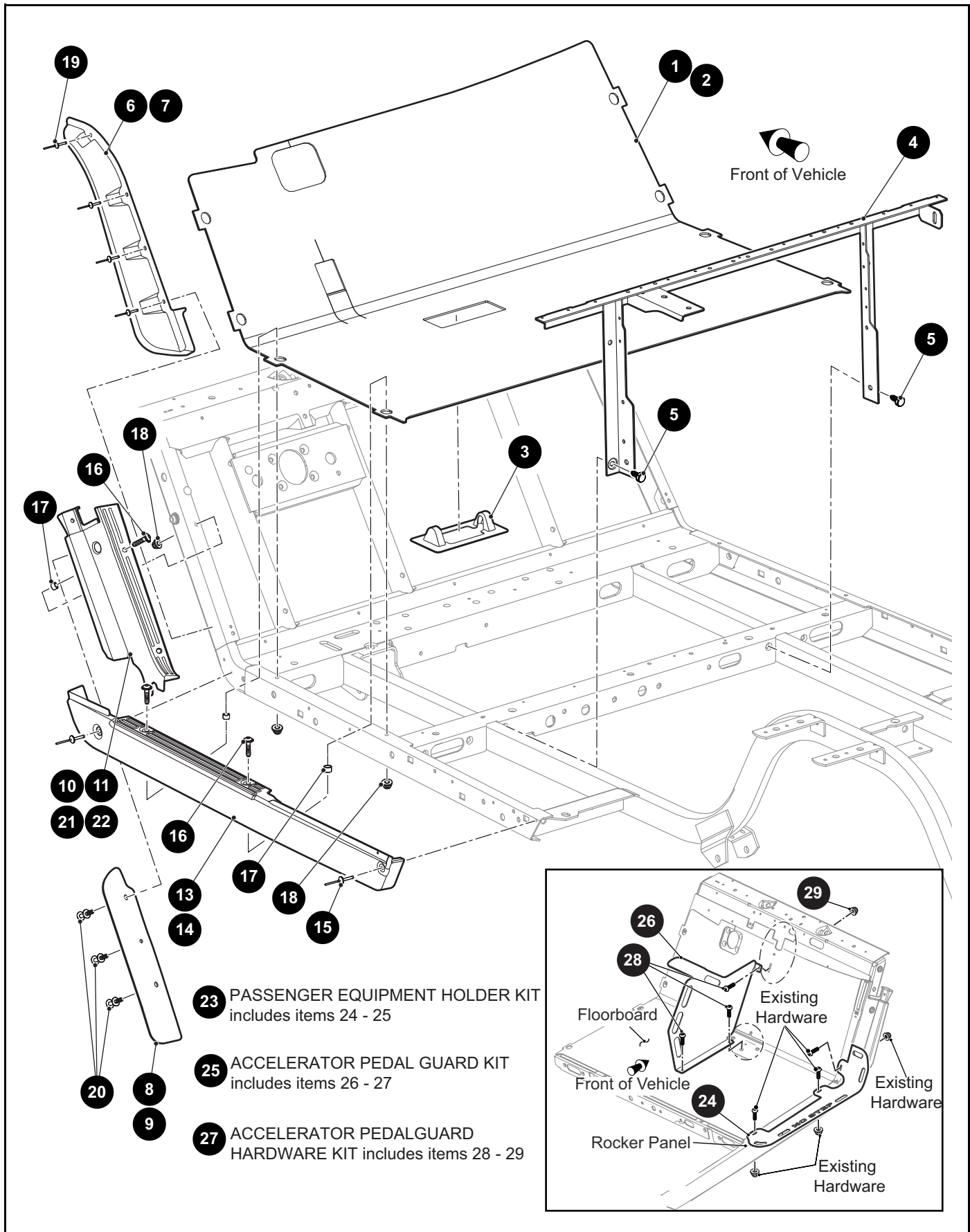
When ordering parts, please specify the model and serial number of the product.

* Indicates a component that is not available as an individual part.

*** Indicates consult Customer Service Department for additional information.

| ITEM | PART NO. | 1 2 3 4 5 | DESCRIPTION | QTY. |
|------|------------|-----------|---|------|
| 1 | 652443G103 | | BATTERY TRAY BRACKET (DRIVER SIDE) | 1 |
| 2 | 652443G203 | | BATTERY TRAY BRACKET (PASSENGER SIDE) | 1 |
| 3 | 00439G2 | | HEX HEAD BOLT, 5/16" - 18 X 1.25" LG | 4 |
| 4 | 00559G8 | | FLAT WASHER, 5/16" | 4 |
| 5 | 11098G6 | | LOCK NUT, 5/16" - 18 | 4 |
| 6 | 00715G2 | | HEX HEAD SCREW, 5/16" - 18 X .8" LG | 4 |
| 7 | 633627 | | BATTERY CHARGER BRACKET | 1 |
| 8 | 00426G8 | | HEX HEAD BOLT, 3/16" - 16 X 1" LG | 1 |
| 9 | 00643G1 | | FLAT WASHER, 3/8" - 16..... | 1 |
| 10 | 11027G5 | | FLANGED LOCK NUT, 3/16" | 1 |

BODY



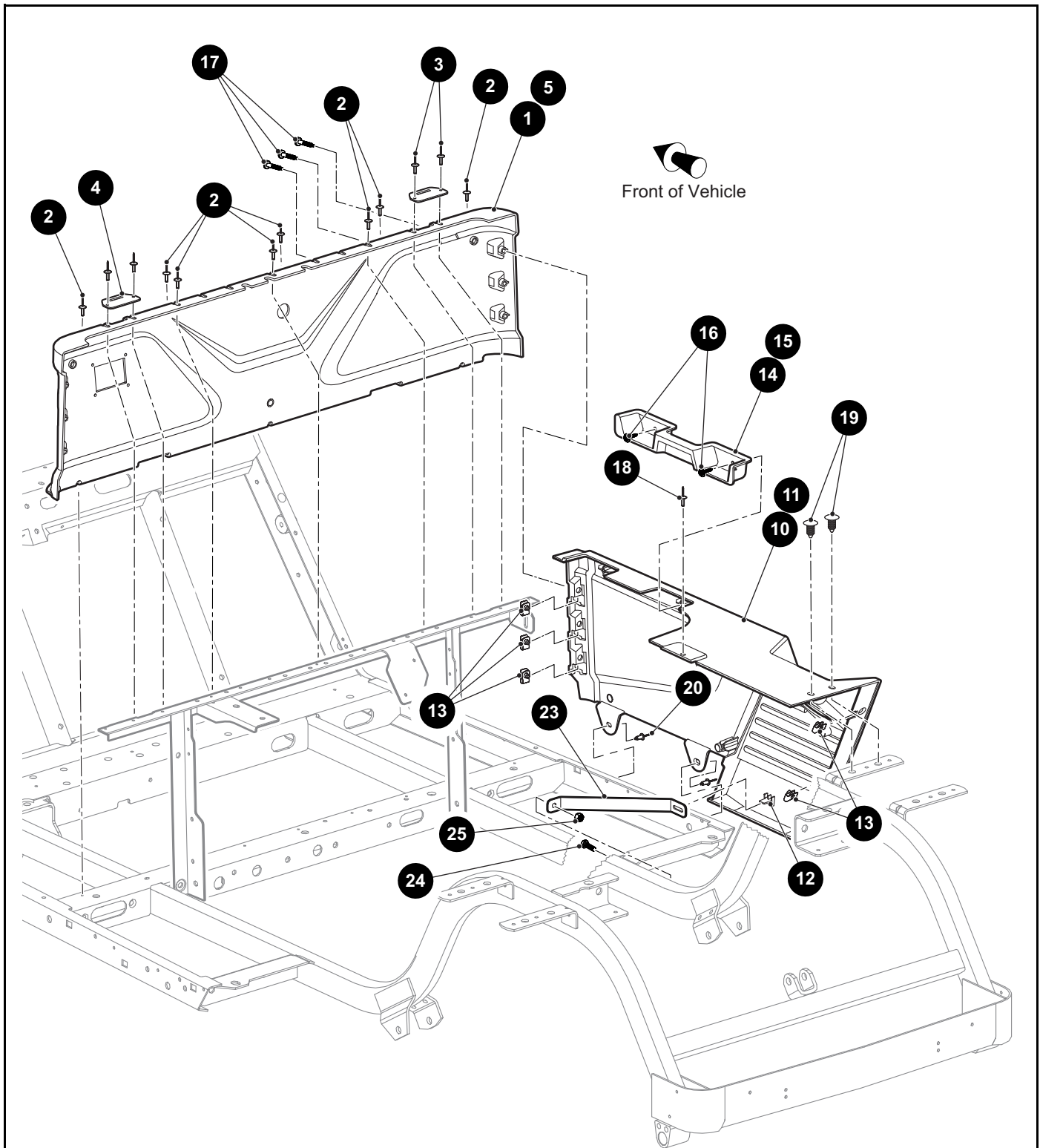
THE USE OF NON U.L. PARTS WILL VOID ANY U.L. LISTING.

When ordering parts, please specify the model and serial number of the product.

* Indicates a component that is not available as an individual part.

*** Indicates consult Customer Service Department for additional information.

| ITEM | PART NO. | 1 2 3 4 5 | DESCRIPTION | QTY. |
|------|-----------|-----------|---|------|
| 1 | 651764G01 | | UPPER FLOOR MAT | 1 |
| 2 | 651764G02 | | UPPER FLOOR MAT (FOR VEHICLES WITH HYDRAULIC BRAKES) | 1 |
| 3 | 70135G01 | | PEDAL PIVOT COVER | 1 |
| 4 | 70441G01 | | SEAT FRAME | 1 |
| 5 | 00715G2 | | HEX WASHER HEAD SCREW, 5/16" - 18 X .8" LG | 2 |
| 6 | 674546G01 | | LARGE FRONT FENDER FLARE (DRIVER SIDE) | 1 |
| 7 | 674546G02 | | LARGE FRONT FENDER FLARE (PASSENGER SIDE) | 1 |
| 8 | 654378G01 | | SMALL FRONT FENDER FLARE (DRIVER SIDE) | 1 |
| 9 | 654378G02 | | SMALL FRONT FENDER FLARE (PASSENGER SIDE) | 1 |
| 10 | 655917G03 | | UPPER ROCKER PANEL WITH FENDER FLARE MOUNTING HOLES (DRIVER SIDE) | 1 |
| 11 | 655917G04 | | UPPER ROCKER PANEL WITH FENDER FLARE MOUNTING HOLES (PASSENGER SIDE) | 1 |
| 12 | | | | |
| 13 | 615239 | | ROCKER PANEL (DRIVER SIDE) | 1 |
| 14 | 617333 | | ROCKER PANEL (PASSENGER SIDE) | 1 |
| 15 | 15058G6 | | RIVET (ALUMINUM), 3/16" X .95" LG | 2 |
| 16 | 645323 | | PAN WASHER HEAD TORX SCREW, M6 - 1 X 23.4MM LG | 4 |
| 17 | 23726G4 | | SPACER, .5" O.D. X .38" I.D. X .325" LG | 4 |
| 18 | 601476 | | FLANGED LOCK NUT, M6 - 1 | 4 |
| 19 | 71055G02 | | RIVET (ALUMINUM), 3/16" X 1.18" LG | 4 |
| 20 | 18436G1 | | DRIVE RIVET, 1/4" X 3/4" | 3 |
| 21 | 655917G01 | | UPPER ROCKER PANEL (DRIVER SIDE) | 1 |
| 22 | 655917G02 | | UPPER ROCKER PANEL (PASSENGER SIDE) | 1 |
| 23 | 666366 | | PASSENGER EQUIPMENT HOLDER KIT (INCLUDES ITEMS 24 - 25) | 1 |
| 24 | 661653 | | FLOORBOARD MOUNT..... | 1 |
| 25 | 666379 | | ACCELERATOR PEDAL GUARD KIT (INCLUDES ITEMS 26 - 27) | 1 |
| 26 | 662991 | | ACCELERATOR PEDAL GUARD..... | 1 |
| 27 | 666380 | | ACCELERATOR PEDAL GUARD HARDWARE KIT (INCLUDES ITEMS 28 - 29) | 1 |
| 28 | 645323 | | TORX HEAD SCREW, M6 X 1 - 23.4MM LG..... | 3 |
| 29 | 601476 | | LOCK NUT, M6 - 1 | 3 |



8 SIDE PANEL (DRIVER SIDE) includes items 10, 12 - 13

9 SIDE PANEL (PASSENGER SIDE) includes items 11- 13

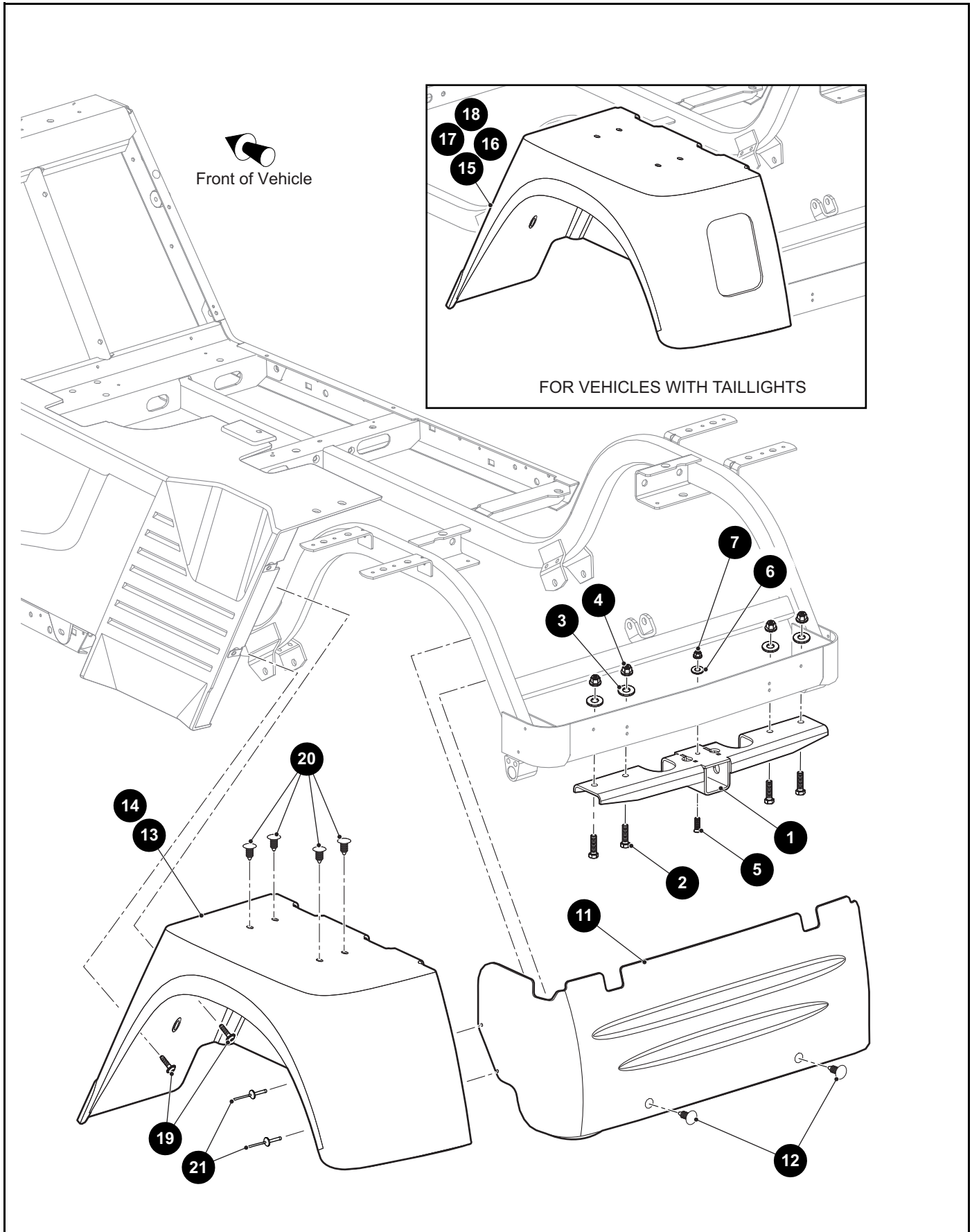
THE USE OF NON U.L. PARTS WILL VOID ANY U.L. LISTING.

When ordering parts, please specify the model and serial number of the product.

* Indicates a component that is not available as an individual part.

*** Indicates consult Customer Service Department for additional information.

| ITEM | PART NO. | 1 2 3 4 5 | DESCRIPTION | QTY. |
|------|-----------|-----------|---|------|
| 1 | 649251G03 | | SEAT WRAP | 1 |
| 2 | 10570G10 | | RIVET (SS), 5/32" X .55" LG | 8 |
| 3 | 10570G11 | | RIVET (SS), 3/16" X .7" LG | 2 |
| 4 | 71609G01 | | SEAT HINGE PLATE | 1 |
| 5 | 649251G04 | | SEAT WRAP (FOR CE VEHICLES) | 1 |
| 6 | | | | |
| 7 | | | | |
| 8 | 652716G01 | | SIDE PANEL (DRIVER SIDE) (INCLUDES ITEMS 10, 12 - 13) | 1 |
| 9 | 652716G02 | | SIDE PANEL (PASSENGER SIDE) (INCLUDES ITEMS 11 - 13) | 1 |
| 10 | 649388G01 | | SIDE PANEL (DRIVER SIDE) | 1 |
| 11 | 649388G02 | | SIDE PANEL (PASSENGER SIDE) | 1 |
| 12 | 602184 | | TRIM CLIP | 1 |
| 13 | 602409 | | BARREL CLIP, M6 - 1 | 5 |
| 14 | 649657G01 | | HIP RESTRAINT CLOSEOUT (DRIVER SIDE) | 1 |
| 15 | 649657G02 | | HIP RESTRAINT CLOSEOUT (PASSENGER SIDE) | 1 |
| 16 | 613373 | | PAN HEAD TAPPING SCREW, M4.5 - 1.6 X 22MM LG | 2 |
| 17 | 634161 | | BUTTON HEAD TORX SCREW, M6 - 1 X 30MM LG | 6 |
| 18 | 10570G10 | | RIVET (SS), 5/32" X .55" LG | 1 |
| 19 | 16816G2 | | RATCHET RIVET, .25" X .887" | 2 |
| 20 | 10570G12 | | RIVET (ALUMINUM), 1/4" X .625" | 2 |
| 21 | | | | |
| 22 | | | | |
| 23 | 655654 | | SIDE PANEL MOUNT BRACKET | 1 |
| 24 | 00438G8 | | HEX HEAD BOLT, 5/16" - 18 X 1" LG | 1 |
| 25 | 11098G6 | | LOCK NUT, 5/16" | 1 |



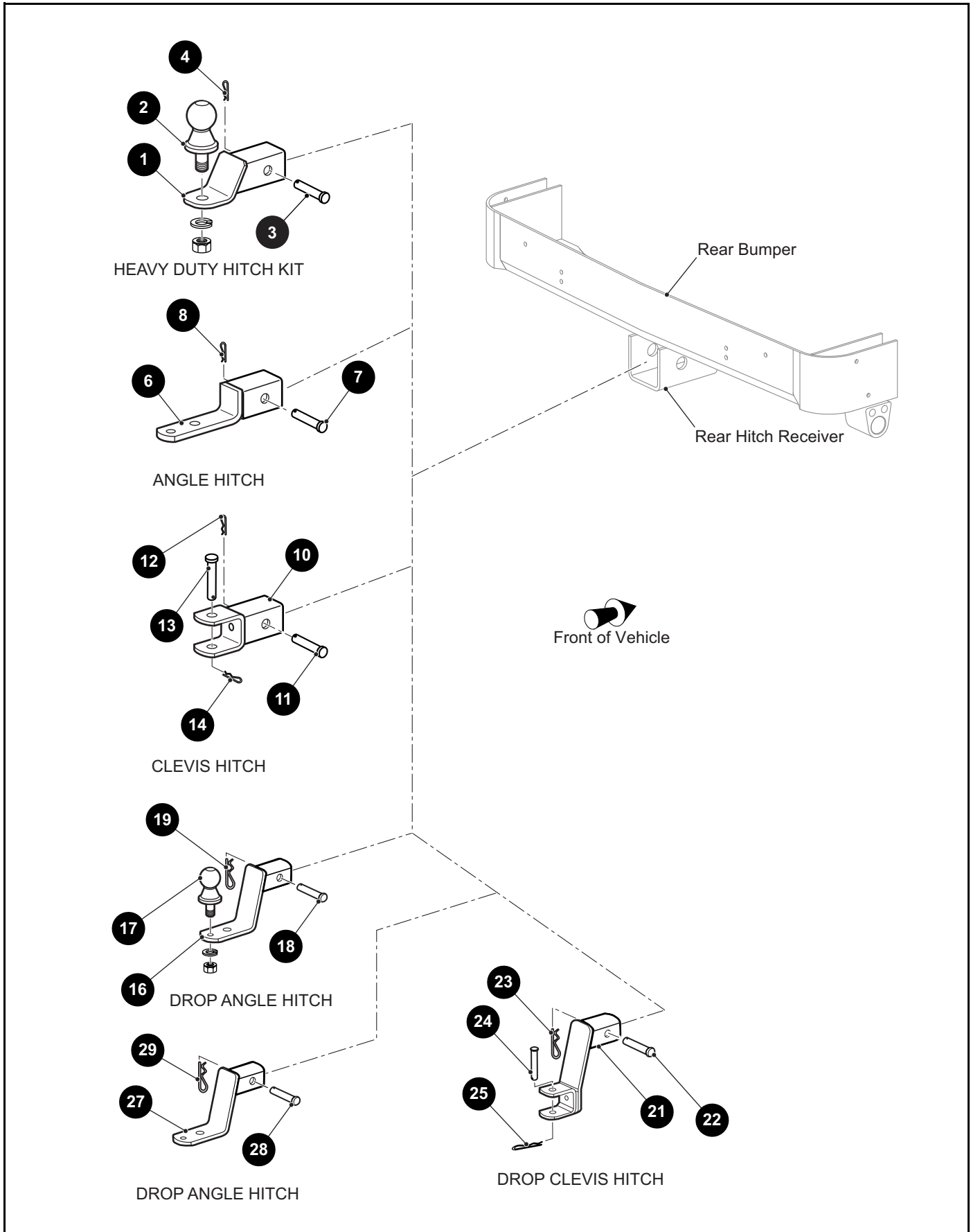
THE USE OF NON U.L. PARTS WILL VOID ANY U.L. LISTING.

When ordering parts, please specify the model and serial number of the product.

* Indicates a component that is not available as an individual part.

*** Indicates consult Customer Service Department for additional information.

| ITEM | PART NO. | 1 2 3 4 5 | DESCRIPTION | QTY. |
|------|-----------|-----------|--|------|
| 1 | 647080 | | HITCH RECEIVER | 1 |
| 2 | 00463G4 | | HEX HEAD BOLT, 7/16" - 14 X 1 1/2" LG | 4 |
| 3 | 00922G3 | | FLAT WASHER, 7/16" | 4 |
| 4 | 00734G1 | | LOCK NUT, 7/16" - 14 | 4 |
| 5 | 00198G8 | | FLAT HEAD MACHINE SCREW, 5/16" - 18 X 1" LG | 1 |
| 6 | 00571G2 | | FLAT WASHER, 5/16" | 1 |
| 7 | 11098G6 | | LOCK NUT, 5/16" - 18 | 1 |
| 8 | | | | |
| 9 | | | | |
| 10 | | | | |
| 11 | 74890G01 | | REAR VALANCE PANEL | 1 |
| 12 | 16816G2 | | RATCHET RIVET, .25" X .887" | 2 |
| 13 | 74892G01 | | REAR FENDER WITHOUT TAILLIGHT (DRIVER SIDE) | 1 |
| 14 | 74892G02 | | REAR FENDER WITHOUT TAILLIGHT (PASSENGER SIDE) | 1 |
| 15 | 74892G03 | | REAR FENDER WITH TAILLIGHT (DRIVER SIDE) | 1 |
| 16 | 74892G04 | | REAR FENDER WITH TAILLIGHT (PASSENGER SIDE) | 1 |
| 17 | 625170G01 | | REAR FENDER WITH TAILLIGHT (4 PASSENGER) (DRIVER SIDE) | 1 |
| 18 | 625170G02 | | REAR FENDER WITH TAILLIGHT (4 PASSENGER) (PASSENGER SIDE) .. | 1 |
| 19 | 612635 | | PAN WASHER HEAD TORX SCREW, M6 - 1 X 20MM LG | 2 |
| 20 | 16816G2 | | RATCHET RIVET, .25" X .887" | 4 |
| 21 | 71055G01 | | RIVET (ALUMINUM), 3/16" X 1 1/8" LG | 2 |



THE USE OF NON U.L. PARTS WILL VOID ANY U.L. LISTING.

When ordering parts, please specify the model and serial number of the product.

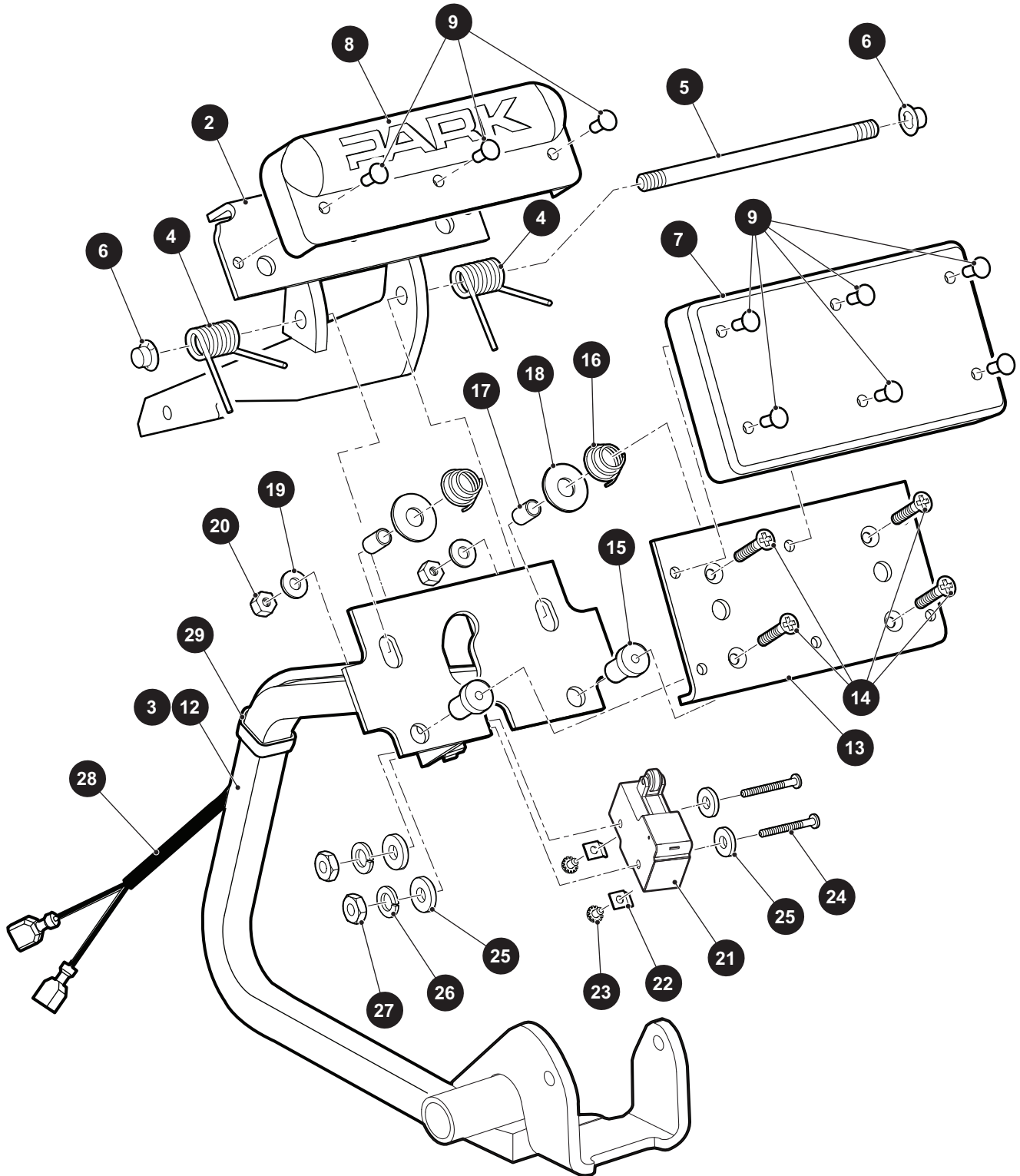
* Indicates a component that is not available as an individual part.

*** Indicates consult Customer Service Department for additional information.

| ITEM | PART NO. | 1 2 3 4 5 | DESCRIPTION | QTY. |
|------|----------|-----------|--------------------------------------|------|
| 1 | 646730 | | HEAVY DUTY HITCH..... | 1 |
| 2 | 31757G1 | | HITCH BALL, 1 7/8" | 1 |
| 3 | 21317G1 | | CLEVIS PIN, 5/8" X 3" LG..... | 1 |
| 4 | 21683G1 | | COTTER PIN, 15/32" X 2 1/16" LG..... | 1 |
| 5 | | | | |
| 6 | 646729 | | ANGLE HITCH | 1 |
| 7 | 21317G1 | | CLEVIS PIN, 5/8" X 3" LG..... | 1 |
| 8 | 21683G1 | | COTTER PIN, 15/32" X 2 1/16" LG..... | 1 |
| 9 | | | | |
| 10 | 646727 | | CLEVIS HITCH | 1 |
| 11 | 21317G1 | | CLEVIS PIN, 5/8" X 3" LG..... | 1 |
| 12 | 21683G1 | | COTTER PIN, 15/32" X 2 1/16" LG..... | 1 |
| 13 | 14443G10 | | CLEVIS PIN, 1/2" X 3" LG..... | 1 |
| 14 | 19314G1 | | COTTER PIN, 5/2" LG | 1 |
| 15 | | | | |
| 16 | 646743 | | DROP ANGLE HITCH..... | 1 |
| 17 | 31757G1 | | HITCH BALL, 1 7/8" | 1 |
| 18 | 21317G1 | | CLEVIS PIN, 5/8" X 3" LG..... | 1 |
| 19 | 21683G1 | | COTTER PIN, 15/32" X 2 1/16" LG..... | 1 |
| 20 | | | | |
| 21 | 646744 | | DROP CLEVIS HITCH..... | 1 |
| 22 | 21317G1 | | CLEVIS PIN, 5/8" X 3" LG..... | 1 |
| 23 | 21683G1 | | COTTER PIN, 15/32" X 2 1/16" LG..... | 1 |
| 24 | 14443G10 | | CLEVIS PIN, 1/2" X 3" LG..... | 1 |
| 25 | 19314G1 | | COTTER PIN, 5/2" LG | 1 |
| 26 | | | | |
| 27 | 646731 | | DROP ANGLE HITCH..... | 1 |
| 28 | 21317G1 | | CLEVIS PIN, 5/8" X 3" LG..... | 1 |
| 29 | 21683G1 | | COTTER PIN, 15/32" X 2 1/16" LG..... | 1 |

BRAKES

- 1 BRAKE PEDAL ASSEMBLY (WITHOUT LIGHT) includes items 2 - 9
- 11 BRAKE PEDAL ASSEMBLY (WITH LIGHT) includes items 2, 4 - 9, 12 - 29



BRAKES

THE USE OF NON U.L. PARTS WILL VOID ANY U.L. LISTING.

When ordering parts, please specify the model and serial number of the product.

* Indicates a component that is not available as an individual part.

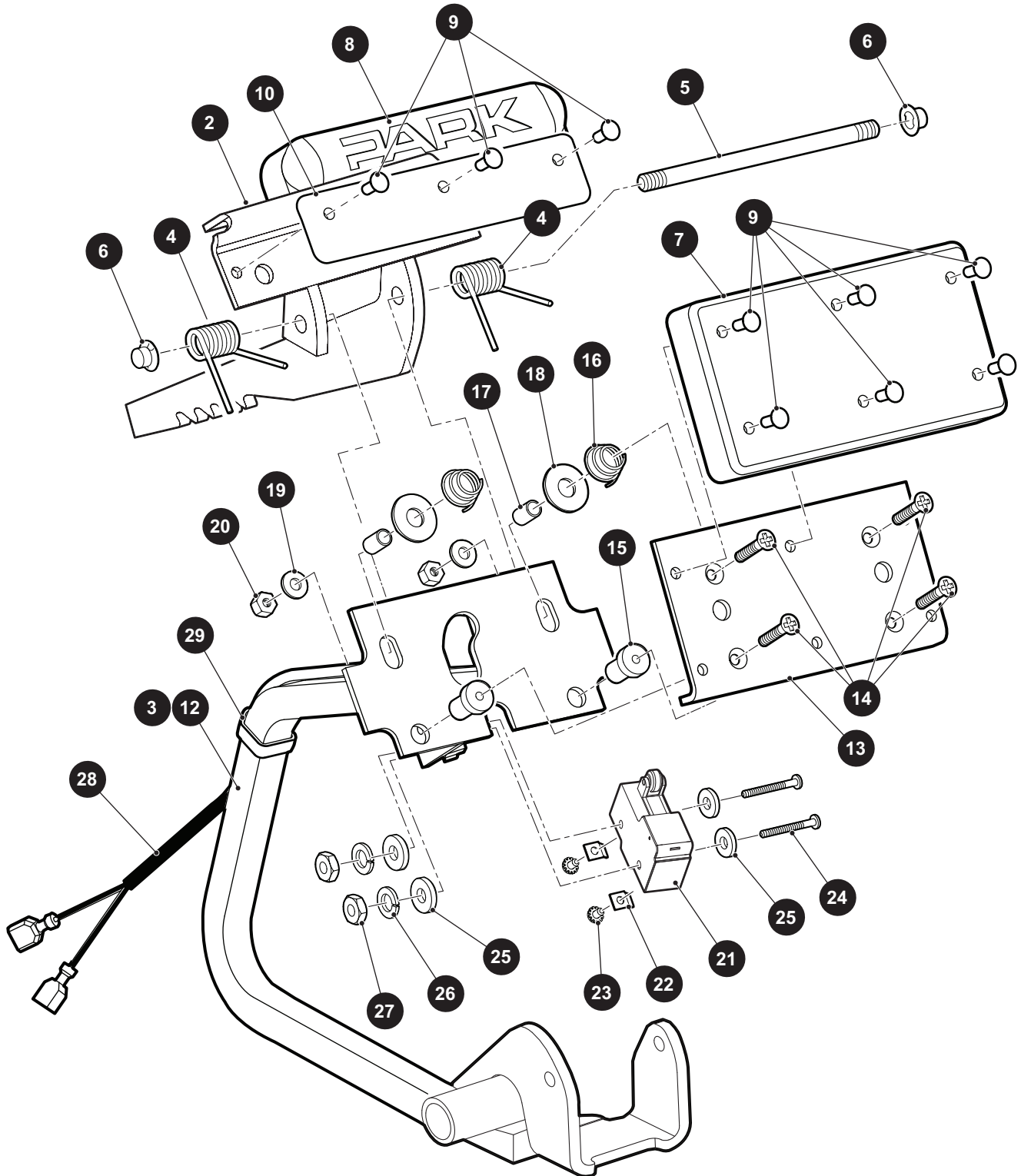
*** Indicates consult Customer Service Department for additional information.

| ITEM | PART NO. | 1 2 3 4 5 | DESCRIPTION | QTY. |
|------|-------------|-----------|---|------|
| 1 | 651213G01 | | BRAKE PEDAL ASSEMBLY (WITHOUT LIGHT) (INCLUDES ITEMS 2 - 9) | 1 |
| 2 | 652253G03 | | PARK BRAKE PEDAL WELDMENT | 1 |
| 3 | 651207G0003 | | BRAKE PEDAL WELDMENT (WITHOUT LIGHTS) | 1 |
| 4 | 70681G01 | | TORSION SPRING | 2 |
| 5 | 70682G01 | | PIVOT PIN, .314" DIA X 5.25" LG | 1 |
| 6 | 658825 | | PUSH NUT, 5/16" - 24 | 2 |
| 7 | 70257G01 | | BRAKE PAD | 1 |
| 8 | 70256G01 | | PARK BRAKE PAD | 1 |
| 9 | 16409G1 | | OVAL RIVET, .375" X .468" LG | 9 |
| 10 | | | | |
| 11 | 651213G02 | | BRAKE PEDAL ASSEMBLY (WITH LIGHT) (INCLUDES ITEMS 2, 4 - 9, 12 - 29) | 1 |
| 12 | 651207G0103 | | BRAKE PEDAL (WITH LIGHTS) | 1 |
| 13 | 652820 | | BRAKE PEDAL PLATE | 1 |
| 14 | 00737G8 | | FLAT HEAD PHILLIPS SCREW, #10 - 24 X .875" LG | 4 |
| 15 | 00739G1 | | WELL NUT (RUBBER), #10 - 24 | 2 |
| 16 | 27137G01 | | CONICAL SPRING | 2 |
| 17 | 652355 | | BRAKE PEDAL SPACER | 2 |
| 18 | 00642G8 | | FLAT WASHER, 5/16" | 2 |
| 19 | 00559G5 | | FLAT WASHER, #10 | 2 |
| 20 | 14390G10 | | LOCK NUT, #10 - 24 | 2 |
| 21 | 10606G8 | | MICRO SWITCH | 1 |
| 22 | 14628G1 | | FASTON TAB | 2 |
| 23 | 13514G1 | | PAN HEAD PHILLIPS SCREW WITH INTERNAL TOOTH LOCK WASHER, #6 - 32 X .22" LG | 2 |
| 24 | 00645G2 | | PAN HEAD PHILLIPS SCREW, #6 - 32 X 1.25" LG | 2 |
| 25 | 00559G3 | | FLAT WASHER, #6 | 4 |
| 26 | 00565G3 | | LOCK WASHER, #6 | 2 |
| 27 | 00525G5 | | LOCK NUT, #6 - 32 | 2 |
| 28 | 24605G1 | | WIRE HARNESS (BRAKE LIGHT) | 1 |
| 29 | 17618G1 | | NYLON CLAMP, 8" LG | 2 |

BRAKES

1 BRAKE PEDAL ASSEMBLY (WITHOUT LIGHT) includes items 2 - 9

11 BRAKE PEDAL ASSEMBLY (WITH LIGHT) includes items 2, 4 - 9, 12 - 29



BRAKES

THE USE OF NON U.L. PARTS WILL VOID ANY U.L. LISTING.

When ordering parts, please specify the model and serial number of the product.

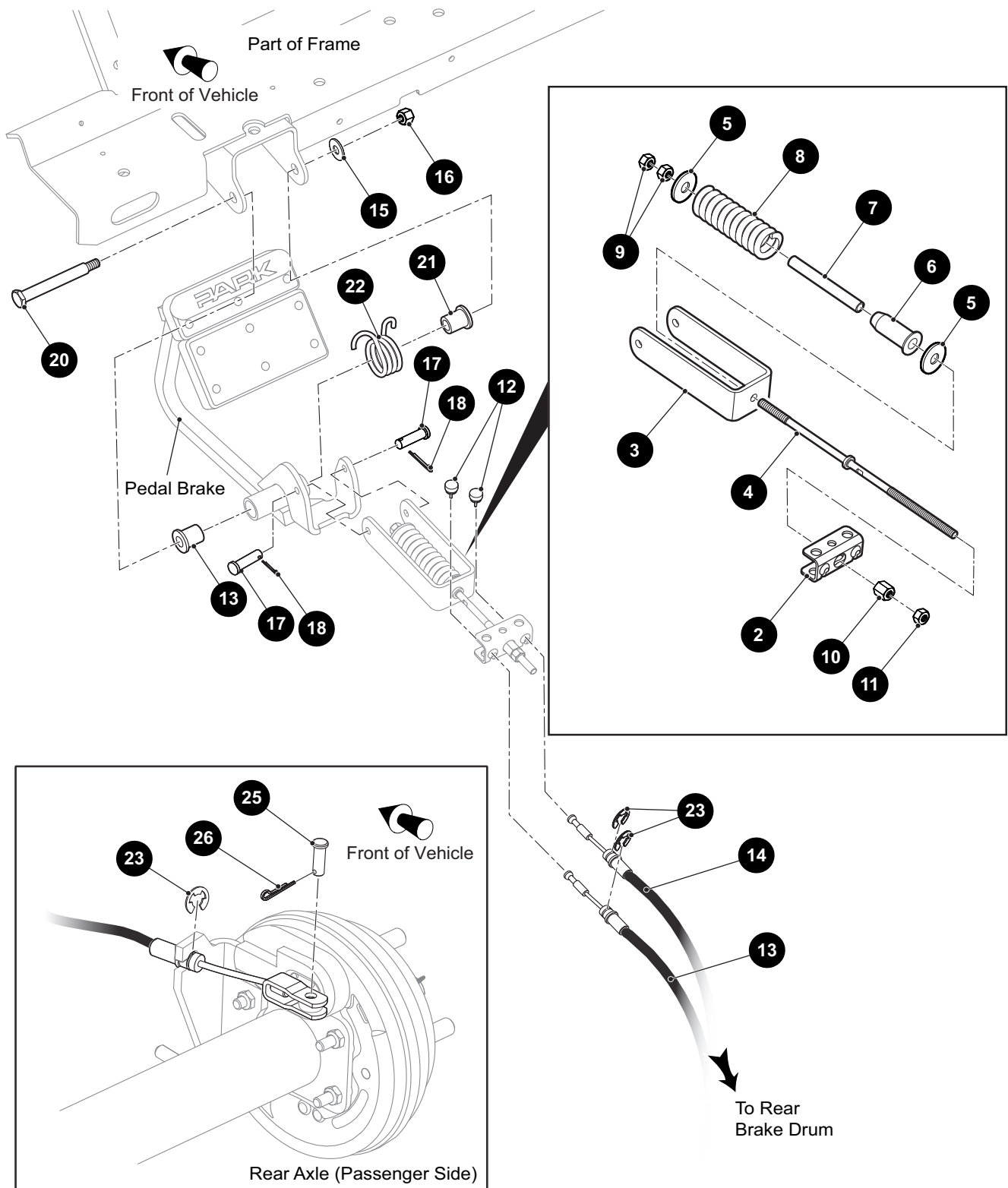
* Indicates a component that is not available as an individual part.

*** Indicates consult Customer Service Department for additional information.

| ITEM | PART NO. | 1 2 3 4 5 | DESCRIPTION | QTY. |
|------|-------------|-----------|---|------|
| 1 | 651213G03 | | BRAKE PEDAL ASSEMBLY (WITHOUT LIIGHT) (4 WHEEL DRUM BRAKES) (INCLUDES ITEMS 2 - 10) | 1 |
| 2 | 660528G03 | | PARK BRAKE PEDAL WELDMENT | 1 |
| 3 | 651207G0003 | | BRAKE PEDAL WELDMENT (WITHOUT LIGHTS) | 1 |
| 4 | 70681G01 | | TORSION SPRING | 2 |
| 5 | 70682G01 | | PIVOT PIN, .314" DIA X 5.25" LG | 1 |
| 6 | 658825 | | PUSH NUT, 5/16" - 24 | 2 |
| 7 | 70257G01 | | BRAKE PAD | 1 |
| 8 | 665987 | | PARK BRAKE PAD | 1 |
| 9 | 16409G1 | | OVAL RIVET, .375" X .468" LG | 9 |
| 10 | 665556 | | DECAL (MULTI LATCH PLATE)..... | 1 |
| 11 | 651213G04 | | BRAKE PEDAL ASSEMBLY (WITH LIIGHT) (4 WHEEL DRUM BRAKES) (INCLUDES ITEMS 2, 4 - 10, 12 - 29) | 1 |
| 12 | 651207G0103 | | BRAKE PEDAL (WITH LIGHTS) | 1 |
| 13 | 652820 | | BRAKE PEDAL PLATE | 1 |
| 14 | 00737G8 | | FLAT HEAD PHILLIPS SCREW, #10 - 24 X .875" LG | 4 |
| 15 | 00739G1 | | WELL NUT (RUBBER), #10 - 24 | 2 |
| 16 | 27137G01 | | CONICAL SPRING | 2 |
| 17 | 652355 | | BRAKE PEDAL SPACER | 2 |
| 18 | 00642G8 | | FLAT WASHER, 5/16" | 2 |
| 19 | 00559G5 | | FLAT WASHER, #10 | 2 |
| 20 | 14390G10 | | LOCK NUT, #10 - 24 | 2 |
| 21 | 10606G8 | | MICRO SWITCH | 1 |
| 22 | 14628G1 | | FASTON TAB | 2 |
| 23 | 13514G1 | | PAN HEAD PHILLIPS SCREW WITH INTERNAL TOOTH LOCK WASHER, #6 - 32 X .22" LG | 2 |
| 24 | 00645G2 | | PAN HEAD PHILLIPS SCREW, #6 - 32 X 1.25" LG | 2 |
| 25 | 00559G3 | | FLAT WASHER, #6 | 4 |
| 26 | 00565G3 | | LOCK WASHER, #6 | 2 |
| 27 | 00525G5 | | LOCK NUT, #6 - 32 | 2 |
| 28 | 24605G1 | | WIRE HARNESS (BRAKE LIGHT) | 1 |
| 29 | 17618G1 | | WIRE TIE | 2 |

BRAKES

1 COMPENSATOR ASSEMBLY (2 WHEEL DRUM BRAKES) includes items 2 - 14



THE USE OF NON U.L. PARTS WILL VOID ANY U.L. LISTING.

When ordering parts, please specify the model and serial number of the product.

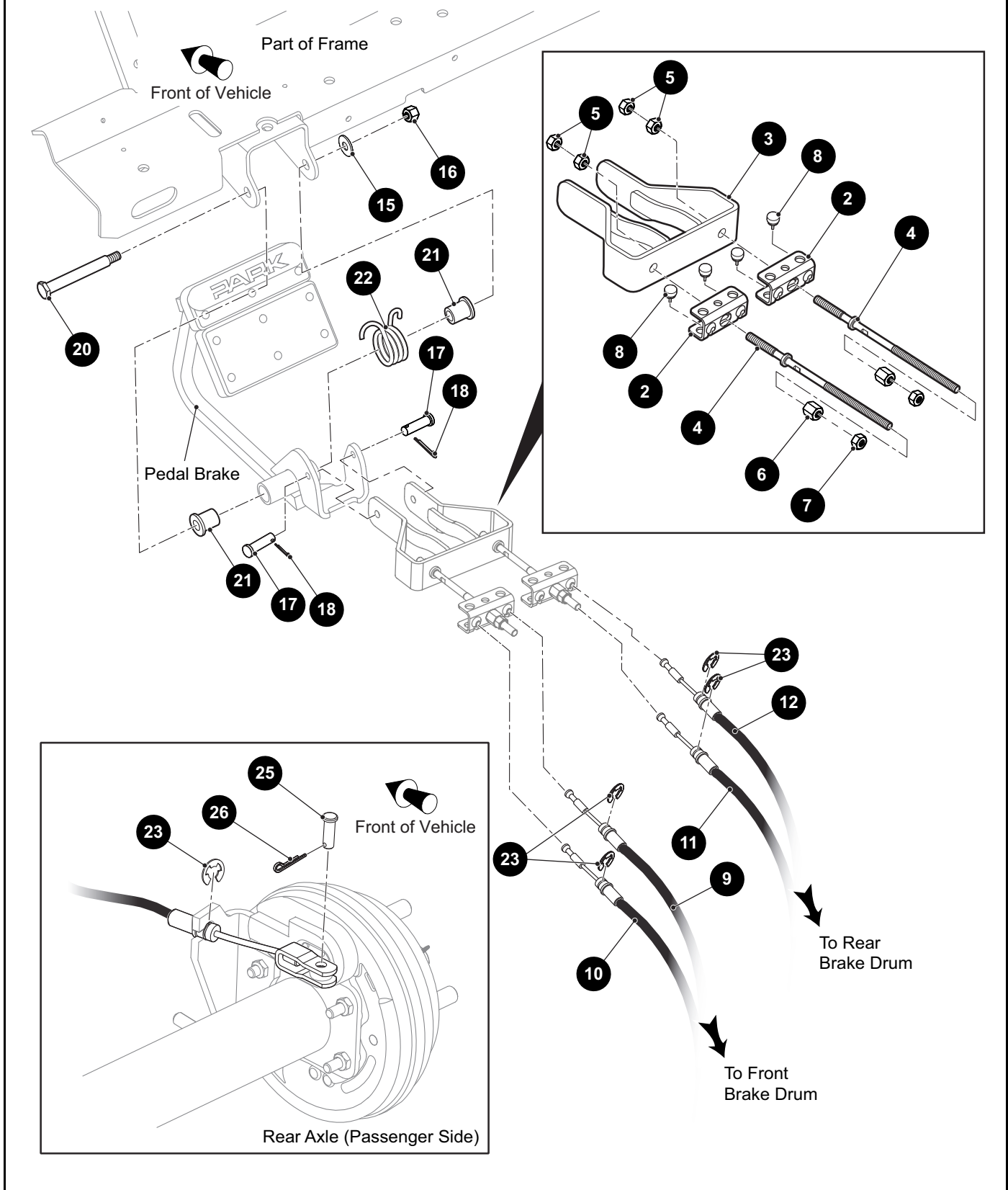
* Indicates a component that is not available as an individual part.

*** Indicates consult Customer Service Department for additional information.

| ITEM | PART NO. | 1 2 3 4 5 | DESCRIPTION | QTY. |
|------|-----------|-----------|--|------|
| 1 | 651204G04 | | COMPENSATOR ASSEMBLY (2 WHEEL DRUM BRAKES) (INCLUDES ITEM 2 - 14) | 1 |
| 2 | 651072 | | BRAKE DRUM EQUALIZER | 1 |
| 3 | 651070 | | BRAKE DRUM YOKE | 1 |
| 4 | 612557 | | COMPENSATOR LINK ROD, 10.5" LG | 1 |
| 5 | 15121G1 | | FLAT WASHER, 3/8" | 2 |
| 6 | 17979G1 | | BUSHING, .464" I.D. X 1" O.D. X 2" LG | 1 |
| 7 | 23061G2 | | TUBE, .315" I.D. X .44" O.D. X 3.66" LG | 1 |
| 8 | 23463G1 | | COMPRESSION SPRING, 1.28" DIA X 4.06" LG | 1 |
| 9 | 00532G4 | | HEX NUT, 5/16" - 24 | 2 |
| 10 | 629486 | | SPHERICAL HEX NUT, 5/16"- 24 | 1 |
| 11 | 11098G9 | | HEX LOCK NUT, 5/16" - 24 | 1 |
| 12 | 28083G01 | | COMPENSATOR BUMPER, .56" DIA | 2 |
| 13 | 624700 | | BRAKE CABLE, 47.31" LG | 1 |
| 14 | 624698 | | BRAKE CABLE, 57.81" LG | 1 |
| 15 | 00643G1 | | FLAT WASHER, 3/8" | 1 |
| 16 | 11098G5 | | LOCK NUT, 3/8" - 16 | 1 |
| 17 | 10386G3 | | CLEVIS PIN, .313" X .84" LG | 2 |
| 18 | 10387G3 | | COTTER PIN, .094" X .75" | 2 |
| 19 | | | | |
| 20 | 70582G01 | | SHOULDER BOLT, .495 DIA X 3/8" - 16 THREAD X 3.406" LG..... | 1 |
| 21 | 70581G01 | | BUSHING (ACETAL), .51" I.D. X .795" O.D. X .75" LG | 2 |
| 22 | 70676G01 | | TORSION SPRING, 1.34" DIA..... | 1 |
| 23 | 01111G01 | | RETAINING RING, .8" O.D. X .39" I.D. X .42" LG | 4 |
| 24 | | | | |
| 25 | 10386G3 | | CLEVIS PIN, .313" X .84" LG | 2 |
| 26 | 10387G3 | | COTTER PIN, .094" X .75" | 2 |
| 27 | | | | |
| 28 | 12416G2 | | WEDGE CLAMP (NYLON), 11.8" LG (NOT ILLUSTRATED) | 5 |

BRAKES

1 COMPENSATOR ASSEMBLY (4 WHEEL DRUM BRAKES) includes items 2 - 12



BRAKES

THE USE OF NON U.L. PARTS WILL VOID ANY U.L. LISTING.

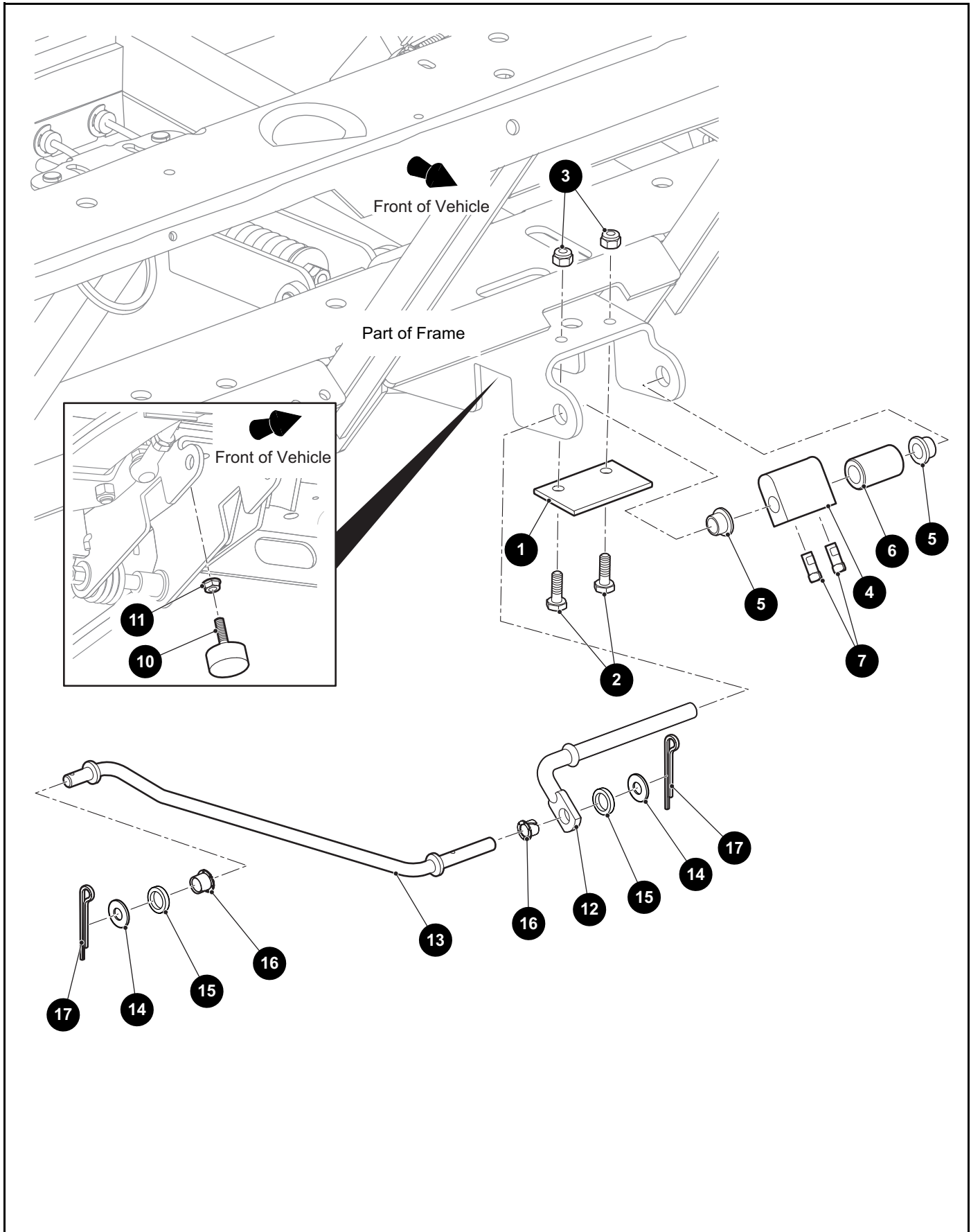
When ordering parts, please specify the model and serial number of the product.

* Indicates a component that is not available as an individual part.

*** Indicates consult Customer Service Department for additional information.

| ITEM | PART NO. | 1 2 3 4 5 | DESCRIPTION | QTY. |
|------|-----------|-----------|---|------|
| 1 | 651204G03 | | COMPENSATOR ASSEMBLY (4 WHEEL DRUM BRAKES) (INCLUDES ITEM 2 - 12)..... | 1 |
| 2 | 651072 | | BRAKE DRUM EQUALIZER | 1 |
| 3 | 661816 | | YOKE WELDMENT | 1 |
| 4 | 661536 | | COMPENSATOR LINK ROD, 6.91" LG | 2 |
| 5 | 00532G4 | | HEX NUT, 5/16" - 24 | 4 |
| 6 | 629486 | | SPHERICAL HEX NUT, 5/16"- 24 | 2 |
| 7 | 11098G9 | | HEX LOCK NUT, 5/16" - 24 | 2 |
| 8 | 28083G01 | | COMPENSATOR BUMPER, .56" DIA | 4 |
| 9 | 624698 | | FRONT BRAKE CABLE, 57.81" LG (DRIVER SIDE)..... | 1 |
| 10 | 624700 | | FRONT BRAKE CABLE, 47.31" LG (DRIVER SIDE)..... | 1 |
| 11 | 652751 | | REAR BRAKE CABLE, 98" LG (PASSENGER SIDE)..... | 1 |
| 12 | 652752 | | REAR BRAKE CABLE, 103" LG (PASSENGER SIDE)..... | 1 |
| 13 | 624711 | | EQUILIZER AND BRAKE CABLE ASSEMBLY INCLUDES ITEMS (2, 8 - 10) | 1 |
| 14 | | | | |
| 15 | 00643G1 | | FLAT WASHER, 3/8" | 1 |
| 16 | 11098G5 | | LOCK NUT, 3/8" - 16 | 1 |
| 17 | 10386G3 | | CLEVIS PIN, .313" X .84" LG | 2 |
| 18 | 10387G3 | | COTTER PIN, .094" X .75" | 2 |
| 19 | | | | |
| 20 | 70582G01 | | SHOULDER BOLT, .495 DIA X 3/8" - 16 THREAD X 3.406" LG..... | 1 |
| 21 | 70581G01 | | BUSHING (ACETAL), .51" I.D. X .795" O.D. X .75" LG | 2 |
| 22 | 70676G01 | | TORSION SPRING 1.34" DIA | 1 |
| 23 | 01111G01 | | RETAINING RING, .8" O.D. X .39" I.D. X .42" LG | 8 |
| 24 | | | | |
| 25 | 10386G3 | | CLEVIS PIN, .313" X .84" LG | 2 |
| 26 | 10387G3 | | COTTER PIN, .094" X .75" | 2 |
| 27 | | | | |
| 28 | 12416G2 | | WEDGE CLAMP (NYLON), 11.8" LG (NOT ILLUSTRATED) | 5 |
| 29 | 660369 | | DOUBLE TUBE CLAMP, 1" (NOT ILLUSTRATED) | 1 |
| 30 | 70200G01 | | TRUSS HEAD TORX SCREW, 3/8" - 16 X 3/4" LG (NOT ILLUSTRATED)..... | 1 |

BRAKES



THE USE OF NON U.L. PARTS WILL VOID ANY U.L. LISTING.

When ordering parts, please specify the model and serial number of the product.

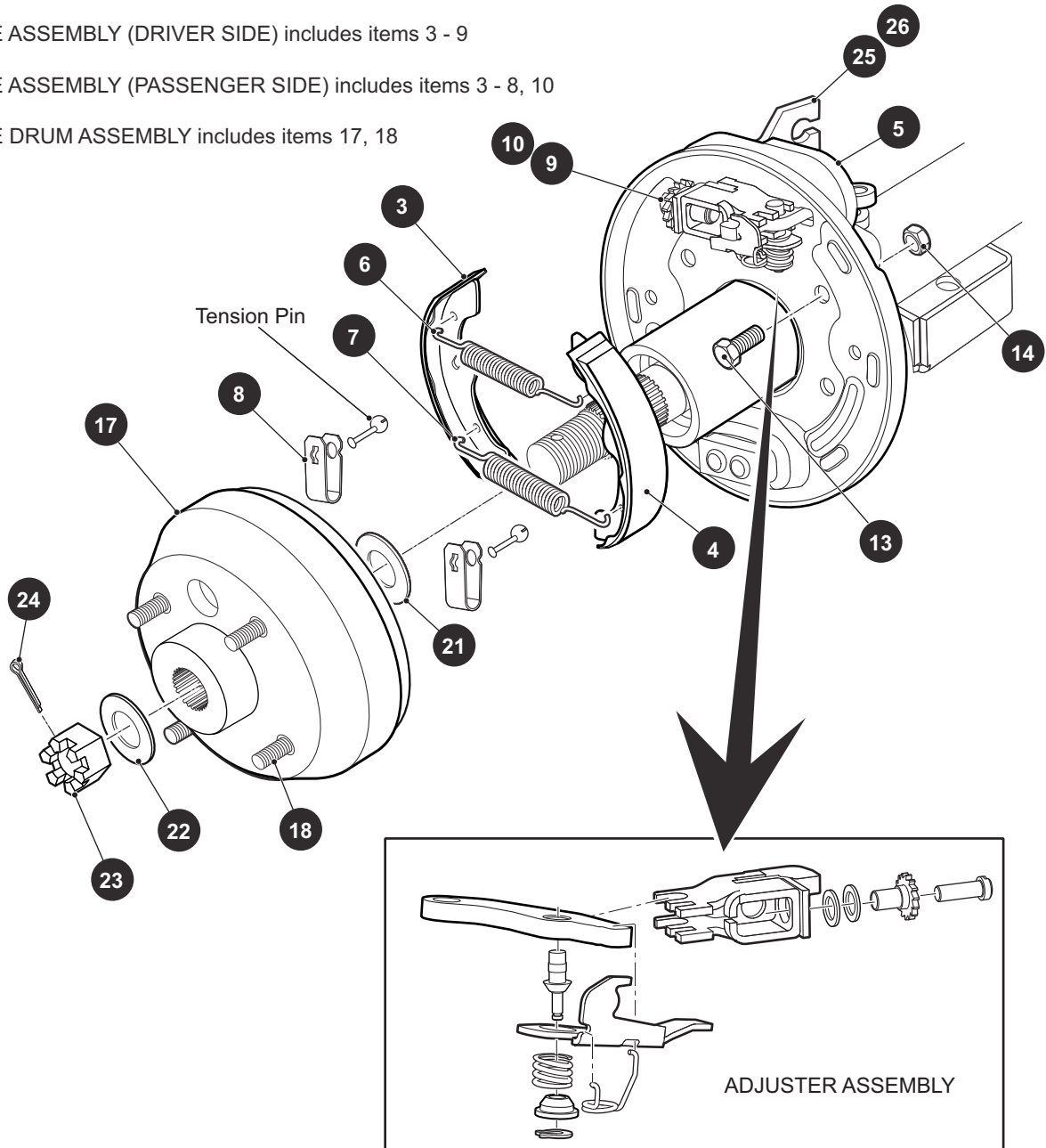
* Indicates a component that is not available as an individual part.

*** Indicates consult Customer Service Department for additional information.

| ITEM | PART NO. | 1 2 3 4 5 | DESCRIPTION | QTY. |
|------|----------|-----------|---|------|
| 1 | 70080G02 | | HILL BRAKE CATCH BRACKET | 1 |
| 2 | 00414G6 | | HEX HEAD BOLT, 1/4" - 20 X .75" LG | 2 |
| 3 | 14390G4 | | LOCK NUT, 1/4" - 20 | 2 |
| 4 | 70587G01 | | PARK BRAKE CAM | 1 |
| 5 | 10097G6 | | FLANGED BEARING .502 O.D. X .378 I.D. X .380 LG | 2 |
| 6 | 14134G4 | | SPACER, .76" O.D. X .405" I.D. X 1.25" LG | 1 |
| 7 | 71215G01 | | SQUARE HEAD SET SCREW WITH PATCH LOCK, 1/4" - 20 X .5" LG | 2 |
| 8 | | | | |
| 9 | | | | |
| 10 | 70113G01 | | ADJUSTABLE RUBBER BUMPER | 1 |
| 11 | 11027G1 | | FLANGED LOCK NUT, 5/16" - 18 | 1 |
| 12 | 70098G01 | | KICK-OFF CAM PIVOT | 1 |
| 13 | 70601G01 | | KICK-OFF LINKAGE ROD | 1 |
| 14 | 00559G8 | | FLAT WASHER, 1/4" - 20 | 2 |
| 15 | 20835G1 | | WASHER, .62" O.D. X .39" I.D. X .135" LG | 2 |
| 16 | 17838G1 | | BUSHING (NYLINER), .374" O.D. X .313" I.D. X .312" LG | 2 |
| 17 | 10387G3 | | COTTER PIN, .094" X .75" | 2 |

REAR MECHANICAL BRAKES

- 1 BRAKE ASSEMBLY (DRIVER SIDE) includes items 3 - 9
- 2 BRAKE ASSEMBLY (PASSENGER SIDE) includes items 3 - 8, 10
- 16 BRAKE DRUM ASSEMBLY includes items 17, 18



BRAKES

THE USE OF NON U.L. PARTS WILL VOID ANY U.L. LISTING.

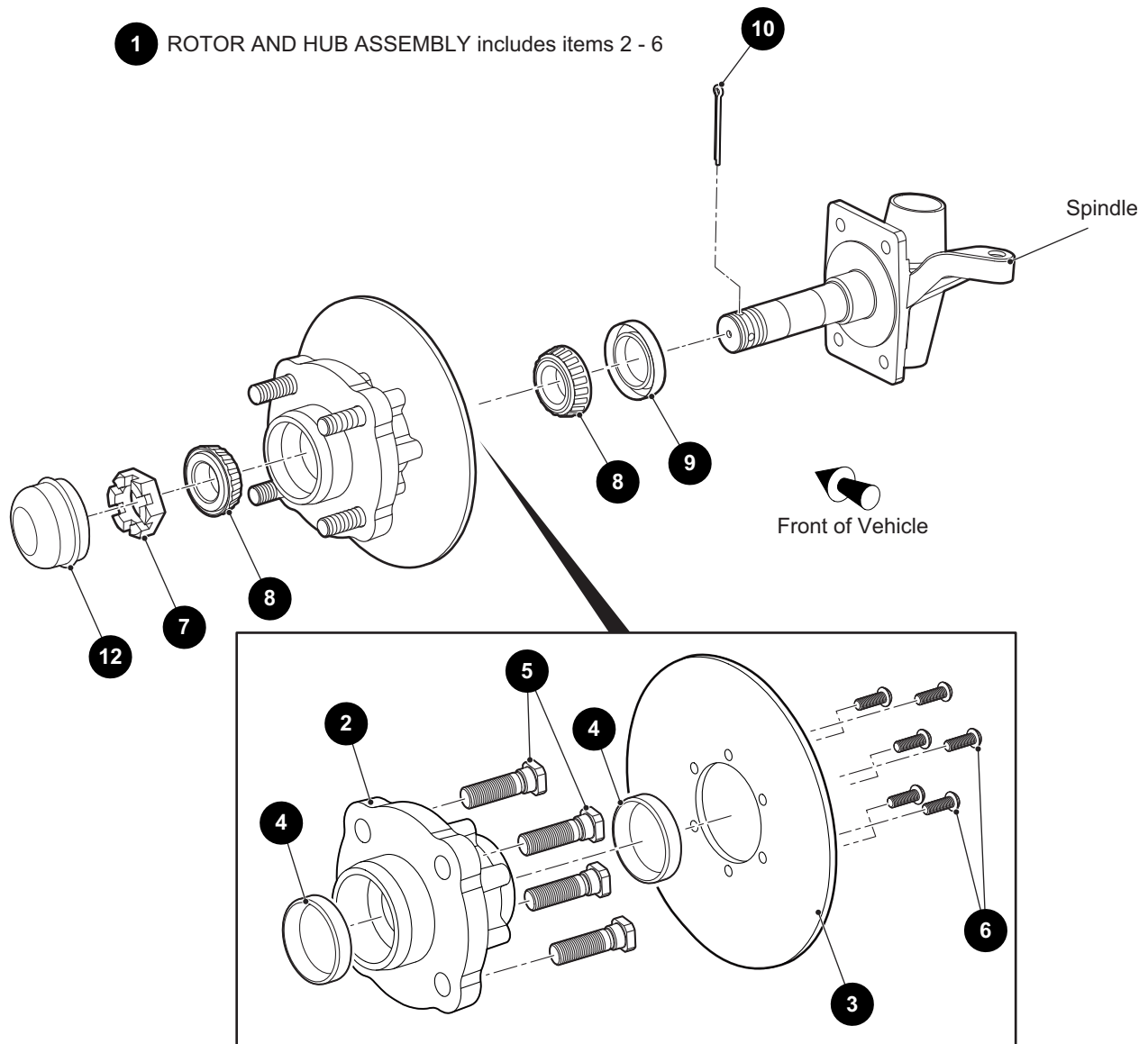
When ordering parts, please specify the model and serial number of the product.

* Indicates a component that is not available as an individual part.

*** Indicates consult Customer Service Department for additional information.

| ITEM | PART NO. | 1 2 3 4 5 | DESCRIPTION | QTY. |
|------|----------|-----------|--|------|
| 1 | 612211 | | BRAKE ASSEMBLY (DRIVER SIDE) (INCLUDES ITEMS 3 - 9) | 1 |
| 2 | 612189 | | BRAKE ASSEMBLY (PASSENGER SIDE) (INCLUDES ITEMS 3 - 8, 10) | 1 |
| 3 | 612411 | | BRAKE SHOE, LEADING | 1 |
| 4 | 612412 | | BRAKE SHOE, TRAILING | 1 |
| 5 | 612413 | | DUST COVER | 1 |
| 6 | 612415 | | BRAKE SPRING, TOP | 1 |
| 7 | 612414 | | BRAKE SPRING, BOTTOM | 1 |
| 8 | 612416 | | SHOE CLAMP | 2 |
| 9 | 612418 | | GEAR ADJUSTER (DRIVER SIDE) | 1 |
| 10 | 612417 | | GEAR ADJUSTER (PASSENGER SIDE) | 1 |
| 11 | | | | |
| 12 | | | | |
| 13 | 17083G2 | | HEX HEAD BOLT, 5/16" - 24 X 1" LG | 8 |
| 14 | 15126G1 | | LOCK NUT, 5/16" - 24 | 8 |
| 15 | | | | |
| 16 | 21807G2 | | BRAKE DRUM ASSEMBLY (INCLUDES ITEMS 17, 18) | 2 |
| 17 | 20947G1 | | BRAKE DRUM | 1 |
| 18 | 19862G2 | | LUG BOLT, 1/2" - 20 X 1 3/16" LG | 4 |
| 19 | | | | |
| 20 | | | | |
| 21 | 21809G1 | | FLAT WASHER, INNER WHEEL RIM, 1.31" O.D. X .85" I.D. | 2 |
| 22 | 21830G1 | | FLAT WASHER - BRAKE DRUM, 1.5" O.D. X .76" I.D. | 2 |
| 23 | 613172 | | CASTELLATED HEX NUT, 3/4" - 16 | 2 |
| 24 | 10387G1 | | COTTER PIN, .125" X 1.50" LG | 2 |
| 25 | 652248 | | BRAKE CABLE BRACKET (PASSENGER SIDE) | 1 |
| 26 | 652249 | | BRAKE CABLE BRACKET (DRIVER SIDE) | 1 |

FRONT DISC BRAKES



THE USE OF NON U.L. PARTS WILL VOID ANY U.L. LISTING.

When ordering parts, please specify the model and serial number of the product.

* Indicates a component that is not available as an individual part.

*** Indicates consult Customer Service Department for additional information.

| ITEM | PART NO. | 1 2 3 4 5 | DESCRIPTION | QTY. |
|------|----------|-----------|---|------|
| 1 | 651149 | | ROTOR AND HUB ASSEMBLY (INCLUDES ITEM 2 - 6) | 1 |
| 2 | 647507 | | HUB | 1 |
| 3 | 647215 | | DISC, 7.2" | 1 |
| 4 | 51141G1 | | BEARING RACE | 2 |
| 5 | 19862G2 | | WHEEL HUB BOLT, 1/2" - 20 X 1.718" LG | 4 |
| 6 | 651143 | | BUTTON HEAD SOCKET SCREW, 1/4" - 28 X .75" LG | 6 |
| 7 | 12093G1 | | HEX NUT (SLOTTED), #1 - 14 | 1 |
| 8 | 11750G2 | | ROLLER BEARING | 2 |
| 9 | 25146G1 | | GREASE SEAL | 1 |
| 10 | 00798G8 | | COTTER PIN, 5/32" X 1 3/4" | 1 |
| 11 | | | | |
| 12 | 12091G2 | | SPINDLE CAP | 1 |

FOR VEHICLES WITH MECHANICAL DRUM BRAKES

8 DRUM AND HUB ASSEMBLY includes items 9 - 11

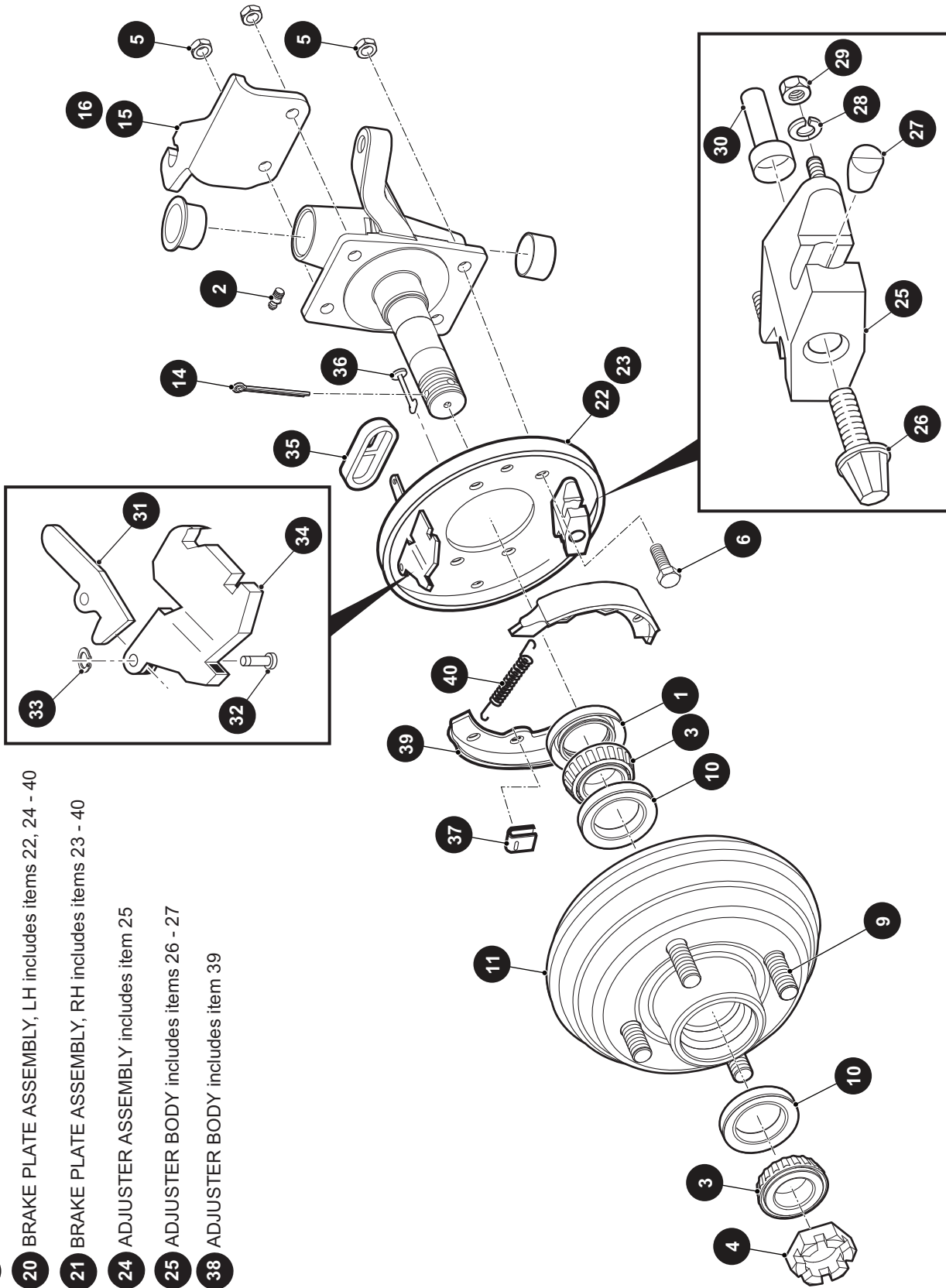
20 BRAKE PLATE ASSEMBLY, LH includes items 22, 24 - 40

21 BRAKE PLATE ASSEMBLY, RH includes items 23 - 40

24 ADJUSTER ASSEMBLY includes item 25

25 ADJUSTER BODY includes items 26 - 27

38 ADJUSTER BODY includes item 39



*The orientation will be different based on the vehicle model

BRAKES

THE USE OF NON U.L. PARTS WILL VOID ANY U.L. LISTING.

When ordering parts, please specify the model and serial number of the product.

* Indicates a component that is not available as an individual part.

*** Indicates consult Customer Service Department for additional information.

| ITEM | PART NO. | 1 2 3 4 5 | DESCRIPTION | QTY. |
|------|-----------|-----------|---|------|
| 1 | 25146G1 | | SEAL..... | 1 |
| 2 | 10389G3 | | GREASE FITTING | 1 |
| 3 | 11750G2 | | ROLLER BEARING..... | 2 |
| 4 | 12093G1 | | SLOTTED HEX NUT, 1" - 14..... | 1 |
| 5 | 15126G1 | | LOCK NUT, 5/16" - 24..... | 4 |
| 6 | 17083G2 | | HEX HEAD BOLT, 5/16" - 24 X 1" LG | 4 |
| 7 | | | | |
| 8 | 652164 | | DRUM AND HUB ASSEMBLY (INCLUDES ITEMS 9 - 11)..... | 1 |
| 9 | 19862G2 | | WHEEL HUB BOLT, 1/2 - 20 X 1.718" LG | 4 |
| 10 | 51141G1 | | RACE BEARING | 2 |
| 11 | 647535 | | HUB | 1 |
| 12 | | | | |
| 13 | | | | |
| 14 | 00798G8 | | COTTER PIN, 5/32" X 1-3/4" LG | 1 |
| 15 | 648617G01 | | BRAKE CABLE BRACKET (DRIVER SIDE)..... | 1 |
| 16 | 648617G02 | | BRAKE CABLE BRACKET (PASSENGER SIDE) | 1 |
| 17 | | | | |
| 18 | | | | |
| 19 | | | | |
| 20 | 20938G1 | | BRAKE ASSEMBLY, LH (INCLUDES ITEMS 22, 24 - 40) | 1 |
| 21 | 20938G2 | | BRAKE ASSEMBLY, RH (INCLUDES ITEMS 23 - 40) | 1 |
| 22 | 22519G1 | | BACKING PLATE, LH..... | 1 |
| 23 | 22518G1 | | BACKING PLATE, RH | 1 |
| 24 | 22516G1 | | ADJUSTER ASSEMBLY (INCLUDES ITEM 25)..... | 1 |
| 25 | 22520G1 | | ADJUSTER BODY (INCLUDES ITEMS 26 - 27) | 1 |
| 26 | 17287G1 | | ADJUSTER BOLT..... | 1 |
| 27 | 17289G1 | | PISTON ANCHOR | 2 |
| 28 | 00664G7 | | LOCK WASHER, 1/4" (SS)..... | 2 |
| 29 | 13632G1 | | HEX NUT, 6MM | 2 |
| 30 | 17294G1 | | ADJUSTING BOLT CAP..... | 1 |
| 31 | 22512G1 | | ACTUATING LEVER | 1 |

BRAKES

THE USE OF NON U.L. PARTS WILL VOID ANY U.L. LISTING.

When ordering parts, please specify the model and serial number of the product.

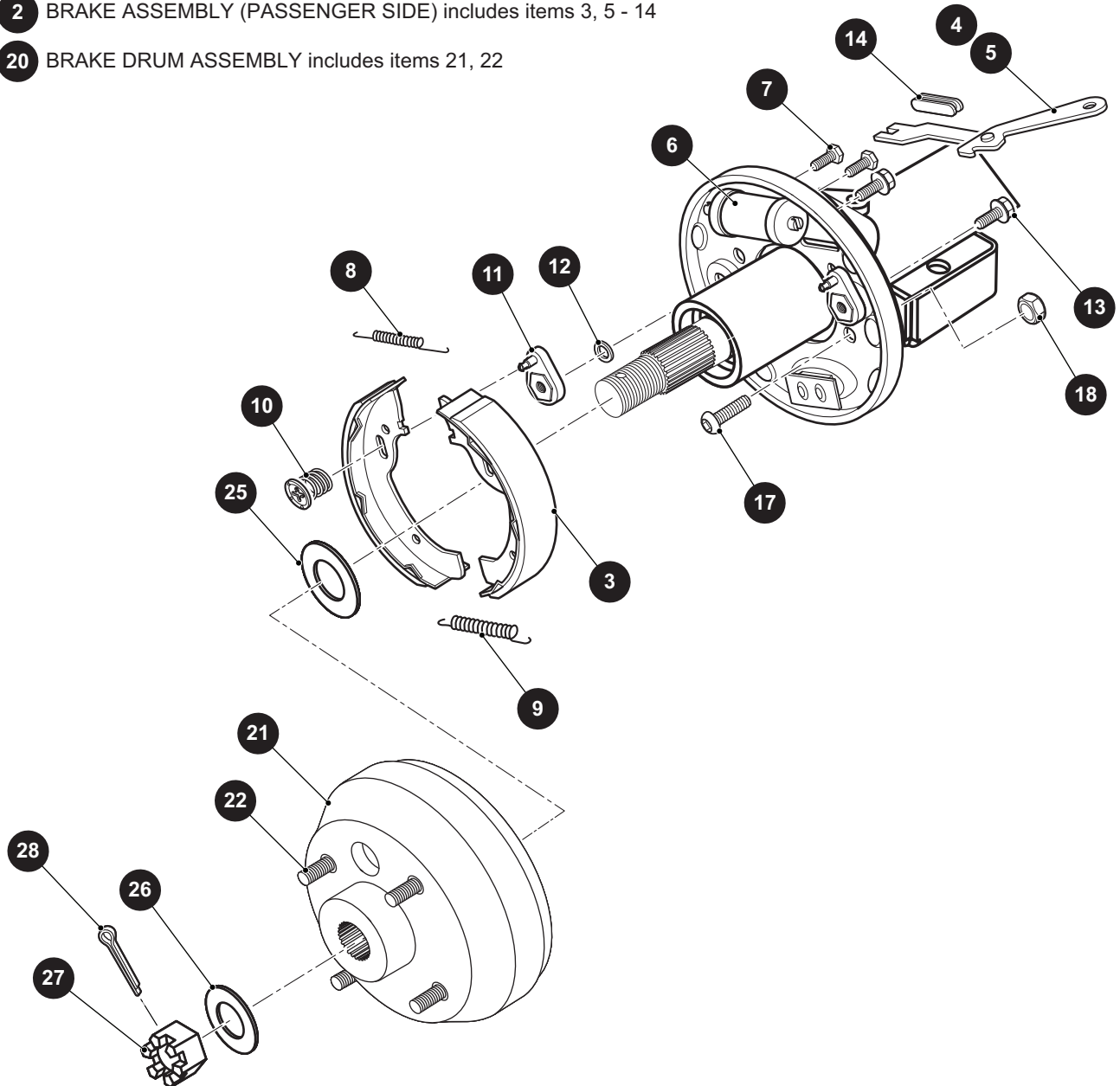
* Indicates a component that is not available as an individual part.

*** Indicates consult Customer Service Department for additional information.

| ITEM | PART NO. | 1 | 2 | 3 | 4 | 5 | DESCRIPTION | QTY. |
|------|----------|---|---|---|---|---|--|------|
| 32 | 22513G1 | | | | | | LEVER PIN | 1 |
| 33 | 22514G1 | | | | | | 'U' CLIP | 1 |
| 34 | 22515G1 | | | | | | SLIDING BLOCK..... | 1 |
| 35 | 22511G1 | | | | | | DUST COVER..... | 1 |
| 36 | 17292G1 | | | | | | TENSION PIN | 2 |
| 37 | 17291G1 | | | | | | SPRING CLAMP | 2 |
| 38 | 23398G1 | | | | | | BRAKE SHOE SET (INCLUDES ITEM 39)..... | 1 |
| 39 | 23355G1 | | | | | | BRAKE SHOE | 2 |
| 40 | 17290G1 | | | | | | BRAKE SPRING | 2 |

REAR HYDRAULIC BRAKES

- 1 BRAKE ASSEMBLY (DRIVER SIDE) includes items 3, 4, 6 - 14
- 2 BRAKE ASSEMBLY (PASSENGER SIDE) includes items 3, 5 - 14
- 20 BRAKE DRUM ASSEMBLY includes items 21, 22



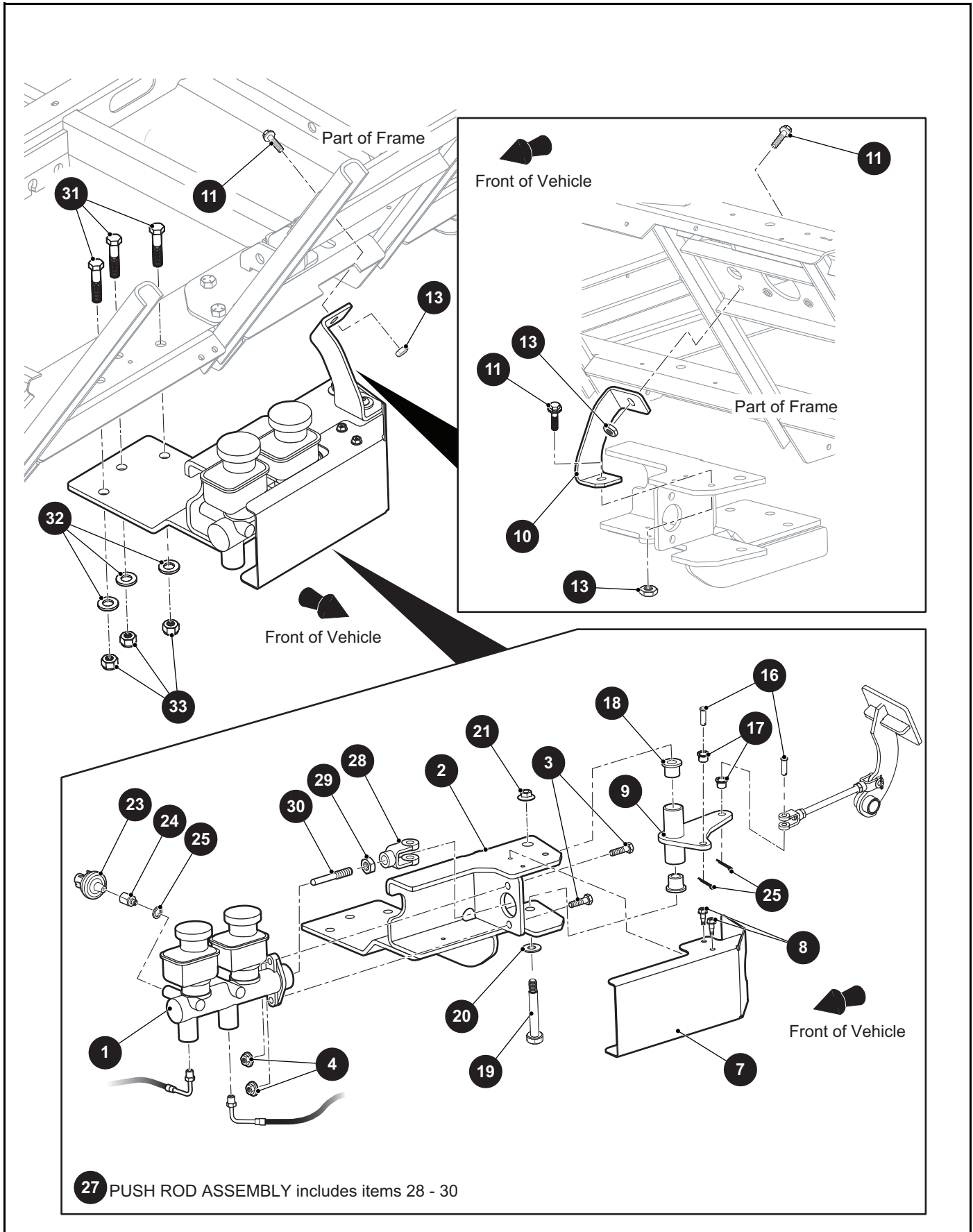
THE USE OF NON U.L. PARTS WILL VOID ANY U.L. LISTING.

When ordering parts, please specify the model and serial number of the product.

* Indicates a component that is not available as an individual part.

*** Indicates consult Customer Service Department for additional information.

| ITEM | PART NO. | 1 2 3 4 5 | DESCRIPTION | QTY. |
|------|----------|-----------|--|------|
| 1 | 75685G01 | | BRAKE ASSEMBLY (DRIVER SIDE) (INCLUDES ITEMS 3, 4, 6 - 14)..... | 1 |
| 2 | 75685G02 | | BRAKE ASSEMBLY (PASSENGER SIDE) (INCLUDES ITEMS 3, 5 - 14) | 1 |
| 3 | 75830G01 | | BRAKE SHOE | 2 |
| 4 | 75829G01 | | PARK BRAKE WHEEL LEVER (DRIVER SIDE) | 1 |
| 5 | 75829G02 | | PARK BRAKE WHEEL LEVER (PASSENGER SIDE)..... | 1 |
| 6 | 75828G01 | | WHEEL CYLINDER..... | 1 |
| 7 | * | | WHEEL CYLINDER BOLT..... | 2 |
| 8 | * | | UPPER RETURN SPRING | 1 |
| 9 | * | | LOWER RETURN SPRING..... | 1 |
| 10 | * | | CUP AND SPRING..... | 2 |
| 11 | * | | ADJUSTER..... | 2 |
| 12 | * | | FLAT WASHER | 2 |
| 13 | * | | HEX HEAD BOLT, 1/4" - 28 X 1/2" LG..... | 2 |
| 14 | * | | DUST COVER | 1 |
| 15 | 75827G01 | | HARDWARE KIT (INCLUDES 7 - 10, SERVICES BOTH WHEELS) | 1 |
| 16 | 75826G01 | | ADJUSTER KIT (INCLUDES 11 - 14, SERVICES BOTH WHEELS) | 1 |
| 17 | 17083G2 | | SOCKET HEAD BOLT, 5/16" - 24 X 1" LG..... | 8 |
| 18 | 15126G1 | | LOCK NUT, 5/16" - 24..... | 8 |
| 19 | | | | |
| 20 | 21807G2 | | BRAKE DRUM ASSEMBLY (INCLUDES ITEMS 21, 22)..... | 2 |
| 21 | 20947G1 | | BRAKE DRUM..... | 1 |
| 22 | 19862G2 | | LUG BOLT, 1/2" - 20 X 1 3/16" LG..... | 4 |
| 23 | | | | |
| 24 | | | | |
| 25 | 21809G1 | | FLAT WASHER, INNER WHEEL RIM, 1.31" O.D. X .85" I.D..... | 2 |
| 26 | 21830G1 | | FLAT WASHER - BRAKE DRUM, 1.5" O.D. X .76" I.D..... | 2 |
| 27 | 613172 | | CASTELLATED HEX NUT, 3/4" - 16..... | 2 |
| 28 | 10387G1 | | COTTER PIN, .125" X 1.50" LG | 2 |



BRAKES

THE USE OF NON U.L. PARTS WILL VOID ANY U.L. LISTING.

When ordering parts, please specify the model and serial number of the product.

* Indicates a component that is not available as an individual part.

*** Indicates consult Customer Service Department for additional information.

| ITEM | PART NO. | 1 2 3 4 5 | DESCRIPTION | QTY. |
|------|----------|-----------|---|------|
| 1 | 73793G01 | | MASTER CYLINDER | 1 |
| 2 | 649216 | | MASTER CYLINDER MOUNTING BRACKET | 1 |
| 3 | 00439G1 | | HEX HEAD BOLT, 5/16" - 18 X 1 1/8" LG. | 2 |
| 4 | 800697 | | FLANGED HEX LOCK NUT, 5/16" - 18 | 2 |
| 5 | | | | |
| 6 | | | | |
| 7 | 649149 | | MASTER CYLINDER COVER | 1 |
| 8 | 01038G01 | | HEX WASHER HEAD SWAGEFORM SCREW, 1/4" - 20 X .70" LG | 2 |
| 9 | 649068 | | BELL CRANK | 1 |
| 10 | 654555 | | STIFFENER BRACKET | 1 |
| 11 | 13437G3 | | FLANGED HEX HEAD BOLT, 5/16" - 18 X 1" LG | 2 |
| 12 | | | | |
| 13 | 11027G1 | | FLANGED LOCK NUT, 5/16" - 18 | 2 |
| 14 | | | | |
| 15 | | | | |
| 16 | 14443G3 | | CLEVIS PIN, .311" X .998" LG | 2 |
| 17 | 17838G1 | | BUSHING (NYLINER), .374" O.D. X .313" I.D. X .312" LG | 2 |
| 18 | 70581G02 | | BUSHING (ACETAL), .51" I.D. X .795" O.D. X .75" LG | 2 |
| 19 | 01040G01 | | HEX HEAD BOLT, 1/2" - 13 X 5" LG | 1 |
| 20 | 00560G3 | | FLAT WASHER (SS), 1/2" | 1 |
| 21 | 00551G1 | | HEX NUT, 1/2" - 13 | 1 |
| 22 | | | | |
| 23 | 620274 | | SWITCH (STOP LIGHT), 1.47" DIA | 1 |
| 24 | 600401 | | ADAPTER, .56" X 1.05" LG | 1 |
| 25 | 600479 | | WASHER (PRESSURE SEAL), M8 | 1 |
| 26 | 654461 | | HARNESS (HYDRAULIC BRAKE) (NOT ILLUSTRATED) | 1 |
| 27 | 651077 | | PUSH ROD ASSEMBLY (INCLUDES ITEMS 28 - 30) | 1 |
| 28 | 21508G1 | | CLEVIS YOKE | 1 |
| 29 | 00544G6 | | HEX JAM NUT, 3/8" - 24 | 1 |
| 30 | 651076 | | PUSH ROD, 3/8" - 24 X 3.21" LG | 1 |

BRAKES

THE USE OF NON U.L. PARTS WILL VOID ANY U.L. LISTING.

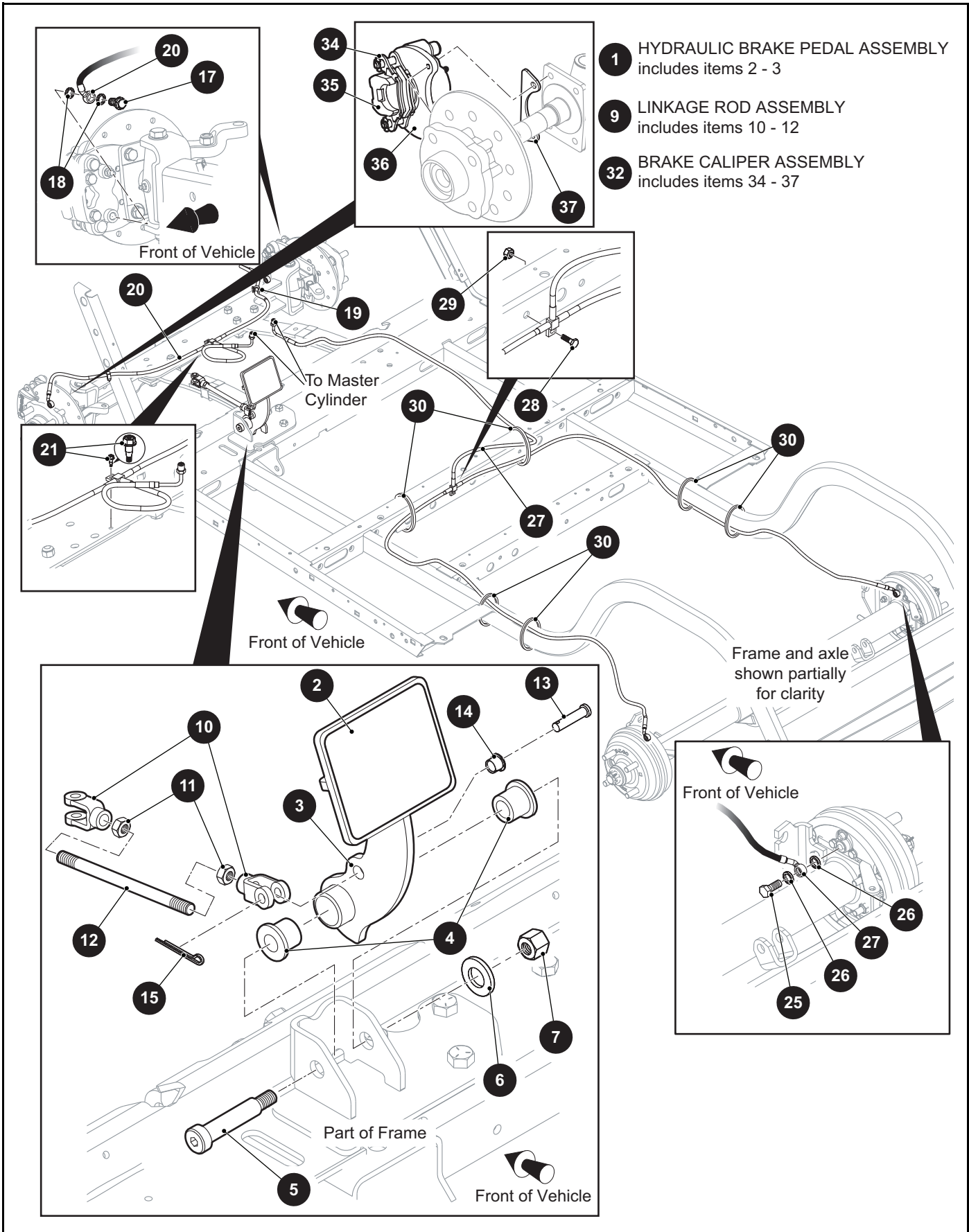
When ordering parts, please specify the model and serial number of the product.

* Indicates a component that is not available as an individual part.

*** Indicates consult Customer Service Department for additional information.

| ITEM | PART NO. | 1 2 3 4 5 | DESCRIPTION | QTY. |
|------|----------|-----------|---|------|
| 31 | 00463G11 | | HEX HEAD BOLT, 7/16" - 14 X 1 3/4" LG | 3 |
| 32 | 00560G2 | | FLAT WASHER, 7/16" | 3 |
| 33 | 00734G1 | | LOCK NUT, 7/16" - 14 | 3 |

BRAKES



THE USE OF NON U.L. PARTS WILL VOID ANY U.L. LISTING.

When ordering parts, please specify the model and serial number of the product.

* Indicates a component that is not available as an individual part.

*** Indicates consult Customer Service Department for additional information.

| ITEM | PART NO. | 1 2 3 4 5 | DESCRIPTION | QTY. |
|------|----------|-----------|---|------|
| 1 | 651144 | | HYDRAULIC BRAKE PEDAL ASSEMBLY (INCLUDES ITEM 2 - 3) | 1 |
| 2 | 640478 | | PEDAL GRIP, 3.75" X 3.06" | 1 |
| 3 | 649865 | | BRAKE PEDAL | 1 |
| 4 | 70581G02 | | BUSHING (ACETAL), .51" I.D. X .795" O.D. X .75" LG | 2 |
| 5 | 635177 | | SOCKET HEAD SHOULDER BOLT, 1/2" X 2", 3/8" - 16 X .5" LG..... | 1 |
| 6 | 00643G1 | | FLAT WASHER, 1.015" O.D. X .421" I.D. X .071" LG | 2 |
| 7 | 11098G5 | | LOCK NUT, 3/8" - 16..... | 1 |
| 8 | | | | |
| 9 | 649072 | | LINKAGE ROD ASSEMBLY (INCLUDES ITEMS 10 - 12) | 1 |
| 10 | 21508G1 | | CLEVIS YOKE | 2 |
| 11 | 00544G6 | | HEX JAM NUT, 3/8" - 24..... | 2 |
| 12 | 649071 | | LINKAGE ROD, 3/8" - 24 X 6.18" LG | 1 |
| 13 | 14443G3 | | CLEVIS PIN, .311" X .998" LG..... | 1 |
| 14 | 17838G1 | | BUSHING (NYLINER), .374" O.D. X .313" I.D. X .312" LG | 1 |
| 15 | 10387G3 | | COTTER PIN, 3/32" X 3/4" | 1 |
| 16 | | | | |
| 17 | 616459 | | BANJO BOLT, M10 - 1 X 20MM LG | 1 |
| 18 | 613293 | | CRUSH WASHER, M10..... | 2 |
| 19 | 74875G01 | | WIRE RETAINER, .34" DIA..... | 2 |
| 20 | 649248 | | BRAKE LINE (FRONT) | 1 |
| 21 | 01038G01 | | HEX WASHER HEAD SWAGEFORM SCREW, 1/4" - 20 X .70" LG | 1 |
| 22 | | | | |
| 23 | | | | |
| 24 | | | | |
| 25 | 75683G01 | | BANJO BOLT, 3/8" - 24 X .88" LG | 1 |
| 26 | 75684G01 | | GASKET (COPPER), .391" I.D. X .625" O.D. X .062" LG..... | 2 |
| 27 | 648521 | | BRAKE LINE (REAR) | 1 |
| 28 | 00414G5 | | HEX HEAD BOLT, 1/4" - 20 X 1/2" LG | 1 |
| 29 | 00550G1 | | HEX NUT WITH INTERNAL LOCK, 1/4" X 20 | 1 |
| 30 | 12416G2 | | WEDGE CLAMP (NYLON), 11.8" LG..... | 10 |

BRAKES

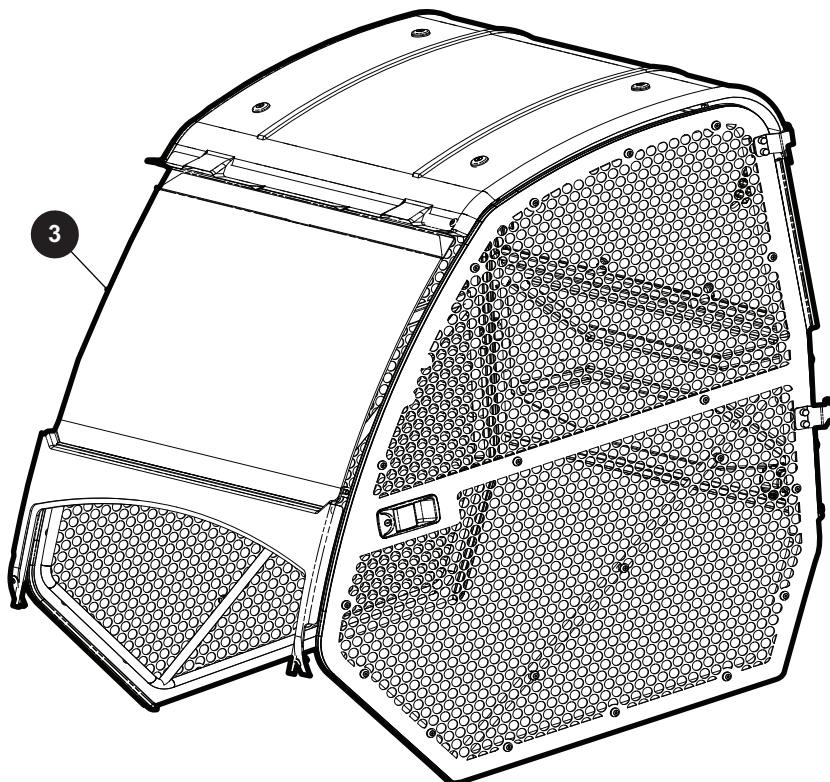
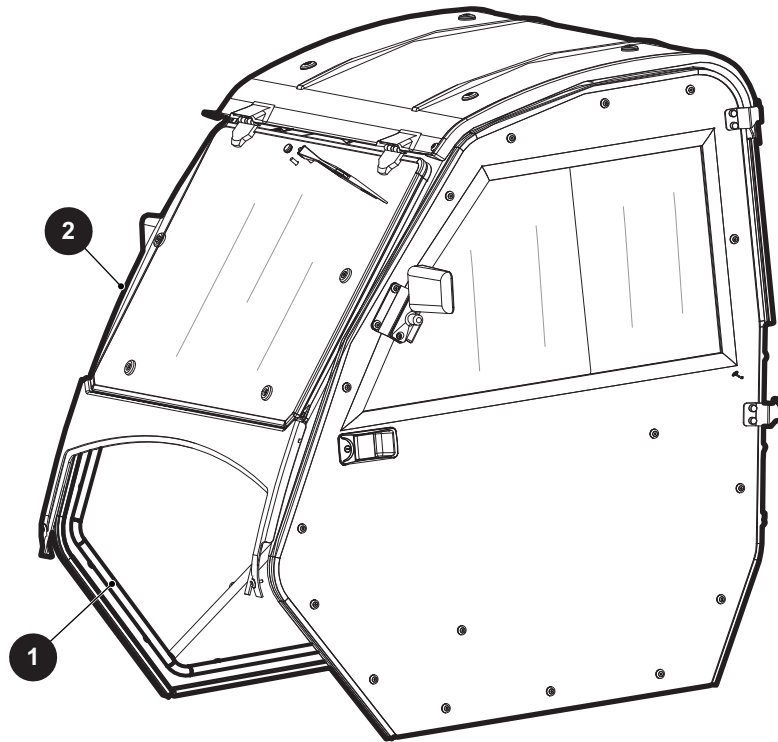
THE USE OF NON U.L. PARTS WILL VOID ANY U.L. LISTING.

When ordering parts, please specify the model and serial number of the product.

* Indicates a component that is not available as an individual part.

*** Indicates consult Customer Service Department for additional information.

| ITEM | PART NO. | 1 | 2 | 3 | 4 | 5 | DESCRIPTION | QTY. |
|------|----------|---|---|---|---|---|---|------|
| 31 | | | | | | | | |
| 32 | 670873 | | | | | | BRAKE CALIPER ASSEMBLY (INCLUDES ITEMS 34 - 37) | 1 |
| 33 | | | | | | | | |
| 34 | 672761 | | | | | | BRAKE PAD KIT | 1 |
| 35 | 670862 | | | | | | CALIPER | 1 |
| 36 | 658896 | | | | | | CALIPER PLATE | 1 |
| 37 | 659244 | | | | | | BRAKE CALIPER PLATE SPACER..... | 1 |



THE USE OF NON U.L. PARTS WILL VOID ANY U.L. LISTING.

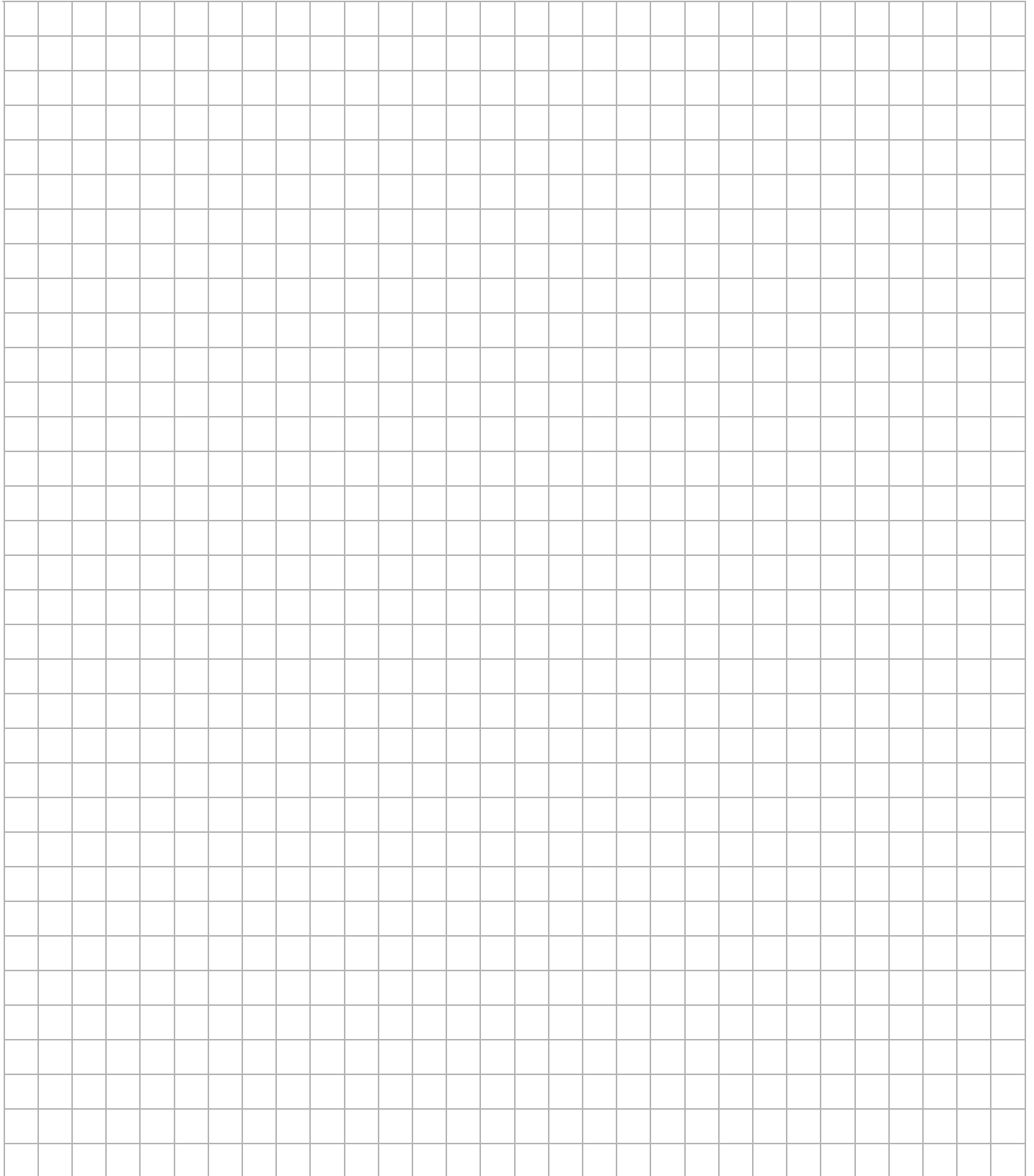
When ordering parts, please specify the model and serial number of the product.

* Indicates a component that is not available as an individual part.

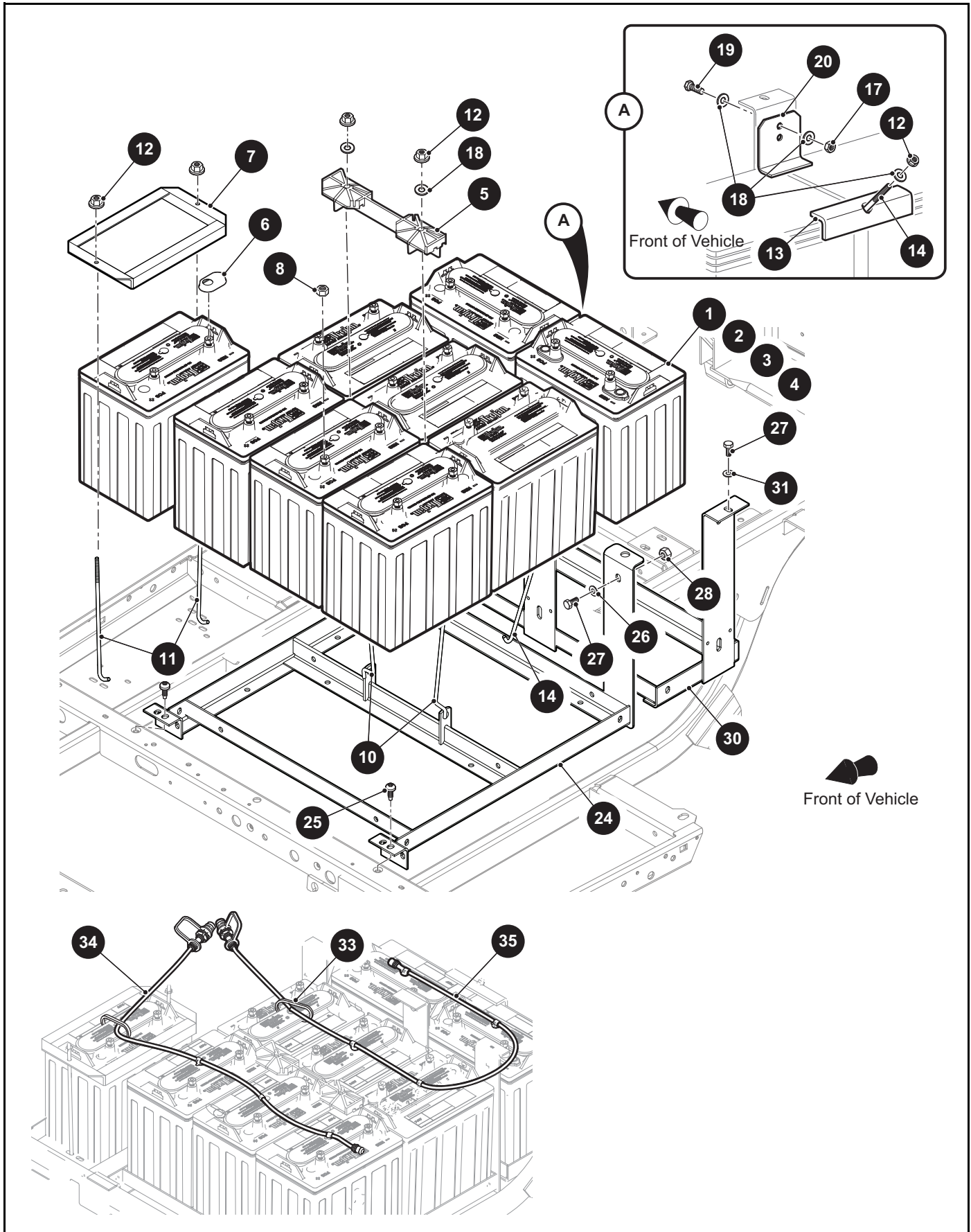
*** Indicates consult Customer Service Department for additional information.

| ITEM | PART NO. | 1 2 3 4 5 | DESCRIPTION | QTY. |
|------|----------|-----------|--------------------------|------|
| 1 | 652854 | | CAB, ROPS KIT | 1 |
| 2 | 652855 | | CAB, UTILITY KIT | 1 |
| 3 | 652856 | | CAB, BALL CAGE KIT | 1 |

Notes:

A large grid of graph paper, consisting of 25 columns and 40 rows of small squares, intended for taking notes.

ELECTRICAL



THE USE OF NON U.L. PARTS WILL VOID ANY U.L. LISTING.

When ordering parts, please specify the model and serial number of the product.

* Indicates a component that is not available as an individual part.

*** Indicates consult Customer Service Department for additional information.

| ITEM | PART NO. | 1 2 3 4 5 | DESCRIPTION | QTY. |
|------|-----------|-----------|---|------|
| 1 | 614015 | | 8 VOLT BATTERY - T890..... | 9 |
| 2 | 612626 | | 8 VOLT BATTERY - T875..... | 9 |
| 3 | 614381 | | 8 VOLT BATTERY - T890, HYDROLINK..... | 9 |
| 4 | 614382 | | 8 VOLT BATTERY - T875, HYDROLINK..... | 9 |
| 5 | 612867 | | BATTERY RETAINER..... | 1 |
| 6 | 631156 | | TERMINAL PROTECTOR..... | 17 |
| 7 | 616229 | | BATTERY HOLD DOWN WELDMENT..... | 1 |
| 8 | 00702G2 | | HEX NUT, 5/16" - 18..... | 18 |
| 9 | | | | |
| 10 | 01101G01 | | TIE DOWN BOLT..... | 2 |
| 11 | 70386G01 | | TIE DOWN BOLT..... | 2 |
| 12 | 11027G1 | | FLANGED LOCK NUT, 5/16" - 18..... | 5 |
| 13 | 11841G1 | | BATTERY HOLD DOWN ANGLE..... | 1 |
| 14 | 01087G01 | | BATTERY HOLD DOWN ROD..... | 1 |
| 15 | | | | |
| 16 | | | | |
| 17 | 11098G6 | | LOCK NUT, 5/16" - 18..... | 1 |
| 18 | 00559G8 | | FLAT WASHER, 5/16"..... | 5 |
| 19 | 00438G6 | | HEX HEAD BOLT, 5/16" - 18 X 5/8" LG..... | 1 |
| 20 | 73218G02 | | BATTERY RETAINER ANGLE..... | 1 |
| 21 | | | | |
| 22 | | | | |
| 23 | | | | |
| 24 | 652254G03 | | FRONT BATTERY RACK..... | 1 |
| 25 | 70200G01 | | TRUSS HEAD TORX SCREW, 3/8" - 16 X 3/4" LG..... | 2 |
| 26 | 00559G8 | | FLAT WASHER, 5/16"..... | 4 |
| 27 | 00438G6 | | HEX HEAD BOLT, 5/16" - 18 X 3/4" LG..... | 5 |
| 28 | 11098G6 | | LOCK NUT, 5/16" - 18..... | 2 |
| 29 | | | | |
| 30 | 652572G03 | | REAR BATTERY RACK..... | 1 |
| 31 | 00565G8 | | LOCK WASHER, 5/16"..... | 3 |

ELECTRICAL

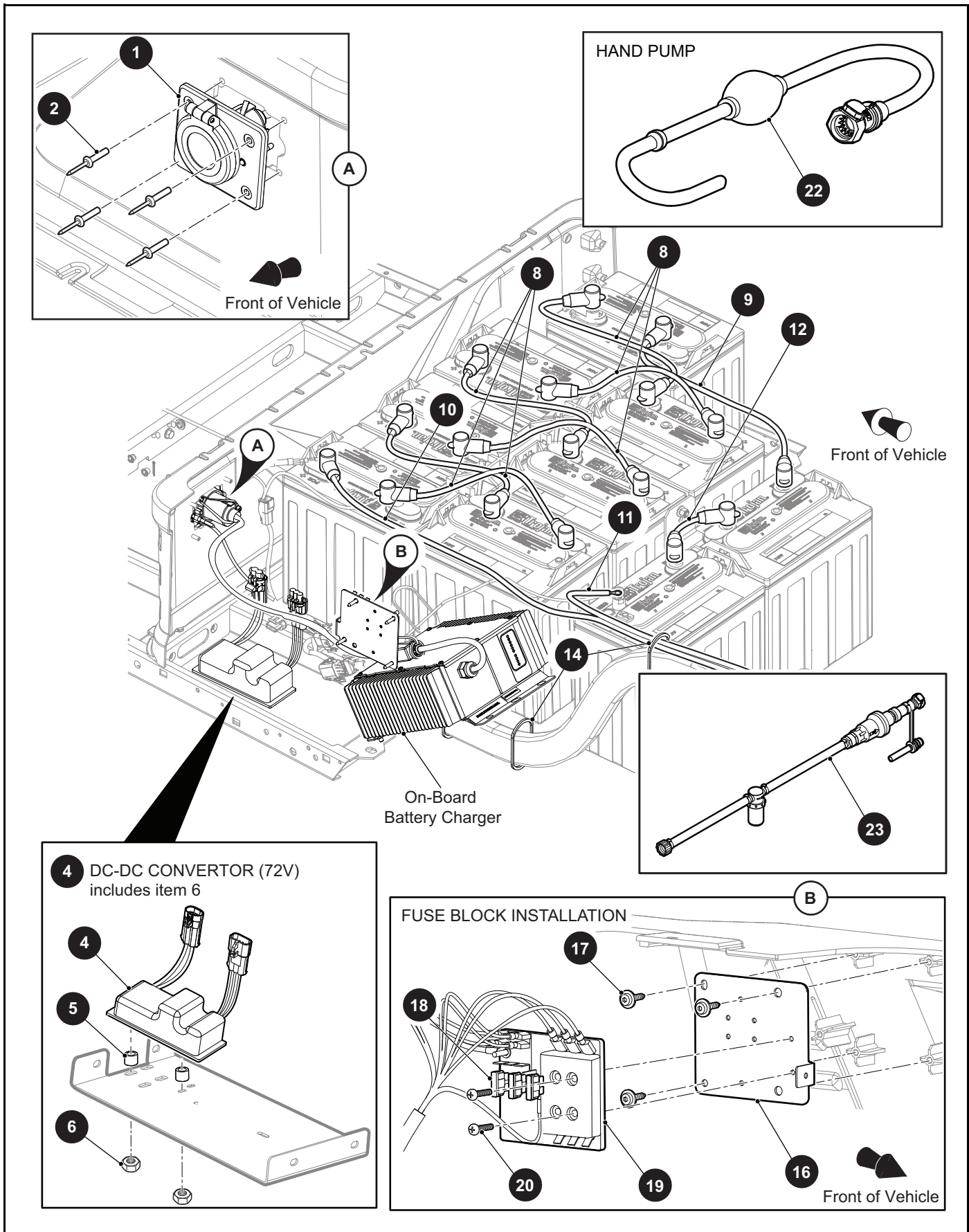
THE USE OF NON U.L. PARTS WILL VOID ANY U.L. LISTING.

When ordering parts, please specify the model and serial number of the product.

* Indicates a component that is not available as an individual part.

*** Indicates consult Customer Service Department for additional information.

| ITEM | PART NO. | 1 | 2 | 3 | 4 | 5 | DESCRIPTION | QTY. |
|------|----------|---|---|---|---|---|--------------------------------|------|
| 32 | | | | | | | | |
| 33 | 615352 | | | | | | POLYPROPYLENE CLAMP | 2 |
| 34 | 624372 | | | | | | HYDROLINK, SNAKE (SHORT) | 1 |
| 35 | 624371 | | | | | | HYDROLINK, SNAKE (LONG)..... | 1 |



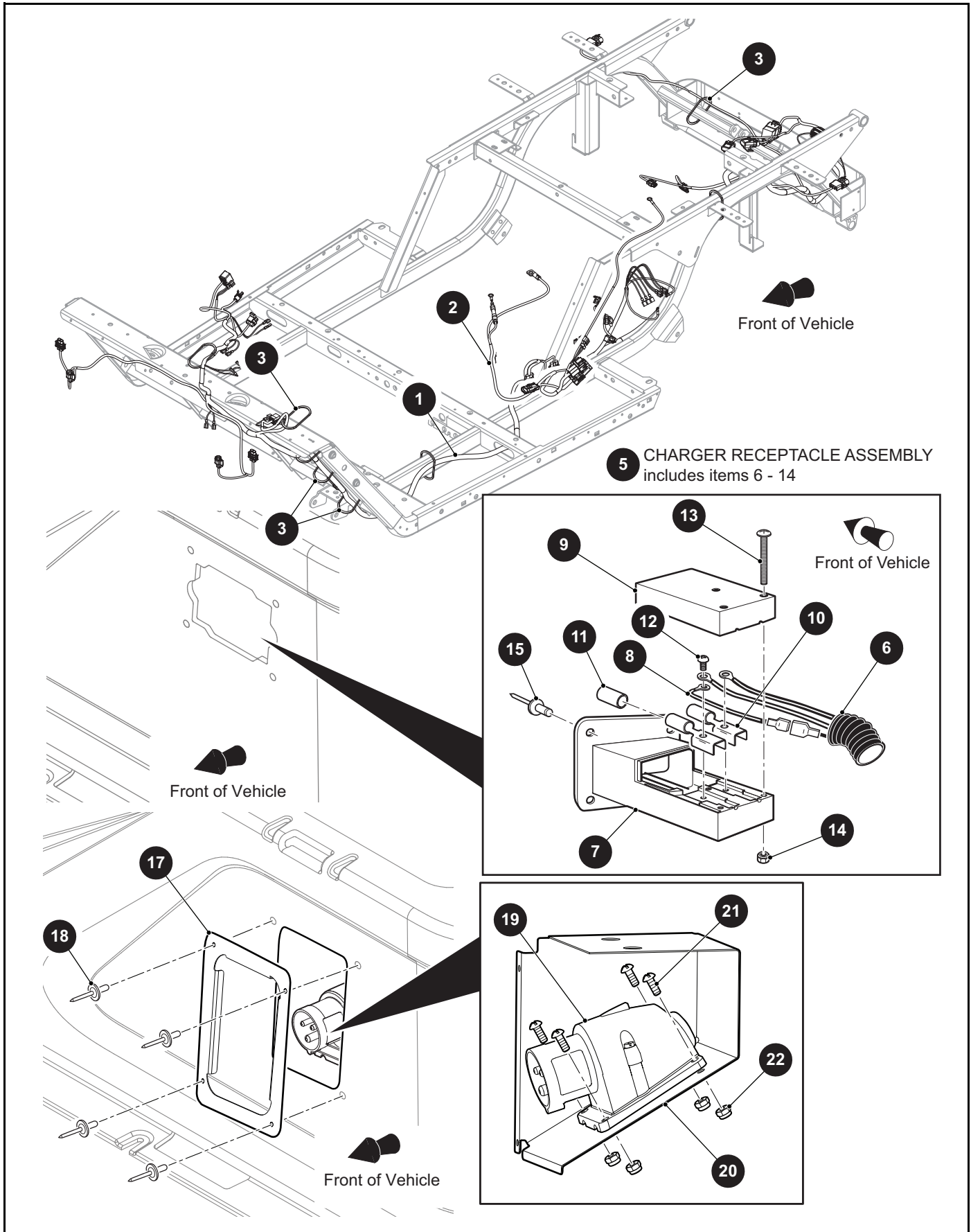
THE USE OF NON U.L. PARTS WILL VOID ANY U.L. LISTING.

When ordering parts, please specify the model and serial number of the product.

* Indicates a component that is not available as an individual part.

*** Indicates consult Customer Service Department for additional information.

| ITEM | PART NO. | 1 2 3 4 5 | DESCRIPTION | QTY. |
|------|-----------|-----------|---|------|
| 1 | 610536 | | ON-BOARD CHARGER RECEPTACLE | 1 |
| 2 | 71055G02 | | RIVET, 3/16" | 4 |
| 3 | | | | |
| 4 | 633778 | | DC-DC CONVERTOR (72V) (INCLUDES ITEM 6)..... | 1 |
| 5 | 23726G11 | | SPACER..... | 2 |
| 6 | * | | LOCK NUT, 1/4" - 20 | 2 |
| 7 | | | | |
| 8 | 634270G03 | | 4 GA BATTERY WIRE, 15" LG | 6 |
| 9 | 634270G04 | | 4 GA BATTERY WIRE, 22" LG | 1 |
| 10 | 634210G08 | | 4 GA BATTERY WIRE, 60" LG | 1 |
| 11 | 634210G09 | | 4 GA BATTERY WIRE, 38" LG | 1 |
| 12 | 634270G01 | | 4 GA BATTERY WIRE, 6" LG | 1 |
| 13 | | | | |
| 14 | 31539G1 | | NYLON CLAMP, 15.5" LG..... | 2 |
| 15 | | | | |
| 16 | 649890 | | FUSE BLOCK MOUNTING PLATE..... | 1 |
| 17 | 613373 | | PAN HEAD TORX TAPPING SCREW, M4.8 - 1.6 X 22MM LG | 3 |
| 18 | 35212G01 | | FUSE, 15A | 3 |
| 19 | 630034 | | FUSE PANEL | 1 |
| 20 | 635806 | | PAN HEAD PHILLIPS TAPPING SCREW, #10 - 16 X 1" LG..... | 2 |
| 21 | | | | |
| 22 | 676122 | | TROJAN HAND PUMP KIT..... | 1 |
| 23 | 614521 | | REGULATED SUPPLY HOSE, 20FT LG | 1 |



THE USE OF NON U.L. PARTS WILL VOID ANY U.L. LISTING.

When ordering parts, please specify the model and serial number of the product.

* Indicates a component that is not available as an individual part.

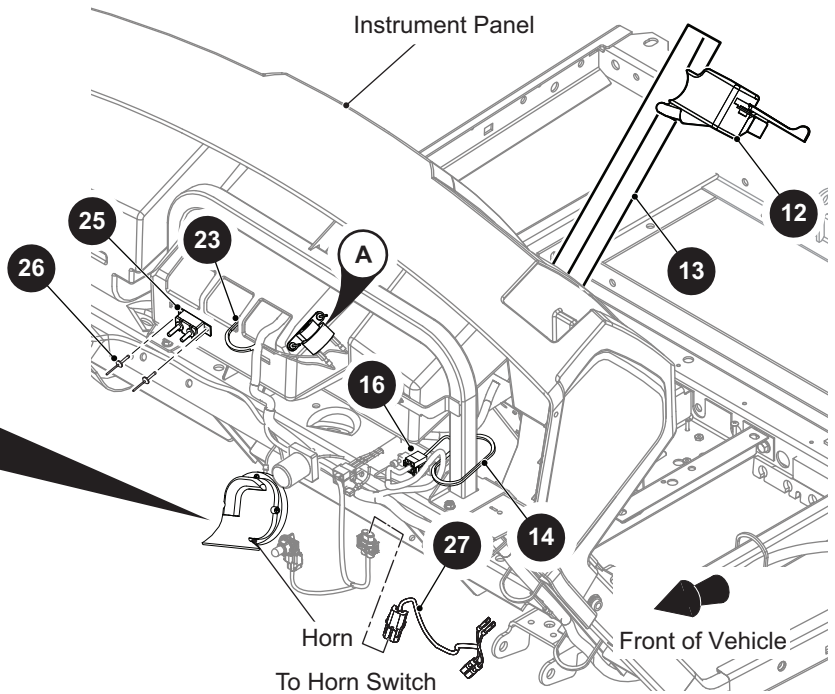
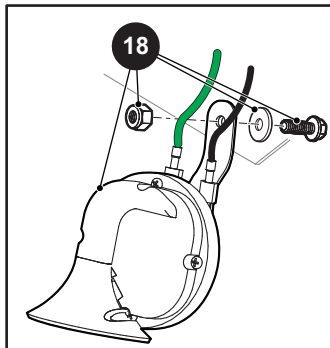
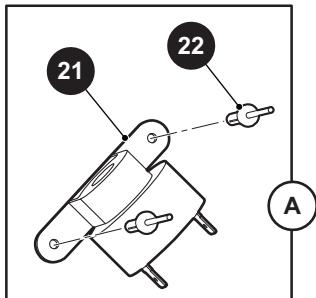
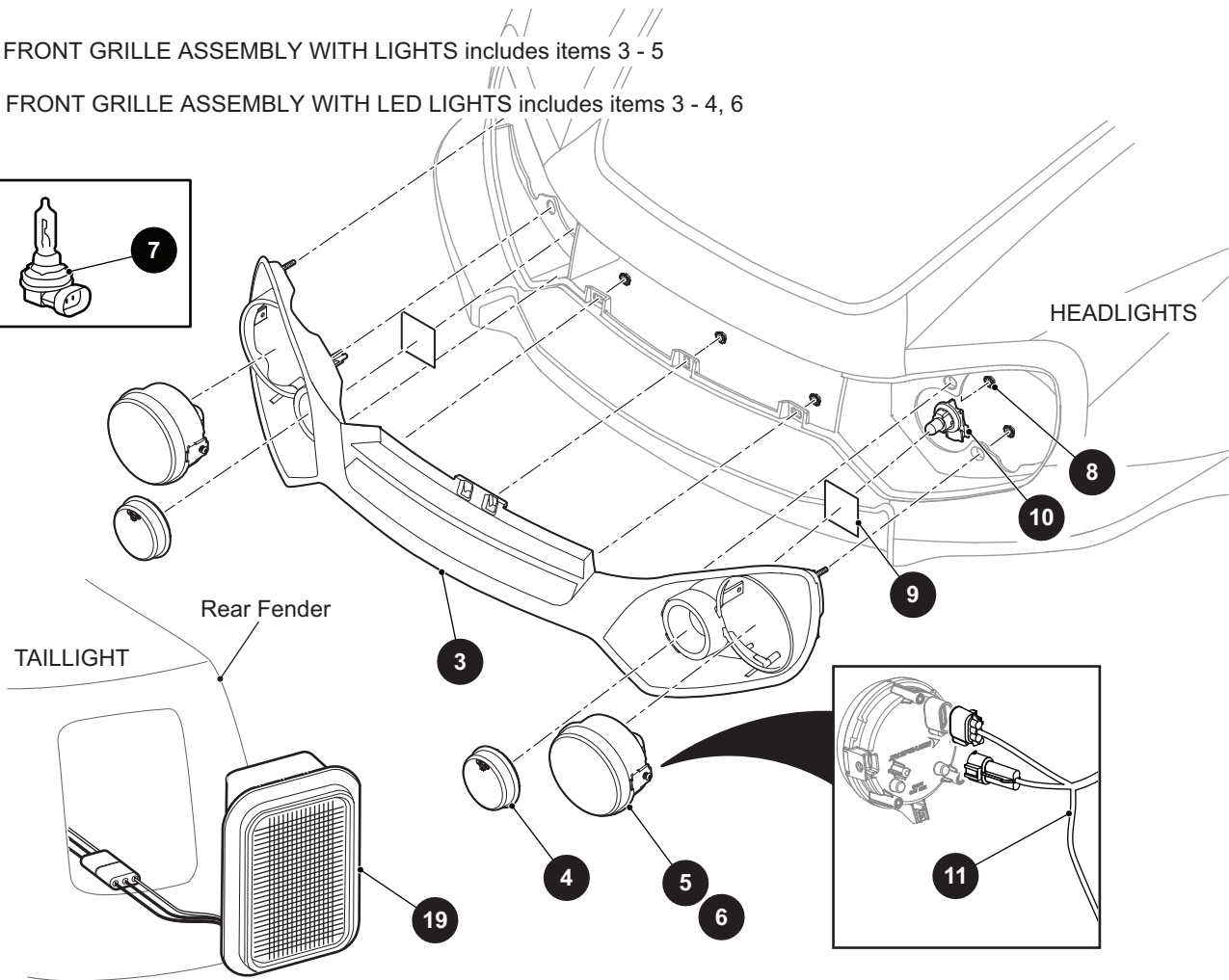
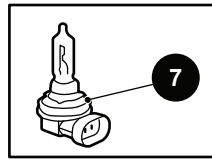
*** Indicates consult Customer Service Department for additional information.

| ITEM | PART NO. | 1 2 3 4 5 | DESCRIPTION | QTY. |
|------|----------|-----------|---|------|
| 1 | 671774 | | CONTROL HARNESS | 1 |
| 2 | 640264 | | ON-BOARD CHARGER HARNESS | 1 |
| 3 | 31539G1 | | NYLON CLAMP, 15.5" LG..... | 4 |
| 4 | | | | |
| 5 | 73063G01 | | CHARGER RECEPTACLE ASSEMBLY (INCLUDES ITEMS 6 - 14)..... | 1 |
| 6 | 602594 | | CHARGER WIRE HARNESS WITH FUSE | 1 |
| 7 | 663285 | | CHARGING RECEPTACLE..... | 1 |
| 8 | 25978G25 | | 18 GA WIRE (RED) | 1 |
| 9 | * | | RECEPTACLE COVER | 1 |
| 10 | * | | FEMALE CONNECTOR | 2 |
| 11 | * | | INSULATOR SLEEVE | 1 |
| 12 | * | | BRASS SCREW, #10 - 32 X 1/2" LG..... | 2 |
| 13 | * | | PAN HEAD SCREW (SS), #6 - 32 X 1 3/4" LG | 3 |
| 14 | * | | LOCK NUT, #6 - 32..... | 3 |
| 15 | 71055G02 | | ALUMINUM RIVET, 3/16" | 4 |
| 16 | | | | |
| 17 | 639412 | | RECEPTACLE COVER PLATE (CE VEHICLES) | 1 |
| 18 | 14601G13 | | ALUMINUM RIVET, 5/32" X 9/16" (CE VEHICLES)..... | 4 |
| 19 | 638478 | | AC RECEPTACLE (CE VEHICLES) | 1 |
| 20 | 639167 | | RECEPTACLE BRACKET (CE VEHICLES) | 1 |
| 21 | 00379G4 | | PAN HEAD PHILLIPS SCREW, #10 - 24 X 1/2" LG (CE VEHICLES) | 4 |
| 22 | 14390G10 | | LOCK NUT, #10 - 24 (CE VEHICLES)..... | 4 |

ELECTRICAL

1 FRONT GRILLE ASSEMBLY WITH LIGHTS includes items 3 - 5

2 FRONT GRILLE ASSEMBLY WITH LED LIGHTS includes items 3 - 4, 6



THE USE OF NON U.L. PARTS WILL VOID ANY U.L. LISTING.

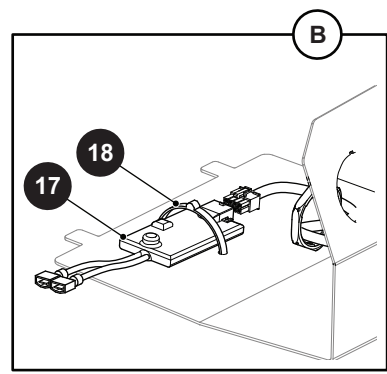
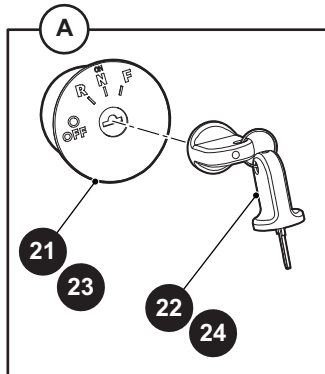
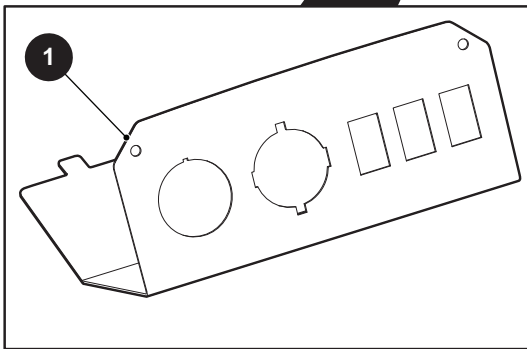
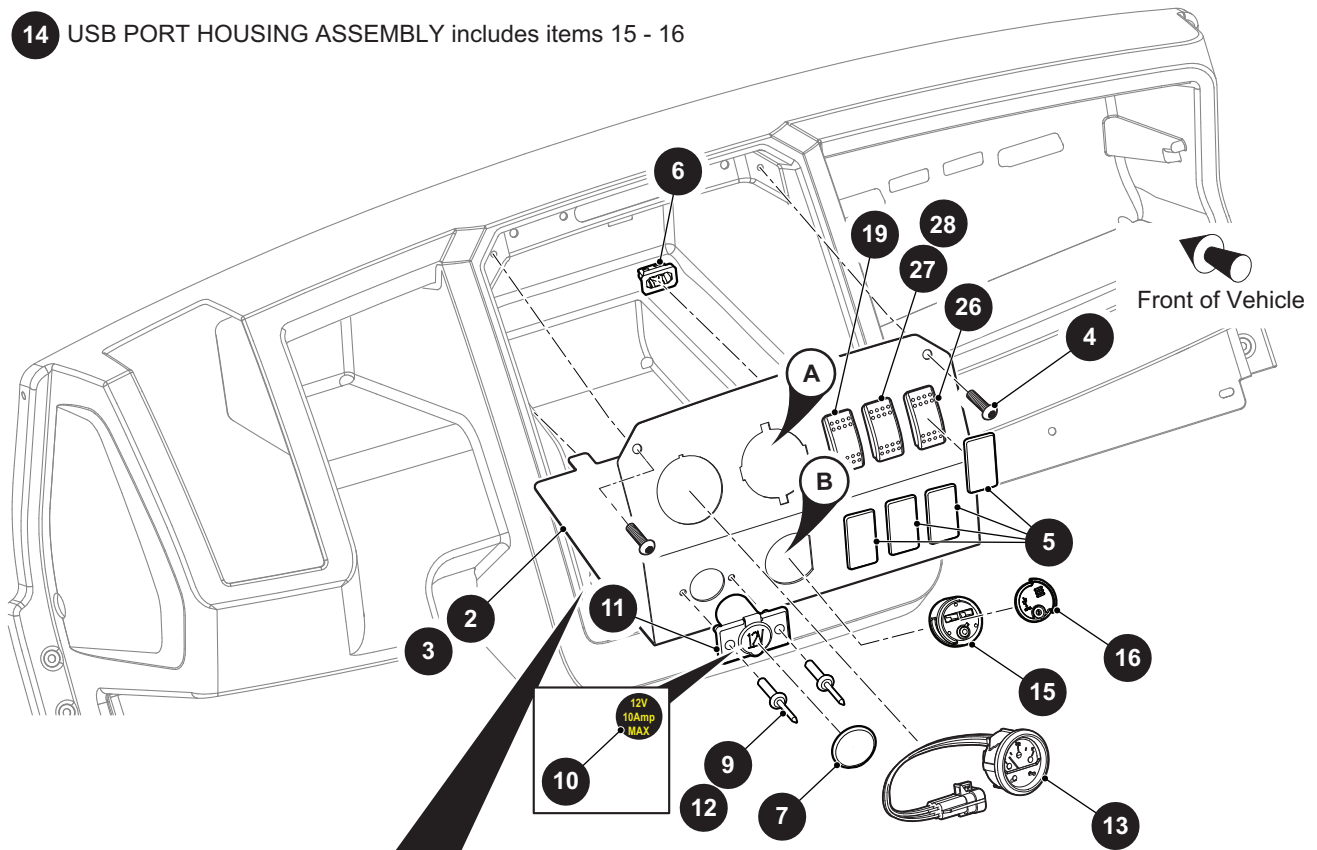
When ordering parts, please specify the model and serial number of the product.

* Indicates a component that is not available as an individual part.

*** Indicates consult Customer Service Department for additional information.

| ITEM | PART NO. | 1 2 3 4 5 | DESCRIPTION | QTY. |
|------|-----------|-----------|--|------|
| 1 | 651698G01 | | FRONT GRILLE ASSEMBLY WITH LIGHTS (INCLUDES ITEMS 3 - 5) | 1 |
| 2 | 651698G03 | | FRONT GRILLE ASSEMBLY WITH LED LIGHTS (INCLUDES ITEMS 3 - 4, 6) | 1 |
| 3 | 648564 | | FRONT GRILLE | 1 |
| 4 | 651437 | | LENS COVER | 1 |
| 5 | 651411G01 | | HEADLIGHT | 1 |
| 6 | 651411G03 | | LED HEADLIGHT | 1 |
| 7 | 619100 | | HEADLIGHT BULB | 1 |
| 8 | 71597G01 | | SELF THREADING NUT, 5 X 10 X 15MM | 9 |
| 9 | 71781G02 | | VINYL TAPE (FOR VEHICLES WITHOUT TURN SIGNAL LIGHTS) | 1 |
| 10 | 619102 | | TURN SIGNAL BULB | 1 |
| 11 | 670038 | | JUMPER HARNESS, HI/LOW LED HEADLIGHT | 1 |
| 12 | 615236 | | TURN SIGNAL SWITCH ASSEMBLY WITH HORN | 1 |
| 13 | 20965G3 | | STEERING COLUMN COVER | 1 |
| 14 | 31539G1 | | NYLON CLAMP, 15.5" LG (NOT ILLUSTRATED)..... | 2 |
| 15 | | | | |
| 16 | 664780 | | TURN SIGNAL LIGHTS JUMPER HARNESS | 1 |
| 17 | | | | |
| 18 | 32860G1 | | HORN..... | 1 |
| 19 | 32739G3 | | TAILLIGHT | 1 |
| 20 | | | | |
| 21 | 613271 | | REVERSE BUZZER..... | 1 |
| 22 | 01041G01 | | ALUMINUM RIVET, 5/32" | 2 |
| 23 | 31539G01 | | NYLON CLAMP, 15.5" LG..... | 1 |
| 24 | | | | |
| 25 | 21320G4 | | 15AMP CIRCUIT BREAKER, 24V (ELECTRIC BED LIFT OPTION)..... | 1 |
| 26 | 01041G01 | | ALUMINUM RIVET, 5/32" | 2 |
| 27 | 664706 | | HORN JUMPER HARNESS | 1 |

14 USB PORT HOUSING ASSEMBLY includes items 15 - 16



THE USE OF NON U.L. PARTS WILL VOID ANY U.L. LISTING.

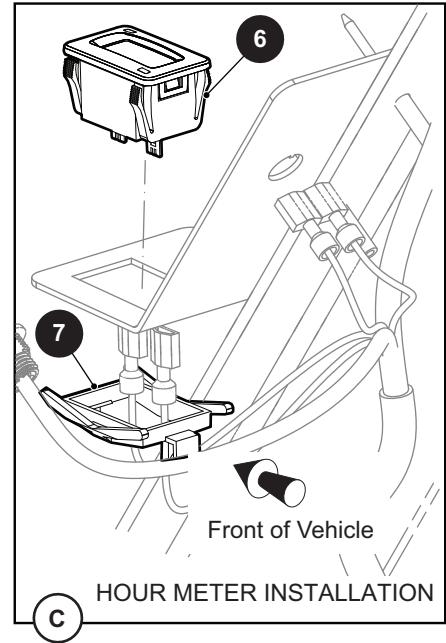
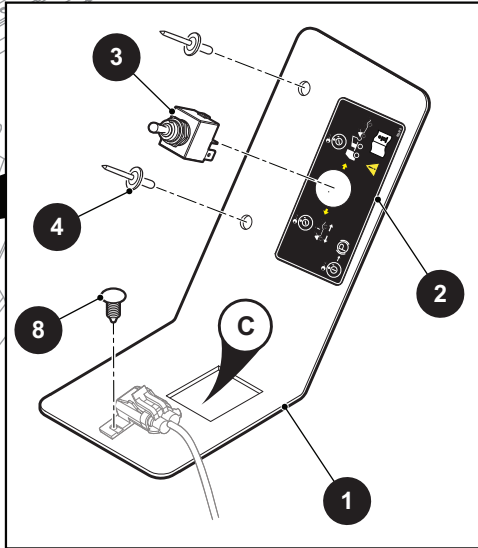
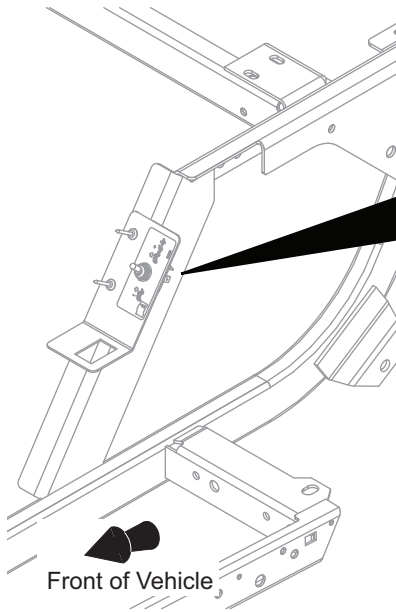
When ordering parts, please specify the model and serial number of the product.

* Indicates a component that is not available as an individual part.

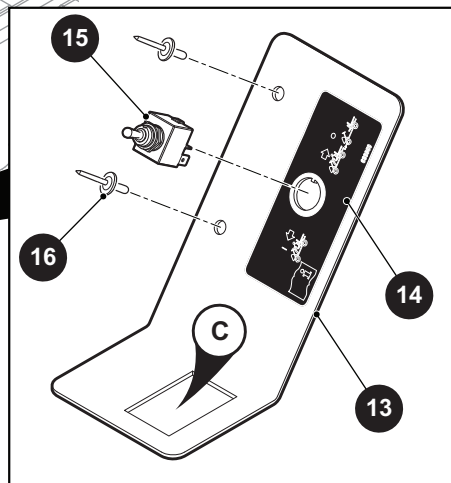
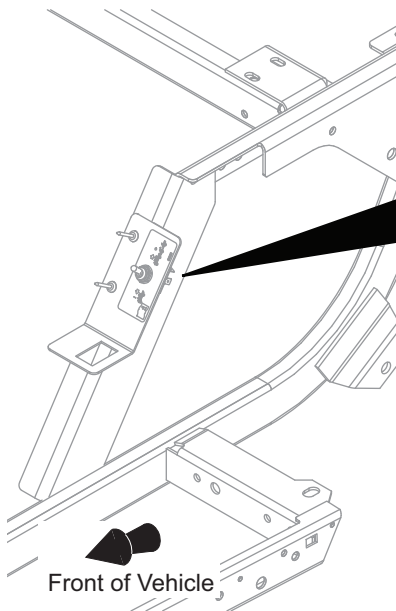
*** Indicates consult Customer Service Department for additional information.

| ITEM | PART NO. | 1 2 3 4 5 | DESCRIPTION | QTY. |
|------|-----------|-----------|--|------|
| 1 | 662083G01 | | GAUGE PANEL (KEY, FUEL/SOC)..... | 1 |
| 2 | 662083G02 | | GAUGE PANEL (KEY, FUEL/SOC, 12V OUTLET) | 1 |
| 3 | 662083G03 | | GAUGE PANEL (KEY, 12V OUTLET, USB, FUEL/SOC)..... | 1 |
| 4 | 649803 | | PAN HEAD TORX SCREW, M6 - 2.65 X 25MM LG..... | 2 |
| 5 | 627035 | | PLUG | 4 |
| 6 | 602184 | | CLIP | 2 |
| 7 | 20271G10 | | HOLE PLUG, DIA 1.125" | 1 |
| 8 | | | | |
| 9 | 71055G01 | | ALUMINUM RIVET, 3/16" X 1" LG | 2 |
| 10 | 637067 | | 12V POWER OUTLET LABEL (CE VEHICLES)..... | 1 |
| 11 | 71078G01 | | 12V POWER OUTLET | 1 |
| 12 | 33623G02 | | PLASTIC RIVET..... | 2 |
| 13 | 612314 | | STATE OF CHARGE METER | 1 |
| 14 | 639384 | | USB PORT HOUSING ASSEMBLY (INCLUDES ITEMS 15 - 16) | 1 |
| 15 | 639383 | | USB PORT HOUSING..... | 1 |
| 16 | 639382 | | USB PORT LID..... | 1 |
| 17 | 638233 | | USB ELECTRONICS | 1 |
| 18 | 17618G1 | | NYLON CLAMP, 8" LG..... | 1 |
| 19 | 651897G01 | | HORN SWITCH | 1 |
| 20 | | | | |
| 21 | 611283 | | KEYSWITCH | 1 |
| 22 | 611282 | | KEY SET (COMMON)..... | 1 |
| 23 | 609682 | | KEYSWITCH..... | 1 |
| 24 | 609693 | | KEY SET (UNIQUE)..... | 1 |
| 25 | | | | |
| 26 | 651897G04 | | TRUCK BED SWITCH | 1 |
| 27 | 651897G02 | | HEADLIGHT SWITCH, 2 - POSITION (ON/OFF) | 1 |
| 28 | 651897G03 | | HEADLIGHT SWITCH, 3 - POSITION (HI/LOW)..... | 1 |

FOR VEHICLES WITH HYDRAULIC BRAKES



FOR VEHICLES WITHOUT HYDRAULIC BRAKES



THE USE OF NON U.L. PARTS WILL VOID ANY U.L. LISTING.

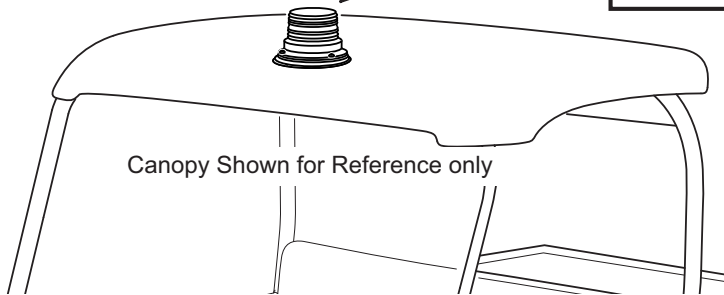
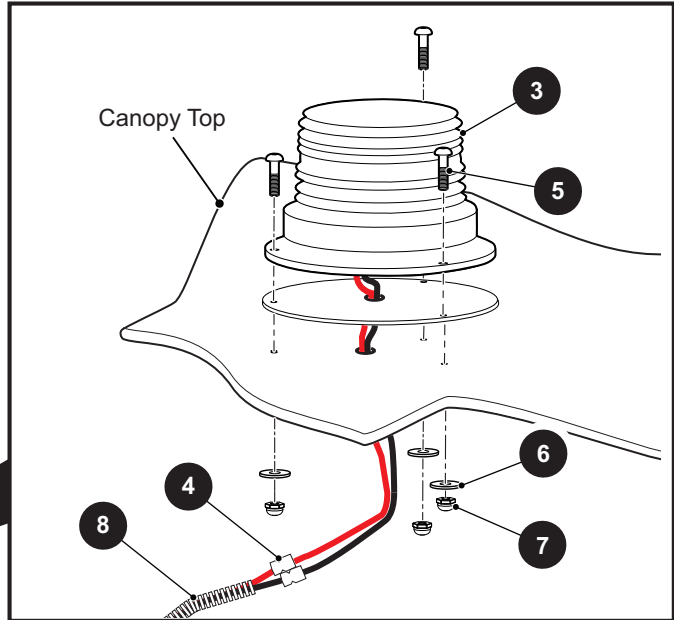
When ordering parts, please specify the model and serial number of the product.

* Indicates a component that is not available as an individual part.

*** Indicates consult Customer Service Department for additional information.

| ITEM | PART NO. | 1 2 3 4 5 | DESCRIPTION | QTY. |
|------|-----------|-----------|---|------|
| 1 | 653459 | | BRAKE SWITCH AND HOUR METER BRACKET | 1 |
| 2 | 653470 | | INTELLIBRAKE™ RELEASE SWITCH LABEL | 1 |
| 3 | 650304G02 | | TOGGLE SWITCH (INCLUDES HARDWARE)..... | 1 |
| 4 | 71055G01 | | ALUMINUM RIVET, 3/16" X 1" LG | 2 |
| 5 | 17618G1 | | NYLON CLAMP, 8" LG (NOT ILLUSTRATED)..... | 13 |
| 6 | 620133 | | HOUR METER | 1 |
| 7 | 74696G01 | | RETAINER CLIP | 1 |
| 8 | 16816G5 | | RATCHET RIVET, .187" X .550" | 1 |
| 9 | | | | |
| 10 | 655562 | | KEY ON WALKAWAY HARNESS (NOT ILLUSTRATED) | 1 |
| 11 | 652201 | | BRAKE HARNESS (NOT ILLUSTRATED) | 1 |
| 12 | | | | |
| 13 | 633745 | | BRACKET | 1 |
| 14 | 633950 | | RUN/TOW SWITCH LABEL..... | 1 |
| 15 | 650304G01 | | TOGGLE SWITCH (INCLUDES HARDWARE)..... | 1 |
| 16 | 71055G01 | | ALUMINUM RIVET, 3/16" X 1" LG | 2 |

- 1 STROBE LIGHT KIT includes items 2 - 11
- 2 STROBE LIGHT ASSEMBLY includes items 3 - 4



THE USE OF NON U.L. PARTS WILL VOID ANY U.L. LISTING.

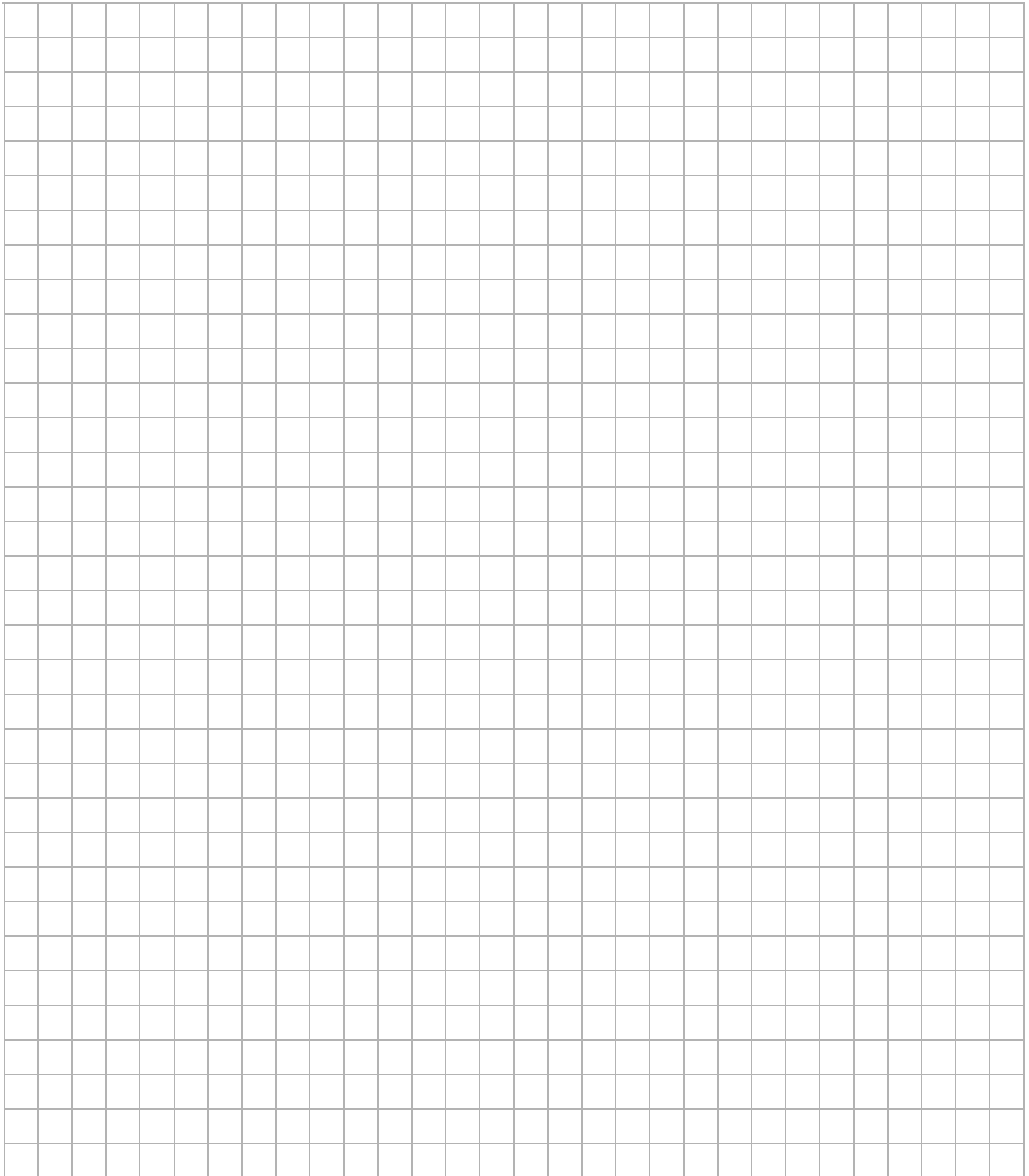
When ordering parts, please specify the model and serial number of the product.

* Indicates a component that is not available as an individual part.

*** Indicates consult Customer Service Department for additional information.

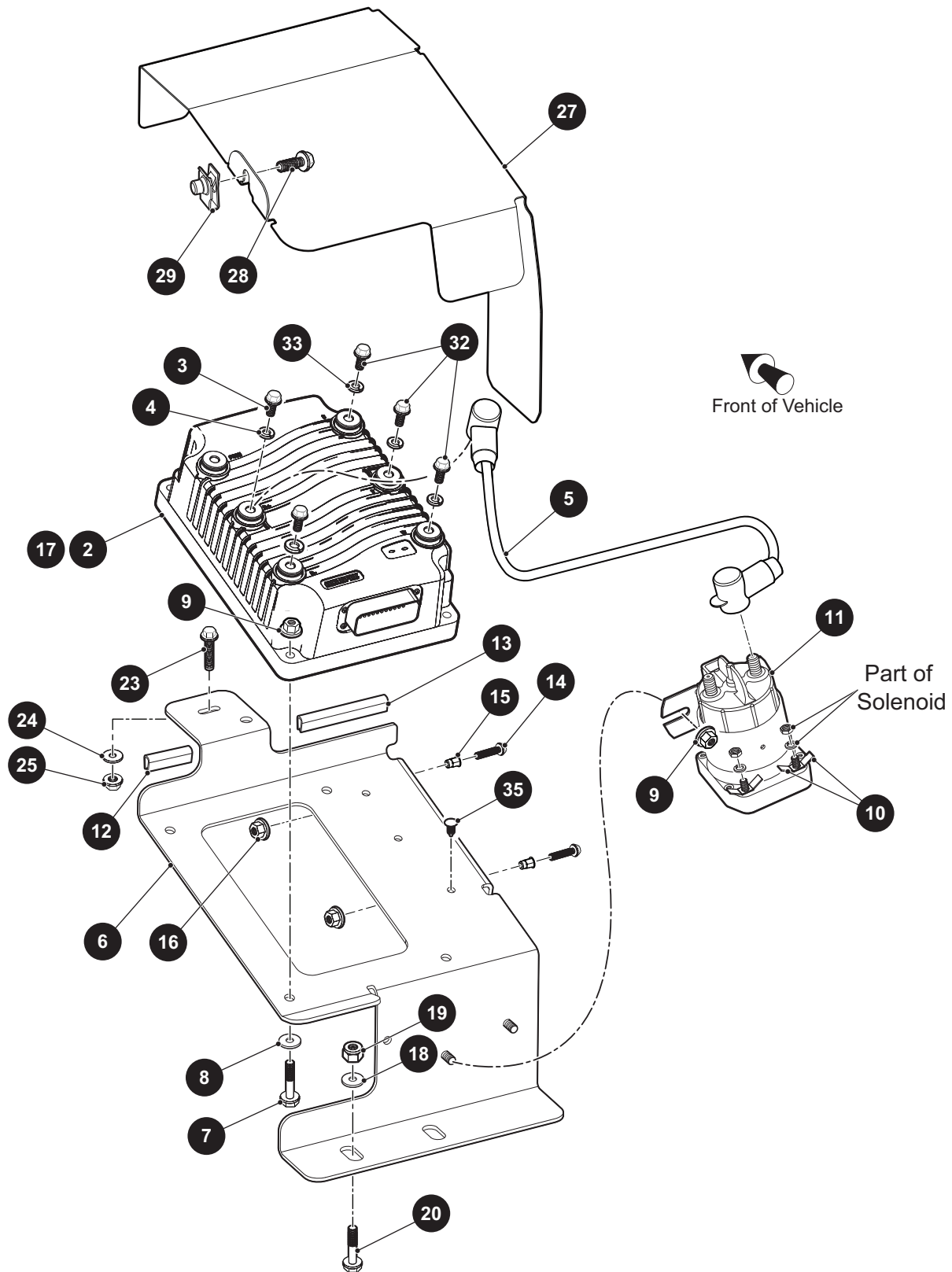
| ITEM | PART NO. | 1 2 3 4 5 | DESCRIPTION | QTY. |
|------|----------|-----------|---|------|
| 1 | 618916 | | STROBE LIGHT KIT (INCLUDES ITEMS 2 - 11)..... | 1 |
| 2 | 638496 | | STROBE LIGHT ASSEMBLY (INCLUDES ITEMS 3 - 4)..... | 1 |
| 3 | 639425 | | STROBE LIGHT..... | 1 |
| 4 | 17064G1 | | FEMALE PUSH ON TERMINAL..... | 2 |
| 5 | 00979G01 | | SOCKET HEAD SCREW, #10 - 24 X 7/8" LG..... | 3 |
| 6 | 00559G5 | | FLAT WASHER, #10..... | 3 |
| 7 | 14390G10 | | LOCK NUT, #10 - 24..... | 3 |
| 8 | 656405 | | STROBE LIGHT HARNESS..... | 1 |
| 9 | 17618G1 | | NYLON CLAMP, 8" LG (NOT ILLUSTRATED)..... | 16 |
| 10 | 614901 | | SELF STRIPPING WIRE SPLICE (NOT ILLUSTRATED)..... | 1 |
| 11 | 35212G05 | | FUSE (NOT ILLUSTRATED)..... | 1 |
| 12 | | | | |
| 13 | 656410 | | ACCESSORY LIGHTS KIT (NOT ILLUSTRATED)..... | 1 |
| 14 | 629631 | | DUAL SET LED LIGHTS KIT (NOT ILLUSTRATED)..... | 1 |

Notes:



ELECTRONIC SPEED CONTROL

1 ELECTRONIC SPEED CONTROL ASSEMBLY includes items 2 - 17



ELECTRONIC SPEED CONTROL

THE USE OF NON U.L. PARTS WILL VOID ANY U.L. LISTING.

When ordering parts, please specify the model and serial number of the product.

* Indicates a component that is not available as an individual part.

*** Indicates consult Customer Service Department for additional information.

| ITEM | PART NO. | 1 2 3 4 5 | DESCRIPTION | QTY. |
|------|-----------|-----------|--|------|
| 1 | 652978 | | ELECTRONIC SPEED CONTROL ASSEMBLY, 72V (INCLUDES ITEMS 2 - 17) | 1 |
| 2 | 666996G06 | | CONTROLLER, 350A (FOR VEHICLES MANUFACTURED AFTER MARCH 5, 2018) | 1 |
| 3 | 606262 | | HEX HEAD BOLT, M8 - 1.25 X 16MM LG | 1 |
| 4 | 606272 | | LOCK WASHER, 8MM | 1 |
| 5 | 634270G05 | | 4 AWG BATTERY WIRE, 18" | 1 |
| 6 | 635406 | | CONTROLLER BRACKET | 1 |
| 7 | 00797G2 | | HEX HEAD BOLT, 1/4" - 20 X 1 1/4" LG | 4 |
| 8 | 00642G7 | | FLAT WASHER, 5/16" | 4 |
| 9 | 11027G2 | | FLANGED LOCK NUT, 1/4" - 20 | 6 |
| 10 | 12914G1 | | FASTON TAB | 4 |
| 11 | 621330 | | SOLENOID | 1 |
| 12 | 22281G3 | | TRIM (BLACK), 1.5" | 1 |
| 13 | 32372G8 | | TRIM (VINYL), 4" | 1 |
| 14 | 606421 | | HEX HEAD BOLT, M6 - 1 X 30MM LG | 2 |
| 15 | 635402 | | HEX INSERT NUT, M6 X 1 | 2 |
| 16 | 601476 | | LOCK NUT, M6 - 1 | 2 |
| 17 | 652397 | | CONTROLLER, 350A (FOR VEHICLES MANUFACTURED BEFORE MARCH 5, 2018) | 1 |
| 18 | 00922G3 | | FLAT WASHER, 7/16" | 2 |
| 19 | 00734G1 | | LOCK NUT, 7/16" - 14 | 2 |
| 20 | 00463G4 | | HEX HEAD BOLT, 7/16" - 14 X 1 1/2" LG | 2 |
| 21 | 31539G1 | | NYLON CLAMP, 15.5" LG (NOT ILLUSTRATED) | 1 |
| 22 | | | | |
| 23 | 00414G7 | | HEX HEAD BOLT, 1/4" - 20 X 1/2" LG | 1 |
| 24 | 00559G7 | | FLAT WASHER, 1/4" | 1 |
| 25 | 11027G2 | | LOCK NUT, 1/4" - 20 | 1 |
| 26 | | | | |
| 27 | 635407 | | CONTROLLER COVER | 1 |
| 28 | 627579 | | HEX HEAD BOLT, M10 - 1.5 X 35MM LG | 1 |
| 29 | 635363 | | U-NUT (BARREL), M10 X 1.5 | 1 |

ELECTRONIC SPEED CONTROL

THE USE OF NON U.L. PARTS WILL VOID ANY U.L. LISTING.

When ordering parts, please specify the model and serial number of the product.

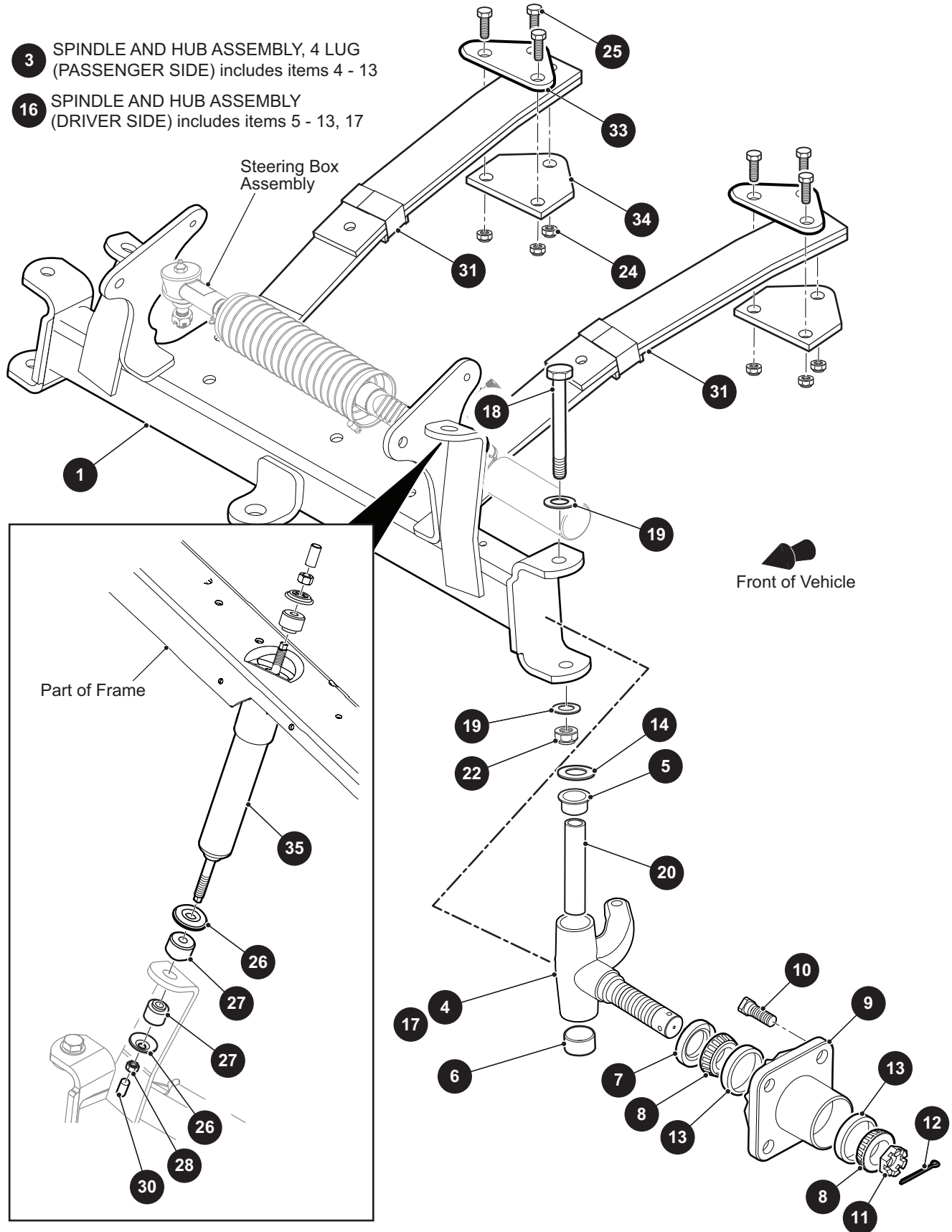
* Indicates a component that is not available as an individual part.

*** Indicates consult Customer Service Department for additional information.

| ITEM | PART NO. | 1 | 2 | 3 | 4 | 5 | DESCRIPTION | QTY. |
|------|----------|---|---|---|---|---|--|------|
| 30 | | | | | | | | |
| 31 | | | | | | | | |
| 32 | 606262 | | | | | | HEX HEAD BOLT, M8 - 1.25 X 16MM LG | 4 |
| 33 | 606272 | | | | | | LOCK WASHER, 8MM | 4 |
| 34 | | | | | | | | |
| 35 | 16816G2 | | | | | | RATCHET RIVET, .25" X .887" | 1 |

FRONT SUSPENSION AND STEERING

- 3** SPINDLE AND HUB ASSEMBLY, 4 LUG (PASSENGER SIDE) includes items 4 - 13
- 16** SPINDLE AND HUB ASSEMBLY (DRIVER SIDE) includes items 5 - 13, 17



FRONT SUSPENSION AND STEERING

THE USE OF NON U.L. PARTS WILL VOID ANY U.L. LISTING.

When ordering parts, please specify the model and serial number of the product.

* Indicates a component that is not available as an individual part.

*** Indicates consult Customer Service Department for additional information.

| ITEM | PART NO. | 1 2 3 4 5 | DESCRIPTION | QTY. |
|------|----------|-----------|--|------|
| 1 | 655374 | | FRONT AXLE, WIDE | 1 |
| 2 | | | | |
| 3 | 70942G03 | | SPINDLE AND HUB ASSEMBLY, 4 LUG (PASSENGER SIDE) (INCLUDES ITEMS 4 - 13) | 1 |
| 4 | 70940G02 | | SPINDLE ASSEMBLY | 1 |
| 5 | 632925 | | FLANGED BUSHING, O.D 35MM X I.D 25MM | 1 |
| 6 | 632926 | | BEARING, O.D 28MM | 1 |
| 7 | 25146G1 | | GREASE SEAL | 1 |
| 8 | 11750G2 | | ROLLER BEARING AND RACE ASSEMBLY | 2 |
| 9 | 70589G01 | | WHEEL HUB | 1 |
| 10 | 19862G1 | | WHEEL HUB BOLT, 1/2" - 20 X 1.218" LG | 4 |
| 11 | 12093G1 | | SLOTTED NUT, #1 - 14 | 1 |
| 12 | 00798G8 | | COTTER PIN, 5/32" X 1 3/4" LG | 1 |
| 13 | 51141G1 | | RACE BEARING | 2 |
| 14 | 70754G01 | | THRUST WASHER (SS), 1.3" | 1 |
| 15 | | | | |
| 16 | 70673G03 | | SPINDLE AND HUB ASSEMBLY, 4 LUG (DRIVER SIDE) (INCLUDES ITEMS 5 - 13, 17) | 1 |
| 17 | 70742G02 | | SPINDLE ASSEMBLY | 1 |
| 18 | 00407G6 | | HEX HEAD BOLT, 1/2" - 13 X 6" LG | 1 |
| 19 | 00560G3 | | FLAT WASHER, 1/2" | 2 |
| 20 | 70745G01 | | KING PIN TUBE | 1 |
| 21 | | | | |
| 22 | 14390G6 | | LOCK NUT, 1/2" - 13 | 1 |
| 23 | | | | |
| 24 | 00734G1 | | LOCK NUT, 7/16" - 14 | 6 |
| 25 | 650940 | | HEX HEAD BOLT, 7/16" - 14 X 2" LG | 6 |
| 26 | 10435G1 | | SHOCK ABSORBER WASHER | 4 |
| 27 | 10194G1 | | RUBBER SHOCK ABSORBER BUSHING | 4 |
| 28 | 00532G6 | | HEX NUT, 1/4" - 20 | 2 |
| 29 | | | | |
| 30 | 10044G01 | | VINYL CAP | 2 |

FRONT SUSPENSION AND STEERING

THE USE OF NON U.L. PARTS WILL VOID ANY U.L. LISTING.

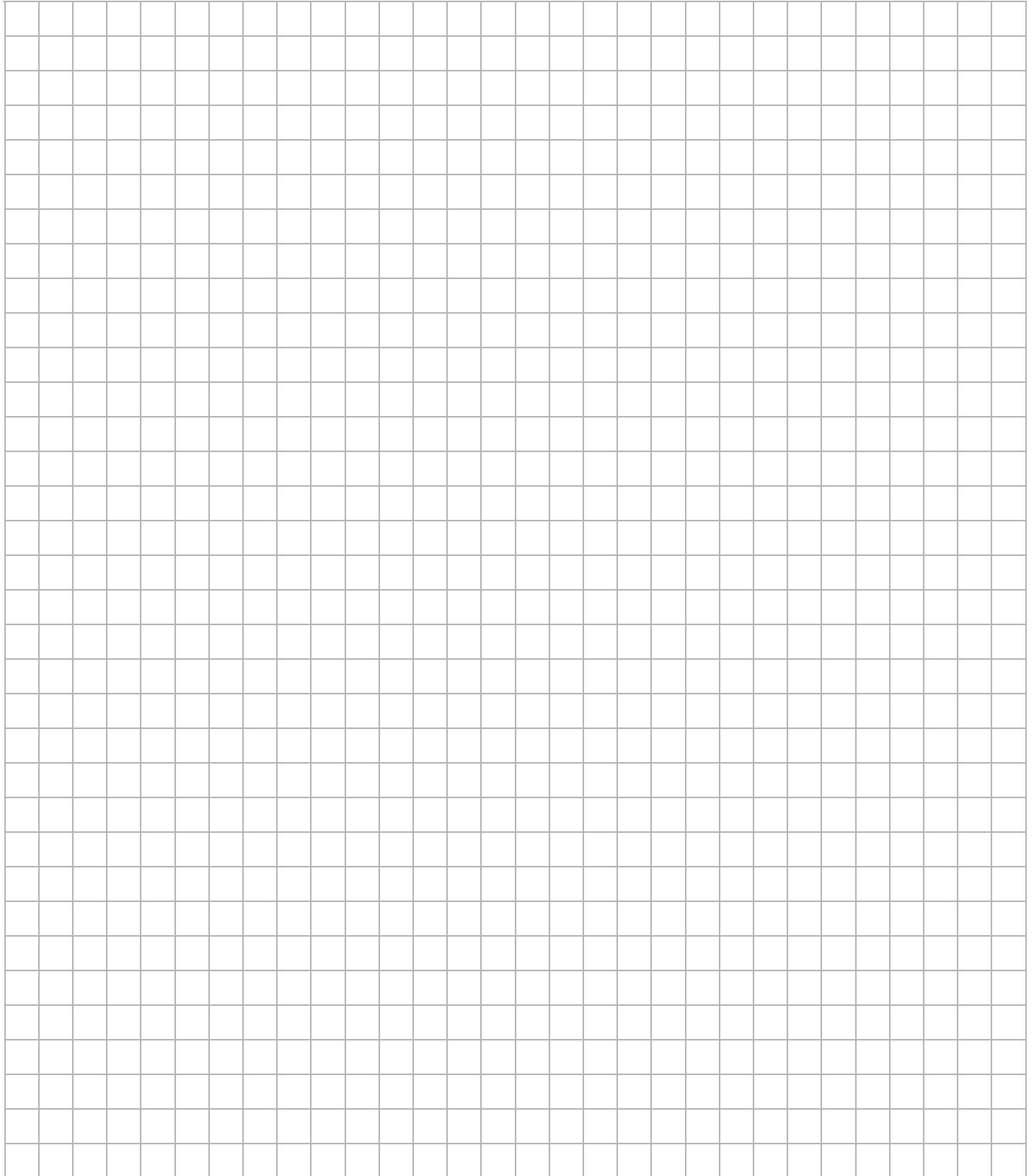
When ordering parts, please specify the model and serial number of the product.

* Indicates a component that is not available as an individual part.

*** Indicates consult Customer Service Department for additional information.

| ITEM | PART NO. | 1 2 3 4 5 | DESCRIPTION | QTY. |
|------|----------|-----------|----------------------------|------|
| 31 | 657022 | | LEAF SPRING, 180 LBS | 2 |
| 32 | | | | |
| 33 | 658891 | | UPPER PLATE | 2 |
| 34 | 652258 | | SPRING PLATE..... | 2 |
| 35 | 76419G01 | | SHOCK ABSORBER..... | 1 |

Notes:

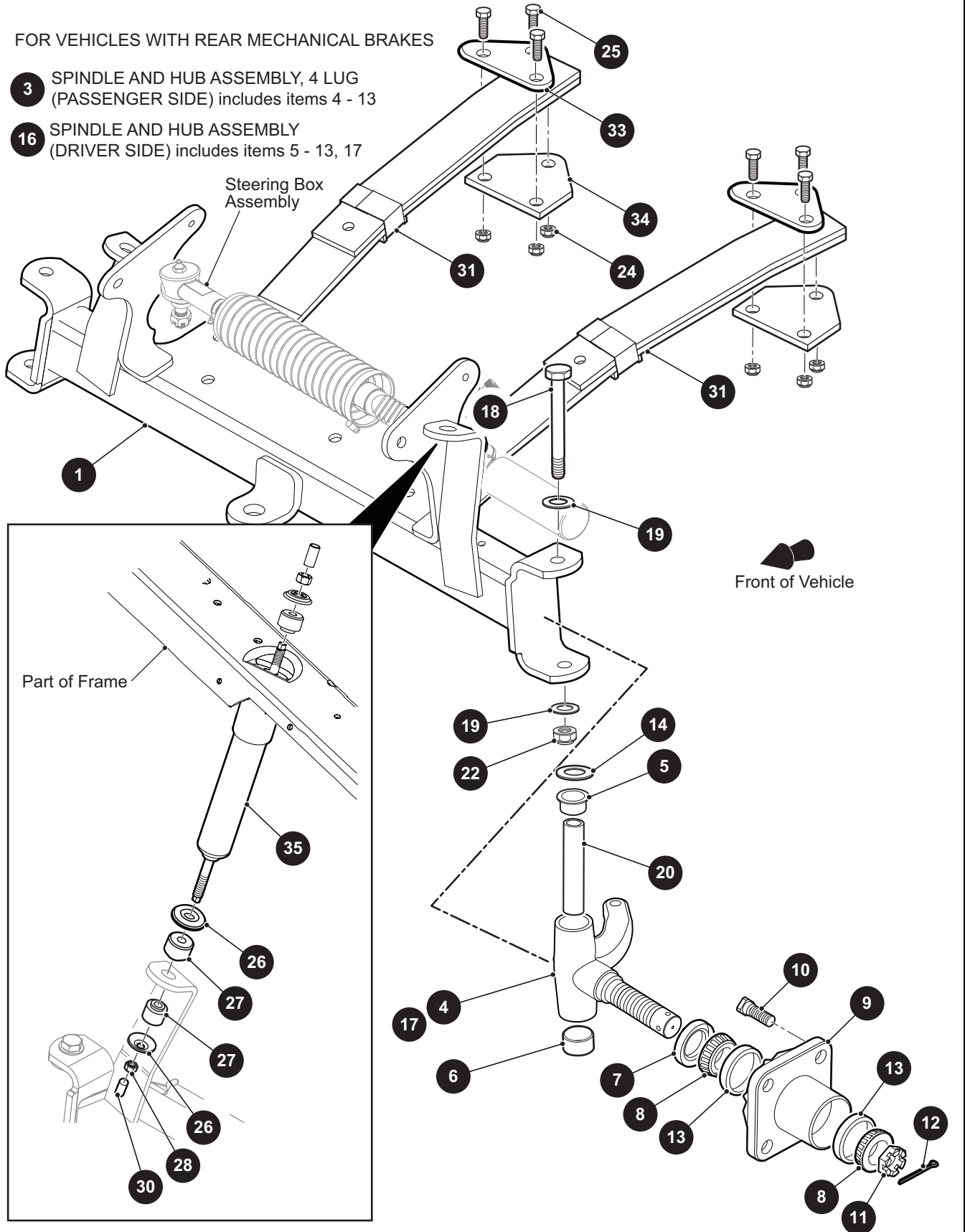
A large grid of empty squares for taking notes, consisting of 20 columns and 28 rows.

FRONT SUSPENSION AND STEERING

FOR VEHICLES WITH REAR MECHANICAL BRAKES

3 SPINDLE AND HUB ASSEMBLY, 4 LUG
(PASSENGER SIDE) includes items 4 - 13

16 SPINDLE AND HUB ASSEMBLY
(DRIVER SIDE) includes items 5 - 13, 17



FRONT SUSPENSION AND STEERING

THE USE OF NON U.L. PARTS WILL VOID ANY U.L. LISTING.

When ordering parts, please specify the model and serial number of the product.

* Indicates a component that is not available as an individual part.

*** Indicates consult Customer Service Department for additional information.

| ITEM | PART NO. | 1 2 3 4 5 | DESCRIPTION | QTY. |
|------|----------|-----------|--|------|
| 1 | 652465 | | FRONT AXLE, NARROW | 1 |
| 2 | | | | |
| 3 | 70942G03 | | SPINDLE AND HUB ASSEMBLY, 4 LUG (PASSENGER SIDE) (INCLUDES ITEMS 4 - 13) | 1 |
| 4 | 70940G02 | | SPINDLE ASSEMBLY | 1 |
| 5 | 632925 | | FLANGED BUSHING, O.D 35MM X I.D 25MM | 1 |
| 6 | 632926 | | BEARING, O.D 28MM | 1 |
| 7 | 25146G1 | | GREASE SEAL | 1 |
| 8 | 11750G2 | | ROLLER BEARING AND RACE ASSEMBLY | 2 |
| 9 | 70589G01 | | WHEEL HUB | 1 |
| 10 | 19862G1 | | WHEEL HUB BOLT, 1/2" - 20 X 1.218" LG | 4 |
| 11 | 12093G1 | | SLOTTED NUT, #1 - 14 | 1 |
| 12 | 00798G8 | | COTTER PIN, 5/32" X 1 3/4" LG | 1 |
| 13 | 51141G1 | | RACE BEARING | 2 |
| 14 | 70754G01 | | THRUST WASHER (SS), 1.3" | 1 |
| 15 | | | | |
| 16 | 70673G03 | | SPINDLE AND HUB ASSEMBLY, 4 LUG (DRIVER SIDE) (INCLUDES ITEMS 5 - 13, 17) | 1 |
| 17 | 70742G02 | | SPINDLE ASSEMBLY | 1 |
| 18 | 00407G6 | | HEX HEAD BOLT, 1/2" - 13 X 6" LG | 1 |
| 19 | 00560G3 | | FLAT WASHER, 1/2" | 2 |
| 20 | 70745G01 | | KING PIN TUBE | 1 |
| 21 | | | | |
| 22 | 14390G6 | | LOCK NUT, 1/2" - 13 | 1 |
| 23 | | | | |
| 24 | 00734G1 | | LOCK NUT, 7/16" - 14 | 6 |
| 25 | 650940 | | HEX HEAD BOLT, 7/16" - 14 X 2" LG | 6 |
| 26 | 10435G1 | | SHOCK ABSORBER WASHER | 4 |
| 27 | 10194G1 | | RUBBER SHOCK ABSORBER BUSHING | 4 |
| 28 | 00532G6 | | HEX NUT, 1/4" - 20 | 2 |
| 29 | | | | |
| 30 | 10044G01 | | VINYL CAP | 2 |

FRONT SUSPENSION AND STEERING

THE USE OF NON U.L. PARTS WILL VOID ANY U.L. LISTING.

When ordering parts, please specify the model and serial number of the product.

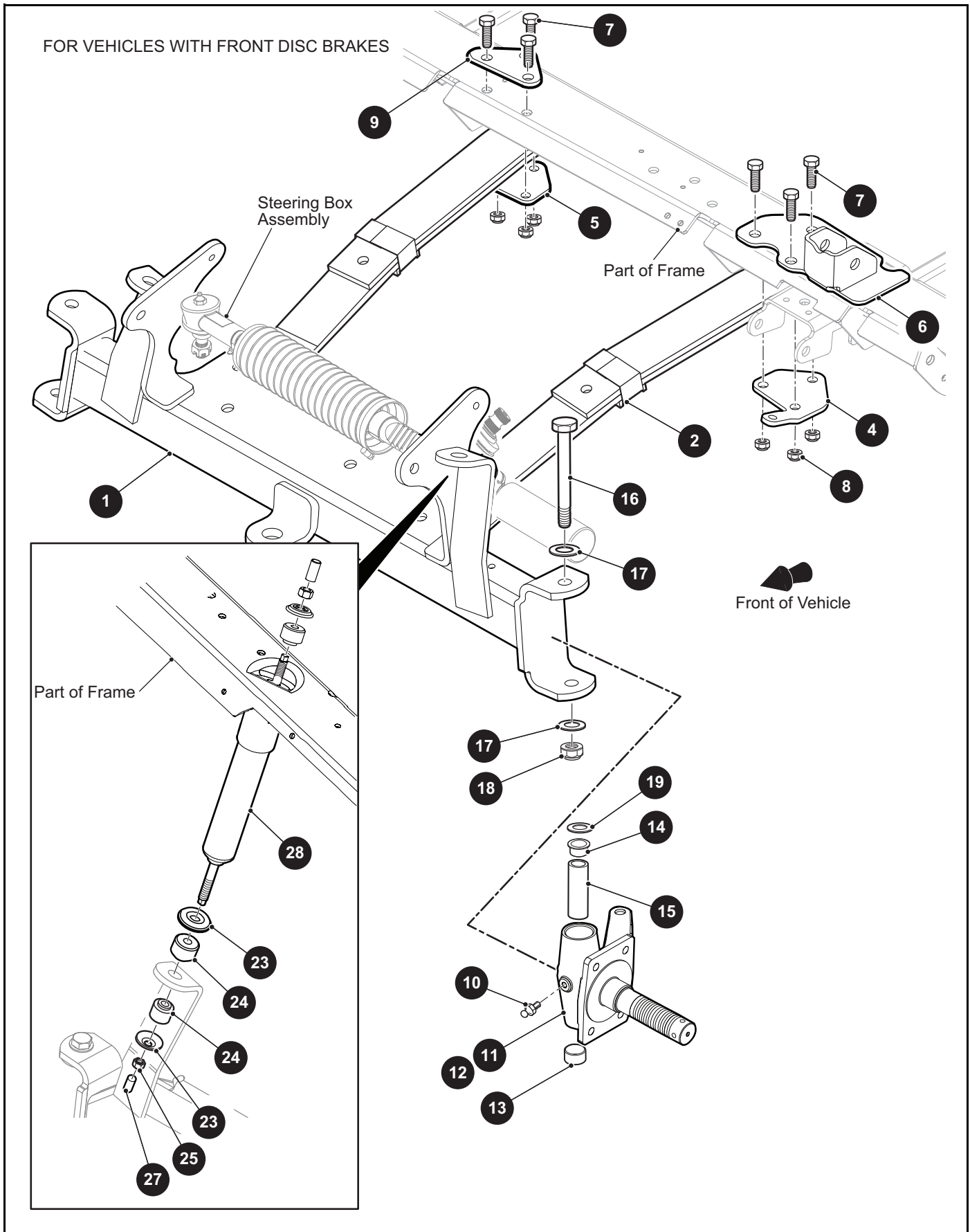
* Indicates a component that is not available as an individual part.

*** Indicates consult Customer Service Department for additional information.

| ITEM | PART NO. | 1 2 3 4 5 | DESCRIPTION | QTY. |
|------|----------|-----------|----------------------------|------|
| 31 | 657022 | | LEAF SPRING, 180 LBS | 2 |
| 32 | | | | |
| 33 | 658891 | | UPPER PLATE | 2 |
| 34 | 652258 | | SPRING PLATE..... | 2 |
| 35 | 76419G01 | | SHOCK ABSORBER..... | 1 |

FRONT SUSPENSION AND STEERING

FOR VEHICLES WITH FRONT DISC BRAKES



FRONT SUSPENSION AND STEERING

THE USE OF NON U.L. PARTS WILL VOID ANY U.L. LISTING.

When ordering parts, please specify the model and serial number of the product.

* Indicates a component that is not available as an individual part.

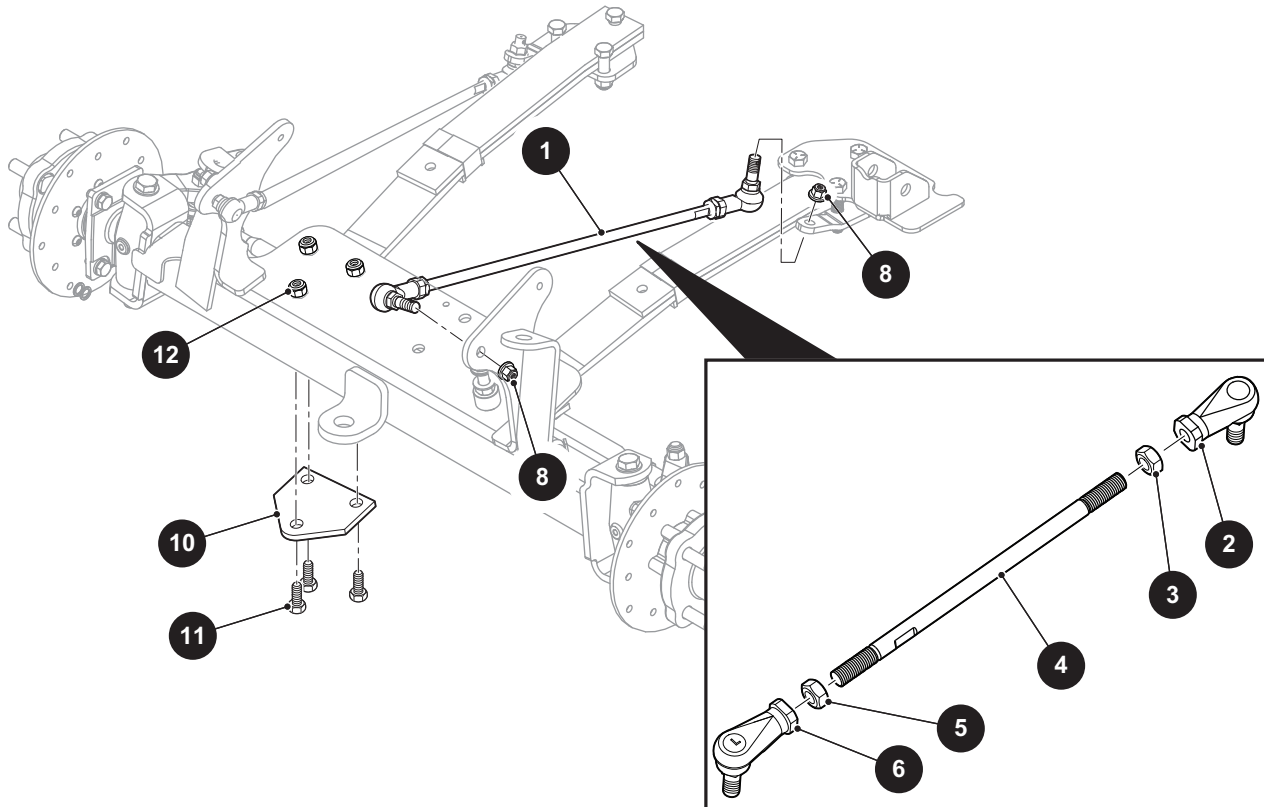
*** Indicates consult Customer Service Department for additional information.

| ITEM | PART NO. | 1 2 3 4 5 | DESCRIPTION | QTY. |
|------|----------|-----------|---|------|
| 1 | 652465 | | FRONT AXLE, NARROW | 1 |
| 2 | 657022 | | LEAF SPRING, 180 LBS..... | 2 |
| 3 | 652258 | | SPRING PLATE | 2 |
| 4 | 74731G01 | | SPRING PLATE (DRIVER SIDE)..... | 1 |
| 5 | 74731G02 | | SPRING PLATE (PASSENGER SIDE) | 1 |
| 6 | 647839 | | MOUNTING BRACKET..... | 1 |
| 7 | 650940 | | HEX HEAD BOLT, 7/16" - 14 X 2" LG | 6 |
| 8 | 00734G1 | | LOCK NUT, 7/16" - 14..... | 3 |
| 9 | 658891 | | UPPER PLATE..... | 1 |
| 10 | 10389G3 | | GREASE FITTING | 1 |
| 11 | 649624 | | SPINDLE (PASSENGER SIDE) | 1 |
| 12 | 647335 | | SPINDLE (DRIVER SIDE) | 1 |
| 13 | 632926 | | SLEEVE BUSHING, 28MM O.D. X 25MM I.D. X 15MM LG | 1 |
| 14 | 632925 | | FLANGED BUSHING 28MM O.D. X 25MM I.D. X 16.5MM LG | 1 |
| 15 | 70745G01 | | KING PIN TUBE..... | 1 |
| 16 | 00407G6 | | HEX HEAD BOLT, 1/2" - 13 X 6" LG | 1 |
| 17 | 00560G3 | | FLAT WASHER, 1/2"..... | 2 |
| 18 | 14390G6 | | LOCK NUT, 1/2" - 13..... | 1 |
| 19 | 70754G01 | | THRUST WASHER (SS), 1.3" | 1 |
| 20 | | | | |
| 21 | 00734G1 | | LOCK NUT, 7/16" - 14..... | 6 |
| 22 | | | | |
| 23 | 10435G1 | | SHOCK ABSORBER WASHER..... | 4 |
| 24 | 10194G1 | | RUBBER SHOCK ABSORBER BUSHING | 4 |
| 25 | 00532G6 | | HEX NUT, 1/4" - 20 | 2 |
| 26 | | | | |
| 27 | 10044G01 | | VINYL CAP..... | 2 |
| 28 | 76419G01 | | SHOCK ABSORBER..... | 1 |

FRONT SUSPENSION AND STEERING

FOR VEHICLES WITH FRONT DISC BRAKES

- 1** LINK ROD ASSEMBLY includes items 2 - 6



FRONT SUSPENSION AND STEERING

THE USE OF NON U.L. PARTS WILL VOID ANY U.L. LISTING.

When ordering parts, please specify the model and serial number of the product.

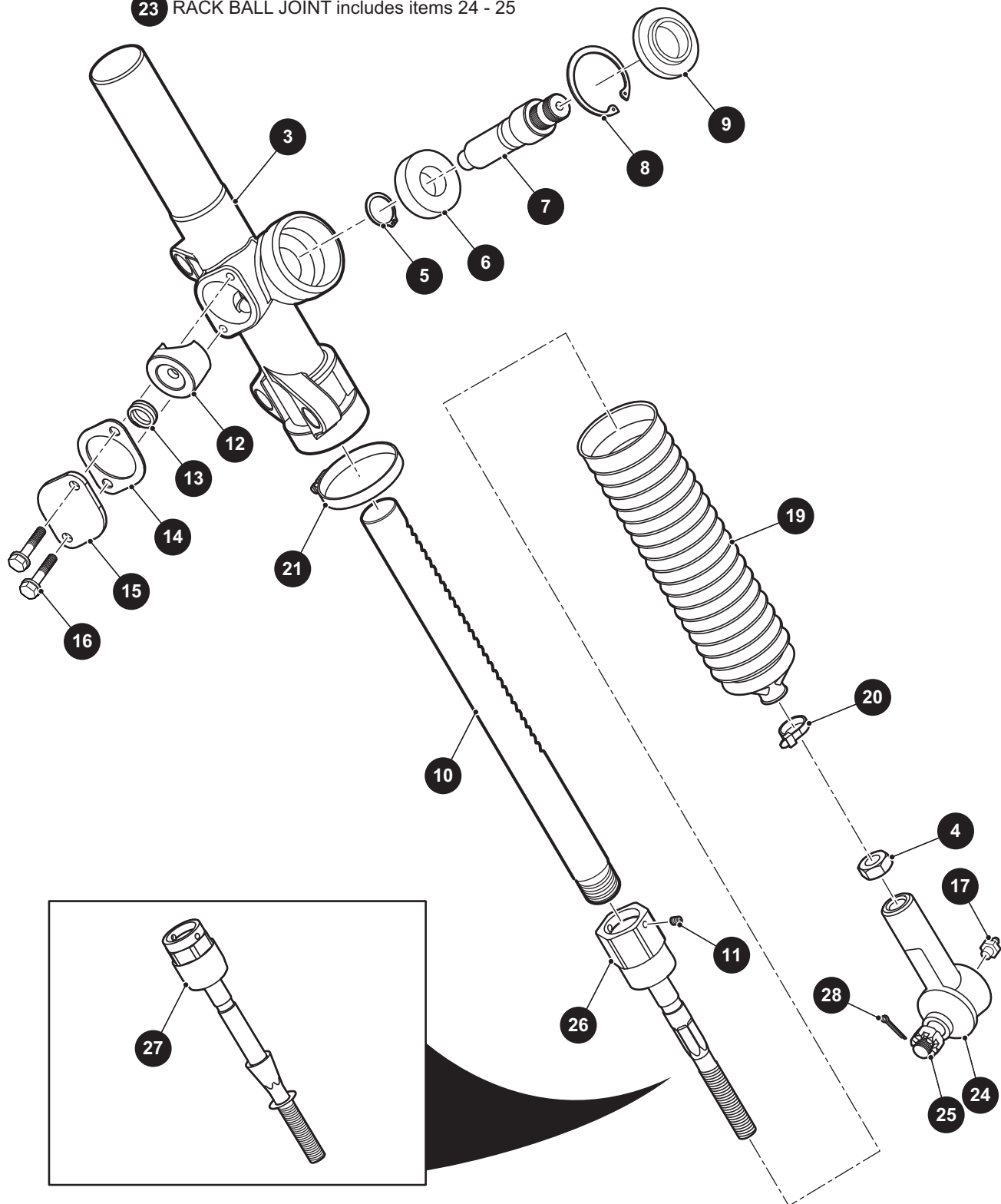
* Indicates a component that is not available as an individual part.

*** Indicates consult Customer Service Department for additional information.

| ITEM | PART NO. | 1 2 3 4 5 | DESCRIPTION | QTY. |
|------|-----------|-----------|--|------|
| 1 | 641627G01 | | LINK ROD ASSEMBLY (INCLUDES ITEMS 2 - 6) | 1 |
| 2 | 74734G02 | | TIE ROD END, RH | 1 |
| 3 | 01083G01 | | JAM NUT, RH, M10 X 1.25 | 1 |
| 4 | 641620 | | LINK ROD | 1 |
| 5 | 01083G02 | | JAM NUT, LH, M10 X 1.25 | 1 |
| 6 | 74734G01 | | TIE ROD END, LH | 1 |
| 7 | | | | |
| 8 | 606279 | | FLANGED HEX NUT, M10 - 1.25 | 2 |
| 9 | | | | |
| 10 | 652258 | | SPRING PLATE | 2 |
| 11 | 00463G11 | | HEX HEAD BOLT, 7/16" - 14 X 1 1/2" LG | 5 |
| 12 | 00734G1 | | LOCK NUT, 7/16" - 14 | 5 |

FRONT SUSPENSION AND STEERING

- 1 STEERING BOX ASSEMBLY includes items 3 - 26
- 2 STEERING BOX ASSEMBLY includes items 3 - 23, 27
- 23 RACK BALL JOINT includes items 24 - 25



FRONT SUSPENSION AND STEERING

THE USE OF NON U.L. PARTS WILL VOID ANY U.L. LISTING.

When ordering parts, please specify the model and serial number of the product.

* Indicates a component that is not available as an individual part.

*** Indicates consult Customer Service Department for additional information.

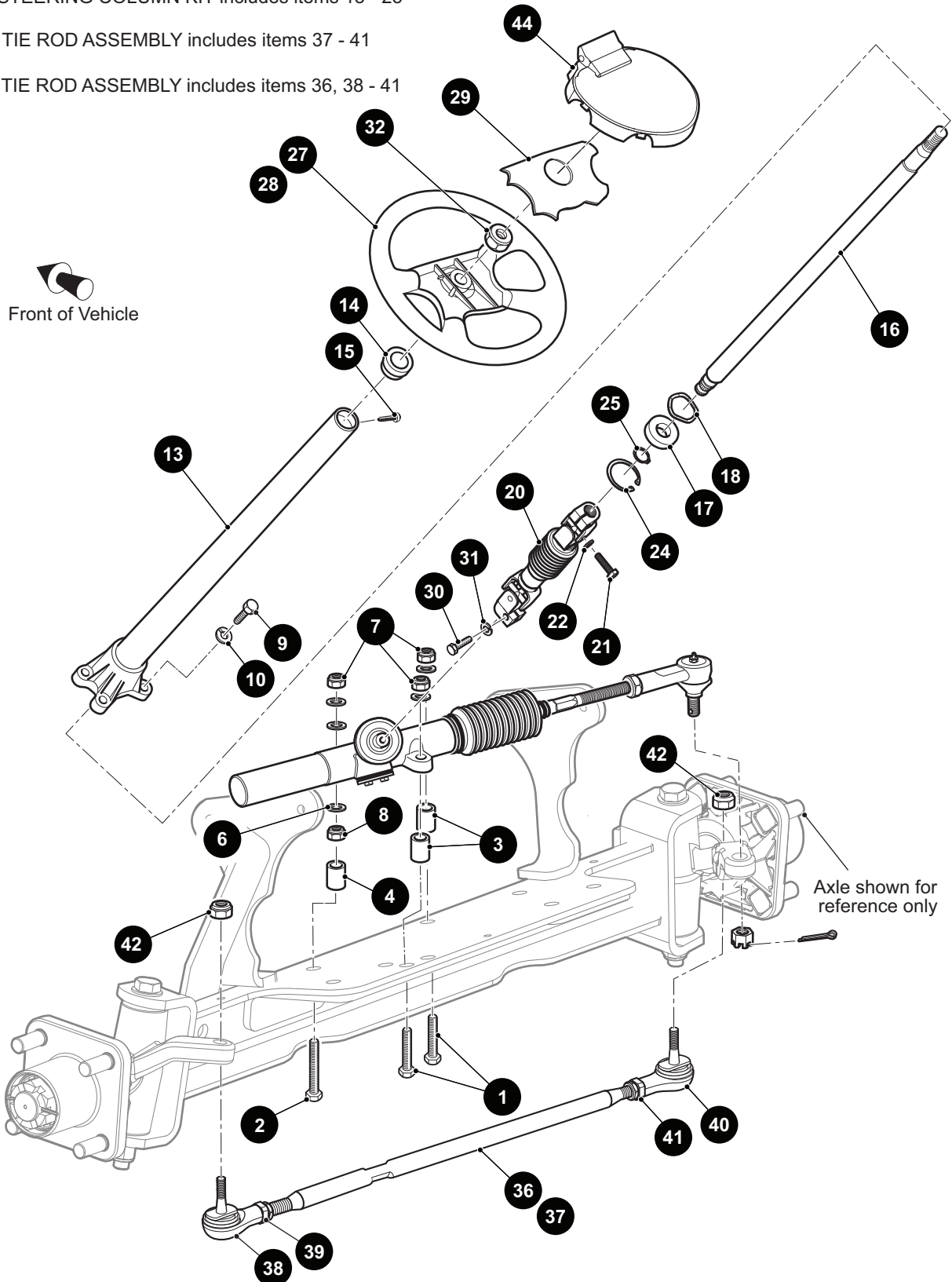
| ITEM | PART NO. | 1 2 3 4 5 | DESCRIPTION | QTY. |
|------|----------|-----------|---|------|
| 1 | 70964G01 | | STEERING BOX ASSEMBLY (INCLUDES ITEMS 3 - 26) | 1 |
| 2 | 74605G01 | | STEERING BOX ASSEMBLY (INCLUDES ITEMS 3 - 25, 27) | 1 |
| 3 | 70965G01 | | STEERING RACK COVER AND BEARING | 1 |
| 4 | * | | JAM NUT, 1/2" - 20 | 1 |
| 5 | 70750G01 | | RETAINING RING (EXTERNAL) | 1 |
| 6 | 15112G1 | | BALL BEARING | 1 |
| 7 | 70603G01 | | PINION | 1 |
| 8 | 70751G01 | | RETAINING RING (INTERNAL) | 1 |
| 9 | 70638G01 | | SEAL (PINION) | 1 |
| 10 | 70604G01 | | STEERING RACK | 1 |
| 11 | * | | SET SCREW, #10 - 32 X .25" LG | 1 |
| 12 | 70590G01 | | RACK LOADER | 1 |
| 13 | 70666G01 | | COMPRESSION SPRING | 1 |
| 14 | 70645G01 | | GASKET (RACK LOADER COVER) | 1 |
| 15 | 652259 | | COVER (RACK LOADER) | 1 |
| 16 | 71102G01 | | HEX WASHER HEAD BOLT, 1/4" - 20 X 11/16" LG | 2 |
| 17 | 10389G3 | | GREASE FITTING (STRAIGHT) | 1 |
| 18 | | | | |
| 19 | 70961G01 | | RACK BOOT | 1 |
| 20 | 12416G2 | | NYLON CLAMP, 10" LG | 1 |
| 21 | 11391G8 | | HOSE CLAMP, 1.81" | 1 |
| 22 | | | | |
| 23 | 70695G01 | | TIE ROD END (OUTER) (INCLUDES ITEMS 24 - 25) | 1 |
| 24 | 50641G1 | | GROMMET | 1 |
| 25 | 50209G2 | | HEX SLOTTED NUT, 7/16" - 20 | 1 |
| 26 | 74694G01 | | ROD END (INNER) | 1 |
| 27 | 74602G01 | | ROD END (INNER) | 1 |
| 28 | 10387G2 | | COTTER PIN, 3/32" X 1" | 1 |

FRONT SUSPENSION AND STEERING

12 STEERING COLUMN KIT includes items 13 - 25

34 TIE ROD ASSEMBLY includes items 37 - 41

35 TIE ROD ASSEMBLY includes items 36, 38 - 41



FRONT SUSPENSION AND STEERING

THE USE OF NON U.L. PARTS WILL VOID ANY U.L. LISTING.

When ordering parts, please specify the model and serial number of the product.

* Indicates a component that is not available as an individual part.

*** Indicates consult Customer Service Department for additional information.

| ITEM | PART NO. | 1 2 3 4 5 | DESCRIPTION | QTY. |
|------|----------|-----------|---|------|
| 1 | 00464G8 | | HEX HEAD BOLT, 7/16" - 14 X 2 3/4" LG | 2 |
| 2 | 01068G01 | | HEX HEAD BOLT, 7/16" - 14 X 3.5" LG | 1 |
| 3 | 70667G02 | | SPACER, O.D, 1" X I.D .46" X 1.2" LG | 2 |
| 4 | 70667G04 | | SPACER, O.D 1" X I.D .46" X .69" LG | 1 |
| 5 | | | | |
| 6 | 00560G2 | | FLAT WASHER, 7/16" | 7 |
| 7 | 00734G1 | | LOCK NUT, 7/16" - 14 | 3 |
| 8 | 00532G7 | | HEX NUT, 1/4" - 20 | 1 |
| 9 | 01006G01 | | HEX WASHER HEAD BOLT, 3/8" - 16 X 1 1/4" LG | 4 |
| 10 | 00879G1 | | LOCK WASHER, 3/8" | 4 |
| 11 | | | | |
| 12 | 70758G05 | | STEERING COLUMN ASSEMBLY (INCLUDES ITEMS 13 - 25) | 1 |
| 13 | 70610G03 | | STEERING COLUMN | 1 |
| 14 | 28569G01 | | STEERING COLUMN BUSHING | 1 |
| 15 | 01022G01 | | HEX WASHER HEAD BOLT, #6 - 20 X 5/16" LG | 1 |
| 16 | 70607G01 | | STEERING SHAFT | 1 |
| 17 | 15112G1 | | BALL BEARING, O.D 1.65" X I.D .78" | 1 |
| 18 | 70887G01 | | WAVE WASHER | 1 |
| 19 | | | | |
| 20 | 70580G01 | | INTERMEDIATE SHAFT | 1 |
| 21 | 01055G01 | | HEX HEAD BOLT, M8 - 1.25 X 30MM LG | 1 |
| 22 | 00565G8 | | LOCK WASHER, 5/16" | 2 |
| 23 | | | | |
| 24 | 70751G01 | | RETAINING RING (INTERNAL) | 1 |
| 25 | 70888G01 | | RETAINING RING (EXTERNAL) | 1 |
| 26 | | | | |
| 27 | 602980 | | STEERING WHEEL (PREMIUM) | 1 |
| 28 | 602979 | | STEERING WHEEL | 1 |
| 29 | 71147G01 | | STEERING WHEEL COVER | 1 |
| 30 | 01055G01 | | HEX HEAD BOLT, M8 - 1.25 X 30MM LG | 1 |
| 31 | 00565G8 | | LOCK WASHER, 5/16" | 2 |

FRONT SUSPENSION AND STEERING

THE USE OF NON U.L. PARTS WILL VOID ANY U.L. LISTING.

When ordering parts, please specify the model and serial number of the product.

* Indicates a component that is not available as an individual part.

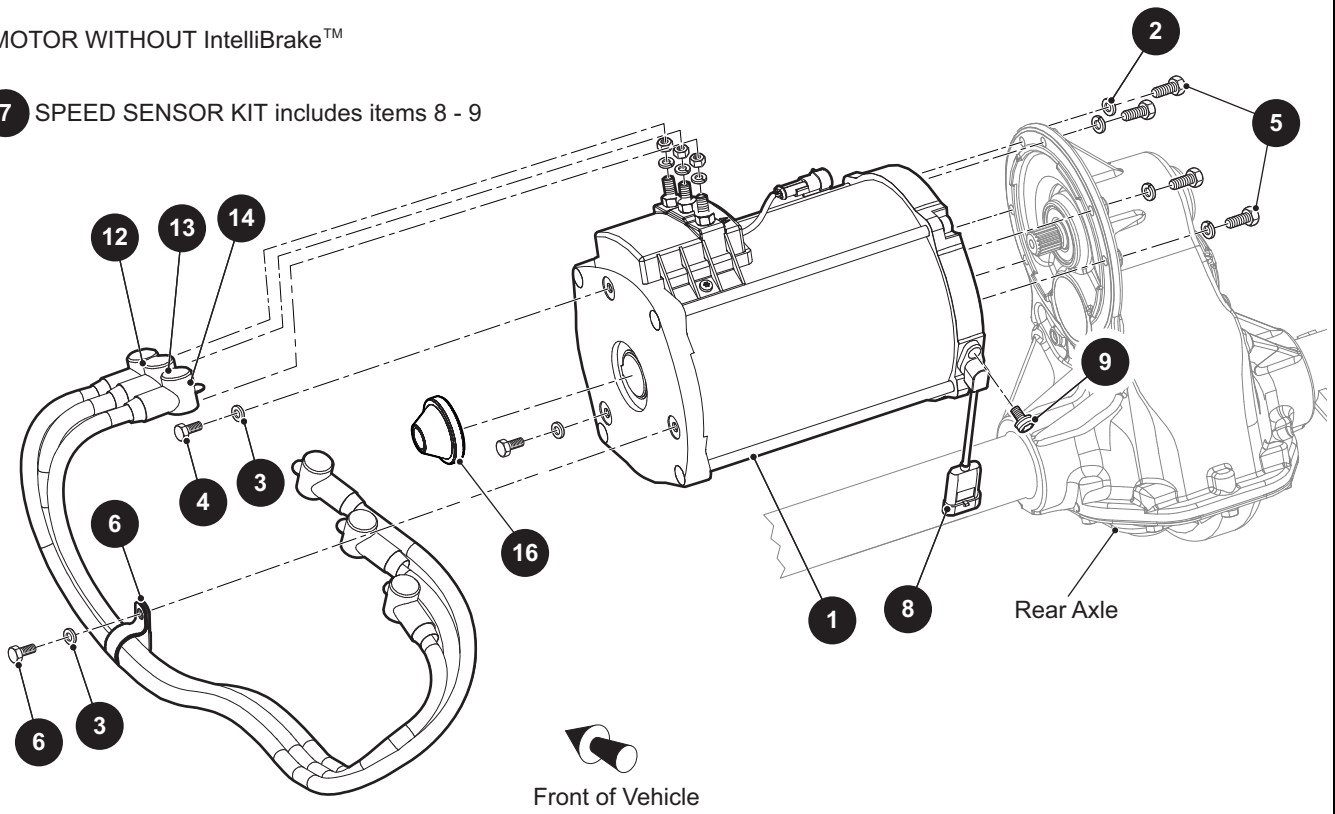
*** Indicates consult Customer Service Department for additional information.

| ITEM | PART NO. | 1 | 2 | 3 | 4 | 5 | DESCRIPTION | QTY. |
|------|----------|---|---|---|---|---|---|------|
| 32 | 14390G2 | | | | | | LOCK NUT, 5/8" - 18 | 1 |
| 33 | | | | | | | | |
| 34 | 70876G02 | | | | | | TIE ROD ASSEMBLY, 26.44" LG (INCLUDES ITEMS 37 - 41)..... | 1 |
| 35 | 74604G01 | | | | | | TIE ROD ASSEMBLY, 22.12" LG (INCLUDES ITEMS 36, 38 - 41)..... | 1 |
| 36 | 74603G01 | | | | | | THREADED ROD (29.4" LG)..... | |
| 37 | 70897G02 | | | | | | THREADED ROD (24" LG)..... | 1 |
| 38 | 70902G01 | | | | | | TIE ROD END (LEFT HAND THREADS) | 1 |
| 39 | 01069G01 | | | | | | JAM NUT, M12 X 1.25 - 05 (LEFT HAND THREADS)..... | 1 |
| 40 | 70902G02 | | | | | | TIE ROD END (RIGHT HAND THREADS) | 1 |
| 41 | 01069G02 | | | | | | JAM NUT, M12 X 1.25 - 05 (RIGHT HAND THREADS) | 1 |
| 42 | 00734G1 | | | | | | LOCK NUT, 7/16" - 14 | 2 |
| 43 | | | | | | | | |
| 44 | 652801 | | | | | | SCORECARD HOLDER..... | 1 |

MOTOR

MOTOR WITHOUT IntelliBrake™

7 SPEED SENSOR KIT includes items 8 - 9



THE USE OF NON U.L. PARTS WILL VOID ANY U.L. LISTING.

When ordering parts, please specify the model and serial number of the product.

* Indicates a component that is not available as an individual part.

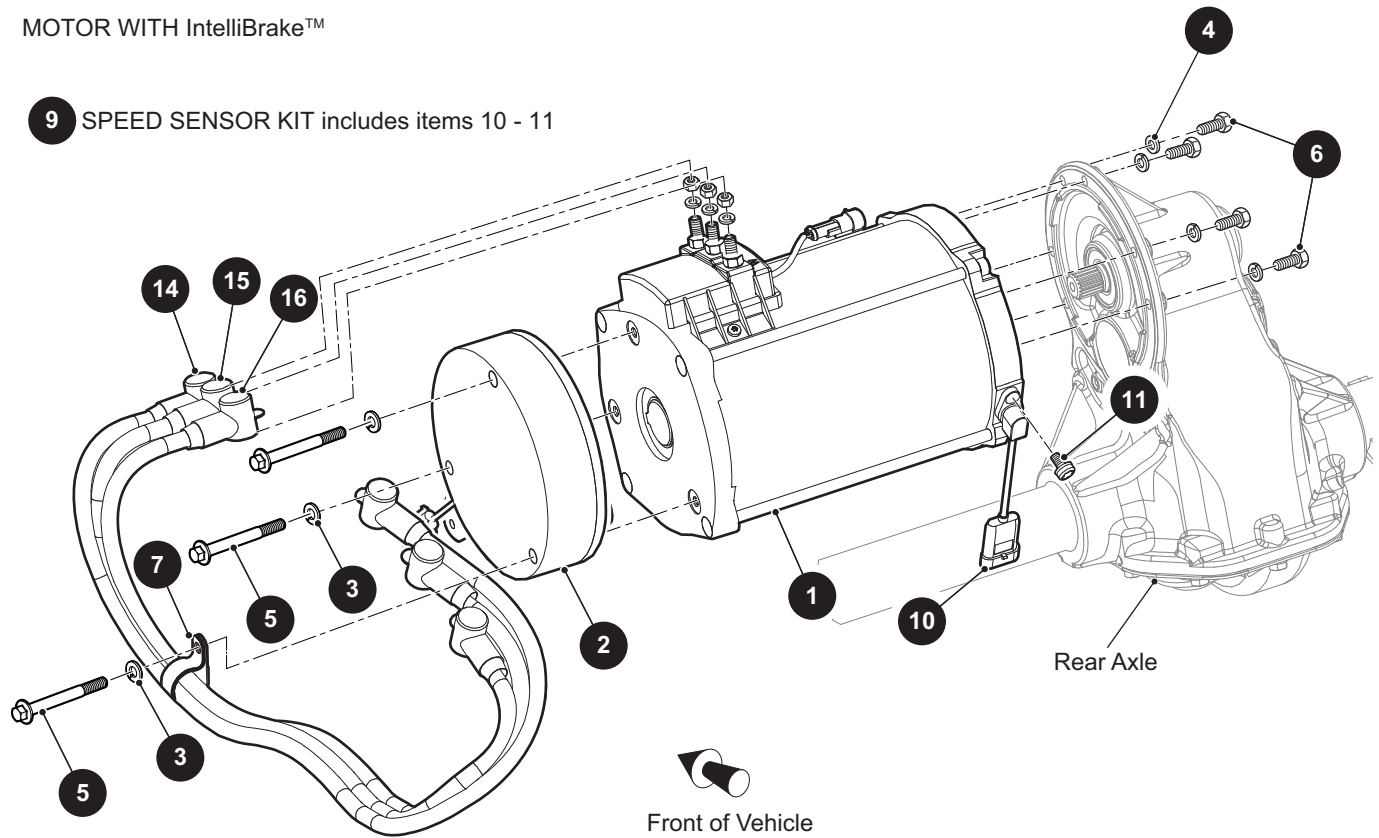
*** Indicates consult Customer Service Department for additional information.

| ITEM | PART NO. | 1 2 3 4 5 | DESCRIPTION | QTY. |
|------|-----------|-----------|---|------|
| 1 | 667272 | | MOTOR, 72V | 1 |
| 2 | 601327 | | LOCK WASHER, 6MM..... | 6 |
| 3 | 00915G1 | | BONDED SEAL WASHER, 1/4" I.D | 3 |
| 4 | 616716 | | HEX HEAD BOLT, M6 - 1 X 16MM LG..... | 3 |
| 5 | 605741 | | HEX HEAD BOLT, M6 - 1 X 25MM LG..... | 6 |
| 6 | 630761 | | LOOP CLAMP | 1 |
| 7 | 614252 | | SPEED SENSOR KIT (INCLUDES ITEMS 8 - 9) | 1 |
| 8 | 612741 | | SPEED SENSOR | 1 |
| 9 | 614253 | | PAN HEAD TORX SCREW, M6 - 1 X 12MM LG | 1 |
| 10 | | | | |
| 11 | | | | |
| 12 | 635137G01 | | MOTOR WIRE (U), 2AWG, 44" | 1 |
| 13 | 635137G02 | | MOTOR WIRE (V), 2AWG, 41" | 1 |
| 14 | 635137G03 | | MOTOR WIRE (W), 2AWG, 37" | 1 |
| 15 | | | | |
| 16 | 668275 | | END CAP | 1 |

MOTOR

MOTOR WITH IntelliBrake™

9 SPEED SENSOR KIT includes items 10 - 11



THE USE OF NON U.L. PARTS WILL VOID ANY U.L. LISTING.

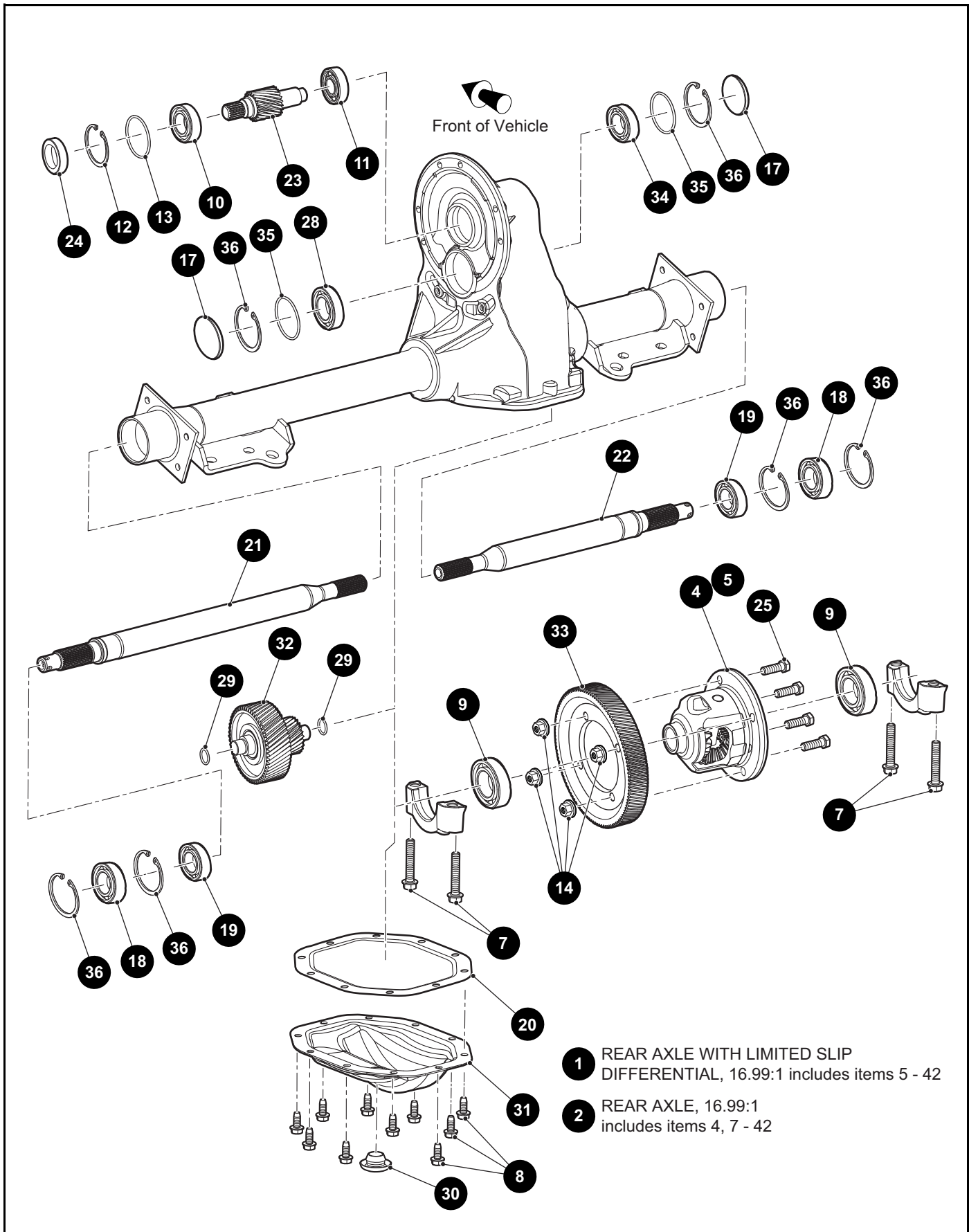
When ordering parts, please specify the model and serial number of the product.

* Indicates a component that is not available as an individual part.

*** Indicates consult Customer Service Department for additional information.

| ITEM | PART NO. | 1 2 3 4 5 | DESCRIPTION | QTY. |
|------|-----------|-----------|--|------|
| 1 | 667276 | | MOTOR, 72V | 1 |
| 2 | 630894 | | INTELLIBRAKE™ | 1 |
| 3 | 00664G7 | | LOCK WASHER (SS), 1/4" | 3 |
| 4 | 601327 | | LOCK WASHER, 6MM..... | 6 |
| 5 | 73715G01 | | FLANGED HEX HEAD BOLT, M6 - 1 X 60MM LG..... | 3 |
| 6 | 605741 | | HEX HEAD BOLT, M6 - 1 X 25MM LG..... | 6 |
| 7 | 630761 | | LOOP CLAMP | 1 |
| 8 | | | | |
| 9 | 614252 | | SPEED SENSOR KIT (INCLUDES ITEMS 10 - 11)..... | 1 |
| 10 | 612741 | | SPEED SENSOR | 1 |
| 11 | 614253 | | PAN HEAD TORX SCREW, M6 - 1 X 12MM LG | 1 |
| 12 | | | | |
| 13 | | | | |
| 14 | 635137G01 | | MOTOR WIRE (U), 2AWG, 44" | 1 |
| 15 | 635137G02 | | MOTOR WIRE (V), 2AWG, 41" | 1 |
| 16 | 635137G03 | | MOTOR WIRE (W), 2AWG, 37" | 1 |

REAR AXLE



- 1** REAR AXLE WITH LIMITED SLIP DIFFERENTIAL, 16.99:1 includes items 5 - 42
- 2** REAR AXLE, 16.99:1 includes items 4, 7 - 42

REAR AXLE

THE USE OF NON U.L. PARTS WILL VOID ANY U.L. LISTING.

When ordering parts, please specify the model and serial number of the product.

* Indicates a component that is not available as an individual part.

*** Indicates consult Customer Service Department for additional information.

| ITEM | PART NO. | 1 2 3 4 5 | DESCRIPTION | QTY. |
|------|----------|-----------|--|------|
| 1 | 633600 | | REAR AXLE WITH LIMITED SLIP DIFFERENTIAL, 16.99:1 (INCLUDES ITEMS 5 - 42) | 1 |
| 2 | 633599 | | REAR AXLE, 16.99:1 (INCLUDES ITEMS 4, 7 - 42)..... | 1 |
| 3 | | | | |
| 4 | 601082 | | DIFFERENTIAL ASSEMBLY..... | 1 |
| 5 | 614059 | | LIMITED SLIP DIFFERENTIAL CARRIER WITH CC CLUTCH | 1 |
| 6 | | | | |
| 7 | 15118G1 | | HEX HEAD BOLT, 3/8" - 16 X 2.125" LG | 4 |
| 8 | 15558G1 | | HEX HEAD BOLT, 5/16" - 18 X .75" LG | 10 |
| 9 | 17473G1 | | BEARING ASSEMBLY | 2 |
| 10 | 23519G2 | | BALL BEARING SINGLE LIP SEAL | 1 |
| 11 | 23520G1 | | BALL BEARING | 1 |
| 12 | 23530G1 | | RETAINER RING | 1 |
| 13 | 24628G1 | | O-RING SEAL..... | 1 |
| 14 | 601084 | | LOCK NUT, 3/8" - 24..... | 4 |
| 15 | | | | |
| 16 | | | | |
| 17 | 608811 | | END CAP | 2 |
| 18 | 611788 | | BALL BEARING | 2 |
| 19 | 612064 | | OIL SEAL | 2 |
| 20 | 612824 | | GASKET | 1 |
| 21 | 617608 | | AXLE SHAFT (DRIVER SIDE)..... | 1 |
| 22 | 617609 | | AXLE SHAFT (PASSENGER SIDE) | 1 |
| 23 | 620327 | | INPUT GEAR | 1 |
| 24 | 620328 | | OIL SEAL | 1 |
| 25 | 620335 | | HEX HEAD BOLT, 3/8" - 24 X 1.25" LG | 4 |
| 26 | | | | |
| 27 | | | | |
| 28 | 620340 | | BALL BEARING | 1 |
| 29 | 620345 | | O-RING, 18MM..... | 2 |
| 30 | 620347 | | RUBBER PLUG | 1 |

REAR AXLE

THE USE OF NON U.L. PARTS WILL VOID ANY U.L. LISTING.

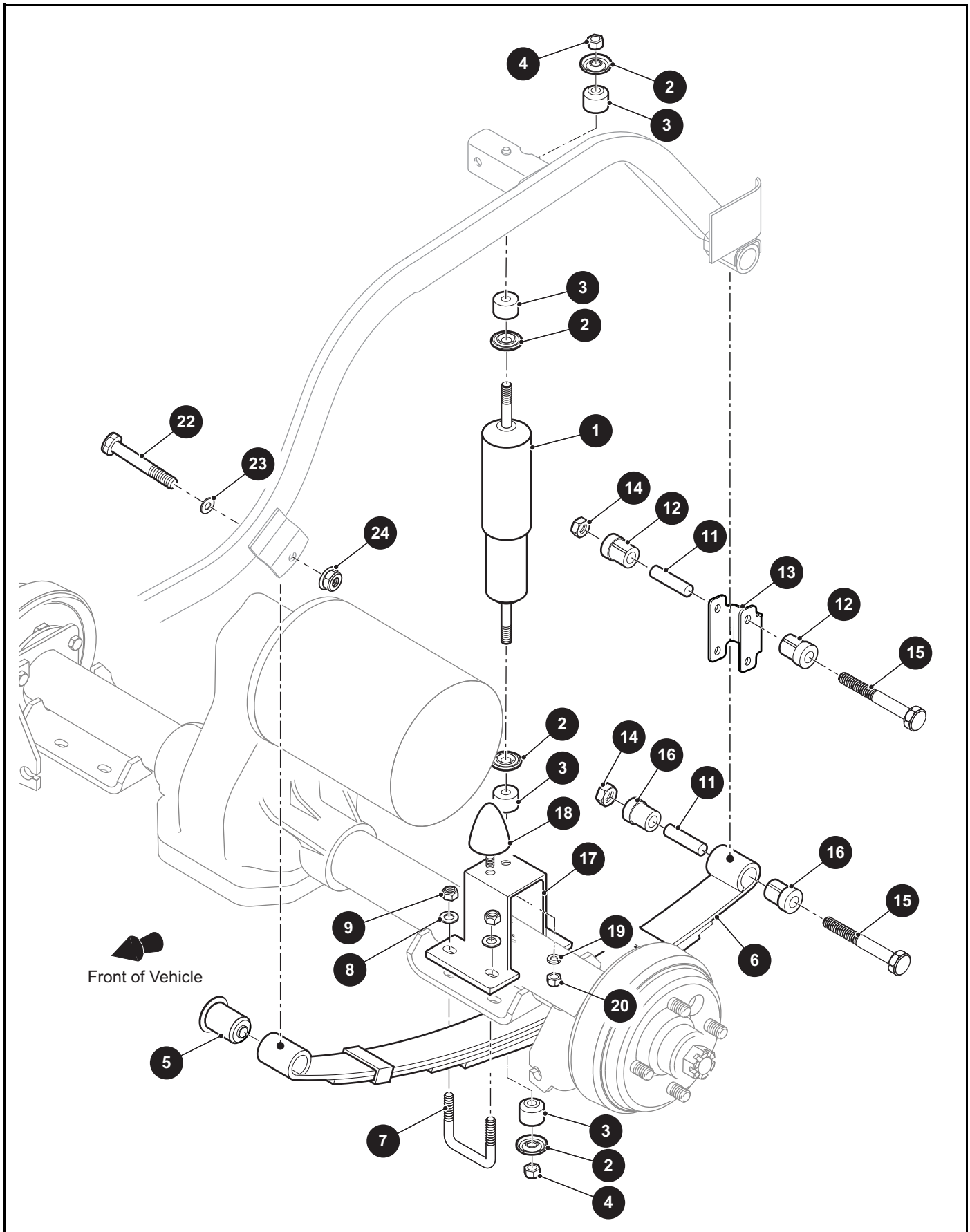
When ordering parts, please specify the model and serial number of the product.

* Indicates a component that is not available as an individual part.

*** Indicates consult Customer Service Department for additional information.

| ITEM | PART NO. | 1 | 2 | 3 | 4 | 5 | DESCRIPTION | QTY. |
|------|----------|---|---|---|---|---|--|------|
| 31 | 620348 | | | | | | DIFFERENTIAL COVER PLATE | 1 |
| 32 | 620349 | | | | | | INTERMEDIATE GEAR ASSEMBLY | 1 |
| 33 | 620350 | | | | | | DRIVE GEAR | 1 |
| 34 | 620355 | | | | | | BALL BEARING..... | 1 |
| 35 | 620358 | | | | | | O-RING, 18MM | 2 |
| 36 | 620359 | | | | | | RETAINING RING | 6 |
| 37 | | | | | | | | |
| 38 | | | | | | | | |
| 39 | 620329 | | | | | | INPUT GEARS KIT (NOT ILLUSTRATED) | 1 |
| 40 | 620361 | | | | | | INTERNAL GEARS KIT (NOT ILLUSTRATED)..... | 1 |
| 41 | 620362 | | | | | | BALL BEARING KIT (NOT ILLUSTRATED)..... | 1 |
| 42 | 620363 | | | | | | DIFFERENTIAL COVER ASSEMBLY KIT (NOT ILLUSTRATED)..... | 1 |

REAR SUSPENSION



REAR SUSPENSION

THE USE OF NON U.L. PARTS WILL VOID ANY U.L. LISTING.

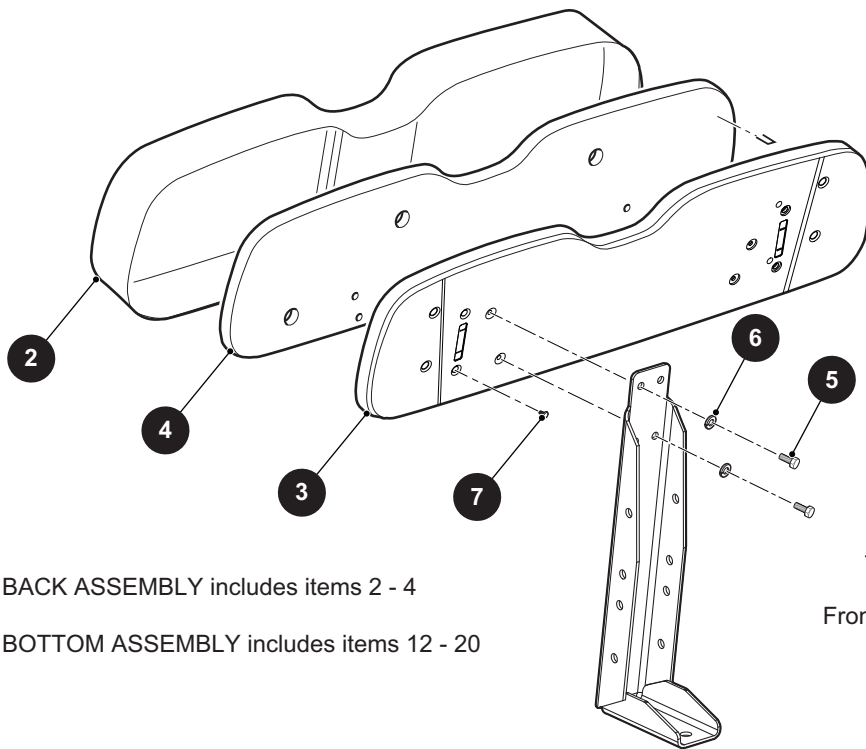
When ordering parts, please specify the model and serial number of the product.

* Indicates a component that is not available as an individual part.

*** Indicates consult Customer Service Department for additional information.

| ITEM | PART NO. | 1 2 3 4 5 | DESCRIPTION | QTY. |
|------|-----------|-----------|--|------|
| 1 | 642085 | | SHOCK ABSORBER..... | 1 |
| 2 | 10435G1 | | SHOCK ABSORBER WASHER, I.D. .406" X O.D. 1.25" | 4 |
| 3 | 10194G1 | | RUBBER BUSHING..... | 4 |
| 4 | 00532G6 | | HEX NUT, 3/8" - 24 | 2 |
| 5 | 605445 | | BUSHING, O.D. 49MM | 1 |
| 6 | 620413 | | LEAF SPRING | 2 |
| 7 | 72618G01 | | U BOLT, 3/8" - 16 X 2.5" LG | 2 |
| 8 | 00560G1 | | FLAT WASHER, 3/8" | 4 |
| 9 | 11098G5 | | LOCK NUT, 3/8" - 16..... | 4 |
| 10 | | | | |
| 11 | 70289G02 | | SPLIT SPACER (STEEL), I.D. .376" X O.D. 1" X 1" LG | 2 |
| 12 | 624030 | | FLANGED BUSHING..... | 2 |
| 13 | 652252G03 | | SHACKLE BRACKET | 1 |
| 14 | 11098G5 | | LOCK NUT, 3/8" - 16..... | 2 |
| 15 | 00665G9 | | HEX HEAD BOLT (SS), 3/8" - 16 X 3 1/2" LG | 2 |
| 16 | 624030 | | FLANGED BUSHING..... | 4 |
| 17 | 652445G03 | | AXLE BUMPER BRACKET..... | 1 |
| 18 | 70492G01 | | RUBBER BUMPER..... | 1 |
| 19 | 608654 | | SPLIT LOCK WASHER, M10..... | 1 |
| 20 | 00974G01 | | LOCK NUT, M10 | 1 |
| 21 | | | | |
| 22 | 00665G9 | | HEX HEAD BOLT (SS), 3/8" - 16 X 3 1/2" LG | 1 |
| 23 | 00643G1 | | FLAT WASHER, 3/8" | 1 |
| 24 | 12262G1 | | LOCK NUT, M10 | 1 |

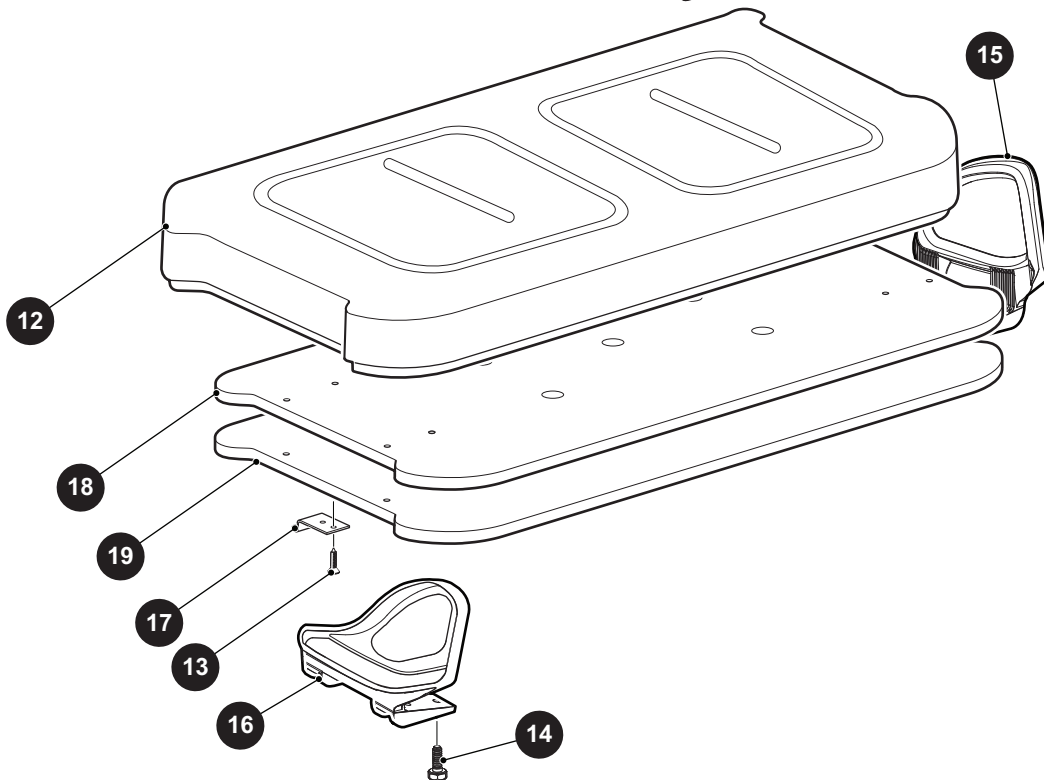
SEATING



1 SEAT BACK ASSEMBLY includes items 2 - 4

11 SEAT BOTTOM ASSEMBLY includes items 12 - 20

Front of Vehicle



THE USE OF NON U.L. PARTS WILL VOID ANY U.L. LISTING.

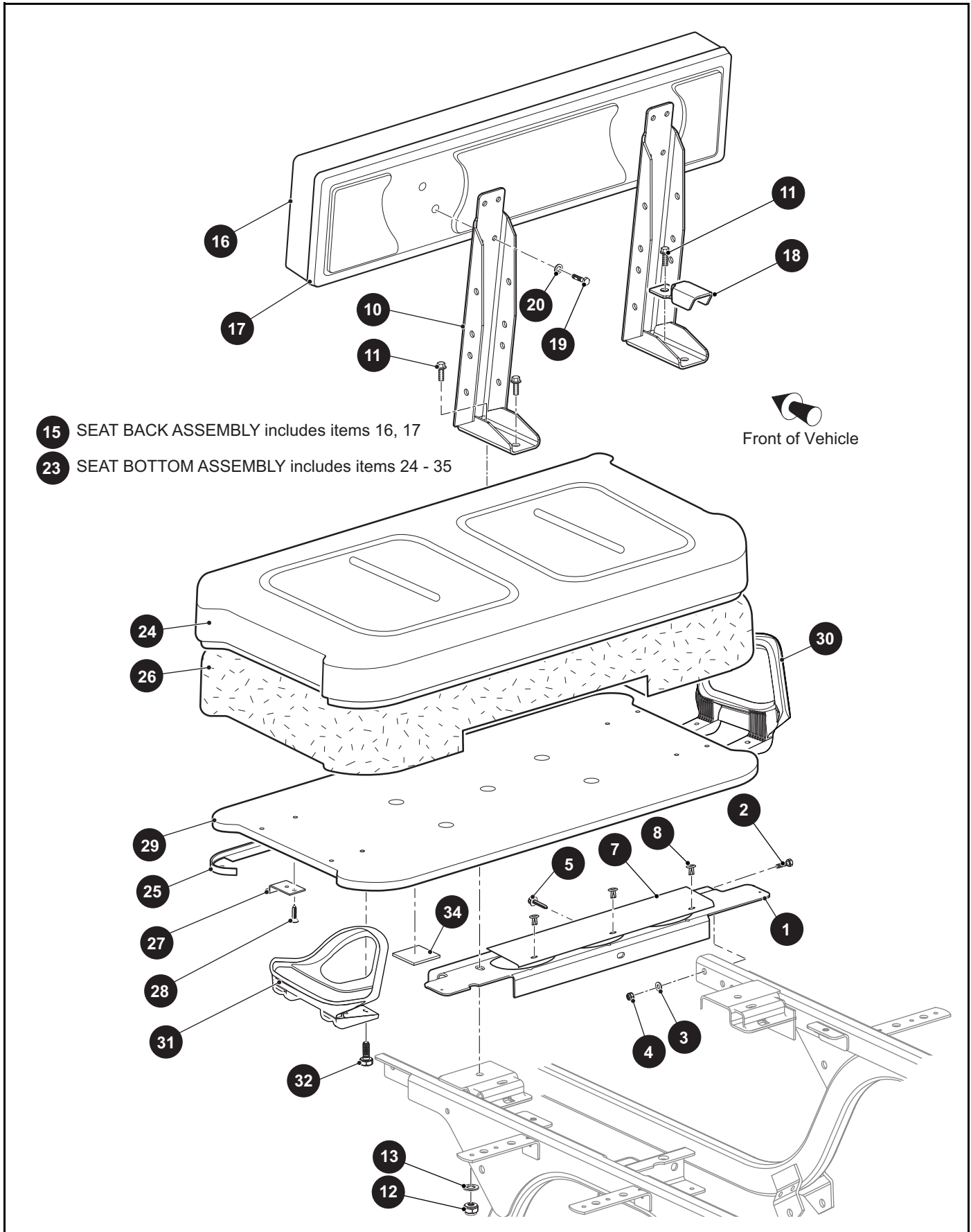
When ordering parts, please specify the model and serial number of the product.

* Indicates a component that is not available as an individual part.

*** Indicates consult Customer Service Department for additional information.

| ITEM | PART NO. | 1 2 3 4 5 | DESCRIPTION | QTY. |
|------|-------------|-----------|--|------|
| 1 | 641897G00** | | SEAT BACK ASSEMBLY (INCLUDES ITEMS 2 - 4)..... 641897G0001 OYSTER 641897G0002 STONE BEIGE 641897G0006 BLACK 641897G0004 GRAY | 1 |
| 2 | 644820G01 | | VINYL SEAT BACK COVER..... 644820G01 OYSTER 644820G02 STONE BEIGE 644820G06 BLACK 644820G04 GRAY | 1 |
| 3 | 605529 | | SEAT BACK COVER | 1 |
| 4 | 644268 | | SEAT BACK HIP BASE | 1 |
| 5 | 605056 | | HEX HEAD BOLT (SS), 1/4" - 20 X 1" LG | 2 |
| 6 | 00664G7 | | LOCK WASHER, 1/4" | 2 |
| 7 | 617533 | | PUSH RIVET..... | 4 |
| 8 | | | | |
| 9 | | | | |
| 10 | | | | |
| 11 | 629269G15** | | SEAT BOTTOM ASSEMBLY (INCLUDES ITEMS 12 - 20)..... 629269G1501 OYSTER 629269G1502 STONE BEIGE 629269G1506 BLACK 629269G1504 GRAY | 1 |
| 12 | 644819G0* | | VINY SEAT BOTTOM COVER | 1 |
| | | | 644819G01 OYSTER 644819G02 STONE BEIGE 644819G06 BLACK 644819G04 GRAY | |
| 13 | 00720G08 | | FLAT HEAD PHILLIPS TAPPING SCREW, #12 - 14 X 1" LG | 6 |
| 14 | 615417 | | BUTTON HEAD TORX BOLT, M10 - 1.5 X 25MM LG | 8 |
| 15 | 617644 | | HIP RESTRAINT (PASSENGER SIDE) | 1 |
| 16 | 617645 | | HIP RESTRAINT (DRIVER SIDE) | 1 |
| 17 | 71610G01 | | SEAT HINGE | 2 |
| 18 | 644351 | | SEAT BOTTOM WOOD ASSEMBLY | 1 |
| 19 | 602551 | | SEAT BOTTOM COVER | 1 |
| 20 | 16816G2 | | RATCHET RIVET, .25" X .887" (NOT ILLUSTRATED)..... | 4 |

SEATING



THE USE OF NON U.L. PARTS WILL VOID ANY U.L. LISTING.

When ordering parts, please specify the model and serial number of the product.

* Indicates a component that is not available as an individual part.

*** Indicates consult Customer Service Department for additional information.

| ITEM | PART NO. | 1 2 3 4 5 | DESCRIPTION | QTY. |
|------|-----------|-----------|---|------|
| 1 | 74971G01 | | SEAT BACK SUPPORT PLATE | 1 |
| 2 | 00438G8 | | HEX HEAD BOLT, 5/16" - 18 X 1" LG | 2 |
| 3 | 00642G8 | | FLAT WASHER, 5/16" | 2 |
| 4 | 11098G6 | | LOCK NUT, 5/16" - 18 | 1 |
| 5 | 00715G2 | | FLANGED HEX HEAD BOLT, 5/16" - 18 X 13/16" LG | 1 |
| 6 | | | | |
| 7 | 71263G01 | | ACCESS COVER | 1 |
| 8 | 18436G1 | | DRIVE RIVET, 3/16" | 3 |
| 9 | | | | |
| 10 | 652243G03 | | SEAT BACK SUPPORT BRACKET | 1 |
| 11 | 01006G01 | | HEX WASHER HEAD BOLT, 3/8" - 16 X 1.25" LG | 2 |
| 12 | 11098G5 | | LOCK NUT, 3/8" - 16 | 1 |
| 13 | 00643G1 | | FLAT WASHER, 3/8" | 1 |
| 14 | | | | |
| 15 | 71274G** | | SEAT BACK ASSEMBLY (INCLUDES ITEMS 16, 17) | 1 |
| | | | 71274G01 WHITE | |
| | | | 71274G02 BLACK | |
| | | | 71274G03 TAN | |
| | | | 71274G04 GRAY | |
| | | | 71274G05 OYSTER | |
| | | | 71274G07 BROWN | |
| 16 | 18144G** | | VINYL SEAT BACK COVER | 1 |
| | | | 18144G2 WHITE | |
| | | | 18144G3 BLACK | |
| | | | 18144G4 TAN | |
| | | | 18144G5 GRAY | |
| | | | 18144G6 OYSTER | |
| | | | 18144G8 BROWN | |
| 17 | 74889G01 | | PLASTIC SEAT BACK COVER (BLACK) | 1 |
| 18 | 652444G03 | | BED BUMPER BRACKET | 2 |
| 19 | 605056 | | HEX HEAD BOLT, 1/4" - 20 X 1" LG | 2 |
| 20 | 00664G7 | | LOCK WASHER, 1/4" | 2 |
| 21 | | | | |
| 22 | | | | |

SEATING

THE USE OF NON U.L. PARTS WILL VOID ANY U.L. LISTING.

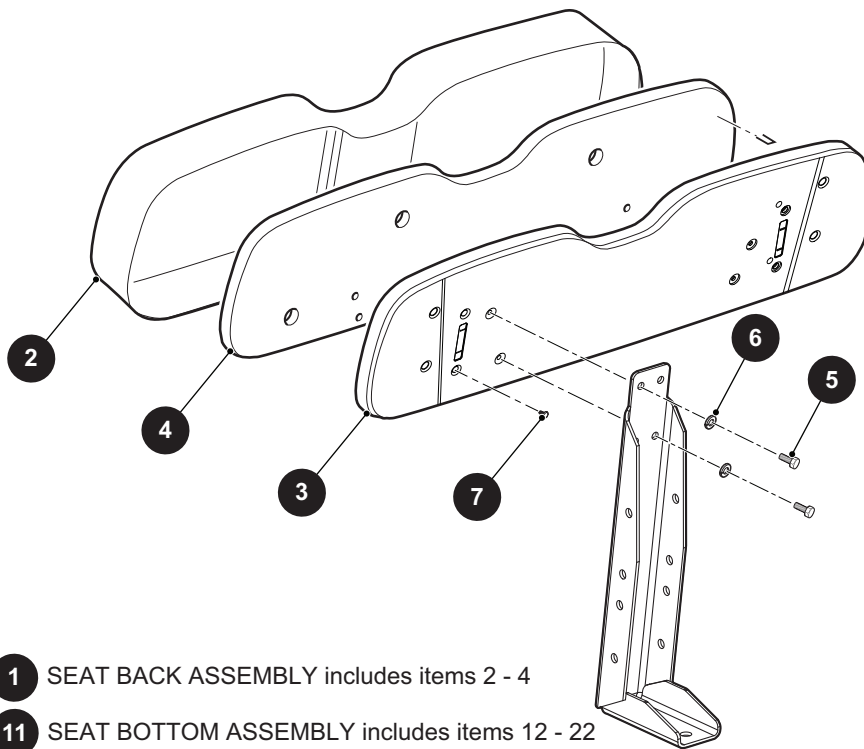
When ordering parts, please specify the model and serial number of the product.

* Indicates a component that is not available as an individual part.

*** Indicates consult Customer Service Department for additional information.

| ITEM | PART NO. | 1 | 2 | 3 | 4 | 5 | DESCRIPTION | QTY. |
|------|-------------|---|---|---|---|---|---|------|
| 23 | 629269G01** | | | | | | SEAT BOTTOM ASSEMBLY (INCLUDES ITEMS 24 - 35)..... | 1 |
| | | | | | | | 629269G0101 OYSTER | |
| | | | | | | | 629269G0103 TAN | |
| | | | | | | | 629269G0104 GRAY | |
| | | | | | | | 629269G0105 WHITE | |
| | | | | | | | 629269G0106 BLACK | |
| | | | | | | | 629269G0107 BROWN | |
| 24 | 71602G** | | | | | | VINYL SEAT BOTTOM COVER..... | 1 |
| | | | | | | | 71602G01 WHITE | |
| | | | | | | | 71602G02 GRAY | |
| | | | | | | | 71602G03 OYSTER | |
| | | | | | | | 71602G04 TAN | |
| | | | | | | | 71602G06 BLACK | |
| | | | | | | | 71602G07 BROWN | |
| 25 | 71012G01 | | | | | | VINYL TRIM (SEAT BOTTOM) | 1 |
| 26 | 71603G02 | | | | | | FOAM PADDING (SEAT BOTTOM)..... | 1 |
| 27 | 71610G01 | | | | | | SEAT HINGE..... | 2 |
| 28 | 00720G08 | | | | | | FLAT HEAD PHILLIPS TAPPING SCREW, #12 - 14 X 1" LG..... | 6 |
| 29 | 645492 | | | | | | SEAT BOTTOM..... | 1 |
| 30 | 617644 | | | | | | HIP RESTRAINT (PASSENGER SIDE) | 1 |
| 31 | 617645 | | | | | | HIP RESTRAINT (DRIVER SIDE) | 1 |
| 32 | 615417 | | | | | | BUTTON HEAD TORX BOLT, M10 - 1.5 X 25MM LG | 8 |
| 33 | 23222G1 | | | | | | FLAT STAPLE (NOT ILLUSTRATED) | AR |
| 34 | 17074G1 | | | | | | RUBBER PAD | 2 |
| 35 | 23223G1 | | | | | | FLAT STAPLE (NOT ILLUSTRATED) | AR |

SEATING

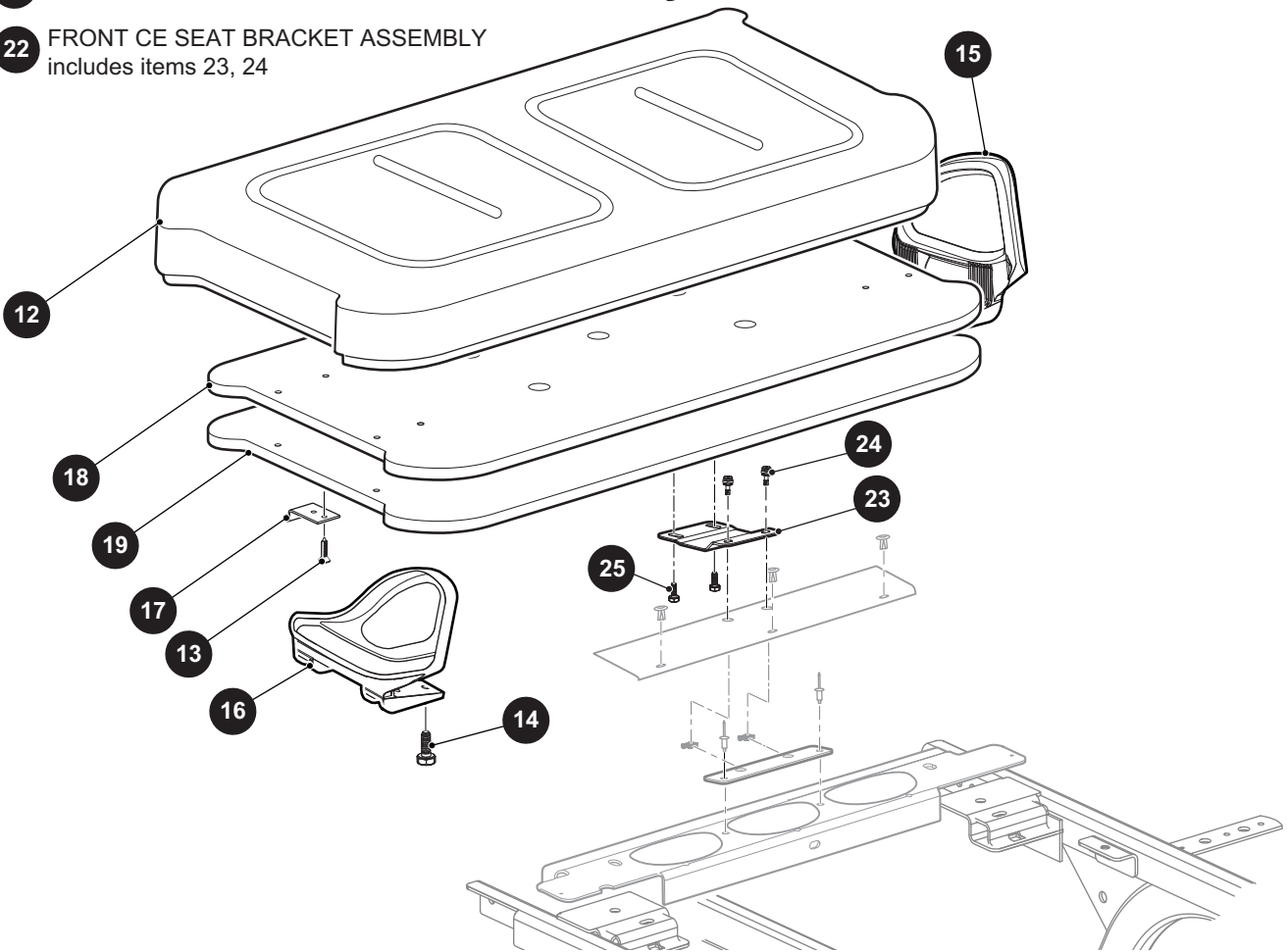



Front of Vehicle

1 SEAT BACK ASSEMBLY includes items 2 - 4

11 SEAT BOTTOM ASSEMBLY includes items 12 - 22

22 FRONT CE SEAT BRACKET ASSEMBLY includes items 23, 24



THE USE OF NON U.L. PARTS WILL VOID ANY U.L. LISTING.

When ordering parts, please specify the model and serial number of the product.

* Indicates a component that is not available as an individual part.

*** Indicates consult Customer Service Department for additional information.

| ITEM | PART NO. | 1 2 3 4 5 | DESCRIPTION | QTY. |
|------|-------------|-----------|--|------|
| 1 | 641897G00** | | SEAT BACK ASSEMBLY (INCLUDES ITEMS 2 - 4)..... 641897G0001 OYSTER 641897G0002 STONE BEIGE 641897G0006 BLACK 641897G0004 GRAY | 1 |
| 2 | 644820G01 | | VINYL SEAT BACK COVER..... 644820G01 OYSTER 644820G02 STONE BEIGE 644820G06 BLACK 644820G04 GRAY | 1 |
| 3 | 605529 | | SEAT BACK COVER | 1 |
| 4 | 644268 | | SEAT BACK HIP BASE | 1 |
| 5 | 605056 | | HEX HEAD BOLT (SS), 1/4" - 20 X 1" LG | 4 |
| 6 | 00664G7 | | LOCK WASHER, 1/4" | 4 |
| 7 | 617533 | | PUSH RIVET..... | 4 |
| 8 | | | | |
| 9 | | | | |
| 10 | | | | |
| 11 | 629269G18** | | SEAT BOTTOM ASSEMBLY (INCLUDES ITEMS 12 - 22)..... 629269G1801 OYSTER 629269G1802 STONE BEIGE 629269G1806 BLACK 629269G1804 GRAY | 1 |
| 12 | 644819G0* | | VINY SEAT BOTTOM COVER | 1 |
| | | | 644819G01 OYSTER 644819G02 STONE BEIGE 644819G06 BLACK 644819G04 GRAY | |
| 13 | 00720G08 | | FLAT HEAD PHILLIPS TAPPING SCREW, #12 - 14 X 1" LG | 6 |
| 14 | 615417 | | BUTTON HEAD TORX BOLT, M10 - 1.5 X 25MM LG | 8 |
| 15 | 617644 | | HIP RESTRAINT (PASSENGER SIDE) | 1 |
| 16 | 617645 | | HIP RESTRAINT (DRIVER SIDE) | 1 |
| 17 | 71610G01 | | SEAT HINGE | 2 |
| 18 | 651765 | | SEAT BOTTOM WOOD ASSEMBLY | 1 |
| 19 | 602551 | | SEAT BOTTOM COVER | 1 |
| 20 | 16816G2 | | RATCHET RIVET, .25 X .887 | 4 |
| 21 | | | | |

SEATING

THE USE OF NON U.L. PARTS WILL VOID ANY U.L. LISTING.

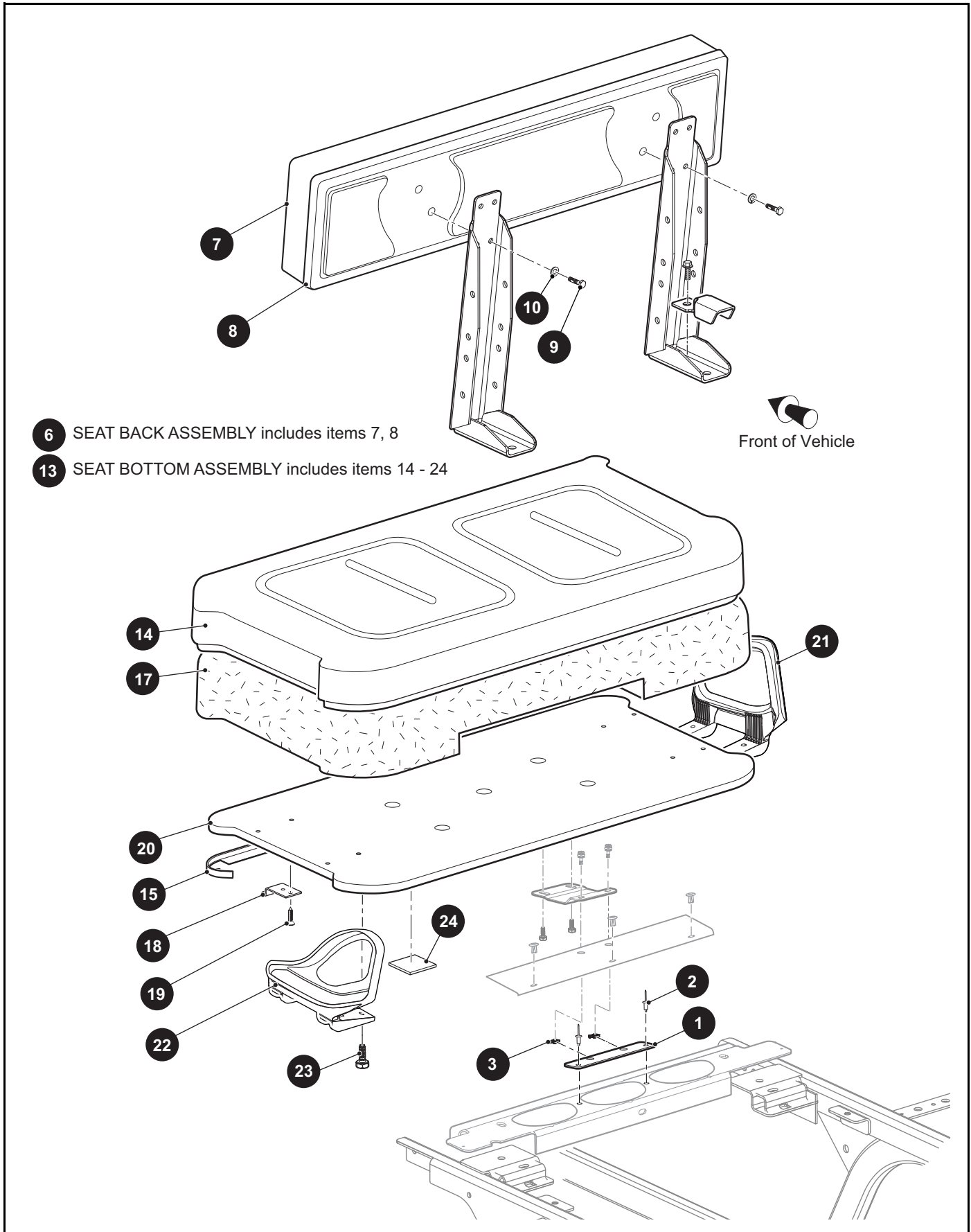
When ordering parts, please specify the model and serial number of the product.

* Indicates a component that is not available as an individual part.

*** Indicates consult Customer Service Department for additional information.

| ITEM | PART NO. | 1 | 2 | 3 | 4 | 5 | DESCRIPTION | QTY. |
|------|----------|---|---|---|---|---|---|------|
| 22 | 637082 | | | | | | FRONT SEAT BRACKET ASSEMBLY (CE VEHICLES) (INCLUDES ITEMS 23, 24)..... | 1 |
| 23 | 635659 | | | | | | FRONT SEAT BRACKET | 1 |
| 24 | 635958 | | | | | | QUARTER TURN SCREW ASSEMBLY | 2 |
| 25 | 615417 | | | | | | BUTTON HEAD TORX BOLT, M10 - 1.5 X 25MM LG | 2 |

SEATING



THE USE OF NON U.L. PARTS WILL VOID ANY U.L. LISTING.

When ordering parts, please specify the model and serial number of the product.

* Indicates a component that is not available as an individual part.

*** Indicates consult Customer Service Department for additional information.

| ITEM | PART NO. | 1 2 3 4 5 | DESCRIPTION | QTY. |
|------|-------------|-----------|--|------|
| 1 | 635660 | | SEAT LATCH REAR BRACKET..... | 1 |
| 2 | 10570G12 | | RIVET, .257 X .556..... | 2 |
| 3 | 635654 | | QUATER TURN CLIP-ON RECEPTACLE | 2 |
| 4 | | | | |
| 5 | | | | |
| 6 | 71274G** | | SEAT BACK ASSEMBLY (INCLUDES ITEMS 7, 8)..... 71274G01 WHITE 71274G02 BLACK 71274G03 TAN 71274G04 GRAY 71274G05 OYSTER 71274G07 BROWN | 1 |
| 7 | 18144G** | | VINYL SEAT BACK COVER..... 18144G2 WHITE 18144G3 BLACK 18144G4 TAN 18144G5 GRAY 18144G6 OYSTER 18144G8 BROWN | 1 |
| 8 | 74889G01 | | PLASTIC SEAT BACK COVER (BLACK) | 1 |
| 9 | 605056 | | HEX HEAD BOLT, 1/4" - 20 X 1" LG | 2 |
| 10 | 00664G7 | | LOCK WASHER, 1/4" | 2 |
| 11 | | | | |
| 12 | | | | |
| 13 | 629269G14** | | SEAT BOTTOM ASSEMBLY (INCLUDES ITEMS 14 - 24)..... 629269G1401 OYSTER 629269G1403 TAN 629269G1404 GRAY 629269G1405 WHITE 629269G1406 BLACK 629269G1407 BROWN | 1 |
| 14 | 71602G** | | VINYL SEAT BOTTOM COVER | 1 |
| | | | 71602G01 WHITE 71602G02 GRAY 71602G03 OYSTER 71602G04 TAN 71602G06 BLACK 71602G07 BROWN | |
| 15 | 71012G01 | | VINYL TRIM (SEAT BOTTOM)..... | 1 |
| 16 | | | | |

SEATING

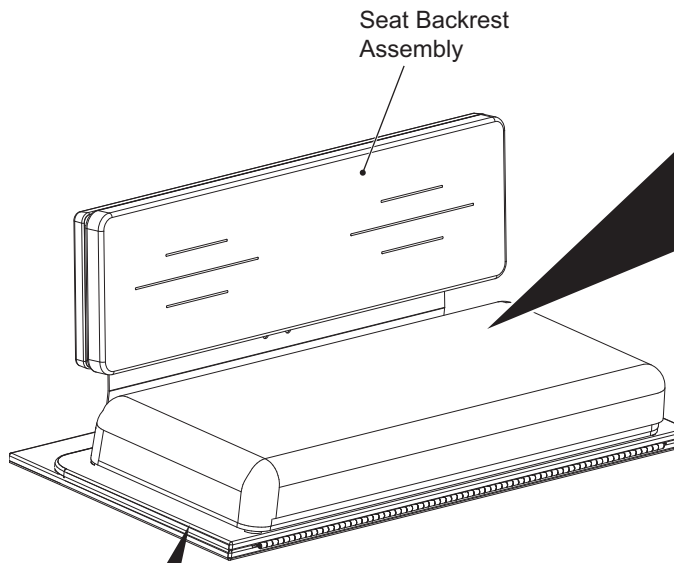
THE USE OF NON U.L. PARTS WILL VOID ANY U.L. LISTING.

When ordering parts, please specify the model and serial number of the product.

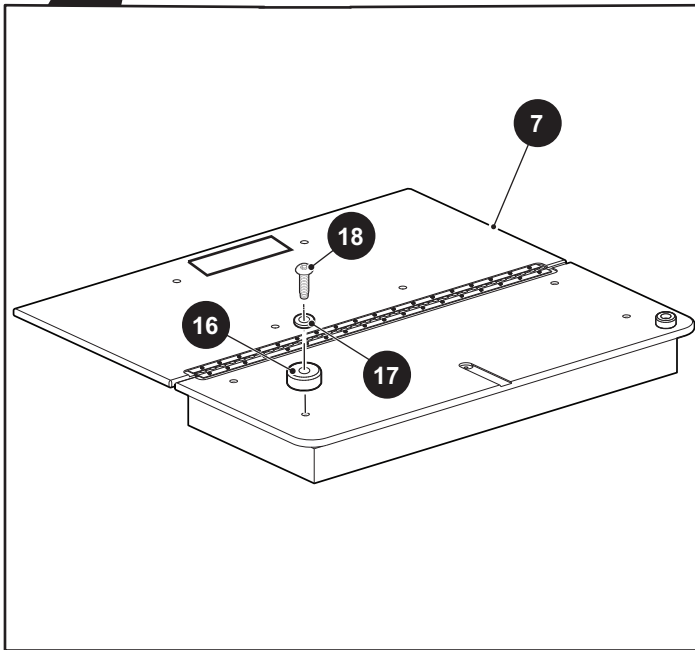
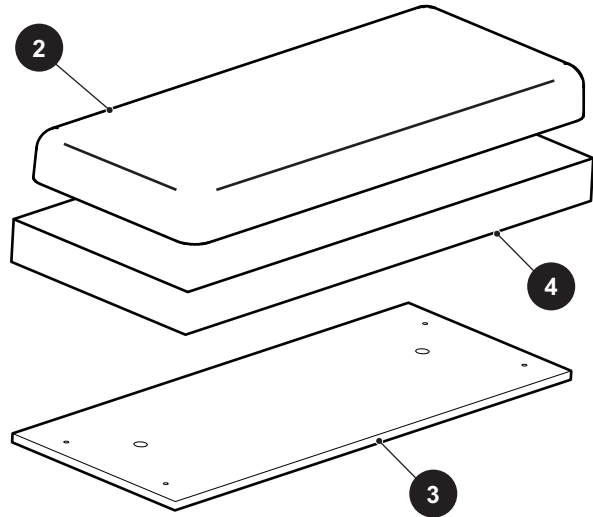
* Indicates a component that is not available as an individual part.

*** Indicates consult Customer Service Department for additional information.

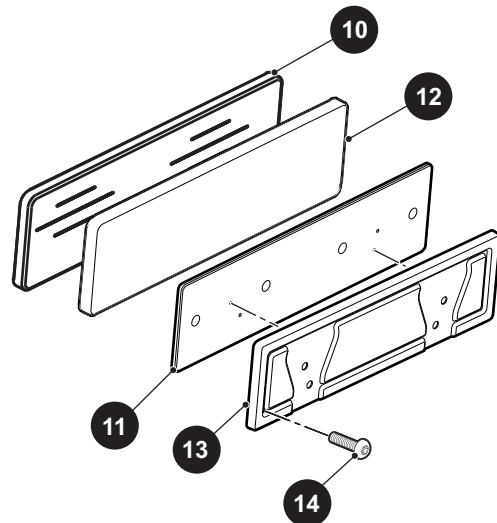
| ITEM | PART NO. | 1 | 2 | 3 | 4 | 5 | DESCRIPTION | QTY. |
|------|----------|---|---|---|---|---|---|------|
| 17 | 71603G02 | | | | | | FOAM PADDING (SEAT BOTTOM)..... | 1 |
| 18 | 71610G01 | | | | | | SEAT HINGE..... | 2 |
| 19 | 00720G08 | | | | | | FLAT HEAD PHILLIPS TAPPING SCREW, #12 - 14 X 1" LG..... | 6 |
| 20 | 645485 | | | | | | SEAT BOTTOM..... | 1 |
| 21 | 617644 | | | | | | HIP RESTRAINT (PASSENGER SIDE)..... | 1 |
| 22 | 617645 | | | | | | HIP RESTRAINT (DRIVER SIDE) | 1 |
| 23 | 615417 | | | | | | BUTTON HEAD TORX BOLT, M10 - 1.5 X 25MM LG | 10 |
| 24 | 17074G1 | | | | | | RUBBER PAD | 2 |



1 FLIP SEAT BOTTOM ASSEMBLY
includes items 2 - 4



9 BACKREST ASSEMBLY (BLACK)
includes items 10 - 14



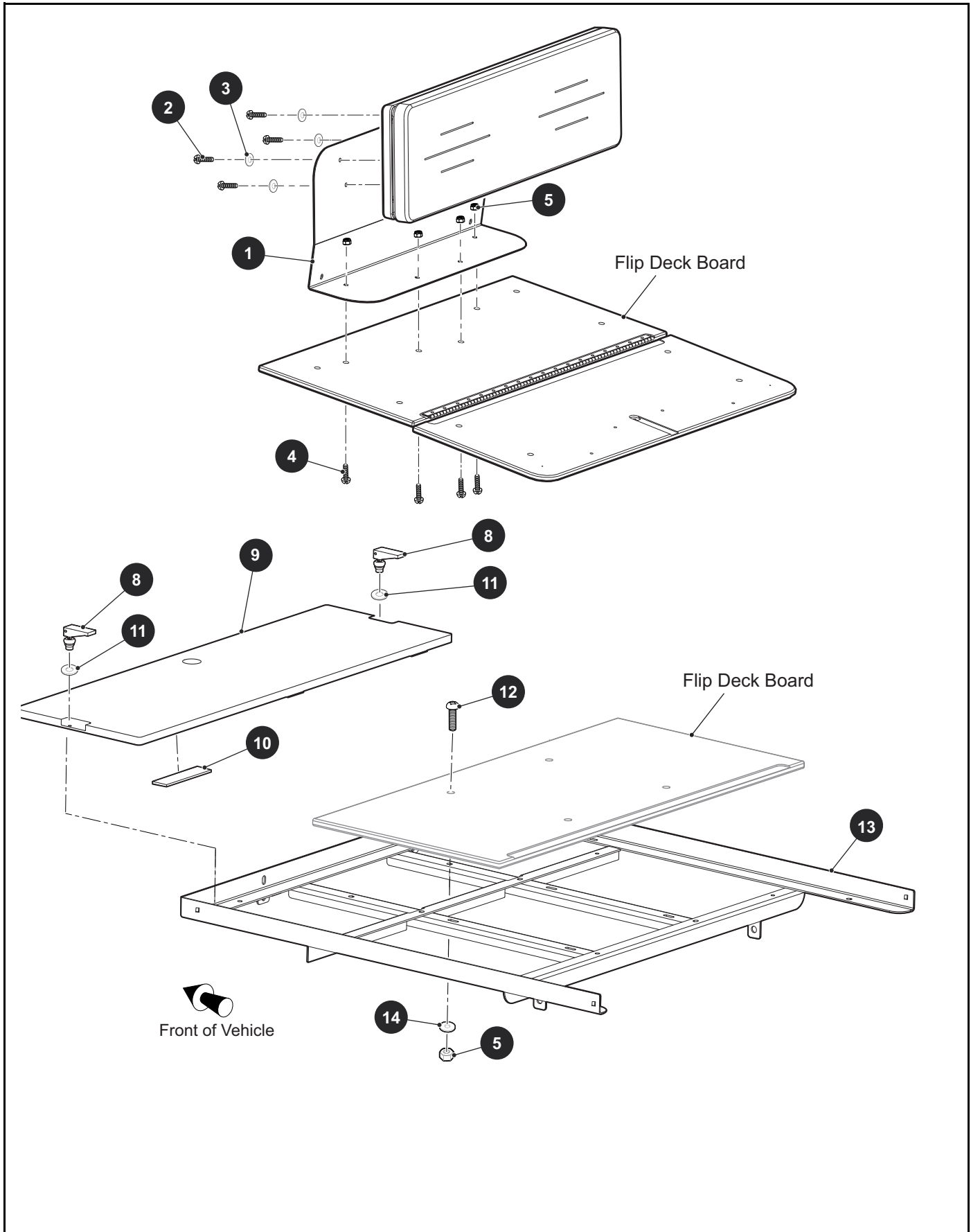
THE USE OF NON U.L. PARTS WILL VOID ANY U.L. LISTING.

When ordering parts, please specify the model and serial number of the product.

* Indicates a component that is not available as an individual part.

*** Indicates consult Customer Service Department for additional information.

| ITEM | PART NO. | 1 2 3 4 5 | DESCRIPTION | QTY. |
|------|----------|-----------|---|------|
| 1 | XXXXXX | | SEAT BOTTOM ASSEMBLY (INCLUDES ITEMS 2 - 4) 617895 GRAY 617897 BROWN 621026 OYSTER 621027 TAN 621036 BLACK | 1 |
| 2 | XXXXXX | | SEAT BOTTOM VINYL 617892 GRAY 617893 BROWN 615646 OYSTER 615647 TAN 615648 BLACK | |
| 3 | 645820 | | SEAT BOTTOM | 1 |
| 4 | 617401 | | SEAT BOTTOM FOAM..... | 1 |
| 5 | | | | |
| 6 | | | | |
| 7 | 627157 | | DECK BOARD ASSEMBLY | 1 |
| 8 | | | | |
| 9 | 71274G0* | | BACK REST ASSEMBLY (INCLUDES ITEMS 10 - 14) 71274G04 GRAY 71274G07 BROWN 71274G05 OYSTER 71274G03 TAN 71274G02 BLACK | 1 |
| 10 | 18144G* | | SEAT BACK COVER 18144G2 BLACK 18144G3 TAN 18144G4 GRAY 18144G6 OYSTER 18144G8 BROWN | |
| 11 | 644269 | | SEAT BACK BASE | 1 |
| 12 | 25433G4 | | SEAT BACK FOAM | 1 |
| 13 | 74489G01 | | SEAT BACK COVER | 1 |
| 14 | 01107G01 | | PAN HEAD TORX SCREW (SS), #8 X 5/8" LG..... | 4 |
| 15 | | | | |
| 16 | 619756 | | RUBBER BUMPER..... | 2 |
| 17 | 616671 | | FLAT WASHER, 8MM | 2 |
| 18 | 800344 | | TRUSS HEAD PHILLIPS TAPPING SCREW, #10 - 16 X 5/8" LG..... | 2 |



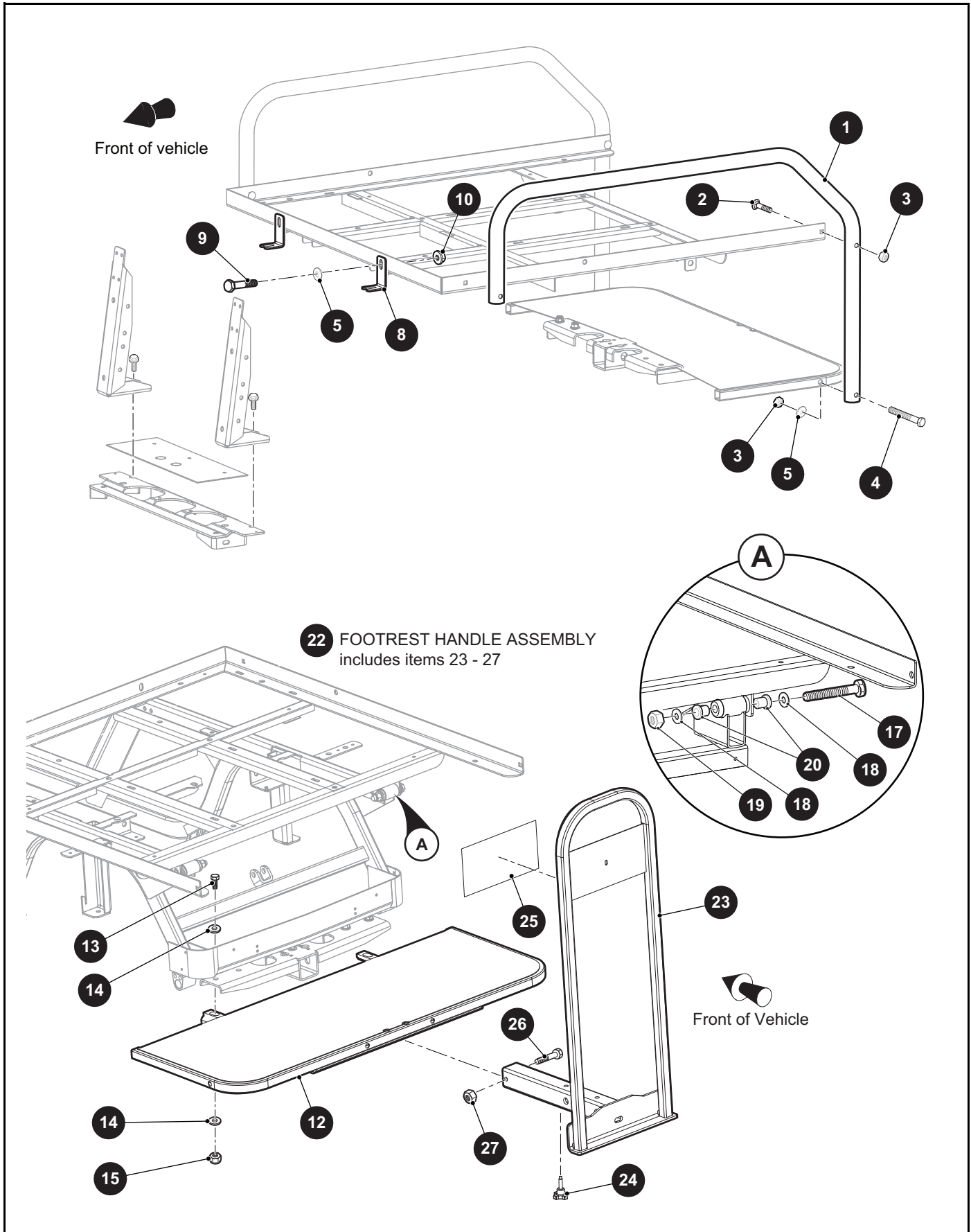
THE USE OF NON U.L. PARTS WILL VOID ANY U.L. LISTING.

When ordering parts, please specify the model and serial number of the product.

* Indicates a component that is not available as an individual part.

*** Indicates consult Customer Service Department for additional information.

| ITEM | PART NO. | 1 2 3 4 5 | DESCRIPTION | QTY. |
|------|----------|-----------|---|------|
| 1 | 627804 | | SEAT BACK WELDMENT..... | 1 |
| 2 | 16705G9 | | TRUSS HEAD PHILLIPS SCREW (SS), 1/4" - 20 X 1.25" LG..... | 4 |
| 3 | 00664G7 | | LOCK WASHER, 1/4" | 4 |
| 4 | 16705G1 | | TRUSS HEAD PHILLIPS SCREW (SS), 1/4" - 20 X 1" LG..... | 4 |
| 5 | 14390G4 | | LOCK NUT, 1/4" - 20 | 8 |
| 6 | | | | |
| 7 | | | | |
| 8 | 638060 | | SWELL LATCH..... | 2 |
| 9 | 637994 | | SWING DECK BOARD FILLER..... | 1 |
| 10 | 640577 | | RUBBER PAD | 6 |
| 11 | 00793G2 | | FLAT WASHER (SS), 1/4"..... | 2 |
| 12 | 16705G9 | | TRUSS HEAD PHILLIPS SCREW (SS), 1/4" - 20 X 1.25" LG..... | 4 |
| 13 | 640259 | | SEAT FRAME | 1 |
| 14 | 01110G01 | | FLAT WASHER, 1/4" | 4 |



THE USE OF NON U.L. PARTS WILL VOID ANY U.L. LISTING.

When ordering parts, please specify the model and serial number of the product.

* Indicates a component that is not available as an individual part.

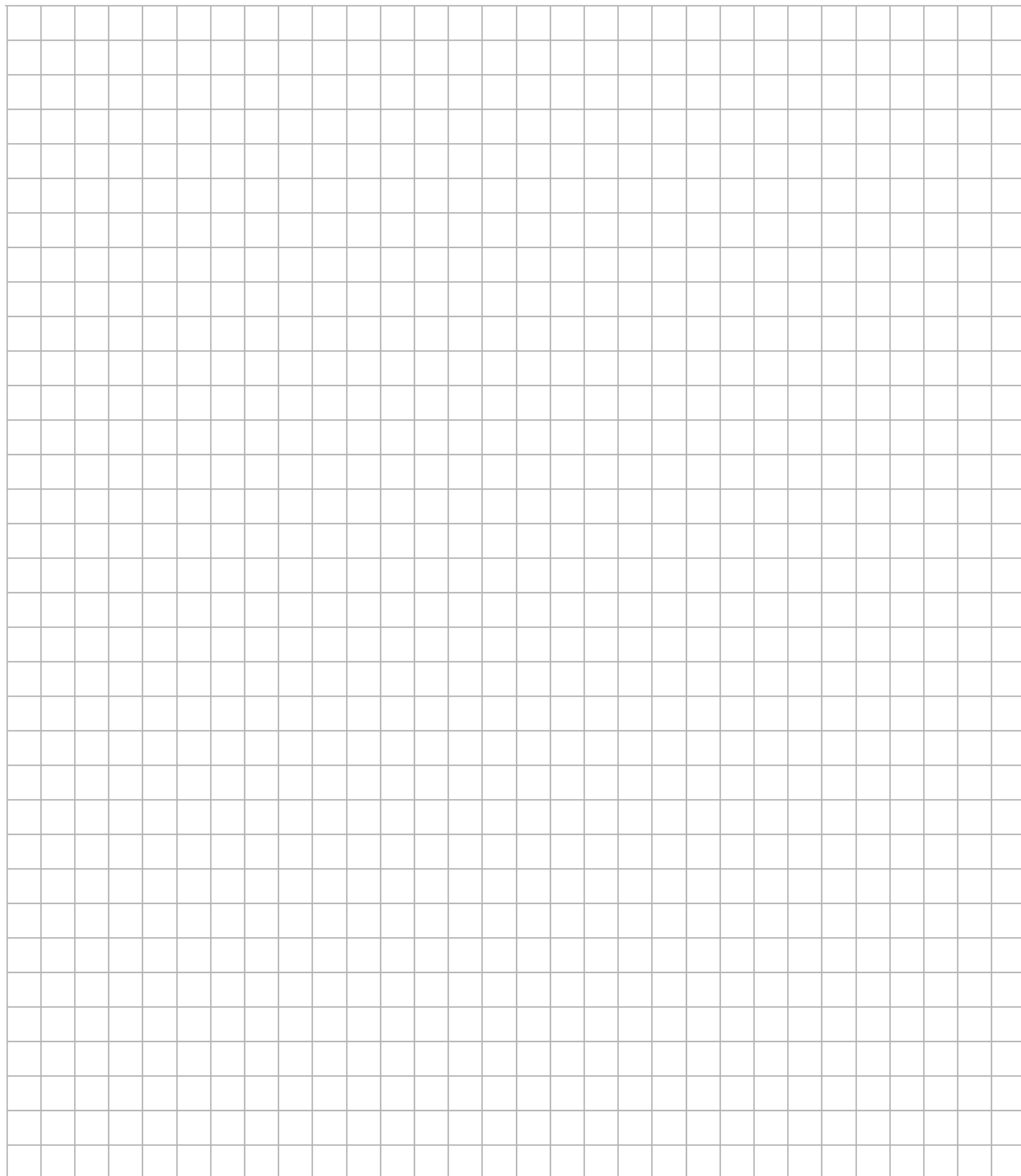
*** Indicates consult Customer Service Department for additional information.

| ITEM | PART NO. | 1 2 3 4 5 | DESCRIPTION | QTY. |
|------|----------|-----------|--|------|
| 1 | 627783 | | FLIP SEAT ARMREST | 2 |
| 2 | 630673 | | CARRIAGE BOLT, 3/8" - 16 X 2.25" LG..... | 4 |
| 3 | 630643 | | LOCK NUT, 3/8" - 16..... | 6 |
| 4 | 630674 | | HEX HEAD BOLT, 3/8" - 16 X 3.25" LG | 2 |
| 5 | 00560G1 | | FLAT WASHER, 3/8"..... | 4 |
| 6 | | | | |
| 7 | | | | |
| 8 | 627797 | | SEAT FRAME BRACKET..... | 2 |
| 9 | 00426G8 | | HEX HEAD BOLT, 3/8" - 16 X 3/4" LG | 2 |
| 10 | 11027G5 | | FLANGED LOCK NUT, 3/8" - 16..... | 4 |
| 11 | | | | |
| 12 | 628552 | | FOOTREST WELDMENT | 1 |
| 13 | 00463G4 | | FLANGED HEX HEAD BOLT, 7/16" - 14 X 1 1/2" LG | 2 |
| 14 | 00560G2 | | FLAT WASHER, 7/16"..... | 4 |
| 15 | 00734G1 | | LOCK NUT, 7/16" - 14..... | 2 |
| 16 | | | | |
| 17 | 311398 | | HEX HEAD BOLT, 1/2" - 13 X 3 1/2" LG | 2 |
| 18 | 00560G3 | | FLAT WASHER, 3/8"..... | 4 |
| 19 | 14390G6 | | LOCK NUT, 1/2" - 13..... | 2 |
| 20 | 624030 | | FLANGE BUSHING | 4 |
| 21 | | | | |
| 22 | 643451 | | FOOT REST HANDLE ASSEMBLY (INCLUDES ITEMS 23 - 27) | 1 |
| 23 | 646777 | | FOOT REST HANDLE WELDMENT | 1 |
| 24 | 643468 | | KNOB, 1/2 - 13 | 1 |
| 25 | 651665 | | REAR FACING SEAT AND DECK WARNING LABEL | 1 |
| 26 | 00428G4 | | HEX HEAD BOLT, 3/8" - 16 X 2 1/4" LG..... | 1 |
| 27 | 11098G5 | | LOCK NUT, 3/8" - 16 | 1 |

Notes:

A large grid of 25 columns and 25 rows, intended for taking notes. The grid is composed of thin black lines on a white background.

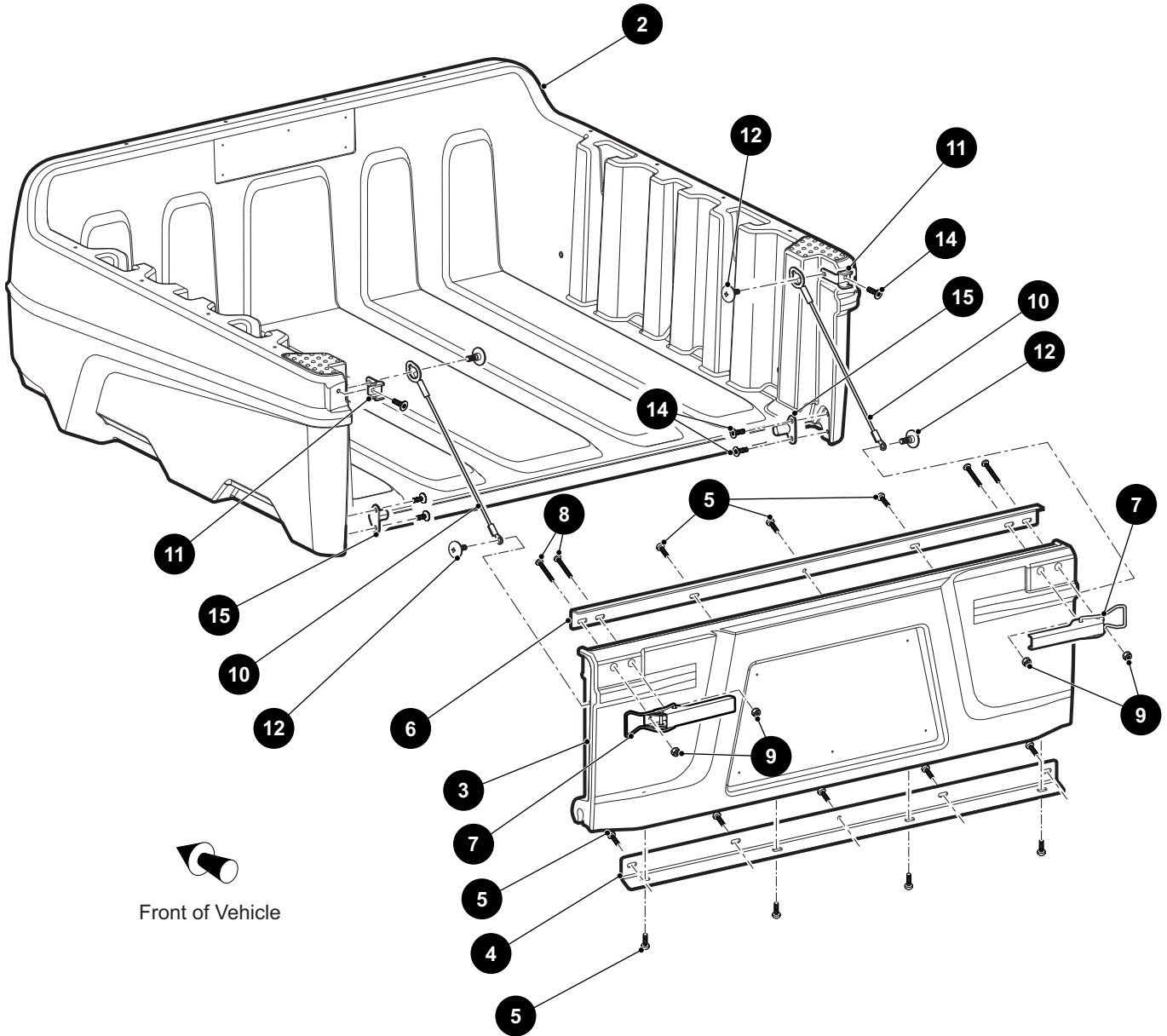
Notes:



TRUCK BED

PLASTIC TRUCK BED

1 TRUCK BED ASSEMBLY, 40" includes items 2 - 15



THE USE OF NON U.L. PARTS WILL VOID ANY U.L. LISTING.

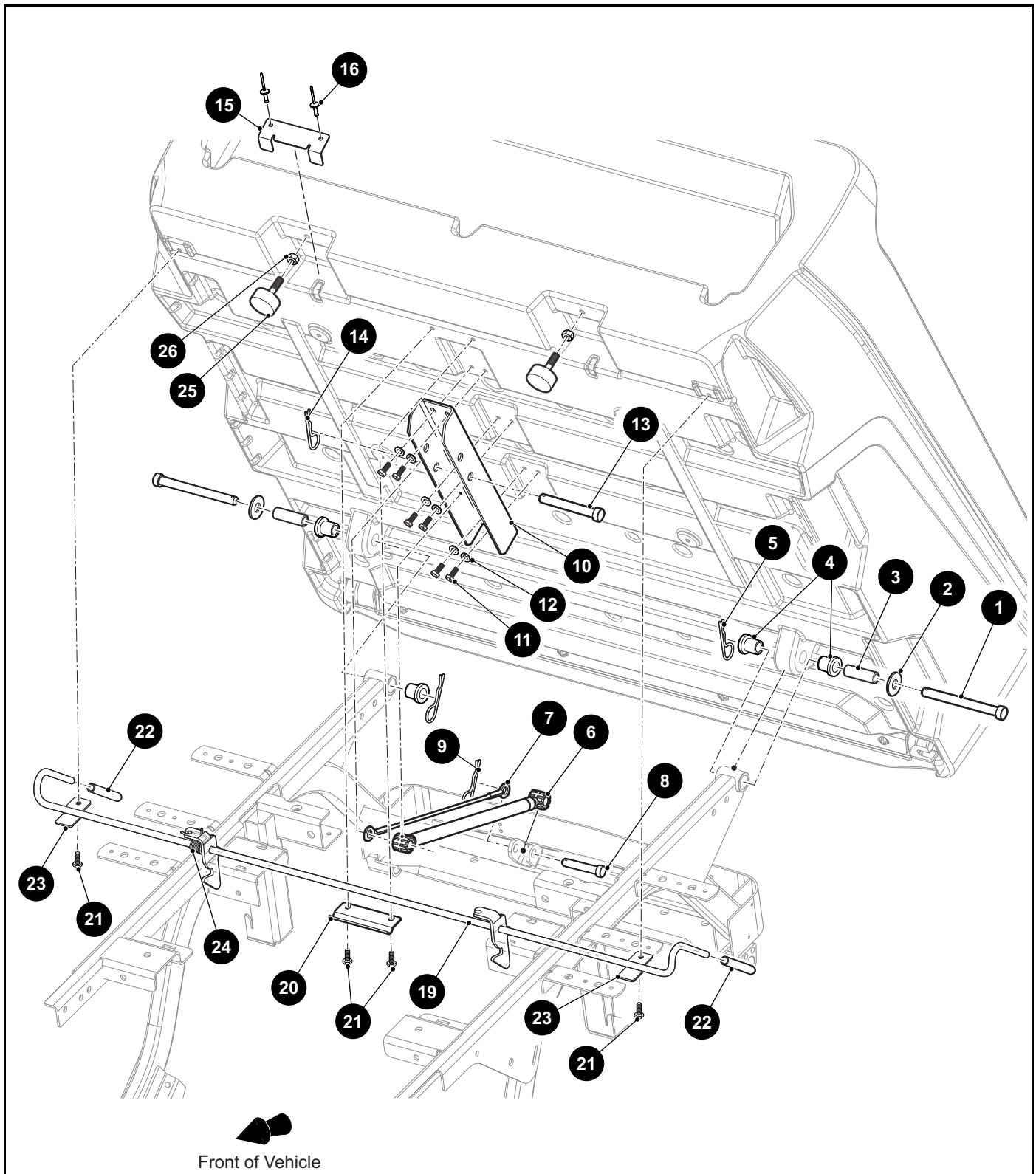
When ordering parts, please specify the model and serial number of the product.

* Indicates a component that is not available as an individual part.

*** Indicates consult Customer Service Department for additional information.

| ITEM | PART NO. | 1 2 3 4 5 | DESCRIPTION | QTY. |
|------|----------|-----------|---|------|
| 1 | 649869 | | TRUCK BED ASSEMBLY, 40" (PLASTIC) (INCLUDES ITEMS 2 - 15) | 1 |
| 2 | 649871 | | BED, 40" | 1 |
| 3 | 649872 | | TAILGATE, 40" | 1 |
| 4 | 651108 | | LOWER STIFFENER | 1 |
| 5 | 663506 | | PAN HEAD PHILLIPS SCREW, 1/4" - 20 X 5/8" LG..... | 12 |
| 6 | 651107 | | UPPER STIFFENER | 1 |
| 7 | 663143 | | TAILGATE LATCH | 2 |
| 8 | 663718 | | PAN HEAD PHILLIPS HEAD SCREW, 1/4" - 20 X 3" LG..... | 4 |
| 9 | 663527 | | LOCK NUT, 1/4" - 20 | 4 |
| 10 | 651635 | | TAILGATE CABLE ASSEMBLY | 2 |
| 11 | 651110 | | TAILGATE BRACKET | 2 |
| 12 | 73460G01 | | SHOULDER BOLT, .875" DIA X 3/4" LG | 4 |
| 13 | | | | |
| 14 | 663506 | | PAN HEAD PHILLIPS SCREW, 1/4" - 20 X 5/8" LG..... | 6 |
| 15 | 651109 | | PIVOT PIN..... | 2 |

TRUCK BED



18 TRUCK BED LATCH ASSEMBLY includes items 19 - 26

THE USE OF NON U.L. PARTS WILL VOID ANY U.L. LISTING.

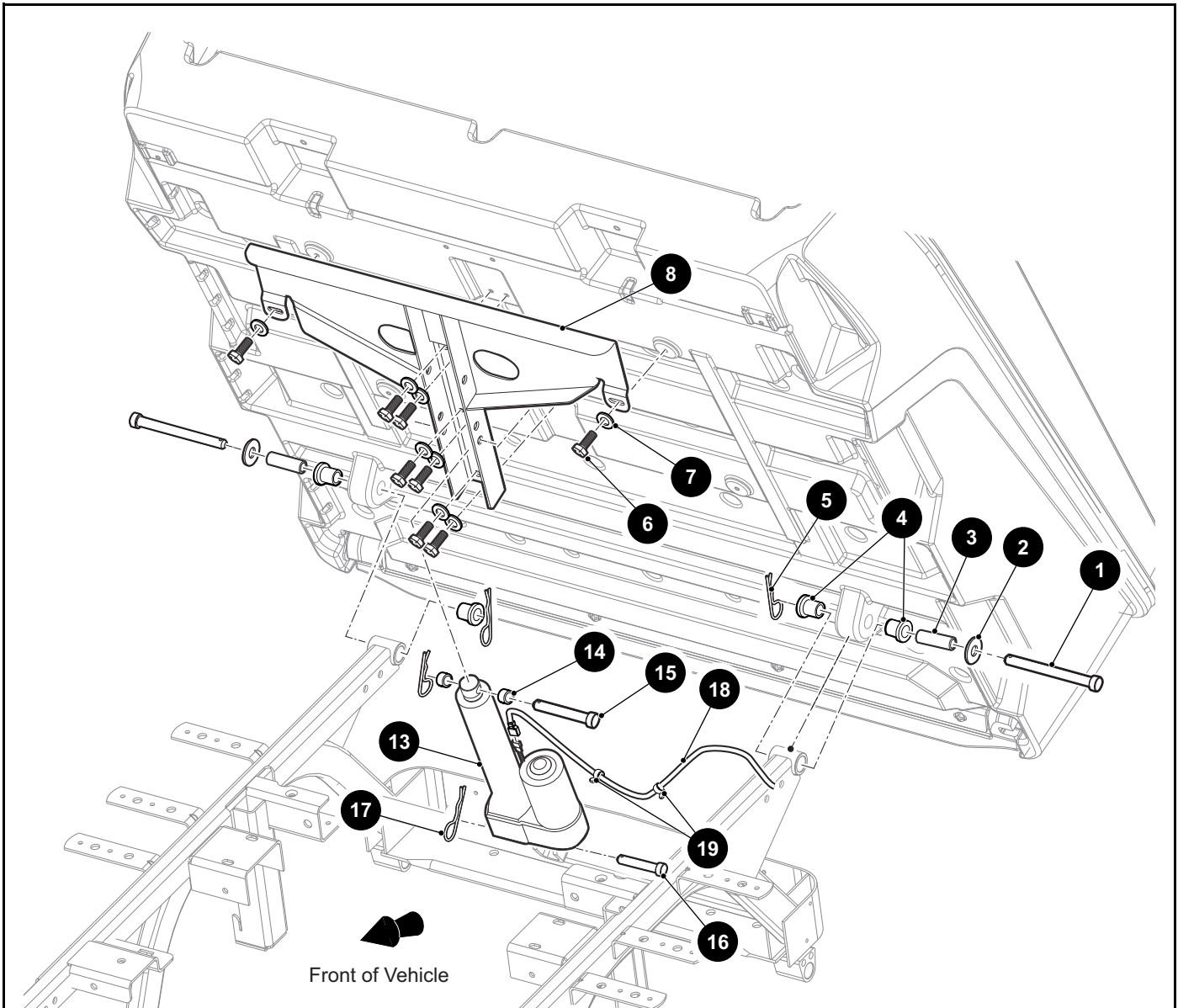
When ordering parts, please specify the model and serial number of the product.

* Indicates a component that is not available as an individual part.

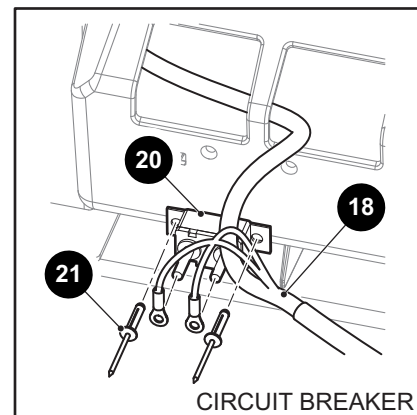
*** Indicates consult Customer Service Department for additional information.

| ITEM | PART NO. | 1 2 3 4 5 | DESCRIPTION | QTY. |
|------|-----------|-----------|---|------|
| 1 | 71571G01 | | CLEVIS PIN, .5" DIA X 5.25" LG..... | 2 |
| 2 | 00571G5 | | FLAT WASHER, 1/2"..... | 2 |
| 3 | 71570G01 | | BUSHING (ACETAL), 2.3" LG..... | 2 |
| 4 | 624030 | | FLANGED BUSHING, .93" LG..... | 4 |
| 5 | 21683G1 | | COTTER PIN, .320" X 2.969"..... | 2 |
| 6 | 71537G02 | | GAS SPRING..... | 1 |
| 7 | 602904 | | BED TETHER CABLE ASSEMBLY..... | 1 |
| 8 | 14443G12 | | CLEVIS PIN, .5" DIA X 2.22" LG..... | 1 |
| 9 | 21683G1 | | COTTER PIN, .320" X 2.969"..... | 1 |
| 10 | 71569G02 | | GAS SPRING CHANNEL..... | 1 |
| 11 | 01118G01 | | HEX HEAD BOLT WITH PATCH LOCK, 1/4" - 20 X .62" LG..... | 6 |
| 12 | 00642G7 | | FLAT WASHER, 1/4"..... | 6 |
| 13 | 14443G10 | | CLEVIS PIN, .5" DIA X 3" LG..... | 1 |
| 14 | 21683G1 | | COTTER PIN, .320" X 2.969"..... | 1 |
| 15 | 658171 | | LATCH BED PLATE..... | 1 |
| 16 | 71055G01 | | RIVET (ALUMINIUM), 3/16" X .985" LG..... | 2 |
| 17 | | | | |
| 18 | 651708 | | TRUCK BED LATCH ASSEMBLY (INCLUDES ITEMS 19 - 26)..... | 1 |
| 19 | 647965 | | LATCH..... | 1 |
| 20 | 652440G03 | | LATCH RETAINER BRACKET..... | 1 |
| 21 | 01118G01 | | HEX HEAD BOLT WITH PATCH LOCK, 1/4" - 20 X .62" LG..... | 4 |
| 22 | 71704G01 | | HANDLE GRIP..... | 2 |
| 23 | 657267 | | RETAINER BRACKET..... | 2 |
| 24 | 71538G01 | | TORSION SPRING..... | 1 |
| 25 | 70113G01 | | ADJUSTABLE RUBBER BUMPER..... | 2 |
| 26 | 11027G1 | | LOCK NUT, 5/16" - 18..... | 2 |

TRUCK BED



12 ELECTRIC DUMP ASSEMBLY includes items 13 - 21



THE USE OF NON U.L. PARTS WILL VOID ANY U.L. LISTING.

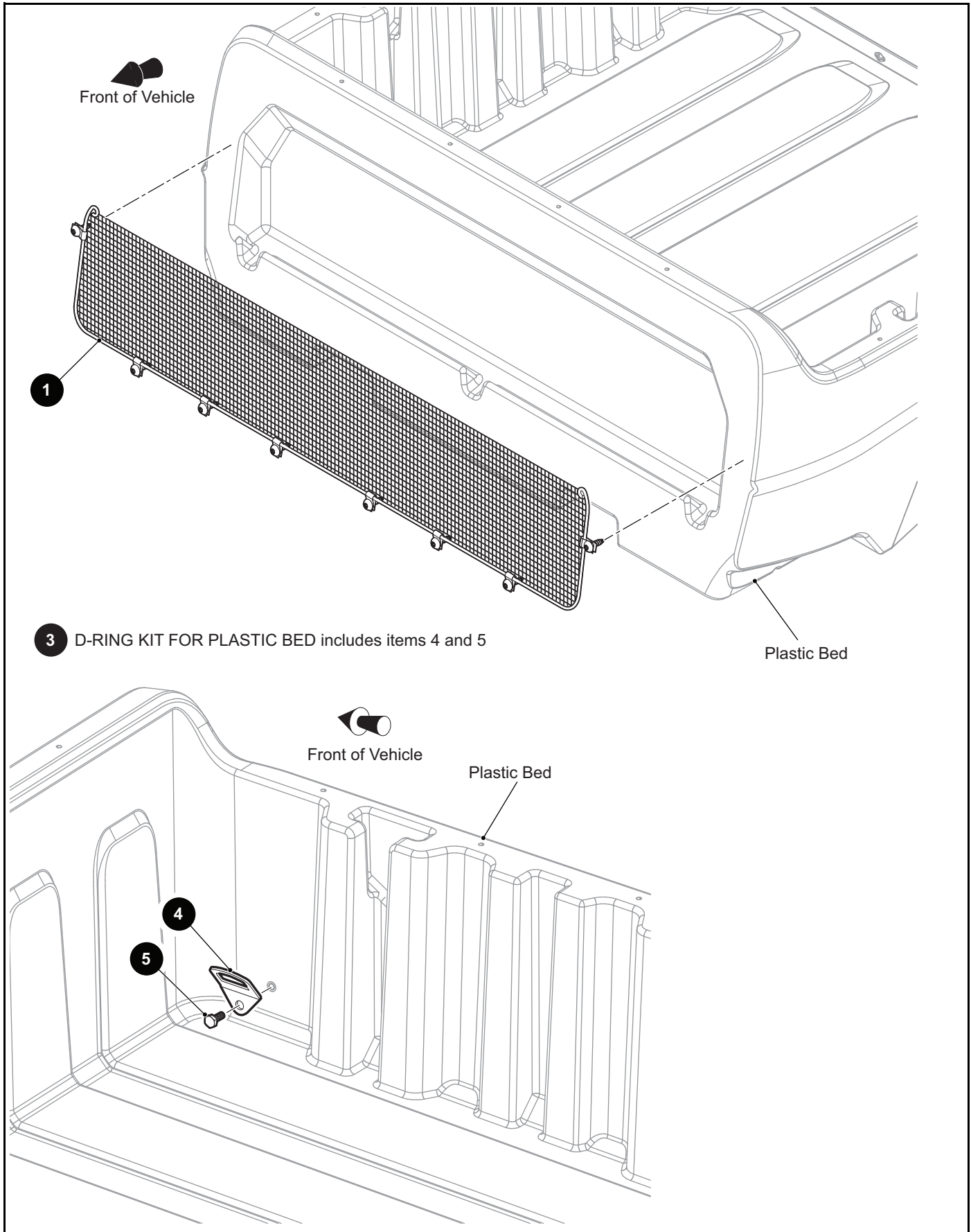
When ordering parts, please specify the model and serial number of the product.

* Indicates a component that is not available as an individual part.

*** Indicates consult Customer Service Department for additional information.

| ITEM | PART NO. | 1 2 3 4 5 | DESCRIPTION | QTY. |
|------|----------|-----------|---|------|
| 1 | 71571G01 | | CLEVIS PIN, .5" DIA X 5.25" LG..... | 2 |
| 2 | 00571G5 | | FLAT WASHER, 1/2"..... | 2 |
| 3 | 71570G01 | | BUSHING (ACETAL), 2.3" LG..... | 2 |
| 4 | 624030 | | FLANGED BUSHING, .93" LG..... | 4 |
| 5 | 21683G1 | | COTTER PIN, .320" X 2.969"..... | 2 |
| 6 | 01118G01 | | HEX HEAD BOLT WITH PATCH LOCK, 1/4" - 20 X .62" LG..... | 8 |
| 7 | 00642G7 | | FLAT WASHER, 1/4"..... | 8 |
| 8 | 71547G02 | | CHANNEL OUTRIGGER..... | 1 |
| 9 | | | | |
| 10 | | | | |
| 11 | | | | |
| 12 | 653323 | | ELECTRIC DUMP ASSEMBLY (INCLUDES ITEMS 13 - 21)..... | 1 |
| 13 | 27612G04 | | ELECTRIC ACTUATOR..... | 1 |
| 14 | 27613G01 | | SPACER, .75" O.D. X .5" I.D. | 2 |
| 15 | 14443G10 | | CLEVIS PIN, .5" X 3" LG..... | 1 |
| 16 | 14443G11 | | CLEVIS PIN, .5" X 1.92" LG..... | 1 |
| 17 | 21683G1 | | COTTER PIN, .320" X 2.969"..... | 2 |
| 18 | 653362 | | ELECTRIC DUMP HARNESS..... | 1 |
| 19 | 17618G1 | | NYLON CLAMP, 8" LG..... | 7 |
| 20 | 21320G04 | | CIRCUIT BREAKER, 15A, 24V..... | 1 |
| 21 | 01041G01 | | ALUMINUM RIVET, 5/23" DIA..... | 2 |

TRUCK BED



THE USE OF NON U.L. PARTS WILL VOID ANY U.L. LISTING.

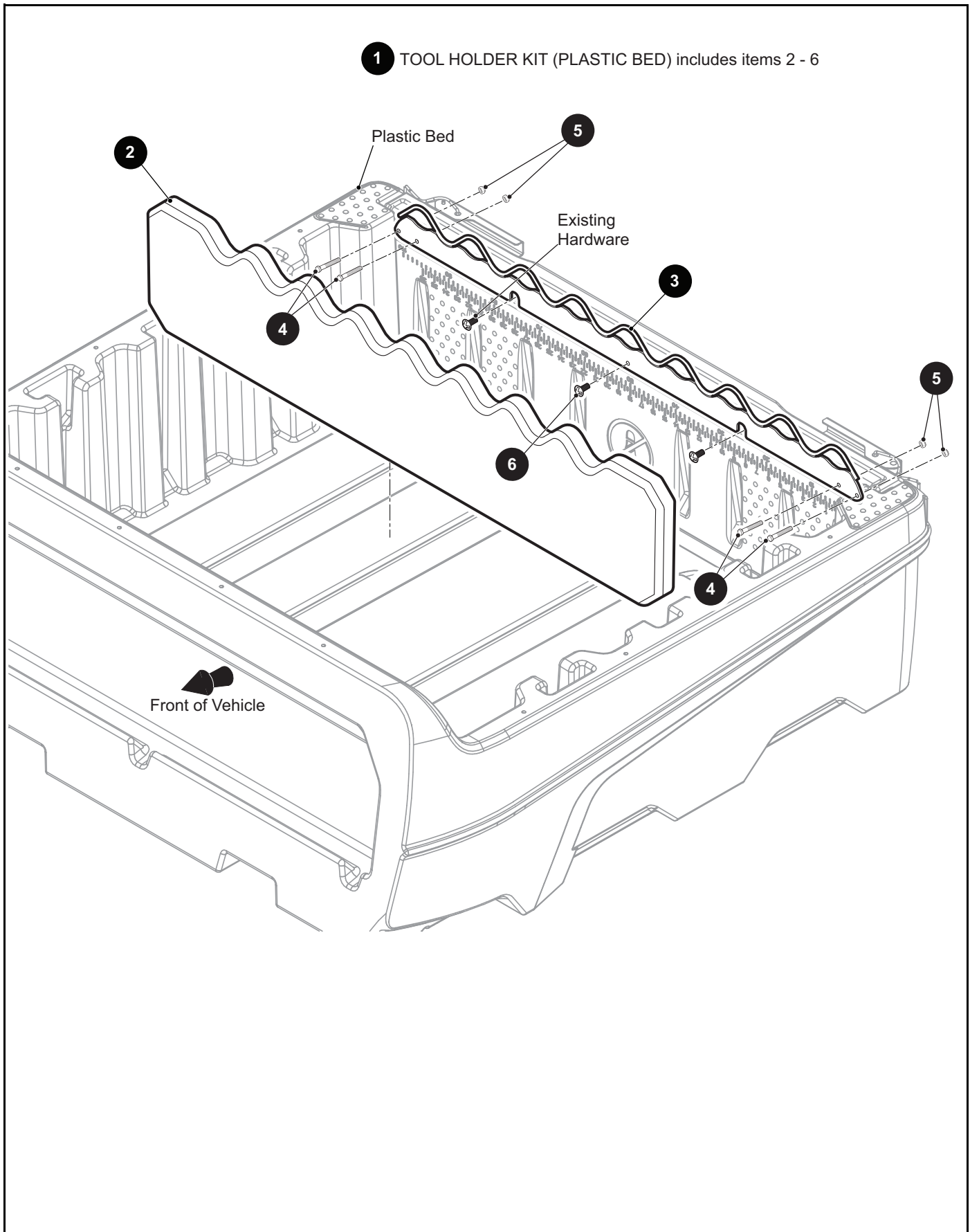
When ordering parts, please specify the model and serial number of the product.

* Indicates a component that is not available as an individual part.

*** Indicates consult Customer Service Department for additional information.

| ITEM | PART NO. | 1 2 3 4 5 | DESCRIPTION | QTY. |
|------|----------|-----------|---|------|
| 1 | 652838 | | MESH NET KIT FOR PLASTIC BED (INCLUDES MOUNTING HARDWARE) | 1 |
| 2 | | | | |
| 3 | 652349 | | D-RING KIT FOR PLASTIC BED (INCLUDES 4 AND 5) | 1 |
| 4 | 650566 | | D-RING (PLASTIC BED) | 4 |
| 5 | 73296G01 | | HEX HEAD BOLT, M8 - 1.5 X 16MM LG | 4 |

TRUCK BED



THE USE OF NON U.L. PARTS WILL VOID ANY U.L. LISTING.

When ordering parts, please specify the model and serial number of the product.

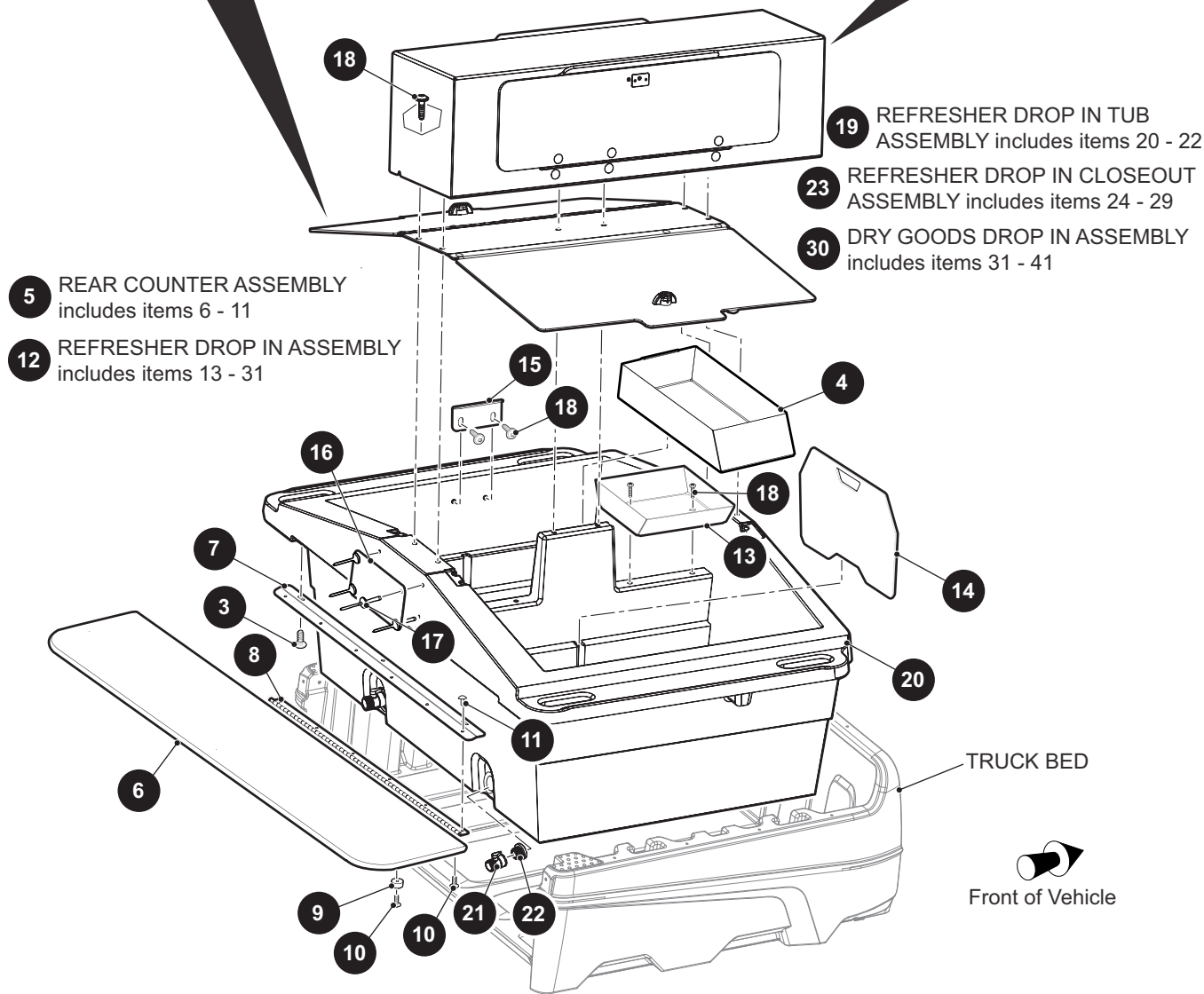
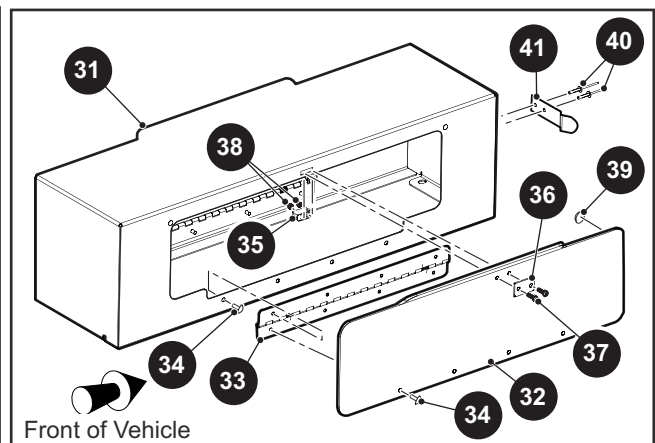
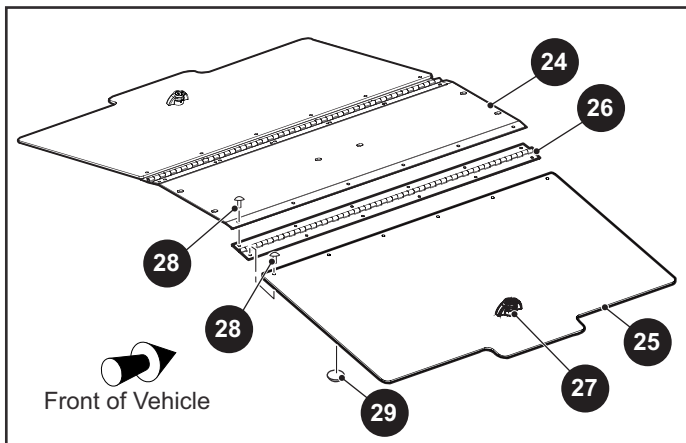
* Indicates a component that is not available as an individual part.

*** Indicates consult Customer Service Department for additional information.

| ITEM | PART NO. | 1 2 3 4 5 | DESCRIPTION | QTY. |
|------|----------|-----------|--|------|
| 1 | 652510 | | TOOL HOLDER KIT (PLASTIC BED) (INCLUDES ITEMS 2 - 6) | 1 |
| 2 | 652657 | | BED DIVIDER..... | 1 |
| 3 | 651732 | | LONG HANDLER TOOL HOLDER..... | 1 |
| 4 | 00416G6 | | HEX HEAD BOLT, 1/4" - 20 X 2 3/4" LG..... | 4 |
| 5 | 14390G4 | | LOCK NUT, 1/4" - 20 | 4 |
| 6 | 16705G2 | | PAN HEAD PHILLIPS SCREW (SS), 1/4" - 20 X 5/8" LG | 1 |

TRUCK BED

- 1 REFRESHER DROP IN WITH COUNTER KIT includes items 3, 5 - 12
- 2 REFRESHER DROP IN WITH COUNTER, ICEBOX KIT includes items 3 - 12



- 5 REAR COUNTER ASSEMBLY includes items 6 - 11
- 12 REFRESHER DROP IN ASSEMBLY includes items 13 - 31

- 19 REFRESHER DROP IN TUB ASSEMBLY includes items 20 - 22
- 23 REFRESHER DROP IN CLOSEOUT ASSEMBLY includes items 24 - 29
- 30 DRY GOODS DROP IN ASSEMBLY includes items 31 - 41

THE USE OF NON U.L. PARTS WILL VOID ANY U.L. LISTING.

When ordering parts, please specify the model and serial number of the product.

* Indicates a component that is not available as an individual part.

*** Indicates consult Customer Service Department for additional information.

| ITEM | PART NO. | 1 2 3 4 5 | DESCRIPTION | QTY. |
|------|-----------|-----------|---|------|
| 1 | 666929G02 | | REFRESHER DROP IN WITH COUNTER KIT (INCLUDES ITEMS 3, 5 - 12) | 1 |
| 2 | 666929G04 | | REFRESHER DROP IN WITH COUNTER, ICEBOX KIT (INCLUDES ITEMS 3 - 12) | 1 |
| 3 | 667938 | | ROUND WASHER HEAD BOLT, M6 - 1 X 16MM LG..... | 3 |
| 4 | 666955 | | REFRESHER DROP IN, ICE BIN..... | 1 |
| 5 | 667253 | | REAR COUNTER ASSEMBLY (INCLUDES ITEMS 6 - 11) | 1 |
| 6 | 667258 | | REAR COUNTER | 1 |
| 7 | 666231 | | SHELF MOUNT PLATE | 1 |
| 8 | 666966 | | HINGE, 27" LG..... | 1 |
| 9 | 667271 | | BUMPER PAD..... | 3 |
| 10 | 667798 | | PHILLIPS HEAD SCREW (SS), #10 X .5" LG | 9 |
| 11 | 662020 | | RIVET, 3/16" X 7/16" LG | 6 |
| 12 | 666939 | | REFRESHER DROP IN ASSEMBLY (INCLUDES ITEMS 13 - 30)..... | 1 |
| 13 | 666953 | | TRAY..... | 2 |
| 14 | 666952 | | DIVIDER..... | 2 |
| 15 | 666951 | | LATCH PLATE | 2 |
| 16 | 666960 | | LABEL..... | 2 |
| 17 | 71055G01 | | RIVET, 3/16" DIA..... | 4 |
| 18 | 667938 | | ROUND WASHER HEAD BOLT, M6 - 1 X 16MM LG | 14 |
| 19 | 666940 | | REFRESHER DROP IN TUB ASSEMBLY (INCLUDES ITEMS 20 - 22) | 1 |
| 20 | 663588 | | DROP IN COOLER..... | 1 |
| 21 | 666941 | | REFRESHER DROP IN DRAIN | 2 |
| 22 | 668951 | | REFRESHER DROP IN SPIN WELD..... | 2 |
| 23 | 666931 | | REFRESHER DROP IN CLOSEOUT ASSEMBLY (INCLUDES ITEMS 24 - 29) | 1 |
| 24 | 665961 | | COVER PLATE..... | 1 |
| 25 | 666093 | | DOOR..... | 2 |
| 26 | 666966 | | HINGE, 27" LG | 2 |
| 27 | 666962 | | CAM LATCH | 2 |
| 28 | 662020 | | RIVET, 3/16" X 7/16" LG..... | 24 |

TRUCK BED

THE USE OF NON U.L. PARTS WILL VOID ANY U.L. LISTING.

When ordering parts, please specify the model and serial number of the product.

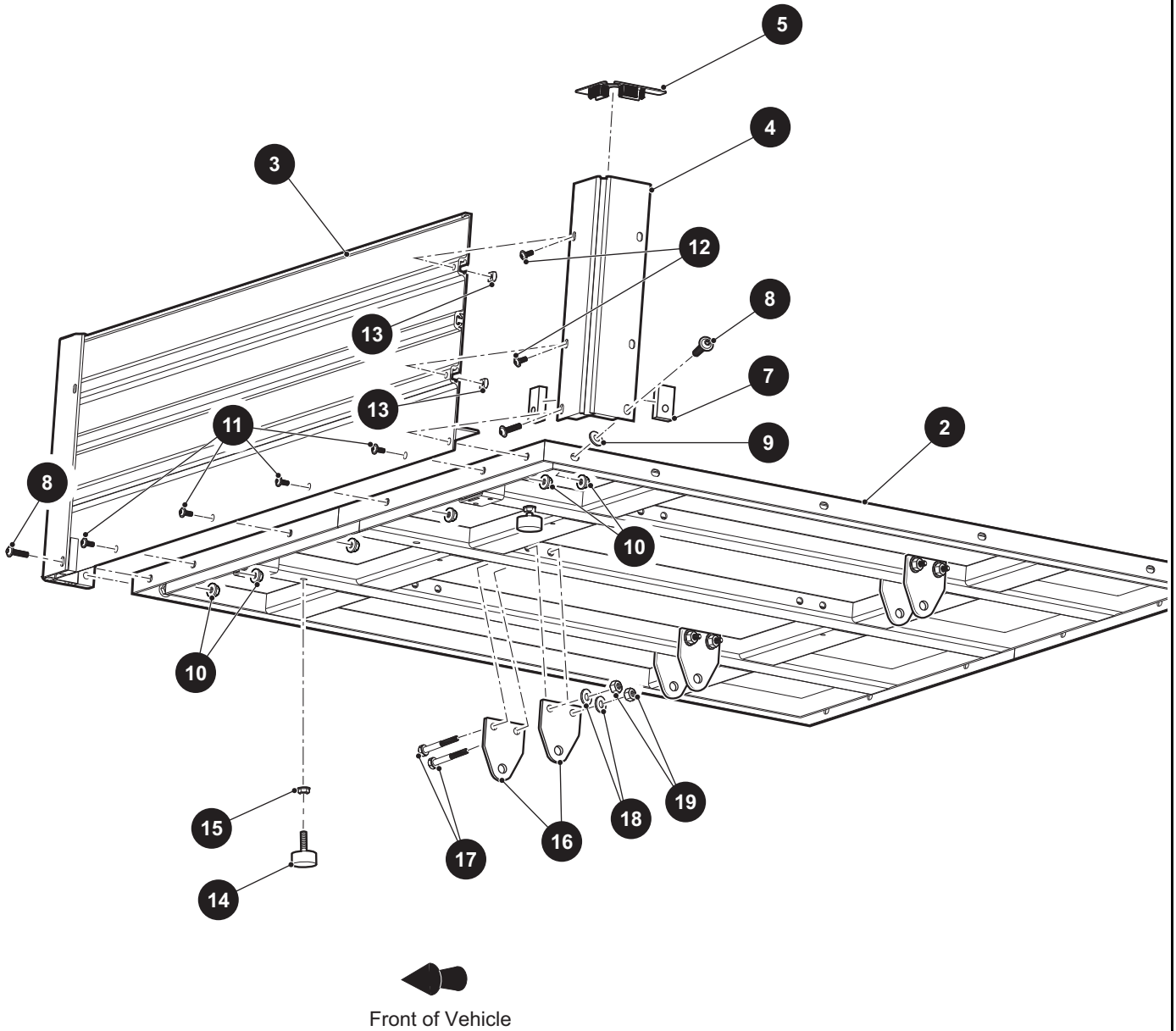
* Indicates a component that is not available as an individual part.

*** Indicates consult Customer Service Department for additional information.

| ITEM | PART NO. | 1 | 2 | 3 | 4 | 5 | DESCRIPTION | QTY. |
|------|----------|---|---|---|---|---|--|------|
| 29 | 676505 | | | | | | ROUND BUMPON 5/16" O.D. X 5/46" | 8 |
| 30 | 666933 | | | | | | DRY GOODS DROP IN ASSEMBLY (INCLUDES ITEMS 31 - 41) | 1 |
| 31 | 665973 | | | | | | DRY GOODS DROP IN | 1 |
| 32 | 665975 | | | | | | DRY GOODS DROP IN DOOR..... | 2 |
| 33 | 667097 | | | | | | SPRING HINGE | 2 |
| 34 | 662020 | | | | | | RIVET, 3/16" X 7/16" LG | 16 |
| 35 | 672857 | | | | | | BALL LATCH..... | 2 |
| 36 | 674061 | | | | | | COVER PLATE | 2 |
| 37 | 674068 | | | | | | HEX HEAD BOLT, #4 - 40 X .4375" LG | 4 |
| 38 | 674813 | | | | | | ACORN NUT #4 - 40..... | 4 |
| 39 | 676505 | | | | | | ROUND BUMPON, 5/16" O.D. X 5/46" | 4 |
| 40 | 71045G01 | | | | | | RIVET, 5/23" DIA..... | 4 |
| 41 | 676565 | | | | | | REFRESHER DROP IN LID | 2 |

TRUCK BED

1 FLAT TRUCK BED ASSEMBLY includes items 2 - 19



THE USE OF NON U.L. PARTS WILL VOID ANY U.L. LISTING.

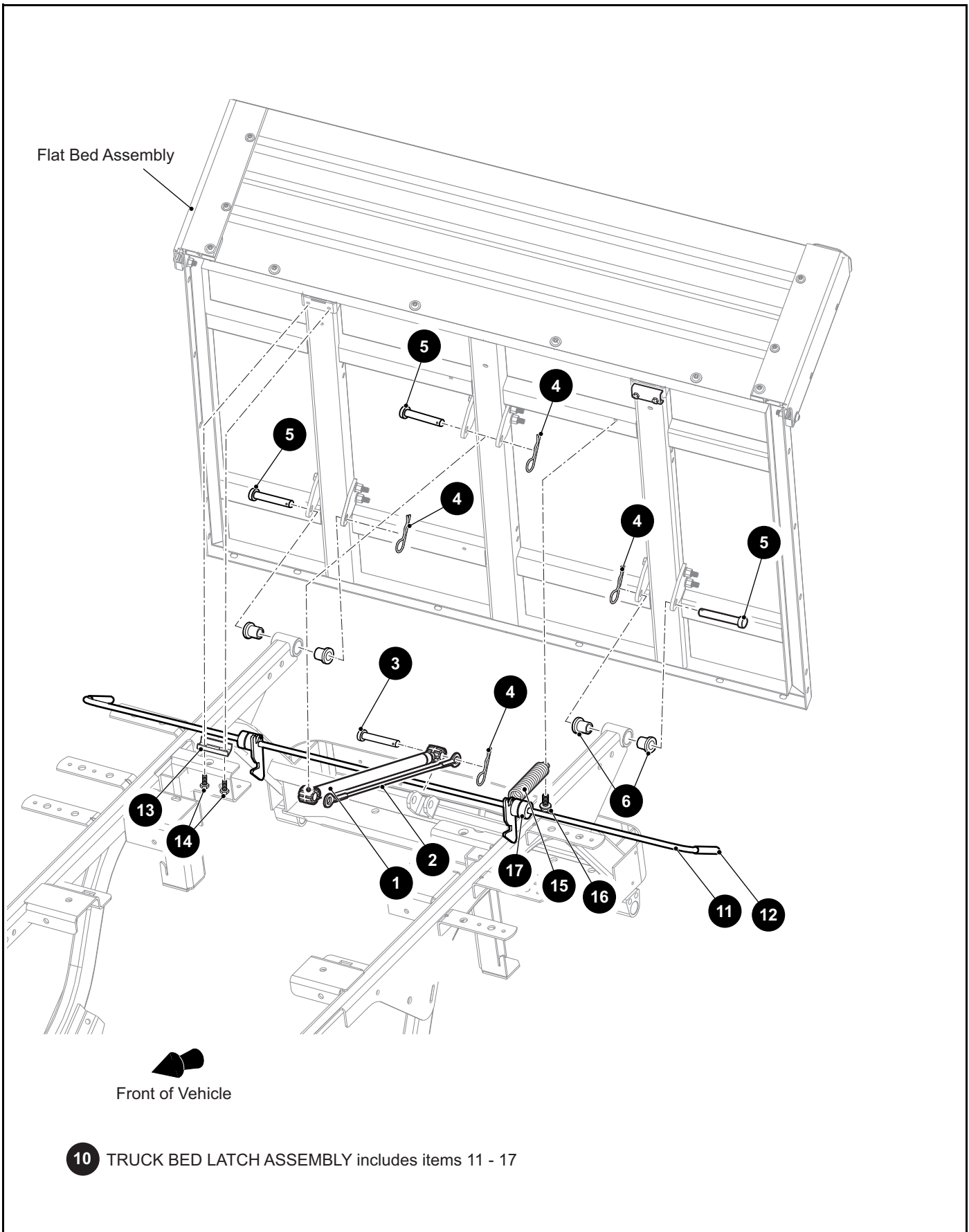
When ordering parts, please specify the model and serial number of the product.

* Indicates a component that is not available as an individual part.

*** Indicates consult Customer Service Department for additional information.

| ITEM | PART NO. | 1 2 3 4 5 | DESCRIPTION | QTY. |
|------|----------|-----------|---|------|
| 29 | 653275 | | FLAT TRUCK BED ASSEMBLY (INCLUDES ITEMS 2 - 19) | 1 |
| 30 | 647761 | | BED FRAME..... | 1 |
| 31 | 664662 | | FRONT PANEL ASSEMBLY | 1 |
| 32 | 648142 | | CORNER EXTRUSION | 2 |
| 33 | 657300 | | CORNER EXTRUSION CAP..... | 2 |
| 34 | | | | |
| 35 | 648829 | | BED SPACER (ALUMINUM) | 4 |
| 36 | 650116 | | ROUND HEAD TORX SCREW, 3/8" - 16 X 1 1/2" LG | 4 |
| 37 | 20835G1 | | FLAT WASHER, .62" O.D. X .385" I.D. | 2 |
| 38 | 11027G5 | | FLANGED LOCK NUT, 3/8" - 16 | 8 |
| 39 | 648778 | | ROUND HEAD TORX SCREW, 3/8" - 16 X 3/4" LG | 4 |
| 40 | 650167 | | ROUND HEAD TORX SCREW, 5/16" - 18 X 3/4" LG | 4 |
| 41 | 655642 | | SQUARE NUT, 5/16" - 18..... | 4 |
| 42 | 70113G01 | | ADJUSTABLE BUMPER (RUBBER)..... | 2 |
| 43 | 11027G1 | | FLANGED LOCK NUT, 5/16" - 18 | 2 |
| 44 | 647976 | | BED MOUNT (ALUMINUM)..... | 6 |
| 45 | 649153 | | HEX HEAD BOLT, 3/8" X 16 X 4" LG | 6 |
| 46 | 00560G1 | | FLAT WASHER, 3/8" | 6 |
| 47 | 11098G5 | | LOCK NUT, 3/8" - 16 | 6 |

TRUCK BED



THE USE OF NON U.L. PARTS WILL VOID ANY U.L. LISTING.

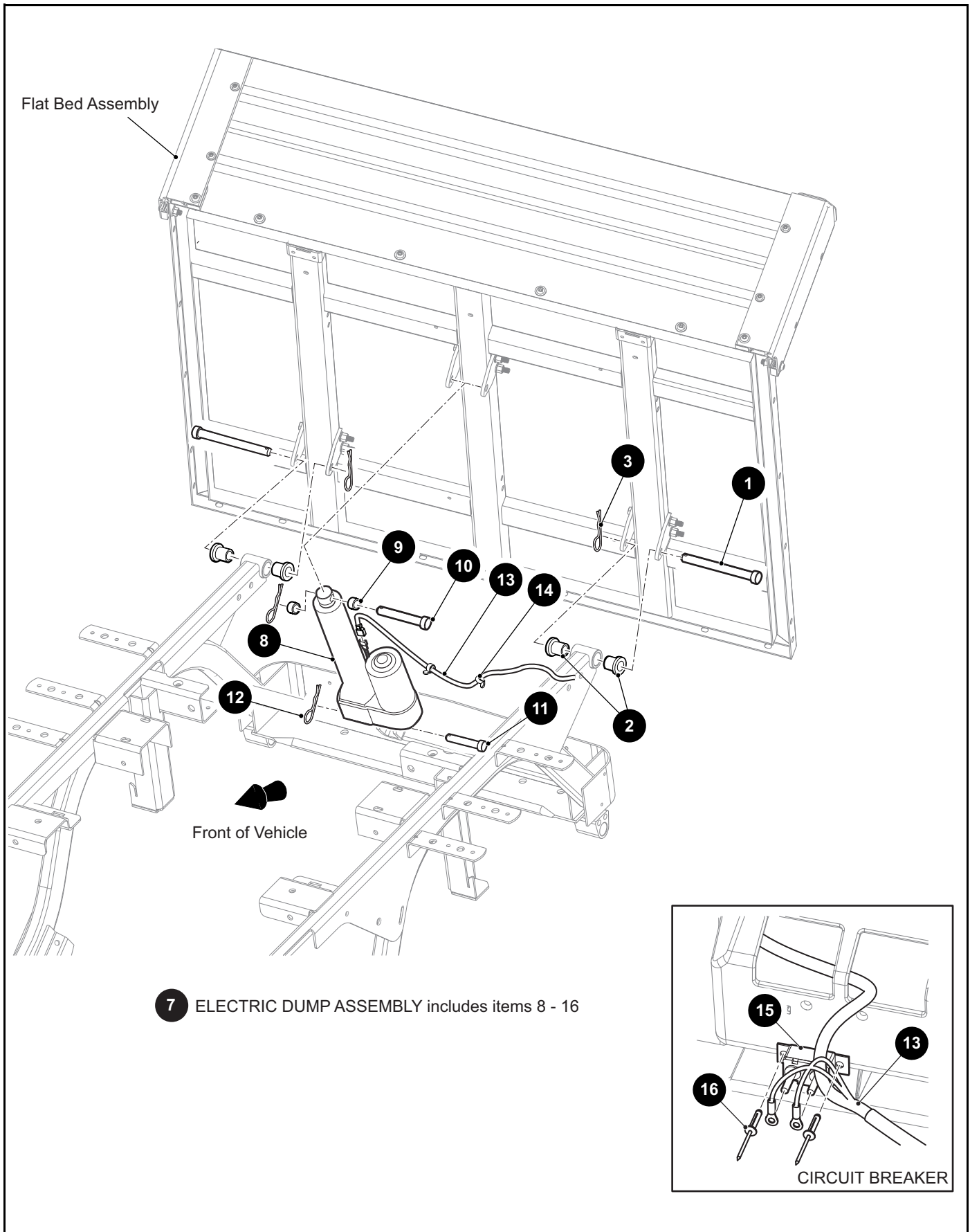
When ordering parts, please specify the model and serial number of the product.

* Indicates a component that is not available as an individual part.

*** Indicates consult Customer Service Department for additional information.

| ITEM | PART NO. | 1 2 3 4 5 | DESCRIPTION | QTY. |
|------|-----------|-----------|--|------|
| 1 | 71537G02 | | GAS SPRING..... | 1 |
| 2 | 602904 | | BED TETHER CABLE ASSEMBLY..... | 1 |
| 3 | 14443G12 | | CLEVIS PIN, .5" X 2.22" LG..... | 1 |
| 4 | 21683G1 | | COTTER PIN, .320" X 2.969"..... | 4 |
| 5 | 14443G13 | | CLEVIS PIN, .5" X 3.5" LG..... | 3 |
| 6 | 624030 | | FLANGED BUSHING, .93" LG..... | 4 |
| 7 | | | | |
| 8 | | | | |
| 9 | | | | |
| 10 | 653279G01 | | TRUCK BED LATCH ASSEMBLY (INCLUDES ITEMS 11 - 17)..... | 1 |
| 11 | 658739 | | ALUMINUM BED LATCH..... | 1 |
| 12 | 71704G01 | | HANDLE GRIP..... | 2 |
| 13 | 650239 | | LATCH CLAMP BRACKET..... | 2 |
| 14 | 00414G6 | | HEX HEAD BOLT, 1/4" - 20 X 3/4" LG..... | 4 |
| 15 | 30177G1 | | BRAKE SPRING..... | 1 |
| 16 | 00715G2 | | HEX WASHER HEAD BOLT, 5/16" - 18 X .8" LG..... | 1 |
| 17 | 634005 | | RUBBER BUSHING..... | 4 |

TRUCK BED



THE USE OF NON U.L. PARTS WILL VOID ANY U.L. LISTING.

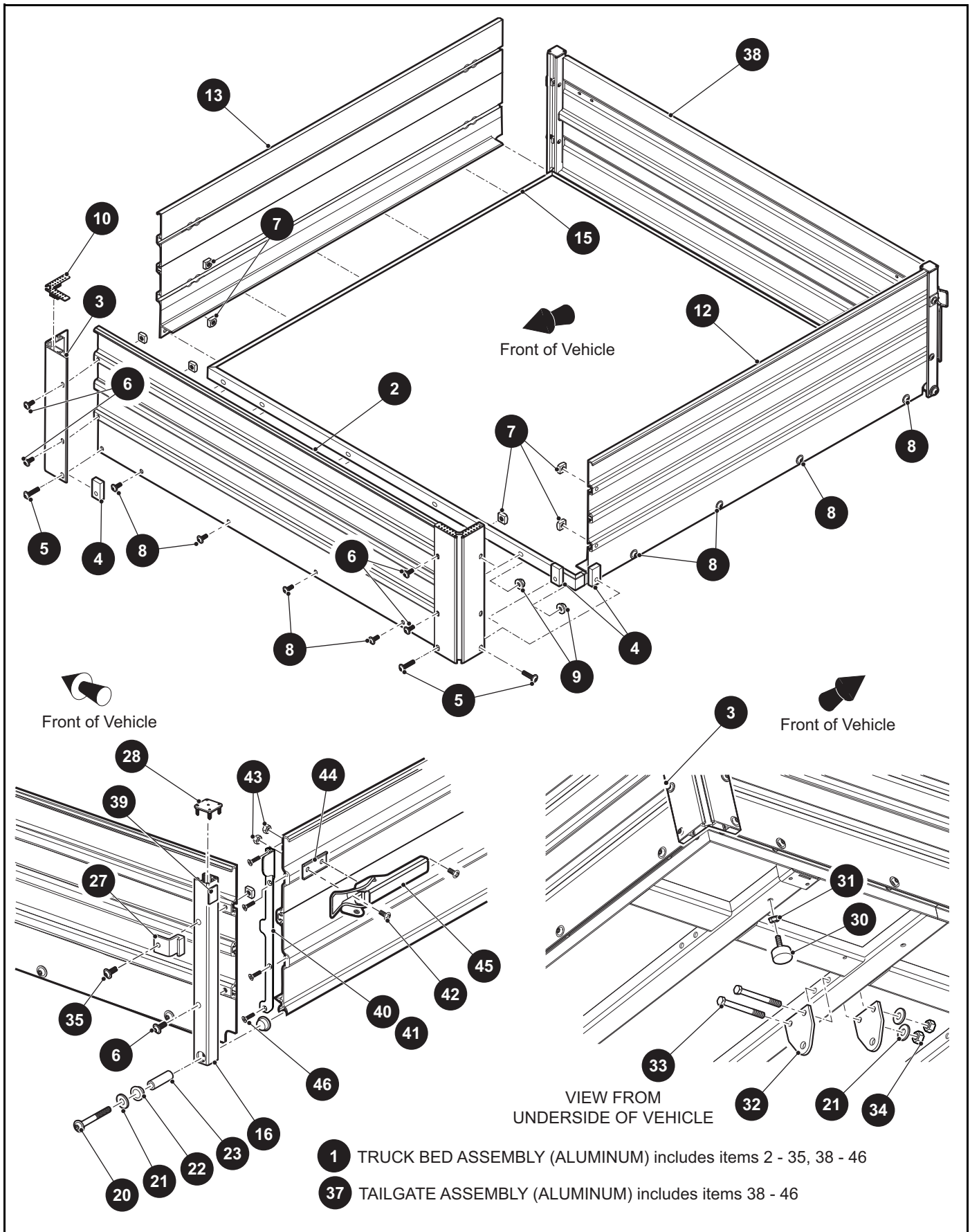
When ordering parts, please specify the model and serial number of the product.

* Indicates a component that is not available as an individual part.

*** Indicates consult Customer Service Department for additional information.

| ITEM | PART NO. | 1 2 3 4 5 | DESCRIPTION | QTY. |
|------|----------|-----------|---|------|
| 1 | 14443G13 | | CLEVIS PIN, .5" X 3.5" LG..... | 2 |
| 2 | 624030 | | FLANGED BUSHING, .93" LG..... | 4 |
| 3 | 21683G1 | | COTTER PIN, .320" X 2.969" | 2 |
| 4 | | | | |
| 5 | | | | |
| 6 | | | | |
| 7 | 653323 | | ELECTRIC DUMP ASSEMBLY (INCLUDES ITEMS 8 - 16)..... | 1 |
| 8 | 27612G04 | | ELECTRIC ACTUATOR, 48V (1000)..... | 1 |
| 9 | 27613G01 | | SPACER, .75" O.D. X .5" I.D. | 2 |
| 10 | 14443G10 | | CLEVIS PIN, .5" X 3" LG | 1 |
| 11 | 14443G11 | | CLEVIS PIN, .5" X 1.92" LG | 1 |
| 12 | 21683G1 | | COTTER PIN, .320" X 2.969" | 2 |
| 13 | 653362 | | ELECTRIC DUMP HARNESS | 1 |
| 14 | 17618G1 | | NYLON CLAMP, 8" LG | 7 |
| 15 | 21320G04 | | CIRCUIT BREAKER, 15A, 24V | 1 |
| 16 | 01041G01 | | ALUMINUM RIVET, 5/23" DIA | 2 |

TRUCK BED



THE USE OF NON U.L. PARTS WILL VOID ANY U.L. LISTING.

When ordering parts, please specify the model and serial number of the product.

* Indicates a component that is not available as an individual part.

*** Indicates consult Customer Service Department for additional information.

| ITEM | PART NO. | 1 2 3 4 5 | DESCRIPTION | QTY. |
|------|----------|-----------|---|------|
| 1 | 649005 | | TRUCK BED ASSEMBLY (ALUMINUM) (INCLUDES ITEMS 2 - 35, 38 - 46). | 1 |
| 2 | 664662 | | FRONT PANEL ASSEMBLY | 1 |
| 3 | 648142 | | CORNER EXTRUSION | 2 |
| 4 | 648829 | | BED SPACER (ALUMINUM) | 4 |
| 5 | 650116 | | ROUND HEAD TORX SCREW, 3/8" - 16 X 1 1/2" LG | 4 |
| 6 | 650167 | | ROUND HEAD TORX SCREW, 5/16" - 18 X 3/4" LG | 10 |
| 7 | 655642 | | SQUARE NUT, 5/16" - 18 | 12 |
| 8 | 648778 | | ROUND HEAD TORX SCREW, 3/8" - 16 X 3/4" LG | 12 |
| 9 | 11027G5 | | FLANGED LOCK NUT, 3/8" - 16 | 16 |
| 10 | 657300 | | CORNER EXTRUSION CAP | 2 |
| 11 | | | | |
| 12 | 664655 | | SIDE PANEL ASSEMBLY (DRIVER SIDE)..... | 1 |
| 13 | 664656 | | SIDE PANEL ASSEMBLY (PASSENGER SIDE) | 1 |
| 14 | | | | |
| 15 | 647761 | | BED FRAME..... | 1 |
| 16 | 649219 | | POST EXTRUSION | 2 |
| 17 | | | | |
| 18 | | | | |
| 19 | | | | |
| 20 | 648814 | | ROUND HEAD TORX SCREW, 3/8" - 16 X 3 1/4" LG | 2 |
| 21 | 00560G1 | | FLAT WASHER, 3/8" | 8 |
| 22 | 649091 | | PLAIN FLANGE BEARING..... | 4 |
| 23 | 648809 | | TAILGATE BUSHING | 2 |
| 24 | | | | |
| 25 | | | | |
| 26 | | | | |
| 27 | 658878 | | TAILGATE LATCH BRACKET | 2 |
| 28 | 657301 | | EXTRUSION POST CAP | 2 |
| 29 | | | | |
| 30 | 70113G01 | | ADJUSTABLE BUMPER (RUBBER)..... | 2 |
| 31 | 11027G1 | | FLANGED LOCK NUT, 5/16" - 18 | 2 |

TRUCK BED

THE USE OF NON U.L. PARTS WILL VOID ANY U.L. LISTING.

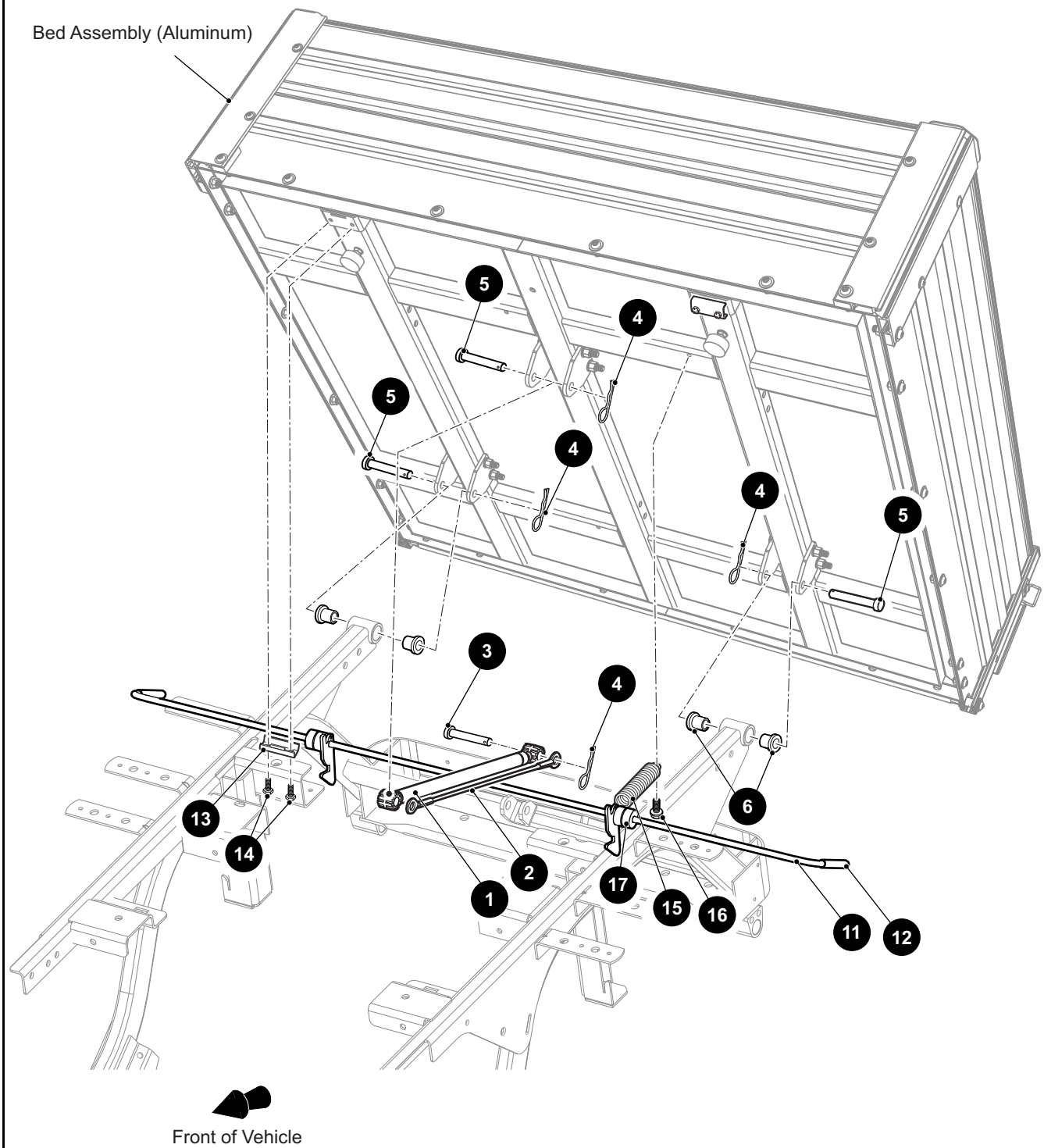
When ordering parts, please specify the model and serial number of the product.

* Indicates a component that is not available as an individual part.

*** Indicates consult Customer Service Department for additional information.

| ITEM | PART NO. | 1 | 2 | 3 | 4 | 5 | DESCRIPTION | QTY. |
|------|-----------|---|---|---|---|---|--|------|
| 32 | 647976 | | | | | | BED MOUNT (ALUMINUM) | 6 |
| 33 | 649153 | | | | | | HEX HEAD BOLT, 3/8" X 16 X 4" LG | 6 |
| 34 | 11098G5 | | | | | | LOCK NUT, 3/8" - 16 | 6 |
| 35 | 648988 | | | | | | ROUND HEAD TORX SCREW, 5/16" - 18 X 1 1/4" LG | 2 |
| 36 | | | | | | | | |
| 37 | 660552 | | | | | | TAILGATE ASSEMBLY (ALUMINIUM) (INCLUDES ITEMS 38 - 46) | 1 |
| 38 | 659203 | | | | | | TAILGATE ASSEMBLY | 1 |
| 39 | 659417 | | | | | | FOAM TAPE (BLACK) | 2 |
| 40 | 658708G01 | | | | | | TAILGATE BRACKET (DRIVER SIDE) | 1 |
| 41 | 658708G02 | | | | | | TAILGATE BRACKET (PASSENGER SIDE) | 1 |
| 42 | 800296 | | | | | | TRUSS HEAD PHILLIPS SCREW, #10 - 24 X 3/4" LG | 4 |
| 43 | 14390G10 | | | | | | LOCK NUT, #10 - 24 | 4 |
| 44 | 658929 | | | | | | STOP LATCH (SHIM)..... | 2 |
| 45 | 652781 | | | | | | TAILGATE LATCH ASSEMBLY | 2 |
| 46 | 659541 | | | | | | FLAT HEAD TAPPING SCREW, #10 - 24 X 3/4" LG | 8 |

TRUCK BED



10 TRUCK BED LATCH ASSEMBLY includes items 11 - 17

THE USE OF NON U.L. PARTS WILL VOID ANY U.L. LISTING.

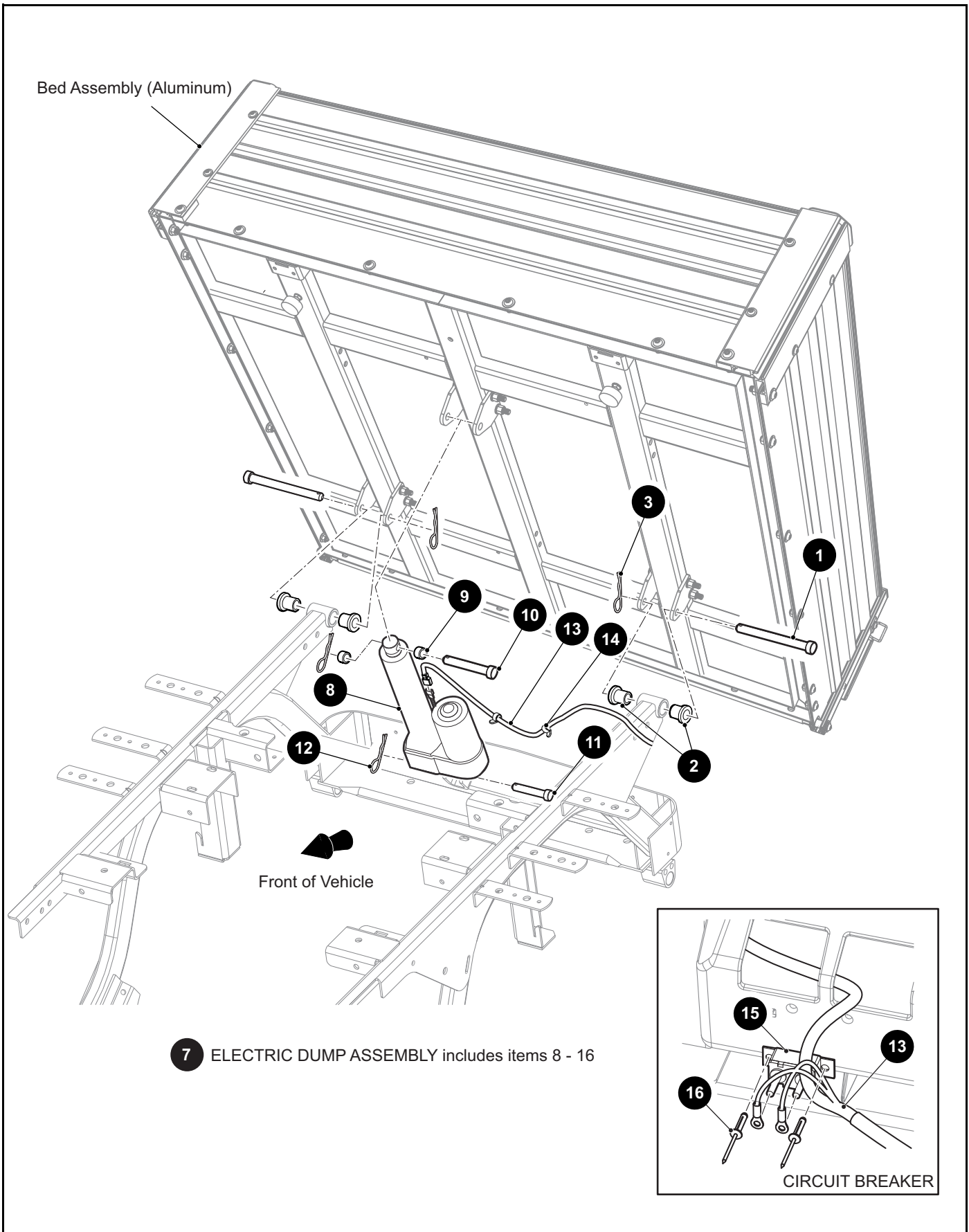
When ordering parts, please specify the model and serial number of the product.

* Indicates a component that is not available as an individual part.

*** Indicates consult Customer Service Department for additional information.

| ITEM | PART NO. | 1 2 3 4 5 | DESCRIPTION | QTY. |
|------|-----------|-----------|--|------|
| 1 | 71537G02 | | GAS SPRING..... | 1 |
| 2 | 602904 | | BED TETHER CABLE ASSEMBLY..... | 1 |
| 3 | 14443G12 | | CLEVIS PIN, .5" X 2.22" LG..... | 1 |
| 4 | 21683G1 | | COTTER PIN, .320" X 2.969"..... | 4 |
| 5 | 14443G13 | | CLEVIS PIN, .5" X 3.5" LG..... | 3 |
| 6 | 624030 | | FLANGED BUSHING, .93" LG..... | 4 |
| 7 | | | | |
| 8 | | | | |
| 9 | | | | |
| 10 | 653279G01 | | TRUCK BED LATCH ASSEMBLY (INCLUDES ITEMS 11 - 17)..... | 1 |
| 11 | 658739 | | ALUMINUM BED LATCH..... | 1 |
| 12 | 71704G01 | | HANDLE GRIP..... | 2 |
| 13 | 650239 | | LATCH CLAMP BRACKET..... | 2 |
| 14 | 00414G6 | | HEX HEAD BOLT, 1/4" - 20 X 3/4" LG..... | 4 |
| 15 | 30177G1 | | BRAKE SPRING..... | 1 |
| 16 | 00715G2 | | HEX WASHER HEAD BOLT, 5/16" - 18 X .8" LG..... | 1 |
| 17 | 634005 | | RUBBER BUSHING..... | 4 |

TRUCK BED



THE USE OF NON U.L. PARTS WILL VOID ANY U.L. LISTING.

When ordering parts, please specify the model and serial number of the product.

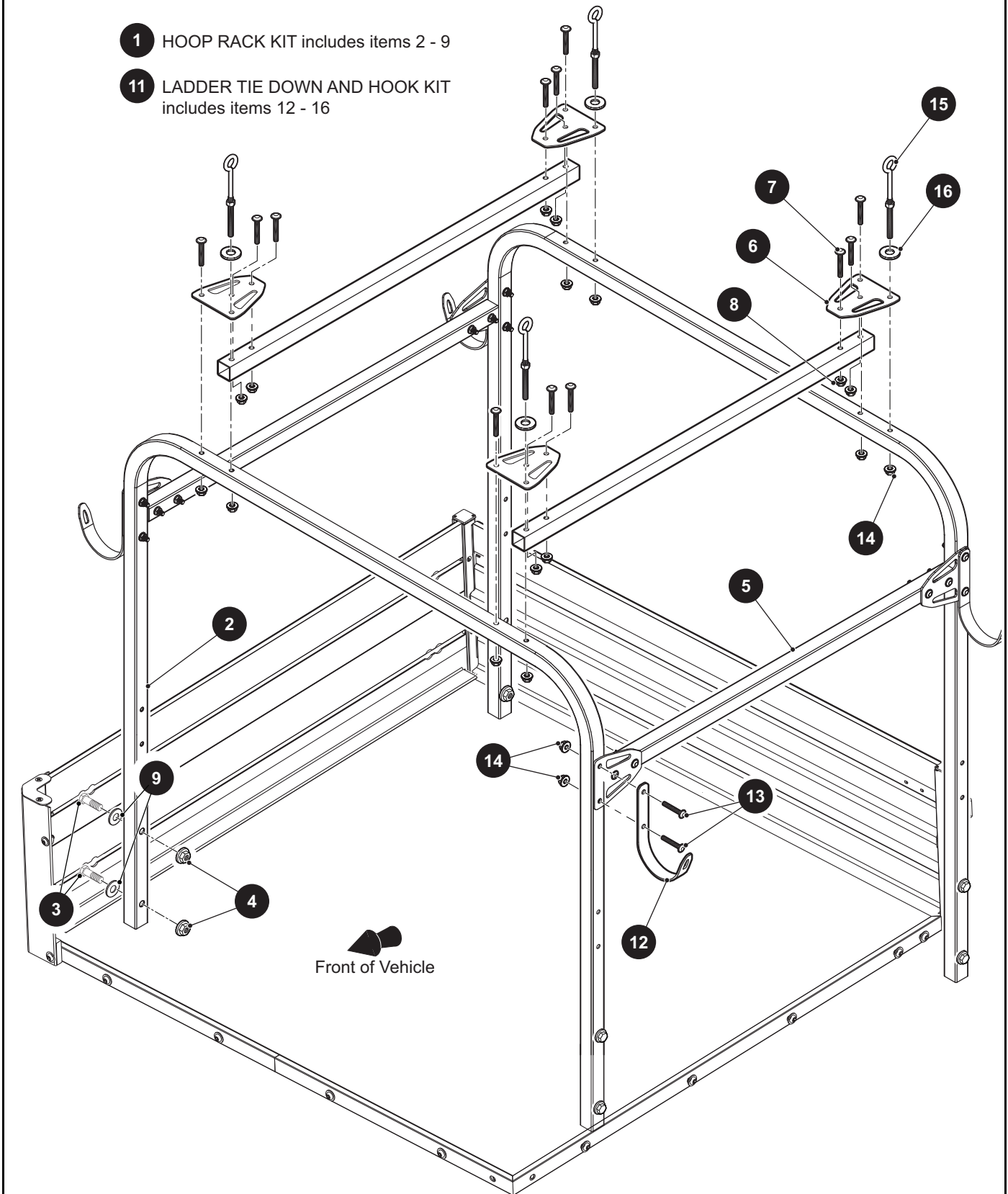
* Indicates a component that is not available as an individual part.

*** Indicates consult Customer Service Department for additional information.

| ITEM | PART NO. | 1 2 3 4 5 | DESCRIPTION | QTY. |
|------|----------|-----------|---|------|
| 1 | 14443G13 | | CLEVIS PIN, .5" X 3.5" LG..... | 2 |
| 2 | 624030 | | FLANGED BUSHING, .93" LG..... | 4 |
| 3 | 21683G1 | | COTTER PIN, .320" X 2.969" | 2 |
| 4 | | | | |
| 5 | | | | |
| 6 | | | | |
| 7 | 653323 | | ELECTRIC DUMP ASSEMBLY (INCLUDES ITEMS 8 - 16)..... | 1 |
| 8 | 27612G04 | | ELECTRIC ACTUATOR, 48V (1000)..... | 1 |
| 9 | 27613G01 | | SPACER, .75" O.D. X .5" I.D. | 2 |
| 10 | 14443G10 | | CLEVIS PIN, .5" X 3" LG | 1 |
| 11 | 14443G11 | | CLEVIS PIN, .5" X 1.92" LG | 1 |
| 12 | 21683G1 | | COTTER PIN, .320" X 2.969" | 2 |
| 13 | 653362 | | ELECTRIC DUMP HARNESS | 1 |
| 14 | 17618G1 | | NYLON CLAMP, 8" LG | 7 |
| 15 | 21320G04 | | CIRCUIT BREAKER, 15A, 24V | 1 |
| 16 | 01041G01 | | ALUMINUM RIVET, 5/23" DIA | 2 |

TRUCK BED

- 1** HOOP RACK KIT includes items 2 - 9
- 11** LADDER TIE DOWN AND HOOK KIT includes items 12 - 16



THE USE OF NON U.L. PARTS WILL VOID ANY U.L. LISTING.

When ordering parts, please specify the model and serial number of the product.

* Indicates a component that is not available as an individual part.

*** Indicates consult Customer Service Department for additional information.

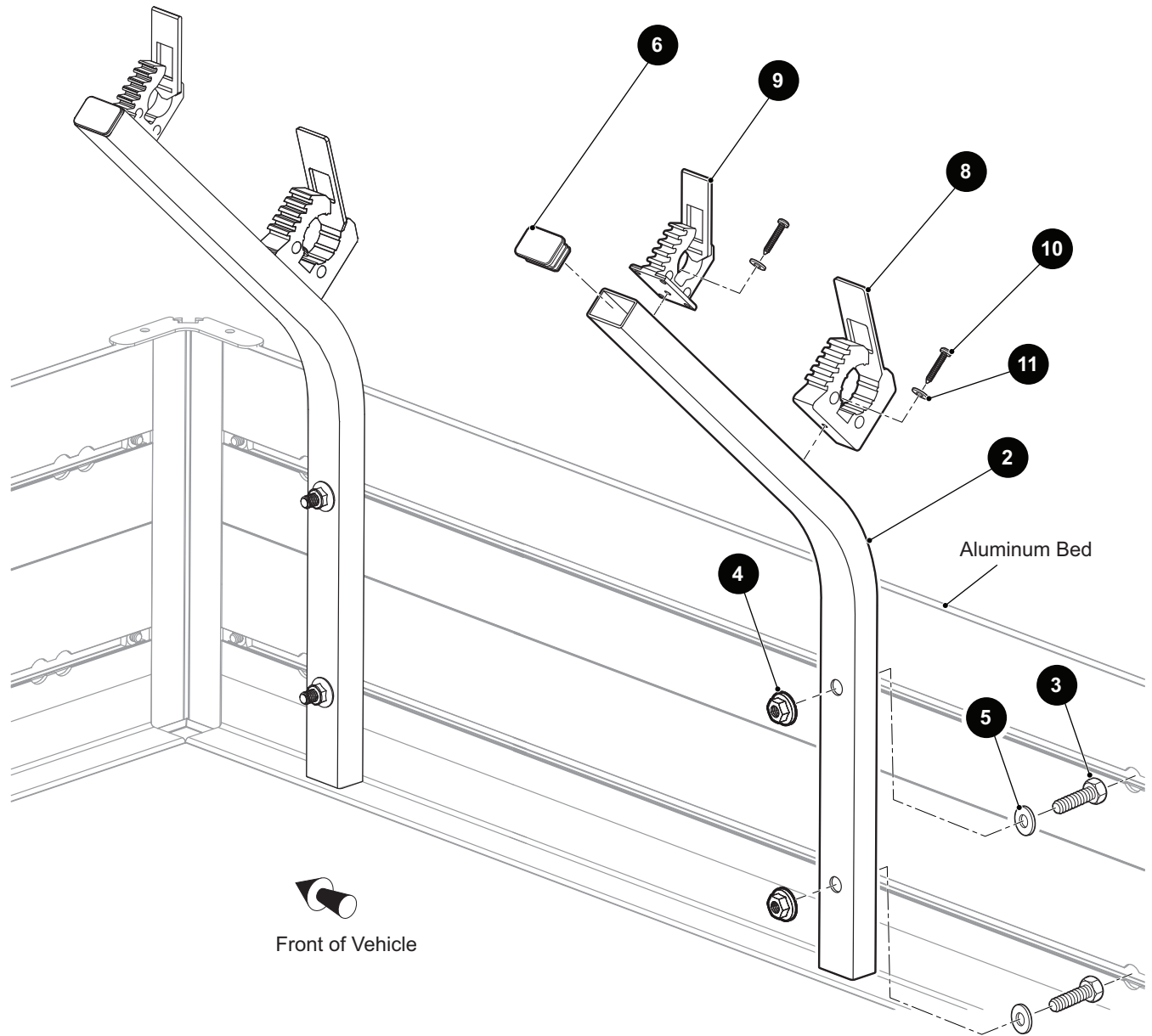
| ITEM | PART NO. | 1 2 3 4 5 | DESCRIPTION | QTY. |
|------|----------|-----------|---|------|
| 1 | 658573 | | HOOP RACK KIT (INCLUDES ITEMS 2 - 9) | 1 |
| 2 | 650766 | | ALUMINUM BED HOOP..... | 2 |
| 3 | 00427G8 | | HEX HEAD BOLT, 3/8" - 16 X 2" LG | 8 |
| 4 | 12262G1 | | FLANGED LOCK NUT, 3/8" - 16 | 8 |
| 5 | 650931 | | HOOK RACK TIE BAR | 2 |
| 6 | 650950 | | HOOK RACK TIE BAR BRACKET | 4 |
| 7 | 652310 | | ROUND HEAD TORX BOLT, 5/16" - 18 X 2" LG | 16 |
| 8 | 11027G1 | | FLANGED LOCK NUT, 5/16" - 18 | 16 |
| 9 | 00560G1 | | FLAT WASHER, 3/8" | 8 |
| 10 | | | | |
| 11 | 650921 | | LADDER TIE DOWN AND HOOK KIT (INCLUDES ITEMS 12 - 16) | 1 |
| 12 | 651379 | | HOOK | 4 |
| 13 | 652310 | | ROUND HEAD TORX BOLT, 5/16" - 18 X 2" LG | 8 |
| 14 | 11027G1 | | FLANGED LOCK NUT, 5/16" - 18 | 8 |
| 15 | 651338 | | EYE BOLT, 5/16" - 18 X 5" LG | 4 |
| 16 | 00642G8 | | FLAT WASHER, 5/16" | 4 |

TRUCK BED

1 TOOL HOLDER KIT includes items 2 - 7

7 QUICK FIST KIT includes items 8 - 11

14 L-TRACK D-LOOP KIT (NOT ILLUSTRATED) includes item 15



THE USE OF NON U.L. PARTS WILL VOID ANY U.L. LISTING.

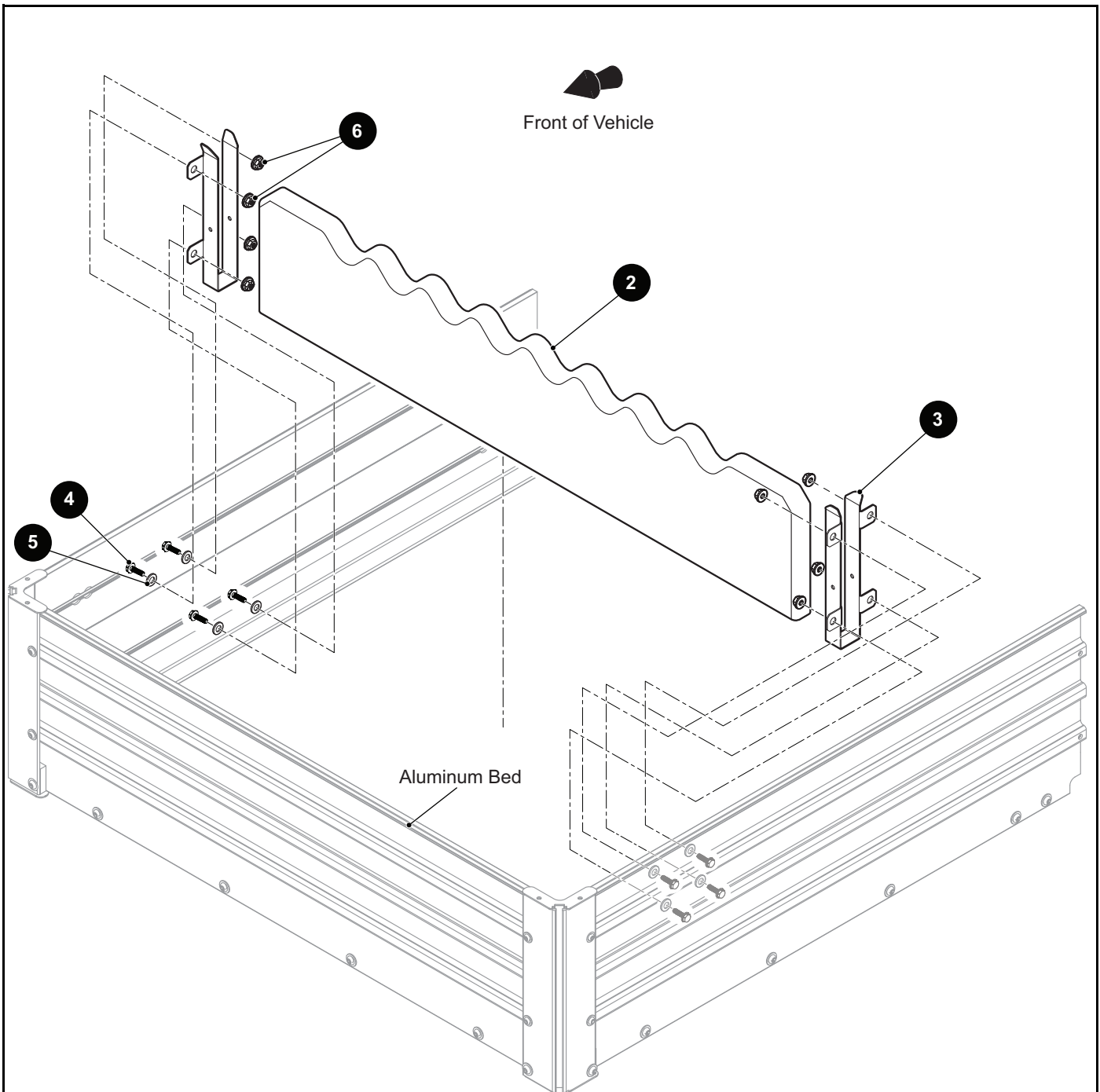
When ordering parts, please specify the model and serial number of the product.

* Indicates a component that is not available as an individual part.

*** Indicates consult Customer Service Department for additional information.

| ITEM | PART NO. | 1 2 3 4 5 | DESCRIPTION | QTY. |
|------|----------|-----------|---|------|
| 1 | 658536 | | TOOL HOLDER KIT (INCLUDES ITEMS 2 - 7) | 1 |
| 2 | 658535 | | BED BAR | 2 |
| 3 | 00427G8 | | HEX HEAD BOLT, 3/8" - 16 X 2" LG..... | 4 |
| 4 | 12262G1 | | FLANGED LOCK NUT, 3/8" - 16 | 4 |
| 5 | 00560G1 | | FLAT WASHER, 3/8" | 4 |
| 6 | 652697 | | END CAP, 1" 1 1/2"..... | 2 |
| 7 | 652615 | | QUICK FIST KIT (INCLUDES ITEMS 8 - 11) | 1 |
| 8 | 652590 | | QUICK FIST CLAMP (ORIGINAL) | 2 |
| 9 | 646404 | | QUICK FIST CLAMP (MINI)..... | 2 |
| 10 | 648271 | | PAN HEAD TORX SCREW, #8 - 15 X 1" LG | 4 |
| 11 | 00559G4 | | FLAT WASHER, #8 | 4 |
| 12 | | | | |
| 13 | | | | |
| 14 | 652347 | | L-TRACK D-LOOP KIT (NOT ILLUSTRATED) (INCLUDES ITEM 15) | 1 |
| 15 | 652346 | | L-TRACK D-LOOP..... | 4 |

TRUCK BED



1 ALUMINUM BED DIVIDER KIT includes items 2 - 6

THE USE OF NON U.L. PARTS WILL VOID ANY U.L. LISTING.

When ordering parts, please specify the model and serial number of the product.

* Indicates a component that is not available as an individual part.

*** Indicates consult Customer Service Department for additional information.

| ITEM | PART NO. | 1 2 3 4 5 | DESCRIPTION | QTY. |
|------|----------|-----------|--|------|
| 1 | 652674 | | ALUMINUM BED DIVIDER KIT (INCLUDES ITEMS 2 - 6)..... | 1 |
| 2 | 652673 | | BED DIVIDER..... | 1 |
| 3 | 652677 | | BED DIVIDER BRACKET..... | 2 |
| 4 | 00426G8 | | HEX HEAD FLANGED BOLT, 3/8" - 16 X 1" LG..... | 8 |
| 5 | 00560G1 | | FLAT WASHER, 3/8" | 8 |
| 6 | 12262G1 | | FLANGED LOCK NUT, 3/8" - 16 | 8 |

WEATHER PROTECTION

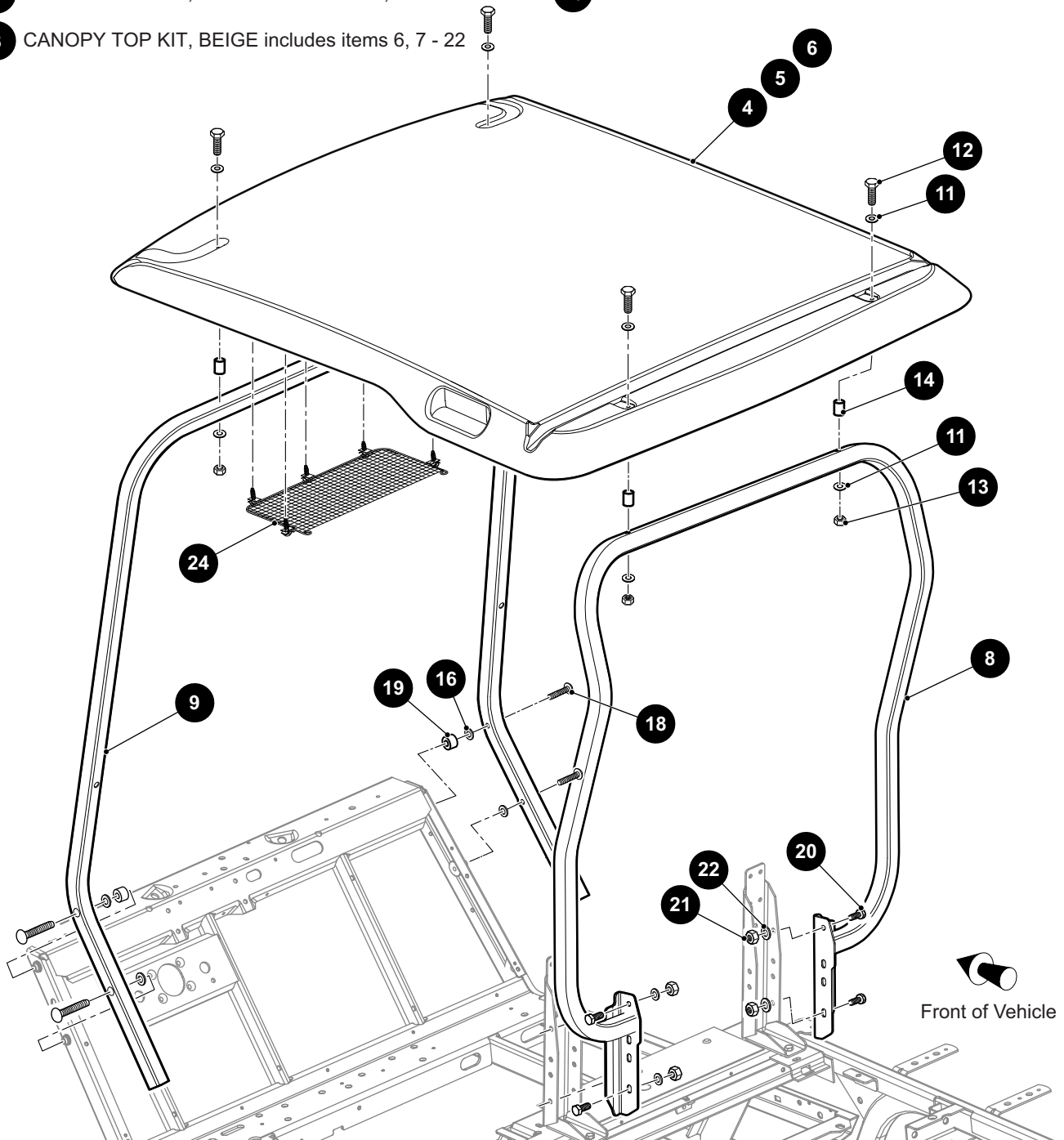
1 CANOPY TOP KIT, BLACK includes items 4, 7 - 22

2 CANOPY TOP KIT, TAN includes items 5, 7 - 22

3 CANOPY TOP KIT, BEIGE includes items 6, 7 - 22

7 CANOPY STRUT SET includes items 8 - 10

10 HARDWARE KIT includes items 11 - 22



WEATHER PROTECTION

THE USE OF NON U.L. PARTS WILL VOID ANY U.L. LISTING.

When ordering parts, please specify the model and serial number of the product.

* Indicates a component that is not available as an individual part.

*** Indicates consult Customer Service Department for additional information.

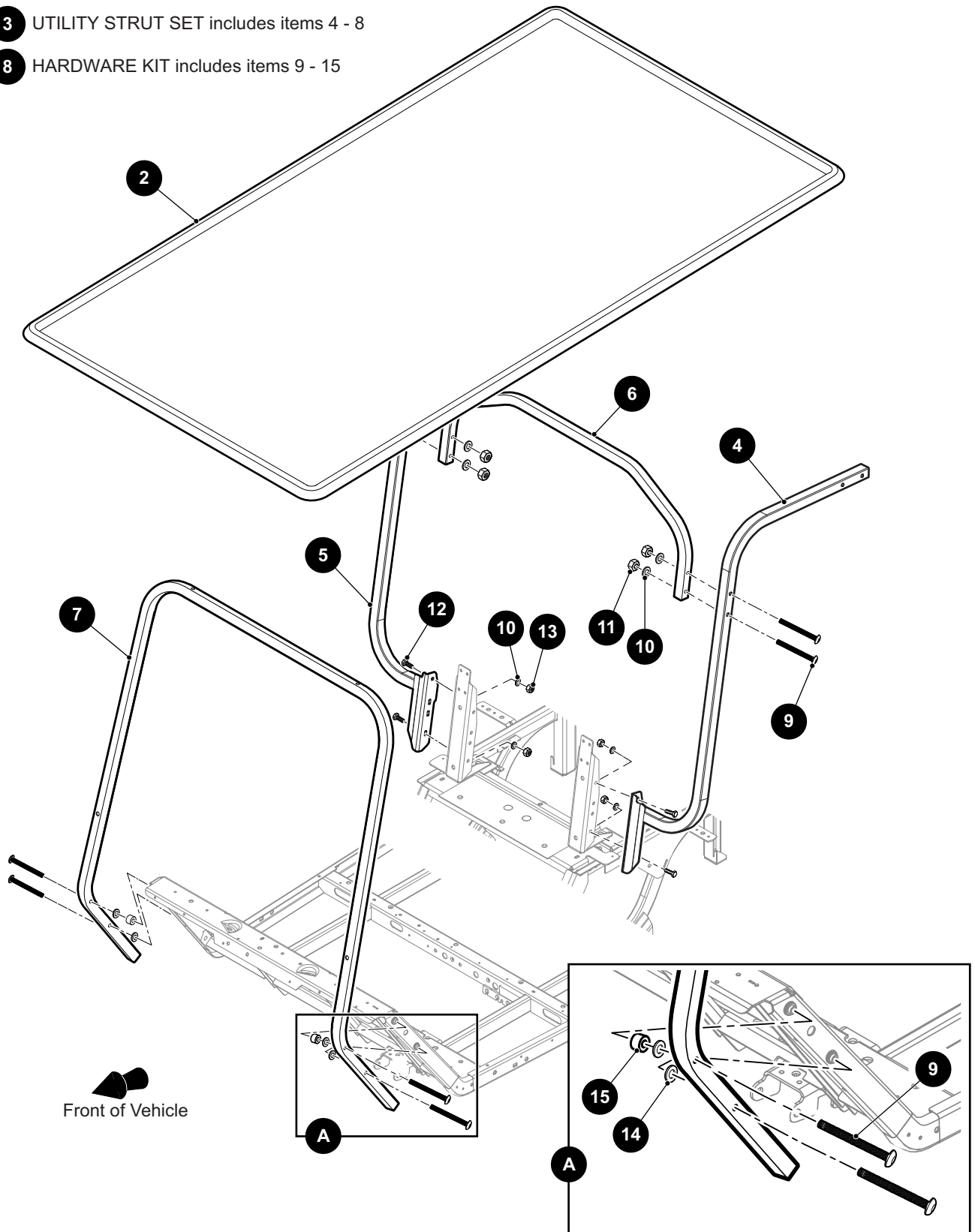
| ITEM | PART NO. | 1 2 3 4 5 | DESCRIPTION | QTY. |
|------|-----------|-----------|---|------|
| 1 | 651917G01 | | CANOPY TOP KIT (BLACK) (INCLUDES ITEMS 4, 7 - 22) | 1 |
| 2 | 651917G02 | | CANPOPY TOP KIT (TAN) (INCLUDES ITEMS 5, 7 - 22)..... | 1 |
| 3 | 651917G03 | | CANOPY TOP KIT (BEIGE) (INCLUDES ITEMS 6, 7 - 22) | 1 |
| 4 | 625292 | | CANOPY TOP (BLACK) | 1 |
| 5 | 625290 | | CANOPY TOP (TAN) | 1 |
| 6 | 625291 | | CANOPY TOP (BEIGE) | 1 |
| 7 | 654452 | | STRUT SET (INCLUDES ITEMS 8 - 10) | 1 |
| 8 | 658690 | | REAR STRUT | 1 |
| 9 | 648270 | | FRONT STRUT | 1 |
| 10 | 652328 | | HARDWARE KIT (INCLUDES ITEMS 11 - 22) | 1 |
| 11 | 652324 | | FLAT WASHER, O.D .692" X I.D .349"..... | 8 |
| 12 | 652326 | | HEX HEAD BOLT, 1/4" - 20 X 2.75" LG..... | 4 |
| 13 | 652319 | | LOCK NUT, 1/4 - 20..... | 4 |
| 14 | 625301 | | SPACER, .74" LG | 4 |
| 15 | | | | |
| 16 | 634808 | | FLAT WASHER, 5/16" | 4 |
| 17 | | | | |
| 18 | 652311 | | ROUND HEAD TORX SCREW (BLACK), 5/16" - 18 X 3" LG | 4 |
| 19 | 634807 | | SPACER, .5" LG | 2 |
| 20 | 652313 | | HEX HEAD BOLT, 5/16" - 18 X 1" LG..... | 4 |
| 21 | 652317 | | LOCK NUT, 5/16" - 18 X .34" LG | 4 |
| 22 | 634810 | | FLAT WASHER, 5/16" | 4 |
| 23 | | | | |
| 24 | 653594 | | MESH NET KIT | 1 |

WEATHER PROTECTION

1 BESTOP KIT includes items 2 - 3

3 UTILITY STRUT SET includes items 4 - 8

8 HARDWARE KIT includes items 9 - 15



WEATHER PROTECTION

THE USE OF NON U.L. PARTS WILL VOID ANY U.L. LISTING.

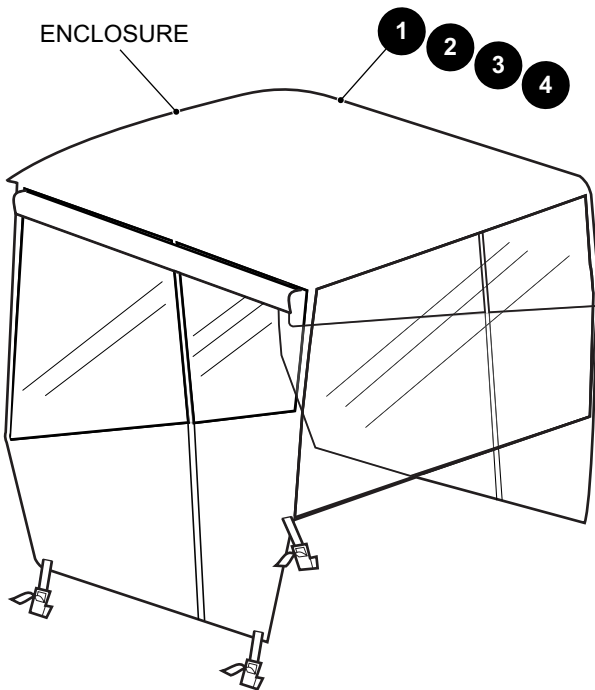
When ordering parts, please specify the model and serial number of the product.

* Indicates a component that is not available as an individual part.

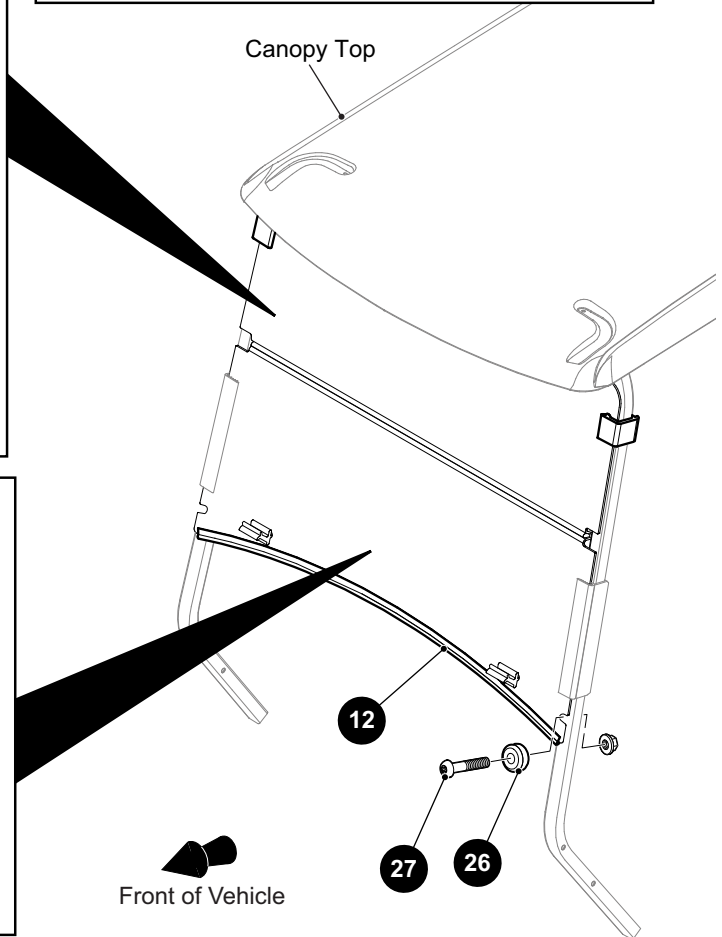
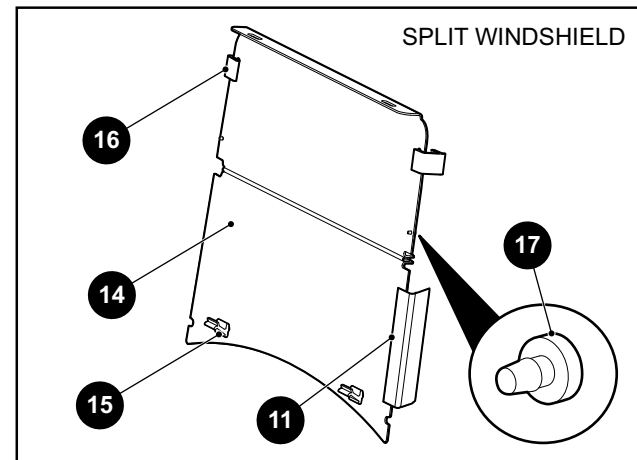
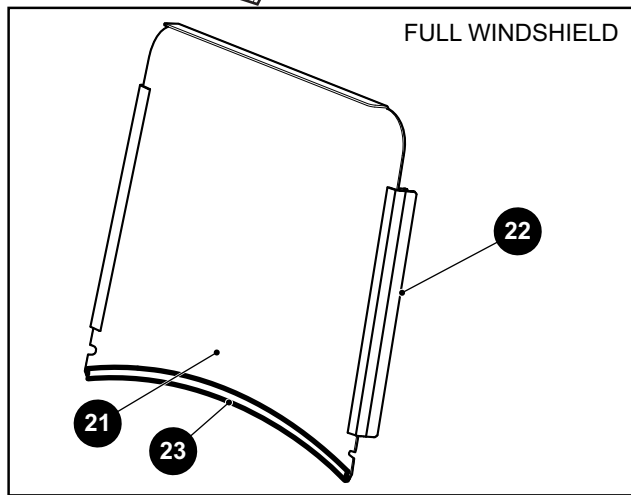
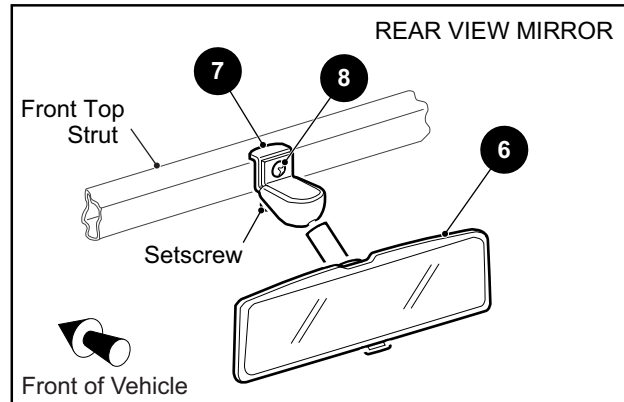
*** Indicates consult Customer Service Department for additional information.

| ITEM | PART NO. | 1 2 3 4 5 | DESCRIPTION | QTY. |
|------|-----------|-----------|---|------|
| 1 | 651916G01 | | BESTOP KIT (BLACK) (INCLUDES ITEMS 2 - 3) | 1 |
| 2 | 655556 | | SOFT TOP KIT | 1 |
| 3 | 651871 | | UTILITY STRUT SET (INCLUDES ITEMS 4 - 8)..... | 1 |
| 4 | 659146G01 | | REAR STRUT (DRIVER SIDE)..... | 1 |
| 5 | 659146G02 | | REAR STRUT (PASSENGER SIDE) | 1 |
| 6 | 651857 | | BRACE..... | 1 |
| 7 | 648270 | | FRONT STRUT | 1 |
| 8 | 652843 | | HARDWARE KIT (INCLUDES ITEMS 9 - 15) | 1 |
| 9 | 652311 | | ROUND HEAD TORX SCREW, 5/16" - 18 X 3" LG | 8 |
| 10 | 634810 | | FLAT WASHER, 5/16" | 8 |
| 11 | 654587 | | HEX NUT, 5/16" | 4 |
| 12 | 652313 | | HEX HEAD BOLT, 5/16" - 18 X 1" LG..... | 4 |
| 13 | 652317 | | LOCK NUT, 5/16" - 18 | 8 |
| 14 | 634808 | | FLAT WASHER, 5/16" | 4 |
| 15 | 634807 | | SPACER, O.D .328 X I.D .75..... | 2 |
| 16 | | | | |
| 17 | | | | |
| 18 | | | | |
| 19 | 601379 | | REAR VIEW MIRROR KIT (NOT ILLUSTRATED)..... | 1 |

WEATHER PROTECTION



- 5 REAR VIEW MIRROR KIT includes items 6 - 8
- 10 SPLIT WINDSHIELD UTILITY KIT includes items 11 - 17, 25
- 13 SPLIT WINDSHIELD ASSEMBLY includes items 14 - 17
- 20 FULL WINDSHIELD UTILITY KIT includes items 21 - 25
- 25 WINDSHIELD HARDWARE KIT includes items 26 - 27



WEATHER PROTECTION

THE USE OF NON U.L. PARTS WILL VOID ANY U.L. LISTING.

When ordering parts, please specify the model and serial number of the product.

* Indicates a component that is not available as an individual part.

*** Indicates consult Customer Service Department for additional information.

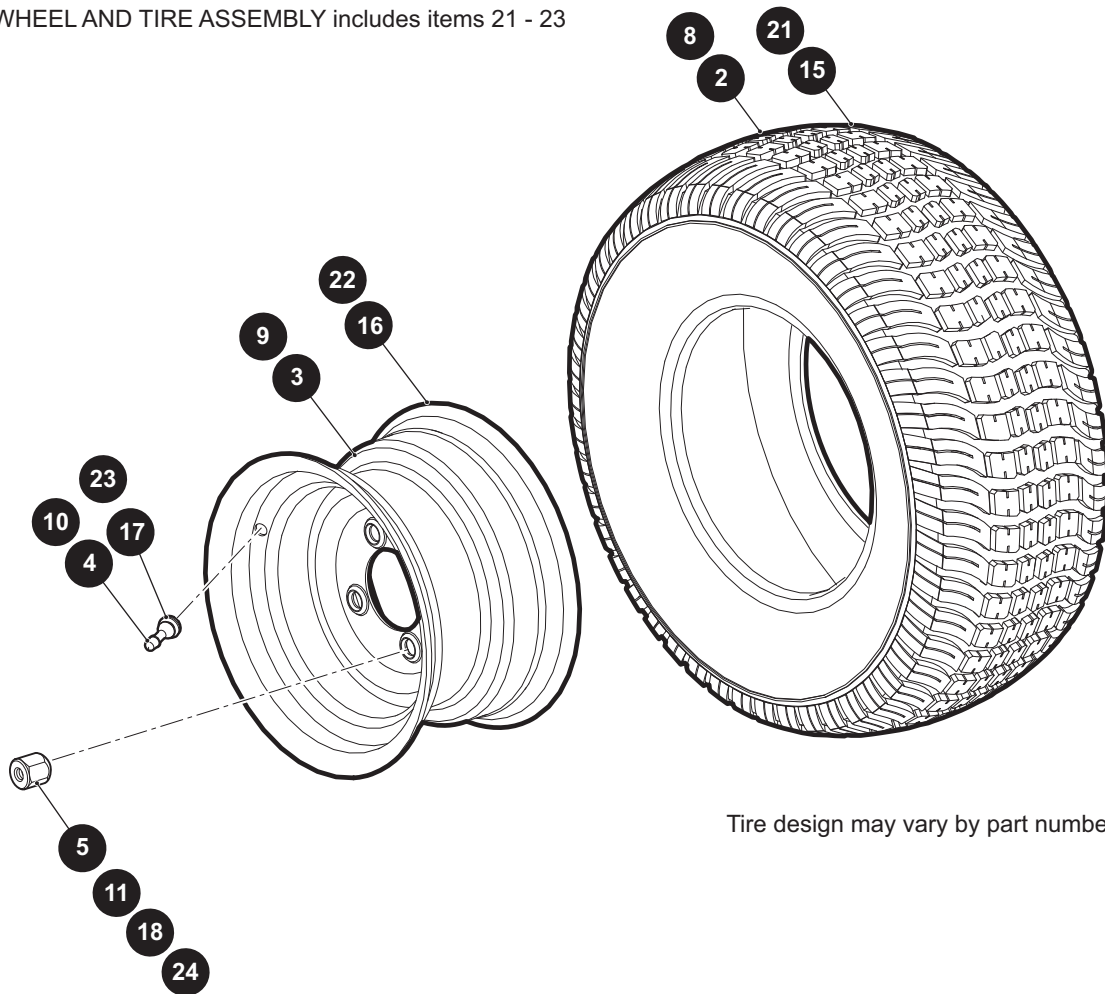
| ITEM | PART NO. | 1 2 3 4 5 | DESCRIPTION | QTY. |
|------|-----------|-----------|--|------|
| 1 | 652344G01 | | TOP ENCLOSURE (WHITE), 54" | 1 |
| 2 | 652344G02 | | TOP ENCLOSURE (BLACK), 54" | 1 |
| 3 | 652344G03 | | TOP ENCLOSURE (TAN), 54" | 1 |
| 4 | 652845G01 | | TOP ENCLOSURE (BLACK), 86" | 1 |
| 5 | 19528G2 | | REAR VIEW MIRROR KIT (INCLUDES ITEMS 6 - 8) | 1 |
| 6 | 19496G1 | | REAR VIEW MIRROR | 1 |
| 7 | 19502G2 | | SUPPORT BRACKET | 1 |
| 8 | 19527G1 | | PAN HEAD SCREW (SS), #8 - 32 X 5/8" LG | 1 |
| 9 | | | | |
| 10 | 649825 | | SPLIT WINDSHIELD KIT (INCLUDES ITEMS 11 - 17, 25)..... | 1 |
| 11 | 613136 | | SASH | 2 |
| 12 | 649836 | | SEAL..... | 1 |
| 13 | 649849 | | SPLIT WINDSHIELD ASSEMBLY (INCLUDES ITEMS 14 - 17) | 1 |
| 14 | * | | WINDSHIELD..... | 1 |
| 15 | 603201 | | LOWER LATCH | 2 |
| 16 | 603198 | | UPPER LATCH | 2 |
| 17 | 604115 | | GROMMET | 2 |
| 18 | | | | |
| 19 | | | | |
| 20 | 649883 | | FULL WINDSHIELD KIT (INCLUDES ITEMS 21 - 25)..... | 1 |
| 21 | * | | FLAT WINDSHIELD | 1 |
| 22 | 649885 | | SASH..... | 1 |
| 23 | 649836 | | SEAL..... | 1 |
| 24 | | | | |
| 25 | 607014 | | WINDSHIELD HARDWARE KIT (INCLUDES ITEMS 26 - 27)..... | 1 |
| 26 | 604116 | | GROMMET | 2 |
| 27 | 602572 | | PAN HEAD TAPTITE BOLT, M10 - 1.5 X 25 MM LG | 2 |

Notes:

A large grid area for taking notes, consisting of 20 columns and 30 rows of small squares.

WHEELS AND TIRES

- 1 WHEEL AND TIRE ASSEMBLY includes items 2 - 4
- 7 WHEEL AND TIRE ASSEMBLY includes items 8 - 10
- 14 WHEEL AND TIRE ASSEMBLY includes items 15 - 17
- 20 WHEEL AND TIRE ASSEMBLY includes items 21 - 23



Tire design may vary by part number

WHEELS AND TIRES

THE USE OF NON U.L. PARTS WILL VOID ANY U.L. LISTING.

When ordering parts, please specify the model and serial number of the product.

* Indicates a component that is not available as an individual part.

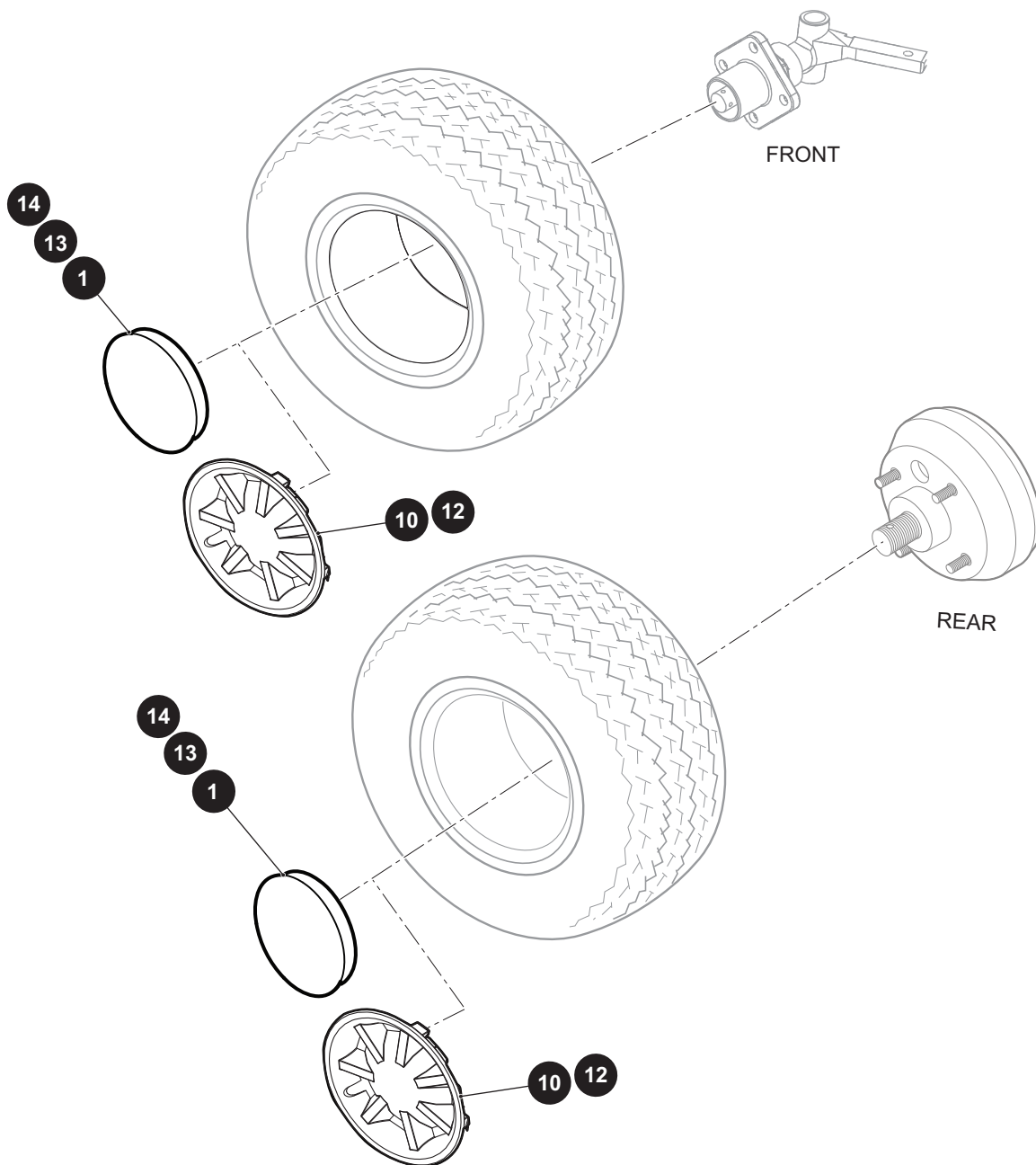
*** Indicates consult Customer Service Department for additional information.

| ITEM | PART NO. | 1 2 3 4 5 | DESCRIPTION | QTY. |
|------|----------|-----------|--|------|
| 1 | 652263 | | WHEEL AND TIRE ASSEMBLY (KENDA) (INCLUDES ITEMS 2 - 4) | 1 |
| 2 | 652986 | | TIRE, 20 X 8 - 10, 6PLY | 1 |
| 3 | 643934 | | WHEEL, 10 X 6 | 1 |
| 4 | 643948 | | VALVE STEM..... | 1 |
| 5 | 14723G1 | | LUG NUT, 1/2" - 20 | 4 |
| 6 | | | | |
| 7 | 652392 | | WHEEL AND TIRE ASSEMBLY (KENDA) (INCLUDES ITEMS 8 - 10) | 1 |
| 8 | 652992 | | TIRE, 205/65 - 10, 6PLY | 1 |
| 9 | 643934 | | WHEEL, 10 X 6 | 1 |
| 10 | 643948 | | VALVE STEM..... | 1 |
| 11 | 14723G1 | | LUG NUT, 1/2" - 20 | 4 |
| 12 | | | | |
| 13 | | | | |
| 14 | 652255 | | WHEEL AND TIRE ASSEMBLY (KENDA) (INCLUDES ITEMS 15 - 17) | 1 |
| 15 | 652989 | | TIRE, 18 X 8.5 - 8, 6PLY (KENDA)..... | 1 |
| 16 | 614621 | | WHEEL, 8 X 7 | 1 |
| 17 | 643948 | | VALVE STEM..... | 1 |
| 18 | 14723G1 | | LUG NUT, 1/2" - 20 | 4 |
| 19 | | | | |
| 20 | 652394 | | WHEEL AND TIRE ASSEMBLY (KENDA) (INCLUDES ITEMS 21 - 23) | 1 |
| 21 | 614438 | | TIRE, 215/60 - 8, 8PLY | 1 |
| 22 | 614621 | | WHEEL, 8 X 7 | 1 |
| 23 | 643948 | | VALVE STEM..... | 1 |
| 24 | 14723G1 | | LUG NUT, 1/2" - 20 | 4 |

WHEELS AND TIRES

9 HUB CAP ASSEMBLY, GOLD includes item 10

11 HUB CAP ASSEMBLY, SILVER includes item 12



WHEELS AND TIRES

THE USE OF NON U.L. PARTS WILL VOID ANY U.L. LISTING.

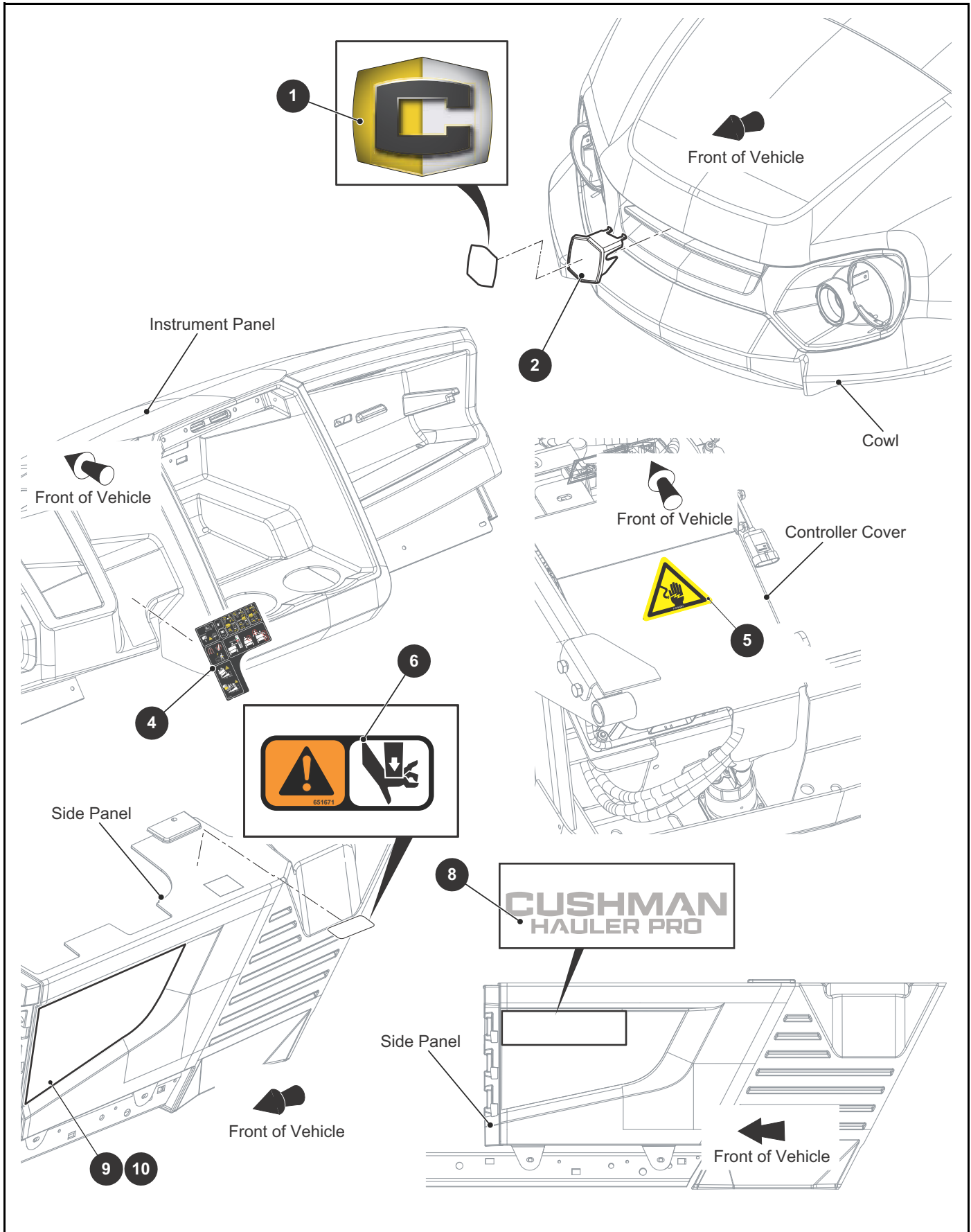
When ordering parts, please specify the model and serial number of the product.

* Indicates a component that is not available as an individual part.

*** Indicates consult Customer Service Department for additional information.

| ITEM | PART NO. | 1 2 3 4 5 | DESCRIPTION | QTY. |
|------|----------|-----------|---|------|
| 1 | 608912 | | WHEEL COVER (FOR VEHICLES MANUFACTURED BEFORE JANUARY 8, 2018)..... | 1 |
| 2 | | | | |
| 3 | | | | |
| 4 | | | | |
| 5 | 665151 | | WHEEL COVER (SILVER) (FOR VEHICLES MANUFACTURED AFTER JANUARY 8, 2018)..... | 1 |
| 6 | | | | |
| 7 | | | | |
| 8 | 615617 | | HUBCAP ASSEMBLY, GOLD (INCLUDES ITEM 10) (FOR VEHICLES MANUFACTURED BEFORE JANUARY 8, 2018)..... | 1 |
| 9 | 605229 | | HUBCAP..... | 1 |
| 10 | 615618 | | HUBCAP ASSEMBLY, SILVER (INCLUDES ITEM 12) (FOR VEHICLES MANUFACTURED BEFORE JANUARY 8, 2018)..... | 1 |
| 11 | 615228 | | HUBCAP..... | 1 |
| 12 | * | | CLIP (NOT ILLUSTRATED) | 4 |
| 13 | 665149 | | WHEEL COVER (METALLIC GOLD) (FOR VEHICLES MANUFACTURED AFTER JANUARY 8, 2018)..... | 1 |
| 14 | 665144 | | WHEEL COVER (METALLIC SILVER) (FOR VEHICLES MANUFACTURED AFTER JANUARY 8, 2018)..... | 1 |

DECALS AND LABELS



DECALS AND LABELS

THE USE OF NON U.L. PARTS WILL VOID ANY U.L. LISTING.

When ordering parts, please specify the model and serial number of the product.

* Indicates a component that is not available as an individual part.

*** Indicates consult Customer Service Department for additional information.

| ITEM | PART NO. | 1 2 3 4 5 | DESCRIPTION | QTY. |
|------|-------------|-----------|---|------|
| 1 | 650284 | | COWL DECAL | 1 |
| 2 | 649875G01 | | COWL LOGO ATTACHMENT | 1 |
| 3 | | | | |
| 4 | 651654 | | OPERATING INSTRUCTION LABEL | 1 |
| 5 | 71415G01 | | ELECTRIC SHOCK WARNING LABEL | 1 |
| 6 | 651671 | | PINCH WARNING LABEL | 1 |
| 7 | | | | |
| 8 | 652082 | | SIDE PANEL DECAL | 1 |
| 9 | 651580G02XX | | SIDE COLOR DECAL (PASSENGER SIDE) (See COLOR CODE in HOW TO USE Section) | 1 |
| 10 | 651580G01XX | | SIDE COLOR DECAL (DRIVER SIDE) (See COLOR CODE in HOW TO USE Section) | 1 |

DECALS AND LABELS

Aluminum Bed

1

8

2

CUSHMAN

Plastic Bed

4

5

7

Hoop Rack

3

Front of Vehicle

WARNING

OPERATING INSTRUCTIONS

BEFORE OPERATING

- Read all warning labels and the owner's manual. Contact an authorized dealer or go to the dealer's website for a replacement manual.
- This vehicle is designed for operation in most communities. However, state law or local rules may require additional equipment in your community.

SAFETY PRECAUTIONS

- Turn key to OFF to select "Reverse" or "Forward" - release the parking brake (see vehicle only) - then slowly press the accelerator pedal.
- Always bring the vehicle to a complete stop BEFORE shifting the direction selector.
- Operate from the driver's seat ONLY.

FINISHES

- ALWAYS safely engage the parking brake and remove the key BEFORE leaving the vehicle. In an electric vehicle, set the direction selector to "Reverse" in a gear vehicle, set the direction selector to "Forward".

MAINTENANCE

- This vehicle requires regularly scheduled maintenance (see the periodic service schedule in your owner's manual, and your general vehicle service manual).

3

WARNING

- Maximum weight capacity for the ladder rack is 55 lbs. (22 kg).
- The bed load capacity is reduced anytime the ladder rack is installed. Refer to the bed label to determine reduced capacity.
- If 800 lbs. (362 kg), maximum bed load capacity is reduced to 650 lbs. (295 kg).
- If 550 lbs. (227 kg), maximum bed load capacity is reduced to 325 lbs. (148 kg).
- To prevent an increased risk of rollover, do not exceed maximum weight limits indicated.

DECALS AND LABELS

THE USE OF NON U.L. PARTS WILL VOID ANY U.L. LISTING.

When ordering parts, please specify the model and serial number of the product.

* Indicates a component that is not available as an individual part.

*** Indicates consult Customer Service Department for additional information.

| ITEM | PART NO. | 1 2 3 4 5 | DESCRIPTION | QTY. |
|------|----------|-----------|---|------|
| 1 | 35980G04 | | LOAD BED LABEL (ALUMINUM) (800 LBS) | 1 |
| 2 | 618088 | | TAILGATE DECAL | 1 |
| 3 | 658428 | | HOOP RACK WARNING LABEL | 2 |
| 4 | 74821G03 | | LOAD BED LABEL (PLASTIC) (800 LBS) | 1 |
| 5 | 71055G01 | | RIVET (ALUMINUM), 3/16" X .985" LG | 4 |
| 6 | | | | |
| 7 | 618086 | | STEERING WHEEL DECAL | 1 |
| 8 | 608529 | | STEERING WHEEL WARNING LABEL | 1 |

Notes:

Large grid area for notes.



CUSHMAN™

Textron Specialized Vehicles, Inc.

1451 Marvin Griffin Road
Augusta, Georgia 30906 - 3852 USA

CONTACT US:

North America:

Technical Assistance & Warranty Phone: 1-800-774-3946, FAX: 1-800-448-8124
Service Parts Phone: 1-888-438-3946, FAX: 1-800-752-6175

International:

Phone: 001-706-798-4311, FAX: 001-706-771-4609

Service Parts Manuals, as well as Repair and Service Manuals
are available from a local Distributor, or an authorized Branch,
Parts & Accessories Department or at www.cushman.com.

Copyrighted Material

This manual may not be reproduced in whole
or in part without the express permission of
TSV Technical Communications Department