



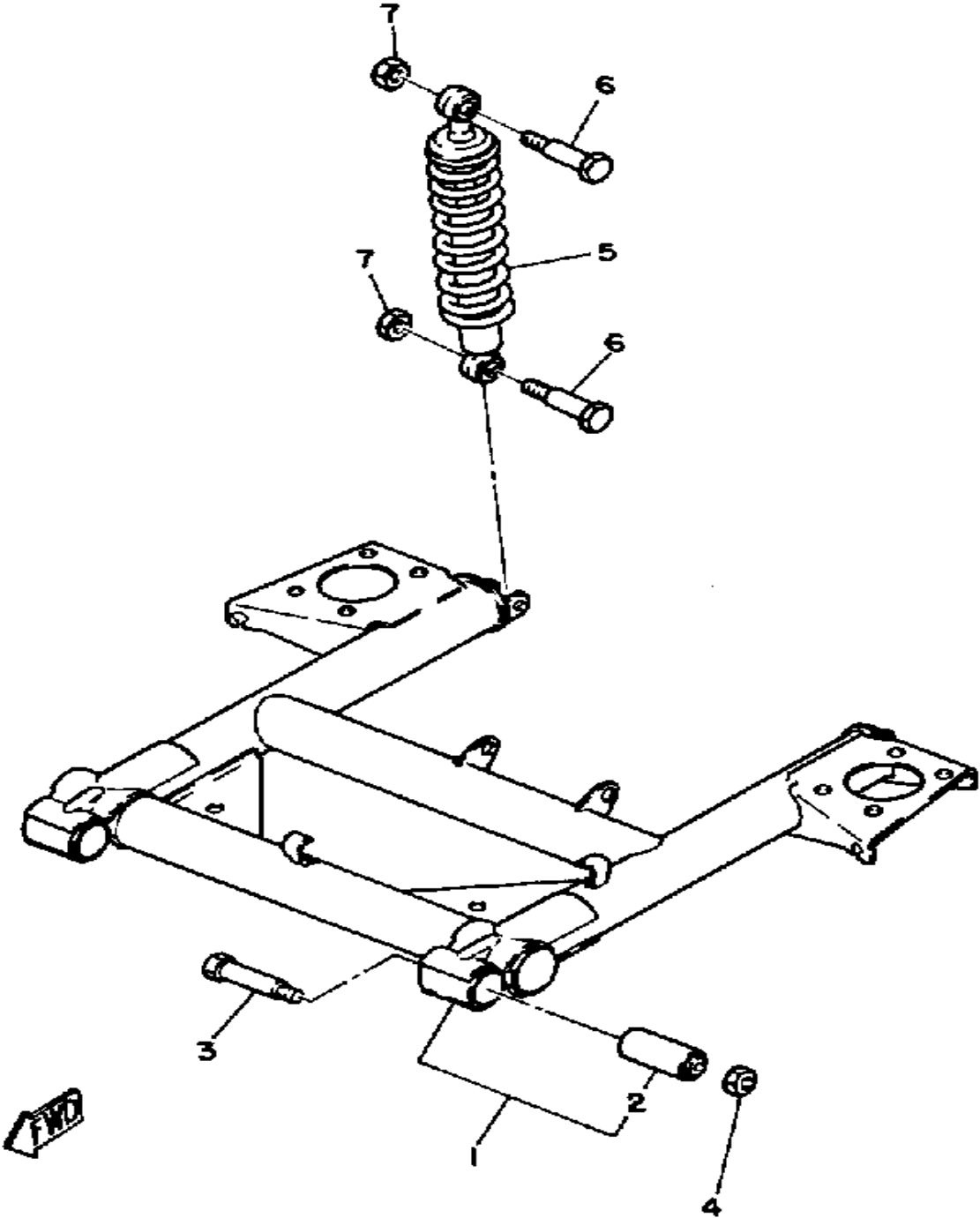
**YAMAHA**

**GENUINE**

**PARTS CATALOGUE**

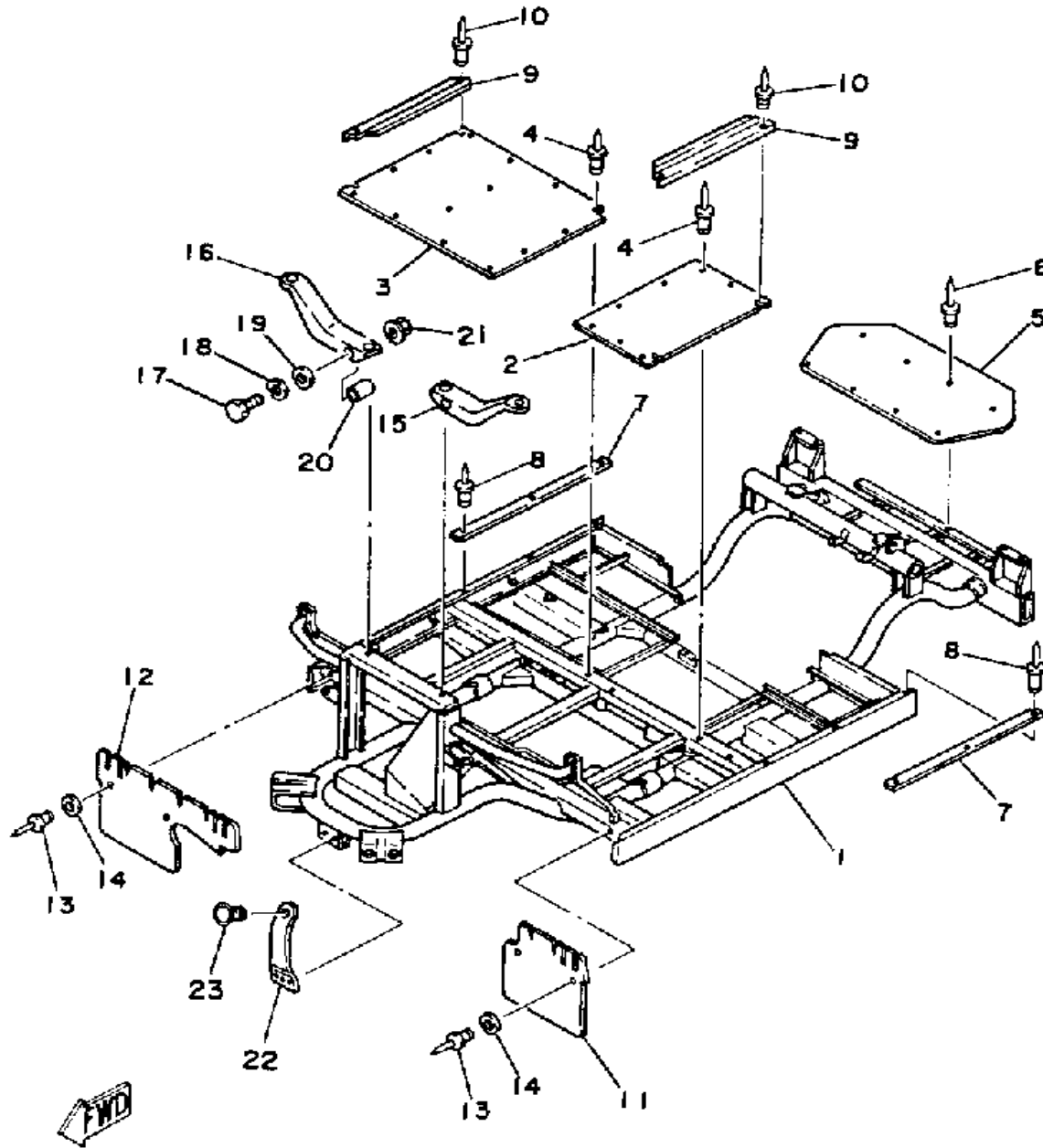
**GOLF CAR**

# REAR SHOCKS



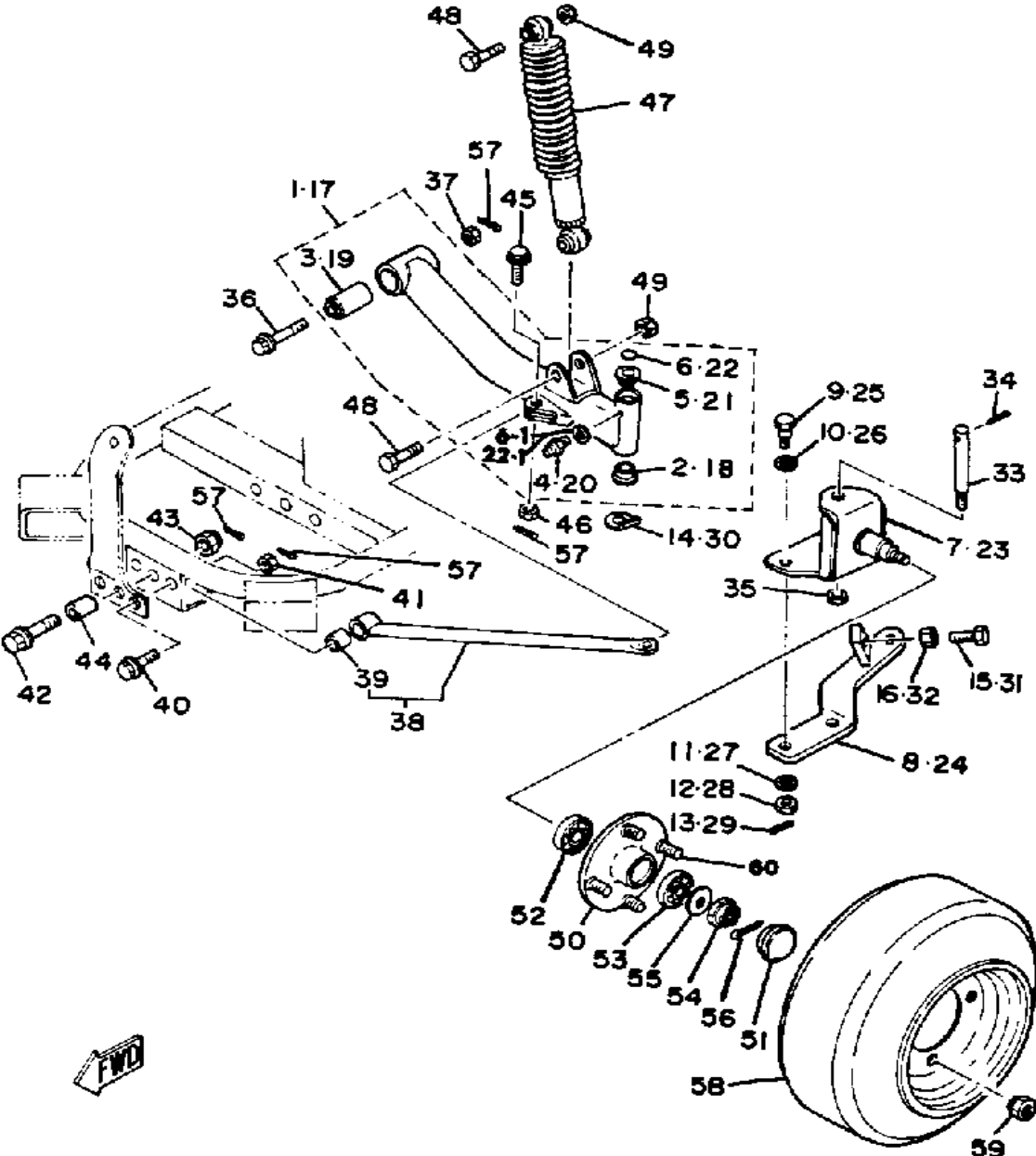
Ref. No.	Part Number	Description	Qty	Remarks
1	J14-W2211-00-00	REAR ARM .....	1	
2	J10-22123-00-00	. BUSH 1 .....	2	
3	90101-10419-00	BOLT .....	2	
4	95612-10100-00	NUT, BIND .....	2	
5	J14-22210-00-00	SHK/ABS ASSEMBLY, REARASSEMBLY, REAR .....	2	
6	97313-10050-00	BOLT, HEXAGON (676) .....	4	
7	95601-10100-00	NUT, U (95602-10100-00) .....	4	

# FRAME



Ref. No.	Part Number	Description	Qty	Remarks
1	J22-22501-00-00	FRAME .....	1	
2	J17-22571-00-00	PANEL 1 .....	1	
3	J17-22572-00-00	PANEL 2 .....	1	
4	90267-40054-00	RIVET, BLIND .....	20	
5	J17-22573-00-00	PANEL 3 .....	1	
6	90267-40076-00	RIVET, BLIND .....	8	
7	J17-78249-00-00	TRIM, FLOOR .....	2	
8	90267-40090-00	RIVET, blind .....	6	
9	J17-78181-00-00	PLATE 1 .....	2	
10	90267-48086-00	RIVET, BLIND .....	4	
11	J17-78187-00-00	FLAP, FRONT FENDER .....	1	
12	J17-78189-00-00	FLAP, FRONT RIGHT .....	1	
13	90267-40075-00	RIVET, BLIND .....	5	
14	90201-05034-00	WASHER, PLATE .....	5	
15	J17-22567-00-00	SUPPORT 1 .....	1	
16	J17-22568-00-00	SUPPORT 2 .....	1	
17	97021-08065-00	BOLT .....	2	
18	92990-08100-00	WASHER .....	2	
19	92901-08600-00	WASHER .....	2	
20	90387-090G6-00	COLLAR .....	2	
21	95701-08500-00	NUT, FLANGE .....	2	
22	J17-2258E-00-00	SUPPORT, COWL .....	1	
23	J11-77279-01-00	DAMPER, NOISE 9 .....	1	

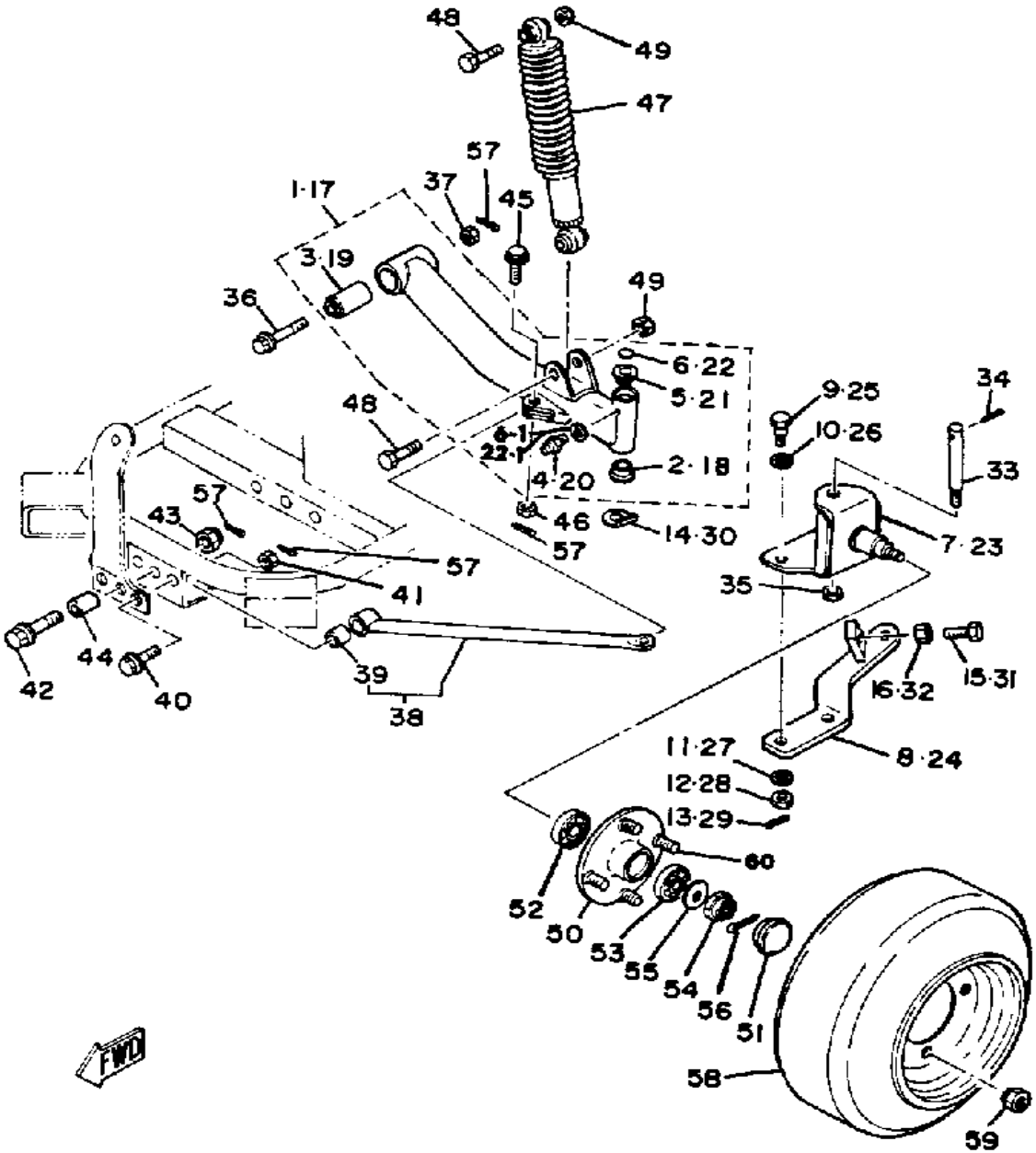
# FRONT SUSPENSION-WHEEL



Ref. No.	Part Number	Description	Qty	Remarks
1	J42-W2351-00-00	FRONT LOWER ARM LHCOMP. (L.H)	1	
2	90381-15032-00	. BUSH, SOLID	1	
3	J10-23526-00-00	. BUSH	1	
4	93700-06M03-00	. NIPPLE, GREASE	1	
5	90381-15040-00	. BUSH, SOLID	1	
6	90201-067F9-00	. WASHER, PLATE	1	
	93210-15566-00	. O-RING	1	
7	J17-23510-00-00	KNUCKLE, STEERING 1	1	
8	J11-23512-00-00	ARM, KNUCKLE 1	1	
9	90109-10643-00	BOLT	2	
10	90201-121F0-00	WASHER, PLATE	2	
11	90201-105F2-00	WASHER, PLATE	2	
12	90171-10035-00	NUT, CASTLE	2	
13	91490-25030-00	PIN, COTTER	2	
14	90214-16027-00	WASHER, CLAW	1	
15	97313-08030-00	BOLT, HEXAGON	1	
16	95303-08700-00	NUT	1	
17	J42-W2352-00-00	FRONT LOWER ARM RHCOMP (R.H)	1	
18	90381-15032-00	. BUSH, SOLID	1	
19	J10-23526-00-00	. BUSH	1	
20	93700-06M03-00	. NIPPLE, GREASE	1	
21	90381-15040-00	. BUSH, SOLID	1	
22	90201-067F9-00	. WASHER, PLATE	1	
	93210-15566-00	. O-RING	1	
23	J17-23510-00-00	KNUCKLE, STEERING 1	1	
24	J11-23522-00-00	ARM, KNUCKLE 2	1	
25	90109-10643-00	BOLT	2	

CONTINUED ON NEXT FRAME ►

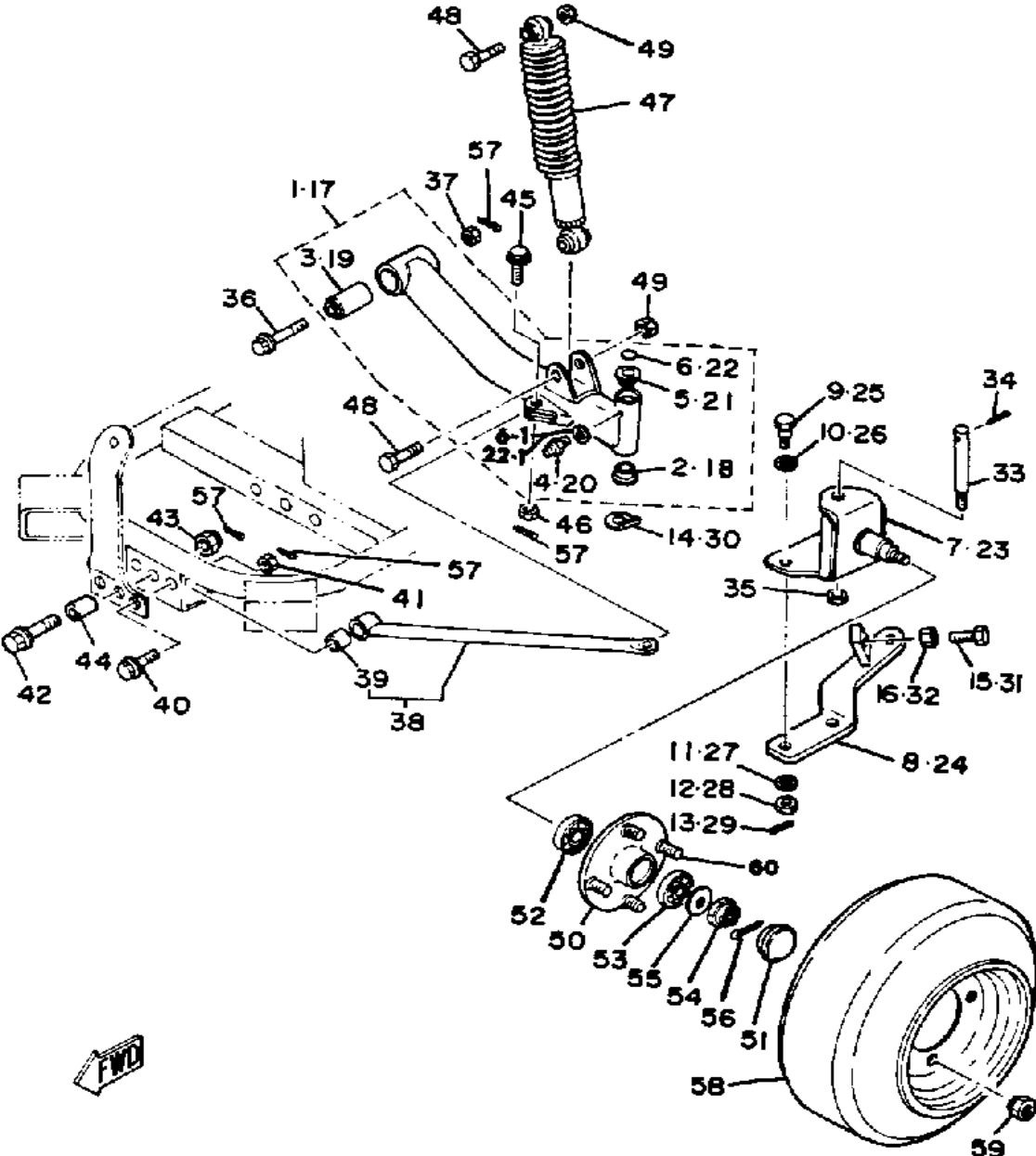
# FRONT SUSPENSION-WHEEL



Ref. No.	Part Number	Description	Qty	Remarks
26	90201-121F0-00	WASHER, PLATE	2	
27	90201-105F2-00	WASHER, PLATE	2	
28	90171-10035-00	NUT, CASTLE	2	
29	91490-25030-00	PIN, COTTER	2	
30	90214-16027-00	WASHER, CLAW	1	
31	97313-08030-00	BOLT, HEXAGON	1	
32	95303-08700-00	NUT	1	
33	J10-23516-02-00	KING PIN, STRG KNKL	2	
34	91401-30030-00	PIN, COTTER	2	
35	95712-12300-00	2	2	
36	90105-10224-00	BOLT, WASHER BASED	2	
37	95601-10200-00	NUT, SELF-LOCKING	2	
38	J17-W2355-00-00	ROD, TENSION	2	
39	J10-23583-01-00	. BUSH	1	
40	90105-08225-00	BOLT, WASHER BASED	2	
41	95601-08200-00	NUT, U	2	
42	90105-12226-00	BOLT, WASHER BASED	1	
43	95601-12200-00	NUT, SELF-LOCKING	1	
44	90387-137F6-00	COLLAR	1	
45	90102-12046-00	BOLT, WITH HOLE	2	
46	95601-12200-00	NUT, SELF-LOCKING	2	
47	J14-23350-00-00	SHOCK ABSORBER ASSEMBLY	2	
48	97313-10050-00	BOLT, HEXAGON (676)	4	
49	95612-10100-00	NUT, BIND	4	
50	J17-W2511-00-00	HUB, FRONT	2	
51	J17-25118-00-00	COVER, HUB DUST	2	
52	93306-00511-00	BEARING	2	
53	93306-20437-00	BEARING	2	

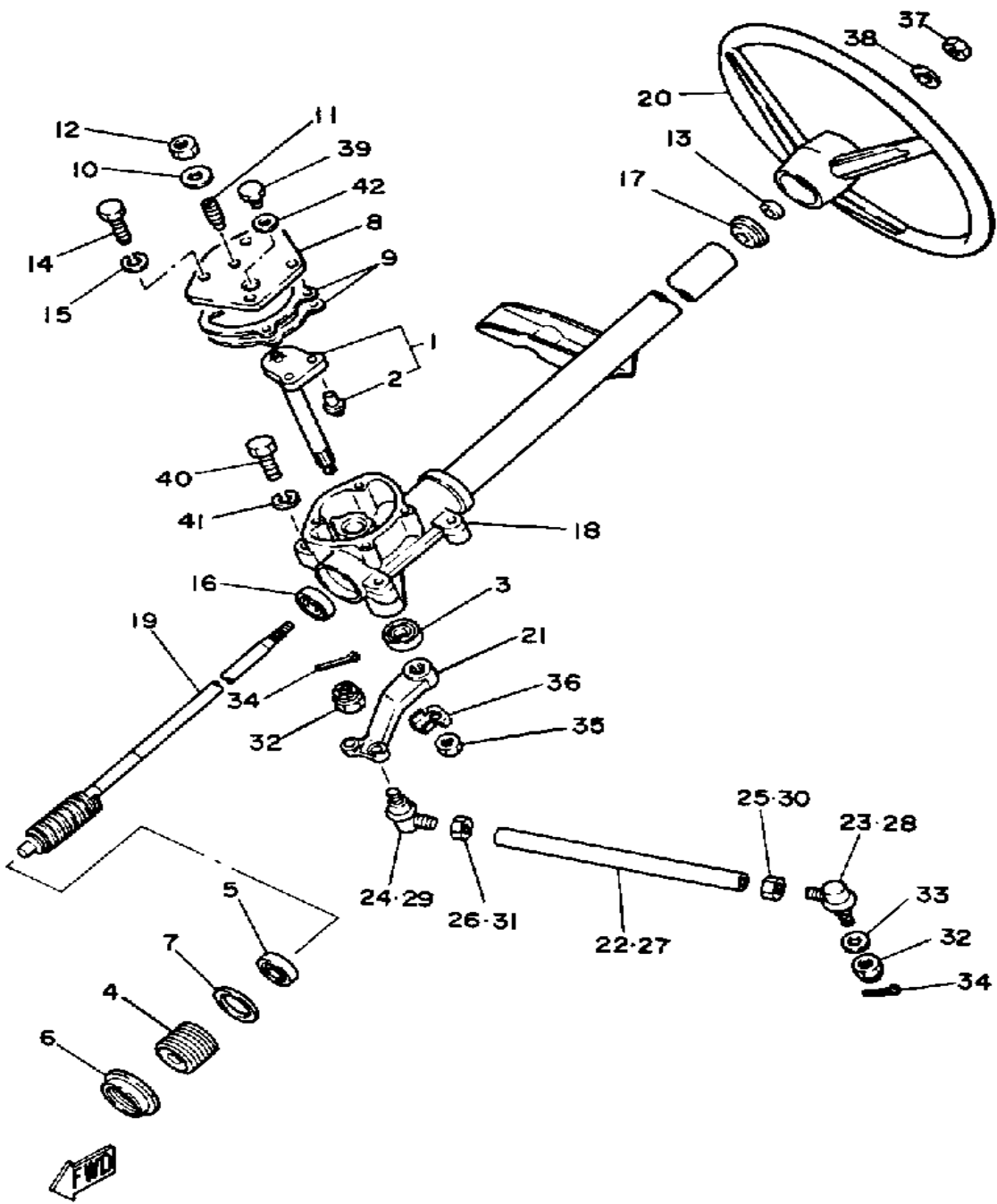
CONTINUED ON NEXT FRAME ►

# FRONT SUSPENSION-WHEEL



Ref. No.	Part Number	Description	Qty	Remarks
54	95301-14900-00	NUT, SLOTTED .....	2	
55	90209-14219-00	WASHER, SPEC'L SHAP ....	2	
56	91401-30030-00	PIN, COTTER .....	2	
57	91490-25030-00	PIN, COTTER .....	7	
58	*---	FRONT WHEEL ASSEMBLY ..	2	LM SEE NOTE
59	90179-12262-00	NUT .....	8	
60	90114-12003-00	BOLT, RIBBED NECK .....	8	

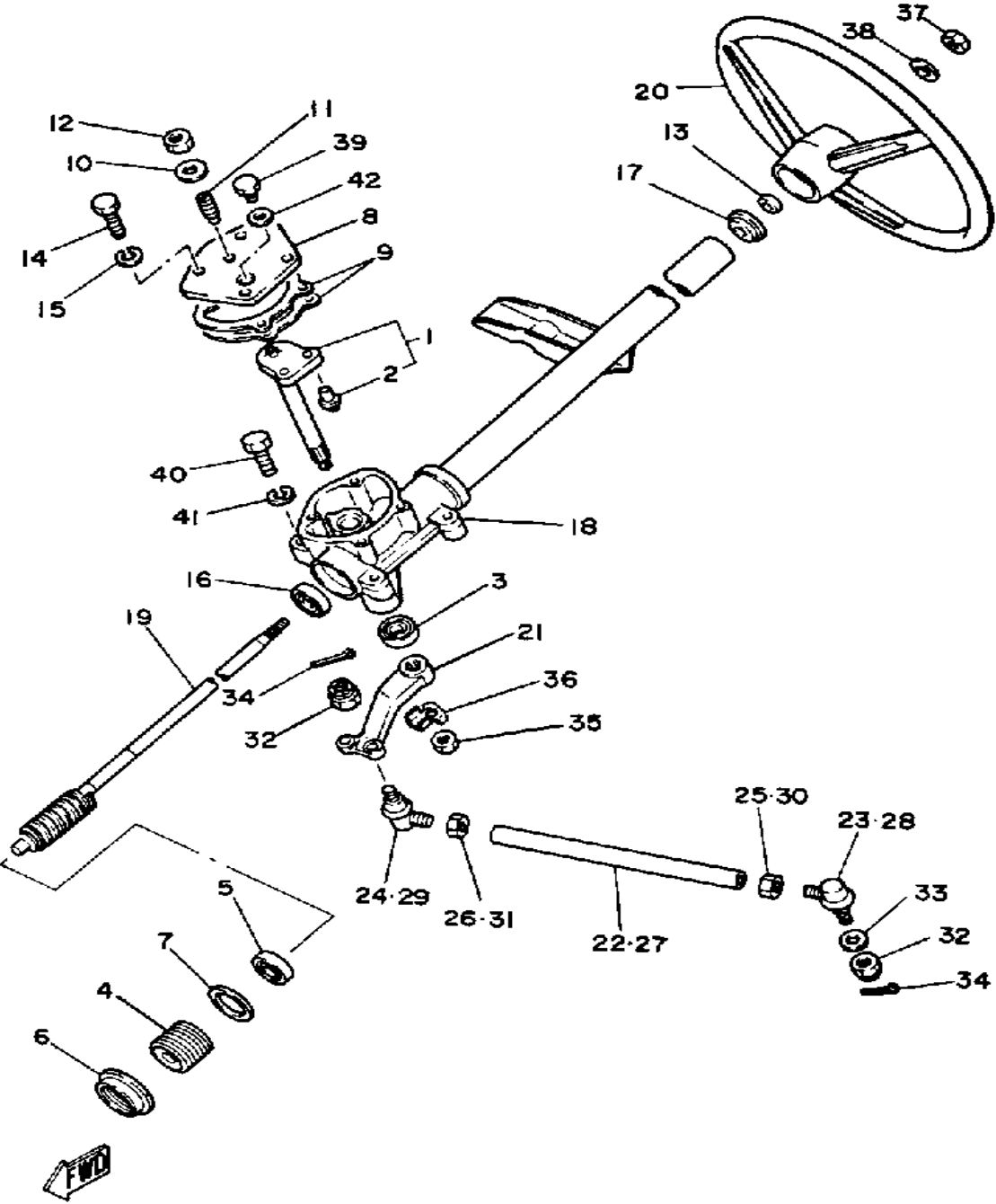
# STEERING



Ref. No.	Part Number	Description	Qty	Remarks
1	J10-23816-03-00	ARM, PITTMAN (J10-23816-02)	1	
2	J10-23836-09-00	. PIN, PITMAN	2	
3	93102-22087-00	OIL SEAL	1	
4	J55-F3876-00-00	BOLT	1	
5	93332-00010-00	BEARING	1	
6	J10-23877-00-00	NUT	1	
7	J10-23444-00-00	WASHER	1	
8	J10-23818-00-00	COVER, STEERING	1	
9	J10-23462-00-00	SEAL, STEERING	2	
10	90201-08087-00	WASHER, PLATE	1	
11	J10-23459-00-00	BOLT	1	
12	90170-08024-00	NUT, HEX.	1	
13	93104-15005-00	OIL SEAL, SO-TYPE	1	
14	97313-08020-00	BOLT, HEXAGON	4	
15	92990-08100-00	WASHER	4	
16	93332-00010-00	BEARING	1	
17	J10-23814-00-00	HOLDER, HANDLE UPR	1	
18	93102-22087-00	. OIL SEAL	1	
	99999-01397-00	COLUMN STEER COMP. (J10-23811-00-9E)	1	
	J10-23811-01-9E	. COLUMN, STEERING	1	
19	J10-23840-00-00	STEERING SHAFT	1	
20	J55-F3838-00-00	WHEEL, STEERING (J10-23838-00)	1	
21	J17-23826-01-00	ARM, IDLER	1	
22	J10-23831-00-00	ROD, TIE	1	
23	J10-23841-10-00	JOINT, UNIVERSAL 1	1	
24	J10-23845-10-00	JOINT, UNIVERSAL 2	1	
25	90170-12054-00	NUT	1	

CONTINUED ON NEXT FRAME ►

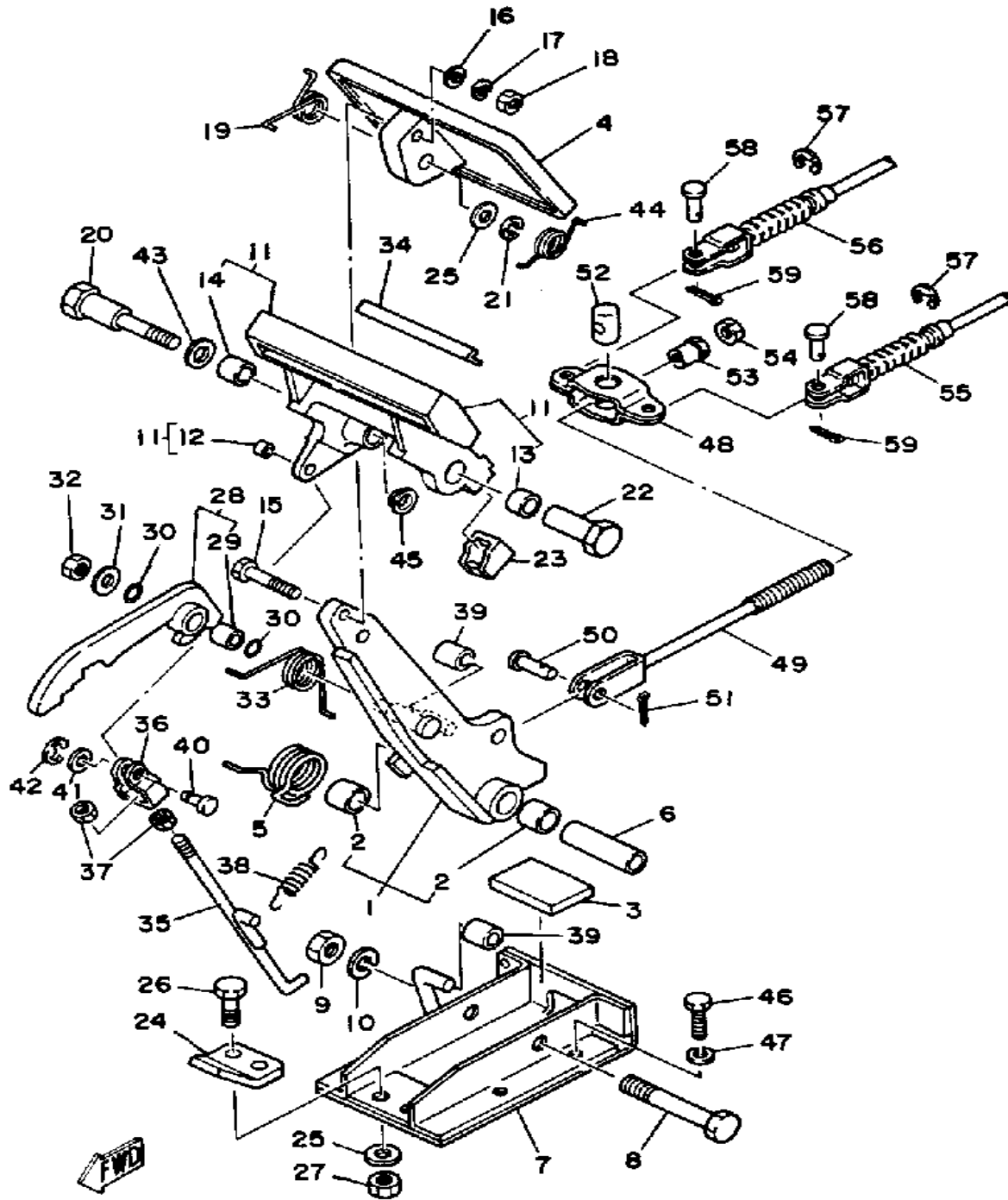
# STEERING



Ref. No.	Part Number	Description	Qty	Remarks
26	90170-12055-00	NUT .....	1	
27	J10-23831-00-00	ROD, TIE .....	1	
28	J10-23841-10-00	JOINT, UNIVERSAL 1 .....	1	
29	J10-23845-10-00	JOINT, UNIVERSAL 2 .....	1	
30	90170-12054-00	NUT .....	1	
31	90170-12055-00	NUT .....	1	
32	95301-12900-00	NUT, SLOTTED .....	4	
33	92990-12600-00	WASHER, PLATE .....	2	
34	91401-30030-00	PIN, COTTER .....	4	
35	95701-16300-00	NUT, FLANGE .....	1	
36	90215-16161-00	WASHER, LOCK .....	1	
37	90185-12119-00	NUT, SELF-LOCKING .....	1	
38	92990-12200-00	WASHER, PLAIN .....	1	
39	90340-14029-00	PLUG, STRAIGHT SCREW ....	1	
40	97313-10050-00	BOLT, HEXAGON (676) .....	4	
41	92990-10100-00	WASHER, SPRING .....	4	
42	90430-14175-00	GASKET .....	1	



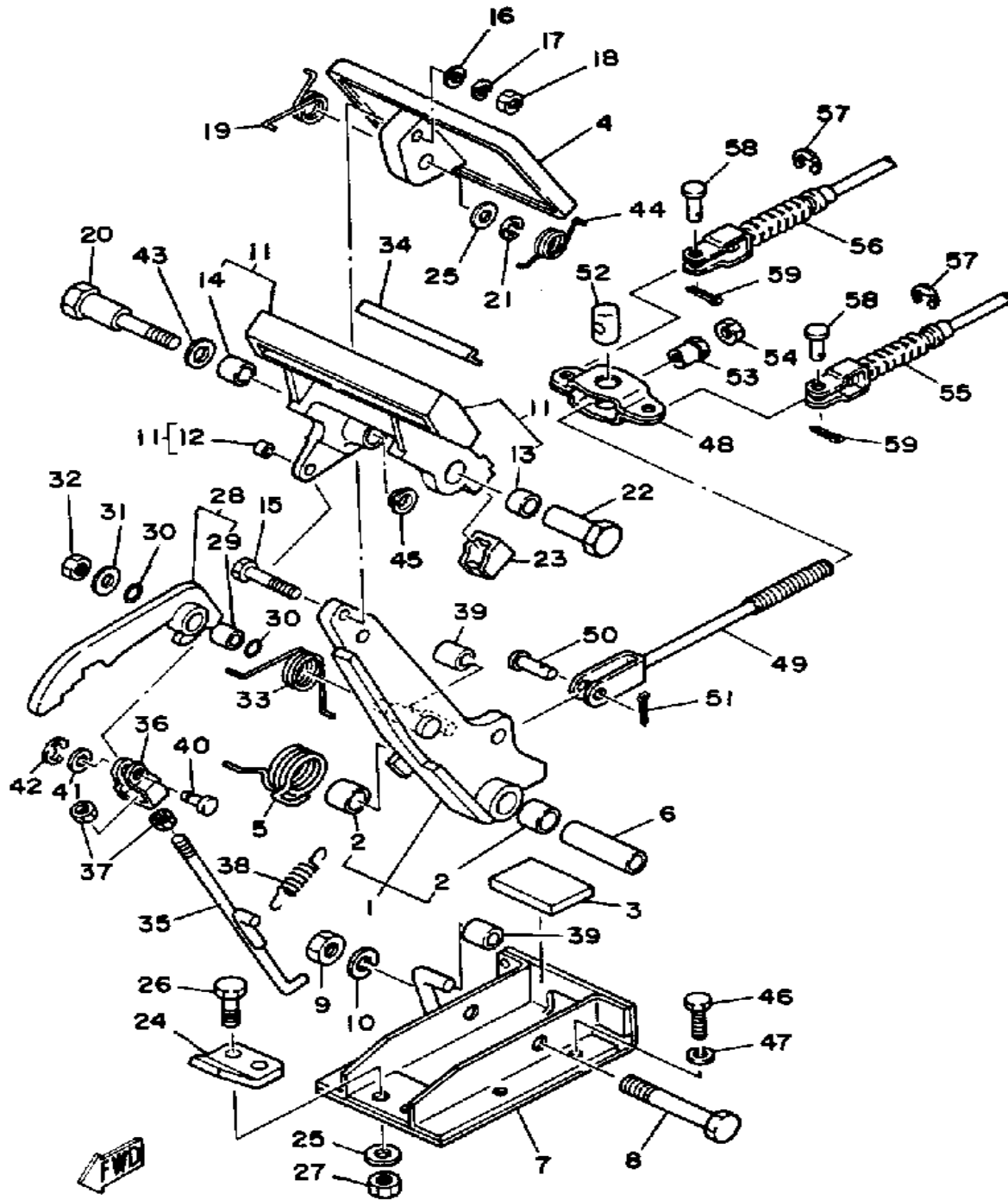
# BRAKE



Ref. No.	Part Number	Description	Qty	Remarks
1	92990-10600-00	. WASHER, PLATE .....	1	
	99080-07600-00	. CIRCLIP (E) .....	1	
	99999-01757-00	BRAKE ARM CMLPT (J17-27250-01) .....	1	
	J17-27250-02-00	. BRAKE ARM COMP. ....	1	
2	90384-14080-00	. BUSH, BIMETAL .....	2	
3	J17-27245-00-00	PAD, BRAKE PEDAL .....	1	
4	J10-27211-00-00	PEDAL, BRAKE .....	1	
5	90508-40543-00	SPRING, TORSION .....	1	
6	90387-107F8-00	COLLAR .....	1	
7	J17-25654-00-00	BRACKET, PEDAL .....	1	
8	90101-10447-00	BOLT, HEX. ....	1	
9	95601-10100-00	NUT, U (95602-10100-00) .....	1	
10	92990-10100-00	WASHER, SPRING .....	1	
11	99999-01799-00	PARKING PEDAL COMP. (J17-25670-00) .....	1	
12	90384-05163-00	. BUSH, BIMETAL .....	1	
13	90384-12164-00	. BUSH, BIMETAL .....	1	
14	90380-12051-00	. BUSH, SOLID .....	1	
15	90101-06555-00	BOLT, HEX. ....	1	
16	92990-06200-00	WASHER .....	1	
17	92995-06100-00	WASHER, SPRING .....	1	
18	95380-06600-00	NUT .....	1	
19	90508-23542-00	SPRING, TORSION .....	1	
20	90109-08669-00	BOLT .....	1	
21	92990-08100-00	WASHER .....	1	
22	90179-08378-00	NUT .....	1	
23	J17-25679-01-00	DAMPER .....	1	
24	J17-27246-00-00	NAIL, BRAKE .....	1	

CONTINUED ON NEXT FRAME ►

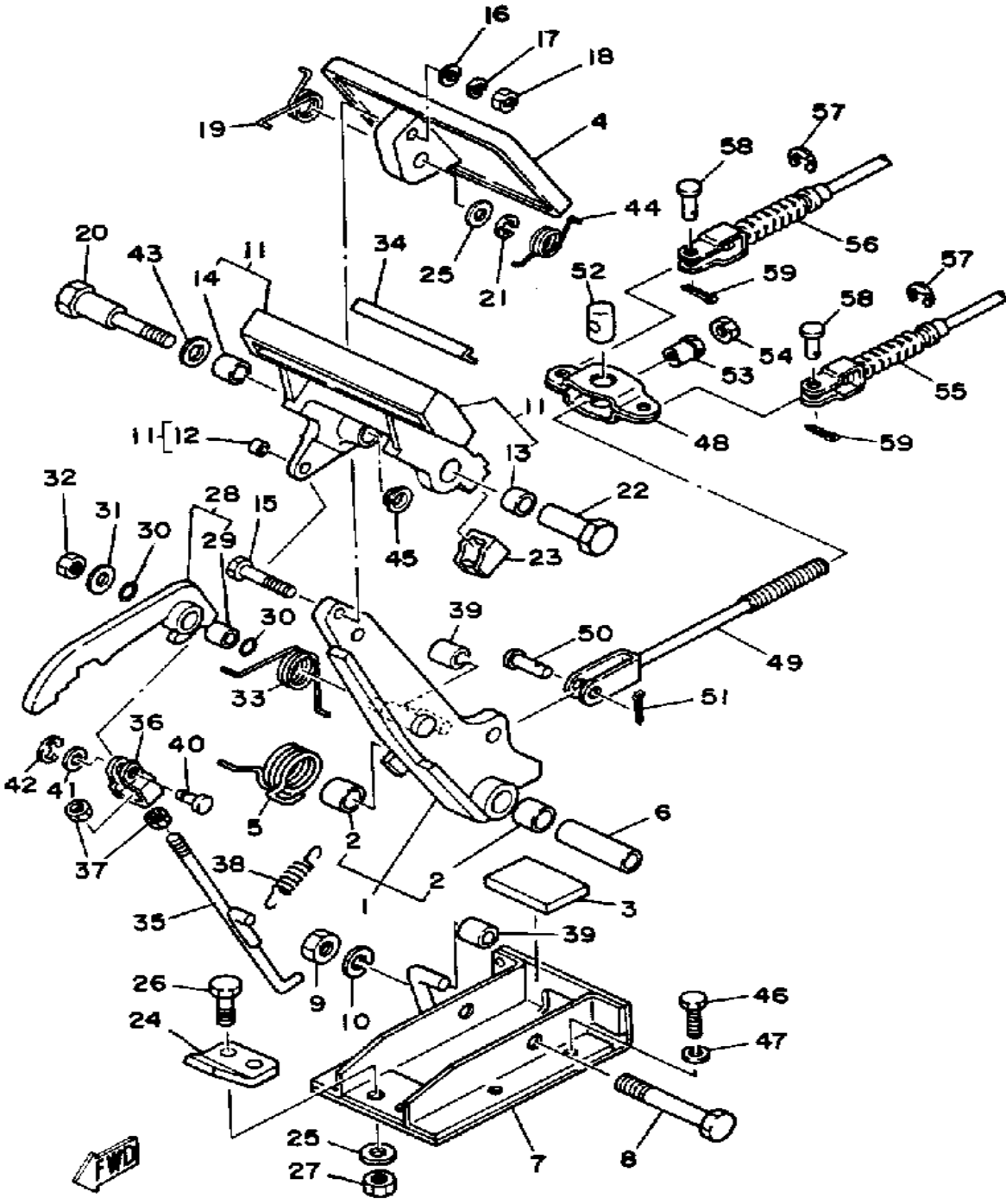
# BRAKE



Ref. No.	Part Number	Description	Qty	Remarks
25	92990-08200-00	WASHER, PLAIN	3	
26	97001-08025-00	BOLT (1NV)	2	
27	95611-08100-00	NUT, U	2	
28	J17-W2561-00-00	SECTOR, PARKING BRAKE	1	
29	90384-10162-00	. BUSH, BIMETAL	1	
30	J17-27221-00-00	SEAL, SHAFT	2	
31	90201-065F3-00	WASHER, PLATE	1	
32	95601-06100-00	NUT, U	1	
33	90508-14548-00	SPRING, TORSION	1	
34	J17-25672-01-00	PAD, PARKING	1	
35	J17-27231-02-00	ROD, BRAKE	1	
36	J17-27232-00-00	END, ROD	1	
37	95380-06700-00	NUT	2	
38	90506-12277-00	SPRING, TENSION	1	
39	J17-25673-00-00	DAMPER, BRAKE	2	
40	J17-27228-00-00	PIN, LINK JOINT	1	
41	92901-05600-00	WASHER, PLATE	1	
42	99080-04600-00	CIRCLIP (E)	1	
43	90201-123F2-00	WASHER, PLAIN	1	
44	90508-26557-00	SPRING, TORSION	1	
45	90380-12105-00	BUSH, SOLID	1	
46	97011-06016-00	BOLT	4	
47	92995-06100-00	WASHER, SPRING	4	
48	J10-25681-00-00	EQUALIZER, BRAKE	1	
49	J20-25685-00-00	ROD	1	
50	91701-10022-00	PIN	1	
51	91490-30020-00	PIN, COTTER	1	
52	90249-14129-00	PIN	1	
53	90179-08261-00	NUT	1	

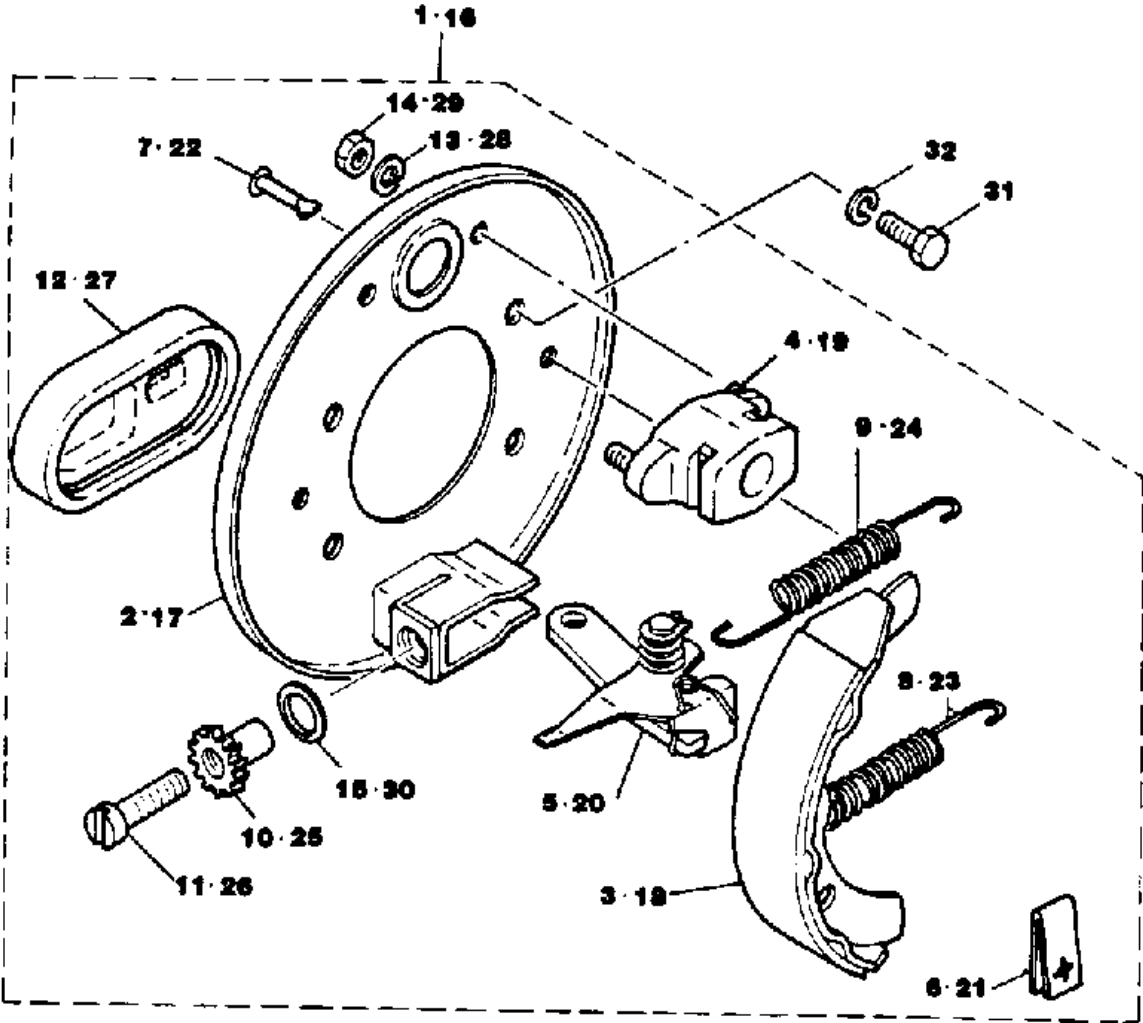
CONTINUED ON NEXT FRAME ►

# BRAKE



Ref. No.	Part Number	Description	Qty	Remarks
54	95303-08700-00	NUT .....	1	
55	J56-F6341-00-00	CABLE, BRAKE .....	1	
56	J56-F6351-00-00	CABLE, BRAKE .....	1	
57	99001-09600-00	CIRCLIP .....	4	
58	91701-08018-00	PIN .....	4	
59	91490-25020-00	PIN, COTTER .....	4	

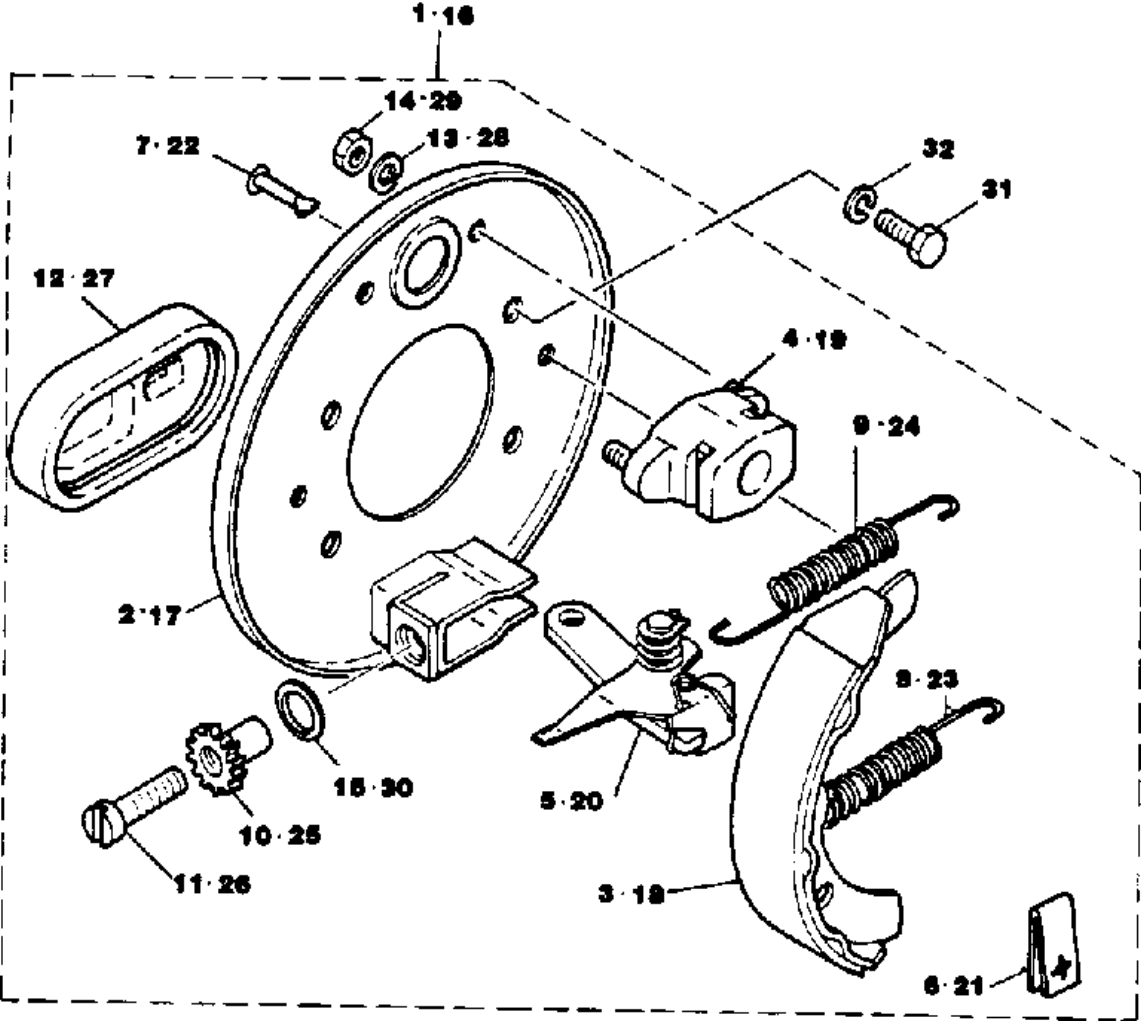
# DRUM BRAKE



Ref. No.	Part Number	Description	Qty	Remarks
1	J17-27280-01-00	BACKING PLT ASSEMBLY 1 ..	1	
2	J17-27208-00-00	. BACKING PLATE SUB ASSEMBLY 1 (R.H) .....	1	
3	J55-W2536-00-00	. BRAKE SHOE SET .....	1	
4	J17-27206-00-00	. ANCHOR BODY COMP. ....	1	
5	J17-27204-01-00	. LEVER ASSEMBLY 1 .....	1	
6	J10-27281-00-00	. SPRING, SHOE CLAMP .....	2	
7	J10-27282-00-00	. PIN, SHOE HOLD DOWN ....	2	
8	90506-20281-00	. SPRING, TENSION .....	1	
9	90506-26191-00	. SPRING, TENSION .....	1	
10	J17-27238-00-00	. NUT, ADJUSTING .....	1	
11	90109-08657-00	. BOLT .....	1	
12	J10-27286-00-00	. COVER, DUST .....	1	
13	92995-06100-00	. WASHER, SPRING .....	2	
14	95380-06600-00	. NUT .....	2	
15	90201-121H8-00	. WASHER, PLATE .....	1	
	90201-121H9-00	. WASHER, PLATE .....	1	
16	J17-27290-01-00	BACKING PLT ASSEMBLY 2 ..	1	
17	J17-27209-00-00	. BACKING PLATE SUB ASSEMBLY 2 (L.H) .....	1	
18	J55-W2536-00-00	. BRAKE SHOE SET .....	1	
19	J17-27206-00-00	. ANCHOR BODY COMP. ....	1	
20	J17-27205-01-00	. LEVER ASSEMBLY 2 .....	1	
21	J10-27281-00-00	. SPRING, SHOE CLAMP .....	2	
22	J10-27282-00-00	. PIN, SHOE HOLD DOWN ....	2	
23	90506-20281-00	. SPRING, TENSION .....	1	
24	90506-26191-00	. SPRING, TENSION .....	1	
25	J17-27258-00-00	. NUT, ADJUSTING .....	1	
26	90109-08659-00	. BOLT .....	1	

CONTINUED ON NEXT FRAME ►

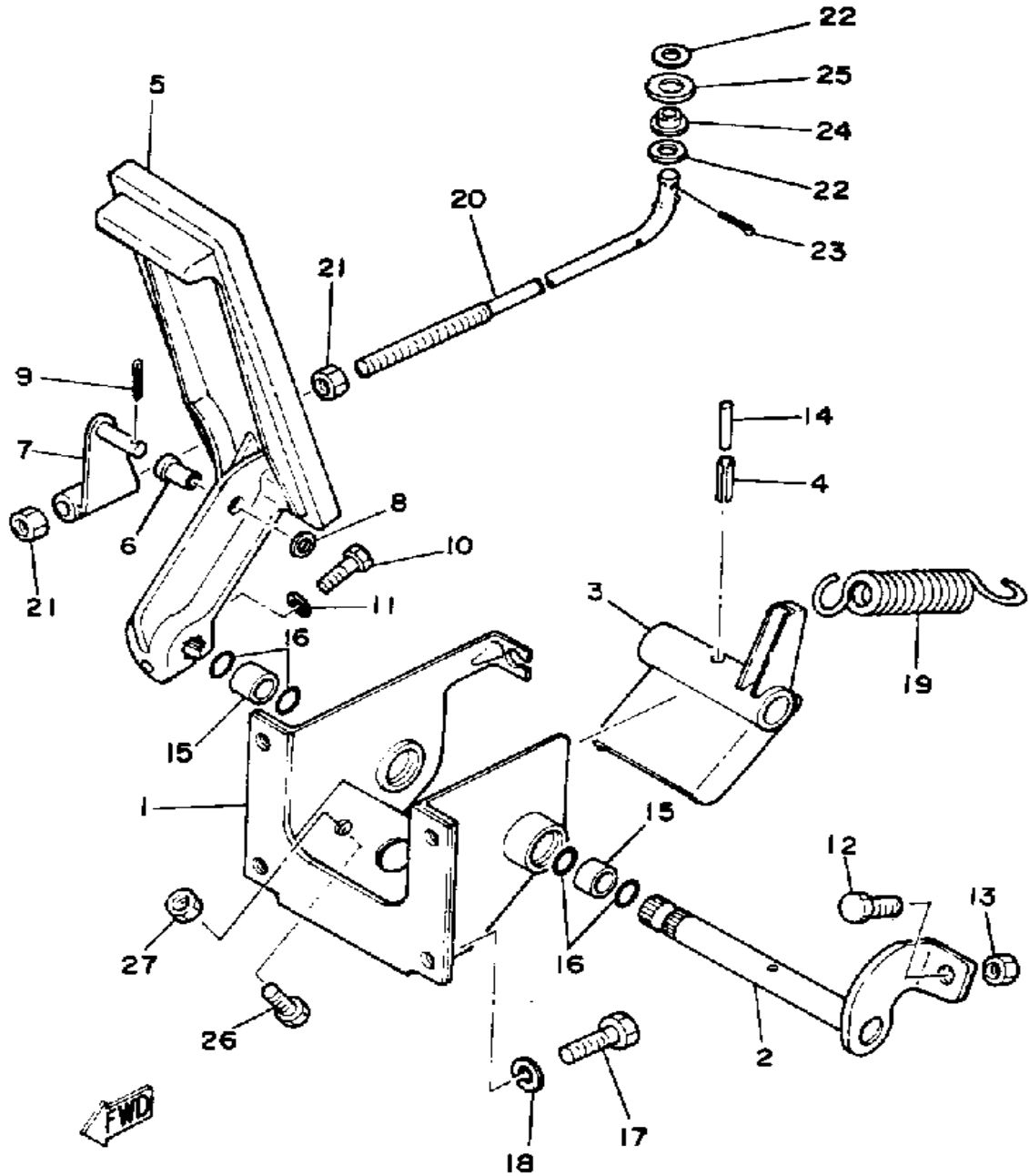
# DRUM BRAKE



Ref. No.	Part Number	Description	Qty	Remarks
27	J10-27286-00-00	. COVER, DUST .....	1	
28	92995-06100-00	. WASHER, SPRING .....	2	
29	95380-06600-00	. NUT .....	2	
30	90201-121H8-00	. WASHER, PLATE .....	1	
	90201-121H9-00	. WASHER, PLATE .....	1	
31	97313-08016-00	BOLT, HEXAGON .....	8	
32	92990-08100-00	WASHER .....	8	

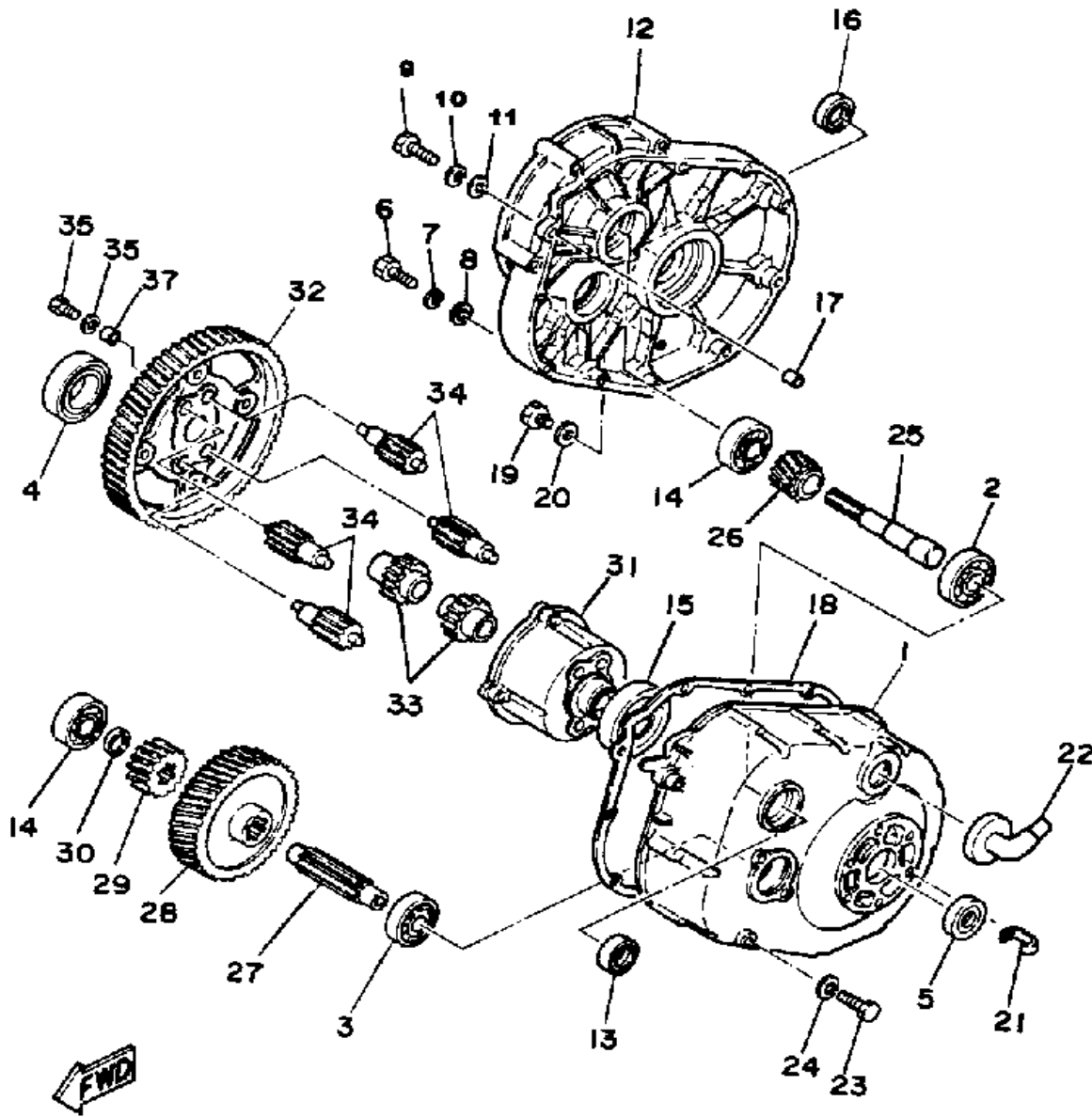


# ACCELERATOR



Ref. No.	Part Number	Description	Qty	Remarks
1	J22-27874-00-00	BRKT, ACCLTR PEDAL	1	
2	J17-27853-00-00	SHAFT, PEDAL 1	1	
3	J22-27872-00-00	ARM, ACCELERATOR	1	
4	91609-60025-00	PIN, SPRING	1	
5	JF3-27871-00-00	PEDAL, ACCELERATOR	1	
6	90381-06033-00	BUSH, SOLID	1	
7	J14-27815-00-00	LEVER, CRANK	1	
8	90201-061A5-00	WASHER, PLATE	1	
9	91490-20020-00	PIN, COTTER	1	
10	97011-06025-00	BOLT (97001-06025)	1	
11	92995-06100-00	WASHER, SPRING	1	
12	90106-08040-00	BOLT, RD. HEX	1	
13	95303-08700-00	NUT	1	
14	91609-35028-00	PIN, SPRING	1	
15	90384-14080-00	BUSH, BIMETAL	2	
16	93210-14104-00	O-RING	4	
17	97301-06014-00	BOLT, HEXAGON	4	
18	92995-06100-00	WASHER, SPRING	4	
19	90506-29283-00	SPRING, TENSION	1	
20	J14-27241-00-00	ROD, JOINT	1	
21	95303-08700-00	NUT	2	
22	90201-07077-00	WASHER, PLAT	2	
23	91401-25020-00	PIN, COTTER	1	
24	90386-07100-00	BUSH	1	
25	90202-10116-00	WASHER, PLATE	1	
26	97011-06025-00	BOLT (97001-06025)	1	
27	95380-06700-00	NUT	1	

# TRANSMISSION



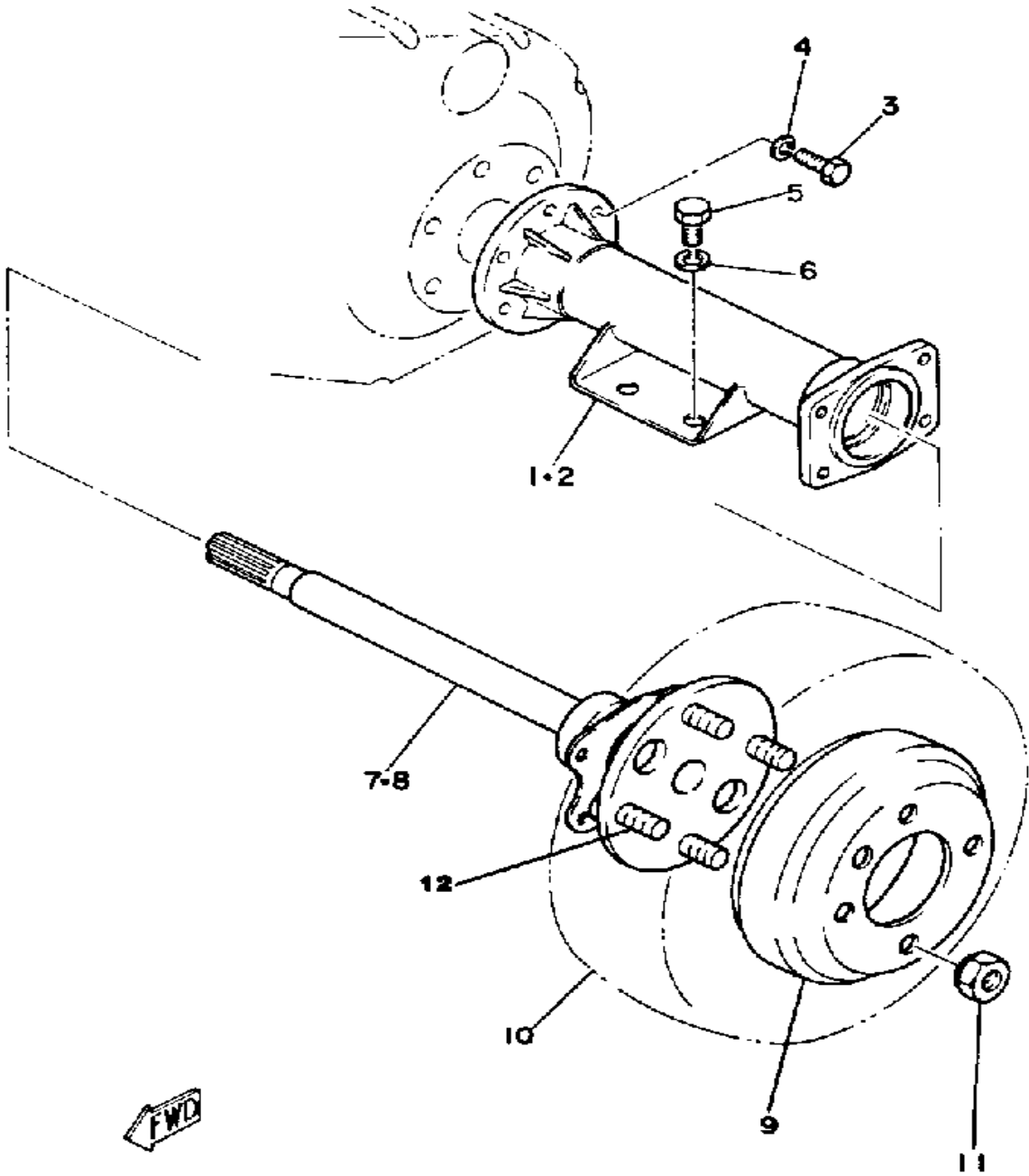
Ref. No.	Part Number	Description	Qty	Remarks
1	J14-46311-00-00	CASE, TRANSMISSION 1	1	
2	93306-20529-00	BEARING (B6205C4)	1	
3	93306-20421-00	BEARING	1	
4	93306-00803-00	BEARING (B6008)	1	
5	93102-22189-00	OIL SEAL	1	
6	97313-08035-00	BOLT, HEXAGON	9	
7	92990-08100-00	WASHER	9	
8	92901-08600-00	WASHER	9	
9	97313-08045-00	BOLT	2	
10	92990-08100-00	WASHER	2	
11	92901-08600-00	WASHER	2	
12	J14-46312-02-00	CASE, TRANSMISSION 2	1	
13	93102-20143-00	OIL SEAL	1	
14	93306-20421-00	BEARING	2	
15	93306-00803-00	BEARING (B6008)	1	
16	93102-22189-00	OIL SEAL	1	
17	99510-12016-00	PIN, DOWEL	2	
18	J10-46319-01-00	GASKET	1	
19	90340-14036-00	PLUG, STRAIGHT SCRW	2	
20	90430-14043-00	GASKET	2	
21	90465-06100-00	CLAMP	1	
22	835-47559-00-00	CAP 2	1	
23	97011-10020-00	BOLT	2	
24	92990-10100-00	WASHER, SPRING	2	
25	J14-46321-01-00	SHAFT, INPUT	1	
26	J10-46331-02-00	GEAR, IMPUT 1	1	
27	J10-46351-00-00	SHAFT, COUNTER	1	
28	J10-46361-02-00	GEAR, COUNTER 1	1	
29	J17-46362-00-00	GEAR, COUNTER 2	1	

CONTINUED ON NEXT FRAME ►



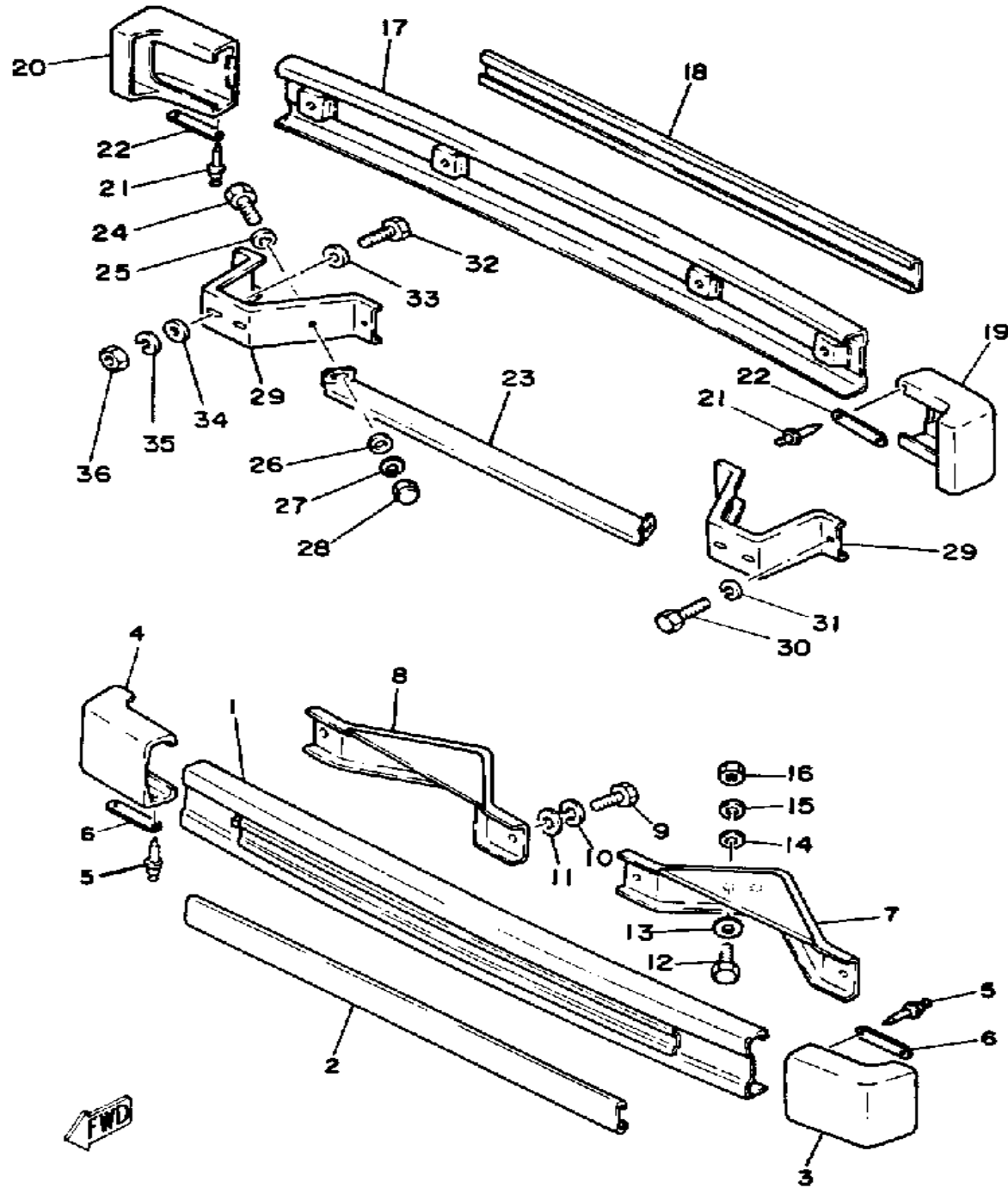


# REAR AXLE-WHEEL



Ref. No.	Part Number	Description	Qty	Remarks
1	J14-46540-00-00	R.AXLE HOUSING 1 .....	1	
2	J14-46550-00-00	R.AXLE HOUSING 2 .....	1	
3	97013-08025-00	BOLT .....	12	
4	92990-08100-00	WASHER .....	12	
5	97011-10020-00	BOLT .....	8	
6	92990-10100-00	WASHER, SPRING .....	8	
7	J22-46510-01-00	REAR AXLE SHAFT 1 (J14-46510-01) .....	1	
8	J22-46520-01-00	REAR AXLE SHAFT 2 (J14-46520-01) .....	1	
9	J55-G6521-00-00	DRUM .....	2	
10	*---	FRONT WHEEL ASSEMBLY ..	2	LM SEE NOTE
11	90179-12262-00	NUT .....	8	
12	90114-12004-00	BOLT, RIBBED NECK .....	8	

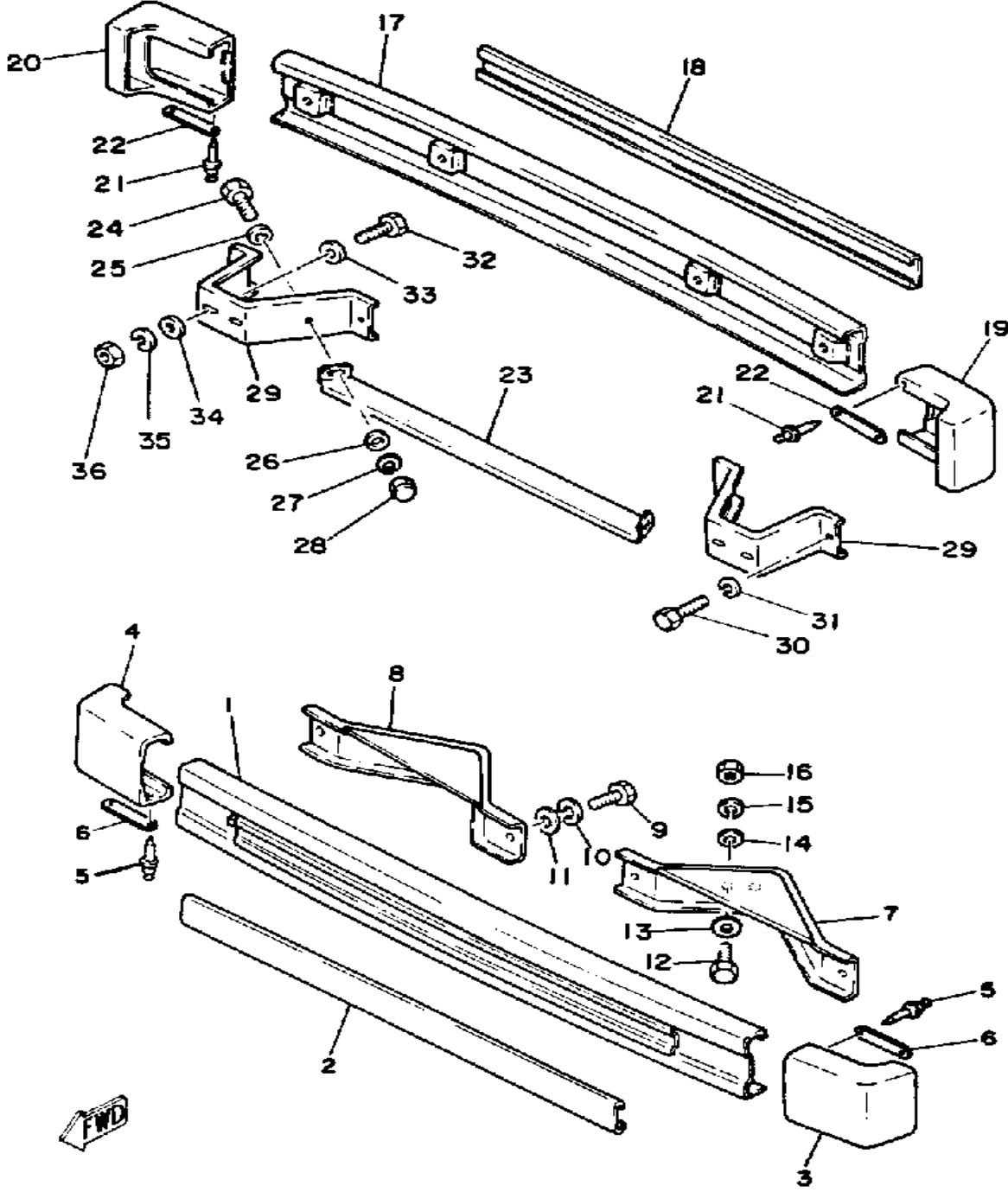
# BUMPER



Ref. No.	Part Number	Description	Qty	Remarks
1	J17-78106-00-00	BUMPER SB/ASSEMBLY, FRT	1	
2	J17-78162-00-00	PAD, FRONT BUMPER	1	
3	J10-78168-01-00	BUMPER, RUBBER 2	1	
4	J10-78167-01-00	BUMPER, RUBBER 1	1	
5	90267-40077-00	RIVET, BLIND	8	
6	J17-77525-00-00	WASHER 1	4	
7	J42-78164-00-00	STAY, FRT BUMPER 1 (J17-78165-00)	1	
8	J42-78165-00-00	STAY, FRT BUMPER 2 (J17-78165-00)	1	
9	97313-08016-00	BOLT, HEXAGON	4	
10	92990-08100-00	WASHER	4	
11	92901-08600-00	WASHER	4	
12	97013-08025-00	BOLT	4	
13	92901-08600-00	WASHER	4	
14	90201-085E6-00	WASHER PLATE	4	
15	92990-08100-00	WASHER	4	
16	95333-08600-00	NUT	4	
17	J17-78107-00-00	BUMPER SB/ASSEMBLY, RR	1	
18	J17-78162-00-00	PAD, FRONT BUMPER	1	
19	J10-78167-01-00	BUMPER, RUBBER 1	1	
20	J10-78168-01-00	BUMPER, RUBBER 2	1	
21	90267-40077-00	RIVET, BLIND	8	
22	J17-77525-00-00	WASHER 1	4	
23	J10-78179-00-00	PLATE, EXTENSION	1	
24	97011-08016-00	BOLT	2	
25	92901-08600-00	WASHER	2	
26	92990-08200-00	WASHER, PLAIN	2	
27	92990-08100-00	WASHER	2	

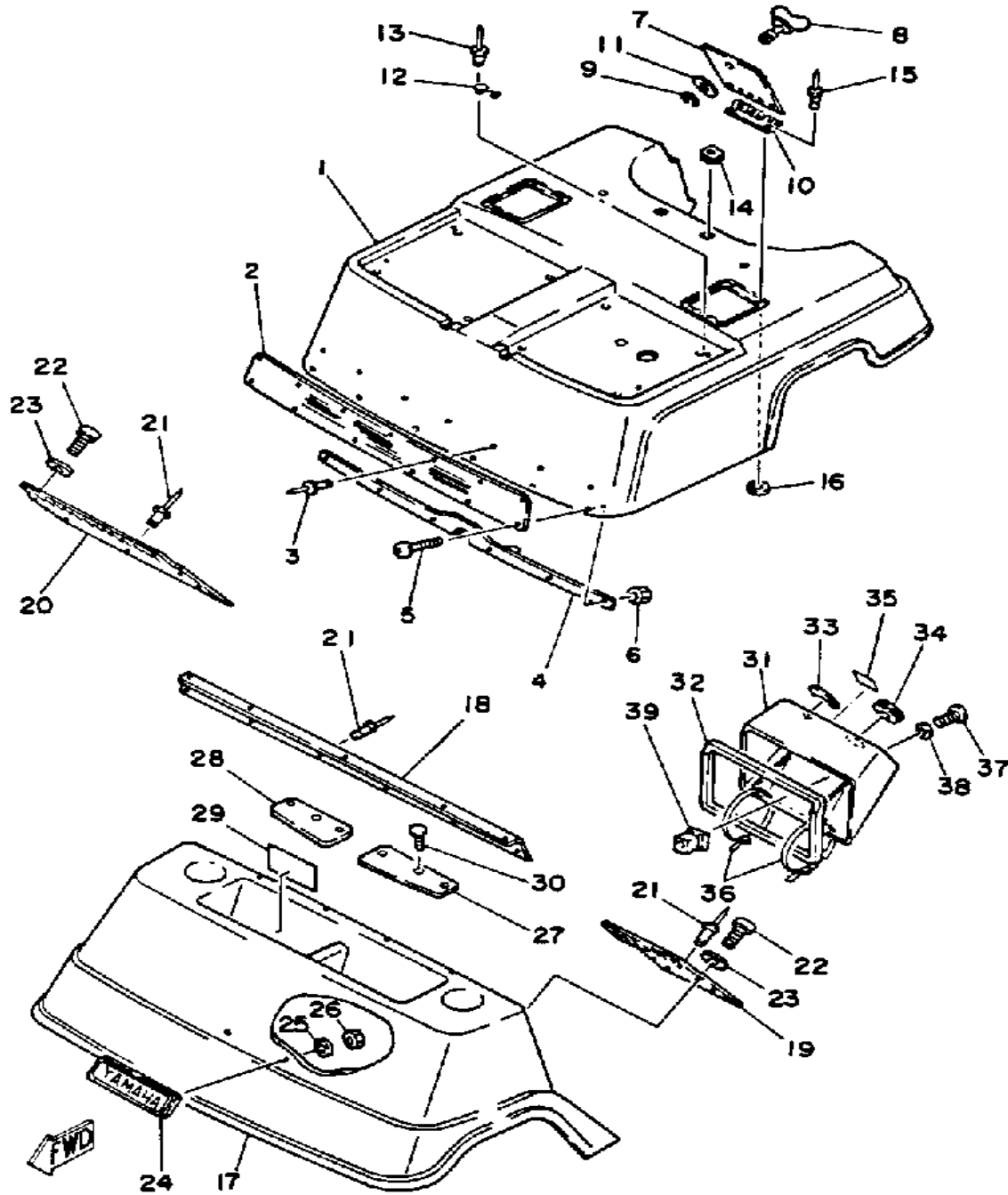
CONTINUED ON NEXT FRAME ►

# BUMPER



Ref. No.	Part Number	Description	Qty	Remarks
28	95303-08800-00	NUT (CROWN) (95301-08800)	2	
29	J42-78174-00-00	STAY, REAR BUMPER (J10-78174-01)	2	
30	97313-08016-00	BOLT, HEXAGON	4	
31	92990-08100-00	WASHER	4	
32	97313-08020-00	BOLT, HEXAGON	4	
33	92901-08600-00	WASHER	4	
34	92990-08200-00	WASHER, PLAIN	4	
35	92990-08100-00	WASHER	4	
36	95333-08600-00	NUT	4	

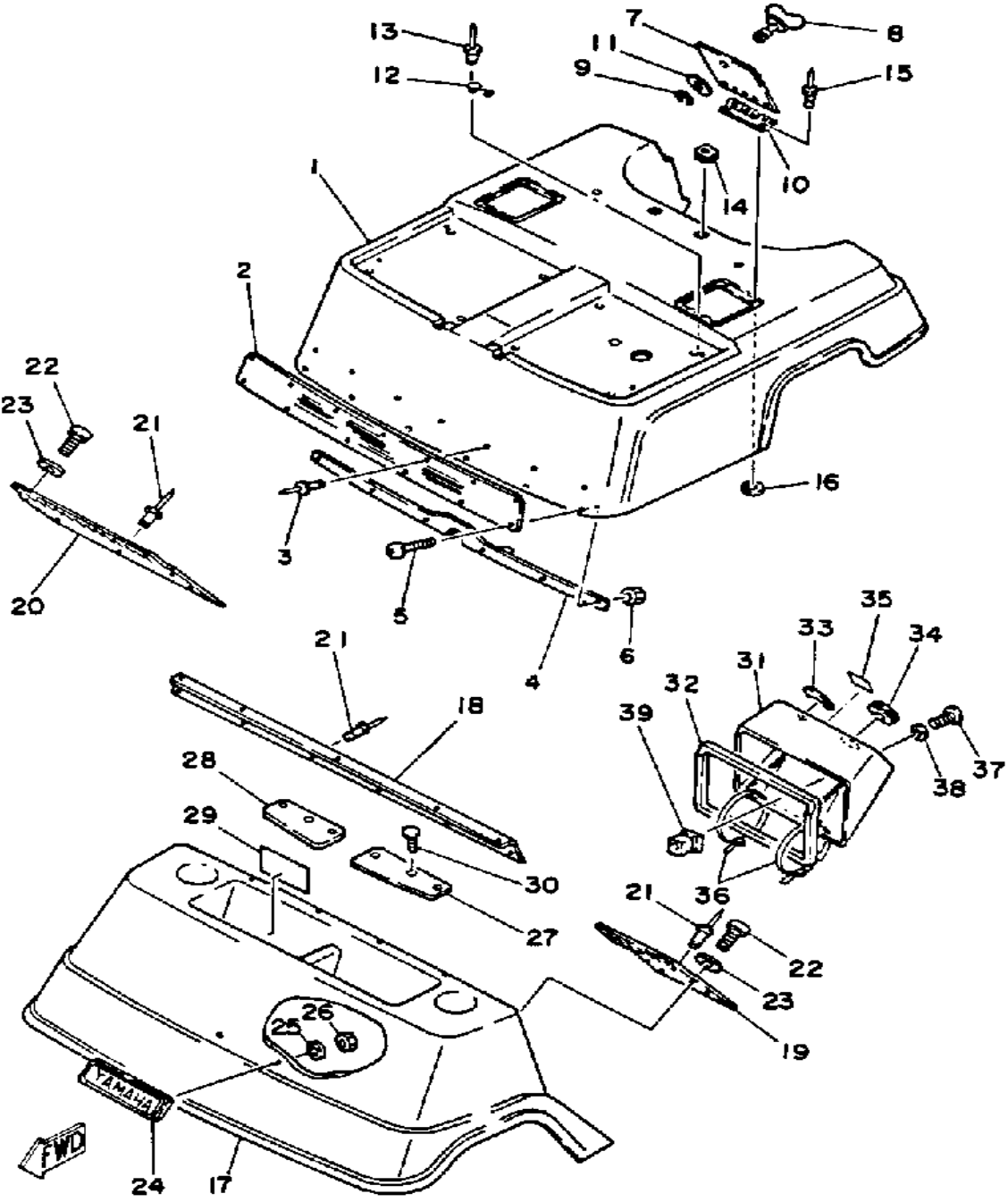
# BODY



Ref. No.	Part Number	Description	Qty	Remarks
1	J24-W7811-00-00	PANEL, BODY SHELL	1	
2	J10-78119-00-00	PLATE 3	1	
3	90267-40075-00	RIVET, BLIND	7	
4	J17-78121-00-00	REINFORCEMENT 1	1	
5	98980-06016-00	SCREW, BINDING	6	
6	95601-06200-00	NUT, U FLANGE	6	
7	J17-78272-00-00	COVER, FUEL INLET	1	
8	J10-78238-01-00	FASTENER, UPPER	1	
9	99009-06600-00	CIRCLIP	1	
10	J17-78275-00-00	HINGE, FUEL INLET	1	
11	90201-08100-00	WASHER, PLATE	1	
12	J10-78239-00-00	FASTENER, LOWER	1	
13	90267-32019-00	RIVET, BLIND	2	
14	90480-35242-00	GROMMET	2	
15	90267-40075-00	RIVET, BLIND	2	
16	90201-044H9-00	WASHER, PLAIN	2	
17	J17-78115-90-00	COWL, FRONT	1	
18	J17-77165-00-00	TRIM 1	1	
19	J17-78232-00-00	MAT, MAIN FLOOR 2	1	
20	J17-78233-00-00	MAT, MAIN FLOOR 3	1	
21	90267-63047-00	RIVET, BLIND	24	
22	90157-08028-00	SCREW, PAN HEAD	2	
23	90202-08134-00	WASHER, plate	2	
24	J10-78291-00-00	EMBLEM 1	1	
25	92990-05200-00	WASHER, PLAIN	2	
26	95701-05300-00	NUT, NYLON	2	
27	J17-77151-00-00	PAD 1	1	
28	J17-77152-00-00	PAD 2	1	
29	J10-77768-00-00	LABEL, WARNING	1	

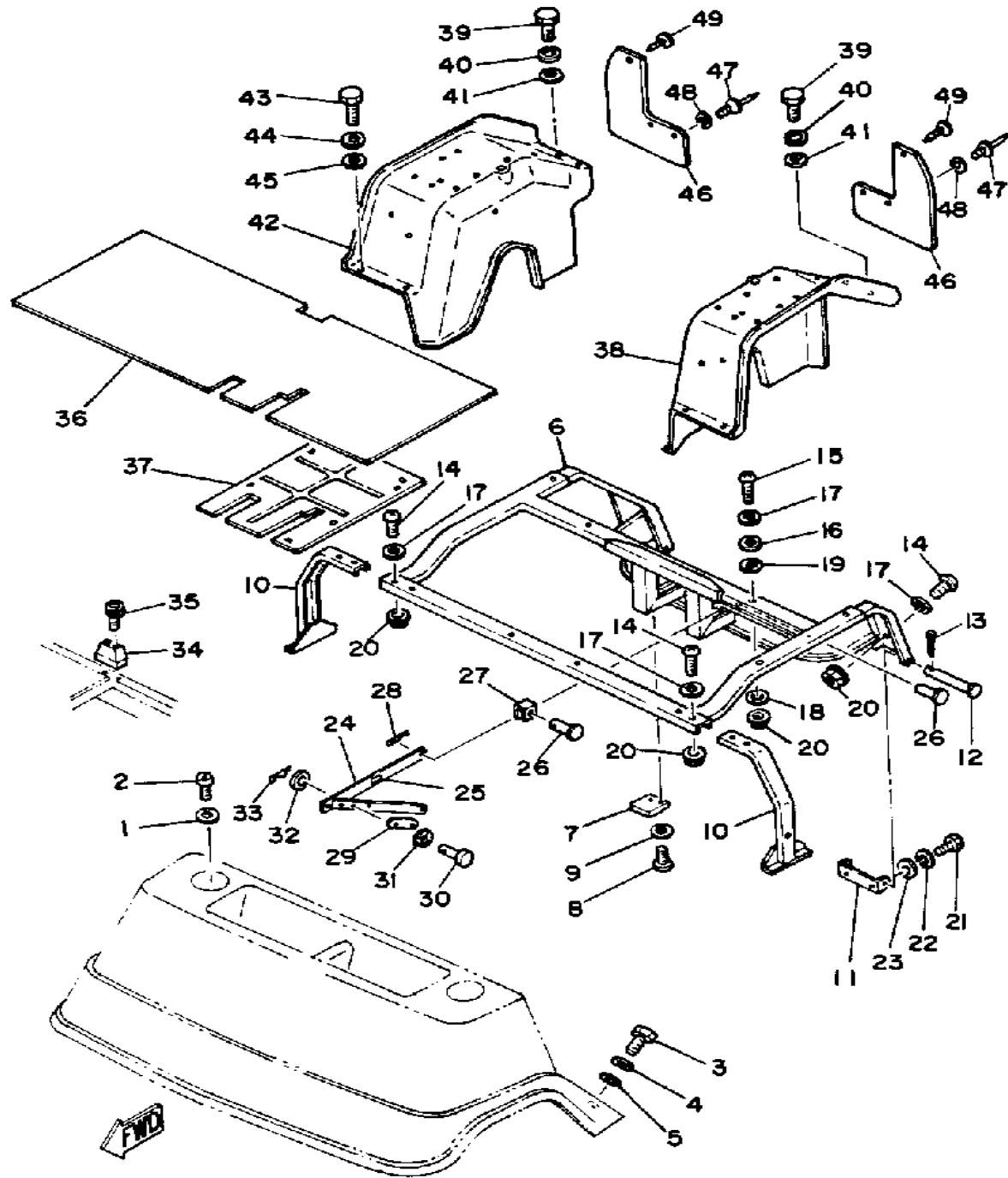
CONTINUED ON NEXT FRAME ►

# BODY



Ref. No.	Part Number	Description	Qty	Remarks
30	90269-06028-00	RIVET	2	
31	J10-77711-00-00	PANEL, INSTRUMENT	1	
32	J10-78245-00-00	SEAL 1	1	
33	J10-77741-00-00	INDICATOR 1	1	
34	90480-48243-00	GROMMET	1	
35	J14-77458-00-00	LABEL, WARNING	1	
36	80L-26397-00-00	BAND	2	
37	97780-50130-00	SCREW, TAPPING	2	
38	90201-05036-00	WASHER, PLATE	2	
39	90480-07241-00	GROMMET	2	

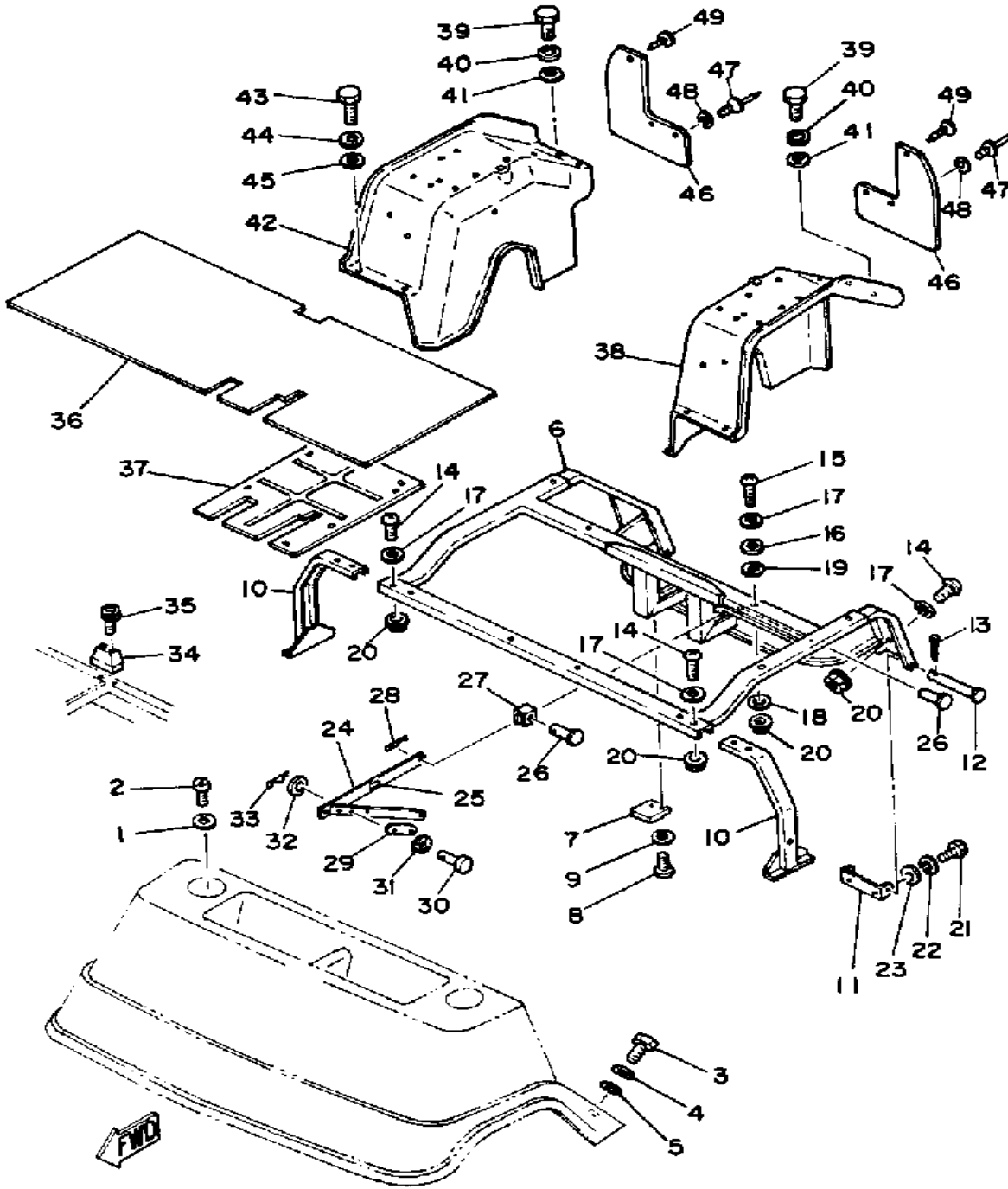
# BODY FITTING



Ref. No.	Part Number	Description	Qty	Remarks
1	90201-08310-00	WASHER, PLATE	2	
2	98980-08025-00	SCREW, BIND (98902-08025)	2	
3	97023-06020-00	BOLT (3XF)	3	
4	92995-06100-00	WASHER, SPRING	3	
5	90201-06075-00	WASHER, PLATE	3	
6	J31-77145-00-00	HINGE 1	1	
7	J17-78221-00-00	SHEET, BODY MNTG 1	2	
8	98501-05018-00	SCREW, PAN HEAD	4	
9	92901-05600-00	WASHER, PLATE	4	
10	J31-78123-00-00	REINFORCEMENT 3	2	
11	J10-77146-00-00	HINGE 2	2	
12	91701-08118-00	PIN, CLEVIS	2	
13	91401-25020-00	PIN, COTTER	2	
14	98980-06020-00	SCREW, BIND	8	
15	98980-06025-00	SCREW, BIND	2	
16	90202-08085-00	WASHER, PLATE	2	
17	90201-06697-00	WASHER, PLATE	8	
18	90201-06697-00	WASHER, PLATE	2	
19	90201-08730-00	WASHER, PLATE	2	
20	95601-06200-00	NUT, U FLANGE	10	
21	97313-08020-00	BOLT, HEXAGON	4	
22	92990-08100-00	WASHER	4	
23	92901-08600-00	WASHER	4	
24	J10-77125-00-00	STAY 1	1	
25	J10-77766-00-00	LABEL, WARNING 6	1	
26	91701-08020-00	PIN, CLEVIS	2	
27	J17-7712F-00-00	STAY 1	2	
28	90468-16065-00	CLIP	2	
29	J10-77188-00-00	STOPPER	1	

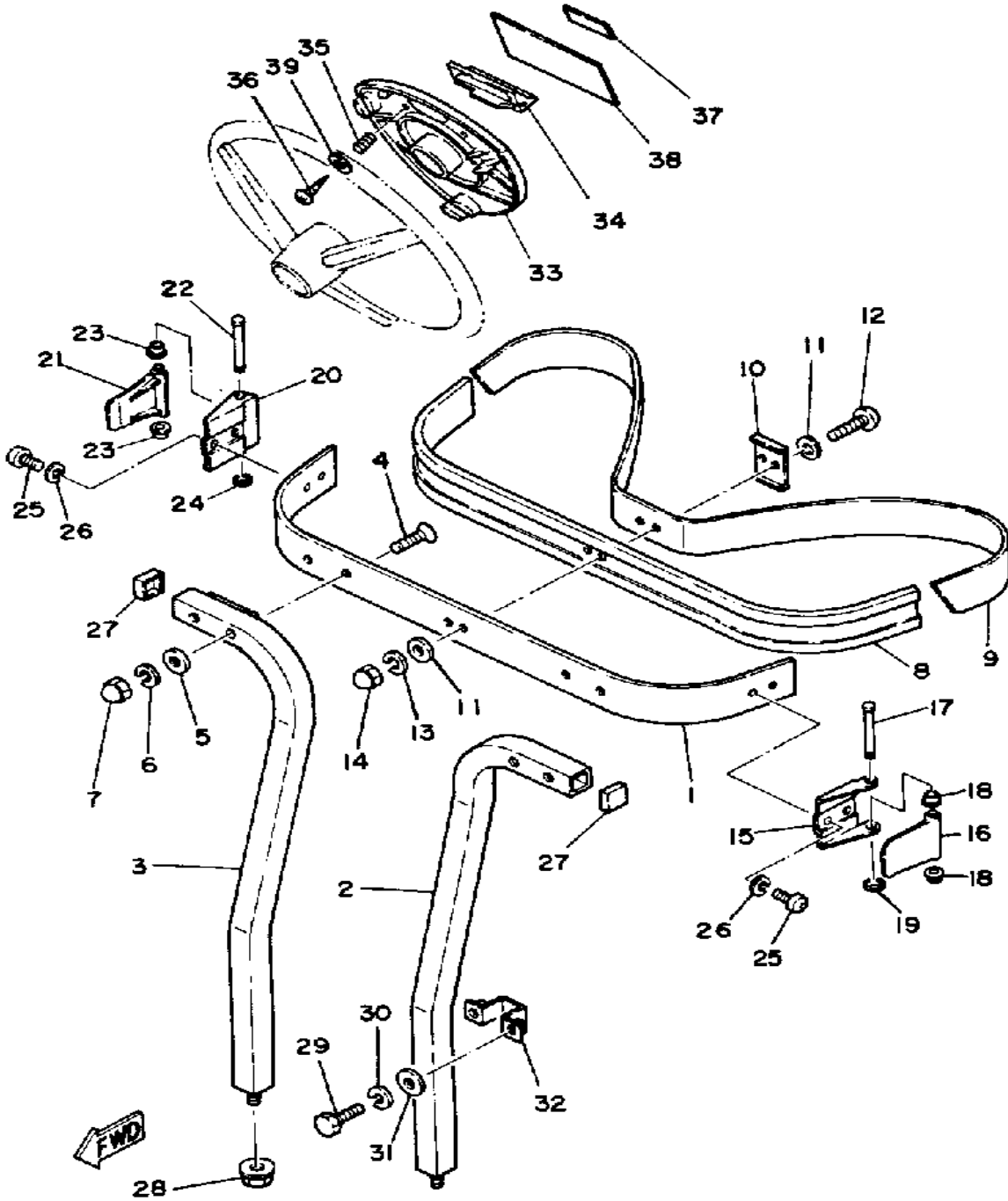
CONTINUED ON NEXT FRAME ►

# BODY FITTING



Ref. No.	Part Number	Description	Qty	Remarks
30	91701-06012-00	PIN, CLEVIS .....	1	
31	90206-06090-00	WASHER, WAVE .....	1	
32	92990-06200-00	WASHER .....	2	
33	90468-10050-00	CLIP .....	1	
34	J17-78156-00-00	STOPPER, LOCK .....	1	
35	91311-06035-00	BOLT, SOCKET HEAD .....	2	
36	J10-78231-09-00	MAT, MAIN FLOOR 1 (J10-78231-02) .....	1	
37	J31-78271-00-00	SERVICE LID, PEDAL .....	1	
38	J26-78191-00-00	PANEL, RR FENDER 1 .....	1	
39	97023-06020-00	BOLT (3XF) .....	4	
40	92995-06100-00	WASHER, SPRING .....	4	
41	90201-062A8-00	WASHER, PLATE .....	4	
42	J26-78192-00-00	PANEL, RR FENDER 2 .....	1	
43	97023-06020-00	BOLT (3XF) .....	4	
44	92995-06100-00	WASHER, SPRING .....	4	
45	90201-062A8-00	WASHER, PLATE .....	4	
46	J24-78199-00-00	FLAP, REAR 2 .....	2	
47	90267-40075-00	RIVET, BLIND .....	4	
48	90201-05034-00	WASHER, PLATE .....	4	
49	90269-06028-00	RIVET .....	2	

# CARRIER

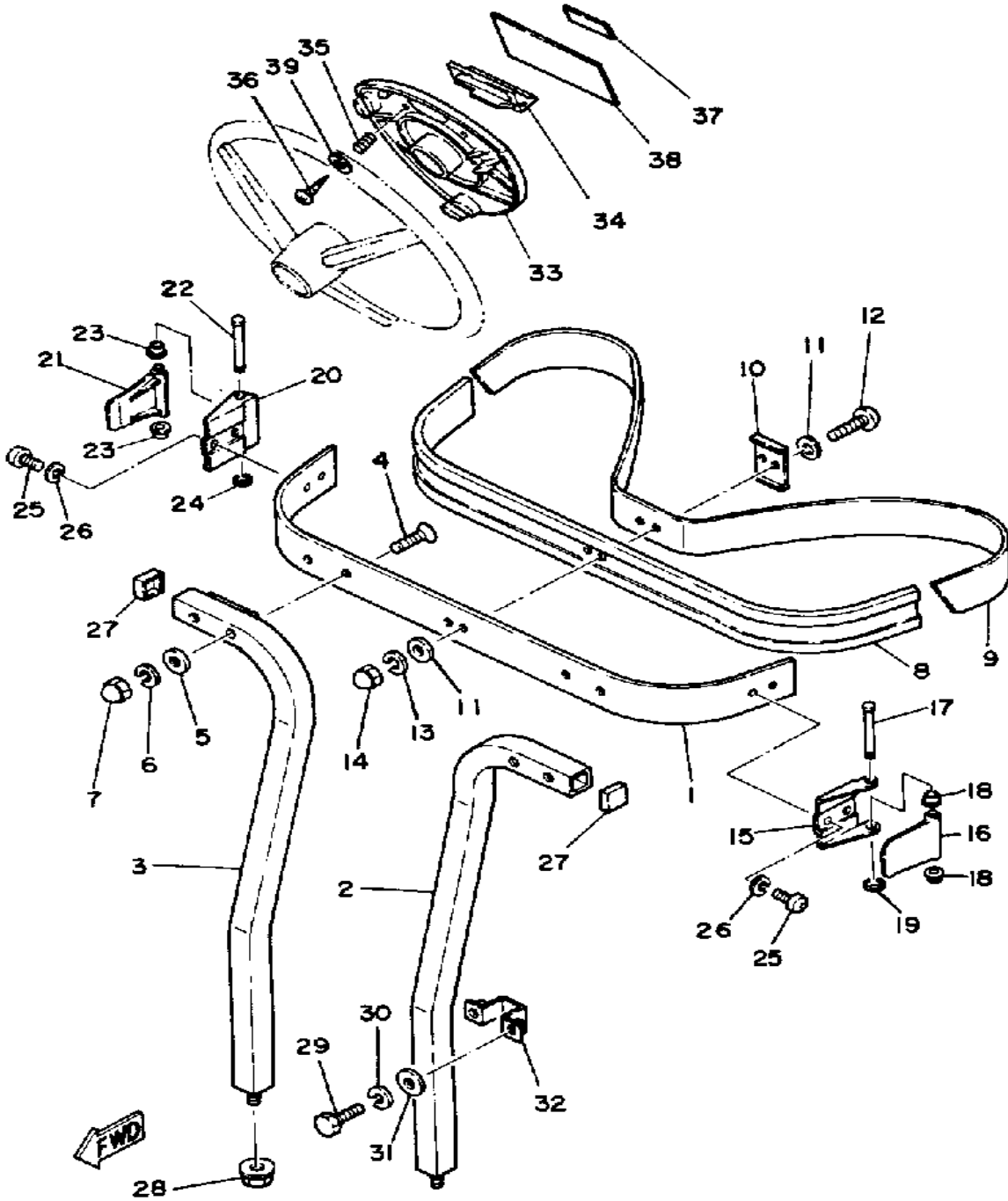


Ref. No.	Part Number	Description	Qty	Remarks
1	J42-78351-00-00	SUPPORT, BAG UPPER (J10-78351-00-9E)	1	IVORY WHITE
2	J10-78352-00-00	SUPPORT, BAG LWR 1 (J10-78352-00-9E)	1	IVORY WHITE
3	J10-78353-00-00	SUPPORT, BAG LWR 2 (J10-78353-00-9E)	1	IVORY WHITE
4	98701-08045-00	SCREW, FLAT HEAD (92701-08045)	4	
5	90202-08022-00	WASHER, PLATE	4	
6	92990-08100-00	WASHER	4	
7	95380-08800-00	NUT, CROWN	4	
8	J10-78356-00-00	PAD, BAG SUPPORT	1	
9	J10-78355-00-00	BAND	1	
10	J10-78367-00-00	PLATE, ANCHOR	1	
11	92990-06200-00	WASHER	4	
12	98980-06016-00	SCREW, BINDING	2	
13	92995-06100-00	WASHER, SPRING	2	
14	95380-06800-00	NUT	2	
15	J17-78157-01-00	BASE, LOCK	1	
16	J17-78368-01-00	LEVER, LOCK	1	
17	J17-78369-00-00	PIN, LEVER	1	
18	90386-06108-00	BUSH	2	
19	99080-05600-00	CIRCLIP	1	
20	J17-78157-01-00	BASE, LOCK	1	
21	J17-78368-01-00	LEVER, LOCK	1	
22	J17-78369-00-00	PIN, LEVER	1	
23	90386-06108-00	BUSH	2	
24	99080-05600-00	CIRCLIP	1	
25	98580-06010-00	SCREW, PAN HEAD (92503-06010)	4	

CONTINUED ON NEXT FRAME ►

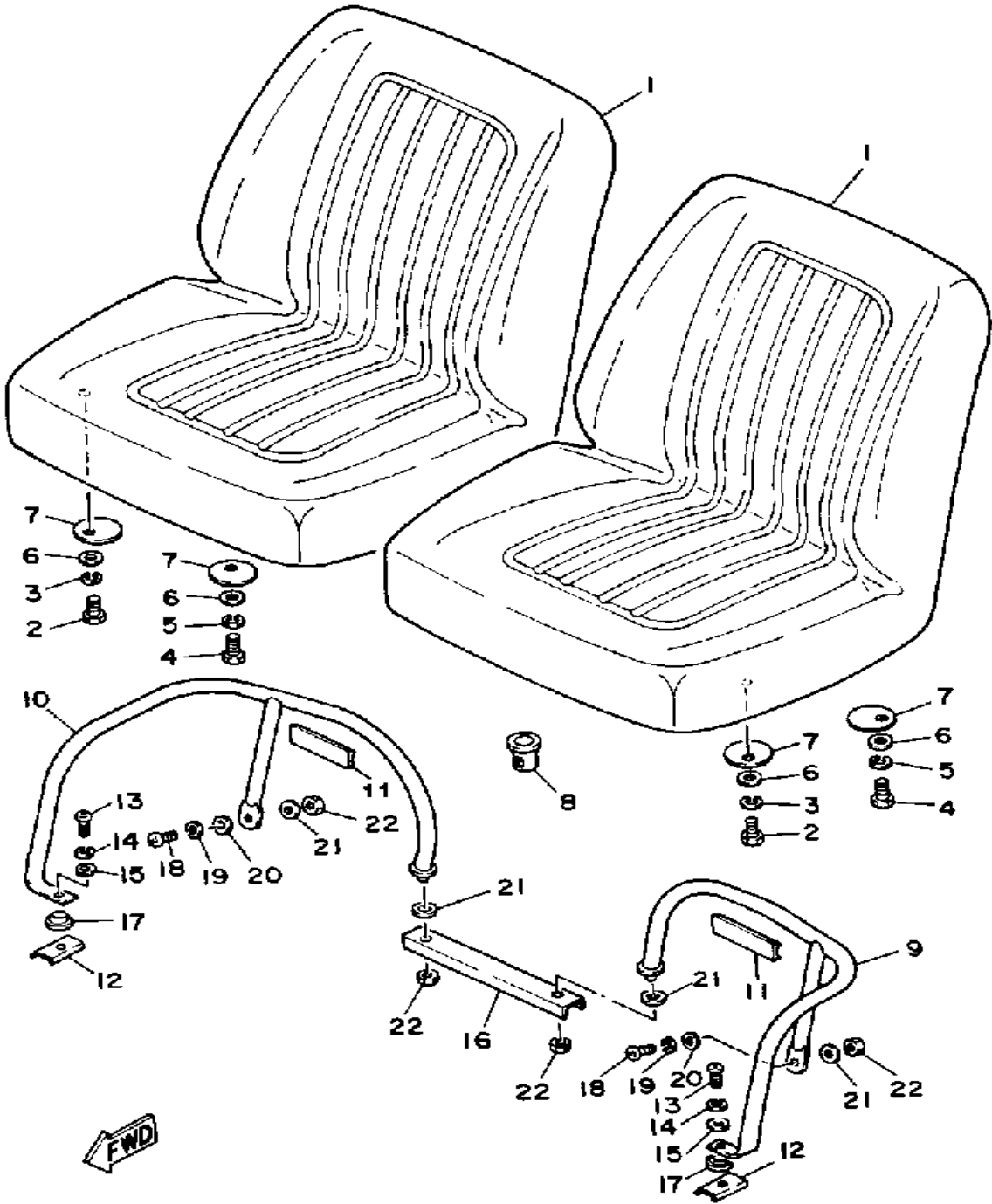


# CARRIER



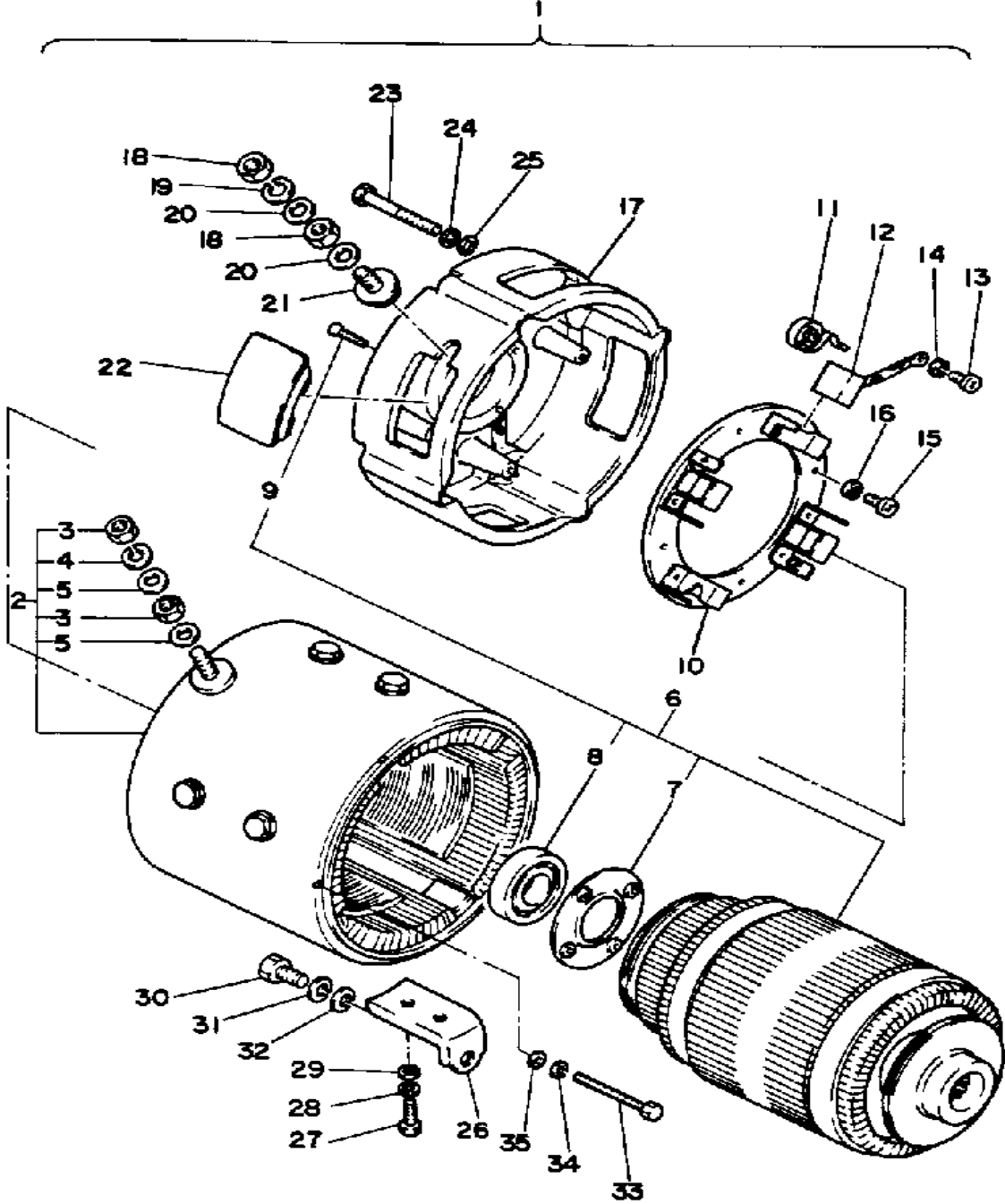
Ref. No.	Part Number	Description	Qty	Remarks
26	92995-06100-00	WASHER, SPRING	4	
27	J10-78139-00-00	CAP, END	2	
28	95601-10200-00	NUT, SELF-LOCKING	2	
29	97313-06065-00	BOLT, HEXAGON	4	
30	92995-06100-00	WASHER, SPRING	4	
31	90201-061A5-00	WASHER, PLATE	4	
32	J10-78366-01-00	CLAMP, SUPPORT	2	
33	J10-78357-01-00	HOLDER 1	1	
34	J10-78358-00-00	HOLDER 2	1	
35	90502-10013-00	SPRING, CONICAL	2	
36	97780-50125-00	SCREW, TAPPING	2	
37	J10-78292-00-00	EMBLEM 2	1	
38	J10-77762-01-00	LABEL, WARNING 2	1	
39	92901-05600-00	WASHER, PLATE	2	

# SEAT



Ref. No.	Part Number	Description	Qty	Remarks
1	J36-78401-90-00	SEAT SB/ASSEMBLY, CSHN (J24-78401-01)	2	U.R.
2	97001-08025-00	BOLT (1NV)	6	
3	92990-08100-00	WASHER	6	
4	97313-08030-00	BOLT, HEXAGON	2	
5	92990-08100-00	WASHER	2	
6	90201-08310-00	WASHER, PLATE	8	
7	J10-78439-00-00	WASHER, SEAT	8	
8	90480-35346-00	GROMMET	2	
9	J24-78361-00-00	ARM REST 1	1	
10	J24-78362-00-00	ARM REST 2	1	
11	J24-78348-00-00	SPACER, ARM REST	2	
12	J24-78347-00-00	SPACER, ARMREST	2	
13	98502-08030-00	SCREW, PAN HEAD (92502-08030)	2	
14	92990-08100-00	WASHER	2	
15	92901-08600-00	WASHER	2	
16	J24-78346-00-00	SUPPORT ARM REST	1	
17	J24-78345-00-00	WASHER, ARM REST	2	
18	98501-08025-00	SCREW, PAN HEAD	2	
19	92990-08100-00	WASHER	2	
20	92990-08600-00	WASHER, PLATE	2	
21	90201-08310-00	WASHER, PLATE	2	
22	95611-08100-00	NUT, U	4	

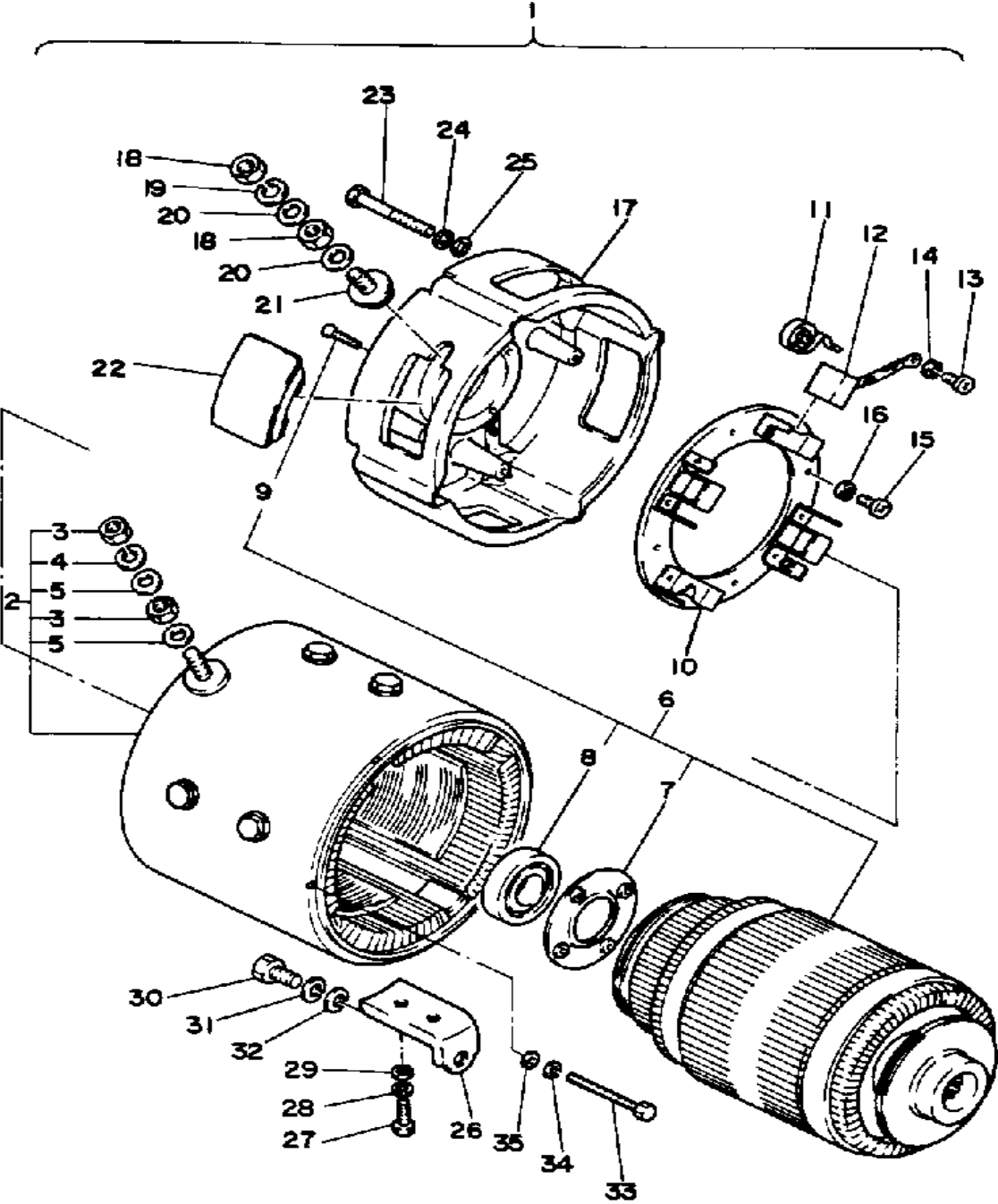
# STARTING MOTOR



Ref. No.	Part Number	Description	Qty	Remarks
1	JG6-H1890-01-00	MOTOR ASSEMBLY (JG6-H1890-00-00)	1	
2	J14-81810-10-00	. STATOR ASS'Y	1	
3	95333-08600-00	.. NUT	4	
4	92990-08100-00	.. WASHER	2	
5	92990-08200-00	.. WASHER, PLAIN	4	
6	J14-81850-10-00	. ARMATURE ASS'Y	1	
7	J14-81857-10-00	.. BEARING	1	
8	J14-81856-10-00	.. RETAINER	1	
9	98701-05020-00	.. SCREW, FLAT HEAD	4	
10	J14-81840-10-00	. BRUSH HOLDER ASS'Y	1	
11	J14-81813-10-00	. SPRING, BRUSH	4	
12	J14-81811-10-00	. BRUSH 1	4	
13	98580-05010-00	. SCREW, PAN HEAD	4	
14	92990-05100-00	. WASHER, SPRING	4	
15	98580-05016-00	. SCREW, PAN HEAD	4	
16	92990-05100-00	. WASHER, SPRING	4	
17	J14-81822-10-00	. BRACKET, STARTING MOTOR	1	
18	95333-08600-00	. NUT	4	
19	92990-08100-00	. WASHER	2	
20	92990-08200-00	. WASHER, PLAIN	4	
21	J14-81826-10-00	. BOLT	2	
22	J14-81842-10-00	. COVER	4	
23	J14-81828-10-00	. BOLT 2	4	
24	92995-06100-00	. WASHER, SPRING	4	
25	90201-061A5-00	. WASHER, PLATE	4	
26	J14-81823-01-00	STAY, STARTING MTR (J14-81823-00)	1	
27	97011-06016-00	BOLT	2	

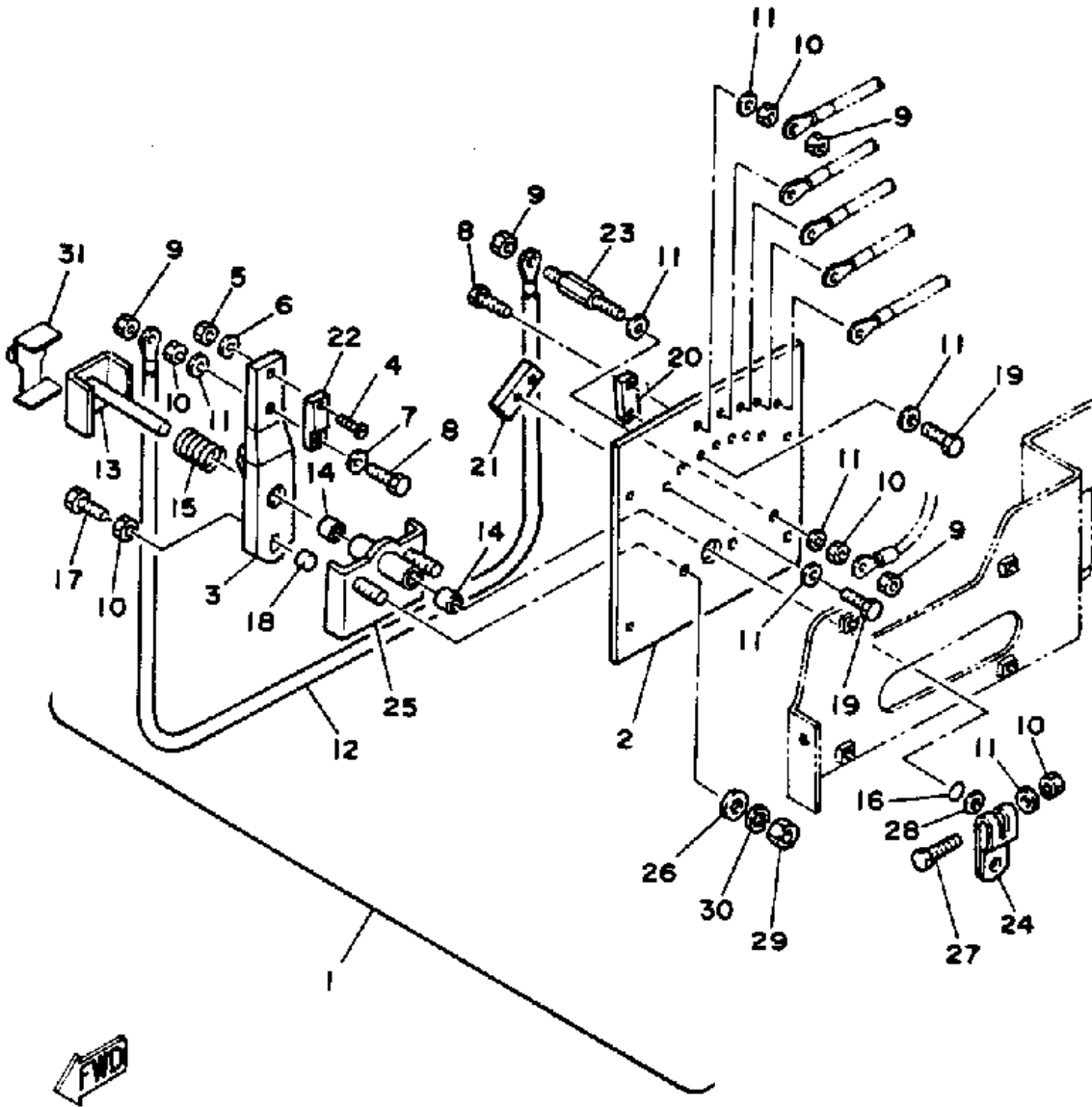
CONTINUED ON NEXT FRAME ►

# STARTING MOTOR



Ref. No.	Part Number	Description	Qty	Remarks
28	92995-06100-00	WASHER, SPRING .....	2	
29	90201-061A5-00	WASHER, PLATE .....	2	
30	97011-08016-00	BOLT .....	1	
31	92990-08100-00	WASHER .....	1	
32	92901-08600-00	WASHER .....	1	
33	97313-06055-00	BOLT, HEXAGON (97322-06055)	3	
34	92995-06100-00	WASHER, SPRING .....	3	
35	90201-06643-00	WASHER, PLATE .....	3	

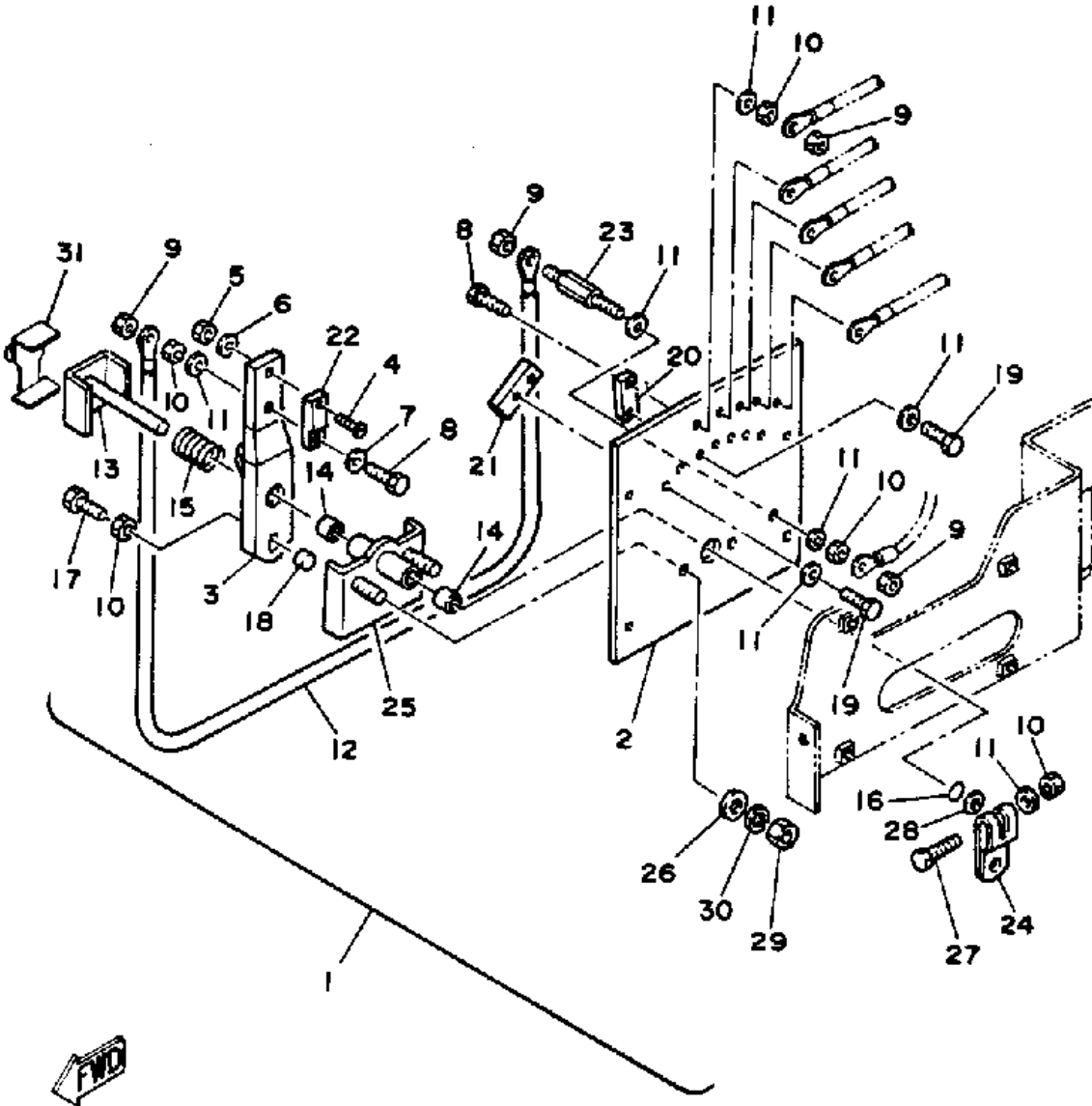
# CONTROLLER



Ref. No.	Part Number	Description	Qty	Remarks
1	J46-86140-00-00	CONTROLLER ASS'Y (J22-86140-00)	1	
2	J46-86142-00-00	. BASE, PLATE	1	
3	J22-86152-00-00	. ARM, MOVING	1	
4	98701-04016-00	. SCREW, FLAT HEAD (98702-04016)	1	
5	95301-04600-00	. NUT	1	
6	92902-04300-00	. WASHER, IN.TOOTH	1	
7	90201-063F3-00	. WASHER, PLATE	1	
8	90101-06469-00	. BOLT	7	
9	95320-06600-00	. NUT	8	
10	95380-06700-00	. NUT	9	
11	92995-06100-00	. WASHER, SPRING	16	
12	J22-86157-00-00	. WIRE, LEAD	1	
13	J14-86155-01-00	. SHAFT, CONTROLLER	1	
14	90380-10010-00	. BUSH, SOLID	2	
15	90501-16573-00	. SPRING, COMPRESSION	1	
16	93210-10166-00	. O-RING	1	
17	97023-06020-00	. BOLT (3XF)	1	
18	90386-05111-00	. BUSH, SPEC'L NYLON	1	
19	97013-06012-00	. BOLT	7	
20	J14-86162-00-00	. CONTACT, STATE	5	
21	J14-82103-00-00	. TERMINAL 1	1	
22	J14-86153-00-00	. CONTACT, MOVING	1	
23	J22-82104-00-00	. TERMINAL 2	1	
24	J14-86144-01-00	. LEVER, CONTROLLER	1	
25	J14-86156-00-00	. HOLDER, SHAFT	1	
26	90201-061A5-00	. WASHER, PLATE	2	
27	97021-06030-00	. BOLT	1	

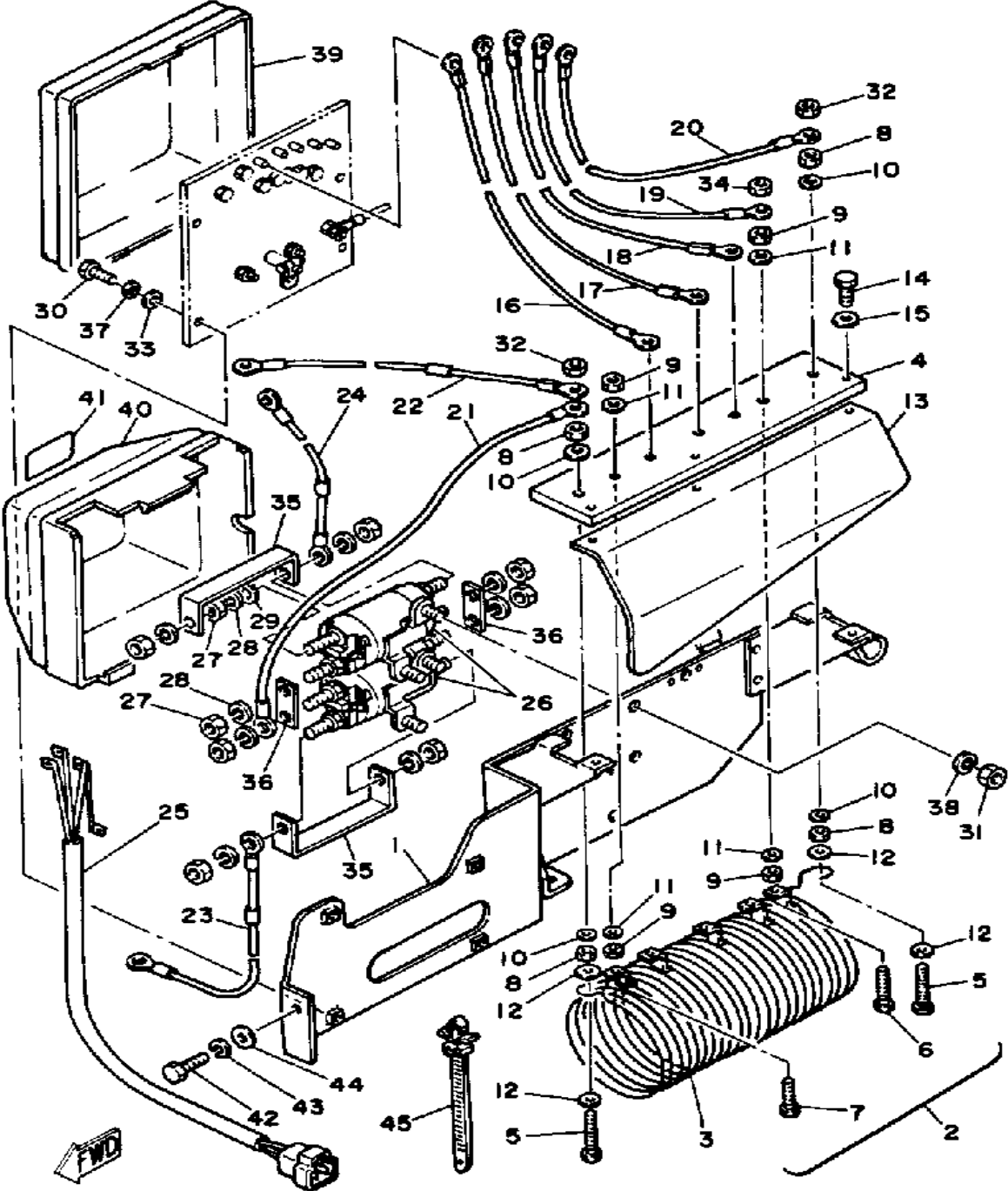
CONTINUED ON NEXT FRAME ►

# CONTROLLER



Ref. No.	Part Number	Description	Qty	Remarks
28	92990-10200-00	. WASHER, PLAIN	1	
29	90179-08288-00	. NUT, SPEC'L SHAPE	2	
30	92990-08100-00	. WASHER	2	
31	J22-86158-00-00	. SPRING, COMPRESSION	1	

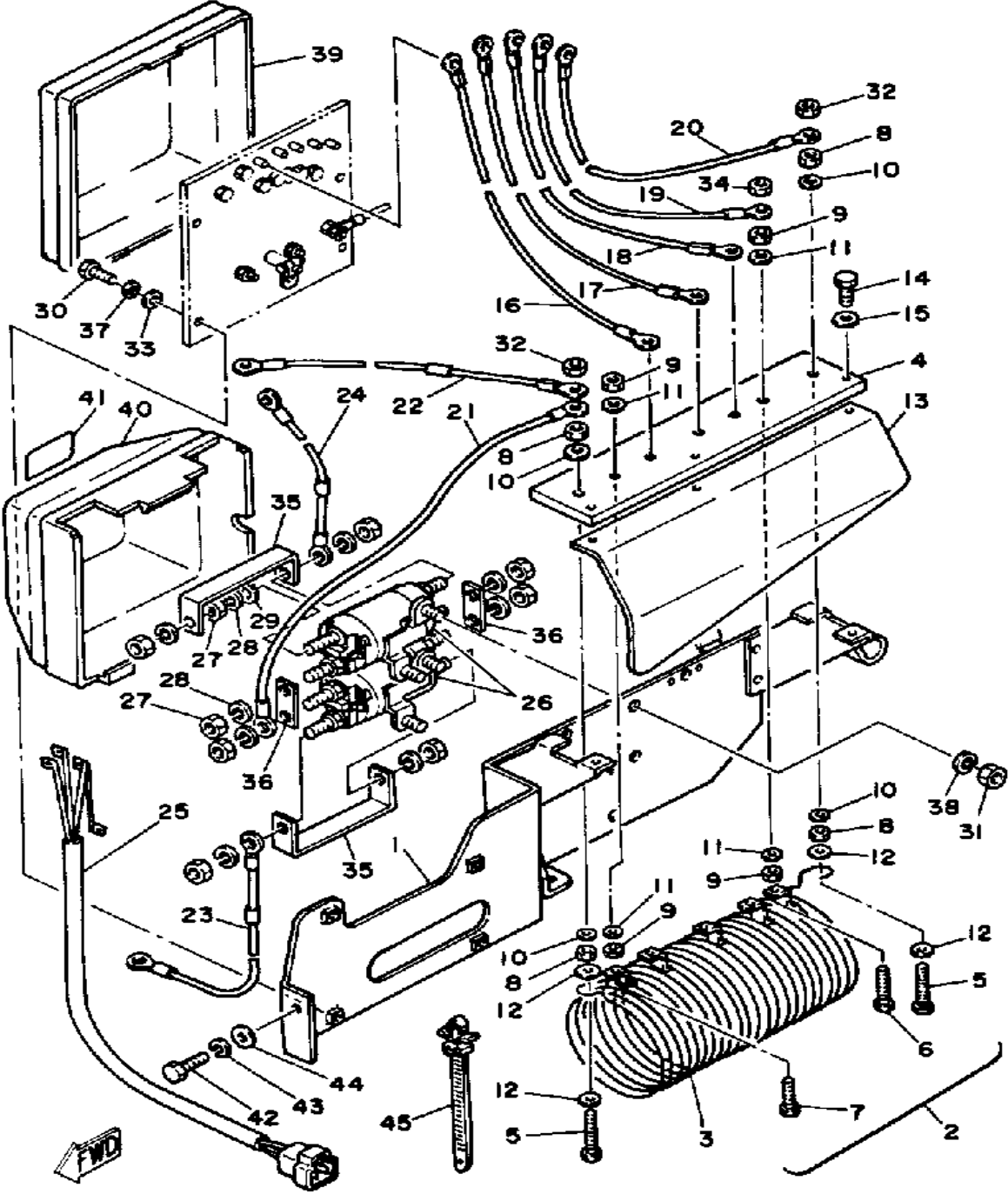
# CONTROLLER 2



Ref. No.	Part Number	Description	Qty	Remarks
1	J22-86141-00-00	PLATE, CONTROLLER	1	
2	J51-85370-00-00	RESISTOR ASSEMBLY	1	
3	J51-85370-00-00	. RESISTOR ASSEMBLY	1	
4	J14-85378-01-00	. PLATE, RESISTOR	1	
5	90101-08470-00	. BOLT	2	
6	90101-06469-00	. BOLT	4	
7	97011-06025-00	. BOLT (97001-06025)	1	
8	95303-08700-00	. NUT	4	
9	95380-06700-00	. NUT	10	
10	92901-08600-00	. WASHER	4	
11	90201-061A5-00	. WASHER, PLATE	10	
12	90201-083F1-00	. WASHER, PLATE	4	
13	J14-85379-00-00	COVER, RESISTOR	1	
14	97023-06020-00	BOLT (3XF)	3	
15	90201-061A5-00	WASHER, PLATE	3	
16	J14-86175-00-00	WIRE, LEAD 5	1	
17	J14-86175-00-00	WIRE, LEAD 5	1	
18	J14-86175-00-00	WIRE, LEAD 5	1	
19	J14-86175-00-00	WIRE, LEAD 5	1	
20	J14-86175-00-00	WIRE, LEAD 5	1	
21	J14-86175-00-00	WIRE, LEAD 5	1	
22	J14-86175-00-00	WIRE, LEAD 5	1	
23	J14-86175-00-00	WIRE, LEAD 5	1	
24	J22-82531-00-00	WIRE, LEAD	1	
25	J22-86177-00-00	WIRE, LEAD 7	1	
26	J22-81950-01-00	RELAY ASSEMBLY	2	
27	95303-08700-00	. NUT	8	
28	92990-08100-00	. WASHER	8	
29	92901-08600-00	. WASHER	4	

CONTINUED ON NEXT FRAME ➤

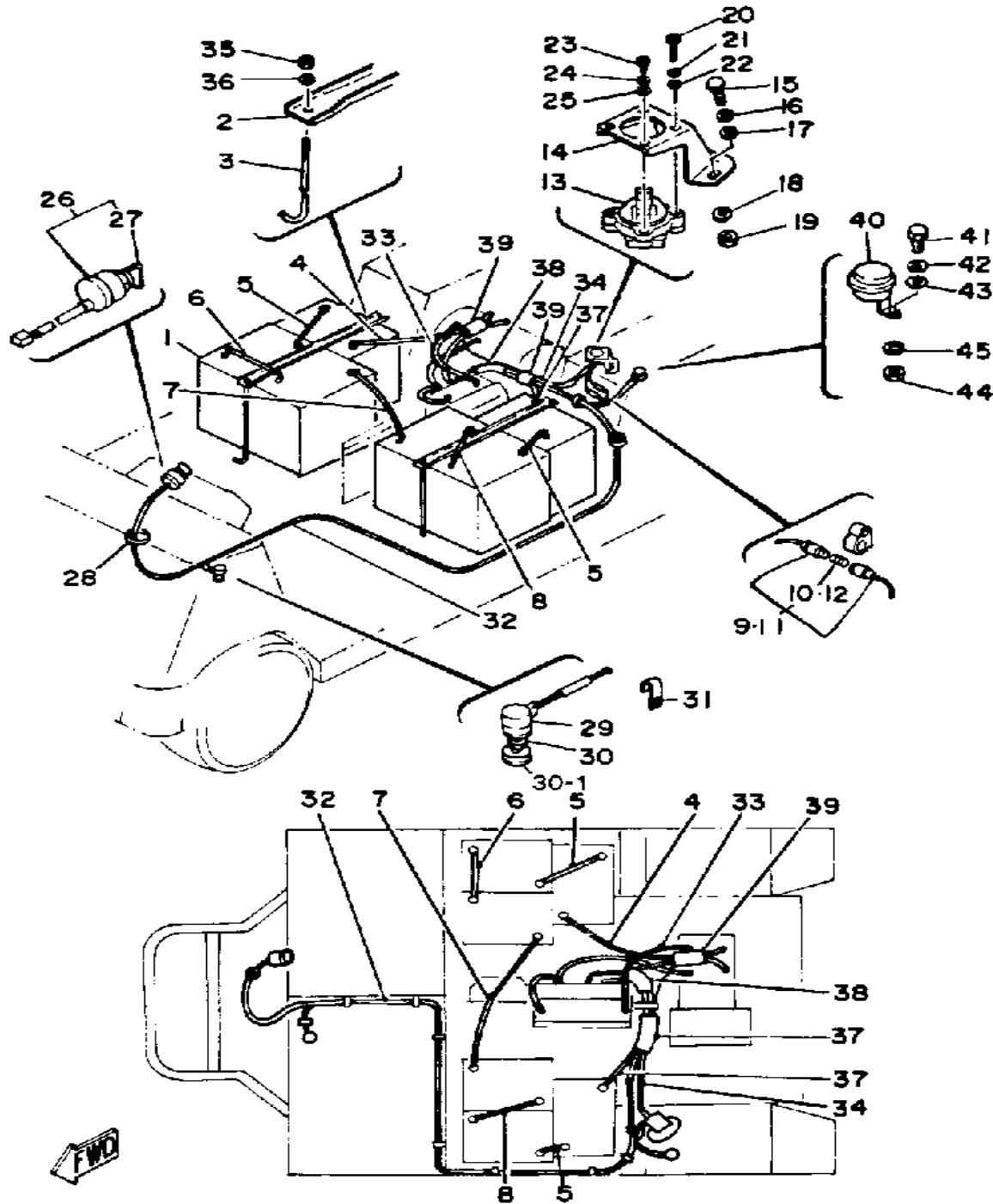
# CONTROLLER 2



Ref. No.	Part Number	Description	Qty	Remarks
30	97313-06016-00	BOLT, HEXAGON	4	
31	95303-08700-00	NUT	4	
32	95333-08600-00	NUT	2	
33	90201-061A5-00	WASHER, PLATE	4	
34	95320-06600-00	NUT	4	
35	J17-86126-00-00	PLATE, CONNECTING 1	2	
36	J17-86127-00-00	PLATE, CONNECTING 2	2	
37	92995-06100-00	WASHER, SPRING	4	
38	92990-08100-00	WASHER	4	
39	J56-H6163-00-00	COVER, CONTROLLER	1	
40	J56-H1942-00-00	COVER (J22-81942-00)	1	
41	(J22-84306-00-00)	LABEL, CAUTION	1	
42	97011-08016-00	BOLT	2	
43	92990-08100-00	WASHER	2	
44	92901-08600-00	WASHER	2	
45	90464-12036-00	CLAMP	3	
	J17-81920-19-00	SOLENOID REBLD KIT		



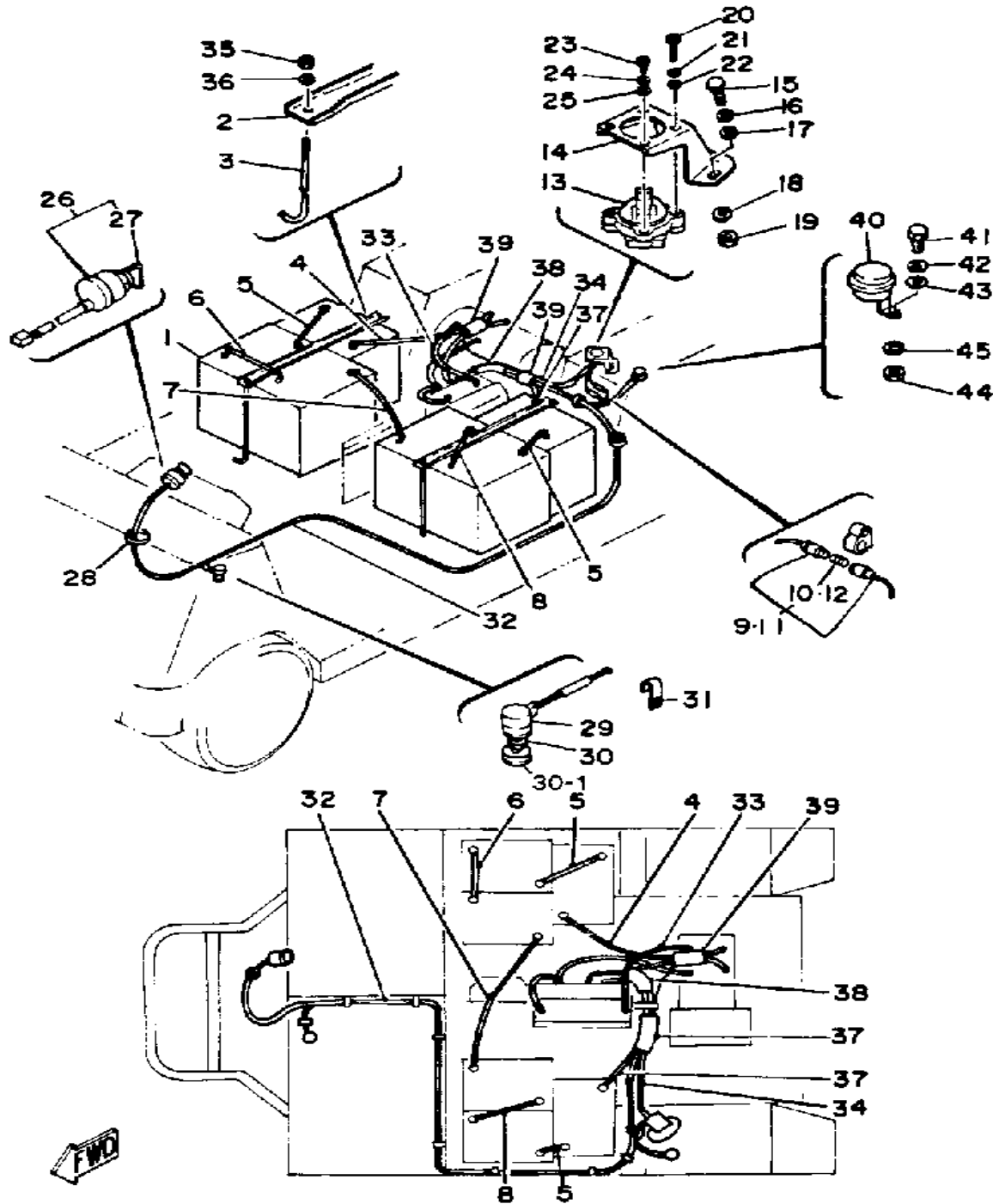
# ELECTRICAL 1



Ref. No.	Part Number	Description	Qty	Remarks
1	*---	FRONT WHEEL ASSEMBLY ..	6	LM SEE NOTE D4
2	J14-82136-00-00	PLATE, BATT FITTING .....	2	
3	J14-82133-01-00	SCREW, FITTING .....	4	
4	J56-H2116-00-00	WIRE, MINUS LEAD (J14-82116-00) .....	1	
5	J56-H2117-00-00	WIRE, LEAD .....	2	
6	J56-H2127-00-00	WIRE, LEAD 2 .....	1	
7	J56-H2149-00-00	WIRE, LEAD 3 .....	1	
8	J56-H2127-00-00	WIRE, LEAD 2 .....	1	
9	1E6-82150-00-00	FUSE HOLDER ASSEMBLY ...	1	
10	1E6-82151-00-00	. FUSE (10A) .....	2	
11	1E6-82150-00-00	FUSE HOLDER ASSEMBLY ...	1	
12	1E6-82151-00-00	. FUSE (10A) .....	2	
13	JF3-86181-00-00	RECEPTACLE .....	1	
14	J22-86182-00-00	STAY RECEPTACLE .....	1	
15	97313-06016-00	BOLT, HEXAGON .....	3	
16	92995-06100-00	WASHER, SPRING .....	3	
17	90201-061A5-00	WASHER, PLATE .....	3	
18	90201-06643-00	WASHER, PLATE .....	3	
19	95380-06600-00	NUT .....	3	
20	98506-05035-00	SCREW, PAN HEAD .....	2	
21	92906-05100-00	WASHER, SPRING .....	2	
22	92906-05600-00	WASHER, PLATE .....	2	
23	98586-05016-00	SCREW, PAN HEAD .....	2	
24	92906-05100-00	WASHER, SPRING .....	2	
25	92906-05600-00	WASHER, PLATE .....	2	
26	J22-82508-00-00	MAIN SWITCH ASSEMBLY (J14-82508-00) .....	1	
27	J17-82511-20-00	. KEY, MAIN SWITCH .....	2	

CONTINUED ON NEXT FRAME ►

# ELECTRICAL 1



Ref. No.	Part Number	Description	Qty	Remarks
28	25G-83936-01-00	BAND, SWITCH CORD .....	1	
29	J14-82530-00-00	STOP SWITCH ASSEMBLY ...	1	
30	95303-10700-00	NUT .....	1	
	J10-82532-00-00	. CAP, RUBBER .....	1	
31	90465-08028-00	CLAMP .....	1	
32	J22-82590-00-00	WIRE HARNESS ASSEMBLY ..	1	
33	J56-H2117-00-00	WIRE, LEAD .....	1	
34	J14-81315-00-00	LEAD WIRE ASSEMBLY .....	1	
35	95701-06300-00	NUT, NYLON .....	4	
36	90201-06067-00	WASHER, PLATE .....	4	
37	J14-82531-00-00	WIRE, LEAD .....	1	
38	J55-H7196-00-00	TUBE 1 (J38-87196-00) .....	1	
39	J56-H7198-00-00	TUBE 2 (J22-87197-00) .....	2	
40	J14-83383-01-00	BUZZER .....	1	
41	97313-06016-00	BOLT, HEXAGON .....	1	
42	92995-06100-00	WASHER, SPRING .....	1	
43	90201-061A5-00	WASHER, PLATE .....	1	
44	95380-06600-00	NUT .....	1	
45	90201-06043-00	WASHER, PLATE .....	1	