



# PARTS CATALOGUE

## YDRE2 (JW22) CANADA,EUROPE,JAPAN,OTHERS

---



1HJW2-100E1

( )

YDRE2  
PARTS CATALOGUE  
©2008 by Yamaha Motor Co., Ltd.  
1st edition, June 2008  
All rights reserved.  
Any reprinting or unauthorized use  
without the written permission of  
Yamaha Motor Co., Ltd.  
is expressly prohibited.  
Printed in Japan.

# FOREWORD

This Parts Catalogue is related to the parts for the model(s) on the cover page. When you are ordering replacement parts, please refer to this Parts Catalogue and quote both part numbers and part names correctly.

1. Modifications or additions which have been made after the issue of the Parts Catalogue will be announced in the Parts News.

It is advisable that you make the necessary corrections to the Parts Catalogue according to the Parts News.

2. Abbreviations

The following abbreviations are used in this Parts Catalogue.

“UR” Use specified parts number.

“UN” Use as many as needed.

“AP” Alternate Parts

“LM” Locally Made (Parts need to be ordered locally)

“F#” Frame No. (Applicable machine No.)

“O/S” Over Size

3. The number of components for assembly

- Parts, which are to be supplied in an assembly, are listed with a dot (.) in front of the part name as shown below.
- The numeral appearing to the right of each component part indicates the quantity of parts for each assembly unit.

PART NO.	DESCRIPTION	Q'TY	REMARKS
2F5-83310-60	FRONT FLASHER LIGHT ASSY	2	
115-83311-60	.BULB (6V-18W)	1	

4. Applicable colours of graphics are represented in the “REMARKS” as shown below.

PART NO.	DESCRIPTION	Q'TY	REMARKS
2N4-24110-00-X5	FUEL TANK COMP.	2	MXR
3J1-24240-10	.GRAPHIC, FUEL TANK	1	FOR MXR

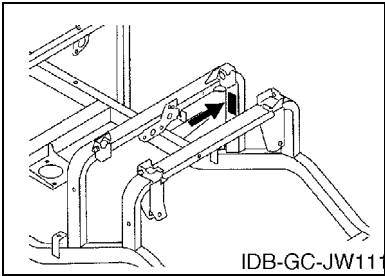
5. Note that the illustrations for reference in finding parts numbers are not to be used for assembling. When assembling, please use the applicable service manual.

6. The asterisk (\*) before a reference number indicates modified items after the first edition.

# FOREWORD

7. Applicable Serial No.

Frame Serial No.



10. Applicable Starting Serial No.

Frame Serial No.

Serial No.	Name Of Q'ty Column	Model Code
JW2-200101	JW22	JW22

8. Applicable Colour Code (The (\*) mark shows Model colour.)

Abbreviation	Colour Name	Colour Code
BMG(*)	BLACK METALLIC G	1050
DPBMT(*)	DEEP PURPLISH BLUE METALLIC T	0978
HTR(*)	HEAT RED	00EY
LN YM8(*)	LIGHT GRAYISH YELLOW ME 8	1047
NBM7(*)	GRAYISH BLUE METALLIC 7	1046
VDGS1(*)	VERY DARK GREEN SOLID 1	0614
WS7(*)	WHITE SOLID 7	1045

9. Quantity Column Information

Column No.	Name Of Q'ty Column	Destination
1	JW22	CANADA,EUROPE,JAPAN,OTHERS

# CONTENTS

## BODY

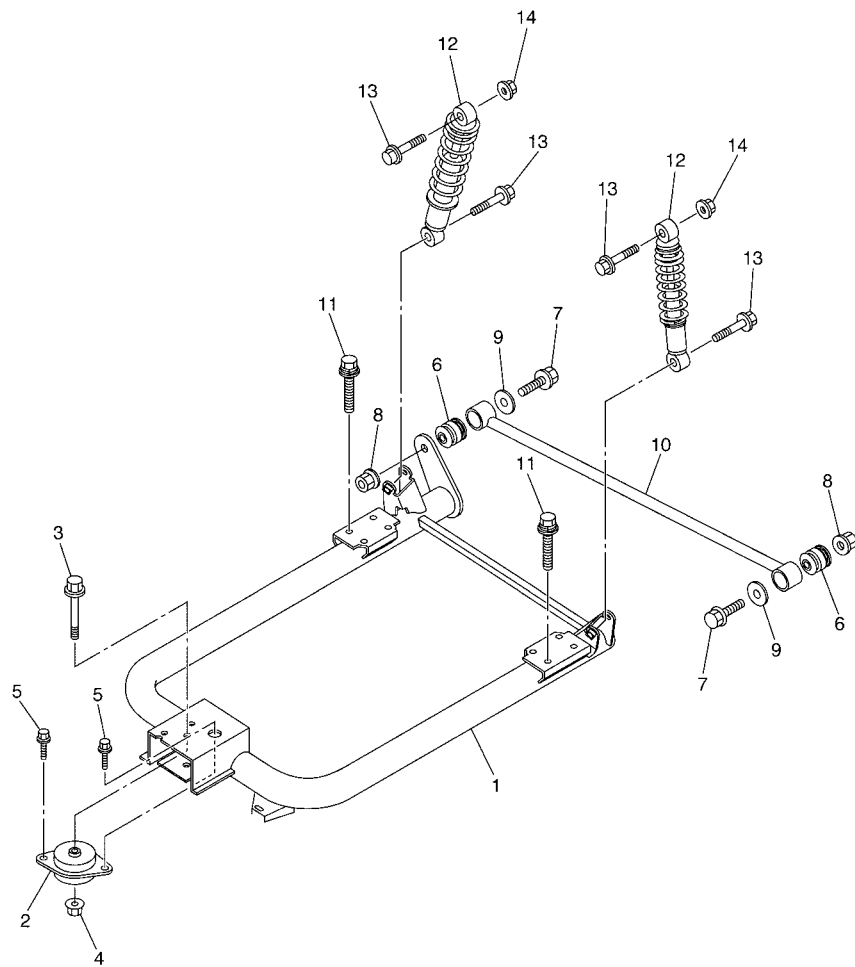
REAR ARM & SUSPENSION .....	1
FRAME .....	2
FRONT SUSPENSION .....	3
STEERING .....	5
PEDAL ASSEMBLY .....	7
TRANSAXLE & BRAKE .....	9
WHEEL .....	11
BUMPER .....	12
BODY .....	13
BODY 2 .....	15
BODY FITTING .....	16
CARRIER .....	17
SEAT .....	18

## ELECTRICAL

ELECTRIC MOTOR .....	19
CONTROLLER 1 .....	21
ELECTRICAL 1 .....	22
BATTERY CHARGER .....	24
ALTERNATE FOR WINDSHIELD .....	25
ALTERNATE FOR SUN ROOF .....	26

## INDEX

NUMERICAL INDEX .....	27
-----------------------	----



JW21100-E010

FIG. 1 REAR ARM & SUSPENSION

REF. NO.	PART NO.	DESCRIPTION	JW22				REMARKS
1	JW2-F2110-00	REAR ARM COMP.	1				
2	JN6-F2123-10	BUSH 1	1				
3	90105-13800	BOLT, FLANGE	1				
4	90179-13800	NUT	1				
5	JW1-F1531-00	BOLT	2				
6	JN6-F2124-10	BUSH 2	2				
7	95812-12065	BOLT, FLANGE	2				
8	95602-12200	NUT, SELF-LOCKING	2				
9	90201-128S4	WASHER, PLATE	2				
10	JW1-F217G-10	ROD, CONNECTING 2	1				
11	JW1-F2277-00	BOLT	8				
12	JW1-F2210-00	SHOCK ABSORBER ASSY, REAR	2				
13	95812-10055	BOLT, FLANGE	4				
14	95602-10200	NUT, U FLANGE	2				

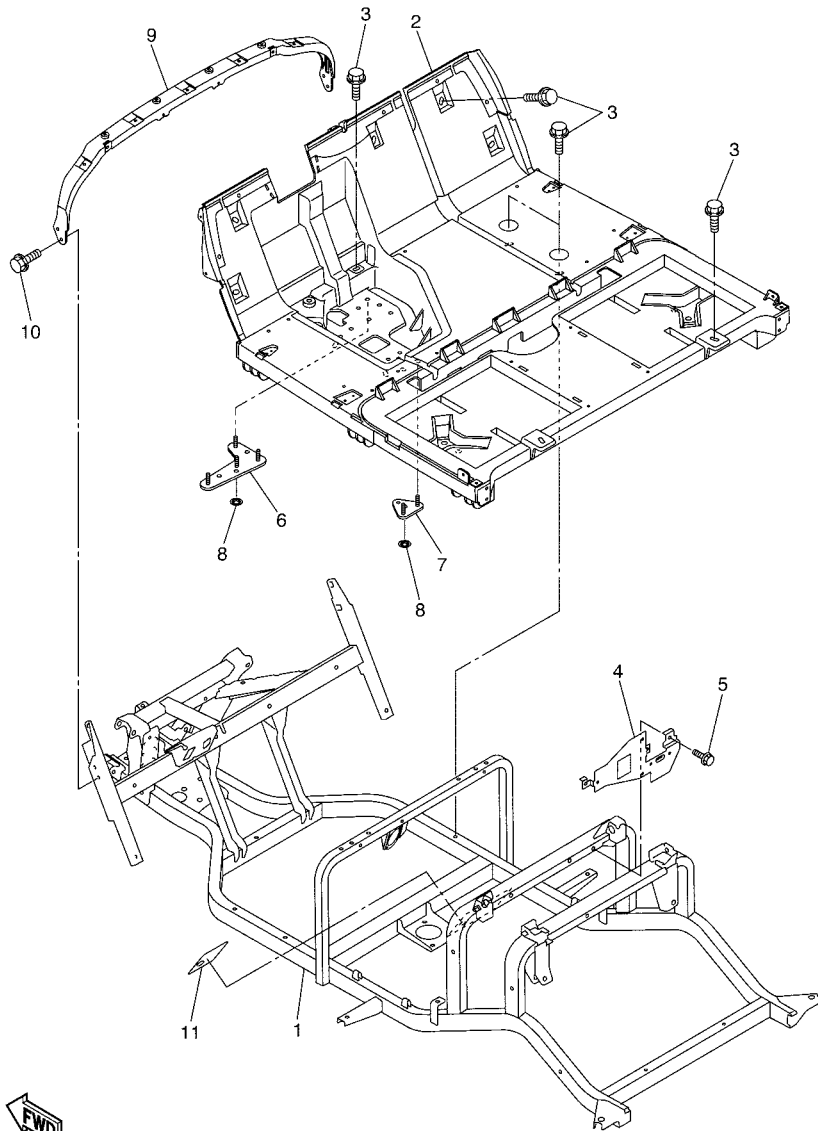
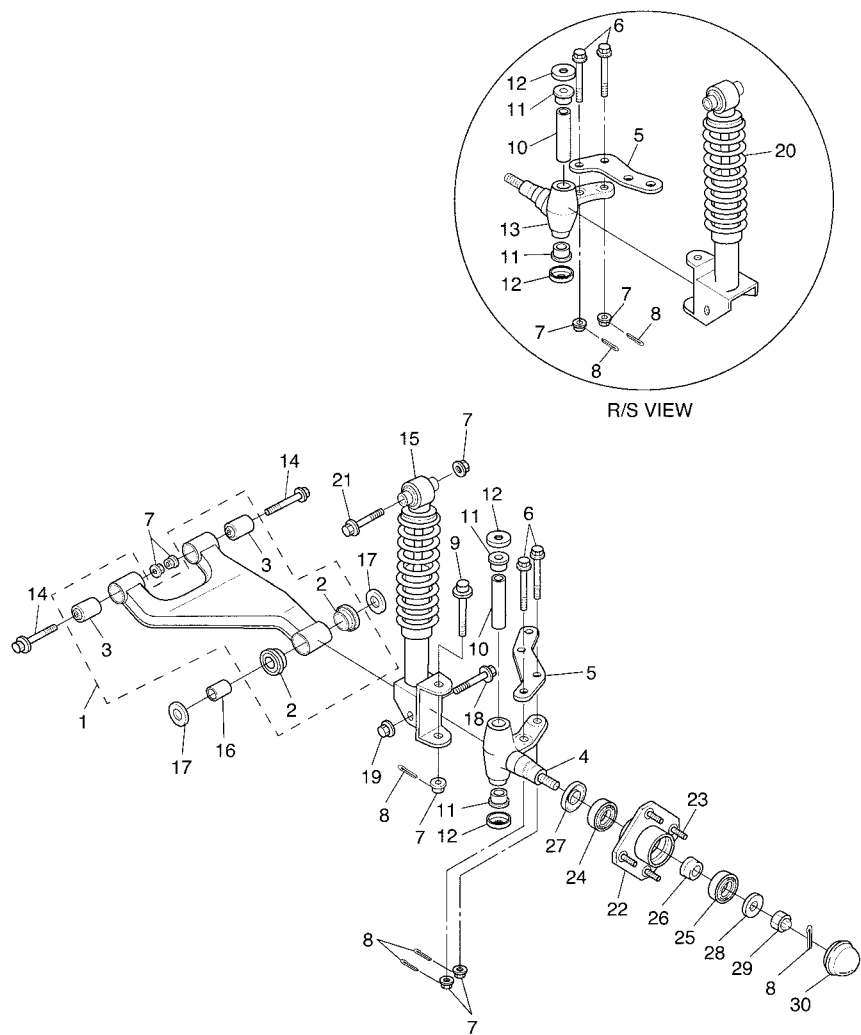


FIG. 2 FRAME

REF. NO.	PART NO.	DESCRIPTION	JW22				REMARKS
1	JW2-F2501-00	FRAME COMP.	1				
2	JW2-F7411-00	FOOTREST 1	1				
3	JW1-F1738-00	BOLT	12				
4	JW2-F252M-00	BRACKET, 3	1				
5	90105-06831	BOLT, FLANGE	3				
6	JW1-F2545-01	SUPPORT, PEDAL BRACKET	1				
7	JW1-F2588-01	BRACKET, BRAKE PEDAL	1				
8	90183-08800	NUT, SPRING	2				
9	JW1-F258G-02	BRACKET, DASH UPPER 1	1				
10	90105-06831	BOLT, FLANGE	4				
11	JR1-K8298-11	PLATE, CAUTION 2 (E,F)	1				FOR CAN, EUR, JPN
	JR1-K8298-21	PLATE, CAUTION 2 (G,S)	1				FOR EUR, OTHERS

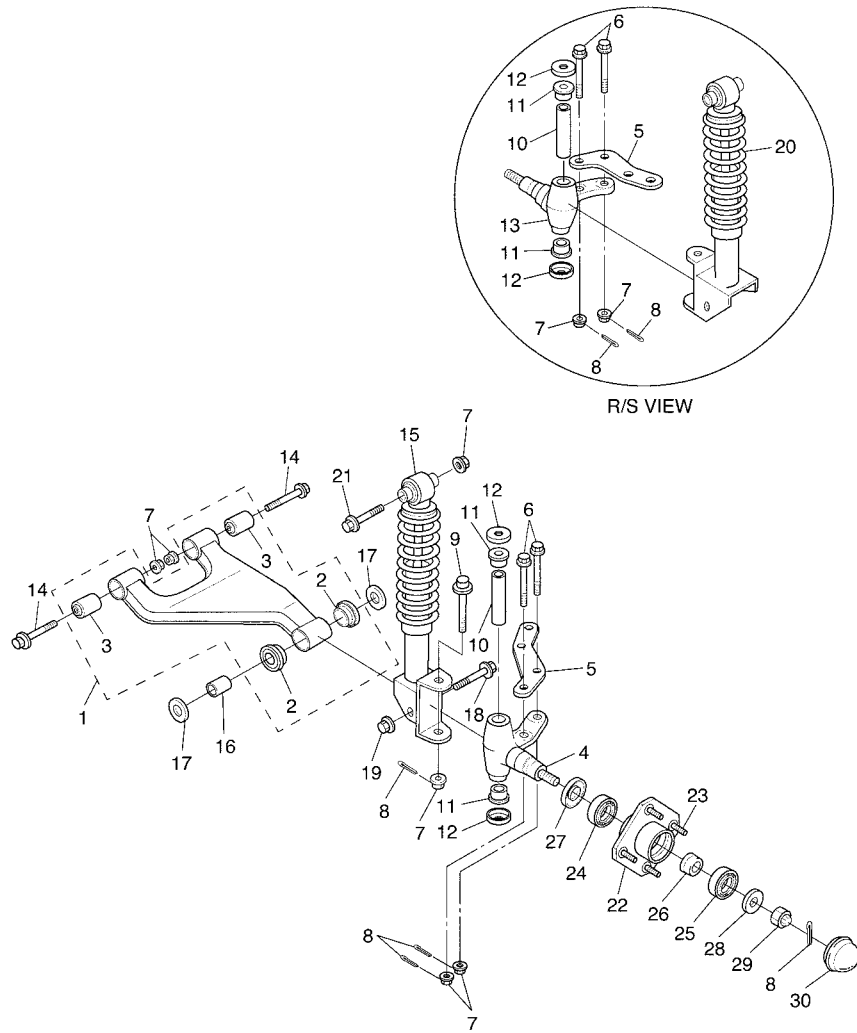
**FIG. 3 FRONT SUSPENSION**



JW11100-E130

REF. NO.	PART NO.	DESCRIPTION	JW22				REMARKS
1	JU0-F3570-20	FRONT LOWER ARM COMP.	2				
2	90381-18001	.BUSH, SOLID	2				
3	2HR-23526-00	.BUSH	2				
4	JU0-F3511-01	KNUCKLE, STEERING 1	1				
5	JW1-F3512-00	ARM, KNUCKLE 1	2				
6	90105-10728	BOLT, FLANGE	4				
7	95602-10200	NUT, U FLANGE	12				
8	91402-25020	PIN, COTTER	8				
9	90105-10064	BOLT, FLANGE	2				
10	2NL-23448-00	SPACER	2				
11	90381-17067	BUSH, SOLID	4				
12	2NL-23517-00	COVER, THRUST 1	4				
13	JU0-F3521-01	KNUCKLE, STEERING 2	1				
14	90105-10267	BOLT, FLANGE	4				
15	JW1-F3350-00	SHOCK ABSORBER ASSY	1				
16	90387-12016	COLLAR	2				
17	401-22128-01	COVER, THRUST 1	4				
18	95812-12080	BOLT, FLANGE	2				
19	95612-12100	NUT, U	2				
20	JW1-F3390-00	SHOCK ABSORBER ASSY 2	1				
21	95802-10065	BOLT, FLANGE	2				
22	JG5-WF511-10	HUB, FRONT	2				
23	90114-12806	BOLT, SERRATION	8				
24	93306-204X0	BEARING	2				
25	93306-005Y3	BEARING	2				
26	90387-241M7	COLLAR	2				
27	93102-30083	OIL SEAL	2				

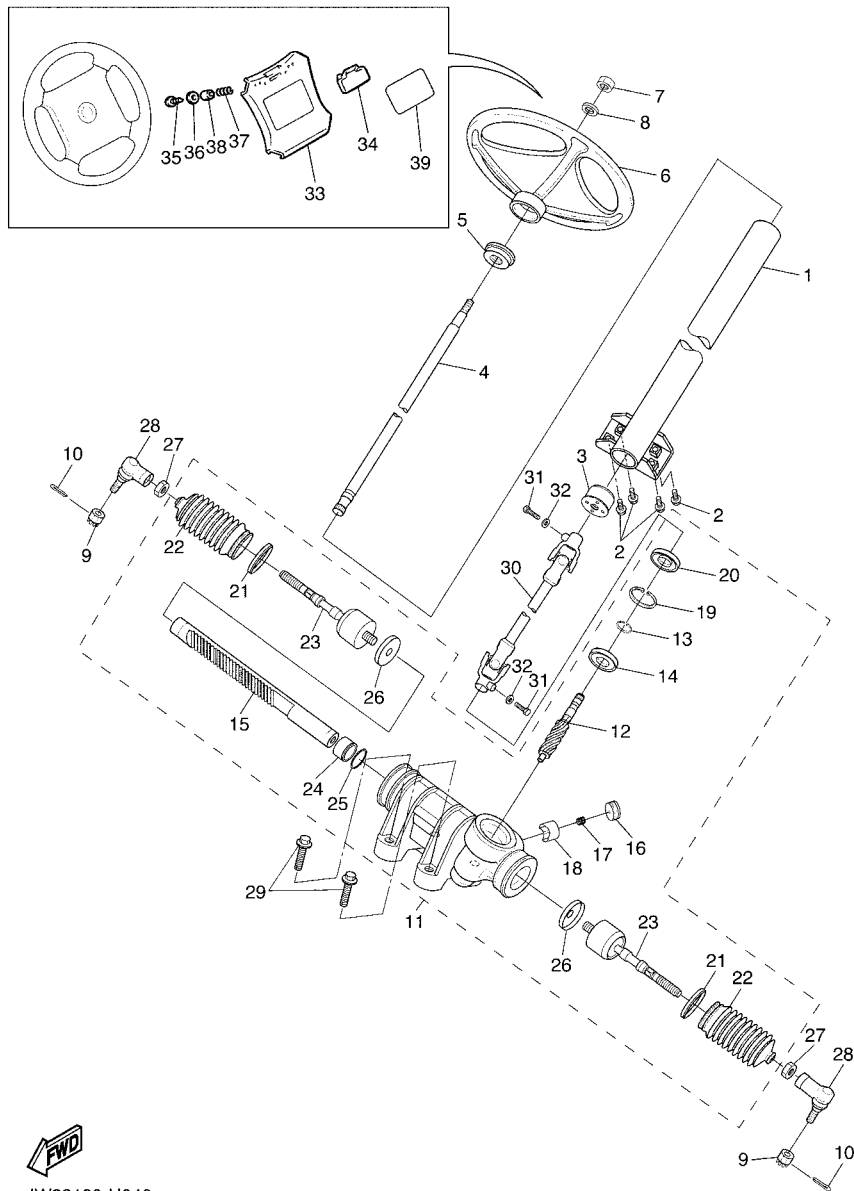




JW11100-E130

FIG. 3 FRONT SUSPENSION

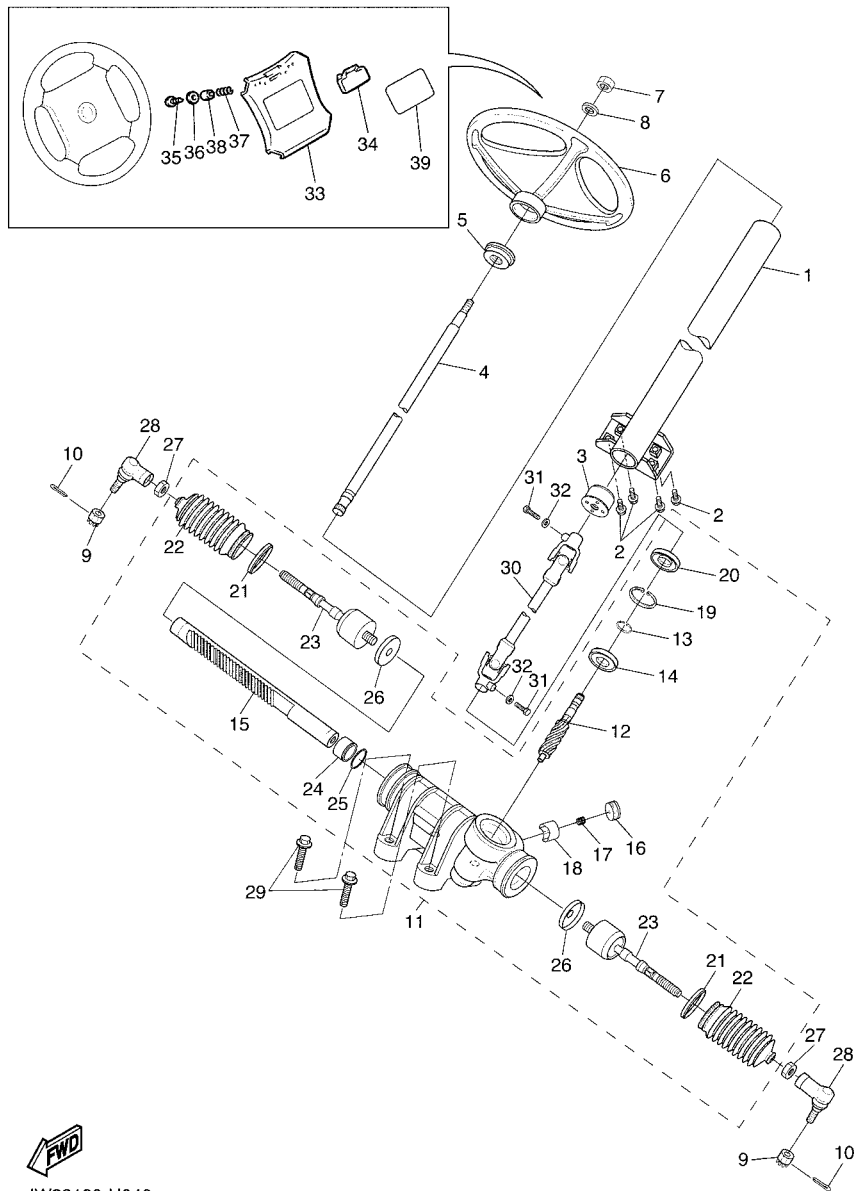
REF. NO.	PART NO.	DESCRIPTION	JW22				REMARKS
28	90209-32832	WASHER	2				
29	95602-14100	NUT, U	2				
30	JN6-F5118-00	COVER, HUB DUST	2				
-----							
-----							
-----							
-----							
-----							
-----							
-----							
-----							
-----							
-----							



JW22100-H040

FIG. 4 STEERING

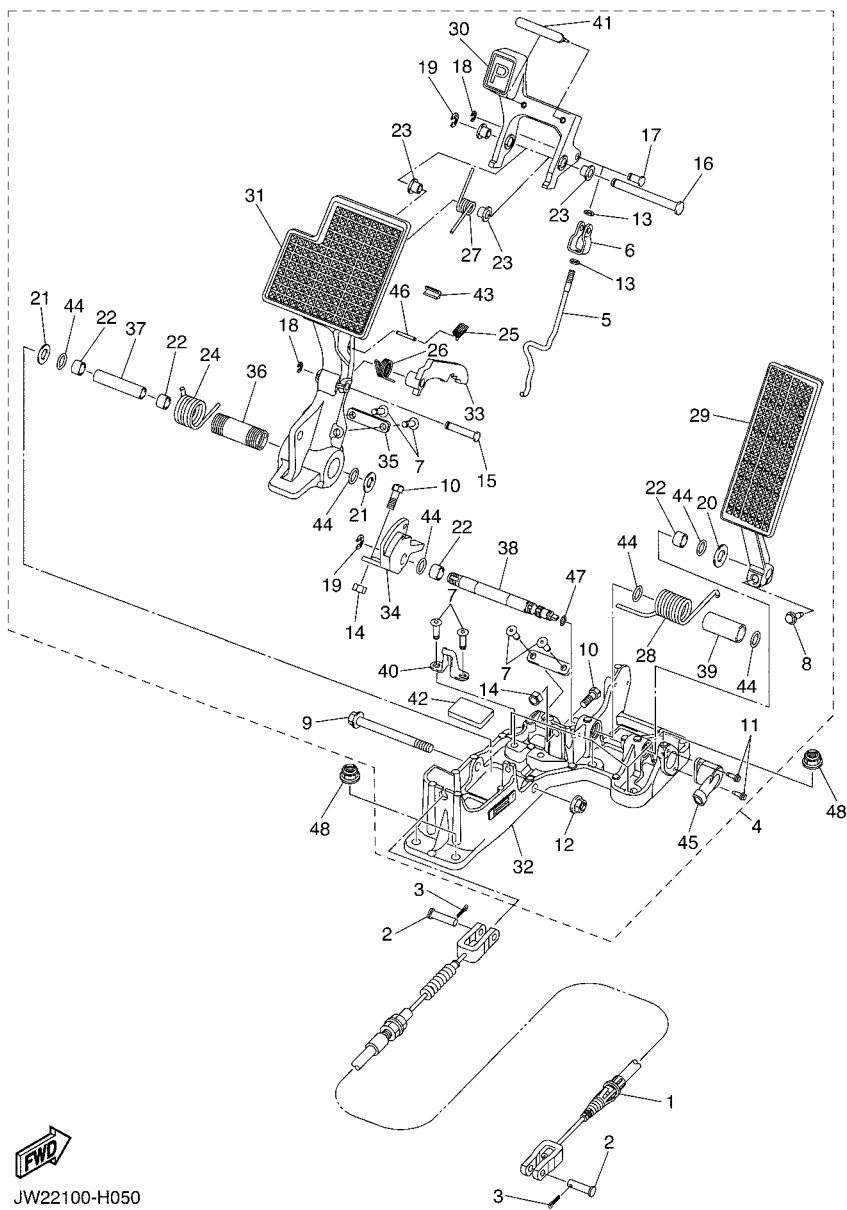
REF. NO.	PART NO.	DESCRIPTION	JW22				REMARKS
1	JW1-F3811-01	COLUMN, STEERING	1				
2	95812-08016	BOLT, FLANGE	4				
3	JU0-F3857-10	HOLDER	1				
4	JU0-F3828-00	ROD, STEERING	1				
5	JN3-F3814-00	HOLDER, HANDLE UPPER	1				
6	JN3-F3838-00	WHEEL, STEERING	1				
7	90185-12061	NUT, SELF-LOCKING	1				
8	92902-12200	WASHER	1				
9	95602-12200	NUT, SELF-LOCKING	2				
10	91402-25020	PIN, COTTER	2				
11	JW1-F3400-00	STEERING ASSY	1				
12	JW1-F387A-00	.GEAR, PINION	1				
13	JW1-F3183-00	.CIRCLIP	1				
14	JW1-F339Y-00	.BEARING	1				
15	JW1-F387E-00	.GEAR, RACK	1				
16	5UG-F387G-00	.COVER, ADJUST	1				
17	5UG-F387K-00	.SPRING, PRESSURE	1				
18	5UG-F387F-00	.PAD, PRESSURE	1				
19	5UG-F387J-00	.RING, STOPPER	1				
20	5UG-F3844-00	.SEAL	1				
21	5UG-F3489-00	.BAND	2				
22	5UG-F3527-00	.SEAL, DUST 1	2				
23	JW1-F3837-00	.ROD, TIE 2	2				
24	JW1-F467K-00	.BUSH, CAP	1				
25	JW1-F3866-00	.GEAR SUB-ASSY, 2	1				
26	JW1-F3894-00	.WASHER, LOCK 1	2				
27	4XE-F3833-00	NUT 1	2				



JW22100-H040

FIG. 4 STEERING

REF. NO.	PART NO.	DESCRIPTION	JW22				REMARKS
28	JU0-F3841-00	JOINT, UNIVERSAL 1	2				
29	90105-10847	BOLT, FLANGE	4				
30	JW1-F3822-00	JOINT 1	1				
31	97012-08030	BOLT	2				
32	92902-08600	WASHER, PLATE	2				
33	JN3-K8357-00	HOLDER 1	1				
34	JN6-K8358-01	HOLDER 2	1				
35	97702-40525	SCREW, TAPPING	2				
36	90201-04810	WASHER, PLATE	2				
37	90502-10013	SPRING, CONICAL	2				
38	90387-046N7	COLLAR	2				
39	JU0-K7762-00	LABEL, WARNING 2 (E)	1				FOR CAN,JPN
	JU0-K7762-10	LABEL, WARNING 2 (E,F)	1				FOR EUR,OTHERS
	JU0-K7762-20	LABEL, WARNING 2 (G,S)	1				FOR EUR,OTHERS



JW22100-H050

FIG. 5 PEDAL ASSEMBLY

REF. NO.	PART NO.	DESCRIPTION	JW22				REMARKS
1	JW2-F6341-10	WIRE, BRAKE 1	1				
2	91701-10028	PIN	2				
3	91490-30015	PIN. COTTER	2				
4	JW2-F7850-01	PEDAL ASSY (L.H)	1				
5	JW1-F720G-00	.PUSH ROD ASSY	1				
6	JW1-F7232-00	.END, ROD 2	1				
7	JW1-F1128-00	.RIVET	6				
8	JW1-F7117-00	.BOLT, MAIN STAND	1				
9	JW1-F7217-00	.BOLT	1				
10	JW1-F7227-00	.BOLT, AJUSTING	2				
11	JW2-F7317-00	.BOLT	2				
12	JW1-F7218-00	.NUT	1				
13	JW1-F7855-00	.NUT, RING	2				
14	JW1-F7238-00	.PIN	2				
15	JW1-F5734-00	.PIN 1	1				
16	JW1-F5744-00	.PIN 2	1				
17	JW1-F5754-00	.PIN 3	1				
18	JW1-F5866-00	.CIRCLIP	2				
19	JW1-F6466-00	.RING, SNAP	2				
20	JW1-F723F-01	.WASHER, SPECIAL	1				
21	JW1-F723G-00	.WASHER, SPECIAL	2				
22	JW1-F582M-00	.BEARING	4				
23	JW1-F339Y-00	.BEARING	4				
24	JW1-F7825-00	.SPRING, RETURN	1				
25	JW1-F5659-00	.HOOK, SPRING 2	1				
26	JW1-F5658-00	.HOOK, SPRING 1	1				
27	JW1-F7216-00	.SPRING, RETURN	1				



JW22100-H050

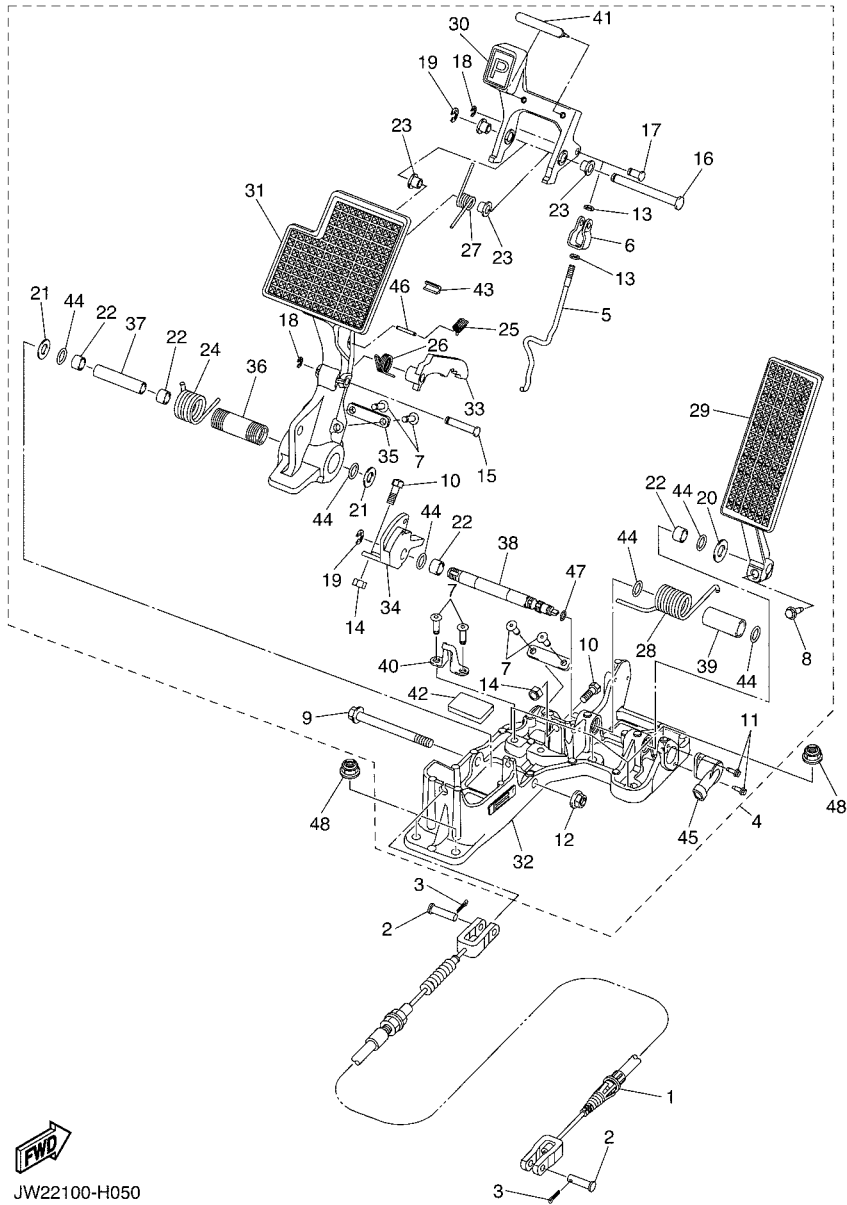
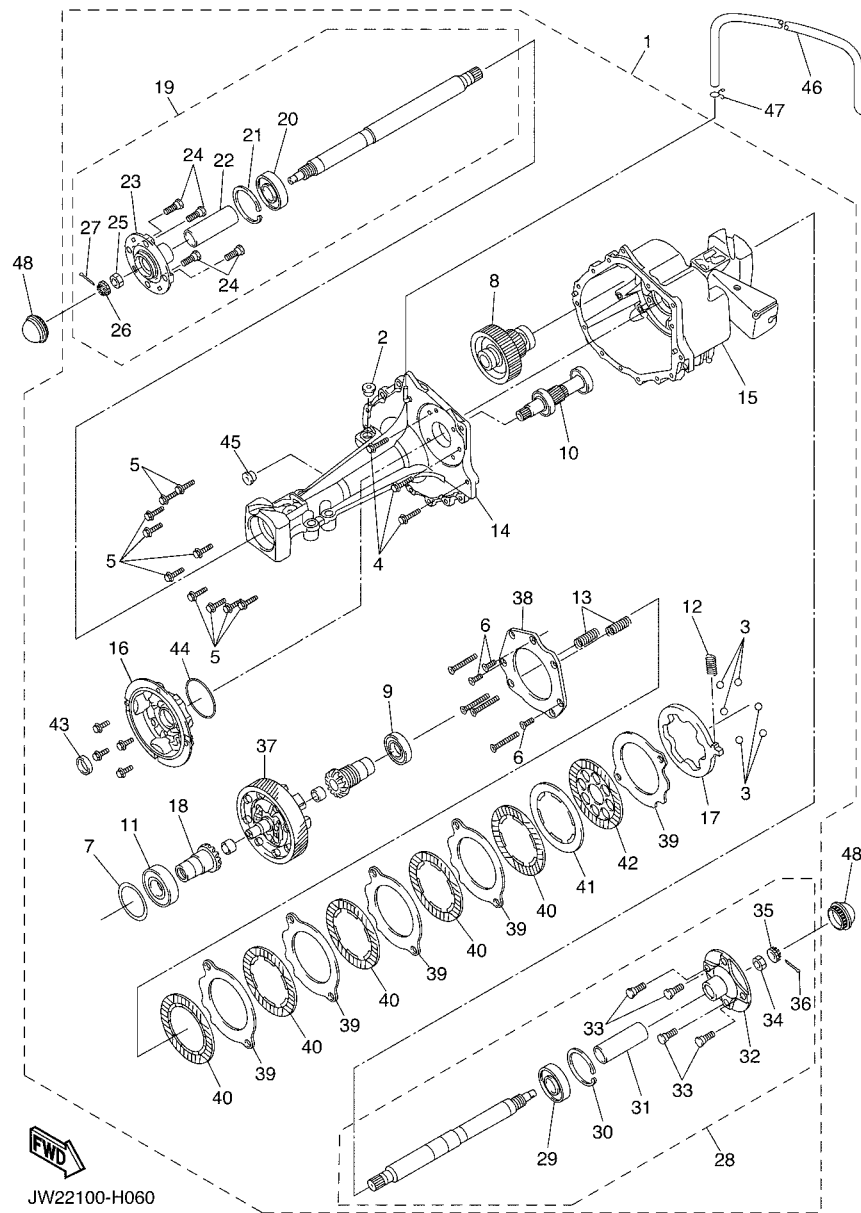


FIG. 5 PEDAL ASSEMBLY

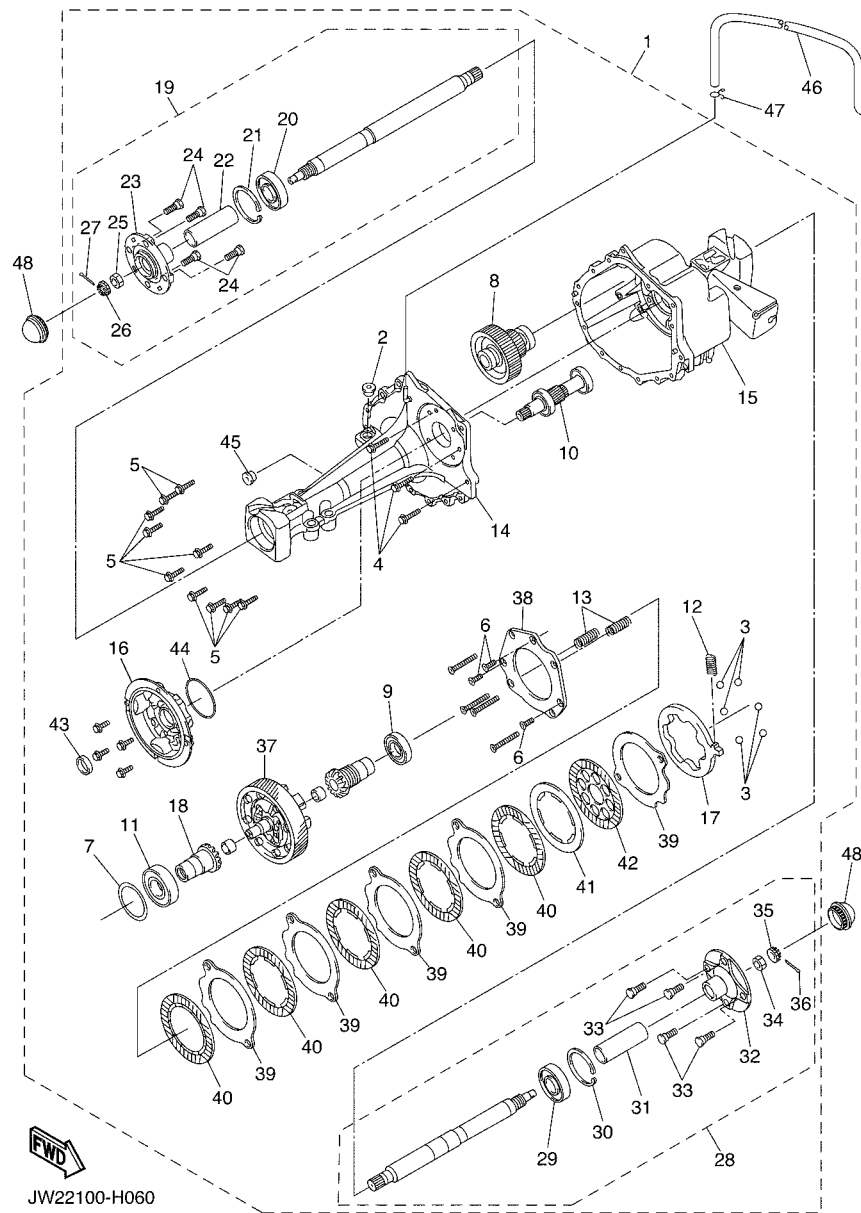
REF. NO.	PART NO.	DESCRIPTION	JW22				REMARKS
28	JW1-F5735-00	.SPRING, RETURN 1	1				
29	JW1-F7871-00	.PEDAL, ACCELERATOR	1				
30	JW1-F7252-00	.LEVER, BRAKE PEDAL	1				
31	JW1-F7211-00	.PEDAL, BRAKE	1				
32	JW1-F785A-00	.PEDAL SET	1				
33	JW1-F5666-00	.SECTOR, PARKING BRAKE	1				
34	JW1-F7249-00	.PEDAL, LOCK	1				
35	JW1-F7275-00	.PLATE	2				
36	JW1-F7243-00	.BOSS, BRAKE PEDAL	1				
37	JW1-F7213-00	.COLLAR	1				
38	JW1-F7853-00	.SHAFT, PEDAL 1	1				
39	JW1-F7814-00	.BUSH, PEDAL	1				
40	JW1-F7254-00	.HOOK	1				
41	JW1-F5672-00	.PAD, PARKING PEDAL	1				
42	JW1-F7257-00	.PAD, BRAKE	1				
43	JW1-F5673-00	.DAMPER, BRAKE	1				
44	JW1-F3147-01	.O-RING	6				
45	JW2-H5885-00	.THROTTLE SENSOR ASSY	1				
46	JW1-F5677-00	.PIN, HOLD 1	1				
47	JW1-F3188-00	.O-RING	1				
48	95602-08200	NUT, SELF-LOCKING	6				



JW22100-H060

FIG. 6 TRANSAXLE & BRAKE

REF. NO.	PART NO.	DESCRIPTION	JW22				REMARKS
1	JW2-G6300-01	TRANS AXLE ASSY	1				
2	JW1-G6168-00	.PLUG, DRAIN 1	1				
3	JW1-F4684-00	.BALL	6				
4	JW2-G6159-00	.BOLT 3	4				
5	JW1-G4582-00	.BOLT, 2	10				
6	JW1-G4189-00	.SCREW	3				
7	JW2-G6117-00	.SHIM, RING GEAR	1				
8	JW2-G6348-01	.SHAFT 2	1				
9	JW2-G6164-00	.BEARING 1	1				
10	JW2-G6320-01	.INPUT SHAFT ASSY	1				
11	JW2-G6167-00	.BEARING 4	1				
12	JW2-G4116-00	.SPRING	1				
13	JW1-G4135-00	.SPRING	2				
14	JW2-G6540-00	.REAR AXLE HOUSING COMP.	1				
15	JW2-G6550-00	.REAR AXLE HOUSING COMP. 2	1				
16	JW2-G6544-00	.FLANGE 1	1				
17	JW2-F384K-00	.BALL, SEAT	1				
18	JW1-G6326-00	.GEAR, WHEEL 1	1				
19	JW2-G6510-00	.REAR AXLE SHAFT COMP.	1				
20	JW1-F2176-00	..BEARING	1				
21	JW1-G4156-00	..RING, SNAP	1				
22	JW1-G6128-00	..SPACER, BEARING	1				
23	JW1-G6542-00	..HUB	1				
24	JW1-G4178-00	..BOLT, STUD	4				
25	JW1-G4583-00	..NUT	1				
26	JW1-G4127-00	..NUT, 1	1				
27	JW1-G633J-00	..PIN, COTTER	1				



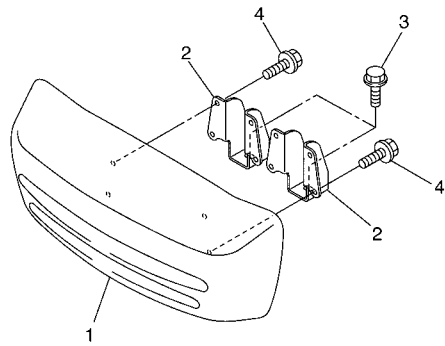
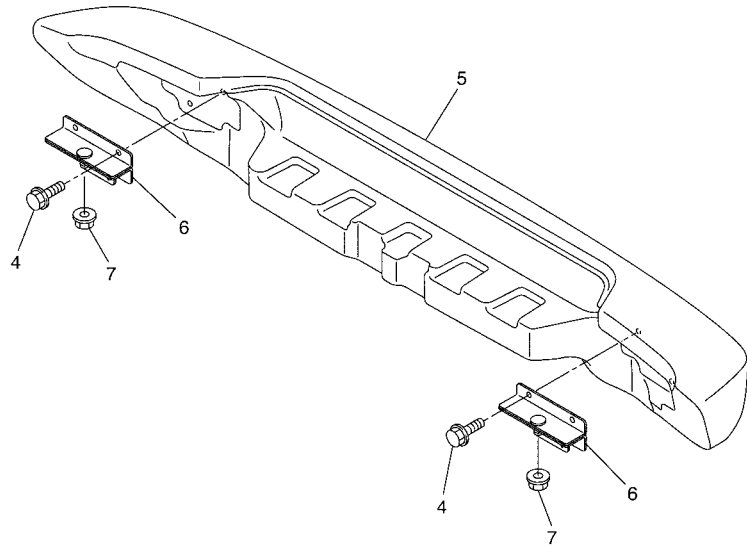
JW22100-H060

FIG. 6 TRANSAXLE & BRAKE

REF. NO.	PART NO.	DESCRIPTION	JW22				REMARKS
28	JW2-G6520-00	..REAR AXLE SHAFT COMP. 2	1				
29	JW1-F2176-00	..BEARING	1				
30	JW1-G4156-00	..RING, SNAP	1				
31	JW1-G6128-00	..SPACER, BEARING	1				
32	JW1-G6542-00	..HUB	1				
33	JW1-G4178-00	..BOLT, STUD	4				
34	JW1-G4583-00	..NUT	1				
35	JW1-G4127-00	..NUT, 1	1				
36	JW1-G633J-00	..PIN, COTTER	1				
37	JW2-G6110-00	..RING GEAR COMP.	1				
38	JW2-G6114-00	..PLATE, COVER	1				
39	JW1-G633H-00	..PLATE 2	5				
40	JW1-G6336-00	..PLATE 1	5				
41	JW1-G4526-00	..PLATE	1				
42	JW1-G6345-00	..DISC, FRICTION	1				
43	JW2-G6163-00	..SEAL, OIL 1	1				
44	JW2-G6134-00	..O-RING 1	1				
45	JW1-G5148-00	..PLUG, DRAIN	1				
46	90445-11032	HOSE	1				
47	90467-10008	CLIP	1				
48	JN6-F5118-00	COVER, HUB DUST	2				







JW11100-E230

FIG. 8 BUMPER

REF. NO.	PART NO.	DESCRIPTION	JW22				REMARKS
1	JW1-K7510-00	FRONT BUMPER COMP.	1				
2	JW1-K8164-00	STAY, FRONT BUMPER (L.H)	2				
3	90105-088B0	BOLT, FLANGE	2				
4	95822-06012	BOLT, FLANGE	8				
5	JW1-K7540-00	REAR BUMPER COMP.	1				
6	JW1-K8174-00	STAY, REAR BUMPER	2				
7	95602-10200	NUT, U FLANGE	2				

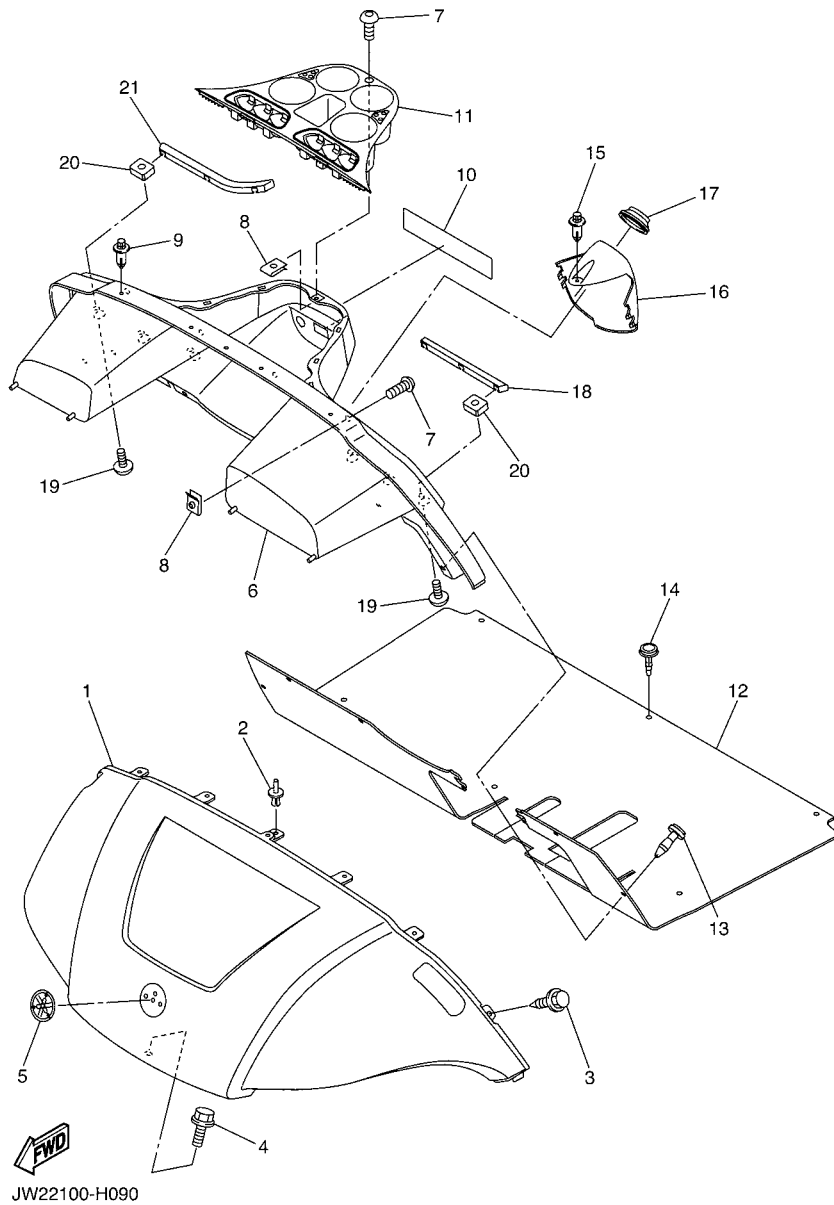
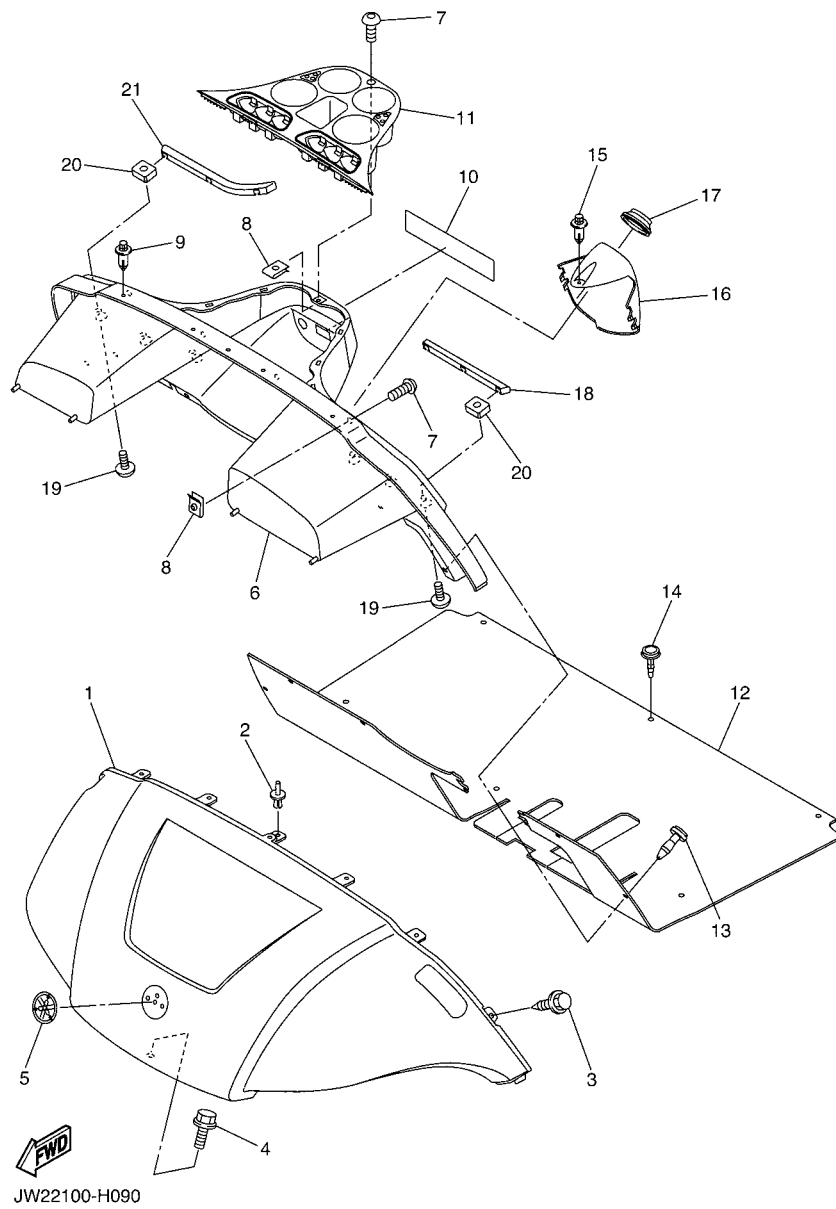


FIG. 9 BODY

REF. NO.	PART NO.	DESCRIPTION	JW22				REMARKS
1	JW1-K8115-01	COWL, FRONT	1				UR FOR WS7
	JW1-K8115-11	COWL, FRONT	1				UR FOR VDGS1
	JW1-K8115-21	COWL, FRONT	1				UR FOR HTR
	JW1-K8115-31	COWL, FRONT	1				UR FOR LNYM8
	JW1-K8115-41	COWL, FRONT	1				UR FOR NBM7
	JW1-K8115-51	COWL, FRONT	1				UR FOR BMG
	JW1-K8115-61	COWL, FRONT	1				UR FOR DPBMT
2	90267-63047	RIVET, BLIND	5				
3	JW1-F3396-00	SCREW, SPECIAL	2				
4	90105-06870	BOLT, FLANGE	1				
5	JW1-F4161-00	EMBLEM 1	1				
6	JW2-K8114-01	PANEL, FRONT	1				FOR CAN
	JW2-K8114-11	PANEL, FRONT	1				EXCEPT FOR CAN
7	90111-05805	BOLT,HEX. SOCKET BUTTON	5				
8	90183-05008	NUT, SPRING	5				
9	90269-07001	RIVET	5				
10	JW2-K7768-00	LABEL, WARNING (E)	1				FOR CAN,JPN
	JW2-K7768-10	LABEL, WARNING (E,F)	1				FOR EUR,OTHERS
	JW2-K7768-20	LABEL, WARNING (G,S)	1				FOR EUR,OTHERS
11	JW1-K835E-00	HOLDER, BEVERAGE	1				
12	JW1-K8233-10	MAT, MAIN FLOOR 3	1				
13	JW1-K7329-00	RIVET	5				
14	JW1-K7449-00	RIVET 1	6				
15	90269-06804	RIVET	1				
16	JW1-K8273-00	COVER, HOLE	1				
17	JW1-K8245-00	SEAL 1	1				
18	JW1-K8261-00	PLATE, BODY PROTECT 1	1				

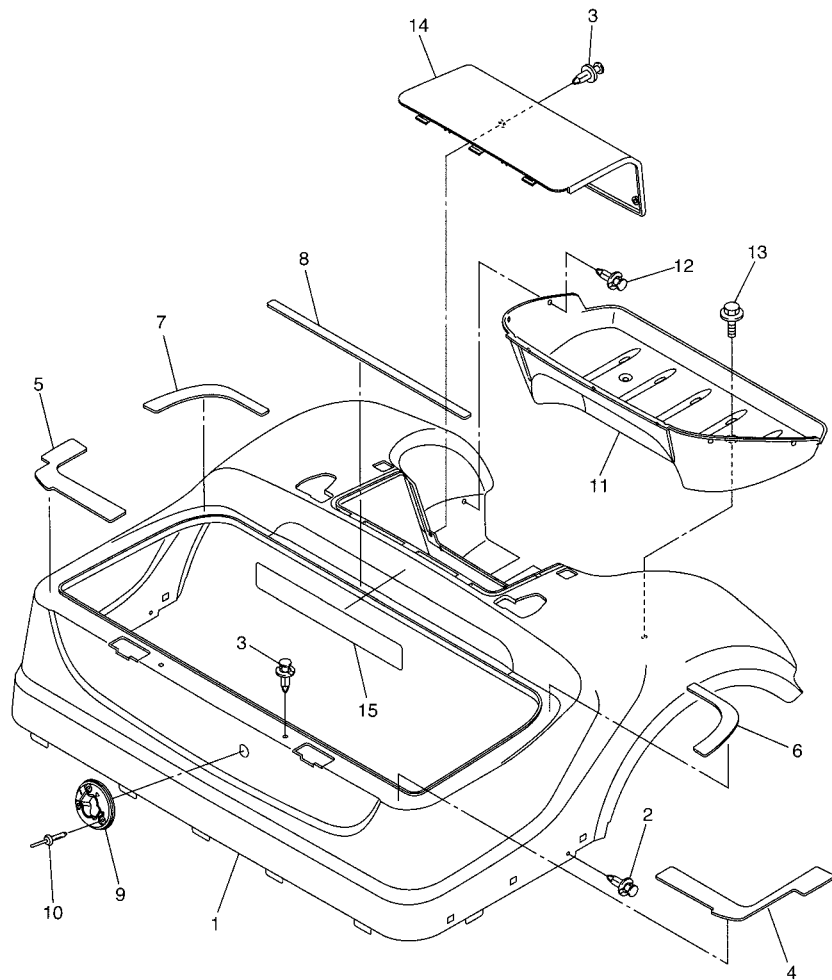


JW22100-H090

FIG. 9 BODY

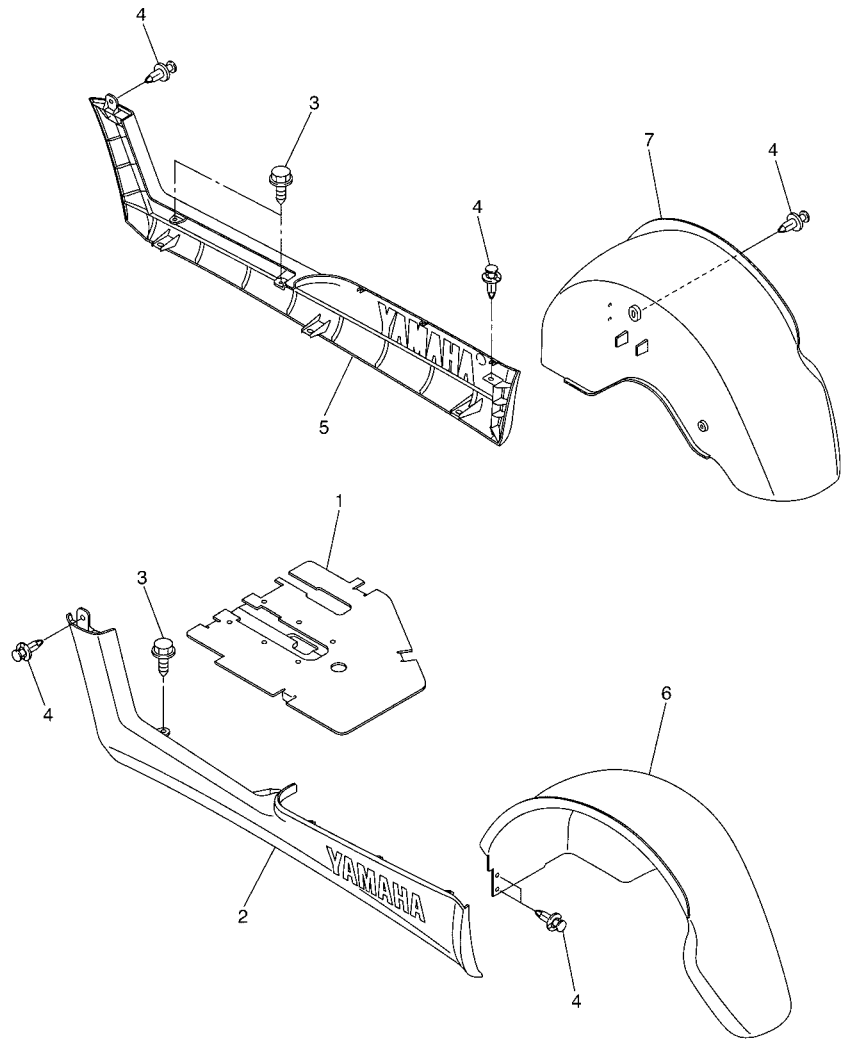
REF. NO.	PART NO.	DESCRIPTION	JW22				REMARKS
19	90110-06102	BOLT, HEXAGON SOCKET HEAD	6				
20	90173-06001	NUT, SQUARE	6				
21	JW1-K8262-00	PLATE, BODY PROTECT 2	1				

**FIG. 10 BODY 2**



**FWD**  
JW22100-H100

REF. NO.	PART NO.	DESCRIPTION	JW22				REMARKS
1	JW1-K8142-00	PANEL, REAR BODY	1				UR FOR WS7
	JW1-K8142-10	PANEL, REAR BODY	1				UR FOR VDGS1
	JW1-K8142-20	PANEL, REAR BODY	1				UR FOR HTR
	JW1-K8142-30	PANEL, REAR BODY	1				UR FOR LNYM8
	JW1-K8142-40	PANEL, REAR BODY	1				UR FOR NBM7
	JW1-K8142-50	PANEL, REAR BODY	1				UR FOR BMG
	JW1-K8142-60	PANEL, REAR BODY	1				UR FOR DPBMT
2	90269-06804	RIVET	2				
3	90269-08813	RIVET	4				
4	JW1-F2873-00	SEAL 1	1				
5	JW1-F2874-00	SEAL 2	1				
6	JW1-F2875-00	SEAL 3	1				
7	JW1-F2876-00	SEAL 4	1				
8	JW1-F2877-01	SEAL 5	1				
9	JW2-K827A-01	GUIDE 1	1				UR FOR CAN
	JW2-K827A-10	GUIDE 1	1				UR EXCEPT FOR CAN
10	90267-60840	RIVET, BLIND	3				
11	JW1-K8237-00	COVER, REAR FLOOR	1				
12	90269-08813	RIVET	7				
13	JW1-K6179-01	BOLT, SPECIAL 1	2				
14	JW1-K8151-00	PANEL, INSPECTION LID 1	1				
15	JW2-K8297-01	PLATE, CAUTION 1	1				

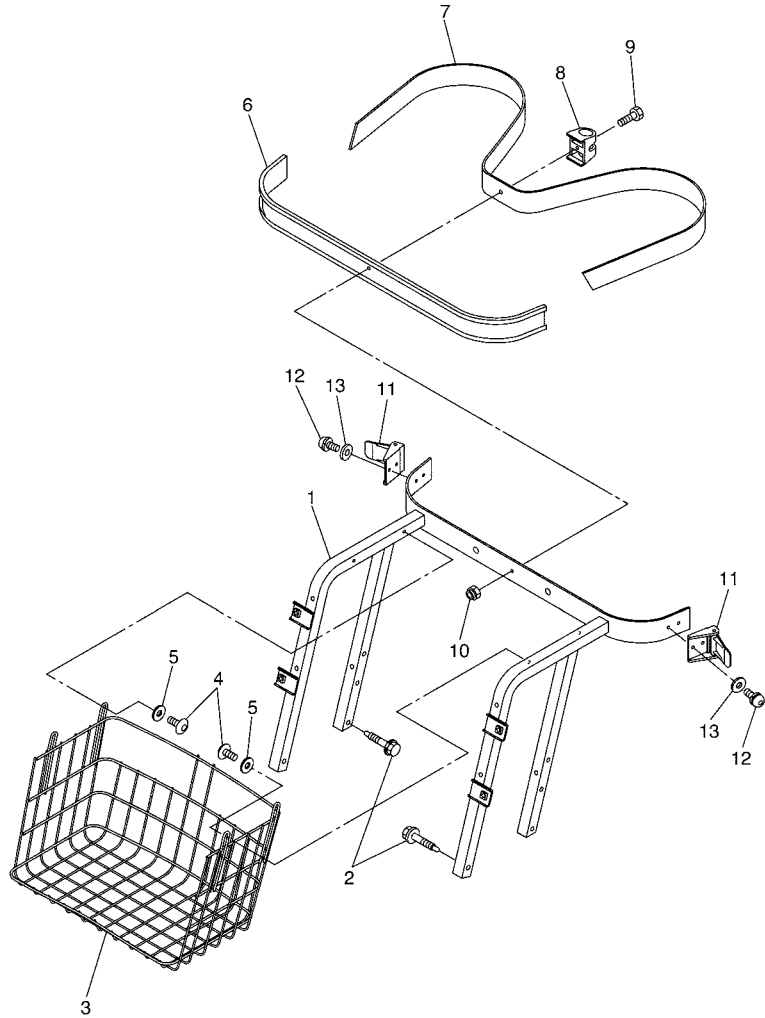


**FIG. 11 BODY FITTING**

REF. NO.	PART NO.	DESCRIPTION	JW22				REMARKS
1	JW1-K8270-00	LID ASSY	1				
2	JW1-K818A-00	PROTECTOR, SIDE PLATE	1				
3	JW1-F3396-00	SCREW, SPECIAL	4				
4	90269-06804	RIVET	12				
5	JW1-K818B-00	PROTECTOR, SIDE PLATE 2	1				
6	JW1-K8191-00	PANEL, REAR FENDER 1	1				
7	JW1-K8192-00	PANEL, REAR FENDER 2	1				
-----							
-----							
-----							
-----							
-----							
-----							
-----							
-----							
-----							



JW11100-E260



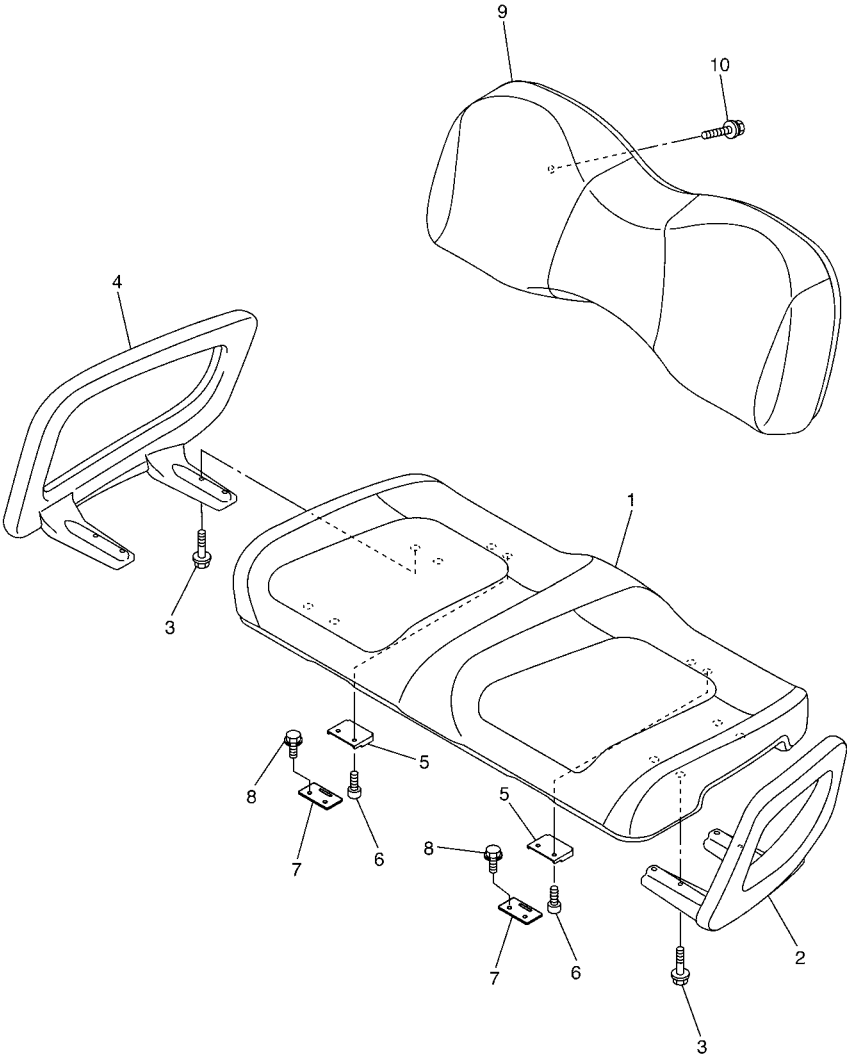
**FIG. 12 CARRIER**

REF. NO.	PART NO.	DESCRIPTION	JW22				REMARKS
1	JW1-K8423-00	SUPPORT, SEAT BACK	1				
2	90109-08002	BOLT	4				
3	JW1-K8340-00	LUGGAGE RACK ASSY., REAR	1				
4	90110-06102	BOLT, HEXAGON SOCKET HEAD	4				
5	90201-068G7	WASHER, PLATE	4				
6	JF2-K8356-00	PAD, BAG SUPPORT	1				
7	JN6-K8355-20	BAND	1				
8	JW1-K834G-00	HOLDER, RAKE SAND	1				
9	9708R-06020	BOLT	1				
10	90185-06836	NUT, SELF-LOCKING	1				
11	JN6-K8380-00	LOCK ASSY	2				
12	90159-06845	SCREW, WITH WASHER	4				
13	9299R-06200	WASHER	4				



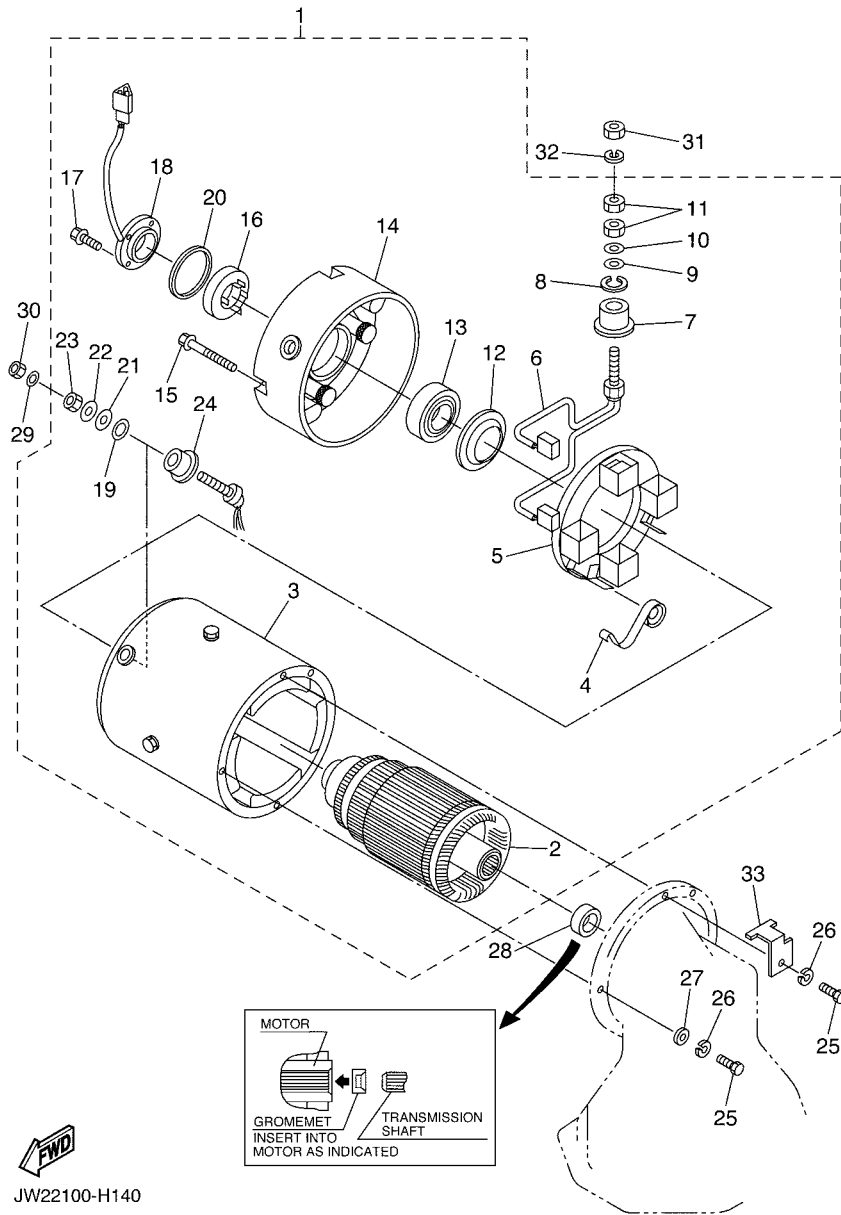
JW11100-E270

**FIG. 13 SEAT**



**FWD**  
 JW11100-E280

REF. NO.	PART NO.	DESCRIPTION	JW22					REMARKS
1	JW1-K8401-00	SEAT SUB-ASSY,CUSHION	1					
2	JW1-K8361-00	ARM REST 1	1					
3	90105-06042	BOLT, FLANGE	8					
4	JW1-K8362-00	ARM REST 2	1					
5	JW1-K8426-00	HINGE, SEAT 1	2					
6	90110-06854	BOLT, HEXAGON SOCKET HEAD	4					
7	JW1-K8427-00	HINGE, SEAT 2	2					
8	90105-06861	BOLT, FLANGE	4					
9	JW1-K8402-00	SEAT SUB ASSY, BACK	1					
10	90119-06808	BOLT, WITH WASHER	4					

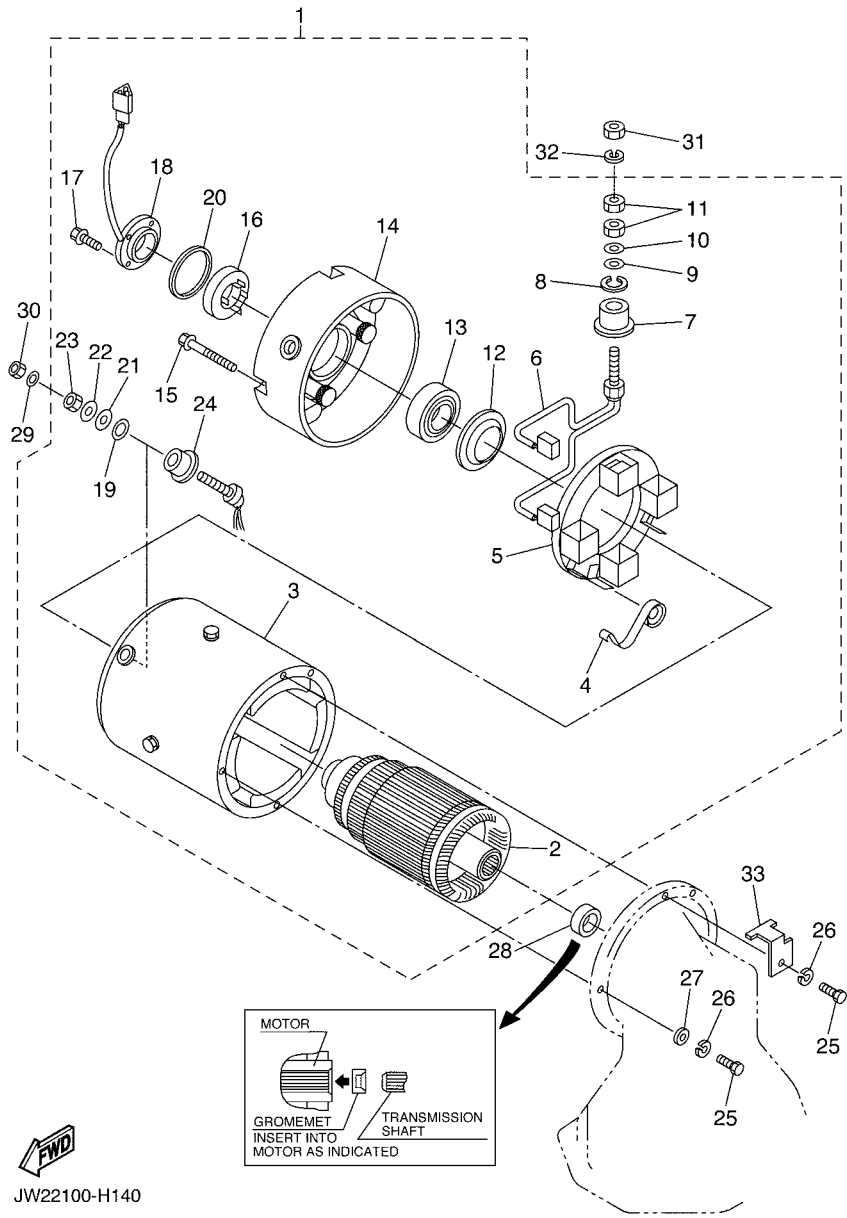


JW22100-H140

FIG. 14 ELECTRIC MOTOR

REF. NO.	PART NO.	DESCRIPTION	JW22				REMARKS
1	JU2-H1890-21	MOTOR ASSY	1				
2	JU2-H1850-20	.ARMATURE ASSY	1				
3	JU2-H1160-20	.FIELD COIL ASSY	1				
4	JU2-H1617-20	.SPRING, BRUSH	4				
5	JU2-H1840-20	.BRUSH HOLDER ASSY	1				
6	JU2-H1801-20	.BRUSH SET	2				
7	JU2-H182G-20	.BUSH, TERMINAL	2				
8	JU2-H1843-20	.WASHER 1	2				
9	JU2-H1824-20	.WASHER 2	2				
10	JU2-H181L-20	.WASHER, PLAIN	2				
11	JU2-H182K-20	.NUT	4				
12	JU2-H1856-20	.RETAINER	1				
13	JU2-H185B-20	.BEARING 1	1				
14	JU2-H183J-20	.BRACKET, FRONT	1				
15	JU2-H1828-20	.BOLT 2	4				
16	JU2-H181K-20	.MAGNET	1				
17	JU2-H2113-20	.SCREW	4				
18	JU2-H1670-21	.PICK-UP ASSY	1				
19	JU2-H272L-20	.INSULATOR, 1	2				
20	JU2-H5722-20	.INSULATOR	1				
21	JU2-H2517-20	.WASHER, SPECIAL	2				
22	JU2-H332D-20	.WASHER, SPECIAL 2	2				
23	JU2-H191B-20	.NUT	4				
24	JU2-H182H-20	.BUSH, TERMINAL 2	2				
25	90101-069U0	BOLT	3				
26	90215-06811	WASHER, LOCK	3				
27	90201-068E2	WASHER, PLATE	2				



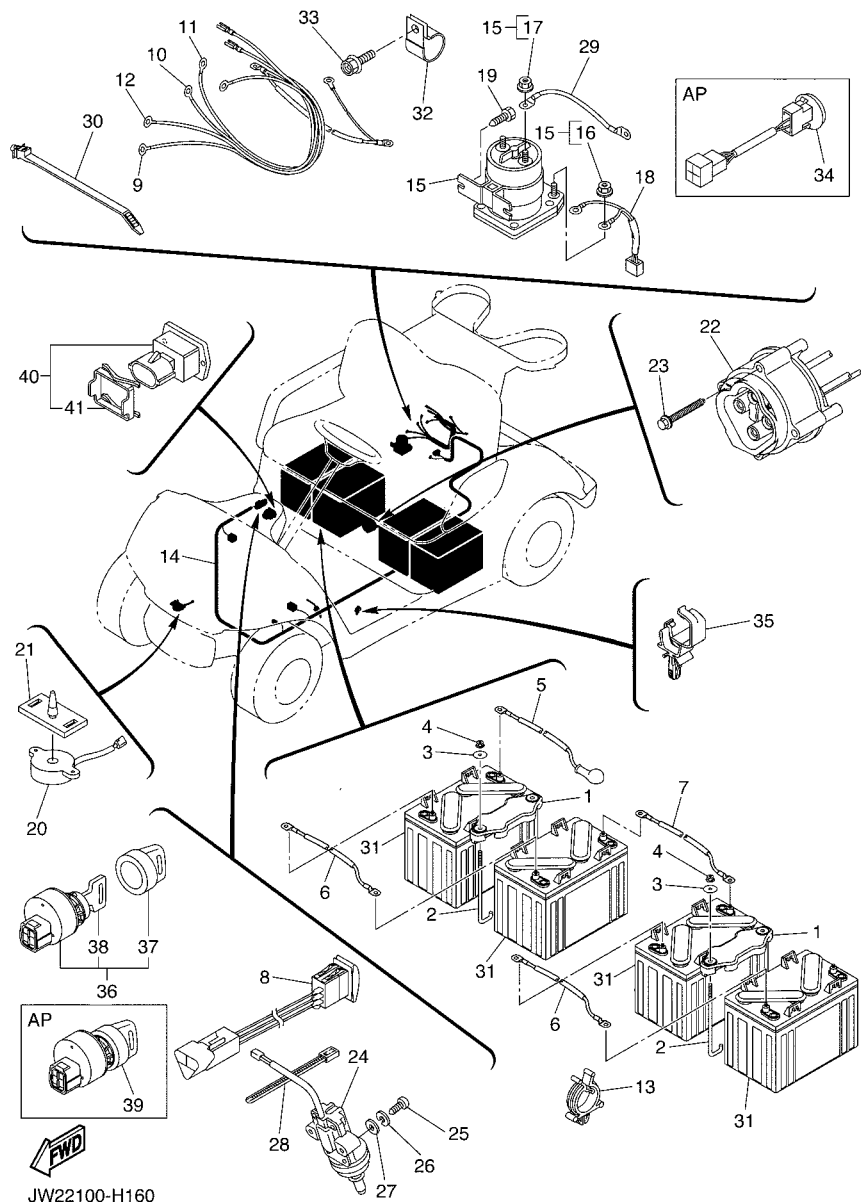


JW22100-H140

FIG. 14 ELECTRIC MOTOR

REF. NO.	PART NO.	DESCRIPTION	JW22				REMARKS
28	JH7-H1829-00	GROMMET	1				
29	JU2-H185A-20	WASHER, PLATE	2				
30	JU2-H182A-20	NUT	2				
31	JU2-H1872-20	NUT, SPECIAL	2				
32	JU2-H1835-20	WASHER	2				
33	JU2-H218E-01	RELIEF, STRAIN 1	1				





JW22100-H160

FIG. 16 ELECTRICAL 1

REF. NO.	PART NO.	DESCRIPTION	JW22				REMARKS
1	JW2-H2136-00	PLATE, BATTERY FITTING	2				
2	JW2-H2133-00	SCREW, FITTING	4				
3	90201-08310	WASHER, PLATE	4				
4	95702-08500	NUT, WITH WASHER	4				
5	JW2-H2115-00	WIRE, PLUS LEAD	1				
6	JW2-H2127-00	WIRE, LEAD 2	2				
7	JW2-H2149-00	WIRE, LEAD 3	1				
8	JU2-H2917-00	SWITCH	1				
9	JU2-H2521-20	WIRE, LEAD	1				(F1)
10	JU2-H2531-20	WIRE, LEAD	1				(F2)
11	JU2-H6171-20	WIRE, LEAD 1	1				(A1)
12	JW2-H6172-00	WIRE, LEAD 2	1				(A2)
13	90464-25826	CLAMP	2				
14	JW2-H2590-00	WIRE HARNESS ASSY	1				UR FOR CAN
	JW2-H2590-10	WIRE HARNESS ASSY	1				UR EXCEPT FOR CAN
15	JU6-H1950-00	RELAY ASSY	1				
16	90179-05807	.NUT	2				
17	90179-08824	.NUT	2				
18	JN6-H2105-00	WIRE HARNESS	1				
19	90163-06005	SCREW, TAPPING	2				
20	JR1-H3383-01	BUZZER	1				
21	JN6-H3386-01	STAY, BUZZER	1				
22	JW2-H6181-01	RECEPTACLE	1				
23	JW2-F8382-10	SCREW, SPECIAL	4				
24	JF7-82817-20	SWITCH	1				
25	98502-05025	SCREW, PAN HEAD	2				
26	92902-05100	WASHER, SPRING	2				

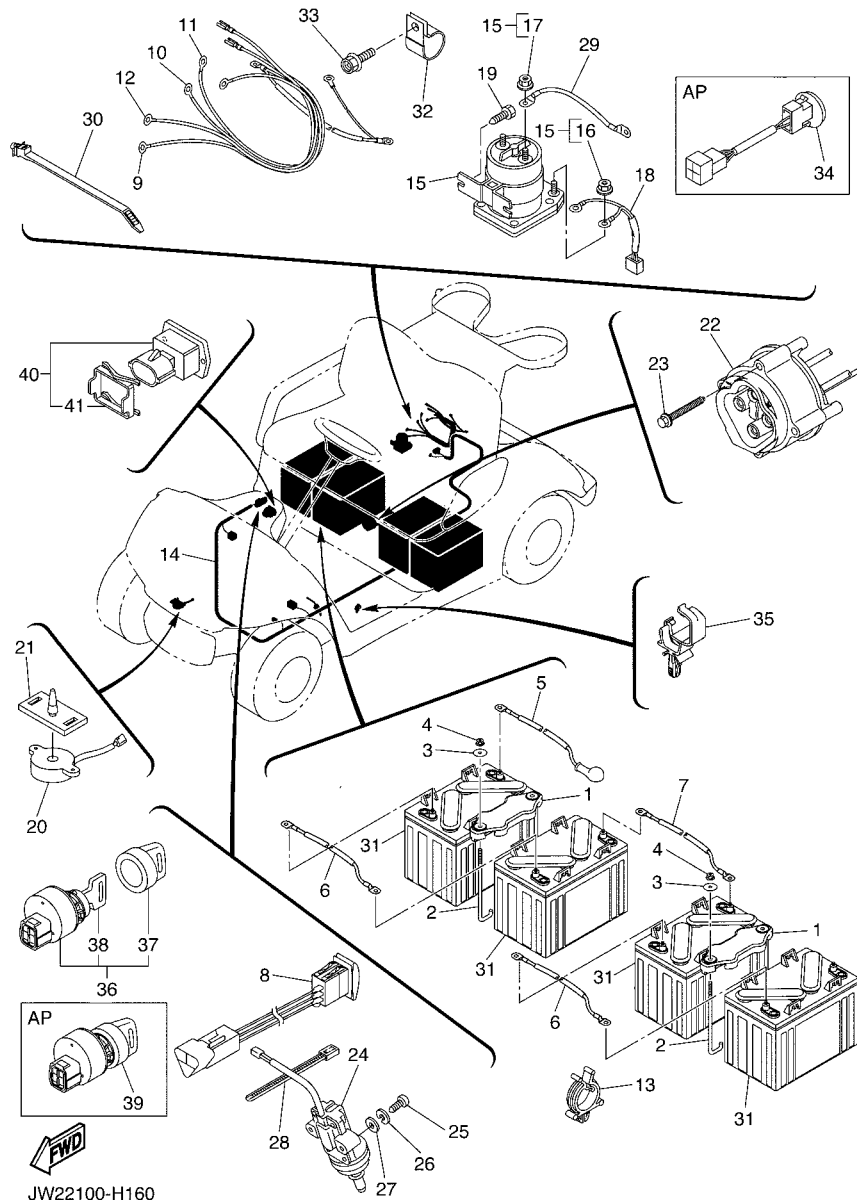
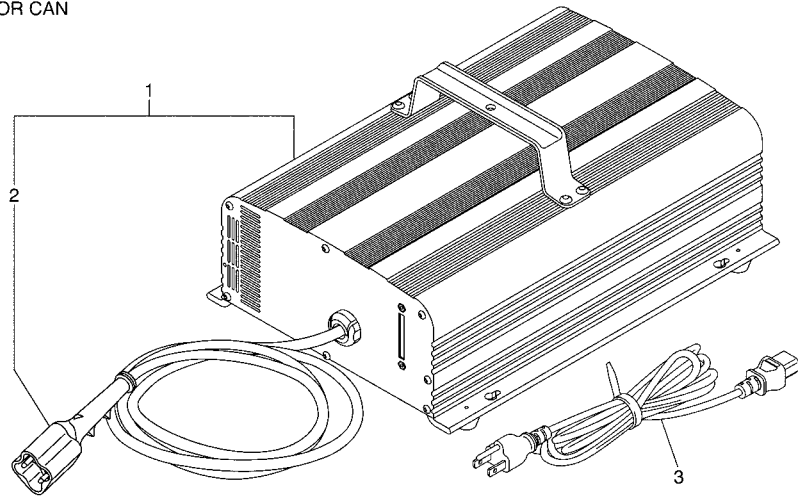


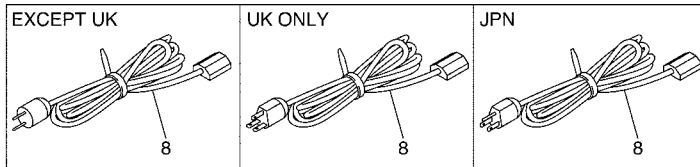
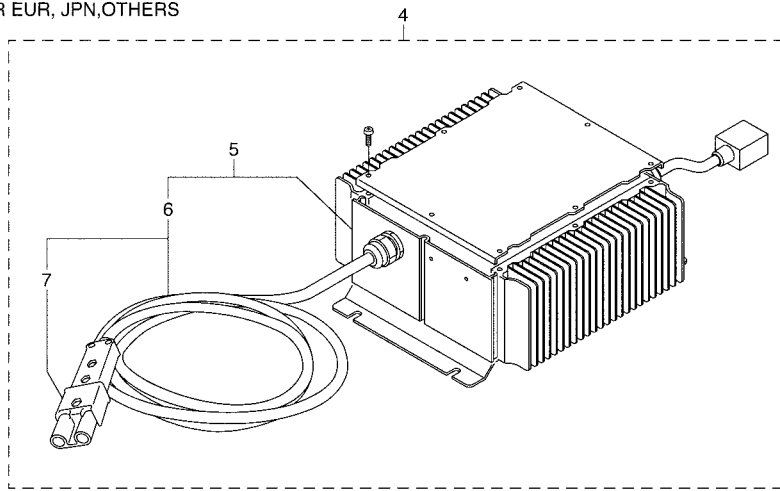
FIG. 16 ELECTRICAL 1

REF. NO.	PART NO.	DESCRIPTION	JW22				REMARKS
27	92902-05600	WASHER, PLATE	2				
28	90464-40825	CLAMP	7				
29	JW2-H6527-00	WIRE 7	1				
30	90464-20005	CLAMP	7				
31	*	BATTERY ASSY (12 VOLT T-1275)	4				LM
32	90461-14108	CLAMP	1				
33	90105-08867	BOLT, FLANGE	1				
34	JU2-HA2F0-00	TRANSMITTER UNIT	1				AP
35	90464-20237	CLAMP	3				
36	JW1-H2510-00	MAIN SWITCH ASSY	1				STD
37	5UG-H2579-00	.CAP, KEY	1				
38	JU2-H2511-00	.KEY, MAIN SWITCH	2				
39	JU2-H2510-20	MAIN SWITCH ASSY	1				AP RANOMEKEY
40	JW2-H351B-00	GAUGE, BATTERY	1				EXCEPT FOR CAN
41	JW1-H1128-00	.CLAMP	1				EXCEPT FOR CAN

FOR CAN



FOR EUR, JPN, OTHERS

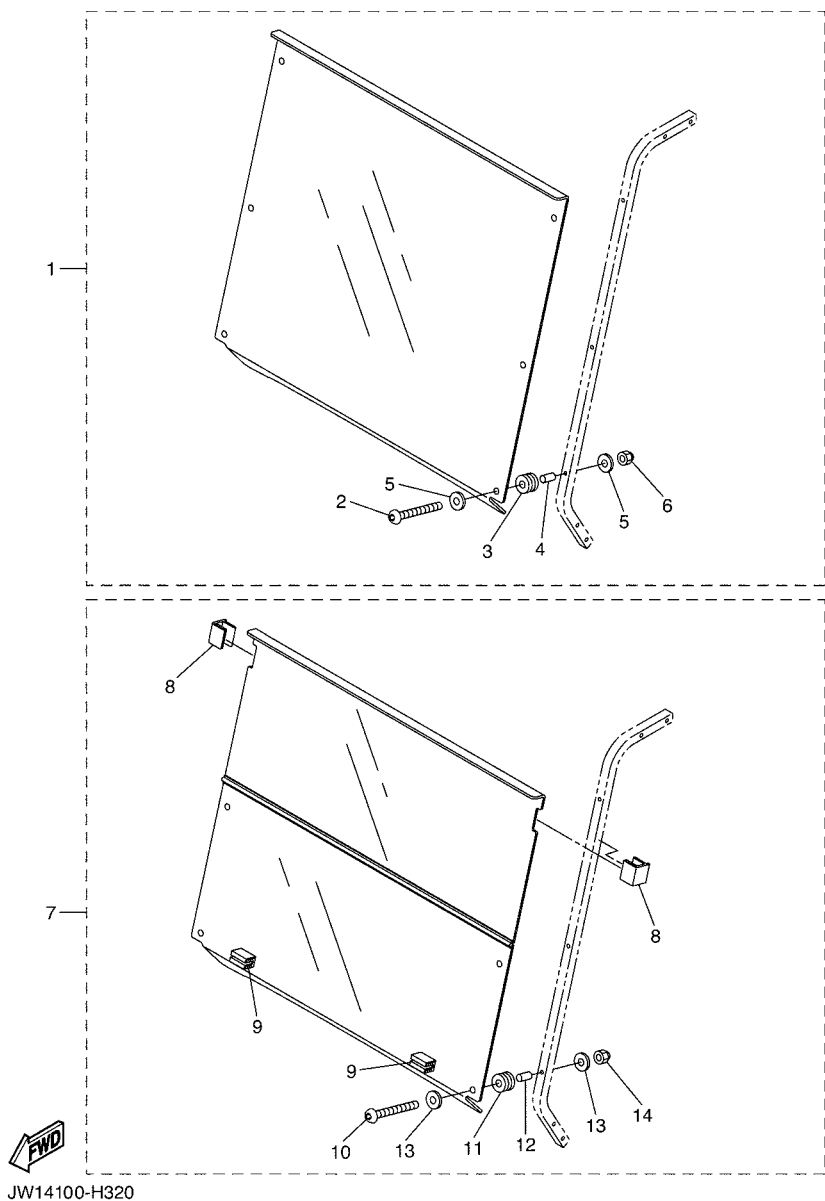


JW22100-H170

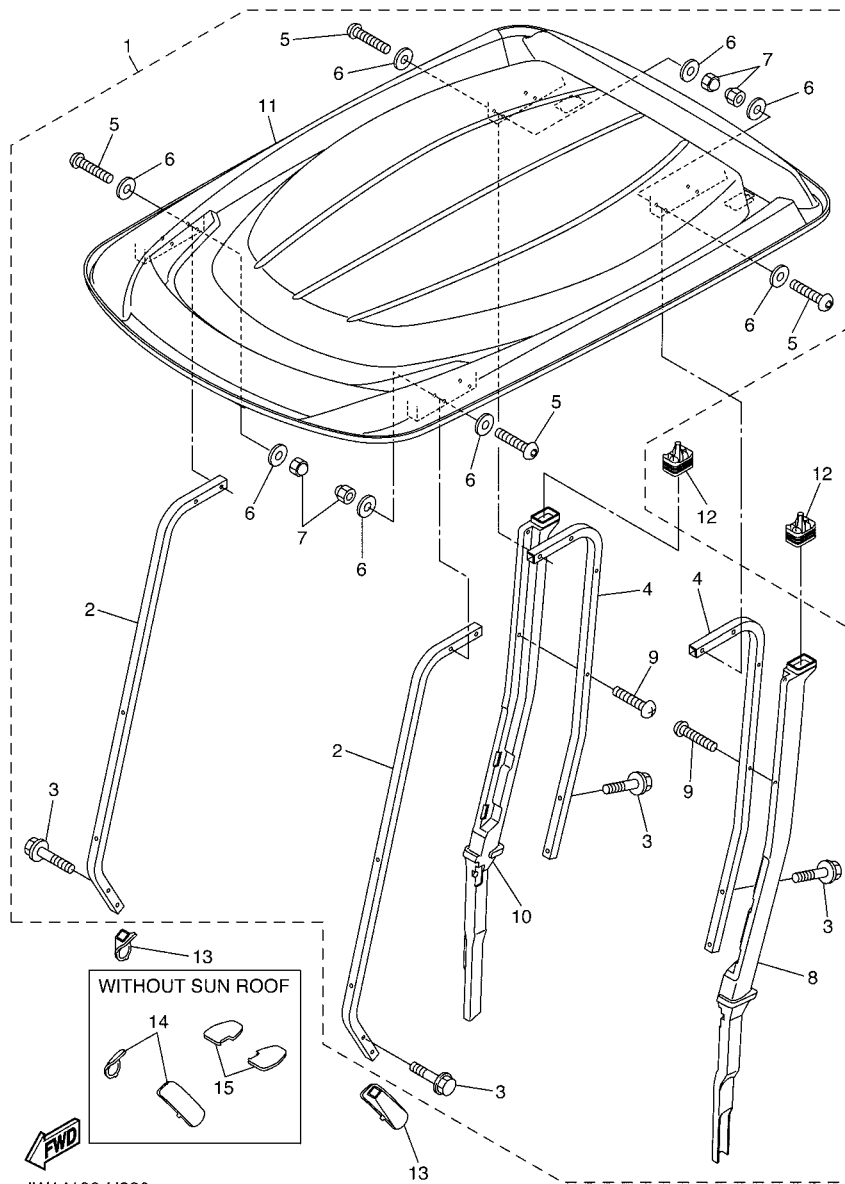
FIG. 17 BATTERY CHARGER

REF. NO.	PART NO.	DESCRIPTION	JW22			REMARKS
1	JW2-H2107-01	CHARGER, BATTERY	1			FOR CAN
2	JW2-H7234-00	.PLUG, D.C.RECEPTACLE	1			FOR CAN
3	JW2-H1962-00	AC CORD, CHARGER	1			FOR CAN
4	JW2-H2107-10	CHARGER, BATTERY	1			EUR,JPN,OTHERS
5	JW2-H7209-10	.CHARGE CORD ASSY	1			EUR,JPN,OTHERS
6	JW2-H4312-10	..CORD ASSY	1			EUR,JPN,OTHERS
7	JR1-H235A-00	...DC PLUG SET	1			EUR,JPN,OTHERS
8	JU2-H1962-00	CORD COMP. (220V)	1			UR UK ONLY
	JU2-H1962-10	CORD COMP. (240V)	1			UR EUR,OTHERS
	*	CORD COMP. (100V)	1			LM UR JPN

**FIG. 18 ALTERNATE FOR WINDSHIELD**



REF. NO.	PART NO.	DESCRIPTION	JW22				REMARKS
1	JW1-K7200-00	WINDSHIELD ASSY, SOLID (CLEAR)	1				UR AP
	JW1-K7200-10	WINDSHIELD ASSY, SOLID(SMOKE)	1				UR AP
2	JW1-K7212-00	.BOLT, WIND SHIELD	6				
3	JW1-K7237-01	.GROMMET	6				
4	JW1-K7115-00	.COLLAR	6				
5	90201-068G7	.WASHER, PLATE	12				
6	JW1-K7217-00	.NUT, WIND SHIELD	6				
7	JW1-K7200-20	WINDSHIELD ASSY, HINGED(CLEAR)	1				UR AP
	JW1-K7200-30	WINDSHIELD ASSY, HINGED(SMOKE)	1				UR AP
8	JW1-K7173-00	.LEVER, LATCH 1	2				
9	JW1-K7222-00	.BRACKET, WINDSHIELD(R.H)	2				
10	JW1-K7212-00	.BOLT, WIND SHIELD	4				
11	JW1-K7237-01	.GROMMET	4				
12	JW1-K7115-00	.COLLAR	4				
13	90201-068G7	.WASHER, PLATE	8				
14	JW1-K7217-00	.NUT, WIND SHIELD	4				



JW14100-H330

FIG. 19 ALTERNATE FOR SUN ROOF

REF. NO.	PART NO.	DESCRIPTION	JW22				REMARKS
1	JW1-K8310-01	SUN ROOF ASSY	1				
2	JW1-K8312-00	.SUPPORT, SUN ROOF 1	2				
3	JW1-K8388-00	.BOLT, ROOF 1	8				
4	JW1-K8313-01	.SUPPORT, SUN ROOF 2	2				
5	JU0-K8388-00	.BOLT, ROOF 1	8				
6	90201-088T2	.WASHER, PLATE	16				
7	JU0-K8398-00	.NUT, ROOF 1	8				
8	JW1-F413G-00	.TUBE, DRAIN	1				
9	JW1-K7387-00	.SCREW	4				
10	JW1-F413J-00	.TUBE, DRAIN 2	1				
11	JW1-K8314-00	.COVER, SUN ROOF	1				
12	JW1-F414G-01	SEAL	2				
13	JW1-K832F-01	GROMMET, ROOF SUPPORT 1	2				
14	JW1-K832H-00	GROMMET, ROOF SUPPORT 3	2				
15	JW1-K833H-00	GROMMET, ROOF SUPPORT 4	2				

NUMERICAL INDEX

PART NO.	REF. NO.	PART NO.	REF. NO.	PART NO.	REF. NO.	PART NO.	REF. NO.	PART NO.	REF. NO.	PART NO.	REF. NO.
401-22128-01	3 - 17	JN3-F3838-00	4 - 6	JW1-F7243-00	5 - 36	JW1-G6345-00	6 - 42	JR1-H235A-00	17 - 7	JU0-K7762-00	4 - 39
2NL-23448-00	3 - 10	JU0-F3841-00	4 - 28	JW1-F7249-00	5 - 34	JW2-G6348-01	6 - 8	JW1-H2510-00	16 - 36	JU0-K7762-10	4 - 39
2NL-23517-00	3 - 12	5UG-F3844-00	4 - 20	JW1-F7252-00	5 - 30	JW2-G6510-00	6 - 19	JU2-H2510-20	16 - 39	JU0-K7762-20	4 - 39
2HR-23526-00	3 - 3	JW2-F384K-00	6 - 17	JW1-F7254-00	5 - 40	JW2-G6520-00	6 - 28	JU2-H2511-00	16 - 38	JW2-K7768-00	9 - 10
JF7-82817-20	16 - 24	JU0-F3857-10	4 - 3	JW1-F7257-00	5 - 42	JW2-G6540-00	6 - 14	JU2-H2517-20	14 - 21	JW2-K7768-10	9 - 10
JW1-F1128-00	5 - 7	JW1-F3866-00	4 - 25	JW1-F7275-00	5 - 35	JW1-G6542-00	6 - 23	JU2-H2521-20	16 - 9	JW2-K7768-20	9 - 10
JW1-F1531-00	1 - 5	JW1-F387A-00	4 - 12	JW2-F7317-00	5 - 11		6 - 32	JU2-H2531-20	16 - 10	JW2-K8114-01	9 - 6
JW1-F1738-00	2 - 3	JW1-F387E-00	4 - 15	JW2-F7411-00	2 - 2	JW2-G6544-00	6 - 16	5UG-H2579-00	16 - 37	JW2-K8114-11	9 - 6
JW2-F2110-00	1 - 1	5UG-F387F-00	4 - 18	JW1-F7814-00	5 - 39	JW2-G6550-00	6 - 15	JW2-H2590-00	16 - 14	JW1-K8115-01	9 - 1
JN6-F2123-10	1 - 2	5UG-F387G-00	4 - 16	JW1-F7825-00	5 - 24	JW1-H1128-00	16 - 41	JW2-H2590-10	16 - 14	JW1-K8115-11	9 - 1
JN6-F2124-10	1 - 6	5UG-F387J-00	4 - 19	JW2-F7850-01	5 - 4	JU2-H1160-20	14 - 3	JU2-H2727-00	15 - 2	JW1-K8115-21	9 - 1
JW1-F2176-00	6 - 20	5UG-F387K-00	4 - 17	JW1-F7853-00	5 - 38	JU2-H1617-20	14 - 4	JU2-H272L-20	14 - 19	JW1-K8115-31	9 - 1
	6 - 29	JW1-F3894-00	4 - 26	JW1-F7855-00	5 - 13	JU2-H1670-21	14 - 18	JU2-H2917-00	16 - 8	JW1-K8115-41	9 - 1
JW1-F217G-10	1 - 10	JW1-F413G-00	19 - 8	JW1-F785A-00	5 - 32	JU2-H1801-20	14 - 6	JW1-K8115-51	14 - 22	JW1-K8115-51	9 - 1
JW1-F2210-00	1 - 12	JW1-F413J-00	19 - 10	JW1-F7871-00	5 - 29	JU2-H181K-20	14 - 16	JR1-H3383-01	16 - 20	JW1-K8115-61	9 - 1
JW1-F2277-00	1 - 11	JW1-F414G-01	19 - 12	JW2-F8382-10	16 - 23	JU2-H181L-20	14 - 10	JN6-H3386-01	16 - 21	JW1-K8142-00	10 - 1
JW2-F2501-00	2 - 1	JW1-F4161-00	9 - 5	JW2-G4116-00	6 - 12	JU2-H1824-20	14 - 9	JW2-H351B-00	16 - 40	JW1-K8142-10	10 - 1
JW2-F252M-00	2 - 4	JW1-F467K-00	4 - 24	JW1-G4127-00	6 - 26	JU2-H1828-20	14 - 15	JW2-H4312-10	17 - 6	JW1-K8142-20	10 - 1
JW1-F2545-01	2 - 6	JW1-F4684-00	6 - 3		6 - 35	JH7-H1829-00	14 - 28	JU2-H5722-20	14 - 20	JW1-K8142-30	10 - 1
JW1-F2588-01	2 - 7	JW1-F5100-00	7 - 1	JW1-G4135-00	6 - 13	JU2-H182A-20	14 - 30	JW2-H5885-00	5 - 45	JW1-K8142-40	10 - 1
JW1-F258G-02	2 - 9	JN6-F5118-00	3 - 30	JW1-G4156-00	6 - 21	JU2-H182G-20	14 - 7	JU2-H6171-20	16 - 11	JW1-K8142-50	10 - 1
JW1-F2873-00	10 - 4		6 - 48		6 - 30	JU2-H182H-20	14 - 24	JW2-H6172-00	16 - 12	JW1-K8142-60	10 - 1
JW1-F2874-00	10 - 5	JW1-F5658-00	5 - 26	JW1-G4178-00	6 - 24	JU2-H182K-20	14 - 11	JW2-H6181-01	16 - 22	JW1-K8151-00	10 - 14
JW1-F2875-00	10 - 6	JW1-F5659-00	5 - 25		6 - 33	JU2-H1835-20	14 - 32	JW2-H6510-00	15 - 1	JW1-K8164-00	8 - 2
JW1-F2876-00	10 - 7	JW1-F5666-00	5 - 33	JW1-G4189-00	6 - 6	JU2-H183J-20	14 - 14	JW2-H6527-00	16 - 29	JW1-K8174-00	8 - 6
JW1-F2877-01	10 - 8	JW1-F5672-00	5 - 41	JW1-G4526-00	6 - 41	JU2-H1840-20	14 - 5	JW2-H7209-10	17 - 5	JW1-K818A-00	11 - 2
JW1-F3147-01	5 - 44	JW1-F5673-00	5 - 43	JW1-G4582-00	6 - 5	JU2-H1843-20	14 - 8	JW2-H7234-00	17 - 2	JW1-K818B-00	11 - 5
JW1-F3183-00	4 - 13	JW1-F5677-00	5 - 46	JW1-G4583-00	6 - 25	JU2-H1850-20	14 - 2	JU2-HA2F0-00	16 - 34	JW1-K8191-00	11 - 6
JW1-F3188-00	5 - 47	JW1-F5734-00	5 - 15		6 - 34	JU2-H1856-20	14 - 12	JW1-K6179-01	10 - 13	JW1-K8192-00	11 - 7
JW1-F3350-00	3 - 15	JW1-F5735-00	5 - 28	JW1-G5148-00	6 - 45	JU2-H185A-20	14 - 29	JW1-K7115-00	18 - 4	JW1-K8233-10	9 - 12
JW1-F3390-00	3 - 20	JW1-F5744-00	5 - 16	JW2-G6110-00	6 - 37	JU2-H185B-20	14 - 13		18 - 12	JW1-K8237-00	10 - 11
JW1-F3396-00	9 - 3	JW1-F5754-00	5 - 17	JW2-G6114-00	6 - 38	JU2-H1872-20	14 - 31	JW1-K7173-00	18 - 8	JW1-K8245-00	9 - 17
	11 - 3	JW1-F582M-00	5 - 22	JW2-G6117-00	6 - 7	JU2-H1890-21	14 - 1		18 - 1	JW1-K8261-00	9 - 18
JW1-F339Y-00	4 - 14	JW1-F5866-00	5 - 18	JW1-G6128-00	6 - 22	JU2-H191B-20	14 - 23	JW1-K7200-10	18 - 1	JW1-K8262-00	9 - 21
	5 - 23	JW2-F6341-10	5 - 1		6 - 31	JU6-H1950-00	16 - 15	JW1-K7200-20	18 - 7	JW1-K8270-00	11 - 1
JW1-F3400-00	4 - 11	JW1-F6466-00	5 - 19	JW2-G6134-00	6 - 44	JU2-H1962-00	17 - 8	JW1-K7200-30	18 - 7	JW1-K8273-00	9 - 16
5UG-F3489-00	4 - 21	JW1-F7117-00	5 - 8	JW2-G6159-00	6 - 4	JW2-H1962-00	17 - 3	JW1-K7212-00	18 - 2	JW2-K827A-01	10 - 9
JU0-F3511-01	3 - 4	JW1-F720G-00	5 - 5	JW2-G6163-00	6 - 43	JU2-H1962-10	17 - 8		18 - 10	JW2-K827A-10	10 - 9
JW1-F3512-00	3 - 5	JW1-F7211-00	5 - 31	JW2-G6164-00	6 - 9	JN6-H2105-00	16 - 18	JW1-K7217-00	18 - 6	JW2-K8297-01	10 - 15
JU0-F3521-01	3 - 13	JW1-F7213-00	5 - 37	JW2-G6167-00	6 - 11	JW2-H2107-01	17 - 1		18 - 14	JR1-K8298-11	2 - 11
5UG-F3527-00	4 - 22	JW1-F7216-00	5 - 27	JW1-G6168-00	6 - 2	JW2-H2107-10	17 - 4	JW1-K7222-00	18 - 9	JR1-K8298-21	2 - 11
JU0-F3570-20	3 - 1	JW1-F7217-00	5 - 9	JW2-G6300-01	6 - 1	JU2-H2113-20	14 - 17	JW1-K7237-01	18 - 3	JW1-K8310-01	19 - 1
JW1-F3811-01	4 - 1	JW1-F7218-00	5 - 12	JW2-G6320-01	6 - 10	JW2-H2115-00	16 - 5		18 - 11	JW1-K8312-00	19 - 2
JN3-F3814-00	4 - 5	JW1-F7227-00	5 - 10	JW1-G6326-00	6 - 18	JW2-H2127-00	16 - 6	JW1-K7329-00	9 - 13	JW1-K8313-01	19 - 4
JW1-F3822-00	4 - 30	JW1-F7232-00	5 - 6	JW1-G6336-00	6 - 40	JW2-H2133-00	16 - 2	JW1-K7387-00	19 - 9	JW1-K8314-00	19 - 11
JU0-F3828-00	4 - 4	JW1-F7238-00	5 - 14	JW1-G633H-00	6 - 39	JW2-H2136-00	16 - 1	JW1-K7449-00	9 - 14	JW1-K832F-01	19 - 13
4XE-F3833-00	4 - 27	JW1-F723F-01	5 - 20	JW1-G633J-00	6 - 27	JW2-H2149-00	16 - 7	JW1-K7510-00	8 - 1	JW1-K832H-00	19 - 14
JW1-F3837-00	4 - 23	JW1-F723G-00	5 - 21		6 - 36	JU2-H218E-01	14 - 33	JW1-K7540-00	8 - 5	JW1-K833H-00	19 - 15



NUMERICAL INDEX

PART NO.	REF. NO.	PART NO.	REF. NO.	PART NO.	REF. NO.	PART NO.	REF. NO.	PART NO.	REF. NO.	PART NO.	REF. NO.
JW1-K8340-00	12 - 3	90185-06836	12 - 10	95602-10200	3 - 7						
JW1-K834G-00	12 - 8	90185-12061	4 - 7		8 - 7						
JN6-K8355-20	12 - 7	90201-04810	4 - 36	95602-12200	1 - 8						
JF2-K8356-00	12 - 6	90201-068E2	14 - 27		4 - 9						
JN3-K8357-00	4 - 33	90201-068G7	12 - 5	95602-14100	3 - 29						
JN6-K8358-01	4 - 34		18 - 5	95612-12100	3 - 19						
JW1-K835E-00	9 - 11		18 - 13	95702-08500	16 - 4						
JW1-K8361-00	13 - 2	90201-08310	16 - 3	95802-10065	3 - 21						
JW1-K8362-00	13 - 4	90201-088T2	19 - 6	95812-08016	4 - 2						
JN6-K8380-00	12 - 11	90201-128S4	1 - 9	95812-10055	1 - 13						
JU0-K8388-00	19 - 5	90209-32832	3 - 28	95812-12065	1 - 7						
JW1-K8388-00	19 - 3	90215-06811	14 - 26	95812-12080	3 - 18						
JU0-K8398-00	19 - 7	90267-60840	10 - 10	95822-06012	8 - 4						
JW1-K8401-00	13 - 1	90267-63047	9 - 2	95822-06016	15 - 4						
JW1-K8402-00	13 - 9	90269-06804	9 - 15	95822-06040	15 - 3						
JW1-K8423-00	12 - 1		10 - 2	97012-08030	4 - 31						
JW1-K8426-00	13 - 5		11 - 4	9708R-06020	12 - 9						
JW1-K8427-00	13 - 7	90269-07001	9 - 9	97702-40525	4 - 35						
JG5-WF511-10	3 - 22	90269-08813	10 - 3	98502-05025	16 - 25						
90101-069U0	14 - 25		10 - 12								
90105-06042	13 - 3	90381-17067	3 - 11								
90105-06831	2 - 5	90381-18001	3 - 2								
	2 - 10	90387-046N7	4 - 38								
90105-06861	13 - 8	90387-12016	3 - 16								
90105-06870	9 - 4	90387-241M7	3 - 26								
90105-08867	16 - 33	90445-11032	6 - 46								
90105-088B0	8 - 3	90461-14108	16 - 32								
90105-10064	3 - 9	90464-20005	16 - 30								
90105-10267	3 - 14	90464-20237	16 - 35								
90105-10728	3 - 6	90464-25826	16 - 13								
90105-10847	4 - 29	90464-40825	16 - 28								
90105-13800	1 - 3	90467-10008	6 - 47								
90109-08002	12 - 2	90502-10013	4 - 37								
90110-06102	9 - 19	91402-25020	3 - 8								
	12 - 4		4 - 10								
90110-06854	13 - 6	91490-30015	5 - 3								
90111-05805	9 - 7	91701-10028	5 - 2								
90114-12806	3 - 23	92902-05100	16 - 26								
90119-06808	13 - 10	92902-05600	16 - 27								
90159-06845	12 - 12	92902-08600	4 - 32								
90163-06005	16 - 19	92902-12200	4 - 8								
90173-06001	9 - 20	9299R-06200	12 - 13								
90179-05807	16 - 16	93102-30083	3 - 27								
90179-08824	16 - 17	93306-005Y3	3 - 25								
90179-12262	7 - 2	93306-204X0	3 - 24								
90179-13800	1 - 4	95602-06200	15 - 5								
90183-05008	9 - 8	95602-08200	5 - 48								
90183-08800	2 - 8	95602-10200	1 - 14								