



# ELECTRIC AND 4 CYCLE GASOLINE POWERED TRUCK

## **SERVICE PARTS MANUAL**



# SERVICE PARTS MANUAL

## **ELECTRIC AND 4-CYCLE GASOLINE POWERED TRUCKS**

**MODEL YEAR: 1993/1994**

MANUAL NO. 27689-G01 ISSUED: 06/10/93

### **TRUCKS**

XI - 300

XT/XI - 500

GXT/GXI - 804

GXT/GXI - 804 TUFF1

**CUSTOMER SERVICE DEPARTMENT PHONE 1-800-227-7029 FAX 1-800-752-6175**  
**E-Z-GO DIVISION OF TEXTRON, INC., P.O. BOX 388, AUGUSTA, GEORGIA 30913-2699, 1-800-241-5855**

# LIMITED WARRANTY

---

## WARRANTY

TO OBTAIN A COPY OF THE LIMITED WARRANTY THAT IS APPLICABLE TO YOUR VEHICLE, CALL OR WRITE YOUR LOCAL DISTRIBUTOR, BRANCH, OR E-Z-GO WARRANTY DEPARTMENT.

THE USE OF NON E-Z-GO PARTS MAY VOID YOUR WARRANTY

OVERFILLING OF BATTERIES MAY VOID YOUR WARRANTY

TAMPERING WITH OR ADJUSTING OF GOVERNOR TO PERMIT THE VEHICLE TO OPERATE AT ABOVE FACTORY SETTINGS (12 – 15 M.P.H.) WILL VOID YOUR VEHICLE WARRANTY.

# GENERAL INDEX

---

SECTIONS	Page No.
How to use the E-Z-GO Service Parts Manual .....	vii

## ILLUSTRATED PARTS BREAKDOWN

Illustration	ELECTRIC TRUCK Page No.	4-CYCLE GASOLINE TRUCK Page No.	COMMON TO ELECTRIC/GASOLINE TRUCK Page No.
ACCELERATOR AND HILL BRAKE LINKAGE .....	A-1	A-3	
Accelerator Pedal			
Accelerator Rod			
BATTERY CHARGER, TC III®, 36 VOLT (U.L.)® C.S.A. ® .....	B-1		
On Board			
Portable			
BODY AND ASSOCIATED PARTS .....			C-1
Bagwell			
Battery Racks			
Center Console			
Floorboard			
Direction Selector Indicator			
Hip Handhold			
Seat Wrap			
Vinyl Bumper Body Trim			
BRAKE LINKAGE .....			D-1
Brake Linkage Assembly			
Brake Pedal Assembly			
Compensating Link Assembly			
CARBURETOR .....		E-1	
Jets			
Choke Valve			
CLUTCHES .....		F-1	
Drive Belt			
Drive Clutch			
Driven Clutch			
CYLINDER HEAD AND VALVE ASSEMBLY .....		G-1	
Rocker Arm Assembly			
Intake Valves			
Exhaust Valves			
DIRECTION SELECTOR .....	H-1	H-5	
Contact Board Assembly			



# GENERAL INDEX

---

Illustration	ELECTRIC TRUCK Page No.	4-CYCLE GASOLINE TRUCK Page No.	COMMON TO ELECTRIC/GASOLINE TRUCK Page No.
ELECTRICAL SYSTEM .....		J-1	
Battery			
Coil and Bracket Assembly			
Fuse Holder			
Ignition Switch			
Ignitor Unit			
Voltage Regulator			
Wiring Harness, Starter/Generator			
ENGINE AND MUFFLER .....		K-1	
Air Cleaner			
Engine			
Exhaust Tube			
Muffler			
Oil Filter			
Spark Plug			
Spark Plug Wire			
ENGINE/STARTER MOUNTING .....		L-1	
Belt, Starter/Generator			
Engine Mounts			
Isolation Mounts			
Engine Guard			
FRESH AIR INTAKE SYSTEM .....		M-1	
Air Intake Box			
Air Box Gasket			
Air Hose			
FRONT BUMPER – 3 WHEEL TRUCK .....			N-1
FRONT FORK – 3 WHEEL TRUCK .....			P-1
FRONT SHIELD – 4 WHEEL TRUCK .....			Q-1
FRONT SUSPENSION – 4 WHEEL TRUCK .....			R-1
Front Axle Assembly			
Hub Assembly			
Idler Assembly			
Leaf Springs			
Spindle Assembly			
Tie Rod Assembly			
Shock Absorbers			

# GENERAL INDEX

---

Illustration	ELECTRIC TRUCK Page No.	4-CYCLE GASOLINE TRUCK Page No.	COMMON TO ELECTRIC/GASOLINE TRUCK Page No.
FUEL SYSTEM .....		S-1	
Choke Cable			
Fuel Filter			
Fuel Gauge			
Fuel Pump			
Fuel Tank Assembly			
HORN AND ACCESSORY WIRING .....			T-1
Headlamp			
Horn			
Rear Lamp Assembly			
State of Charge Meter			
Turn Signal Assembly			
Wire Harness			
MOTOR .....	U-1		
POWER WIRING .....	V-1		
Charger Wiring Harness			
Direction Selector Wiring Harness			
Ignition Switch Kit			
REAR AXLE .....	W-1	W-3	
Rear Axle Assembly			
Rear Axle Shaft			
Vent Valve			
REAR SUSPENSION COMPONENTS .....	X-1	X-5	
Leaf Springs			
Shock Absorber			
Spring Shackle			
SEATING .....			Y-1
SEATING (804 TUFF 1 MANUAL TILT) .....		Y-3	
SOLID STATE CONTROL MODULE (ESC) .....	Z-1		
Control Rod			
Electronic Speed Control Assembly			
Mounting Assembly			
Solenoid			
Speed Control Cover			
STARTER/GENERATOR .....		AA-1	
Brush Assembly			
Pulley			
Terminal Assembly			

# GENERAL INDEX

---

<b>Illustration</b>	<b>ELECTRIC TRUCK Page No.</b>	<b>4-CYCLE GASOLINE TRUCK Page No.</b>	<b>COMMON TO ELECTRIC/GASOLINE TRUCK Page No.</b>
STEERING .....			BB-1
Rack and Rod Assembly			
Steering Unit Assembly			
Steering Wheel			
TRUCK BED .....			CC-1
TRUCK BED (804 TUFF 1 MANUAL TILT) .....		CC-5	
TRUCK BED (BOLT DOWN) .....		CC-9	
TRUCK BED (ELECTRIC DUMP) .....		CC-13	
WHEEL BRAKE .....			DD-1
Brake Assembly			
Brake Drum Assembly			
Brake Shoe Set			
Lug Bolt			
WHEELS AND TIRES .....			EE-1
Tire			
Tire and Wheel Rim Assembly			
Valve Stem			
Wheel Rim			
 <b>APPENDIX</b>			
SERVICE ACCESSORIES AND SPECIAL TOOLS .....			Appendix-1

# HOW TO USE THE E-Z-GO SERVICE PARTS MANUAL

---

This manual is divided into several sections:

1. **GENERAL INFORMATION**
2. **ILLUSTRATED PARTS BREAKDOWN FOR ELECTRIC AND 4-CYCLE GASOLINE POWERED TRUCKS**
3. **APPENDIX**

The first section, **GENERAL INFORMATION**, contains the following informations:

1. **WARRANTY INFORMATION**
2. **GENERAL INDEX**
3. **HOW TO USE THE E-Z-GO SERVICE PARTS MANUAL**

The second section, **ILLUSTRATED PARTS BREAKDOWN (IPB)**, contains illustrations and parts lists for all systems of the electric and 4-cycle gasoline powered trucks.

The third section, **SERVICE ACCESSORIES AND SPECIAL TOOLS**, contains a listing of E-Z-GO service accessories and special tools that may be purchased from the company to aid in the servicing of the vehicle.

## USE OF THE MANUAL

To use this manual, consult the **GENERAL INDEX** (located in the first section) to locate the information or illustration required.

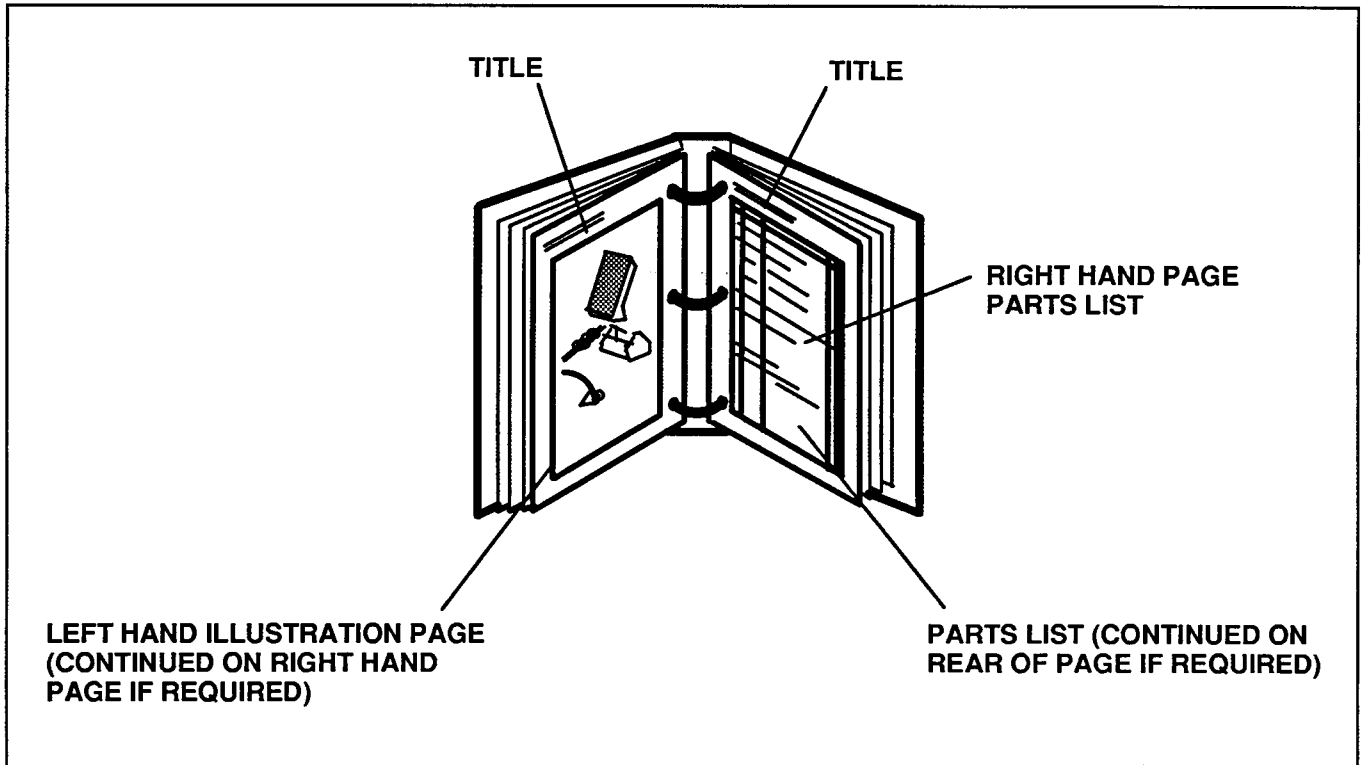
Introduction of some revisions varies due to supply of components; therefore, it is possible that various combinations of components may be found that are not directly reflected by each illustration. Consult the illustration that best suits your situation and contact the Service Parts Department. It is important that the serial number of your vehicle and its model number be supplied to Service Parts when ordering any replacement components.

Locate the serial number plate (see Body and Associated Parts located in the IPB section of this manual for its location) and note the complete number shown on the plate.

Each system is listed in the index and has an alphabetical prefix. The illustration always appears first and is followed by its related parts list. Additional illustrations and parts lists with the same prefix indicate significant changes that have taken place since the last issue.

Note that many alphabetical prefixes are omitted. These prefixes have been assigned to systems that are not relevant to your vehicle. The index lists all relevant sections that pertain to your vehicle.

# HOW TO USE THE E-Z-GO SERVICE PARTS MANUAL



## 1. WHEN THE PART NUMBER IS *NOT* KNOWN.

- a. Determine the function and application of the part required. Turn to the General Index and select the most appropriate title.
- b. Turn to the page number indicated and locate the desired part on the illustration.
- c. From the illustration, obtain the item number assigned to the desired part. Refer to the accompanying description for specific information regarding the part.

## 2. IF YOU KNOW THE PART NUMBER.

Locate the part number or description in the appropriate column on the parts list page.

NOTE: It is suggested that you confirm that the part selected is correct by verifying it with the pictorial representation on the illustration page.

Should an asterisk (\*) appear in the part number column on the parts list page, read upwards until a part number is found. The part number is the *lowest* assembly sold by E-Z-GO and the asterisk (\*) indicates that the part depicted is not available for sale by E-Z-GO.

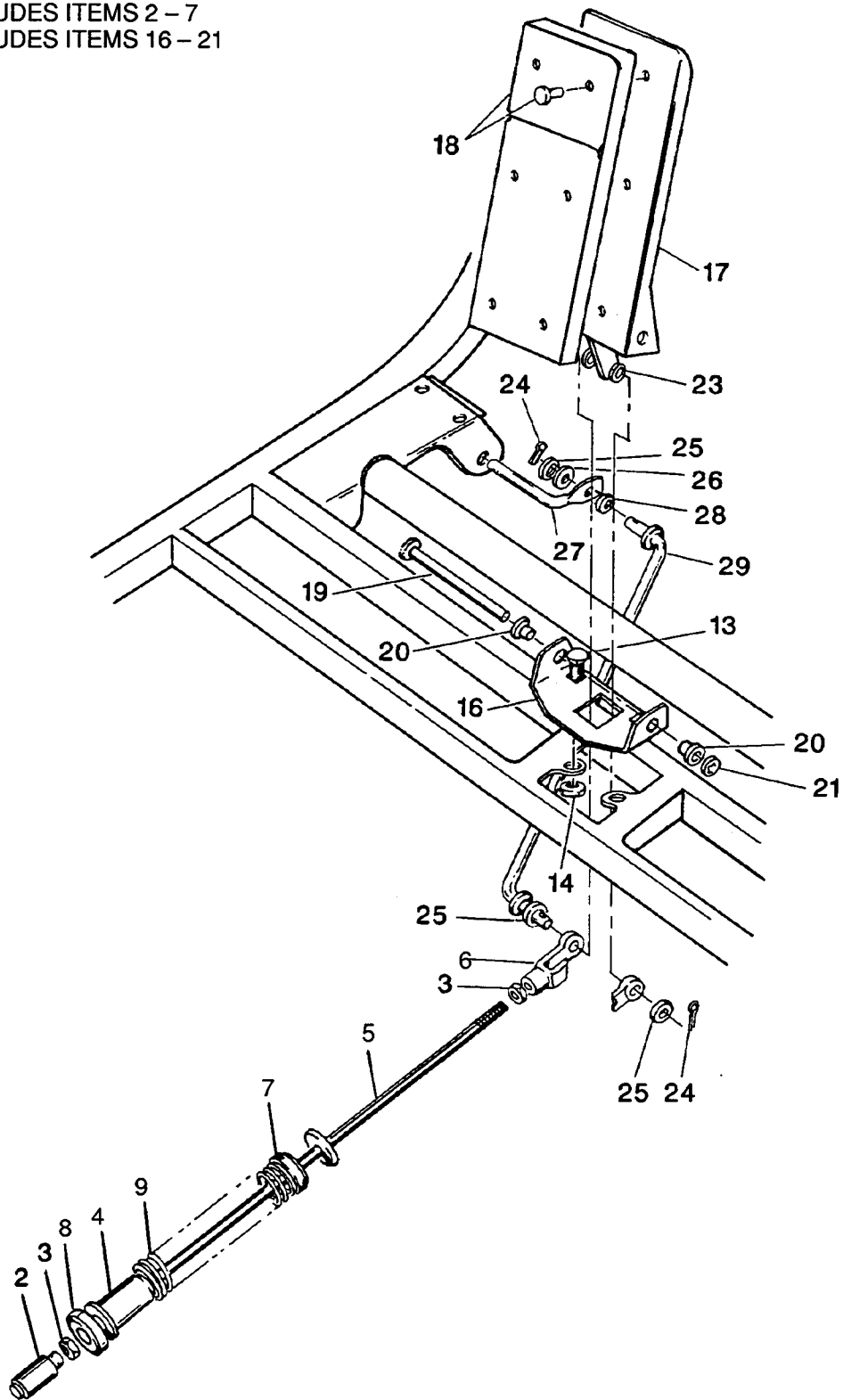
NOTE: Descriptions are *indented* under the assembly that they are used on. That assembly is, in turn, listed under the assembly that it is used on. This process is repeated until the highest or *final assembly* is reached.

To facilitate the maintenance and repair of vehicle, an Operation and Service Manual is available from the E-Z-GO Service Parts Department.

---

**ILLUSTRATED PARTS BREAKDOWN  
ELECTRIC AND 4-CYCLE GASOLINE TRUCKS**

1 - INCLUDES ITEMS 2 - 7  
15 - INCLUDES ITEMS 16 - 21



# ACCELERATOR AND HILL BRAKE LINKAGE

ELECTRIC POWERED TRUCK

THE USE OF NON U.L. PARTS WILL VOID ANY U.L. LISTING.

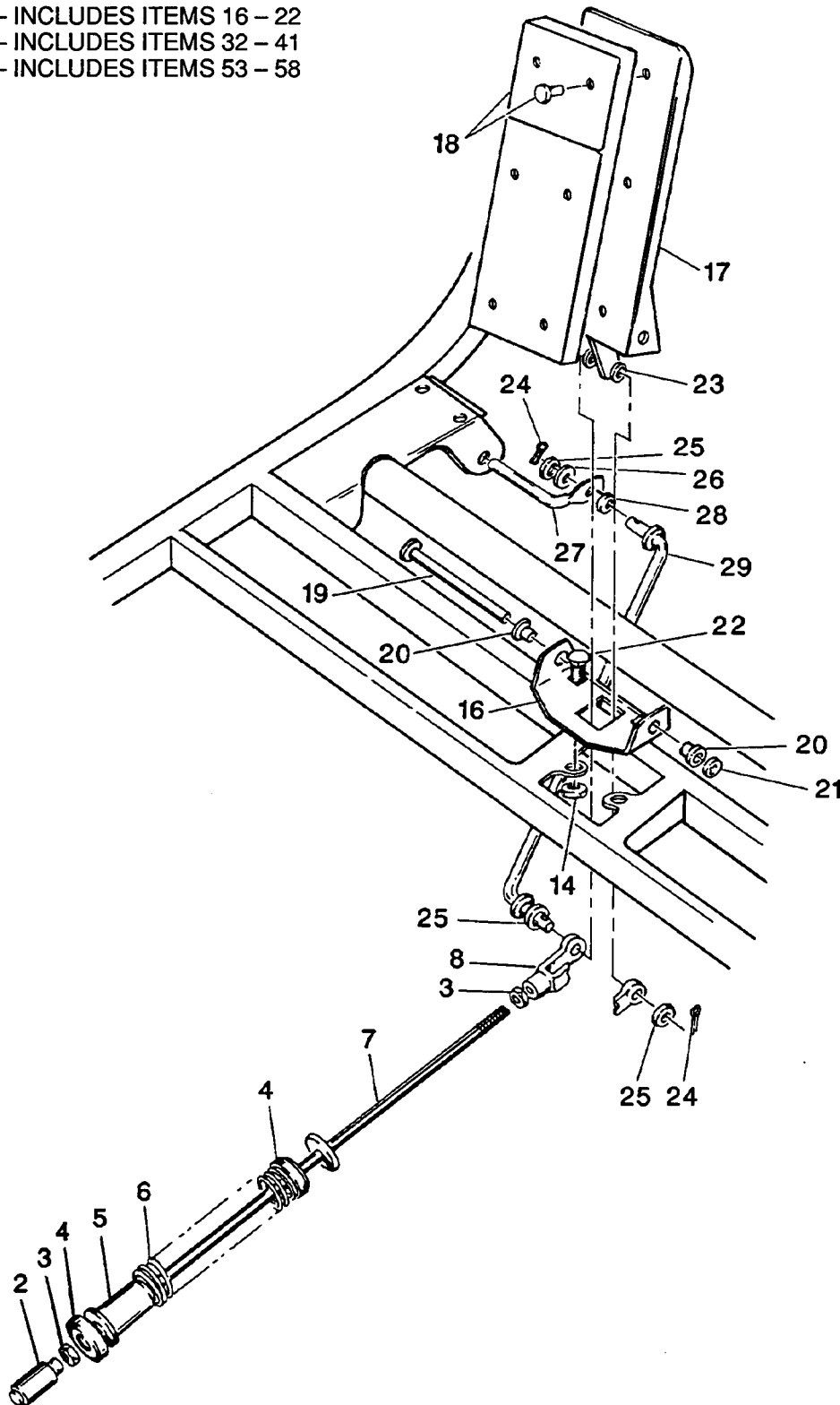
When ordering parts, please specify the model and serial number of the product.

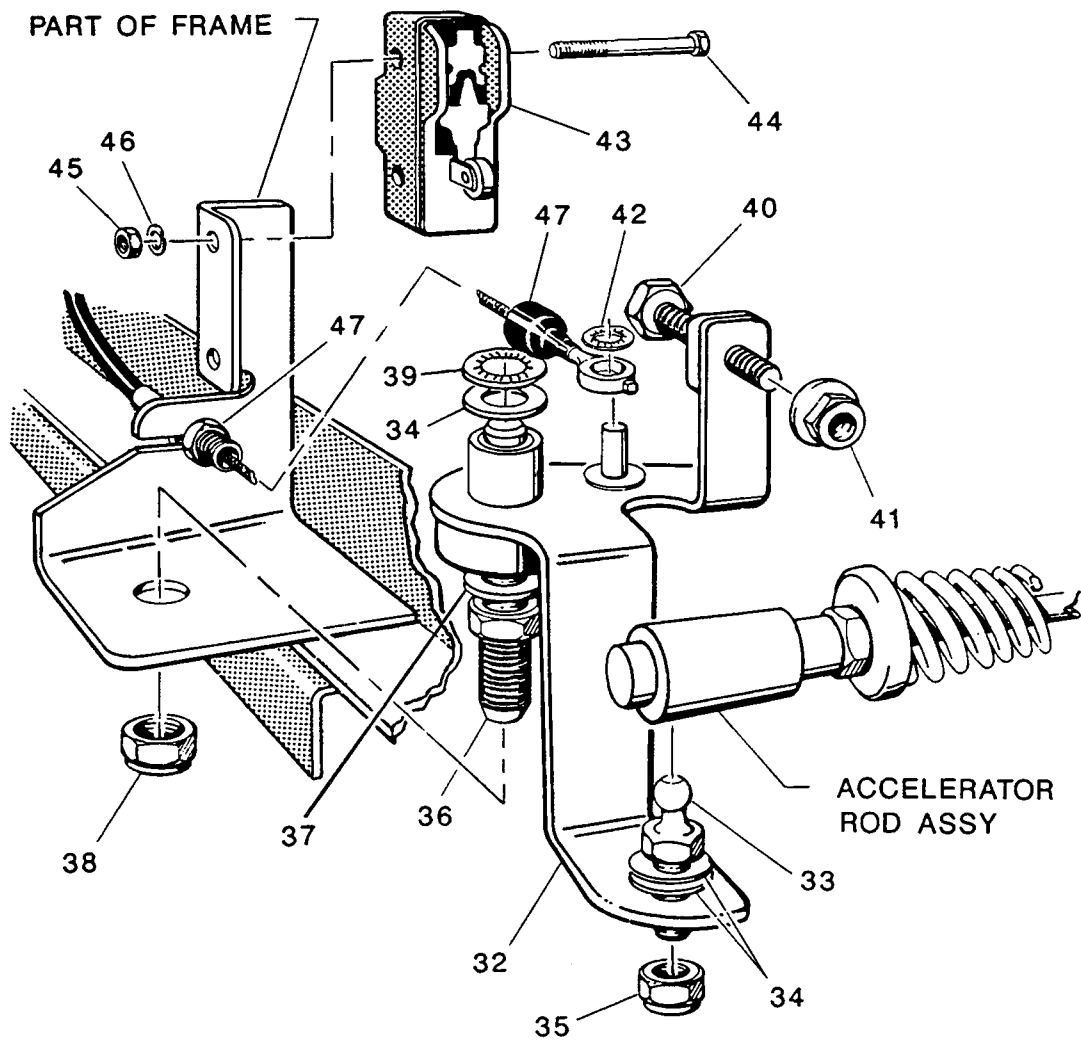
\* Indicates a component that is not available as an individual part.

ITEM	PART NO.	1	2	3	4	5	DESCRIPTION	QTY	
								8 WHEEL	4 WHEEL
1	25780-G1						ACCELERATOR ROD ASSEMBLY (INCLUDES ITEMS 2 - 7)	1	1
2	14444-G3						BALL JOINT, SOCKET	1	1
3	00554-G4						NUT, 5/16 - 24	2	2
4	17979-G1						BUSHING, ACCELERATOR ROD	1	1
5	23613-G1						ROD, ACCELERATOR	1	1
6	10385-G4						YOKE, CLEVIS	1	1
7	17677-G1						RETAINER, SPRING	2	2
8	18034-G1						RETAINER, SPRING	1	1
9	17675-G1						SPRING, COMPRESSION	1	1
10									
11									
12									
13	00414-G6						BOLT, CARRIAGE, 1/4 - 20 X 3/4 LG.	2	2
14	11027-G2						NUT, LOCK, 1/4 - 20	2	2
15	18083-G2						ACCELERATOR PEDAL ASSEMBLY (INCLUDES ITEMS 16 - 21)	1	1
16	12511-G1						BASE PLATE, ACCELERATOR	1	1
17	18084-G1						PEDAL, ACCELERATOR	1	1
18	27844-G01						PAD KIT, ACCELERATOR PEDAL (INCLUDES RIVETS)	1	1
19	12512-G1						PIN, ACCELERATOR PEDAL	1	1
20	12513-G1						BEARING, PLASTIC	2	2
21	12064-G2						NUT, PUSH	1	1
22									
23	17255-G1						WASHER, TEFLON	1	1
24	10387-G3						PIN, COTTER, 3/16 X 3/4 LG.	1	1
25	00559-G8						WASHER, 5/16	1	1
26	20835G1						WASHER, NYLON	1	1
27	19708-G1						ARM, PIVOT	1	1
28	17838-G1						BUSHING	1	1
29	24030-G1						ROD, LINKAGE	-	1
30	19707-G1						ROD, LINKAGE	1	-

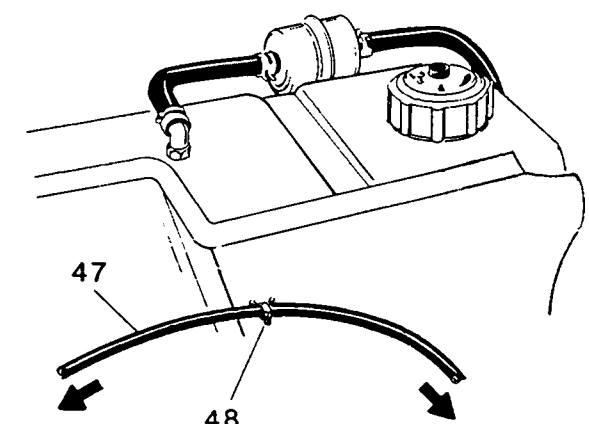


- 1 - INCLUDES ITEMS 2 - 8
- 15 - INCLUDES ITEMS 16 - 22
- 31 - INCLUDES ITEMS 32 - 41
- 52 - INCLUDES ITEMS 53 - 58



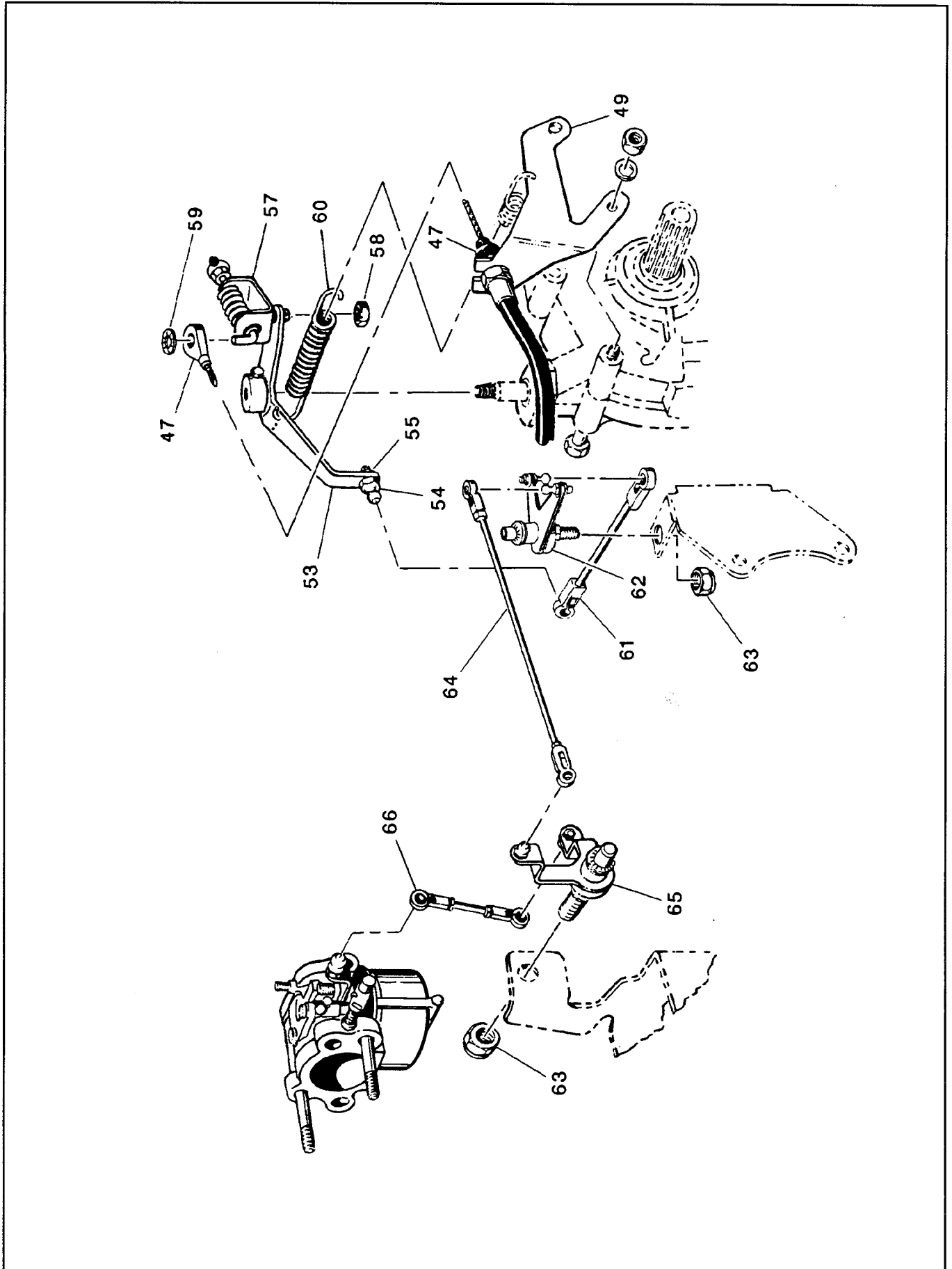


ACCELERATOR ROD ASSY



TO GOVERNOR CONTROL ARM

TO ACCELERATOR CONTROL ARM



# ACCELERATOR AND HILL BRAKE LINKAGE

GASOLINE POWERED TRUCK

THE USE OF NON U.L. PARTS WILL VOID ANY U.L. LISTING.

When ordering parts, please specify the model and serial number of the product.

\* Indicates a component that is not available as an individual part.

4 WHEEL

ITEM	PART NO.	1	2	3	4	5	DESCRIPTION	QTY
1	18091-G1						ACCELERATOR ROD ASSEMBLY (INCLUDES ITEMS 2 - 8) .....	1
2	14444-G3						BALL JOINT, SOCKET .....	1
3	00544-G4						NUT, 5/16 - 24 .....	2
4	17677-G1						RETAINER, SPRING .....	2
5	17979-G1						BUSHING, ACCELERATOR ROD .....	1
6	17675-G1						SPRING, COMPRESSION .....	1
7	19710-G1						ROD, ACCELERATOR .....	1
8	10385-G4						YOKE, CLEVIS .....	1
9								
10								
11								
12								
13								
14	11027-G2						NUT, LOCK, 1/4 - 20 .....	2
15	18083-G2						ACCELERATOR PEDAL ASSEMBLY (INCLUDES ITEMS 16 - 22) .....	1
16	12511-G1						BASE PLATE, ACCELERATOR .....	1
17	18084-G1						PEDAL, ACCELERATOR .....	1
18	27844-G01						PAD KIT, ACCELERATOR PEDAL (INCLUDES RIVETS) .....	1
19	12512-G1						PIN, ACCELERATOR PEDAL .....	1
20	12513-G1						BEARING, PLASTIC .....	2
21	12064-G1						NUT, PUSH, 1/4 .....	1
22	26480-G01						BOLT, CARRIAGE, 1/4 - 20 X 3/4 LG. ....	2
23	17255-G1						WASHER, TEFLON .....	2
24	10387-G3						PIN, COTTER, 3/32 X 3/4 LG. ....	2
25	00559-G8						WASHER, 5/16 .....	3
26	20835-G1						WASHER, NYLON .....	1
27	19708-G1						ARM, PIVOT .....	1
28	17838-G1						BUSHING .....	1
29	24030-G1						ROD, LINKAGE .....	1
30								
31	25338-G1						CONTROL ARM ASSEMBLY (INCLUDES ITEMS 32 - 41) .....	1
32	25337-G1						ARM, CONTROL .....	1
33	15944-G3						BALL, BALL JOINT .....	1
34	00559-G8						WASHER, 5/16 .....	2

# ACCELERATOR AND HILL BRAKE LINKAGE

GASOLINE POWERED TRUCK

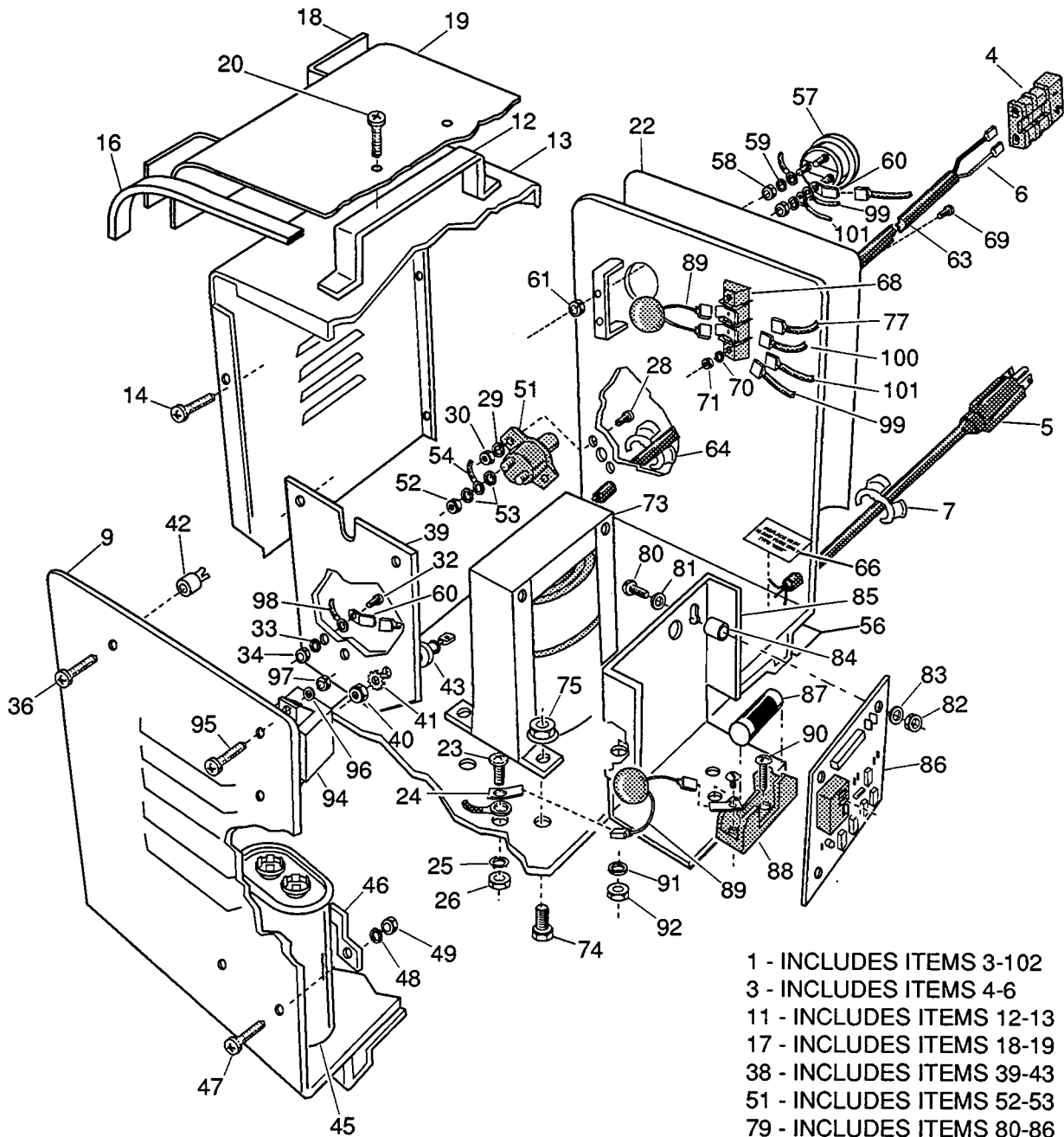
THE USE OF NON U.L. PARTS WILL VOID ANY U.L. LISTING.

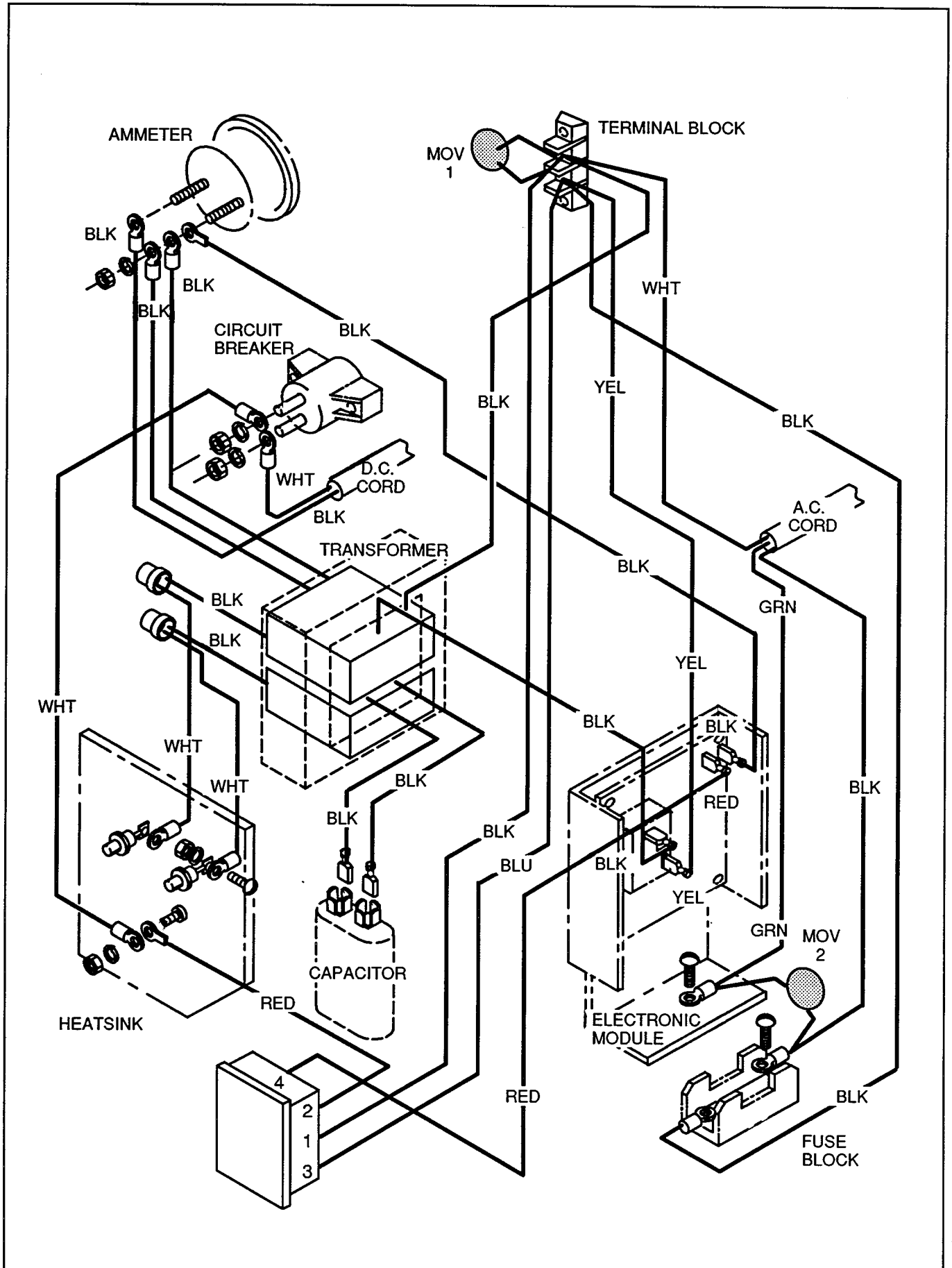
When ordering parts, please specify the model and serial number of the product.

\* Indicates a component that is not available as an individual part.

ITEM	PART NO.	1	2	3	4	5	DESCRIPTION	4 WHEEL	
								QTY	
35	11098-G9						NUT, LOCK, 5/16 - 24 .....		1
36	25768-G01						ROD, PIVOT .....		1
37	24621-G1						WASHER, NYLON .....		1
38	14390-G1						NUT, LOCK, 3/8 - 24 .....		1
39	12064-G1						NUT, PUSH, 5/16 .....		1
40	18759-G1						SCREW, STAINLESS STEEL, 1/4 - 20 X 1 LG. ....		1
41	11027-G2						NUT, LOCK, 1/4 - 20 .....		1
42	12064-G3						NUT, PUSH, 3/16 .....		1
43	10606-G2						SWITCH, MICRO .....		1
44	00957-G1						SCREW, #6 - 32 X 1 1/4 LG. ....		1
45	00525-G5						NUT, #6 - 32 .....		1
46	00565-G3						WASHER, LOCK, #6 .....		1
47	25694-G01						ACCELERATOR CABLE .....		1
48	25956-G01						TIE, NYLON, PUSH MOUNT .....		1
49	25653-G01						BRACKET, ACCELERATOR CABLE .....		1
50									
51									
52	25690-G02						GOVERNOR CONTROL ARM ASSEMBLY (INCLUDES ITEMS 53 - 58) ..		1
53	25765-G01						ARM, GOVERNOR CABLE .....		1
54	24479-G1						BALL, BALL JOINT .....		1
55	00734-G5						NUT, LOCK, #10 - 32 .....		1
56									
57	22751-G3						BRACKET, GOVERNOR .....		1
58	14390-G4						NUT, LOCK, 1/4 - 20 .....		1
59	12064-G3						PUSHNUT .....		1
60	25738-G01						SPRING .....		1
61	25737-G03						ROD, GOVERNOR LINKAGE .....		1
62	25763-G01						ARM, GOVERNOR PIVOT .....		1
63	14390-G1						NUT, LOCK, 3/8 - 24 .....		2
64	25737-G02						ROD, THROTTLE LINKAGE, LONG .....		1
65	25760-G01						ARM, CARBURETOR PIVOT .....		1
66	25737-G01						ROD, CARBURETOR LINKAGE, SHORT .....		1









# BATTERY CHARGER, TOTAL CHARGE® III (ON BOARD)

ELECTRIC POWERED TRUCK

THE USE OF NON U.L. PARTS WILL VOID ANY U.L. LISTING.

When ordering parts, please specify the model and serial number of the product.

\* Indicates a component that is not available as an individual part.

ITEM	PART NO.	1	2	3	4	5	DESCRIPTION	3 WHEEL	4 WHEEL
								QTY	QTY
1	26986-G01						BATTERY CHARGER, 36V, TOTAL CHARGE III, ONBOARD (INCLUDES ITEMS 3-102) .....	1	1
2									
3	22052-G1						DC CORD ASSEMBLY (INCLUDES ITEMS 4-6) .....	1	1
4	18782-G1						CONNECTOR, BLACK .....	1	1
5	*						CORD, DC .....	1	1
6	13802-G1						CONTACT, CHARGER CONNECTOR .....	2	2
7	13557-G3						STRAIN RELIEF .....	1	1
8									
9	24920-G1						CHASSIS .....	1	1
10									
11	19096-G3						TOP COVER ASSEMBLY (INCLUDES ITEMS 12-13) .....	1	1
12	*						BRACKET, CHARGER HANDLE .....	1	1
13	*						TOP .....	1	1
14	00614-G4						SCREW, SELF-DRILL, #8-18 .....	10	10
15									
16	18970-G1						STRIP, PROTECTOR, SHIELD .....	1	1
17	22047-G1						SHIELD ASSEMBLY (INCLUDES ITEMS 18-19) .....	1	1
18	*						BAR, CORD HOLDER .....	1	1
19	*						SHIELD .....	1	1
20	00614-G4						SCREW, SELF-DRILL, #8-18 .....	6	6
21									
22	27134-G01						LABEL, OPERATING INSTRUCTIONS (SERIALIZED) .....	1	1
23	00372-G3						SCREW, #8-32 X 3/8 .....	1	1
24	12914-G1						TAB, FASTON .....	1	1
25	00565-G4						WASHER, LOCK #8 .....	1	1
26	00526-G1						NUT, #8-32 .....	1	1
27									
28	00372-G6						SCREW, #8-32 X 3/4 .....	2	2
29	00565-G4						WASHER, LOCK, #8 .....	2	2
30	00526-G1						NUT, #8-32 .....	2	2
31									
32	00378-G4						SCREW, #10-24 X 1/2 .....	1	1
33	00565-G5						WASHER, LOCK #10 .....	1	1

# BATTERY CHARGER, TOTAL CHARGE® III (ON BOARD)

ELECTRIC POWERED TRUCK

THE USE OF NON U.L. PARTS WILL VOID ANY U.L. LISTING.

When ordering parts, please specify the model and serial number of the product.

\* Indicates a component that is not available as an individual part.

3 WHEEL	4 WHEEL
---------	---------

ITEM	PART NO.	1	2	3	4	5	DESCRIPTION	QTY	
34	00526-G3						NUT, #10-24 .....	1	1
35									
36	00512-G7						SCREW, #8 - 18 X 7/8 .....	3	3
37									
38	18768-G2						HEAT SINK ASSEMBLY (INCLUDES ITEMS 39 - 43) .....	1	1
39	18489-G1						SINK, HEAT .....	1	1
40	00532-G2						NUT, 1/4 - 28 .....	2	2
41	00567-G7						WASHER, LOCK, #12 .....	2	2
42	11572-G2						NUT, PLASTIC EXPANSION .....	3	3
43	18488-G1						DIODE, SILICON, RECTIFIER .....	2	2
44									
45	17077-G1						CAPACITOR .....	1	1
46	11559-G1						BRACKET, CAPACITOR .....	1	1
47	00372-G4						SCREW, #8 - 32 X 1/2 .....	2	2
48	00565-G4						WASHER, LOCK, #8 .....	2	2
49	00526-G1						NUT, #8 - 32 .....	2	2
50									
51	19362-G1						BREAKER, CIRCUIT (INCLUDES ITEMS 52-53) .....	1	1
52	00526-G4						NUT, # 10-32 .....	2	2
53	00559-G5						WASHER, #10 .....	4	4
54	19441-G1						WIRE .....	1	1
55									
56	25775-G01						LABEL, CHARGER WARNING .....	1	1
57	24243-G1						AMMETER .....	1	1
58	00526-G4						NUT, #10 - 32 .....	2	2
59	00565-G5						WASHER, LOCK, #10 .....	2	2
60	12914-G1						FASTON, TAB .....	2	2
61	00525-G5						NUT, #6 - 32 .....	2	2
62									
63	19388-G1						CORD, AC .....	1	1
64	13557-G2						STRAIN RELIEF .....	1	1
65									
66	19434-G1						LABEL, FUSE ID .....	1	1
67									

# BATTERY CHARGER, TOTAL CHARGE® III (ON BOARD)

ELECTRIC POWERED TRUCK

THE USE OF NON U.L. PARTS WILL VOID ANY U.L. LISTING.

When ordering parts, please specify the model and serial number of the product.

\* Indicates a component that is not available as an individual part.

ITEM	PART NO.	1	2	3	4	5	DESCRIPTION	8 WHEEL	4 WHEEL
								QTY	QTY
68	26962-G01						BLOCK, TERMINAL .....	1	1
69	00987-G06						SCREW, #6 - 32 X 3/4 .....	2	2
70	00565-G3						WASHER, LOCK #6 .....	2	2
71	00525-G5						NUT, #6 - 32 .....	2	2
72									
73	19928-G1						TRANSFORMER .....	1	1
74	00414-G5						SCREW, 1/4-20 X 5/8 .....	4	4
75	11027-G2						NUT, LOCK 1/4-20 .....	4	4
76									
77	19402-G1						WIRE .....	1	1
78									
79	19461-G1						ELECTRONIC MODULE ASSEMBLY (INCLUDES ITEMS 80-86) ....	1	1
80	00138-G5						SCREW, #6 - 32 x 5/8 .....	4	4
81	00559-G3						WASHER, #6 .....	2	2
82	00735-G1						NUT, #6 - 32 .....	4	4
83	00736-G1						WASHER, 5/16 .....	4	4
84	19081-G1						STANDOFF .....	4	4
85	19459-G1						BRACKET .....	1	1
86	19460-G1						ELECTRONIC MODULE .....	1	1
87	19361-G1						FUSE, AC .....	1	1
88	19363-G1						BLOCK, FUSE .....	1	1
89	26320-G01						VARISTOR, MOV .....	2	2
90	00372-G5						SCREW, #8 - 32 X 5/8 .....	2	2
91	00565-G4						WASHER, LOCK, #8 .....	2	2
92	00526-G1						NUT, #8 - 32 .....	2	2
93									
94	21971-G1						RELAY .....	1	1
95	00138-G5						SCREW, #6 - 32 X 5/8 .....	2	2
96	00565-G3						WASHER, LOCK, #6 .....	2	2
97	00525-G5						NUT, #6 - 32 .....	2	2
98	*						WIRE .....	1	1
99	*						WIRE .....	1	1
100	22992-G1						WIRE .....	1	1
101	25977-G07						WIRE .....	1	1

# BATTERY CHARGER, TOTAL CHARGE® III (ON BOARD)

ELECTRIC POWERED TRUCK

THE USE OF NON U.L. PARTS WILL VOID ANY U.L. LISTING.

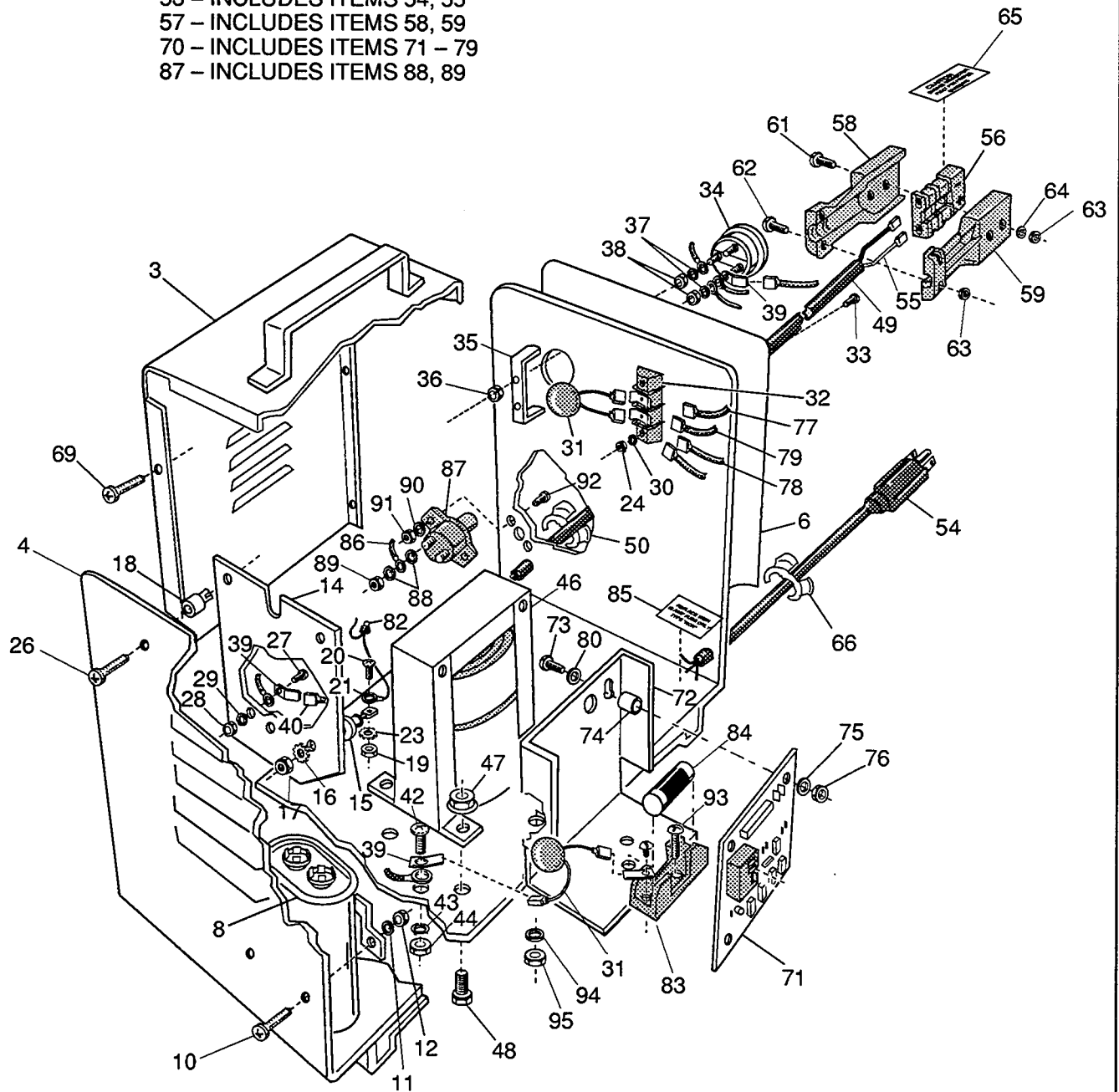
When ordering parts, please specify the model and serial number of the product.

\* Indicates a component that is not available as an individual part.

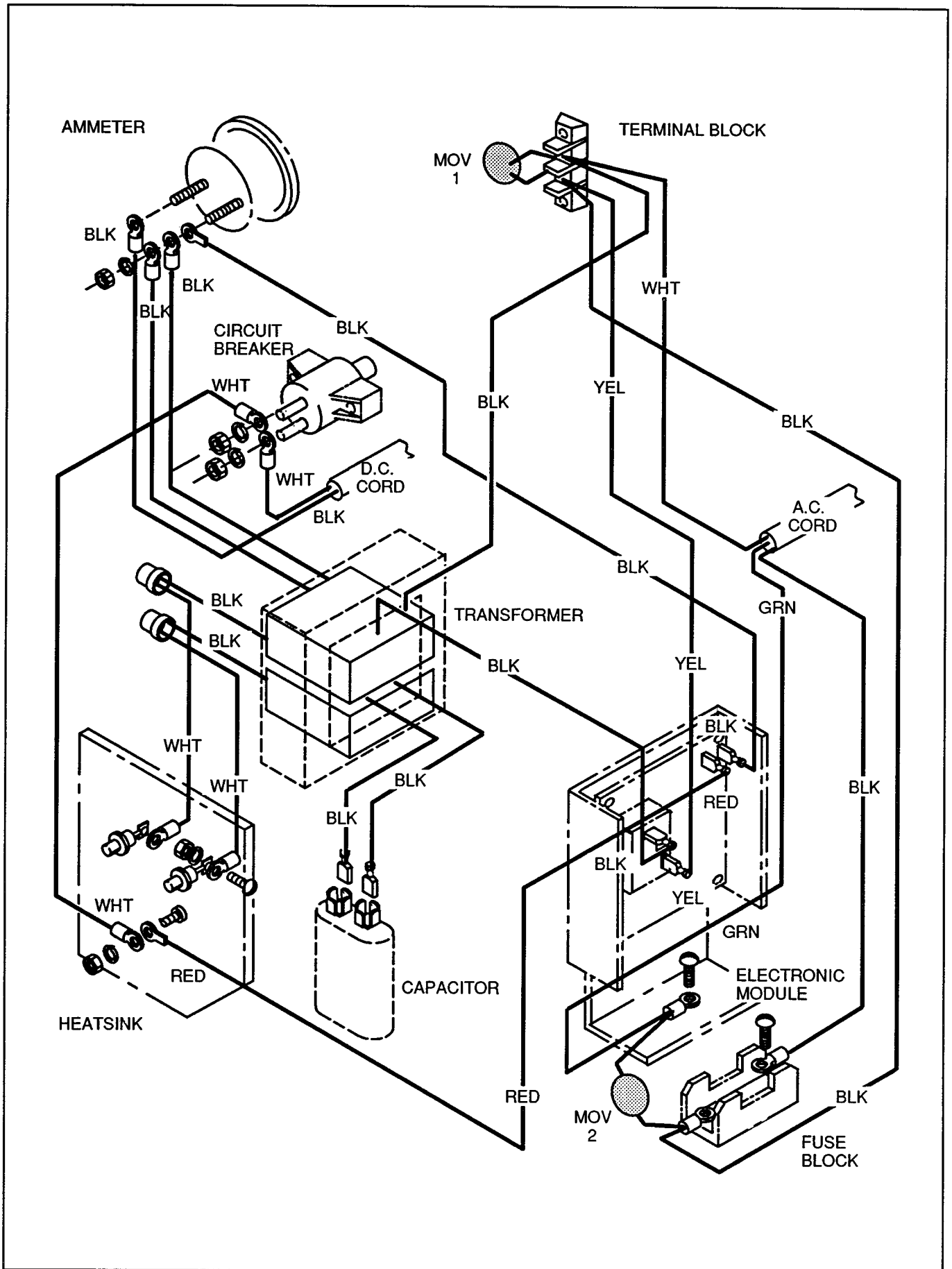
8 WHEEL	4 WHEEL
---------	---------

ITEM	PART NO.						DESCRIPTION	QTY	
		1	2	3	4	5		8 WHEEL	4 WHEEL
102	26340-G01						WIRE .....	1	1

- 1 - INCLUDES ITEMS 3 - 95
- 34 - INCLUDES ITEM 35
- 53 - INCLUDES ITEMS 54, 55
- 57 - INCLUDES ITEMS 58, 59
- 70 - INCLUDES ITEMS 71 - 79
- 87 - INCLUDES ITEMS 88, 89



**BATTERY CHARGER, TOTAL CHARGE<sup>®</sup> III (PORTABLE) ELECTRIC POWERED TRUCK**



# BATTERY CHARGER, TOTAL CHARGE<sup>®</sup> III (PORTABLE)

ELECTRIC POWERED  
TRUCK

THE USE OF NON U.L. PARTS WILL VOID ANY U.L. LISTING.

When ordering parts, please specify the model and serial number of the product.

\* Indicates a component that is not available as an individual part.

ITEM	PART NO.	1	2	3	4	5	DESCRIPTION	3 WHEEL	4 WHEEL
								QTY	QTY
1	26984-G01						BATTERY CHARGER, TOTAL CHARGE III, PORTABLE, 36V, 10 FT. D.C. CORD (INCLUDES ITEMS 3 - 95) .....	1	1
2									
3	19096-G1						TOP COVER .....	1	1
4	24919-G1						CHASSIS .....	1	1
5									
6	*						LABEL, OPERATING INSTRUCTIONS (SERIALIZED) .....	1	1
7									
8	17077-G1						CAPACITOR .....	1	1
9									
10	00372-G4						SCREW, #8 - 32 X 1/2 LG. ....	2	2
11	00565-G4						WASHER, LOCK, #8 .....	2	2
12	00526-G1						NUT, #8 - 32 .....	2	2
13									
14	18489-G1						HEAT SINK .....	1	1
15	18488-G1						DIODE, SILICONE RECTIFIER .....	2	2
16	00567-G7						WASHER, LOCK, 1/4 .....	2	2
17	00532-G2						NUT, 1/4 - 28 .....	2	2
18	11572-G2						NUT, PLASTIC EXPANSION .....	3	3
19	00525-G5						NUT, #6-32 .....	2	2
20	00138-G3						SCREW, #6 - 32 X 3/8 LG. ....	2	2
21	18769-G2						WIRE .....	2	2
22									
23	00567-G3						WASHER, LOCK, #6 .....	2	2
24	00525-G5						NUT, #6 - 32 .....	2	2
25									
26	00512-G7						SCREW, SELF-TAPPING, #8 X 7/8 LG. ....	3	3
27	00378-G4						SCREW, #10 - 24 X 1/2 LG. ....	1	1
28	00526-G3						NUT, #10 - 24 .....	1	1
29	00565-G5						WASHER, LOCK, #10 .....	1	1
30	00565-G3						WASHER, #6 - 32 .....	2	2
31	26320-G01						VARISTOR, MOV .....	2	2
32	26962-G01						BLOCK, TERMINAL .....	1	1
33	00987-G06						SCREW, #6 - 32 X 3/4 LG. ....	2	2

# BATTERY CHARGER, TOTAL CHARGE<sup>®</sup> III (PORTABLE)

ELECTRIC POWERED  
TRUCK

THE USE OF NON U.L. PARTS WILL VOID ANY U.L. LISTING.

When ordering parts, please specify the model and serial number of the product.

\* Indicates a component that is not available as an individual part.

ITEM	PART NO.	1	2	3	4	5	DESCRIPTION	3 WHEEL	4 WHEEL
								QTY	QTY
34	24243-G1						AMMETER (INCLUDES ITEM 35) .....	1	1
35	*						BRACKET, AMMETER .....	1	1
36	00525-G5						NUT, #6 - 32 .....	2	2
37	00565-G5						WASHER, LOCK, #10 .....	2	2
38	00526-G4						NUT, #10 - 32 .....	2	2
39	12914-G1						FASTON TAB .....	2	2
40	19952-G1						WIRE .....	1	1
41									
42	00372-G3						SCREW, #8 - 32 X 3/8 LG. ....	1	1
43	00565-G4						WASHER, LOCK, #8 .....	1	1
44	00526-G1						NUT, #8 - 32 .....	1	1
45									
46	19928-G1						ASSEMBLY, TRANSFORMER .....	1	1
47	11027-G2						NUT, LOCK, 1/4 - 20 .....	4	4
48	00414-G5						SCREW, 1/4 - 20 X 5/8 LG. ....	4	4
49	19388-G1						A.C. CORD .....	1	1
50	13557-G2						STRAIN RELIEF, PLASTIC (A.C. CORD) .....	1	1
51									
52									
53	18747-G1						D.C. CORD ASSEMBLY, 10 FT. ....	1	1
54	*						D.C. CORD .....	1	1
55	13802-G1						CONTACT, CONNECTOR .....	2	2
56	18782-G1						CONNECTOR (BLACK) .....	1	1
57	18972-G1						KIT, CHARGER RECEPTACLE HANDLE (INCLUDES ITEMS 58, 59) .	1	1
58	*						HANDLE, HALF, L.H. ....	1	1
59	*						HANDLE, HALF, R.H. ....	1	1
60									
61	00647-G8						SCREW, STAINLESS STEEL, #6 - 32 X 29/32 LG. ....	2	2
62	00647-G3						SCREW, STAINLESS STEEL, #6 - 32 X 3/8 LG. ....	2	2
63	13521-G5						NUT, LOCK, #6 - 32 .....	4	4
64	00650-G2						WASHER, #5 .....	2	2
65	20628-G1						LABEL, CAUTION .....	1	1
66	13557-G3						STRAIN RELIEF, PLASTIC (D.C. CORD) .....	1	1



# BATTERY CHARGER, TOTAL CHARGE® III (PORTABLE)

ELECTRIC POWERED TRUCK

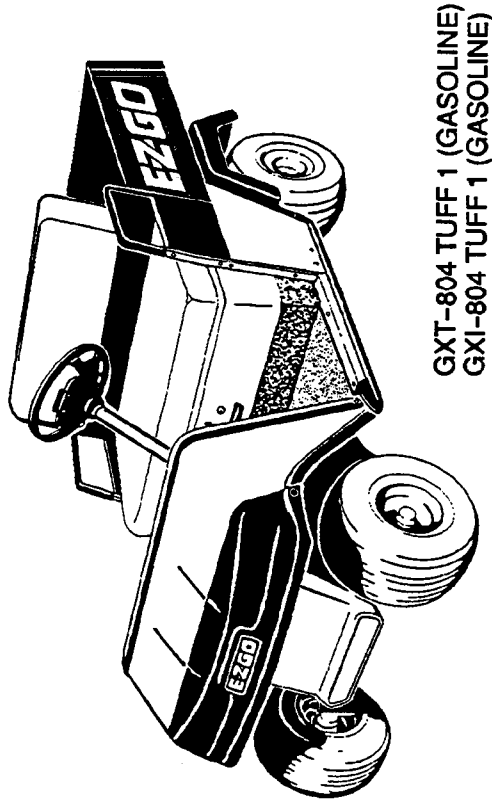
THE USE OF NON U.L. PARTS WILL VOID ANY U.L. LISTING.

When ordering parts, please specify the model and serial number of the product.

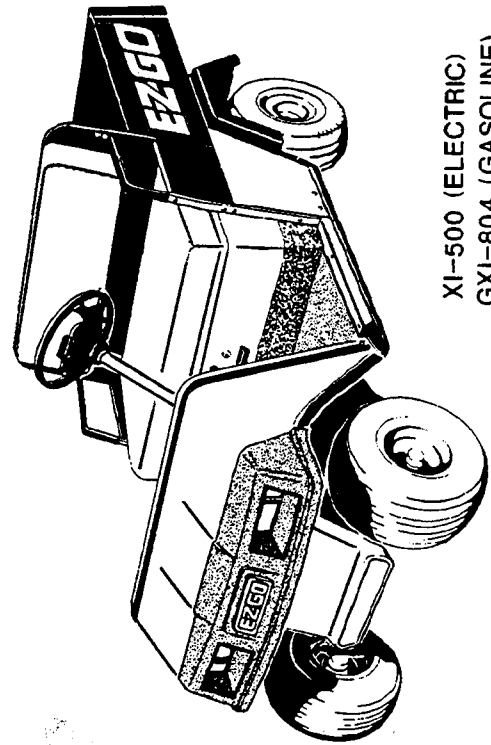
\* Indicates a component that is not available as an individual part.

ITEM	PART NO.	1	2	3	4	5	DESCRIPTION	QTY	
								3 WHEEL	4 WHEEL
67									
68									
69	00614-G4						SCREW, SELF-TAPPING, #8 X 1/2 LG. ....	10	10
70	19461-G3						ASSEMBLY, ELECTRONIC MODULE (INCLUDES ITEMS 71 - 79) ...	1	1
71	19460-G1						MODULE .....	1	1
72	19459-G1						BRACKET .....	1	1
73	00138-G5						SCREW, #6 - 32 X 5/8 LG. ....	4	4
74	19081-G1						STANDOFF .....	4	4
75	00736-G1						WASHER, FLAT, NYLON .....	4	4
76	00735-G1						NUT, NYLON, #6 - 32 .....	4	4
77	19402-G1						WIRE .....	1	1
78	19949-G1						WIRE .....	1	1
79	19954-G1						WIRE .....	1	1
80	00559-G3						WASHER, #8 .....	2	2
81									
82	19360-G1						SPLICE, WIRE .....	2	2
83	19363-G1						FUSE BLOCK, AC SIDE .....	1	1
84	19361-G1						FUSE, 15 AMP, AC .....	1	1
85	19434-G1						LABEL, IDENTIFICATION .....	1	1
86	19441-G1						WIRE .....	1	1
87	19362-G1						CIRCUIT BREAKER, 50 AMP (INCLUDES ITEMS 88, 89) .....	2	2
88	00559-G5						WASHER, #10 .....	4	4
89	00526-G4						NUT, #10 - 32 .....	2	2
90	00565-G4						WASHER, LOCK, #8 .....	2	2
91	00526-G1						NUT, #8 - 32 .....	2	2
92	00372-G6						SCREW, #8 - 32 X 3/4 LG. ....	2	2
93	00372-G5						SCREW, #8 - 32 X 5/8 LG. ....	2	2
94	00565-G4						WASHER, #8 .....	2	2
95	00526-G1						NUT, #8 - 32 .....	2	2

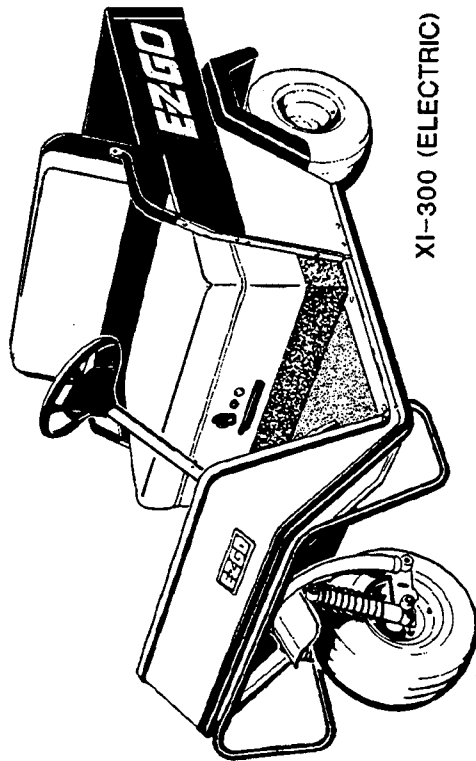




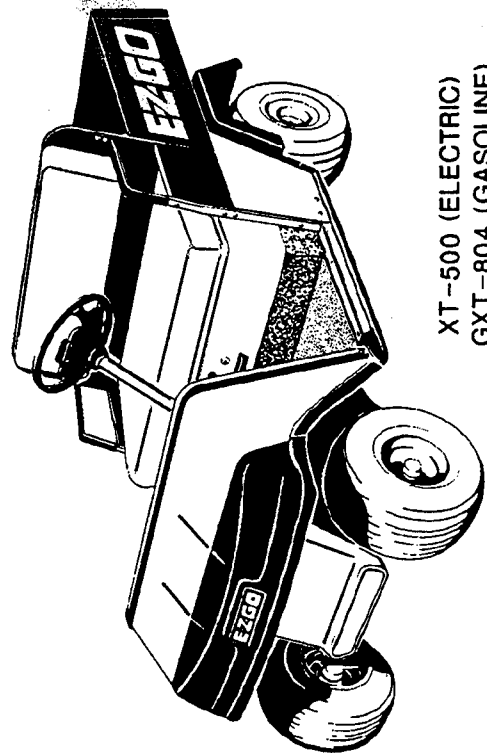
GXT-804 TUFF 1 (GASOLINE)  
GXI-804 TUFF 1 (GASOLINE)



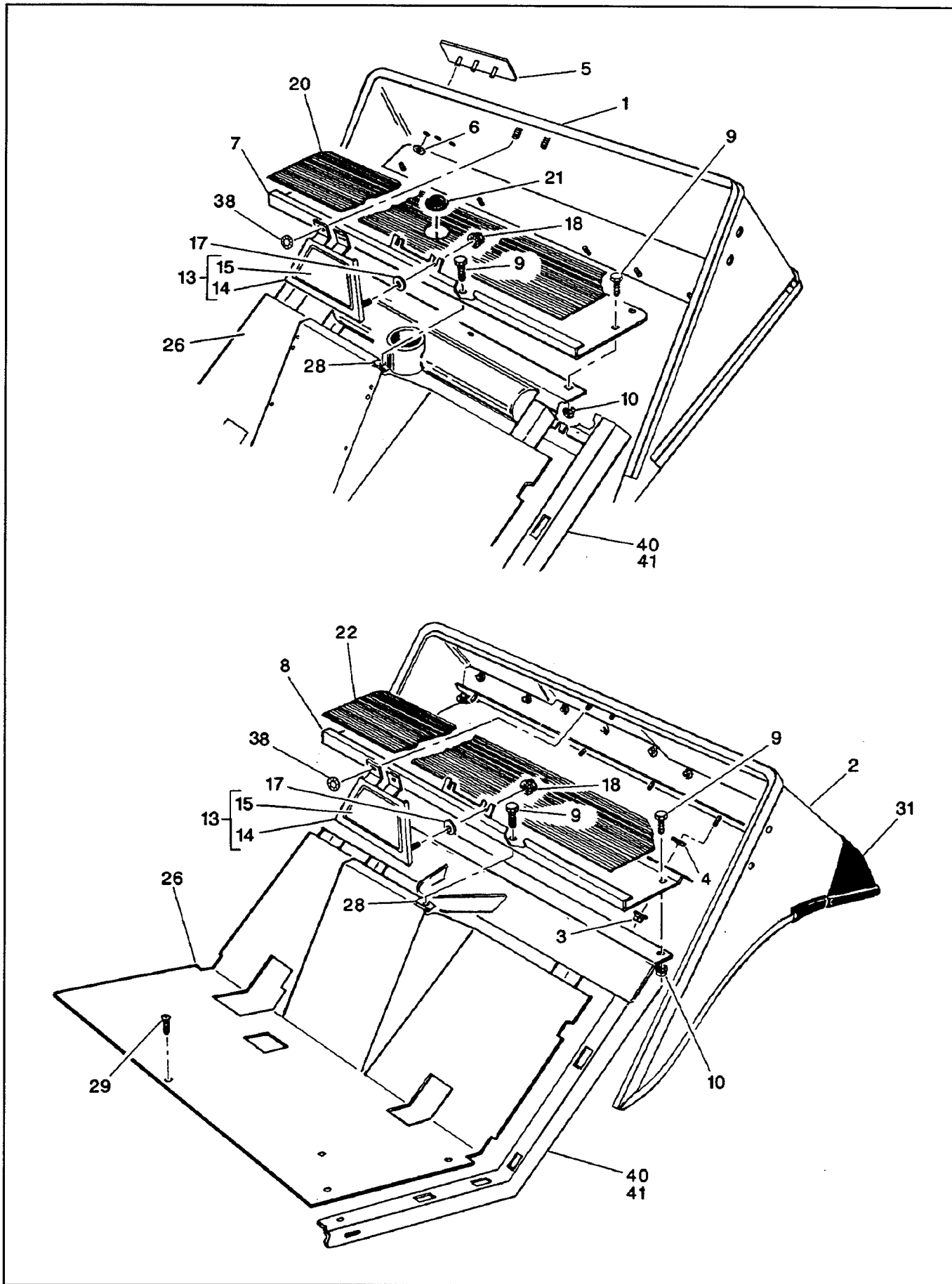
XI-500 (ELECTRIC)  
GXI-804 (GASOLINE)

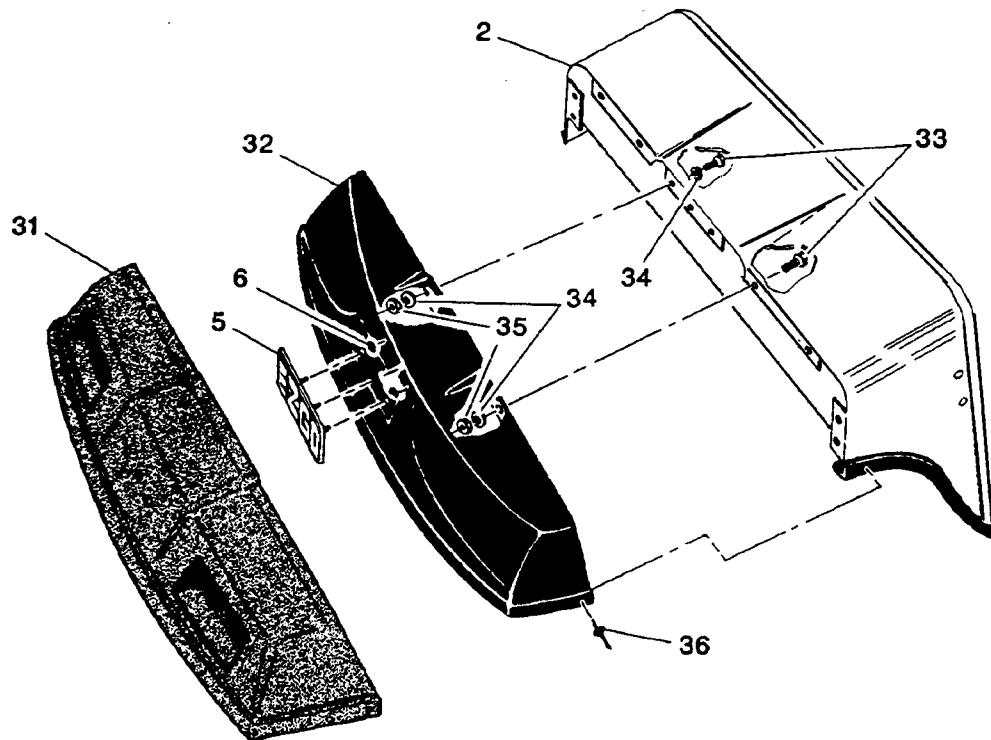
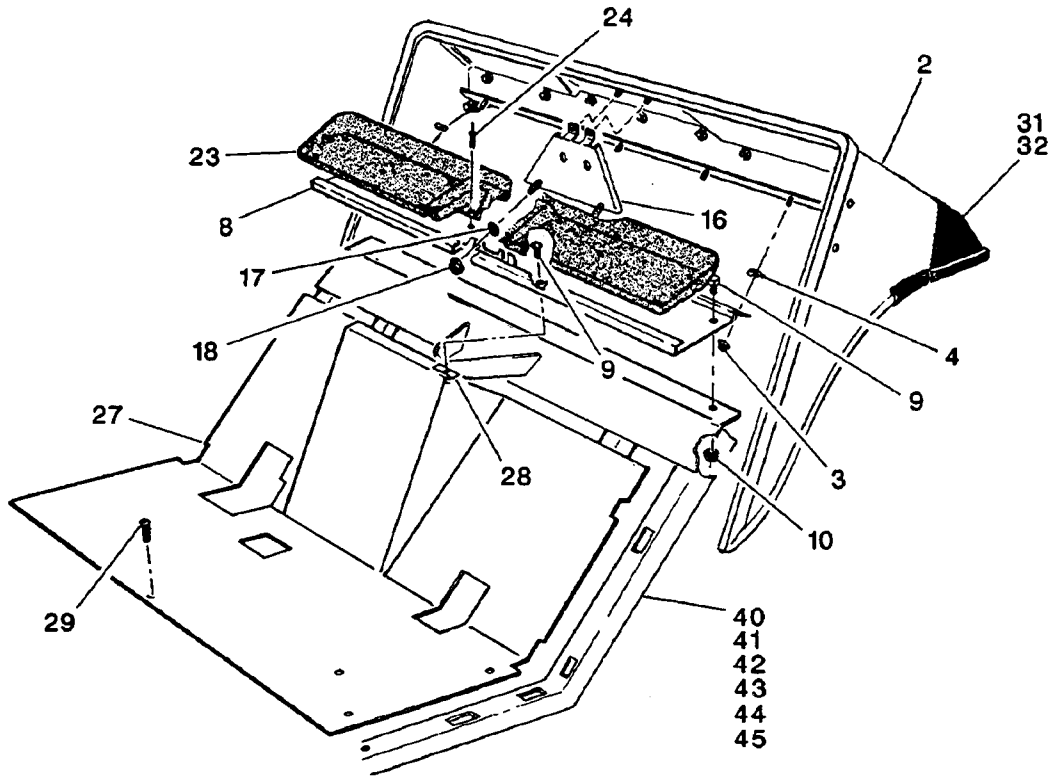


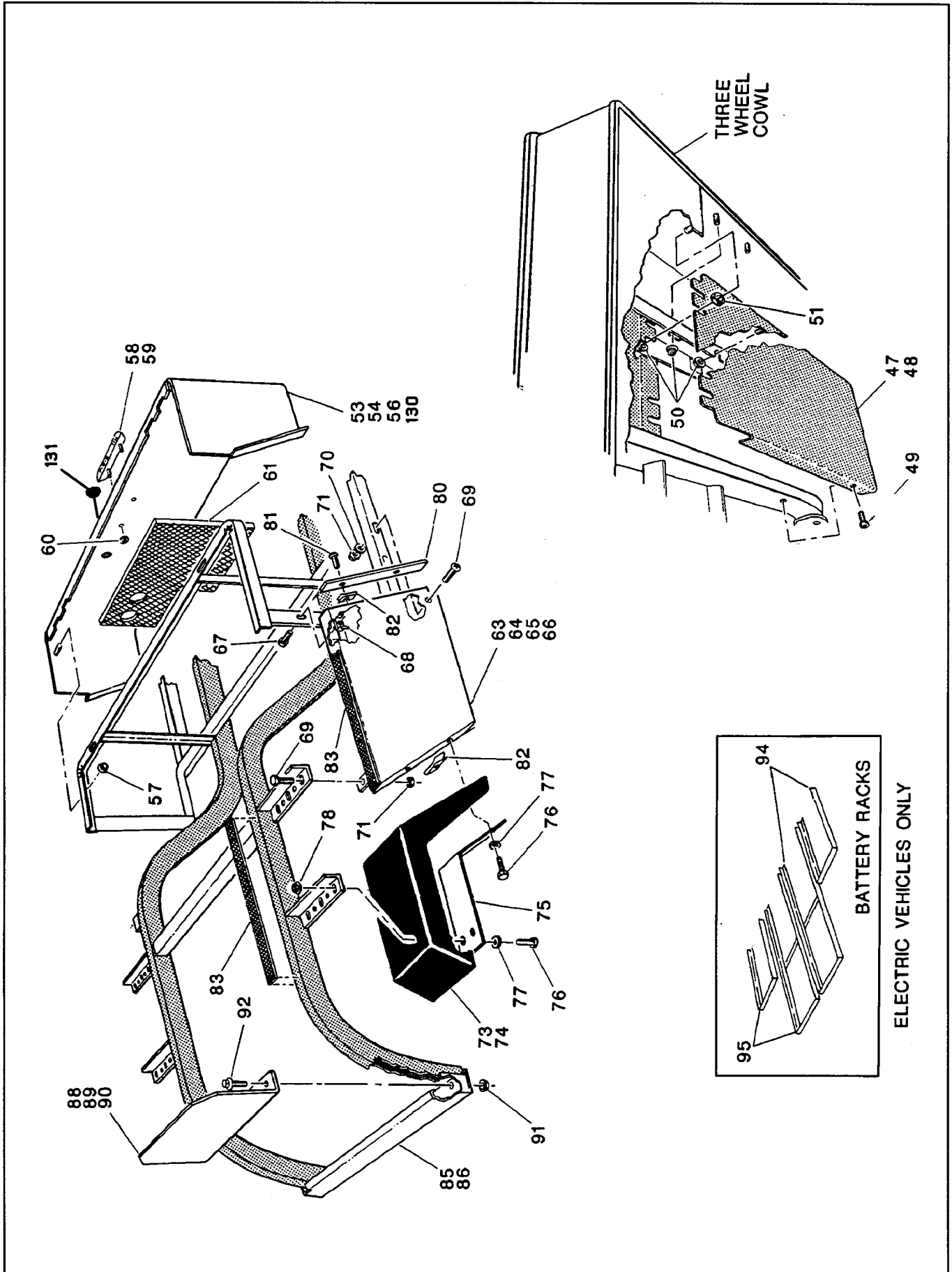
XI-300 (ELECTRIC)

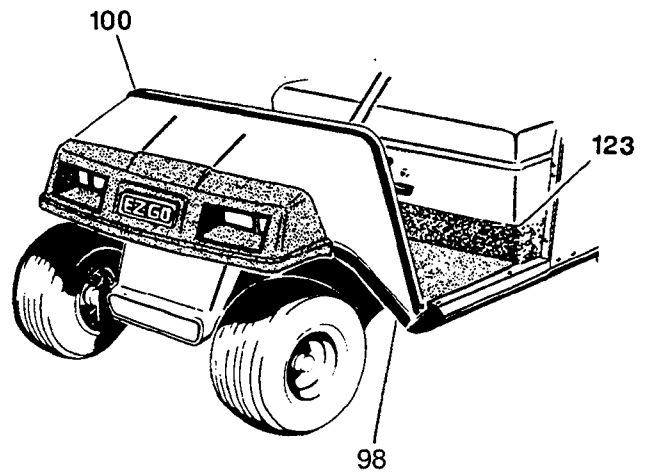
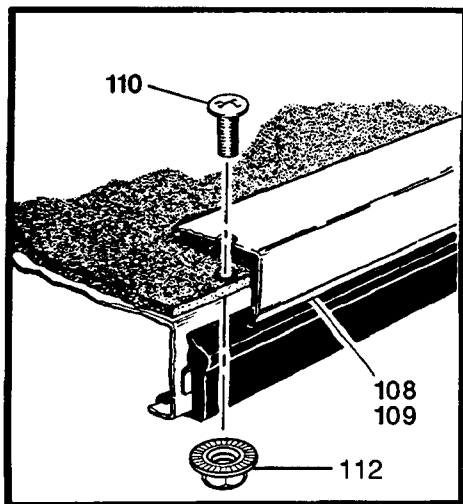
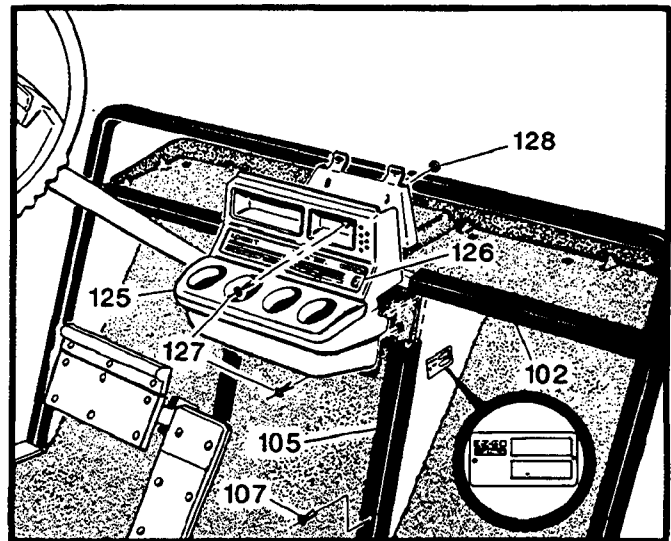
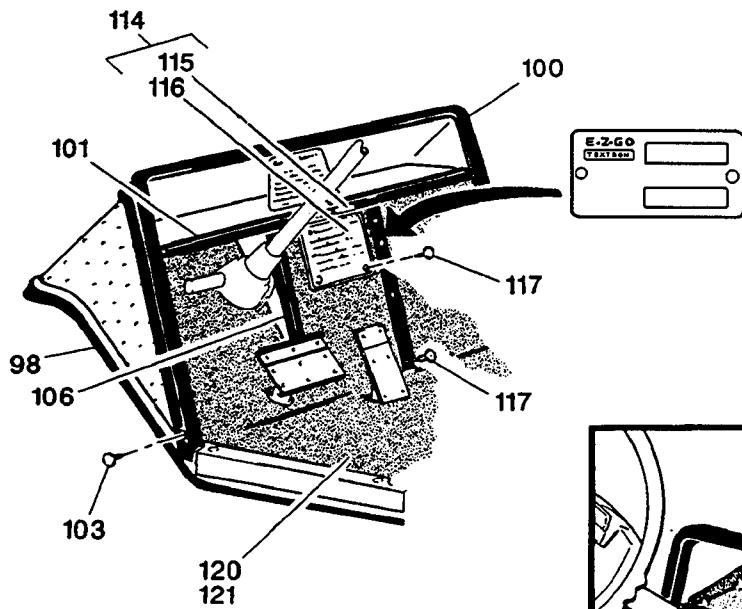


XT-500 (ELECTRIC)  
GXT-804 (GASOLINE)









# BODY AND ASSOCIATED PARTS

ELECTRIC/GASOLINE POWERED TRUCK

THE USE OF NON U.L. PARTS WILL VOID ANY U.L. LISTING.

When ordering parts, please specify the model and serial number of the product.

\* Indicates a component that is not available as an individual part.

ITEM	PART NO.	1	2	3	4	5	DESCRIPTION	3 WHEEL	4 WHEEL
								QTY	QTY
1	20415-G2						COWL, XI - 300 .....	1	-
2	26513-G02						COWL, XI - 500,XT - 500,GXI - 804, GXT - 804 .....	-	1
3	11027-G2						NUT, 1/4 - 20 .....	16	16
4	00559-G8						WASHER, 5/16 .....	-	5
5	19817-G1						NAMEPLATE, E-Z-GO .....	1	1
6	12064-G3						NUT, PUSH .....	3	3
7	18352-G2						TRAY, DASH .....	1	-
8	18353-G2						TRAY, DASH .....	-	1
9	00414-G6						SCREW,1/4 - 20 X 3/4 LG .....	5	5
10	11027-G2						NUT, LOCK,1/4 - 20 .....	3	3
11									
12									
13	17108-G1						SUPPORT, COWL ,XI - 300,XI - 500 (INCLUDES ITEMS 14,15) .....	1	1
14	*						SUPPORT .....	1	1
15	20412-G1						DECAL, WARNING .....	1	1
16	23148-G1						SUPPORT, COWL,XT - 500,GXI - 804,GXT - 804, (OPT. XI - 500) .....	-	1
17	00560-G1						WASHER, 3/8 .....	2	2
18	11027-G2						NUT, 1/4 - 20 .....	4	4
19									
20	17098-G1						MAT, DASH TRAY, XI - 300 .....	1	-
21	12110-G1						CAP, FORK STEM, XI - 300 .....	1	-
22	17097-G1						MAT, DASH TRAY, XI - 500 .....	-	1
23	22911-G1						LINER, DASH TRAY, XT - 500, GXI - 804, GXT - 804 (OPT.XI - 500) (INCLUDES ITEM 24) .....	-	1
24	18436-G1						RIVET, PLASTIC DRIVE .....	-	2
25									
26	15671-G2						FLOORBOARD, XI - 300, XI - 500 (INCLUDES ITEM 28) .....	1	1
27	15671-G3						FLOORBOARD, XT - 500, GXI - 804, GXT - 804 (INCLUDES ITEM 28) ..	-	1
28	14776-G1						NUT,"J", 1/4 - 20 .....	2	2
29	00106-G6						SCREW, SELF DRILL AND TAP, #12 - 24 X 3/4 LG .....	23	23
30									
31	27147-G01						CAP, COWL XI - 500, GXI - 804 .....	-	1
32	27164-G01						CAP, COWL XT - 500, GXT - 804 .....	-	1
33	00414-G2						SCREW, 1/4 - 20 X 3/4 LG .....	-	9



# BODY AND ASSOCIATED PARTS

ELECTRIC/GASOLINE POWERED TRUCK

THE USE OF NON U.L. PARTS WILL VOID ANY U.L. LISTING.

When ordering parts, please specify the model and serial number of the product.

\* Indicates a component that is not available as an individual part.

ITEM	PART NO.	1	2	3	4	5	DESCRIPTION	3 WHEEL	4 WHEEL
								QTY	QTY
34	00559-G7						WASHER, 1/4 - 20	-	18
35	14390-G4						NUT, LOCK, 1/4 - 20	-	9
36	15058-G4						RIVET, BLACK ALUMINUM	-	2
37									
38	12064-G3						NUT, PUSH	2	2
39									
40	25454-G1						SIDERAIL, PASSENGER SIDE, XI - 300	1	-
41	25454-G2						SIDERAIL, DRIVER'S SIDE, XI - 300	1	-
42	25454-G3						SIDERAIL, PASSENGER SIDE, XI - 500, XT - 500	-	1
43	25454-G4						SIDERAIL, DRIVER'S SIDE, XI - 500, XT - 500	-	1
44	15664-G2						SIDERAIL, PASSENGER SIDE, GXI - 804, GXT - 804	-	1
45	15665-G2						SIDERAIL, DRIVER'S SIDE, GXI - 804, GXT - 804	-	1
46									
47	19837-G1						PANEL, SPLASH, PASSENGER SIDE, XI - 300	1	-
48	19837-G3						PANEL, SPLASH, DRIVER'S SIDE, XI - 300	1	-
49	00106-G6						SCREW, SELF-DRILL AND TAP, #12 - 24 X 3/4 LG	4	-
50	11027-G2						NUT, LOCK, 1/4 - 20	16	13
51	00544-G3						NUT, 5/16-18 (USED AS SPACER)	4	-
52									
53	20443-G3						SEAT WRAP, XI - 300, XI - 500	1	1
54	20443-G1						SEAT WRAP, XT - 500	-	1
55									
56	23961-G2						SEAT WRAP, GXI - 804, GXT - 804 (AIR BOX MOUNT ON FRAME)	-	1
57	11027-G2						NUT, LOCK, 1/4 - 20	9	9
58	19882-G1						INDICATOR, DIRECTION SELECTOR, XI - 300, XI - 500, XT - 500	1	1
59	23791-G4						INDICATOR, DIRECTION SELECTOR, GXI - 804, GXT - 804	-	1
60	12064-G3						NUT, PUSH	3	3
61	22428-G1						PANEL, SOUND CONTROL, GXI - 804, GXT - 804	-	1
62									
63	18982-G1						PANEL, LOWER, XI - 300, PASSENGER SIDE, XI - 500, XT - 500	1	1
64	18982-G2						PANEL, LOWER, DRIVER'S SIDE, XI - 300, XI - 500, XT - 500	1	1
65	18191-G3						PANEL, LOWER, PASSENGER SIDE, GXI-804, GXT-804	-	1
66	18191-G4						PANEL, LOWER, DRIVER'S SIDE, GXI - 804, GXT - 804	-	1
67	13437-G3						SCREW, 5/16-18 X 1 LG	2	2

# BODY AND ASSOCIATED PARTS

ELECTRIC/GASOLINE POWERED TRUCK

THE USE OF NON U.L. PARTS WILL VOID ANY U.L. LISTING.

When ordering parts, please specify the model and serial number of the product.

\* Indicates a component that is not available as an individual part.

ITEM	PART NO.	1	2	3	4	5	DESCRIPTION	8 WHEEL	4 WHEEL
								QTY	QTY
68	11840-G1						NUT, SPEED GRIP, 5/16 .....	2	2
69	16705-G2						SCREW, TRUSS, STAINLESS STEEL, 1/4 - 20 X 3/4 LG .....	6	6
70	00559-G7						WASHER, 1/4 .....	6	6
71	14390-G4						NUT, 1/4 - 20 .....	6	6
72									
73	18213-G1						FENDER, PASSENGER SIDE .....	1	1
74	18213-G2						FENDER, DRIVER'S SIDE .....	1	1
75	18249-G1						BRACE, FENDER .....	2	2
76	00414-G6						SCREW, 1/4 - 20 X 3/4 LG .....	8	8
77	00559-G7						WASHER, 1/4 .....	8	8
78	11027-G2						NUT, LOCK, 1/4 - 20 .....	4	4
79									
80	22224-G1						TRIM .....	2	2
81	16705-G1						SCREW, TRUSS, 1/4 - 20 X 1 LG .....	4	4
82	14776-G1						NUT, "J", 1/4-20 .....	4	4
83	14382-G1						STRIP, NOISE SUPPRESSOR .....	4	4
84									
85	23800-G2						BUMPER, REAR .....	1	1
86									
87									
88	22282-G1						SHIELD, REAR, TAILLIGHT MOUNTING, XI - 300, XI - 500 .....	1	1
89	19876-G1						SHIELD, REAR, XT - 500, GXT - 804 .....	-	1
90	22291-G1						SHIELD, REAR, TAILLIGHT MOUNTING, GXI - 804 .....	-	1
91	11027-G2						NUT, LOCK, 1/4 - 20 .....	2	2
92	13437-G9						SCREW, 1/4 - 20 X 3/4 LG .....	2	2
93									
94	25457-G2						BATTERY RACK, RIGHT SIDE .....	1	1
95	25457-G3						BATTERY RACK, LEFT SIDE .....	1	1
96									
97									
98	22888-G3						VINYL BUMPER, BODY TRIM, FRONT AND SIDE .....	1	1
99									
100	22273-G1						VINYL BUMPER, BODY TRIM, BACK OF COWL .....	1	1
101	17203-G4						VINYL BUMPER, BODY TRIM, DASH, XI - 300, XI - 500 .....	1	1

# BODY AND ASSOCIATED PARTS

ELECTRIC/GASOLINE POWERED TRUCK

THE USE OF NON U.L. PARTS WILL VOID ANY U.L. LISTING.

When ordering parts, please specify the model and serial number of the product.

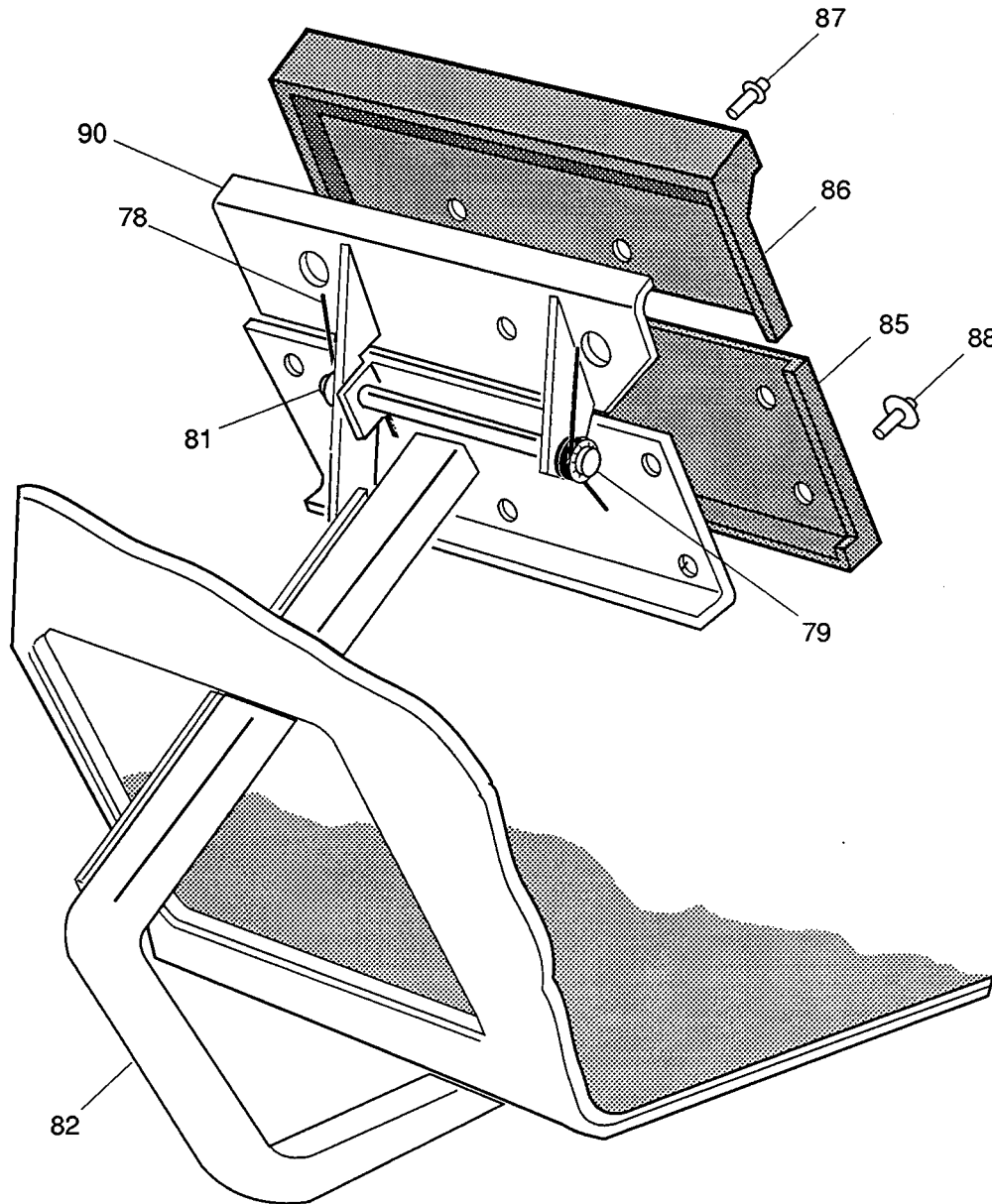
\* Indicates a component that is not available as an individual part.

ITEM	PART NO.	1	2	3	4	5	DESCRIPTION	3 WHEEL	4 WHEEL
								QTY	QTY
102	17203-G9						VINYL BUMPER, BODY TRIM, DASH, XT - 500, GXI - 804, GXT - 804 (OPT. XI - 500) .....	-	1
103	15058-G2						RIVET, BLACK ALUMINUM .....	4	4
104									
105	24620-G3						TRIM, FLOORMAT, CUT TO LENGTH .....	2	2
106									
107	18436-G1						RIVET, PLASTIC DRIVE .....	8	8
108	22223-G1						TRIM, ROCKER PANEL, PASSENGER SIDE .....	1	1
109	22223-G2						TRIM, ROCKER PANEL, DRIVBER'S SIDE .....	1	1
110	00827-G8						BOLT, CARRIAGE, STAINLESS STEEL, 1/4 - 20 X 1 LG .....	2	2
111									
112	11027-G2						NUT, LOCK, 1/4 - 20 .....	2	2
113									
114	17117-G2						DECAL AND PLATE ASSEMBLY, XI - 300, XI - 500 (INCLUDES ITEMS 115 AND 116) .....	1	1
115	*						PANEL, MOUNTING PLATE .....	1	1
116	23446-G1						LABEL, OPERATING INSTRUCTIONS .....	1	1
117	15058-G2						RIVET, 1/16 .....	3	3
118									
119									
120	25091-G2						FLOORMAT, 3/16", XI - 300, XI - 500 (WITH HOLES FOR BATTERY CHARGER) .....	1	1
121	26437-G01						FLOORMAT, 3/16", XT - 500, GXI - 804, GXT - 804 .....	-	1
122									
123	26437-G01						SCUFF GUARD, SEAT WRAP .....	1	1
124									
125	26570-G*						CONSOLE CENTER (SPECIFY MODEL WHEN ORDERING) .....	-	1
126	*						LABEL, SAFETY (INCLUDED IN ITEM 125) .....	-	1
127	18436-G1						RIVET, PLASTIC DRIVE .....	-	4
128	00559-G7						WASHER, 1/4 .....	-	2
129									
130	23692-G5						SEAT WRAP (804 TUFF1 ONLY) .....	-	1
131	20271-G2						PLUG, HOLE (804 TUFF1 ONLY) .....	-	1

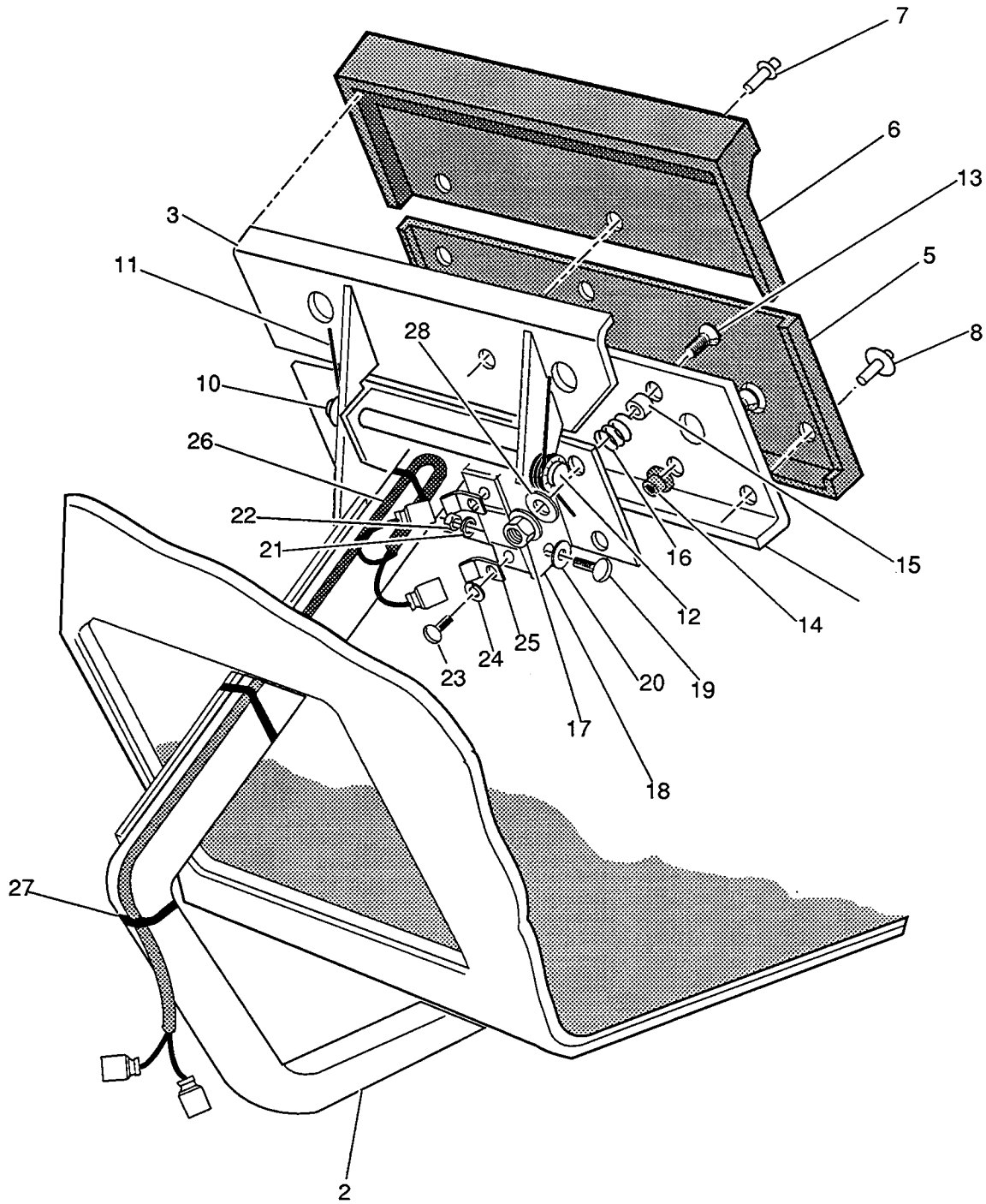


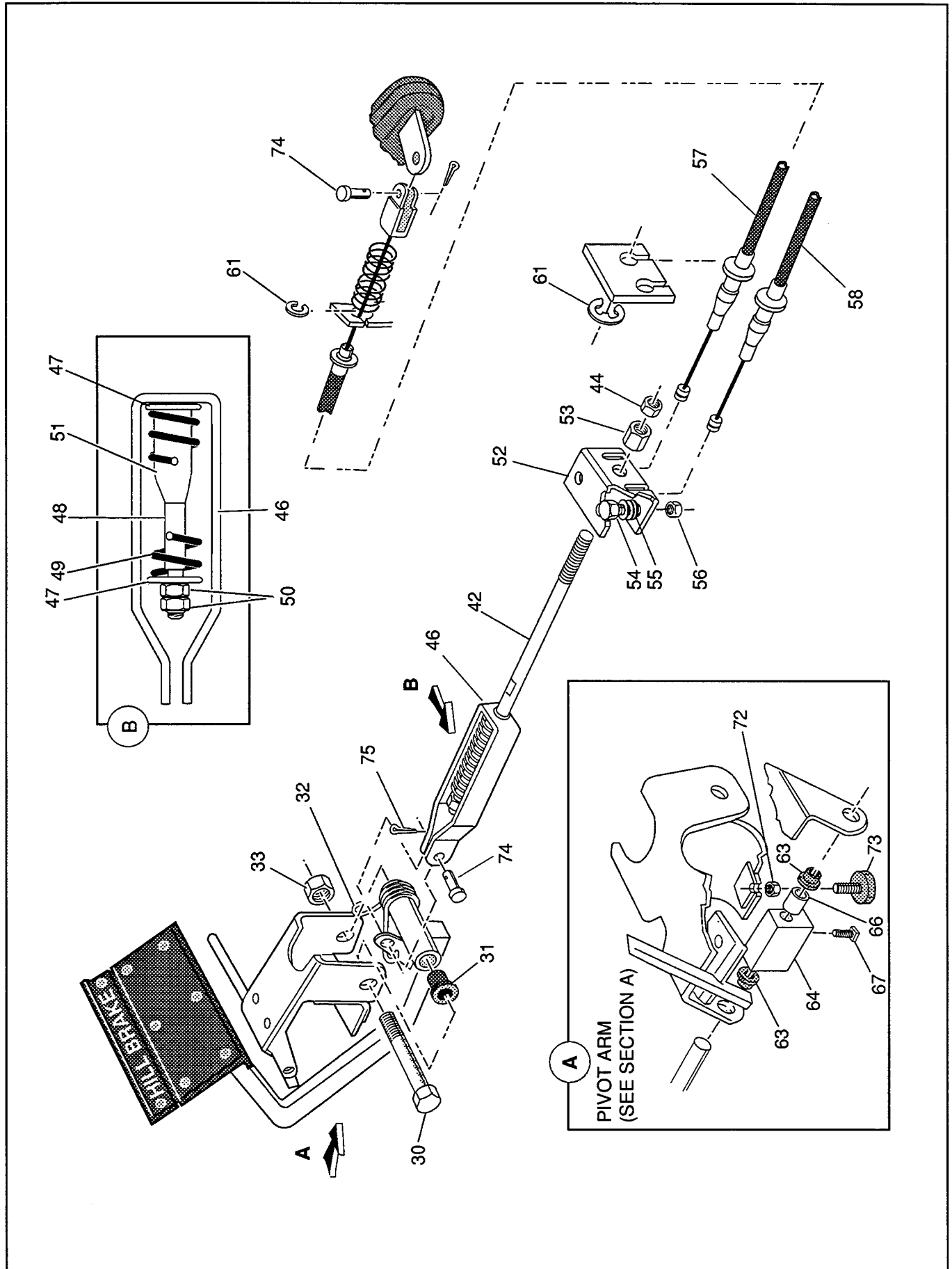
- 1 – INCLUDES ITEMS 2 – 28
- 3 – INCLUDES ITEMS 4 – 8
- 40 – INCLUDES ITEMS 42 – 58
- 77 – INCLUDES ITEMS 78 – 90
- 84 – INCLUDES ITEMS 85 – 88

**TRUCKS WITHOUT BRAKE LIGHTS**



TRUCKS WITH BRAKE LIGHTS





# BRAKE LINKAGE – EARLY PRODUCTION

ELECTRIC POWERED TRUCK

THE USE OF NON U.L. PARTS WILL VOID ANY U.L. LISTING.

When ordering parts, please specify the model and serial number of the product.

\* Indicates a component that is not available as an individual part.

ITEM	PART NO.	1	2	3	4	5	DESCRIPTION	3 WHEEL	4 WHEEL
								QTY	QTY
1	22449-G1						BRAKE PEDAL ASSEMBLY (INCLUDES ITEMS 2 – 28) .....	1	1
2	22357-G1						ARM, BRAKE PEDAL (WITH PAD, ITEM 5) .....	1	1
3	15813-G2						PEDAL, HILL BRAKE (WITH PAD, ITEM 6) .....	1	1
4	15826-G1						BRAKE/HILL BRAKE PEDAL PAD KIT (INCLUDES ITEMS 5 – 7) .....	1	1
5	*						PAD, BRAKE PEDAL .....	1	1
6	*						PAD, HILL BRAKE PEDAL .....	1	1
7	15766-G1						RIVET, SMALL HEAD .....	3	3
8	10409-G1						RIVET, LARGE HEAD .....	6	6
9	27513-G02						PLATE, BRAKE PEDAL .....	1	1
10	15932-G1						PIN, HILL BRAKE PEDAL .....	1	1
11	11737-G1						SPRING, TORSION .....	2	2
12	12064-G1						NUT, PUSH .....	1	1
13	00737-G8						SCREW, #10 – 24 X 1 LG. ....	4	4
14	00739-G1						NUT, CAPTIVE, #10 – 24 .....	2	2
15	22362-G3						STANDOFF, BRAKE PEDAL .....	2	2
16	27137-G01						SPRING, CONICAL .....	2	2
17	11098-G7						NUT, LOCK, #10– 24 .....	2	2
18	10606-G1						SWITCH, MICRO .....	1	1
19	00139-G2						SCREW, #6 – 32 X 1 1/4 LG. ....	2	2
20	00559-G3						WASHER, #6 .....	4	4
21	00565-G3						WASHER, LOCK, #6 .....	2	2
22	00525-G5						NUT, #6 – 32 .....	2	2
23	*						SCREW, BRASS .....	2	2
24	00567-G3						WASHER, LOCK, #6 .....	2	2
25	14628-G1						TAB, FASTON .....	2	2
26	22447-G1						WIRE HARNESS, BRAKE .....	1	1
27	17618-G1						CLAMP, NYLON .....	3	3
28	00559-G5						WASHER, #10 .....	2	2
29									
30	14158-G1						BOLT, SHOULDER, 3/8 – 16 .....	1	1
31	11079-G1						BUSHING, FLANGED, NYLON .....	2	2
32	25292-G1						SPRING, TORSION .....	1	1
33	13521-G4						NUT, LOCK, 3/8 – 16 .....	1	1
34									



# BRAKE LINKAGE – EARLY PRODUCTION

ELECTRIC POWERED TRUCK

THE USE OF NON U.L. PARTS WILL VOID ANY U.L. LISTING.

When ordering parts, please specify the model and serial number of the product.

\* Indicates a component that is not available as an individual part.

ITEM	PART NO.	1	2	3	4	5	DESCRIPTION	3 WHEEL	4 WHEEL
								QTY	QTY
35	00737-G8						SCREW, #10 – 24 .....	1	1
36	00559-G5						WASHER, #10 .....	3	3
37	11098-G7						NUT, LOCK, #10 – 24 .....	1	1
38									
39	25880-G02						COMPENSATING LINK ASSEMBLY (INCLUDES ITEMS 42 – 58) .....	1	1
40									
41									
42	25882-G02						ROD, LINK .....	1	1
43									
44	11098-G9						NUT, LOCK, 5/16 – 24 .....	1	1
45									
46	23030-G1						YOKE, BRAKE .....	1	1
47	15121-G1						WASHER, 5/16 .....	2	2
48	23061-G2						TUBE .....	1	1
49	23463-G1						SPRING, COMPRESSION .....	1	1
50	00963-G01						NUT, 5/16 – 24 .....	2	2
51	17979-G1						BUSHING, ACCELERATOR ROD .....	1	1
52	25781-G01						BRACKET, EQUALIZER .....	1	1
53									
54									
55									
56									
57	25884-G01						CABLE, BRAKE, PASSENGER SIDE .....	1	1
58	25884-G03						CABLE, BRAKE, DRIVER'S SIDE .....	1	1
59									
60									
61	12305-G1						RING, RETAINING .....	2	2
62									
63	10097-G6						BEARING, FLANGED .....	2	2
64	25103-G1						CAM, HILL BRAKE .....	1	1
65									
66	14134-G2						SPACER .....	1	1
67	00491-G4						SETSCREW, 1/4 – 20 X 3/8 LG. ....	2	2
68									

# BRAKE LINKAGE – EARLY PRODUCTION

ELECTRIC POWERED TRUCK

THE USE OF NON U.L. PARTS WILL VOID ANY U.L. LISTING.

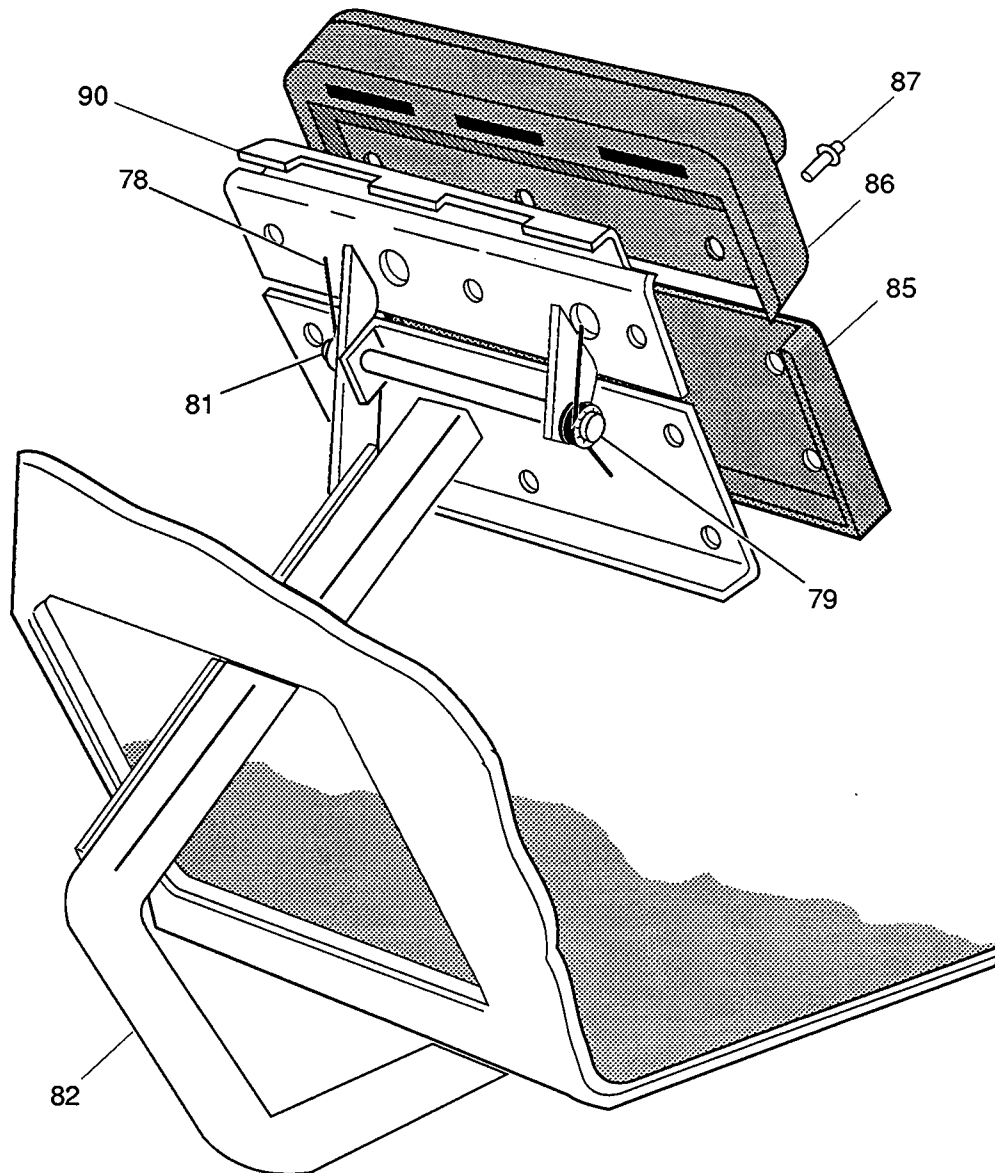
When ordering parts, please specify the model and serial number of the product.

\* Indicates a component that is not available as an individual part.

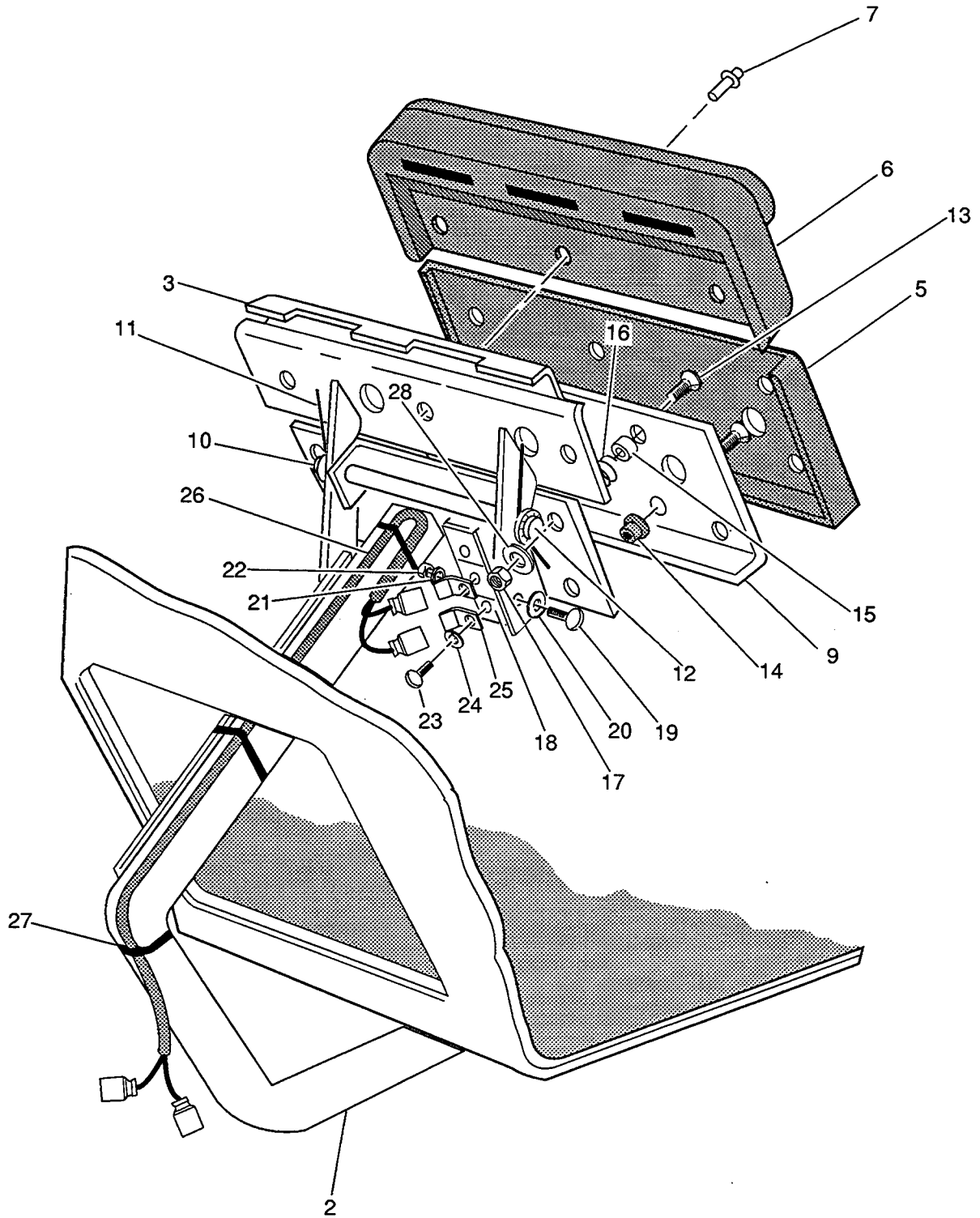
ITEM	PART NO.	1	2	3	4	5	DESCRIPTION	8 WHEEL	4 WHEEL
								QTY	QTY
69									
70									
71									
72	11027-G1						NUT, LOCK, 5/16 – 18 .....	1	1
73	70113-G01						BUMPER, THREADED .....	1	1
74	10386-G3						PIN, CLEVIS .....	2	2
75	10387-G3						PIN, COTTER, 3/32 X 3/4 LG. ....	2	2
76									
77	27585-G01						BRAKE PEDAL ASSEMBLY (INCLUDES ITEMS 78 – 90) .....	1	1
78	11737-G1						SPRING, TORSION HILL BRAKE .....	2	2
79	12064-G1						NUT, PUSH .....	1	1
80									
81	15932-G1						PIN, HILL BRAKE PEDAL .....	1	1
82	27524-G01						ARM, BRAKE PEDAL ASSEMBLY .....	1	1
83									
84	27843-G01						BRAKE/HILL BRAKE PEDAL PAD KIT (INCLUDES ITEMS 85 – 87) ..	1	1
85	*						PAD, BRAKE PEDAL .....	1	1
86	*						PAD, HILL BRAKE PEDAL .....	1	1
87	15766-G1						RIVET, SMALL HEAD .....	9	9
88									
89									
90	15813-G1						ASSEMBLY, HILL BRAKE PEDAL .....	1	1

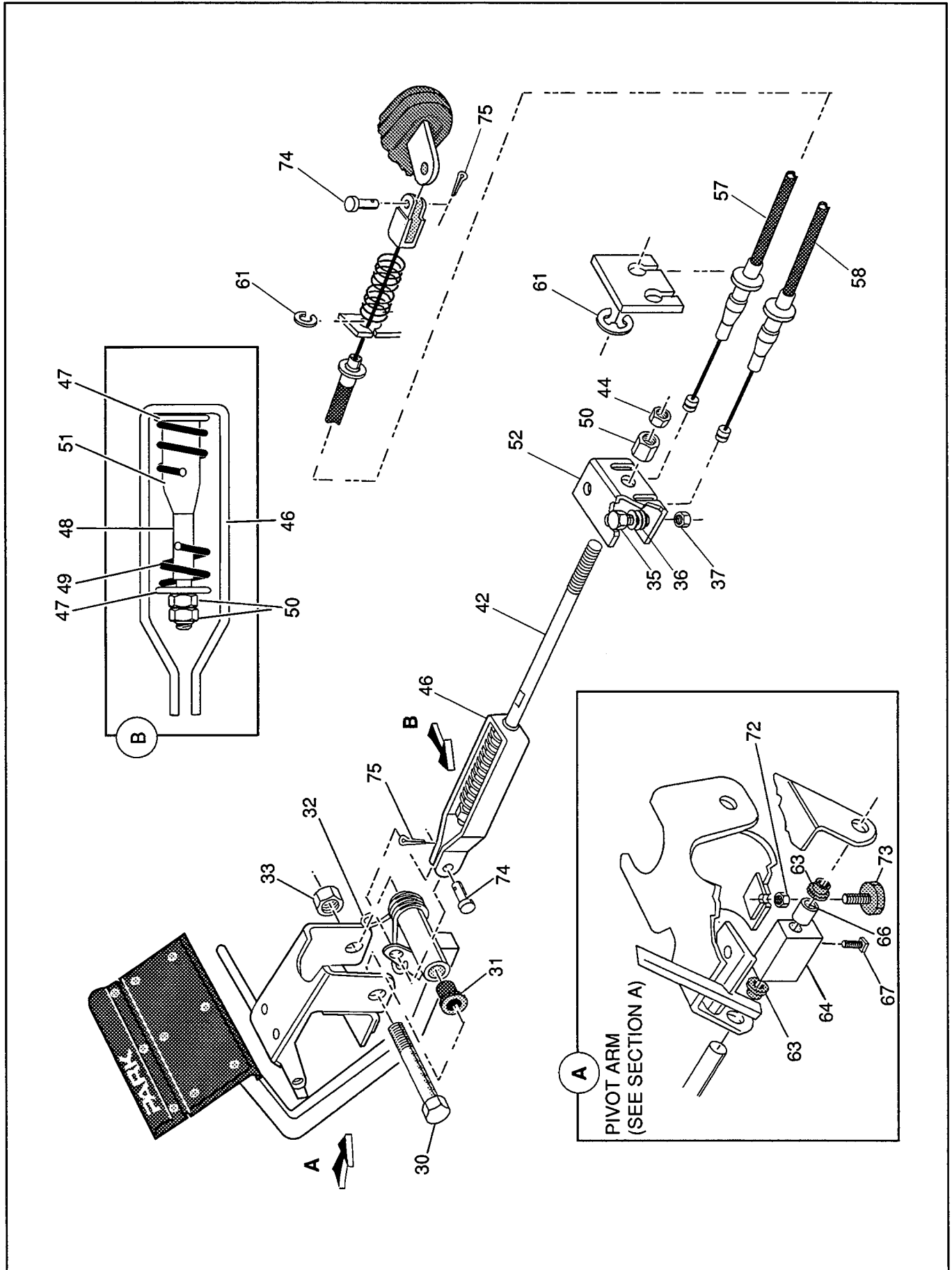
- 1 - INCLUDES ITEMS 2 - 28
- 4 - INCLUDES ITEMS 5 - 8
- 40 - INCLUDES ITEMS 42 - 58
- 77 - INCLUDES ITEMS 78 - 92
- 84 - INCLUDES ITEMS 85 - 88

**TRUCKS WITHOUT BRAKE LIGHTS**



TRUCKS WITH BRAKE LIGHTS





# BRAKE LINKAGE

ELECTRIC POWERED TRUCK

THE USE OF NON U.L. PARTS WILL VOID ANY U.L. LISTING.

When ordering parts, please specify the model and serial number of the product.

\* Indicates a component that is not available as an individual part.

ITEM	PART NO.	1	2	3	4	5	DESCRIPTION	3 WHEEL	4 WHEEL
								QTY	QTY
1	27581-G01						BRAKE PEDAL ASSEMBLY (INCLUDES ITEMS 2 - 28) .....	1	1
2	27522-G01						ARM, BRAKE PEDAL (WITH PAD, ITEM 5) .....	1	1
3	27584-G01						PEDAL, PARK BRAKE (WITH PAD, ITEM 6) .....	1	1
4	27843-G01						BRAKE/PARK BRAKE PEDAL PAD KIT (INCLUDES ITEMS 5 - 7) ...	1	1
5	*						PAD, BRAKE PEDAL .....	1	1
6	*						PAD, PARK BRAKE PEDAL .....	1	1
7	15766-G1						RIVET, SMALL HEAD .....	9	9
8									
9	27513-G02						PLATE, BRAKE PEDAL .....	1	1
10	15932-G1						PIN, PARK BRAKE PEDAL .....	1	1
11	11737-G1						SPRING, TORSION .....	2	2
12	12064-G1						NUT, PUSH .....	1	1
13	00737-G8						SCREW, #10 - 24 X 1 LG. ....	4	4
14	00739-G1						NUT, CAPTIVE, #10 - 24 .....	2	2
15	22362-G3						STANDOFF, BRAKE PEDAL .....	2	2
16	27137-G01						SPRING, CONICAL .....	2	2
17	11098-G7						NUT, LOCK, #10- 24 .....	2	2
18	10606-G1						SWITCH, MICRO .....	1	1
19	00139-G2						SCREW, #6 - 32 X 1 1/4 LG. ....	2	2
20	00559-G3						WASHER, #6 .....	4	4
21	00565-G3						WASHER, LOCK, #6 .....	2	2
22	00525-G5						NUT, #6 - 32 .....	2	2
23	*						SCREW, BRASS .....	2	2
24	00567-G3						WASHER, LOCK, #6 .....	2	2
25	14628-G1						TAB, FASTON .....	2	2
26	22447-G1						WIRE HARNESS, BRAKE .....	1	1
27	17618-G1						CLAMP, NYLON .....	3	3
28	00559-G5						WASHER, #10 .....	2	2
29									
30	14158-G1						BOLT, SHOULDER, 3/8 - 16 .....	1	1
31	11079-G1						BUSHING, FLANGED, NYLON .....	2	2
32	25292-G1						SPRING, TORSION .....	1	1
33	13521-G4						NUT, LOCK, 3/8 - 16 .....	1	1
34									

# BRAKE LINKAGE

ELECTRIC POWERED TRUCK

THE USE OF NON U.L. PARTS WILL VOID ANY U.L. LISTING.

When ordering parts, please specify the model and serial number of the product.

\* Indicates a component that is not available as an individual part.

8 WHEEL	4 WHEEL
---------	---------

ITEM	PART NO.	1	2	3	4	5	DESCRIPTION	QTY	
								8 WHEEL	4 WHEEL
35	00737-G8						SCREW, #10 - 24 .....	1	1
36	00559-G5						WASHER, #10 .....	3	3
37	11098-G7						NUT, LOCK, #10 - 24 .....	1	1
38									
39	25880-G02						COMPENSATING LINK ASSEMBLY (INCLUDES ITEMS 42 - 58) .....	1	1
40									
41									
42	25882-G02						ROD, LINK .....	1	1
43									
44	11098-G9						NUT, LOCK, 5/16 - 24 .....	1	1
45									
46	23030-G1						YOKE, BRAKE .....	1	1
47	15121-G1						WASHER, 5/16 .....	2	2
48	23061-G2						TUBE .....	1	1
49	23463-G1						SPRING, COMPRESSION .....	1	1
50	00532-G4						NUT, 5/16 - 24 .....	2	2
51	17979-G1						BUSHING, ACCELERATOR ROD .....	1	1
52	25781-G01						BRACKET, EQUALIZER .....	1	1
53									
54									
55									
56									
57	25884-G01						CABLE, BRAKE, PASSENGER SIDE .....	1	1
58	25884-G03						CABLE, BRAKE, DRIVER'S SIDE .....	1	1
59									
60									
61	12305-G1						RING, RETAINING .....	2	2
62									
63	10097-G6						BEARING, FLANGED .....	2	2
64	25103-G1						CAM, PARK BRAKE .....	1	1
65									
66	14134-G2						SPACER .....	1	1
67	00491-G4						SETSCREW, 1/4 - 20 X 3/8 LG. ....	2	2
68									

# BRAKE LINKAGE

ELECTRIC POWERED TRUCK

THE USE OF NON U.L. PARTS WILL VOID ANY U.L. LISTING.

When ordering parts, please specify the model and serial number of the product.

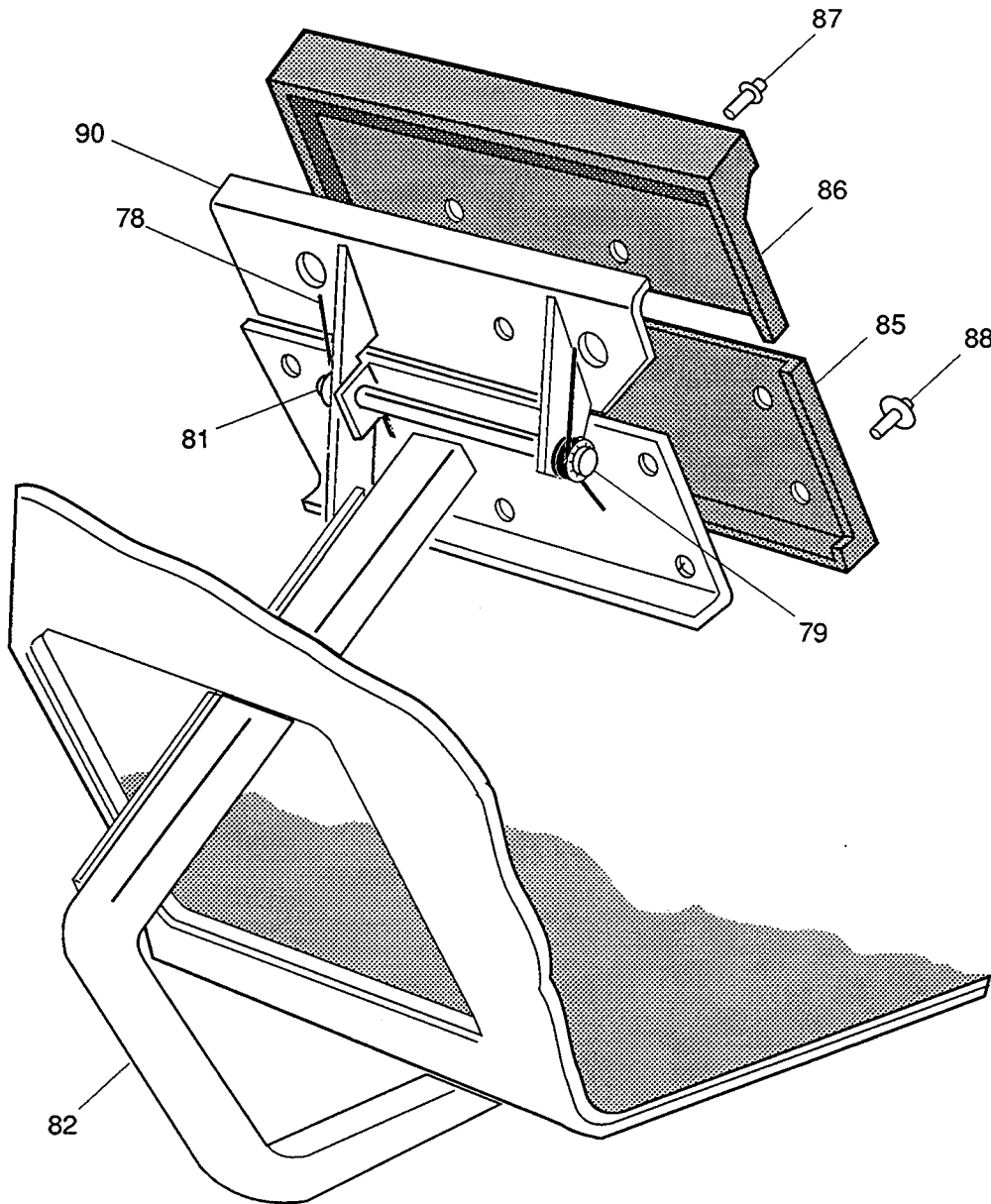
\* Indicates a component that is not available as an individual part.

ITEM	PART NO.	1	2	3	4	5	DESCRIPTION	QTY	
								3 WHEEL	4 WHEEL
69									
70									
71									
72	11027-G1						NUT, LOCK, 5/16 - 18 .....	1	1
73	70113-G01						BUMPER, THREADED .....	1	1
74	10386-G3						PIN, CLEVIS .....	2	2
75	10387-G3						PIN, COTTER, 3/32 X 3/4 LG. ....	2	2
76									
77	27585-G01						BRAKE PEDAL ASSEMBLY (INCLUDES ITEMS 78 - 90) .....	1	1
78	11737-G1						SPRING, TORSION HILL BRAKE .....	2	2
79	12064-G1						NUT, PUSH .....	1	1
80									
81	15932-G1						PIN, HILL BRAKE PEDAL .....	1	1
82	27524-G01						ARM, BRAKE PEDAL ASSEMBLY .....	1	1
83									
84	27843-G01						BRAKE/HILL BRAKE PEDAL PAD KIT (INCLUDES ITEMS 85 - 87) ..	1	1
85	*						PAD, BRAKE PEDAL .....	1	1
86	*						PAD, HILL BRAKE PEDAL .....	1	1
87	15766-G1						RIVET, SMALL HEAD .....	9	9
88									
89									
90	15813-G1						ASSEMBLY, PARK BRAKE PEDAL .....	1	1

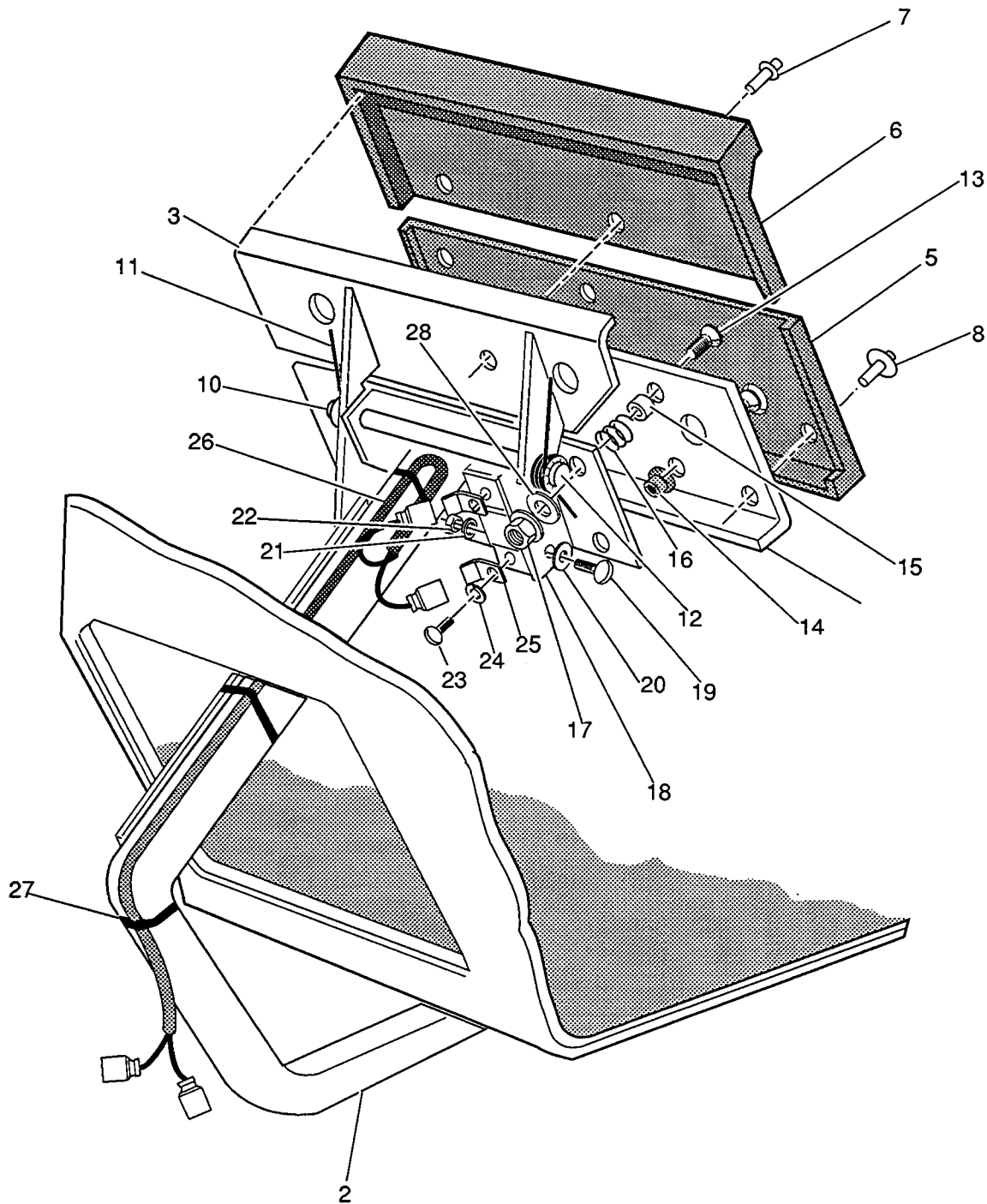


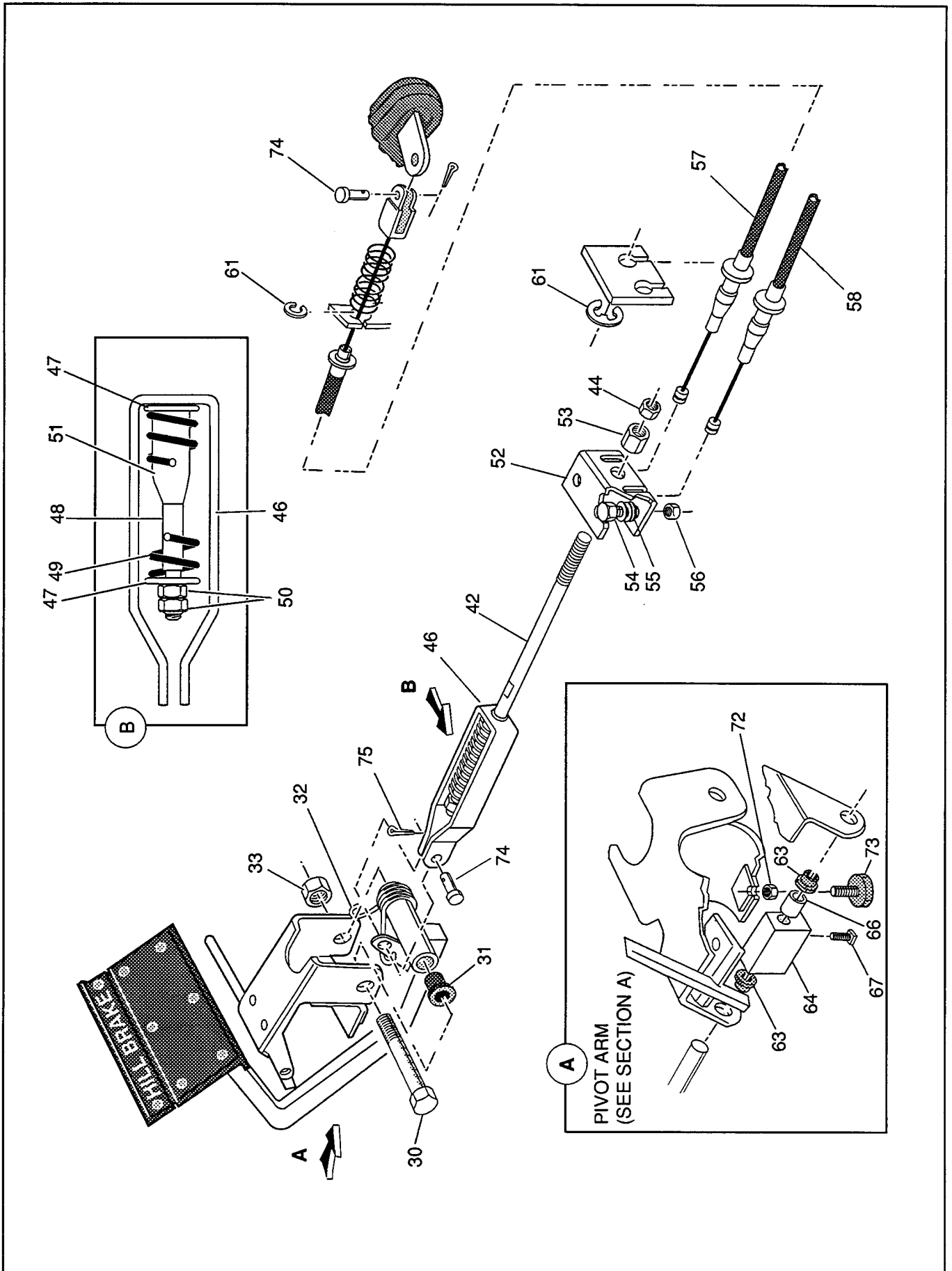
- 1 – INCLUDES ITEMS 2 – 28
- 3 – INCLUDES ITEMS 4 – 8
- 40 – INCLUDES ITEMS 42 – 58
- 77 – INCLUDES ITEMS 78 – 90
- 84 – INCLUDES ITEMS 85 – 88

**TRUCKS WITHOUT BRAKE LIGHTS**



**TRUCKS WITH BRAKE LIGHTS**





# BRAKE LINKAGE – EARLY PRODUCTION

GASOLINE POWERED TRUCK

THE USE OF NON U.L. PARTS WILL VOID ANY U.L. LISTING.

When ordering parts, please specify the model and serial number of the product.

\* Indicates a component that is not available as an individual part.

ITEM	PART NO.	1	2	3	4	5	DESCRIPTION	3 WHEEL	4 WHEEL
								QTY	
1	22449-G1						BRAKE PEDAL ASSEMBLY (INCLUDES ITEMS 2 – 28) .....		1
2	22357-G1						ARM, BRAKE PEDAL (WITH PAD, ITEM 5) .....		1
3	15813-G2						PEDAL, HILL BRAKE (WITH PAD, ITEM 6) .....		1
4	15826-G1						BRAKE/HILL BRAKE PEDAL PAD KIT (INCLUDES ITEMS 5 – 7) .....		1
5	*						PAD, BRAKE PEDAL .....		1
6	*						PAD, HILL BRAKE PEDAL .....		1
7	15766-G1						RIVET, SMALL HEAD .....		3
8	10409-G1						RIVET, LARGE HEAD .....		6
9	27513-G02						PLATE, BRAKE PEDAL .....		1
10	15932-G1						PIN, HILL BRAKE PEDAL .....		1
11	11737-G1						SPRING, TORSION .....		2
12	12064-G1						NUT, PUSH .....		1
13	00737-G8						SCREW, #10 – 24 X 1 LG. ....		4
14	00739-G1						NUT, CAPTIVE, #10 – 24 .....		2
15	22362-G3						STANDOFF, BRAKE PEDAL .....		2
16	27137-G01						SPRING, CONICAL .....		2
17	11098-G7						NUT, LOCK, #10– 24 .....		2
18	10606-G1						SWITCH, MICRO .....		1
19	00139-G2						SCREW, #6 – 32 X 1 1/4 LG. ....		2
20	00559-G3						WASHER, #6 .....		4
21	00565-G3						WASHER, LOCK, #6 .....		2
22	00525-G5						NUT, #6 – 32 .....		2
23	*						SCREW, BRASS .....		2
24	00567-G3						WASHER, LOCK, #6 .....		2
25	14628-G1						TAB, FASTON .....		2
26	22447-G1						WIRE HARNESS, BRAKE .....		1
27	17618-G1						CLAMP, NYLON .....		3
28	00559-G5						WASHER, #10 .....		2
29									
30	14158-G1						BOLT, SHOULDER, 3/8 – 16 .....		1
31	11079-G1						BUSHING, FLANGED, NYLON .....		2
32	25292-G1						SPRING, TORSION .....		1
33	13521-G4						NUT, LOCK, 3/8 – 16 .....		1
34									

# BRAKE LINKAGE – EARLY PRODUCTION

GASOLINE POWERED TRUCK

THE USE OF NON U.L. PARTS WILL VOID ANY U.L. LISTING.

When ordering parts, please specify the model and serial number of the product.

\* Indicates a component that is not available as an individual part.

ITEM	PART NO.	1	2	3	4	5	DESCRIPTION	3 WHEEL	4 WHEEL
								QTY	QTY
35	00737-G8						SCREW, #10 – 24 .....		1
36	00559-G5						WASHER, #10 .....		3
37	11098-G7						NUT, LOCK, #10 – 24 .....		1
38									
39	25880-G02						COMPENSATING LINK ASSEMBLY (INCLUDES ITEMS 42 – 58) .....		1
40									
41									
42	25882-G02						ROD, LINK .....		1
43									
44	11098-G9						NUT, LOCK, 5/16 – 24 .....		1
45									
46	23030-G1						YOKE, BRAKE .....		1
47	15121-G1						WASHER, 5/16 .....		2
48	23061-G2						TUBE .....		1
49	23463-G1						SPRING, COMPRESSION .....		1
50	00963-G01						NUT, 5/16 – 24 .....		2
51	17979-G1						BUSHING, ACCELERATOR ROD .....		1
52	25781-G01						BRACKET, EQUALIZER .....		1
53									
54									
55									
56									
57	25884-G01						CABLE, BRAKE, PASSENGER SIDE .....		1
58	25884-G03						CABLE, BRAKE, DRIVER'S SIDE .....		1
59									
60									
61	12305-G1						RING, RETAINING .....		2
62									
63	10097-G6						BEARING, FLANGED .....		2
64	25103-G1						CAM, HILL BRAKE .....		1
65									
66	14134-G2						SPACER .....		1
67	00491-G4						SETSCREW, 1/4 – 20 X 3/8 LG. ....		2
68									

# BRAKE LINKAGE – EARLY PRODUCTION

GASOLINE POWERED TRUCK

THE USE OF NON U.L. PARTS WILL VOID ANY U.L. LISTING.

When ordering parts, please specify the model and serial number of the product.

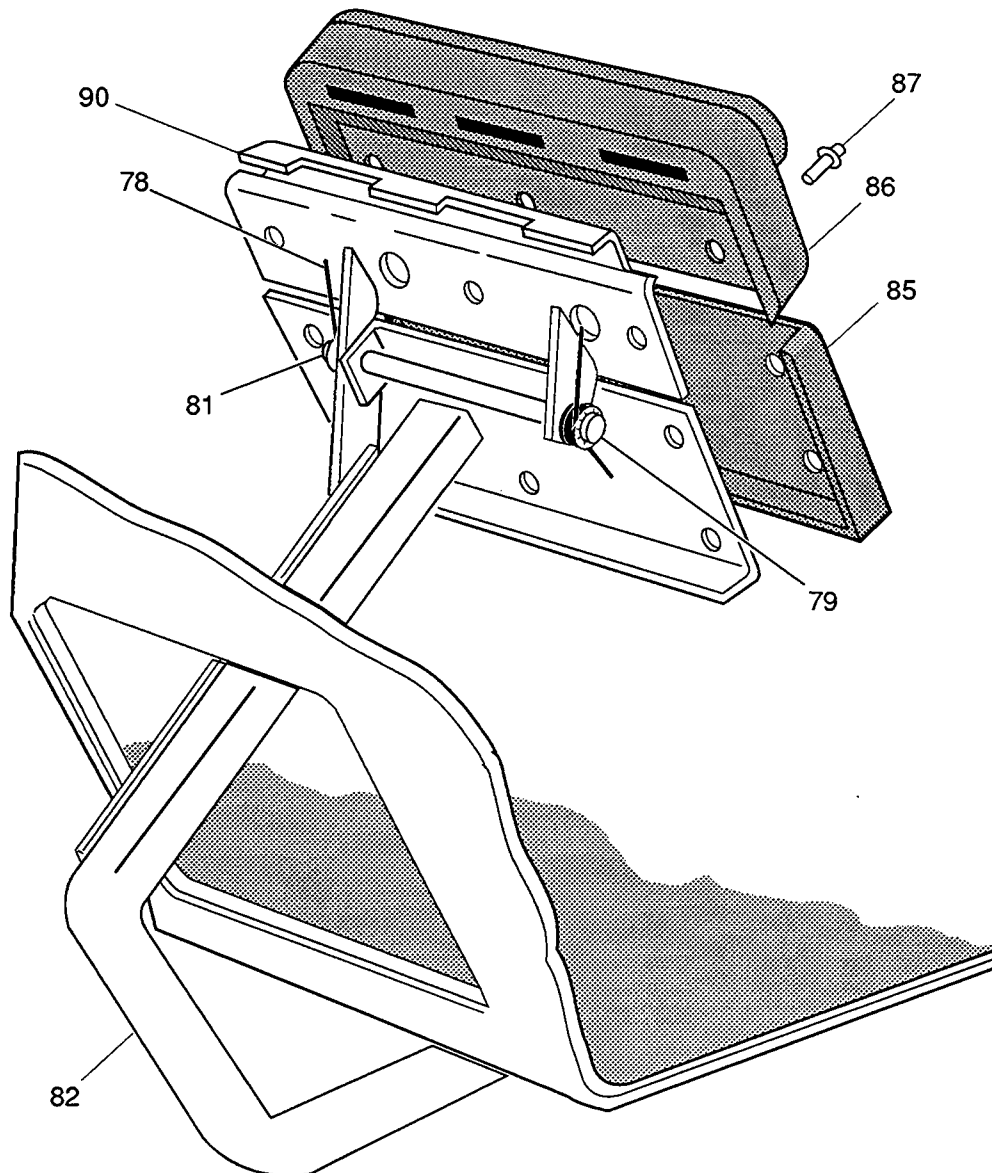
\* Indicates a component that is not available as an individual part.

3 WHEEL	4 WHEEL
---------	---------

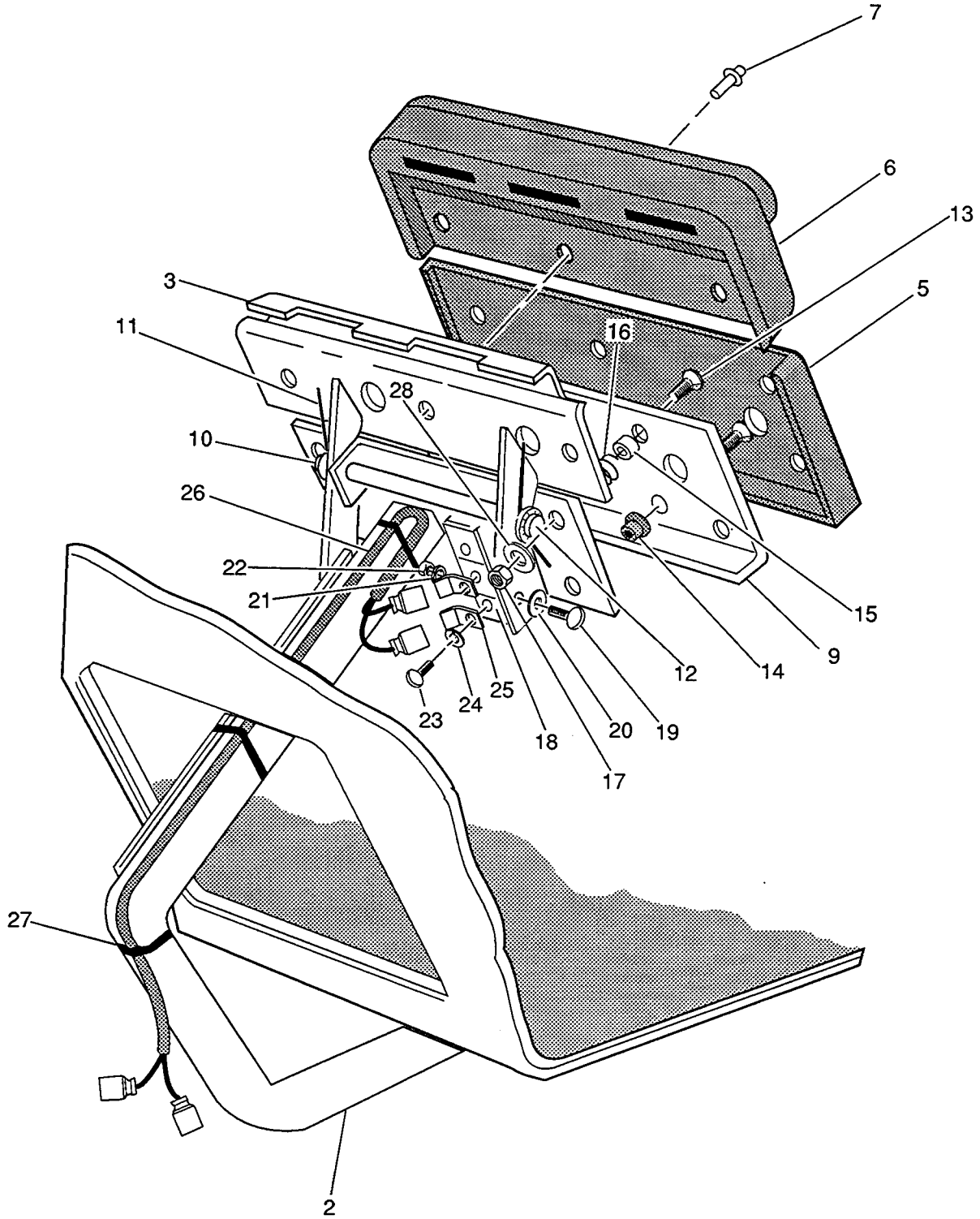
ITEM	PART NO.	1	2	3	4	5	DESCRIPTION	QTY	
								3 WHEEL	4 WHEEL
69									
70									
71									
72	11027-G1						NUT, LOCK, 5/16 – 18 .....		1
73	70113-G01						BUMPER, THREADED .....		1
74	10386-G3						PIN, CLEVIS .....		2
75	10387-G3						PIN, COTTER, 3/32 X 3/4 LG. ....		2
76									
77	27585-G01						BRAKE PEDAL ASSEMBLY (INCLUDES ITEMS 78 – 90) .....		1
78	11737-G1						SPRING, TORSION HILL BRAKE .....		2
79	12064-G1						NUT, PUSH .....		1
80									
81	15932-G1						PIN, HILL BRAKE PEDAL .....		1
82	27524-G01						ARM, BRAKE PEDAL ASSEMBLY .....		1
83									
84	27843-G01						BRAKE/HILL BRAKE PEDAL PAD KIT (INCLUDES ITEMS 85 – 87) ..		1
85	*						PAD, BRAKE PEDAL .....		1
86	*						PAD, HILL BRAKE PEDAL .....		1
87	15766-G1						RIVET, SMALL HEAD .....		9
88									
89									
90	15813-G1						ASSEMBLY, HILL BRAKE PEDAL .....		1

- 1 - INCLUDES ITEMS 2 - 28
- 4 - INCLUDES ITEMS 5 - 8
- 40 - INCLUDES ITEMS 42 - 58
- 77 - INCLUDES ITEMS 78 - 92
- 84 - INCLUDES ITEMS 85 - 88

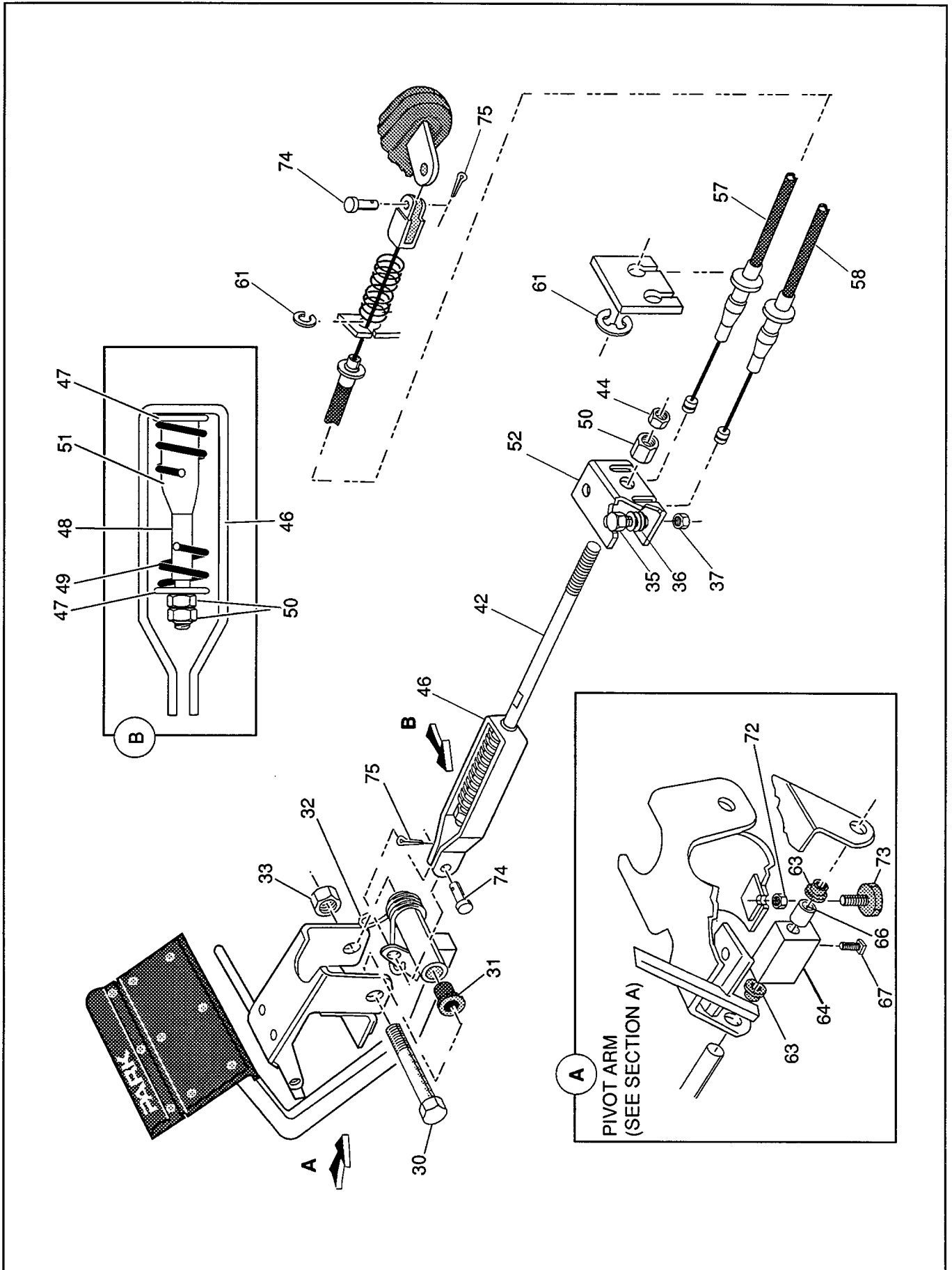
**TRUCKS WITHOUT BRAKE LIGHTS**



TRUCKS WITH BRAKE LIGHTS







# BRAKE LINKAGE

GASOLINE POWERED TRUCK

THE USE OF NON U.L. PARTS WILL VOID ANY U.L. LISTING.

When ordering parts, please specify the model and serial number of the product.

\* Indicates a component that is not available as an individual part.

ITEM	PART NO.	1	2	3	4	5	DESCRIPTION	3 WHEEL	4 WHEEL
								QTY	
1	27581-G01						BRAKE PEDAL ASSEMBLY (INCLUDES ITEMS 2 - 28) .....		1
2	27522-G01						ARM, BRAKE PEDAL (WITH PAD, ITEM 5) .....		1
3	27584-G01						PEDAL, PARK BRAKE (WITH PAD, ITEM 6) .....		1
4	27843-G01						BRAKE/PARK BRAKE PEDAL PAD KIT (INCLUDES ITEMS 5 - 7) ...		1
5	*						PAD, BRAKE PEDAL .....		1
6	*						PAD, PARK BRAKE PEDAL .....		1
7	15766-G1						RIVET, SMALL HEAD .....		9
8									
9	27513-G02						PLATE, BRAKE PEDAL .....		1
10	15932-G1						PIN, PARK BRAKE PEDAL .....		1
11	11737-G1						SPRING, TORSION .....		2
12	12064-G1						NUT, PUSH .....		1
13	00737-G8						SCREW, #10 - 24 X 1 LG. ....		4
14	00739-G1						NUT, CAPTIVE, #10 - 24 .....		2
15	22362-G3						STANDOFF, BRAKE PEDAL .....		2
16	27137-G01						SPRING, CONICAL .....		2
17	11098-G7						NUT, LOCK, #10- 24 .....		2
18	10606-G1						SWITCH, MICRO .....		1
19	00139-G2						SCREW, #6 - 32 X 1 1/4 LG. ....		2
20	00559-G3						WASHER, #6 .....		4
21	00565-G3						WASHER, LOCK, #6 .....		2
22	00525-G5						NUT, #6 - 32 .....		2
23	*						SCREW, BRASS .....		2
24	00567-G3						WASHER, LOCK, #6 .....		2
25	14628-G1						TAB, FASTON .....		2
26	22447-G1						WIRE HARNESS, BRAKE .....		1
27	17618-G1						CLAMP, NYLON .....		3
28	00559-G5						WASHER, #10 .....		2
29									
30	14158-G1						BOLT, SHOULDER, 3/8 - 16 .....		1
31	11079-G1						BUSHING, FLANGED, NYLON .....		2
32	25292-G1						SPRING, TORSION .....		1
33	13521-G4						NUT, LOCK, 3/8 - 16 .....		1
34									

# BRAKE LINKAGE

GASOLINE POWERED TRUCK

THE USE OF NON U.L. PARTS WILL VOID ANY U.L. LISTING.

When ordering parts, please specify the model and serial number of the product.

\* Indicates a component that is not available as an individual part.

ITEM	PART NO.	1	2	3	4	5	DESCRIPTION	3 WHEEL	4 WHEEL
								QTY	QTY
35	00737-G8						SCREW, #10 - 24 .....		1
36	00559-G5						WASHER, #10 .....		3
37	11098-G7						NUT, LOCK, #10 - 24 .....		1
38									
39	25880-G02						COMPENSATING LINK ASSEMBLY (INCLUDES ITEMS 42 - 58) .....		1
40									
41									
42	25882-G02						ROD, LINK .....		1
43									
44	11098-G9						NUT, LOCK, 5/16 - 24 .....		1
45									
46	23030-G1						YOKE, BRAKE .....		1
47	15121-G1						WASHER, 5/16 .....		2
48	23061-G2						TUBE .....		1
49	23463-G1						SPRING, COMPRESSION .....		1
50	00532-G4						NUT, 5/16 - 24 .....		2
51	17979-G1						BUSHING, ACCELERATOR ROD .....		1
52	25781-G01						BRACKET, EQUALIZER .....		1
53									
54									
55									
56									
57	25884-G01						CABLE, BRAKE, PASSENGER SIDE .....		1
58	25884-G03						CABLE, BRAKE, DRIVER'S SIDE .....		1
59									
60									
61	12305-G1						RING, RETAINING .....		2
62									
63	10097-G6						BEARING, FLANGED .....		2
64	25103-G1						CAM, PARK BRAKE .....		1
65									
66	14134-G2						SPACER .....		1
67	00491-G4						SETSCREW, 1/4 - 20 X 3/8 LG. ....		2
68									

# BRAKE LINKAGE

GASOLINE POWERED TRUCK

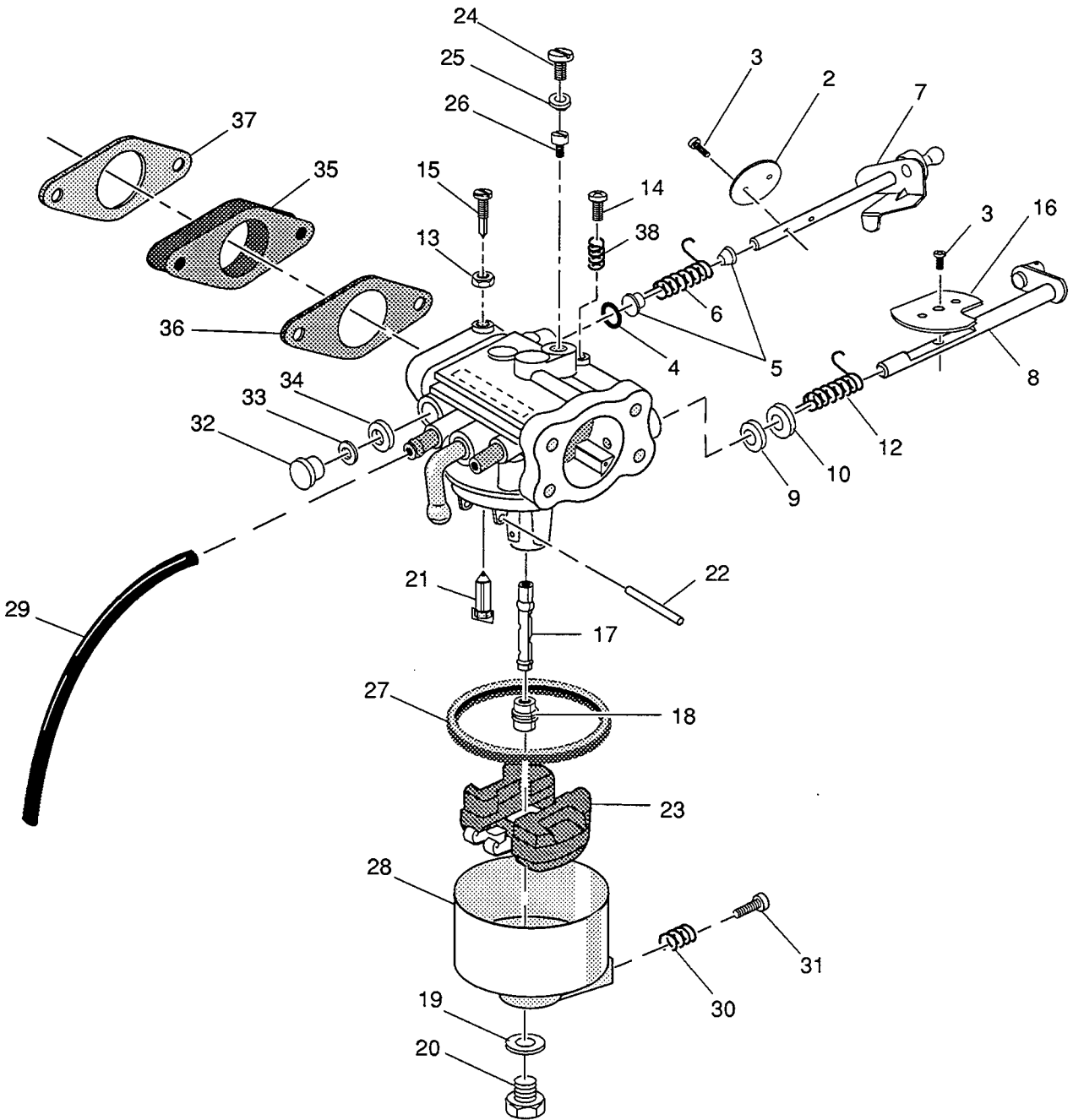
THE USE OF NON U.L. PARTS WILL VOID ANY U.L. LISTING.

When ordering parts, please specify the model and serial number of the product.

\* Indicates a component that is not available as an individual part.

ITEM	PART NO.	1	2	3	4	5	DESCRIPTION	3 WHEEL	4 WHEEL
								QTY	QTY
69									
70									
71									
72	11027-G1						NUT, LOCK, 5/16 - 18 .....		1
73	70113-G01						BUMPER, THREADED .....		1
74	10386-G3						PIN, CLEVIS .....		2
75	10387-G3						PIN, COTTER, 3/32 X 3/4 LG. ....		2
76									
77	27585-G01						BRAKE PEDAL ASSEMBLY (INCLUDES ITEMS 78 - 90) .....		1
78	11737-G1						SPRING, TORSION HILL BRAKE .....		2
79	12064-G1						NUT, PUSH .....		1
80									
81	15932-G1						PIN, HILL BRAKE PEDAL .....		1
82	27524-G01						ARM, BRAKE PEDAL ASSEMBLY .....		1
83									
84	27843-G01						BRAKE/HILL BRAKE PEDAL PAD KIT (INCLUDES ITEMS 85 - 87) ..		1
85	*						PAD, BRAKE PEDAL .....		1
86	*						PAD, HILL BRAKE PEDAL .....		1
87	15766-G1						RIVET, SMALL HEAD .....		9
88									
89									
90	15813-G1						ASSEMBLY, PARK BRAKE PEDAL .....		1

1 - INCLUDES ITEMS 2 - 38



# CARBURETOR

GASOLINE POWERED TRUCK

THE USE OF NON U.L. PARTS WILL VOID ANY U.L. LISTING.

When ordering parts, please specify the model and serial number of the product.

\* Indicates a component that is not available as an individual part.

ITEM	PART NO.	1	2	3	4	5	DESCRIPTION	4 WHEEL	
								QTY	
1	26645-G01						CARBURETOR ASSEMBLY (INCLUDES ITEMS 2 - 38)	1	
2	26748-G01						VALVE, THROTTLE	1	
3	26749-G01						SCREW	3	
4	26750-G01						RING, O	1	
5	26751-G01						COLLAR	2	
6	26752-G01						SPRING, THROTTLE RETURN	1	
7	26753-G01						SHAFT, THROTTLE	1	
8	26754-G01						SHAFT, CHOKE	1	
9	26755-G01						BUSHING	1	
10	26756-G01						COLLAR	1	
11	26646-G03						JET, MAIN (#76) (HIGH ALTITUDE - ABOVE 5,000 FEET)	1	
12	26757-G01						SPRING, CHOKE RETURN	1	
13	26847-G01						NUT, PILOT SCREW	2	
14	26759-G01						SCREW	1	
15	26835-G01						SCREW, PILOT	1	
16	26834-G01						VALVE, CHOKE	1	
17	26837-G01						NOZZLE, MAIN	1	
18	26646-G02						JET, MAIN (#84)	1	
19	26838-G01						GASKET	1	
20	26839-G01						SCREW	1	
21	26647-G01						VALVE, NEEDLE	1	
22	26840-G01						PIN	1	
23	26648-G01						FLOAT	1	
24	26841-G01						PLUG	1	
25	26842-G01						GASKET	1	
26	26649-G02						JET, PILOT (#48)	1	
27	26843-G01						BOWL, GASKET	1	
28	26844-G01						CHAMBER, FLOAT	1	
29	26650-G01						TUBE, VENT	2	
30	26845-G01						SPRING	1	
31	26846-G01						SCREW, DRAIN	1	
32	26745-G01						PLUG, LEAD, SEAL (PRESSED)	1	
33	26746-G01						"G" RING	1	
34	26747-G01						SEAL	1	

# CARBURETOR

GASOLINE POWERED TRUCK

THE USE OF NON U.L. PARTS WILL VOID ANY U.L. LISTING.

When ordering parts, please specify the model and serial number of the product.

\* Indicates a component that is not available as an individual part.

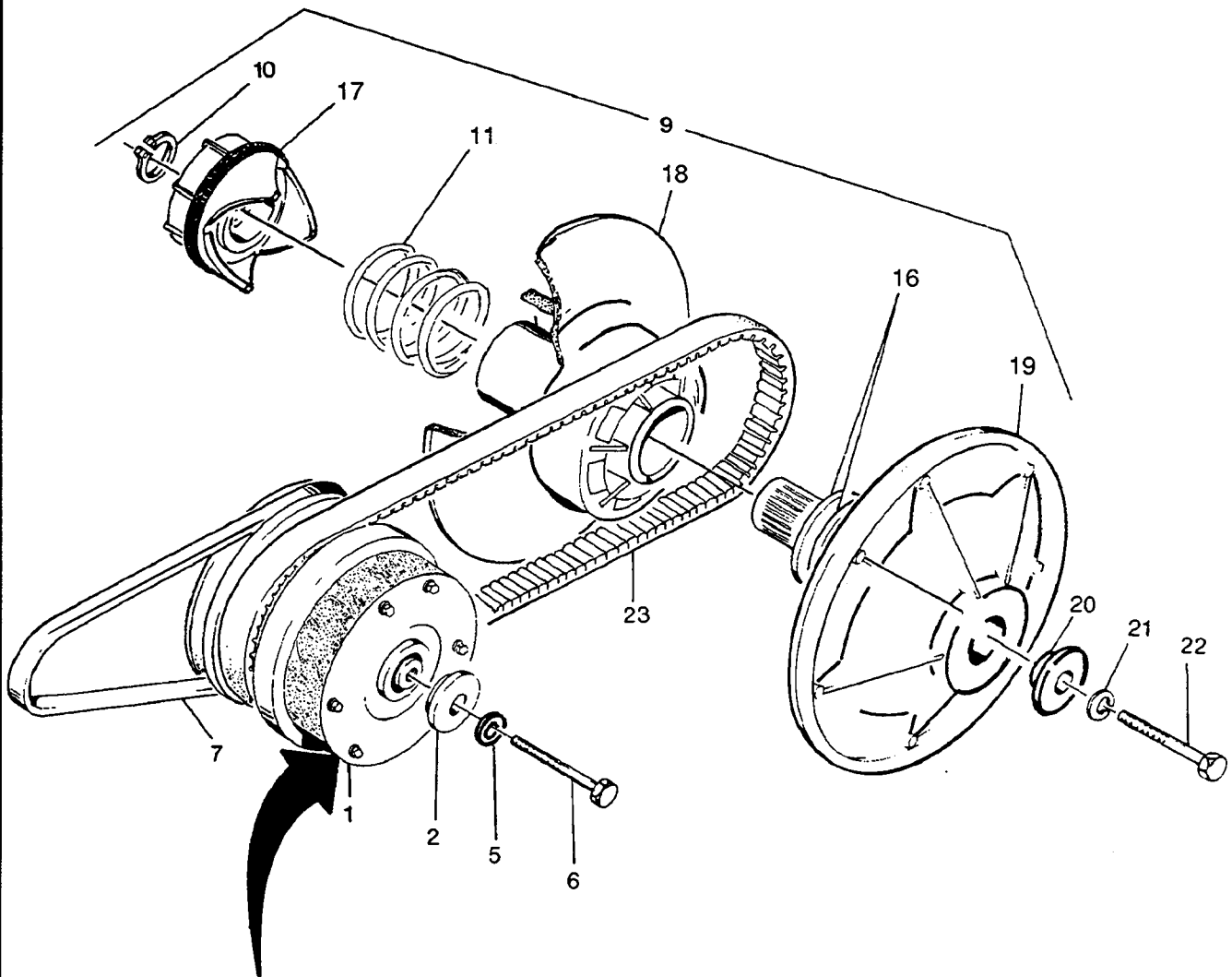
ITEM	PART NO.	1	2	3	4	5	DESCRIPTION	4 WHEEL	
								QTY	
35	26637-G01						INSULATOR .....	1	
36	26725-G01						GASKET .....	1	
37	26726-G01						GASKET .....	1	
38	26758-G01						SPRING .....	1	





VEHICLE CLUTCHES ARE A MATCHED PAIR.  
DO NOT ATTEMPT TO SUBSTITUTE ANOTHER VERSION  
OF EITHER THE DRIVE OR DRIVEN CLUTCHES.

9 - INCLUDES ITEMS 10 - 19



IDENTIFY DRIVE SET BY "4-CYCLE"  
STAMPED ON FACE OF DRIVE CLUTCH

# CLUTCHES

GASOLINE POWERED TRUCK

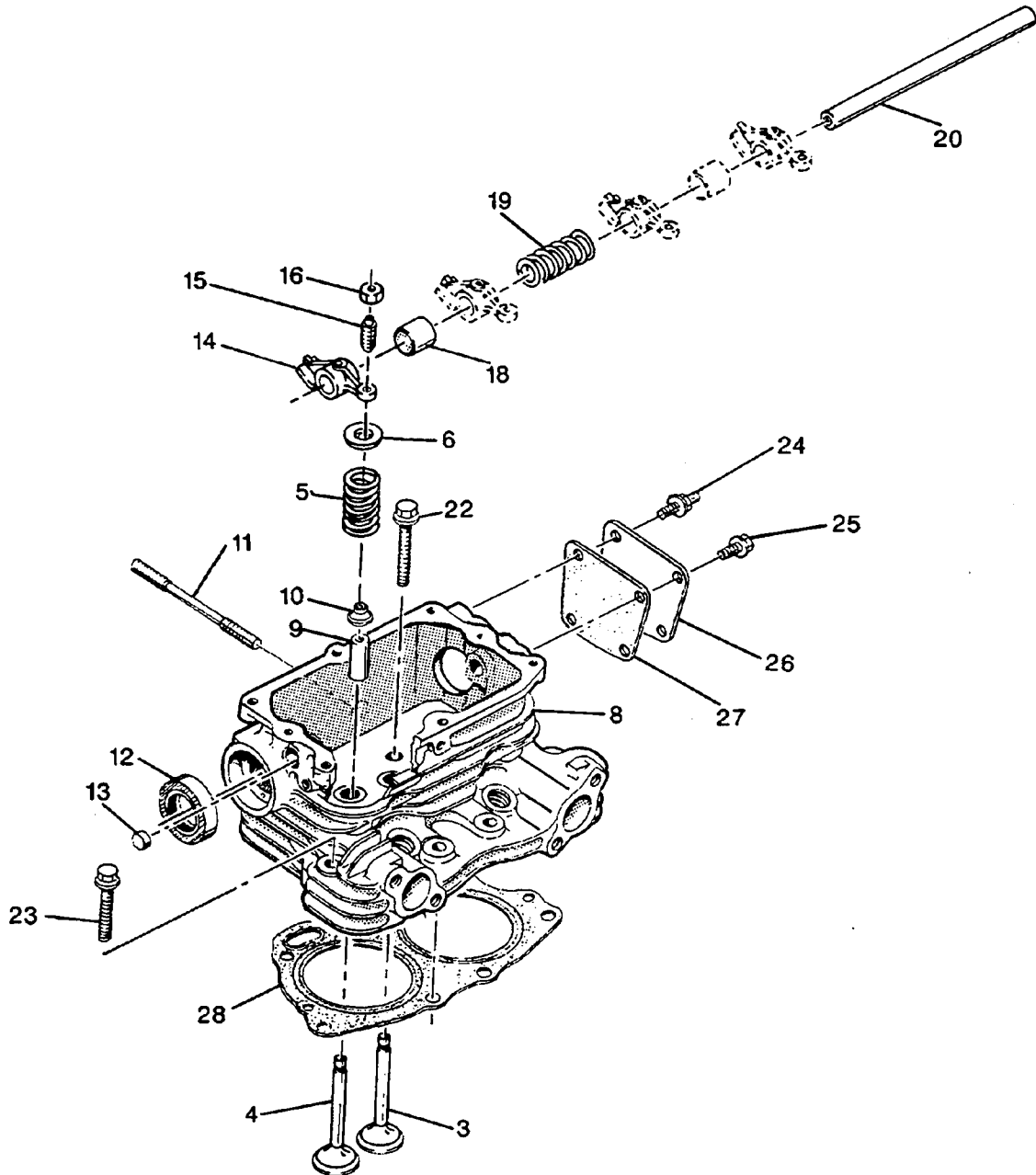
THE USE OF NON U.L. PARTS WILL VOID ANY U.L. LISTING.

When ordering parts, please specify the model and serial number of the product.

\* Indicates a component that is not available as an individual part.

ITEM	PART NO.	1	2	3	4	5	DESCRIPTION	QTY	
									4 WHEEL
1	26952-G01						CLUTCH, DRIVE .....	1	
2	23213-G1						WASHER, PILOT .....	1	
3									
4									
5	00566-G2						WASHER, LOCK, 7/16 .....	1	
6	00473-G9						SCREW, 7/16 - 20 X 6 1/2 LG. ....	1	
7	XXXXX-XX						BELT, STARTER/GENERATOR (SEE SECTION L FOR PART NUMBER AND QUANTITY)		
8									
9	26301-G02						DRIVEN CLUTCH ASSEMBLY (INCLUDES ITEMS 10 - 19) .....	1	
10	24594-G1						RING, RETAINING .....	1	
11	25612-G1						SPRING, COMPRESSION .....	1	
12									
13									
14									
15									
16	24600-G1						WASHER, SPACER .....	2	
17	*						CAM .....	1	
18	*						SHEAVE, MOVEABLE .....	1	
19	*						SHEAVE AND POST .....	1	
20	22496-G1						WASHER, RETAINING .....	1	
21	00565-G8						WASHER, LOCK, 5/16 .....	1	
22	00441-G8						SCREW, 5/16 - 18 X 4 LG. ....	1	
23	27077-G02						BELT, DRIVE .....	1	
24	**						PULLER, DRIVE CLUTCH .....		AR
	**						SEE APPENDIX FOR SERVICE ACCESSORIES AND SPECIAL TOOLS		

2 - INCLUDES ITEMS 3-13  
14 - INCLUDES ITEMS 15, 16



# CYLINDER HEAD AND VALVE ASSEMBLY

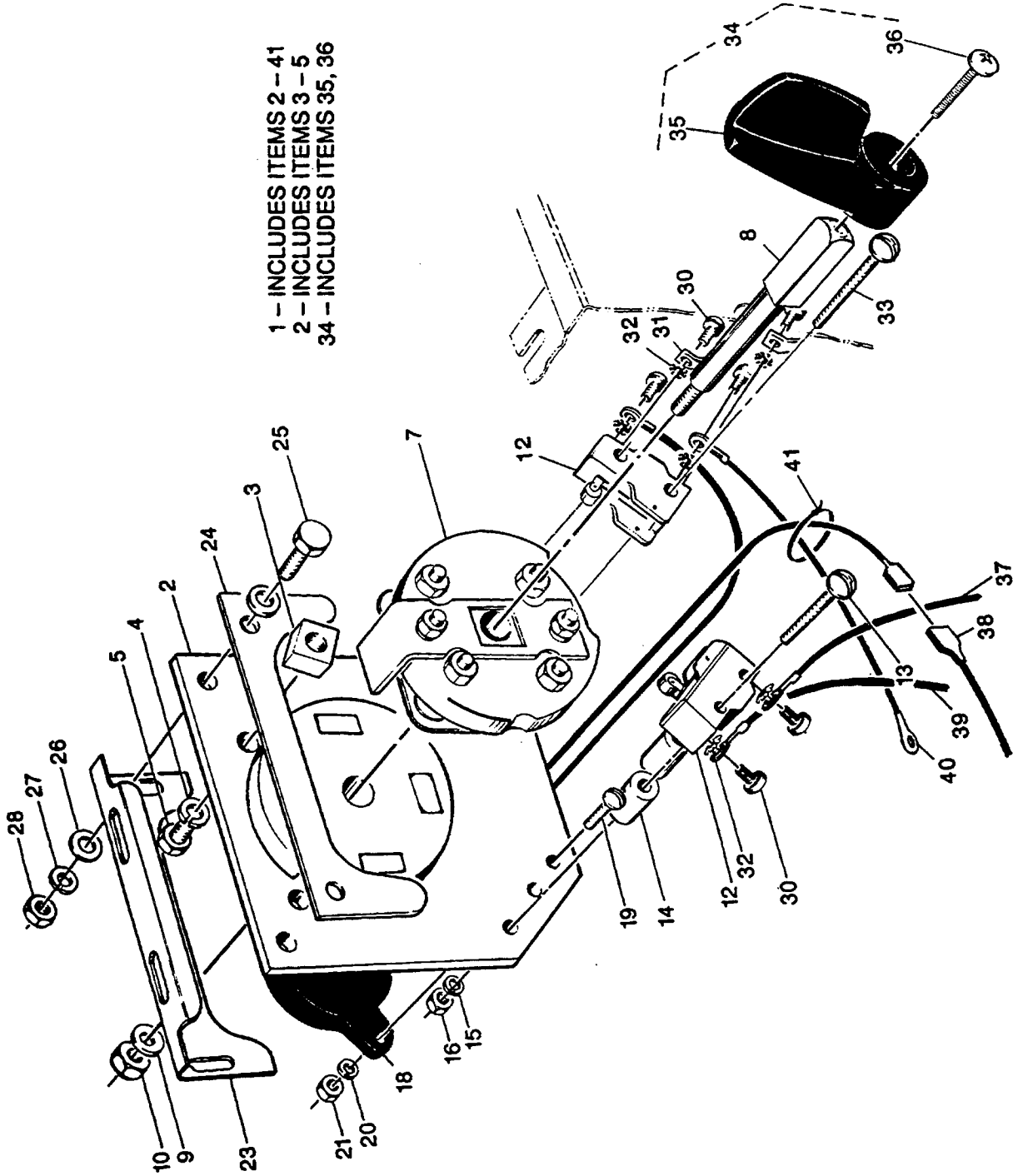
GASOLINE POWERED TRUCK

THE USE OF NON U.L. PARTS WILL VOID ANY U.L. LISTING.

When ordering parts, please specify the model and serial number of the product.

\* Indicates a component that is not available as an individual part.

ITEM	PART NO.	1	2	3	4	5	DESCRIPTION	QTY	
									4 WHEEL
1									
2	26598-G01						CYLINDER HEAD C/W VALVES ASSEMBLY (INCLUDES ITEMS 3 - 13)	1	
3	26616-G01						INTAKE VALVE .....	2	
4	26617-G01						EXHAUST VALVE .....	2	
5	26618-G01						SPRING, VALVE .....	4	
6	26619-G01						RETAINER, VALVE SPRING .....	4	
7									
8									
9	26659-G01						VALVE GUIDE, OVERSIZED .....	4	
10	26714-G01						SEAL, VALVE STEM .....	4	
11	26667-G01						STUD, CARBURETOR .....	2	
12	26715-G01						SEAL, OIL .....	1	
13	26668-G01						PLUG, #3, CYLINDER HEAD .....	1	
14	26621-G01						ROCKER ARM ASSEMBLY (INCLUDES ITEMS 15, 16) .....	1	
15	26622-G01						SCREW, ADJUSTING (SPECIAL) .....	4	
16	26623-G01						NUT, ROCKER ARM (SPECIAL) .....	4	
17									
18	26624-G01						SPACER, ROCKER SHAFT .....	2	
19	26625-G01						SPRING, ROCKER SHAFT .....	1	
20	26620-G01						ROCKER, SHAFT .....	1	
21									
22	26674-G01						BOLT, FLANGED, M8 X 1.25 X 60 MM LG. ....	1	
23	26673-G01						BOLT, FLANGED, M8 X 1.25 X 50 MM LG. ....	4	
24	26679-G01						BOLT, COVER (SPECIAL) .....	1	
25	26678-G01						BOLT, FLANGED, M6 X 1.0 X 12 MM .....	6	
26	26599-G01						COVER, CAMSHAFT .....	1	
27	26718-G01						GASKET, COVER, CAM .....	1	
28	16716-G01						GASKET, HEAD .....	1	



# DIRECTION SELECTOR

ELECTRIC POWERED TRUCK

THE USE OF NON U.L. PARTS WILL VOID ANY U.L. LISTING.

When ordering parts, please specify the model and serial number of the product.

\* Indicates a component that is not available as an individual part.

ITEM	PART NO.	1	2	3	4	5	DESCRIPTION	3 WHEEL	4 WHEEL
								QTY	QTY
1	23979-G2	DIRECTION SELECTOR ASSEMBLY (INCLUDES ITEMS 2 - 41)					1	1	
2	14651-G1	CONTACT BOARD ASSEMBLY (INCLUDES ITEMS 3 - 5)					1	1	
3	24940-G1	STOP					2	2	
4	00565-G7	WASHER, LOCK, 1/4					2	2	
5	00414-G6	SCREW, 1/4 - 20 X 3/4 LG.					2	2	
6									
7	12835-G1	CAM UNIT, DIRECTION SELECTOR					1	1	
8	19470-G1	SHAFT, DIRECTION SELECTOR					1	1	
9	00560-G1	WASHER, 3/8					1	1	
10	14390-G1	NUT, LOCK, 3/8 - 24					1	1	
11									
12	10606-G2	SWITCH, MICRO					2	2	
13	00139-G6	SCREW, #6 - 32 X 1 3/4 LG.					2	2	
14	12806-G1	SPACER, MICRO SWITCH					2	2	
15	00565-G3	WASHER, LOCK, #6					4	4	
16	00525-G5	NUT, #6 - 32					4	4	
17									
18	17940-G1	BUZZER					1	1	
19	00138-G5	SCREW, #6 - 32 X 5/8 LG.					2	2	
20	00565-G3	WASHER, LOCK, #6					2	2	
21	00525-G5	NUT, #6 - 32					2	2	
22									
23	12863-G1	BRACKET, MOUNTING					1	1	
24	15461-G1	SUPPORT, BRACKET MOUNTING					1	1	
25	00414-G8	SCREW, 1/4 - 20 X 1 LG.					2	2	
26	00559-G7	WASHER, 1/4					4	4	
27	00565-G7	WASHER, LOCK, 1/4					2	2	
28	00532-G1	NUT, 1/4 - 20					2	2	
29									
30	13514-G1	SCREW, BRASS, #6 - 32 X .22 LG.					4	4	
31	14628-G1	TAB, FASTON					2	2	
32	00567-G3	WASHER, LOCK, EXTERNAL TOOTH, #6					4	4	
33	00139-G9	SCREW, #6 - 32 X 1 3/4 LG.					2	2	

# DIRECTION SELECTOR

ELECTRIC POWERED TRUCK

THE USE OF NON U.L. PARTS WILL VOID ANY U.L. LISTING.

When ordering parts, please specify the model and serial number of the product.

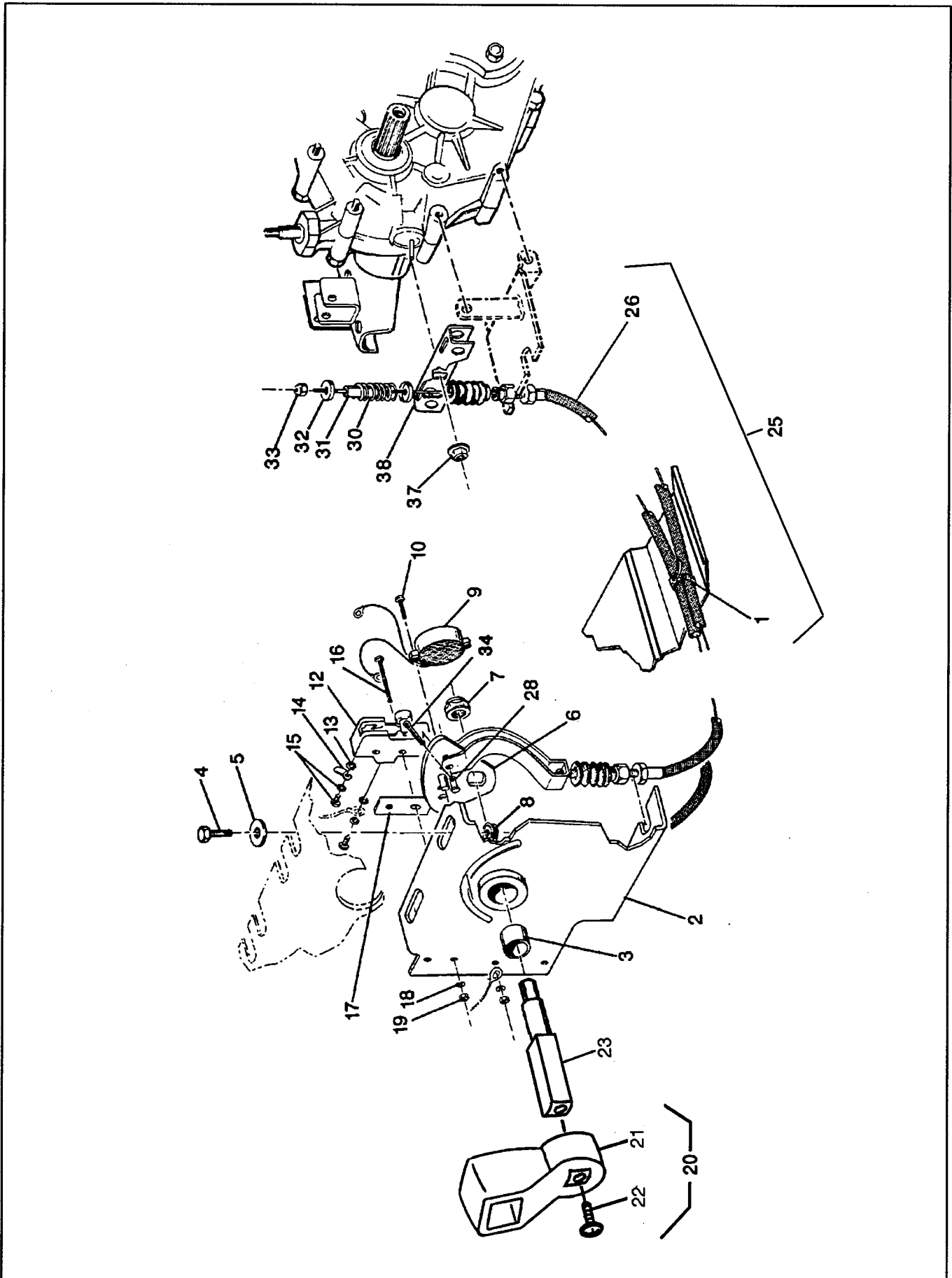
\* Indicates a component that is not available as an individual part.

3 WHEEL	4 WHEEL
---------	---------

ITEM	PART NO.	1	2	3	4	5	DESCRIPTION	QTY	
								3 WHEEL	4 WHEEL
34	20325-G1						KIT, DIRECTION SELECTOR HANDLE .....	1	1
35	19886-G1						HANDLE, PLASTIC .....	1	1
36	00740-G4						SCREW, #10 - 32 X 1/2 LG. ....	1	1
37	14619-G2						WIRE .....	1	1
38	21743-G1						WIRE .....	1	1
39	23862-G2						WIRE .....	1	1
40	23645-G1						WIRE .....	1	1
41	17618-G1						CLAMP, NYLON .....	3	3







# DIRECTION SELECTOR

GASOLINE POWERED TRUCK

THE USE OF NON U.L. PARTS WILL VOID ANY U.L. LISTING.

When ordering parts, please specify the model and serial number of the product.

\* Indicates a component that is not available as an individual part.

ITEM	PART NO.	1	2	3	4	5	DESCRIPTION	4 WHEEL	
								QTY	
1	17618-G1						WIRE TIE .....	1	
2	25684-G01						BRACKET, DIRECTION SELECTOR .....	1	
3	25664-G1						BUSHING .....	1	
4	00414-G6						SCREW, 1/4 - 20 x 3/4 LG. ....	2	
5	00559-G7						WASHER, 1/4 .....	2	
6	25745-G01						CAM, DIRECTION SELECTOR .....	1	
7	14390-G1						NUT, 3/8 - 24 .....	1	
8	11027-G2						NUT, LOCK, 1/4 - 20 .....	2	
9	17940-G1						BUZZER .....	1	
10	00138-G4						SCREW, #6 - 32 X 1/2 LG. ....	2	
11									
12	10606-G1						SWITCH, MICRO .....	1	
13	00567-G3						WASHER, LOCK, EXTERNAL TOOTH .....	2	
14	14628-G1						TAB, FASTON .....	1	
15	13514-G1						SCREW AND WASHER ASSEMBLY .....	2	
16	00139-G2						SCREW, 1/8 X 1 1/4 LG. ....	2	
17	27151-G01						SPACER, MICRO SWITCH .....	1	
18	00565-G3						WASHER, LOCK, #6 .....	4	
19	00525-G5						NUT, #6-32 .....	4	
20	20325-G2						KIT, DIRECTION SELECTOR HANDLE (INCLUDES ITEMS 21, 22) .....	1	
21	71905-G01						KNOB, PLASTIC .....	1	
22	00704-G4						SCREW, #10 - 32 X 1/2 LG. ....	1	
23	27537-G01						SHAFT, DIRECTION SELECTOR .....	1	
24									
25	27170-G01						CABLE KIT (INCLUDES ITEMS 26 - 35) .....	1	
26	25691-G02						CABLE, SHIFTER CONTROL, 804 TRUCK .....	2	
27									
28	23176-G1						PIN, CLEVIS .....	2	
29									
30	27764-G01						SPRING, SHIFTER CABLE .....	2	
31	23726-G5						SHIFTER SPACER .....	2	
32	25727-G01						WASHER, CUP .....	4	
33	11098-G7						NUT, LOCK 10 - 24 .....	2	
34	10387-G8						PIN, COTTER .....	2	

# DIRECTION SELECTOR

GASOLINE POWERED TRUCK

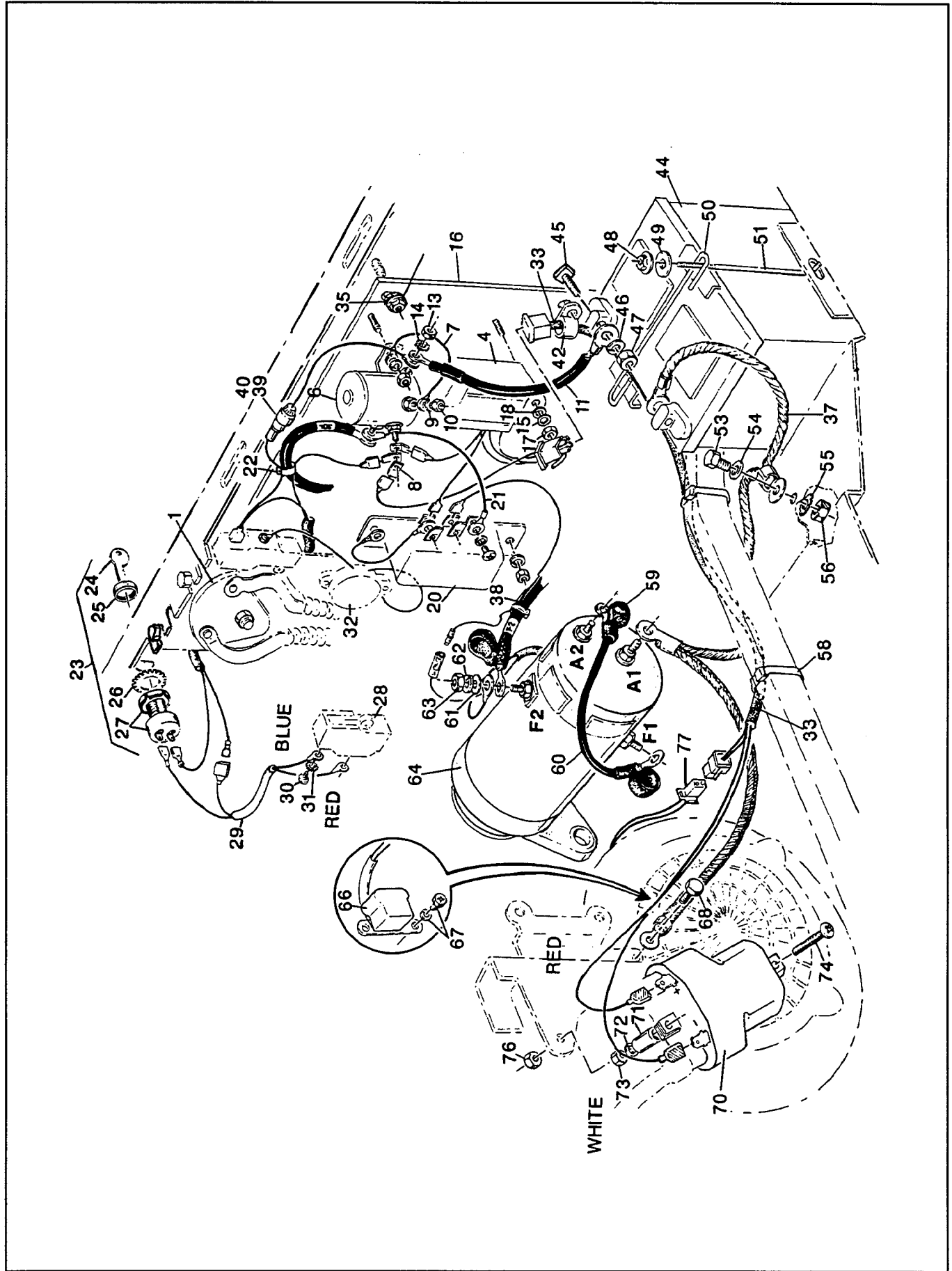
THE USE OF NON U.L. PARTS WILL VOID ANY U.L. LISTING.

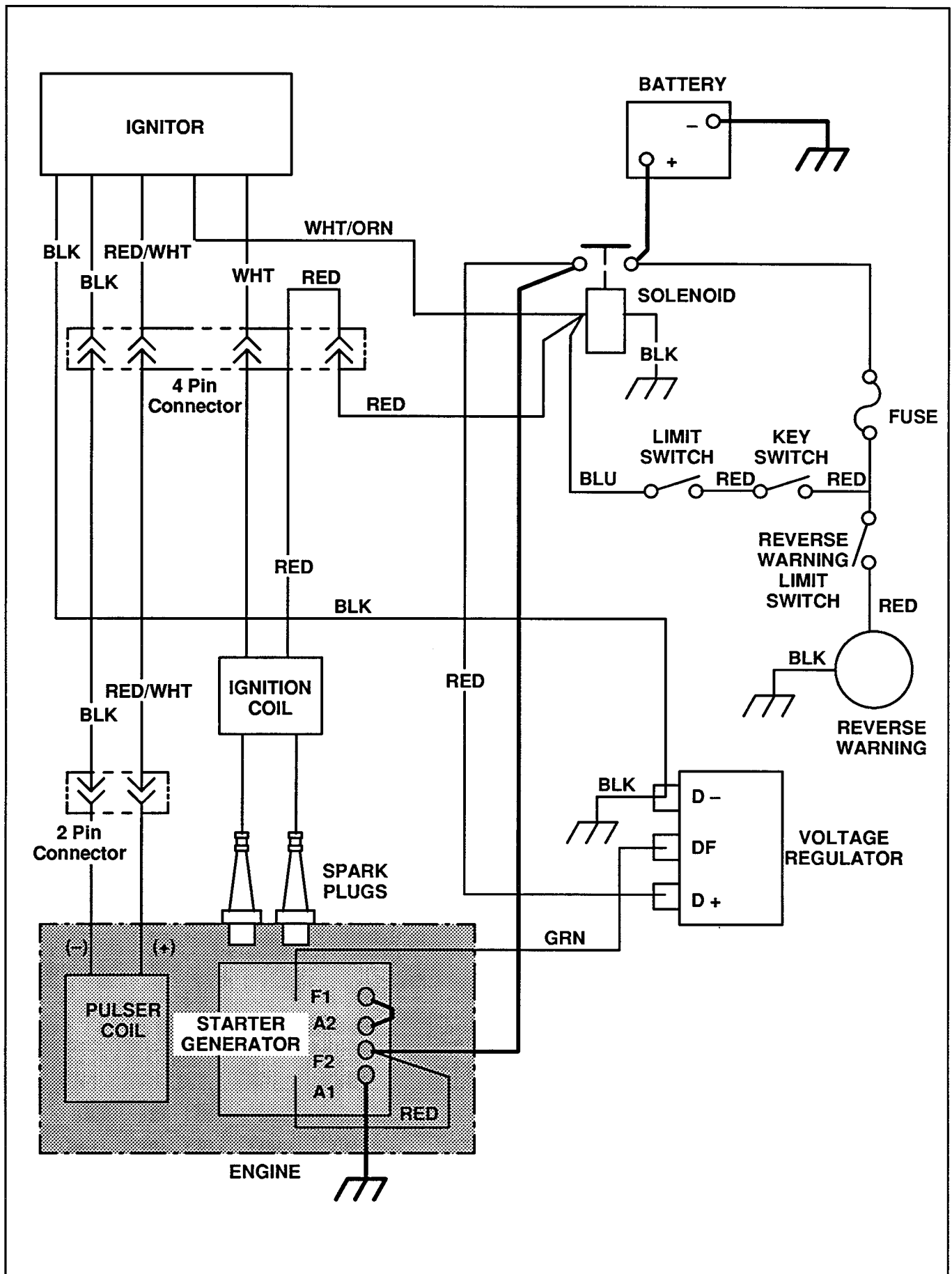
When ordering parts, please specify the model and serial number of the product.

\* Indicates a component that is not available as an individual part.

ITEM	PART NO.	1	2	3	4	5	DESCRIPTION	QTY	
								3 WHEEL	4 WHEEL
35	17618-G1						WIRE TIE .....		1
36									
37	26830-G01						NUT, SHIFT LEVER .....		1
38	25946-G01						LEVER, SHIFTER .....		1







# ELECTRICAL SYSTEM

GASOLINE POWERED TRUCK

THE USE OF NON U.L. PARTS WILL VOID ANY U.L. LISTING.

When ordering parts, please specify the model and serial number of the product.

\* Indicates a component that is not available as an individual part.

4 WHEEL

ITEM	PART NO.	1	2	3	4	5	DESCRIPTION	QTY
1	XXXX-XX						DIRECTION SELECTOR (SEE SECTION H FOR PART NUMBER AND QUANTITY) .....	
2								
3	25952-G01						PLATE ASSEMBLY, ELECTRICAL (INCLUDES ITEMS 4-18) .....	1
4	25939-G01						IGNITOR .....	1
5	25893-G01						SOLENOID ASSEMBLY (INCLUDES ITEMS 6-14) .....	1
6	16542-G1						SOLENOID .....	1
7	24882-G1						WIRE .....	1
8	12914-G1						TAB, FASTON .....	3
9	00565-G5						WASHER, LOCK, #10 .....	2
10	00526-G4						NUT, #10-32 .....	2
11	25887-G03						WIRE .....	1
12								
13	00544-G4						NUT, 5/16-24 .....	2
14	00567-G8						WASHER, LOCK, EXTERNAL TOOTH, 5/16 .....	2
15	00650-G7						WASHER, 1/4 .....	2
16	*						PLATE, ELECTRICAL .....	1
17	00532-G1						NUT, 1/4-20 .....	6
18	00565-G7						WASHER, LOCK, 1/4 .....	6
19	25892-G01						VOLTAGE REGULATOR ASSEMBLY (INCLUDES ITEMS 7-10, 20, 21) .	
20	16530-G1						REGULATOR, VOLTAGE .....	1
21	25889-G01						WIRE .....	1
22	17618-G1						CLAMP, NYLON .....	4
23	17421-G1						IGNITION SWITCH ASSEMBLY (INCLUDES ITEMS 24-27 AND ADDITIONAL PUSH ON TERMINALS) .....	1
24	17063-G1						KEY, IGNITION .....	2
25	17137-G1						NUT, 3/4 .....	1
26	00568-G6						WASHER, LOCK, EXTERNAL TOOTH, 3/4 .....	1
27	*						SWITCH, IGNITION .....	1
28	XXXX-XX						SWITCH, MICRO (SEE SECTION A FOR PART NUMBER AND QUANTITY) .....	
29	25932-G01						HARNESS, WIRING .....	1
30	13514-G1						SCREW, BRASS, #6-32 X .22 LG. ....	2
31	00567-G3						WASHER, LOCK, EXTERNAL TOOTH, #6 .....	2

# ELECTRICAL SYSTEM

GASOLINE POWERED TRUCK

THE USE OF NON U.L. PARTS WILL VOID ANY U.L. LISTING.

When ordering parts, please specify the model and serial number of the product.

\* Indicates a component that is not available as an individual part.

ITEM	PART NO.	1	2	3	4	5	DESCRIPTION	QTY	
									4 WHEEL
32	XXXX-XX						REVERSE WARNING BUZZER (SEE SECTION H FOR PART NUMBER AND QUANTITY) .....		
33	26583-G01						WIRING HARNESS, JUMPER .....		1
34	11027-G2						NUT, LOCK, 1/4 -20 .....		4
35	00565-G7						WASHER, LOCK, 1/4 .....		4
36	00106-G6						SCREW, SELF TAPPING, #12 - 24 x 3/4 LG. ....		1
37	27044-G01						CABLE, NEGATIVE BATTERY .....		1
38	27062-G01						WIRE HARNESS .....		1
39	25936-G01						FUSE HOLDER ASSEMBLY (INCLUDES ITEM 40) .....		1
40	18392-G6						FUSE, 7 AMP .....		1
41									
42	11845-G1						CLAMP, CABLE CLIP, 3/4 .....		1
43									
44	24775-G1						BATTERY, 12 VOLT .....		1
45	12649-G1						BOLT, BATTERY, SQUARE HEAD, 5/16 - 18 X 1 LG. ....		2
46	00993-G01						WASHER, LOCK, SILICON BRONZE, 5/16 .....		2
47	00994-G01						NUT, SILICON BRONZE, 5/16 - 18 .....		2
48	14390-G4						NUT, LOCK, 5/16 .....		2
49	00571-G2						WASHER, 5/16 .....		2
50	18258-G2						RETAINER, BATTERY .....		1
51	18261-G3						ROD, HOLD DOWN BATTERY .....		2
52									
53	00414-G5						BOLT, 1/4 - 20 X 1/2 LG. ....		1
54	00660-G7						WASHER, 1/4 .....		1
55	00567-G7						WASHER, LOCK, EXTERNAL TOOTH, 1/4 .....		1
56	00532-G1						NUT, 1/4 - 20 .....		1
57									
58	17618-G1						CLAMP, NYLON .....		2
59	25682-G1						COVER, TERMINAL .....		3
60	25887-G01						WIRE .....		1
61	26702-G01						WASHER, 6.5 MM .....		4
62	51400-G1						WASHER, LOCK, 6 MM .....		4
63	13632-G1						NUT, M6 X 1 .....		4
64	XXXX-XX						STARTER/GENERATOR (SEE SECTION AA FOR PART NUMBER AND QUANTITY) .....		1



# ELECTRICAL SYSTEM

GASOLINE POWERED TRUCK

THE USE OF NON U.L. PARTS WILL VOID ANY U.L. LISTING.

When ordering parts, please specify the model and serial number of the product.

\* Indicates a component that is not available as an individual part.

ITEM	PART NO.	1	2	3	4	5	DESCRIPTION	4 WHEEL	
								QTY	
65									
66	26651-G02						IGNITION PICKUP ASSEMBLY (INCLUDES ITEM 67) .....	1	
67	26707-G01						BOLT, WASHER, M5 X .8 X 10 MM .....	1	
68	26676-G01						SCREW, M6 X 1 X 23 MM .....	1	
69	26652-G01						IGNITION COIL (INCLUDES ITEMS 70 - 74) .....	1	
70	*						COIL IGNITION .....	1	
71	*						SPACER .....	1	
72	*						WASHER, LOCK .....	1	
73	*						NUT .....	1	
74	*						SCREW .....	1	
75									
76	13632-G1						NUT, M6 X 1 .....	2	
77	26651-G02						COIL, PULSAR .....	1	



# ELECTRICAL SYSTEM

GASOLINE POWERED TRUCK

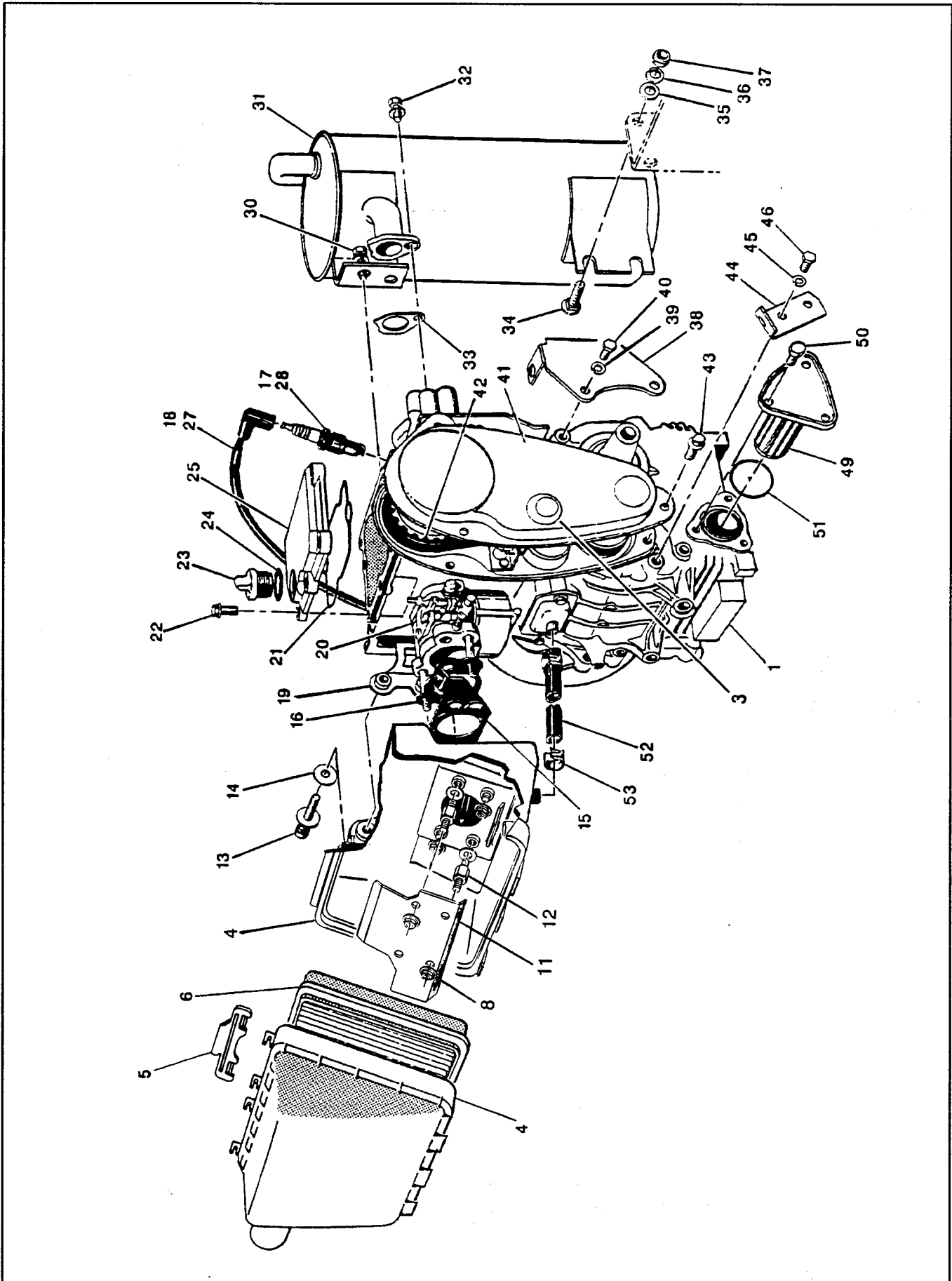
THE USE OF NON U.L. PARTS WILL VOID ANY U.L. LISTING.

When ordering parts, please specify the model and serial number of the product.

\* Indicates a component that is not available as an individual part.

ITEM	PART NO.	1	2	3	4	5	DESCRIPTION	4 WHEEL	
								QTY	
65									
66	26651-G02						IGNITION PICKUP ASSEMBLY (INCLUDES ITEM 67) .....		1
67	26707-G01						BOLT, WASHER, M5 X .8 X 10 MM .....		1
68	26676-G01						SCREW, M6 X 1 X 23 MM .....		1
69	26652-G01						IGNITION COIL (INCLUDES ITEMS 70 - 74) .....		1
70	*						COIL IGNITION .....		1
71	*						SPACER .....		1
72	*						WASHER, LOCK .....		1
73	*						NUT .....		1
74	*						SCREW .....		1
75									
76	13632-G1						NUT, M6 X 1 .....		2
77	26651-G02						COIL, PULSAR .....		1





# ENGINE AND MUFFLER

GASOLINE POWERED TRUCK

THE USE OF NON U.L. PARTS WILL VOID ANY U.L. LISTING.

When ordering parts, please specify the model and serial number of the product.

\* Indicates a component that is not available as an individual part.

ITEM	PART NO.	1	2	3	4	5	DESCRIPTION	4 WHEEL	
								QTY	
1	26700-G01						ENGINE, 295 CC, 4-CYCLE .....	1	
2									
3	26631-G01						GROMMET, TIMING BELT COVER .....	1	
4	26634-G01						AIR CLEANER ASSEMBLY (INCLUDES ITEMS 5,6) .....	1	
5	26735-G01						CLIP, AIR CLEANER BOX .....	2	
6	26855-G01						ELEMENT, AIR CLEANER .....	1	
7									
8	26706-G01						NUT, BAFFLE PLATE, M6 X 1 .....	2	
9									
10									
11	26729-G01						PLATE, AIR CLEANER BAFFLE .....	1	
12	26679-G01						STUD, BAFFLE PLATE .....	2	
13	26671-G01						BOLT AND WASHER, M6 X 1 X 30 MM LG. ....	2	
14	26701-G01						WASHER, 6.5 MM X 20 .....	2	
15	26728-G01						GASKET, AIR CLEANER .....	1	
16	26727-G01						GASKET, CARBURETOR/AIR BOX .....	1	
17	25523-G3						RESISTIVE SPARK PLUG .....	1	
18	26733-G02						SUPPRESSION SPARK PLUG WIRE SET .....	1	
19	26657-G01						BRACKET, IGNITION COIL .....	1	
20	XXXX-XX						CARBURETOR (SEE SECTION E FOR PART NUMBER AND QUANTITY)		
21	26719-G01						GASKET, VALVE COVER .....	1	
22	26676-G01						BOLT, FLANGED, M6 X 1 X 23 MM LG. ....	6	
23	26601-G01						CAP, OIL FILLER .....	1	
24	26720-G01						"O" RING .....	1	
25	26600-G01						COVER, VALVE .....	1	
26									
27	26733-G01						SET, SPARK PLUG WIRE SET (2 WIRES WITH BOOTS) .....	1	
28	25523-G02						SPARK PLUG, NGK BP4ES .....	2	
29									
30	25532-G1						BOLT AND WASHER, M8 X 1.25 X 18 MM LG. ....	2	
31	26344-G01						MUFFLER .....	1	
32	25532-G1						BOLT AND WASHER, M8 X 1.25 X 18 MM LG. ....	2	
33	25531-G1						GASKET, EXHAUST .....	1	
34	00764-G1						BOLT, CARRIAGE, 5/16 - 18 X 3/4 MM LG. ....	2	

# ENGINE AND MUFFLER

GASOLINE POWERED TRUCK

THE USE OF NON U.L. PARTS WILL VOID ANY U.L. LISTING.

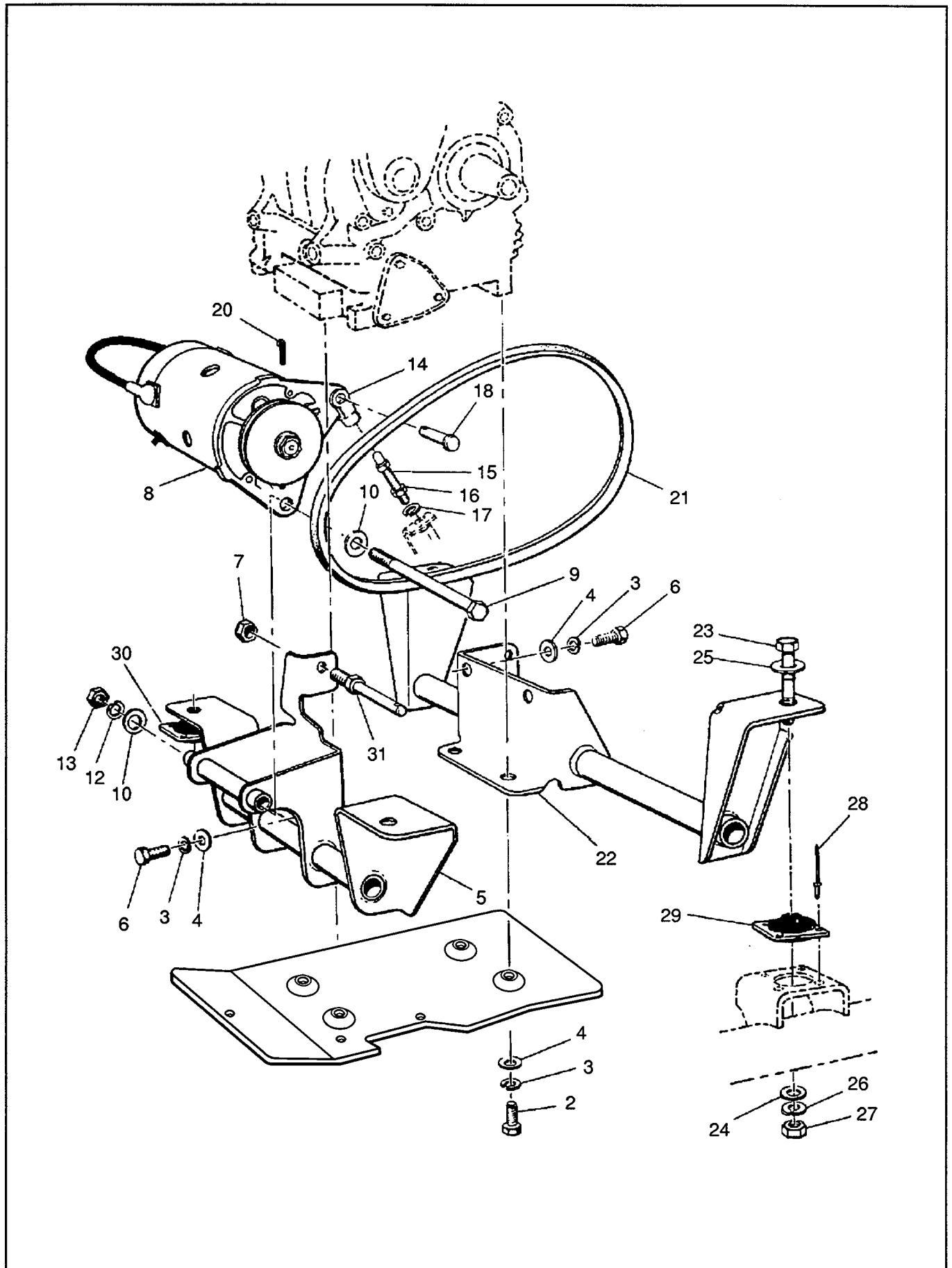
When ordering parts, please specify the model and serial number of the product.

\* Indicates a component that is not available as an individual part.

ITEM	PART NO.	1	2	3	4	5	DESCRIPTION	QTY	
									4 WHEEL
35	00559-G8						WASHER, 5/16 .....		2
36	00931-G2						WASHER, LOCK, 5/16 .....		2
37	00532-G3						NUT, 5/16 - 18 .....		2
38	25655-G01						BRACKET, PIVOT .....		1
39	00931-G2						WASHER, LOCK, 5/16 .....		2
40	00276-G6						SCREW, 5/16 - 24 X 3/4 LG. ....		2
41	26630-G01						COVER, TIMING BELT .....		1
42	26626-G01						BELT, TIMING .....		1
43	26678-G01						BOLT, M6 X 1 X 12 MM LG. ....		3
44	25654-G01						BRACKET, STARTER/GENERATOR ADJUSTMENT .....		1
45	00931-G2						WASHER, LOCK, 5/16 .....		2
46	00276-G6						SCREW, 5/16 - 24 X 3/4 LG. ....		2
47									
48									
49	26591-G01						FILTER, OIL .....		1
50	26680-G01						BOLT AND WASHER, M6 X 1 X 12 MM LG. ....		3
51	26710-G01						"O" RING, OIL FILTER .....		1
52	26602-G01						HOSE, BREATHER .....		1
53	18292-G1						CLAMP, HOSE .....		2







# ENGINE/STARTER MOUNTING

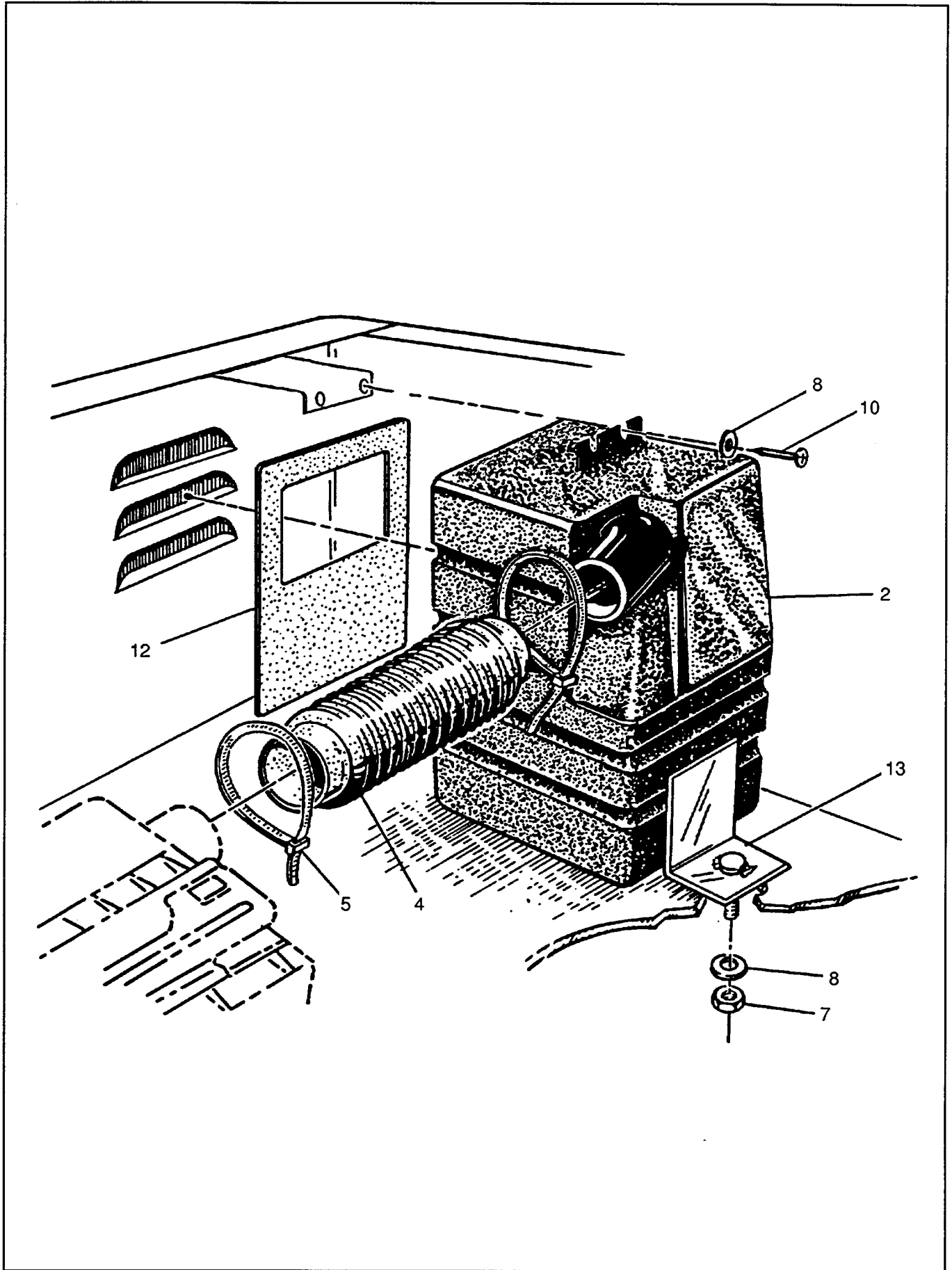
GASOLINE POWERED TRUCK

THE USE OF NON U.L. PARTS WILL VOID ANY U.L. LISTING.

When ordering parts, please specify the model and serial number of the product.

\* Indicates a component that is not available as an individual part.

ITEM	PART NO.	1	2	3	4	5	DESCRIPTION	4 WHEEL	
								QTY	
1	27432-G01						GUARD, ENGINE .....	1	
2	00463-G4						BOLT, 7/16 - 14 X 1 1/2 LG .....	4	
3	00566-G2						WASHER, LOCK, 7/16 .....	8	
4	00922-G3						WASHER, 7/16 .....	8	
5	25674-G01						BRACKET, FRONT ENGINE MOUNTING .....	1	
6	00288-G8						BOLT, 7/16 - 14 X 1 LG .....	4	
7	14390-G1						NUT, LOCK, 3/8 - 24 .....	1	
8	XXXX-XX						STARTER/GENERATOR (SEE SECTION AA FOR PART NUMBER AND QUANTITY) .....		
9	00938-G4						BOLT, 1/2 - 13 X 8 LG. ....	1	
10	00560-G3						WASHER, 1/2 .....	2	
11									
12	00566-G3						WASHER, LOCK, 1/2 .....	1	
13	00533-G1						NUT, 1/2 - 13 .....	1	
14	25708-G01						YOKE, CLEVIS .....	1	
15	24667-G1						PIN, ADJUSTING .....	1	
16	00532-G6						NUT, 3/8 - 24 .....	1	
17	00566-G1						WASHER, LOCK, 3/8 .....	1	
18	14443-G3						PIN, CLEVIS, 5/16 X 1 LG. ....	1	
19									
20	10387-G4						PIN, COTTER .....	1	
21	26414-G01						BELT, STARTER/GENERATOR .....	1	
22	25675-G01						BRACKET, REAR ENGINE MOUNTING .....	1	
23	00428-G6						BOLT, 3/8 - 16 X 2 3/4 LG. ....	4	
24	00560-G1						WASHER, 1.25 O.D. X .38 I.D. ....	4	
25	15121-G1						WASHER, 1.25 O.D. X .38 I.D. ZINC .....	2	
26	00566-G1						WASHER, LOCK, 3/8 .....	4	
27	00550-G5						NUT, LOCK, 3/8 - 16 .....	4	
28	14601-G5						RIVET, 3/16 X 13/32 LG. ....	16	
29	14137-G1						MOUNT, ISOLATION, 25 LB. ....	3	
30	14137-G2						MOUNT, ISOLATION, 35 LB. ....	1	
31	XXXXX-XX						SEE SECTION A FOR PART NUMBER AND QUANTITY .....		



# FRESH AIR INTAKE

GASOLINE POWERED TRUCK

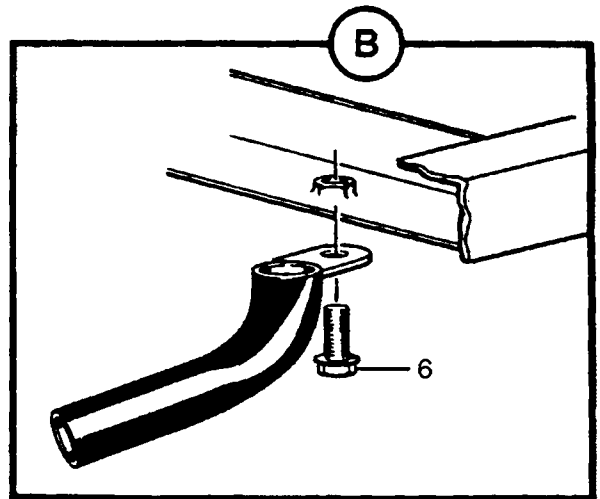
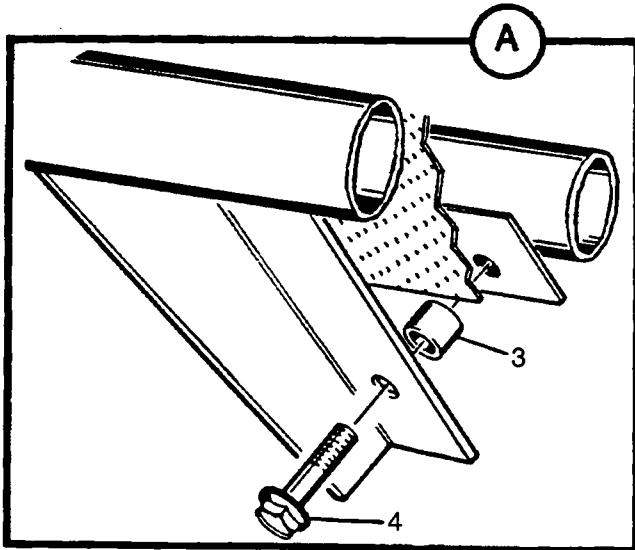
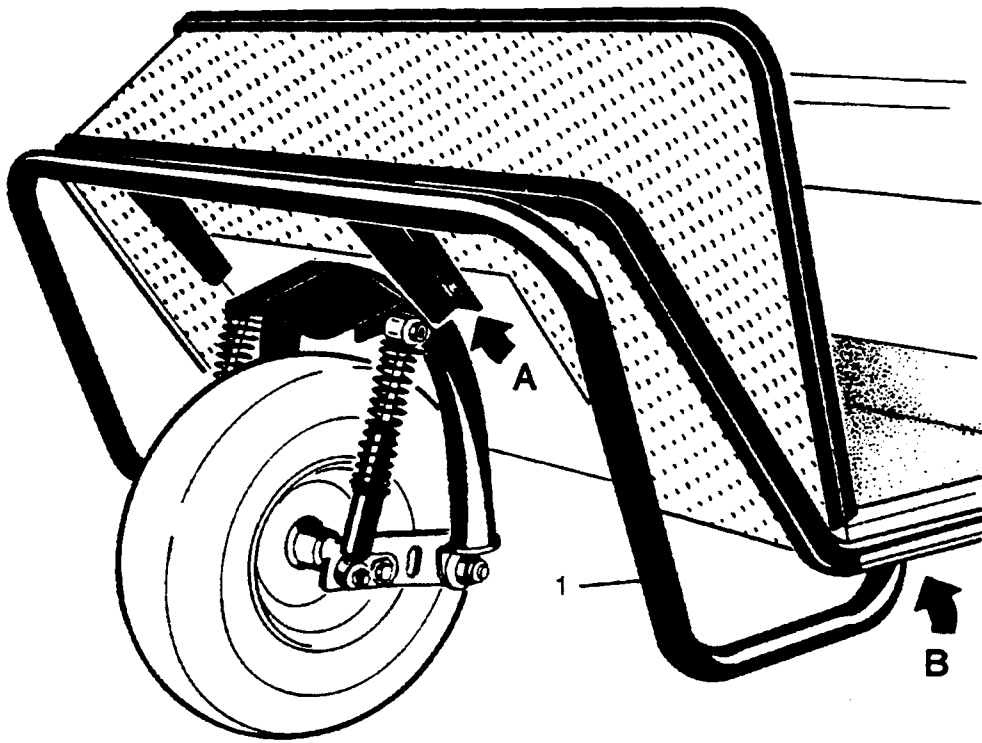
THE USE OF NON U.L. PARTS WILL VOID ANY U.L. LISTING.

When ordering parts, please specify the model and serial number of the product.

\* Indicates a component that is not available as an individual part.

4 WHEEL

ITEM	PART NO.	1	2	3	4	5	DESCRIPTION	QTY
1								
2	26481-G01						AIRBOX, INTAKE .....	1
3								
4	25560-G02						HOSE, AIR .....	1
5	17618-G1						CLAMP, NYLON .....	2
6								
7	14390-G4						NUT, LOCK, 1/4 - 20 .....	1
8	00559-G6						WASHER, #12 .....	2
9								
10	00106-G6						SCREW, SELF DRILL AND TAP, #12 - 24 X 3/4 LG. ....	2
11								
12	26412-G01						GASKET, AIR BOX .....	1
13	26458-G01						BRACKET, SUPPORT, AIRBOX .....	1



# FRONT BUMPER – 3 WHEEL TRUCK

ELECTRIC POWERED TRUCK

THE USE OF NON U.L. PARTS WILL VOID ANY U.L. LISTING.

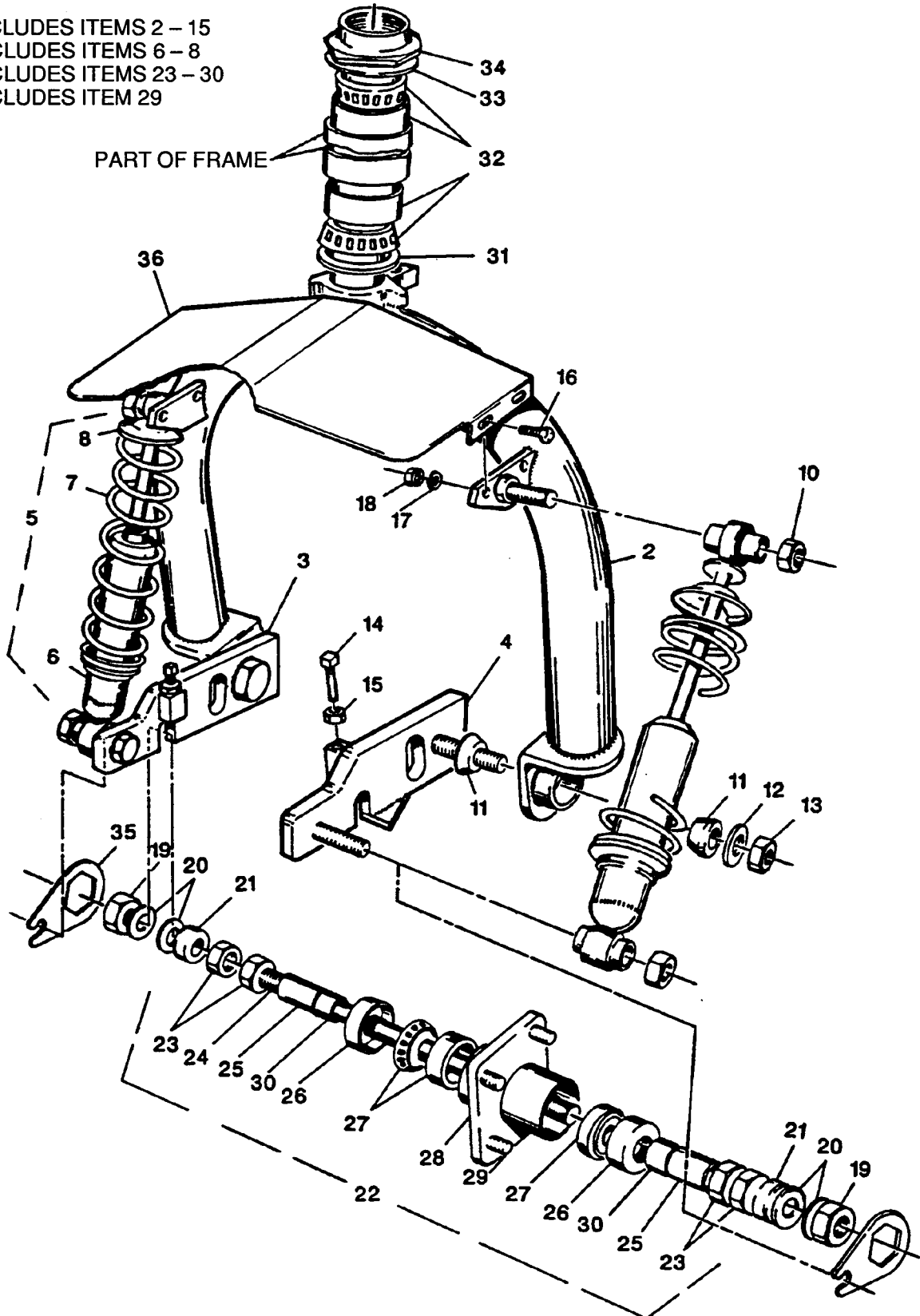
When ordering parts, please specify the model and serial number of the product.

\* Indicates a component that is not available as an individual part.

3 WHEEL

ITEM	PART NO.	1	2	3	4	5	DESCRIPTION	QTY
1	19507-G1						FRONT BUMPER .....	1
2								
3	19522-G1						SPACER, FRONT BUMPER .....	2
4	13437-G8						SCREW, LOCK, 3/8 – 16 X 2 LG. ....	2
5								
6	13437-G4						SCREW, LOCK, 3/8 – 16 X 1 LG. ....	2

- 1 – INCLUDES ITEMS 2 – 15
- 5 – INCLUDES ITEMS 6 – 8
- 22 – INCLUDES ITEMS 23 – 30
- 28 – INCLUDES ITEM 29



# FRONT FORK – 3 WHEEL TRUCK

ELECTRIC POWERED TRUCK

THE USE OF NON U.L. PARTS WILL VOID ANY U.L. LISTING.

When ordering parts, please specify the model and serial number of the product.

\* Indicates a component that is not available as an individual part.

ITEM	PART NO.	1	2	3	4	5	DESCRIPTION	3 WHEEL	QTY	
1	17533-G3							FORK ASSEMBLY (INCLUDES ITEMS 2 – 15)		1
2	17537-G1							FORK		1
3	17542-G1							AXLE BRACKET, PASSENGER SIDE		1
4	17542-G2							AXLE BRACKET, DRIVER'S SIDE		1
5	19796-G3							SHOCK ABSORBER ASSEMBLY (INCLUDES ITEMS 6 – 8)		2
6	17907-G1							SHOCK ABSORBER		1
7	19795-G2							SPRING, COMPRESSION		1
8	17816-G2							RETAINER, SPRING		1
9										
10	00897-G1							NUT, LOCK, 1/2 – 13		4
11	15588-G1							BUSHING, PIVOT		4
12	00653-G5							WASHER, 5/8		2
13	00654-G7							NUT, LOCK, 5/8		2
14	00655-G4							SETSCREW, 1/4 – 20 X 1 3/4 LG.		2
15	00898-G1							NUT, 1/4 – 20		2
16	00671-G4							SCREW, #10 – 24 x 1/2 LG.		4
17	00882-G5							WASHER, LOCK, #10		4
18	00896-G3							NUT, #10 – 24		4
19	00894-G1							NUT, LOCK, 3/4 – 16		2
20	00895-G6							WASHER, 3/4		4
21	17650-G2							RING, ADJUSTER		2
22	17535-G2							HUB AND AXLE ASSEMBLY (INCLUDES ITEMS 23 – 30)		1
23	00899-G8							NUT, 3/4 – 16		4
24	10223-G5							AXLE, FRONT		1
25	17536-G2							SPACER, AXLE		2
26	19471-G1							SEAL, GREASE		2
27	50908-G1							BEARING, RACE		2
28	19888-G1							HUB ASSEMBLY (INCLUDES ITEMS 29)		1
29	19862-G1							BOLT, HUB, 1/2 – 20		4
30	11655-G1							SPACER, AXLE		2
31	13136-G1							SPACER		1
32	11103-G2							BEARING AND RACE		2
33	10669-G3							WASHER, SPECIAL		1
34	11098-G1							NUT, LOCK, 1 3/8 – 12		1



# FRONT FORK – 3 WHEEL TRUCK

ELECTRIC POWERED TRUCK

THE USE OF NON U.L. PARTS WILL VOID ANY U.L. LISTING.

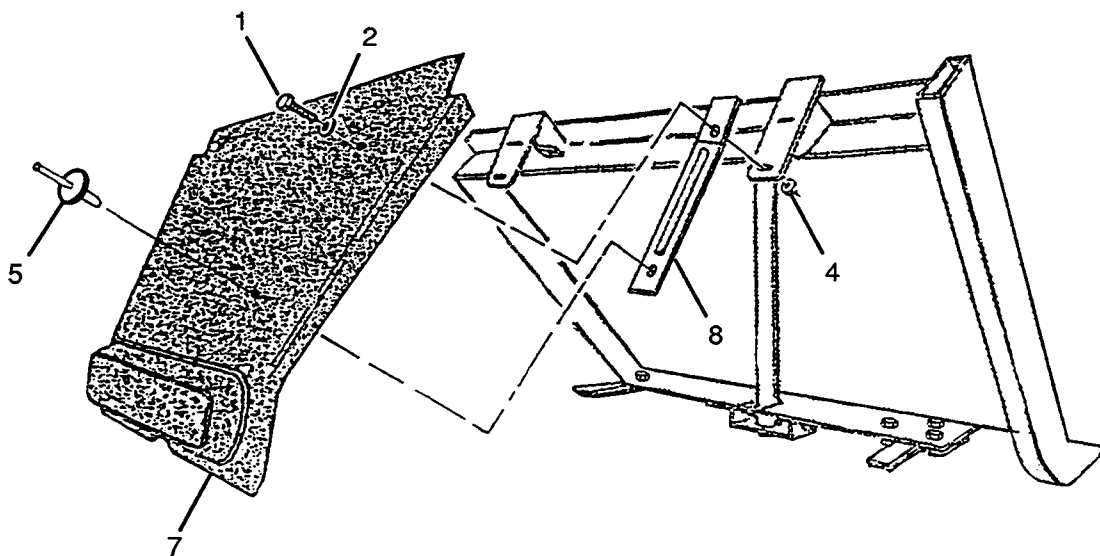
When ordering parts, please specify the model and serial number of the product.

\* Indicates a component that is not available as an individual part.

3 WHEEL	
---------	--

ITEM	PART NO.	1	2	3	4	5	DESCRIPTION	QTY
35	18256-G2						RETAINER, AXLE NUT, STAINLESS STEEL .....	2
36	15643-G1						SHIELD .....	1





# FRONT SHIELD – 4 WHEEL TRUCK

ELECTRIC/GASOLINE POWERED TRUCK

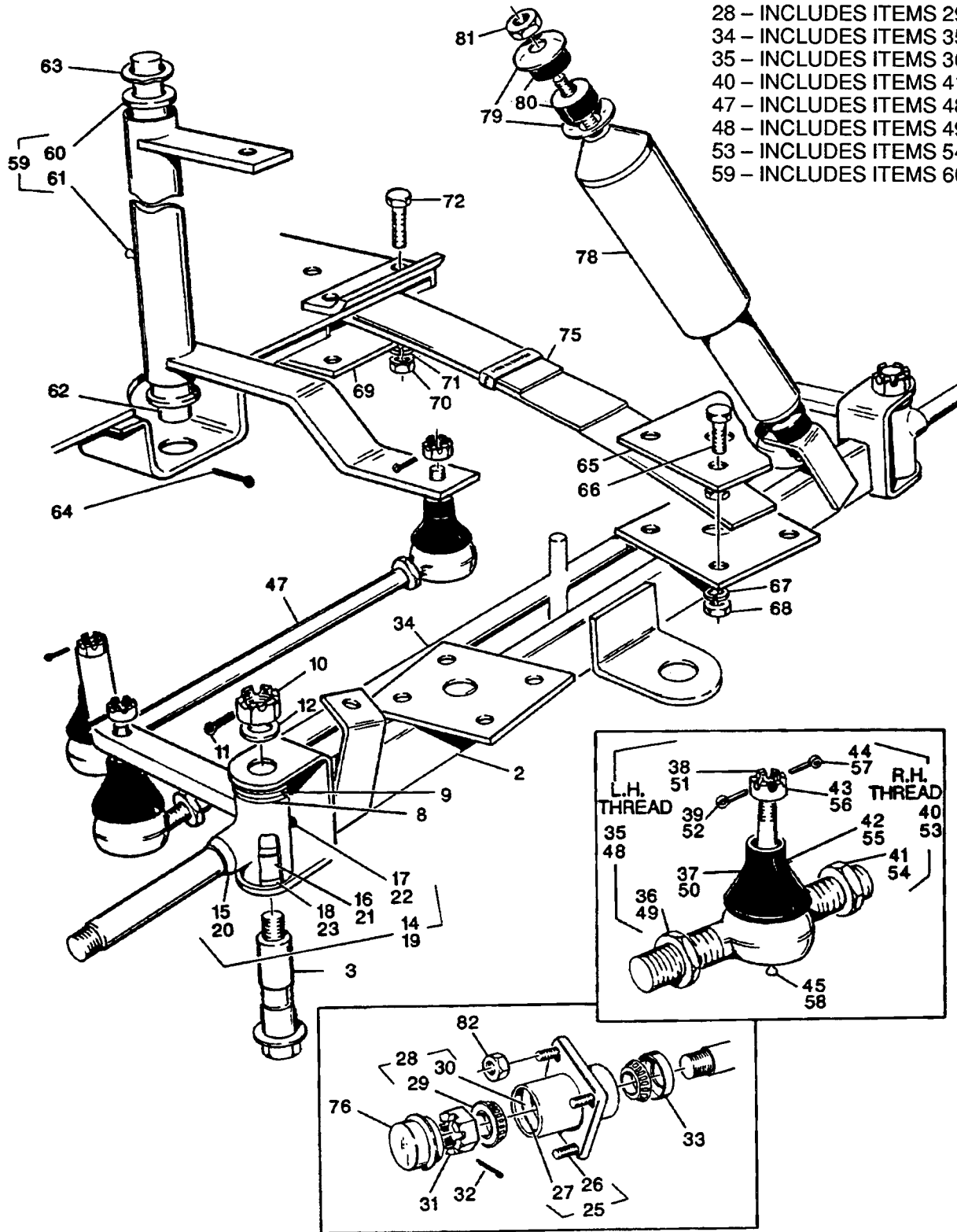
THE USE OF NON U.L. PARTS WILL VOID ANY U.L. LISTING.

When ordering parts, please specify the model and serial number of the product.

\* Indicates a component that is not available as an individual part.

ITEM	PART NO.	1	2	3	4	5	DESCRIPTION	QTY	
									4 WHEEL
1	00414-G8						SCREW, 1/4 – 20 X 1 LG. ....		2
2	00559-G7						WASHER, 1/4 ....		2
3									
4	14390-G4						NUT, LOCK, 1/4 – 20 ....		2
5	18436-G1						RIVET ....		2
6									
7	27166-G1						SHIELD ....		1
8	27252-G01						SUPPORT, FRONT SHIELD ....		2

- 1 – INCLUDES ITEMS 2 – 45
- 14 – INCLUDES ITEMS 15 – 18
- 19 – INCLUDES ITEMS 20 – 27
- 25 – INCLUDES ITEMS 26, 27
- 28 – INCLUDES ITEMS 29, 30
- 34 – INCLUDES ITEMS 35 – 45
- 35 – INCLUDES ITEMS 36 – 39
- 40 – INCLUDES ITEMS 41 – 44
- 47 – INCLUDES ITEMS 48 – 58
- 48 – INCLUDES ITEMS 49 – 52
- 53 – INCLUDES ITEMS 54 – 57
- 59 – INCLUDES ITEMS 60, 61



# FRONT SUSPENSION – 4 WHEEL TRUCK

ELECTRIC/GASOLINE POWERED TRUCK

THE USE OF NON U.L. PARTS WILL VOID ANY U.L. LISTING.

When ordering parts, please specify the model and serial number of the product.

\* Indicates a component that is not available as an individual part.

ITEM	PART NO.	1	2	3	4	5	DESCRIPTION	4 WHEEL		
								QTY		
1	25840-G02	FRONT AXLE ASSEMBLY (INCLUDES ITEMS 2 – 45) .....							1	
2	23918-G2	AXLE .....							1	
3	25177-G2	PIN, KING .....							1	
4										
5										
6										
7										
8	16982-G1	BEARING, THRUST .....							2	
9	00879-G7	WASHER, 7/8 .....							2	
10	00886-G1	NUT, SLOTTED, 5/8 – 18 .....							2	
11	19060-G1	PIN, COTTER, STAINLESS STEEL, 1/4 X 1 1/2 LG. ....							2	
12	00879-G5	WASHER, 5/8 .....							2	
13										
14	25837-G01	SPINDLE ASSEMBLY, DRIVER'S SIDE (INCLUDES ITEMS 15 – 18) .....							1	
15	*	SPINDLE .....							1	
16	16623-G1	BEARING, BRONZE .....							2	
17	10389-G3	FITTING, GREASE .....							1	
18	16626-G1	SEAL .....							1	
19	25836-G01	SPINDLE ASSEMBLY, PASSENGER SIDE (INCLUDES ITEMS 20 – 23) .....							1	
20	*	SPINDLE .....							1	
21	16623-G1	BEARING, BRONZE .....							2	
22	10389-G3	FITTING, GREASE .....							1	
23	16626-G1	SEAL .....							1	
24										
25	19932-G1	HUB ASSEMBLY (INCLUDES ITEMS 26, 27) .....							2	
26	19862-G1	BOLT, HUB, 1/2 – 20 .....							4	
27	*	RACE, BEARING .....							2	
28	50892-G1	BEARING AND RACE ASSEMBLY (INCLUDES ITEMS 29, 30) .....							2	
29	11750-G2	BEARING, ROLLER .....							2	
30	11752-G1	BEARING, RACE .....							2	
31	12093-G1	NUT, SLOTTED, 1 – 14 .....							2	
32	00798-G8	PIN, COTTER, 1/4 X 1 1/2 LG. ....							2	

# FRONT SUSPENSION – 4 WHEEL TRUCK

ELECTRIC/GASOLINE POWERED TRUCK

THE USE OF NON U.L. PARTS WILL VOID ANY U.L. LISTING.

When ordering parts, please specify the model and serial number of the product.

\* Indicates a component that is not available as an individual part.

ITEM	PART NO.	1	2	3	4	5	DESCRIPTION	4 WHEEL	
								QTY	
33	25146-G1						SEAL .....	1	
34	27365-G01						TIE ROD ASSEMBLY (INCLUDES ITEMS 35 – 45) .....	1	
35	20795-G1						TIE ROD END ASSEMBLY, L.H. THREAD (INCLUDES ITEMS 36 – 39) .....	1	
36	18434-G1						NUT, 9/16 – 18, L.H. THREAD .....	1	
37	50641-G1						BOOT, RUBBER .....	1	
38	50209-G1						NUT, SLOTTED, 7 / 16 – 20 .....	1	
39	10387-G2						PIN, COTTER, 3/16 X 1 LG. ....	1	
40	20795-G2						TIE ROD END ASSEMBLY, R.H. THREAD (INCLUDES ITEMS 41 – 44) .....	1	
41	18434-G1						NUT, 9/16 – 18, R.H. THREAD .....	1	
42	50641-G1						BOOT, RUBBER .....	1	
43	50209-G1						NUT, SLOTTED, 7/16 – 20 .....	1	
44	10387-G2						PIN, COTTER, 3/16 X 1 LG. ....	1	
45	10389-G3						FITTING, GREASE .....	2	
46									
47	18377-G1						TIE ROD ASSEMBLY (INCLUDES ITEMS 48 – 58) .....	1	
48	20795-G1						TIE ROD END ASSEMBLY, L.H. THREAD (INCLUDES ITEMS 49 – 52) .....	1	
49	18434-G1						NUT, 9/16 – 18, L.H. THREAD .....	1	
50	50641-G1						BOOT, RUBBER .....	1	
51	50209-G1						NUT, SLOTTED, 7 / 16 – 20 .....	1	
52	10387-G2						PIN, COTTER, 3/16 X 1 LG. ....	1	
53	20795-G2						TIE ROD END ASSEMBLY, R.H. THREAD (INCLUDES ITEMS 54 – 57) .....	1	
54	18434-G2						NUT, 9/16 – 18, R.H. THREAD .....	1	
55	50641-G1						BOOT, RUBBER .....	1	
56	50209-G1						NUT, SLOTTED, 7 / 16 – 20 .....	1	
57	10387-G2						PIN, COTTER, 3/16 X 1 LG. ....	1	
58	10389-G3						FITTING, GREASE .....	2	
59	23929-G1						IDLER ASSEMBLY (INCLUDES ITEMS 60, 61) .....	1	
60	15012-G1						BUSHING, FLANGED .....	2	
61	10389-G3						FITTING, GREASE .....	1	
62	16417-G2						SHAFT, IDLER .....	1	
63	13221-G1						WASHER, WAVE, SPRING .....	1	

# FRONT SUSPENSION – 4 WHEEL TRUCK

ELECTRIC/GASOLINE POWERED TRUCK

THE USE OF NON U.L. PARTS WILL VOID ANY U.L. LISTING.

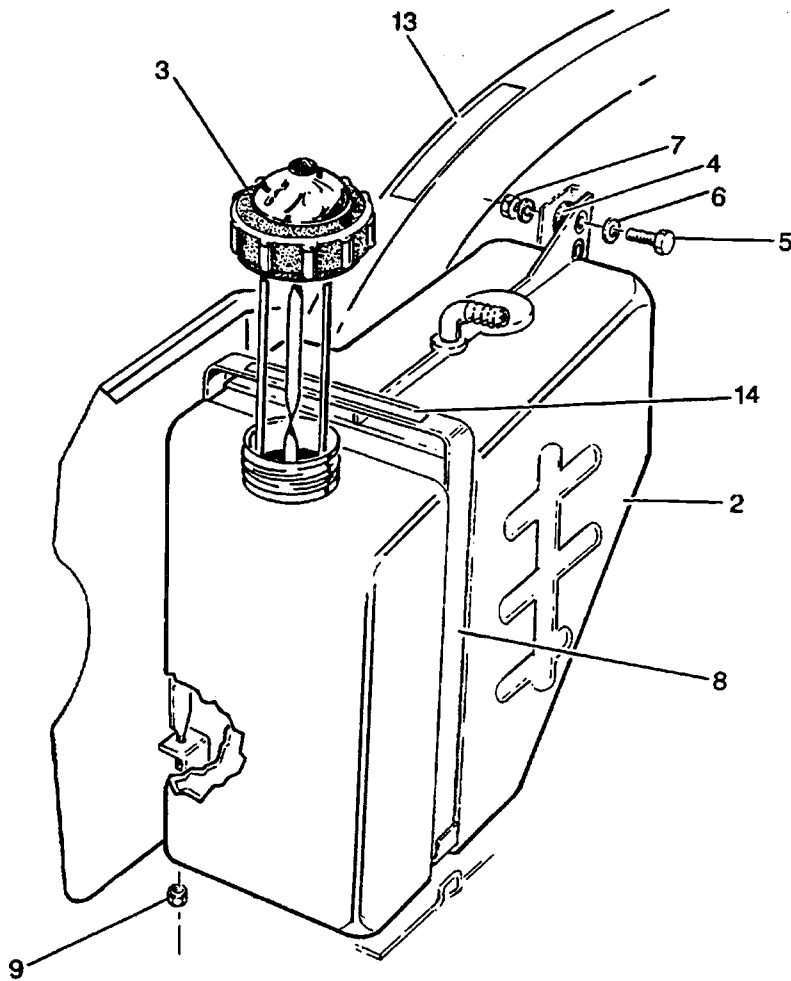
When ordering parts, please specify the model and serial number of the product.

\* Indicates a component that is not available as an individual part.

ITEM	PART NO.	1	2	3	4	5	DESCRIPTION	QTY	
									4 WHEEL
64	10387-G1						PIN, COTTER, 1/4 X 1 1/2 LG. ....	1	
65	15023-G2						RETAINER, SPRING .....	2	
66	00876-G4						SCREW, 3/8 – 16 X 1 1/2 LG. ....	8	
67	00878-G1						WASHER, LOCK, 3/8 .....	8	
68	00877-G5						NUT, 3/8 – 16 .....	8	
69	15023-G2						RETAINER, SPRING .....	2	
70	00532-G5						NUT, 3/8 – 16 .....	6	
71	00566-G1						WASHER, LOCK, 3/8 .....	6	
72	00428-G2						SCREW, 3/8 – 16 X 2 1/4 LG. ....	6	
73									
74									
75	24065-G1						SPRING, LEAF .....	2	
76	12091-G1						CAP, SPINDLE .....	2	
77									
78	27538-G01						SHOCK ABSORBER .....	2	
79	10435-G1						WASHER, 13/32 .....	8	
80	10194-G1						BUSHING, RUBBER .....	8	
81	00532-G6						NUT, 3/8 – 24 .....	4	
82	14723-G1						NUT, LUG, 1/2 – 20 .....	8	







18827-G1

**WARNING: AVOID FIRE HAZARD**

- o IF GASOLINE PUMP IS USED BE SURE IT IS GROUNDED
- o DO NOT REFUEL WHEN ENGINE IS HOT
- o IF GASOLINE IS SPILLED, FLUSH THOROUGHLY WITH WATER BEFORE STARTING ENGINE

26459-G01

**FILL WITH GASOLINE ONLY**  
MIN. 87 OCTANE UNLEADED 26549-G01

# FUEL SYSTEM

GASOLINE POWERED TRUCK

THE USE OF NON U.L. PARTS WILL VOID ANY U.L. LISTING.

When ordering parts, please specify the model and serial number of the product.

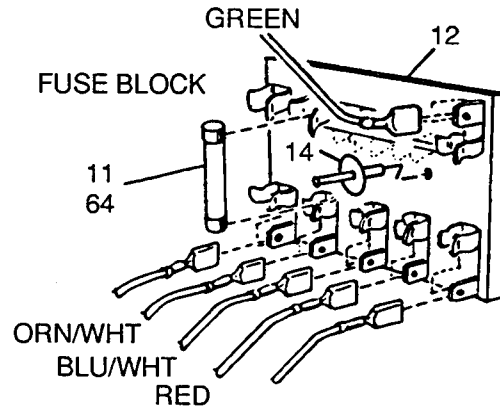
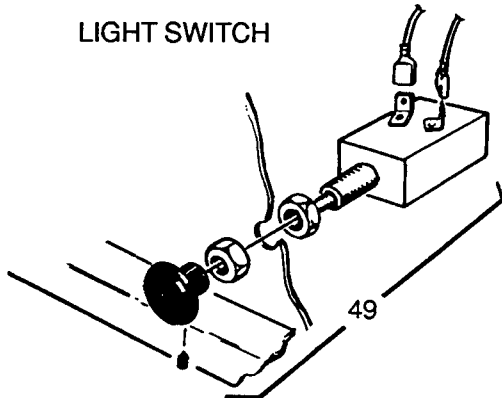
\* Indicates a component that is not available as an individual part.

ITEM	PART NO.	1	2	3	4	5	DESCRIPTION	QTY	
									4 WHEEL
1									
2	18293-G1						TANK, FUEL .....	1	
3	14099-G2						GAUGE, FUEL CAP .....	1	
4	14091-G1						WASHER, NEOPRENE .....	1	
5	00439-G1						SCREW, 5/16 - 18 X 1 1/8 LG. ....	1	
6	00559-G8						WASHER, 5/16 .....	2	
7	11098-G6						NUT, LOCK, 5/16 - 18 .....	1	
8	18302-G2						STRAP, FUEL TANK .....	1	
9	14390-G4						NUT, LOCK, 1/4 - 20 .....	1	
10	17618-G1						CLAMP, NYLON .....	2	
11	00106-G6						SCREW, #12 - 24 X 3/4 LG. (804 TUFF1 ONLY) .....	1	
12	25325-G1						CLAMP, CUSHIONED (804 TUFF1 ONLY) .....	1	
13	18827-G1						LABEL, WARNING: AVOID FIRE HAZARD .....	1	
14	26459-G01						LABEL, GASOLINE ONLY .....	1	
15									
16	25294-G6						FUEL PUMP AND FILTER ASSEMBLY (INCLUDES ITEMS 17 - 22) .....	1	
17	12902-G1						FILTER .....	1	
18	18292-G1						CLAMP, TUBING .....	2	
19	25683-G1						PUMP, FUEL .....	1	
20	11391-G1						CLAMP, TUBING .....	1	
21	17470-G1						TUBE, FUEL, 13.25" LG. (ORDER TO NEAREST FOOT AND CUT TO LENGTH) .....	1	
22	17470-G1						TUBE, FUEL, 6.25" LG. (ORDER TO NEAREST FOOT AND CUT TO LENGTH) .....	1	
23	17470-G1						TUBE, FUEL, PULSE, 31" LG. (ORDER TO NEAREST FOOT AND CUT TO LENGTH) .....	1	
24	25693-G01						CHOKE CONTROL ASSEMBLY (INCLUDES ITEM 25) .....	1	
25	00544-G4						NUT, JAM, 5/16 - 21 .....	2	
26	00568-G4						WASHER, LOCK, EXTERNAL TOOTH, 9/16 .....	1	
27									
28	00545-G4						NUT, 9/16 - 18 .....	1	
29	17470-G1						TUBE, BULK (ORDER TO THE NEAREST FOOT AND CUT TO LENGTH) .....		AR
30	11027-G2						NUT, LOCK, 1/4 - 20 .....	2	

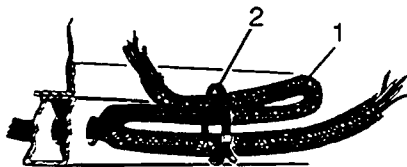


- 5 - INCLUDES ITEMS 6 - 9
- 36 - INCLUDES ITEMS 37 - 39, 45 - 65
- 47 - INCLUDES ITEM 48
- 68 - INCLUDES ITEMS 69 - 80
- 83 - INCLUDES ITEMS 84 - 87
- 89 - INCLUDES ITEMS 90 - 94

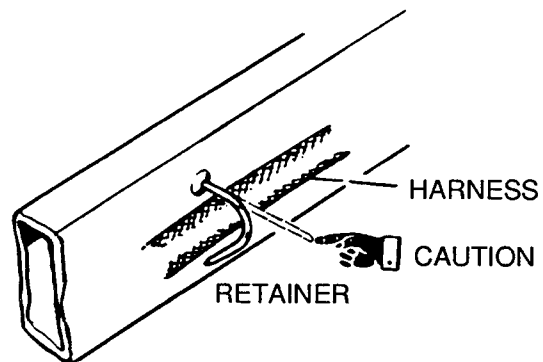
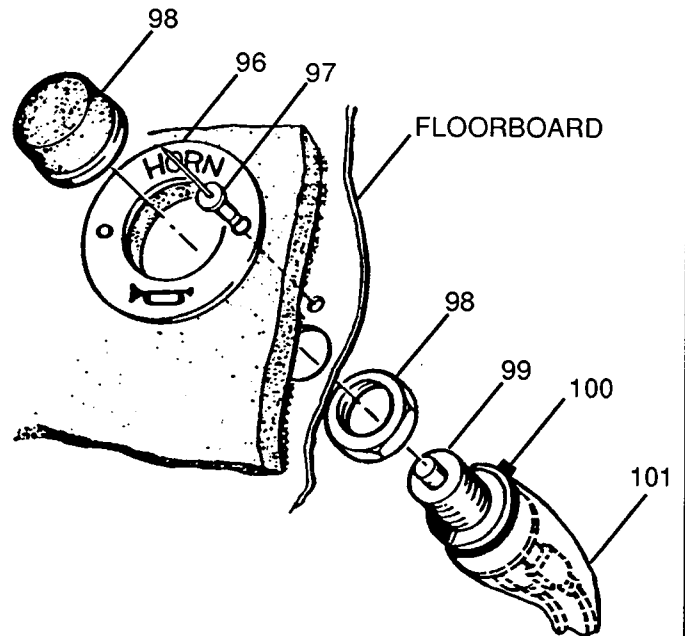
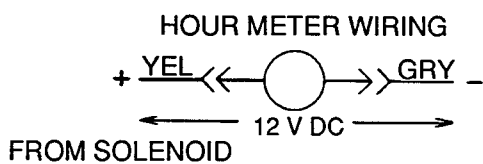
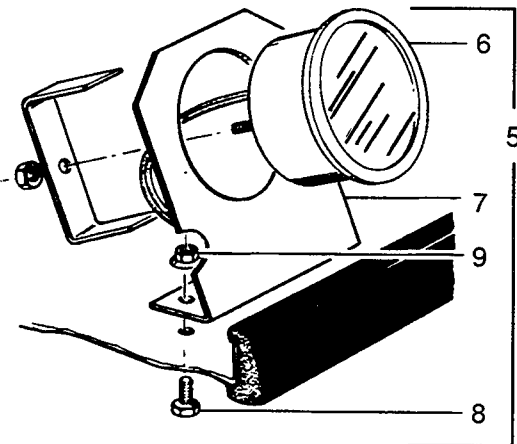
LIGHT SWITCH



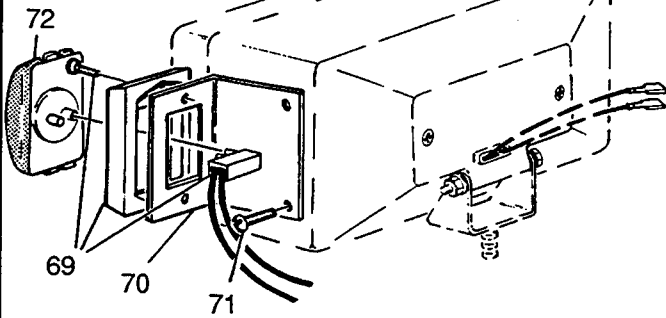
ACCESSORY WIRING HARNESS



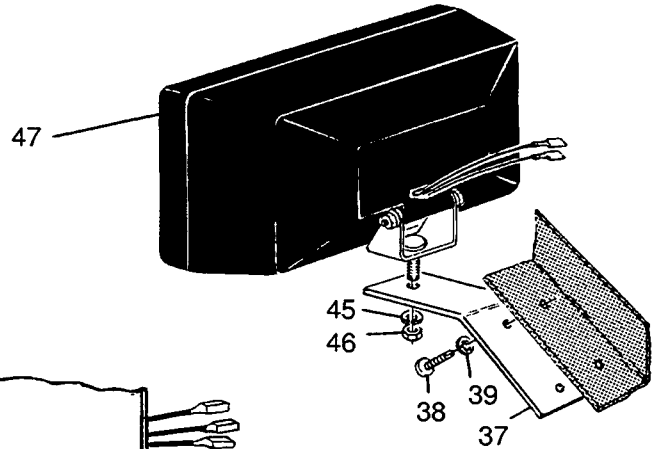
HOUR METER



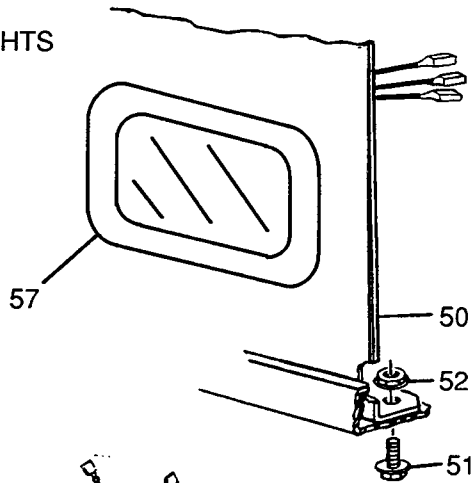
TURN SIGNAL



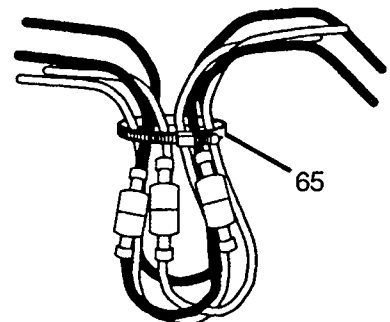
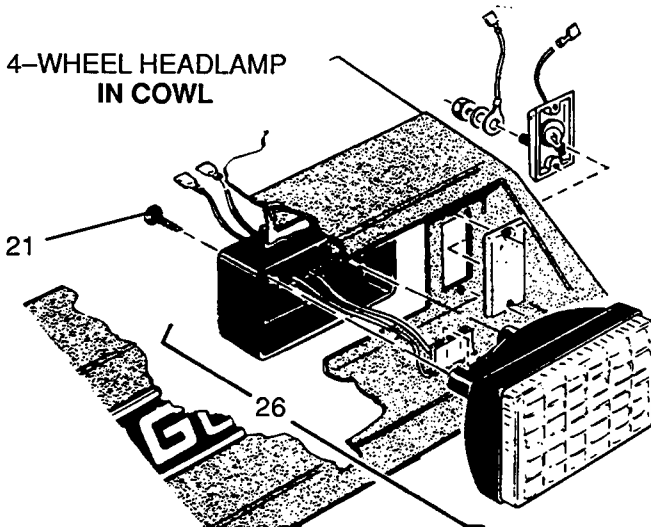
3-WHEEL HEADLAMP



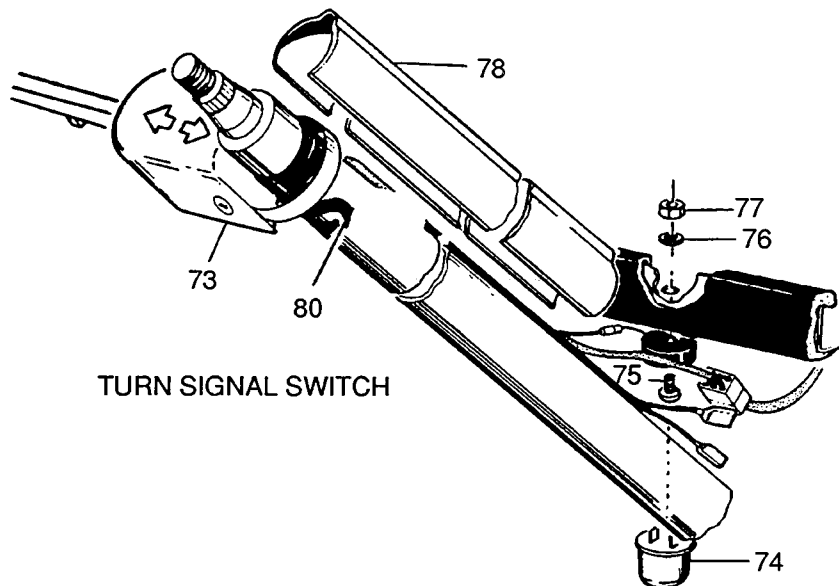
TAILLIGHTS



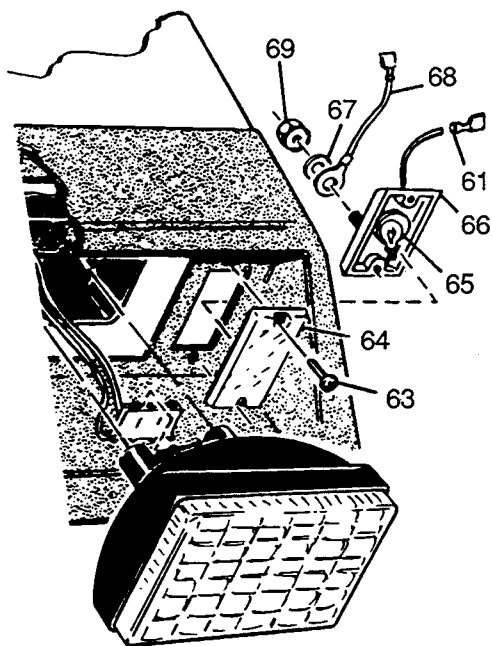
4-WHEEL HEADLAMP IN COWL



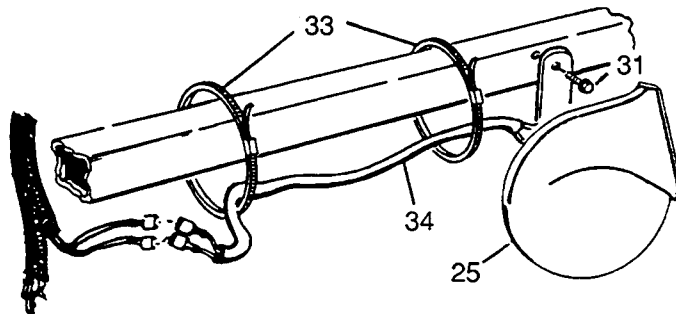
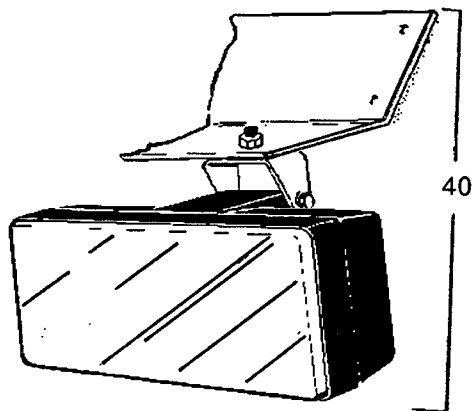
NOTE: TO INSTALL HEADLIGHT, REMOVE AND DISCARD EXISTING SCREWS AND REPLACE THEM WITH ITEM 21 AFTER INSTALLATION



TURN SIGNAL SWITCH

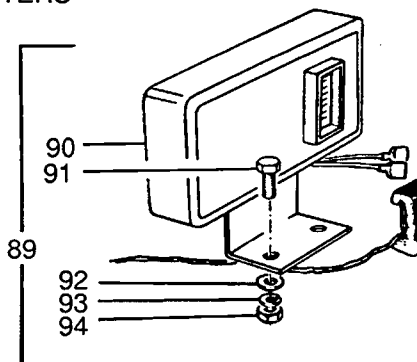
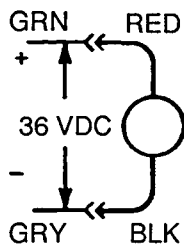
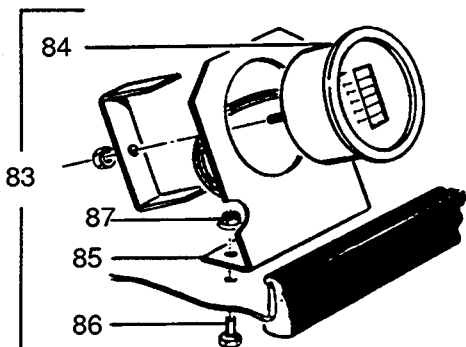


4-WHEEL  
TURF LIGHT KIT ONLY  
BELOW COWL

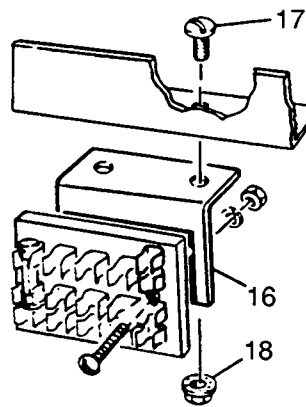


ELECTRIC TRUCKS ONLY

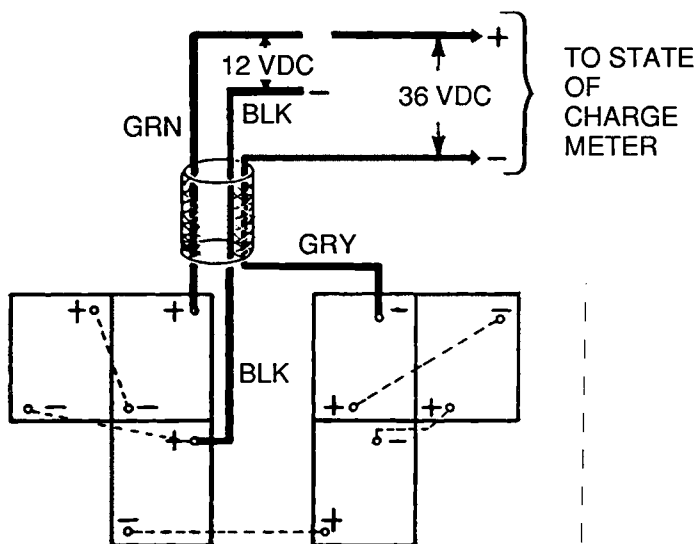
STATE OF CHARGE METERS



FUSE BLOCK MOUNTING BRACKET



ACCESSORY HARNESS CONNECTIONS





# HORN AND ACCESSORY WIRING

ELECTRIC/GASOLINE POWERED TRUCK

THE USE OF NON U.L. PARTS WILL VOID ANY U.L. LISTING.

When ordering parts, please specify the model and serial number of the product.

\* Indicates a component that is not available as an individual part.

ITEM	PART NO.	1	2	3	4	5	DESCRIPTION	3 WHEEL	4 WHEEL
								QTY	
1	22069-G1						WIRING HARNESS .....	1	1
2	16172-G1						CLAMP, NYLON .....	3	3
3									
4									
5	19318-G2						HOUR METER KIT (INCLUDES ITEMS 6 - 9) .....	1	1
6	21573-G1						HOUR METER (INCLUDES MOUNTING HARDWARE) .....	1	1
7	18001-G1						BRACKET, HOUR METER .....	1	1
8	00414-G4						SCREW, 1/4 - 20 X 1/2 LG. ....	2	2
9	11027-G2						NUT, LOCK, 1/4 - 20 .....	2	2
10									
11	18392-G1						FUSE, 15 AMP (ELECTRIC VEHICLES ONLY) .....	3	3
12	22674-G1						FUSE BLOCK .....	1	1
13									
14	10570-G3						RIVET, 1/8 .....	2	2
15									
16	22767-G1						BRACKET, MOUNTING, FUSE BLOCK (ELECTRIC VEHICLES ONLY) ...	1	1
17	16705-G3						SCREW, TRUSS, 1/4 - 20 X 3/4 LG. ....	2	2
18	11027-G2						NUT, LOCK, 1/4 - 20 .....	2	2
19	24602-G1						BRACKET, MOUNTING, FUSE BLOCK (GAS VEHICLES ONLY) .....	1	1
20	11027-G2						NUT, LOCK, 1/4 - 20 .....	1	1
21	00906-G6						SCREW, #10-16 X1 LG. ....	-	2
22									
23									
24									
25	32860-G1						HORN .....	1	1
26	20209-G3						HEADLAMP (REQUIRES ITEM 21 FOR INSTALLATION) .....	-	2
27									
28									
29									
30									
31	00106-G6						SCREW, SELF-DRILL AND TAP, #12 - 24 X 3/4 LG. ....	1	1
32	20209-G3						HEADLAMP (REQUIRES ITEM 21 FOR INSTALLATION) .....	-	2
33	16172-G1						CLAMP, NYLON .....	2	2
34	24605-G1						WIRING HARNESS, HORN .....	1	1

# HORN AND ACCESSORY WIRING

ELECTRIC/GASOLINE POWERED TRUCK

THE USE OF NON U.L. PARTS WILL VOID ANY U.L. LISTING.

When ordering parts, please specify the model and serial number of the product.

\* Indicates a component that is not available as an individual part.

3 WHEEL	4 WHEEL
---------	---------

ITEM	PART NO.	1	2	3	4	5	DESCRIPTION	QTY	
								3 WHEEL	4 WHEEL
35									
36	22301-G1						HEAD AND TAILLIGHT KIT, 3-WHEEL (INCLUDES ITEMS 37 - 39, 45 - 65) .....	1	-
37	22274-G1						BRACKET, HEADLAMP, MOUNTING .....	2	-
38	00106-G6						SCREW, SELF-DRILL AND TAP, #12 - 24 X 3/4 LG. ....	4	-
39	00594-G7						WASHER, LOCK, INTERNAL TOOTH, 1/4 .....	4	-
40	22301-G2						HEAD AND TAILLIGHT KIT, 4-WHEEL (TURF ONLY) .....	-	1
41									
42									
43									
44									
45	00566-G3						WASHER, LOCK, 1/2 .....	2	-
46	00533-G1						NUT, 1/2 -13 .....	2	-
47	20209-G2						HEADLAMP ASSEMBLY (INCLUDES ITEM 48) .....	2	2
48	22523-G1						BULB, HALOGEN, REPLACEMENT .....	2	1
49	18431-G1						SWITCH, HEADLAMP (INCLUDES MOUNTING HARDWARE) .....	1	1
50	22282-G1						PLATE, TAILLIGHT MOUNT .....	1	1
51	13437-G9						SCREW, LOCK, 1/4 - 20 X 3/4 LG. ....	2	2
52	11027-G2						NUT, LOCK, 1/4 - 20 .....	2	2
53									
54									
55									
56									
57	32739-G1						TAILLIGHT (INCLUDES BULB) .....	2	2
58									
59									
60									
61									
62									
63									
64	18392-G2						FUSE, 20 AMP (GAS VEHICLES ONLY) .....	3	3
65	16172-G1						CLAMP, NYLON .....	4	4
66									
67									

# HORN AND ACCESSORY WIRING

ELECTRIC/GASOLINE POWERED TRUCK

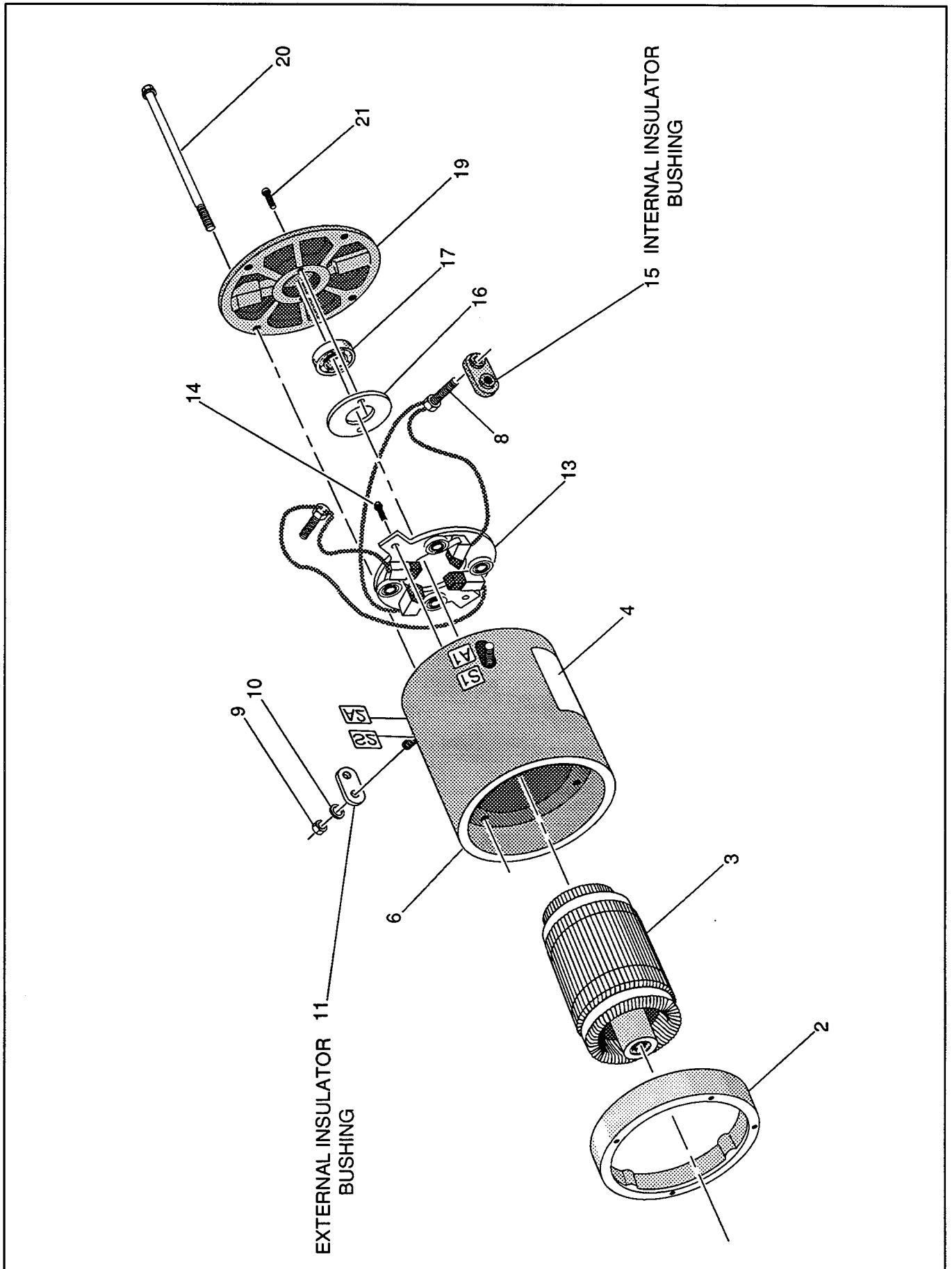
THE USE OF NON U.L. PARTS WILL VOID ANY U.L. LISTING.

When ordering parts, please specify the model and serial number of the product.

\* Indicates a component that is not available as an individual part.

ITEM	PART NO.	1	2	3	4	5	DESCRIPTION	3 WHEEL	4 WHEEL
								QTY	QTY
68	22437-G1						TURN SIGNAL SWITCH KIT (INCLUDES ITEMS 69 - 80)	1	1
69	18927-G1						MOUNT KIT, TURN SIGNAL	2	2
70	21806-G1						BRACKET, TURN SIGNAL	2	2
71	00598-G4						SCREW, SELF-DRILL AND TAP, #8 - 18 X 1/2 LG.	4	4
72	19180-G2						SIGNAL LAMP, YELLOW	2	2
73	17867-G1						SWITCH, TURN SIGNAL ASSEMBLY (INCLUDES ITEM 74)	1	1
74	21640-G1						FLASHER, TURN SIGNAL	1	1
75	00372-G4						SCREW, #8 - 32 X 1/2 LG.	1	1
76	00565-G4						WASHER, LOCK, #8	1	1
77	00526-G1						NUT, #8 - 32	1	1
78	20965-G3						COVER, STEERING COLUMN (WITH TURN SIGNALS)	1	1
79									
80	19344-G1						TAPE, VINYL	AR	AR
81									
82									
83	19197-G7						METER KIT, STATE OF CHARGE (ROUND) (INCLUDES ITEMS 84 - 87)	1	1
84	19714-G1						METER, STATE OF CHARGE	1	1
85	18001-G1						BRACKET	1	1
86	00414-G4						SCREW, 1/4 - 20 X 1/2 LG.	2	2
87	11027-G2						NUT, LOCK, 1/4 - 20	2	2
88									
89	19197-G3						METER KIT, STATE OF CHARGE (SQUARE) (INCLUDES ITEMS 90 - 94)	1	1
90	19196-G2						METER, STATE OF CHARGE	1	1
91	00372-G5						SCREW, #8 - 32 X 5/8 LG.	2	2
92	00559-G4						WASHER, #8	2	2
93	00565-G4						WASHER, LOCK, #8	2	2
94	00526-G1						NUT, #8 - 32	2	2
95									
96	19233-G1						DECAL, HORN	1	1
97	14601-G9						RIVET	2	2
98	17318-G2						CAP AND NUT, HORN SWITCH	1	1
99	17318-G1						SWITCH, HORN	1	1
100	17618-G1						CLAMP, NYLON	2	2
101	27068-G01						BOOT, HORN	1	1





# MOTOR, 2 H.P.

ELECTRIC POWERED TRUCK

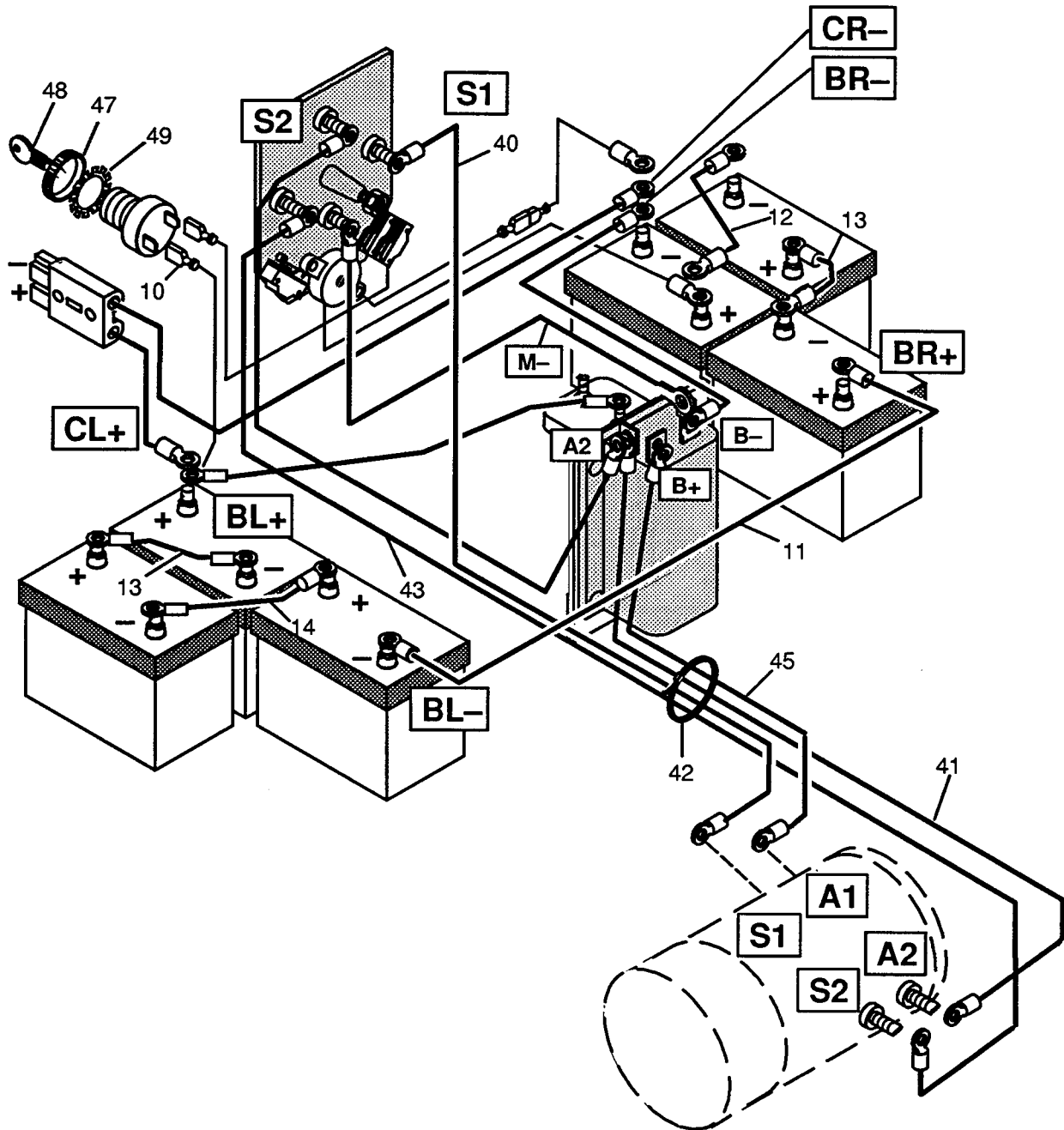
THE USE OF NON U.L. PARTS WILL VOID ANY U.L. LISTING.

When ordering parts, please specify the model and serial number of the product.

\* Indicates a component that is not available as an individual part.

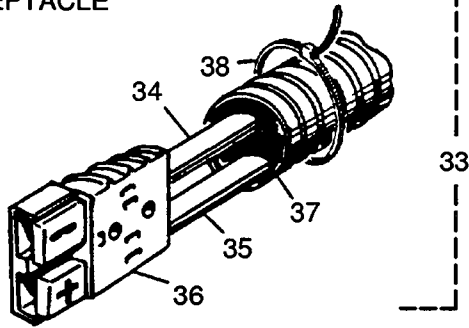
ITEM	PART NO.	1	2	3	4	5	DESCRIPTION	QTY	
								3 WHEEL	4 WHEEL
1	27045-G01	MOTOR, 2 H.P. (INCLUDES ITEMS 2 - 21) .....					1	1	
2	27630-G01	END SHIELD .....					1	1	
3	*	ARMATURE .....					1	1	
4	*	STATOR COMPLETE (INCLUDES ITEMS 6 AND 13) .....					1	1	
5									
6	*	STATOR SHELL AND WINDING .....					1	1	
7									
8	27630-G05	BRUSH (WITH TERM SCREW) .....					2	2	
9	27630-G06	NUT .....					4	4	
10	27630-G07	WASHER .....					4	4	
11	27630-G08	BUSHING, INSULATED .....					2	2	
12									
13	27630-G09	BRUSH MECHANISM .....					1	1	
14	27630-G10	SCREW - BRUSH HOLDER .....					2	2	
15	27630-G11	BUSHING, INSULATED .....					2	2	
16	27630-G12	RETAINER, BEARING .....					1	1	
17	27630-G13	BALL BEARING .....					1	1	
18									
19	27630-G14	END SHIELD .....					1	1	
20	27630-G15	SCREW, CLAMP .....					4	4	
21	27630-G16	SCREW - BEARING RETAINER .....					2	2	

- 2 - INCLUDES ITEMS 3 - 5
- 39 - INCLUDES ITEMS 40 - 45
- 46 - INCLUDES ITEMS 47 - 49

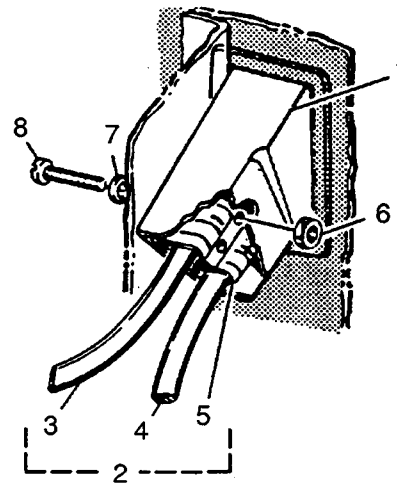


**NOTE:** THIS IS NOT A COMPLETE WIRING DIAGRAM.  
 USE FOR WIRE PART NUMBER IDENTIFICATION ONLY.  
 SEE DIRECTION SELECTOR AND SPEED CONTROL  
 SECTIONS FOR ADDITIONAL WIRING.

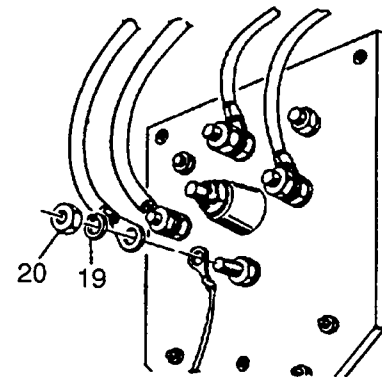
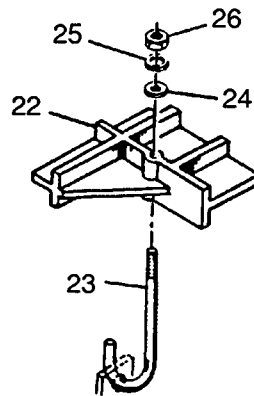
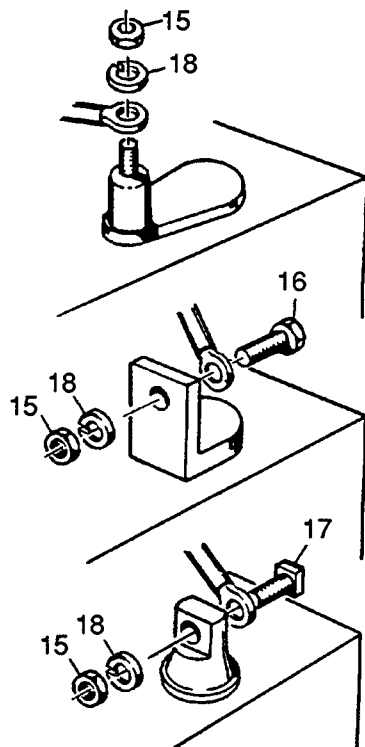
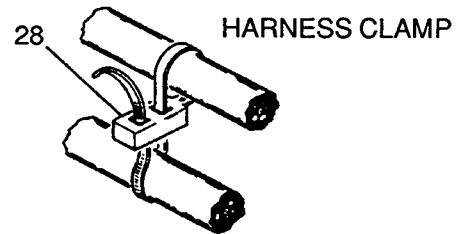
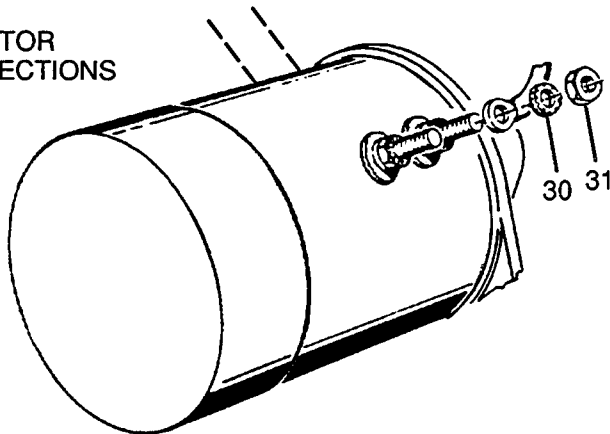
ON-BOARD CHARGER RECEPTACLE



PORTABLE CHARGER RECEPTACLE



MOTOR CONNECTIONS



DIRECTION SELECTOR LEVER CONNECTIONS



# POWER WIRING

ELECTRIC POWERED TRUCK

THE USE OF NON U.L. PARTS WILL VOID ANY U.L. LISTING.

When ordering parts, please specify the model and serial number of the product.

\* Indicates a component that is not available as an individual part.

ITEM	PART NO.	1	2	3	4	5	DESCRIPTION	3 WHEEL	4 WHEEL
								QTY	QTY
1	18724-G1						HOLDER, CHARGER RECEPTACLE .....	1	1
2	18784-G1						WIRING HARNESS CHARGER CONNECTOR (INCLUDES ITEMS 3 - 5) .	1	1
3	14852-G1						WIRE (CR-) .....	1	1
4	14852-G2						WIRE (CL+) .....	1	1
5	18782-G1						CONNECTOR .....	1	1
6	14390-G9						NUT, LOCK, #6 - 32 .....	2	2
7	00559-G3						WASHER, #6 .....	2	2
8	00645-G2						SCREW, #6 - 32 X 1 1/4 LG. ....	2	2
9									
10	23968-G1						WIRE .....	1	1
11	11885-G4						WIRE .....	1	1
12	23540-G1						WIRE .....	1	1
13	11893-G1						WIRE .....	2	2
14	11894-G1						WIRE .....	1	1
15	00994-G01						NUT, SILICON BRONZE, 5/16 - 18 .....	12	12
16	00270-G6						SCREW, 5/16 - 18 X 3/4 LG. ....	12	12
17	12649-G1						BOLT, BATTERY, SQUARE HEAD, 5/16 - 18 X 1 LG. ....	12	12
18	00993-G01						WASHER, SILICON BRONZE, 5/16 .....	12	12
19	00565-G8						WASHER, LOCK, 5/16 .....	4	4
20	00702-G2						NUT, 5/16 - 18 .....	4	4
21									
22	15736-G1						BATTERY HOLD DOWN .....	2	2
23	15734-G2						"J" BOLT .....	2	2
24	00559-G8						WASHER, 5/16 .....	2	2
25	00565-G8						WASHER, LOCK, 5/16 .....	2	2
26	00702-G2						NUT, 5/16 - 18 .....	2	2
27									
28	23544-G1						CLAMP, NYLON, DOUBLE .....	4	4
29									
30	00567-G8						WASHER, LOCK, EXTERNAL TOOTH, 5/16 .....	2	2
31	00532-G3						NUT, 5/16 - 18 .....	4	4
32									
33	22344-G1						WIRING HARNESS, CHARGER CONNECTOR (INCLUDES ITEMS 34 - 38) XI-300/500 VEHICLES ONLY .....	1	1

**POWER WIRING**

**ELECTRIC POWERED TRUCK**

**THE USE OF NON U.L. PARTS WILL VOID ANY U.L. LISTING.**

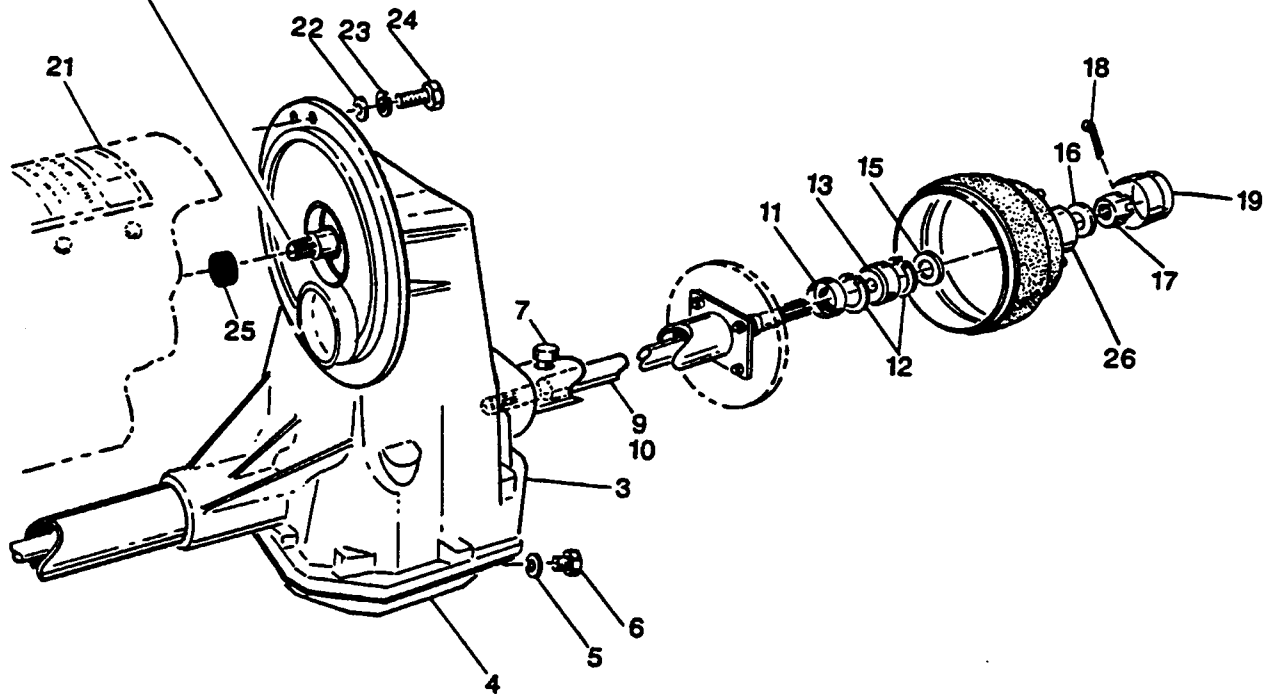
**When ordering parts, please specify the model and serial number of the product.**

**\* Indicates a component that is not available as an individual part.**

ITEM	PART NO.	1	2	3	4	5	DESCRIPTION	3 WHEEL	4 WHEEL
								QTY	QTY
34	22349-G1						WIRE (CR-) .....	1	1
35	22349-G2						WIRE (CR+) .....	1	1
36	18782-G1						CONNECTOR .....	1	1
37	22351-G1						LOOM, FLEX .....	1	1
38	16172-G1						CLAMP, NYLON .....	2	2
39	23978-G1						WIRING HARNESS, DIRECTION SELECTOR (INCLUDES ITEMS 40 - 45)	1	1
40	23793-G9						WIRE (SI) .....	1	1
41	23793-G7						WIRE (S2) .....	1	1
42	17618-G1						CLAMP, NYLON (BLACK) .....	5	5
43	23793-G8						WIRE (S2) .....	1	1
44									
45	23793-G6						WIRE (A1) .....	1	1
46	17421-G1						IGNITION SWITCH KIT (INCLUDES ITEMS 47 - 49) .....	1	1
47	17137-G1						FACE NUT .....	1	1
48	17063-G1						IGNITION KEY .....	1	1
49	00568-G6						WASHER, LOCK, EXTERNAL TOOTH, 3/4 .....	1	1
50									
51	17618-G1						CLAMP, NYLON .....	2	2
	**						CURRENT INDICATOR .....	NA	NA
	**						BATTERY TESTER (DISCHARGE MACHINE) .....	NA	NA
	**						HYDROMETER .....	NA	NA
	**						OHM METER (MULTI-METER) .....	NA	NA
							**SEE APPENDIX FOR SERVICE ACCESSORIES AND SPECIAL TOOLS		

2 - INCLUDES ITEMS 4 - 13  
3 - INCLUDES ITEMS 4 - 13

NOTE: APPLY A LIGHT COAT OF MOLY GREASE TO MALE SPLINE ONLY BEFORE ASSEMBLY. THIS MAY BE PURCHASED AT ANY AUTOMOTIVE STORE.



# REAR AXLE

ELECTRIC POWERED TRUCK

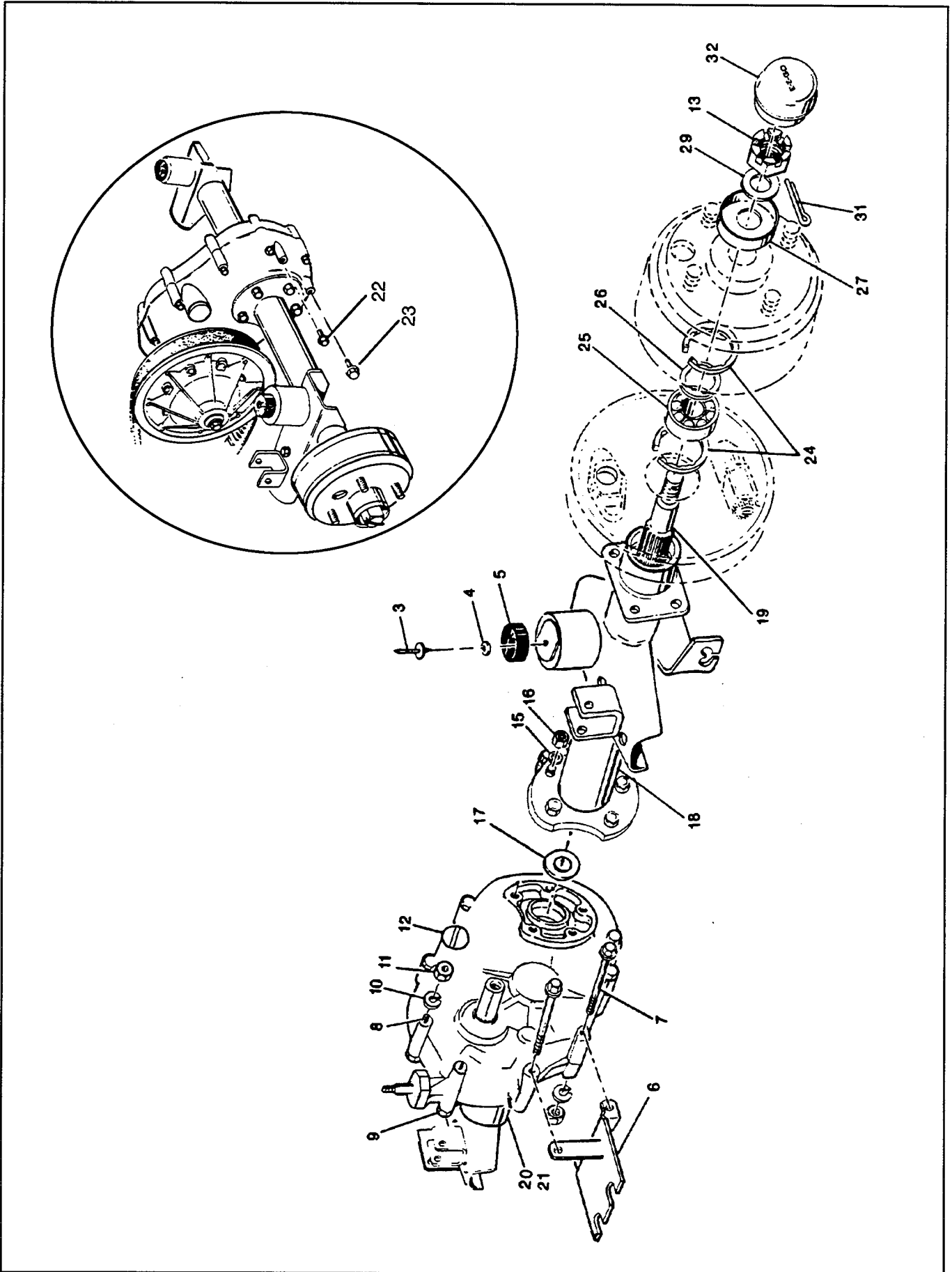
THE USE OF NON U.L. PARTS WILL VOID ANY U.L. LISTING.

When ordering parts, please specify the model and serial number of the product.

\* Indicates a component that is not available as an individual part.

3 WHEEL	4 WHEEL
---------	---------

ITEM	PART NO.	1	2	3	4	5	DESCRIPTION	QTY	
								3 WHEEL	4 WHEEL
1	XXXXX-XX						WHEEL BRAKE SET (SEE SECTION DD FOR PART NUMBERS AND QUANTITIES) .....	1	1
2	27120-G01						REAR AXLE ASSEMBLY, TURF 12.44 (INCLUDES ITEMS 4 - 13) .....	1	1
3	27120-G02						REAR AXLE ASSEMBLY, INDUSTRIAL 14.78 (INCLUDES ITEMS 4 - 13)	1	1
4	25228-G1						COVER .....	1	1
5	25227-G1						WASHER .....	1	1
6	25226-G1						PLUG, FILL/CHECK .....	1	1
7	25229-G1						VENT, VALVE .....	1	1
8									
9	20377-G4						SHAFT, AXLE, PASSENGER SIDE .....	1	1
10	20377-G3						SHAFT, AXLE, DRIVER'S SIDE .....	1	1
11	15114-G1						SEAL, AXLE .....	2	2
12	15113-G1						RING, RETAINING .....	4	4
13	15112-G1						BEARING, BALL AXLE .....	2	2
14									
15	15485-G1						WASHER, 20 MM .....	2	2
16	15487-G1						WASHER, BRAKE DRUM, 5/8 .....	2	2
17	15483-G1						NUT, SLOTTED, 5/8 - 18 .....	2	2
18	10387-G1						PIN, COTTER, 1/8 X 1 1/2 LG. ....	2	2
19	12091-G1						CAP, SPINDLE .....	2	2
20									
21	XXXX-XX						MOTOR (SEE SECTION U FOR PART NUMBERS AND QUANTITIES) ...	1	1
22	00559-G7						WASHER, 1/4 .....	3	3
23	00565-G7						WASHER, LOCK, 1/4 .....	3	3
24	00797-G2						SCREW, 1/4 - 20 X 1 1/4 LG. ....	3	3
25	24261-G1						BUMPER, SPLINE .....	1	1
26	24939-G1						ADAPTOR, SPINDLE CAP .....	2	2



# REAR AXLE

GASOLINE POWERED TRUCK

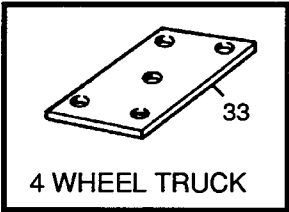
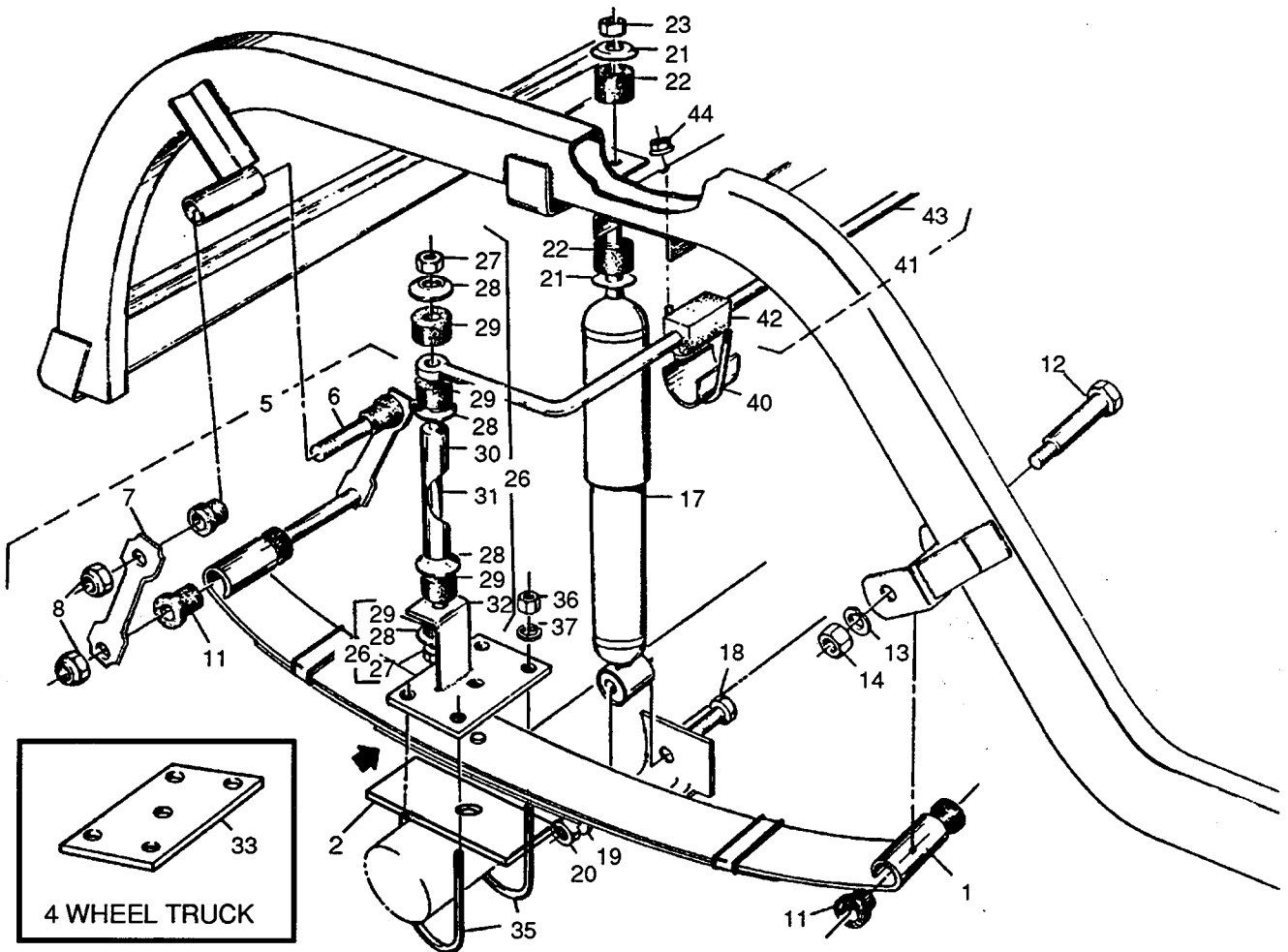
THE USE OF NON U.L. PARTS WILL VOID ANY U.L. LISTING.

When ordering parts, please specify the model and serial number of the product.

\* Indicates a component that is not available as an individual part.

ITEM	PART NO.	1	2	3	4	5	DESCRIPTION	4 WHEEL	
								QTY	
1									
2	25696-G01						AXLE, REAR SERVICE (INCLUDES ITEMS 3 - 26) .....	1	
3	14601-G1						RIVET .....	2	
4	00559-G5						WASHER, #10 .....	2	
5	13728-G1						BUMPER .....	2	
6	26815-G01						BRACKET, SHIFTER CABLE .....	1	
7	26823-G01						BOLT, FLANGE, M8 X 1.25 X 100 MM LG. ....	8	
8	26824-G01						BOLT, FLANGE, M8 X 1.25 X 110 MM LG. ....	1	
9	26825-G01						BOLT, FLANGE, M8 X 1.25 X 120 MM LG. ....	1	
10	26826-G01						WASHER, LOCK, 8 MM .....	12	
11	26827-G01						NUT, M8 X 1.25 MM .....	12	
12	26772-G01						PLUG, OIL FILL .....	1	
13	00518-G8						NUT, SLOTTED, 3/4 - 16 .....	2	
14									
15	26828-G01						WASHER, 10 MM .....	8	
16	26829-G01						NUT, 10 MM X 1.5 MM .....	8	
17	26766-G01						SEAL, OIL .....	2	
18	27601-G01						CASE, AXLE, LEFT .....	1	
19	26809-G01						SHAFT, AXLE, LEFT .....	1	
20	27600-G01						CASE, AXLE, RIGHT .....	1	
21	26810-G01						SHAFT, AXLE, RIGHT .....	1	
22	26768-G01						PLUG, OIL CHECK .....	1	
23	26770-G01						PLUG, OIL DRAIN .....	1	
24	26814-G01						RING, RETAINING .....	4	
25	26811-G01						BEARING, BALL .....	2	
26	15485-G1						WASHER, 20 MM .....	2	
27	24939-G2						ADAPTER, SPINDLE CAP .....	2	
28									
29	21830-G1						WASHER, BRAKE DRUM .....	2	
30									
31	10387-G1						PIN, COTTER .....	2	
32	12091-G1						CAP, SPINDLE .....	2	

5 - INCLUDES ITEMS 6 - 8  
 26 - INCLUDES ITEMS 27 - 32  
 41 - INCLUDES ITEMS 42, 43



PASSENGER SIDE SHOWN. DRIVER'S SIDE IDENTICAL.  
 4 WHEEL TRUCK - OMIT ITEMS 26 THRU 32, ADD ITEMS  
 33, AND 40 THRU 44.

# REAR SUSPENSION

ELECTRIC POWERED TRUCK

THE USE OF NON U.L. PARTS WILL VOID ANY U.L. LISTING.

When ordering parts, please specify the model and serial number of the product.

\* Indicates a component that is not available as an individual part.

ITEM	PART NO.	1	2	3	4	5	DESCRIPTION	3 WHEEL	4 WHEEL
								QTY	QTY
1	11645-G2						LEAF SPRING, HEAVY DUTY .....	2	2
2	27859-G01						SPACER, LEAF SPRING .....	2	2
3									
4									
5	19675-G1						SPRING SHACKLE (INCLUDES ITEMS 6 - 8) .....	2	2
6	*						STUD PLATE, SHACKLE .....	2	2
7	*						PLATE, SHACKLE .....	2	2
8	19676-G1						NUT, LOCK, 3/8 - 24 .....	4	4
9									
10									
11	20098-G1						BUSHING, RUBBER .....	12	12
12	15727-G1						BOLT, SHOULDER, 3/8 - 16 .....	2	2
13	00566-G1						WASHER, LOCK, 3/8 .....	2	2
14	00532-G5						NUT, 3/8 - 16 .....	2	2
15									
16									
17	20279-G1						SHOCK ABSORBER, HEAVY DUTY .....	2	2
18	00428-G2						SCREW, 3/8 - 16 X 2 1/4 LG. ....	2	2
19	00560-G1						WASHER, 3/8 .....	2	2
20	00550-G5						NUT, LOCK, 3/8 - 16 .....	2	2
21	10435-G1						WASHER, SHOCK ABSORBER .....	4	4
22	10194-G1						BUSHING, SHOCK ABSORBER .....	4	4
23	00532-G6						NUT, 3/8 - 24 .....	2	2
24									
25									
26	14770-G1						STABILIZER BAR SPRING BRACKET ASSEMBLY (INCLUDES ITEMS 27 - 32) .....	2	-
27	00532-G5						NUT, 3/8 - 16 .....	4	-
28	10435-G1						WASHER .....	8	-
29	10194-G1						BUSHING .....	8	-
30	10840-G3						SPACER .....	2	-
31	10579-G6						ROD, THREADED .....	2	-
32	17141-G1						BRACKET, SPRING RETAINER .....	2	-
33	17034-G1						PLATE, SPRING RETAINER (4 WHEEL TRUCK) .....	-	2



# REAR SUSPENSION

ELECTRIC POWERED TRUCK

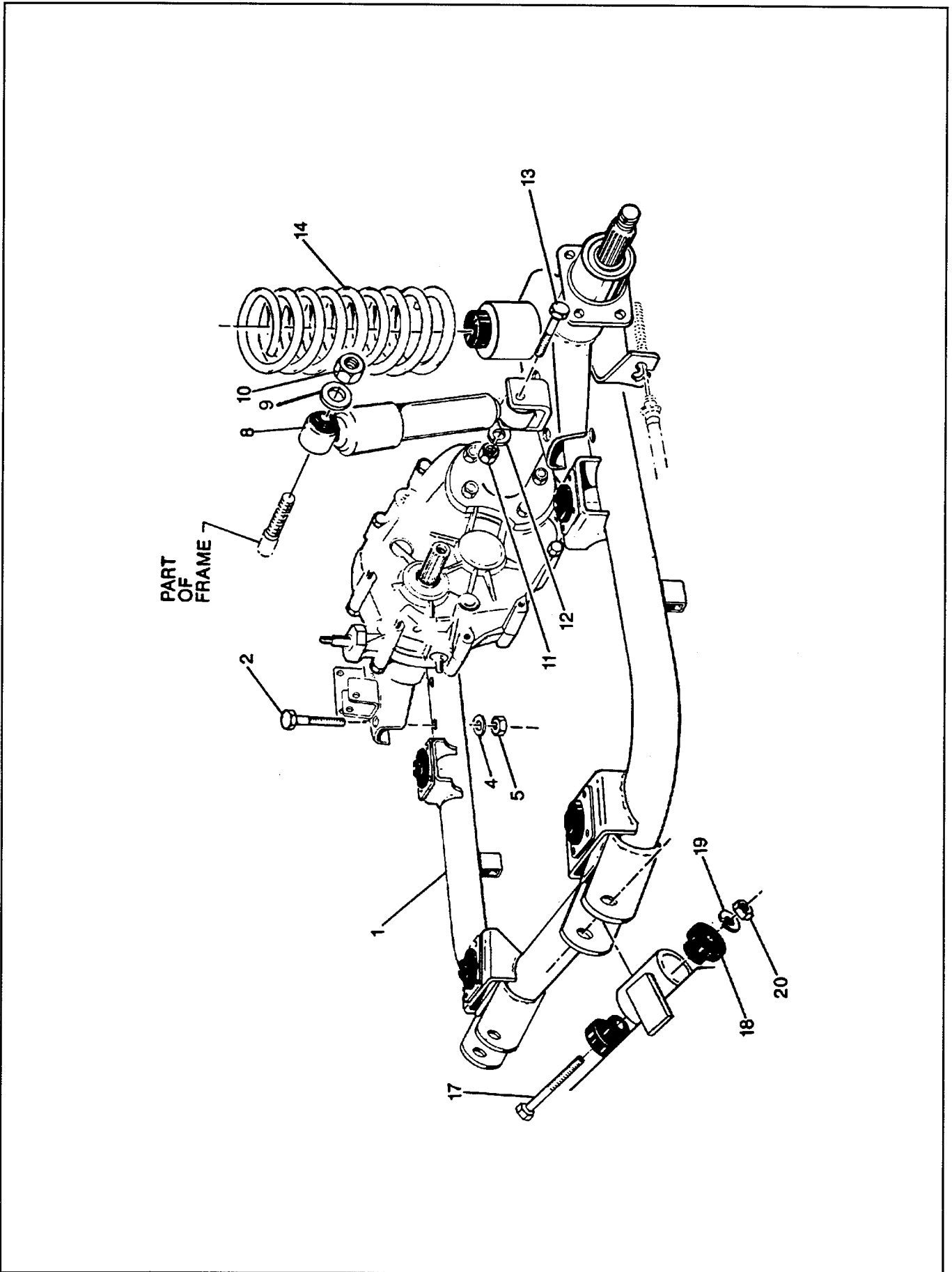
THE USE OF NON U.L. PARTS WILL VOID ANY U.L. LISTING.

When ordering parts, please specify the model and serial number of the product.

\* Indicates a component that is not available as an individual part.

ITEM	PART NO.	1	2	3	4	5	DESCRIPTION	8 WHEEL	4 WHEEL
								QTY	
34									
35	13716-G2						"U" BOLT, AXLE .....	4	4
36	00532-G5						NUT, 3/8 - 16 .....	8	8
37	00566-G1						WASHER, LOCK, 3/8 .....	8	8
38									
39									
40	11640-G1						BRACKET, STABILIZER BAR .....	2	-
41	17284-G1						STABILIZER BAR ASSEMBLY (INCLUDES ITEMS 42, 43) .....	1	-
42	11155-G1						BUSHING STABILIZER .....	2	-
43	*						BAR, STABILIZER .....	1	-
44	11027-G4						NUT, LOCK, 5/16 - 24 .....	4	-





# REAR SUSPENSION

GASOLINE POWERED TRUCK

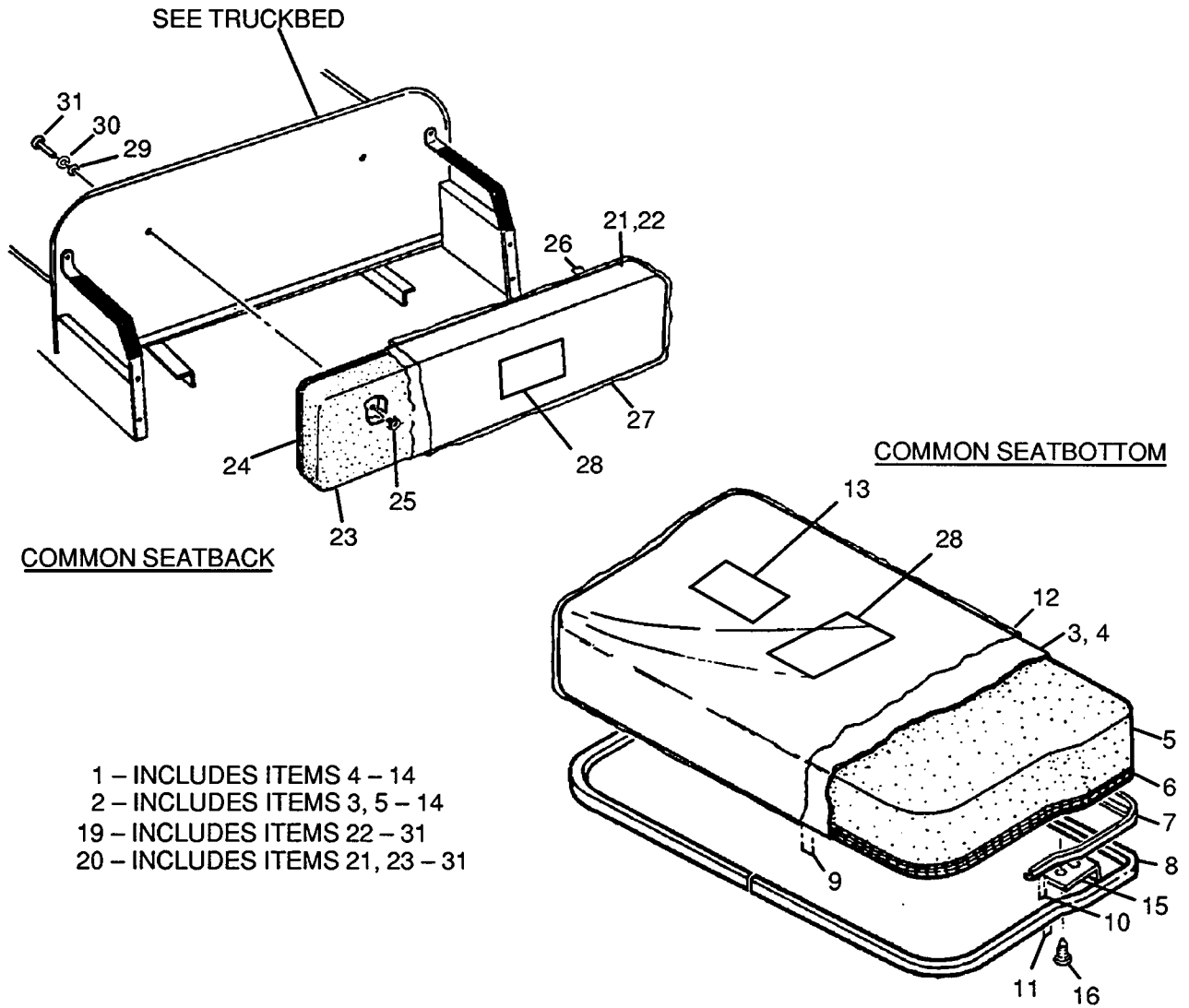
THE USE OF NON U.L. PARTS WILL VOID ANY U.L. LISTING.

When ordering parts, please specify the model and serial number of the product.

\* Indicates a component that is not available as an individual part.

		3 WHEEL	4 WHEEL

ITEM	PART NO.	1	2	3	4	5	DESCRIPTION	QTY	
1	25673-G01						FRAME, INNER (WITH FACTORY INSTALLED ENGINE MOUNTS) .....		1
2	00428-G6						SCREW, 3/8 - 16 X 2 3/4 LG. ....		4
3									
4	00560-G1						WASHER, 3/8 .....		4
5	00550-G5						NUT, LOCK, 3/8 - 16 .....		4
6									
7									
8	24957-G1						ABSORBER, SHOCK .....		2
9	00560-G3						WASHER, 1/2 .....		2
10	00551-G1						NUT, LOCK, 1/2 - 13 .....		2
11	00550-G5						NUT, LOCK, 3/8 - 16 .....		2
12	00560-G1						WASHER, LOCK, 3/8 - 16 .....		2
13	00428-G2						SCREW, 3/8 - 16 X 2 1/4 LG. ....		2
14	14462-G1						SPRING, COMPRESSION .....		2
15									
16									
17	00406-G4						SCREW, 1/2 - 13 X 4 1/2 LG. ....		2
18	12302-G2						MOUNT, ISOLATION .....		4
19	00566-G3						WASHER, LOCK, 1/2 .....		2
20	00551-G1						NUT, LOCK, 1/2 - 13 .....		2



# SEATING

ELECTRIC/GASOLINE POWERED TRUCK

THE USE OF NON U.L. PARTS WILL VOID ANY U.L. LISTING.

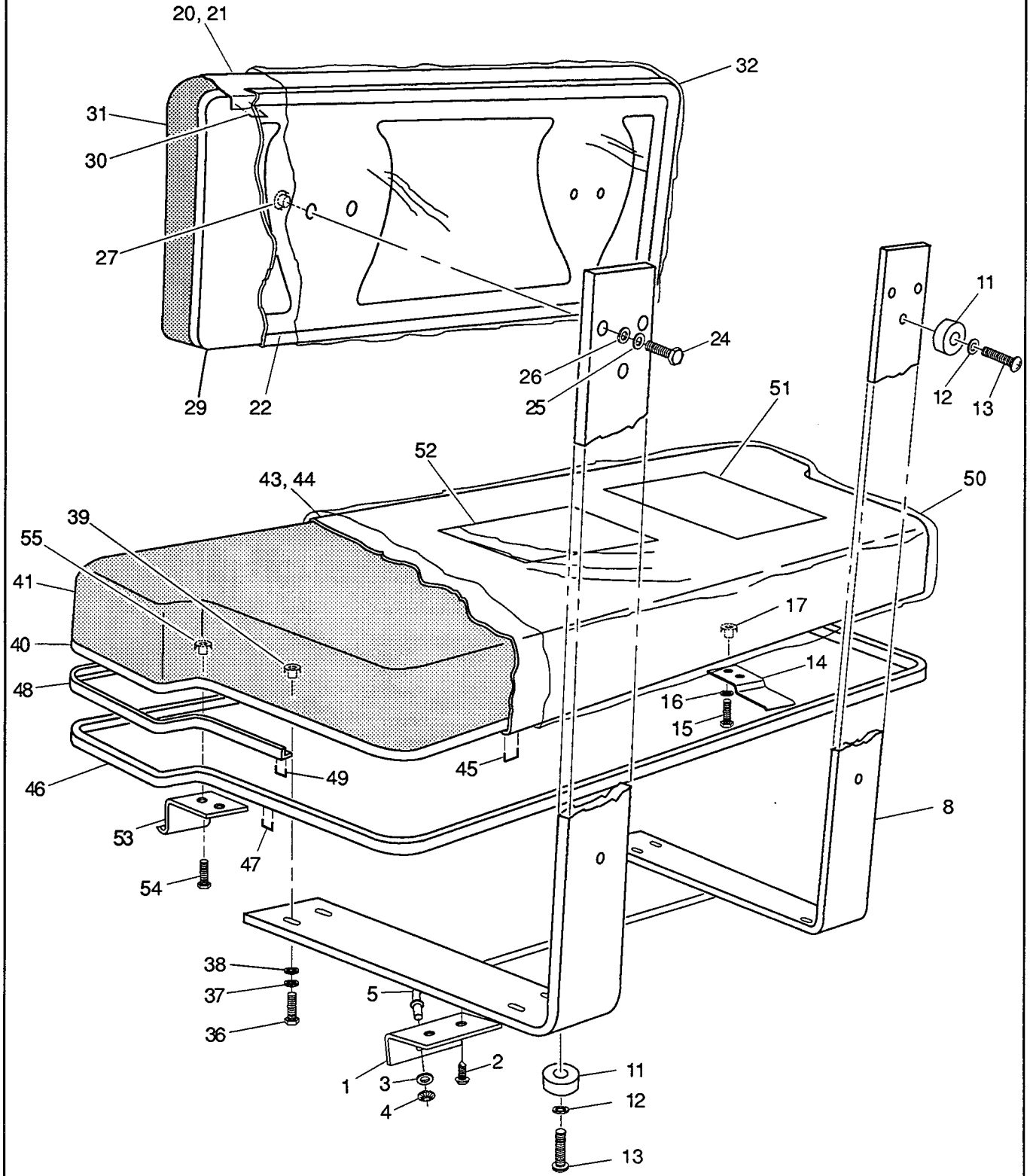
When ordering parts, please specify the model and serial number of the product.

\* Indicates a component that is not available as an individual part.

		3 WHEEL	4 WHEEL
ITEM	PART NO.	DESCRIPTION	
		QTY	

ITEM	PART NO.	1	2	3	4	5	DESCRIPTION	QTY	
1	25504-G05						SEAT BOTTOM ASSEMBLY, BLACK (INCLUDES ITEMS 4-14)	1	1
2	25504-G03						SEAT BOTTOM ASSEMBLY, TAN (INCLUDES ITEMS 3 AND 5-14)	1	1
3	18146-G4						COVER, SEAT BOTTOM, TAN	1	1
4	18146-G3						COVER, SEAT BOTTOM, BLACK	1	1
5	25432-G2						CUSHION, FOAM, SEAT BOTTOM	1	1
6	*						SEAT BOTTOM, PLYWOOD	1	1
7	17113-G1						TRIM, VINYL	1	1
8	12727-G1						GASKET, SEAT	1	1
9	*						STAPLE, FLAT, STAINLESS STEEL, 3/8 X 3/8	110	110
10	*						STAPLE, FLAT, STAINLESS STEEL, 5/16 X 5/8	24	24
11	*						STAPLE, STAINLESS STEEL, 1/2 X 9/16	71	71
12	*						PLASTIC, HEAT SHRINK	1	1
13	*						LABEL, WARNING - PROTECTIVE BAG	1	1
14	*						TAG, NOTICE (SAFETY)	1	1
15	18250-G1						BRACKET, HINGE	2	2
16	00115-G2						SCREW, SELF TAPPING, 1/4-10 X 3/4 LG.	4	4
17									
18									
19	25807-G09						SEAT BACK ASSEMBLY, BLACK (INCLUDES ITEMS 22-28)	1	1
20	25807-G10						SEAT BACK ASSEMBLY, TAN (INCLUDES ITEMS 21 AND 23-28)	1	1
21	18144-G4						COVER, SEAT BACK, TAN	1	1
22	18144-G3						COVER, SEAT BACK, BLACK	1	1
23	25433-G2						CUSHION, FOAM, SEAT BACK	1	1
24	*						SEAT BACK, PLYWOOD	1	1
25	11782-G2						NUT, TEE, 1/4-20	2	2
26	*						STAPLE	95	95
27	*						PLASTIC, HEAT SHRINK	1	1
28	*						LABEL, WARING - PROTECTIVE BAG	1	1
29	00915-G1						WASHER	2	2
30	00664-G7						WASHER, LOCK, STAINLESS STEEL, 1/4	2	2
31	16705-G1						SCREW, STAINLESS STEEL, 1/4-20 X 1 LG.	2	2

- 6 - INCLUDES ITEMS 8 - 18
- 7 - INCLUDES ITEMS 8 - 17, 19
- 18 - INCLUDES ITEMS 20, 22 - 33
- 19 - INCLUDES ITEMS 21 - 33
- 34 - INCLUDES ITEMS 36 - 43, 45 - 52
- 35 - INCLUDES ITEMS 36 - 42, 44 - 52



# SEATING TUFF 1 (MANUAL TILT BED)

GASOLINE POWERED TRUCK

THE USE OF NON U.L. PARTS WILL VOID ANY U.L. LISTING.

When ordering parts, please specify the model and serial number of the product.

\* Indicates a component that is not available as an individual part.

ITEM	PART NO.	1	2	3	4	5	DESCRIPTION	4 WHEEL	
								QTY	
1	22501-G2						MOUNT .....	1	
2	00965-G01						BOLT, 1/4 - 20 X 3/4 LG. ....	2	
3	00559-G8						WASHER, 5/16 .....	1	
4	12064-G1						PUSHNUT, 5/16 .....	1	
5	33274-G01						ROD, SUPPORT .....	1	
6	27390-G01						SEAT BOTTOM AND SEAT BACK ASSEMBLY, TAN, (INCLUDES ITEMS 8 - 18) .....	1	
7	27390-G02						SEAT BOTTOM AND SEAT BACK ASSEMBLY, BLACK, (INCLUDES ITEMS 8 - 17, 19) .....	1	
8	27385-G01						BRACKET, SEAT .....	2	
9									
10									
11	13728-G1						BUMPER, RUBBER .....	4	
12	00559-G5						WASHER, #10 .....	4	
13	00106-G6						SCREW, #12 - 24 X 3/4 LG. ....	4	
14	27308-G01						RETAINER, SEAT PROP .....	1	
15	00661-G6						BOLT, 1/4 - 20 X 3/4 LG. ....	2	
16	00664-G7						WASHER, LOCK 1/4 - 20 .....	2	
17	11782-G2						NUT, TEE, 1/4 - 20 .....	2	
18	27546-G03						SEAT BACK ASSEMBLY, TAN (INCLUDES ITEMS 20, 22 - 33) .....	1	
19	27546-G02						SEAT BACK ASSEMBLY, BLACK (INCLUDES ITEMS 21 - 33) .....	1	
20	27545-G03						COVER, BACKREST, TAN .....	1	
21	27545-G02						COVER, BACKREST, BLACK .....	1	
22	18868-G3						COVER, SEAT BACK, BLACK .....	1	
23									
24	16705-G1						BOLT, 1/4 - 20 X 1 LG. ....	4	
25	00793-G2						WASHER, 1/4 .....	4	
26	00664-G7						WASHER, LOCK 1/4 - 20 .....	4	
27	11782-G2						NUT, TEE, 1/4 - 20 .....	4	
28									
29	*						PLYWOOD, SEAT BACK .....	1	
30	*						STAPLE, FLAT .....	95	
31	25433-G4						FOAM (RECTANGULAR) .....	1	



# SEATING TUFF 1 (MANUAL TILT BED)

GASOLINE POWERED TRUCK

THE USE OF NON U.L. PARTS WILL VOID ANY U.L. LISTING.

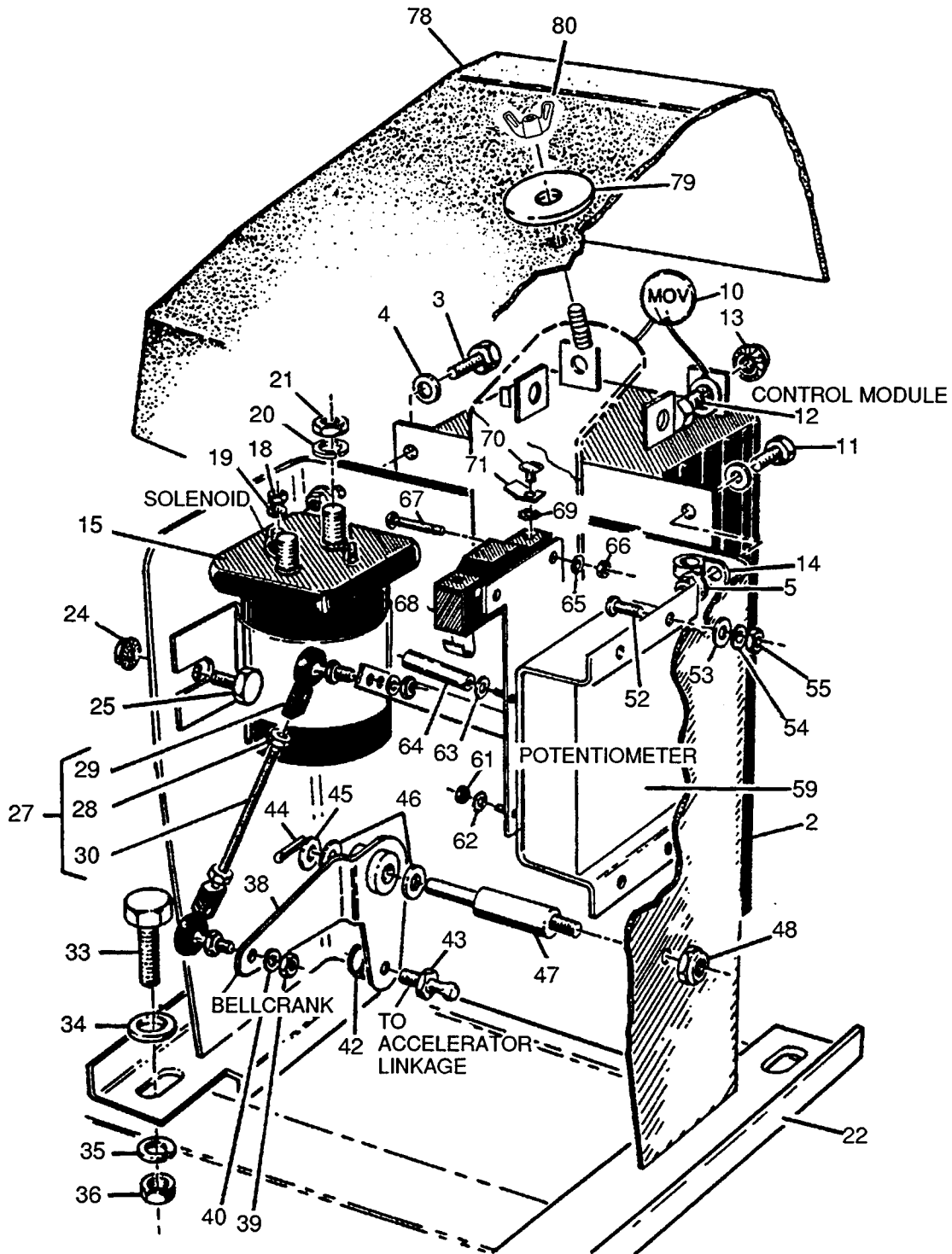
When ordering parts, please specify the model and serial number of the product.

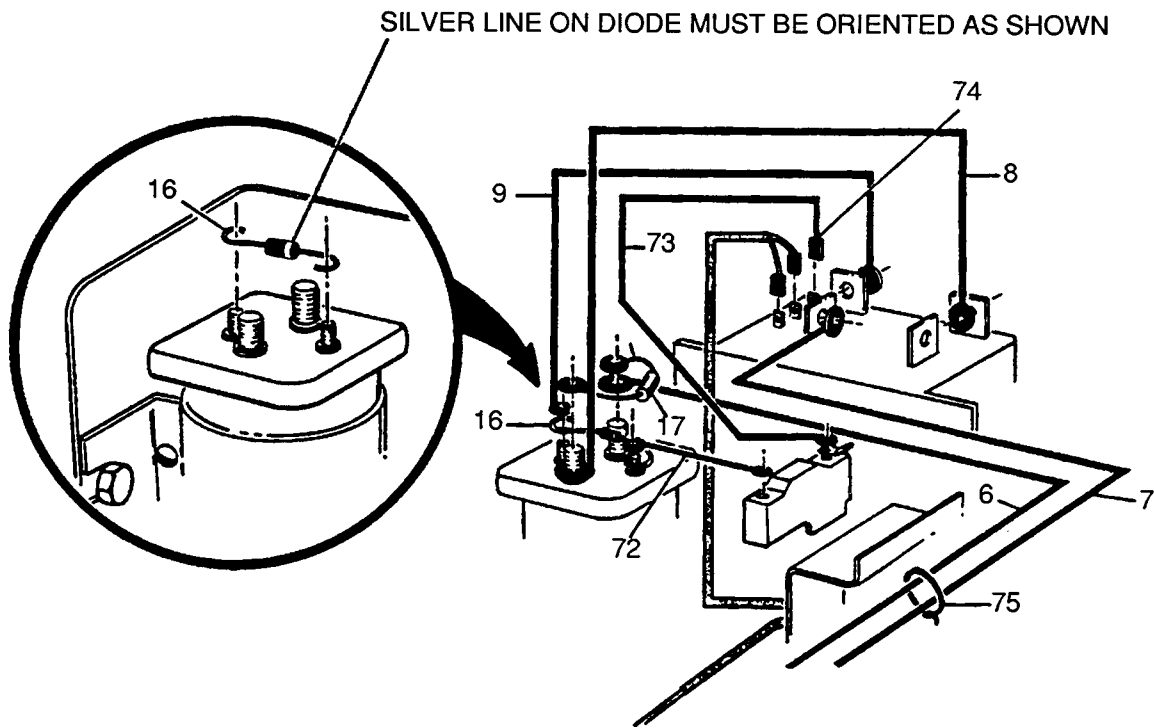
\* Indicates a component that is not available as an individual part.

ITEM	PART NO.	1	2	3	4	5	DESCRIPTION	4 WHEEL	
								QTY	
32	*						PLASTIC, HEAT SHRINK .....	-	
33	*						LABEL, WARNING - PROTECTIVE BAG .....	1	
34	27380-G01						SEAT BOTTOM ASSEMBLY, TAN (INCLUDES ITEMS 36 - 43, 45 - 52) .....	1	
35	27380-G02						SEAT BOTTOM ASSEMBLY, BLACK (INCLUDES ITEMS 36 - 42, 44 - 52) .....	1	
36	00661-G8						BOLT, 1/4 - 20 X 1 LG. ....	8	
37	00793-G2						WASHER, 1/4 .....	8	
38	00664-G7						WASHER, LOCK 1/4 - 20 .....	8	
39	11782-G2						NUT, TEE, 1/4 .....	8	
40	*						PLYWOOD, SEAT BOTTOM .....	1	
41	25432-G2						FOAM, SEAT BOTTOM .....	1	
42									
43	18146-G4						COVER, SEAT BOTTOM, TAN .....	1	
44	18146-G3						COVER, SEAT BOTTOM, BLACK .....	1	
45	*						STAPLE, FLAT .....	110	
46	12727-G10						GASKET, SEAT .....	1	
47	*						STAPLE, FLAT .....	61	
48	17113-G1						TRIM, VINYL .....	1	
49	*						STAPLE, FLAT .....	24	
50	*						PLASTIC, HEAT SHRINK .....	-	
51	*						TAG, NOTICE (SAFETY) .....	1	
52	*						LABEL, WARNING - PROTECTIVE BAG .....	1	
53	18250-G1						BRACKET, SEAT HINGE .....	2	
54	00661-G6						BOLT, 1/4 - 20 X 3/4 LG. ....	4	
55	11782-G2						NUT, TEE, 1/4 - 20 .....	4	



- 1 – INCLUDES ITEMS 2 – 25
- 27 – INCLUDES ITEMS 28 – 30
- 58 – INCLUDES ITEMS 59 – 74





# SOLID STATE SPEED CONTROL – EARLY PRODUCTION

ELECTRIC POWERED TRUCK

THE USE OF NON U.L. PARTS WILL VOID ANY U.L. LISTING.

When ordering parts, please specify the model and serial number of the product.

\* Indicates a component that is not available as an individual part.

3 WHEEL	4 WHEEL
---------	---------

ITEM	PART NO.	1	2	3	4	5	DESCRIPTION	QTY		
								3 WHEEL	4 WHEEL	
1	25389-G2							ELECTRONIC SPEED CONTROL ASSEMBLY (INCLUDES ITEMS 2 – 25)	1	1
2	22717-G1							CONTROLLER	1	1
3	00414-G5							BOLT, 1/4 – 20 X 5/8 LG.	3	3
4	00660-G7							WASHER, STAINLESS STEEL, 1/4	4	4
5	11027-G2							NUT, LOCK, 1/4 – 20	4	4
6	23793-G3							WIRE (SOL – BL+)	1	1
7	23793-G4							WIRE (M – C)	1	1
8	23793-G1							WIRE (SOL – B+)	1	1
9	24021-G1							WIRE (BLACK)	1	1
10	25949-G1							VARISTOR, MOV	1	1
11	00414-G6							BOLT, 1/4 – 20 X 3/4 LG.	1	1
12	00270-G5							BOLT, 5/16 – 18 X 5/8 LG.	4	4
13	11027-G1							NUT, LOCK, 5/16 – 18	4	4
14	11845-G5							CLIP, CABLE, INSULATED	1	1
15	20468-G1							SOLENOID, HEAVY DUTY	1	1
16	30353-G1							DIODE, 3.0 AMPS	1	1
17	21764-G1							RESISTOR	2	2
18	00526-G4							NUT, #10 – 32	2	2
19	00565-G5							WASHER, #10	2	2
20	00565-G8							WASHER, 5/16	2	2
21	00544-G4							NUT, 5/16 – 24	2	2
22	25378-G01							BRACKET	1	1
23										
24	11027-G2							NUT, LOCK, 1/4 – 20	2	2
25	00414-G4							SCREW, 1/4 – 20 X 1/2 LG.	2	2
26										
27	22587-G8							ADJUSTING ROD ASSEMBLY (INCLUDES ITEMS 28 – 30)	1	1
28	24465-G1							SOCKET	2	2
29	00526-G4							NUT, #10 – 32	2	2
30	23722-G1							ROD, CONTROL	1	1
31										
32										
33	00661-G8							BOLT, 1/4 – 20 X 1 LG.	4	4

# SOLID STATE SPEED CONTROL – EARLY PRODUCTION

ELECTRIC POWERED TRUCK

THE USE OF NON U.L. PARTS WILL VOID ANY U.L. LISTING.

When ordering parts, please specify the model and serial number of the product.

\* Indicates a component that is not available as an individual part.

8 WHEEL	4 WHEEL
---------	---------

ITEM	PART NO.	1	2	3	4	5	DESCRIPTION	QTY	
								8 WHEEL	4 WHEEL
34	00559-G7						WASHER, 1/4 .....	4	4
35	00565-G7						WASHER, LOCK, 1/4 .....	4	4
36	00532-G1						NUT, 1/4 - 20 .....	4	4
37									
38	25331-G1						PIVOT ARM .....	1	1
39	00526-G4						NUT, #10 - 32 .....	2	2
40	00565-G5						WASHER, LOCK, #10 .....	2	2
41	24479-G1						BALL, BALL JOINT .....	2	2
42	11098-G9						NUT, LOCK, 5/16 - 24 .....	1	1
43	15944-G3						BALL, BALL JOINT .....	1	1
44	10387-G3						PIN, COTTER .....	1	1
45	00559-G8						WASHER, 5/16 .....	1	1
46	24621-G1						WASHER, NYLON .....	2	2
47	25328-G1						ROD, PIVOT .....	1	1
48	14390-G1						NUT, LOCK, 3/8 - 24 .....	1	1
49									
50									
51									
52	00150-G4						SCREW, #10 - 24 x 1/2 LG. ....	3	3
53	00565-G5						WASHER, LOCK, #10 .....	3	3
54	00559-G5						WASHER, #10 .....	3	3
55	00526-G3						NUT, #10 - 24 .....	3	3
56									
57									
58	25458-G1						POTENTIOMETER ASSEMBLY (INCLUDES ITEMS 59 - 74) .....	1	1
59	25460-G1						POTENTIOMETER .....	1	1
60	23275-G1						SUPPORT, MICRO SWITCH .....	1	1
61	00526-G1						NUT, #8 - 32 .....	1	1
62	00567-G4						WASHER, LOCK, #8 .....	1	1
63	00559-G4						WASHER, #8 .....	6	6
64	00955-G1						STANDOFF .....	1	1
65	00565-G3						WASHER, LOCK, #6 .....	2	2
66	00525-G5						NUT, #6 - 32 .....	2	2
67	00138-G8						SCREW, #6 - 32 X 1 LG. ....	2	2

# SOLID STATE SPEED CONTROL – EARLY PRODUCTION

ELECTRIC POWERED TRUCK

THE USE OF NON U.L. PARTS WILL VOID ANY U.L. LISTING.

When ordering parts, please specify the model and serial number of the product.

\* Indicates a component that is not available as an individual part.

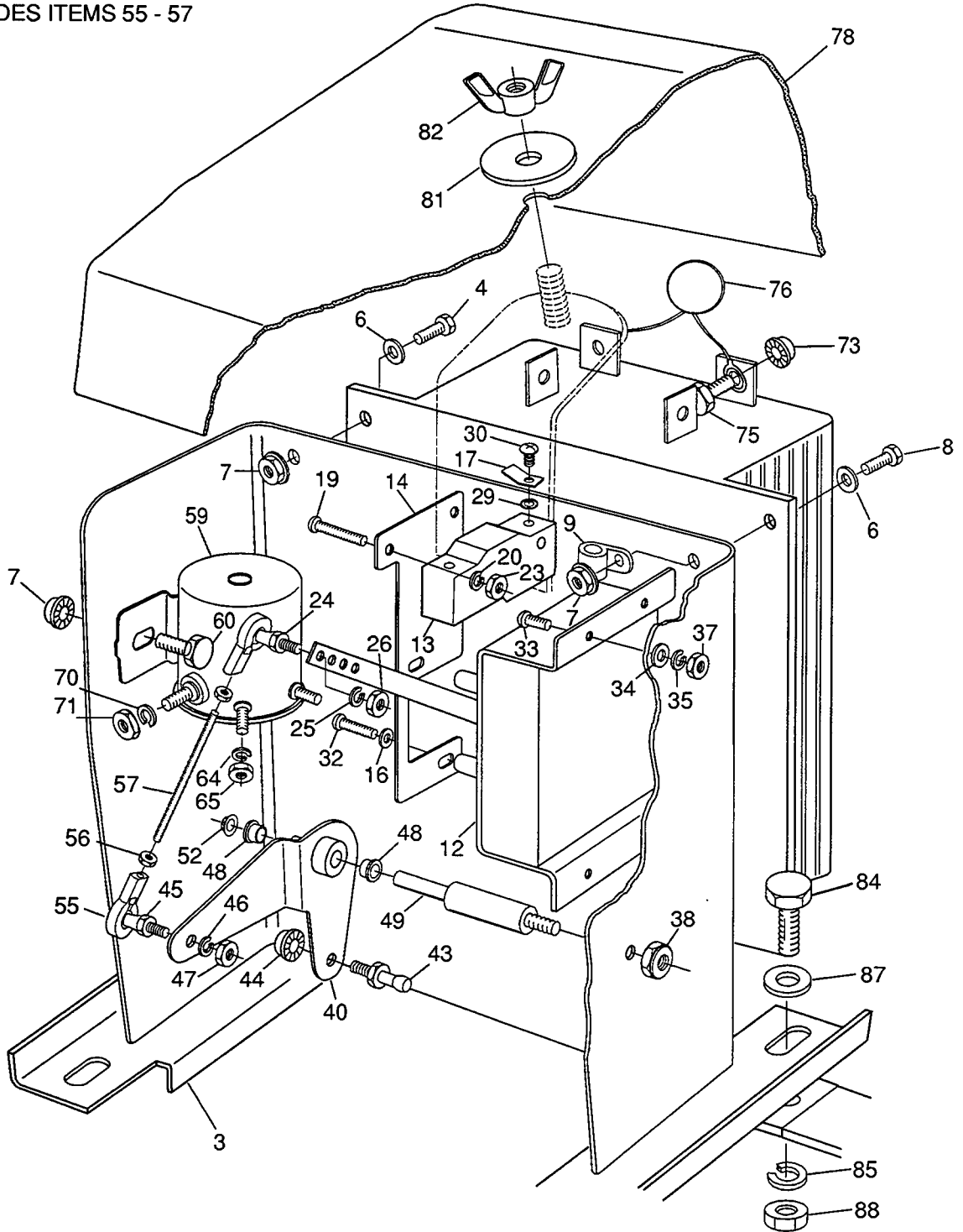
3 WHEEL	4 WHEEL
---------	---------

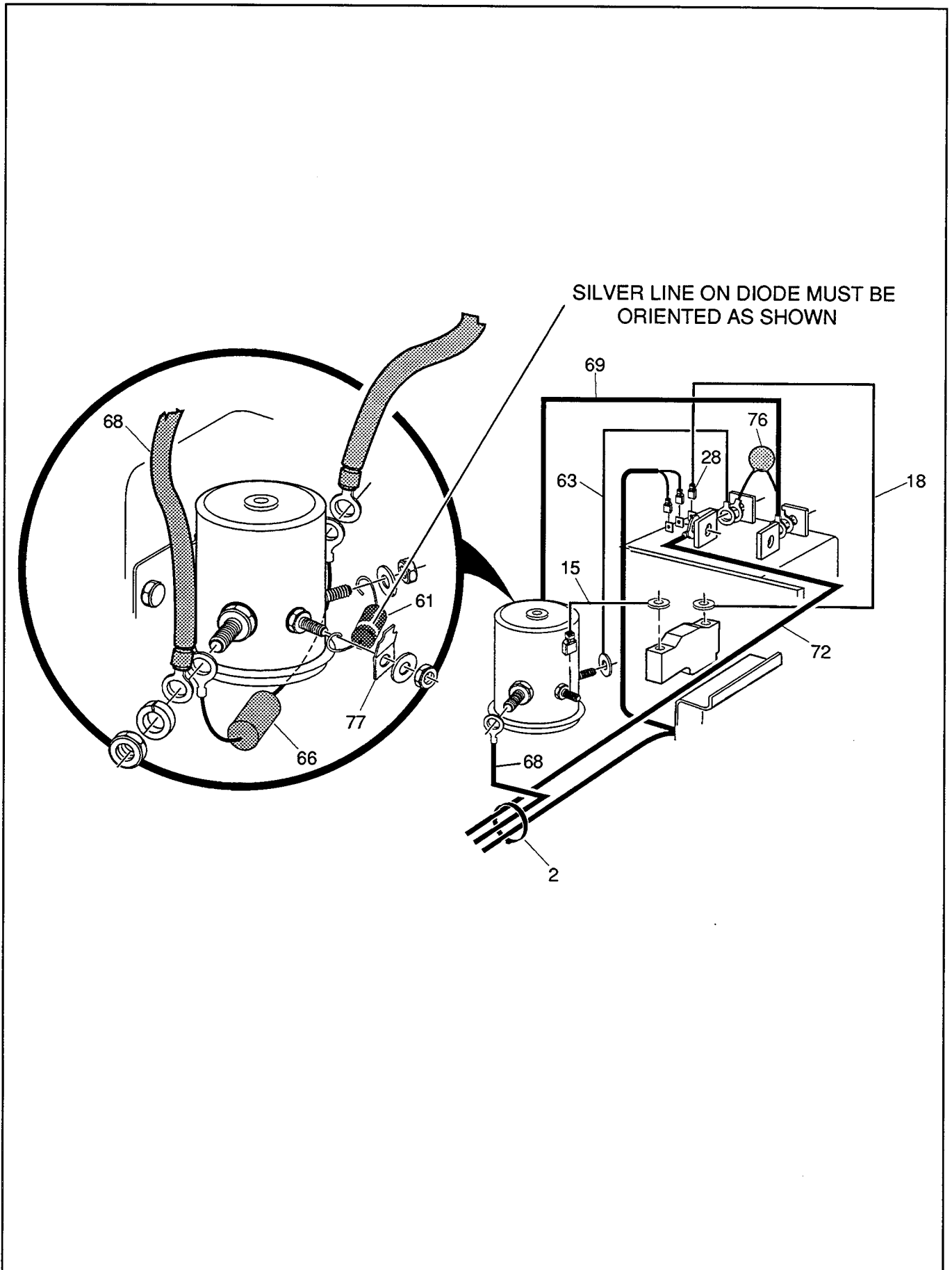
ITEM	PART NO.	1	2	3	4	5	DESCRIPTION	QTY	
								3 WHEEL	4 WHEEL
68	10606-G5						MICRO SWITCH .....	1	1
69	00567-G3						WASHER, LOCK, #6 .....	2	2
70	13514-G1						SCREW, BRASS, #6 - 32 X 7/32 LG. ....	2	2
71	14628-G1						TAB, FASTON .....	1	1
72	23975-G1						WIRE .....	1	1
73	24019-G2						WIRE .....	1	1
74	17064-G1						TERMINAL, PUSHON .....	3	3
75	17618-G1						CLAMP, NYLON .....	1	1
76									
77									
78	23723-G2						COVER .....	1	1
79	16469-G1						WASHER, FENDER .....	1	1
80	14419-G1						NUT, WING .....	1	1





- 1 - INCLUDES ITEMS 2 - 77
- 11 - INCLUDES ITEMS 12 - 30
- 39 - INCLUDES ITEMS 40 - 52
- 54 - INCLUDES ITEMS 55 - 57





# SOLID STATE SPEED CONTROL

ELECTRIC POWERED TRUCK

THE USE OF NON U.L. PARTS WILL VOID ANY U.L. LISTING.

When ordering parts, please specify the model and serial number of the product.

\* Indicates a component that is not available as an individual part.

ITEM	PART NO.	1	2	3	4	5	DESCRIPTION	3 WHEEL	4 WHEEL
								QTY	QTY
1	27659-G01						SOLID STATE SPEED CONTROL ASSY, LDI (INCLUDES ITEMS 2 - 77) .....	1	1
2	17618-G1						WIRE TIE .....	1	1
3	25378-G01						BRACKET, ELECTRONIC SPEED CONTROL .....	1	1
4	00414-G5						SCREW, 1/4 20 X 5/8 LG. ....	3	3
5									
6	00660-G7						WASHER, STAINLESS STEEL, 1/4 .....	4	4
7	11027-G2						NUT, LOCK, 1/4 20 .....	6	6
8	00414-G6						SCREW, 1/4 - 20 X 3/4 LG. ....	1	1
9	11845-G5						CLIP, CABLE, INSULATED .....	1	1
10									
11	25399-G3						POTENTIOMETER ASSY (INCLUDES ITEMS 12 - 32) .....	1	1
12	25398-G1						POTENTIOMETER .....	1	1
13	10606-G5						MICRO SWITCH .....	1	1
14	26937-G01						MICRO SWITCH, POTENTIOMETER BRACKET .....	1	1
15	25977-G19						WIRE ASSY .....	1	1
16	00559-G4						WASHER, #8 .....	2	2
17	14628-G1						TAB, FASTON .....	1	1
18	24019-G2						WIRE ASSY .....	1	1
19	00138-G8						SCREW, #6 - 32 .....	2	2
20	00565-G3						WASHER, LOCK, #6 .....	2	2
21									
22									
23	00525-G5						NUT, #6 - 32 .....	2	2
24	24479-G1						BALL .....	1	1
25	00565-G5						WASHER, #10 .....	1	1
26	00526-G4						NUT, #10 - 32 .....	1	1
27									
28	17064 - G1						TERMINAL, PUSHON .....	4	4
29	00567-G3						WASHER, LOCK, #6 .....	2	2
30	*						SCREW .....	2	2
31									
32	00372-G3						SCREW, #8 - 32 X 3/8 LG. ....	2	2
33	00150-G4						SCREW, #10 - 24 X 1/2 LG. ....	3	3

# SOLID STATE SPEED CONTROL

ELECTRIC POWERED TRUCK

THE USE OF NON U.L. PARTS WILL VOID ANY U.L. LISTING.

When ordering parts, please specify the model and serial number of the product.

\* Indicates a component that is not available as an individual part.

ITEM	PART NO.	1	2	3	4	5	DESCRIPTION	QTY	
								3 WHEEL	4 WHEEL
34	00559-G5						WASHER, #10 .....	3	3
35	00565-G5						WASHER, LOCK, #10 .....	3	3
36									
37	00526-G3						NUT, #10 - 24 .....	3	3
38	14390-G1						NUT, LOCK, 3/8 - 24 .....	1	1
39	25332-G1						PIVOT ARM ASSY (INCLUDES ITEMS 40 - 52) .....	1	1
40	25331-G1						ARM, PIVOT .....	1	1
41									
42									
43	15944-G3						BALL, BALL JOINT .....	1	1
44	11098-G9						NUT, LOCK, 5/16 - 24 .....	1	1
45	24479-G1						BALL .....	1	1
46	00565-G5						WASHER, #10 .....	1	1
47	00526-G4						NUT, #10 - 32 .....	1	1
48	24621-G1						WASHER, NYLON .....	2	2
49	25328-G1						ROD, PIVOT .....	1	1
50									
51									
52	12064-G1						PUSHNUT .....	1	1
53									
54	22587-G8						ADJUSTING ROD ASSY (INCLUDES ITEMS 55 - 57) .....	1	1
55	24465-G1						SOCKET .....	2	2
56	00526-G4						NUT, #10 - 32 .....	2	2
57	23722-G1						ROD, CONTROL .....	1	1
58									
59	27855-G01						SOLENOID, 36V .....	1	1
60	00414-G4						SCREW, 1/4 - 20 X 1/2 LG. ....	2	2
61	30353-G1						DIODE, 3 AMPS .....	1	1
62									
63	24021-G1						WIRE ASSY .....	1	1
64	*						WASHER, LOCK, #10 .....	2	2
65	*						NUT, #10 - 32 .....	2	2
66	21764-G1						RESISTOR ASSY .....	1	1
67									

# SOLID STATE SPEED CONTROL

ELECTRIC POWERED TRUCK

THE USE OF NON U.L. PARTS WILL VOID ANY U.L. LISTING.

When ordering parts, please specify the model and serial number of the product.

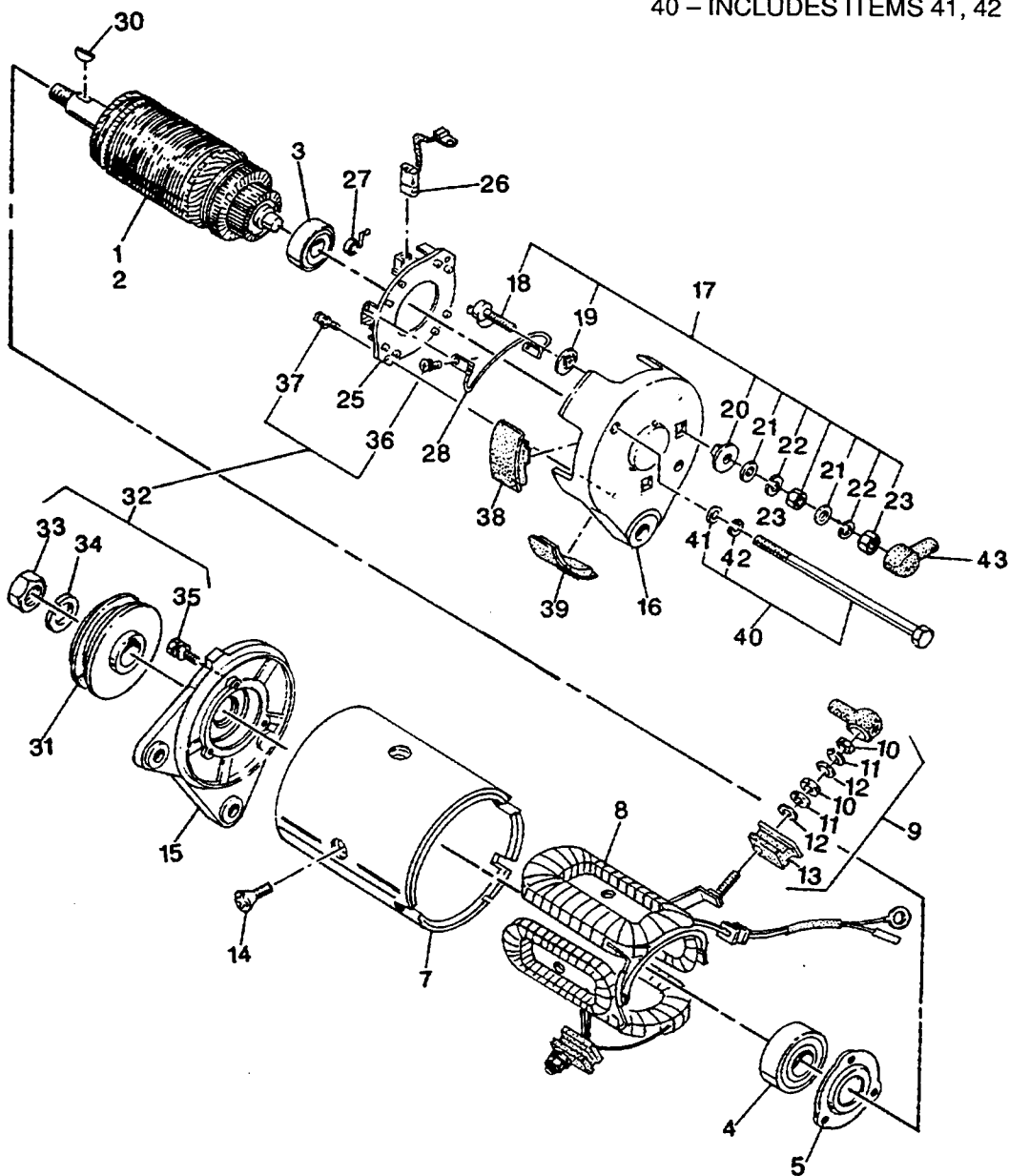
\* Indicates a component that is not available as an individual part.

3 WHEEL	4 WHEEL
---------	---------

ITEM	PART NO.	1	2	3	4	5	DESCRIPTION	QTY	
								3 WHEEL	4 WHEEL
68	23793-G3						WIRE ASSY .....	1	1
69	23793-G1						WIRE ASSY .....	1	1
70	*						WASHER, LOCK, 5/16 .....	2	2
71	*						NUT, 5/16 - 24 .....	2	2
72	23793-G4						WIRE ASSY .....	1	1
73	11027-G1						NUT, LOCK, 5/16 - 18 .....	4	4
74									
75	00270-G5						SCREW, 5/8 .....	4	4
76	25949-G01						VARISTOR, MOV .....	1	1
77	14628-G1						TAB, FASTON .....	1	1
78	23723-G2						COVER, ESC .....	1	1
79									
80									
81	16469-G1						WASHER, FENDER .....	1	1
82	14419-G1						WINGNUT .....	1	1
83									
84	00661-G5						SCREW, STAINLESS STEEL, 1/4 - 20 X 5/8 LG. ....	4	4
85	00565-G7						WASHER, LOCK, 1/4 .....	4	4
86									
87	00559-G7						WASHER, 1/4 .....	4	4
88	00532-G1						NUT, 1/4 - 20 .....	4	4



- 1 - INCLUDES ITEMS 2 - 43
- 2 - INCLUDES ITEMS 3 - 5
- 9 - INCLUDES ITEMS 10 - 13
- 17 - INCLUDES ITEMS 18 - 23
- 25 - INCLUDES ITEMS 26 - 28
- 32 - INCLUDES ITEMS 33 - 37
- 40 - INCLUDES ITEMS 41, 42



# STARTER/GENERATOR

GASOLINE POWERED TRUCK

THE USE OF NON U.L. PARTS WILL VOID ANY U.L. LISTING.

When ordering parts, please specify the model and serial number of the product.

\* Indicates a component that is not available as an individual part.

									4 WHEEL
ITEM	PART NO.	1	2	3	4	5	DESCRIPTION	QTY	
1	25533-G3						STARTER/GENERATOR ASSEMBLY (INCLUDES ITEMS 2 - 43) .....	1	
2	26870-G01						ARMATURE ASSEMBLY (INCLUDES ITEMS 3 - 5) .....	1	
3	26871-G01						BALL BEARING, REAR .....	1	
4	26872-G01						BALL BEARING, FRONT .....	1	
5	26873-G01						HOLDER, BEARING .....	1	
6									
7									
8	26875-G01						COIL, FIELD .....	1	
9	26876-G01						"F" INSULATING BRUSH ASSEMBLY (INCLUDES ITEMS 10 - 13) ..	2	
10	*						NUT .....	2	
11	*						WASHER, LOCK .....	2	
12	*						WASHER .....	2	
13	*						INSULATOR .....	1	
14	26877-G01						SCREW, POLE CORE SET .....	4	
15	26878-G01						COVER, FRONT .....	1	
16	26879-G01						COVER, REAR .....	1	
17	26880-G01						TERMINAL, "A", ASSEMBLY (INCLUDES ITEMS 18 - 23) .....	2	
18	*						TERMINAL .....	2	
19	*						INSULATOR .....	2	
20	*						INSULATOR .....	2	
21	*						WASHER .....	4	
22	*						WASHER, LOCK .....	4	
23	*						NUT .....	4	
24									
25	26881-G01						HOLDER, BRUSH, ASSEMBLY (INCLUDES ITEMS 26 - 28) .....	1	
26	26658-G01						BRUSH .....	4	
27	26882-G01						SPRING, BRUSH .....	4	
28	26883-G01						CONNECTOR, BRUSH .....	2	
29									
30	26884-G01						KEY .....	1	
31	26885-G01						PULLEY .....	1	
32	26886-G01						PULLEY ASSEMBLY (INCLUDES ITEMS 33 - 37) .....	1	
33	*						NUT .....	1	



# STARTER/GENERATOR

GASOLINE POWERED TRUCK

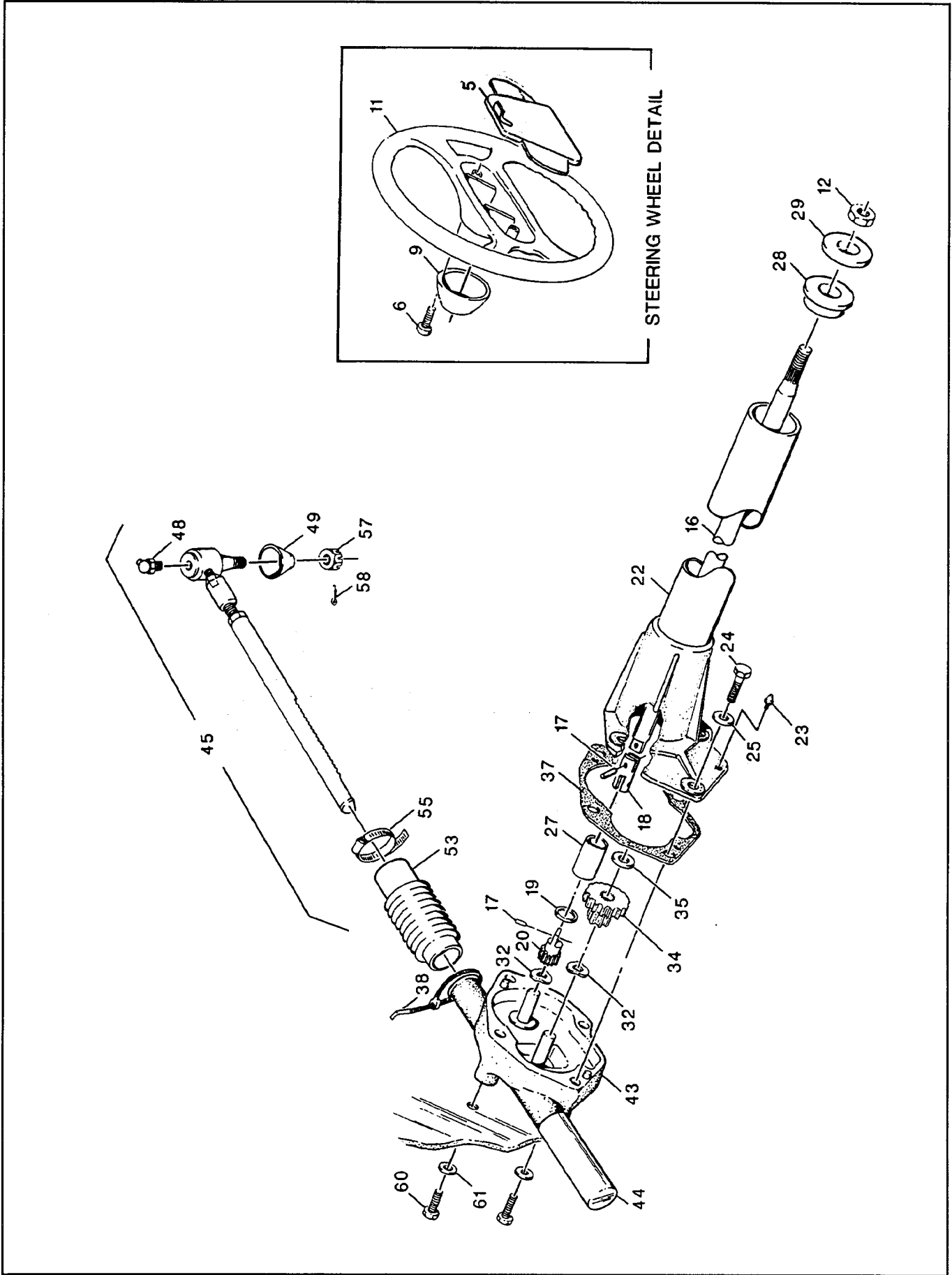
THE USE OF NON U.L. PARTS WILL VOID ANY U.L. LISTING.

When ordering parts, please specify the model and serial number of the product.

\* Indicates a component that is not available as an individual part.

ITEM	PART NO.	1	2	3	4	5	DESCRIPTION	4 WHEEL	
								QTY	
34	*						WASHER, LOCK .....		1
35	*						SCREW .....		3
36	*						SCREW .....		4
37	*						SCREW .....		2
38	26887-G01						COVER, BRUSH, 1 .....		3
39	26888-G01						COVER, BRUSH, 2 .....		1
40	26889-G01						BOLT (INCLUDES ITEMS 41, 42) .....		2
41	*						WASHER .....		2
42	*						WASHER, LOCK .....		2
43	16896-G01						COVER, TERMINAL .....		4





# STEERING

ELECTRIC/GASOLINE POWERED TRUCK

THE USE OF NON U.L. PARTS WILL VOID ANY U.L. LISTING.

When ordering parts, please specify the model and serial number of the product.

\* Indicates a component that is not available as an individual part.

ITEM	PART NO.	1	2	3	4	5	DESCRIPTION	QTY	
								3 WHEEL	4 WHEEL
1									
2									
3									
4									
5	27102-G01						HOLDER, SCORECARD .....	1	1
6	18464-G1						SCREW, #8 X 7/8 LG. ....	2	2
7									
8									
9	23225-G1						EXTENSION, HUB, COVER .....	1	1
10									
11	23172-G1						WHEEL, STEERING .....	1	1
12	14390-G2						NUT, LOCK, 5/8 - 18 .....	1	1
13	19152-G1						STEERING UNIT ASSEMBLY (INCLUDES ITEMS 15 - 57) .....	1	1
14									
15	17163-G1						STEERING, SHAFT ASSEMBLY (INCLUDES ITEMS 16 - 20) .....	1	1
16	*						SHAFT, STEERING .....	1	1
17	*						PIN, DOWEL, 1/4 .....	2	2
18	*						COUPLING .....	1	1
19	*						WASHER, THRUST .....	1	1
20	*						PINION, STEERING .....	1	1
21	19153-G1						STEERING COLUMN UNIT .....	1	1
22									
23	*						GREASE FITTING .....	1	1
24	00444-G8						SCREW, 5/16 - 24 X 1 LG. ....	4	4
25	00565-G8						WASHER, LOCK, 5/16 .....	4	4
26									
27	17140-G1						SLEEVE .....	1	1
28	17161-G1						BUSHING .....	1	1
29	16772-G1						SEAL .....	1	1
30									
31									
32	51294-G1						WASHER, WAVE TYPE, SPRING .....	2	2
33									

# STEERING

ELECTRIC/GASOLINE POWERED TRUCK

THE USE OF NON U.L. PARTS WILL VOID ANY U.L. LISTING.

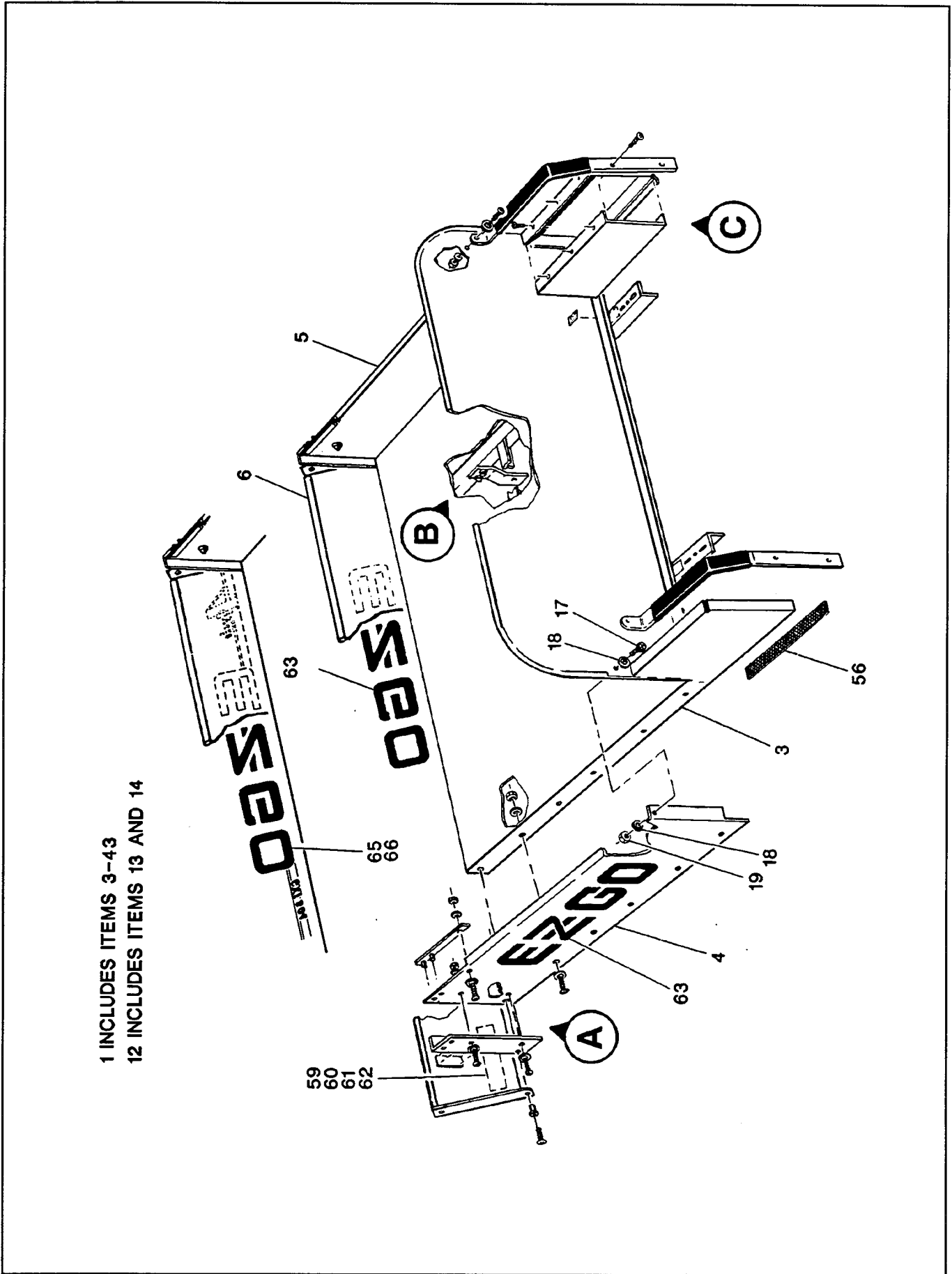
When ordering parts, please specify the model and serial number of the product.

\* Indicates a component that is not available as an individual part.

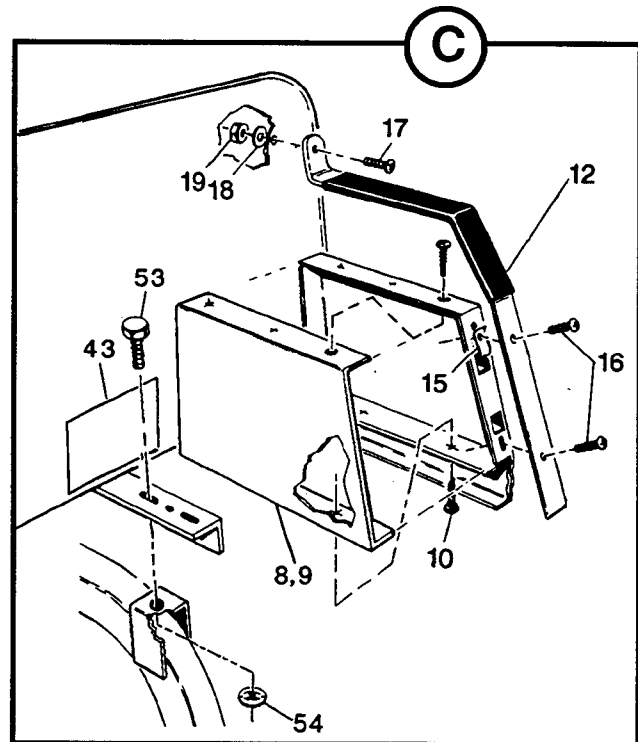
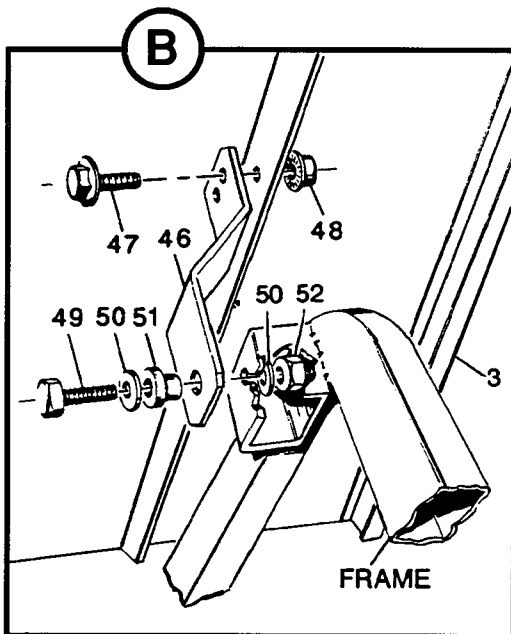
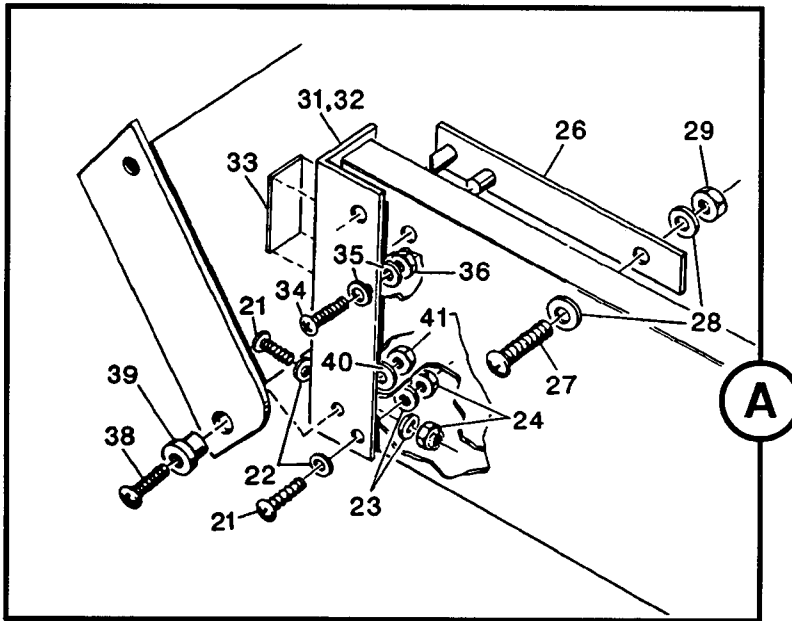
3 WHEEL	4 WHEEL
---------	---------

ITEM	PART NO.	1	2	3	4	5	DESCRIPTION	QTY	
								3 WHEEL	4 WHEEL
34	23279-G1						GEAR, REDUCTION .....	1	1
35	13059-G2						WASHER, THRUST .....	1	1
36									
37	19154-G1						GASKET, HOUSING .....	1	1
38	17618-G1						CLAMP, NYLON .....	1	1
39									
40									
41									
42									
43	13097-G1						HOUSING ASSEMBLY (INCLUDES ITEM 44) .....	1	1
44	13570-G2						COVER, RACK .....	1	1
45	15407-G1						RACK AND ROD ASSEMBLY (INCLUDES ITEMS 48 - 57) .....	1	1
46									
47									
48	18456-G1						GREASE FITTING, 90 DEGREE .....	1	1
49	50641-G1						RUBBER BOOT, TIE ROD END .....	1	1
50									
51									
52									
53	17617-G1						BELLOWS .....	1	1
54									
55	11391-G5						CLAMP, HOSE .....	1	1
56									
57	00532-G8						NUT, SLOTTED, 7/16 - 20 .....	1	1
58	10387-G2						COTTER PIN, 3/16 X 1 LG. ....	1	1
59									
60	00276-G6						BOLT, 5/16 - 24 X 3/4 LG. ....	3	3
61	00565-G8						WASHER, LOCK, 5/16 .....	3	3





1 INCLUDES ITEMS 3-43  
12 INCLUDES ITEMS 13 AND 14





# TRUCKBED

ELECTRIC/GASOLINE POWERED TRUCK

THE USE OF NON U.L. PARTS WILL VOID ANY U.L. LISTING.

When ordering parts, please specify the model and serial number of the product.

\* Indicates a component that is not available as an individual part.

ITEM	PART NO.	1	2	3	4	5	DESCRIPTION	8 WHEEL	4 WHEEL
								QTY	
1	18218-G5	TRUCKBED ASSEMBLY (INCLUDES ITEMS 3 - 43)					1	1	
2									
3	18205-G3	FLATBED					1	1	
4	18198-G1	PANEL, SIDE (PASSENGER SIDE)					1	1	
5	18198-G2	PANEL, SIDE (DRIVER'S SIDE)					1	1	
6	27370-G03	TAILGATE					1	1	
7									
8	18484-G3	PANEL, SEAT (PASSENGER SIDE)					1	1	
9	18484-G4	PANEL, SEAT (DRIVER'S SIDE)					1	1	
10	18449-G1	SCREW, SELF-TAPPING, #8 - 32 X 1/2 LG.					10	10	
11									
12	19776-G1	RESTRAINT, HIP HANDHOLD					2	2	
13									
14									
15	14776-G1	NUT, "J", 1/4 - 20					4	4	
16	16705-G1	SCREW, 1/4 - 20 X 1 LG.					4	4	
17	16705-G3	SCREW, 1/4 - 20 X 3/4 LG.					4	4	
18	00915-G1	WASHER, BONDED SEAL					6	6	
19	14390-G4	NUT, LOCK, 1/4 - 20					2	2	
20									
21	16705-G1	SCREW, 1/4 - 20 X 1 LG.					12	12	
22	00915-G1	WASHER, BONDED SEAL					12	12	
23	00559-G7	WASHER, 1/4					12	12	
24	14390-G4	NUT, LOCK, 1/4 - 20					12	12	
25									
26	18621-G1	LATCH, TAILGATE					2	2	
27	16705-G3	SCREW, 1/4 - 20 X 3/4 LG.					2	2	
28	00915-G1	WASHER, BONDED SEAL					2	2	
29	14390-G4	NUT, LOCK, 1/4 - 20					2	2	
30									
31	18470-G3	BRACKET, TAILGATE (PASSENGER SIDE)					1	1	
32	18470-G4	BRACKET, TAILGATE (DRIVER'S SIDE)					1	1	
33	14465-G1	STRIP, SUPPRESSOR					3	3	
34	16705-G2	SCREW, 1/4 - 20 X 5/8 LG.					2	2	

# TRUCKBED

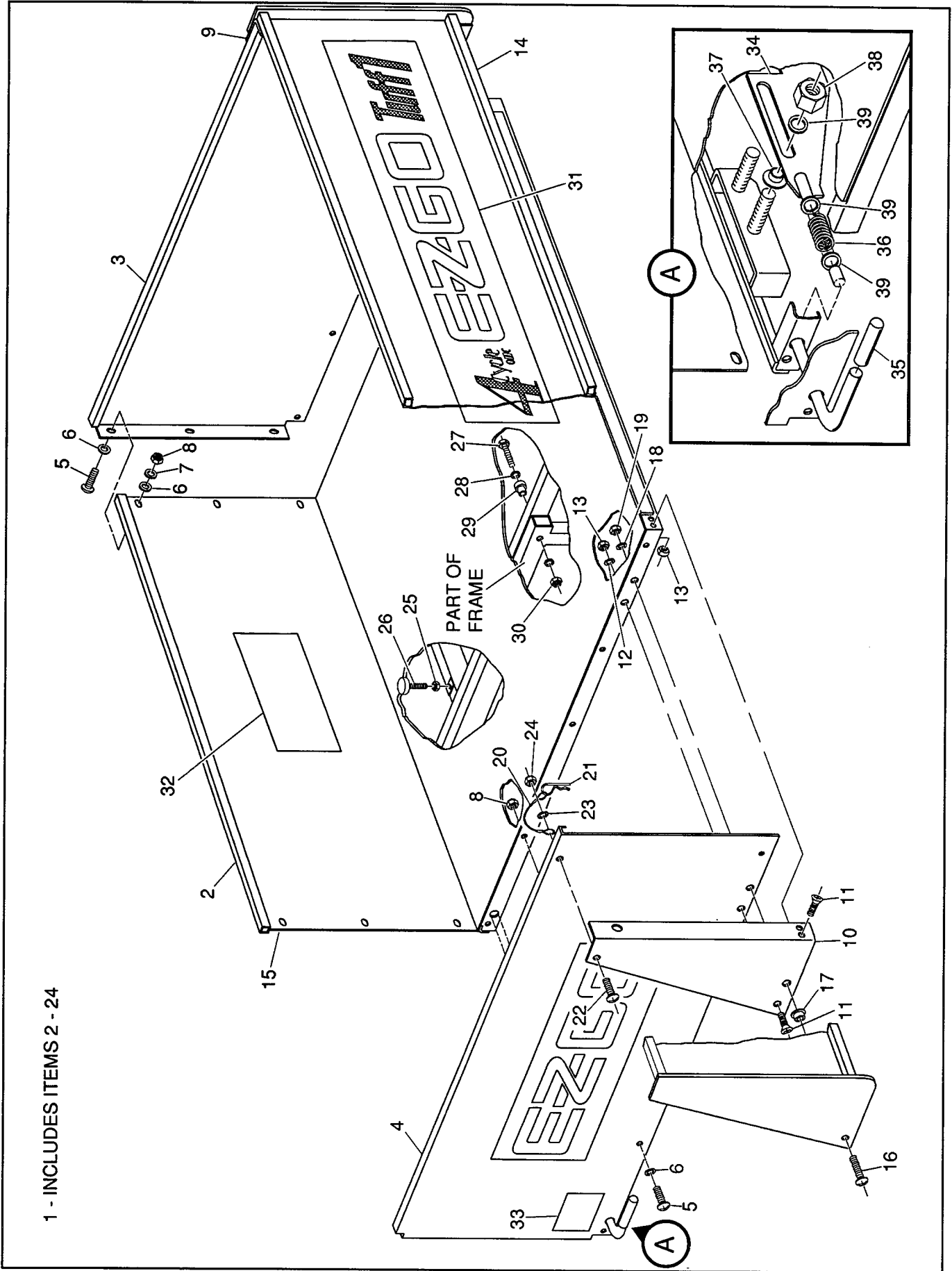
ELECTRIC/GASOLINE POWERED TRUCK

THE USE OF NON U.L. PARTS WILL VOID ANY U.L. LISTING.

When ordering parts, please specify the model and serial number of the product.

\* Indicates a component that is not available as an individual part.

ITEM	PART NO.	1	2	3	4	5	DESCRIPTION	3 WHEEL	4 WHEEL
								QTY	QTY
35	00915-G1						WASHER, BONDED SEAL .....	4	4
36	14390-G4						NUT, LOCK, 1/4 - 20 .....	2	2
37									
38	16705-G9						SCREW, 1/4 - 20 X 1 1/4 LG. ....	2	2
39	18478-G1						BUSHING, TAILGATE .....	2	2
40	00559-G7						WASHER, 1/4 .....	2	2
41	14390-G4						NUT, LOCK, 1/4 - 20 .....	2	2
42									
43	27130-G01						LABEL, WARNING .....	2	2
44									
45									
46	18159-G1						BRACKET, BED PIVOT .....	2	2
47	13437-G4						SCREW, 3/8 - 16 X 1 LG. ....	4	4
48	11027-G5						NUT, LOCK, 3/8 - 16 .....	4	4
49	00665-G7						SCREW, 3/8 - 16 X 1 1/4 LG. ....	2	2
50	00653-G1						WASHER, 3/8 .....	4	4
51	18220-G1						BUSHING, PIVOT .....	2	2
52	00891-G5						NUT, LOCK, 3/8 - 16 .....	2	2
53	13437-G4						SCREW, LOCK, 5/16 - 18 X 1 LG. ....	2	2
54	18315-G1						FASTENER, LOCKING, 5/16 .....	2	2
55	11840-G1						NUT, 5/16 - 18 .....	2	2
56	14382-G1						STRIP, NOISE SUPPRESSOR .....	4	4
57									
58									
59	19567-G1						DECAL, XT-300 .....	-	1
60	19565-G1						DECAL, XT-500 .....	1	-
61	19824-G2						DECAL, XI-300 .....	-	1
62	19828-G2						DECAL, XI-500 .....	1	-
63	19818-G1						DECAL, E-Z-GO (WHITE) .....	1	1
64	26516-G01						DECAL, E-Z-GO 4-CYCLE GXI .....	-	1
65	26518-G01						DECAL, E-Z-GO 4-CYCLE GXT .....	-	1
66	19818-G2						DECAL, E-Z-GO (BLACK) .....	1	1



1 - INCLUDES ITEMS 2 - 24

**TRUCKBED TUFF 1 (MANUAL TILT BED)**

**GASOLINE POWERED TRUCK**

THE USE OF NON U.L. PARTS WILL VOID ANY U.L. LISTING.

When ordering parts, please specify the model and serial number of the product.

\* Indicates a component that is not available as an individual part.

**4 WHEEL**

ITEM	PART NO.	1	2	3	4	5	DESCRIPTION	QTY
1	27352-G01						TRUCKBED ASSEMBLY (INCLUDES ITEMS 2 - 24)	1
2	27548-G01						TRUCKBED	1
3	27274-G01						SIDE PANEL, PASSENGER SIDE	1
4	27274-G02						SIDE PANEL, DRIVER'S SIDE	1
5	16705-G3						SCREW, 1/4 - 20 X 3/4 LG.	14
6	00915-G1						WASHER, BONDED SEAL, 1/4	20
7	00559-G7						WASHER, 1/4	6
8	14390-G4						NUT, LOCK, 1/4 - 20	14
9	27277-G01						TAILGATE BRACKET, PASSENGER SIDE	1
10	27277-G02						TAILGATE BRACKET, DRIVER'S SIDE	1
11	00996-G03						SCREW, 1/4 - 20 X 3/4 LG.	6
12	00559-G7						WASHER, 1/4	2
13	14390-G4						NUT, LOCK, 1/4 - 20	6
14	27266-G01						TAILGATE	1
15	27556-G01						INSERT, TUBE	2
16	16705-G9						SCREW, 1/4 - 20 X 1 1/8 LG.	2
17	18478-G1						BUSHING	2
18	00559-G7						WASHER, 1/4	2
19	14390-G4						NUT, LOCK, 1/4 - 20	2
20	27402-G01						TAILGATE LATCH ASSEMBLY (INCLUDES ITEM 21)	2
21	25233-G1						PIN, COTTER	1
22	16705-G3						SCREW, 1/4 - 20 X 3/4 LG.	2
23	00559-G7						WASHER, 1/4	2
24	14390-G4						NUT, LOCK, 1/4 - 20	2
25	00544-G3						NUT, 5/16 - 18	2
26	70113-G01						BUMPER, RUBBER	2
27	00665-G3						SCREW, 3/8 - 16 X 2 1/2 LG.	2
28	00653-G1						WASHER, 3/8	4
29	27539-G01						BUSHING, PIVOT	2
30	00891-G1						NUT, LOCK, 3/8 - 16	2
31	27401-G01						DECAL, TAILGATE TUFF 1	1
32	27425-G01						LABEL, BED LOADING WARNING	1
33	27421-G01						LABEL, TILT BED WARNING	1
34	27345-G01						BRACKET, BED LOCK	1

**TRUCKBED TUFF 1 (MANUAL TILT BED)**

**GASOLINE POWERED TRUCK**

THE USE OF NON U.L. PARTS WILL VOID ANY U.L. LISTING.

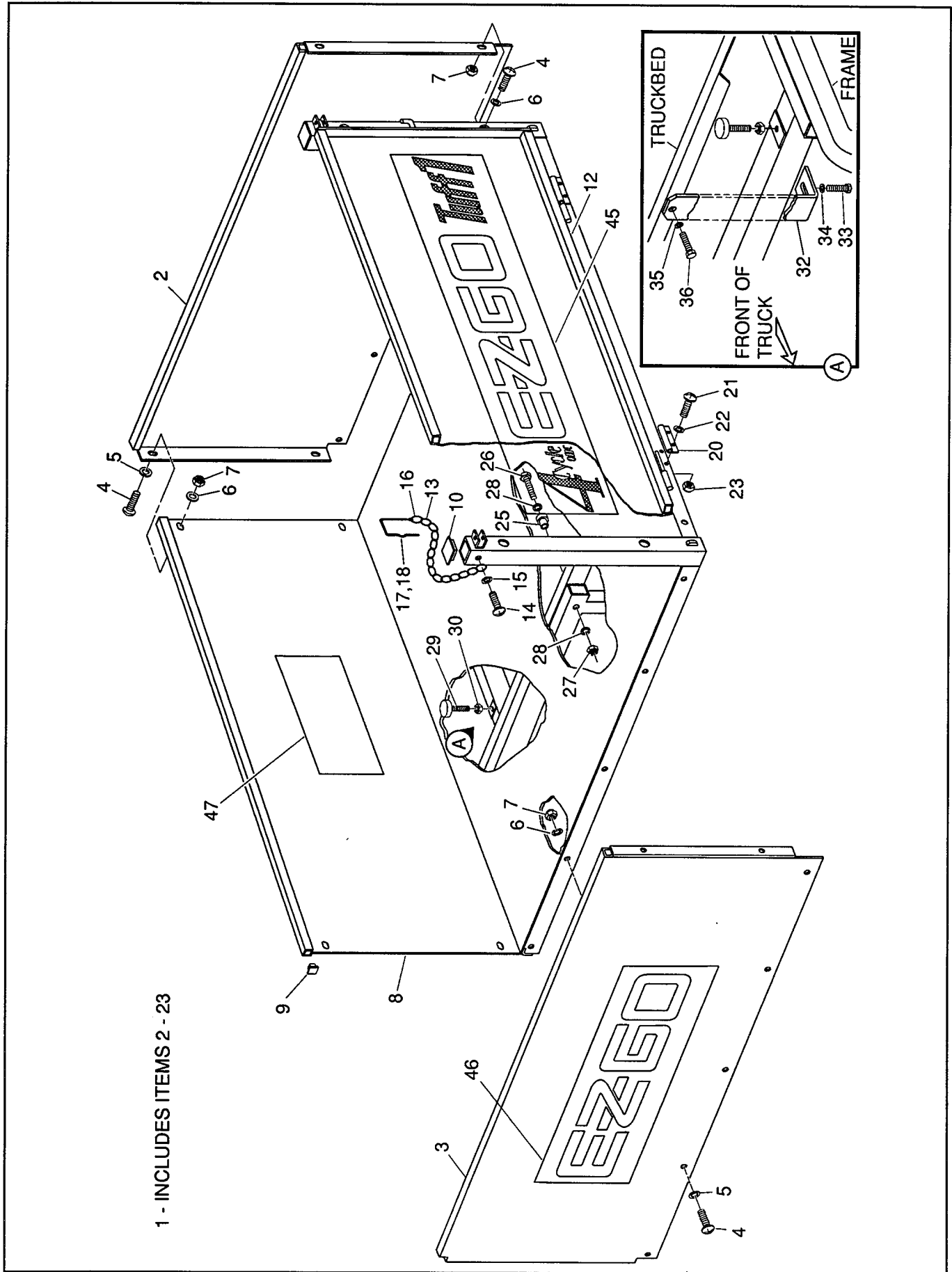
When ordering parts, please specify the model and serial number of the product.

\* Indicates a component that is not available as an individual part.

**4 WHEEL**

ITEM	PART NO.	1	2	3	4	5	DESCRIPTION	QTY
35	21164-G1						CAP, LEVER .....	1
36	23578-G1						SPRING, COMPRESSION .....	1
37	27389-G01						SPACER, BED LOCK .....	2
38	00551-G1						NUT, LOCK, 1/2 - 13 .....	2
39	00560-G4						WASHER, 1/2 .....	4
40	19818-G1						DECAL, , E-Z-GO, WHITE .....	2





1 - INCLUDES ITEMS 2 - 23

# TRUCKBED (BOLT DOWN)

GASOLINE POWERED TRUCK

THE USE OF NON U.L. PARTS WILL VOID ANY U.L. LISTING.

When ordering parts, please specify the model and serial number of the product.

\* Indicates a component that is not available as an individual part.

ITEM	PART NO.	1	2	3	4	5	DESCRIPTION	4 WHEEL	
								QTY	
1	27683-G01						TRUCKBED ASSEMBLY (INCLUDES ITEMS 2 - 23)		1
2	27678-G01						PANEL, SIDE (PASSENGER SIDE)		1
3	27678-G02						PANEL, SIDE (DRIVER'S SIDE)		1
4	16705-G3						SCREW, 1/4-20 X 3/4 LG.		18
5	00915-G1						WASHER, BONDED, 1/4		14
6	00559-G7						WASHER, 1/4		18
7	14390-G4						NUT, LOCK, 1/4-20		18
8	27667-G01						TRUCKBED		1
9	27556-G01						INSERT, TUBE		2
10	27684-G01						INSERT, TUBE		2
11									
12	27661-G01						TAILGATE		1
13	27544-G01						CHAIN		2
14	00106-G6						SCREW, 12-24 X 3/4 LG.		2
15	00915-G1						WASHER, BONDED, 1/4		2
16	27593-G01						LINK, CONNECT		2
17	27675-G01						PIN, BED LOCK (DRIVER'S SIDE)		1
18	27675-G02						PIN, BED LOCK (PASSENGER SIDE)		1
19									
20	27666-G01						HINGE		2
21	16705-G3						SCREW, 1/4-20 X 3/4 LG.		4
22	00559-G7						WASHER, 1/4		4
23	14390-G4						NUT, LOCK, 1/4-20		4
24									
25	27539-G01						BUSHING, PIVOT		2
26	00665-G3						SCREW, 3/8-16 X 2 1/2 LG.		2
27	00891-G1						NUT, LOCK 3/8-16		2
28	00653-G1						WASHER, 3/8		4
29	70113-G01						BUMPER, RUBBER		2
30	00544-G3						NUT, JAM 5/16-18		2
31									
32	27687-G01						BRACKET, LOCK DOWN		2
33	00438-G4						SCREW, 5/16-18 X 1 1/2 LG.		2
34	00571-G2						WASHER, 5/16		2



# TRUCKBED (BOLT DOWN)

ELECTRIC/GASOLINE POWERED TRUCK

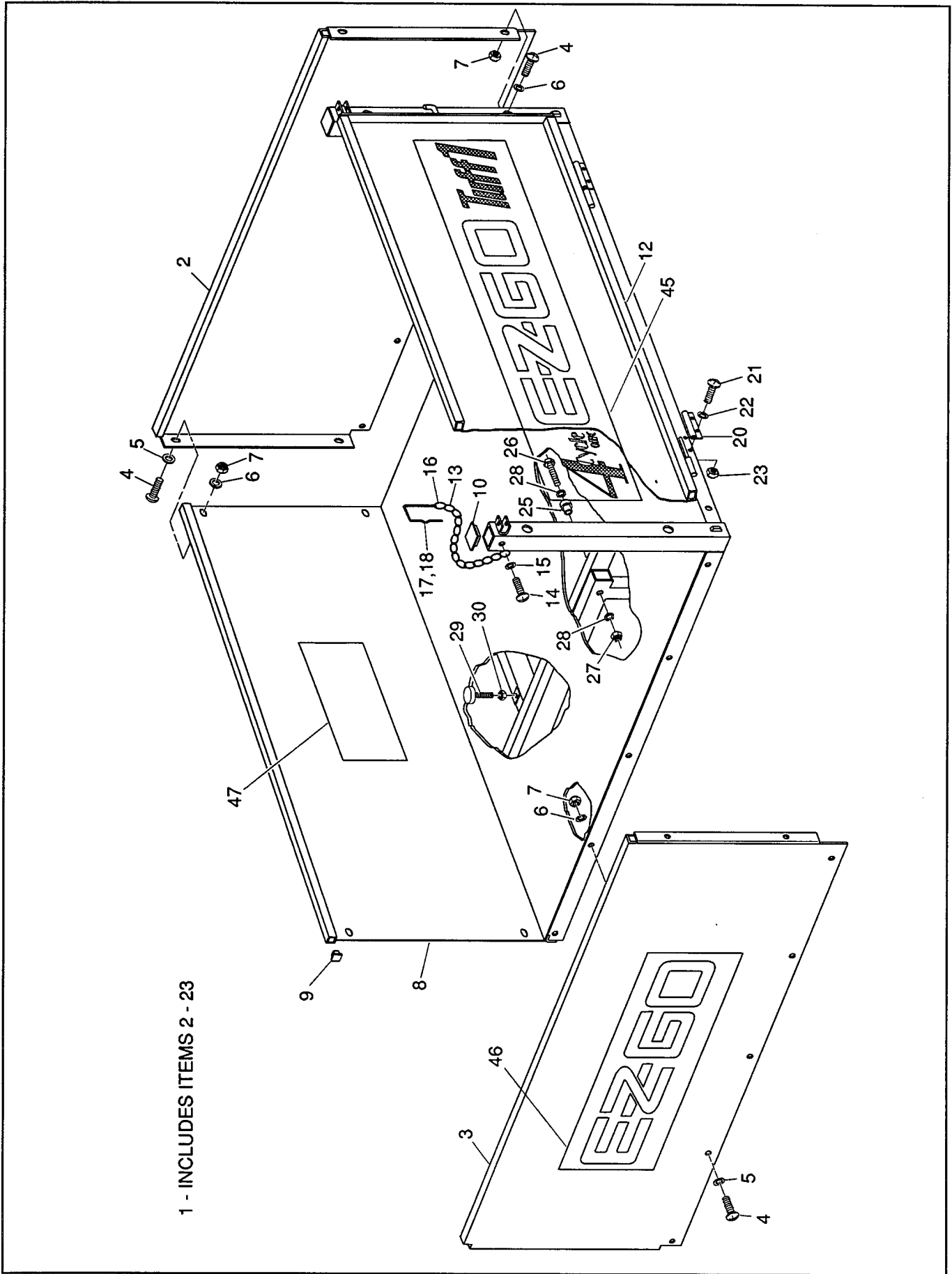
THE USE OF NON U.L. PARTS WILL VOID ANY U.L. LISTING.

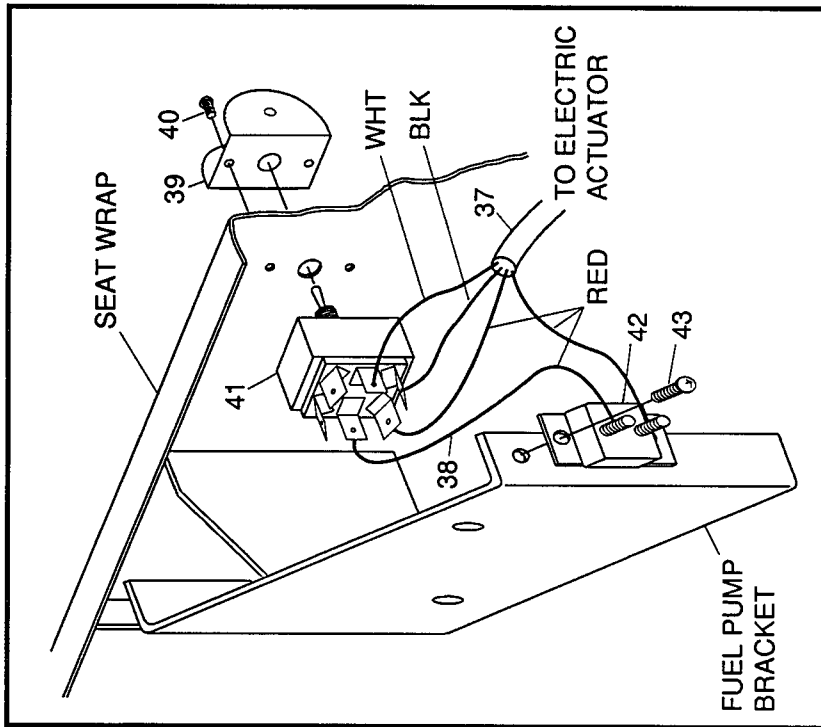
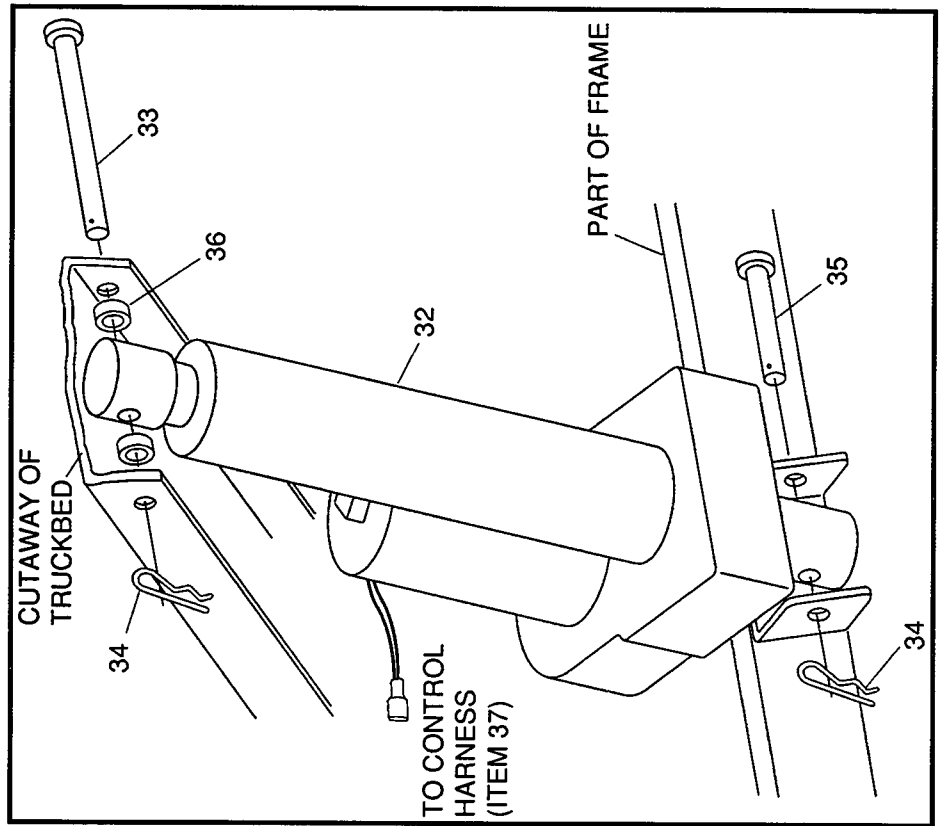
When ordering parts, please specify the model and serial number of the product.

\* Indicates a component that is not available as an individual part.

ITEM	PART NO.	1	2	3	4	5	DESCRIPTION	4 WHEEL	
								QTY	
35	00565-G8						WASHER, LOCK, 5/16 .....		2
36	00438-G6						SCREW, 5/16-18 X 3/4 LG. ....		2
37									
38									
39									
40									
41									
42									
43									
44									
45	27744-G01						DECAL, TAILGATE TUFF 1 .....		1
46	19818-G1						DECAL, E-Z-G0 (WHITE) .....		2
47	27425-G01						LABEL, BED LOAD WARNING .....		1







# TRUCKBED (ELECTRIC DUMP)

GASOLINE POWERED TRUCK

THE USE OF NON U.L. PARTS WILL VOID ANY U.L. LISTING.

When ordering parts, please specify the model and serial number of the product.

\* Indicates a component that is not available as an individual part.

ITEM	PART NO.	1	2	3	4	5	DESCRIPTION	4 WHEEL	
								QTY	
1	27683-G01						TRUCKBED ASSEMBLY (INCLUDES ITEMS 2 - 23)	1	
2	27678-G01						PANEL, SIDE (PASSENGER SIDE)	1	
3	27678-G02						PANEL, SIDE (DRIVER'S SIDE)	1	
4	16705-G3						SCREW, 1/4 - 20 X 3/4 LG.	18	
5	00915-G1						WASHER, BONDED, 1/4	14	
6	00559-G7						WASHER, 1/4	18	
7	14390-G4						NUT, LOCK, 1/4 - 20	18	
8	27667-G01						TRUCKBED	1	
9	27556-G01						INSERT, TUBE	2	
10	27684-G01						INSERT, TUBE	2	
11									
12	27661-G01						TAILGATE	1	
13	27544-G01						CHAIN	2	
14	00106-G6						SCREW, 12 - 24 X 3/4 LG.	2	
15	00915-G1						WASHER, BONDED, 1/4	2	
16	27593-G01						LINK, CONNECT	2	
17	27675-G01						PIN, BED LOCK (DRIVER'S SIDE)	1	
18	27675-G02						PIN, BED LOCK (PASSENGER SIDE)	1	
19									
20	27666-G01						HINGE	2	
21	16705-G3						SCREW, 1/4 - 20 X 3/4 LG.	4	
22	00559-G7						WASHER, 1/4	4	
23	14390-G4						NUT, LOCK, 1/4 - 20	4	
24									
25	27539-G01						BUSHING, PIVOT	2	
26	00665-G3						SCREW, 3/8 - 16 X 2 1/2 LG.	2	
27	00891-G1						NUT, LOCK, 3/8 - 16	2	
28	00653-G1						WASHER, 3/8	4	
29	70113-G01						BUMPER, RUBBER	2	
30	00544-G3						NUT, 5/16 - 18	2	
31									
32	27612-G01						ACTUATOR, ELECTRIC	1	
33	14443-G10						PIN, CLEVIS	1	
34	25233-G1						PIN, COTTER	2	

# TRUCKBED (ELECTRIC DUMP)

GASOLINE POWERED TRUCK

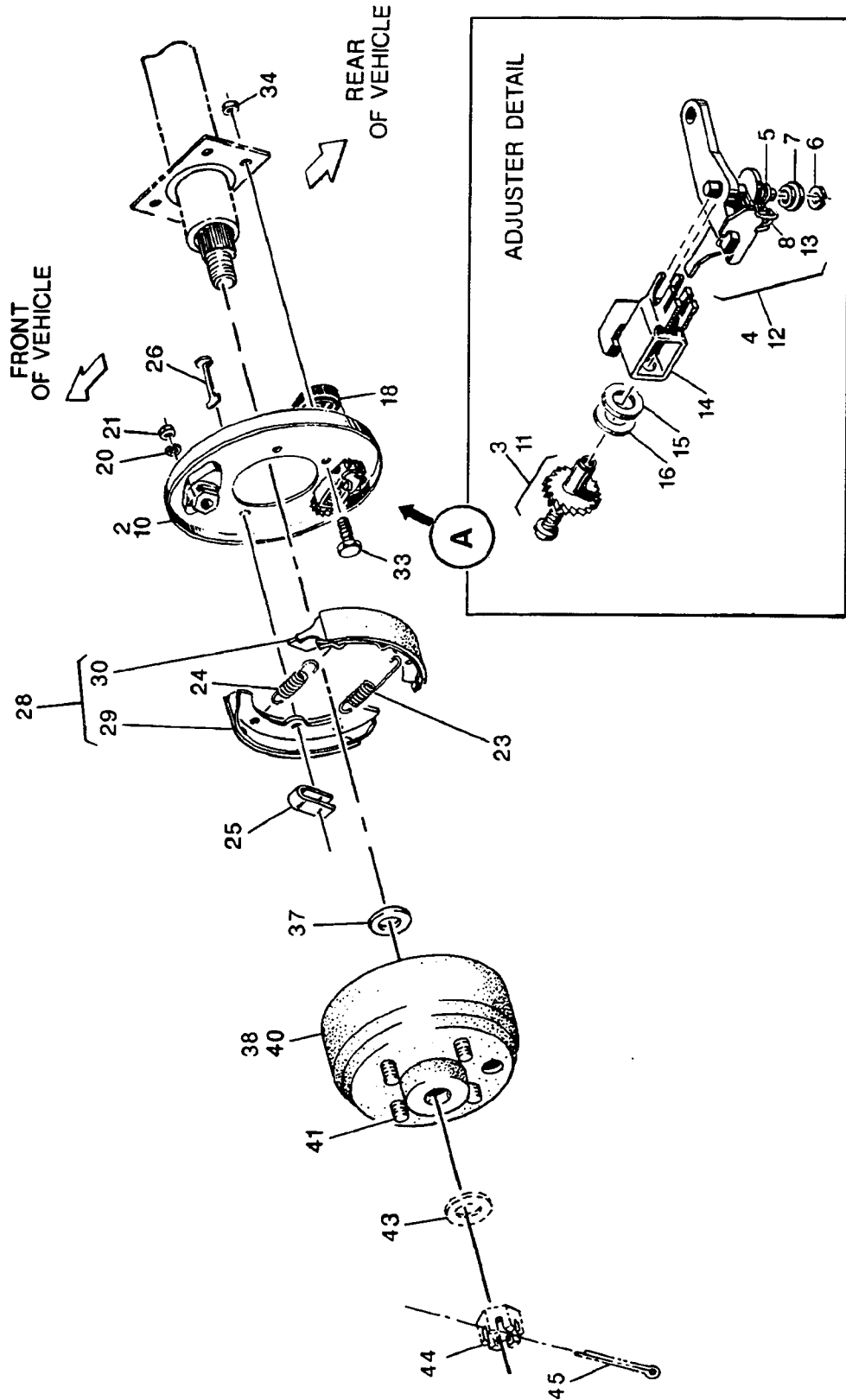
THE USE OF NON U.L. PARTS WILL VOID ANY U.L. LISTING.

When ordering parts, please specify the model and serial number of the product.

\* Indicates a component that is not available as an individual part.

ITEM	PART NO.	1	2	3	4	5	DESCRIPTION	4 WHEEL	
								QTY	
35	14443-G11						PIN, CLEVIS .....	1	
36	27613-G01						SPACER .....	2	
37	27611-G01						HARNES, CONTROL .....	1	
38	25974-G06						WIRE .....	1	
39	27447-G01						TOGGLE GUARD .....	1	
40	10570-G9						RIVET, 1/8 .....	2	
41	27680-G01						SWITCH, TOGGLE .....	1	
42	21320-G2						BREAKER, CIRCUIT .....	1	
43	00614-G4						SCREW, #8 - 18 x 1/2 LG. ....	2	
44									
45	27744-G01						DECAL, TAILGATE TUFF 1 .....	1	
46	19818-G1						DECAL, E-Z-G0 (WHITE) .....	2	
47	27425-G01						LABEL, BED LOAD WARNING .....	1	

SELF-ADJUSTING BRAKES  
(DRIVER'S SIDE SHOWN)



# WHEEL BRAKE

ELECTRIC/GASOLINE POWERED TRUCK

THE USE OF NON U.L. PARTS WILL VOID ANY U.L. LISTING.

When ordering parts, please specify the model and serial number of the product.

\* Indicates a component that is not available as an individual part.

ITEM	PART NO.	1	2	3	4	5	DESCRIPTION	3 WHEEL	4 WHEEL
								QTY	QTY
1	27247-G01						BRAKE ASSEMBLY, PASSENGER SIDE (INCLUDES ITEMS 2 - 8, 14 - 30)	1	1
2	22518-G1						PLATE, BACKING	1	1
3	23360-G1						ADJUSTER	1	1
4	23357-G1						ASSEMBLY, LEVER (INCLUDES ITEMS 5 - 8)	1	1
5	*						SPRING	1	1
6	*						RETAINER	1	1
7	*						WASHER, SHOULDER	1	1
8	23536-G1						SPRING, TORSION	1	1
9	27247-G02						BRAKE ASSEMBLY, DRIVER'S SIDE (INCLUDES ITEMS 10 - 30)	1	1
10	22519-G1						PLATE, BACKING	1	1
11	23361-G1						ADJUSTER	1	1
12	23358-G1						ASSEMBLY, LEVER (INCLUDES ITEMS 13 - 16)	1	1
13	23537-G1						SPRING, TORSION	1	1
14	23363-G1						BODY, ADJUSTER	1	1
15	23382-G1						WASHER	1	1
16	23362-G1						WASHER, THRUST	1	1
17									
18	22519-G1						COVER, DUST	1	1
19	23356-G1						BLOCK, ANCHOR	1	1
20	00565-G1						WASHER, LOCK, 1/4	2	2
21	13632-G1						NUT, 6 MM	2	2
22									
23	23359-G1						SPRING, BRAKE, ADJUSTER	1	1
24	17290-G1						SPRING, BRAKE, ANCHOR	1	1
25	17291-G1						SPRING, SHOE, CLAMP	2	2
26	17292-G1						PIN, TENSION	2	2
27									
28	27249-G01						BRAKE SHOE SET (INCLUDES ITEMS 29, 30)	1	1
29	27250-G01						SHOE, BRAKE, TRAILING	1	1
30	27251-G01						SHOE, BRAKE, LEADING	1	1
31									
32									
33	17083-G1						BOLT, 5/16 - 24 X 3/4 LG.	8	8



# WHEEL BRAKE

ELECTRIC/GASOLINE POWERED TRUCK

THE USE OF NON U.L. PARTS WILL VOID ANY U.L. LISTING.

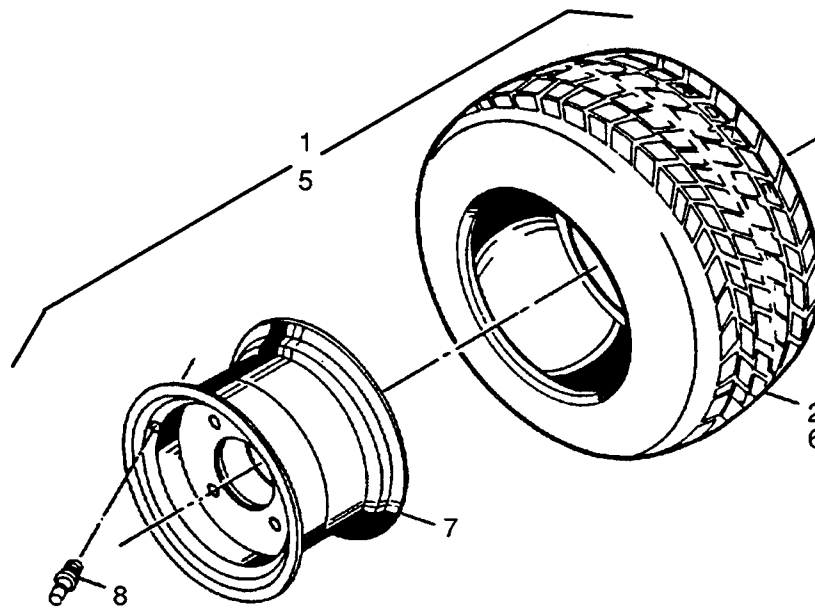
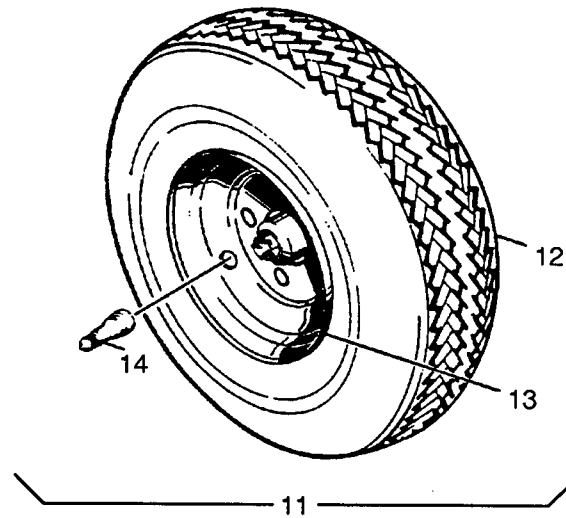
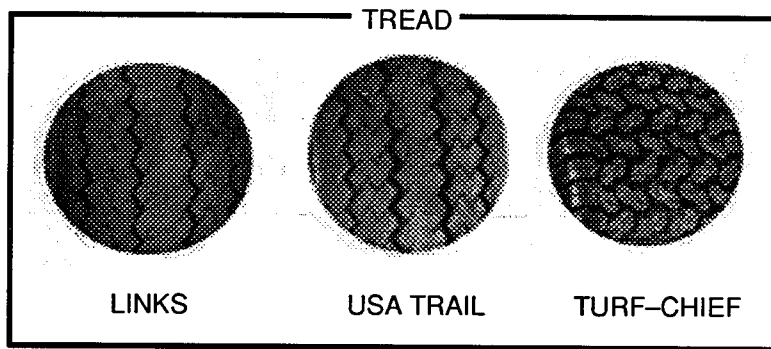
When ordering parts, please specify the model and serial number of the product.

\* Indicates a component that is not available as an individual part.

8 WHEEL	4 WHEEL
---------	---------

ITEM	PART NO.	1	2	3	4	5	DESCRIPTION	QTY	
								8 WHEEL	4 WHEEL
34	15126-G1						NUT, LOCK, 5/16 - 24 .....	8	8
35									
36									
37	15485-G1						WASHER, 1.161 O.D. / .787 I.D. ....	2	2
38	19186-G1						ASSEMBLY, BRAKE DRUM (INCLUDES ITEM 41) ELECTRIC VEHICLES .....	2	2
39									
40	21807-G1						BRAKE DRUM ASSEMBLY (INCLUDES ITEM 41) GASOLINE VEHICLE .....	-	2
41	19862-G1						BOLT, LUG, 1/2 - 20 .....	4	4
42									
43	XXXXX-XX						WASHER (SEE SECTION W FOR PART NUMBER AND QUANTITY)		
44	XXXXX-XX						NUT, SLOTTED (SEE SECTION W FOR PART NUMBER AND QUANTITY)		
45	XXXXX-XX						PIN, COTTER (SEE SECTION W FOR PART NUMBER AND QUANTITY)		





# WHEELS AND TIRES

ELECTRIC/GASOLINE POWERED TRUCK

THE USE OF NON U.L. PARTS WILL VOID ANY U.L. LISTING.

When ordering parts, please specify the model and serial number of the product.

\* Indicates a component that is not available as an individual part.

8 WHEEL	4 WHEEL
---------	---------

ITEM	PART NO.	1	2	3	4	5	DESCRIPTION	QTY	
1	27772-G03						18 X 8.50 X 8 TIRE AND WHEEL RIM ASSEMBLY, TURF-CHIEF TURF TRUCK (INCLUDES ITEMS 2,7,8) .....	AR	AR
2	27772-G07						18 X 8.50 X 8 TIRE, TURF-CHIEF .....	AR	AR
3									
4									
5	27772-G01						18 X 8.50 X 8 TIRE AND WHEEL RIM ASSEMBLY, LINKS TURF TRUCK (INCLUDES ITEMS 6 - 8) .....	AR	AR
6	27772-G05						18 X 8.50 X 8 TIRE, LINKS .....	AR	AR
7	15169-G1						WHEEL RIM, 1 PIECE 8.50/9.50 X 8, STANDARD .....	AR	AR
8	11657-G1						VALVE STEM .....	AR	AR
9									
10									
11	27784-G01						18.5 X 5.70 X 8 TIRE AND WHEEL ASSEMBLY, USA TRAIL INDUSTRIAL TRUCK (INCLUDES ITEMS 12 - 14) .....	AR	AR
12	27784-G03						18.5 X 5.70 X 8 TIRE AND WHEEL RIM ASSEMBLY, USA TRAIL ....	AR	AR
13	26482-G01						WHEEL RIM, 1 PIECE 8.50/9.50 X 8, STANDARD .....	AR	AR
14	26482-G01						VALVE STEM .....	AR	AR



---

**APPENDIX**  
**SERVICE ACCESSORIES AND SPECIAL TOOLS**

---

<b>SPECIAL TOOLS (GASOLINE VEHICLE)</b>	<b>PART NO.</b>
CURRENT INDICATOR .....	16489-G2
PULLER, DRIVE CLUTCH .....	19779-G2
PULLER, FLY WHEEL .....	27111-G01
KIT, SLIDE HAMMER (DRUM/AXLE PULLER) .....	15947-G1
KIT, TOOL, METERIC (295 CC ENGINE INCLUDES CLUTCH PULLER) .....	14708-G2
MULTIMETER, DIGITAL .....	27481-G01
CRIMPING TOOL .....	27765-G01
CAM PULLEY TOOL .....	27851-G01

<b>SPECIAL TOOLS (ELECTRIC VEHICLE)</b>	<b>PART NO.</b>
CURRENT INDICATOR .....	16489-G1
MULTI-METER (OHM METER) .....	27481-G01
SEAL INSTALLATION TOOL (REAR AXLE SHAFT SEAL) .....	18739-G1
SLIDE HAMMER KIT (DRUM/AXLE PULLER) .....	15947-G1
CRIMPING TOOL .....	27765-G01

**PAINT**

CONTACT CUSTOMER REPRESENTATIVE FOR COLOR SPECIFICATIONS AND PART NUMBERS



E-Z-GO Division of Textron Inc.  
P.O. BOX 388 Augusta, Georgia 30913-2699  
Telephone 1-800-241-5855

Copyright 1993  
This manual may not be reproduced in whole or  
in part without the express written permission of  
E-Z-GO Division of Textron Inc.  
Technical Communications Department