



A Textron Company

Service Parts Manual

GASOLINE POWERED VEHICLE



634465

ISSUED AUGUST 2013

SERVICE PARTS MANUAL

GASOLINE POWERED GOLF CARS

TXT FLEET

TXT FREEDOM

TXT SHUTTLE 2+2

STARTING MODEL YEAR 2014

DISCLAIMER: The E-Z-GO Division of Textron Inc. (E-Z-GO) reserves the right to incorporate engineering and design changes to products in this Manual, without obligation to include these changes on units leased/sold previously.

The information contained in this Manual may be revised periodically E-Z-GO, and therefore is subject to change without notice.

E-Z-GO DISCLAIMS LIABILITY FOR ERRORS IN THIS MANUAL, and E-Z-GO SPECIFICALLY DISCLAIMS LIABILITY FOR INCIDENTAL AND CONSEQUENTIAL DAMAGES RESULTING FROM THE USE OF THE INFORMATION AND MATERIALS IN THIS MANUAL.

TO CONTACT US

NORTH AMERICA:

TECHNICAL ASSISTANCE & WARRANTY PHONE: 1-800-774-3946, FAX: 1-800-448-8124

SERVICE PARTS PHONE: 1-888-GET-EZGO (1-888-438-3946), FAX: 1-800-752-6175

INTERNATIONAL: PHONE: 001-706-798-4311, FAX: 001-706-771-4609

E-Z-GO DIVISION OF TEXTRON INC., 1451 MARVIN GRIFFIN RD., AUGUSTA, GEORGIA USA 30906-3852

GENERAL INFORMATION

To obtain a copy of the limited warranty applicable to the vehicle, call or write a local Distributor, authorized Branch or the Warranty Department with vehicle serial number and manufacturer code.

The use of non Original Equipment Manufacturer (OEM) approved parts may void the warranty.

Tampering with or adjusting the governor to permit vehicle to operate at above factory specifications will void the vehicle warranty.

When servicing engines, all adjustments and replacement components must be per original vehicle specifications in order to maintain the United States of America Federal and State emission certification applicable at the time of manufacture.

BATTERY PROLONGED STORAGE

All batteries will self discharge over time. The rate of self discharge varies depending on the ambient temperature and the age and condition of the batteries.

A fully charged battery will not freeze in winter temperatures unless the temperature falls below -75° F (-60° C).

BATTERY DISPOSAL

Lead-acid batteries are recyclable. Return whole scrap batteries to distributor, manufacturer or lead smelter for recycling. For neutralized spills, place residue in acid-resistant containers with absorbent material, sand or earth and dispose of in accordance with local, state and federal regulations for acid and lead compounds. Contact local and/or state environmental officials regarding disposal information.

TABLE OF CONTENTS

SECTION	Page No.
HOW TO USE THE SERVICE PARTS MANUAL	v
ACCELERATOR	A
AIR FILTER	B
BODY	C
BODY - FRONT	C - 1
BODY - MID SECTION	C - 5
BODY - REAR	C - 7
BODY - ACCESSORIES	C - 11
BRAKES	D
CARBURETOR AND CHOKE	E
CLUTCH	F
DIRECTION SELECTOR	G
ELECTRICAL	H
ENGINE AND MUFLER	J
ENGINE MOUNTING	K
FRONT SUSPENSION AND STEERING	L
FUEL SYSTEM	M
REAR AXLE	N
REAR SUSPENSION	P
SEATING	Q
SEATING - CONVERTIBLE CARRIER	Q - 1
SEATING AND BAG HOLDER - GOLF CAR	Q - 9
STARTER/GENERATOR	R
TOW BAR	S
PERMANENT	S - 1
CASUAL	S - 5
WEATHER PROTECTION	T
WHEELS AND TIRES	U

NOTES

A large grid of graph paper for taking notes, consisting of 20 columns and 30 rows of small squares.

HOW TO USE THE SERVICE PARTS MANUAL

This manual is divided into several sections:

- GENERAL INFORMATION
- ILLUSTRATED PARTS BREAKDOWN
- APPENDIX

The first section, GENERAL INFORMATION, contains the following information:

- WARRANTY INFORMATION
- GENERAL INDEX
- HOW TO USE THE SERVICE PARTS MANUAL

The second section, ILLUSTRATED PARTS BREAKDOWN, contains illustrations and parts lists for all systems of your vehicle.

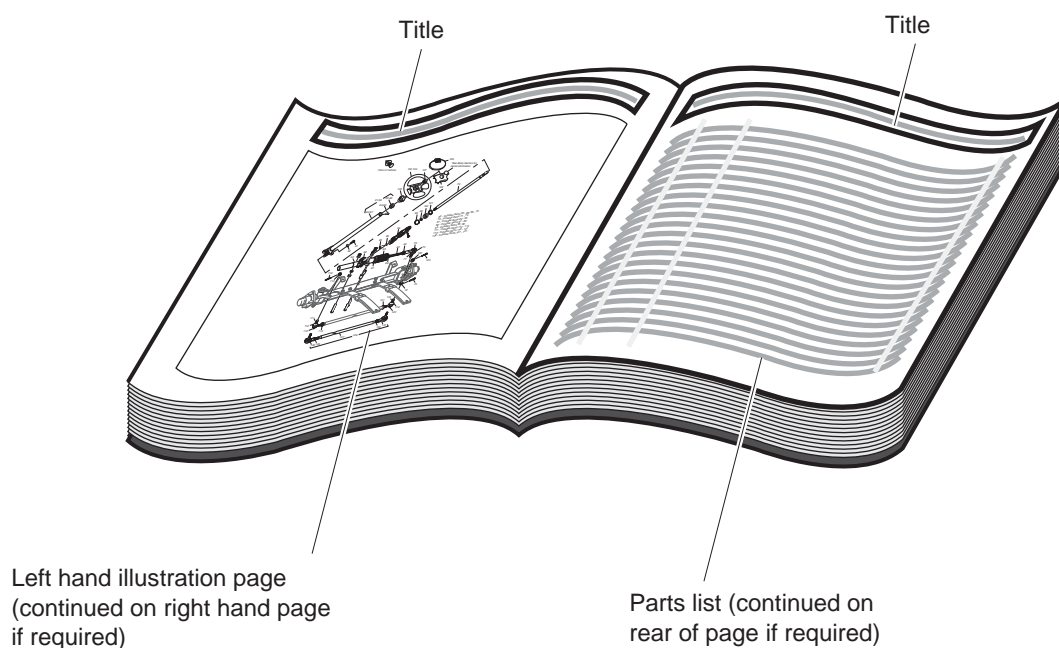
The third section, APPENDIX, contains a listing of specialty products and accessories.

USE OF THE MANUAL

To use this manual, consult the GENERAL INDEX to locate the information or illustration required.

Introduction of some revisions varies due to supply of components; therefore, it is possible that various combinations of components may be found that are not directly reflected by each illustration. Consult the illustration that best suits your situation and then contact the Service Parts Department. It is important that the serial number of your vehicle and its model number be supplied to Service Parts when ordering any replacement components.

Locate the serial number plate (see BODY located in the Illustrated Parts Breakdown section of this manual for its location) and note the complete number shown on the plate.



HOW TO USE THE SERVICE PARTS MANUAL

1. WHEN THE PART NUMBER IS NOT KNOWN

- Determine the function and application of the part required. Turn to the General Index and select the most appropriate title.
- Turn to the page number indicated and locate the desired part on the illustration.
- From the illustration, obtain the item number assigned to the desired part. Refer to the accompanying description for specific information regarding the part.

2. IF YOU KNOW THE PART NUMBER

- Locate the part number or description in the appropriate column on the parts list page.

NOTE: It is suggested that you confirm that the part selected is correct by verifying it with the pictorial representation on the illustrated page.

Should an asterisk (*) appear in the part number column on the parts list page, read upwards until a part number is found. The part number is the lowest assembly sold by Service Parts and the asterisk (*) indicates that the part depicted is not available for purchase.

NOTE: Descriptions are indented under the assembly that they are used on. That assembly is, in turn listed under the assembly that it is used on. This process is repeated until the highest final assembly is reached.

To facilitate the maintenance and repair of the vehicle, a Technician's Repair and Service Manual is available from the Service Parts Department.

HOW TO USE THE SERVICE PARTS MANUAL

3. COLOR CODE FOR BODY COMPONENTS

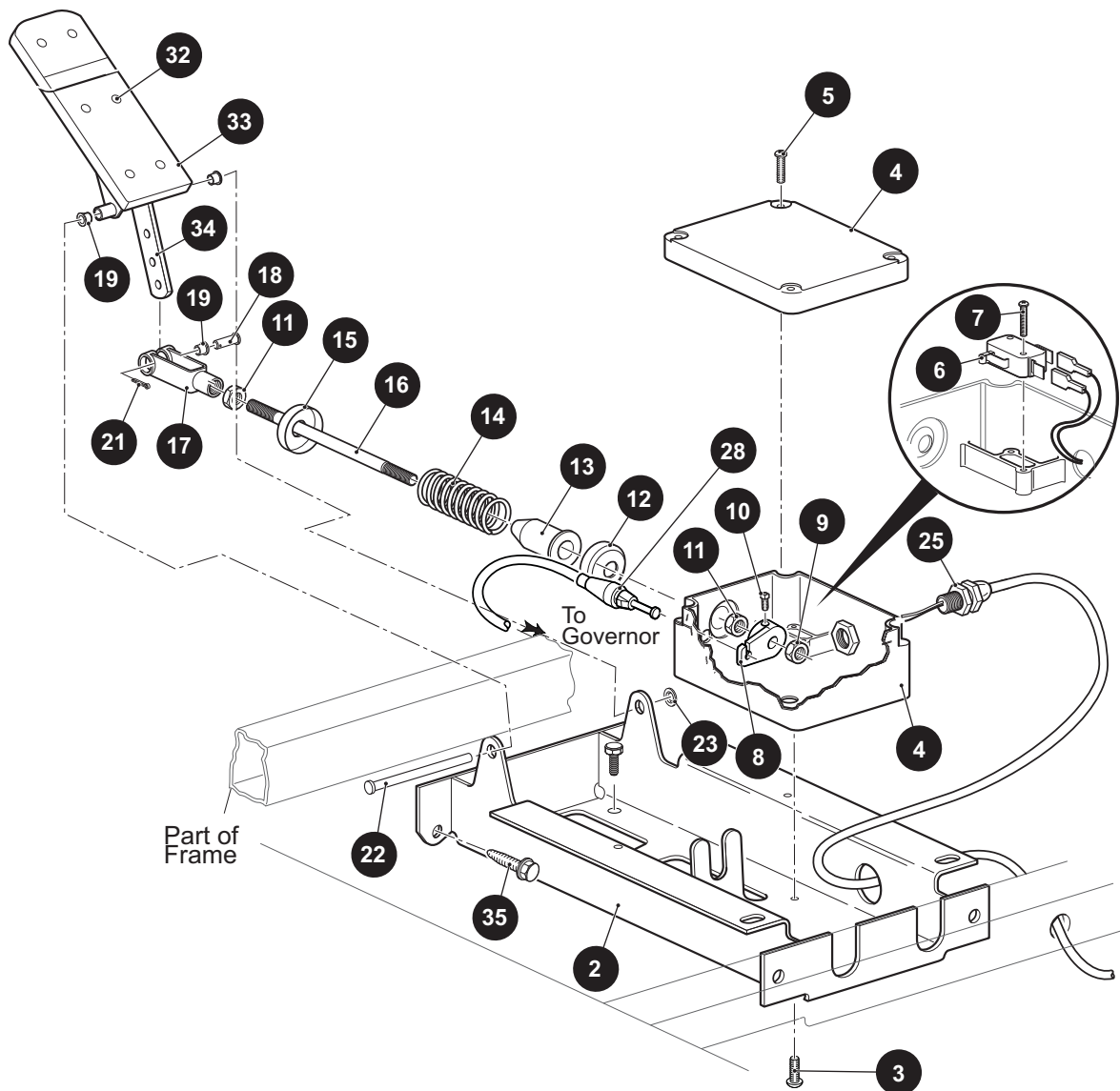
The last two digits of the part number for the body part will denote the color code. Locate the part number for the cowl, rear body, seat pod, side panel or seat wrap then locate your color in the list below. Replace the last ** or XX with the two digit color code.

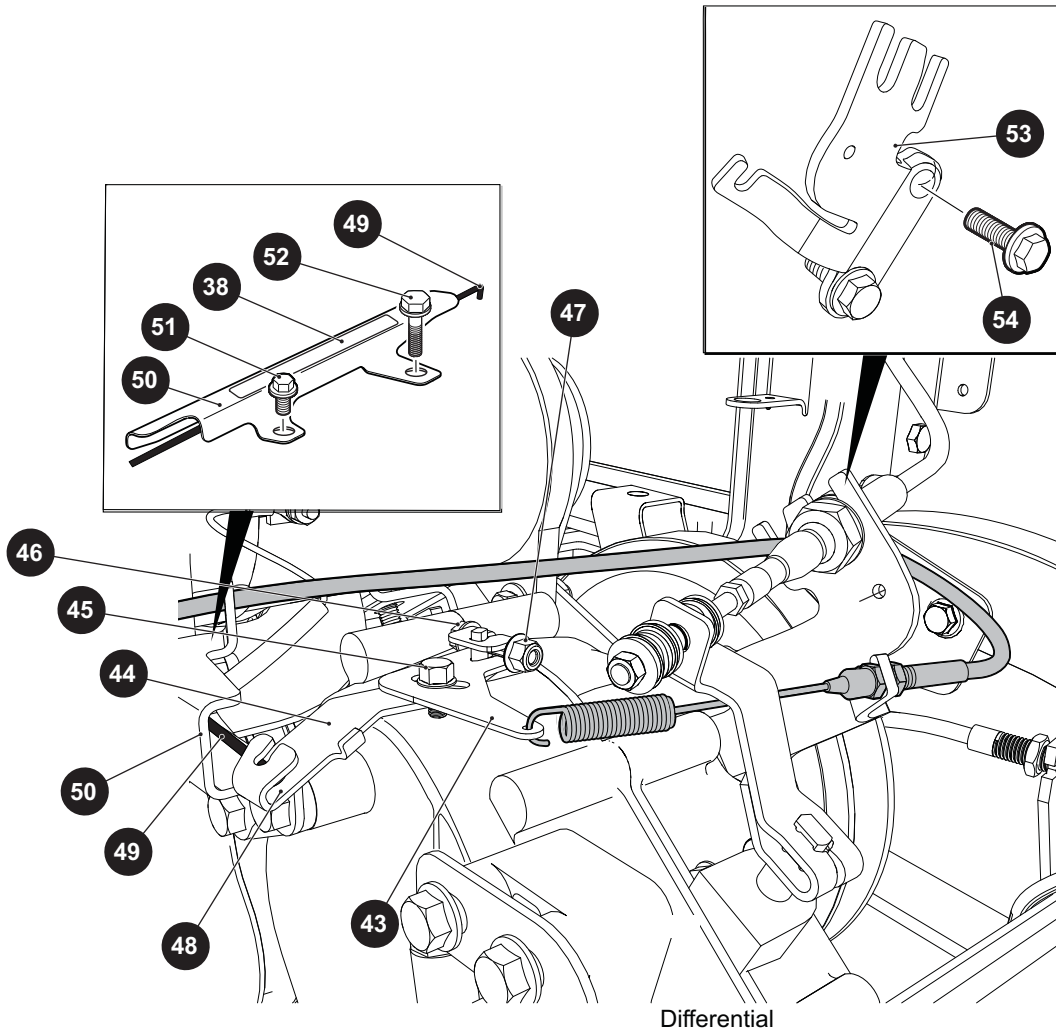
<u>CODE #</u>	<u>DESCRIPTION</u>	<u>CODE #</u>	<u>DESCRIPTION</u>
05	JACOBSEN ORANGE	105	JACOBSEN ORANGE (WITH LIGHTS)
11	BLACK	111	BLACK (WITH LIGHTS)
19	PATRIOT BLUE PEARL	119	PATRIOT BLUE PEARL (WITH LIGHTS)
20	INFERNO RED METALLIC	120	INFERNO RED METALLIC (WITH LIGHTS)
26	STEEL BLUE PEARL	126	STEEL BLUE PEARL (WITH LIGHTS)
31	METALLIC CHARCOAL	131	METALLIC CHARCOAL (WITH LIGHTS)
35	SAFETY YELLOW	135	SAFETY YELLOW (WITH LIGHTS)
36	IVORY	136	IVORY (WITH LIGHTS)
37	FOREST GREEN	137	FOREST GREEN (WITH LIGHTS)
38	BRIGHT WHITE	138	BRIGHT WHITE (WITH LIGHTS)
39	FLAME RED	139	FLAME RED (WITH LIGHTS)
41	ELECTRIC BLUE	141	ELECTRIC BLUE (WITH LIGHTS)
42	PLATINUM	142	PLATINUM (WITH LIGHTS)
43	BURGUNDY	143	BURGUNDY (WITH LIGHTS)
44	ALMOND	144	ALMOND (WITH LIGHTS)
51	SUNBURST ORANGE	151	SUNBURST ORANGE (WITH LIGHTS)
52	BRITISH RACING GREEN	152	BRITISH RACING GREEN (WITH LIGHTS)
74	BARLEY GOLD	174	BARLEY GOLD (WITH LIGHTS)
75	OASIS GREEN	175	OASIS GREEN (WITH LIGHTS)
76	JAVA BROWN	176	JAVA BROWN (WITH LIGHTS)

ACCELERATOR

1 PEDAL BOX ASSEMBLY includes items 2 - 34

30 ACCELERATOR PEDAL ASSEMBLY includes items 32 - 34





ACCELERATOR

When ordering parts, please specify the model and serial number of the product.

* Indicates a component that is not available as an individual part.

*** Indicates consult Customer Service Department for additional information.

ITEM	PART NO.	1 2 3 4 5	DESCRIPTION	QTY.
1	<u>606990</u>		PEDAL BOX ASSEMBLY (INCLUDES ITEMS 2 - 34)	1
2	70116G02		ACCELERATOR PEDAL BRACKET	1
3	<u>01051G01</u>		PHILLIPS PAN HEAD SCREW, #8 - 16 X 1/2" LG	4
4	<u>25853G03</u>		PEDAL BOX AND COVER	1
5	<u>00684G6</u>		PHILLIPS TRUSS HEAD MACHINE SCREW (SS), #8 - 32 X 3/4" LG	2
6	<u>25861G01</u>		MICRO SWITCH	1
7	<u>01050G01</u>		PAN TORX HEAD TAPPING SCREW, #4 - 20 X 5/8" LG	2
8	<u>72716G01</u>		MICRO SWITCH CAM	1
9	<u>15126G1</u>		LOCK NUT, 5/16" - 24	1
10	<u>00487G3</u>		SET SCREW, 1/4" - 20 X 3/8" LG	1
11	<u>00532G4</u>		HEX JAM NUT, 5/16" - 24	2
12	<u>17677G1</u>		SPRING RETAINER	1
13	<u>17979G1</u>		ACCELERATOR ROD BUSHING	1
14	<u>73046G01</u>		COMPRESSION SPRING	1
15	<u>17677G2</u>		SPRING RETAINER	1
16	72072G01		ACCELERATOR ROD	1
17	10385G4		CLEVIS YOKE (ADJUSTABLE)	1
18	<u>10386G3</u>		CLEVIS PIN, 5/16" X 13/16" LG	1
19	<u>17838G1</u>		NYLON BUSHING	3
20				
21	<u>10387G3</u>		COTTER PIN, 3/32" X 3/4" LG	1
22	<u>74432G01</u>		PEDAL PIVOT PIN, 4.87" LG	1
23	<u>12064G6</u>		PUSH NUT, 9/32"	1
24	12730G1		WHEEL BEARING GREASE (NOT ILLUSTRATED)	A/R
25	<u>72201G04</u>		WIRE HARNESS (PEDAL BOX)	1
26	18659G1		ADHESIVE, THREAD LOCKING (NOT ILLUSTRATED)	A/R
27				
28	<u>608608</u>		ACCELERATOR CABLE	1
29				

ACCELERATOR

When ordering parts, please specify the model and serial number of the product.

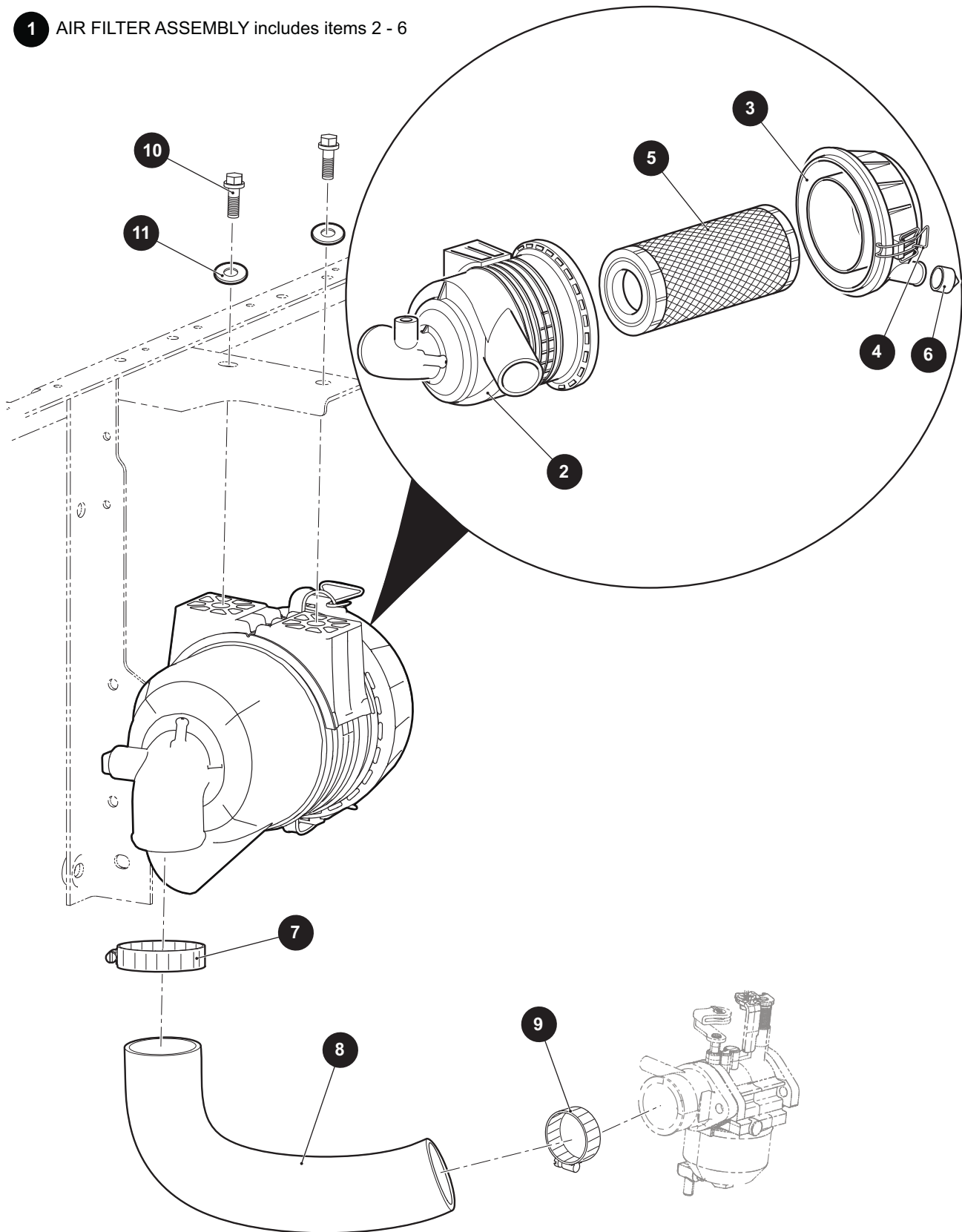
* Indicates a component that is not available as an individual part.

*** Indicates consult Customer Service Department for additional information.

ITEM	PART NO.	1 2 3 4 5	DESCRIPTION	QTY.
30	<u>25799G03</u>		ACCELERATOR PEDAL ASSEMBLY (INCLUDES ITEMS 32 - 34)	1
31				
32	<u>16409G1</u>		OVAL RIVET, 3/16" X 7/16" LG	6
33	<u>27512G01</u>		ACCELERATOR PEDAL PAD	1
34	70125G04		ACCELERATOR PEDAL	1
35	<u>00715G2</u>		HEX HEAD FLANGE BOLT, 5/16" - 18 X 4/5" LG	4
36				
37				
38	<u>608527</u>		GOVERNOR WARNING DECAL	1
39				
40				
41				
42				
43	<u>606083</u>		UPPER GOVERNOR BRACKET	1
44	<u>606005</u>		LOWER GOVERNOR BRACKET	1
45	<u>606265</u>		HEX HEAD FLANGE BOLT, M6 - 1 X 12MM LG	1
46	<u>606421</u>		HEX HEAD FLANGE BOLT, M6 - 1 X 30MM LG	1
47	<u>450452</u>		HEX HEAD FLANGE NUT, M6 - 1.0	1
48	<u>606283</u>		GOVERNOR LEVER BUSHING	1
49	<u>606284</u>		GOVERNOR ROD	1
50	<u>603890</u>		GOVERNOR ROD GUARD	1
51	<u>606264</u>		HEX HEAD FLANGE BOLT, M6 - 1 X 20MM LG	1
52	<u>606262</u>		HEX HEAD FLANGE BOLT, M8 - 1.25 X 16MM LG	1
53	<u>606074</u>		GOVERNOR CABLE / DIRECTION SELECTOR BRACKET	1
54	<u>606256</u>		HEX HEAD FLANGE BOLT, M10 - 1.25 X 25MM LG	2

AIR FILTER

1 AIR FILTER ASSEMBLY includes items 2 - 6



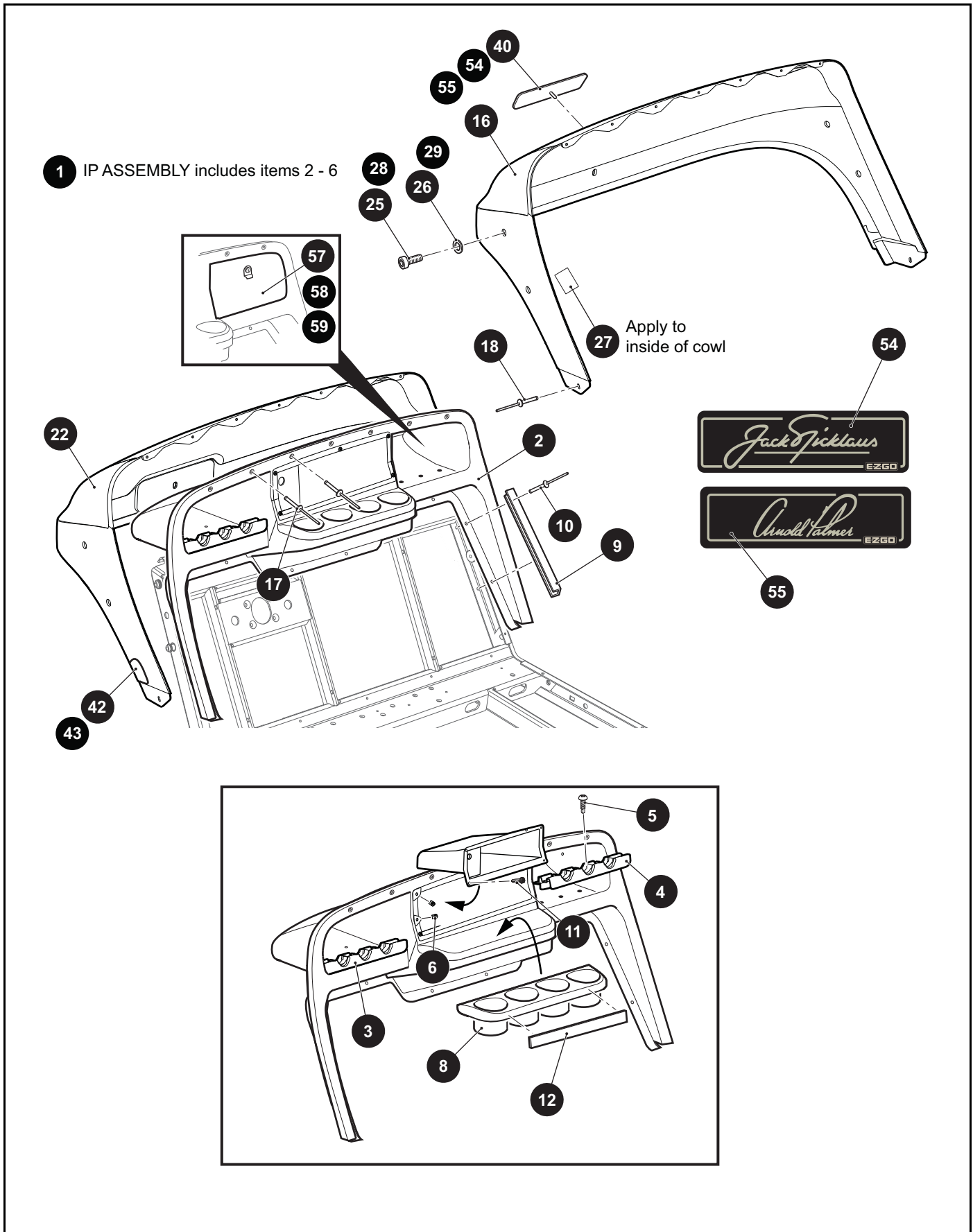
When ordering parts, please specify the model and serial number of the product.

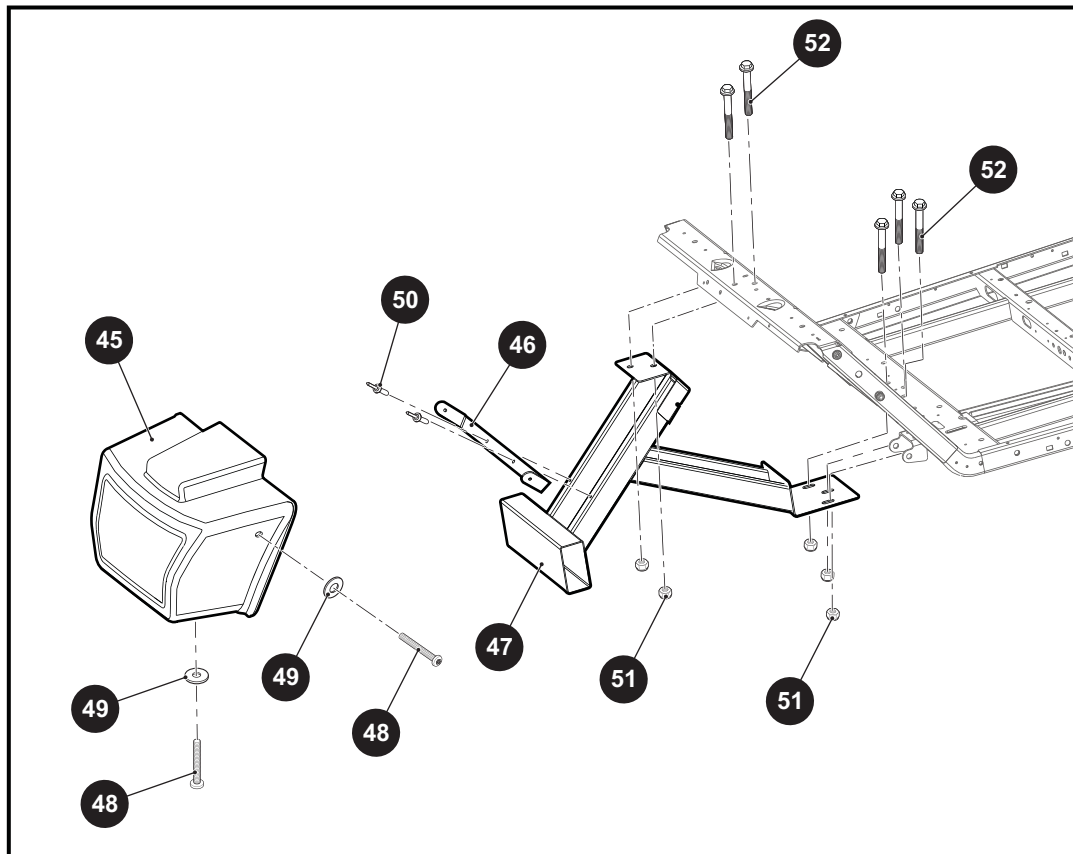
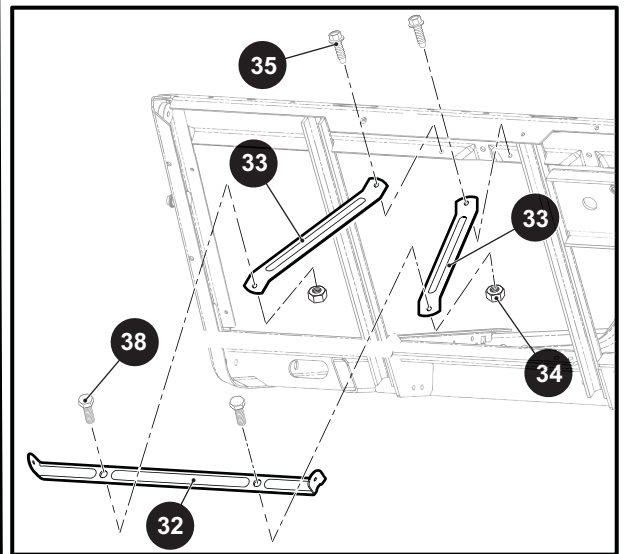
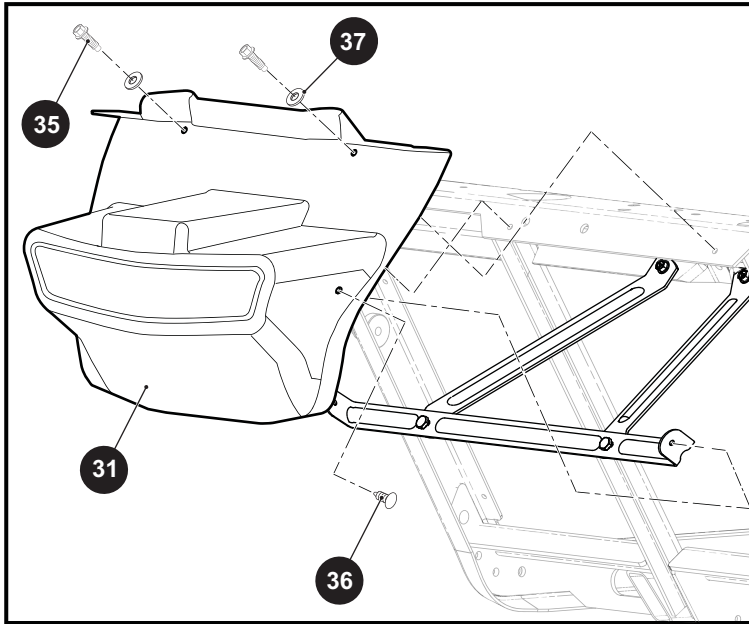
* Indicates a component that is not available as an individual part.

*** Indicates consult Customer Service Department for additional information.

ITEM	PART NO.	1 2 3 4 5	DESCRIPTION	QTY.
1	<u>614852</u>		AIR FILTER ASSEMBLY (INCLUDES ITEMS 2 - 6)	1
2	<u>615390</u>		AIR CLEANER ASSEMBLY.....	1
3	<u>72599G01</u>		AIR CLEANER COVER.....	1
4	<u>72604G01</u>		AIR CLEANER CLIP.....	2
5	<u>28463G01</u>		AIR FILTER	1
6	<u>28462G01</u>		DUST EJECTOR VALVE	1
7	<u>11391G7</u>		HOSE CLAMP, 1.56"	1
8	<u>607950</u>		HOSE	1
9	<u>11391G1</u>		HOSE CLAMP, 1.31"	1
10	<u>606261</u>		HEX HEAD FLANGE BOLT, M8 X 1.25 X 20MM LG	2
11	<u>606272</u>		LOCK WASHER, 8MM.....	2

BODY - FRONT





BODY - FRONT

When ordering parts, please specify the model and serial number of the product.

* Indicates a component that is not available as an individual part.

*** Indicates consult Customer Service Department for additional information.

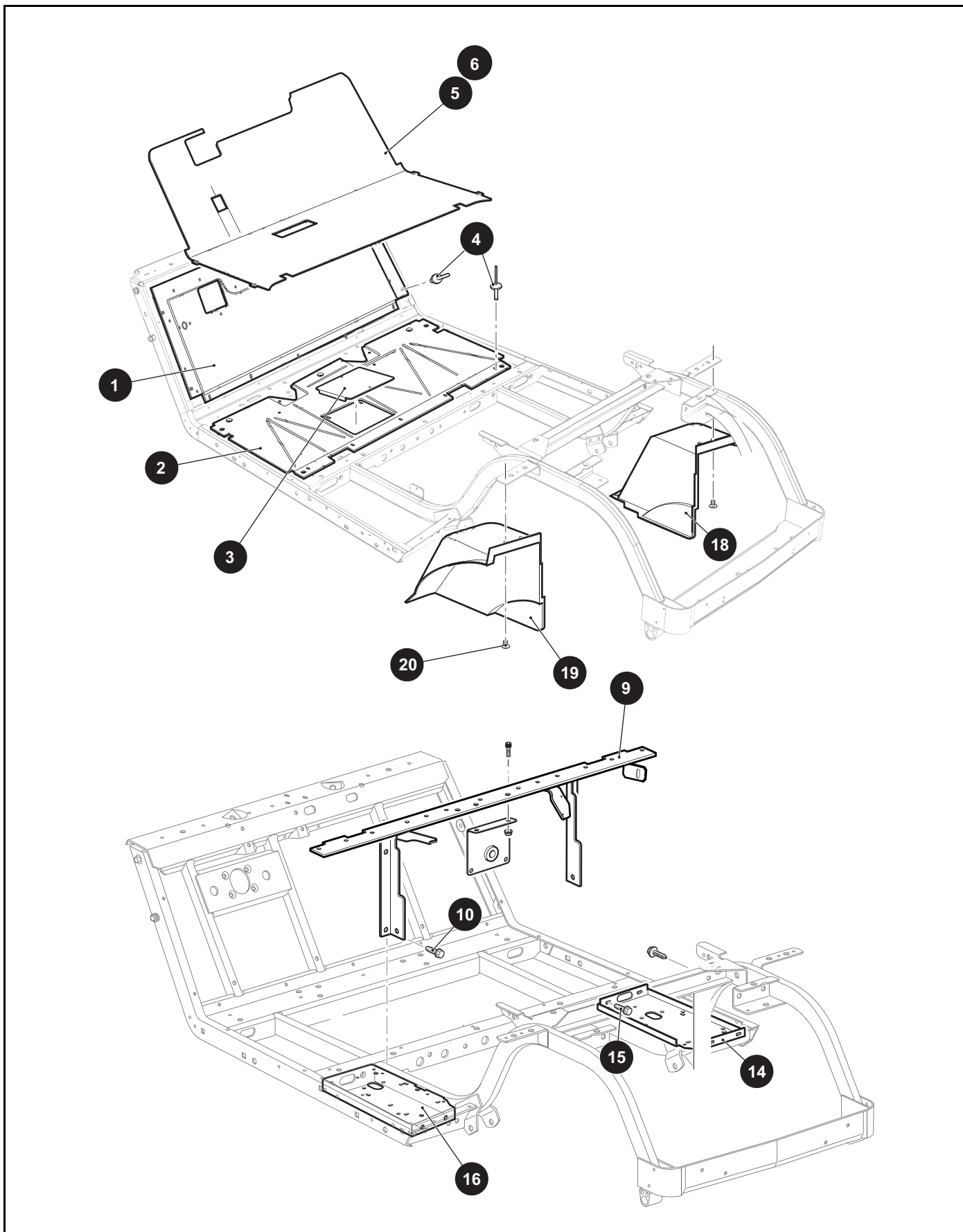
ITEM	PART NO.	1 2 3 4 5	DESCRIPTION	QTY.
1	<u>628017</u>		IP ASSEMBLY (INCLUDES ITEMS 2 - 6)	1
2	<u>628010</u>		IP ASSEMBLY WITH COMPARTMENT.....	1
3	<u>628024</u>		BALL HOLDER (DRIVER SIDE)	1
4	<u>628026</u>		BALL HOLDER (PASSENGER SIDE)	1
5	<u>00614G5</u>		PHILLIPS PAN HEAD TAPPING SCREW, #8 - 18 X 5/8" LG	4
6	<u>71364G02</u>		'J' TYPE SPEED NUT, #8 - 15 X .198" LG	5
7				
8	<u>628023</u>		CUP HOLDER	1
9	<u>71115G01</u>		TRIM - LDPE	2
10	<u>71055G01</u>		RIVET, 3/16" X .985" DIA	11
11	<u>608290</u>		PHILLIPS PAN HEAD TAPPING SCREW, #10 - 16 X 3/4" LG	5
12	<u>625240</u>		SAFETY LABEL	1
13				
14				
15				
16	619730G0XX		COWL (see COLOR CODES in HOW TO USE section).....	1
17	<u>71055G01</u>		RIVET, 3/16" X .985" DIA	7
18	<u>10570G11</u>		RIVET (SS), 3/16" X .70"	2
19				
20				
21				
22	619730G1XX		COWL WITH OPENINGS FOR LIGHTS (see COLOR CODES in HOW TO USE section)	1
23				
24				
25	00438G6		HEX HEAD BOLT, 5/16" - 18 X 3/4" LG (WITH TOP).....	2
26	<u>00571G2</u>		FLAT WASHER, 5/16"	2
27	<u>71781G02</u>		VINYL TAPE	2
28	<u>71056G01</u>		MACHINE SCREW, 5/16" - 18 X 0.62" LG (WITHOUT TOP)	4
29	<u>00570G2</u>		FLAT WASHER, 5/16"	4
30				
31	<u>624607</u>		FRONT SHIELD	1

When ordering parts, please specify the model and serial number of the product.

* Indicates a component that is not available as an individual part.

*** Indicates consult Customer Service Department for additional information.

ITEM	PART NO.	1 2 3 4 5	DESCRIPTION	QTY.
32	<u>627769</u>		SHIELD BRACKET	1
33	<u>70725G02</u>		FRONT SHIELD BRACE	2
34	<u>14390G4</u>		PLASTIC INSERT LOCK NUT, 1/4" - 20.....	2
35	<u>01038G01</u>		SWAGEFORM SCREW, 1/4" - 20 X 11/16" LG	4
36	<u>15058G1</u>		RIVET, 3/16" X .45" LG	2
37	<u>16469G1</u>		FLAT WASHER, 1/4".....	2
38	<u>00414G6</u>		HEX HEAD BOLT, 1/4" - 20 X 3/4" LG	2
39				
40	<u>606405</u>		E-Z-GO NAMEPLATE	1
41				
42	<u>627561</u>		REFLECTOR (DRIVER SIDE) (FREEDOM & 2+2).....	1
43	<u>627562</u>		REFLECTOR (PASSENGER SIDE) (FREEDOM & 2+2).....	1
44				
45	<u>634329</u>		BUMPER ASSEMBLY.....	1
46	<u>625208</u>		BUMPER BRACE	1
47	<u>625202</u>		BUMPER SUPPORT WELDMENT	1
48	<u>627566</u>		TAPPING SOCKET SCREW, 1/4" - 20 X 1.60" LG.....	3
49	<u>627565</u>		FLAT WASHER (SS), 1/4"	3
50	<u>71055G01</u>		RIVET, 3/16" X .985" DIA	2
51	<u>00734G1</u>		PLASTIC INSERT LOCK NUT, 7/16" - 14.....	5
52	<u>00463G11</u>		HEX HEAD BOLT, 7/16" - 14 X 1 5/8" LG	5
53				
54	<u>634299</u>		JACK NICKLAUS NAMEPLATE	1
55	<u>634297</u>		ARNOLD PALMER NAMEPLATE	1
56				
57	<u>75459G01</u>		GLOVE BOX (DRIVER/PASSENGER SIDE).....	1
58	<u>75459G02</u>		GLOVE BOX (DRIVER SIDE).....	1
59	<u>75459G03</u>		GLOVE BOX (PASSENGER SIDE)	1



When ordering parts, please specify the model and serial number of the product.

* Indicates a component that is not available as an individual part.

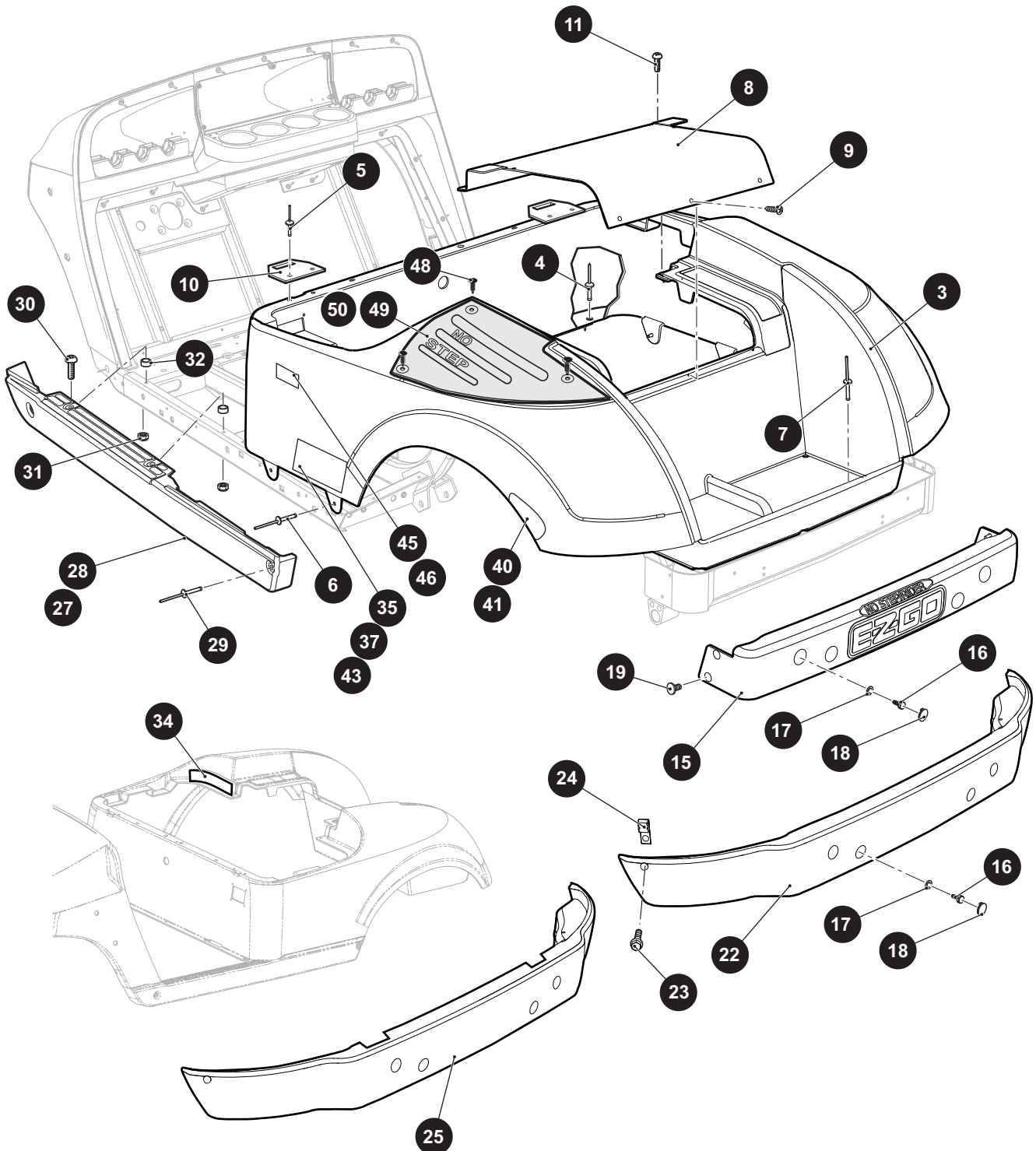
*** Indicates consult Customer Service Department for additional information.

ITEM	PART NO.	1 2 3 4 5	DESCRIPTION	QTY.
1	70662G01		UPPER FLOORPAN	1
2	<u>70451G01</u>		LOWER FLOORPAN	1
3	<u>70452G01</u>		ACCESS COVER.....	1
4	<u>14601G11</u>		RIVET, 3/16" X 9/16" LG, ALUMINUM	16
5	634355G01		FLOORMAT	1
6	634355G02		FLOORMAT WITH HORN HOLE (FREEDOM & 2+2)	1
7				
8				
9	<u>605694</u>		SEAT FRAME	1
10	<u>00715G2</u>		HEX HEAD FLANGE BOLT, 5/16" - 18 X 4/5" LG.....	2
11				
12				
13				
14	<u>70244G03</u>		SPLASH PANEL	2
15	<u>00715G2</u>		HEX HEAD FLANGE BOLT, 5/16" - 18 X 4/5" LG.....	8
16	<u>600496</u>		BATTERY TRAY.....	1
17				
18	<u>635054G02</u>		FENDER LINER (PASSENGER SIDE).....	1
19	<u>635054G01</u>		FENDER LINER (DRIVER SIDE)	1
20	<u>16816G2</u>		RATCHET FASTENER, 1/4" X 3/4" LG.....	8

BODY - REAR

1 REAR BODY (WITHOUT TAILLIGHTS) includes items 3 - 11

2 REAR BODY (WITH TAILLIGHTS) includes items 3 - 11



When ordering parts, please specify the model and serial number of the product.

* Indicates a component that is not available as an individual part.

*** Indicates consult Customer Service Department for additional information.

ITEM	PART NO.	1 2 3 4 5	DESCRIPTION	QTY.
1	625272G0XX		REAR BODY (WITHOUT TAILLIGHTS) (INCLUDES ITEMS 3 - 11) (see COLOR CODES in HOW TO USE section)	1
2	625272G1XX		REAR BODY (WITH TAILLIGHTS) (INCLUDES ITEMS 3 - 11) (see COLOR CODES in HOW TO USE section)	1
3	<u>624374</u>		BAGWELL LINER.....	1
4	<u>10570G10</u>		RIVET (SS), 5/32" X 9/16" LG	5
5	<u>10570G11</u>		RIVET (SS), 3/16" X .70" LG	4
6	10570G12		RIVET (SS), 1/4" X 9/16" LG	4
7	<u>633917</u>		PLASTIC RIVET, 1/4" X 1" LG.....	2
8	<u>71320G01</u>		ACCESS COVER	1
9	<u>01107G01</u>		TORX PAN HEAD SCREW, #8 X .63" LG	5
10	<u>71609G01</u>		SEAT HINGE PLATE	2
11	<u>16816G2</u>		RATCHET FASTENER, 1/4" X 3/4" LG	2
12				
13				
14				
15	<u>71578G01</u>		REAR BUMPER.....	1
16	<u>71102G01</u>		HEX HEAD BOLT, 1/4" - 20 X 3/4" LG	4
17	<u>00571G2</u>		FLAT WASHER, 5/16".....	4
18	<u>71514G01</u>		BUMPER PLUG.....	4
19	14601G17		RIVET, 3/16" X 9/16" LG, ALUMINUM	4
20				
21				
22	71456G01		REAR BUMPER (2+2)	1
23	<u>71102G03</u>		HEX HEAD BOLT, 1/4" - 20 X 1 1/4" LG	2
24	<u>71554G01</u>		'J' TYPE NUT RETAINER, 1/4" - 20.....	2
25	<u>71451G02</u>		REAR BUMPER (2+2)	1
26				
27	<u>615239</u>		ROCKER PANEL WITH SILL PLATE (DRIVER SIDE)	1
28	<u>617333</u>		ROCKER PANEL WITH SILL PLATE (PASSENGER SIDE).....	1
29	<u>15058G6</u>		BLACK RIVET, 3/16", ALUMINUM.....	4
30	<u>634161</u>		HEXALOBULAR FLANGE BOLT, M6 - 1 X 34.5MM LG	4

BODY - REAR

When ordering parts, please specify the model and serial number of the product.

* Indicates a component that is not available as an individual part.

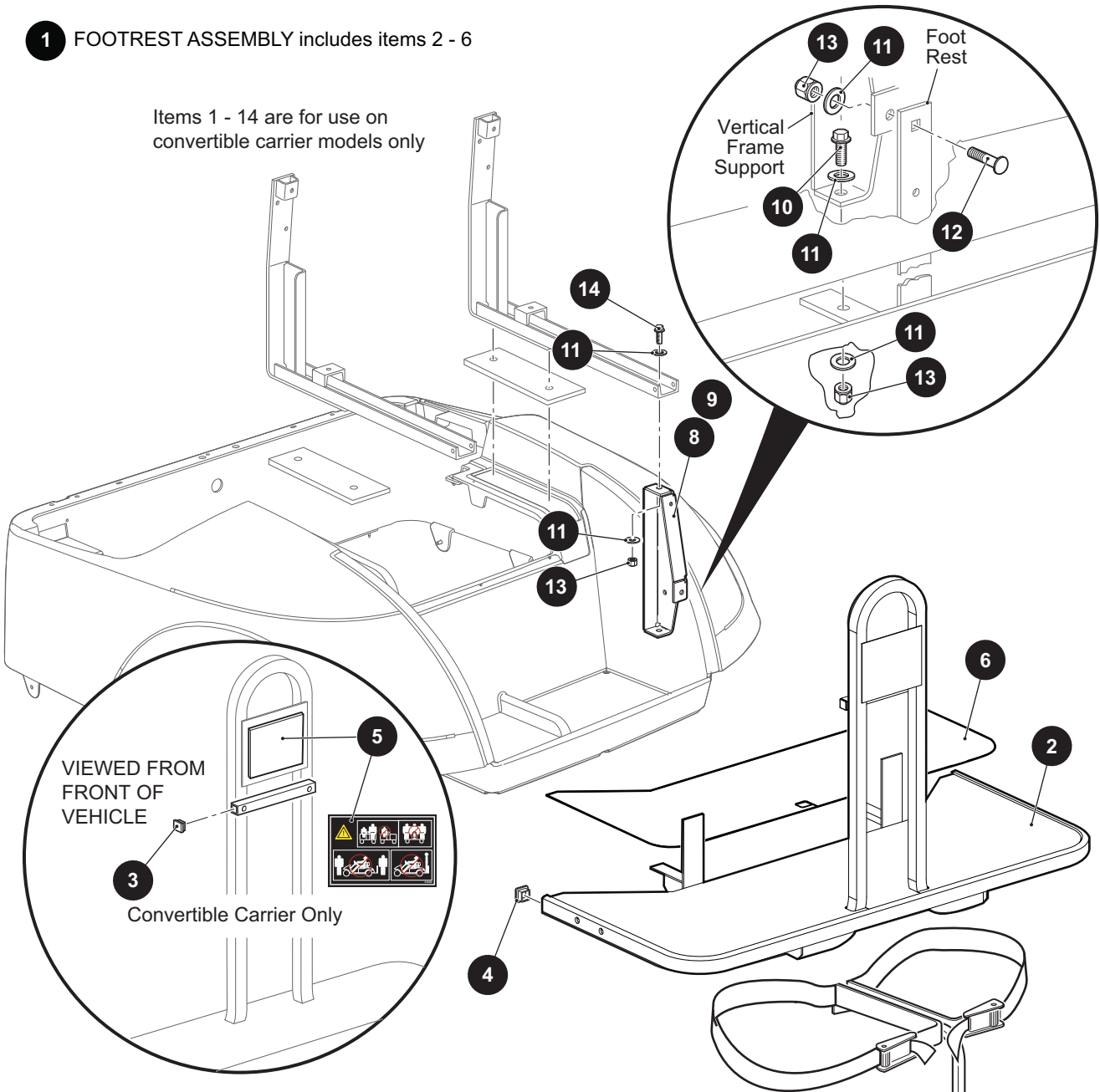
*** Indicates consult Customer Service Department for additional information.

ITEM	PART NO.	1 2 3 4 5	DESCRIPTION	QTY.
31	<u>601476</u>		LOCK NUT, M6 - 1.....	4
32	<u>23726G4</u>		SPACER, 5/16"	4
33				
34	<u>74093G01</u>		ENGINE WARNING DECAL.....	1
35	<u>614202</u>		DECAL, FLEET	2
36				
37	<u>614386</u>		DECAL, FREEDOM.....	2
38	<u>625244</u>		REAR REFLECTORS (DRIVER SIDE) (FREEDOM & 2+2) (NOT ILLUSTRATED)	1
39	<u>625246</u>		REAR REFLECTORS (PASSENGER SIDE) (FREEDOM & 2+2) (NOT ILLUSTRATED)	1
40	<u>627563</u>		SIDE REFLECTORS (DRIVER SIDE) (FREEDOM & 2+2).....	1
41	<u>627564</u>		SIDE REFLECTORS (PASSENGER SIDE) (FREEDOM & 2+2)	1
42				
43	<u>614453</u>		DECAL, 2+2	2
44				
45	<u>604847</u>		GOLDEN BEAR DECAL.....	2
46	<u>604850</u>		UMBRELLA DECAL	2
47				
48	<u>16816G2</u>		RATCHET RIVET, 0.25" X 0.887"	6
49	<u>625210</u>		REAR SCUFF PAD (DRIVER SIDE)	1
50	<u>625211</u>		REAR SCUFF PAD (PASSENGER SIDE).....	1

BODY - ACCESSORIES

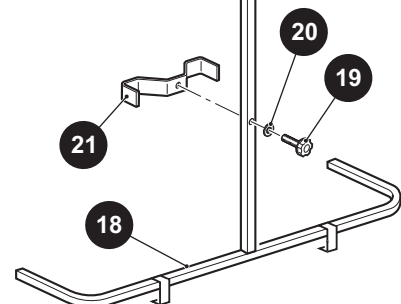
1 FOOTREST ASSEMBLY includes items 2 - 6

Items 1 - 14 are for use on convertible carrier models only



TWO BAG ATTACHMENT

17 TWO BAG ATTACHMENT KIT includes items 18 - 21



BODY - ACCESSORIES

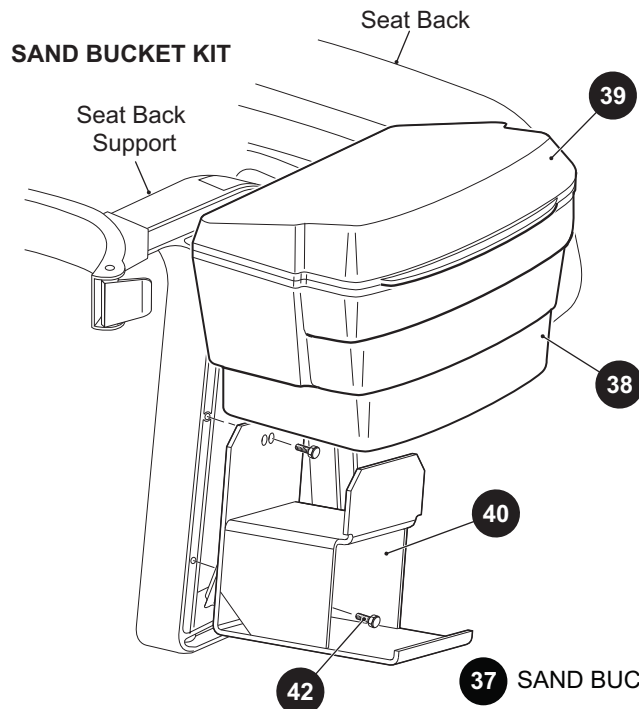
When ordering parts, please specify the model and serial number of the product.

* Indicates a component that is not available as an individual part.

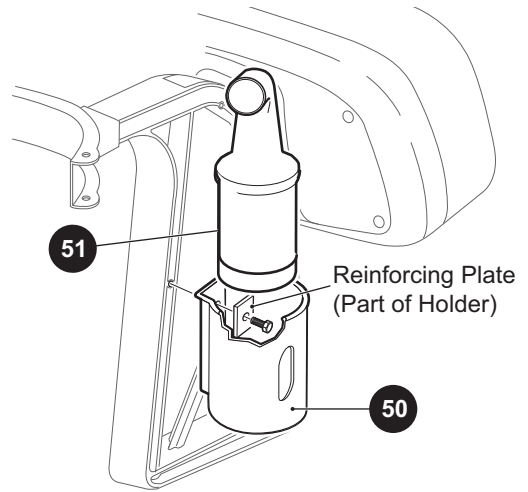
*** Indicates consult Customer Service Department for additional information.

ITEM	PART NO.	1 2 3 4 5	DESCRIPTION	QTY.
1	<u>70361G01</u>		FOOTREST ASSEMBLY (INCLUDES ITEMS 2 - 6).....	1
2	<u>70633G01</u>		FOOTREST	1
3	<u>19859G1</u>		END CAP, 3/4"	2
4	<u>19853G1</u>		END CAP, 1"	2
5	<u>610630</u>		WARNING LABEL	1
6	<u>70362G01</u>		RUBBER FLOOR MAT	1
7				
8	<u>74126G01</u>		VERTICAL FRAME SUPPORT (DRIVER SIDE)	1
9	<u>74126G02</u>		VERTICAL FRAME SUPPORT (PASSENGER SIDE).....	1
10	<u>00427G6</u>		BOLT, 3/8" - 16 X 1 1/2" LG	2
11	<u>00560G1</u>		FLAT WASHER, 3/8"	10
12	<u>00769G2</u>		CARRIAGE BOLT, 3/8" - 16 X 1 1/4" LG.....	2
13	<u>11098G5</u>		LOCK NUT, 3/8" - 16.....	6
14	<u>00426G8</u>		BOLT, 3/8" - 16 X 1" LG	2
15				
16				
17	<u>75183G01</u>		TWO BAG ATTACHMENT KIT (INCLUDES ITEMS 18 - 21).....	1
18	<u>75188G01</u>		TWO BAG ATTACHMENT.....	1
19	<u>22238G2</u>		KNOB, 3/8" - 16 X 1 1/2" LG	1
20	<u>17255G1</u>		TEFLON WASHER, 5/16"	1
21	<u>75187G01</u>		SUPPORT BRACKET	1

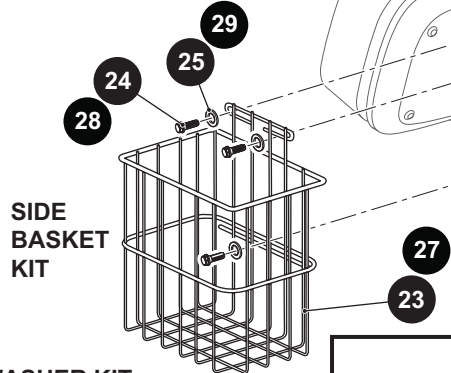
BODY - ACCESSORIES



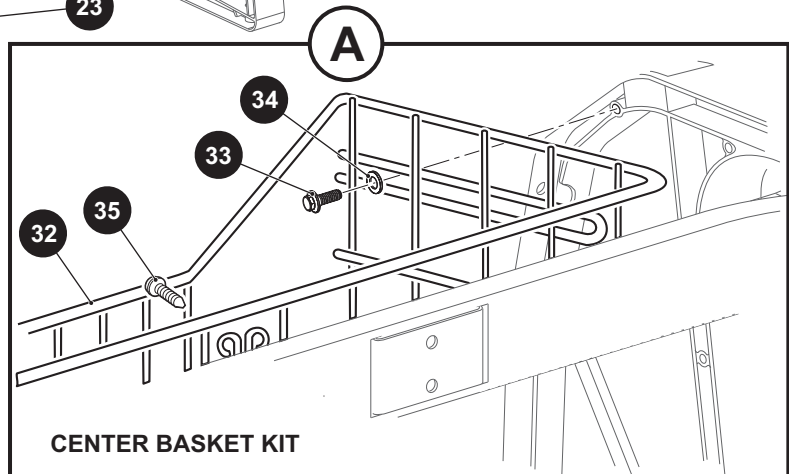
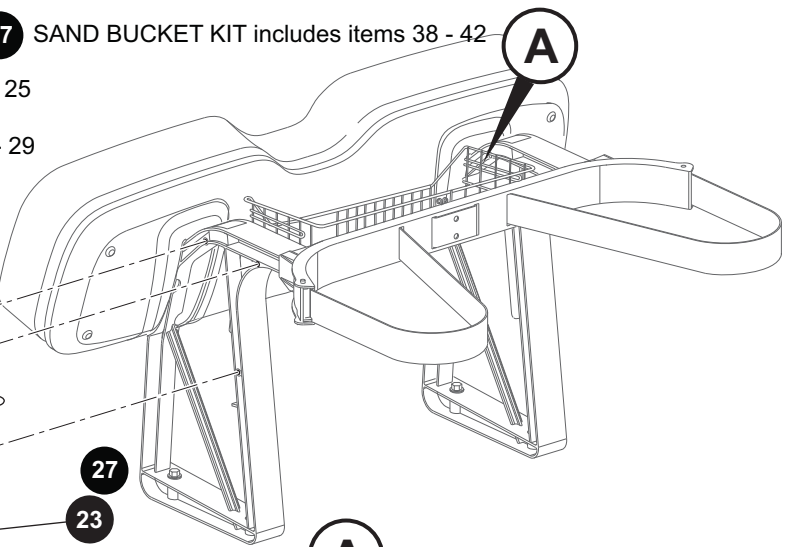
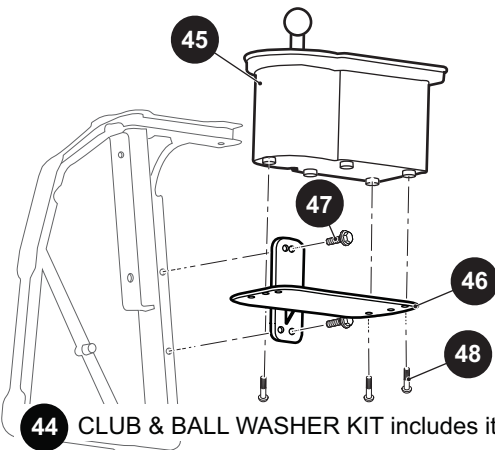
SAND BOTTLE DIVOT REPAIR KIT



- 22 SIDE BASKET KIT (ONE) includes items 23 - 25
- 26 SIDE BASKET KIT (TWO) includes items 27 - 29
- 31 CENTER BASKET KIT includes items 32 - 35



CLUB & BALL WASHER KIT



- 44 CLUB & BALL WASHER KIT includes items 45 - 48

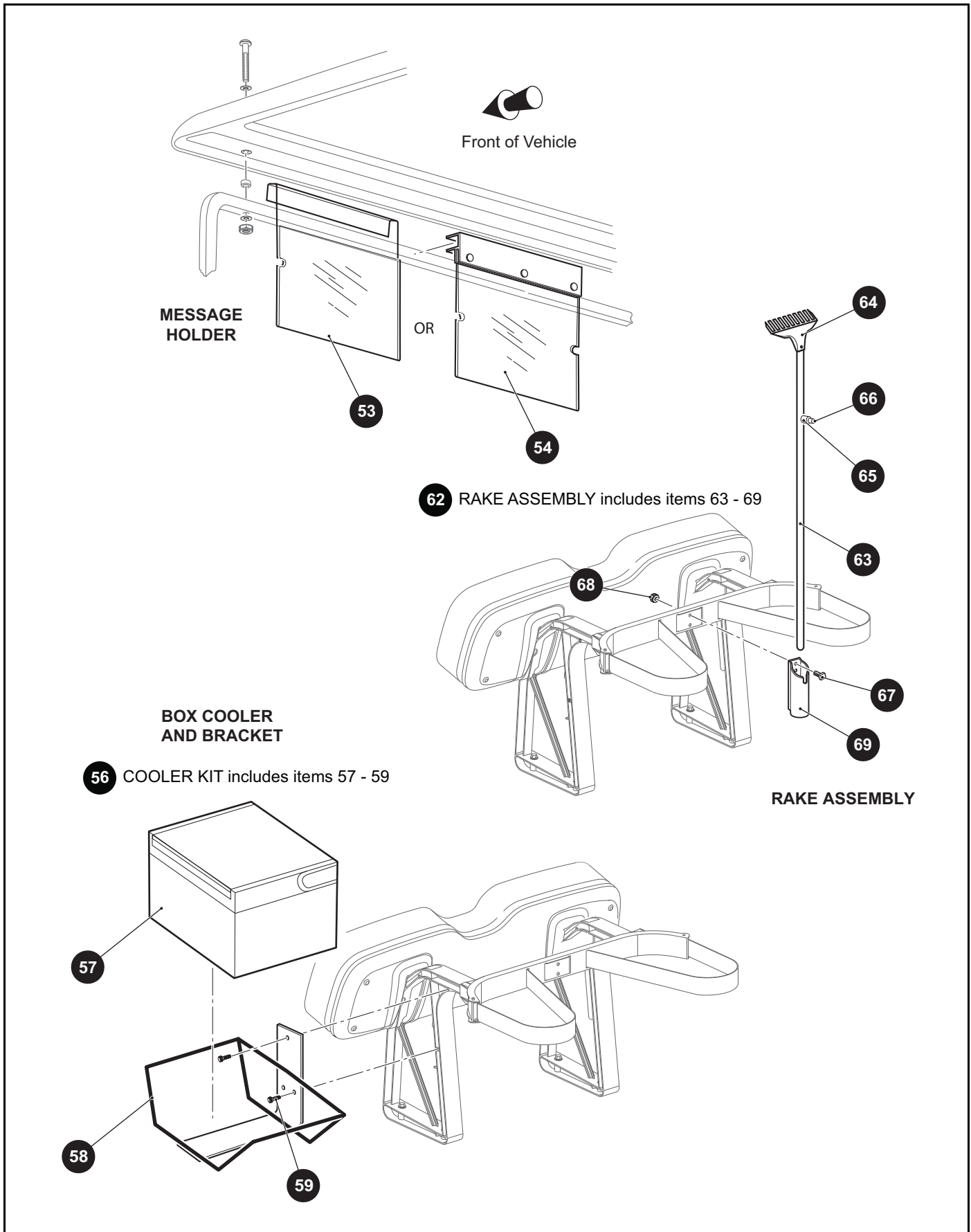
BODY - ACCESSORIES

When ordering parts, please specify the model and serial number of the product.

* Indicates a component that is not available as an individual part.

*** Indicates consult Customer Service Department for additional information.

ITEM	PART NO.	1 2 3 4 5	DESCRIPTION	QTY.
22	<u>75007G01</u>		SIDE BASKET KIT WITH ONE BASKET (INCLUDES ITEMS 23 - 25)	1
23	<u>75460G01</u>		SIDE BASKET	1
24	<u>71102G01</u>		HEX HEAD BOLT, 1/4" - 20 X 3/4" LG.....	3
25	<u>00793G2</u>		FLAT WASHER (SS), 1/4"	3
26	<u>75007G03</u>		SIDE BASKET KIT WITH TWO BASKET (INCLUDES ITEMS 27 - 29)	1
27	<u>75460G01</u>		SIDE BASKET	2
28	<u>71102G01</u>		HEX HEAD BOLT, 1/4" - 20 X 3/4" LG.....	6
29	<u>00793G2</u>		FLAT WASHER (SS), 1/4"	6
30				
31	<u>75003G02</u>		CENTER BASKET KIT (INCLUDES ITEMS 32 - 35).....	1
32	<u>75461G01</u>		CENTER BASKET.....	1
33	<u>71102G01</u>		HEX HEAD BOLT, 1/4" - 20 X 3/4" LG.....	2
34	<u>00793G2</u>		FLAT WASHER (SS), 1/4"	2
35	<u>01105G01</u>		TORX PLASTITE SCREW (SS), #10 - 14 X 5/8" LG	2
36				
37	634314		SAND BUCKET KIT (INCLUDES ITEMS 38 - 42)	1
38	<u>74845G01</u>		SAND BUCKET WITHOUT LID.....	1
39	<u>74846G01</u>		LID	1
40	634181		BRACKET.....	1
41	<u>74848G01</u>		SCOOP (NOT ILLUSTRATED).....	1
42	<u>71102G01</u>		TAPTITE BOLT, 1/4" - 20 X 3/4" LG	2
43				
44	<u>627900</u>		CLUB & BALL WASHER KIT (INCLUDES ITEMS 45 - 48)	1
45	*		CLUB & BALL WASHER	1
46	*		CLUB & BALL WASHER WELDMENT.....	1
47	*		HEX HEAD BOLT, 1/4" - 20 X 3/4" LG.....	2
48	*		PHILLIPS PAN HEAD SELF TAPPING SCREW, #8 - 18 X 1" LG	3
49				
50	<u>28660G01</u>		SAND BOTTLE HOLDER	1
51	633612		SAND BOTTLE	1
52	<u>614191</u>		SAND BOTTLE HARDWARE KIT (NOT ILLUSTRATED).....	1



BODY - ACCESSORIES

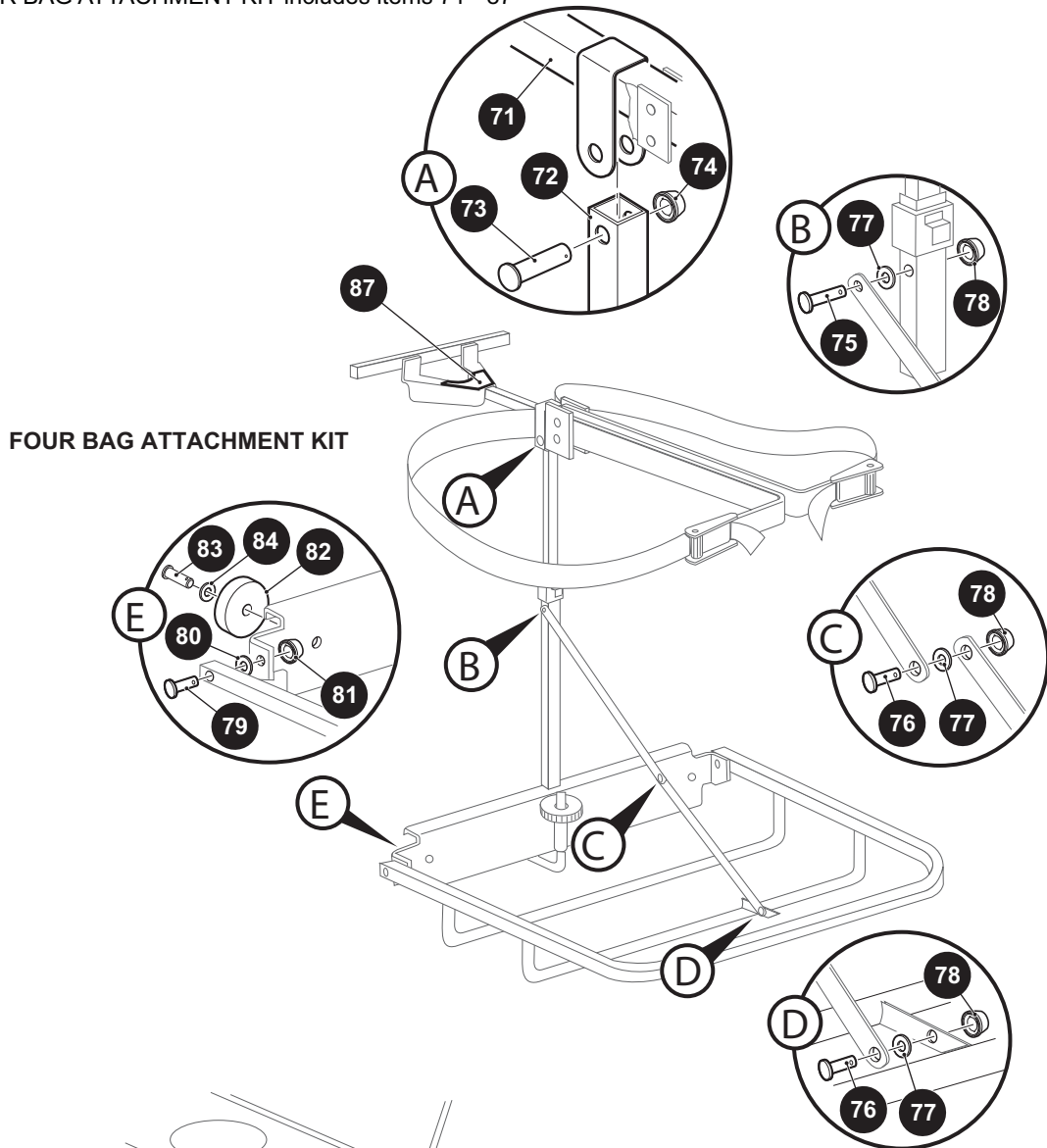
When ordering parts, please specify the model and serial number of the product.

* Indicates a component that is not available as an individual part.

*** Indicates consult Customer Service Department for additional information.

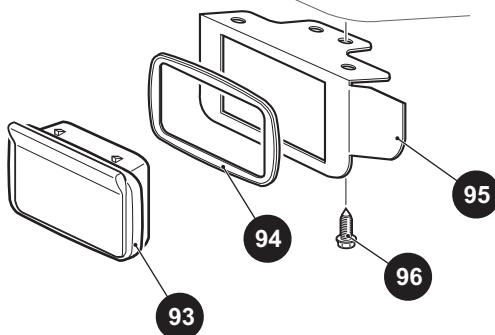
ITEM	PART NO.	1 2 3 4 5	DESCRIPTION	QTY.
53	<u>634624</u>		MESSAGE HOLDER (ONE PIECE)	1
54	<u>634347</u>		MESSAGE HOLDER	1
55				
56	<u>634319</u>		COOLER KIT (INCLUDES ITEMS 57 - 59).....	1
57	<u>601366</u>		BEVERAGE COOLER.....	1
58	<u>634154</u>		COOLER BRACKET	1
59	<u>71102G01</u>		HEX HEAD BOLT, 1/4" - 20 X 3/4" LG.....	3
60				
61				
62	<u>14735G1</u>		RAKE ASSEMBLY (INCLUDES ITEMS 63 - 69)	1
63	<u>14736G2</u>		RAKE HANDLE	1
64	<u>14737G1</u>		RAKE	1
65	<u>14934G1</u>		SPACER	1
66	<u>00130G8</u>		PHILLIPS HEAD WOOD SCREW, #10 - 13 X 1" LG	1
67	<u>00989G06</u>		SQUARE HEAD BOLT, 1/4" - 20 X 3/4" LG.....	2
68	<u>11027G2</u>		LOCK NUT, 1/4" - 20	2
69	<u>25885G01</u>		RAKE HOLDER.....	1

70 FOUR BAG ATTACHMENT KIT includes items 71 - 87



FOUR BAG ATTACHMENT KIT

ASH TRAY



92 ASH TRAY KIT includes items 93 - 96

BODY - ACCESSORIES

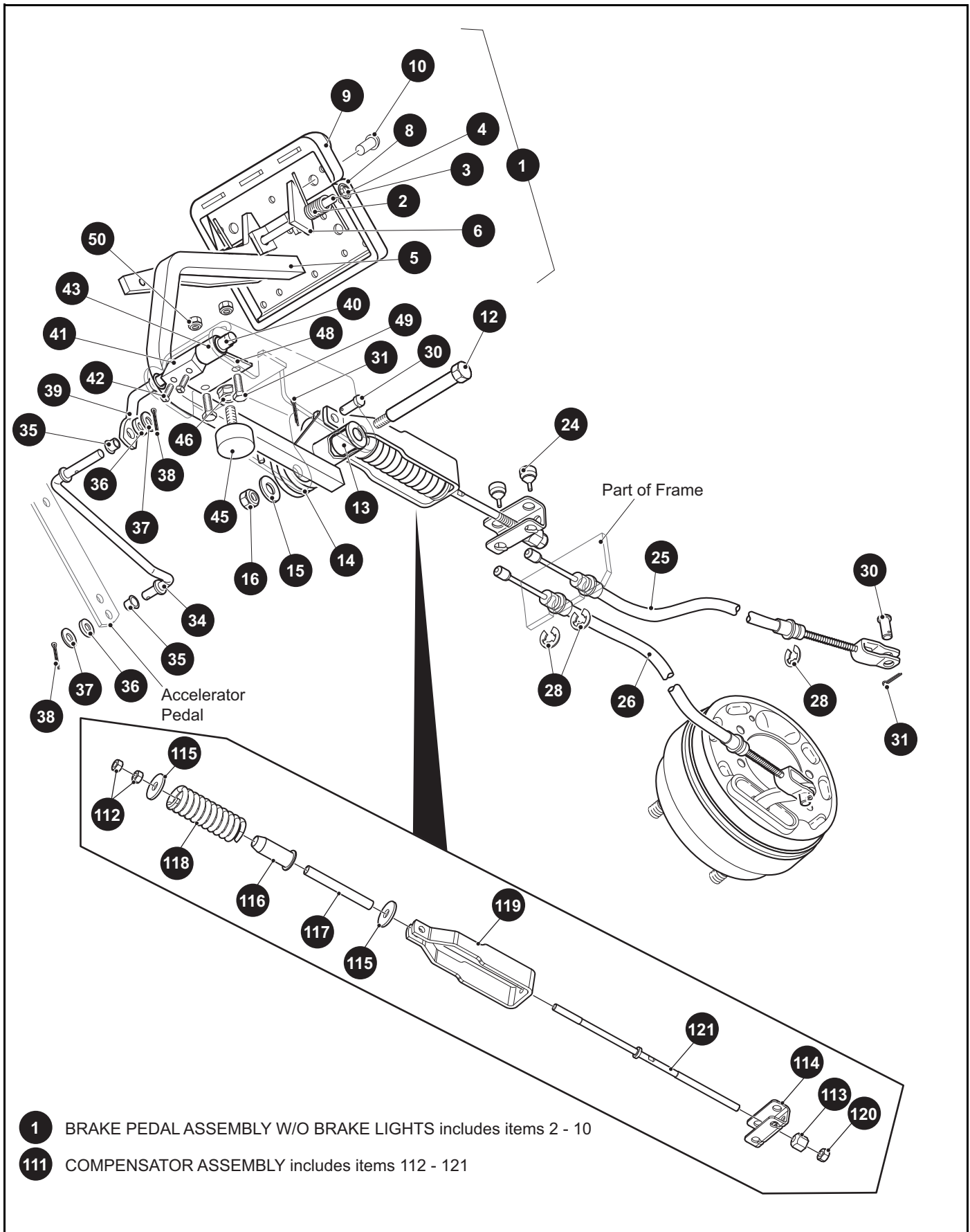
When ordering parts, please specify the model and serial number of the product.

* Indicates a component that is not available as an individual part.

*** Indicates consult Customer Service Department for additional information.

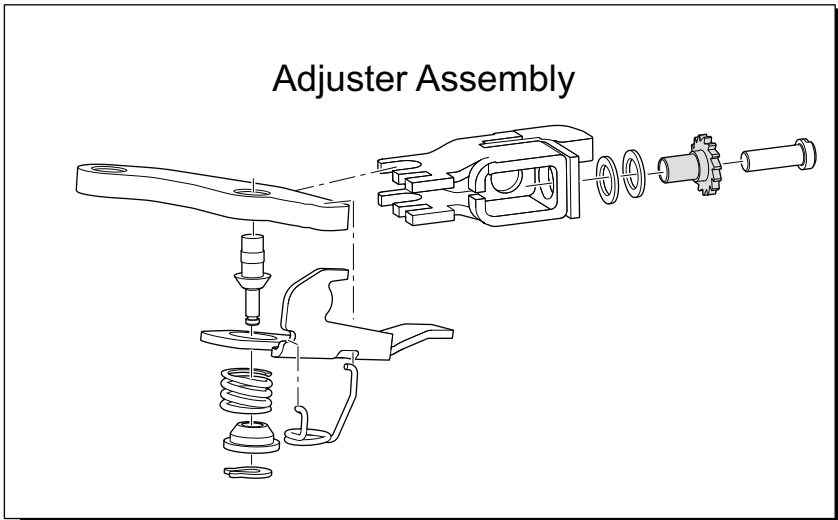
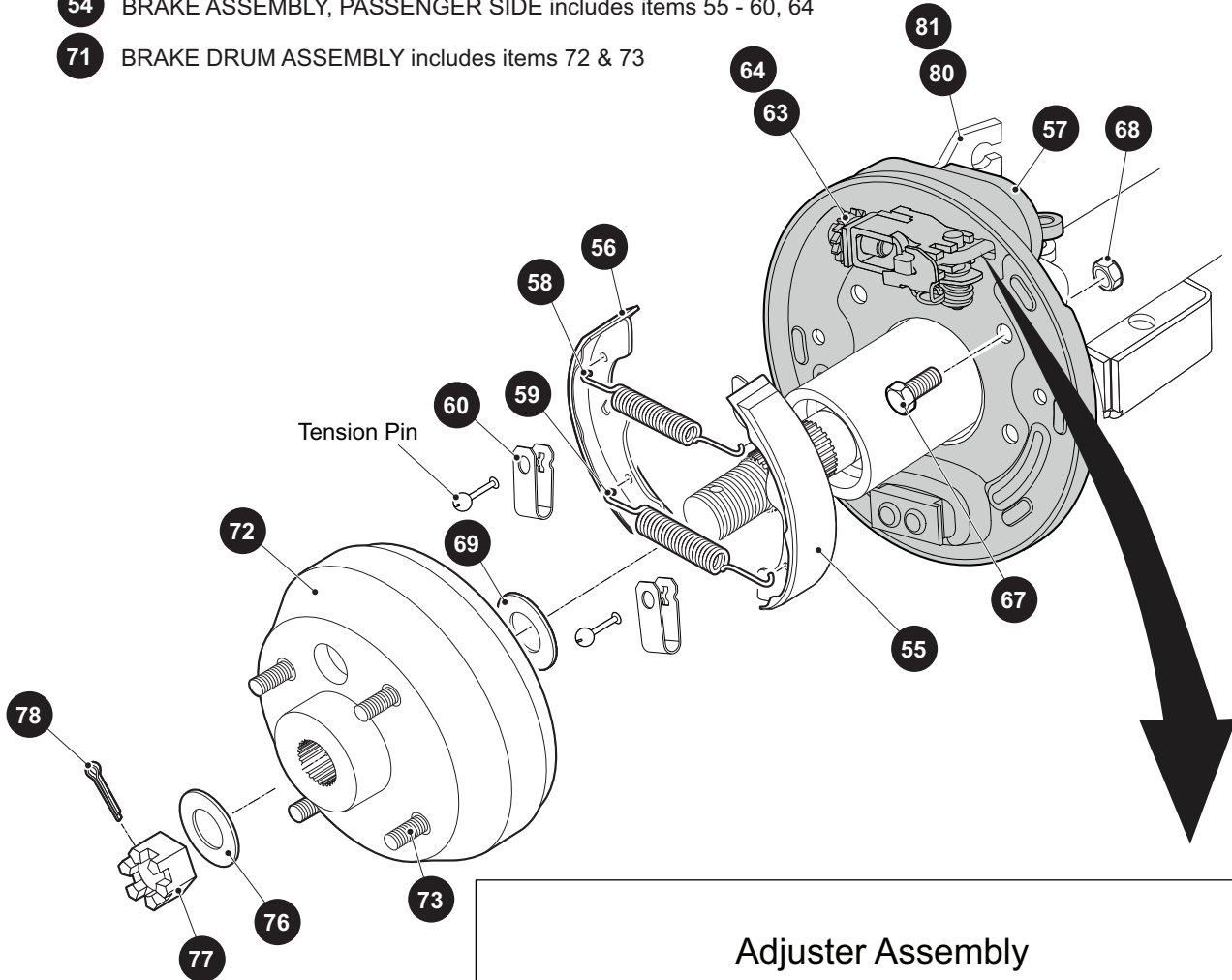
ITEM	PART NO.	1 2 3 4 5	DESCRIPTION	QTY.
70	<u>75335G01</u>		FOUR BAG ATTACHMENT KIT (INCLUDES ITEMS 71 - 87)	1
71	*		TOP ASSEMBLY	1
72	*		BOTTOM ASSEMBLY	1
73	<u>17651G2</u>		CLEVIS PIN, 5/16" X 1 1/8" LG	1
74	<u>28129G01</u>		PUSH NUT, 5/16"	1
75	<u>17651G2</u>		CLEVIS PIN, 5/16" X 1 1/8" LG	1
76	<u>17651G3</u>		CLEVIS PIN, 5/16" X 1/2" LG	2
77	00559G8		FLAT WASHER, 5/16"	3
78	<u>28129G01</u>		PUSH NUT, 5/16"	3
79	<u>17651G1</u>		CLEVIS PIN 3/8" X 1 1/4" LG	2
80	<u>00560G1</u>		FLAT WASHER, 3/8"	2
81	<u>28129G02</u>		PUSH NUT, 3/8"	2
82	<u>13728G1</u>		RUBBER BUMPER	2
83	<u>14601G1</u>		RIVET, 3/16"	2
84	<u>00559G5</u>		FLAT WASHER, #10	2
85				
86				
87	75130G01		WARNING LABEL	1
88				
89				
90				
91				
92	75109G02		ASH TRAY KIT (INCLUDES ITEMS 93 - 96)	1
93	27731G01		ASH TRAY	1
94	27736G01		GASKET	1
95	<u>75108G02</u>		BRACKET	1
96	<u>00100G4</u>		HEX HEAD BOLT, #10 - 16 X 1/2" LG	4

BRAKES



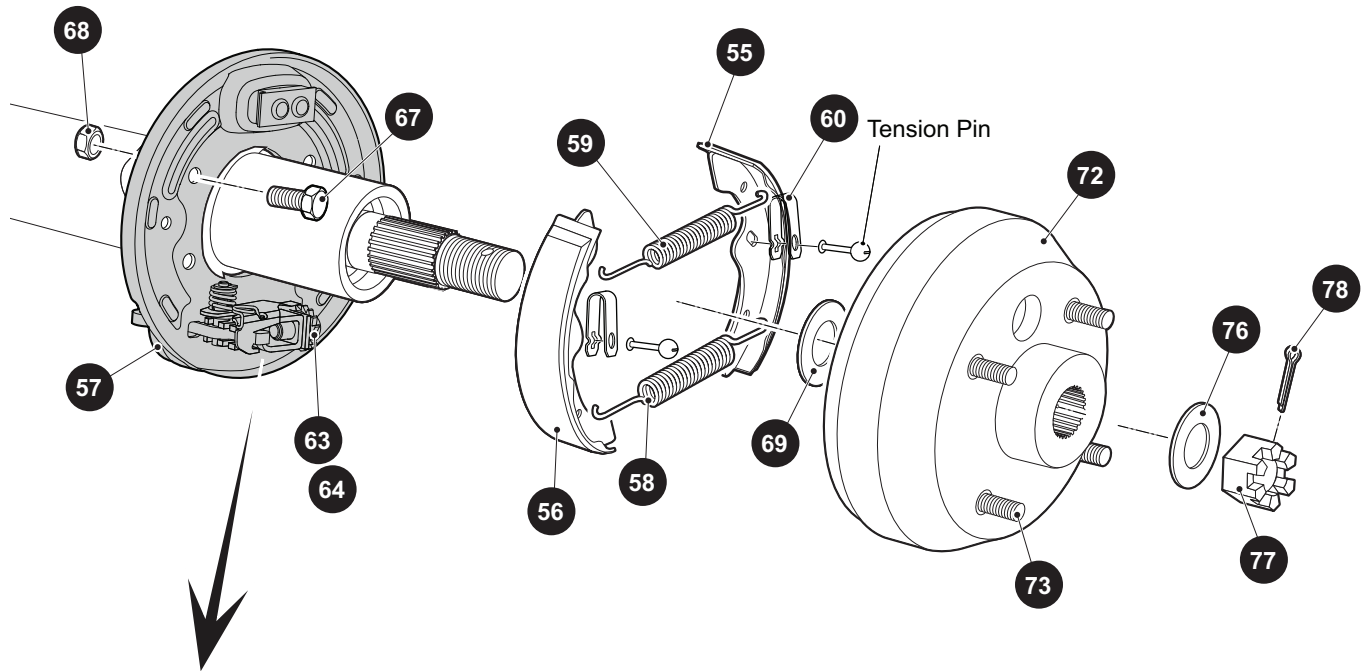
TOP PULL

- 53** BRAKE ASSEMBLY, DRIVER SIDE includes items 55 - 60, 63
- 54** BRAKE ASSEMBLY, PASSENGER SIDE includes items 55 - 60, 64
- 71** BRAKE DRUM ASSEMBLY includes items 72 & 73

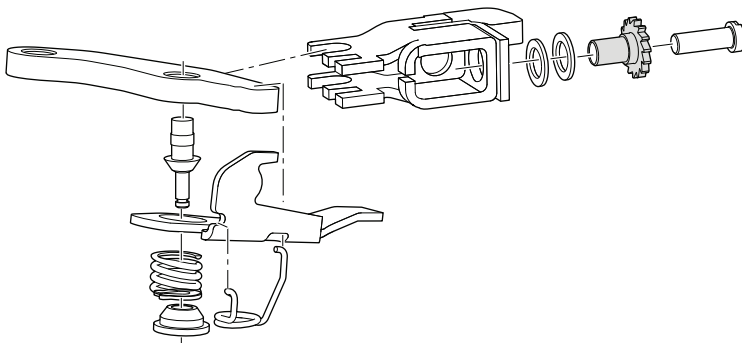


BOTTOM PULL

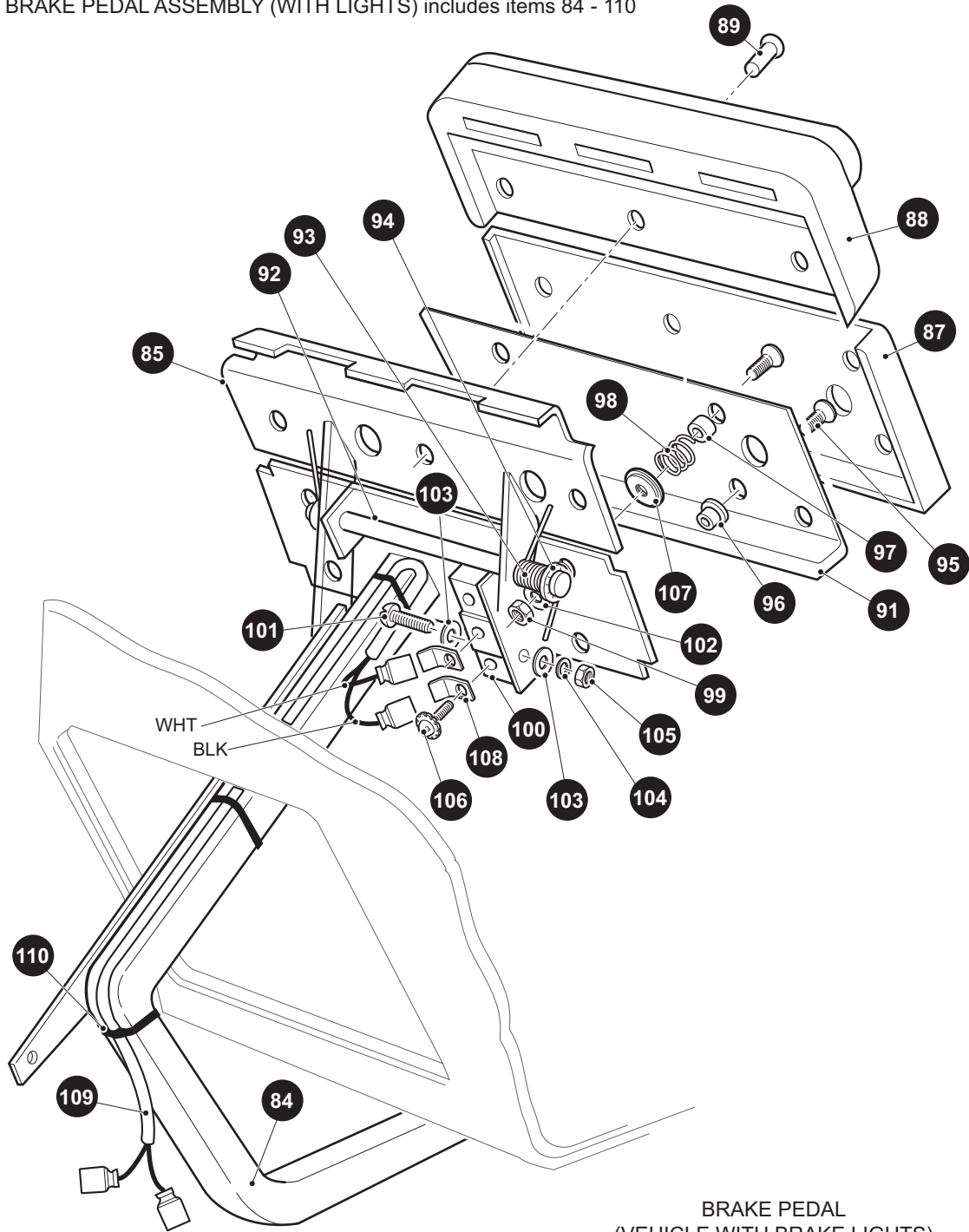
- 53** BRAKE ASSEMBLY, DRIVER SIDE includes items 55 - 60, 63
- 54** BRAKE ASSEMBLY, PASSENGER SIDE includes items 55 - 60, 64
- 71** BRAKE DRUM ASSEMBLY includes items 72 & 73



Adjuster Assembly



83 BRAKE PEDAL ASSEMBLY (WITH LIGHTS) includes items 84 - 110



BRAKES

When ordering parts, please specify the model and serial number of the product.

* Indicates a component that is not available as an individual part.

*** Indicates consult Customer Service Department for additional information.

ITEM	PART NO.	1 2 3 4 5	DESCRIPTION	QTY.
1	<u>70612G02</u>		BRAKE PEDAL ASSEMBLY (WITHOUT BRAKE LIGHTS) (INCLUDES ITEMS 2 - 10).....	1
2	<u>70681G01</u>		TORSION SPRING	2
3	<u>70682G01</u>		PIVOT PIN	1
4	<u>01071G01</u>		PUSHNUT, 5/16"	2
5	<u>70259G02</u>		BRAKE PEDAL	1
6	<u>70611G02</u>		PARK BRAKE PEDAL.....	1
7				
8	<u>70257G01</u>		SERVICE BRAKE PAD	1
9	<u>70256G01</u>		PARK BRAKE PEDAL PAD	1
10	<u>16409G1</u>		OVAL RIVET, 3/16" X 7/16" LG	9
11				
12	<u>70582G01</u>		SHOULDER BOLT (SS), 3/8" - 16 X 4" LG	1
13	<u>70581G01</u>		ACETAL FLANGED BUSHING	2
14	<u>70676G01</u>		TORSION SPRING	1
15	<u>00643G1</u>		FLAT WASHER, 3/8"	1
16	<u>11098G5</u>		LOCK NUT, 3/8" - 16	1
17				
18				
19				
20	<u>12416G2</u>		NYLON WEDGE LOCK CLAMP, 10" (NOT ILLUSTRATED)	AR
21				
22				
23				
24	<u>28083G01</u>		BRAKE COMPENSATOR BUMPER	2
25	<u>624690</u>		BRAKE CABLE, 37.06" (DRIVER SIDE)	1
26	<u>624703</u>		BRAKE CABLE, 52.81" (PASSENGER SIDE)	1
27				
28	<u>01111G01</u>		RETAINING RING (SS), 13/32",	4
29				
30	<u>10386G3</u>		CLEVIS PIN, 5/16" X 13/16" LG	3
31	<u>10387G3</u>		COTTER PIN, 3/32" X 3/4" LG	3

When ordering parts, please specify the model and serial number of the product.

* Indicates a component that is not available as an individual part.

*** Indicates consult Customer Service Department for additional information.

ITEM	PART NO.	1 2 3 4 5	DESCRIPTION	QTY.
32				
33				
34	<u>70601G01</u>		KICK-OFF LINK	1
35	<u>17838G1</u>		NYLON BUSHING	2
36	<u>20835G1</u>		TEFLON WASHER, 3/8"	2
37	00559G8		FLAT WASHER, 5/16"	2
38	<u>10387G3</u>		COTTER PIN, 3/32" X 3/4" LG.....	2
39	<u>70098G01</u>		KICK-OFF CAM PIVOT.....	1
40	<u>10097G6</u>		FLANGED BEARING	2
41	<u>70587G01</u>		KICK-OFF CAM, PARK BRAKE.....	1
42	<u>71215G01</u>		SETSCREW, 1/4" - 20 X 1/2" LG	2
43	<u>14134G4</u>		SPACER, 1.25" LG	1
44				
45	<u>70113G01</u>		ADJUSTABLE BUMPER.....	1
46	<u>11027G1</u>		LOCK NUT, 5/16" - 18.....	1
47				
48	<u>70080G02</u>		CATCH BRACKET	1
49	<u>00414G6</u>		HEX HEAD BOLT, 1/4" - 20 X 3/4" LG	2
50	<u>14390G4</u>		LOCK NUT (SS), 1/4" - 20	2
51				
52				
53	<u>612211</u>		BRAKE ASSEMBLY (DRIVER SIDE) (INCLUDES ITEMS 55 - 60, 63).....	1
54	<u>612189</u>		BRAKE ASSEMBLY (PASSENGER SIDE) (INCLUDES ITEMS 55 - 60, 64) .	1
55	<u>612411</u>		BRAKE SHOE, LEADING	2
56	<u>612412</u>		BRAKE SHOE, TRAILING.....	2
57	<u>612413</u>		DUST COVER	1
58	<u>612415</u>		BRAKE SPRING, BOTTOM.....	1
59	<u>612414</u>		BRAKE SPRING, TOP.....	1
60	<u>612416</u>		SHOE CLAMP	2
61				
62				

BRAKES

When ordering parts, please specify the model and serial number of the product.

* Indicates a component that is not available as an individual part.

*** Indicates consult Customer Service Department for additional information.

ITEM	PART NO.	1	2	3	4	5	DESCRIPTION	QTY.
63	<u>612418</u>						GEAR ADJUSTER (DRIVER SIDE).....	1
64	<u>612417</u>						GEAR ADJUSTER (PASSENGER SIDE).....	1
65								
66								
67	<u>17083G2</u>						HEX HEAD BOLT, 5/16" - 24 X 1" LG.....	8
68	<u>15126G1</u>						LOCK NUT, 5/16" - 24	8
69	<u>21809G1</u>						FLAT WASHER, 1.312" O.D X 0.979" I.D	2
70								
71	<u>21807G2</u>						BRAKE DRUM ASSEMBLY (INCLUDES ITEMS 72 & 73)	2
72	<u>20947G1</u>						BRAKE DRUM	1
73	<u>19862G2</u>						LUG BOLT, 1/2" - 20 X 1 3/16" LG	4
74								
75								
76	<u>606945</u>						FLAT WASHER, BRAKE DRUM	2
77	<u>606403</u>						CASTELLATED NUT, M22 X 1.5.....	2
78	<u>10387G1</u>						COTTER PIN, 1/8" X 1 1/2" LG	2
79								
80	<u>608200</u>						BRAKE CABLE BRACKET (PASSENGER SIDE).....	1
81	<u>608201</u>						BRAKE CABLE BRACKET (DRIVER SIDE)	1
82								
83	<u>70690G02</u>						BRAKE PEDAL ASSEMBLY (WITH BRAKE LIGHTS) (INCLUDES ITEMS 84 - 110)	1
84	<u>70686G02</u>						BRAKE PEDAL	1
85	<u>70611G02</u>						PARK BRAKE PEDAL.....	1
86								
87	<u>70257G01</u>						SERVICE BRAKE PAD	1
88	<u>70256G01</u>						PARK BRAKE PAD	1
89	<u>16409G1</u>						OVAL RIVET, 3/16" X 7/16" LG.....	9
90								
91	<u>70258G03</u>						SERVICE BRAKE PEDAL PLATE	1
92	<u>70682G01</u>						PIVOT PIN	1
93	<u>70681G01</u>						TORSION SPRING	2

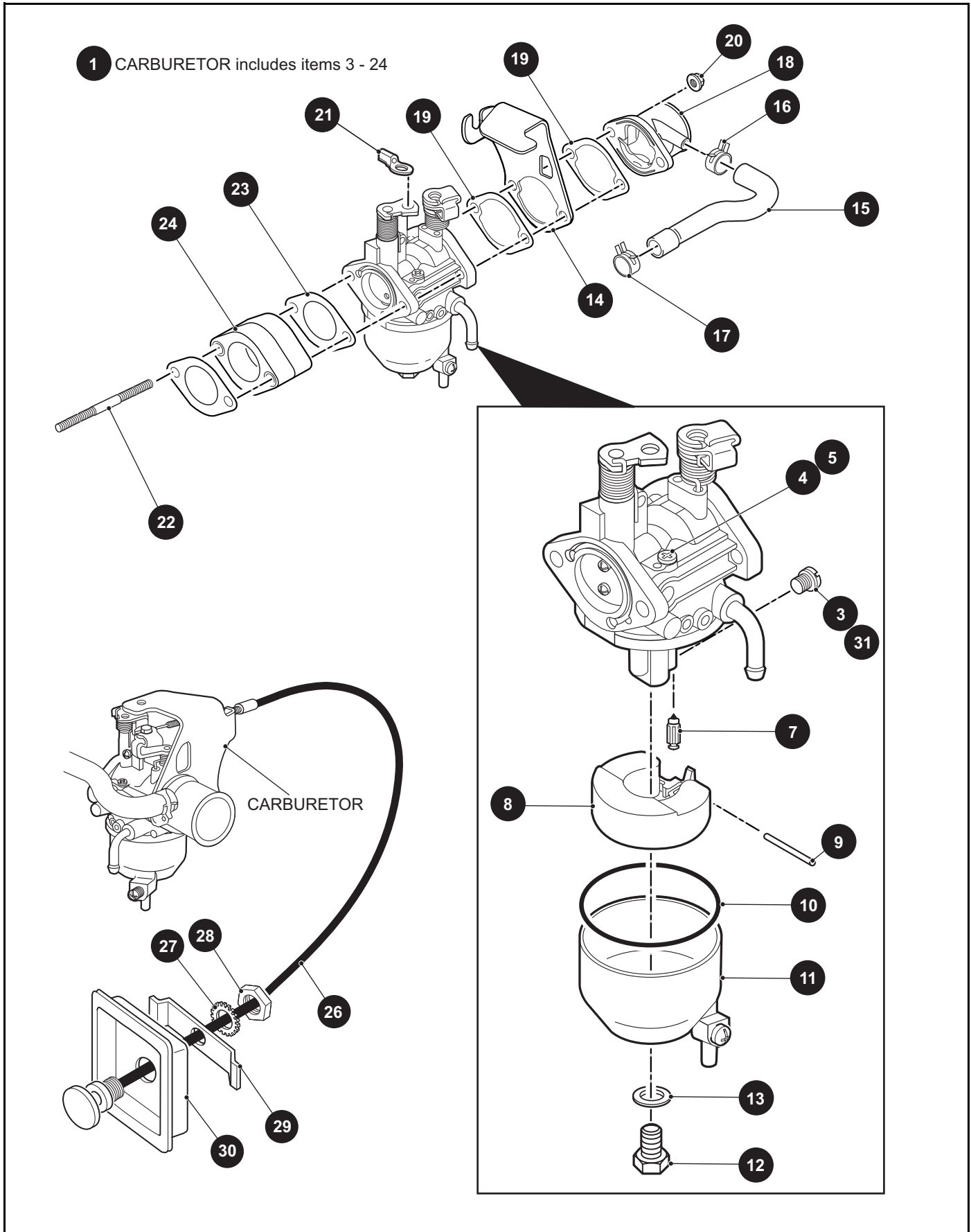
When ordering parts, please specify the model and serial number of the product.

* Indicates a component that is not available as an individual part.

*** Indicates consult Customer Service Department for additional information.

ITEM	PART NO.	1 2 3 4 5	DESCRIPTION	QTY.
94	<u>01071G01</u>		PUSHNUT, 5/16"	2
95	<u>00737G8</u>		PHILLIPS FLAT HEAD SCREW, #10 - 24 X 1" LG	4
96	<u>00739G1</u>		RUBBER NUT, #10 - 24	2
97	<u>74535G01</u>		BRAKE PEDAL STANDOFF.....	2
98	<u>27137G01</u>		CONICAL SPRING	2
99	14390G01		LOCK NUT, #10 - 24.....	2
100	10606G8		MICRO SWITCH	1
101	<u>00645G2</u>		PHILLIPS PAN HEAD SCREW, #6 - 32 X 1 1/4" LG	2
102	<u>00559G5</u>		FLAT WASHER, #10	2
103	<u>00559G3</u>		FLAT WASHER, #6	4
104	<u>00565G3</u>		LOCK WASHER, #6	2
105	<u>00525G5</u>		HEX NUT, #6 - 32	2
106	<u>13514G1</u>		PHILLIPS PAN HEAD SCREW WITH LOCK WASHER, #6.....	2
107	<u>00642G8</u>		FLAT WASHER, 5/16"	2
108	<u>14628G1</u>		FASTON TAB.....	2
109	<u>24605G1</u>		WIRE HARNESS, BRAKE LIGHT	1
110	<u>17618G1</u>		NYLON CLAMP.....	2
111	<u>612558</u>		COMPENSATOR ASSEMBLY (INCLUDES ITEMS 112 - 121).....	1
112	<u>00532G4</u>		HEX NUT, 1/4" - 20.....	2
113	<u>629486</u>		HEX NUT, 5/16" - 24.....	1
114	<u>28082G01</u>		EQUALIZER BRACKET	1
115	<u>15121G1</u>		FLAT WASHER, 5/16"	2
116	<u>17979G1</u>		ACCELERATOR ROD BUSHING.....	1
117	<u>23061G2</u>		TUBE	1
118	<u>23463G1</u>		COMPRESSION SPRING	1
119	<u>27330G01</u>		BRAKE YOKE	1
120	<u>11098G9</u>		HEX LOCK NUT, 5/16" - 24.....	1
121	<u>612557</u>		COMPENSATOR ROD LINK.....	1

CARBURETOR AND CHOKE



CARBURETOR AND CHOKE

When ordering parts, please specify the model and serial number of the product.

* Indicates a component that is not available as an individual part.

*** Indicates consult Customer Service Department for additional information.

ITEM	PART NO.	1 2 3 4 5	DESCRIPTION	QTY.
1	<u>607955</u>		CARBURETOR (INCLUDES ITEMS 3 - 24)	1
2				
3	<u>607956</u>		MAIN JET (#106).....	1
4	<u>607957</u>		PILOT JET (#52)	1
5	<u>603585</u>		PLUG	1
6				
7	<u>603586</u>		NEEDLE VALVE	1
8	<u>603587</u>		FLOAT	1
9	<u>603588</u>		FLOAT PIN	1
10	<u>603589</u>		FLOAT BOWL GASKET	1
11	<u>603590</u>		FLOAT CHAMBER	1
12	<u>603592</u>		CHAMBER PLUG	1
13	<u>603591</u>		BOWL GASKET	1
14	<u>603583</u>		CHOKE BRACKET	1
15	<u>603598</u>		BREATHER TUBE	1
16	<u>603596</u>		INTAKE TUBE CLAMP	1
17	<u>603597</u>		CYLINDER HEAD TUBE CLAMP	1
18	<u>603594</u>		INTAKE TUBE	1
19	<u>603593</u>		CHOKE GASKET	2
20	<u>603595</u>		HEX NUT, M6 X 1.0.....	2
21	<u>608023</u>		THROTTLE ROD ATTACHMENT BUSHING	1
22	<u>603584</u>		STUD BOLT.....	2
23	<u>603580</u>		CARBURETOR MOUNT GASKET	3
24	<u>603581</u>		CARBURETOR INSULATOR	1
25				
26	<u>605868</u>		CHOKE CABLE (SWB).....	1
27	<u>00568G4</u>		LOCK WASHER, 9/16"	1
28	<u>00545G4</u>		JAM NUT, 9/16 " - 18	1
29	<u>72155G01</u>		RETAINER	1
30	<u>72154G01</u>		CHOKE CABLE ADAPTER.....	1
31	<u>607684</u>		MAIN JET (#102) (FOR ELEVATIONS OF 3000 FT - 6000 FT)	1

CARBURETOR AND CHOKE

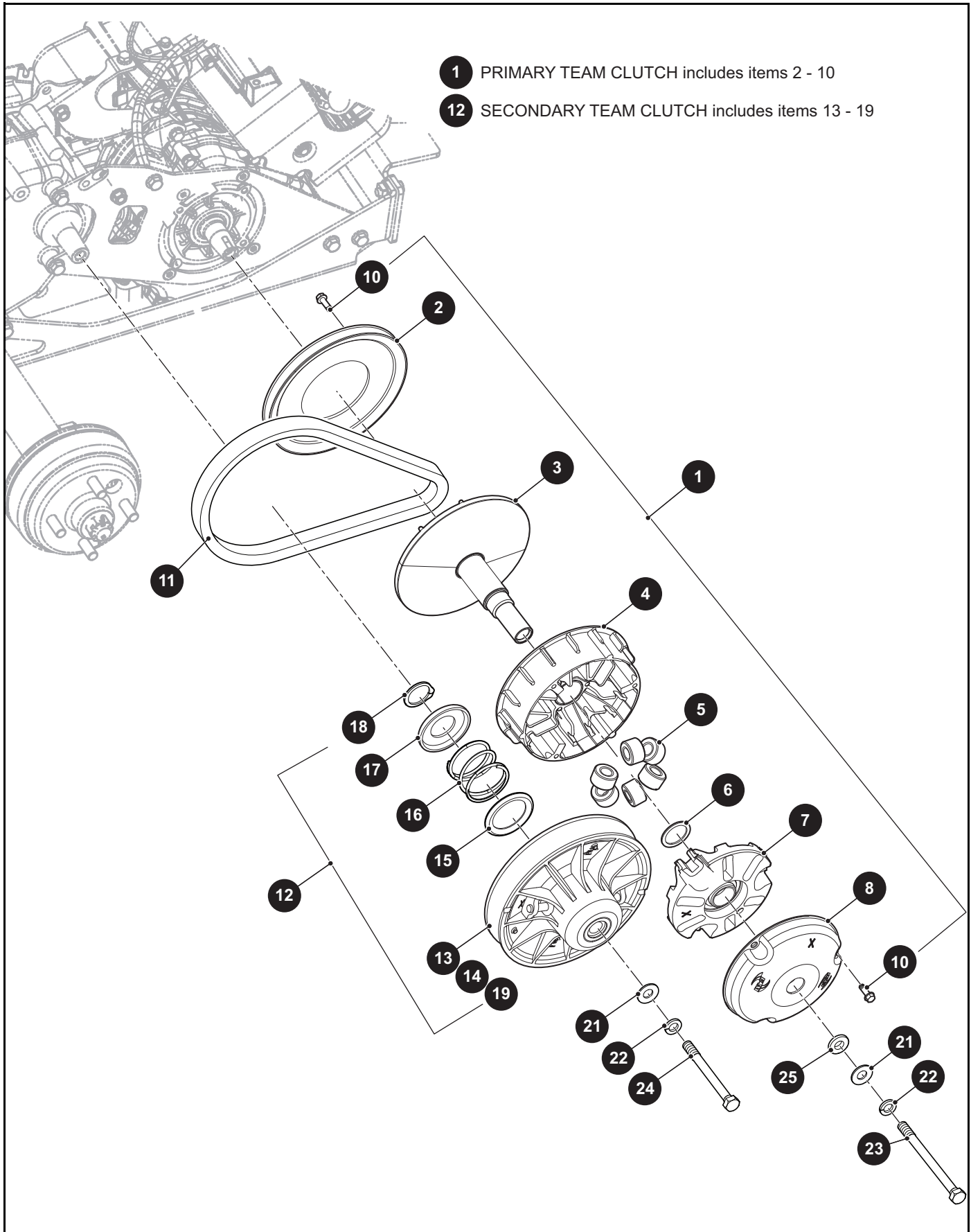
When ordering parts, please specify the model and serial number of the product.

* Indicates a component that is not available as an individual part.

*** Indicates consult Customer Service Department for additional information.

ITEM	PART NO.	1	2	3	4	5	DESCRIPTION	QTY.
32								
33	607681						LABEL, HIGH ALTITUDE JET, 3000 FT - 6000 FT (NOT ILLUSTRATED)	1
34	607682						LABEL, HIGH ALTITUDE JET, 6000 FT (NOT ILLUSTRATED).....	1

CLUTCH



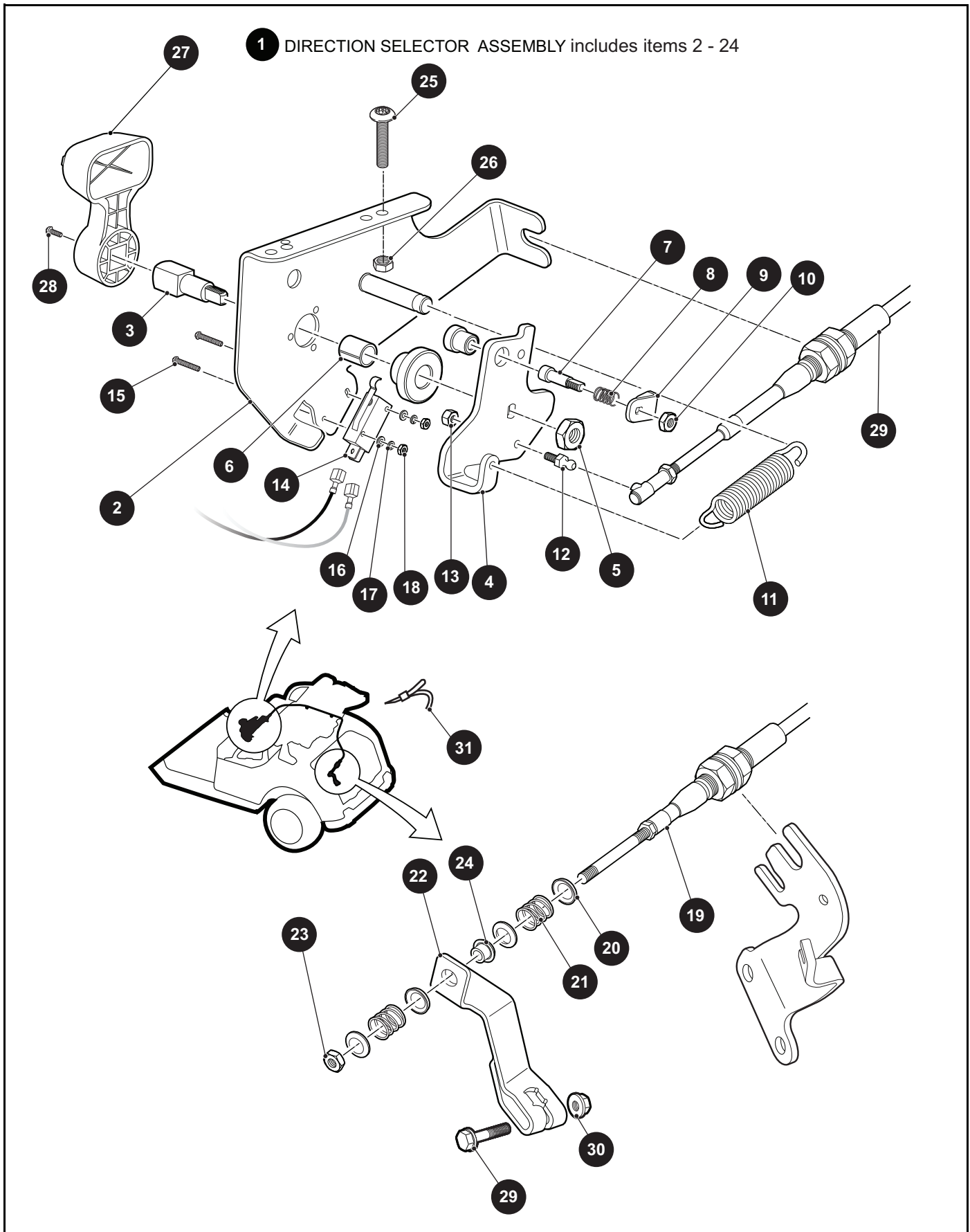
When ordering parts, please specify the model and serial number of the product.

* Indicates a component that is not available as an individual part.

*** Indicates consult Customer Service Department for additional information.

ITEM	PART NO.	1 2 3 4 5	DESCRIPTION	QTY.
1	<u>618684</u>		PRIMARY TEAM CLUTCH (INCLUDES ITEMS 2 - 10)	1
2	<u>619333</u>		PRIMARY STARTER PULLEY, 195.....	1
3	<u>619334</u>		STATIONARY ASSEMBLY	1
4	<u>619335</u>		MOVEABLE PRIMARY ASSEMBLY	1
5	<u>619336</u>		SHIFT ROLLER ASSEMBLY.....	6
6	<u>619337</u>		SHIM, 39.5 MM X 31.75MM	1
7	619338		PRIMARY SPIDER ASSEMBLY	1
8	<u>619339</u>		PRIMARY DUST COVER ASSEMBLY.....	1
9				
10	<u>619332</u>		HEX TAP BOLT, 1/4" - 20 X 0.75" LG	7
11	<u>618630</u>		BELT DRIVE	1
12	<u>618685</u>		SECONDARY TEAM CLUTCH (INCLUDES ITEMS 13 - 19).....	1
13	*		SECONDARY STATIONARY, 9.5	1
14	*		MOVEABLE SECONDARY, 9.5.....	1
15	<u>619327</u>		INNER RETAINER SPRING.....	1
16	<u>619328</u>		COMPRESSION SPRING, 2.70MM O.D	1
17	<u>619329</u>		OUTER SPRING RETAINER	1
18	<u>619330</u>		RETAINER RING.....	1
19	<u>619331</u>		THRUST WASHER, 1.530 X 1.830 X 1.....	1
20				
21	<u>606239</u>		CONICAL WASHER, M12	2
22	<u>00566G3</u>		SPRING TYPE LOCK WASHER	2
23	<u>606245</u>		HEX BOLT, M12 - 1.25 X 160MM LG.....	1
24	<u>606243</u>		HEX BOLT, M12 - 1.25 X 120MM LG	1
25	<u>606230</u>		CLUTCH WASHER, 13.06MM DIA.....	1

DIRECTION SELECTOR



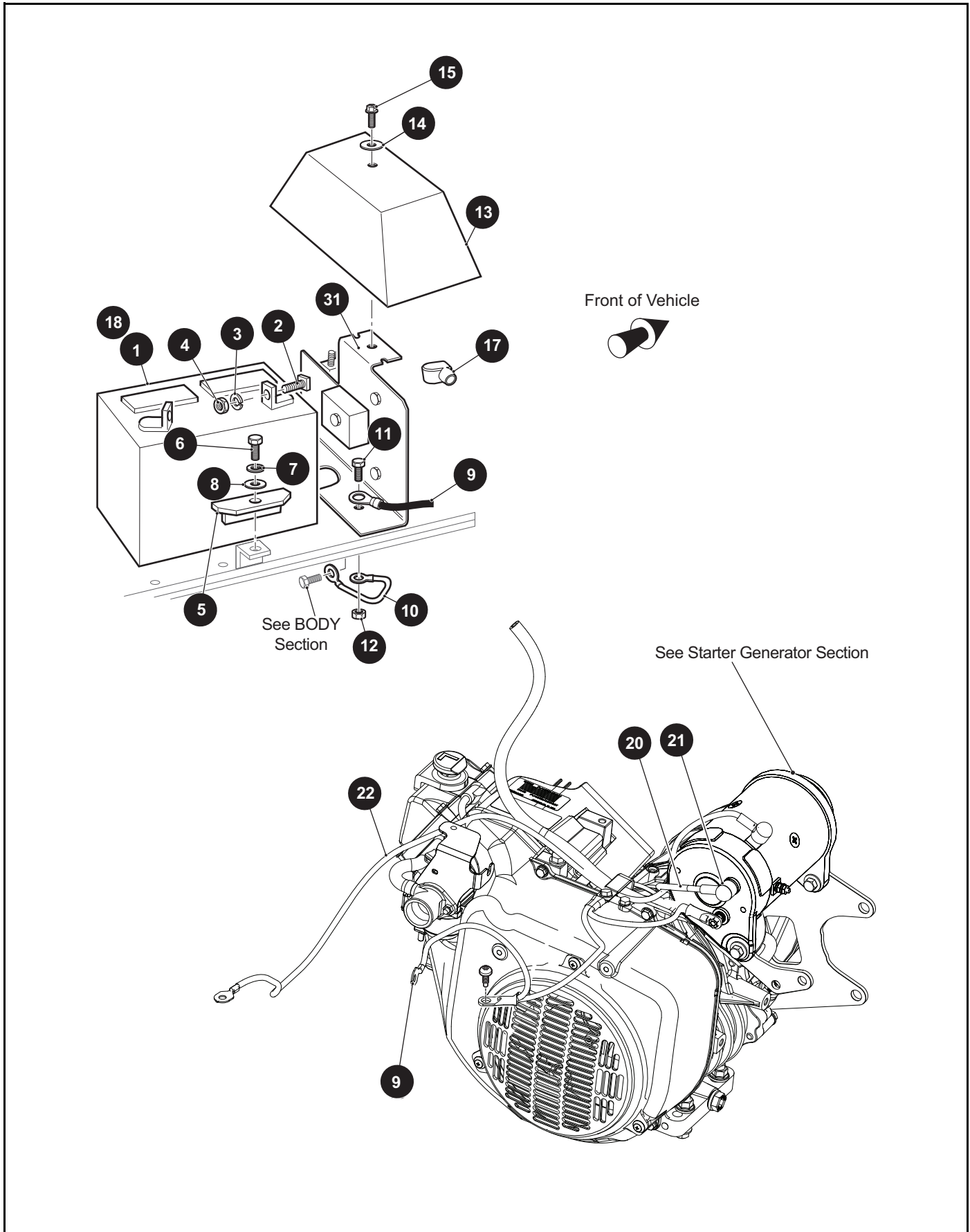
DIRECTION SELECTOR

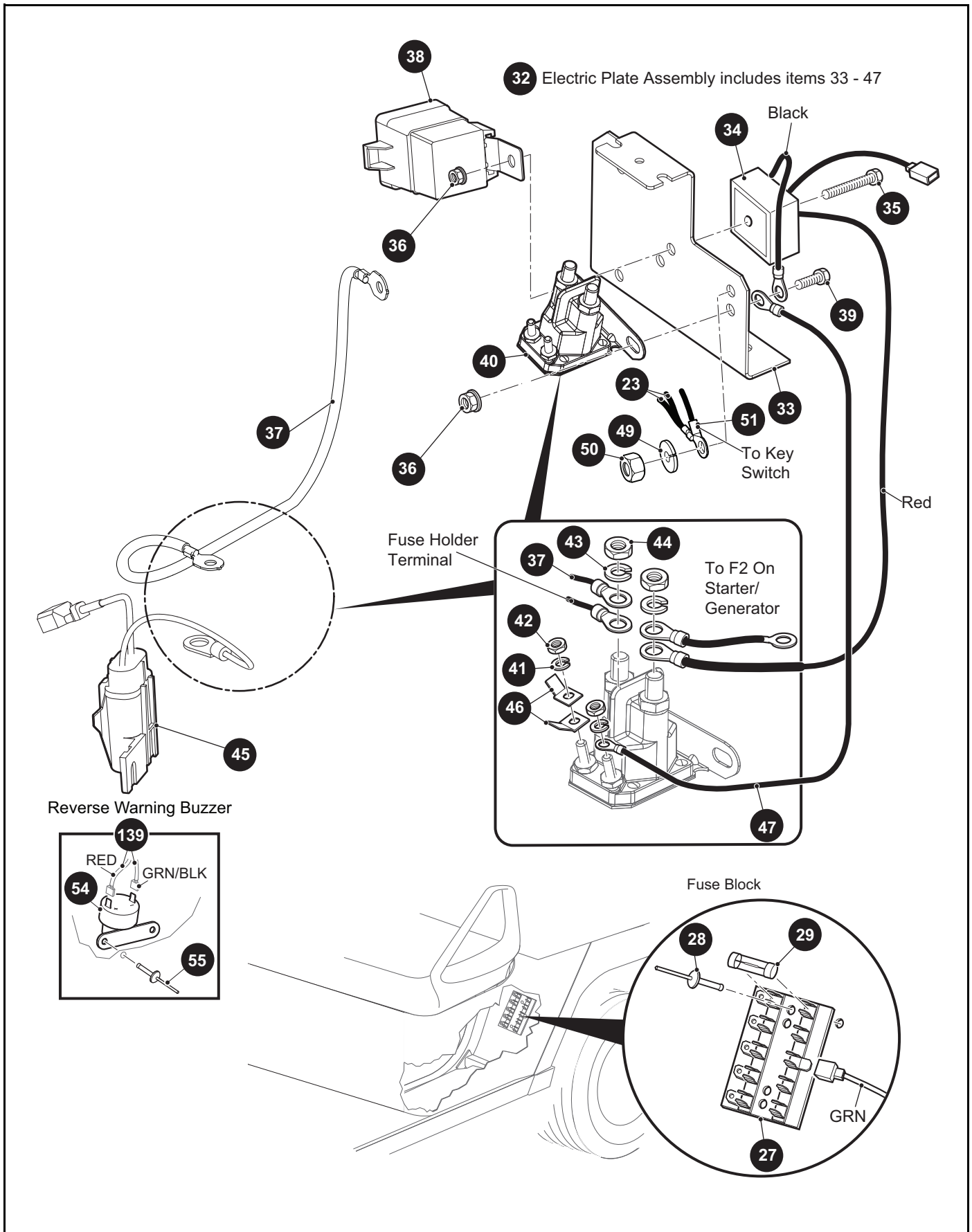
When ordering parts, please specify the model and serial number of the product.

* Indicates a component that is not available as an individual part.

*** Indicates consult Customer Service Department for additional information.

ITEM	PART NO.	1 2 3 4 5	DESCRIPTION	QTY.
1	<u>603416</u>		DIRECTION SELECTOR ASSEMBLY (INCLUDES ITEMS 2 - 24)	1
2	<u>606077</u>		DIRECTION SELECTOR BRACKET.....	1
3	<u>70233G01</u>		DIRECTION SELECTOR SHAFT.....	1
4	<u>603700</u>		DIRECTION SELECTOR CAM.....	1
5	<u>14390G01</u>		LOCK NUT, 3/8" - 24	1
6	<u>25664G2</u>		BUSHING, 1/2" X 3/4" LG	1
7	<u>72724G01</u>		NEUTRAL LOCK PIN	1
8	<u>72733G01</u>		COMPRESSION SPRING, 3/8" X 5/8" LG	1
9	<u>72729G01</u>		NEUTRAL LOCK LATCH.....	1
10	<u>00734G2</u>		LOCK NUT, 1/4" - 28	1
11	<u>28574G01</u>		EXTENSION SPRING	1
12	<u>72732G01</u>		BALL STUD, 1/4".....	1
13	<u>00734G5</u>		LOCK NUT, #10 - 32.....	1
14	<u>72736G01</u>		MICRO SWITCH	1
15	<u>01062G01</u>		ROUND HEAD SLOTTED SCREW, #4 - 40 X 1" LG	2
16	<u>00559G1</u>		FLAT WASHER, #4	2
17	<u>00565G1</u>		LOCK WASHER, #4 - 5/16".....	2
18	<u>00526G2</u>		HEX NUT, #4 - 40	2
19	<u>603615</u>		PUSH/PULL CABLE	1
20	<u>25727G01</u>		CUP WASHER, 1/4"	4
21	<u>72735G01</u>		COMPRESSION SPRING, 19/32" X 1" LG	2
22	<u>606014</u>		PIVOT BRACKET WITH BUSHING	1
23	<u>00734G5</u>		LOCK NUT, #10 - 32.....	1
24	<u>22754G4</u>		BUSHING, FLIP LOK, 0.250.....	1
25	<u>70227G01</u>		SOCKET HEAD CAP SCREW, 1/4" - 20 X 7/8" LG.....	2
26	<u>11027G2</u>		LOCK NUT, 1/4" - 20.....	1
27	<u>71205G01</u>		DIRECTION SELECTOR HANDLE	1
28	<u>00740G4</u>		PHILLIPS TRUSS HEAD SCREW (SS), #10 - 32 X 1/2" LG.....	1
29	<u>606421</u>		HEX HEAD BOLT, M6 - 1 X 30	1
30	<u>450452</u>		HEX NUT, M6 -1.00 HSF	1
31	<u>31539G1</u>		WIRE TIE	1





ELECTRICAL

When ordering parts, please specify the model and serial number of the product.

* Indicates a component that is not available as an individual part.

*** Indicates consult Customer Service Department for additional information.

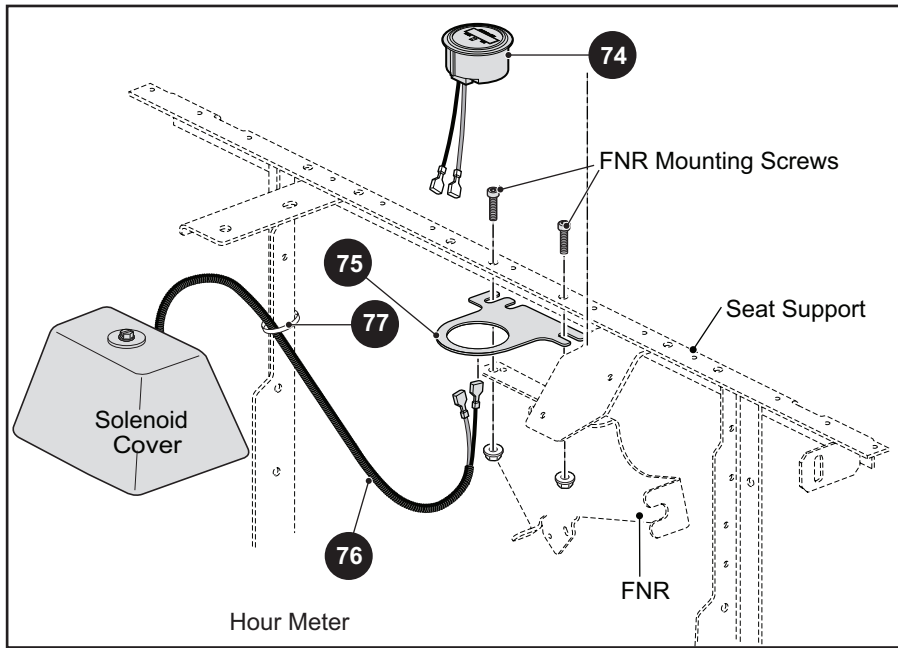
ITEM	PART NO.	1	2	3	4	5	DESCRIPTION	QTY.
1	<u>600497</u>						HEAVY DUTY BATTERY, 12V.....	1
2	*						BOLT, 5/16" - 18 X 1 1/4" LG	2
3	*						LOCK WASHER, 5/16" (SILICON BRONZE).....	2
4	*						HEX NUT, 5/16" - 18 (SILICON BRONZE)	2
5	<u>72101G02</u>						BATTERY HOLD DOWN	1
6	00438G6						HEX HEAD BOLT, 5/16" - 18 X 3/4" LG.....	1
7	<u>00565G8</u>						LOCK WASHER, 5/16"	1
8	<u>00571G2</u>						FLAT WASHER, 5/16"	1
9	<u>27044G03</u>						GROUND CABLE	1
10	<u>25976G19</u>						14 GA WIRE (BLACK 6").....	1
11	00438G6						HEX HEAD BOLT, 5/16" - 18 X 3/4" LG.....	2
12	<u>11027G1</u>						LOCK NUT, 5/16" - 18	2
13	<u>73049G01</u>						COVER.....	1
14	<u>16469G1</u>						FENDER WASHER, 1/4"	1
15	<u>00114G6</u>						HEX WASHER HEAD SLOTTED TAPPING SCREW, 1/4" - 14 X 3/4" LG	1
16	<u>610428</u>						BATTERY BOLT EXTENDER (NOT ILLUSTRATED)	2
17	606042						BATTERY TERMINAL COVER	1
18	<u>24775G1</u>						STANDARD BATTERY, 12V	1
19								
20	<u>607053</u>						6 GA WIRE (BLACK 6", F1 - A2).....	1
21	<u>25682G01</u>						TERMINAL COVER.....	3
22	<u>607103</u>						6 GA WIRE (42" LONG)	1
23	<u>605560</u>						CONTROL WIRE HARNESS	1
24	<u>17618G1</u>						WIRE TIE (NOT ILLUSTRATED)	AR
25								
26								
27	<u>22674G1</u>						FUSE BLOCK.....	1
28	<u>01041G01</u>						RIVET, 1/8" X 13/16" LG.....	2
29	<u>18392G1</u>						15 AMP FUSE	3
30								
31								

When ordering parts, please specify the model and serial number of the product.

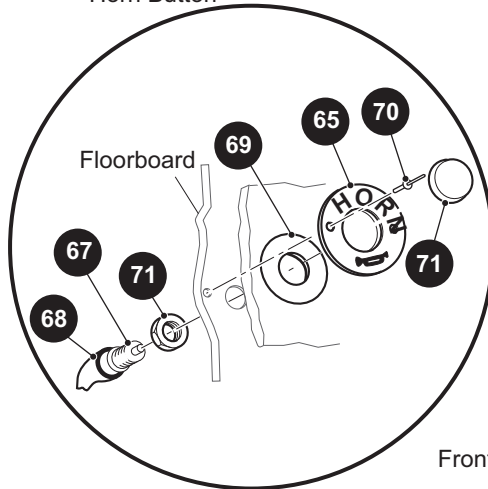
* Indicates a component that is not available as an individual part.

*** Indicates consult Customer Service Department for additional information.

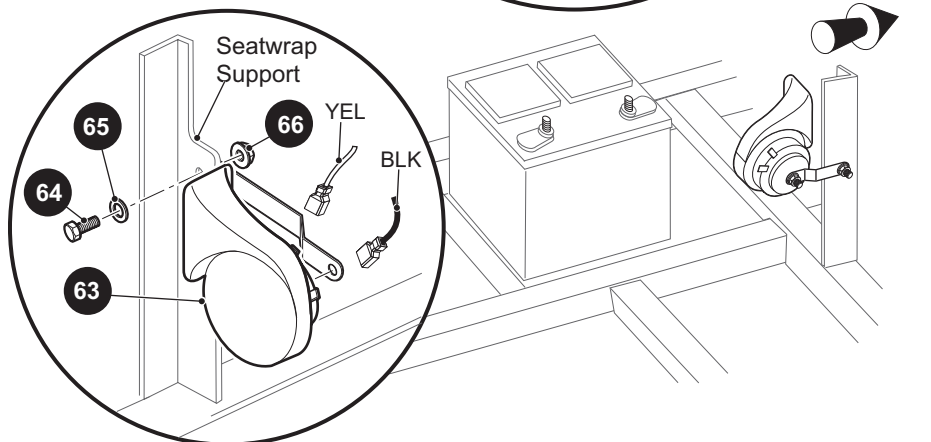
ITEM	PART NO.	1 2 3 4 5	DESCRIPTION	QTY.
32	<u>605563</u>		ELECTRICAL PLATE ASSEMBLY (INCLUDES ITEMS 33 - 47)	1
33	<u>73057G01</u>		BRACKET	1
34	<u>27739G01</u>		VOLTAGE REGULATOR	1
35	<u>303459</u>		HEX HEAD BOLT, 1/4" - 20 X 1 1/2" LG	1
36	<u>11027G2</u>		LOCK NUT, 1/4" - 20	2
37	<u>25972G33</u>		6 GA WIRE ASSEMBLY	1
38	<u>603282</u>		RELAY, 12V	1
39	<u>00661G8</u>		HEX HEAD CAP BOLT (SS), 1/4 - 20 X 1" LG	1
40	<u>612813</u>		SOLENOID	1
41	*		LOCK WASHER, #10	2
42	*		HEX NUT, #10 - 32	2
43	*		LOCK WASHER, 5/16"	2
44	*		HEX NUT, 5/16" - 24	2
45	600418G01		FUSE HOLDER ASSEMBLY	1
46	<u>73446G01</u>		FASTON TAB, 90°	2
47	<u>25978G56</u>		18 GA WIRE (BLACK 5 3/4")	1
48				
49	<u>00664G7</u>		LOCK WASHER (SS), 0.255/0.263	1
50	<u>00532G1</u>		HEX CAP NUT, 1/4" - 20	1
51	<u>605639</u>		KEY SWITCH HARNESS	1
52	<u>625808</u>		ACCESSORY HARNESS (NOT ILLUSTRATED)	1
53				
54	<u>73290G03</u>		CONTINUOUS TONE POTTED BUZZER	1
55	<u>01041G01</u>		RIVET, 5/32" DIA	2
56	<u>25978G122</u>		18 GA WIRE (NOT ILLUSTRATED)	1
57				
58				
59				
60				
61				
62				



Horn Button

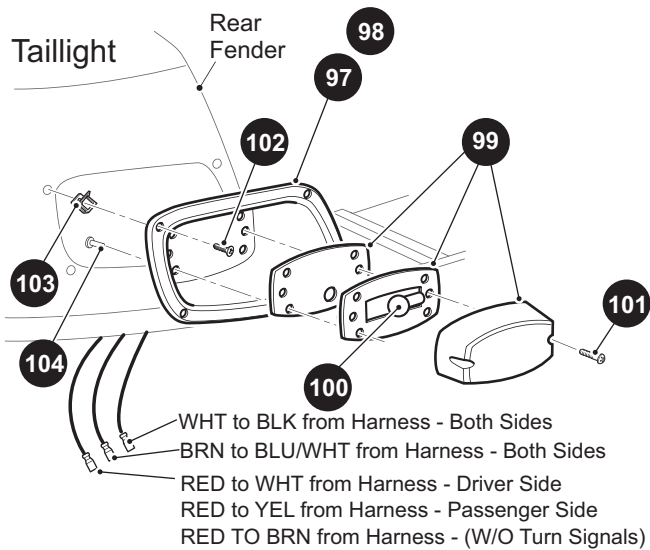
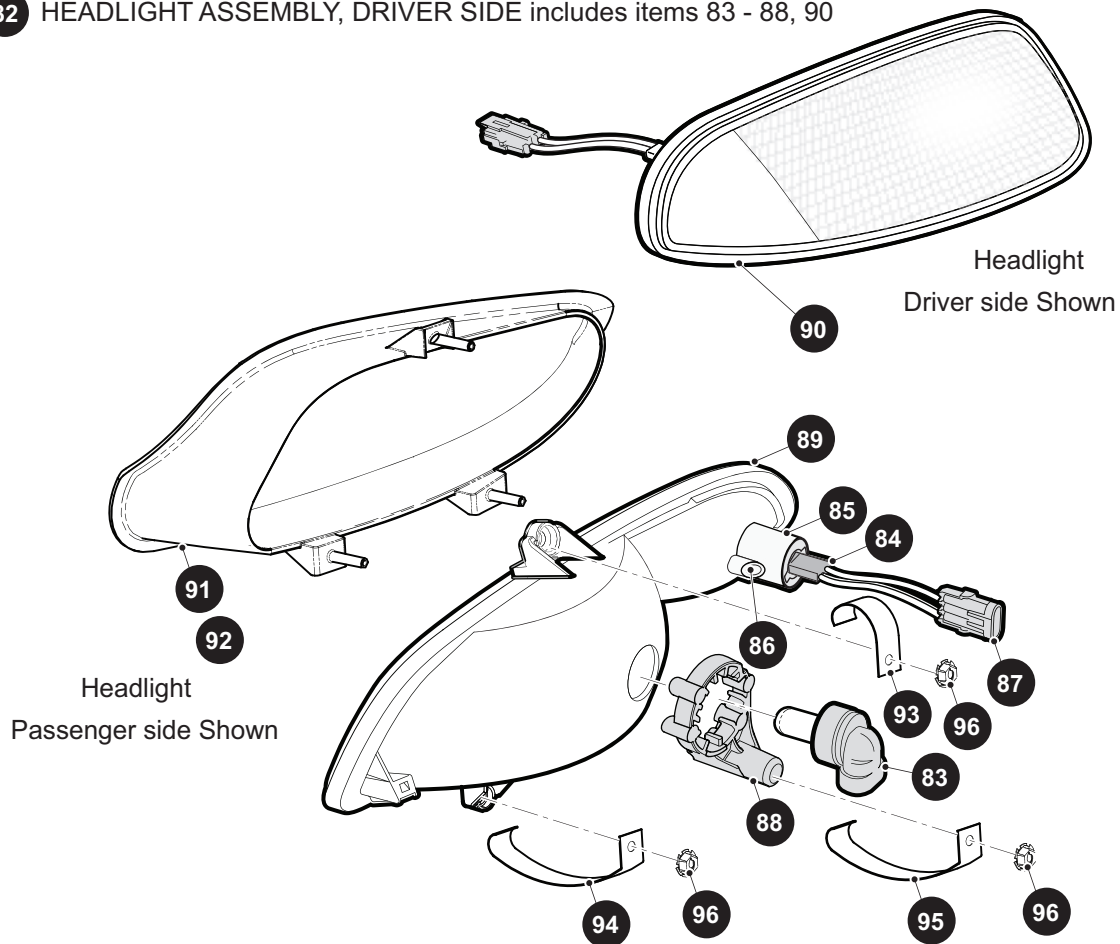


Horn

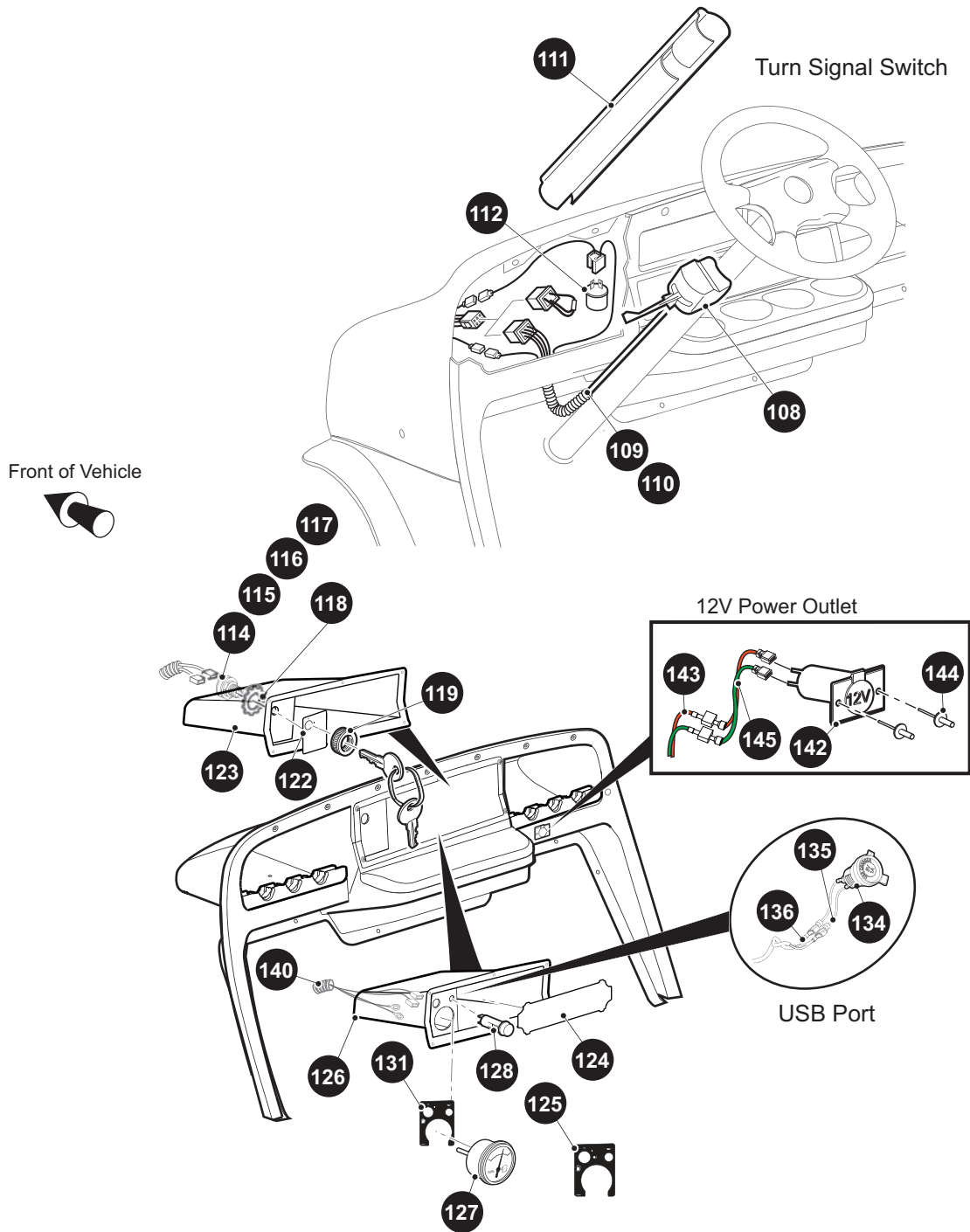


81 HEADLIGHT ASSEMBLY, PASSENGER SIDE includes items 83 - 89

82 HEADLIGHT ASSEMBLY, DRIVER SIDE includes items 83 - 88, 90



99 TAILLIGHT ASSEMBLY includes item 100



WARNING Failure to follow these instructions can result in **SERIOUS INJURY** or **DEATH**.

Except where PERMITTED BY LAW, NEVER drive on public roads. Drivers must possess a valid driver's license in accordance with local state law.

AVOID FALLS from the vehicle. Do not start moving until all occupants are PROPERLY SEATED and HOLDING ON. KEEP entire body INSIDE VEHICLE while moving.

Reduce the RISK OF ACCIDENTS. Always DRIVE SLOWLY in congested areas, or near or loose terrain. Be alert when backing up. DRIVE SLOWLY when starting and avoid sudden stops. ALWAYS drive straight up and down slopes. Do not coast.

USE BRAKE WHEN GOING DOWN A HILL. NEVER drive this vehicle under the influence of drugs or alcohol.

This vehicle is NOT A TOY. Drive responsibly. NEVER leave children unattended or allow children to play on the vehicle. NEVER leave the key in the vehicle when parked.

DO NOT OVERLOAD this vehicle. NEVER carry more than 2 occupants on each bench seat. Do not exceed vehicle WEIGHT CAPACITY (see Owner's Guide).

DO NOT MODIFY this vehicle. NEVER alter this vehicle to increase travel speeds above factory specifications. ONLY authorized EX-GO dealers should alter the vehicle using approved parts. Alterations not approved or tested by EX-GO can create unsafe conditions and increase your chance of having an accident. ONLY authorized EX-GO dealers should alter the vehicle using approved parts. Alterations not approved or tested by EX-GO can create unsafe conditions and increase your chance of having an accident.

When ordering parts, please specify the model and serial number of the product.

* Indicates a component that is not available as an individual part.

*** Indicates consult Customer Service Department for additional information.

ITEM	PART NO.	1 2 3 4 5	DESCRIPTION	QTY.
63	<u>32860G1</u>		HORN.....	1
64	<u>00414G5</u>		HEX HEAD CAP BOLT, 1/4" - 20 X 5/8" LG.....	1
65	<u>00559G7</u>		FLAT WASHER, 1/4".....	1
66	<u>14390G4</u>		LOCK NUT, 1/4" - 20.....	1
67	<u>17318G1</u>		HORN MOMENTARY SWITCH.....	1
68	<u>27068G01</u>		HORN SWITCH BOOT.....	1
69	<u>608397</u>		HORN PLATE.....	1
70	<u>71055G01</u>		RIVET, 3/16" X 1" LG (ALUMINUM).....	2
71	<u>17318G2</u>		HORN SWITCH CAP AND NUT.....	1
72				
73				
74	<u>617074</u>		HOUR METER.....	1
75	<u>603721</u>		HOUR METER BRACKET.....	1
76	<u>606254</u>		HOUR METER WIRE HARNESS.....	1
77	<u>17618G1</u>		NYLON CLAMP.....	AR
78				
79				
80				
81	<u>602928</u>		HEADLIGHT ASSEMBLY (PASSENGER SIDE) (INCLUDES ITEMS 83 - 89).....	1
82	<u>603328</u>		HEADLIGHT ASSEMBLY (DRIVER SIDE) (INCLUDES ITEMS 83 - 88, 90) .	1
83	<u>74004G01</u>		HEADLIGHT BULB.....	1
84	<u>604539</u>		TURN SIGNAL BULB.....	1
85	*		BULB RETAINER.....	1
86	<u>608328</u>		BUTTON HEAD TORX SCREW, M3 - 1.3 X 14.....	1
87	<u>607487</u>		TURN SIGNAL WIRE HARNESS.....	1
88	<u>615459</u>		COLLAR.....	1
89	*		HEADLAMP W/O BULBS (PASSENGER SIDE).....	1
90	*		HEADLAMP W/O BULBS (DRIVER SIDE).....	1
91	<u>625280</u>		HEADLAMP BEZEL (DRIVER SIDE).....	1
92	<u>625281</u>		HEADLAMP BEZEL (PASSENGER SIDE).....	1

ELECTRICAL

When ordering parts, please specify the model and serial number of the product.

* Indicates a component that is not available as an individual part.

*** Indicates consult Customer Service Department for additional information.

ITEM	PART NO.	1	2	3	4	5	DESCRIPTION	QTY.
93	<u>626275</u>						CLIP.....	2
94	<u>626276</u>						CLIP	2
95	<u>626277</u>						CLIP.....	2
96	<u>71597G01</u>						SELF THREADING NUT, 5 X 10 X 15MM.....	6
97	<u>625251</u>						TAILLIGHT BEZEL (DRIVER SIDE).....	1
98	<u>625252</u>						TAILLIGHT BEZEL (PASSENGER SIDE)	1
99	<u>22288G1</u>						TAILLIGHT ASSEMBLY (INCLUDES ITEM 100)	2
100	<u>21759G1</u>						TAILLIGHT BULB.....	1
101	<u>00513G4</u>						PHILLIPS PAN HEAD SCREW, #8 X 1.5" LG	4
102	<u>71425G01</u>						TAPPING SCREW, #8 - 18 X 0.75	8
103	<u>71364G02</u>						"J" SPEED NUT, #8	8
104	<u>14601G11</u>						RIVET, 3/16" X 9/16" LG.....	4
105								
106								
107								
108	<u>17867G1</u>						TURN SIGNAL SWITCH ASSEMBLY	1
109	<u>32307G3</u>						FLEX LOOM, 3/8" X 8" LG	1
110	<u>17618G1</u>						NYLON CLAMP.....	2
111	<u>20965G3</u>						STEERING COLUMN COVER.....	1
112	<u>21640G1</u>						FLASHER UNIT.....	1
113								
114	<u>18027G1</u>						KEY SWITCH (WITHOUT LIGHTS - INDIVIDUALLY KEYED)	1
115	<u>33639GXX</u>						KEY SWITCH (WITH LIGHTS).....	1
116	<u>18602G1</u>						KEY SWITCH	1
117	<u>17955G1</u>						KEY SWITCH (GROUP KEYS).....	1
118	<u>00568G6</u>						LOCK WASHER, 3/4"	1
119	<u>17137G1</u>						FACE NUT, 3/4" - 20.....	1
120								
121								
122	<u>625267</u>						DECAL, KEY SWITCH, ON - OFF	1
123	<u>628022</u>						CENTER COMPARTMENT	1

When ordering parts, please specify the model and serial number of the product.

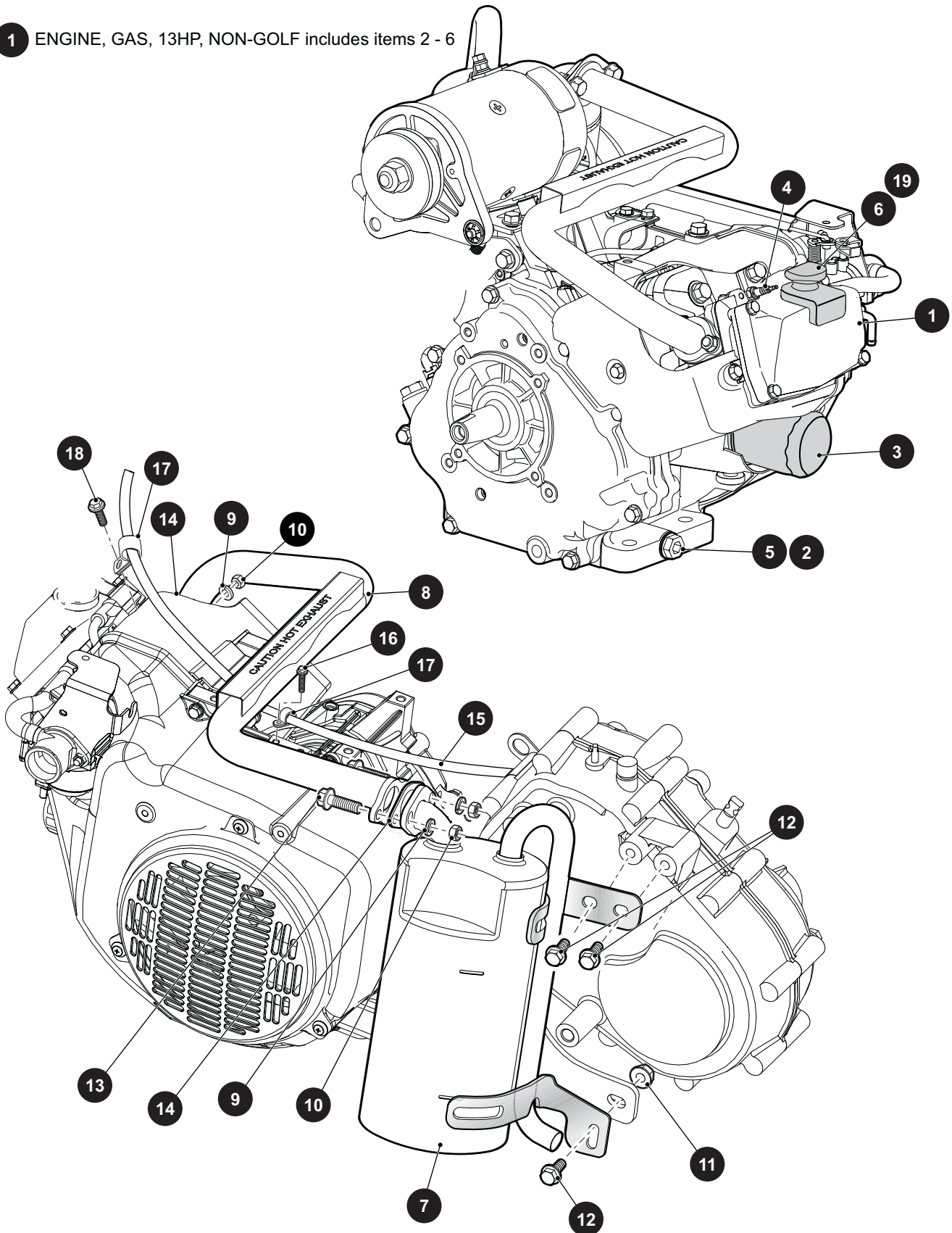
* Indicates a component that is not available as an individual part.

*** Indicates consult Customer Service Department for additional information.

ITEM	PART NO.	1 2 3 4 5	DESCRIPTION	QTY.
124	<u>625224</u>		CENTER COMPARTMENT DIVIDER	1
125	<u>625269</u>		DECAL, WITH LIGHTS, FUEL AND OIL	1
126	<u>631103</u>		CENTER COMPARTMENT WITH FUEL AND OIL.....	1
127	<u>21553G1</u>		FUEL GAUGE	1
128	<u>23474G1</u>		OIL/FUEL INDICATOR LIGHT	1
129				
130	<u>628019</u>		SAFETY LABEL, PVT CONSOLE	1
131	<u>625274</u>		DECAL, ON - OFF, FUEL AND OIL	1
132	634970		HARNESS, FUEL GAUGE/OIL INDICATOR (NOT ILLUSTRATED)	1
133				
134	<u>633680</u>		USB CHARGER PORT, 5V, 1A.....	1
135	634276		USB JUMPER HARNESS.....	1
136	<u>633682</u>		USB CHARGER HARNESS	1
137				
138				
139	<u>634272</u>		JUMPER HARNESS, REVERSE BUZZER	1
140	<u>633683</u>		JUMPER HARNESS, OIL/FUEL GAUGE	1
141				
142	<u>71078G01</u>		12V POWER OUTLET	1
143	<u>633988</u>		HARNESS , 12V POWER OUTLET.....	1
144	<u>71055G01</u>		RIVET, 3/16 DIA.....	2
145	<u>634277</u>		JUMPER HARNESS, 12V POWER OUTLET	1

ENGINE AND MUFFLER

1 ENGINE, GAS, 13HP, NON-GOLF includes items 2 - 6



ENGINE AND MUFFLER

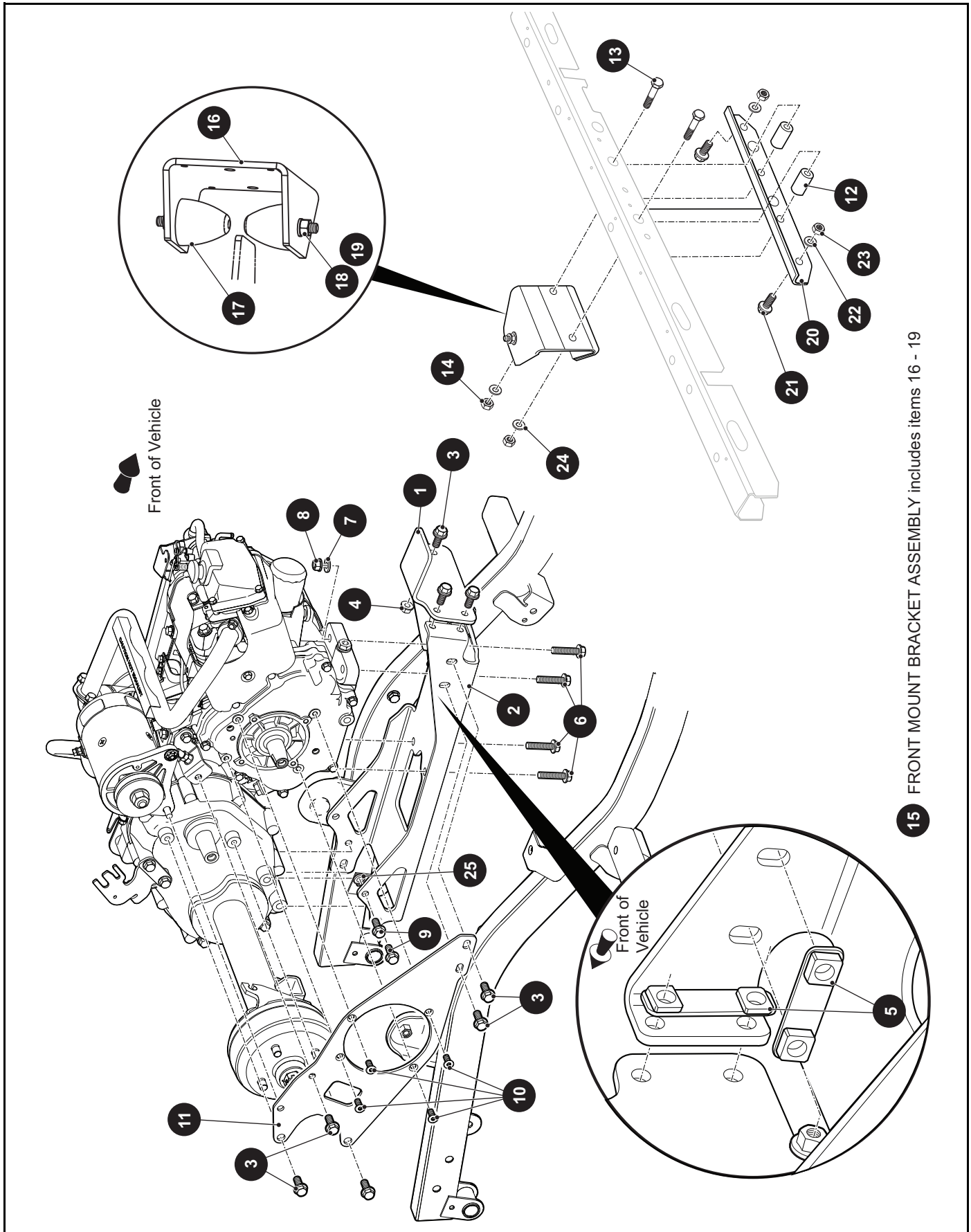
When ordering parts, please specify the model and serial number of the product.

* Indicates a component that is not available as an individual part.

*** Indicates consult Customer Service Department for additional information.

ITEM	PART NO.	1 2 3 4 5	DESCRIPTION	QTY.
1	<u>607154</u>		ENGINE, GAS, 13HP, NON-GOLF (INCLUDES ITEM 2 - 6)	1
2	<u>603562</u>		'O' RING, 16MM.....	1
3	<u>607454</u>		OIL FILTER.....	1
4	<u>607462</u>		SPARK PLUG (BPR2ES)	1
5	<u>603557</u>		OIL DRAIN PLUG.....	1
6	<u>606390</u>		DIP STICK.....	1
7	<u>612266</u>		MUFFLER	1
8	<u>606982</u>		EXHAUST PIPE	1
9	<u>606272</u>		SPLIT WASHER, 8MM	4
10	<u>606267</u>		JAM NUT, M8 - 1.25.....	4
11	<u>606279</u>		FLANGE NUT, M10 - 1.25.....	1
12	<u>606256</u>		HEX HEAD FLANGE BOLT, M10 - 1.25 X 25MM LG	3
13	<u>602330</u>		HEX HEAD FLANGE BOLT, M8 - 1.25 X 30MM LG	2
14	<u>603599</u>		EXHAUST GASKET.....	2
15	<u>27184G12</u>		FUEL TUBE	1
16	<u>606264</u>		HEX HEAD FLANGE BOLT, M6 - 1 X 20MM LG	1
17	<u>606962</u>		CLAMP.....	2
18	<u>606265</u>		HEX HEAD FLANGE BOLT, M6 - 1 X 12MM LG	1
19	<u>606391</u>		DIP STICK.....	1

ENGINE MOUNTING



15 FRONT MOUNT BRACKET ASSEMBLY includes items 16 - 19

ENGINE MOUNTING

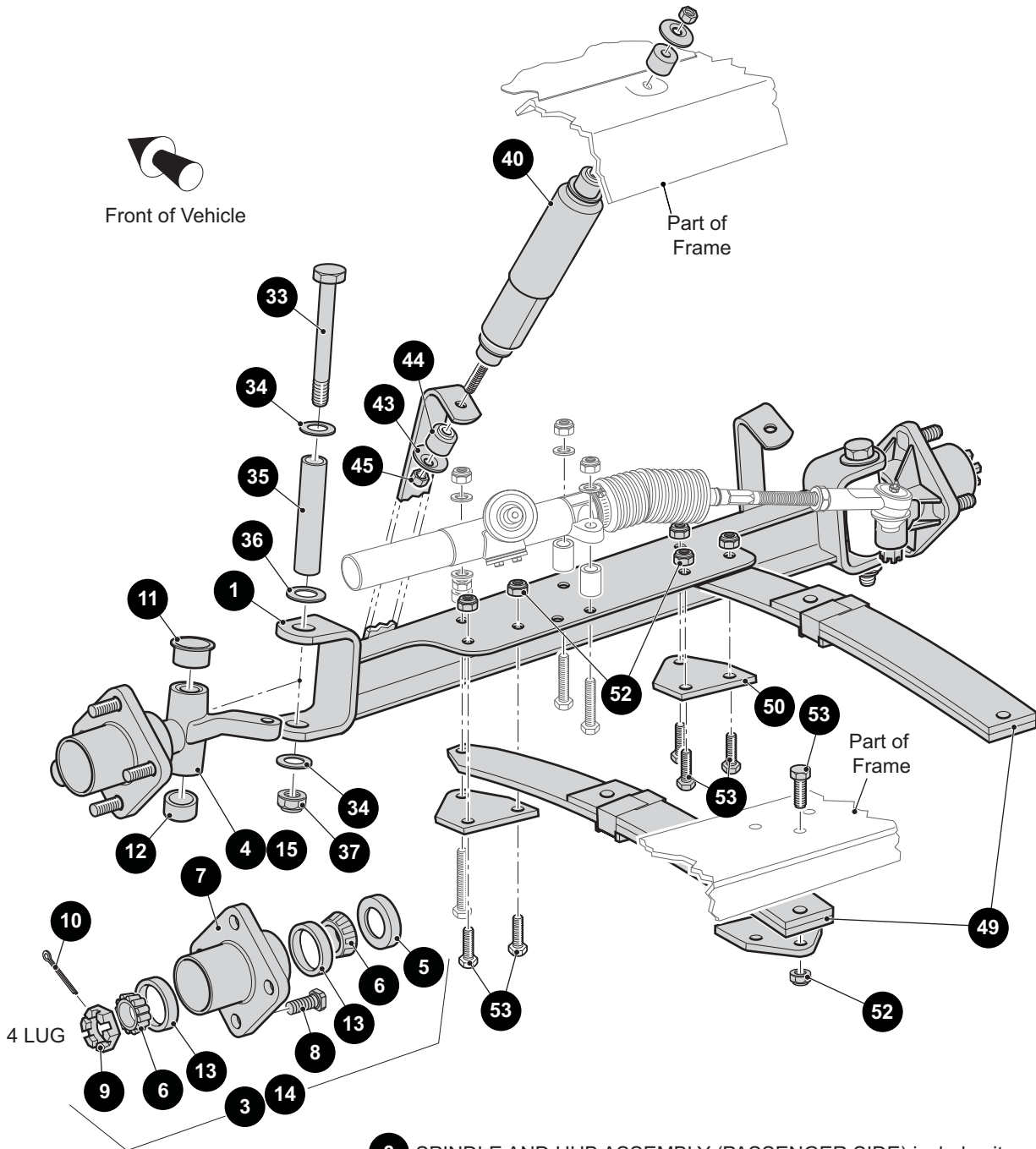
When ordering parts, please specify the model and serial number of the product.

* Indicates a component that is not available as an individual part.

*** Indicates consult Customer Service Department for additional information.

ITEM	PART NO.	1 2 3 4 5	DESCRIPTION	QTY.
1	<u>606007</u>		FRONT ENGINE MOUNT	1
2	<u>603101</u>		ENGINE PAN MOUNT	1
3	<u>606256</u>		HEX HEAD FLANGE BOLT, M10 - 1.25 X 25MM LG	8
4	<u>606279</u>		FLANGE NUT, M10 - 1.25.....	1
5	<u>606096</u>		NUT PLATE.....	2
6	<u>606259</u>		HEX HEAD FLANGE BOLT, M10 - 1.25 X 45MM LG	4
7	<u>603823</u>		FLAT WASHER, M10 X 22 O.D - 2.5 I.D	4
8	<u>606279</u>		FLANGE NUT, M10 - 1.25.....	4
9	<u>608020</u>		HEX HEAD FLANGE BOLT, M10 - 1.25 X 34MM LG	4
10	<u>606246</u>		FLAT HEAD TORX SCREW, T40	4
11	<u>602146</u>		DIFFERENTIAL PLATE	1
12	<u>72016G01</u>		TUBE SPACER	2
13	<u>00428G8</u>		HEX HEAD BOLT 3/8" - 16 X 2.75" LG.....	2
14	<u>11098G5</u>		LOCK NUT 3/8" - 16	2
15	<u>627627</u>		FRONT MOUNT BRACKET ASSEMBLY (INCLUDES ITEMS 16 - 19).....	1
16	<u>625345</u>		FRONT MOUNT BRACKET	1
17	<u>605757</u>		RUBBER BUMPER	2
18	<u>00974G01</u>		HEX NUT, M10 - 1.5.....	2
19	<u>608654</u>		SPLIT LOCK WASHER, 10MM	2
20	<u>70269G02</u>		CROSSMEMBER BRACE	1
21	<u>00438G7</u>		HEX HEAD SCREW, 5/16" - 18 X 7/8" LG.....	2
22	<u>00559G8</u>		FLAT WASHER, 5/16".....	2
23	<u>01109G01</u>		LOCK NUT, 5/16" - 18.....	2
24	<u>00643G1</u>		FLAT WASHER, 3/8"	2
25	<u>00560G2</u>		FLAT WASHER, 7/16".....	2

FRONT SUSPENSION AND STEERING



3 SPINDLE AND HUB ASSEMBLY (PASSENGER SIDE) includes items 4 - 13

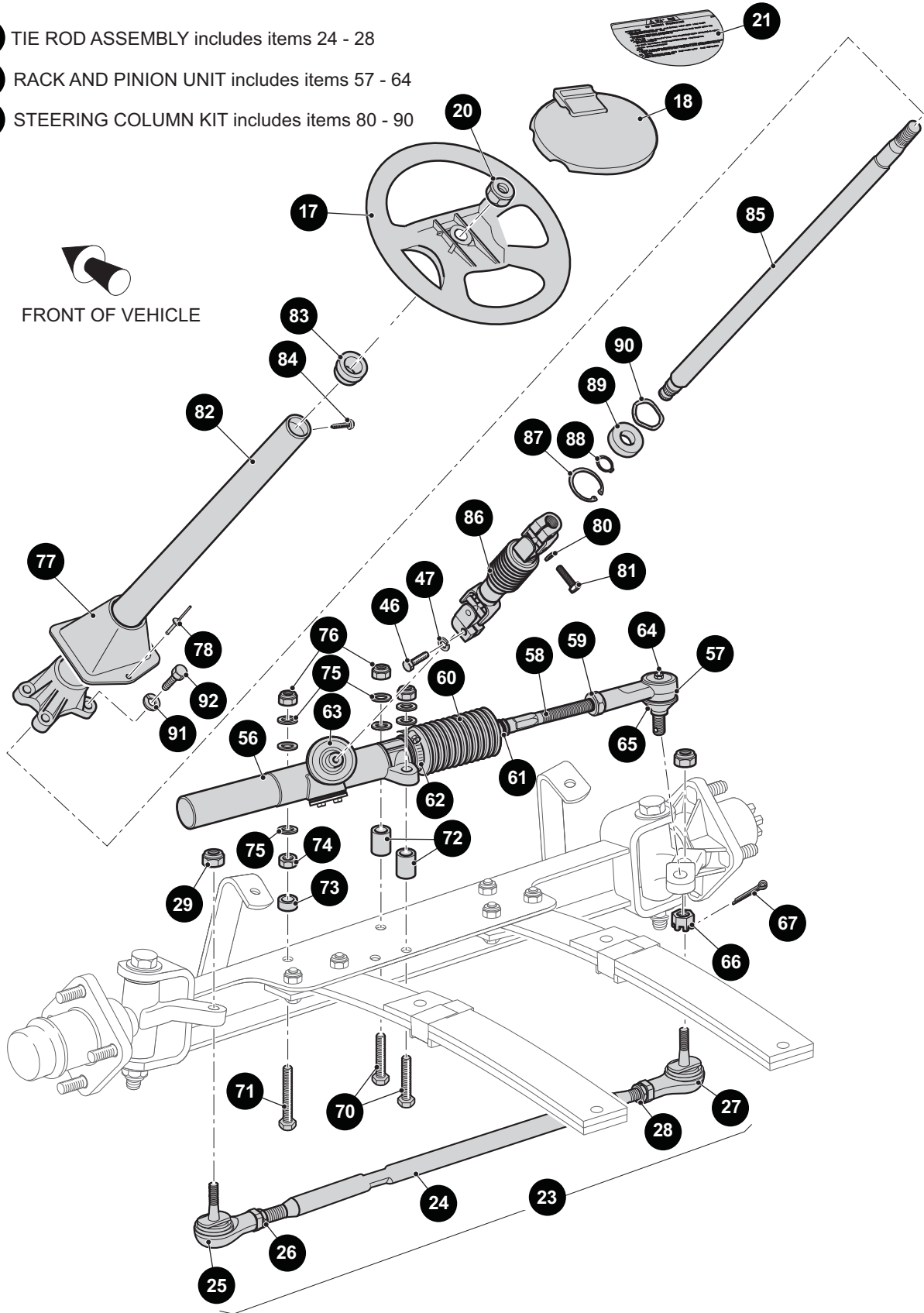
14 SPINDLE AND HUB ASSEMBLY (DRIVER SIDE) includes items 5 - 13, 15

FRONT SUSPENSION AND STEERING

23 TIE ROD ASSEMBLY includes items 24 - 28

56 RACK AND PINION UNIT includes items 57 - 64

79 STEERING COLUMN KIT includes items 80 - 90



FRONT SUSPENSION AND STEERING

When ordering parts, please specify the model and serial number of the product.

* Indicates a component that is not available as an individual part.

*** Indicates consult Customer Service Department for additional information.

ITEM	PART NO.	1 2 3 4 5	DESCRIPTION	QTY.
1	<u>602513</u>		FRONT AXLE	1
2				
3	<u>70942G03</u>		SPINDLE AND HUB ASSEMBLY, 4 LUG (PASSENGER SIDE) (INCLUDES ITEMS 4 - 13)	1
4	<u>70940G02</u>		SPINDLE ASSEMBLY (PASSENGER SIDE)	1
5	<u>25146G1</u>		GREASE SEAL	1
6	<u>11750G2</u>		ROLLER BEARING	2
7	<u>70589G01</u>		WHEEL HUB	1
8	<u>19862G1</u>		LUG BOLT, 1/2" - 20 X 1 3/16" LG	4
9	<u>12093G1</u>		CASTELLATED NUT, 1" - 14	1
10	<u>00798G8</u>		COTTER PIN, 5/32" X 1 3/4" LG	1
11	<u>70648G01</u>		FLANGED BEARING	1
12	<u>70749G01</u>		BEARING	1
13	<u>51141G1</u>		RACE BEARING	2
14	<u>70673G03</u>		SPINDLE AND HUB ASSEMBLY, 4 LUG (DRIVER SIDE) (INCLUDES ITEMS 5 - 13, 15)	1
15	<u>70742G02</u>		SPINDLE ASSEMBLY (DRIVER SIDE)	1
16				
17	<u>602979</u>		STEERING WHEEL	1
18	<u>607925</u>		CLIPBOARD	1
19				
20	<u>14390G2</u>		LOCK NUT, 5/8" - 18	1
21	<u>608529</u>		WARNING LABEL	1
22				
23	<u>70876G02</u>		TIE ROD ASSEMBLY (INCLUDES ITEMS 24 - 28)	1
24	<u>70897G02</u>		THREADED ROD, 24" LG	1
25	<u>70902G01</u>		TIE ROD END (LEFT HAND THREADS)	1
26	<u>01069G01</u>		JAM NUT, M12 X 1.25 (LEFT HAND THREADS)	1
27	<u>70902G02</u>		TIE ROD END (RIGHT HAND THREADS)	1
28	<u>01069G02</u>		JAM NUT, M12 X 1.25 (RIGHT HAND THREADS)	1
29	<u>00734G1</u>		LOCK NUT, 7/16" - 14	2
30				

FRONT SUSPENSION AND STEERING

When ordering parts, please specify the model and serial number of the product.

* Indicates a component that is not available as an individual part.

*** Indicates consult Customer Service Department for additional information.

ITEM	PART NO.	1 2 3 4 5	DESCRIPTION	QTY.
31				
32				
33	<u>00407G6</u>		HEX HEAD BOLT 1/2" - 13 X 6" LG.....	2
34	<u>00560G3</u>		WASHER, 1/2"	4
35	<u>70745G01</u>		KING PIN TUBE.....	2
36	<u>70754G01</u>		THRUST WASHER (SS), 1"	2
37	<u>14390G6</u>		LOCK NUT, 1/2" - 13.....	2
38				
39				
40	<u>76419G01</u>		SHOCK ABSORBER	2
41				
42				
43	<u>10435G1</u>		SHOCK ABSORBER WASHER.....	8
44	<u>10194G1</u>		RUBBER BUSHING.....	8
45	<u>00532G6</u>		HEX NUT, 3/8" - 24	4
46	<u>01055G01</u>		HEX HEAD BOLT, M8 X 1.25 - 6G.....	1
47	<u>00565G8</u>		LOCK WASHER, 5/16"	1
48				
49	<u>70990G03</u>		LEAF SPRING (SEE PART NUMBER ON SPRING).....	2
50	<u>70163G03</u>		SPRING PLATE	4
51				
52	<u>00734G1</u>		LOCK NUT, 7/16" - 14.....	11
53	<u>00463G11</u>		HEX HEAD BOLT, 7/16" - 14 X 1 3/4" LG	11
54				
55				
56	<u>70964G01</u>		RACK AND PINION UNIT (COMPLETE) (INCLUDES ITEMS 57 - 64).....	1
57	<u>70695G01</u>		RACK BALL JOINT	1
58	*		RACK EXTENSION.....	1
59	*		JAM NUT, 1/2" - 20.....	1
60	<u>70961G01</u>		RACK BOOT	1
61	<u>12416G2</u>		WIRE TIE.....	1

FRONT SUSPENSION AND STEERING

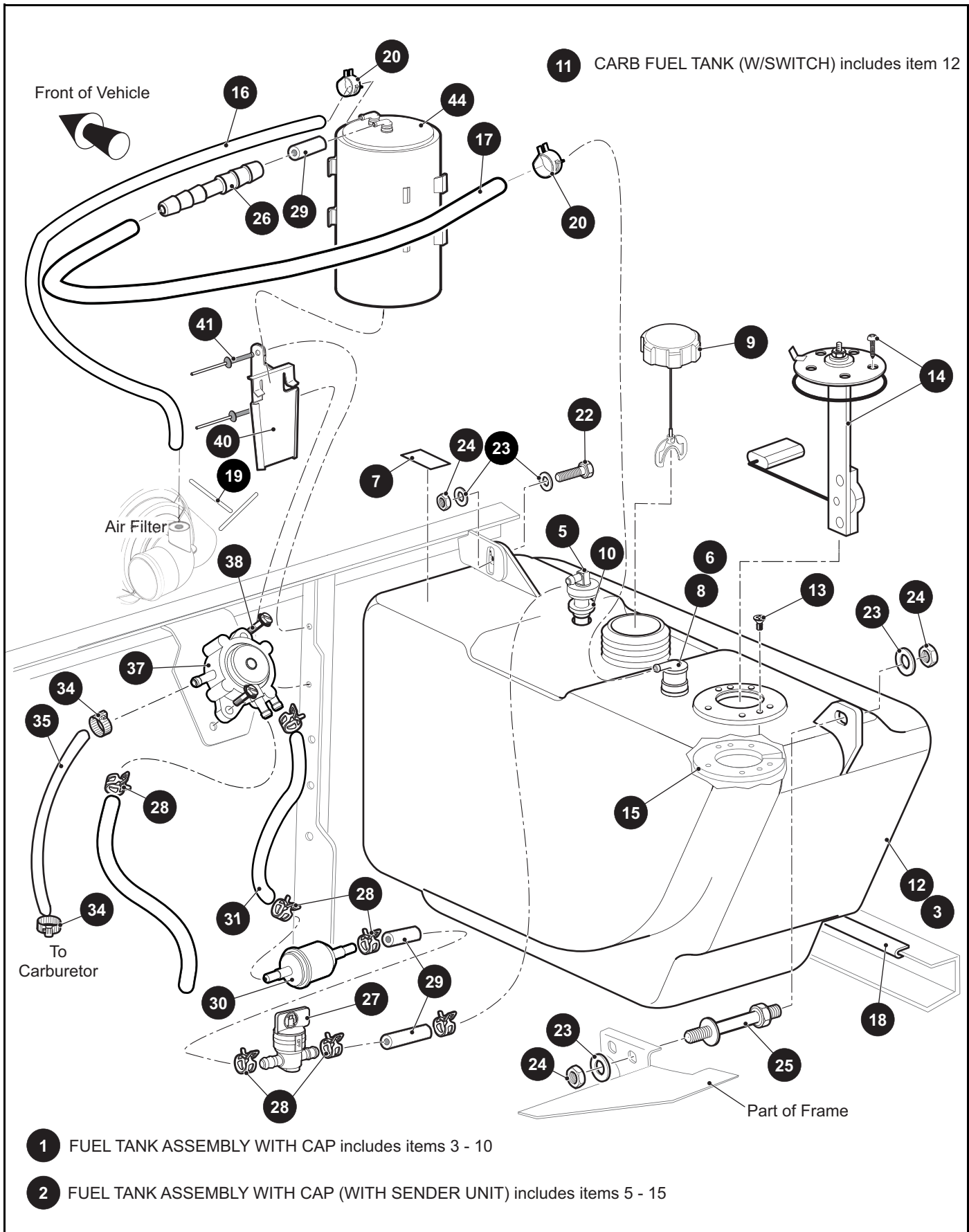
When ordering parts, please specify the model and serial number of the product.

* Indicates a component that is not available as an individual part.

*** Indicates consult Customer Service Department for additional information.

ITEM	PART NO.	1 2 3 4 5	DESCRIPTION	QTY.
62	<u>11391G8</u>		CLAMP, 1 13/16 - 2 3/8"	1
63	<u>70638G01</u>		PINION SEAL.....	1
64	<u>10389G3</u>		GREASE FITTING, STRAIGHT	1
65	<u>50641G1</u>		RUBBER BOOT	1
66	<u>50209G2</u>		CASTELLATED NUT, 7/16" - 20.....	1
67	<u>10387G2</u>		COTTER PIN, 3/32" X 1" LG	1
68				
69				
70	<u>00464G6</u>		HEX HEAD BOLT, 7/16" - 14 X 2 3/4" LG.....	2
71	<u>01068G01</u>		HEX HEAD BOLT, 7/16" - 14 X 3 1/2" LG.....	1
72	<u>70667G02</u>		SPACER, 1.21"	2
73	<u>70667G04</u>		SPACER (SHORT), 0.69"	1
74	<u>00532G7</u>		HEX NUT, 7/16" - 14.....	1
75	<u>00560G2</u>		FLAT WASHER, 7/16"	7
76	<u>00734G1</u>		LOCK NUT, 7/16" - 14	3
77	<u>70997G01</u>		COVER.....	1
78	<u>71055G01</u>		RIVET, 3/16" X 1" LG (ALUMINUM)	1
79	<u>70758G05</u>		STEERING COLUMN KIT (INCLUDES ITEMS 80 - 90)	1
80	<u>00565G8</u>		LOCK WASHER, 5/16"	1
81	<u>01055G01</u>		HEX HEAD BOLT, M8 X 1.25 - 6G.....	1
82	<u>70610G03</u>		STEERING COLUMN	1
83	<u>28569G01</u>		STEERING COLUMN BUSHING.....	1
84	<u>01022G01</u>		HEX WASHER HEAD SCREW, #6 - 20 X 5/16" LG	1
85	<u>70607G01</u>		STEERING SHAFT	1
86	<u>70580G01</u>		INTERMEDIATE SHAFT	1
87	<u>70751G01</u>		RETAINING RING (INTERNAL).....	1
88	<u>70888G01</u>		RETAINING RING (EXTERNAL)	1
89	<u>15112G1</u>		BALL BEARING	1
90	<u>70887G01</u>		WAVE WASHER	1
91	<u>00879G1</u>		LOCK WASHER, 3/8"	4
92	<u>01006G01</u>		HEX HEAD BOLT, 3/8" - 16 X 1 1/4" LG.....	4

FUEL SYSTEM



When ordering parts, please specify the model and serial number of the product.

* Indicates a component that is not available as an individual part.

*** Indicates consult Customer Service Department for additional information.

ITEM	PART NO.	1 2 3 4 5	DESCRIPTION	QTY.
1	618120		FUEL TANK ASSEMBLY WITH CAP (INCLUDES ITEMS 3 - 10)	1
2	618121		FUEL TANK ASSEMBLY WITH CAP (WITH SENDER UNIT) (INCLUDES ITEMS 5 - 15)	1
3	<u>620179</u>		STANDARD FUEL TANK (CARB III)	1
4				
5	<u>18287G3</u>		SIPHON TUBE ASSEMBLY	1
6	<u>606068</u>		ROLLOVER VALVE GROMMET	1
7	<u>625826</u>		EPA FUEL TANK LABEL	1
8	<u>606067</u>		ROLLOVER VALVE	1
9	617885		FUEL TANK CAP (RATCHET).....	1
10	<u>70988G01</u>		SIPHON TUBE GROMMET	1
11	<u>607479</u>		CARB FUEL TANK, FLOUR (W/SWITCH) (INCLUDES ITEM 12).....	1
12	618669		FUEL TANK, W/ SENDER UNIT	1
13	<u>72230G01</u>		FLAT HEAD MACHINE SCREW, #6 - 32 X 0.5" LG.....	2
14	<u>20048G2</u>		FUEL LEVEL SENDER	1
15	72229G01		FUEL TANK ADAPTER	1
16	<u>606966</u>		LOW PRESSURE FUEL HOSE, 3/8" O.D X 3/16" I.D X 34" LG (CARB).....	1
17	<u>607546</u>		LOW PRESSURE FUEL HOSE, 3/8" O.D X 3/16" I.D X 17" LG (CARB).....	1
18	<u>32372G6</u>		BLACK TRIM, 6.25" LG	1
19	<u>17618G1</u>		NYLON CLAMP	2
20	<u>606963</u>		TUBING CLAMP, 3/16" I.D.....	2
21				
22	<u>00438G8</u>		HEX HEAD BOLT, 5/16" - 18 X 1" LG	1
23	00559G8		FLAT WASHER, 5/16"	4
24	11098G6		LOCK NUT, 5/16" - 18	3
25	<u>70483G01</u>		SPACER, 5/16" - 18	1
26	<u>615346</u>		HOSE REDUCER - ID, 1/4" X 3/16"	1
27	<u>611181</u>		FUEL SHUT-OFF VALVE	1
28	<u>18292G1</u>		HOSE CLAMP, 0.5" DIA.....	7
29	<u>615350</u>		FUEL SYSTEM HOSE 2" LG	3
30	<u>72084G01</u>		FUEL LINE FILTER.....	1

FUEL SYSTEM

When ordering parts, please specify the model and serial number of the product.

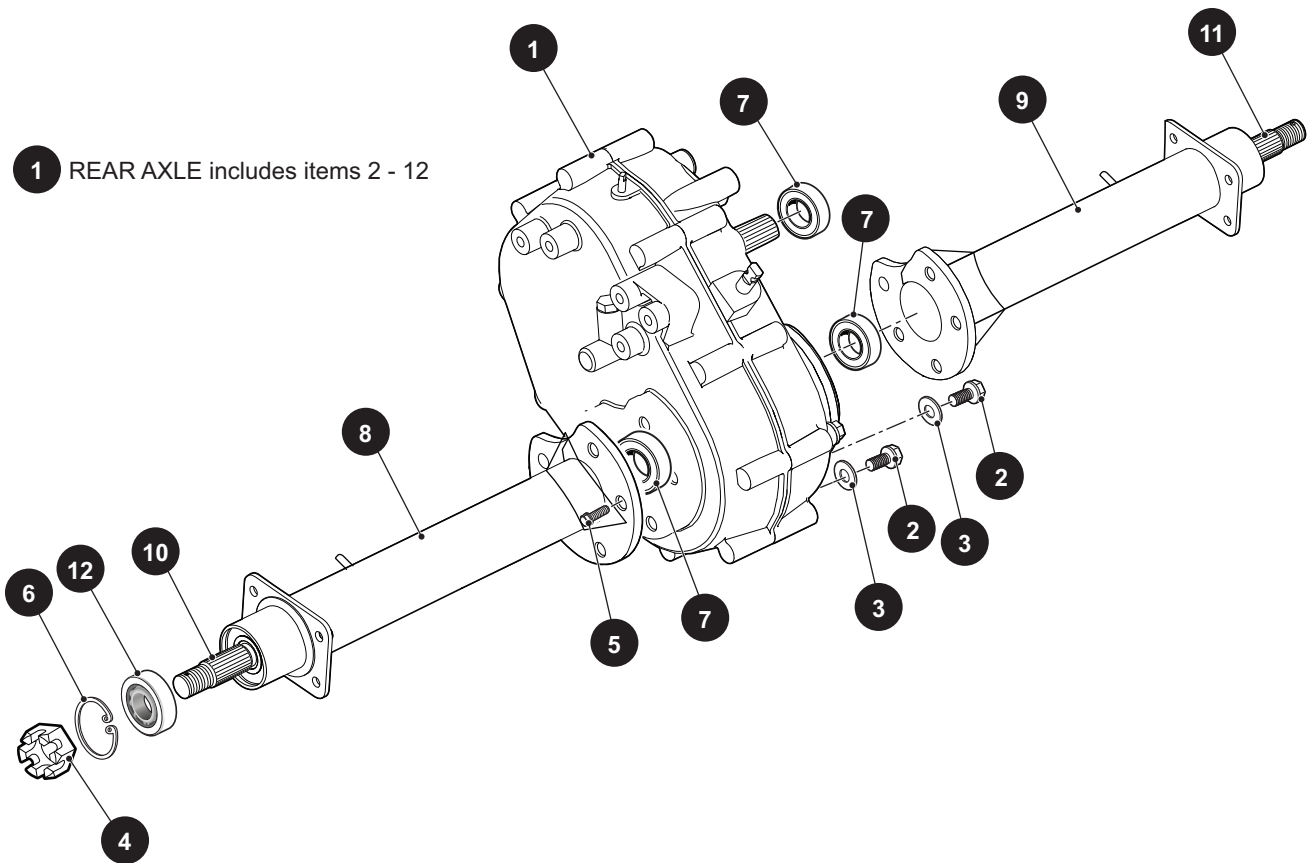
* Indicates a component that is not available as an individual part.

*** Indicates consult Customer Service Department for additional information.

ITEM	PART NO.	1	2	3	4	5	DESCRIPTION	QTY.
31	<u>606969</u>						FUEL SYSTEM HOSE, 8" LG	1
32								
33								
34	<u>11391G4</u>						HOSE CLAMP, 0.25" - 0.63" DIA.....	2
35	<u>604597</u>						CARB FUEL SYSTEM HOSE, 26" LG	1
36								
37	<u>602061</u>						FUEL PUMP	1
38	<u>00114G6</u>						HEX HEAD TAPPING SCREW, 1/4" - 14 X 0.75" LG.....	2
39								
40	<u>606310</u>						CARBON CANISTER MOUNTING BRACKET (CARB ONLY).....	1
41	<u>10570G11</u>						RIVET, 3/16" DIA X 0.70 (CARB ONLY).....	2
42								
43								
44	<u>606071</u>						CARBON CANISTER (CARB ONLY)	1

REAR AXLE

1 REAR AXLE includes items 2 - 12



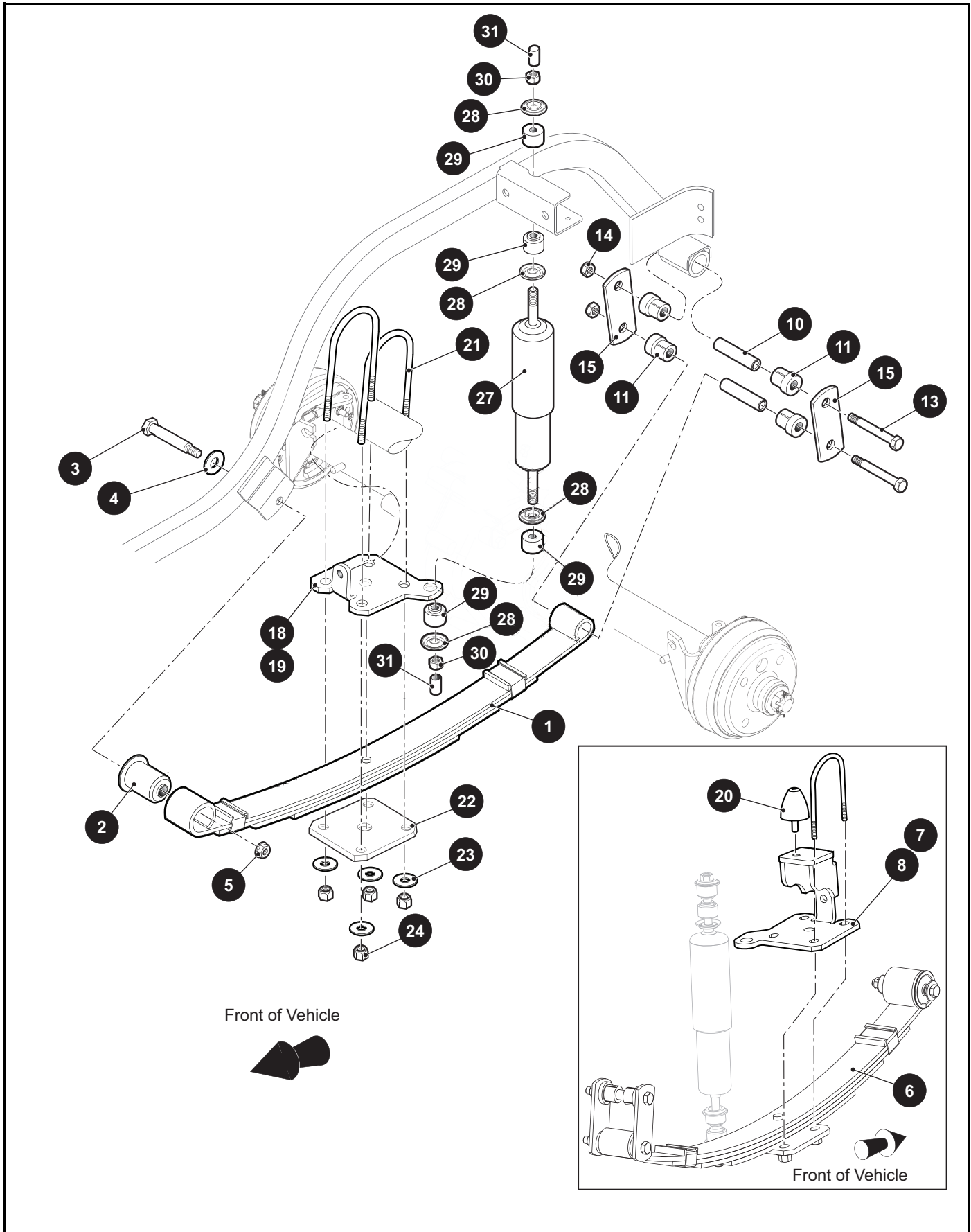
When ordering parts, please specify the model and serial number of the product.

* Indicates a component that is not available as an individual part.

*** Indicates consult Customer Service Department for additional information.

ITEM	PART NO.	1 2 3 4 5	DESCRIPTION	QTY.
1	<u>627891</u>		REAR AXLE, (INCLUDES ITEMS 2 - 12)	1
2	<u>26770G01</u>		OIL CHECK PLUG	2
3	<u>26771G01</u>		GASKET, 14MM	2
4	<u>606403</u>		SLOTTED NUT, M22 - 1.5.....	2
5	<u>72260G01</u>		HEX HEAD FLANGE BOLT, M10 - 1.5 X 23MM LG.....	10
6	<u>26814G01</u>		RETAINING RING, 52MM.....	2
7	<u>72259G01</u>		OIL SEAL 28 X 47 X 9MM.....	3
8	<u>607939</u>		AXLE TUBE (DRIVER SIDE)	1
9	<u>607940</u>		AXLE TUBE (PASSENGER SIDE).....	1
10	<u>607945</u>		AXLE SHAFT (DRIVER SIDE)	1
11	<u>607946</u>		AXLE SHAFT (PASSENGER SIDE).....	1
12	<u>26811G01</u>		BALL BEARING.....	2

REAR SUSPENSION



REAR SUSPENSION

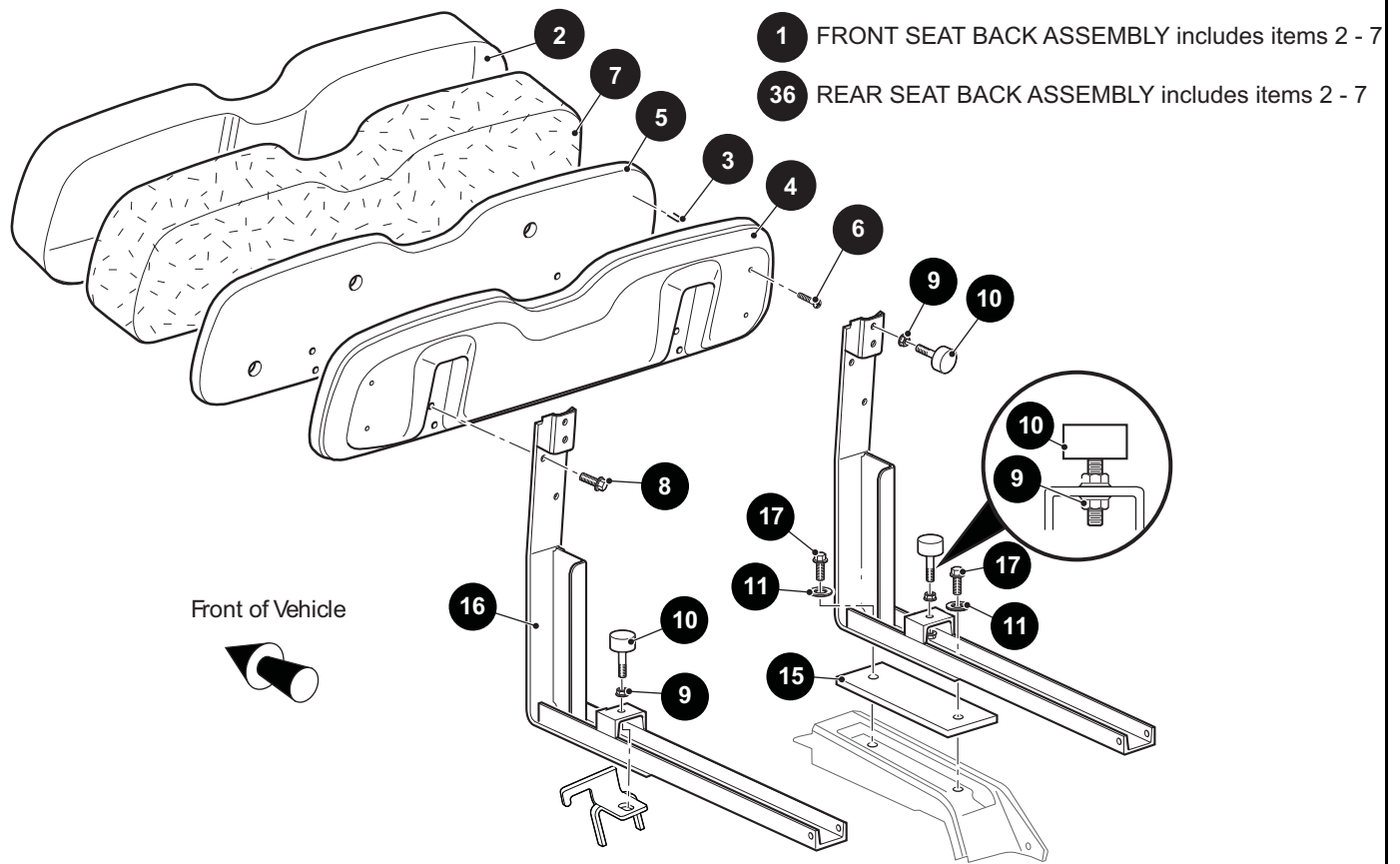
When ordering parts, please specify the model and serial number of the product.

* Indicates a component that is not available as an individual part.

*** Indicates consult Customer Service Department for additional information.

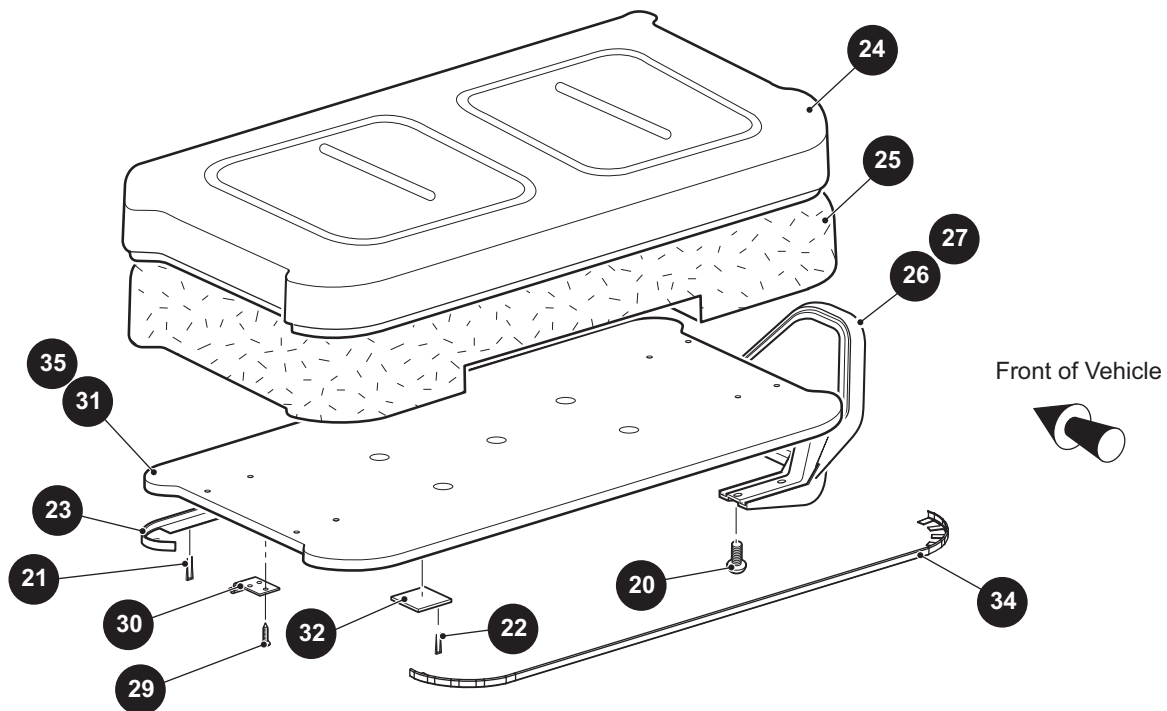
ITEM	PART NO.	1 2 3 4 5	DESCRIPTION	QTY.
1	<u>605721</u>		HEAVY DUTY LEAF SPRING.....	2
2	<u>605445</u>		LEAF SPRING BUSHING, FRONT	2
3	<u>00665G9</u>		HEX HEAD BOLT (SS), 3/8" - 16 X 3.5" LG	2
4	<u>00643G1</u>		FLAT WASHER, 3/8"	2
5	<u>12262G1</u>		FLANGED LOCK NUT, 3/8" - 16.....	2
6	<u>605722</u>		HEAVY DUTY LEAF SPRING (2+2 ONLY).....	2
7	<u>605952</u>		AXLE BRACKET (DRIVER SIDE) (2+2 ONLY).....	1
8	<u>605959</u>		AXLE BRACKET (PASSENGER SIDE) (2+2 ONLY)	1
9				
10	<u>70289G02</u>		SPLIT STEEL SPACER	4
11	<u>624030</u>		FLANGED BUSHING.....	8
12				
13	<u>00665G9</u>		HEX HEAD BOLT (SS), 3/8" - 16 X 3.5" LG	4
14	<u>11098G5</u>		LOCK NUT, 3/8" - 16.....	4
15	<u>70290G02</u>		SHACKLE PLATE	4
16				
17				
18	<u>605938</u>		AXLE BRACKET (DRIVER SIDE).....	1
19	<u>605958</u>		AXLE BRACKET (PASSENGER SIDE)	1
20	<u>70492G01</u>		RUBBER BUMPER (2+2 ONLY).....	2
21	<u>32195G3</u>		U-BOLT, 2 3/8" DIA X 5" LG	4
22	<u>605956</u>		REAR SUSPENSION PLATE	2
23	<u>00643G1</u>		FLAT WASHER, 3/8"	8
24	<u>11098G5</u>		LOCK NUT, 3/8" - 16.....	8
25				
26				
27	<u>70248G01</u>		SHOCK ABSORBER	2
28	<u>10435G1</u>		SHOCK ABSORBER WASHER.....	8
29	<u>10194G1</u>		RUBBER BUSHING	8
30	<u>00532G6</u>		HEX NUT, 3/8" - 24	4
31	<u>10044G01</u>		VINYL CAP	2

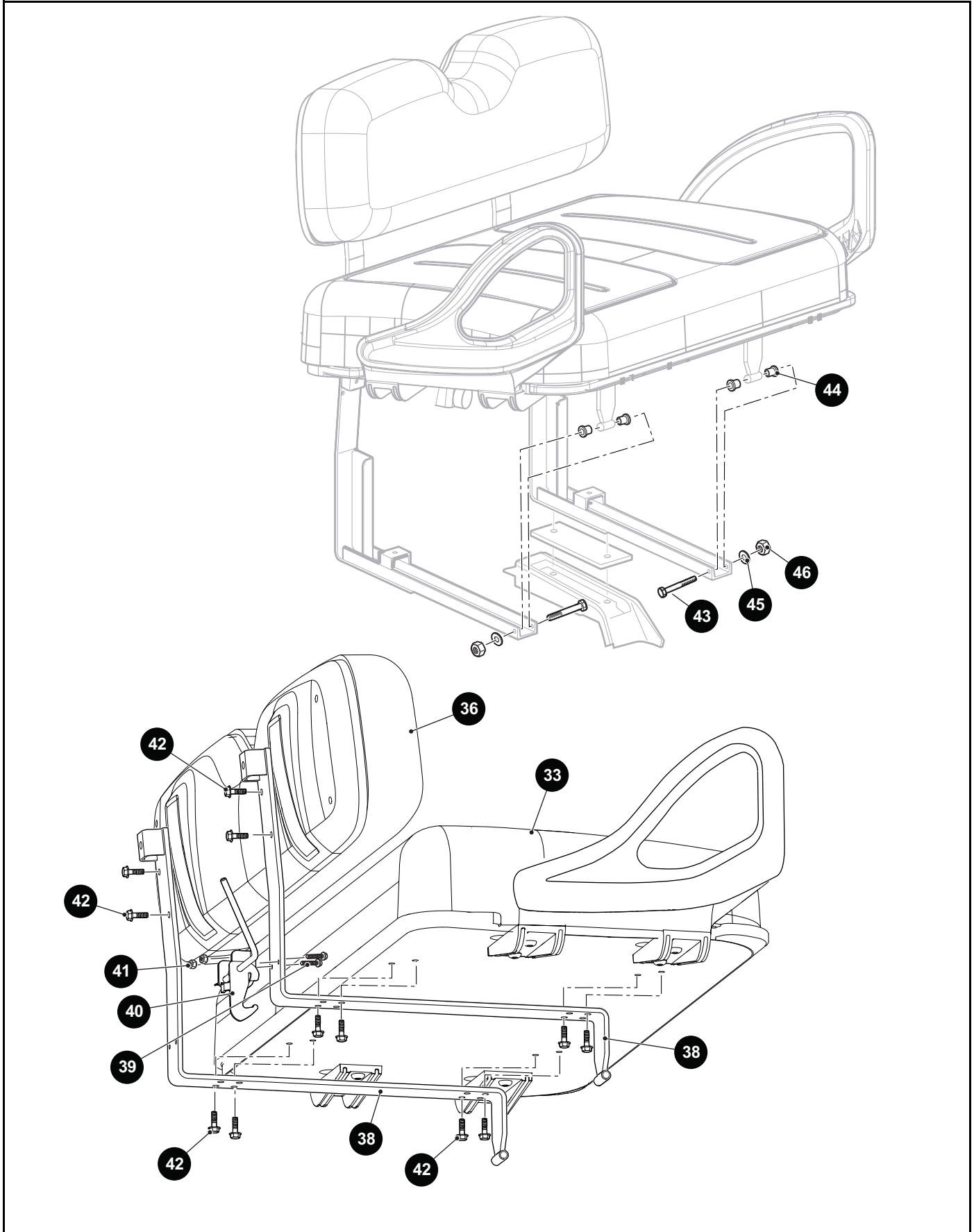
SEATING - CONVERTIBLE CARRIER



19 FRONT SEAT BOTTOM ASSEMBLY includes items 20 - 32

33 REAR SEAT BOTTOM ASSEMBLY includes items 20 - 28 and 34 - 35





SEATING - CONVERTIBLE CARRIER

When ordering parts, please specify the model and serial number of the product.

* Indicates a component that is not available as an individual part.

*** Indicates consult Customer Service Department for additional information.

ITEM	PART NO.	1 2 3 4 5	DESCRIPTION	QTY.
1	***		FRONT SEAT BACK ASSEMBLY (INCLUDES ITEMS 2 - 7) 71751G03 OYSTER 71751G02 GREY 71751G04 TAN 71751G05 SPECIAL	1
2	***		VINYL SEAT BACK COVER 71753G03 OYSTER 71753G02 GREY 71753G04 TAN 71753G05 SPECIAL	1
3	*		FLAT STAPLE	A/R
4	71752G01		PLASTIC SEAT BACK COVER	1
5	<u>76414G01</u>		SEAT BACK (WOOD)	1
6	<u>01107G01</u>		PAN HEAD TORX SCREW (SS), #8 X 5/8" LG	4
7	<u>71754G01</u>		FOAM PADDING (SEAT BACK)	1
8	71204G01		HEX HEAD BOLT, 1/4" - 20 X 7/8" LG.....	4
9	<u>11027G1</u>		LOCK NUT, 5/16" - 18	6
10	<u>70113G01</u>		ADJUSTABLE BUMPER	4
11	<u>00560G1</u>		WASHER, 3/8"	4
12				
13				
14				
15	<u>70364G01</u>		SPACER, 8.45" X 2"	2
16	<u>625525</u>		SEAT BACK SUPPORT	2
17	<u>00427G2</u>		HEX HEAD BOLT, 3/8" - 16 X 1" LG.....	4
18				
19	***		FRONT SEAT BOTTOM ASSEMBLY (INCLUDES ITEMS 20 - 32) 629269G0101 OYSTER 629269G0103 TAN 629269G0104 GREY 629269G0108 CUSTOM SOLID	1
20	<u>600530</u>		BUTTON HEAD TORX SCREW, M10 - 1.5 X 25MM LG	8
21	*		FLAT STAPLE (SS), 3/8".....	A/R
22	*		FLAT STAPLE	A/R
23	<u>71012G01</u>		VINYL TRIM (SEAT BOTTOM)	1

SEATING - CONVERTIBLE CARRIER

When ordering parts, please specify the model and serial number of the product.

* Indicates a component that is not available as an individual part.

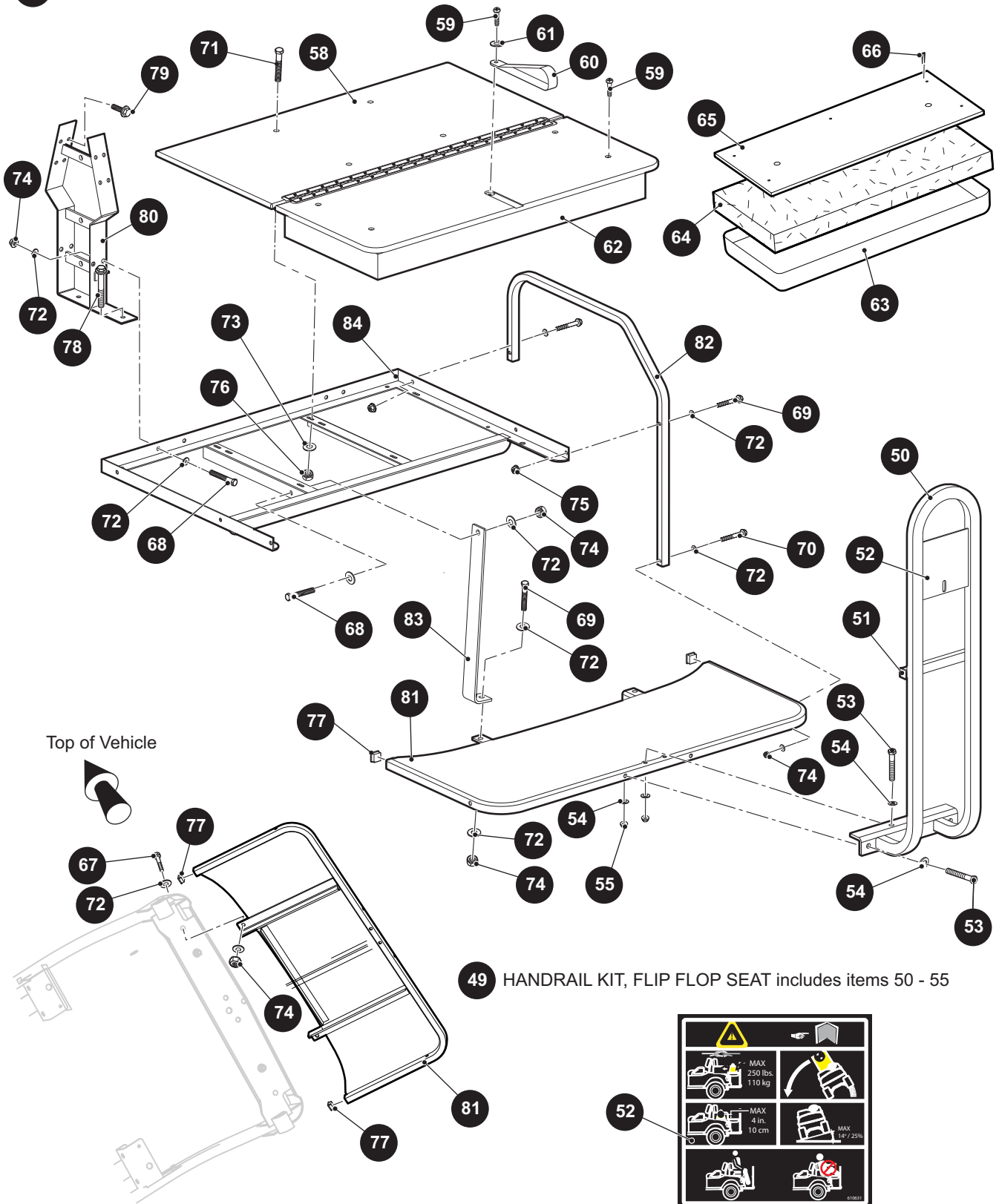
*** Indicates consult Customer Service Department for additional information.

ITEM	PART NO.	1 2 3 4 5	DESCRIPTION	QTY.
24	***		VINYL SEAT BOTTOM COVER 71602G03 OYSTER 71602G02 GREY 71602G04 TAN 71602G05 CUSTOM SOLID	1
25	<u>71603G02</u>		FOAM PADDING (SEAT BOTTOM)	1
26	<u>617645</u>		HIP RESTRAINT (DRIVER SIDE)	1
27	<u>617644</u>		HIP RESTRAINT (PASSENGER SIDE)	1
28	<u>17618G1</u>		NYLON CLAMP (NOT ILLUSTRATED)	1
29	<u>00720G08</u>		PHILLIPS HEAD TAPPING SCREW #12 -14 X 1" LG	6
30	<u>71610G01</u>		SEAT HINGE	2
31	<u>629301</u>		SEAT BOTTOM (WOOD)	1
32	<u>17074G1</u>		SOILING SLAB	2
33	***		REAR SEAT BOTTOM ASSEMBLY (INCLUDES ITEMS 20 - 28 AND 34 - 35)..... 629269G0301 OYSTER 629269G0303 TAN 629269G0304 GREY 629269G0308 CUSTOM SOLID	1
34	<u>74140G01</u>		VINYL TRIM (SEAT BOTTOM).....	1
35	629303		SEAT BOTTOM (WOOD)	1
36	***		REAR SEAT BACK ASSEMBLY (INCLUDES ITEMS 2 - 7) 71751G03 OYSTER 71751G02 GREY 71751G04 TAN 71751G05 SPECIAL	1
37				
38	<u>625526</u>		REAR SEAT SUPPORT WELDMENT	2
39	<u>628906</u>		HEX HEAD FLANGE BOLT, #10 - 24 X 3/4" LG	2
40	<u>72917G01</u>		BED LATCH ASSEMBLY	1
41	<u>14390G10</u>		LOCK NUT, #10 - 24	2
42	71204G01		HEX HEAD BOLT, 1/4" - 20 X 7/8" LG	12
43	<u>00440G4</u>		HEX HEAD BOLT, 5/16" - 18 X 2.5" LG	2
44	<u>17838G1</u>		NYLINER BUSHING, .5"	4
45	00559G8		FLAT WASHER, 5/16"	2
46	11098G6		LOCK NUT, 5/16" - 18	2

SEATING - CONVERTIBLE CARRIER

57 FLIP FLOP SEAT BOTTOM includes items 58 - 62

62 SEAT BOTTOM ASSEMBLY includes items 63 - 66



49 HANDRAIL KIT, FLIP FLOP SEAT includes items 50 - 55



SEATING - CONVERTIBLE CARRIER

When ordering parts, please specify the model and serial number of the product.

* Indicates a component that is not available as an individual part.

*** Indicates consult Customer Service Department for additional information.

ITEM	PART NO.	1 2 3 4 5	DESCRIPTION	QTY.
47				
48				
49	<u>634184</u>		HANDRAIL KIT, FLIP-FLOP SEAT (INCLUDES ITEMS 50 - 55).....	1
50	<u>634185</u>		FOOTREST HANDLE WELDMENT	1
51	<u>19859G1</u>		SQUARE CAP TUBE, 3/4"	2
52	<u>610631</u>		DECAL.....	1
53	<u>00427G8</u>		HEX HEAD BOLT, 3/8" - 16 X 2.0" LG.....	4
54	<u>614221</u>		FLAT WASHER, 3/8"	8
55	<u>11098G5</u>		PLASTIC LOCK NUT, 3/8" - 16	4
56				
57	***		FLIP FLOP SEAT BOTTOM (INCLUDES ITEMS 58 - 62)..... 628058G01 OYSTER 628058G03 TAN 628058G04 GREY	1
58	<u>634190</u>		DECK BOARD ASSEMBLY.....	1
59	<u>16705G1</u>		PHILLIPS TRUSS HEAD SCREW (SS), 1/4" - 20 X 1" LG	5
60	<u>617402</u>		SEAT STRAP	1
61	<u>00559G7</u>		FLAT WASHER, 1/4"	1
62	***		SEAT BOTTOM ASSEMBLY (INCLUDES ITEMS 63 - 66)	1
			632837G01 OYSTER 632837G03 TAN 632837G04 GREY	
63	***		VINYL SEAT BOTTOM	1
			615646 OYSTER 615647 TAN 617892 GREY	
64	<u>617401</u>		FOAM PADDING (SEAT BOTTOM).....	1
65	<u>617400</u>		SEAT BOTTOM (WOOD).....	1
66	*		FLAT STAPLE (SS), 3/8".....	A/R
67	<u>00427G6</u>		HEX HEAD BOLT, 3/8" - 16 X 1.75" LG	2
68	<u>00427G2</u>		HEX HEAD BOLT, 3/8" - 16 X 1.25" LG	4
69	<u>00427G4</u>		HEX HEAD BOLT, 3/8" - 16 X 1.5" LG	6
70	<u>00428G8</u>		HEX HEAD BOLT, 3/8" - 16 X 3.25" LG	2
71	<u>16705G9</u>		PHILLIPS TRUSS HEAD SCREW (SS), 1/4" - 20 X 1.25" LG.....	4

SEATING - CONVERTIBLE CARRIER

When ordering parts, please specify the model and serial number of the product.

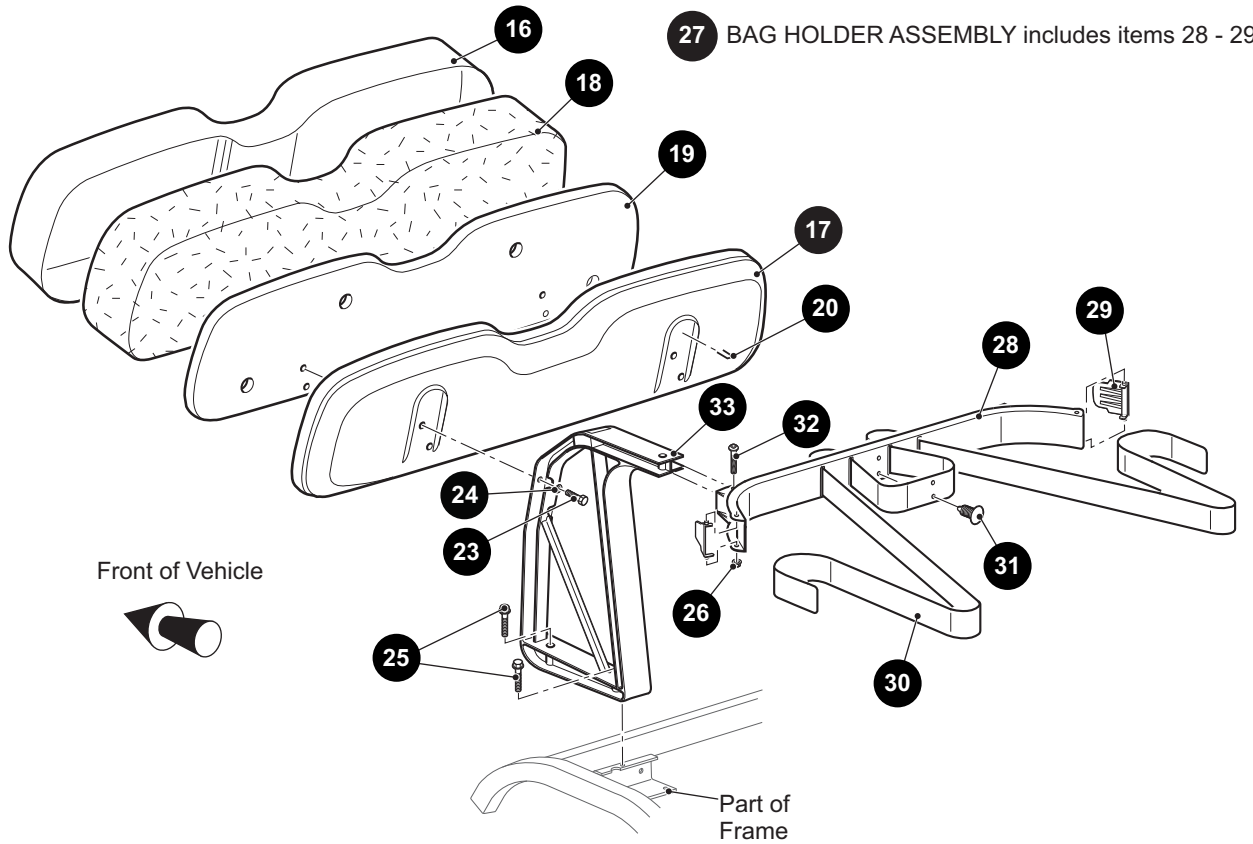
* Indicates a component that is not available as an individual part.

*** Indicates consult Customer Service Department for additional information.

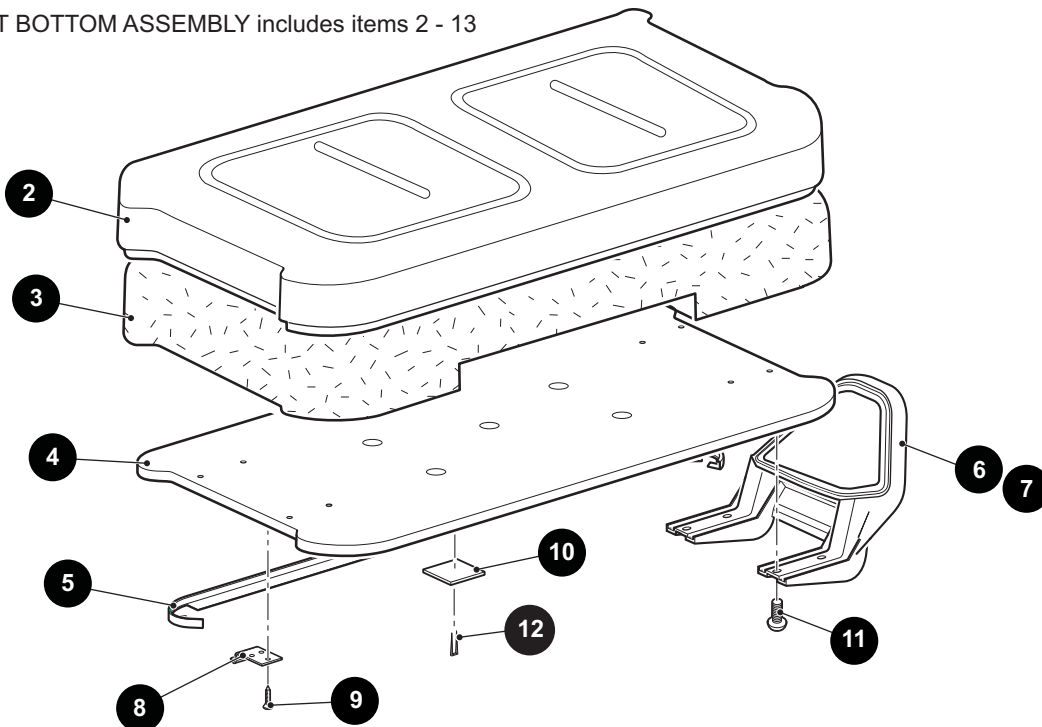
ITEM	PART NO.	1 2 3 4 5	DESCRIPTION	QTY.
72	<u>614221</u>		FLAT WASHER, 3/8"	24
73	<u>00559G7</u>		FLAT WASHER, 1/4"	4
74	<u>11098G5</u>		PLASTIC LOCK NUT, 3/8" - 16	10
75	<u>11027G5</u>		FLANGED LOCK NUT, 3/8" - 16	4
76	<u>14390G4</u>		PLASTIC LOCK NUT, 1/4" - 20	4
77	<u>19853G1</u>		SQUARE CAP TUBE, 1"	2
78	<u>01006G01</u>		HEX HEAD BOLT, 3/8" - 16 X 1.25" LG.....	4
79	71204G01		HEX HEAD BOLT, 1/4" - 20 X 7/8" LG.....	8
80	<u>634178</u>		SEAT BACK SUPPORT	1
81	<u>634179</u>		FOOTREST WELDMENT	1
82	<u>634175</u>		ARMREST, REAR SEAT	2
83	<u>634174</u>		SEAT FRAME SUPPORT.....	2
84	<u>634180</u>		SEAT FRAME WELDMENT	1

SEATING AND BAG HOLDER - GOLF CAR

15 SEAT BACK ASSEMBLY includes items 16 - 21



1 SEAT BOTTOM ASSEMBLY includes items 2 - 13



SEATING AND BAG HOLDER - GOLF CAR

When ordering parts, please specify the model and serial number of the product.

* Indicates a component that is not available as an individual part.

*** Indicates consult Customer Service Department for additional information.

ITEM	PART NO.	1 2 3 4 5	DESCRIPTION	QTY.
1	***		SEAT BOTTOM ASSEMBLY (INCLUDES ITEMS 2 - 13)..... 629269G0101 OYSTER 629269G0103 TAN 629269G0104 GREY 629269G0108 CUSTOM SOLID	1
2	***		SEAT BOTTOM COVER 71602G03 OYSTER 71602G02 GREY 71602G04 TAN 71602G05 CUSTOM SOLID	1
3	<u>71603G02</u>		FOAM PADDING (SEAT BOTTOM)	1
4	<u>629301</u>		SEAT BOTTOM (WOOD)	1
5	<u>71012G01</u>		VINYL TRIM (SEAT BOTTOM).....	1
6	<u>617644</u>		HIP RESTRAINT (PASSENGER SIDE)	1
7	<u>617645</u>		HIP RESTRAINT (DRIVER SIDE).....	1
8	<u>71610G01</u>		SEAT HINGE	2
9	<u>00720G08</u>		PHILLIPS HEAD TAPPING SCREW #12 -14 X 1" LG	6
10	<u>17074G1</u>		SOILING SLAB.....	2
11	<u>600530</u>		BUTTON HEAD TORX SCREW, M10 - 1.5 X 25MM LG	8
12	*		FLAT STAPLE.....	A/R
13	<u>17618G1</u>		NYLON CLAMP (NOT ILLUSTRATED).....	1
14				
15	***		SEAT BACK ASSEMBLY (INCLUDES ITEMS 16 - 21) 625229G0101 OYSTER 625229G0103 TAN 625229G0104 GREY 625229G0108 CUSTOM SOLID	1
16	***		VINYL SEAT BACK COVER 625234G01 OYSTER 625234G03 TAN 625234G04 GREY 625234G08 CUSTOM SOLID	1
17	<u>625239</u>		PLASTIC SEAT BACK COVER.....	1
18	<u>625233</u>		FOAM PADDING (SEAT BACK).....	1
19	<u>625231</u>		SEAT BACK BOARD (WOOD).....	1
20	*		FLAT STAPLE.....	A/R
21	<u>17618G1</u>		NYLON CLAMP (NOT ILLUSTRATED).....	1

SEATING AND BAG HOLDER - GOLF CAR

When ordering parts, please specify the model and serial number of the product.

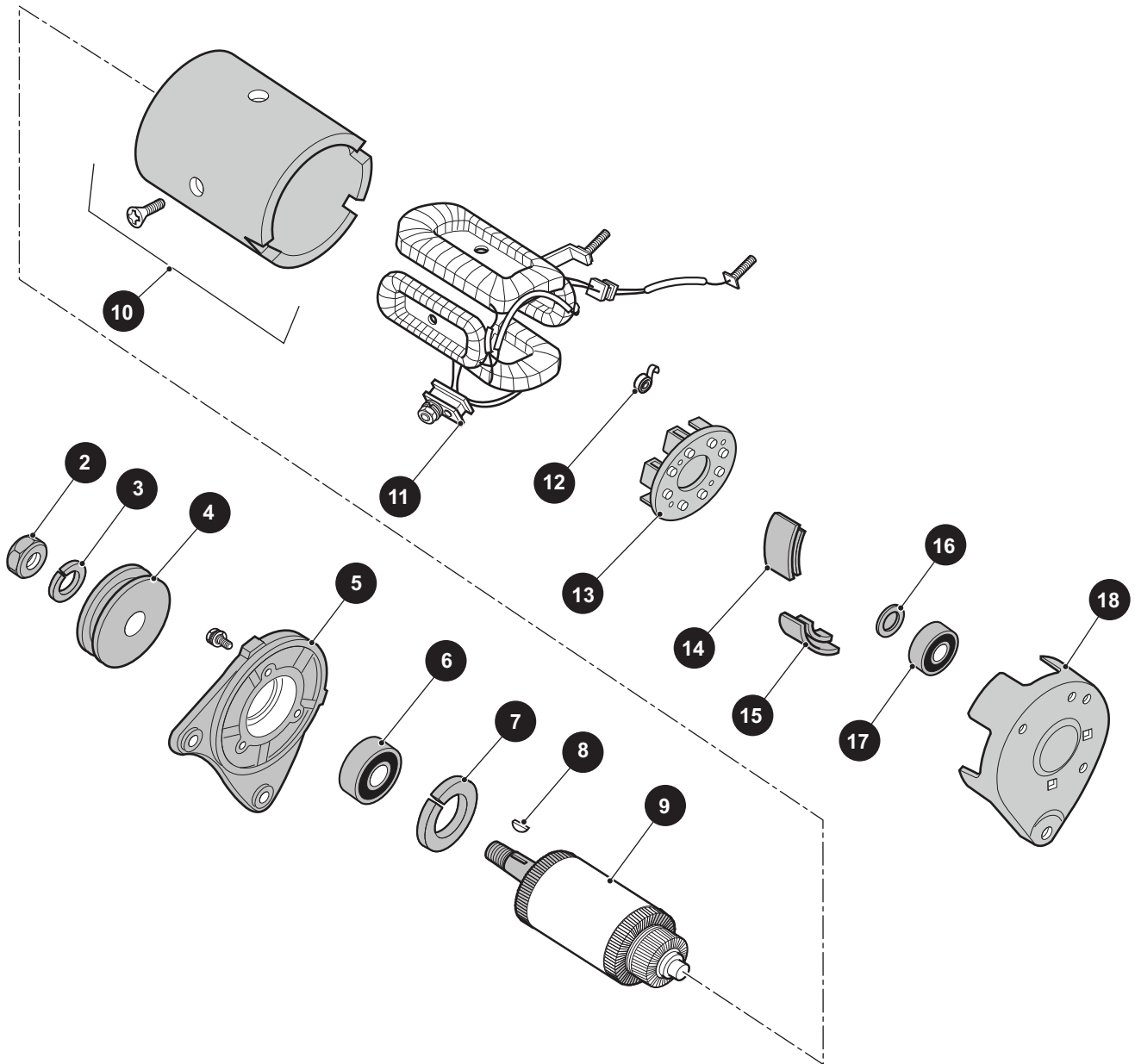
* Indicates a component that is not available as an individual part.

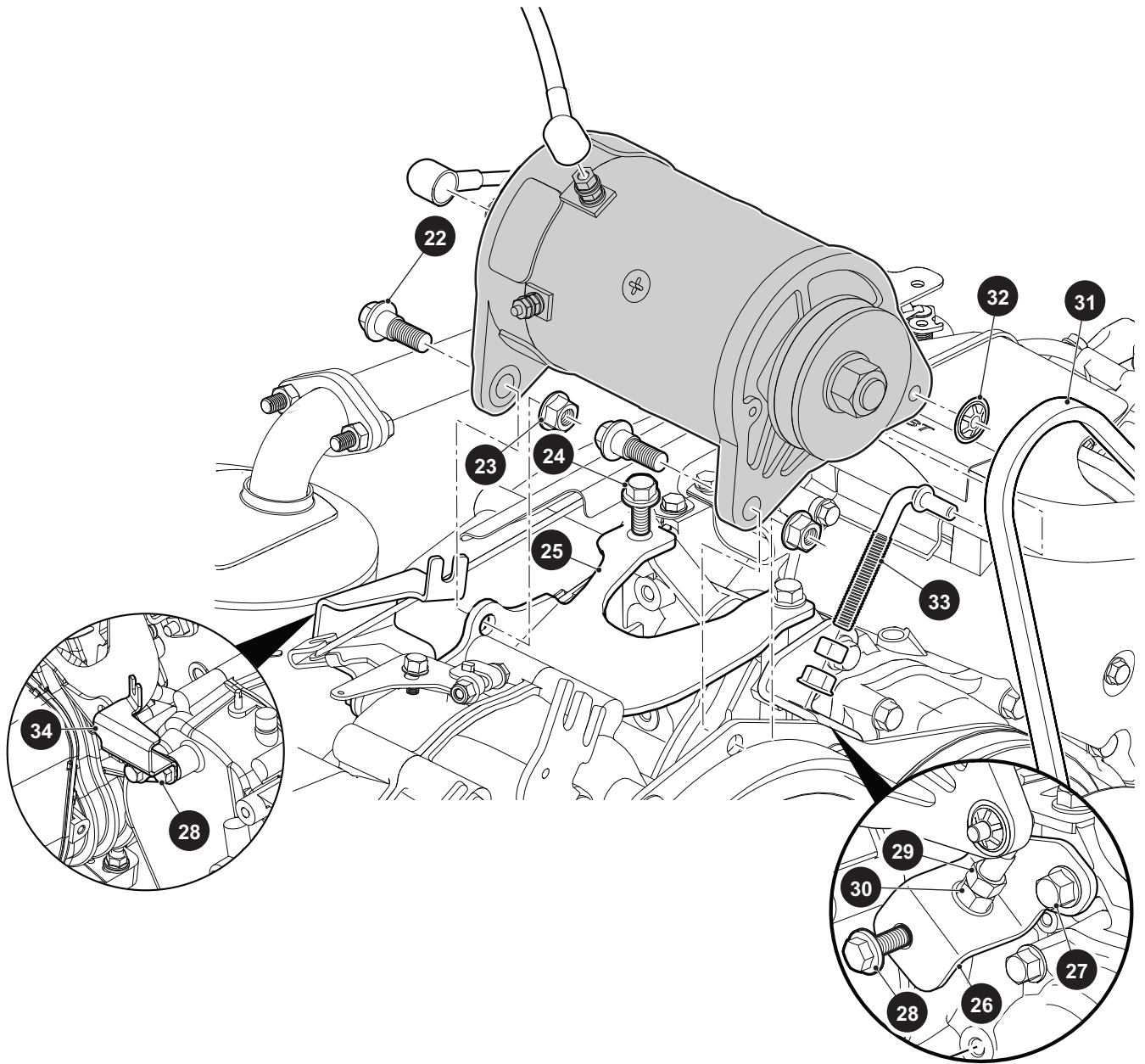
*** Indicates consult Customer Service Department for additional information.

ITEM	PART NO.	1	2	3	4	5	DESCRIPTION	QTY.
22								
23	<u>605056</u>						HEX HEAD BOLT (SS), 1/4" - 20 X 1" LG	4
24	<u>00664G7</u>						LOCK WASHER (SS), 1/4"	4
25	<u>01075G01</u>						HEX HEAD BOLT, 3/8" - 16 X 2 1/2" LG.....	4
26	<u>11027G2</u>						LOCK NUT, 1/4" - 20	2
27	<u>618206</u>						BAG HOLDER ASSEMBLY (INCLUDES ITEMS 28 - 29)	1
28	<u>610642</u>						BAG HOLDER BRACKET.....	1
29	<u>608051</u>						BAG RETAINER CLAMP	2
30	<u>71853G01</u>						BAG RETAINER STRAP	1
31	<u>16816G1</u>						RATCHET FASTENER, 1/4" X 9/16" LG	2
32	<u>01102G01</u>						CARRIAGE BOLT (SS), 1/4" - 20 X 1 1/2" LG.....	2
33	<u>71811G03</u>						SEAT SUPPORT BRACKET	2

STARTER / GENERATOR

1 STARTER / GENERATOR includes items 2 - 18





STARTER / GENERATOR

When ordering parts, please specify the model and serial number of the product.

* Indicates a component that is not available as an individual part.

*** Indicates consult Customer Service Department for additional information.

ITEM	PART NO.	1 2 3 4 5	DESCRIPTION	QTY.
1	<u>625715</u>		STARTER / GENERATOR (INCLUDES ITEMS 2 - 18)	1
2	<u>612029</u>		HEX NUT	1
3	<u>612030</u>		LOCK WASHER.....	1
4	<u>625716</u>		PULLEY	1
5	<u>612032</u>		FRONT COVER.....	1
6	<u>612033</u>		BEARING	1
7	<u>612034</u>		RETAINING RING.....	1
8	<u>612035</u>		KEY	1
9	<u>612036</u>		ARMATURE ASSEMBLY	1
10	<u>612037</u>		FRAME & FIELD ASSEMBLY	1
11	<u>612038</u>		BRUSH LEAD & TERMINAL PKG	1
12	<u>612039</u>		BRUSH SPRING.....	4
13	<u>612040</u>		BRUSH BOX ASSEMBLY.....	1
14	<u>612041</u>		BRUSH 1 COVER.....	3
15	<u>612042</u>		BRUSH 2 COVER.....	1
16	<u>612043</u>		WAVY WASHER	1
17	<u>612044</u>		BEARING.....	1
18	<u>612045</u>		REAR COVER	1
19				
20				
21				
22	<u>606235</u>		HEX HEAD SHOULDER BOLT, M10 - 1.25 X 20MM LG	2
23	<u>606279</u>		HEX NUT, M10 - 1.25	2
24	<u>606261</u>		HEX HEAD BOLT, M8 - 1.25 X 20MM LG	2
25	<u>602141</u>		STARTER / GENERATOR BRACKET	1
26	<u>602145</u>		TENSIONER BRACKET.....	1
27	<u>606261</u>		HEX HEAD BOLT, M8 - 1.25 X 20MM LG	1
28	<u>606256</u>		HEX HEAD BOLT, M10 - 1.25 X 25MM LG	10
29	<u>606255</u>		HEX JAM NUT, M10 - 1.25.....	1
30	<u>606274</u>		HEX FLANGE NUT, M10 - 1.25.....	1
31	<u>630587</u>		STARTER / GENERATOR BELT	1

STARTER / GENERATOR

When ordering parts, please specify the model and serial number of the product.

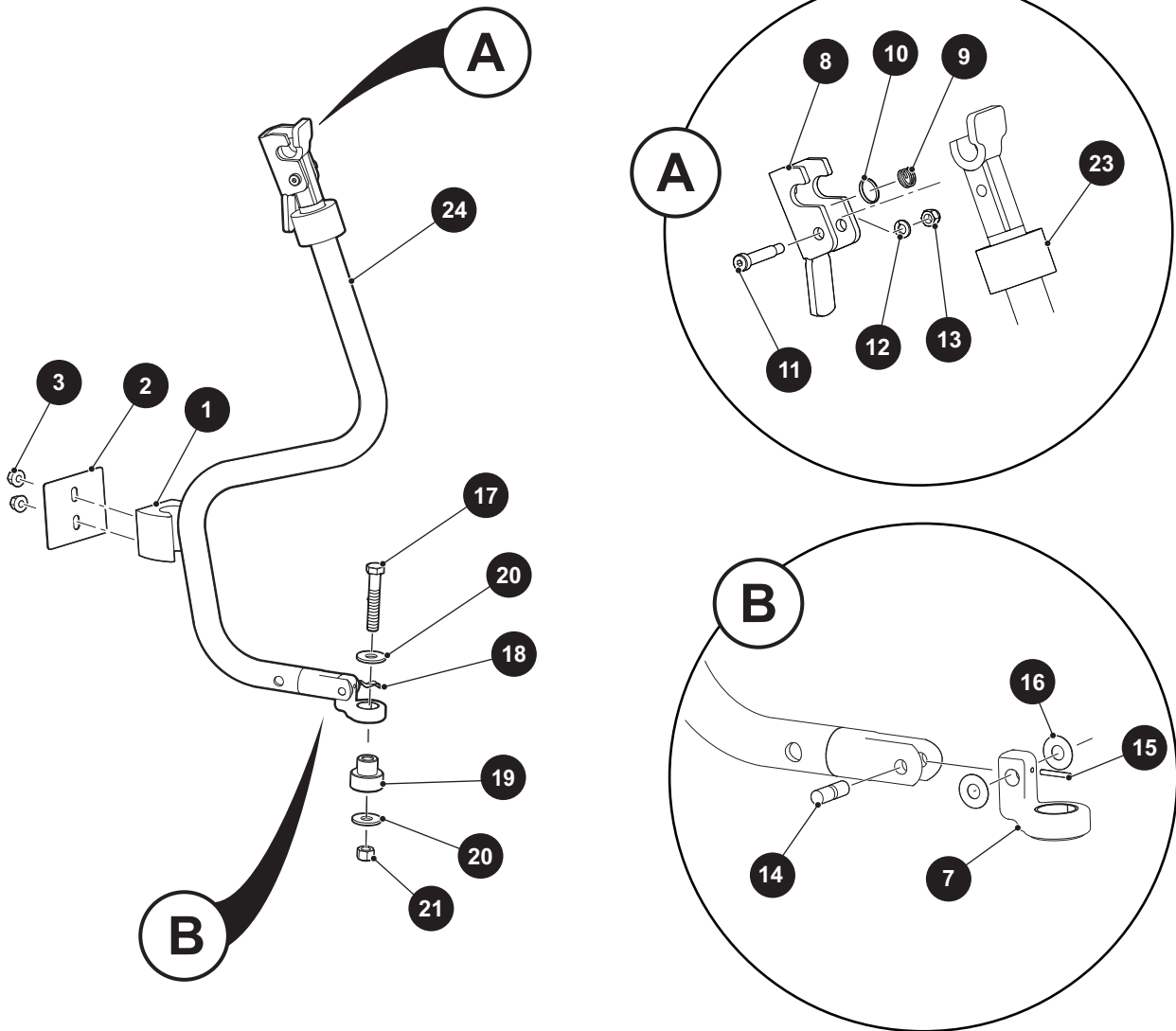
* Indicates a component that is not available as an individual part.

*** Indicates consult Customer Service Department for additional information.

ITEM	PART NO.	1 2 3 4 5	DESCRIPTION	QTY.
32	<u>12064G6</u>		PUSH NUT.....	1
33	<u>629763</u>		TENSIONER BOLT, M10 X 1.25 X 60MM LG.....	1
34	<u>603884</u>		CABLE GUIDE BRACKET.....	1

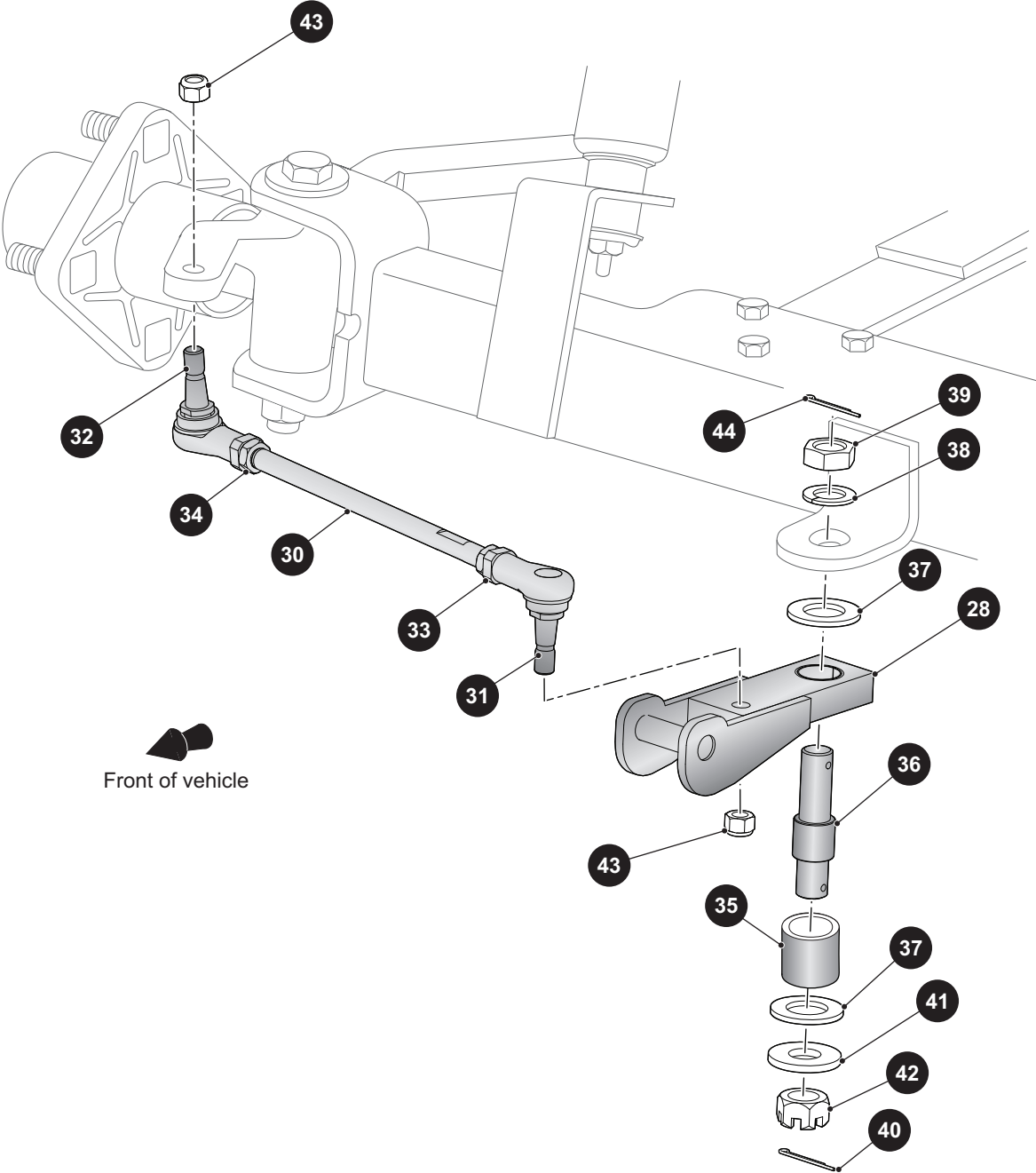
TOW BAR - PERMANENT

6 TOW BAR ASSEMBLY includes items 7 - 24



27 TOW BAR HITCH ASSEMBLY includes items 28 - 43

29 TIE ROD ASSEMBLY includes items 30 - 34



TOW BAR - PERMANENT

When ordering parts, please specify the model and serial number of the product.

* Indicates a component that is not available as an individual part.

*** Indicates consult Customer Service Department for additional information.

ITEM	PART NO.	1 2 3 4 5	DESCRIPTION	QTY.
1	<u>603020</u>		TOW BAR RETAINER	1
2	625816		BACKING PLATE	1
3	<u>600525</u>		HEX FLANGE NUT, M10 - 1.50.....	2
4				
5				
6	<u>625813</u>		TOW BAR ASSEMBLY (TOWING VEHICLE) (INCLUDES ITEMS 7 - 24)	1
7	<u>625458</u>		TOW BAR SWIVEL.....	1
8	<u>617147</u>		TOW BAR LATCH.....	1
9	<u>20852G2</u>		COMPRESSION SPRING (SS)	1
10	<u>25661G02</u>		CUP WASHER, 0.84" O.D X 0.20" I.D.....	1
11	<u>13005G4</u>		SOCKET HEAD BOLT, 5/16" - 18 X 0.406" LG.....	1
12	<u>00565G8</u>		LOCK WASHER, 5/16"	1
13	<u>00520G3</u>		ACORN NUT, 5/16" - 18.....	1
14	<u>75360G01</u>		PIVOT PIN	1
15	<u>608793</u>		SPIROL PIN, 3MM X 22MM.....	1
16	<u>75340G01</u>		FLAT WASHER, M10.....	2
17	<u>00410G8</u>		HEX HEAD BOLT, 1/2" - 20 X 3" LG	1
18	<u>75339G01</u>		SPRING WASHER.....	1
19	<u>625582</u>		TOW BAR PIVOT.....	1
20	<u>00571G5</u>		FLAT WASHER, 5/16".....	2
21	<u>11098G8</u>		LOCK NUT, 1 3/8" - 12.....	1
22	<u>625819</u>		WARNING DECAL (NOT ILLUSTRATED).....	1
23	<u>75362G01</u>		LATCH STOP	1
24	<u>625814</u>		TOW BAR WELDMENT	1
25				
26				
27	<u>625812</u>		TOW BAR HITCH ASSEMBLY (TOWED VEHICLE) (INCLUDES ITEMS 28 - 43).....	1
28	625810		TOW BAR HITCH	1
29	<u>625811</u>		TIE ROD ASSEMBLY (INCLUDES ITEMS 30 - 34).....	1
30	<u>625646</u>		TIE ROD LINK	1
31	<u>70902G01</u>		TIE ROD END (DRIVER SIDE)	1

TOW BAR - PERMANENT

When ordering parts, please specify the model and serial number of the product.

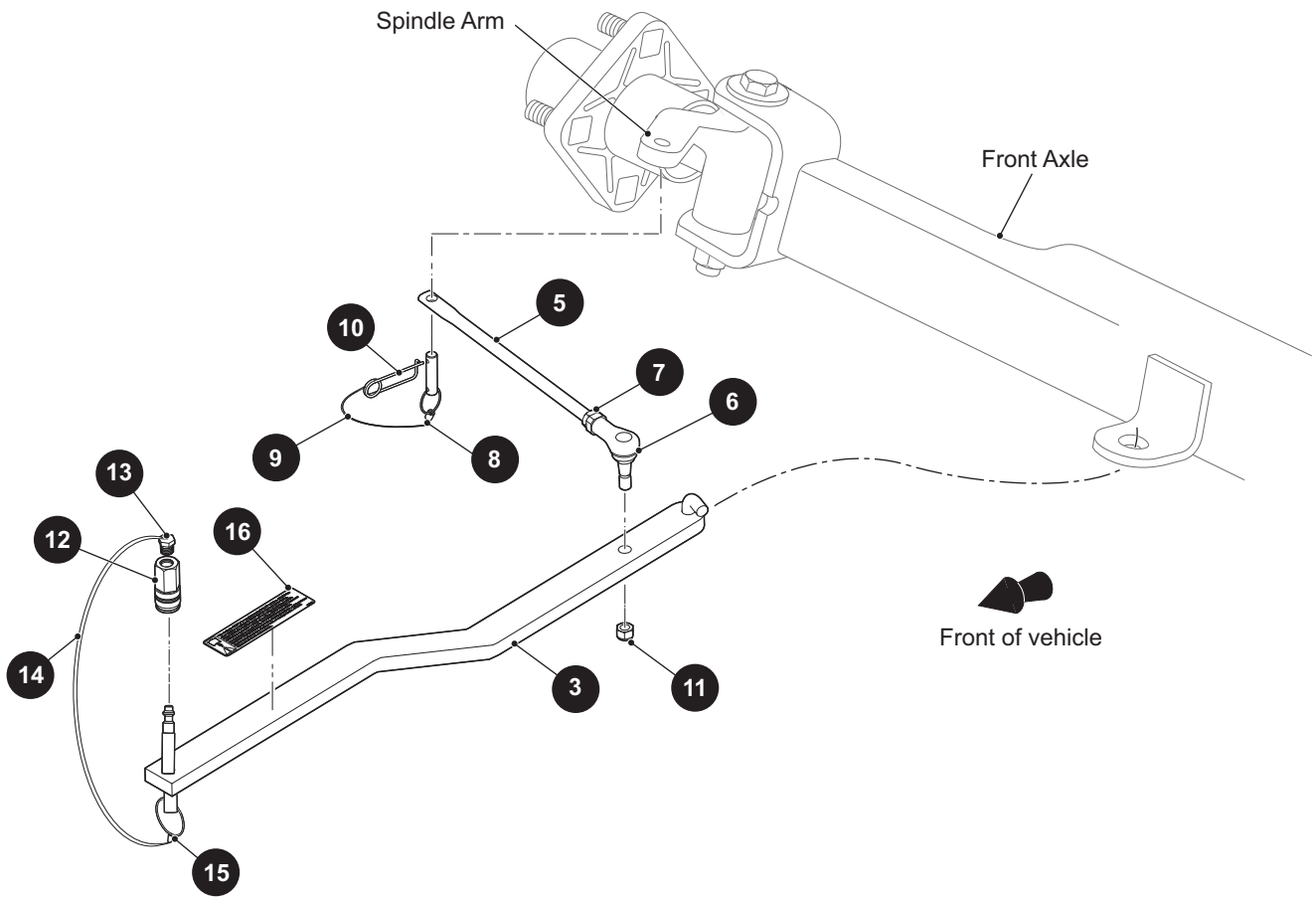
* Indicates a component that is not available as an individual part.

*** Indicates consult Customer Service Department for additional information.

ITEM	PART NO.	1 2 3 4 5	DESCRIPTION	QTY.
32	<u>70902G02</u>		TIE ROD END (PASSENGER SIDE)	1
33	<u>01069G01</u>		JAM NUT, M12 X 1.25" - 05 (DRIVER SIDE).....	1
34	<u>01069G02</u>		JAM NUT, M12 X 1.25" - 05 (PASSENGER SIDE)	1
35	<u>75307G01</u>		BEARING	1
36	<u>75292G01</u>		PIVOT BOLT	1
37	<u>75309G01</u>		THRUST BEARING	2
38	<u>00566G6</u>		SPRING LOCK WASHER, 3/8"	1
39	<u>00533G8</u>		HEX NUT, 1/2" - 13.....	1
40	<u>10387G1</u>		COTTER PIN, 0.125" X 1.50"	1
41	<u>75342G01</u>		FLAT WASHER, 1.75" O.D X 0.781" I.D	1
42	<u>00518G8</u>		CASTLE NUT, 3/4" - 16	1
43	<u>00734G1</u>		LOCK NUT, 7/16" - 14	2
44	<u>10387G1</u>		COTTER PIN, 0.125" X 1.50"	1

TOW BAR - CASUAL

- 1 CASUAL TOW BAR KIT includes item 2
- 2 CASUAL TOW BAR ASSEMBLY includes items 3 - 16
- 4 TIE ROD ASSEMBLY includes items 5 - 7



TOW BAR - CASUAL

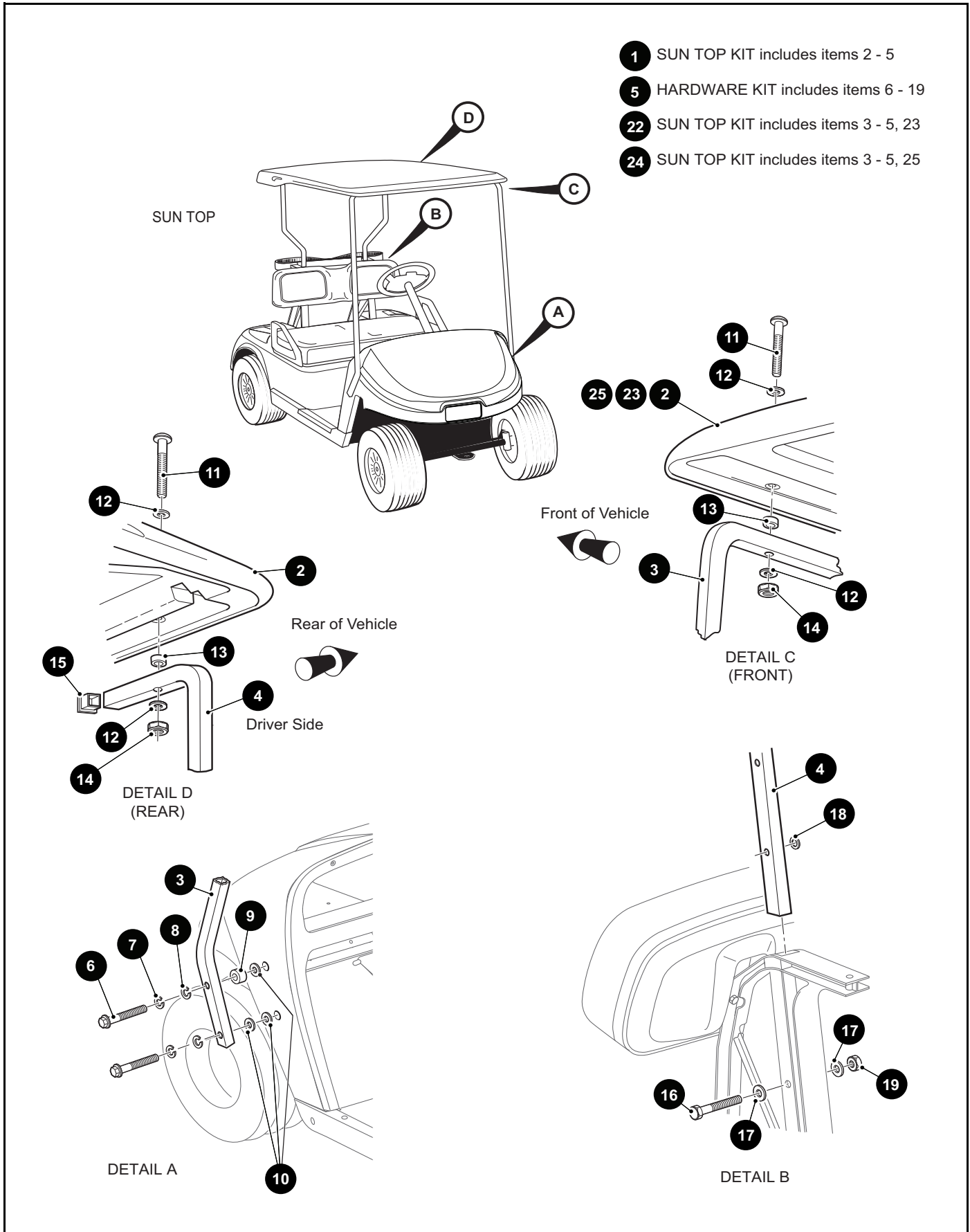
When ordering parts, please specify the model and serial number of the product.

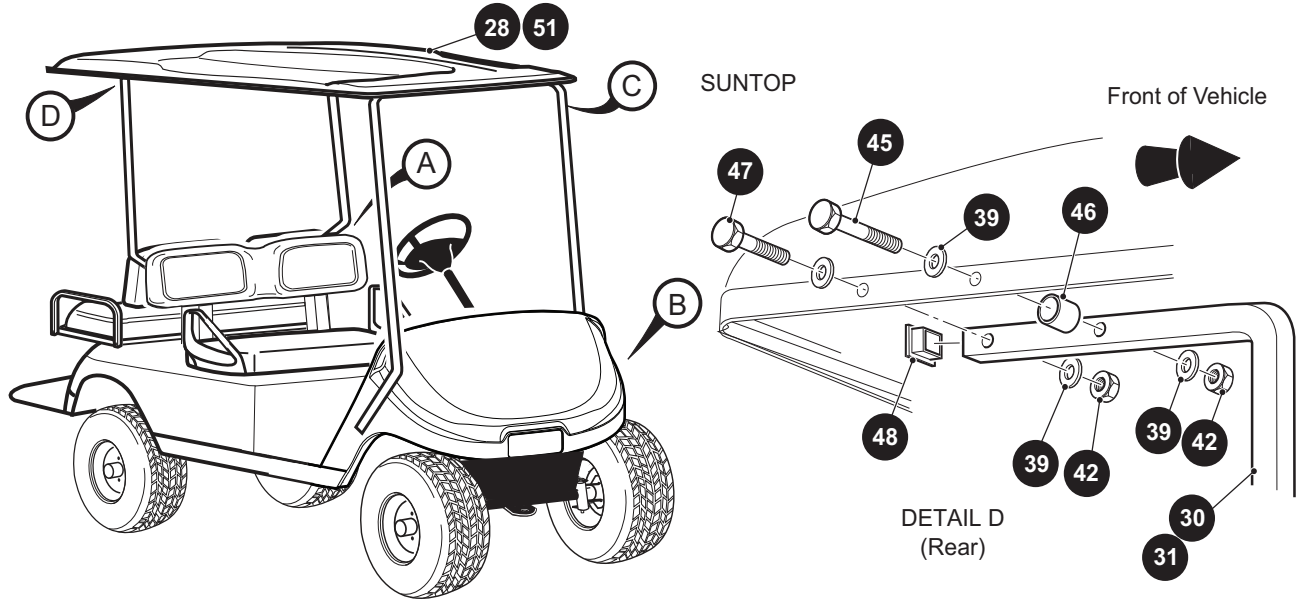
* Indicates a component that is not available as an individual part.

*** Indicates consult Customer Service Department for additional information.

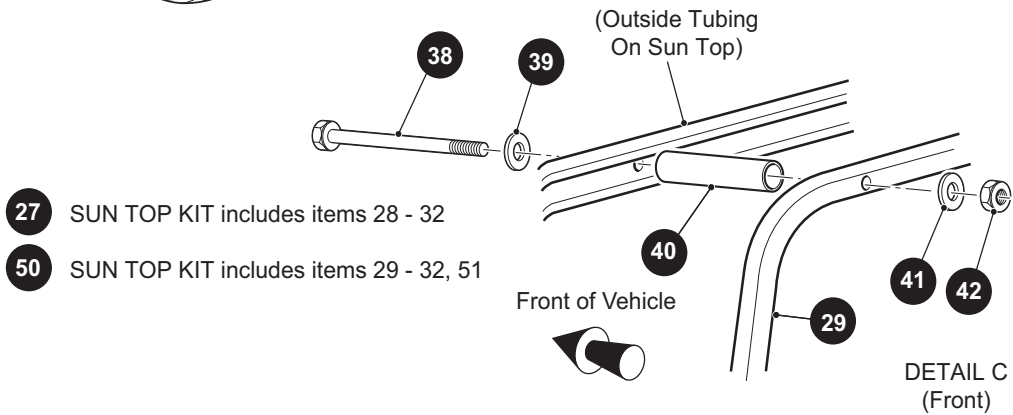
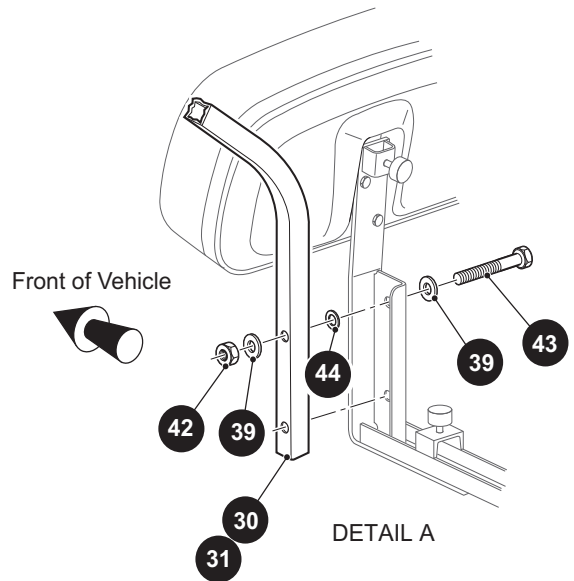
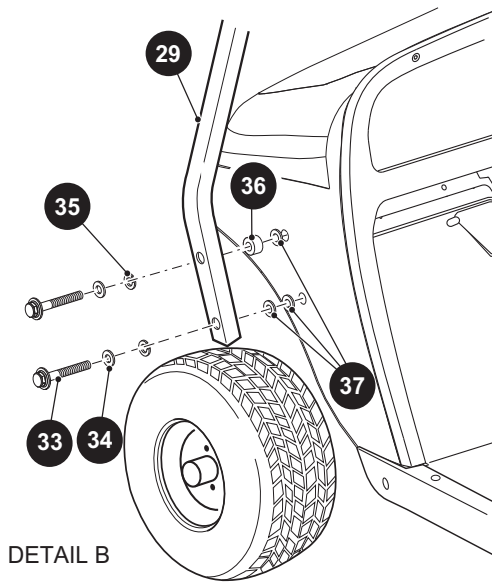
ITEM	PART NO.	1 2 3 4 5	DESCRIPTION	QTY.
1	<u>625284</u>		CASUAL TOW BAR KIT (INCLUDES ITEM 2)	1
2	<u>625282</u>		CASUAL TOW BAR ASSEMBLY (INCLUDES ITEMS 3 -16).....	1
3	<u>625327</u>		TOW BAR WELDMENT	1
4	<u>625328</u>		TIE ROD ASSEMBLY (INCLUDES ITEMS 5 - 7).....	1
5	<u>625329</u>		TIE ROD WELDMENT	1
6	<u>70902G01</u>		TIE ROD END (DRIVER SIDE)	1
7	<u>01069G01</u>		JAM NUT, M12 - 1.25	1
8	<u>16783G1</u>		FERRULE	1
9	<u>14869G5</u>		WIRE ROPE, 6" LG	1
10	<u>75068G01</u>		SAFETY PIN	1
11	<u>00734G1</u>		LOCK NUT, 7/16" - 14	1
12	<u>75060G01</u>		COUPLING	1
13	<u>75035G02</u>		HEX HEAD PLUG WITH HOLE, 1/4" - 18	1
14	<u>14869G3</u>		WIRE ROPE, 20" LG	1
15	<u>75067G01</u>		FERRULE	1
16	<u>625820</u>		WARNING DECAL	1

WEATHER PROTECTION





32 HARDWARE KIT includes items 33 - 48



27 SUN TOP KIT includes items 28 - 32

50 SUN TOP KIT includes items 29 - 32, 51

WEATHER PROTECTION

When ordering parts, please specify the model and serial number of the product.

* Indicates a component that is not available as an individual part.

*** Indicates consult Customer Service Department for additional information.

ITEM	PART NO.	1 2 3 4 5	DESCRIPTION	QTY.
1	<u>625299G01</u>		SUN TOP KIT (INCLUDES ITEMS 2 - 5)	1
2	<u>625290</u>		SUN TOP (TAN).....	1
3	<u>625294</u>		FRONT STRUT	1
4	<u>75046G01</u>		REAR STRUT	2
5	<u>625296</u>		HARDWARE KIT (INCLUDES ITEMS 6 - 19).....	1
6	*		HEX HEAD BOLT, 5/16" - 18 X 2 1/4" LG.....	4
7	*		FLAT WASHER, 5/16"	4
8	*		LOCK WASHER, 5/16"	4
9	*		SPACER, 0.328" ID X 0.75" OD X 0.5" LG.....	2
10	*		FLAT WASHER, 5/16"	6
11	*		HEX HEAD BOLT, 1/4" - 20 X 2 1/2" LG.....	4
12	*		FLAT WASHER (SS), 1/4"	8
13	*		SPACER (PLASTIC), 0.28" ID X 0.56" OD X 0.74" LG	4
14	*		LOCK NUT (SS), 1/4" - 20.....	4
15	*		END CAP, 1" SQ.....	2
16	*		HEX HEAD BOLT (SS), 5/16" - 18 X 1 3/4" LG	4
17	*		FLAT WASHER (SS), 5/16"	8
18	*		TEFLON WASHER, 5/16"	4
19	*		LOCK NUT (SS), 5/16" - 18.....	4
20				
21				
22	<u>625299G02</u>		SUN TOP KIT (INCLUDES ITEMS 3 - 5, 23)	1
23	<u>625291</u>		SUN TOP (OYSTER).....	1
24	<u>625299G03</u>		SUN TOP KIT (INCLUDES ITEMS 3 - 5, 25)	1
25	<u>625292</u>		SUN TOP (BLACK)	1
26				
27	<u>634553G01</u>		SUN TOP KIT (INCLUDES ITEMS 28 - 32)	1
28	<u>602672</u>		SUN TOP (TAN), 80" LG.....	1
29	<u>634791</u>		FRONT STRUT.....	1
30	<u>602743</u>		REAR STRUT (DRIVER SIDE).....	1
31	<u>602741</u>		REAR STRUT (PASSENGER SIDE)	1

WEATHER PROTECTION

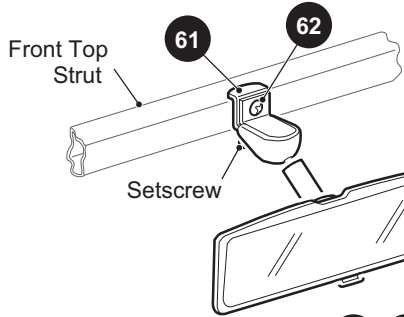
When ordering parts, please specify the model and serial number of the product.

* Indicates a component that is not available as an individual part.

*** Indicates consult Customer Service Department for additional information.

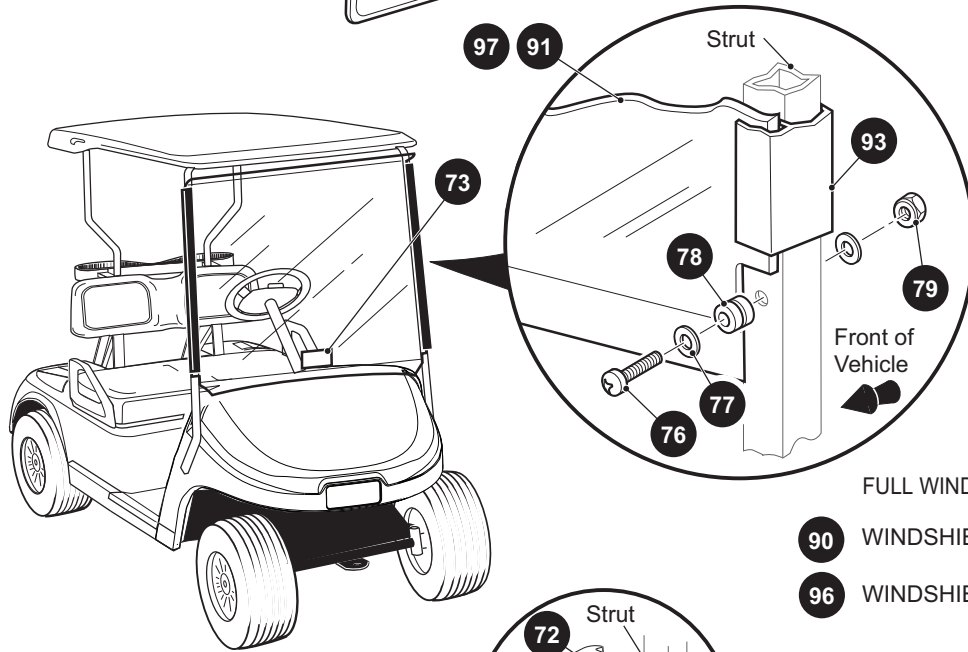
ITEM	PART NO.	1 2 3 4 5	DESCRIPTION	QTY.
32	<u>634554</u>		HARDWARE KIT (INCLUDES ITEMS 33 - 48)	1
33	<u>634806</u>		HEX HEAD BOLT, 5/16" - 18 X 2 1/4" LG	4
34	<u>634811</u>		FLAT WASHER, 5/16"	4
35	<u>634810</u>		LOCK WASHER, 5/16"	4
36	<u>634807</u>		SPACER, 0.328" ID X 0.75" OD X 1/2" LG	2
37	<u>634808</u>		FLAT WASHER, 5/16"	6
38	00674G8		HEX HEAD BOLT (SS), 3/8" - 16 X 5" LG	2
39	<u>00679G1</u>		FLAT WASHER (SS), 3/8"	16
40	<u>18716G1</u>		SPACER, 0.75" OD X 2.88" LG	2
41	<u>00653G1</u>		FLAT WASHER (SS), 3/8"	2
42	<u>00891G5</u>		LOCK NUT, 3/8" - 16	10
43	<u>00665G5</u>		HEX HEAD BOLT (SS), 3/8" - 16 X 1 3/4" LG	4
44	<u>00771G5</u>		NYLON WASHER, 3/8"	4
45	00665G3		HEX HEAD BOLT (SS), 3/8" - 16 X 2 1/2" LG	2
46	24647G1		SPACER, 0.39" ID X 0.75" OD X 0.29" LG	2
47	<u>00665G6</u>		HEX HEAD BOLT (SS), 3/8" - 16 X 2" LG	2
48	<u>19853G1</u>		END CAP, 1" SQ	2
49				
50	<u>634553G02</u>		SUN TOP KIT (INCLUDES ITEMS 29 - 32, 51)	1
51	<u>27604G01</u>		SUN TOP (WHITE), 80" LG	1
52				
53				
54				
55				
56				
57				
58				

WEATHER PROTECTION



REAR VIEW MIRROR

59 REAR VIEW MIRROR KIT includes items 60 - 62

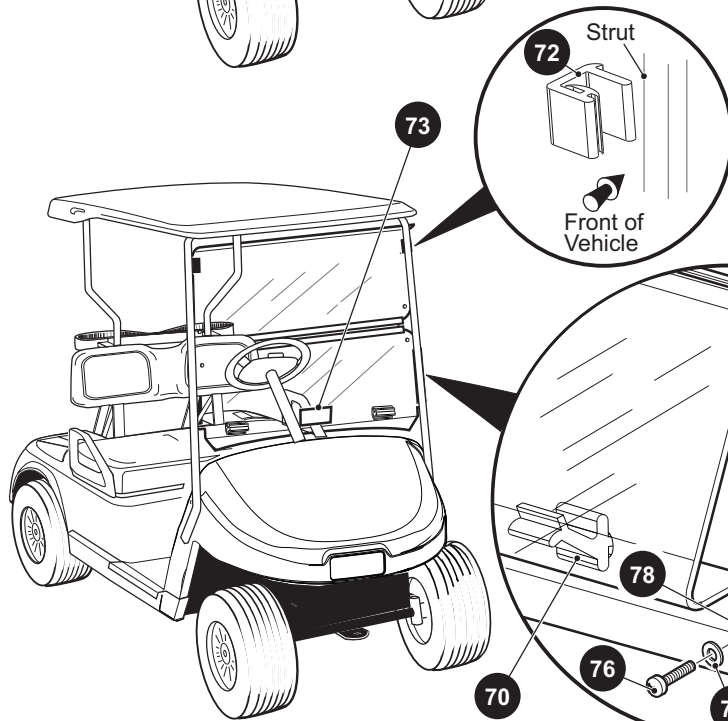


FULL WINDSHIELD

90 WINDSHIELD KIT includes items 75, 91 - 93

96 WINDSHIELD KIT (2+2) includes items 75, 93, 97

75 HARDWARE KIT includes items 76 - 79



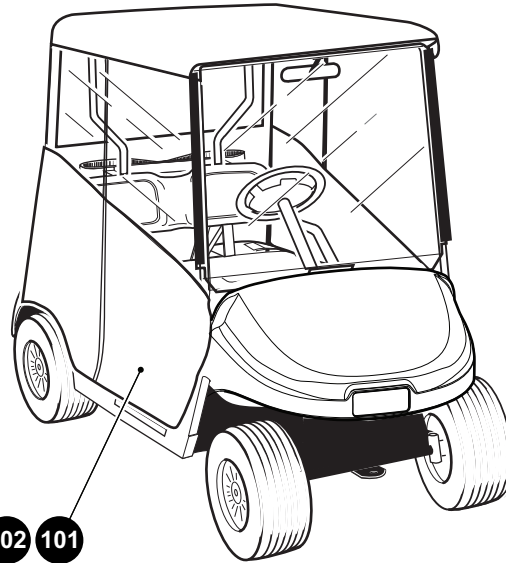
SPLIT WINDSHIELD

64 WINDSHIELD KIT, SPLIT includes items 70 - 75

82 WINDSHIELD KIT, SPLIT (2+2) includes items 70 - 75

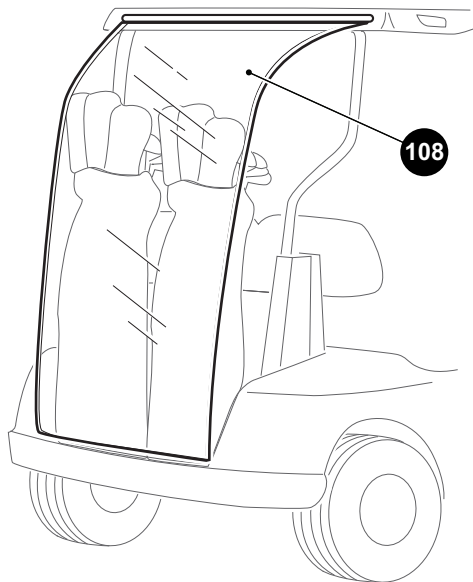
WEATHER ENCLOSURE

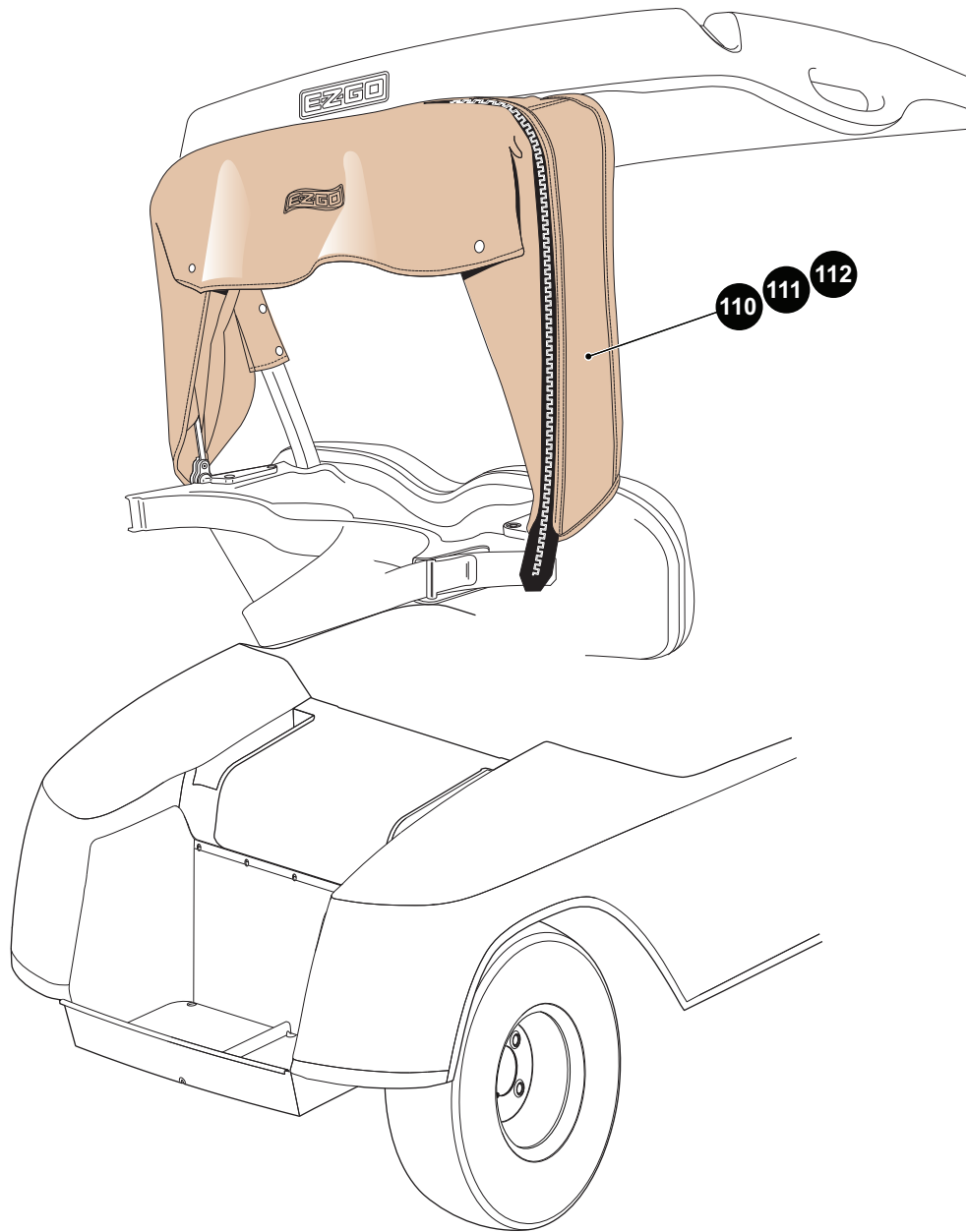
- 106
- 105
- 104
- 103
- 102
- 101



BAG AND RAIN CURTAIN

- 108





WEATHER PROTECTION

When ordering parts, please specify the model and serial number of the product.

* Indicates a component that is not available as an individual part.

*** Indicates consult Customer Service Department for additional information.

ITEM	PART NO.	1 2 3 4 5	DESCRIPTION	QTY.
59	<u>19528G2</u>		REAR VIEW MIRROR KIT (INCLUDES ITEMS 60 - 62)	1
60	<u>19496G1</u>		REAR VIEW MIRROR.....	1
61	19502G2		SUPPORT BRACKET	1
62	<u>19527G1</u>		SCREW (SS), #8 - 32 X 5/8" LG	1
63				
64	<u>625279G01</u>		WINDSHIELD KIT, SPLIT (INCLUDES ITEMS 70 - 75).....	1
65				
66				
67				
68				
69				
70	<u>603201</u>		LOWER LATCH.....	2
71	<u>604115</u>		GROMMET	4
72	<u>625230</u>		UPPER LATCH.....	2
73	71963G01		WARNING DECAL	1
74	<u>625228</u>		SASH, 10" LG.....	2
75	<u>625271</u>		HARDWARE KIT (INCLUDES ITEMS 76 - 79)	1
76	<u>00753G5</u>		PHILLIPS TRUSS HEAD MACHINE SCREW, 1/4" - 20 X 2" LG	2
77	<u>01110G01</u>		FLAT WASHER (SS), 1/4"	4
78	<u>625278</u>		RUBBER GROMMET	2
79	<u>00654G2</u>		LOCK NUT (SS), 1/4" - 20	2
80				
81				
82	<u>625279G02</u>		WINDSHIELD KIT, SPLIT (2+2) (INCLUDES ITEMS 70 - 75)	1
83				
84				
85				
86				
87				
88				
89				

WEATHER PROTECTION

When ordering parts, please specify the model and serial number of the product.

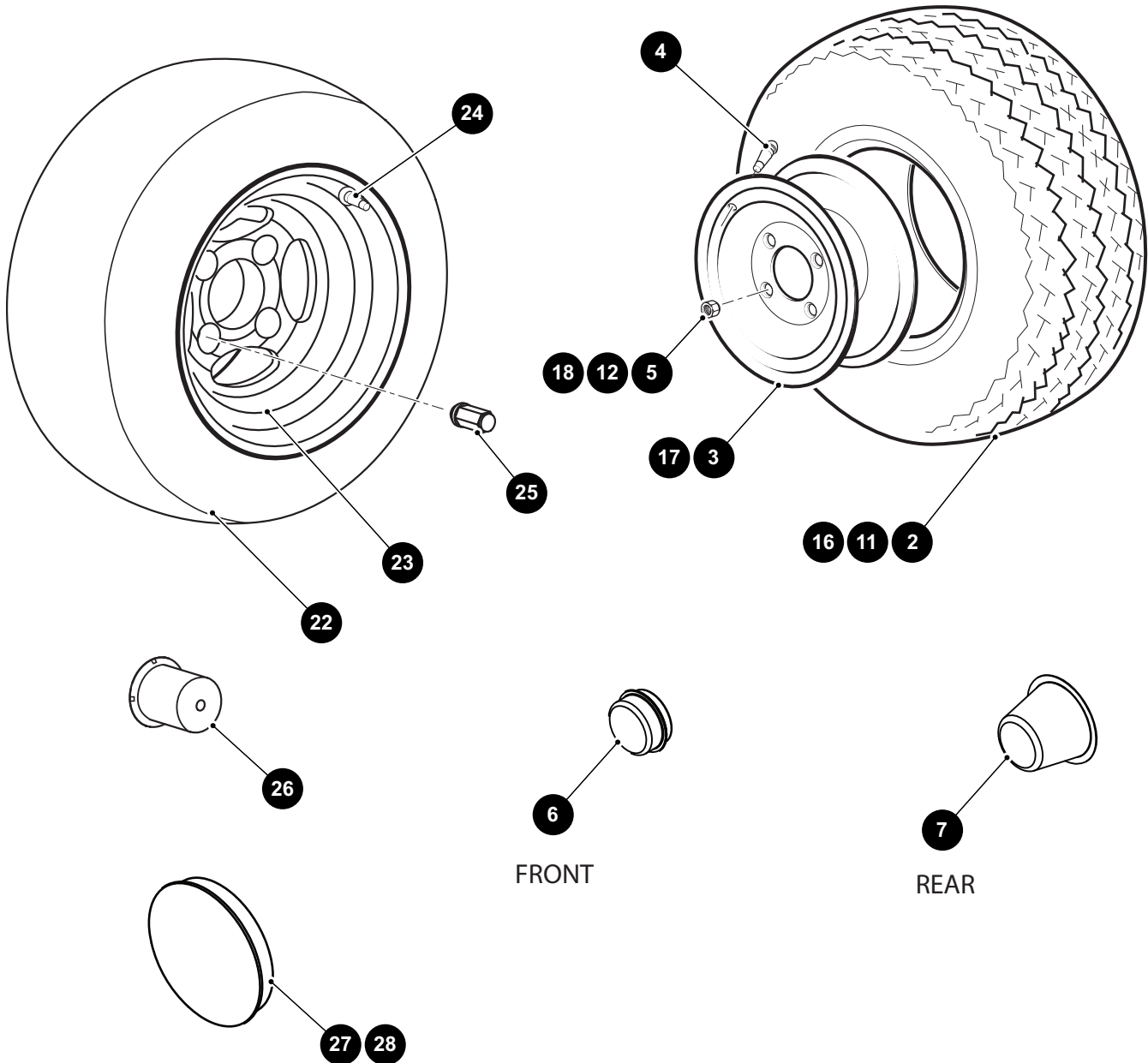
* Indicates a component that is not available as an individual part.

*** Indicates consult Customer Service Department for additional information.

ITEM	PART NO.	1	2	3	4	5	DESCRIPTION	QTY.
90	<u>625279G03</u>						WINDSHIELD KIT, FULL (INCLUDES ITEMS 75, 91 - 93)	1
91	625277						WINDSHIELD ASSEMBLY, FULL (INCLUDES ITEMS 73, 92)	1
92	625276						WINDSHIELD FULL	1
93	<u>625227</u>						SASH, 26" LG	2
94								
95								
96	<u>625279G04</u>						WINDSHIELD KIT, FULL (2+2) (INCLUDES ITEMS 75, 93, 97)	1
97	634285						WINDSHIELD ASSEMBLY, FULL (2+2) (INCLUDES ITEMS 73, 98)	1
98	634234						WINDSHIELD, FULL (2+2).....	1
99								
100								
101	<u>634541</u>						WEATHER ENCLOSURE (3 SIDED) (TAN) RECOMMENDED FOR VEHICLES WITH WINDSHIELDS	1
102	<u>634542</u>						WEATHER ENCLOSURE (3 SIDED) (OYSTER) RECOMMENDED FOR VEHICLES WITH WINDSHIELDS	1
103	<u>634543</u>						WEATHER ENCLOSURE (3 SIDED) (HUNTER GREEN) RECOMMENDED FOR VEHICLES WITH WINDSHIELDS	1
104	<u>634544</u>						WEATHER ENCLOSURE (4 SIDED) (TAN) RECOMMENDED FOR VEHICLES WITHOUT WINDSHIELDS	1
105	<u>634545</u>						WEATHER ENCLOSURE (4 SIDED) (OYSTER) RECOMMENDED FOR VEHICLES WITHOUT WINDSHIELDS	1
106	<u>634546</u>						WEATHER ENCLOSURE (4 SIDED) (HUNTER GREEN) RECOMMENDED FOR VEHICLES WITHOUT WINDSHIELDS	1
107								
108	<u>75191G01</u>						BAG COVER AND RAIN CURTAIN KIT	1
109								
110	<u>625581</u>						BAG COVER KIT (OYSTER)	1
111	<u>625583</u>						BAG COVER KIT (TAN)	1
112	<u>625585</u>						BAG COVER KIT (GREEN)	1

WHEELS AND TIRES

- 1** WHEEL AND TIRE ASSEMBLY, LINKS includes items 2 - 4
- 10** WHEEL AND TIRE ASSEMBLY, SURE TRAIL includes items 3 - 4, 11
- 15** WHEEL AND TIRE ASSEMBLY, HOLE - N - ONE includes items 4, 16 - 17
- 21** ALLOY WHEEL AND TIRE ASSEMBLY includes items 22 - 24 (FREEDOM ONLY)



WHEELS AND TIRES

When ordering parts, please specify the model and serial number of the product.

* Indicates a component that is not available as an individual part.

*** Indicates consult Customer Service Department for additional information.

ITEM	PART NO.	1 2 3 4 5	DESCRIPTION	QTY.
1	<u>28757G01</u>		WHEEL AND TIRE ASSEMBLY, LINKS 18 X 8.5 - 8 (INCLUDES ITEMS 2 - 4).....	4
2	<u>28764G01</u>		TIRE, CARLISLE LINKS.....	1
3	<u>28759G01</u>		WHEEL RIM (4 LUG)	1
4	<u>11657G2</u>		VALVE STEM.....	1
5	<u>14723G1</u>		LUG NUT, 1/2" - 20	16
6	<u>12091G2</u>		SPINDLE CAP	2
7	<u>74175G01</u>		MOLDED DUST CAP.....	2
8				
9				
10	<u>28842G01</u>		WHEEL AND TIRE ASSEMBLY, SURE TRAIL 18.5 X 8.5 - 8 (INCLUDES ITEMS 3 - 4, 11).....	2
11	<u>28764G06</u>		TIRE, USA TRAIL.....	1
12	<u>14723G1</u>		LUG NUT, 1/2" - 20	8
13				
14				
15	<u>612772</u>		WHEEL AND TIRE ASSEMBLY, HOLE - N - ONE 18 X 8.5 - 8 (INCLUDES ITEMS 4, 16 - 17).....	2
16	<u>612771</u>		KENDA TIRE, HOLE - N - ONE	1
17	612770		WHEEL, MONITOR 8".....	1
18	<u>14723G1</u>		LUG NUT, 1/2" - 20	8
19				
20				
21	<u>600599</u>		ALLOY WHEEL AND TIRE ASSEMBLY (INCLUDES ITEMS 22 - 24) (FREEDOM ONLY)	4
22	<u>601768</u>		TIRE, TOUR MAX, 205 / 50 - 10	1
23	<u>601766</u>		ALLOY WHEEL	1
24	<u>601767</u>		VALVE STEM.....	1
25	<u>605310</u>		ALLOY WHEEL LUG NUT, 1/2" - 20.....	16
26	<u>601353</u>		ALLOY WHEEL CAP	4
27	<u>615617</u>		HUBCAP (GOLD).....	4
28	<u>615618</u>		HUBCAP (SILVER)	4



A Textron Company

E-Z-GO Division of Textron Inc.,
1451 Marvin Griffin Road, Augusta, Georgia 30906 - 3852 USA

TO CONTACT US...

North America:

Technical Assistance & Warranty

Phone: 1-800-774-3946, FAX: 1-800-448-8124

Service Parts

Phone: 1-888-GET-E-Z-GO (1-888-438-3946), FAX: 1-800-752-6175

International:

Phone: 001-706-798-4311, FAX: 001-706-771-4609

Service Parts Manuals, as well as Repair and Service Manuals
are available from a local Distributor, an authorized Branch,
Genuine E-Z-GO Parts & Accessories Department or at www.shopezgo.com.

Copyrighted Material
This manual may not be reproduced in whole or
in part without the express permission of
E-Z-GO Division of Textron Inc.
Technical Communications Department