



CUSHMAN®

LET'S WORK!

Gasoline Service Parts Manual



624955-BG

ISSUED SEPTEMBER 2011

REVISED DECEMBER 2019

SERVICE PARTS MANUAL

GASOLINE POWERED UTILITY VEHICLE

**HAULER 800X
STARTING MODEL YEAR 2012**

**HAULER 1200X
STARTING MODEL YEAR 2012 THROUGH MODEL YEAR 2016**

DISCLAIMER: The E-Z-GO Division of Textron Inc. (E-Z-GO) reserves the right to incorporate engineering and design changes to products in this Manual, without obligation to include these changes on units leased/sold previously.

The information contained in this Manual may be revised periodically E-Z-GO, and therefore is subject to change without notice.

E-Z-GO DISCLAIMS LIABILITY FOR ERRORS IN THIS MANUAL, and E-Z-GO SPECIFICALLY DISCLAIMS LIABILITY FOR INCIDENTAL AND CONSEQUENTIAL DAMAGES RESULTING FROM THE USE OF THE INFORMATION AND MATERIALS IN THIS MANUAL.

TO CONTACT US

NORTH AMERICA:

TECHNICAL ASSISTANCE & WARRANTY PHONE: 1-800-774-3946, FAX: 1-800-448-8124

SERVICE PARTS PHONE: 1-888-GET-EZGO (1-888-438-3946), FAX: 1-800-752-6175

INTERNATIONAL: PHONE: 001-706-798-4311, FAX: 001-706-771-4609

E-Z-GO DIVISION OF TEXTRON INC., 1451 MARVIN GRIFFIN RD., AUGUSTA, GEORGIA USA 30906-3852

GENERAL INFORMATION

To obtain a copy of the limited warranty applicable to the vehicle, call or write a local Distributor, authorized Branch or the Warranty Department with vehicle serial number and manufacturer code.

The use of non Original Equipment Manufacturer (OEM) parts may void the warranty.

Overfilling of batteries may void the warranty.

BATTERY PROLONGED STORAGE

All batteries will self discharge over time. The rate of self discharge varies depending on the ambient temperature and the age and condition of the batteries.

A fully charged battery will not freeze in winter temperatures unless the temperature falls below -75°F (-60°C).

As with all electric vehicles, the batteries must be checked and recharged as required or at a minimum of 30 day intervals.

TABLE OF CONTENTS

SECTION	Page No.
HOW TO USE THE SERVICE PARTS MANUAL	vii
ACCELERATOR	A - 1
AIR FILTER	B - 1
BODY	C - 1
BRAKES	D - 1
CAB	E - 1
CARBURETOR AND CHOKE	F - 1
CLUTCH	G - 1
DIRECTION SELECTOR	H - 1
ELECTRICAL SYSTEM	J - 1
ENGINE AND MUFFLER	K - 1
ENGINE MOUNTING	L - 1
FRONT SUSPENSION	M - 1
FUEL SYSTEM	N - 1
REAR AXLE	P - 1
REAR SUSPENSION - HAULER 800X	Q - 1
REAR SUSPENSION - HAULER 1200X	Q - 5
ROPS	R - 1
SEATING	S - 1
STARTER GENERATOR	T - 1
METAL TRUCK BED	U - 1
PLASTIC TRUCK BED	U - 9
WEATHER PROTECTION	V - 1
WHEELS AND TIRES	W - 1

HOW TO USE THE SERVICE PARTS MANUAL

This manual is divided into several sections:

- GENERAL INFORMATION
- ILLUSTRATED PARTS BREAKDOWN
- APPENDIX

The first section, GENERAL INFORMATION, contains the following information:

- WARRANTY INFORMATION
- GENERAL INDEX
- HOW TO USE THE SERVICE PARTS MANUAL

The second section, ILLUSTRATED PARTS BREAKDOWN, contains illustrations and parts lists for all systems of your vehicle.

The third section, APPENDIX, contains a listing of specialty products and accessories.

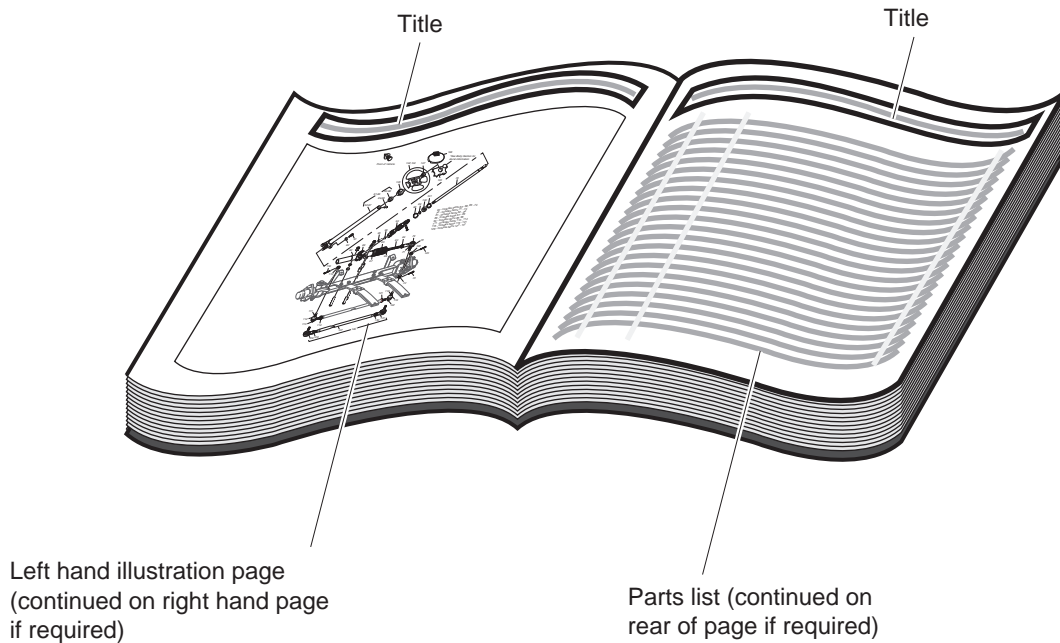
USE OF THE MANUAL

To use this manual, consult the GENERAL INDEX to locate the information or illustration required.

Introduction of some revisions varies due to supply of components; therefore, it is possible that various combinations of components may be found that are not directly reflected by each illustration. Consult the illustration that best suits your situation and then contact the Service Parts Department. It is important that the serial number of your vehicle and its model number be supplied to Service Parts when ordering any replacement components.

Locate the serial number plate (see BODY located in the Illustrated Parts Breakdown section of this manual for its location) and note the complete number shown on the plate.

HOW TO USE THE SERVICE PARTS MANUAL



1. WHEN THE PART NUMBER IS NOT KNOWN

- Determine the function and application of the part required. Turn to the General Index and select the most appropriate title.
- Turn to the page number indicated and locate the desired part on the illustration.
- From the illustration, obtain the item number assigned to the desired part. Refer to the accompanying description for specific information regarding the part.

2. IF YOU KNOW THE PART NUMBER

- Locate the part number or description in the appropriate column on the parts list page.

NOTE: It is suggested that you confirm that the part selected is correct by verifying it with the pictorial representation on the illustrated page.

Should an asterisk (*) appear in the part number column on the parts list page, read upwards until a part number is found. The part number is the lowest assembly sold by Service Parts and the asterisk (*) indicates that the part depicted is not available for purchase.

NOTE: Descriptions are indented under the assembly that they are used on. That assembly is, in turn listed under the assembly that it is used on. This process is repeated until the highest final assembly is reached.

To facilitate the maintenance and repair of the vehicle, a Technician's Repair and Service Manual is available from the Service Parts Department.

HOW TO USE THE SERVICE PARTS MANUAL

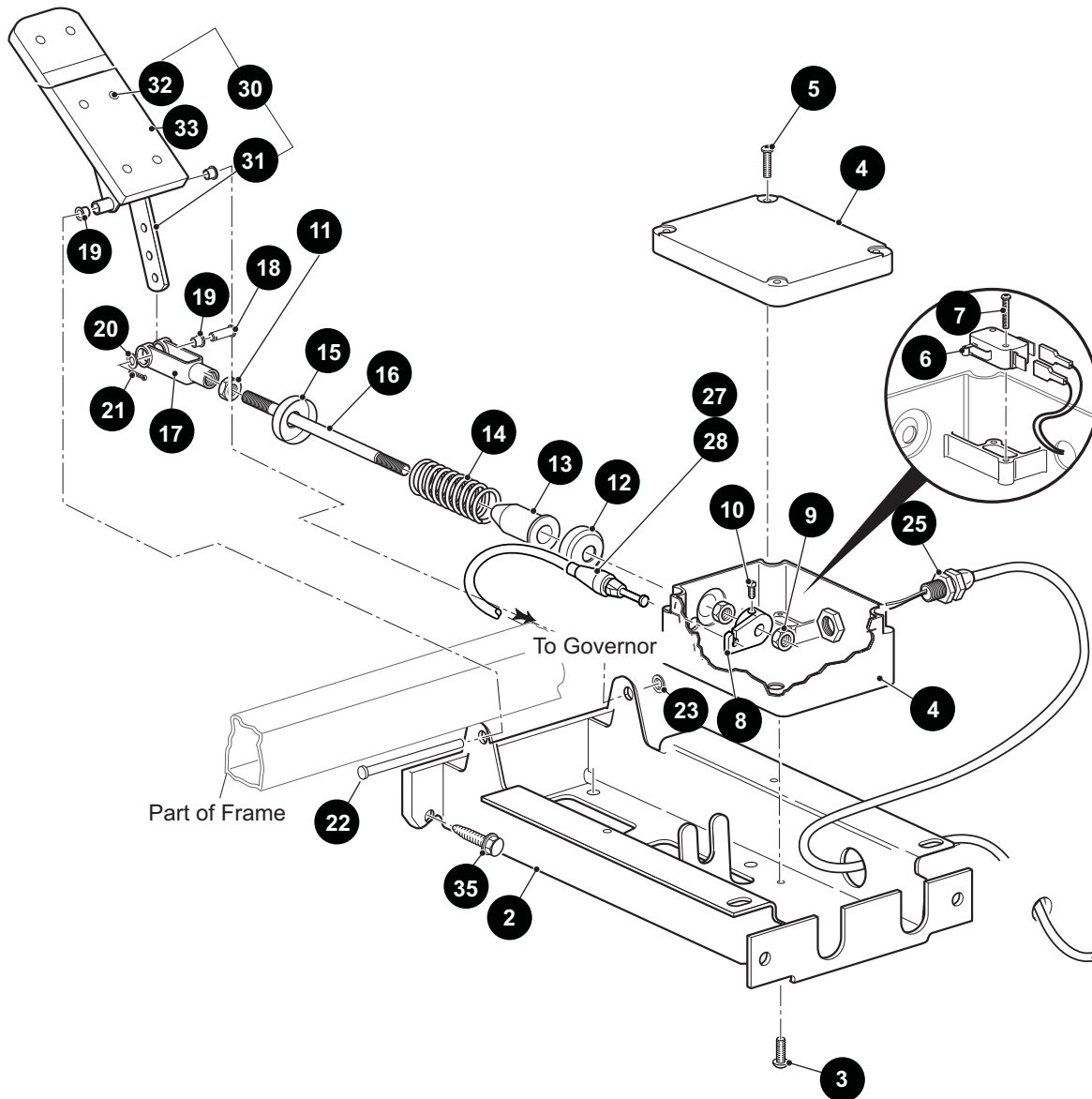
3. COLOR CODE FOR BODY COMPONENTS

The last two digits of the part number for the body part will denote the color code, locate the part number for the cowl, rear body, seat pod, side panel or seat wrap then locate your color in the list below, replace the last ** or XX with the two digit color code.

<u>CODE #</u>	<u>DESCRIPTION</u>	<u>CODE #</u>	<u>DESCRIPTION</u>
01	NO PAINT	53	MOSSY OAK NEW BREAK UP - DIPPED
02	SPECIAL COLOR	54	MOSSY OAK OBSESSION - DIPPED
05	JACOBSEN ORANGE	55	REALTREE ADVANTAGE MAX 4 - DIPPED
06	LIGHT GOLD PEARL	56	REALTREE HARDWOOD BROWN - DIPPED
07	SILVER PEARL METALIC	57	REALTREE AP HOT PINK - DIPPED
11	BLACK	58	BLACK / SILVER MARBLE - DIPPED
12	EMERALD GREEN PEARL	59	RED / SILVER MARBLE - DIPPED
13	CLOUD GRAY	60	HOT PINK / SILVER MARBLE - DIPPED
14	VIPER BLUE METALLIC	61	REALTREE AP
19	PATRIOT BLUE PEARL	62	REALTREE MAX 4
20	INFERNO RED METALLIC	63	MOSSY OAK BREAKUP
23	ADVANTAGE CLASSIC CAMO	64	MOSSY OAK TREESTAND
24	NATURAL	65	REALTREE APG
25	VIVID NEW HOLLAND BLUE	66	REALTREE MAX 1
26	STEEL BLUE PEARL	67	REALTREE AP PINK
27	BRIGHT SILVER METALLIC	68	REALTREE AP - DIPPED
29	PRIMER ONLY		
30	HD ADVANTAGE CAMO		
31	METALLIC CHARCOAL		
32	LIGHT ALMOND PEARL		
33	TIMBERLINE GREEN		
34	DEEP MOLTEN RED		
35	SAFETY YELLOW		
36	IVORY		
37	FOREST GREEN		
38	BRIGHT WHITE		
39	FLAME RED		
40	BLACK		
41	ELECTRIC BLUE		
42	PLATINUM		
43	BURGUNDY		
44	ALMOND		
45	BLACK		
46	FLAME RED		
47	BURLINGTON GREEN		
48	BLACK		
49	FLAME RED		
50	RECON GREEN		
51	SUNBURST ORANGE		
52	BRITISH RACING GREEN		

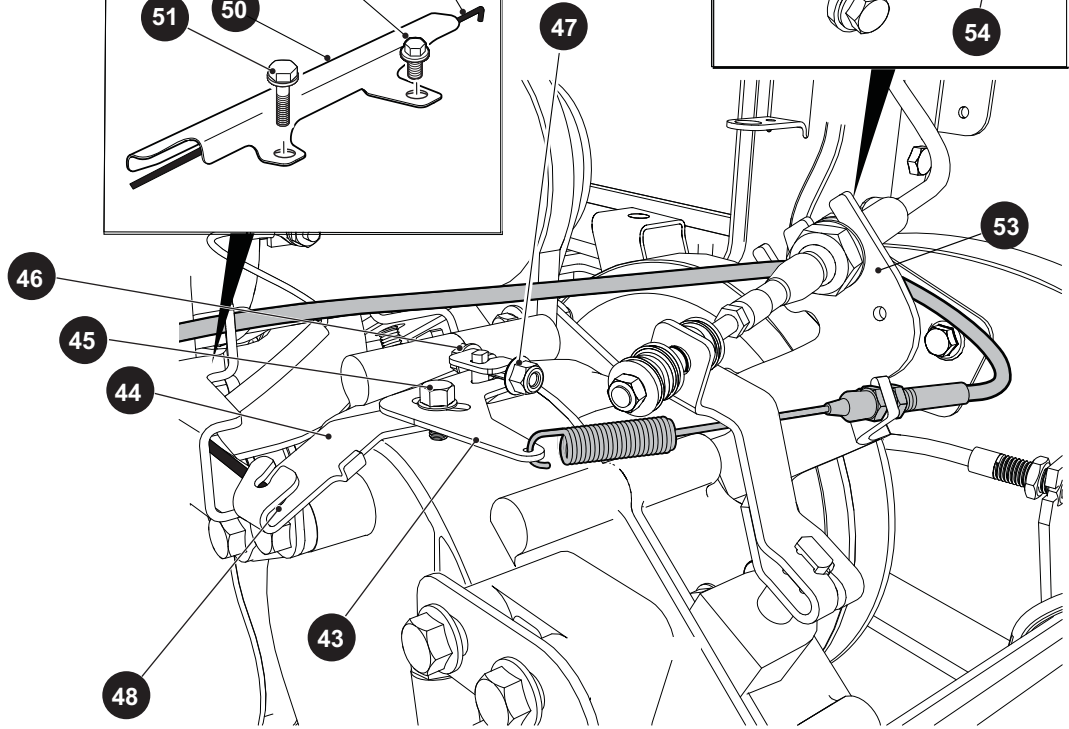
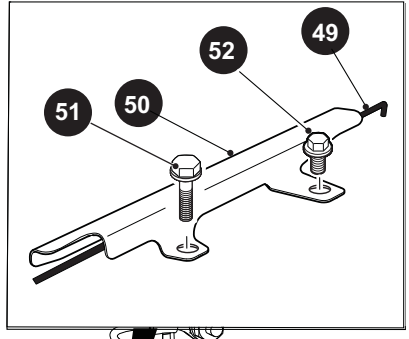
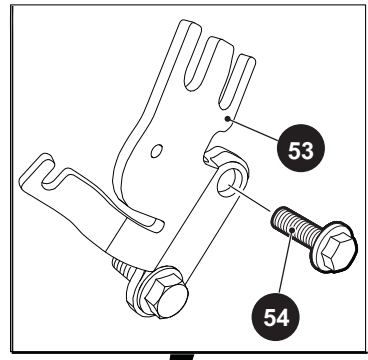
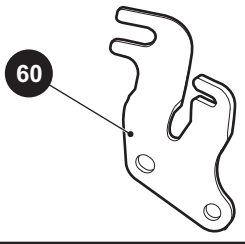
ACCELERATOR

- 1 PEDAL BOX ASSEMBLY, 800X includes items 2 - 25 , 28 - 33
- 40 PEDAL BOX ASSEMBLY, 1200X includes items 2 - 27 , 30 - 33
- 30 ACCELERATOR PEDAL ASSEMBLY includes items 31 - 33



⚠ WARNING DO NOT TAMPER WITH OR ATTEMPT TO CHANGE THE ADJUSTMENT OF THE GOVERNOR. GOVERNOR TAMPERING CAN RESULT IN SERIOUS PERSONAL INJURY AND WILL VOID THE VEHICLE WARRANTY.

FOR VEHICLES MANUFACTURED FROM APRIL 2014



Differential

ACCELERATOR

When ordering parts, please specify the model and serial number of the product.

* Indicates a component that is not available as an individual part.

*** Indicates consult Customer Service Department for additional information.

ITEM	PART NO.	1 2 3 4 5	DESCRIPTION	QTY.
1	<u>606990</u>		PEDAL BOX ASSEMBLY, SWB (INCLUDES ITEMS 2 - 25, 28 - 33) (FOR HAULER 800X).....	1
2	<u>652241G03</u>		ACCELERATOR PEDAL BRACKET	1
3	<u>01051G01</u>		SCREW, #8 - 16 X 1/2" LG	4
4	<u>25853G03</u>		PEDAL BOX AND COVER.....	1
5	<u>00684G6</u>		HEX HEAD BOLT (SS), #8 - 32 X 3/4" LG.....	2
6	<u>25861G01</u>		MICRO SWITCH	1
7	<u>01050G01</u>		PAN HEAD TORX SCREW, #4 - 20 X 5/8" LG	2
8	<u>72716G01</u>		MICRO SWITCH CAM.....	1
9	<u>15126G1</u>		LOCK NUT, 5/16" - 24.....	1
10	<u>00487G3</u>		SETSCREW, 1/4" - 20 X 3/8" LG	1
11	<u>00532G4</u>		HEX NUT, 5/16" - 24	2
12	<u>17677G1</u>		SPRING RETAINER	1
13	<u>17979G1</u>		ACCELERATOR ROD BUSHING	1
14	<u>73046G01</u>		COMPRESSION SPRING	1
15	<u>17677G2</u>		SPRING RETAINER	1
16	<u>72072G01</u>		ACCELERATOR ROD	1
17	<u>10385G4</u>		CLEVIS YOKE (ADJUSTABLE)	1
18	<u>10386G3</u>		CLEVIS PIN, 5/16" X 13/16" LG.....	1
19	<u>17838G1</u>		NYLON BUSHING	3
20	<u>17255G1</u>		TEFLON WASHER, 5/16"	1
21	<u>10387G3</u>		COTTER PIN, 3/32" X 3/4" LG.....	1
22	<u>74432G01</u>		PEDAL PIVOT PIN.....	1
23	<u>12064G6</u>		PUSH NUT, 9/32"	1
24				
25	<u>72201G04</u>		WIRE HARNESS (PEDAL BOX).....	1
26				
27	<u>608614</u>		ACCELERATOR CABLE, FOR 800X.....	1
28	<u>608608</u>		ACCELERATOR CABLE, FOR 1200X.....	1
29				
30	<u>25799G03</u>		ACCELERATOR PEDAL ASSEMBLY (INCLUDES ITEMS 31- 33)	1
31	<u>652824</u>		ACCELERATOR PEDAL	1

ACCELERATOR

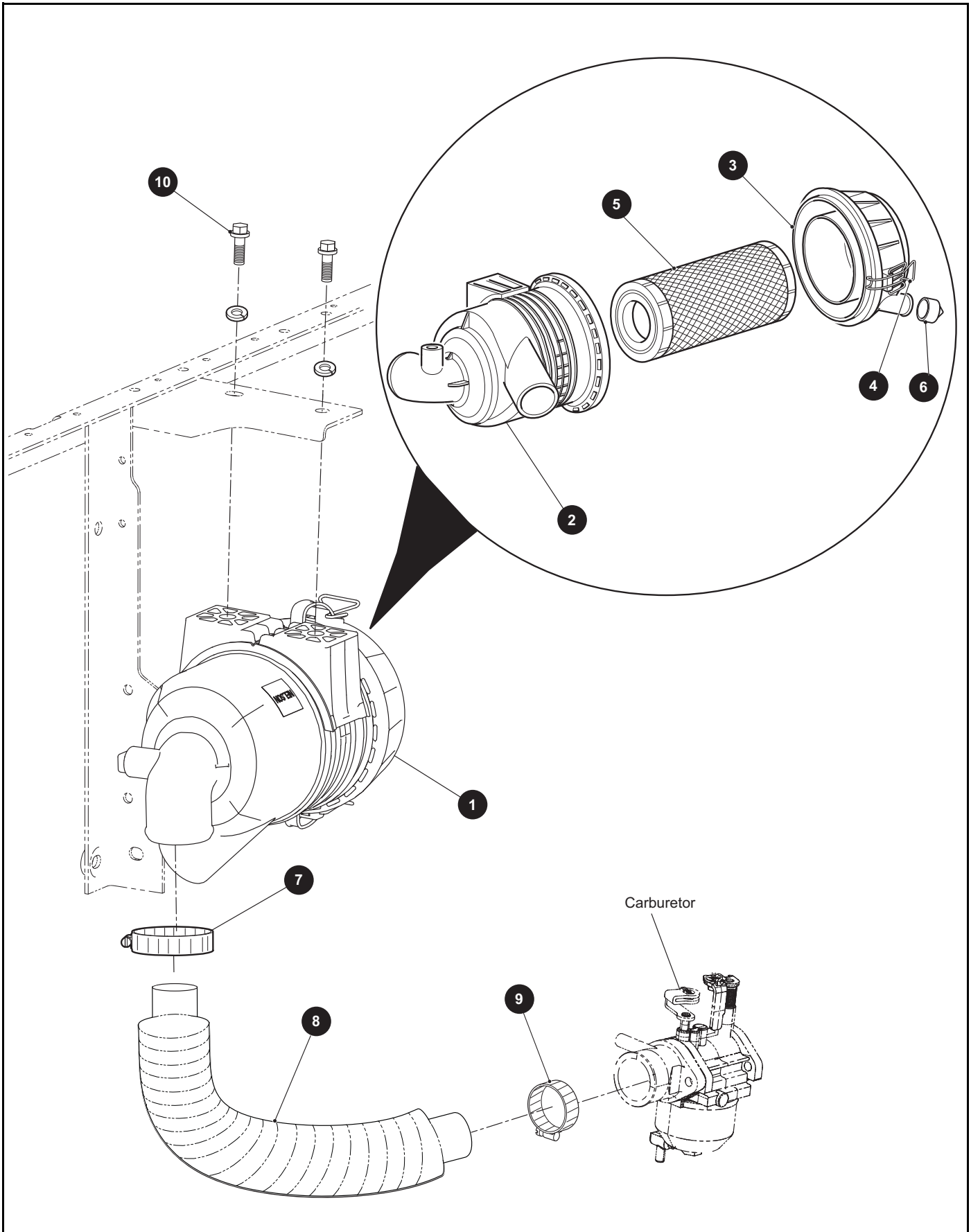
When ordering parts, please specify the model and serial number of the product.

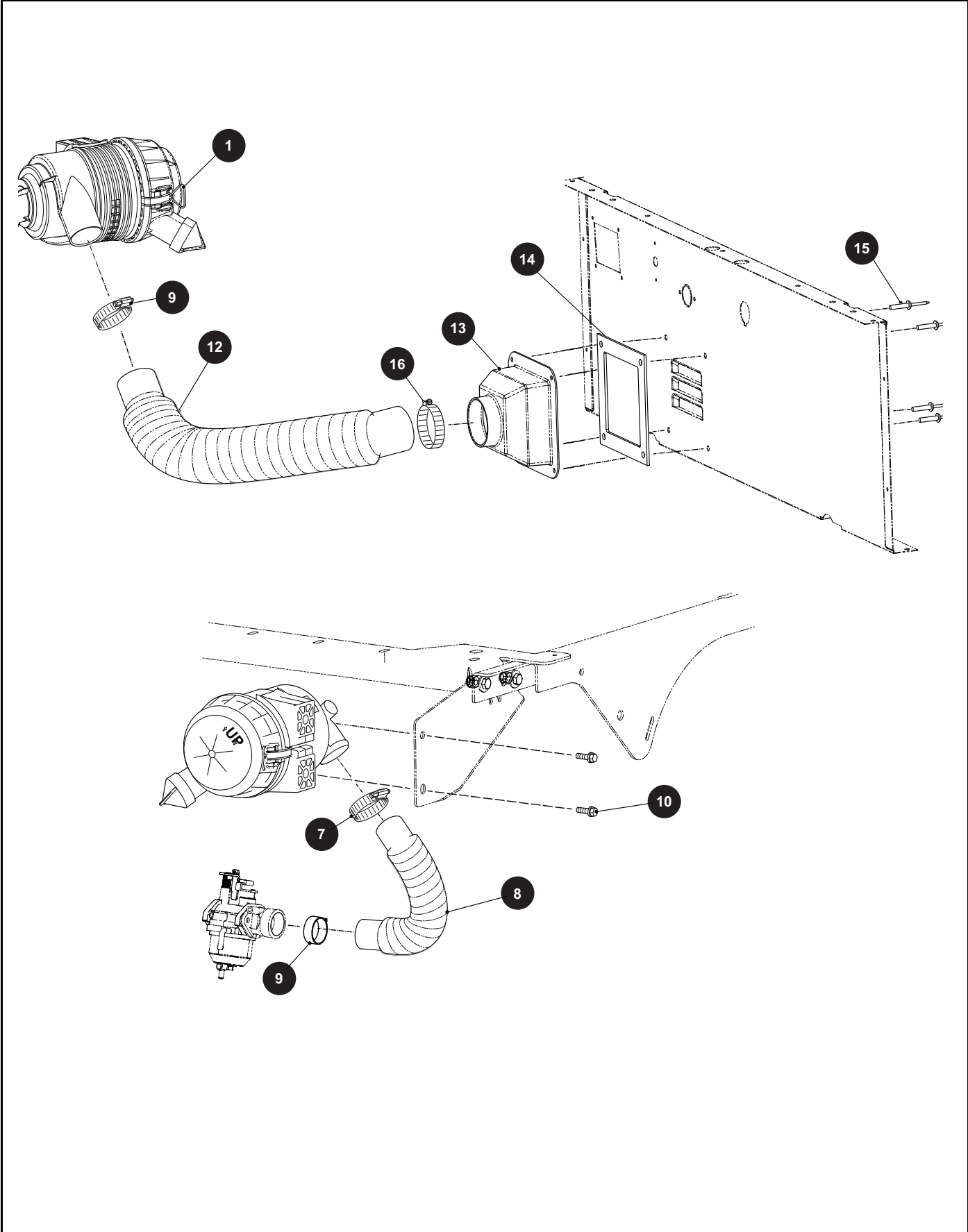
* Indicates a component that is not available as an individual part.

*** Indicates consult Customer Service Department for additional information.

ITEM	PART NO.	1 2 3 4 5	DESCRIPTION	QTY.
32	<u>16409G1</u>		OVAL RIVET, 3/16" X 7/16" LG	6
33	<u>27512G01</u>		ACCELERATOR PEDAL PAD.....	1
34				
35	<u>00715G2</u>		HEX HEAD BOLT, 5/16" -18 X 4/5" LG	4
36				
37				
38				
39				
40	<u>606991</u>		PEDAL BOX ASSEMBLY, MWB (INCLUDES ITEMS 2 - 27, 30 - 33) (FOR HAULER 1200X)	1
41				
42				
43	<u>606083</u>		UPPER GOVERNOR BRACKET.....	1
44	<u>606005</u>		LOWER GOVERNOR BRACKET	1
45	<u>606265</u>		FLANGED HEX HEAD BOLT, M6 - 1 X 12MM LG.....	1
46	<u>606421</u>		FLANGED HEX HEAD BOLT, M6 - 1 X 30 MM LG.....	1
47	<u>450452</u>		HEX NUT, M6 - 1.0.....	1
48	<u>606283</u>		GOVERNOR LEVER BUSHING	1
49	<u>606284</u>		GOVERNOR ROD	1
50	<u>603890</u>		GOVERNOR ROD GUARD	1
51	<u>606264</u>		FLANGED HEX HEAD BOLT, M6 - 1 X 20 MM LG.....	1
52	<u>606262</u>		FLANGED HEX HEAD BOLT, M8 - 1.25 X 16 MM LG.....	1
53	<u>606074</u>		GOVERNOR CABLE / DIRECTION SELECTOR BRACKET	1
54	<u>606256</u>		FLANGED HEX HEAD BOLT, M10 - 1.25 X 16 MM LG.....	2
55				
56	<u>608527</u>		GOVERNOR WARNING DECAL.....	1
57				
58				
59	<u>17618G1</u>		NYLON CLAMP	2
60	<u>632936</u>		GOVERNOR CABLE / DIRECTION SELECTOR BRACKET (FOR VEHICLES MANUFACTURED FROM APRIL 2014)	1

AIR FILTER





AIR FILTER

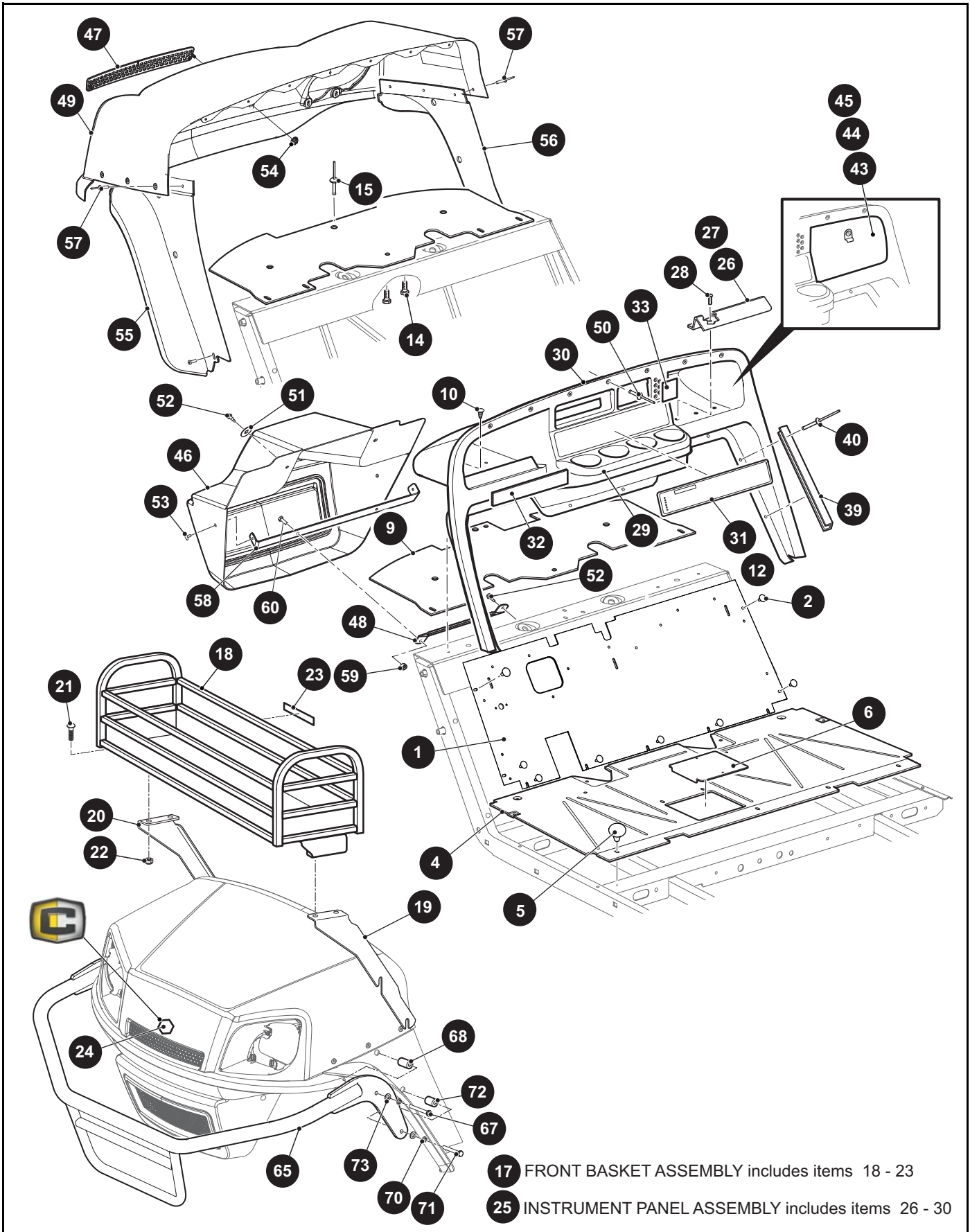
When ordering parts, please specify the model and serial number of the product.

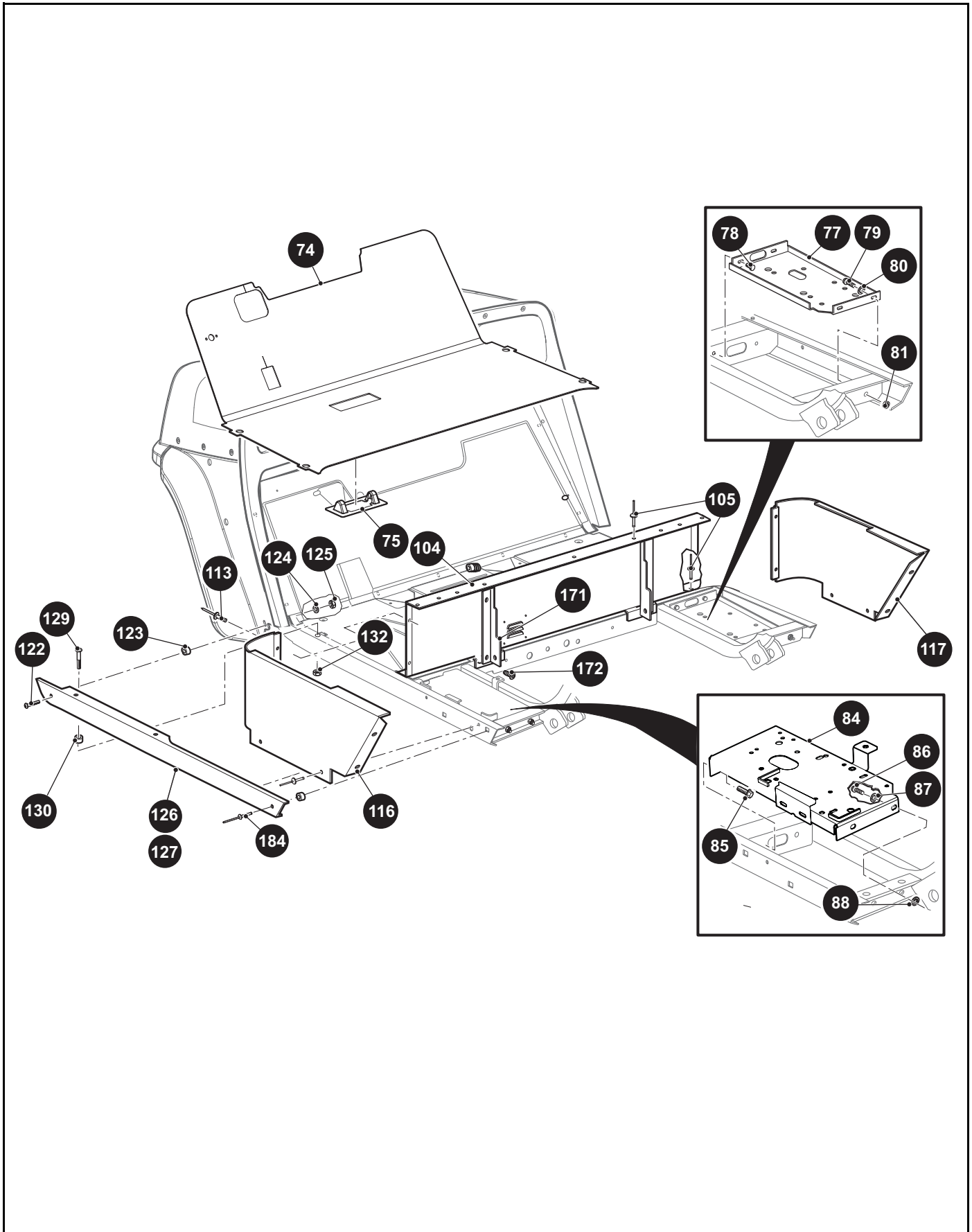
* Indicates a component that is not available as an individual part.

*** Indicates consult Customer Service Department for additional information.

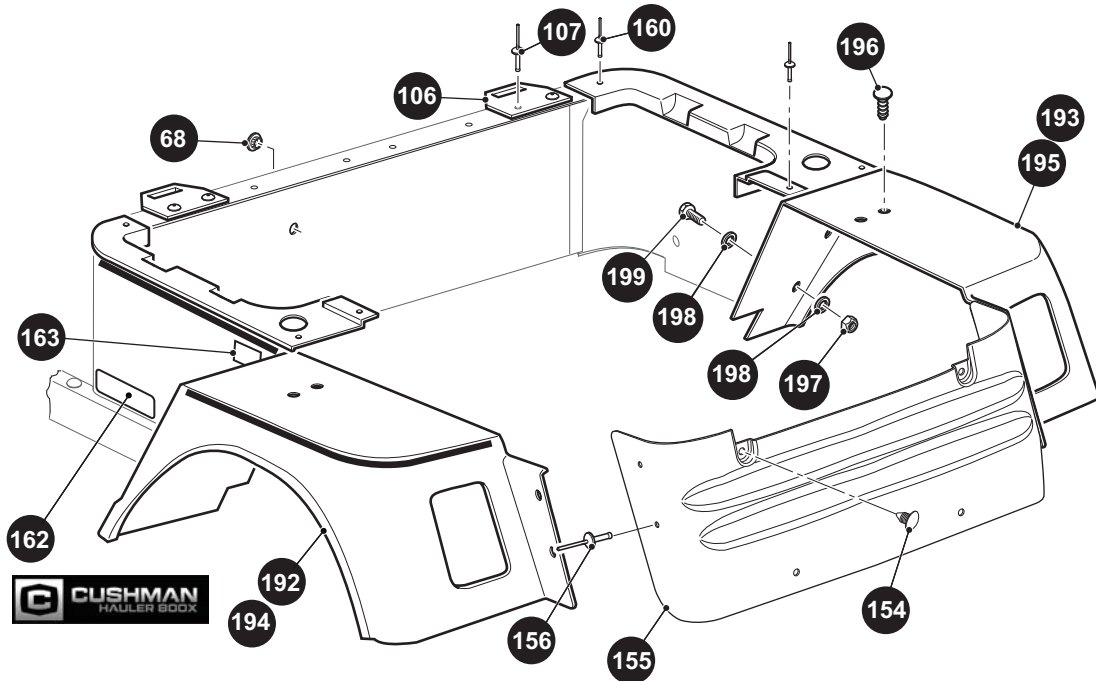
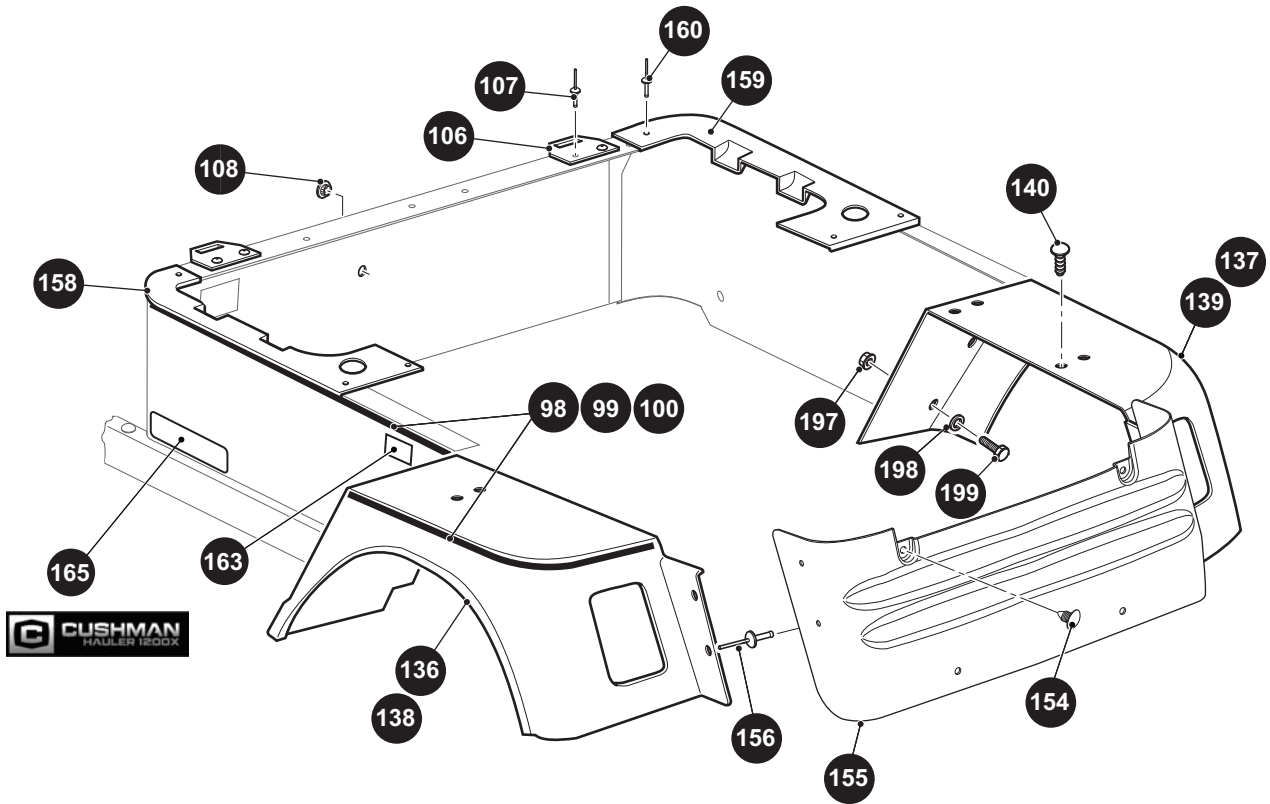
ITEM	PART NO.	1 2 3 4 5	DESCRIPTION	QTY.
1	<u>658941</u>		AIR CLEANER (INCLUDES ITEMS 2 - 6).....	1
2	<u>659139</u>		BODY & BRACKET ASSEMBLY.....	1
3	<u>658957</u>		AIR CLEANER COVER.....	1
4	<u>72604G01</u>		AIR CLEANER CLIP.....	2
5	<u>28463G01</u>		AIR FILTER ELEMENT.....	1
6	<u>28462G01</u>		DUST EJECTOR VALVE.....	1
7	<u>11391G7</u>		HOSE CLAMP, 1.56 - 2.50 DIA.....	1
8	<u>601910</u>		HOSE, 14" LONG.....	1
9	<u>11391G1</u>		HOSE CLAMP 1.31 - 2.25 DIA.....	3
10	<u>25532G1</u>		BOLT AND WASHER, M8 X 1.25 X 18 MM.....	4
11				
12	<u>72637G03</u>		HOSE, AIR INTAKE, 16" LONG.....	1
13	<u>72416G01</u>		INTAKE ASSEMBLY, REMOTE AIR.....	1
14	<u>72415G01</u>		GASKET, REMOTE AIR INTAKE.....	1
15	<u>71055G01</u>		RIVET, 3/16 DIA.....	4
16	<u>11391G2</u>		CLAMP, HOSE, 2.06 - 3.00 DIA.....	1

BODY



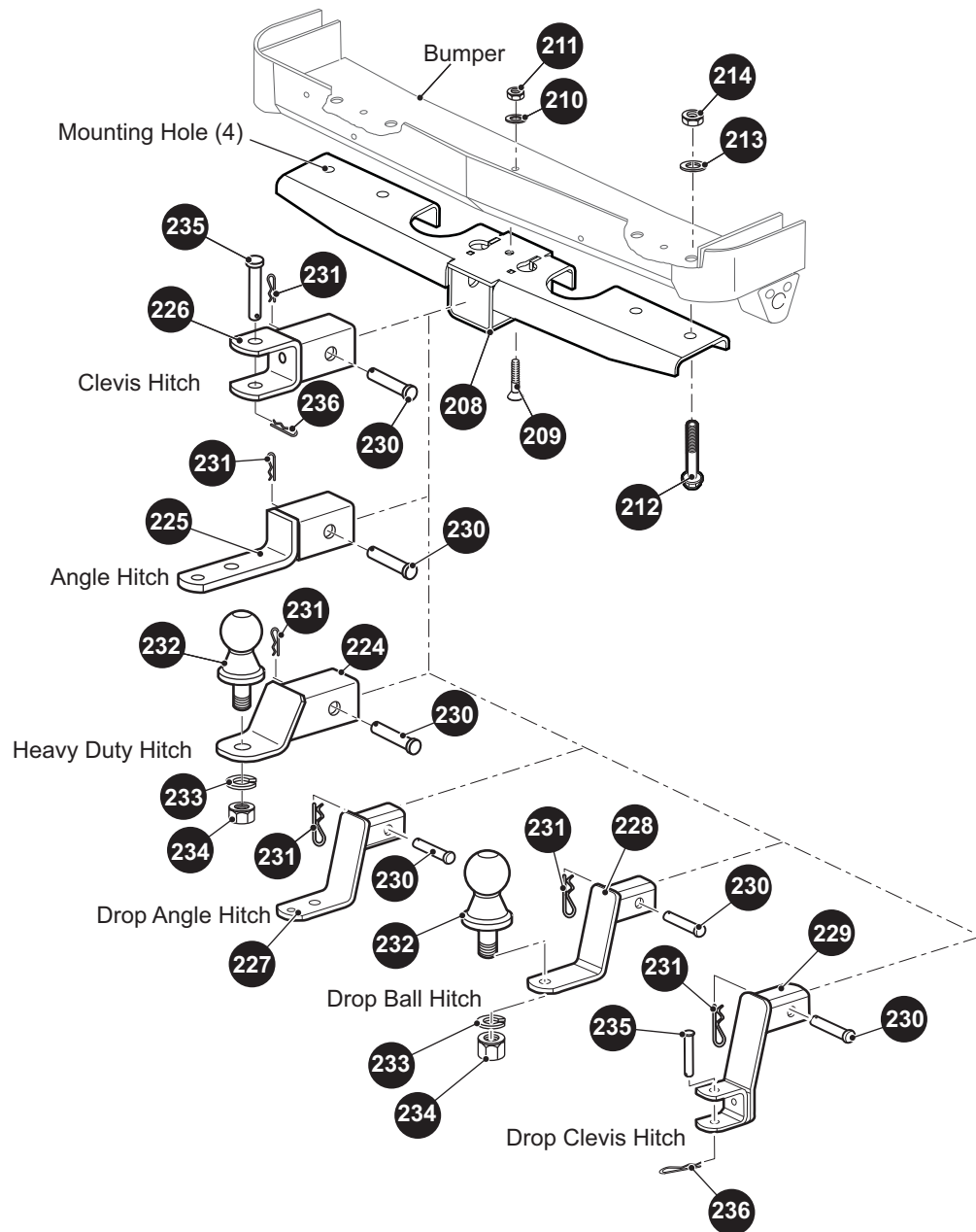


BODY



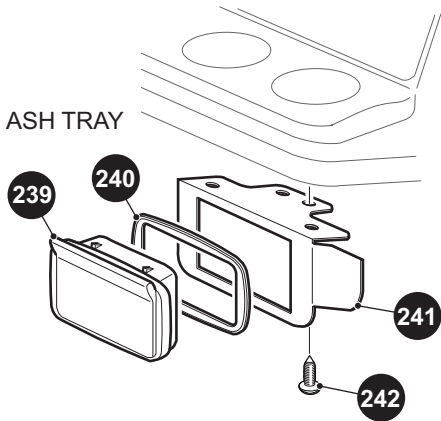
HITCHES

- 218** HEAVY DUTY HITCH KIT includes items 224, 230 - 232
- 219** ANGLE HITCH KIT includes items 225, 230, 231
- 220** CLEVIS HITCH KIT includes items 226, 230, 231, 235, 236
- 221** DROP ANGLE HITCH KIT includes items 227, 230, 231
- 222** DROP BALL HITCH KIT includes items 228, 230 - 232
- 223** DROP CLEVIS HITCH KIT includes items 229, 230, 231, 235, 236

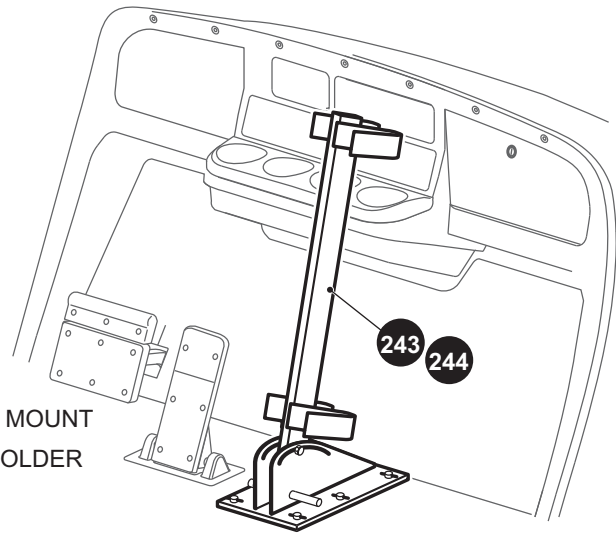


BODY

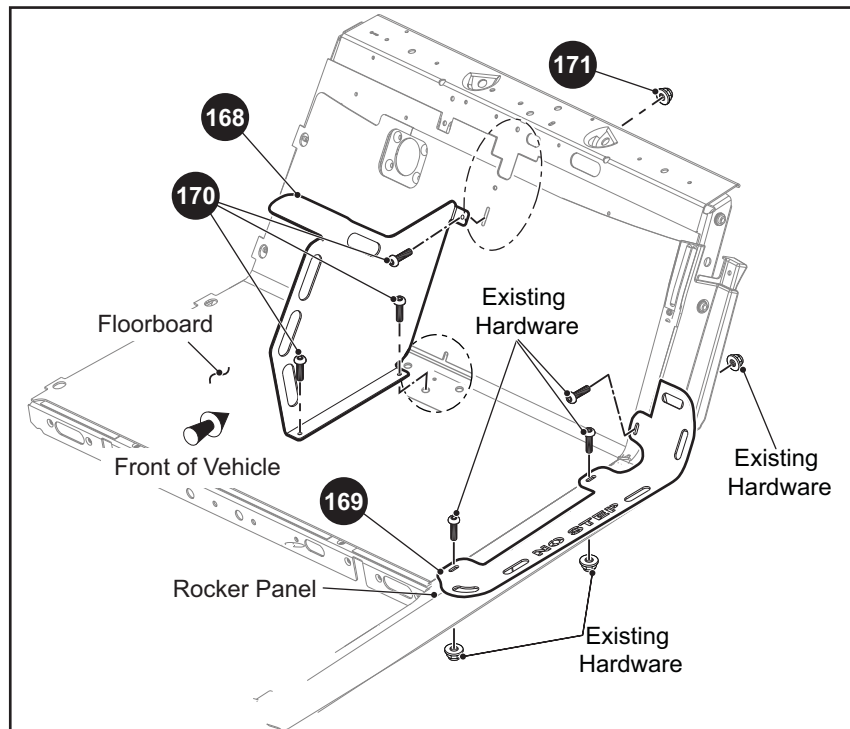
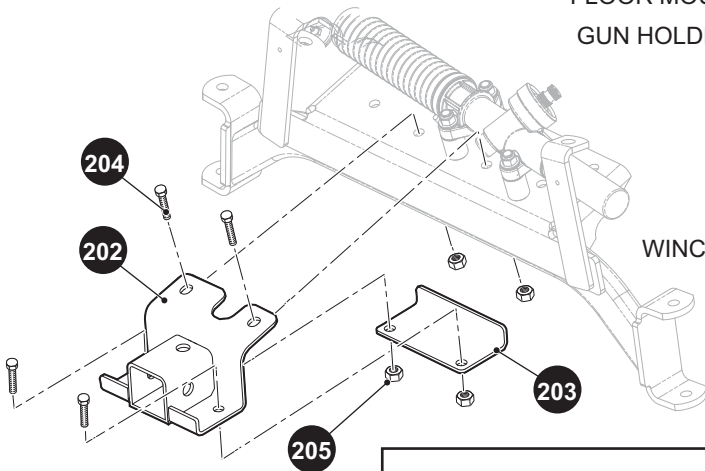
ASH TRAY



FLOOR MOUNT GUN HOLDER



WINCH RECEIVER



When ordering parts, please specify the model and serial number of the product.

* Indicates a component that is not available as an individual part.

*** Indicates consult Customer Service Department for additional information.

ITEM	PART NO.	1 2 3 4 5	DESCRIPTION	QTY.
1	<u>637534</u>		UPPER FLOORPAN	1
2	<u>14601G11</u>		RIVET (ALUMINUM), 3/16" X 9/16" LG	9
3				
4	<u>70451G01</u>		LOWER FLOORPAN	1
5	<u>14601G11</u>		RIVET (ALUMINUM), 3/16" X 9/16" LG	7
6	<u>70452G01</u>		ACCESS COVER.....	1
7				
8				
9	<u>71413G01</u>		SPLASH PANEL.....	1
10	<u>16816G2</u>		RATCHET FASTENER, 1/4" X 3/4" LG.....	4
11				
12	625743		SAFETY AND OPERATION LABEL, CE.....	1
13				
14	<u>71102G02</u>		SELF TAPPING SCREW, 1/4" - 20 X 1/2" LG	3
15	<u>71055G01</u>		RIVET (ALUMINUM), 3/16" X 1 1/8" LG	1
16				
17	74521G02		FRONT BASKET ASSEMBLY (INCLUDES ITEMS 18 - 23).....	1
18	<u>74523G01</u>		FRONT BASKET	1
19	<u>74522G01</u>		BASKET MOUNTING BRACKET (DRIVER SIDE).....	1
20	<u>74522G02</u>		BASKET MOUNTING BRACKET (PASSENGER SIDE)	1
21	<u>00769G2</u>		CARRIAGE BOLT (SS), 3/8" - 16 X 1.25" LG.....	4
22	<u>11098G5</u>		LOCK NUT, 3/8" - 16	4
23	<u>71931G01</u>		LABEL, FRONT BASKET (WARNING)	1
24	<u>619135</u>		CUSHMAN COWL DECAL	1
25	<u>71151G01</u>		INSTRUMENT PANEL ASSEMBLY (INCLUDES ITEMS 26 - 30).....	1
26	<u>71153G01</u>		DEFLECTOR (PASSENGER SIDE)	1
27	<u>71154G01</u>		DEFLECTOR (DRIVER SIDE).....	1
28	<u>00614G5</u>		SELF DRILL SCREW, #8 - 18 X 5/8" LG.....	4
29	<u>71158G01</u>		INSTRUMENT PANEL INSERT (FOUR CUP)	1
30	71152G01		INSTRUMENT PANEL.....	1
31	<u>601781</u>		LABEL (SAFETY).....	1

BODY

When ordering parts, please specify the model and serial number of the product.

* Indicates a component that is not available as an individual part.

*** Indicates consult Customer Service Department for additional information.

ITEM	PART NO.	1 2 3 4 5	DESCRIPTION	QTY.
32	<u>74443G01</u>		LABEL (ANTI-ROLLBACK).....	1
33	<u>35968G01</u>		LABEL (T-HOLDER COVER)	1
34				
35				
36				
37				
38				
39	<u>71115G01</u>		VINYL TRIM.....	2
40	<u>71055G01</u>		RIVET (ALUMINUM), 3/16" X 1" LG.....	10
41				
42				
43	<u>75459G01</u>		GLOVE BOX DOORS (BOTH SIDES)	1
44	<u>75459G02</u>		GLOVE BOX DOOR (DRIVER SIDE)	1
45	<u>75459G03</u>		GLOVE BOX DOOR (PASSENGER SIDE)	1
46	<u>613273</u>		FRONT FASCIA.....	1
47	<u>617643</u>		COWL GRILL COVER.....	1
48	<u>70725G02</u>		FRONT SHIELD BRACE	2
49	613036GXXX		COWL (See COLOR CODE in HOW TO USE Section of Manual)	1
50	<u>71055G01</u>		RIVET (ALUMINUM), 3/16" X 1" LG.....	7
51	<u>16469G1</u>		FENDER WASHER	2
52	<u>01038G01</u>		SWAGEFORM SCREW, 1/4" - 20 X 11/16".....	4
53	<u>15058G1</u>		RIVET (ALUMINUM), 3/16" X 7/16 X 5/8" LG	2
54	<u>71597G01</u>		SELF THREADING NUT 5 X 10 X 15MM	2
55	<u>614378</u>		FENDER FLARE (DRIVER SIDE).....	1
56	<u>613274</u>		FENDER FLARE (PASSENGER SIDE)	1
57	<u>71055G01</u>		RIVET (ALUMINUM), 3/16" X 1" LG.....	6
58	<u>618653</u>		FASCIA BRACKET	1
59	<u>14390G4</u>		PLASTIC INSERT LOCK NUT, 1/4" - 20	2
60	<u>00414G6</u>		HEX HEAD BOLT, 1/4" - 20 X 3/4" LG.....	2
61				
62				

When ordering parts, please specify the model and serial number of the product.

* Indicates a component that is not available as an individual part.

*** Indicates consult Customer Service Department for additional information.

ITEM	PART NO.	1 2 3 4 5	DESCRIPTION	QTY.
63				
64				
65	617620		BRUSHGUARD.....	1
66				
67	<u>00440G6</u>		HEX HEAD BOLT, 5/16" - 18 X 2 3/4" LG	2
68	<u>75048G02</u>		SPACER, 0.328" X 1.31".....	2
69				
70	<u>00565G8</u>		LOCK WASHER, 5/16"	4
71	<u>00440G2</u>		HEX HEAD BOLT, 5/16" - 18 X 2 3/4" LG	4
72	<u>75048G04</u>		SPACER, 0.328" X 0.75".....	2
73	00559G8		FLAT WASHER, 5/16".....	4
74	<u>70663G06</u>		FLOORMAT WITH HORN HOLES, DIAMOND PLATE	1
75	<u>70135G01</u>		PEDAL PIVOT COVER.....	1
76				
77	<u>70244G05</u>		SPLASH PANEL.....	1
78	<u>00715G2</u>		HEX HEAD BOLT, 5/16" - 18 X 4/5" LG	4
79	<u>00438G8</u>		HEX HEAD BOLT, 5/16" - 18 X 1" LG	2
80	00559G8		FLAT WASHER, 5/16".....	2
81	11098G6		LOCK NUT (SS), 5/16" - 18	2
82				
83				
84	<u>652441G03</u>		BATTERY TRAY.....	1
85	<u>00715G2</u>		HEX HEAD BOLT, 5/16" - 18 X 4/5" LG	AR
86	00438G6		HEX HEAD BOLT, 5/16" - 18 X 3/4" LG	3
87	<u>00571G2</u>		FLAT WASHER, 5/16".....	1
88	<u>00565G8</u>		LOCK WASHER, 5/16"	1
89				
90				
91	<u>70629G01</u>		SPLASH PANEL.....	1
92	<u>00106G6</u>		SELF THREADING SCREW, #12 - 24 X 3/4" LG	2
93				

BODY

When ordering parts, please specify the model and serial number of the product.

* Indicates a component that is not available as an individual part.

*** Indicates consult Customer Service Department for additional information.

ITEM	PART NO.	1	2	3	4	5	DESCRIPTION	QTY.
94								
95								
96	<u>605694</u>						SEAT FRAME	1
97	<u>00715G2</u>						HEX HEAD BOLT, 5/16" - 18 X 4/5" LG.....	2
98								
99								
100								
101								
102								
103								
104	609143GXX						SEAT WRAP WITH LOUVERS (HAULER 800X ONLY) (See COLOR CODE in HOW TO USE Section).....	1
105	<u>10570G10</u>						RIVET (SS), 5/32" X 9/16" LG	8
106	<u>71609G01</u>						SEAT HINGE PLATE	2
107	<u>10570G11</u>						RIVET (SS), 3/16" X 3/4" LG	4
108	20271G02						HOLE PLUG (HAULER 1200X ONLY)	1
109								
110								
111	609168G1XX						SIDE PANEL (DRIVER SIDE) (HAULER 1200X ONLY) (See COLOR CODE in HOW TO USE Section).....	1
112	609168G2XX						SIDE PANEL (PASSENGER SIDE) (HAULER 1200X ONLY) (See COLOR CODE in HOW TO USE Section)	1
113	<u>10570G10</u>						RIVET (SS), 5/32" X 9/16" LG	4
114	10570G12						RIVET (ALUMINUM), 1/4" X 9/16" LG.....	4
115	<u>16469G1</u>						FENDER WASHER, 1/4"	4
116	609047G1XX						SIDE PANEL (DRIVER) (HAULER 800X ONLY) (See COLOR CODE in HOW TO USE Section)	1
117	609047G2XX						SIDE PANEL (PASSENGER) (HAULER 800X ONLY) (See COLOR CODE in HOW TO USE Section).....	1
118	<u>618886</u>						ROCKER PANEL (DRIVER SIDE) (HAULER 1200X ONLY)	1
119	<u>618885</u>						ROCKER PANEL (PASSENGER SIDE) (HAULER 1200X ONLY)	1
120	<u>71440G03</u>						BRACE (DRIVER SIDE) (HAULER 1200X ONLY)	1
121	<u>71440G04</u>						BRACE (PASSENGER SIDE) (HAULER 1200X ONLY)	1

When ordering parts, please specify the model and serial number of the product.

* Indicates a component that is not available as an individual part.

*** Indicates consult Customer Service Department for additional information.

ITEM	PART NO.	1 2 3 4 5	DESCRIPTION	QTY.
122	<u>00789G2</u>		PHILLIPS HEAD SCREW, #10 - 24 X 1 1/4" LG	2
123	<u>23726G4</u>		SPACER, 1/4"	4
124	<u>00660G5</u>		FLAT WASHER (SS), #10.....	2
125	<u>14390G10</u>		LOCK NUT, #10 - 24	2
126				
127				
128				
129	<u>16705G1</u>		PAN HEAD SCREW (SS), 1/4" - 20 X 1" LG	4
130	<u>23726G4</u>		SPACER, 1/4"	4
131				
132	<u>14390G4</u>		LOCK NUT, 1/4" - 20.....	4
133				
134				
135				
136	<u>74893G01</u>		FENDER (DRIVER SIDE) (HAULER 1200X ONLY)	1
137	<u>74893G02</u>		FENDER (PASSENGER SIDE) (HAULER 1200X ONLY)	1
138	<u>74893G03</u>		FENDER WITH TAILLIGHT OPENING (DRIVER SIDE) (HAULER 1200X ONLY)	1
139	<u>74893G04</u>		FENDER WITH TAILLIGHT OPENING (PASSENGER SIDE) (HAULER 1200X ONLY)	1
140	<u>16816G2</u>		RATCHET FASTENER, 1/4" X 3/4" LG.....	10
141				
142				
143				
144	<u>618358</u>		ROCKER PANEL, DRIVER SIDE (HAULER 800X ONLY)	1
145	<u>618359</u>		ROCKER PANEL, PASSENGER SIDE (HAULER 800X ONLY).....	1
146				
147				
148				
149				
150				
151				

BODY

When ordering parts, please specify the model and serial number of the product.

* Indicates a component that is not available as an individual part.

*** Indicates consult Customer Service Department for additional information.

ITEM	PART NO.	1	2	3	4	5	DESCRIPTION	QTY.
152								
153								
154	<u>16816G2</u>						RATCHET FASTENER, 1/4" X 3/4" LG	8
155	<u>74890G01</u>						REAR PANEL	1
156	<u>71055G01</u>						RIVET (ALUMINUM), 3/16" X 1" LG	4
157								
158	<u>74891G01</u>						SEAT FILLER PANEL (DRIVER SIDE) (HAULER 1200X ONLY).....	1
159	<u>74891G02</u>						SEAT FILLER PANEL (PASSENGER SIDE) (HAULER 1200X ONLY)	1
160	<u>10570G10</u>						RIVET (SS), 5/32" X 9/16" LG	6
161								
162	<u>619142</u>						DECAL, CUSHMAN LOGO, (HAULER 800X).....	2
163	<u>74099G01</u>						LABEL (TILT WARNING).....	2
164								
165	<u>619143</u>						DECAL, CUSHMAN LOGO, (HAULER 1200X).....	2
166								
167								
168	<u>662991</u>						ACCELERATOR PEDAL GUARD	1
169	<u>661653</u>						FLOORBOARD MOUNT	1
170	<u>645323</u>						TORX HEAD SCREW, M6 X 1 - 23.4MM LG	3
171	<u>601476</u>						LOCK NUT, M6 - 1.....	3
172								
173								
174								
175								
176								
177								
178								
179								
180								
181								
182								

When ordering parts, please specify the model and serial number of the product.

* Indicates a component that is not available as an individual part.

*** Indicates consult Customer Service Department for additional information.

ITEM	PART NO.	1 2 3 4 5	DESCRIPTION	QTY.
183				
184	<u>15058G6</u>		RIVET (ALUMINUM), 3/16" X 15/16" LG	2
185				
186				
187				
188				
189				
190				
191				
192	<u>74892G01</u>		FENDER (DRIVER SIDE) (HAULER 800X ONLY)	1
193	<u>74892G02</u>		FENDER (PASSENGER SIDE) (HAULER 800X ONLY)	1
194	<u>74892G03</u>		FENDER WITH TAILLIGHT (DRIVER SIDE) (HAULER 800X ONLY)	1
195	<u>74892G04</u>		FENDER WITH TAILLIGHT (PASSENGER SIDE) (HAULER 800X ONLY) ...	1
196	<u>16816G2</u>		RATCHET FASTENER, 1/4" X 3/4" LG	10
197	<u>14390G4</u>		LOCK NUT, 1/4" - 20	4
198	<u>00642G7</u>		FLAT WASHER, 1/4"	8
199	<u>00414G6</u>		HEX HEAD BOLT, 1/4" - 20 X 3/4" LG	4
200				
201				
202	<u>604559</u>		WINCH RECEIVER WELDMENT	1
203	<u>604572</u>		WINCH RECEIVER RETAINER PLATE	1
204	<u>00462G8</u>		HEX HEAD BOLT, 7/16" - 14 X 1" LG	4
205	<u>00734G1</u>		LOCK NUT, 7/16" - 14	4
206				
207				
208	<u>647080</u>		HITCH RECEIVER	1
209	<u>00198G8</u>		FLAT SLOTTED HEAD SCREW, 5/16" - 18 X 1" LG	1
210	<u>00571G2</u>		FLAT WASHER	1
211	11098G6		LOCK NUT (SS), 5/16" - 18	1
212	<u>00463G4</u>		HEX HEAD BOLT, 7/16" - 14 X 1 1/2" LG	4
213	<u>00922G3</u>		FLAT WASHER, 7/16"	4

BODY

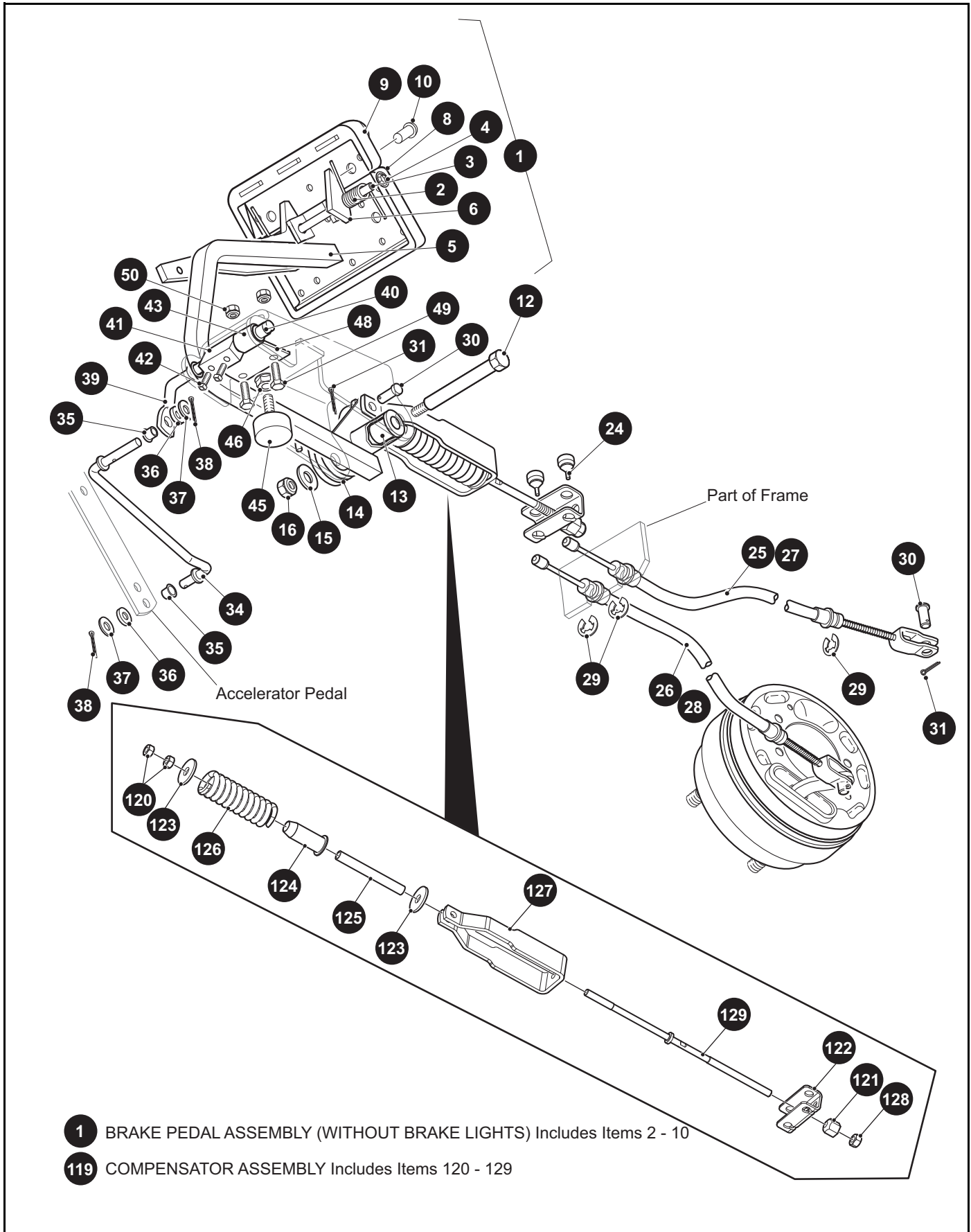
When ordering parts, please specify the model and serial number of the product.

* Indicates a component that is not available as an individual part.

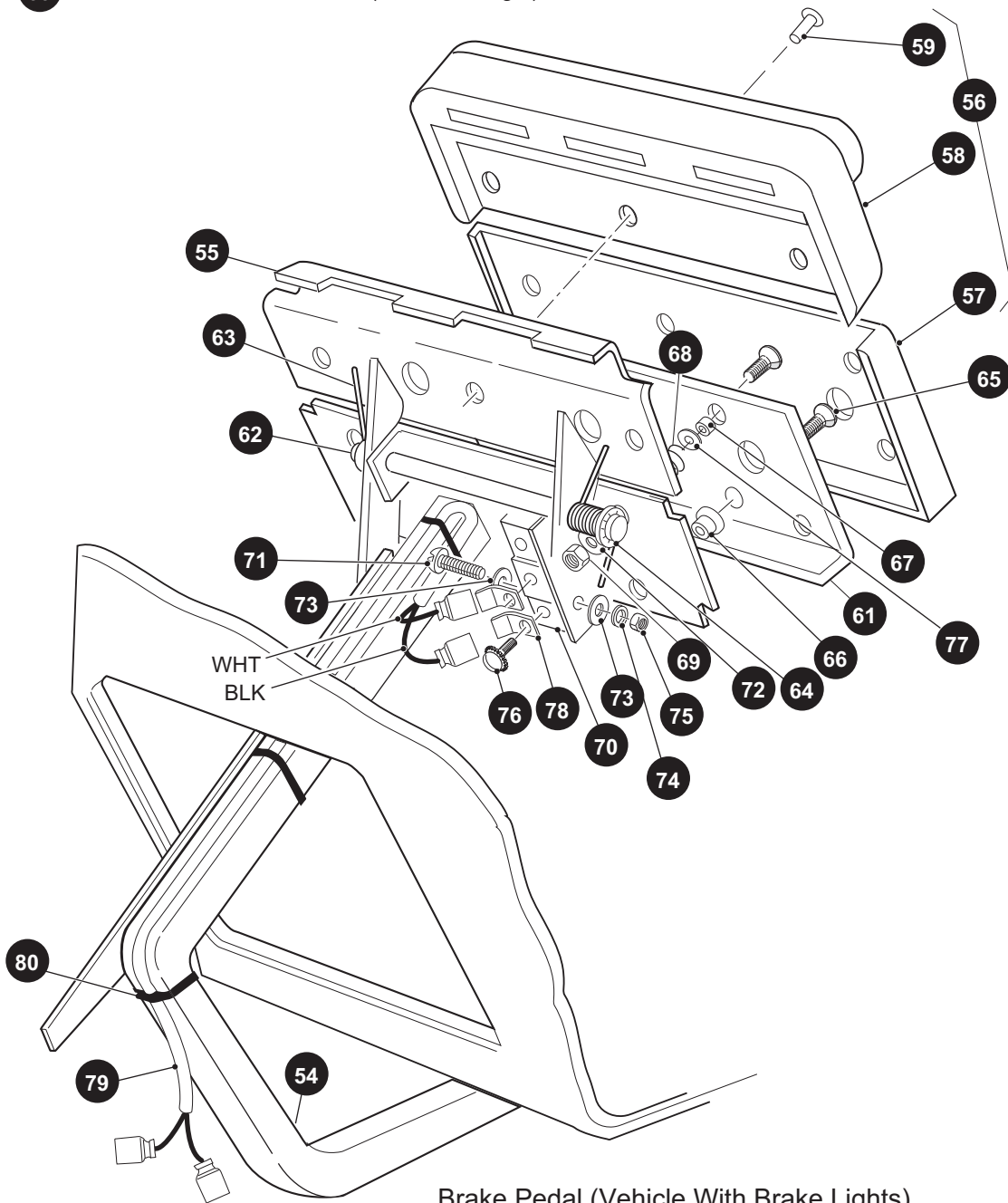
*** Indicates consult Customer Service Department for additional information.

ITEM	PART NO.	1 2 3 4 5	DESCRIPTION	QTY.
214	<u>00734G1</u>		LOCK NUT, 7/16" - 14	4
215				
216				
217				
218	<u>646789</u>		HEAVY DUTY BALL HITCH KIT (INCLUDES ITEMS 224, 230-232)	1
219	<u>646790</u>		ANGLE HITCH KIT (INCLUDES ITEMS 225, 230, 231)	1
220	<u>646791</u>		CLEVIS HITCH KIT (INCLUDES ITEMS 226, 230, 231, 235, 236).....	1
221	<u>646792</u>		DROP ANGLE HITCH KIT (INCLUDES ITEMS 227, 230, 231)	1
222	<u>646793</u>		DROP BALL HITCH KIT (INCLUDES ITEMS 228, 230-232)	1
223	<u>646794</u>		DROP CLEVIS HITCH KIT (INCLUDES ITEMS 229, 230, 231, 235, 236)	1
224	<u>646730</u>		HEAVY DUTY HITCH.....	1
225	<u>646729</u>		ANGLE HITCH.....	1
226	<u>646727</u>		CLEVIS HITCH	1
227	<u>646731</u>		DROP ANGLE HITCH.....	1
228	<u>646743</u>		DROP BALL HITCH	1
229	<u>646744</u>		DROP CLEVIS HITCH.....	1
230	<u>21317G1</u>		CLEVIS PIN, 5/8" X 3" LG.....	1
231	<u>21683G1</u>		COTTER PIN, 15/32" X 2 1/16" LG.....	1
232	<u>31757G1</u>		HITCH BALL WITH HARDWARE, 1 7/8" (INCLUDES ITEMS 233-234) ..	1
233	<u>00566G6</u>		LOCK WASHER, 3/4"	1
234	<u>00702G2</u>		HEX NUT, 5/16" - 18.....	1
235	<u>14443G10</u>		CLEVIS PIN, 1/2" X 3" LG.....	1
236	<u>19314G1</u>		COTTER PIN, 5/2" LG	1
237				
238				
239	<u>27731G01</u>		ASH TRAY	1
240	<u>27736G01</u>		GASKET	1
241	<u>75108G02</u>		BRACKET.....	1
242	<u>00106G6</u>		PAN HEAD PHILLIPS SCREW, #12 - 14 X .75" LG.....	4
243	<u>74533G01</u>		SWIVEL GUN HOLDER WITH BASE PLATE (HAULER 1200X ONLY)	1
244	<u>74365G01</u>		GUN HOLDER REMOVABLE FLOOR MOUNT (HAULER 1200X ONLY)	1

BRAKES

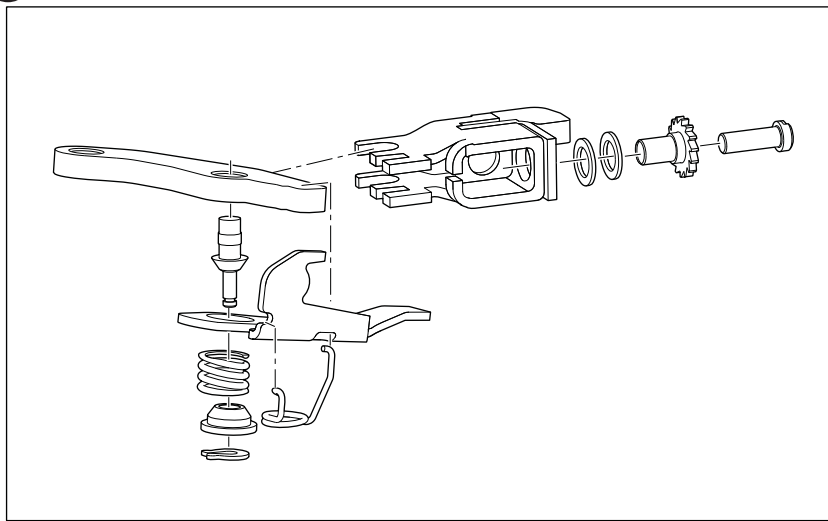
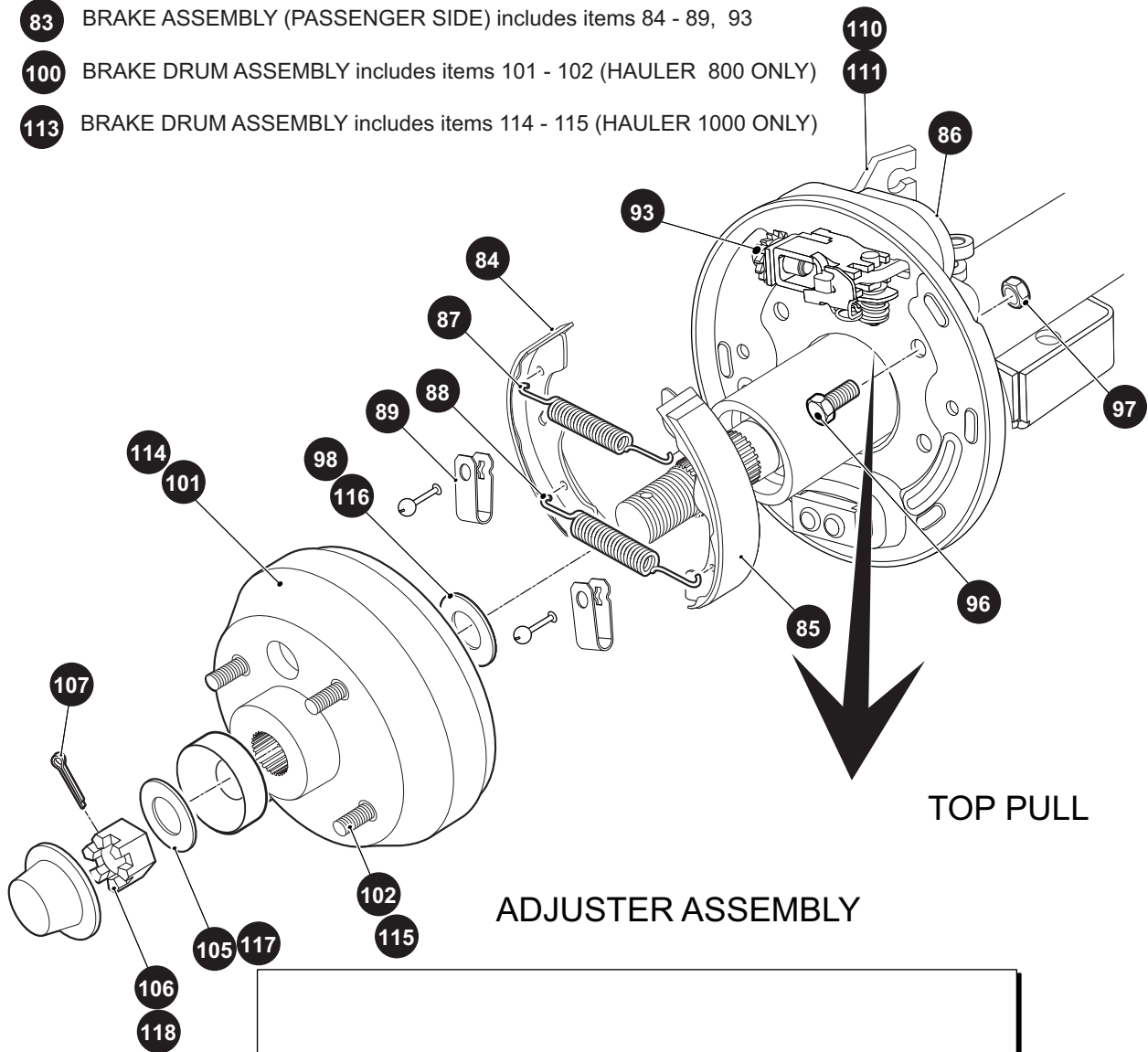


53 - BRAKE PEDAL ASSEMBLY (with Brake Light) includes items 54 - 80

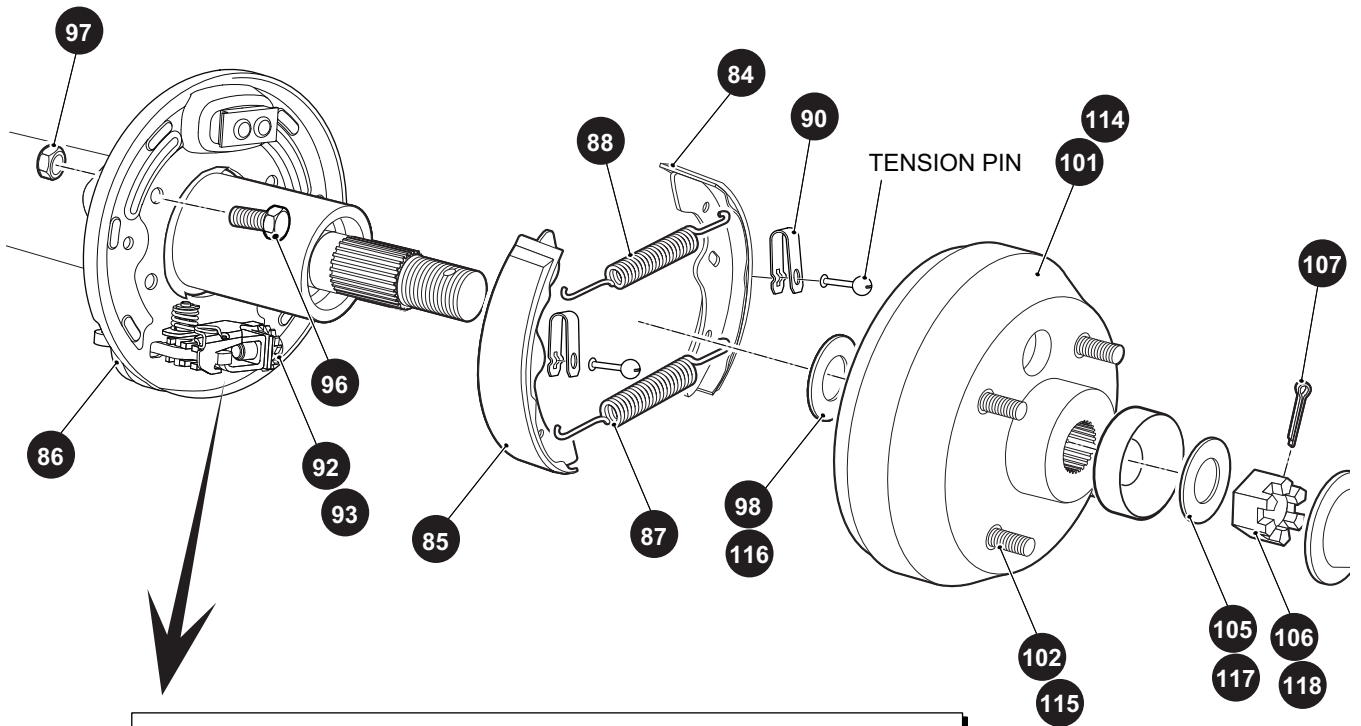


BRAKES

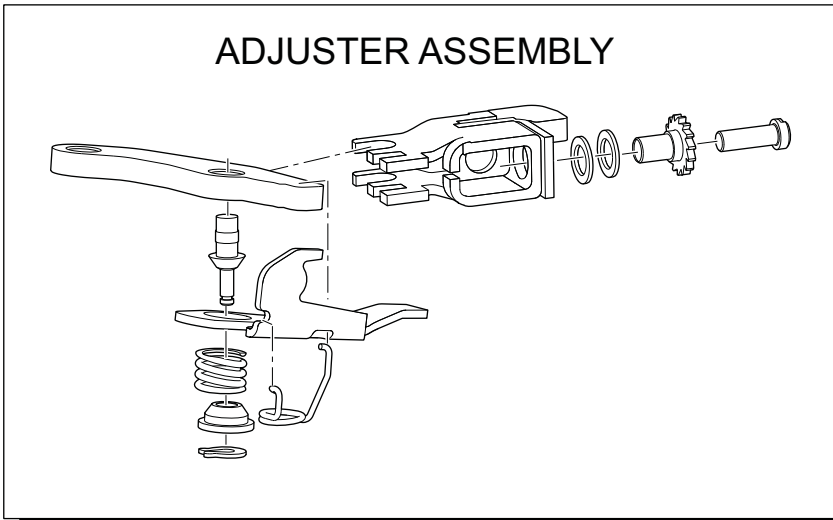
- 82 BRAKE ASSEMBLY (DRIVER SIDE) includes items 84 - 92
- 83 BRAKE ASSEMBLY (PASSENGER SIDE) includes items 84 - 89, 93
- 100 BRAKE DRUM ASSEMBLY includes items 101 - 102 (HAULER 800 ONLY)
- 113 BRAKE DRUM ASSEMBLY includes items 114 - 115 (HAULER 1000 ONLY)



BOTTOM PULL



ADJUSTER ASSEMBLY



BRAKES

When ordering parts, please specify the model and serial number of the product.

* Indicates a component that is not available as an individual part.

*** Indicates consult Customer Service Department for additional information.

ITEM	PART NO.	1 2 3 4 5	DESCRIPTION	QTY.
1	<u>70612G02</u>		BRAKE PEDAL ASSEMBLY (WITHOUT BRAKE LIGHTS) (INCLUDES ITEMS 2 - 10).....	1
2	<u>70681G01</u>		TORSION SPRING	2
3	<u>70682G01</u>		PIVOT PIN	1
4	<u>658825</u>		PUSHNUT, 5/16"	2
5	<u>652251G03</u>		BRAKE PEDAL	1
6	<u>652253G03</u>		PARK BRAKE PEDAL.....	1
7				
8	<u>70257G01</u>		SERVICE BRAKE PAD	1
9	<u>70256G01</u>		PARK BRAKE PEDAL PAD.....	1
10	<u>16409G1</u>		OVAL RIVET, 3/16" X 7/16" LG	9
11				
12	<u>70582G01</u>		SHOULDER BOLT, 3/8 - 16 X 4" LG (STAINLESS STEEL).....	1
13	<u>70581G01</u>		FLANGED BUSHING	2
14	<u>70676G01</u>		TORSION SPRING	1
15	<u>00643G1</u>		FLAT WASHER, 3/8"	1
16	<u>11098G5</u>		LOCK NUT, 3/8 - 16.....	1
17				
18	<u>12416G2</u>		NYLON WEDGE LOCK CLAMP (NOT ILLUSTRATED)	AR
19				
20				
21				
22				
23				
24	<u>28083G01</u>		BRAKE COMPENSATOR BUMPER	2
25	<u>624690</u>		BRAKE CABLE (DRIVER SIDE) (FOR CUSHMAN HAULER 800 GAS).....	1
26	<u>624703</u>		BRAKE CABLE (PASSENGER SIDE) (FOR CUSHMAN HAULER 800 GAS)	1
27	<u>608943</u>		BRAKE CABLE (DRIVER SIDE) (FOR CUSHMAN HAULER 1200 GAS).....	1
28	<u>624698</u>		BRAKE CABLE (PASSENGER SIDE) (FOR CUSHMAN HAULER 1200 GAS)	1
29	<u>01111G01</u>		RETAINING RING, 13/32" (STAINLESS STEEL).....	4

When ordering parts, please specify the model and serial number of the product.

* Indicates a component that is not available as an individual part.

*** Indicates consult Customer Service Department for additional information.

ITEM	PART NO.	1 2 3 4 5	DESCRIPTION	QTY.
30	<u>10386G3</u>		CLEVIS PIN, 5/16" X 13/16" LG.....	3
31	<u>10387G3</u>		COTTER PIN, 3/32" X 3/4" LG.....	3
32	<u>14443G2</u>		CLEVIS PIN, 5/16" X 5/8" LG.....	2
33				
34	<u>70601G01</u>		KICK-OFF LINK	1
35	<u>17838G1</u>		NYLON BUSHING	2
36	<u>20835G1</u>		TEFLON WASHER, 3/8"	2
37	00559G8		FLAT WASHER, 5/16"	2
38	<u>10387G3</u>		COTTER PIN, 3/32" X 3/4" LG.....	2
39	<u>70098G01</u>		KICK-OFF CAM PIVOT.....	1
40	<u>10097G6</u>		FLANGED BEARING	2
41	<u>70587G01</u>		KICK-OFF CAM	1
42	<u>71215G01</u>		SETSCREW, 1/4 - 20 X 1/2" LG	2
43	<u>14134G4</u>		SPACER.....	1
44				
45	<u>70113G01</u>		ADJUSTABLE BUMPER.....	1
46	<u>11027G1</u>		LOCK NUT, 5/16 - 18	1
47				
48	<u>70080G02</u>		CATCH BRACKET	1
49	<u>00414G6</u>		BOLT, 1/4 - 20 X 3/4" LG.....	2
50	<u>14390G4</u>		LOCK NUT, 1/4 - 20 (STAINLESS STEEL).....	2
51				
52				
53	70690G02		BRAKE PEDAL ASSEMBLY (WITH BRAKE LIGHTS) (INCLUDES ITEMS 54 - 80)	1
54	<u>652791G03</u>		BRAKE PEDAL.....	1
55	<u>652253G03</u>		PARK BRAKE PEDAL	1
56				
57	<u>70257G01</u>		SERVICE BRAKE PAD.....	1
58	<u>70256G01</u>		PARK BRAKE PAD.....	1

BRAKES

When ordering parts, please specify the model and serial number of the product.

* Indicates a component that is not available as an individual part.

*** Indicates consult Customer Service Department for additional information.

ITEM	PART NO.	1	2	3	4	5	DESCRIPTION	QTY.
59	<u>16409G1</u>						OVAL RIVET, 3/16" x 7/16" LG.....	9
60								
61	<u>652820</u>						SERVICE BRAKE PEDAL PLATE	1
62	<u>70682G01</u>						PIVOT PIN	1
63	<u>70681G01</u>						TORSION SPRING	2
64	<u>658825</u>						PUSHNUT, 5/16"	1
65	<u>00737G8</u>						SCREW, #10 - 24 X 7/8" LG	4
66	<u>00739G1</u>						RUBBER NUT, #10 - 24.....	2
67	<u>652355</u>						BRAKE PEDAL SPACER.....	2
68	<u>27137G01</u>						CONICAL SPRING	2
69	<u>14390G10</u>						LOCK NUT, #10 - 24	2
70	<u>10606G8</u>						MICRO SWITCH	1
71	<u>00645G2</u>						BOLT, #6 - 32 X 1 1/4" LG.....	2
72	<u>00559G5</u>						FLATWASHER, #10	2
73	<u>00559G3</u>						FLAT WASHER, #6	4
74	<u>00565G3</u>						LOCK WASHER, #6.....	2
75	<u>00525G5</u>						NUT, #6 - 32	2
76	<u>13514G1</u>						SCREW AND LOCK WASHER, #6.....	2
77	<u>00642G8</u>						FLAT WASHER 5/16	2
78	<u>14628G1</u>						FASTON TAB	2
79	<u>24605G1</u>						WIRE HARNESS (BRAKE LIGHT)	1
80	<u>17618G1</u>						WIRE TIE	3
81								
82	<u>612211</u>						BRAKE ASSEMBLY (DRIVER SIDE) (INCLUDES ITEMS 84 - 92)	1
83	<u>612189</u>						BRAKE ASSEMBLY (PASSENGER SIDE) (INCLUDES ITEMS 84 - 91, 93)..	1
84	<u>612411</u>						BRAKE SHOE, L	2
85	<u>612412</u>						BRAKE SHOE, T.....	2
86	<u>612413</u>						DUST COVER.....	1
87	<u>612415</u>						BRAKE SPRING	1
88	<u>612414</u>						BRAKE SPRING	1

When ordering parts, please specify the model and serial number of the product.

* Indicates a component that is not available as an individual part.

*** Indicates consult Customer Service Department for additional information.

ITEM	PART NO.	1 2 3 4 5	DESCRIPTION	QTY.
89	<u>612416</u>		SHOE CLAMP	2
90				
91				
92	<u>612418</u>		GEAR ADJUSTER.....	1
93	<u>612417</u>		GEAR ADJUSTER.....	1
94				
95				
96	<u>17083G2</u>		BOLT, 5/16 - 24 X 1" LG.....	8
97	<u>15126G1</u>		LOCK NUT, 5/16 - 24	8
98	<u>15485G1</u>		WASHER, 13/16" (HAULER 800)	2
99				
100	<u>19186G1</u>		BRAKE DRUM ASSEMBLY (INCLUDES ITEMS 101 - 102) (HAULER 800 ONLY).....	2
101	<u>18500G2</u>		BRAKE DRUM.....	1
102	<u>19862G1</u>		LUG BOLT, 1/2 - 20 X 1 3/16" LG	4
103				
104				
105	<u>15487G1</u>		WASHER, 1 3/8" O.D. X 21/32" (HAULER 800)	2
106	<u>612928</u>		CASTELLATED NUT, 5/8 - 18 (HAULER 800).....	2
107	<u>10387G1</u>		COTTER PIN, 1/8" X 1 1/2" LG.....	2
108				
109				
110	<u>652248</u>		BRAKE CABLE BRACKET (PASSENGER SIDE)	1
111	<u>652249</u>		BRAKE CABLE BRACKET (DRIVER SIDE).....	1
112				
113	<u>21807G2</u>		BRAKE DRUM ASSEMBLY (INCLUDES ITEMS 114 - 115) (HAULER1000 ONLY).....	1
114	<u>20947G1</u>		BRAKE DRUM.....	1
115	<u>19862G2</u>		LUG BOLT	4
116	<u>21809G1</u>		WASHER, INNER WHEEL RIM (HAULER 1000)	2
117	<u>21830G1</u>		WASHER - BRAKE DRUM (HAULER 1000)	2
118	<u>00518G8</u>		SLOTTED HEX NUT, 3/4 - 16 (HAULER 1000).....	2

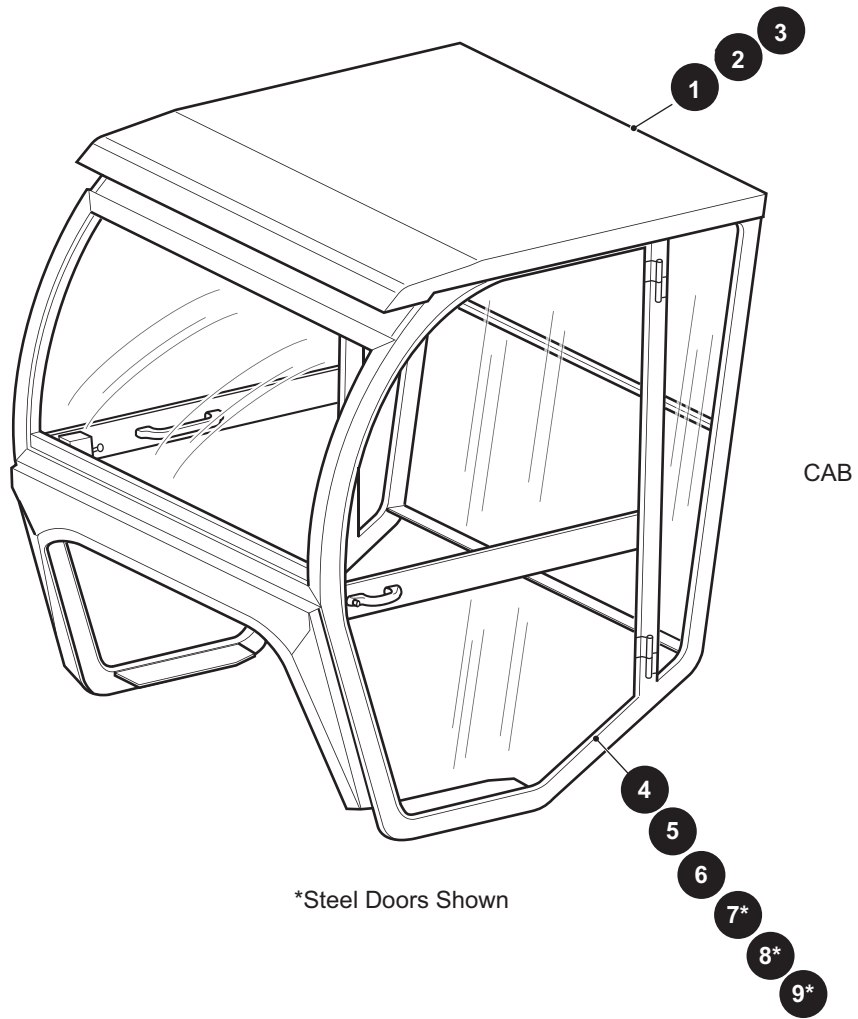
BRAKES

When ordering parts, please specify the model and serial number of the product.

* Indicates a component that is not available as an individual part.

*** Indicates consult Customer Service Department for additional information.

ITEM	PART NO.	1	2	3	4	5	DESCRIPTION	QTY.
119	<u>612558</u>						COMPENSATOR ASSEMBLY (INCLUDES ITEMS 120 - 129)	1
120	<u>00532G4</u>						HEX NUT	2
121	<u>629486</u>						HEX NUT, 5/16 - 24.....	1
122	<u>28082G01</u>						EQUALIZER BRACKET	1
123	<u>15121G1</u>						FLAT WASHER - 5/16.....	2
124	<u>17979G1</u>						ACCELERATOR ROD BUSHING	1
125	<u>23061G2</u>						TUBE.....	1
126	<u>23463G1</u>						COMPRESSION SPRING	1
127	<u>652256</u>						BRAKE YOKE	1
128	<u>11098G9</u>						HEX LOCK NUT, 5/16 - 24.....	1
129	<u>612557</u>						COMPENSATOR LINK ROD	1



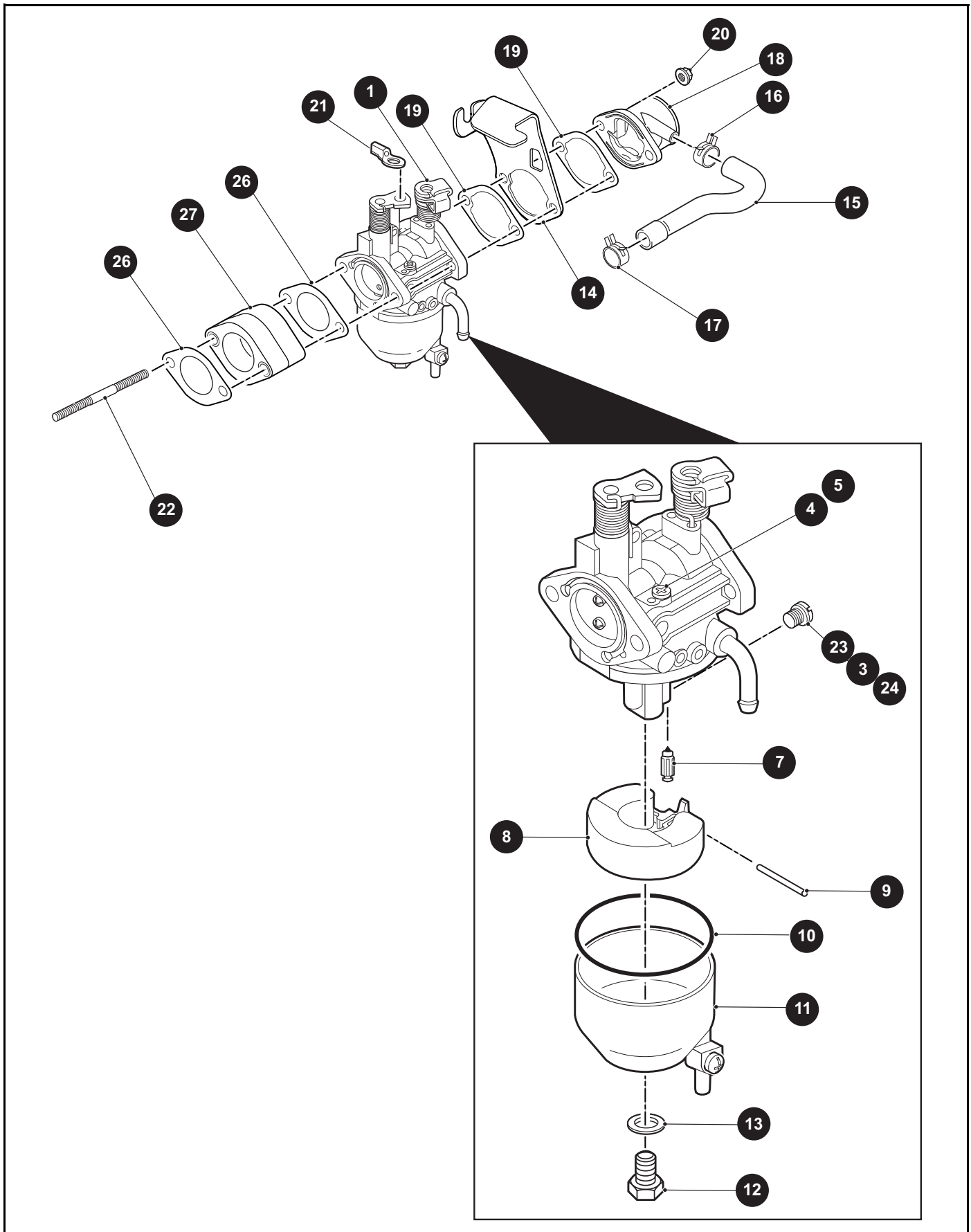
When ordering parts, please specify the model and serial number of the product.

* Indicates a component that is not available as an individual part.

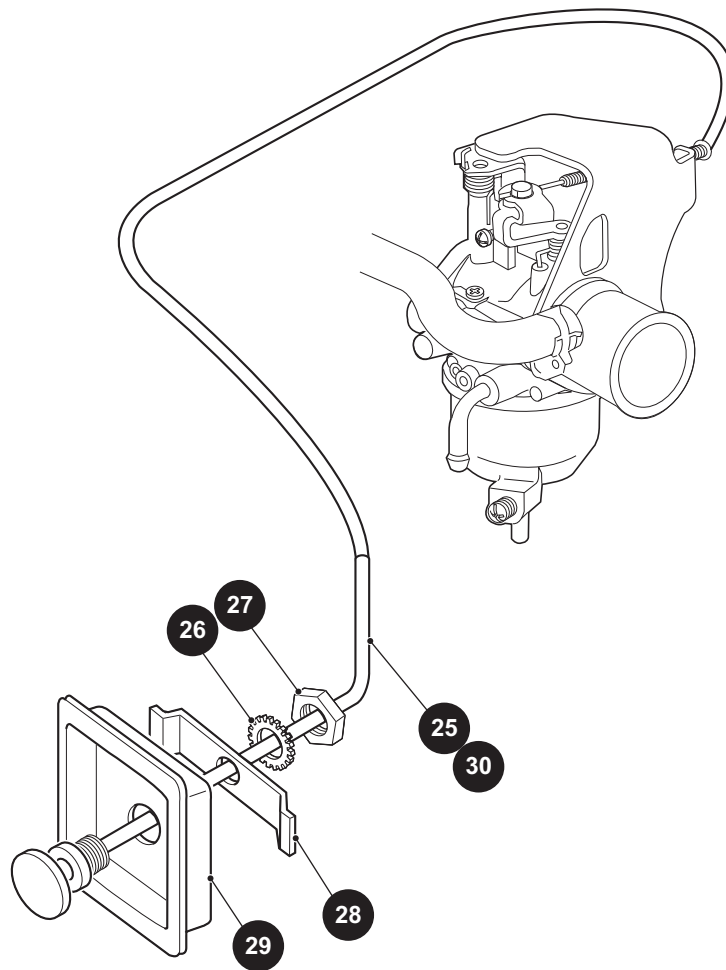
*** Indicates consult Customer Service Department for additional information.

ITEM	PART NO.	1 2 3 4 5	DESCRIPTION	QTY.
1	<u>72684G01</u>		STEEL CAB (WITHOUT DOORS) - TAN.	1
2	<u>72684G02</u>		STEEL CAB (WITHOUT DOORS) - WHITE	1
3	<u>72684G03</u>		STEEL CAB (WITHOUT DOORS) - OTHER	1
4	<u>75855G01</u>		VINYL DOOR KIT - TAN	1
5	<u>75855G02</u>		VINYL DOOR KIT - WHITE	1
6	<u>75855G03</u>		VINYL DOOR KIT - OTHER.....	1
7	<u>75856G01</u>		STEEL DOOR KIT - TAN	1
8	<u>75856G02</u>		STEEL DOOR KIT - WHITE.....	1
9	<u>75856G03</u>		STEEL DOOR KIT - OTHER.....	1
<p>REPLACEMENT PARTS AND ACCESSORIES MAY BE OBTAINED FROM CURTIS CAB, INC</p>				

CARBURETOR AND CHOKE



CARBURETOR AND CHOKE



CARBURETOR AND CHOKE

When ordering parts, please specify the model and serial number of the product.

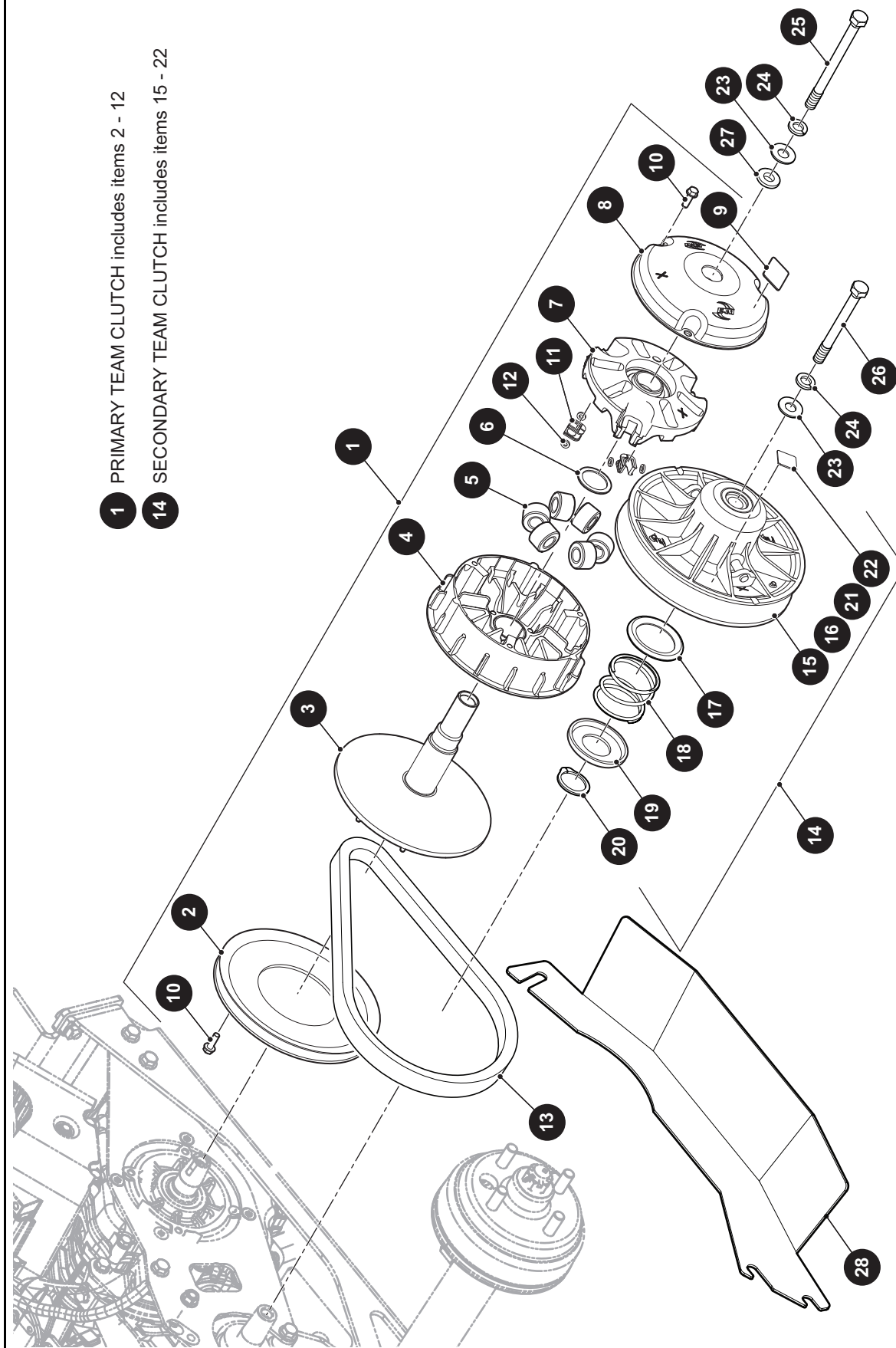
* Indicates a component that is not available as an individual part.

*** Indicates consult Customer Service Department for additional information.

ITEM	PART NO.	1 2 3 4 5	DESCRIPTION	QTY.
1	607955		CARBURETOR (INCLUDES ITEMS 3 - 22).....	1
2				
3	607956		MAIN JET (#106)	1
4	607957		PILOT JET (#52)	1
5	603585		PLUG	1
6				
7	603586		NEEDLE VALVE.....	1
8	603587		FLOAT.....	1
9	603588		FLOAT PIN.....	1
10	603589		FLOAT BOWL GASKET.....	1
11	603590		FLOAT CHAMBER.....	1
12	603592		BOWL SCREW	1
13	603591		BOWL GASKET	1
14	603583		CHOKE BRACKET	1
15	603598		BREATHER TUBE	1
16	603596		CLAMP, INTAKE TUBE.....	1
17	603597		CLAMP CYLINDER HEAD TUBE.....	1
18	603594		INTAKE TUBE.....	1
19	603593		CHOKE GASKET.....	2
20	603595		NUT, M6 X 1.0.....	2
21	608023		THROTTLE ROD ATTACHMENT BUSHING.....	1
22	603584		STUD BOLT	2
23	607684		MAIN JET (#102) (FOR ELEVATIONS OF 6000 FT - 10000 FT).....	1
24	607683		MAIN JET (#104) (FOR ELEVATIONS OF 3000 FT - 6000 FT).....	1
25	605868		CHOKE CABLE (SWB)	1
26	00568G4		LOCK WASHER, 9/16"	1
27	00545G4		JAM NUT, 9/16 - 18	1
28	72155G02		RETAINER.....	1
29	72154G01		CHOKE CABLE ADAPTER.....	1
30	605793		CHOKE CABLE (MWB).....	1

CLUTCH

- 1 PRIMARY TEAM CLUTCH includes items 2 - 12
- 14 SECONDARY TEAM CLUTCH includes items 15 - 22



When ordering parts, please specify the model and serial number of the product.

* Indicates a component that is not available as an individual part.

*** Indicates consult Customer Service Department for additional information.

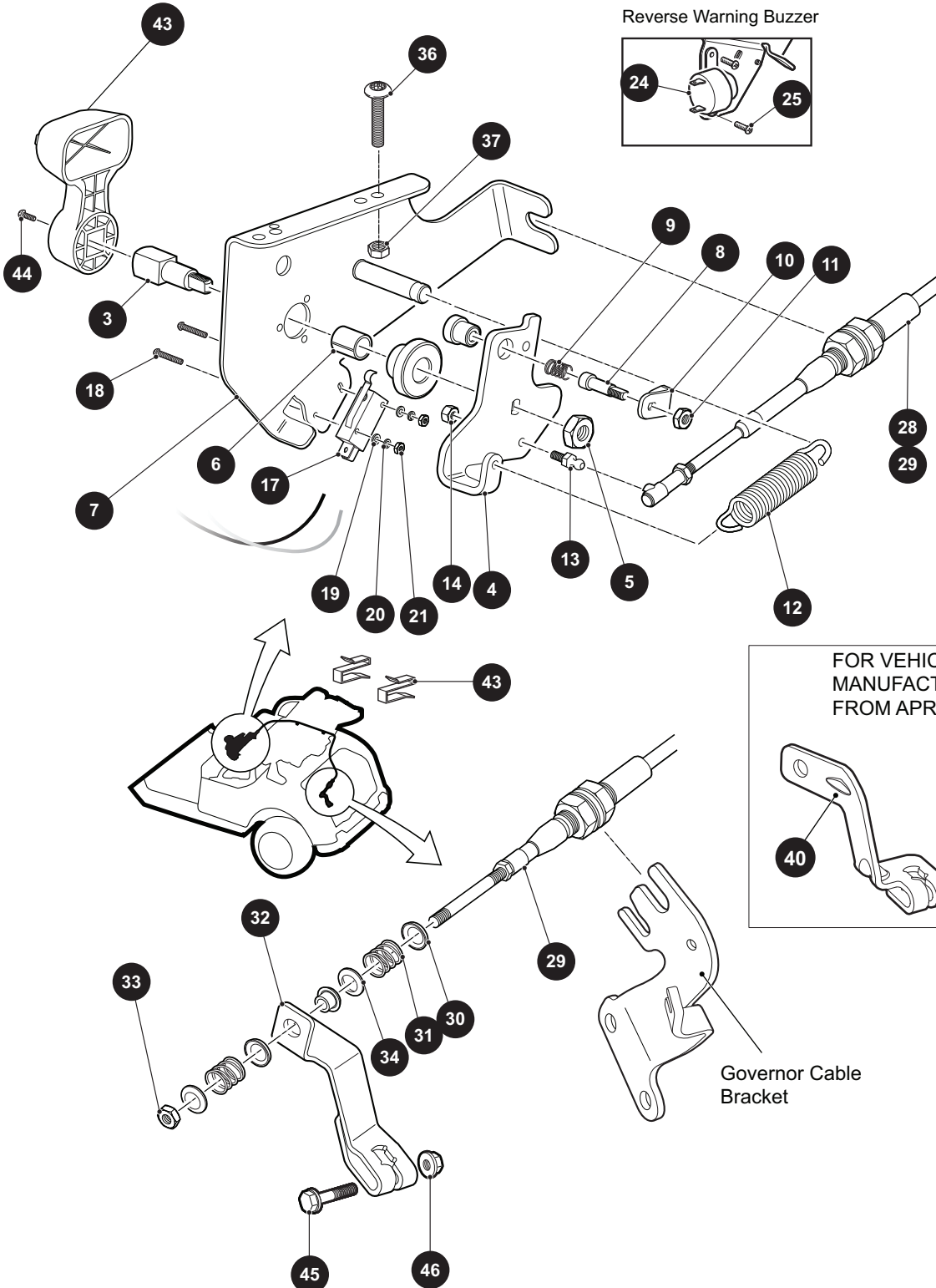
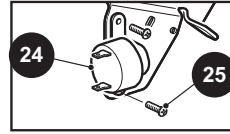
ITEM	PART NO.	1 2 3 4 5	DESCRIPTION	QTY.
1	672688		PRIMARY TEAM CLUTCH (Includes items 2 - 12).....	1
2	<u>619333</u>		PRIMARY STARTER PULLY, 195 - SVC.....	1
3	*		STATIONARY ASSEMBLY	1
4	*		MOVEABLE PRIMARY ASSEMBLY.....	1
5	<u>624112</u>		SHIFT ROLLER ASSEMBLY	6
6	<u>619337</u>		SHIM, 39 5MM X 31 75MM	1
7	<u>644303</u>		PRIMARY SPIDER ASSEMBLY	1
8	*		PRIMARY DUST COVER ASSEMBLY	1
9	*		E-Z-GO PRIMARY LABEL.....	1
10	<u>619332</u>		HEX WASHER HEAD BOLT, 1/4" - 20 X 3/4" LG	7
11	<u>644305</u>		BUTTON, TORQUE PRIMARY	6
12	<u>644306</u>		PLUG, TORQUE PRIMARY	6
13	<u>618630</u>		DRIVE BELT	1
14	<u>623949</u>		SECONDARY TEAM CLUTCH (Includes items 15 - 22)	1
15	*		SECONDARY STATIONARY, 9.5	1
16	*		MOVEABLE SECONDARY, 9.5.....	1
17	<u>619327</u>		INNER RETAINER SPRING.....	1
18	<u>624111</u>		COMPRESSION SPRING, 2.70 O.D.	1
19	<u>619329</u>		OUTER SPRING RETAINER	1
20	<u>619330</u>		RETAINER RING.....	1
21	<u>619331</u>		THRUST WASHER, 1 53" x 1 83" x 1"	1
22	*		SECONDARY PART E-Z-GO LOGO.....	1
23	<u>606239</u>		CONICAL WASHER, M12.....	2
24	<u>00566G3</u>		SPRING TYPE LOCK WASHER.....	2
25	<u>606245</u>		HEX HEAD BOLT, M12 - 1 25 X 160MM LG.....	1
26	<u>606243</u>		HEX HEAD BOLT, M12 - 1 25 X 120MM LG.....	1
27	<u>606230</u>		CLUTCH WASHER.....	1
28	<u>605950</u>		CLUTCH BELT SHIELD (TERRAIN 500 & 1000 Only).....	1

DIRECTION SELECTOR

1 DIRECTION SELECTOR ASSEMBLY Includes Items 3 - 28, 30 - 34

2 DIRECTION SELECTOR ASSEMBLY Includes Items 3 - 27, 29 - 34

Reverse Warning Buzzer



FOR VEHICLES
MANUFACTURED
FROM APRIL 2014

Governor Cable
Bracket

DIRECTION SELECTOR

When ordering parts, please specify the model and serial number of the product.

* Indicates a component that is not available as an individual part.

*** Indicates consult Customer Service Department for additional information.

ITEM	PART NO.	1 2 3 4 5	DESCRIPTION	QTY.
1	<u>603416</u>		DIRECTION SELECTOR ASSEMBLY (Includes Items 3 - 28, 30 - 34).....	1
2	<u>606173</u>		DIRECTION SELECTOR ASSEMBLY (Includes Items 3 - 27, 29 - 34).....	1
3	<u>70233G01</u>		DIRECTION SELECTOR SHAFT.....	1
4	<u>603700</u>		DIRECTION SELECTOR CAM.....	1
5	<u>14390G1</u>		LOCK NUT, 3/8 - 24.....	1
6	<u>25664G2</u>		BUSHING.....	1
7	<u>606077</u>		DIRECTION SELECTOR BRACKET.....	1
8	<u>72724G01</u>		NEUTRAL LOCK PIN.....	1
9	<u>72733G01</u>		COMPRESSION SPRING, 3/8" X 5/8" LG.....	1
10	<u>72729G01</u>		NEUTRAL LOCK LATCH.....	1
11	<u>00734G2</u>		LOCK NUT, 1/4 - 28.....	1
12	<u>28574G01</u>		EXTENSION SPRING.....	1
13	<u>72732G01</u>		BALL STUD, 1/4".....	1
14	<u>00734G5</u>		LOCK NUT, #10 - 32.....	1
15				
16				
17	<u>72736G01</u>		MICRO SWITCH.....	1
18	<u>01062G01</u>		SCREW, #4 - 40 X 1" LG.....	2
19	<u>00559G1</u>		FLAT WASHER, #4.....	2
20	<u>00565G1</u>		LOCK WASHER, #4.....	2
21	<u>00526G2</u>		NUT, #4 - 40.....	2
22				
23				
24	<u>73290G03</u>		REVERSE WARNING BUZZER.....	1
25	<u>01063G01</u>		SCREW, #6 - 32 X 3/8" LG.....	2
26	<u>25978G345</u>		18 GA WIRE (RED 7").....	1
27				
28	<u>603615</u>		PUSH / PULL CABLE.....	1
29	<u>605807</u>		PUSH / PULL CABLE.....	1
30	<u>25727G01</u>		CUP WASHER, 1/4".....	4
31	<u>72735G01</u>		COMPRESSION SPRING, 19/32" X 1" LG.....	2

DIRECTION SELECTOR

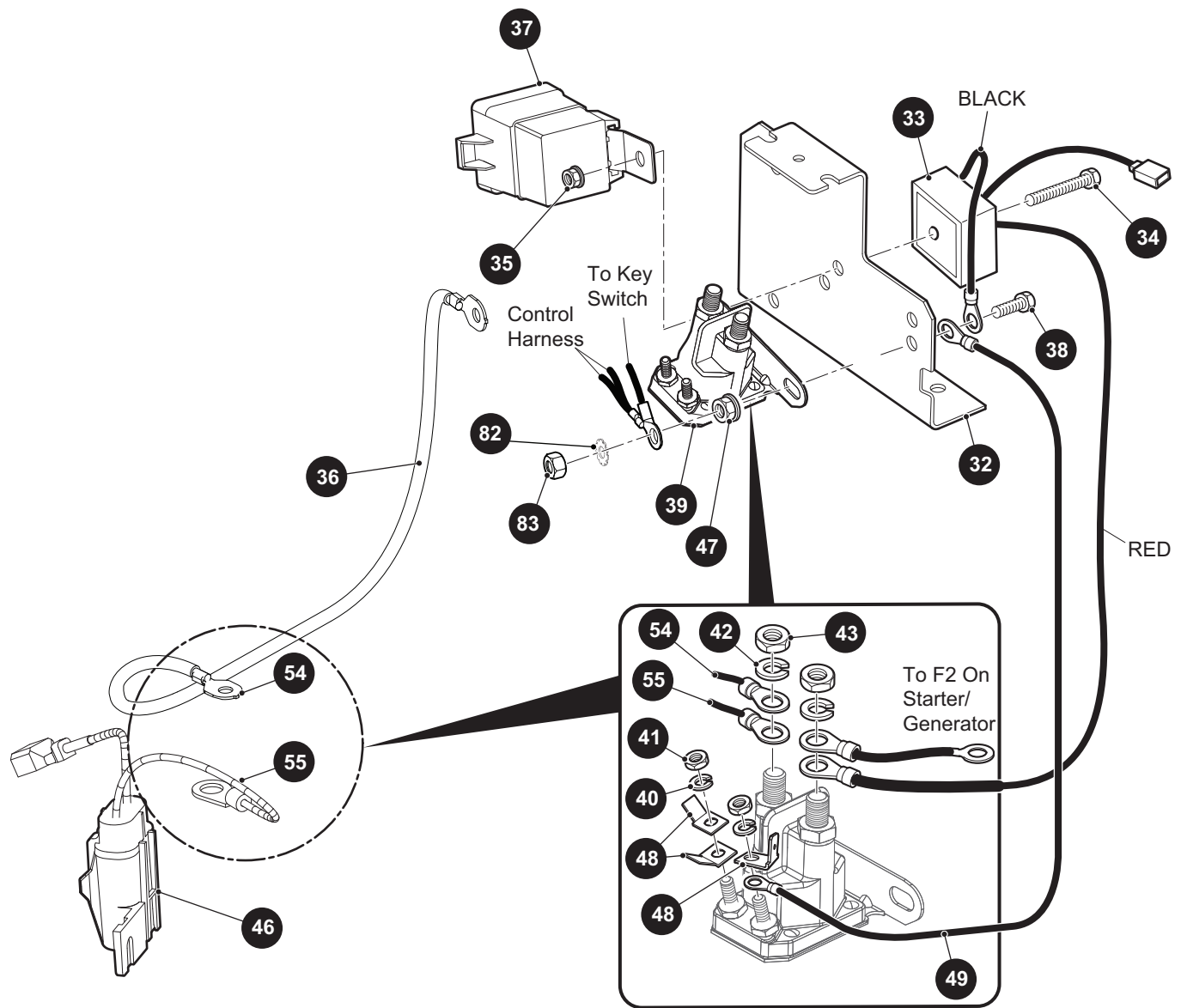
When ordering parts, please specify the model and serial number of the product.

* Indicates a component that is not available as an individual part.

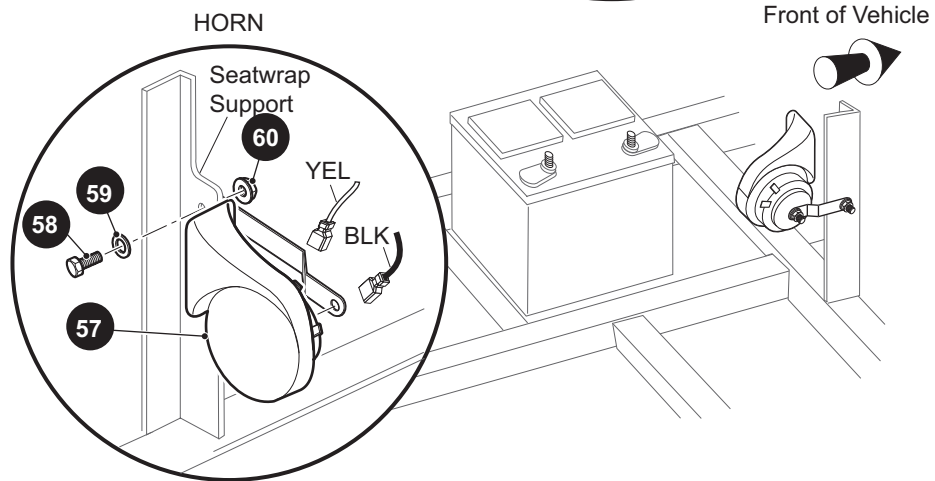
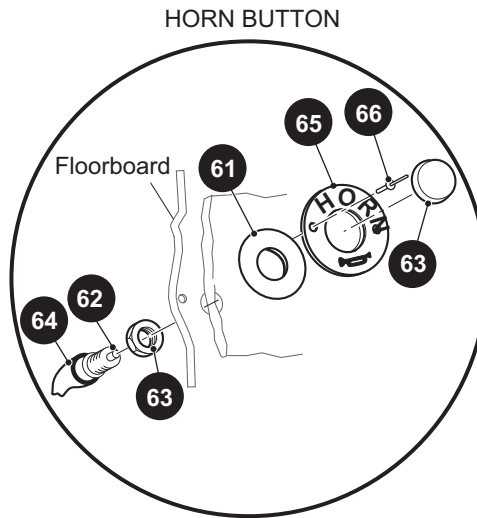
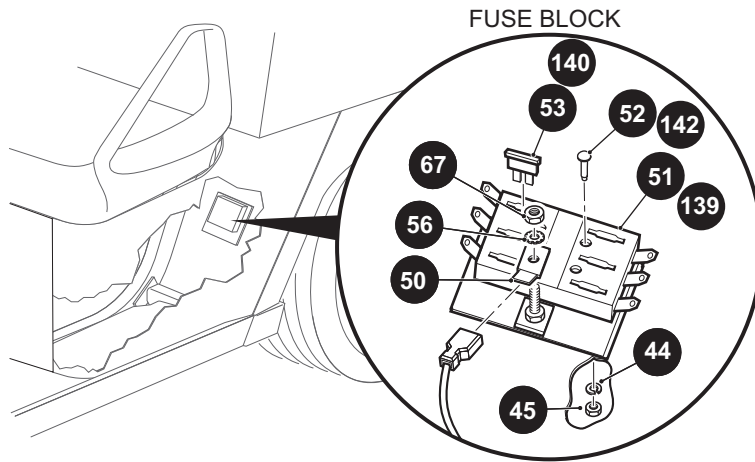
*** Indicates consult Customer Service Department for additional information.

ITEM	PART NO.	1	2	3	4	5	DESCRIPTION	QTY.
32	<u>74455G01</u>						SHIFTER ARM WITH BUSHING	1
33	<u>00734G5</u>						LOCK NUT, #10 - 32	1
34	<u>22754G4</u>						BUSHING, FLIP LOK, .250	1
35								
36	<u>70227G01</u>						SCREW, 1/4 - 20 X 7/8" LG.....	2
37	<u>11027G2</u>						LOCK NUT, 1/4 - 20.....	2
38								
39								
40	<u>632891</u>						DIRECTION SELECTOR PIVOT BRACKET (FOR VEHICLES MANUFACTURED FROM APRIL 2014).....	1
41								
42								
43	<u>71205G01</u>						DIRECTION SELECTOR HANDLE	1
44	<u>00740G4</u>						SCREW, #10 - 32 X 1/2" LG (STAINLESS STEEL)	1
45	<u>606421</u>						BOLT M6 - 1 X 30.....	1
46	<u>450452</u>						NUT M6 - 1	1
47	<u>17618G1</u>						WIRE TIE.....	1
48	<u>01072G01</u>						CABLE CLIP	2

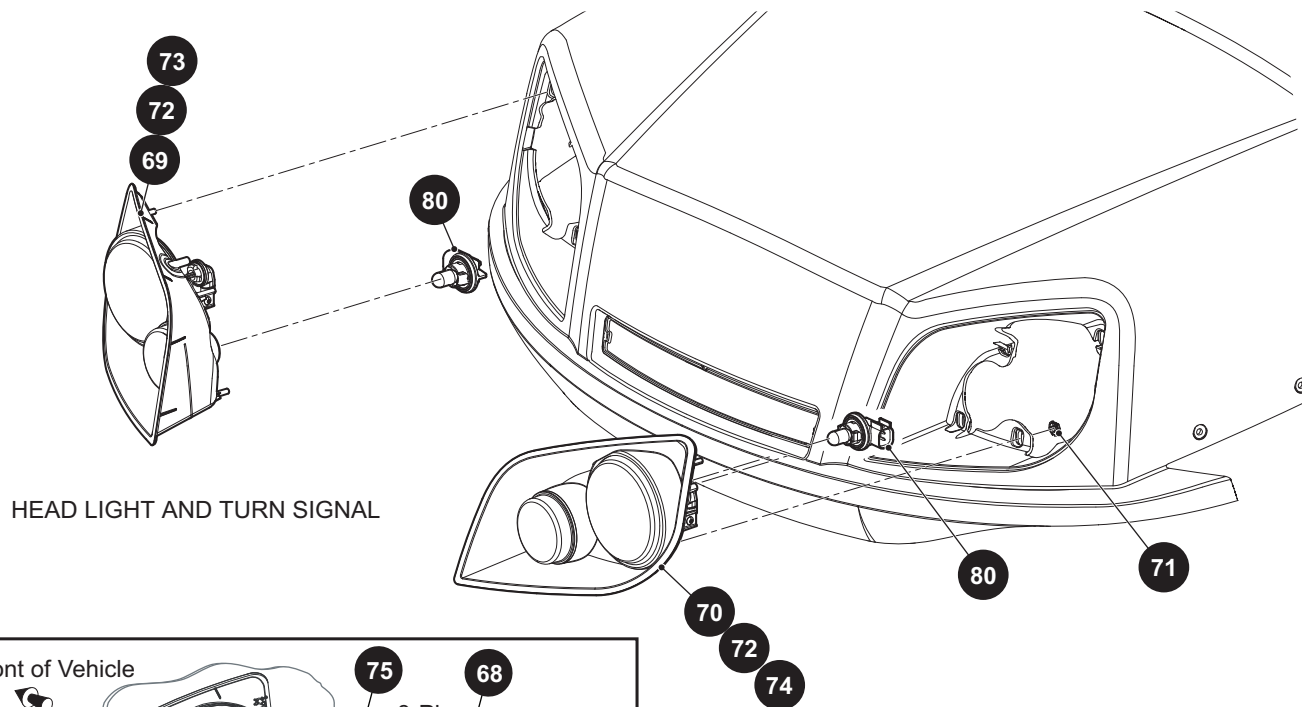
ELECTRICAL SYSTEM



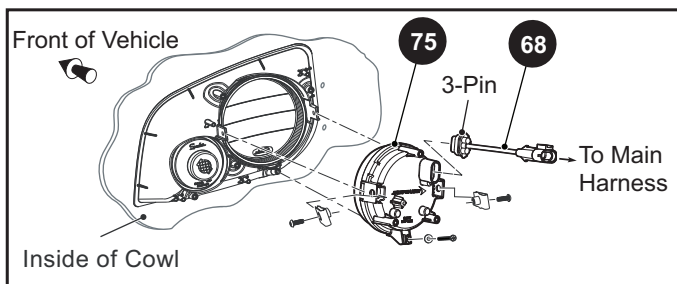
31 ELECTRICAL PLATE ASSEMBLY includes items 32 - 43 and 46 - 49



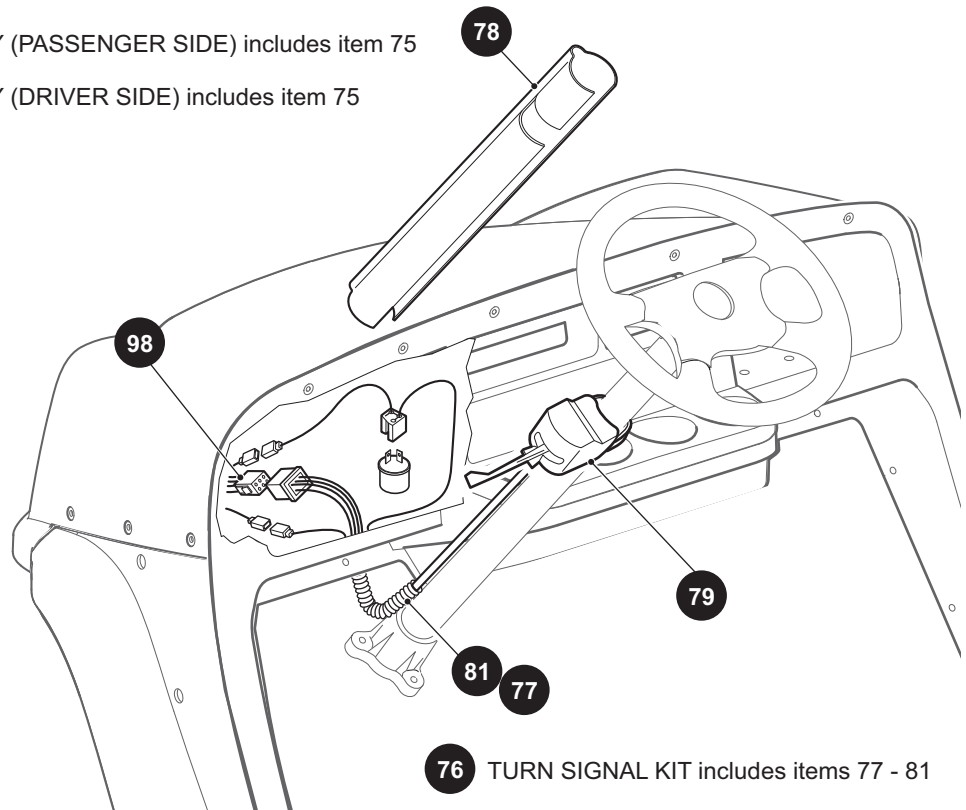
ELECTRICAL SYSTEM



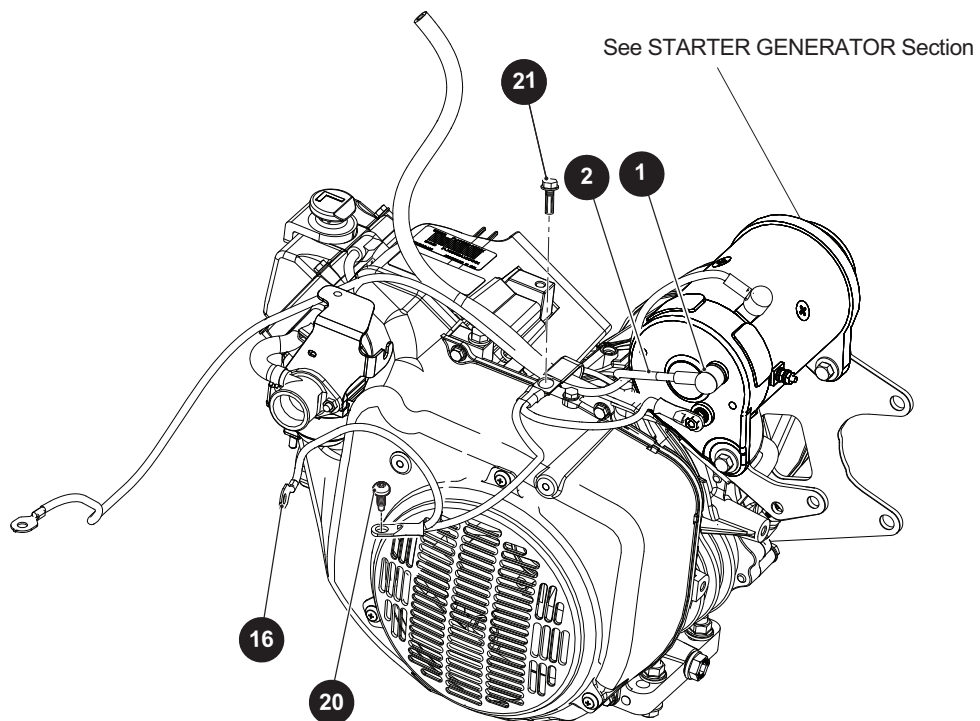
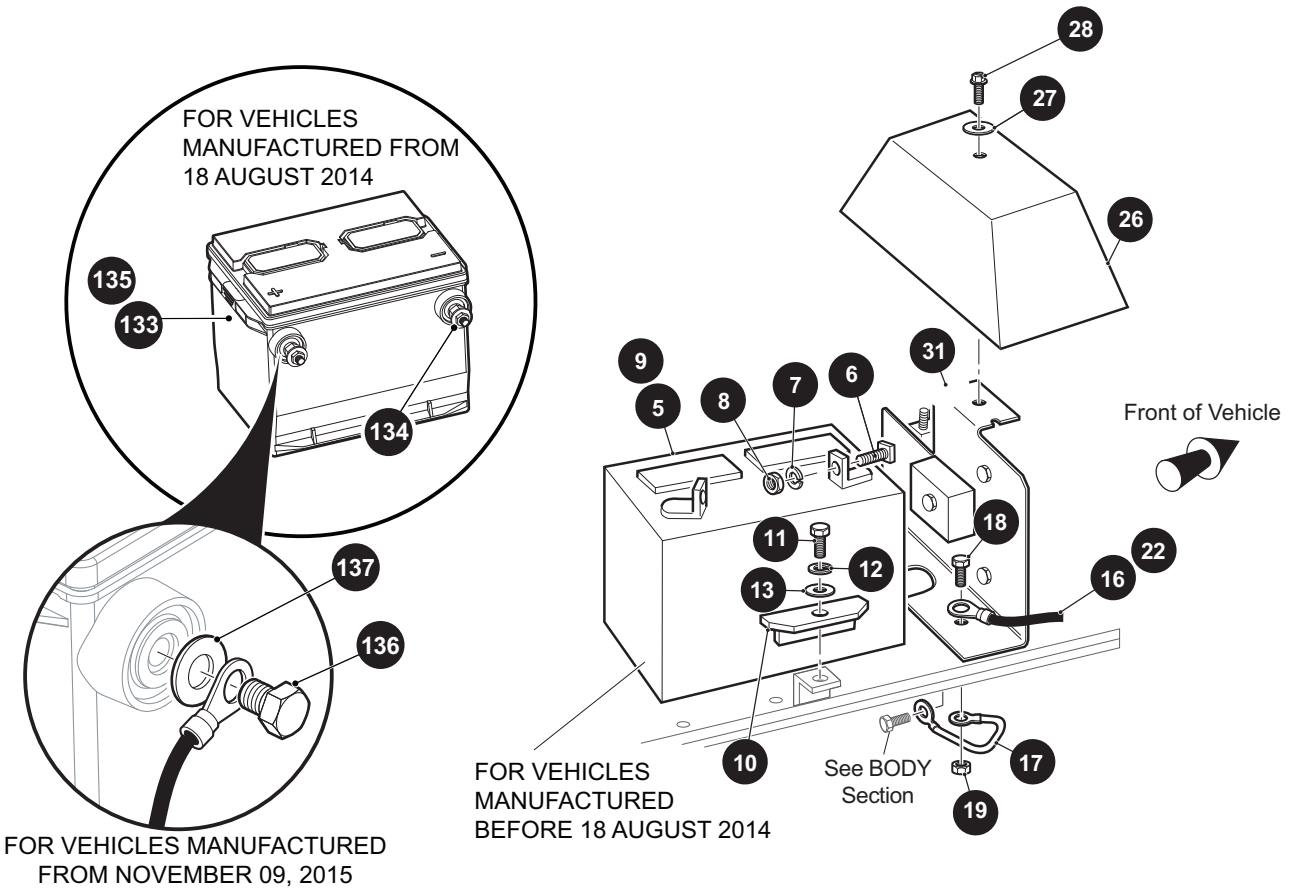
HEAD LIGHT AND TURN SIGNAL

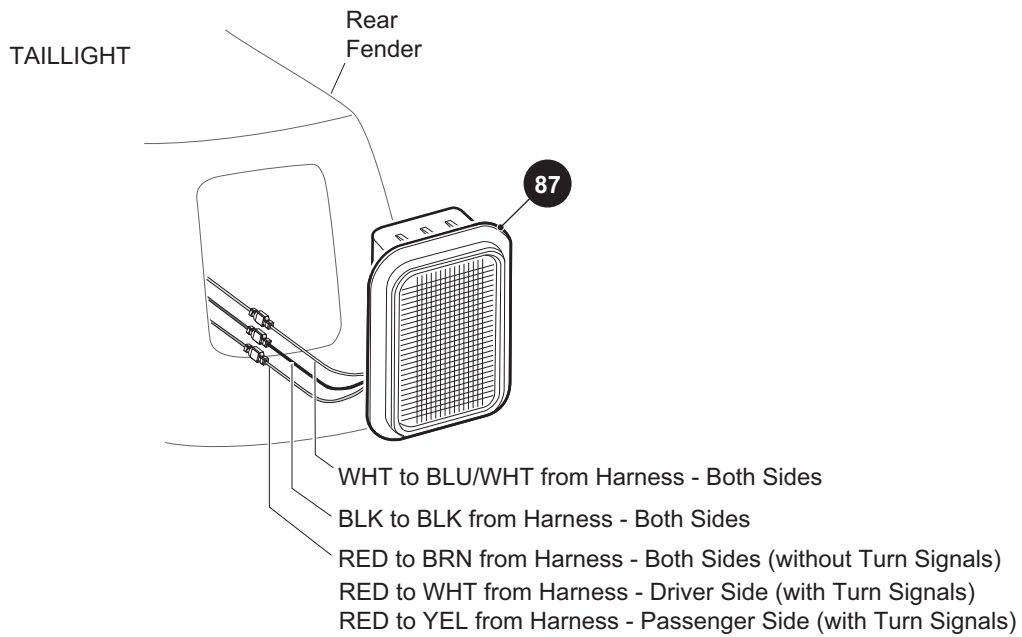


- 73** LED HEADLIGHT ASSEMBLY (PASSENGER SIDE) includes item 75
- 74** LED HEADLIGHT ASSEMBLY (DRIVER SIDE) includes item 75

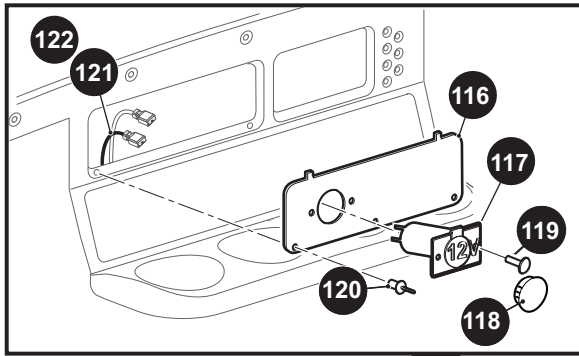


- 76** TURN SIGNAL KIT includes items 77 - 81



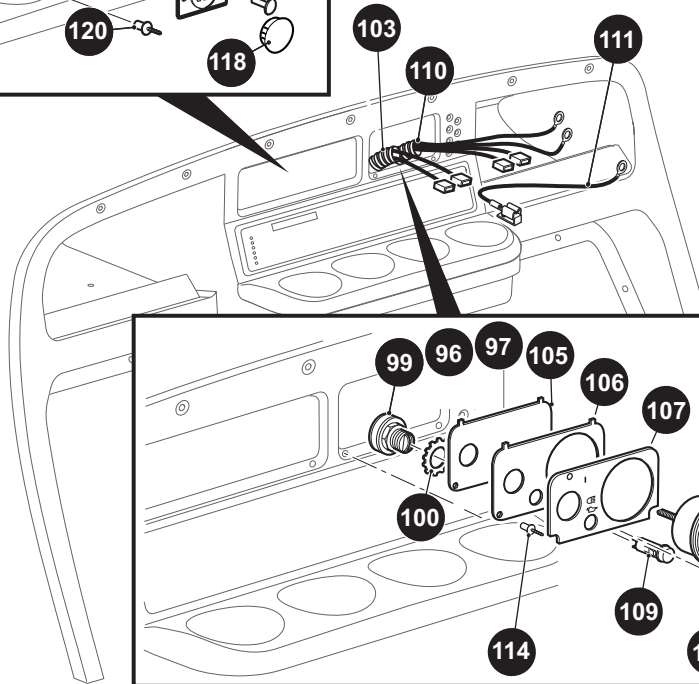


CONSOLE INSERT PLATE



115 CONSOLE INSERT ASSEMBLY
Includes Items 116 - 119

113 CONSOLE INSERT ASSEMBLY
Includes Items 116,118

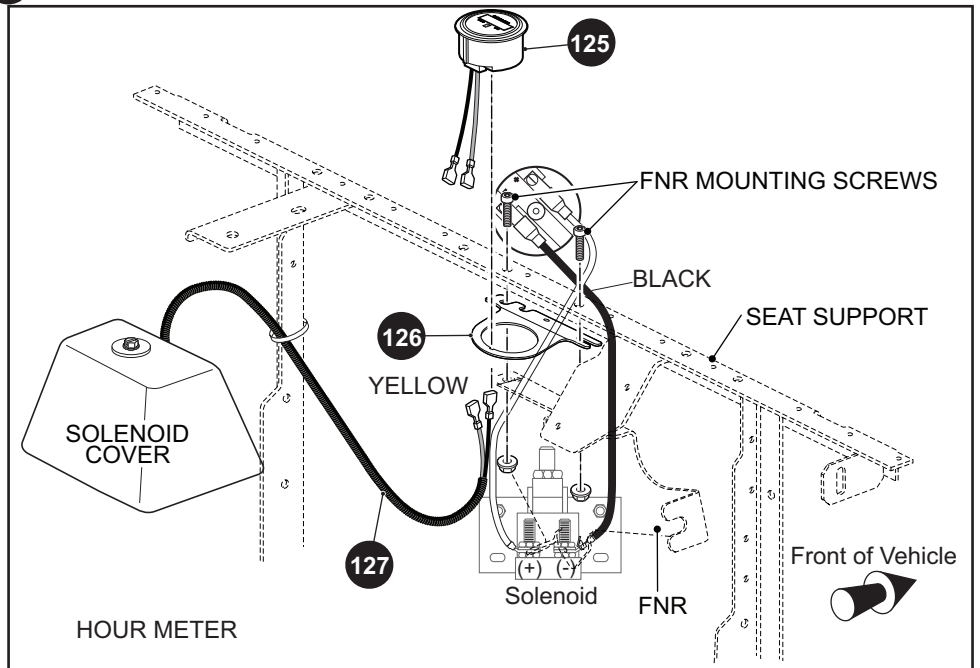
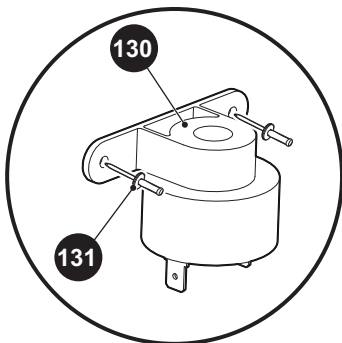


Front of Vehicle



KEY SWITCH, INDICATOR LIGHT(S), AND FUEL GAUGE

124 **128** HOUR METER KIT Includes Items 125 - 126



ELECTRICAL SYSTEM

When ordering parts, please specify the model and serial number of the product.

* Indicates a component that is not available as an individual part.

*** Indicates consult Customer Service Department for additional information.

ITEM	PART NO.	1 2 3 4 5	DESCRIPTION	QTY.
1	<u>607053</u>		6 GA WIRE (BLACK 6", F1 - A2)	1
2	<u>25682G1</u>		TERMINAL COVER.....	3
3				
4				
5	<u>24775G1</u>		BATTERY, 12V (FOR VEHICLES MANUFACTURED BEFORE 18 AUGUST 2014)	1
6	*		BOLT, 5/16" - 18 X 1 1/4" LG	2
7	*		LOCK WASHER (SILICON BRONZE), 5/16".....	2
8	*		NUT (SILICON BRONZE), 5/16" - 18.....	2
9	<u>600497</u>		BATTERY HD, 12V (FOR VEHICLES MANUFACTURED BEFORE 18 AUGUST 2014)	1
10	<u>72101G02</u>		BATTERY HOLD DOWN	1
11	00438G6		HEX HEAD BOLT, 5/16" - 18 X 3/4" LG.....	3
12	<u>00565G8</u>		LOCK WASHER, 5/16"	1
13	<u>00571G2</u>		FLAT WASHER (SS), 5/16"	1
14	<u>605560</u>		CONTROL HARNESS (NOT ILLUSTRATED).....	1
15	<u>605639</u>		KEY SWITCH WIRE HARNESS (NOT ILLUSTRATED)	1
16	<u>27044G03</u>		GROUND CABLE.....	1
17	<u>25976G19</u>		14 GA WIRE (BLACK 6").....	1
18	00438G6		HEX HEAD BOLT, 5/16" - 18 X 3/4" LG.....	2
19	<u>11027G1</u>		LOCK NUT, 5/16" - 18	2
20	<u>26676G01</u>		FLANGED BOLT M6 X 1 X 23 MM.....	1
21	<u>606264</u>		FLANGED BOLT, M6 - 1 X 20 MM LG	1
22	<u>645191</u>		GROUND CABLE (FOR VEHICLES MANUFACTURED FROM NOVEMBER 09, 2015).....	1
23				
24	<u>605821</u>		WIRE HARNESS (CONTROL).....	1
25	<u>17618G1</u>		WIRE TIE (NOT ILLUSTRATED).....	AR
26	<u>73049G01</u>		COVER FNR	1
27	<u>16469G1</u>		FENDER WASHER, 1/4"	1
28	<u>00114G6</u>		HEX WASHER HEAD TAPPING SCREW, 1/4" - 14 X 3/4" LG	1
29	645199		TERMINAL WIRE (WHITE), #10 GA (NOT ILLUSTRATED) (FOR VEHICLES MANUFACTURED FROM NOVEMBER 09, 2015).....	1

ELECTRICAL SYSTEM

When ordering parts, please specify the model and serial number of the product.

* Indicates a component that is not available as an individual part.

*** Indicates consult Customer Service Department for additional information.

ITEM	PART NO.	1 2 3 4 5	DESCRIPTION	QTY.
30	645198		TERMINAL WIRE (BLACK), #16 GA (NOT ILLUSTRATED) (FOR VEHICLES MANUFACTURED FROM NOVEMBER 09, 2015)	1
31	<u>605563</u>		ELECTRICAL PLATE ASSEMBLY (INCLUDES ITEMS 32 - 43 and 46 - 49)	1
32	<u>73057G02</u>		BRACKET	1
33	<u>27739G01</u>		VOLTAGE REGULATOR	1
34	<u>303459</u>		HEX HEAD BOLT, 1/4" - 20 X 1 1/2" LG.....	1
35	<u>11027G2</u>		LOCK NUT, 1/4" - 20	1
36	<u>645190</u>		WIRE ASSEMBLY, 6 AWG	1
37	<u>603282</u>		RELAY	1
38	<u>00661G8</u>		HEX HEAD BOLT (SS), 1/4" - 20 X 1" LG	1
39	<u>612813</u>		SOLENOID	1
40	*		LOCK WASHER, #10.....	2
41	*		NUT, #10 - 32	2
42	*		LOCK WASHER, 5/16"	2
43	*		NUT, 5/16" - 24.....	2
44	<u>00559G5</u>		FLAT WASHER, # 10	2
45	<u>14390G10</u>		LOCKNUT, #10 - 24	2
46	600418G01		FUSE HOLDER ASSEMBLY	1
47	<u>11027G2</u>		LOCK NUT, 1/4" - 20	1
48	<u>73446G01</u>		FASTON TAB, 90°	3
49	<u>25978G56</u>		18 GA WIRE (BLACK 5 3/4").....	1
50	12914G01		PUSH ON MALE TERMINAL.....	1
51	<u>35211G01</u>		FUSE BLOCK	1
52	<u>00379G2</u>		RIVET, 1/8" X 13/16" LG	2
53	<u>35212G01</u>		15 AMP FUSE	3
54	<u>645190</u>		#6 GA WIRE ASSEMBLY	1
55	<u>20216G1</u>		16 GA WIRE (RED).....	1
56	<u>00567G5</u>		LOCK WASHER, #10.....	1
57	<u>32860G1</u>		HORN.....	1
58	<u>00414G5</u>		HEX HEAD BOLT, 1/4" - 20 x 5/8" LG.....	1
59	<u>00559G7</u>		FLAT WASHER (SS), 1/4".....	1

ELECTRICAL SYSTEM

When ordering parts, please specify the model and serial number of the product.

* Indicates a component that is not available as an individual part.

*** Indicates consult Customer Service Department for additional information.

ITEM	PART NO.	1 2 3 4 5	DESCRIPTION	QTY.
60	<u>14390G4</u>		LOCK NUT, 1/4" - 20	1
61	<u>608397</u>		HORN PLATE	1
62	<u>17318G1</u>		HORN SWITCH	1
63	<u>17318G2</u>		HORN SWITCH CAP AND NUT	1
64	<u>27068G01</u>		HORN SWITCH BOOT	1
65	<u>19233G1</u>		HORN SWITCH LABEL	1
66	<u>71055G01</u>		ALUMINUM RIVET, 3/16" X 1" LG	2
67	<u>00526G4</u>		NUT, #10 - 32	1
68	<u>654465</u>		JUMPER HARNESS, LED HEADLIGHT	2
69	<u>614497</u>		SIDE HEADLIGHT ASSEMBLY (PASSENGER SIDE)	1
70	<u>614501</u>		HEADLIGHT ASSEMBLY (DRIVER SIDE)	1
71	<u>71597G01</u>		SEL FTHREADING NUT	8
72	<u>71781G02</u>		VINYL TAPE	2
73	<u>659008</u>		LED HEADLIGHT ASSEMBLY (PASSENGER SIDE) (INCLUDES ITEM 75) .	1
74	<u>659009</u>		LED HEADLIGHT ASSEMBLY (DRIVER SIDE) (INCLUDES ITEM 75).....	1
75	<u>651411G03</u>		LED HEADLIGHT.....	1
76	<u>622712</u>		TURN SIGNAL KIT (INCLUDES ITEMS 77 - 81)	1
77	<u>17618G1</u>		NYLON CLAMP	2
78	<u>20965G3</u>		STEERING COLUMN COVER	1
79	<u>611810</u>		TURN SIGNAL SWITCH ASSEMBLY	1
80	<u>619102</u>		TURN SIGNAL ASSEMBLY BULB	2
81	<u>32307G3</u>		FLEX ZIP LOOVM.....	1
82	<u>00567G7</u>		LOCK WASHER (EXTERNAL TOOTH TYPE), 1/4"	1
83	<u>00532G1</u>		HEX NUT, 1/4" - 20.....	1
84	<u>00439G1</u>		HEX HEAD BOLT, 5/16" - 18 X 1 1/8" LG (NOT ILLUSTRATED)	1
85	<u>75048G01</u>		SPACER, .328" X .75" X .50" (NOT ILLUSTRATED)	1
86	<u>11098G6</u>		LOCK NUT, 5/16" - 18 (NOT ILLUSTRATED)	1
87	<u>32739G2</u>		TAILLIGHT ASSEMBLY (COMPLETE).....	2
88	<u>610428</u>		BATTERY BOLT EXTENDER (NOT ILLUSTRATED).....	1
89				
90				

ELECTRICAL SYSTEM

When ordering parts, please specify the model and serial number of the product.

* Indicates a component that is not available as an individual part.

*** Indicates consult Customer Service Department for additional information.

ITEM	PART NO.	1 2 3 4 5	DESCRIPTION	QTY.
91				
92				
93				
94				
95				
96	<u>33639G01</u>		IGNITION SWITCH (WITH LIGHTS, FLEETS).....	1
97	33639G03		IGNITION SWITCH (WITH LIGHTS, INDIVIDUAL).....	1
98	<u>619153</u>		WIRE HARNESS (ACCESSORY) (NOT ILLUSTRATED)	1
99	<u>18602G1</u>		IGNITION SWITCH (WITH LIGHTS, INDIVIDUALLY KEYED).....	1
100	<u>00568G6</u>		LOCK WASHER, 3/4"	1
101	17137G1		FACE NUT, 3/4" - 20	1
102	<u>17063G1</u>		IGNITION KEY	1
103	<u>605830</u>		WIRE HARNESS (KEY SWITCH).....	1
104				
105	<u>601015</u>		CONSOLE PLATE	1
106	73030G04		PLATE (FUEL GAUGE AND OIL LIGHT).....	1
107	<u>71131G01</u>		LABEL (OIL LIGHT AND FUEL GAUGE WITH HEADLIGHTS).....	1
108	<u>21553G1</u>		FUEL GAUGE	1
109	<u>23474G1</u>		INDICATOR LIGHT	1
110	<u>74311G01</u>		HARNESS (OIL LIGHT/FUEL GAUGE)	1
111	<u>25978G122</u>		18 GA WIRE (RED 6")	1
112				
113	<u>74693G02</u>		CONSOLE INSERT ASSEMBLY (INCLUDES ITEMS 116, 118)	
114	33623G02		DRIVE RIVET, 3/16" X 3/8" LG	2
115	<u>74693G01</u>		CONSOLE INSERT ASSEMBLY (INCLUDES ITEMS 116 - 119)	1
116	<u>73522G03</u>		CONSOLE INSERT PLATE	1
117	<u>71078G01</u>		POWER OUTLET (12V)	1
118	<u>20271G10</u>		HOLE PLUG	1
119	<u>14601G10</u>		ALUMINUM RIVET, 5/32"	2
120	33623G02		DRIVE RIVET, 3/16" X 3/8" LG	3
121	<u>71081G01</u>		WIRE HARNESS	1

ELECTRICAL SYSTEM

When ordering parts, please specify the model and serial number of the product.

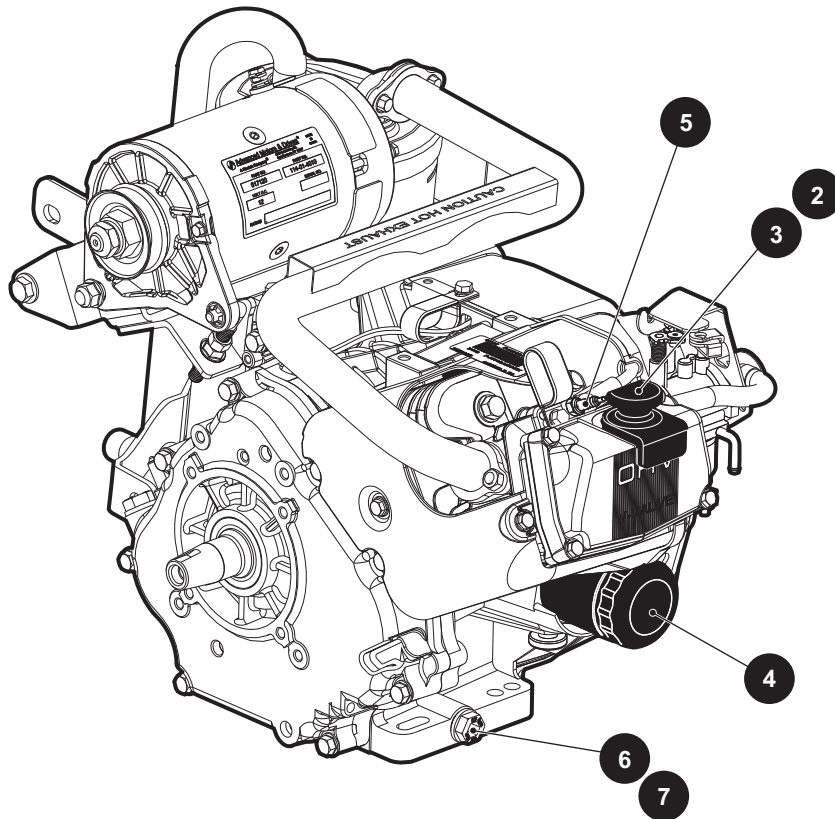
* Indicates a component that is not available as an individual part.

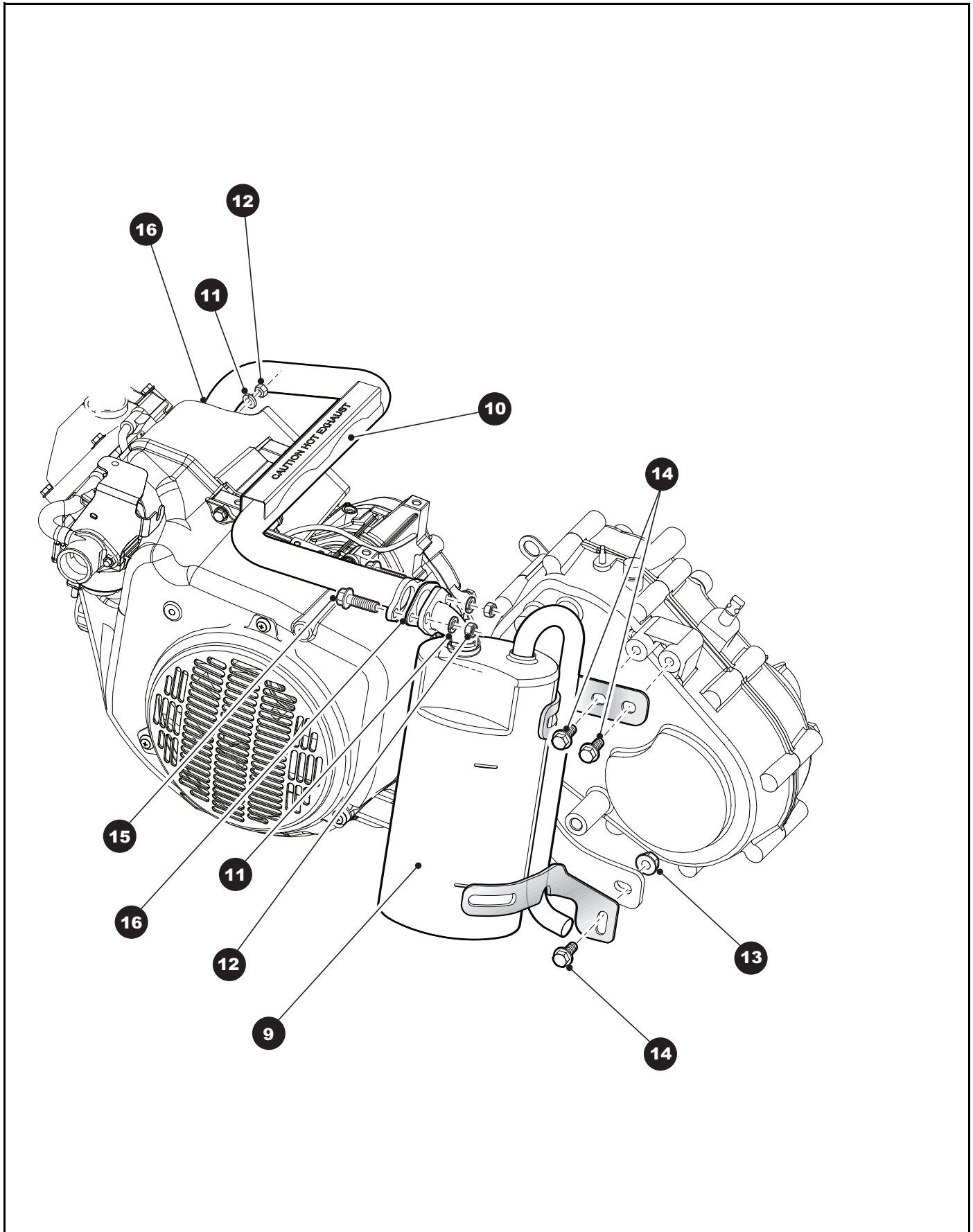
*** Indicates consult Customer Service Department for additional information.

ITEM	PART NO.	1	2	3	4	5	DESCRIPTION	QTY.
122	<u>645194</u>						WIRE HARNESS (FOR VEHICLES MANUFACTURED FROM NOVEMBER 09, 2015).....	1
123	<u>645197</u>						WIRE HARNESS (ACCESSORY) (NOT ILLUSTRATED) (FOR VEHICLES MANUFACTURED FROM NOVEMBER 09, 2015).....	1
124	<u>607285</u>						HOUR METER KIT (INCLUDES ITEMS 125 - 126).....	1
125	<u>617074</u>						HOUR METER.....	1
126	<u>635649</u>						HOUR METER BRACKET.....	1
127	<u>664689</u>						WIRE HARNESS (HOUR METER).....	1
128	<u>607284</u>						HOUR METER KIT (INCLUDES ITEMS 125 - 126).....	1
129	<u>31539G1</u>						NYLON CLAMP 15.5" (NOT ILLUSTRATED).....	AR
130	<u>73290G03</u>						CONTINUOUS TONE POTTED BUZZER.....	1
131	<u>01041G01</u>						BULBEX RIVET, 5/32" DIA.....	2
132								
133	<u>637484</u>						BATTERY, 12V (FOR VEHICLES MANUFACTURED FROM 18 AUGUST 2014).....	1
134	<u>610428</u>						BATTERY BOLT EXTENDER (FOR VEHICLES MANUFACTURED FROM 18 AUGUST 2014).....	2
135	<u>638433</u>						BATTERY HD, 12V (FOR VEHICLES MANUFACTURED FROM 18 AUGUST 2014).....	1
136	<u>651336</u>						BATTERY BOLT (FOR VEHICLES MANUFACTURED FROM NOVEMBER 09, 2015).....	2
137	<u>614221</u>						FLAT WASHER, 3/8" (FOR VEHICLES MANUFACTURED FROM NOVEMBER 09, 2015).....	2
138	<u>645195</u>						ACCESSORY HARNESS (HEADLIGHTS) (NOT ILLUSTRATED) (FOR VEHICLES MANUFACTURED FROM NOVEMBER 09, 2015).....	1
139	<u>22674G1</u>						FUSE BLOCK (FOR VEHICLES MANUFACTURED FROM NOVEMBER 09, 2015).....	1
140	<u>18392G1</u>						FUSE, 15AMP (FOR VEHICLES MANUFACTURED FROM NOVEMBER 09, 2015).....	1
141	<u>17618G1</u>						NYLON CLAMP 15.5" (NOT ILLUSTRATED) (FOR VEHICLES MANUFACTURED FROM NOVEMBER 09, 2015).....	4
142	<u>01041G01</u>						BULBEX RIVET, 5/32" DIA (FOR VEHICLES MANUFACTURED FROM NOVEMBER 09, 2015).....	2

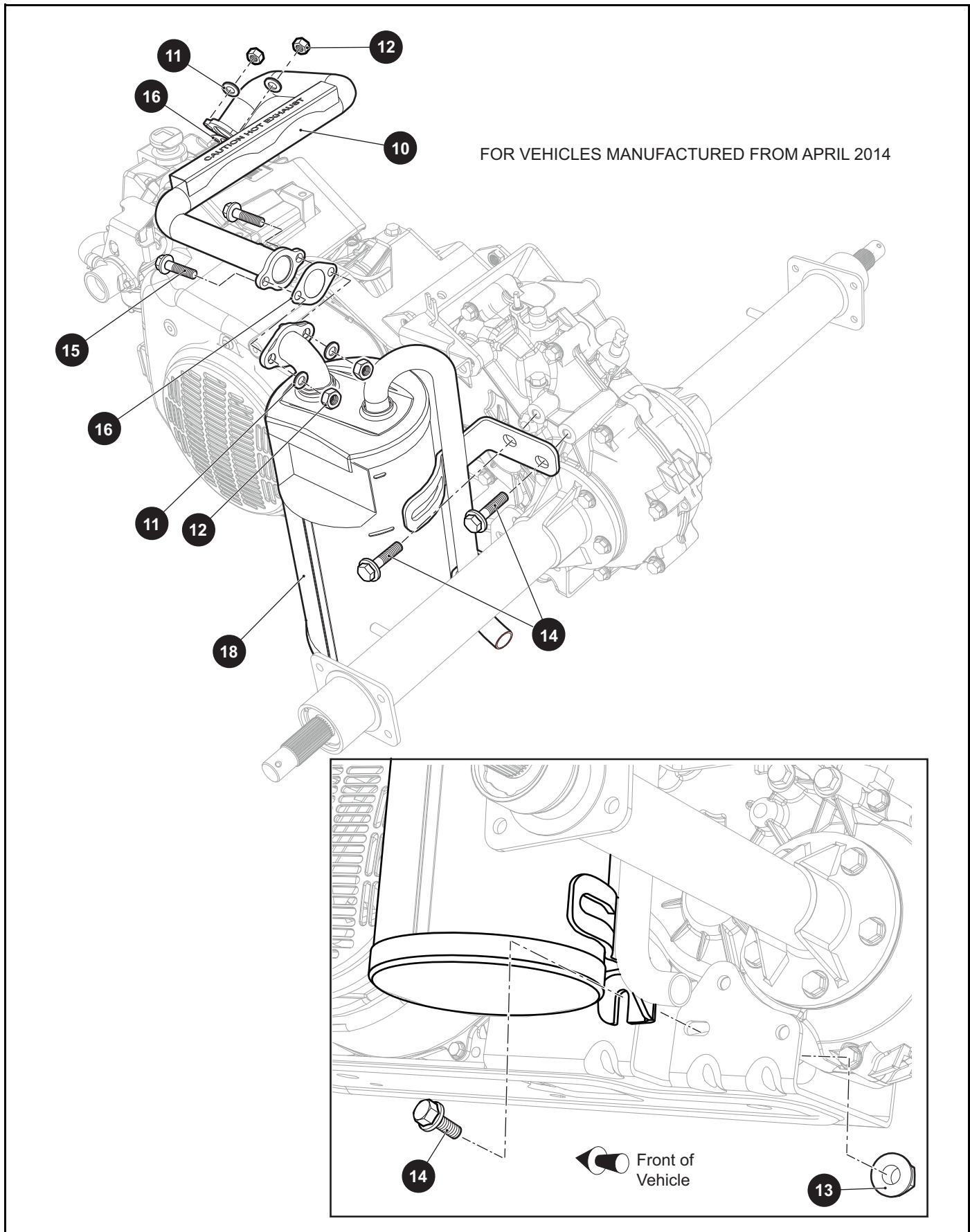
ENGINE AND MUFFLER

1 GAS ENGINE includes items 4 - 7





ENGINE AND MUFFLER



ENGINE AND MUFFLER

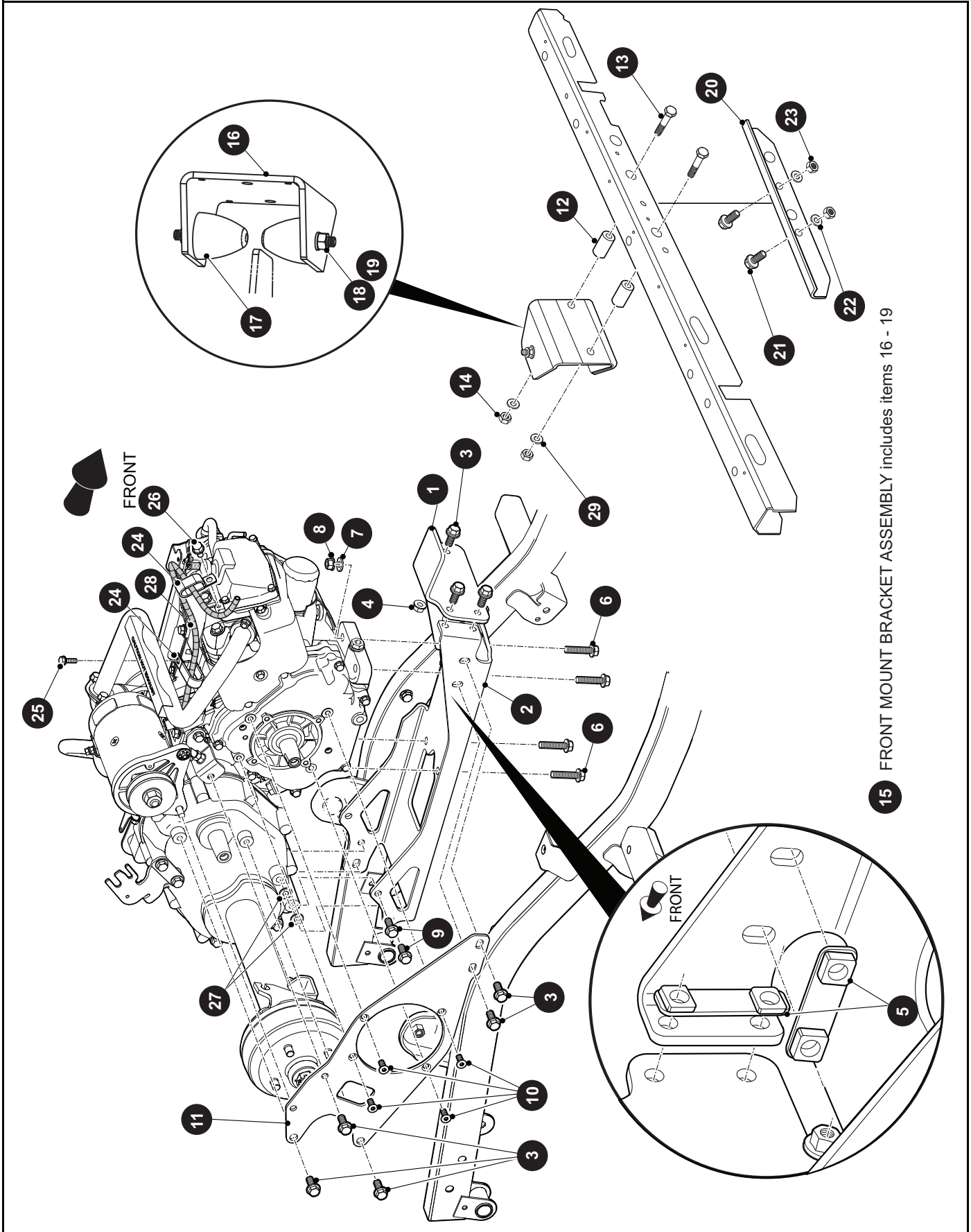
When ordering parts, please specify the model and serial number of the product.

* Indicates a component that is not available as an individual part.

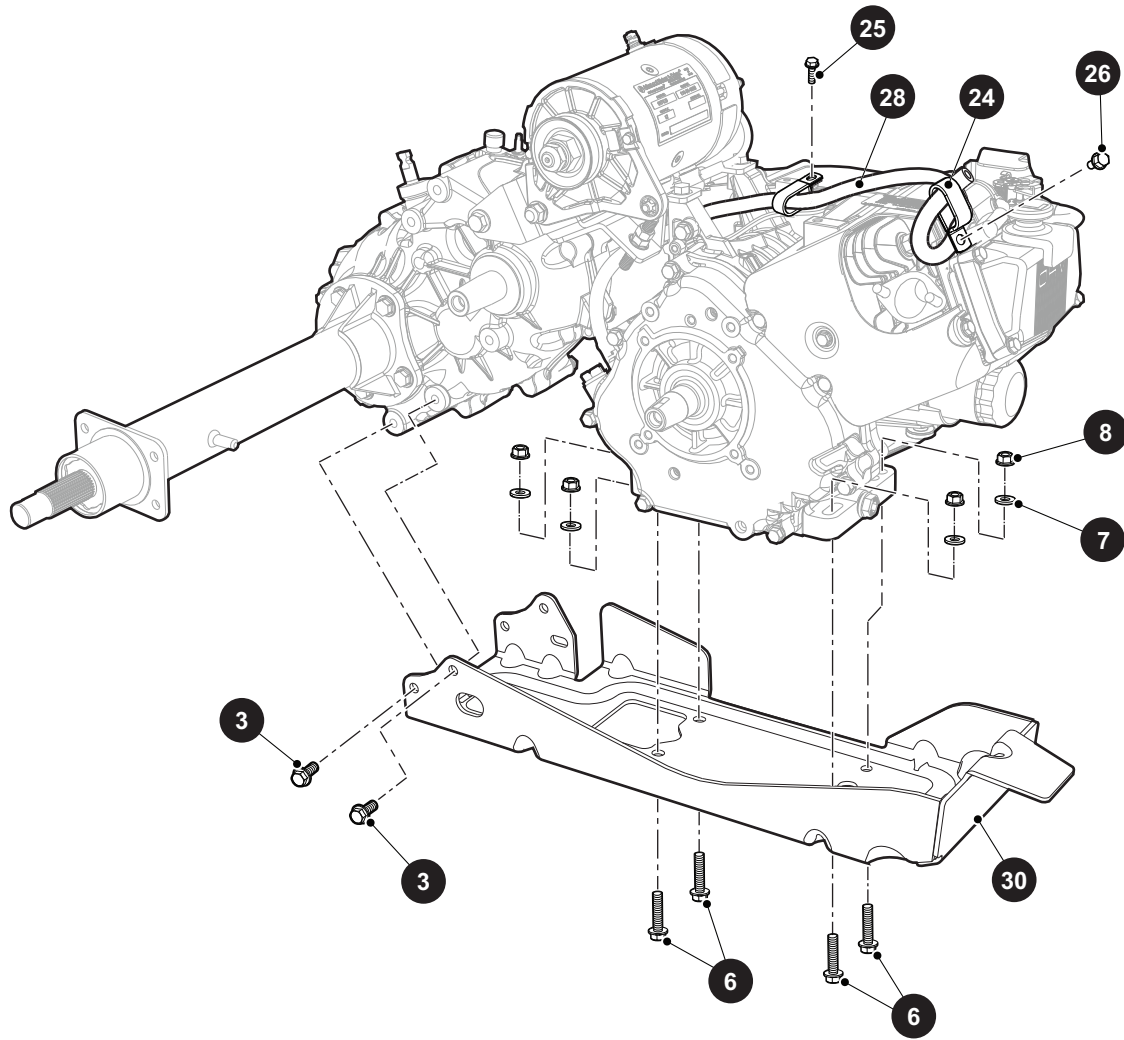
*** Indicates consult Customer Service Department for additional information.

ITEM	PART NO.	1 2 3 4 5	DESCRIPTION	QTY.
1	<u>633740</u>		ENGINE, GAS, 13HP, NON-GOLF (INCLUDES ITEMS 4 - 7)	1
2	<u>606390</u>		DIP STICK, LOW (FOR HAULER 800X)	1
3	<u>606391</u>		DIP STICK, HIGH (FOR HAULER 1200X).....	1
4	<u>607454</u>		OIL FILTER.....	1
5	<u>607462</u>		SPARK PLUG (BPR2ES)	1
6	<u>603557</u>		OIL DRAIN PLUG	1
7	<u>603562</u>		'O' RING, 16MM.....	1
8				
9	<u>612266</u>		MUFFLER	1
10	<u>606982</u>		EXHAUST PIPE	1
11	<u>606272</u>		SPLIT WASHER, 8MM	4
12	<u>606267</u>		NUT, M8 X 1.25.....	4
13	<u>606279</u>		NUT, M10 - 1.25.....	1
14	<u>606256</u>		BOLT, M10 - 1.25 X 25.....	3
15	<u>602330</u>		BOLT, M8 - 1.25 X 30.....	2
16	<u>603599</u>		EXHAUST GASKET.....	2
17				
18	<u>630970</u>		MUFFLER (FOR VEHICLES MANUFACTURED FROM APRIL 2014)	1

ENGINE MOUNTING



FOR VEHICLES MANUFACTURED FROM APRIL 2014



ENGINE MOUNTING

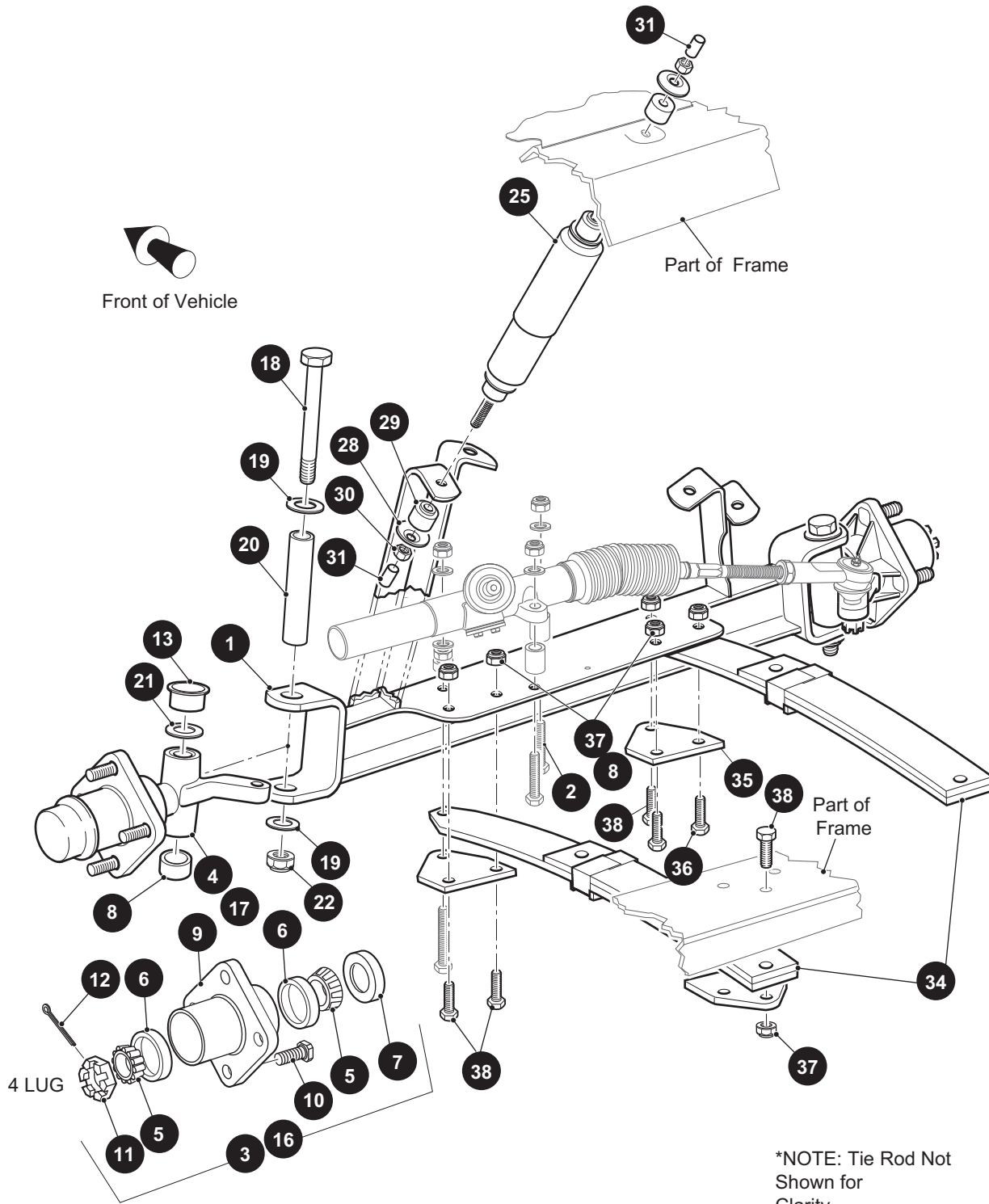
When ordering parts, please specify the model and serial number of the product.

* Indicates a component that is not available as an individual part.

*** Indicates consult Customer Service Department for additional information.

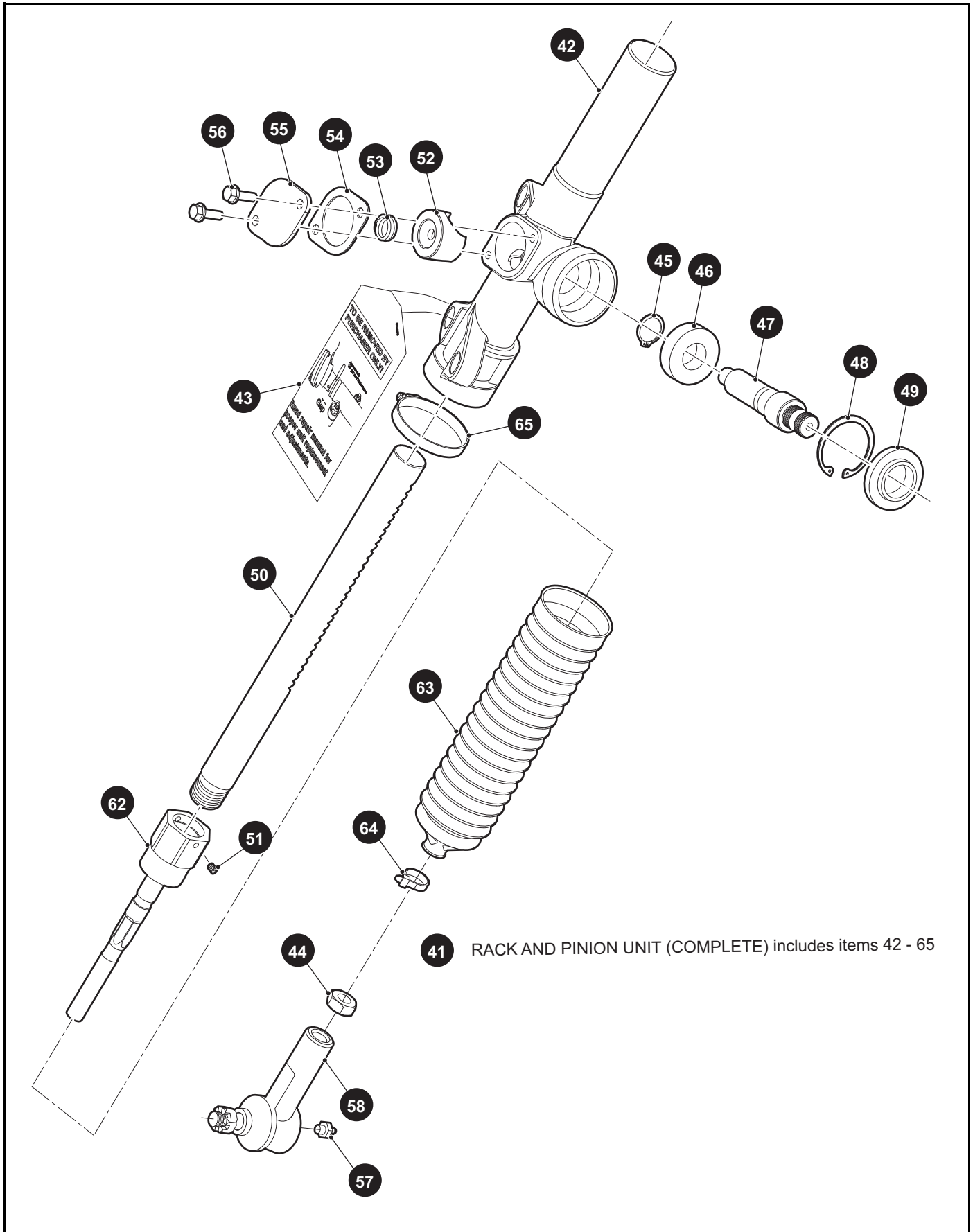
ITEM	PART NO.	1 2 3 4 5	DESCRIPTION	QTY.
1	<u>606007</u>		FRONT ENGINE MOUNT	1
2	<u>603101</u>		ENGINE PAN MOUNT.....	1
3	<u>606256</u>		HEX HEAD BOLT, M10 - 1.25 X 25MM LG	8
4	<u>606279</u>		HEX NUT, M10 - 1.25	1
5	<u>606096</u>		NUT PLATE	2
6	<u>606259</u>		HEX HEAD BOLT, M10 - 1.25 X 45MM LG	4
7	<u>603823</u>		FLAT WASHER, M10 X 22 - 2.5.....	4
8	<u>606279</u>		HEX NUT, M10 - 1.25	4
9	<u>608020</u>		HEX HEAD BOLT, M10 - 1.25 X 34MM LG	4
10	<u>606246</u>		FLAT HEAD SCREW, M6 - 1 X 12MM LG.....	4
11	<u>602146</u>		DIFFERENTIAL PLATE	1
12	<u>72016G01</u>		TUBE SPACER	2
13	<u>00428G8</u>		HEX HEAD BOLT, 3/8" - 16 X 2.75MM LG	2
14	<u>11098G5</u>		PLASTIC INSERT LOCK NUT, 3/8 -16.....	2
15	<u>627627</u>		FRONT MOUNT BRACKET ASSEMBLY (INCLUDES ITEMS 16 - 19).....	1
16	<u>625345</u>		FRONT MOUNT BRACKET.....	1
17	<u>605757</u>		RUBBER BUMPER.....	2
18	<u>00974G01</u>		HEX NUT, M10 X 1.5	2
19	<u>608654</u>		SPLIT LOCK WASHER, 10MM.....	2
20	<u>652247</u>		CROSSMEMBER BRACE.....	1
21	<u>00438G7</u>		HEX HEAD BOLT, 5/16" - 18 X 7/8" LG	2
22	<u>00559G8</u>		FLAT WASHER, 5/16"	2
23	<u>01109G01</u>		PLASTIC INSERT LOCK NUT, 5/16 -18 UNC.....	2
24	<u>606962</u>		TUBE CLAMP, DBL - .72".....	2
25	<u>606264</u>		HEX HEAD BOLT, M6 - 1 X 20MM LG	1
26	<u>606265</u>		HEX HEAD BOLT, M6 - 1 X 12MM LG	1
27	<u>00560G2</u>		B TYPE NARROW FLAT WASHER, 7/16"	2
28	<u>27184G12</u>		TUBE, (FUEL SYSTEM).....	1
29	<u>00643G1</u>		FLAT WASHER, 3/8" X 1 X .063"	2
30	<u>630776</u>		ENGINE PAN (FOR VEHICLES MANUFACTURED FROM APRIL 2014)	1

FRONT SUSPENSION / STEERING - HAULER 800



- 3** SPINDLE AND HUB ASSEMBLY, 4 LUG (PASSENGER SIDE) includes items 4 - 13
- 16** SPINDLE AND HUB ASSEMBLY, 4 LUG (DRIVER SIDE) includes items 5 - 13 , 17

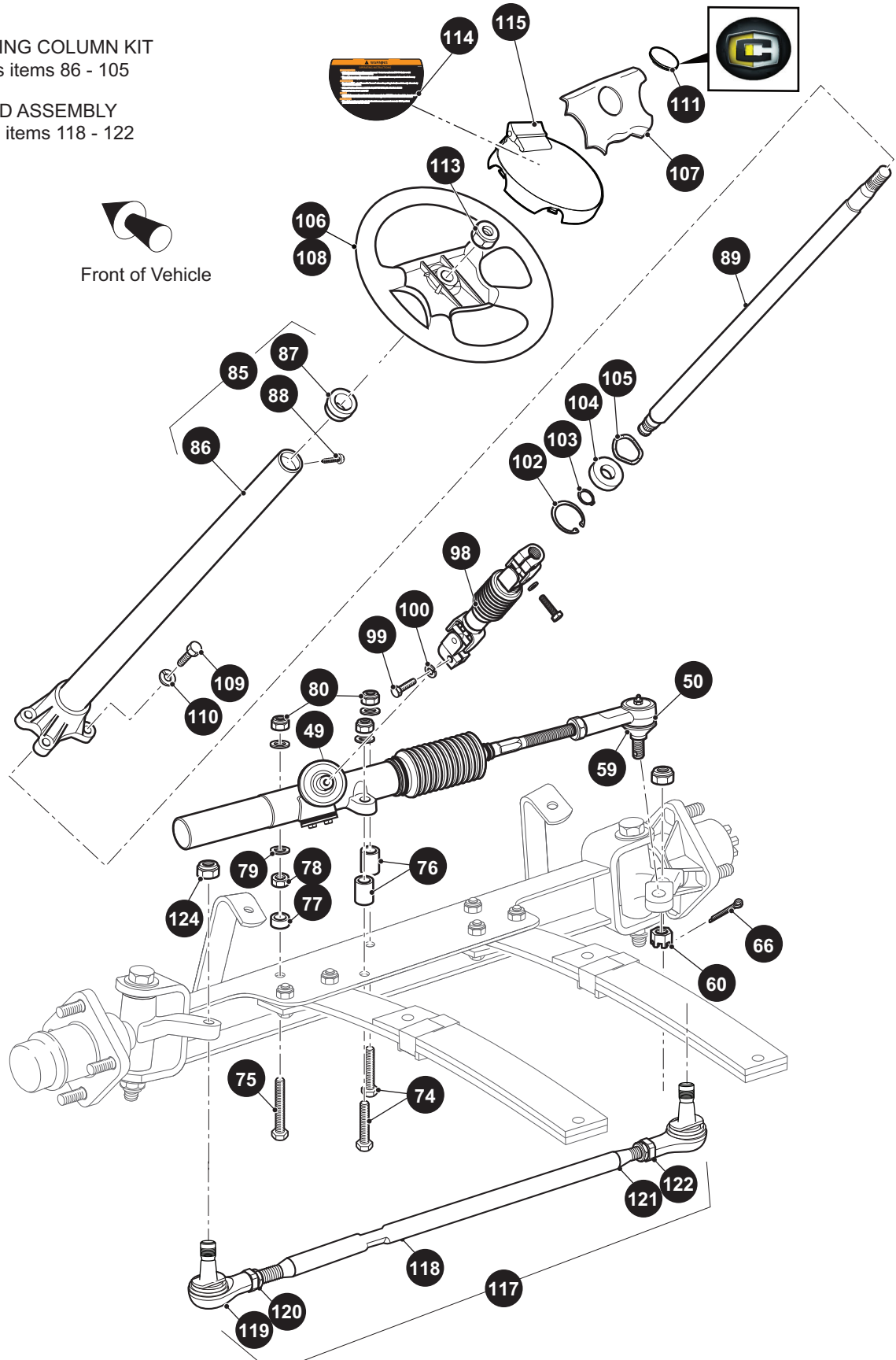
FRONT SUSPENSION / STEERING - HAULER 800



FRONT SUSPENSION / STEERING - HAULER 800

85 STEERING COLUMN KIT
includes items 86 - 105

117 TIE ROD ASSEMBLY
includes items 118 - 122



FRONT SUSPENSION / STEERING - HAULER 800

When ordering parts, please specify the model and serial number of the product.

* Indicates a component that is not available as an individual part.

*** Indicates consult Customer Service Department for additional information.

ITEM	PART NO.	1 2 3 4 5	DESCRIPTION	QTY.
1	<u>602512</u>		FRONT AXLE.....	1
2	<u>00464G8</u>		HEX HEAD BOLT, 7/16" - 14 X 2 3/4" LG	2
3	<u>70942G03</u>		SPINDLE AND HUB ASSEMBLY, 4 LUG (PASSENGER SIDE) (INCLUDES ITEMS 4 - 13)	1
4	<u>70940G02</u>		SPINDLE ASSEMBLY (PASSENGER SIDE)	1
5	<u>11750G2</u>		ROLLER BEARING	2
6	<u>51141G1</u>		BEARING RACE	2
7	<u>25146G1</u>		GREASE SEAL.....	1
8	<u>632926</u>		SLEEVE BUSHING	1
9	<u>70589G01</u>		WHEEL HUB ASSEMBLY WITH RACES, 4 LUG	1
10	<u>19862G1</u>		LUG BOLT, 1/2" - 20 X 1 7/32" LG.....	4
11	<u>12093G1</u>		SLOTTED NUT, 1" - 14.....	1
12	<u>00798G8</u>		COTTER PIN, 5/32" X 1 3/4" LG	1
13	<u>632925</u>		FLANGED BUSHING	1
14				
15				
16	<u>70673G03</u>		SPINDLE AND HUB ASSEMBLY, 4 LUG (DRIVER SIDE) (INCLUDES ITEMS 5 - 13 & 17).....	1
17	<u>70742G02</u>		SPINDLE ASSEMBLY (DRIVER SIDE).....	1
18	<u>00407G6</u>		HEX HEAD BOLT, 1/2" - 13 X 6" LG	2
19	<u>00560G3</u>		FLAT WASHER, 1/2".....	4
20	<u>70745G01</u>		KING PIN TUBE.....	2
21	<u>70754G01</u>		THRUST WASHER (SS).....	2
22	<u>14390G6</u>		LOCK NUT, 1/2" - 13.....	2
23				
24				
25	<u>76419G01</u>		SHOCK ABSORBER.....	2
26				
27				
28	<u>10435G1</u>		SHOCK ABSORBER WASHER.....	8
29	<u>10194G1</u>		RUBBER SHOCK ABSORBER BUSHING	8

FRONT SUSPENSION / STEERING - HAULER 800

When ordering parts, please specify the model and serial number of the product.

* Indicates a component that is not available as an individual part.

*** Indicates consult Customer Service Department for additional information.

ITEM	PART NO.	1	2	3	4	5	DESCRIPTION	QTY.
30	<u>00532G6</u>						HEX NUT, 3/8" - 24.....	4
31	<u>10044G01</u>						VINYL CAP	4
32								
33								
34	<u>70989G03</u>						LEAF SPRING (HEAVY DUTY) (SEE PART NUMBER ON SPRING)	2
35	<u>652258</u>						SPRING PLATE.....	4
36								
37	<u>00734G1</u>						LOCK NUT, 7/16" - 14	11
38	<u>00463G11</u>						HEX HEAD BOLT, 7/16" - 14 X 1 3/4" LG.....	11
39								
40								
41	<u>74605G01</u>						RACK AND PINION UNIT (COMPLETE) (INCLUDES ITEMS 42 - 65).....	1
42	<u>70965G01</u>						STEERING RACK COVER & BEARING	1
43	*						STEERING BOX INSTALLATION TAG	1
44	*						JAM NUT, 1/2" - 20	1
45	<u>70750G01</u>						RETAINING RING (EXTERNAL)	1
46	<u>15112G1</u>						BALL BEARING	1
47	<u>70603G01</u>						PINION.....	1
48	<u>70751G01</u>						RETAINING RING (INTERNAL).....	1
49	<u>70638G01</u>						SEAL PINION.....	1
50	<u>70604G01</u>						RACK STEERING.....	1
51	*						SET SCREW, #10 - 32 X 0.25" LG	1
52	<u>70590G01</u>						RACK LOADER	1
53	<u>70666G01</u>						SPRING COMPRESSION	1
54	<u>70645G01</u>						GASKET (RACK LOADER)	1
55	<u>652259</u>						COVER (RACK LOADER)	1
56	<u>71102G01</u>						HEX HEAD SCREW, 1/4" - 20	2
57	<u>10389G3</u>						GREASE FITTING, STRAIGHT	1
58	<u>70695G01</u>						TIE ROD END - OUTER	1
59	*						GROMMET - TIE ROD END	1

FRONT SUSPENSION / STEERING - HAULER 800

When ordering parts, please specify the model and serial number of the product.

* Indicates a component that is not available as an individual part.

*** Indicates consult Customer Service Department for additional information.

ITEM	PART NO.	1 2 3 4 5	DESCRIPTION	QTY.
60	*		SLOTTED NUT, 7/16" - 20.....	1
61				
62	<u>74602G01</u>		ROD END (INNER)	1
63	<u>70961G01</u>		RACK BOOT	1
64	<u>12416G2</u>		WIRE TIE.....	1
65	<u>11391G8</u>		WIRE TIE.....	1
66	<u>10387G2</u>		COTTER PIN, 3/32" X 1" LG.....	1
67				
68				
69				
70				
71				
72				
73				
74	<u>00464G8</u>		HEX HEAD BOLT, 7/16" - 14 X 2 3/4" LG	2
75	<u>01068G01</u>		HEX HEAD BOLT, 7/16" - 14 X 3 1/2" LG	1
76	<u>70667G02</u>		SPACER, 1.21" LG	2
77	<u>70667G04</u>		SPACER (SHORT), 0.69" LG.....	1
78	<u>00532G7</u>		HEX NUT, 7/16" - 14	1
79	<u>00560G2</u>		FLAT WASHER, 7/16".....	7
80	<u>00734G1</u>		LOCK NUT, 7/16" - 14.....	3
81				
82				
83				
84				
85	<u>70758G05</u>		STEERING COLUMN KIT (INCLUDES ITEMS 86 - 105).....	1
86	<u>70610G03</u>		STEERING COLUMN.....	1
87	<u>28569G01</u>		STEERING COLUMN BUSHING	1
88	<u>01022G01</u>		HEX WASHER HEAD SCREW, #6 - 20 X 5/16" LG.....	1
89	<u>70607G01</u>		STEERING SHAFT.....	1

FRONT SUSPENSION / STEERING - HAULER 800

When ordering parts, please specify the model and serial number of the product.

* Indicates a component that is not available as an individual part.

*** Indicates consult Customer Service Department for additional information.

ITEM	PART NO.	1	2	3	4	5	DESCRIPTION	QTY.
90								
91								
92								
93								
94								
95								
96								
97								
98	<u>70580G01</u>						INTERMEDIATE SHAFT	1
99	<u>01055G01</u>						HEX HEAD BOLT, M8 X 1.25 - 6G.....	2
100	<u>00565G8</u>						LOCK WASHER, 5/16"	2
101								
102	<u>70751G01</u>						RETAINING RING (INTERNAL).....	1
103	<u>70888G01</u>						RETAINING RING (EXTERNAL)	1
104	<u>15112G1</u>						BALL BEARING	1
105	<u>70887G01</u>						WAVE WASHER	1
106	<u>602980</u>						STEERING WHEEL PREMIUM (OPTIONAL).....	1
107	<u>71147G01</u>						STEERING WHEEL COVER.....	1
108	<u>602979</u>						STEERING WHEEL.....	1
109	<u>01006G01</u>						HEX WASHER HEAD BOLT WITH PATCHLOCK, 3/8" - 16 X 1 1/4" LG	4
110	<u>00879G1</u>						LOCK WASHER, 3/8"	4
111	<u>618086</u>						STEERING WHEEL DECAL (CUSHMAN).....	1
112								
113	<u>14390G2</u>						LOCK NUT, 5/8" - 18	1
114	<u>608529</u>						STEERING WHEEL LABEL	1
115	<u>607925</u>						CLIPBOARD	1
116								
117	<u>70876G02</u>						TIE ROD ASSEMBLY (INCLUDES ITEMS 118 - 122).....	1
118	<u>70807G01</u>						THREADED ROD (24" LG).....	1
119	<u>70902G01</u>						TIE ROD END (LEFT HAND THREADS)	1

FRONT SUSPENSION / STEERING - HAULER 800

When ordering parts, please specify the model and serial number of the product.

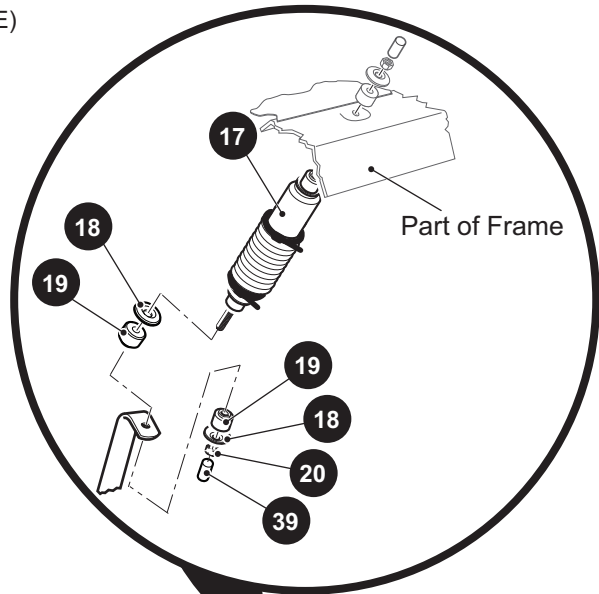
* Indicates a component that is not available as an individual part.

*** Indicates consult Customer Service Department for additional information.

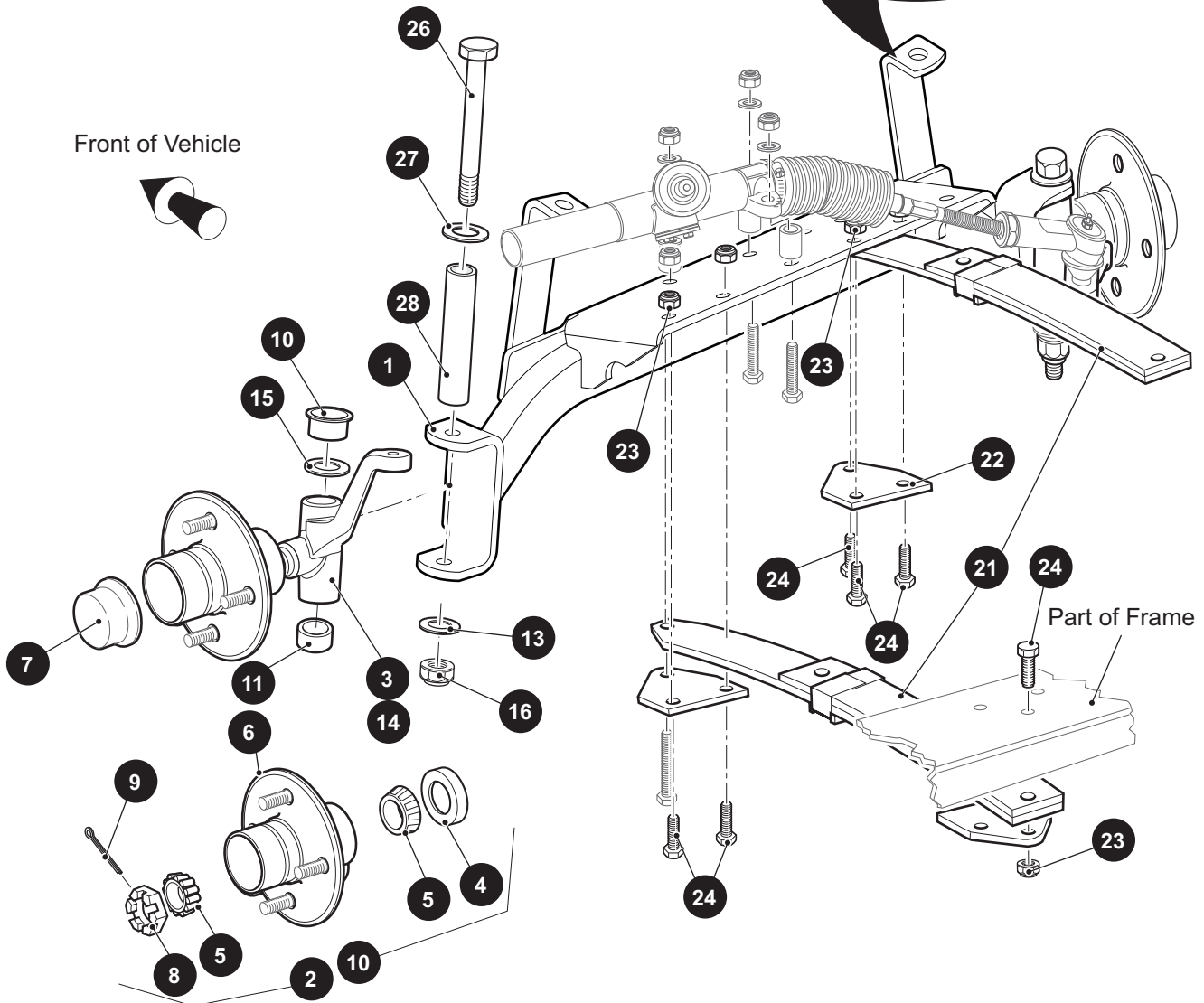
ITEM	PART NO.	1 2 3 4 5	DESCRIPTION	QTY.
120	<u>01069G01</u>		JAM NUT, M12 X 1.25 - 05 (LEFT HAND THREADS)	1
121	<u>70902G02</u>		TIE ROD END (RIGHT HAND THREADS).....	1
122	<u>01069G02</u>		JAM NUT, M12 X 1.25 - 05 (RIGHT HAND THREADS).....	1
123	<u>00734G1</u>		LOCK NUT, 7/16" - 14	2

FRONT SUSPENSION / STEERING - HAULER 1200

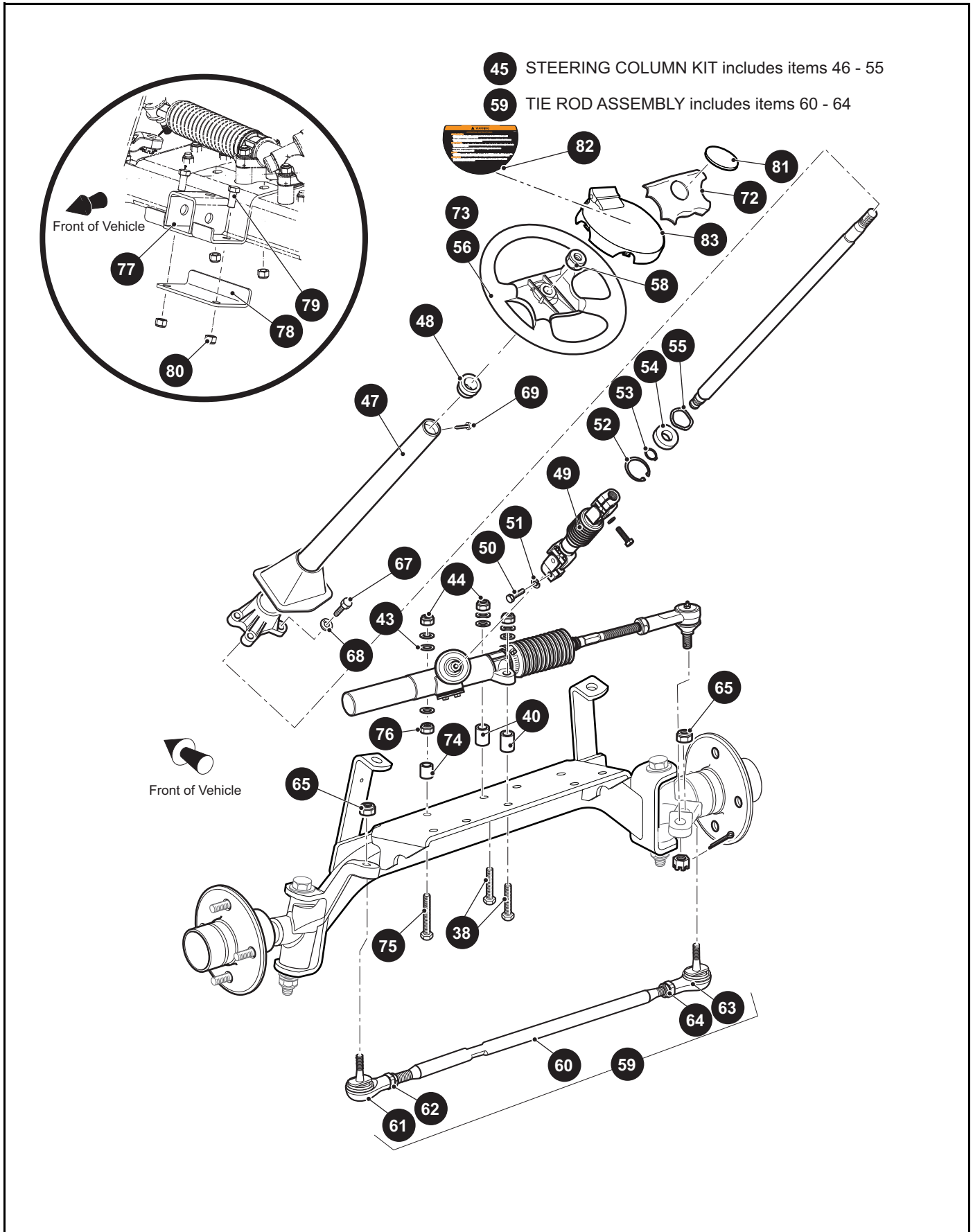
- 2 SPINDLE AND HUB ASSEMBLY, 4 LUG (PASSENGER SIDE)
includes items 3 - 11
- 13 SPINDLE AND HUB ASSEMBLY, 4 LUG (DRIVER SIDE)
includes items 4 - 11, 14



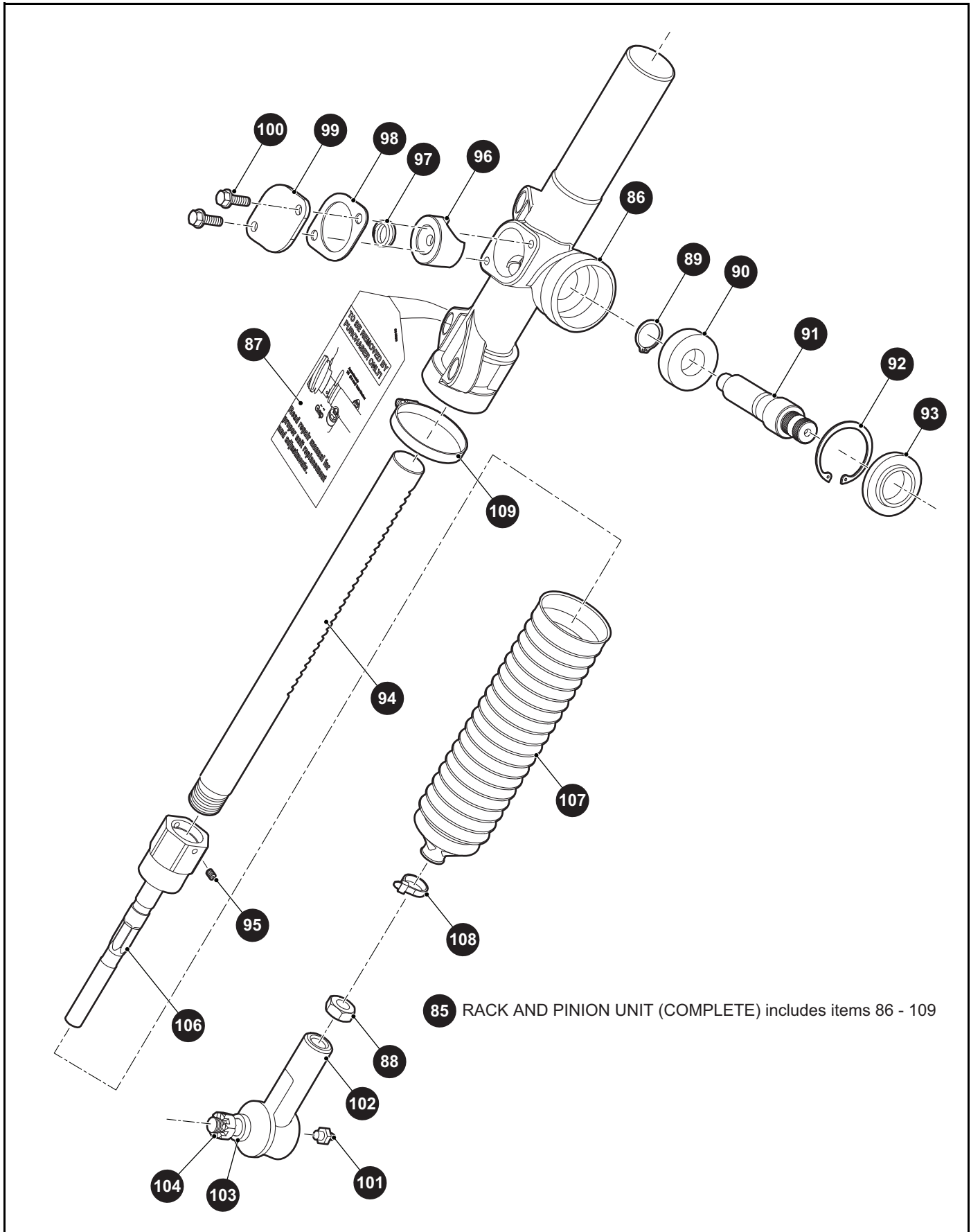
Front of Vehicle



FRONT SUSPENSION/STEERING - HAULER 1200



FRONT SUSPENSION / STEERING - HAULER 1200



FRONT SUSPENSION / STEERING - HAULER 1200

When ordering parts, please specify the model and serial number of the product.

* Indicates a component that is not available as an individual part.

*** Indicates consult Customer Service Department for additional information.

ITEM	PART NO.	1 2 3 4 5	DESCRIPTION	QTY.
1	652823		FRONT AXLE.....	1
2	<u>70930G01</u>		SPINDLE AND HUB ASSEMBLY, 4 LUG (PASSENGER SIDE) (INCLUDES ITEMS 3 - 11).....	1
3	<u>70802G01</u>		SPINDLE ASSEMBLY (PASSENGER SIDE)	1
4	<u>25146G1</u>		GREASE SEAL.....	1
5	<u>11750G2</u>		ROLLER BEARING AND RACE ASSEMBLY	2
6	<u>35886G01</u>		WHEEL HUB ASSEMBLY WITH RACES, 4 LUG.....	1
7	<u>12091G2</u>		SPINDLE CAP	1
8	12093G1		CASTELLATED NUT, 1" - 14.....	1
9	<u>00798G8</u>		COTTER PIN, 5/32" X 1 3/4" LG	1
10	<u>632925</u>		FLANGED BUSHING	1
11	<u>632926</u>		SLEEVE BUSHING	1
12				
13	<u>70931G01</u>		SPINDLE AND HUB ASSEMBLY, 4 LUG (DRIVER SIDE) (INCLUDES ITEMS 4 - 11, 14).....	1
14	<u>70803G01</u>		SPINDLE ASSEMBLY (DRIVER SIDE).....	1
15	<u>70754G01</u>		THRUST WASHER (SS), 1"	2
16	<u>14390G6</u>		LOCK NUT, 1/2" - 13.....	2
17	<u>76419G01</u>		SHOCK ABSORBER.....	2
18	<u>10435G1</u>		SHOCK ABSORBER WASHER.....	8
19	<u>10194G1</u>		RUBBER BUSHING.....	8
20	<u>00532G6</u>		HEX NUT, 1/4" - 20	4
21	<u>70990G03</u>		LEAF SPRING (HEAVY DUTY)	2
22	<u>652258</u>		SPRING PLATE	4
23	<u>00734G1</u>		LOCK NUT, 7/16 " - 14.....	11
24	<u>00463G11</u>		HEX HEAD BOLT, 7/16" - 14 X 1 5/8" LG	11
25				
26	<u>00407G6</u>		HEX HEAD BOLT, 1/2" - 13 X 6" LG.....	2
27	<u>00560G3</u>		WASHER, 1/2"	4
28	<u>70745G01</u>		KING PIN TUBE	2
29				
30				

FRONT SUSPENSION / STEERING - HAULER 1200

When ordering parts, please specify the model and serial number of the product.

* Indicates a component that is not available as an individual part.

*** Indicates consult Customer Service Department for additional information.

ITEM	PART NO.	1	2	3	4	5	DESCRIPTION	QTY.
31								
32								
33								
34								
35								
36								
37								
38	<u>00464G8</u>						HEX HEAD BOLT, 7/16" - 14 X 2 3/4" LG.....	2
39	<u>10044G01</u>						VINYL CAP.....	4
40	<u>70667G02</u>						SPACER, O.D 1" X I.D .46" X 1.2" LG.....	2
41								
42								
43	<u>00560G2</u>						FLAT WASHER, 1/2".....	7
44	<u>00734G1</u>						LOCK NUT, 7/16" - 14.....	3
45	<u>70758G05</u>						STEERING COLUMN KIT (INCLUDES ITEMS 46 - 55).....	1
46	<u>70607G01</u>						STEERING SHAFT.....	1
47	<u>70610G03</u>						STEERING COLUMN.....	1
48	<u>28569G01</u>						STEERING COLUMN BUSHING.....	1
49	<u>70580G01</u>						INTERMEDIATE SHAFT.....	1
50	<u>01055G01</u>						METRIC BOLT, M8 X 1.25 - 05.....	1
51	<u>00565G8</u>						LOCK WASHER, 5/16".....	1
52	<u>70751G01</u>						RETAINING RING (INTERNAL).....	1
53	<u>70888G01</u>						RETAINING RING (EXTERNAL).....	1
54	<u>15112G1</u>						BALL BEARING.....	1
55	<u>70887G01</u>						WAVE WASHER.....	1
56	<u>602979</u>						STEERING WHEEL.....	1
57	<u>71950G01</u>						CLIPBOARD.....	1
58	<u>14390G2</u>						LOCK NUT, 5/8"- 18.....	1
59	<u>70876G02</u>						TIE ROD ASSEMBLY (INCLUDES ITEMS 60 - 64).....	1
60	<u>70897G02</u>						THREADED ROD (24" LG).....	1
61	<u>70902G01</u>						TIE ROD END (LEFT HAND THREADS).....	1

FRONT SUSPENSION / STEERING - HAULER 1200

When ordering parts, please specify the model and serial number of the product.

* Indicates a component that is not available as an individual part.

*** Indicates consult Customer Service Department for additional information.

ITEM	PART NO.	1 2 3 4 5	DESCRIPTION	QTY.
62	<u>01069G01</u>		JAM NUT, M12 X 1.25 - 05 (LEFT HAND THREADS)	1
63	<u>70902G02</u>		TIE ROD END (RIGHT HAND THREADS).....	1
64	<u>01069G02</u>		JAM NUT, M12 X 1.25 - 05 (RIGHT HAND THREADS).....	1
65	<u>00734G1</u>		LOCK NUT, 7/16" - 14	2
66				
67	<u>01006G01</u>		HEX WASHER HEAD BOLT, 3/8" - 16 x 1 1/4" LG	4
68	<u>00879G1</u>		LOCK WASHER, 3/8"	4
69	<u>01022G01</u>		SCREW #6 - 20 x 5/16" LG	1
70				
71				
72	<u>71147G01</u>		STEERING WHEEL COVER	1
73	<u>602980</u>		STEERING WHEEL, PREMIUM	1
74	<u>70667G04</u>		SPACER, O.D 1" X I.D .46" X .69" LG	1
75	<u>01068G01</u>		HEX HEAD BOLT, 7/16" - 14 X 3.5" LG	1
76	<u>00532G7</u>		HEX NUT, 1/4" - 20	1
77	<u>635202</u>		WINCH RECEIVER WELDMENT	1
78	<u>604572</u>		WINCH RECEIVER RETAINER.....	1
79	<u>00462G8</u>		HEX HEAD CAP BOLT, 7/16" - 14 X 7/8" LG	4
80	<u>00734G1</u>		HEX LOCK NUT, 7/16" - 14	4
81	<u>605435</u>		E-Z-GO DECAL.....	1
82	<u>608529</u>		STEERING WHEEL LABEL	1
83	<u>607925</u>		CLIPBOARD	1
84				
85	<u>70964G01</u>		RACK AND PINION UNIT (COMPLETE) (INCLUDES ITEMS 86 - 109).....	1
86	<u>70965G01</u>		STEERING RACK COVER & BEARING	1
87	*		STEERING BOX INSTALLATION TAG.....	1
88	*		JAM NUT, 1/2" - 20	1
89	<u>70750G01</u>		RETAINING RING (EXTERNAL)	1
90	<u>15112G1</u>		BALL BEARING	1
91	<u>70603G01</u>		PINION	1
92	<u>70751G01</u>		RETAINING RING (INTERNAL)	1

FRONT SUSPENSION / STEERING - HAULER 1200

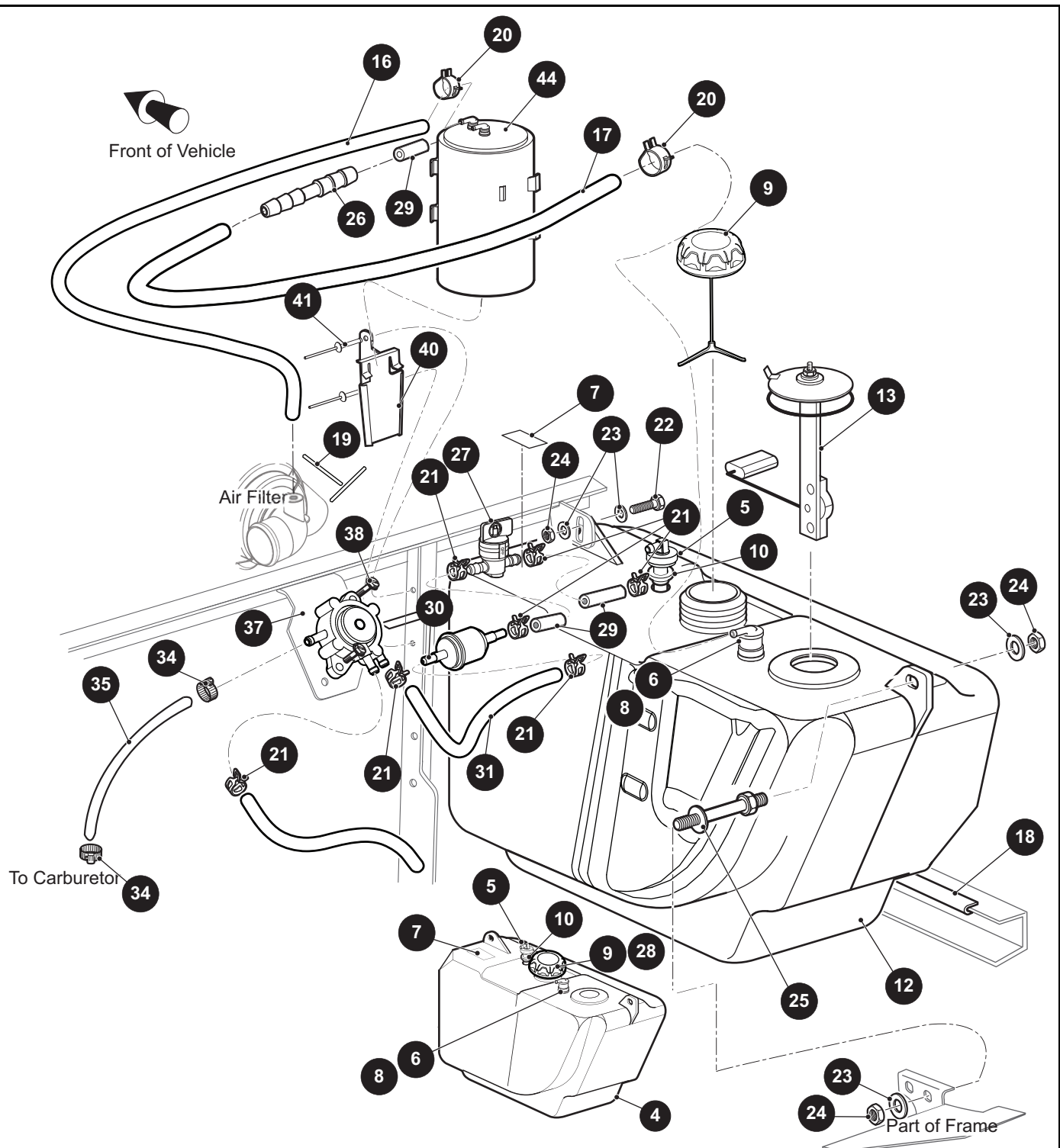
When ordering parts, please specify the model and serial number of the product.

* Indicates a component that is not available as an individual part.

*** Indicates consult Customer Service Department for additional information.

ITEM	PART NO.	1	2	3	4	5	DESCRIPTION	QTY.
93	<u>70638G01</u>						SEAL PINION.....	1
94	<u>70604G01</u>						RACK STEERING.....	1
95	*						SET SCREW, #10 - 32 X .25" LG	1
96	<u>70590G01</u>						RACK LOADER	1
97	<u>70666G01</u>						SPRING COMPRESSION	1
98	<u>70645G01</u>						GASKET (RACK LOADER)	1
99	<u>652259</u>						COVER (RACK LOADER)	1
100	<u>71102G01</u>						HEX WASHER HEAD SCREW, 1/4" - 20 X 3/4" LG.....	2
101	<u>10389G3</u>						GREASE FITTING, STRAIGHT	1
102	<u>70695G01</u>						TIE ROD END - OUTER	1
103	*						GROMMET - TIE ROD END	1
104	*						SLOTTED NUT, 7/16" - 20	1
105								
106	<u>74694G01</u>						ROD END (INNER).....	1
107	<u>70961G01</u>						BELLOWS, RACK COVER.....	1
108	<u>12416G2</u>						WEDGE CLAMP (NYLON), 11.8" LG.....	1
109	<u>11391G8</u>						CLAMP, HOSE	1

FUEL SYSTEM



- 1 CARB FUEL TANK ASSEMBLY (WITHOUT SWITCH) includes items 3 - 10
- 2 CARB FUEL TANK ASSEMBLY (WITH SWITCH) includes items 5 - 13
- 3 FLUOR FUEL TANK (WITHOUT SENDER UNIT) includes item 4

EARLY PRODUCTION VEHICLES

FUEL SYSTEM

When ordering parts, please specify the model and serial number of the product.

* Indicates a component that is not available as an individual part.

*** Indicates consult Customer Service Department for additional information.

ITEM	PART NO.	1 2 3 4 5	DESCRIPTION	QTY.
1	<u>645033</u>		CARB FUEL TANK ASSEMBLY (WITHOUT SWITCH) (INCLUDES ITEMS 3 - 10)	1
2	<u>645034</u>		CARB FUEL TANK ASSEMBLY (WITH SWITCH) (INCLUDES ITEMS 5 - 13)	1
3	*		FLUOR FUEL TANK (WITHOUT SENDER UNIT) (INCLUDES ITEM 4) .	1
4	*		NON-FLOUR FUEL TANK (WITHOUT SENDER UNIT)	1
5	<u>18287G3</u>		SIPHON TUBE ASSEMBLY	1
6	<u>606068</u>		ROLLOVER VALVE GROMMET	1
7	<u>625826</u>		EPA FUEL TANK LABEL	1
8	<u>606067</u>		ROLLOVER VALVE	1
9	<u>633423</u>		FUEL TANK CAP (RATCHET)	1
10	<u>70988G01</u>		SIPHON TUBE GROMMET.....	1
11				
12	*		NON-FLUOR FUEL TANK (WITH SENDER UNIT)	1
13	<u>633024G02</u>		PRESS FIT FUEL SENDER	1
14				
15				
16	<u>606966</u>		LOW PRESSURE FUEL HOSE (CARB), 3/16" I.D X 3/8" O.D X 34" LG	1
17	<u>607546</u>		LOW PRESSURE FUEL HOSE (CARB), 3/16" I.D X 3/8" O.D X 17" LG	1
18	<u>32372G6</u>		BLACK TRIM, 6.25" LG	1
19	<u>17618G1</u>		NYLON CLAMP	2
20	<u>606963</u>		TUBING CLAMP, 3/16" I.D.....	2
21	<u>18292G1</u>		HOSE CLAMP, .50" DIA.....	7
22	<u>00438G8</u>		HEX HEAD BOLT, 5/16" - 18 X 1" LG	1
23	00559G8		FLAT WASHER, 5/16"	4
24	11098G6		LOCK NUT, 5/16" - 18.....	3
25	<u>70483G01</u>		SPACER BOLT, 5/16" - 18	1
26	<u>615346</u>		HOSE REDUCER, 1/4" I.D X 3/16".....	1
27	<u>611181</u>		FUEL SHUT-OFF VALVE	1
28				
29	<u>615350</u>		FUEL SYSTEM HOSE, 2" LG	3

FUEL SYSTEM

When ordering parts, please specify the model and serial number of the product.

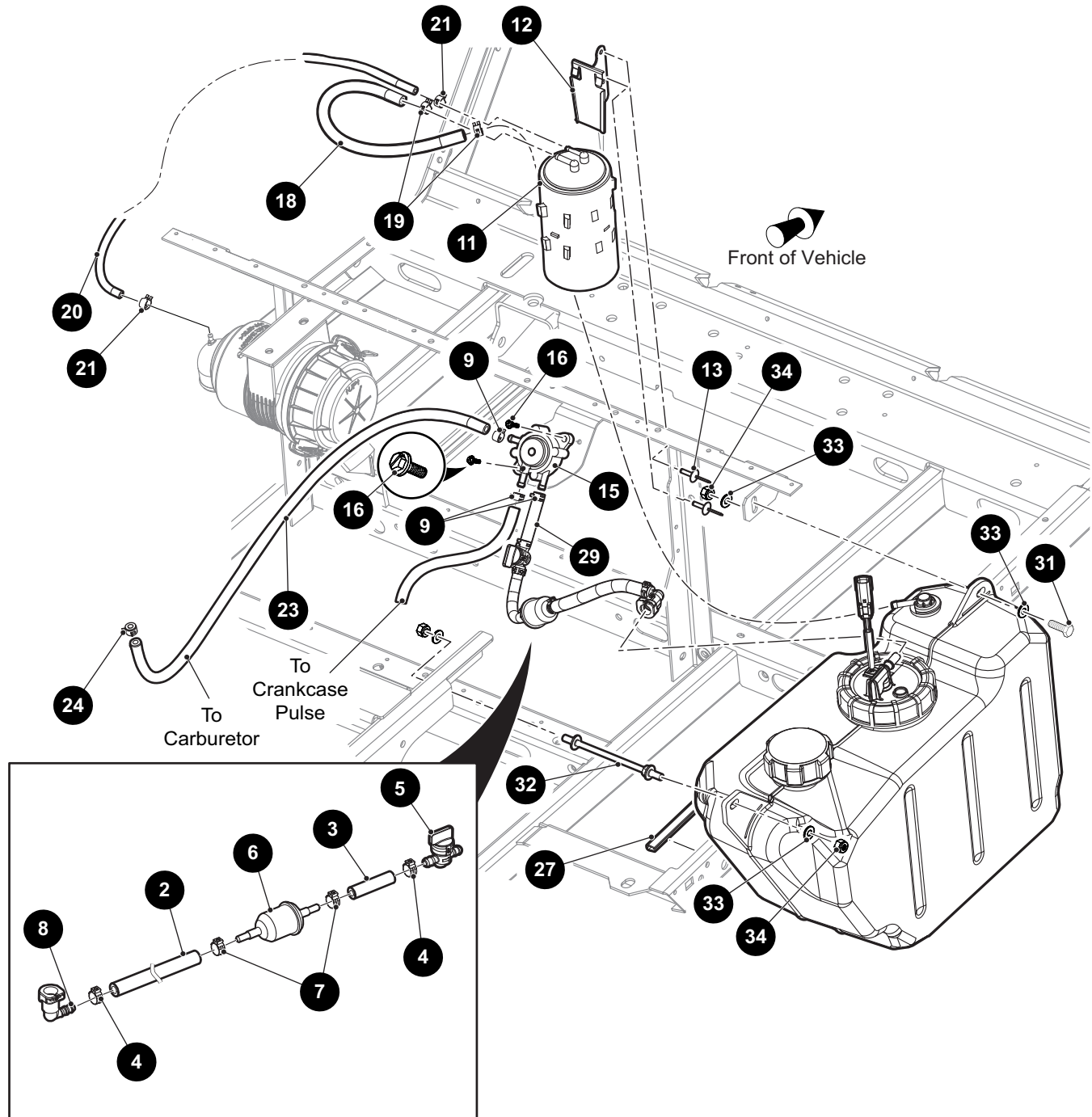
* Indicates a component that is not available as an individual part.

*** Indicates consult Customer Service Department for additional information.

ITEM	PART NO.	1 2 3 4 5	DESCRIPTION	QTY.
30	<u>72084G01</u>		FUEL LINE FILTER	1
31	<u>606969</u>		FUEL SYSTEM HOSE, .25" I.D. X .50" O.D X 8" LG	1
32				
33				
34	<u>11391G4</u>		HOSE CLAMP, .25" - .63" DIA.....	2
35	<u>604597</u>		CARB FUEL SYSTEM HOSE, .25" I.D X.50" O.D X 26" LG	1
36				
37	<u>602061</u>		FUEL PUMP	1
38	<u>00114G6</u>		HEX WASHER HEAD SLOTTED TAPPING SCREW, 1/4" - 14 X .75" LG	2
39				
40	<u>606310</u>		CARBON CANISTER MOUNTING BRACKET	1
41	<u>10570G11</u>		RIVET, 3/16" DIA X .70".....	2
42				
43				
44	<u>606071</u>		CARBON CANISTER	1

FUEL SYSTEM

1 FUEL LINE ASSEMBLY includes items 2 - 8



LATE PRODUCTION VEHICLES

FUEL SYSTEM

When ordering parts, please specify the model and serial number of the product.

* Indicates a component that is not available as an individual part.

*** Indicates consult Customer Service Department for additional information.

ITEM	PART NO.	1 2 3 4 5	DESCRIPTION	QTY.
1	<u>649515</u>		FUEL LINE ASSEMBLY (INCLUDES ITEMS 2 - 8)	1
2	<u>649570</u>		HOSE, .312" I.D. X .562" O.D. X 9" LG	1
3	<u>615350</u>		HOSE, 2" LG	1
4	<u>649873</u>		CLAMP, 1/2" O.D.	2
5	<u>611181</u>		SHUT-OFF VALVE.....	1
6	<u>72084G01</u>		FUEL FILTER	1
7	<u>649874</u>		CLAMP, 9/16" O.D.	2
8	<u>649577</u>		CONNECTOR, 5/16" I.D.	1
9	<u>18292G1</u>		CLAMP, 1/2" O.D.	3
10				
11	<u>606071</u>		CARBON CANISTER.....	1
12	<u>606310</u>		CANISTER BRACKET	1
13	<u>10570G11</u>		RIVET (SS), 3/16" X .70"	2
14				
15	<u>602061</u>		FUEL PUMP.....	1
16	<u>00114G6</u>		HEX WASHER HEAD BOLT, 1/4" - 10 X 3/4" LG	2
17				
18	<u>27184G14</u>		FUEL SYSTEM TUBE.....	1
19	<u>18292G1</u>		CLAMP, 1/2" O.D.	2
20	<u>606966</u>		HOSE, 3/16" I.D. X 34" LG.....	1
21	<u>606963</u>		CLAMP, 3/16" I.D.	2
22				
23	<u>604597</u>		FUEL HOSE, 26" LG.....	1
24	<u>18292G1</u>		CLAMP, 1/2" O.D.	1
25				
26	<u>17618G1</u>		NYLON CLAMP, 7" LG (NOT ILLUSTRATED).....	2
27	<u>32372G6</u>		VINYL TRIM, 6.25" LG	1
28				
29	<u>615350</u>		FUEL HOSE, 2" LG.....	1
30				
31	<u>00438G8</u>		HEX HEAD BOLT, 5/16" - 18 X 5/8" LG	1

FUEL SYSTEM

When ordering parts, please specify the model and serial number of the product.

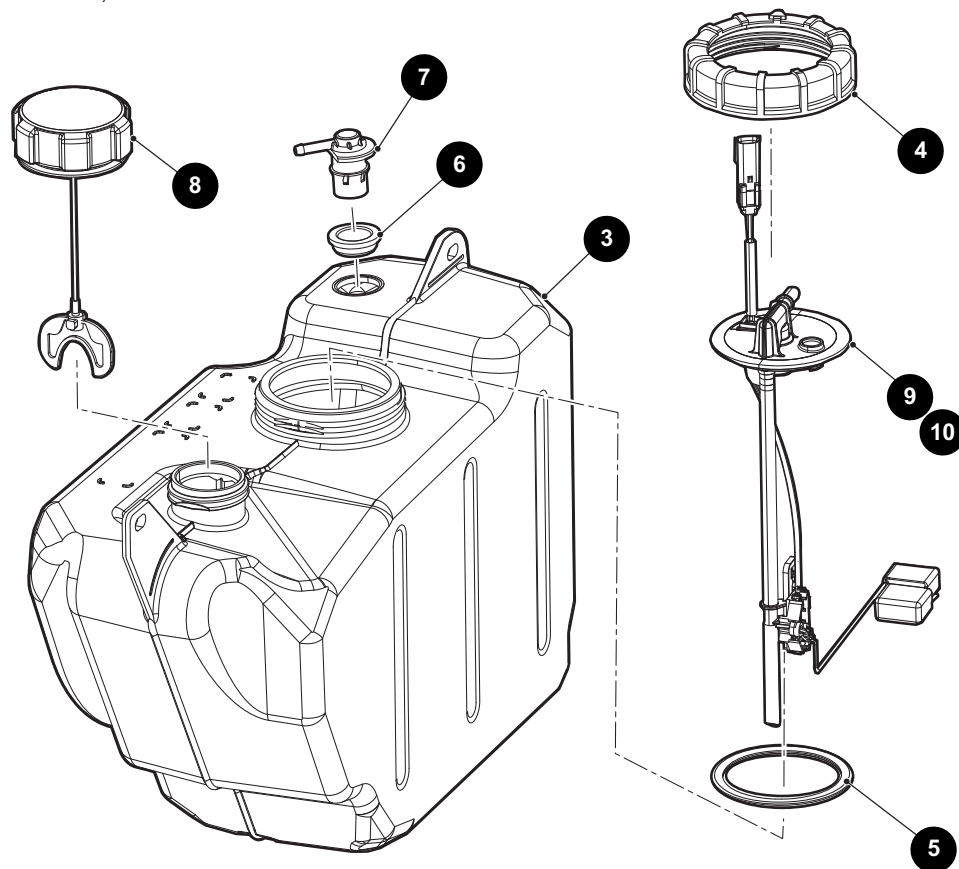
* Indicates a component that is not available as an individual part.

*** Indicates consult Customer Service Department for additional information.

ITEM	PART NO.	1 2 3 4 5	DESCRIPTION	QTY.
32	<u>70483G01</u>		SPACER	1
33	00559G8		FLAT WASHER, 5/16"	4
34	11098G6		LOCK NUT, 5/16" - 18	3

FUEL SYSTEM

- 1** FUEL TANK ASSEMBLY (WITH SENDER UNIT)
includes items 3 - 9
- 2** FUEL TANK ASSEMBLY (WITHOUT SENDER UNIT)
includes items 3 - 8, 10



LATE PRODUCTION VEHICLES

FUEL SYSTEM

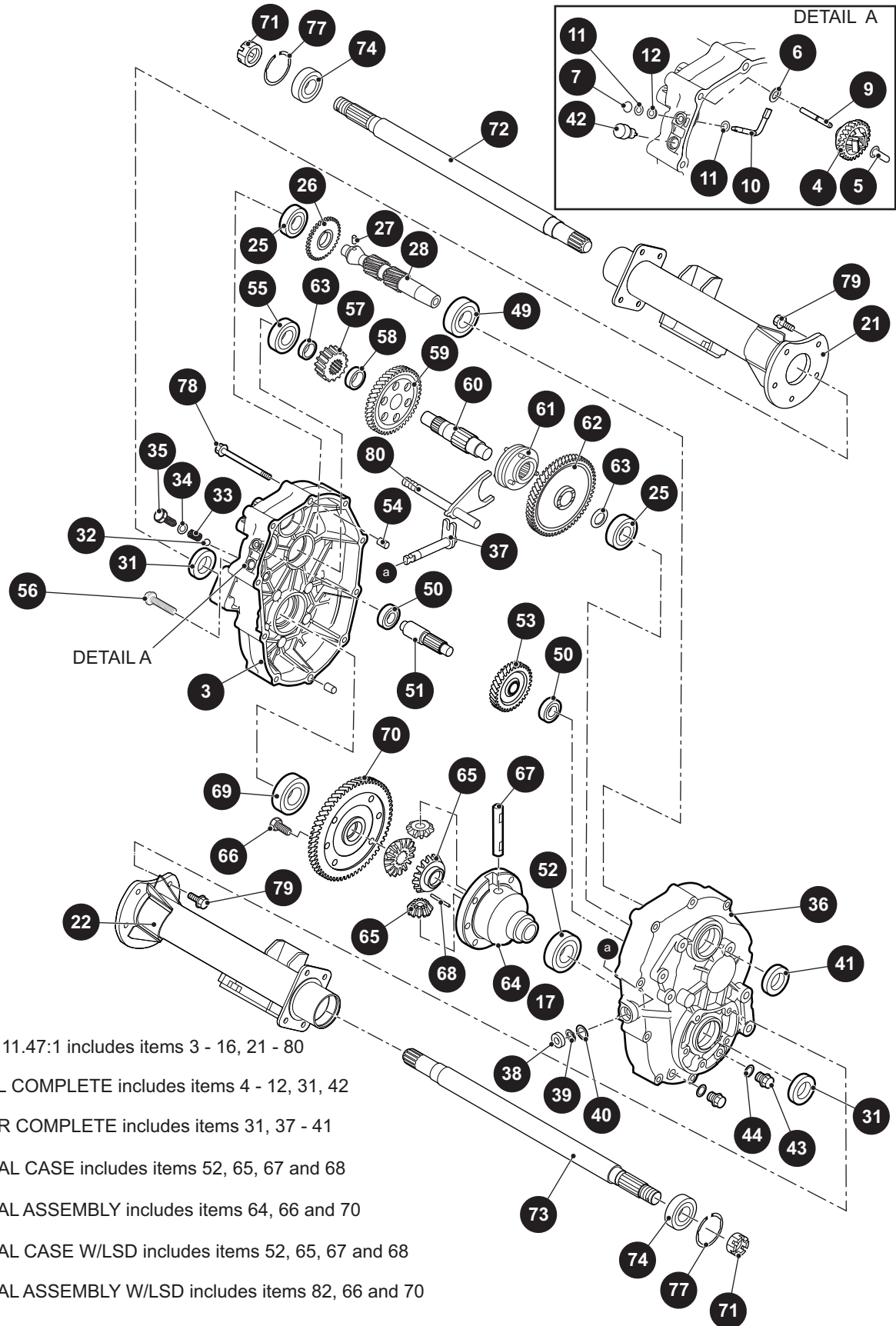
When ordering parts, please specify the model and serial number of the product.

* Indicates a component that is not available as an individual part.

*** Indicates consult Customer Service Department for additional information.

ITEM	PART NO.	1 2 3 4 5	DESCRIPTION	QTY.
1	<u>656139</u>		FUEL TANK ASSEMBLY (WITH SENDER UNIT) (INCLUDES ITEMS 3 - 9)	1
2	<u>656138</u>		FUEL TANK ASSEMBLY (WITHOUT SENDER UNIT) (INCLUDES ITEMS 3 - 8, 10)	1
3	646306		FUEL TANK	1
4	<u>646837</u>		CAP	1
5	<u>646838</u>		SEAL.....	1
6	<u>647810</u>		GROMMET	1
7	<u>647809</u>		ROLLOVER VALVE	1
8	<u>635688</u>		FUEL CAP	1
9	<u>656144</u>		FUEL PICKUP WITH SENDER ASSEMBLY	1
10	<u>656135</u>		FUEL PICKUP WITHOUT SENDER ASSEMBLY	1

REAR AXLE



- 1 REAR AXLE, 11.47:1 includes items 3 - 16, 21 - 80
- 3 AXLE CASE L COMPLETE includes items 4 - 12, 31, 42
- 36 AXLE CASE R COMPLETE includes items 31, 37 - 41
- 64 DIFFERENTIAL CASE includes items 52, 65, 67 and 68
- 16 DIFFERENTIAL ASSEMBLY includes items 64, 66 and 70
- 17 DIFFERENTIAL CASE W/LSD includes items 52, 65, 67 and 68
- 18 DIFFERENTIAL ASSEMBLY W/LSD includes items 82, 66 and 70
- 2 REAR AXLE W/LSD, 11.47:1 includes items 3 - 12, 17 - 63, 65 - 80

REAR AXLE

When ordering parts, please specify the model and serial number of the product.

* Indicates a component that is not available as an individual part.

*** Indicates consult Customer Service Department for additional information.

ITEM	PART NO.	1 2 3 4 5	DESCRIPTION	QTY.
1	<u>670468</u>		REAR AXLE, 11.47:1 (INCLUDES ITEMS 3 - 16, 21 - 80)	1
2	<u>670470</u>		REAR AXLE W/LSD, 11.47:1 (INCLUDES ITEMS 3 - 12, 17 - 63, 65 - 80)....	1
3	<u>639859</u>		AXLE CASE L COMPLETE (INCLUDES ITEMS 4 - 12, 31, 42)	1
4	<u>665887</u>		GOVERNOR GEAR	1
5	<u>639689</u>		GOVERNOR SLEEVE	1
6	<u>607904</u>		FLAT WASHER	1
7	<u>607913</u>		RETAINING RING E5	1
8				
9	<u>639698</u>		GOVERNOR GEAR SHAFT	1
10	<u>639707</u>		GOVERNOR SHAFT	1
11	<u>639736</u>		FLAT WASHER, 6MM	2
12	<u>607911</u>		OIL SEAL, 6 x 10 x 2.5 MM.....	1
13				
14				
15				
16	<u>639847</u>		DIFFERENTIAL ASSEMBLY (INCLUDES ITEMS 64, 66 AND 70)	1
17	640098		DIFFERENTIAL CASE W/LSD (INCLUDES ITEMS 52, 65, 67 AND 68)	1
18	<u>639847</u>		DIFFERENTIAL ASSEMBLY W/LSD (INCLUDES ITEMS 17, 66 AND 70).....	1
19				
20				
21	<u>607939</u>		AXLE CASE L COMPLETE	1
22	<u>607940</u>		AXLE CASE R COMPLETE	1
23				
24				
25	<u>26785G01</u>		BALL BEARING (6204)	2
26	<u>665888</u>		GOVERNOR GEAR, 34	1
27	<u>607920</u>		PIN, 6 x 12L.....	1
28	<u>639750</u>		INPUT SHAFT	1
29				
30				

REAR AXLE

When ordering parts, please specify the model and serial number of the product.

* Indicates a component that is not available as an individual part.

*** Indicates consult Customer Service Department for additional information.

ITEM	PART NO.	1	2	3	4	5	DESCRIPTION	QTY.
31	<u>639738</u>						OIL SEAL, 24 x 40 x 9MM	2
32	<u>26818G01</u>						STEEL BALL	1
33	<u>26819G01</u>						SPRING	1
34	<u>26831G01</u>						GASKET, 10	1
35	<u>26820G01</u>						FLANGED HEX HEAD BOLT, M10 x 1.25 x 12 MM LG.....	1
36	<u>639865</u>						AXLE CASE R COMPLETE (INCLUDES ITEMS 31, 37 - 41)	1
37	<u>639746</u>						SELECT SHAFT	1
38	607915						OIL SEAL, 13 x 22 x 5MM	1
39	<u>607916</u>						SNAP RING, 13MM	1
40	<u>607917</u>						SPACER, 13 x 1MM	1
41	<u>640093</u>						OIL SEAL, 28 x 47 x 9MM	1
42	<u>607919</u>						AIR BREATHER	1
43	<u>639747</u>						OIL DRAIN PLUG	2
44	<u>639748</u>						GASKET, 14MM.....	2
45								
46								
47								
48								
49	<u>607922</u>						BALL BEARING (62/28).....	1
50	<u>639868</u>						BALL BEARING (TMB202)	2
51	<u>639755</u>						COUNTER SHAFT.....	1
52	<u>640744</u>						BALL BEARING (6006).....	1
53	<u>639758</u>						GEAR, 34	1
54	<u>639869</u>						KNOCK PIPE	2
55	<u>639760</u>						BALL BEARING (6304).....	2
56	<u>639768</u>						FLANGED HEX HEAD BOLT, M8 - 1.25 X 40MM LG.....	1
57	<u>639769</u>						GEAR, 17	1
58	<u>28689G01</u>						COLLAR, 24 x 7.5MM.....	1
59	<u>639771</u>						GEAR, 52.....	1
60	<u>670697</u>						CENTER SHAFT.....	1
61	<u>639774</u>						CLUTCH PIN.....	1

REAR AXLE

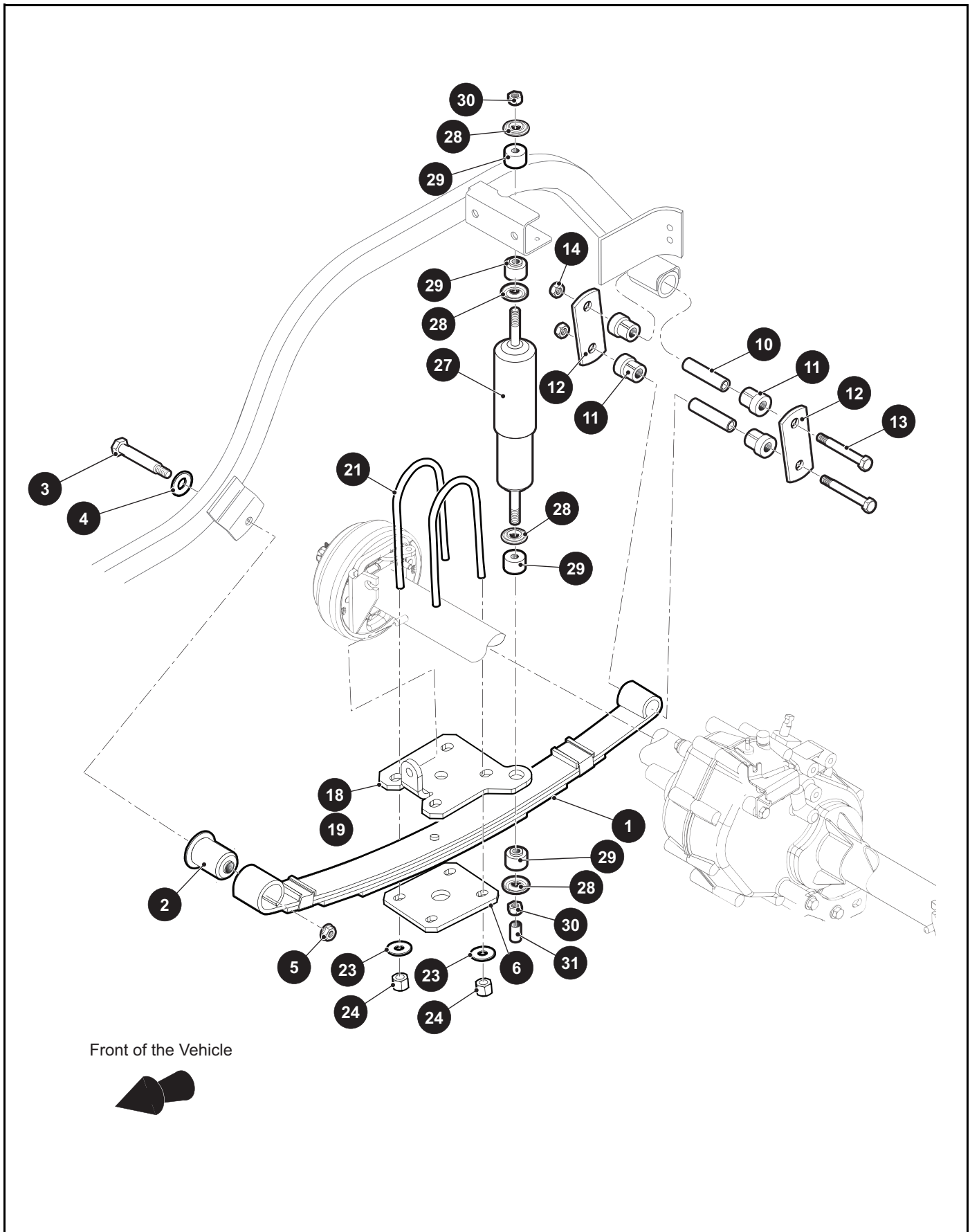
When ordering parts, please specify the model and serial number of the product.

* Indicates a component that is not available as an individual part.

*** Indicates consult Customer Service Department for additional information.

ITEM	PART NO.	1 2 3 4 5	DESCRIPTION	QTY.
62	<u>670696</u>		GEAR, 61	1
63	<u>639797</u>		SPACER, 20 x 2MM	2
64	<u>639872</u>		DIFFERENTIAL CASE (INCLUDES ITEMS 52, 65, 67 AND 68)	1
65	<u>639800</u>		DIFFERENTIAL PAIR GEAR	1
66	<u>26808G01</u>		HEX HEAD BOLT, M10 x 1.25 x 26 MM LG.....	6
67	<u>28723G01</u>		DIFFERENTIAL SHAFT	1
68	<u>28697G01</u>		SPRING PIN, 4 x 40L	1
69	<u>639801</u>		BALL BEARING (6007)	1
70	<u>640739</u>		GEAR, 60 COMPLETE (INCLUDES ITEM 69).....	1
71	607938		CASTLED NUT, M22 - 1.5	2
72	<u>639876</u>		AXLE SHAFT L COMPLETE (INCLUDES ITEM 74).....	1
73	<u>639881</u>		AXLE SHAFT R COMPLETE (INCLUDES ITEM 74)	1
74	<u>639836</u>		BALL BEARING (6205DD).....	2
75				
76				
77	26814G01		SNAP RING, 52MM	2
78	<u>639839</u>		FLANGED HEX HEAD BOLT, M8 x 1.25 x 60MM LG	9
79	<u>639840</u>		FLANGED HEX HEAD BOLT, M10 x 1.25 x 25MM LG	10
80	<u>639844</u>		SHIFT SHAFT COMPLETE.....	1

REAR SUSPENSION (HAULER 800X)



REAR SUSPENSION (HAULER 800X)

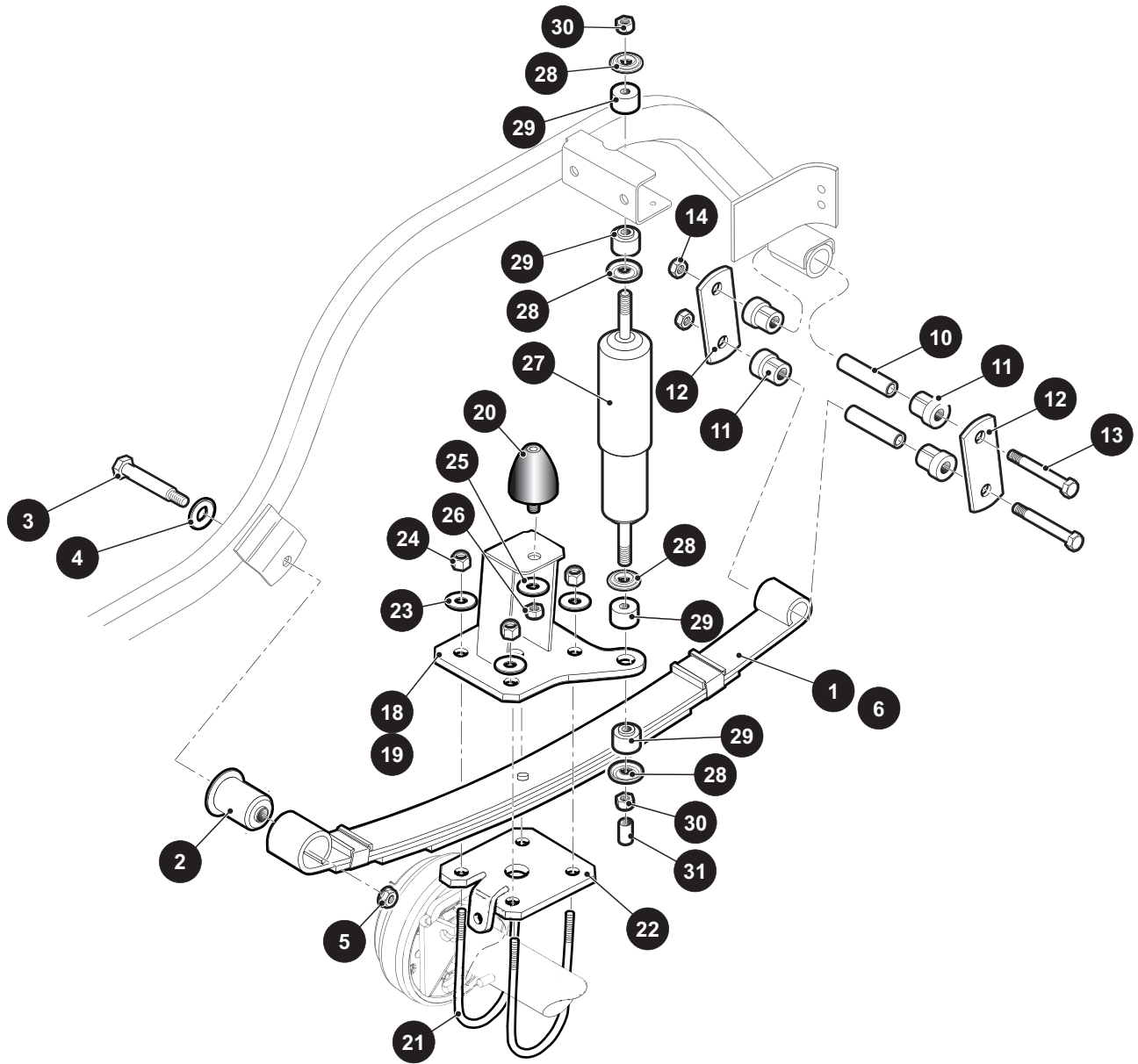
When ordering parts, please specify the model and serial number of the product.

* Indicates a component that is not available as an individual part.

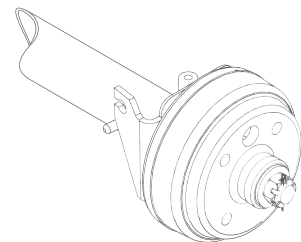
*** Indicates consult Customer Service Department for additional information.

ITEM	PART NO.	1 2 3 4 5	DESCRIPTION	QTY.
1	<u>605722</u>		HEAVY DUTY LEAF SPRING.....	2
2	<u>605445</u>		LEAF SPRING BUSHING, FRONT.....	2
3	<u>00665G9</u>		HEX HEAD BOLT (SS), 3/8" - 16 X 3.5 LG.....	2
4	<u>00643G1</u>		FLAT WASHER, 3/8".....	2
5	<u>12262G1</u>		FLANGED LOCK NUT, 3/8" - 16.....	2
6	<u>652246</u>		REAR SUSPENSION PLATE	2
7				
8				
9				
10	<u>70289G02</u>		SPLIT STEEL SPACER	4
11	<u>624030</u>		FLANGED BUSHING.....	8
12	<u>604961</u>		SHACKLE PLATE	4
13	<u>00665G9</u>		HEX HEAD BOLT (SS), 3/8" - 16 X 3.5 LG.....	4
14	<u>11098G5</u>		LOCK NUT, 3/8" - 16.....	4
15				
16				
17				
18	<u>605938</u>		AXLE BRACKET, DRIVER SIDE	1
19	<u>605958</u>		AXLE BRACKET, PASSENGER SIDE.....	1
20				
21	<u>32195G3</u>		U-BOLT, 3/8" - 16 X 5" X 2.875" X 2".....	4
22				
23	<u>00643G1</u>		FLAT WASHER, 3/8".....	8
24	<u>11098G5</u>		LOCK NUT, 3/8" - 16.....	8
25				
26				
27	<u>642085</u>		SHOCK ABSORBER.....	2
28	<u>10435G1</u>		SHOCK ABSORBER WASHER.....	8
29	<u>10194G1</u>		RUBBER SHOCK BUSHING	8
30	<u>00532G6</u>		HEX NUT, 3/8" - 24	4
31	<u>10044G01</u>		VINYL CAP.....	2

REAR SUSPENSION (HAULER 1200X)



Front of the Vehicle



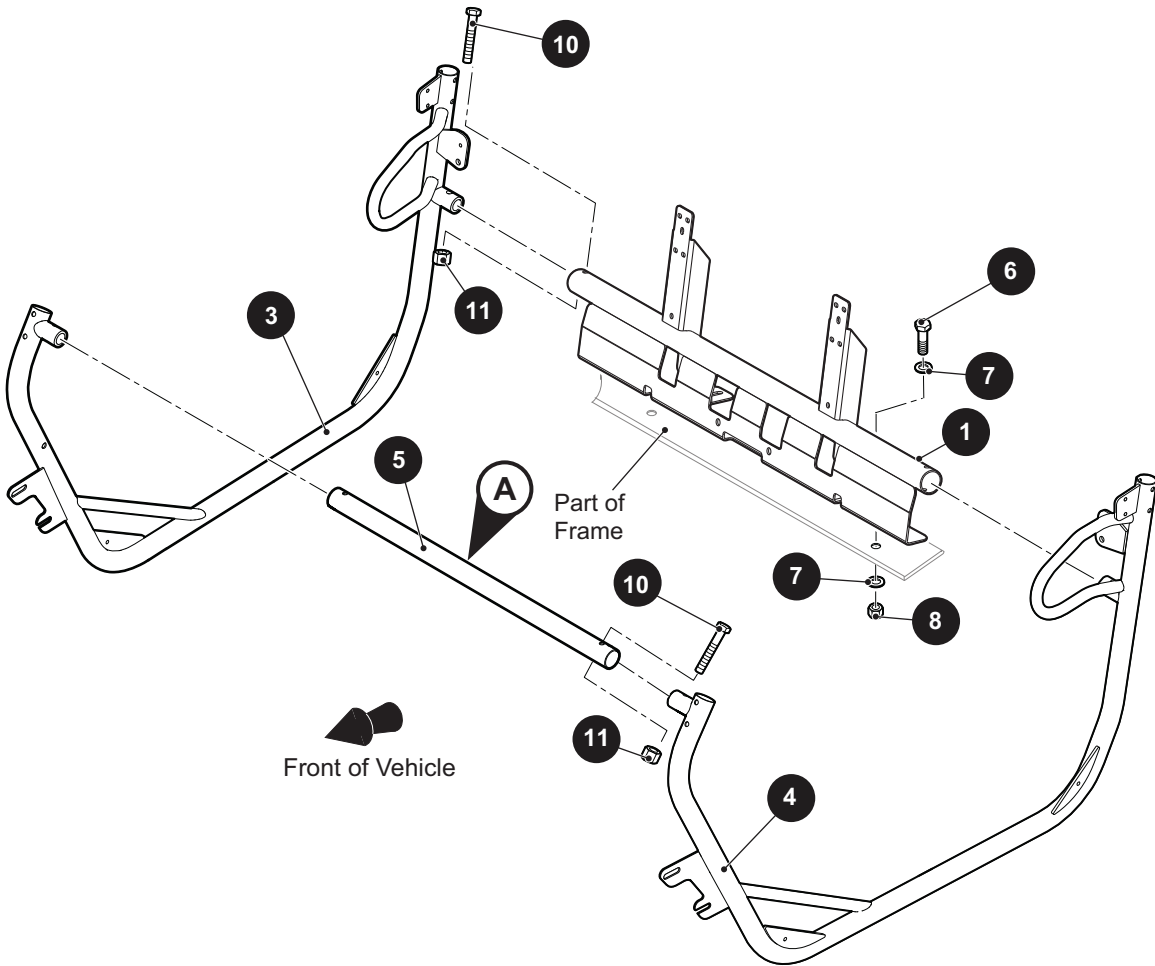
REAR SUSPENSION (HAULER 1200X)

When ordering parts, please specify the model and serial number of the product.

* Indicates a component that is not available as an individual part.

*** Indicates consult Customer Service Department for additional information.

ITEM	PART NO.	1 2 3 4 5	DESCRIPTION	QTY.
1	<u>605722</u>		HEAVY DUTY LEAF SPRING.....	2
2	<u>605445</u>		LEAF SPRING BUSHING, FRONT.....	2
3	<u>00665G9</u>		HEX HEAD BOLT (SS), 3/8" - 16 X 3.5" LG	2
4	<u>00643G1</u>		FLAT WASHER, 3/8"	2
5	<u>12262G1</u>		FLANGED LOCK NUT, 3/8" - 16.....	2
6	<u>605721</u>		HEAVY DUTY LEAF SPRING.....	2
7				
8				
9				
10	<u>70289G02</u>		SPLIT STEEL SPACER	4
11	<u>624030</u>		FLANGED BUSHING.....	8
12	<u>70290G02</u>		SHACKLE PLATE	4
13	<u>00665G9</u>		HEX HEAD BOLT (SS), 3/8" - 16 X 3.5" LG	4
14	<u>11098G5</u>		LOCK NUT, 3/8" - 16.....	4
15				
16				
17				
18	<u>652629G103</u>		SPRING PLATE, DRIVER SIDE	1
19	<u>652629G203</u>		SPRING PLATE, PASSENGER SIDE.....	1
20	<u>70492G01</u>		RUBBER BUMPER.....	2
21	<u>32195G3</u>		U-BOLT, 3/8" - 16 X 5" X 2.875" X 2"	4
22	<u>652580</u>		REAR SUSPENSION PLATE	2
23	<u>00643G1</u>		FLAT WASHER, 3/8"	8
24	<u>11098G5</u>		LOCK NUT, 3/8" - 16.....	8
25	<u>608654</u>		SPLIT LOCK WASHER, M10.....	2
26	<u>00974G01</u>		HEX NUT, M10.....	2
27	<u>642085</u>		SHOCK ABSORBER.....	2
28	<u>10435G1</u>		SHOCK ABSORBER WASHER.....	8
29	<u>10194G1</u>		RUBBER SHOCK BUSHING	8
30	<u>00532G6</u>		HEX NUT, 3/8" - 24	4
31	<u>10044G01</u>		VINYL CAP.....	2



Front of Vehicle

Part of Frame

A

13

This ROPS was tested in accordance with the requirements of ISO 3471 per ANSI/ROHVA 1

CUSHMAN

EZGO

A Textron Company 642582

Textron Specialized Vehicles
1451 Marvin Griffin Rd
Augusta, GA 30906
USA

Test GVW: 700 kgs (1545 lbs)
Vehicle Models:
Hauler 900 and 1200 G, E, XG, XE
Hauler Pro, Pro X, 4X4
E-Z-GO Terrain 250 and 1000 G, E
E-Z-GO Terrain 1500 G

WARNING

The protection offered by this ROPS will be impaired if it has been subjected to any modification or structural damage. This ROPS must be replaced after a rollover.

When ordering parts, please specify the model and serial number of the product.

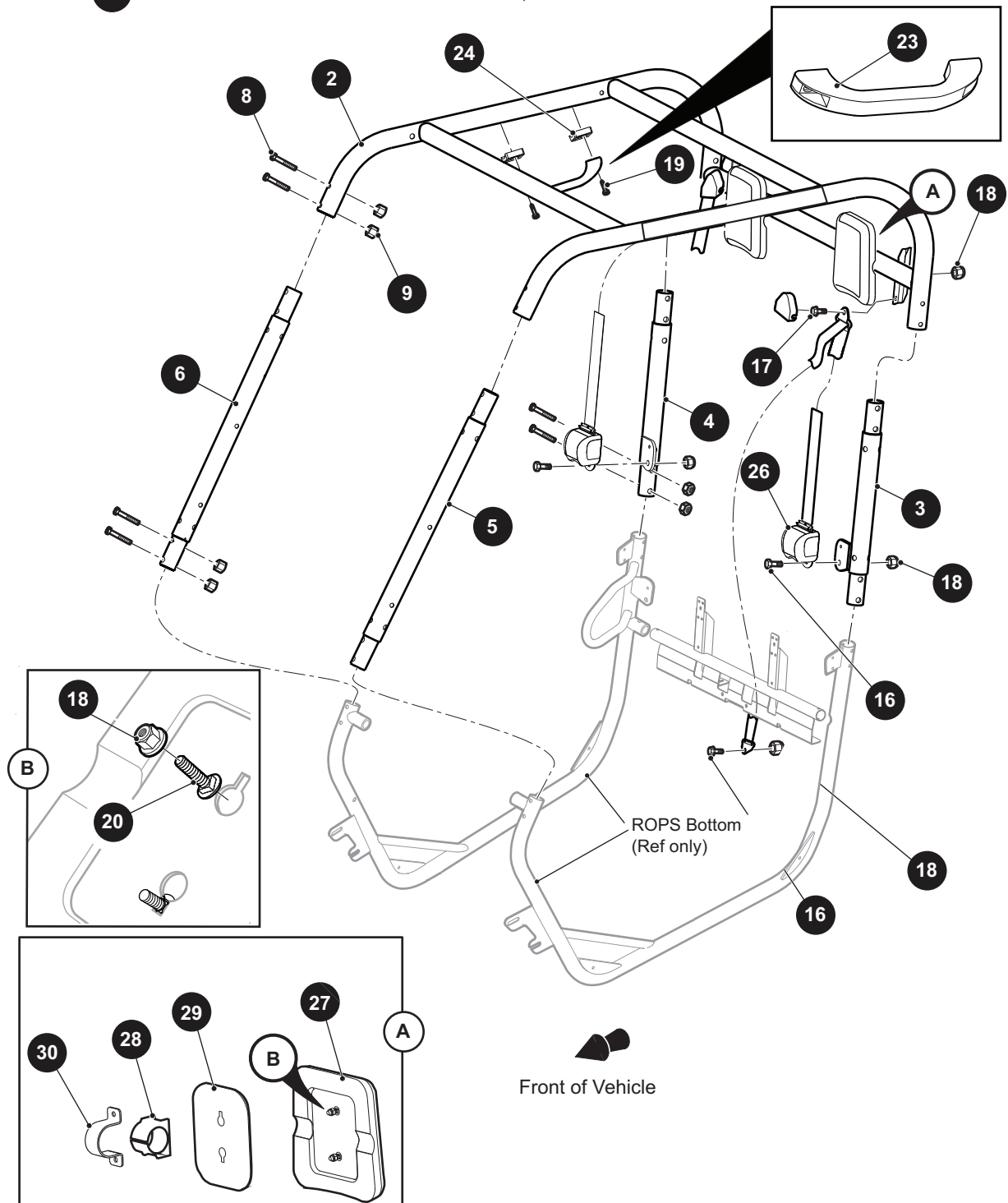
* Indicates a component that is not available as an individual part.

*** Indicates consult Customer Service Department for additional information.

ITEM	PART NO.	1 2 3 4 5	DESCRIPTION	QTY.
1	<u>640293</u>		ROPS SEAT SUPPORT.....	1
2				
3	<u>640183</u>		ROPS BOTTOM (PASSENGER SIDE).....	1
4	<u>640182</u>		ROPS BOTTOM (DRIVER SIDE)	1
5	<u>629023</u>		FRONT CROSSBAR TUBE	1
6	<u>00427G2</u>		HEX HEAD BOLT, 3/8" - 16 X 1 1/4" LG	4
7	<u>00571G2</u>		FLAT WASHER, 5/16"	8
8	<u>11098G5</u>		LOCK NUT, 3/8" - 16	4
9				
10	<u>630642</u>		HEX HEAD BOLT, 3/8" - 16 X 2 1/2" LG	4
11	<u>630643</u>		LOCK NUT, 3/8" - 16	4
12				
13	<u>642582</u>		ROPS CERTIFICATION DECAL.....	1

ROPS

- 1 ROPS UPPER KIT includes items 2 - 7
- 7 ROPS UPPER HARDWARE KIT includes items 8 - 9
- 15 ROPS ACCESSORY HARDWARE KIT includes items 16 - 20
- 22 ROPS ACCESSORY KIT includes items 15, 23 - 30



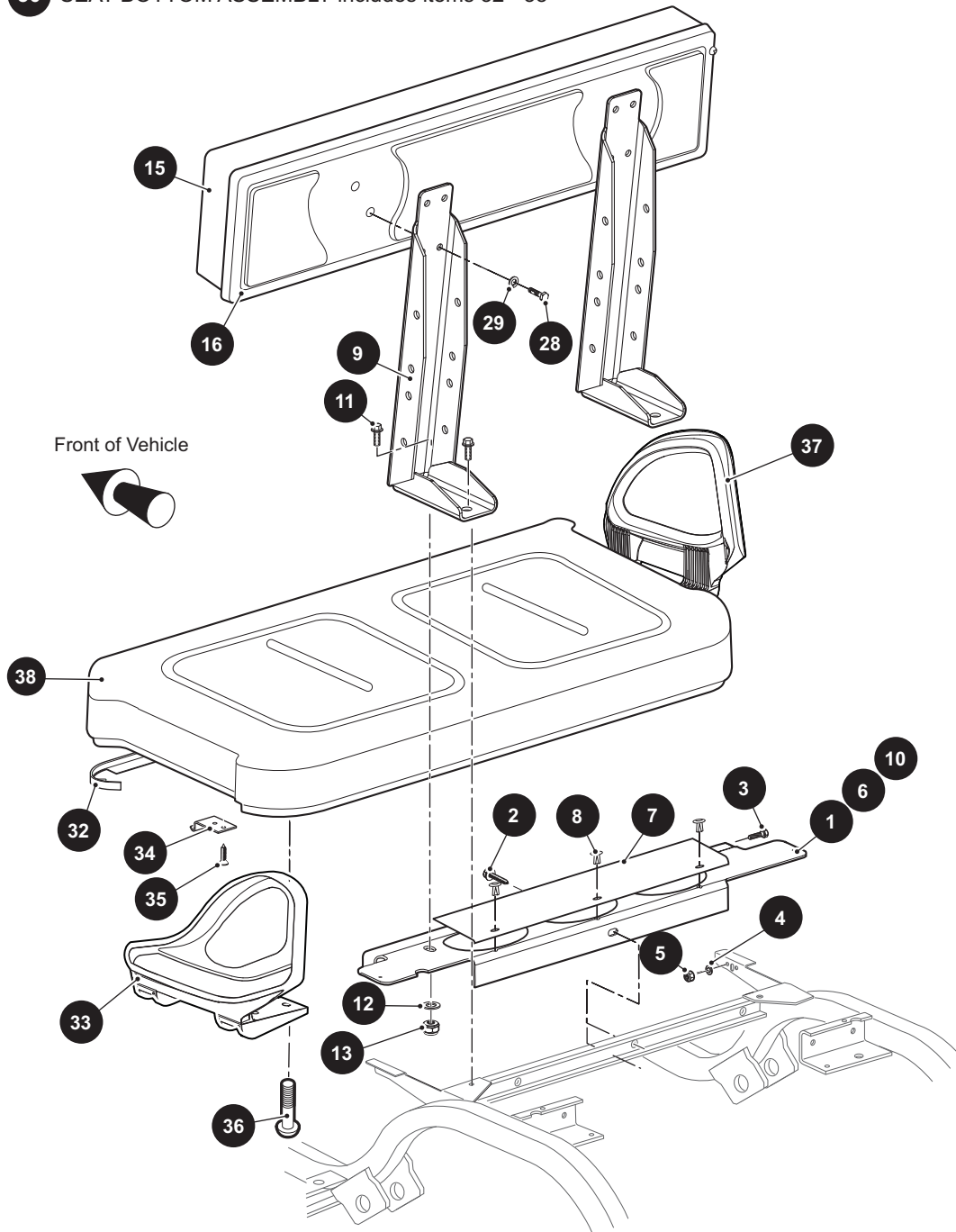
When ordering parts, please specify the model and serial number of the product.

* Indicates a component that is not available as an individual part.

*** Indicates consult Customer Service Department for additional information.

ITEM	PART NO.	1 2 3 4 5	DESCRIPTION	QTY.
1	<u>631578</u>		ROPS UPPER KIT (INCLUDES ITEMS 2 - 7)	1
2	<u>631576</u>		ROPS TOP WELDMENT.....	1
3	<u>629080</u>		CONNECTOR REAR (DRIVER SIDE)	1
4	<u>629079</u>		CONNECTOR REAR (PASSENGER SIDE).....	1
5	<u>629082</u>		CONNECTOR FRONT (DRIVER SIDE).....	1
6	<u>629081</u>		CONNECTOR FRONT (PASSENGER SIDE)	1
7	<u>629328</u>		ROPS UPPER HARDWARE KIT (INCLUDES ITEMS 8 - 9).....	1
8	<u>630642</u>		HEX HEAD BOLT, 3/8" - 16 X 2 1/2" LG	16
9	<u>630643</u>		LOCK NUT, 3/8" - 16.....	16
10				
11				
12				
13				
14				
15	<u>640434</u>		ROPS ACCESSORY HARDWARE KIT (INCLUDES ITEMS 16 - 20)	1
16	<u>610753</u>		HEX HEAD BOLT, 7/16" - 20 X 1" LG	4
17	<u>609569</u>		HEX HEAD BOLT, 7/16" - 20 X 3/4" LG	4
18	<u>00734G3</u>		LOCK NUT, 7/16" - 20.....	8
19	<u>612255</u>		PAN HEAD TORX SCREW, 12 - 14 X 1" LG	2
20	<u>630763</u>		CARRIAGE BOLT (SS), 1/4" - 20 X .75" LG	4
21				
22	<u>640436</u>		ROPS ACCESSORIES KIT (INCLUDES ITEMS 15, 23 - 30).....	1
23	<u>611774</u>		GRAB HANDLE	1
24	<u>612254</u>		GRAB HANDLE MOUNT.....	2
25	<u>629454</u>		SIDE DOOR NET (PAIR) (NOT ILLUSTRATED).....	1
26	<u>649134</u>		SEAT BELT RETRACTOR.....	2
27	<u>628577</u>		HEADREST	2
28	<u>629642</u>		CLAMP GUARD	2
29	<u>629666</u>		HEADREST PLATE	2
30	<u>627786</u>		CLAMP	2

30 SEAT BOTTOM ASSEMBLY includes items 32 - 38



When ordering parts, please specify the model and serial number of the product.

* Indicates a component that is not available as an individual part.

*** Indicates consult Customer Service Department for additional information.

ITEM	PART NO.	1 2 3 4 5	DESCRIPTION	QTY.
1	<u>71262G03</u>		SEAT BACK SUPPORT (HAULER 800 ONLY)	1
2	<u>00715G2</u>		BOLT, 5/16" - 18 X 13/16" LG	1
3	<u>00438G8</u>		HEX HEAD CAP SCREW, 5/16" - 18 X 3/4" LG	2
4	<u>00642G8</u>		FLAT WASHER, 5/16"	2
5	11098G6		LOCK NUT, 5/16" - 18	2
6	<u>74971G01</u>		SEAT BACK SUPPORT (HAULER 1200 ONLY)	1
7	<u>71263G01</u>		ACCESS COVER	1
8	<u>18436G1</u>		DRIVE RIVET 3/16"	3
9	<u>652243G03</u>		SEAT BACK SUPPORT BRACKET	2
10	<u>609567</u>		SEAT BACK SUPPORT (HAULER 1200 ONLY)	1
11	<u>00427G2</u>		BOLT, 3/8" - 16 X 1 1/4" LG	4
12	<u>00560G1</u>		FLAT WASHER, 3/8"	2
13	<u>11098G5</u>		LOCK NUT, 3/8 - 16	2
14	***		SEAT BACK ASSEMBLY 71274G04 GREY 71274G02 BLACK 71274G01 WHITE 71274G03 TAN 71274G07 BROWN 71274G05 OYSTER	
15	***		BACK REST COVER 18144G5 GREY 18144G3 BLACK 18144G2 WHITE 18144G3 TAN 18144G3 BROWN 18144G6 OYSTER	
16	<u>74889G01</u>		PLASTIC SEAT BACK COVER	1
17				
18				
19				
20				
21				
22				
23				
24				

SEATING

When ordering parts, please specify the model and serial number of the product.

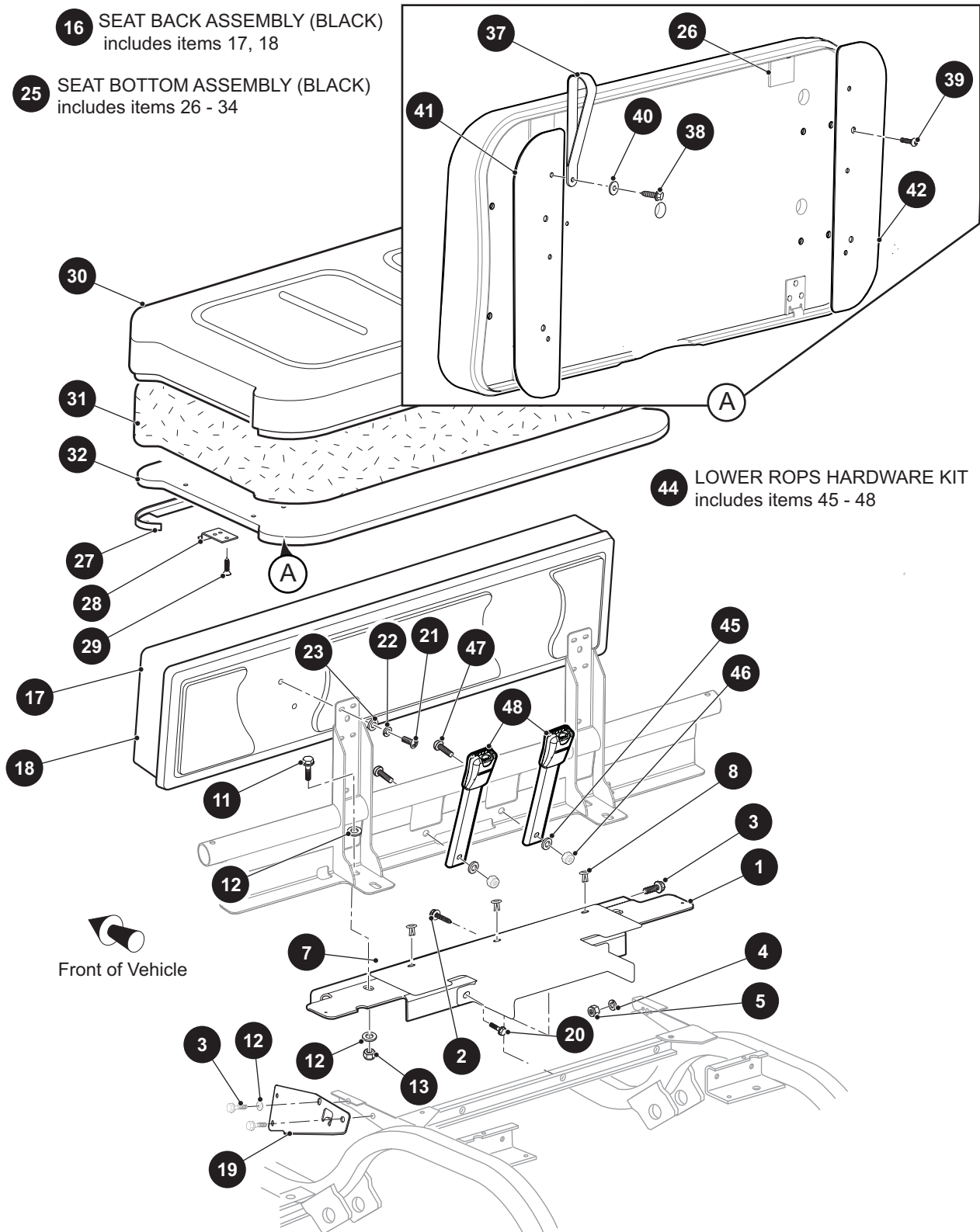
* Indicates a component that is not available as an individual part.

*** Indicates consult Customer Service Department for additional information.

ITEM	PART NO.	1	2	3	4	5	DESCRIPTION	QTY.
25								
26								
27								
28	<u>605056</u>						HEX HEAD SCREW WITH PATCHLOCK, 1/4 - 20 X 1"	4
29	<u>00664G7</u>						LOCK WASHER (SS), 1/4"	4
30	***						SEAT BOTTOM ASSEMBLY (INCLUDES ITEMS 32 - 38) 629269G0105 WHITE 629269G0106 BLACK 629269G0103 TAN 629269G0107 BROWN 629269G0101 OYSTER 629269G0104 GRAY	
31								
32	<u>71012G01</u>						VINYL TRIM (SEAT BOTTOM)	1
33	<u>617645</u>						HIP RESTRAINT (DRIVER SIDE)	1
34	<u>71610G01</u>						SEAT HINGE.....	2
35	<u>00720G08</u>						FLAT HEAD PHILLIPS SCREW, #12 - 14 X 1" LG.....	6
36	<u>615417</u>						BUTTON HEAD TORX BOLT, M10 - 1.5 X 25MM LG	1
37	<u>617644</u>						HIP RESTRAINT (PASSENGER SIDE).....	1
38	***						SEAT BOTTOM COVER 71602G01 WHITE 71602G06 BLACK 71602G04 TAN 71602G07 BROWN 71602G03 OYSTER 71602G02 GRAY	

SEATING

- 16** SEAT BACK ASSEMBLY (BLACK)
includes items 17, 18
- 25** SEAT BOTTOM ASSEMBLY (BLACK)
includes items 26 - 34



- 44** LOWER ROPS HARDWARE KIT
includes items 45 - 48



Front of Vehicle

When ordering parts, please specify the model and serial number of the product.

* Indicates a component that is not available as an individual part.

*** Indicates consult Customer Service Department for additional information.

ITEM	PART NO.	1 2 3 4 5	DESCRIPTION	QTY.
1	<u>71262G03</u>		SEAT BACK SUPPORT	1
2	<u>00715G2</u>		FLANGED HEX HEAD BOLT, 5/16" - 18 X .8" LG	1
3	<u>00438G8</u>		HEX HEAD BOLT, 5/16" - 18 X 1" LG	5
4	<u>00642G8</u>		LOCK WASHER, 5/16"	2
5	11098G6		LOCK NUT, 5/16" - 18.....	2
6				
7	<u>609575</u>		CLOSEOUT BED COVER	1
8	<u>18436G1</u>		DRIVE RIVET.....	3
9				
10				
11	<u>00427G2</u>		FLANGED HEX HEAD BOLT, 3/8" - 16 X 1 1/4" LG	4
12	<u>00571G2</u>		FLAT WASHER, 5/16"	14
13	<u>11098G5</u>		LOCK NUT, 3/8" - 16.....	4
14				
15				
16	<u>71274G02</u>		SEAT BACK ASSEMBLY (BLACK) (INCLUDES ITEMS 17, 18).....	1
17	<u>18144G3</u>		VINYL COVER.....	1
18	<u>74889G01</u>		SEAT BACK COVER (PLASTIC)	1
19	<u>634703</u>		AIR CLEANER BRACKET	1
20	<u>00114G6</u>		HEX HEAD WASHER SCREW, 1/4 - 10 X 3/4" LG	2
21	<u>16705G1</u>		HEX HEAD BOLT (WITH PATCH LOCK), 1/4" - 20 X 1" LG.....	4
22	<u>01110G01</u>		FLAT WASHER (SS), 1/4".....	4
23	<u>00664G7</u>		LOCK WASHER (SS), 1/4"	4
24				
25	<u>629269G1306</u>		SEAT BOTTOM ASSEMBLY (BLACK) (INCLUDES ITEMS 26 - 34).....	1
26	<u>17074G1</u>		SOILING SLAB (NOT ILLUSTRATED).....	2
27	<u>71012G01</u>		VINYL TRIM (SEAT BOTTOM).....	1
28	<u>71610G01</u>		SEAT HINGE	1
29	<u>00720G08</u>		FLAT HEAD PHILLIPS SCREW, #12 - 14 X 1" LG.....	3
30	<u>615169</u>		VINYL SEAT BOTTOM COVER (BLACK).....	1
31	<u>605503</u>		SEAT BOTTOM PADDING (FOAM)	1

SEATING

When ordering parts, please specify the model and serial number of the product.

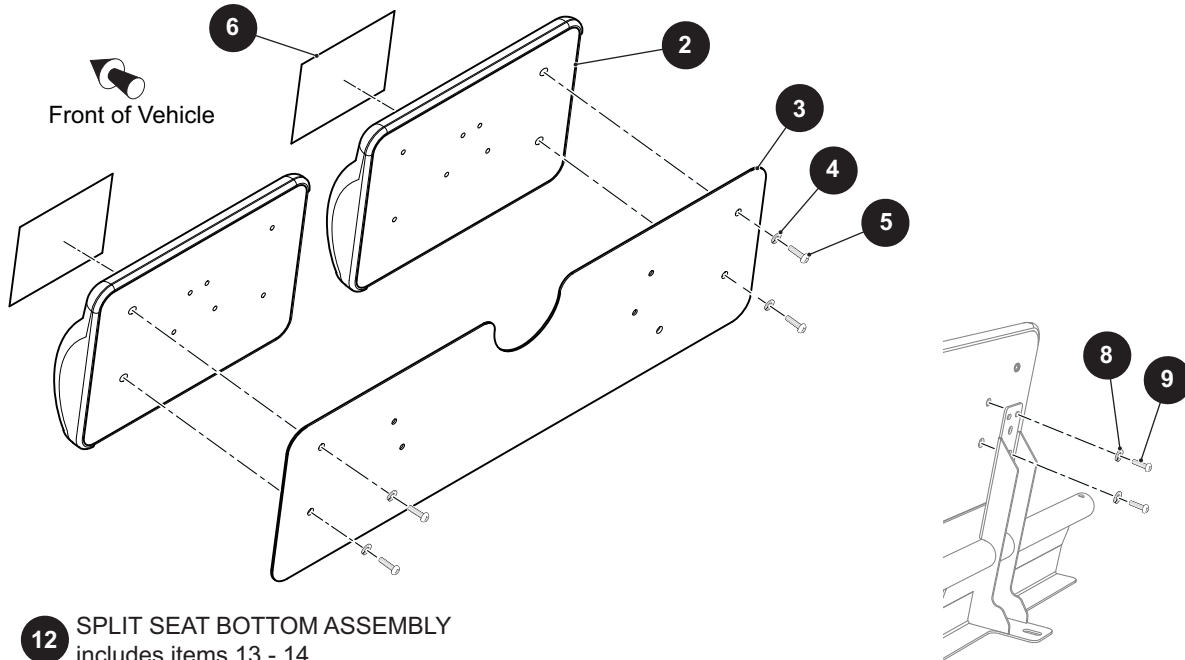
* Indicates a component that is not available as an individual part.

*** Indicates consult Customer Service Department for additional information.

ITEM	PART NO.	1	2	3	4	5	DESCRIPTION	QTY.
32	<u>645492</u>						SEAT BOTTOM.....	1
33	<u>23222G1</u>						FLAT STAPLE, 3/8" (NOT ILLUSTRATED).....	AR
34	<u>23223G1</u>						FLAT STAPLE (NOT ILLUSTRATED)	AR
35								
36								
37	<u>617402</u>						SEAT STRAP.....	1
38	71398G01						FLANGED HEX HEAD SCREW, 1/4" - 20 X 1 1/4" LG	1
39	<u>615417</u>						BUTTON HEAD TORX BOLT, M10 - 1.5 X 25MM LG	4
40	<u>16469G1</u>						FENDER WASHER, 1/4"	1
41	<u>640674G01</u>						SEAT SIDE COVER (DRIVER SIDE).....	1
42	<u>640674G02</u>						SEAT SIDE COVER (PASSENGER SIDE)	1
43								
44	642823						LOWER ROPS HARDWARE KIT (INCLUDES ITEMS 45 - 48)	1
45	<u>00560G3</u>						FLAT WASHER, 1/2"	2
46	<u>00734G3</u>						LOCK NUT, 7/16" - 20	2
47	<u>635630</u>						BUTTON HEAD TORX BOLT, 7/16" - 20 X 1 1/4" LG	2
48	<u>631973</u>						BUCKLE AND BRACKET ASSEMBLY.....	2

SEATING - HAULER 1200X

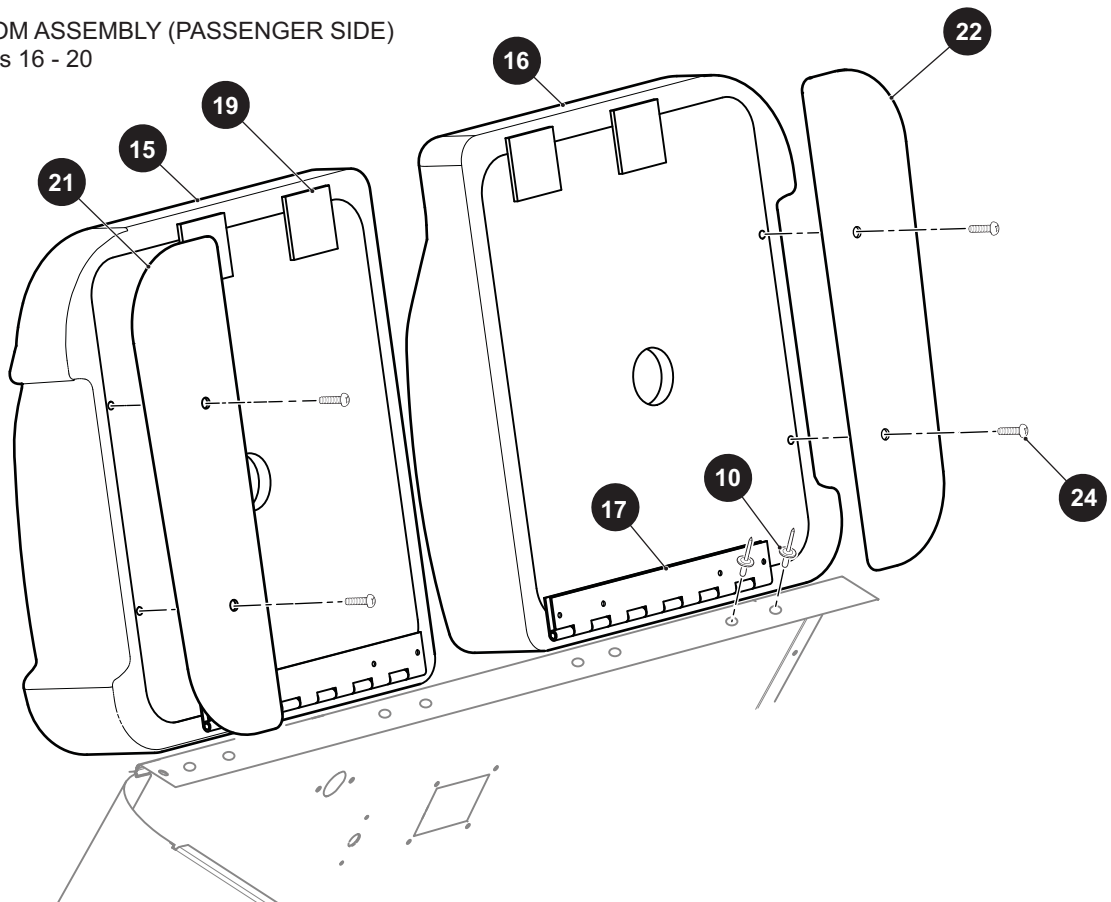
- 1** SEAT BACK ASSEMBLY includes items 2 - 6



- 12** SPLIT SEAT BOTTOM ASSEMBLY includes items 13 - 14

- 13** SEAT BOTTOM ASSEMBLY (DRIVER SIDE) includes items 15, 17 - 20

- 14** SEAT BOTTOM ASSEMBLY (PASSENGER SIDE) includes items 16 - 20



SEATING - HAULER 1200X

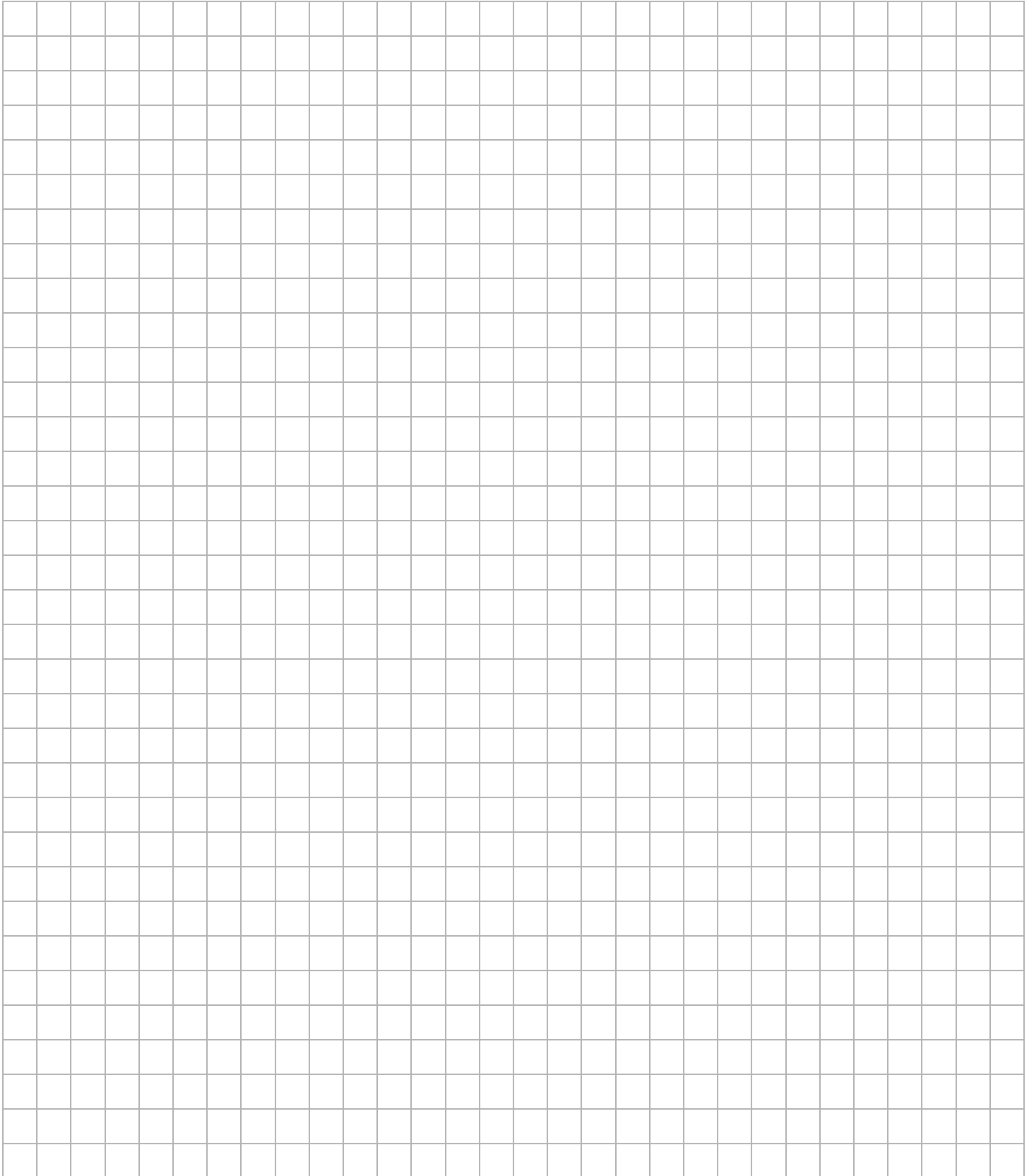
When ordering parts, please specify the model and serial number of the product.

* Indicates a component that is not available as an individual part.

*** Indicates consult Customer Service Department for additional information.

ITEM	PART NO.	1 2 3 4 5	DESCRIPTION	QTY.
1	626618G05		SEAT BACK ASSEMBLY (INCLUDES ITEMS 2 - 6).....	1
2	75840G**		SEAT BACK CUSHION	2
3	<u>626607</u>		SEAT BACK PLATE.....	1
4	<u>00664G7</u>		LOCK WASHER (SS), 1/4".....	4
5	16705G3		TRUSS HEAD PHILLIPS SCREW (SS), 1/4" - 20 X 3/4" LG	4
6	<u>27336G01</u>		WARINING DECAL.....	2
7				
8	<u>00664G7</u>		LOCK WASHER (SS), 1/4"	4
9	<u>16705G1</u>		TRUSS HEAD PHILLIPS SCREW (SS), 1/4" - 20 X 1" LG.....	4
10	<u>10570G11</u>		RIVET, 3/16" X .70"	8
11				
12	642838		SPLIT SEAT BOTTOM ASSEMBLY (INCLUDES ITEMS 13 - 14)	1
13	<u>628111G05</u>		SEAT BOTTOM ASSEMBLY (DRIVER SIDE) (INCLUDES ITEMS 15, 17 - 20).....	1
14	<u>628112G05</u>		SEAT BOTTOM ASSEMBLY (PASSENGER SIDE) (INCLUDES ITEMS 16 - 20).....	1
15	75833G**		SEAT BOTTOM (DRIVER SIDE)	1
16	75834G**		SEAT BOTTOM (PASSENGER SIDE).....	1
17	<u>75847G01</u>		SEAT HINGE	1
18	<u>16705G1</u>		TRUSS HEAD PHILLIPS SCREW (SS), 1/4" - 20 X 1" LG.....	3
19	<u>17074G1</u>		SOILING SLAB	2
20	<u>23223G1</u>		STAPLE (NOT ILLUSTRATED).....	8
21	<u>640674G01</u>		SEAT SIDE COVER (DRIVER SIDE)	1
22	<u>640674G02</u>		SEAT SIDE COVER (PASSENGER SIDE).....	1
23				
24	<u>615417</u>		BUTTON HEAD TORX BOLT, M10 - 1.5 X 25MM LG	4

Notes:

A large grid area for taking notes, consisting of 30 columns and 20 rows of small squares.

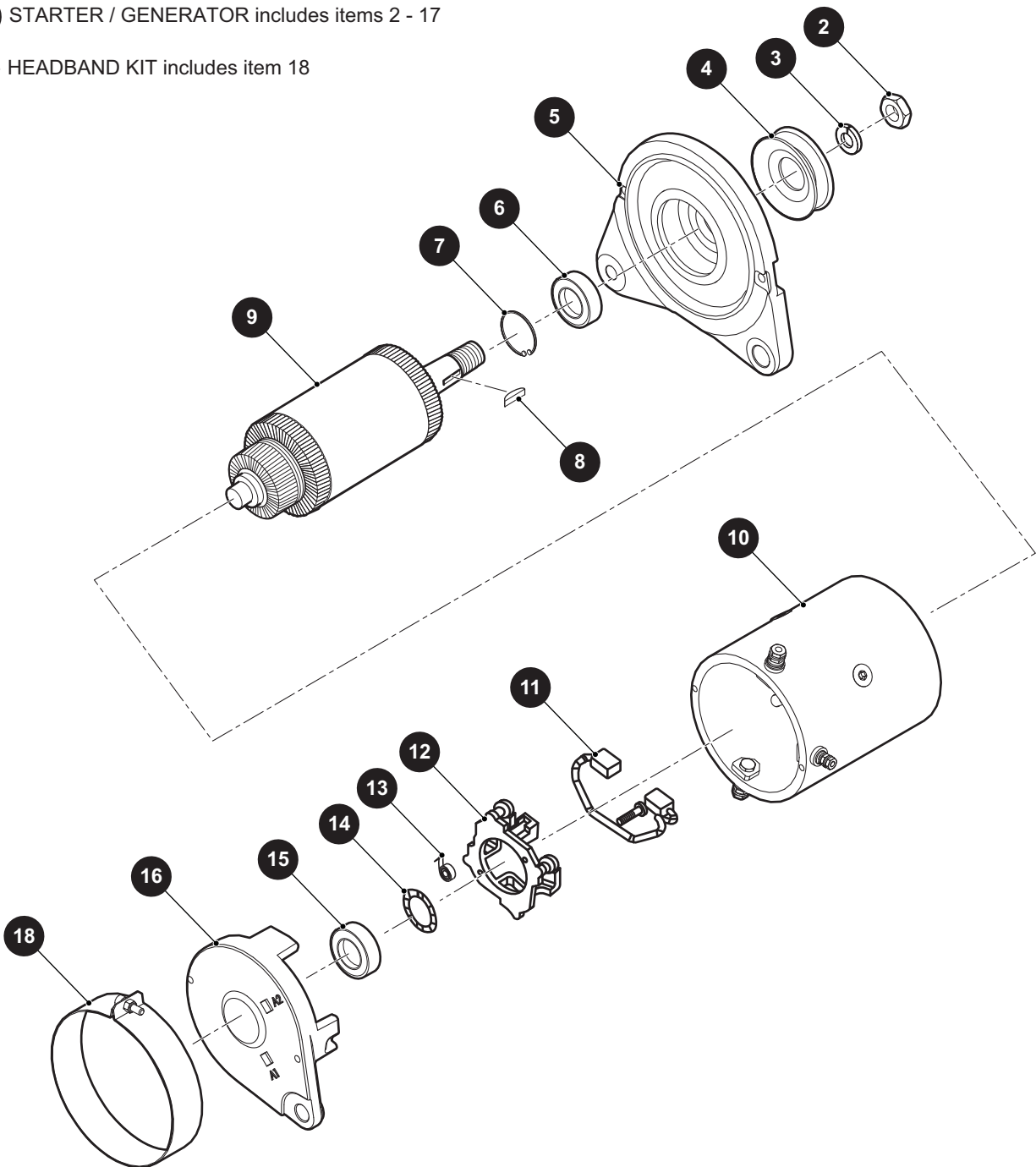
Notes:

A large, empty grid of 28 columns and 26 rows, intended for taking notes.

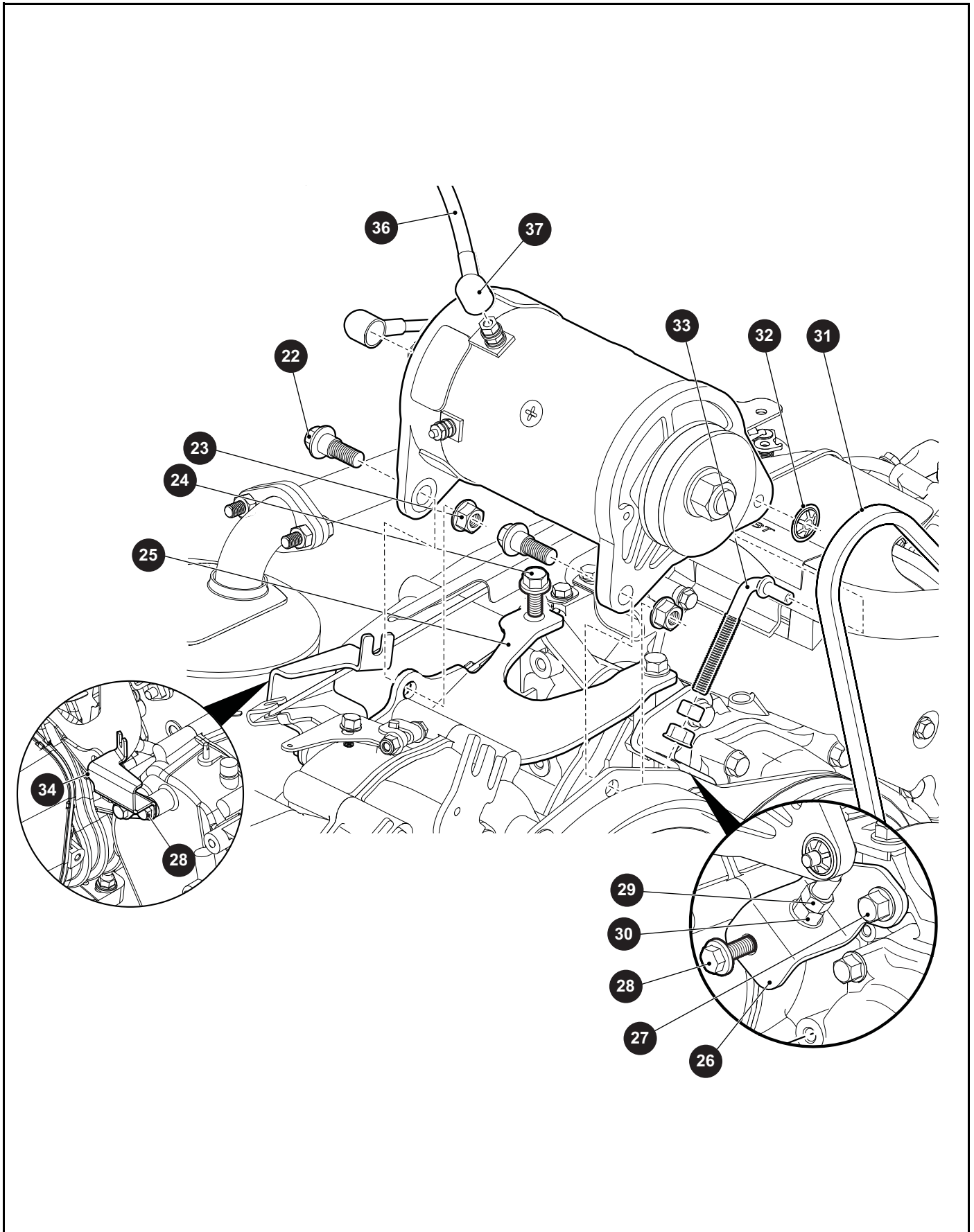
STARTER / GENERATOR

1 STARTER / GENERATOR includes items 2 - 17

17 HEADBAND KIT includes item 18

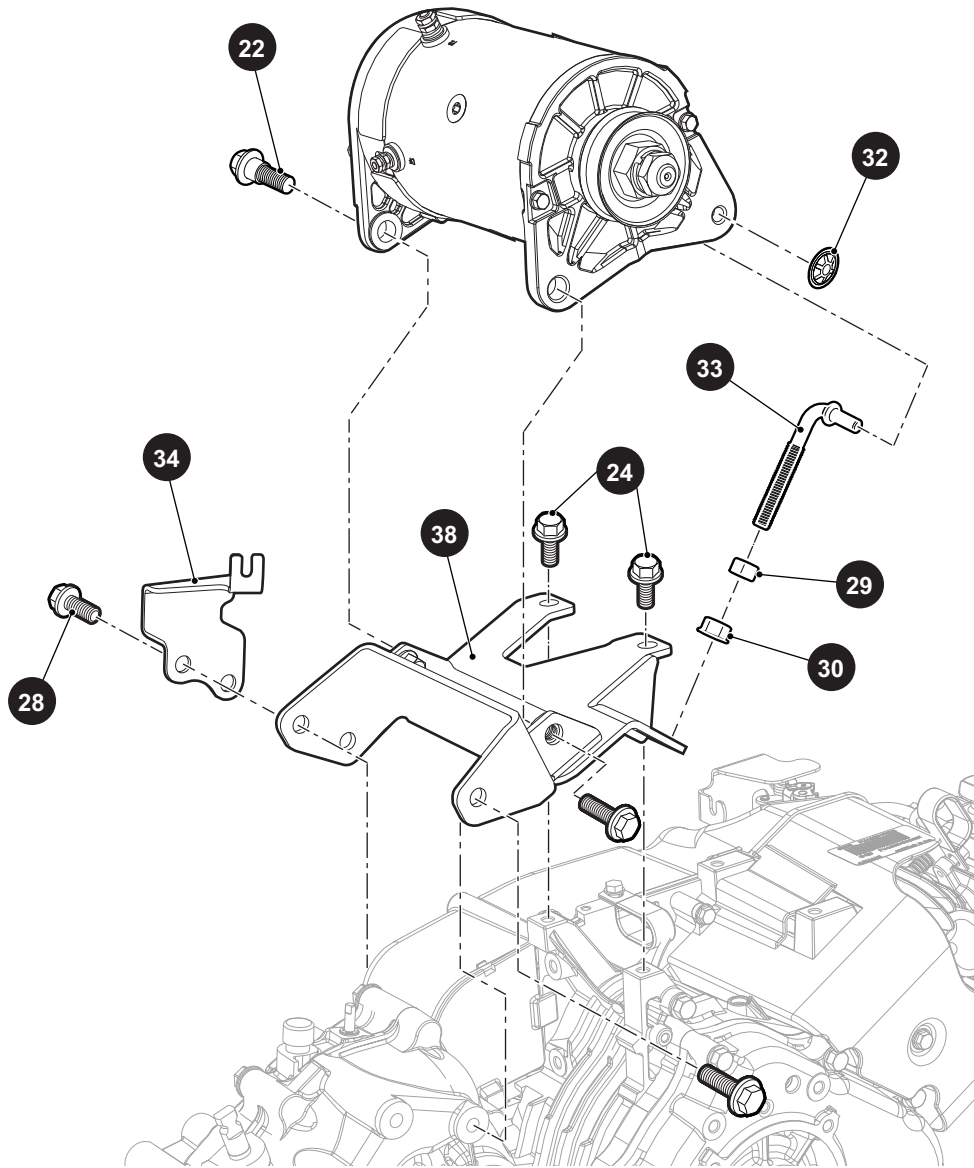


STARTER / GENERATOR



STARTER / GENERATOR

FOR VEHICLES MANUFACTURED FROM APRIL 2014



STARTER / GENERATOR

When ordering parts, please specify the model and serial number of the product.

* Indicates a component that is not available as an individual part.

*** Indicates consult Customer Service Department for additional information.

ITEM	PART NO.	1 2 3 4 5	DESCRIPTION	QTY.
1	<u>660379</u>		STARTER / GENERATOR (INCLUDES ITEMS 2 - 17)	1
2	<u>612029</u>		HEX NUT	1
3	<u>612030</u>		LOCK WASHER	1
4	<u>625716</u>		PULLEY, 2.5" O.D.	1
5	<u>654715</u>		DRIVE END HEAD	1
6	<u>612033</u>		BEARING	1
7	<u>612034</u>		RETAINING RING	1
8	<u>612035</u>		WOODRUFF KEY	1
9	<u>612036</u>		ARMATURE ASSEMBLY	1
10	<u>654716</u>		FRAME AND FIELD ASSEMBLY	1
11	<u>612038</u>		BRUSH LEAD AND TERMINAL PACKAGE	1
12	<u>654717</u>		BRUSH BOX ASSEMBLY	1
13	<u>656659</u>		BRUSH SPRING	4
14	<u>612043</u>		WAVY WASHER	1
15	<u>612044</u>		BEARING	1
16	<u>612045</u>		COMMUTATOR END HEAD	1
17	<u>658172</u>		HEADBAND KIT (INCLUDES ITEM 18)	1
18	<u>654718</u>		HEADBAND	1
19				
20				
21				
22	<u>606235</u>		HEXAGONAL HEAD SHOULDER BOLT - M10 - 1.25 X 20	2
23	<u>606279</u>		HEX NUT, M10 - 1.25	2
24	<u>606261</u>		HEX HEAD BOLT, M8 - 1.25 X 20MM LG	3
25	<u>602141</u>		STARTER / GENERATOR BRACKET	1
26	<u>602145</u>		TENSIONER BRACKET	1
27	<u>606261</u>		HEX HEAD BOLT, M8 - 1.25 X 20MM LG	1
28	<u>606256</u>		HEX HEAD BOLT, M10 - 1.25 X 25MM LG	9
29	<u>606255</u>		HEX JAM NUT, M10 - 1.25	1
30	<u>606274</u>		HEX FLANGE NUT, M10 - 1.25	1
31	<u>630587</u>		STARTER / GENERATOR BELT	1

STARTER / GENERATOR

When ordering parts, please specify the model and serial number of the product.

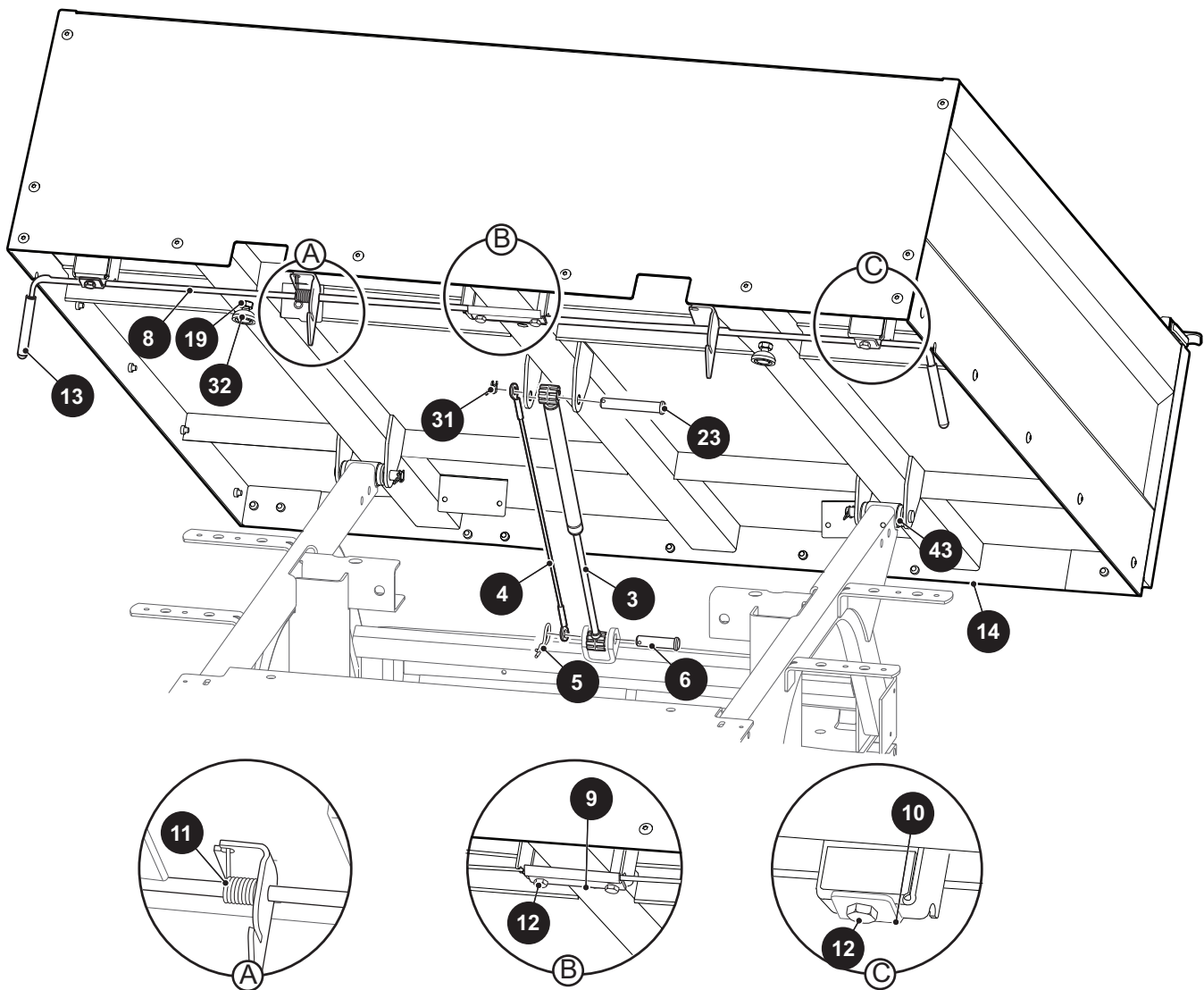
* Indicates a component that is not available as an individual part.

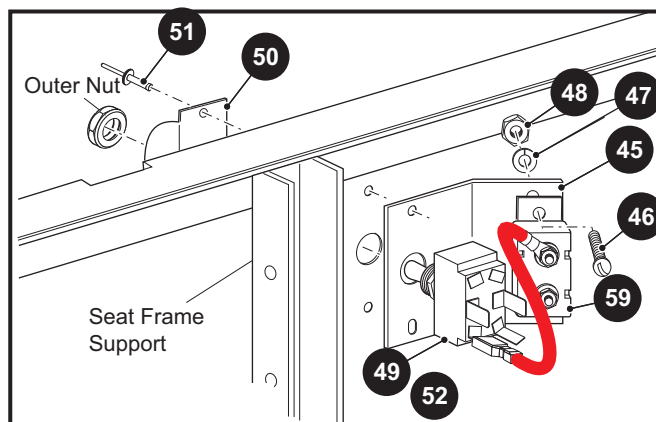
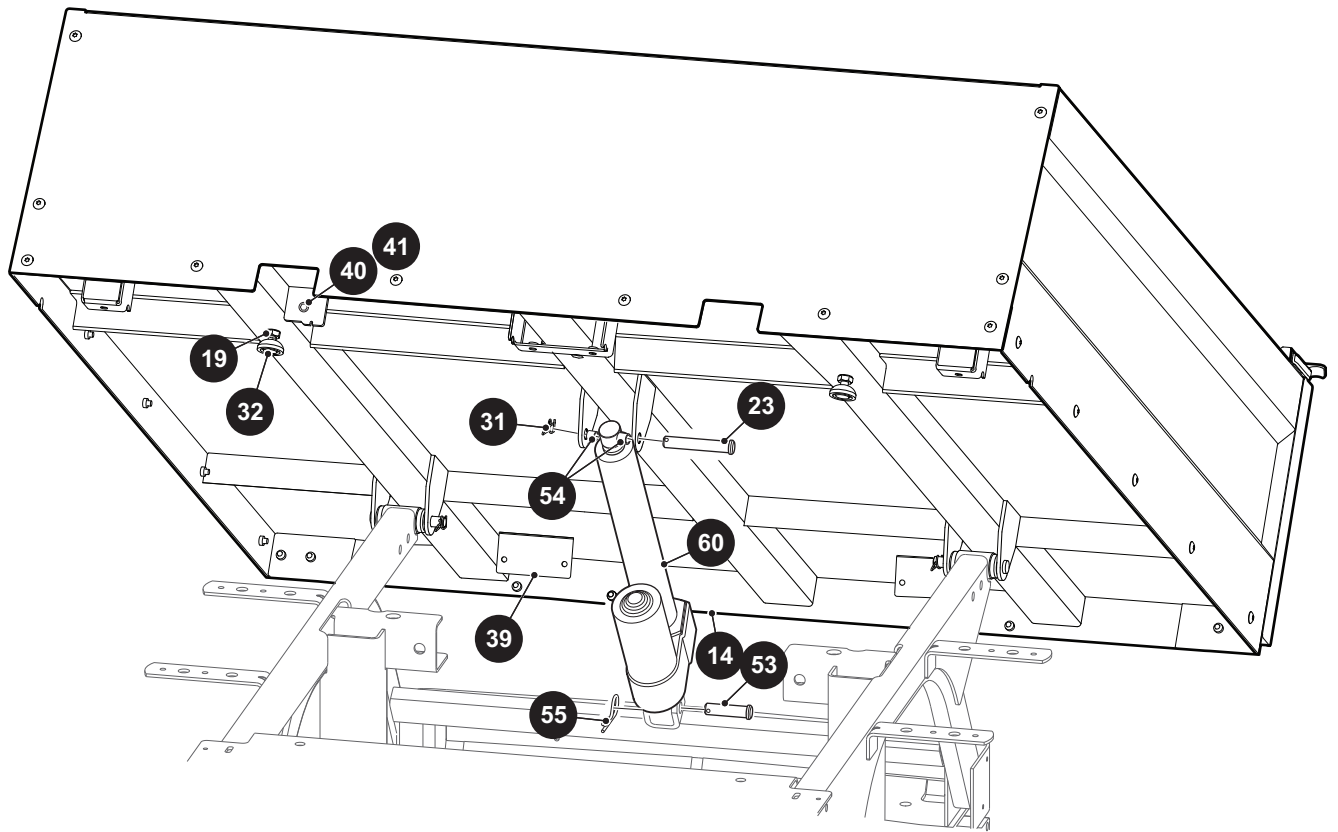
*** Indicates consult Customer Service Department for additional information.

ITEM	PART NO.	1	2	3	4	5	DESCRIPTION	QTY.
32	<u>12064G6</u>						PUSH NUT, 5/16"	1
33	<u>629763</u>						TENSIONER BOLT.....	1
34	<u>603884</u>						CABLE GUIDE BRACKET	1
35								
36	<u>607103</u>						WIRE ASSEMBLY, 6 AWG, 42" LG	1
37	<u>25682G01</u>						RUBBER BOOT	3
38	<u>631972</u>						STARTER / GENERATOR SUPPORT BRACKET (FOR VEHICLES MANUFACTURED FROM APRIL 2014)	1

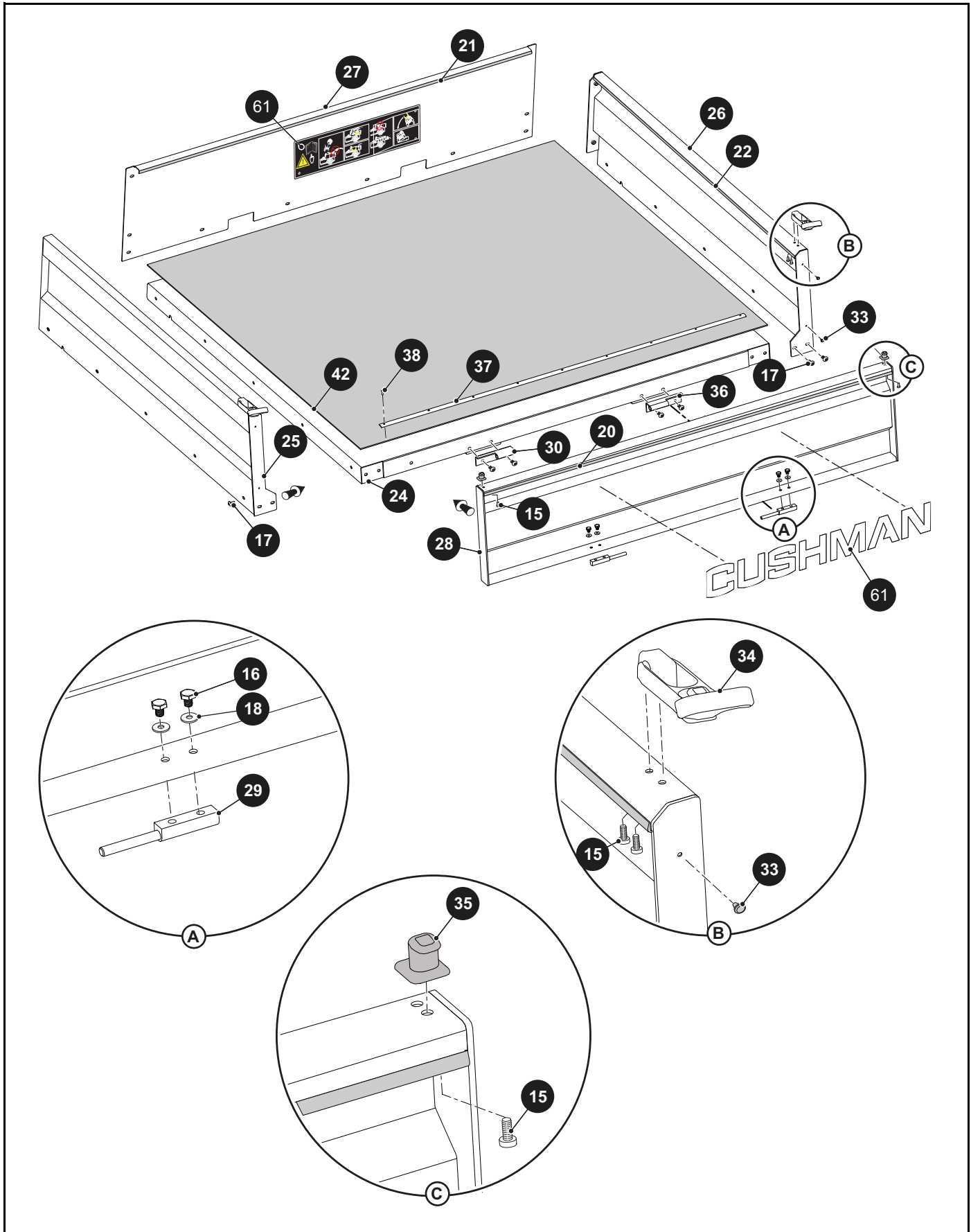
TRUCK BED - METAL

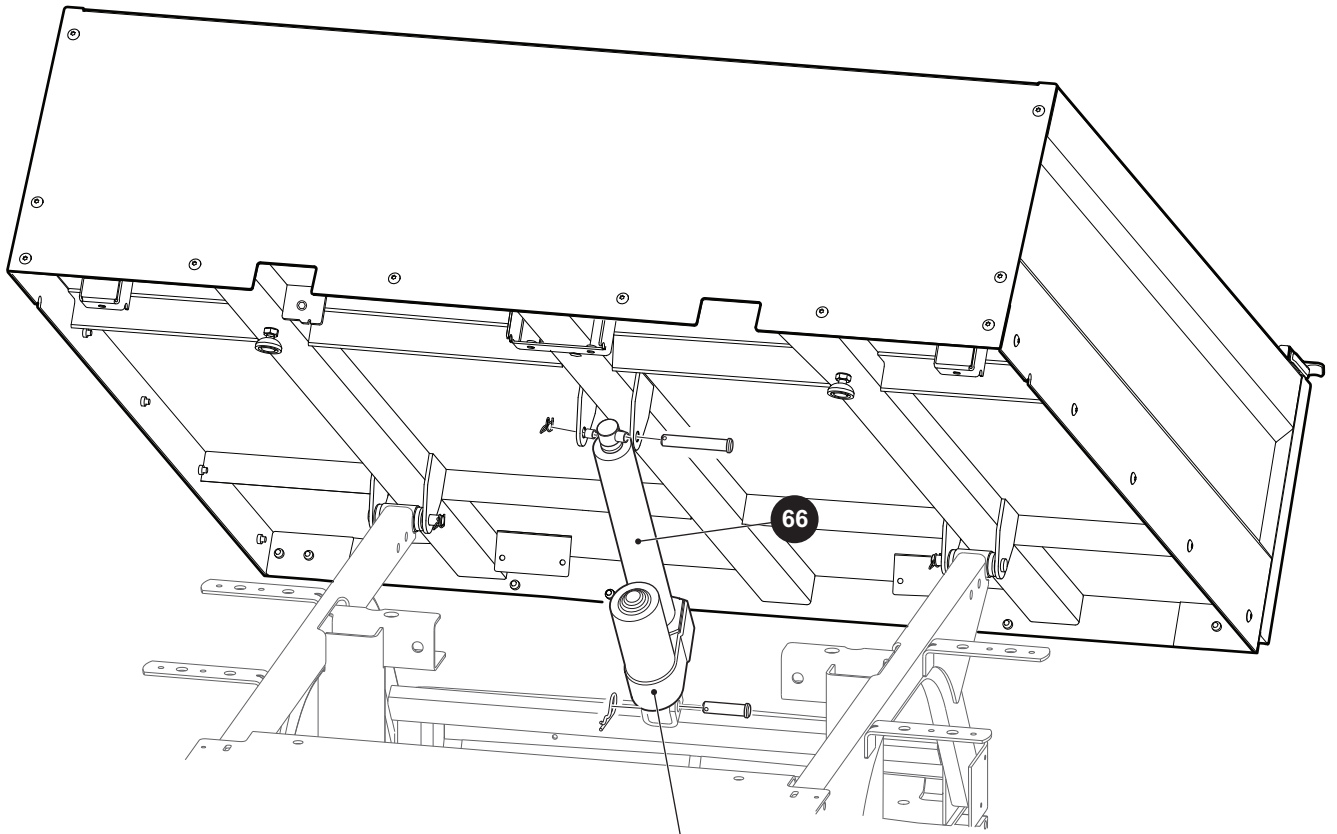
- 1 ALUMINUM BED, ELECTRIC LIFT includes items 14 , 43 - 60
- 2 ALUMINUM BED, MANUAL LIFT includes items 3 , 14 - 60



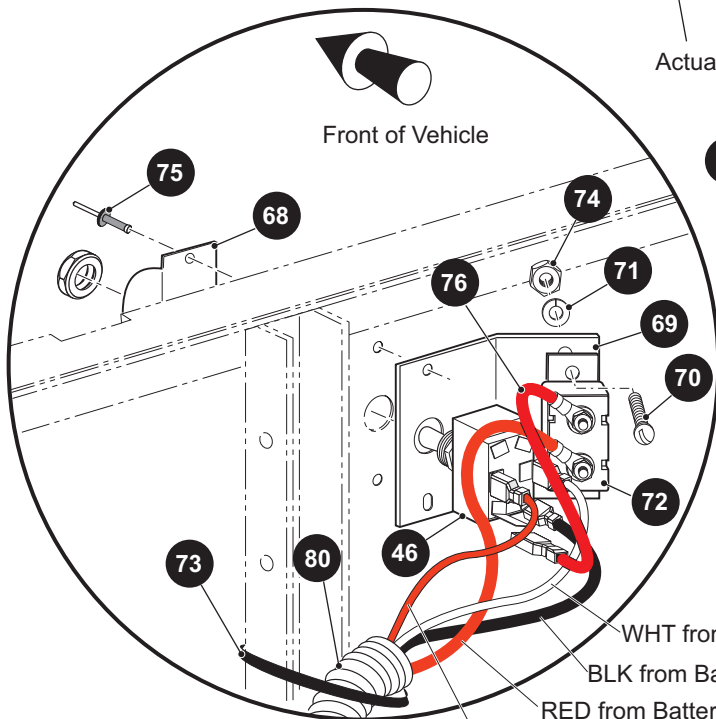


TRUCK BED - METAL

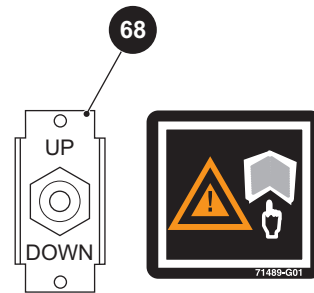




Actuator may be rotated 90° on some models



65 ELECTRIC DUMP KIT includes items 66 - 80



WHT from Actuator
 BLK from Battery
 RED from Battery
 RED from Actuator

TRUCK BED - METAL

When ordering parts, please specify the model and serial number of the product.

* Indicates a component that is not available as an individual part.

*** Indicates consult Customer Service Department for additional information.

ITEM	PART NO.	1 2 3 4 5	DESCRIPTION	QTY.
1	<u>620482</u>		ALUMINUM BED, ELECTRIC LIFT (INCLUDES ITEMS 14, 43 - 60)	1
2	<u>620481</u>		ALUMINUM BED, MANUAL LIFT (INCLUDES ITEMS 3 - 6, 14, 43)	1
3	<u>71537G02</u>		GAS SPRING	1
4	<u>602904</u>		TETHER CABLE ASSEMBLY	1
5	<u>21683G1</u>		COTTER PIN	1
6	<u>14443G12</u>		CLEVIS PIN, 1/2" x 2.22"	1
7	620517		LATCH INSTALLTION (INCLUDES ITEMS 74 - 79)	1
8	<u>74962G01</u>		LATCH BED WELDMENT	1
9	<u>652440G03</u>		LATCH RETAINER BRACKET	1
10	<u>652442G03</u>		LATCH KEEPER PLATE	2
11	<u>71538G01</u>		LATCH TORSION SPRING	1
12	<u>01118G01</u>		HEX HEAD BOLT, 1/4"- 20UNC 2A X 5 X 8"	4
13	<u>71704G01</u>		HANDLE GRIP	2
14	<u>612612</u>		ALUMINUM BED, LARGE (INCLUDES ITEMS 15 - 42).....	1
15	<u>612957</u>		PAN HD SCREW, 10 - 24 X.500.....	6
16	*		HEX BOLT, .250" - 20 X .375"	4
17	<u>612959</u>		TORX SCREW,.250" - 20 X .500"	28
18	*		FLAT WASHER, .550" X .250".....	4
19	*		HEX NUT. 375" - 16.....	2
20	*		EDGE PROTECTOR	1
21	*		EDGE PROTECTOR	1
22	*		EDGE PROTECTOR	2
23	<u>612965</u>		CLEVIS PIN 1/2" X 2.22"	3
24	*		BED BOTTOM.....	1
25	*		SIDE PANEL (DRIVER SIDE)	1
26	*		SIDE PANEL (PASSENGER SIDE).....	1
27	*		FRONT PANEL.....	1
28	<u>612970</u>		TAILGATE WELDMENT	1
29	<u>612971</u>		PIVOT PIN.....	2
30	<u>612972</u>		HINGE (DRIVER SIDE).....	1
31	<u>612973</u>		RUE RING CLIP	3

TRUCK BED - METAL

When ordering parts, please specify the model and serial number of the product.

* Indicates a component that is not available as an individual part.

*** Indicates consult Customer Service Department for additional information.

ITEM	PART NO.	1	2	3	4	5	DESCRIPTION	QTY.
32	<u>612974</u>						LEVELING PAD	2
33	*						BUMPER INSERT,RUBBER	4
34	<u>612976</u>						DRAW LATCH.....	2
35	<u>612977</u>						DRAW LATCH KEEPER	2
36	<u>612978</u>						TAILGATE HINGE, (PASSENGER SIDE)	1
37	<u>614440</u>						MAT RETAINER	1
38	*						RIVET.....	9
39	*						HINGE SUPPORT	2
40	*						NUT.....	2
41	*						BOLT	1
42	*						RUBBER MAT	1
43	<u>624030</u>						FLANGED BUSHING	4
44	<u>17618G1</u>						NYLON CLAMP (NOT ILLUSTRATED).....	8
45	<u>74165G02</u>						CIRCUIT BREAKER MOUNTING BRACKET	1
46	<u>00150G4</u>						SCREW, #10 - 24 X 1/2" LG.....	2
47	<u>00565G5</u>						LOCK WASHER, #10	2
48	<u>00526G3</u>						HEX NUT, #10 - 24	2
49	<u>27680G01</u>						TOGGLE SWITCH.....	1
50	<u>27447G01</u>						TOGGLE GUARD ASSEMBLY	1
51	<u>10570G9</u>						RIVET, 1/8" X 11/32" LG (ALUMINUM).....	2
52	<u>25976G14</u>						14 GA WIRE (RED 5")	1
53	<u>14443G11</u>						CLEVIS PIN, 1/2" X 1 3/4" LG	1
54	<u>27613G01</u>						SPACER	2
55	<u>21683G1</u>						COTTER PIN, 15/32" X 2 13/16" LG	1
56	<u>651950</u>						DUMP HARNESS (48V) (NOT ILLUSTRATED).....	1
57	11845G3						INSULATED CABLE CLAMP, 11/16" (NOT ILLUSTRATED)	2
58	<u>00532G3</u>						HEX NUT, 5/16" - 18 (NOT ILLUSTRATED).....	2
59	<u>21320G3</u>						CIRCUIT BREAKER (30 AMP 12V).....	1
60	<u>27612G04</u>						ELECTRIC ACTUATOR, 48V	1
61	<u>74821G01</u>						BED CAPACITY LABEL.....	1
62								

TRUCK BED - METAL

When ordering parts, please specify the model and serial number of the product.

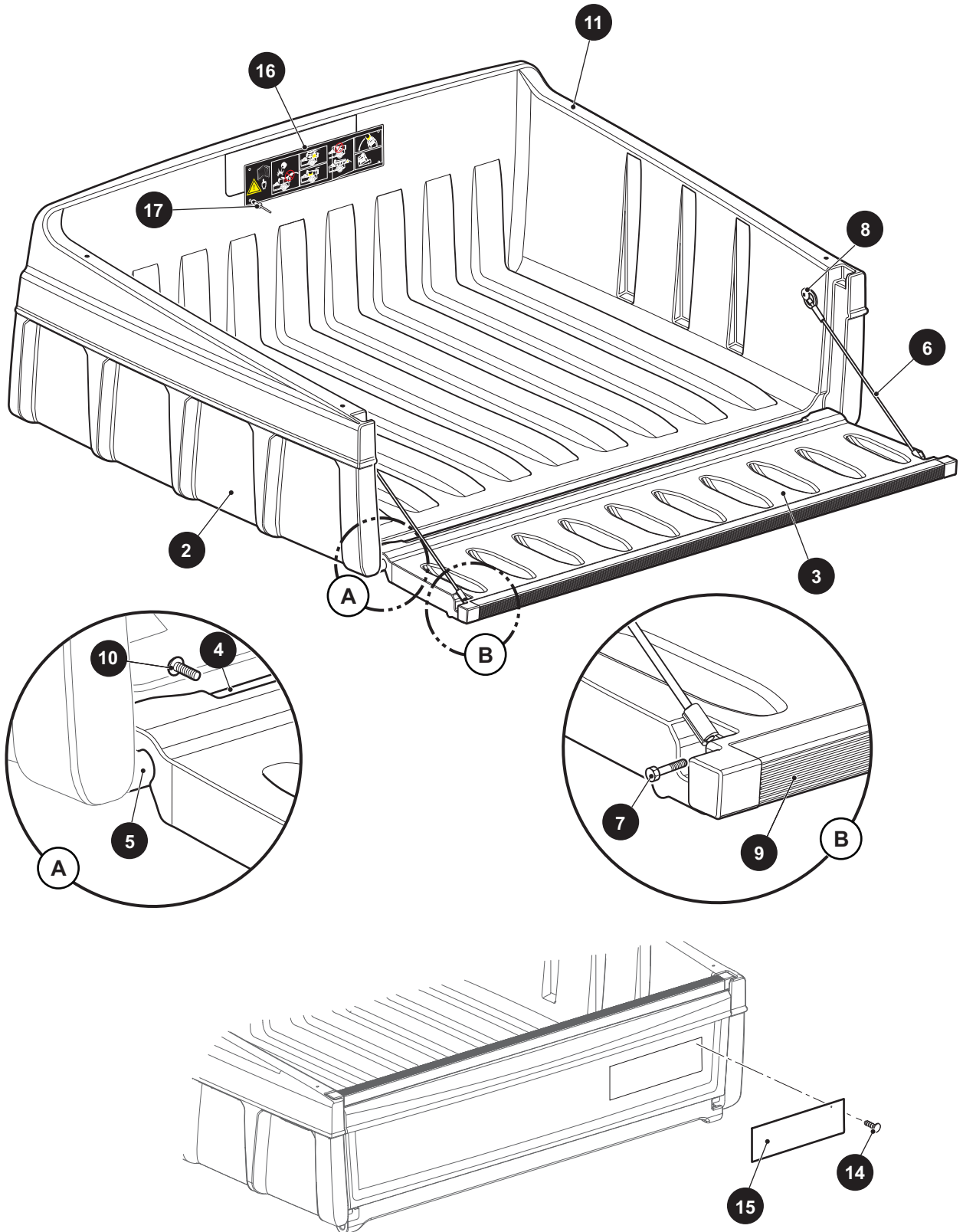
* Indicates a component that is not available as an individual part.

*** Indicates consult Customer Service Department for additional information.

ITEM	PART NO.	1	2	3	4	5	DESCRIPTION	QTY.
63								
64								
65	74164G01						ELECTRIC DUMP KIT (INCLUDES ITEMS 66 - 80)	1
66	<u>27612G02</u>						ELECTRIC ACTUATOR, 12 VOLT, 1500 LBS.....	1
67	<u>27680G01</u>						TOGGLE SWITCH.....	1
68	<u>27447G01</u>						TOGGLE GUARD	1
69	<u>74165G02</u>						CIRCUIT BREAKER MOUNTING BRACKET.....	1
70	<u>00150G4</u>						SCREW, 10 - 24 X 1/2" LG	2
71	<u>00565G5</u>						LOCK WASHER, #10.....	2
72	<u>21320G4</u>						CIRCUIT BREAKER 15A 24V	1
73	<u>17618G1</u>						WIRE TIE	8
74	<u>00526G3</u>						NUT, #10 - 24.....	2
75	<u>10570G9</u>						RIVET, 5/32 X .55.....	2
76	<u>25976G14</u>						14 GA WIRE (RED 5")	1
77								
78								
79	<u>27613G01</u>						SPACER.....	2
80	74613G01						HARNESS.....	1

TRUCK BED - PLASTIC

1 36" PLASTIC BED ASSEMBLY includes items 2 - 11



TRUCK BED - PLASTIC

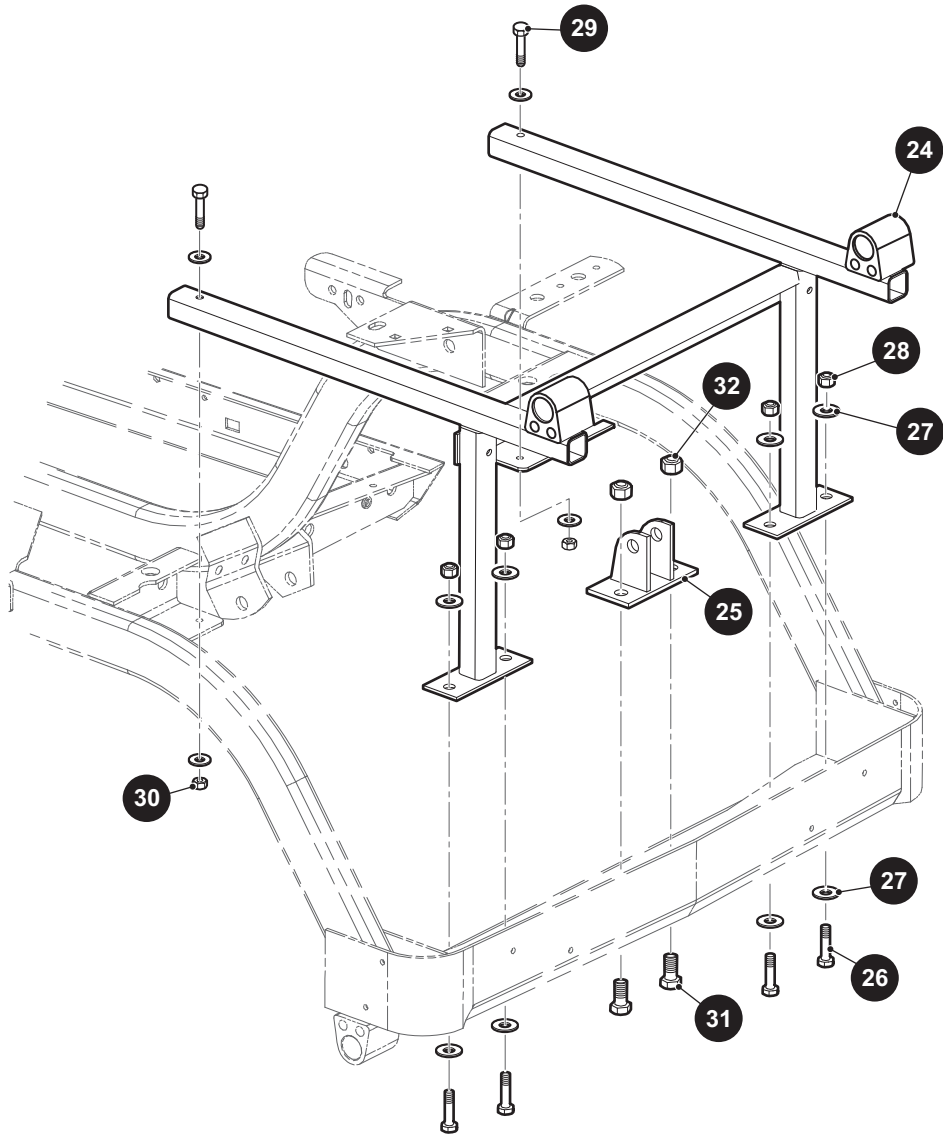
When ordering parts, please specify the model and serial number of the product.

* Indicates a component that is not available as an individual part.

*** Indicates consult Customer Service Department for additional information.

ITEM	PART NO.	1 2 3 4 5	DESCRIPTION	QTY.
1	<u>72647G01</u>		36" PLASTIC TRUCK BED ASSEMBLY (INCLUDES ITEMS 2 - 11).....	1
2	72648G01		36" PLASTIC BED	1
3	<u>72649G01</u>		36" PLASTIC TAILGATE.....	1
4	<u>73450G01</u>		BOWED ANGLE	1
5	<u>73454G01</u>		PIVOT SHAFT	2
6	73455G02		TAILGATE CABLE ASSEMBLY	2
7	<u>00415G2</u>		HEX HEAD BOLT, 1/4" - 20 X 1 1/4" LG.....	2
8	<u>73460G01</u>		SHOULDER BOLT, 1/4" - 20 X 3/4" LG	2
9	<u>73449G01</u>		TAILGATE CAP	1
10	<u>16705G2</u>		PAN HEAD PHILLIPS SCREW, 1/4" - 2 X 5/8" LG.....	4
11	<u>16816G5</u>		RACHET FASTENER	4
12				
13				
14	<u>16816G2</u>		RATCHET FASTENER	4
15	<u>600110G01</u>		LABEL.....	2
16	<u>74821G01</u>		BED CAPACITY LABEL.....	1
17	<u>71055G01</u>		RIVET (ALUMINUM), 3/16".....	5
18				
19				
20				
21				
22				
23				

TRUCK BED - PLASTIC



TRUCK BED - PLASTIC

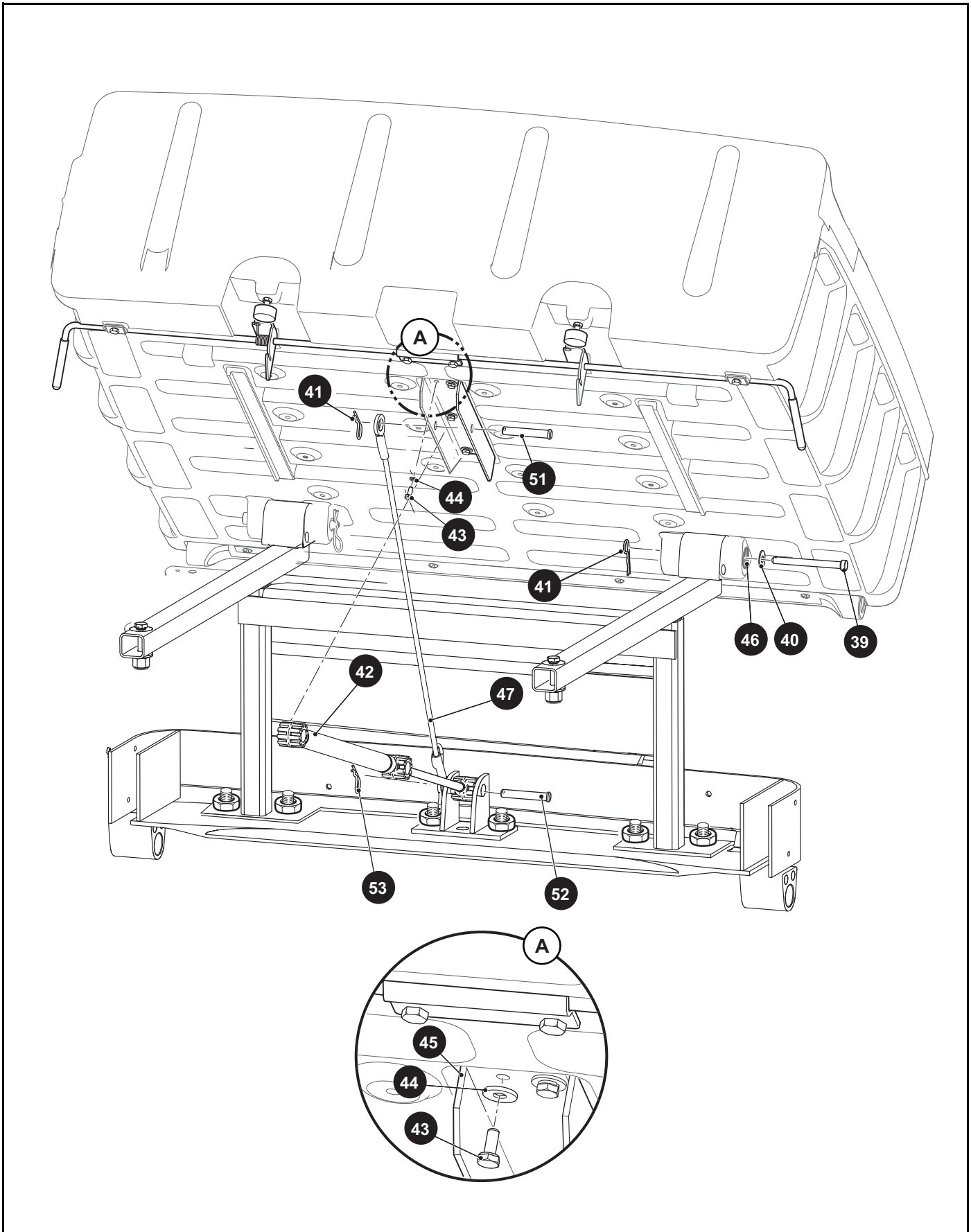
When ordering parts, please specify the model and serial number of the product.

* Indicates a component that is not available as an individual part.

*** Indicates consult Customer Service Department for additional information.

ITEM	PART NO.	1 2 3 4 5	DESCRIPTION	QTY.
24	<u>76423G01</u>		TRUCK BED FRAME.....	1
25	<u>71283G02</u>		ELECTRIC LIFT BRACKET	1
26	<u>00439G2</u>		HEX HEAD BOLT, 5/16" - 18 X 1 1/4" LG	4
27	<u>00642G8</u>		FLAT WASHER, 5/16"	8
28	11098G6		LOCK NUT, 5/16"- 18.....	2
29	00415G6		HEX HEAD BOLT, 1/4" - 20 X 1 3/4" LG	2
30	<u>14390G4</u>		LOCK NUT, 1/4" - 20.....	2
31	<u>00462G7</u>		HEX HEAD BOLT, 7/16" - 14 X .875" LG	2
32	<u>00734G1</u>		LOCK NUT, 7/16" - 14.....	2
33				
34				
35				
36				
37				
38				

TRUCK BED - PLASTIC



TRUCK BED - PLASTIC

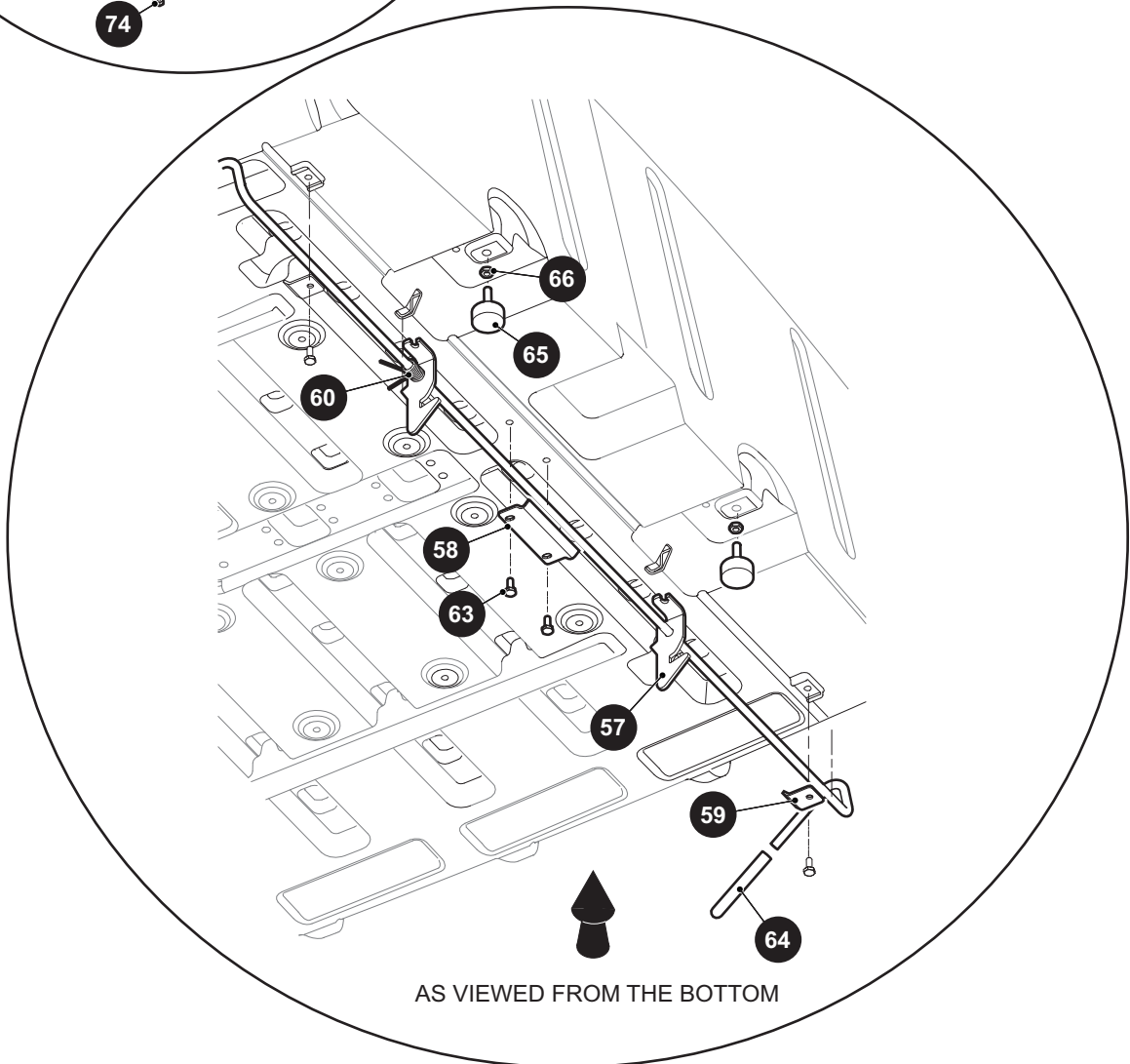
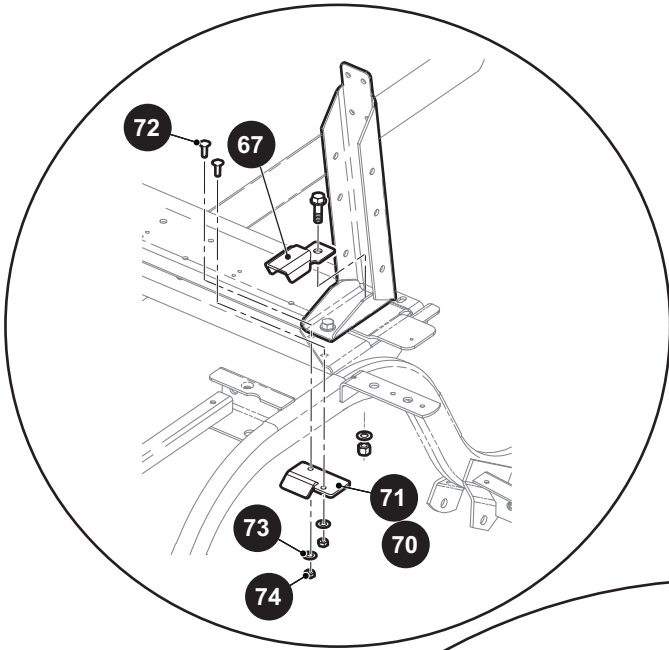
When ordering parts, please specify the model and serial number of the product.

* Indicates a component that is not available as an individual part.

*** Indicates consult Customer Service Department for additional information.

ITEM	PART NO.	1 2 3 4 5	DESCRIPTION	QTY.
39	<u>71571G01</u>		CLEVIS PIN, .50" X 5.25"	2
40	<u>00571G5</u>		FLAT WASHER, 5/16"	2
41	<u>21683G1</u>		COTTER PIN, 15/32" X 2 13/16"	2
42	<u>71537G02</u>		GAS SPRING	1
43	<u>01118G01</u>		HEX HEAD BOLT WITH PATCHLOCK, 1/4" - 20 X .62" LG	8
44	<u>00642G7</u>		FLAT WASHER, 1/4"	8
45	<u>71569G02</u>		GAS SPRING CHANNEL	1
46	<u>624030</u>		FLANGED BUSHING	4
47	<u>602904</u>		CABLE ASSEMBLY	1
48				
49				
50				
51	<u>14443G10</u>		CLEVIS PIN, .50 X 3"	1
52	<u>14443G12</u>		CLEVIS PIN, 1/2" X 1 3/4"	1
53	<u>21683G1</u>		HAIR CLIP	1
54				
55				
56				

TRUCK BED - PLASTIC



TRUCK BED - PLASTIC

When ordering parts, please specify the model and serial number of the product.

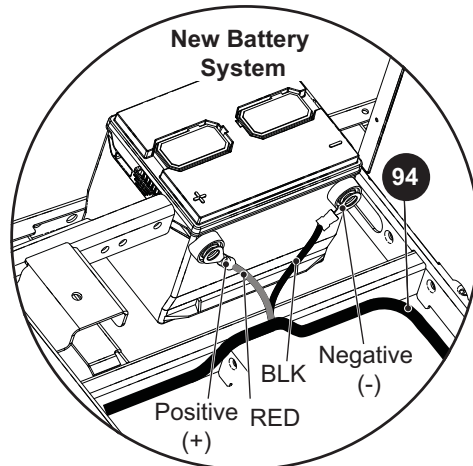
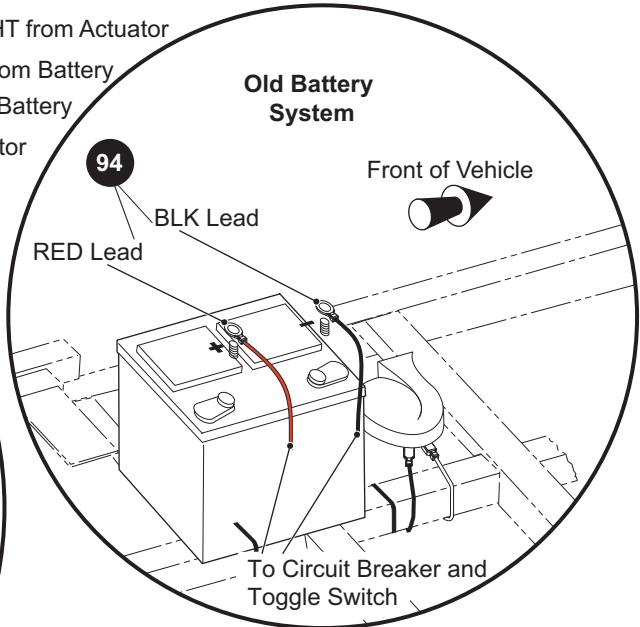
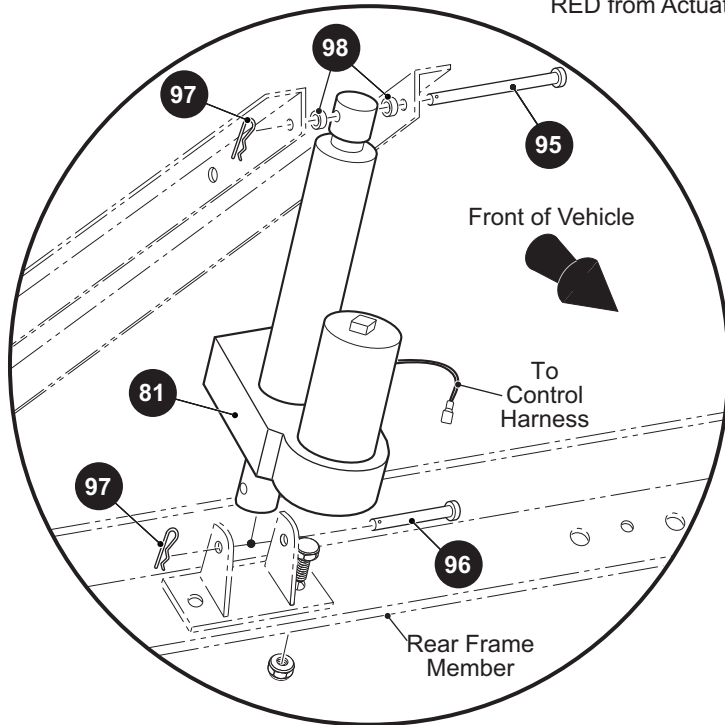
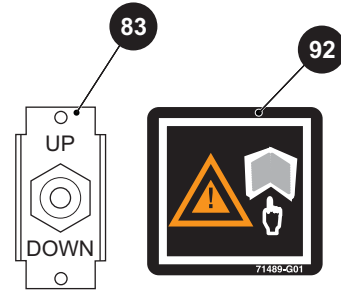
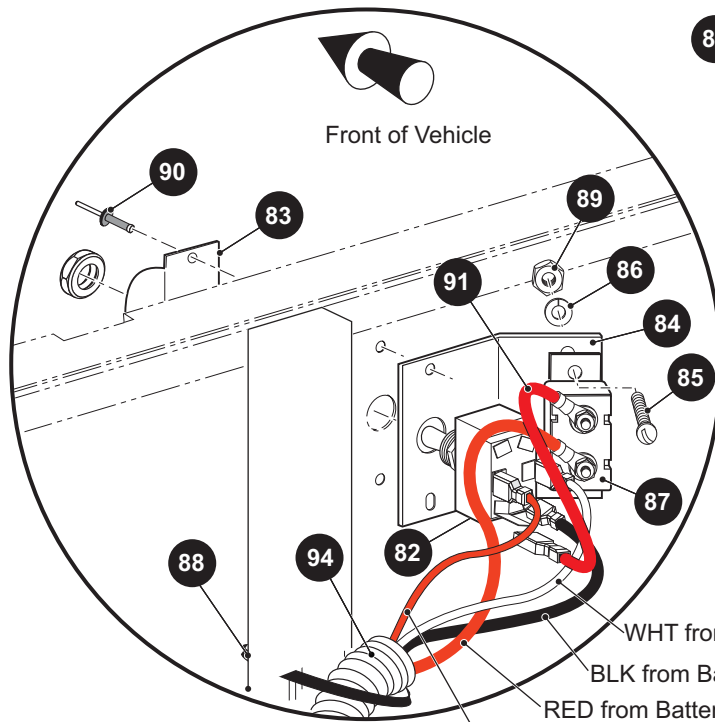
* Indicates a component that is not available as an individual part.

*** Indicates consult Customer Service Department for additional information.

ITEM	PART NO.	1 2 3 4 5	DESCRIPTION	QTY.
57	<u>74962G01</u>		BED LATCH WELDMENT.....	1
58	<u>652440G03</u>		BRACKET	1
59	<u>652442G03</u>		LATCH PLATE	2
60	<u>71538G01</u>		TORSION SPRING	1
61				
62				
63	<u>01118G01</u>		HEX HEAD CAP SCREW, 1/4" - 2 X 5/8" LG	4
64	<u>71704G01</u>		HANDLE GRIP.....	2
65	<u>70113G01</u>		ADJUSTABLE BUMPER.....	2
66	<u>11027G1</u>		LOCK NUT, 5/16" - 18.....	2
67	<u>652444G03</u>		BUMPER BRACKET.....	2
68				
69				
70	<u>602977</u>		LATCH PLATE (DRIVER SIDE).....	1
71	<u>602978</u>		LATCH PLATE (PASSENGER SIDE).....	1
72	<u>01014G03</u>		CARRIAGE BOLT, 1/4" - 20 X .75" LG.....	4
73	<u>00559G7</u>		FLAT WASHER, 1/4".....	4
74	<u>14390G4</u>		LOCK NUT, 1/4" - 20.....	4
75				
76				
77				
78				
79				

TRUCK BED - PLASTIC

80 ELECTRIC DUMP KIT includes items 81 - 98



TRUCK BED - PLASTIC

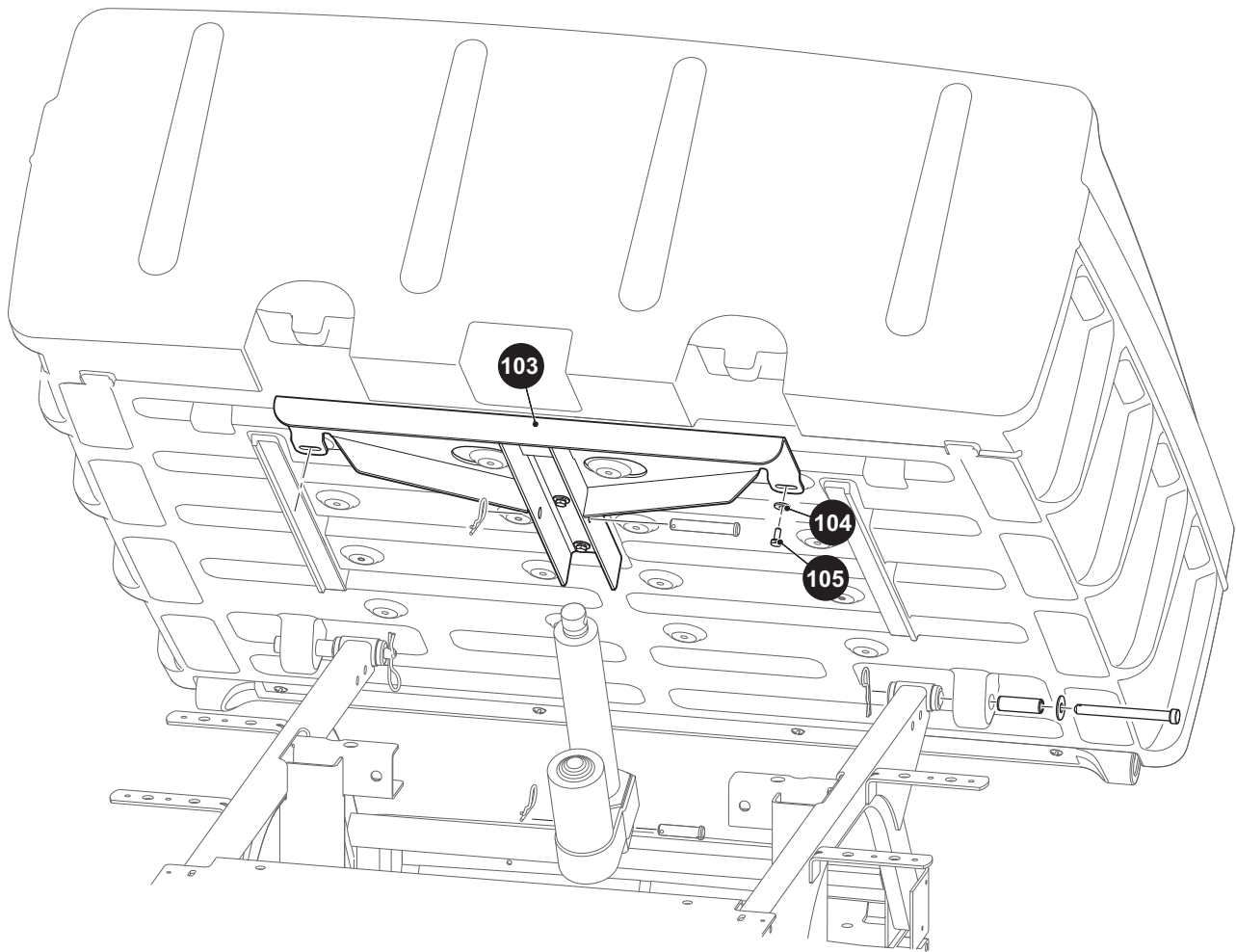
When ordering parts, please specify the model and serial number of the product.

* Indicates a component that is not available as an individual part.

*** Indicates consult Customer Service Department for additional information.

ITEM	PART NO.	1 2 3 4 5	DESCRIPTION	QTY.
80	<u>74164G04</u>		ELECTRIC DUMP KIT (INCLUDES ITEMS 81 - 98)	1
81	<u>27612G02</u>		ELECTRIC ACTUATOR	1
82	<u>27680G01</u>		TOGGLE SWITCH.....	1
83	<u>27447G01</u>		TOGGLE GUARD.....	1
84	<u>74165G02</u>		CIRCUIT BREAKER MOUNTING BRACKET	1
85	<u>00150G4</u>		ROUND HEAD SLOTTED SCREW, #10 - 24 X 3/8" LG	2
86	<u>00565G5</u>		LOCK WASHER, #10	2
87	<u>21320G3</u>		CIRCUIT BREAKER 15A, 24V	1
88	<u>17618G1</u>		WIRE TIE.....	8
89	<u>00526G3</u>		HEX NUT, #8 - 32	2
90	<u>10570G9</u>		RIVET (ALUMINUM), 1/8" X 11/32"	2
91	<u>25976G14</u>		14 GA WIRE ASSEMBLY (RED 5")	1
92	<u>71489G01</u>		DECAL.....	1
93				
94	<u>651950</u>		WIRE HARNESS, ELECTRIC DUMP.....	1
95	<u>14443G10</u>		CLEVIS PIN, .50" X 3"	1
96	<u>14443G11</u>		CLEVIS PIN, .50" X 1.92"	1
97	<u>21683G1</u>		COTTER PIN, 15/32" X 2 13/16"	2
98	<u>27613G01</u>		SPACER, .75" O.D. X .50" I.D.	2
99				
100				
101				
102				

TRUCK BED - PLASTIC



TRUCK BED - PLASTIC

When ordering parts, please specify the model and serial number of the product.

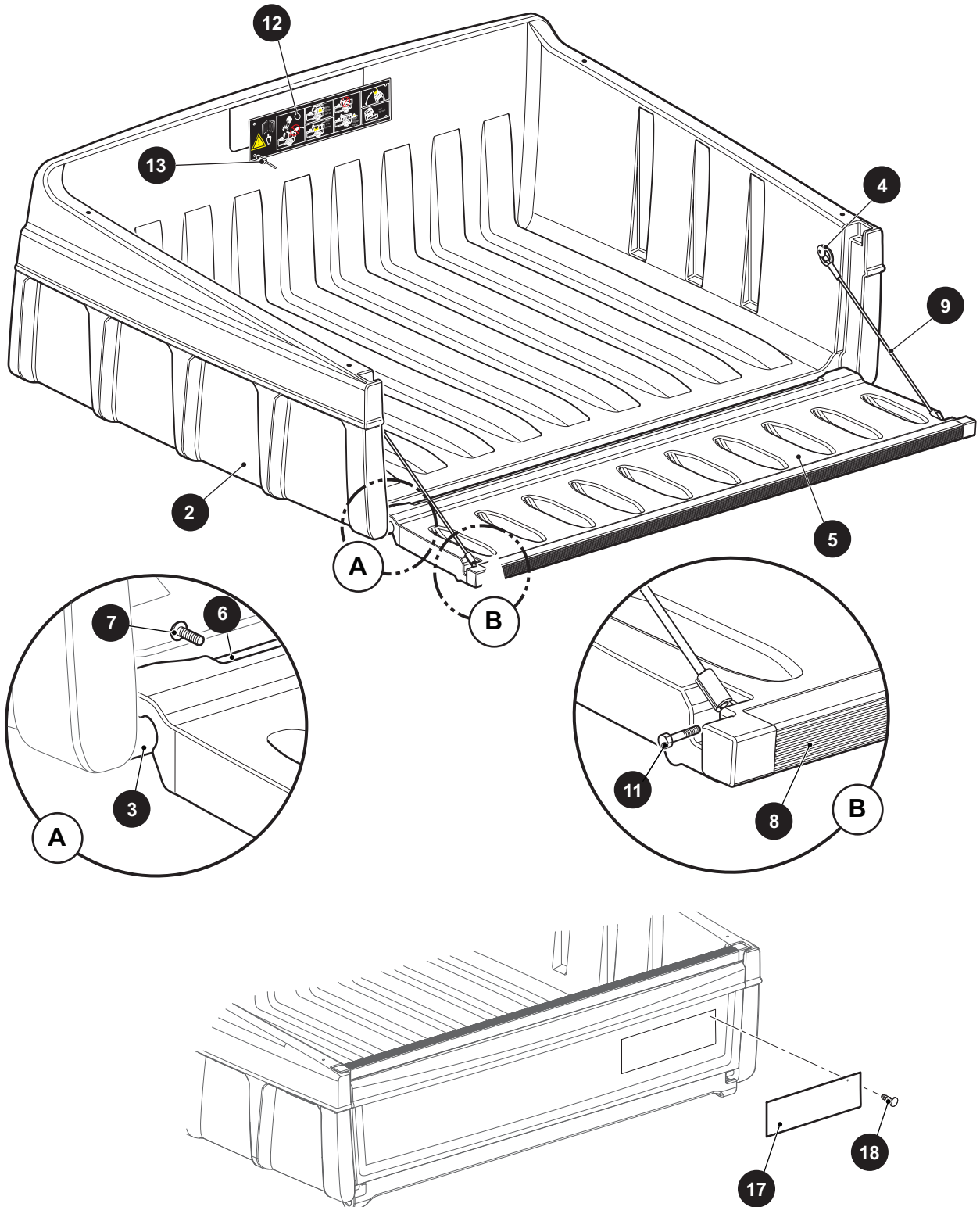
* Indicates a component that is not available as an individual part.

*** Indicates consult Customer Service Department for additional information.

ITEM	PART NO.	1 2 3 4 5	DESCRIPTION	QTY.
103	<u>71547G02</u>		OUTRIGGER CHANNEL	1
104	<u>00642G7</u>		FLAT WASHER, #4 - 5/16".....	8
105	<u>01118G01</u>		HEX HEAD BOLT, 1/4" - 20 X .62" LG	8
106				
107				
108				
109				
110				
111				

TRUCK BED - PLASTIC

1 40" PLASTIC BED ASSEMBLY includes items 2 - 11



TRUCK BED - PLASTIC

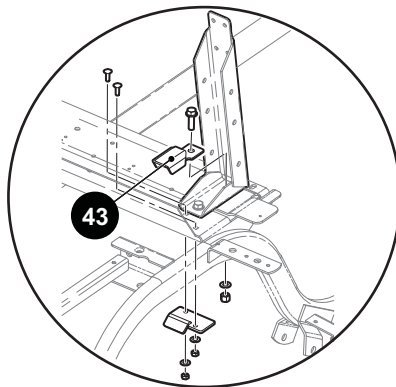
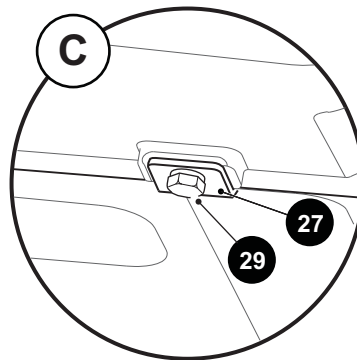
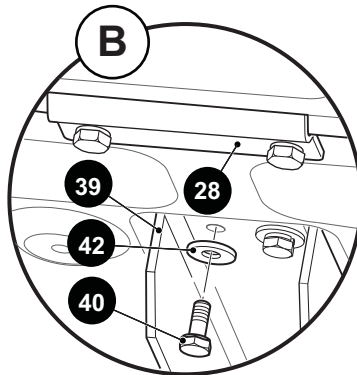
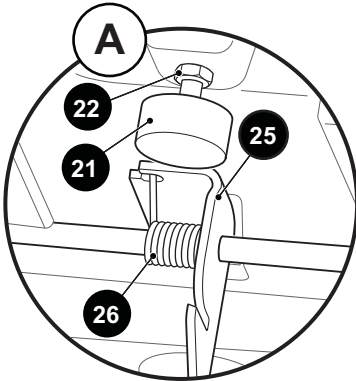
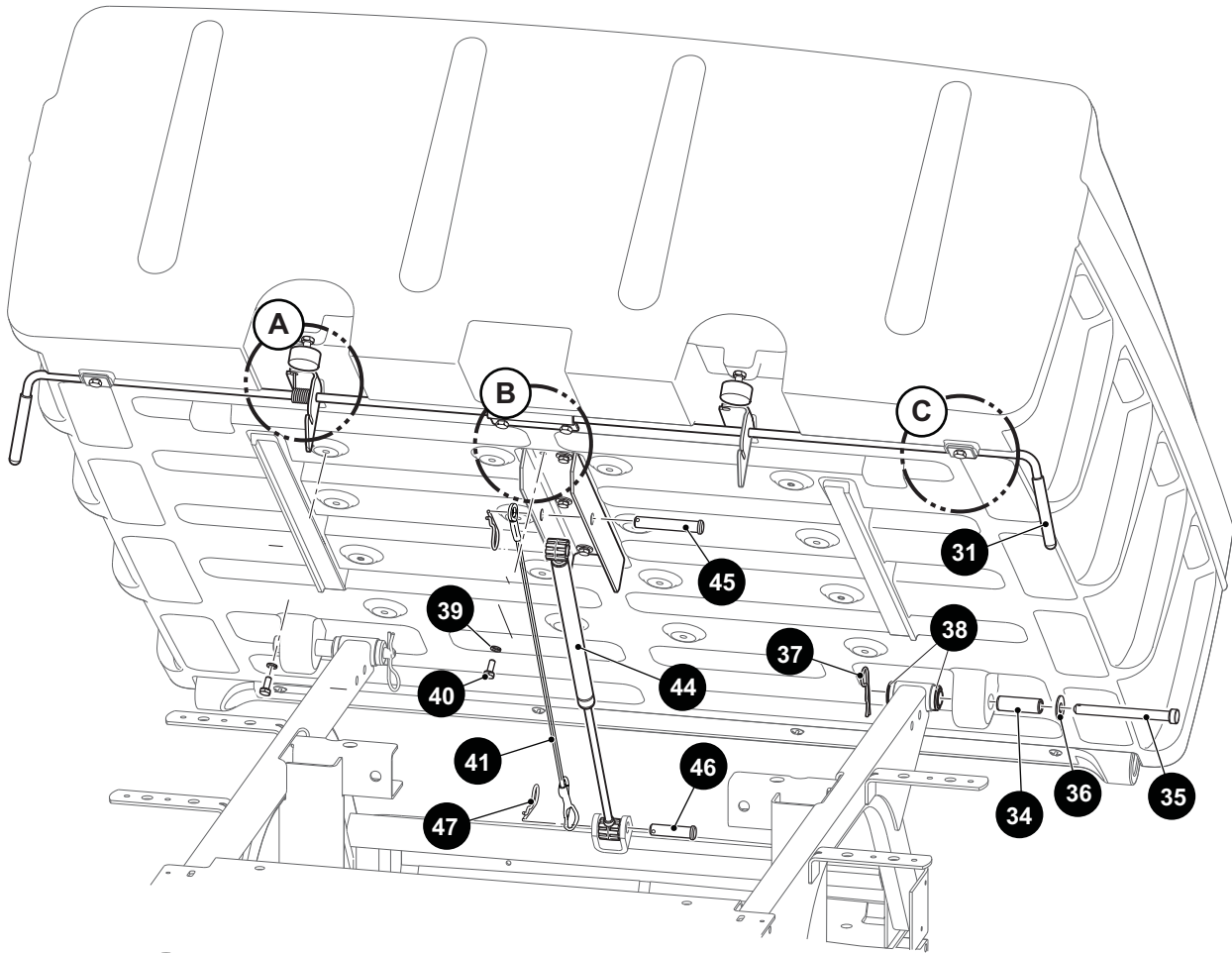
When ordering parts, please specify the model and serial number of the product.

* Indicates a component that is not available as an individual part.

*** Indicates consult Customer Service Department for additional information.

ITEM	PART NO.	1 2 3 4 5	DESCRIPTION	QTY.
1	<u>73451G01</u>		BED ASSEMBLY, 40" (INCLUDES ITEMS 2 -11)	1
2	*		PLASTIC BED, 40"	1
3	<u>73454G01</u>		PIVOT SHAFT	2
4	<u>73460G01</u>		SHOULDER BOLT, 1/4" - 20 X 3/4" LG	2
5	<u>73455G01</u>		TAILGATE CABLE	1
6	<u>73450G01</u>		BOWED ANGLE	1
7	<u>16705G2</u>		PAN HEAD SCREW (SS), 1/4" - 20 X 5/8" LG	4
8	<u>73449G01</u>		TAILGATE CAP	1
9	16818G5		RATCHET FASTENER	4
10				
11	<u>00415G2</u>		HEX HEAD CAP SCREW, 1/4" - 20 X 1 1/4" LG	2
12	<u>74821G01</u>		BED CAPACITY LABEL	1
13	<u>71055G01</u>		RIVET (ALUMINUM), 3/16" X 1"	5
14				
15				
16				
17	<u>600110G01</u>		LABEL	1
18	<u>16816G2</u>		RATCHET FASTNER	4
19				
20				

TRUCK BED - PLASTIC



TRUCK BED - PLASTIC

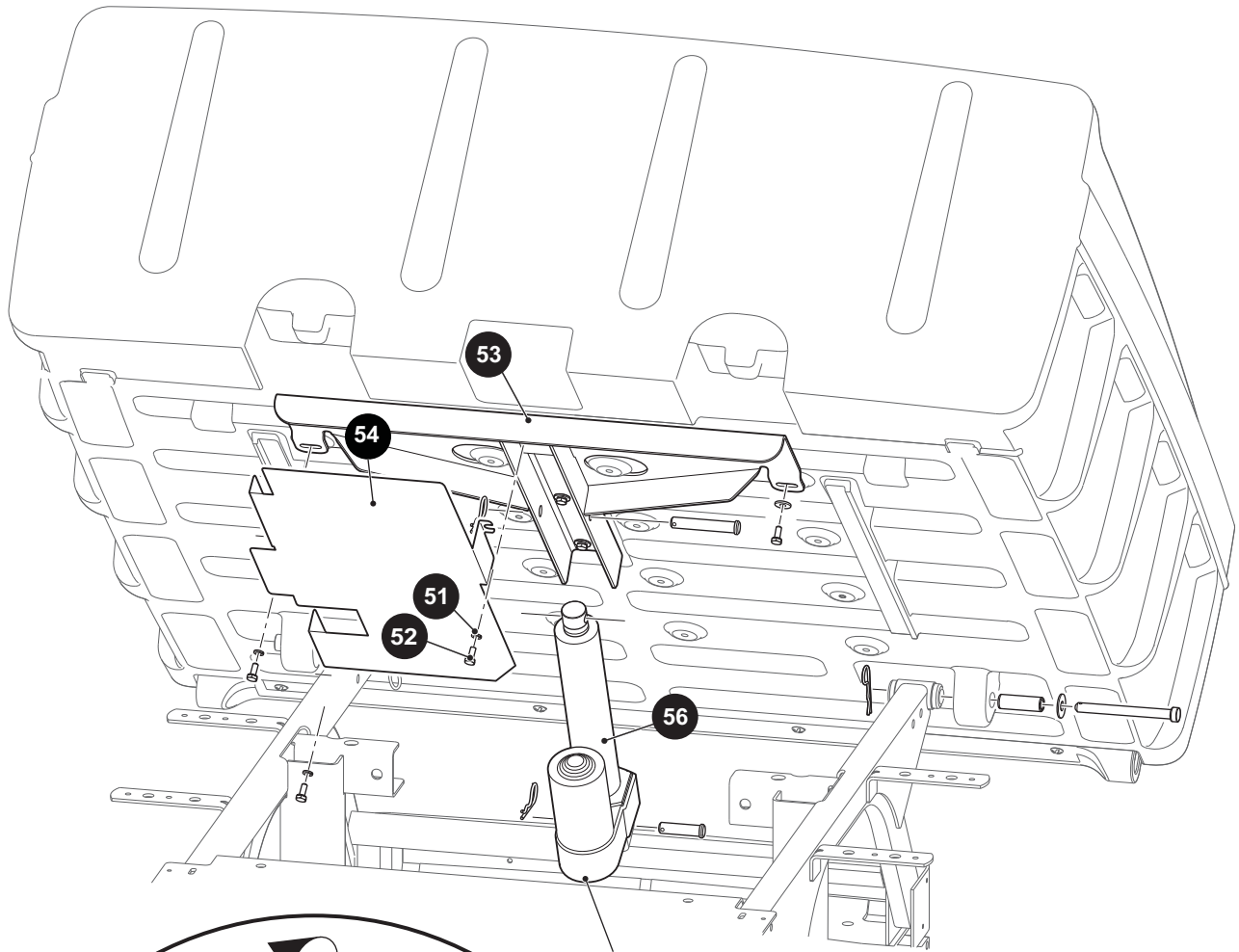
When ordering parts, please specify the model and serial number of the product.

* Indicates a component that is not available as an individual part.

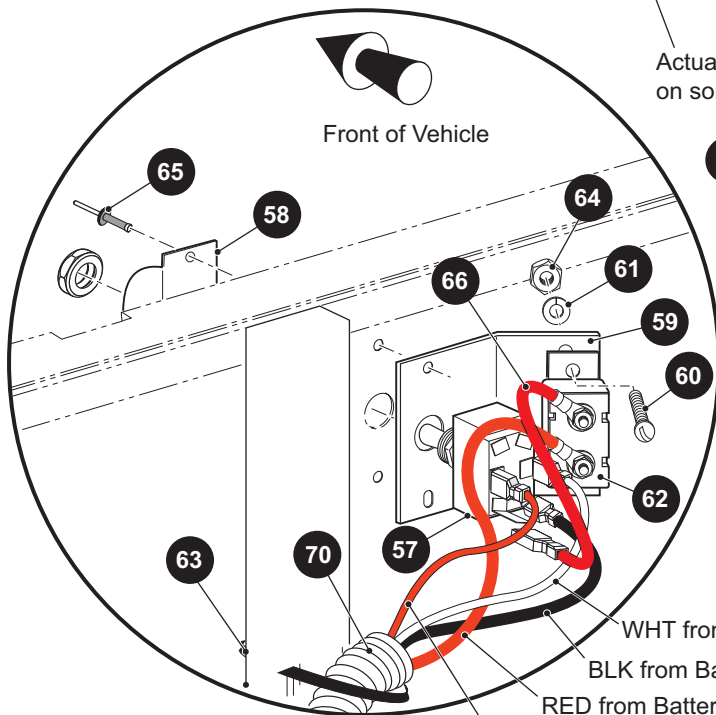
*** Indicates consult Customer Service Department for additional information.

ITEM	PART NO.	1 2 3 4 5	DESCRIPTION	QTY.
21	<u>70113G01</u>		ADJUSTABLE RUBBER BUMPER.....	2
22	<u>11027G1</u>		LOCK NUT, 5/16" - 18.....	2
23				
24				
25	<u>74962G01</u>		BED LATCH.....	1
26	<u>71538G01</u>		LATCH TORSION SPRING.....	1
27	<u>652442G03</u>		LATCH PLATE.....	2
28	<u>652440G03</u>		RETAINER BRACKET.....	1
29	<u>01118G01</u>		HEX HEAD CAP SCREW, 1/4" - 20 X 5/8" LG.....	4
30				
31	<u>71704G01</u>		HANDLE GRIP.....	2
32				
33				
34	<u>71570G01</u>		BUSHING.....	2
35	<u>71571G01</u>		CLEVIS PIN, .50" X 5.25".....	2
36	<u>00571G5</u>		FLAT WASHER, 5/16".....	2
37	<u>21683G1</u>		HAIR CLIP.....	2
38	<u>624030</u>		FLANGED BUSHING.....	4
39	<u>71569G02</u>		SPRING CHANNEL.....	1
40	<u>01118G01</u>		HEX HEAD CAP SCREW, 1/4" - 20 X 5/8" LG.....	8
41	<u>602904</u>		BED TETHER CABLE.....	1
42	<u>00642G7</u>		FLAT WASHER, 1/4".....	8
43	<u>652444G03</u>		BRACKET, BUMPER.....	2
44	<u>71537G02</u>		GAS SPRING.....	2
45	<u>14443G10</u>		CLEVIS PIN, 1/2" X 2 - 27/32".....	1
46	<u>14443G12</u>		CLEVIS PIN, 1/2" X 1 3/4".....	1
47	<u>21683G1</u>		HAIR CLIP.....	2
48				
49				
50				

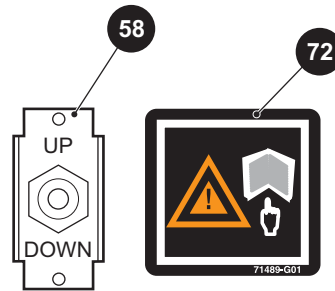
TRUCK BED - PLASTIC



Actuator may be rotated 90° on some models



55 ELECTRIC DUMP KIT includes items 56 - 66



WHT from Actuator
 BLK from Battery
 RED from Battery
 RED from Actuator

TRUCK BED - PLASTIC

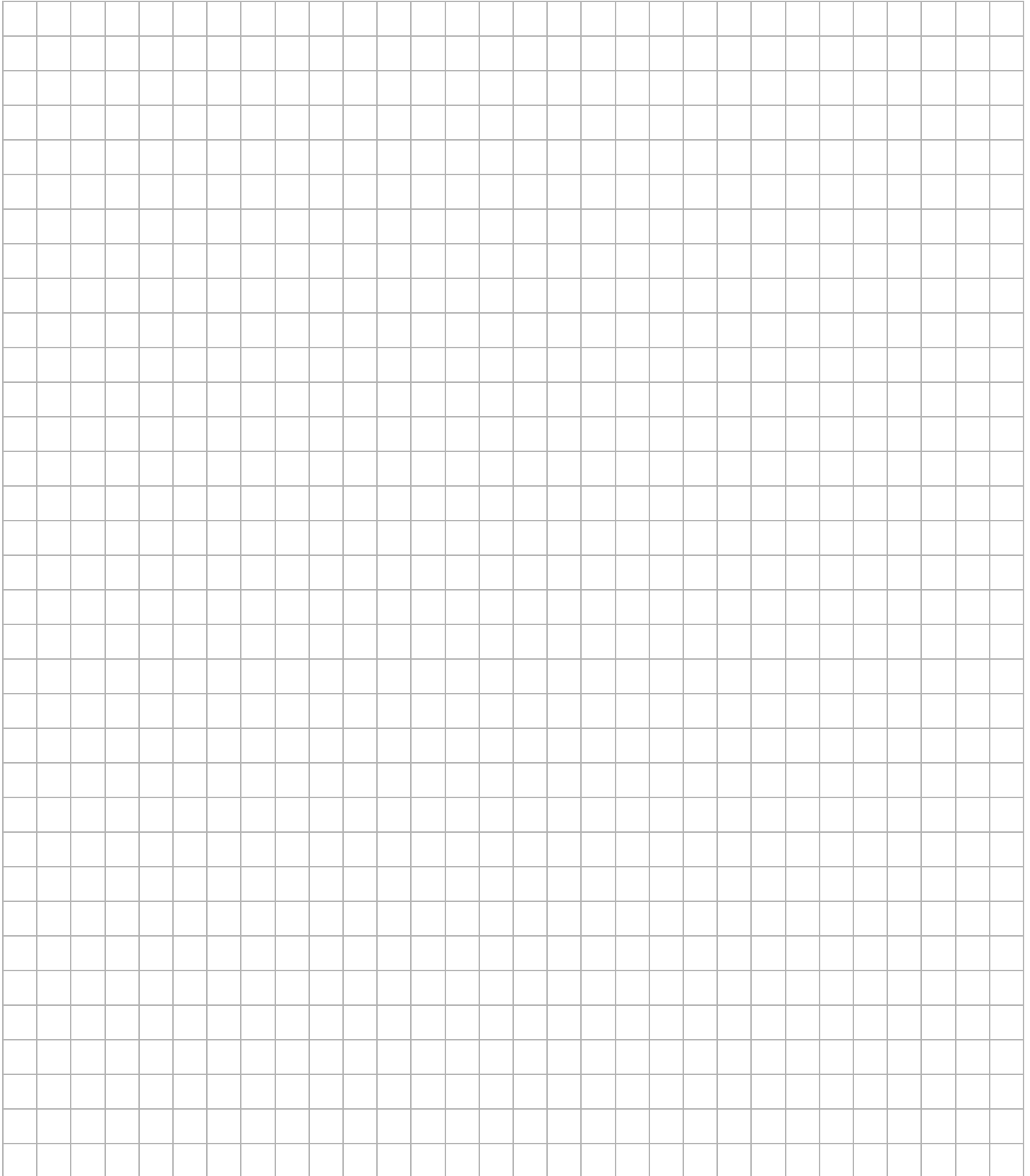
When ordering parts, please specify the model and serial number of the product.

* Indicates a component that is not available as an individual part.

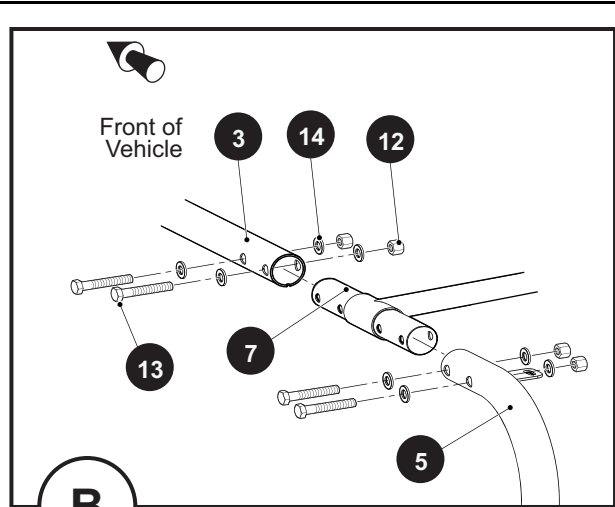
*** Indicates consult Customer Service Department for additional information.

ITEM	PART NO.	1 2 3 4 5	DESCRIPTION	QTY.
51	<u>00642G7</u>		FLAT WASHER, 1/4"	8
52	<u>01118G01</u>		HEX HEAD CAP SCREW, 1/4" - 20 X 5/8" LG	8
53	<u>71547G02</u>		OUTRIGGER CHANNEL	1
54	<u>72339G02</u>		PLASTIC BED HEAT SHIELD (GASOLINE VEHICLES ONLY)	1
55	74164G01		ELECTRIC DUMP KIT (INCLUDES ITEMS 56 - 66)	1
56	<u>27612G02</u>		ELECTRIC ACTUATOR, 12V, 1500 LBS.....	1
57	<u>27680G01</u>		TOGGLE SWITCH.....	1
58	<u>27447G01</u>		TOGGLE GUARD.....	1
59	<u>74165G02</u>		CIRCUIT BREAKER MOUNTING BRACKET	1
60	<u>00150G4</u>		ROUND HEAD SLOTTED SCREW, #10 - 24 X 3/8" LG	2
61	<u>00565G5</u>		LOCK WASHER, #10	2
62	<u>21320G4</u>		CIRCUIT BREAKER, 15A, 24V	1
63	<u>17618G1</u>		WIRE TIE.....	8
64	<u>00526G3</u>		HEX NUT, #10 - 24	2
65	<u>10570G9</u>		RIVET, 5/32" X .55"	2
66	<u>25976G14</u>		14 GA WIRE (RED 5")	1
67				
68				
69	<u>27613G01</u>		SPACER, .75 O.D. X .50 I.D. (NOT ILLUSTRATED)	2
70	<u>651950</u>		DUMP HARNESS	1
71				
72	<u>71489G01</u>		DECAL	1
73				
74				
75				
76				

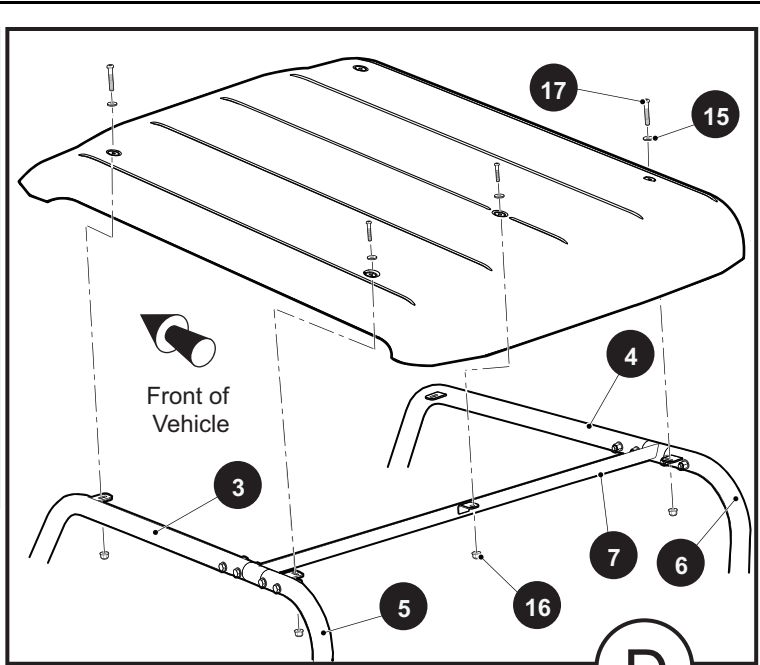
Notes:

A large grid area for taking notes, consisting of 28 columns and 30 rows of small squares.

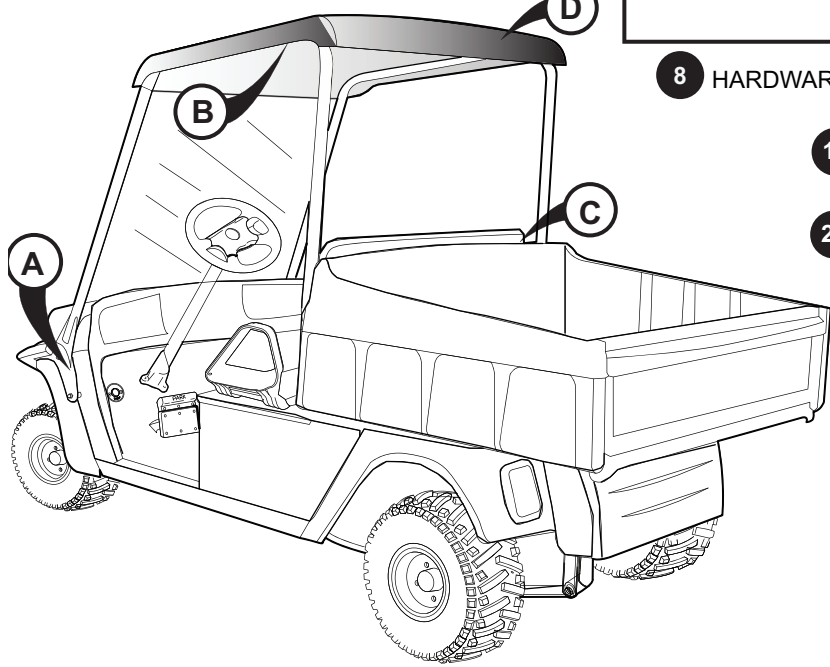
WEATHER PROTECTION



2 CANOPY STRUT KIT includes items 3 - 8

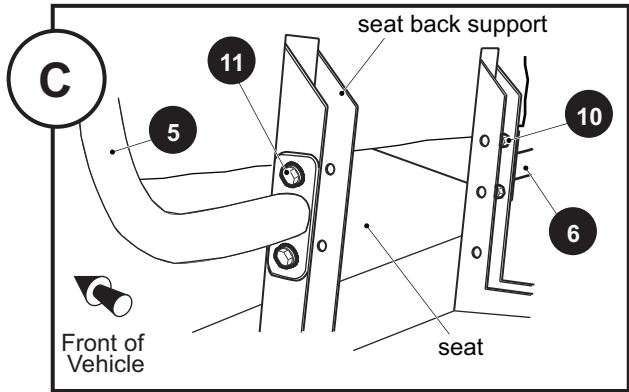
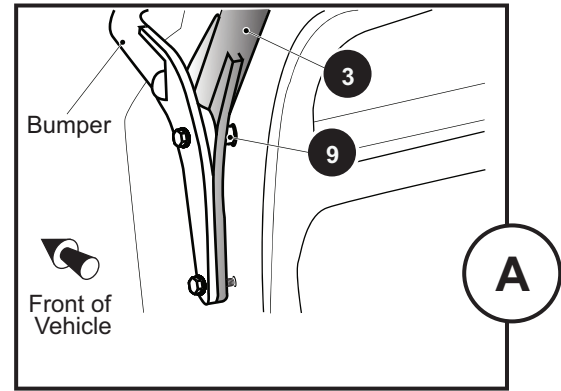
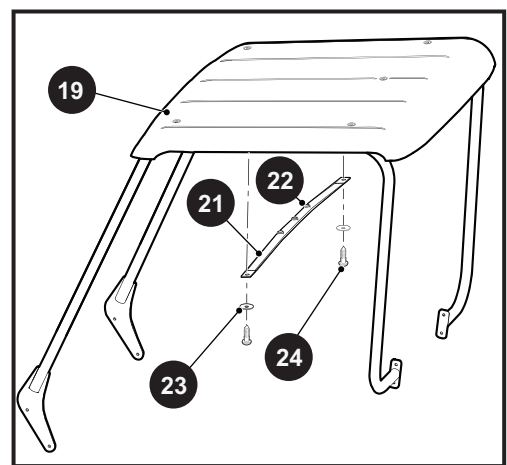


8 HARDWARE KIT includes items 9 - 17



18 CANOPY ASSEMBLY, REINFORCED (BLACK) includes items 19 - 24

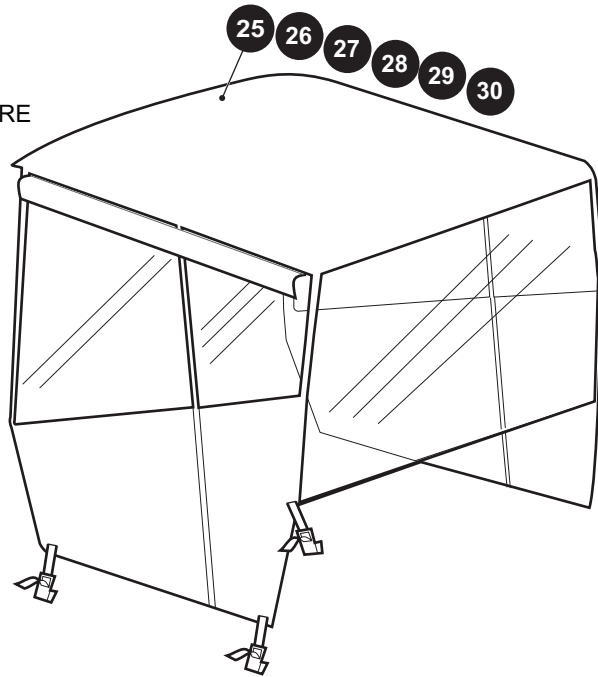
20 REINFORCEMENT BAR ASSEMBLY includes items 21 - 22



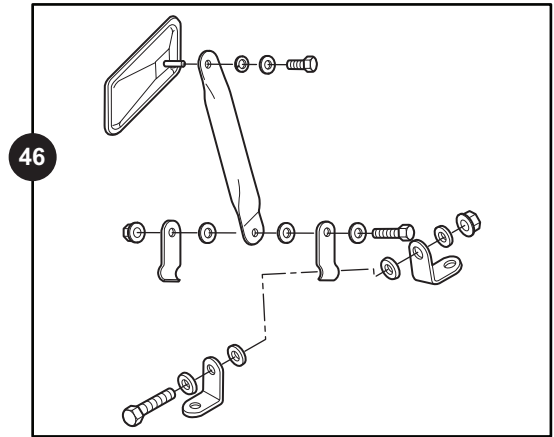
32 FULL WINDSHIELD KIT includes items 33 - 38

41 SPLIT WINDSHIELD KIT includes items 34 - 37, 42, 43

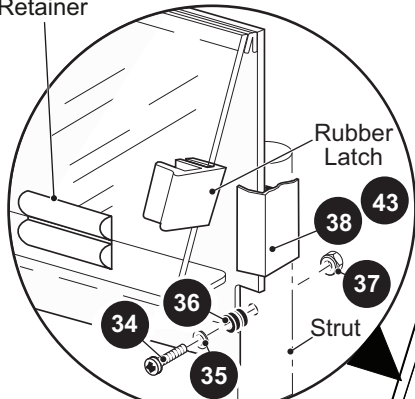
ENCLOSURE



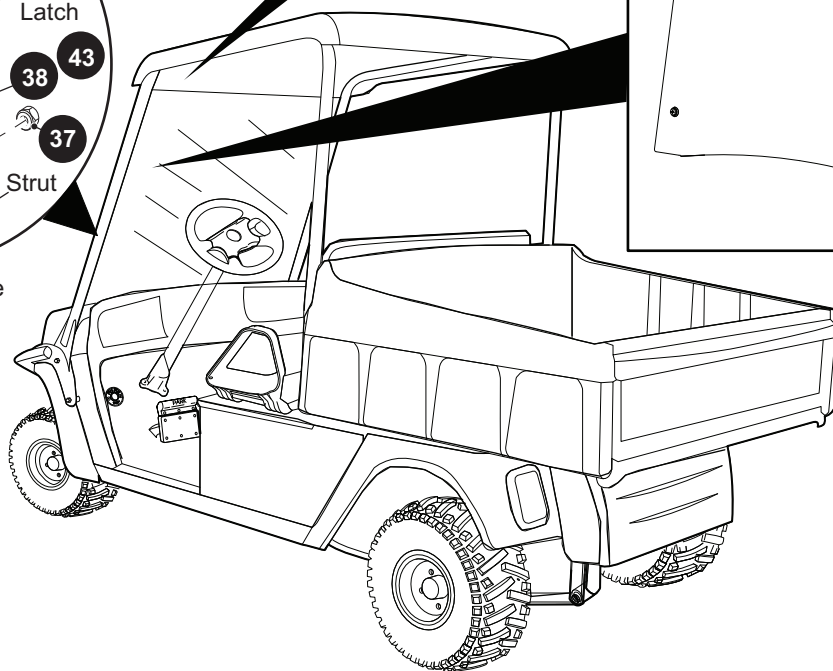
REAR VIEW MIRROR



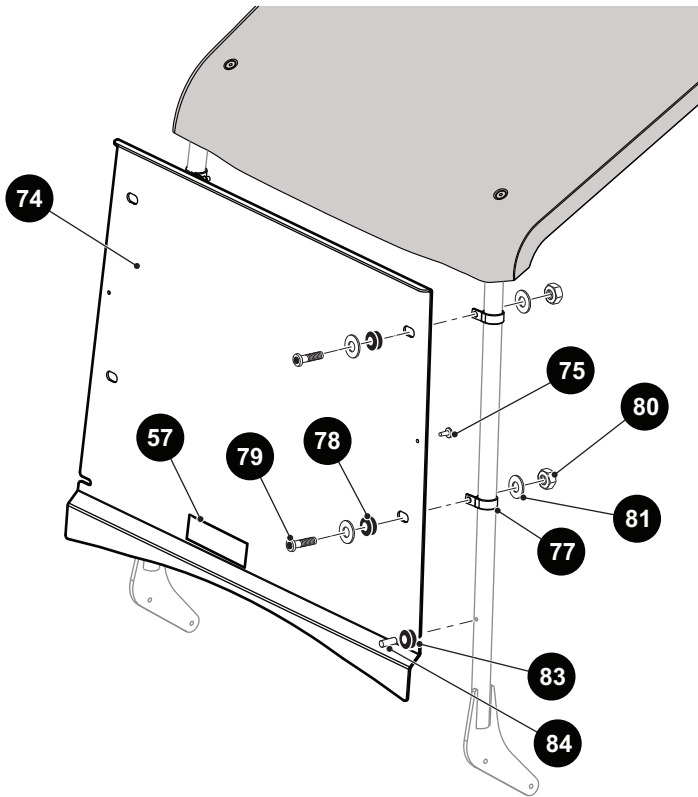
Windshield Retainer



Front of Vehicle



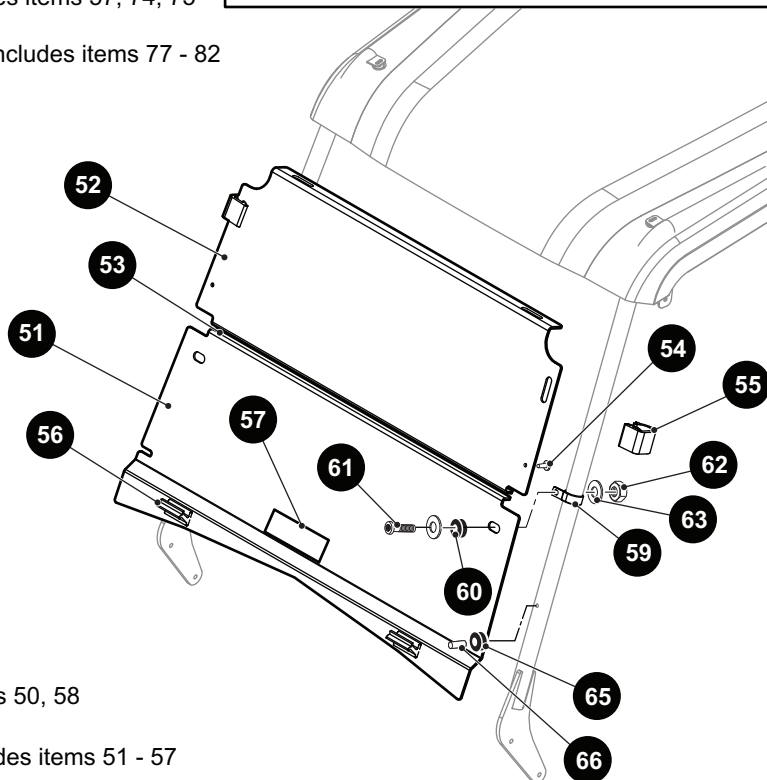
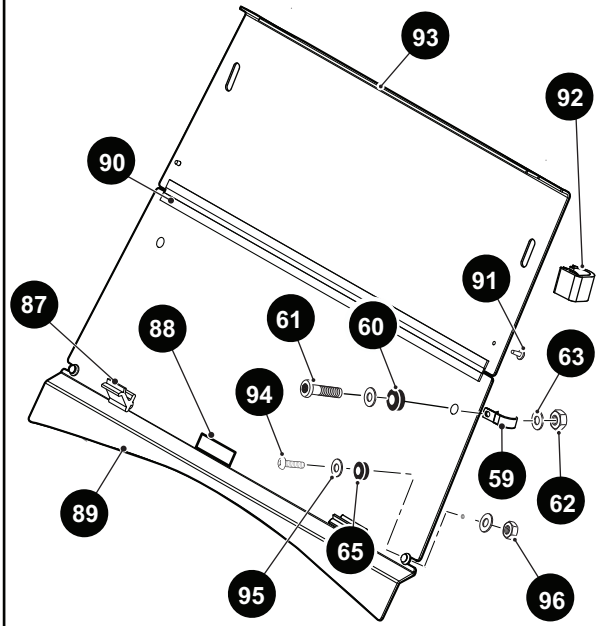
WEATHER PROTECTION



- 72 FULL WINDSHIELD KIT includes items 73, 76
- 73 FULL WINDSHIELD ASSEMBLY includes items 57, 74, 75
- 76 FULL WINDSHIELD HARDWARE KIT includes items 77 - 82

FOR VEHICLES MANUFACTURED FROM
1ST DECEMBER 2014

- 85 SPLIT WINDSHIELD, KIT CLIP ON
(INCLUDES ITEMS 86, 58)
- 86 SPLIT WINDSHIELD ASSEMBLY
(INCLUDES ITEMS 87 - 96)



- 49 SPLIT WINDSHIELD KIT includes items 50, 58
- 50 SPLIT WINDSHIELD ASSEMBLY includes items 51 - 57
- 58 SPLIT WINDSHIELD HARDWARE KIT includes items 59 - 64, 94 - 96

WEATHER PROTECTION

When ordering parts, please specify the model and serial number of the product.

* Indicates a component that is not available as an individual part.

*** Indicates consult Customer Service Department for additional information.

ITEM	PART NO.	1 2 3 4 5	DESCRIPTION	QTY.
1				
2	<u>638362</u>		CANOPY STRUT KIT (INCLUDES ITEMS 3 - 8)	1
3	<u>638092G01</u>		CANOPY SUPPORT (DRIVER SIDE FRONT)	1
4	<u>638092G02</u>		CANOPY SUPPORT (PASSENGER SIDE FRONT)	1
5	<u>626084</u>		CANOPY SUPPORT (DRIVER SIDE REAR)	1
6	<u>626085</u>		CANOPY SUPPORT (PASSENGER SIDE REAR)	1
7	<u>617641</u>		CANOPY SUPPORT, CROSS TUBE	1
8	<u>624119</u>		HARDWARE KIT (INCLUDES ITEMS 9 - 17)	1
9	<u>619586</u>		SPACER, 3/4"	2
10	<u>11098G6</u>		LOCK NUT, 5/16" - 18	4
11	<u>00438G7</u>		HEX HEAD BOLT, 5/16" - 18 X 7/8" LG	4
12	<u>11098G5</u>		LOCK NUT, 3/8" - 16	8
13	<u>00428G2</u>		HEX HEAD BOLT, 3/8" - 16 X 2 1/4" LG	8
14	<u>00560G1</u>		FLAT WASHER, 3/8"	16
15	<u>00915G1</u>		BONDED SEAL WASHER, 1/4"	5
16	<u>601476</u>		LOCK NUT, M6 - 1	5
17	*		TORX BOLT, M6 - 1 X 40MM LG	5
18	<u>651139</u>		CANOPY ASSEMBLY, REINFORCED (BLACK) (INCLUDES ITEMS 19 - 24)	1
19	<u>639044</u>		CANOPY (BLACK)	1
20	<u>651138</u>		REINFORCEMENT BAR ASSEMBLY (INCLUDES ITEMS 21 - 22)	1
21	<u>639438</u>		REINFORCEMENT BAR	1
22	<u>820951</u>		BUMPER	3
23	<u>00559G4</u>		FLAT WASHER, O.D .45" X I.D .19"	2
24	<u>608290</u>		PHILLIPS HEAD SELF TAPPING SCREW, #10 - 16 X .72" LG	2
25	<u>624829</u>		TOP ENCLOSURE (BLACK)	1
26	<u>624830</u>		TOP ENCLOSURE (GRAY)	1
27	<u>624831</u>		TOP ENCLOSURE (GREEN)	1
28	<u>624832</u>		TOP ENCLOSURE (WHITE)	1
29	<u>624833</u>		TOP ENCLOSURE (TAN)	1
30	*		VELCRO	AR

WEATHER PROTECTION

When ordering parts, please specify the model and serial number of the product.

* Indicates a component that is not available as an individual part.

*** Indicates consult Customer Service Department for additional information.

ITEM	PART NO.	1	2	3	4	5	DESCRIPTION	QTY.
31								
32	<u>71966G03</u>						FULL WINDSHIELD KIT (INCLUDES ITEMS 33 - 38)	1
33	<u>71960G01</u>						FULL WINDSHIELD	1
34	*						HEX HEAD BOLT, 1/4" - 20 X 1 3/4" LG	2
35	*						FLAT WASHER (SS), 1/4"	4
36	*						RUBBER GROMMET	2
37	*						LOCK NUT (SS), 1/4" - 20	2
38	<u>615662</u>						SASH, 26" LG	2
39								
40								
41	<u>71966G04</u>						SPLIT WINDSHIELD KIT (INCLUDES ITEMS 34 - 37, 42, 43).....	1
42	<u>617544</u>						SPORT WINDSHIELD	1
43	<u>615661</u>						SASH, 12" LG	2
44								
45								
46	<u>27924G01</u>						MIRROR ASSEMBLY	1
47								
48								
49	<u>625932</u>						SPLIT WINDSHIELD KIT, CLIP - ON (INCLUDES ITEMS 50, 58) (FOR VEHICLES MANUFACTURED BEFORE 1ST DECEMBER 2014)	1
50	625930						SPLIT WINDSHIELD ASSEMBLY (INCLUDES ITEMS 51 - 57).....	1
51	625898						WINDSHIELD LOWER.....	1
52	625899						WINDSHIELD UPPER.....	1
53	603705						HINGE	1
54	<u>604115</u>						GROMMET	2
55	<u>619621</u>						UPPER LATCH.....	2
56	<u>603201</u>						LOWER LATCH.....	2
57	71963G01						WARNING DECAL.....	1
58	<u>625928</u>						HARDWARE KIT, SPLIT WINDSHIELD (INCLUDES ITEMS 59 - 64, 94 - 96)	1
59	<u>619078</u>						TUBE CLAMP, 1.5" DIA.....	2
60	<u>604116</u>						FASTENER GROMMET	2

WEATHER PROTECTION

When ordering parts, please specify the model and serial number of the product.

* Indicates a component that is not available as an individual part.

*** Indicates consult Customer Service Department for additional information.

ITEM	PART NO.	1 2 3 4 5	DESCRIPTION	QTY.
61	619082		PAN HEAD BOLT, 3/8" - 16 X 1 1/2" LG	2
62	<u>11098G5</u>		LOCK NUT, 3/8" - 16	2
63	<u>306981</u>		FLAT WASHER, 3/8"	4
64	624785		GROMMET ASSEMBLY, 1/4" (INCLUDES ITEMS 65, 66)	2
65	624780		GROMMET, 1/4"	1
66	624778		SLEEVE, 1/4"	1
67				
68				
69				
70				
71				
72	<u>625931</u>		FULL WINDSHIELD KIT, CLIP - ON (INCLUDES ITEMS 73, 76).....	1
73	625927		FULL WINDSHIELD ASSEMBLY (INCLUDES ITEMS 57, 74, 75)	1
74	<u>625904</u>		FULL WINDSHIELD	1
75	<u>604115</u>		GROMMET	2
76	<u>625929</u>		HARDWARE KIT, FULL WINDSHIELD (INCLUDES ITEMS 77 - 82).....	1
77	<u>619078</u>		TUBE CLAMP, 1.5" DIA.....	4
78	<u>604116</u>		FASTENER GROMMET	4
79	619082		PAN HEAD BOLT, 3/8" - 16 X 1 1/2" LG	4
80	<u>11098G5</u>		LOCK NUT, 3/8" - 16	4
81	<u>306981</u>		FLAT WASHER, 3/8"	8
82	624785		GROMMET ASSEMBLY, 1/4" (INCLUDES ITEMS 83, 84)	2
83	624780		GROMMET, 1/4"	1
84	624778		SLEEVE, 1/4"	1
85	<u>638372</u>		SPLIT WINDSHIELD, CLIP ON (INCLUDES ITEMS 87 - 93) (FOR VEHICLES MANUFACTURED FROM 1ST DECEMBER 2014)	1
86	<u>638120</u>		SPLIT WINDSHIELD ASSEMBLY (INCLUDES ITEMS 87 - 96)	1
87	<u>603201</u>		LOWER WINDSHIELD LATCH	2
88	71963G01		DECAL	1
89	638054		LOWER SPLIT WINDSHIELD	1
90	638070		HINGE	1

WEATHER PROTECTION

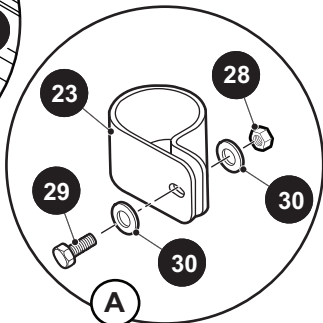
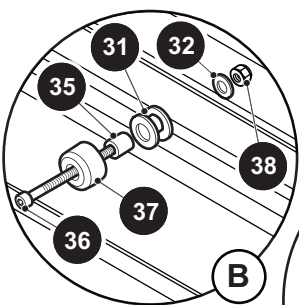
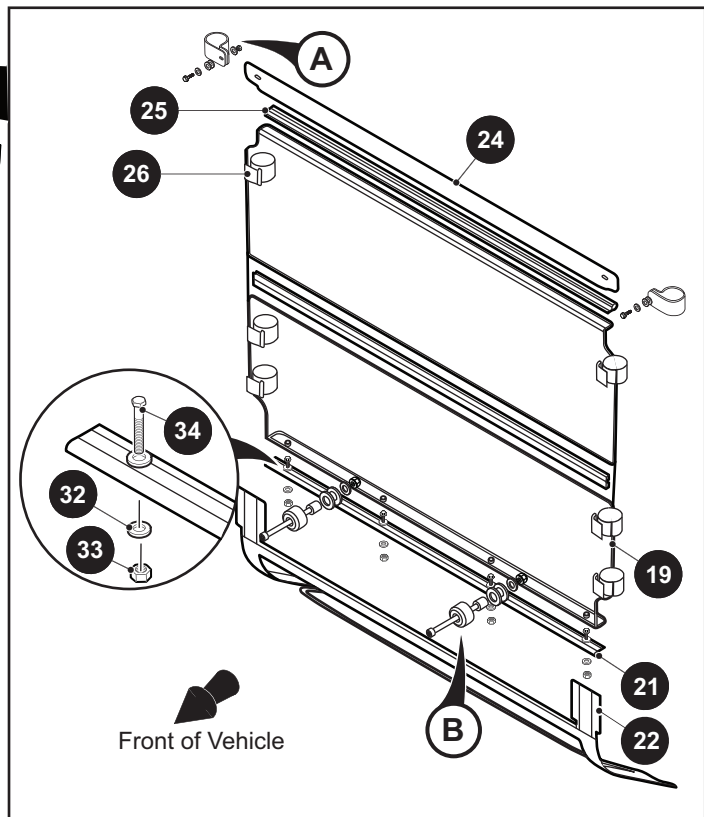
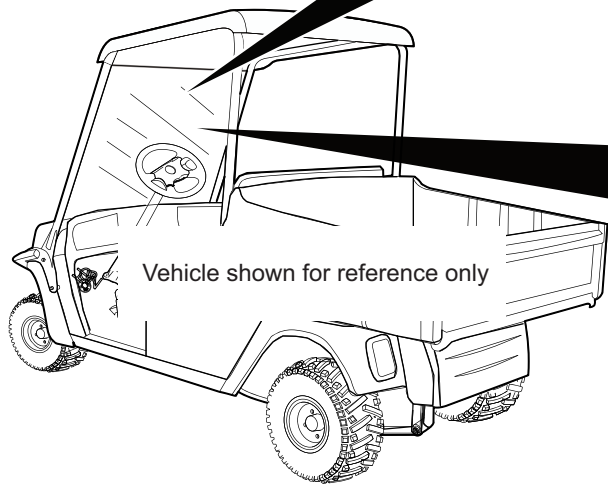
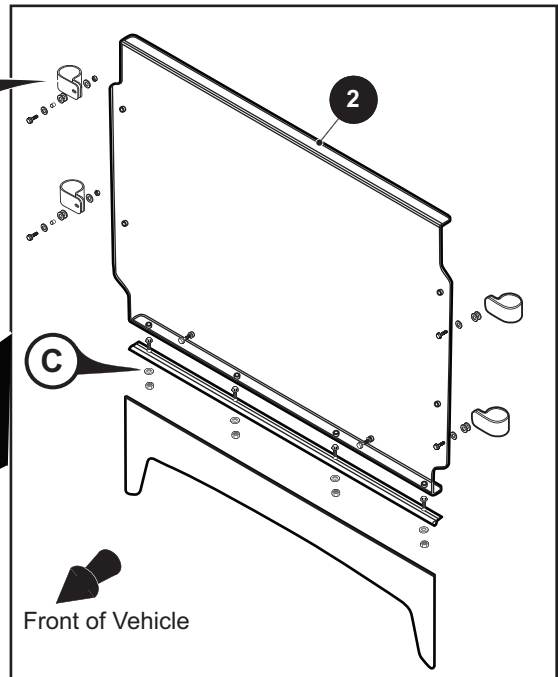
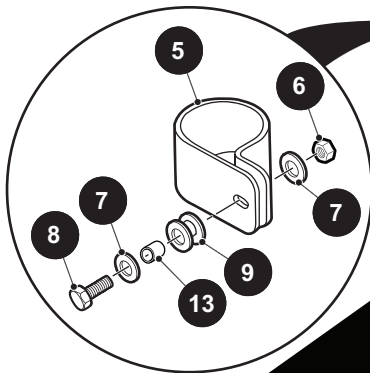
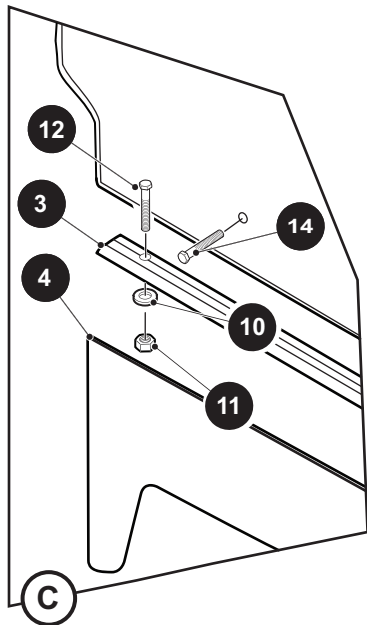
When ordering parts, please specify the model and serial number of the product.

* Indicates a component that is not available as an individual part.

*** Indicates consult Customer Service Department for additional information.

ITEM	PART NO.	1	2	3	4	5	DESCRIPTION	QTY.
91	<u>604115</u>						GROMMET	2
92	<u>619621</u>						UPPER WINDSHIELD LATCH	2
93	638053						UPPER SPLIT WINDSHIELD.....	1
94	<u>00753G7</u>						TRUSS HEAD PHILLIPS SCREW, 1/4" - 20 X 2.5" LG	2
95	<u>00650G7</u>						FLAT WASHER, 1/4"	4
96	<u>00550G1</u>						HEX NUT, 1/4" - 20.....	2

WEATHER PROTECTION



1 WINDSHIELD KIT (FULL) includes items 2 - 14

18 WINDSHIELD KIT (SPLIT) includes items 19 - 38

WEATHER PROTECTION

When ordering parts, please specify the model and serial number of the product.

* Indicates a component that is not available as an individual part.

*** Indicates consult Customer Service Department for additional information.

ITEM	PART NO.	1 2 3 4 5	DESCRIPTION	QTY.
1	<u>627079</u>		WINDSHIELD KIT (FULL) (INCLUDES ITEMS 2 - 14)	1
2	*		WINDSHIELD	1
3	*		AWNING MOLDING (ALUMINUM).....	1
4	*		TEXTILE SKIRT PLACEHOLDER.....	1
5	*		PLASTIC CLAMP	4
6	*		HEX NUT.....	6
7	*		FLAT WASHER	12
8	*		HEX HEAD BOLT	4
9	*		WINDSHIELD GROMMET	6
10	*		FLAT WASHER	8
11	*		HEX NUT.....	4
12	*		HEX HEAD BOLT	4
13	*		CRUSH SLEEVE	6
14	*		HEX HEAD BOLT	2
15				
16				
17				
18	<u>627080</u>		WINDSHIELD KIT (SPLIT) (INCLUDES ITEMS 19 - 38).....	1
19	*		WINDSHIELD	1
20				
21	*		AWNING MOLDING (ALUMINUM).....	1
22	*		TEXTILE SKIN PLACEHOLDER.....	1
23	*		PLASTIC CLAMP	2
24	*		UPPER METAL SEAL.....	1
25	*		UNIGRIP.....	1
26	*		TEXTILE STRAP	6
27				
28	*		HEX NUT.....	2
29	*		HEX HEAD BOLT	2
30	*		FLAT WASHER	4
31	*		GROMMET	2

WEATHER PROTECTION

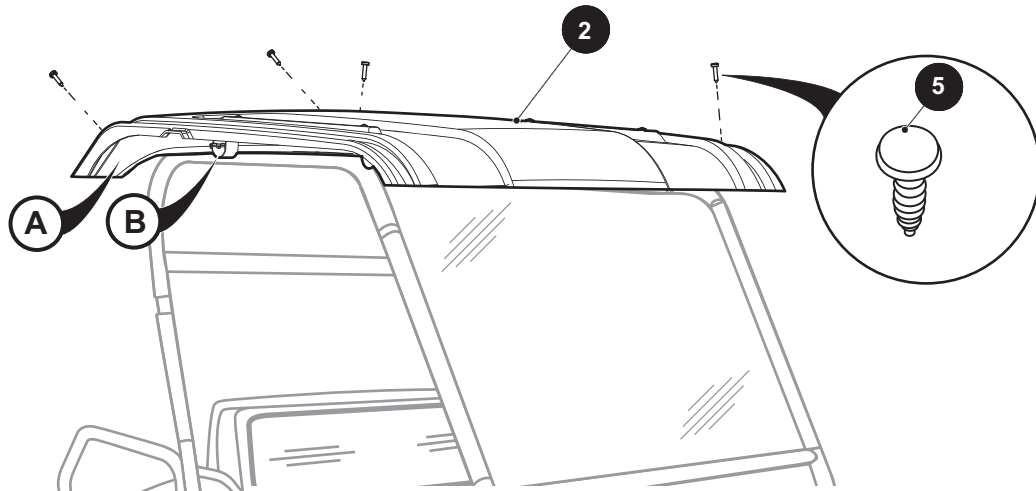
When ordering parts, please specify the model and serial number of the product.

* Indicates a component that is not available as an individual part.

*** Indicates consult Customer Service Department for additional information.

ITEM	PART NO.	1	2	3	4	5	DESCRIPTION	QTY.
32	*						FLAT WASHER	10
33	*						HEX NUT	4
34	*						HEX HEAD BOLT.....	4
35	*						CRUSH SLEEVE	2
36	*						HEX HEAD BOLT.....	2
37	*						BUMPER.....	2
38	*						HEX NUT	2

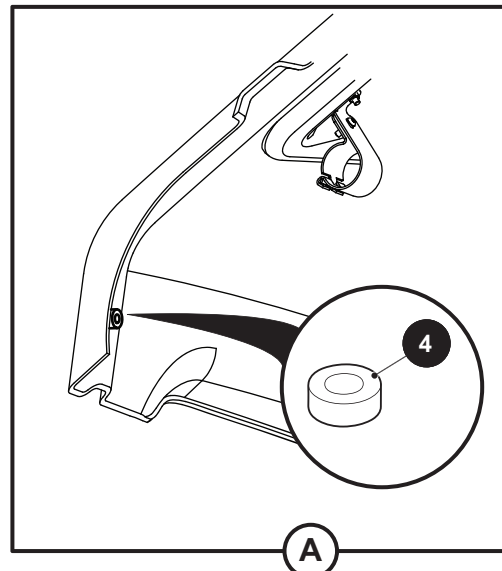
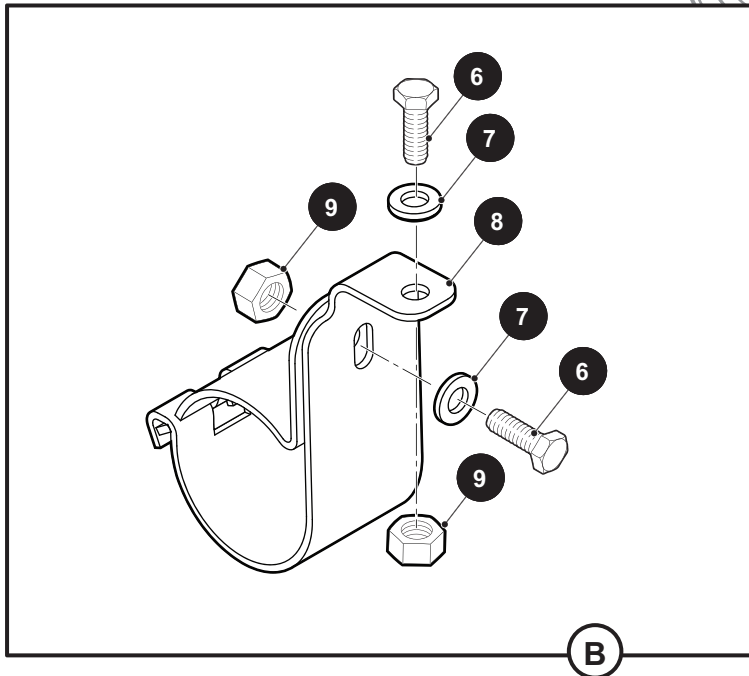
WEATHER PROTECTION



Vehicle shown for reference only

1 TOP CANOPY KIT includes items 2, 3

3 HARDWARE KIT includes items 4 - 9



WEATHER PROTECTION

When ordering parts, please specify the model and serial number of the product.

* Indicates a component that is not available as an individual part.

*** Indicates consult Customer Service Department for additional information.

ITEM	PART NO.	1 2 3 4 5	DESCRIPTION	QTY.
1	<u>628584</u>		TOP CANOPY KIT (INCLUDES ITEMS 2, 3).....	1
2	627077		TOP CANOPY	1
3	<u>628585</u>		HARDWARE KIT (INCLUDES ITEMS 4 - 9)	1
4	*		RUBBER SPACER.....	4
5	*		CHRISTMAS TREE PUSH RIVET	4
6	*		HEX HEAD BOLT, M6 - 1 X 20MM LG.....	8
7	*		FLAT WASHER, 1/4"	8
8	*		CLAMP (2 PIECE).....	4
9	*		HEX NUT, M6 - 1.....	8

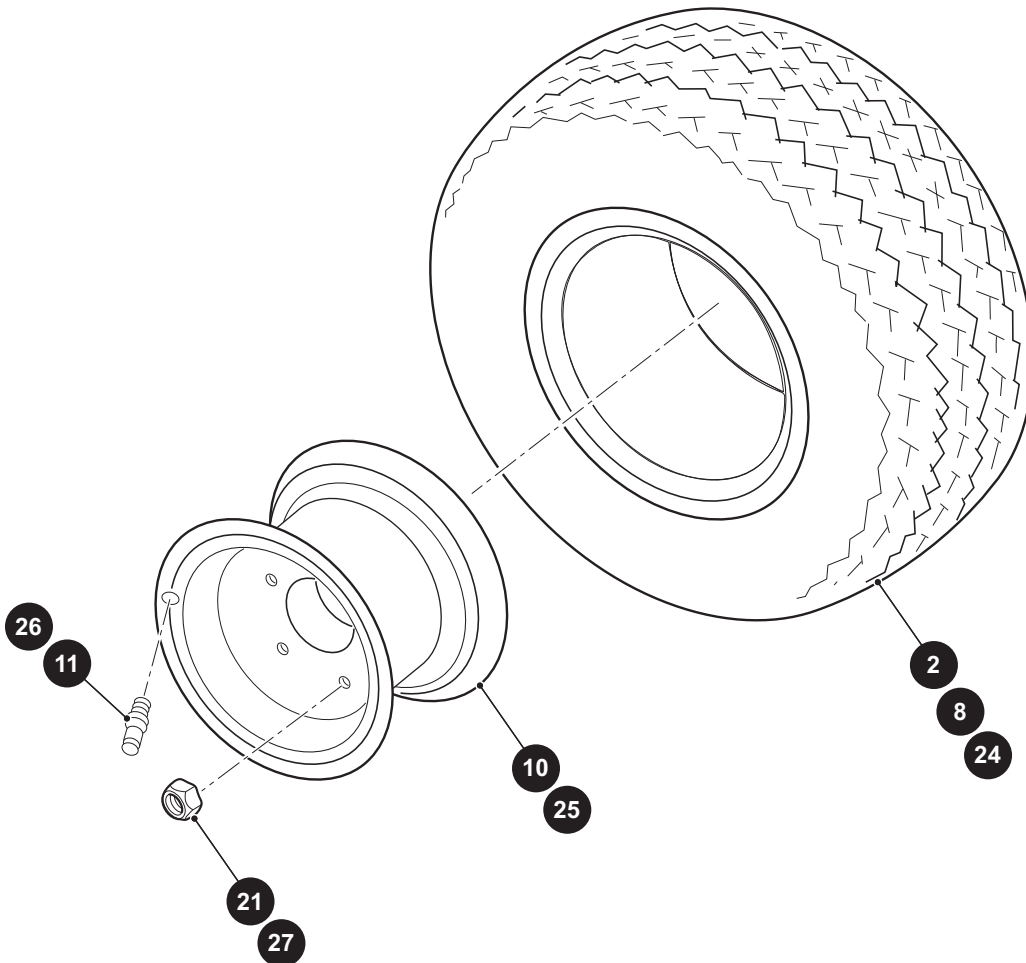
Notes:

A large grid area for taking notes, consisting of 25 columns and 25 rows of small squares.

WHEELS AND TIRES

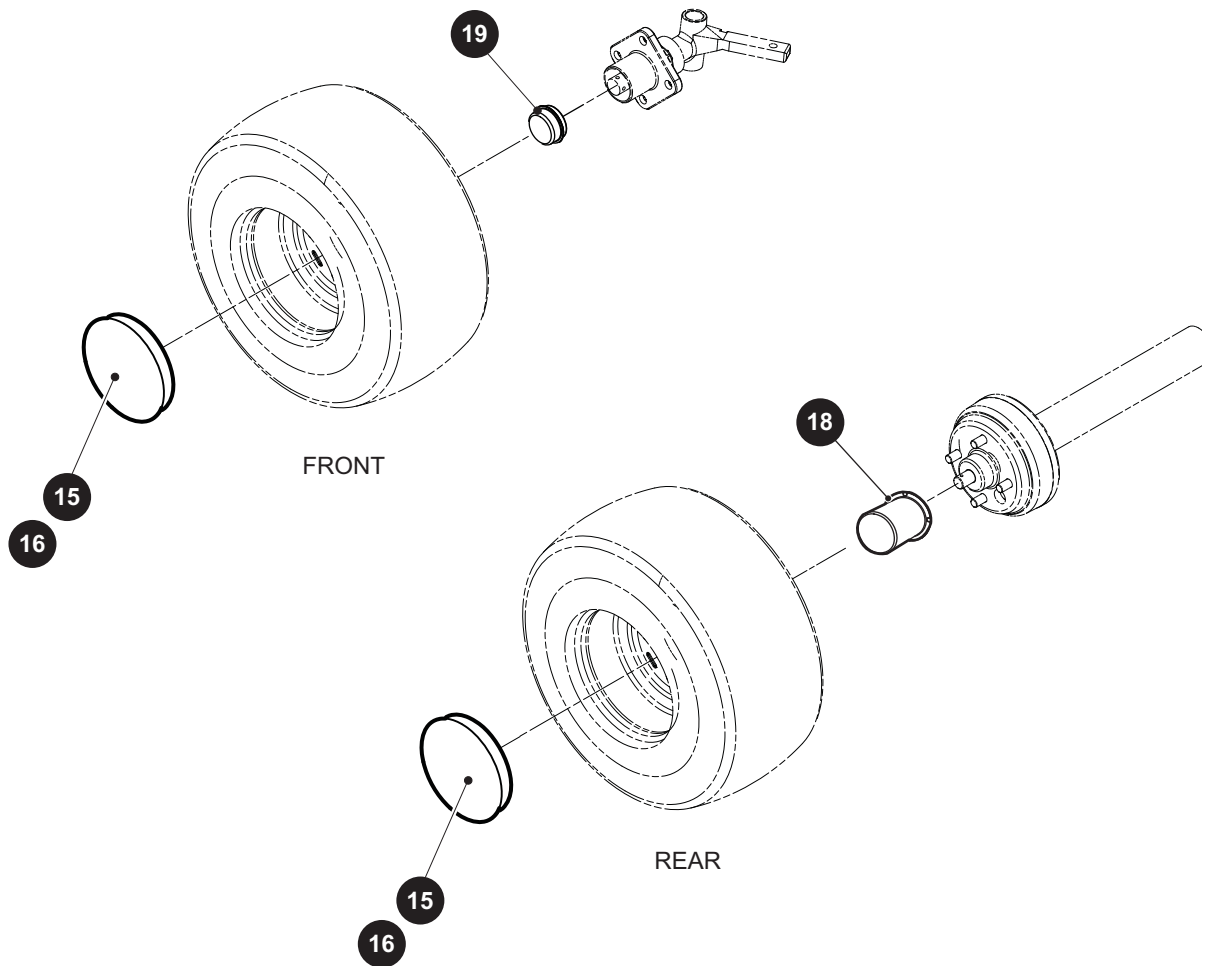
- 1 WHEEL AND TIRE ASSEMBLY, LINKS includes item 2, 10, 11
- 7 WHEEL AND TIRE ASSEMBLY, SURE TRAIL includes item 8,10,11
- 23 WHEEL AND TIRE ASSEMBLY, SURE TRAIL includes items 24 - 26

Tire design may vary by Part Number



13 HUB CAP ASSEMBLY includes items 15,17

14 HUB CAP ASSEMBLY includes items 16,17



WHEELS AND TIRES

When ordering parts, please specify the model and serial number of the product.

* Indicates a component that is not available as an individual part.

*** Indicates consult Customer Service Department for additional information.

ITEM	PART NO.	1 2 3 4 5	DESCRIPTION	QTY.
1	<u>28757G01</u>		WHEEL AND TIRE ASSEMBLY, LINKS (INCLUDES ITEM 2, 10, 11) (FOR VEHICLES MANUFACTURED UNTIL 14OCT2016)	1
2	<u>28764G01</u>		CARLISLE TIRE (LINKS 18 X 8.5 - 8, 4 PLY RATED).....	1
3				
4				
5				
6				
7	<u>28842G01</u>		WHEEL AND TIRE ASSEMBLY, SURE TRAIL (INCLUDES ITEM 8, 10, 11) (FOR VEHICLES MANUFACTURED UNTIL 14OCT2016)	1
8	<u>28764G08</u>		CARLISLE TIRE (USA TRAIL LOAD RANGE C).....	1
9				
10	<u>28759G01</u>		WHEEL RIM (4 LUG).....	1
11	<u>11657G2</u>		VALVE STEM.....	1
12				
13	<u>615617</u>		HUB CAP ASSEMBLY (INCLUDES ITEMS 15, 17)	1
14	<u>615618</u>		HUB CAP ASSEMBLY (INCLUDES ITEMS 16, 17)	1
15	*		HUBCAP (GOLD).....	1
16	*		HUBCAP (SILVER)	1
17	*		CLIP (NOT ILLUSTRATED)	3
18	<u>601353</u>		WHEEL CAP	2
19	<u>12091G2</u>		SPINDLE CAP	2
20				
21	<u>14723G1</u>		LUG NUT, 1/2" - 20	AR
22				
23	<u>652263</u>		WHEEL AND TIRE ASSEMBLY (INCLUDES ITEMS 24 - 26) (FOR VEHICLES MANUFACTURED FROM 15OCT2016).....	1
24	<u>652986</u>		KENDA TIRE, K500, 20 X 8 - 10, 6PLY	1
25	<u>643934</u>		WHEEL, 10 X 6.....	1
26	<u>643948</u>		VALVE STEM	1
27	<u>14723G1</u>		LUG NUT, 1/2" - 20.....	AR



CUSHMAN®
LET'S WORK!

E-Z-GO Division of Textron Inc.,
1451 Marvin Griffin Road, Augusta, Georgia 30906 - 3852 USA

TO CONTACT US...

North America:

Technical Assistance & Warranty Phone: 1-800-774-3946, FAX: 1-800-448-8124

Service Parts Phone: 1-888-GET-E-Z-GO (1-888-438-3946), FAX: 1-800-752-6175

International: Phone: 001-706-798-4311, FAX: 001-706-771-4609

Service Parts Manuals, as well as Repair and Service Manuals
are available from a local Distributor, an authorized Branch,
Genuine E-Z-GO Parts & Accessories Department or at www.shopezgo.com.

Copyrighted Material
This manual may not be reproduced in whole or
in part without the express permission of
E-Z-GO Division of Textron Inc.
Technical Communications Department