



**2017 Carryall 510 LSV and  
Carryall 710 LSV  
Homologated  
Illustrated Parts List**



**Electric Low-Speed Vehicle (LSV) Homologated**

Manual Number 105342111  
Edition Code 0616C0617B



# USING THE ILLUSTRATED PARTS LIST

---

## **⚠ WARNING**

- **This manual is to be used only for identification and ordering of service parts. Be sure to read and use the maintenance and service manual before attempting any vehicle repairs.**

This manual covers all 2017 Carryall 510 and Carryall 710 Homologated Low-Speed Vehicles (LSV).

The manual is divided into sections. Note that there are two or three flags on the outside edge of each page. The first flag contains the section number of which that page is a part. The other flag (or flags) contains the letter D, E, or G, signifying that the page pertains to the diesel, electric, or gasoline vehicles only.

Use the Table of Contents to find the sections and pages that contain the parts and assemblies you seek. The Table of Contents lists section numbers, and under them, the individual page titles and numbers to be found in that section. The index can be used to find specific parts and assemblies. The index is divided into numerical and alphabetical listings with the page numbers in italic text.

There is a two-page spread for each individual page title in the Table of Contents. On the left-hand page is an illustration showing the parts in their relative positions; the parts are each tagged with an item number in a balloon. The right-hand page is the parts list page, and gives the page title at the top, then the item numbers (corresponding to the numbers on the illustration), part descriptions, and quantity of parts used.

Note that a part description may be indented. This indention corresponds to a parts assembly level indicated by the numbers 1, 2, 3, and 4 at the top left corner of the parts description area of the parts list page. A part that is indented to *level 2* is a component of the *level 1* part (assembly) that it is listed under. A *level 3* part is a component of the *level 2* part that it is listed under, and a *level 4* part is a component of the *level 3* part preceding it. In each case, the part quantity given for a level 2, 3, or 4 part is the quantity used per next higher level assembly of which it is a component. A part that is not indented is a *level 1* part. This means that the quantity given is the quantity used per the portion of the vehicle illustrated on that particular spread.



**P. O. Box 204658**  
**Augusta, Georgia 30917-4658 USA**  
**Telephone 706-863-3000**  
**Service Parts Fax 706-855-7413**  
**[www.clubcar.com](http://www.clubcar.com)**

## HOW TO ORDER PARTS

Replacement parts and accessories can be obtained from our network of authorized dealers and distributors. You can obtain the name and phone number of your closest authorized Club Car dealer or distributor by visiting our web site at [www.clubcardealer.com](http://www.clubcardealer.com), by calling our toll-free Service Parts and Technical Assistance hotline at (800) 872-2246 or (706) 863-3000, extension 3887, or by scanning this Quick Response (QR) code to be taken to the Club Car dealer locator. **Refer to Figure 1.** Download a QR code reader such as RedLaser or Barcode Scanner to your cell phone or tablet.



Figure 1 Dealer Locator QR Code

## CUSTOMER SATISFACTION SURVEY

Let your voice be heard!

Please take time to participate in the Technical Publications satisfaction survey. Obtaining feedback from our customers is important to the department's continuous improvement process. The online survey takes less than five minutes and responses will help the department to examine current performance as well as identify areas for future improvement.

Our top priority is to provide timely, accurate, and user friendly manuals.

The online satisfaction survey can be found at: <http://bit.ly/1w9uFMh>



Figure 2 Survey QR Code

**NOTE:** *This illustrated parts list represents the most current information at the time of publication. Club Car, LLC is continually working to further improve its vehicles and other products. These improvements may affect the parts used to service the vehicle. Any modification and/or significant change in specifications will be forwarded to all Club Car and Carryall distributors/dealers and will, when applicable, appear in future editions of this illustrated parts list.*

*Club Car, LLC reserves the right to change specifications and designs at any time without notice and without the obligation of making changes to units previously sold.*

Copyright © 2016 Club Car, LLC.

Club Car is a registered trademark of Club Car, LLC.

This manual effective July 1, 2016.

2017 Carryall 510 and Carryall 710 LSV Homologated Illustrated Parts List

# CONTENTS

## SECTION 1 – BODY AND TRIM

|  |      |
|--|------|
| Front License Plate Holder .....                               | 1-3  |
| Front Body .....   | 1-5  |
| Body Touch-Up Paint .....                                      | 1-7  |
| Front Bumper, Grille, and Fenders .....                        | 1-9  |
| Headlight Bezels .....   | 1-11 |
| Dash, Glovebox Door, and Floormat .....                        | 1-13 |
| Front Frame, Standard .....                                    | 1-15 |
| Bucket Seats and Frame .....                                   | 1-17 |
| Inner Rear Fenders .....                                       | 1-19 |
| Rear Fenders and Tail Skirt .....                              | 1-21 |
| Bed Hinge, Latch, and Prop Rod – Medium .....                  | 1-23 |
| Tilt Bed (Long) Hinge – Electric Vehicle .....                 | 1-25 |
| Long Bed Hinge Spacer Kit – Vehicle with CAB .....             | 1-27 |
| Tilt Bed and Bed Latch – Medium .....                          | 1-29 |
| Tilt Bed – Long .....  | 1-31 |
| Latch Plate .....  | 1-33 |
| Flat Bed Trim – Medium .....                                   | 1-35 |
| Flat Bed Trim – Long .....                                     | 1-37 |
| Cargo Box Kit – Medium (Page 1 of 2) .....                     | 1-39 |
| Cargo Box Kit – Long (Page 1 of 2) .....                       | 1-41 |
| Cargo Box Kit (Page 2 of 2) .....                              | 1-43 |
| Tailgate Teather .....   | 1-45 |
| Modular Bed Accessories .....                                  | 1-47 |
| Modular Bed Accessories .....                                  | 1-49 |
| Stake Side Kit – Medium .....                                  | 1-51 |
| Cab Doors – Glass with LH Sliding Window .....                 | 1-53 |
| Cab Roof .....   | 1-55 |
| Cab Doors – Glass with LH & RH Sliding Windows .....           | 1-57 |
| Hardware Kit, Door Striker .....                               | 1-59 |
| Cab Doors – Vent .....   | 1-61 |
| Cab – Windshield (LSV) .....                                   | 1-63 |
| Cab – 3-Point Seat Belts (HOMOL) .....                         | 1-65 |
| Cab – Electrical, Power Harness, Electric Vehicle to Cab ..... | 1-67 |
| Cab – Electrical, Overhead Console .....                       | 1-69 |
| Cab – Electrical, Windshield Wiper .....                       | 1-71 |
| Cab – Electrical, Windshield Washer .....                      | 1-73 |
| Cab – Electrical, Work Lights .....                            | 1-75 |
| Cab - Mirrors .....  | 1-77 |

# CONTENTS

---

|                                    |      |
|------------------------------------|------|
| Cab – Rear Window, One-Piece ..... | 1-79 |
|------------------------------------|------|

## SECTION 2 – WHEELS AND TIRES

---

|                        |     |
|------------------------|-----|
| Wheels and Tires ..... | 2-3 |
| Wheel Covers .....     | 2-5 |

## SECTION 3 – DECALS

---

|   |     |
|---|-----|
| Decals – Carryall 510 and 710 LSV Homologated .....     | 3-3 |
| Decals – Electric Carryall 510 and 710, Continued ..... | 3-5 |
| Badging Decals – Carryall 510 .....                     | 3-7 |
| Badging Decals – Carryall 710 .....                     | 3-9 |

## SECTION 4 – LIGHTS, CONTROLS, AND INDICATORS

---

|   |      |
|---|------|
| Headlights - CA510 and CA710 Homologated .....                            | 4-3  |
| 12-Volt Fuse Block and Fuses – Electric Vehicle .....                     | 4-5  |
| Horn, Turn Signals, and Taillights – Electric and Gasoline Vehicles ..... | 4-7  |
| Instrument Panel - CA510 and CA710 Homologated .....                      | 4-9  |
| Keyswitch, Private Speed Mode - Electric Vehicle .....                    | 4-11 |
| Rear Mounted Reverse Buzzer – CA710 .....                                 | 4-13 |
| DC Converter, Heavy Duty – Electric Vehicle .....                         | 4-15 |
| Reflectors .....  | 4-17 |
| Taillight and License Plate Bracket - CA510 and CA710 Homologated .....   | 4-19 |
| Heater Defogger – Electric Vehicle .....                                  | 4-21 |

## SECTION 5 – BRAKES, PEDALS, AND CABLE ASSEMBLIES

---

|  |      |
|--|------|
| Hydraulic Front Drum Brake Assembly – Driver-Side .....    | 5-3  |
| Hydraulic Front Drum Brake Assembly – Pass-Side .....      | 5-5  |
| Brake Pedal Assembly .....                                 | 5-7  |
| Accelerator Pedal Assembly – Electric Vehicles .....       | 5-9  |
| Pedal Close-Out Kit .....                                  | 5-11 |
| Master Cylinder, Bell Crank, and Brake Lines – CA510 ..... | 5-13 |
| Hand Brake Assembly – CA510 Homologated .....              | 5-15 |
| Master Cylinder, Bell Crank, and Brake Lines – CA710 ..... | 5-17 |
| Hand Brake Assembly – CA710 LSV Homologated .....          | 5-19 |
| Hydraulic Rear Brake Assembly .....                        | 5-21 |

## SECTION 6 – STEERING, FRONT AND REAR SUSPENSION

---

|                              |     |
|------------------------------|-----|
| Steering Gear Assembly ..... | 6-3 |
|------------------------------|-----|

# CONTENTS

---

|   |      |
|---|------|
| Steering Column .....                                     | 6-5  |
| Steering Wheel .....                                      | 6-7  |
| Steering Wheel with Clip .....                            | 6-9  |
| Front Suspension, Upper, HYD .....                        | 6-11 |
| Front Suspension, Lower, HYD, Drums 3 Leaf, 1 Plate ..... | 6-13 |
| Steering Stop .....                                       | 6-15 |
| Front Wheel Hubs .....                                    | 6-17 |
| Rear Suspension Components .....                          | 6-19 |

## SECTION 7 – ELECTRICAL SYSTEM – ELECTRIC VEHICLES

---

|   |      |
|---|------|
| Motor Controller Output Regulator (MCOR) .....                    | 7-3  |
| Main Wiring Harness, 48-Volt Fuse Block - CA510 Homologated ..... | 7-5  |
| Main Wiring Harness, 48-Volt Fuse Block - CA710 Homologated ..... | 7-7  |
| Tow/Run Switch .....  | 7-9  |
| Electric Components - CA510 Homologated .....                     | 7-11 |
| Electric Components - CA710 Homologated .....                     | 7-13 |
| Batteries 6-Volt, Standard Duty - CA510 .....                     | 7-15 |
| Batteries 6-Volt, Heavy Duty - CA510 .....                        | 7-17 |
| Batteries 6-Volt, Standard Duty - CA710 .....                     | 7-19 |
| Batteries 6-Volt, Heavy Duty - CA710 .....                        | 7-21 |
| Single Point Watering System (SPWS) .....                         | 7-23 |
| Single Point Watering System (SPWS) – CA510 .....                 | 7-25 |
| Hand Pump and Deionizer (Battery-Powered Quality Light) .....     | 7-27 |

## SECTION 8 – ELECTRIC MOTOR

---

|                |     |
|----------------|-----|
| AC Motor ..... | 8-3 |
|----------------|-----|

## SECTION 9 – TRANSAXLE – ELECTRIC VEHICLES

---

|                                     |     |
|-------------------------------------|-----|
| Transaxle – Electric Vehicles ..... | 9-3 |
|-------------------------------------|-----|

## SECTION 10 – BATTERY CHARGERS – HIGH-FREQUENCY

---

|   |      |
|---|------|
| Onboard Battery Charger, High-Freq. - CA510 – Homologated ..... | 10-3 |
| Onboard Battery Charger, High-Freq. - CA710 – Homologated ..... | 10-5 |

## SECTION 11 – MAINTENANCE AND SERVICE TOOLS

---

|  |      |
|--|------|
| Maintenance and Service Tools .....            | 11-3 |
| Maintenance and Service Tools, Continued ..... | 11-5 |
| Maintenance and Service Tools, Continued ..... | 11-7 |

## SECTION i – INDEX

---



# BODY AND TRIM

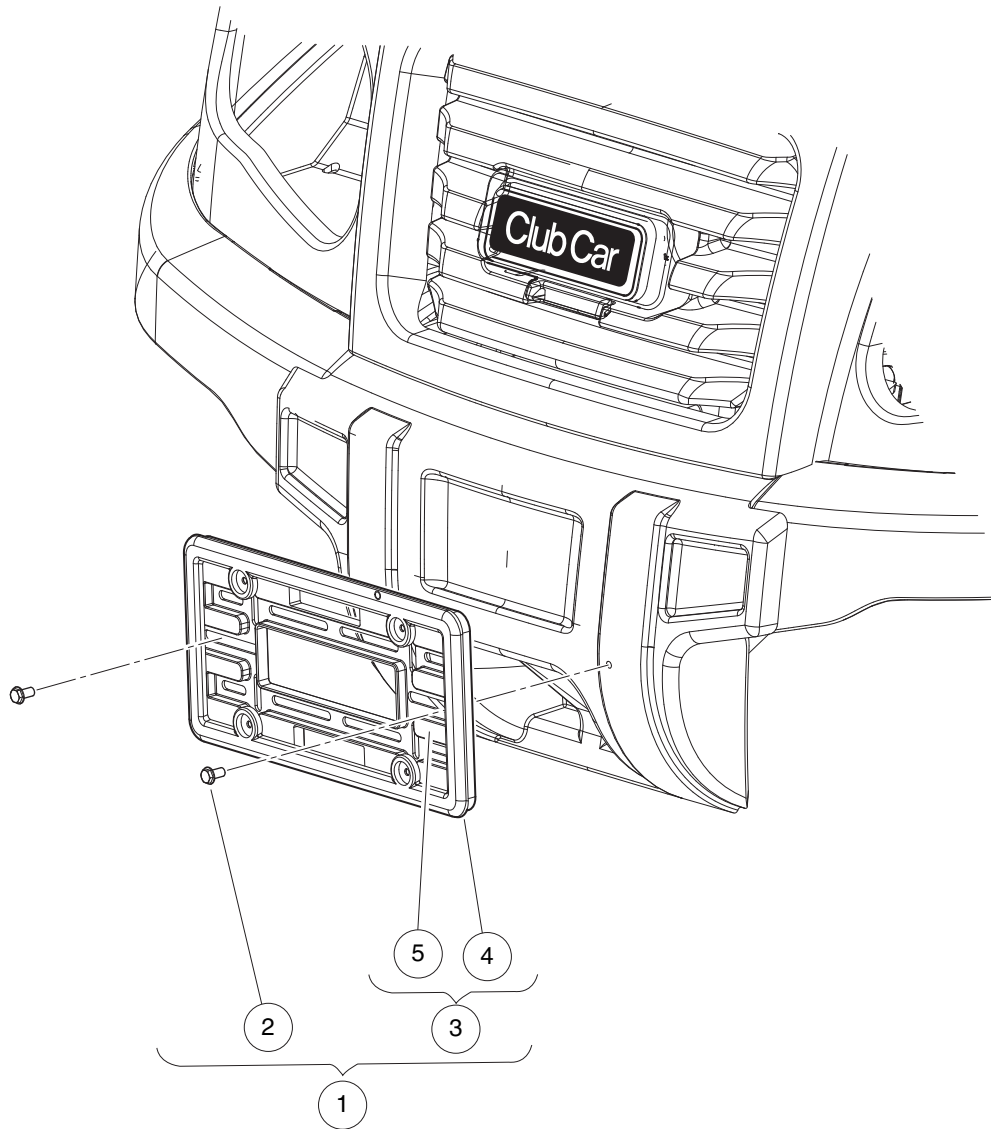
---

1

E

**1**

**E**



001155-001

# FRONT LICENSE PLATE HOLDER

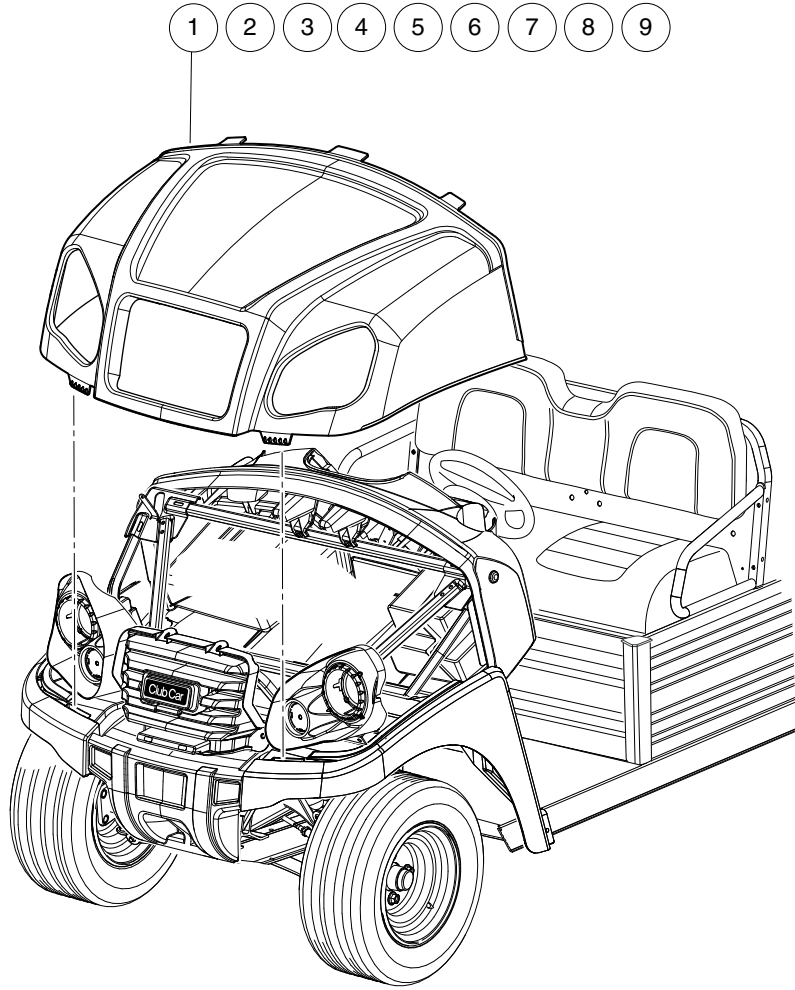
| ITEM | PART NO.         | DESCRIPTION   | QTY |
|------|------------------|---|-----|
|      |                  | 1 2 3 4   |     |
| 1    | <u>105124901</u> | Kit, Front, License Pl, Lsv (includes items 2 and 3) .....  | 1   |
| 2    | <u>101856101</u> | Screw, 1/4-15 X .50 Hi-lo Hex .....                         | 2   |
| 3    | <u>102311501</u> | Front License Plate Assembly (includes items 4 and 5) ..... | 1   |
| 4    | N/A              | Frame, License Plate .....                                  | 1   |
| 5    | N/A              | Mount, License Plate .....                                  | 1   |

**1**

**E**

1

E



001300-003

# FRONT BODY

| ITEM | PART NO.         | DESCRIPTION                        | QTY |
|------|------------------|------------------------------------|-----|
|      |                  | 1 2 3 4                            |     |
| 1    | <u>105034321</u> | Cowl, Ca, Serv, Dk Green .....     | 1   |
| 2    | <u>105034322</u> | Cowl, Ca, Serv, Dk Gray .....      | 1   |
| 3    | <u>105034323</u> | Cowl, Ca, Serv, White .....        | 1   |
| 4    | <u>105034324</u> | Cowl, Ca, Serv, Bright Blue .....  | 1   |
| 5    | <u>105034325</u> | Cowl, Ca, Serv, Titn Silver .....  | 1   |
| 6    | <u>105034326</u> | Cowl, Ca, Serv, Beige .....        | 1   |
| 7    | <u>105034327</u> | Cowl, Ca, Serv, Red .....          | 1   |
| 8    | <u>105034328</u> | Cowl, Ca, Serv, Black .....        | 1   |
| 9    | <u>105034329</u> | Cowl, Ca, Serv, Classic Blue ..... | 1   |

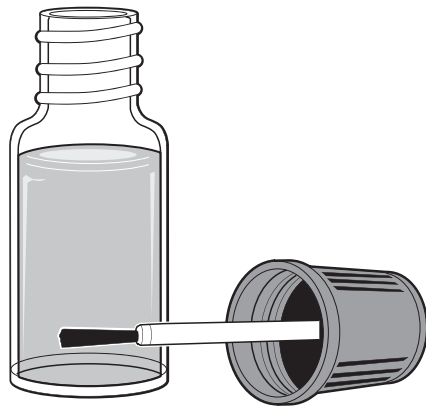
**1**

**E**

1

E

- 1
- 2
- 3
- 4
- 5
- 6
- 7
- 8
- 9
- 10



001300-020

# BODY TOUCH-UP PAINT

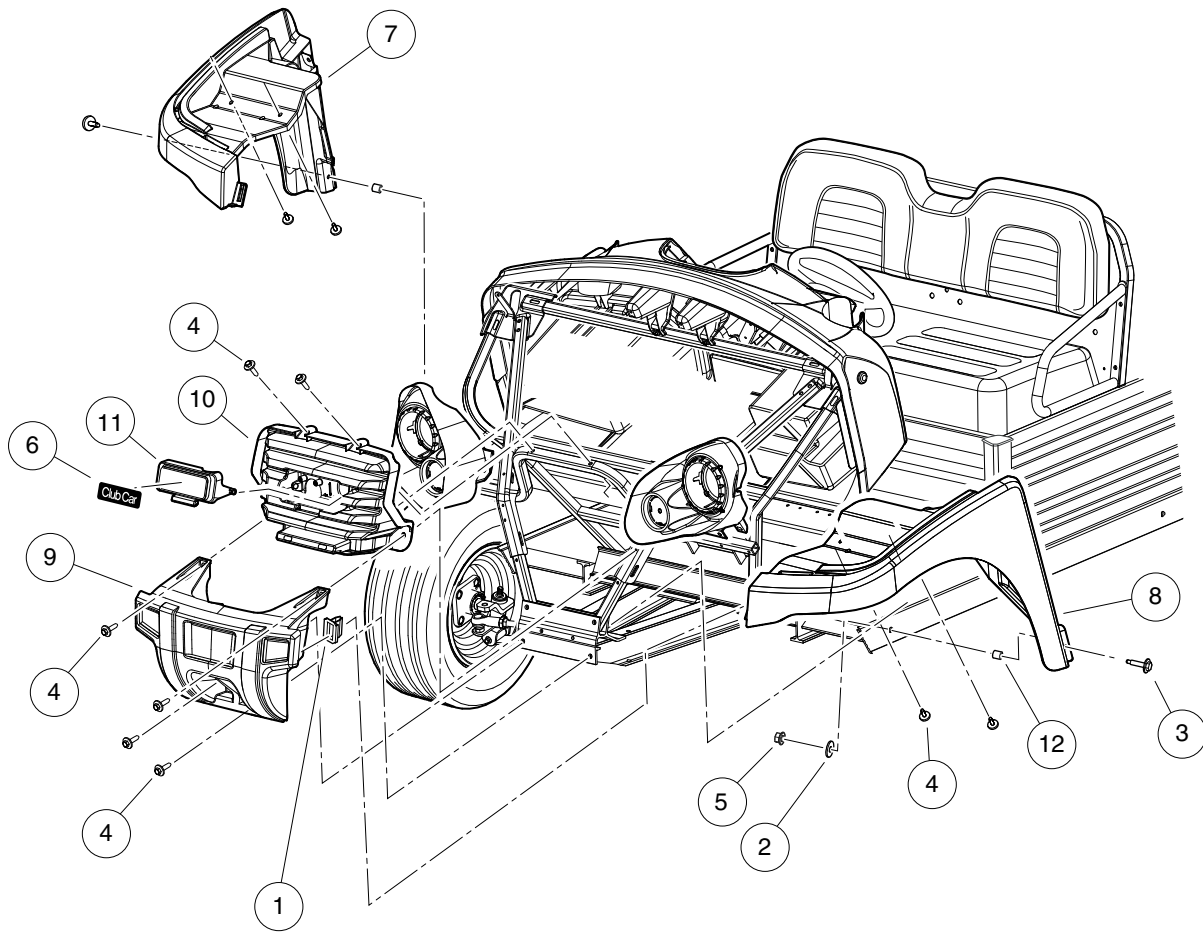
| ITEM | PART NO.         | DESCRIPTION                         | QTY |
|------|------------------|-------------------------------------|-----|
|      |                  | <b>1 2 3 4</b>                      |     |
| 1    | <u>105117701</u> | Paint, Touch-up, White .....        | 1   |
| 2    | <u>105117702</u> | Paint, Touch-up, Classic Blue ..... | 1   |
| 3    | <u>105117703</u> | Paint, Touch-up, Dark Green .....   | 1   |
| 4    | <u>105117704</u> | Paint, Touch-up, Red .....          | 1   |
| 5    | <u>105117705</u> | Paint, Touch-up, Dark Gray .....    | 1   |
| 6    | <u>105117706</u> | Paint, Touch-up, Black .....        | 1   |
| 7    | <u>105117707</u> | Paint, Touch-up, Tan .....          | 1   |
| 8    | <u>105117708</u> | Paint, Touch-up, Bright Blue .....  | 1   |
| 9    | <u>105117709</u> | Paint, Touch-up, Titn Silver .....  | 1   |
| 10   | <u>105117710</u> | Paint, Touch-up, Light Gray .....   | 1   |

**1**

**E**

1

E



001300-004



# FRONT BUMPER, GRILLE, AND FENDERS

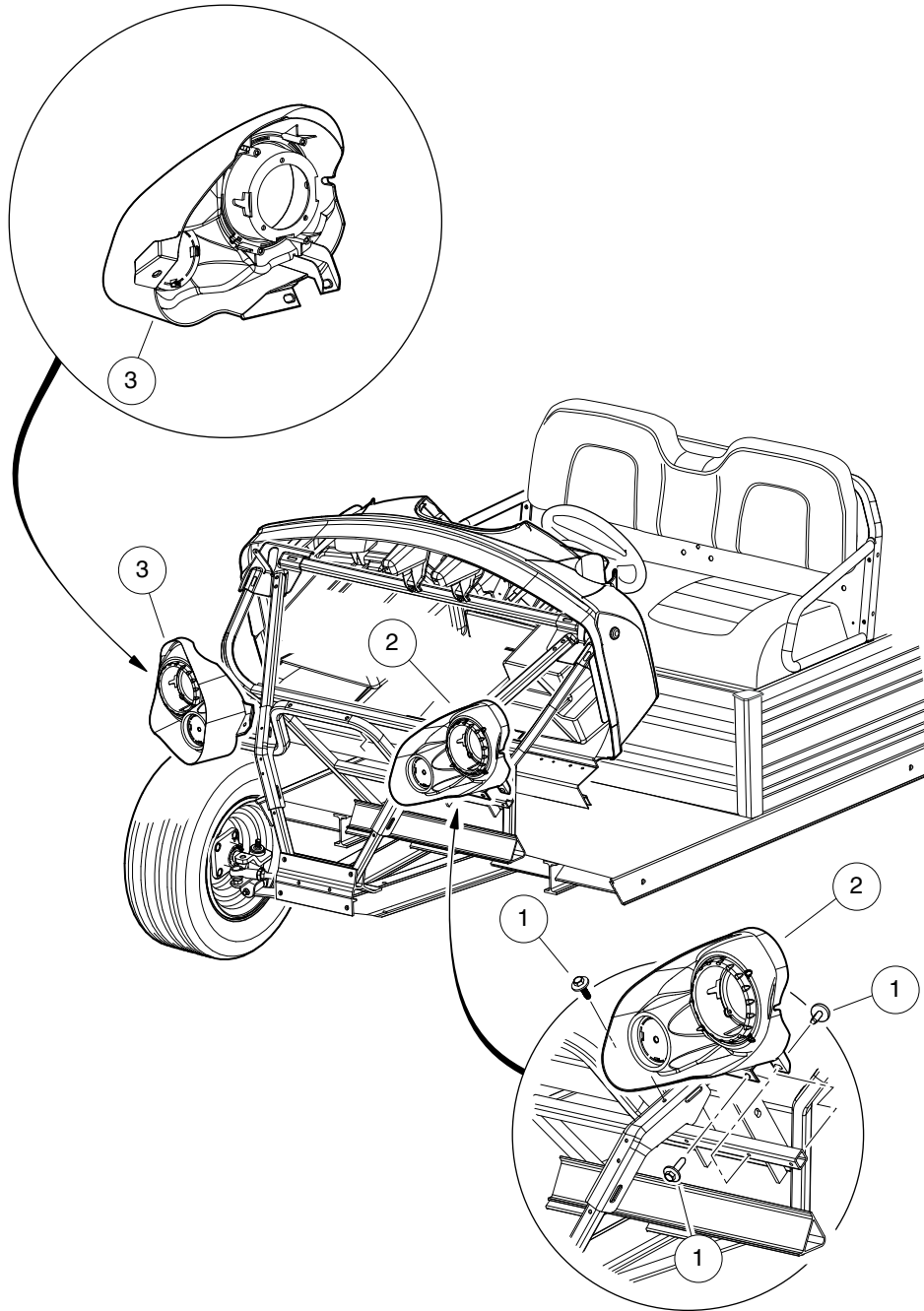
| ITEM | PART NO.         | DESCRIPTION                                    | QTY |
|------|------------------|--|-----|
|      |                  | 1 2 3 4  |     |
| 1    | <u>102292701</u> | Clip-body-trim .....                           | 2   |
| 2    | <u>102296301</u> | Washer, M6x18x1.6 Flat .....                   | 2   |
| 3    | <u>102296530</u> | Screw - M6 X 1.0 X 30 Sems .....               | 6   |
| 4    | <u>102297125</u> | Screw, M6-1.0x25.4, Thread-Forming, SEMS ..... | 8   |
| 5    | <u>102541501</u> | Nut-m6x1.0 Fl Mtl Lock,blk .....               | 2   |
| 6    | <u>102883601</u> | Decal, Nameplate, CCI, Front .....             | 1   |
| 7    | <u>105034401</u> | Fender, Front, Rh, Ca .....                    | 1   |
| 8    | <u>105034501</u> | Fender, Front, Lh, Ca .....                    | 1   |
| 9    | <u>105034601</u> | Bumper, Front, Plastic, Ca .....               | 1   |
| 10   | <u>105034701</u> | Grille, Ca .....                               | 1   |
| 11   | <u>105034801</u> | Door, Charger Port, Ca .....                   | 1   |
| 12   | <u>105036701</u> | Spacer, Frt Fender, Ca .....                   | 2   |

**1**

**E**

1

E



001300-005

# HEADLIGHT BEZELS

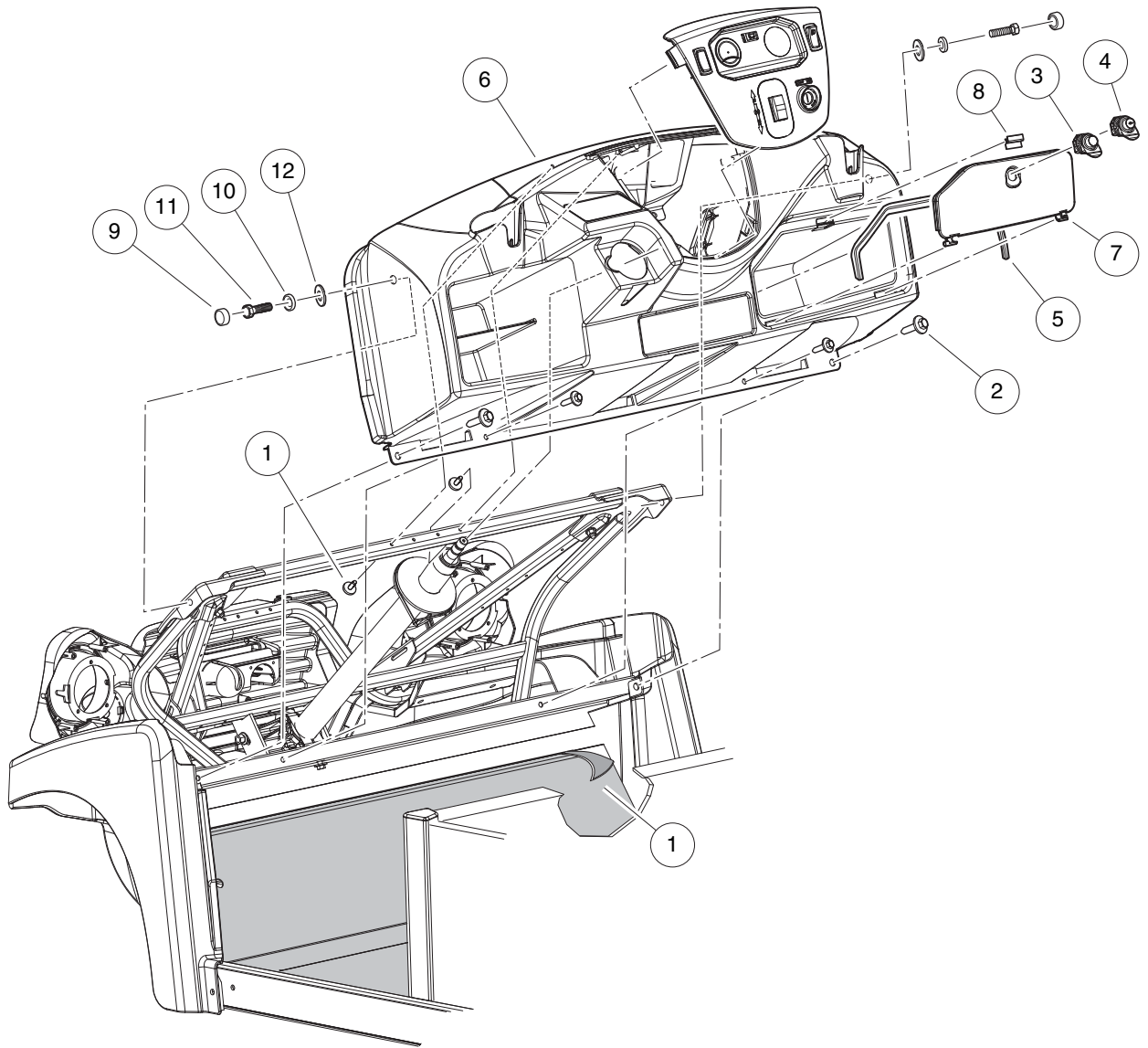
| ITEM | PART NO.         | DESCRIPTION                                    | QTY |
|------|------------------|--|-----|
|      |                  | 1 2 3 4  |     |
| 1    | <u>102297125</u> | Screw, M6-1.0x25.4, Thread-Forming, SEMS ..... | 6   |
| 2    | <u>105034901</u> | Bezel, Hl, Lh, Ca .....                        | 1   |
| 3    | <u>105035001</u> | Bezel, Hl, Rh, Ca .....                        | 1   |

**1**

**E**

1

E



001300-006

# DASH, GLOVEBOX DOOR, AND FLOORMAT

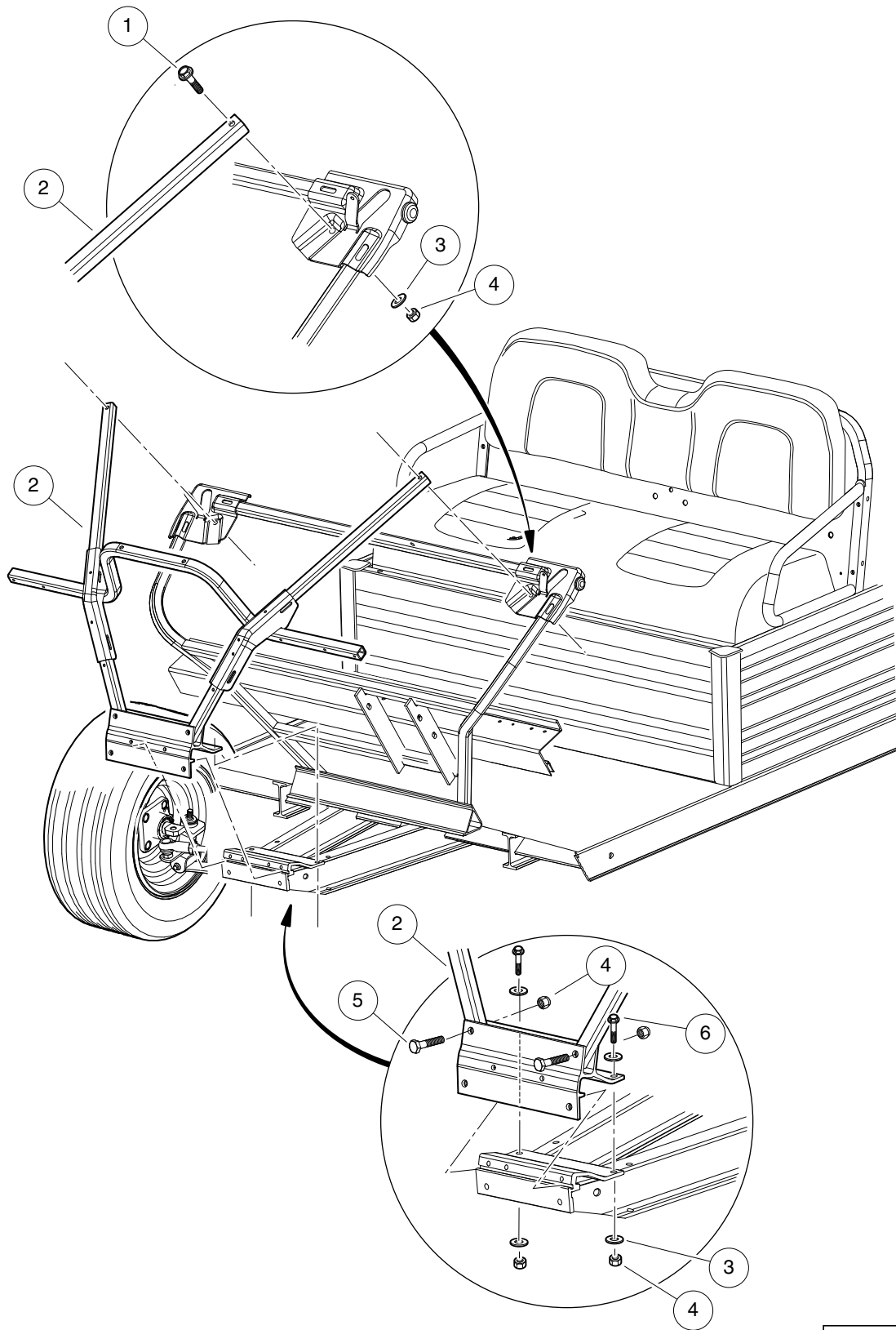
| ITEM | PART NO.         | DESCRIPTION                                    | QTY |
|------|------------------|--|-----|
|      |                  | 1 2 3 4  |     |
| 1    | <u>101503202</u> | Floormat .....                                 | 1   |
| 2    | <u>102297125</u> | Screw, M6-1.0x25.4, Thread-Forming, SEMS ..... | 6   |
| 3    | <u>103182701</u> | Latch, Push Close .....                        | 1   |
| 4    | <u>103182702</u> | Latch, Push Close W/ Key .....                 | 1   |
| 5    | 103540203        | Seal, Bulb, 13 X 27 X 579 Mm .....             | 1   |
| 6    | <u>105034001</u> | Dash, Ca .....                                 | 1   |
| 7    | <u>105034201</u> | Door, Glove Box, Ca .....                      | 1   |
| 8    | <u>105035701</u> | Keeper, Latch, Ca .....                        | 1   |
| 9    | <u>105049201</u> | Cover, Bolt, Rh Series .....                   | 2   |
| 10   | <u>105049301</u> | Cover, Washer, Rhw Series .....                | 2   |
| 11   | 320              | Screw, 3/8-16 X 1.00 Hex-Head Cap .....        | 2   |
| 12   | <u>334</u>       | Washer, 3/8, Type A, Flat .....                | 2   |

**1**

**E**

**1**

**E**



001107-001

# FRONT FRAME, STANDARD

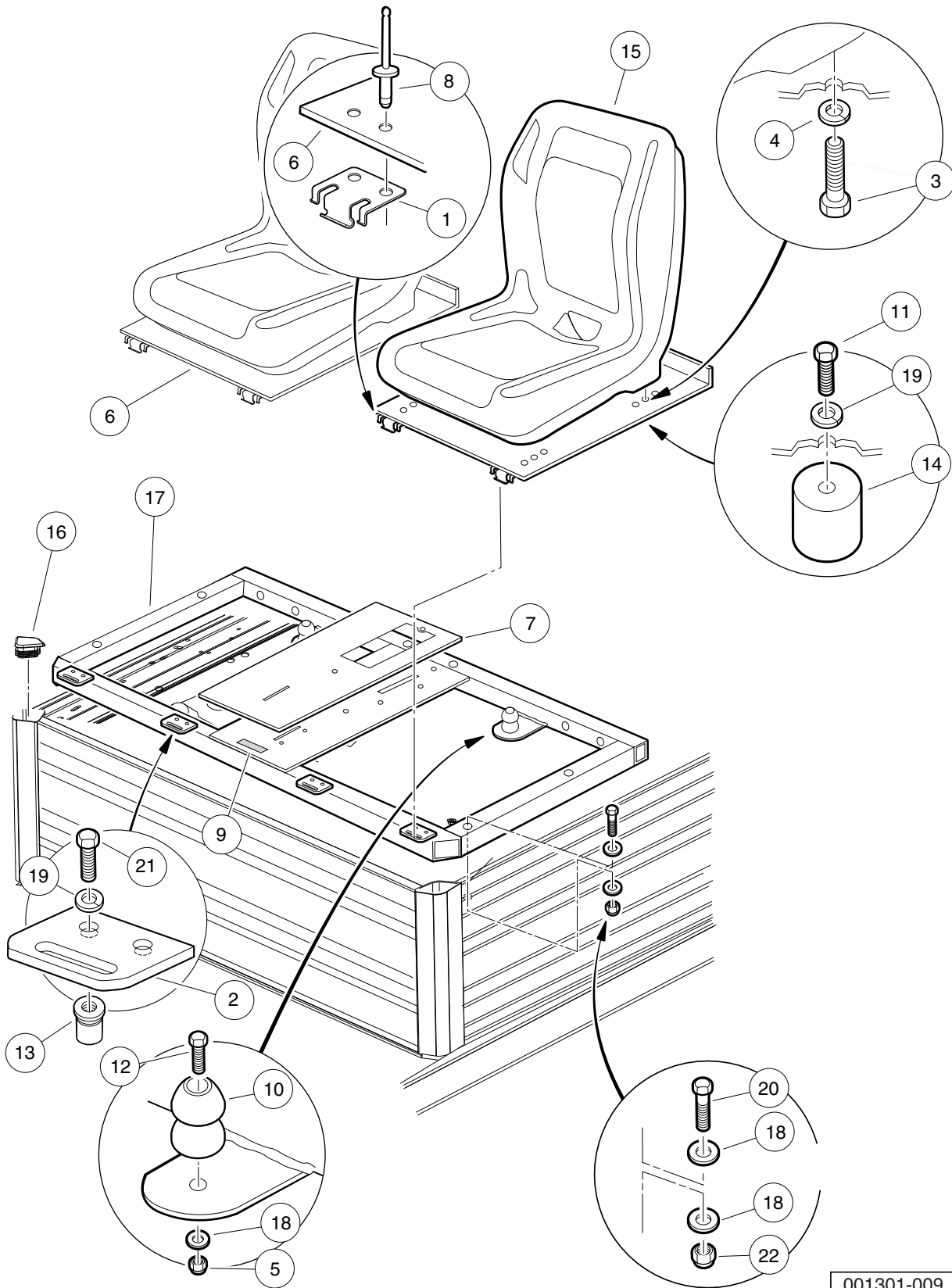
| ITEM | PART NO.         | DESCRIPTION                              | QTY |
|------|------------------|--|-----|
|      |                  | <b>1 2 3 4</b>                           |     |
| 1    | <u>1011937</u>   | Bolt, 5/16-18 X 1.25 Hex Head .....      | 2   |
| 2    | <u>105007001</u> | Weldment, Front, Util, Std .....         | 1   |
| 3    | <u>1241</u>      | Washer, 5/16 Type A Flat .....           | 6   |
| 4    | <u>7473</u>      | Locknut, 5/16-18 Nylon Insert .....      | 6   |
| 5    | <u>8935</u>      | Screw, 5/16-18 X 2.25 Hex-Head Cap ..... | 2   |
| 6    | <u>8963</u>      | Screw, 5/16-18 X 1.75 Hex-Head Cap ..... | 2   |

**1**

**E**

1

E



001301-009



# BUCKET SEATS AND FRAME

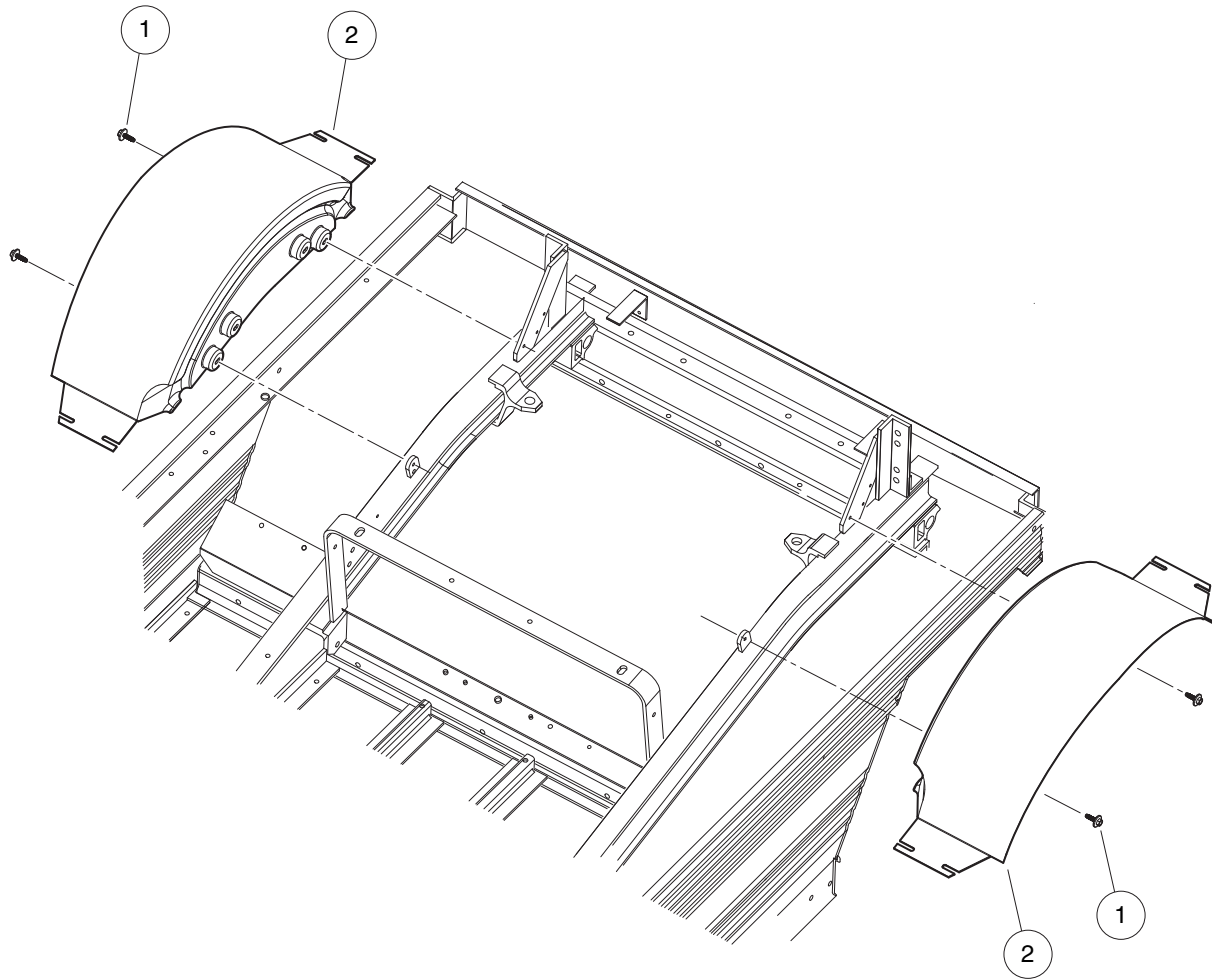
| ITEM | PART NO.         | DESCRIPTION                             | QTY |
|------|------------------|---|-----|
|      |                  | <b>1 2 3 4</b>                          |     |
| 1    | <u>1011652</u>   | Hinge Plate .....                       | 4   |
| 2    | <u>1012412</u>   | Body, Hinge Plate .....                 | 4   |
| 3    | <u>1012830</u>   | Screw, M8-125 X 22 Hex-Head .....       | 8   |
| 4    | <u>1013734</u>   | Lockwasher, 8mm Split .....             | 8   |
| 5    | <u>101887601</u> | Locknut, M6-1.00 Nylon Insert .....     | 2   |
| 6    | <u>102023701</u> | Pan, Seat .....                         | 2   |
| 7    | <u>102026401</u> | Console Cover .....                     | 1   |
| 8    | <u>102047001</u> | Rivet, 1/4 X .438 Blind .....           | 8   |
| 9    | <u>102056201</u> | 3M VHB Tape 4936 .....                  | 1   |
| 10   | <u>102059001</u> | Seat Holder Base .....                  | 2   |
| 11   | <u>102059401</u> | Screw, 6m-1.00 X 10mm Hex Head .....    | 2   |
| 12   | <u>102059501</u> | Screw, 6M-1.00 X 35mm, Hex Head .....   | 2   |
| 13   | <u>102060201</u> | 1/4 - 20 Threaded Insert .....          | 10  |
| 14   | <u>102061101</u> | Seat Holder Cup .....                   | 2   |
| 15   | <u>103267001</u> | Seat, Bucket, Gray .....                | 2   |
| 16   | <u>105006501</u> | Cap, Corner, Frame .....                | 2   |
| 17   | <u>105095701</u> | Asm, Bucket Seats, Support .....        | 1   |
| 18   | <u>332</u>       | Washer, 1/4 Type A Narrow Flat .....    | 10  |
| 19   | <u>451</u>       | Lockwasher, 1/4 Split .....             | 10  |
| 20   | <u>7311</u>      | Screw, 1/4-20 X 2.00 Hex-Head Cap ..... | 4   |
| 21   | <u>7847</u>      | Screw, 1/4-20 X 0.75 Hex-Head Cap ..... | 8   |
| 22   | <u>8233</u>      | Locknut, 1/4-20, Nylon Insert .....     | 4   |

**1**

**E**

1

E



001123-001

# INNER REAR FENDERS

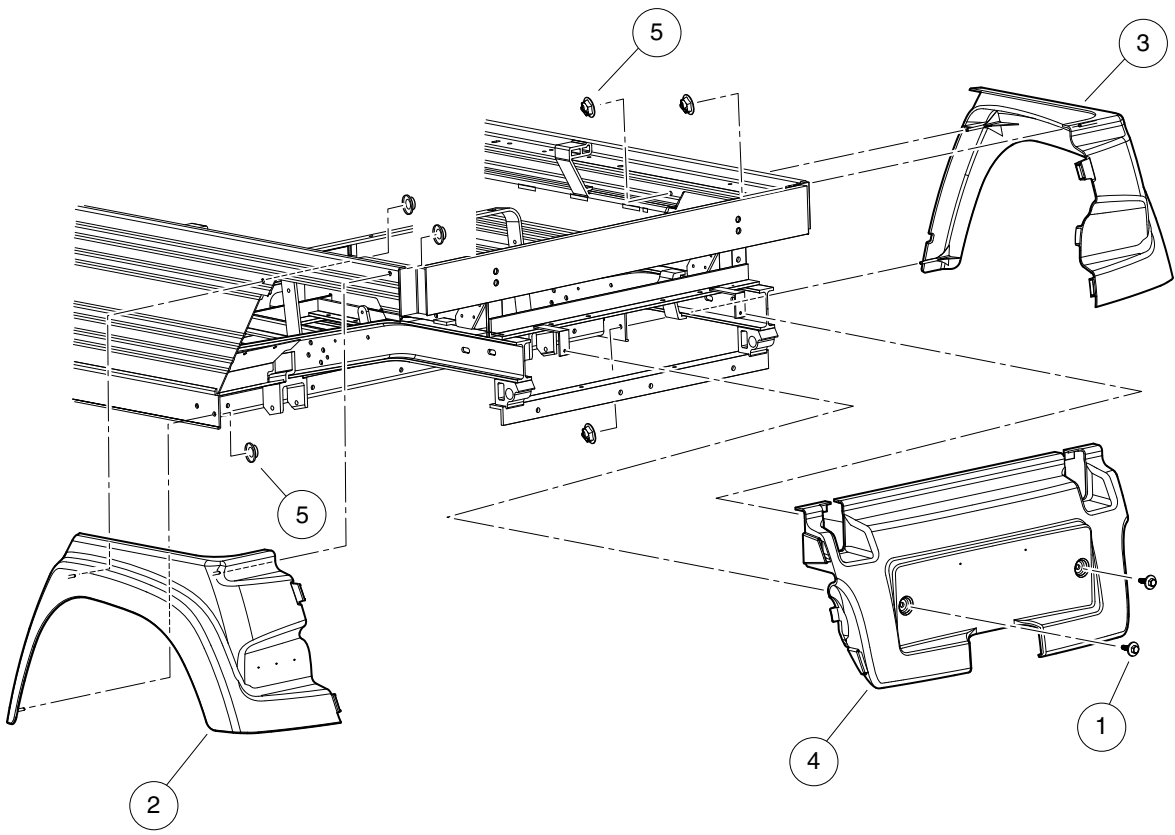
| ITEM | PART NO.         | DESCRIPTION   | QTY |
|------|------------------|---|-----|
| 1    | <u>102297125</u> | 1 2 3 4<br>Screw, M6-1.0x25.4, Thread-Forming, SEMS ..... | 4   |
| 2    | <u>105035801</u> | Fender, Inner, Ca .....                                   | 2   |

**1**

**E**

1

E



001124-001

# REAR FENDERS AND TAIL SKIRT

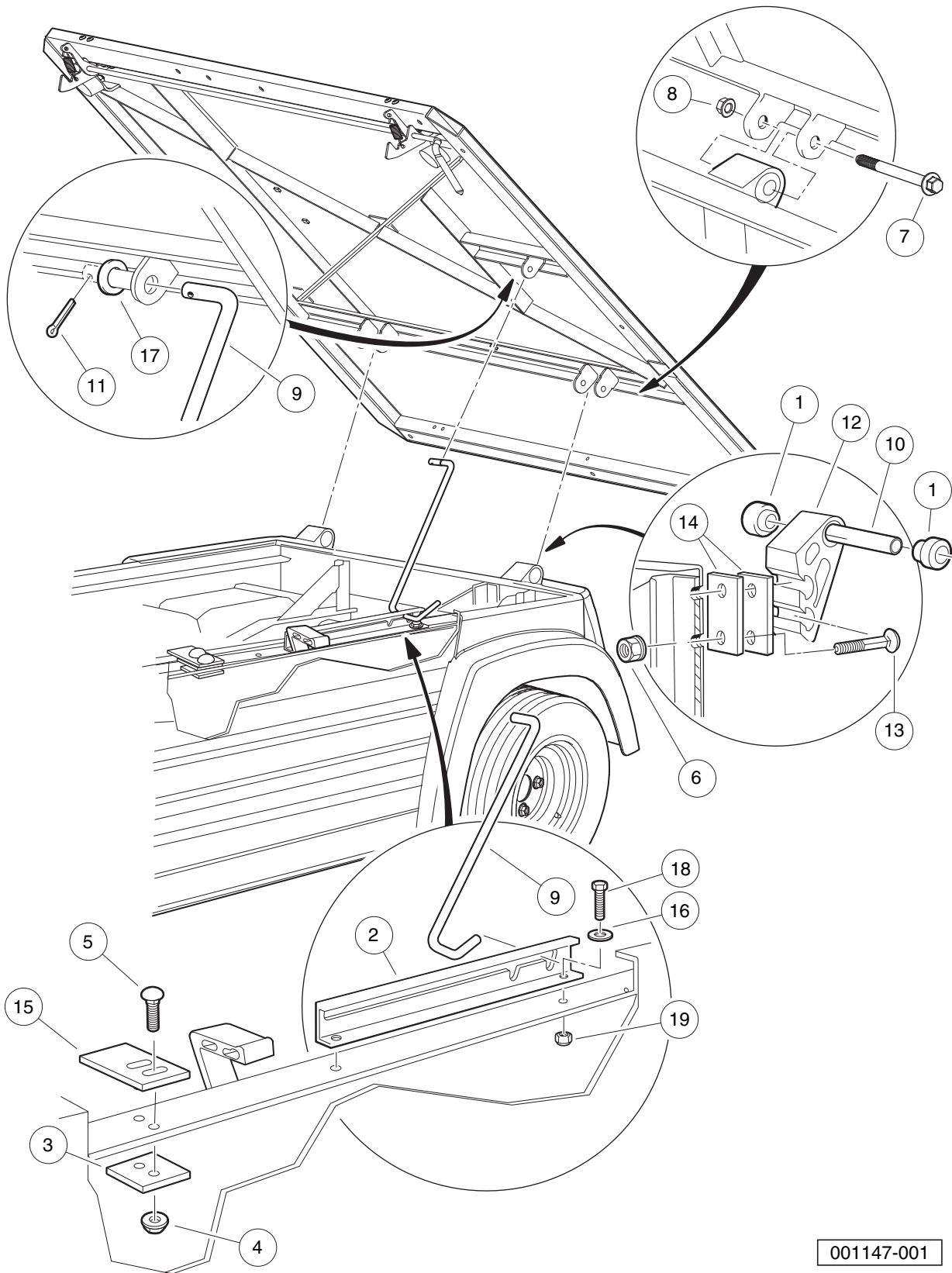
| ITEM | PART NO.         | DESCRIPTION                                    | QTY |
|------|------------------|--|-----|
|      |                  | 1 2 3 4  |     |
| 1    | <u>102297125</u> | Screw, M6-1.0x25.4, Thread-Forming, SEMS ..... | 2   |
| 2    | <u>105035101</u> | Fender, Rear, Lh, Ca .....                     | 1   |
| 3    | <u>105035201</u> | Fender, Rear, Rh, Ca .....                     | 1   |
| 4    | <u>105035301</u> | Tailskirt, Ca .....                            | 1   |
| 5    | <u>105066401</u> | Nut, Self Thread, 5x10x15 .....                | 6   |

**1**

**E**

1

E



001147-001

## BED HINGE, LATCH, AND PROP ROD – MEDIUM

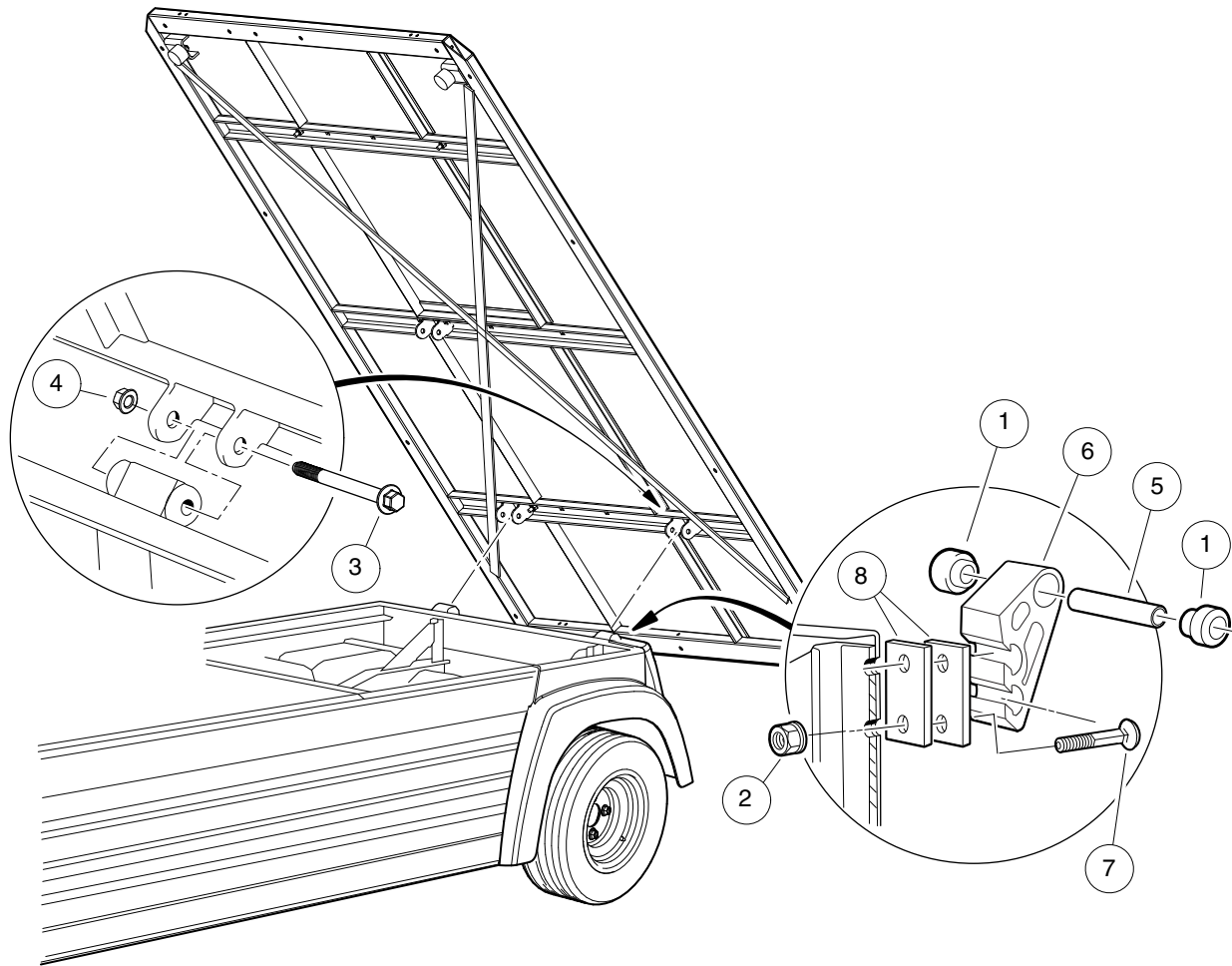
| ITEM | PART NO.         | DESCRIPTION                             | QTY |
|------|------------------|---|-----|
|      |                  | 1 2 3 4                                 |     |
| 1    | <u>1015583</u>   | Bushing, Urethane .....                 | 4   |
| 2    | <u>1015700</u>   | Track Prop Rod Ca li .....              | 1   |
| 3    | <u>1016060</u>   | Plate, Latch Support .....              | 2   |
| 4    | <u>101835601</u> | Locknut, 1/4-20 Hex Whiz .....          | 4   |
| 5    | <u>101958602</u> | Bolt, Carriage, 1/4-20 X 1.0 .....      | 4   |
| 6    | <u>102065901</u> | Locknut, 3/8-16 Flanged Dimple .....    | 4   |
| 7    | <u>102298185</u> | Bolt - Flange Hd, M8 X 85.0 .....       | 2   |
| 8    | <u>102298401</u> | Nut,m8,all Metal Lock .....             | 2   |
| 9    | <u>102301401</u> | Rod, Prop .....                         | 1   |
| 10   | <u>102506401</u> | Sleeve - Spring Eye Mounts .....        | 2   |
| 11   | <u>1035</u>      | Cotter Pin, 3/32 x 1 .....              | 1   |
| 12   | <u>103538701</u> | Bracket, Bed Hinge, Extruded .....      | 2   |
| 13   | <u>103539001</u> | 3/8-16 X 1.25 Carr Blt Gr5 Zn .....     | 4   |
| 14   | <u>103575801</u> | Shim, Bed Hinge, .125 Thick .....       | 4   |
| 15   | <u>105110801</u> | Plate, Latch, Ca .....                  | 2   |
| 16   | <u>332</u>       | Washer, 1/4 Type A Narrow Flat .....    | 2   |
| 17   | <u>334</u>       | Washer, 3/8, Type A, Flat .....         | 1   |
| 18   | <u>7479</u>      | Screw, 1/4-20 X 1.25 Hex-Head Cap ..... | 2   |
| 19   | <u>8233</u>      | Locknut, 1/4-20, Nylon Insert .....     | 2   |

**1**

**E**

1

E



001149-001



# TILT BED (LONG) HINGE – ELECTRIC VEHICLE

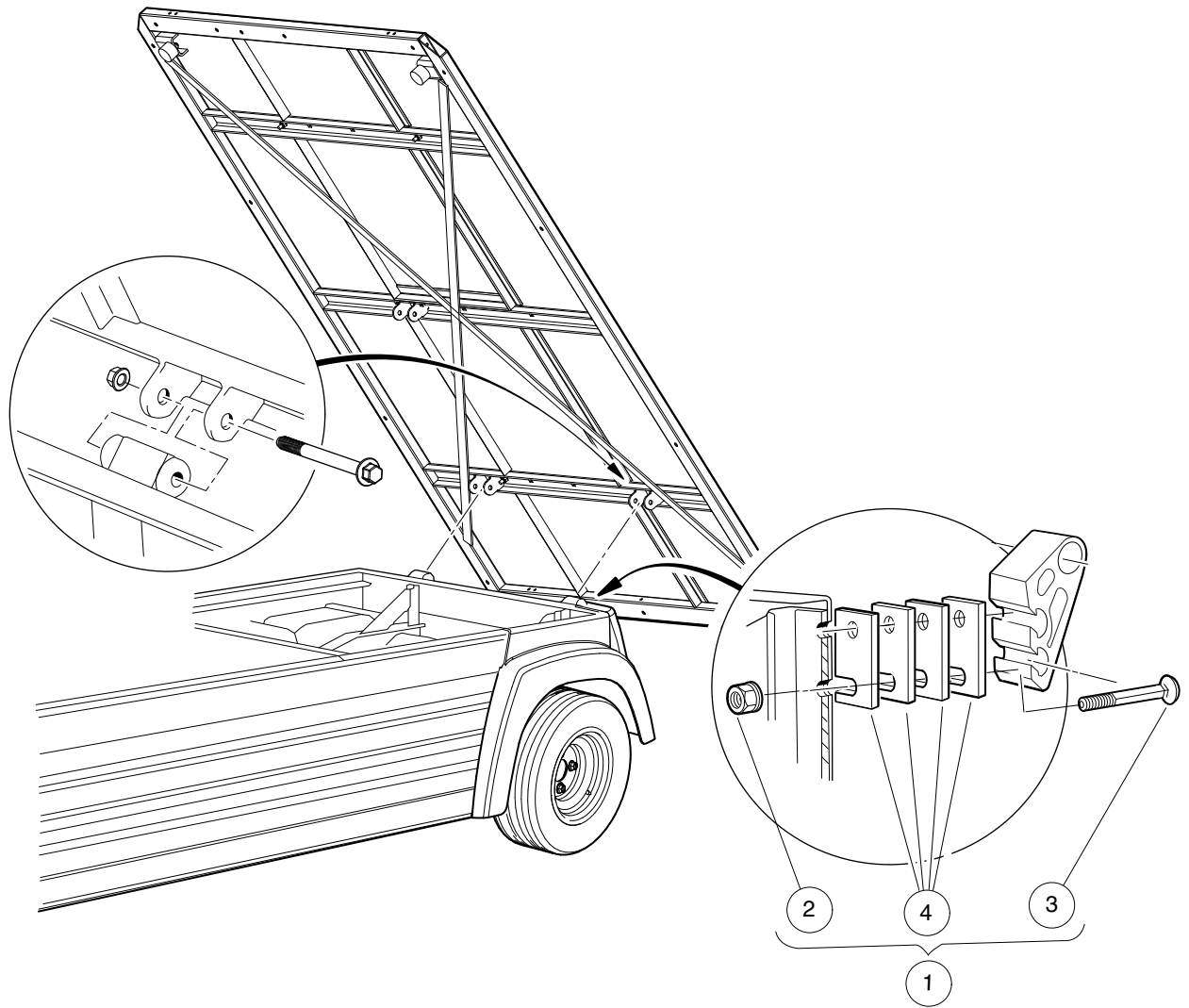
| ITEM | PART NO.         | DESCRIPTION                          | QTY |
|------|------------------|--------------------------------------|-----|
|      |                  | 1 2 3 4                              |     |
| 1    | <u>1015583</u>   | Bushing, Urethane .....              | 4   |
| 2    | <u>102065901</u> | Locknut, 3/8-16 Flanged Dimple ..... | 4   |
| 3    | <u>102298185</u> | Bolt - Flange Hd, M8 X 85.0 .....    | 2   |
| 4    | <u>102298401</u> | Nut,m8,all Metal Lock .....          | 2   |
| 5    | <u>102506401</u> | Sleeve - Spring Eye Mounts .....     | 2   |
| 6    | <u>103538701</u> | Bracket, Bed Hinge, Extruded .....   | 2   |
| 7    | <u>103539002</u> | 3/8-16 X 1.75 Carr Blt Gr5 Zn .....  | 4   |
| 8    | <u>103575801</u> | Shim, Bed Hinge, .125 Thick .....    | 4   |

**1**

**E**

1

E



001149-004

# LONG BED HINGE SPACER KIT – VEHICLE WITH CAB

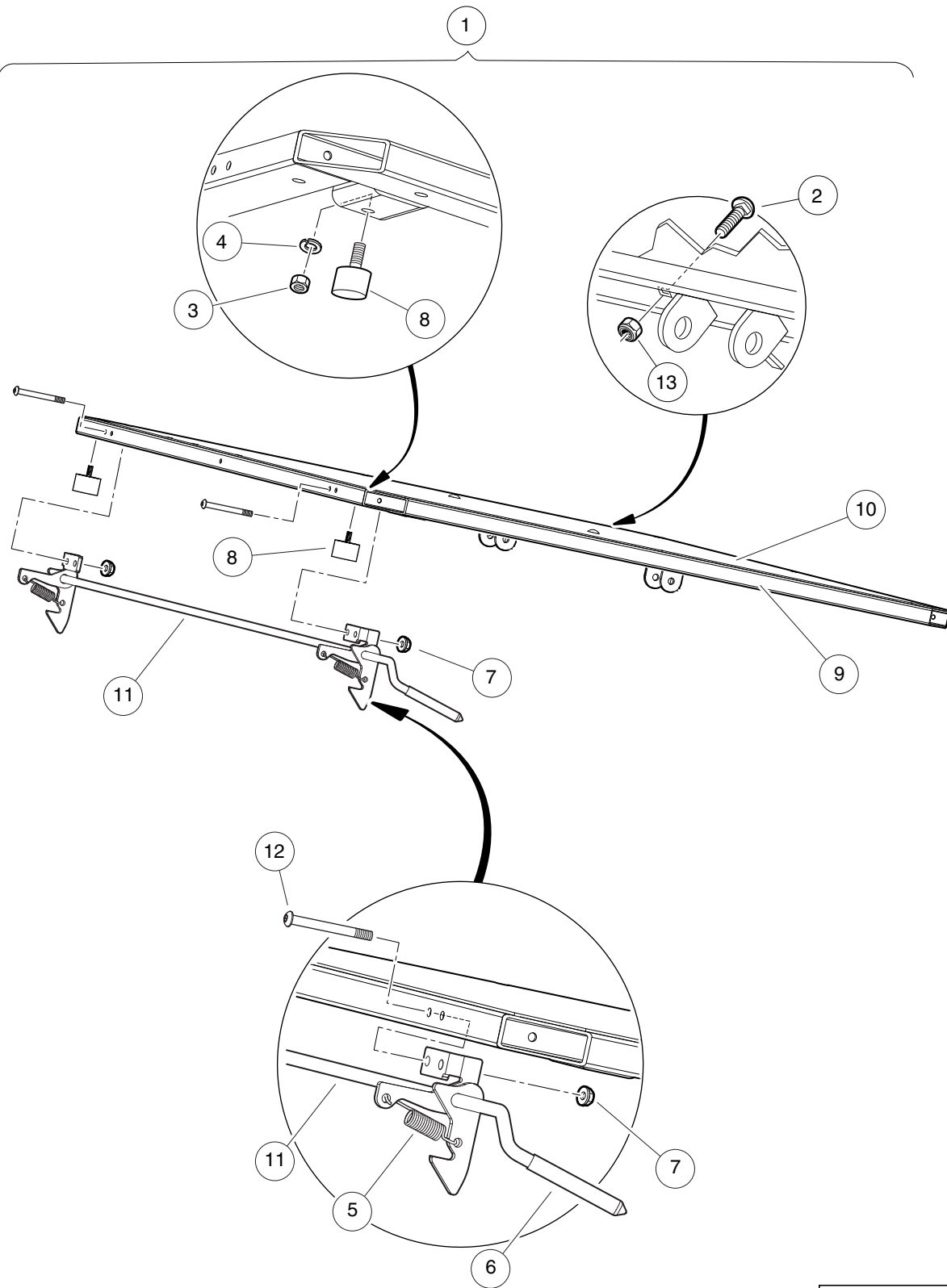
| ITEM | PART NO.         | DESCRIPTION   | QTY |
|------|------------------|---|-----|
|      |                  | 1 2 3 4   |     |
| 1    | <u>105298002</u> | Kit, Extra Shims W/ Hardware (includes items 2 through 4) ..... | 1   |
| 2    | <u>102065901</u> | Locknut, 3/8-16 Flanged Dimple .....                            | 4   |
| 3    | <u>103539002</u> | 3/8-16 X 1.75 Carr Blt Gr5 Zn .....                             | 4   |
| 4    | <u>103575801</u> | Shim, Bed Hinge, .125 Thick .....                               | 4   |

**1**

**E**

1

E



001148-001

# TILT BED AND BED LATCH – MEDIUM

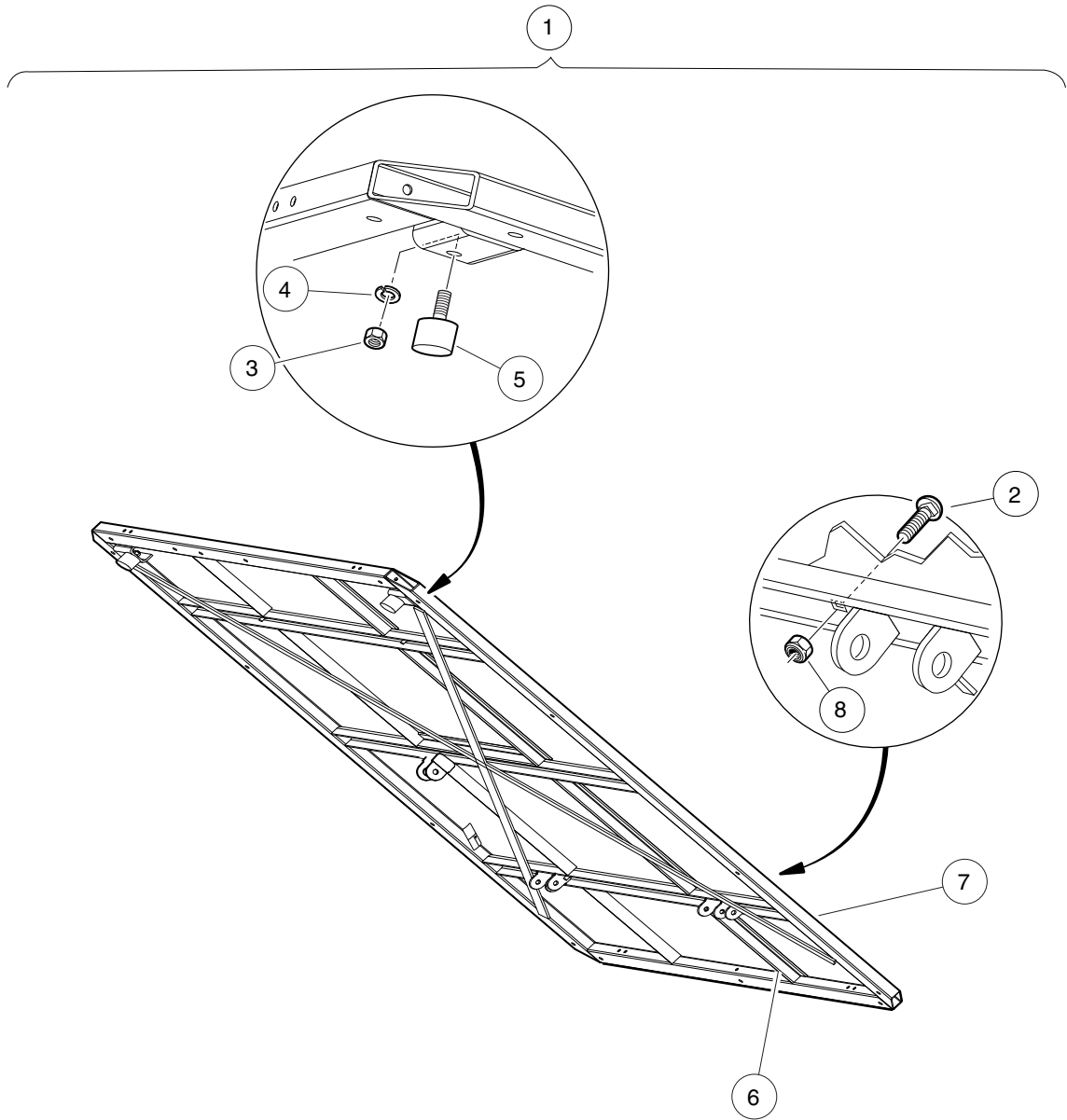
| ITEM | PART NO.         | DESCRIPTION   | QTY |
|------|------------------|---|-----|
|      |                  | <b>1 2 3 4</b>  |     |
| 1    | <u>105197101</u> | Kit, Bed Floor, Med (includes items 2 through 13) ..... | 1   |
| 2    | <u>101043502</u> | Bolt, Carriage, 5/16-18x1 blk .....                     | 4   |
| 3    | <u>1012528</u>   | Nut, M8-1.25 Hex .....                                  | 2   |
| 4    | <u>1013734</u>   | Lockwasher, 8mm Split .....                             | 2   |
| 5    | <u>1015391</u>   | Extension, Spring Latch .....                           | 2   |
| 6    | <u>1015400</u>   | Grip, Tilt Latch Hand .....                             | 1   |
| 7    | <u>1015661</u>   | Nut, Lock Hx Flanged 1/4-20 .....                       | 4   |
| 8    | <u>105036601</u> | Bumper, Bedfloor, Ca .....                              | 2   |
| 9    | N/A              | Frame, Weldmnt, Bed, Medium .....                       | 1   |
| 10   | N/A              | Plate, Floor, Bed, Rhino, Med .....                     | 1   |
| 11   | <u>105169101</u> | Weldment, Bed Latch, CA .....                           | 1   |
| 12   | <u>105194101</u> | 1/4-20 X 2.5, Bhcs, 6-lobe .....                        | 1   |
| 13   | <u>7473</u>      | Locknut, 5/16-18 Nylon Insert .....                     | 4   |

**1**

**E**

1

E



001151-001

# TILT BED – LONG

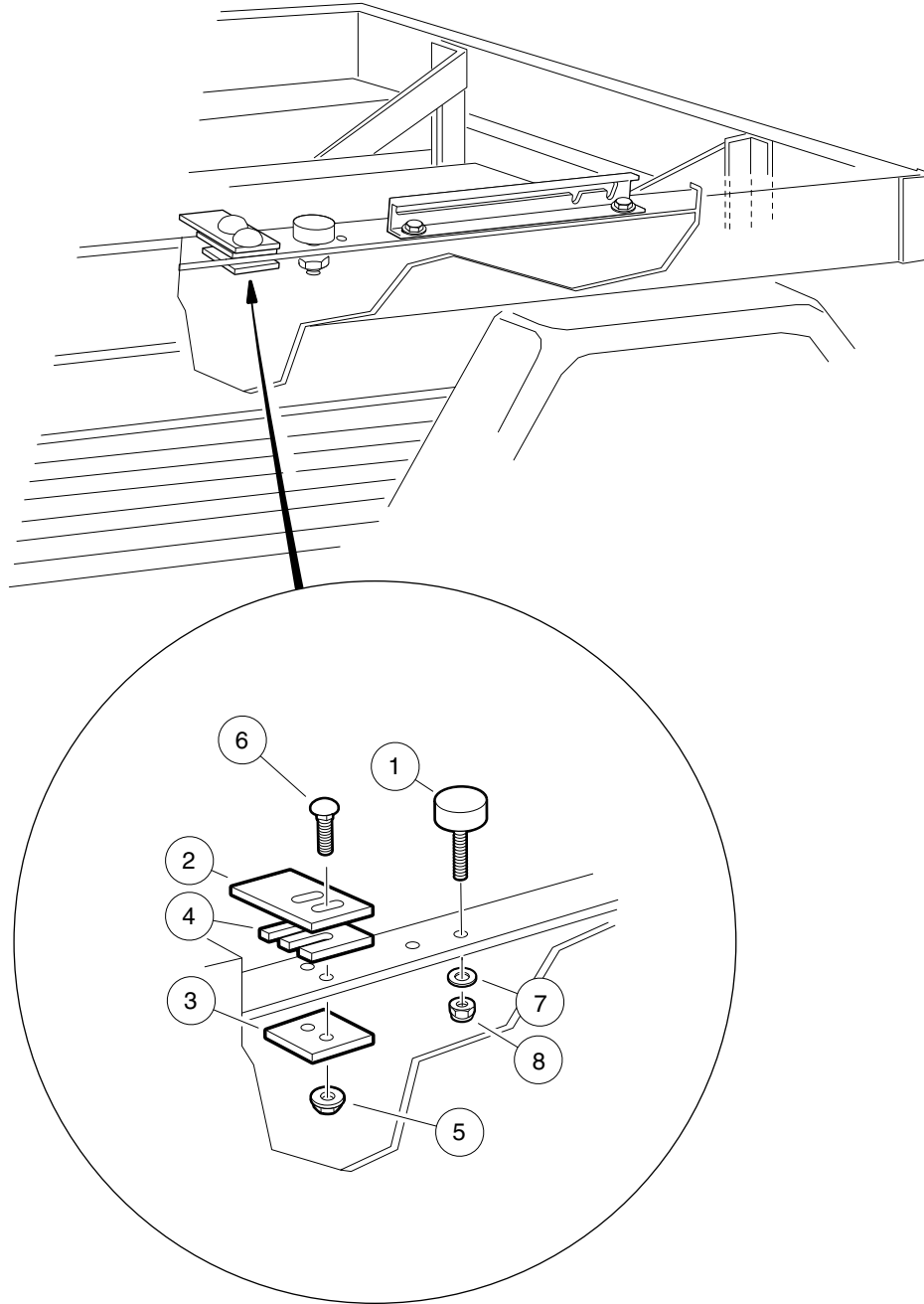
| ITEM | PART NO.         | DESCRIPTION   | QTY |
|------|------------------|---|-----|
|      |                  | <b>1 2 3 4</b>  |     |
| 1    | <u>105197201</u> | Kit, Bed Floor, Long (includes items 2 through 8) ..... | 1   |
| 2    | <u>101043502</u> | Bolt, Carriage, 5/16-18x1 blk .....                     | 4   |
| 3    | <u>1012528</u>   | Nut, M8-1.25 Hex .....                                  | 2   |
| 4    | <u>1013734</u>   | Lockwasher, 8mm Split .....                             | 2   |
| 5    | <u>105036601</u> | Bumper, Bedfloor, Ca .....                              | 2   |
| 6    | N/A              | Frame, Weldmnt, Bed, Long .....                         | 1   |
| 7    | N/A              | Plate, Flr, Bed Utl, Lng Rhino .....                    | 1   |
| 8    | <u>7473</u>      | Locknut, 5/16-18 Nylon Insert .....                     | 4   |

**1**

**E**

1

E



000258-002



# LATCH PLATE

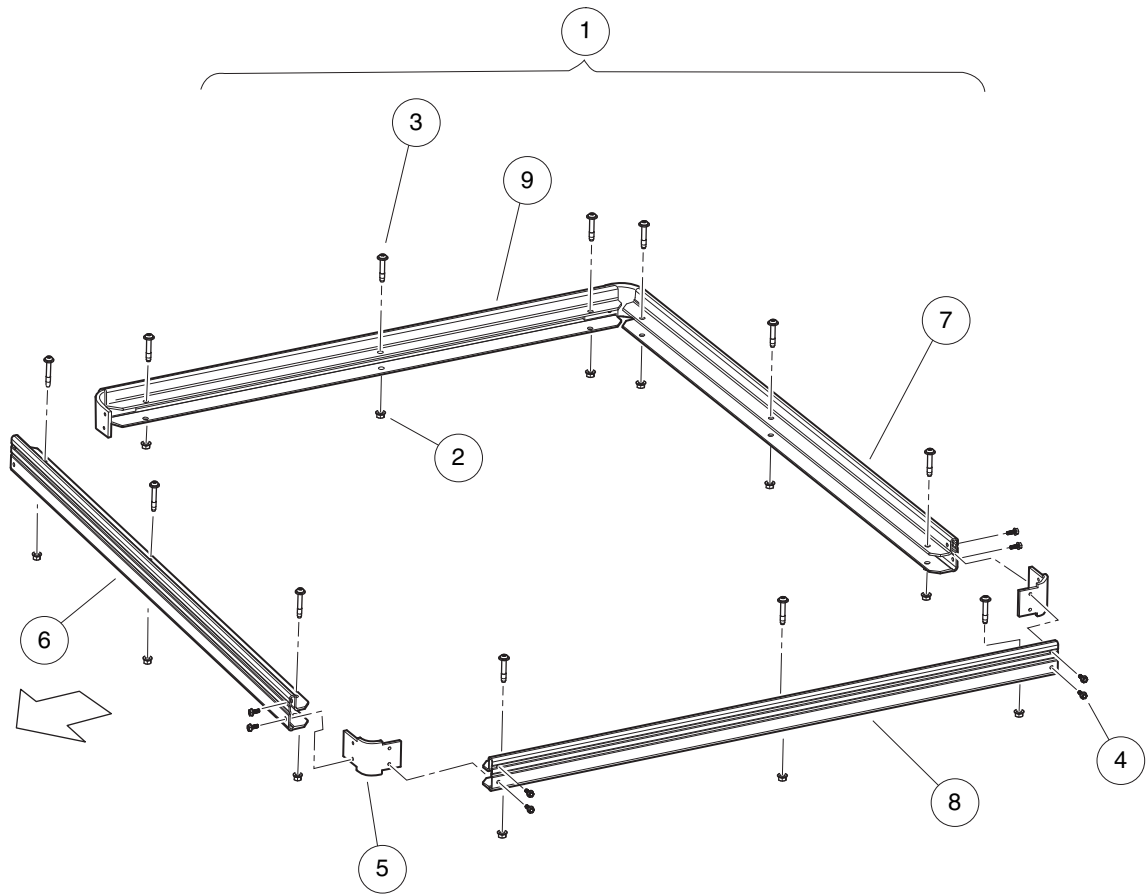
| ITEM | PART NO.         | DESCRIPTION                          | QTY |
|------|------------------|--------------------------------------|-----|
|      |                  | <b>1 2 3 4</b>                       |     |
| 1    | <u>1010878</u>   | Bumper, Rubber .....                 | 2   |
| 2    | <u>1015277</u>   | Latch Plate, Tilt Bed .....          | 2   |
| 3    | <u>1016060</u>   | Plate, Latch Support .....           | 2   |
| 4    | <u>1016078</u>   | Latch Plate Shim .....               | 1   |
| 5    | <u>101835601</u> | Locknut, 1/4-20 Hex Whiz .....       | 4   |
| 6    | <u>101958601</u> | Carriage Bolt, 1/4-20 X 0.75 .....   | 4   |
| 7    | <u>332</u>       | Washer, 1/4 Type A Narrow Flat ..... | 4   |
| 8    | <u>8233</u>      | Locknut, 1/4-20, Nylon Insert .....  | 4   |

**1**

**E**

**1**

**E**



001126-001

# FLAT BED TRIM – MEDIUM

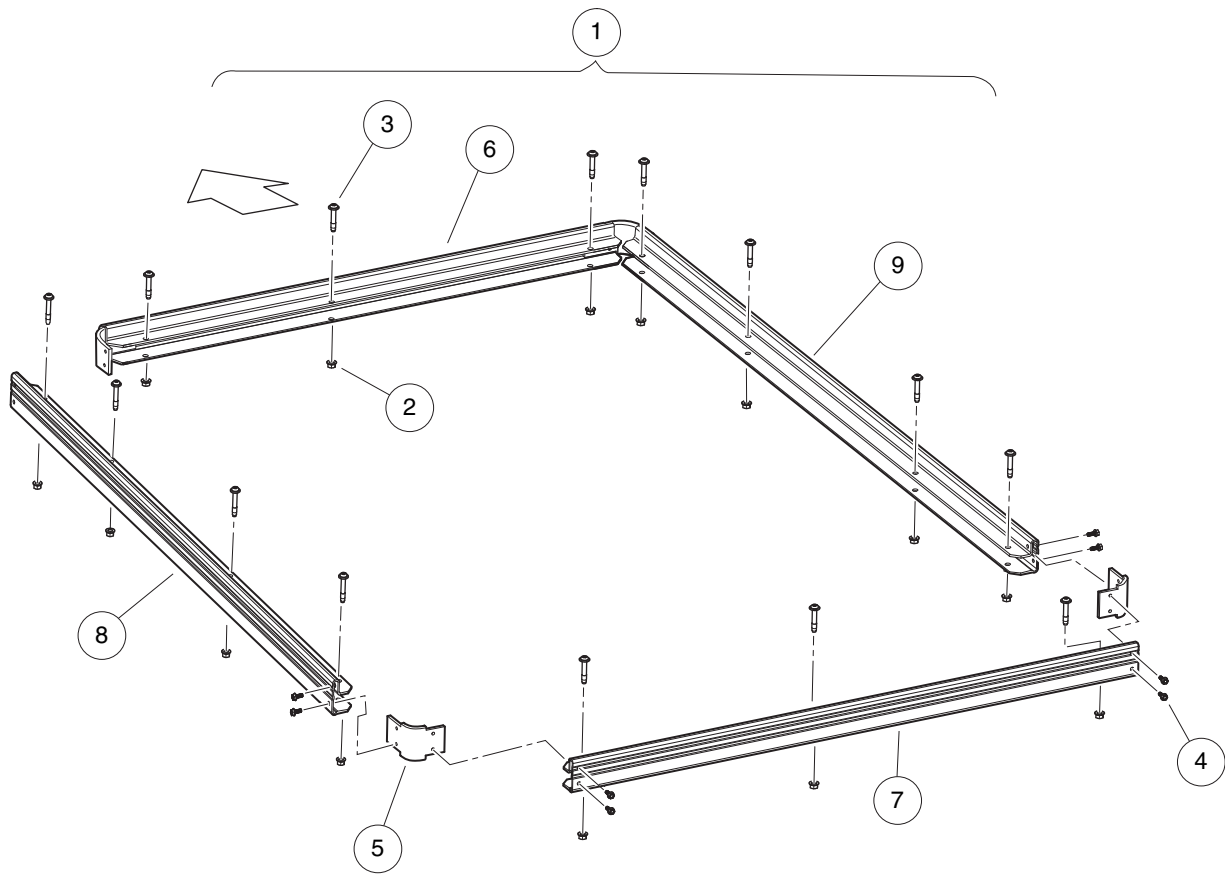
| ITEM | PART NO.         | DESCRIPTION  | QTY |
|------|------------------|--|-----|
|      |                  | <b>1 2 3 4</b>   |     |
| 1    | 105122205        | Kit, Flat Trim, Ca, Med (includes items 2 through 9) ..... | 1   |
| 2    | <u>102298401</u> | Nut,m8,all Metal Lock .....                                | 12  |
| 3    | <u>102299550</u> | Screw,m8x50,sems,tx,bttn,plt .....                         | 12  |
| 4    | <u>105185701</u> | Pan Head Screw, M6 X 16 Tt .....                           | 16  |
| 5    | <u>105185801</u> | Bracket,Bed Corner,CA .....                                | 4   |
| 6    | <u>105194801</u> | Trim, Bed, Cntr, Front .....                               | 1   |
| 7    | <u>105194802</u> | Trim, Bed, Cntr, Rear .....                                | 1   |
| 8    | <u>105194901</u> | Trim, Bed, Medium, Lh .....                                | 1   |
| 9    | <u>105194902</u> | Trim, Bed, Medium, Rh .....                                | 1   |

**1**

**E**

1

E



001127-001

# FLAT BED TRIM – LONG

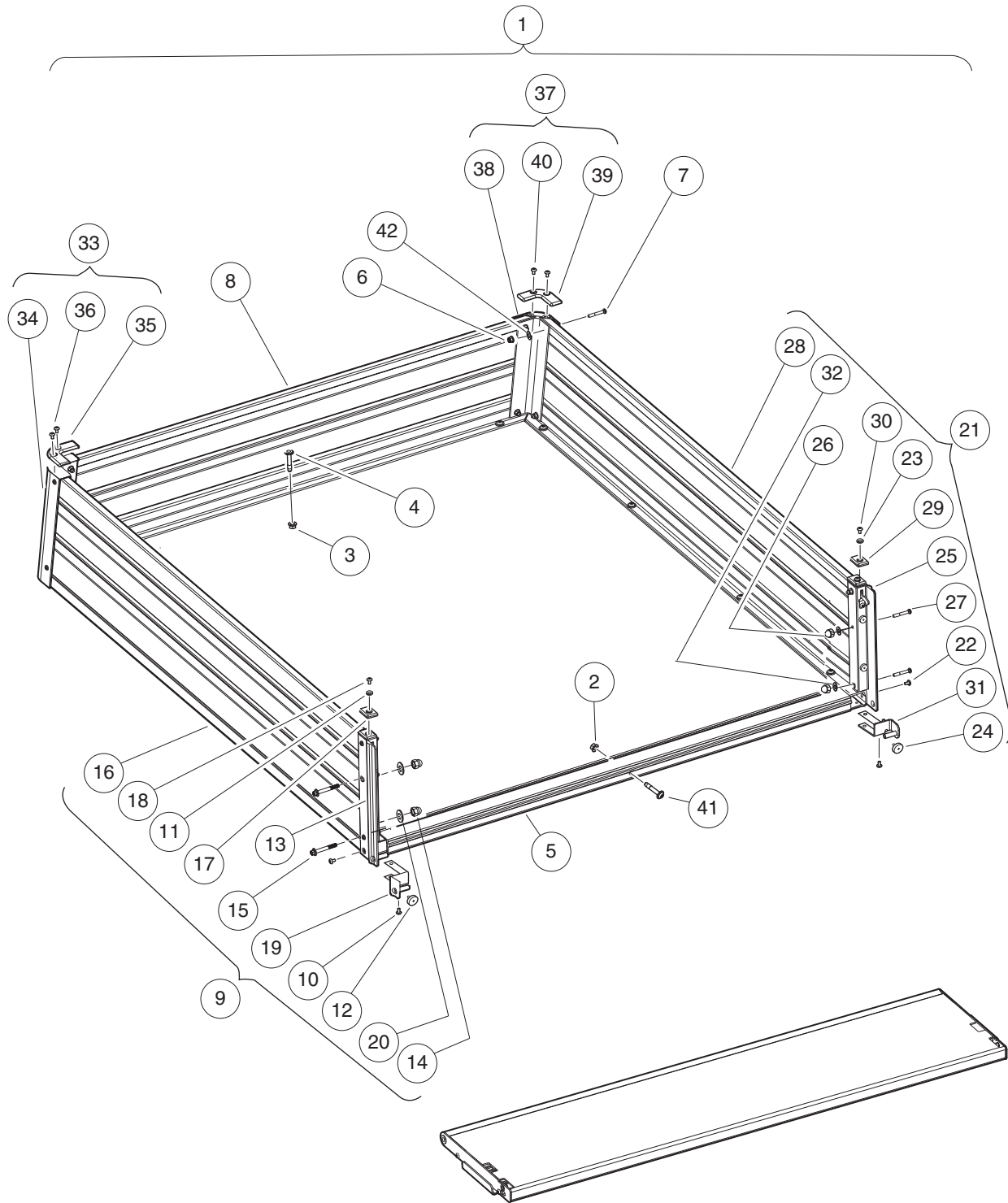
| ITEM | PART NO.         | DESCRIPTION   | QTY |
|------|------------------|---|-----|
|      |                  | <b>1 2 3 4</b>  |     |
| 1    | <u>105122206</u> | Kit, Flat Trim, Ca, Long (includes items 2 through 9) ..... | 1   |
| 2    | <u>102298401</u> | Nut,m8,all Metal Lock .....                                 | 14  |
| 3    | <u>102299550</u> | Screw,m8x50,sems,tx,bttn,plt .....                          | 14  |
| 4    | <u>105185701</u> | Pan Head Screw, M6 X 16 Tt .....                            | 16  |
| 5    | <u>105185801</u> | Bracket,Bed Corner,CA .....                                 | 4   |
| 6    | <u>105194801</u> | Trim, Bed, Cntr, Front .....                                | 1   |
| 7    | <u>105194802</u> | Trim, Bed, Cntr, Rear .....                                 | 1   |
| 8    | <u>105195001</u> | Trim, Bed, Lng, Lh .....                                    | 1   |
| 9    | <u>105195002</u> | Trim, Bed, Lng, Rh .....                                    | 1   |

**1**

**E**

1

E



001134-004

## CARGO BOX KIT – MEDIUM (PAGE 1 OF 2)

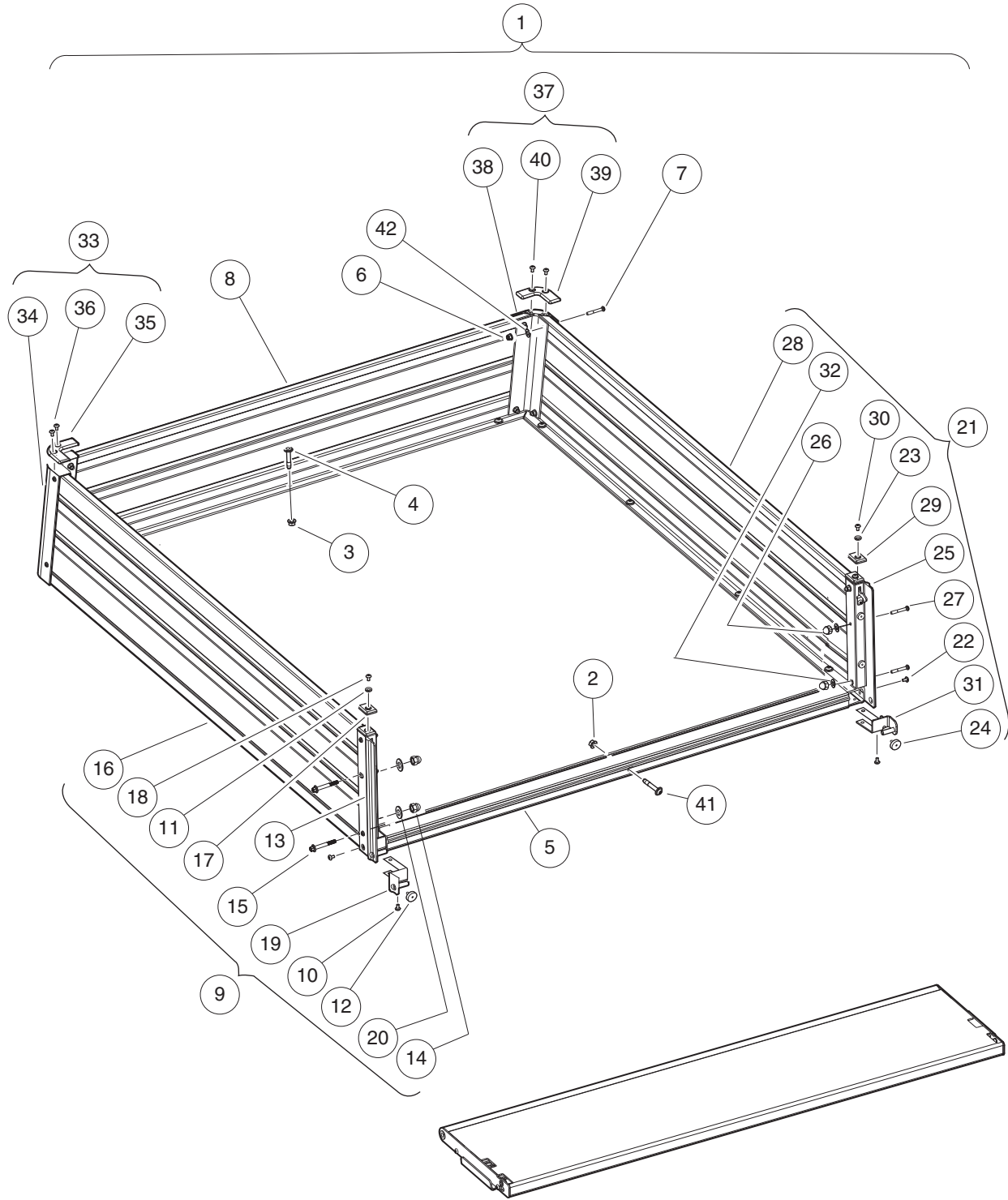
| ITEM | PART NO.           | DESCRIPTION   | QTY |
|------|--------------------|---|-----|
|      |                    | 1 2 3 4   |     |
| 1    | <u>105122105</u>   | Kit, Cargo Box, Med (includes items 2 through 42) .....         | 1   |
| 2    | <u>1015661</u>     | Nut, Lock Hx Flanged 1/4-20 .....                               | 3   |
| 3    | <u>102298401</u>   | Nut, M8, All Metal Lock .....                                   | 9   |
| 4    | <u>102299550</u>   | Screw,m8x50,sems,tx,bttn,plt .....                              | 9   |
| 5    | <u>105192301</u>   | Extr, Bed, Cargo, Rear .....                                    | 1   |
| 6    | <u>105192901</u>   | Nut, Acorn, M6, Lock, Silver .....                              | 8   |
| 7    | <u>105193001</u>   | Screw, 6 Lobe, M6 X 35 .....                                    | 8   |
| 8    | <u>105194601</u>   | Panel, Cargo Box, Frt .....                                     | 1   |
| 9    | <u>105200702</u>   | Asm, Cargo Box, DS, Medium (includes items 10 through 20) ..... | 1   |
| 10   | <u>1014321</u>     | Screw, #10 Truss-Head Torx .....                                | 1   |
| 11   | <u>1016</u>        | Lockwasher, #10 Split .....                                     | 1   |
| 12   | <u>102590801</u>   | Bumper, Rubber .....  | 1   |
| 13   | <u>105127401</u>   | Asm, Latch, Tailgate, Lh .....                                  | 1   |
| 14   | <u>105192901</u>   | Nut, Acorn, M6, Lock, Silver .....                              | 2   |
| 15   | <u>105193001</u>   | Screw, 6 Lobe, M6 X 35 .....                                    | 2   |
| 16   | <u>105194402</u>   | Panel, Cargo Box, Lh, Med .....                                 | 1   |
| 17   | <u>105196201</u>   | Cap, Corner, Rear, Cargo Bed .....                              | 1   |
| 18   | <u>105205201</u>   | Screw, 10-24 X .36, St Torx .....                               | 1   |
| 19   | <u>47563313001</u> | Weldment, Pivot, Tailgate, Lh .....                             | 1   |
| 20   | <u>96705199</u>    | Washer, M6 .....  | 2   |
| 21   | <u>105200802</u>   | Asm, Cargo Box, PS, Medium (includes items 22 through 32) ..... | 1   |
| 22   | <u>1014321</u>     | Screw, #10 Truss-Head Torx .....                                | 1   |
| 23   | <u>1016</u>        | Lockwasher, #10 Split .....                                     | 1   |
| 24   | <u>102590801</u>   | Bumper, Rubber .....  | 1   |
| 25   | <u>105127402</u>   | Asm, Latch, Tailgate, Rh .....                                  | 1   |
| 26   | <u>105192901</u>   | Nut, Acorn, M6, Lock, Silver .....                              | 2   |
| 27   | <u>105193001</u>   | Screw, 6 Lobe, M6 X 35 .....                                    | 2   |
| 28   | N/A                | Panel, Cargo Box, Rh Med .....                                  | 1   |
| 29   | <u>105196201</u>   | Cap, Corner, Rear, Cargo Bed .....                              | 1   |
| 30   | <u>105205201</u>   | Screw, 10-24 X .36, St Torx .....                               | 1   |
| 31   | <u>47563313002</u> | Weldment, Pivot, Tailgate, Rh .....                             | 1   |
| 32   | <u>96705199</u>    | Washer, M6 .....  | 2   |
| 33   | <u>105200901</u>   | Asm, Cargo Box,Corner,DS (includes items 34 through 36) .....   | 1   |
| 34   | N/A                | Extr, Bed Corner, Lh .....                                      | 1   |
| 35   | <u>105196101</u>   | Cap, Corner, Frt, Cargo Bed .....                               | 1   |
| 36   | <u>105205201</u>   | Screw, 10-24 X .36, St Torx .....                               | 2   |
| 37   | <u>105201001</u>   | Asm,Cargo Box,Corner,PS (includes items 38 through 40) .....    | 1   |
| 38   | N/A                | Extr, Bed Corner, Rh .....                                      | 1   |
| 39   | <u>105196101</u>   | Cap, Corner, Frt, Cargo Bed .....                               | 1   |
| 40   | <u>105205201</u>   | Screw, 10-24 X .36, St Torx .....                               | 2   |
| 41   | <u>324</u>         | Screw, 1/4-20 X 2.50 Hx Hd Cap .....                            | 3   |
| 42   | <u>96705199</u>    | Washer, M6 .....  | 8   |

1

E

1

E



001134-004



# CARGO BOX KIT – LONG (PAGE 1 OF 2)

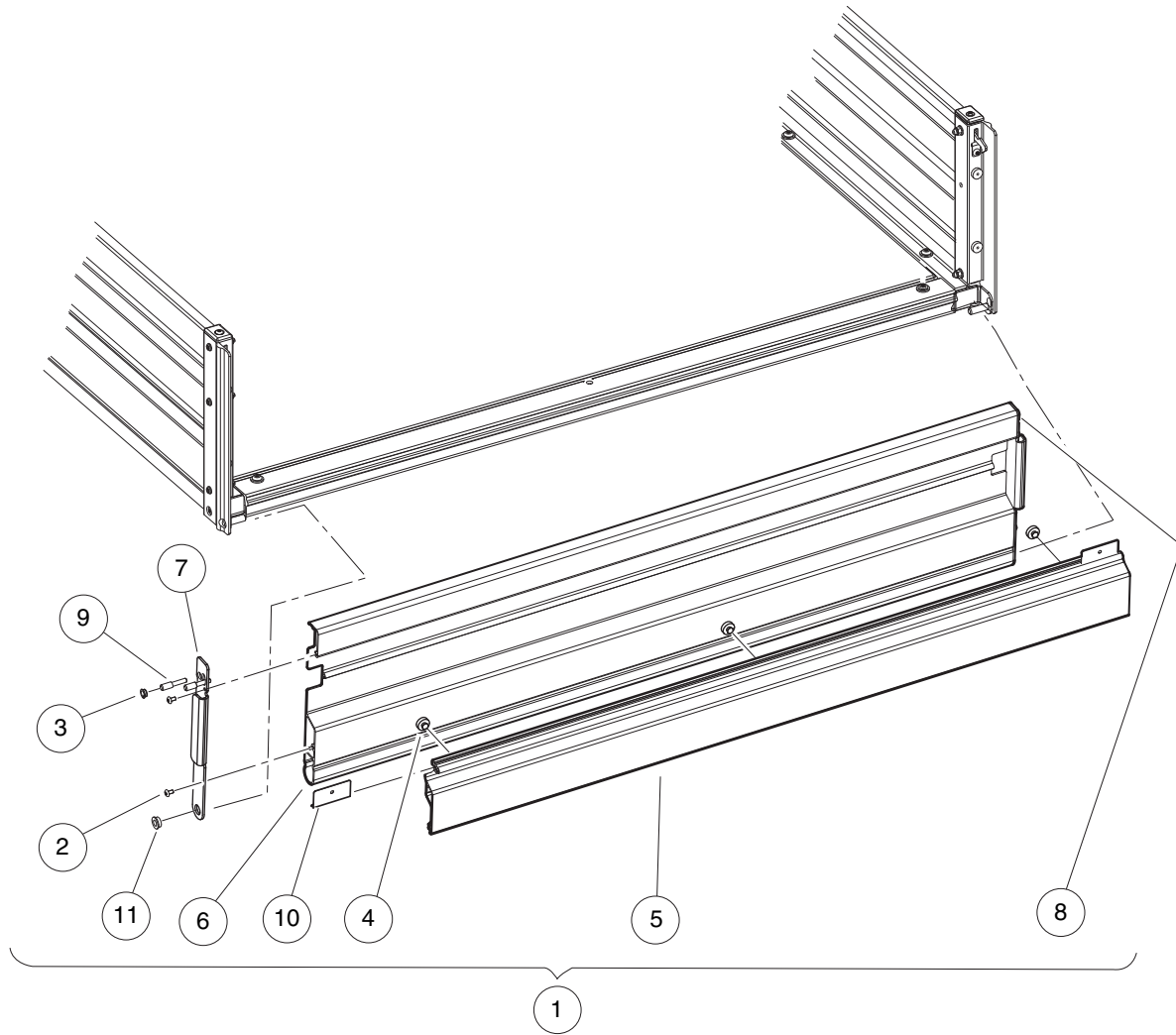
| ITEM | PART NO.           | DESCRIPTION   | QTY |
|------|--------------------|---|-----|
|      |                    | 1 2 3 4   |     |
| 1    | <u>105122106</u>   | Kit, Cargo Box, Long (includes items 2 through 42) .....      | 1   |
| 2    | <u>1015661</u>     | Nut, Lock Hx Flanged 1/4-20 .....                             | 3   |
| 3    | <u>102298401</u>   | Nut,m8,all Metal Lock .....                                   | 11  |
| 4    | <u>102299550</u>   | Screw,m8x50,sems,tx,bttn,plt .....                            | 11  |
| 5    | <u>105192301</u>   | Extr, Bed, Cargo, Rear .....                                  | 1   |
| 6    | <u>105192901</u>   | Nut, Acorn, M6, Lock, Silver .....                            | 8   |
| 7    | <u>105193001</u>   | Screw, 6 Lobe, M6 X 35 .....                                  | 8   |
| 8    | <u>105194601</u>   | Panel, Cargo Box, Frt .....                                   | 1   |
| 9    | <u>105200703</u>   | Asm, Cargo Box, DS, Long (includes items 10 through 20) ..... | 1   |
| 10   | <u>1014321</u>     | Screw, #10 Truss-Head Torx .....                              | 1   |
| 11   | <u>1016</u>        | Lockwasher, #10 Split .....                                   | 1   |
| 12   | <u>102590801</u>   | Bumper, Rubber .....  | 1   |
| 13   | <u>105127401</u>   | Asm, Latch, Tailgate, Lh .....                                | 1   |
| 14   | <u>105192901</u>   | Nut, Acorn, M6, Lock, Silver .....                            | 2   |
| 15   | <u>105193001</u>   | Screw, 6 Lobe, M6 X 35 .....                                  | 2   |
| 16   | N/A                | Panel, Cargo Box, Lh, Long .....                              | 1   |
| 17   | <u>105196201</u>   | Cap, Corner, Rear, Cargo Bed .....                            | 1   |
| 18   | <u>105205201</u>   | Screw, 10-24 X .36, St Torx .....                             | 1   |
| 19   | <u>47563313001</u> | Weldment, Pivot, Tailgate, Lh .....                           | 1   |
| 20   | <u>96705199</u>    | Washer, M6 .....  | 2   |
| 21   | <u>105200803</u>   | Asm, Cargo Box, PS, Long (includes items 22 through 32) ..... | 1   |
| 22   | <u>1014321</u>     | Screw, #10 Truss-Head Torx .....                              | 1   |
| 23   | <u>1016</u>        | Lockwasher, #10 Split .....                                   | 1   |
| 24   | <u>102590801</u>   | Bumper, Rubber .....  | 1   |
| 25   | <u>105127402</u>   | Asm, Latch, Tailgate, Rh .....                                | 1   |
| 26   | <u>105192901</u>   | Nut, Acorn, M6, Lock, Silver .....                            | 2   |
| 27   | <u>105193001</u>   | Screw, 6 Lobe, M6 X 35 .....                                  | 2   |
| 28   | N/A                | Panel, Cargo Box, Rh Long .....                               | 1   |
| 29   | <u>105196201</u>   | Cap, Corner, Rear, Cargo Bed .....                            | 1   |
| 30   | <u>105205201</u>   | Screw, 10-24 X .36, St Torx .....                             | 1   |
| 31   | <u>47563313002</u> | Weldment, Pivot, Tailgate, Rh .....                           | 1   |
| 32   | <u>96705199</u>    | Washer, M6 .....  | 2   |
| 33   | <u>105200901</u>   | Asm, Cargo Box,Corner,DS (includes items 34 through 36) ..... | 1   |
| 34   | N/A                | Extr, Bed Corner, Lh .....                                    | 1   |
| 35   | <u>105196101</u>   | Cap, Corner, Frt, Cargo Bed .....                             | 1   |
| 36   | <u>105205201</u>   | Screw, 10-24 X .36, St Torx .....                             | 2   |
| 37   | <u>105201001</u>   | Asm,Cargo Box,Corner,PS (includes items 38 through 40) .....  | 1   |
| 38   | N/A                | Extr, Bed Corner, Rh .....                                    | 1   |
| 39   | <u>105196101</u>   | Cap, Corner, Frt, Cargo Bed .....                             | 1   |
| 40   | <u>105205201</u>   | Screw, 10-24 X .36, St Torx .....                             | 2   |
| 41   | <u>324</u>         | Screw, 1/4-20 X 2.50 Hx Hd Cap .....                          | 3   |
| 42   | <u>96705199</u>    | Washer, M6 .....  | 12  |

1

E

1

E



001152-001

## CARGO BOX KIT (PAGE 2 OF 2)

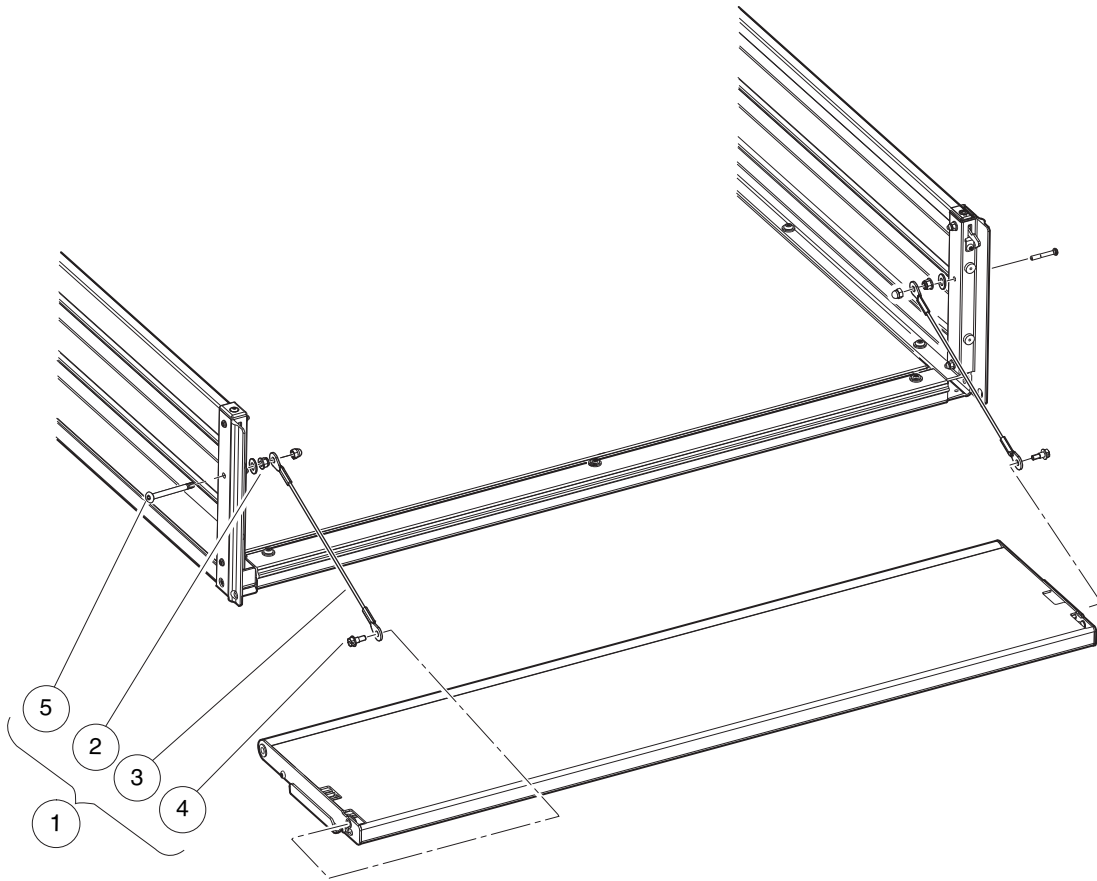
| ITEM | PART NO.         | DESCRIPTION  | QTY |
|------|------------------|--|-----|
|      |                  | 1 2 3 4  |     |
| 1    | <u>105128101</u> | Asm, Tailgate, Wide Handle (includes items 2 through 11) ..... | 1   |
| 2    | <u>1014321</u>   | Screw, #10 Truss-Head Torx .....                               | 4   |
| 3    | <u>1015363</u>   | Bushing, Snap-In .....   | 2   |
| 4    | <u>102590801</u> | Bumper, Rubber .....   | 3   |
| 5    | <u>105128201</u> | Handle, Tailgate, Wide .....                                   | 1   |
| 6    | N/A              | Panel, Tailgate, Wide .....                                    | 1   |
| 7    | <u>105130301</u> | Bracket, End, Tailgate, Lh .....                               | 1   |
| 8    | <u>105130302</u> | Bracket, End, Tailgate, Rh .....                               | 1   |
| 9    | <u>105130501</u> | Pin, Latch, Tailgate .....                                     | 4   |
| 10   | 105130601        | Spring, Handle, Tailgate .....                                 | 2   |
| 11   | <u>7049</u>      | Bushing, Nylon .....   | 2   |

**1**

**E**

1

E



001160-002

# TAILGATE TEATHER

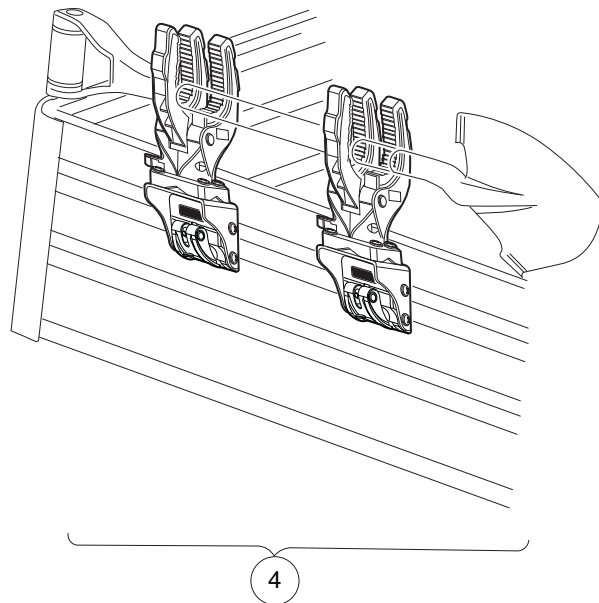
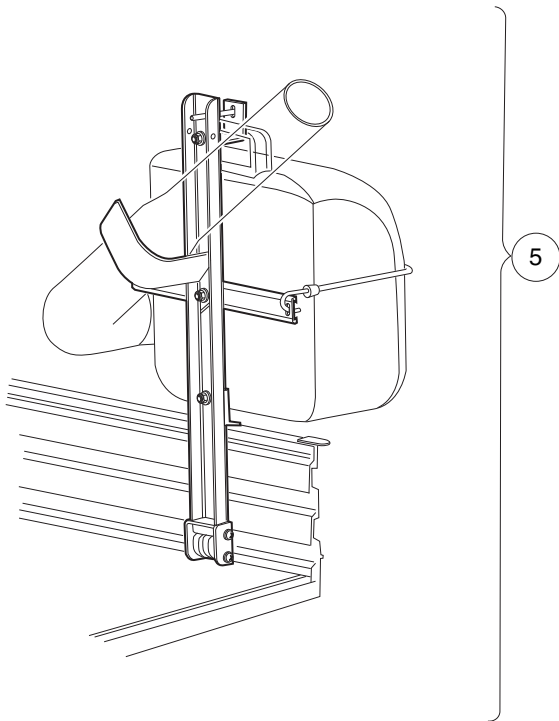
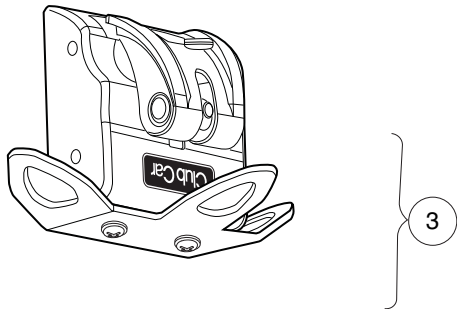
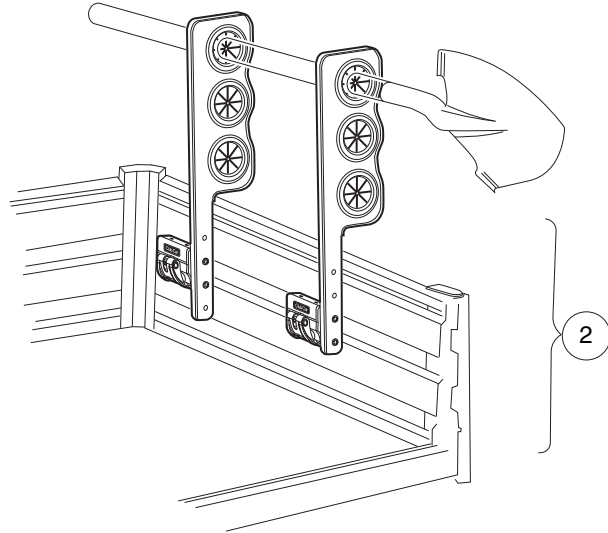
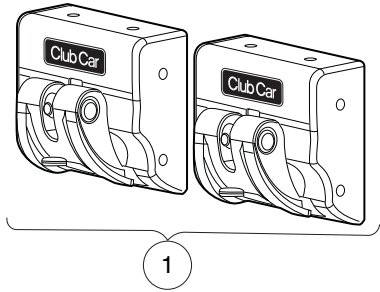
| ITEM | PART NO.         | DESCRIPTION  | QTY |
|------|------------------|--|-----|
|      |                  | <b>1 2 3 4</b>   |     |
| 1    | <u>105127302</u> | Kit, Tether, Tailgate (includes items 2 through 5) ..... | 1   |
| 2    | <u>102621501</u> | Nut, Flange, M6 X 1.0, Nylon .....                       | 2   |
| 3    | <u>105128001</u> | Cable, Tether, Tailgate .....                            | 2   |
| 4    | <u>105129901</u> | Screw, Shoulder, Self Thread .....                       | 2   |
| 5    | <u>105193101</u> | Screw, 6 Lobe, M6 X 50 .....                             | 2   |

**1**

**E**

1

E



001167-001

# MODULAR BED ACCESSORIES

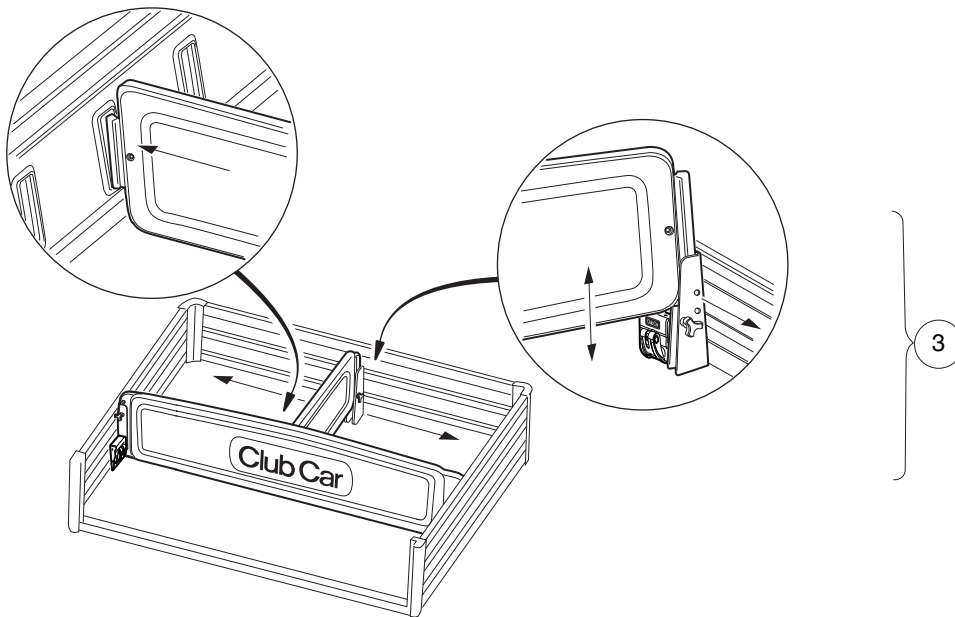
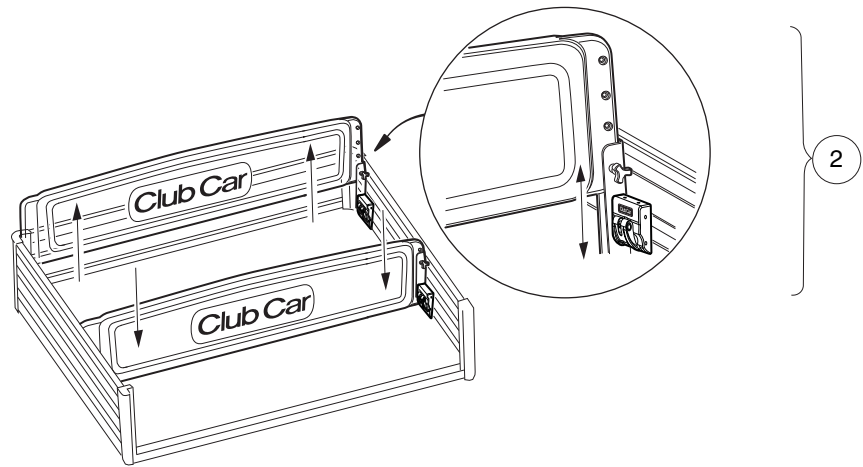
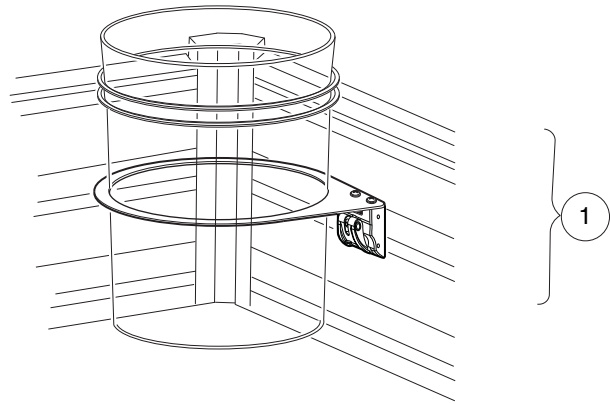
| ITEM   | PART NO.         | DESCRIPTION                    | QTY |
|--|------------------|--------------------------------|-----|
|  |                  | 1 2 3 4                        |     |
| 1  | <u>105160401</u> | Bed Clamp, Set .....           | 1   |
| 2  | <u>105160801</u> | Kit, Tool Rack .....           | 1   |
| 3  | <u>105160901</u> | Kit, Tie Down .....            | 1   |
| 4  | <u>105161101</u> | Kit, Static Grip .....         | 1   |
| 5  | <u>105161401</u> | Kit, Holder, Leaf Blower ..... | 1   |
| Note: Component part numbers unavailable at publication. |                  |                                |     |

**1**

**E**

1

E



001169-002



# MODULAR BED ACCESSORIES

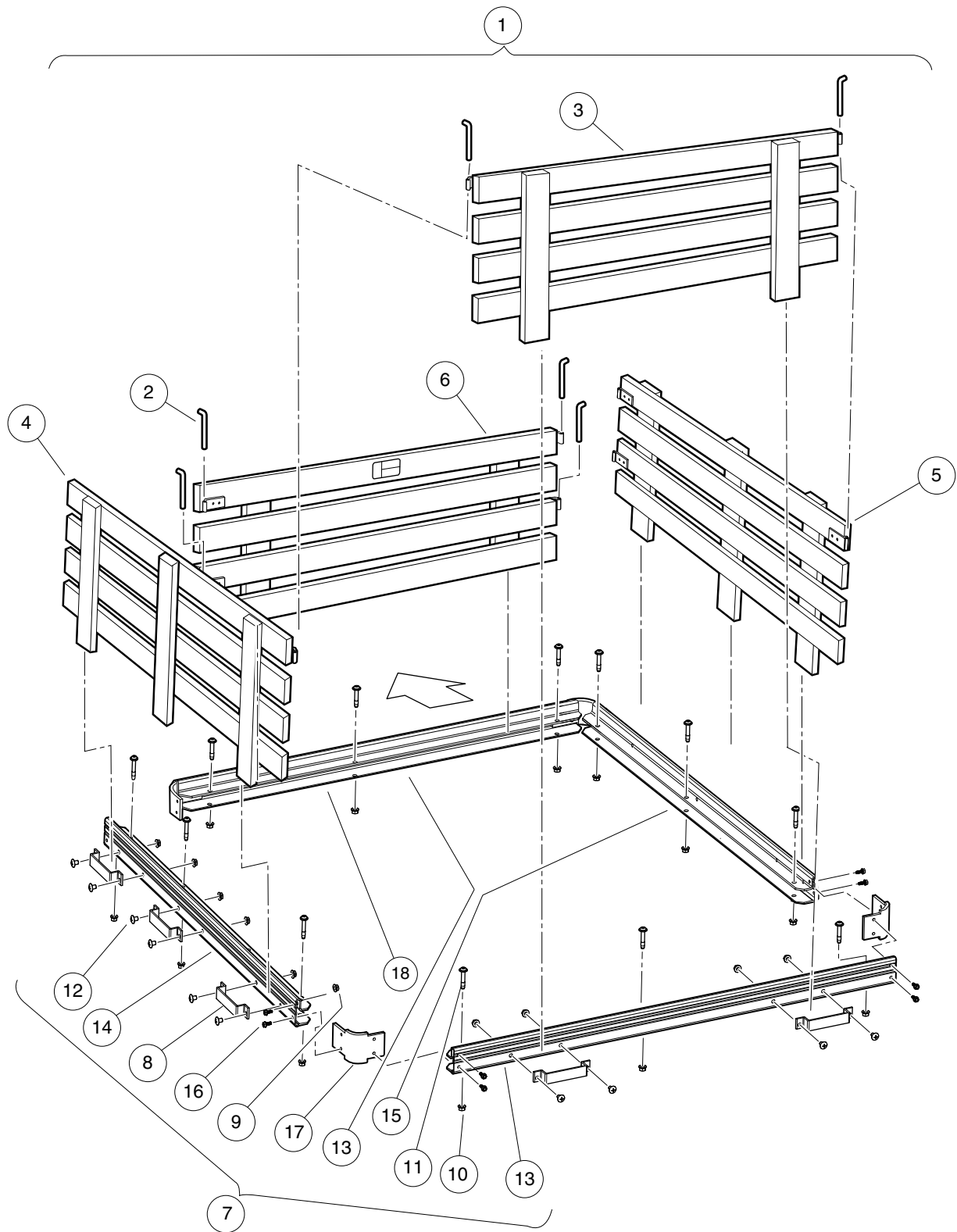
| ITEM  | PART NO.         | DESCRIPTION                          | QTY |
|---|------------------|--------------------------------------|-----|
| 1   | <u>105160501</u> | 1 2 3 4<br>Kit, Holder, Bucket ..... | 1   |
| 2   | <u>105161201</u> | Kit, Bed Divider/extension .....     | 1   |
| 3   | <u>105161301</u> | Kit, Bed Divider, Short .....        | 1   |
| <p>Note: Component part numbers unavailable at publication.</p> |                  |                                      |     |

**1**

**E**

1

E



001130-001

# STAKE SIDE KIT – MEDIUM

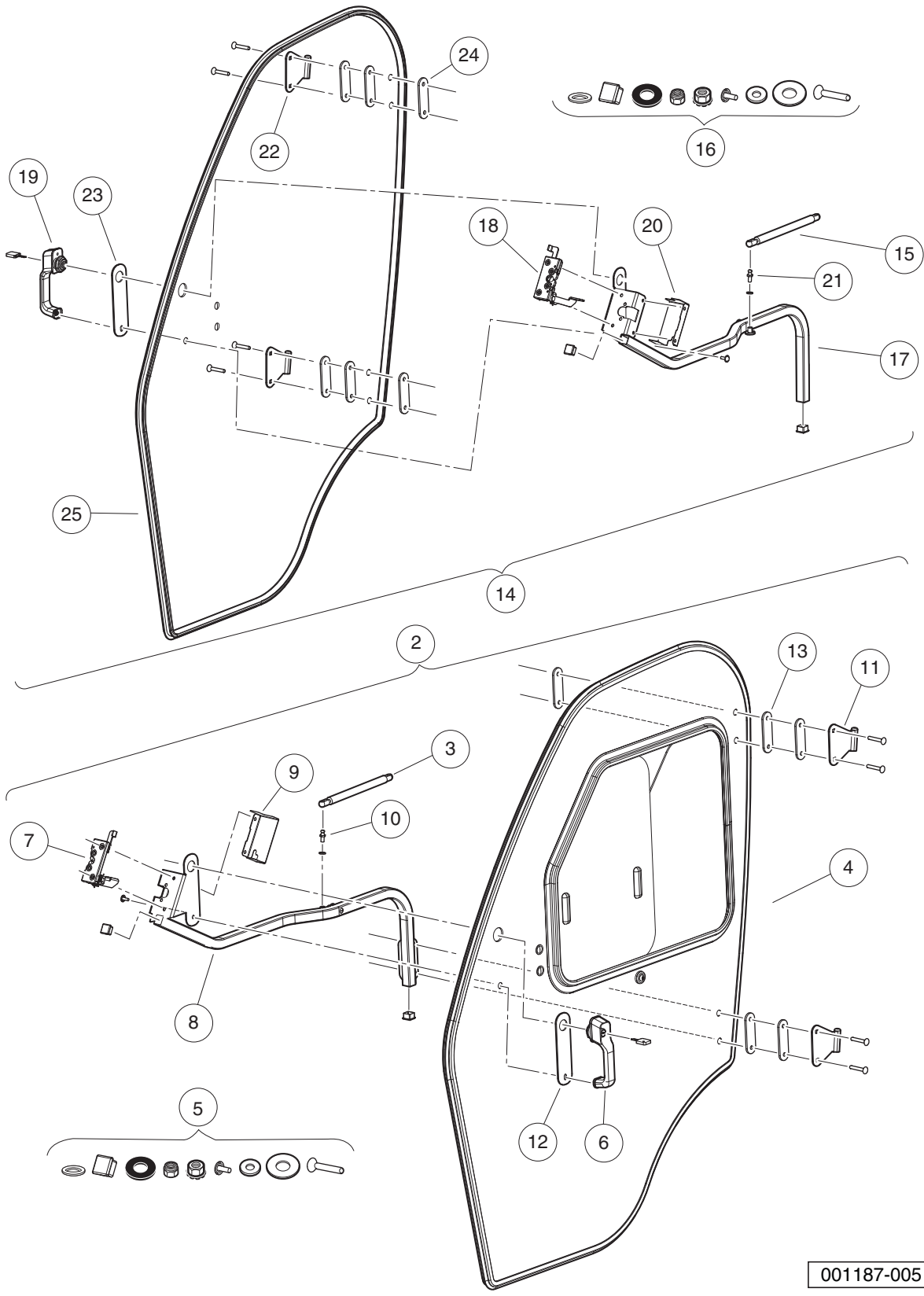
| ITEM | PART NO.         | DESCRIPTION  | QTY |
|------|------------------|--|-----|
|      |                  | <b>1 2 3 4</b>   |     |
| 1    | <u>105109501</u> | Kit, Stake Side, Med (includes items 2 through 7) .....        | 1   |
| 2    | <u>1015656</u>   | Pin, hinge .....   | 6   |
| 3    | <u>102847603</u> | Asm, Stake Side, 48 X 19 Rear .....                            | 1   |
| 4    | <u>105113301</u> | Stake Side, Ca Med, Lh .....                                   | 1   |
| 5    | <u>105113302</u> | Stake Side, Ca Med, Rh .....                                   | 1   |
| 6    | <u>105129501</u> | Stake Side, Front, Ca, 50" .....                               | 1   |
| 7    | <u>105148502</u> | Asm, Trim, Stake Side, Med (includes items 8 through 18) ..... | 1   |
| 8    | <u>1016077</u>   | Bracket, Stake Side .....                                      | 8   |
| 9    | <u>101963401</u> | Locknut, 5/16-18 Hex Flange .....                              | 16  |
| 10   | <u>102298401</u> | Nut,m8,all Metal Lock .....                                    | 14  |
| 11   | <u>102299550</u> | Screw,m8x50,sems,tx,bttn,plt .....                             | 14  |
| 12   | <u>105129601</u> | Screw, Phl Trus Hd, 5/16-18x.5 .....                           | 16  |
| 13   | <u>105148601</u> | Trim, Stake Side, Cen, Rear .....                              | 1   |
| 14   | <u>105148801</u> | Trim, Stake Side, Med, Lh .....                                | 1   |
| 15   | <u>105148802</u> | Trim, Stake Side, Med, Rh .....                                | 1   |
| 16   | <u>105185701</u> | Pan Head Screw, M6 X 16 Tt .....                               | 16  |
| 17   | <u>105185801</u> | Bracket,Bed Corner,CA .....                                    | 4   |
| 18   | <u>105194801</u> | Trim, Bed, Cntr, Front .....                                   | 1   |

**1**

**E**

1

E



001187-005

## CAB DOORS – GLASS WITH LH SLIDING WINDOW

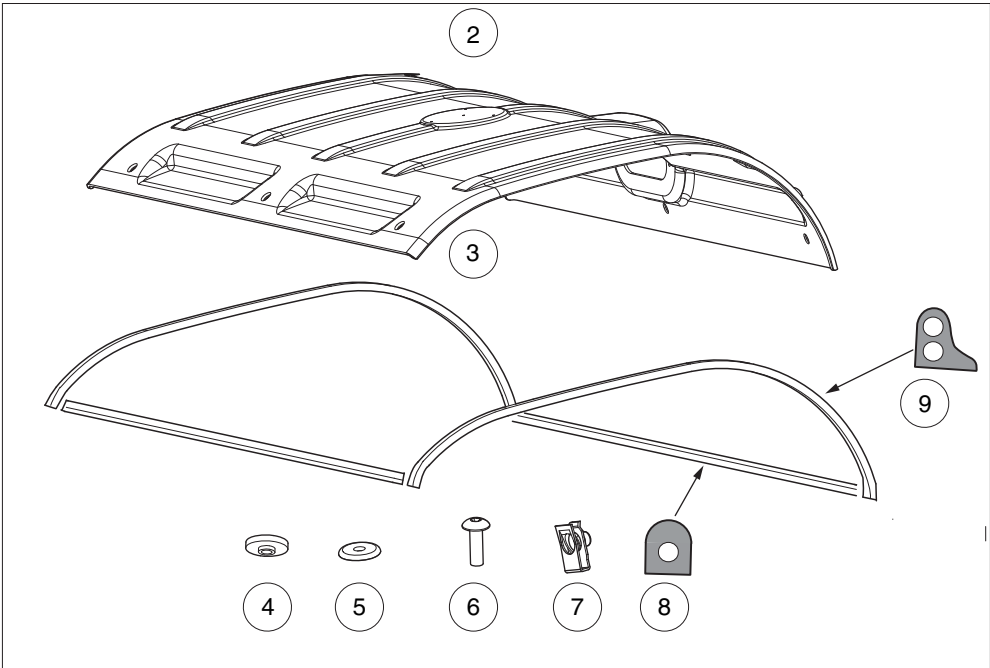
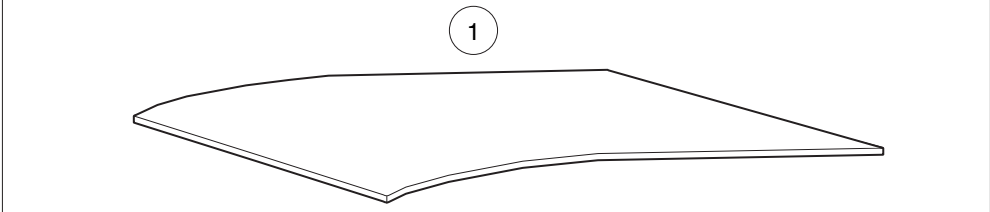
| ITEM | PART NO.         | DESCRIPTION   | QTY |
|------|------------------|---|-----|
|      |                  | 1 2 3 4   |     |
| 1    | 105097301        | Kit, Doors, Glass, w/Sliding Windows, LH only (includes items 2 through 14) ..... | 1   |
| 2    | <u>105181701</u> | Glass Door Asm, Lh (includes items 3 through 13) .....                            | 1   |
| 3    | <u>104001201</u> | Gas Spring .....  | 1   |
| 4    | <u>105181801</u> | Glass Door Replacement, Lh .....  | 1   |
| 5    | <u>105181901</u> | Hardware Kit, Glass Door .....  | 1   |
| 6    | <u>105182001</u> | Handle, Push Button .....   | 1   |
| 7    | <u>105182101</u> | Latch, Glass Door, Lh .....   | 1   |
| 8    | <u>105182201</u> | Handle, Glass Door, Lh .....  | 1   |
| 9    | <u>105182301</u> | Cover, Latch, Lh .....  | 1   |
| 10   | <u>105182401</u> | Spring, Ball Stud .....   | 1   |
| 11   | <u>105182501</u> | Hinge, Door .....   | 2   |
| 12   | <u>105182601</u> | Spacer, Handle .....  | 1   |
| 13   | <u>105182701</u> | Plate, Upper Hinge .....  | 1   |
| 14   | <u>105182901</u> | Glass Door Asm, Rh (includes items 15 through 25) .....                           | 1   |
| 15   | <u>104001201</u> | Gas Spring .....  | 1   |
| 16   | <u>105181901</u> | Hardware Kit, Glass Door .....  | 1   |
| 17   | <u>105182002</u> | Handle, Glass Door, RH .....  | 1   |
| 18   | <u>105182102</u> | Latch, Glass Door, Rh .....   | 1   |
| 19   | <u>105182202</u> | Handle, Glass Door, Rh .....  | 1   |
| 20   | <u>105182302</u> | Cover, Latch, Rh .....  | 1   |
| 21   | <u>105182401</u> | Spring, Ball Stud .....   | 1   |
| 22   | <u>105182501</u> | Hinge, Door .....   | 2   |
| 23   | <u>105182601</u> | Spacer, Handle .....  | 1   |
| 24   | <u>105182701</u> | Plate, Upper Hinge .....  | 1   |
| 25   | <u>105183001</u> | Glass Door Replacement, Rh .....  | 1   |

**1**

**E**

**1**

**E**



001183-002

# CAB ROOF

| ITEM | PART NO.           | DESCRIPTION  | QTY |
|------|--------------------|--|-----|
|      |                    | <b>1 2 3 4</b>                                       |     |
| 1    | <u>105097001</u>   | Cab, Canopy, Liner Kit .....                         | 1   |
| 2    | <u>47552857001</u> | Kit, Cab LSV Roof (includes items 3 through 9) ..... | 1   |
| 3    | <u>47553011001</u> | Roof, Cab, LSV .....                                 | 1   |
| 4    | <u>47553013001</u> | Washer, Rubber, 5/16 ID-1-1/4 OD in. ....            | 10  |
| 5    | <u>47553014001</u> | Washer, Chamfered, 5/16 ID-1-1/4 OD in. ....         | 10  |
| 6    | <u>47553015001</u> | Screw, Torx, Pan-Hed, 5/16-18 x 1-1/4 in. ....       | 10  |
| 7    | <u>47554192001</u> | Clip Nut, 5/16-18 .....                              | 10  |
| 8    | <u>47570761001</u> | D-Seal, Roof .....                                   | 2   |
| 9    | <u>47570762001</u> | P-Seal, Roof .....                                   | 2   |

**1**

**E**





# CAB DOORS – GLASS WITH LH & RH SLIDING WINDOWS

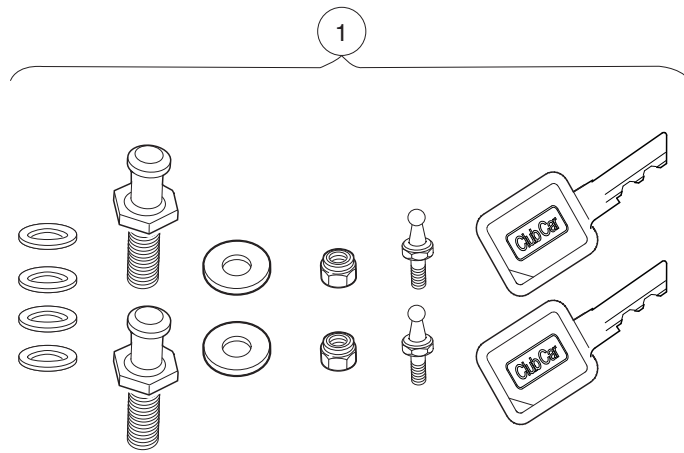
| ITEM | PART NO.         | DESCRIPTION   | QTY |
|------|------------------|---|-----|
|      |                  | 1 2 3 4   |     |
| 1    | <u>105245901</u> | Kit, Doors, Glass, w/Sliding Windows, LH/RH (includes items 2 through 14) ..... | 1   |
| 2    | <u>105181701</u> | Glass Door Asm, Lh (includes items 3 through 13) .....                          | 1   |
| 3    | <u>104001201</u> | Gas Spring .....  | 1   |
| 4    | <u>105181801</u> | Glass Door Replacement, Lh .....  | 1   |
| 5    | <u>105181901</u> | Hardware Kit, Glass Door .....  | 1   |
| 6    | <u>105182001</u> | Handle, Push Button .....   | 1   |
| 7    | <u>105182101</u> | Latch, Glass Door, Lh .....   | 1   |
| 8    | <u>105182201</u> | Handle, Glass Door, Lh .....  | 1   |
| 9    | <u>105182301</u> | Cover, Latch, Lh .....  | 1   |
| 10   | <u>105182401</u> | Spring, Ball Stud .....   | 1   |
| 11   | <u>105182501</u> | Hinge, Door .....   | 2   |
| 12   | <u>105182601</u> | Spacer, Handle .....  | 1   |
| 13   | <u>105182701</u> | Plate, Upper Hinge .....  | 1   |
| 14   | <u>105265301</u> | Asm, Glass Door, Rh, W/slider (includes items 15 through 25) .....              | 1   |
| 15   | <u>104001201</u> | Gas Spring .....  | 1   |
| 16   | <u>105181901</u> | Hardware Kit, Glass Door .....  | 1   |
| 17   | <u>105182002</u> | Handle, Glass Door, RH .....  | 1   |
| 18   | <u>105182102</u> | Latch, Glass Door, Rh .....   | 1   |
| 19   | <u>105182202</u> | Handle, Glass Door, Rh .....  | 1   |
| 20   | <u>105182302</u> | Cover, Latch, Rh .....  | 1   |
| 21   | <u>105182401</u> | Spring, Ball Stud .....   | 1   |
| 22   | <u>105182501</u> | Hinge, Door .....   | 2   |
| 23   | <u>105182601</u> | Spacer, Handle .....  | 1   |
| 24   | <u>105182701</u> | Plate, Upper Hinge .....  | 1   |
| 25   | <u>105265401</u> | Asm, Glass Dr Repl, Rh, W/sldr .....  | 1   |

**1**

**E**

1

E



001438-001

# HARDWARE KIT, DOOR STRIKER

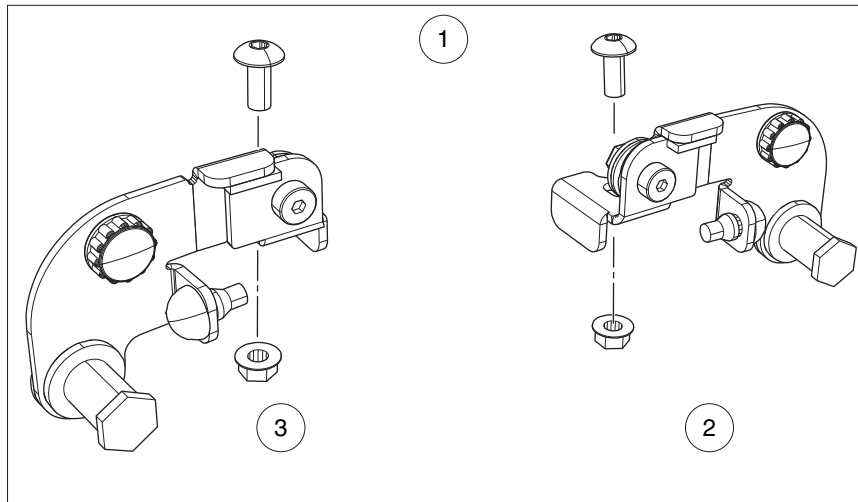
| ITEM | PART NO.         | DESCRIPTION                                 | QTY |
|------|------------------|---|-----|
| 1    | <u>105182801</u> | 1 2 3 4<br>Hardware Kit, Door Striker ..... | 1   |

**1**

**E**

1

E



001143-002

# CAB DOORS – VENT

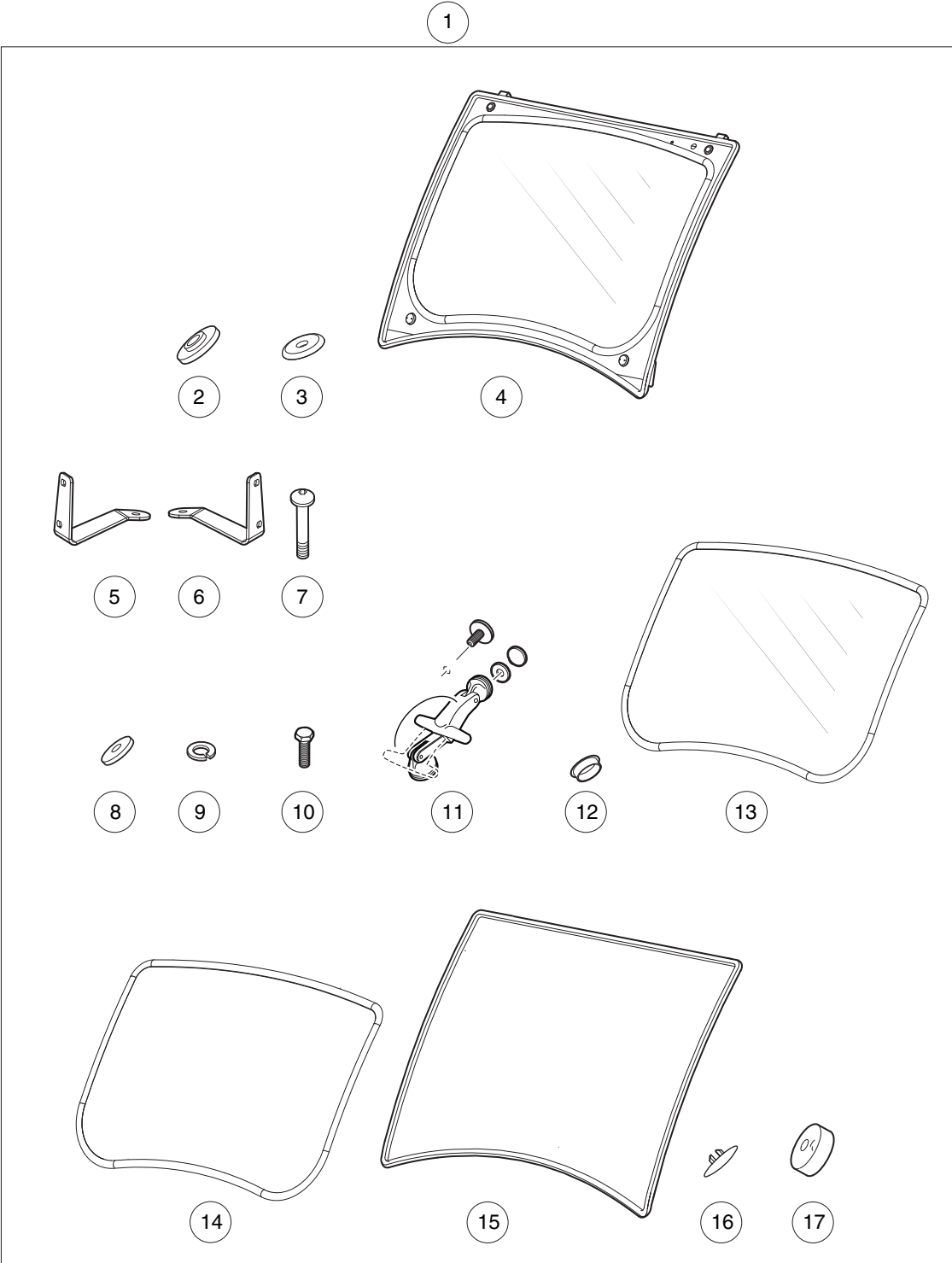
| ITEM | PART NO.         | DESCRIPTION  | QTY |
|------|------------------|--|-----|
|      |                  | 1 2 3 4  |     |
| 1    | 105097501        | Cab, Door, Vent Kit (includes items 2 and 3) ..... | 1   |
| 2    | <u>105178301</u> | Door Vent Lh .....                                 | 1   |
| 3    | <u>105178401</u> | Door Vent Rh .....                                 | 1   |

**1**

**E**

1

E



001186-005

## CAB – WINDSHIELD (LSV)

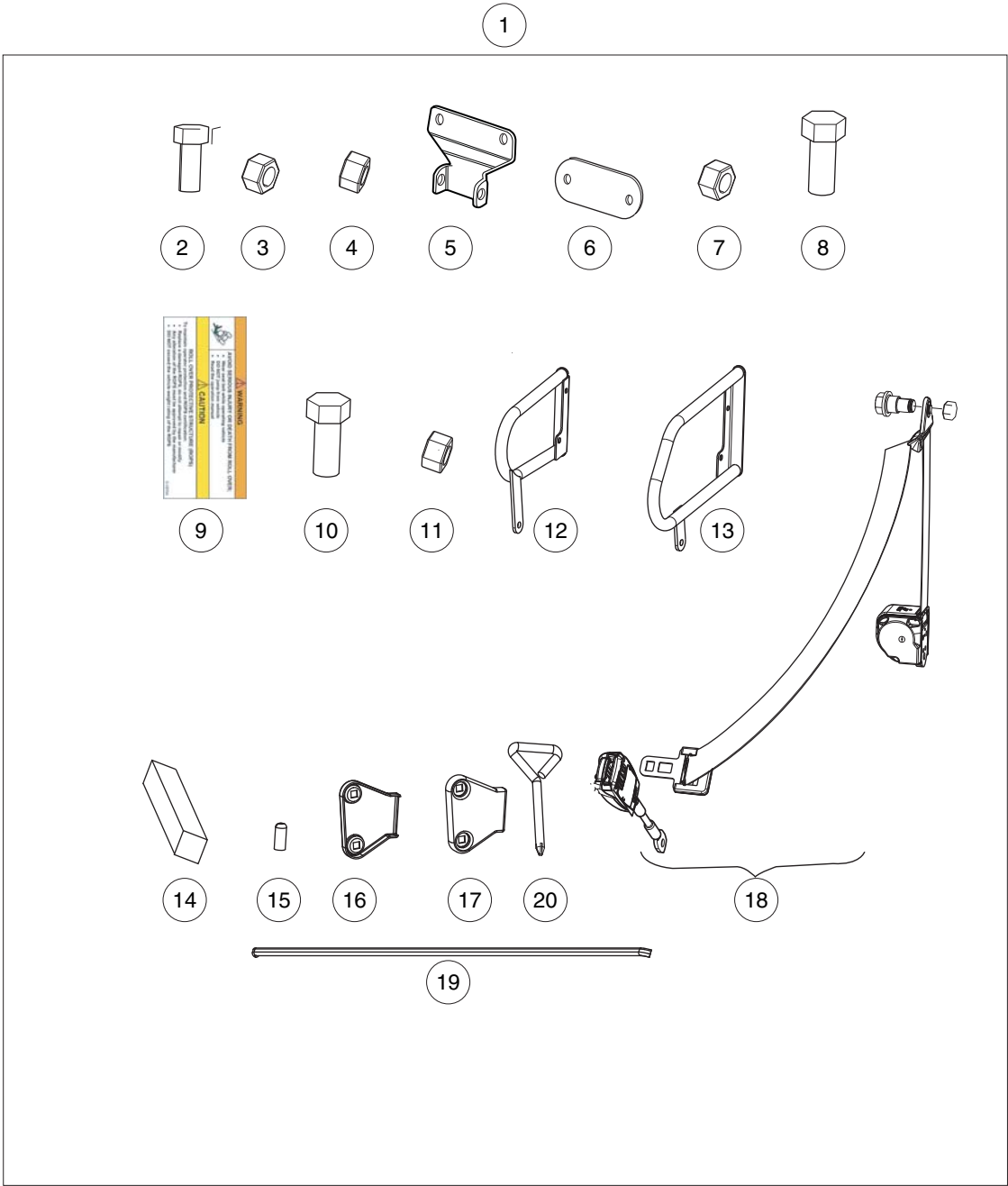
| ITEM | PART NO.    | DESCRIPTION  | QTY |
|------|-------------|--|-----|
|      |             | <b>1 2 3 4</b>   |     |
| 1    | 47552861001 | Kit, Windhshield, Cab, LSV (includes items 2 through 17) ..... | 1   |
| 2    | 47553013001 | Washer, Rubber, 5/16 ID-1-1/4 OD in. ....                      | 4   |
| 3    | 47553014001 | Washer, Chamfered, 5/16 ID-1-1/4 OD in. ....                   | 2   |
| 4    | 47553022001 | ASM, Windshield, Laminated, LSV .....                          | 1   |
| 5    | 47553025001 | Mount, T-Handle (passenger side) .....                         | 1   |
| 6    | 47553025002 | Mount, T-Handle (driver side) .....                            | 1   |
| 7    | 47553026001 | Screw, Pan-Head Torx, 5/16-18 x 1-1/2 in. ....                 | 2   |
| 8    | 47553027001 | Washer, Flat, 3/8 x 7/8 in. ....                               | 6   |
| 9    | 47553028001 | Washer, Lock, 5/16 in. ....                                    | 2   |
| 10   | 47553029001 | Screw, Hex-Head, M8 x 16 mm .....                              | 6   |
| 11   | 47553030001 | ASM, T-Handle .....  | 2   |
| 12   | 47553031001 | Plug, Hole, Female, 5/8 in. ....                               | 1   |
| 13   | 47553939001 | ASM, Windshield, Laminated with Seal .....                     | 1   |
| 14   | 47553940001 | Seal, Windshield, Laminated .....                              | 1   |
| 15   | 47553942001 | Seal, Windshield Frame .....                                   | 1   |
| 16   | 47553943001 | Plug, Hole, Female, 1/4 in. ....                               | 1   |
| 17   | 47553948001 | Plastic Spacer .....   | 2   |

**1**

**E**

1

E



001180-006



## CAB – 3-POINT SEAT BELTS (HOMOL)

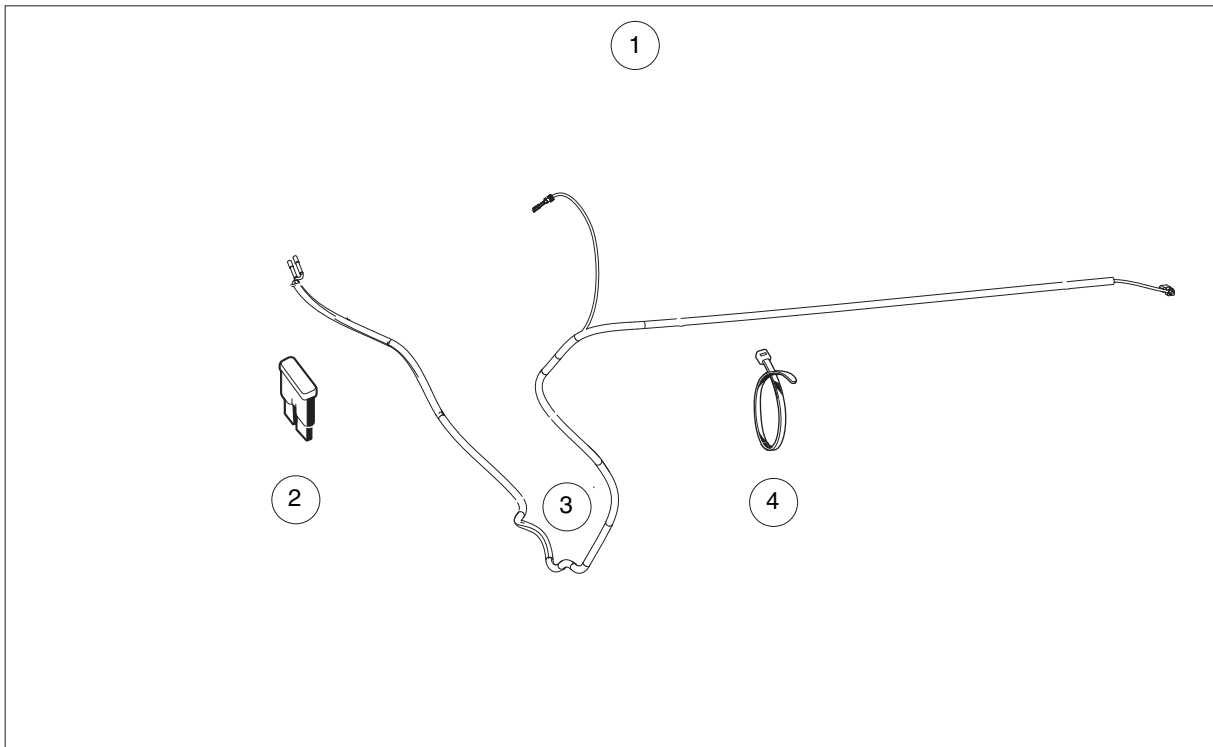
| ITEM | PART NO.    | DESCRIPTION   | QTY |
|------|-------------|---|-----|
|      |             | 1 2 3 4   |     |
| 1    | 47552867001 | Kit, 3-Point Seat Belt, Homogated (includes items 2 through 20) ..... | 1   |
| 2    | 47552872001 | Screw, Hex-Head Cap, 3/8-16 x 1 in. ....                              | 4   |
| 3    | 47552874001 | Nylon Locknut, 3/8-16 in. ....  | 2   |
| 4    | 47554722001 | Locknut, Hex, 7/16-14 .....   | 4   |
| 5    | 47554723001 | Bracket, Center Mount, 2-Point Seat Belt .....                        | 1   |
| 6    | 47554724001 | Plate, Backing, Center Mount, 2-Point Seat Belt .....                 | 1   |
| 7    | 47554727001 | Locknut, Center, 3/8-16 in. ....                                      | 2   |
| 8    | 47554728001 | Screw, Cap, Hex-Head, 7/16-14 x 1 in. ....                            | 4   |
| 9    | 47554730001 | Decal, Warn, Rops .....   | 1   |
| 10   | 47555147001 | Screw, Hex-Head Cap, 7/16-20 x 1 in. ....                             | 2   |
| 11   | 47555148001 | Hexnut, 7/16-20 in. ....  | 2   |
| 12   | 47555151001 | Hip Restraint, Driver Side .....                                      | 1   |
| 13   | 47555152001 | Hip Restraint, Passenger Side .....                                   | 1   |
| 14   | 47555160001 | Seal, Foam, 1 x 1 in. ....  | 1   |
| 15   | 47555263002 | Hinge Pin Cover .....   | 4   |
| 16   | 47555264001 | Hinge Cover, Driver Side .....  | 2   |
| 17   | 47555264002 | Hinge Cover, Passenger Side .....                                     | 2   |
| 18   | 47555265001 | ASM, 3-Point Seat Belt .....  | 2   |
| 19   | 47555267001 | Trim, Front Roof Edge .....   | 1   |
| 20   | 47555268001 | Screwdriver, Phillips (Headlight Adj tool) .....                      | 1   |

**1**

**E**

1

E



001193-001

# CAB – ELECTRICAL, POWER HARNESS, ELECTRIC VEHICLE TO CAB

| ITEM | PART NO.         | DESCRIPTION   | QTY |
|------|------------------|---|-----|
|      |                  | 1 2 3 4   |     |
| 1    | <u>105234002</u> | Kit, Cab Pwr Harness, Elec (includes items 2 through 4) ..... | 1   |
| 2    | <u>105114807</u> | Fuse, Mini, Atm, 15 Amp .....                                 | 1   |
| 3    | <u>105205501</u> | Harn, Pwr Supply, Cab .....                                   | 1   |
| 4    | <u>8639</u>      | Tie Wrap, 11" Nylon .....                                     | 5   |

**1**

**E**



# CAB – ELECTRICAL, OVERHEAD CONSOLE

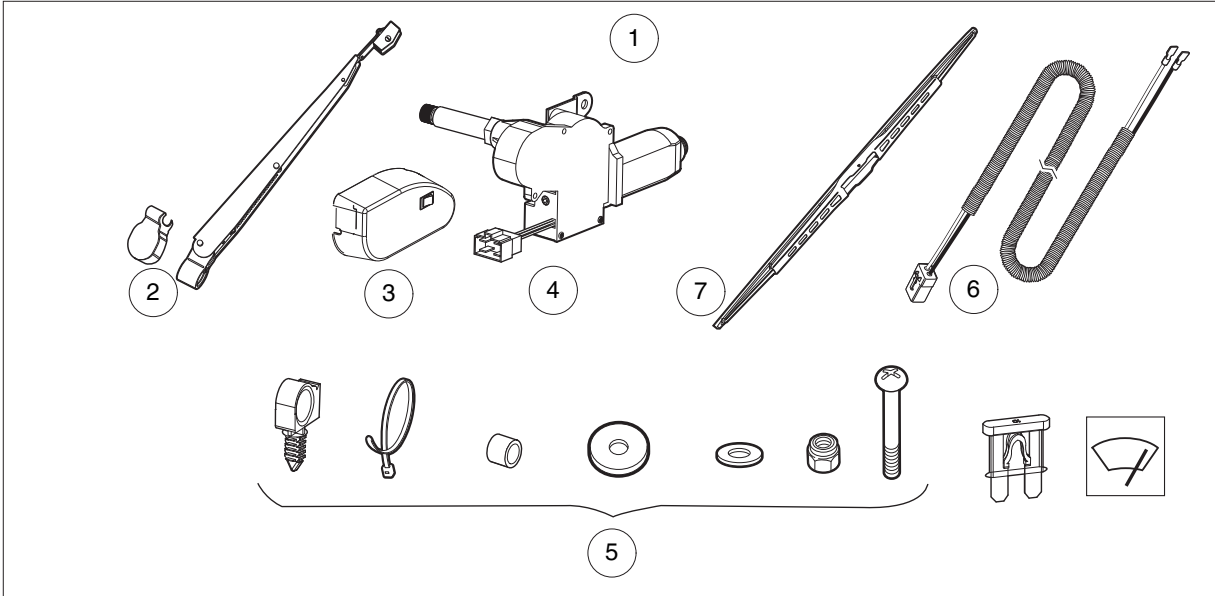
| ITEM | PART NO.         | DESCRIPTION  | QTY |
|------|------------------|--|-----|
|      |                  | 1 2 3 4  |     |
| 1    | <u>105097901</u> | Cab, Overhead Console, Kit (includes items 2 through 14) ..... | 1   |
| 2    | <u>103180101</u> | Cover, Hole, Switch, Rocker .....                              | 5   |
| 3    | <u>105179001</u> | Overhead Console Asm .....                                     | 1   |
| 4    | <u>105179101</u> | Cab, Dome Light .....  | 1   |
| 5    | <u>105179201</u> | Cab, Fuse Cover .....  | 1   |
| 6    | <u>105179301</u> | Cab, Fuse Holder 8 W Grnd .....                                | 1   |
| 7    | <u>105179401</u> | Front Fan Bracket, Asm .....                                   | 1   |
| 8    | <u>105179501</u> | Rear Oh Console Bracket .....                                  | 1   |
| 9    | <u>105179601</u> | Fan Louver .....   | 2   |
| 10   | <u>105179701</u> | Oh Console Fan .....   | 1   |
| 11   | <u>105179801</u> | Wire Jumper, Fan .....   | 1   |
| 12   | <u>105179901</u> | Hardware Kit, Oh Console .....                                 | 1   |
| 13   | <u>105183501</u> | Rocker, Fan .....  | 1   |
| 14   | <u>105295301</u> | Asm, Capacitor, 0.47uf .....                                   | 1   |

**1**

**E**

1

E



001190-002

# CAB – ELECTRICAL, WINDSHIELD WIPER

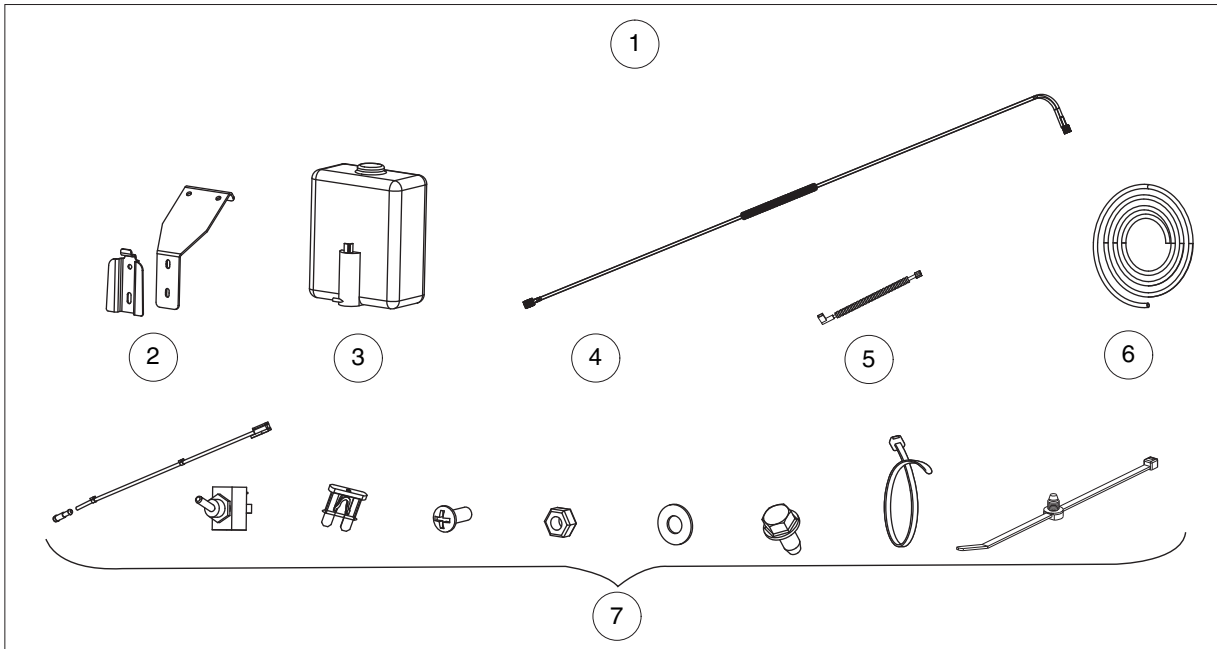
| ITEM  | PART NO.         | DESCRIPTION  | QTY |
|---|------------------|--|-----|
|   |                  | 1 2 3 4  |     |
| 1   | 105098003        | Cab, Front Wiper Kit, Homologated (includes items 2 through 7) ..... | 1   |
| 2   | <u>104000901</u> | Wiper Arm, Modified .....  | 1   |
| 3   | <u>104003501</u> | Cover, Wiper Mtr & Switch Asm .....                                  | 1   |
| 4   | <u>105180002</u> | Motor, Wiper, 85 Degree, Homologated .....                           | 1   |
| 5   | <u>105180201</u> | Hardware Kit, Wiper .....  | 1   |
| 6   | <u>105183701</u> | Harness, Wiper .....   | 1   |
| 7   | <u>105205701</u> | Wiper Blade 18 .....   | 1   |
| Note: Some part numbers not available at time of publication. |                  |  |     |

**1**

**E**

1

E



001189-001



# CAB – ELECTRICAL, WINDSHIELD WASHER

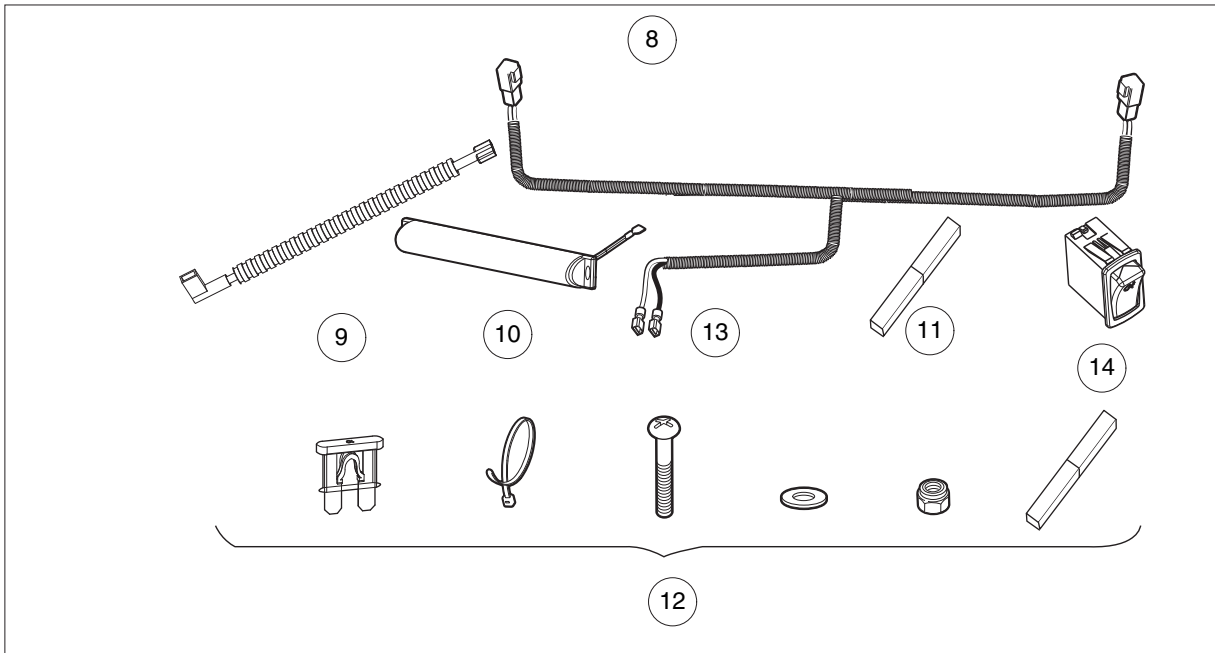
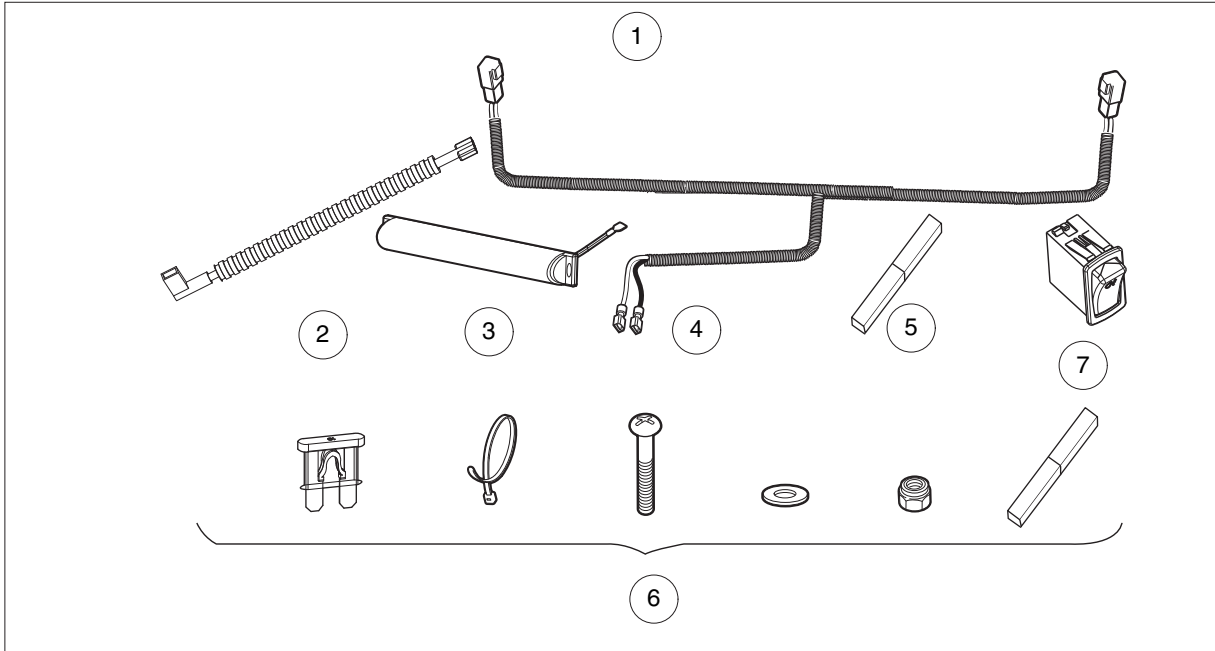
| ITEM | PART NO.         | DESCRIPTION   | QTY |
|------|------------------|---|-----|
|      |                  | <b>1 2 3 4</b>  |     |
| 1    | <u>105098101</u> | Cab, Front Wiper, Washer Kit (includes items 2 through 7) ..... | 1   |
| 2    | <u>105180301</u> | Washer Tank Mount Plate .....                                   | 1   |
| 3    | <u>105180401</u> | Wash Tank Asm .....   | 1   |
| 4    | <u>105180501</u> | Wire Harness Sw To Pump .....                                   | 1   |
| 5    | <u>105180601</u> | Wire Harness Fb To Sw .....                                     | 1   |
| 6    | <u>105180701</u> | Hose 18x31x17ft .....   | 1   |
| 7    | <u>105180801</u> | Hardware Kit, Wiper Washer .....                                | 1   |

**1**

**E**

1

E



001191-001

# CAB – ELECTRICAL, WORK LIGHTS

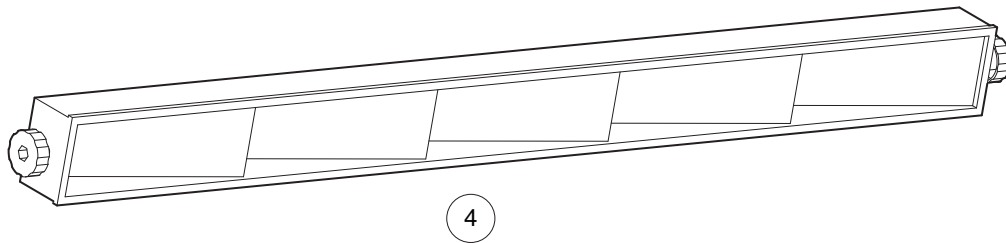
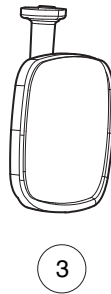
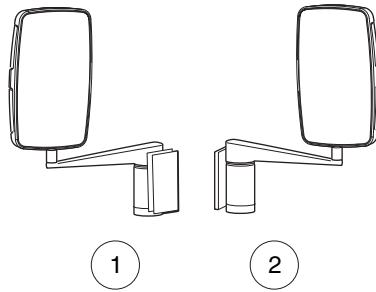
| ITEM | PART NO.         | DESCRIPTION  | QTY |
|------|------------------|--|-----|
|      |                  | 1 2 3 4  |     |
| 1    | <u>105098201</u> | Cab, Front Work Light Kit (includes items 2 through 7) ..... | 1   |
| 2    | <u>105180601</u> | Wire Harness Fb To Sw .....                                  | 1   |
| 3    | <u>105180901</u> | Cab Work Light Led .....                                     | 2   |
| 4    | <u>105181001</u> | Wire Harn Front WI .....                                     | 1   |
| 5    | <u>105181101</u> | Work Light Tape .....  | 2   |
| 6    | <u>105181301</u> | Hardware Kit, Work Light .....                               | 1   |
| 7    | <u>105183601</u> | Switch, Rocker, Front Work Light .....                       | 1   |
| 8    | <u>105098301</u> | Cab, Rear Work Light Kit (includes items 9 through 14) ..... | 1   |
| 9    | <u>105180601</u> | Wire Harness Fb To Sw .....                                  | 1   |
| 10   | <u>105180901</u> | Cab Work Light Led .....                                     | 2   |
| 11   | <u>105181101</u> | Work Light Tape .....  | 2   |
| 12   | <u>105181301</u> | Hardware Kit, Work Light .....                               | 1   |
| 13   | <u>105181401</u> | Wire Harn Rear WI .....                                      | 1   |
| 14   | <u>105181501</u> | Rocker Rear WI .....   | 1   |

**1**

**E**

1

E



001198-001

# CAB - MIRRORS

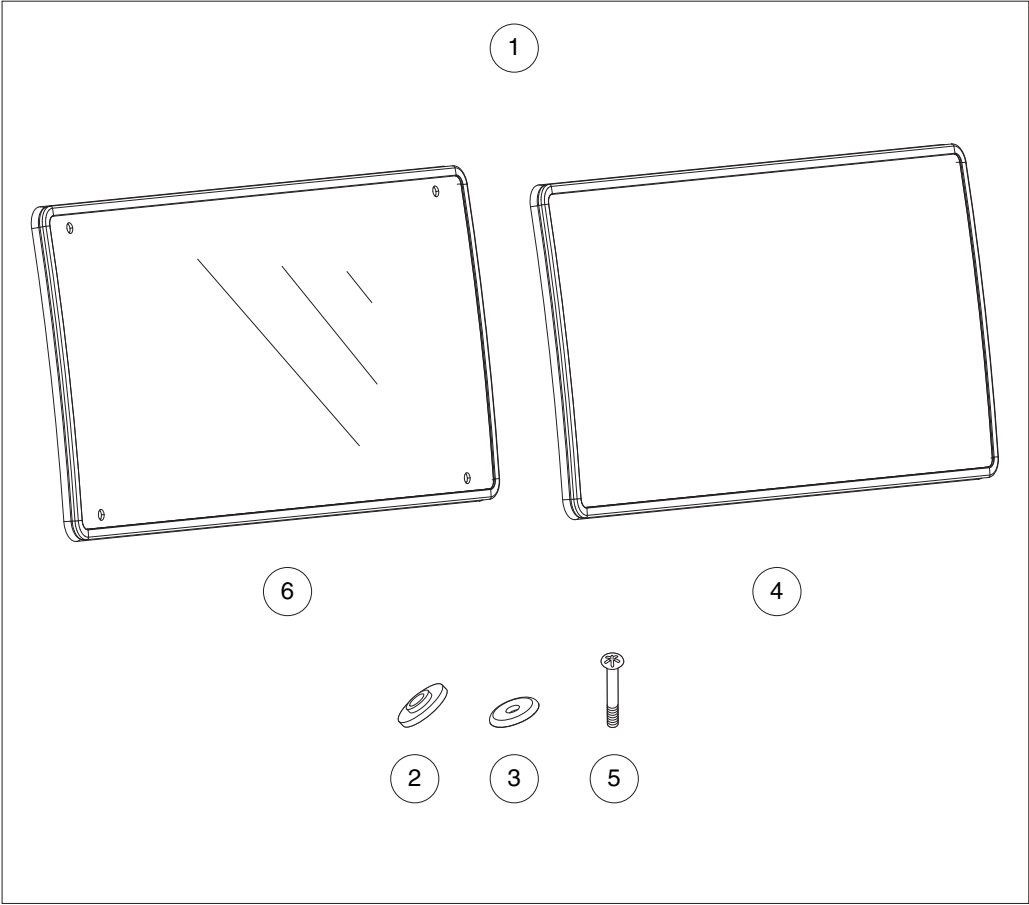
| ITEM | PART NO.         | DESCRIPTION                      | QTY |
|------|------------------|----------------------------------|-----|
|      |                  | 1 2 3 4                          |     |
| 1    | <u>105098601</u> | Cab, Mirror, Left Kit, Eu .....  | 1   |
| 2    | <u>105098602</u> | Cab, Mirror, Right Kit, Eu ..... | 1   |
| 3    | <u>105098701</u> | Cab, Mirror, Interior Kit .....  | 1   |

**1**

**E**

1

E



001185-002

## CAB – REAR WINDOW, ONE-PIECE

| ITEM | PART NO.           | DESCRIPTION   | QTY |
|------|--------------------|---|-----|
|      |                    | <b>1 2 3 4</b>  |     |
| 1    | <u>47552862001</u> | Kit, Cab Rear Window (includes items 2 through 6) ..... | 1   |
| 2    | <u>47553013001</u> | Washer, Rubber, 5/16 ID-1-1/4 OD in. ....               | 12  |
| 3    | <u>47553014001</u> | Washer, Chamfered, 5/16 ID-1-1/4 OD in. ....            | 4   |
| 4    | <u>47553024001</u> | Seal, Window Trim, Tempered .....                       | 1   |
| 5    | <u>47553026001</u> | Screw, Pan-Head Torx, 5/16-18 x 1-1/2 in. ....          | 4   |
| 6    | <u>47553950001</u> | Rear Window with Seal, One-Piece .....                  | 1   |

**1**

**E**

**1**

**E**



# WHEELS AND TIRES

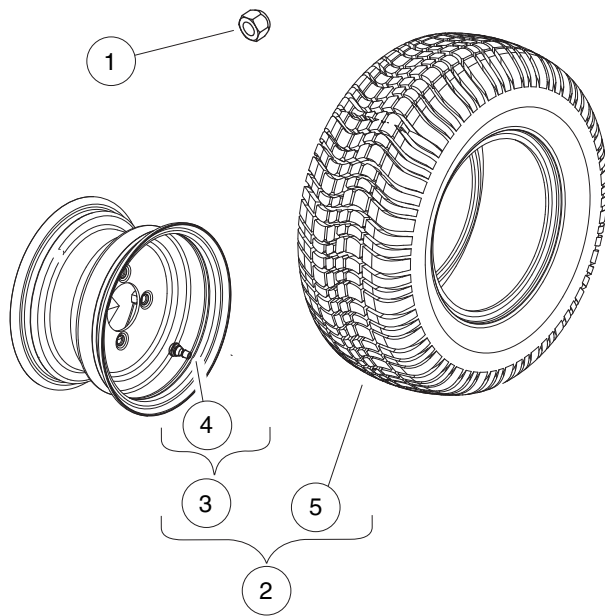
---

2

*E*

2

E



001352-001

# WHEELS AND TIRES

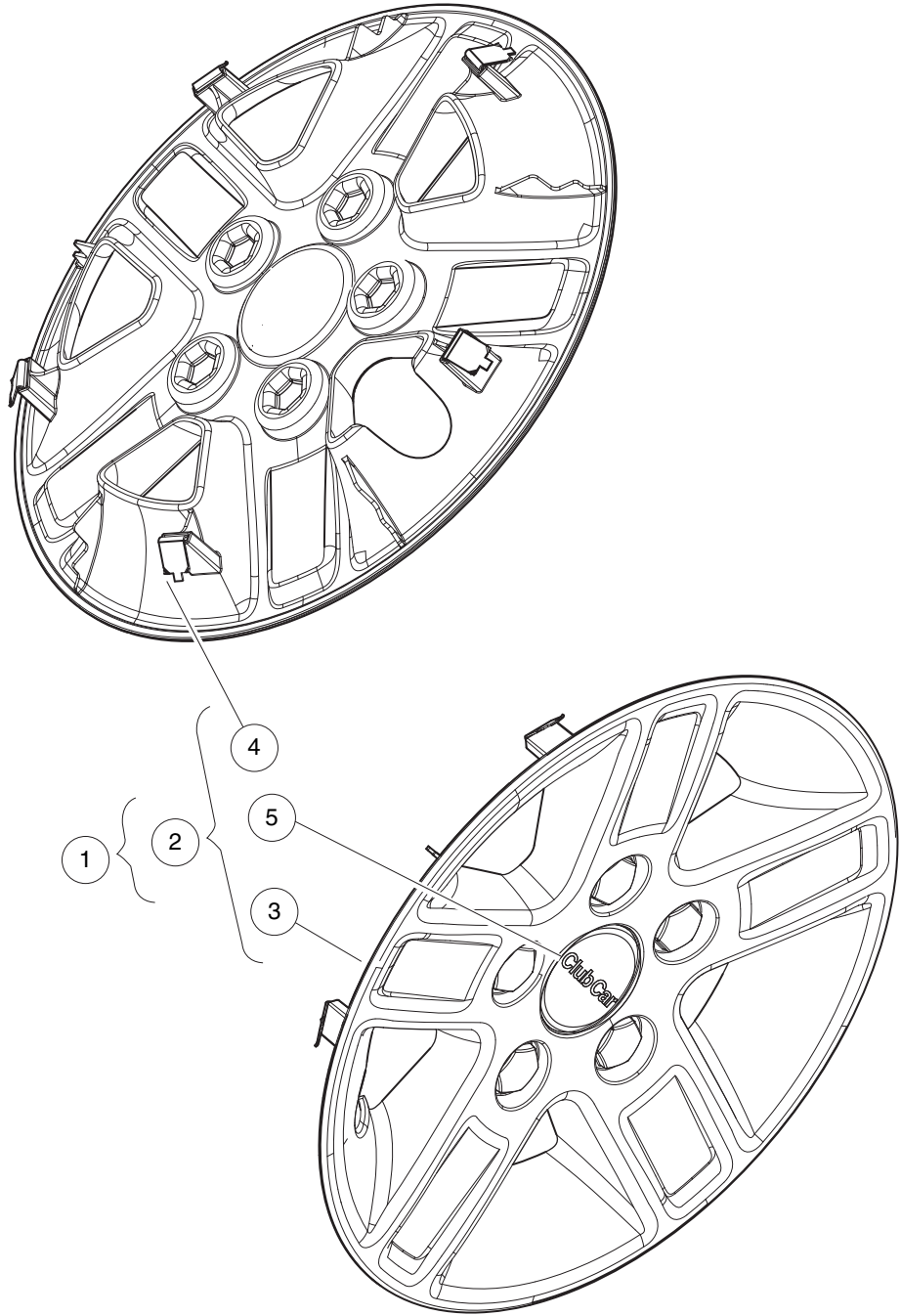
| ITEM | PART NO.         | DESCRIPTION   | QTY |
|------|------------------|---|-----|
|      |                  | 1 2 3 4   |     |
| 1    | <u>1010984</u>   | .500-20 Unf Lug Nut .....   | 16  |
| 2    | <u>105078812</u> | Asm, Wheel/Tire, DOT, 205-65-10, 6ply, E-marked for EU (includes items 3 and 4) ..... | 4   |
| 3    | <u>105079204</u> | Wheel, 10"x6", Gray, 0 Offset, RR, with Valve Stem .....                              | 1   |
| 4    | 105079601        | Tire, DOT, 205-65-10, 6ply, E-marked for EU .....                                     | 1   |

**2**

**E**

2

E



001350-002

# WHEEL COVERS

| ITEM | PART NO.         | DESCRIPTION   | QTY |
|------|------------------|---|-----|
|      |                  | 1 2 3 4   |     |
| 1    | <u>105106501</u> | Kit, Wheel Cover, 10x6" (includes item 2) .....                   | 1   |
| 2    | <u>105106301</u> | Asm, Whl Cover, 5 Spoke, 10x6" (includes items 3 through 5) ..... | 4   |
| 3    | N/A              | Wheel Cover, 5 Spoke, 10x7" .....                                 | 1   |
| 4    | 105106101        | Wheel Cover, Clip .....   | 5   |
| 5    | 105106201        | Decal, Wheel Cover, Club Car .....                                | 1   |

**2**

**E**

2

*E*

# DECALS

---

3

*E*

**WARNING**

Unintended vehicle movement may cause severe injury or death. Before using vehicle, read owner's manual and vehicle safety warnings.

Before leaving vehicle:

- Engage park brake to lock wheels.
- Place vehicle in NEUTRAL.
- Turn key to OFF and remove key.

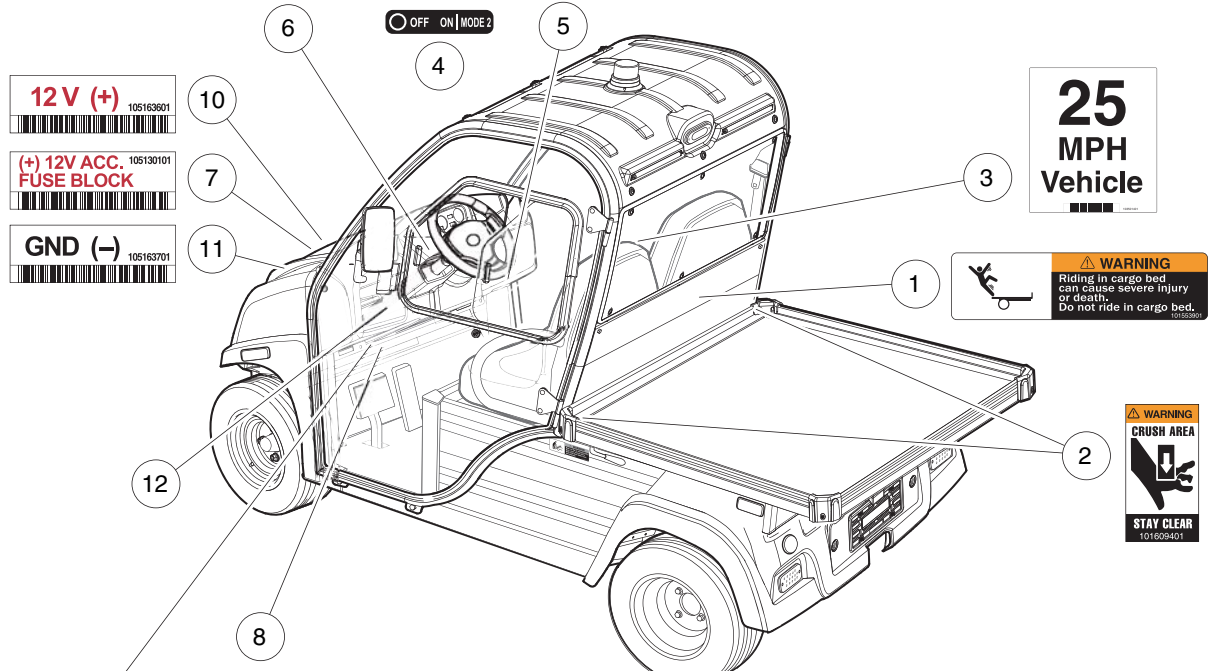
105046101

**WARNING**

**UNINTENDED MOVEMENT, ROLLOVER, OR FALLING OUT CAN CAUSE SERIOUS INJURY OR DEATH.**

- Vehicle to be operated by licensed and authorized persons only.
- Use in authorized areas only. Do not operate on public roads.
- One (1) person per bucket seat maximum.
- Two (2) persons per bench seat maximum.
- Operate from driver's seat only.
- Do not start vehicle until all occupants are fully seated.
- Drive slowly in turns and straight up and down slopes.
- Remain fully seated while moving.
- Hold on and keep entire body inside vehicle while moving.
- Never attempt jumps and avoid extreme braking in reverse.
- Do not leave children unattended in vehicle at any time.
- Children requiring a child safety seat must not ride in vehicle.
- Never operate under the influence of alcohol or drugs.

104026801



**VEHICLE LOADING**

Read owner's manual and warnings on dash.

- Vehicle rated capacity: 1250 lb (567 kg) on level surface only.
- Includes occupants and cargo load.
- Maximum cargo load: 850 lb (386 kg)
- Includes cargo, bed load, and optional equipment.
- Vehicle combination rated capacity: 1250 lb (567 kg)
- Includes vehicle rated capacity and gross trailer weight.

**WARNING**

**ROLLOVER CAN CAUSE SERIOUS INJURY OR DEATH.**

- Place cargo forward in the cargo bed and distribute evenly side to side. Secure load.
- On uneven or steep terrain, reduce speed and load.
- Avoid stopping on or backing down steep hills.
- Avoid top-heavy loads.

105137105

**VEHICLE LOADING**

Read owner's manual and warnings on dash.

- Vehicle rated capacity: 950 lb (431 kg) on level surface only.
- Includes occupants and cargo load.
- Maximum cargo load: 550 lb (249 kg)
- Includes cargo, bed load, and optional equipment.
- Vehicle combination rated capacity: 1250 lb (567 kg)
- Includes vehicle rated capacity and gross trailer weight.

**WARNING**

**ROLLOVER CAN CAUSE SERIOUS INJURY OR DEATH.**

- Place cargo forward in the cargo bed and distribute evenly side to side. Secure load.
- On uneven or steep terrain, reduce speed and load.
- Avoid stopping on or backing down steep hills.
- Avoid top-heavy loads.

105137104

2908-002



## DECALS – CARRYALL 510 AND 710 LSV HOMOLOGATED

| ITEM | PART NO.         | DESCRIPTION                          | QTY |
|------|------------------|--------------------------------------|-----|
|      |                  | 1 2 3 4                              |     |
| 1    | <u>101553901</u> | Decal, Bed Load Warning .....        | 1   |
| 2    | <u>101609401</u> | Decal, Crush Area Warning .....      | 2   |
| 3    | <u>103501401</u> | Decal, 25 Mph .....                  | 1   |
| 4    | 103827201        | Decal, Ignition, Homologated .....   | 1   |
| 5    | <u>104026901</u> | Decal, Oc, Warning, Lsv, Ca .....    | 1   |
| 6    | <u>105046101</u> | Decal, Op, Instructions, Ca .....    | 1   |
| 7    | <u>105130101</u> | Decal, Fuse Block, Acc, 12v .....    | 1   |
| 8    | 105137104        | Decal, Veh Load, CA510 On-road ..... | 1   |
| 9    | 105137105        | Decal, Veh Load, CA710 On-road ..... | 1   |
| 10   | <u>105163601</u> | Decal, 12v (+) .....                 | 1   |
| 11   | <u>105163701</u> | Decal, Gnd (-) .....                 | 1   |

**3**


**E**

**WARNING**

**BATTERY EXPLOSION COULD RESULT IN SEVERE PERSONAL INJURY.**

- Do not store items in battery compartment.
- Place Run/Tow switch in TOW position before
  - Disconnecting or connecting battery cables
  - Towing this vehicle
  - Extended storage
  - Servicing the vehicle

103499601

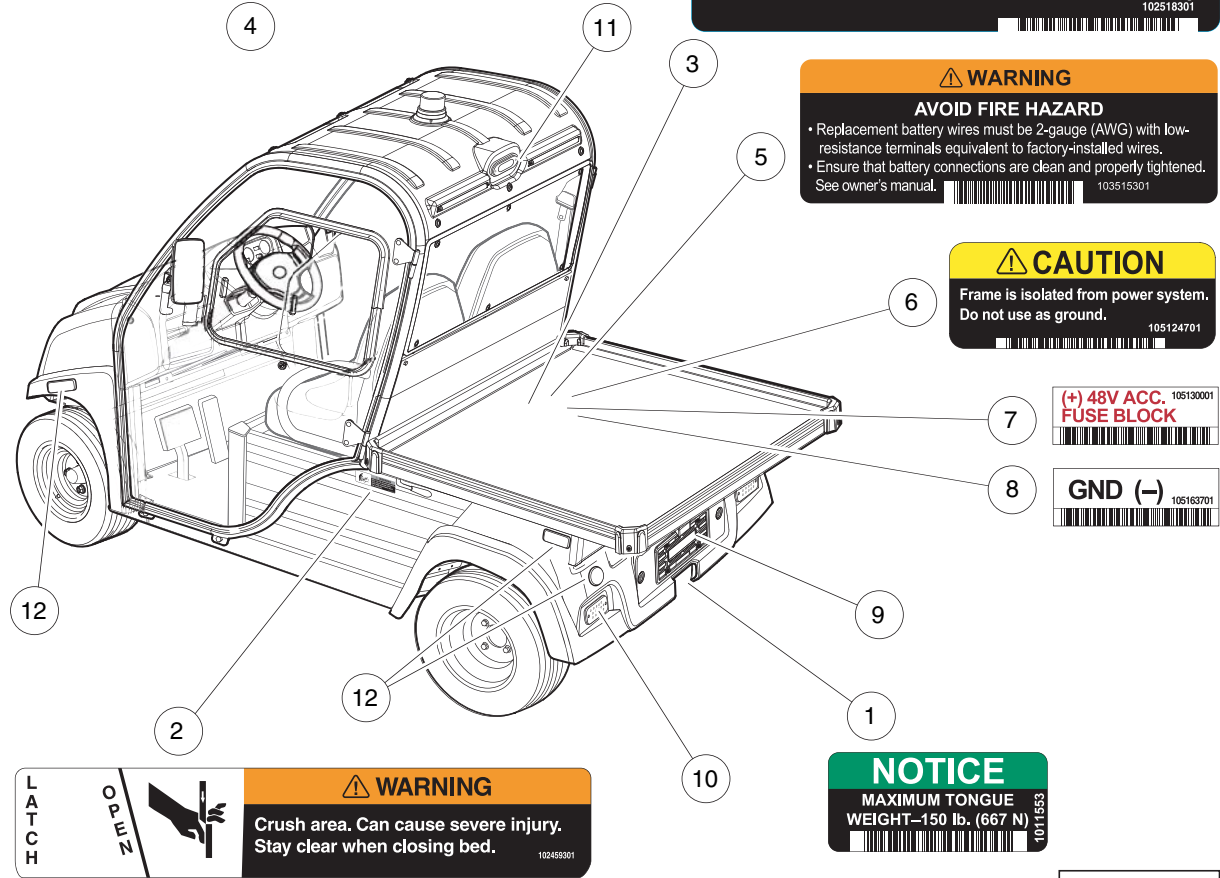
TOW  RUN

**CAUTION**

**EXPOSURE TO WATER MAY DAMAGE ELECTRONIC COMPONENTS**

- Do not operate vehicle without this cover properly installed.
- Do not direct water stream in the area of the cover without cover securely in place.
- See vehicle maintenance and service manual before servicing.

102516301



**WARNING**

**AVOID FIRE HAZARD**

- Replacement battery wires must be 2-gauge (AWG) with low-resistance terminals equivalent to factory-installed wires.
- Ensure that battery connections are clean and properly tightened.

See owner's manual. 103515301

**CAUTION**

Frame is isolated from power system. Do not use as ground.

105124701

**(+) 48V ACC. FUSE BLOCK**

105130001

**GND (-)**

105163701

**LATCH**

**WARNING**

**Crush area. Can cause severe injury. Stay clear when closing bed.**

102459301

**NOTICE**

**MAXIMUM TONGUE WEIGHT-150 lb. (667 N)**

1011553

## DECALS – ELECTRIC CARRYALL 510 AND 710, CONTINUED

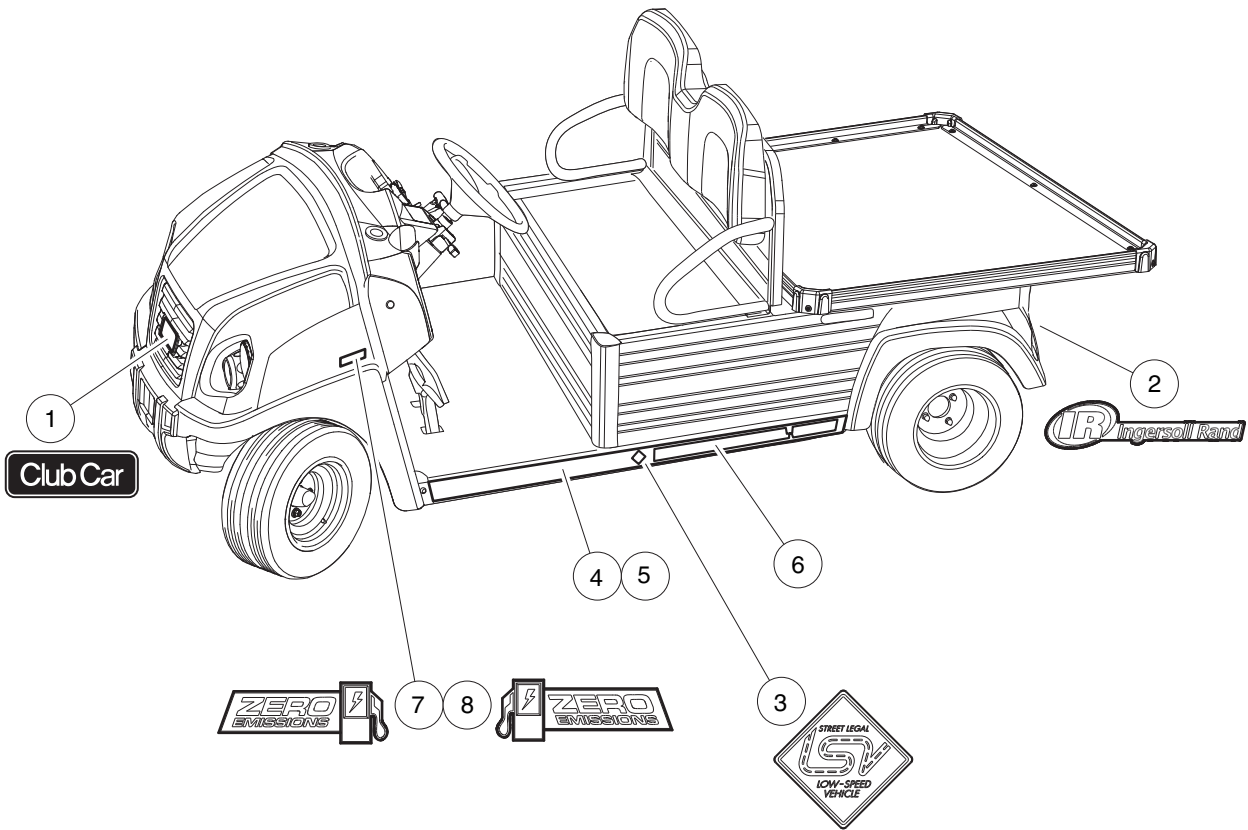
| ITEM | PART NO.         | DESCRIPTION                                      | QTY |
|------|------------------|--|-----|
|      |                  | 1 2 3 4  |     |
| 1    | <u>1011553</u>   | Decal, Trailer Hitch .....                       | 1   |
| 2    | <u>102459301</u> | Decal, Bed Crush Area Warning .....              | 1   |
| 3    | <u>102518301</u> | Decal, Caution, Electrical Component Cover ..... | 1   |
| 4    | <u>102845101</u> | Decal, Tow Switch .....                          | 1   |
| 5    | <u>103515301</u> | Decal, Warning, 2 Ga .....                       | 1   |
| 6    | <u>105124701</u> | Decal, Caution, Not Use As Gnd .....             | 1   |
| 7    | <u>105130001</u> | Decal, Fuse Block, Acc, 48v .....                | 1   |
| 8    | <u>105163701</u> | Decal, Gnd (-) .....                             | 1   |

**3**

**E**

3

E



001027-001

## BADGING DECALS – CARRYALL 510

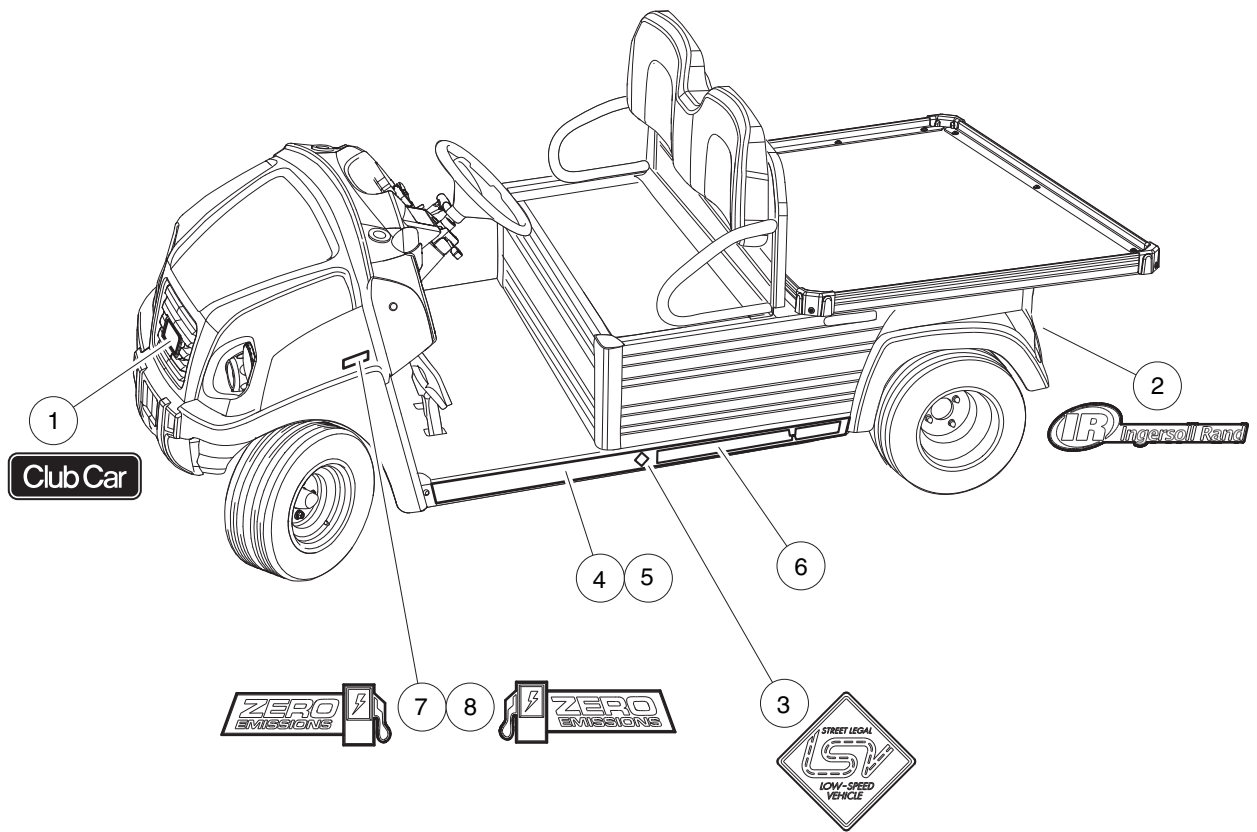
| ITEM | PART NO.         | DESCRIPTION                          | QTY |
|------|------------------|--------------------------------------|-----|
|      |                  | 1 2 3 4                              |     |
| 1    | <u>102883601</u> | Decal, Nameplate, CCI, Front .....   | 1   |
| 2    | <u>103234304</u> | Decal, Badge, Ir, Red .....          | 1   |
| 3    | <u>103517801</u> | Decal, Low Speed Vehicle .....       | 2   |
| 4    | <u>105115002</u> | Decal, Side Stringer, Medium .....   | 1   |
| 5    | 105115005        | Decal, R Side Stringer, Medium ..... | 1   |
| 6    | 105152601        | Decal, Branding, Ca 510, Lsv .....   | 2   |
| 7    | <u>105153201</u> | Decal, Zero Emission Vhcle, Lh ..... | 1   |
| 8    | <u>105153202</u> | Decal, Zero Emission Vhcle, Rh ..... | 1   |

**3**

**E**

3

E



001027-001

## BADGING DECALS – CARRYALL 710

| ITEM | PART NO.         | DESCRIPTION                          | QTY |
|------|------------------|--------------------------------------|-----|
|      |                  | 1 2 3 4                              |     |
| 1    | <u>102883601</u> | Decal, Nameplate, CCI, Front .....   | 1   |
| 2    | <u>103234304</u> | Decal, Badge, Ir, Red .....          | 1   |
| 3    | <u>103517801</u> | Decal, Low Speed Vehicle .....       | 2   |
| 4    | <u>105115003</u> | Decal, Side Stringer, Long .....     | 1   |
| 5    | <u>105115006</u> | Decal, R Side Stringer, Long .....   | 1   |
| 6    | <u>105153001</u> | Decal, Branding, Ca 710, Lsv .....   | 2   |
| 7    | <u>105153201</u> | Decal, Zero Emission Vhcle, Lh ..... | 1   |
| 8    | <u>105153202</u> | Decal, Zero Emission Vhcle, Rh ..... | 1   |

**3**

**E**

3

*E*



# LIGHTS, CONTROLS, AND INDICATORS

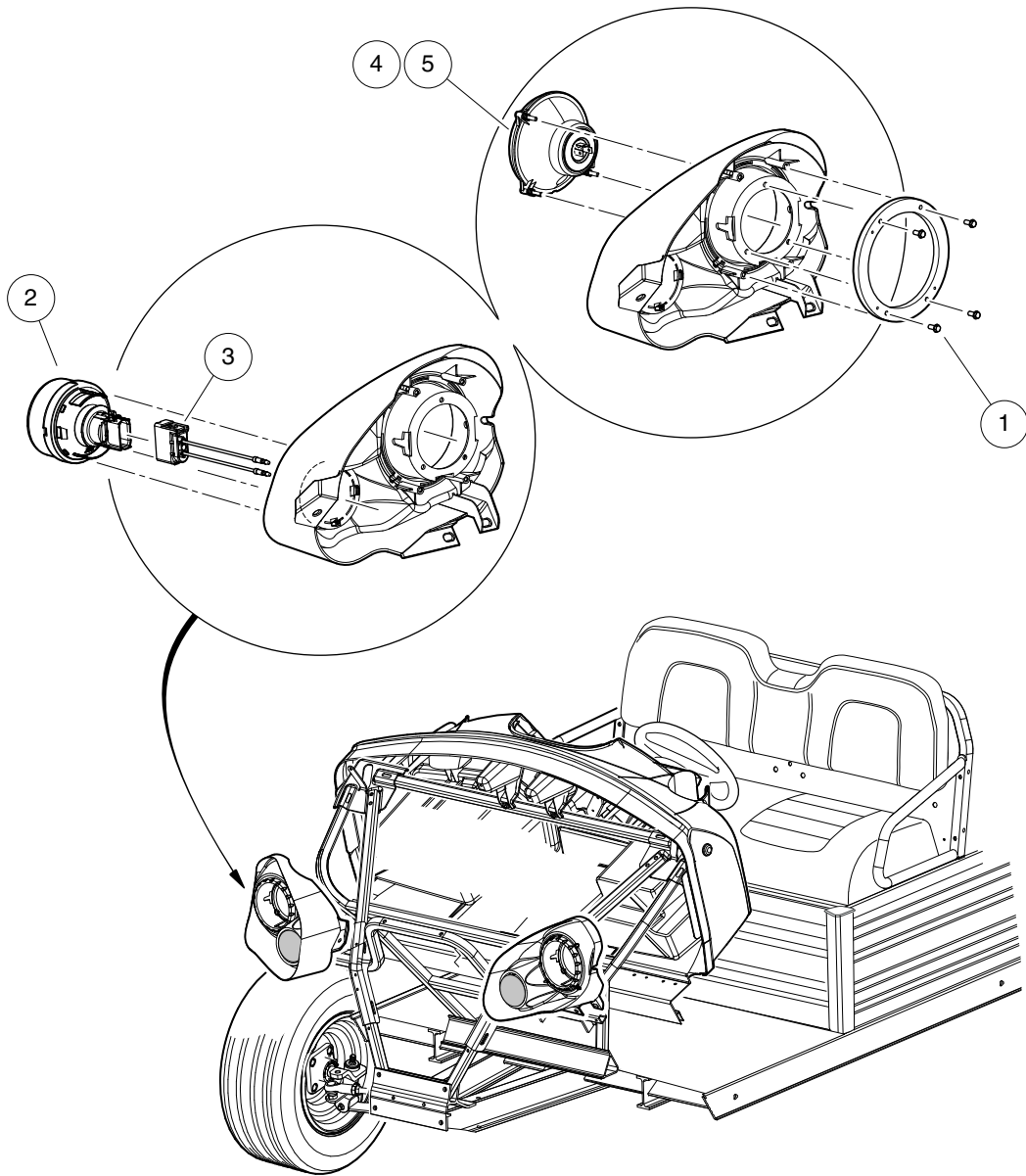
---

4

E

4

E



001349-001

# HEADLIGHTS - CA510 AND CA710 HOMOLOGATED

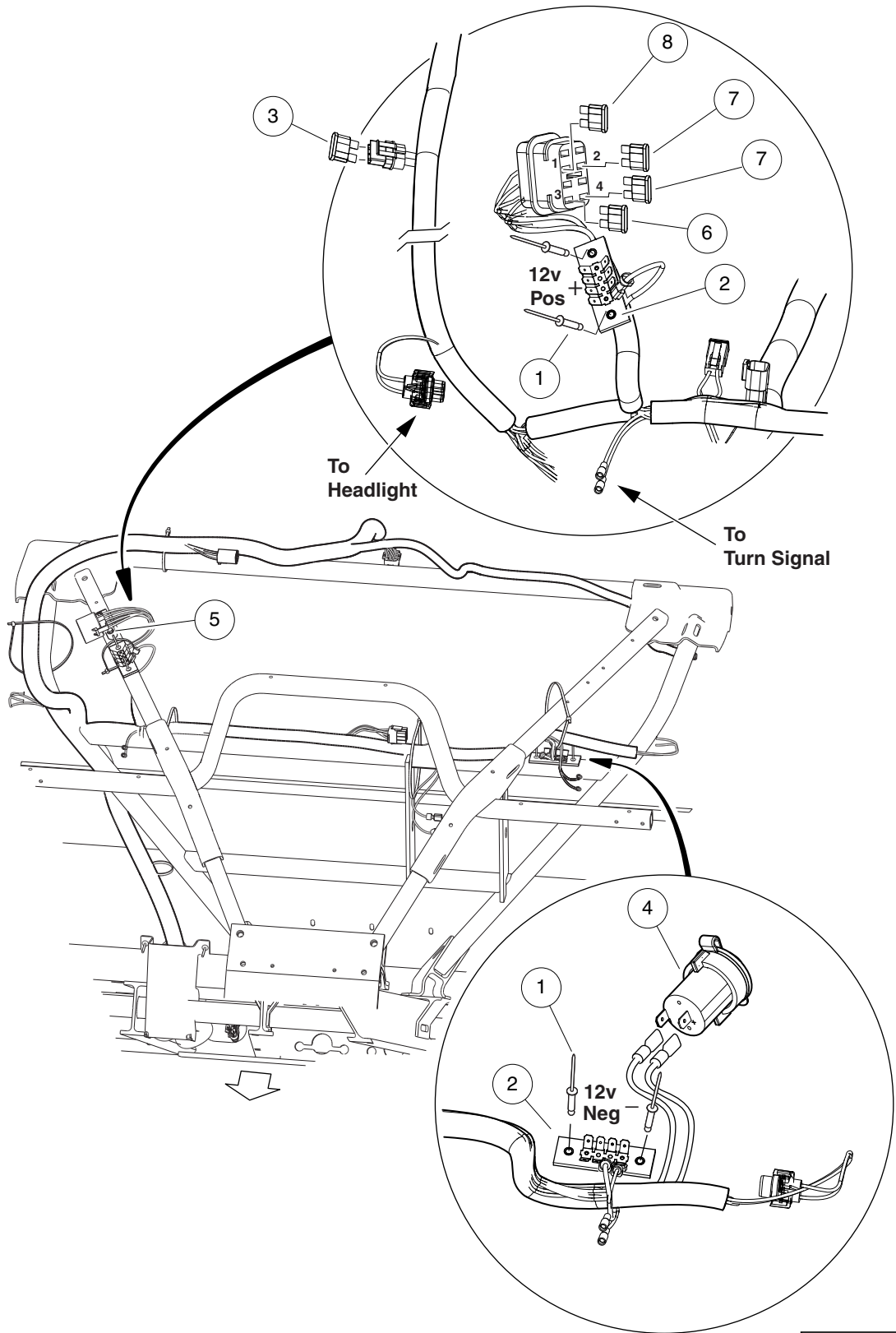
| ITEM | PART NO.         | DESCRIPTION   | QTY |
|------|------------------|---|-----|
|      |                  | 1 2 3 4   |     |
| 1    | <u>101850301</u> | Screw, #12-16 X 0.50 Washer-Head Hi-Lo .....  | 8   |
| 2    | <u>102894503</u> | Light, Turn Sig, Round 3", Utl .....  | 2   |
| 3    | <u>103245001</u> | Jumper, Turn Signal, Ca/xrt/hu .....  | 2   |
| 4    | <u>105073501</u> | HI, Rnd 5.5", Utl, Homol, Rh .....  | 2   |
| 5    | <u>105073502</u> | HI, Rnd 5.5", Utl, Homol, Lh .....  | 2   |
|      |                  | <p>Note: <u>105073501</u> is for country with right-hand traffic flow. <u>105073502</u> is for country with left-hand traffic flow.</p> |     |

**4**

**E**

4

E



001360-002

# 12-VOLT FUSE BLOCK AND FUSES – ELECTRIC VEHICLE

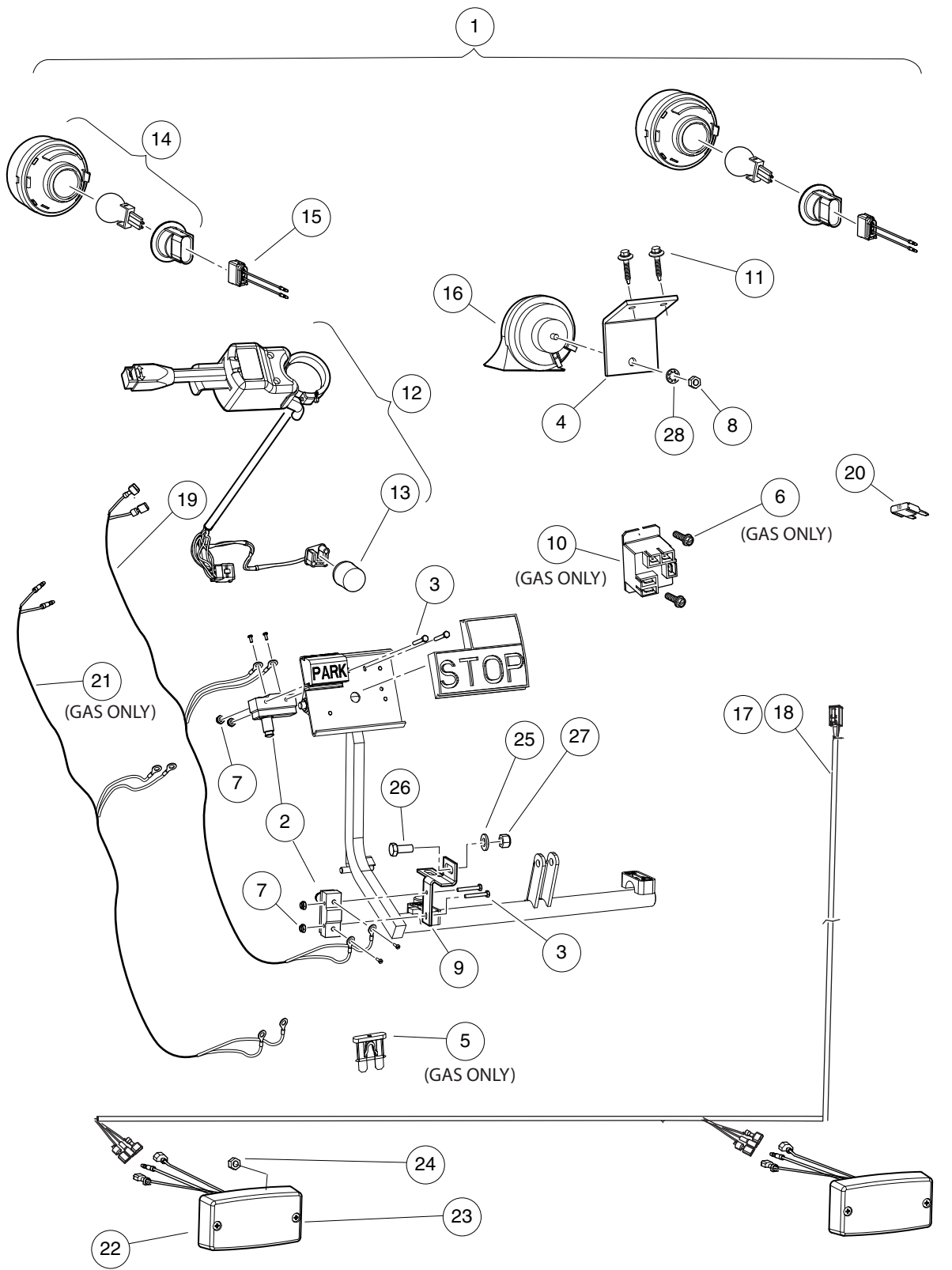
| ITEM | PART NO.         | DESCRIPTION                         | QTY |
|------|------------------|-------------------------------------|-----|
|      |                  | 1 2 3 4                             |     |
| 1    | <u>1013357</u>   | Rivet, 5/32 Aluminum Pop .....      | 4   |
| 2    | <u>1016356</u>   | Terminal Block with Insulator ..... | 2   |
| 3    | <u>1016423</u>   | Fuse, 20-Amp .....                  | 1   |
| 4    | <u>102198001</u> | Receptacle, Accessory .....         | 1   |
| 5    | <u>102238001</u> | #10-24 Taptite Screw .....          | 1   |
| 6    | <u>105114805</u> | Fuse, Mini, Atm, 7.5 Amp .....      | 1   |
| 7    | <u>105114806</u> | Fuse, Mini, Atm, 10 Amp .....       | 2   |
| 8    | <u>105114807</u> | Fuse, Mini, Atm, 15 Amp .....       | 1   |

**4**

**E**

4

E



001368-002

# HORN, TURN SIGNALS, AND TAILLIGHTS – ELECTRIC AND GASOLINE VEHICLES

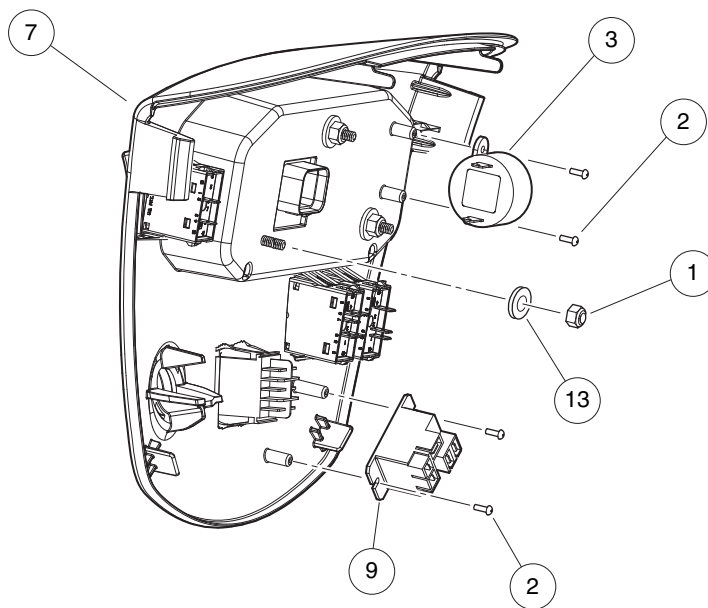
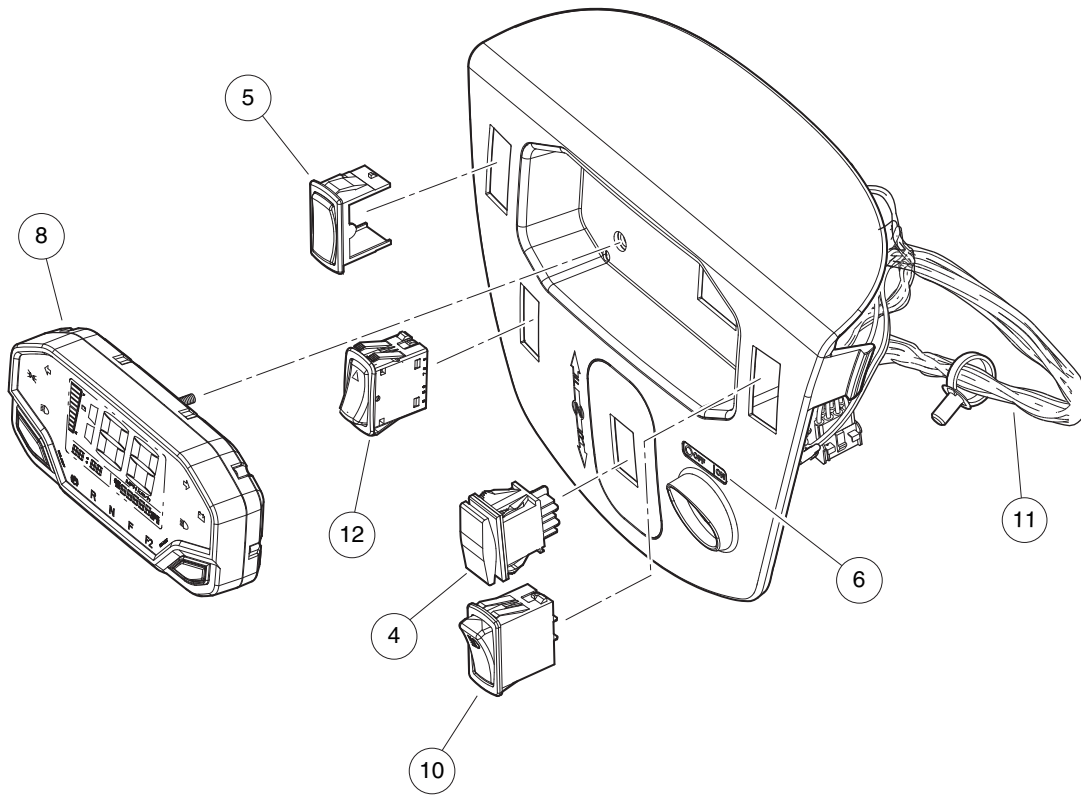
| ITEM   | PART NO.         | DESCRIPTION   | QTY |
|--|------------------|---|-----|
|  |                  | 1 2 3 4   |     |
| 1  | <u>105122808</u> | Kit, Horn/Tail Light/Turn (includes items 2 through 28) ..... | 1   |
| 2  | <u>1011439</u>   | Switch, Limit .....   | 2   |
| 3  | <u>1011557</u>   | Screw, #6-32 X 1.00 Hex-Head Machine .....                    | 4   |
| 4  | <u>1011825</u>   | Horn Bracket .....  | 1   |
| 5  | <u>1012295</u>   | Fuse, 10-Amp .....  | 1   |
| 6  | <u>1016849</u>   | Screw, #4-24 X 0.33, Pan-Head, Machine .....                  | 2   |
| 7  | <u>101932201</u> | Locknut, #6-32 Nylon .....                                    | 4   |
| 8  | <u>101955101</u> | Nut, M6 Hex .....   | 1   |
| 9  | <u>101957101</u> | Bracket, Brake Light Switch .....                             | 1   |
| 10   | <u>102199001</u> | Relay, 12-Volt .....  | 1   |
| 11   | <u>102297125</u> | Screw, M6-1.0x25.4, Thread-Forming, SEMS .....                | 2   |
| 12   | <u>102517501</u> | Turn Signal Asm (includes item 13) .....                      | 1   |
| 13   | <u>102546401</u> | Flasher Unit, Prec .....                                      | 1   |
| 14   | <u>102894503</u> | Light, Turn Sig, Round 3", Utl .....                          | 2   |
| 15   | <u>103245001</u> | Jumper, Turn Signal, Ca/xrt/hu .....                          | 2   |
| 16   | <u>103484301</u> | Horn, 12v, Gnd Isolated .....                                 | 1   |
| 17   | <u>105108201</u> | Harness, Tail Light, Utility, Short .....                     | 1   |
| 18   | <u>105108301</u> | Harness, Tail Light, Utility, Long .....                      | 1   |
| 19   | <u>105108401</u> | Harness, Brk, Pedal Switch Utl .....                          | 1   |
| 20   | <u>105114806</u> | Fuse, Mini, Atm, 10 Amp .....                                 | 1   |
| 21   | <u>105135201</u> | Jumper, Hill Brake, Switch .....                              | 1   |
| 22   | <u>105165801</u> | Lamp, Stop/trn/tail, Footdeck .....                           | 2   |
| 23   | <u>105190601</u> | Screw, #8-32 X 0.625, Clr Znc .....                           | 4   |
| 24   | <u>105190701</u> | Nut, Flanged, #8-32, Serrated .....                           | 4   |
| 25   | <u>1241</u>      | Washer, 5/16 Type A Flat .....                                | 1   |
| 26   | <u>7173</u>      | Screw, 5/16-18 X 0.75, Hex-Head Cap .....                     | 1   |
| 27   | <u>7473</u>      | Locknut, 5/16-18 Nylon Insert .....                           | 2   |
| 28   | <u>7820</u>      | Washer, 5/16 Internal-Tooth .....                             | 1   |
| Note: 1051082, Harness, Tail Light, Utility, Short, fits the following vehicles<br>with serial prefix: MA, MB, MC, MD, ME, MF, MK, ML, MM, MP, MU. |                  |   |     |

4

E

4

E



001354-002



# INSTRUMENT PANEL - CA510 AND CA710 HOMOLOGATED

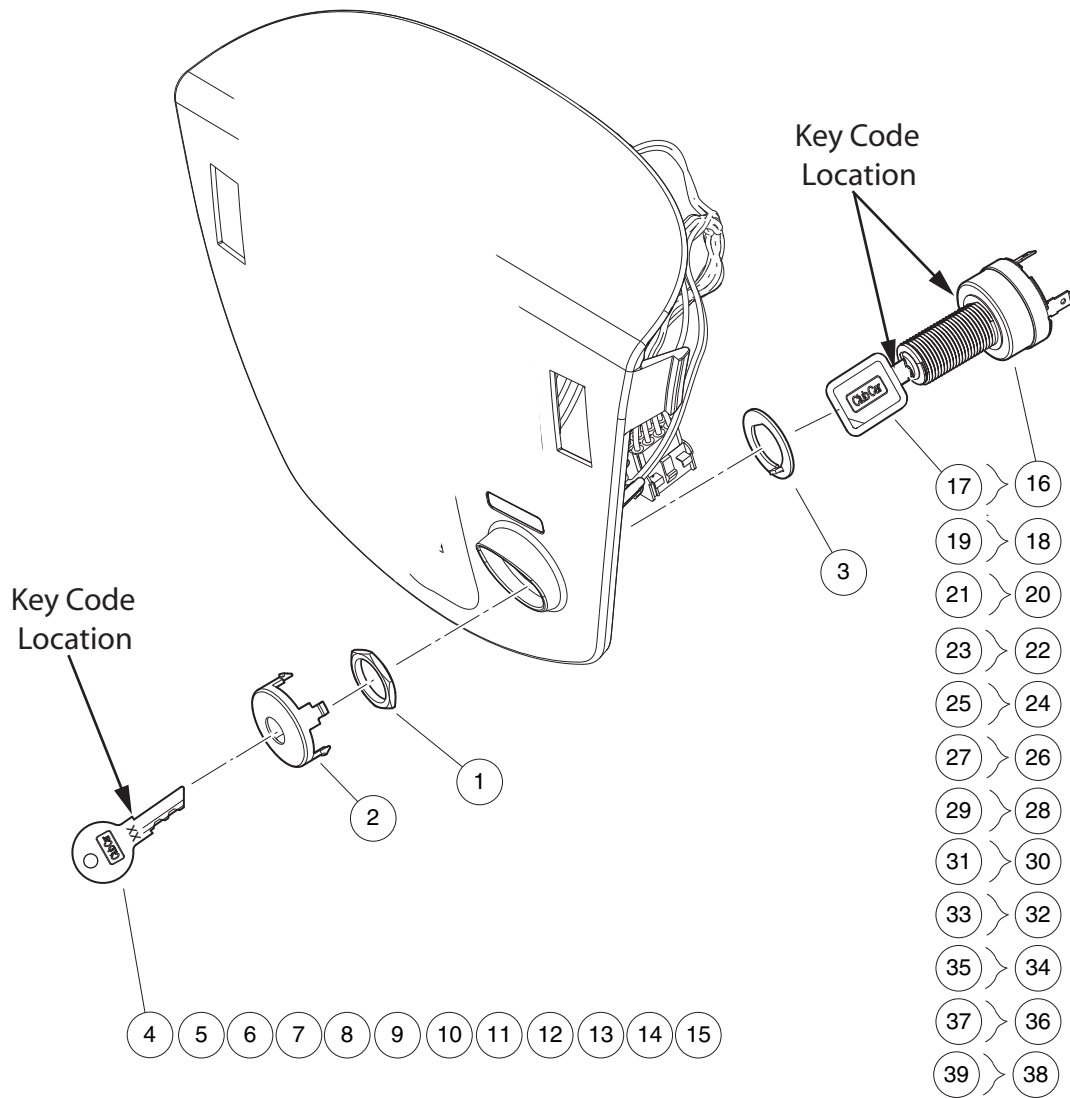
| ITEM | PART NO.         | DESCRIPTION                                  | QTY |
|------|------------------|--|-----|
|      |                  | 1 2 3 4                                      |     |
| 1    | <u>1016849</u>   | Screw, #4-24 X 0.33, Pan-Head, Machine ..... | 4   |
| 2    | <u>1016851</u>   | Buzzer, Reverse (9-48 VDC) .....             | 1   |
| 3    | <u>101856001</u> | Switch, Rocker, Double-Pole .....            | 1   |
| 4    | <u>103180101</u> | Cover, Hole, Switch, Rocker .....            | 1   |
| 5    | <u>103827201</u> | Decal, Ignition, Homologated .....           | 1   |
| 6    | <u>105034103</u> | Panel, Instrument, Koso, Ca .....            | 1   |
| 7    | <u>105073601</u> | Display, Dash, Koso, Elec .....              | 1   |
| 8    | <u>105112401</u> | Relay, Spdt Nc, 48v 30a, Pmt .....           | 1   |
| 9    | <u>105113101</u> | Switch, High Beam, Lsv, Homol .....          | 1   |
| 10   | <u>105146701</u> | Switch, Hazard, 12vdc .....                  | 1   |
| 11   | <u>105247101</u> | Nut, M5 X 0.8, Flange .....                  | 3   |
| 12   | <u>105257901</u> | Harness, Lsv, Homol, Ip .....                | 1   |
| 13   | <u>332</u>       | Washer, 1/4 Type A Narrow Flat .....         | 3   |

**4**

**E**

4

E



001355-001

# KEYSWITCH, PRIVATE SPEED MODE - ELECTRIC VEHICLE

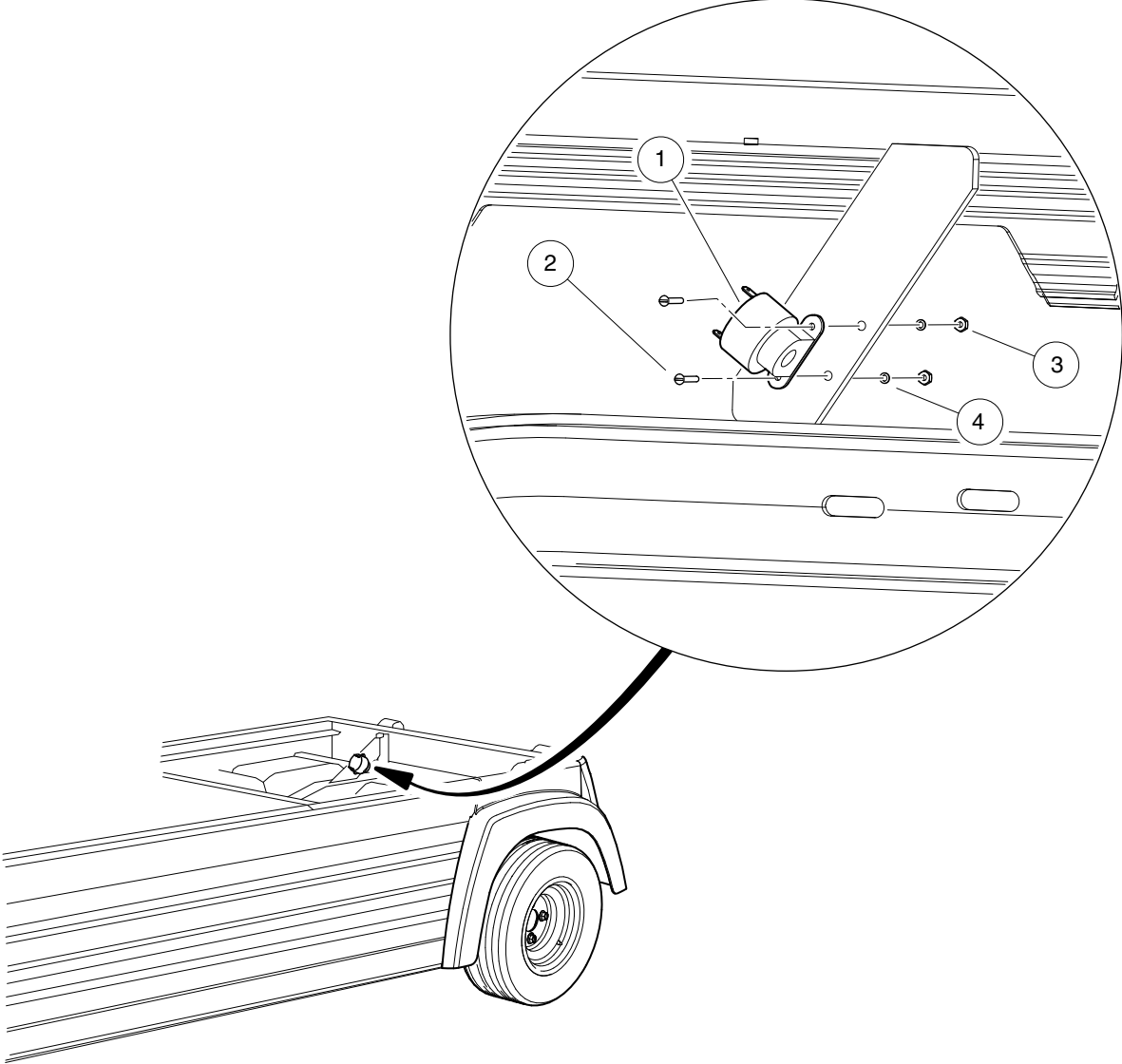
| ITEM | PART NO.         | DESCRIPTION  | QTY |
|------|------------------|--|-----|
|      |                  | 1 2 3 4  |     |
| 1    | <u>101830701</u> | Nut, Key Switch .....  | 1   |
| 2    | <u>101834502</u> | Cap, Black Key Switch .....  | 1   |
| 3    | <u>101851101</u> | Washer, Key Switch .....   | 1   |
| 4    | <u>101974701</u> | Key, Uncommon 1a .....   | 1   |
| 5    | <u>101974702</u> | Key, Uncommon 1b .....   | 1   |
| 6    | <u>101974703</u> | Key, Uncommon 1c .....   | 1   |
| 7    | <u>101974704</u> | Key, Uncommon 1d .....   | 1   |
| 8    | <u>101974705</u> | Key, Uncommon 2a .....   | 1   |
| 9    | <u>101974706</u> | Key, Uncommon 2b .....   | 1   |
| 10   | <u>101974707</u> | Key, Uncommon 2c .....   | 1   |
| 11   | <u>101974708</u> | Key, Uncommon 2d .....   | 1   |
| 12   | <u>101974709</u> | Key, Uncommon 1e .....   | 1   |
| 13   | <u>101974710</u> | Key, Uncommon 1f .....   | 1   |
| 14   | <u>101974711</u> | Key, Uncommon 2e .....   | 1   |
| 15   | <u>101974712</u> | Key, Uncommon 2f .....   | 1   |
| 16   | <u>105082001</u> | Keysw, Uncom, 4t, Off/p2/p3 1a (includes item 17) .....  | 1   |
| 17   | <u>105068001</u> | Key, Uncommon, Padded 1a .....   | 1   |
| 18   | <u>105082002</u> | Keysw, Uncom, 4t, Off/p2/p3 1b (includes item 19) .....  | 1   |
| 19   | <u>105068002</u> | Key, Uncommon, Padded 1b .....   | 1   |
| 20   | <u>105082003</u> | Keysw, Uncom, 4t, Off/p2/p3 1c (includes item 21) .....  | 1   |
| 21   | <u>105068003</u> | Key, Uncommon, Padded 1c .....   | 1   |
| 22   | <u>105082004</u> | Keysw, Uncom, 4t, Off/p2/p3 1d (includes item 23) .....  | 1   |
| 23   | <u>105068004</u> | Key, Uncommon, Padded 1d .....   | 1   |
| 24   | <u>105082005</u> | Keysw, Uncom, 4t, Off/p2/p3 1e (includes item 25) .....  | 1   |
| 25   | <u>105068005</u> | Key, Uncommon, Padded 1e .....   | 1   |
| 26   | <u>105082006</u> | Keysw, Uncom, 4t, Off/p2/p3 1f (includes item 27) .....  | 1   |
| 27   | <u>105068006</u> | Key, Uncommon, Padded 1f .....   | 1   |
| 28   | <u>105082007</u> | Keysw, Uncom, 4t, Off/p2/p3 2a (includes item 29) .....  | 1   |
| 29   | <u>105068007</u> | Key, Uncommon, Padded 2a .....   | 1   |
| 30   | <u>105082008</u> | Keysw, Uncom, 4t, Off/p2/p3 2b (includes item 31) .....  | 1   |
| 31   | <u>105068008</u> | Key, Uncommon, Padded 2b .....   | 1   |
| 32   | <u>105082009</u> | Keysw, Uncom, 4t, Off/p2/p3 2c (includes item 33) .....  | 1   |
| 33   | <u>105068009</u> | Key, Uncommon, Padded 2c .....   | 1   |
| 34   | <u>105082010</u> | Keysw, Uncom, 4t, Off/p2/p3 2d (includes item 35) .....  | 1   |
| 35   | <u>105068010</u> | Key, Uncommon, Padded 2d .....   | 1   |
| 36   | <u>105082011</u> | Keysw, Uncom, 4t, Off/p2/p3 2e (includes item 37) .....  | 1   |
| 37   | <u>105068011</u> | Key, Uncommon, Padded 2e .....   | 1   |
| 38   | <u>105082012</u> | Keysw, Uncom, 4t, Off/p2/p3 2f (includes item 39) .....  | 1   |
| 39   | <u>105068012</u> | Key, Uncommon, Padded 2f .....   | 1   |
|      |                  | Note: Keyswitch <u>105082001</u> , is standard for private speed mode electric vehicles equipped with a cab. Keyswitch <u>105082002</u> , is standard for private speed mode electric vehicles without a cab. Keyswitches <u>105082003</u> through <u>105082012</u> allows different key code combinations for private speed mode electric fleet vehicles. |     |

4

E

4

E



001361-001

## REAR MOUNTED REVERSE BUZZER – CA710

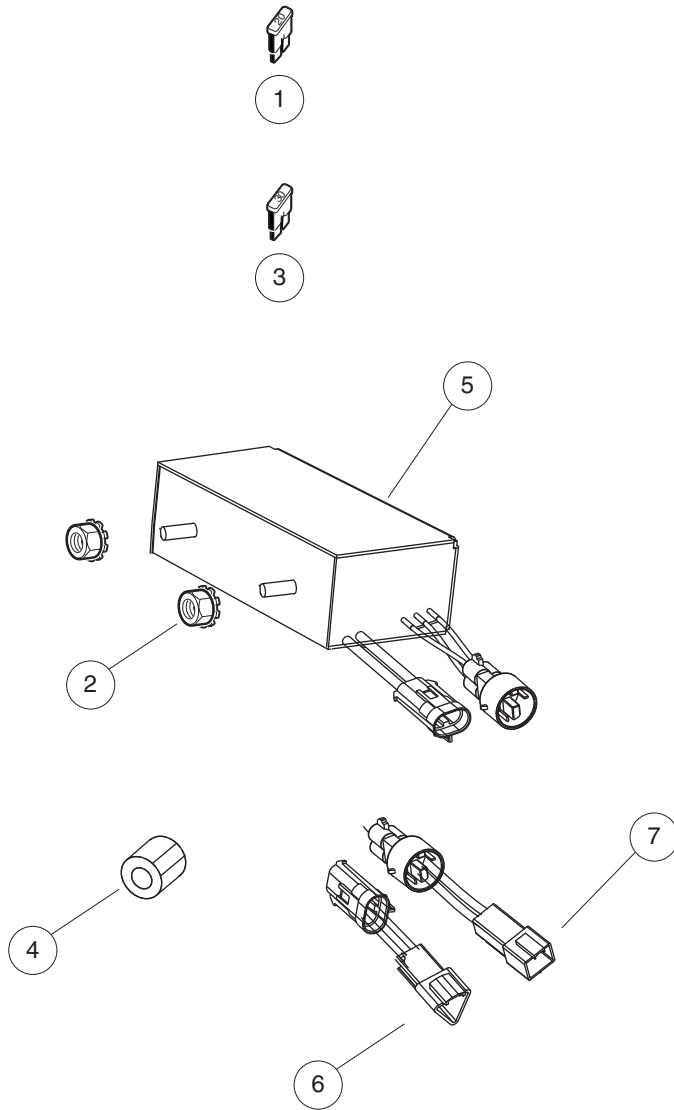
| ITEM | PART NO.       | DESCRIPTION                                  | QTY |
|------|----------------|--|-----|
|      |                | 1 2 3 4                                      |     |
| 1    | <u>1016851</u> | Buzzer, Reverse (9-48 VDC) .....             | 1   |
| 2    | <u>8056</u>    | Screw, #4-40 X 0.75 Round-Head Machine ..... | 2   |
| 3    | <u>8057</u>    | Nut, #4-40 Hex Machine .....                 | 2   |
| 4    | <u>8058</u>    | Lockwasher, #4 Split .....                   | 2   |

**4**

**E**

4

E



001359-003

# DC CONVERTER, HEAVY DUTY – ELECTRIC VEHICLE

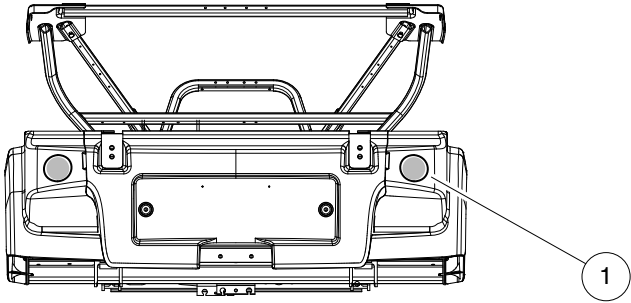
| ITEM  | PART NO.         | DESCRIPTION                         | QTY |
|---|------------------|-------------------------------------|-----|
|   |                  | 1 2 3 4                             |     |
| 1   | <u>1016423</u>   | Fuse, 20-Amp .....                  | 1   |
| 2   | <u>101835601</u> | Locknut, 1/4-20 Hex Whiz .....      | 2   |
| 3   | <u>102492301</u> | Fuse, 30-Amp .....                  | 1   |
| 4   | <u>103449501</u> | Bead, Ferrite, Tdk .....            | 1   |
| 5   | <u>103804901</u> | Converter, 25a, Isolated, Ce .....  | 1   |
| 6   | <u>105146901</u> | Jmpr, Dc Conv, Dt/mp480s, In .....  | 1   |
| 7   | <u>105147001</u> | Jmpr, Dc Conv, Dt/mp480s, Out ..... | 1   |
| <p>Note: Upgrade Fuses: Use 20-Amp fuse to replace 15-amp fuse in fuse block on controller mounting plate. Use 30-Amp fuse to replace 20-amp fuse in harness near DC converter.</p> |                  |                                     |     |

4

E

4

E



001362-001



# REFLECTORS

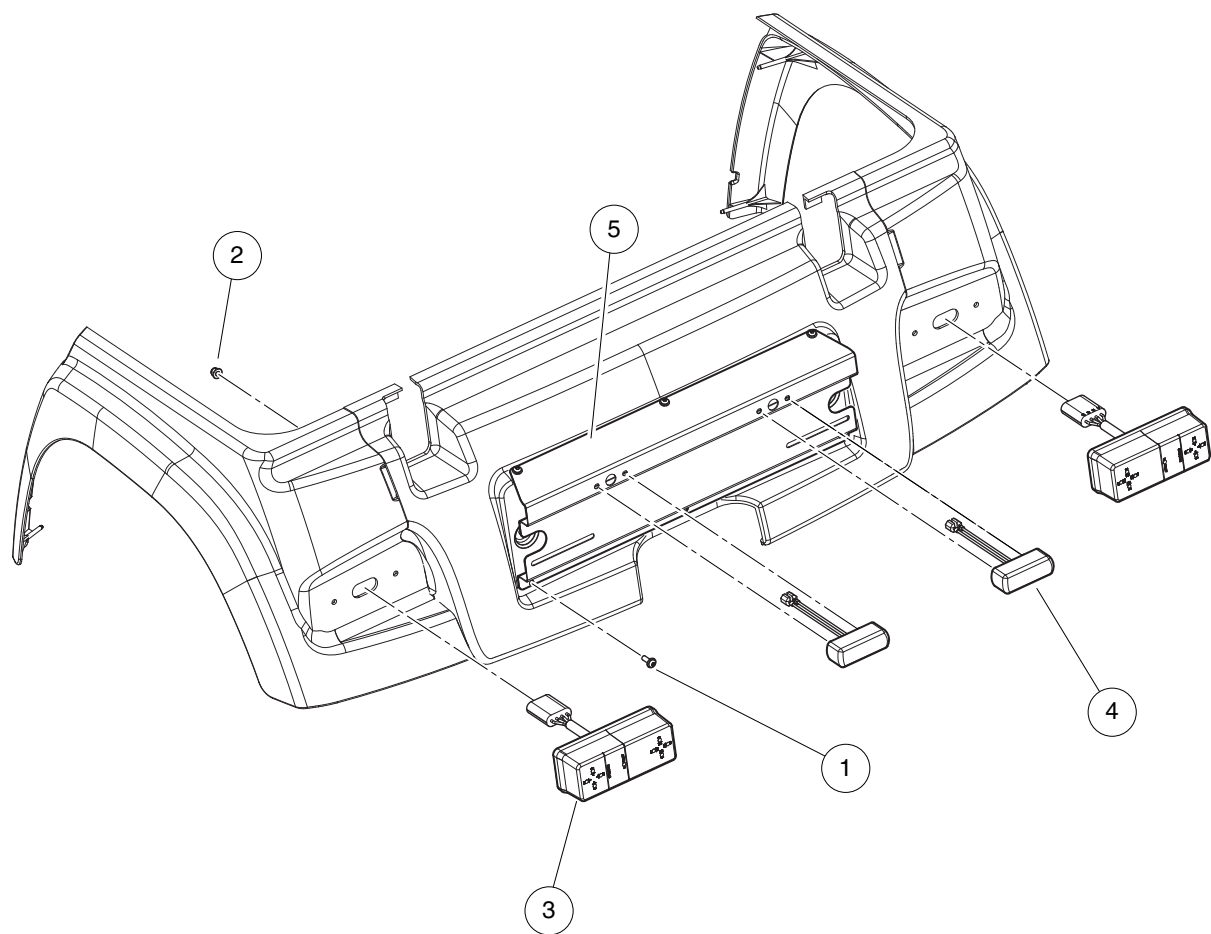
| ITEM | PART NO.         | DESCRIPTION                                 | QTY |
|------|------------------|---|-----|
| 1    | <u>103832501</u> | 1 2 3 4<br>Reflector, Red, Round, Sae ..... | 2   |
| 2    | <u>103832601</u> | Reflector, Yell, Rect, Sae .....            | 2   |
| 3    | <u>105144801</u> | Reflector, Red, Rect, Sae .....             | 2   |

**4**

**E**

4

E



001348-001

# TAILLIGHT AND LICENSE PLATE BRACKET - CA510 AND CA710 HOMOLOGATED

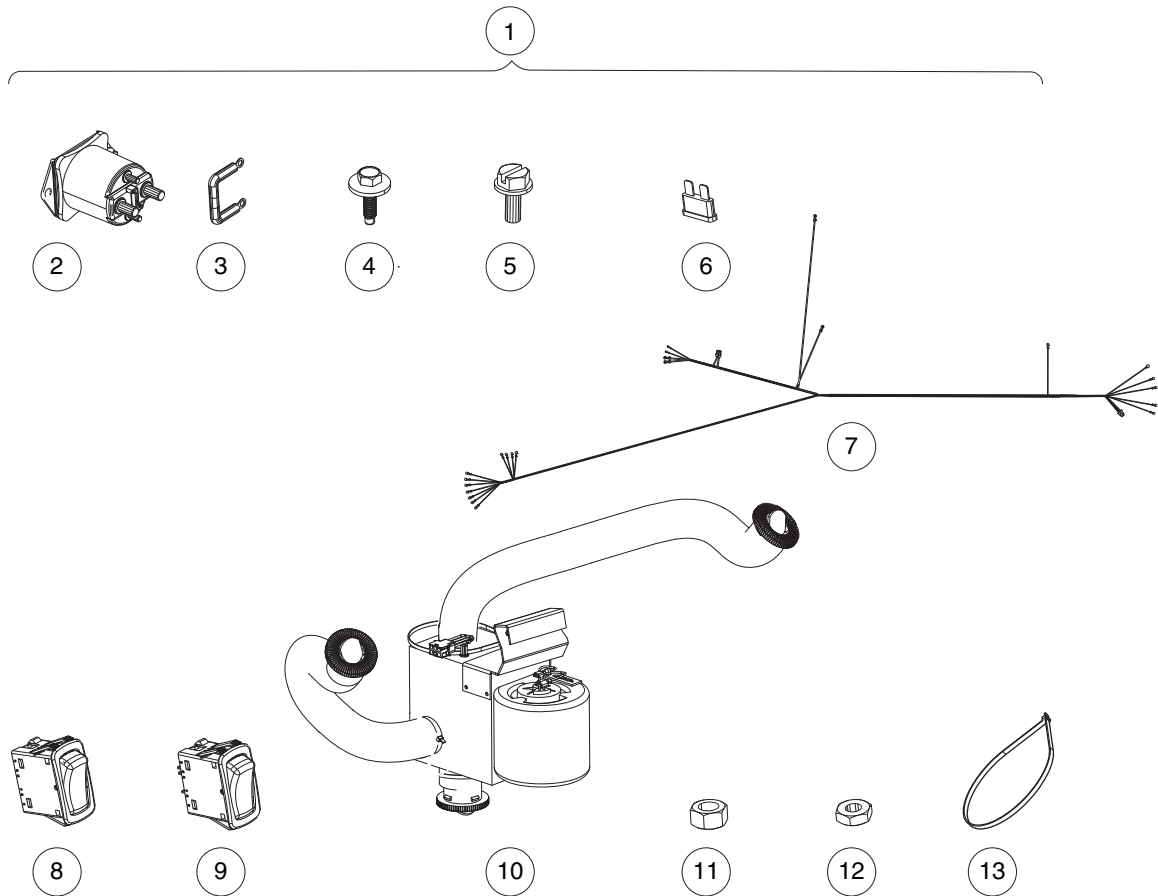
| ITEM | PART NO.         | DESCRIPTION   | QTY |
|------|------------------|---|-----|
|      |                  | 1 2 3 4   |     |
| 1    | <u>102296920</u> | Screw, M6, Torx Button Head, Sems .....                           | 6   |
| 2    | <u>102621501</u> | Nut, Flange, M6 X 1.0, Nylon .....                                | 6   |
| 3    | <u>103810801</u> | Taillight, Stop/tl/trn, E-mark (Includes Mounting Hardware) ..... | 2   |
| 4    | <u>103810901</u> | License Lamp, E-mark .....  | 2   |
| 5    | <u>105250401</u> | Bracket, License Plate, Homol, UTL .....                          | 1   |

**4**

**E**

4

E



001366-002

# HEATER DEFOGGER – ELECTRIC VEHICLE

| ITEM | PART NO.         | DESCRIPTION   | QTY |
|------|------------------|---|-----|
|      |                  | 1 2 3 4   |     |
| 1    | <u>105135802</u> | Kit, Defogger, Heater (includes items 2 through 13) ..... | 1   |
| 2    | <u>1013609</u>   | Solenoid, 12-Volt .....                                   | 1   |
| 3    | <u>1014948</u>   | Diode .....   | 1   |
| 4    | <u>102297125</u> | Screw, M6-1.0x25.4, Thread-Forming, SEMS .....            | 2   |
| 5    | <u>102817101</u> | Screw, 1/4-20 X .50 Hex Wsh Hd .....                      | 2   |
| 6    | <u>103541401</u> | Fuse, Atc, 5 Amp .....                                    | 1   |
| 7    | <u>105108801</u> | Harness, Heater, Cab, Util .....                          | 1   |
| 8    | <u>105112501</u> | Switch, Heater, 12vdc .....                               | 1   |
| 9    | <u>105112601</u> | Switch, Blower, 12vdc .....                               | 1   |
| 10   | N/A              | Heater, Defogger .....                                    | 1   |
| 11   | <u>1242</u>      | Nut, 5/16-18 Hex .....                                    | 2   |
| 12   | <u>7893</u>      | Nut, #10-32 Hex .....                                     | 2   |
| 13   | <u>8639</u>      | Tie Wrap, 11" Nylon .....                                 | 8   |

**4**

**E**

**4**

***E***

# **BRAKES, PEDALS, AND CABLE ASSEMBLIES**

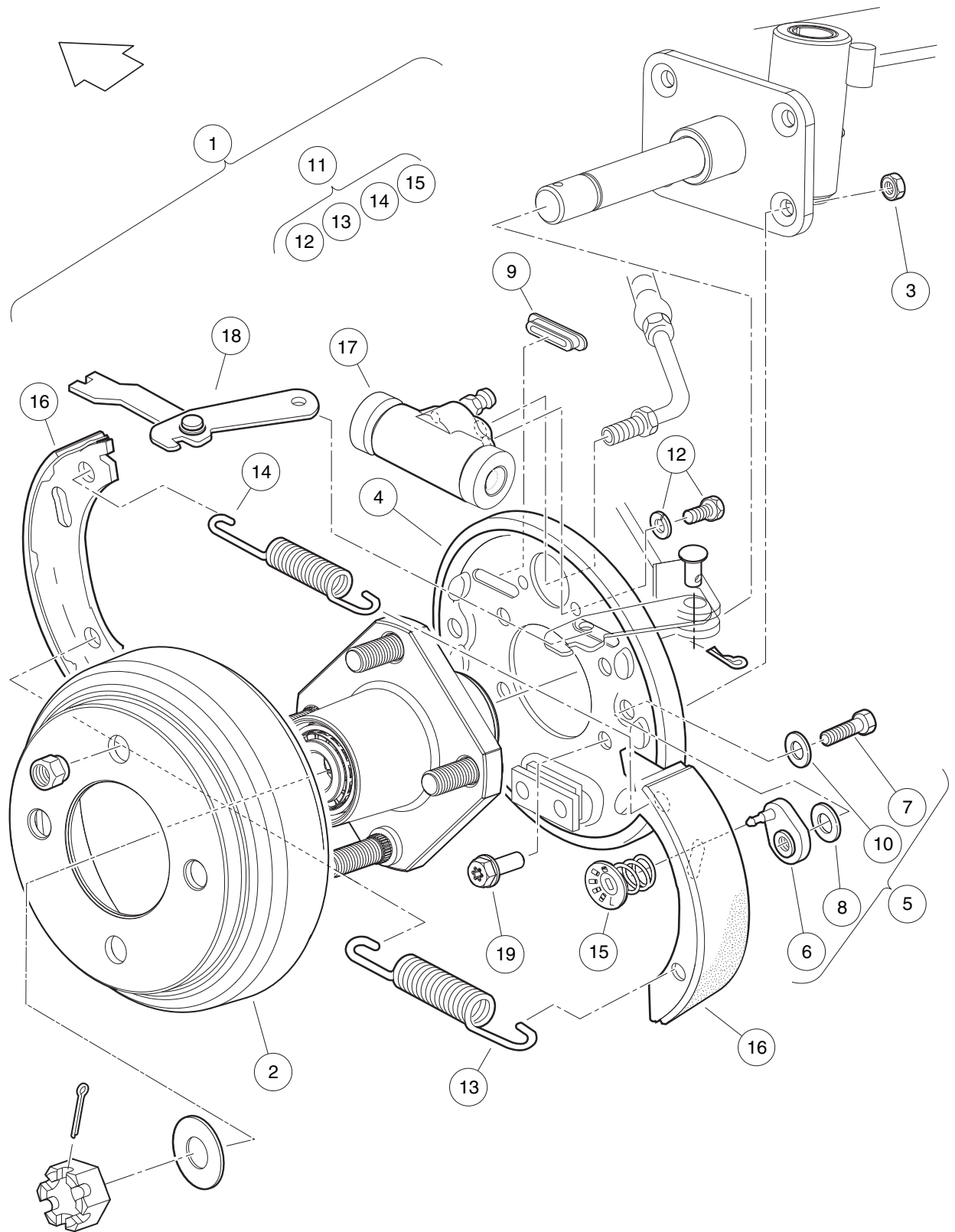
---

**5**

**E**

5

E



001416-002



# HYDRAULIC FRONT DRUM BRAKE ASSEMBLY – DRIVER-SIDE

| ITEM | PART NO.         | DESCRIPTION  | QTY |
|------|------------------|--|-----|
|      |                  | 1 2 3 4  |     |
| 1    | <u>102033401</u> | Assembly, Brake Cluster LH (includes items 2 through 19) ..... | 1   |
| 2    | <u>1011137</u>   | Drum, Brake .....  | 1   |
| 3    | <u>1013924</u>   | Nut, 5/16-24, Hex Head Cone .....                              | 4   |
| 4    | <u>102049401</u> | Backing Plate Asm .....  | 1   |
| 5    | <u>102049601</u> | Kit, Axle Adjuster (includes items 6 through 10) .....         | 1   |
| 6    | <u>102049501</u> | Adjuster .....   | 4   |
| 7    | <u>102049901</u> | Bolt, 1/4-28 UNF X .31 .....                                   | 4   |
| 8    | <u>102050001</u> | Washer .....   | 4   |
| 9    | <u>102050101</u> | Dust Cover .....   | 4   |
| 10   | N/A              | Washer, 1/4 Flat .....   | 4   |
| 11   | <u>102049701</u> | Kit, Axle Hardware (includes items 12 through 15) .....        | 1   |
| 12   | <u>102050401</u> | Bolt, Wheel Cylinder .....                                     | 2   |
| 13   | <u>102050501</u> | Spring, Shoe To Shoe, Lower .....                              | 1   |
| 14   | <u>102050601</u> | Spring, Shoe To Shoe, Upper .....                              | 1   |
| 15   | <u>102050701</u> | Shoe Hold Down .....   | 2   |
| 16   | <u>102050201</u> | Shoe Kit, Axle Set .....                                       | 1   |
| 17   | <u>102050801</u> | Wheel Cylinder Assembly 0.875 Dia .....                        | 1   |
| 18   | <u>102050902</u> | Park Brake Assembly, Left-Hand .....                           | 1   |
| 19   | <u>103229601</u> | Bolt, Brake Cluster Mnt, Hyd .....                             | 4   |

5

E



# HYDRAULIC FRONT DRUM BRAKE ASSEMBLY – PASS-SIDE

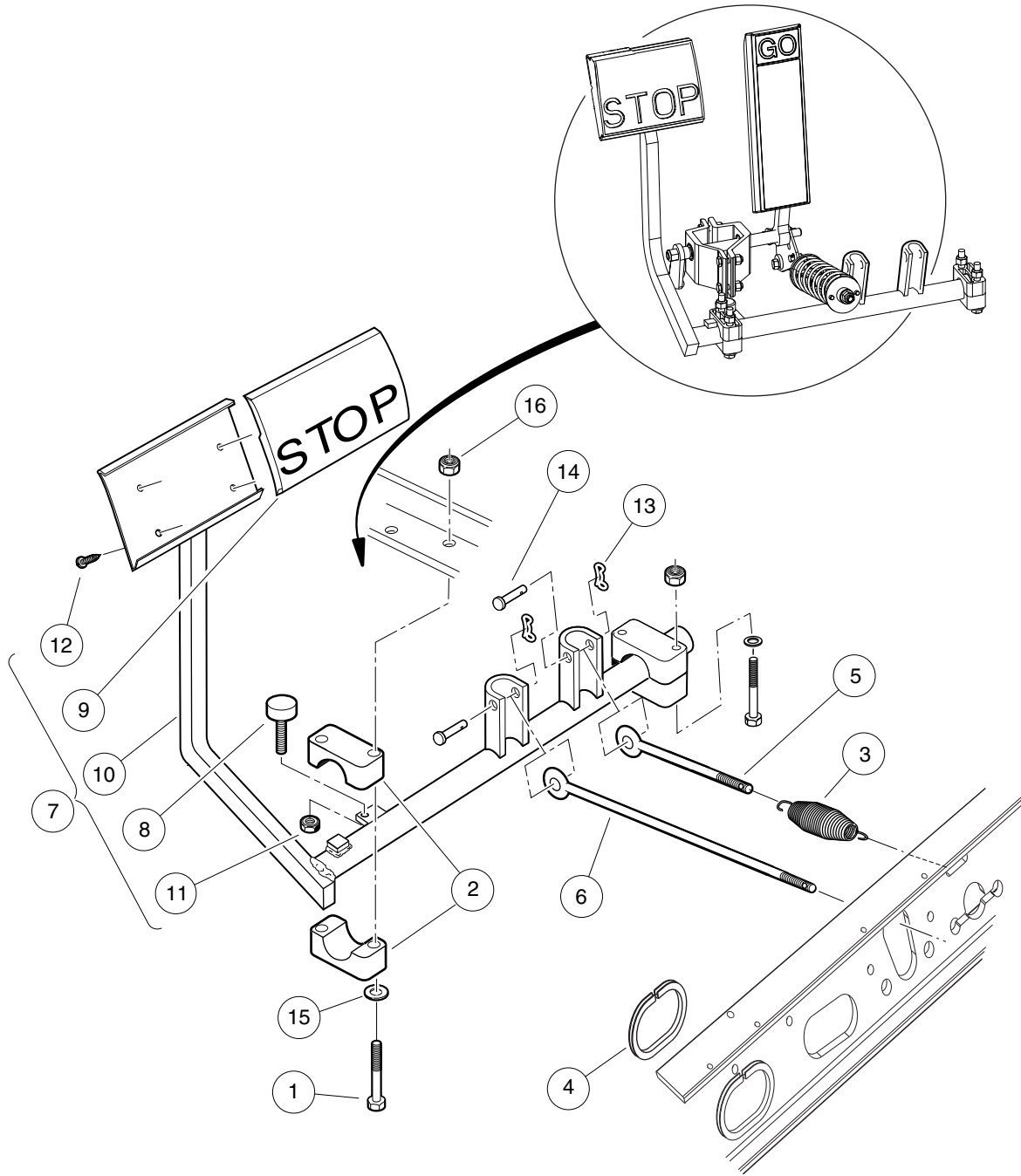
| ITEM | PART NO.         | DESCRIPTION  | QTY |
|------|------------------|--|-----|
|      |                  | 1 2 3 4  |     |
| 1    | <u>102033501</u> | Assembly, Brake Cluster RH (includes items 2 through 19) ..... | 1   |
| 2    | <u>1011137</u>   | Drum, Brake .....  | 1   |
| 3    | <u>1013924</u>   | Nut, 5/16-24, Hex Head Cone .....                              | 4   |
| 4    | <u>102049401</u> | Backing Plate Asm .....  | 1   |
| 5    | <u>102049601</u> | Kit, Axle Adjuster (includes items 6 through 10) .....         | 1   |
| 6    | <u>102049501</u> | Adjuster .....   | 4   |
| 7    | <u>102049901</u> | Bolt, 1/4-28 UNF X .31 .....                                   | 4   |
| 8    | <u>102050001</u> | Washer .....   | 4   |
| 9    | <u>102050101</u> | Dust Cover .....   | 4   |
| 10   | N/A              | Washer, 1/4 Flat .....   | 4   |
| 11   | <u>102049701</u> | Kit, Axle Hardware (includes items 12 through 15) .....        | 1   |
| 12   | <u>102050401</u> | Bolt, Wheel Cylinder .....                                     | 2   |
| 13   | <u>102050501</u> | Spring, Shoe To Shoe, Lower .....                              | 1   |
| 14   | <u>102050601</u> | Spring, Shoe To Shoe, Upper .....                              | 1   |
| 15   | <u>102050701</u> | Shoe Hold Down .....   | 2   |
| 16   | <u>102050201</u> | Shoe Kit, Axle Set .....                                       | 1   |
| 17   | <u>102050801</u> | Wheel Cylinder Assembly 0.875 Dia .....                        | 1   |
| 18   | <u>102050901</u> | Park Brake Assembly, Right-Hand .....                          | 1   |
| 19   | <u>103229601</u> | Bolt, Brake Cluster Mnt, Hyd .....                             | 4   |

5

E

5

E



001417-001

# BRAKE PEDAL ASSEMBLY

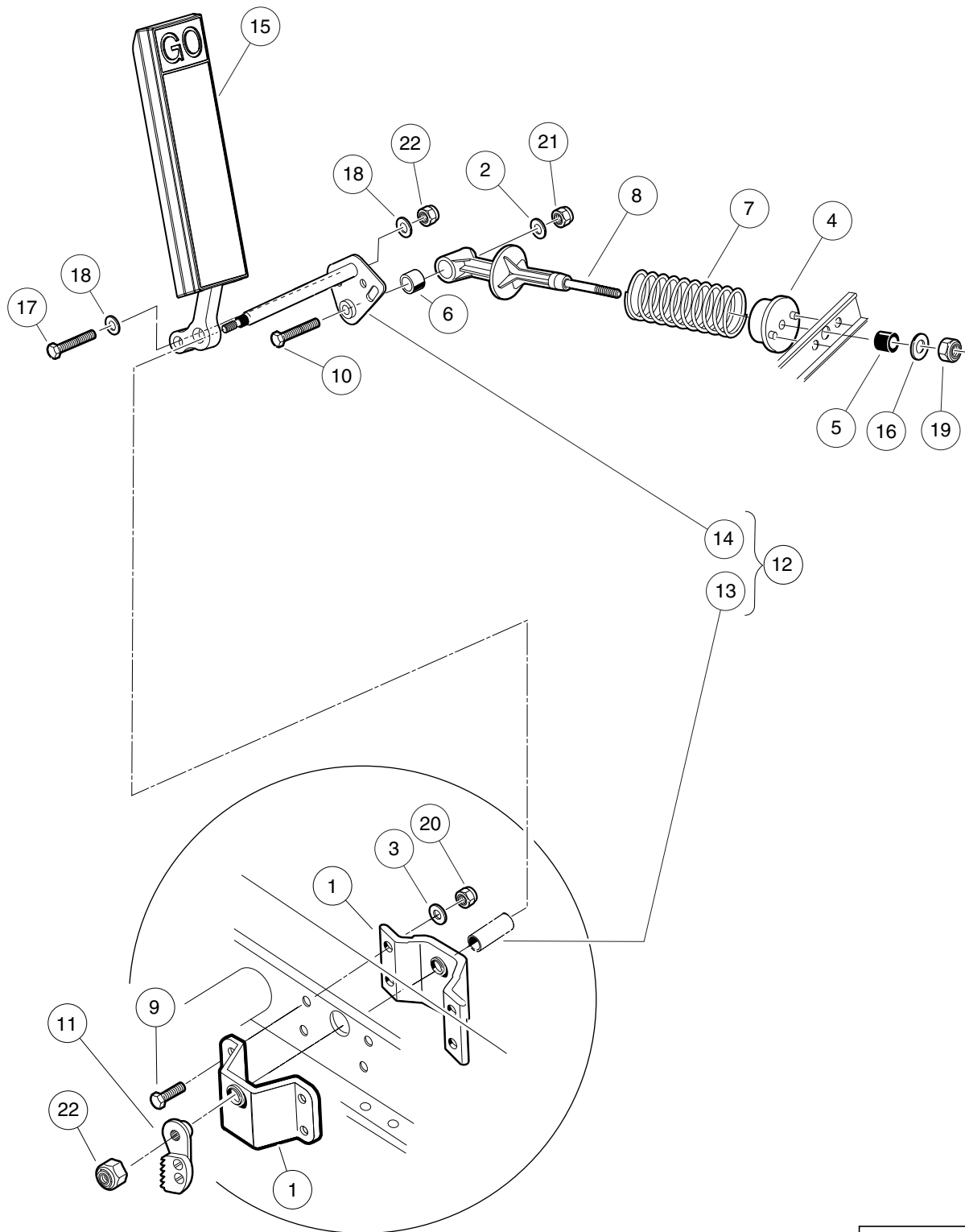
| ITEM | PART NO.         | DESCRIPTION   | QTY |
|------|------------------|---|-----|
|      |                  | 1 2 3 4   |     |
| 1    | <u>1010921</u>   | Screw, 5/16-18 X 2.50 Hex Cap .....                 | 4   |
| 2    | <u>1011402</u>   | Package, Brake Mounting Block .....                 | 1   |
| 3    | <u>1013531</u>   | Spring, Brake Return .....                          | 1   |
| 4    | <u>101806005</u> | I-beam Grommet - 6.75 .....                         | 3   |
| 5    | <u>101953101</u> | Rod, Equalizer, 8.91" .....                         | 1   |
| 6    | <u>101953105</u> | Rod, Equalizer, 13.30" .....                        | 1   |
| 7    | <u>102028903</u> | Brake Pedal Asm (includes items 8 through 12) ..... | 1   |
| 8    | <u>1010878</u>   | Bumper, Rubber .....                                | 1   |
| 9    | <u>102028601</u> | Pad, Hydraulic Brake Pedal .....                    | 1   |
| 10   | N/A              | Brake Pedal Weld Asm .....                          | 1   |
| 11   | <u>1028</u>      | Nut, 1/4-20 Hex .....                               | 1   |
| 12   | 7716             | Screw, #10-16 Type AB, Sheet Metal .....            | 4   |
| 13   | <u>102323101</u> | Pin, Bow Tie Locking .....                          | 2   |
| 14   | <u>102323201</u> | Pin, 3/8 X 1-5/16 Clevis .....                      | 2   |
| 15   | <u>1241</u>      | Washer, 5/16 Type A Flat .....                      | 4   |
| 16   | <u>7473</u>      | Locknut, 5/16-18 Nylon Insert .....                 | 4   |

**5**

**E**

5

E



001406-001

# ACCELERATOR PEDAL ASSEMBLY – ELECTRIC VEHICLES

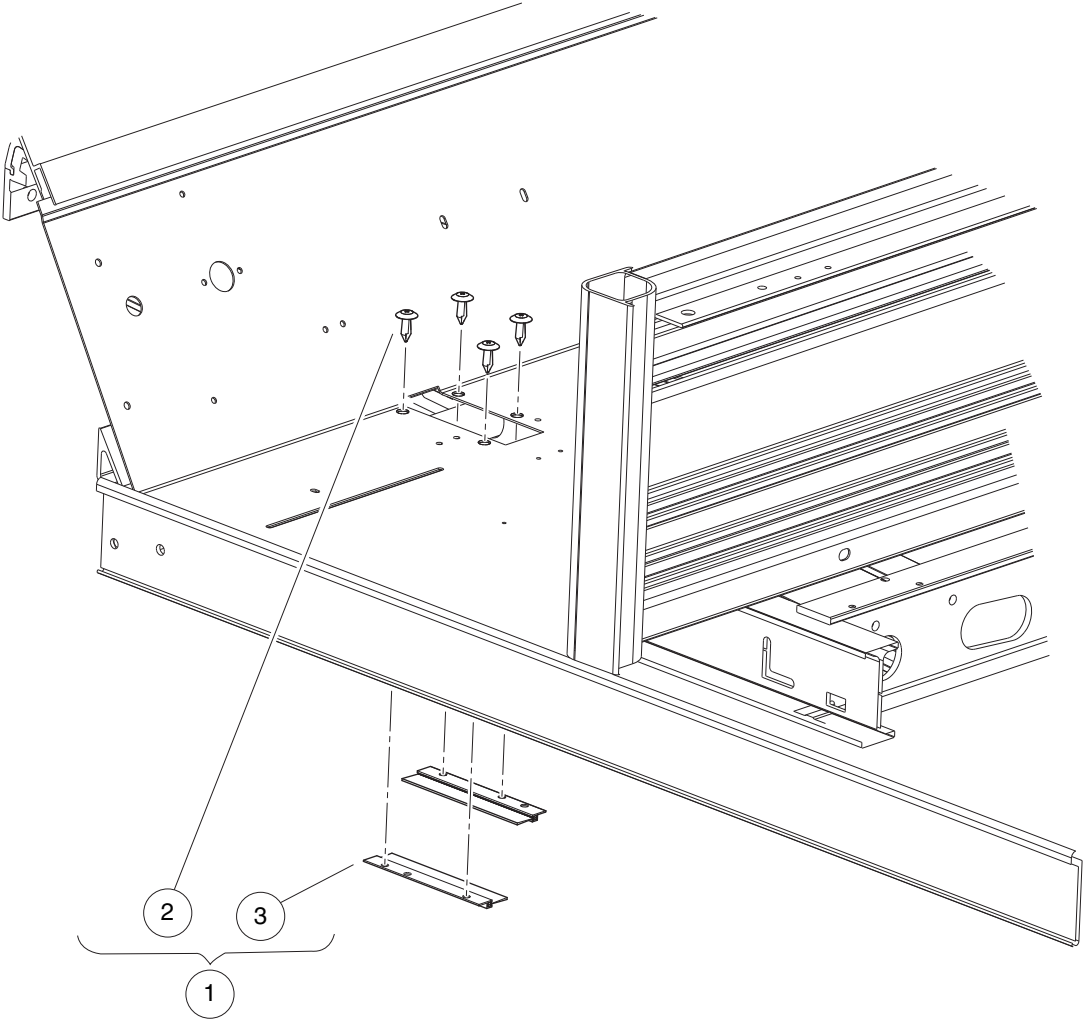
| ITEM | PART NO.         | DESCRIPTION  | QTY |
|------|------------------|--|-----|
|      |                  | 1 2 3 4  |     |
| 1    | <u>1011694</u>   | Accelerator Bracket and Bearing Assembly .....                       | 2   |
| 2    | <u>1011931</u>   | Washer, 1/4 Flat .....   | 1   |
| 3    | <u>1014007</u>   | Washer, 1/4, Flat .....  | 4   |
| 4    | <u>1017378</u>   | Cup, Spring .....  | 1   |
| 5    | <u>1017380</u>   | Bumper, Spring Return .....  | 1   |
| 6    | <u>1017424</u>   | Bearing, Pivot Support .....   | 1   |
| 7    | 101796201        | Spring, Accelerator Return .....                                     | 1   |
| 8    | <u>101817401</u> | Retainer, Spring .....   | 1   |
| 9    | <u>101861901</u> | Screw, 1/4-20 X 1.125 Hex Cap .....                                  | 4   |
| 10   | <u>101862001</u> | Screw, 1/4-20 X 1.500 Flange .....                                   | 1   |
| 11   | 101918501        | Ratchet Assembly .....   | 1   |
| 12   | <u>102026001</u> | Kit, Accelerator Pivot Rod Assembly (includes items 13 and 14) ..... | 1   |
| 13   | 101919801        | Spacer, Accelerator .....  | 1   |
| 14   | <u>102158901</u> | Pivot Rod Weldment .....   | 1   |
| 15   | <u>103865101</u> | Pedal, Accel, Insert .....   | A/R |
| 16   | <u>1241</u>      | Washer, 5/16 Type A Flat .....                                       | 1   |
| 17   | <u>1624</u>      | Screw, 3/8-16 X 1.50, Hex-Head Cap .....                             | 1   |
| 18   | <u>334</u>       | Washer, 3/8, Type A, Flat .....                                      | 2   |
| 19   | <u>7473</u>      | Locknut, 5/16-18 Nylon Insert .....                                  | 1   |
| 20   | <u>8233</u>      | Locknut, 1/4-20, Nylon Insert .....                                  | 4   |
| 21   | <u>8717</u>      | Locknut, Nylon Insert, 1/4-28 .....                                  | 1   |
| 22   | <u>8754</u>      | Locknut, 3/8-16 Hex .....  | 2   |

**5**

**E**

5

E



001418-001



# PEDAL CLOSE-OUT KIT

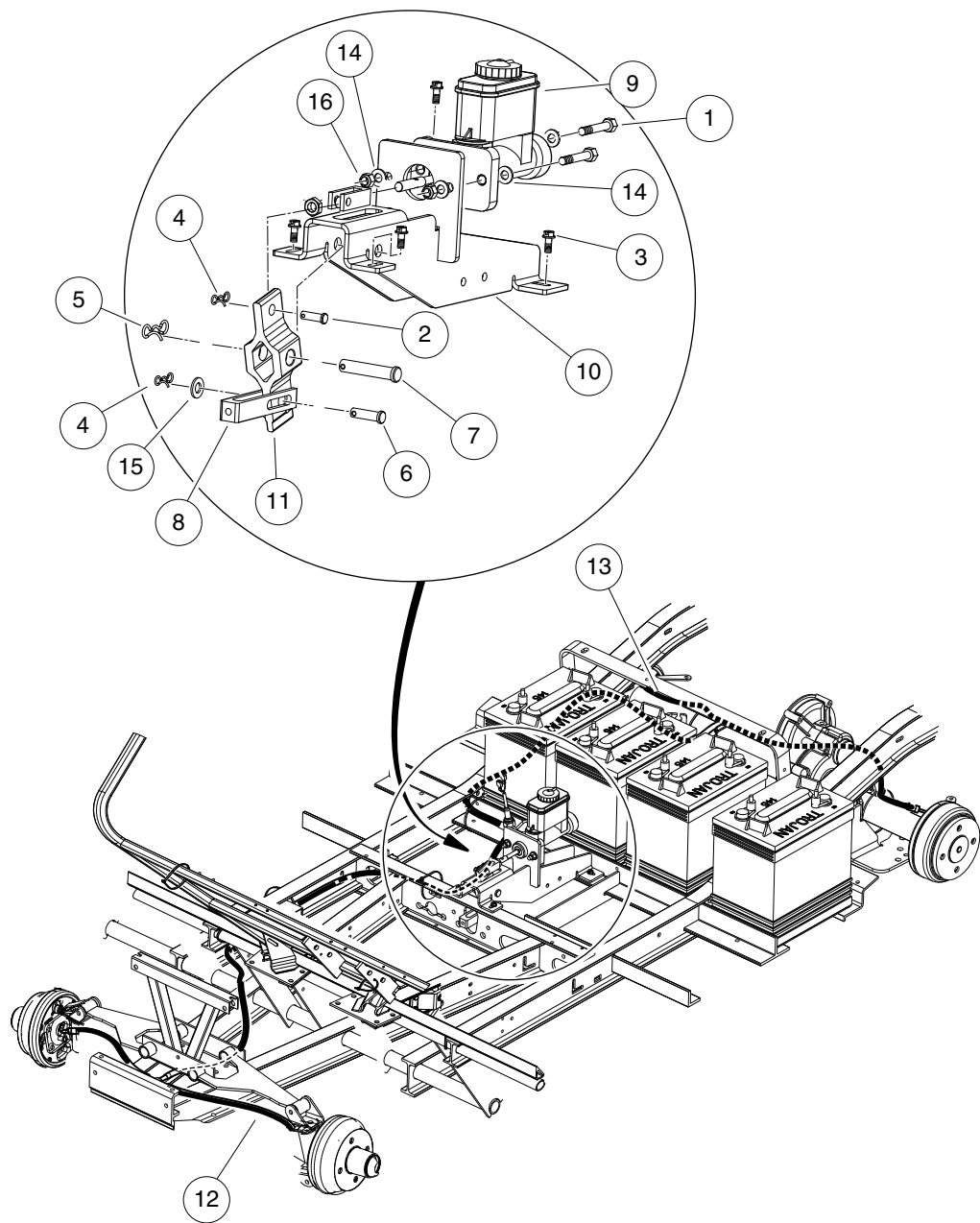
| ITEM | PART NO.         | DESCRIPTION   | QTY |
|------|------------------|---|-----|
|      |                  | 1 2 3 4   |     |
| 1    | <u>105149101</u> | Kit, Close Out, Pedal, Utl (includes items 2 and 3) ..... | 1   |
| 2    | <u>102025701</u> | Screw, Tuflok Panel, 1/4 .....                            | 4   |
| 3    | <u>105149201</u> | Asm, Brush, Pedal Close Out .....                         | 2   |

**5**

**E**

5

E



001419-001

# MASTER CYLINDER, BELL CRANK, AND BRAKE LINES – CA510

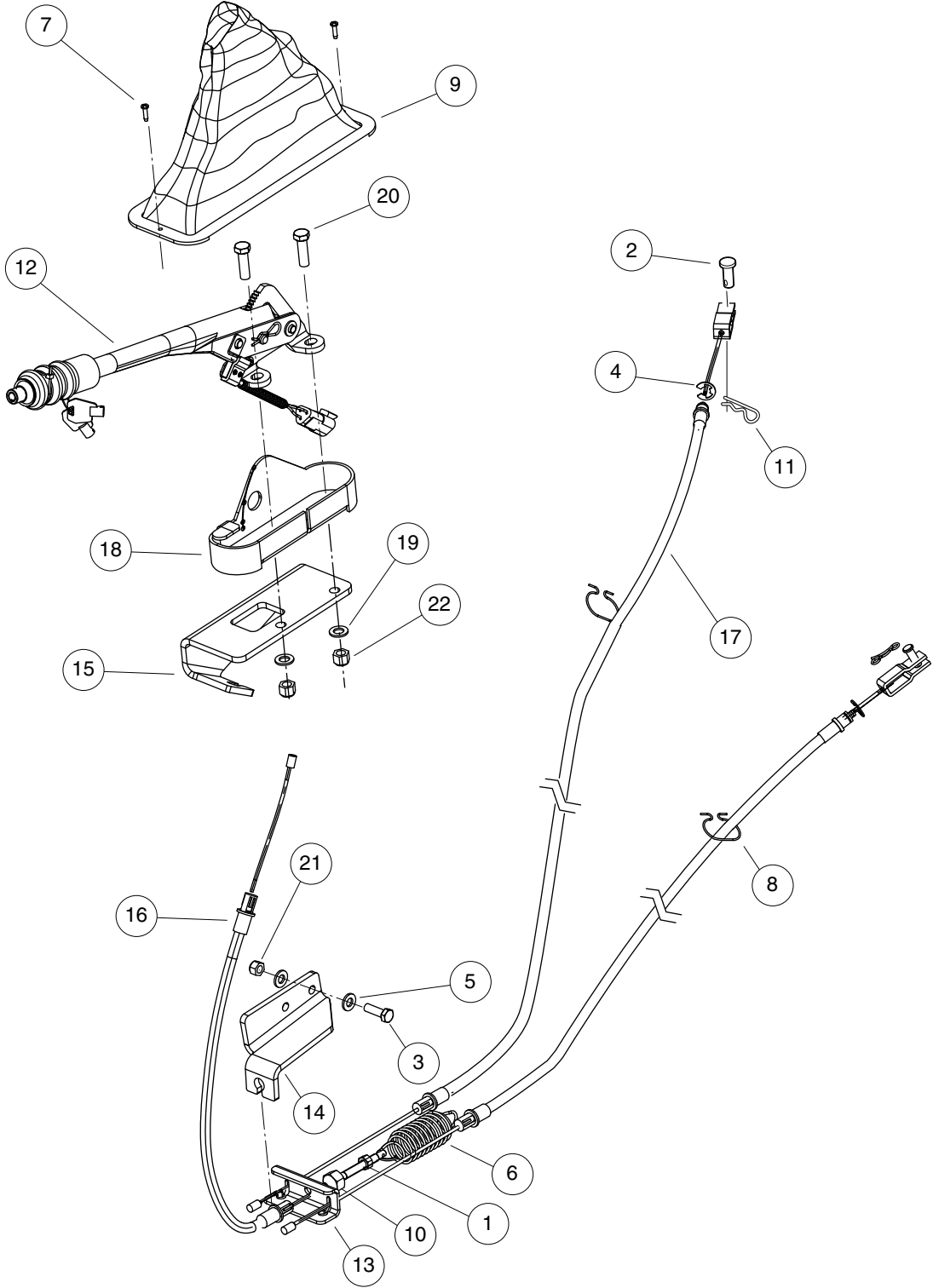
| ITEM | PART NO.         | DESCRIPTION                          | QTY |
|------|------------------|--------------------------------------|-----|
|      |                  | 1 2 3 4                              |     |
| 1    | <u>1010577</u>   | Bolt, Hex-Head, 5/16-18 X 1.50 ..... | 2   |
| 2    | <u>101082903</u> | Pin, Clevis, 5/16 X 1 .....          | 1   |
| 3    | <u>1012285</u>   | Screw, 1/4 X 0.625 Hex-Head .....    | 5   |
| 4    | <u>102292801</u> | Pin, Bow Tie Locking - .072 .....    | 2   |
| 5    | <u>102323101</u> | Pin, Bow Tie Locking .....           | 1   |
| 6    | <u>102323201</u> | Pin, 3/8 X 1-5/16 Clevis .....       | 1   |
| 7    | <u>102519001</u> | Pin, 1/2 X 2-1/2 Clevis .....        | 1   |
| 8    | <u>102976701</u> | Clevis, Bellcrank, Autobrake .....   | 1   |
| 9    | <u>103376101</u> | Cylinder, Master, Integral Res ..... | 1   |
| 10   | 103635801        | Brkt, Service Brake, 4pass .....     | 1   |
| 11   | 103665002        | Asm, Pivot Lever, Lsv .....          | 1   |
| 12   | <u>103865001</u> | Asm, Brake-line, Frt, Flre End ..... | 1   |
| 13   | <u>103971501</u> | Asm, Brake Line, Rr, Ca2 .....       | 1   |
| 14   | <u>1241</u>      | Washer, 5/16 Type A Flat .....       | 4   |
| 15   | <u>334</u>       | Washer, 3/8, Type A, Flat .....      | 1   |
| 16   | <u>7473</u>      | Locknut, 5/16-18 Nylon Insert .....  | 2   |

5

E

5

E



000848-005

# HAND BRAKE ASSEMBLY – CA510 HOMOLOGATED

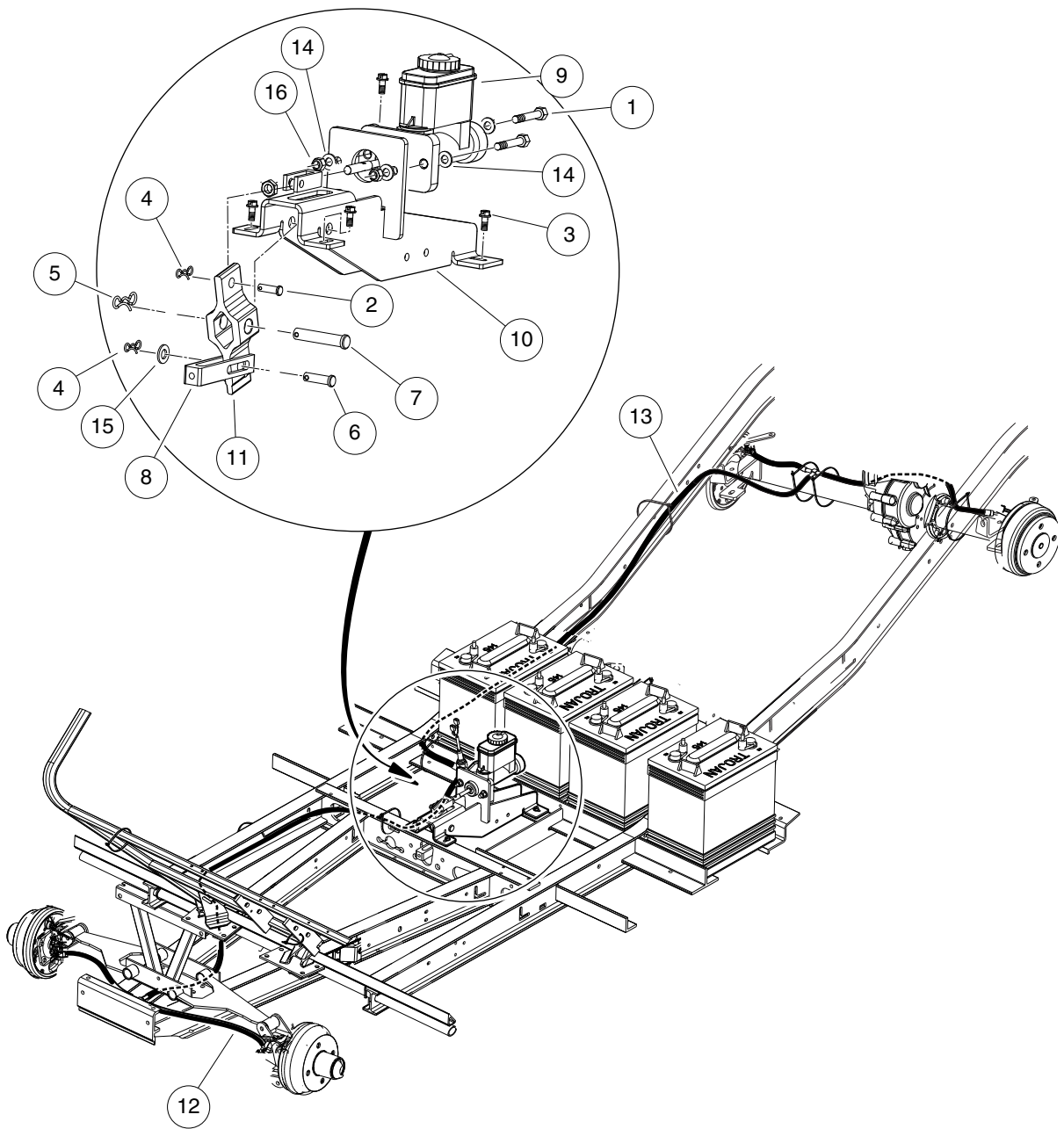
| ITEM | PART NO.         | DESCRIPTION                                      | QTY |
|------|------------------|--|-----|
|      |                  | 1 2 3 4  |     |
| 1    | <u>1010521</u>   | Nut, 5/16-24 Hex .....                           | 1   |
| 2    | <u>1010829</u>   | Pin, Clevis, 5/16 X 3/4 .....                    | 2   |
| 3    | <u>1010934</u>   | Screw, 5/16-18 X 1.00 Hex Cap .....              | 1   |
| 4    | <u>1011779</u>   | E-Clip, 1/2 .....                                | 2   |
| 5    | <u>1011990</u>   | Washer, 3/8 Flat .....                           | 2   |
| 6    | <u>1013531</u>   | Spring, Brake Return .....                       | 1   |
| 7    | <u>101832001</u> | Screw, #7-19 X 0.625 Phillips Pan-Head Tap ..... | 2   |
| 8    | <u>101900801</u> | Hanger, Brake Cable .....                        | 2   |
| 9    | <u>102033701</u> | Park Brake Boot .....                            | 1   |
| 10   | <u>102052801</u> | Nut, 5/16-24 Hex Cone .....                      | 1   |
| 11   | <u>102292801</u> | Pin, Bow Tie Locking - .072 .....                | 2   |
| 12   | <u>102444602</u> | Handlever, Box Config, Locking .....             | 1   |
| 13   | <u>103525801</u> | Equalizer, Park Brake, lc .....                  | 1   |
| 14   | <u>103625801</u> | Brkt, Park Brake, Lower .....                    | 1   |
| 15   | <u>103625901</u> | Brkt, Park Brake, Upper .....                    | 1   |
| 16   | <u>103626001</u> | Cable, Park Brake, Front .....                   | 1   |
| 17   | <u>103627001</u> | Cable, Park Brake, Rear, Ca2 .....               | 2   |
| 18   | <u>103807801</u> | Guard, Handbrake, Bottom Exit .....              | 1   |
| 19   | <u>1241</u>      | Washer, 5/16 Type A Flat .....                   | 2   |
| 20   | <u>705</u>       | Screw, Cap-hex Hd 3/8-16x1.25 .....              | 2   |
| 21   | <u>7473</u>      | Locknut, 5/16-18 Nylon Insert .....              | 1   |
| 22   | <u>8754</u>      | Locknut, 3/8-16 Hex .....                        | 2   |

**5**

**E**

5

E



001420-001

# MASTER CYLINDER, BELL CRANK, AND BRAKE LINES – CA710

| ITEM | PART NO.         | DESCRIPTION                          | QTY |
|------|------------------|--------------------------------------|-----|
|      |                  | 1 2 3 4                              |     |
| 1    | <u>1010577</u>   | Bolt, Hex-Head, 5/16-18 X 1.50 ..... | 2   |
| 2    | <u>101082903</u> | Pin, Clevis, 5/16 X 1 .....          | 1   |
| 3    | <u>1012285</u>   | Screw, 1/4 X 0.625 Hex-Head .....    | 5   |
| 4    | <u>102292801</u> | Pin, Bow Tie Locking - .072 .....    | 2   |
| 5    | <u>102323101</u> | Pin, Bow Tie Locking .....           | 1   |
| 6    | <u>102323201</u> | Pin, 3/8 X 1-5/16 Clevis .....       | 1   |
| 7    | <u>102519001</u> | Pin, 1/2 X 2-1/2 Clevis .....        | 1   |
| 8    | <u>102976701</u> | Clevis, Bellcrank, Autobrake .....   | 1   |
| 9    | <u>103376101</u> | Cylinder, Master, Integral Res ..... | 1   |
| 10   | 103635801        | Brkt, Service Brake, 4pass .....     | 1   |
| 11   | 103665002        | Asm, Pivot Lever, Lsv .....          | 1   |
| 12   | <u>103865001</u> | Asm, Brake-line, Frt, Flre End ..... | 1   |
| 13   | <u>103971601</u> | Asm, Brake Line, Rr, Ca6 .....       | 1   |
| 14   | <u>1241</u>      | Washer, 5/16 Type A Flat .....       | 4   |
| 15   | <u>334</u>       | Washer, 3/8, Type A, Flat .....      | 1   |
| 16   | <u>7473</u>      | Locknut, 5/16-18 Nylon Insert .....  | 2   |

**5**

**E**





# HAND BRAKE ASSEMBLY – CA710 LSV HOMOLOGATED

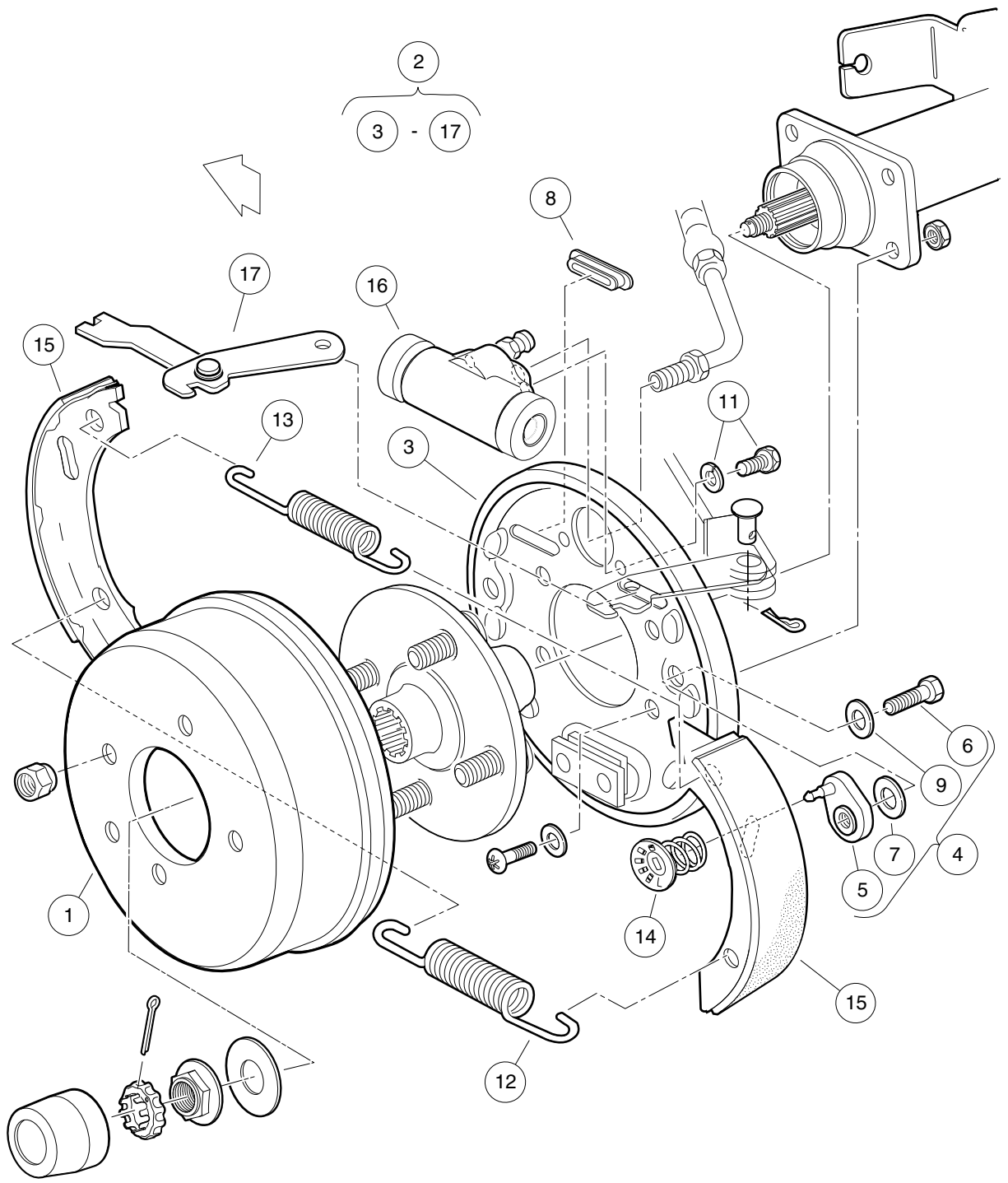
| ITEM | PART NO.         | DESCRIPTION                                      | QTY |
|------|------------------|--|-----|
|      |                  | 1 2 3 4  |     |
| 1    | <u>1010521</u>   | Nut, 5/16-24 Hex .....                           | 1   |
| 2    | <u>1010829</u>   | Pin, Clevis, 5/16 X 3/4 .....                    | 2   |
| 3    | <u>1010934</u>   | Screw, 5/16-18 X 1.00 Hex Cap .....              | 1   |
| 4    | <u>1011779</u>   | E-Clip, 1/2 .....                                | 2   |
| 5    | <u>1011990</u>   | Washer, 3/8 Flat .....                           | 2   |
| 6    | <u>1012285</u>   | Screw, 1/4 X 0.625 Hex-Head .....                | 1   |
| 7    | <u>1013531</u>   | Spring, Brake Return .....                       | 1   |
| 8    | <u>101832001</u> | Screw, #7-19 X 0.625 Phillips Pan-Head Tap ..... | 2   |
| 9    | <u>101900801</u> | Hanger, Brake Cable .....                        | 2   |
| 10   | <u>102033701</u> | Park Brake Boot .....                            | 1   |
| 11   | <u>102052801</u> | Nut, 5/16-24 Hex Cone .....                      | 2   |
| 12   | <u>102292801</u> | Pin, Bow Tie Locking - .072 .....                | 2   |
| 13   | <u>102444602</u> | Handlever, Box Config, Locking .....             | 1   |
| 14   | <u>103525801</u> | Equalizer, Park Brake, Ic .....                  | 1   |
| 15   | <u>103625801</u> | Brkt, Park Brake, Lower .....                    | 1   |
| 16   | <u>103625901</u> | Brkt, Park Brake, Upper .....                    | 1   |
| 17   | <u>103626001</u> | Cable, Park Brake, Front .....                   | 1   |
| 18   | <u>103627101</u> | Cable, Park Brake, Rear, Ca6 .....               | 2   |
| 19   | <u>103807801</u> | Guard, Handbrake, Bottom Exit .....              | 1   |
| 20   | <u>103807901</u> | Cover, Equalizer, Anti-tamper .....              | 1   |
| 21   | <u>1241</u>      | Washer, 5/16 Type A Flat .....                   | 2   |
| 22   | <u>705</u>       | Screw, Cap-hex Hd 3/8-16x1.25 .....              | 2   |
| 23   | <u>7473</u>      | Locknut, 5/16-18 Nylon Insert .....              | 1   |
| 24   | <u>8754</u>      | Locknut, 3/8-16 Hex .....                        | 2   |

**5**

**E**

5

E



000107-001

# HYDRAULIC REAR BRAKE ASSEMBLY

| ITEM | PART NO.         | DESCRIPTION   | QTY |
|------|------------------|---|-----|
|      |                  | <b>1 2 3 4</b>  |     |
| 1    | <u>101791101</u> | Drum without Center Hole, Brake .....   | 2   |
| 2    | <u>102033401</u> | Assembly, Brake Cluster LH (includes items 3 through 20) .....  | 1   |
| 3    | <u>1011137</u>   | Drum, Brake .....   | 1   |
| 4    | <u>1013924</u>   | Nut, 5/16-24, Hex Head Cone .....   | 4   |
| 5    | <u>102049401</u> | Backing Plate Asm .....   | 1   |
| 6    | <u>102049601</u> | Kit, Axle Adjuster (includes items 7 through 11) .....  | 1   |
| 7    | <u>102049501</u> | Adjuster .....  | 4   |
| 8    | <u>102049901</u> | Bolt, 1/4-28 UNF X .31 .....  | 4   |
| 9    | <u>102050001</u> | Washer .....  | 4   |
| 10   | <u>102050101</u> | Dust Cover .....  | 4   |
| 11   | N/A              | Washer, 1/4 Flat .....  | 4   |
| 12   | <u>102049701</u> | Kit, Axle Hardware (includes items 13 through 16) .....   | 1   |
| 13   | <u>102050401</u> | Bolt, Wheel Cylinder .....  | 2   |
| 14   | <u>102050501</u> | Spring, Shoe To Shoe, Lower .....   | 1   |
| 15   | <u>102050601</u> | Spring, Shoe To Shoe, Upper .....   | 1   |
| 16   | <u>102050701</u> | Shoe Hold Down .....  | 2   |
| 17   | <u>102050201</u> | Shoe Kit, Axle Set .....  | 1   |
| 18   | <u>102050801</u> | Wheel Cylinder Assembly 0.875 Dia .....   | 1   |
| 19   | <u>102050902</u> | Park Brake Assembly, Left-Hand .....  | 1   |
| 20   | <u>103229601</u> | Bolt, Brake Cluster Mnt, Hyd .....  | 4   |
| 21   | <u>102033501</u> | Assembly, Brake Cluster RH (includes items 22 through 39) .....   | 1   |
| 22   | <u>1011137</u>   | Drum, Brake .....   | 1   |
| 23   | <u>1013924</u>   | Nut, 5/16-24, Hex Head Cone .....   | 4   |
| 24   | <u>102049401</u> | Backing Plate Asm .....   | 1   |
| 25   | <u>102049601</u> | Kit, Axle Adjuster (includes items 26 through 30) .....   | 1   |
| 26   | <u>102049501</u> | Adjuster .....  | 4   |
| 27   | <u>102049901</u> | Bolt, 1/4-28 UNF X .31 .....  | 4   |
| 28   | <u>102050001</u> | Washer .....  | 4   |
| 29   | <u>102050101</u> | Dust Cover .....  | 4   |
| 30   | N/A              | Washer, 1/4 Flat .....  | 4   |
| 31   | <u>102049701</u> | Kit, Axle Hardware (includes items 32 through 35) .....   | 1   |
| 32   | <u>102050401</u> | Bolt, Wheel Cylinder .....  | 2   |
| 33   | <u>102050501</u> | Spring, Shoe To Shoe, Lower .....   | 1   |
| 34   | <u>102050601</u> | Spring, Shoe To Shoe, Upper .....   | 1   |
| 35   | <u>102050701</u> | Shoe Hold Down .....  | 2   |
| 36   | <u>102050201</u> | Shoe Kit, Axle Set .....  | 1   |
| 37   | <u>102050801</u> | Wheel Cylinder Assembly 0.875 Dia .....   | 1   |
| 38   | <u>102050901</u> | Park Brake Assembly, Right-Hand .....   | 1   |
| 39   | <u>103229601</u> | Bolt, Brake Cluster Mnt, Hyd .....  | 4   |
|      |                  | Note: Passenger-side brake cluster components (items 18-33) not shown.<br>Components have a similar appearance to the driver-side brake cluster components. |     |

5

E

5

*E*

# STEERING, FRONT AND REAR SUSPENSION

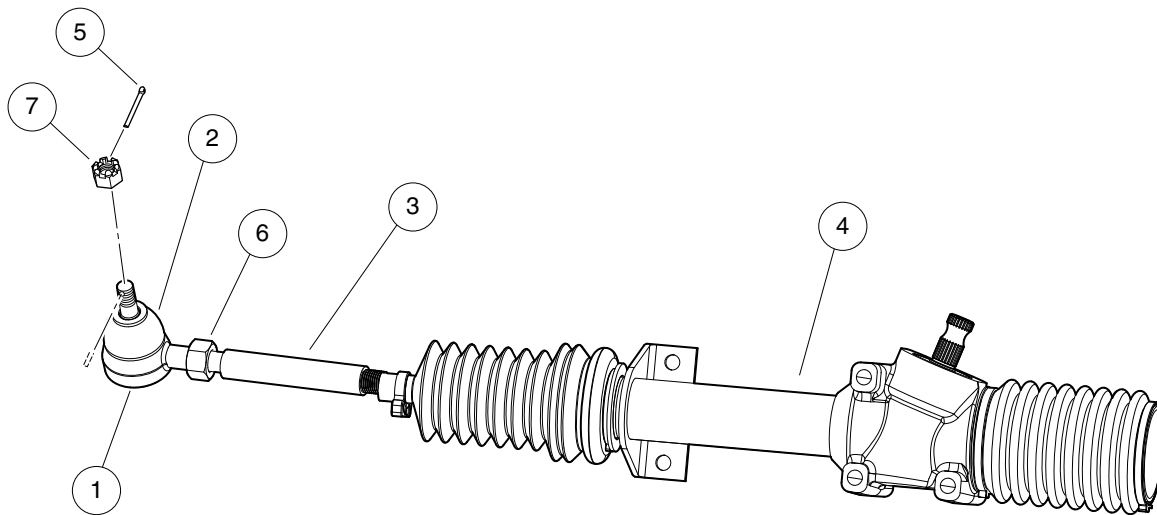
---

6

*E*

6

E



001527-001

# STEERING GEAR ASSEMBLY

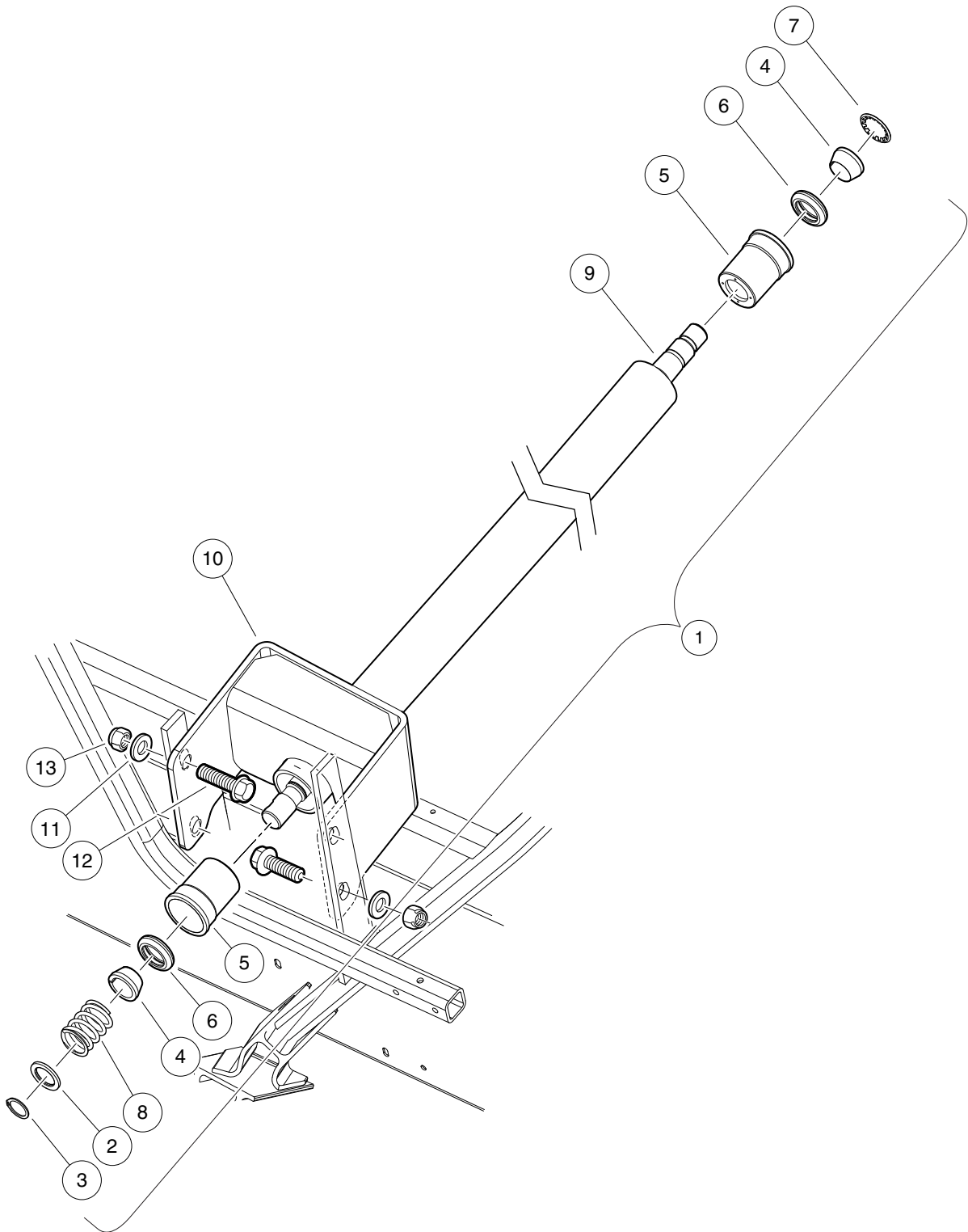
| ITEM | PART NO.         | DESCRIPTION                             | QTY |
|------|------------------|---|-----|
|      |                  | 1 2 3 4                                 |     |
| 1    | 1011895          | Socket, LH Vertical .....               | 1   |
| 2    | <u>1011930</u>   | Seal, Vertical Socket Dust .....        | 1   |
| 3    | <u>1012467</u>   | Link, Rack and Pinion Drag .....        | 1   |
| 4    | <u>103233101</u> | Rack, Steering, Modular .....           | 1   |
| 5    | <u>1035</u>      | Cotter Pin, 3/32 x 1 .....              | 1   |
| 6    | <u>7555</u>      | Nut, 1/2-20 Hex, Left-Hand Thread ..... | 1   |
| 7    | 7602             | Nut, 3/8-24 UNF Hex .....               | 1   |

6

E

**6**

**E**



001531-001



# STEERING COLUMN

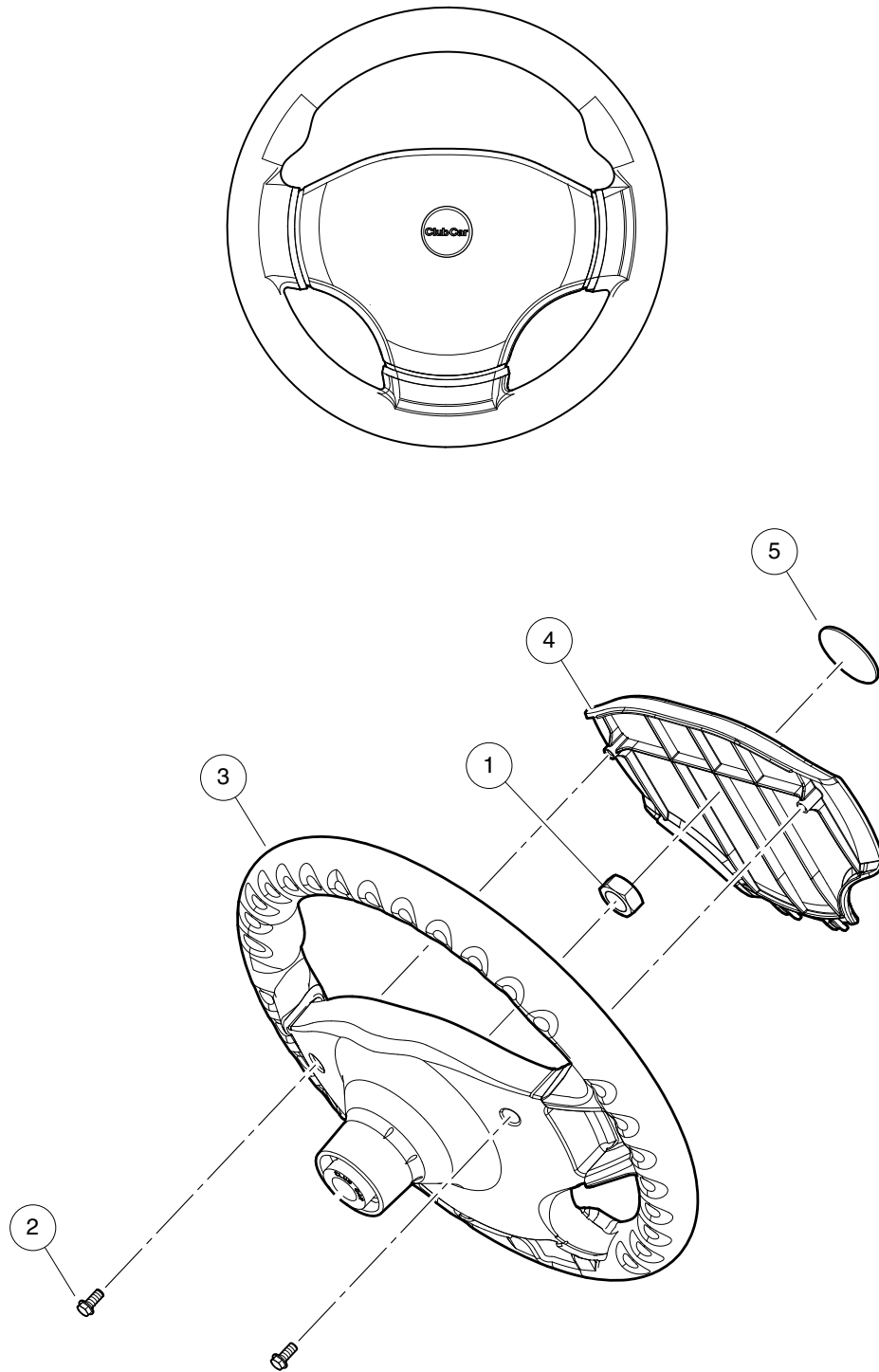
| ITEM | PART NO.         | DESCRIPTION  | QTY |
|------|------------------|--|-----|
|      |                  | <b>1 2 3 4</b>   |     |
| 1    | <u>103232101</u> | Assy, Steering Column, Short (includes items 2 through 10) ..... | 1   |
| 2    | <u>1012604</u>   | Washer, 0.675 ID X 1.19 OD .....                                 | 1   |
| 3    | <u>1012605</u>   | Ring, 0.579 Internal Retaining .....                             | 1   |
| 4    | 1014125          | Wedge, Molded .....  | 2   |
| 5    | <u>1014126</u>   | Seat, Plastic Bearing .....                                      | 2   |
| 6    | <u>1014213</u>   | Bearing, Ball .....  | 2   |
| 7    | 1014214          | Ring, Retaining .....  | 1   |
| 8    | <u>1014217</u>   | Spring, Steering Shaft .....                                     | 1   |
| 9    | N/A              | Shaft, Steering, 667.8 Oal .....                                 | 1   |
| 10   | N/A              | Weldment, †column, †lsv .....                                    | 1   |
| 11   | <u>334</u>       | Washer, 3/8, Type A, Flat .....                                  | 4   |
| 12   | 705              | Screw, Cap-hex Hd 3/8-16x1.25 .....                              | 4   |
| 13   | <u>8754</u>      | Locknut, 3/8-16 Hex .....  | 4   |

**6**

**E**

**6**

**E**



001503-001

# STEERING WHEEL

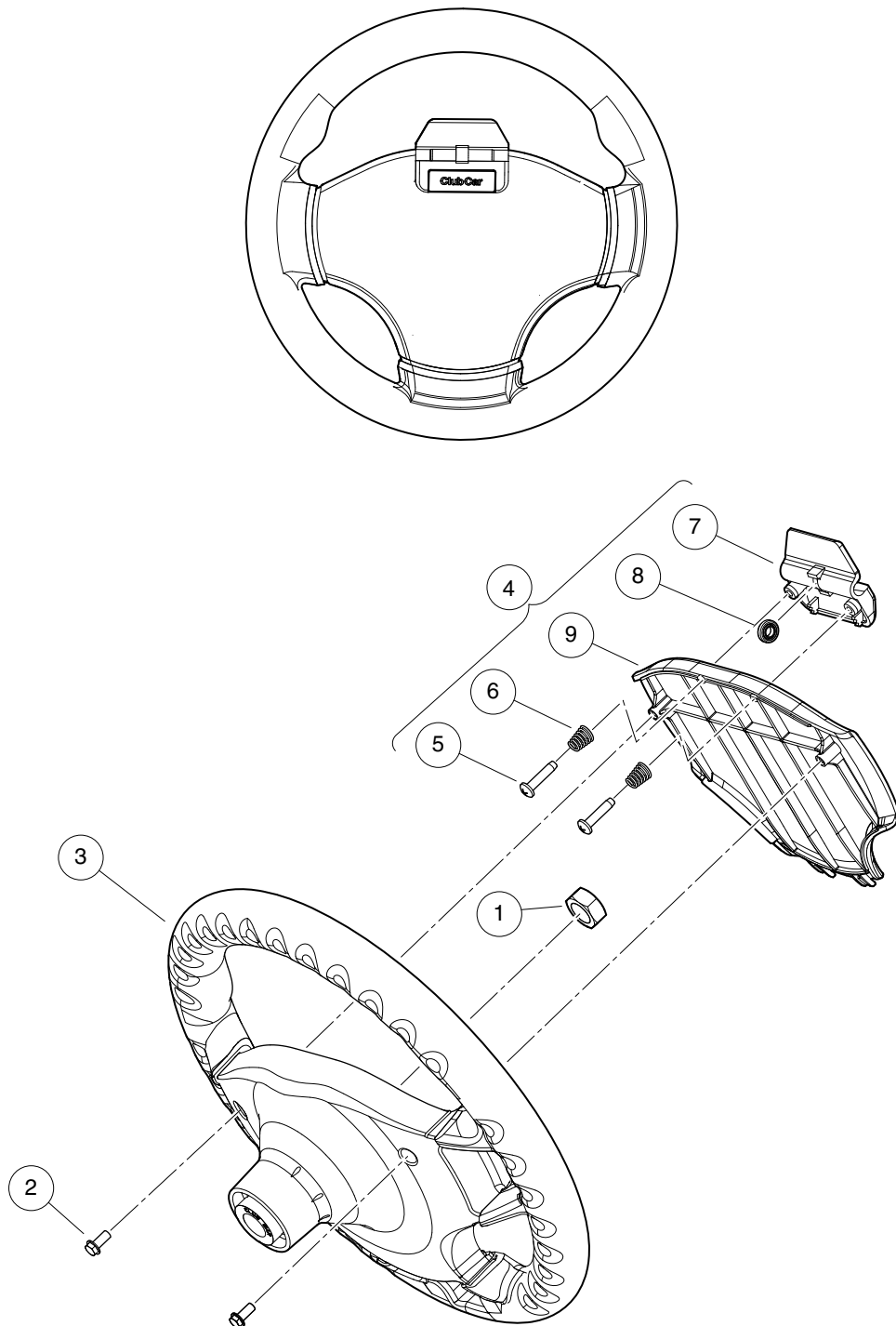
| ITEM | PART NO.         | DESCRIPTION                                  | QTY |
|------|------------------|--|-----|
|      |                  | 1 2 3 4                                      |     |
| 1    | <u>1017273</u>   | Nut, 5/8-18 Nylon Insert Jam .....           | 1   |
| 2    | <u>101850301</u> | Screw, #12-16 X 0.50 Washer-Head Hi-Lo ..... | 2   |
| 3    | <u>103724504</u> | Steering Wheel, Soft Spl .....               | 1   |
| 4    | <u>103724602</u> | Cover, Steering Wheel, Generic .....         | 1   |
| 5    | <u>103829401</u> | Logo, Cci, Steer Wheel .....                 | 1   |

**6**

**E**

6

E



001504-001

# STEERING WHEEL WITH CLIP

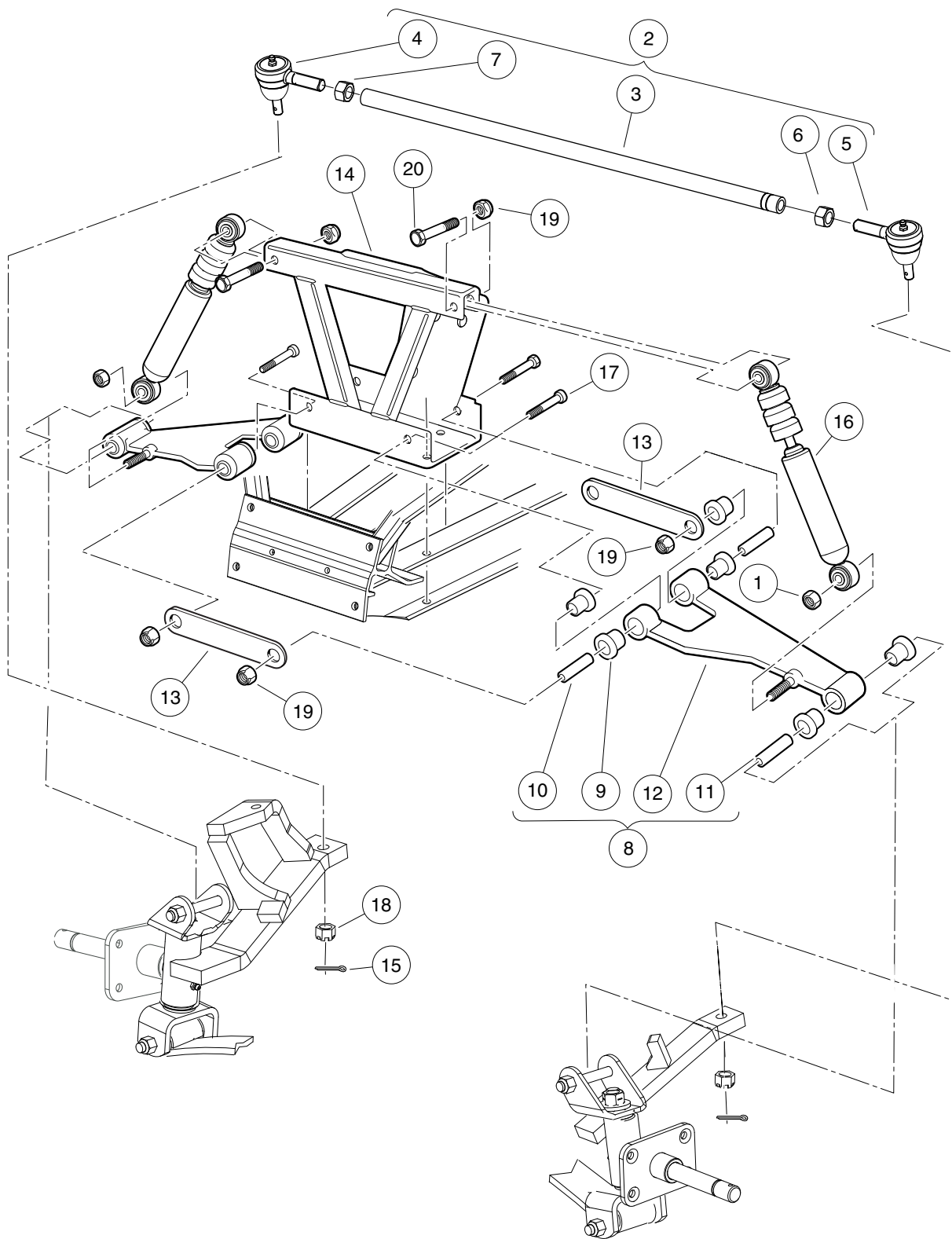
| ITEM | PART NO.         | DESCRIPTION   | QTY |
|------|------------------|---|-----|
|      |                  | 1 2 3 4   |     |
| 1    | <u>1017273</u>   | Nut, 5/8-18 Nylon Insert Jam .....                      | 1   |
| 2    | <u>101850301</u> | Screw, #12-16 X 0.50 Washer-Head Hi-Lo .....            | 2   |
| 3    | <u>103724504</u> | Steering Wheel, Soft Spl .....                          | 1   |
| 4    | <u>103724901</u> | Asm, Scorecard, Clip (includes items 5 through 9) ..... | 1   |
| 5    | <u>1012565</u>   | Screw, #12 Phillips Round Head .....                    | 2   |
| 6    | <u>1012566</u>   | Tapered Compression Spring .....                        | 2   |
| 7    | 1016154          | Clip, Scorecard .....                                   | 1   |
| 8    | <u>1016214</u>   | Pencil Grip .....                                       | 1   |
| 9    | 103724601        | Cover, Steering Wheel, Clip .....                       | 1   |

**6**

**E**

6

E



001518-002

## FRONT SUSPENSION, UPPER, HYD

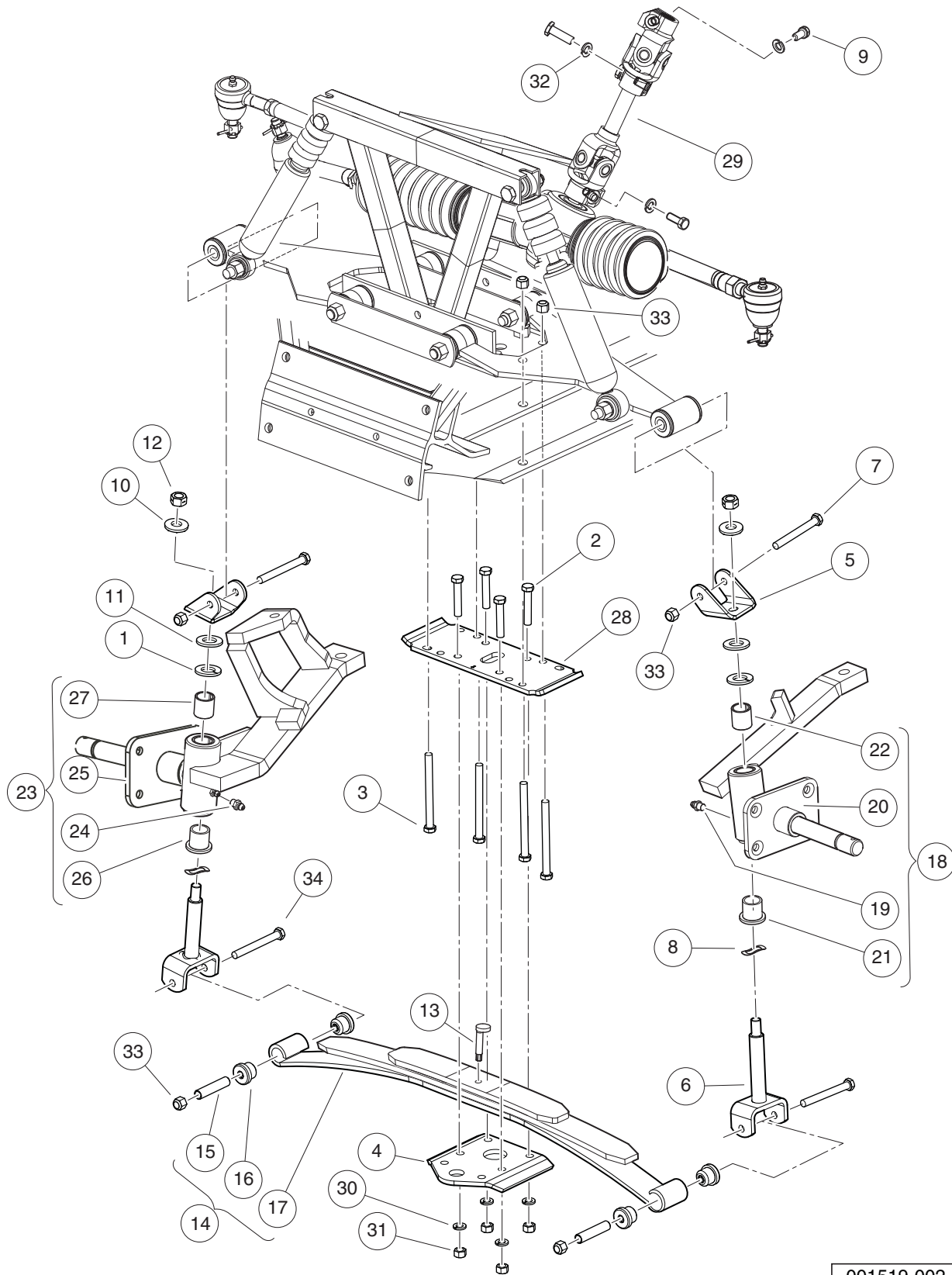
| ITEM | PART NO.         | DESCRIPTION   | QTY |
|------|------------------|---|-----|
|      |                  | 1 2 3 4   |     |
| 1    | <u>1010138</u>   | Locknut, 3/8-16 Dimpled .....                                   | 2   |
| 2    | N/A              | Tie Rod Asm, 24.265 Lg (includes items 3 through 7) .....       | 1   |
| 3    | <u>101021902</u> | Tie Rod, 20.643 Inches Long .....                               | 1   |
| 4    | <u>1011893</u>   | Socket, RH Vertical .....                                       | 1   |
| 5    | <u>1011895</u>   | Socket, LH Vertical .....                                       | 1   |
| 6    | <u>1308</u>      | Nut, 1/2-20 Hex .....   | 1   |
| 7    | <u>7555</u>      | Nut, 1/2-20 Hex, Left-Hand Thread .....                         | 1   |
| 8    | <u>1016353</u>   | Sub-Assembly, Delta A-Plate (includes items 9 through 12) ..... | 2   |
| 9    | <u>1016346</u>   | Bushing, Urethane .....   | 6   |
| 10   | <u>1016349</u>   | Sleeve, Delta Inner .....                                       | 2   |
| 11   | <u>1016350</u>   | Sleeve, Delta Outer .....                                       | 1   |
| 12   | <u>1016351</u>   | Delta A-Plate .....   | 1   |
| 13   | <u>1017266</u>   | A-Plate Strap .....   | 2   |
| 14   | <u>103264802</u> | Weldmnt, Shock & Rack Mnt, Lsv .....                            | 1   |
| 15   | <u>1035</u>      | Cotter Pin, 3/32 x 1 .....                                      | 2   |
| 16   | <u>105106702</u> | Shock Absorb, Frnt, 3 Bump Ele .....                            | 2   |
| 17   | <u>2402</u>      | Screw, 3/8-16 X 2.25 Hx Hd Cap .....                            | 4   |
| 18   | <u>7602</u>      | Nut, 3/8-24 UNF Hex .....                                       | 2   |
| 19   | <u>8754</u>      | Locknut, 3/8-16 Hex .....                                       | 6   |
| 20   | <u>8861</u>      | Bolt, 3/8-16 X 1.75 Hex .....                                   | 2   |

**6**

**E**

6

E



001519-002



# FRONT SUSPENSION, LOWER, HYD, DRUMS 3 LEAF, 1 PLATE

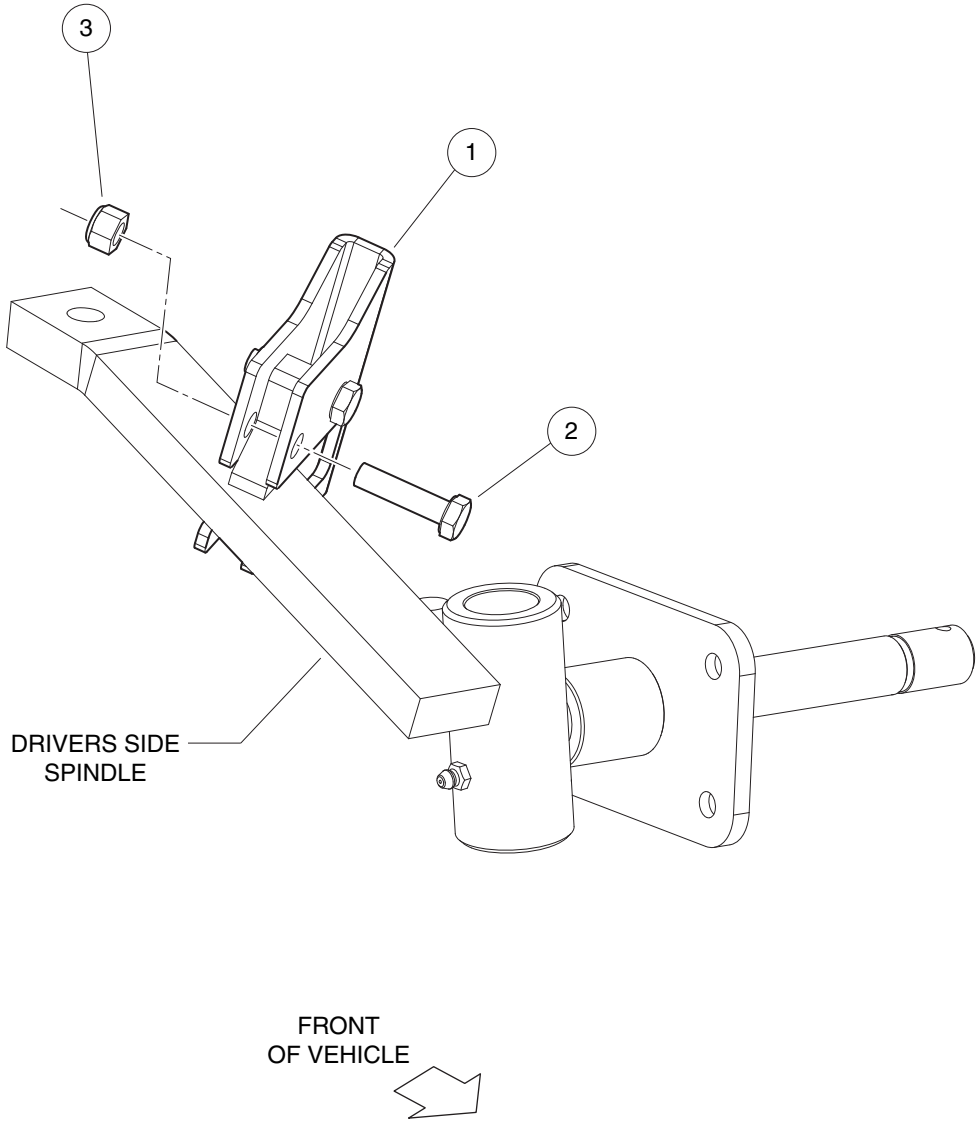
| ITEM | PART NO.         | DESCRIPTION  | QTY |
|------|------------------|--|-----|
|      |                  | <b>1 2 3 4</b>   |     |
| 1    | <u>1010150</u>   | Bearing, Thrust .....  | 2   |
| 2    | <u>1010177</u>   | Bolt, 3/8-16 X 2.00 Hex Head .....                             | 4   |
| 3    | <u>1010200</u>   | Bolt, 3/8-16 X 4.25 Hex Head .....                             | 4   |
| 4    | <u>1014276</u>   | Plate, Front Spring Retainer .....                             | 1   |
| 5    | <u>1016384</u>   | Clevis, Delta Upper .....                                      | 2   |
| 6    | <u>1016386</u>   | King Pin Assembly .....  | 2   |
| 7    | <u>1016387</u>   | Screw, 3/8-16 X 2.75 Hx Hd Cap .....                           | 2   |
| 8    | <u>1016389</u>   | Washer, 1.125 Od Wave .....                                    | 2   |
| 9    | <u>1017226</u>   | Bolt, Hex-Head, 8mm X 1.25 - 30 .....                          | 3   |
| 10   | <u>102564002</u> | Washer-1/2 Conical, Yellow .....                               | 2   |
| 11   | <u>102684501</u> | Washer, M12 Hard Regular .....                                 | 2   |
| 12   | <u>102766301</u> | Nut, 1/2-20, Center Lock .....                                 | 2   |
| 13   | <u>103507001</u> | Eccentric Bolt Common .....                                    | 1   |
| 14   | <u>103628901</u> | Spring Asm, Front, 3 Leaf (includes items 15 through 17) ..... | 1   |
| 15   | <u>1012303</u>   | Bushing, Steel .....   | 2   |
| 16   | <u>1015583</u>   | Bushing, Urethane .....  | 4   |
| 17   | 103502801        | Spring, Front, 3 Leaf .....                                    | 1   |
| 18   | <u>103824101</u> | Asm, Spindle, Drum, Lh (includes items 19 through 22) .....    | 1   |
| 19   | <u>1015597</u>   | Fitting, 1/4-28 Thread-Forming Grease .....                    | 1   |
| 20   | N/A              | Spindle, Drum, Lh .....  | 1   |
| 21   | <u>7048</u>      | Bushing, Flanged Bronze .....                                  | 1   |
| 22   | <u>8067</u>      | Bushing, Bronze Spindle .....                                  | 1   |
| 23   | <u>103824201</u> | Asm, Spindle, Drum, Rh (includes items 24 through 27) .....    | 1   |
| 24   | <u>1015597</u>   | Fitting, 1/4-28 Thread-Forming Grease .....                    | 1   |
| 25   | N/A              | Spindle, Drum, Rh .....  | 1   |
| 26   | <u>7048</u>      | Bushing, Flanged Bronze .....                                  | 1   |
| 27   | <u>8067</u>      | Bushing, Bronze Spindle .....                                  | 1   |
| 28   | <u>105083301</u> | Plate, Spring Mount, Restyle .....                             | 1   |
| 29   | <u>105329301</u> | Shaft, Int, Steering, Lsv Adj .....                            | 1   |
| 30   | <u>357</u>       | Lockwasher, 3/8 Split .....                                    | 4   |
| 31   | <u>706</u>       | Nut, Hex 3/8-16 .....  | 5   |
| 32   | <u>7174</u>      | Lockwasher, 5/16 Split .....                                   | 3   |
| 33   | <u>8754</u>      | Locknut, 3/8-16 Hex .....                                      | 8   |
| 34   | <u>8755</u>      | Screw, 3/8-16 X 3.375 Hex Cap .....                            | 2   |

6

E

**6**

**E**



001530-001

# STEERING STOP

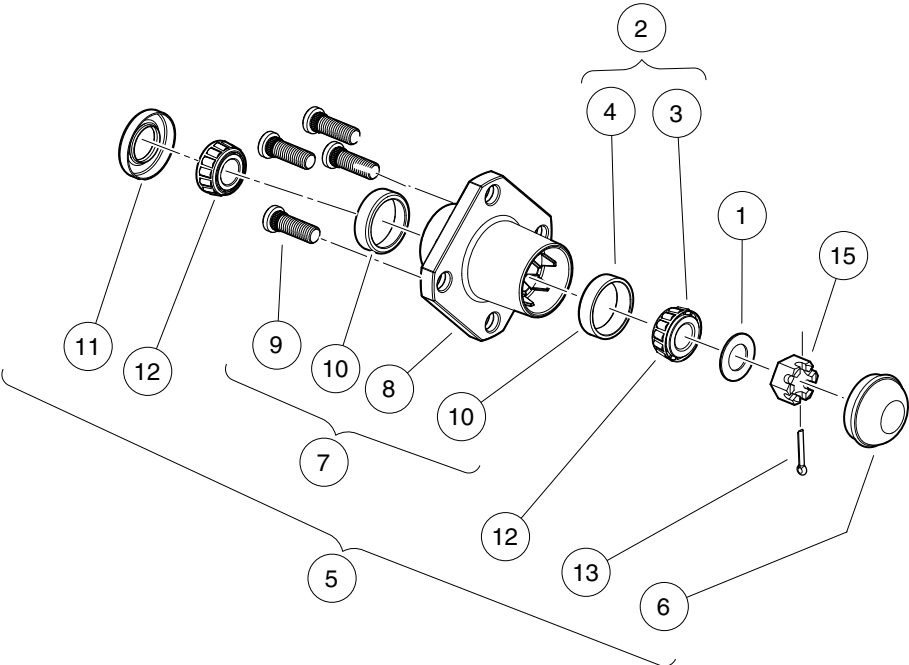
| ITEM   | PART NO.    | DESCRIPTION                                  | QTY |
|--|-------------|--|-----|
| 1  | 105243002   | 1 2 3 4<br>Brkt,Steering Stop, CA, LSV ..... | 1   |
| 2  | 1218        | Screw, 5/16-18 X 1.25 Hex-Head Cap .....     | 2   |
| 3  | <u>7473</u> | Locknut, 5/16-18 Nylon Insert .....          | 2   |
| <p style="text-align: center;">Note: Steering Stop 105243003 is required if vehicle is equipped with the 105100601, HD Bumper Kit.</p> |             |  |     |

**6**

**E**

6

E



001520-002

# FRONT WHEEL HUBS

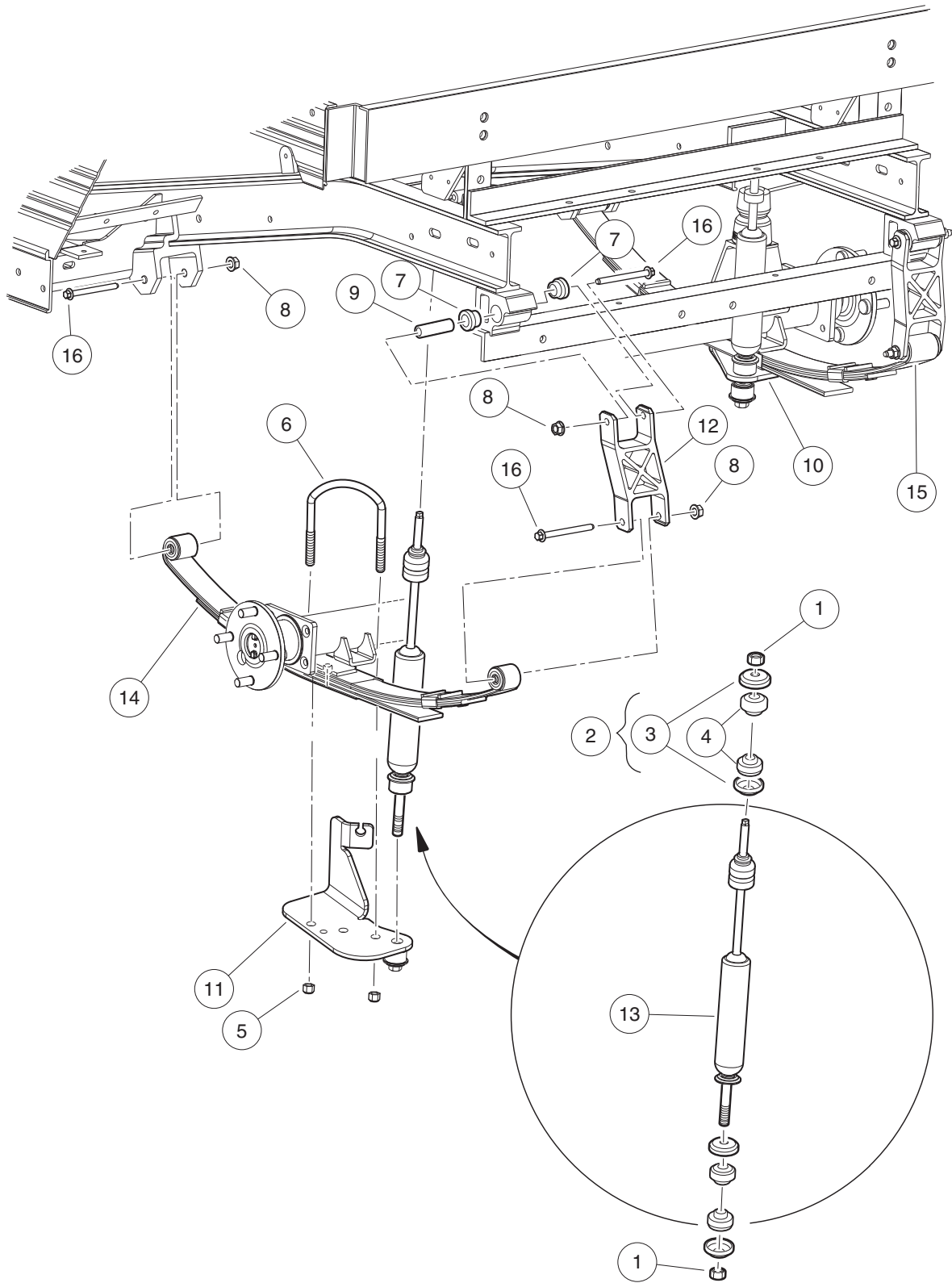
| ITEM | PART NO.         | DESCRIPTION  | QTY |
|------|------------------|--|-----|
|      |                  | <b>1 2 3 4</b>                                     |     |
| 1    | <u>1010005</u>   | Washer, 3/4 Flat .....                             | 2   |
| 2    | <u>1011393</u>   | Hub Bearing Package (includes items 3 and 4) ..... | 4   |
| 3    | 7274             | Bearing, Front Hub Wheel .....                     | 1   |
| 4    | 7308             | Race, Front Hub Bearing .....                      | 1   |
| 5    | <u>1011892</u>   | Hub Assembly (includes items 6 through 13) .....   | 1   |
| 6    | <u>1011887</u>   | Dust Cover .....                                   | 1   |
| 7    | N/A              | Hub (includes items 8 through 10) .....            | 1   |
| 8    | N/A              | Front Hub .....                                    | 1   |
| 9    | <u>103477901</u> | Lug Stud, 1/2-20 Unf, 4037 .....                   | 4   |
| 10   | 7308             | Race, Front Hub Bearing .....                      | 2   |
| 11   | <u>1013135</u>   | Seal, Double Lip .....                             | 1   |
| 12   | 7274             | Bearing, Front Hub Wheel .....                     | 2   |
| 13   | <u>7910</u>      | Pin, 5/32 X 1.00 Cotter .....                      | 1   |
| 14   | <u>1013135</u>   | Seal, Double Lip .....                             | 2   |
| 15   | <u>7840</u>      | Nut, 3/4-16 Hex Slotted .....                      | 2   |

**6**

**E**

6

E



001525-002

# REAR SUSPENSION COMPONENTS

| ITEM | PART NO.         | DESCRIPTION  | QTY |
|------|------------------|--|-----|
|      |                  | 1 2 3 4  |     |
| 1    | <u>1010145</u>   | Nut, 3/8-24 Hex .....                                      | 4   |
| 2    | <u>1011415</u>   | Kit, Shock Absorber Cushion (includes items 3 and 4) ..... | 4   |
| 3    | N/A              | Cushion, Shock Absorber .....                              | 2   |
| 4    | N/A              | Retainer, Shock Absorber Cushion .....                     | 2   |
| 5    | <u>1014555</u>   | Locknut, 7/16-14 Nylon Hex .....                           | 4   |
| 6    | <u>1014902</u>   | U-Bolt .....   | 2   |
| 7    | <u>101558302</u> | Bushing, Urethane, Soft .....                              | 4   |
| 8    | <u>102298401</u> | Nut,m8,all Metal Lock .....                                | 6   |
| 9    | <u>102506401</u> | Sleeve - Spring Eye Mounts .....                           | 2   |
| 10   | <u>103524601</u> | Brkt, Shock Mount Rh, Ic .....                             | 1   |
| 11   | <u>103524701</u> | Brkt, Shock Mount Lh, Ic .....                             | 1   |
| 12   | <u>105068902</u> | Shackle, 6", Com, Machined .....                           | 2   |
| 13   | <u>105106801</u> | Shock Absorber,Rear, 2 Bumper .....                        | 2   |
| 14   | <u>105186201</u> | Asm, Spring 600lb Nr Std, Lh .....                         | 1   |
| 15   | <u>105186202</u> | Asm, Spring 600lb Nr Std, Rh .....                         | 1   |
| 16   | <u>105188185</u> | Bolt, M8x85mm,10.9 Grade .....                             | 6   |

**6**

**E**

**6**

***E***



# ELECTRICAL SYSTEM – ELECTRIC VEHICLES

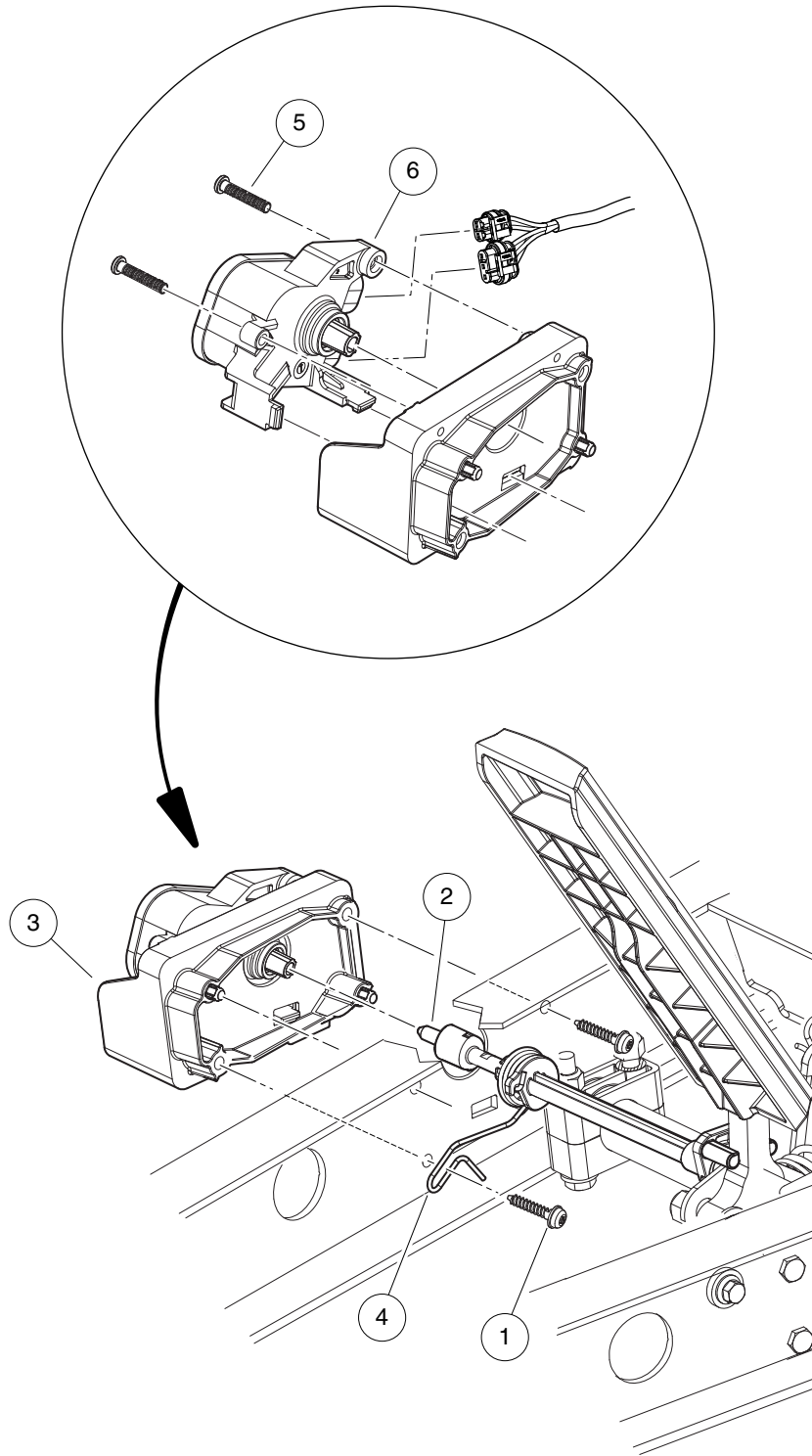
---

7

E

7

E



002522-001

# MOTOR CONTROLLER OUTPUT REGULATOR (MCOR)

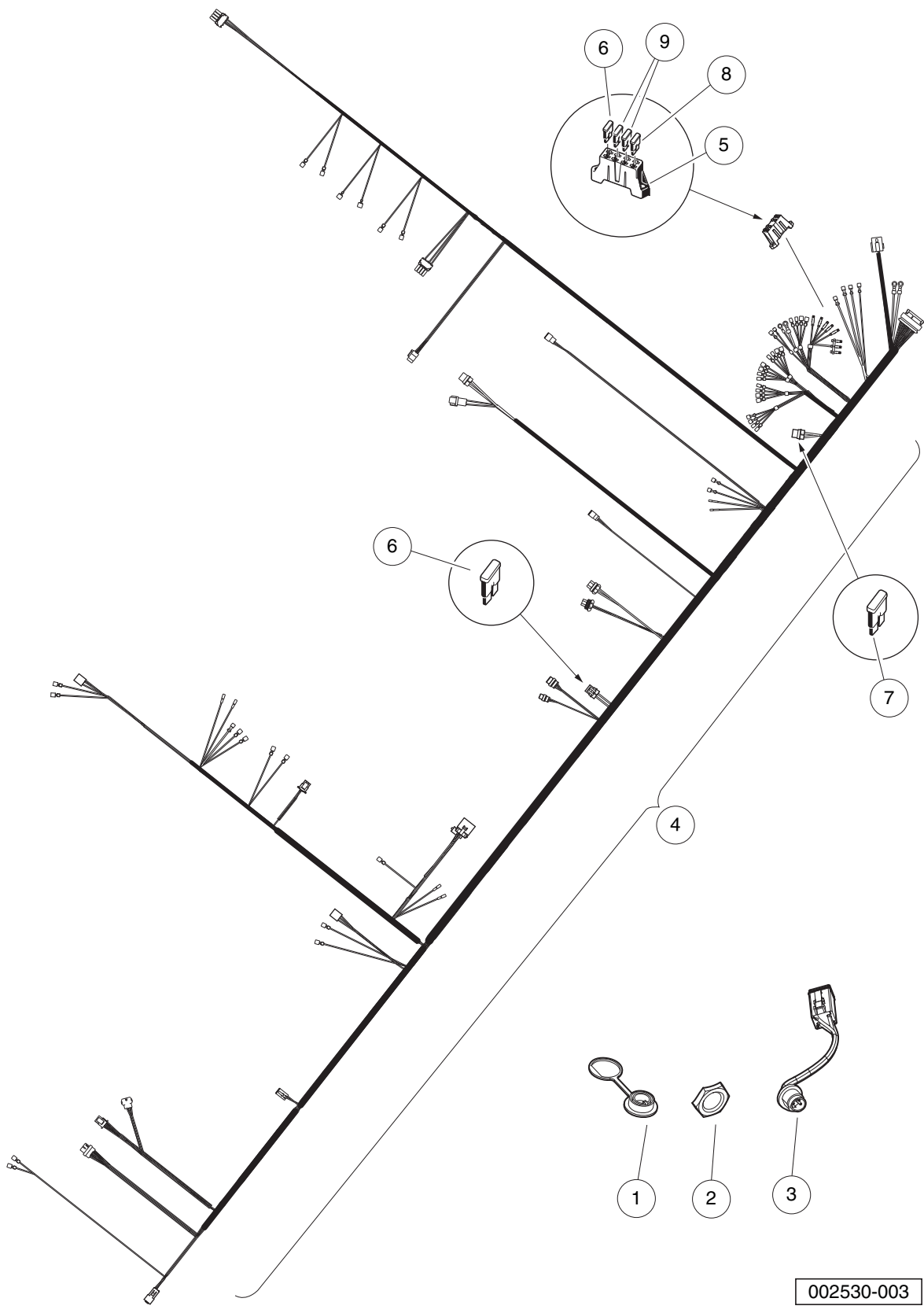
| ITEM | PART NO.         | DESCRIPTION                             | QTY |
|------|------------------|---|-----|
|      |                  | 1 2 3 4                                 |     |
| 1    | <u>102297230</u> | Screw, M6, Torx, Interlock Thread ..... | 2   |
| 2    | <u>103902101</u> | Bar, Drive, Cast .....                  | 1   |
| 3    | <u>103902301</u> | Housing, Mcor .....                     | 1   |
| 4    | <u>103902401</u> | Spring, Torsion .....                   | 1   |
| 5    | <u>103943401</u> | Screw, Pan, #10 X 1.00 Hi-lo .....      | 2   |
| 6    | <u>105116301</u> | MCOR4, Type 16 Switch .....             | 1   |

**7**

**E**

7

E



002530-003

# MAIN WIRING HARNESS, 48-VOLT FUSE BLOCK - CA510 HOMOLOGATED

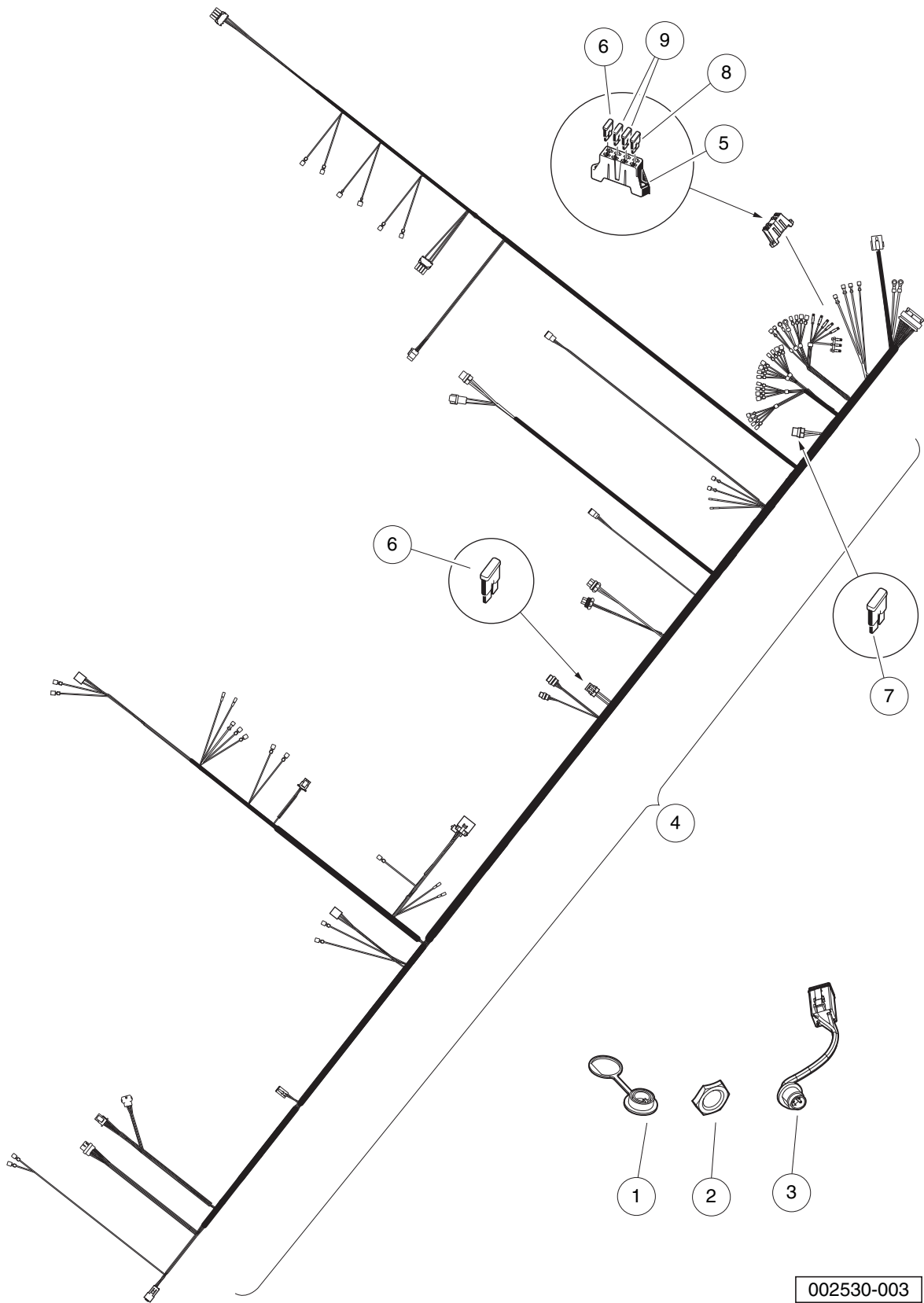
| ITEM | PART NO.         | DESCRIPTION   | QTY |
|------|------------------|---|-----|
|      |                  | 1 2 3 4   |     |
| 1    | <u>102196901</u> | Dust Cap .....  | 1   |
| 2    | <u>102572401</u> | Nut, Diagnostic Port, Prec .....                                  | 1   |
| 3    | <u>103218601</u> | Harness, Diagnostic Port .....                                    | 1   |
| 4    | <u>105107801</u> | Asm, Harness, Ca510lsv, Homol (includes items 5 through 10) ..... | 1   |
| 5    | <u>1015741</u>   | Fuse Block .....  | 1   |
| 6    | <u>1016423</u>   | Fuse, 20-Amp .....  | 2   |
| 7    | <u>102492301</u> | Fuse, 30-Amp .....  | 1   |
| 8    | <u>102538601</u> | 15 Amp Fuse .....   | 1   |
| 9    | <u>105167201</u> | Fuse, Atc, 2 Amp .....  | 2   |
| 10   | <u>105173901</u> | Fuse, Agc, 1 Amp .....  | 1   |

**7**

**E**

7

E



002530-003

# MAIN WIRING HARNESS, 48-VOLT FUSE BLOCK - CA710 HOMOLOGATED

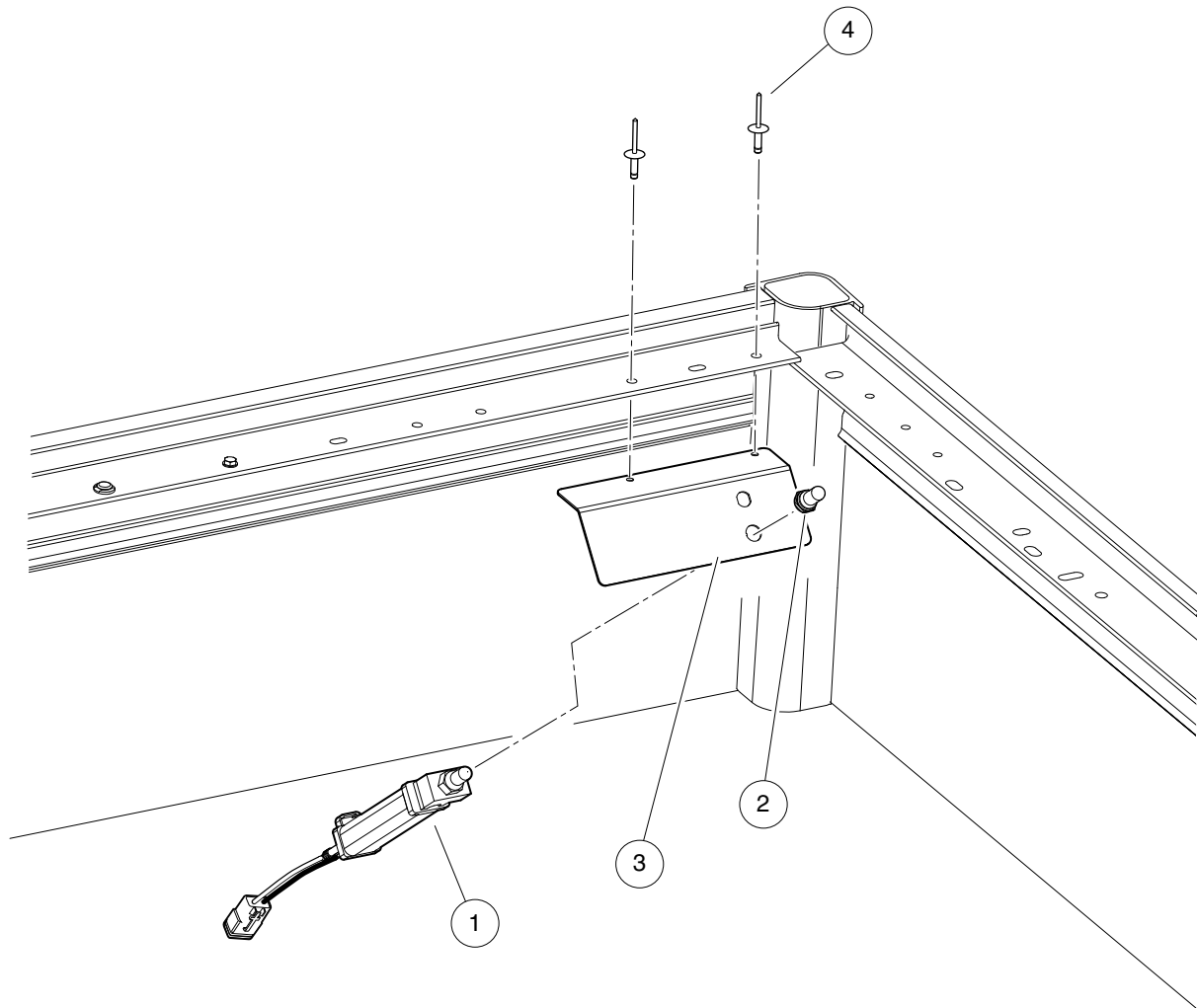
| ITEM | PART NO.         | DESCRIPTION   | QTY |
|------|------------------|---|-----|
|      |                  | 1 2 3 4   |     |
| 1    | <u>102196901</u> | Dust Cap .....  | 1   |
| 2    | <u>102572401</u> | Nut, Diagnostic Port, Prec .....                                  | 1   |
| 3    | <u>103218601</u> | Harness, Diagnostic Port .....                                    | 1   |
| 4    | <u>105108101</u> | Asm, Harness, Ca710lsv, Homol (includes items 5 through 10) ..... | 1   |
| 5    | <u>1015741</u>   | Fuse Block .....  | 1   |
| 6    | <u>1016423</u>   | Fuse, 20-Amp .....  | 2   |
| 7    | <u>102492301</u> | Fuse, 30-Amp .....  | 1   |
| 8    | <u>102538601</u> | 15 Amp Fuse .....   | 1   |
| 9    | <u>105167201</u> | Fuse, Atc, 2 Amp .....  | 2   |
| 10   | <u>105173901</u> | Fuse, Agc, 1 Amp .....  | 1   |

**7**

**E**

7

E



002521-001



# TOW/RUN SWITCH

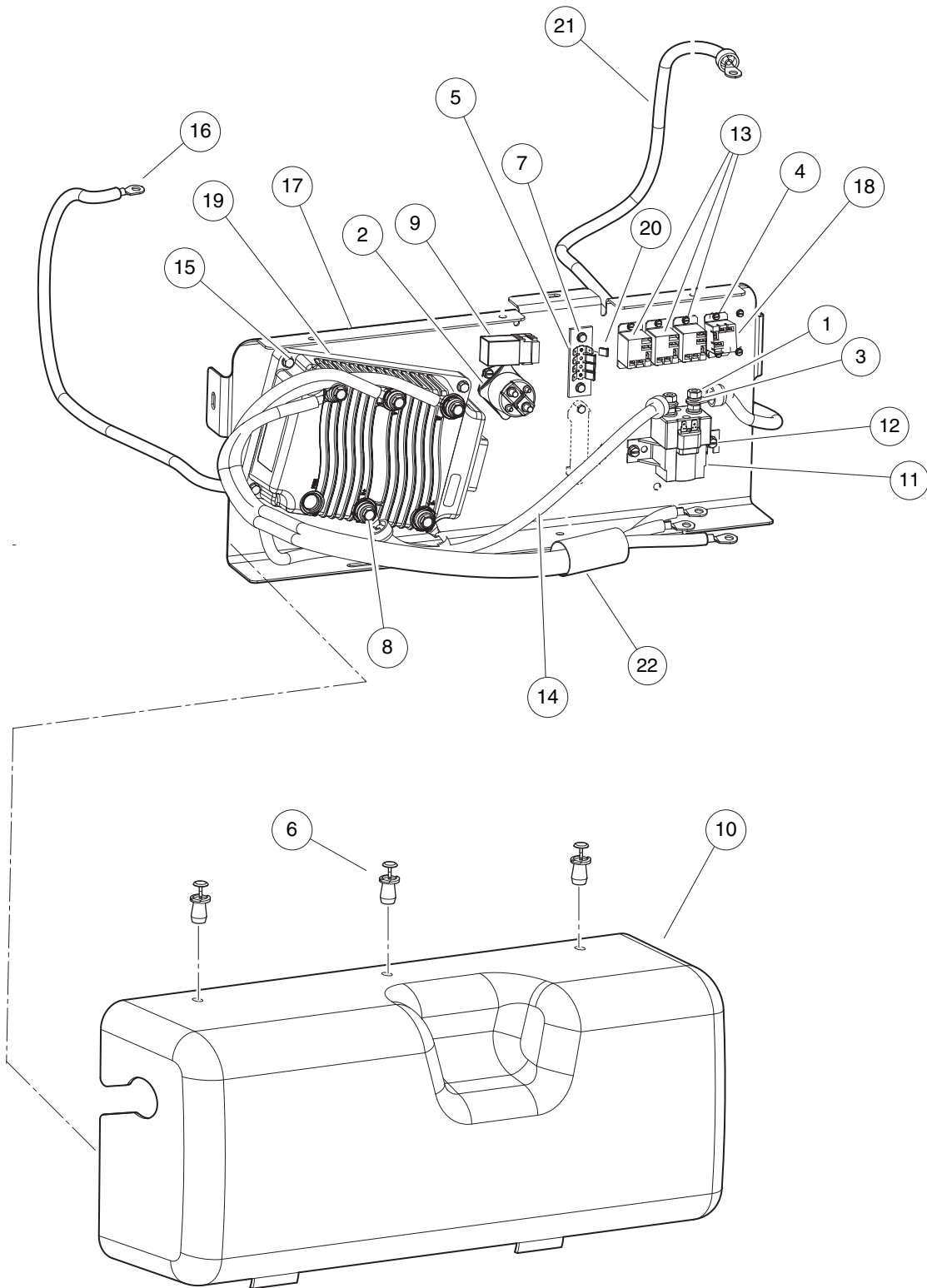
| ITEM | PART NO.         | DESCRIPTION                        | QTY |
|------|------------------|------------------------------------|-----|
|      |                  | <b>1 2 3 4</b>                     |     |
| 1    | <u>101908101</u> | Switch Assembly, Tow/Run .....     | 1   |
| 2    | <u>101908401</u> | Boot, Switch .....                 | 1   |
| 3    | <u>102915701</u> | Plate, Switch, Run Tow, Mode ..... | 1   |
| 4    | <u>7973</u>      | Rivet, 3/16 X .400 Blind .....     | 2   |

**7**

**E**

7

E



002535-001

# ELECTRIC COMPONENTS - CA510 HOMOLOGATED

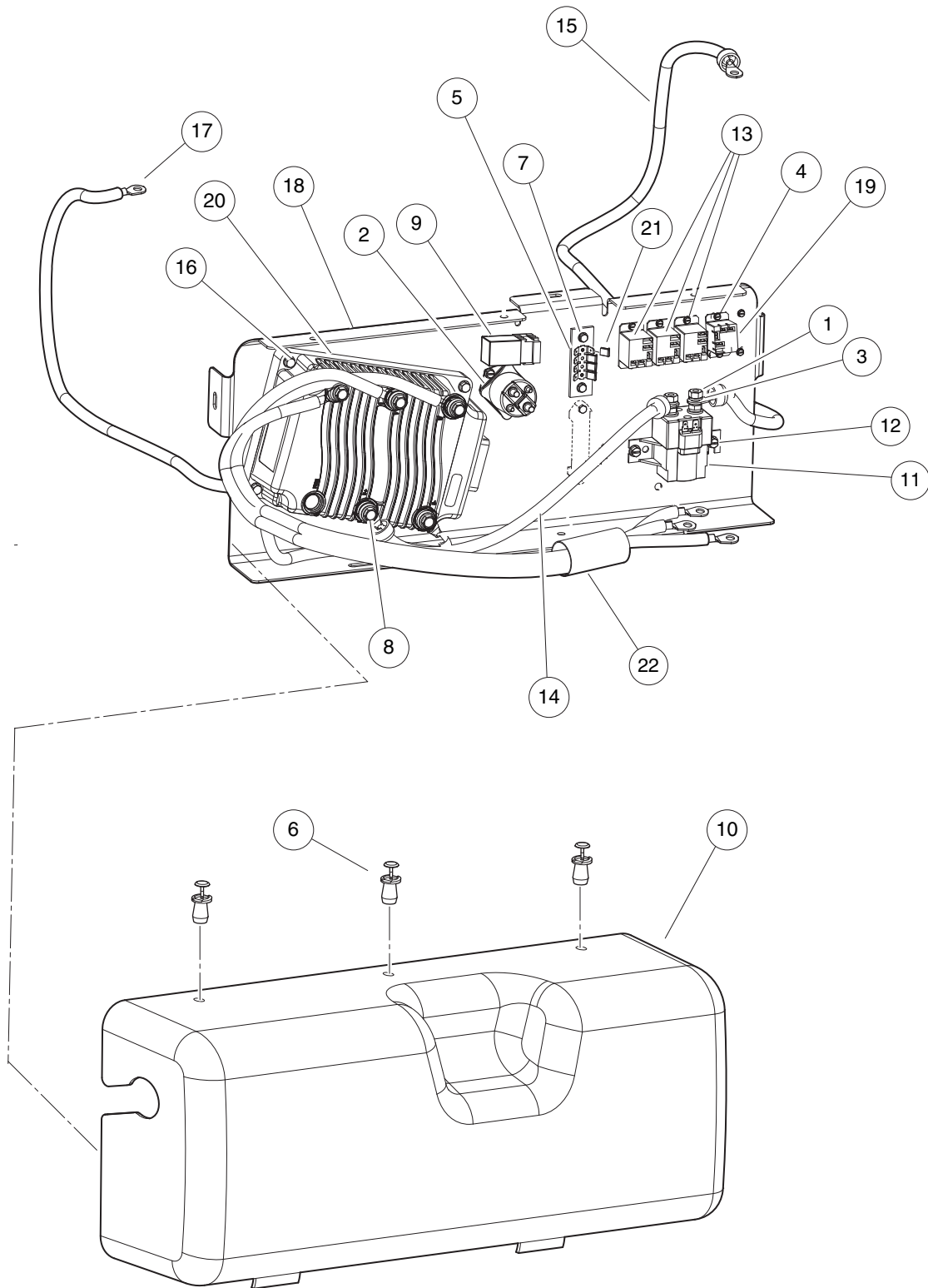
| ITEM | PART NO.         | DESCRIPTION                              | QTY |
|------|------------------|--|-----|
|      |                  | 1 2 3 4                                  |     |
| 1    | <u>1012528</u>   | Nut, M8-1.25 Hex .....                   | 2   |
| 2    | <u>1013609</u>   | Solenoid, 12-Volt .....                  | 1   |
| 3    | <u>1013734</u>   | Lockwasher, 8mm Split .....              | 2   |
| 4    | <u>1015720</u>   | Screw, #6-32 X 1/2 Hex Washer-Head ..... | 10  |
| 5    | <u>1016356</u>   | Terminal Block with Insulator .....      | 1   |
| 6    | <u>1016967</u>   | Blind Rivet, Push Type .....             | 3   |
| 7    | <u>102238001</u> | #10-24 Taptite Screw .....               | 5   |
| 8    | <u>102240501</u> | Bolt, Controller, Terminal .....         | 5   |
| 9    | <u>102742501</u> | Flasher, 12v, Fixed Load .....           | 1   |
| 10   | <u>102772403</u> | Cover, Component, Elec, Ac .....         | 1   |
| 11   | <u>102774701</u> | Solenoid, 48v .....                      | 1   |
| 12   | <u>102817101</u> | Screw, 1/4-20 X .50 Hex Wsh Hd .....     | 4   |
| 13   | <u>103397901</u> | Relay, Spst No, 48v 30a, Pmt .....       | 3   |
| 14   | <u>103510201</u> | Asm, Wire #2 Yellow, 420 .....           | 1   |
| 15   | <u>103517901</u> | Scr, 1/4-20 X 1.25 Hwhcs, Tt .....       | 4   |
| 16   | <u>103529004</u> | Wire, Asm, #2 Blk, 36 inch .....         | 1   |
| 17   | <u>103823002</u> | Plate, Comp, Mtg, 5 Relay .....          | 1   |
| 18   | <u>105112401</u> | Relay, Spdt Nc, 48v 30a, Pmt .....       | 1   |
| 19   | <u>105168101</u> | Controller, Ac Motor, Ls, Ca .....       | 1   |
| 20   | <u>105195501</u> | Cap, Quick Conn Tab, 1/4 In .....        | 4   |
| 21   | <u>105247301</u> | Asm, Wire, #2 Red, 558mm .....           | 1   |
| 22   | <u>105255301</u> | Harness, Pwr, CA510, Homol .....         | 1   |

**7**

**E**

7

E



002537-001

# ELECTRIC COMPONENTS - CA710 HOMOLOGATED

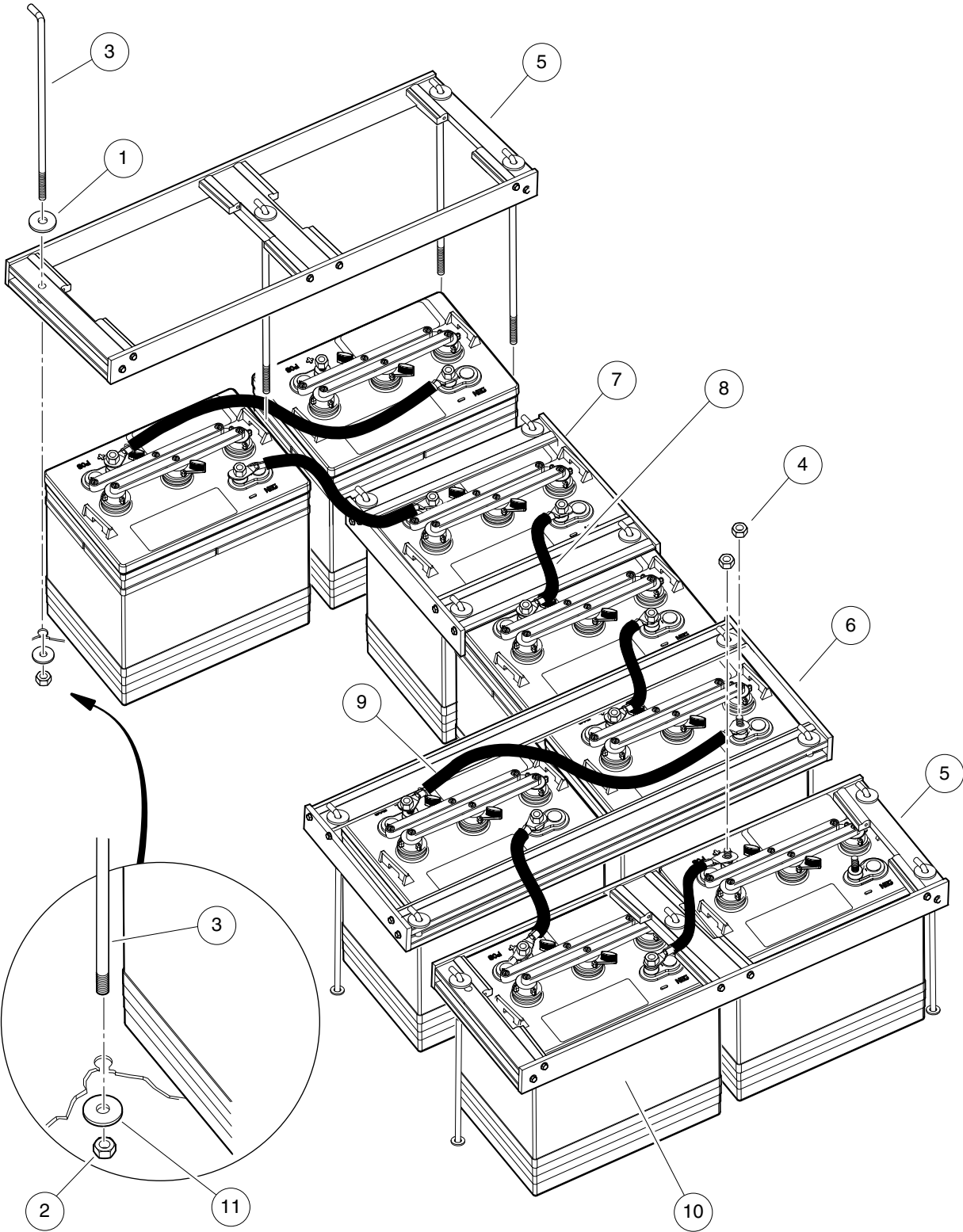
| ITEM | PART NO.         | DESCRIPTION                              | QTY |
|------|------------------|--|-----|
|      |                  | 1 2 3 4                                  |     |
| 1    | <u>1012528</u>   | Nut, M8-1.25 Hex .....                   | 2   |
| 2    | <u>1013609</u>   | Solenoid, 12-Volt .....                  | 1   |
| 3    | <u>1013734</u>   | Lockwasher, 8mm Split .....              | 2   |
| 4    | <u>1015720</u>   | Screw, #6-32 X 1/2 Hex Washer-Head ..... | 10  |
| 5    | <u>1016356</u>   | Terminal Block with Insulator .....      | 1   |
| 6    | <u>1016967</u>   | Blind Rivet, Push Type .....             | 3   |
| 7    | <u>102238001</u> | #10-24 Taptite Screw .....               | 5   |
| 8    | <u>102240501</u> | Bolt, Controller, Terminal .....         | 5   |
| 9    | <u>102742501</u> | Flasher, 12v, Fixed Load .....           | 1   |
| 10   | <u>102772403</u> | Cover, Component, Elec, Ac .....         | 1   |
| 11   | <u>102774701</u> | Solenoid, 48v .....                      | 1   |
| 12   | <u>102817101</u> | Screw, 1/4-20 X .50 Hex Wsh Hd .....     | 4   |
| 13   | <u>103397901</u> | Relay, Spst No, 48v 30a, Pmt .....       | 3   |
| 14   | <u>103510201</u> | Asm, Wire #2 Yellow, 420 .....           | 1   |
| 15   | <u>103511001</u> | Asm, Wire #2 Red, 1000 .....             | 1   |
| 16   | <u>103517901</u> | Scr, 1/4-20 X 1.25 Hwhcs, Tt .....       | 4   |
| 17   | <u>103529003</u> | Wire, Asm #2 Blk, 54 Inch .....          | 1   |
| 18   | <u>103823002</u> | Plate, Comp, Mtg, 5 Relay .....          | 1   |
| 19   | <u>105112401</u> | Relay, Spdt Nc, 48v 30a, Pmt .....       | 1   |
| 20   | <u>105168101</u> | Controller, Ac Motor, Ls, Ca .....       | 1   |
| 21   | <u>105195501</u> | Cap, Quick Conn Tab, 1/4 In .....        | 4   |
| 22   | <u>105255401</u> | Harness, Pwr, CA710, Homol .....         | 1   |

**7**

**E**

7

E



002507-002

## BATTERIES 6-VOLT, STANDARD DUTY - CA510

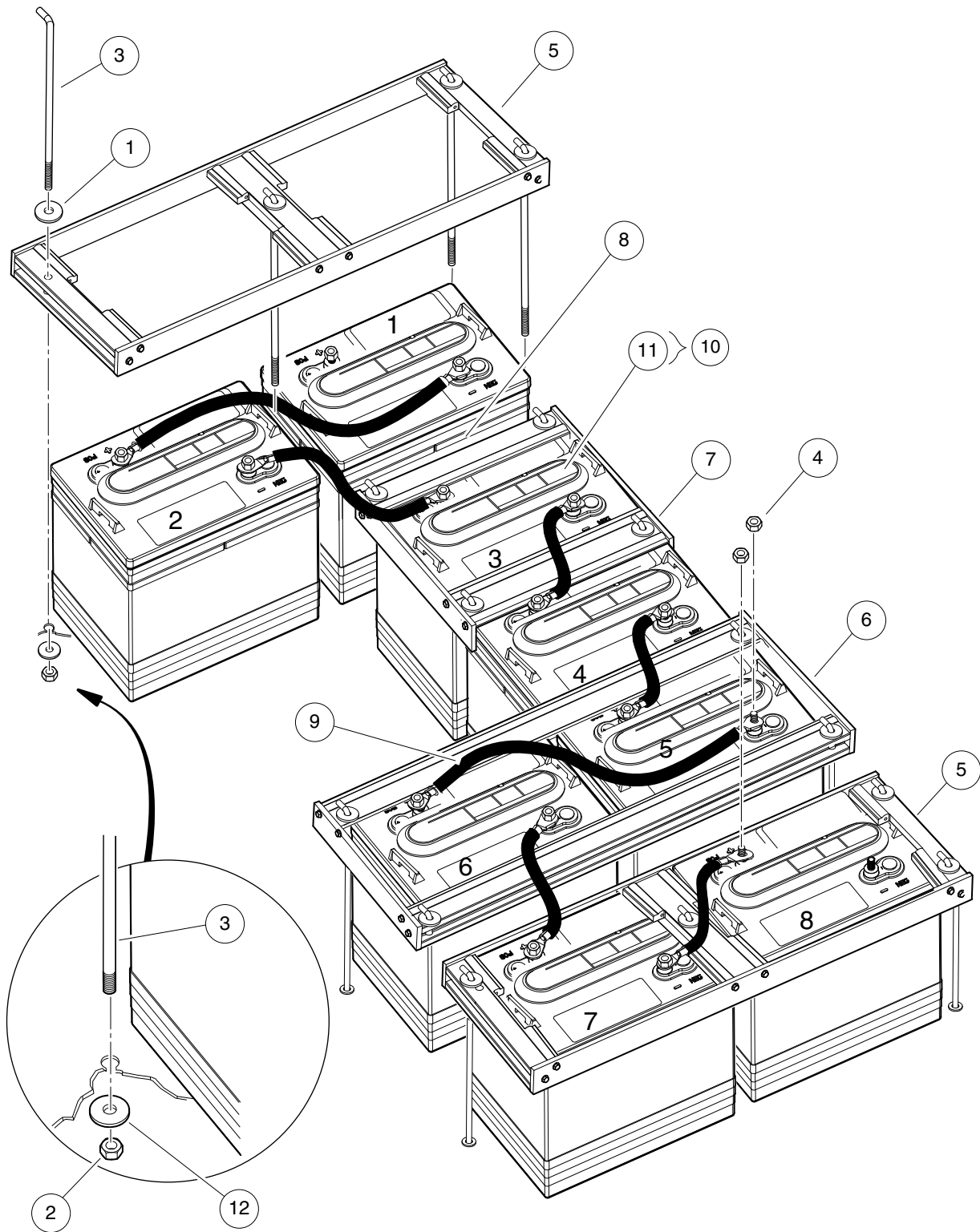
| ITEM | PART NO.         | DESCRIPTION                          | QTY |
|------|------------------|--------------------------------------|-----|
|      |                  | 1 2 3 4                              |     |
| 1    | 1012571          | Washer, 5/16 Extra Thick Flat .....  | 16  |
| 2    | 1015072          | Locknut, 5/16-18 Nylon Insert .....  | 16  |
| 3    | <u>102845203</u> | Rod, Battery Hold Down 10.7" .....   | 16  |
| 4    | <u>102873401</u> | 5/16-18 Heavy Hex Nut .....          | 16  |
| 5    | 103481301        | Asm, Batt Ret Ob, CA510 .....        | 2   |
| 6    | 103481401        | Asm, Batt Ret Ctr Long, CA510 .....  | 1   |
| 7    | 103481501        | Asm, Batt Ret Ctr Short, CA510 ..... | 1   |
| 8    | <u>103528901</u> | Wire, Asm #2 Blk, 9 Inch .....       | 5   |
| 9    | <u>103529101</u> | Wire, Asm #2 Blk, 25 Inch .....      | 2   |
| 10   | <u>105210201</u> | Battery, 6v, Type E, Gc2, Wet .....  | 8   |
| 11   | <u>1241</u>      | Washer, 5/16 Type A Flat .....       | 16  |

**7**

**E**

7

E



002508-002



## BATTERIES 6-VOLT, HEAVY DUTY - CA510

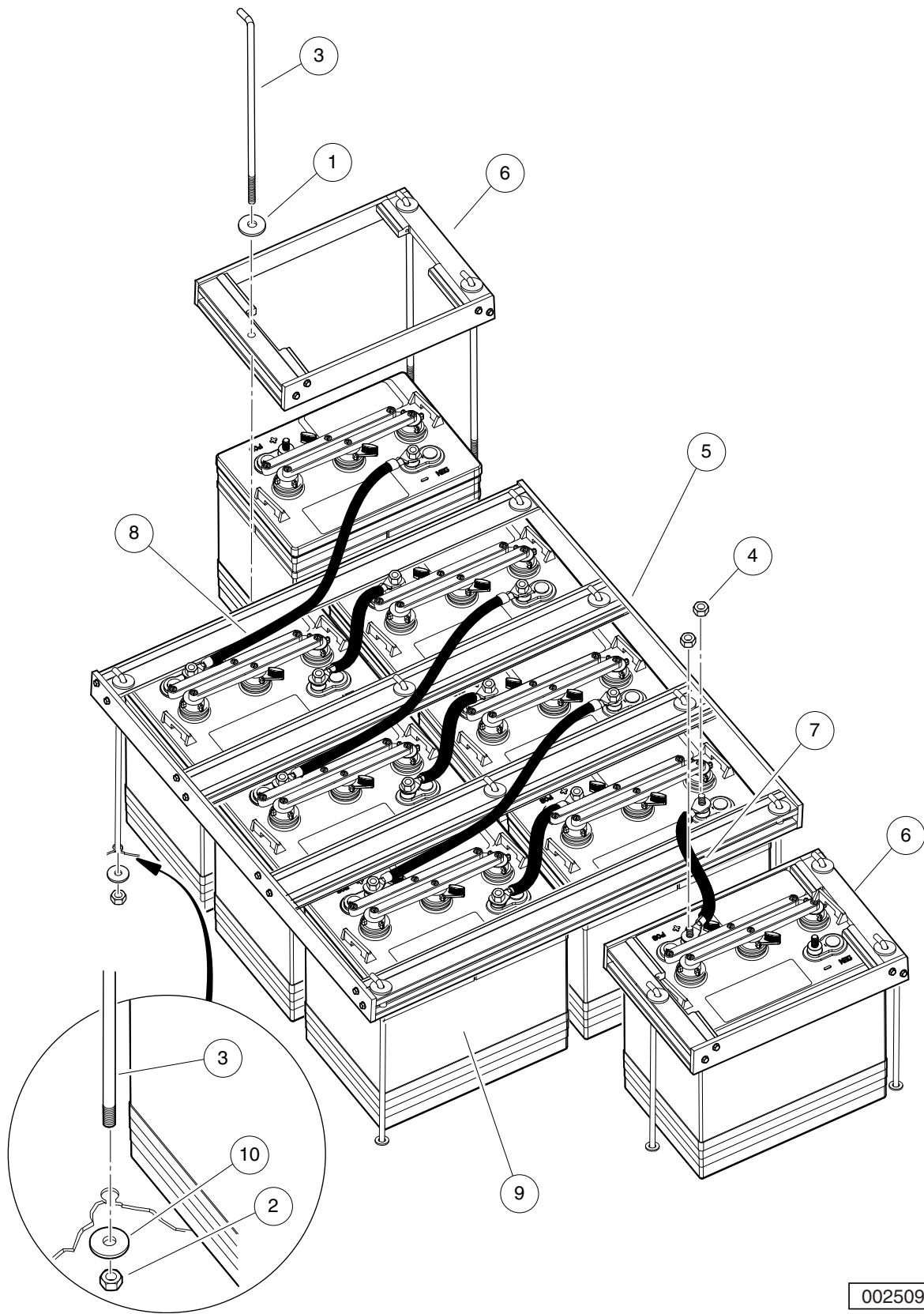
| ITEM | PART NO.         | DESCRIPTION   | QTY |
|------|------------------|---|-----|
|      |                  | 1 2 3 4   |     |
| 1    | 1012571          | Washer, 5/16 Extra Thick Flat .....                         | 16  |
| 2    | 1015072          | Locknut, 5/16-18 Nylon Insert .....                         | 16  |
| 3    | <u>102845204</u> | Rod, Battery Hold Down 12" .....                            | 16  |
| 4    | <u>102873401</u> | 5/16-18 Heavy Hex Nut .....                                 | 16  |
| 5    | 103481301        | Asm, Batt Ret Ob, CA510 .....                               | 2   |
| 6    | 103481401        | Asm, Batt Ret Ctr Long, CA510 .....                         | 1   |
| 7    | 103481501        | Asm, Batt Ret Ctr Short, CA510 .....                        | 1   |
| 8    | <u>103528901</u> | Wire, Asm #2 Blk, 9 Inch .....                              | 5   |
| 9    | <u>103529101</u> | Wire, Asm #2 Blk, 25 Inch .....                             | 2   |
| 10   | <u>103969701</u> | Battery, 6-Volt, Trojan T145 (Wet) (includes item 11) ..... | 8   |
| 11   | <u>101831401</u> | Battery Cap 6 Volt .....                                    | 1   |
| 12   | <u>1241</u>      | Washer, 5/16 Type A Flat .....                              | 16  |

**7**

**E**

7

E



002509-001

## BATTERIES 6-VOLT, STANDARD DUTY - CA710

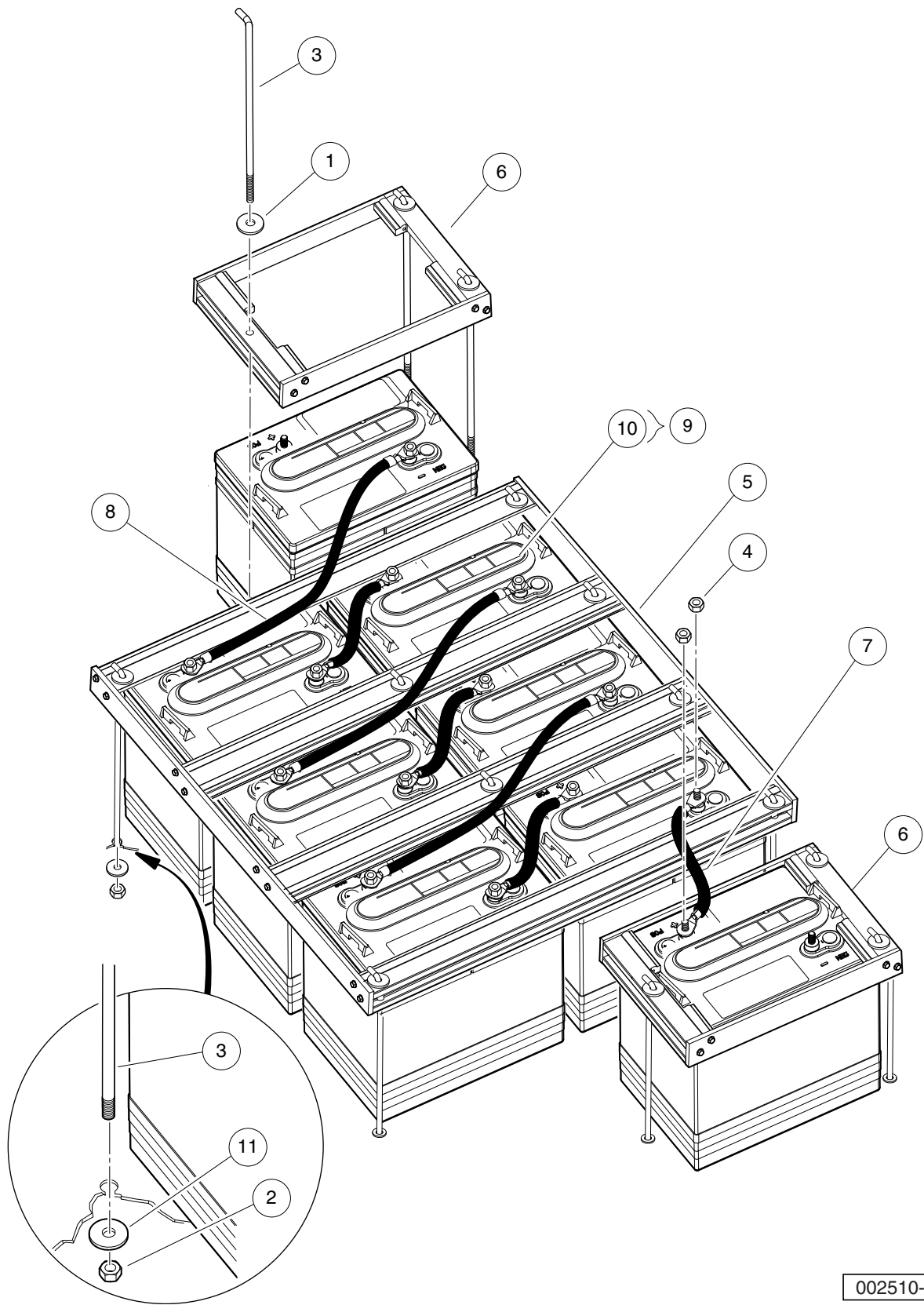
| ITEM | PART NO.         | DESCRIPTION                          | QTY |
|------|------------------|--------------------------------------|-----|
|      |                  | 1 2 3 4                              |     |
| 1    | 1012571          | Washer, 5/16 Extra Thick Flat .....  | 14  |
| 2    | 1015072          | Locknut, 5/16-18 Nylon Insert .....  | 14  |
| 3    | <u>102845203</u> | Rod, Battery Hold Down 10.7" .....   | 14  |
| 4    | <u>102873401</u> | 5/16-18 Heavy Hex Nut .....          | 14  |
| 5    | 103493101        | Asm, Batt Ret Ctr, CA710 .....       | 1   |
| 6    | 103493201        | Asm, Batt Ret Side, CA710 .....      | 2   |
| 7    | <u>103528901</u> | Wire, Asm #2 Blk, 9 Inch .....       | 4   |
| 8    | <u>103529001</u> | Wire, Asm #2 Blk, 18.5 Inch .....    | 3   |
| 9    | <u>103793101</u> | Battery, 6-Volt, JCI GC2 (Wet) ..... | 8   |
| 10   | <u>1241</u>      | Washer, 5/16 Type A Flat .....       | 14  |

**7**

**E**

7

E



002510-001

## BATTERIES 6-VOLT, HEAVY DUTY - CA710

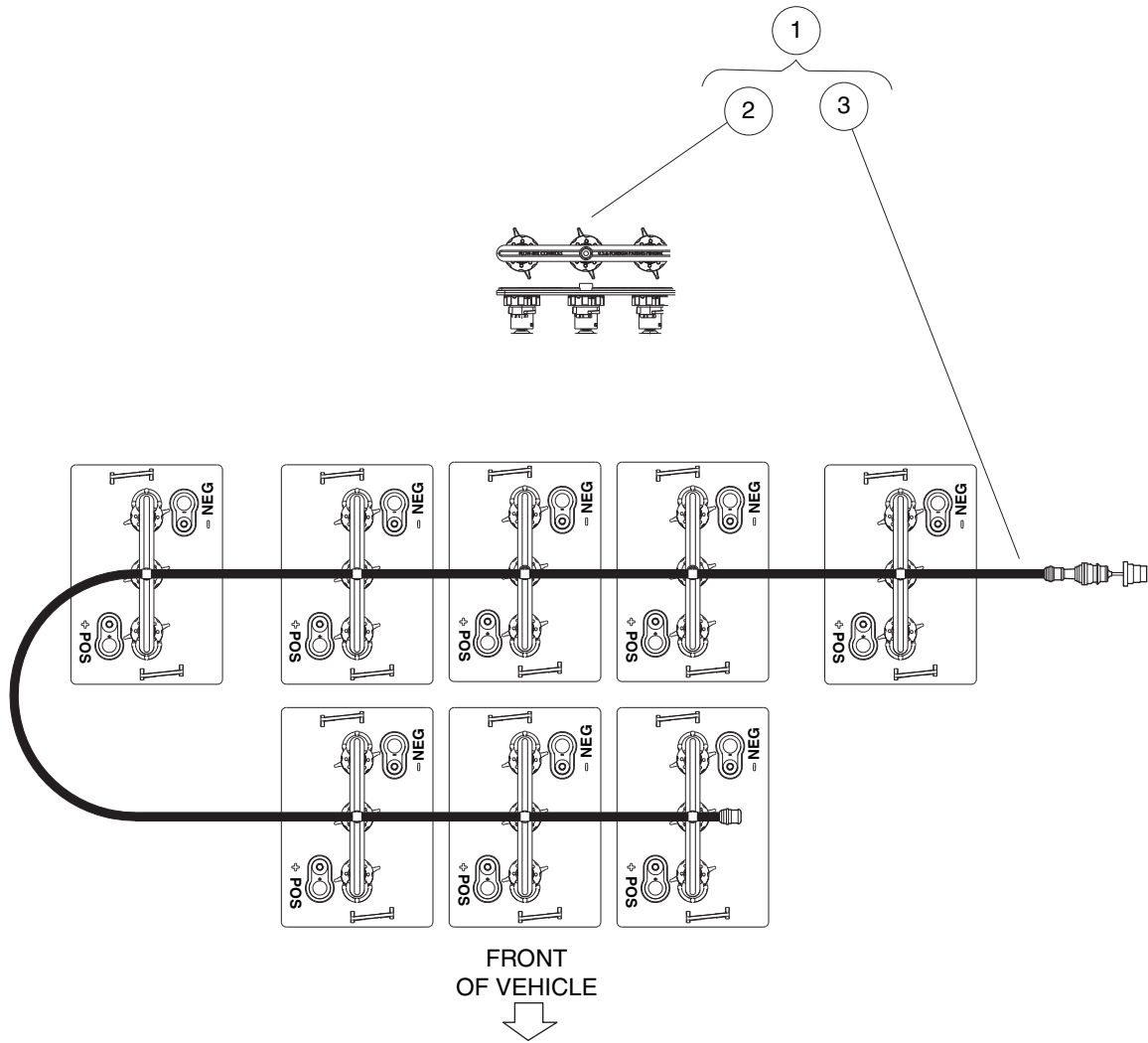
| ITEM | PART NO.         | DESCRIPTION   | QTY |
|------|------------------|---|-----|
|      |                  | 1 2 3 4   |     |
| 1    | 1012571          | Washer, 5/16 Extra Thick Flat .....                         | 14  |
| 2    | 1015072          | Locknut, 5/16-18 Nylon Insert .....                         | 14  |
| 3    | <u>102845204</u> | Rod, Battery Hold Down 12" .....                            | 14  |
| 4    | <u>102873401</u> | 5/16-18 Heavy Hex Nut .....                                 | 16  |
| 5    | 103493101        | Asm, Batt Ret Ctr, CA710 .....                              | 1   |
| 6    | 103493201        | Asm, Batt Ret Side, CA710 .....                             | 2   |
| 7    | <u>103528901</u> | Wire, Asm #2 Blk, 9 Inch .....                              | 4   |
| 8    | <u>103529001</u> | Wire, Asm #2 Blk, 18.5 Inch .....                           | 3   |
| 9    | <u>103969701</u> | Battery, 6-Volt, Trojan T145 (Wet) (includes item 10) ..... | 8   |
| 10   | <u>101831401</u> | Battery Cap 6 Volt .....                                    | 1   |
| 11   | <u>1241</u>      | Washer, 5/16 Type A Flat .....                              | 14  |

7

E

7

E



002524-001

# SINGLE POINT WATERING SYSTEM (SPWS)

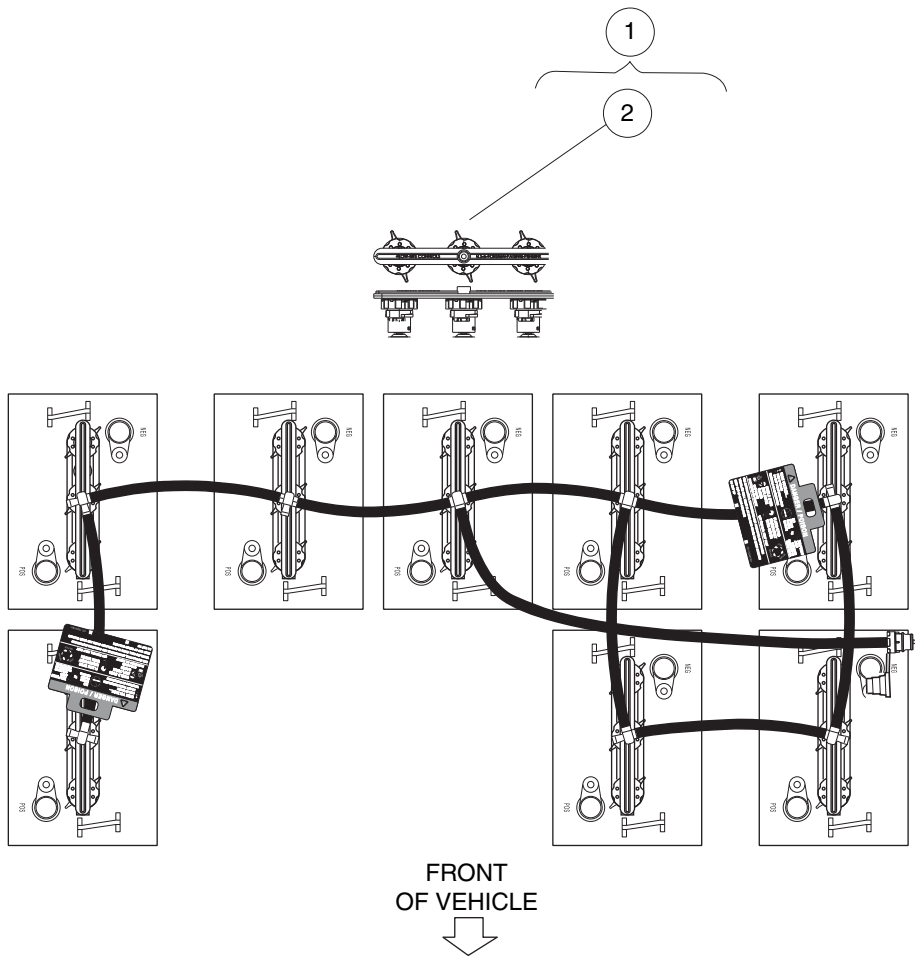
| ITEM | PART NO.         | DESCRIPTION                                    | QTY |
|------|------------------|--|-----|
|      |                  | 1 2 3 4  |     |
| 1    | <u>103497702</u> | Kit, Spws, 8x6v (includes items 2 and 3) ..... | 1   |
| 2    | <u>103510501</u> | Manifold, Lpr, 3 Vlve, Spw .....               | 8   |
| 3    | <u>103942601</u> | Spws, Carryall, 8x6v .....                     | 1   |

**7**

**E**

7

E



002540-001



# SINGLE POINT WATERING SYSTEM (SPWS) – CA510

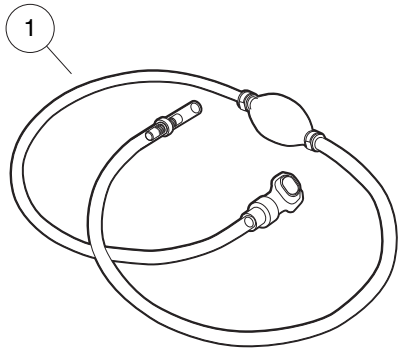
| ITEM | PART NO.         | DESCRIPTION   | QTY |
|------|------------------|---|-----|
| 1    | <u>103510901</u> | 1 2 3 4<br>Kit, Spws, 8x6v, Opt 1 (includes item 2) ..... | 1   |
| 2    | <u>103510501</u> | Manifold, Lpr, 3 Vlve, Spw .....                          | 8   |

**7**

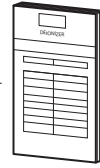
**E**

**7**

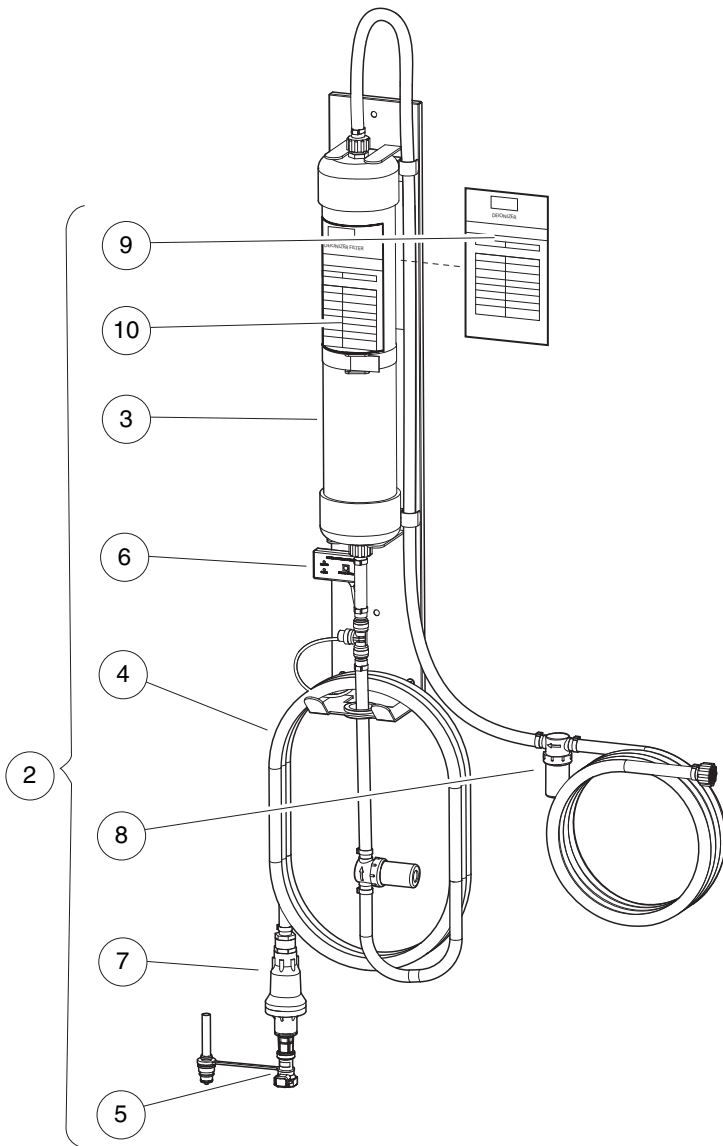
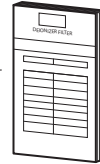
**E**



11



12



002523-003

# HAND PUMP AND DEIONIZER (BATTERY-POWERED QUALITY LIGHT)

| ITEM | PART NO.         | DESCRIPTION  | QTY |
|------|------------------|--|-----|
|      |                  | <b>1 2 3 4</b>   |     |
| 1    | <u>104006101</u> | Kit, Hand Pump, Spws .....   | 1   |
| 2    | <u>105166801</u> | Deionizer, w/Battery-Powered Water Quality Light (includes items 3 through 10) ..... | 1   |
| 3    | <u>104005901</u> | Cartridge, Deionizer .....   | 1   |
| 4    | <u>105166901</u> | Hose,outlet,deionizer .....  | 1   |
| 5    | <u>105167001</u> | Flow Ind, W/coupler, Deionizer .....   | 1   |
| 6    | <u>105167101</u> | Light, Quality, Battery-Powered, w/T-Fitting .....                                   | 1   |
| 7    | <u>105168501</u> | Regulator, Pressure, Deionizer .....   | 1   |
| 8    | <u>105168601</u> | Strainer, In-line, Deionizer .....   | 1   |
| 9    | <u>AM1300001</u> | Decal, Filter Log, Blue .....  | 1   |
| 10   | <u>AM1300201</u> | Decal, Inspect Log, Yellow .....   | 1   |
| 11   | AM1300101        | Decal, Filter Log, Blue, Pack of 100 .....   | A/R |
| 12   | AM1300301        | Decal, Inspect Log, Yellow, Pack of 100 .....  | A/R |

**7**

**E**

**7**

**E**

# ELECTRIC MOTOR

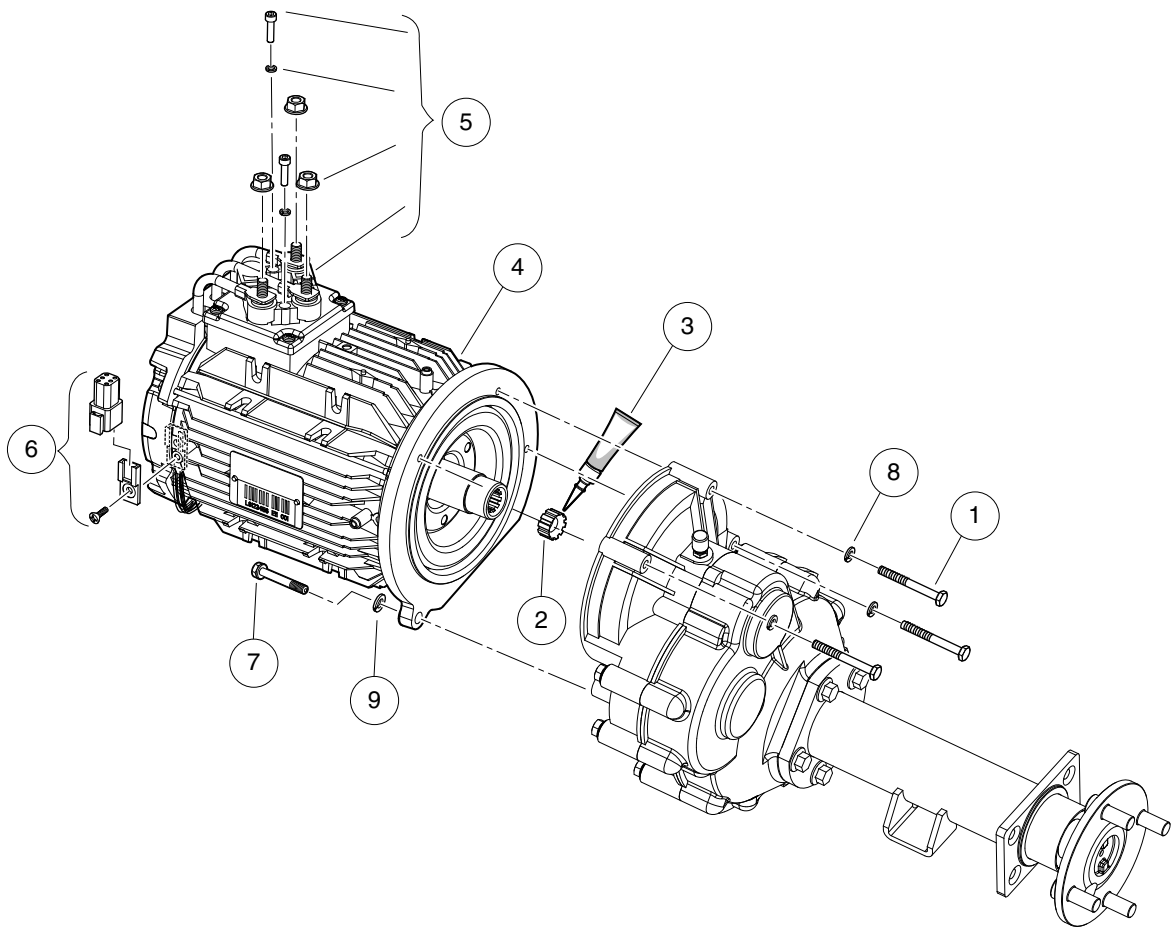
---

8

*E*

8

E



000855-002

# AC MOTOR

| ITEM | PART NO.         | DESCRIPTION                                    | QTY |
|------|------------------|--|-----|
|      |                  | <b>1 2 3 4</b>                                 |     |
| 1    | 1014201          | Screw, 1/4-20 X 2.25 Hex Cap .....             | 3   |
| 2    | <u>102235201</u> | Bumper, Drive Unit .....                       | 1   |
| 3    | <u>102243403</u> | Lubricant, Moly-Teflon (Single-Use Tube) ..... | 1   |
| 4    | <u>103647101</u> | Motor, Ac, Aircooled, Ls .....                 | 1   |
| 5    | <u>103998701</u> | Kit, Svc, Ls Motor .....                       | 1   |
| 6    | <u>103998801</u> | Kit, Connector, Dtm04-6p .....                 | 1   |
| 7    | 1218             | Screw, 5/16-18 X 1.25 Hex-Head Cap .....       | 1   |
| 8    | <u>451</u>       | Lockwasher, 1/4 Split .....                    | 3   |
| 9    | <u>7174</u>      | Lockwasher, 5/16 Split .....                   | 1   |

**8**

**E**

8

*E*

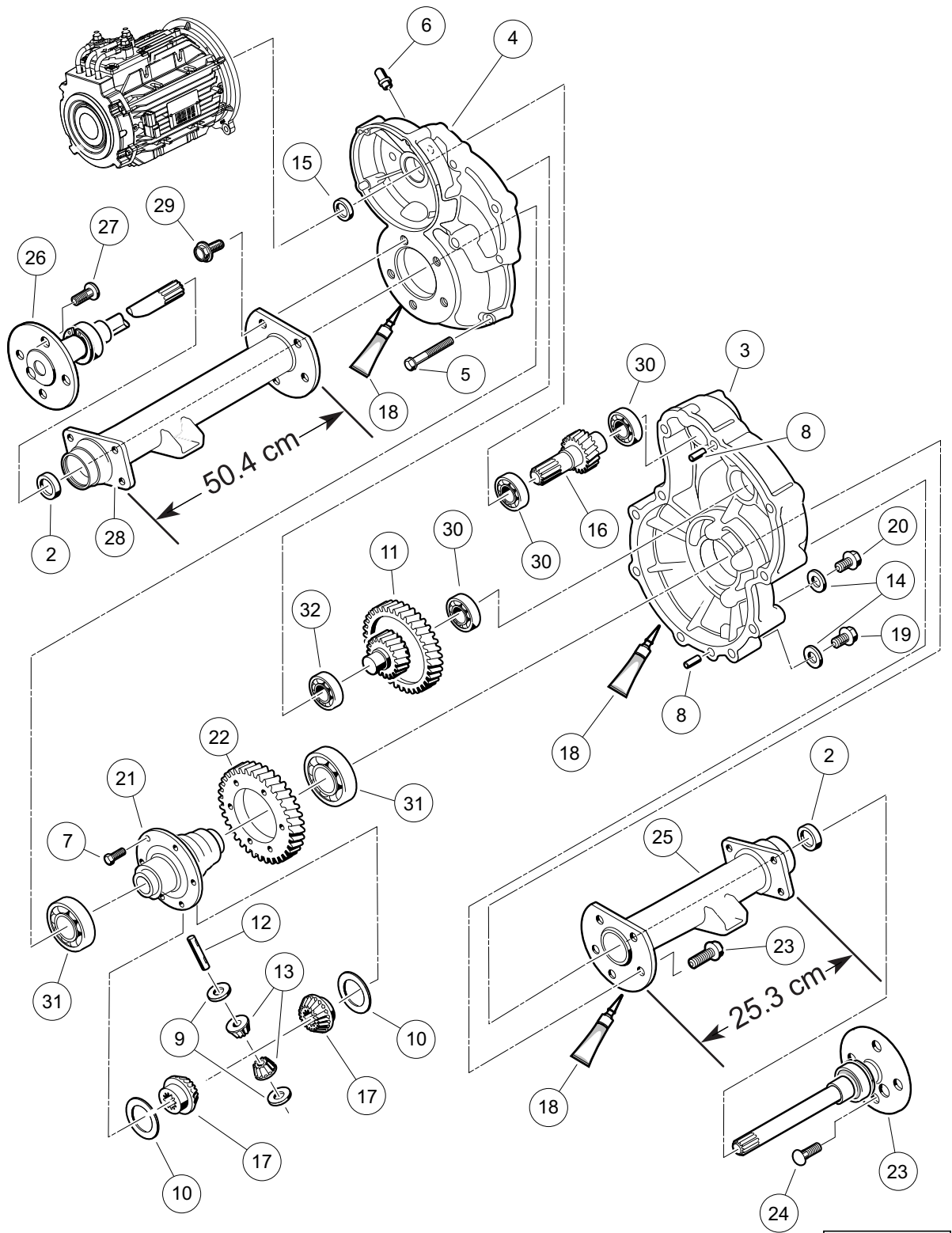


# TRANSAXLE – ELECTRIC VEHICLES

---

9

E



000223-006

# TRANSAXLE – ELECTRIC VEHICLES

| ITEM | PART NO.         | DESCRIPTION   | QTY |
|------|------------------|---|-----|
|      |                  | 1 2 3 4   |     |
| 1    | <u>103484801</u> | Transaxle, Electric, Hs (includes items 2 through 32) ..... | 1   |
| 2    | <u>1013794</u>   | Axle Shaft Oil Seal .....                                   | 2   |
| 3    | <u>101895401</u> | Gear Case, Driver-Side .....                                | 1   |
| 4    | <u>101895501</u> | Gear Case, Passenger-Side .....                             | 1   |
| 5    | <u>101897001</u> | Screw, M8-1.25 X 60mm Hex-Head .....                        | 11  |
| 6    | <u>101897201</u> | Breather .....  | 1   |
| 7    | <u>101897401</u> | Screw, M10-1.25 X 25mm .....                                | 6   |
| 8    | <u>101897601</u> | Pin, 11mm OD X 8.5mm ID X 10mm .....                        | 2   |
| 9    | <u>101903601</u> | Washer, Thrust .....  | 2   |
| 10   | <u>101903701</u> | Washer, Thrust .....  | 2   |
| 11   | <u>101906901</u> | Intermediate Shaft Assembly .....                           | 1   |
| 12   | <u>101922101</u> | Pin, 15.99mm X 88.7mm Dowel .....                           | 1   |
| 13   | <u>101923001</u> | Gear, Differential Idler .....                              | 2   |
| 14   | <u>101923201</u> | Gasket .....  | 2   |
| 15   | <u>101923501</u> | Seal, Lip .....   | 1   |
| 16   | N/A              | Shaft, Input .....  | 1   |
| 17   | <u>101923901</u> | Gear, Differential .....                                    | 2   |
| 18   | <u>101928701</u> | Liquid Gasket (Transaxle case) .....                        | 1   |
| 19   | <u>101972101</u> | Plug, M14-1.5 X 12mm Magnetic .....                         | 1   |
| 20   | <u>101972201</u> | Plug, M14-1.5 X 12mm Hex .....                              | 1   |
| 21   | <u>102356601</u> | Housing, Differential, 6 Bolt .....                         | 1   |
| 22   | <u>102356801</u> | Gear, Differential Output, 6-Bolt .....                     | 1   |
| 23   | <u>102886301</u> | Axle Assembly, Driver-Side (includes item 24) .....         | 1   |
| 24   | <u>101922201</u> | Lug Stud .....  | 4   |
| 25   | <u>102886401</u> | Tube, Axle, Driver-Side .....                               | 1   |
| 26   | <u>102886501</u> | Axle Assembly, Passenger-Side (includes item 27) .....      | 1   |
| 27   | <u>101922201</u> | Lug Stud .....  | 4   |
| 28   | <u>102886601</u> | Tube, Axle, Passenger-Side .....                            | 1   |
| 29   | <u>102902801</u> | Screw, M10 X 30 .....                                       | 10  |
| 30   | <u>103574501</u> | Bearing, 6204-c3 .....                                      | 3   |
| 31   | <u>7330</u>      | Inner Axle Tube Bearing .....                               | 2   |
| 32   | <u>7336</u>      | Bearing .....   | 1   |

**9**

**E**

9

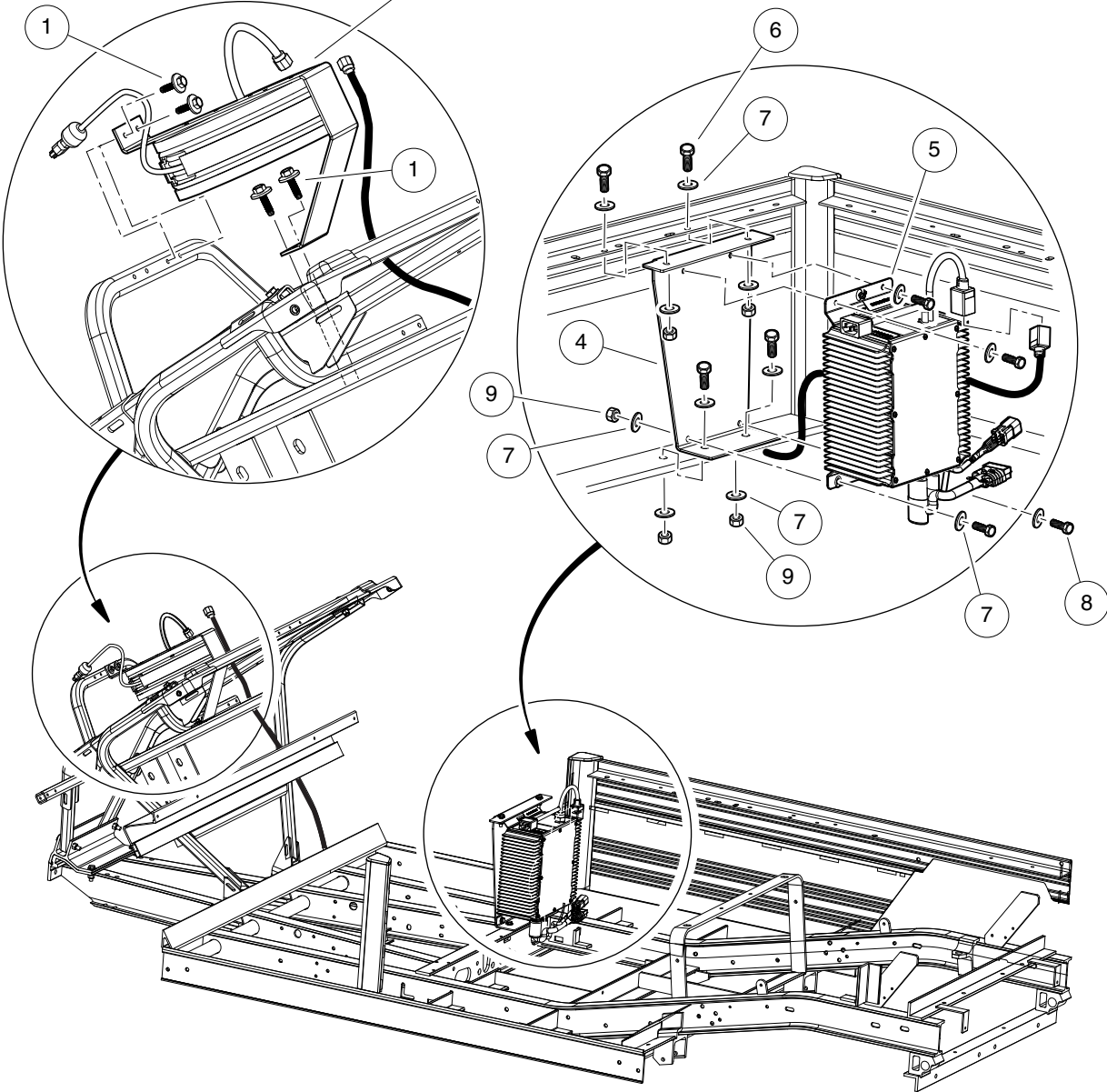
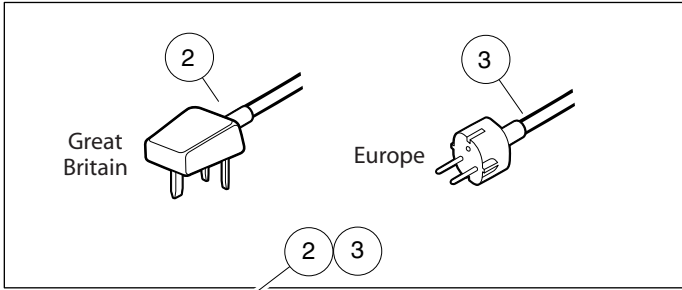
*E*

# BATTERY CHARGERS – HIGH-FREQUENCY

---

10

E



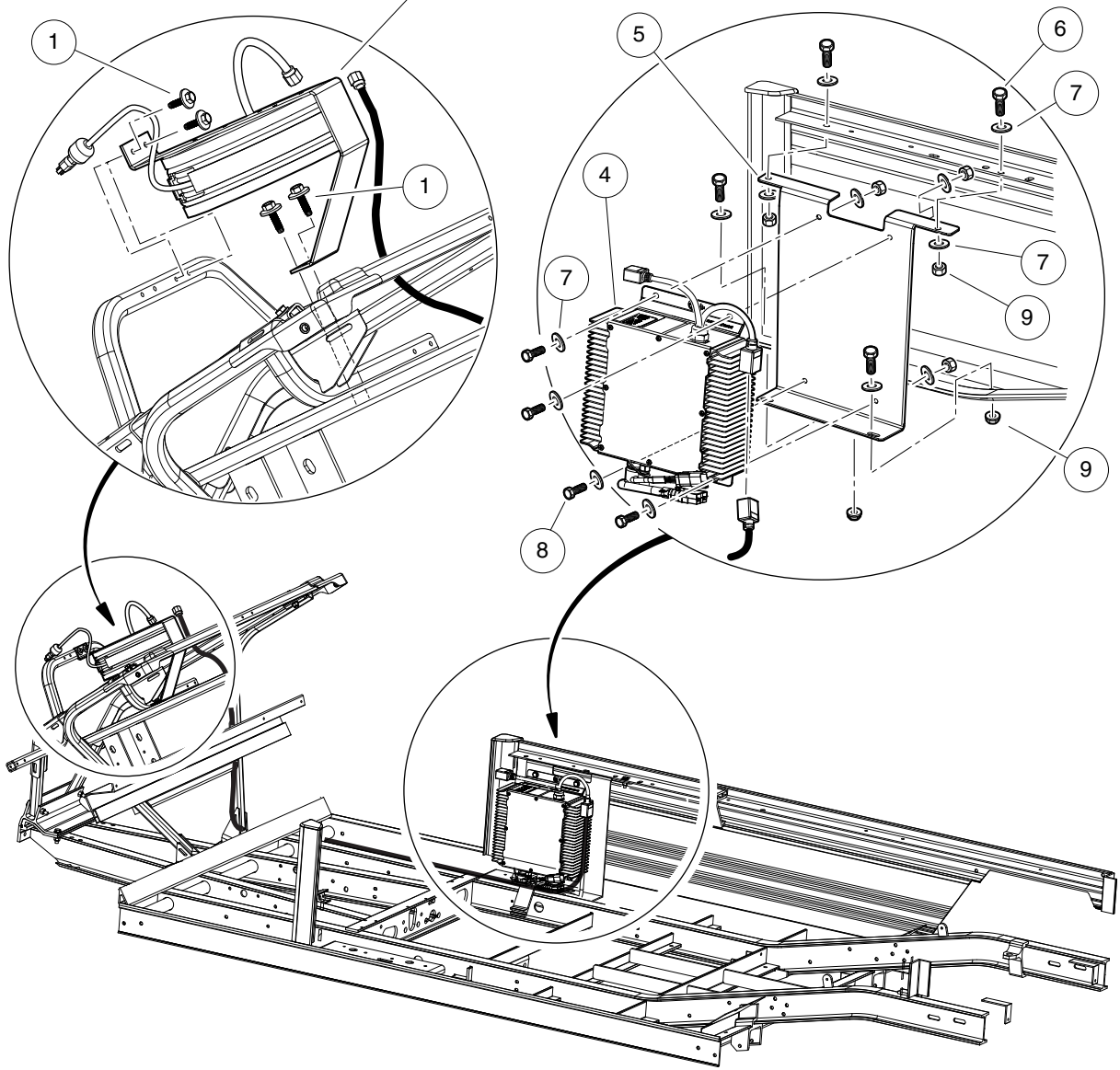
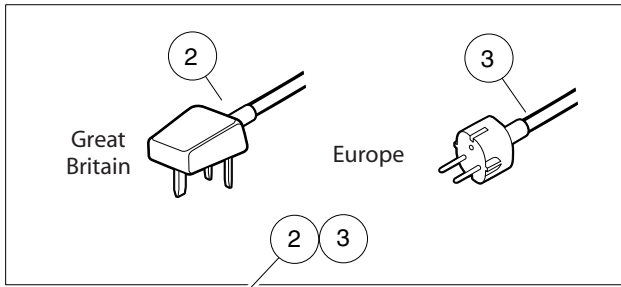
002806-001

# ONBOARD BATTERY CHARGER, HIGH-FREQ. - CA510 – HOMOLOGATED

| ITEM | PART NO.         | DESCRIPTION                                    | QTY |
|------|------------------|--|-----|
|      |                  | 1 2 3 4  |     |
| 1    | <u>102297125</u> | Screw, M6-1.0x25.4, Thread-Forming, SEMS ..... | 4   |
| 2    | <u>105117602</u> | Cord Reel, Retractable, Uk .....               | 1   |
| 3    | <u>105117603</u> | Cord Reel, Retractable, Eu .....               | 1   |
| 4    | <u>105131401</u> | Ob Charger Bracket, Ca510 Lsv .....            | 1   |
| 5    | 105161901        | Asm, Chgr, Batt, Onboard, Quiq .....           | 1   |
| 6    | 304              | Screw, 1/4-20 X 1.0 Hex-Head Cap .....         | 4   |
| 7    | <u>332</u>       | Washer, 1/4 Type A Narrow Flat .....           | 16  |
| 8    | <u>7847</u>      | Screw, 1/4-20 X 0.75 Hex-Head Cap .....        | 4   |
| 9    | <u>8233</u>      | Locknut, 1/4-20, Nylon Insert .....            | 8   |

10

E



002805-002



# ONBOARD BATTERY CHARGER, HIGH-FREQ. - CA710 - HOMOLOGATED

| ITEM | PART NO.         | DESCRIPTION                                    | QTY |
|------|------------------|--|-----|
|      |                  | 1 2 3 4  |     |
| 1    | <u>102297125</u> | Screw, M6-1.0x25.4, Thread-Forming, SEMS ..... | 4   |
| 2    | <u>105117602</u> | Cord Reel, Retractable, Uk .....               | 1   |
| 3    | <u>105117603</u> | Cord Reel, Retractable, Eu .....               | 1   |
| 4    | 105161901        | Asm, Chgr, Batt, Onboard, Quiq .....           | 1   |
| 5    | <u>105249601</u> | Bracket, On-Board Charger, CA7/TRANS .....     | 1   |
| 6    | 304              | Screw, 1/4-20 X 1.0 Hex-Head Cap .....         | 1   |
| 7    | <u>332</u>       | Washer, 1/4 Type A Narrow Flat .....           | 10  |
| 8    | <u>7847</u>      | Screw, 1/4-20 X 0.75 Hex-Head Cap .....        | 4   |
| 9    | <u>8233</u>      | Locknut, 1/4-20, Nylon Insert .....            | 5   |

10

E

**10**

***E***

# MAINTENANCE AND SERVICE TOOLS

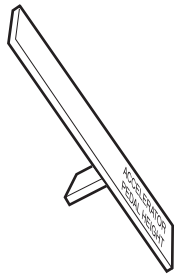
---

11

G

E

**11**  
**G**  
**E**



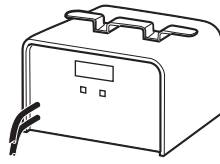
1



2



3



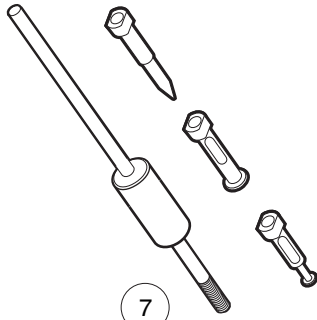
4



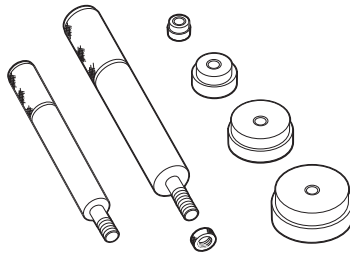
5



6



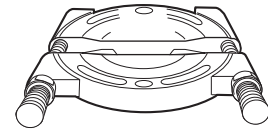
7



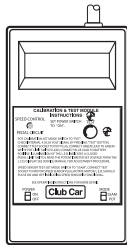
8



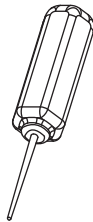
9



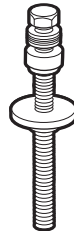
10



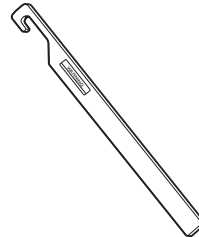
11



12



13



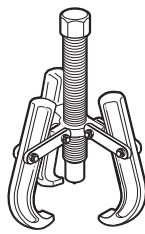
14



15



16



17



18



19

001060-002

# MAINTENANCE AND SERVICE TOOLS

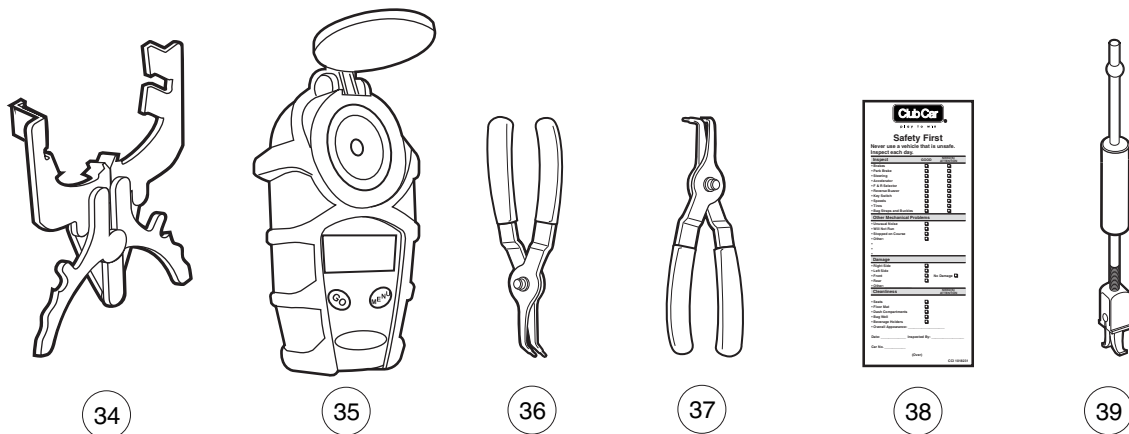
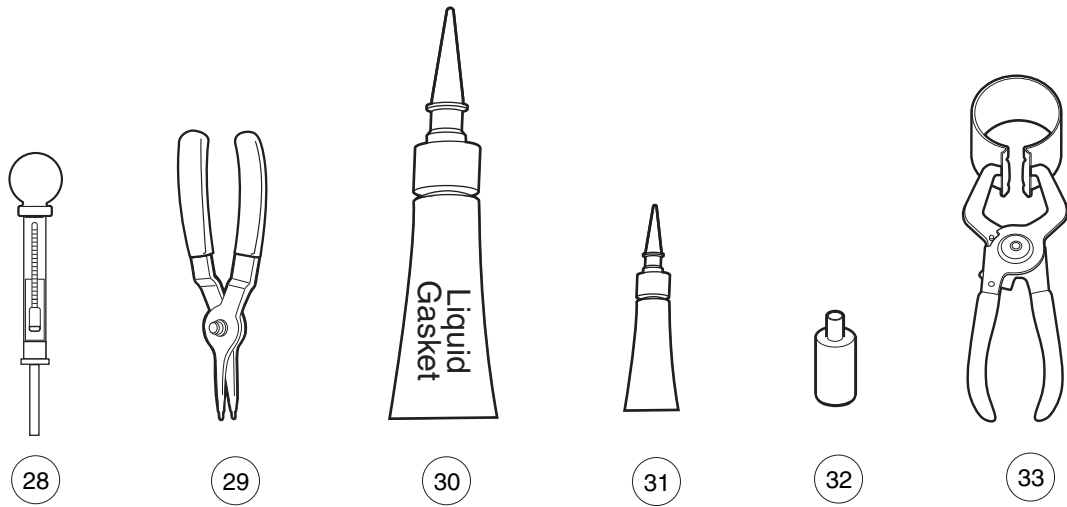
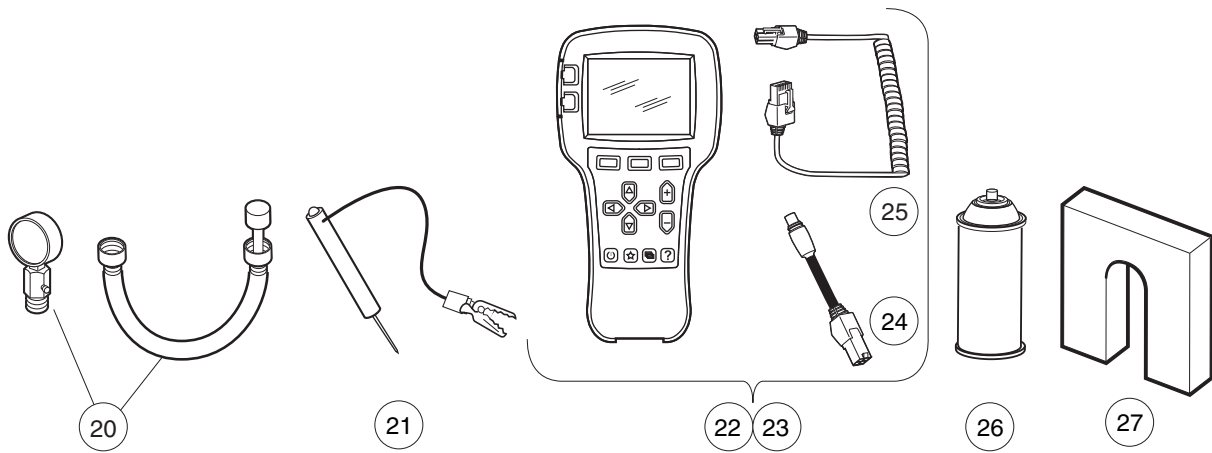
| ITEM | PART NO.         | DESCRIPTION   | QTY<br>GAS | QTY<br>ELEC |
|------|------------------|---|------------|-------------|
|      |                  | <p><b>1 2 3 4</b></p> <p>The following tool list includes all tools available from Club Car for maintenance and service procedures for gasoline and electric golf and utility vehicles. Be sure to carefully examine the tool list for applicability to your vehicle before ordering.</p> |            |             |
| 1    | <u>101871001</u> | Accelerator Pedal Adjustment Tool (Utility Vehicles).....   | 1          | 1           |
| 2    | <u>101813202</u> | Adhesive, Guide Ring, 3-Gram Tube .....   |            | 1           |
| 3    | <u>101641202</u> | Arbor .....   | 1          |             |
| 4    | <u>101831901</u> | Battery Discharge Machine, 36/48 Volt .....   |            | 1           |
| 5    | <u>1014305</u>   | Battery Terminal Protector Spray .....  | 1          | 1           |
| 6    | <u>1011767</u>   | Battery Thermometer .....   | 1          | 1           |
| 7    | <u>1016417</u>   | Bearing and Oil Seal Remover Assembly .....   | 1          | 1           |
| 8    | <u>1016416</u>   | Bearing Driver Set .....  | 1          | 1           |
| 9    | <u>1012811</u>   | Bearing Puller .....  | 1          | 1           |
| 10   | <u>1012812</u>   | Bearing Puller Wedge Attachment .....   | 1          | 1           |
| 11   | <u>101887101</u> | Calibration Test Module .....   |            | 1           |
| 12   | <u>102562401</u> | Charger Bezel Tool .....  |            | 1           |
|      |                  | Clutch Tools (items 14 - 20) .....  | 1          |             |
| 13   | <u>101808401</u> | Clutch Cam Installation Tool (for Subaru and Kawasaki engines) .....  | 1          |             |
| 14   | <u>105072501</u> | Drive Clutch Holder Tool Assembly (for Subaru and Kawasaki engines) .....   | 1          |             |
| 15   | <u>1014497</u>   | Drive Clutch Hub Puller (for Subaru and Kawasaki engines) .....   | 1          |             |
| 16   | <u>1014496</u>   | Drive Clutch Puller (for Subaru and Kawasaki engines) .....   | 1          |             |
| 17   | <u>1014508</u>   | Driven Clutch Cam Puller (for Subaru and Kawasaki engines) .....  | 1          |             |
| 18   | <u>1014507</u>   | Driven Clutch Puller Plug (for Subaru and Kawasaki engines) .....   | 1          |             |
| 19   | <u>101809101</u> | Press Weldment (for Subaru and Kawasaki engines) .....  | 1          |             |
|      |                  | <p>Please refer to the maintenance and service manual for proper tool application.</p>  |            |             |

**11**

**G**

**E**

**11**  
**G**  
**E**



001061-002

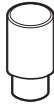
## MAINTENANCE AND SERVICE TOOLS, CONTINUED

| ITEM | PART NO.         | DESCRIPTION   | QTY<br>GAS | QTY<br>ELEC |    |
|------|------------------|---|------------|-------------|----|
|      |                  | 1 2 3 4   |            |             | 11 |
| 20   | 101641002        | Compression Gauge and Adapter .....   | 1          |             | G  |
| 21   | 1011273          | Continuity Tester .....   | 1          | 1           | E  |
| 22   | <u>105234501</u> | Controller Diagnostic Tool (CDT) User Kit (includes items 24 and 25) .....  |            | 1           |    |
| 23   | <u>105234502</u> | Controller Diagnostic Tool (CDT) OEM Kit ( <b>For Programming IQ System, Excel, and IQ Plus controllers</b> ) (includes items 24 and 25)..... |            | 1           |    |
| 24   | <u>102251501</u> | Adaptor, Cable .....  |            | 1           |    |
| 25   | <u>105209601</u> | CDT Cable .....   |            | 1           |    |
| 26   | <u>1012151</u>   | Dry Moly Lubricant .....  | 1          | 1           |    |
| 27   | <u>1016418</u>   | Gear Yoke .....   | 1          | 1           |    |
| 28   | <u>1011478</u>   | Hydrometer .....  | 1          | 1           |    |
| 29   | <u>1013593</u>   | Internal Retaining Ring Pliers .....  | 1          | 1           |    |
| 30   | <u>101928701</u> | Liquid Gasket (transaxle case) .....  | 1          | 1           |    |
| 31   | <u>102243402</u> | Moly-Teflon Lubricant (4-oz. (113-gram) tube) .....   |            | 1           |    |
| 32   | <u>102587201</u> | Paint Pen, Touch-Up, Precedent Underbody ,Ai Black.....   | 1          | 1           |    |
| 33   | <u>1016414</u>   | Piston Ring Compressor Kit .....  | 1          |             |    |
| 34   | <u>1016415</u>   | Piston Ring Pliers .....  | 1          |             |    |
| 35   | <u>AM1285701</u> | Refractometer .....   | 1          | 1           |    |
| 36   | <u>1012549</u>   | Retaining Ring Pliers, 45→× External .....  | 1          | 1           |    |
| 37   | <u>1012560</u>   | Retaining Ring Pliers, 90→× Internal .....  | 1          | 1           |    |
| 38   | <u>101823101</u> | Safety First Card (50 per pack) .....   | 1          | 1           |    |
| 39   | <u>1012809</u>   | Seal Puller .....   | 1          | 1           |    |
|      |                  | Please refer to the maintenance and service manual<br>for proper tool application.  |            |             |    |

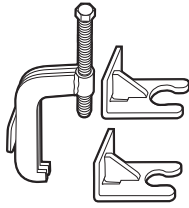
**11**  
**G**  
**E**



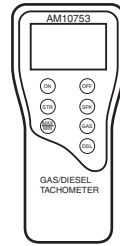
40



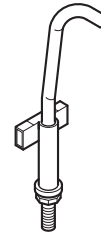
41



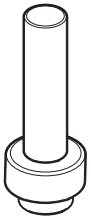
42



43



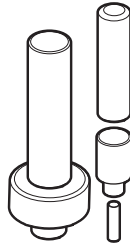
44



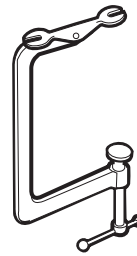
45



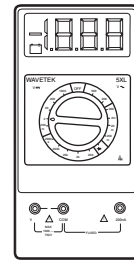
46



47



48



49

001062-001



# MAINTENANCE AND SERVICE TOOLS, CONTINUED

| ITEM | PART NO.         | DESCRIPTION  | QTY<br>GAS | QTY<br>ELEC |
|------|------------------|--|------------|-------------|
|      |                  | 1 2 3 4  |            |             |
| 40   | <u>1014264</u>   | Steering Column Bearing Press Tool .....   | 1          | 1           |
| 41   | <u>1014259</u>   | Steering Column Retaining Ring Tool .....  | 1          | 1           |
| 42   | 102061201        | Steering Wheel Puller Tool .....   | 1          | 1           |
| 43   | <u>AM10753</u>   | Tachometer (includes gasoline engine pick up lead only) .....                      | 1          |             |
| 44   | <u>102570401</u> | Tool, Tensioning, Starter Generator (For Precedent vehicles) .....                 | 1          |             |
| 45   | <u>1014162</u>   | Transaxle Axle Seal Tool (for electric vehicles) .....                             |            | 1           |
| 46   | 1014161          | Transaxle Pinion Seal Tool (for electric vehicles) .....                           |            | 1           |
| 47   | <u>1014115</u>   | Transmission Tool Kit (for electric vehicles).....                                 |            | 1           |
| 48   | <u>101641101</u> | Valve Spring Compressor .....  | 1          |             |
| 49   | 1011480          | Volt Ohm Meter .....   | 1          | 1           |
|      |                  | Please refer to the maintenance and service manual<br>for proper tool application. |            |             |

**11**  
**G**  
**E**



# INDEX

## Part Number and Page

|           |   |           |                        |           |                              |
|-----------|---|-----------|------------------------|-----------|------------------------------|
| AM10753   | 11-7  | 8935      | 1-15                   | 1012811   | 11-3                         |
| AM1300001 | 7-27  | 8963      | 1-15                   | 1012812   | 11-3                         |
| AM1300101 | 7-27  | 1010005   | 6-17                   | 1012830   | 1-17                         |
| AM1300201 | 7-27  | 1010138   | 6-11                   | 1013135   | 6-17                         |
| AM1300301 | 7-27  | 1010145   | 6-19                   | 1013357   | 4-5                          |
| 304       | 10-3, 10-5  | 1010150   | 6-13                   | 1013531   | 5-7, 5-15, 5-19              |
| 320       | 1-13  | 1010177   | 6-13                   | 1013593   | 11-5                         |
| 324       | 1-39, 1-41  | 1010200   | 6-13                   | 1013609   | 4-21, 7-11, 7-13             |
| 332       | 1-17, 1-23, 1-33, 4-9, 10-3, 10-5                                   | 101021902 | 6-11                   | 1013734   | 1-17, 1-29, 1-31, 7-11, 7-13 |
| 334       | 1-13, 1-23, 5-9, 5-13, 5-17, 6-5                                    | 101043502 | 1-29, 1-31             | 1013794   | 9-3                          |
| 357       | 6-13  | 1010521   | 5-15, 5-19             | 1013924   | 5-3, 5-5, 5-21               |
| 451       | 1-17, 8-3   | 1010577   | 5-13, 5-17             | 1014007   | 5-9                          |
| 705       | 5-15, 5-19, 6-5   | 1010829   | 5-15, 5-19             | 1014115   | 11-7                         |
| 706       | 6-13  | 101082903 | 5-13, 5-17             | 1014125   | 6-5                          |
| 1016      | 1-39, 1-41  | 1010878   | 1-33, 5-7              | 1014126   | 6-5                          |
| 1028      | 5-7   | 1010921   | 5-7                    | 1014161   | 11-7                         |
| 1035      | 1-23, 6-3, 6-11   | 1010934   | 5-15, 5-19             | 1014162   | 11-7                         |
| 1218      | 6-15, 8-3   | 1010984   | 2-3                    | 1014201   | 8-3                          |
| 1241      | 1-15, 4-7, 5-7, 5-9, 5-13, 5-15, 5-17, 5-19, 7-15, 7-17, 7-19, 7-21 | 1011137   | 5-3, 5-5, 5-21         | 1014213   | 6-5                          |
| 1242      | 4-21  | 1011273   | 11-5                   | 1014214   | 6-5                          |
| 1308      | 6-11  | 1011393   | 6-17                   | 1014217   | 6-5                          |
| 1624      | 5-9   | 1011402   | 5-7                    | 1014259   | 11-7                         |
| 2402      | 6-11  | 1011415   | 6-19                   | 1014264   | 11-7                         |
| 7048      | 6-13  | 1011439   | 4-7                    | 1014276   | 6-13                         |
| 7049      | 1-43  | 1011478   | 11-5                   | 1014305   | 11-3                         |
| 7173      | 4-7   | 1011480   | 11-7                   | 1014321   | 1-39, 1-41, 1-43             |
| 7174      | 6-13, 8-3   | 1011553   | 3-5                    | 1014496   | 11-3                         |
| 7274      | 6-17  | 1011557   | 4-7                    | 1014497   | 11-3                         |
| 7308      | 6-17  | 1011652   | 1-17                   | 1014507   | 11-3                         |
| 7311      | 1-17  | 1011694   | 5-9                    | 1014508   | 11-3                         |
| 7330      | 9-3   | 1011767   | 11-3                   | 1014555   | 6-19                         |
| 7336      | 9-3   | 1011779   | 5-15, 5-19             | 1014902   | 6-19                         |
| 7473      | 1-15, 1-29, 1-31, 4-7, 5-7, 5-9, 5-13, 5-15, 5-17, 5-19, 6-15       | 1011825   | 4-7                    | 1014948   | 4-21                         |
| 7479      | 1-23  | 1011887   | 6-17                   | 101503202 | 1-13                         |
| 7555      | 6-3, 6-11   | 1011892   | 6-17                   | 1015072   | 7-15, 7-17, 7-19, 7-21       |
| 7602      | 6-3, 6-11   | 1011893   | 6-11                   | 1015277   | 1-33                         |
| 7716      | 5-7   | 1011895   | 6-3, 6-11              | 1015363   | 1-43                         |
| 7820      | 4-7   | 1011930   | 6-3                    | 1015391   | 1-29                         |
| 7840      | 6-17  | 1011931   | 5-9                    | 1015400   | 1-29                         |
| 7847      | 1-17, 10-3, 10-5  | 1011937   | 1-15                   | 1015524   | 11-3                         |
| 7893      | 4-21  | 1011990   | 5-15, 5-19             | 101553901 | 3-3                          |
| 7910      | 6-17  | 1012151   | 11-5                   | 1015583   | 1-23, 1-25, 6-13             |
| 7973      | 7-9   | 1012285   | 5-13, 5-17, 5-19       | 101558302 | 6-19                         |
| 8056      | 4-13  | 1012295   | 4-7                    | 1015597   | 6-13                         |
| 8057      | 4-13  | 1012303   | 6-13                   | 1015656   | 1-51                         |
| 8058      | 4-13  | 1012412   | 1-17                   | 1015661   | 1-29, 1-39, 1-41             |
| 8067      | 6-13  | 1012467   | 6-3                    | 1015700   | 1-23                         |
| 8233      | 1-17, 1-23, 1-33, 5-9, 10-3, 10-5                                   | 1012528   | 1-29, 1-31, 7-11, 7-13 | 1015720   | 7-11, 7-13                   |
| 8639      | 1-67, 4-21  | 1012549   | 11-5                   | 1015741   | 7-5, 7-7                     |
| 8717      | 5-9   | 1012560   | 11-5                   | 1016060   | 1-23, 1-33                   |
| 8754      | 5-9, 5-15, 5-19, 6-5, 6-11, 6-13                                    | 1012565   | 6-9                    | 1016077   | 1-51                         |
| 8755      | 6-13  | 1012566   | 6-9                    | 1016078   | 1-33                         |
| 8861      | 6-11  | 1012571   | 7-15, 7-17, 7-19, 7-21 | 101609401 | 3-3                          |
|           |   | 1012604   | 6-5                    | 1016154   | 6-9                          |
|           |   | 1012605   | 6-5                    | 1016214   | 6-9                          |
|           |   | 1012809   | 11-5                   | 1016346   | 6-11                         |

# INDEX

|           |                     |           |                |           |   |
|-----------|---------------------|-----------|----------------|-----------|---|
| 1016349   | 6-11                | 101900801 | 5-15, 5-19     | 102050501 | 5-3, 5-5, 5-21  |
| 1016350   | 6-11                | 101903601 | 9-3            | 102050601 | 5-3, 5-5, 5-21  |
| 1016351   | 6-11                | 101903701 | 9-3            | 102050701 | 5-3, 5-5, 5-21  |
| 1016353   | 6-11                | 101906901 | 9-3            | 102050801 | 5-3, 5-5, 5-21  |
| 1016356   | 4-5, 7-11, 7-13     | 101908101 | 7-9            | 102050901 | 5-5, 5-21   |
| 1016384   | 6-13                | 101908401 | 7-9            | 102050902 | 5-3, 5-21   |
| 1016386   | 6-13                | 101918501 | 5-9            | 102052801 | 5-15, 5-19  |
| 1016387   | 6-13                | 101919801 | 5-9            | 102056201 | 1-17  |
| 1016389   | 6-13                | 101922101 | 9-3            | 102059001 | 1-17  |
| 101641002 | 11-5                | 101922201 | 9-3            | 102059401 | 1-17  |
| 101641101 | 11-7                | 101923001 | 9-3            | 102059501 | 1-17  |
| 101641202 | 11-3                | 101923201 | 9-3            | 102060201 | 1-17  |
| 1016414   | 11-5                | 101923501 | 9-3            | 102061101 | 1-17  |
| 1016415   | 11-5                | 101923901 | 9-3            | 102061201 | 11-7  |
| 1016416   | 11-3                | 101928701 | 9-3, 11-5      | 102065901 | 1-23, 1-25, 1-27                                      |
| 1016417   | 11-3                | 101932201 | 4-7            | 102158901 | 5-9   |
| 1016418   | 11-5                | 101953101 | 5-7            | 102196901 | 7-5, 7-7  |
| 1016423   | 4-5, 4-15, 7-5, 7-7 | 101953105 | 5-7            | 102198001 | 4-5   |
| 1016849   | 4-7, 4-9            | 101955101 | 4-7            | 102199001 | 4-7   |
| 1016851   | 4-9, 4-13           | 101957101 | 4-7            | 102235201 | 8-3   |
| 1016967   | 7-11, 7-13          | 101958601 | 1-33           | 102238001 | 4-5, 7-11, 7-13                                       |
| 1017226   | 6-13                | 101958602 | 1-23           | 102240501 | 7-11, 7-13  |
| 1017266   | 6-11                | 101963401 | 1-51           | 102243402 | 11-5  |
| 1017273   | 6-7, 6-9            | 101972101 | 9-3            | 102243403 | 8-3   |
| 1017378   | 5-9                 | 101972201 | 9-3            | 102251501 | 11-5  |
| 1017380   | 5-9                 | 101974701 | 4-11           | 102292701 | 1-9   |
| 1017424   | 5-9                 | 101974702 | 4-11           | 102292801 | 5-13, 5-15, 5-17, 5-19                                |
| 101791101 | 5-21                | 101974703 | 4-11           | 102296301 | 1-9   |
| 101796201 | 5-9                 | 101974704 | 4-11           | 102296530 | 1-9   |
| 101806005 | 5-7                 | 101974705 | 4-11           | 102296920 | 4-19  |
| 101808401 | 11-3                | 101974706 | 4-11           | 102297125 | 1-9, 1-11, 1-13, 1-19, 1-21, 4-7, 4-21,<br>10-3, 10-5 |
| 101809101 | 11-3                | 101974707 | 4-11           | 102297230 | 7-3   |
| 101813202 | 11-3                | 101974708 | 4-11           | 102298185 | 1-23, 1-25  |
| 101817401 | 5-9                 | 101974709 | 4-11           | 102298401 | 1-23, 1-25, 1-35, 1-37, 1-39, 1-41,<br>1-51, 6-19     |
| 101823101 | 11-5                | 101974710 | 4-11           | 102299550 | 1-35, 1-37, 1-39, 1-41, 1-51                          |
| 101830701 | 4-11                | 101974711 | 4-11           | 102301401 | 1-23  |
| 101831401 | 7-17, 7-21          | 101974712 | 4-11           | 102311501 | 1-3   |
| 101831901 | 11-3                | 102023701 | 1-17           | 102323101 | 5-7, 5-13, 5-17                                       |
| 101832001 | 5-15, 5-19          | 102025701 | 5-11           | 102323201 | 5-7, 5-13, 5-17                                       |
| 101834502 | 4-11                | 102026001 | 5-9            | 102356601 | 9-3   |
| 101835601 | 1-23, 1-33, 4-15    | 102026401 | 1-17           | 102356801 | 9-3   |
| 101850301 | 4-3, 6-7, 6-9       | 102028601 | 5-7            | 102444602 | 5-15, 5-19  |
| 101851101 | 4-11                | 102028903 | 5-7            | 102459301 | 3-5   |
| 101856001 | 4-9                 | 102033401 | 5-3, 5-21      | 102492301 | 4-15, 7-5, 7-7  |
| 101856101 | 1-3                 | 102033501 | 5-5, 5-21      | 102506401 | 1-23, 1-25, 6-19                                      |
| 101861901 | 5-9                 | 102033701 | 5-15, 5-19     | 102517501 | 4-7   |
| 101862001 | 5-9                 | 102047001 | 1-17           | 102518301 | 3-5   |
| 101871001 | 11-3                | 102049401 | 5-3, 5-5, 5-21 | 102519001 | 5-13, 5-17  |
| 101887101 | 11-3                | 102049501 | 5-3, 5-5, 5-21 | 102538601 | 7-5, 7-7  |
| 101887601 | 1-17                | 102049601 | 5-3, 5-5, 5-21 | 102541501 | 1-9   |
| 101895401 | 9-3                 | 102049701 | 5-3, 5-5, 5-21 | 102546401 | 4-7   |
| 101895501 | 9-3                 | 102049901 | 5-3, 5-5, 5-21 | 102562401 | 11-3  |
| 101897001 | 9-3                 | 102050001 | 5-3, 5-5, 5-21 | 102564002 | 6-13  |
| 101897201 | 9-3                 | 102050101 | 5-3, 5-5, 5-21 | 102570401 | 11-7  |
| 101897401 | 9-3                 | 102050201 | 5-3, 5-5, 5-21 |           |   |
| 101897601 | 9-3                 | 102050401 | 5-3, 5-5, 5-21 |           |   |

# INDEX

|           |                        |           |                        |           |            |
|-----------|------------------------|-----------|------------------------|-----------|------------|
| 102572401 | 7-5, 7-7               | 103517901 | 7-11, 7-13             | 104003501 | 1-71       |
| 102587201 | 11-5                   | 103524601 | 6-19                   | 104005901 | 7-27       |
| 102590801 | 1-39, 1-41, 1-43       | 103524701 | 6-19                   | 104006101 | 7-27       |
| 102621501 | 1-45, 4-19             | 103525801 | 5-15, 5-19             | 104026901 | 3-3        |
| 102684501 | 6-13                   | 103528901 | 7-15, 7-17, 7-19, 7-21 | 105006501 | 1-17       |
| 102742501 | 7-11, 7-13             | 103529001 | 7-19, 7-21             | 105007001 | 1-15       |
| 102766301 | 6-13                   | 103529003 | 7-13                   | 105034001 | 1-13       |
| 102772403 | 7-11, 7-13             | 103529004 | 7-11                   | 105034103 | 4-9        |
| 102774701 | 7-11, 7-13             | 103529101 | 7-15, 7-17             | 105034201 | 1-13       |
| 102817101 | 4-21, 7-11, 7-13       | 103538701 | 1-23, 1-25             | 105034321 | 1-5        |
| 102845101 | 3-5                    | 103539001 | 1-23                   | 105034322 | 1-5        |
| 102845203 | 7-15, 7-19             | 103539002 | 1-25, 1-27             | 105034323 | 1-5        |
| 102845204 | 7-17, 7-21             | 103540203 | 1-13                   | 105034324 | 1-5        |
| 102847603 | 1-51                   | 103541401 | 4-21                   | 105034325 | 1-5        |
| 102873401 | 7-15, 7-17, 7-19, 7-21 | 103574501 | 9-3                    | 105034326 | 1-5        |
| 102883601 | 1-9, 3-7, 3-9          | 103575801 | 1-23, 1-25, 1-27       | 105034327 | 1-5        |
| 102886301 | 9-3                    | 103625801 | 5-15, 5-19             | 105034328 | 1-5        |
| 102886401 | 9-3                    | 103625901 | 5-15, 5-19             | 105034329 | 1-5        |
| 102886501 | 9-3                    | 103626001 | 5-15, 5-19             | 105034401 | 1-9        |
| 102886601 | 9-3                    | 103627001 | 5-15                   | 105034501 | 1-9        |
| 102894503 | 4-3, 4-7               | 103627101 | 5-19                   | 105034601 | 1-9        |
| 102902801 | 9-3                    | 103628901 | 6-13                   | 105034701 | 1-9        |
| 102915701 | 7-9                    | 103635801 | 5-13, 5-17             | 105034801 | 1-9        |
| 102976701 | 5-13, 5-17             | 103647101 | 8-3                    | 105034901 | 1-11       |
| 103180101 | 1-69, 4-9              | 103665002 | 5-13, 5-17             | 105035001 | 1-11       |
| 103182701 | 1-13                   | 103724504 | 6-7, 6-9               | 105035101 | 1-21       |
| 103182702 | 1-13                   | 103724601 | 6-9                    | 105035201 | 1-21       |
| 103218601 | 7-5, 7-7               | 103724602 | 6-7                    | 105035301 | 1-21       |
| 103229601 | 5-3, 5-5, 5-21         | 103724901 | 6-9                    | 105035701 | 1-13       |
| 103232101 | 6-5                    | 103793101 | 7-19                   | 105035801 | 1-19       |
| 103233101 | 6-3                    | 103804901 | 4-15                   | 105036601 | 1-29, 1-31 |
| 103234304 | 3-7, 3-9               | 103807801 | 5-15, 5-19             | 105036701 | 1-9        |
| 103245001 | 4-3, 4-7               | 103807901 | 5-19                   | 105046101 | 3-3        |
| 103264802 | 6-11                   | 103810801 | 4-19                   | 105049201 | 1-13       |
| 103267001 | 1-17                   | 103810901 | 4-19                   | 105049301 | 1-13       |
| 103376101 | 5-13, 5-17             | 103823002 | 7-11, 7-13             | 105066401 | 1-21       |
| 103397901 | 7-11, 7-13             | 103824101 | 6-13                   | 105068001 | 4-11       |
| 103449501 | 4-15                   | 103824201 | 6-13                   | 105068002 | 4-11       |
| 103477901 | 6-17                   | 103827201 | 3-3, 4-9               | 105068003 | 4-11       |
| 103481301 | 7-15, 7-17             | 103829401 | 6-7                    | 105068004 | 4-11       |
| 103481401 | 7-15, 7-17             | 103832501 | 4-17                   | 105068005 | 4-11       |
| 103481501 | 7-15, 7-17             | 103832601 | 4-17                   | 105068006 | 4-11       |
| 103484301 | 4-7                    | 103865001 | 5-13, 5-17             | 105068007 | 4-11       |
| 103484801 | 9-3                    | 103865101 | 5-9                    | 105068008 | 4-11       |
| 103493101 | 7-19, 7-21             | 103902101 | 7-3                    | 105068009 | 4-11       |
| 103493201 | 7-19, 7-21             | 103902301 | 7-3                    | 105068010 | 4-11       |
| 103497702 | 7-23                   | 103902401 | 7-3                    | 105068011 | 4-11       |
| 103501401 | 3-3                    | 103942601 | 7-23                   | 105068012 | 4-11       |
| 103502801 | 6-13                   | 103943401 | 7-3                    | 105068902 | 6-19       |
| 103507001 | 6-13                   | 103969701 | 7-17, 7-21             | 105073501 | 4-3        |
| 103510201 | 7-11, 7-13             | 103971501 | 5-13                   | 105073502 | 4-3        |
| 103510501 | 7-23, 7-25             | 103971601 | 5-17                   | 105073601 | 4-9        |
| 103510901 | 7-25                   | 103998701 | 8-3                    | 105078812 | 2-3        |
| 103511001 | 7-13                   | 103998801 | 8-3                    | 105079204 | 2-3        |
| 103515301 | 3-5                    | 104000901 | 1-71                   | 105079601 | 2-3        |
| 103517801 | 3-7, 3-9               | 104001201 | 1-53, 1-57             | 105082001 | 4-11       |

# INDEX

|           |                 |           |            |           |            |
|-----------|-----------------|-----------|------------|-----------|------------|
| 105082002 | 4-11            | 105117703 | 1-7        | 105161401 | 1-47       |
| 105082003 | 4-11            | 105117704 | 1-7        | 105161901 | 10-3, 10-5 |
| 105082004 | 4-11            | 105117705 | 1-7        | 105163601 | 3-3        |
| 105082005 | 4-11            | 105117706 | 1-7        | 105163701 | 3-3, 3-5   |
| 105082006 | 4-11            | 105117707 | 1-7        | 105165801 | 4-7        |
| 105082007 | 4-11            | 105117708 | 1-7        | 105166801 | 7-27       |
| 105082008 | 4-11            | 105117709 | 1-7        | 105166901 | 7-27       |
| 105082009 | 4-11            | 105117710 | 1-7        | 105167001 | 7-27       |
| 105082010 | 4-11            | 105122105 | 1-39       | 105167101 | 7-27       |
| 105082011 | 4-11            | 105122106 | 1-41       | 105167201 | 7-5, 7-7   |
| 105082012 | 4-11            | 105122205 | 1-35       | 105168101 | 7-11, 7-13 |
| 105083301 | 6-13            | 105122206 | 1-37       | 105168501 | 7-27       |
| 105095701 | 1-17            | 105122808 | 4-7        | 105168601 | 7-27       |
| 105097001 | 1-55            | 105124701 | 3-5        | 105169101 | 1-29       |
| 105097301 | 1-53            | 105124901 | 1-3        | 105173901 | 7-5, 7-7   |
| 105097501 | 1-61            | 105127302 | 1-45       | 105178301 | 1-61       |
| 105097901 | 1-69            | 105127401 | 1-39, 1-41 | 105178401 | 1-61       |
| 105098003 | 1-71            | 105127402 | 1-39, 1-41 | 105179001 | 1-69       |
| 105098101 | 1-73            | 105128001 | 1-45       | 105179101 | 1-69       |
| 105098201 | 1-75            | 105128101 | 1-43       | 105179201 | 1-69       |
| 105098301 | 1-75            | 105128201 | 1-43       | 105179301 | 1-69       |
| 105098601 | 1-77            | 105129501 | 1-51       | 105179401 | 1-69       |
| 105098602 | 1-77            | 105129601 | 1-51       | 105179501 | 1-69       |
| 105098701 | 1-77            | 105129901 | 1-45       | 105179601 | 1-69       |
| 105106101 | 2-5             | 105130001 | 3-5        | 105179701 | 1-69       |
| 105106201 | 2-5             | 105130101 | 3-3        | 105179801 | 1-69       |
| 105106301 | 2-5             | 105130301 | 1-43       | 105179901 | 1-69       |
| 105106501 | 2-5             | 105130302 | 1-43       | 105180002 | 1-71       |
| 105106702 | 6-11            | 105130501 | 1-43       | 105180201 | 1-71       |
| 105106801 | 6-19            | 105130601 | 1-43       | 105180301 | 1-73       |
| 105107801 | 7-5             | 105131401 | 10-3       | 105180401 | 1-73       |
| 105108101 | 7-7             | 105135201 | 4-7        | 105180501 | 1-73       |
| 105108201 | 4-7             | 105135802 | 4-21       | 105180601 | 1-73, 1-75 |
| 105108301 | 4-7             | 105137104 | 3-3        | 105180701 | 1-73       |
| 105108401 | 4-7             | 105137105 | 3-3        | 105180801 | 1-73       |
| 105108801 | 4-21            | 105144801 | 4-17       | 105180901 | 1-75       |
| 105109501 | 1-51            | 105146701 | 4-9        | 105181001 | 1-75       |
| 105110801 | 1-23            | 105146901 | 4-15       | 105181101 | 1-75       |
| 105112401 | 4-9, 7-11, 7-13 | 105147001 | 4-15       | 105181301 | 1-75       |
| 105112501 | 4-21            | 105148502 | 1-51       | 105181401 | 1-75       |
| 105112601 | 4-21            | 105148601 | 1-51       | 105181501 | 1-75       |
| 105113101 | 4-9             | 105148801 | 1-51       | 105181701 | 1-53, 1-57 |
| 105113301 | 1-51            | 105148802 | 1-51       | 105181801 | 1-53, 1-57 |
| 105113302 | 1-51            | 105149101 | 5-11       | 105181901 | 1-53, 1-57 |
| 105114805 | 4-5             | 105149201 | 5-11       | 105182001 | 1-53, 1-57 |
| 105114806 | 4-5, 4-7        | 105152601 | 3-7        | 105182002 | 1-53, 1-57 |
| 105114807 | 1-67, 4-5       | 105153001 | 3-9        | 105182101 | 1-53, 1-57 |
| 105115002 | 3-7             | 105153201 | 3-7, 3-9   | 105182102 | 1-53, 1-57 |
| 105115003 | 3-9             | 105153202 | 3-7, 3-9   | 105182201 | 1-53, 1-57 |
| 105115005 | 3-7             | 105160401 | 1-47       | 105182202 | 1-53, 1-57 |
| 105115006 | 3-9             | 105160501 | 1-49       | 105182301 | 1-53, 1-57 |
| 105116301 | 7-3             | 105160801 | 1-47       | 105182302 | 1-53, 1-57 |
| 105117602 | 10-3, 10-5      | 105160901 | 1-47       | 105182401 | 1-53, 1-57 |
| 105117603 | 10-3, 10-5      | 105161101 | 1-47       | 105182501 | 1-53, 1-57 |
| 105117701 | 1-7             | 105161201 | 1-49       | 105182601 | 1-53, 1-57 |
| 105117702 | 1-7             | 105161301 | 1-49       | 105182701 | 1-53, 1-57 |

# INDEX

- 105182801 1-59  
105182901 1-53  
105183001 1-53  
105183501 1-69  
105183601 1-75  
105183701 1-71  
105185701 1-35, 1-37, 1-51  
105185801 1-35, 1-37, 1-51  
105186201 6-19  
105186202 6-19  
105188185 6-19  
105190601 4-7  
105190701 4-7  
105192301 1-39, 1-41  
105192901 1-39, 1-41  
105193001 1-39, 1-41  
105193101 1-45  
105194101 1-29  
105194402 1-39  
105194601 1-39, 1-41  
105194801 1-35, 1-37, 1-51  
105194802 1-35, 1-37  
105194901 1-35  
105194902 1-35  
105195001 1-37  
105195002 1-37  
105195501 7-11, 7-13  
105196101 1-39, 1-41  
105196201 1-39, 1-41  
105197101 1-29  
105197201 1-31  
105200702 1-39  
105200703 1-41  
105200802 1-39  
105200803 1-41  
105200901 1-39, 1-41  
105201001 1-39, 1-41  
105205201 1-39, 1-41  
105205501 1-67  
105205701 1-71  
105209601 11-5  
105210201 7-15  
105234002 1-67  
105234501 11-5  
105234502 11-5  
105243002 6-15  
105245901 1-57  
105247101 4-9  
105247301 7-11  
105249601 10-5  
105250401 4-19  
105255301 7-11  
105255401 7-13  
105257901 4-9  
105265301 1-57  
105265401 1-57
- 105295301 1-69  
105298002 1-27  
105329301 6-13  
47552857001 1-55  
47552861001 1-63  
47552862001 1-79  
47552867001 1-65  
47552872001 1-65  
47552874001 1-65  
47553011001 1-55  
47553013001 1-55, 1-63, 1-79  
47553014001 1-55, 1-63, 1-79  
47553015001 1-55  
47553022001 1-63  
47553024001 1-79  
47553025001 1-63  
47553025002 1-63  
47553026001 1-63, 1-79  
47553027001 1-63  
47553028001 1-63  
47553029001 1-63  
47553030001 1-63  
47553031001 1-63  
47553939001 1-63  
47553940001 1-63  
47553942001 1-63  
47553943001 1-63  
47553948001 1-63  
47553950001 1-79  
47554192001 1-55  
47554722001 1-65  
47554723001 1-65  
47554724001 1-65  
47554727001 1-65  
47554728001 1-65  
47554730001 1-65  
47555147001 1-65  
47555148001 1-65  
47555151001 1-65  
47555152001 1-65  
47555160001 1-65  
47555263002 1-65  
47555264001 1-65  
47555264002 1-65  
47555265001 1-65  
47555267001 1-65  
47555268001 1-65  
47563313001 1-39, 1-41  
47563313002 1-39, 1-41  
47570761001 1-55  
47570762001 1-55  
96705199 1-39, 1-41
- A**  
accelerator bracket and bearing assembly 5-9  
accelerator pedal adjustment tool 11-3
- accelerator pivot rod 5-9  
accelerator return spring 5-9  
accessory receptacle 4-5  
adapter  
    cable (IQDM) 11-5  
adhesive, guide ring 11-3  
AM1285701 11-5  
A-plate strap 6-11  
A-plate, delta 6-11  
arbor 11-3  
assembly  
    accelerator bracket and bearing 5-9  
    accelerator pivot rod 5-9  
    backing plate 5-3, 5-5, 5-21  
    bearing, steering shaft 6-5  
    brake cluster 5-3, 5-5, 5-21  
    delta A-plate 6-11  
    kingpin 6-13  
    park brake 5-3, 5-5, 5-21  
    ratchet 5-9  
axle 9-3  
axle shaft oil seal 9-3  
axle tube 9-3
- B**  
backing plate 5-3, 5-5, 5-21  
ball joint 6-3, 6-11  
base, seat holder 1-17  
battery cap, 6-volt 7-17, 7-21  
battery discharge machine 11-3  
battery HD, 6-volt, Trojan T145 7-17, 7-21  
battery hold-down rod 7-15, 7-17, 7-19, 7-21  
battery terminal protector spray 11-3  
battery thermometer 11-3  
battery, 6-volt, JCI GC2 7-19  
battery, 6-volt, JCI GC2 Entek 7-15  
bead, ferrite 4-15  
bearing 9-3  
    front wheel hub 6-17  
    hub 6-17  
    inner axle tube 9-3  
    pivot support 5-9  
    steering shaft 6-5  
    thrust 6-13  
bearing and oil seal remover 11-3  
bearing driver set 11-3  
bearing puller 11-3  
bearing puller wedge 11-3  
bearing seat 6-5  
bed clamp kit 1-47  
bed floor 1-29  
bed floor kit 1-29, 1-31  
bed floor weldment 1-31  
bed latch weldment 1-29  
block, brake-mounting 5-7  
block, fuse 7-5, 7-7

# INDEX

- block, terminal 4-5, 7-11, 7-13
- body kick plate 1-17
- bolt, U- 6-19
- boot
  - park brake 5-15, 5-19
- boot, switch 7-9
- bracket
  - brake light switch 4-7
  - horn 4-7
  - stake side 1-51
- bracket, hinge, bed 1-23, 1-25
- Bracket, License Plate 4-19
- Bracket, Steering Stop 6-15
- bracket, tailgate Lh 1-43
- bracket, tailgate Rh 1-43
- brake cable hanger 5-15, 5-19
- brake cluster 5-3, 5-5, 5-21
- brake drum 5-3, 5-5, 5-21
- brake light switch bracket 4-7
- brake mounting block 5-7
- brake pedal 5-7
- brake return spring 5-7, 5-15, 5-19
- brake, park 5-3, 5-5, 5-21
- breather 9-3
- bucket holder kit 1-49
- bucket seat 1-17
- bumper
  - drive unit (motor) 8-3
  - rubber 1-33, 5-7
  - spring return 5-9
- bumper, bed/floor 1-29, 1-31
- bushing
  - bronze 6-13
  - nylon 1-43
  - snap-in 1-43
  - spindle 6-13
  - steel 6-13
  - urethane 1-23, 1-25, 6-11, 6-13, 6-19
- buzzer, reverse 4-9, 4-13
- C**
  - cab door 1-53, 1-57
  - cab liner 1-55
  - cab mirror 1-77
  - cab overhead console 1-69
  - calibration test module 11-3
  - cap
    - battery, 6-volt 7-17, 7-21
    - dust 7-5, 7-7
    - key switch 4-11
  - cap, quick connector 7-11, 7-13
  - card, safety first 11-5
  - cargo box kit 1-39
  - cargo box kit, long 1-41
  - cargo box, corner, ds 1-39, 1-41
  - cargo box, front panel 1-39, 1-41
  - cargo box, side panel, ds, medium 1-39
  - cargo box, corner, ps 1-39, 1-41
  - cargo box, side panel, ps, medium 1-39
  - case
    - gear 9-3
  - CE mark ferrite bead, TDK 4-15
  - charger bezel tool 11-3
  - clevis pin 5-13, 5-17
  - clevis, upper delta 6-13
  - clip
    - body trim 1-9
    - wheel cover 2-5
  - clip, score card 6-9
  - clutch cam installation tool 11-3
  - clutch tool kit 11-3
  - compression gauge 11-5
  - compressor, piston ring 11-5
  - compressor, valve spring 11-7
  - console cover 1-17
  - continuity tester 11-5
  - controller diagnostic tool (CDT) 11-5
  - controller diagnostic tool (CDT) cable 11-5
  - cover
    - console 1-17
    - dust 5-3, 5-5, 5-21, 6-17
    - rocker switch hole 1-69, 4-9
  - cowl 1-5
  - cup holder, seat 1-17
  - cup, spring 5-9
  - cushion, shock absorber 6-19
  - cylinder, master 5-13, 5-17
  - cylinder, wheel 5-3, 5-5, 5-21
- D**
  - dash 1-13
  - dash display, Koso 4-9
  - dc converter, 25A 4-15
  - decal
    - bed load warning 3-3
    - crush area warning 3-3, 3-5
    - electrical cover safety 3-5
    - filter log 7-27
    - inspect log 7-27
    - nameplate 1-9, 3-7, 3-9
    - Tow/Run switch 3-5
    - trailer hitch 3-5
    - wheel cover 2-5
  - deionizer 7-27
    - cartridge 7-27
  - delta A-plate 6-11
  - delta A-plate sub-assembly 6-11
  - diagnostic port 7-5, 7-7
  - differential gear 9-3
  - differential housing 9-3
  - diode 4-21
  - door, charger port 1-9
  - door, glove box 1-13
  - drive clutch holder tool 11-3
  - drive clutch hub puller 11-3
  - drive clutch puller 11-3
  - drive unit bumper 8-3
  - driven clutch cam puller 11-3
  - driven clutch puller plug 11-3
  - drum, brake 5-3, 5-5, 5-21
  - dry moly lubricant 11-5
  - dust cap 7-5, 7-7
  - dust cover 5-3, 5-5, 5-21, 6-17
- E**
  - eccentric bolt 6-13
  - E-clip 5-15, 5-19
  - equalizer rod 5-7
  - extension, spring latch 1-29
- F**
  - fender, front, lh 1-9
  - fender, front, rh 1-9
  - fender, inner 1-19
  - fender, rear 1-21
  - ferrite bead (CE), TDK 4-15
  - fitting, thread-forming grease 6-13
  - flasher, turn signal, 12-volt 4-7, 7-11, 7-13
  - flat bed trim kit 1-37
  - flat trim kit 1-35
  - floor mat 1-13
  - frame
    - corner cap 1-17
  - frame weldment, front 1-15
  - frame, bed 1-29
  - front spring retainer plate 6-13
  - fuse
    - 10-amp 4-7
    - 15-amp 7-5, 7-7
    - 1-amp 7-5, 7-7
    - 20-amp 4-5, 4-15, 7-5, 7-7
    - 2-amp 7-5, 7-7
    - 30-amp 4-15, 7-5, 7-7
  - fuse block 7-5, 7-7
  - fuse, mini, 7.5A 4-5
  - fuse, mini, 10A 4-5, 4-7
  - fuse, mini, 15A 1-67, 4-5
- G**
  - gasket
    - liquid 9-3, 11-5
    - plug 9-3
  - gauge, compression 11-5
  - gear
    - differential 9-3
    - differential idler 9-3
    - differential output 9-3



# INDEX

gear yoke 11-5  
gearcase 9-3  
grill 1-9  
grip, pencil 6-9  
grip, tilt latch hand 1-29  
grommet 5-7  
guide ring adhesive 11-3

## H

hanger, brake cable 5-15, 5-19  
hardware  
    axle 5-3, 5-5, 5-21  
harness, brake pedal switch 4-7  
harness, taillight 4-7  
headlight bezel, lh 1-11  
headlight bezel, rh 1-11  
heater, defogger 4-21  
heater, defogger kit 4-21  
hinge pin 1-51  
hinge plate 1-17  
hold-down rod, battery 7-15, 7-17, 7-19, 7-21  
hold-down, brake shoe 5-3, 5-5, 5-21  
holder, license plate 1-3  
horn bracket 4-7  
housing  
    differential 9-3  
hub 6-17  
hub bearing 6-17  
hydraulic shoe 5-3, 5-5, 5-21  
hydrometer 11-5

## I

idler gear, differential 9-3  
input shaft 9-3  
instrument panel, koso 4-9  
intermediate shaft 9-3  
internal retaining ring pliers 11-5

## K

key switch cap 4-11  
key switch, uncommon 4-11  
kick plate, body 1-17  
kingpin 6-13  
kit  
    accelerator pivot rod 5-9  
    axle adjuster 5-3, 5-5, 5-21  
    axle hardware 5-3, 5-5, 5-21  
    controller diagnostic tool (CDT) 11-5  
    glass doors 1-53, 1-57  
    hand pump, SPWS 7-27  
    hydraulic shoe 5-3, 5-5, 5-21  
    shock absorber cushion 6-19

## L

lamp, stop, turn, tail 4-7

latch 1-13  
latch plate 1-23  
latch plate, tilt bed 1-33  
leaf blower holder kit 1-47  
license frame kit 1-3  
license plate 1-3  
license plate holder 1-3  
light  
    water quality 7-27  
limit switch 4-7  
link, rack and pinion drag 6-3  
liquid gasket 9-3, 11-5  
lubricant, dry moly 11-5  
lubricant, moly-teflon 8-3, 11-5  
lug nut 2-3  
lug stud 9-3

## M

master cylinder 5-13, 5-17  
mat, floor 1-13  
MCOR 7-3  
meter, volt ohm 11-7  
mirror 1-77  
module  
    calibration test 11-3  
moly-teflon lubricant 11-5  
motor bumper 8-3  
mounting block, brake 5-7

## N

nameplate decal 1-9, 3-7, 3-9  
nut, lug 2-3

## P

pad  
    brake pedal 5-7  
paint, underbody (black) 11-5  
paint, touch-up 1-7  
pan, seat 1-17  
park brake 5-3, 5-5, 5-21  
pedal, brake 5-7  
pencil grip 6-9  
pin  
    bow tie locking 5-13, 5-15, 5-17, 5-19  
    clevis 5-15, 5-19  
pin, clevis 5-13, 5-17  
pin, hinge 1-51  
piston ring compressor 11-5  
piston ring pliers 11-5  
pivot support bearing 5-9  
plate  
    backing 5-3, 5-5, 5-21  
    front spring retainer 6-13  
    hinge 1-17  
    latch 1-33

license 1-3  
plate, Tow/Run switch 7-9  
pliers  
    internal retaining ring 11-5  
    piston ring 11-5  
    retaining ring 11-5  
plug  
    driven clutch puller 11-3  
port, diagnostic 7-5, 7-7  
press weldment 11-3  
prop rod 1-23  
prop rod track 1-23  
protector spray, battery terminal 11-3  
puller  
    bearing 11-3  
    drive clutch 11-3  
    drive clutch hub 11-3  
    driven clutch cam 11-3  
    seal 11-5

## R

race, front hub bearing 6-17  
rack and pinion drag link 6-3  
ratchet, park brake 5-9  
rear window, cab 1-79  
receptacle, accessory 4-5  
reflector, yellow 4-17  
reflector, red 4-17  
reflector, red, rectangle 4-17  
refractometer 11-5  
relay 7-11, 7-13  
relay 48v 4-9, 7-11, 7-13  
relay, 12-volt 4-7  
remover, bearing and oil seal 11-3  
retainer  
    accelerator pedal spring 5-9  
    shock absorber cushion 6-19  
retaining ring 6-5  
retaining ring pliers 11-5  
return spring bumper 5-9  
reverse buzzer 4-9, 4-13  
ring  
    retaining 6-5  
rivet, blind push 7-11, 7-13  
rocker switch 4-9  
rod  
    accelerator pivot 5-9  
    battery hold-down 7-15, 7-17, 7-19, 7-21  
    equalizer 5-7  
    prop 1-23  
rod, tie 6-11  
Roof, LSV 1-55

## S

safety first card 11-5

# INDEX

- score card clip 6-9
  - score card plate 6-9
  - seal
    - lip 9-3
    - oil 9-3
    - vertical socket dust 6-3
  - seal puller 11-5
  - sealant 9-3
  - seat
    - bucket 1-17
  - seat holder base 1-17
  - seat pan 1-17
  - seat support 1-17
  - seat, bearing 6-5
  - shaft
    - input 9-3
    - intermediate 9-3
  - shaft, steering 6-5
  - shim, latch plate 1-33
  - shock absorber 6-19
  - shock absorber cushion 6-19
  - shock absorber cushion retainer 6-19
  - side panel,ds,long 1-41
  - side panel,ps,long 1-41
  - sleeve 1-23, 1-25, 6-19
    - delta A-plate 6-11
  - socket 6-3, 6-11
  - solenoid 7-11, 7-13
  - solenoid, 12-volt 4-21, 7-11, 7-13
  - spacer
    - accelerator pivot rod 5-9
  - spindle 6-13
  - spindle asm 6-13
  - spray, battery terminal protector 11-3
  - spring
    - accelerator return 5-9
    - brake return 5-7, 5-15, 5-19
    - compression 6-9
    - extension 1-29
    - shoe to shoe 5-3, 5-5, 5-21
    - steering shaft compression 6-5
  - spring cup 5-9
  - spring mounting plate 6-13
  - spring,tailgate 1-43
  - SPWS manifold 7-23, 7-25
  - stake side 1-51
  - stake side bracket 1-51
  - stake side kit 1-51
  - stake side panel,front 1-51
  - stake side panel,lh 1-51
  - stake side panel,rh 1-51
  - stake side trim kit 1-51
  - stake side trim, center 1-51
  - stake side trim, rh 1-51
  - stake side trim,lh 1-51
  - static grip kit 1-47
  - steel bushing 6-13
  - steering column 6-5
  - steering column bearing press tool 11-7
  - steering column retaining ring tool 11-7
  - steering column weldment 6-5
  - steering gear assembly 6-3
  - steering shaft 6-5
  - steering shaft compression spring 6-5
  - steering wheel puller tool 11-7
  - strap, A-plate 6-11
  - stud
    - lug 9-3
  - switch
    - key, uncommon 4-11
    - limit 4-7
    - rocker 4-9
    - Tow/Run 7-9
    - turn signal 4-7
  - switch rubber boot 7-9
  - switch,hazzard 4-9
  - switch,high beam 4-9
- ## T
- 12-volt solenoid 4-21, 7-11, 7-13
  - tachometer 11-7
  - tailgate 1-43
  - tailgate handle 1-43
  - tailgate latch,lh 1-39, 1-41
  - tailgate latch,rh 1-39, 1-41
  - tailgate teather kit 1-45
  - tailskirt 1-21
  - terminal block 4-5, 7-11, 7-13
  - tester, continuity 11-5
  - thermometer, battery 11-3
  - thread-forming grease fitting 6-13
  - thrust bearing 6-13
  - tie down kit 1-47
  - tie rod 6-11
  - tie wrap 1-67, 4-21
  - tilt latch hand grip 1-29
  - tire 2-3
  - tool
    - accelerator pedal adjustment 11-3
    - belt tensioning, starter/generator 11-7
    - charger bezel 11-3
    - clutch cam installation 11-3
    - drive clutch holder 11-3
    - steering column bearing press 11-7
    - steering column retaining ring 11-7
    - steering wheel puller 11-7
    - transaxle axle seal 11-7
    - transaxle pinion seal 11-7
    - transmission 11-7
  - tool kit, clutch 11-3
  - tool rack kit 1-47
  - touch-up paint 11-5
- Tow/Run switch 7-9
  - Tow/Run switch plate 7-9
  - track, prop rod 1-23
  - transaxle axle seal tool 11-7
  - transaxle pinion seal tool 11-7
  - transaxle, 9-3
  - transmission tool 11-7
  - tube
    - axle 9-3
  - turn signal switch 4-7
- ## U
- U-bolt 6-19
  - upper delta clevis 6-13
  - urethane bushing 1-23, 1-25, 6-11, 6-13, 6-19
- ## V
- valve spring compressor 11-7
  - vent,door,cab 1-61
  - vertical socket dust seal 6-3
  - volt ohm meter 11-7
- ## W
- washer,cab 1-73
  - water quality light 7-27
  - wedge, bearing puller 11-3
  - weldment
    - press 11-3
  - wheel 2-3
  - wheel cover 2-5
  - wheel cylinder 5-3, 5-5, 5-21
  - work light,front,cab 1-75
  - work light,rear,cab 1-75
  - wrap, tie 1-67, 4-21
- ## Y
- yoke, gear 11-5





**Club Car, Inc.**  
P.O. Box 204658  
Augusta, GA 30917-4658  
USA

**Web** [www.clubcar.com](http://www.clubcar.com)  
**Phone** 1.706.863.3000  
1.800.ClubCar  
**Int'l** +1 706.863.3000  
**Fax** 1.706.863.5808