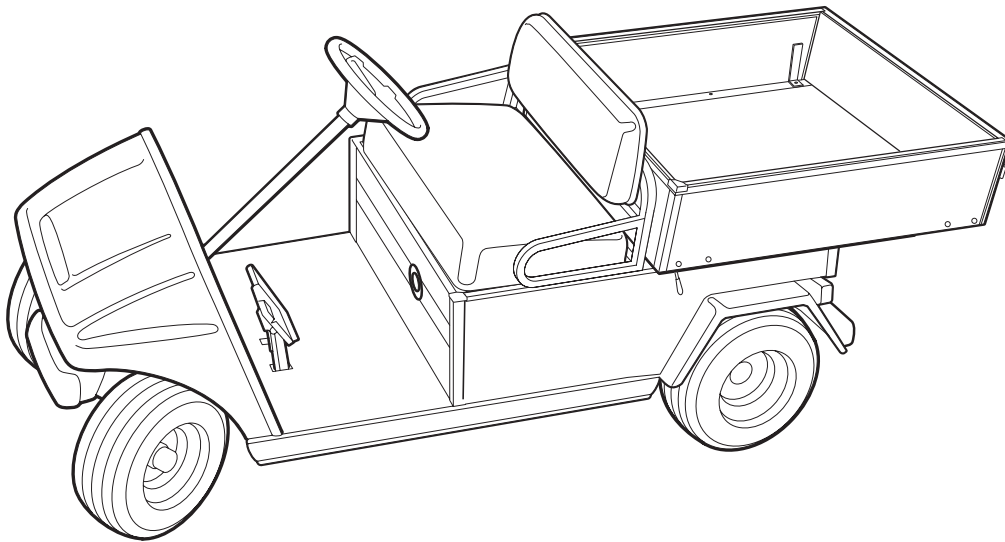




**2007**  
**Turf/Carryall 1**  
**Illustrated Parts List**



**Gasoline and Electric Vehicles**

Manual Number 103209003  
Edition Code 1206N1114M



# USING THE ILLUSTRATED PARTS LIST

---

## **⚠ WARNING**

- **This manual is to be used only for identification and ordering of service parts. Be sure to read and use the maintenance and service manual before attempting any vehicle repairs.**

This manual covers all Turf/Carryall 1 vehicles built during the 2007 model year.

The manual is divided into sections. Note that there are two or three flags on the outside edge of each page. The first flag contains the section number of which that page is a part. The other flag (or flags) contains the letter G or E, signifying that the page pertains to the electric or gasoline vehicles only.

Use the Table of Contents to find the sections and pages that contain the parts and assemblies you seek. The Table of Contents lists section numbers, and under them, the individual page titles and numbers to be found in that section. The index can be used to find specific parts and assemblies. The index is divided into numerical and alphabetical listings with the page numbers in italic text.

There is a two-page spread for each individual page title in the Table of Contents. On the left-hand page is an illustration showing the parts in their relative positions; the parts are each tagged with an item number in a balloon. The right-hand page is the parts list page, and gives the page title at the top, then the item numbers (corresponding to the numbers on the illustration), part descriptions, and quantity of parts used.

Note that a part description may be indented. This indention corresponds to a parts assembly level indicated by the numbers 1, 2, 3, and 4 at the top left corner of the parts description area of the parts list page. A part that is indented to *level 2* is a component of the *level 1* part (assembly) that it is listed under. A *level 3* part is a component of the *level 2* part that it is listed under, and a *level 4* part is a component of the *level 3* part preceding it. In each case, the part quantity given for a level 2, 3, or 4 part is the *quantity used per next higher level assembly of which it is a component*. A part that is not indented is a *level 1* part. This means that the quantity given is the quantity used per the portion of the vehicle illustrated on that particular spread.

## **HOW TO ORDER PARTS**

Replacement parts and accessories can be obtained from our network of authorized dealers and distributors. You can obtain the name and phone number of your closest authorized Club Car dealer or distributor by visiting our web site at [www.clubcar.com](http://www.clubcar.com) and clicking on the "Distributor Search" link or by calling our toll-free Service Parts and Technical Assistance hotline at (800) 872-2246 or (706) 863-3000, extension 3887.



**P. O. Box 204658**  
**Augusta, Georgia 30917-4658 USA**  
**Telephone 706-863-3000**  
**Service Parts Fax 706-855-7413**  
**[www.clubcar.com](http://www.clubcar.com)**

**NOTE:** *This illustrated parts list represents the most current information at the time of publication. Club Car, Inc. is continually working to further improve its vehicles and other products. These improvements may affect the parts used to service the vehicle. Any modification and/or significant change in specifications will be forwarded to all Club Car and Carryall distributors/dealers and will, when applicable, appear in future editions of this illustrated parts list.*

*Club Car, Inc. reserves the right to change specifications and designs at any time without notice and without the obligation of making changes to units previously sold.*

Copyright © 2006, 2014 Club Car, Inc.  
*Club Car* and *ArmorFlex*  
are registered trademarks of Club Car, Inc.  
This manual effective July 31, 2006.

*2007 Turf/Carryall 1 Gasoline and Electric Vehicle Illustrated Parts List*



# CONTENTS

---

## SECTION 1 – BODY AND TRIM

---

Front Body and Trim – Turf 1 .....	1-3
Front Body and Trim – Carryall 1 .....	1-5
Dash Pockets and Floormat .....	1-7
Beverage Holder .....	1-9
Seat Bottom .....	1-11
Seat Back Assembly .....	1-13
Hip Restraints and Seat Back Mounting .....	1-15
Tilt Bed, Hinge, and Latch – Turf/Carryall 1 .....	1-17
Latch Plate .....	1-19
Cargo Box .....	1-21
Tailgate Bracket (Earlier Style) .....	1-23
Cargo Box Mounting .....	1-25
Trailer Hitch .....	1-27
Rear Body Trim .....	1-29

---

## SECTION 2 – WHEELS AND TIRES

---

Wheels and Tires .....	2-3
------------------------	-----

---

## SECTION 3 – DECALS

---

Decals .....	3-3
Decals – Electric Vehicles .....	3-5
Decals – Gasoline Vehicles .....	3-7
Decals, Logo .....	3-9

---

## SECTION 4 – BRAKES, PEDALS, AND CABLE ASSEMBLIES

---

Rear Brake Assembly, Self-Adjusting – Vehicle with 2-Wheel Brakes .....	4-3
Brake Pedal Assembly – Vehicles with Two-Wheel Brakes .....	4-5
Brake Cables and Equalizer .....	4-7
Accelerator Pedal Assembly – Gasoline Vehicle .....	4-9
Accelerator Pedal Assembly – Electric Vehicles with MCOR .....	4-11
Accelerator Rod – Gasoline Vehicles .....	4-13

---

## SECTION 5 – STEERING, FRONT AND REAR SUSPENSION

---

Steering Column .....	5-3
Steering Wheel – Turf 1 .....	5-5
Steering Wheel – Carryall 1 .....	5-7
Steering Gear Assembly .....	5-9

# CONTENTS

---

Front Suspension, Upper .....	5-11
Front Suspension, Lower .....	5-13
Front Spindles and Hubs .....	5-15
Rear Suspension Components – Electric Vehicles .....	5-17
Rear Suspension Components – Gasoline Vehicles .....	5-19

## **SECTION 6 – ELECTRICAL SYSTEM – GASOLINE VEHICLE**

---

Wiring .....	6-5
Instrument Panel and Electrical Components .....	6-7
Electrical Component Box .....	6-9
Starter/Generator Assembly .....	6-11
FE350 Starter/Generator Mounting .....	6-13
Battery .....	6-15
Operation and Maintenance Switch .....	6-17

## **SECTION 7 – FE350 ENGINE WITHOUT ACR**

---

FE350 Engine without ACR (Automatic Compression Release) – Shrouds and Brackets .....	7-3
FE350 Engine – Ignition Components and Flywheel .....	7-5
FE350 Engine – Oil Circulation .....	7-7
FE350 Engine – Cylinder Head .....	7-9
FE350 Engine without ACR – Crankcase, Camshaft, and Oil Sensor .....	7-11
FE350 Engine – Crankcase and Crankshaft .....	7-13
FE350 Engine Mounting .....	7-15

## **SECTION 8 – EXHAUST SYSTEM**

---

Exhaust System – FE350 Engine .....	8-3
-------------------------------------	-----

## **SECTION 9 – FUEL, INTAKE, AND GOVERNOR SYSTEMS**

---

Splash Guard .....	9-3
Fuel Tank with Sending Unit .....	9-5
Fuel System .....	9-7
Carburetor Assembly – FE350 .....	9-9
Carburetor Installation – FE350 .....	9-11
Governor and Accelerator Cables .....	9-13
Air Box and Intake Hose .....	9-15
Intake System .....	9-17

# CONTENTS

---

## SECTION 10 – TORQUE CONVERTER

---

Drive Clutch .....	10-3
Drive Belt – FE350 .....	10-5
Driven Clutch .....	10-7

---

## SECTION 11 – UNITIZED TRANSAXLE AND FORWARD/REVERSE SHIFTER

---

Transaxle – Gasoline Vehicles, Gear Cases and Brackets .....	11-3
Transaxle – Transmission and Gear Reduction .....	11-5
Transaxle – Differential and Axles .....	11-7
Forward/Reverse Shifter .....	11-9
Forward/Reverse Shifter Cable .....	11-11

---

## SECTION 12 – ELECTRICAL SYSTEM – ELECTRIC VEHICLES

---

Wiring .....	12-5
Computer, Controller, and Solenoid .....	12-9
Motor Controller Output Regulator (MCOR) .....	12-11
Instrument Panel and Electrical Components .....	12-13
Battery Charger Receptacle .....	12-15
Batteries (T875) .....	12-17
Batteries (T890) .....	12-19
Tow/Run Switch .....	12-21
Hour Meter – Turf 1 .....	12-23

---

## SECTION 13 – ELECTRIC MOTOR

---

Motor (Model 5BC59JBS6365) .....	13-3
Motor (Model 5BC59JBS6365A) .....	13-5
Motor (Model EJ4-4001) .....	13-7

---

## SECTION 14 – TRANSAXLE – ELECTRIC VEHICLES

---

Transaxle .....	14-3
-----------------	------

---

## SECTION 15 – BATTERY CHARGER

---

PowerDrive 3 Battery Charger, Domestic .....	15-3
PowerDrive Battery Charger (Model 17930), Domestic .....	15-5
PowerDrive Battery Charger (Model 18780), Export .....	15-7
PowerDrive Battery Charger (Model 20310), European .....	15-9

# CONTENTS

---

## SECTION 16 – MAINTENANCE AND SERVICE TOOLS

---

Maintenance and Service Tools .....	16-3
Maintenance and Service Tools, Continued .....	16-5
Maintenance and Service Tools, Continued .....	16-7
Maintenance and Service Tools, Continued .....	16-9
Maintenance and Service Tools, Continued .....	16-11





# BODY AND TRIM

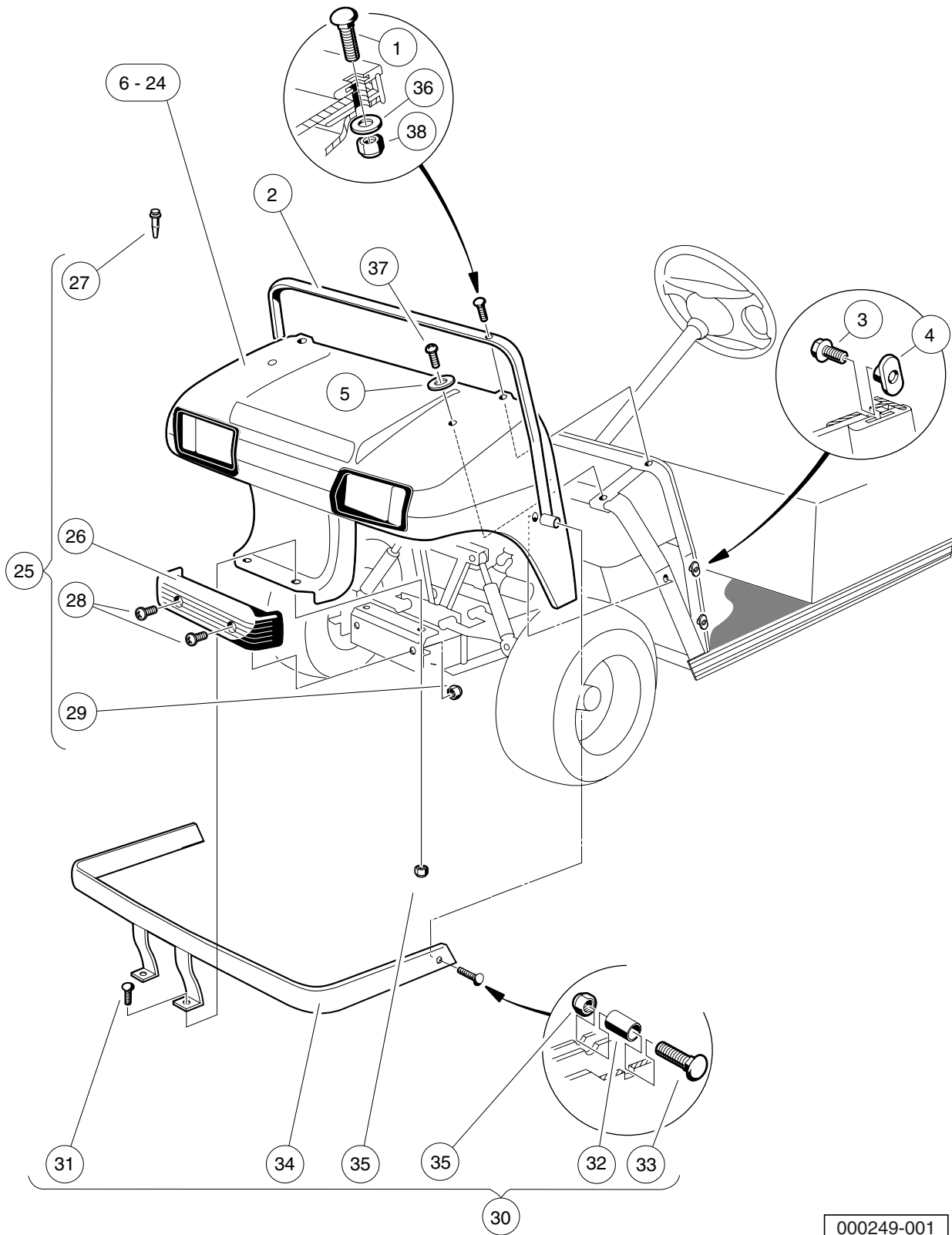
---

1

G

E

**1**  
**G**  
**E**



000249-001

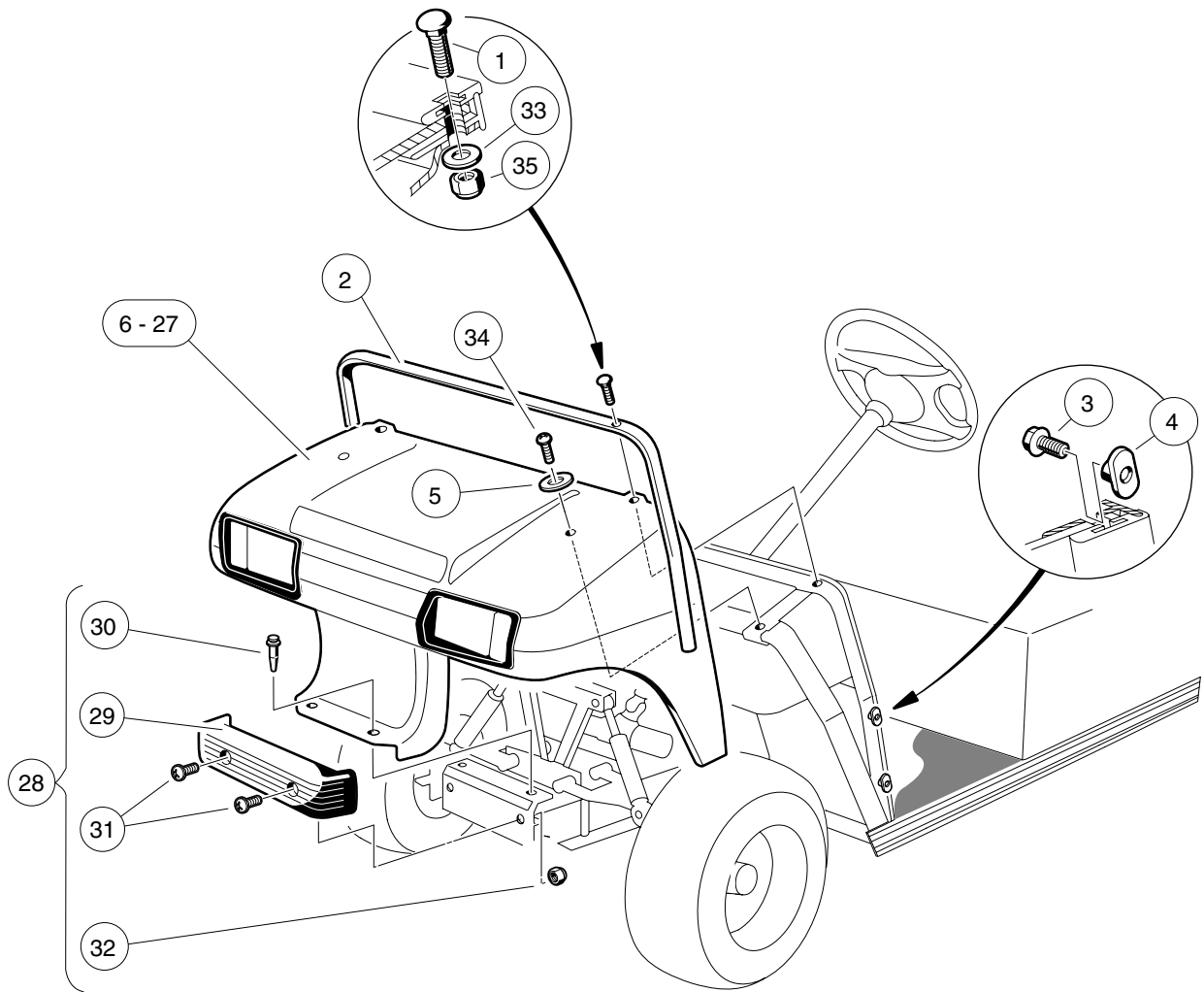


# FRONT BODY AND TRIM – TURF 1

ITEM	PART NO.	DESCRIPTION	QTY
		<b>1 2 3 4</b>	
1	<u>1010435</u>	Bolt, Carriage, 5/16-18 X 1.00 .....	2
2	<u>1011014</u>	Trim, Cowl .....	1
3	<u>1011017</u>	Screw, #8-32 X 0.375 .....	6
4	1011394	T-Nut Package (Set of 4) .....	1
5	1015075	Washer, 5/16 Flat Type A .....	2
6	<u>101692501</u>	Cowl, TPO, Beige .....	1
7	<u>101692502</u>	Cowl, TPO, White .....	1
8	<u>101692506</u>	Cowl, TPO, Red .....	1
9	<u>101692509</u>	Cowl, TPO, Pacific Blue (Royal Blue) .....	1
10	<u>101692510</u>	Cowl, TPO, Dark Green .....	1
11	<u>101692511</u>	Cowl, TPO, Black .....	1
12	<u>101692512</u>	Cowl, TPO, Classic Blue (Navy) .....	1
13	<u>101692513</u>	Cowl, TPO, Burgundy .....	1
14	<u>101692514</u>	Cowl, TPO, Dark Gray .....	1
15	<u>101692515</u>	Cowl, TPO, Safety Yellow .....	1
16	<u>101693901</u>	Cowl with Headlight Opening, TPO, Beige .....	1
17	<u>101693902</u>	Cowl with Headlight Opening, TPO, White .....	1
18	<u>101693906</u>	Cowl with Headlight Opening, TPO, Red .....	1
19	<u>101693909</u>	Cowl with Headlight Opening, TPO, Dark Green .....	1
20	<u>101693910</u>	Cowl with Headlight Opening, TPO, Black .....	1
21	<u>101693911</u>	Cowl with Headlight Opening, TPO, Classic Blue (Navy) .....	1
22	<u>101693912</u>	Cowl with Headlight Opening, TPO, Burgundy .....	1
23	<u>101693913</u>	Cowl with Headlight Opening, TPO, Dark Gray .....	1
24	<u>101693914</u>	Cowl with Headlight Opening, TPO, Safety Yellow .....	1
25	<u>1017080</u>	Kit, Front Bumper (includes items 26 through 29) .....	1
26	<u>1016868</u>	Front Bumper .....	1
27	<u>1016967</u>	Blind Rivet, Push Type .....	2
28	<u>7251</u>	Screw, 5/16-18 x 1.0 Truss-Head .....	2
29	<u>7473</u>	Locknut, 5/16-18 Nylon Insert .....	2
30	<u>101734802</u>	Kit, Heavy-Duty Bumper (includes items 31 through 35) .....	1
31	<u>1010435</u>	Bolt, Carriage, 5/16-18 X 1.00 .....	2
32	<u>1010546</u>	Spacer .....	2
33	<u>1015405</u>	Bolt, Carriage, 5/16-18 X 2.0 .....	2
34	N/A	Weldment, Heavy Duty Bumper .....	1
35	<u>7473</u>	Locknut, 5/16-18 Nylon Insert .....	4
36	<u>1241</u>	Washer, 5/16 Type A Flat .....	2
37	<u>7251</u>	Screw, 5/16-18 x 1.0 Truss-Head .....	2
38	<u>7473</u>	Locknut, 5/16-18 Nylon Insert .....	2

**1**  
**G**  
**E**

**1**  
**G**  
**E**



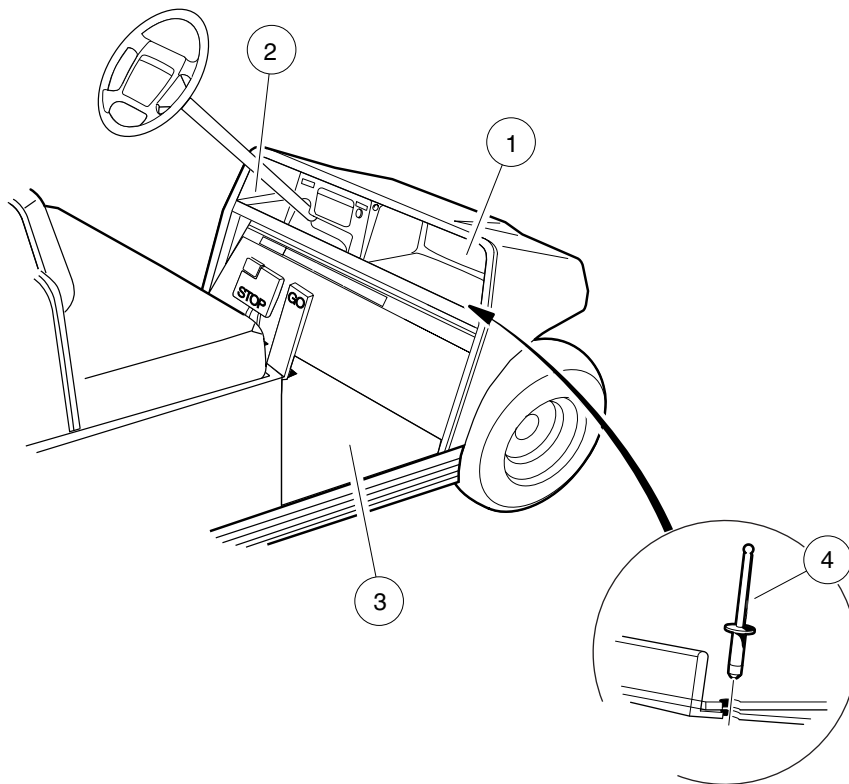
000249-002

# FRONT BODY AND TRIM – CARRYALL 1

ITEM	PART NO.	DESCRIPTION	QTY
		<b>1 2 3 4</b>	
1	<u>1010435</u>	Bolt, Carriage, 5/16-18 X 1.00 .....	2
2	<u>1011014</u>	Trim, Cowl .....	1
3	<u>1011017</u>	Screw, #8-32 X 0.375 .....	6
4	1011394	T-Nut Package (Set of 4) .....	1
5	1015075	Washer, 5/16 Flat Type A .....	2
6	<u>101692501</u>	Cowl, TPO, Beige .....	1
7	<u>101692502</u>	Cowl, TPO, White .....	1
8	<u>101692504</u>	Cowl, Tpo -gray .....	1
9	<u>101692506</u>	Cowl, TPO, Red .....	1
10	<u>101692509</u>	Cowl, TPO, Pacific Blue (Royal Blue) .....	1
11	<u>101692510</u>	Cowl, TPO, Dark Green .....	1
12	<u>101692511</u>	Cowl, TPO, Black .....	1
13	<u>101692512</u>	Cowl, TPO, Classic Blue (Navy) .....	1
14	<u>101692513</u>	Cowl, TPO, Burgundy .....	1
15	<u>101692514</u>	Cowl, TPO, Dark Gray .....	1
16	<u>101692515</u>	Cowl, TPO, Safety Yellow .....	1
17	<u>101693901</u>	Cowl with Headlight Opening, TPO, Beige .....	1
18	<u>101693902</u>	Cowl with Headlight Opening, TPO, White .....	1
19	<u>101693904</u>	Cowl with Headlight Opening, TPO, Gray .....	1
20	<u>101693906</u>	Cowl with Headlight Opening, TPO, Red .....	1
21	<u>101693908</u>	Cowl with Headlight Opening, TPO, Pacific Blue (Royal Blue) .....	1
22	<u>101693909</u>	Cowl with Headlight Opening, TPO, Dark Green .....	1
23	<u>101693910</u>	Cowl with Headlight Opening, TPO, Black .....	1
24	<u>101693911</u>	Cowl with Headlight Opening, TPO, Classic Blue (Navy) .....	1
25	<u>101693912</u>	Cowl with Headlight Opening, TPO, Burgundy .....	1
26	<u>101693913</u>	Cowl with Headlight Opening, TPO, Dark Gray .....	1
27	<u>101693914</u>	Cowl with Headlight Opening, TPO, Safety Yellow .....	1
28	<u>1017080</u>	Kit, Front Bumper (includes items 29 through 32) .....	1
29	<u>1016868</u>	Front Bumper .....	1
30	<u>1016967</u>	Blind Rivet, Push Type .....	2
31	<u>7251</u>	Screw, 5/16-18 x 1.0 Truss-Head .....	2
32	<u>7473</u>	Locknut, 5/16-18 Nylon Insert .....	2
33	<u>1241</u>	Washer, 5/16 Type A Flat .....	2
34	<u>7251</u>	Screw, 5/16-18 x 1.0 Truss-Head .....	2
35	<u>7473</u>	Locknut, 5/16-18 Nylon Insert .....	2

**1**  
**G**  
**E**

**1**  
**G**  
**E**



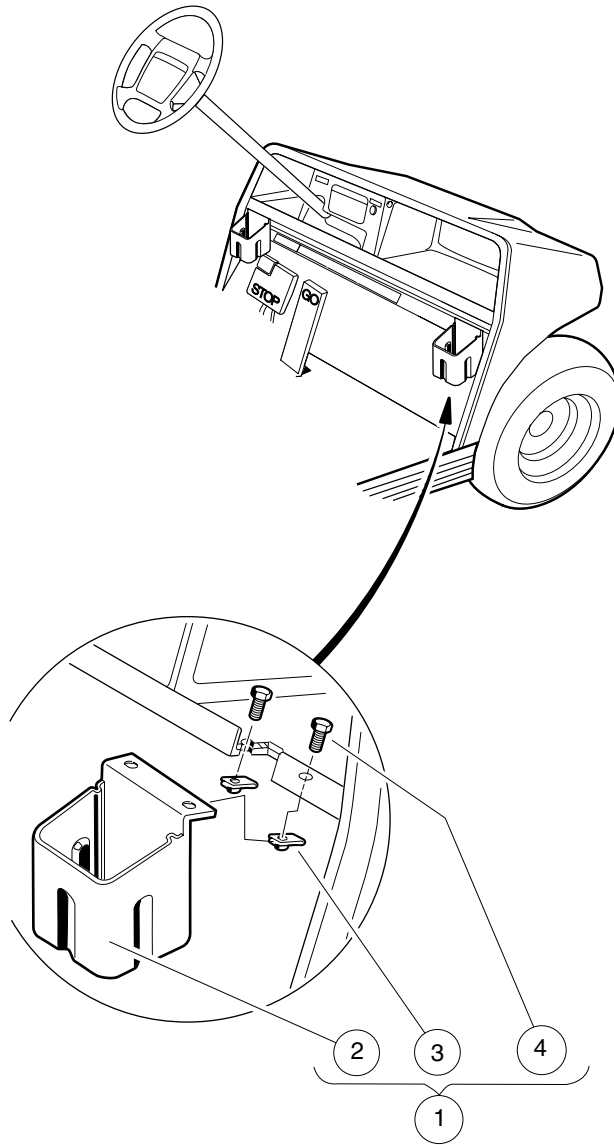
000252-002

# DASH POCKETS AND FLOORMAT

ITEM	PART NO.	DESCRIPTION	QTY
		1 2 3 4	
1	<u>1013343</u>	Dash Component, Passenger-Side, Black .....	1
2	1013344	Dash Component, Driver-Side .....	1
3	<u>101503202</u>	Floormat .....	1
4	<u>7973</u>	Rivet, 3/16 X .400 Blind .....	5

1  
G  
E

**1**  
**G**  
**E**



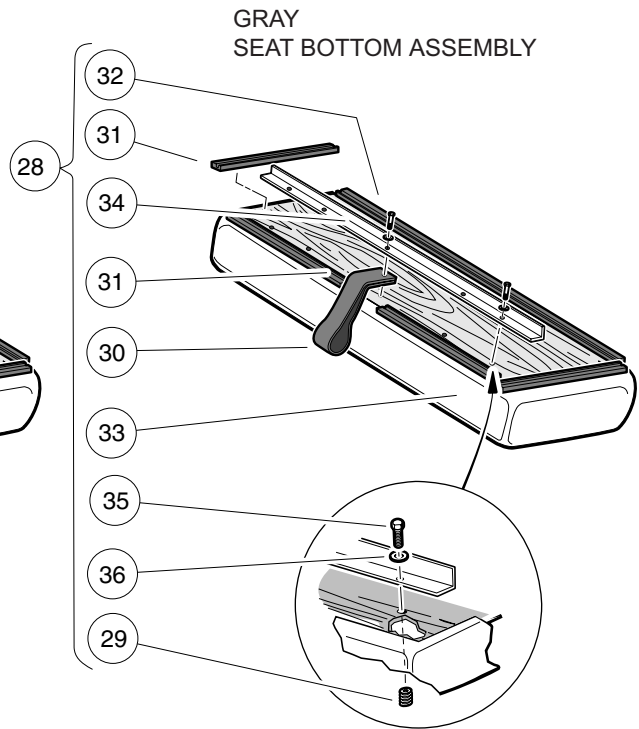
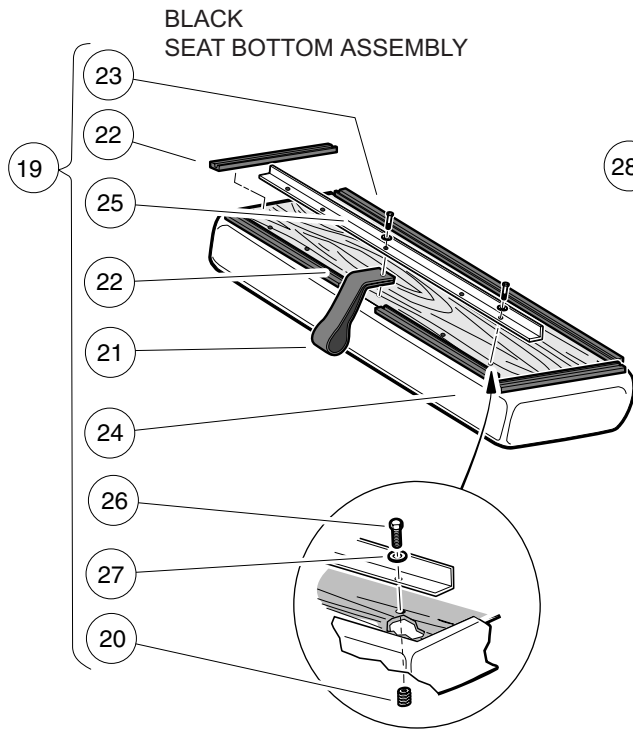
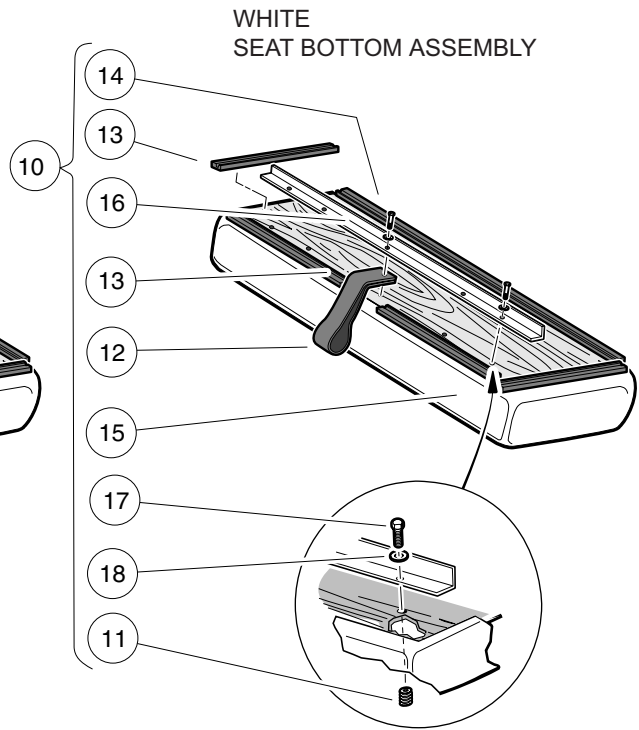
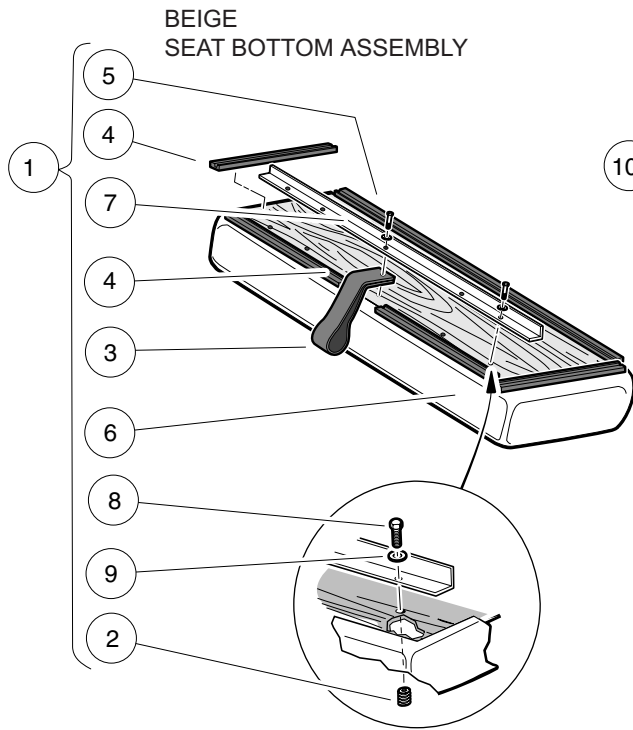
000253-001

# BEVERAGE HOLDER

ITEM	PART NO.	DESCRIPTION	QTY
		1 2 3 4	
1	1013422	Cup Holder Kit (includes items 2 through 4) .....	2
2	N/A	Holder, Single Cup .....	1
3	1016952	U-Nut, 1/4-20 .....	2
4	<u>7847</u>	Screw, 1/4-20 X 0.75 Hex-Head Cap .....	2

1  
G  
E

**1**  
**G**  
**E**



000254-001

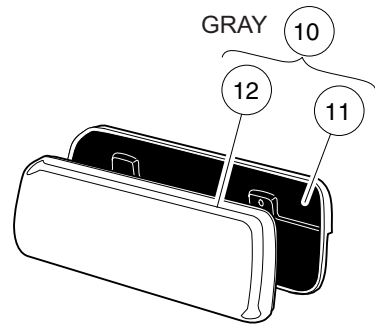
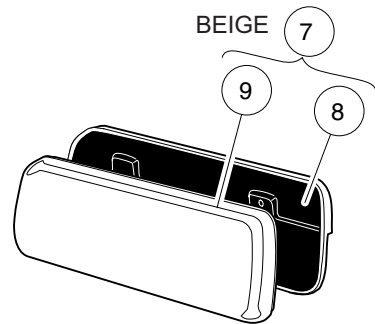
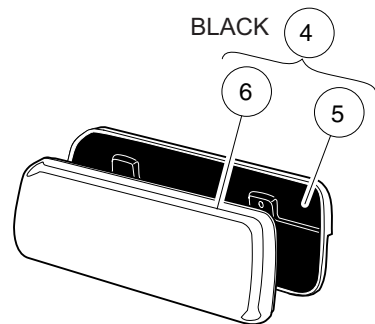
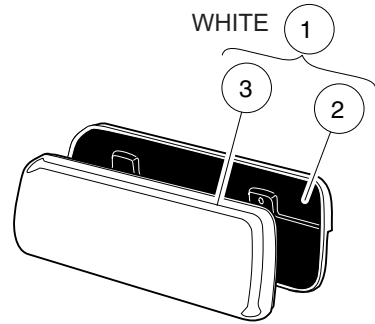


# SEAT BOTTOM

ITEM	PART NO.	DESCRIPTION	QTY
		1 2 3 4	
1	<u>101564501</u>	Seat Bottom Assembly, Beige (includes items 2 through 9) .....	1
2	1010543	Insert - Wood .....	5
3	<u>1013309</u>	Strap, Utility Seat .....	1
4	<u>1013311</u>	Bumper, Seat, Short .....	4
5	<u>1013312</u>	Bumper, Seat, Long .....	1
6	<u>101562711</u>	Vinyl Cover, Seat Bottom, Buff .....	1
7	<u>101894303</u>	Stiffener .....	1
8	<u>101954301</u>	Screw, 1/4-20 X 0.75 Hex-Head Cap .....	5
9	<u>332</u>	Washer, 1/4 Type A Narrow Flat .....	5
10	<u>101564502</u>	Seat Bottom Assembly, White (includes items 11 through 18) .....	1
11	1010543	Insert - Wood .....	5
12	<u>1013309</u>	Strap, Utility Seat .....	1
13	<u>1013311</u>	Bumper, Seat, Short .....	4
14	<u>1013312</u>	Bumper, Seat, Long .....	1
15	<u>101562712</u>	Vinyl Cover, Seat Bottom, White .....	1
16	<u>101894303</u>	Stiffener .....	1
17	<u>101954301</u>	Screw, 1/4-20 X 0.75 Hex-Head Cap .....	5
18	<u>332</u>	Washer, 1/4 Type A Narrow Flat .....	5
19	<u>101564503</u>	Seat Bottom Assembly, Black (includes items 20 through 27) .....	1
20	1010543	Insert - Wood .....	5
21	<u>1013309</u>	Strap, Utility Seat .....	1
22	<u>1013311</u>	Bumper, Seat, Short .....	4
23	<u>1013312</u>	Bumper, Seat, Long .....	1
24	<u>101562714</u>	Vinyl Cover, Seat Bottom, Black .....	1
25	<u>101894303</u>	Stiffener .....	1
26	<u>101954301</u>	Screw, 1/4-20 X 0.75 Hex-Head Cap .....	5
27	<u>332</u>	Washer, 1/4 Type A Narrow Flat .....	5
28	<u>101564505</u>	Seat Bottom Assembly, Gray (includes items 29 through 36) .....	1
29	1010543	Insert - Wood .....	5
30	<u>1013309</u>	Strap, Utility Seat .....	1
31	<u>1013311</u>	Bumper, Seat, Short .....	4
32	<u>1013312</u>	Bumper, Seat, Long .....	1
33	<u>101562715</u>	Vinyl Cover, Seat Bottom, Gray .....	2
34	<u>101894303</u>	Stiffener .....	1
35	<u>101954301</u>	Screw, 1/4-20 X 0.75 Hex-Head Cap .....	5
36	<u>332</u>	Washer, 1/4 Type A Narrow Flat .....	5

1  
G  
E

**1**  
**G**  
**E**



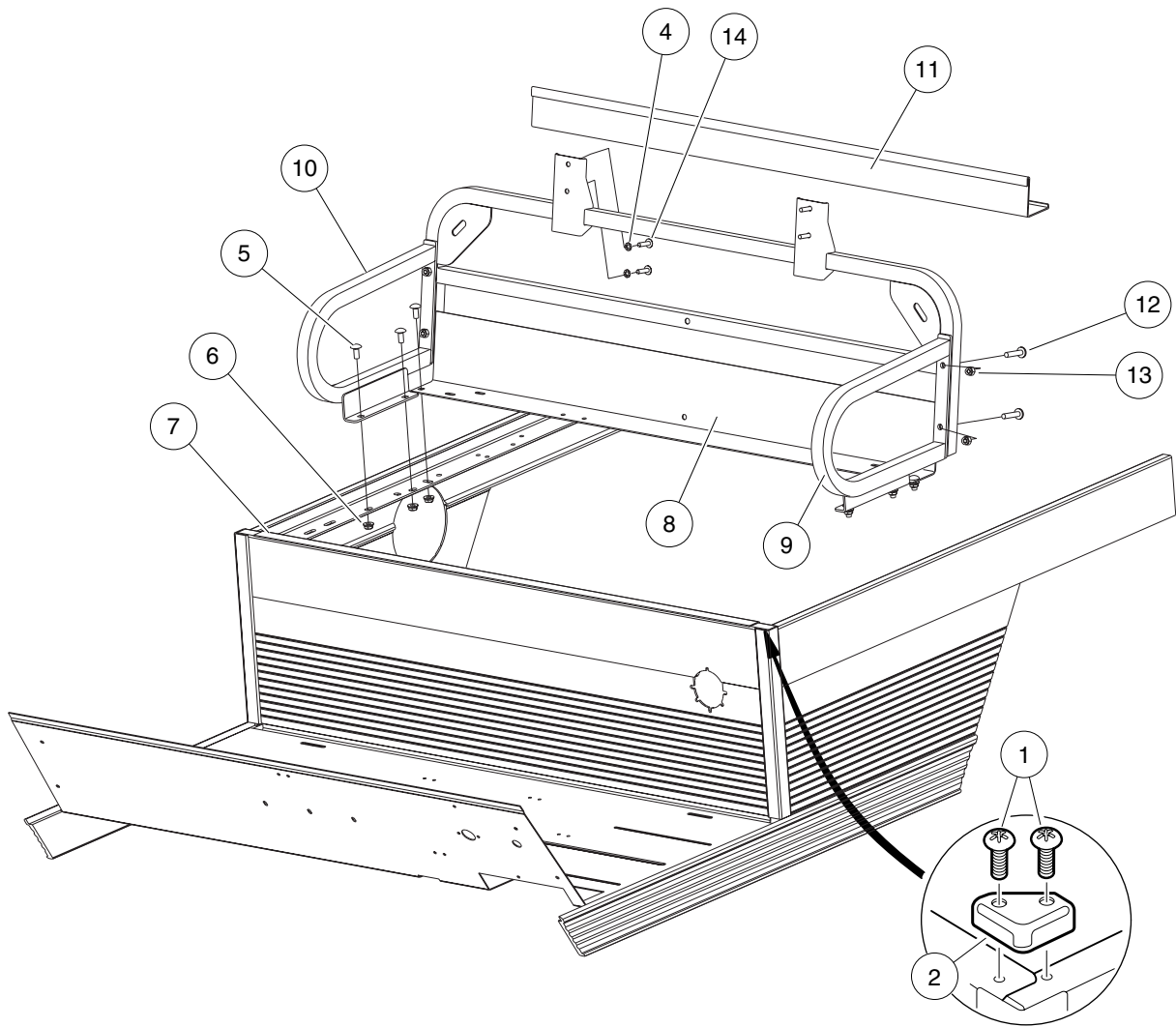
000608-001

# SEAT BACK ASSEMBLY

ITEM	PART NO.	DESCRIPTION	QTY
		1 2 3 4	
1	<u>101677701</u>	Seat Back Assembly, White (includes items 2 and 3) .....	1
2	1016751	Cap, Seat Back .....	1
3	<u>101675512</u>	Vinyl Seat Back, White .....	1
4	<u>101677702</u>	Seat Back Assembly, Black (includes items 5 and 6) .....	1
5	1016751	Cap, Seat Back .....	1
6	<u>101675514</u>	Vinyl Seat Back, Black .....	1
7	<u>101677703</u>	Seat Back Assembly, Beige (includes items 8 and 9) .....	1
8	1016751	Cap, Seat Back .....	1
9	<u>101675511</u>	Vinyl Seat Back, Beige .....	1
10	<u>101677705</u>	Seat Back Assembly, Gray (includes items 11 and 12) .....	1
11	1016751	Cap, Seat Back .....	1
12	<u>101675515</u>	Vinyl Seat Back-gray Svc .....	1

1  
G  
E

**1**  
**G**  
**E**



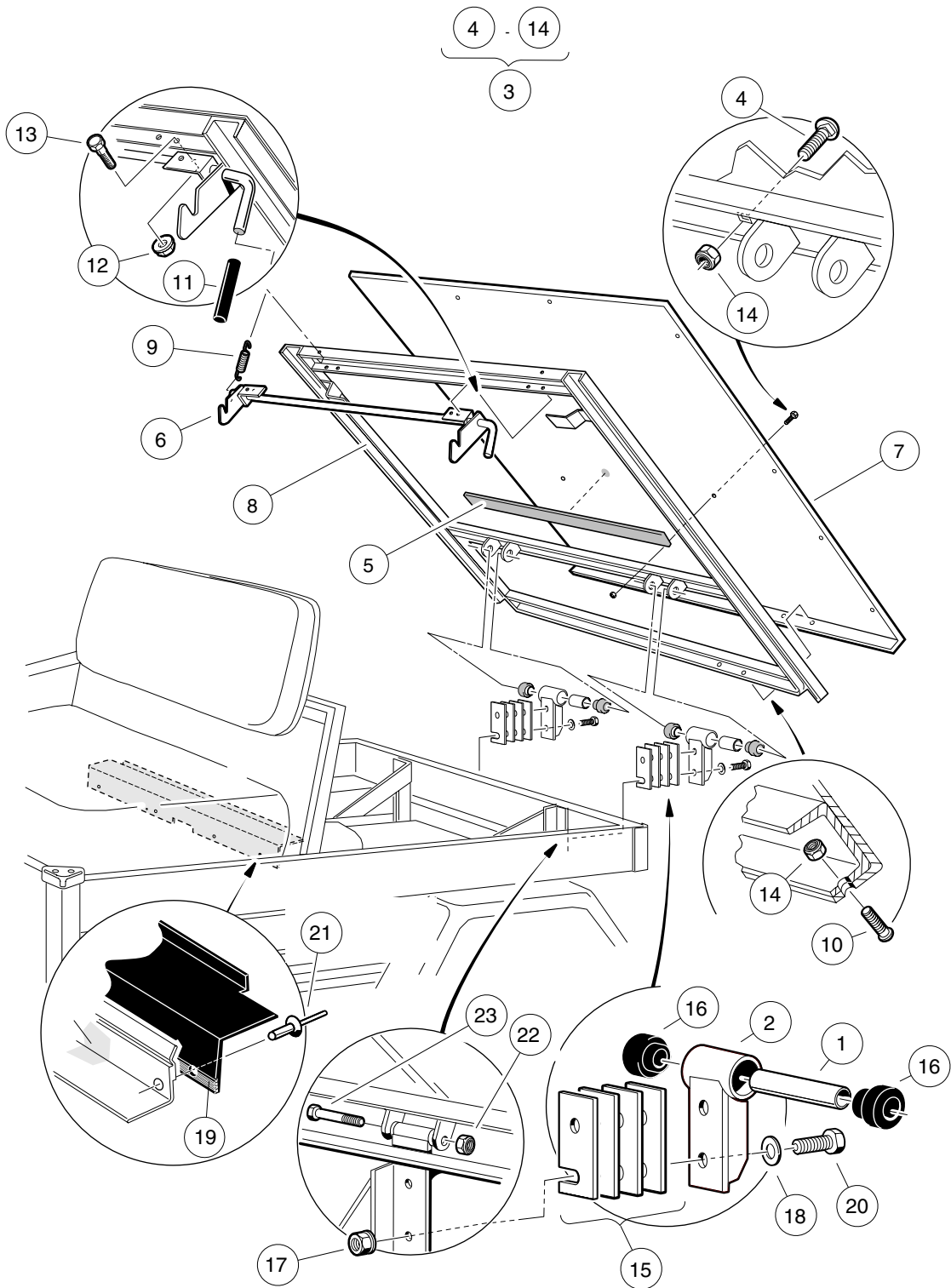
000603-001

# HIP RESTRAINTS AND SEAT BACK MOUNTING

ITEM	PART NO.	DESCRIPTION	QTY
		1 2 3 4	
1	<u>1014321</u>	Screw, #10 Truss-Head Torx .....	4
2	<u>1014387</u>	Cap, Corner .....	2
3	N/A	Instl, Seat Bk, Hip Restr, Ca1 (includes items 4 through 14) .....	1
4	<u>101946201</u>	Washer, Lock, 0.250 External-Tooth .....	4
5	<u>101963301</u>	Bolt, 5/16-18 X 0.75 Round-Head .....	6
6	<u>101963401</u>	Locknut, 5/16-18 Hex Flange .....	6
7	<u>101964001</u>	Trim, Seat Bottom Front .....	1
8	<u>102966401</u>	Seat Back, Tube .....	1
9	<u>102966501</u>	Hip Restraint, Left .....	1
10	<u>102966502</u>	Hip Restraint, Right .....	1
11	<u>102989501</u>	Seal, Bed, 41-Inch .....	1
12	<u>103245201</u>	Screw, 5/16-18 X 1.5, Tr Tx Hd .....	4
13	<u>103245301</u>	Nut, Hex, Cp, Mech Def, 5/16-1 .....	4
14	<u>8251</u>	Screw, 1/4-20 X 1.0 Truss-Head Machine .....	4

1  
G  
E

**1**  
**G**  
**E**



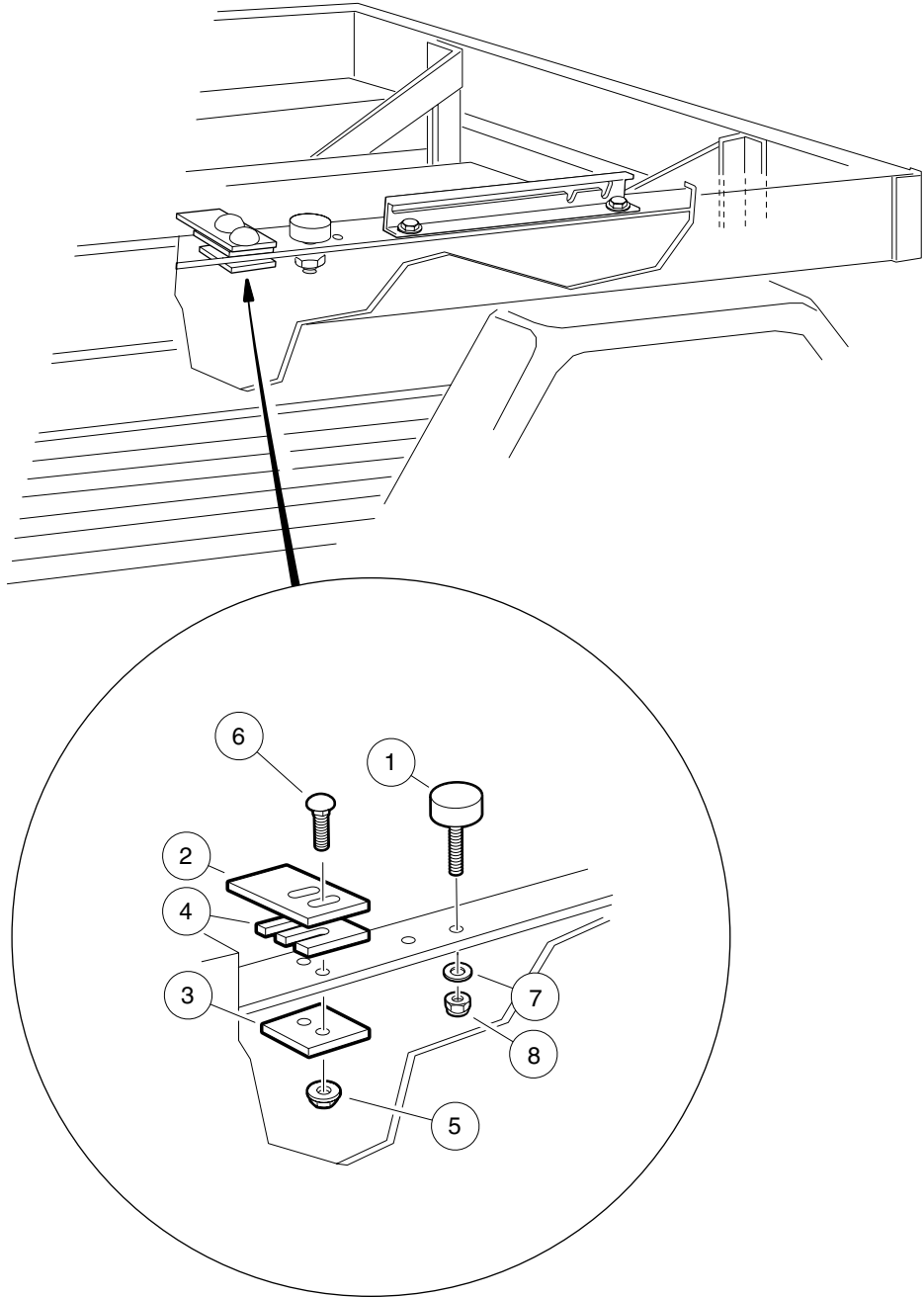
000256-002

# TILT BED, HINGE, AND LATCH – TURF/CARRYALL 1

ITEM	PART NO.	DESCRIPTION	QTY
		1 2 3 4	
1	<u>1012303</u>	Bushing, Steel .....	2
2	<u>1015356</u>	Hinge .....	2
3	<u>1015427</u>	Tilt Bed, Carryall 1 (includes items 4 through 14) .....	1
4	<u>1010435</u>	Bolt, Carriage, 5/16-18 X 1.00 .....	2
5	<u>1014471</u>	Tape, Vinyl Foam 1/8" x 3/4" * .....	A/R
6	<u>1015252</u>	Latch Weld Assembly .....	1
7	N/A	Plate, Floor, Carryall 1 Flat bed .....	1
8	N/A	Frame Assembly, Tilt Bed .....	1
9	<u>1015391</u>	Extension, Spring Latch .....	2
10	<u>1015399</u>	Screw, 5/16-18 X 0.88 Torx Truss-Head .....	4
11	<u>1015400</u>	Grip, Tilt Latch Hand .....	1
12	<u>101835601</u>	Locknut, 1/4-20 Hex Whiz .....	4
13	<u>403</u>	Screw, 1/4-20 X 0.625 Hex-Head Cap .....	4
14	<u>7473</u>	Locknut, 5/16-18 Nylon Insert .....	6
15	<u>1015507</u>	Shim, Tilt Bed Pivot .....	A/R
16	<u>1015583</u>	Bushing, Urethane .....	4
17	<u>102065901</u>	Locknut, 3/8-16 Flanged Dimple .....	4
18	<u>102066001</u>	Washer, 3/8 Type B Hard Flat .....	4
19	<u>102989501</u>	Seal, Bed, 41-Inch .....	1
20	705	Screw, Cap-hex Hd 3/8-16x1.25 .....	4
21	7532	Rivet, 3/16 X 0.3125, Pop .....	4
22	<u>8754</u>	Locknut, 3/8-16 Hex .....	2
23	<u>8755</u>	Screw, 3/8-16 X 3.375 Hex Cap .....	2
		* Note: Item not shown.	

1  
G  
E

**1**  
**G**  
**E**



000258-002



# LATCH PLATE

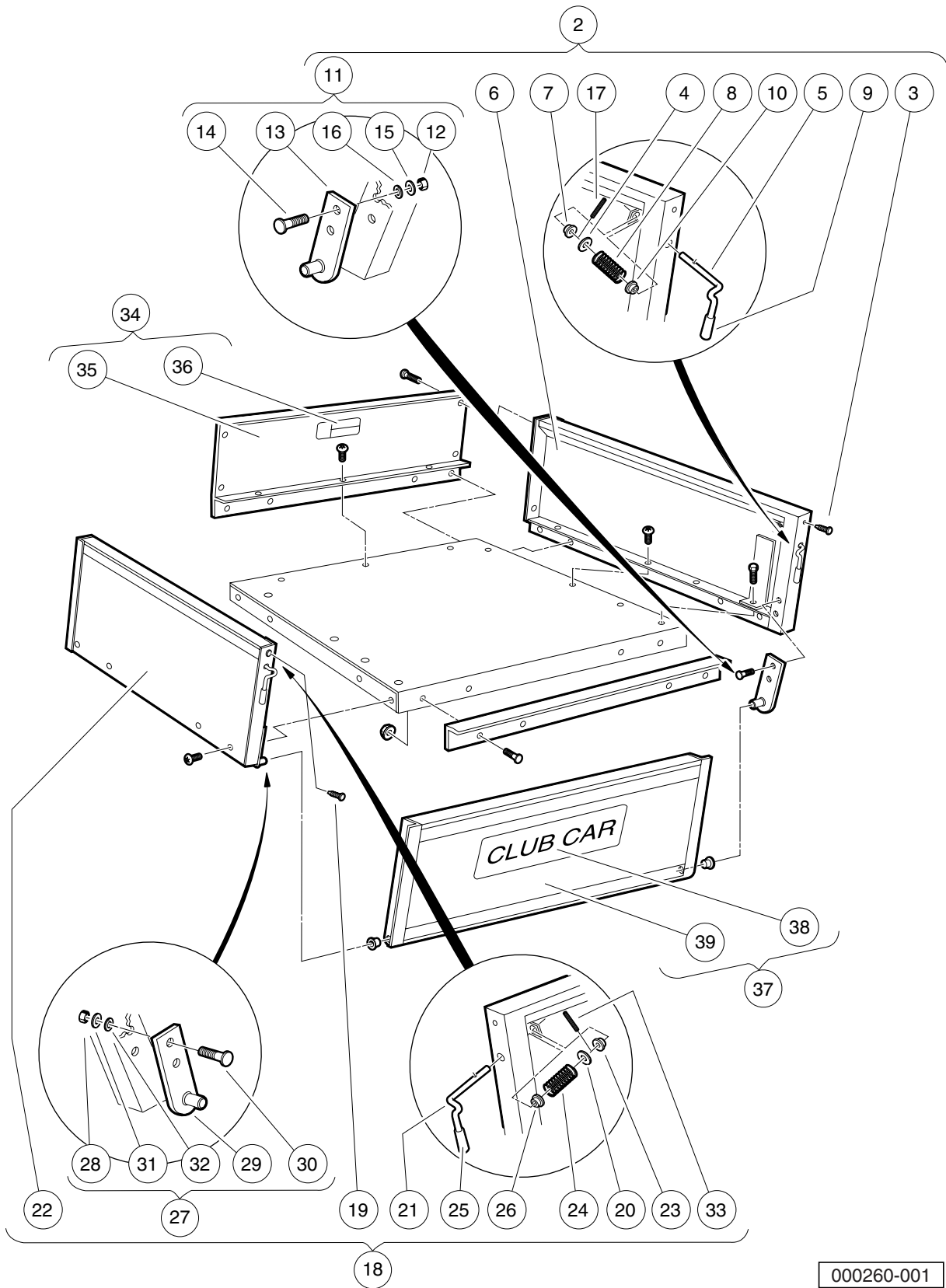
ITEM	PART NO.	DESCRIPTION	QTY
		<b>1 2 3 4</b>	
1	<u>1010878</u>	Bumper, Rubber .....	2
2	<u>1015277</u>	Latch Plate, Tilt Bed .....	2
3	<u>1016060</u>	Plate, Latch Support .....	2
4	<u>1016078</u>	Latch Plate Shim .....	A/R
5	<u>101835601</u>	Locknut, 1/4-20 Hex Whiz .....	4
6	<u>101958601</u>	Carriage Bolt, 1/4-20 X 0.75 .....	4
7	<u>332</u>	Washer, 1/4 Type A Narrow Flat .....	4
8	<u>8233</u>	Locknut, 1/4-20 Nylon Insert .....	4

**1**

**G**

**E**

**1**  
**G**  
**E**



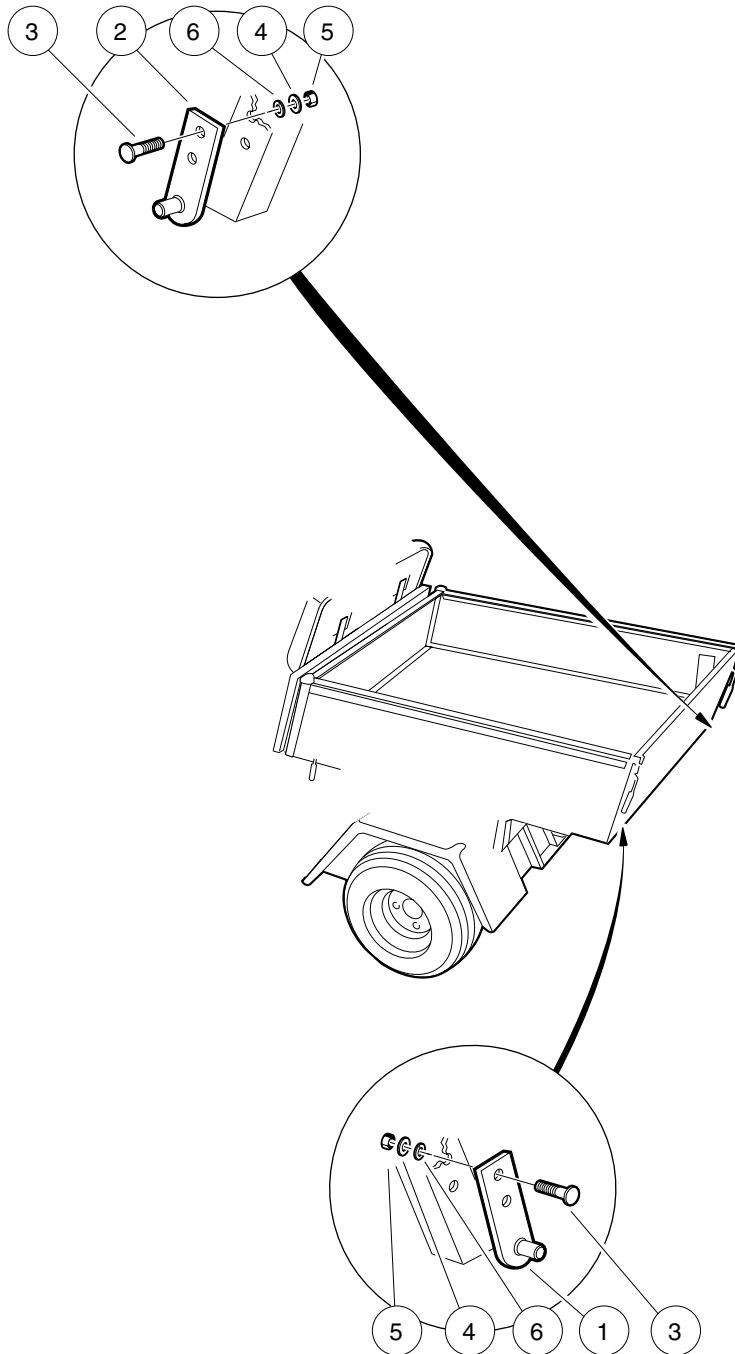
000260-001

# CARGO BOX

ITEM	PART NO.	DESCRIPTION	QTY
		1 2 3 4	
1	<u>1015606</u>	Kit, Cargo Box (includes items 2 through 37) .....	1
2	<u>1015365</u>	Side Panel Assembly, Right-Hand (includes items 3 through 17) .....	1
3	<u>1010434</u>	Barrel - Plastic .....	1
4	<u>1011990</u>	Washer, 3/8 Flat .....	1
5	<u>1015245</u>	Latch, Tailgate, Right-Hand .....	1
6	N/A	Side-Panel Weldment, Right-Hand .....	1
7	<u>1015363</u>	Bushing, Snap-In .....	1
8	<u>1015390</u>	Compression Spring Latch Tilt .....	1
9	<u>1015400</u>	Grip, Tilt Latch Hand .....	1
10	<u>1032</u>	Bushing, Nylon .....	1
11	<u>103406502</u>	Kit, Tlgt Mtg Brkt, Ca Rh (includes items 12 through 16) .....	1
12	<u>1028</u>	Nut, 1/4-20 Hex .....	2
13	<u>103388602</u>	Asm, Tlgt, Mtg Brkt, Ca Rh .....	1
14	<u>103406601</u>	Stud, 1/4 Self-clnchg Flush .....	2
15	<u>332</u>	Washer, 1/4 Type A Narrow Flat .....	2
16	<u>451</u>	Lockwasher, 1/4 Helical Split .....	2
17	1231	Pin, 1/8 X 1.00 Split Roll .....	1
18	<u>1015367</u>	Side Panel Assembly, Left-Hand (includes items 19 through 33) .....	1
19	<u>1010434</u>	Barrel - Plastic .....	1
20	<u>1011990</u>	Washer, 3/8 Flat .....	1
21	<u>1015313</u>	Latch, Tailgate, Left-Hand .....	1
22	N/A	Side-Panel Weldment .....	1
23	<u>1015363</u>	Bushing, Snap-In .....	1
24	<u>1015390</u>	Compression Spring Latch Tilt .....	1
25	<u>1015400</u>	Grip, Tilt Latch Hand .....	1
26	<u>1032</u>	Bushing, Nylon .....	1
27	<u>103406501</u>	Kit, Tlgt Mtg Brkt, Ca Lh (includes items 28 through 32) .....	1
28	<u>1028</u>	Nut, 1/4-20 Hex .....	2
29	<u>103388601</u>	Asm, Tlgt, Mtg Brkt, Ca Lh .....	1
30	<u>103406601</u>	Stud, 1/4 Self-clnchg Flush .....	2
31	<u>332</u>	Washer, 1/4 Type A Narrow Flat .....	2
32	<u>451</u>	Lockwasher, 1/4 Helical Split .....	2
33	1231	Pin, 1/8 X 1.00 Split Roll .....	1
34	<u>1015413</u>	Assembly, Front Panel (includes items 35 and 36) .....	1
35	N/A	Front Panel Box .....	1
36	<u>101553901</u>	Decal, Bed Load Warning .....	1
37	1015414	Assembly, Tailgate (includes items 38 and 39) .....	1
38	<u>1013317</u>	Decal, Logo, Tailgate .....	1
39	N/A	Tailgate Weldment .....	1
		Note: Additional components in kit <u>1015606</u> are shown on the following two pages.	

1  
G  
E

**1**  
**G**  
**E**



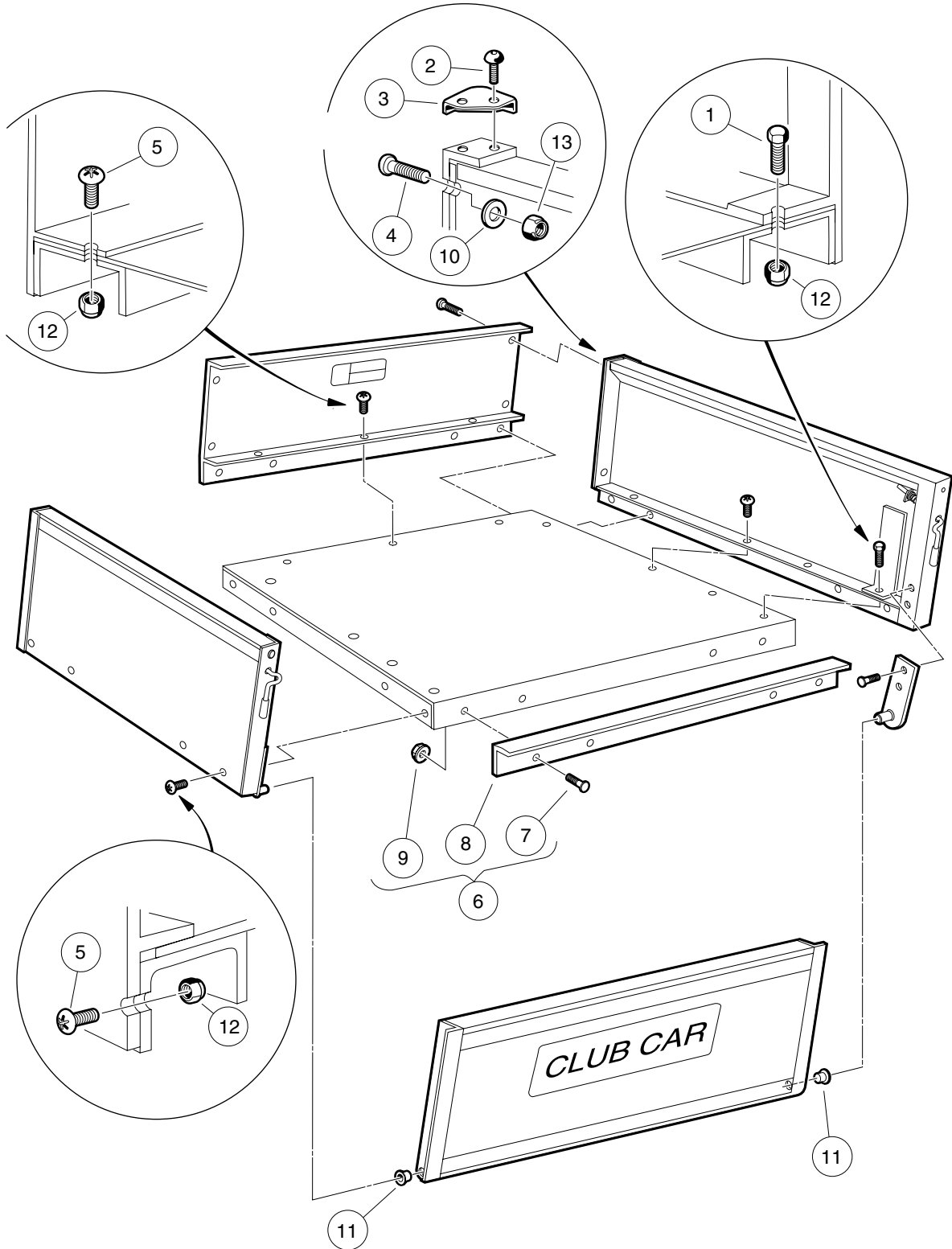
000797-001

## TAILGATE BRACKET (EARLIER STYLE)

ITEM	PART NO.	DESCRIPTION	QTY
		1 2 3 4	
1	<u>1014513</u>	Tailgate Mounting Bracket, Left-Hand .....	1
2	<u>1014514</u>	Tailgate Mounting Bracket, Right-Hand .....	1
3	<u>1014537</u>	Stud, Self-Clinching Flush Head .....	4
4	<u>1241</u>	Washer, 5/16 Type A Flat .....	4
5	<u>1242</u>	Nut, 5/16-18 Hex .....	4
6	<u>7174</u>	Lockwasher, 5/16 Split .....	4
		<p>Note: Additional components in kit 1015606 are shown on the following two pages.</p>	

1  
G  
E

**1**  
**G**  
**E**



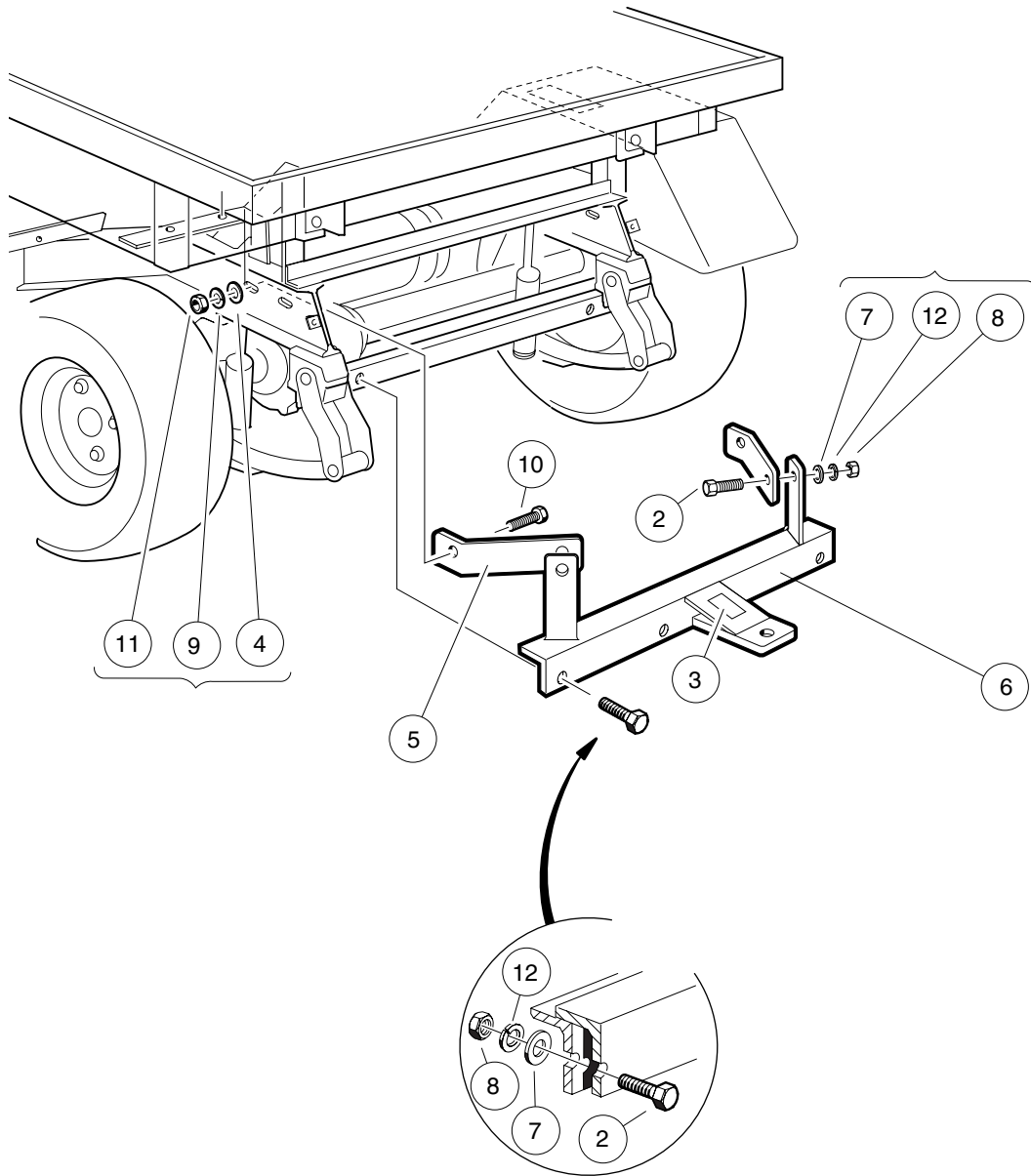
000261-001

# CARGO BOX MOUNTING

ITEM	PART NO.	DESCRIPTION	QTY
		1 2 3 4	
1	<u>1010934</u>	Screw, 5/16-18 X 1.00 Hex Cap .....	2
2	<u>1014321</u>	Screw, #10 Truss-Head Torx .....	4
3	<u>1014387</u>	Cap, Corner .....	2
4	<u>1014415</u>	Screw, 1/4-20 X 0.75 Torx Truss-Head .....	4
5	1015399	Screw, 5/16-18 X 0.88 Torx Truss-Head .....	17
6	****	Kit, Tailgate Angle (includes items 7 through 9) .....	1
7	<u>1014537</u>	Stud, Self-Clinching Flush Head .....	4
8	N/A	Box Bed Tailgate Angle .....	1
9	<u>101963401</u>	Locknut, 5/16-18 Hex Flange .....	4
10	<u>332</u>	Washer, 1/4 Type A Narrow Flat .....	4
11	<u>7049</u>	Bushing, Nylon .....	2
12	<u>7473</u>	Locknut, 5/16-18 Nylon Insert .....	19
13	<u>8233</u>	Locknut, 1/4-20 Nylon Insert .....	4
<p style="text-align: center;">**** Special order item available upon request.</p> <p style="text-align: center;">Note: All parts listed on this page are included in kit 1015606.</p>			

1  
G  
E

**1**  
**G**  
**E**



000265-001

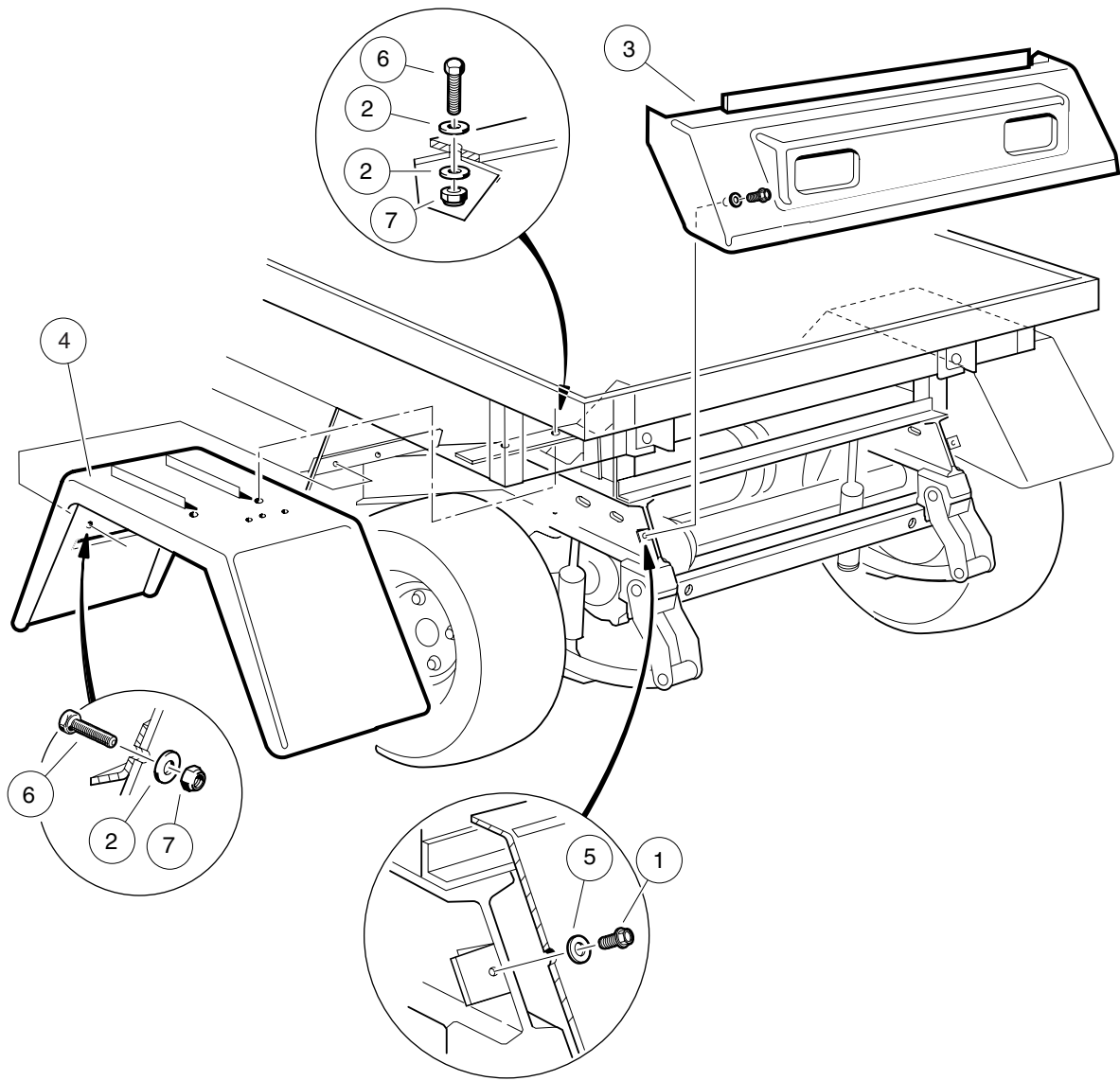


# TRAILER HITCH

ITEM	PART NO.	DESCRIPTION	QTY
		<b>1 2 3 4</b>	
1	<u>1015445</u>	Kit, Trailer Hitch (includes items 2 through 12) .....	1
2	<u>1010934</u>	Screw, 5/16-18 X 1.00 Hex Cap .....	4
3	<u>1011553</u>	Decal, Trailer Hitch .....	1
4	<u>1011990</u>	Washer, 3/8 Flat .....	2
5	<u>1013483</u>	Brace, Trailer Hitch .....	2
6	N/A	Asm, Trailer Hitch .....	1
7	<u>1241</u>	Washer, 5/16 Type A Flat .....	4
8	<u>1242</u>	Nut, 5/16-18 Hex .....	4
9	<u>357</u>	Washer, Lock, Hel Sp 3/8 Reg .....	2
10	705	Screw, Cap-hex Hd 3/8-16x1.25 .....	2
11	<u>706</u>	Nut, Hex 3/8-16 .....	2
12	<u>7174</u>	Lockwasher, 5/16 Split .....	4

**1**  
**G**  
**E**

**1**  
**G**  
**E**



000266-001

# REAR BODY TRIM

ITEM	PART NO.	DESCRIPTION	QTY
		1 2 3 4	
1	<u>1012285</u>	Screw, 1/4 X 0.625 Hex-Head .....	2
2	<u>1014306</u>	Washer, 1/4" Type B Flat .....	12
3	<u>1015530</u>	Tailskirt .....	1
4	<u>1016679</u>	Rear Fender .....	2
5	<u>332</u>	Washer, 1/4 Type A Narrow Flat .....	2
6	<u>7847</u>	Screw, 1/4-20 X 0.75 Hex-Head Cap .....	8
7	<u>8233</u>	Locknut, 1/4-20 Nylon Insert .....	8

1  
G  
E

**1**

**G**

**E**

# WHEELS AND TIRES

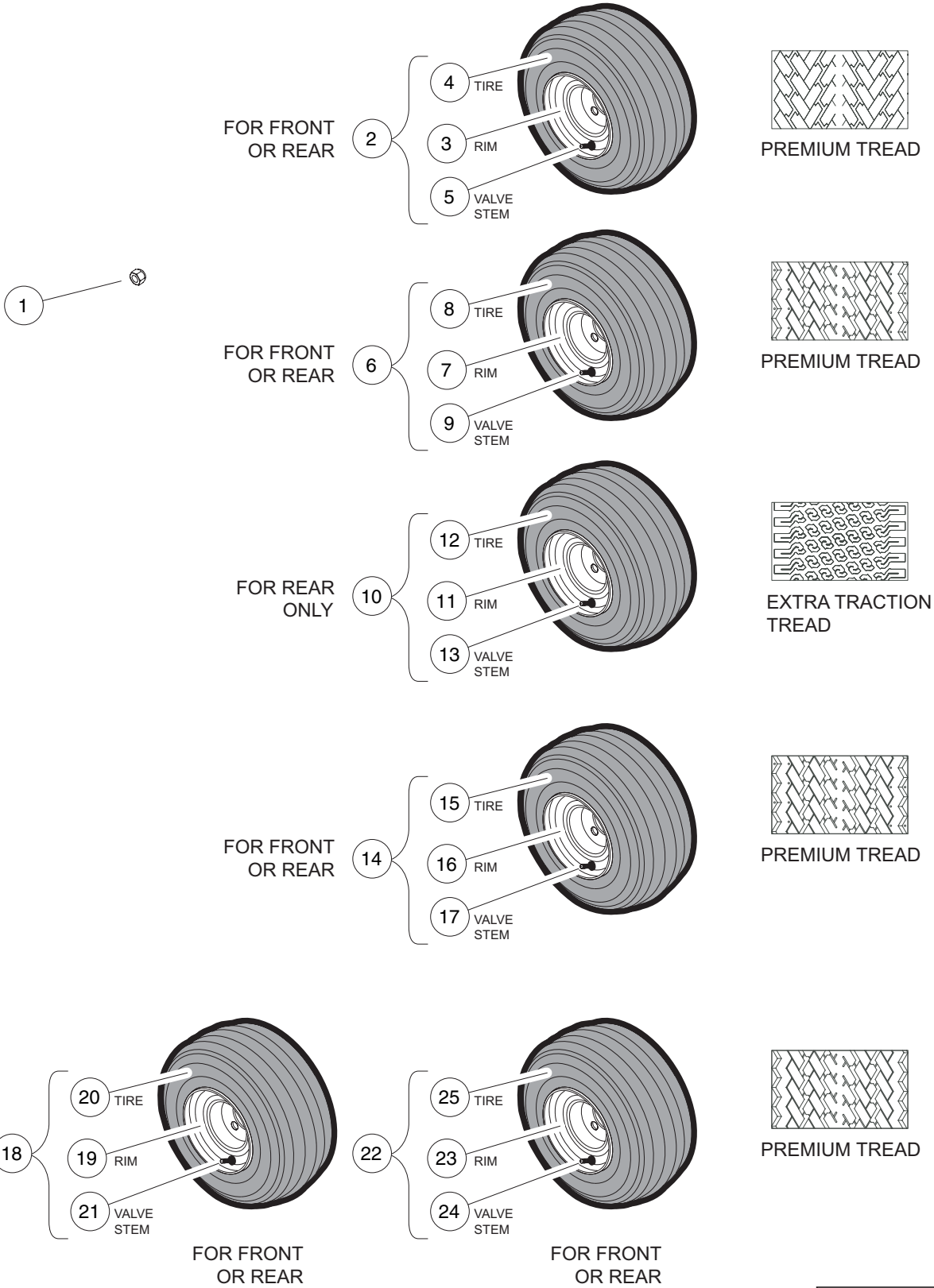
---

2

G

E

**2**  
**G**  
**E**



000269-001

# WHEELS AND TIRES

ITEM	PART NO.	DESCRIPTION	QTY
		<b>1 2 3 4</b>	
1	<u>1010984</u>	.500-20 Unf Lug Nut .....	16
2	<u>101651402</u>	Tire/Wheel Asm, White, Premium Tread (includes items 3 through 5) .....	4
3	<u>1014771</u>	Wheel Rim, White .....	1
4	<u>101567202</u>	Tire, Unmounted, Links 18 x 8.50-8 .....	1
5	<u>7310</u>	Valve Stem .....	1
6	<u>101651406</u>	Tire/Wheel Asm, White, Premium Tread, 6-Ply (includes items 7 through 9) .....	4
7	<u>1014771</u>	Wheel Rim, White .....	1
8	<u>101737002</u>	Tire, Unmounted .....	1
9	<u>7310</u>	Valve Stem .....	1
10	<u>101651407</u>	Tire/Wheel Asm, White, Extra-Traction, 6-Ply (includes items 11 through 13) .....	2
11	<u>1014771</u>	Wheel Rim, White .....	1
12	<u>101769302</u>	Tire, Unmounted Xtrac 18 x 8.50-8 .....	1
13	<u>7310</u>	Valve Stem .....	1
14	<u>101651409</u>	Tire/Wheel Asm, White, Premium Tread, 6.5-inch (includes items 15 through 17) .....	4
15	<u>101884901</u>	Tire, Unmounted, Power Rib 18 x 6.50-8 .....	1
16	<u>101918401</u>	Wheel Rim, Beige .....	1
17	<u>7310</u>	Valve Stem .....	1
18	<u>101651412</u>	Tire/Wheel Asm, White, Duro Premium Tread (includes items 19 through 21) .....	4
19	<u>1014771</u>	Wheel Rim, White .....	1
20	<u>102569304</u>	Duro 18 X 8.5 X 8, 4-Ply .....	1
21	<u>7310</u>	Valve Stem .....	1
22	<u>101651413</u>	Tire/Wheel Asm, White, Kenda Premium Tread (includes items 23 through 25) .....	4
23	<u>1014771</u>	Wheel Rim, White .....	1
24	<u>7310</u>	Valve Stem .....	1
25	<u>AM10682</u>	Unmounted Prem Tire 18.5x8.5x8 .....	1

**2**  
**G**  
**E**

**2**

**G**

**E**



# DECALS

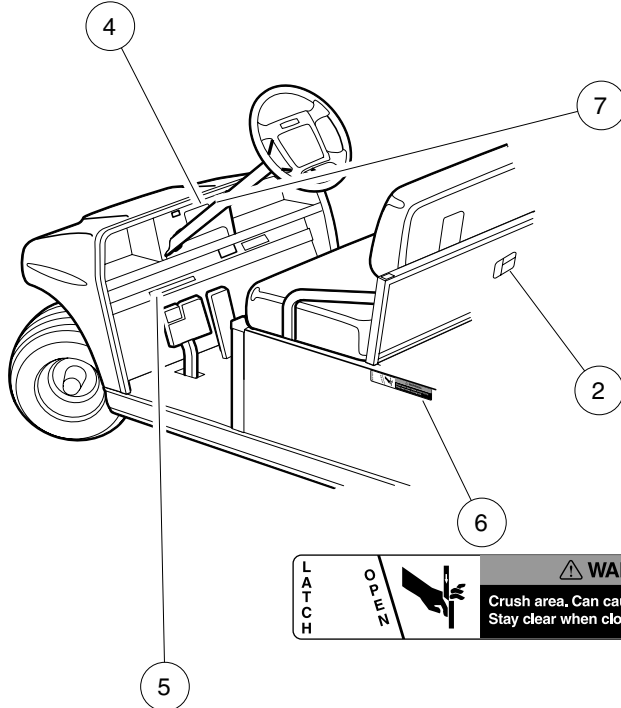
---

3

G

E

**OFF | ON**



**WARNING**

**ROLLOVER OR FALLING OFF MAY CAUSE DEATH.**

- Before using vehicle, read operating instructions.
- Remain seated and hold on to seat handle while moving.
- Do not start vehicle until all occupants are seated.
- Two (2) persons per seat maximum.
- Operate from driver side only and not on public roads.
- Keep entire body inside vehicle while moving.
- Drive slowly in turns and straight up and down slopes.
- Do not leave children unattended on vehicle.
- Never operate under the influence of alcohol or drugs.
- Use brakes to reduce speed when coasting downhill.
- Never stand in front of or behind vehicle.

CCI 103205401

**WARNING**

**Riding in cargo bed can cause severe injury or death. Do not ride in cargo bed.**

CCI 1015339-01

**LATCH** / **OPEN**

**WARNING**

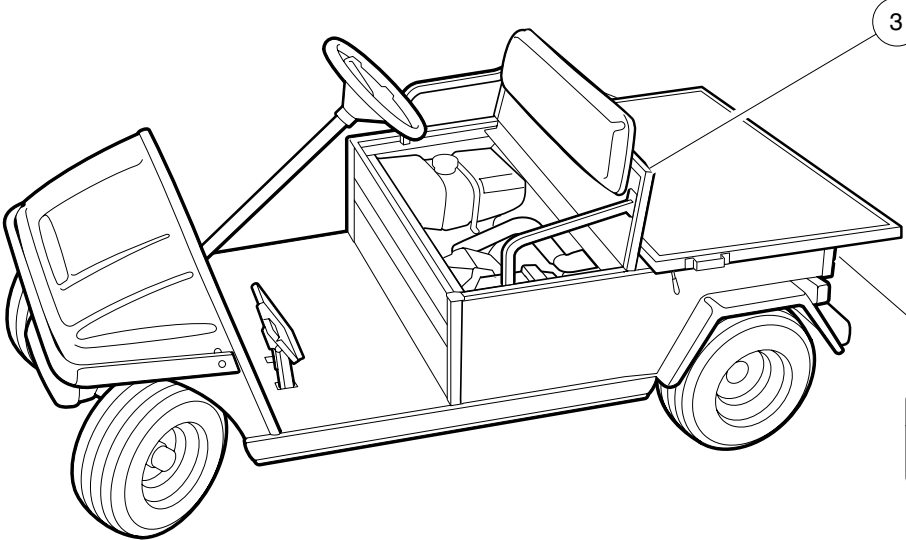
**Crush area. Can cause severe injury. Stay clear when closing bed.**

**VEHICLE LOADING**

Read owner's manual and warnings on dash.

- Vehicle rated capacity - 800 lb on level surface only. Weight to include passengers, cargo bed load, and gross trailer weight. See owner's manual.
- Maximum cargo load - 300 lb. Weight to include cargo bed load and gross trailer weight.
- Maximum trailer hitch tongue weight - 150 lbs.

- Cargo should be evenly spread over the floor of the cargo bed as far forward as possible and secured.
  - For vehicle stability, when fully loaded, drive slowly and avoid stopping on or backing down steep hills.
  - Avoid top heavy loads. See owner's manual.
  - When driving on uneven terrain or down steep hills, reduce speed and load.
- CCI 101960101



**WARNING**

**CRUSH AREA**

**STAY CLEAR**

CCI 1016094-01

**NOTICE**

**MAXIMUM TONGUE WEIGHT - 150 lb. (667 N)**

CCI 1011553

000270-002

# DECALS

ITEM	PART NO.	DESCRIPTION	QTY
		<b>1 2 3 4</b>	
1	<u>1011553</u>	Decal, Trailer Hitch .....	1
2	<u>101553901</u>	Decal, Bed Load Warning .....	1
3	<u>101609401</u>	Decal, Crush Area Warning .....	2
4	<u>101825101</u>	Decal, Off/On .....	1
5	<u>101960101</u>	Decal, Vehicle Loading .....	1
6	<u>102459301</u>	Decal, Bed Crush Area Warning .....	1
7	<u>103205401</u>	Decal, Warning, Rollover, Utl .....	1

**3**  
**G**  
**E**

### OPERATING INSTRUCTIONS

- Read owner's manual and dash-mounted safety warnings prior to driving.
- Study and understand controls.

**TO OPERATE**

- Turn wheels to desired direction and ensure path is clear.
- Turn key to ON position.
- While stopped, place Forward/Reverse switch in desired position:  
F=Forward N=Neutral R=Reverse (buzzer will sound)
- Park brake will release and vehicle will start moving when accelerator pedal is pressed.
- Slowly press accelerator pedal to increase speed.
- To stop, release accelerator pedal and press brake pedal.

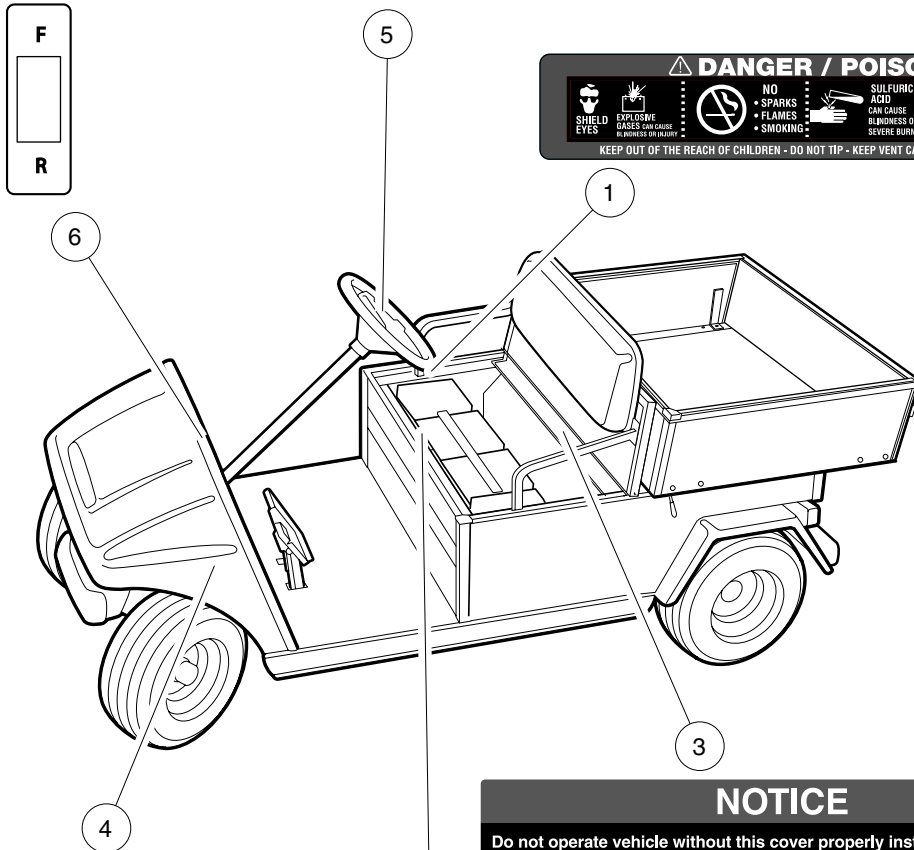
**BEFORE LEAVING**

- Press park brake pedal until it locks and holds vehicle.
- Place Forward/Reverse switch in NEUTRAL position.
- Turn key OFF and remove key when not in use.

**MOTOR BRAKING**

- Electric motor braking provides speed regulation functions.
- For parked vehicle, beeping alarm indicates vehicle roll away.
- In operation, beeping alarm indicates reduction in motor braking.
- Apply brakes to further reduce vehicle speed as required.
- System is activated only when tow switch is in the RUN position.
- When towing this vehicle, tow switch must be in the TOW position.

CCJ 102518001



**⚠ DANGER / POISON**

 <b>SHIELD EYES</b>	 <b>EXPLOSIVE GASES CAN CAUSE BLINDNESS OR INJURY</b>	 <b>NO SPARKS • FLAMES • SMOKING</b>	 <b>SULFURIC ACID CAN CAUSE BLINDNESS OR SEVERE BURNING</b>	 <b>FLUSH EYES IMMEDIATELY WITH WATER GET MEDICAL HELP FAST</b>
------------------------	--	---	--	--

KEEP OUT OF THE REACH OF CHILDREN - DO NOT TIP - KEEP VENT CAPS TIGHT AND LEVEL

**IMPORTANT NOTICE**

- Maximum vehicle speed is limited by motor braking during downhill operation with accelerator pedal depressed.
- If motor brake enabled, vehicle motor will brake when accelerator pedal is released.
- Beeping alarm indicates reduction in motor braking. Apply brakes to reduce speed.
- System is activated only when tow switch is in the "RUN" position.
- When towing vehicle, tow switch must be in the "TOW" position.

101929902

**NOTICE**

**Do not operate vehicle without this cover properly installed. Do not direct water stream in this area; will cause damage to components. See vehicle maintenance and service manual before servicing.**

CCJ 101931501

**⚠ WARNING TOW RUN**

Place Tow/Run switch in TOW position before:

- Disconnecting or connecting batteries
- Towing
- Extended storage
- Servicing

**FAILURE TO HEED THIS WARNING COULD RESULT IN A BATTERY EXPLOSION OR SEVERE PERSONAL INJURY.**

CCJ 101908601

000272-002

# DECALS – ELECTRIC VEHICLES

ITEM	PART NO.	DESCRIPTION	QTY
		1 2 3 4	
1	<u>1013677</u>	Decal, Battery Danger .....	6
2	<u>101908601</u>	Decal, Tow/Run Switch Warning .....	1
3	<u>101931501</u>	Decal, Component Cover .....	1
4	<u>101959902</u>	Decal, IQ System Motor Braking .....	1
5	102518001	Decal, Operating Instr, Elec .....	1
6	<u>103210301</u>	Decal, Forward/Reverse, Electric .....	1

3  
G  
E

### OPERATING INSTRUCTIONS

- Read owner's manual and safety warnings located on dash panel prior to driving.
- Study and understand controls.

**TO OPERATE**

- Turn wheels to desired direction and ensure path is clear.
- Turn key to ON position.
- While stopped, place shift lever in desired position:  
F – Forward N – Neutral R – Reverse (Buzzer will sound)
- Park brake will release and vehicle will start moving when accelerator pedal is pressed.
- Slowly press accelerator pedal to increase speed.
- To stop, release accelerator pedal and press brake pedal.

**BEFORE LEAVING**

- Press park brake pedal until it locks and holds vehicle.
- Place Forward/Reverse switch in NEUTRAL position.
- Turn key OFF and remove key when not in use.

CCI 102519201

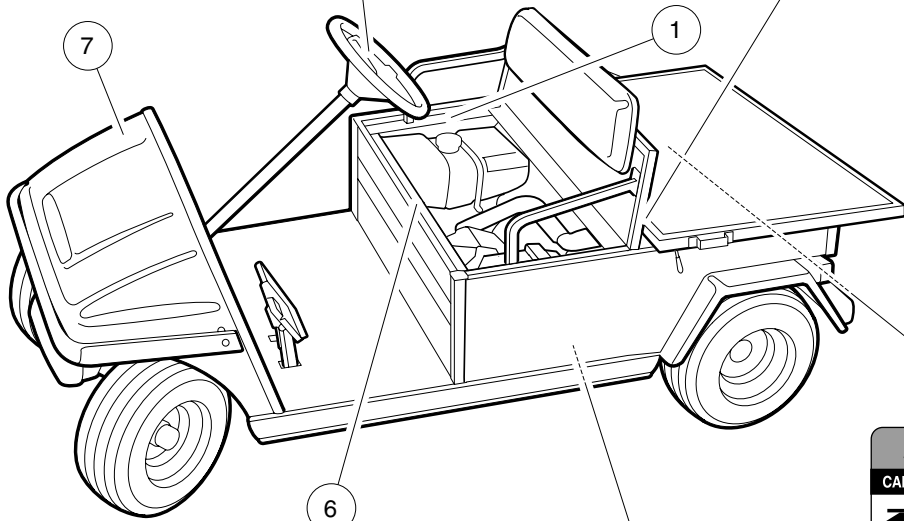


**WARNING**  
CAN CAUSE SEVERE BURNS  
Hot Surface  
CCI 102458901

**WARNING**  
**GASOLINE EXPLOSION / FIRE.**

- Can cause severe injury or death.
- No smoking, sparks, or open flame.
- Stop engine, allow to cool before refueling.
- Turn fuel valve (↔) on during operation. (↔) off during storage or transport.

CCI 101547601



Maintenance      Operate

**WARNING**

**VEHICLE MOVEMENT MAY CAUSE SERIOUS INJURY**  
When switch is in Maintenance position, chock wheels and firmly set park brake.

CCI 103205501

**WARNING**  
CAN CAUSE SEVERE INJURY

**Rotating parts**

**HOT manifold & muffler**

**KEEP CLEAR**

CCI 101960501

	<b>WARNING</b>		<b>WARNING</b>
	Negative frame ground. Can cause severe injury. Do not contact positive (+) battery post or cable to frame. Disconnect negative battery cable first.		Excessive speed can cause severe injury or death. Do not tamper with engine governor adjustment.
	CCI 101915201		

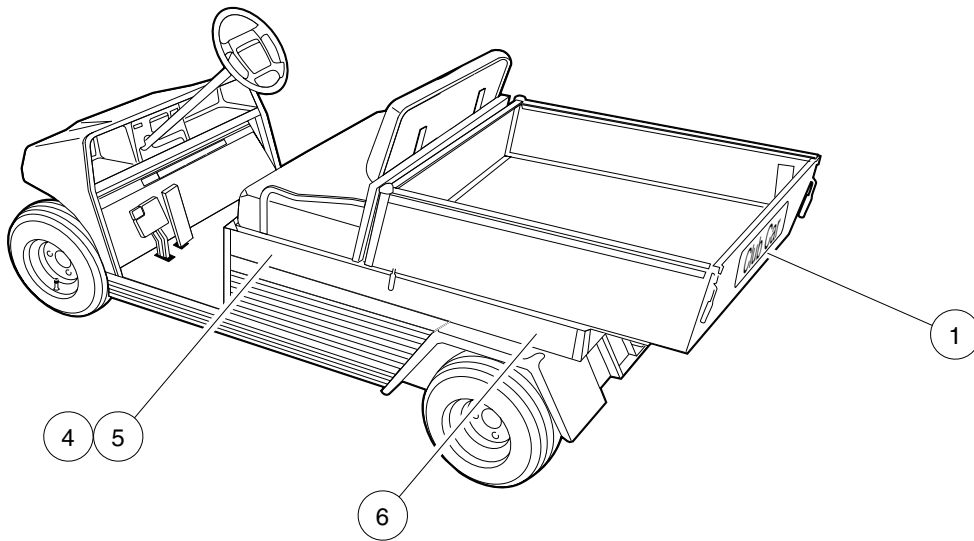
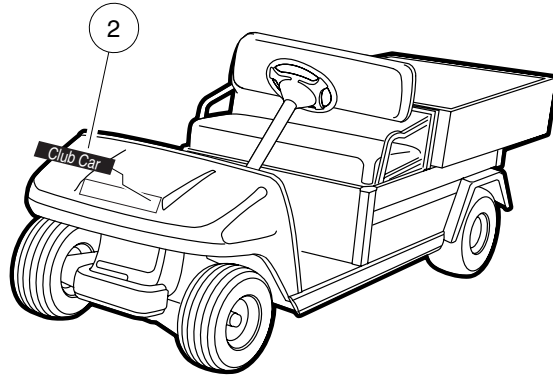
000273-002

# DECALS – GASOLINE VEHICLES

ITEM	PART NO.	DESCRIPTION	QTY
		1 2 3 4	
1	<u>101547601</u>	Decal, Gasoline Explosion/Fire Warning .....	1
2	<u>101915201</u>	Decal, Frame Ground and Governor Warning .....	1
3	<u>101960501</u>	Decal, Rotating Parts/Hot Manifold .....	2
4	<u>102458901</u>	Decal, Hot Surface Warning .....	2
5	<u>102519201</u>	Decal, Operating Instr, Gas .....	1
6	<u>103205501</u>	Decal, Run/Service Switch .....	1
7	<u>103210201</u>	Decal, Forward/Reverse, Gas .....	1

3  
G  
E

# LOGO DECALS



000287-003



# DECALS, LOGO

ITEM	PART NO.	DESCRIPTION	QTY
		<b>1 2 3 4</b>	
1	<u>1013317</u>	Decal, Logo, Tailgate .....	1
2	<u>101670201</u>	Nameplate Kit (silver) .....	1
3	<u>103234301</u>	Decal, Badge, IR .....	2
4	<u>103260001</u>	Decal Turf 1 Side Panel .....	2
5	<u>103260701</u>	Decal Ca 1 Side Panel .....	2
6	<u>103284001</u>	Decal Ca1 Black Bar .....	1

**3**  
**G**  
**E**

**3**

**G**

**E**

# **BRAKES, PEDALS, AND CABLE ASSEMBLIES**

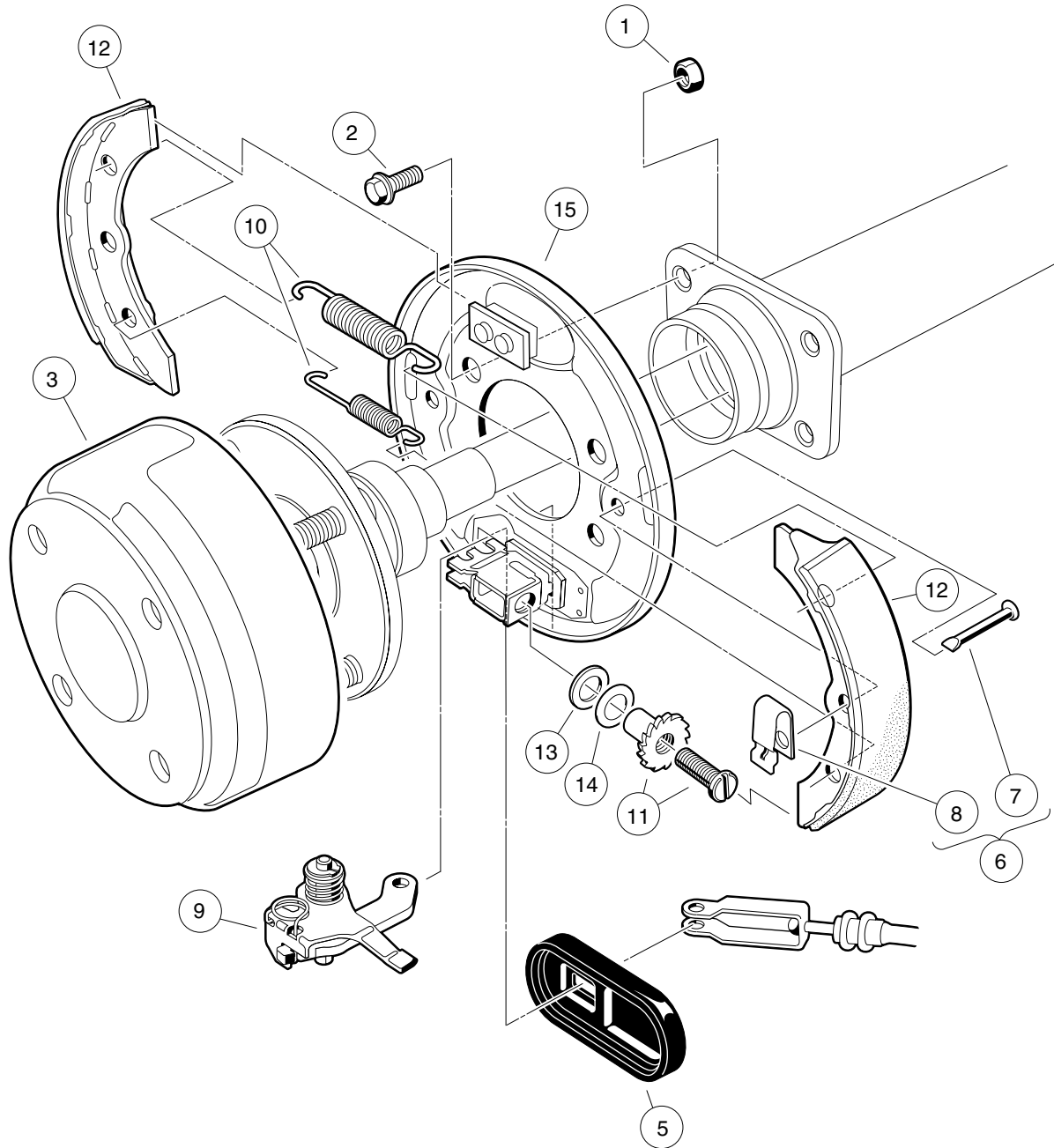
---

**4**

**G**

**E**

**4**  
**G**  
**E**



000186-001

# REAR BRAKE ASSEMBLY, SELF-ADJUSTING – VEHICLE WITH 2-WHEEL BRAKES

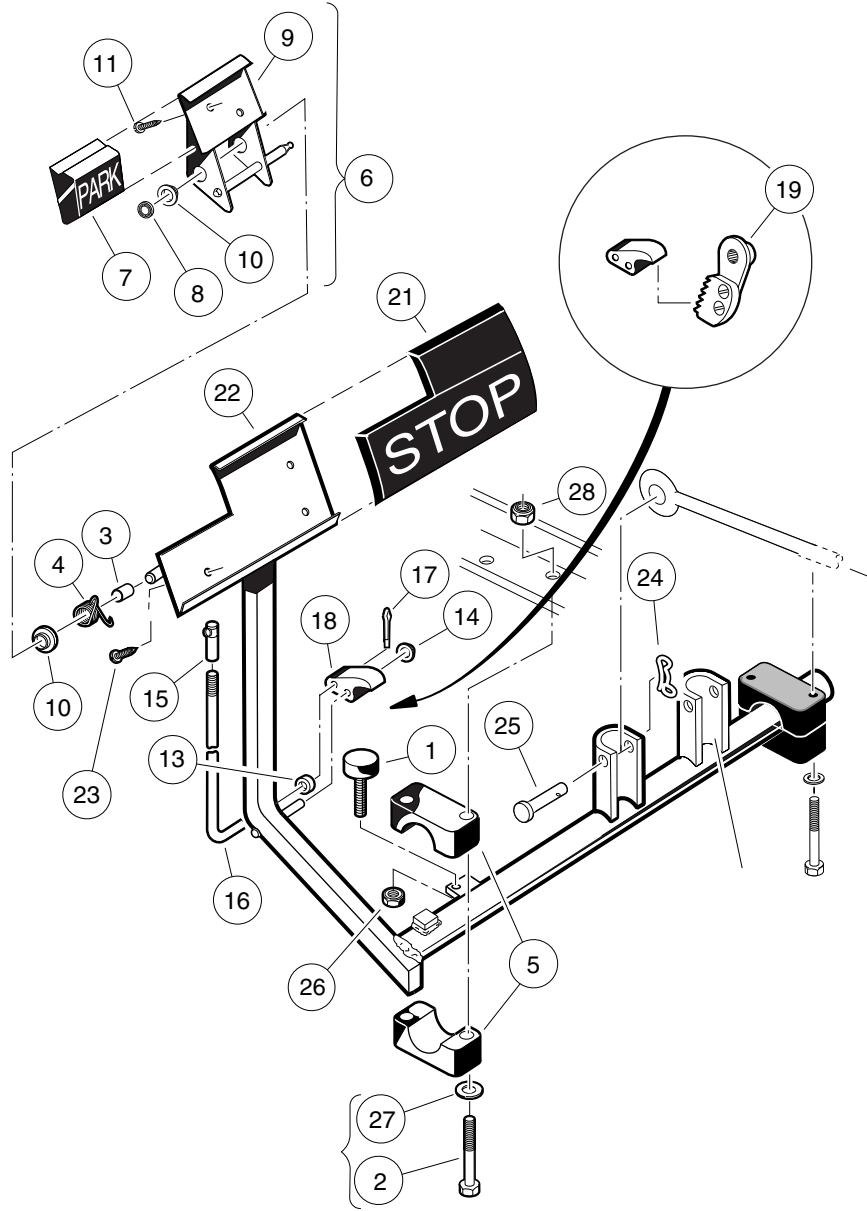
ITEM	PART NO.	DESCRIPTION	QTY
		1 2 3 4	
1	<u>1013924</u>	Nut, 5/16-24 Hex Head Cone .....	8
2	<u>1014153</u>	Bolt, Brake Cluster Mounting .....	8
3	<u>101791101</u>	Drum without Center Hole, Brake .....	2
4	<u>101823301</u>	Cluster Assembly, Right (Passenger) Brake (includes items 5 through 15) .....	1
5	<u>1010850</u>	Dust Cover .....	1
6	<u>1011466</u>	Kit, Shoe Retainer (includes items 7 and 8) .....	1
7	N/A	Pin .....	2
8	N/A	Shoe Clamp Spring .....	2
9	101815501	Lever Assembly, Self-Adjusting Brake, Right (Passenger) .....	1
10	<u>101816301</u>	Package, Brake Spring, Self-Adjusting .....	1
11	<u>101816501</u>	Adj Mechanism, S.A. Brakes, Right (Passenger) .....	1
12	<u>101823201</u>	Package, Brake Shoe, Self-Adjusting .....	1
13	<u>101823801</u>	Plate, Washer, Brake, Self-Adjusting .....	1
14	<u>101823901</u>	Washer, Brake, Self-Adjusting .....	1
15	<u>101824001</u>	Plate Assembly, Right Brake Backing .....	1
16	<u>101823302</u>	Cluster Assembly, Left Brake (includes items 17 through 27) .....	1
17	<u>1010850</u>	Dust Cover .....	1
18	<u>1011466</u>	Kit, Shoe Retainer (includes items 19 and 20) .....	1
19	N/A	Pin .....	2
20	N/A	Shoe Clamp Spring .....	2
21	101815502	Lever Assembly, Self-Adjusting Brake, Left .....	1
22	<u>101816301</u>	Package, Brake Spring, Self-Adjusting .....	1
23	<u>101816502</u>	Adjusting Mechanism, Self-Adjusting Brake, Left .....	1
24	<u>101823201</u>	Package, Brake Shoe, Self-Adjusting .....	1
25	<u>101823801</u>	Plate, Washer, Brake, Self-Adjusting .....	1
26	<u>101823901</u>	Washer, Brake, Self-Adjusting .....	1
27	<u>101824002</u>	Plate Assembly, Left Brake Backing .....	1
Note: Driver-side brake cluster not shown. Components have a similar appearance to passenger-side brake cluster components.			

4

G

E

**4**  
**G**  
**E**



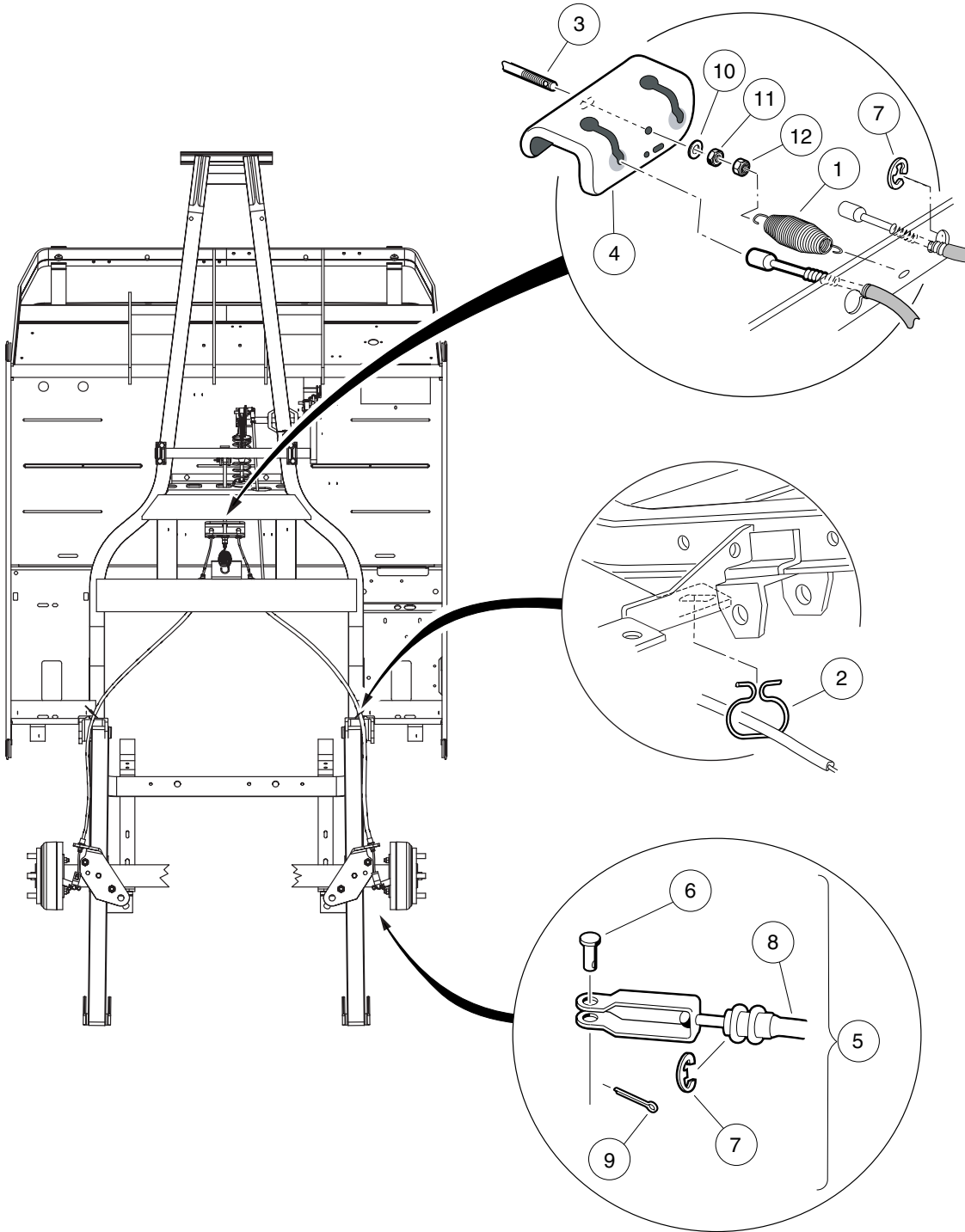
000187-001

# BRAKE PEDAL ASSEMBLY – VEHICLES WITH TWO-WHEEL BRAKES

ITEM	PART NO.	DESCRIPTION	QTY
		<b>1 2 3 4</b>	
1	<u>1010878</u>	Bumper, Rubber .....	1
2	<u>1010921</u>	Screw, 5/16-18 X 2.50 Hex Cap .....	4
3	<u>1010927</u>	Hill Brake Spacer .....	1
4	<u>1010933</u>	Spring, Hill Brake Torsion .....	1
5	<u>1011402</u>	Package, Brake Mounting Block .....	1
6	<u>1011418</u>	Kit, Hill Brake Pedal (includes items 7 through 11) .....	1
7	<u>1013870</u>	Pad, Hill Brake .....	1
8	<u>1013876</u>	Pushnut, 3/8 .....	1
9	N/A	Hill Brake Weld Assembly .....	1
10	<u>1032</u>	Bushing, Nylon .....	2
11	7716	Screw, #10-16 Type AB, Sheet Metal .....	2
12	<u>101187702</u>	Kit, Hill Brake Latch (includes items 13 through 19) .....	1
13	<u>1010805</u>	Sleeve, Hill Brake Rod .....	1
14	<u>1010877</u>	Pushnut, 3/8 .....	1
15	1010932	Ball Joint, 1/4-28 .....	1
16	N/A	Rod, Hill Brake .....	1
17	<u>1017029</u>	Pin, Cotter, 7/64 x 1/2 Stainless-Steel .....	1
18	N/A	Pawl, Hill Brake .....	1
19	N/A	Ratchet Assembly .....	1
20	<u>101878201</u>	Brake Pedal Kit (includes items 21 through 23) .....	1
21	<u>1013869</u>	Pad, Brake Pedal .....	1
22	N/A	Weldment, Brake Pedal 4wb Std .....	1
23	7716	Screw, #10-16 Type AB, Sheet Metal .....	3
24	<u>102323101</u>	Pin, Bow Tie Locking .....	1
25	<u>102323201</u>	Pin, 3/8 X 1-5/16 Clevis .....	1
26	<u>1028</u>	Nut, 1/4-20 Hex .....	1
27	<u>1241</u>	Washer, 5/16 Type A Flat .....	4
28	<u>7473</u>	Locknut, 5/16-18 Nylon Insert .....	4

**4**  
**G**  
**E**

**4**  
**G**  
**E**



000245-001

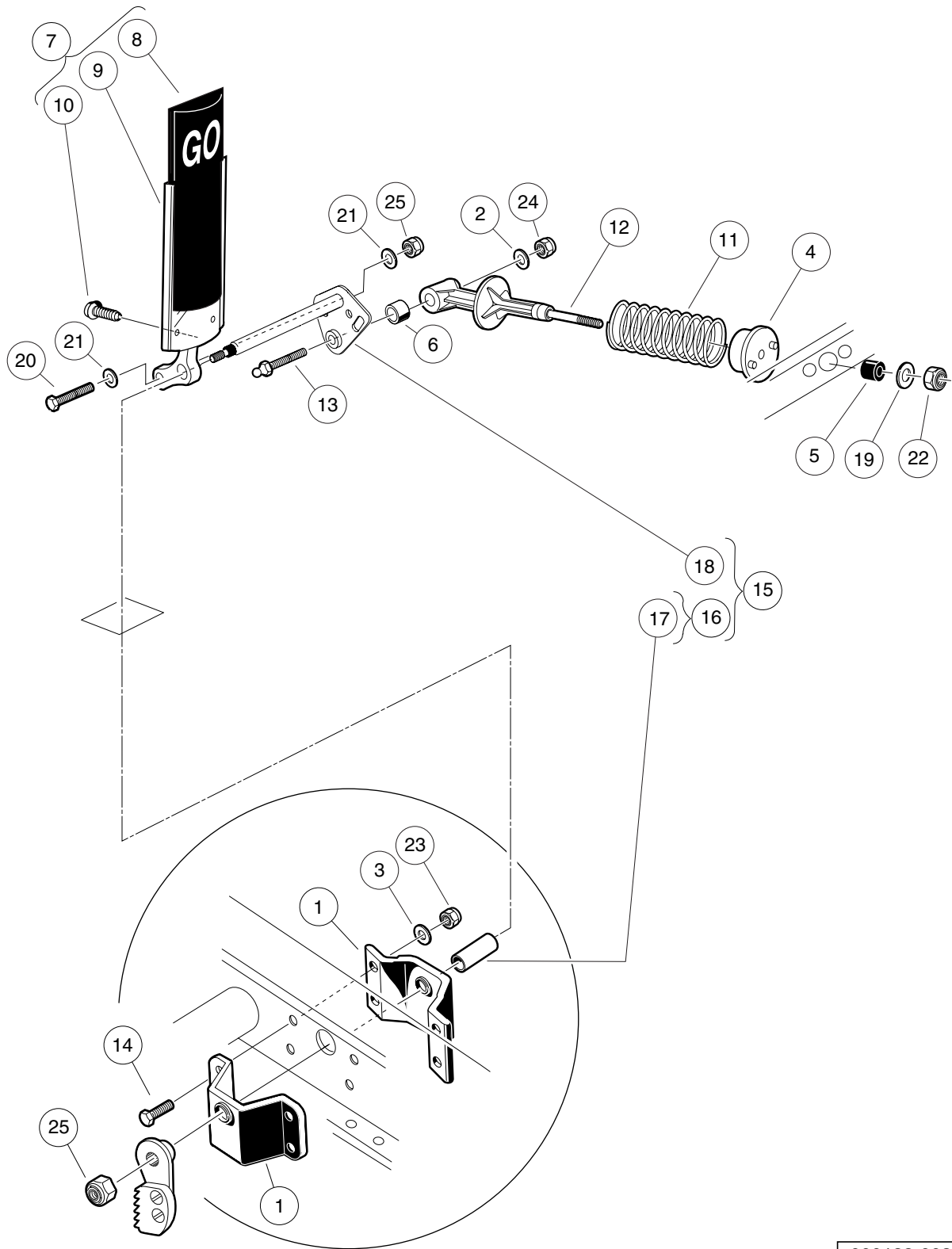


# BRAKE CABLES AND EQUALIZER

ITEM	PART NO.	DESCRIPTION	QTY
		1 2 3 4	
1	<u>1013531</u>	Spring, Brake Return .....	1
2	101900801	Hanger, Brake Cable .....	2
3	<u>101953101</u>	Rod, Equalizer .....	1
4	<u>101990801</u>	Equalizer Bracket .....	1
5	<u>102022101</u>	Brake Cable Kit (includes items 6 through 9) .....	2
6	<u>1010829</u>	Pin, Clevis, 5/16 X 3/4 .....	1
7	<u>1011779</u>	E-Clip, 1/2 .....	2
8	N/A	Cable, Brake .....	1
9	<u>1035</u>	Cotter Pin, 3/32 x 1 .....	1
10	<u>1241</u>	Washer, 5/16 Type A Flat .....	5
11	<u>1242</u>	Nut, 5/16-18 Hex .....	1
12	<u>7473</u>	Locknut, 5/16-18 Nylon Insert .....	5

**4**  
**G**  
**E**

**4**  
**G**  
**E**



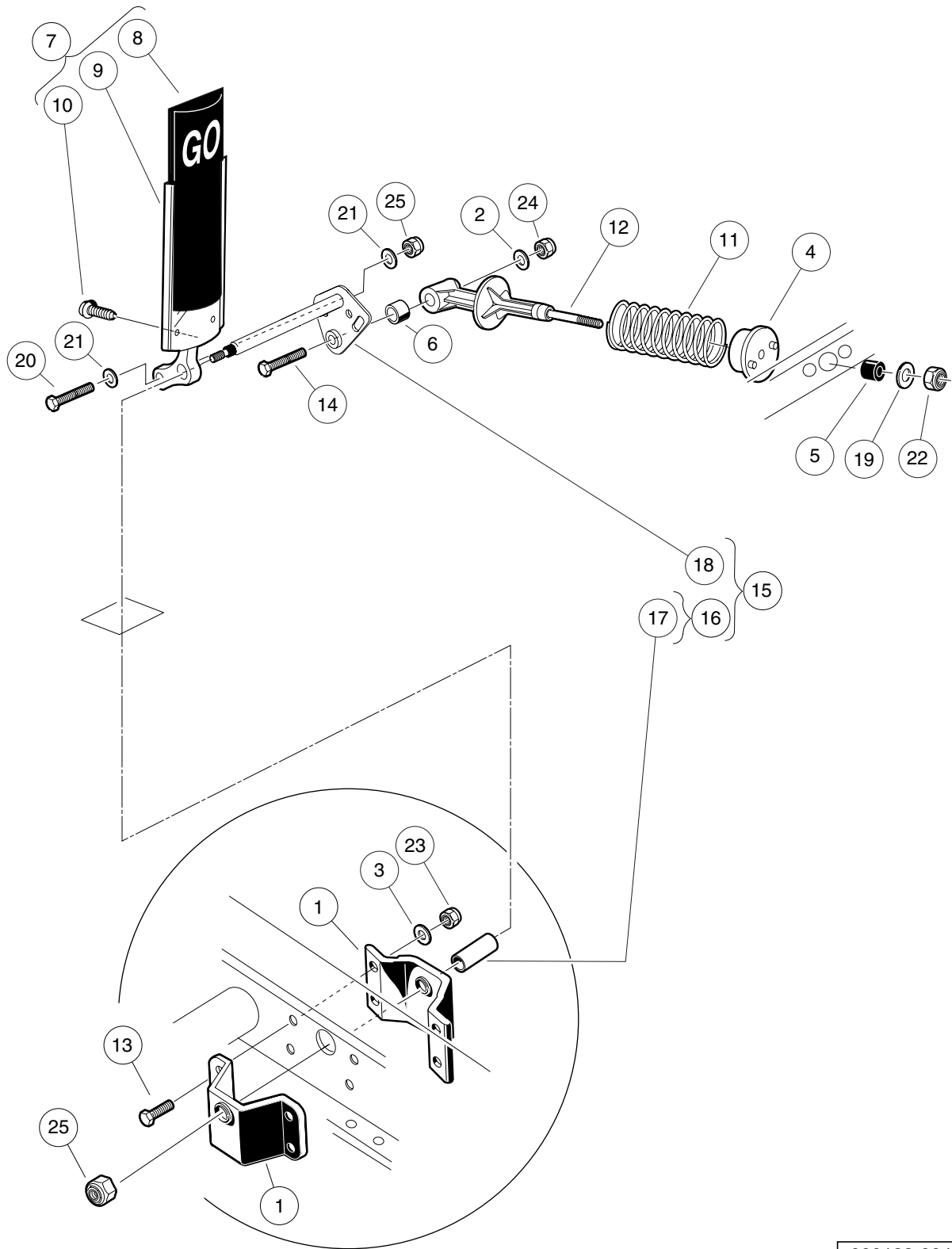
000188-003

## ACCELERATOR PEDAL ASSEMBLY – GASOLINE VEHICLE

ITEM	PART NO.	DESCRIPTION	QTY
		1 2 3 4	
1	<u>1011694</u>	Accelerator Bracket and Bearing Assembly .....	2
2	<u>1011931</u>	Washer, 1/4 Flat .....	1
3	<u>1014007</u>	Washer, 1/4 Flat .....	4
4	<u>1017378</u>	Cup, Spring .....	1
5	<u>1017380</u>	Bumper, Spring Return .....	1
6	<u>1017424</u>	Bearing, Pivot Support .....	1
7	<u>1017696</u>	Sub Asm, Accelerator Pedal (includes items 8 through 10) .....	1
8	1013871	Pad, Accelerator Pedal .....	1
9	N/A	Accelerator Pedal Weldment .....	1
10	7716	Screw, #10-16 Type AB, Sheet Metal .....	4
11	101796201	Spring, Accelerator Return .....	1
12	<u>101817401</u>	Retainer, Spring .....	1
13	101818801	Stud, 1/4-28 X 1.35 Ball .....	1
14	<u>101861901</u>	Screw, 1/4-20 X 1.125 Hex Cap .....	4
15	<u>102026001</u>	Kit, Accelerator Pivot Rod Assembly (includes items 16 through 18) .....	1
16	<u>1011700</u>	Spacer Assembly (includes item 17) .....	1
17	N/A	Spacer, Accelerator .....	1
18	N/A	Pivot Rod Weldment .....	1
19	<u>1241</u>	Washer, 5/16 Type A Flat .....	1
20	<u>1624</u>	Screw, 3/8-16 X 1.50 Hex-Head Cap .....	1
21	<u>334</u>	Washer, 3/8 Type A Flat .....	2
22	<u>7473</u>	Locknut, 5/16-18 Nylon Insert .....	1
23	<u>8233</u>	Locknut, 1/4-20 Nylon Insert .....	4
24	<u>8717</u>	Locknut, 1/4-28 Nylon Insert .....	1
25	<u>8754</u>	Locknut, 3/8-16 Hex .....	2

4  
G  
E

**4**  
**G**  
**E**



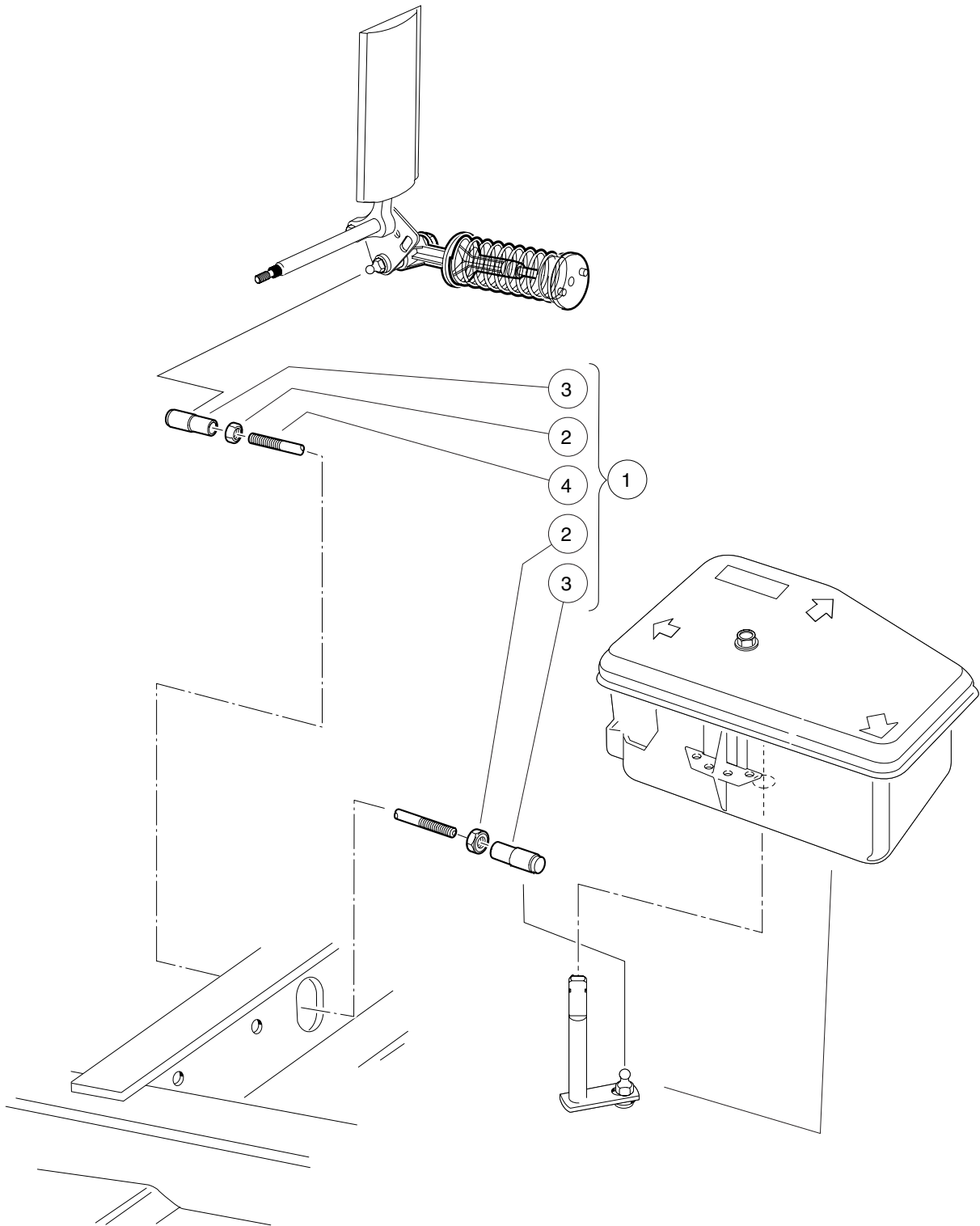
000188-004

# ACCELERATOR PEDAL ASSEMBLY – ELECTRIC VEHICLES WITH MCOR

ITEM	PART NO.	DESCRIPTION	QTY
		<b>1 2 3 4</b>	
1	<u>1011694</u>	Accelerator Bracket and Bearing Assembly .....	2
2	<u>1011931</u>	Washer, 1/4 Flat .....	1
3	<u>1014007</u>	Washer, 1/4 Flat .....	4
4	<u>1017378</u>	Cup, Spring .....	1
5	<u>1017380</u>	Bumper, Spring Return .....	1
6	<u>1017424</u>	Bearing, Pivot Support .....	1
7	<u>1017696</u>	Sub Asm, Accelerator Pedal (includes items 8 through 10) .....	1
8	1013871	Pad, Accelerator Pedal .....	1
9	N/A	Accelerator Pedal Weldment .....	1
10	7716	Screw, #10-16 Type AB, Sheet Metal .....	4
11	101796201	Spring, Accelerator Return .....	1
12	<u>101817401</u>	Retainer, Spring .....	1
13	<u>101861901</u>	Screw, 1/4-20 X 1.125 Hex Cap .....	4
14	<u>101862001</u>	Screw, 1/4-20 X 1.500 Flange .....	1
15	<u>102026001</u>	Kit, Accelerator Pivot Rod Assembly (includes items 16 through 18) .....	1
16	<u>1011700</u>	Spacer Assembly (includes item 17) .....	1
17	N/A	Spacer, Accelerator .....	1
18	N/A	Pivot Rod Weldment .....	1
19	<u>1241</u>	Washer, 5/16 Type A Flat .....	1
20	<u>1624</u>	Screw, 3/8-16 X 1.50 Hex-Head Cap .....	1
21	<u>334</u>	Washer, 3/8 Type A Flat .....	2
22	<u>7473</u>	Locknut, 5/16-18 Nylon Insert .....	1
23	<u>8233</u>	Locknut, 1/4-20 Nylon Insert .....	4
24	<u>8717</u>	Locknut, 1/4-28 Nylon Insert .....	1
25	<u>8754</u>	Locknut, 3/8-16 Hex .....	2

**4**  
**G**  
**E**

**4**  
**G**  
**E**



000362-001

## ACCELERATOR ROD – GASOLINE VEHICLES

ITEM	PART NO.	DESCRIPTION	QTY
		1 2 3 4	
1	101912401	Rod, Accelerator (includes items 2 through 4) .....	1
2	<u>1011084</u>	Nut, 1/4-28 Hex Jam .....	2
3	<u>1011734</u>	Joint, Ball .....	2
4	N/A	Accelerator Rod .....	1

4

G

E

**4**

**G**

**E**



# STEERING, FRONT AND REAR SUSPENSION

---

5

G

E

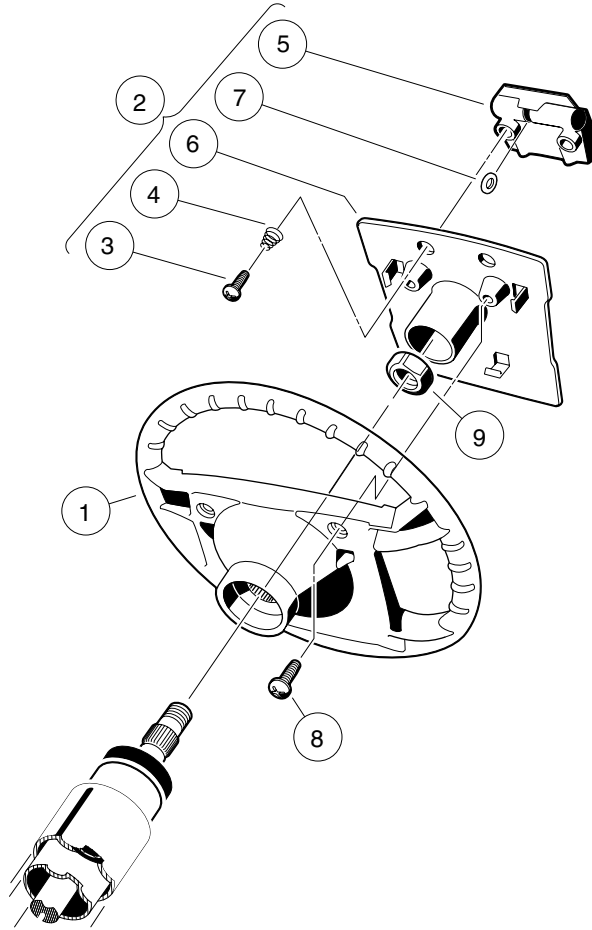


# STEERING COLUMN

ITEM	PART NO.	DESCRIPTION	QTY
		<b>1 2 3 4</b>	
1	<u>1011578</u>	Washer, 5/16 Type B Flat .....	1
2	<u>1011697</u>	Washer, 5/16 Flat .....	1
3	<u>1013861</u>	Intermediate Steering Shaft (includes items 4 and 5) .....	1
4	<u>1017226</u>	Bolt, Hex-Head, 8mm X 1.25 - 30 .....	3
5	<u>7174</u>	Lockwasher, 5/16 Split .....	3
6	<u>1014216</u>	Steering Column Rebuild Kit (includes items 7 through 15) .....	A/R
7	<u>1012466</u>	Dust Cover .....	1
8	<u>1012605</u>	Ring, 0.579 Internal Retaining .....	1
9	1014125	Wedge, Molded .....	2
10	<u>1014126</u>	Seat, Plastic Bearing .....	2
11	<u>1014211</u>	Seal, Bearing .....	1
12	<u>1014212</u>	Spacer, Shaft .....	1
13	<u>1014213</u>	Bearing, Ball .....	2
14	1014214	Ring, Retaining .....	1
15	<u>1014217</u>	Spring, Steering Shaft .....	1
16	<u>1014288</u>	Screw, 5/16-18 X 0.75 Thread-Forming .....	1
17	<u>1016183</u>	Screw, 3/8-16 X 7.00 Hex Cap .....	2
18	<u>1016269</u>	Screw, 5/16-18 Thrd Forming .....	2
19	<u>1017313</u>	Steering Shaft Assembly (includes items 20 through 28) .....	1
20	<u>1012604</u>	Washer, 0.675 ID X 1.19 OD .....	1
21	<u>1012605</u>	Ring, 0.579 Internal Retaining .....	1
22	1014125	Wedge, Molded .....	2
23	<u>1014126</u>	Seat, Plastic Bearing .....	2
24	<u>1014213</u>	Bearing, Ball .....	2
25	1014214	Ring, Retaining .....	1
26	<u>1014217</u>	Spring, Steering Shaft .....	1
27	<u>1017314</u>	Column, Aluminum Steering .....	1
28	<u>1017315</u>	Shaft Steering Column .....	1
29	<u>1017317</u>	Tube Cover, Steering Column .....	1
30	101984801	Kit, Steering Column Mounting Bracket (includes items 31 and 32) .....	1
31	N/A	Bracket, RH Steering Column Mount .....	1
32	N/A	Bracket, LH Steering column mount .....	1
33	<u>102278001</u>	Boot, Steering Column Round .....	1
34	<u>334</u>	Washer, 3/8 Type A Flat .....	4
35	<u>8754</u>	Locknut, 3/8-16 Hex .....	2
		Note: Item 6 is not illustrated.	

**5**  
**G**  
**E**

**5**  
**G**  
**E**

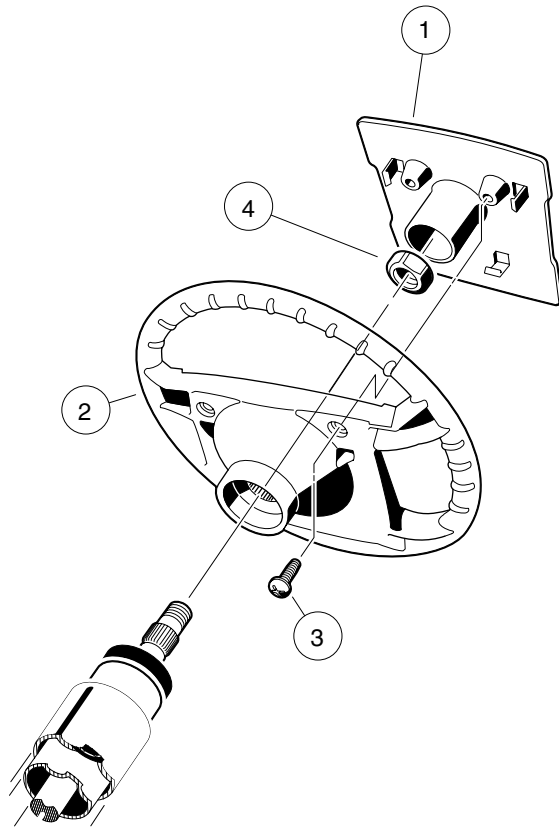


000246-002

# STEERING WHEEL – TURF 1

ITEM	PART NO.	DESCRIPTION	QTY
		<b>1 2 3 4</b>	
1	<u>1016156</u>	Wheel, Steering .....	1
2	1016219	Plate, Scorecard (includes items 3 through 7) .....	1
3	<u>1012565</u>	Screw, #12 Phillips Round Head .....	2
4	<u>1012566</u>	Tapered Compression Spring .....	2
5	1016154	Clip, Scorecard .....	1
6	N/A	Plate, Score Card .....	1
7	<u>1016214</u>	Pencil Grip .....	1
8	<u>1016663</u>	Screw, #12-14 X 0.625 .....	2
9	<u>1017273</u>	Nut, 5/8-18 Nylon Insert Jam .....	1

5  
G  
E



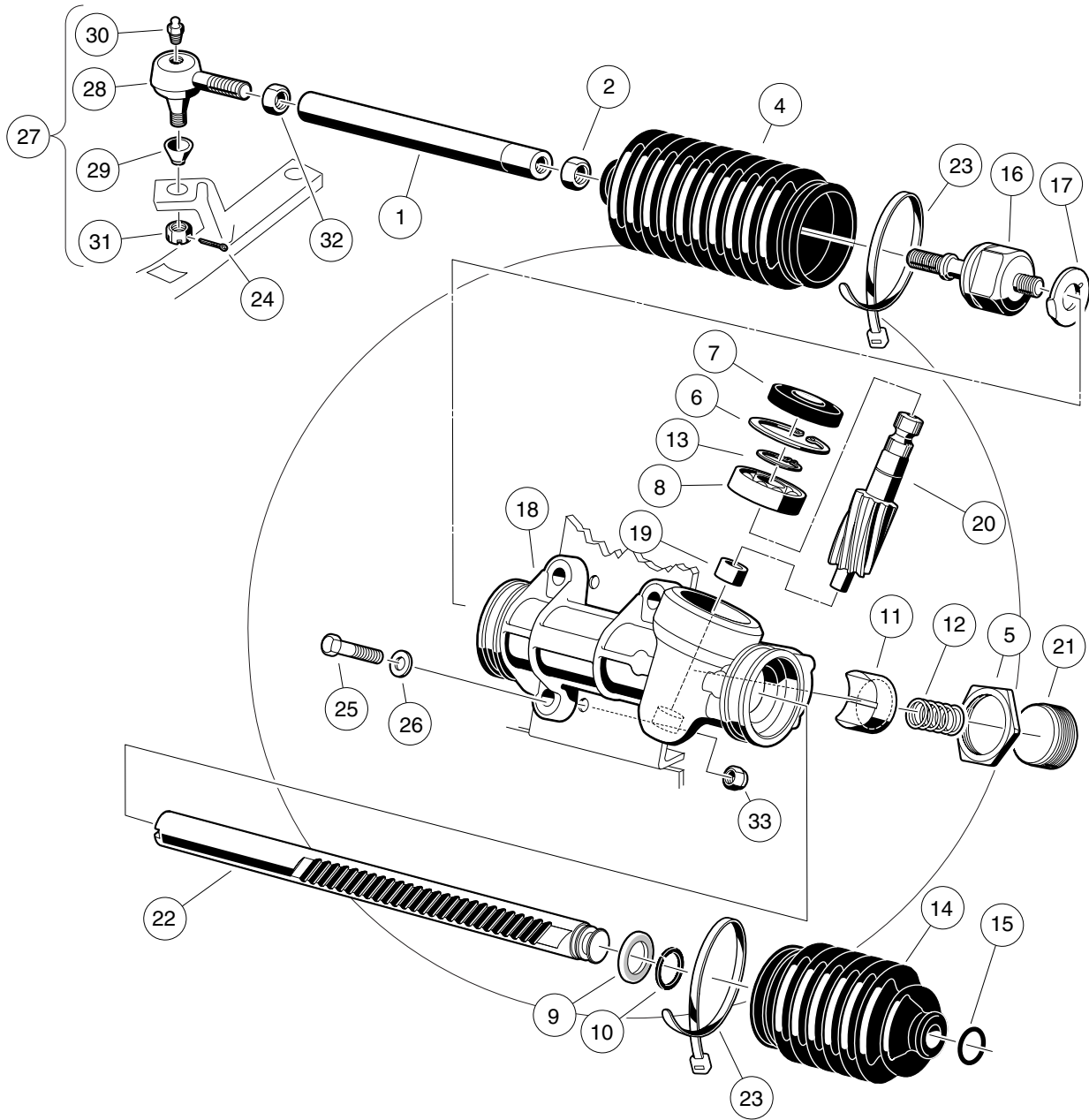
000246-003

# STEERING WHEEL – CARRYALL 1

ITEM	PART NO.	DESCRIPTION	QTY
		1 2 3 4	
1	<u>101615504</u>	Plate, Scorecard .....	1
2	<u>1016156</u>	Wheel, Steering .....	1
3	<u>1016663</u>	Screw, #12-14 X 0.625 .....	2
4	<u>1017273</u>	Nut, 5/8-18 Nylon Insert Jam .....	1

5  
G  
E

**5**  
**G**  
**E**



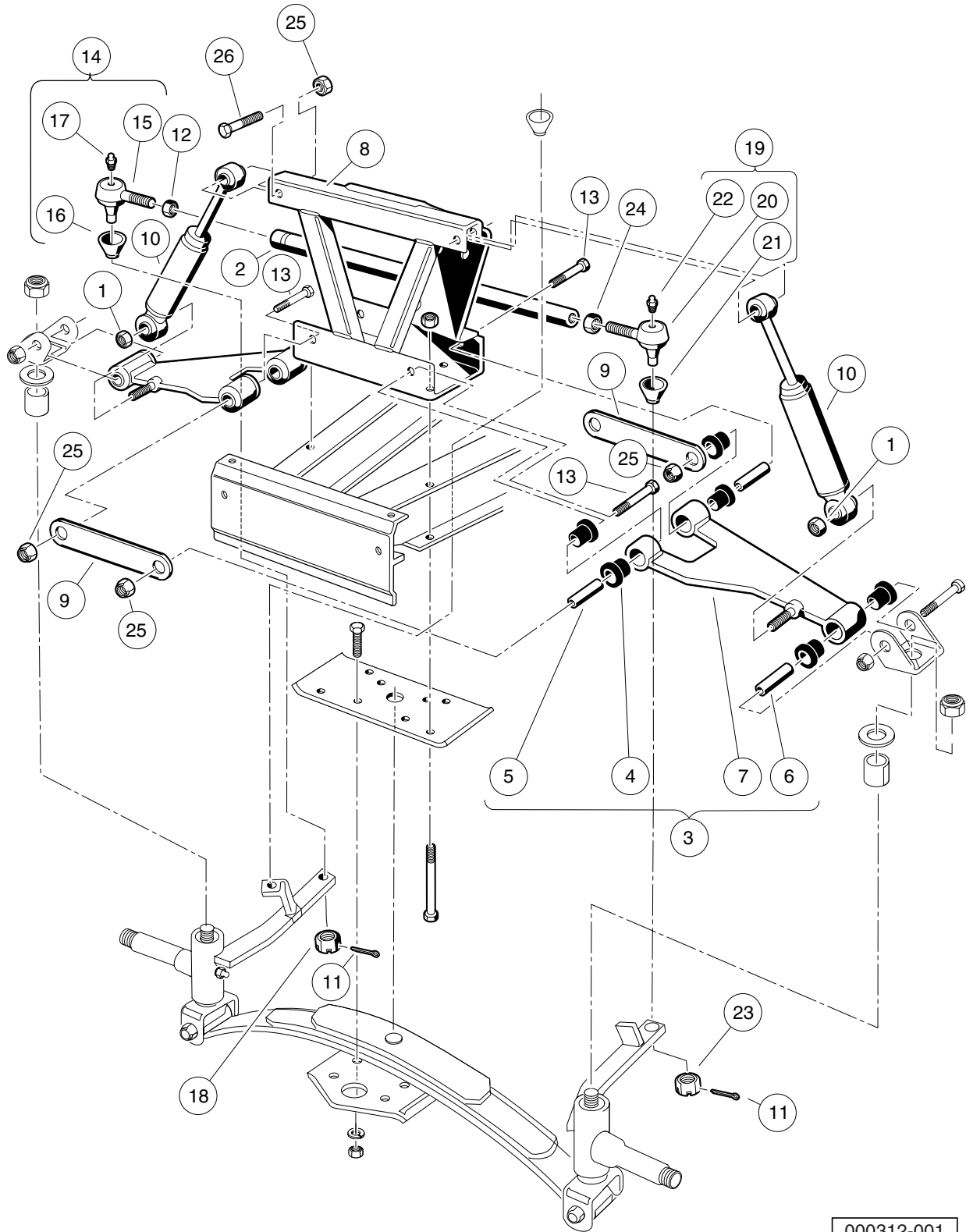
000189-001



# STEERING GEAR ASSEMBLY

ITEM	PART NO.	DESCRIPTION	QTY	<b>5</b>
		<b>1 2 3 4</b>		<b>G</b>
1	<u>1012467</u>	Link, Rack and Pinion Drag .....	1	<b>E</b>
2	1013042	Nut, 12mm Hex .....	1	
3	<u>101878302</u>	Steering Gear Assembly (without yoke) (includes items 4 through 23) .....	1	
4	<u>1013035</u>	Bellows, Long .....	1	
5	<u>1013044</u>	Rack Screw Locknut .....	1	
6	1013051	Snap Ring .....	1	
7	<u>1013052</u>	Seal, Steering Pinion Dust .....	1	
8	<u>101879401</u>	Bearing, Ball .....	1	
9	<u>101879501</u>	Stop Washer .....	1	
10	101879601	Stop Ring, C-Type .....	1	
11	<u>101879701</u>	Support Yoke .....	1	
12	<u>101879801</u>	Rack Guide Pressure Spring .....	1	
13	<u>101879901</u>	Ring, Stop, C-Type .....	1	
14	<u>101880001</u>	Bellows, Short .....	1	
15	101880101	Dust Seal Retaining Ring .....	1	
16	<u>101880201</u>	Inner Ball Joint Asm .....	1	
17	101880301	Washer, Tab .....	1	
18	N/A	Box, Steering Gear .....	1	
19	N/A	Bearing, Lower Pinion .....	1	
20	N/A	Pinion, Steering .....	1	
21	N/A	Screw, Rack Guide .....	1	
22	N/A	Rack, Steering .....	1	
23	<u>8990</u>	Tie Wrap, 8" Nylon .....	2	
24	<u>1035</u>	Cotter Pin, 3/32 x 1 .....	1	
25	<u>1624</u>	Screw, 3/8-16 X 1.50 Hex-Head Cap .....	3	
26	<u>334</u>	Washer, 3/8 Type A Flat .....	3	
27	<u>7540</u>	Ball Joint, Left (includes items 28 through 31) .....	1	
28	N/A	Socket, LH Vertical .....	1	
29	<u>1011930</u>	Seal, Vertical Socket Dust .....	1	
30	<u>1015597</u>	Fitting, 1/4-28 Thread-Forming Grease .....	1	
31	7602	Nut, 3/8-24 UNF Hex .....	1	
32	<u>7555</u>	Nut, 1/2-20 Hex, Left-Hand Thread .....	1	
33	<u>8754</u>	Locknut, 3/8-16 Hex .....	3	

**5**  
**G**  
**E**



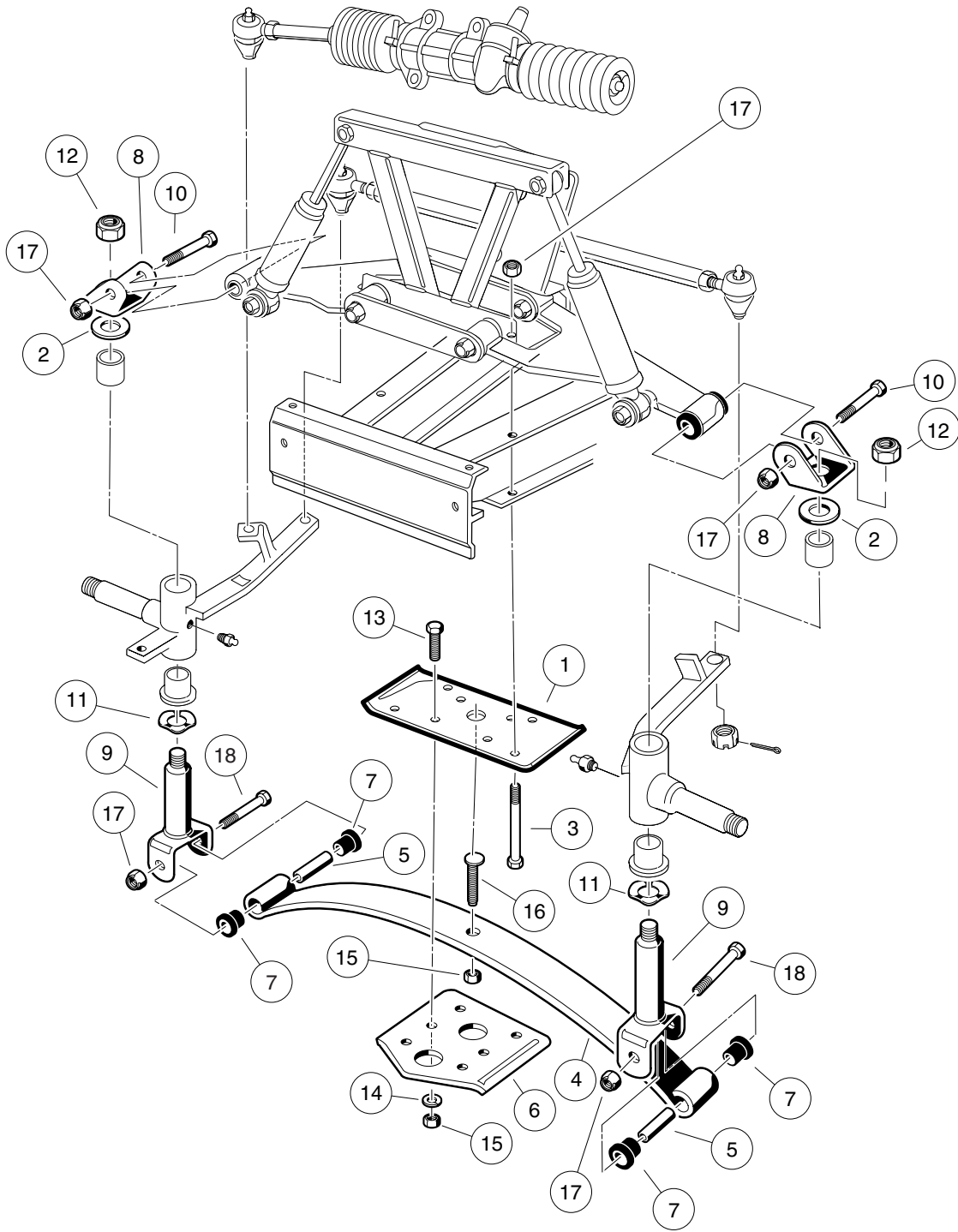
000312-001

## FRONT SUSPENSION, UPPER

ITEM	PART NO.	DESCRIPTION	QTY
		1 2 3 4	
1	<u>1010138</u>	Locknut, 3/8-16 Dimpled .....	2
2	<u>1010219</u>	Tie Rod .....	1
3	<u>1016353</u>	Sub-Assembly, Delta A-Plate (includes items 4 through 7) .....	2
4	<u>1016346</u>	Bushing, Urethane .....	6
5	<u>1016349</u>	Sleeve, Delta Inner .....	2
6	<u>1016350</u>	Sleeve, Delta Outer .....	1
7	N/A	Delta A-Plate .....	1
8	<u>1016385</u>	Delta Shock and Gear Support Assembly .....	1
9	<u>1017266</u>	A-Plate Strap .....	2
10	<u>103351001</u>	Shock Absorber, Front, Common .....	2
11	<u>1035</u>	Cotter Pin, 3/32 x 1 .....	2
12	<u>1308</u>	Nut, 1/2-20 Hex .....	1
13	<u>2402</u>	Screw, 3/8-16 X 2.25 Hx Hd Cap .....	4
14	<u>7539</u>	Ball Joint, Right-Hand (includes items 15 through 18) .....	1
15	N/A	Socket, RH Vertical .....	1
16	<u>1011930</u>	Seal, Vertical Socket Dust .....	1
17	<u>1015597</u>	Fitting, 1/4-28 Thread-Forming Grease .....	1
18	7602	Nut, 3/8-24 UNF Hex .....	1
19	<u>7540</u>	Ball Joint, Left (includes items 20 through 23) .....	1
20	N/A	Socket, LH Vertical .....	1
21	<u>1011930</u>	Seal, Vertical Socket Dust .....	1
22	<u>1015597</u>	Fitting, 1/4-28 Thread-Forming Grease .....	1
23	7602	Nut, 3/8-24 UNF Hex .....	1
24	<u>7555</u>	Nut, 1/2-20 Hex, Left-Hand Thread .....	1
25	<u>8754</u>	Locknut, 3/8-16 Hex .....	6
26	<u>8861</u>	Bolt, 3/8-16 X 1.75 Hex .....	2

5  
G  
E

**5**  
**G**  
**E**



000311-001

# FRONT SUSPENSION, LOWER

ITEM	PART NO.	DESCRIPTION	QTY
		1 2 3 4	
1	<u>1010124</u>	Plate, Spring Mount .....	1
2	<u>1010150</u>	Bearing, Thrust .....	2
3	<u>1010200</u>	Bolt, 3/8-16 X 4.25 Hex Head .....	4
4	<u>1012030</u>	Spring, Front Leaf .....	1
5	<u>1012303</u>	Bushing, Steel .....	2
6	<u>1014276</u>	Plate, Front Spring Retainer .....	1
7	<u>1015583</u>	Bushing, Urethane .....	4
8	<u>1016384</u>	Clevis, Delta Upper .....	2
9	<u>1016386</u>	King Pin Assembly .....	2
10	<u>1016387</u>	Screw, 3/8-16 X 2.75 Hx Hd Cap .....	2
11	<u>1016389</u>	Washer, 1.125 Od Wave .....	2
12	<u>101903101</u>	Locknut, 1/2-20 Nylon Insert .....	2
13	<u>1624</u>	Screw, 3/8-16 X 1.50 Hex-Head Cap .....	4
14	<u>357</u>	Washer, Lock, Hel Sp 3/8 Reg .....	4
15	<u>706</u>	Nut, Hex 3/8-16 .....	5
16	<u>8745</u>	Screw, Eccentric Adjustment .....	1
17	<u>8754</u>	Locknut, 3/8-16 Hex .....	8
18	<u>8755</u>	Screw, 3/8-16 X 3.375 Hex Cap .....	2

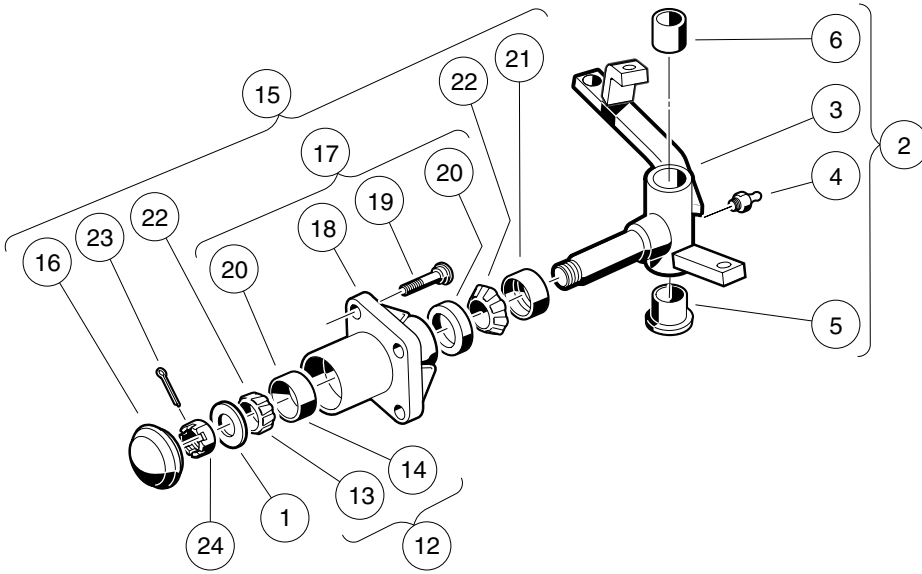
**5**  
**G**  
**E**

5

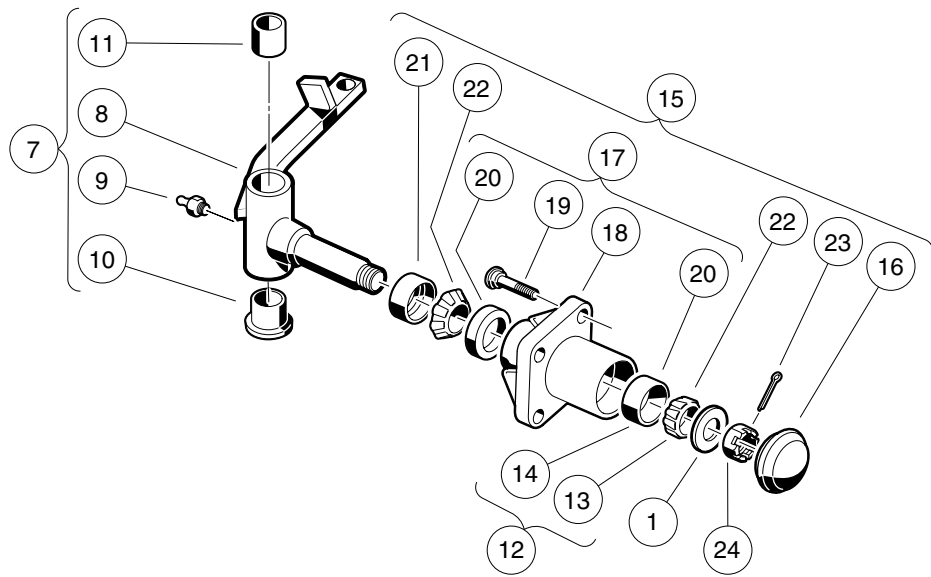
G

E

### PASSENGER SIDE



### DRIVER SIDE



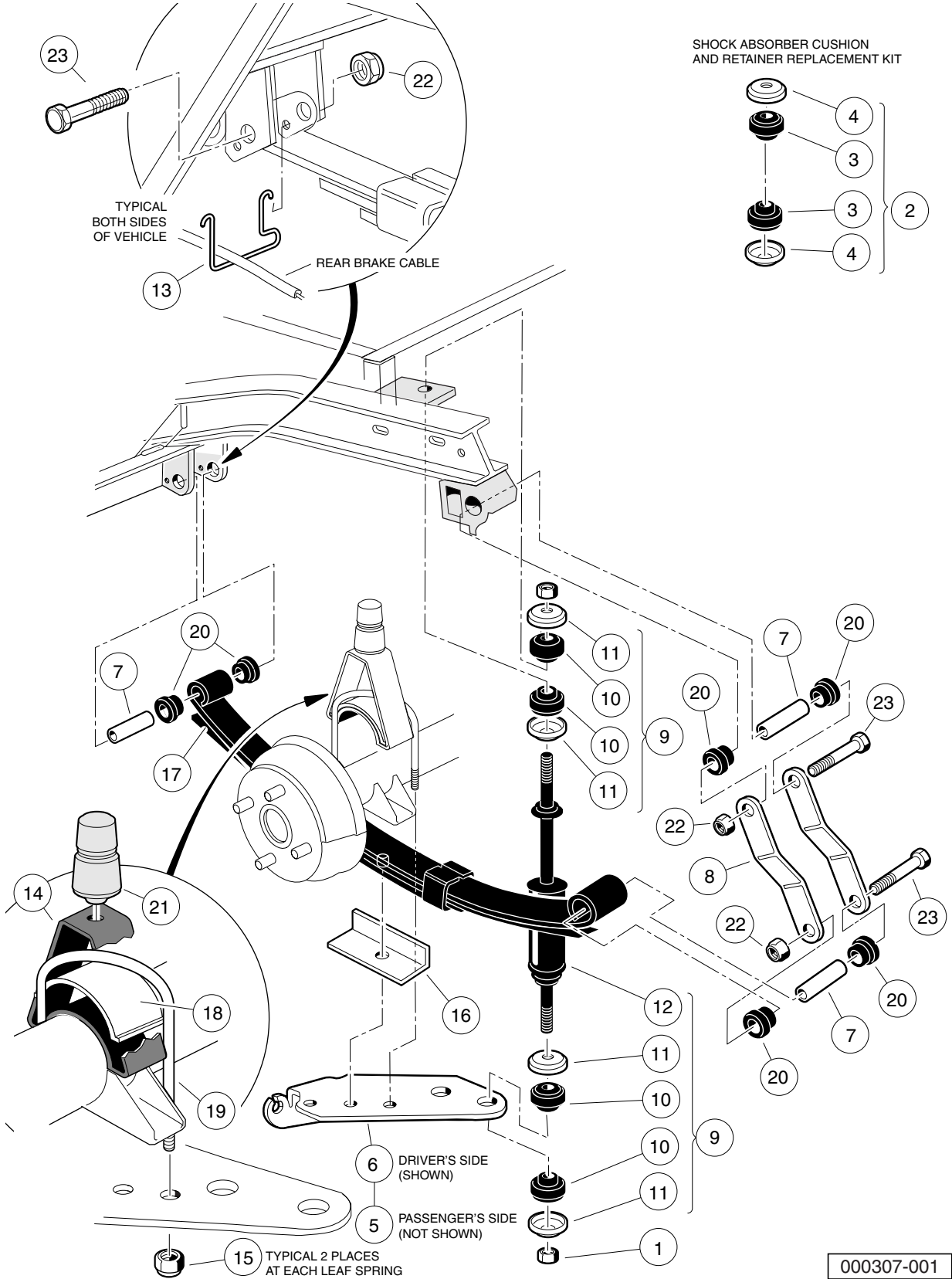
000310-001

# FRONT SPINDLES AND HUBS

ITEM	PART NO.	DESCRIPTION	QTY
		1 2 3 4	
1	<u>1010005</u>	Washer, 3/4 Flat .....	2
2	<u>1010347</u>	Spindle Assembly, Right (includes items 3 through 6) .....	1
3	N/A	Spindle Sub-Assembly, Right-Hand .....	1
4	<u>1015597</u>	Fitting, 1/4-28 Thread-Forming Grease .....	1
5	<u>7048</u>	Bushing, Flanged Bronze .....	1
6	<u>8067</u>	Bushing, Bronze Spindle .....	1
7	<u>1010348</u>	Spindle Assembly, Left (includes items 8 through 11) .....	1
8	N/A	Spindle Sub-Assembly, Left-Hand .....	1
9	<u>1015597</u>	Fitting, 1/4-28 Thread-Forming Grease .....	1
10	<u>7048</u>	Bushing, Flanged Bronze .....	1
11	<u>8067</u>	Bushing, Bronze Spindle .....	1
12	<u>1011393</u>	Hub Bearing Package (includes items 13 and 14) .....	4
13	N/A	Bearing, Front Hub Wheel .....	1
14	N/A	Race, Front Hub Bearing .....	1
15	<u>1011892</u>	Hub Assembly (includes items 16 through 23) .....	2
16	<u>1011887</u>	Dust Cover .....	1
17	N/A	Hub (includes items 18 through 20) .....	1
18	N/A	Front Hub .....	1
19	N/A	50-20 Lug Stud .....	4
20	N/A	Race, Front Hub Bearing .....	2
21	<u>1013135</u>	Seal, Double Lip .....	1
22	N/A	Bearing, Front Hub Wheel .....	2
23	<u>7910</u>	Pin, 5/32 X 1.00 Cotter .....	1
24	<u>7840</u>	Nut, 3/4-16 Hex Slotted .....	2

5  
G  
E

**5**  
**G**  
**E**



000307-001

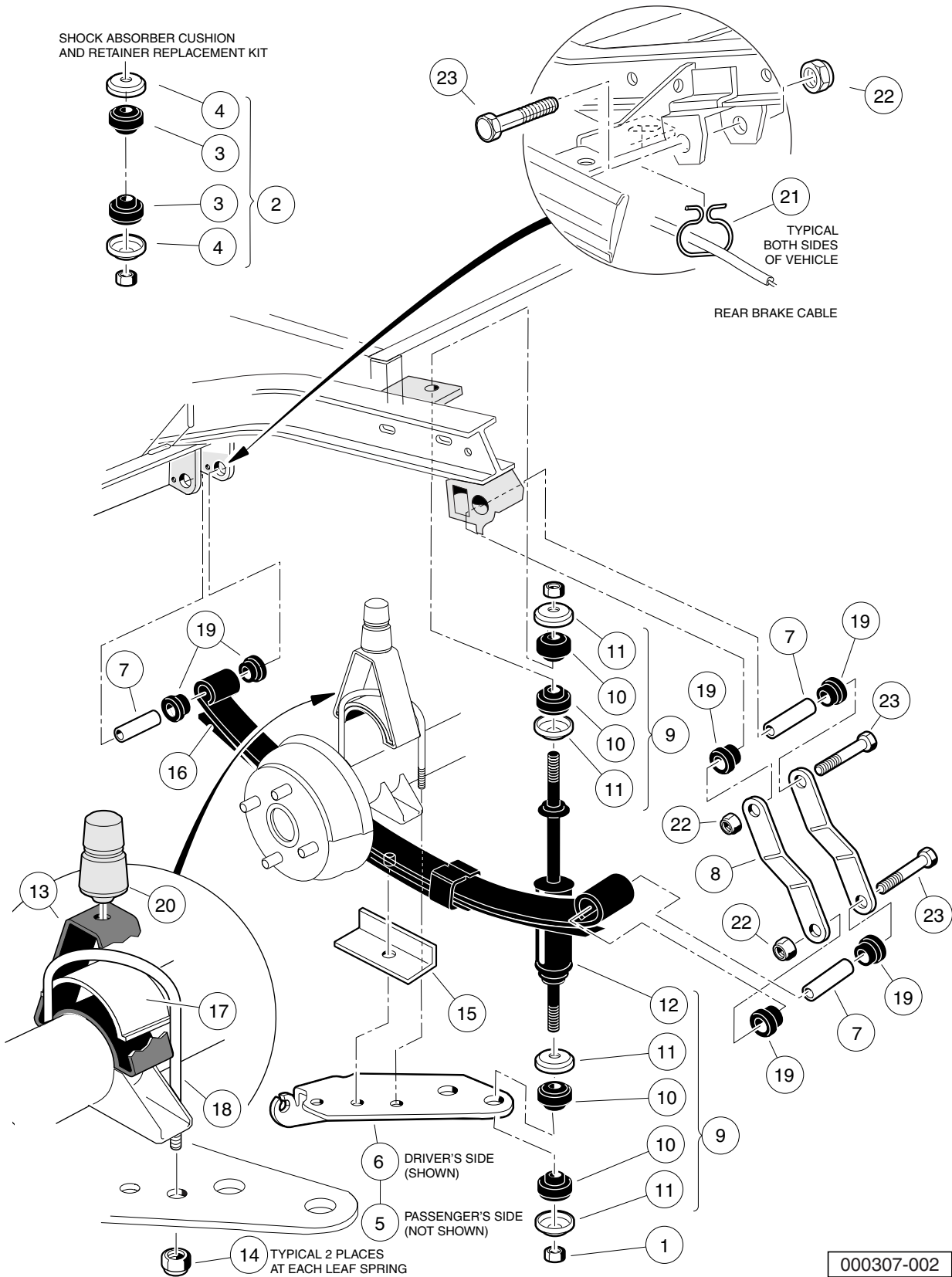


## REAR SUSPENSION COMPONENTS – ELECTRIC VEHICLES

ITEM	PART NO.	DESCRIPTION	QTY
		<b>1 2 3 4</b>	
1	<u>1010145</u>	Nut, 3/8-24 Hex .....	4
2	<u>1011415</u>	Kit, Shock Absorber Cushion (includes items 3 and 4) .....	4
3	N/A	Cushion, Shock Absorber .....	2
4	N/A	Retainer, Shock Absorber Cushion .....	2
5	1012181	Bracket, Shock Mounting, Right (Passenger) .....	1
6	1012182	Bracket, Shock Mounting, Left (Driver) .....	1
7	<u>1012303</u>	Bushing, Steel .....	6
8	<u>1012304</u>	Shackle, Rear Spring .....	4
9	<u>1013164</u>	Shock Absorber Kit (includes items 10 through 12) .....	1
10	N/A	Cushion, Shock Absorber .....	8
11	N/A	Retainer, Shock Absorber Cushion .....	8
12	<u>102588501</u>	Shock Absorber Rear Prv Spd .....	2
13	<u>1013207</u>	Hanger, Brake Cable .....	2
14	<u>101454902</u>	Bumper Mount, Angled .....	2
15	<u>1014555</u>	Locknut, 7/16-14 Nylon Insert .....	4
16	1014573	Spring Retainer .....	2
17	<u>1014675</u>	Rear Leaf Spring .....	2
18	<u>1014901</u>	Spacer, Overload Bumper .....	2
19	<u>1014902</u>	U-Bolt .....	2
20	<u>1015583</u>	Bushing, Urethane .....	12
21	<u>1017235</u>	Bumper, Jounce .....	2
22	<u>8754</u>	Locknut, 3/8-16 Hex .....	6
23	<u>8755</u>	Screw, 3/8-16 X 3.375 Hex Cap .....	6
<p>Note: Only the driver-side rear suspension is shown. Parts for the passenger-side rear suspension are identical except for the leaf spring/shock mounting plate.</p>			

**5**  
**G**  
**E**

**5**  
**G**  
**E**



## REAR SUSPENSION COMPONENTS – GASOLINE VEHICLES

ITEM	PART NO.	DESCRIPTION	QTY
		<b>1 2 3 4</b>	
1	<u>1010145</u>	Nut, 3/8-24 Hex .....	4
2	<u>1011415</u>	Kit, Shock Absorber Cushion (includes items 3 and 4) .....	4
3	N/A	Cushion, Shock Absorber .....	2
4	N/A	Retainer, Shock Absorber Cushion .....	2
5	1012181	Bracket, Shock Mounting, Right (Passenger) .....	1
6	1012182	Bracket, Shock Mounting, Left (Driver) .....	1
7	<u>1012303</u>	Bushing, Steel .....	6
8	<u>1012304</u>	Shackle, Rear Spring .....	4
9	<u>1013164</u>	Shock Absorber Kit (includes items 10 through 12) .....	1
10	N/A	Cushion, Shock Absorber .....	8
11	N/A	Retainer, Shock Absorber Cushion .....	8
12	<u>102588501</u>	Shock Absorber Rear Prv Spd .....	2
13	101454602	Bumper Mount .....	2
14	<u>1014555</u>	Locknut, 7/16-14 Nylon Insert .....	4
15	1014573	Spring Retainer .....	2
16	<u>1014675</u>	Rear Leaf Spring .....	2
17	<u>1014901</u>	Spacer, Overload Bumper .....	2
18	<u>1014902</u>	U-Bolt .....	2
19	<u>1015583</u>	Bushing, Urethane .....	12
20	<u>1017235</u>	Bumper, Jounce .....	2
21	101900801	Hanger, Brake Cable .....	2
22	<u>8754</u>	Locknut, 3/8-16 Hex .....	6
23	<u>8755</u>	Screw, 3/8-16 X 3.375 Hex Cap .....	6
<p>Note: Only the driver-side rear suspension is shown. Parts for the passenger-side rear suspension are identical except for the leaf spring/shock mounting plate.</p>			

**5**  
**G**  
**E**

**5**

**G**

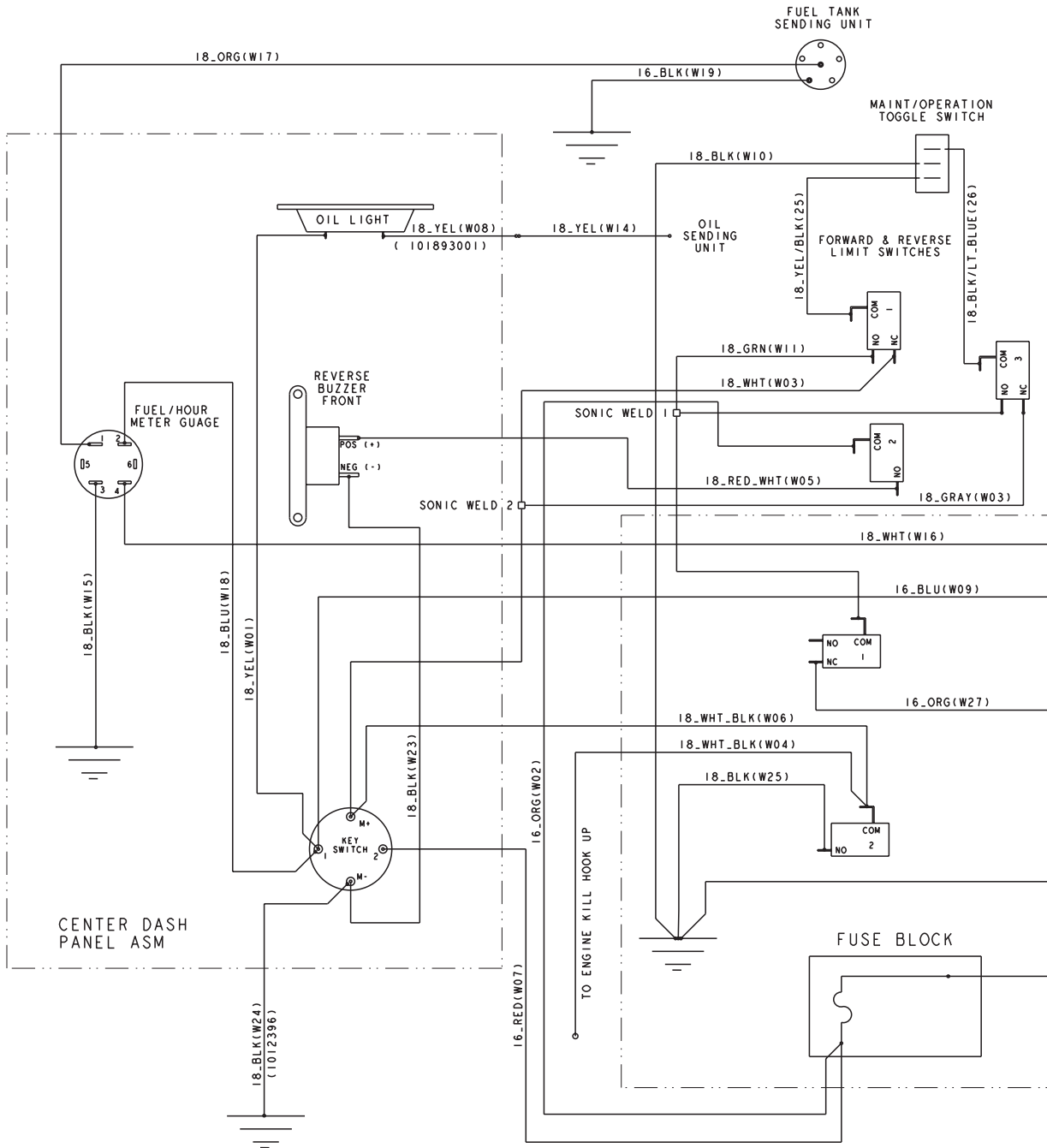
**E**

# ELECTRICAL SYSTEM – GASOLINE VEHICLE

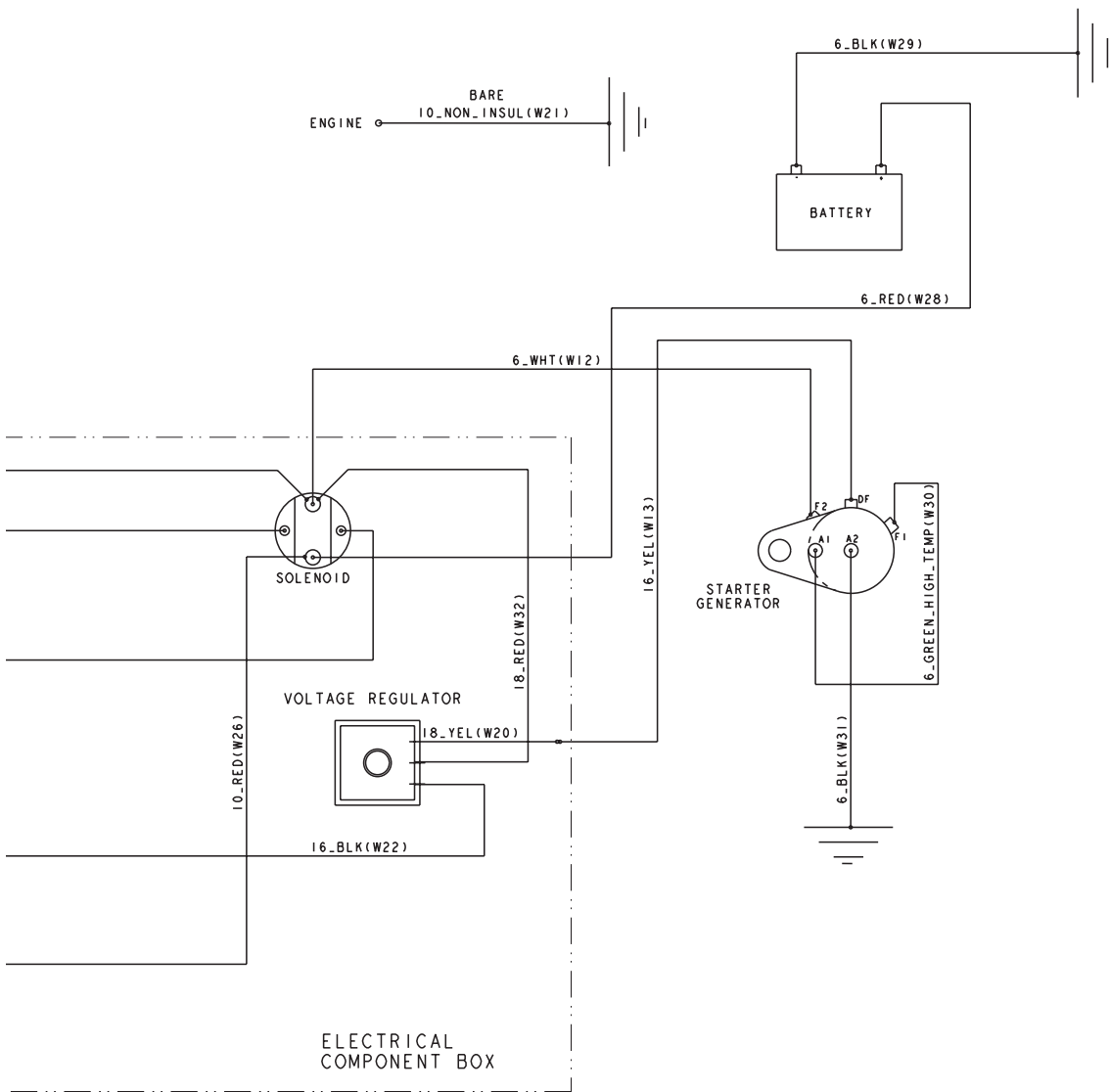
---

6

G



000604-001



000604-001

6

G

See previous two pages for illustration.

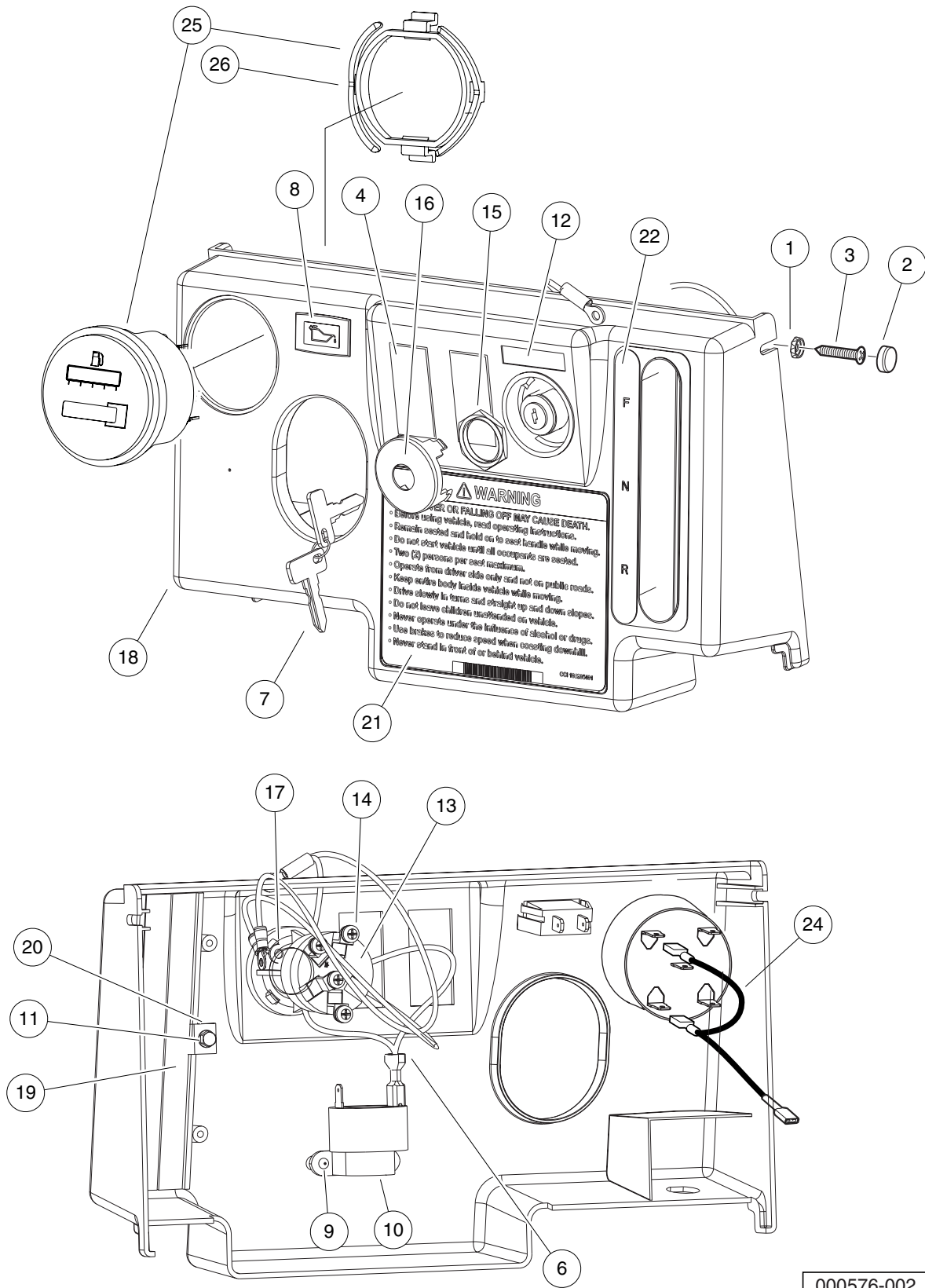


# WIRING

ITEM	PART NO.	DESCRIPTION	QTY
1	<u>103197001</u>	1 2 3 4 Asm, Wire Harness, CA 1, Gas .....	1

6

G



000576-002

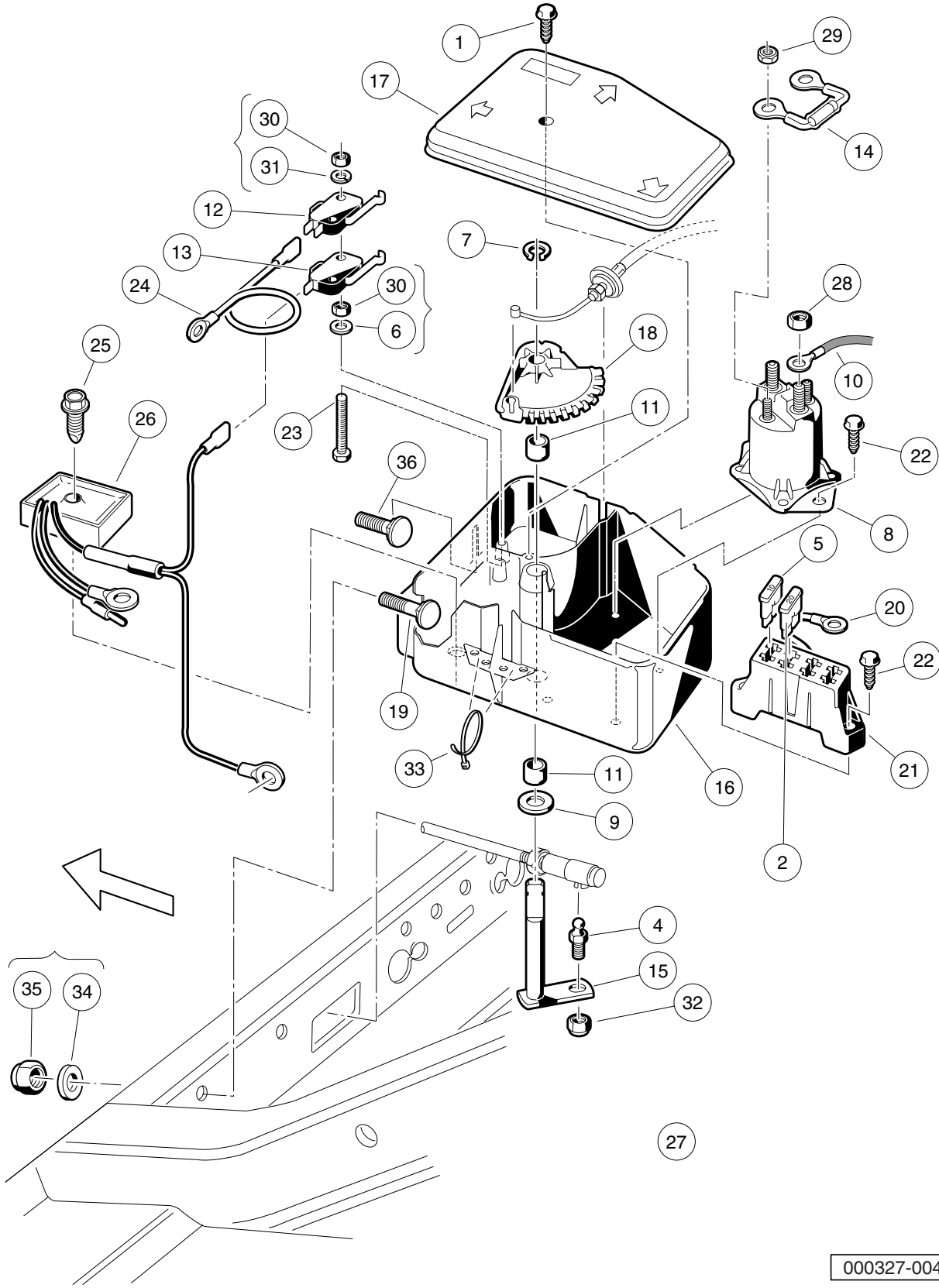
# INSTRUMENT PANEL AND ELECTRICAL COMPONENTS

ITEM	PART NO.	DESCRIPTION	QTY
		1 2 3 4	
1	N/A	Washer, #10 Pan-Head Screw .....	2
2	<u>1013494</u>	Cover, Screw Head .....	2
3	<u>1015528</u>	Screw, #10 x 1-1/4 Phillips Head .....	2
4	<u>103180101</u>	Cover, Hole, Switch, Rocker .....	2
5	N/A	Asm, Dash, Gas, Pedal-Start (Instrument Panel) (includes items 6 through 23) .....	1
6	N/A	Wire Assy #18 Black .....	1
7	<u>1012505</u>	Keys (set of 2) .....	1
8	<u>1016630</u>	Light, Oil .....	1
9	<u>1016849</u>	Screw, #4-24 X 0.33 Pan-Head Machine .....	2
10	<u>1016851</u>	Buzzer, Reverse (9-48 VDC) .....	1
11	<u>101804301</u>	Screw, #8 X 0.500, Hex-Head Hi-Lo .....	2
12	<u>101825101</u>	Decal, Off/On .....	1
13	<u>101826301</u>	Key Switch, 12-Volt, Off/On .....	1
14	101830601	Screw and Washer Assembly .....	4
15	<u>101830701</u>	Nut, Key Switch .....	1
16	<u>101834502</u>	Cap, Black Key Switch .....	1
17	<u>101851101</u>	Washer, Key Switch .....	1
18	<u>102977001</u>	Panel, Dash, Center, Gas (Instrument Panel) .....	1
19	<u>103199001</u>	Brush, Closeout, FNR .....	2
20	<u>103199101</u>	Washer, Retaining, Brush, FNR .....	2
21	<u>103205401</u>	Decal, Warning, Rollover, Utl .....	1
22	<u>103210201</u>	Decal, Forward/Reverse, Gas .....	1
23	<u>103390801</u>	Kit, F-h Replmnt Utl Pre2007 (includes items 24 through 27) .....	1
24	<u>103348501</u>	Asm Wire Meter F-h Jumper .....	1
25	<u>103348601</u>	Gauge, Fuel-hour,sep Gnd,utl (includes item 26) .....	1
26	<u>103348201</u>	Clip, Meter, Round .....	1
27	<u>103391001</u>	Instr, F-h Replmnt Pre2007 .....	1

**6**

**G**

**6**  
**G**



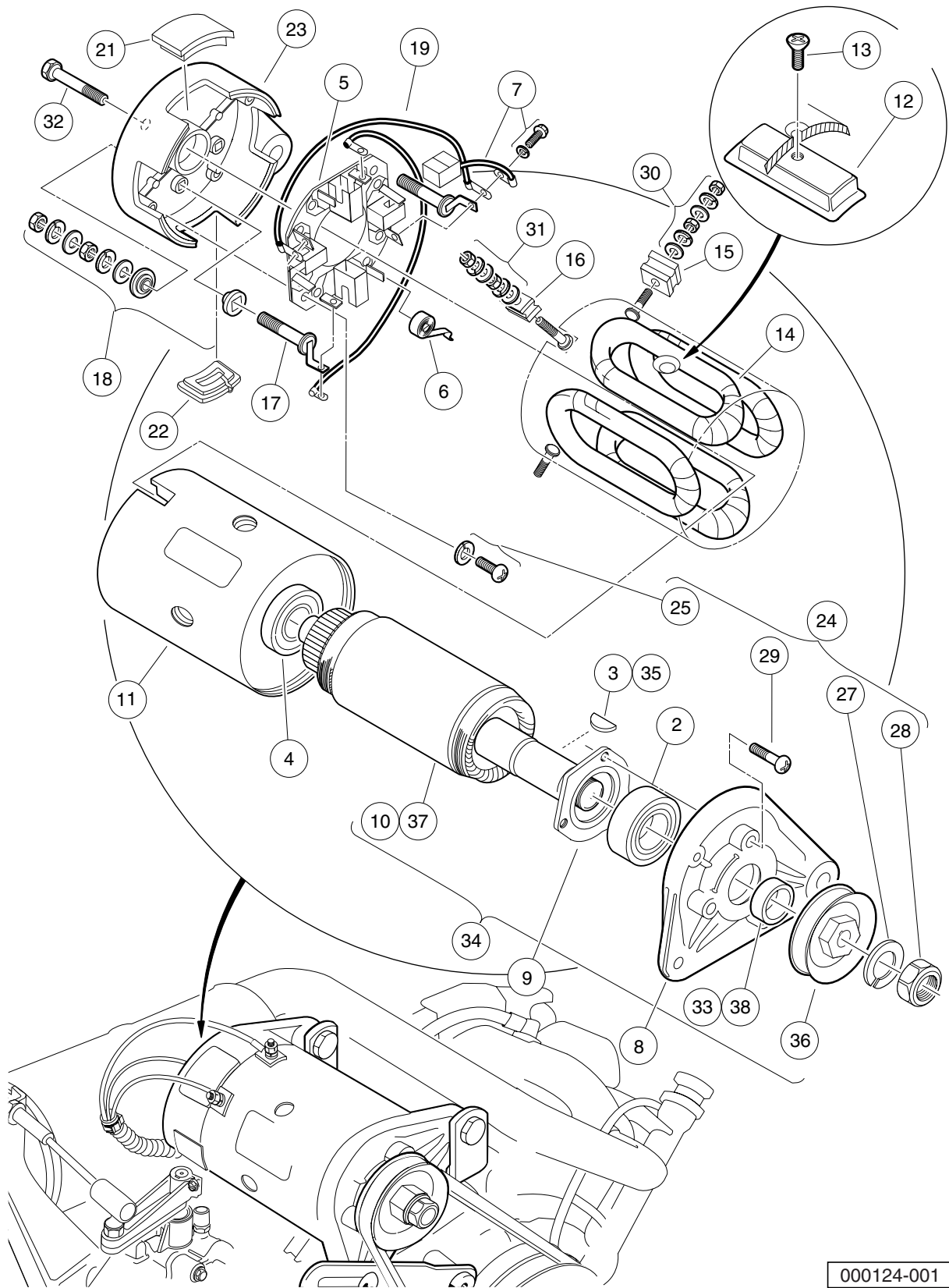
000327-004

# ELECTRICAL COMPONENT BOX

ITEM	PART NO.	DESCRIPTION	QTY
		<b>1 2 3 4</b>	
1	<u>1015752</u>	Screw, #12-16 X 0.625 Hi-Lo .....	1
2	<u>1016423</u>	Fuse, 20-Amp .....	1
3	N/A	Asm, Electrical Component Box (includes items 4 through 33) .....	1
4	<u>1010954</u>	Stud, 1/4-28 X 0.560 Ball .....	1
5	<u>1012295</u>	Fuse, 10-Amp .....	1
6	<u>1012431</u>	Washer, #4 Flat .....	2
7	<u>1013589</u>	Ring, 0.338" Internal Retaining .....	1
8	<u>1013609</u>	Solenoid, 12-Volt .....	1
9	<u>1014065</u>	Washer, 0.38" ID Delrin Flat .....	1
10	<u>1014119</u>	Wire Assembly #6 Red .....	1
11	<u>1014145</u>	Bushing, Secondary Weight, Split .....	2
12	<u>1014807</u>	Switch, Limit .....	1
13	<u>1014808</u>	Switch, Limit .....	1
14	<u>1014948</u>	Diode .....	1
15	<u>1015345</u>	Bell Crank and Shaft Assembly .....	1
16	<u>1015371</u>	Box, Electrical Component .....	1
17	<u>1015372</u>	Cover, Electric Box .....	1
18	<u>1015373</u>	Cam, Electric Box .....	1
19	<u>1015405</u>	Bolt, Carriage, 5/16-18 X 2.0 .....	1
20	<u>1015737</u>	Wire Assy, #10 Red .....	1
21	<u>1015741</u>	Fuse Block .....	1
22	<u>1015752</u>	Screw, #12-16 X 0.625 Hi-Lo .....	4
23	<u>1015878</u>	Screw, #4-40 Hex Head Machine .....	2
24	N/A	Wire Assy, #16 Orange .....	1
25	<u>101856102</u>	Screw, 1/4-15 X 1.50 Hi-lo Hex .....	1
26	<u>102711201</u>	Voltage Regulator .....	1
27	<u>103197001</u>	Asm, Wire Harness, CA 1, Gas .....	1
28	<u>1242</u>	Nut, 5/16-18 Hex .....	2
29	<u>7893</u>	Nut, #10-32 Hex .....	2
30	<u>8057</u>	Nut, #4-40 Hex Machine .....	4
31	<u>8058</u>	Lockwasher, #4 Helical Split .....	2
32	<u>8717</u>	Locknut, 1/4-28 Nylon Insert .....	1
33	<u>8990</u>	Tie Wrap, 8" Nylon .....	2
34	<u>1241</u>	Washer, 5/16 Type A Flat .....	2
35	<u>7473</u>	Locknut, 5/16-18 Nylon Insert .....	2
36	<u>7818</u>	Bolt, Carriage, 5/16-18 X 1.5 .....	1

**6**  
**G**

**6**  
**G**



000124-001

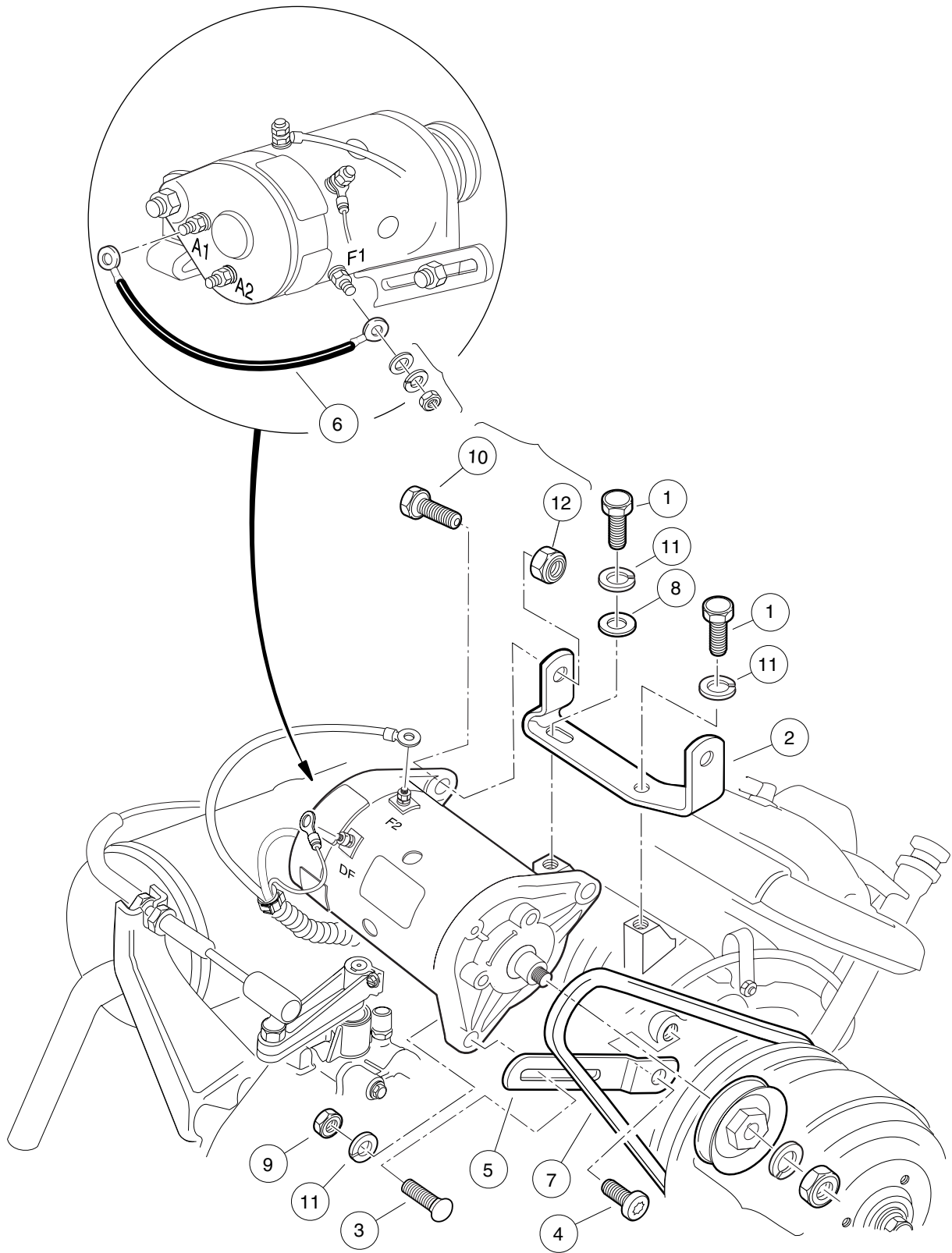
# STARTER/GENERATOR ASSEMBLY

ITEM	PART NO.	DESCRIPTION	QTY
		1 2 3 4	
1	<u>101833701</u>	Starter/Generator (cw) (includes items 2 through 33) .....	1
2	<u>1013001</u>	Bearing, Output Shaft Ball .....	1
3	<u>1013003</u>	Key, Starter/Generator .....	1
4	<u>1013005</u>	Bearing, Ball .....	1
5	<u>101301102</u>	Brush Holder Assembly (cw) (includes item 6) .....	1
6	<u>101878101</u>	Brush Spring Set .....	4
7	<u>101869302</u>	Brush and Screw Set (cw) .....	1
8	<u>101874901</u>	Front Bracket .....	1
9	<u>101875001</u>	Retainer .....	1
10	N/A	Armature .....	1
11	<u>101875201</u>	Field Coil Housing .....	1
12	<u>101875301</u>	Pole Set .....	1
13	<u>101875401</u>	Screw Set .....	1
14	<u>101875501</u>	Field Stator Coil Assembly .....	1
15	<u>101875601</u>	F Insulator Set .....	2
16	<u>101875701</u>	DF Insulator .....	1
17	<u>101875802</u>	A Connector (cw) .....	1
18	<u>101876001</u>	Screw and Mold Assembly .....	2
19	<u>101876202</u>	Brush Connector Assembly (cw) .....	2
20	<u>101876301</u>	Cover Set (includes items 21 and 22) .....	1
21	N/A	Brush Inspection Port Cover .....	3
22	N/A	Brush Port Cover w/Drain .....	1
23	<u>101876402</u>	Rear Bracket (cw) .....	1
24	<u>101876501</u>	Nut and Screw Set (includes items 25 through 29) .....	1
25	<u>101896501</u>	Brush Holder Asm Screw .....	2
26	N/A	Washer, M5 Flat .....	1
27	N/A	Washer, M14 Lock .....	1
28	N/A	Nut, Hex, M14 x 2 .....	1
29	N/A	Screw, M5 x 0.8 x 18mm .....	3
30	<u>101877601</u>	Nut and Washer Set .....	2
31	<u>101877701</u>	Nut and Washer Set .....	1
32	<u>101879001</u>	Through Bolt Set .....	2
33	<u>101939901</u>	Spacer .....	1
34	<u>101875102</u>	Armature Asm Conversion Kit (includes items 35 through 38) .....	1
35	<u>1013003</u>	Key, Starter/Generator .....	1
36	<u>1014289</u>	Pulley, Starter/Generator .....	1
37	N/A	Armature .....	1
38	<u>101939901</u>	Spacer .....	1
Note: Item 36 will ONLY fit Model G425419 Starter/Generator.			

6

G

**6**  
**G**



000239-001

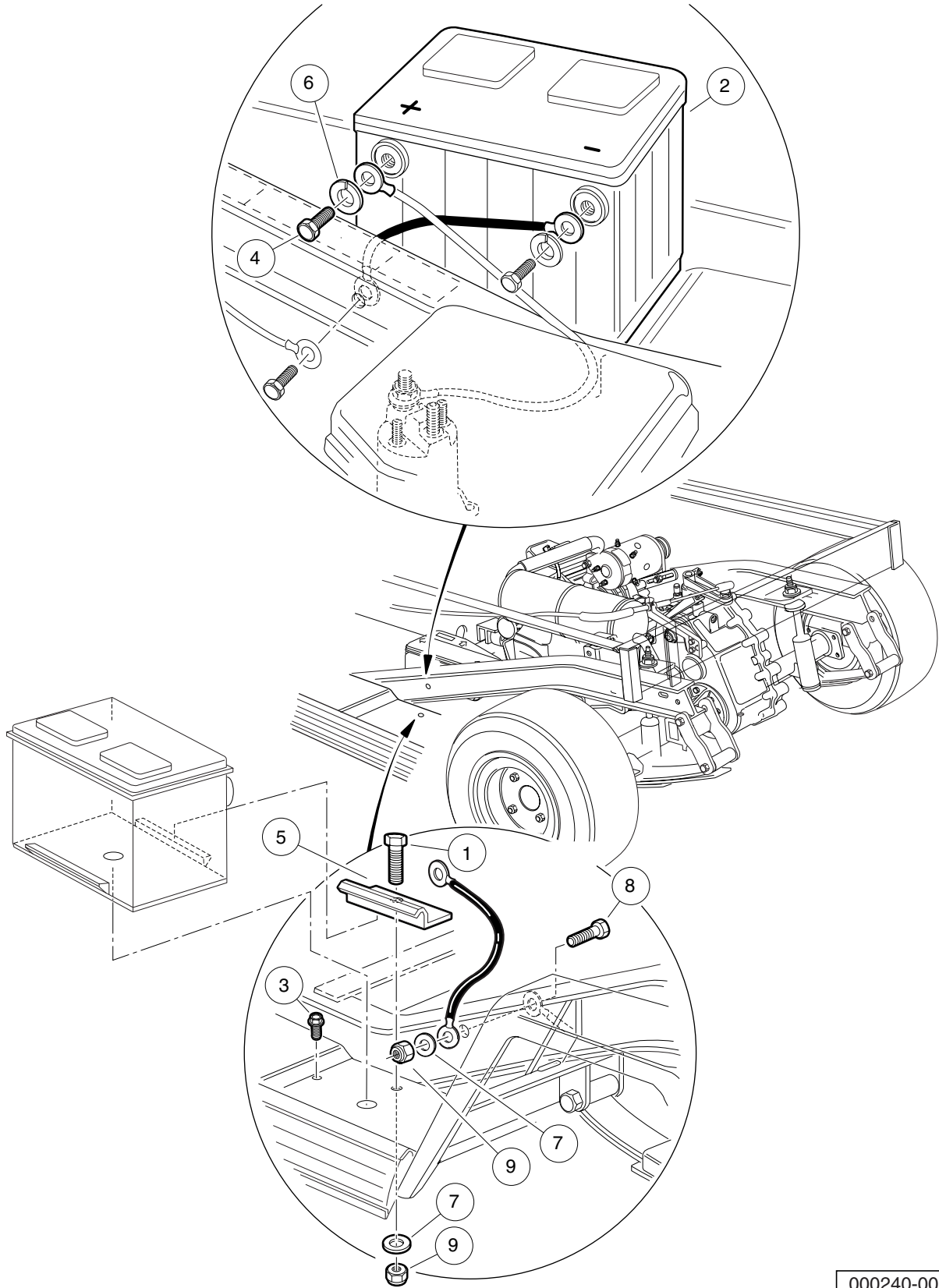


## FE350 STARTER/GENERATOR MOUNTING

ITEM	PART NO.	DESCRIPTION	QTY
		1 2 3 4	
1	<u>1012830</u>	Screw, M8-125 X 22 Hex-Head .....	2
2	<u>101524002</u>	Bracket, Starter/Generator Mounting .....	1
3	<u>1015932</u>	Bolt, Carriage, 5/16-18 .....	1
4	<u>1016074</u>	Screw, M8-1.25 X 18mm Torx .....	1
5	<u>1016883</u>	Bracket, Starter/Generator Adjustment .....	1
6	<u>101837301</u>	Wire Assy, #6 Green .....	1
7	<u>101916701</u>	V-Belt .....	1
8	<u>1241</u>	Washer, 5/16 Type A Flat .....	1
9	<u>1242</u>	Nut, 5/16-18 Hex .....	1
10	705	Screw, Cap-hex Hd 3/8-16x1.25 .....	2
11	<u>7174</u>	Lockwasher, 5/16 Split .....	3
12	<u>8754</u>	Locknut, 3/8-16 Hex .....	2

6  
G

**6**  
**G**



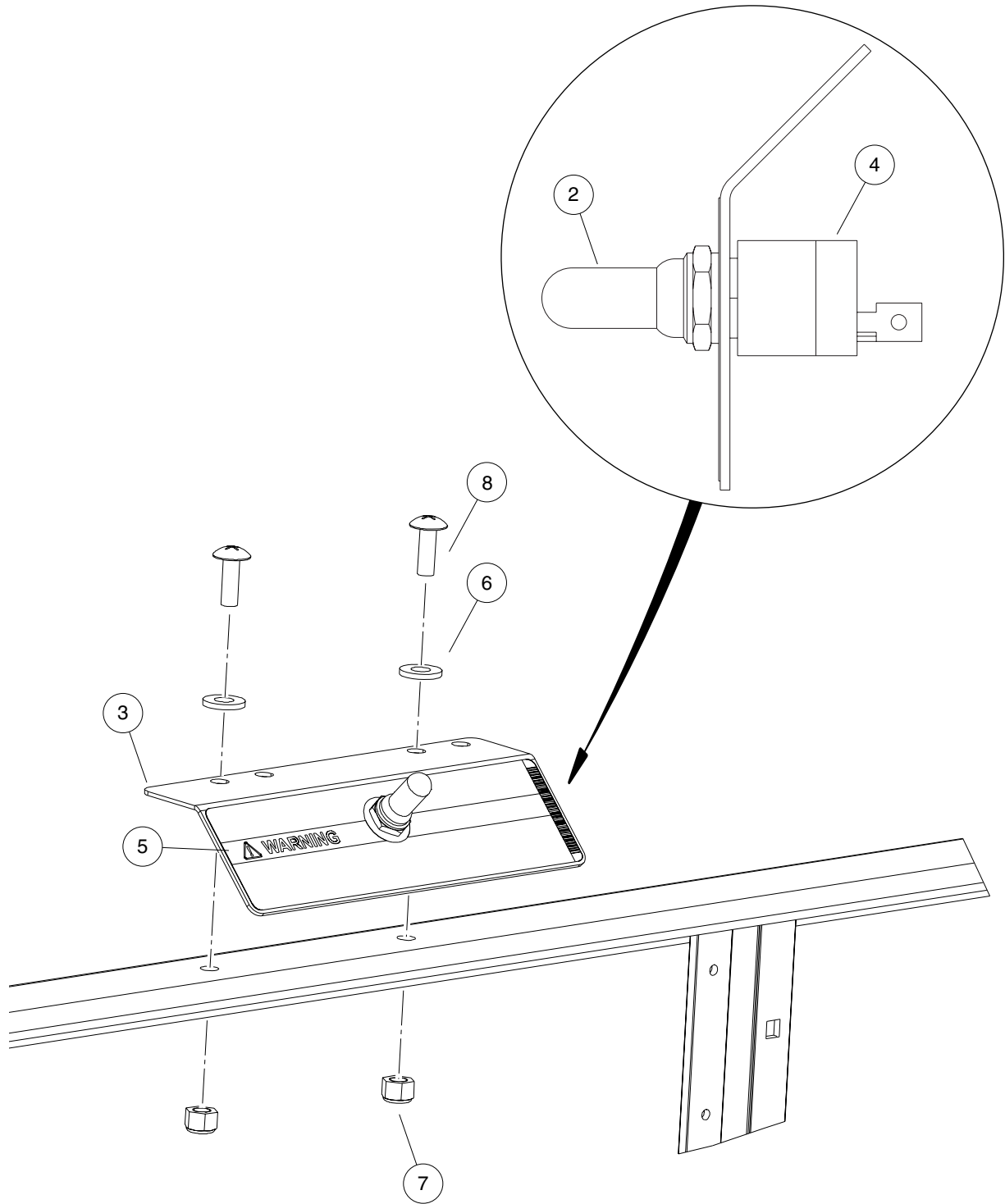
000240-001

# BATTERY

ITEM	PART NO.	DESCRIPTION	QTY
		<b>1 2 3 4</b>	
1	<u>1010934</u>	Screw, 5/16-18 X 1.00 Hex Cap .....	1
2	<u>1012328</u>	Battery, 12-Volt .....	1
3	<u>1014288</u>	Screw, 5/16-18 X 0.75 Thread-Forming .....	1
4	<u>1014375</u>	Screw, 3/8-16 X 0.50 Stainless Steel Hex-Head .....	2
5	<u>101898001</u>	Clamp, Battery .....	1
6	<u>102355301</u>	Lockwasher, 3/8 Stainless Stl .....	2
7	<u>1241</u>	Washer, 5/16 Type A Flat .....	2
8	<u>7173</u>	Screw, 5/16-18 X 0.75 Hex-Head Cap .....	1
9	<u>7473</u>	Locknut, 5/16-18 Nylon Insert .....	2

**6**  
**G**

**6**  
**G**



000755-001

# OPERATION AND MAINTENANCE SWITCH

ITEM	PART NO.	DESCRIPTION	QTY
		1 2 3 4	
1	N/A	Switch, Operation/Maintenance (includes items 2 through 5) .....	1
2	<u>101908401</u>	Boot, Switch .....	1
3	<u>101922501</u>	Bracket, Tow/Run Switch Mounting .....	1
4	<u>103198401</u>	Switch, Toggle, SPDT .....	1
5	<u>103205501</u>	Decal, Run/Service Switch .....	1
6	<u>332</u>	Washer, 1/4 Type A Narrow Flat .....	2
7	<u>8233</u>	Locknut, 1/4-20 Nylon Insert .....	2
8	<u>8248</u>	Screw, 1/4-20 X 0.75 Truss-Head Machine .....	2

**6**

**G**

6

G

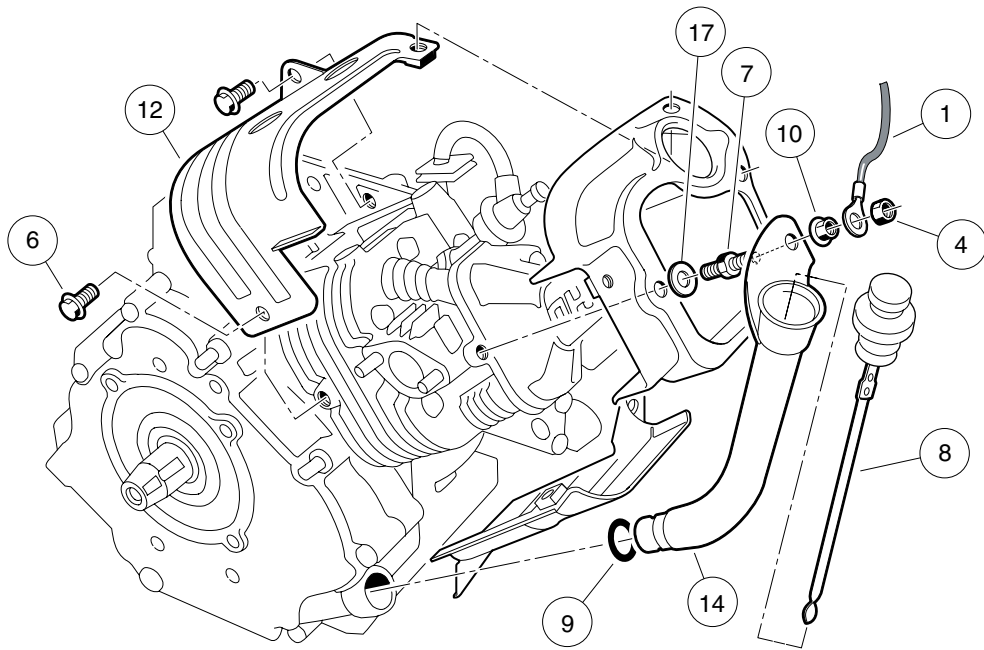
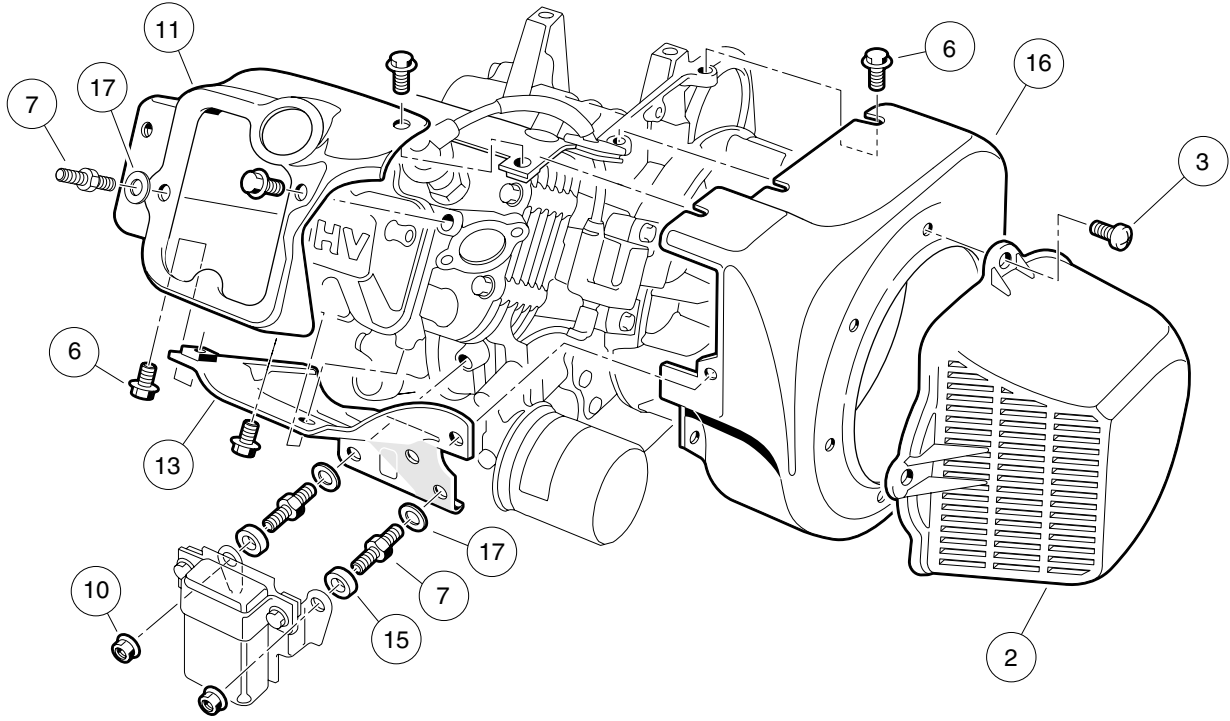
# FE350 ENGINE WITHOUT ACR

---

7

G

**7**  
**G**



000201-001

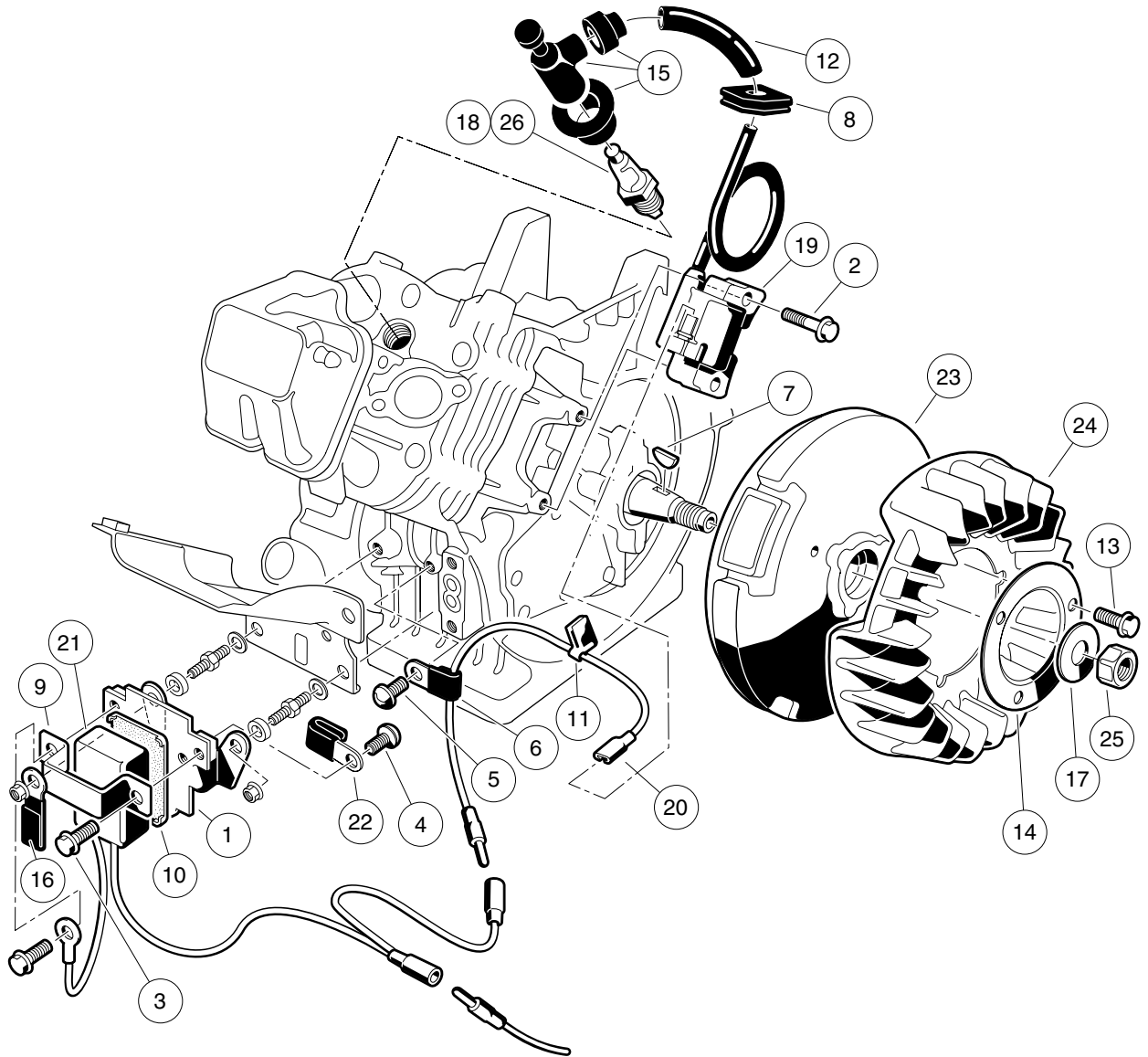


# FE350 ENGINE WITHOUT ACR (AUTOMATIC COMPRESSION RELEASE) – SHROUDS AND BRACKETS

ITEM	PART NO.	DESCRIPTION	QTY
		1 2 3 4	
1	<u>1015332</u>	Wire Assembly, #10, Uninsulated .....	1
2	<u>1015649</u>	Shroud, Fan .....	1
3	<u>1015969</u>	Screw, M6-1.00 X 10mm Pan Hd .....	4
4	<u>101887601</u>	Locknut, M6-1.00 Nylon Insert .....	1
5	<u>101953802</u>	Engine, FE350 (cw) without ACR * (includes items 6 through 17) .....	1
6	<u>1016456</u>	Bolt, Flange Head, M6 x 1 x 12 mm .....	14
7	<u>1016507</u>	Bolt, Two-Ended .....	3
8	<u>1016531</u>	Dipstick .....	1
9	<u>1016539</u>	O-Ring .....	1
10	<u>1016547</u>	Nut .....	3
11	<u>1017474</u>	Shroud, Engine .....	1
12	<u>1017475</u>	Shroud, Engine .....	1
13	<u>1017476</u>	Shroud, Engine .....	1
14	<u>1017486</u>	Tube, Oil Filler .....	1
15	<u>1017500</u>	Spacer 6.50 X 12 X 5.5 .....	2
16	<u>101916101</u>	Housing, FE350 Fan .....	1
17	N/A	Washer, 6mm Flat .....	3
* Note: FE350 engine component listings span several pages.			

7

G



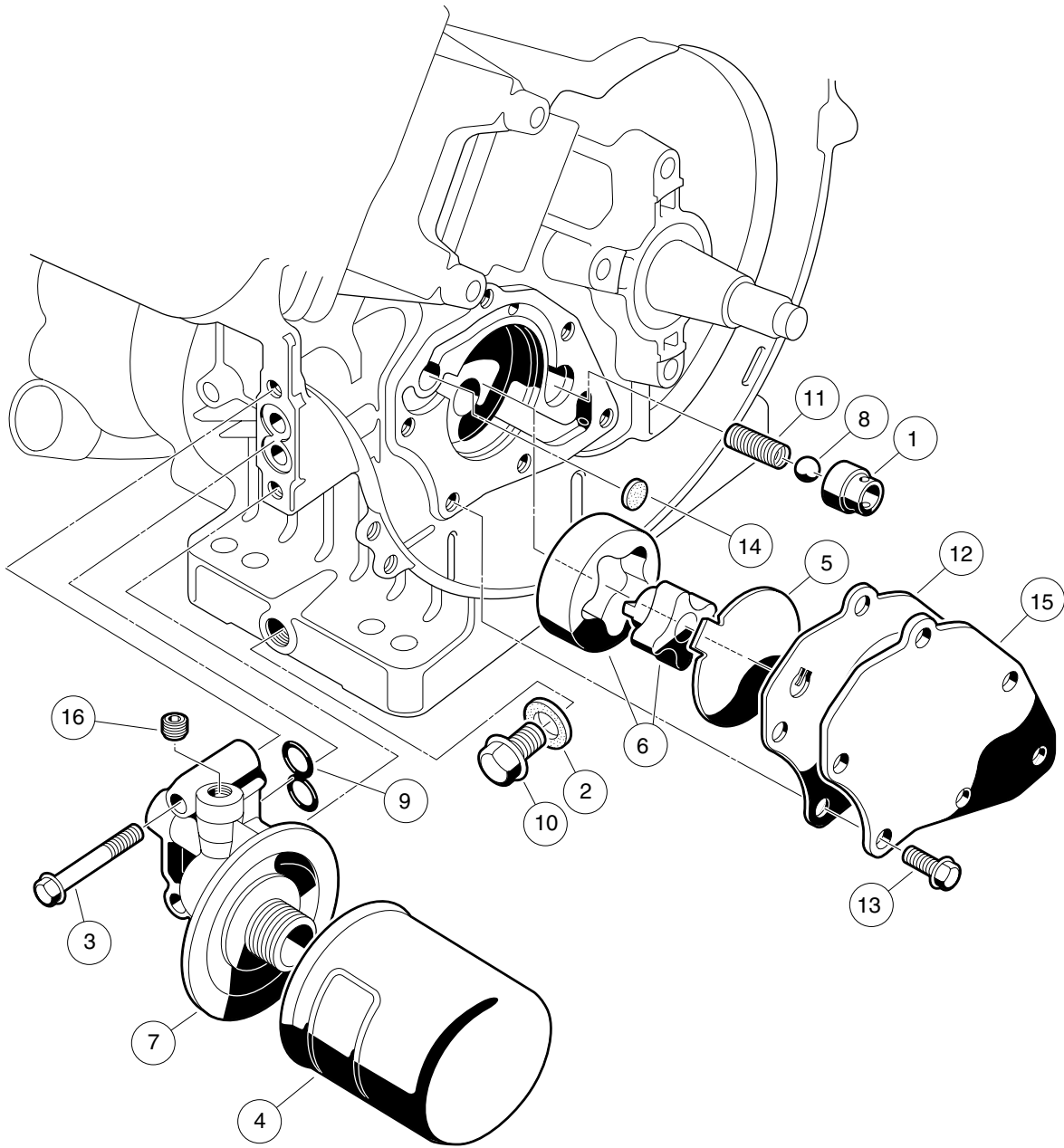
000202-001

# FE350 ENGINE – IGNITION COMPONENTS AND FLYWHEEL

ITEM	PART NO.	DESCRIPTION	QTY
		1 2 3 4	
1	1016445	Bracket, RPM Limiter .....	1
2	<u>1016455</u>	Bolt, Flange Head .....	2
3	1016456	Bolt, Flange Head, M6 x 1 x 12 mm .....	2
4	<u>1016497</u>	Screw, Pan WP Cross .....	1
5	<u>1016544</u>	Screw .....	1
6	<u>1016561</u>	Clamp .....	1
7	<u>1016562</u>	Key .....	1
8	<u>1016578</u>	Grommet .....	1
9	<u>1016579</u>	Band, RPM Limiter Mount .....	1
10	1016586	Damper, RPM Limiter .....	1
11	<u>1016587</u>	Clamp .....	1
12	<u>1016588</u>	Tube, 7mm X 10mm X 70mm .....	1
13	<u>1017448</u>	Bolt, Flanged .....	3
14	<u>1017455</u>	Plate, Flywheel Fan .....	1
15	<u>1017463</u>	Cap Asm Plug .....	1
16	<u>1017468</u>	Clamp .....	1
17	<u>1017490</u>	Washer, Flat .....	1
18	<u>101881101</u>	Spark Plug, OHV (Autolite) .....	1
19	<u>101909201</u>	Coil, Ignition .....	1
20	<u>101909301</u>	Lead Wire Assy .....	1
21	101909401	Limiter, RPM .....	1
22	N/A	Clamp, Steel .....	1
23	<u>101916201</u>	Flywheel .....	1
24	<u>101916301</u>	Fan (cw) .....	1
25	N/A	Nut, Hex, 18 mm Fine .....	1
26	<u>AM10724</u>	Spark Plug, OHV (NGK) .....	1

**7**

**G**



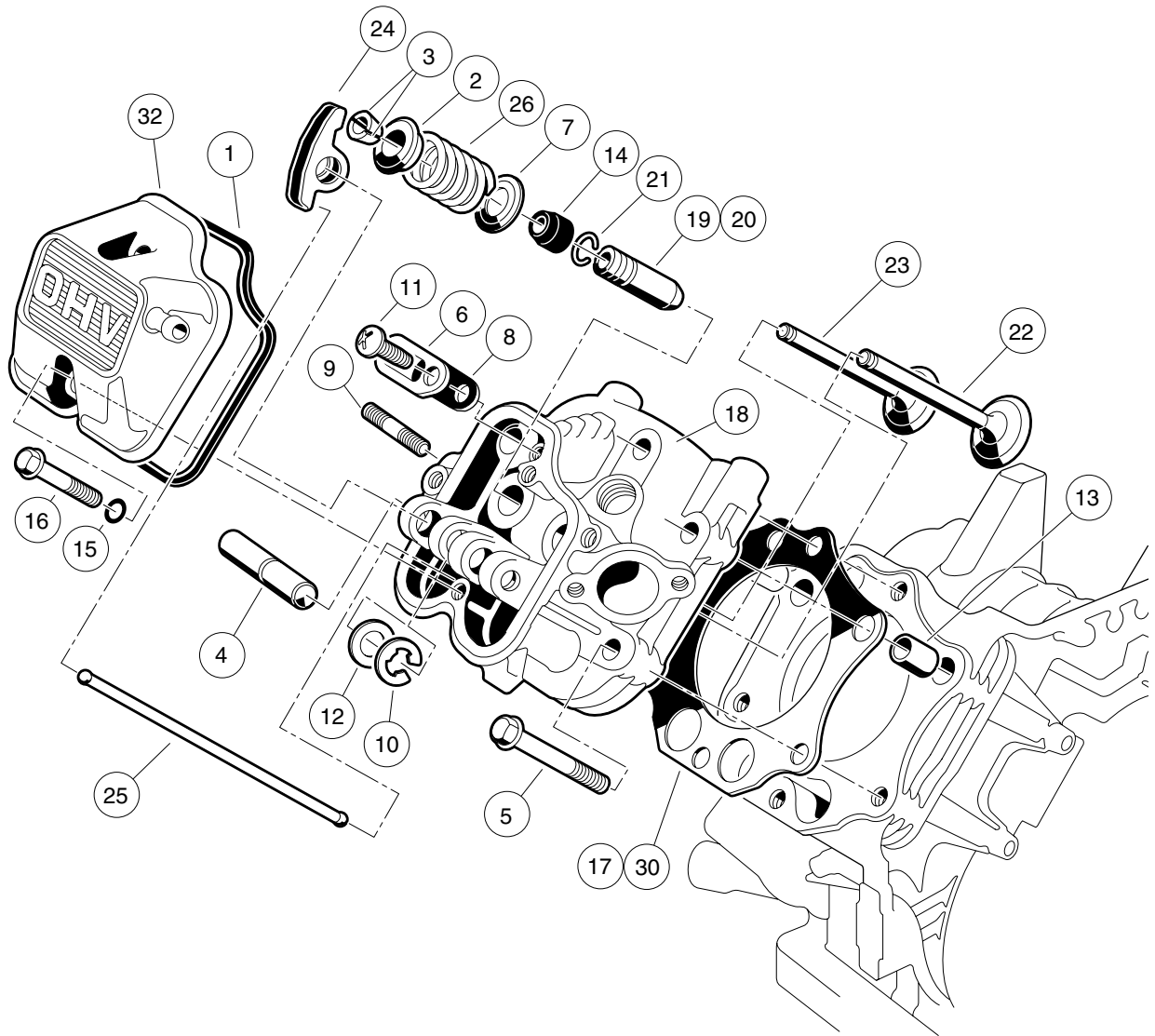
000203-001

# FE350 ENGINE – OIL CIRCULATION

ITEM	PART NO.	DESCRIPTION	QTY
		1 2 3 4	
1	1016429	Seat, Value Oil Press Relief .....	1
2	<u>1016432</u>	Gasket, Drain Plug .....	1
3	<u>1016457</u>	Bolt, Flange Head .....	2
4	<u>1016467</u>	Filter, Oil .....	1
5	<u>1016473</u>	Plate, Oil Pump .....	1
6	<u>101648203</u>	Oil Pump And Rotor .....	1
7	<u>1016502</u>	Bracket, Oil Filter Mount .....	1
8	<u>1016537</u>	Ball, Steel, Press, Relief .....	1
9	<u>1016570</u>	O-Ring .....	1
10	1016576	Plug, Drain .....	1
11	<u>1016581</u>	Spring .....	1
12	<u>1017442</u>	Gasket .....	1
13	<u>1017456</u>	Bolt, Flanged .....	6
14	<u>1017458</u>	Filter .....	1
15	<u>1017460</u>	Cover, Pump .....	1
16	<u>1017507</u>	Plug .....	2

**7**

**G**



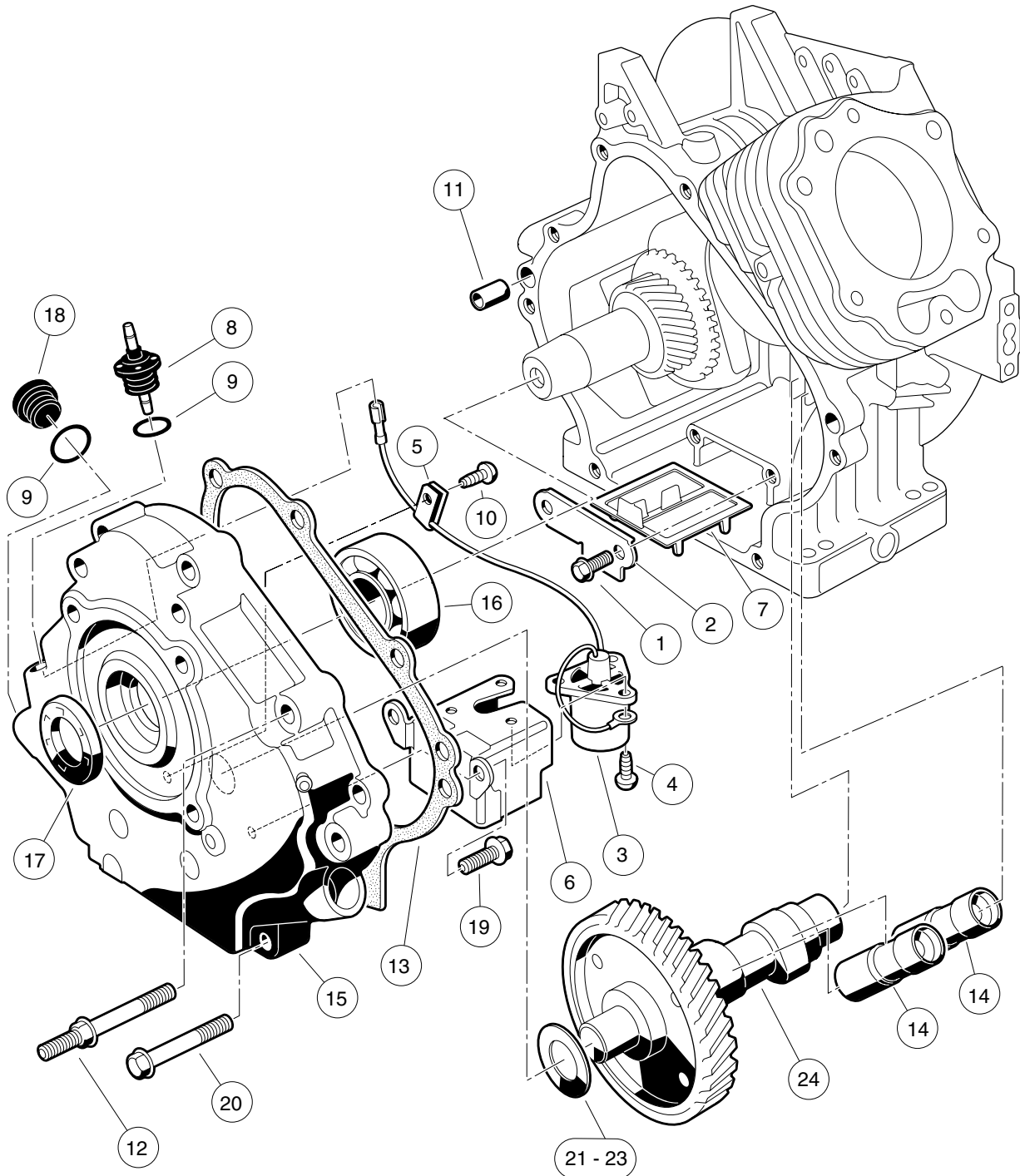
000204-001

# FE350 ENGINE – CYLINDER HEAD

ITEM	PART NO.	DESCRIPTION	QTY
		1 2 3 4	
1	<u>1016436</u>	Gasket, Rocker Case .....	1
2	<u>1016449</u>	Retainer, Valve Spring .....	2
3	<u>1016450</u>	Collet .....	4
4	<u>1016452</u>	Shaft, Rocker .....	1
5	<u>1016458</u>	Bolt, Flange Head, M8 x 1.25 x 45 mm .....	6
6	<u>1016474</u>	Plate .....	1
7	<u>1016479</u>	Seat, Spring .....	2
8	<u>1016483</u>	Valve .....	1
9	<u>1016489</u>	Stud, Two-Ended, M8-1.25 .....	2
10	<u>1016517</u>	Circlip, Type-E .....	1
11	<u>1016544</u>	Screw .....	1
12	<u>1016549</u>	Washer, 12.1x19x1.8 .....	1
13	<u>1016563</u>	Pin .....	2
14	<u>1016566</u>	Seal, Oil .....	2
15	<u>1016569</u>	O-Ring .....	2
16	<u>1016583</u>	Bolt, 6x35 .....	2
17	<u>1017434</u>	Gasket, Head .....	1
18	<u>1017435</u>	Assembly, Cylinder Head, FE350 (includes items 19 through 21) .....	1
19	<u>1016518</u>	Guide, Valve, Exhaust .....	1
20	<u>1016519</u>	Guide, Valve .....	1
21	<u>1016560</u>	Snap Ring .....	2
22	<u>1017444</u>	Valve, Intake .....	1
23	<u>1017445</u>	Valve, Exhaust .....	1
24	<u>1017446</u>	Arm, Rocker .....	2
25	<u>1017454</u>	Rod, Push .....	2
26	<u>1017473</u>	Spring, Engine Valve .....	2
27	<u>102304801</u>	Kit, Gasket, FE350 (includes items 28 through 31) .....	1
28	<u>1016440</u>	Gasket, Engine to Insulator .....	1
29	<u>1016904</u>	Gasket, Exhaust .....	1
30	<u>1017434</u>	Gasket, Head .....	1
31	<u>1017443</u>	Gasket, Crankcase Cover .....	1
32	<u>102753401</u>	Case, Rocker -w/o Logo Fe290 .....	1
		Note: Item 28 is not a component of the FE350 engine.	

**7**

**G**



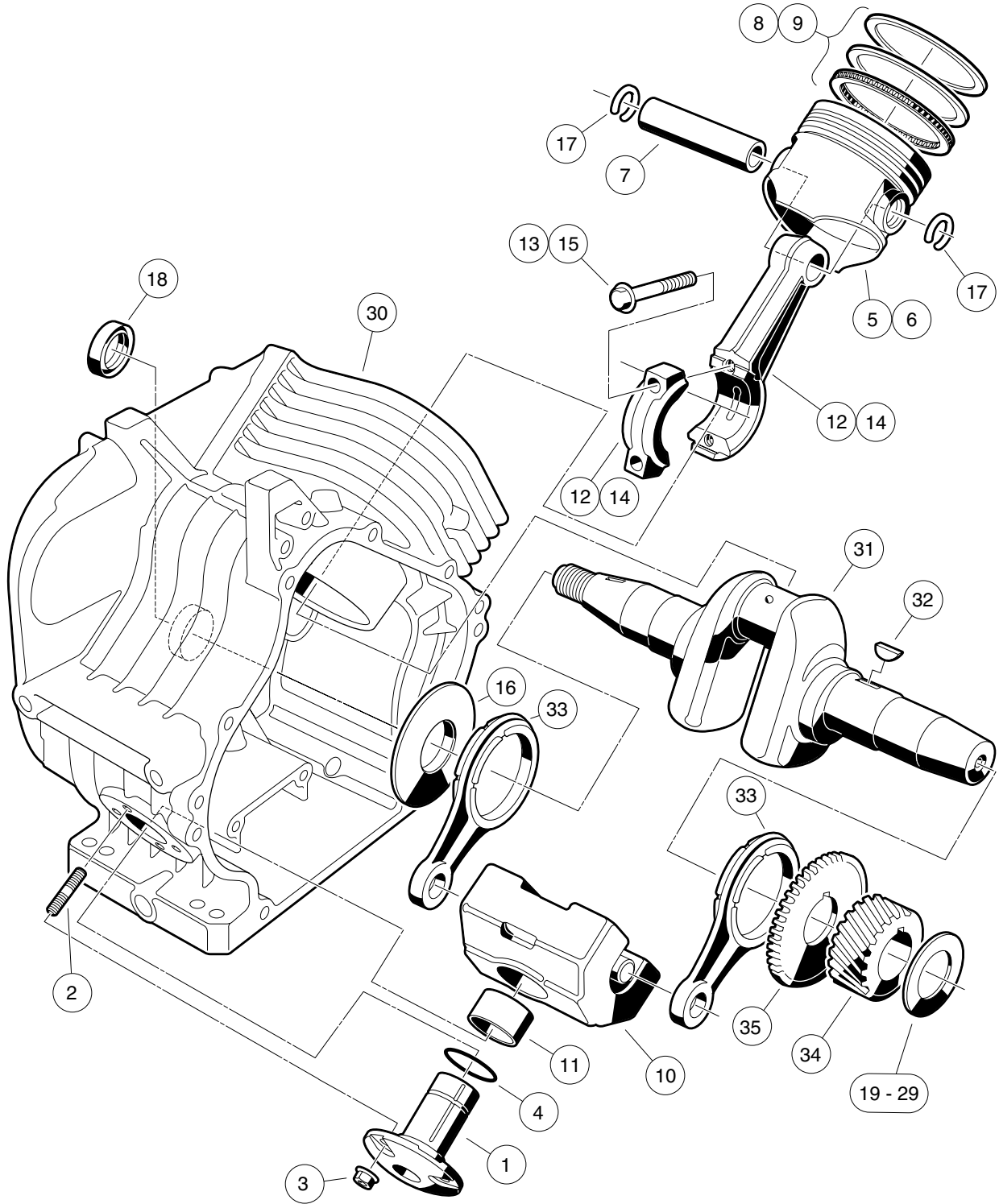
000205-002



# FE350 ENGINE WITHOUT ACR – CRANKCASE, CAMSHAFT, AND OIL SENSOR

ITEM	PART NO.	DESCRIPTION	QTY
		<b>1 2 3 4</b>	
1	<u>1016454</u>	Bolt, Flange Head, M5 x 0.8 x 8 mm .....	2
2	<u>1016472</u>	Plate, Oil Filter Screen .....	1
3	<u>1016494</u>	Sensor, Oil Level .....	1
4	<u>1016496</u>	Screw, Cross Pan-Head, M4 x 0.7 x 8 mm .....	3
5	<u>1016506</u>	Clamp .....	1
6	<u>1016510</u>	Bracket, Switch, Oil Level .....	1
7	<u>1016521</u>	Screen, Oil Filter .....	1
8	<u>1016535</u>	Connector, Cord .....	1
9	<u>1016538</u>	O-Ring .....	2
10	<u>1016544</u>	Screw .....	1
11	<u>1016564</u>	Pin .....	2
12	<u>1016584</u>	Bolt, Two-Ended, M8 x 1.25 x 69 mm .....	2
13	<u>1017443</u>	Gasket, Crankcase Cover .....	1
14	<u>1017447</u>	Adjuster, Lash .....	2
15	<u>1017472</u>	Cover Crankcase .....	1
16	<u>1017487</u>	Bearing, Ball .....	1
17	<u>1017504</u>	Seal, Oil .....	1
18	<u>1017508</u>	Plug .....	1
19	<u>1017513</u>	Bolt .....	2
20	<u>1017514</u>	Screw, M8-1.25 X 45mm Hex .....	6
21	<u>101751801</u>	Shim, 0.3 .....	A/R
22	<u>101751802</u>	Shim, 0.4 .....	A/R
23	<u>101751803</u>	Shim, 0.5 .....	A/R
24	<u>102431001</u>	Camshaft, FE350 without ACR, 44-Tooth .....	1

**7**  
**G**



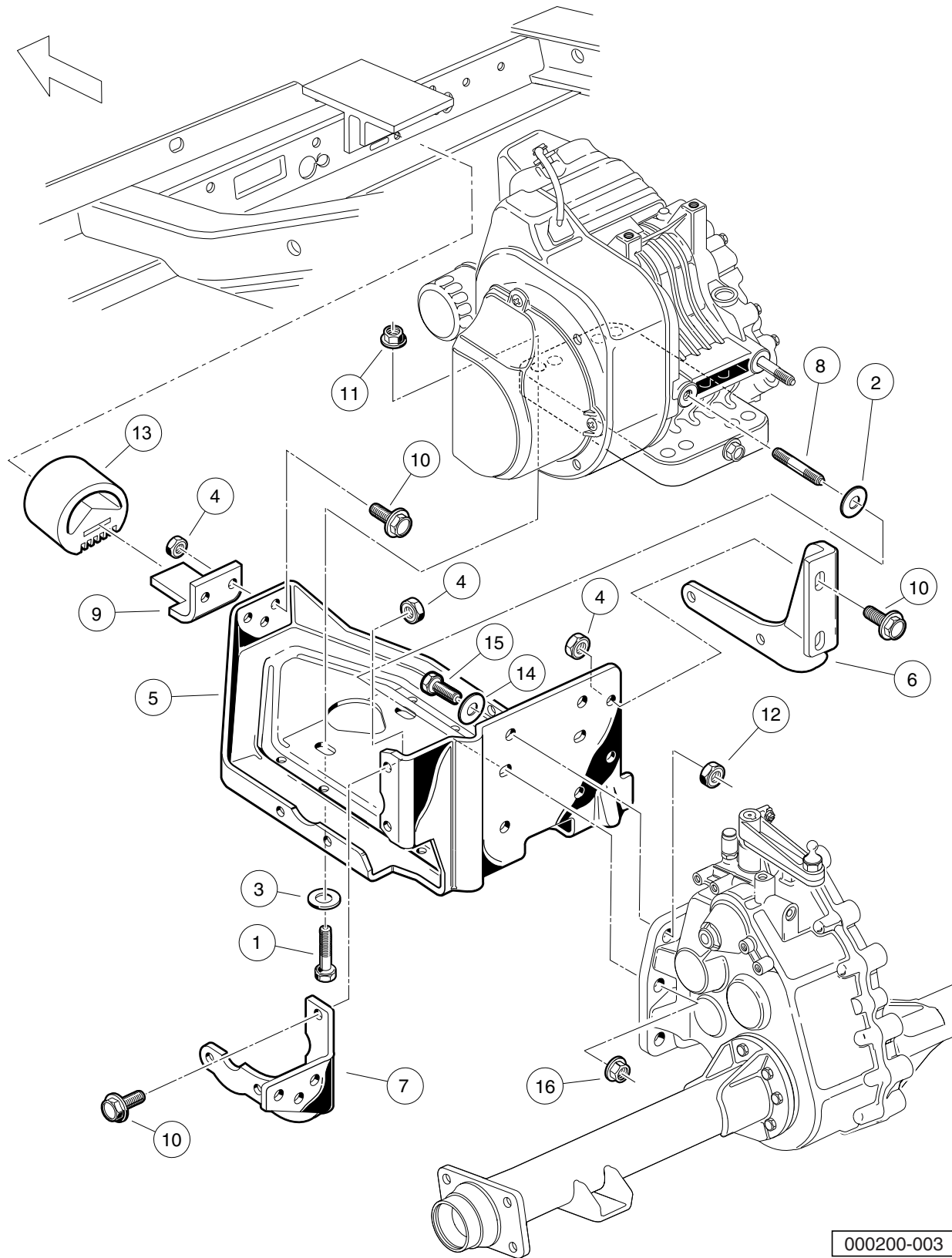
000206-001

## FE350 ENGINE – CRANKCASE AND CRANKSHAFT

ITEM	PART NO.	DESCRIPTION	QTY
		<b>1 2 3 4</b>	
1	1016470	Shaft, Guide, Counterbalance .....	1
2	<u>1016541</u>	Stud, 6x14 .....	4
3	1016547	Nut .....	4
4	<u>1016571</u>	O-Ring .....	1
5	<u>101744901</u>	Piston, Standard .....	1
6	<u>101744902</u>	Piston, 0.50 mm Oversize .....	1
7	1017450	Pin, Piston .....	1
8	<u>101745101</u>	Ring Set, Standard Piston .....	1
9	<u>101745102</u>	Ring Set, Piston, 0.50 mm Oversize .....	1
10	<u>1017453</u>	Weight (includes item 11) .....	1
11	1017510	Bearing, Plain .....	1
12	101745701	Asm, Con. Rod Std (includes item 13) .....	1
13	<u>1017512</u>	Bolt .....	2
14	<u>101745702</u>	Rod Assembly Connecting Rod 0.5mm (includes item 15) .....	1
15	<u>1017512</u>	Bolt .....	2
16	1017501	Spacer .....	1
17	<u>1017502</u>	Snap Ring .....	2
18	<u>1017503</u>	Seal, Oil .....	1
19	<u>101773301</u>	Shim, Crankshaft, 1.18mm .....	A/R
20	<u>101773302</u>	Shim, Crankshaft, 1.25mm .....	A/R
21	<u>101773303</u>	Shim, Crankshaft, 1.32mm .....	A/R
22	<u>101773304</u>	Shim, Crankshaft, 1.39mm .....	A/R
23	<u>101773305</u>	Shim, Crankshaft, 1.46mm .....	A/R
24	<u>101773306</u>	Shim, Crankshaft, 1.53mm .....	A/R
25	<u>101773307</u>	Shim, Crankshaft, 1.60mm .....	A/R
26	<u>101773308</u>	Shim, Crankshaft, 1.67mm .....	A/R
27	<u>101773309</u>	Shim, Crankshaft, 1.74mm .....	A/R
28	<u>101773310</u>	Shim, Crankshaft, 1.11 mm .....	A/R
29	<u>101773311</u>	Shim, Crankshaft, 1.81mm .....	A/R
30	<u>101916001</u>	Crankcase Complete, FE350 (cw) .....	1
31	<u>102430901</u>	Crankshaft, FE350 Left-Hand, 22-Tooth (includes items 32 through 35) .....	1
32	<u>1016562</u>	Key .....	1
33	<u>1017471</u>	Rod .....	2
34	N/A	Gear, Helical .....	1
35	N/A	Gear, Spur .....	1

**7**  
**G**

**7**  
**G**



000200-003

# FE350 ENGINE MOUNTING

ITEM	PART NO.	DESCRIPTION	QTY
		1 2 3 4	
1	<u>1010577</u>	Bolt, Hex-Head, 5/16-18 X 1.50 .....	4
2	<u>1011697</u>	Washer, 5/16 Flat .....	2
3	1012571	Washer, 5/16 Extra Thick Flat .....	4
4	<u>1013924</u>	Nut, 5/16-24 Hex Head Cone .....	10
5	<u>101827101</u>	Plate, Engine Mounting .....	1
6	<u>101832601</u>	Stiffener (PTO Side) .....	1
7	<u>101832701</u>	Stiffener (Flywheel Side) .....	1
8	<u>101833101</u>	Stud, M8-1.25 X 50 mm Two-Ended .....	2
9	<u>101834601</u>	Snubber Bracket .....	1
10	<u>101884801</u>	Screw, 5/16-24 X 0.875 Grade-8 .....	10
11	<u>101963401</u>	Locknut, 5/16-18 Hex Flange .....	4
12	<u>102065901</u>	Locknut, 3/8-16 Flanged Dimple .....	4
13	<u>102540301</u>	Inner Frame Snubber .....	1
14	<u>334</u>	Washer, 3/8 Type A Flat .....	4
15	705	Screw, Cap-hex Hd 3/8-16x1.25 .....	4
16	<u>96704416</u>	Nut Flg, M8 X 1.25 Serrated .....	2

7

G

7

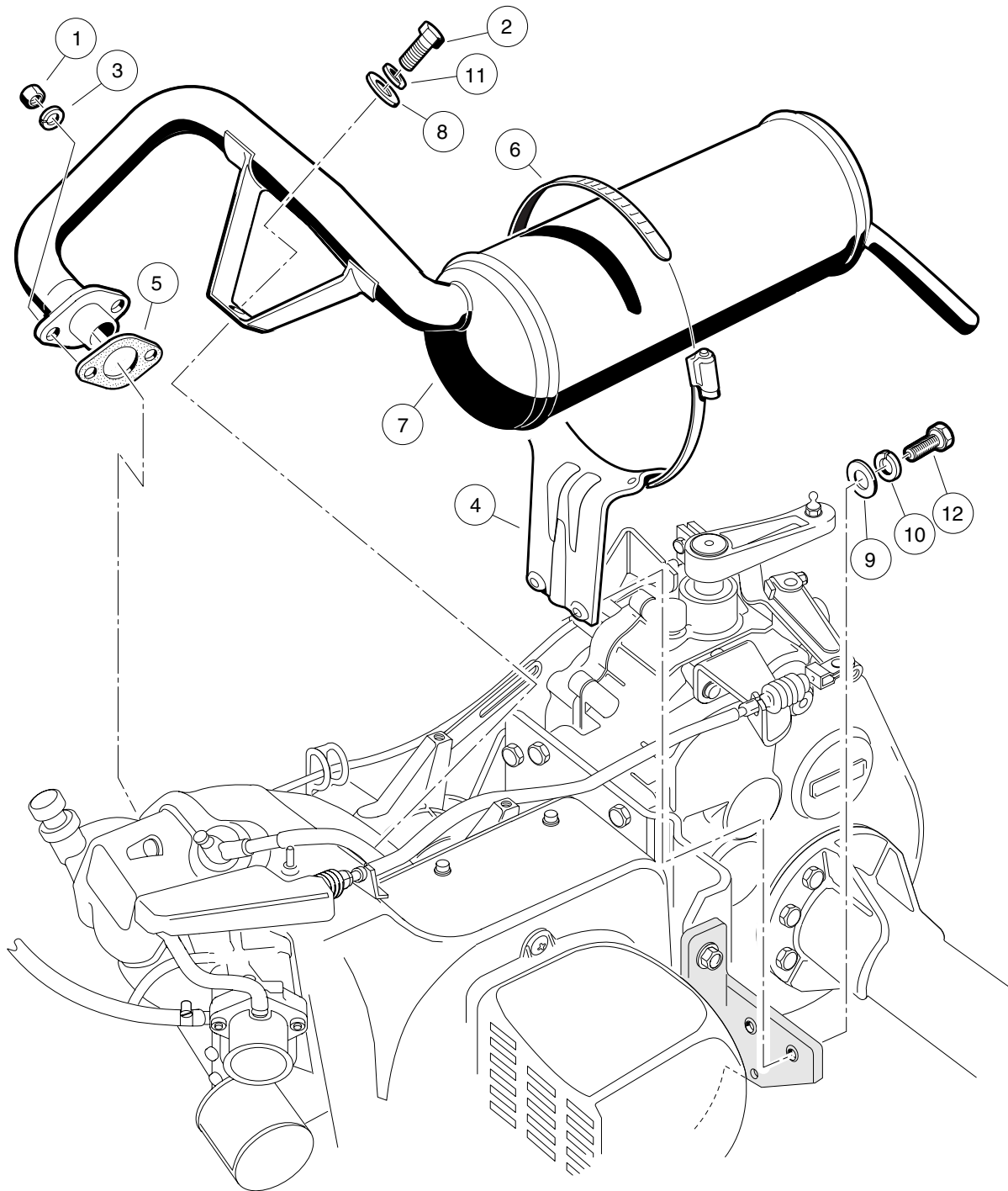
G

# EXHAUST SYSTEM

---

8

G



000209-001



## EXHAUST SYSTEM – FE350 ENGINE

ITEM	PART NO.	DESCRIPTION	QTY
		1 2 3 4	
1	<u>1012528</u>	Nut, M8-1.25 Hex .....	2
2	<u>1012830</u>	Screw, M8-125 X 22 Hex-Head .....	1
3	<u>1013734</u>	Lockwasher, 8mm Split .....	2
4	<u>1015814</u>	Bracket, Muffler Mounting .....	1
5	<u>1016904</u>	Gasket, Exhaust .....	1
6	1017689	Clamp, 5" Muffler Hose .....	1
7	<u>101859401</u>	Exhaust System, FE350 .....	1
8	<u>1241</u>	Washer, 5/16 Type A Flat .....	1
9	<u>332</u>	Washer, 1/4 Type A Narrow Flat .....	2
10	<u>451</u>	Lockwasher, 1/4 Helical Split .....	2
11	<u>7174</u>	Lockwasher, 5/16 Split .....	1
12	<u>7847</u>	Screw, 1/4-20 X 0.75 Hex-Head Cap .....	2

**8**  
**G**

8

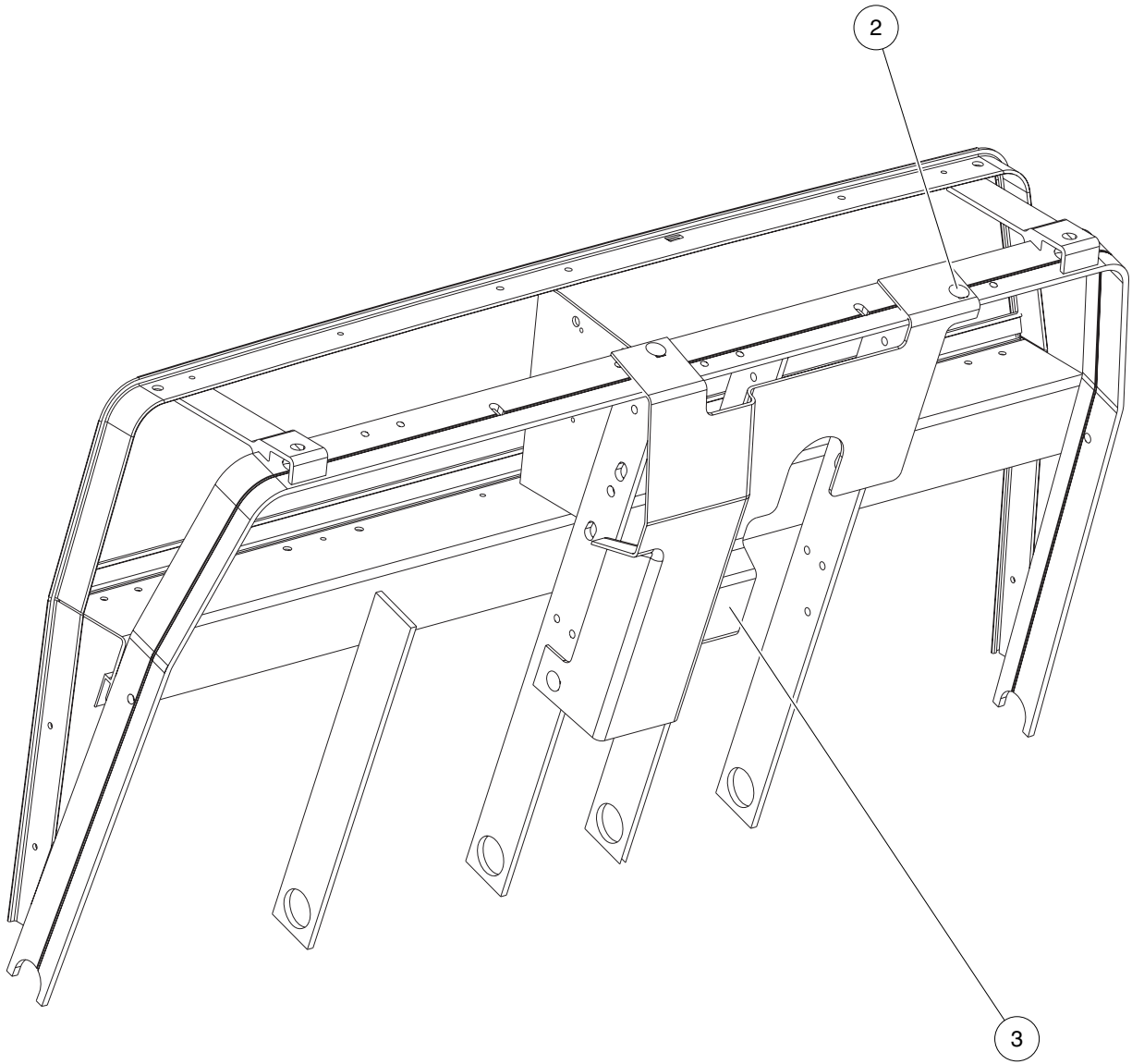
G

# FUEL, INTAKE, AND GOVERNOR SYSTEMS

---

9

G



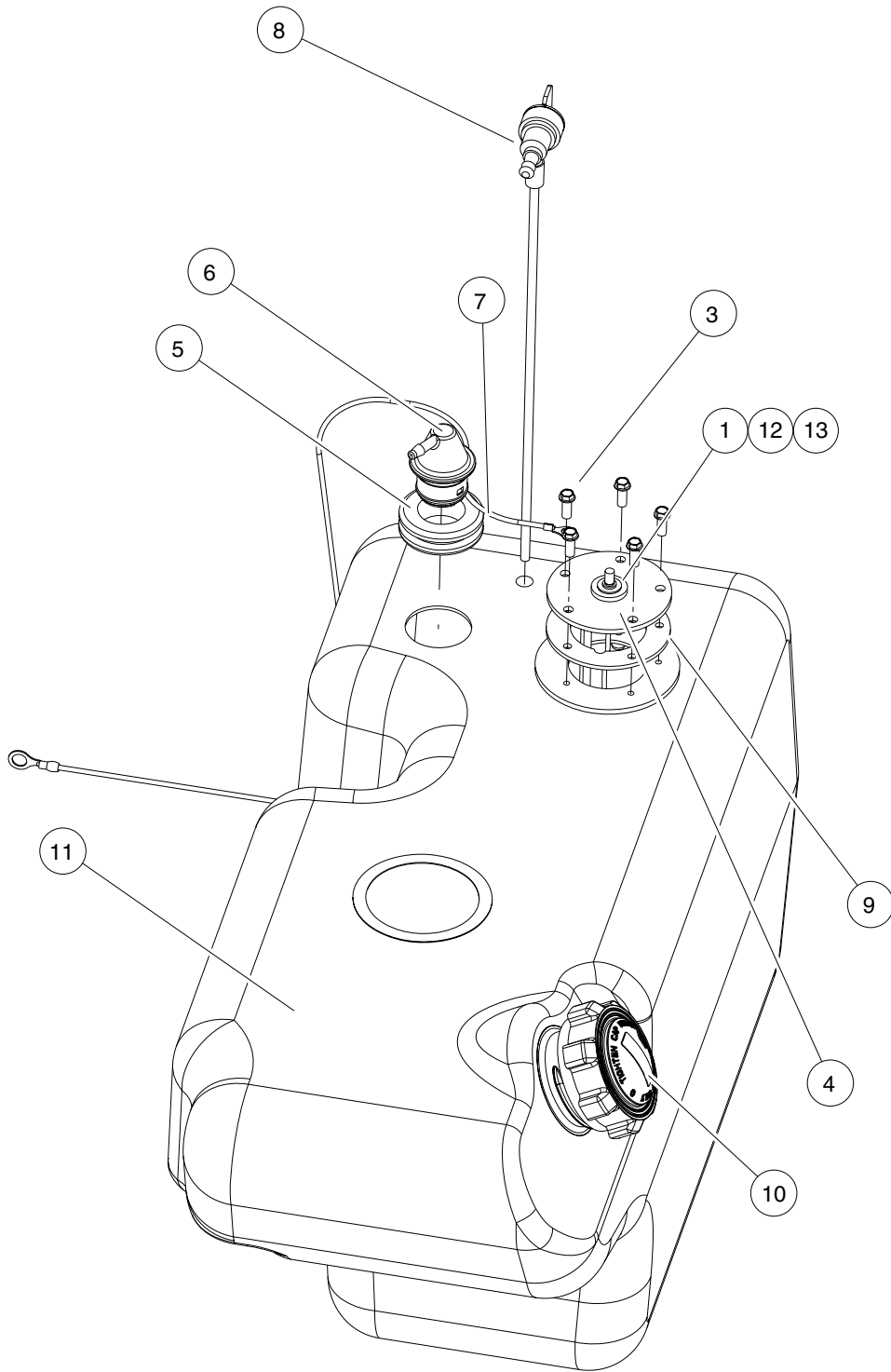
000593-001

# SPLASH GUARD

ITEM	PART NO.	DESCRIPTION	QTY
		1 2 3 4	
1	N/A	Instl, Splashguard, Ca (includes items 2 and 3) .....	1
2	<u>1010434</u>	Barrel - Plastic .....	3
3	<u>103174401</u>	Splash Guard .....	1

9

G



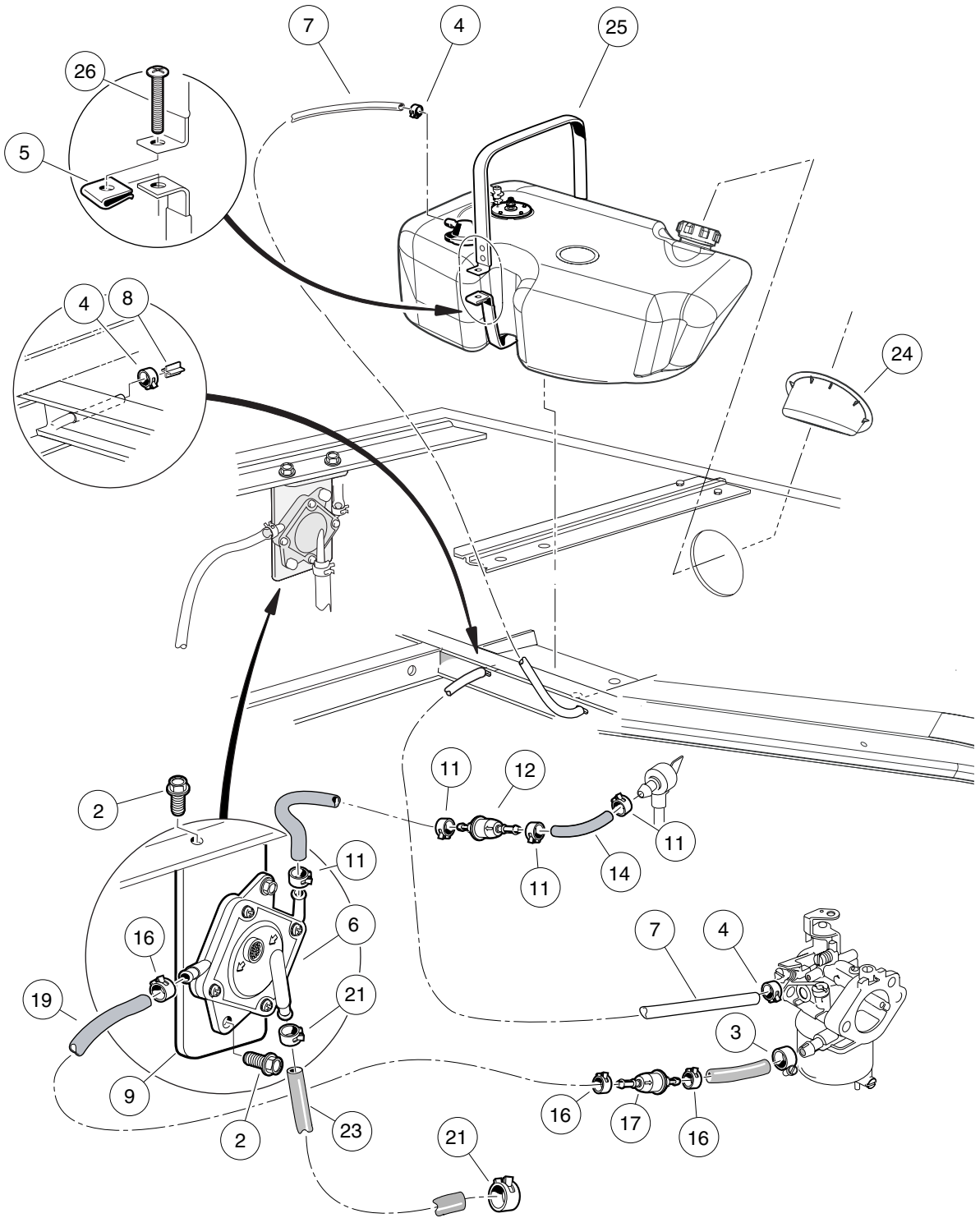
000609-001

## FUEL TANK WITH SENDING UNIT

ITEM	PART NO.	DESCRIPTION	QTY
		1 2 3 4	
1	<u>1016</u>	Washer, #10 Split Lock .....	1
2	103187601	Asm, Fuel Tank, Side Fill, Su (includes items 3 through 11) .....	1
3	<u>1013461</u>	Screw, #10-16 Hex-Head Hi-Lo .....	5
4	****	Sending Unit, Fuel Level * .....	1
5	<u>1015139</u>	Insulation Grommet .....	1
6	<u>1015143</u>	Vent, Fuel Tank .....	1
7	N/A	Wire Assembly #16 Black .....	1
8	<u>102513701</u>	Valve - Fuel Pickup Tube .....	1
9	<u>102522001</u>	Gasket, Rubber .....	1
10	<u>102751601</u>	Cap, Fuel Tank, Gasoline .....	1
11	N/A	Tank, Fuel, Side Fill .....	1
12	<u>183</u>	Washer, #10 Type A Flat .....	1
13	<u>8797</u>	Nut, #10-32 Brass Hex .....	1
		**** Special order item available upon request.	
		* Note: Must replace fuel sending unit gasket when servicing this component.	

9

G



000602-001

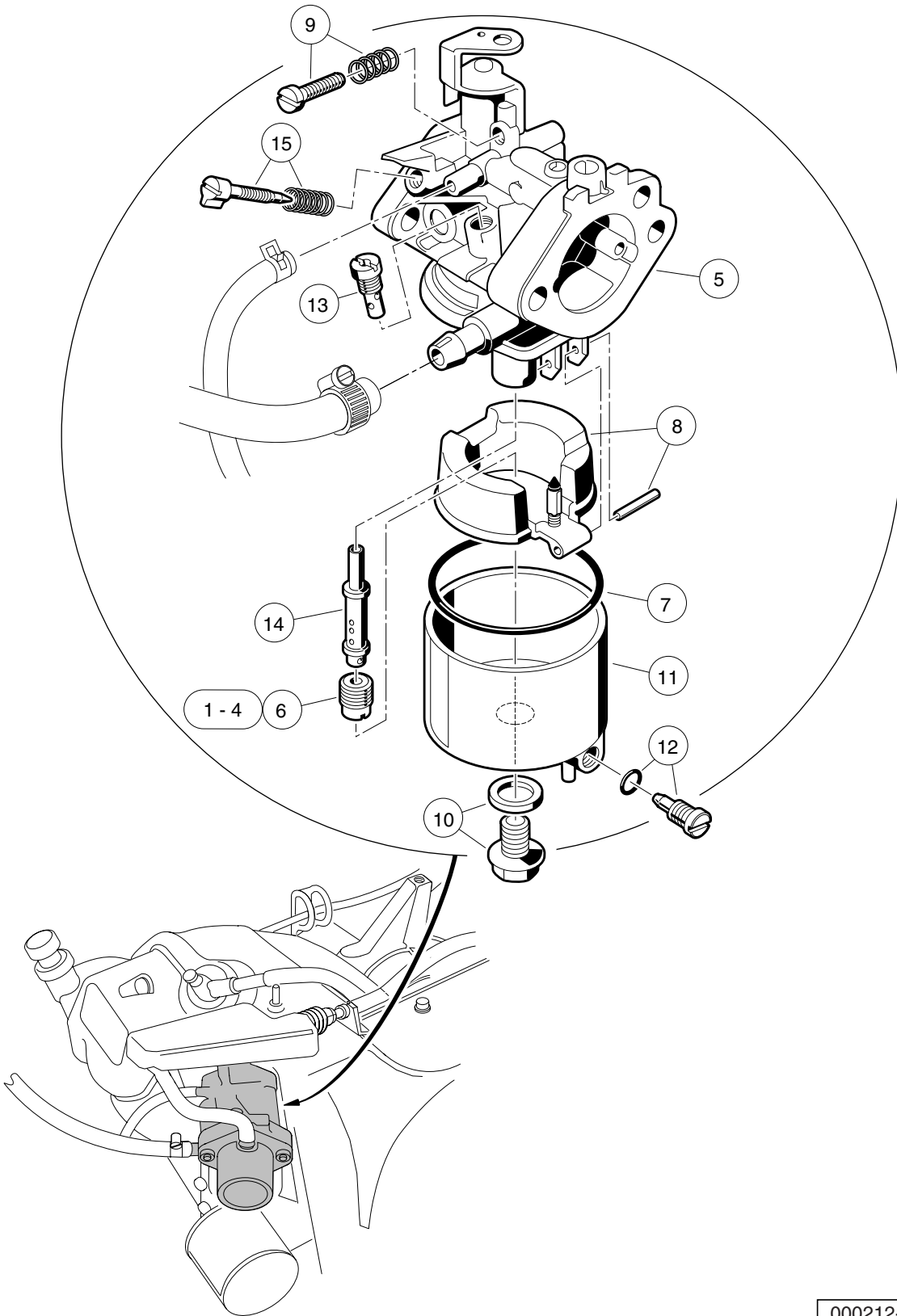


# FUEL SYSTEM

**9**

**G**

ITEM	PART NO.	DESCRIPTION	QTY
		<b>1 2 3 4</b>	
1	N/A	Instl, Fuel Sys, Side Fill,ca1 (includes items 2 through 26) .....	1
2	<u>1012285</u>	Screw, 1/4 X 0.625 Hex-Head .....	4
3	<u>1013687</u>	Clamp, 3/8" Hose (screw type) .....	1
4	<u>1013746</u>	Clamp, 0.301 ID Hose .....	3
5	<u>1014116</u>	Nut, 1/4-20 Speed .....	1
6	<u>1014523</u>	Pump, Impulse Fuel .....	1
7	<u>1015137</u>	Fuel Line (available by the foot) .....	A/R
8	<u>101824401</u>	Vent Barb .....	1
9	<u>101929501</u>	Mount, Fuel Pump .....	1
10	N/A	Asm, Fuel Filter 14.93" J1737 (includes items 11 through 14) .....	1
11	<u>1012649</u>	Clamp, 0.460 Red Hose .....	4
12	<u>102003201</u>	Filter, Fuel, 30 Micron .....	1
13	N/A	Cap, Plug, Plastic .....	2
14	<u>102865101</u>	Fuel Line .....	A/R
15	N/A	Asm, Fuel Filter 16.93" J1737 (includes items 16 through 19) .....	1
16	<u>1012649</u>	Clamp, 0.460 Red Hose .....	3
17	<u>102003201</u>	Filter, Fuel, 30 Micron .....	1
18	N/A	Cap, Plug, Plastic .....	2
19	<u>102865101</u>	Fuel Line .....	A/R
20	<u>102880201</u>	Asm, Fuel Line 16" J1737 (includes items 21 through 23) .....	1
21	<u>1012649</u>	Clamp, 0.460 Red Hose .....	2
22	N/A	Cap, Plug, Plastic .....	2
23	<u>102865101</u>	Fuel Line .....	A/R
24	<u>102977901</u>	Bezel, Fuel Fill, 5.0 Dia .....	1
25	<u>102978001</u>	Strap, Fuel Tank, Side Fill .....	1
26	<u>103306301</u>	Screw, Bhsc, 1/4-20 X 2.0 .....	1



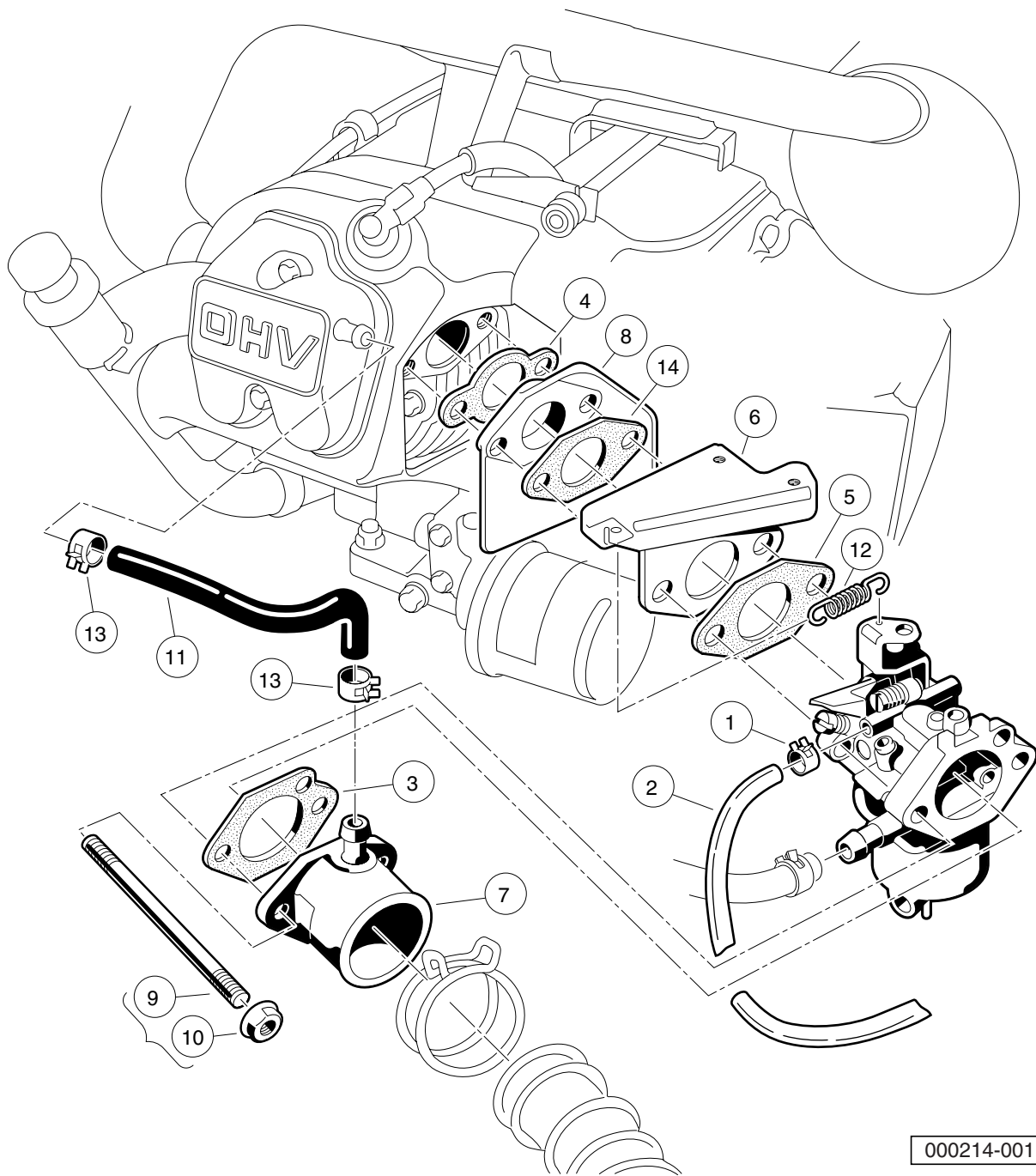
000212-001

# CARBURETOR ASSEMBLY – FE350

ITEM	PART NO.	DESCRIPTION	QTY
		1 2 3 4	
1	<u>101642575</u>	Jet, Altitude, # 75 .....	A/R
2	<u>101642578</u>	Jet, Altitude, # 78 .....	A/R
3	<u>101642580</u>	Jet, Altitude, # 80 .....	A/R
4	<u>101642582</u>	Jet, Altitude, # 82 .....	A/R
5	<u>101905901</u>	Carburetor, FE350D (includes items 6 through 15) .....	1
6	<u>101642585</u>	Jet, Altitude, # 85 .....	1
7	<u>1016437</u>	Gasket, Carburetor Bowl OHV .....	1
8	1016486	Float Assembly .....	1
9	<u>1016501</u>	Screw Assembly .....	1
10	1016585	Bolt .....	1
11	<u>1017461</u>	Chamber Assembly, Float (includes item 12) .....	1
12	<u>1016499</u>	Screw Assembly .....	1
13	<u>101973101</u>	Jet, #40 Pilot .....	1
14	<u>101973301</u>	Nozzle, Main .....	1
15	N/A	Assembly, Pilot Air Screw .....	1
<p>Note: <u>101642585</u> for 0 - 3,000 feet; <u>101642582</u> for 3,000 - 5,000 feet;  <u>101642580</u> for 5,000 - 8,000 feet; <u>101642578</u> for 8,000 - 10,000 feet;  <u>101642575</u> for 10,000 feet and higher.</p>			

9

G

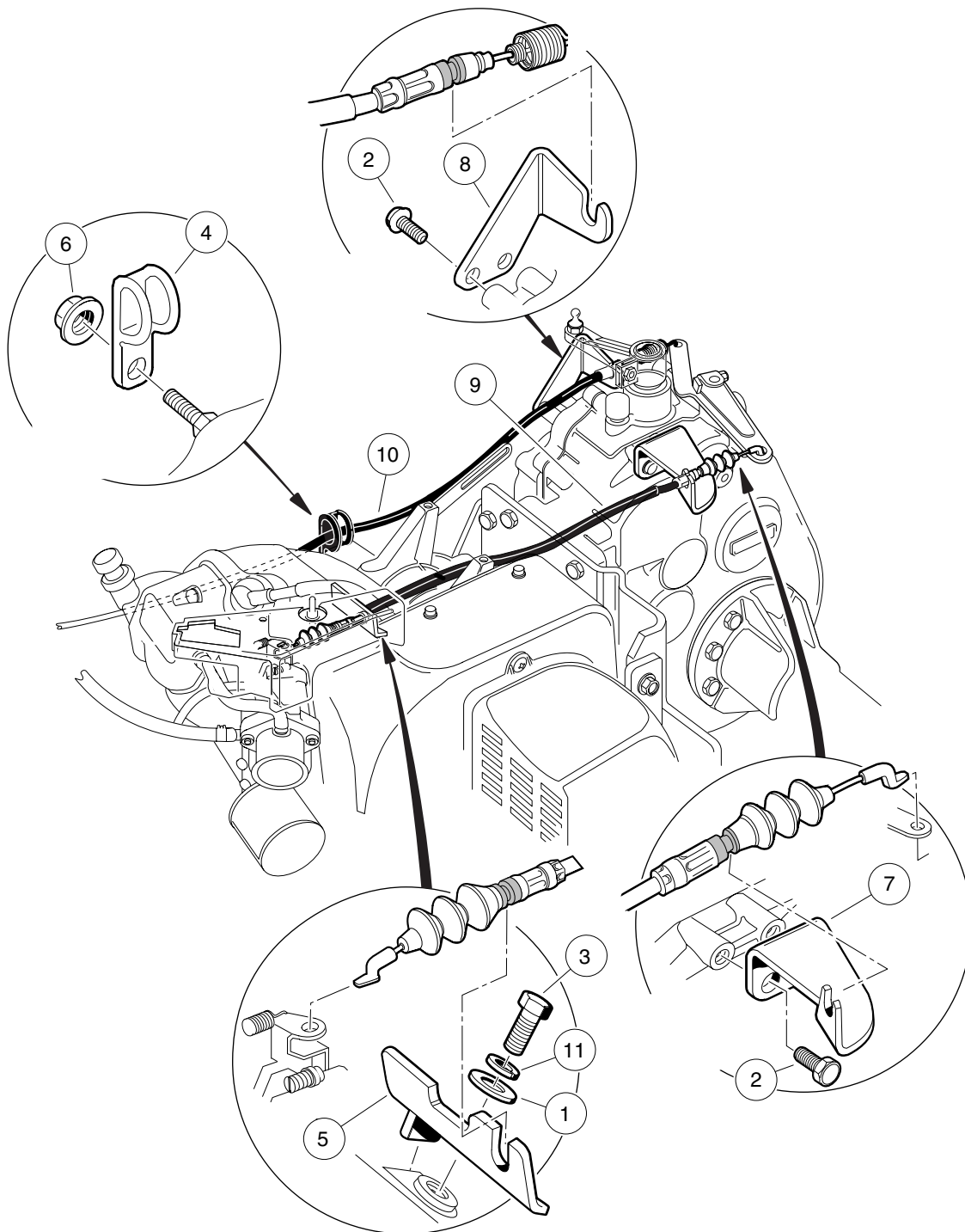


000214-001

# CARBURETOR INSTALLATION – FE350

ITEM	PART NO.	DESCRIPTION	QTY
		1 2 3 4	
1	<u>1013746</u>	Clamp, 0.301 ID Hose .....	1
2	<u>1015137</u>	Fuel Line (available by the foot) .....	A/R
3	<u>1016438</u>	Gasket, Carb To Intake Manifold .....	1
4	<u>1016440</u>	Gasket, Engine to Insulator .....	1
5	<u>1016441</u>	Gasket, Sprg Brkt To Carb OHV .....	1
6	<u>1016444</u>	Bracket, Throttle Spring Return .....	1
7	1016480	Pipe, Intake Manifold .....	1
8	101648102	Insulator, Carburetor .....	1
9	<u>101649002</u>	Stud, M6-1.00 Two-Ended .....	2
10	1016547	Nut .....	2
11	<u>1016572</u>	Tube, Crankcase Vent .....	1
12	<u>1016582</u>	Spring, Throttle Return .....	1
13	<u>1017466</u>	Clamp .....	2
14	<u>101973401</u>	Gasket, Insulator To Bracket .....	1

9  
G

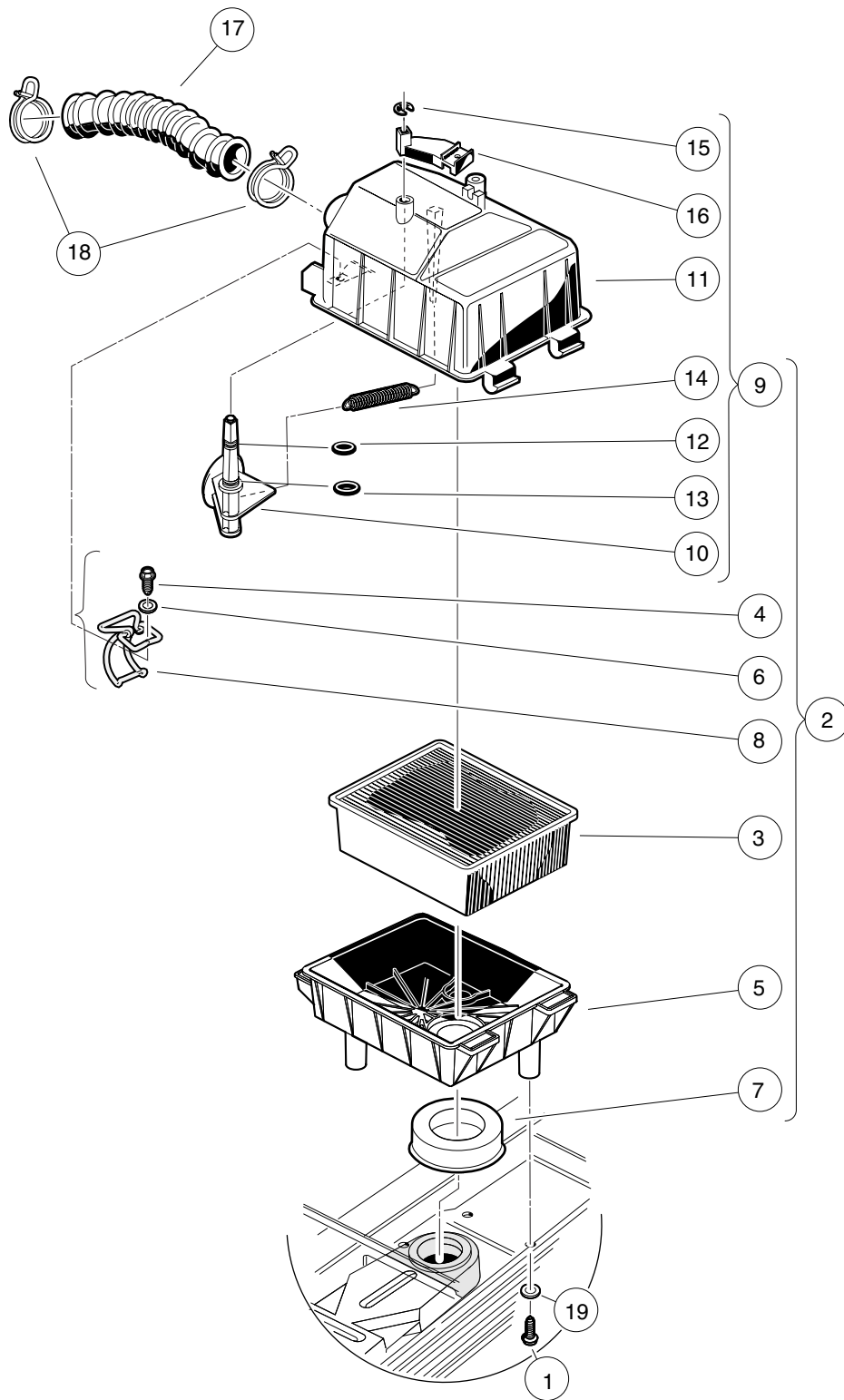


000215-001

# GOVERNOR AND ACCELERATOR CABLES

ITEM	PART NO.	DESCRIPTION	QTY
		1 2 3 4	
1	<u>1011697</u>	Washer, 5/16 Flat .....	1
2	<u>1012285</u>	Screw, 1/4 X 0.625 Hex-Head .....	4
3	<u>1012830</u>	Screw, M8-125 X 22 Hex-Head .....	1
4	<u>1013700</u>	Clamp .....	2
5	<u>101584502</u>	Bracket, Governor Cable Snap-In .....	1
6	<u>1016546</u>	Nut .....	2
7	<u>101832202</u>	Bracket, Rear Governor Cable Snap-In .....	1
8	<u>101832302</u>	Bracket, Rear Accelerator Cable Snap-In .....	1
9	<u>102336001</u>	Cable, Governor, Snap-In .....	1
10	<u>102336101</u>	Cable, Accelerator, Snap-In .....	1
11	<u>7174</u>	Lockwasher, 5/16 Split .....	1

**9**  
**G**



000332-001

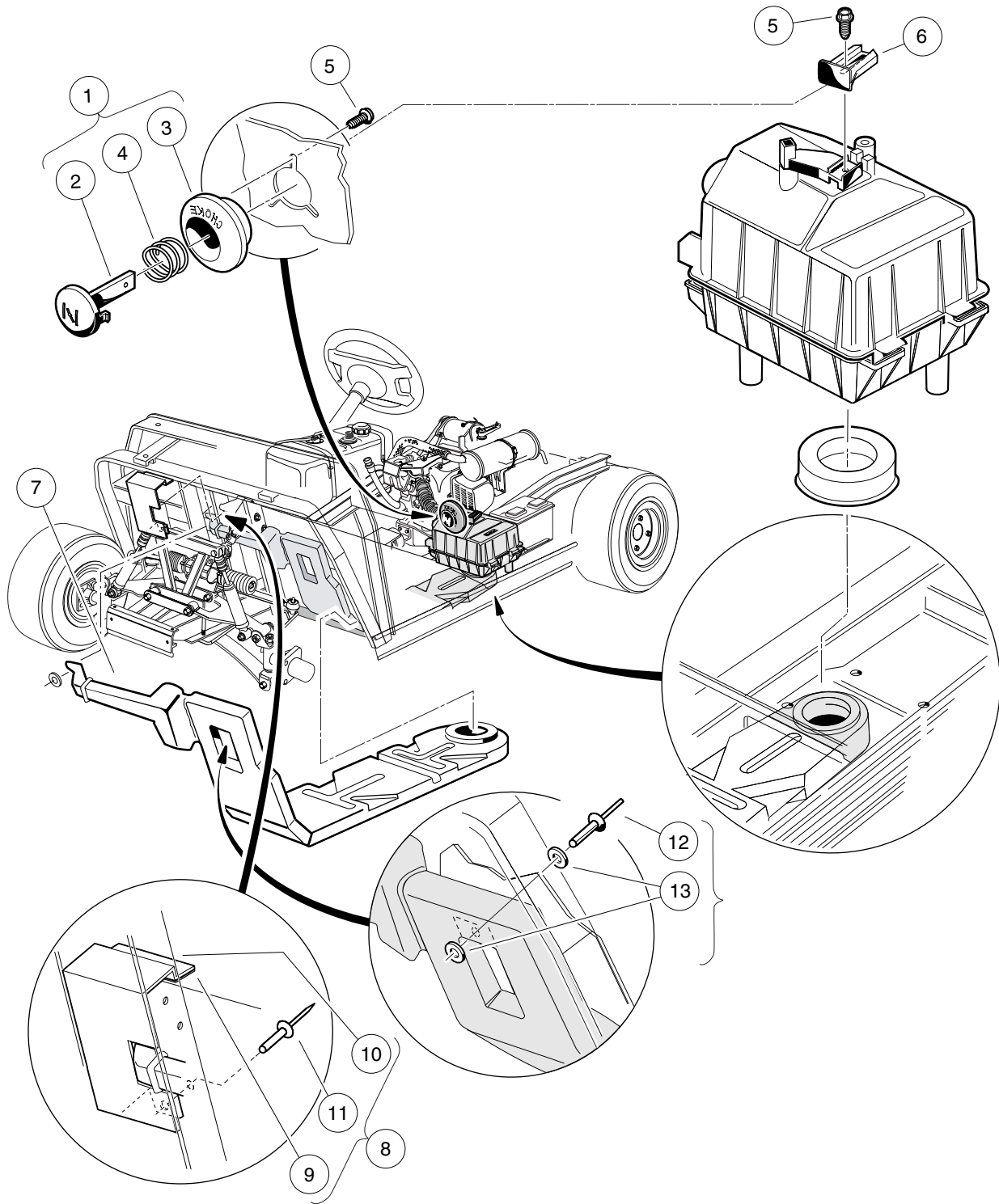


# AIR BOX AND INTAKE HOSE

ITEM	PART NO.	DESCRIPTION	QTY
		1 2 3 4	
1	<u>1015752</u>	Screw, #12-16 X 0.625 Hi-Lo .....	3
2	<u>101821501</u>	Assembly, Air Box (includes items 3 through 9) .....	1
3	<u>1015426</u>	Filter, Air .....	1
4	<u>101804301</u>	Screw, #8 X 0.500, Hex-Head Hi-Lo .....	2
5	<u>101811901</u>	Bottom, Air Box .....	1
6	<u>101881701</u>	Washer, #8 Stainless-Steel Flat .....	2
7	<u>101921501</u>	Seal, Intake .....	1
8	<u>101925701</u>	Latch, Wireform .....	2
9	<u>101972801</u>	Top Assy, Air Box (includes items 10 through 16) .....	1
10	N/A	Valve, Choke .....	1
11	N/A	Top, Air Box .....	1
12	N/A	O-Ring, 5/16 .....	1
13	N/A	O-Ring, 3/8 .....	1
14	<u>101812301</u>	Spring, Extension Return .....	1
15	<u>101813001</u>	Retaining Ring 0.25, Shaft .....	1
16	<u>101917601</u>	Lever, Choke .....	1
17	<u>101837101</u>	Hose, Air Intake .....	1
18	<u>101971301</u>	Clamp, 1.58" ID Hose .....	2
19	<u>332</u>	Washer, 1/4 Type A Narrow Flat .....	3

9

G



000338-001

# INTAKE SYSTEM

ITEM	PART NO.	DESCRIPTION	QTY
		1 2 3 4	
1	<u>101805701</u>	Button Assembly, Choke (includes items 2 through 4) .....	1
2	<u>101811401</u>	Lever, Choke .....	1
3	<u>101811501</u>	Guide, Choke Lever .....	1
4	<u>101856201</u>	Compression Spring .....	1
5	<u>101850301</u>	Screw, #12-16 X 0.50 Washer-Head Hi-Lo .....	4
6	<u>101917701</u>	Choke Positioner .....	1
7	<u>101958101</u>	Duct Assembly .....	1
8	<u>102190702</u>	Kit, Air Duct Shield (includes items 9 through 11) .....	1
9	<u>102185401</u>	Tape, 3M VHB 4950 .....	A/R
10	N/A	Shield, Air Duct .....	1
11	<u>7973</u>	Rivet, 3/16 X .400 Blind .....	1
12	<u>1606</u>	Rivet, 3/16 X .500 Alum Pop .....	2
13	<u>183</u>	Washer, #10 Type A Flat .....	4

9  
G

9

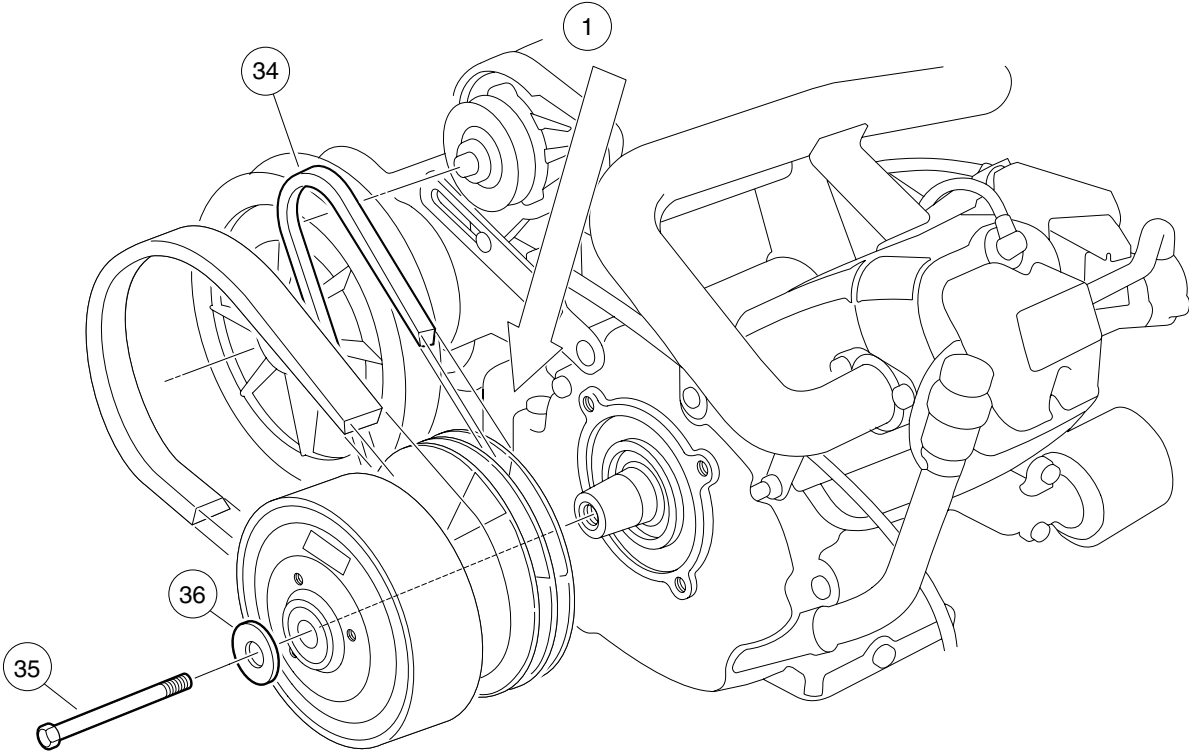
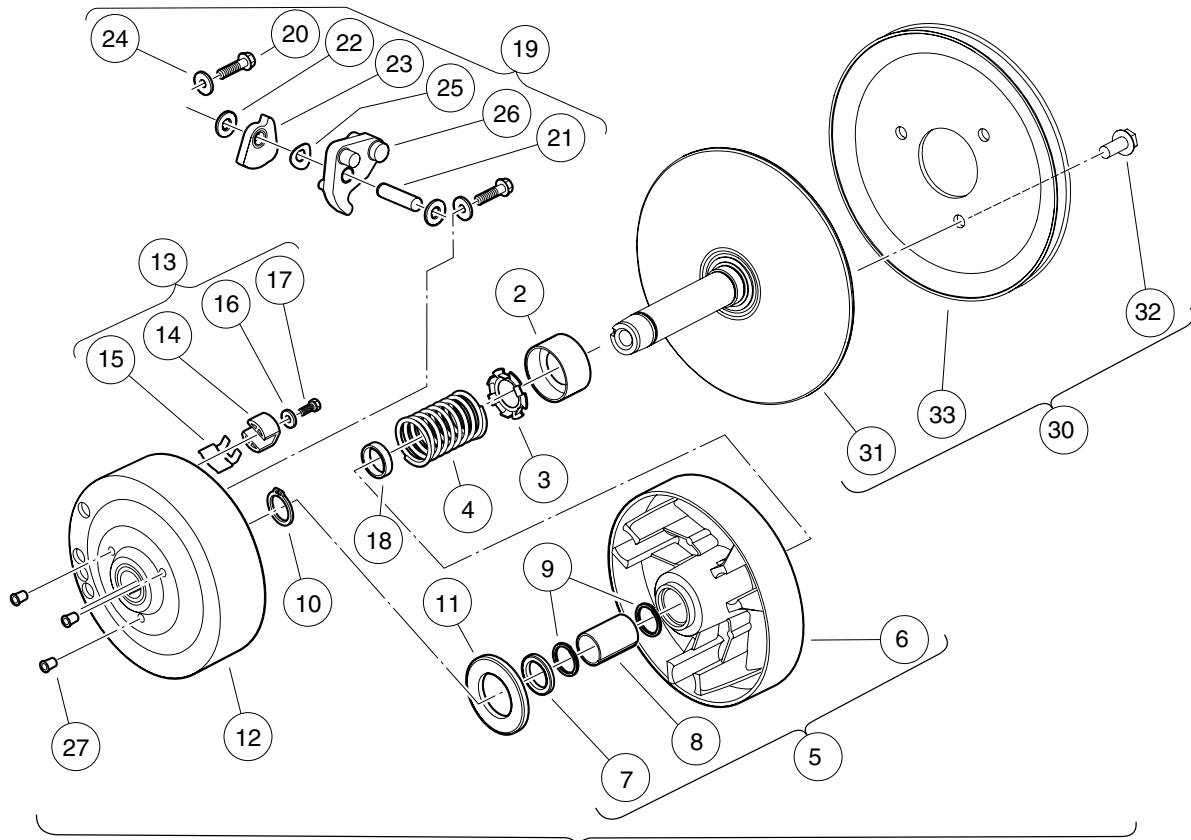
G

# TORQUE CONVERTER

---

10

G



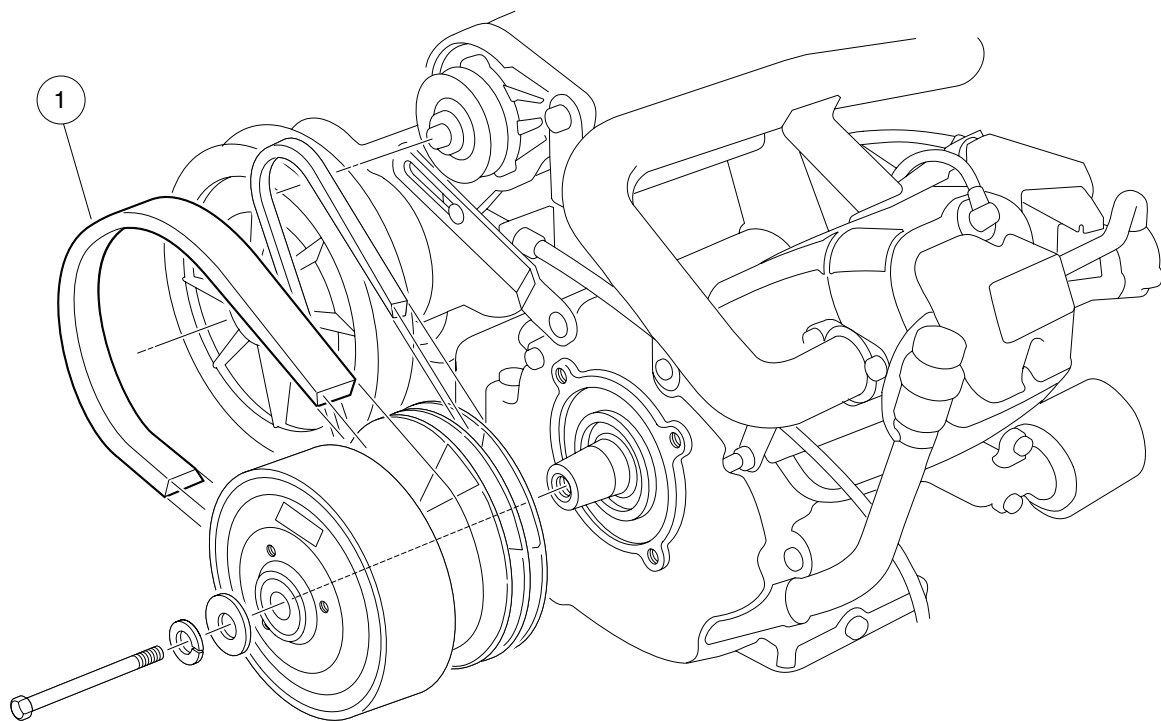
000217-001

# DRIVE CLUTCH

**10**

**G**

ITEM	PART NO.	DESCRIPTION	QTY
		<b>1 2 3 4</b>	
1	<u>101833902</u>	Clutch, Drive (includes items 2 through 28) .....	1
2	1014049	Bearing, Idler .....	1
3	<u>1014050</u>	Retainer, Spring .....	1
4	<u>1014051</u>	Spring, Drive Clutch .....	1
5	1014052	Movable-Face Assembly (includes items 6 through 8) .....	1
6	N/A	Drive Clutch Movable Face .....	1
7	<u>1014055</u>	Retainer .....	1
8	N/A	Bushing, Split, Drive Clutch .....	1
9	<u>1014056</u>	Ring, Spiral Backup .....	2
10	<u>1014057</u>	Ring, 0.810" Internal Retaining .....	1
11	1014058	Washer, Thrust .....	1
12	1014059	Drive Hub Assy, Drive Clutch .....	1
13	<u>1014453</u>	Kit, Drive Clutch Button (includes items 14 through 17) .....	1
14	<u>1014062</u>	Driver, Drive Clutch .....	3
15	<u>1014287</u>	Spring, Drive Button .....	3
16	<u>183</u>	Washer, #10 Type A Flat .....	3
17	<u>8450</u>	Screw, #10-24 X 0.50 Hex-Head .....	3
18	<u>1016289</u>	Spacer, Fixed Face Shaft .....	1
19	<u>1016801</u>	Kit, Drive Clutch Weight (includes items 20 through 26) .....	1
20	<u>1014063</u>	Screw, 1/4-20 X 1.00 Hex Head .....	6
21	N/A	Pin, 0.3752 X 1.50 Dowel .....	3
22	<u>1014065</u>	Washer, 0.38" ID Delrin Flat .....	6
23	N/A	Clutch Weight, Secondary .....	3
24	N/A	Washer .....	6
25	<u>1016201</u>	Washer, Wave .....	3
26	N/A	Weight, Primary .....	3
27	N/A	Plug, Drive Clutch .....	3
28	<u>101929802</u>	Kit, Fxd Face Dr Asm Fe290/350 (includes items 29 and 30) .....	1
29	N/A	Desiccant Bag (Not Shown) .....	1
30	N/A	Assembly, Fixed-Face Drive (includes items 31 through 33) .....	1
31	N/A	Fixed Face Assembly, Drive Clutch .....	1
32	<u>1014288</u>	Screw, 5/16-18 X 0.75 Thread-Forming .....	3
33	N/A	Pulley, Clutch .....	1
34	<u>101916701</u>	V-Belt .....	1
35	<u>103345701</u>	Screw 3/8-24x5.5 Hex Loc Ptch .....	1
36	<u>808</u>	Washer, 3/8 Type B Flat .....	1
		Note: Item 29 not shown.	



000218-001

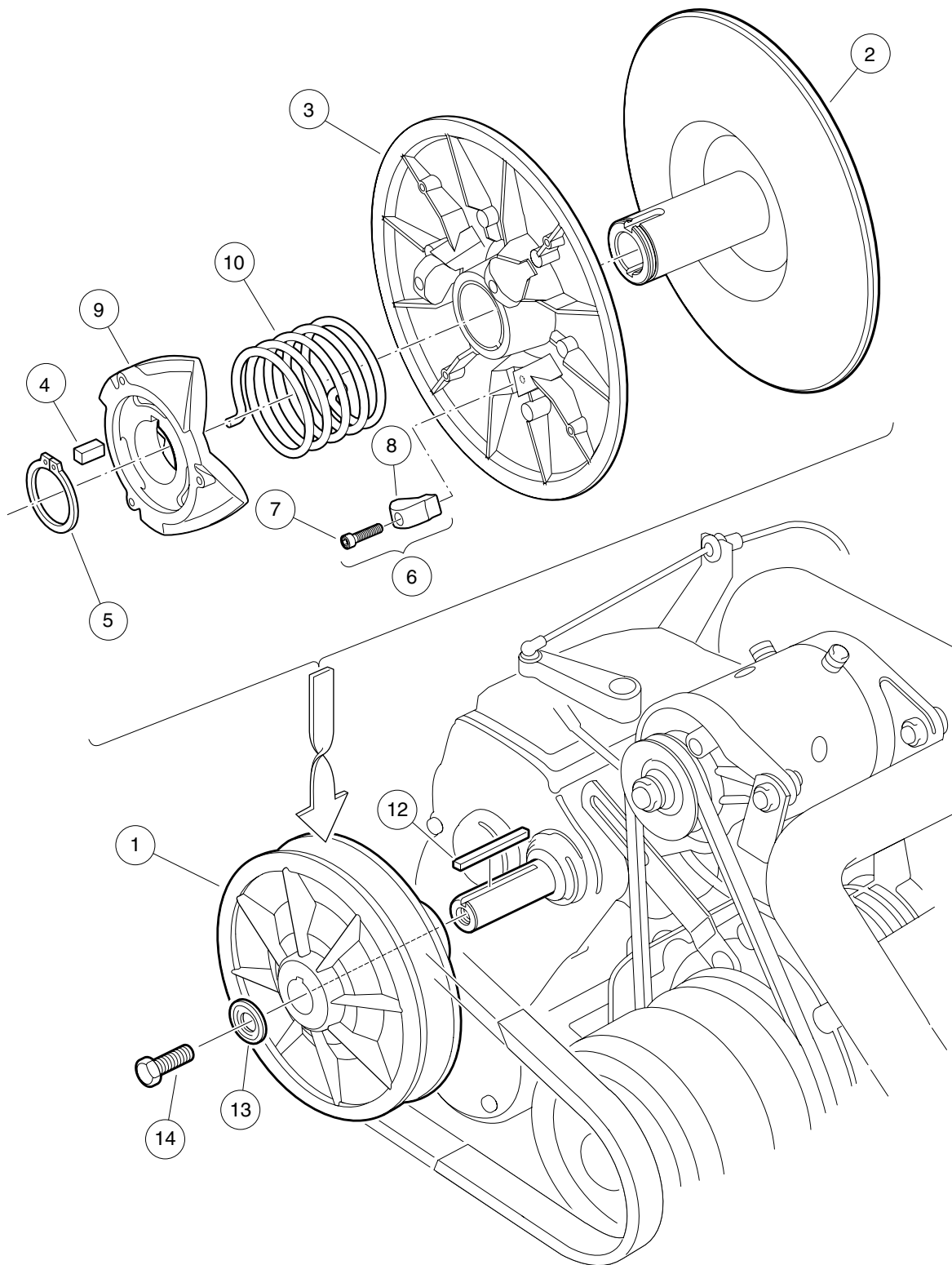


# DRIVE BELT – FE350

ITEM	PART NO.	DESCRIPTION	QTY
1	<u>1017188</u>	<div style="display: flex; justify-content: space-between; margin-bottom: 5px;"> <span>1</span> <span>2</span> <span>3</span> <span>4</span> </div> Belt, Drive (FE350) .....	1

10

G



000219-001

# DRIVEN CLUTCH

ITEM	PART NO.	DESCRIPTION	QTY
		<b>1 2 3 4</b>	
1	<u>101834001</u>	Assembly, Driven Clutch (includes items 2 through 10) .....	1
2	<u>1014070</u>	Fixed Face Assy, Driven Clutch .....	1
3	<u>1014072</u>	Movable-Face Assembly with Bushing .....	1
4	<u>1014078</u>	Key, Driven Clutch .....	1
5	<u>1014080</u>	Ring, Retaining .....	1
6	<u>1014454</u>	Kit, Driven Clutch Button (includes items 7 and 8) .....	1
7	<u>1012836</u>	Screw, #8-32 X 3/4 Socket-Head Cap .....	3
8	N/A	Button, Drive .....	3
9	<u>1017686</u>	Cam, Driven Clutch .....	1
10	<u>101836201</u>	Spring, Driven Clutch, Reversed .....	1
11	<u>AM10419</u>	Kit, Clutch Repair (includes items 12 through 14) .....	1
12	<u>101833401</u>	Key, 3/16 Sq X 1.50" .....	1
13	N/A	Washer, Driven Clutch .....	1
14	<u>102242101</u>	Screw, 5/16-18 X 3/4 Hex-Head with Patch .....	1

**10**  
**G**

**10**

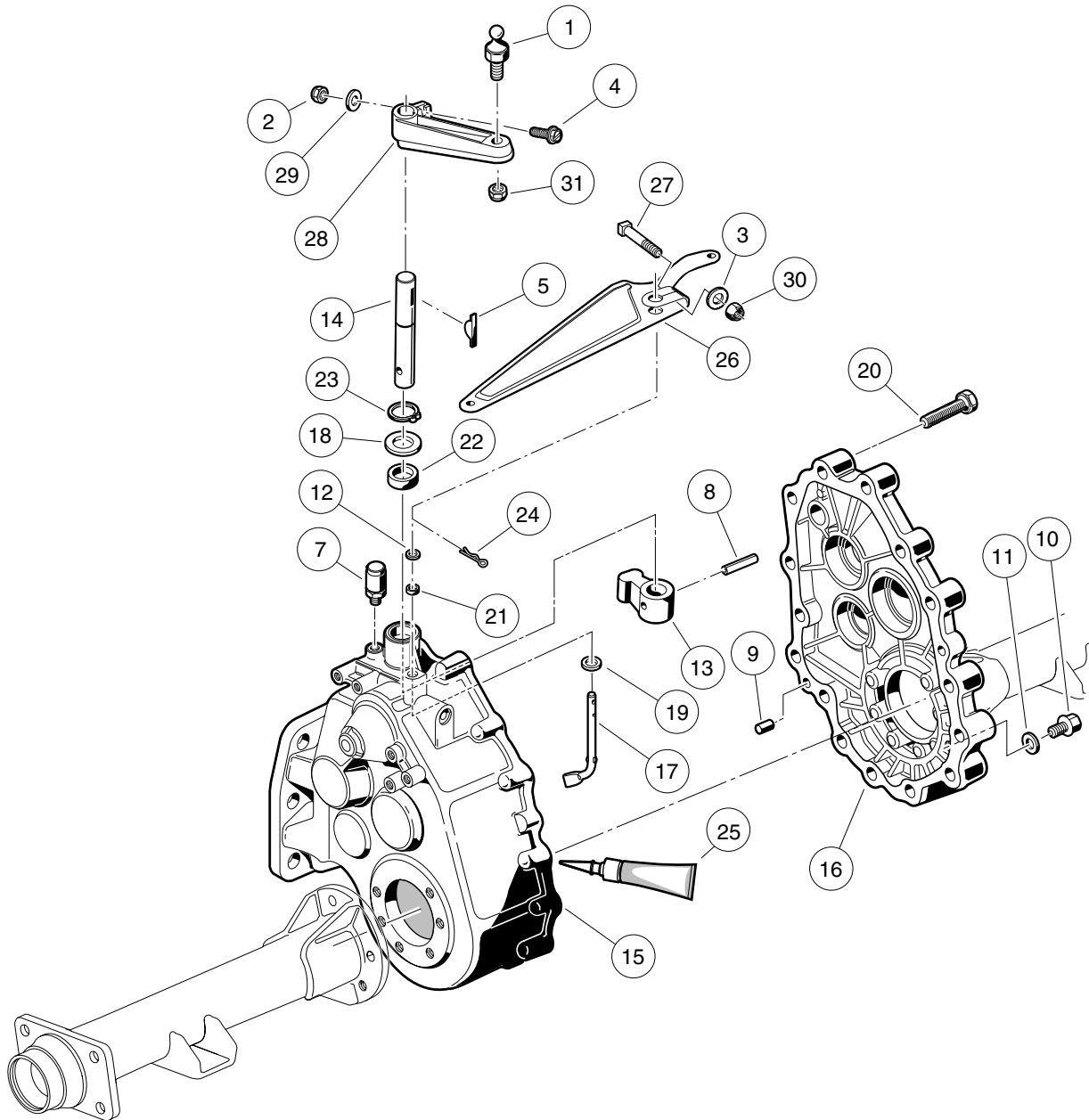
**G**

# UNITIZED TRANSAXLE AND FORWARD/REVERSE SHIFTER

---

11

G

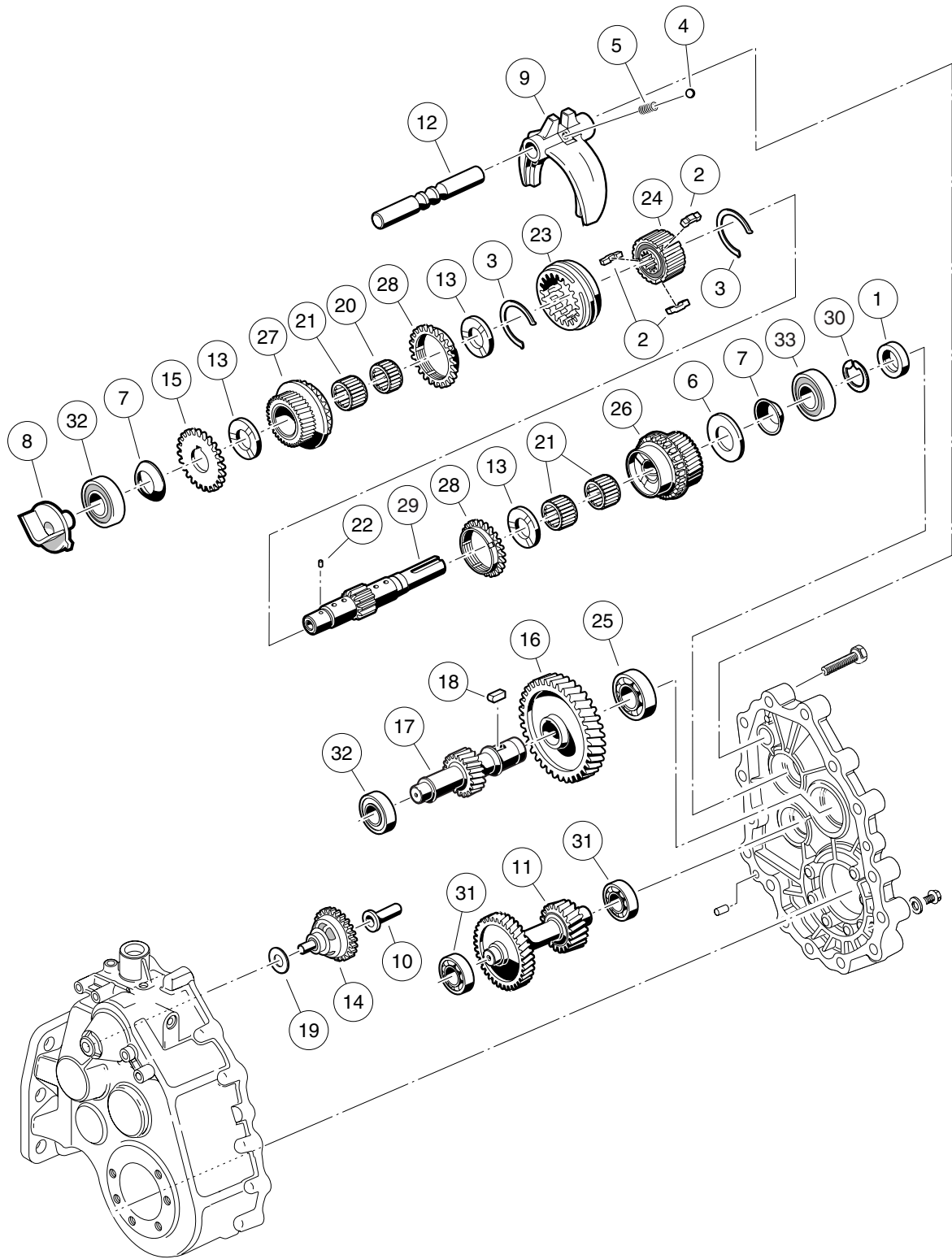


000220-004

# TRANSAXLE – GASOLINE VEHICLES, GEAR CASES AND BRACKETS

ITEM	PART NO.	DESCRIPTION	QTY
		1 2 3 4	
1	<u>1010954</u>	Stud, 1/4-28 X 0.560 Ball .....	1
2	<u>1013061</u>	Locknut, #10-32 Nylon Insert .....	1
3	<u>1014007</u>	Washer, 1/4 Flat .....	1
4	<u>1017082</u>	Screw, #10-32 X 0.75, Hex-Head Machine .....	1
5	<u>1017231</u>	Key, Woodruff .....	1
6	<u>101833601</u>	Transaxle, 11.77 Ratio (includes items 7 through 25) .....	1
7	<u>1012711</u>	Breather .....	1
8	<u>1012752</u>	Roll Pin .....	1
9	<u>1012896</u>	Pin, Dowel .....	2
10	<u>1013760</u>	Fill Plug .....	2
11	<u>1016432</u>	Gasket, Drain Plug .....	1
12	<u>1016513</u>	Washer, M6 Flat .....	1
13	<u>101890101</u>	Lever, Change .....	1
14	<u>101890201</u>	Shaft - Change .....	1
15	<u>101890501</u>	Gear Case (driver side) .....	1
16	<u>101890601</u>	Gear Case (passenger side) .....	1
17	<u>101891301</u>	Arm Pivot .....	1
18	<u>101892901</u>	Washer .....	1
19	<u>101893801</u>	Washer .....	1
20	<u>101926901</u>	Screw, M8-1.25 X 40mm Hex-Head .....	15
21	<u>101927101</u>	Seal, Oil .....	1
22	<u>101927201</u>	Seal, Oil .....	1
23	<u>101927301</u>	Snap Ring .....	1
24	<u>101928601</u>	Pin, Cotter .....	1
25	<u>101928701</u>	Liquid Gasket (Transaxle case) .....	A/R
26	<u>101834801</u>	Arm, Governor .....	1
27	<u>101886101</u>	Screw, 1/4-20 X 1.00 Square-Head .....	1
28	<u>102515401</u>	Lever, Transmission Shift .....	1
29	<u>183</u>	Washer, #10 Type A Flat .....	1
30	<u>8233</u>	Locknut, 1/4-20 Nylon Insert .....	1
31	<u>8717</u>	Locknut, 1/4-28 Nylon Insert .....	1

**11**  
**G**



000221-001

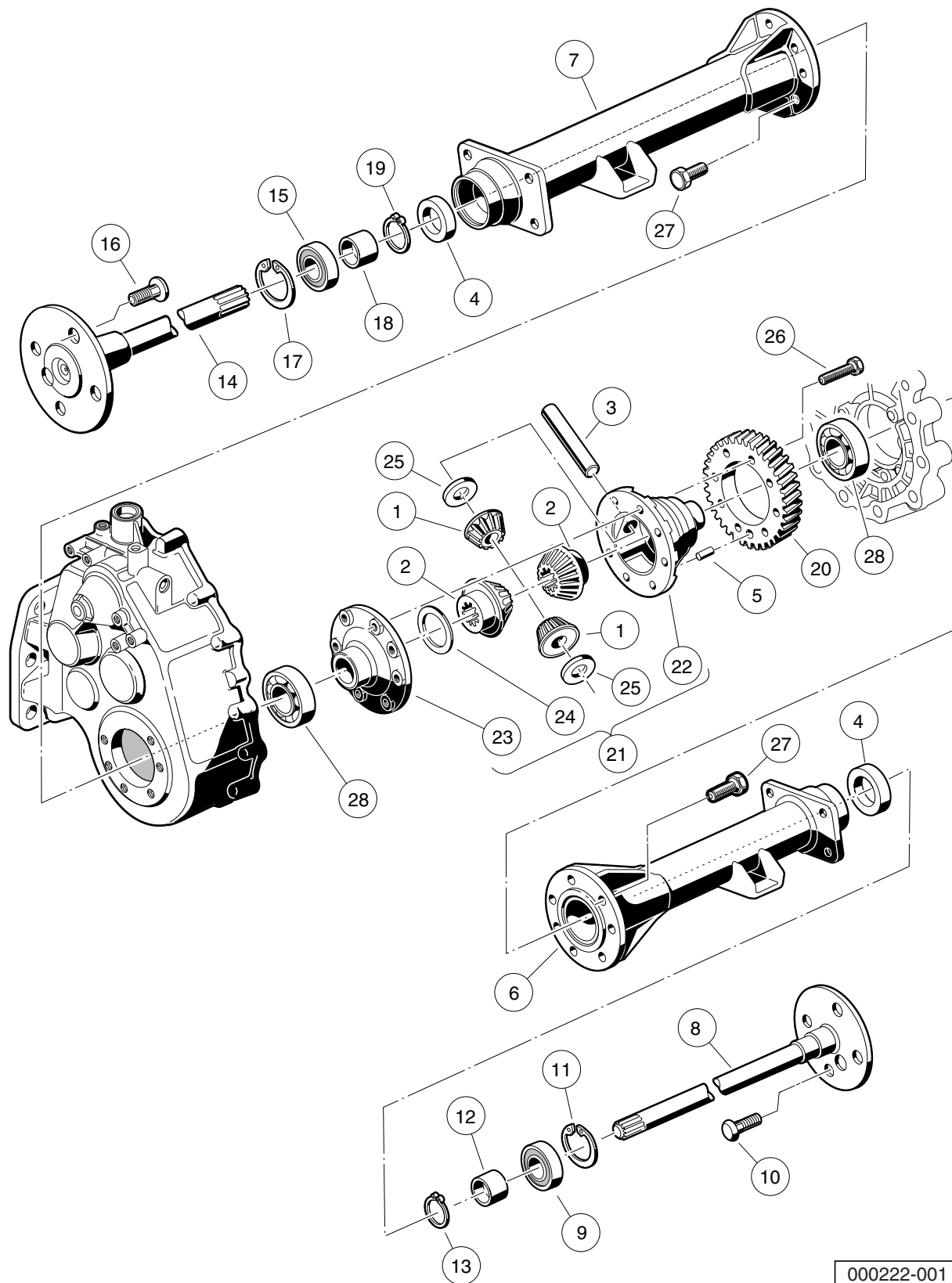


# TRANSAXLE – TRANSMISSION AND GEAR REDUCTION

ITEM	PART NO.	DESCRIPTION	QTY
		1 2 3 4	
1	<u>1012714</u>	Oil Seal .....	1
2	<u>1012740</u>	Synchro Insert .....	3
3	<u>1012741</u>	Synchro Spring .....	2
4	<u>1012747</u>	Shifter Ball .....	1
5	<u>1012748</u>	Shifter Spring .....	1
6	<u>1016337</u>	Washer, Thrust .....	1
7	<u>1016338</u>	Washer, Spring .....	2
8	<u>101889401</u>	Guide .....	1
9	<u>101890001</u>	Fork - Shift .....	1
10	<u>101891601</u>	Sleeve, Governor .....	1
11	<u>101891901</u>	Gear, Cluster .....	1
12	<u>101892001</u>	Rod, Shift .....	1
13	<u>101892201</u>	Plate, Thrust .....	3
14	<u>101892301</u>	Governor Assembly .....	1
15	<u>101892401</u>	Gear, Spur .....	1
16	<u>101892501</u>	Gear, Helical (61 Tooth) .....	1
17	<u>101892601</u>	Gear, Helical (17 Tooth) .....	1
18	<u>101893201</u>	Key Sunk .....	1
19	<u>101893901</u>	Washer .....	1
20	<u>101927501</u>	Needle Bearing .....	1
21	<u>101927601</u>	Needle Bearing .....	3
22	<u>101927701</u>	Pin, .116" Dia X 0.264 Dowel .....	1
23	<u>101927901</u>	Sleeve, Synchro .....	1
24	<u>101928001</u>	Hub, Synchro Clutch .....	1
25	<u>101928101</u>	Bearing, Ball .....	1
26	<u>101980801</u>	Gear Assembly, 16-Degree Synchro (25 Tooth) .....	1
27	<u>101980901</u>	Gear Assembly, 16-Degree Rear Synchro (28 Tooth) .....	1
28	<u>101981001</u>	Ring, 16-Degree Synchronizer .....	2
29	<u>102453001</u>	Shaft, Trans, with Circlip .....	1
30	<u>102453101</u>	Circlip .....	1
31	<u>7335</u>	Bearing .....	2
32	<u>AM10080</u>	Bearing, Ball, Sealed .....	2
33	<u>AM10081</u>	Bearing, Ball, Sealed .....	1
Note: Items listed on this page are components of the unitized transaxle.			

11

G



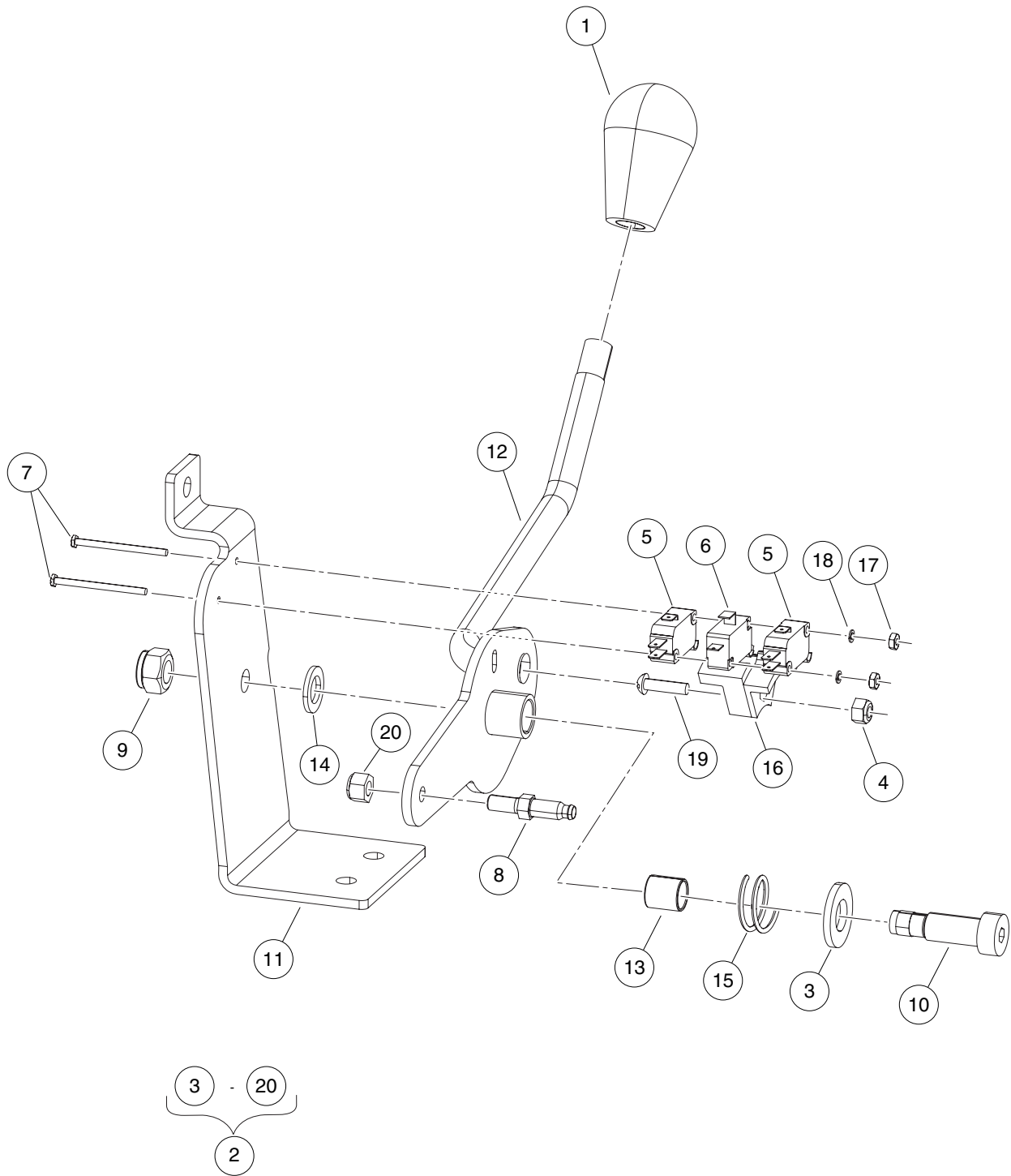
000222-001

# TRANSAXLE – DIFFERENTIAL AND AXLES

ITEM	PART NO.	DESCRIPTION	QTY
		<b>1 2 3 4</b>	
1	<u>1013770</u>	Differential Idler Gear .....	2
2	<u>1013771</u>	Gear, Differential .....	2
3	<u>1013772</u>	Pin, Differential .....	1
4	<u>1013794</u>	Axle Shaft Oil Seal .....	2
5	N/A	Dowel Pin .....	1
6	<u>101890901</u>	Pipe .....	1
7	<u>101891001</u>	Pipe .....	1
8	<u>101891401</u>	Axle Assembly, Passenger Side (includes items 9 through 13) .....	1
9	<u>1011291</u>	Outer Axle, Tube Bearing .....	1
10	<u>1013787</u>	Lug Stud .....	4
11	<u>1013792</u>	Circlip Type C .....	1
12	<u>1014207</u>	Bushing .....	1
13	<u>1016672</u>	Retaining Ring .....	1
14	<u>101891501</u>	Axle Assembly, Driver-Side (includes items 15 through 19) .....	1
15	<u>1011291</u>	Outer Axle, Tube Bearing .....	1
16	<u>1013787</u>	Lug Stud .....	4
17	<u>1013792</u>	Circlip Type C .....	1
18	<u>1014207</u>	Bushing .....	1
19	<u>1016672</u>	Retaining Ring .....	1
20	<u>101892701</u>	Gear, Helical .....	1
21	<u>101910501</u>	Kit, Differential Gear Case (includes items 22 through 25) .....	1
22	<u>1013768</u>	Differential Gear Case, Left-Hand .....	1
23	<u>1013769</u>	Differential Gear Case, Right-Hand .....	1
24	<u>1013773</u>	Plate, Thrust (Differential Gear) .....	1
25	<u>1013774</u>	Plate, Thrust (Idler Gear) .....	2
26	<u>101928301</u>	Screw, M8-1.25 X 35mm Hex Head .....	8
27	<u>102031901</u>	Bolt, M10 X 1.5 X 30mm .....	14
28	<u>7330</u>	Inner Axle Tube Bearing .....	2
Note: Items listed on this page are components of the unitized transaxle.			

11

G



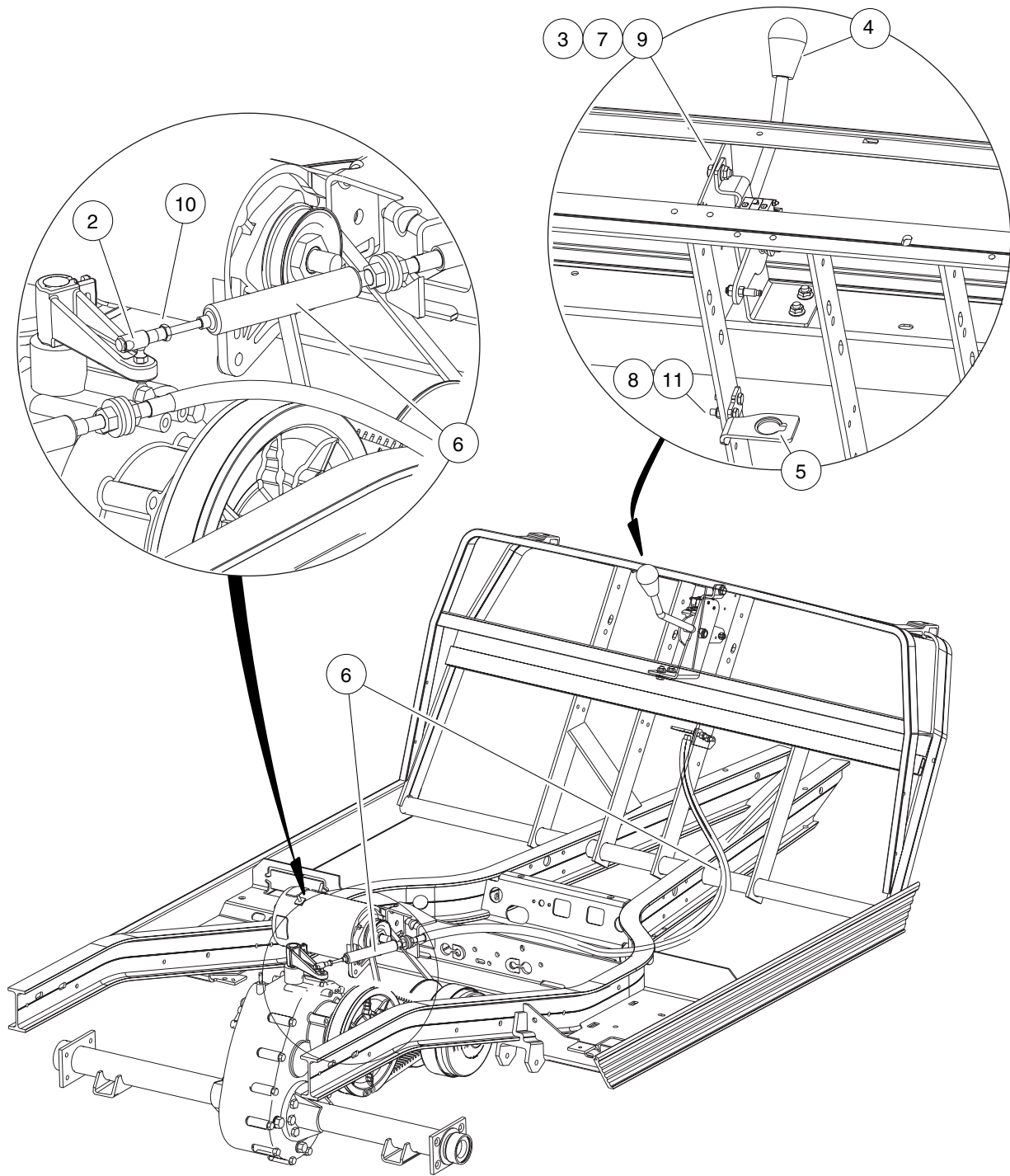
000563-001

# FORWARD/REVERSE SHIFTER

ITEM	PART NO.	DESCRIPTION	QTY
		1 2 3 4	
1	<u>102376001</u>	Knob, Fnr .....	1
2	<u>102969901</u>	Asm, Shifter, FNR (includes items 3 through 20) .....	1
3	<u>1010028</u>	Washer, 1/2 Type A Flat .....	1
4	<u>1013061</u>	Locknut, #10-32 Nylon Insert .....	1
5	<u>1014807</u>	Switch, Limit .....	2
6	<u>1014808</u>	Switch, Limit .....	1
7	<u>1015878</u>	Screw, #4-40 Hex Head Machine .....	2
8	<u>102526201</u>	Stud, Thread, 1/4-28 .....	1
9	<u>102616701</u>	Locknut, M10x1.5 Nylon Insert .....	1
10	<u>102684602</u>	Shoulder Bolt, M12 X 25.0 .....	1
11	<u>102969401</u>	Bracket, Shifter, FNR .....	1
12	<u>102969801</u>	Weldment, Shift Lever, FNR .....	1
13	<u>103173301</u>	Bushing, Greaseless, 12mm Id .....	1
14	<u>103177401</u>	Washer, Thrust, Shifter, FNR .....	1
15	<u>103192701</u>	Spring, Comp, .97 Od X.75 L .....	1
16	<u>103369501</u>	Cam, Limit Switch, Fnr Shifter .....	1
17	<u>8057</u>	Nut, #4-40 Hex Machine .....	2
18	<u>8058</u>	Lockwasher, #4 Helical Split .....	2
19	8104	Screw, #10-32 X .75 Rd Hd Mach .....	1
20	<u>8717</u>	Locknut, 1/4-28 Nylon Insert .....	1

11

G



000573-001

# FORWARD/REVERSE SHIFTER CABLE

ITEM	PART NO.	DESCRIPTION	QTY
		<b>1 2 3 4</b>	
1	N/A	Installation, Shifter, FNR (includes items 2 through 11) .....	1
2	<u>1012333</u>	Joint, #10-32 Ball .....	1
3	<u>101963401</u>	Locknut, 5/16-18 Hex Flange .....	3
4	<u>102376001</u>	Knob, Fnr .....	1
5	<u>103295101</u>	Brkt, Spt, Cable End, Fnr .....	1
6	<u>103295201</u>	Cable, Trans, Ball End, 1550mm .....	1
7	<u>1241</u>	Washer, 5/16 Type A Flat .....	3
8	<u>304</u>	Screw, 1/4-20 X 1.0 Hex-Head Cap .....	2
9	<u>7173</u>	Screw, 5/16-18 X 0.75 Hex-Head Cap .....	3
10	<u>7893</u>	Nut, #10-32 Hex .....	1
11	<u>8233</u>	Locknut, 1/4-20 Nylon Insert .....	2

11

G

11

G



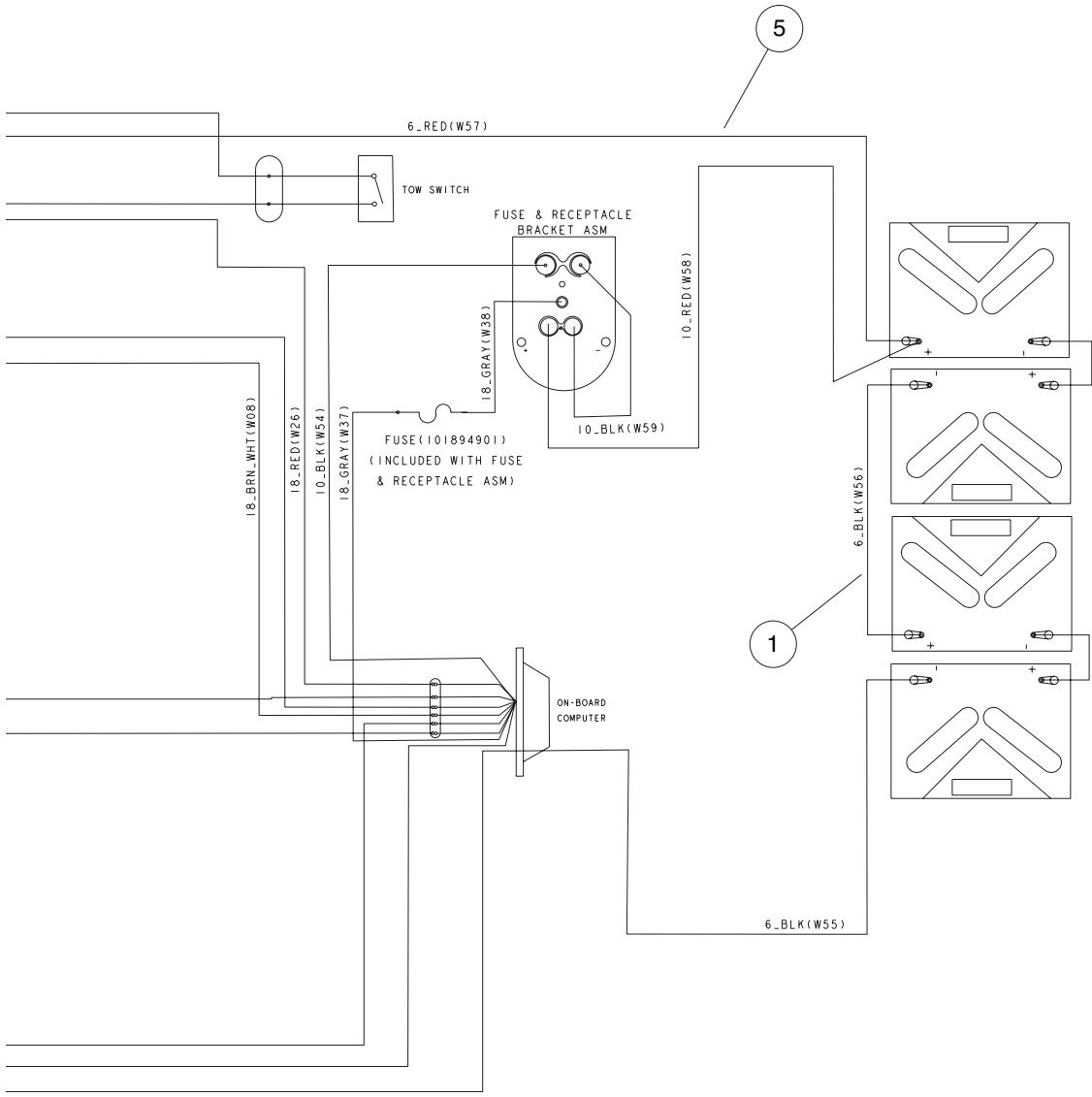
# ELECTRICAL SYSTEM – ELECTRIC VEHICLES

---

12

*E*





000606-002

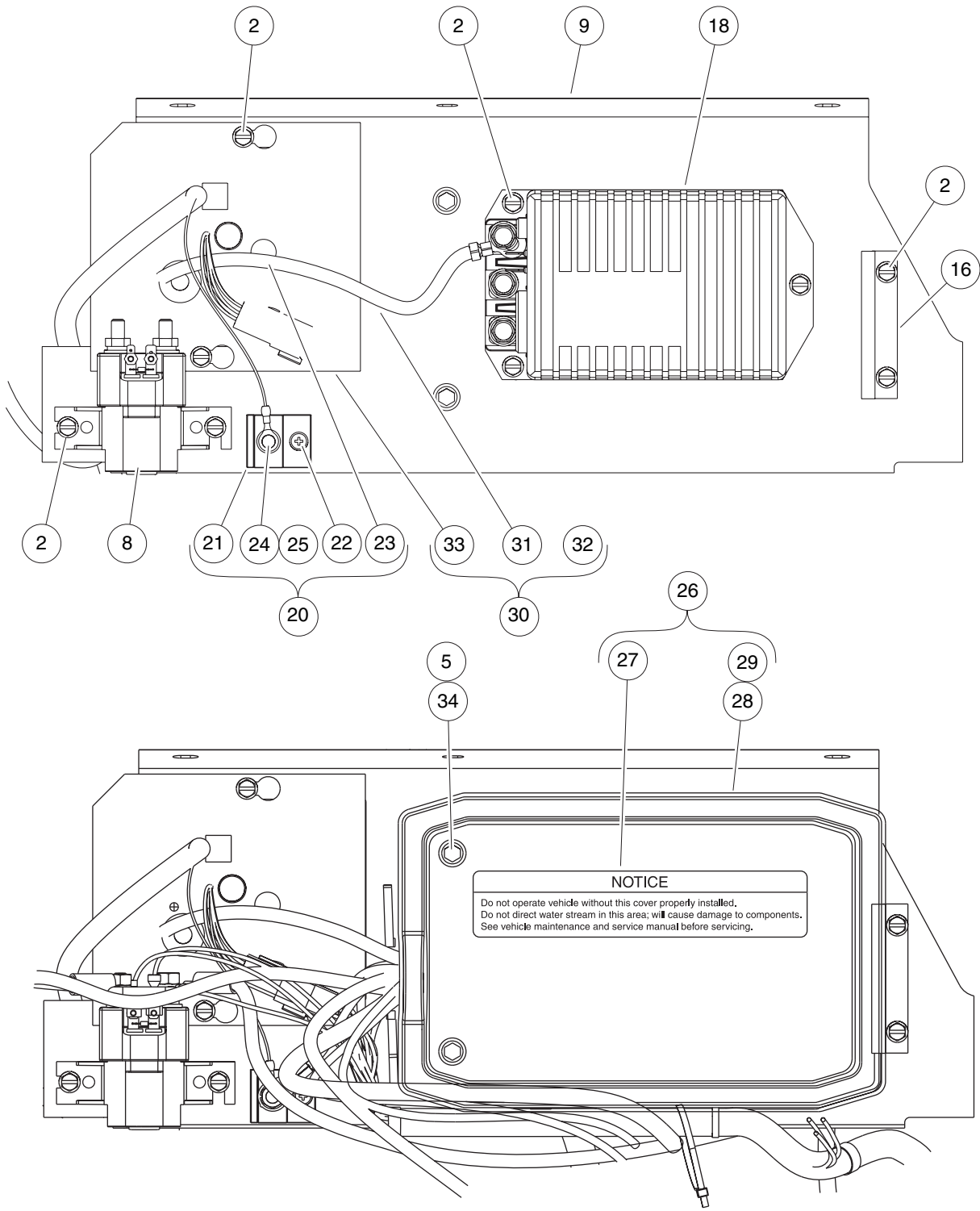
See previous two pages for illustration.

# WIRING

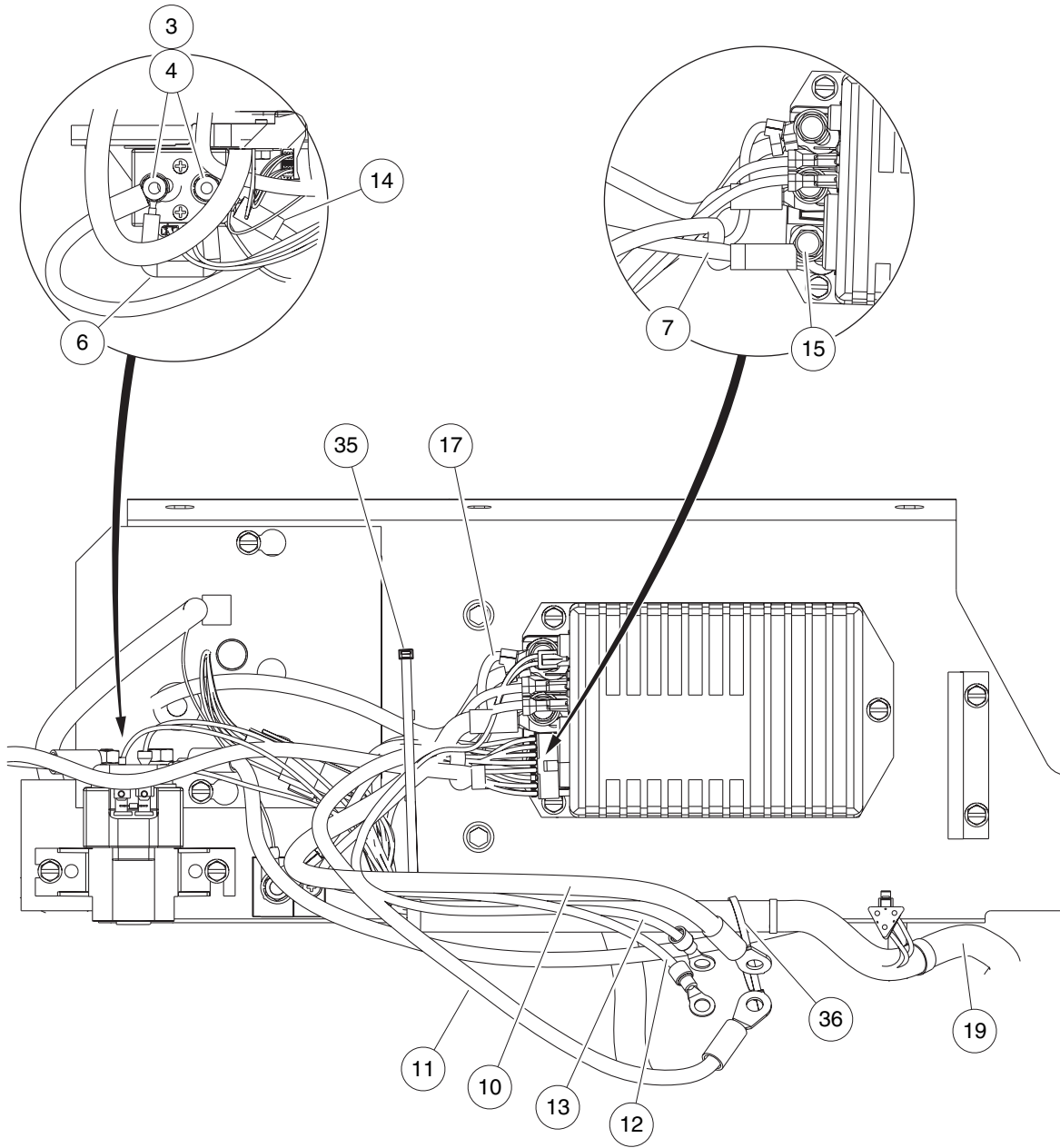
ITEM	PART NO.	DESCRIPTION	QTY
		1 2 3 4	
1	<u>101795701</u>	Asm, Wire, #6blk 13in .....	5
2	<u>101903001</u>	Wire Assembly #6 Yellow .....	1
3	<u>101968701</u>	Wire Assy, #6 White .....	1
4	<u>101978001</u>	Wire Assy, #6 Green .....	1
5	<u>102199601</u>	Wire Assy, #6 Red .....	1
6	<u>103221801</u>	Asm, Wire Harness, Electric .....	1

12

E



000607-001



000607-001

See previous two pages for illustration.



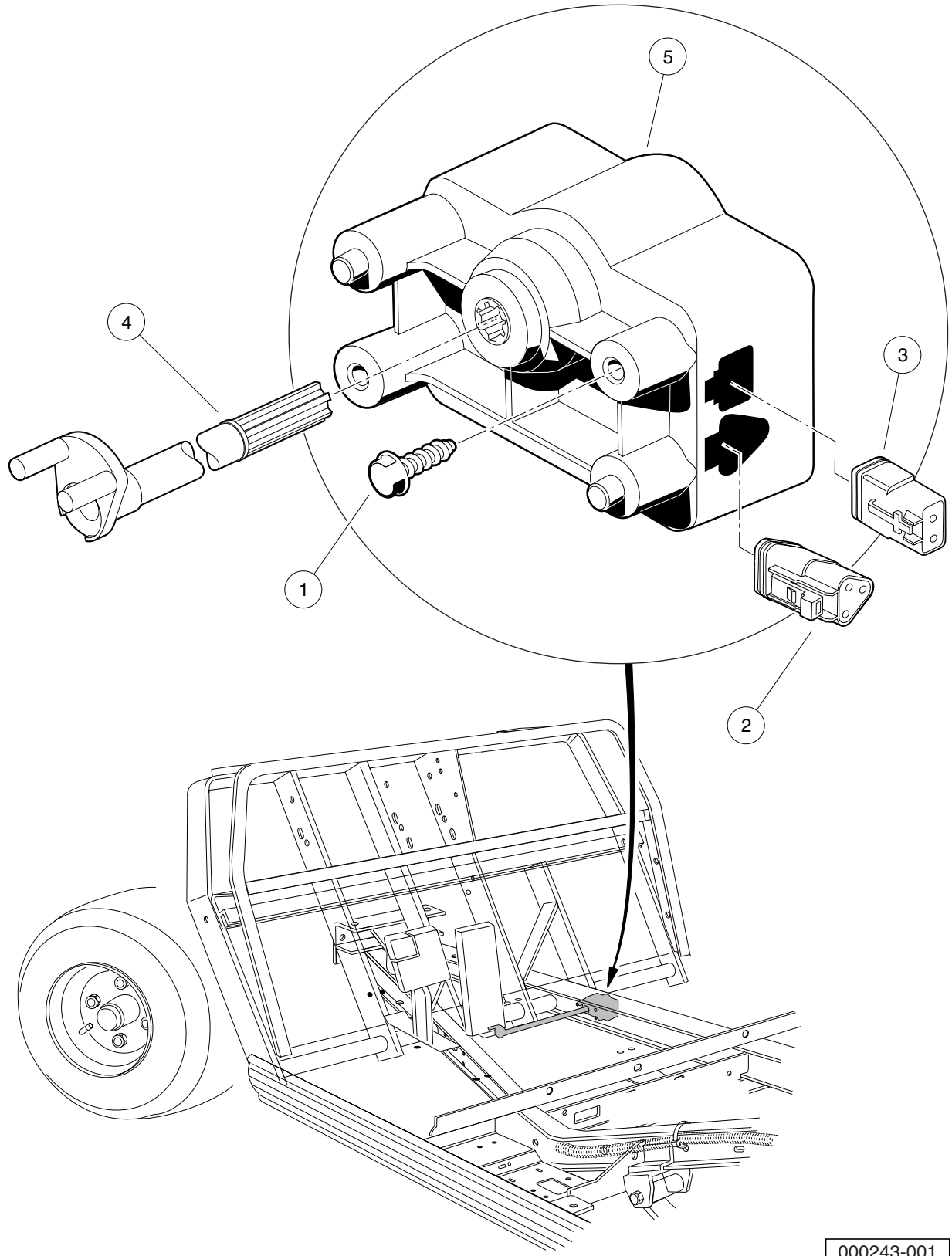
# COMPUTER, CONTROLLER, AND SOLENOID

ITEM	PART NO.	DESCRIPTION	QTY
		1 2 3 4	
1	N/A	Asm, Electrical Component Box (includes items 2 through 36) .....	1
2	<u>1012285</u>	Screw, 1/4 X 0.625 Hex-Head .....	9
3	<u>1012528</u>	Nut, M8-1.25 Hex .....	2
4	<u>1013734</u>	Lockwasher, 8mm Split .....	2
5	<u>1014063</u>	Screw, 1/4-20 X 1.00 Hex Head .....	2
6	<u>1014947</u>	Resistor Assembly .....	1
7	<u>101903001</u>	Wire Assembly #6 Yellow .....	1
8	<u>101908703</u>	Solenoid, 48v W/ Diode .....	1
9	<u>101965202</u>	Plate, Component Mounting .....	1
10	<u>101968701</u>	Wire Assy, #6 White .....	1
11	<u>101978001</u>	Wire Assy, #6 Green .....	1
12	<u>101978101</u>	Wire Assy, #10 Orange .....	1
13	<u>101978201</u>	Wire Assy, #10 Blue .....	1
14	<u>102199601</u>	Wire Assy, #6 Red .....	1
15	<u>102240501</u>	Bolt, Controller, Terminal .....	3
16	****	Extrusion, Cover Support .....	1
17	<u>102263601</u>	Wire Assy, #10 Black .....	1
18	<u>103221801</u>	Asm, Wire Harness, Electric .....	1
19	<u>103282701</u>	Kit, Terminal Block Ground (includes items 20 through 24) .....	1
20	<u>102259801</u>	Terminal Block .....	1
21	<u>102263701</u>	Screw, #10-24 X 0.75 Phillips, Thread-Forming .....	1
22	<u>103282601</u>	Wire Assembly Black #10 .....	1
23	<u>1242</u>	Nut, 5/16-18 Hex .....	1
24	<u>7174</u>	Lockwasher, 5/16 Split .....	1
25	<u>103316901</u>	Cover Asm - Controller (includes items 26 through 28) .....	1
26	<u>101931501</u>	Decal, Component Cover .....	1
27	<u>103316701</u>	Cover - Controller, Deep .....	1
28	<u>103316801</u>	Gasket - Controller Cover .....	1
29	<u>103359401</u>	Kit, OBC, DS and Util IQ (includes items 30 through 32) .....	1
30	<u>103282601</u>	Wire Assembly Black #10 .....	1
31	<u>103359501</u>	Instr Obs Ds Pre 01-28-2007 .....	1
32	N/A	Asm, Obs, Iq, V3.0 .....	1
33	<u>103390201</u>	Controller, Modified, 48v Iq .....	1
34	<u>332</u>	Washer, 1/4 Type A Narrow Flat .....	2
35	<u>8639</u>	Tie Wrap, 11" Nylon .....	1
36	<u>8990</u>	Tie Wrap, 8" Nylon .....	1

\*\*\*\* Special order item available upon request.

12

E



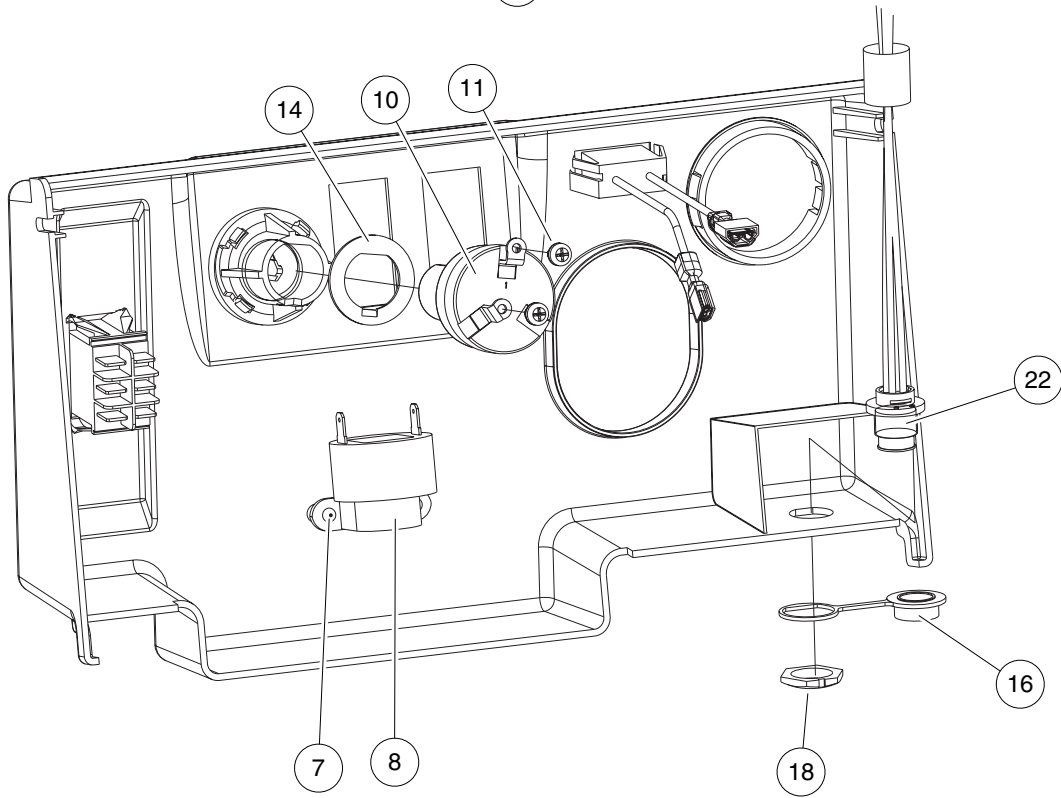
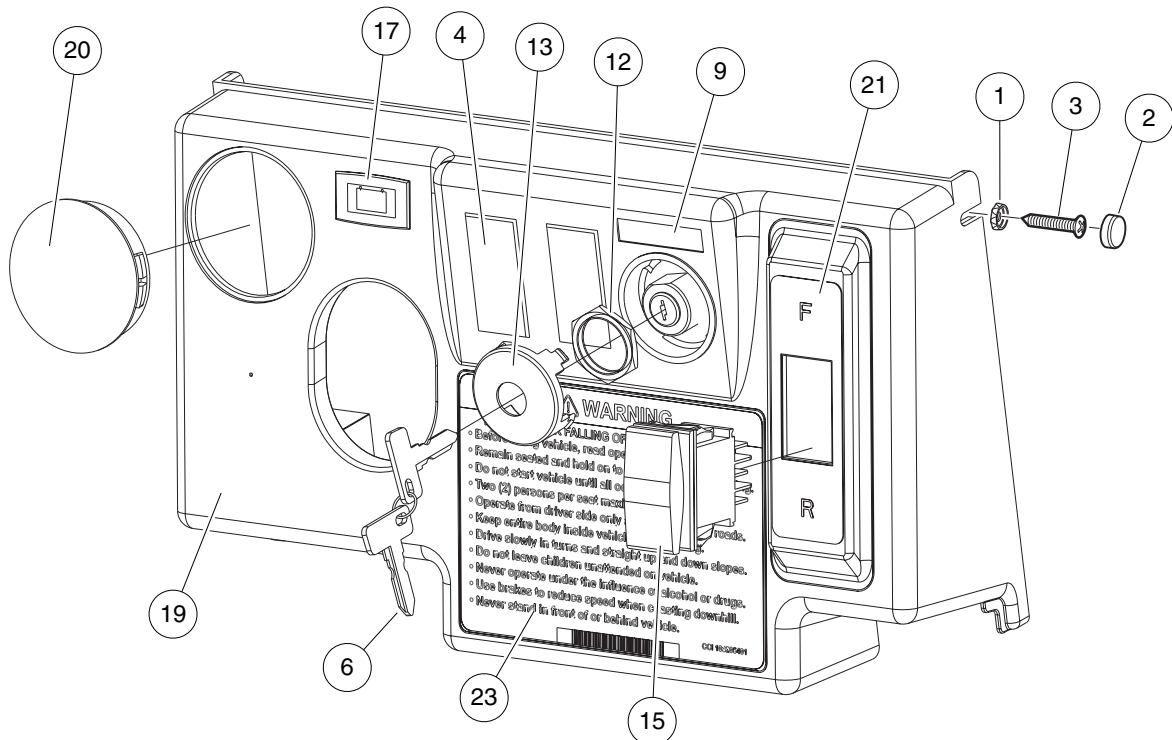
000243-001

# MOTOR CONTROLLER OUTPUT REGULATOR (MCOR)

ITEM	PART NO.	DESCRIPTION	QTY
		1 2 3 4	
1	<u>1015752</u>	Screw, #12-16 X 0.625 Hi-Lo .....	2
2	<u>101920101</u>	Kit, 3-Pin Wedge Lock .....	1
3	<u>101936801</u>	Kit, 2-Pin Wedge Lock .....	1
4	102101001	Bar, Drive, Cast .....	1
5	<u>102101101</u>	MCOR .....	1

12

E



000577-006

# INSTRUMENT PANEL AND ELECTRICAL COMPONENTS

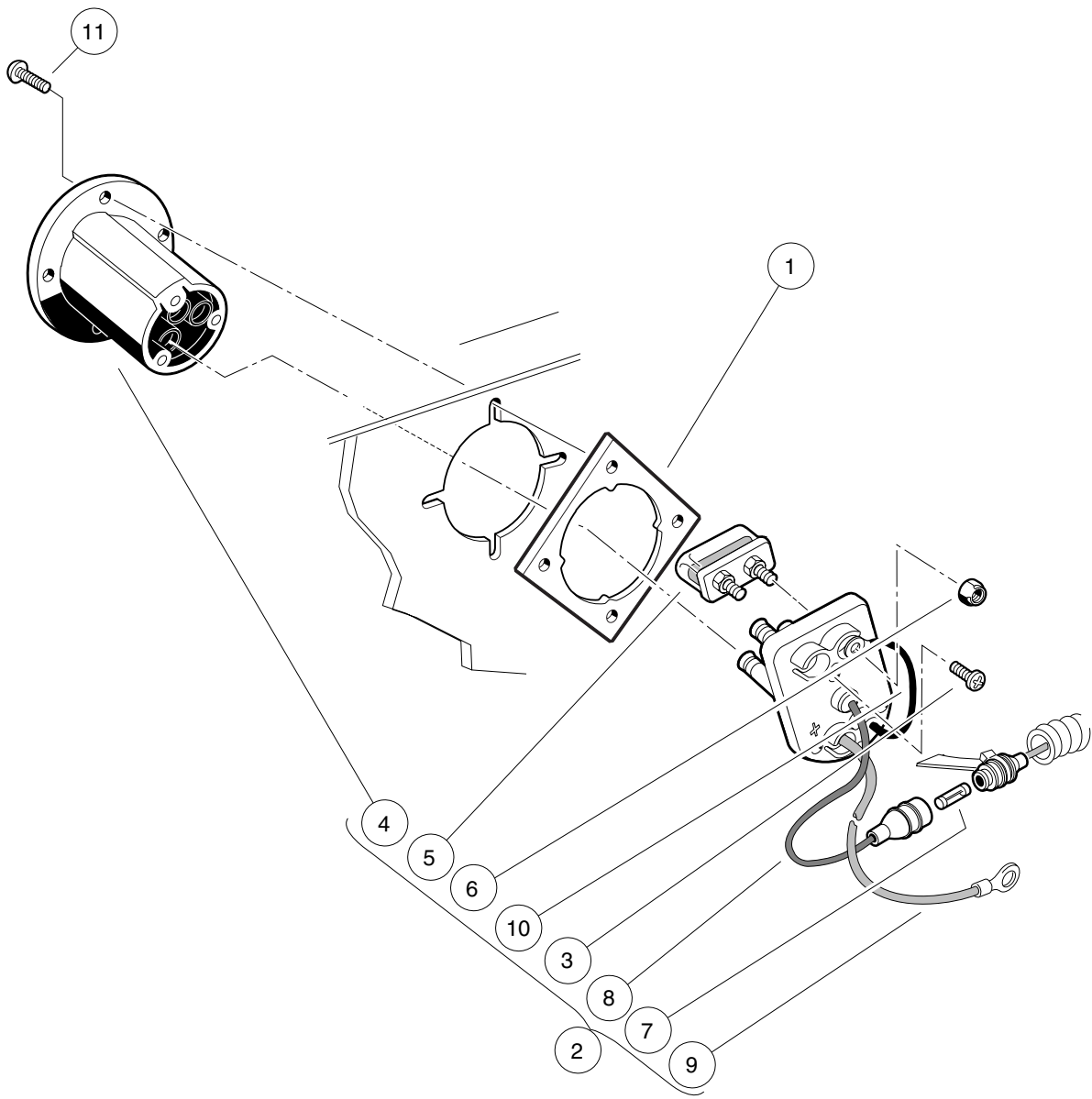
ITEM	PART NO.	DESCRIPTION	QTY
		1 2 3 4	
1	N/A	Washer, #10 Pan-Head Screw .....	2
2	<u>1013494</u>	Cover, Screw Head .....	2
3	<u>1015528</u>	Screw, #10 x 1-1/4 Phillips Head .....	2
4	<u>103180101</u>	Cover, Hole, Switch, Rocker .....	2
5	N/A	Asm, Dash, Elec (Instrument Panel) (includes items 6 through 23) .....	1
6	<u>1012505</u>	Keys (set of 2) .....	1
7	<u>1016849</u>	Screw, #4-24 X 0.33 Pan-Head Machine .....	2
8	<u>1016851</u>	Buzzer, Reverse (9-48 VDC) .....	1
9	<u>101825101</u>	Decal, Off/On .....	1
10	<u>101826201</u>	Key Switch, On/Off .....	1
11	<u>101830601</u>	Screw and Washer Assembly .....	2
12	<u>101830701</u>	Nut, Key Switch .....	1
13	<u>101834502</u>	Cap, Black Key Switch .....	1
14	<u>101851101</u>	Washer, Key Switch .....	1
15	<u>101856001</u>	Switch, Rocker, Double-Pole .....	1
16	<u>102196901</u>	Dust Cap .....	1
17	<u>102508701</u>	Light, Battery .....	1
18	<u>102572401</u>	Nut, Diagnostic Port, Prec .....	1
19	<u>102977002</u>	Panel, Dash, Center, Gas (Instrument Panel) .....	1
20	<u>103198301</u>	Plug, Hole, Round, 2.0 In .....	1
21	<u>103210301</u>	Decal, Forward/Reverse, Electric .....	1
22	<u>103218601</u>	Harness, Diagnostic Port .....	1
23	<u>103499301</u>	Decal, Operating Inst, On-road .....	1

12

E

12

E



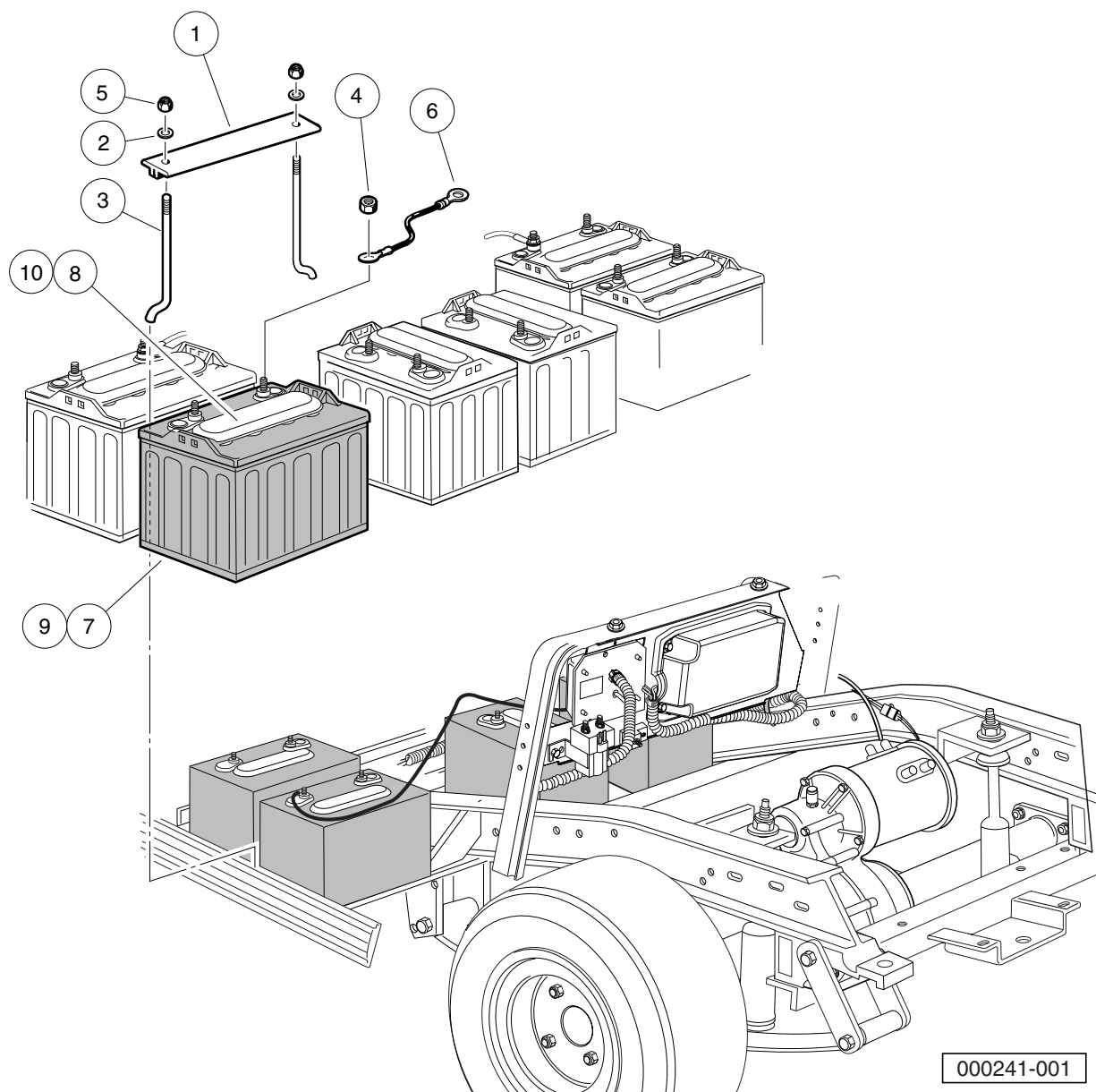
000369-001

# BATTERY CHARGER RECEPTACLE

ITEM	PART NO.	DESCRIPTION	QTY
		1 2 3 4	
1	<u>101801001</u>	Plate, Receptacle Backing .....	1
2	<u>101802101</u>	Fuse and Receptacle Assembly (includes items 3 through 10) .....	1
3	<u>1017705</u>	Screw, #8 X 5/8 Phillips Pan-Head Type AB .....	3
4	<u>101796501</u>	Receptacle .....	1
5	<u>101796801</u>	Fuse Assembly (includes item 6) .....	1
6	<u>1013061</u>	Locknut, #10-32 Nylon Insert .....	2
7	<u>101894901</u>	Fuse, 3/8-Amp .....	1
8	N/A	Wire Assembly, Sense Lead, Gray .....	1
9	N/A	Wire Assembly, #10 Red .....	1
10	N/A	Wire Assembly, #10 Black .....	1
11	<u>101832001</u>	Screw, #7-19 X 0.625 Phillips Pan-Head Tap .....	4

12

E



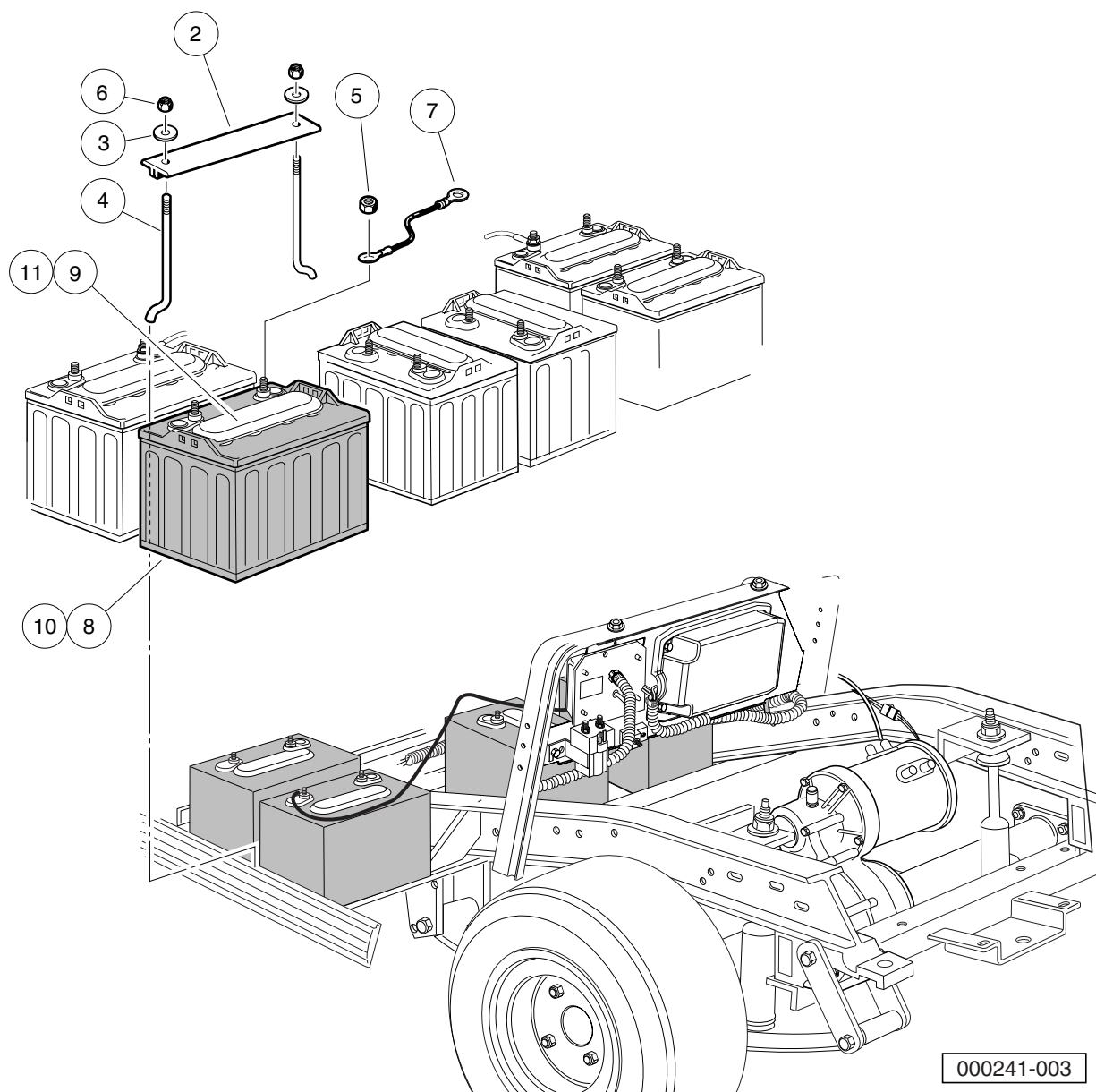


# BATTERIES (T875)

ITEM	PART NO.	DESCRIPTION	QTY
		<b>1 2 3 4</b>	
1	<u>101090801</u>	Hold-Down, Battery .....	3
2	<u>1011578</u>	Washer, 5/16 Type B Flat .....	6
3	1013683	J-Bolt .....	6
4	<u>1014304</u>	Nut, 5/16-18 Stainless-Steel Hex .....	12
5	1015072	Locknut, 5/16-18 Nylon Insert .....	6
6	<u>101795701</u>	Asm, Wire, #6blk 13in .....	5
7	<u>101797701</u>	Battery, 8-Volt, T875 (includes item 8) .....	6
8	<u>101797801</u>	Cap, 4-Gang Battery .....	1
9	<u>101797702</u>	Battery, 8-Volt, T875 Moist (also known as dry) (includes item 10) .....	6
10	<u>101797801</u>	Cap, 4-Gang Battery .....	1

**12**

**E**



# BATTERIES (T890)

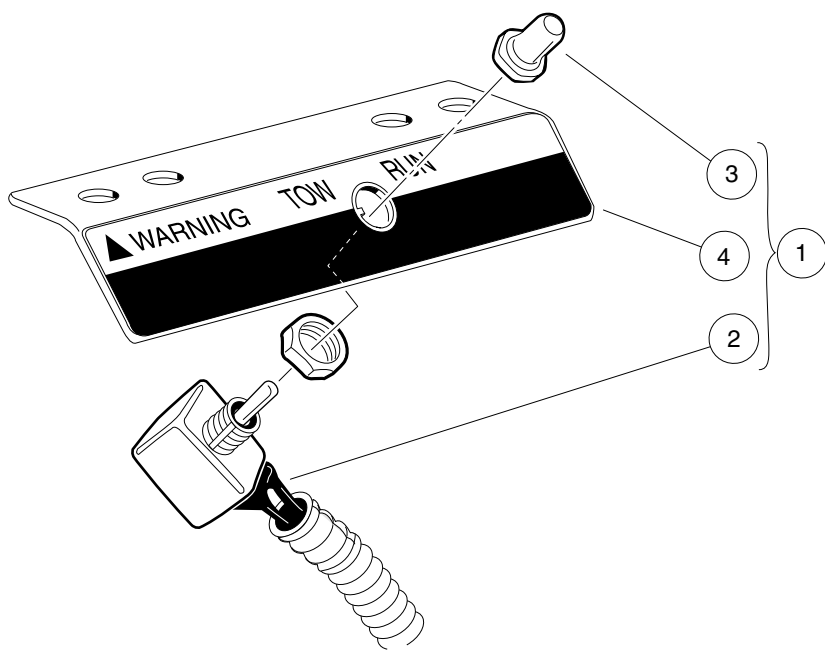
ITEM	PART NO.	DESCRIPTION	QTY
		<b>1 2 3 4</b>	
1	N/A	Installation, Battery, T890 (includes items 2 through 10) .....	1
2	<u>101090801</u>	Hold-Down, Battery .....	3
3	1012571	Washer, 5/16 Extra Thick Flat .....	6
4	1013683	J-Bolt .....	6
5	<u>1014304</u>	Nut, 5/16-18 Stainless-Steel Hex .....	12
6	1015072	Locknut, 5/16-18 Nylon Insert .....	6
7	<u>101795701</u>	Asm, Wire, #6blk 13in .....	5
8	<u>101964201</u>	Battery, 8v Trojan T890 (Wet) (includes item 9) .....	6
9	<u>101797801</u>	Cap, 4-Gang Battery .....	1
10	<u>101964202</u>	Battery, 8v Trojan T890 (Dry, also known as moist) (includes item 11) .....	6
11	<u>101797801</u>	Cap, 4-Gang Battery .....	1

**12**

**E**

12

E



000605-001

# TOW/RUN SWITCH

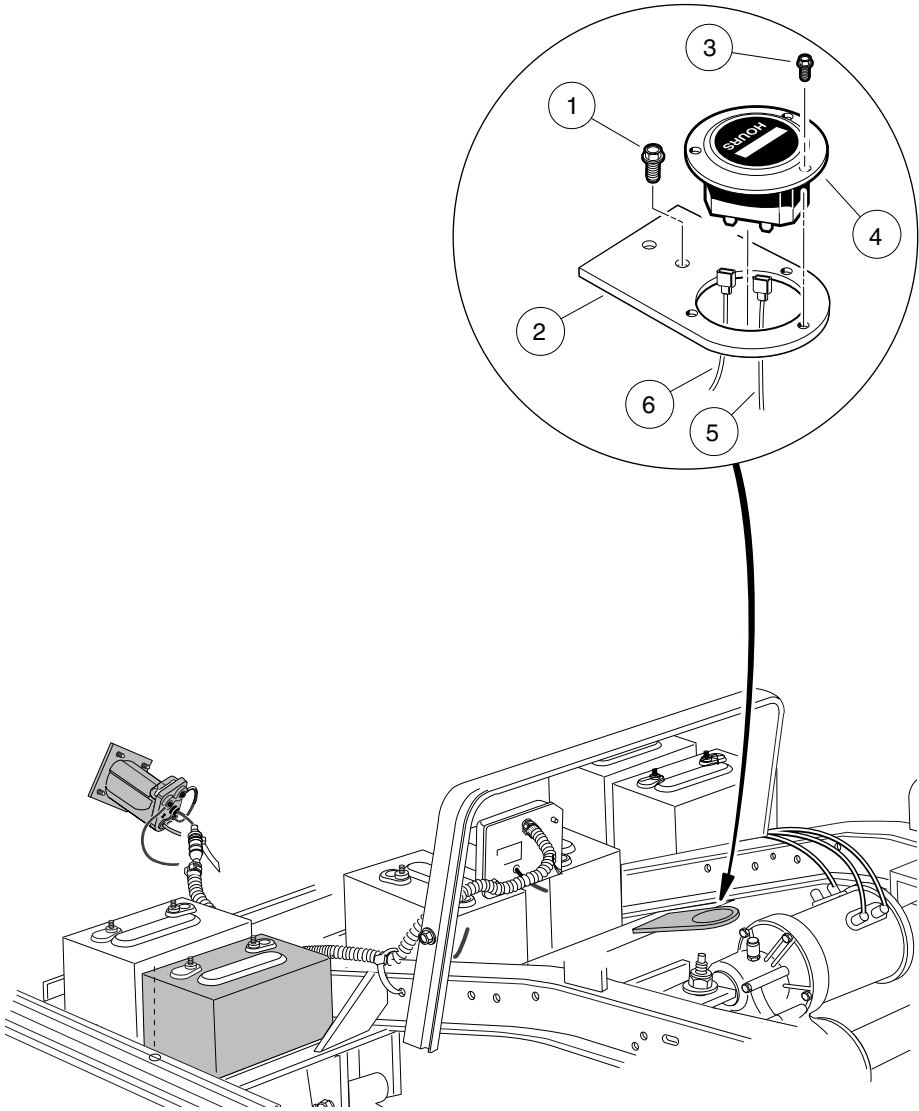
ITEM	PART NO.	DESCRIPTION	QTY
		<b>1 2 3 4</b>	
1	N/A	Tow Switch Assembly (includes items 2 through 4) .....	1
2	<u>101908101</u>	Switch Assembly, Tow/Run .....	1
3	<u>101908401</u>	Boot, Switch .....	1
4	<u>101922501</u>	Bracket, Tow/Run Switch Mounting .....	1

**12**

**E**

12

E



000341-001

# HOUR METER – TURF 1

ITEM	PART NO.	DESCRIPTION	QTY
		<b>1 2 3 4</b>	
1	<u>1012285</u>	Screw, 1/4 X 0.625 Hex-Head .....	1
2	<u>1013547</u>	Hour Meter Bracket .....	1
3	<u>1014540</u>	Screw, #6-32 X 3/8 Taptite .....	3
4	<u>1016877</u>	Hour Meter .....	1
5	N/A	Wire Assembly #18 Yellow .....	1
6	N/A	Wire Assy, #18 Blue .....	1

**12**

**E**

12

*E*

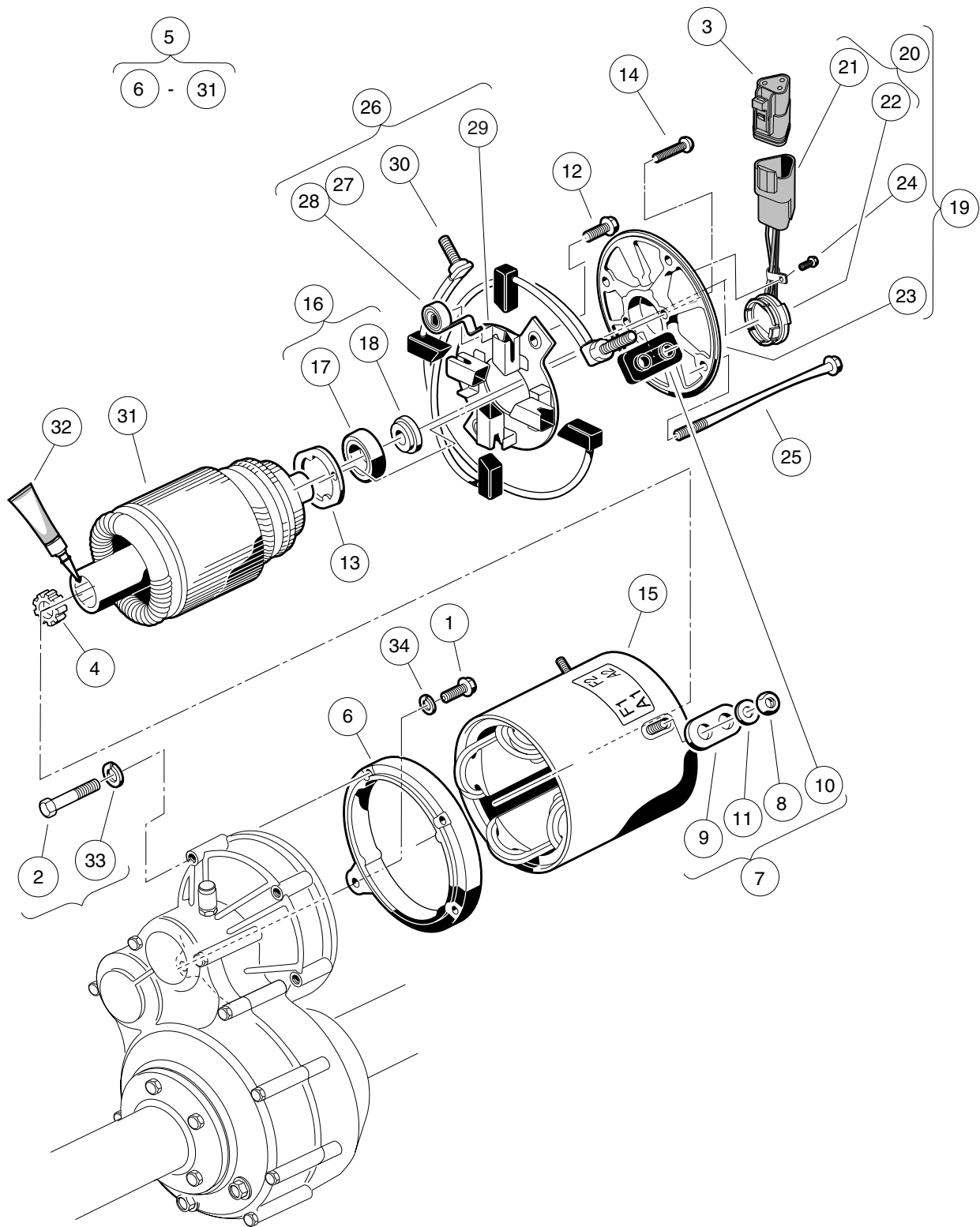


# ELECTRIC MOTOR

---

13

*E*



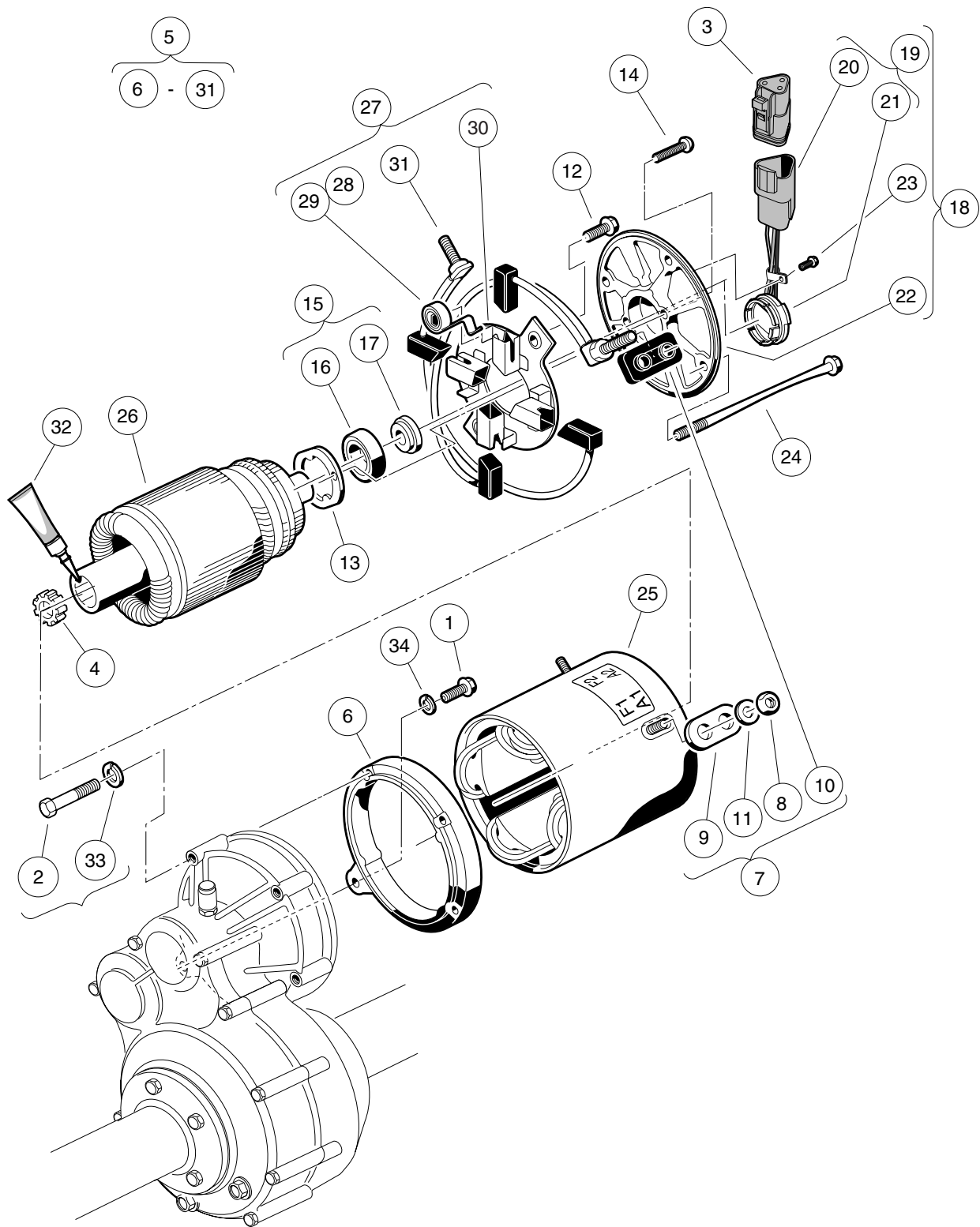
000349-001

# MOTOR (MODEL 5BC59JBS6365)

**13**

**E**

ITEM	PART NO.	DESCRIPTION	QTY
		<b>1 2 3 4</b>	
1	<u>1010934</u>	Screw, 5/16-18 X 1.00 Hex Cap .....	1
2	<u>1014201</u>	Screw, 1/4-20 X 2.25 Hex Cap .....	3
3	<u>101920101</u>	Kit, 3-Pin Wedge Lock .....	1
4	<u>102235201</u>	Bumper, Drive Unit .....	1
5	N/A	Motor, 48-Volt Shunt-Wound * (includes items 6 through 31) .....	1
6	<u>1017944</u>	End Shield .....	1
7	<u>1017947</u>	Hardware Package (includes items 8 through 11) .....	1
8	<u>1011280</u>	Locknut, 5/16-18 .....	4
9	N/A	Insulator Bushing .....	2
10	N/A	Insulated Bushing .....	2
11	<u>1241</u>	Washer, 5/16 Type A Flat .....	4
12	<u>1017949</u>	Screw, #6-32 X 0.480 Hex-Head .....	2
13	<u>1017950</u>	Bearing Retainer .....	1
14	<u>1017953</u>	Screw, Bearing Retainer .....	2
15	<u>102265501</u>	Stator Shell and Winding .....	1
16	<u>102265701</u>	Kit, Bearing and Magnet (includes items 17 and 18) .....	1
17	N/A	Ball Bearing .....	1
18	N/A	Magnet .....	1
19	<u>102265901</u>	Motor End Shield Asm (includes items 20 through 24) .....	1
20	<u>102265601</u>	Speed Sensor Assembly (includes items 21 and 22) .....	1
21	<u>101942301</u>	Kit, 3-Pin Wedge Lock .....	1
22	N/A	Sensor, Speed, without Connector .....	1
23	<u>102266001</u>	End Shield, Motor .....	1
24	<u>102267001</u>	Screw, #8-32 X 0.375 Hex-Head .....	1
25	<u>102266101</u>	Screw, #10 - 32 X 8.250 .....	4
26	<u>102327801</u>	Brush Assembly, Beveled (includes items 27 through 30) .....	1
27	<u>1011411</u>	Kit, Brush Spring (ge Motor) (includes item 28) .....	1
28	N/A	Brush Spring .....	4
29	<u>1017948</u>	Brush Rigging .....	1
30	<u>102251901</u>	Brush Kit, Motor .....	1
31	N/A	Armature .....	1
32	<u>102243403</u>	Lubricant, Moly-Teflon (Single-Use Tube) .....	1
33	<u>451</u>	Lockwasher, 1/4 Helical Split .....	3
34	<u>7174</u>	Lockwasher, 5/16 Split .....	1
		* Note: The model 5BC59JBS6365 motor has been discontinued. To replace the motor, use motor model 5BC59JBS6390.	



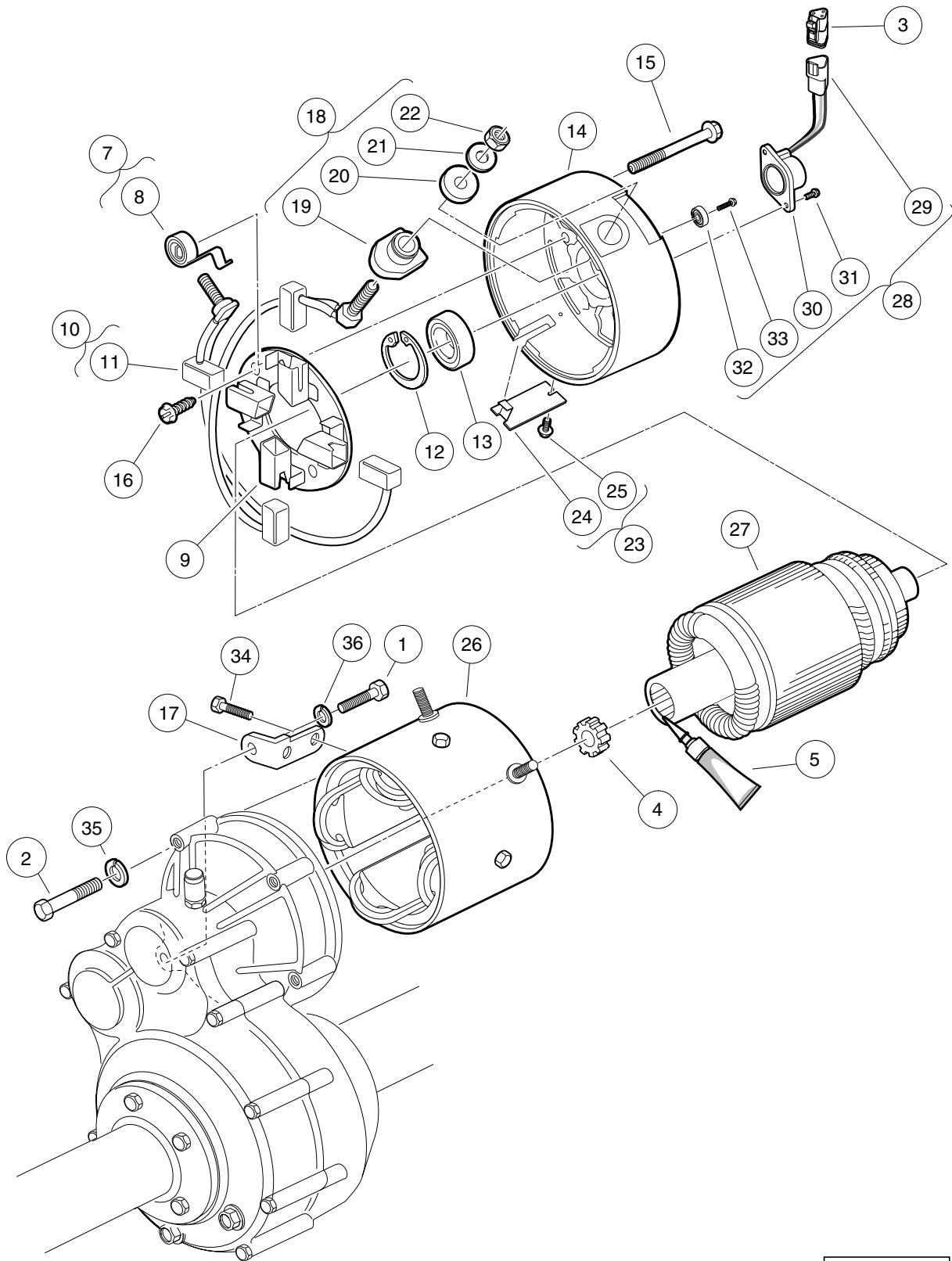
000349-002

# MOTOR (MODEL 5BC59JBS6365A)

ITEM	PART NO.	DESCRIPTION	QTY
		1 2 3 4	
1	<u>1010934</u>	Screw, 5/16-18 X 1.00 Hex Cap .....	1
2	1014201	Screw, 1/4-20 X 2.25 Hex Cap .....	3
3	<u>101920101</u>	Kit, 3-Pin Wedge Lock .....	1
4	<u>102235201</u>	Bumper, Drive Unit .....	1
5	<u>102240104</u>	Motor, 48-Volt Non-Skew IQ (includes items 6 through 27) .....	1
6	<u>1017944</u>	End Shield .....	1
7	<u>1017947</u>	Hardware Package (includes items 8 through 11) .....	1
8	<u>1011280</u>	Locknut, 5/16-18 .....	4
9	N/A	Insulator Bushing .....	2
10	N/A	Insulated Bushing .....	2
11	<u>1241</u>	Washer, 5/16 Type A Flat .....	4
12	<u>1017949</u>	Screw, #6-32 X 0.480 Hex-Head .....	2
13	<u>1017950</u>	Bearing Retainer .....	1
14	<u>1017953</u>	Screw, Bearing Retainer .....	2
15	<u>102265701</u>	Kit, Bearing and Magnet (includes items 16 and 17) .....	1
16	N/A	Ball Bearing .....	1
17	N/A	Magnet .....	1
18	<u>102265901</u>	Motor End Shield Asm (includes items 19 through 23) .....	1
19	<u>102265601</u>	Speed Sensor Assembly (includes items 20 and 21) .....	1
20	<u>101942301</u>	Kit, 3-Pin Wedge Lock .....	1
21	N/A	Sensor, Speed, without Connector .....	1
22	<u>102266001</u>	End Shield, Motor .....	1
23	<u>102267001</u>	Screw, #8-32 X 0.375 Hex-Head .....	1
24	<u>102266101</u>	Screw, #10 - 32 X 8.250 .....	4
25	<u>103325701</u>	Stator Shell and Winding .....	1
26	N/A	Non Skew Armature .....	1
27	<u>103337601</u>	Brush Assembly, IQ Motor, Non-Skew (includes items 28 through 31) .....	1
28	1011411	Kit, Brush Spring (ge Motor) (includes item 29) .....	1
29	N/A	Brush Spring .....	4
30	<u>103325501</u>	Brush Rigging, Non-Skew Motor .....	1
31	<u>103325601</u>	Brush Set, Non-Skew .....	1
32	<u>102243403</u>	Lubricant, Moly-Teflon (Single-Use Tube) .....	1
33	<u>451</u>	Lockwasher, 1/4 Helical Split .....	3
34	<u>7174</u>	Lockwasher, 5/16 Split .....	1

**13**

**E**



000185-001

# MOTOR (MODEL EJ4-4001)

ITEM	PART NO.	DESCRIPTION	QTY
		<b>1 2 3 4</b>	
1	<u>1010934</u>	Screw, 5/16-18 X 1.00 Hex Cap .....	1
2	1014201	Screw, 1/4-20 X 2.25 Hex Cap .....	3
3	<u>101920101</u>	Kit, 3-Pin Wedge Lock .....	1
4	<u>102235201</u>	Bumper, Drive Unit .....	1
5	<u>102243403</u>	Lubricant, Moly-Teflon (Single-Use Tube) .....	1
6	<u>102705001</u>	IQ Electric Motor, 48-VDC 3.3 hp (includes items 7 through 34) .....	1
7	<u>102186001</u>	Spring Kit, Motor Brush (includes item 8) .....	1
8	N/A	Spring, Brush, S-g .....	4
9	<u>102186101</u>	Brush Box Assembly .....	1
10	<u>102186201</u>	Brush Kit, Motor (includes item 11) .....	1
11	N/A	Assembly, Brush and Terminal .....	2
12	<u>102186301</u>	Ring, 2.24" Internal Retaining .....	1
13	<u>102186401</u>	Bearing, Ball .....	1
14	<u>102186701</u>	End Cap, Motor .....	1
15	102186801	Screw, 1/4-20 X 2.25 Hex-Head Washer .....	2
16	<u>102186901</u>	Screw, #8-32 X .5 Hex-Head .....	2
17	<u>102187001</u>	L-Bracket, Motor .....	1
18	<u>102187101</u>	Hardware Kit, Motor Terminal (includes items 19 through 22) .....	2
19	N/A	Bushing, Nylon .....	2
20	N/A	Washer, Nylon Flat .....	2
21	N/A	Washer, Flat, 5/16 Steel .....	2
22	N/A	Nut, Brass Hex, 5/16 - 18 .....	2
23	<u>102187201</u>	Plate Kit, Motor Cover (includes items 24 and 25) .....	1
24	N/A	Assembly, Cover Plate .....	1
25	N/A	Screw, #8-32 x 0.375, Taptite Thread .....	1
26	<u>102704701</u>	Frame and Field Assembly .....	1
27	<u>102704801</u>	Armature Assembly .....	1
28	<u>102704901</u>	Kit, Speed Sensor (includes items 29 through 33) .....	1
29	<u>101942301</u>	Kit, 3-Pin Wedge Lock .....	1
30	N/A	Sensor, Motor Speed, ADC .....	1
31	N/A	Screw, #8-32, Taptite Thread .....	2
32	N/A	Magnet, ADC Motor .....	1
33	N/A	Screw, 1/4-20 x 0.5 .....	1
34	N/A	Bolt, 1/4 - 20 x 0.73 Thread-Forming .....	2
35	<u>451</u>	Lockwasher, 1/4 Helical Split .....	3
36	<u>7174</u>	Lockwasher, 5/16 Split .....	1

13

E

**13**

***E***

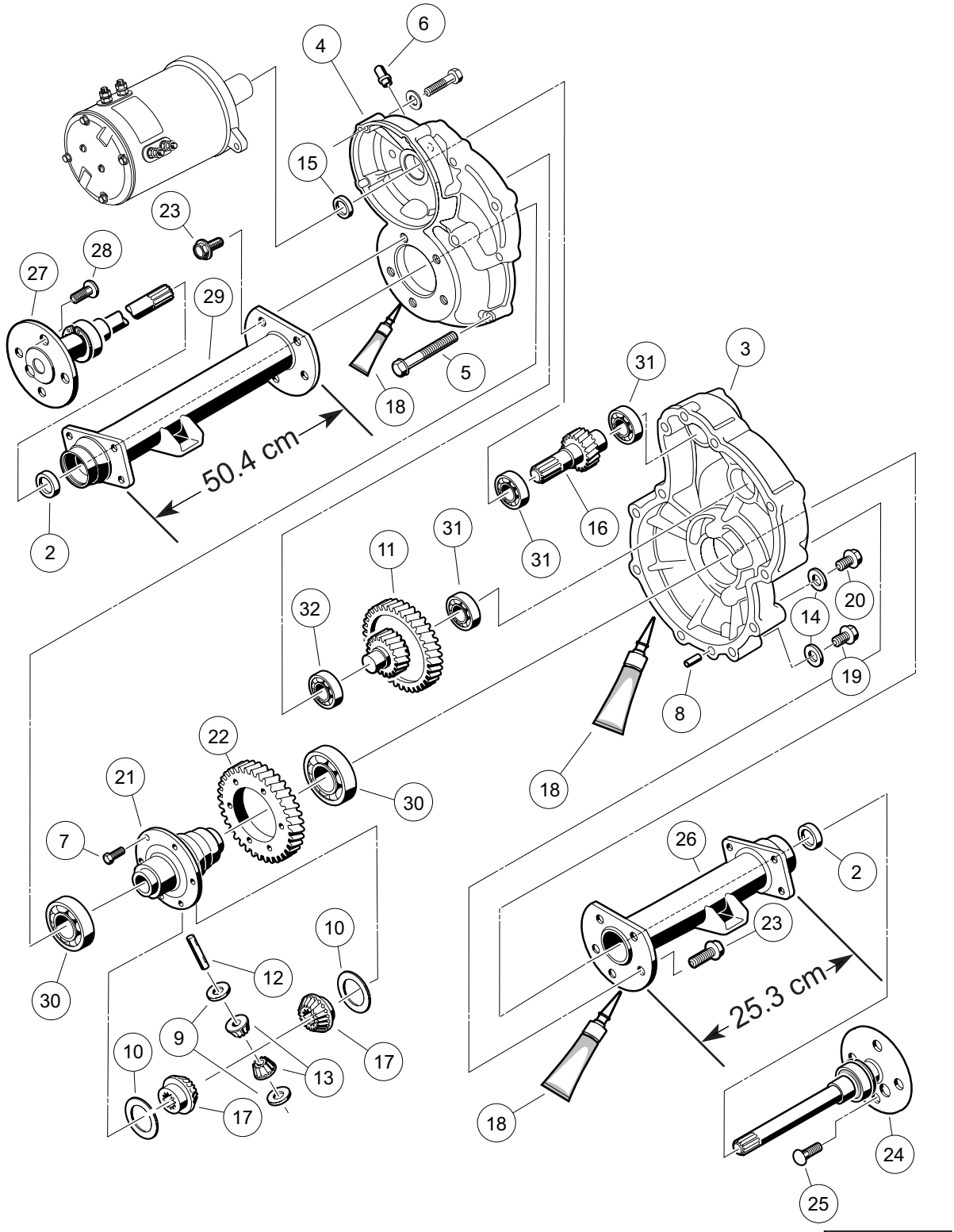


# TRANSAXLE – ELECTRIC VEHICLES

---

14

*E*



000223-002

# TRANSAXLE

14

E

ITEM	PART NO.	DESCRIPTION	QTY
		<b>1 2 3 4</b>	
1	<u>102771701</u>	Transaxle, Electric (includes items 2 through 32) .....	1
2	<u>1013794</u>	Axle Shaft Oil Seal .....	2
3	<u>101895401</u>	Gear Case, Left-Hand .....	1
4	<u>101895501</u>	Gear Case, Passenger-Side .....	1
5	<u>101897001</u>	Screw, M8-1.25 X 60mm Hex-Head .....	11
6	<u>101897201</u>	Breather .....	1
7	<u>101897401</u>	Screw, M10-1.25 X 25mm .....	6
8	<u>101897601</u>	Pin, 11mm OD X 8.5mm ID X 10mm .....	2
9	<u>101903601</u>	Washer, Thrust .....	2
10	<u>101903701</u>	Washer, Thrust .....	2
11	<u>101906901</u>	Intermediate Shaft Assembly .....	1
12	<u>101922101</u>	Pin, 15.99mm X 88.7mm Dowel .....	1
13	<u>101923001</u>	Gear, Differential Idler .....	2
14	<u>101923201</u>	Gasket .....	2
15	<u>101923501</u>	Seal, Lip .....	1
16	<u>101923701</u>	Shaft, Input .....	1
17	<u>101923901</u>	Gear, Differential .....	2
18	<u>101928701</u>	Liquid Gasket (Transaxle case) .....	A/R
19	<u>101972101</u>	Plug, M14-1.5 X 12mm Magnetic .....	1
20	<u>101972201</u>	Plug, M14-1.5 X 12mm Hex .....	1
21	<u>102356601</u>	Housing, Differential, 6 Bolt .....	1
22	<u>102356801</u>	Gear, Differential Output, 6-Bolt .....	1
23	<u>102357001</u>	Screw, Flg Hd M10 X 1.5 X 30 .....	10
24	<u>102886301</u>	Axle Assembly, Driver-Side (includes item 25) .....	1
25	<u>101922201</u>	Lug Stud .....	4
26	<u>102886401</u>	Tube, Axle, Driver-Side .....	1
27	<u>102886501</u>	Axle Assembly, Passenger-Side (includes item 28) .....	1
28	<u>101922201</u>	Lug Stud .....	4
29	<u>102886601</u>	Tube, Axle, Passenger-Side .....	1
30	<u>7330</u>	Inner Axle Tube Bearing .....	2
31	<u>7335</u>	Bearing .....	3
32	<u>7336</u>	Bearing .....	1

**14**

***E***

# BATTERY CHARGER

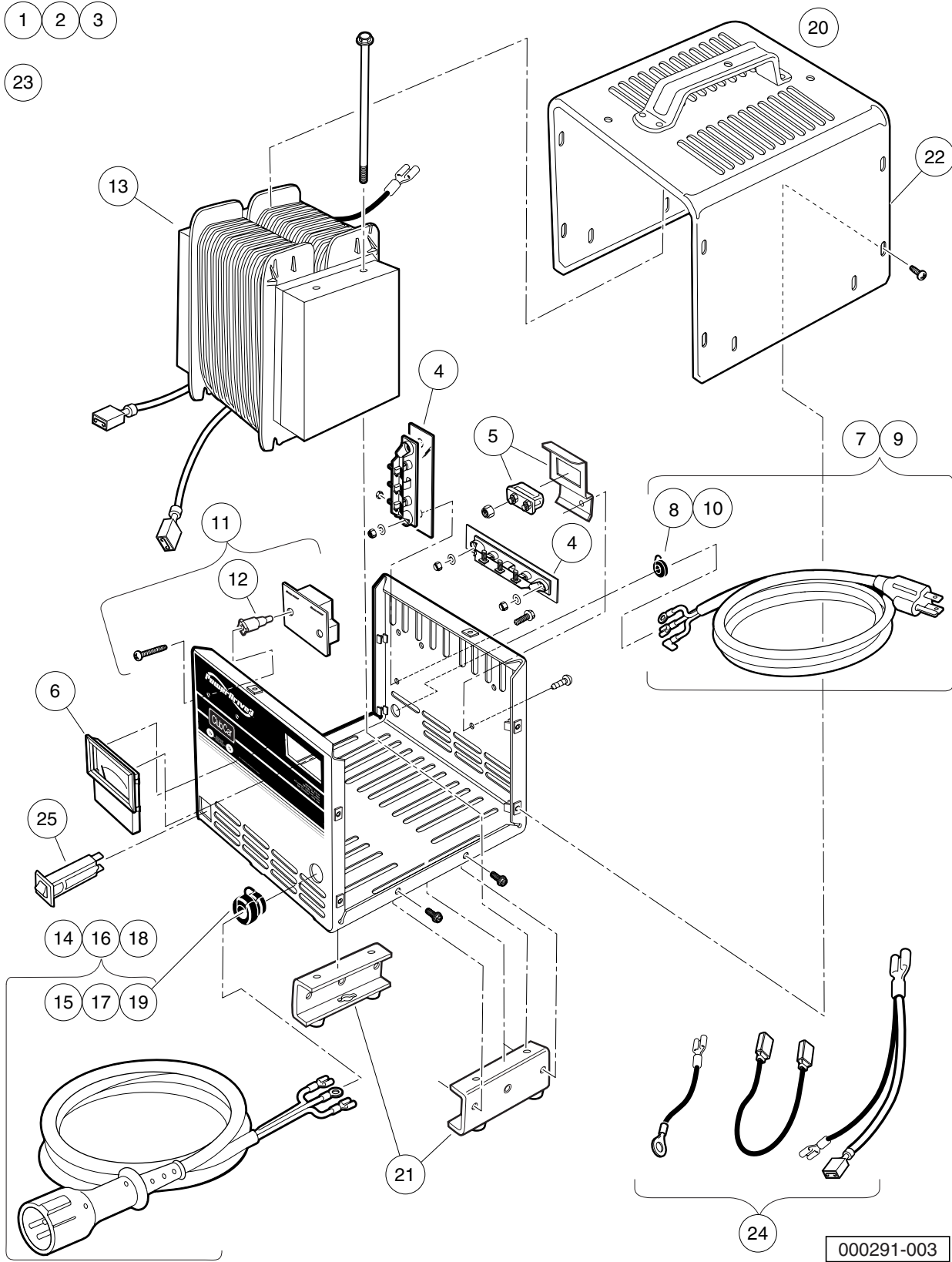
---

15

*E*

- 1
- 2
- 3

- 23



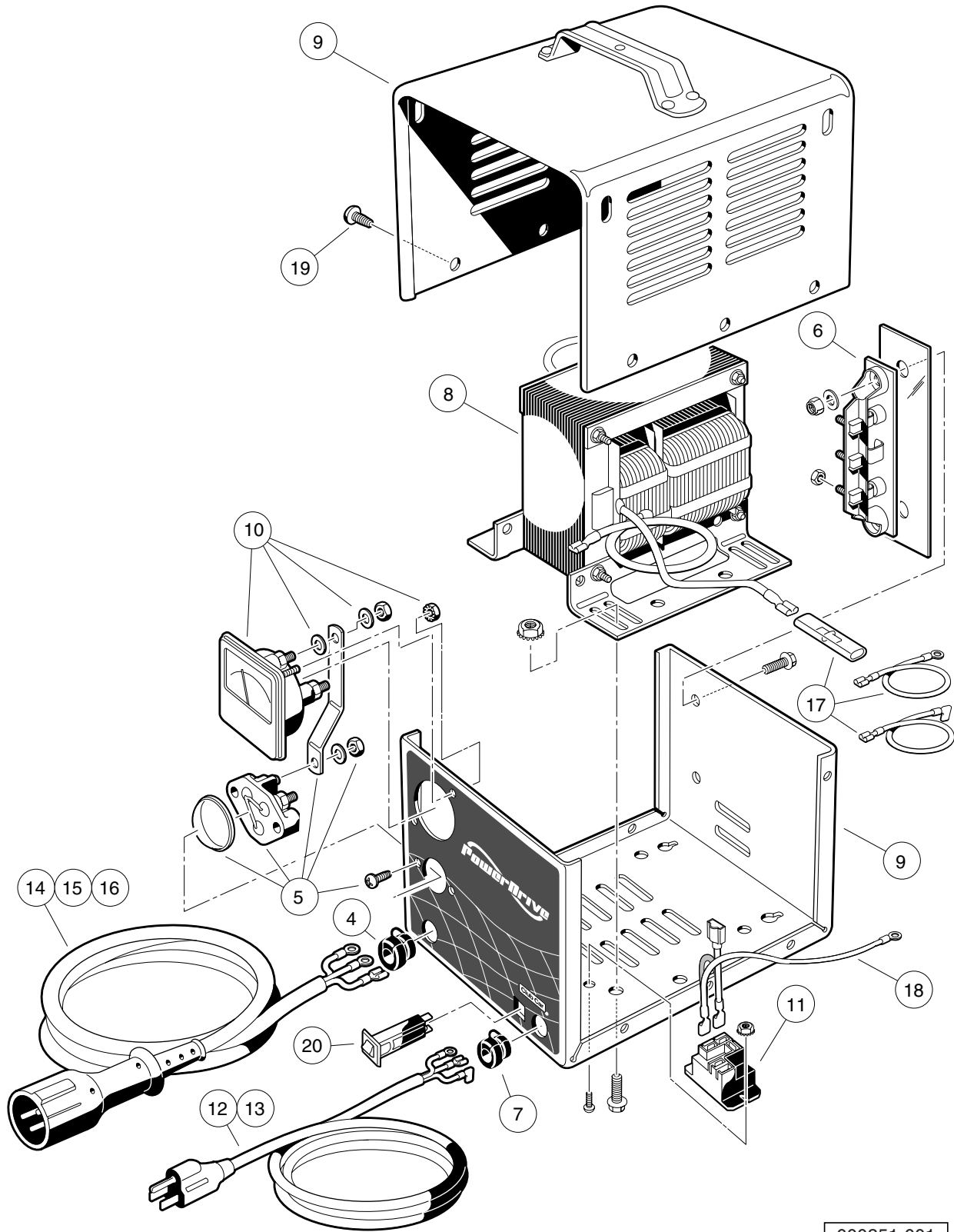
000291-003

# POWERDRIVE 3 BATTERY CHARGER, DOMESTIC

ITEM	PART NO.	DESCRIPTION	QTY
		1 2 3 4	
1	103499101	Chgr, Pd3 Stnry, 9Dc/6'Ac' .....	1
2	<u>103499102</u>	Chgr, Pd3 Stnry, 12Dc/9'Ac' .....	1
3	<u>103499103</u>	Chgr, Pd3 Stnry, 20Dc/9'Ac'(includes items 4 through 25) .....	1
4	<u>1015914</u>	Rectifier with Heatsink Assembly .....	2
5	<u>102273701</u>	PD2 Fuse Asm .....	1
6	<u>102273801</u>	PD2 Ammeter .....	1
7	<u>103428501</u>	Kit, PD3 Cordset - AC 80" (includes item 8) .....	1
8	<u>102273901</u>	PD2 AC Cord Bushing .....	1
9	<u>103428601</u>	Kit, PD3 Cordset, - AC 114" (includes item 10) .....	1
10	<u>102273901</u>	PD2 AC Cord Bushing .....	1
11	<u>103428701</u>	Asm, PD3 Board Relay (includes item 12) .....	1
12	<u>103429701</u>	PD3 Plastic Stand-Offs .....	2
13	<u>103428801</u>	PD3 Transformer .....	1
14	<u>103429001</u>	PD3 Cordset - DC 113" (includes item 15) .....	1
15	<u>1012098</u>	Bushing, DC Cord .....	1
16	<u>103429101</u>	PD3 Cordset - DC 154" (includes item 17) .....	1
17	<u>1012098</u>	Bushing, DC Cord .....	1
18	<u>103429201</u>	PD3 Cordset - DC 205" (includes item 19) .....	1
19	<u>1012098</u>	Bushing, DC Cord .....	1
20	<u>103429301</u>	Asm, PD3 Case (includes items 21 and 22) .....	1
21	<u>103434001</u>	Asm, PD3 Legs .....	1
22	<u>103439901</u>	PD3Case Top (Includes Handle) .....	1
23	<u>103429501</u>	Kit, PD3 Hardware .....	1
24	<u>103429601</u>	Kit, PD3 Wires .....	1
25	<u>CCX8506</u>	Circuit Breaker, 15-Amp/120-Volt .....	1

15

E



000351-001

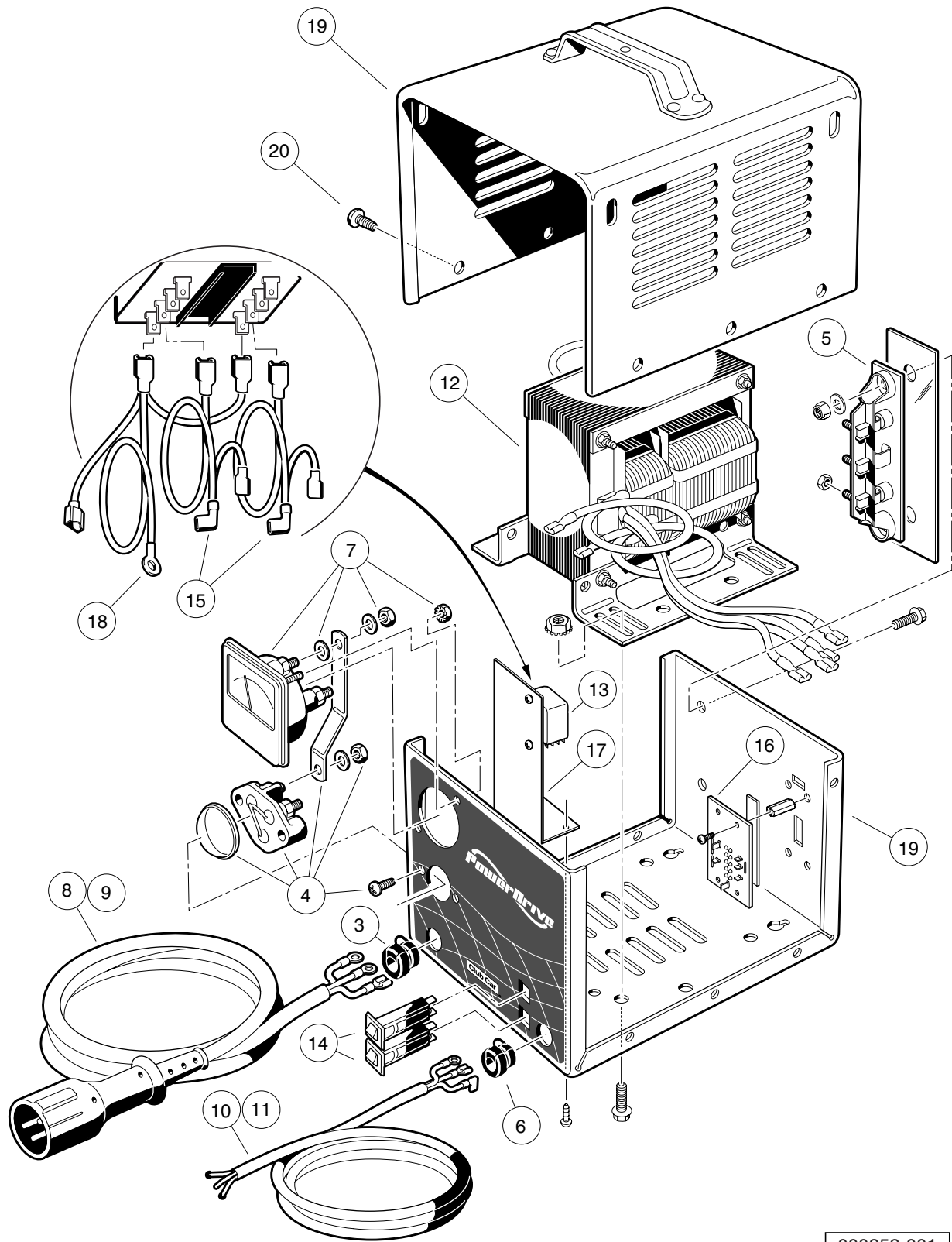


# POWERDRIVE BATTERY CHARGER (MODEL 17930), DOMESTIC

ITEM	PART NO.	DESCRIPTION	QTY
		<b>1 2 3 4</b>	
1	<u>101802201</u>	48V/17A PowerDrive (9-ft DC, 6-ft AC Cord) .....	1
2	<u>101802202</u>	48V/17A PowerDrive (12-ft DC, 9-ft AC Cord) .....	1
3	<u>101802203</u>	48V/17A PowerDrive (20-ft DC, 9-ft AC Cord) (includes items 4 through 20) .....	1
4	<u>1012098</u>	Bushing, DC Cord .....	1
5	<u>1012101</u>	Fuse Assembly .....	1
6	<u>1015914</u>	Rectifier with Heatsink Assembly .....	1
7	<u>1015917</u>	Bushing, AC Cord .....	1
8	****	Transformer, Battery Charger .....	1
9	<u>101828301</u>	Case Assembly .....	1
10	****	Ammeter .....	1
11	<u>101828601</u>	Relay, 48-Volt .....	1
12	<u>101828801</u>	Cord, AC, 80-Inch (203 cm) .....	1
13	<u>101828802</u>	Cord, AC, 108-Inch (274 cm) .....	1
14	<u>101828901</u>	Cord, DC, 113-Inch (287 cm) .....	1
15	<u>101828902</u>	Cord, DC, 154-Inch (391 cm) .....	1
16	<u>101828903</u>	Cord, DC, 250-Inch (635 cm) .....	1
17	<u>101831101</u>	Wire Assembly Kit .....	1
18	101914401	Assembly, Voltage Suppressor .....	1
19	7577	Screw, #10 X 0.50 Phillips Pan-Head .....	10
20	<u>CCX8506</u>	Circuit Breaker, 15-Amp/120-Volt .....	1
		**** Special order item available upon request.	
		Note: Level 1 Battery Charger part numbers include one AC and one DC cord. They do not include all of the level 2 cords listed.	

**15**

**E**



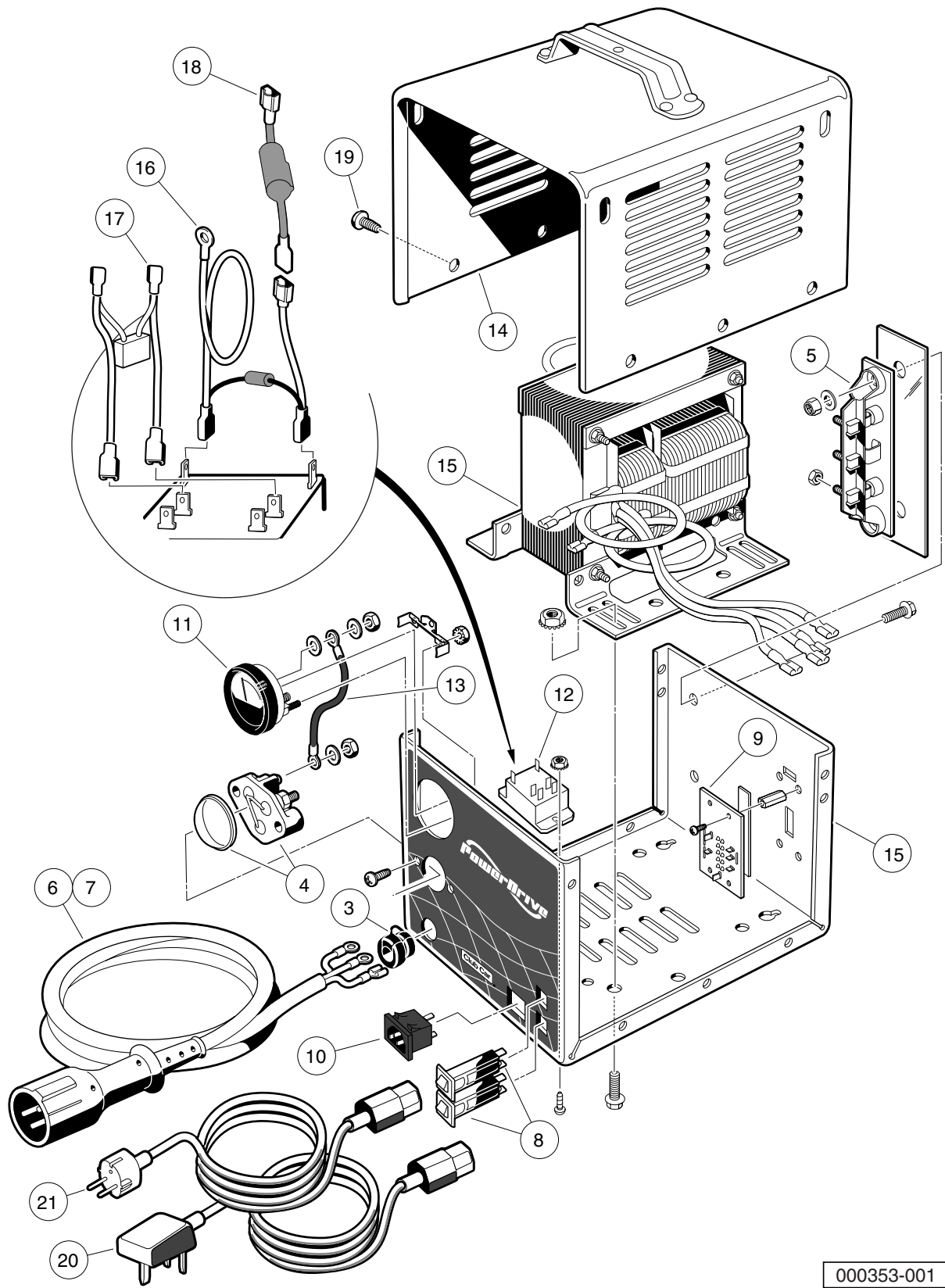
000352-001

# POWERDRIVE BATTERY CHARGER (MODEL 18780), EXPORT

ITEM	PART NO.	DESCRIPTION	QTY
		1 2 3 4	
1	101831503	Battery Charger, 48-Volt DC (8.5-ft DC, 6-ft AC) .....	1
2	101831504	Battery Charger, 48-Volt DC (12-ft DC, 9-ft AC) (includes items 3 through 20) .....	1
3	<u>1012098</u>	Bushing, DC Cord .....	1
4	<u>1012101</u>	Fuse Assembly .....	1
5	<u>1015914</u>	Rectifier with Heatsink Assembly .....	1
6	<u>1015917</u>	Bushing, AC Cord .....	1
7	****	Ammeter .....	1
8	<u>101828901</u>	Cord, DC, 113-Inch (287 cm) .....	1
9	<u>101828902</u>	Cord, DC, 154-Inch (391 cm) .....	1
10	<u>101831701</u>	Cord, AC, 80-Inch (203 cm), without Plug .....	1
11	****	Cord, AC, 118-Inch (203 cm), without Plug .....	1
12	101838201	Transformer, Export Battery Charger .....	1
13	<u>101838301</u>	Relay, Export Charger .....	1
14	101838401	Circuit Breaker .....	2
15	101838501	Kit, Wire Assembly .....	1
16	101838601	Four-Position Switch .....	1
17	****	Mounting Bracket, Relay .....	1
18	101914401	Assembly, Voltage Suppressor .....	1
19	N/A	Case, Charger .....	1
20	7577	Screw, #10 X 0.50 Phillips Pan-Head .....	10
<p>**** Special order item available upon request.</p> <p>Note: Level 1 Battery Charger part numbers include one AC and one DC cord. They do not include all of the level 2 cords listed.</p>			

15

E



000353-001

# POWERDRIVE BATTERY CHARGER (MODEL 20310), EUROPEAN

**15**

**E**

ITEM	PART NO.	DESCRIPTION	QTY
		<b>1 2 3 4</b>	
1	<u>101956201</u>	Battery Charger, 48-Volt w/ 4-Position Switch (8.5-ft DC) .....	1
2	<u>101956202</u>	Battery Charger, 48-Volt w/ 4-Pos. Switch (12-ft DC) (includes items 3 through 19) .....	1
3	<u>1012098</u>	Bushing, DC Cord .....	1
4	<u>1012101</u>	Fuse Assembly .....	1
5	<u>1015914</u>	Rectifier with Heatsink Assembly .....	1
6	<u>101828901</u>	Cord, DC, 113-Inch (287 cm) .....	1
7	<u>101828902</u>	Cord, DC, 154-Inch (391 cm) .....	1
8	101838401	Circuit Breaker .....	2
9	101838601	Four-Position Switch .....	1
10	101973501	Receptacle, AC Cord .....	1
11	101976601	Ammeter with Mounting Bracket .....	1
12	<u>101987501</u>	Relay .....	1
13	N/A	Wire, Jumper .....	1
14	N/A	Case, Charger .....	1
15	****	Transformer, European Battery Charger .....	1
16	****	Suppressor, AC Voltage .....	1
17	****	Assembly, Wire .....	1
18	****	Limiter, Current .....	1
19	7577	Screw, #10 X 0.50 Phillips Pan-Head .....	10
20	<u>101958201</u>	Cord, UK, AC, Battery Charger .....	1
21	101958301	Cord, European AC, Battery Charger .....	1
		**** Special order item available upon request.	
		Note: Level 1 Battery Charger part numbers include one AC and one DC cord. They do not include all of the level 2 cords listed.	

**15**

***E***

# MAINTENANCE AND SERVICE TOOLS

---

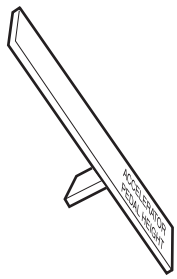
16

G

E

D

**16**  
**G**  
**E**  
**D**



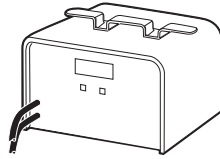
1



2



3



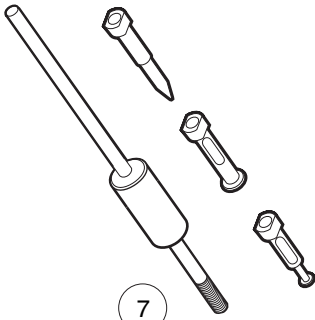
4



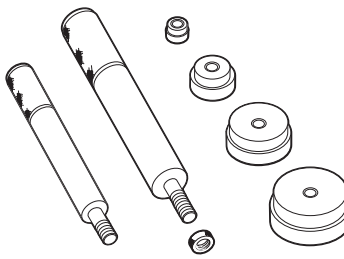
5



6



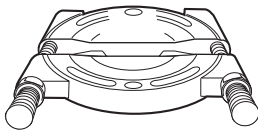
7



8



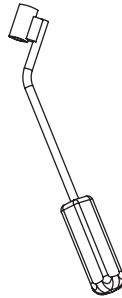
9



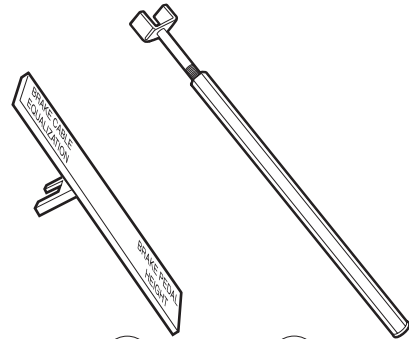
10



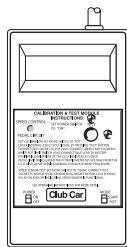
11



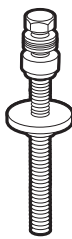
12



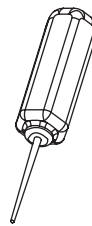
14 15  
13



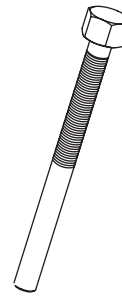
16



17



18



19



# MAINTENANCE AND SERVICE TOOLS

ITEM	PART NO.	DESCRIPTION	QTY DIESEL	QTY GAS	QTY ELEC
		<p style="text-align: center;">1 2 3 4</p> <p>The following tool list includes all tools available from Club Car for maintenance and service procedures for gasoline, electric, and/or diesel vehicles, both past and present models. Be sure to carefully examine the tool list for applicability to your vehicle before ordering.</p>			
1	<u>101871001</u>	Accelerator Pedal Adjustment Tool .....		1	1
2	<u>101813202</u>	Adhesive, Guide Ring, 3-Gram Tube .....			1
3	<u>101641202</u>	Arbor .....		1	
4	<u>101831901</u>	Battery Discharge Machine, 36/48 Volt .....			1
5	<u>1014305</u>	Battery Terminal Protector Spray .....	1	1	1
6	1011767	Battery Thermometer .....	1	1	1
7	<u>1016417</u>	Bearing and Oil Seal Remover Assembly .....	1	1	1
8	<u>1016416</u>	Bearing Driver Set .....	1	1	1
9	<u>1012811</u>	Bearing Puller .....	1	1	1
10	<u>1012812</u>	Bearing Puller Wedge Attachment .....	1	1	1
11	1013582	Brake Adjustment Tool (used only on vehicles with manually adjusted mechanical brakes) .....			
12	<u>102555501</u>	Brake Cable Release Tool .....	1	1	1
13	102249901	Brake Pedal Adjustment Tool Kit (used for the Carryall Electric Industrial Truck only) (includes items 14 and 15).....			1
14	****	Brake Pedal Adjustment Tool .....			1
15	****	Brake Pedal Tension Tool .....			1
16	<u>101887101</u>	Calibration Test Module .....			1
17	<u>101808401</u>	Cam Installation Tool .....		1	
18	<u>102562401</u>	Charger Bezel Tool .....			1
19	<u>102686101</u>	Clutch Removal Tool (for 4x4 vehicles) .....	1	1	
		<p style="text-align: center;">Please refer to the maintenance and service manual for proper tool application.</p> <p style="text-align: center;">**** Special order item available upon request</p>			

16

G

E

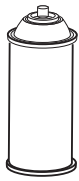
D



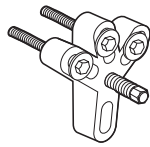
## MAINTENANCE AND SERVICE TOOLS, CONTINUED

ITEM	PART NO.	DESCRIPTION	QTY DIESEL	QTY GAS	QTY ELEC	<b>16</b>
		1 2 3 4				<b>G</b>
20	<u>1014510</u>	Clutch Tool Kit (includes items 21 - 27) .....		1		<b>E</b>
21	<u>1014498</u>	Clutch Alignment Tool (for pre-unitized transaxle vehicles built prior to 1997 model year) .....		1		<b>D</b>
22	<u>1014496</u>	Drive Clutch Puller (for Kawasaki engines only) .....		1		
23	<u>1014497</u>	Drive Clutch Hub Puller (for Kawasaki engines only) .....		1		
24	<u>1014508</u>	Driven Clutch Cam Puller (for Kawasaki engines only) .....		1		
25	<u>1014507</u>	Driven Clutch Puller Plug (for Kawasaki engines only) .....		1		
26	<u>1015524</u>	Drive Clutch Holder Tool Assembly (for Kawasaki engines only) .....		1		
27	<u>101809101</u>	Press Weldment (for Kawasaki engines only) .....		1		
28	<u>102601501</u>	Drive ClutchFixed Sheave Tool (for 4x4 vehicles) .....	1	1		
29	<u>102603501</u>	Driven Clutch Spring Compression Base (for use with items 30 and 31) (for 4x4 vehicles) .....	1	1		
30	<u>102605201</u>	Driven Clutch Spring Compression Collar (for use with items 29 and 31) (for 4x4 vehicles) .....	1	1		
31	<u>102606101</u>	Driven Clutch Spring Compression Nut (for use with items 29 and 30) (for 4x4 vehicles) .....	1	1		
32	<u>102607501</u>	Drive Clutch Spider Removal Tool (for 4x4 vehicles) .....	1	1		
33	101831801	Communication Display Module .....			1	
34	101641002	Compression Gauge and Adapter .....		1		
35	1011273	Continuity Tester .....		1	1	
36	<u>102773801</u>	Cutter, Valve Seat, #122 .....		1		
37	<u>102773901</u>	Cutter, Valve Seat #115 .....		1		
38	<u>102774101</u>	Wrench, T, #505.....		1		
39	<u>102774101</u>	Adapter, T-Wrench .....		1		
40	102675401	Cutter, Valve Seat, 60 Degree (requires item 51) (for Honda GX620 Gasoline Engines) .....		1		
41	<u>102774201</u>	Pilot, 6.6 MM .....		1		
42	<u>102774301</u>	Pilot, 6.62 MM.....		1		
43	<u>102774401</u>	Pilot, 6.65 MM.....		1		
		Please refer to the maintenance and service manual for proper tool application.				

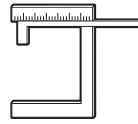
**16**  
**G**  
**E**  
**D**



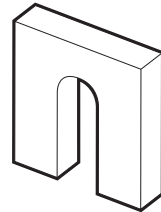
44



45



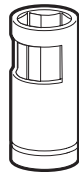
46



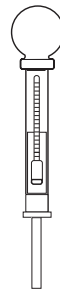
47



48



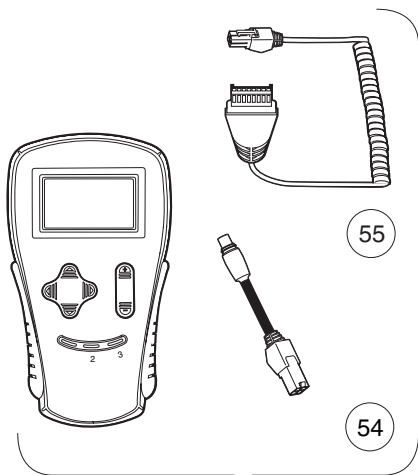
49



50



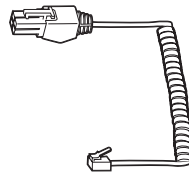
51



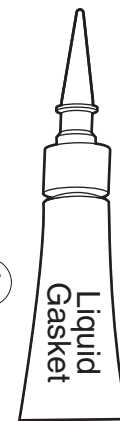
52 53

55

54



56



57



58



59 60



61

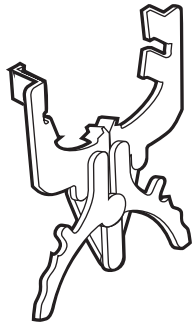
## MAINTENANCE AND SERVICE TOOLS, CONTINUED

ITEM	PART NO.	DESCRIPTION	QTY DIESEL	QTY GAS	QTY ELEC	<b>16</b>
		1 2 3 4				<b>G</b>
44	<u>1012151</u>	Dry Moly Lubricant .....	1	1	1	<b>E</b>
45	<u>1016627</u>	Flywheel Puller Kit (for Kawasaki Engines) .....		1		<b>D</b>
46	<u>102669901</u>	Gauge, Carburetor Float Level (for Honda GX620 Gasoline Engines) .....		1		
47	<u>1016418</u>	Gear Yoke .....	1	1	1	
48	<u>101933101</u>	Governor Shaft Installation Tool (for Kawasaki Engine Vehicles) .....		1		
49	<u>102169401</u>	Hydraulic Brake Adjuster (for Turf/CA 272/472, Pioneer/XRT 1200, Bobcat 2100, HUV 4213) .....			1	
50	<u>1011478</u>	Hydrometer .....	1	1	1	
51	<u>1013593</u>	Internal Retaining Ring Pliers .....	1	1	1	
52	<u>102248803</u>	IQ Display Module (IQDM) Kit (IQ System and IQ Plus vehicles) .....			1	
		(includes items 54 and 55)				
53	<u>102248804</u>	IQ Display Module (IQDM-P) Kit (IQ System and IQ Plus vehicles) .....			1	
		(includes items 54 and 55)				
54	<u>102251501</u>	Adaptor, Cable .....			1	
55	<u>102241502</u>	IQDM Series 2 Cable .....			1	
56	<u>102241501</u>	IQDM Series 1 Cable (replacement) .....			1	
57	<u>101928701</u>	Liquid Gasket (transaxle case) .....	1	1	1	
58	<u>102243402</u>	Moly-Teflon Lubricant (4-oz. (113-gram) tube) .....			1	
59	<u>101997201</u>	Paint, Touch-Up – Beige* .....		1	1	
59	<u>101997207</u>	Paint, Touch-Up – Black* .....		1	1	
59	<u>101997212</u>	Paint, Touch-Up – Burgundy* .....		1	1	
59	<u>101997211</u>	Paint, Touch-Up – Classic Blue (Navy)* .....		1	1	
59	<u>101997205</u>	Paint, Touch-Up – Dark Gray* .....	1	1	1	
59	<u>101997209</u>	Paint, Touch-Up – Dark Green* .....	1	1	1	
59	<u>101997204</u>	Paint, Touch-Up – Gray* .....	1	1	1	
59	<u>101997203</u>	Paint, Touch-Up – Red* .....	1	1	1	
59	<u>101997206</u>	Paint, Touch-Up – Royal Blue (Pacific Blue)* .....		1	1	
59	<u>101997202</u>	Paint, Touch-Up – White* .....	1	1	1	
60	<u>102562301</u>	Paint, Precedent Underbody – Gray .....		1	1	
61	<u>102587201</u>	Paint Pen, Touch-Up, Precedent Underbody – Black .....		1	1	
		Please refer to the maintenance and service manual for proper tool application.				
		* Item 59 is not for use on Surlyn <sup>®</sup> body material, which is used on Precedent vehicles.				

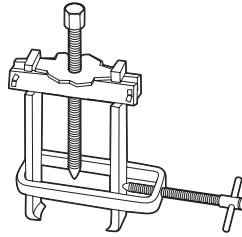
**16**  
**G**  
**E**  
**D**



62



63



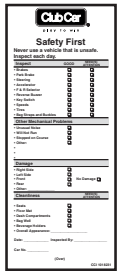
64



65



66



67



68



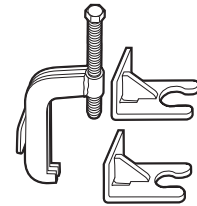
69



70



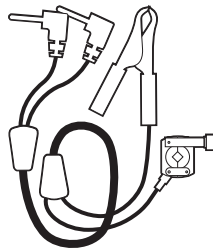
71



72



73



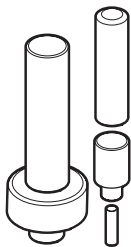
74



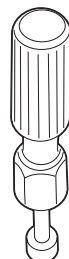
75



76



77



83



84



85



86

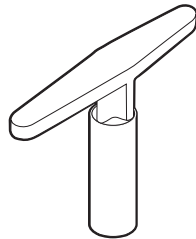
## MAINTENANCE AND SERVICE TOOLS, CONTINUED

ITEM	PART NO.	DESCRIPTION	QTY	QTY	QTY	16
			DIESEL	GAS	ELEC	
		1 2 3 4				G
62	<u>1016414</u>	Piston Ring Compressor Kit (FE290, FE350 and FE400 engines) .....		1		E
63	<u>1016415</u>	Piston Ring Pliers (for Kawasaki Engines) .....		1		D
64	<u>102668801</u>	Puller, Special Use (for Kubota D722 Diesel Engines) .....	1			
65	<u>1012549</u>	Retaining Ring Pliers, 45° External .....	1	1	1	
66	<u>1012560</u>	Retaining Ring Pliers, 90° Internal .....	1	1	1	
67	<u>101823101</u>	Safety First Card (50 per pack) .....	1	1	1	
68	<u>1012809</u>	Seal Puller .....	1	1	1	
69	<u>102330901</u>	Spanner Wrench (for coil over shock front suspension vehicles only) .....	1	1		
70	<u>1014264</u>	Steering Column Bearing Press Tool .....		1	1	
71	<u>1014259</u>	Steering Column Retaining Ring Tool .....		1	1	
72	<u>102061201</u>	Steering Wheel Puller Tool .....	1	1	1	
73	<u>AM10753</u>	Tachometer (includes gasoline engine pick up lead only) .....	1	1		
74	<u>AM10771</u>	Tachometer Diesel Probe (for use with item 73) .....	1			
75	<u>1014162</u>	Transaxle Axle Seal Tool .....		1		
76	<u>1014161</u>	Transaxle Pinion Seal Tool .....		1		
77	<u>1014115</u>	Transmission Tool Kit .....		1		
78	<u>101611003</u>	Tune-Up Kit, All OHV (for FE290, FE350, FE400 only) (includes air filter, spark plug, oil filter, fuel filters) (not shown) .....		1		
79	<u>AM11804</u>	Tune-Up Kit, Gx620 (for Honda Engines) (includes air filter, spark plug, oil filter, fuel filters) (not shown) .....		1		
80	<u>AM11805</u>	Tune-Up Kit, D722 (for Kubota Engines) (includes air filter, oil filter, fuel filters, water separator filter) (not shown) .....	1			
81	<u>AM1220301</u>	Tune-Up Kit, Precedent (for FE290/350 Engines) (includes air filter, spark plug, oil filter, fuel filters) (not shown) .....		1		
82	<u>AM1232401</u>	Tune-Up Kit, FH680D (for Kawasaki V-Twin Engines) (includes oil filter, fuel filter, air filter, and spark plugs) (not shown) .....		1		
83	<u>1016413</u>	Valve Clearance Adjuster Screw Holder (for FE290 engines only) .....		1		
84	<u>102674601</u>	Valve Guide Driver (for Honda GX620 Gasoline Engines) .....		1		
85	<u>101641201</u>	Valve Guide Reamer (FE290, FE350, and FE400 only) .....		1		
86	<u>102674401</u>	Valve Guide Reamer, 6.6 mm (for Honda GX620 Gasoline Engines) .....		1		

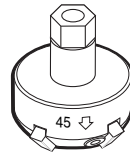
**16**  
**G**  
**E**  
**D**



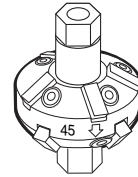
87



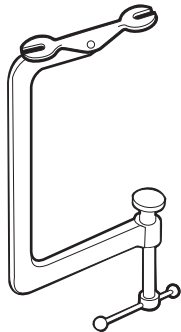
88



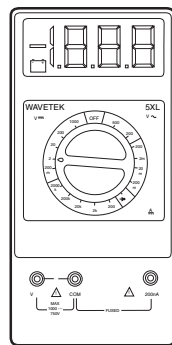
89



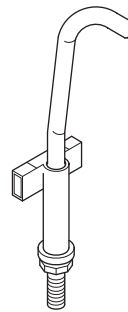
90



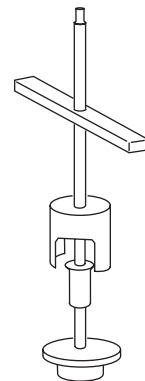
91



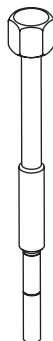
92



93



94



95



## MAINTENANCE AND SERVICE TOOLS, CONTINUED

ITEM	PART NO.	DESCRIPTION	QTY DIESEL	QTY GAS	QTY ELEC
		1 2 3 4			
87	<u>1016552</u>	Valve Seat Cutter Guide .....		1	
88	<u>1016551</u>	Valve Seat Cutter T-Wrench .....		1	
89	<u>1016553</u>	Valve Seat Cutter, 45° (32 mm diameter) (for FE290 engines only) .....		1	
90	<u>1016554</u>	Valve Seat Cutter, 45°/30° (35 mm diameter) .....		1	
91	<u>101641101</u>	Valve Spring Compressor .....		1	
92	1011480	Volt Ohm Meter .....	1	1	1
93	<u>102570401</u>	Tool, Tensioning, Starter Generator (For Precedent vehicles) .....		1	
94	<u>103601401</u>	Puller, Drive Clutch, XRT 950.....		1	
95	<u>103601701</u>	Tool, Disassembly, Driven Clutch, XRT 950.....		1	

16

G

E

D



# INDEX

## Part Number and Page

AM10753	16-9	7973	1-7, 9-17	1011411	13-3, 13-5
AM10771	16-9	8057	6-9, 11-9	1011415	5-17, 5-19
AM10080	11-5	8058	6-9, 11-9	1011418	4-5
AM10081	11-5	8067	5-15	1011466	4-3
AM10419	10-7	8104	11-9	1011478	16-7
AM10682	2-3	8233	1-19, 1-25, 1-29, 4-9, 4-11, 6-17, 11-3, 11-11	1011480	16-11
AM10724	7-5	8248	6-17	1011553	1-27, 3-3
CCX8506	15-3, 15-5	8251	1-15	1011578	5-3, 12-17
183	9-5, 9-17, 10-3, 11-3	8450	10-3	1011694	4-9, 4-11
304	11-11	8639	12-9	1011697	5-3, 7-15, 9-13
332	1-11, 1-19, 1-21, 1-25, 1-29, 6-17, 8-3, 9-15, 12-9	8717	4-9, 4-11, 6-9, 11-3, 11-9	1011700	4-9, 4-11
334	4-9, 4-11, 5-3, 5-9, 7-15	8745	5-13	1011734	4-13
357	1-27, 5-13	8754	1-17, 4-9, 4-11, 5-3, 5-9, 5-11, 5-13, 5-17, 5-19, 6-13	1011767	16-3
403	1-17	8755	1-17, 5-13, 5-17, 5-19	1011779	4-7
451	1-21, 8-3, 13-3, 13-5, 13-7	8797	9-5	101187702	4-5
705	1-17, 1-27, 6-13, 7-15	8861	5-11	1011887	5-15
706	1-27, 5-13	8990	5-9, 6-9, 12-9	1011892	5-15
808	10-3	1010005	5-15	1011930	5-9, 5-11
1016	9-5	1010028	11-9	1011931	4-9, 4-11
1028	1-21, 4-5	1010124	5-13	1011990	1-21, 1-27
1032	1-21, 4-5	1010138	5-11	1012030	5-13
1035	4-7, 5-9, 5-11	1010145	5-17, 5-19	1012098	15-3, 15-5, 15-7, 15-9
1231	1-21	1010150	5-13	1012101	15-5, 15-7, 15-9
1241	1-3, 1-5, 1-23, 1-27, 4-5, 4-7, 4-9, 4-11, 6-9, 6-13, 6-15, 8-3, 11-11, 13-3, 13-5	1010200	5-13	1012151	16-7
1242	1-23, 1-27, 4-7, 6-9, 6-13, 12-9	1010219	5-11	1012181	5-17, 5-19
1308	5-11	1010347	5-15	1012182	5-17, 5-19
1606	9-17	1010348	5-15	1012285	1-29, 9-7, 9-13, 12-9, 12-23
1624	4-9, 4-11, 5-9, 5-13	1010434	1-21, 9-3	1012295	6-9
2402	5-11	1010435	1-3, 1-5, 1-17	1012303	1-17, 5-13, 5-17, 5-19
7048	5-15	1010543	1-11	1012304	5-17, 5-19
7049	1-25	1010546	1-3	1012328	6-15
7173	6-15, 11-11	1010577	7-15	1012333	11-11
7174	1-23, 1-27, 5-3, 6-13, 8-3, 9-13, 12-9, 13-3, 13-5, 13-7	1010805	4-5	1012431	6-9
7251	1-3, 1-5	1010829	4-7	1012466	5-3
7310	2-3	1010850	4-3	1012467	5-9
7330	11-7, 14-3	1010877	4-5	1012505	6-7, 12-13
7335	11-5, 14-3	1010878	1-19, 4-5	1012528	8-3, 12-9
7336	14-3	10109801	12-17, 12-19	1012549	16-9
7473	1-3, 1-5, 1-17, 1-25, 4-5, 4-7, 4-9, 4-11, 6-9, 6-15	1010921	4-5	1012560	16-9
7532	1-17	1010927	4-5	1012565	5-5
7539	5-11	1010932	4-5	1012566	5-5
7540	5-9, 5-11	1010933	4-5	1012571	7-15, 12-19
7555	5-9, 5-11	1010934	1-25, 1-27, 6-15, 13-3, 13-5, 13-7	1012604	5-3
7577	15-5, 15-7, 15-9	1010954	6-9, 11-3	1012605	5-3
7602	5-9, 5-11	1010984	2-3	1012649	9-7
7716	4-5, 4-9, 4-11	1011014	1-3, 1-5	1012711	11-3
7818	6-9	1011017	1-3, 1-5	1012714	11-5
7840	5-15	1011084	4-13	1012740	11-5
7847	1-9, 1-29, 8-3	1011273	16-5	1012741	11-5
7893	6-9, 11-11	1011280	13-3, 13-5	1012747	11-5
7910	5-15	1011291	11-7	1012748	11-5
		1011393	5-15	1012752	11-3
		1011394	1-3, 1-5	1012809	16-9
		1011402	4-5	1012811	16-3
				1012812	16-3
				1012830	6-13, 8-3, 9-13

# INDEX

1012836	10-7	1014050	10-3	1014523	9-7
1012896	11-3	1014051	10-3	1014537	1-23, 1-25
1013001	6-11	1014052	10-3	1014540	12-23
1013003	6-11	1014055	10-3	101454602	5-19
1013005	6-11	1014056	10-3	101454902	5-17
101301102	6-11	1014057	10-3	1014555	5-17, 5-19
1013035	5-9	1014058	10-3	1014573	5-17, 5-19
1013042	5-9	1014059	10-3	1014675	5-17, 5-19
1013044	5-9	1014062	10-3	1014771	2-3
1013051	5-9	1014063	10-3, 12-9	1014807	6-9, 11-9
1013052	5-9	1014065	6-9, 10-3	1014808	6-9, 11-9
1013061	11-3, 11-9, 12-15	1014070	10-7	1014901	5-17, 5-19
1013135	5-15	1014072	10-7	1014902	5-17, 5-19
1013164	5-17, 5-19	1014078	10-7	1014947	12-9
1013207	5-17	1014080	10-7	1014948	6-9
1013309	1-11	1014115	16-9	101503202	1-7
1013311	1-11	1014116	9-7	1015072	12-17, 12-19
1013312	1-11	1014119	6-9	1015075	1-3, 1-5
1013317	1-21, 3-9	1014125	5-3	1015137	9-7, 9-11
1013343	1-7	1014126	5-3	1015139	9-5
1013344	1-7	1014145	6-9	1015143	9-5
1013422	1-9	1014153	4-3	101524002	6-13
1013461	9-5	1014161	16-9	1015245	1-21
1013483	1-27	1014162	16-9	1015252	1-17
1013494	6-7, 12-13	1014201	13-3, 13-5, 13-7	1015277	1-19
1013531	4-7	1014207	11-7	1015313	1-21
1013547	12-23	1014211	5-3	1015332	7-3
1013582	16-3	1014212	5-3	1015345	6-9
1013589	6-9	1014213	5-3	1015356	1-17
1013593	16-7	1014214	5-3	1015363	1-21
1013609	6-9	1014216	5-3	1015365	1-21
1013677	3-5	1014217	5-3	1015367	1-21
1013683	12-17, 12-19	1014259	16-9	1015371	6-9
1013687	9-7	1014264	16-9	1015372	6-9
1013700	9-13	1014276	5-13	1015373	6-9
1013734	8-3, 12-9	1014287	10-3	1015390	1-21
1013746	9-7, 9-11	1014288	5-3, 6-15, 10-3	1015391	1-17
1013760	11-3	1014289	6-11	1015399	1-17, 1-25
1013768	11-7	1014304	12-17, 12-19	1015400	1-17, 1-21
1013769	11-7	1014305	16-3	1015405	1-3, 6-9
1013770	11-7	1014306	1-29	1015413	1-21
1013771	11-7	1014321	1-15, 1-25	1015414	1-21
1013772	11-7	1014375	6-15	1015426	9-15
1013773	11-7	1014387	1-15, 1-25	1015427	1-17
1013774	11-7	1014415	1-25	1015445	1-27
1013787	11-7	1014453	10-3	101547601	3-7
1013792	11-7	1014454	10-7	1015507	1-17
1013794	11-7, 14-3	1014471	1-17	1015524	16-5
1013861	5-3	1014496	16-5	1015528	6-7, 12-13
1013869	4-5	1014497	16-5	1015530	1-29
1013870	4-5	1014498	16-5	101553901	1-21, 3-3
1013871	4-9, 4-11	1014507	16-5	1015583	1-17, 5-13, 5-17, 5-19
1013876	4-5	1014508	16-5	1015597	5-9, 5-11, 5-15
1013924	4-3, 7-15	1014510	16-5	1015606	1-21
1014007	4-9, 4-11, 11-3	1014513	1-23	101562711	1-11
1014049	10-3	1014514	1-23	101562712	1-11

# INDEX

101562714	1-11	101642580	9-9	1016538	7-11
101562715	1-11	101642582	9-9	1016539	7-3
101564501	1-11	101642585	9-9	1016541	7-13
101564502	1-11	1016429	7-7	1016544	7-5, 7-9, 7-11
101564503	1-11	1016432	7-7, 11-3	1016546	9-13
101564505	1-11	1016436	7-9	1016547	7-3, 7-13, 9-11
1015649	7-3	1016437	9-9	1016549	7-9
101567202	2-3	1016438	9-11	1016551	16-11
1015737	6-9	1016440	7-9, 9-11	1016552	16-11
1015741	6-9	1016441	9-11	1016553	16-11
1015752	6-9, 9-15, 12-11	1016444	9-11	1016554	16-11
1015814	8-3	1016445	7-5	1016560	7-9
101584502	9-13	1016449	7-9	1016561	7-5
1015878	6-9, 11-9	1016450	7-9	1016562	7-5, 7-13
1015914	15-3, 15-5, 15-7, 15-9	1016452	7-9	1016563	7-9
1015917	15-5, 15-7	1016454	7-11	1016564	7-11
1015932	6-13	1016455	7-5	1016566	7-9
1015969	7-3	1016456	7-3, 7-5	1016569	7-9
1016060	1-19	1016457	7-7	1016570	7-7
1016074	6-13	1016458	7-9	1016571	7-13
1016078	1-19	1016467	7-7	1016572	9-11
101609401	3-3	1016470	7-13	1016576	7-7
101611003	16-9	1016472	7-11	1016578	7-5
1016154	5-5	1016473	7-7	1016579	7-5
101615504	5-7	1016474	7-9	1016581	7-7
1016156	5-5, 5-7	1016479	7-9	1016582	9-11
1016183	5-3	1016480	9-11	1016583	7-9
1016201	10-3	101648102	9-11	1016584	7-11
1016214	5-5	101648203	7-7	1016585	9-9
1016219	5-5	1016483	7-9	1016586	7-5
1016269	5-3	1016486	9-9	1016587	7-5
1016289	10-3	1016489	7-9	1016588	7-5
1016337	11-5	101649002	9-11	1016627	16-7
1016338	11-5	1016494	7-11	1016630	6-7
1016346	5-11	1016496	7-11	1016663	5-5, 5-7
1016349	5-11	1016497	7-5	1016672	11-7
1016350	5-11	1016499	9-9	1016679	1-29
1016353	5-11	1016501	9-9	101670201	3-9
1016384	5-13	1016502	7-7	1016751	1-13
1016385	5-11	1016506	7-11	101675511	1-13
1016386	5-13	1016507	7-3	101675512	1-13
1016387	5-13	1016510	7-11	101675514	1-13
1016389	5-13	1016513	11-3	101675515	1-13
101641002	16-5	101651402	2-3	101677701	1-13
101641101	16-11	101651406	2-3	101677702	1-13
101641201	16-9	101651407	2-3	101677703	1-13
101641202	16-3	101651409	2-3	101677705	1-13
1016413	16-9	101651412	2-3	1016801	10-3
1016414	16-9	101651413	2-3	1016849	6-7, 12-13
1016415	16-9	1016517	7-9	1016851	6-7, 12-13
1016416	16-3	1016518	7-9	1016868	1-3, 1-5
1016417	16-3	1016519	7-9	1016877	12-23
1016418	16-7	1016521	7-11	1016883	6-13
1016423	6-9	1016531	7-3	1016904	7-9, 8-3
101642575	9-9	1016535	7-11	101692501	1-3, 1-5
101642578	9-9	1016537	7-7	101692502	1-3, 1-5

# INDEX

101692504	1-5	1017455	7-5	101795701	12-5, 12-17, 12-19
101692506	1-3, 1-5	1017456	7-7	101796201	4-9, 4-11
101692509	1-3, 1-5	101745701	7-13	101796501	12-15
101692510	1-3, 1-5	101745702	7-13	101796801	12-15
101692511	1-3, 1-5	1017458	7-7	101797701	12-17
101692512	1-3, 1-5	1017460	7-7	101797702	12-17
101692513	1-3, 1-5	1017461	9-9	101797801	12-17, 12-19
101692514	1-3, 1-5	1017463	7-5	101801001	12-15
101692515	1-3, 1-5	1017466	9-11	101802101	12-15
101693901	1-3, 1-5	1017468	7-5	101802201	15-5
101693902	1-3, 1-5	1017471	7-13	101802202	15-5
101693904	1-5	1017472	7-11	101802203	15-5
101693906	1-3, 1-5	1017473	7-9	101804301	6-7, 9-15
101693908	1-5	1017474	7-3	101805701	9-17
101693909	1-3, 1-5	1017475	7-3	101808401	16-3
101693910	1-3, 1-5	1017476	7-3	101809101	16-5
101693911	1-3, 1-5	1017486	7-3	101811401	9-17
101693912	1-3, 1-5	1017487	7-11	101811501	9-17
101693913	1-3, 1-5	1017490	7-5	101811901	9-15
101693914	1-3, 1-5	1017500	7-3	101812301	9-15
1016952	1-9	1017501	7-13	101813001	9-15
1016967	1-3, 1-5	1017502	7-13	101813202	16-3
1017029	4-5	1017503	7-13	101815501	4-3
1017080	1-3, 1-5	1017504	7-11	101815502	4-3
1017082	11-3	1017507	7-7	101816301	4-3
1017188	10-5	1017508	7-11	101816501	4-3
1017226	5-3	1017510	7-13	101816502	4-3
1017231	11-3	1017512	7-13	101817401	4-9, 4-11
1017235	5-17, 5-19	1017513	7-11	101818801	4-9
1017266	5-11	1017514	7-11	101821501	9-15
1017273	5-5, 5-7	101751801	7-11	101823101	16-9
1017313	5-3	101751802	7-11	101823201	4-3
1017314	5-3	101751803	7-11	101823301	4-3
1017315	5-3	1017686	10-7	101823302	4-3
1017317	5-3	1017689	8-3	101823801	4-3
101734802	1-3	101769302	2-3	101823901	4-3
101737002	2-3	1017696	4-9, 4-11	101824001	4-3
1017378	4-9, 4-11	1017705	12-15	101824002	4-3
1017380	4-9, 4-11	101773301	7-13	101824401	9-7
1017424	4-9, 4-11	101773302	7-13	101825101	3-3, 6-7, 12-13
1017434	7-9	101773303	7-13	101826201	12-13
1017435	7-9	101773304	7-13	101826301	6-7
1017442	7-7	101773305	7-13	101827101	7-15
1017443	7-9, 7-11	101773306	7-13	101828301	15-5
1017444	7-9	101773307	7-13	101828601	15-5
1017445	7-9	101773308	7-13	101828801	15-5
1017446	7-9	101773309	7-13	101828802	15-5
1017447	7-11	101773310	7-13	101828901	15-5, 15-7, 15-9
1017448	7-5	101773311	7-13	101828902	15-5, 15-7, 15-9
101744901	7-13	101791101	4-3	101828903	15-5
101744902	7-13	1017944	13-3, 13-5	101830601	6-7, 12-13
1017450	7-13	1017947	13-3, 13-5	101830701	6-7, 12-13
101745101	7-13	1017948	13-3	101831101	15-5
101745102	7-13	1017949	13-3, 13-5	101831503	15-7
1017453	7-13	1017950	13-3, 13-5	101831504	15-7
1017454	7-9	1017953	13-3, 13-5	101831701	15-7

# INDEX

101831801	16-5	101879401	5-9	101905901	9-9
101831901	16-3	101879501	5-9	101906901	14-3
101832001	12-15	101879601	5-9	101908101	12-21
101832202	9-13	101879701	5-9	101908401	6-17, 12-21
101832302	9-13	101879801	5-9	101908601	3-5
101832601	7-15	101879901	5-9	101908703	12-9
101832701	7-15	101880001	5-9	101909201	7-5
101833101	7-15	101880101	5-9	101909301	7-5
101833401	10-7	101880201	5-9	101909401	7-5
101833601	11-3	101880301	5-9	101910501	11-7
101833701	6-11	101881101	7-5	101912401	4-13
101833902	10-3	101881701	9-15	101914401	15-5, 15-7
101834001	10-7	101884801	7-15	101915201	3-7
101834502	6-7, 12-13	101884901	2-3	101916001	7-13
101834601	7-15	101886101	11-3	101916101	7-3
101834801	11-3	101887101	16-3	101916201	7-5
101835601	1-17, 1-19	101887601	7-3	101916301	7-5
101836201	10-7	101889401	11-5	101916701	6-13, 10-3
101837101	9-15	101890001	11-5	101917601	9-15
101837301	6-13	101890101	11-3	101917701	9-17
101838201	15-7	101890201	11-3	101918401	2-3
101838301	15-7	101890501	11-3	101920101	12-11, 13-3, 13-5, 13-7
101838401	15-7, 15-9	101890601	11-3	101921501	9-15
101838501	15-7	101890901	11-7	101922101	14-3
101838601	15-7, 15-9	101891001	11-7	101922201	14-3
101850301	9-17	101891301	11-3	101922501	6-17, 12-21
101851101	6-7, 12-13	101891401	11-7	101923001	14-3
101856001	12-13	101891501	11-7	101923201	14-3
101856102	6-9	101891601	11-5	101923501	14-3
101856201	9-17	101891901	11-5	101923701	14-3
101859401	8-3	101892001	11-5	101923901	14-3
101861901	4-9, 4-11	101892201	11-5	101925701	9-15
101862001	4-11	101892301	11-5	101926901	11-3
101869302	6-11	101892401	11-5	101927101	11-3
101871001	16-3	101892501	11-5	101927201	11-3
101874901	6-11	101892601	11-5	101927301	11-3
101875001	6-11	101892701	11-7	101927501	11-5
101875102	6-11	101892901	11-3	101927601	11-5
101875201	6-11	101893201	11-5	101927701	11-5
101875301	6-11	101893801	11-3	101927901	11-5
101875401	6-11	101893901	11-5	101928001	11-5
101875501	6-11	101894303	1-11	101928101	11-5
101875601	6-11	101894901	12-15	101928301	11-7
101875701	6-11	101895401	14-3	101928601	11-3
101875802	6-11	101895501	14-3	101928701	11-3, 14-3, 16-7
101876001	6-11	101896501	6-11	101929501	9-7
101876202	6-11	101897001	14-3	101929802	10-3
101876301	6-11	101897201	14-3	101931501	3-5, 12-9
101876402	6-11	101897401	14-3	101933101	16-7
101876501	6-11	101897601	14-3	101936801	12-11
101877601	6-11	101898001	6-15	101939901	6-11
101877701	6-11	101900801	4-7, 5-19	101942301	13-3, 13-5, 13-7
101878101	6-11	101903001	12-5, 12-9	101946201	1-15
101878201	4-5	101903101	5-13	101953101	4-7
101878302	5-9	101903601	14-3	101953802	7-3
101879001	6-11	101903701	14-3	101954301	1-11

# INDEX

101956201	15-9	102186101	13-7	102459301	3-3
101956202	15-9	102186201	13-7	102508701	12-13
101958101	9-17	102186301	13-7	102513701	9-5
101958201	15-9	102186401	13-7	102515401	11-3
101958301	15-9	102186701	13-7	102518001	3-5
101958601	1-19	102186801	13-7	102519201	3-7
101959902	3-5	102186901	13-7	102522001	9-5
101960101	3-3	102187001	13-7	102526201	11-9
101960501	3-7	102187101	13-7	102540301	7-15
101963301	1-15	102187201	13-7	102555501	16-3
101963401	1-15, 1-25, 7-15, 11-11	102190702	9-17	102562401	16-3
101964001	1-15	102196901	12-13	102569304	2-3
101964201	12-19	102199601	12-5, 12-9	102570401	16-11
101964202	12-19	102235201	13-3, 13-5, 13-7	102572401	12-13
101965202	12-9	102240104	13-5	102588501	5-17, 5-19
101968701	12-5, 12-9	102240501	12-9	102601501	16-5
101971301	9-15	102241501	16-7	102603501	16-5
101972001	16-7	102241502	16-7	102605201	16-5
101972002	16-7	102242101	10-7	102606101	16-5
101972003	16-7	102243402	16-7	102607501	16-5
101972004	16-7	102243403	13-3, 13-5, 13-7	102616701	11-9
101972005	16-7	102248803	16-7	102668801	16-9
101972006	16-7	102249901	16-3	102669901	16-7
101972007	16-7	102251501	16-7	102674001	16-5
101972009	16-7	102251901	13-3	102674101	16-5
101972011	16-7	102259801	12-9	102674201	16-5
101972012	16-7	102263601	12-9	102674401	16-9
101972101	14-3	102263701	12-9	102674601	16-9
101972201	14-3	102265501	13-3	102675001	16-5
101972801	9-15	102265601	13-3, 13-5	102675101	16-5
101973101	9-9	102265701	13-3, 13-5	102675201	16-5
101973301	9-9	102265901	13-3, 13-5	102675301	16-5
101973401	9-11	102266001	13-3, 13-5	102675401	16-5
101973501	15-9	102266101	13-3, 13-5	102684602	11-9
101976601	15-9	102267001	13-3, 13-5	102686101	16-3
101978001	12-5, 12-9	102273701	15-3	102704701	13-7
101978101	12-9	102273801	15-3	102704801	13-7
101978201	12-9	102273901	15-3	102704901	13-7
101980801	11-5	102278001	5-3	102705001	13-7
101980901	11-5	102304801	7-9	102711201	6-9
101981001	11-5	102323101	4-5	102751601	9-5
101984801	5-3	102323201	4-5	102753401	7-9
101987501	15-9	102327801	13-3	102771701	14-3
101990801	4-7	102330901	16-9	102865101	9-7
102003201	9-7	102336001	9-13	102880201	9-7
102022101	4-7	102336101	9-13	102886301	14-3
102026001	4-9, 4-11	102355301	6-15	102886401	14-3
102031901	11-7	102356601	14-3	102886501	14-3
102061201	16-9	102356801	14-3	102886601	14-3
102065901	1-17, 7-15	102357001	14-3	102966401	1-15
102066001	1-17	102376001	11-9, 11-11	102966501	1-15
102101001	12-11	102430901	7-13	102966502	1-15
102101101	12-11	102431001	7-11	102969401	11-9
102169401	16-7	102453001	11-5	102969801	11-9
102185401	9-17	102453101	11-5	102969901	11-9
102186001	13-7	102458901	3-7	102977001	6-7



# INDEX

- 102977002 12-13  
102977901 9-7  
102978001 9-7  
102989501 1-15, 1-17  
103173301 11-9  
103174401 9-3  
103177401 11-9  
103180101 6-7, 12-13  
103187601 9-5  
103192701 11-9  
103197001 6-5, 6-9  
103198301 12-13  
103198401 6-17  
103199001 6-7  
103199101 6-7  
103205401 3-3, 6-7  
103205501 3-7, 6-17  
103210201 3-7, 6-7  
103210301 3-5, 12-13  
103218601 12-13  
103221801 12-5, 12-9  
103234301 3-9  
103245201 1-15  
103245301 1-15  
103260001 3-9  
103260701 3-9  
103282601 12-9  
103282701 12-9  
103284001 3-9  
103295101 11-11  
103295201 11-11  
103306301 9-7  
103316701 12-9  
103316801 12-9  
103316901 12-9  
103325501 13-5  
103325601 13-5  
103325701 13-5  
103337601 13-5  
103345701 10-3  
103348201 6-7  
103348501 6-7  
103348601 6-7  
103351001 5-11  
103359401 12-9  
103359501 12-9  
103369501 11-9  
103388601 1-21  
103388602 1-21  
103390201 12-9  
103390801 6-7  
103391001 6-7  
103406501 1-21  
103406502 1-21  
103406601 1-21  
103428501 15-3  
103428601 15-3  
103428701 15-3  
103428801 15-3  
103429001 15-3  
103429101 15-3  
103429201 15-3  
103429301 15-3  
103429501 15-3  
103429601 15-3  
103429701 15-3  
103434001 15-3  
103439901 15-3  
103499101 15-3  
103499102 15-3  
103499103 15-3  
103499301 12-13  
96704416 7-15
- A**
- absorber, rear shock 5-17, 5-19  
AC cord 15-5, 15-7, 15-9  
AC cord bushing 15-3  
AC cord receptacle 15-9  
AC cordset 15-3  
accelerator bracket and bearing assembly 4-9, 4-11  
accelerator cable 9-13  
accelerator pedal 4-9, 4-11  
accelerator pedal adjustment tool 16-3  
accelerator pivot rod 4-9, 4-11  
accelerator return spring 4-9, 4-11  
accelerator rod 4-13  
adapter  
    cable (IQDM) 16-7  
adhesive, guide ring 16-3  
adjuster  
    hydraulic brake 16-7  
adjuster, lash 7-11  
air box 9-15  
air box top 9-15  
air duct assembly 9-17  
air duct shield 9-17  
air filter 9-15  
air intake hose 9-15  
ammeter 15-3, 15-5, 15-7, 15-9  
angled bumper mount 5-17  
A-plate strap 5-11  
A-plate, delta 5-11  
arbor 16-3  
arm  
    governor 11-3  
    pivot 11-3  
    rocker 7-9  
armature 6-11, 13-3, 13-5, 13-7  
armature conversion kit 6-11  
assembly  
    accelerator bracket and bearing 4-9, 4-11  
    accelerator pivot rod 4-9, 4-11  
    air box 9-15  
    air box top 9-15  
    air duct 9-17  
    armature 6-11  
    axle 11-7  
    bearing, steering shaft 5-3  
    bell crank and shaft 6-9  
    brake lever 4-3  
    brush connector 6-11  
    brush holder 6-11  
    carburetor 9-9  
    connecting rod 7-13  
    cylinder head 7-9  
    delta A-plate 5-11  
    delta shock and gear support 5-11  
    drive hub 10-3  
    driven clutch 10-7  
    driven clutch fixed-face 10-7  
    field coil 6-11  
    float 9-9  
    frame and field (motor) 13-7  
    front panel 1-21  
    fuel tank vent 9-5  
    governor 11-5  
    hinge, tilt bed 1-17  
    idle screw 9-9  
    inner ball joint 5-9  
    kingpin 5-13  
    latch weld 1-17  
    moveable-face 10-3, 10-7  
    pilot air screw 9-9  
    plug cap 7-5  
    ratchet 4-5  
    score card plate 5-5  
    secondary clutch weight 10-3  
    side panel 1-21  
    steering shaft 5-3  
    steering wheel 5-5, 5-7  
    tailgate 1-21  
axle 11-7, 14-3  
axle shaft oil seal 11-7, 14-3  
axle tube 14-3
- B**
- backing plate, brake 4-3  
bag, desiccant 10-3  
ball bearing 7-11  
ball joint 4-5, 4-13, 5-9, 5-11, 11-11  
ball joint, left-hand thread 5-9, 5-11  
ball stud 6-9, 11-3  
ball, shifter 11-5  
ball, steel pressure relief 7-7  
band, RPM limiter mount 7-5  
bar, drive 12-11

# INDEX

- barb, vent 9-7
  - barrel, plastic 1-21, 9-3
  - battery
    - 8-volt 12-17
    - 8-volt moist 12-17
  - battery cap 12-17, 12-19
  - battery charger 15-5, 15-7, 15-9
  - battery charger case 15-5, 15-7, 15-9
  - battery charger receptacle 12-15
  - battery charger transformer 15-5, 15-7, 15-9
  - battery clamp 6-15
  - battery discharge machine 16-3
  - battery hold-down 12-17, 12-19
  - battery light 12-13
  - battery terminal protector spray 16-3
  - battery thermometer 16-3
  - battery, 12-volt 6-15
  - battery, 8-volt, Trojan T890 12-19
  - battery, 8-volt, Trojan T890, moist 12-19
  - bearing 14-3
    - ball 7-11
    - ball (motor) 13-7
    - ball (steering pinion) 5-9
    - front wheel hub 5-15
    - hub 5-15
    - idler 10-3
    - inner axle tube 11-7, 14-3
    - lower pinion (steering) 5-9
    - needle 11-5
    - outer axle tube 11-7
    - pivot support 4-9, 4-11
    - steering shaft 5-3
    - thrust 5-13
  - bearing and oil seal remover 16-3
  - bearing driver set 16-3
  - bearing puller 16-3
  - bearing puller wedge 16-3
  - bearing retainer 13-3, 13-5
  - bearing seal 5-3
  - bearing seat 5-3
  - bed frame assembly 1-17
  - bed latch 1-21
  - bed latch spring 1-21
  - bed seal 1-15, 1-17
  - bed, floor plate 1-17
  - bed, tilt 1-17
  - bell crank and shaft 6-9
  - bellows 5-9
  - belt, drive 10-5
  - belt, starter/generator 6-13, 10-3
  - block, brake-mounting 4-5
  - block, fuse 6-9
  - body, front 1-5
  - bolt, J- 12-17, 12-19
  - bolt, U- 5-17, 5-19
  - boot, steering column 5-3
  - boot, switch 6-17, 12-21
  - bottom, air box 9-15
  - box
    - air 9-15
    - cargo 1-21
    - electrical component 6-9
    - steering gear 5-9
  - box, electrical component 6-9, 12-9
  - brace, trailer hitch 1-27
  - bracket
    - accelerator cable 9-13
    - adjustable starter/generator 6-13
    - FNR shifter 11-9
    - governor cable 9-13
    - hour meter 12-23
    - muffler mounting 8-3
    - oil filter mount 7-7
    - oil level switch 7-11
    - relay mounting 15-7
    - RPM limiter 7-5
    - shock absorber 5-17, 5-19
    - shock mounting 5-17, 5-19
    - snubber 7-15
    - starter/generator mounting 6-13
    - steering column 5-3
    - steering column mounting 5-3
    - throttle spring return 9-11
    - Tow/Run switch 6-17, 12-21
  - brake adjusting mechanism 4-3
  - brake adjustment tool 16-3
  - brake backing plate 4-3
  - brake cable 4-7
  - brake cable equalizer 4-7
  - brake cable hanger 4-7, 5-17, 5-19
  - brake cable release tool 16-3
  - brake cluster 4-3
  - brake drum 4-3
  - brake lever 4-3
  - brake mounting block 4-5
  - brake pedal 4-5
  - brake pedal adjustment tool 16-3
  - brake pedal pad 4-5
  - brake pedal tension tool 16-3
  - brake return spring 4-7
  - brake self-adjusting mechanism 4-3
  - brake shoe 4-3
  - brake spring 4-3
  - breaker, circuit 15-3, 15-5, 15-7, 15-9
  - breather 11-3, 14-3
  - brush 13-3, 13-5, 13-7
  - brush and screw set 6-11
  - brush box assembly 13-7
  - brush connector 6-11
  - brush holder 6-11
  - brush inspection port cover 6-11
  - brush port cover 6-11
  - brush rigging 13-3, 13-5, 13-7
  - brush spring 13-3, 13-5, 13-7
  - brush spring set 6-11
  - bumper
    - drive unit (motor) 13-3, 13-5, 13-7
    - front 1-3, 1-5
    - front, heavy duty 1-3
    - front, kit 1-3, 1-5
    - jounce 5-17, 5-19
    - rubber 1-19, 4-5
    - seal, long 1-11
    - spring return 4-9, 4-11
  - bumper mount 5-19
  - bumper mount, angled 5-17
  - bumper, heavy duty 1-3
  - bumper, seat 1-11
  - bushing 10-3, 11-9
    - AC cord 15-3
    - bronze 5-15
    - nylon 1-21, 1-25, 4-5
    - snap-in 1-21
    - spindle 5-15
    - steel 1-17, 5-13, 5-17, 5-19
    - urethane 1-17, 5-11, 5-13, 5-17, 5-19
  - bushing, insulated 13-3, 13-5
  - button, choke 9-17
  - button, drive 10-7
  - buzzer, reverse 6-7, 12-13
- ## C
- cable
    - accelerator 9-13
    - brake 4-7
    - FNR shifter 11-11
    - governor 9-13
    - IQDM 16-7
  - calibration test module 16-3
  - cam
    - driven clutch 10-7
    - electrical component box 6-9
  - cam installation tool 16-3
  - cam, FNR shifter 11-9
  - camshaft 7-11
  - camshaft shim 7-11
  - cap
    - battery 12-17, 12-19
    - corner 1-15, 1-25
    - dust 12-13
    - fuel tank 9-5
    - key switch 6-7, 12-13
    - plug 7-5
    - seat back 1-13
  - carburetor 9-9
  - carburetor float level tool 16-7
  - carburetor gasket 9-11
  - carburetor insulator 9-11, 13-3, 13-5

# INDEX

- carburetor mounting gasket 9-11
  - card, safety first 16-9
  - cargo bed, side panel 1-21
  - cargo box 1-21
  - case
    - battery charger 15-5, 15-7, 15-9
    - differential gear 11-7
    - gear 11-3, 14-3
    - rocker 7-9
  - case, charger 15-3
  - charger bezel tool 16-3
  - charger board relay 15-3
  - charger case 15-3
  - charger hardware 15-3
  - charger legs 15-3
  - charger receptacle 12-15
  - charger wires 15-3
  - charger, battery 15-5
  - choke button 9-17
  - choke lever 9-17
  - choke lever guide 9-17
  - choke positioner 9-17
  - choke valve 9-15
  - circuit breaker 15-3, 15-5, 15-7, 15-9
  - clamp
    - battery 6-15
    - cable retaining 9-13
    - hose 9-7, 9-11, 9-15
    - muffler hose 8-3
  - clevis, upper delta 5-13
  - clip, meter 6-7
  - clip, score card 5-5
  - cluster idler gear 11-5
  - cluster, brake 4-3
  - clutch alignment tool 16-5
  - clutch pulley 10-3
  - clutch removal tool 16-3
  - clutch repair kit 10-7
  - clutch tool kit 16-5
  - clutch weight 10-3
  - clutch, drive 10-3
  - clutch, driven 10-7
  - coil, field 6-11
  - coil, ignition 7-5
  - collet 7-9
  - column, steering 5-3
  - communication display module 16-5
  - component box, electrical 6-9
  - component mounting plate 12-9
  - compression gauge 16-5
  - compression spring 9-17
  - compressor, piston ring 16-9
  - compressor, valve spring 16-11
  - computer, onboard 12-9
  - connecting rod 7-13
  - connector, a- 6-11
  - continuity tester 16-5
  - controller cover 12-9
  - controller cover gasket 12-9
  - cord connector 7-11
  - cord, AC 15-5, 15-7, 15-9
  - cord, DC 15-5, 15-7, 15-9
  - Cordset
    - PD3, AC 114" 15-3
    - PD3, AC 80" 15-3
    - PD3, DC 113" 15-3
    - PD3, DC 154" 15-3
    - PD3, DC 205" 15-3
  - counterbalance guide shaft 7-13
  - counterbalance weight 7-13
  - cover
    - brush inspection port 6-11
    - brush port 6-11
    - crankcase 7-11
    - dust 4-3, 5-3, 5-15
    - electrical box 6-9
    - oil pump 7-7
    - rocker switch hole 6-7, 12-13
    - screw head 6-7, 12-13
    - steering column 5-3
  - cover gasket, controller 12-9
  - cover plate 13-7
  - cover, controller 12-9
  - cover, speed controller 12-9
  - cowl 1-3, 1-5
  - crankcase 7-13
  - crankcase cover 7-11
  - crankcase vent tube 9-11
  - crankshaft 7-13
  - crankshaft rod 7-13
  - crankshaft shim 7-13
  - C-type stop ring 5-9
  - cup holder 1-9
  - cup, spring 4-9, 4-11
  - current limiter 15-9
  - cushion, shock absorber 5-17, 5-19
  - cutter, valve seat 16-5, 16-11
- ## D
- damper, RPM limiter 7-5
  - dash 6-7, 12-13
  - dash component 1-7
  - dash panel 6-7, 12-13
  - DC cord 15-5, 15-7, 15-9
  - DC cordset 15-3
  - decal
    - battery danger 3-5
    - bed load warning 1-21, 3-3
    - Carryall 1 3-9
    - component cover 3-5, 12-9
    - crush area warning 3-3
    - driver/passenger 3-7
    - FNR 3-5, 3-7, 6-7, 12-13
    - frame ground 3-7
    - hot surface warning 3-7
    - IR 3-9
    - motor braking 3-5
    - on/off 3-3, 6-7, 12-13
    - operating instructions (electric) 3-5
    - operating instructions (gas) 3-7
    - rollover warning 3-3, 6-7
    - rotating parts 3-7
    - run/service switch 3-7, 6-17
    - tailgate 1-21, 3-9
    - Tow/Run switch warning 3-5
    - trailer hitch 1-27, 3-3
    - Turf 1 3-9
    - vehicle loading 3-3
  - delta A-plate 5-11
  - delta A-plate sub-assembly 5-11
  - delta shock and gear support 5-11
  - desiccant bag 10-3
  - DF-terminal insulator 6-11
  - diagnostic port 12-13
  - diesel tachometer probe 16-9
  - differential
    - drive unit 14-3
  - differential gear 11-7, 14-3
  - differential gear case 11-7
  - differential housing 14-3
  - differential idler gear 11-7
  - differential pin 11-7
  - diode 6-9
  - dipstick 7-3
  - drain plug 7-7
  - drain plug gasket 7-7, 11-3
  - drive bar 12-11
  - drive belt 10-5
  - drive button 10-7
  - drive clutch 10-3
  - drive clutch button 10-3
  - drive clutch fixed sheave tool 16-5
  - drive clutch fixed-face 10-3
  - drive clutch holder tool 16-5
  - drive clutch hub puller 16-5
  - drive clutch puller 16-5
  - drive clutch spider removal tool 16-5
  - drive clutch spring 10-3
  - drive clutch weight 10-3
  - drive hub 10-3
  - drive unit bumper 13-3, 13-5, 13-7
  - driven clutch 10-7
  - driven clutch button 10-7
  - driven clutch cam 10-7
  - driven clutch cam puller 16-5
  - driven clutch fixed-face assembly 10-7
  - driven clutch puller plug 16-5
  - driven clutch spring compression base tool

# INDEX

16-5  
driven clutch spring compression collar tool  
16-5  
driven clutch spring compression nut tool  
16-5  
driver, drive clutch 10-3  
drum, brake 4-3  
dry moly lubricant 16-7  
dust cap 12-13  
dust cover 4-3, 5-3, 5-15

## E

eccentric adjustment screw 5-13  
E-clip 4-7  
electrical box cover 6-9  
electrical component box 6-9, 12-9  
end bell, commutator 6-11  
end bell, output shaft 6-11  
end cap, motor 13-3, 13-5, 13-7  
end shield  
    motor 13-3, 13-5  
engine mounting plate 7-15  
engine shroud 7-3  
engine, FE350 CW without ACR 7-3  
equalizer rod 4-7  
equalizer, brake cable 4-7  
exhaust system 8-3  
exhaust valve 7-9  
extension, spring latch 1-17  
extrusion 12-9

## F

face, moveable 10-3, 10-7  
fan housing 7-3  
fan shroud 7-3  
fan, flywheel 7-5  
fender, rear 1-29  
field coil 6-11  
field coil housing 6-11  
fill plug 11-3  
filter  
    air 9-15  
    fuel 9-7  
    oil 7-7  
    oil pump 7-7  
fitting, thread-forming grease 5-9, 5-11, 5-15  
fixed-face, drive clutch 10-3  
fixed-face, driven clutch 10-7  
float 9-9  
floor mat 1-7  
flywheel 7-5  
flywheel fan 7-5  
flywheel fan plate 7-5  
flywheel puller 16-7  
FNR closeout brush 6-7  
FNR shift lever 11-3

FNR shifter 11-9  
FNR shifter bracket 11-9  
FNR shifter cable 11-11  
FNR shifter cam 11-9  
fork, shift 11-5  
frame and field assembly (motor) 13-7  
front body 1-5  
front bumper 1-3, 1-5  
front bumper kit 1-3, 1-5  
front panel 1-21  
front spring retainer plate 5-13  
F-terminal hardware 6-11  
f-terminal insulator 6-11  
fuel filter 9-7  
fuel gauge sending unit 9-5  
fuel line 9-7, 9-11  
fuel meter 6-7  
fuel pickup tube 9-5  
fuel pump mount 9-7  
fuel pump, impulse 9-7  
fuel tank 9-5  
fuel tank cap 9-5  
fuel tank strap 9-7  
fuel tank vent 9-5  
fuse 12-15, 15-5, 15-7, 15-9  
    10-amp 6-9  
    20-amp 6-9  
    3/8-amp 12-15  
    charger 15-3  
fuse block 6-9

## G

gasket 14-3  
    carburetor 9-11  
    carburetor mounting 9-9, 9-11  
    crankcase cover 7-9, 7-11  
    drain plug 7-7, 11-3  
    exhaust 7-9, 8-3  
    head 7-9  
    insulator 7-9, 9-11  
    liquid 11-3, 14-3, 16-7  
    rocker case 7-9  
    sending unit 9-5  
gasket kit, FE350 7-9  
gasket, controller cover 12-9  
gauge, compression 16-5  
gauge, fuel-hour 6-7  
gear  
    case 11-3, 14-3  
    cluster idler 11-5  
    differential 11-7, 14-3  
    differential idler 11-7, 14-3  
    differential output 14-3  
    helical 7-13, 11-5, 11-7  
    spur 7-13, 11-5  
    synchro 11-5

gear yoke 16-7  
governor 11-5  
governor arm 11-3  
governor cable 9-13  
governor cable bracket 9-13  
governor shaft installation tool 16-7  
grip, pencil 5-5  
grip, tilt latch hand 1-17, 1-21  
grommet 9-5  
guard, splash 9-3  
guide  
    choke lever 9-17  
    intake valve 7-9  
    valve 7-9  
    valve seat cutter 16-11  
guide ring adhesive 16-3

## H

hanger, brake cable 4-7, 5-17, 5-19  
hardware kit, charger 15-3  
hardware, F-terminal 6-11  
harness, wire 6-5, 6-9, 12-5, 12-9  
head gasket 7-9  
head, cylinder 7-9  
heatsink and rectifier 15-3, 15-5, 15-7, 15-9  
heavy duty bumper 1-3  
helical gear 7-13, 11-5, 11-7  
hill brake rod 4-5  
hill brake weld assembly 4-5  
hinge, tilt bed 1-17  
hitch, trailer 1-27  
hold-down, battery 12-17, 12-19  
holder, cup 1-9  
hole plug 12-13  
hose, air intake 9-15  
hose, fuel 9-7  
hour meter 6-7, 12-23  
housing  
    2-pin 12-11  
    3-pin 12-11, 13-3, 13-5, 13-7  
    differential 14-3  
    fan 7-3  
    field coil 6-11  
hub 5-15  
hub bearing 5-15  
hub, synchronizer clutch 11-5  
hydraulic brake adjuster 16-7  
hydrometer 16-7

## I

idle screw assembly 9-9  
idler bearing 10-3  
idler gear, differential 14-3  
ignition coil 7-5  
inner frame snubber 7-15

# INDEX

input shaft 14-3  
insert, synchronizer 11-5  
instrument panel 6-7, 12-13  
insulated bushing 13-3, 13-5  
insulator gasket 7-9, 9-11  
insulator, carburetor 9-11, 13-3, 13-5  
intake pipe 9-11  
intake valve 7-9  
intermediate shaft 14-3  
intermediate steering shaft 5-3  
internal retaining ring pliers 16-7  
IQ display module (IQDM) 16-7

## J

J-bolt 12-17, 12-19  
jet, main 9-9  
jet, pilot 9-9  
joint  
    ball 4-5, 4-13, 5-11, 11-11  
    left-hand thread ball 5-9, 5-11  
jounce bumper 5-17, 5-19

## K

key  
    crankshaft 7-5, 7-13  
    driven clutch 10-7  
    On/Off 6-7, 12-13  
    square 10-7  
    starter/generator 6-11  
    woodruff 11-3  
key switch 6-7  
key switch cap 6-7, 12-13  
key switch, On/Off 12-13  
kingpin 5-13  
kit  
    2-pin housing 12-11  
    3-pin housing 12-11, 13-3, 13-5, 13-7  
    accelerator pivot rod 4-9, 4-11  
    brake cable 4-7  
    brake pedal 4-5  
    brake pedal adjustment tool 16-3  
    brake shoe retainer 4-3  
    clutch repair 10-7  
    differential gear case 11-7  
    drive clutch button 10-3  
    drive clutch weight 10-3  
    driven clutch button 10-7  
    IQ display module (IQDM) 16-7  
    magnet and bearing 13-3, 13-5  
    motor brush 13-7  
    motor brush spring 13-7  
    motor cover plate 13-7  
    motor speed sensor 13-7  
    motor terminal hardware 13-7  
    park brake latch 4-5

park brake pedal 4-5  
PD3 Cordest, AC 114" 15-3  
PD3 Cordest, AC 80" 15-3  
PD3 Cordest, DC 113" 15-3  
PD3 Cordest, DC 154" 15-3  
PD3 Cordest, DC 205" 15-3  
PD3 hardware 15-3  
PD3 wiring 15-3  
shock absorber 5-17, 5-19  
shock absorber cushion 5-17, 5-19  
steering column rebuild 5-3  
tune-up 16-9  
kit, tailight mounting 1-21  
knob, forward/reverse 11-9, 11-11

## L

lash adjuster 7-11  
latch plate, tilt bed 1-19  
latch weld 1-17  
latch, air box 9-15  
latch, bed 1-21  
latch, park brake 4-5  
L-bracket, motor 13-7  
leaf spring 5-13, 5-17, 5-19  
legs, charger 15-3  
lever  
    change 11-3  
    choke 9-15, 9-17  
light  
    battery 12-13  
    oil 6-7  
limit switch 6-9, 11-9  
limiter  
    current 15-9  
    RPM 7-5  
line, fuel 9-7, 9-11  
link, rack and pinion drag 5-9  
liquid gasket 11-3, 14-3, 16-7  
low oil warning light 6-7  
lubricant, dry moly 16-7  
lubricant, moly-teflon 13-3, 13-5, 13-7, 16-7  
lug nut 2-3  
lug stud 5-15, 11-7, 14-3

## M

magnet and bearing kit 13-3, 13-5  
magnet, speed sensor 13-3, 13-5, 13-7  
main jet 9-9  
maintenance/operation switch 6-17  
mat, floor 1-7  
MCOR 12-11  
mechanism, brake adjusting 4-3  
meter clip 6-7  
meter, hour 12-23  
meter, volt ohm 16-11

module  
    calibration test 16-3  
    communication display 16-5  
moly-teflon lubricant 16-7  
motor  
    48-volt 13-5  
    48-volt IQ 13-3, 13-7  
motor armature 13-3, 13-5  
motor brush 13-3, 13-5  
motor brush kit 13-7  
motor brush spring kit 13-7  
motor bumper 13-3, 13-5, 13-7  
motor end cap 13-3, 13-5, 13-7  
motor end shield 13-3, 13-5  
motor L-bracket 13-7  
motor magnet, speed sensor 13-3, 13-5, 13-7  
motor speed sensor 13-3, 13-5, 13-7  
motor speed sensor kit 13-7  
motor stator shell and winding 13-3, 13-5  
motor terminal hardware kit 13-7  
mount, bumper 5-19  
mount, fuel pump 9-7  
mounting block, brake 4-5  
moveable-face 10-3, 10-7  
muffler hose clamp 8-3

## N

name plate 3-9  
needle bearing 11-5  
nozzle, main 9-9  
nut, lug 2-3

## O

OBC 12-9  
OBC, onboard computer 12-9  
oil filler tube 7-3  
oil filter 7-7  
oil filter mount bracket 7-7  
oil filter screen 7-11  
oil filter screen plate 7-11  
oil level sensor 7-11  
oil level switch bracket 7-11  
oil pump and rotor 7-7  
oil pump cover 7-7  
oil pump filter 7-7  
oil pump plate 7-7  
oil seal 7-9, 7-11, 7-13, 11-3, 11-5  
oil warning light, low 6-7  
onboard computer 12-9  
operation/maintenance switch 6-17  
O-ring 7-3, 7-9, 7-11, 7-13  
overload bumper spacer 5-17, 5-19

## P

pad

# INDEX

- accelerator pedal 4-9, 4-11
  - brake pedal 4-5
  - park brake 4-5
  - paint, touch-up 16-7
  - panel box 1-21
  - panel, front 1-21
  - panel, instrument 6-7, 12-13
  - panel, side 1-21
  - park brake latch 4-5
  - park brake pedal 4-5
  - park brake rod sleeve 4-5
  - park brake spacer 4-5
  - park brake torsion spring 4-5
  - pawl 4-5
  - pedal, accelerator 4-9, 4-11
  - pedal, brake 4-5
  - pedal, park brake 4-5
  - pencil grip 5-5
  - pilot air screw assembly 9-9
  - pilot jet 9-9
  - pin, differential 11-7
  - pin, piston 7-13
  - pinion, steering 5-9
  - pipe, intake 9-11
  - piston 7-13
  - piston pin 7-13
  - piston ring 7-13
  - piston ring compressor 16-9
  - piston ring pliers 16-9
  - piston ring set 7-13
  - pivot arm 11-3
  - pivot support bearing 4-9, 4-11
  - plate
    - backing (brake) 4-3
    - bed floor 1-17
    - component mounting 12-9
    - cover 13-7
    - engine mounting 7-15
    - flywheel fan 7-5
    - front spring retainer 5-13
    - latch 1-19
    - name 3-9
    - oil filter screen 7-11
    - oil pump 7-7
    - receptacle backing 12-15
    - score card 5-5, 5-7
    - spring mounting 5-13
    - steering wheel 5-7
    - thrust 11-5, 11-7
  - pliers
    - internal retaining ring 16-7
    - piston ring 16-9
    - retaining ring 16-9
  - plug
    - drain 7-7
    - driven clutch puller 16-5
    - fill 11-3
    - hole 12-13
    - spark 7-5
  - plug cap 7-5
  - pole set 6-11
  - port, diagnostic 12-13
  - positioner, choke 9-17
  - press weldment 16-5
  - protector spray, battery terminal 16-3
  - puller
    - bearing 16-3
    - clutch 16-3
    - drive clutch 16-5
    - drive clutch hub 16-5
    - driven clutch cam 16-5
    - flywheel 16-7
    - seal 16-9
    - special use tool 16-9
  - pulley
    - clutch 10-3
    - starter-generator 6-11
  - pump, impulse fuel 9-7
  - push rod 7-9
- ## R
- race, front hub bearing 5-15
  - rack and pinion drag link 5-9
  - rack guide pressure spring 5-9
  - rack, steering 5-9
  - ratchet, park brake 4-5
  - reamer, valve guide 16-9
  - rear fender 1-29
  - rear spring shackle 5-17, 5-19
  - receptacle 12-15
  - receptacle backing plate 12-15
  - receptacle, AC cord 15-9
  - receptacle, battery charger 12-15
  - rectifier with heatsink 15-3, 15-5, 15-7, 15-9
  - regulator, voltage 6-9
  - relay 15-7, 15-9
  - relay mounting bracket 15-7
  - relay, 48-volt 15-5
  - relay, charger board 15-3
  - remover, bearing and oil seal 16-3
  - resistor assembly 12-9
  - retainer
    - accelerator pedal spring 4-9, 4-11
    - bearing 13-3, 13-5
    - brake shoe 4-3
    - shock absorber cushion 5-17, 5-19
    - spring 5-17, 5-19
    - spring (drive clutch) 10-3
    - valve spring 7-9
  - retaining ring 5-3
  - retaining ring pliers 16-9
  - return spring bumper 4-9, 4-11
  - reverse buzzer 6-7, 12-13
  - rigging, brush 13-3, 13-5
  - rim, wheel, white 2-3
  - ring
    - piston 7-13
    - retaining 5-3, 6-9, 10-3, 10-7
    - snap 5-9, 7-9, 7-13
    - spiral backup 10-3
    - synchronizer 11-5
  - ring, C-type stop 5-9
  - ring, piston 7-13
  - rivet, blind push 1-3, 1-5
  - rocker arm 7-9
  - rocker case 7-9
  - rocker case gasket 7-9
  - rocker shaft 7-9
  - rocker switch 12-13
  - rod
    - accelerator 4-13
    - accelerator pivot 4-9, 4-11
    - connecting 7-13
    - crankshaft 7-13
    - equalizer 4-7
    - hill brake 4-5
    - push 7-9
    - shift 11-5
    - tie 5-11
  - rotor, oil pump and 7-7
  - RPM limiter 7-5
  - RPM limiter bracket 7-5
  - RPM limiter damper 7-5
  - RPM limiter mount band 7-5
- ## S
- safety first card 16-9
  - score card clip 5-5
  - score card plate 5-5
  - screen, oil filter 7-11
  - screw, eccentric adjustment 5-13
  - screw, valve clearance adjuster 16-9
  - seal
    - bearing 5-3
    - intake 9-15
    - lip 14-3
    - oil 7-9, 7-11, 7-13, 11-3, 11-5, 11-7, 14-3
    - steering pinion dust 5-9
    - vertical socket dust 5-9, 5-11
  - seal puller 16-9
  - seal, bed 1-15, 1-17
  - sealant 11-3, 14-3
  - seat
    - spring 7-9
    - valve 7-7
  - seat back 1-13
  - seat back assembly 1-13
  - seat back cap 1-13

# INDEX

- seat back tube 1-15
- seat back, white 1-13
- seat bottom assembly 1-11
- seat bumper 1-11
- seat cover, vinyl 1-11
- seat strap 1-11
- seat, bearing 5-3
- sending unit, fuel gauge 9-5
- sensor, motor speed 13-3, 13-5, 13-7
- sensor, oil level 7-11
- sensor, speed 13-3, 13-5
- set, brush and screw 6-11
- set, pole 6-11
- shackle, rear spring 5-17, 5-19
- shaft
  - change 11-3
  - counterbalance guide 7-13
  - input 14-3
  - intermediate 14-3
  - intermediate steering 5-3
  - rocker 7-9
  - steering column 5-3
  - transmission 11-5
- shield, air duct 9-17
- shift fork 11-5
- shift lever 11-3
- shift rod 11-5
- shifter, FNR 11-9
- shim, camshaft 7-11
- shim, crankshaft 7-13
- shim, latch plate 1-19
- shim, tilt bed pivot 1-17
- shock absorber 5-11
- shock absorber (rear) 5-17, 5-19
- shock absorber cushion 5-17, 5-19
- shock absorber cushion retainer 5-17, 5-19
- shock mounting bracket 5-17, 5-19
- shoe, brake 4-3
- shroud 7-3
- shroud, engine 7-3
- shroud, fan 7-3
- side panel 1-21
- sleeve
  - delta A-plate 5-11
  - governor 11-5
  - park brake rod 4-5
  - synchronizer 11-5
- snap ring 5-9, 7-9, 7-13
- snubber bracket 7-15
- snubber, inner frame 7-15
- socket 5-9, 5-11
- solenoid 12-9
- solenoid, 12-volt 6-9
- spacer
  - accelerator pivot rod 4-9, 4-11
  - overload bumper 5-17, 5-19
- park brake 4-5
- spanner wrench 16-9
- spark plug 7-5
- speed controller cover 12-9
- speed sensor 13-3, 13-5, 13-7
- speed sensor magnet 13-3, 13-5, 13-7
- speed sensor, motor 13-3, 13-5, 13-7
- spindle 5-15
- spiral backup ring 10-3
- splash guard 9-3
- spray, battery terminal protector 16-3
- spring
  - accelerator return 4-9, 4-11
  - brake 4-3
  - brake return 4-7
  - brush 6-11, 13-3, 13-5, 13-7
  - compression 5-5, 9-17
  - drive button 10-3
  - drive clutch 10-3
  - driven clutch 10-7
  - extension return 9-15
  - latch tilt 1-21
  - leaf 5-13, 5-17, 5-19
  - park brake torsion 4-5
  - rack guide pressure 5-9
  - shifter 11-5
  - steering shaft compression 5-3
  - synchronizer 11-5
  - throttle return 9-11
  - valve 7-9
- spring cup 4-9, 4-11
- spring mounting plate 5-13
- spring retainer 5-17, 5-19
- spur gear 7-13, 11-5
- stand-offs, plastic 15-3
- starter/generator 6-11
- starter/generator belt 6-13, 10-3
- starter/generator pulley 6-11
- stator shell and winding 13-3, 13-5
- steel bushing 1-17, 5-13, 5-17, 5-19
- steel pressure relief ball 7-7
- steering column 5-3
- steering column bearing press tool 16-9
- steering column retaining ring tool 16-9
- steering gear box 5-9
- steering pinion 5-9
- steering pinion dust seal 5-9
- steering rack 5-9
- steering shaft assembly 5-3
- steering shaft compression spring 5-3
- steering wheel 5-5, 5-7
- steering wheel plate 5-7
- steering wheel puller tool 16-9
- stem, valve 2-3
- stiffener 1-11
- stiffener, flywheel side 7-15
- stiffener, PTO side 7-15
- strap, A-plate 5-11
- strap, fuel tank 9-7
- strap, seat 1-11
- stud 7-15
  - lug 5-15, 11-7, 14-3
  - self-clinching 1-23, 1-25
- stud, ball 6-9, 11-3
- support yoke (steering) 5-9
- suppressor, voltage 15-5, 15-7, 15-9
- switch
  - four-position 15-7, 15-9
  - key 6-7, 12-13
  - limit 6-9, 11-9
  - rocker 12-13
  - Tow/Run 12-21
- switch rubber boot 6-17, 12-21
- switch, operation/maintenance 6-17
- switch, toggle 6-17
- synchro gear 11-5
- synchronizer clutch hub 11-5
- synchronizer insert 11-5
- synchronizer sleeve 11-5
- synchronizer spring 11-5
- system, exhaust 8-3

## T

- 12-volt battery 6-15
- 12-volt solenoid 6-9
- tachometer 16-9
- tachometer probe, diesel 16-9
- tailgate 1-21
- tailgate angle 1-25
- tailgate mounting bracket 1-23
- taillight mounting kit 1-21
- taillskirt 1-29
- tank, fuel 9-5
- tape 9-17
- tape, vinyl foam 1-17
- terminal block 12-9
- tester, continuity 16-5
- thermometer, battery 16-3
- thread-forming grease fitting 5-9, 5-11, 5-15
- throttle return spring 9-11
- throttle spring return bracket 9-11
- thrust bearing 5-13
- thrust plate 11-5, 11-7
- tie rod 5-11
- tie wrap 5-9, 6-9, 12-9
- tilt bed 1-17
- tilt latch hand grip 1-17, 1-21
- tire 2-3
- tire and wheel assembly 2-3
- toggle switch 6-17
- tool
  - accelerator pedal adjustment 16-3

# INDEX

belt tensioning, starter/generator 16-11  
brake adjustment 16-3  
brake cable release 16-3  
brake pedal adjustment 16-3  
brake pedal tension 16-3  
cam installation 16-3  
carburetor float level 16-7  
charger bezel 16-3  
clutch alignment 16-5  
cT-wrench 16-5  
drive clutch fixed sheave 16-5  
drive clutch holder 16-5  
drive clutch spider removal 16-5  
driven clutch spring compression base 16-5  
driven clutch spring compression collar 16-5  
driven clutch spring compression nut 16-5  
governor shaft installation 16-7  
puller, special use 16-9  
steering column bearing press 16-9  
steering column retaining ring 16-9  
steering wheel puller 16-9  
transaxle axle seal 16-9  
transaxle pinion seal 16-9  
transmission 16-9  
valve guide driver 16-9  
valve seat cutter 16-5  
tool kit, clutch 16-5  
touch-up paint 16-7  
Tow/Run switch 12-21  
Tow/Run switch bracket 6-17, 12-21  
trailer hitch 1-27  
trailer hitch brace 1-27  
transaxle 14-3  
transaxle axle seal tool 16-9  
transaxle housing 14-3  
transaxle pinion seal tool 16-9  
transaxle, unitized 11-3  
transformer 15-3  
transformer, battery charger 15-5, 15-7, 15-9  
transmission shaft 11-5  
transmission tool 16-9  
trim  
    cowl 1-3, 1-5  
    seat bottom 1-15  
tube  
    crankcase vent 9-11  
    fuel pickup 9-5  
    oil filler 7-3  
    seat back 1-15  
tune-up kit 16-9  
T-wrench tool 16-5

## U

U-bolt 5-17, 5-19

unitized transaxle 11-3  
upper delta clevis 5-13  
urethane bushing 1-17, 5-11, 5-13, 5-17, 5-19

## V

valve  
    choke 9-15  
    exhaust 7-9  
    intake 7-9  
    reed 7-9  
valve clearance adjuster screw 16-9  
valve guide 7-9  
valve guide driver tool 16-9  
valve guide reamer 16-9  
valve guide, intake 7-9  
valve seat 7-7  
valve seat cutter 16-5, 16-11  
valve seat cutter guide 16-11  
valve seat cutter tool 16-5  
valve seat t-wrench 16-11  
valve spring 7-9  
valve spring compressor 16-11  
valve spring retainer 7-9  
valve stem 2-3  
vent barb 9-7  
vertical socket dust seal 5-9, 5-11  
volt ohm meter 16-11  
voltage regulator 6-9  
voltage suppressor 15-5, 15-7, 15-9

## W

warning light, low oil 6-7  
wedge, bearing puller 16-3  
weight  
    clutch 10-3  
    counterbalance 7-13  
    secondary clutch 10-3  
weldment  
    press 16-5  
wheel 2-3  
wheel and tire assembly 2-3  
wheel rim, white 2-3  
wheel, steering 5-5, 5-7  
wire harness 6-5, 6-9, 12-5, 12-9  
wiring, charger 15-3  
woodruff key 11-3  
wrap, tie 5-9, 6-9, 12-9  
wrench, spanner 16-9

## Y

yoke, gear 16-7  
yoke, support (steering) 5-9











**Club Car, Inc.**  
P.O. Box 204658  
Augusta, GA 30917-4658  
USA

**Web** [www.clubcar.com](http://www.clubcar.com)  
**Phone** 1.706.863.3000  
1.800.ClubCar  
**Int'l** +1 706.863.3000  
**Fax** 1.706.863.5808