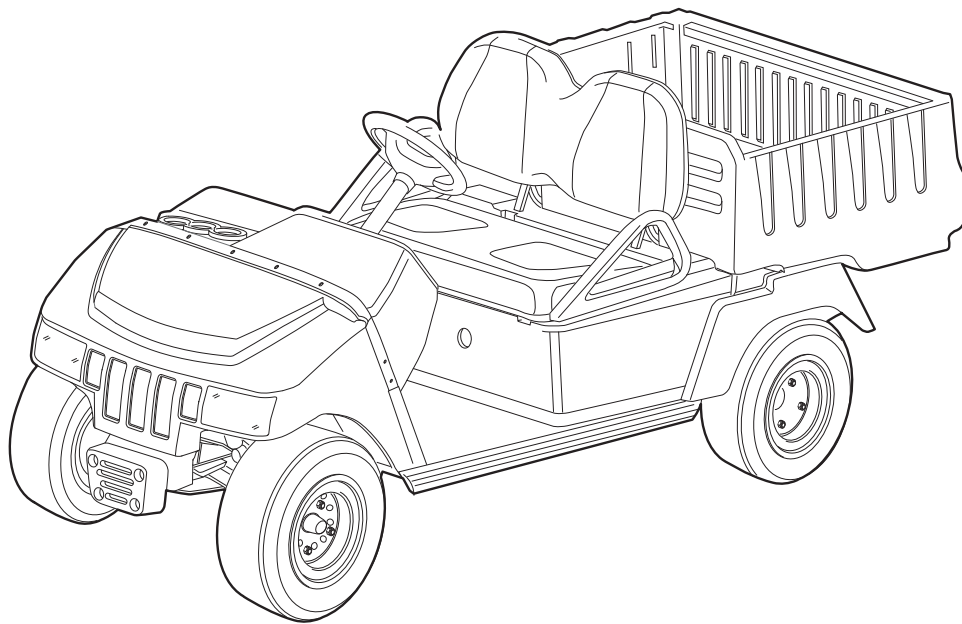




# 2014 Carryall 100 and 100CE Illustrated Parts List



**Gasoline and Electric Vehicles**

Manual Number 105062832  
Edition Code B



# USING THE ILLUSTRATED PARTS LIST

---

## **⚠ WARNING**

- **This manual is to be used only for identification and ordering of service parts. Be sure to read and use the maintenance and service manual before attempting any vehicle repairs.**

This manual is divided into several sections. Note that there are flags on the outside edge of each page. The first flag contains the section number of which that page is a part. The other flags contain the letters G or E, signifying that the page pertains to either the gasoline vehicle, the electric vehicle, or both.

Use the Table of Contents to find the sections and pages that contain the parts and assemblies you seek. The Table of Contents lists section numbers, and under them, the individual page titles and numbers to be found in that section. The index can be used to find specific parts and assemblies. The index is divided into numerical and alphabetical listings with the page numbers in italic text.

There is a two-page spread for each individual page title in the Table of Contents. On the left-hand page is an illustration showing the parts in their relative positions; the parts are each tagged with an item number in a balloon. The right-hand page is the parts list page, and gives the page title at the top, then the item numbers (corresponding to the numbers on the illustration), part descriptions, and quantity of parts used.

Note that a part description may be indented. This indentation corresponds to a parts assembly level indicated by the numbers 1, 2, 3, and 4 at the top left corner of the parts description area of the parts list page. A part that is indented to *level 2* is a component of the *level 1* part (assembly) that it is listed under. A *level 3* part is a component of the *level 2* part that it is listed under, and a *level 4* part is a component of the *level 3* part preceding it. In each case, the part quantity given for a level 2, 3, or 4 part is *the quantity used per next higher level assembly of which it is a component*. A part that is not indented is a *level 1* part. This means that the quantity given is the quantity used per the portion of the vehicle illustrated on that particular spread.

## **HOW TO ORDER PARTS**

Replacement parts and accessories can be obtained from our network of authorized dealers and distributors. You can obtain the name and phone number of your closest authorized Club Car dealer or distributor by visiting our web site at [www.clubcar.com](http://www.clubcar.com) and clicking on the "Distributor Search" link or by calling our toll-free Service Parts and Technical Assistance hotline at (800) 872-2246 or (706) 863-3000, extension 3887.



**P. O. Box 204658**  
**Augusta, Georgia 30917-4658 USA**  
**Telephone 706-863-3000**  
**Service Parts Fax 706-855-7413**  
**[www.clubcar.com](http://www.clubcar.com)**

**NOTE:** *This illustrated parts list represents the most current information at the time of publication. Club Car, Inc. is continually working to further improve its vehicles and other products. These improvements may affect the parts used to service the vehicle. Any modification and/or significant change in specifications will be forwarded to all Club Car and Carryall distributors/dealers and will, when applicable, appear in future editions of this illustrated parts list.*

*Club Car, Inc. reserves the right to change specifications and designs at any time without notice and without the obligation of making changes to units previously sold.*

Copyright © 2013 Club Car, Inc.  
*Club Car* and *ArmorFlex*  
are registered trademarks of Club Car, Inc.  
This manual effective August 1, 2013.

*2014 Carryall 100 and 100CE Gasoline and Electric Vehicles*

# CONTENTS

---

## SECTION 1 – BODY AND TRIM

---

Front Body .....	1-3
Canopy Support System .....	1-5
Access Panel and Heat Shield .....	1-7
Bumper – Gasoline Vehicles .....	1-9
Bumper – Electric Vehicles .....	1-11
Brush Guard .....	1-13
Dash Box .....	1-15
Glove Box .....	1-17
Side Trim .....	1-19
Nerf Bar .....	1-21
Rear Body and Fender – Gasoline Vehicle .....	1-23
Rear Body and Fender – Electric Vehicle .....	1-25
Front Seat Bottom and Armrests .....	1-27
Seat Back .....	1-29
Cargo Bed .....	1-31
Bed Hinge .....	1-33

---

## SECTION 2 – WHEELS AND TIRES

---

Wheels and Tires .....	2-3
Hubcap .....	2-5

---

## SECTION 3 – LOGO AND DECALS

---

Logo Decals .....	3-3
Safety Decals – Gasoline Vehicles .....	3-5
Safety Decals – Gasoline Vehicles, Continued .....	3-7
Safety Decals – Gasoline Vehicles, Continued .....	3-9
Safety Decals – Electric Vehicles .....	3-11
Safety Decals – Electric Vehicles, Continued .....	3-13

---

## SECTION 4 – LIGHTS, CONTROLS, AND INDICATORS

---

Headlights .....	4-3
Lighting System Components – Gasoline Vehicles .....	4-5
Lighting System Components – Electric Vehicles .....	4-7
Turn Signal Kit – Gasoline and Electric Vehicles .....	4-9
Reverse Buzzer .....	4-11
Instrument Panel – Gasoline Vehicle .....	4-13
Instrument Panel – Electric Vehicle .....	4-15

# CONTENTS

Battery Condition Indicator – Electric Vehicles .....	4-17
DC Converter – IQ System Electric Vehicle .....	4-19
Voltage Limiter – Gasoline Vehicle .....	4-21
Strobe Light, Post-Mounted – Gasoline Vehicles .....	4-23
Strobe Light, Post-Mounted – Electric Vehicles .....	4-25
Strobe Light, Canopy-Mounted .....	4-27
Horn .....	4-29
Hour Meter – IQ System and IQ Plus Electric Vehicles .....	4-31
Taillights .....	4-33

## SECTION 5 – BRAKE SYSTEM

Brake Pedal Assembly .....	5-3
Accelerator Pedal Assembly – Electric Vehicles with MCOR .....	5-5
Accelerator Pedal Assembly – Gasoline Vehicles .....	5-7
Accelerator Rod – Gasoline Vehicles .....	5-9
Rear Brake Assembly, Self-Adjusting – Vehicle with 2-Wheel Brakes .....	5-11
Brake Cables and Equalizer .....	5-13

## SECTION 6 – STEERING AND SUSPENSIONS

Steering Wheel .....	6-3
Steering Column .....	6-5
Steering Gear Assembly .....	6-7
Front Suspension, Lower – Vehicles with Two-Wheel Brakes .....	6-9
Front Suspension, Upper .....	6-11
Front Spindles and Hubs .....	6-13
Rear Suspension .....	6-15

## SECTION 7 – ELECTRICAL SYSTEM – GASOLINE VEHICLES

Wiring, Fuses, and Diodes, Pedal-Start – EFI, CA100 .....	7-3
Wiring, Fuses, and Diodes, Key-Start – EFI, CA100-CE .....	7-5
Starter/Generator (Model 114-04-4006), Key-Start – EFI .....	7-7
Starter/Generator (Model 114-05-4001), Pedal-Start – EFI .....	7-9
Starter/Generator Mounting, EX40 – To Early-2016 Model Year .....	7-11
Electrical Component Box, Key-Start – EX40 .....	7-13
Electrical Component Box, Pedal-Start – EX40 .....	7-15
Forward/Reverse Shifter Switches, Key-Start – EFI, CA100CE .....	7-17
Forward/Reverse Shifter Switches, Pedal-Start – EFI, CA100 .....	7-19
Charging Diode, Key-Start – EFI .....	7-21
Battery – Gasoline Utility Vehicles .....	7-23

# CONTENTS

---

## SECTION 8 – ENGINE (SUBARU EX40)

---

Tune-Up Parts – Subaru EX40 .....	8-3
Engine and Engine Mounting, Utility – EX40 .....	8-5
Fan and Shroud – EX40 .....	8-7
Air Deflector – EX40 .....	8-9
Ignition Components and Flywheel – EX40 .....	8-11
Sensors – EX40 .....	8-13
Cylinder Head – EX40 .....	8-15
Valvetrain and Timing Chain – EX40 .....	8-17
Crankcase – EX40 .....	8-19
Crankshaft and Piston – EX40 .....	8-21

---

## SECTION 9 – FUEL SYSTEM – EFI

---

Fuel System with Sending Unit, Top Fill – EFI .....	9-3
Carbon Canister – EFI, Carryall 100 .....	9-5
Throttle Body and ECU – EFI .....	9-7
Throttle Body Mounting – EFI .....	9-9
Governor and Accelerator Cables – EFI .....	9-11
Air Filter System and Intake Hose – EFI .....	9-13

---

## SECTION 10 – EXHAUST SYSTEM – EX40 ENGINE

---

Exhaust System – Utility .....	10-3
--------------------------------	------

---

## SECTION 11 – DRIVE BELT AND CLUTCHES – EX40

---

Drive Belt – Key-Start Vehicles with EFI .....	11-3
Drive Belt – Pedal-Start Vehicles with EFI .....	11-5
Drive Clutch – Key-Start Vehicles .....	11-7
Drive Clutch – Pedal-Start Vehicles .....	11-9
Driven Clutch (Standard Speed) – Key Start and Pedal Start .....	11-11

---

## SECTION 12 – TRANSAXLE (FUJI ED65)

---

Forward/Reverse Shifter – EFI .....	12-3
Shifter Cable .....	12-5
Shift Lever and Bracket – Pedal-Start Engines .....	12-7
Shift Lever and Bracket – Key-Start Engines .....	12-9
Governor Arm and Brackets – Utility Vehicles .....	12-11
Transaxle (ED65), Limited Slip – Page 1 of 3 .....	12-13
Transaxle (ED65), Open – Page 1 of 3 .....	12-15

# CONTENTS

---

Transaxle (ED65), Limited Slip and Open – Page 2 of 3 .....	12-17
Transaxle (ED65), Limited Slip – Page 3 of 3 .....	12-19
Transaxle (ED65), Open – Page 3 of 3 .....	12-21
Hub, Rear .....	12-23
Differential Guard, ED65 – Gasoline Vehicle .....	12-25

## SECTION 13 – ELECTRICAL SYSTEM – ELECTRIC VEHICLES

---

Forward/Reverse Switch, Tow/Run Switch .....	13-3
Motor Controller Output Regulator (MCOR) .....	13-5
Wiring – Electric Vehicle .....	13-7
Battery Charger Receptacle .....	13-9
Computer, Controller, and Solenoid .....	13-11
Batteries 8-Volt, Heavy Duty .....	13-13
Single Point Watering System (SPWS) .....	13-15
Hand Pump and Deionizer (Battery-Powered Quality Light) .....	13-17

## SECTION 14 – ELECTRIC MOTOR

---

Motor (Model EJ8-4001A) – Electric Vehicle .....	14-3
--	------

## SECTION 15 – TRANSAXLE – ELECTRIC VEHICLES

---

Transaxle – Electric Vehicles .....	15-3
Differential Guard – Electric Vehicles .....	15-5

## SECTION 16 – BATTERY CHARGERS

---

PowerDrive 3 Battery Charger (Model 26580), Domestic .....	16-3
PowerDrive 2 Battery Charger (Model 22110), Domestic .....	16-5
PowerDrive Battery Charger (Model 17930), Domestic .....	16-7
PowerDrive Battery Charger (Model 18780), Export .....	16-9
PowerDrive Battery Charger (Model 20310), European .....	16-11
IQ Plus Battery Charger (Models 25730-11,-18,-19), Domestic .....	16-13
IQ Plus Battery Charger (Models 25880-11 and -18), International .....	16-15
Onboard IQ Plus Battery Charger (Model 25260-50), Domestic .....	16-17
Onboard IQ Plus Battery Charger (Model 25660-50), International .....	16-19
Onboard IQ Plus Charger and Cord Reel Mounting .....	16-21

## SECTION 17 – MAINTENANCE AND SERVICE TOOLS

---

Maintenance and Service Tools .....	17-3
Maintenance and Service Tools, Continued .....	17-5



# CONTENTS

---

Maintenance and Service Tools, Continued .....	17-7
Maintenance and Service Tools, Continued .....	17-9
Maintenance and Service Tools, Continued .....	17-11

## SECTION i – INDEX

---



# BODY AND TRIM

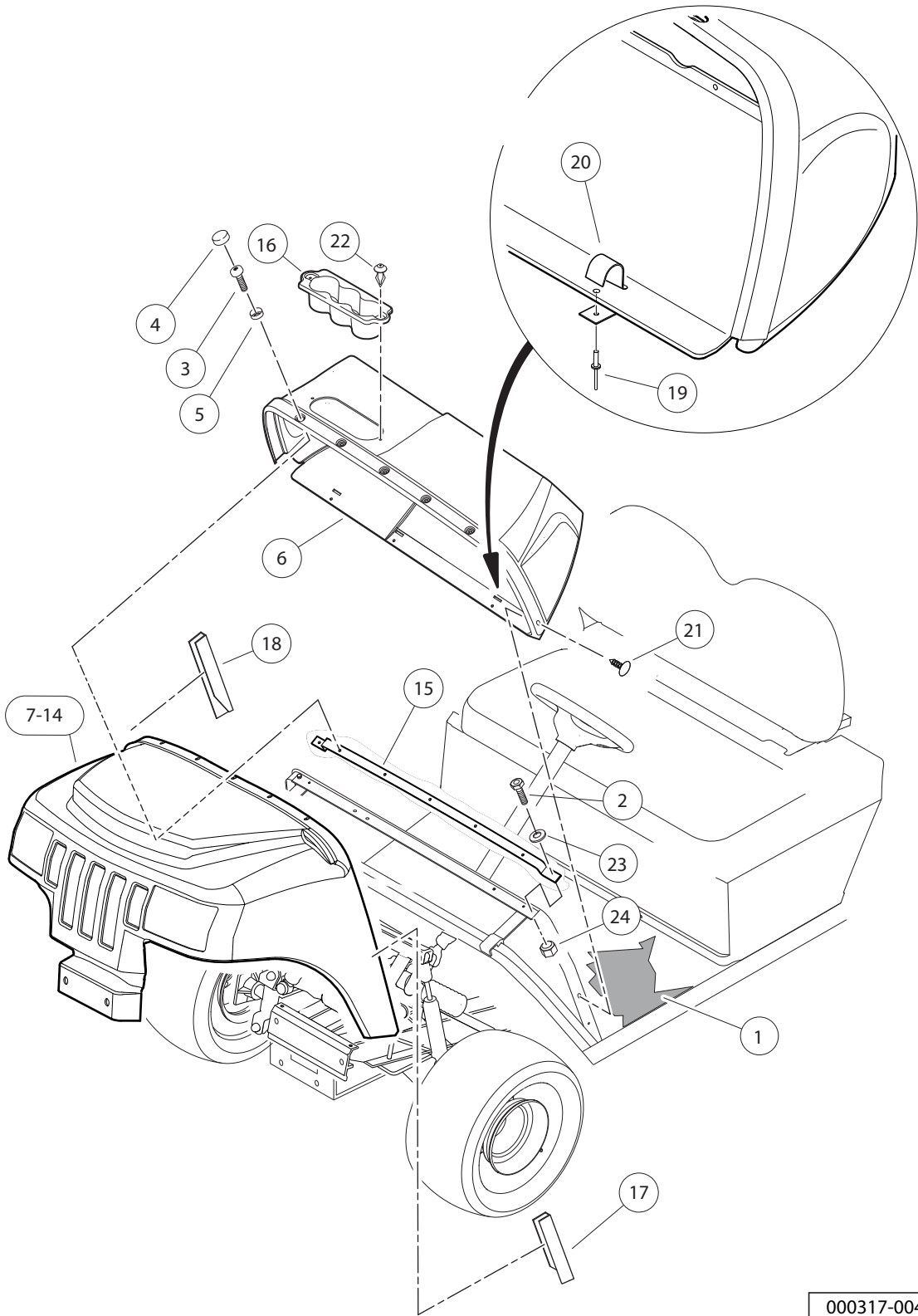
---

1

G

E

**1**  
**G**  
**E**



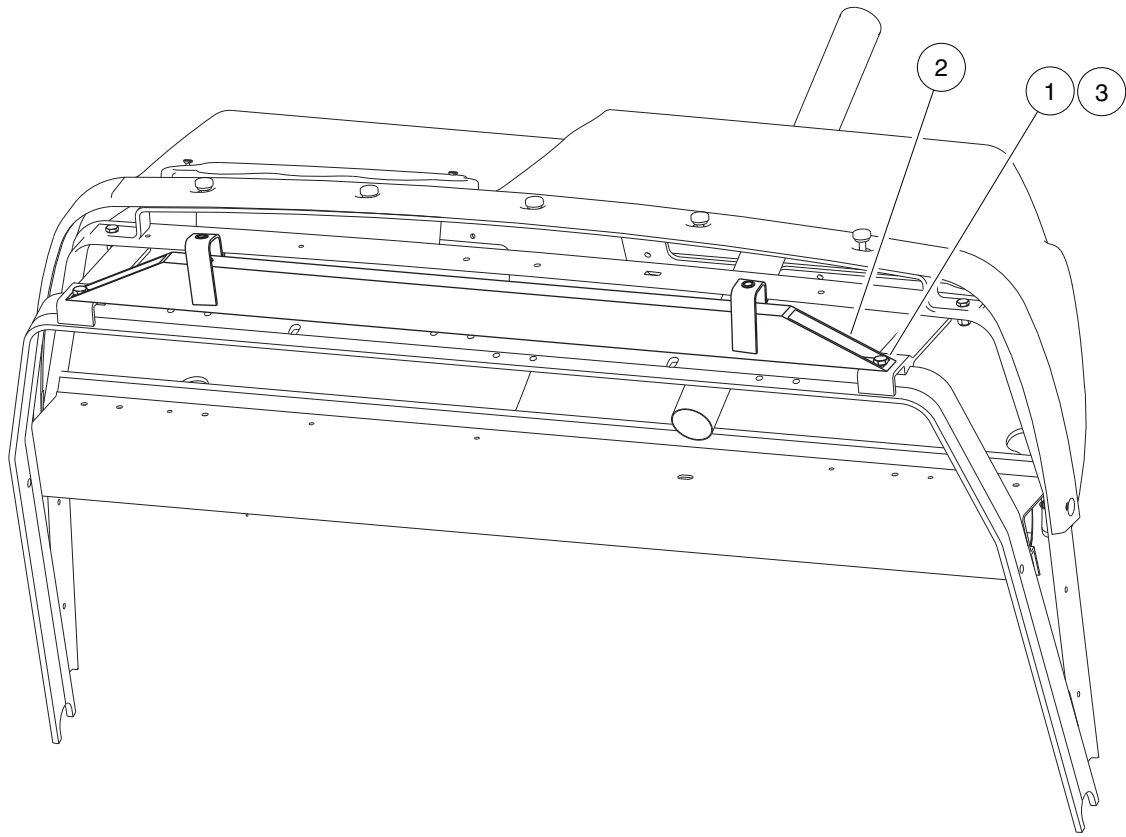
000317-004

# FRONT BODY

ITEM	PART NO.	DESCRIPTION	QTY
		<b>1 2 3 4</b>	
1	<u>101503202</u>	Floor mat .....	1
2	<u>101954301</u>	Screw, 1/4-20 X 0.75 Hex-Head Cap .....	2
3	<u>102025801</u>	Screw, 1/4-20 X .75 Torx Pn Hd .....	5
4	<u>102045001</u>	Cap, 1/4" Plastic Screw Head .....	5
5	<u>102048401</u>	Washer, 1/4 Id Scalloped Plast .....	5
6	<u>102766701</u>	Dash .....	1
7	<u>102778501</u>	Cowl, Red .....	1
8	<u>102778502</u>	Cowl, Green .....	1
9	<u>102778503</u>	Cowl, Camouflage (Husqvarna) .....	1
10	<u>102778504</u>	Cowl, Classic Blue .....	1
11	<u>102778505</u>	Cowl, XRT- Black .....	1
12	<u>102778507</u>	Cowl, XRT- Camo Hard Wood HD (Standard camo for XRT850) .....	1
13	N/A	Cowl, XRT- Camo Max4 HD .....	1
14	<u>102778509</u>	Cowl, XRT- Silver .....	1
15	<u>102778601</u>	Support, Upper Cowl .....	1
16	<u>102796701</u>	Object Holder .....	1
17	<u>102822001</u>	Cowl Cover, Driver-Side .....	1
18	<u>102822002</u>	Cowl Cover, Passenger-Side .....	1
19	<u>102828701</u>	Rivet .....	10
20	<u>102857401</u>	Clip, Dash .....	3
21	<u>102914301</u>	Push Pin, Black .....	2
22	<u>102967901</u>	Rivet, Removable, Tuflok 1/4" .....	2
23	<u>332</u>	Washer, 1/4 Type A Narrow Flat .....	2
24	<u>8233</u>	Locknut, 1/4-20, Nylon Insert .....	2

**1**  
**G**  
**E**

**1**  
**G**  
**E**

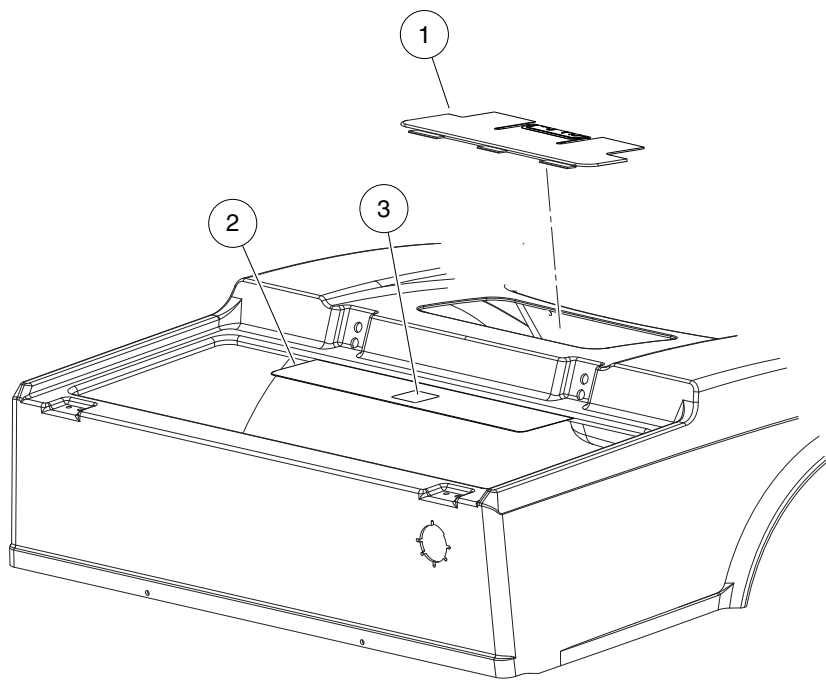


000582-001

# CANOPY SUPPORT SYSTEM

ITEM	PART NO.	DESCRIPTION	QTY
1	<u>102242101</u>	1 2 3 4 Screw, 5/16-18 X 3/4 Hex-Head with Patch .....	2
2	<u>103313301</u>	Asm, Brace, Canopy, Tube, Xrt .....	1
3	<u>1241</u>	Washer, 5/16 Type A Flat .....	1

**1**  
**G**  
**E**



000819-002



# ACCESS PANEL AND HEAT SHIELD

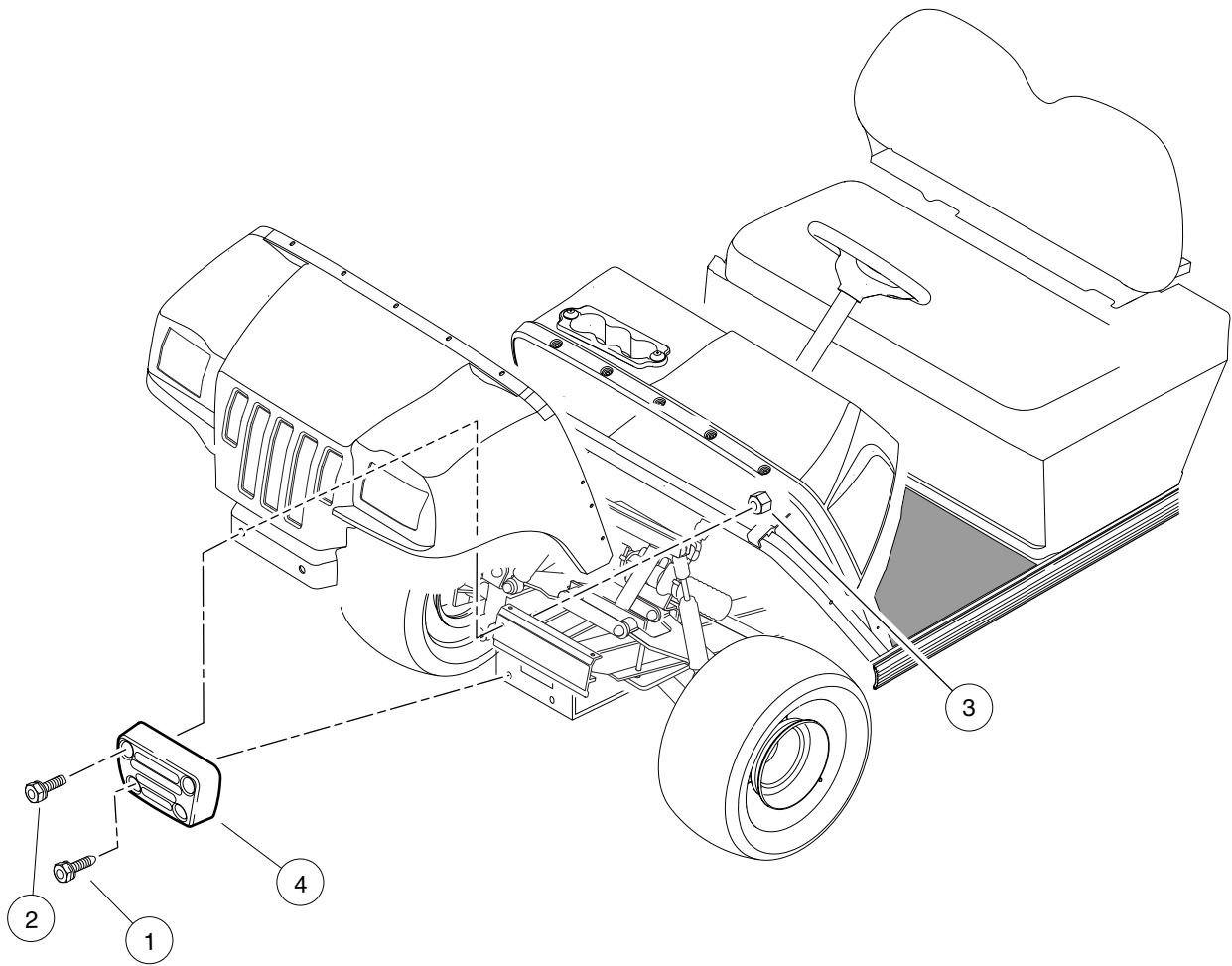
ITEM	PART NO.	DESCRIPTION	QTY
		1 2 3 4	
1	<u>101303202</u>	Access Panel - Black, Cut .....	1
2	<u>101806901</u>	Shield, Heat .....	1
3	<u>101960501</u>	Decal, Rotating Parts/Hot Manifold .....	1

**1**

**G**

**E**

**1**  
**G**  
**E**



000357-002

# BUMPER – GASOLINE VEHICLES

ITEM	PART NO.	DESCRIPTION	QTY
		1 2 3 4	
1	<u>102289002</u>	Screw, M8 X 1.25 X 30 Tri, Blk .....	2
2	<u>102298240</u>	Bolt, Flange Head, M8-1.25 X 40 .....	2
3	102618601	Lock Nut, Flange, M8 X 1.25 Nylon .....	2
4	<u>102830501</u>	Bumper, Cast .....	1

**1**

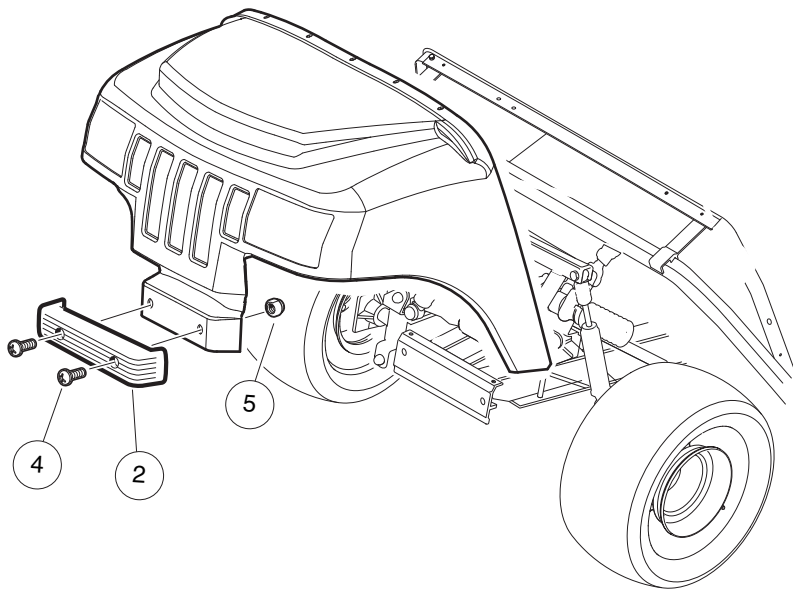
**G**

**E**

1

G

E



000357-005

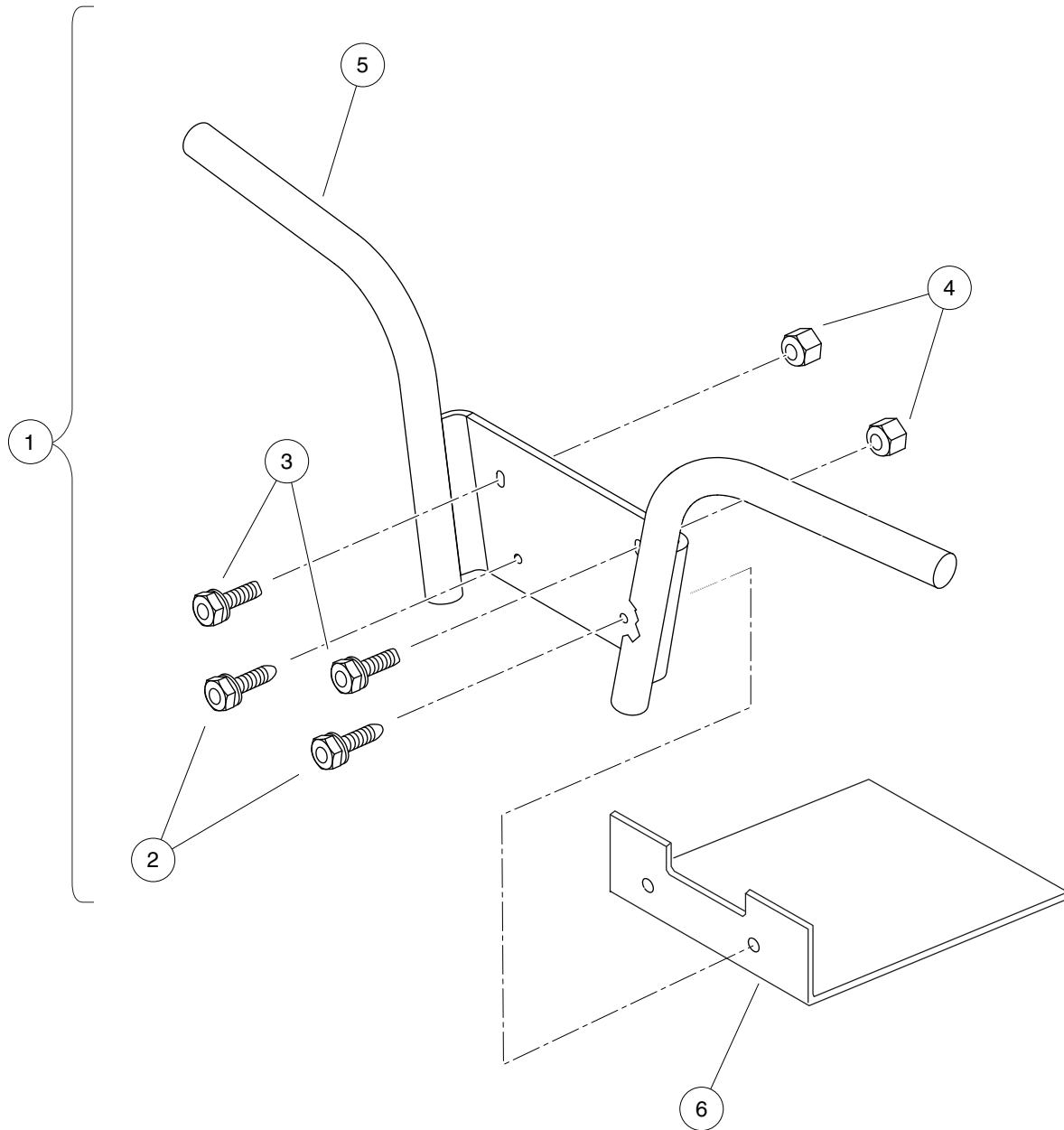
# BUMPER – ELECTRIC VEHICLES

ITEM	PART NO.	DESCRIPTION	QTY
		1 2 3 4	
1	<u>1017080</u>	Kit, Front Bumper (includes items 2 through 5) .....	1
2	<u>1016868</u>	Front Bumper .....	1
3	<u>1016967</u>	Blind Rivet, Push Type .....	2
4	<u>7251</u>	Screw, 5/16-18 x 1.0 Truss-Head .....	2
5	<u>7473</u>	Locknut, 5/16-18 Nylon Insert .....	2
<p style="margin-left: 40px;">Note: Item 3 is not used in this application.</p>			

1

G

E

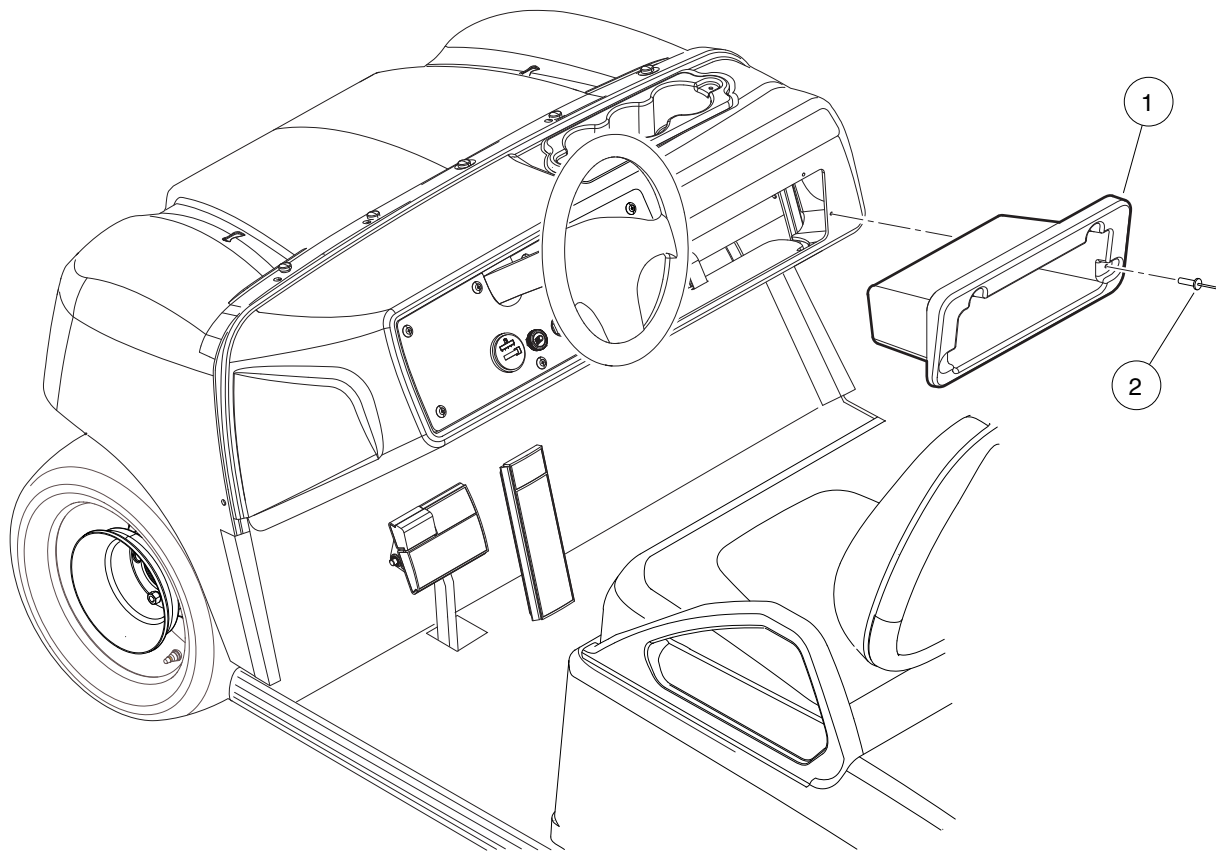


000356-003

# BRUSH GUARD

ITEM	PART NO.	DESCRIPTION	QTY
		<b>1 2 3 4</b>	
1	<u>102852401</u>	Kit, Brush Guard (includes items 2 through 6) .....	1
2	<u>102289002</u>	Screw, M8 X 1.25 X 30 Tri, Blk .....	2
3	<u>102298240</u>	Bolt, Flange Head, M8-1.25 X 40 .....	2
4	102618601	Lock Nut, Flange, M8 X 1.25 Nylon .....	2
5	102830201	Guard, Brush .....	1
6	<u>102830401</u>	Support, Brush Guard .....	1

**1**  
**G**  
**E**



000358-001

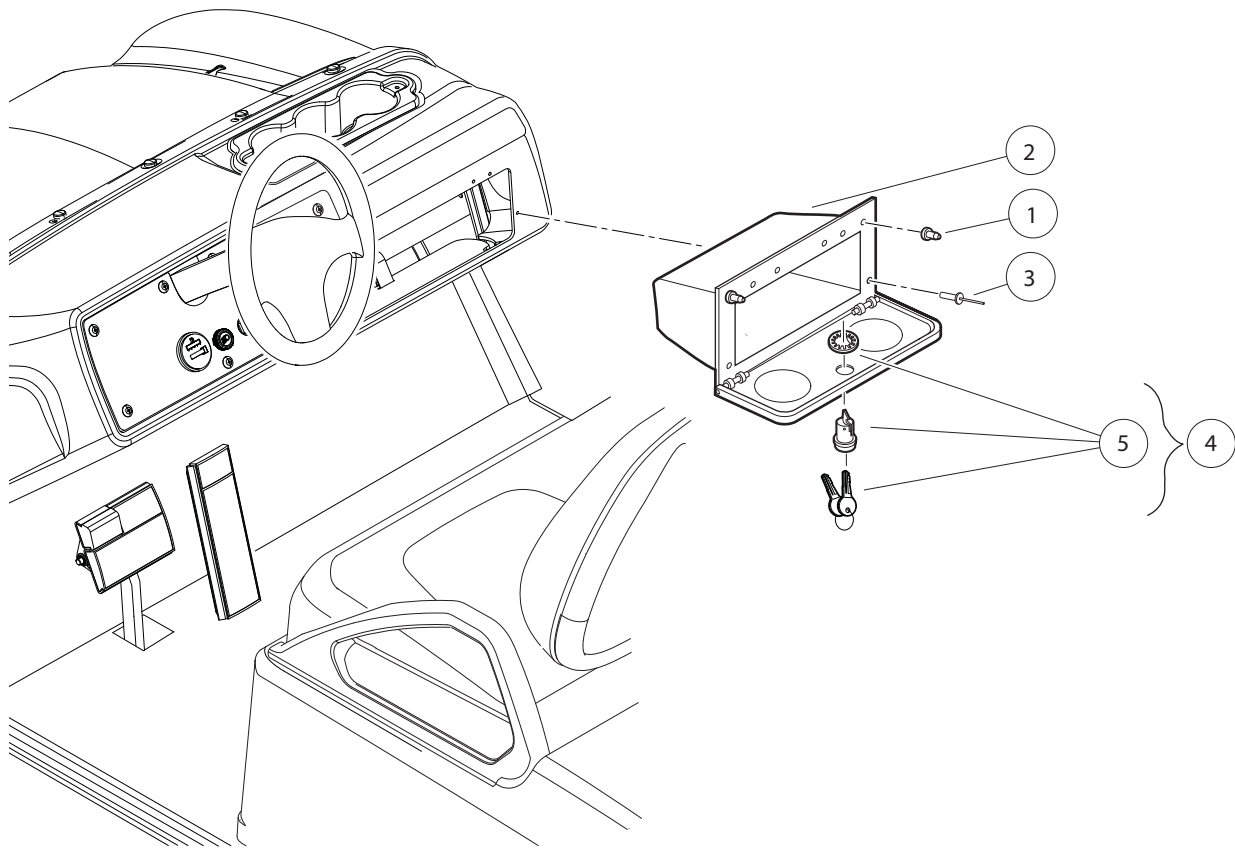


# DASH BOX

ITEM	PART NO.	DESCRIPTION	QTY
1	<u>102810301</u>	1 2 3 4 Box, Dash .....	1
2	<u>103344501</u>	Rivet, 5/32" Dia., Black .....	4

**1**  
**G**  
**E**

**1**  
**G**  
**E**



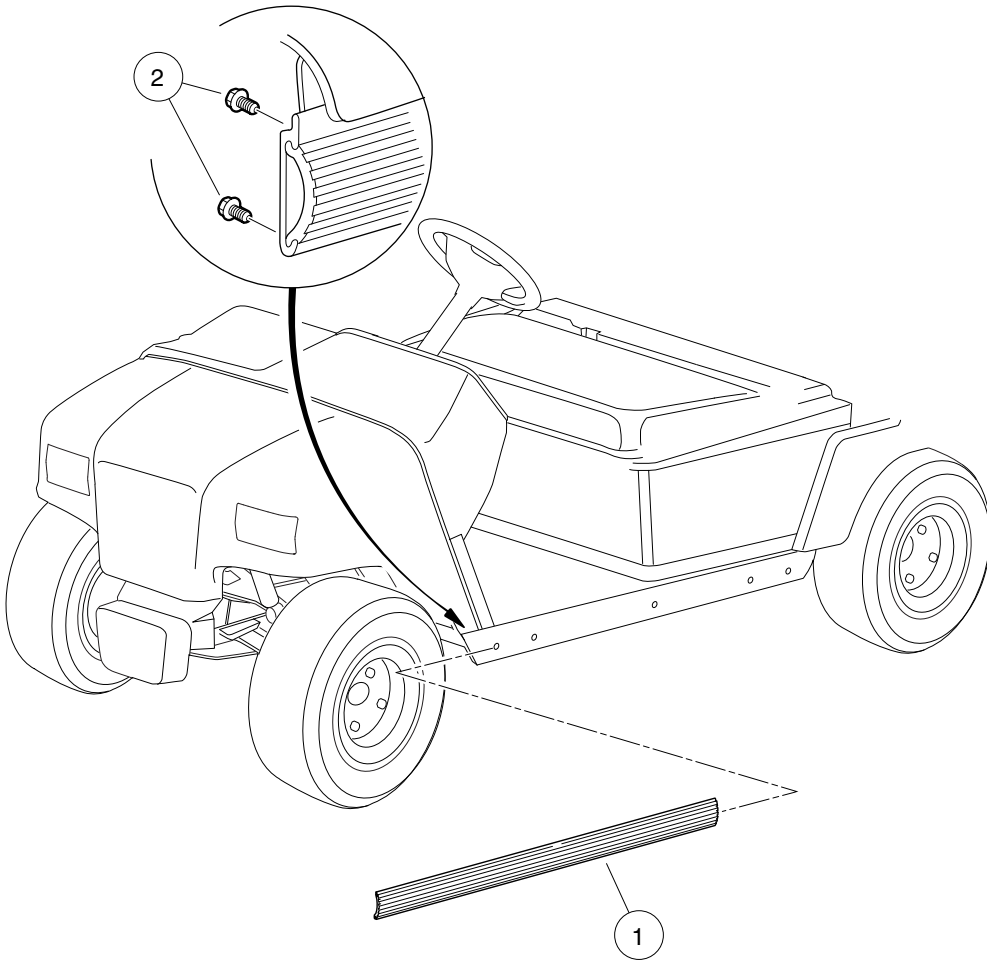
000359-002

# GLOVE BOX

ITEM	PART NO.	DESCRIPTION	QTY
		<b>1 2 3 4</b>	
1	<u>1010436</u>	Bumper, Rubber .....	2
2	<u>102796501</u>	Glove Box .....	1
3	<u>102828701</u>	Rivet .....	6
4	<u>102959401</u>	Glove Box Lock / Key Kit (includes item 5) .....	1
5	N/A	Asm, Glove Box Lock / Key .....	1

**1**  
**G**  
**E**

**1**  
**G**  
**E**



000361-002

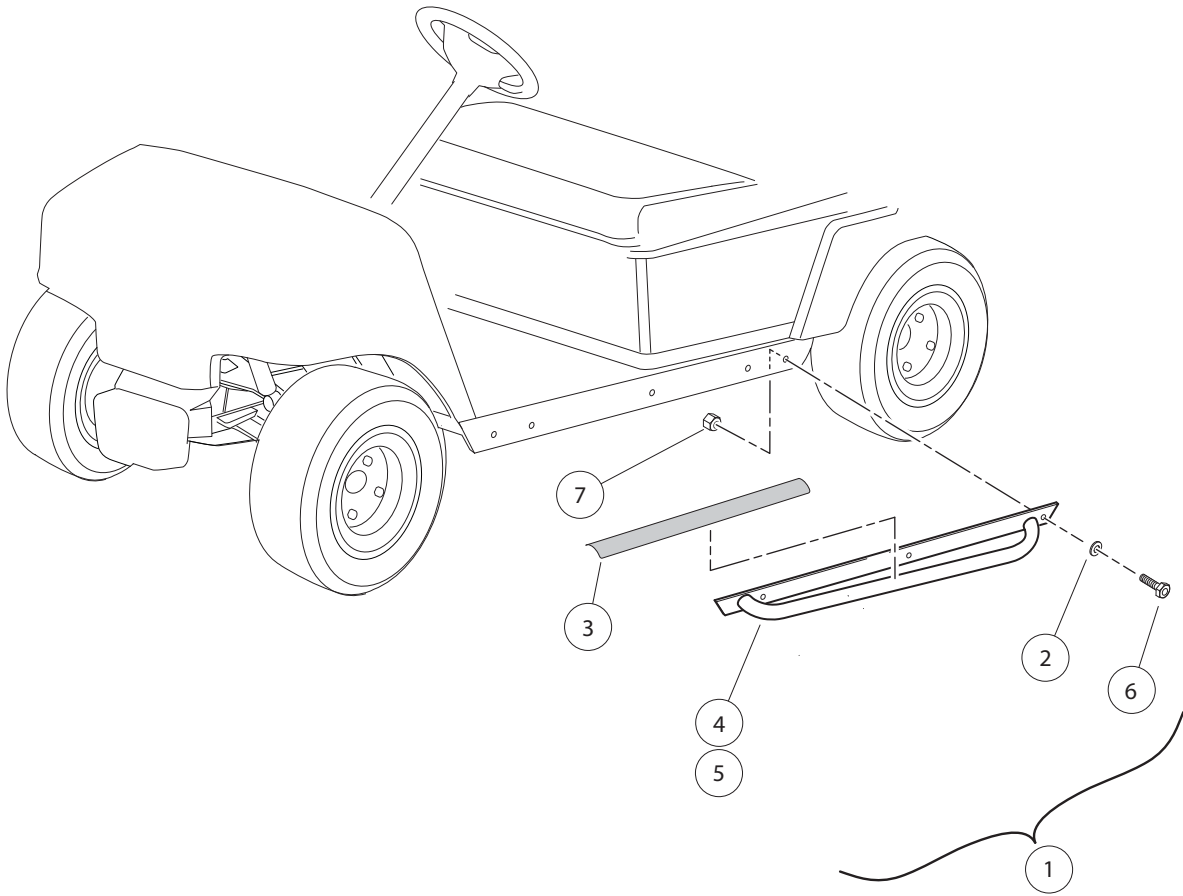
# SIDE TRIM

ITEM	PART NO.	DESCRIPTION	QTY
1	<u>1013983</u>	1 2 3 4 Bumper, Side Trim .....	2
2	<u>102310701</u>	Screw, #8-18 x 0.375, Hex-Head Washer .....	8

**1**

**G**

**E**



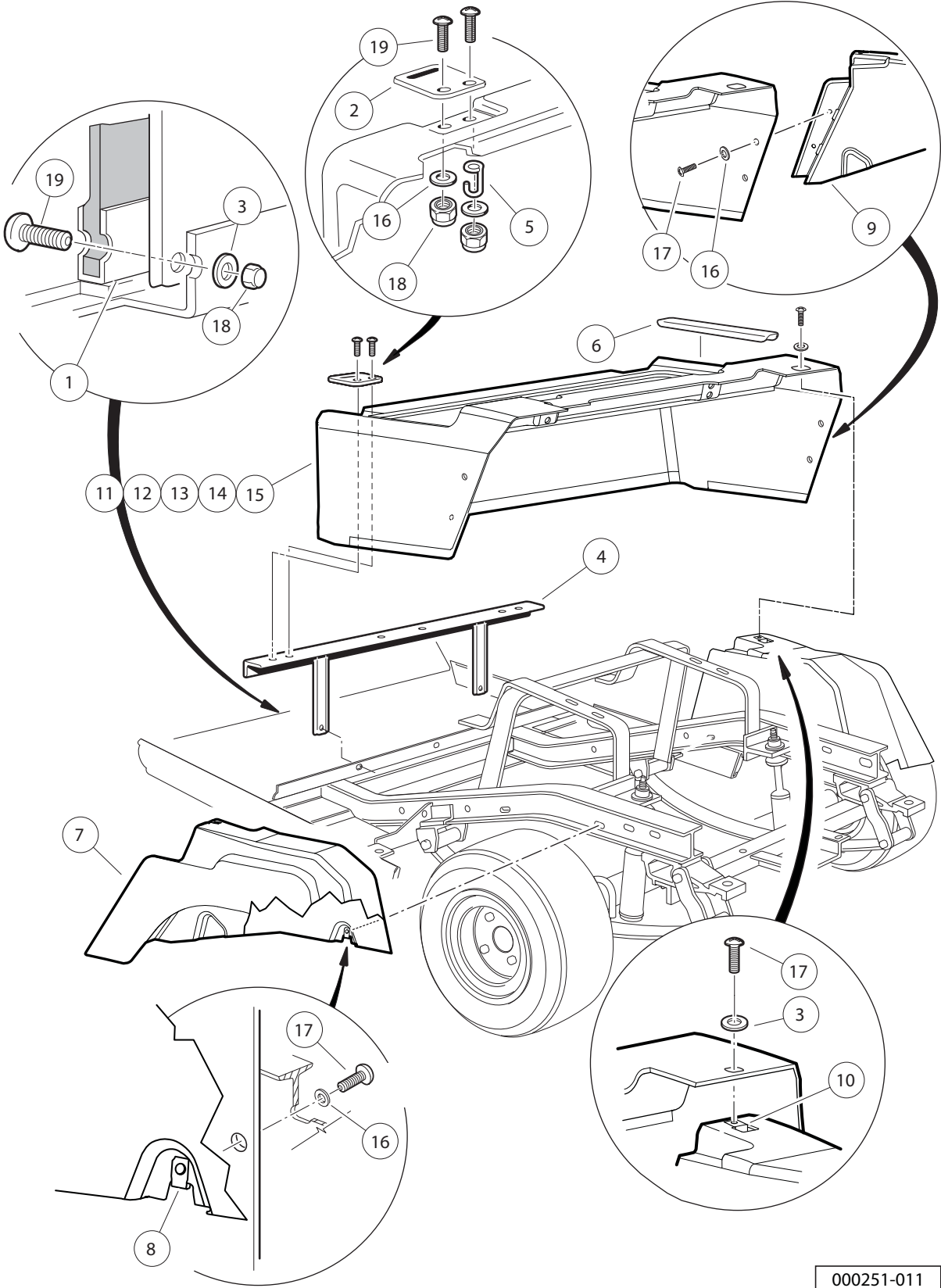
000360-004

# NERF BAR

ITEM	PART NO.	DESCRIPTION	QTY
		<b>1 2 3 4</b>	
1	<u>102829802</u>	Kit, Nerf Bar (black) (includes items 2 through 7) .....	1
2	<u>1011990</u>	Washer, 3/8 Flat .....	6
3	<u>102355102</u>	Tape, Non-skid .....	2
4	<u>102829703</u>	Nerf Bar Assy, Driver .....	1
5	<u>102829704</u>	Nerf Bar Assy, Passenger .....	1
6	<u>320</u>	Screw, 3/8-16 X 1.00 Hex-Head Cap .....	6
7	<u>8754</u>	Locknut, 3/8-16 Hex .....	6

**1**  
**G**  
**E**

**1**  
**G**  
**E**



000251-011

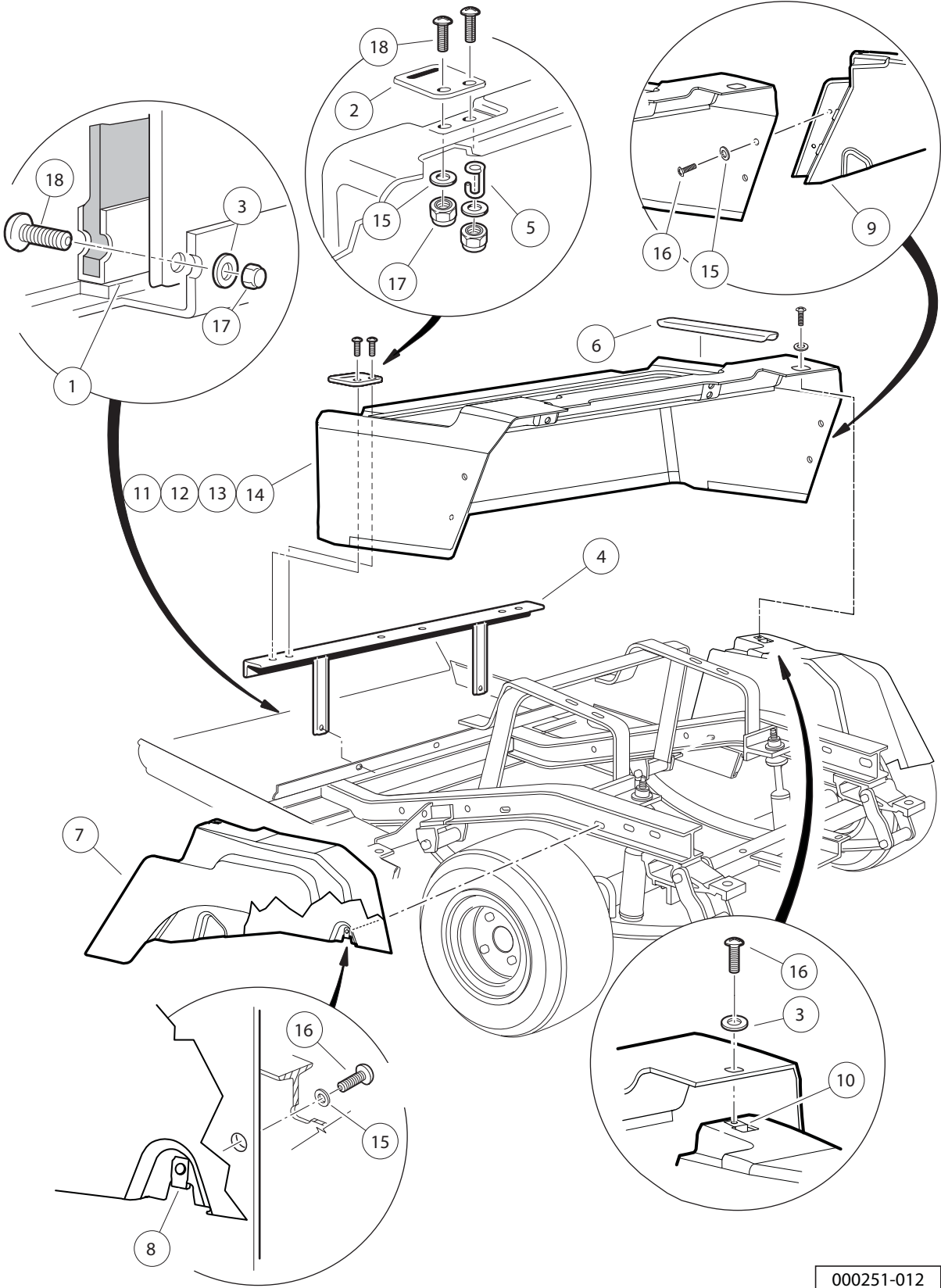


## REAR BODY AND FENDER – GASOLINE VEHICLE

ITEM	PART NO.	DESCRIPTION	QTY
		1 2 3 4	
1	<u>1010993</u>	Body Kick Plate .....	1
2	<u>1012412</u>	Body, Hinge Plate .....	2
3	<u>1014306</u>	Washer, 1/4" Type B Flat .....	8
4	<u>1017141</u>	Body Support Weldment .....	1
5	<u>101855801</u>	Cable Retainer .....	1
6	<u>102221201</u>	Wear Pad .....	2
7	<u>102777601</u>	Fender, Driver Side (includes item 8) .....	1
8	<u>1016952</u>	U-Nut, 1/4-20 .....	4
9	<u>102777602</u>	Fender, Passenger Side (includes item 10) .....	1
10	<u>1016952</u>	U-Nut, 1/4-20 .....	4
11	<u>102796801</u>	Body, Rear, Gas, Red .....	1
12	<u>102796802</u>	Body, Rear, Gas, Orange .....	1
13	<u>102796803</u>	Body, Rear, Gas, Green .....	1
14	<u>102796804</u>	Body, Rear, Gas, Classic Blue .....	1
15	<u>102796805</u>	Body, Rear, Gas, Olive Green .....	1
16	<u>332</u>	Washer, 1/4 Type A Narrow Flat .....	6
17	<u>7847</u>	Screw, 1/4-20 X 0.75 Hex-Head Cap .....	8
18	<u>8233</u>	Locknut, 1/4-20, Nylon Insert .....	6
19	<u>8251</u>	Screw, 1/4-20 X 1.0 Truss-Head Machine .....	6

**1**  
**G**  
**E**

**1**  
**G**  
**E**



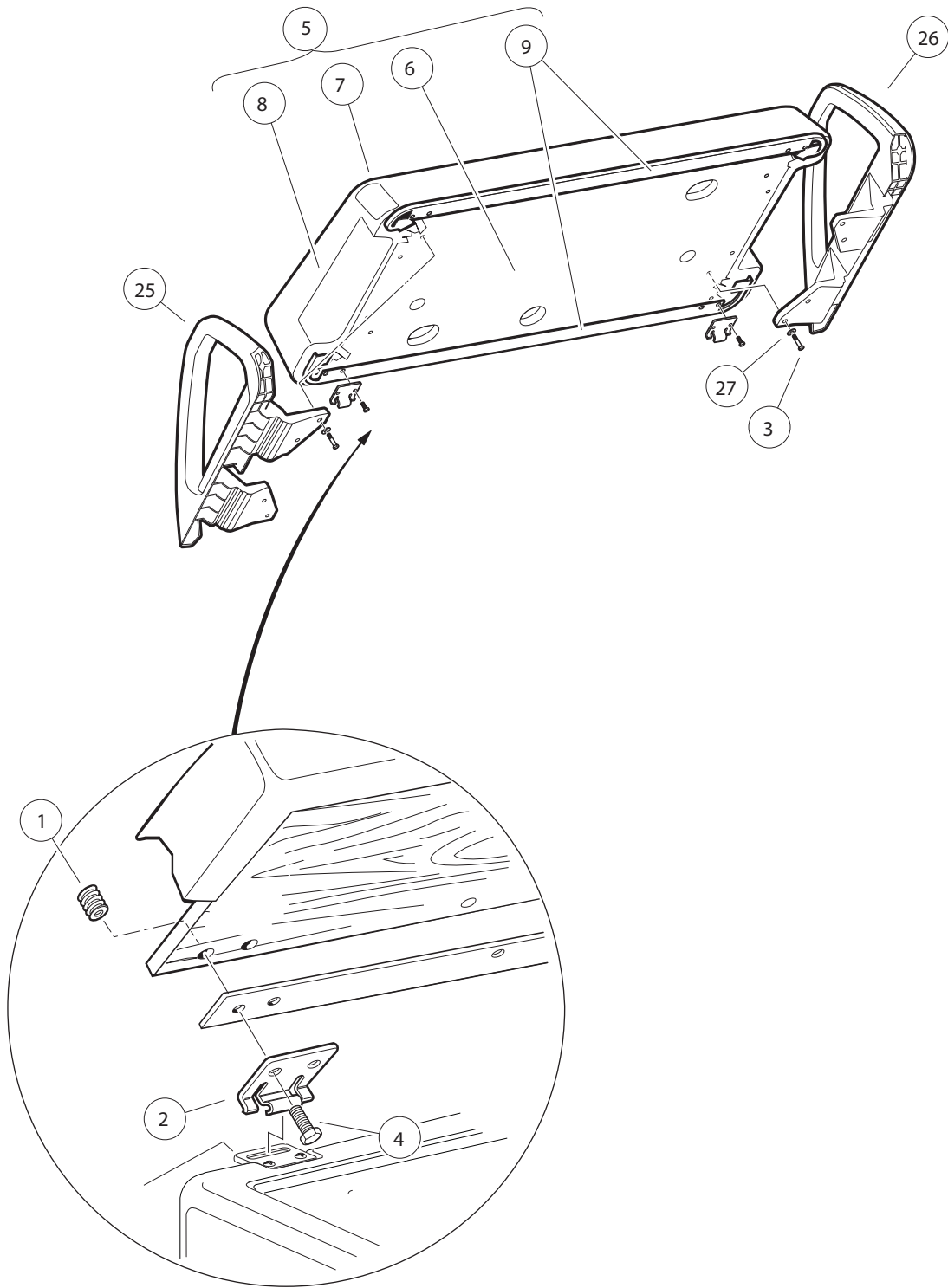
000251-012

## REAR BODY AND FENDER – ELECTRIC VEHICLE

ITEM	PART NO.	DESCRIPTION	QTY
		1 2 3 4	
1	<u>1010993</u>	Body Kick Plate .....	1
2	<u>1012412</u>	Body, Hinge Plate .....	2
3	<u>1014306</u>	Washer, 1/4" Type B Flat .....	8
4	<u>1017141</u>	Body Support Weldment .....	1
5	<u>101855801</u>	Cable Retainer .....	1
6	<u>102221201</u>	Wear Pad .....	2
7	<u>102777601</u>	Fender, Driver Side (includes item 8) .....	1
8	<u>1016952</u>	U-Nut, 1/4-20 .....	4
9	<u>102777602</u>	Fender, Passenger Side (includes item 10) .....	1
10	<u>1016952</u>	U-Nut, 1/4-20 .....	4
11	<u>102818301</u>	Body, Rear, Electric, Red .....	1
12	<u>102818302</u>	Body, Rear, Electric, Orange .....	1
13	<u>102818303</u>	Body, Rear, Electric, Green .....	1
14	<u>102818305</u>	Body, Rear, Electric, Olive Green .....	1
15	<u>332</u>	Washer, 1/4 Type A Narrow Flat .....	6
16	<u>7847</u>	Screw, 1/4-20 X 0.75 Hex-Head Cap .....	8
17	<u>8233</u>	Locknut, 1/4-20, Nylon Insert .....	6
18	<u>8251</u>	Screw, 1/4-20 X 1.0 Truss-Head Machine .....	6

**1**  
**G**  
**E**

**1**  
**G**  
**E**



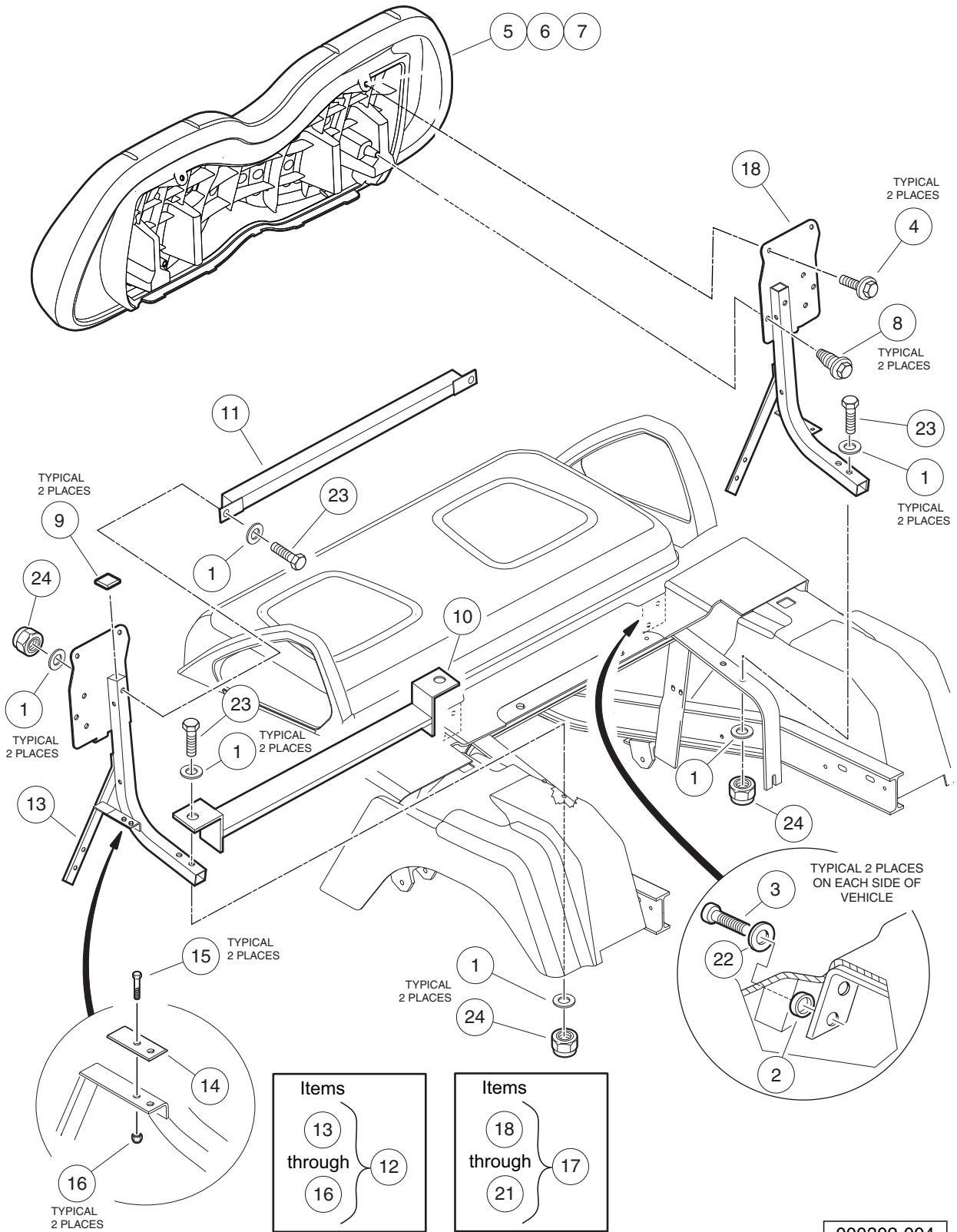
000364-008

# FRONT SEAT BOTTOM AND ARMRESTS

ITEM	PART NO.	DESCRIPTION	QTY
		1 2 3 4	
1	1010543	Insert - Wood .....	4
2	<u>1011652</u>	Hinge Plate .....	2
3	1016916	Screw, 1/4-20 X 1.50 Hex-Head Cap .....	8
4	<u>101954301</u>	Screw, 1/4-20 X 0.75 Hex-Head Cap .....	4
5	<u>102174201</u>	Seat Bottom Assembly, Buff (includes items 6 through 9) .....	1
6	N/A	Plywood Assy .....	1
7	<u>101998211</u>	Vinyl Cover Seat Btm - Buffsvc .....	1
8	N/A	Foam, Seat .....	1
9	<u>101998501</u>	Gasket, Seat .....	2
10	<u>102174202</u>	Seat Bottom Assembly, White (includes items 11 through 14) .....	1
11	N/A	Plywood Assy .....	1
12	<u>101998212</u>	Vinyl Cover, Seat Bottom, White .....	1
13	N/A	Foam, Seat .....	1
14	<u>101998501</u>	Gasket, Seat .....	2
15	<u>102174204</u>	Seat Bottom Assembly, Black (includes items 16 through 19) .....	1
16	N/A	Plywood Assy .....	1
17	<u>101998214</u>	Vinyl Cover, Seat Bottom, Black .....	1
18	N/A	Foam, Seat .....	1
19	<u>101998501</u>	Gasket, Seat .....	2
20	<u>102174205</u>	Seat Bottom Assembly, Gray (includes items 21 through 24) .....	1
21	N/A	Plywood Assy .....	1
22	<u>101998215</u>	Vinyl Cover, Seat Bottom, Gray .....	1
23	N/A	Foam, Seat .....	1
24	<u>101998501</u>	Gasket, Seat .....	2
25	<u>103246701</u>	Hip Restraint, Drvr Side .....	1
26	<u>103246801</u>	Hip Restraint, Pass Side .....	1
27	<u>332</u>	Washer, 1/4 Type A Narrow Flat .....	8
<p>Note: Sub-components contained in items 10, 15, and 20 are the same as those shown for item 5, except for the vinyl seat covers.</p>			

1  
G  
E

**1**  
**G**  
**E**

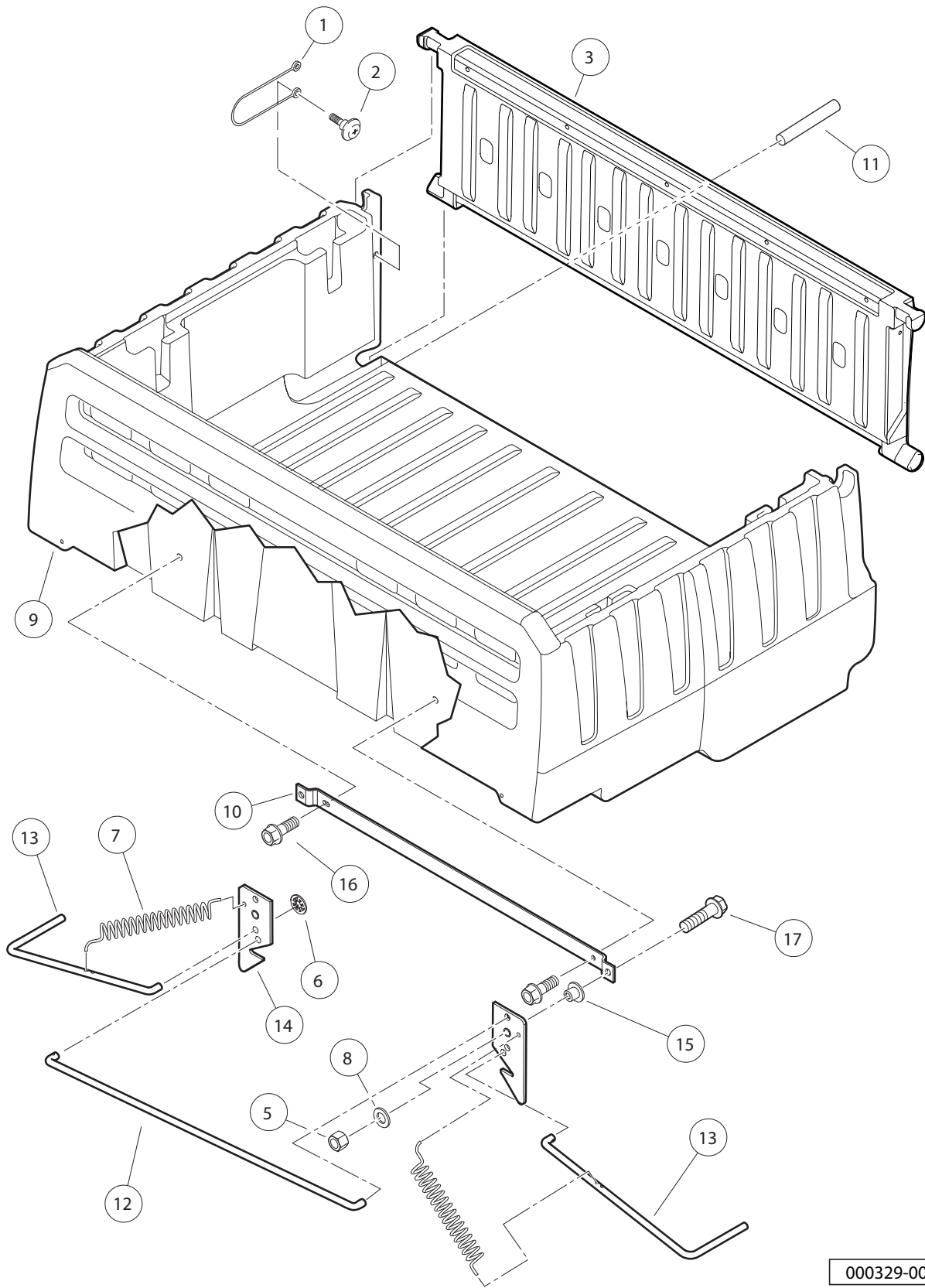


# SEAT BACK

ITEM	PART NO.	DESCRIPTION	QTY
		<b>1 2 3 4</b>	
1	<u>1011931</u>	Washer, 1/4 Flat .....	12
2	<u>1017774</u>	Body Spacer .....	4
3	<u>101910401</u>	Screw, 5/16-18 X 1.25 Thrd Frm .....	4
4	<u>102296530</u>	Screw - M6 X 1.0 X 30 Sems .....	2
5	<u>102503221</u>	Service Backrest Asm, Beige .....	1
6	<u>102503222</u>	Service Backrest Asm, White .....	1
7	<u>102503224</u>	Service Backrest Asm, Gray .....	1
8	<u>102544201</u>	Screw, M6 Hex .....	2
9	<u>102581201</u>	Plug, Square - 25.4 mm .....	2
10	<u>102796101</u>	Weldment, Bed Support .....	1
11	<u>102816201</u>	Seat Support, Cross Brace .....	1
12	<u>102913101</u>	Seat Support W/striker, Drv (includes items 13 through 16) .....	1
13	<u>102796301</u>	Seat Support, Driver-Side .....	1
14	<u>102840301</u>	Striker Plate .....	1
15	<u>7847</u>	Screw, 1/4-20 X 0.75 Hex-Head Cap .....	2
16	<u>8233</u>	Locknut, 1/4-20, Nylon Insert .....	2
17	<u>102913102</u>	Support, Seat, Right (passenger) (includes items 18 through 21) .....	1
18	<u>102796302</u>	Seat Support, Passenger-Side .....	1
19	<u>102840301</u>	Striker Plate .....	1
20	<u>7847</u>	Screw, 1/4-20 X 0.75 Hex-Head Cap .....	2
21	<u>8233</u>	Locknut, 1/4-20, Nylon Insert .....	2
22	<u>1241</u>	Washer, 5/16 Type A Flat .....	4
23	<u>7311</u>	Screw, 1/4-20 X 2.00 Hex-Head Cap .....	6
24	<u>8233</u>	Locknut, 1/4-20, Nylon Insert .....	6

**1**  
**G**  
**E**

**1**  
**G**  
**E**



000329-002

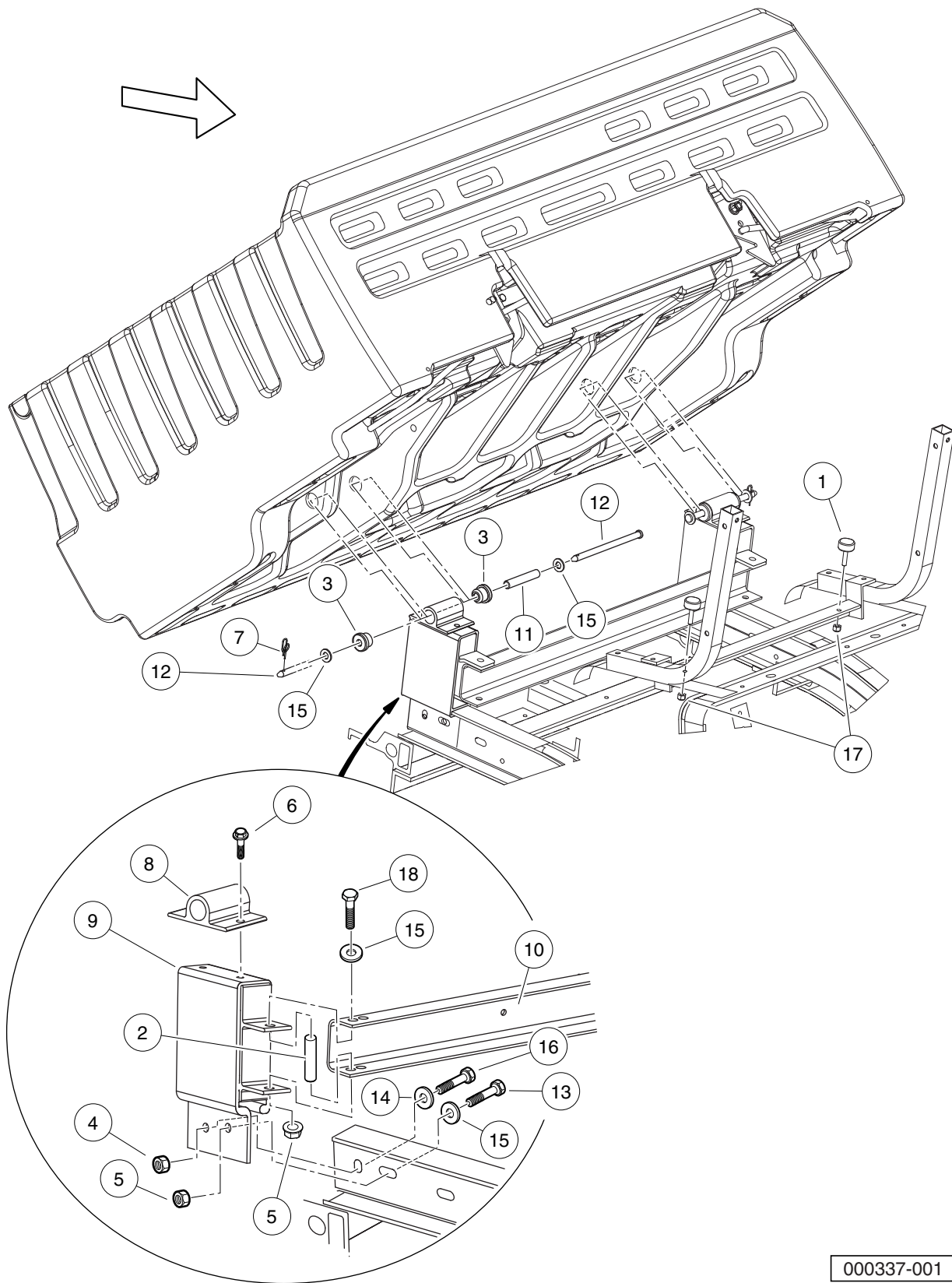


# CARGO BED

ITEM	PART NO.	DESCRIPTION	QTY
		<b>1 2 3 4</b>	
1	<u>102779001</u>	Lanyard, Tailgate .....	2
2	<u>102779401</u>	Bolt Lanyard .....	2
3	102779501	Tailgate .....	1
4	<u>103189901</u>	Bed Assembly (includes items 5 through 17) .....	1
5	<u>1010138</u>	Locknut, 3/8-16 Dimpled .....	2
6	<u>1013876</u>	Pushnut, 3/8 .....	4
7	<u>1015391</u>	Extension, Spring Latch .....	2
8	N/A	Washer, 3/8 Flat Type A .....	2
9	N/A	Bed .....	1
10	<u>102778901</u>	Support, Latch Link .....	1
11	N/A	Pin, Support .....	2
12	<u>102779201</u>	Rod, Long Link .....	1
13	<u>102779301</u>	Rod, Bed Lift, Short Bent .....	2
14	<u>102779601</u>	Catch, Tilt Bed .....	2
15	<u>102830701</u>	Bearing, Bronze, 1/2x9/32 .....	2
16	304	Screw, 1/4-20 X 1.0 Hex-Head Cap .....	2
17	320	Screw, 3/8-16 X 1.00 Hex-Head Cap .....	1
18	<u>103317501</u>	Kit, Plastic Bed Box Latch (includes items 19 through 21) .....	1
19	<u>1010545</u>	Screw, Hex Washer Head 1/4-14 X .75 .....	2
20	<u>1011578</u>	Washer, 5/16 Type B Flat .....	2
21	103293501	Spring, Tilt Latch 3.4 Lb/in .....	2

1  
G  
E

**1**  
**G**  
**E**



000337-001

# BED HINGE

ITEM	PART NO.	DESCRIPTION	QTY
		<b>1 2 3 4</b>	
1	<u>1010878</u>	Bumper, Rubber .....	2
2	<u>1012303</u>	Bushing, Steel .....	2
3	<u>1015583</u>	Bushing, Urethane .....	4
4	<u>101835601</u>	Locknut, 1/4-20 Hex Whiz .....	2
5	<u>102065901</u>	Locknut, 3/8-16 Flanged Dimple .....	4
6	<u>102289001</u>	Screw, M8X1.25X30, Hex .....	4
7	<u>102289301</u>	Rue Ring - 1/2" .....	2
8	<u>102797201</u>	Hinge, Roto Bed .....	2
9	<u>102820301</u>	Support, Hinge .....	2
10	<u>102820501</u>	Stiffener, Bed Support .....	1
11	<u>102821101</u>	Bushing, Steel .....	2
12	<u>102823201</u>	Pin, Clevis, 3/8 .....	2
13	<u>320</u>	Screw, 3/8-16 X 1.00 Hex-Head Cap .....	2
14	<u>332</u>	Washer, 1/4 Type A Narrow Flat .....	2
15	<u>334</u>	Washer, 3/8, Type A, Flat .....	8
16	<u>7847</u>	Screw, 1/4-20 X 0.75 Hex-Head Cap .....	2
17	<u>8233</u>	Locknut, 1/4-20, Nylon Insert .....	2
18	<u>8755</u>	Screw, 3/8-16 X 3.375 Hex Cap .....	2

**1**  
**G**  
**E**

**1**

**G**

**E**

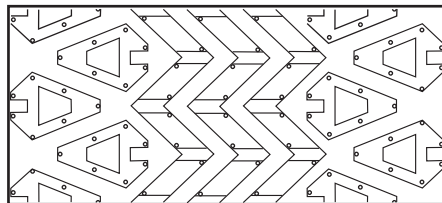
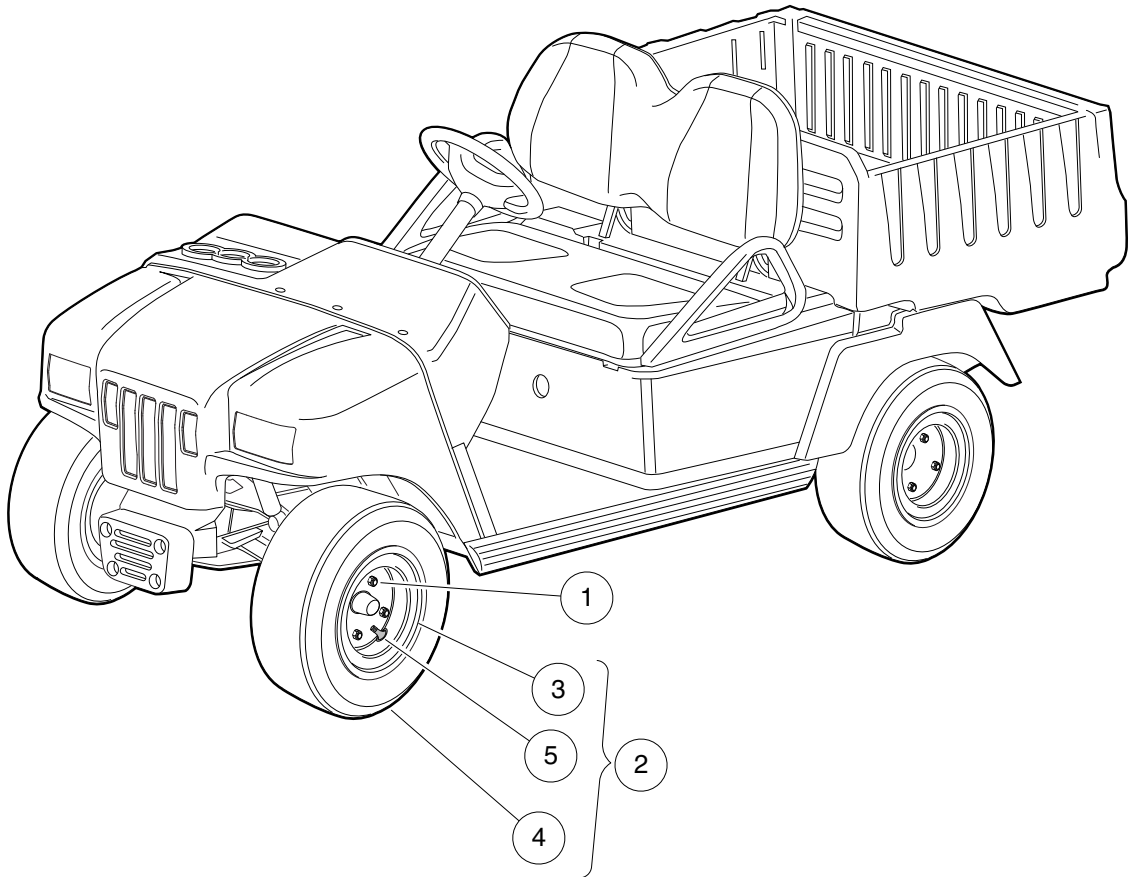
# WHEELS AND TIRES

---

2

G

E

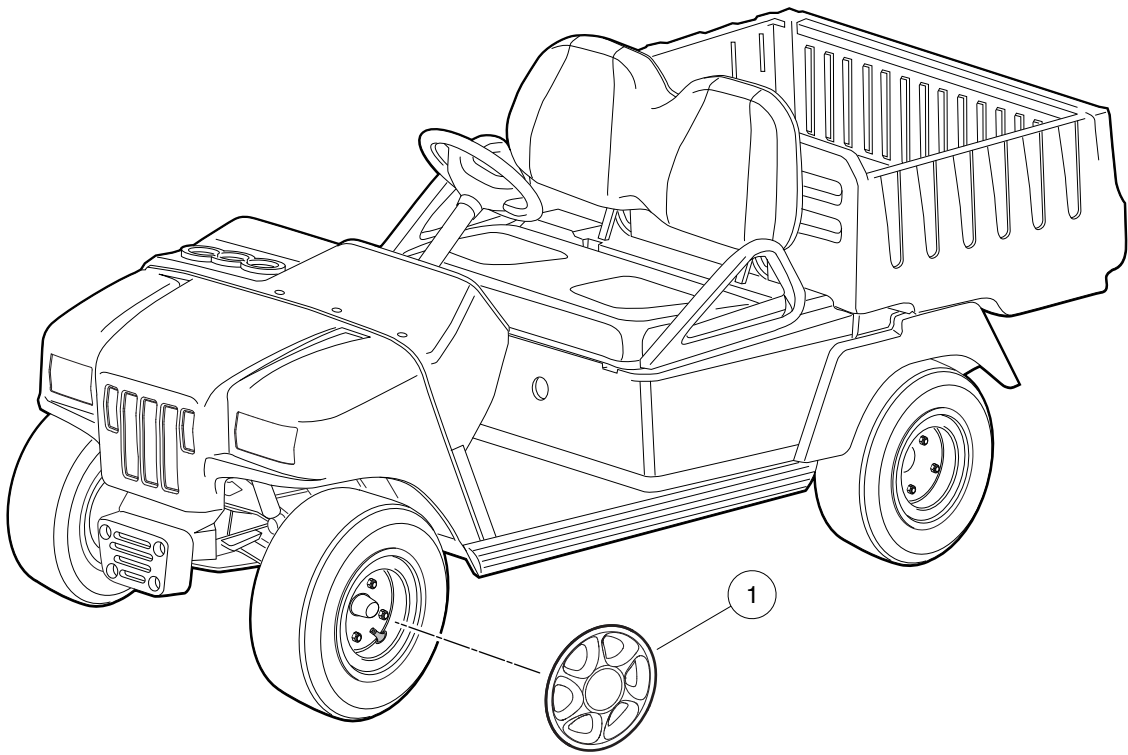


000224-002

# WHEELS AND TIRES

ITEM	PART NO.	DESCRIPTION	QTY
		1 2 3 4	
1	<u>1010984</u>	.500-20 Unf Lug Nut .....	16
2	<u>102819101</u>	Tire Assembly, All Trail II (includes items 3 through 5) .....	4
3	<u>102815801</u>	Wheel Rim, Gray .....	1
4	<u>102815901</u>	Tire, Unmounted, All Trail II .....	1
5	<u>7310</u>	Valve Stem, Black Plastic .....	1

2  
G  
E



000318-002



# HUBCAP

ITEM	PART NO.	DESCRIPTION	QTY
1	<u>102861401</u>	1 2 3 4 Wheel Cover, Chrome Elite .....	4

**2**  
**G**  
**E**

**2**

**G**

**E**

# LOGO AND DECALS

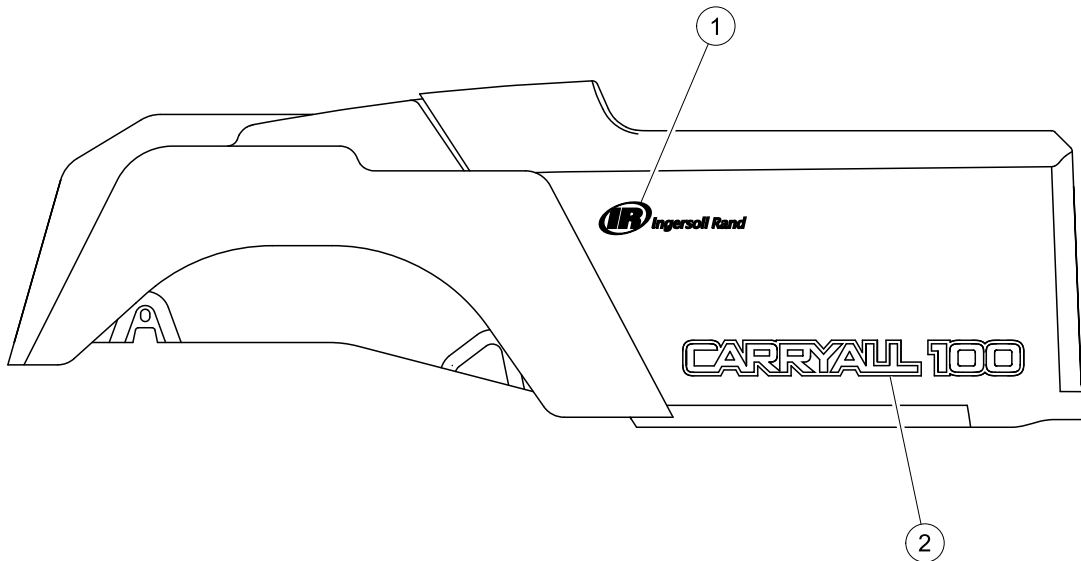
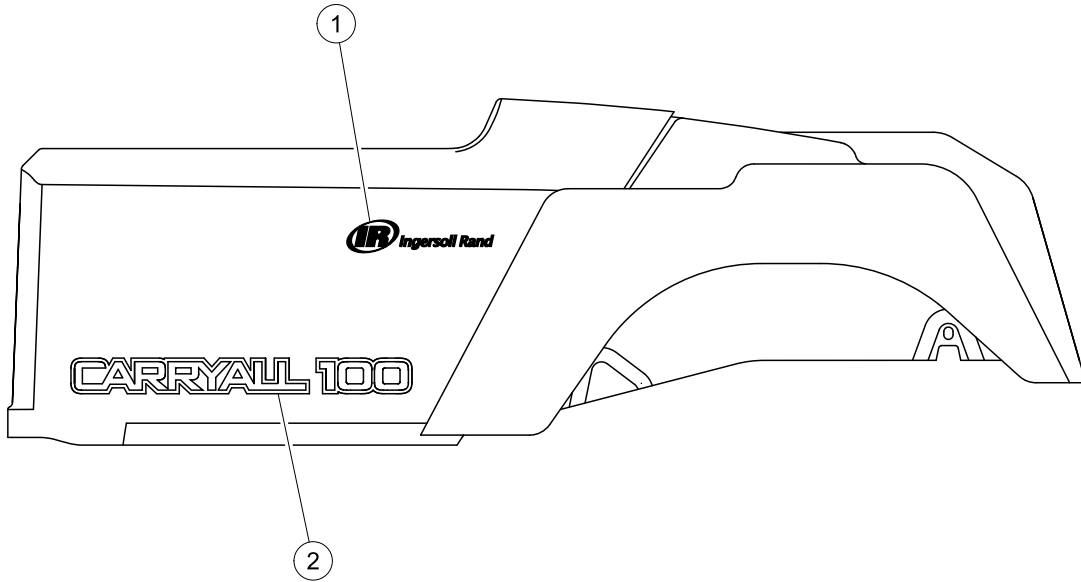
---

3

G

E

**3**  
**G**  
**E**



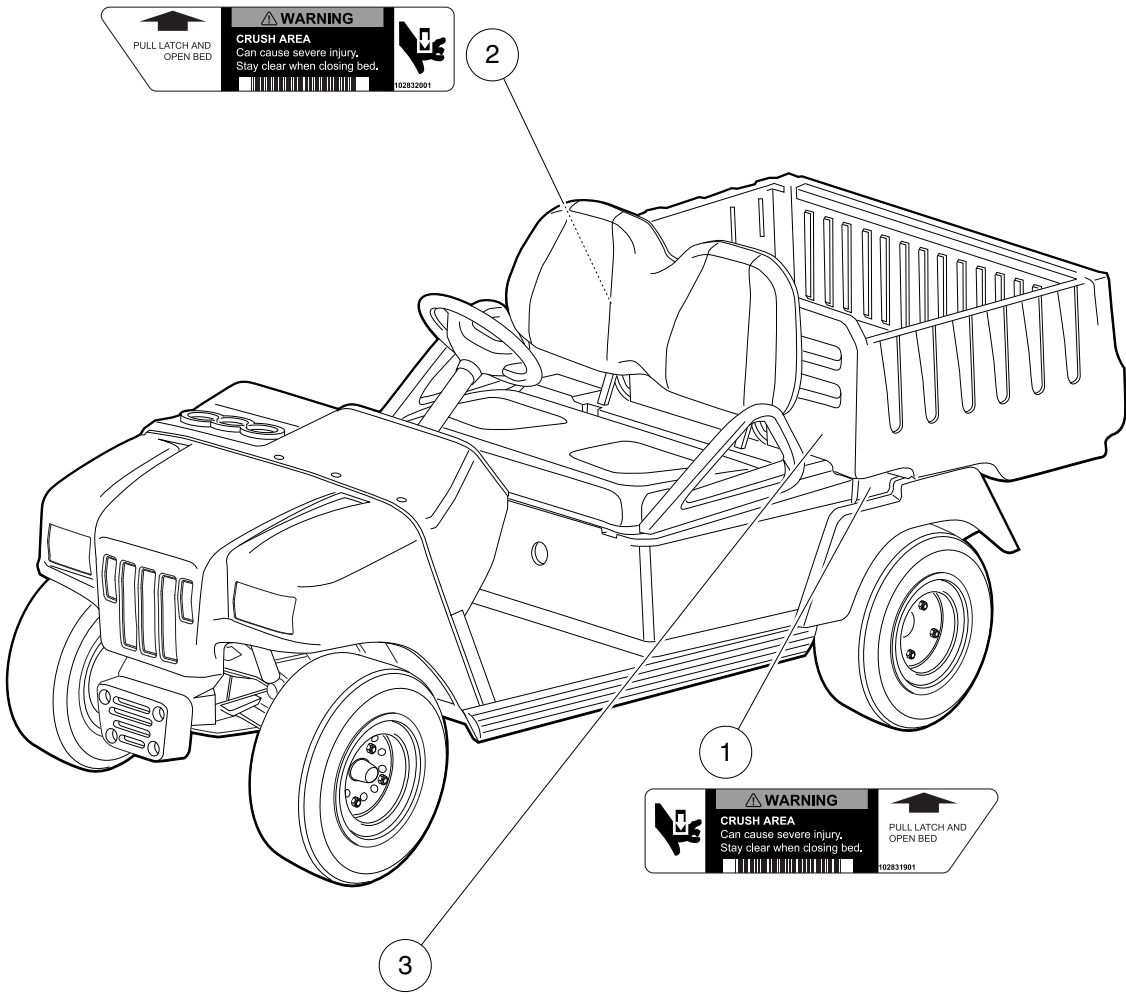
# LOGO DECALS

ITEM	PART NO.	DESCRIPTION	QTY
1	<u>103234303</u>	1 2 3 4 Decal, Badge, Ir Black .....	2
2	<u>105199601</u>	Decal,†carryall†100 .....	2

**3**

**G**

**E**



PULL LATCH AND OPEN BED

**WARNING**  
**CRUSH AREA**  
Can cause severe injury.  
Stay clear when closing bed.

102832001

**WARNING**  
**CRUSH AREA**  
Can cause severe injury.  
Stay clear when closing bed.

102831901

PULL LATCH AND OPEN BED

**NOTICE**

• THE OWNER/OPERATOR should maintain, lubricate, adjust, and operate the vehicle as detailed in the vehicle owners manual.

CC1 102832001

000225-002

## SAFETY DECALS – GASOLINE VEHICLES

ITEM	PART NO.	DESCRIPTION	QTY
1	<u>102831901</u>	1 2 3 4 Decal, Crush Warning, Driver-Side .....	1
2	<u>102832001</u>	Decal, Crush Warning, Passenger-Side .....	1
3	<u>102833301</u>	Decal, Maintenance .....	1

**3**  
**G**  
**E**

**WARNING**

- GASOLINE EXPLOSION / FIRE.
- CAN CAUSE SEVERE INJURY OR DEATH.
- NO SMOKING, SPARKS, OR OPEN FLAME.
- STOP ENGINE, ALLOW TO COOL BEFORE REFUELING.
- TURN FUEL VALVE ( ) ON DURING OPERATION.
- ( ) OFF DURING STORAGE OR TRANSPORT.

CC1 1015476-01

**WARNING**

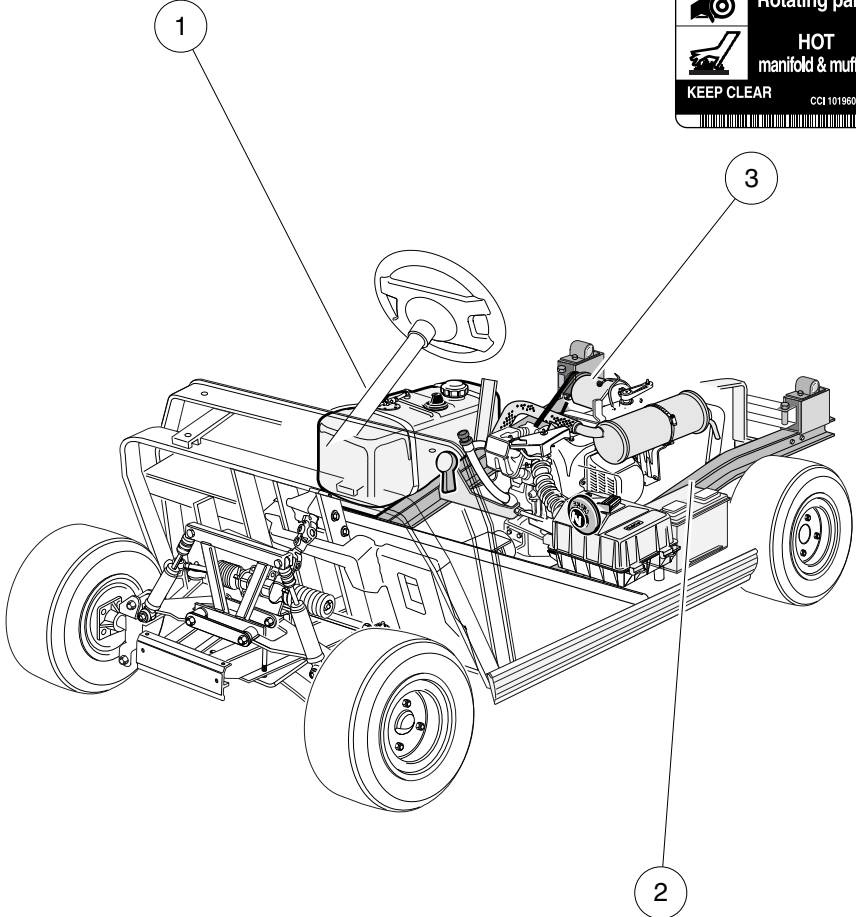
**CAN CAUSE SEVERE INJURY**

**Rotating parts**

**HOT manifold & muffler**

**KEEP CLEAR**

CC1 101960501



	<p><b>WARNING</b></p> <p>Negative frame ground. Can cause severe injury. Do not contact positive (+) battery post or cable to frame. Disconnect negative battery lead first.</p>		<p><b>WARNING</b></p> <p>Excessive speed. Can cause severe injury or death. Do not tamper with engine governor adjustment.</p> <p><small>CC1 1019152-01</small></p>
--	--	--	---

000226-001



## SAFETY DECALS – GASOLINE VEHICLES, CONTINUED

ITEM	PART NO.	DESCRIPTION	QTY
		1 2 3 4	
1	<u>101547601</u>	Decal, Gasoline Explosion/Fire Warning .....	1
2	<u>101915201</u>	Decal, Frame Ground and Governor Warning .....	1
3	<u>101960501</u>	Decal, Rotating Parts/Hot Manifold .....	1

3  
G  
E

**OPERATING INSTRUCTIONS**

- Read owner's manual and dash-mounted safety warnings prior to driving.
- Study and understand controls.

**TO START ENGINE**

- Place shift lever in "N" – Neutral position.
- Press brake pedal.
- Turn key switch to "START" position and release.

**TO OPERATE VEHICLE**

- Turn wheels to desired direction and ensure path is clear.
- Engine must be at idle before moving shift lever.
- While vehicle is stopped, and engine is at idle, place Forward/Reverse switch in desired position:  
F – Forward N – Neutral R – Reverse (Buzzer will sound)
- Park brake will release and vehicle will start moving when accelerator pedal is pressed.
- Slowly press accelerator pedal to increase speed.
- To stop, release accelerator pedal and push brake pedal.

**BEFORE LEAVING**

- Press park brake pedal until it locks and holds vehicle.
- Place Forward/Reverse switch in NEUTRAL position.
- Turn key to "OFF" position and remove key when not in use.

102825601

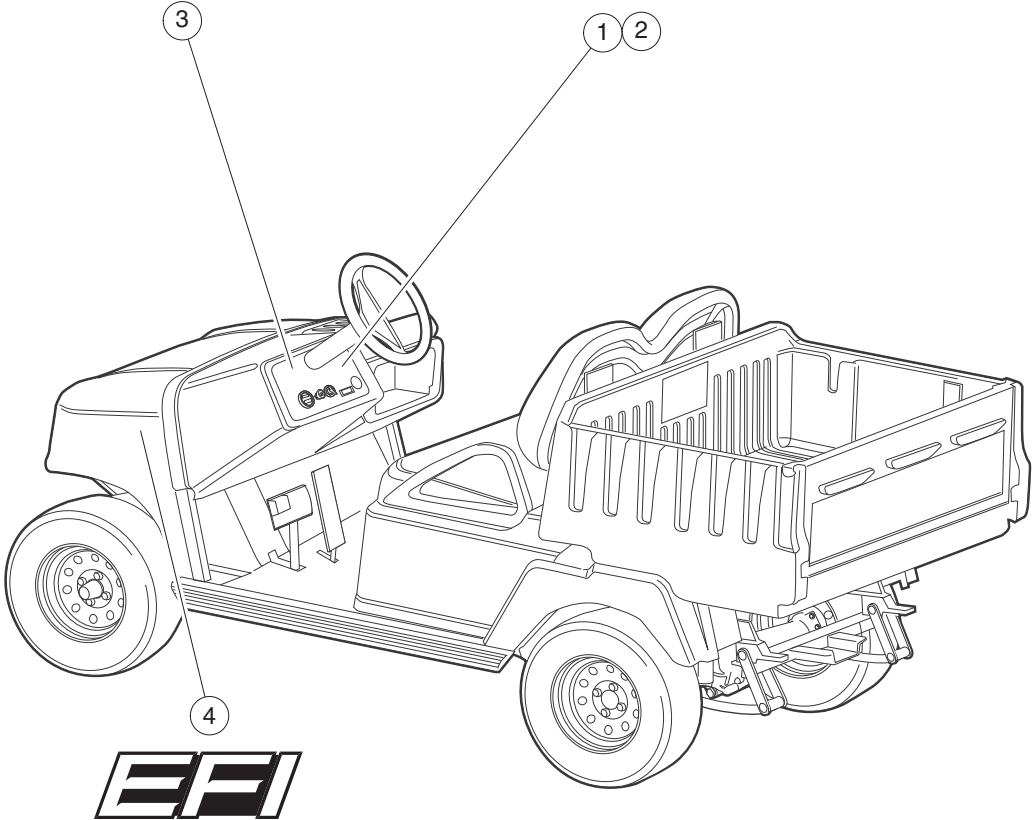
**WARNING**

**ROLLOVER OR FALLING OFF MAY CAUSE SERIOUS INJURY OR DEATH**

- Before using vehicle, read operating instructions.
- Do not start vehicle until all occupants are seated.
- Operate from driver side only and not on public roads.
- Drive slowly in turns and straight up and down slopes.
- Never operate under the influence of alcohol or drugs.
- Use brakes to reduce speed when coasting downhill.
- Remain seated while moving.
- Hold on to seat handle while moving.
- Two (2) persons per seat maximum.
- Never stand in front of or behind vehicle.
- Do not leave children unattended on vehicle.
- Keep entire body inside vehicle while moving.

OFF ON START

102825401



## SAFETY DECALS – GASOLINE VEHICLES, CONTINUED

ITEM	PART NO.	DESCRIPTION	QTY
		1 2 3 4	
1	<u>102825401</u>	Decal, Warning, Instrument Panel .....	1
2	<u>102825402</u>	Decal, Warning, Instrument Panel .....	1
3	<u>102825601</u>	Decal, Operating Instructions, Instrument Panel .....	1
4	<u>105153301</u>	Decal, Efi, Italic, Lh .....	1
5	<u>105153302</u>	Decal, Efi, Italic, Rh .....	1
		<p>Note: Item 2 is for use on vehicles equipped with a 12-volt accessory outlet. Item 5 is not illustrated. It is exact opposite of item 4.</p>	

3  
G  
E

**NOTICE**  
Do not operate vehicle without this cover properly installed.  
Do not direct water stream in this area; will cause damage to components.  
CCI 101931501

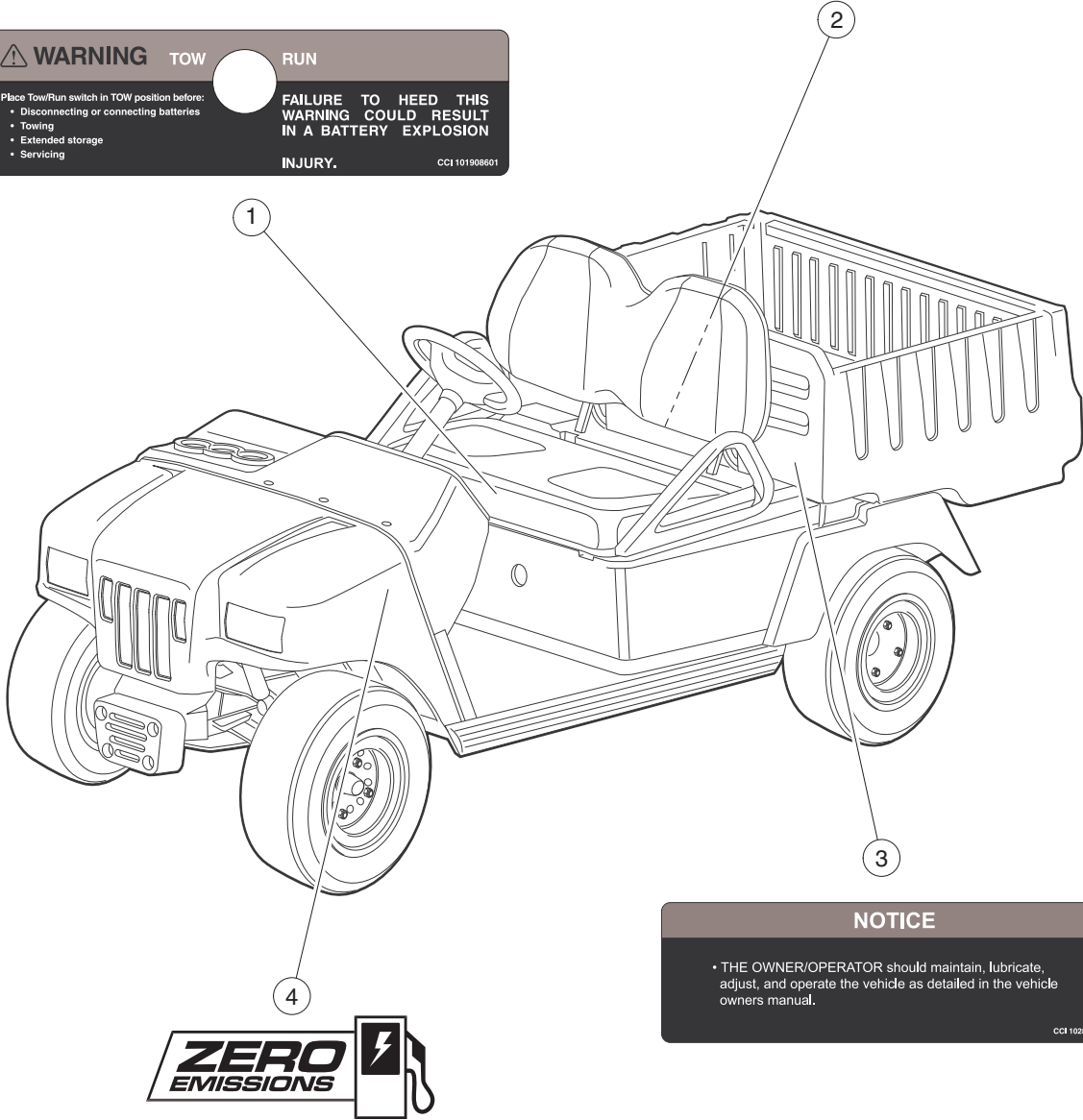
**WARNING** TOW RUN

Place Tow/Run switch in TOW position before:

- Disconnecting or connecting batteries
- Towing
- Extended storage
- Servicing

**FAILURE TO HEED THIS WARNING COULD RESULT IN A BATTERY EXPLOSION INJURY.**

CCI 101908601



**NOTICE**

- THE OWNER/OPERATOR should maintain, lubricate, adjust, and operate the vehicle as detailed in the vehicle owners manual.

CCI 102833301

## SAFETY DECALS – ELECTRIC VEHICLES

ITEM	PART NO.	DESCRIPTION	QTY
		1 2 3 4	
1	<u>101908601</u>	Decal, Tow/Run Switch Warning .....	1
2	<u>101931501</u>	Decal, Component Cover .....	1
3	<u>102833301</u>	Decal, Maintenance .....	1
4	<u>105153201</u>	Decal, Zero Emission Vhcle, Lh .....	1
5	<u>105153202</u>	Decal, Zero Emission Vhcle, Rh .....	1
		Note: Item 5 is not illustrated. It is exact opposite of item 4.	

**3**  
**G**  
**E**

**3**  
**G**  
**E**

**OPERATING INSTRUCTIONS**

- Read owner's manual and dash-mounted safety warnings prior to driving.
- Study and understand controls.

**TO OPERATE**

- Turn wheels to desired direction and ensure path is clear.
- Turn key to ON position.
- While stopped, place Forward/Reverse switch in desired position:  
F=Forward N=Neutral R=Reverse (Buzzer will sound)
- Park brake will release and vehicle will start moving when accelerator pedal is pressed.
- Slowly press accelerator pedal to increase speed.
- To stop, release accelerator pedal and press brake pedal.

**BEFORE LEAVING**

- Press park brake pedal until it locks and holds vehicle.
- Place Forward/Reverse switch in NEUTRAL position.
- Turn key to "OFF" position and remove key when not in use.

**MOTOR BRAKING**

- Electric motor braking provides speed regulation functions.
- For parked vehicle, beeping alarm indicates vehicle roll away.
- In operation, beeping alarm indicates reduction in motor braking.
- Apply brakes to further reduce vehicle speed as required.
- System is activated only when tow switch is in the RUN position.
- When towing this vehicle, tow switch must be in the TOW position.

102825701

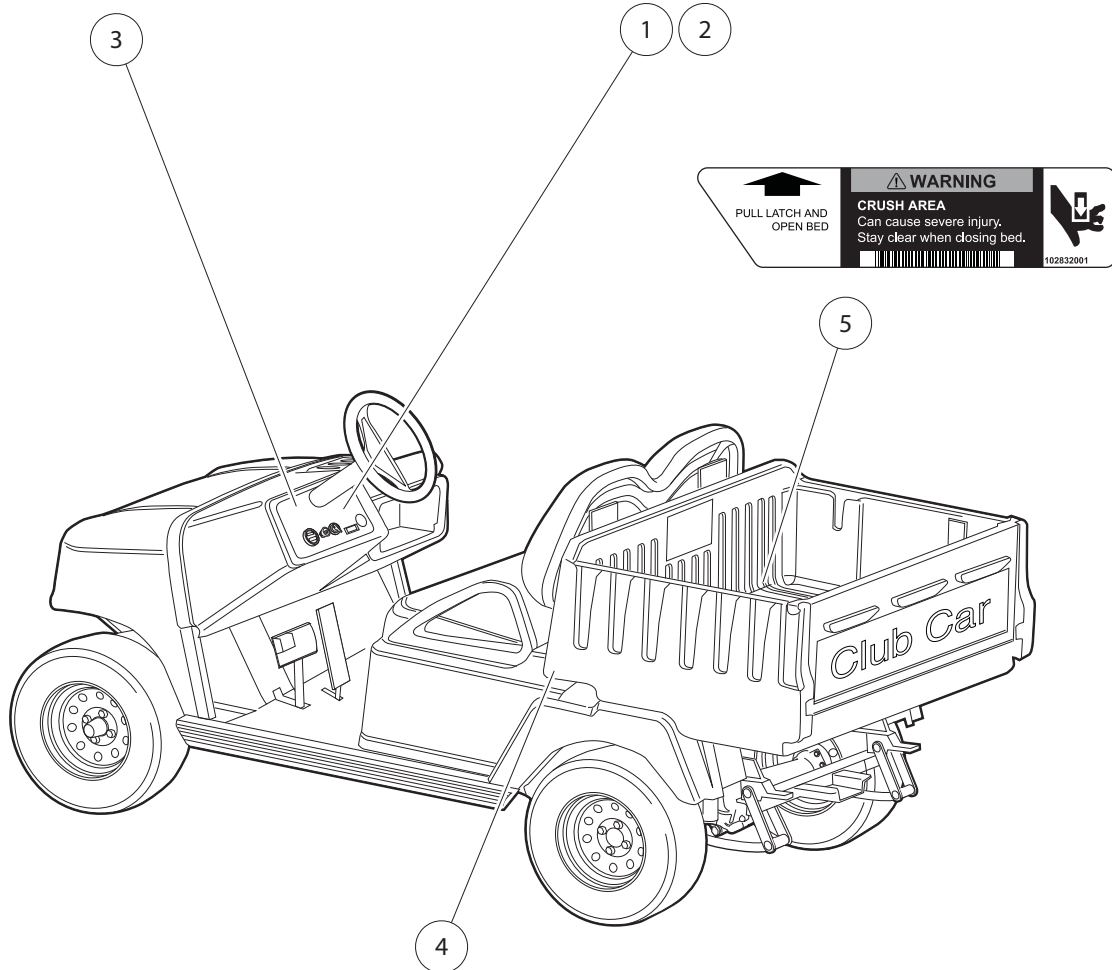
**WARNING**

**ROLLOVER OR FALLING OFF MAY CAUSE SERIOUS INJURY OR DEATH**

- Before using vehicle, read operating instructions.
- Do not start vehicle until all occupants are seated.
- Operate from driver side only and not on public roads.
- Drive slowly in turns and straight up and down slopes.
- Never operate under the influence of alcohol or drugs.
- Use brakes to reduce speed when coasting downhill.
- Remain seated while moving.
- Hold on to seat handle while moving.
- Two (2) persons per seat maximum.
- Never stand in front of or behind vehicle.
- Do not leave children unattended on vehicle.
- Keep entire body inside vehicle while moving.

OFF ON

102825501



**WARNING**

PULL LATCH AND OPEN BED

**CRUSH AREA**  
Can cause severe injury. Stay clear when closing bed.

102832001

**WARNING**

**CRUSH AREA**  
Can cause severe injury. Stay clear when closing bed.

PULL LATCH AND OPEN BED

102831901

000229-003

## SAFETY DECALS – ELECTRIC VEHICLES, CONTINUED

ITEM	PART NO.	DESCRIPTION	QTY
		1 2 3 4	
1	<u>102825501</u>	Decal, Warning, Instrument Panel .....	1
2	<u>102825502</u>	Decal, Warning, Instrument Panel .....	1
3	<u>102825701</u>	Decal, Operating Instructions, Instrument Panel .....	1
4	<u>102831901</u>	Decal, Crush Warning, Driver-Side .....	1
5	<u>102832001</u>	Decal, Crush Warning, Passenger-Side .....	1
		Note: Item 2 is for use on vehicles equipped with a 12-volt accessory outlet.	

3  
G  
E

**3**

**G**

**E**



# LIGHTS, CONTROLS, AND INDICATORS

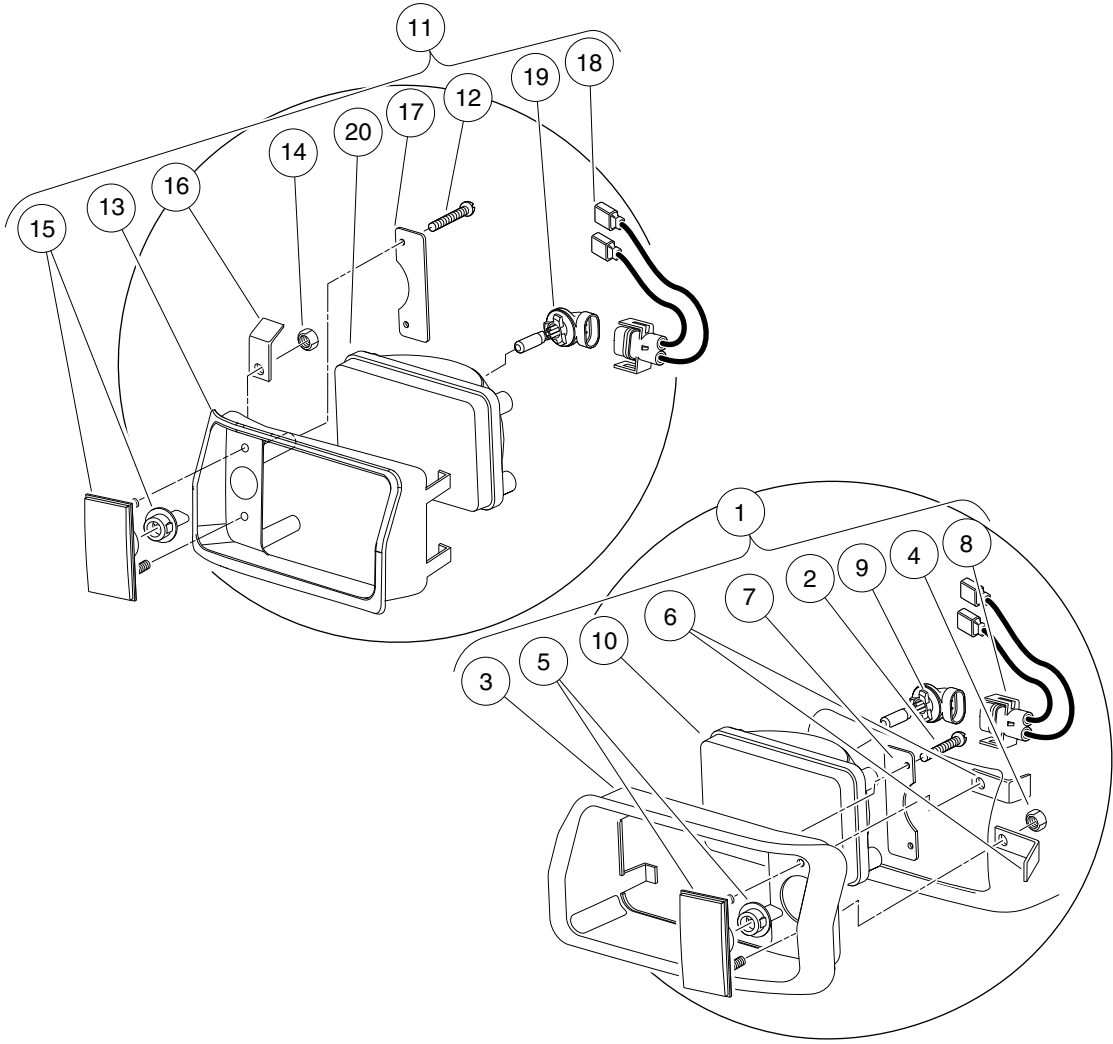
---

4

G

E

**4**  
**G**  
**E**



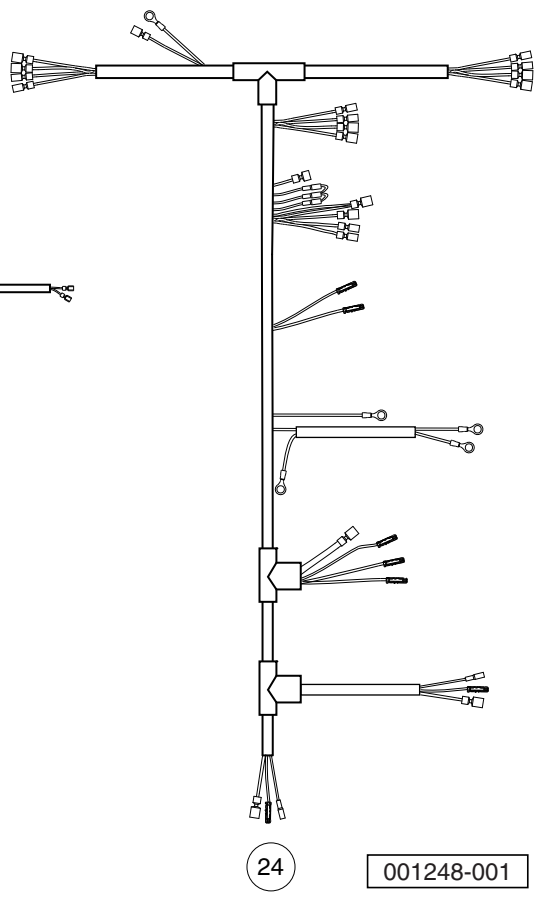
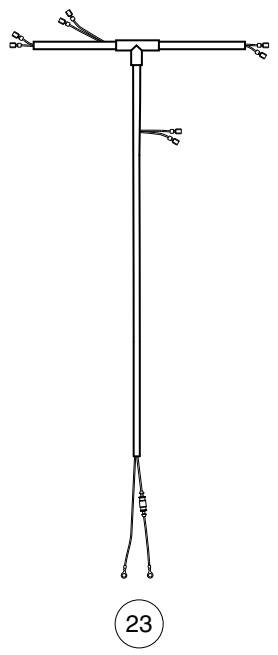
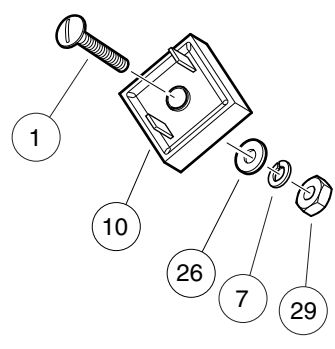
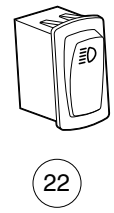
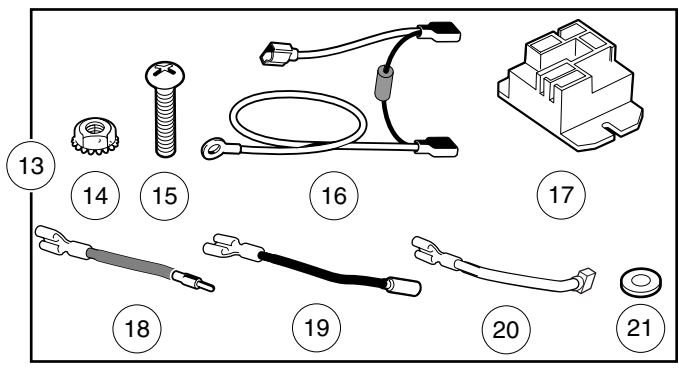
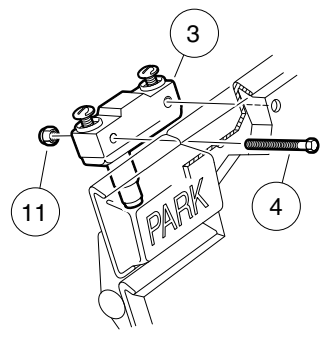
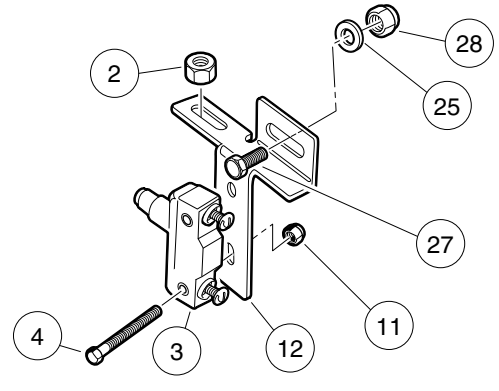
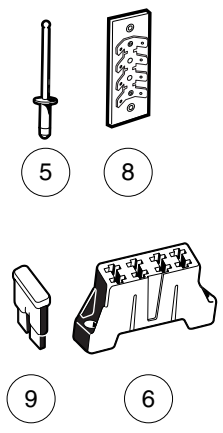
000073-001

# HEADLIGHTS

ITEM	PART NO.	DESCRIPTION	QTY
		<b>1 2 3 4</b>	
1	<u>101988001</u>	Headlight Assembly, Driver-Side Single Beam (includes items 2 through 10) .....	1
2	<u>1013461</u>	Screw, #10-16 Hex-Head Hi-Lo .....	2
3	<u>1016880</u>	Headlight Bezel, Left .....	1
4	<u>1017</u>	Nut, #10-24 Stainless-Steel Hex Machine .....	2
5	<u>1017062</u>	Turn Signal Lens Assy .....	1
6	<u>1017064</u>	Mounting Bracket .....	2
7	<u>1017065</u>	Retainer, Headlight .....	1
8	<u>101987901</u>	Connector, Harness Assembly, Headlight .....	1
9	<u>101988101</u>	Bulb, Headlight .....	1
10	<u>101988201</u>	Lens, Headlight .....	1
11	<u>101988002</u>	Headlight Assy, Passenger-Side Single Beam (includes items 12 through 20) .....	1
12	<u>1013461</u>	Screw, #10-16 Hex-Head Hi-Lo .....	2
13	<u>1016879</u>	Headlight Bezel, Right .....	1
14	<u>1017</u>	Nut, #10-24 Stainless-Steel Hex Machine .....	2
15	<u>1017062</u>	Turn Signal Lens Assy .....	1
16	<u>1017064</u>	Mounting Bracket .....	2
17	<u>1017065</u>	Retainer, Headlight .....	1
18	<u>101987901</u>	Connector, Harness Assembly, Headlight .....	1
19	<u>101988101</u>	Bulb, Headlight .....	1
20	<u>101988201</u>	Lens, Headlight .....	1

**4**  
**G**  
**E**

**4**  
**G**  
**E**



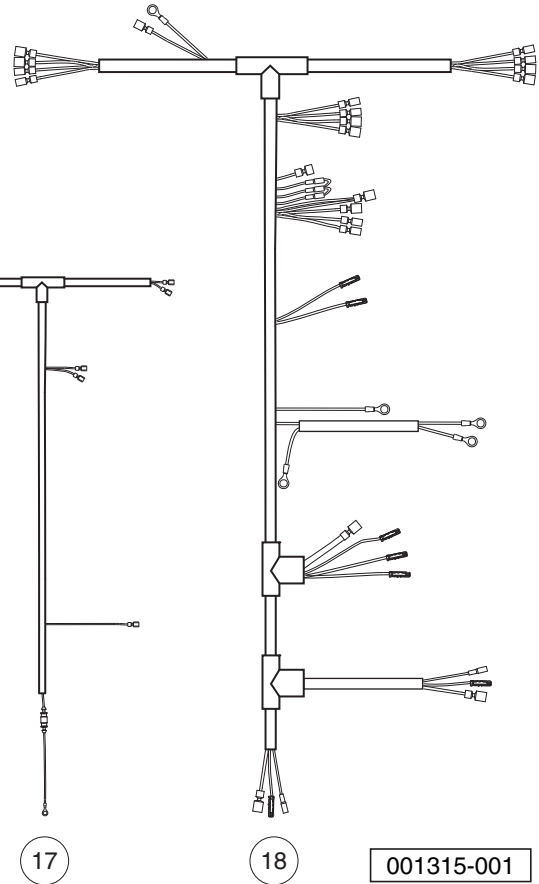
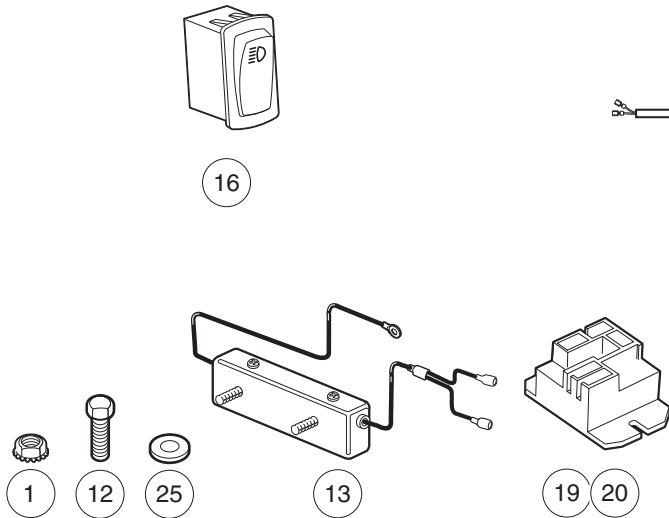
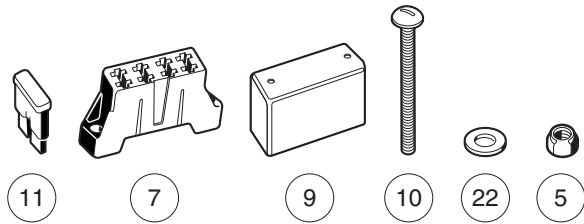
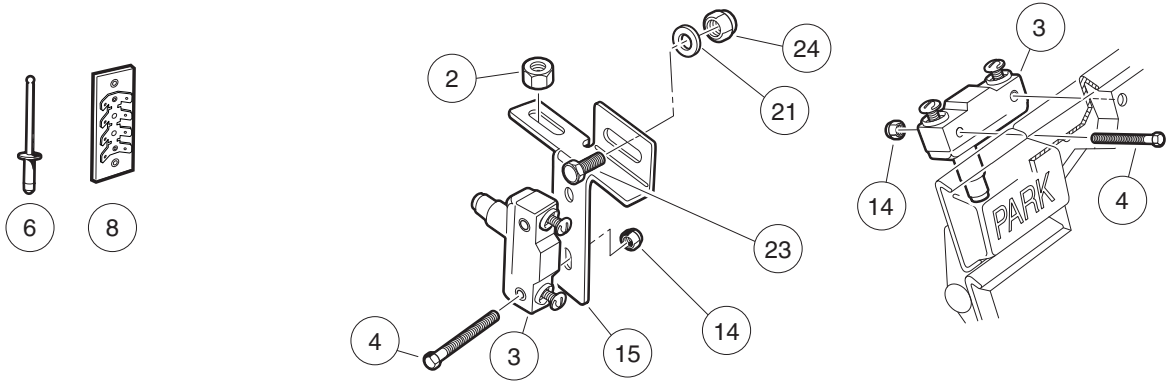
001248-001

# LIGHTING SYSTEM COMPONENTS – GASOLINE VEHICLES

ITEM	PART NO.	DESCRIPTION	QTY
		1 2 3 4	
1	<u>1010909</u>	Screw, #10-32 X 1.25 Rd Hd Mch .....	1
2	<u>1011280</u>	Locknut, 5/16-18 .....	1
3	<u>1011439</u>	Switch, Limit .....	2
4	<u>1011557</u>	Screw, #6-32 X 1.00 Hex-Head Machine .....	4
5	<u>1013357</u>	Rivet, 5/32 Aluminum Pop .....	2
6	<u>1015741</u>	Fuse Block .....	1
7	<u>1016</u>	Lockwasher, #10 Split .....	1
8	<u>1016356</u>	Terminal Block with Insulator .....	1
9	<u>1016423</u>	Fuse, 20-Amp .....	3
10	<u>1017721</u>	Limiter, Voltage .....	1
11	<u>101932201</u>	Locknut, #6-32 Nylon .....	4
12	<u>101957101</u>	Bracket, Brake Light Switch .....	1
13	<u>102198701</u>	Brake Relay Kit - 12v (includes items 14 through 21) .....	1
14	<u>1011229</u>	Locknut, #6-32 Whiz .....	2
15	<u>1017853</u>	Screw, #6-32 X 0.75 Hex-Head Machine .....	2
16	<u>101914401</u>	Assembly, Voltage Suppressor .....	1
17	<u>102199001</u>	Relay, 12-Volt .....	1
18	<u>102199201</u>	Wire Asm #18 Brown .....	1
19	<u>102199301</u>	Wire Asm #18 Black .....	1
20	<u>102199401</u>	Wire Asm #18 Black .....	1
21	<u>7591</u>	Washer, #6, Flat .....	2
22	<u>102869401</u>	Switch, Rocker, Light .....	1
23	<u>103255601</u>	Wire Harness, Headlights-Only, CA, Gas .....	1
24	<u>103256901</u>	Wire Harness, Lighting, CA2 .....	1
25	<u>1241</u>	Washer, 5/16 Type A Flat .....	1
26	<u>183</u>	Washer, #10, Type A, Flat .....	1
27	<u>7173</u>	Screw, 5/16-18 X 0.75, Hex-Head Cap .....	1
28	<u>7473</u>	Locknut, 5/16-18 Nylon Insert .....	1
29	<u>7893</u>	Nut, #10-32 Hex .....	1
Note: Use item 23 for headlights only. NOTE 2: Use item 24 for headlights and taillights. NOTE 3: Items 23 and 24 are used in many different models.			

4  
G  
E

**4**  
**G**  
**E**



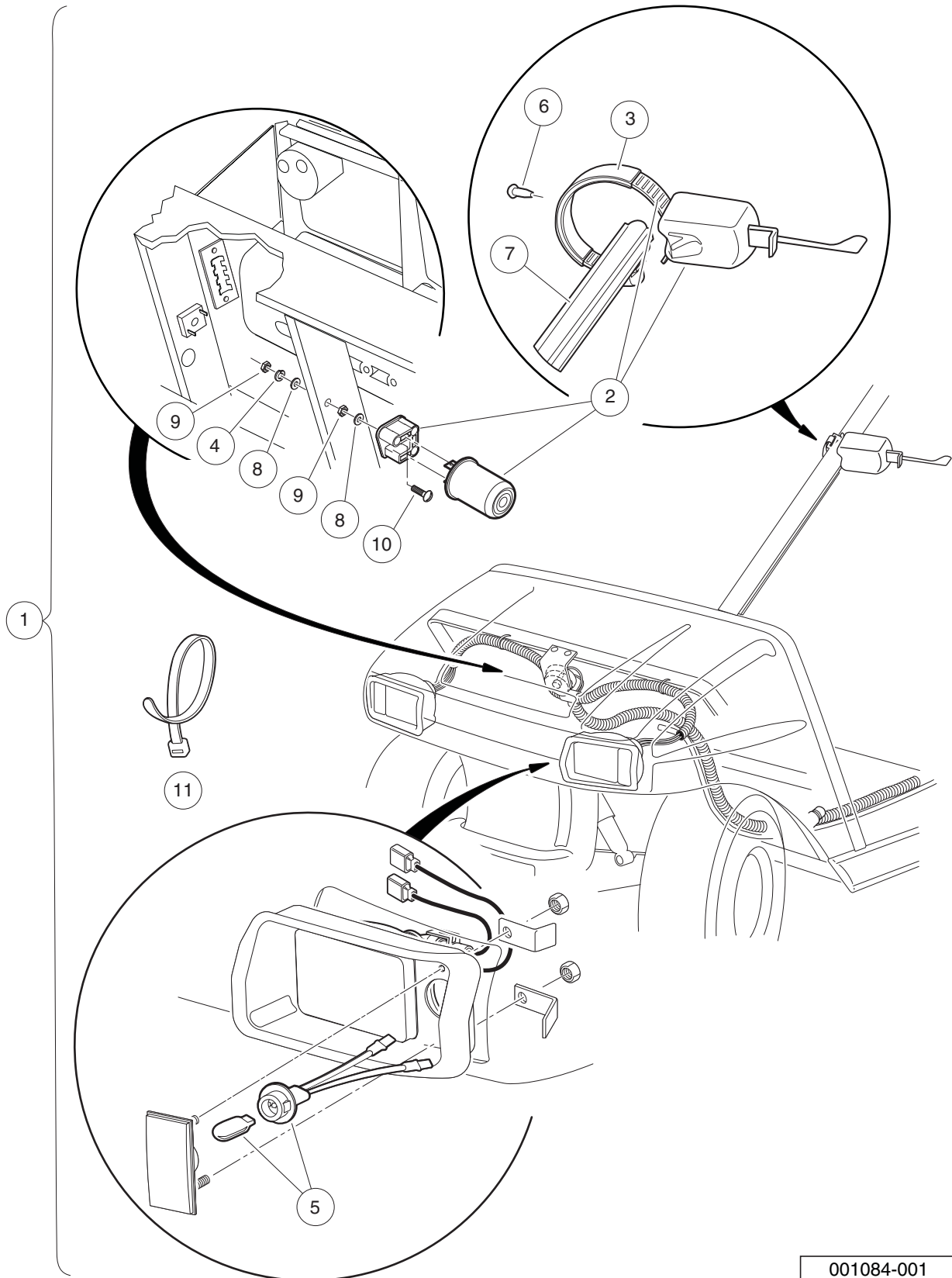
001315-001

# LIGHTING SYSTEM COMPONENTS – ELECTRIC VEHICLES

ITEM	PART NO.	DESCRIPTION	QTY
		1 2 3 4	
1	<u>1011229</u>	Locknut, #6-32 Whiz .....	2
2	<u>1011280</u>	Locknut, 5/16-18 .....	1
3	<u>1011439</u>	Switch, Limit .....	2
4	<u>1011557</u>	Screw, #6-32 X 1.00 Hex-Head Machine .....	4
5	<u>1012438</u>	Locknut, #10-24 Nylon Insert .....	2
6	<u>1013357</u>	Rivet, 5/32 Aluminum Pop .....	2
7	<u>1015741</u>	Fuse Block .....	1
8	<u>1016356</u>	Terminal Block with Insulator .....	1
9	<u>1016363</u>	Fuse Block Cover .....	1
10	<u>1016366</u>	Screw, #10-24 X 3.0 Pan-Head Machine .....	2
11	<u>1016423</u>	Fuse, 20-Amp .....	3
12	<u>1017853</u>	Screw, #6-32 X 0.75 Hex-Head Machine .....	2
13	<u>101810501</u>	Limiter, Voltage .....	1
14	<u>101932201</u>	Locknut, #6-32 Nylon .....	4
15	<u>101957101</u>	Bracket, Brake Light Switch .....	1
16	<u>102869401</u>	Switch, Rocker, Light .....	1
17	<u>103255701</u>	Wire Harness, Headlights-Only, CA, Electric .....	1
18	<u>103257001</u>	Wire Harness, Lighting .....	1
19	<u>103414901</u>	Kit, Relay, 48v 30a W/instr (includes item 20) .....	1
20	<u>103397901</u>	Relay, Spst No, 48v 30a, Pmt .....	1
21	<u>1241</u>	Washer, 5/16 Type A Flat .....	1
22	<u>183</u>	Washer, #10, Type A, Flat .....	4
23	<u>7173</u>	Screw, 5/16-18 X 0.75, Hex-Head Cap .....	1
24	<u>7473</u>	Locknut, 5/16-18 Nylon Insert .....	1
25	<u>7591</u>	Washer, #6, Flat .....	2
<p>Note: Use item 17 for headlights only. NOTE 2: Use item 18 for headlights and taillights. NOTE 3: Items 17 and 18 are used in many different models.</p>			

4  
G  
E

**4**  
**G**  
**E**



001084-001



# TURN SIGNAL KIT – GASOLINE AND ELECTRIC VEHICLES

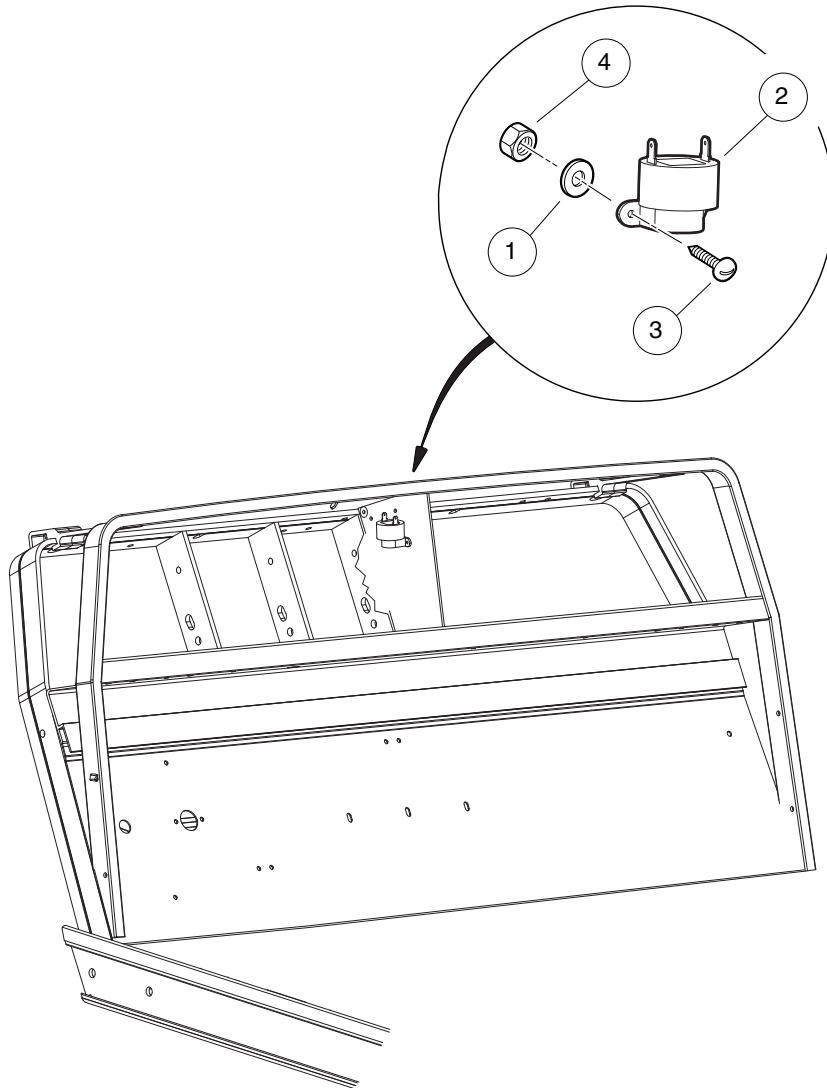
ITEM	PART NO.	DESCRIPTION	QTY
		1 2 3 4	
1	101707402	Turn Signal Conversion Kit (includes items 2 through 11) .....	1
2	<u>1011590</u>	Switch Sub-assy, Turn Signal .....	1
3	N/A	Strap, Extrusion .....	1
4	<u>1016</u>	Lockwasher, #10 Split .....	1
5	<u>1017075</u>	Socket & Lamp Assembly .....	2
6	<u>1017724</u>	Rivet, Plastic .....	1
7	<u>102529201</u>	Wire Cover, Steering Column .....	1
8	<u>183</u>	Washer, #10, Type A, Flat .....	2
9	<u>7893</u>	Nut, #10-32 Hex .....	2
10	8104	Screw, #10-32 X .75 Rd Hd Mach .....	1
11	<u>8990</u>	Tie Wrap, 8" Nylon .....	1

**4**  
**G**  
**E**

4

G

E



000363-001

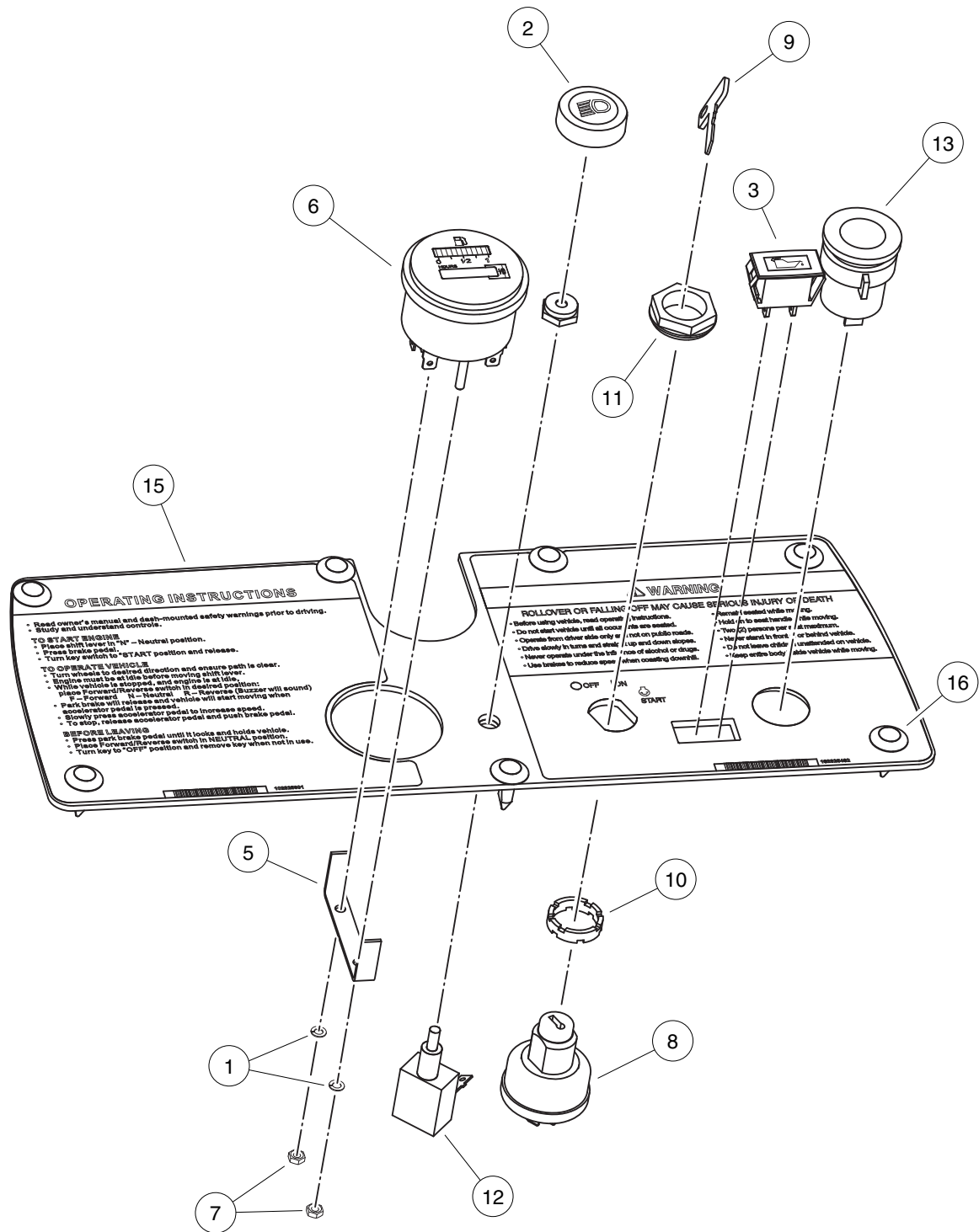
# REVERSE BUZZER

ITEM	PART NO.	DESCRIPTION	QTY
		1 2 3 4	
1	1012431	Washer, #4 Flat .....	1
2	<u>1016851</u>	Buzzer, Reverse (9-48 VDC) .....	1
3	<u>8056</u>	Screw, #4-40 X 0.75 Round-Head Machine .....	1
4	<u>8057</u>	Nut, #4-40 Hex Machine .....	1

4

G

E

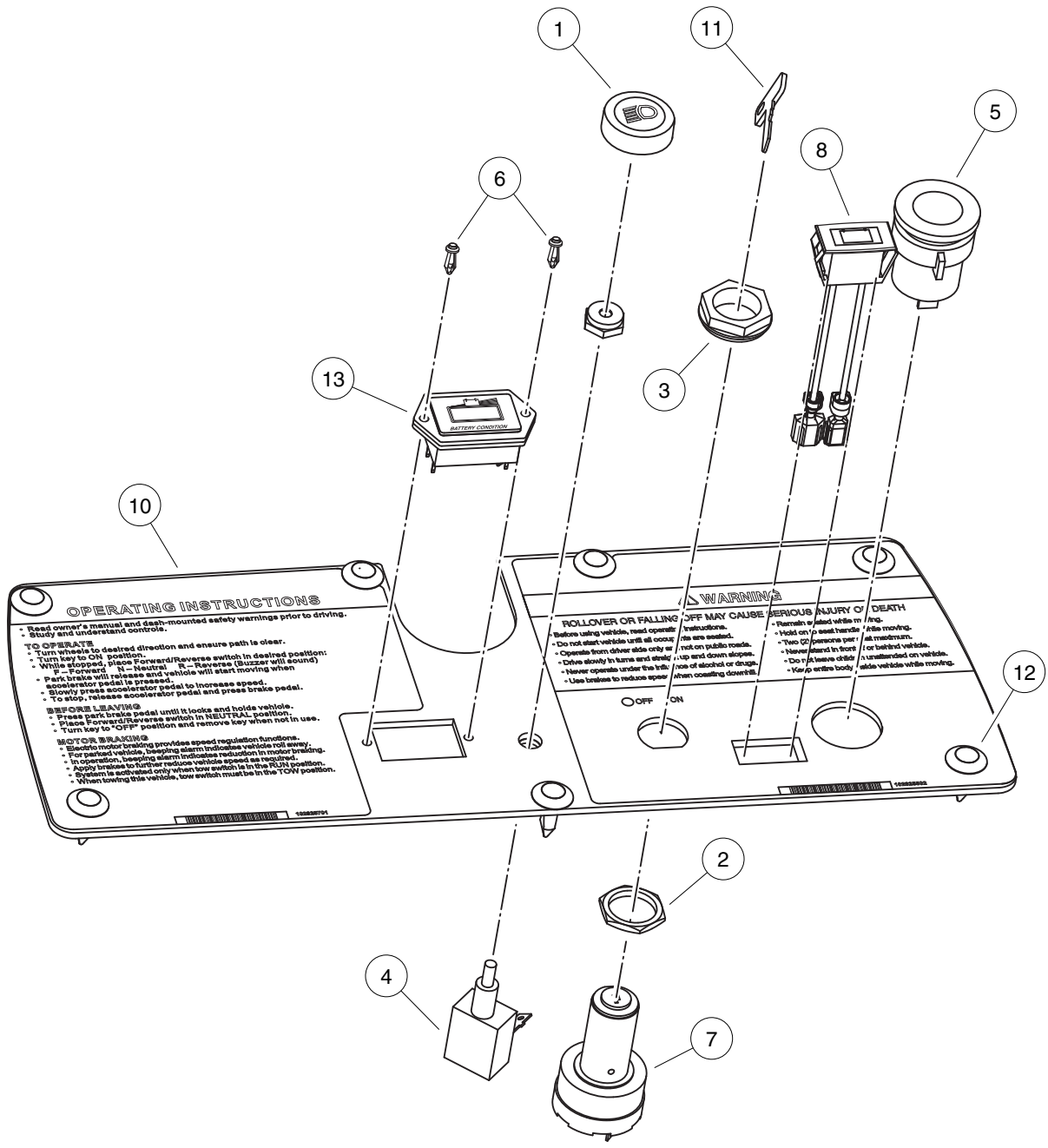


000232-001

## INSTRUMENT PANEL – GASOLINE VEHICLE

ITEM	PART NO.	DESCRIPTION	QTY
		1 2 3 4	
1	<u>1012986</u>	Lockwasher, M4 .....	2
2	<u>1013857</u>	Knob, Light Switch .....	1
3	<u>1016630</u>	Light, Oil .....	1
4	<u>101990703</u>	Gauge, Fuel/Hour, with Bracket (includes items 5 and 6) .....	1
5	102025901	Bracket, Fuel Gauge/Hour Meter .....	1
6	N/A	Gauge, Fuel/Hour .....	1
7	<u>101991101</u>	Nut, M4-0.7 .....	2
8	<u>102044702</u>	Key Switch 12v Key Start .....	1
9	102044801	Key Set .....	1
10	<u>102051601</u>	Spacer, Keyswitch .....	1
11	<u>102051701</u>	Nut, Key Switch .....	1
12	<u>102051901</u>	Switch, Light .....	1
13	<u>102198001</u>	Receptacle, Accessory .....	1
14	<u>102804501</u>	Panel, Instrument .....	1
15	<u>102804502</u>	Panel, Instrument (with 12-Volt Accessory Outlet Cutout) .....	1
16	<u>102967901</u>	Rivet, Removable, Tuflok 1/4" .....	7

**4**  
**G**  
**E**



000231-001

# INSTRUMENT PANEL – ELECTRIC VEHICLE

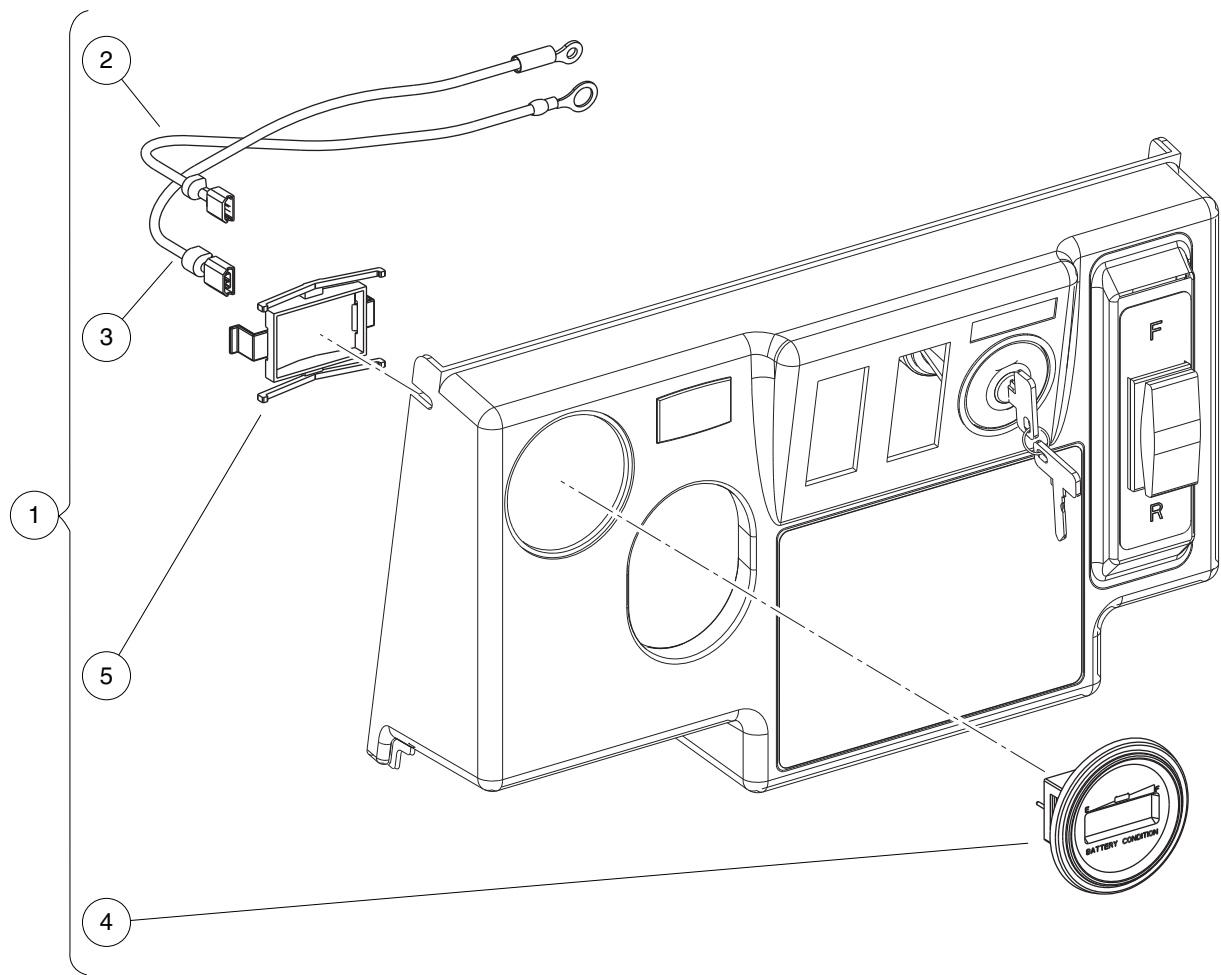
ITEM	PART NO.	DESCRIPTION	QTY
		1 2 3 4	
1	<u>1013857</u>	Knob, Light Switch .....	1
2	<u>101830701</u>	Nut, Key Switch .....	1
3	<u>102051701</u>	Nut, Key Switch .....	1
4	<u>102051901</u>	Switch, Light .....	1
5	<u>102198001</u>	Receptacle, Accessory .....	1
6	<u>102499001</u>	Rivet, Micro Tuflok .....	2
7	<u>102508601</u>	Key Switch, Electric .....	1
8	<u>102508701</u>	Light, Battery .....	1
9	<u>102804503</u>	Panel, Instrument .....	1
10	<u>102804504</u>	Panel, Instrument (With 12-Volt Accessory Outlet Cutout) * .....	1
11	<u>102830801</u>	Set, Key .....	1
12	<u>102967901</u>	Rivet, Removable, Tuflok 1/4" .....	7
13	<u>103200701</u>	Battery Condition Indicator - 48V .....	1
<p>Note: Items marked with an asterisk (*) are to be used only on vehicles equipped with a 12-volt accessory outlet. This item to be used only in vehicles equipped with accessory outlets.</p>			

4

G

E

**4**  
**G**  
**E**



000817-002



# BATTERY CONDITION INDICATOR – ELECTRIC VEHICLES

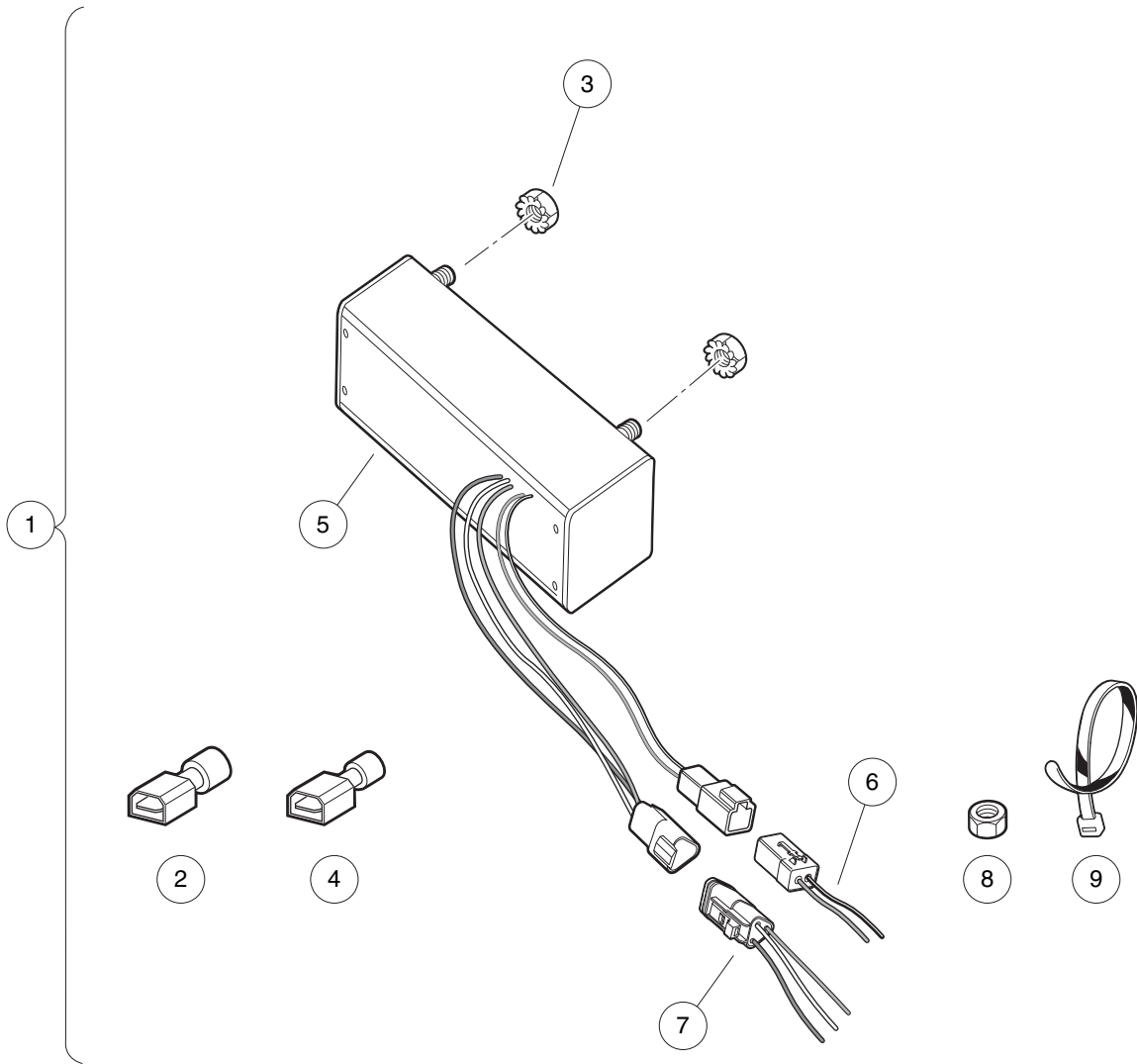
ITEM	PART NO.	DESCRIPTION	QTY
		1 2 3 4	
1	<u>103257603</u>	Kit, Gauge, Battery Condition Indicator (includes items 2 through 4) .....	1
2	<u>103257701</u>	Wire Asm, #18 Black, 2565mm .....	1
3	<u>103257801</u>	Wire Asm, #16 Red, 330mm .....	1
4	<u>103354401</u>	Gauge, Battery Cond Ind, Rnd (includes item 5) .....	1
5	<u>103348202</u>	Clip, Bci, Round .....	1

4

G

E

**4**  
**G**  
**E**



001271-001

## DC CONVERTER – IQ SYSTEM ELECTRIC VEHICLE

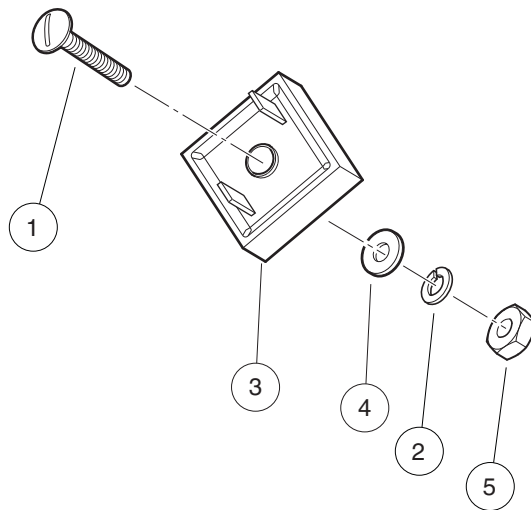
ITEM	PART NO.	DESCRIPTION	QTY
		1 2 3 4	
1	<u>102357501</u>	Kit, DC/DC Converter (includes items 2 through 9) .....	1
2	<u>1016365</u>	Terminal, 1/4" Male Quick Disconnect .....	1
3	<u>101835601</u>	Locknut, 1/4-20 Hex Whiz .....	2
4	N/A	Terminal, 1/4" Male Quick Disconnect .....	1
5	102352201	Converter , Dc -non Isolated .....	1
6	<u>102354901</u>	Harness, Dc Converter - 12v .....	1
7	<u>102355001</u>	Harness, Dc Converter - 48v .....	1
8	<u>1242</u>	Nut, 5/16-18 Hex .....	1
9	<u>8990</u>	Tie Wrap, 8" Nylon .....	4

**4**  
**G**  
**E**

4

G

E



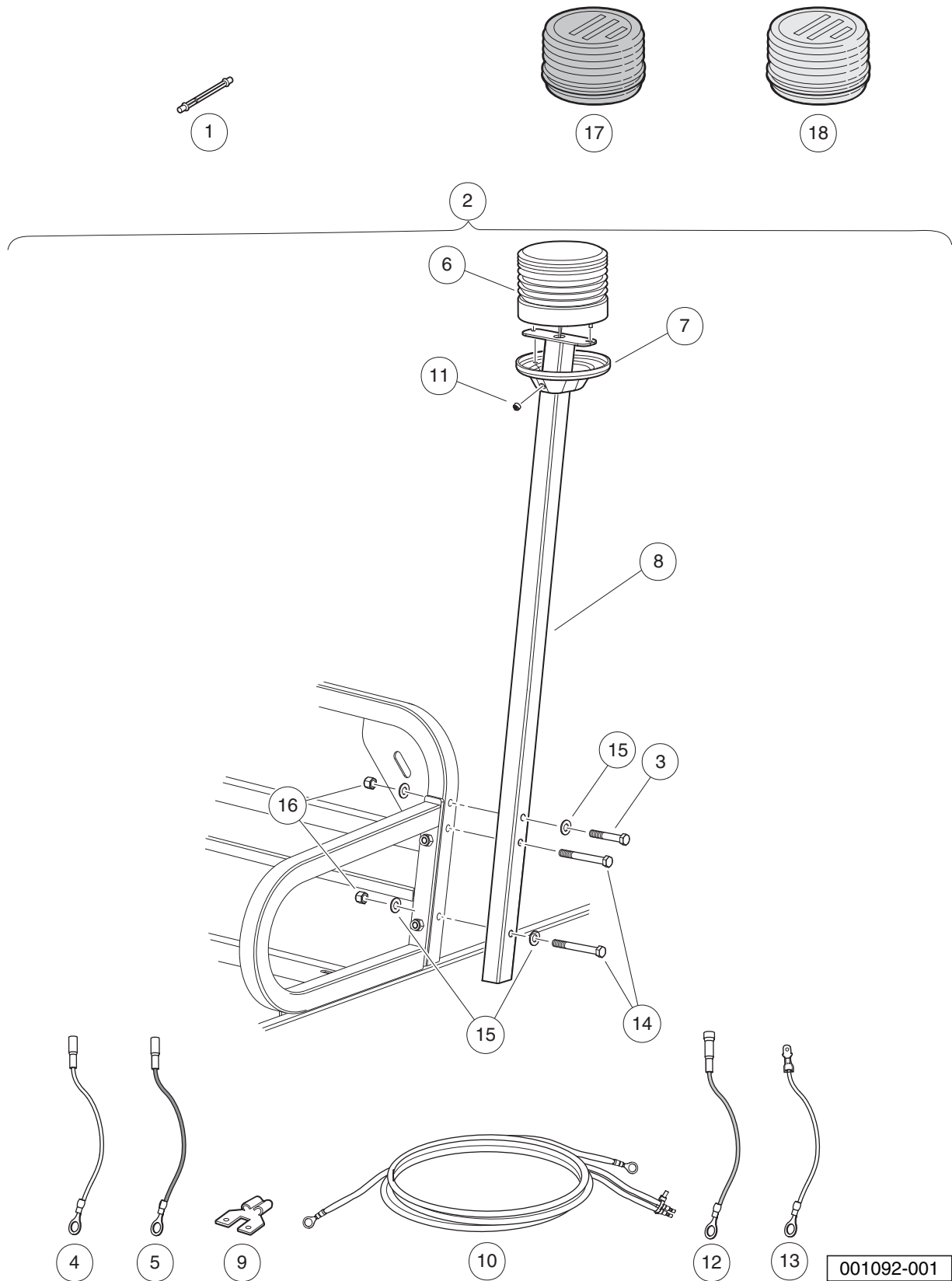
001091-001

## VOLTAGE LIMITER – GASOLINE VEHICLE

ITEM	PART NO.	DESCRIPTION	QTY
		1 2 3 4	
1	<u>1010909</u>	Screw, #10-32 X 1.25 Rd Hd Mch .....	1
2	<u>1016</u>	Lockwasher, #10 Split .....	1
3	<u>1017721</u>	Limiter, Voltage .....	1
4	<u>183</u>	Washer, #10, Type A, Flat .....	1
5	<u>7893</u>	Nut, #10-32 Hex .....	1

4  
G  
E

**4**  
**G**  
**E**

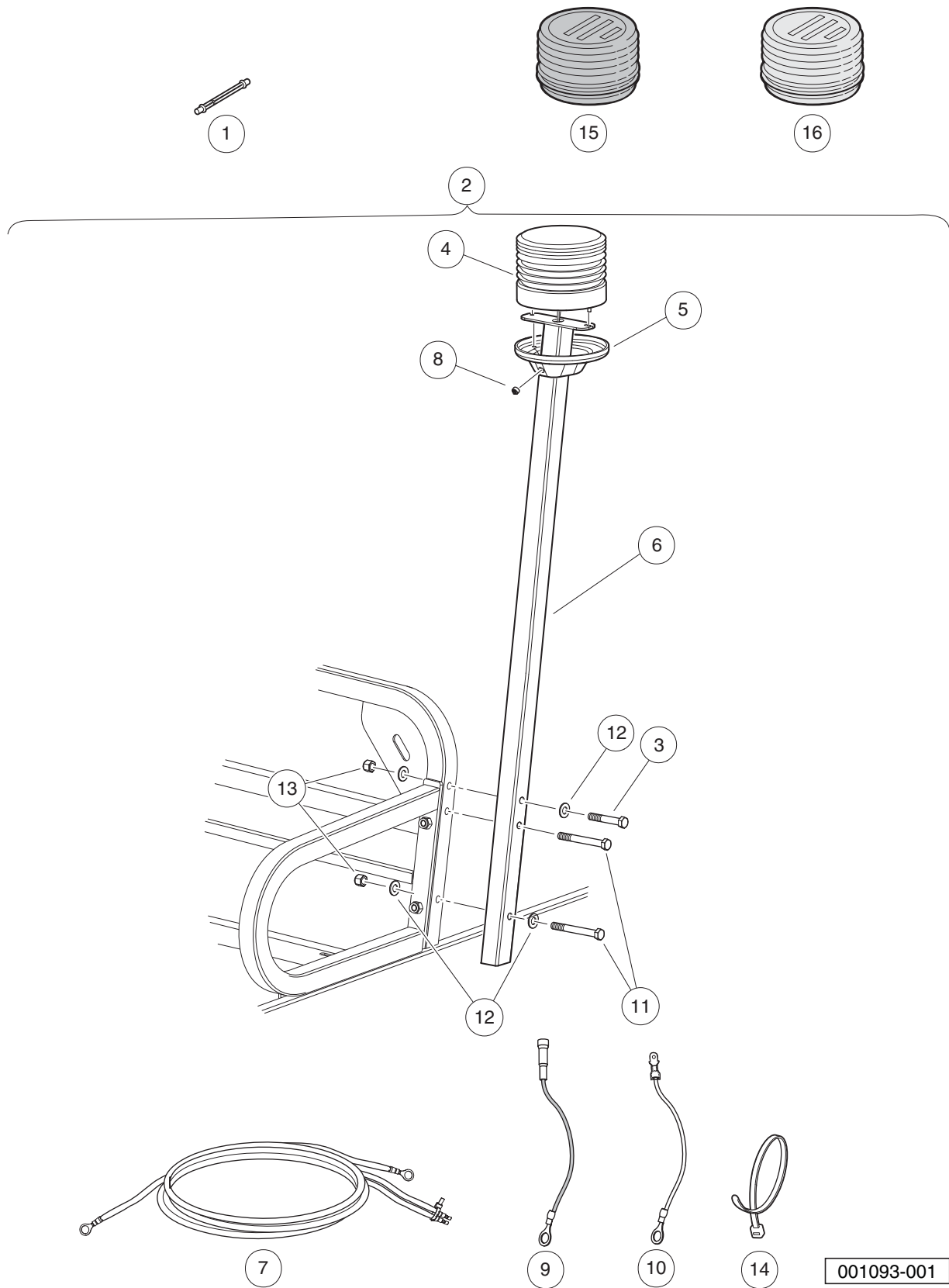


# STROBE LIGHT, POST-MOUNTED – GASOLINE VEHICLES

ITEM	PART NO.	DESCRIPTION	QTY
		1 2 3 4	
1	<u>1015526</u>	Bulb, Replacement, for Strobe Light .....	1
2	<u>1015765</u>	Safety Strobe Lht Post Mnt Gas (includes items 3 through 16) .....	1
3	<u>1013509</u>	Screw, 1/4-20 X 1.75 Hx Hd Cap .....	2
4	1015153	Wire Assembly #16 Yellow .....	1
5	1015154	Wire Assembly Blue Ca #16 .....	1
6	<u>1015156</u>	Light Assembly, Strobe .....	1
7	1015157	Cover Plate Switch - Pole Ca .....	1
8	<u>1015160</u>	Pole Weldment Carryall .....	1
9	<u>1015162</u>	3/16 Tab Adapter Non-insul .....	1
10	<u>1015172</u>	Wire Harness Assy, Strobe Lght .....	1
11	<u>1015187</u>	Switch Assembly .....	1
12	1016837	Wire Assembly Red #18 .....	1
13	1016929	Wire Assembly Black #16 .....	1
14	<u>324</u>	Screw, 1/4-20 X 2.50 Hx Hd Cap .....	2
15	<u>332</u>	Washer, 1/4 Type A Narrow Flat .....	4
16	<u>8233</u>	Locknut, 1/4-20, Nylon Insert .....	2
17	<u>AM1243701</u>	Lens, Blue, for Strobe Light .....	1
18	<u>AM1243801</u>	Lens, Red, for Strobe Light .....	1

**4**  
**G**  
**E**

**4**  
**G**  
**E**



001093-001

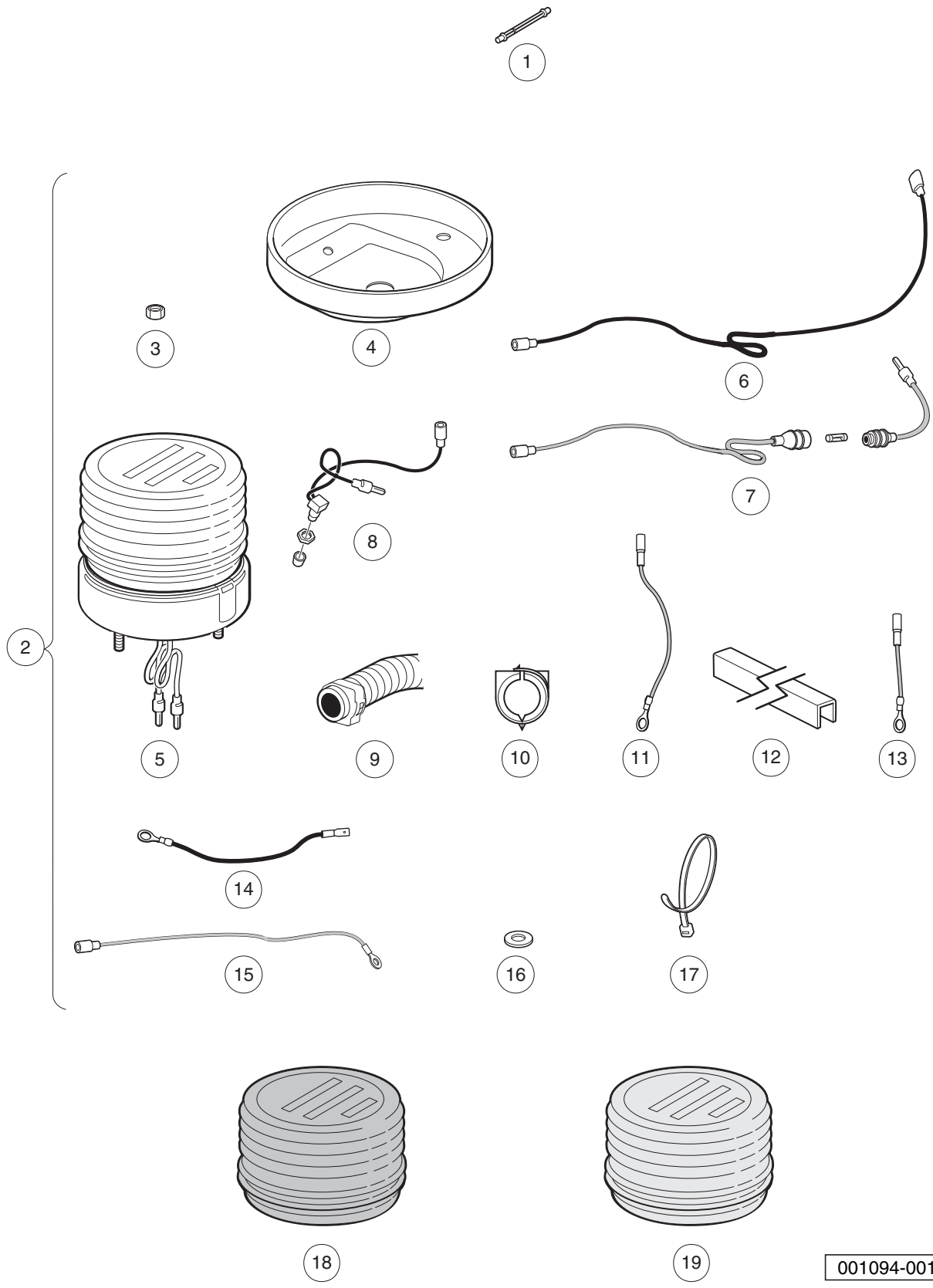


## STROBE LIGHT, POST-MOUNTED – ELECTRIC VEHICLES

ITEM	PART NO.	DESCRIPTION	QTY
		1 2 3 4	
1	<u>1015526</u>	Bulb, Replacement, for Strobe Light .....	1
2	<u>101814601</u>	Safety Strobe Lht & Post Mt El (includes items 3 through 14) .....	1
3	<u>1013509</u>	Screw, 1/4-20 X 1.75 Hx Hd Cap .....	2
4	<u>1015156</u>	Light Assembly, Strobe .....	1
5	1015157	Cover Plate Switch - Pole Ca .....	1
6	<u>1015160</u>	Pole Weldment Carryall .....	1
7	<u>1015172</u>	Wire Harness Assy, Strobe Lght .....	1
8	<u>1015187</u>	Switch Assembly .....	1
9	1016837	Wire Assembly Red #18 .....	1
10	1016929	Wire Assembly Black #16 .....	1
11	<u>324</u>	Screw, 1/4-20 X 2.50 Hx Hd Cap .....	2
12	<u>332</u>	Washer, 1/4 Type A Narrow Flat .....	4
13	<u>8233</u>	Locknut, 1/4-20, Nylon Insert .....	2
14	<u>8990</u>	Tie Wrap, 8" Nylon .....	4
15	<u>AM1243701</u>	Lens, Blue, for Strobe Light .....	1
16	<u>AM1243801</u>	Lens, Red, for Strobe Light .....	1

4  
G  
E

**4**  
**G**  
**E**



001094-001

# STROBE LIGHT, CANOPY-MOUNTED

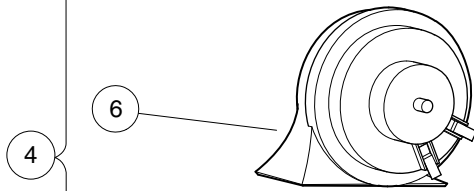
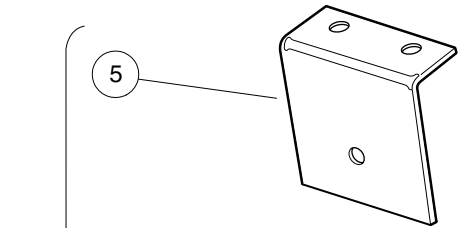
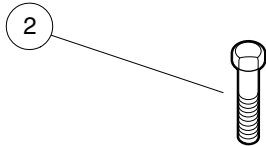
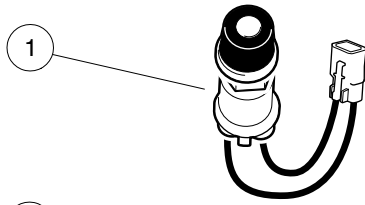
ITEM	PART NO.	DESCRIPTION	QTY
		<b>1 2 3 4</b>	
1	<u>1015526</u>	Bulb, Replacement, for Strobe Light .....	1
2	<u>AM1243501</u>	Kit, Roof Mounted Strobe Fd (includes items 3 through 17) .....	A/R
3	<u>1012438</u>	Locknut, #10-24 Nylon Insert .....	2
4	<u>1015010</u>	Cover Plate Switch .....	1
5	<u>1015156</u>	Light Assembly, Strobe .....	1
6	<u>1015167</u>	#16 Black Wire Asm .....	1
7	<u>1015170</u>	Wire Assembly #16 .....	1
8	<u>1015187</u>	Switch Assembly .....	1
9	<u>1015768</u>	Split Convoluted Elec Conduit .....	11
10	<u>1015770</u>	Outlet Ring - .5 Diameter .....	5
11	<u>1016230</u>	Wire Asm #16 Red .....	1
12	<u>1016267</u>	Snap On Conduit Vert. ....	1
13	<u>1016287</u>	Wire Asm #16 Red .....	1
14	<u>1016929</u>	Wire Assembly Black #16 .....	1
15	<u>101821601</u>	#18 Red Wire Assembly .....	1
16	<u>183</u>	Washer, #10, Type A, Flat .....	2
17	<u>8639</u>	Tie Wrap, 11" Nylon .....	8
18	<u>AM1243701</u>	Lens, Blue, for Strobe Light .....	A/R
19	<u>AM1243801</u>	Lens, Red, for Strobe Light .....	A/R

**4**  
**G**  
**E**

4

G

E



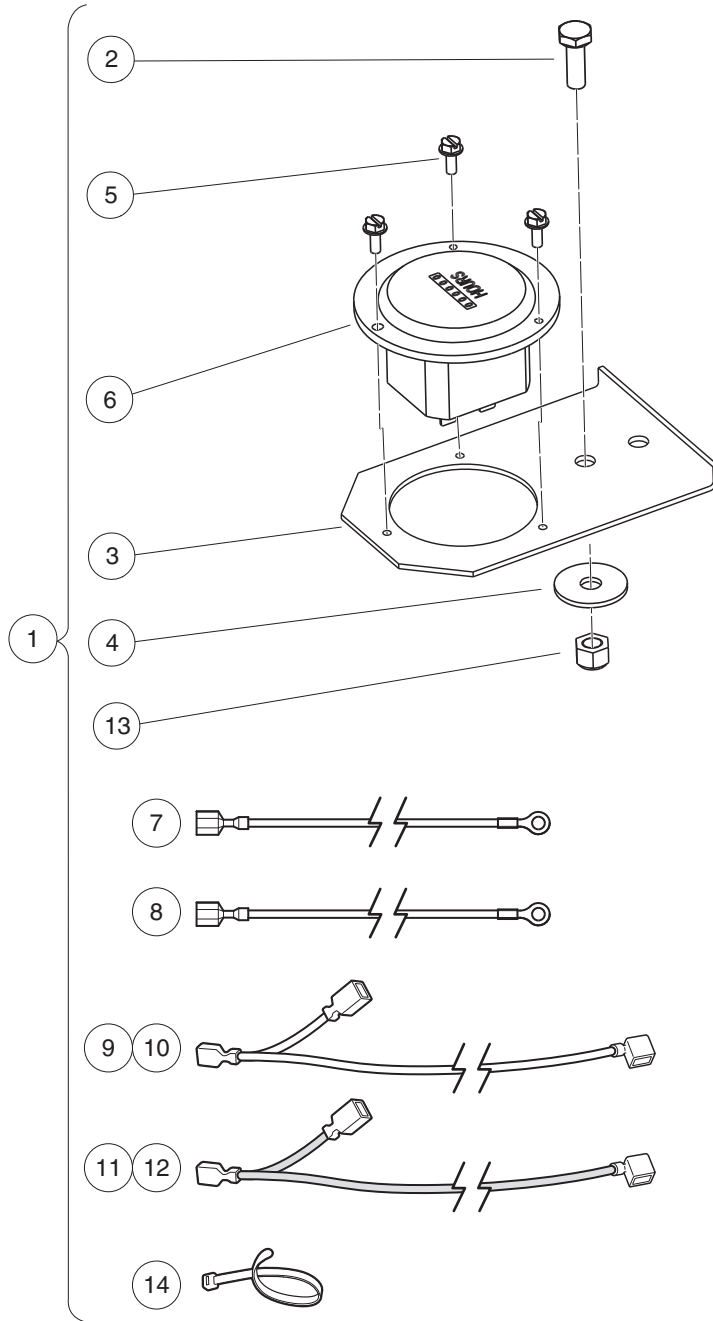
001095-001

# HORN

ITEM	PART NO.	DESCRIPTION	QTY
		<b>1 2 3 4</b>	
1	<u>101969701</u>	Horn Button and Wire Assembly .....	1
2	304	Screw, 1/4-20 X 1.0 Hex-Head Cap .....	2
3	<u>332</u>	Washer, 1/4 Type A Narrow Flat .....	2
4	<u>4029</u>	Horn (includes items 5 through 9) .....	1
5	<u>1011825</u>	Horn Bracket .....	1
6	<u>1014530</u>	Horn, 12-VDC .....	1
7	<u>101955101</u>	Nut, M6 Hex .....	1
8	<u>7820</u>	Washer, 5/16 Internal-Tooth .....	1
9	8294	5/16 Ring Term. ....	1
10	<u>8233</u>	Locknut, 1/4-20, Nylon Insert .....	2

**4**  
**G**  
**E**

**4**  
**G**  
**E**



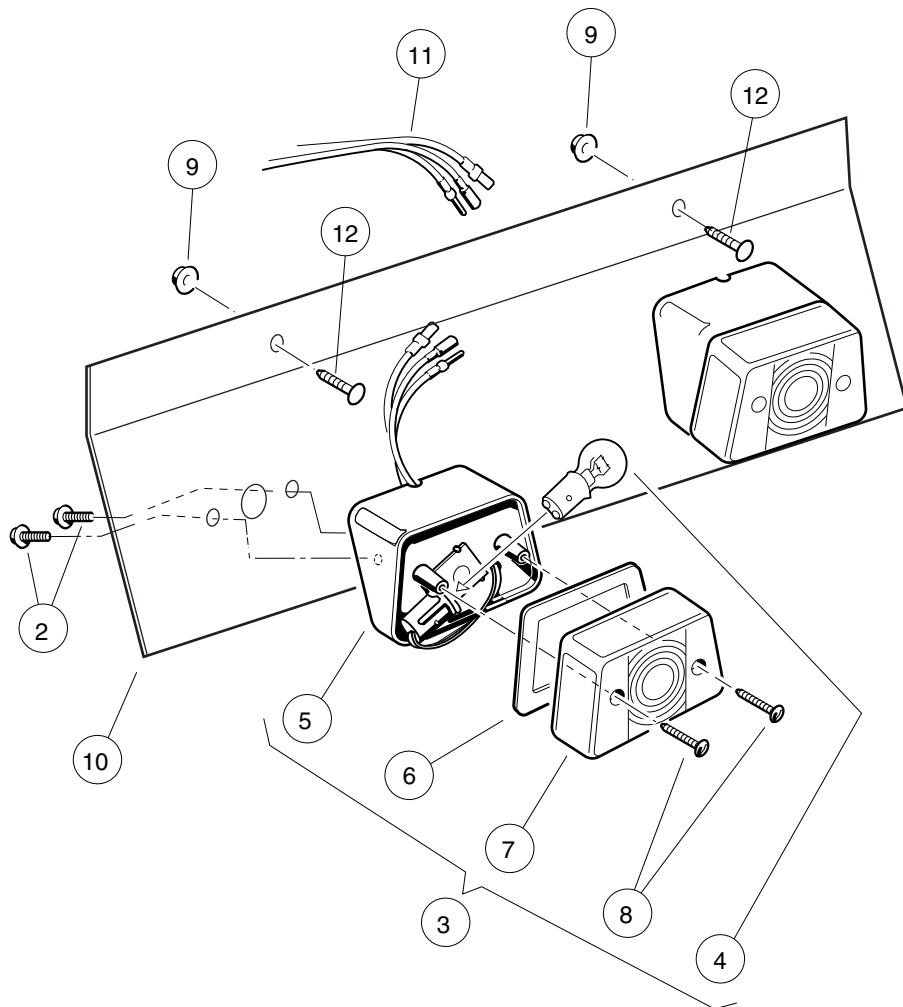
001096-001

# HOUR METER – IQ SYSTEM AND IQ PLUS ELECTRIC VEHICLES

ITEM	PART NO.	DESCRIPTION	QTY
		1 2 3 4	
1	<u>1013579</u>	Kit, Hour Meter (includes items 2 through 14) .....	1
2	<u>1012285</u>	Screw, 1/4 X 0.625 Hex-Head .....	1
3	<u>1013547</u>	Hour Meter Bracket .....	1
4	<u>1014306</u>	Washer, 1/4" Type B Flat .....	1
5	<u>1014540</u>	Screw, #6-32 X 3/8 Taptite .....	3
6	N/A	Hour Meter .....	1
7	101881501	Wire Assembly Black #18 .....	1
8	101881601	Wire Assembly Red #18 .....	1
9	<u>101997802</u>	Wire Assembly #18 Yellow .....	1
10	<u>101997803</u>	Wire Asm #18 Yellow 31" .....	1
11	<u>101997902</u>	Wire Assembly #18 Red .....	1
12	<u>101997903</u>	Wire Asm # 18 Red 31" .....	1
13	<u>8233</u>	Locknut, 1/4-20, Nylon Insert .....	1
14	<u>8990</u>	Tie Wrap, 8" Nylon .....	1
<p>Note: The kit includes components that apply to multiple vehicles. The installation instructions will specify which components are required for a specific model. After installation, discard components not used.</p>			

4  
G  
E

**4**  
**G**  
**E**



000348-009



# TAILLIGHTS

ITEM	PART NO.	DESCRIPTION	QTY
		<b>1 2 3 4</b>	
1	<u>102852501</u>	Kit, Tail Lights (includes items 2 through 12) .....	1
2	<u>1015752</u>	Screw, #12-16 X 0.625, Hi-Lo .....	4
3	<u>1016717</u>	Light Assembly, Stop/Taillight (includes items 4 through 8) .....	2
4	<u>1011582</u>	Taillight Bulb .....	1
5	N/A	Housing, Taillight .....	1
6	N/A	Gasket, Taillight .....	1
7	N/A	Lens, Taillight .....	1
8	N/A	Screw, Taillight Lens .....	2
9	<u>101835601</u>	Locknut, 1/4-20 Hex Whiz .....	2
10	<u>102909901</u>	Support, Tail Light .....	1
11	<u>102911601</u>	Asm, Wire Harness .....	1
12	<u>7847</u>	Screw, 1/4-20 X 0.75 Hex-Head Cap .....	2
<p>Note: Taillights are optional for Carryall 242 and XRT 800 vehicles.</p>			

**4**  
**G**  
**E**

**4**

**G**

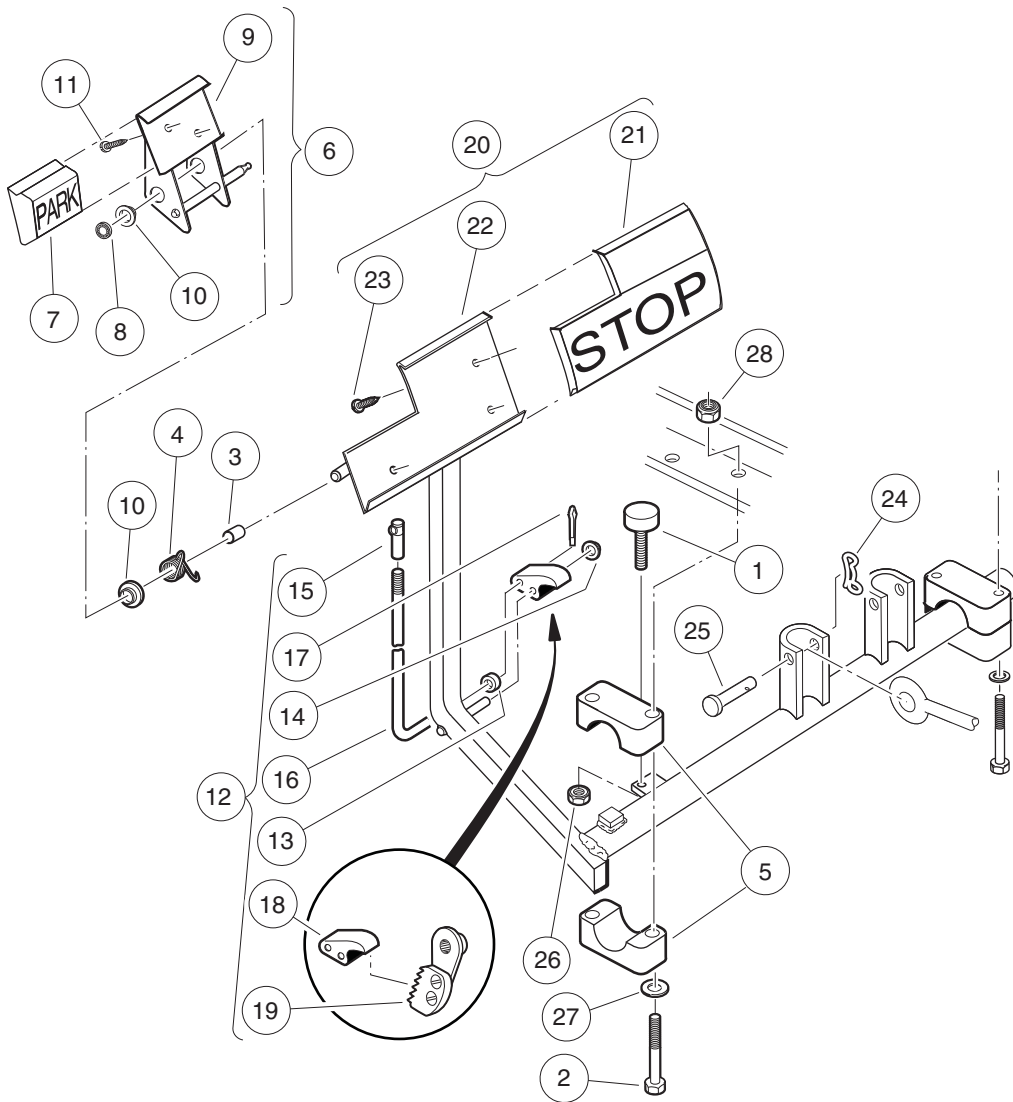
**E**

# BRAKE SYSTEM

---

**5**  
**G**  
**E**

**5**  
**G**  
**E**

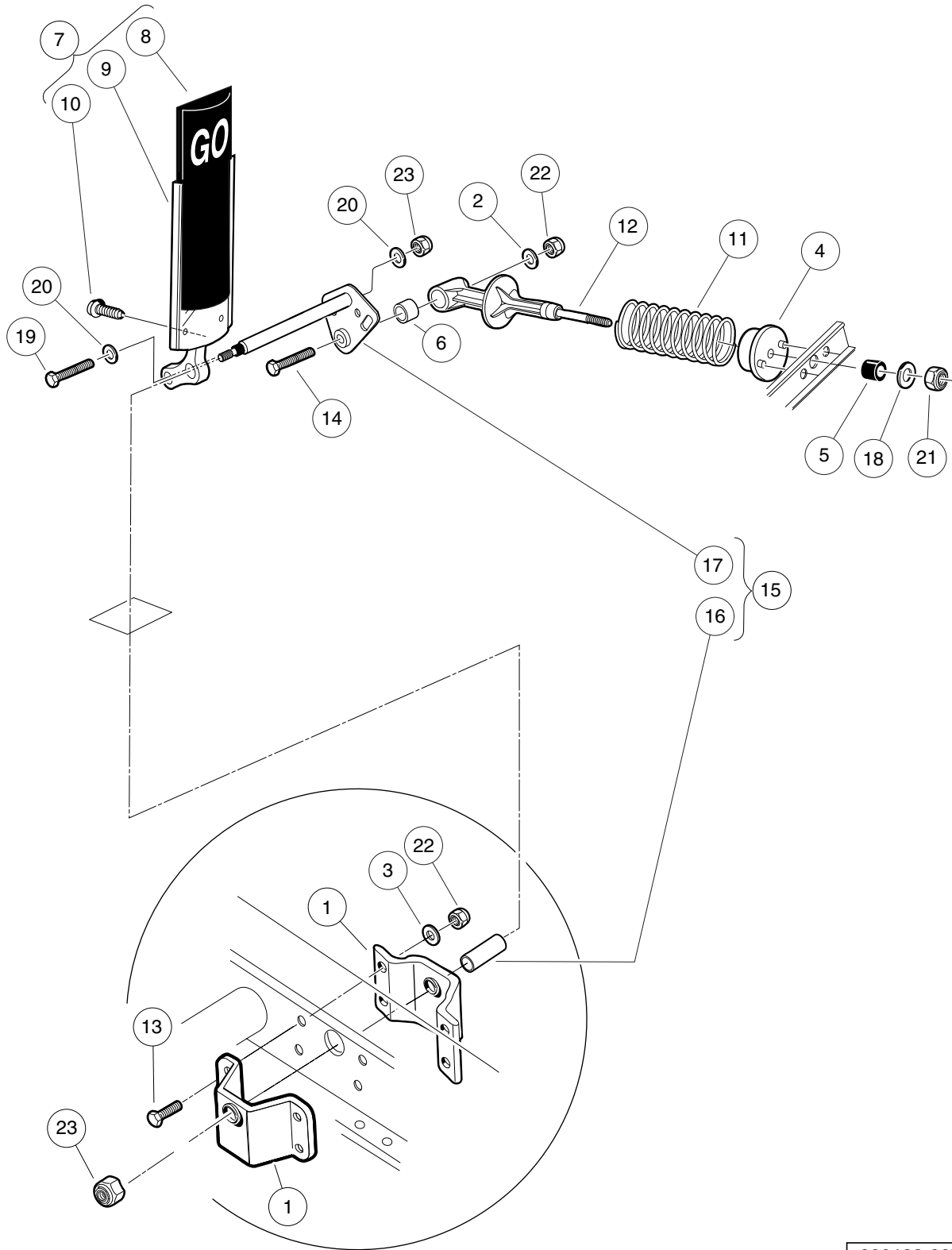


000187-001

## BRAKE PEDAL ASSEMBLY

ITEM	PART NO.	DESCRIPTION	QTY	
		1 2 3 4		<b>5</b>
1	<u>1010878</u>	Bumper, Rubber .....	1	<b>G</b>
2	<u>1010921</u>	Screw, 5/16-18 X 2.50 Hex Cap .....	4	<b>E</b>
3	<u>1010927</u>	Hill Brake Spacer .....	1	
4	<u>1010933</u>	Spring, Hill Brake Torsion .....	1	
5	<u>1011402</u>	Package, Brake Mounting Block .....	1	
6	<u>1011418</u>	Kit, Hill Brake Pedal (includes items 7 through 11) .....	1	
7	<u>1013870</u>	Pad, Hill Brake .....	1	
8	<u>1013876</u>	Pushnut, 3/8 .....	1	
9	N/A	Hill Brake Weld Assembly .....	1	
10	<u>1032</u>	Bushing, Nylon .....	2	
11	7716	Screw, #10-16 Type AB, Sheet Metal .....	2	
12	<u>101187702</u>	Kit, Hill Brake Latch (includes items 13 through 19) .....	1	
13	<u>1010805</u>	Sleeve, Hill Brake Rod .....	1	
14	<u>1010877</u>	Pushnut, 3/8 .....	1	
15	1010932	Ball Joint, 1/4-28 .....	1	
16	N/A	Rod, Hill Brake .....	1	
17	<u>1017029</u>	Pin, Cotter, 7/64 x 1/2 Stainless-Steel .....	1	
18	N/A	Pawl, Hill Brake .....	1	
19	101918501	Ratchet Assembly .....	1	
20	<u>101878201</u>	Brake Pedal Kit (includes items 21 through 23) .....	1	
21	<u>1013869</u>	Pad, Brake Pedal .....	1	
22	N/A	Weldment, Brake Pedal, 2wr Std .....	1	
23	7716	Screw, #10-16 Type AB, Sheet Metal .....	3	
24	<u>102323101</u>	Pin, Bow Tie Locking .....	1	
25	<u>102323201</u>	Pin, 3/8 X 1-5/16 Clevis .....	1	
26	<u>1028</u>	Nut, 1/4-20 Hex .....	1	
27	<u>1241</u>	Washer, 5/16 Type A Flat .....	4	
28	<u>7473</u>	Locknut, 5/16-18 Nylon Insert .....	4	

**5**  
**G**  
**E**



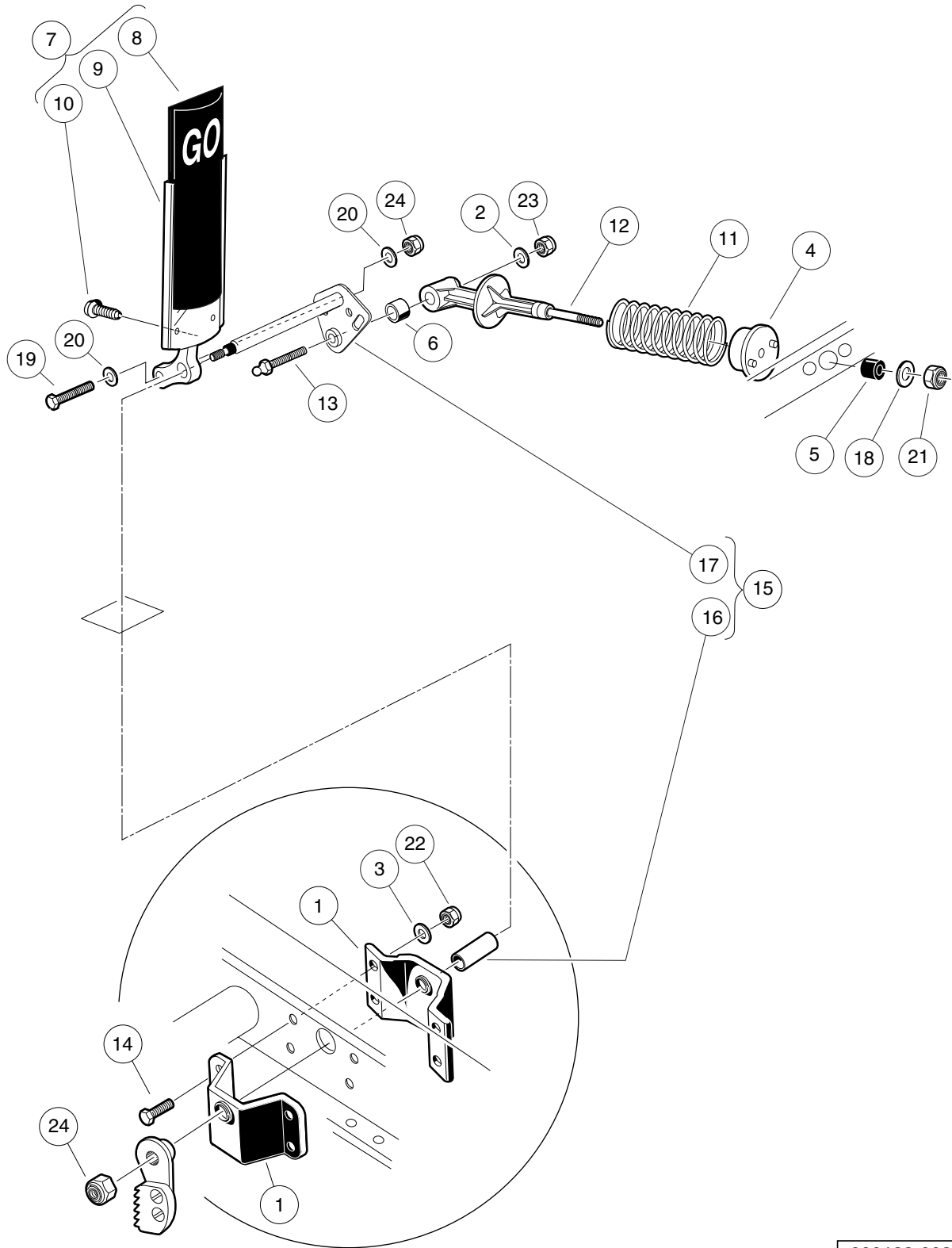
000188-007

# ACCELERATOR PEDAL ASSEMBLY – ELECTRIC VEHICLES WITH MCOR

ITEM	PART NO.	DESCRIPTION	QTY
		<b>1 2 3 4</b>	
1	<u>1011694</u>	Accelerator Bracket and Bearing Assembly .....	2
2	<u>1011931</u>	Washer, 1/4 Flat .....	1
3	<u>1014007</u>	Washer, 1/4, Flat .....	4
4	<u>1017378</u>	Cup, Spring .....	1
5	<u>1017380</u>	Bumper, Spring Return .....	1
6	<u>1017424</u>	Bearing, Pivot Support .....	1
7	<u>1017696</u>	Sub Asm, Accelerator Pedal (includes items 8 through 10) .....	1
8	1013871	Pad, Accelerator Pedal .....	1
9	N/A	Accelerator Pedal Weldment .....	1
10	7716	Screw, #10-16 Type AB, Sheet Metal .....	4
11	101796201	Spring, Accelerator Return .....	1
12	<u>101817401</u>	Retainer, Spring .....	1
13	<u>101861901</u>	Screw, 1/4-20 X 1.125 Hex Cap .....	4
14	<u>101862001</u>	Screw, 1/4-20 X 1.500 Flange .....	1
15	<u>102026001</u>	Kit, Accelerator Pivot Rod Assembly (includes items 16 and 17) .....	1
16	101919801	Spacer, Accelerator .....	1
17	<u>102158901</u>	Pivot Rod Weldment .....	1
18	<u>1241</u>	Washer, 5/16 Type A Flat .....	1
19	<u>1624</u>	Screw, 3/8-16 X 1.50, Hex-Head Cap .....	1
20	<u>334</u>	Washer, 3/8, Type A, Flat .....	2
21	<u>7473</u>	Locknut, 5/16-18 Nylon Insert .....	1
22	<u>8233</u>	Locknut, 1/4-20, Nylon Insert .....	5
23	<u>8754</u>	Locknut, 3/8-16 Hex .....	2

**5**  
**G**  
**E**

**5**  
**G**  
**E**



000188-008

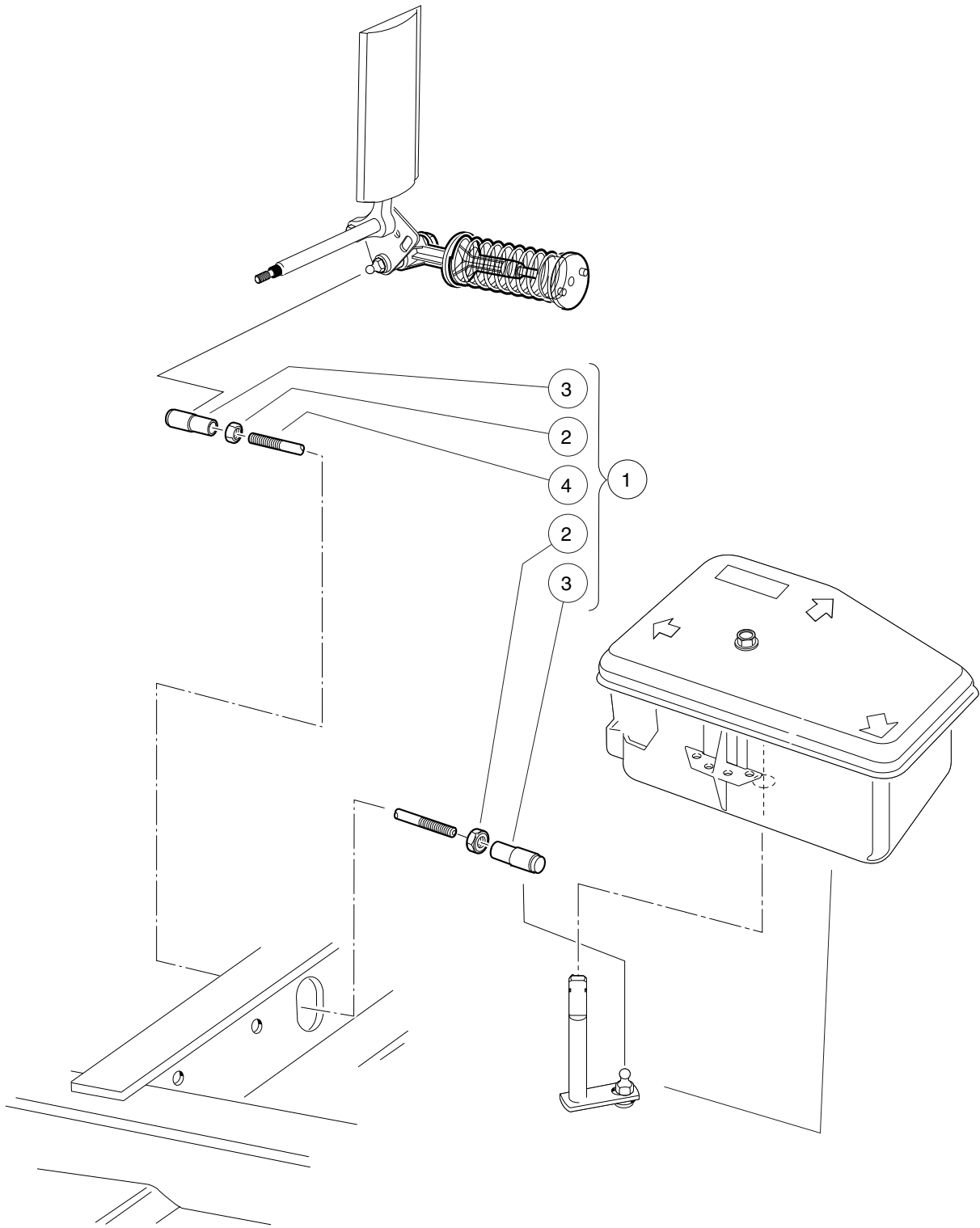


# ACCELERATOR PEDAL ASSEMBLY – GASOLINE VEHICLES

ITEM	PART NO.	DESCRIPTION	QTY
		1 2 3 4	
1	<u>1011694</u>	Accelerator Bracket and Bearing Assembly .....	2
2	<u>1011931</u>	Washer, 1/4 Flat .....	1
3	<u>1014007</u>	Washer, 1/4, Flat .....	4
4	<u>1017378</u>	Cup, Spring .....	1
5	<u>1017380</u>	Bumper, Spring Return .....	1
6	<u>1017424</u>	Bearing, Pivot Support .....	1
7	<u>1017696</u>	Sub Asm, Accelerator Pedal (includes items 8 through 10) .....	1
8	1013871	Pad, Accelerator Pedal .....	1
9	N/A	Accelerator Pedal Weldment .....	1
10	7716	Screw, #10-16 Type AB, Sheet Metal .....	4
11	101796201	Spring, Accelerator Return .....	1
12	<u>101817401</u>	Retainer, Spring .....	1
13	101818801	Stud, 1/4-28 X 1.35 Ball .....	1
14	<u>101861901</u>	Screw, 1/4-20 X 1.125 Hex Cap .....	4
15	<u>102026001</u>	Kit, Accelerator Pivot Rod Assembly (includes items 16 and 17) .....	1
16	101919801	Spacer, Accelerator .....	1
17	<u>102158901</u>	Pivot Rod Weldment .....	1
18	<u>1241</u>	Washer, 5/16 Type A Flat .....	1
19	<u>1624</u>	Screw, 3/8-16 X 1.50, Hex-Head Cap .....	1
20	<u>334</u>	Washer, 3/8, Type A, Flat .....	2
21	<u>7473</u>	Locknut, 5/16-18 Nylon Insert .....	1
22	<u>8233</u>	Locknut, 1/4-20, Nylon Insert .....	4
23	<u>8717</u>	Locknut, Nylon Insert, 1/4-28 .....	1
24	<u>8754</u>	Locknut, 3/8-16 Hex .....	2

5  
G  
E

**5**  
**G**  
**E**



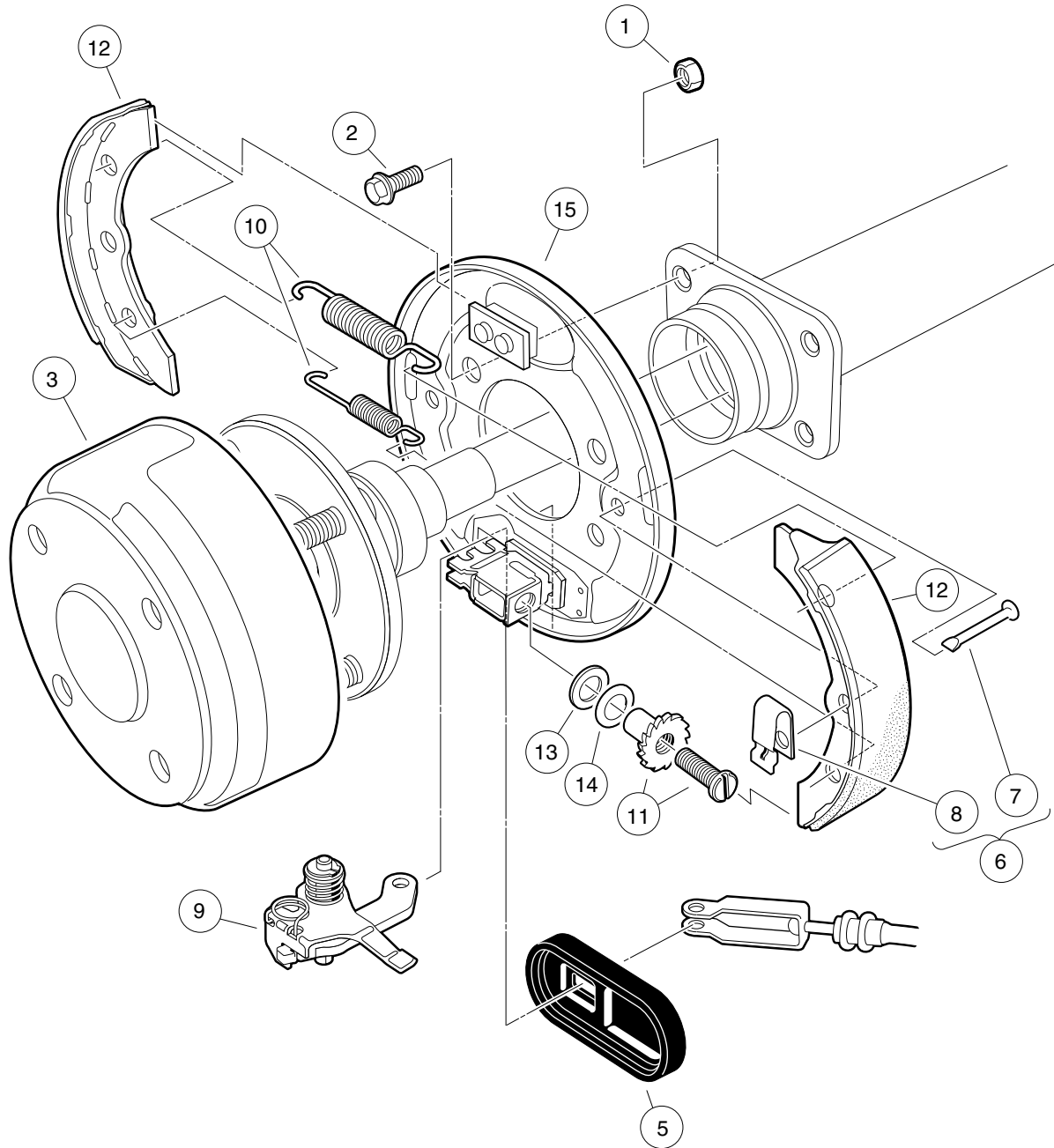
000362-001

## ACCELERATOR ROD – GASOLINE VEHICLES

ITEM	PART NO.	DESCRIPTION	QTY
		1 2 3 4	
1	101912401	Rod, Accelerator (includes items 2 through 4) .....	1
2	<u>1011084</u>	Nut, 1/4-28 Hex Jam .....	2
3	<u>1011734</u>	Joint, Ball .....	2
4	N/A	Accelerator Rod .....	1

5  
G  
E

**5**  
**G**  
**E**



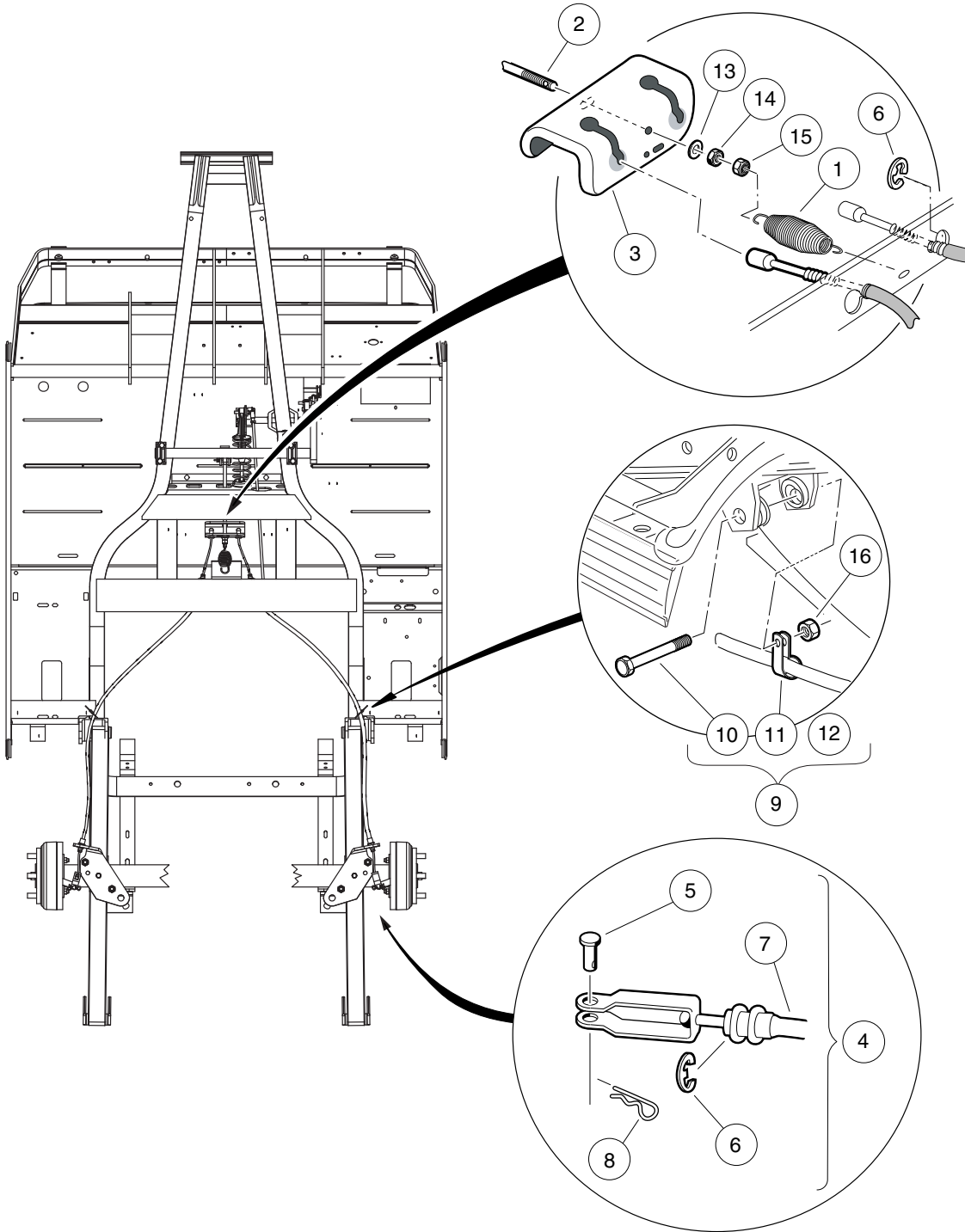
000186-002

# REAR BRAKE ASSEMBLY, SELF-ADJUSTING – VEHICLE WITH 2-WHEEL BRAKES

ITEM	PART NO.	DESCRIPTION	QTY
		1 2 3 4	
1	<u>1013924</u>	Nut, 5/16-24, Hex Head Cone .....	8
2	<u>1014153</u>	Bolt, Brake Cluster Mounting .....	8
3	<u>101791101</u>	Drum without Center Hole, Brake .....	2
4	<u>101823301</u>	Cluster Assembly, Right (Passenger) Brake (includes items 5 through 15) .....	1
5	<u>1010850</u>	Dust Cover .....	1
6	<u>1011466</u>	Kit, Shoe Retainer (includes items 7 and 8) .....	1
7	N/A	Pin .....	2
8	N/A	Shoe Clamp Spring .....	2
9	101815501	Lever Assembly, Self-Adjusting Brake, Right (Passenger) .....	1
10	<u>101816301</u>	Package, Brake Spring, Self-Adjusting .....	1
11	<u>101816501</u>	Adj Mechanism, S.A. Brakes, Right (Passenger) .....	1
12	<u>101823201</u>	Package, Brake Shoe, Self-Adjusting .....	1
13	<u>101823801</u>	Plate, Washer, Brake, Self-Adjusting .....	1
14	<u>101823901</u>	Washer, Brake, Self-Adjusting .....	1
15	<u>101824001</u>	Plate Assembly, Right Brake Backing .....	1
16	<u>101823302</u>	Cluster Assembly, Left Brake (includes items 17 through 27) .....	1
17	<u>1010850</u>	Dust Cover .....	1
18	<u>1011466</u>	Kit, Shoe Retainer (includes items 19 and 20) .....	1
19	N/A	Pin .....	2
20	N/A	Shoe Clamp Spring .....	2
21	101815502	Lever Assembly, Self-Adjusting Brake, Left .....	1
22	<u>101816301</u>	Package, Brake Spring, Self-Adjusting .....	1
23	<u>101816502</u>	Adjusting Mechanism, Self-Adjusting Brake, Left .....	1
24	<u>101823201</u>	Package, Brake Shoe, Self-Adjusting .....	1
25	<u>101823801</u>	Plate, Washer, Brake, Self-Adjusting .....	1
26	<u>101823901</u>	Washer, Brake, Self-Adjusting .....	1
27	<u>101824002</u>	Plate Assembly, Left Brake Backing .....	1
Note: Driver-side brake cluster not shown. Components have a similar appearance to passenger-side brake cluster components.			

5  
G  
E

**5**  
**G**  
**E**



000245-002

# BRAKE CABLES AND EQUALIZER

ITEM	PART NO.	DESCRIPTION	QTY
		<b>1 2 3 4</b>	
1	<u>1013531</u>	Spring, Brake Return .....	1
2	<u>101953101</u>	Rod, Equalizer, 8.91" .....	1
3	<u>101990801</u>	Equalizer Bracket .....	1
4	<u>102022101</u>	Brake Cable Kit (includes items 5 through 8) .....	2
5	<u>1010829</u>	Pin, Clevis, 5/16 X 3/4 .....	1
6	<u>1011779</u>	E-Clip, 1/2 .....	2
7	N/A	Cable, Brake, 41" .....	1
8	<u>102292801</u>	Pin, Bow Tie Locking - .072 .....	1
9	<u>103377301</u>	Kit, Field P-clamp, Brake Line (includes items 10 through 12) .....	1
10	<u>102066201</u>	Screw, 3/8-16 X 3.50 Hex Cap .....	2
11	<u>103377201</u>	P-clamp, Brake Line .....	2
12	N/A	Instr Fd. P-clamp, Brake Line .....	1
13	<u>1241</u>	Washer, 5/16 Type A Flat .....	5
14	<u>1242</u>	Nut, 5/16-18 Hex .....	1
15	<u>7473</u>	Locknut, 5/16-18 Nylon Insert .....	5
16	<u>8754</u>	Locknut, 3/8-16 Hex .....	2

**5**  
**G**  
**E**

**5**

**G**

**E**



# STEERING AND SUSPENSIONS

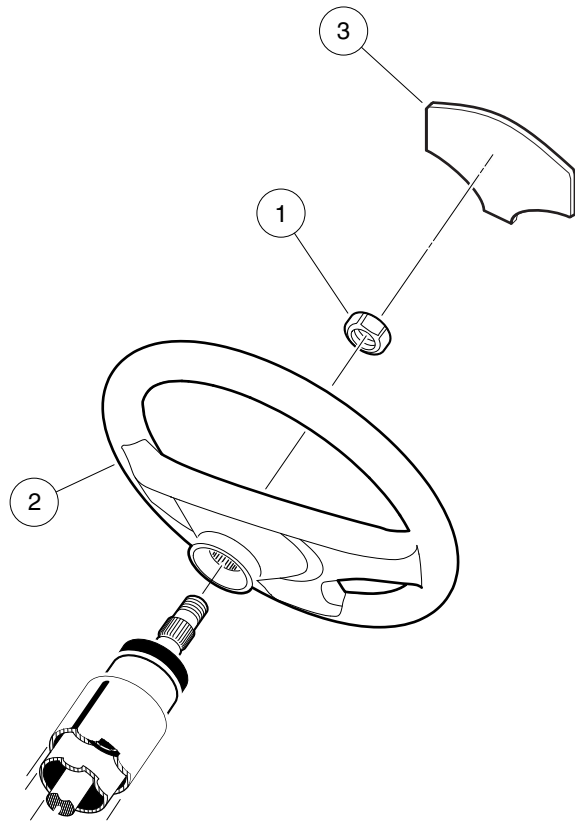
---

6

G

E

**6**  
**G**  
**E**



000246-001

# STEERING WHEEL

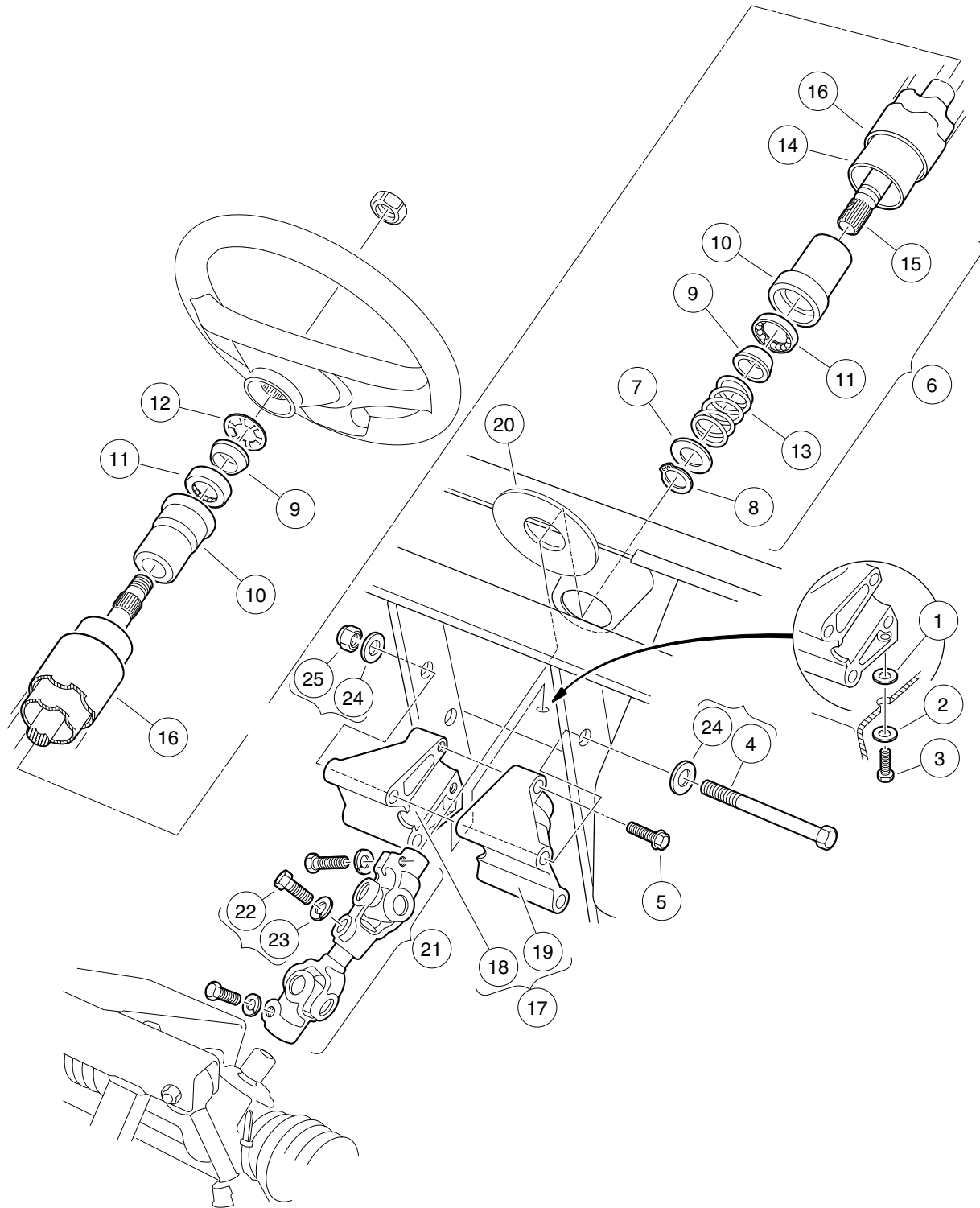
ITEM	PART NO.	DESCRIPTION	QTY
		1 2 3 4	
1	<u>1017273</u>	Nut, 5/8-18 Nylon Insert Jam .....	1
2	<u>102796201</u>	Steering Wheel, Spline .....	1
3	<u>102822401</u>	Wheel Center .....	1

6

G

E

**6**  
**G**  
**E**



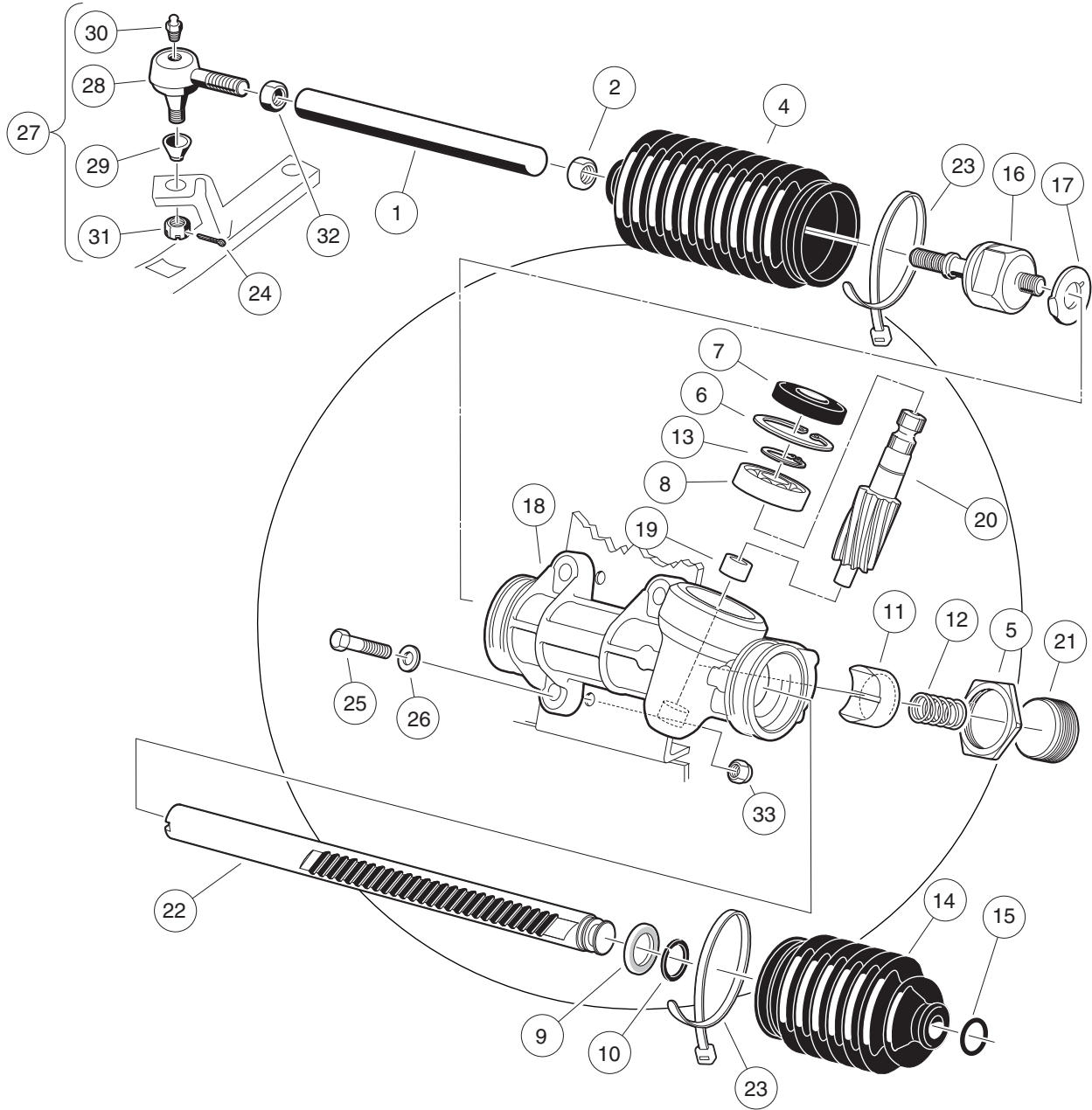
000247-001

# STEERING COLUMN

ITEM	PART NO.	DESCRIPTION	QTY
		<b>1 2 3 4</b>	
1	<u>1011578</u>	Washer, 5/16 Type B Flat .....	1
2	<u>1011697</u>	Washer, 5/16 Flat .....	1
3	<u>1014288</u>	Screw, 5/16-18 X 0.75, Thread-Forming .....	1
4	<u>1016183</u>	Screw, 3/8-16 X 7.00 Hex Cap .....	2
5	<u>1016269</u>	Screw, 5/16-18 Thrd Forming .....	2
6	<u>1017313</u>	Steering Shaft Assembly (includes items 7 through 15) .....	1
7	<u>1012604</u>	Washer, 0.675 ID X 1.19 OD .....	1
8	<u>1012605</u>	Ring, 0.579 Internal Retaining .....	1
9	1014125	Wedge, Molded .....	2
10	<u>1014126</u>	Seat, Plastic Bearing .....	2
11	<u>1014213</u>	Bearing, Ball .....	2
12	1014214	Ring, Retaining .....	1
13	<u>1014217</u>	Spring, Steering Shaft .....	1
14	<u>1017314</u>	Column, Aluminum Steering .....	1
15	<u>1017315</u>	Shaft Steering Column .....	1
16	<u>1017317</u>	Tube Cover, Steering Column .....	1
17	101984801	Kit, Steering Column Mounting Bracket (includes items 18 and 19) .....	1
18	N/A	Bracket, RH Steering Column Mount .....	1
19	N/A	Bracket, LH Steering column mount .....	1
20	<u>102278001</u>	Boot, Steering Column Round .....	1
21	<u>103601601</u>	Shaft, Intermediate Steering (includes items 22 and 23) .....	1
22	<u>1017226</u>	Bolt, Hex-Head, 8mm X 1.25 - 30 .....	3
23	<u>7174</u>	Lockwasher, 5/16 Split .....	3
24	<u>334</u>	Washer, 3/8, Type A, Flat .....	4
25	<u>8754</u>	Locknut, 3/8-16 Hex .....	2

**6**  
**G**  
**E**

**6**  
**G**  
**E**

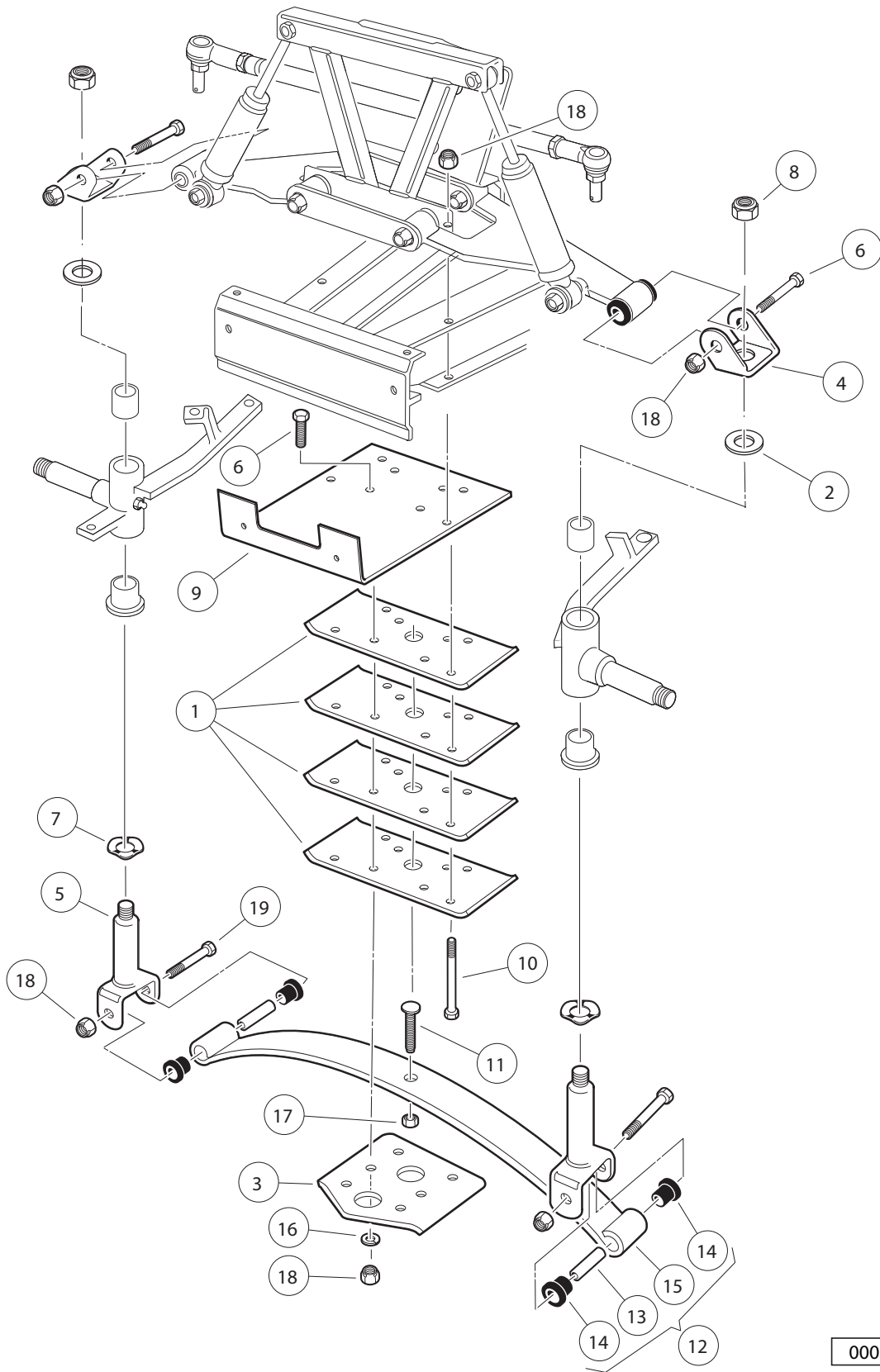


000189-003

# STEERING GEAR ASSEMBLY

ITEM	PART NO.	DESCRIPTION	QTY	<b>6</b>
		<b>1 2 3 4</b>		<b>G</b>
1	<u>1012467</u>	Link, Rack and Pinion Drag .....	1	<b>E</b>
2	1013042	Nut, 12mm Hex .....	1	
3	<u>101878302</u>	Steering Gear Assembly (without yoke) (includes items 4 through 23) .....	1	
4	<u>1013035</u>	Bellows, Long .....	1	
5	<u>1013044</u>	Rack Screw Locknut .....	1	
6	N/A	Snap Ring .....	1	
7	<u>1013052</u>	Seal, Steering Pinion Dust .....	1	
8	<u>101879401</u>	Bearing, Ball .....	1	
9	<u>101879501</u>	Stop Washer .....	1	
10	101879601	Stop Ring, C-Type .....	1	
11	<u>101879701</u>	Support Yoke .....	1	
12	<u>101879801</u>	Rack Guide Pressure Spring .....	1	
13	<u>101879901</u>	Ring, Stop, C-Type .....	1	
14	<u>101880001</u>	Bellows, Short .....	1	
15	101880101	Dust Seal Retaining Ring .....	1	
16	<u>101880201</u>	Inner Ball Joint Asm .....	1	
17	101880301	Washer, Tab .....	1	
18	N/A	Box, Steering Gear .....	1	
19	N/A	Bearing, Lower Pinion .....	1	
20	N/A	Pinion, Steering .....	1	
21	N/A	Screw, Rack Guide .....	1	
22	N/A	Rack, Steering .....	1	
23	<u>8990</u>	Tie Wrap, 8" Nylon .....	2	
24	<u>1035</u>	Cotter Pin, 3/32 x 1 .....	1	
25	<u>1624</u>	Screw, 3/8-16 X 1.50, Hex-Head Cap .....	3	
26	<u>334</u>	Washer, 3/8, Type A, Flat .....	3	
27	<u>7540</u>	Ball Joint, Left (includes items 28 through 31) .....	1	
28	1011895	Socket, LH Vertical .....	1	
29	<u>1011930</u>	Seal, Vertical Socket Dust .....	1	
30	<u>1015597</u>	Fitting, 1/4-28 Thread-Forming Grease .....	1	
31	7602	Nut, 3/8-24 UNF Hex .....	1	
32	<u>7555</u>	Nut, 1/2-20 Hex, Left-Hand Thread .....	1	
33	<u>8754</u>	Locknut, 3/8-16 Hex .....	3	

**6**  
**G**  
**E**



000191-005

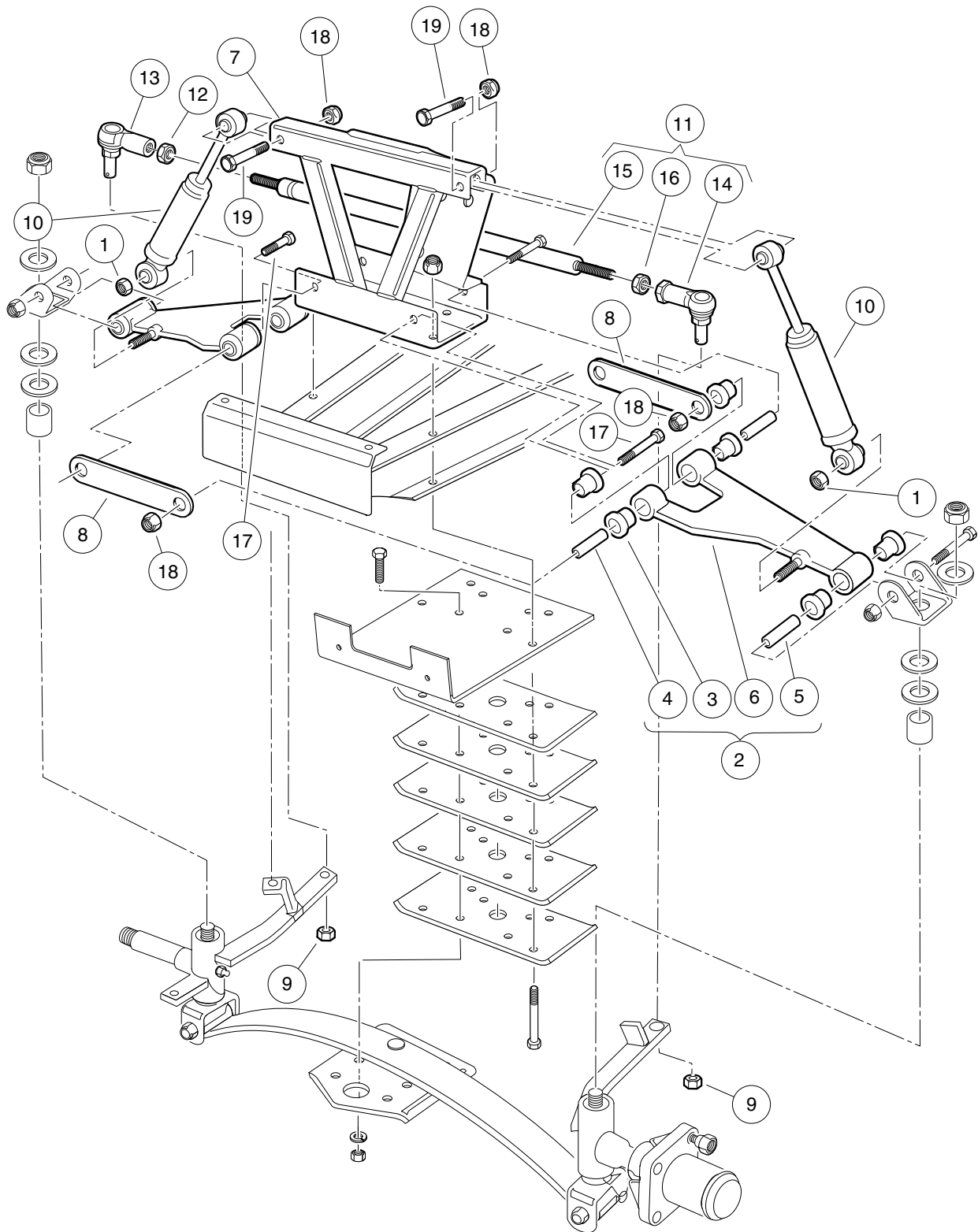


# FRONT SUSPENSION, LOWER – VEHICLES WITH TWO-WHEEL BRAKES

ITEM	PART NO.	DESCRIPTION	QTY
		<b>1 2 3 4</b>	
1	<u>1010124</u>	Plate, Spring Mount .....	4
2	<u>1010150</u>	Bearing, Thrust .....	2
3	<u>1014276</u>	Plate, Front Spring Retainer .....	1
4	<u>1016384</u>	Clevis, Delta Upper .....	2
5	<u>1016386</u>	King Pin Assembly .....	2
6	<u>1016387</u>	Screw, 3/8-16 X 2.75 Hx Hd Cap .....	6
7	<u>1016389</u>	Washer, 1.125 Od Wave .....	2
8	<u>101903101</u>	Locknut, 1/2-20 Nylon Insert .....	2
9	<u>102830401</u>	Support, Brush Guard .....	1
10	<u>102913601</u>	Screw, 3/8-16 X 5.50 Hx Hd Cap .....	4
11	<u>103507001</u>	Eccentric Bolt Common .....	1
12	<u>103628701</u>	Spring Asm, Front, 1 Leaf (includes items 13 through 15) .....	1
13	<u>1012303</u>	Bushing, Steel .....	2
14	<u>101558302</u>	Bushing, Urethane, Soft .....	4
15	103502601	Spring, Front, 1 Leaf .....	1
16	<u>357</u>	Lockwasher, 3/8 Split .....	4
17	<u>706</u>	Nut, Hex 3/8-16 .....	1
18	<u>8754</u>	Locknut, 3/8-16 Hex .....	8
19	<u>8755</u>	Screw, 3/8-16 X 3.375 Hex Cap .....	2

**6**  
**G**  
**E**

**6**  
**G**  
**E**



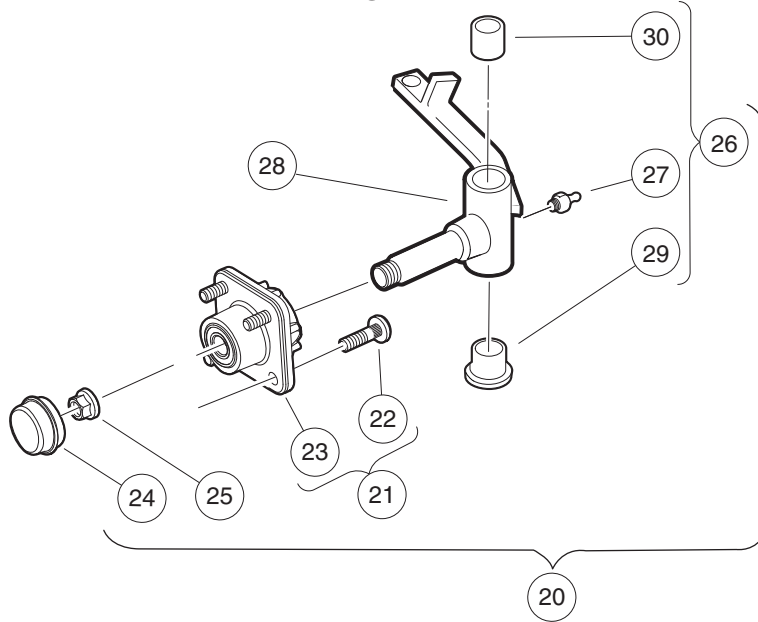
000190-002

## FRONT SUSPENSION, UPPER

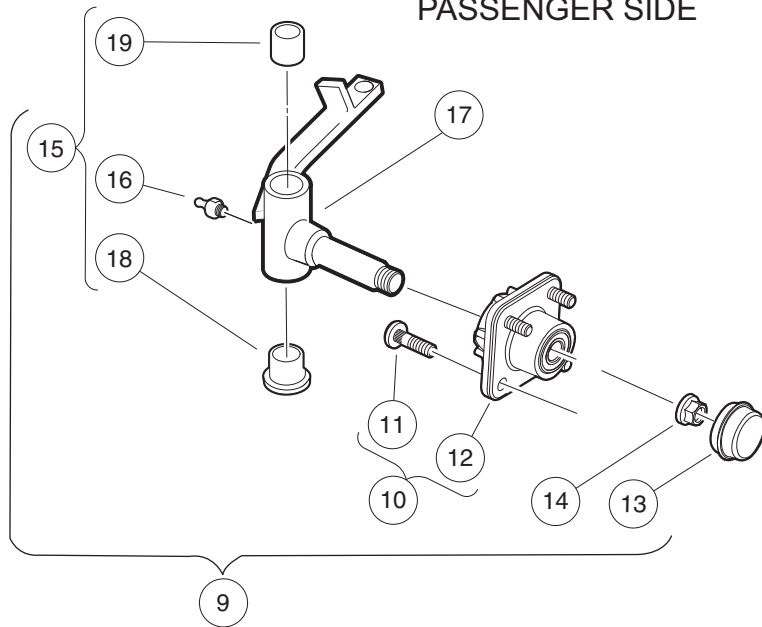
ITEM	PART NO.	DESCRIPTION	QTY
		<b>1 2 3 4</b>	
1	<u>1010138</u>	Locknut, 3/8-16 Dimpled .....	2
2	<u>1016353</u>	Sub-Assembly, Delta A-Plate (includes items 3 through 6) .....	2
3	<u>1016346</u>	Bushing, Urethane .....	6
4	<u>1016349</u>	Sleeve, Delta Inner .....	2
5	<u>1016350</u>	Sleeve, Delta Outer .....	1
6	<u>1016351</u>	Delta A-Plate .....	1
7	<u>1016385</u>	Delta Shock and Gear Support Assembly .....	1
8	<u>1017266</u>	A-Plate Strap .....	2
9	<u>102289201</u>	Nut - Hex Locking, M12 X 1.25 .....	3
10	<u>103351001</u>	Shock Absorber, Front, Common .....	2
11	<u>103653601</u>	Asm, Tie Rod (includes items 12 through 16) .....	1
12	<u>1013042</u>	Nut, 12mm Hex .....	1
13	<u>102022601</u>	End, Tie Rod M12 X 1.25 Rh .....	1
14	<u>102022602</u>	End, Tie Rod, M12 X 1.25, Lh .....	1
15	<u>103354701</u>	Rod, Tie, Male Thd .....	1
16	<u>103653501</u>	Nut, Jam, M12-1.25, Lh .....	1
17	<u>2402</u>	Screw, 3/8-16 X 2.25 Hx Hd Cap .....	4
18	<u>8754</u>	Locknut, 3/8-16 Hex .....	13
19	<u>8861</u>	Bolt, 3/8-16 X 1.75 Hex .....	2

**6**  
**G**  
**E**

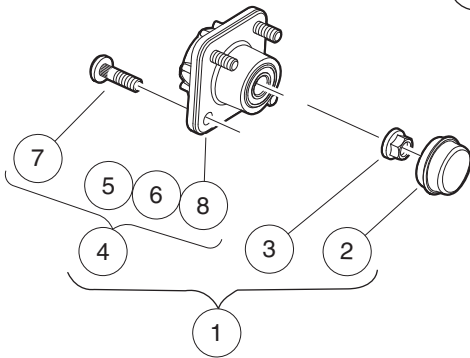
DRIVER SIDE



PASSENGER SIDE



REPLACEMENT HUB  
FOR DRIVER OR  
PASSENGER SIDE



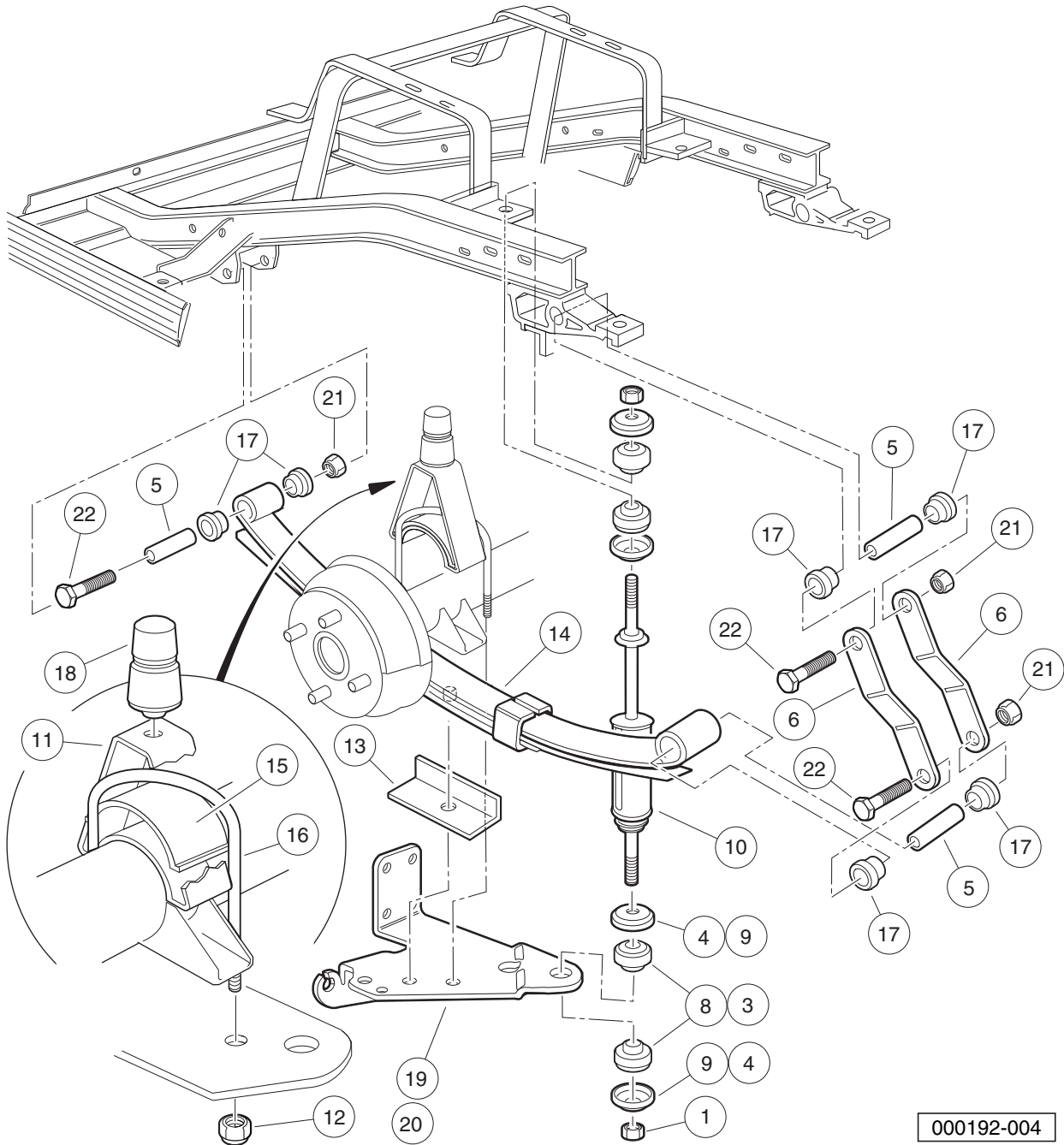
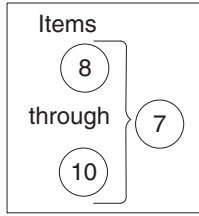
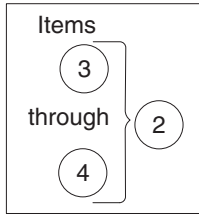
000301-008

# FRONT SPINDLES AND HUBS

ITEM	PART NO.	DESCRIPTION	QTY
		1 2 3 4	
1	<u>102357701</u>	Replacement Kit, Front Hub (includes items 2 through 4) .....	1
2	<u>102353201</u>	Cap, Front Hub .....	1
3	<u>102353301</u>	Hex Nut, Locking Flange, M14x2 .....	1
4	N/A	Asm, Front Hub, Bb, Long Stud (includes items 5 through 8) .....	1
5	N/A	Bearing, Ball, 6204 .....	2
6	N/A	Spacer, Bearing, Front Hub, Pm .....	1
7	<u>103477901</u>	Lug Stud, 1/2-20 Unf, 4037 .....	4
8	N/A	Front Hub, Ball Brg, Long Stud .....	1
9	N/A	Asm, Hub And Spindle, Left-Hand Ext (includes items 10 through 15) .....	1
10	N/A	Front Hub Assembly, Ball Bearing (includes items 11 and 12) .....	1
11	<u>102353401</u>	Lug Stud, 1/2-20 UNF, 4037 Stl .....	4
12	N/A	Hub, Front .....	1
13	<u>102353201</u>	Cap, Front Hub .....	1
14	<u>102353301</u>	Hex Nut, Locking Flange, M14x2 .....	1
15	<u>102354204</u>	Asm, Spindle, LH, Ext (includes items 16 through 19) .....	1
16	<u>1015597</u>	Fitting, 1/4-28 Thread-Forming Grease .....	1
17	N/A	Subasm, Spindle, LH, Ext .....	1
18	<u>7048</u>	Bushing, Flanged Bronze .....	1
19	<u>8067</u>	Bushing, Bronze Spindle .....	1
20	N/A	Asm, Hub And Spindle, Right-Hand Ext (includes items 21 through 26) .....	1
21	N/A	Front Hub Assembly, Ball Bearing (includes items 22 and 23) .....	1
22	<u>102353401</u>	Lug Stud, 1/2-20 UNF, 4037 Stl .....	4
23	N/A	Hub, Front .....	1
24	<u>102353201</u>	Cap, Front Hub .....	1
25	<u>102353301</u>	Hex Nut, Locking Flange, M14x2 .....	1
26	<u>102354104</u>	Asm, Spindle, RH, Ext (includes items 27 through 30) .....	1
27	<u>1015597</u>	Fitting, 1/4-28 Thread-Forming Grease .....	1
28	N/A	Subasm, Spindle, RH, Ext .....	1
29	<u>7048</u>	Bushing, Flanged Bronze .....	1
30	<u>8067</u>	Bushing, Bronze Spindle .....	1

6  
G  
E

**6**  
**G**  
**E**



000192-004

# REAR SUSPENSION

ITEM	PART NO.	DESCRIPTION	QTY
		<b>1 2 3 4</b>	
1	<u>1010145</u>	Nut, 3/8-24 Hex .....	4
2	<u>1011415</u>	Kit, Shock Absorber Cushion (includes items 3 and 4) .....	4
3	N/A	Cushion, Shock Absorber .....	2
4	N/A	Retainer, Shock Absorber Cushion .....	2
5	<u>1012303</u>	Bushing, Steel .....	6
6	<u>1012304</u>	Shackle, Rear Spring .....	4
7	<u>1013164</u>	Shock Absorber Kit (includes items 8 through 10) .....	1
8	N/A	Cushion, Shock Absorber .....	8
9	N/A	Retainer, Shock Absorber Cushion .....	8
10	<u>102588501</u>	Shock Absorber, Rear .....	2
11	<u>101454902</u>	Bumper Mount, Angled .....	2
12	<u>1014555</u>	Locknut, 7/16-14 Nylon Hex .....	4
13	1014573	Spring Retainer .....	2
14	<u>1014675</u>	Rear Leaf Spring .....	2
15	<u>1014901</u>	Spacer, Overload Bumper .....	2
16	<u>1014902</u>	U-Bolt .....	2
17	<u>1015583</u>	Bushing, Urethane .....	12
18	<u>1017235</u>	Bumper, Jounce .....	2
19	<u>101926501</u>	Bracket, Left-Hand .....	1
20	101929401	Bracket, Right .....	1
21	<u>8754</u>	Locknut, 3/8-16 Hex .....	6
22	<u>8755</u>	Screw, 3/8-16 X 3.375 Hex Cap .....	6

6  
G  
E

**6**

**G**

**E**



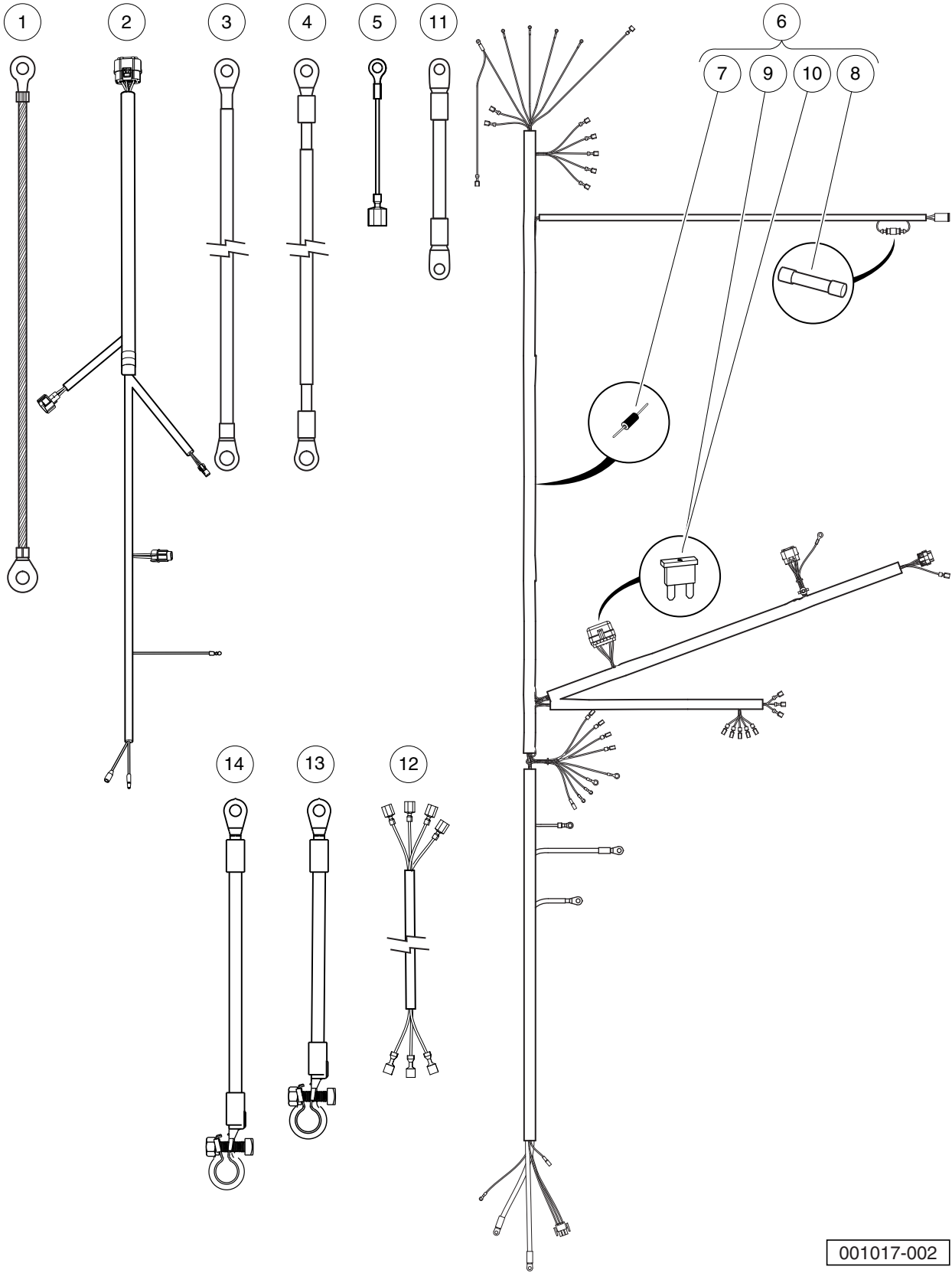
# **ELECTRICAL SYSTEM – GASOLINE VEHICLES**

---

**7**

**G**

**7**  
**G**



001017-002

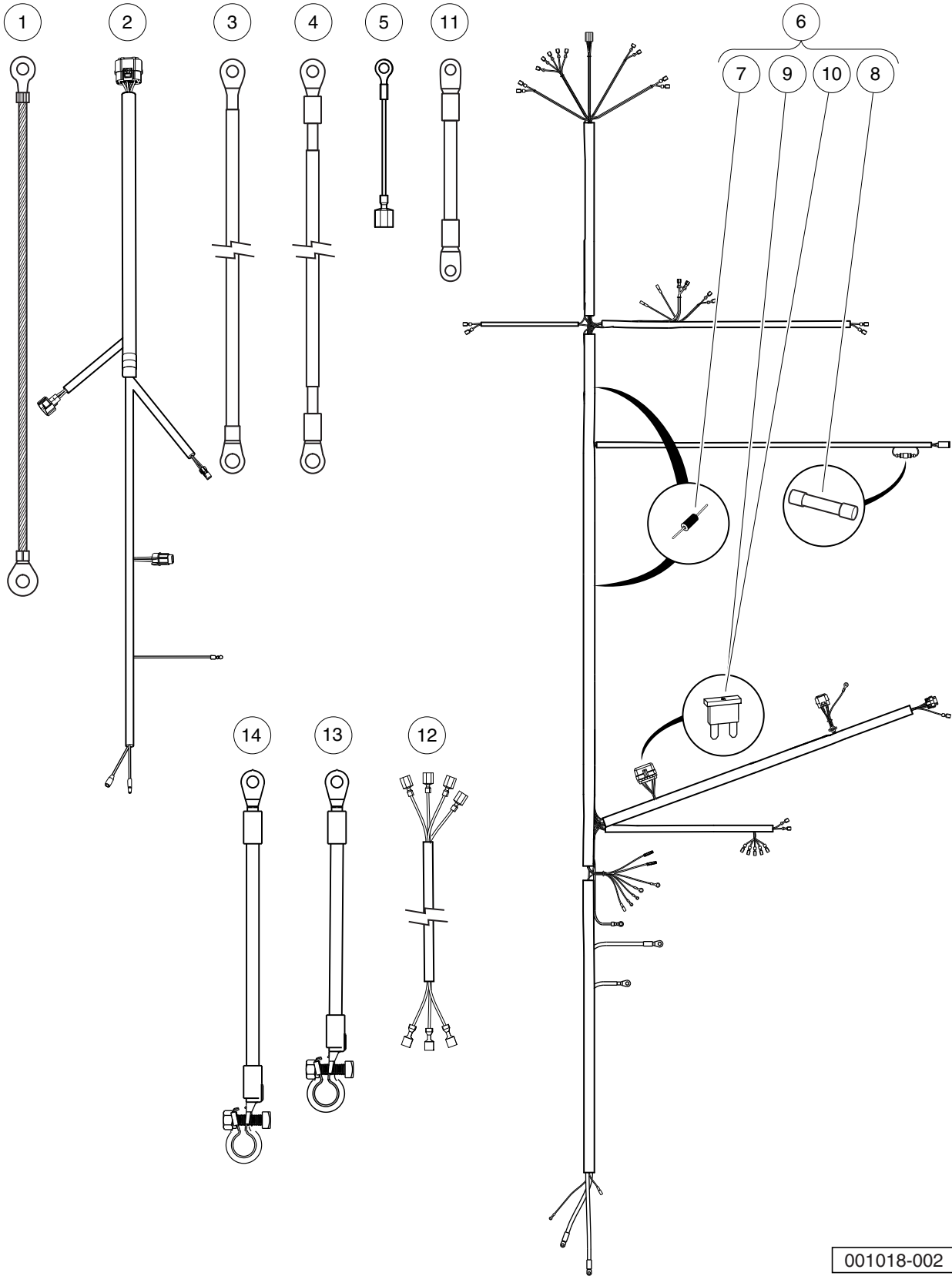
# WIRING, FUSES, AND DIODES, PEDAL-START – EFI, CA100

ITEM	PART NO.	DESCRIPTION	QTY
		1 2 3 4	
1	<u>1015332</u>	Wire, Ground, #10, Uninsulated .....	1
2	<u>105008101</u>	Harness, Wire, ECU/Engine .....	1
3	<u>105135901</u>	Wire, Battery (side-post), B-, Gas .....	1
4	<u>105136001</u>	Wire, Battery (side-post), B+, Gas .....	1
5	<u>105143301</u>	Wire, Ground, Fuel Tank .....	1
6	<u>105151001</u>	Harness, Main, Util, Ps (includes items 7 through 10) .....	1
7	<u>1014789</u>	Diode, General Purpose, 3.0-Amp .....	1
8	<u>103924801</u>	Fuse, Glass, 2-Amp .....	1
9	<u>105081501</u>	Fuse, ATM, 5-Amp .....	1
10	<u>105081601</u>	Fuse, ATM, 10-Amp .....	1
11	<u>105161701</u>	Wire, 4-Ga, Green, Starter/Generator .....	1
12	<u>105245701</u>	Jumper, Run/maint, Sw .....	1
13	<u>105256701</u>	Wire Assy, 4ga, Battery, (top-post) B-, Gas .....	1
14	<u>105256801</u>	Wire Assy, 4ga, Battery, (top-post) B+, Gas .....	1
Note: For ECU, see Throttle Body in Fuel System section.			

7

G

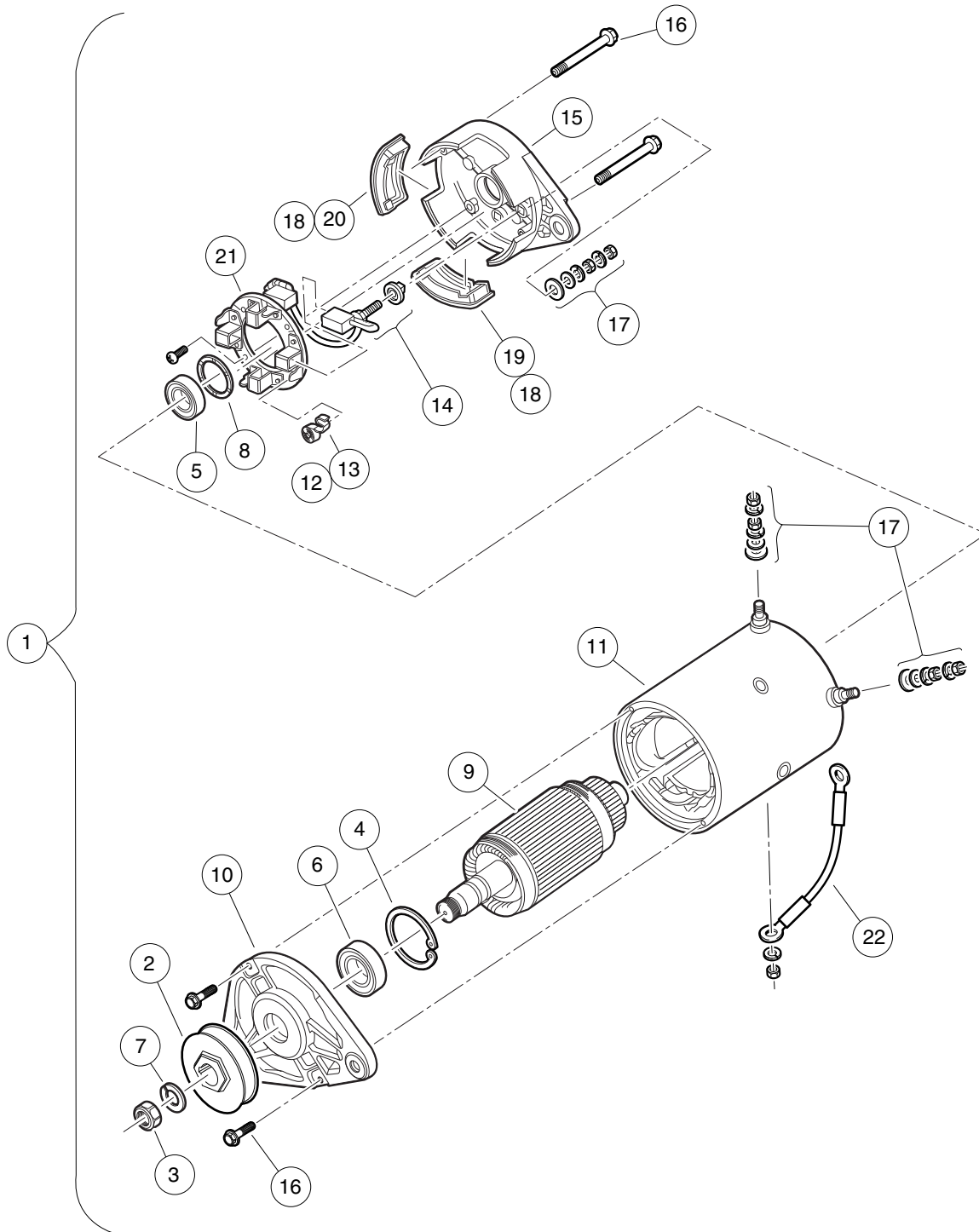
**7**  
**G**



# WIRING, FUSES, AND DIODES, KEY-START – EFI, CA100-CE

ITEM	PART NO.	DESCRIPTION	QTY
		1 2 3 4	
1	<u>1015332</u>	Wire, Ground, #10, Uninsulated .....	1
2	<u>105008101</u>	Harness, Wire, ECU/Engine .....	1
3	<u>105135901</u>	Wire, Battery (side-post), B-, Gas .....	1
4	<u>105136001</u>	Wire, Battery (side-post), B+, Gas .....	1
5	<u>105143301</u>	Wire, Ground, Fuel Tank .....	1
6	<u>105151101</u>	Harness, Wire, Main, CA100 CE (includes items 7 through 10) .....	1
7	<u>1014789</u>	Diode, General Purpose, 3.0-Amp .....	2
8	<u>103924801</u>	Fuse, Glass, 2-Amp .....	1
9	<u>105081501</u>	Fuse, ATM, 5-Amp .....	1
10	<u>105081601</u>	Fuse, ATM, 10-Amp .....	1
11	<u>105161701</u>	Wire, 4-Ga, Green, Starter/Generator .....	1
12	<u>105245701</u>	Jumper, Run/maint, Sw .....	1
13	<u>105256701</u>	Wire Assy, 4ga, Battery, (top-post) B-, Gas .....	1
14	<u>105256801</u>	Wire Assy, 4ga, Battery, (top-post) B+, Gas .....	1
		Note: For ECU, see Throttle Body in Fuel System section.	

**7**  
**G**

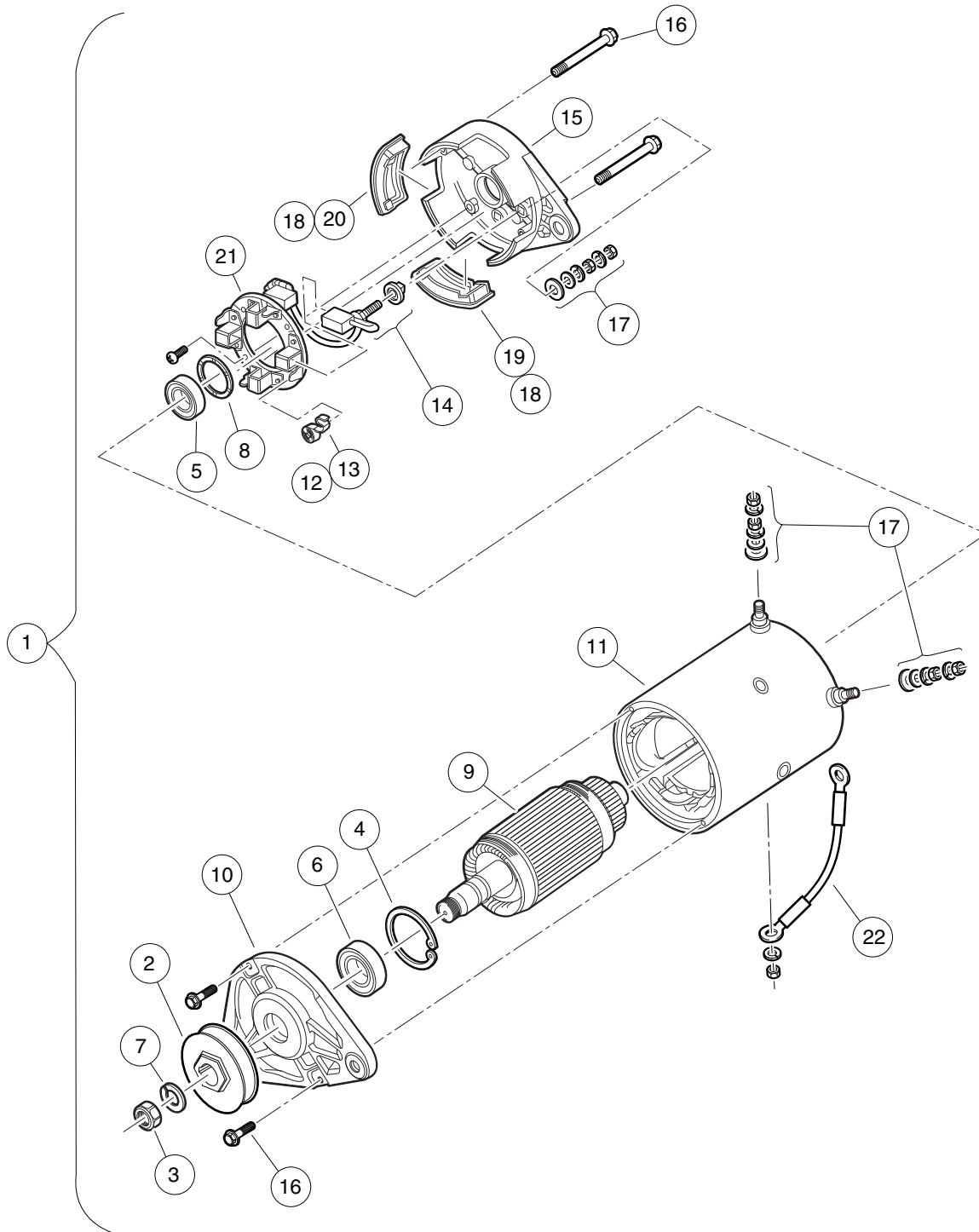


001016-001

# STARTER/GENERATOR (MODEL 114-04-4006), KEY-START – EFI

ITEM	PART NO.	DESCRIPTION	QTY
		1 2 3 4	
1	<u>105190102</u>	Starter/Generator, Bi-Rotational, Utility, Key-Start (includes items 2 through 22) .....	1
2	<u>1014289</u>	Pulley, Starter/Generator .....	1
3	<u>102838701</u>	Nut, Hex, M14x2, S/G .....	1
4	<u>102838801</u>	Retainer, Front, S/G .....	1
5	<u>102838901</u>	Bearing, Ball, Front, S-g .....	1
6	<u>102839001</u>	Bearing, Ball, Front, S-g .....	1
7	<u>102839301</u>	Washer, Lock M14x2, S-g .....	1
8	<u>102841101</u>	Washer, Wave, S-g .....	1
9	N/A	Asm, Armature, Starter/Generator .....	1
10	<u>102844601</u>	Head, Drive End, S-g .....	1
11	<u>102844701</u>	Asm, Frame and Field, Starter/Generator .....	1
12	<u>103347101</u>	Kit, Spring Brush, Starter/Generator (includes item 13) .....	1
13	N/A	Spring, Brush, S-g .....	4
14	<u>103347301</u>	Set, Brush Term, S-g .....	1
15	<u>103347601</u>	Head, Comm End, S-g .....	1
16	<u>103347701</u>	Set, Fastener, Ceh Deh, S-g .....	1
17	<u>103347801</u>	Set, Term Hardware, S/G .....	1
18	<u>103347901</u>	Kit, Cover, Brush Insp, Starter/Generator (includes items 19 and 20) .....	1
19	N/A	Plug, Rubber Drain, Start/Generator .....	3
20	N/A	Cover, Inspection, S-g .....	1
21	<u>103953301</u>	Kit, Brush And Brush Holder .....	1
22	<u>105161701</u>	Wire, 4-Ga, Green, Starter/Generator .....	1

**7**  
**G**



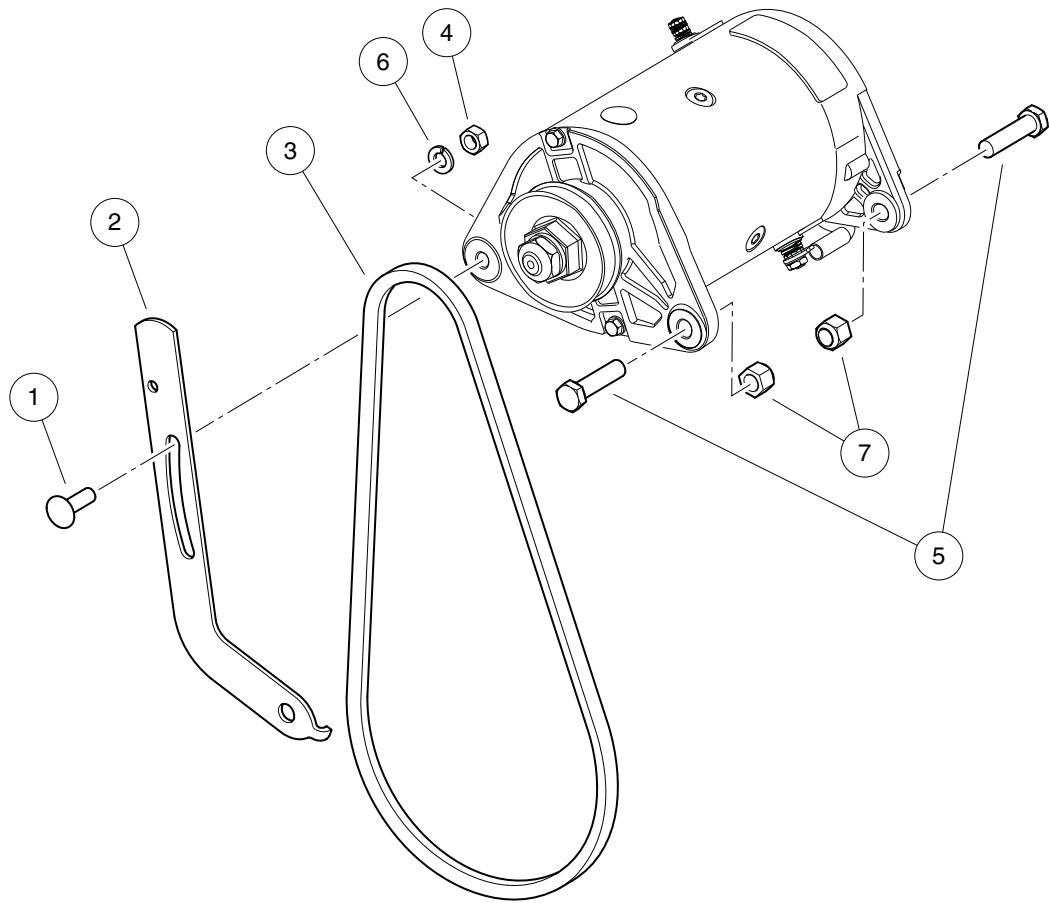
001016-001



# STARTER/GENERATOR (MODEL 114-05-4001), PEDAL-START – EFI

ITEM	PART NO.	DESCRIPTION	QTY
		1 2 3 4	
1	<u>105190101</u>	Starter/Generator, High-Torque, Utility, Pedal-Start (includes items 2 through 22) .....	1
2	<u>1014289</u>	Pulley, Starter/Generator .....	1
3	<u>102838701</u>	Nut, Hex, M14x2, S/G .....	1
4	<u>102838801</u>	Retainer, Front, S/G .....	1
5	<u>102838901</u>	Bearing, Ball, Front, S-g .....	1
6	<u>102839001</u>	Bearing, Ball, Front, S-g .....	1
7	<u>102839301</u>	Washer, Lock M14x2, S-g .....	1
8	<u>102841101</u>	Washer, Wave, S-g .....	1
9	N/A	Asm, Armature, Starter/Generator .....	1
10	<u>102844601</u>	Head, Drive End, S-g .....	1
11	<u>102844701</u>	Asm, Frame and Field, Starter/Generator .....	1
12	<u>103347101</u>	Kit, Spring Brush, Starter/Generator (includes item 13) .....	1
13	N/A	Spring, Brush, S-g .....	4
14	<u>103347301</u>	Set, Brush Term, S-g .....	1
15	<u>103347601</u>	Head, Comm End, S-g .....	1
16	<u>103347701</u>	Set, Fastener, Ceh Deh, S-g .....	1
17	<u>103347801</u>	Set, Term Hardware, S/G .....	1
18	<u>103347901</u>	Kit, Cover, Brush Insp, Starter/Generator (includes items 19 and 20) .....	1
19	N/A	Plug, Rubber Drain, Start/Generator .....	3
20	N/A	Cover, Inspection, S-g .....	1
21	<u>103953301</u>	Kit, Brush And Brush Holder .....	1
22	<u>105161701</u>	Wire, 4-Ga, Green, Starter/Generator .....	1

**7**  
**G**

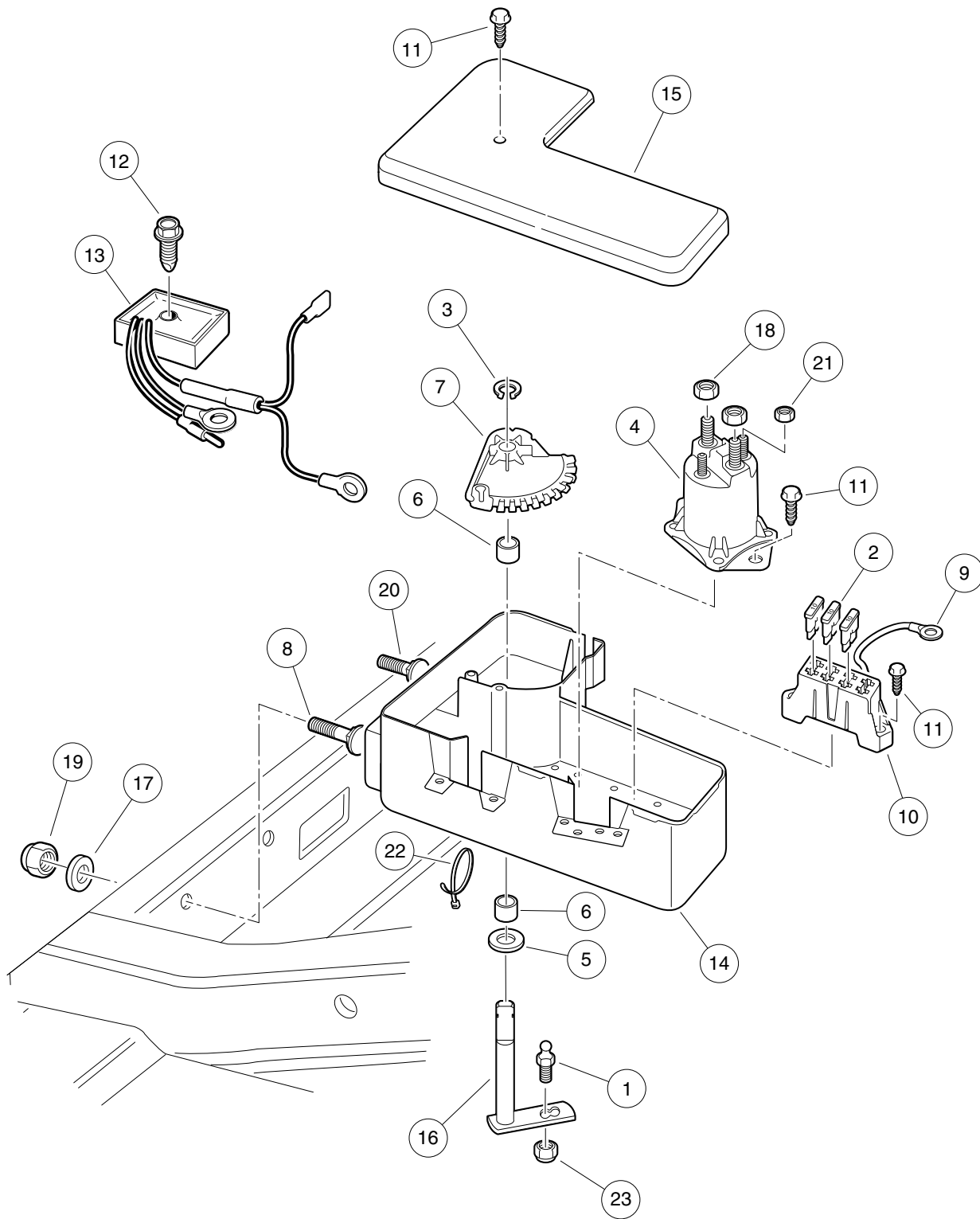


001009-001

# STARTER/GENERATOR MOUNTING, EX40 – TO EARLY-2016 MODEL YEAR

ITEM	PART NO.	DESCRIPTION	QTY
		1 2 3 4	
1	<u>1015932</u>	Bolt, Carriage, 5/16-18 .....	1
2	<u>104005301</u>	Bracket, Adjustable, Starter/Generator, EX40 .....	1
3	<u>105205401</u>	Belt, Sg, 871, Ex40 .....	1
4	<u>1242</u>	Nut, 5/16-18 Hex .....	1
5	<u>1624</u>	Screw, 3/8-16 X 1.50, Hex-Head Cap .....	2
6	<u>7174</u>	Lockwasher, 5/16 Split .....	1
7	<u>8754</u>	Locknut, 3/8-16 Hex .....	2

**7**  
**G**



001014-002

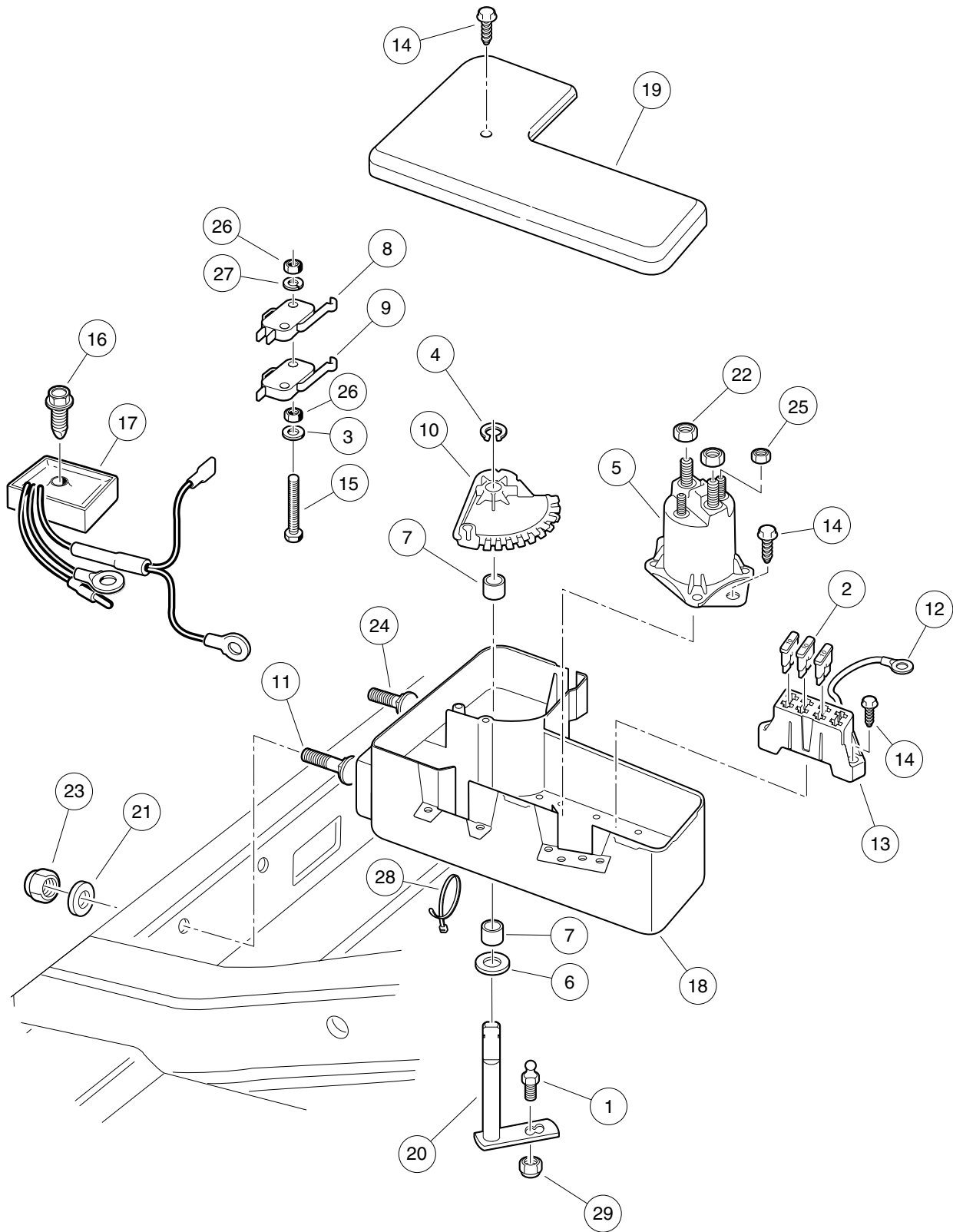
# ELECTRICAL COMPONENT BOX, KEY-START – EX40

ITEM	PART NO.	DESCRIPTION	QTY
		1 2 3 4	
1	<u>1010954</u>	Stud, Ball, 1/4-28 X 0.560 .....	1
2	<u>1012295</u>	Fuse, 10-Amp .....	3
3	<u>1013589</u>	Ring, Retaining, 0.338" Internal .....	1
4	<u>1013609</u>	Solenoid, 12-Volt .....	1
5	<u>1014065</u>	Washer, Flat, 0.38" ID, Delrin .....	1
6	<u>1014145</u>	Bushing, Secondary Weight, Split .....	2
7	<u>1015373</u>	Cam, Electric Box .....	1
8	<u>1015405</u>	Bolt, Carriage, 5/16-18 X 2.0 .....	1
9	<u>1015737</u>	Wire Assy, #10 Red .....	1
10	<u>1015741</u>	Fuse Block .....	1
11	<u>1015752</u>	Screw, #12-16 X 0.625, Hi-Lo .....	5
12	<u>101856102</u>	Screw, 1/4-15 X 1.50, Hi-lo, Hex .....	1
13	<u>102711201</u>	Voltage Regulator .....	1
14	105000301	Box, Component, Electrical .....	1
15	<u>105000401</u>	Cover, Box, Component, Elec .....	1
16	<u>105037401</u>	Weldment, Bellcrank, Comp Box .....	1
17	<u>1241</u>	Washer, 5/16 Type A Flat .....	2
18	<u>1242</u>	Nut, 5/16-18 Hex .....	2
19	<u>7473</u>	Locknut, 5/16-18 Nylon Insert .....	2
20	<u>7818</u>	Bolt, Carriage, 5/16-18 X 1.5 .....	1
21	<u>7893</u>	Nut, #10-32 Hex .....	2
22	<u>8639</u>	Tie Wrap, 11" Nylon .....	6
23	<u>8717</u>	Locknut, Nylon Insert, 1/4-28 .....	1

7

G

**7**  
**G**

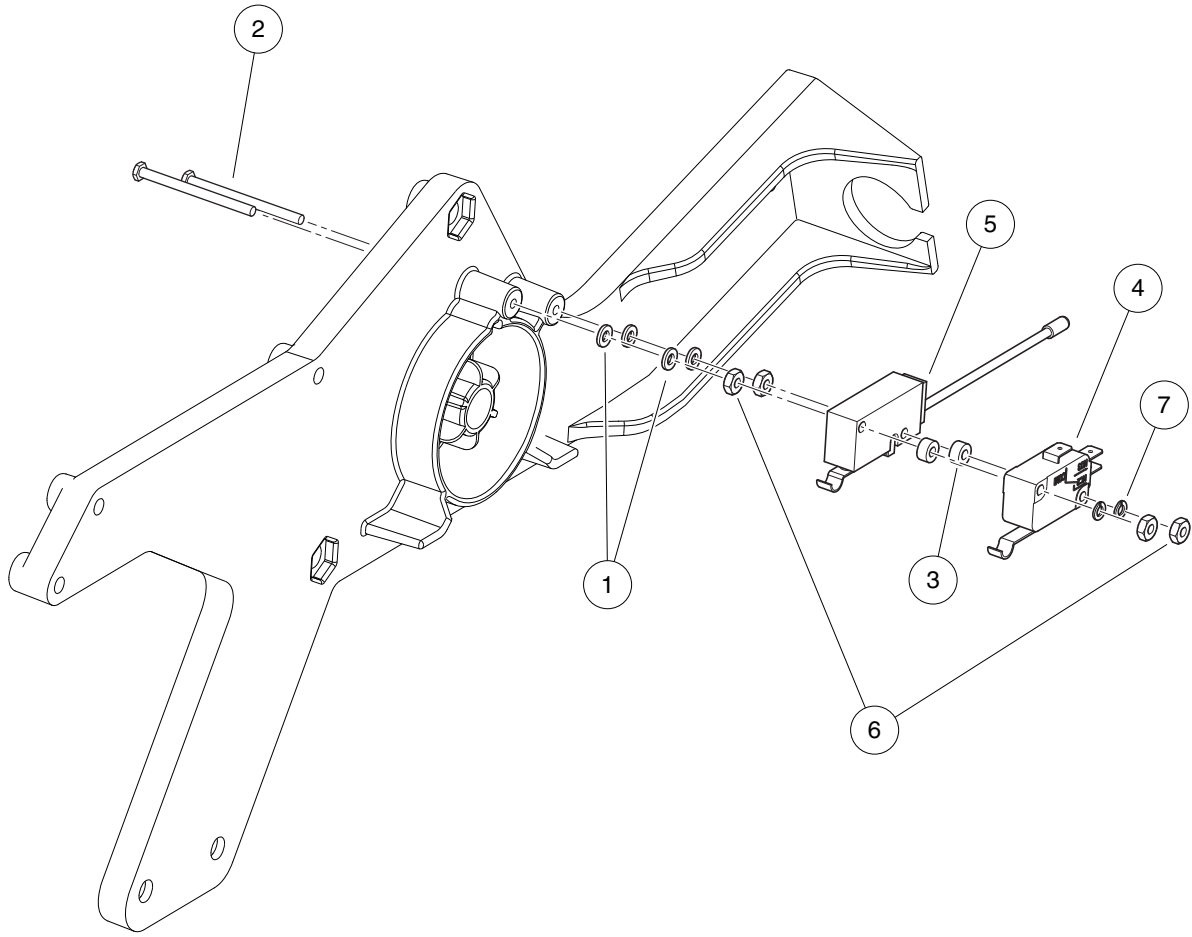


001014-001

# ELECTRICAL COMPONENT BOX, PEDAL-START – EX40

ITEM	PART NO.	DESCRIPTION	QTY
		1 2 3 4	
1	<u>1010954</u>	Stud, Ball, 1/4-28 X 0.560 .....	1
2	<u>1012295</u>	Fuse, 10-Amp .....	3
3	<u>1012431</u>	Washer, #4 Flat .....	2
4	<u>1013589</u>	Ring, Retaining, 0.338" Internal .....	1
5	<u>1013609</u>	Solenoid, 12-Volt .....	1
6	<u>1014065</u>	Washer, Flat, 0.38" ID, Delrin .....	1
7	<u>1014145</u>	Bushing, Secondary Weight, Split .....	2
8	<u>1014807</u>	Switch, Limit .....	1
9	<u>1014808</u>	Switch, Limit .....	1
10	<u>1015373</u>	Cam, Electric Box .....	1
11	<u>1015405</u>	Bolt, Carriage, 5/16-18 X 2.0 .....	1
12	<u>1015737</u>	Wire Assy, #10 Red .....	1
13	<u>1015741</u>	Fuse Block .....	1
14	<u>1015752</u>	Screw, #12-16 X 0.625, Hi-Lo .....	5
15	<u>1015878</u>	Screw, #4-40 Hex Head Machine .....	2
16	<u>101856102</u>	Screw, 1/4-15 X 1.50, Hi-lo, Hex .....	1
17	<u>102711201</u>	Voltage Regulator .....	1
18	<u>105000301</u>	Box, Component, Electrical .....	1
19	<u>105000401</u>	Cover, Box, Component, Elec .....	1
20	<u>105037401</u>	Weldment, Bellcrank, Comp Box .....	1
21	<u>1241</u>	Washer, 5/16 Type A Flat .....	2
22	<u>1242</u>	Nut, 5/16-18 Hex .....	2
23	<u>7473</u>	Locknut, 5/16-18 Nylon Insert .....	2
24	<u>7818</u>	Bolt, Carriage, 5/16-18 X 1.5 .....	1
25	<u>7893</u>	Nut, #10-32 Hex .....	2
26	<u>8057</u>	Nut, #4-40 Hex Machine .....	4
27	<u>8058</u>	Lockwasher, #4 Split .....	2
28	<u>8639</u>	Tie Wrap, 11" Nylon .....	6
29	<u>8717</u>	Locknut, Nylon Insert, 1/4-28 .....	1

**7**  
**G**



001013-002

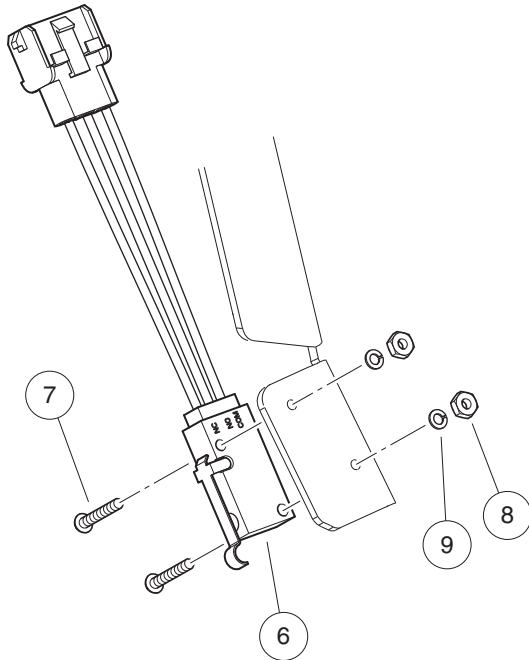
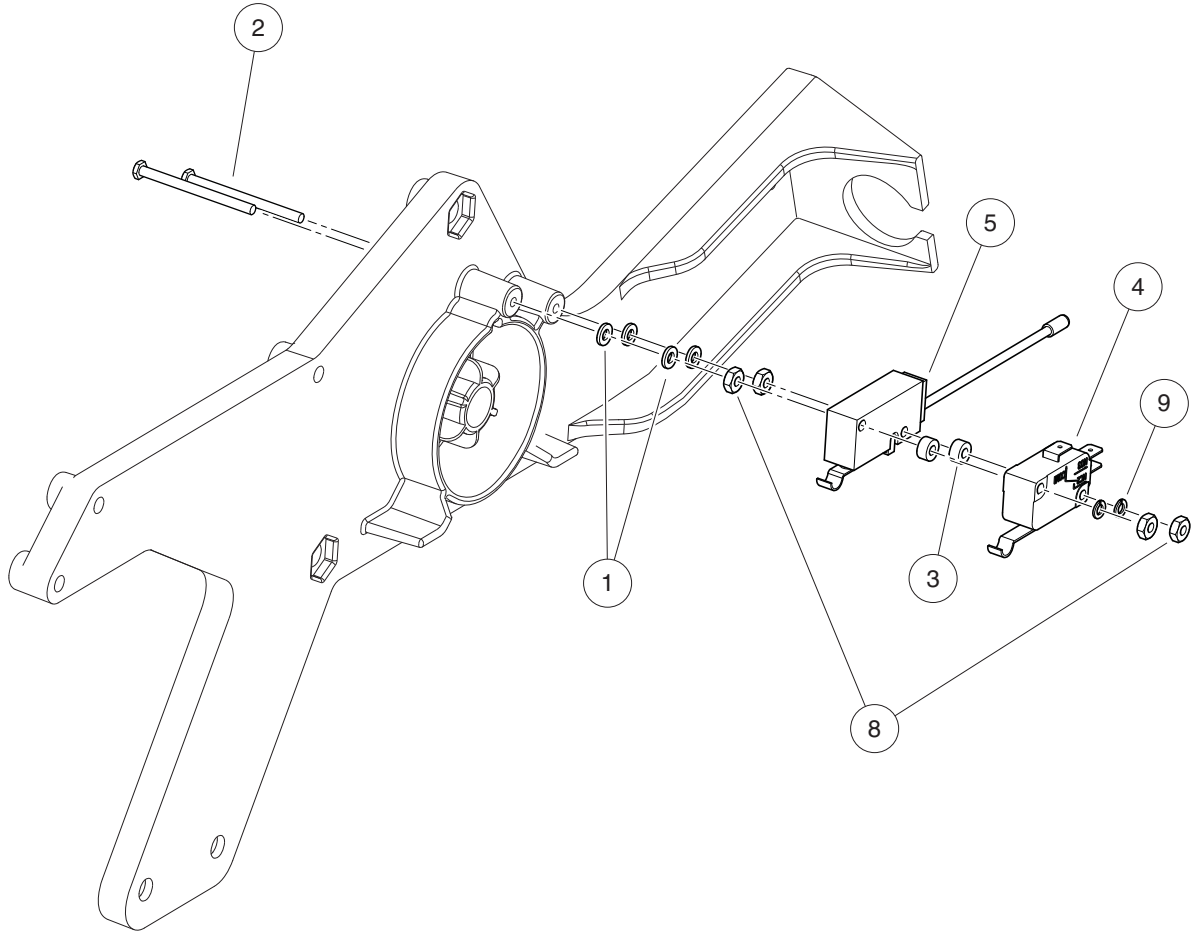


# FORWARD/REVERSE SHIFTER SWITCHES, KEY-START – EFI, CA100CE

ITEM	PART NO.	DESCRIPTION	QTY
		1 2 3 4	
1	1012431	Washer, #4 Flat .....	4
2	<u>1012594</u>	Screw, #4-40 Machine .....	2
3	<u>1014727</u>	Washer, Flat, #4, Nylon .....	2
4	<u>1014807</u>	Switch, Limit .....	1
5	<u>101979101</u>	Switch, Limit, Assembly, Sealed .....	1
6	<u>8057</u>	Nut, #4-40 Hex Machine .....	4
7	<u>8058</u>	Lockwasher, #4 Split .....	2

**7**  
**G**

**7**  
**G**

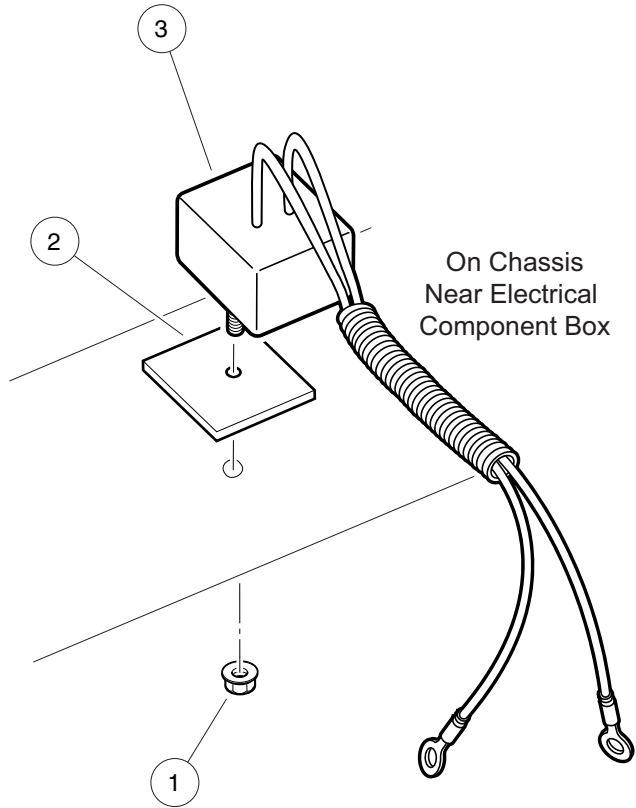


001013-001

# FORWARD/REVERSE SHIFTER SWITCHES, PEDAL-START – EFI, CA100

ITEM	PART NO.	DESCRIPTION	QTY
		1 2 3 4	
1	1012431	Washer, #4 Flat .....	4
2	<u>1012594</u>	Screw, #4-40 Machine .....	2
3	<u>1014727</u>	Washer, Flat, #4, Nylon .....	2
4	<u>1014807</u>	Switch, Limit .....	1
5	<u>101979101</u>	Switch, Limit, Assembly, Sealed .....	1
6	<u>105102601</u>	Switch, Limit, Sealed, with 3-Wire Lead .....	1
7	<u>8056</u>	Screw, #4-40 X 0.75 Round-Head Machine .....	2
8	<u>8057</u>	Nut, #4-40 Hex Machine .....	6
9	<u>8058</u>	Lockwasher, #4 Split .....	4

**7**  
**G**



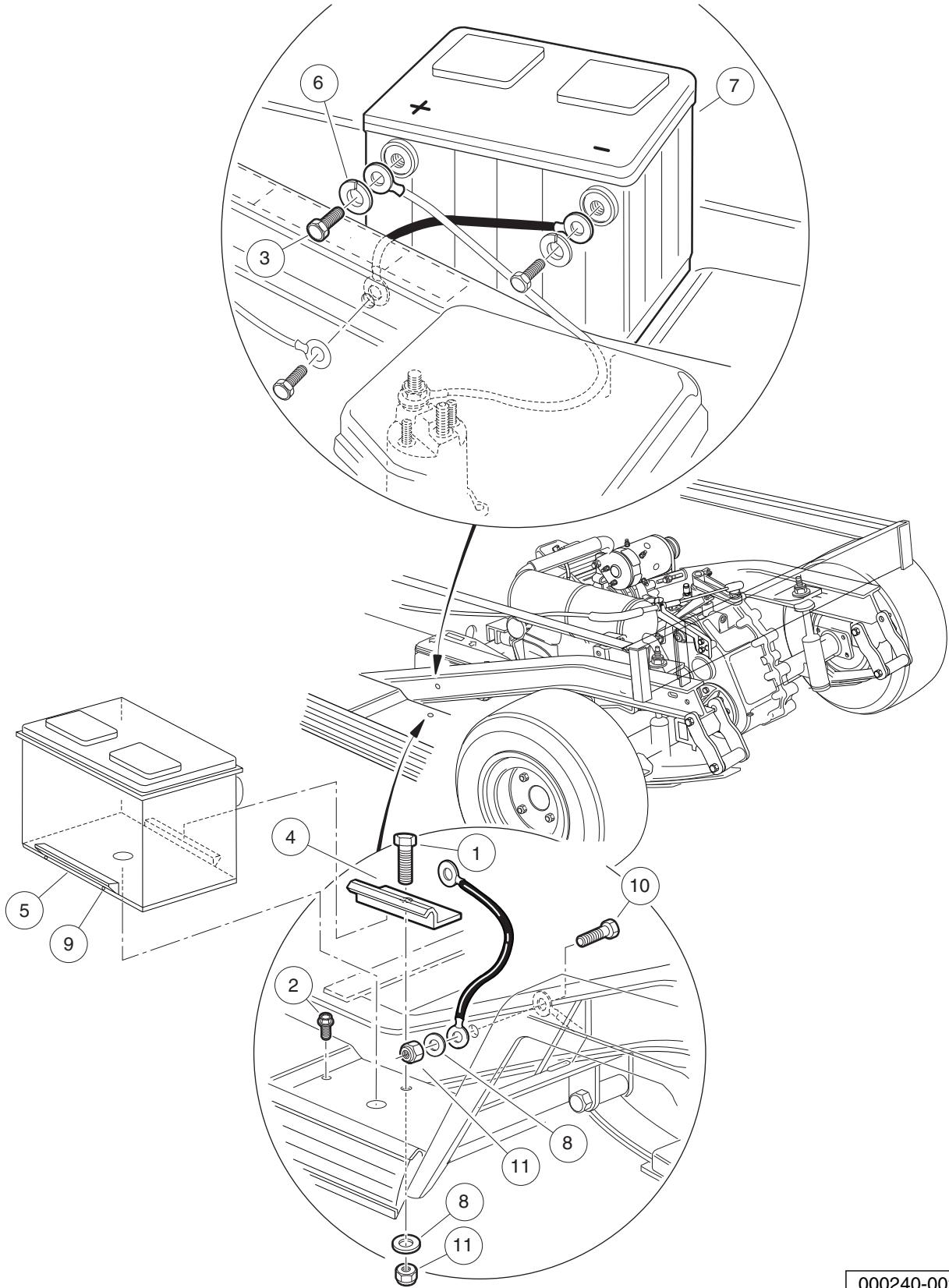
001015-001

# CHARGING DIODE, KEY-START – EFI

ITEM	PART NO.	DESCRIPTION	QTY
		<b>1 2 3 4</b>	
1	<u>101963401</u>	Locknut, 5/16-18 Hex Flange .....	1
2	<u>102269701</u>	Thermal Pad .....	1
3	<u>105037201</u>	Diode, Charging .....	1

**7**  
**G**

**7**  
**G**



000240-002

## BATTERY – GASOLINE UTILITY VEHICLES

ITEM	PART NO.	DESCRIPTION	QTY
		1 2 3 4	
1	<u>1010934</u>	Screw, 5/16-18 X 1.00 Hex Cap .....	1
2	<u>1014288</u>	Screw, 5/16-18 X 0.75, Thread-Forming .....	1
3	<u>1014375</u>	Screw, 3/8-16 X 0.50, Stainless Steel, Hex-Head .....	2
4	<u>101898001</u>	Clamp, Battery .....	1
5	<u>101898101</u>	Retainer - Battery .....	1
6	<u>102355301</u>	Lockwasher, 3/8 Split Ss .....	2
7	<u>103496801</u>	Battery, Start, 12v .....	1
8	<u>1241</u>	Washer, 5/16 Type A Flat .....	2
9	<u>1606</u>	Rivet, 3/16 X .500 Alum Pop .....	2
10	<u>7173</u>	Screw, 5/16-18 X 0.75, Hex-Head Cap .....	1
11	<u>7473</u>	Locknut, 5/16-18 Nylon Insert .....	2

7

G

7

G



# ENGINE (SUBARU EX40)

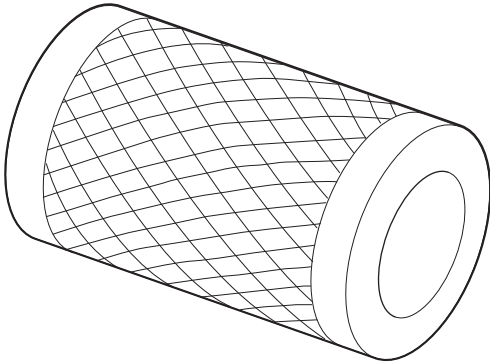
---

8

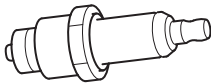
G

8

G



1



2

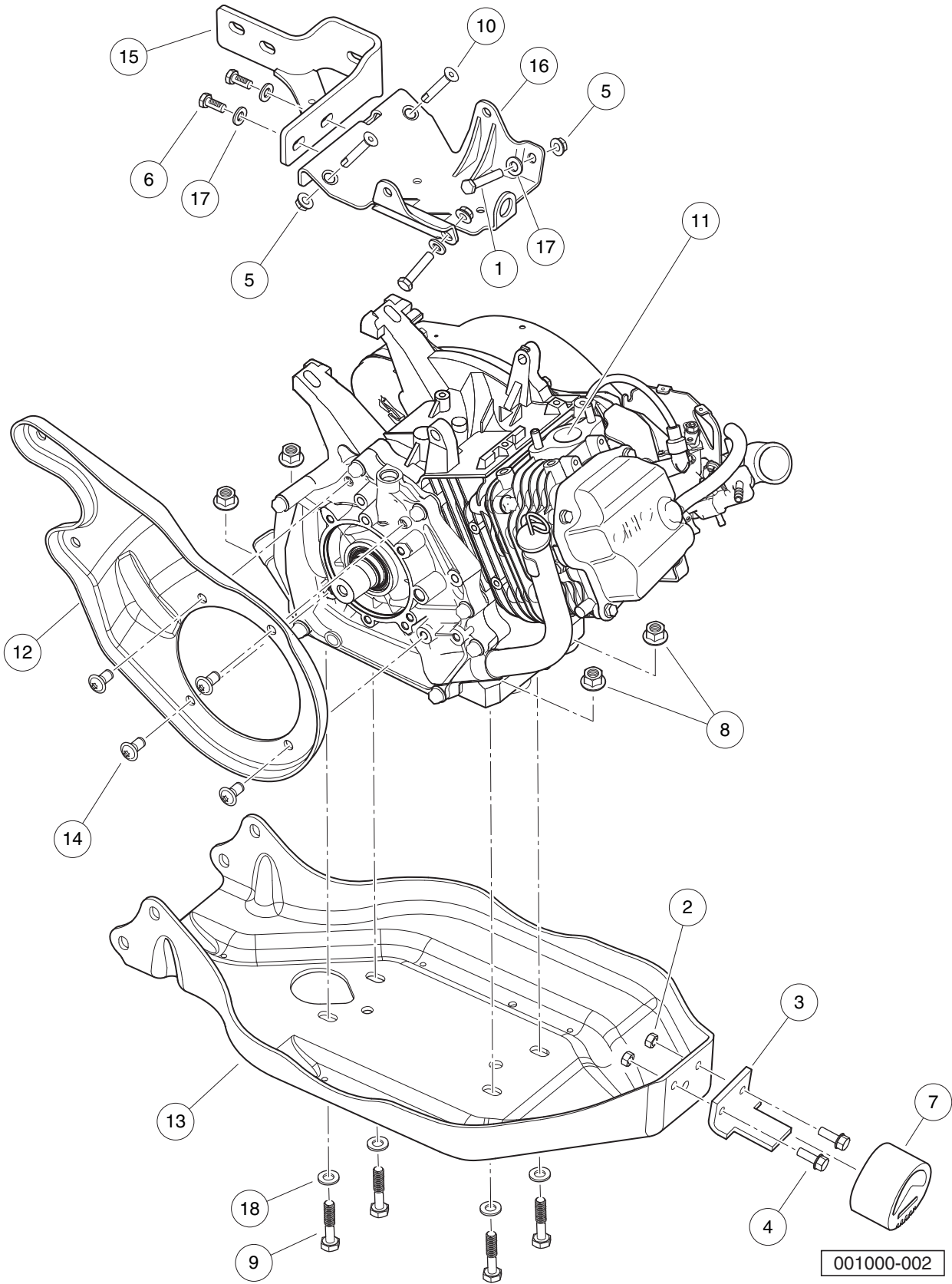
000992-003

## TUNE-UP PARTS – SUBARU EX40

ITEM	PART NO.	DESCRIPTION	QTY
1	<u>102558201</u>	1 2 3 4 Air Filter, 4 Inch .....	1
2	105017801	Spark Plug, Subaru EX40 .....	1

**8**

**G**

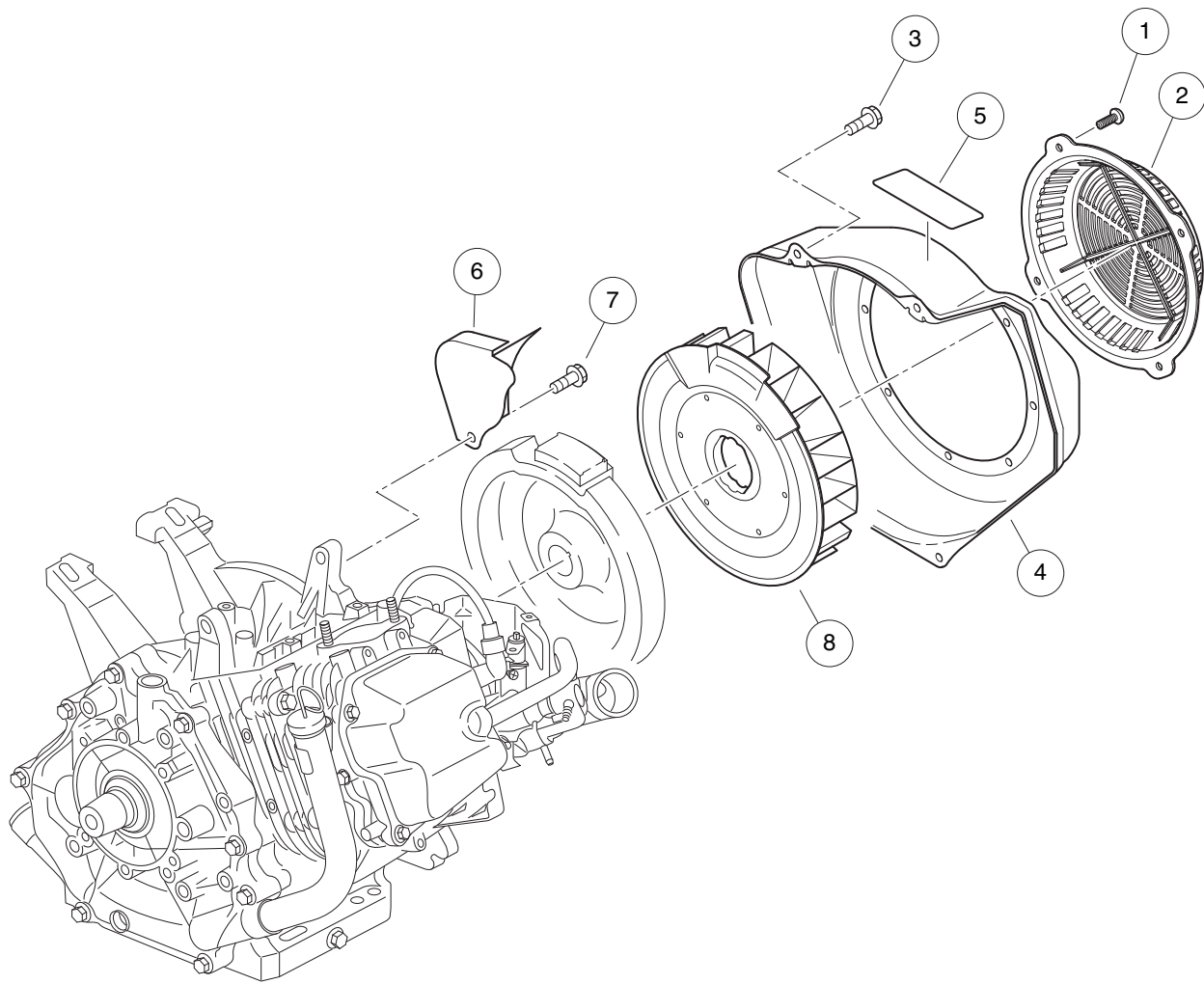


## ENGINE AND ENGINE MOUNTING, UTILITY – EX40

ITEM	PART NO.	DESCRIPTION	QTY
		1 2 3 4	
1	<u>1010577</u>	Bolt, Hex-Head, 5/16-18 X 1.50 .....	2
2	<u>1013924</u>	Nut, 5/16-24, Hex Head Cone .....	2
3	<u>101834602</u>	Bracket, Snubber, Tall .....	1
4	<u>101884801</u>	Screw, 5/16-24 X 0.875, Grade-8 .....	2
5	<u>101963401</u>	Locknut, 5/16-18 Hex Flange .....	4
6	<u>102242101</u>	Screw, 5/16-18 X 3/4 Hex-Head with Patch .....	2
7	<u>102540301</u>	Snubber, Inner Frame .....	1
8	<u>102617201</u>	Nut, Flanged, M10 X 1.5, Mechanically Deformed .....	4
9	<u>102732401</u>	Bolt, M10 X 45, Zn-Ni (Black) .....	4
10	<u>103196202</u>	5/16-18x1.75, Bolt, Loctite .....	2
11	<u>103882801</u>	Engine, Gas, Subaru EX40, EFI .....	1
12	<u>103979401</u>	Plate, Mounting, CVT, Center .....	1
13	<u>103982201</u>	Plate, Engine/Axle Mounting .....	1
14	<u>103996201</u>	Screw, 3/8-16 X .75, Btn Hd Cap .....	4
15	<u>105134601</u>	Bracket, Mounting, Transaxle/Exhaust, EX40 .....	1
16	<u>105149301</u>	Bracket, Mounting, Starter/Generator, EX40 .....	1
17	<u>1241</u>	Washer, 5/16 Type A Flat .....	4
18	<u>96741046</u>	Washer, M10, Hard .....	4

**8**

**G**



001001-001

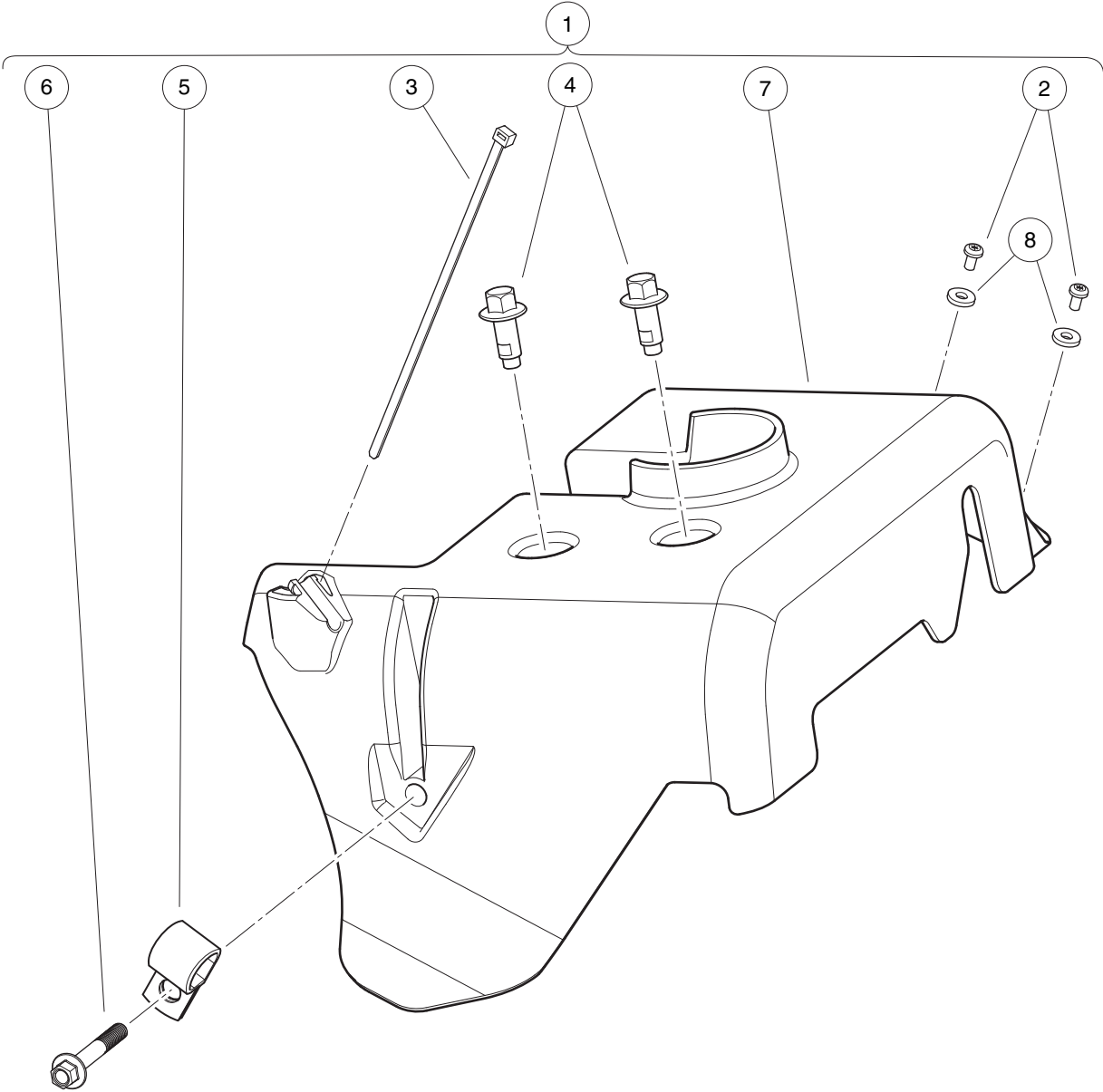
## FAN AND SHROUD – EX40

ITEM	PART NO.	DESCRIPTION	QTY
		1 2 3 4	
1	<u>1015969</u>	Screw, M6-1.00 X 10mm, Pan Hd .....	4
2	<u>103995901</u>	Cover, Fan, EX40 .....	1
3	<u>105012601</u>	Bolt, Flange, M6x1.0x12, EX40 .....	4
4	<u>105016701</u>	Housing, Fan, EX40 .....	1
5	<u>105016801</u>	Label, Engine Warning, EX40 .....	1
6	<u>105016901</u>	Baffle, Crankcase, EX40 .....	1
7	<u>105017001</u>	Bolt, Baffle, M8x1.25x12 Ex40 .....	1
8	<u>105017101</u>	Fan, Cooling, EX40 .....	1

**8**

**G**

**8**  
**G**



001002-001

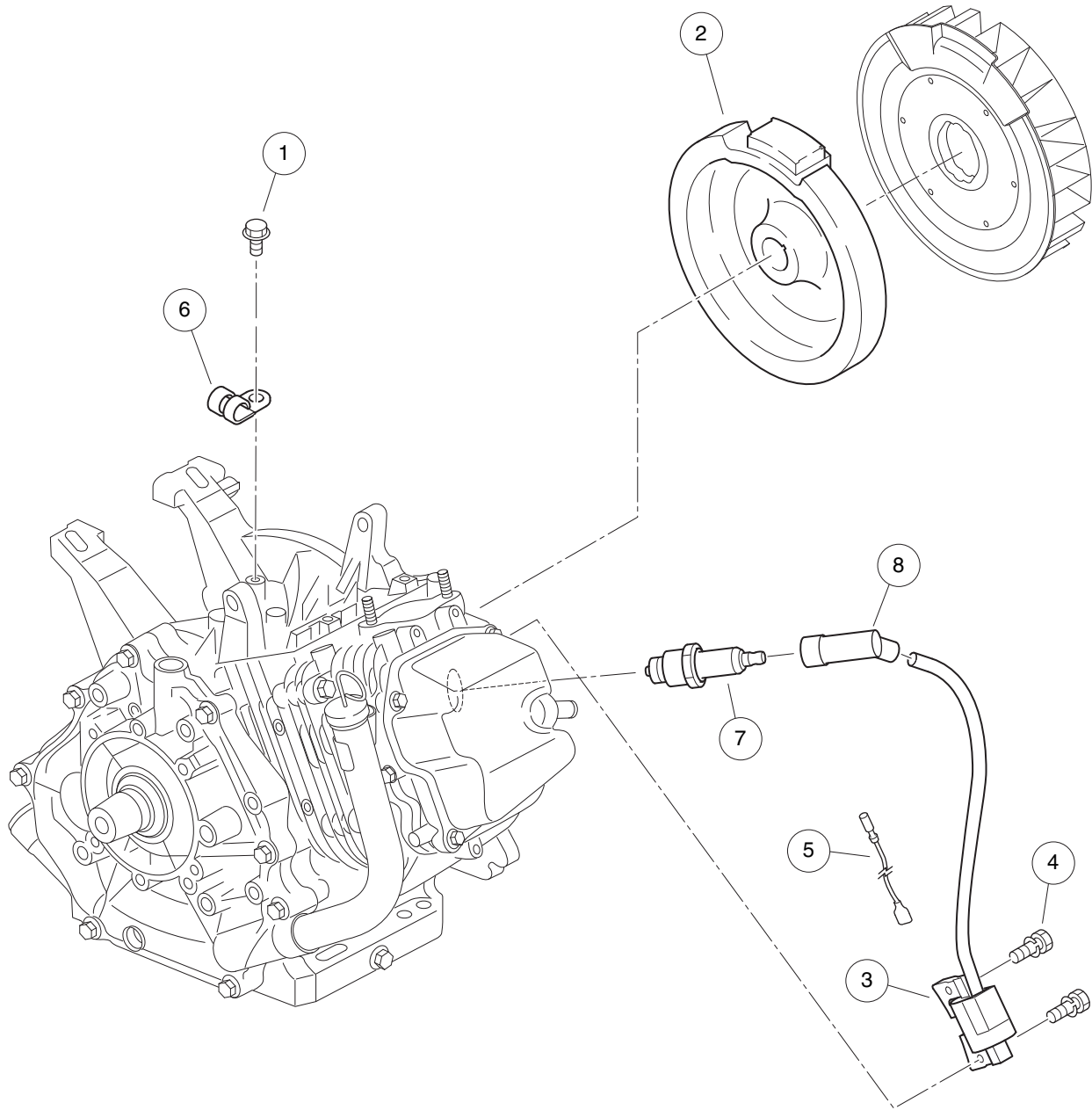


# AIR DEFLECTOR – EX40

ITEM	PART NO.	DESCRIPTION	QTY
		<b>1 2 3 4</b>	
1	<u>105084801</u>	Kit, Air Deflector, Subaru EX40 (includes items 2 through 8) .....	1
2	<u>1016103</u>	Screw, Pan Hd Tx, Taptite 6-32 .....	2
3	101824101	Tie Wrap, Black .....	1
4	<u>102298116</u>	Bolt, Flanged Head, M8 X 16.0 .....	2
5	<u>102410604</u>	P-clamp, Insulated, 0.625 Inch .....	1
6	<u>102541402</u>	Bolt, M6x1.0x40, Hex Flange Head, Blk-l .....	1
7	105075301	Deflector, Air, Subaru EX40 .....	1
8	<u>7591</u>	Washer, #6, Flat .....	2

**8**

**G**



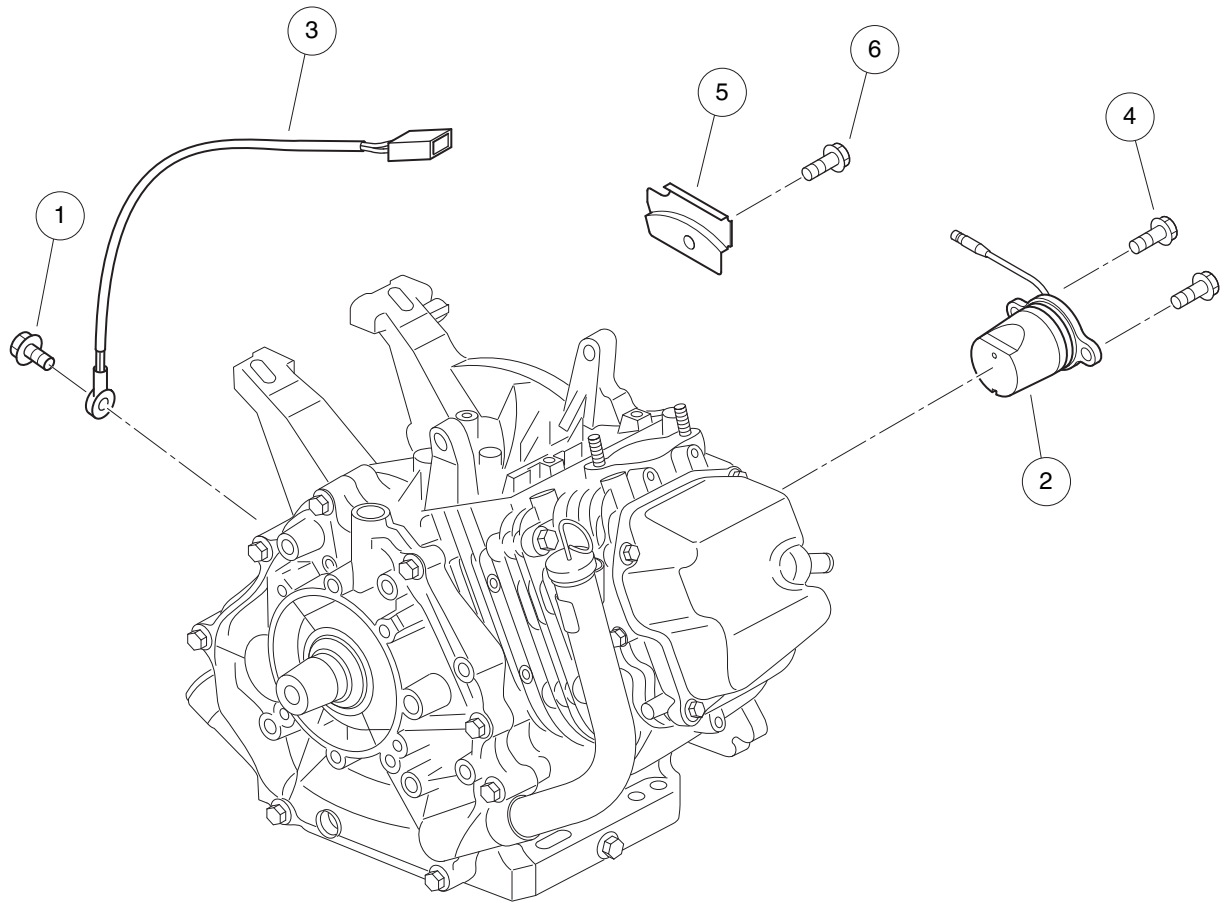
001003-001

## IGNITION COMPONENTS AND FLYWHEEL – EX40

ITEM	PART NO.	DESCRIPTION	QTY
		1 2 3 4	
1	<u>105016001</u>	Bolt, Flange, M6x1.0x8, EX40 .....	1
2	<u>105017301</u>	Flywheel, EX40 .....	1
3	<u>105017401</u>	Coil, Ignition, CDI, EX40 .....	1
4	<u>105017501</u>	Asm, Bolt-Washer, Coil, EX40 .....	2
5	<u>105017601</u>	Asm, Wire, Coil Control, EX40 .....	1
6	<u>105017701</u>	Clamp, Coil Control Wire, EX40 .....	1
7	<u>105017801</u>	Spark Plug, Subaru EX40 .....	1
8	<u>105017901</u>	Cap, Spark Plug, EX40 .....	1

**8**

**G**



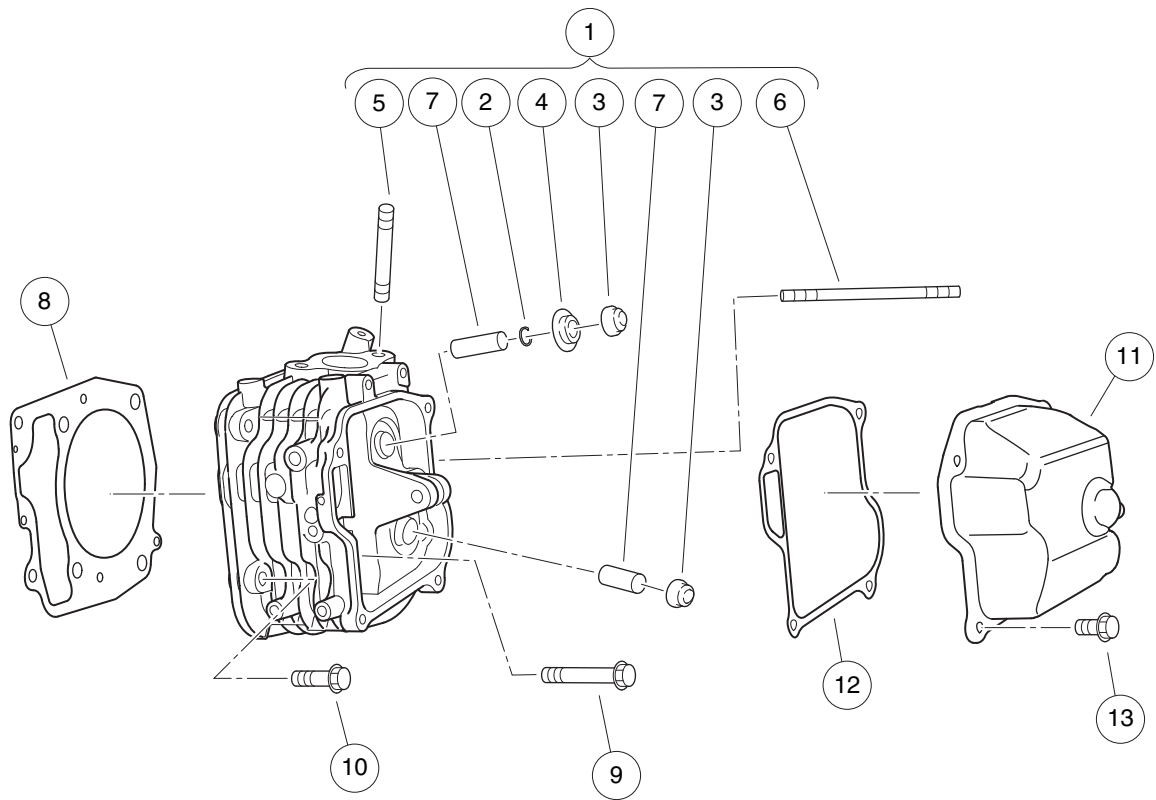
001004-001

# SENSORS – EX40

ITEM	PART NO.	DESCRIPTION	QTY
		1 2 3 4	
1	<u>105012601</u>	Bolt, Flange, M6x1.0x12, EX40 .....	1
2	<u>105018001</u>	Sensor, Oil Level, EX40 .....	1
3	<u>105018101</u>	Sensor, Temperature, EX40 .....	1
4	<u>105018201</u>	Bolt, Oil Sensor, M6x1.0x14, EX40 .....	2
5	<u>105018301</u>	Clamp, Oil Sensor Wire, EX40 .....	1
6	<u>105018401</u>	Bolt, Tap, Oil Wire Clamp, EX40 .....	1

**8**

**G**



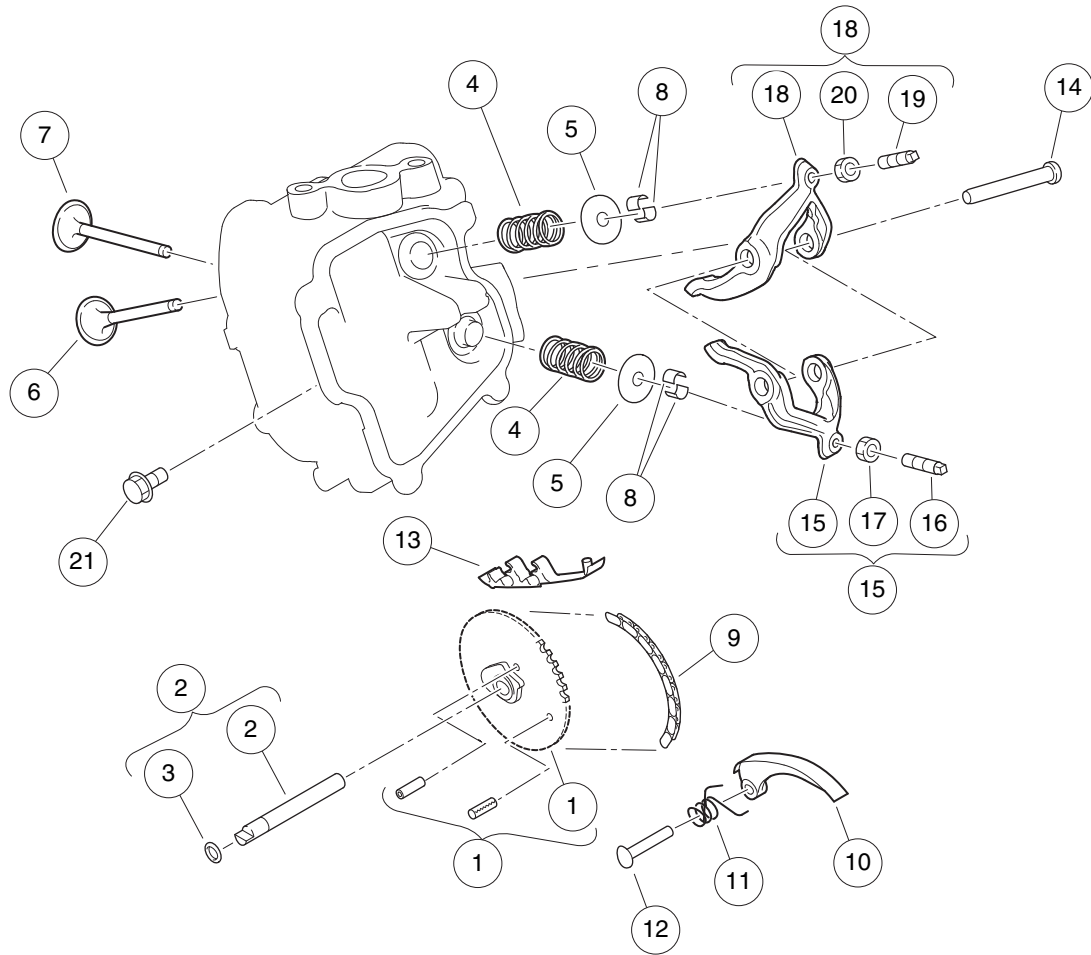
001005-001

# CYLINDER HEAD – EX40

ITEM	PART NO.	DESCRIPTION	QTY
		1 2 3 4	
1	<u>105011901</u>	Asm, Cylinder Head, EX40 (includes items 2 through 7) .....	1
2	<u>105010101</u>	Clip, Retainer Plate, EX40 .....	1
3	<u>105010201</u>	Seal, Valve, EX40 .....	2
4	<u>105010301</u>	Plate, Retainer, EX40 .....	1
5	<u>105010801</u>	Stud, Mounting, Exhaust, EX40 .....	2
6	<u>105010901</u>	Stud, Mounting, Intake, EX40 .....	2
7	<u>105018501</u>	Guide, Valve, EX40 .....	2
8	<u>105012001</u>	Gasket, Head, EX40 .....	1
9	<u>105012101</u>	Bolt, Head, M10x1.25x75, EX40 .....	4
10	<u>105012201</u>	Bolt, Head, M8x1.25x35, EX40 .....	2
11	<u>105012301</u>	Cover, Rocker, EX40 .....	1
12	<u>105012401</u>	Gasket, Rocker Cover, EX40 .....	1
13	<u>105012601</u>	Bolt, Flange, M6x1.0x12, EX40 .....	4

8

G



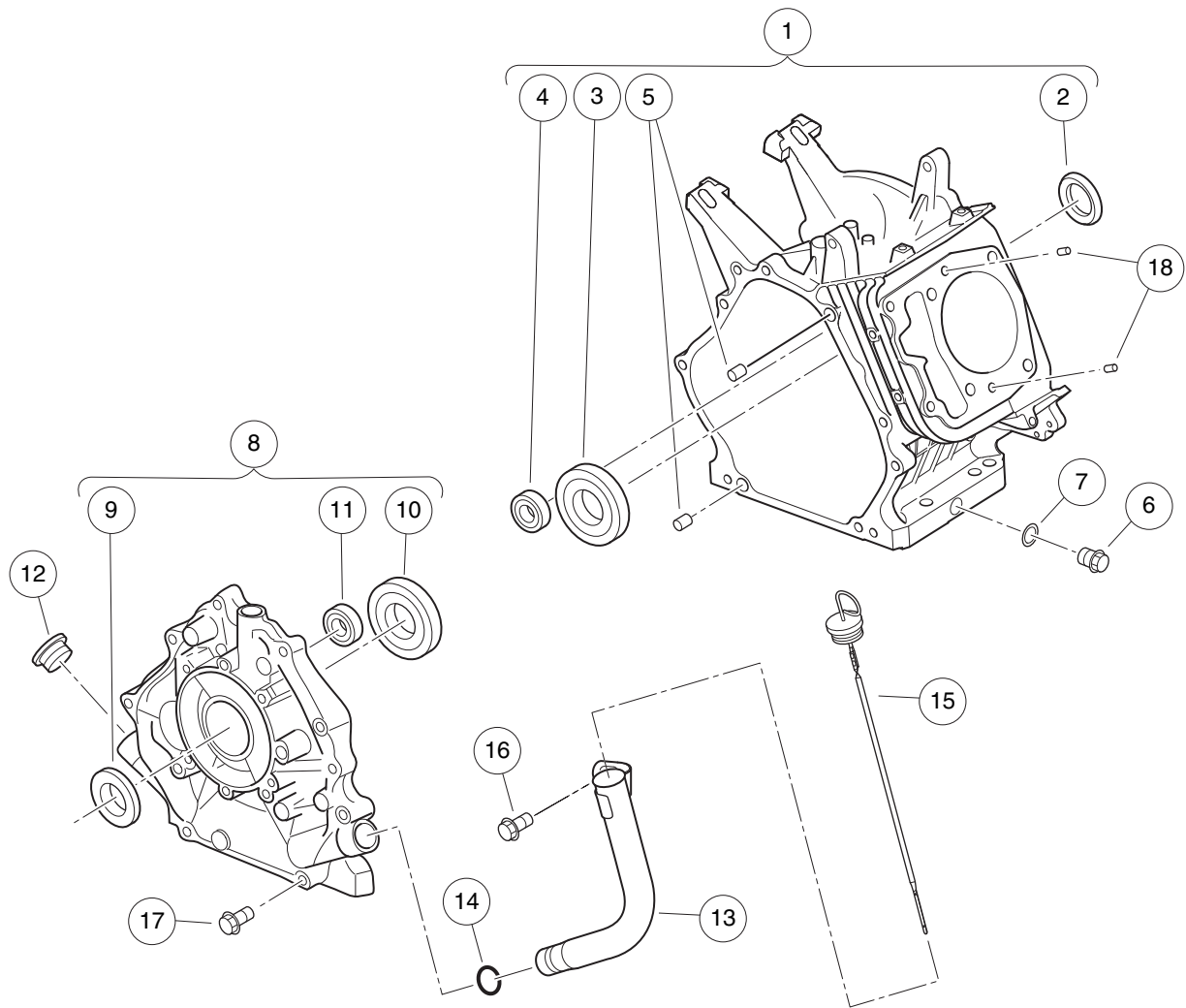
001006-001



## VALVETRAIN AND TIMING CHAIN – EX40

ITEM	PART NO.	DESCRIPTION	QTY
		1 2 3 4	
1	<u>105014201</u>	Asm, Cam/Chain Sprocket, EX40 .....	1
2	<u>105014301</u>	Asm, Camshaft and O-ring, EX40 (includes item 3) .....	1
3	<u>105014401</u>	O-ring, Camshaft, EX40 .....	1
4	<u>105014501</u>	Spring, Valve, EX40 .....	2
5	<u>105014601</u>	Retainer, Spring, EX40 .....	2
6	<u>105014701</u>	Valve, Intake, EX40 .....	1
7	<u>105014801</u>	Valve, Exhaust, EX40 .....	1
8	<u>105014901</u>	Collet, Valve, EX40 .....	4
9	<u>105015001</u>	Chain, Timing, EX40 .....	1
10	<u>105015101</u>	Tensioner, Chain, EX40 .....	1
11	<u>105015201</u>	Spring, Tension, EX40 .....	1
12	<u>105015301</u>	Pin, Tensioner, EX40 .....	1
13	<u>105015401</u>	Guide, Chain, EX40 .....	1
14	<u>105015501</u>	Shaft, Rocker, EX40 .....	1
15	<u>105015601</u>	Asm, Rocker Arm, Intake, EX40 (includes items 16 and 17) .....	1
16	<u>105015801</u>	Screw, Adjust, Valve, EX40 .....	1
17	<u>105015901</u>	Nut, Adjust, Valve, EX40 .....	1
18	<u>105015701</u>	Asm, Rocker Arm, Exhaust, EX40 (includes items 19 and 20) .....	1
19	<u>105015801</u>	Screw, Adjust, Valve, EX40 .....	1
20	<u>105015901</u>	Nut, Adjust, Valve, EX40 .....	1
21	<u>105016001</u>	Bolt, Flange, M6x1.0x8, EX40 .....	1

**8**  
**G**



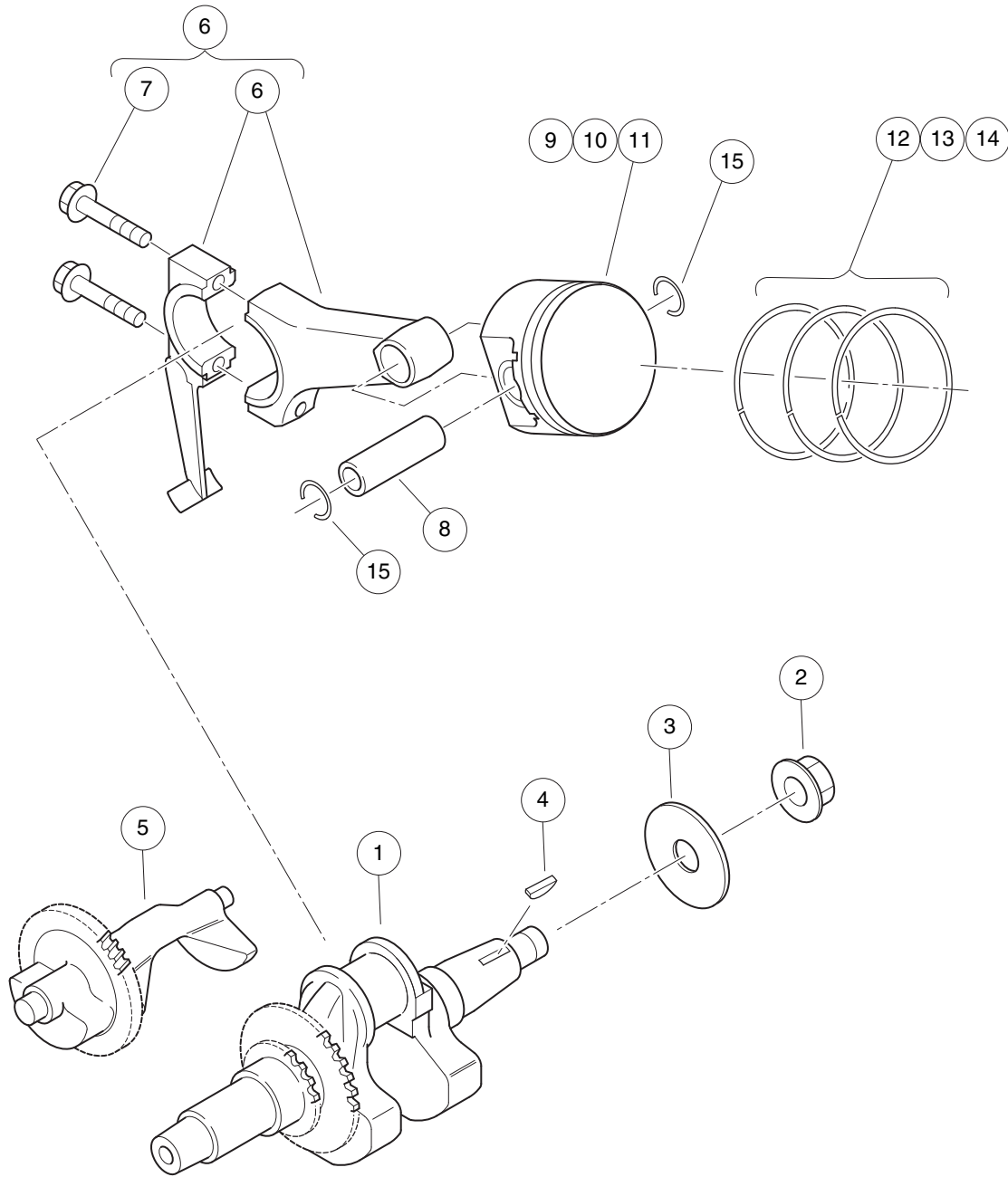
001007-001

# CRANKCASE – EX40

ITEM	PART NO.	DESCRIPTION	QTY
		1 2 3 4	
1	105010001	Crankcase, EX40 (includes items 2 through 5) .....	1
2	<u>105010401</u>	Seal, Oil, Crankshaft, EX40 .....	1
3	<u>105010501</u>	Bearing, Crankshaft, EX40 .....	1
4	105010601	Bearing, Balance Shaft, EX40 .....	1
5	<u>105010701</u>	Pin, Guide, Crankcase, EX40 .....	2
6	105011001	Plug, Oil Drain, EX40 .....	2
7	<u>105011101</u>	Gasket, Oil Drain Plug, EX40 .....	2
8	105011201	Asm, Cover, Crankcase, EX40 (includes items 9 through 11) .....	1
9	<u>105010401</u>	Seal, Oil, Crankshaft, EX40 .....	1
10	<u>105010501</u>	Bearing, Crankshaft, EX40 .....	1
11	105010601	Bearing, Balance Shaft, EX40 .....	1
12	<u>105011301</u>	Plug, Rubber, Crankcase, EX40 .....	1
13	<u>105011401</u>	Tube, Oil Filler, EX40 .....	1
14	<u>105011501</u>	O-ring, Oil Filler Tube, EX40 .....	1
15	<u>105011601</u>	Dipstick, EX40 .....	1
16	<u>105011701</u>	Bolt, Filler Tube, M8x1.25x12, EX40 .....	1
17	<u>105011801</u>	Bolt, Case Cover, M8x1.25x38, EX40 .....	8
18	<u>105012501</u>	Pin, Guide, Head, EX40 .....	2

**8**

**G**



001008-001

## CRANKSHAFT AND PISTON – EX40

ITEM	PART NO.	DESCRIPTION	QTY
		1 2 3 4	
1	105012701	Crankshaft, EX40 .....	1
2	<u>105012801</u>	Nut, Crankshaft M18x1.5 Ex40 .....	1
3	<u>105012901</u>	Washer, Crankshaft Ex40 .....	1
4	<u>105013001</u>	Key, Woodruff, Crankshaft, EX40 .....	1
5	<u>105013101</u>	Shaft, Balance, EX40 .....	1
6	<u>105013201</u>	Asm, Rod, Connecting, EX40 (includes item 7) .....	1
7	<u>105013301</u>	Bolt, Rod M8x1.25x40 Ex40 .....	2
8	<u>105013401</u>	Pin, Piston, EX40 .....	1
9	<u>105013501</u>	Piston, Standard, EX40 .....	1
10	<u>105013601</u>	Piston, 0.25 mm Oversize, EX40 .....	1
11	<u>105013701</u>	Piston, 0.50 mm Oversize, EX40 .....	1
12	<u>105013801</u>	Set, Piston Ring, Standard, EX40 .....	1
13	<u>105013901</u>	Set, Piston Ring, 0.25 mm Oversize, EX40 .....	1
14	<u>105014001</u>	Set, Piston Ring, 0.50 mm Oversize, EX40 .....	1
15	<u>105014101</u>	Clip, Piston Pin, EX40 .....	2

**8**

**G**

8

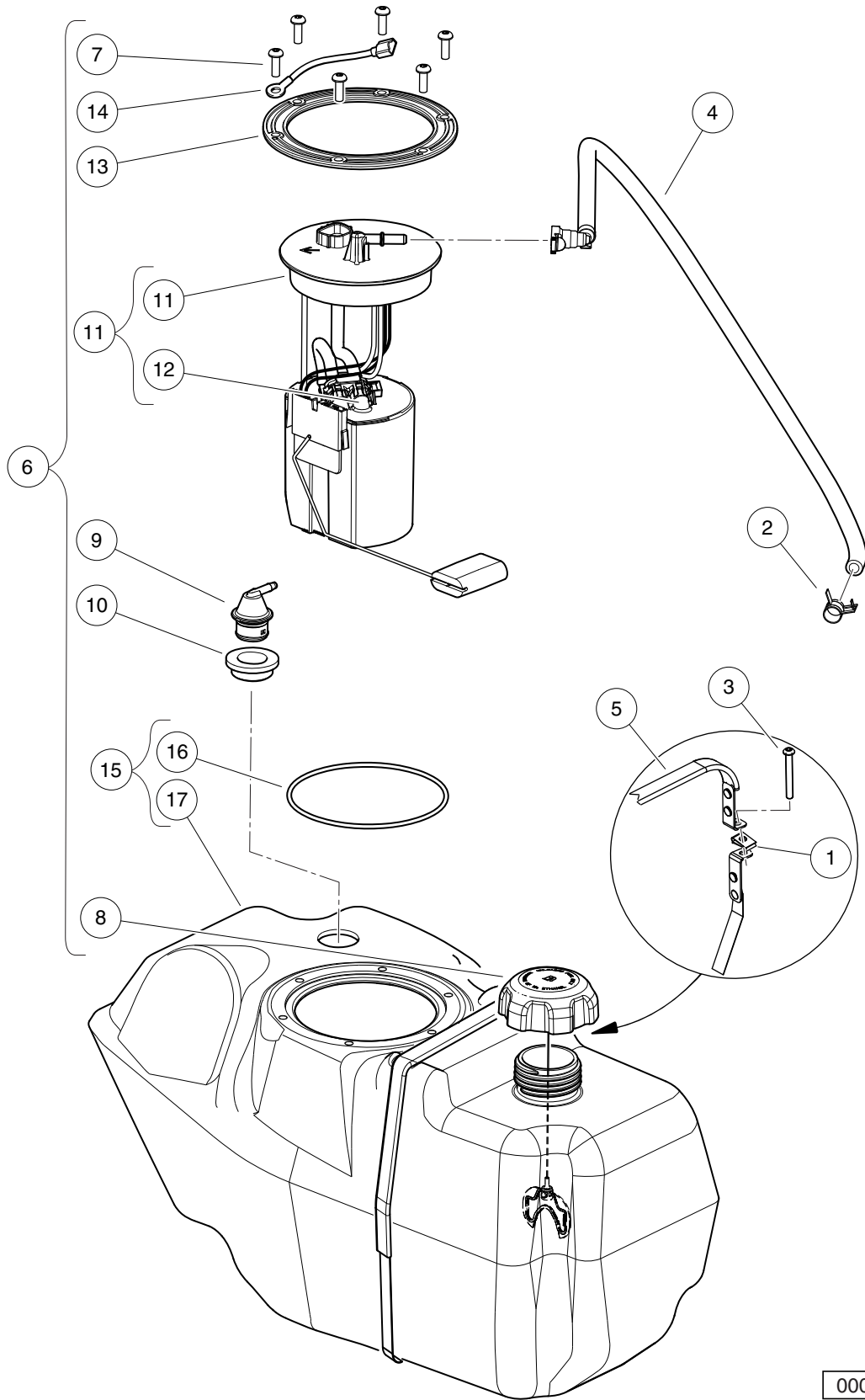
G

# FUEL SYSTEM – EFI

---

9

G



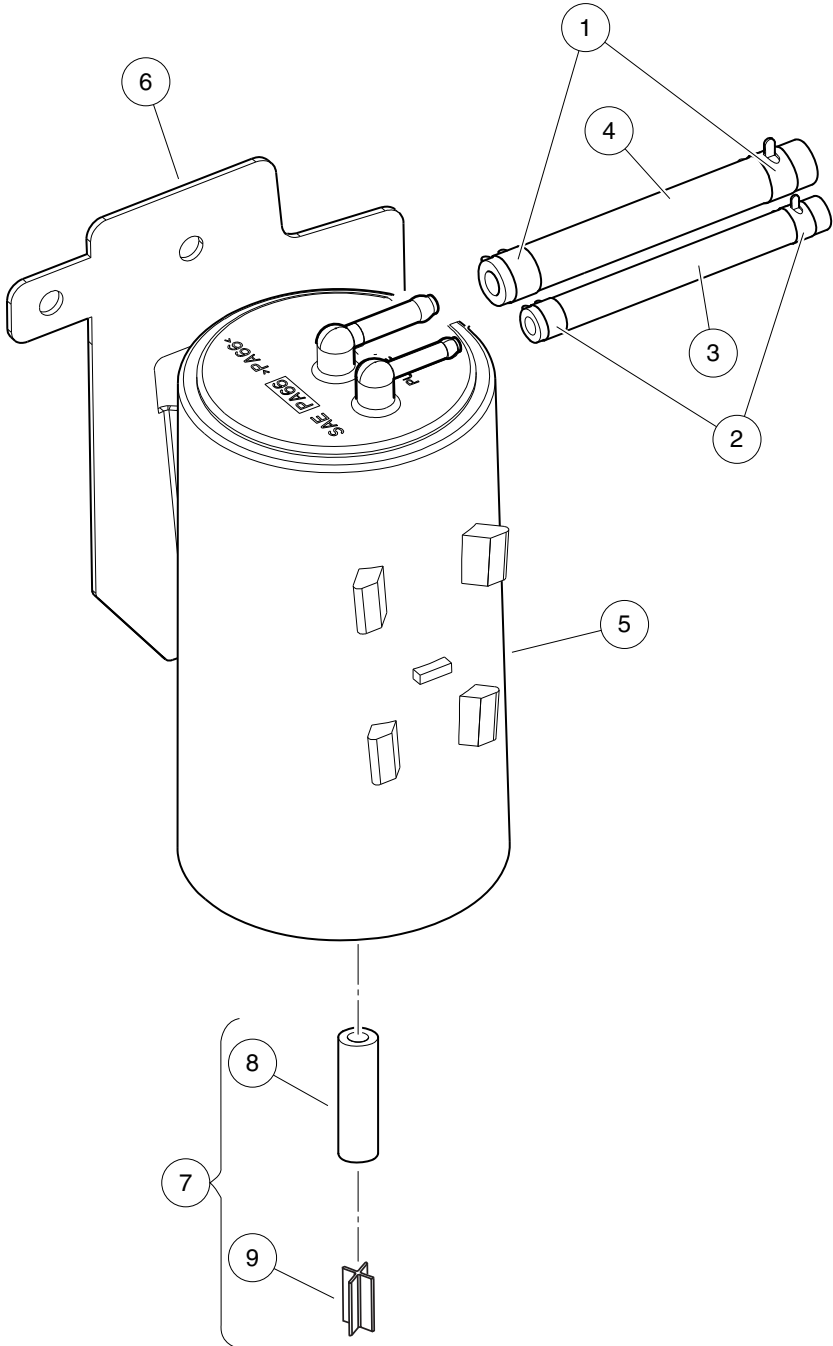
000975-002



## FUEL SYSTEM WITH SENDING UNIT, TOP FILL – EFI

ITEM	PART NO.	DESCRIPTION	QTY
		<b>1 2 3 4</b>	
1	<u>1014116</u>	Nut, 1/4-20 Speed .....	1
2	<u>102411203</u>	Clamp, Hose, Ctb 14mm Dia. ....	1
3	<u>103306301</u>	Screw, Bhsc, 1/4-20 X 2.0 .....	1
4	<u>105043501</u>	Asm, Fuel Line, Utility .....	1
5	<u>105093601</u>	Retention Strap, Tank .....	1
6	<u>105215401</u>	Asm, Tank, Fuel, Top, Complete, w/Sending Unit (includes items 7 through 10) .....	1
7	<u>103372101</u>	Cap, Fuel Tank, Gas, Ratchet .....	1
8	<u>103905201</u>	Assembly, Vent, Fuel, 1/4 Inch O.D. ....	1
9	<u>103944301</u>	Grommet, Fuel Tank, Vent .....	1
10	<u>105143301</u>	Wire, Ground, Fuel Tank .....	1

**9**  
**G**



000980-005

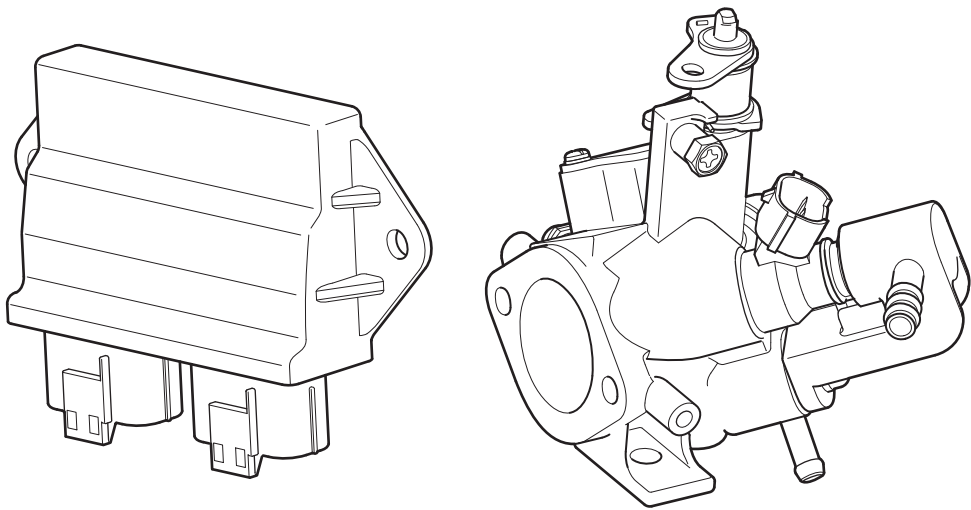
## CARBON CANISTER – EFI, CARRYALL 100

ITEM	PART NO.	DESCRIPTION	QTY
		1 2 3 4	
1	<u>1012649</u>	Clamp, 0.460 Red Hose .....	2
2	<u>1013746</u>	Clamp, 0.301 ID Hose .....	2
3	<u>1015137</u>	Fuel Line, 3/16 (available by the foot) .....	1
4	<u>102865101</u>	Fuel Line, 1/4 (available by the foot) .....	1
5	<u>103372401</u>	Canister, Carbon .....	1
6	<u>103452001</u>	Brkt, Mtg, Carbon Canister .....	1
7	<u>103756401</u>	Asm, Vent Line, Carbon Canister (includes items 8 and 9) .....	1
8	N/A	Hose, Vent, 5/16 I.D., Bulk .....	1
9	N/A	Vent, Barb, 5/16 I.D. Hose .....	1

**9**

**G**

1

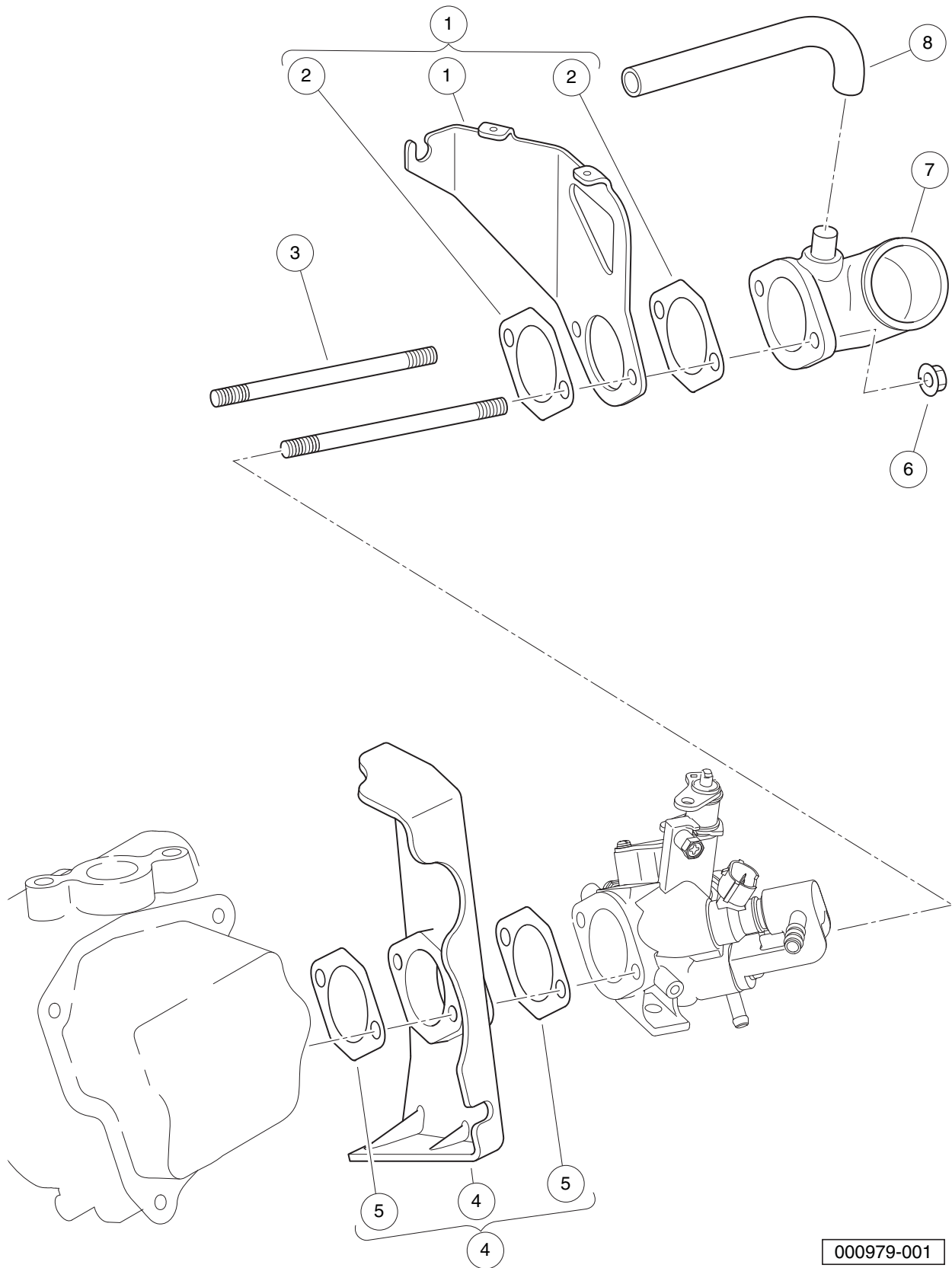


000964-001

# THROTTLE BODY AND ECU – EFI

ITEM	PART NO.	DESCRIPTION	QTY
1	<u>105017201</u>	1 2 3 4 Asm, Throttle Body/Fuel Injector with ECU, EX40 .....	1

**9**  
**G**



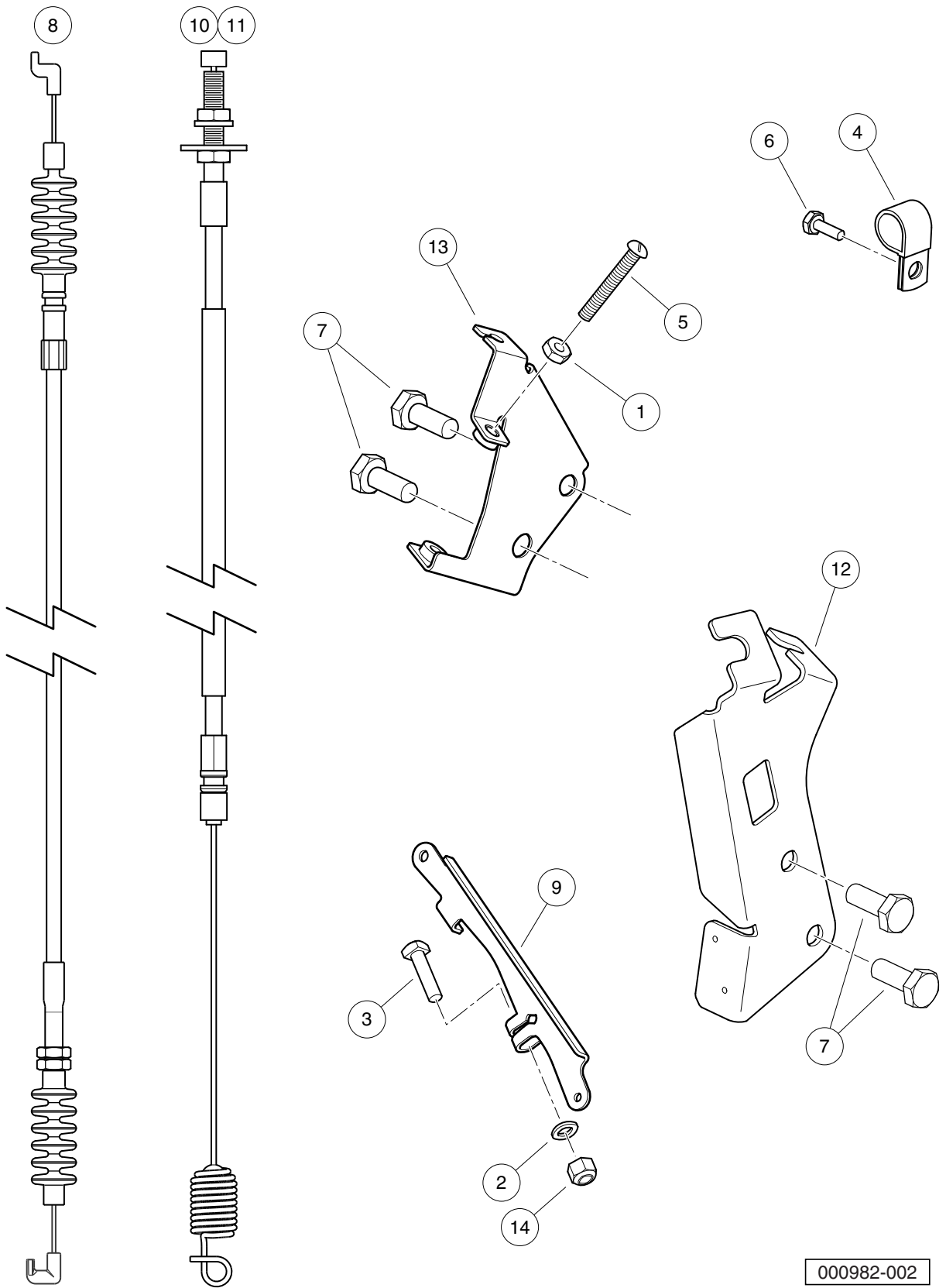
000979-001

# THROTTLE BODY MOUNTING – EFI

ITEM	PART NO.	DESCRIPTION	QTY
		<b>1 2 3 4</b>	
1	<u>103983501</u>	Bracket, Operation, EX40 (includes item 2) .....	1
2	<u>105016201</u>	Gasket, Insulator, EX40 .....	2
3	<u>105010901</u>	Stud, Mounting, Intake, EX40 .....	2
4	<u>105016101</u>	Insulator, EX40 (includes item 5) .....	1
5	<u>105016201</u>	Gasket, Insulator, EX40 .....	2
6	<u>105016301</u>	Nut, Intake Adapter, M6x1.0, EX40 .....	2
7	<u>105016401</u>	Adapter, Air Intake, EX40 .....	1
8	<u>105016501</u>	Hose, Breather, EX40 .....	1

**9**

**G**



000982-002

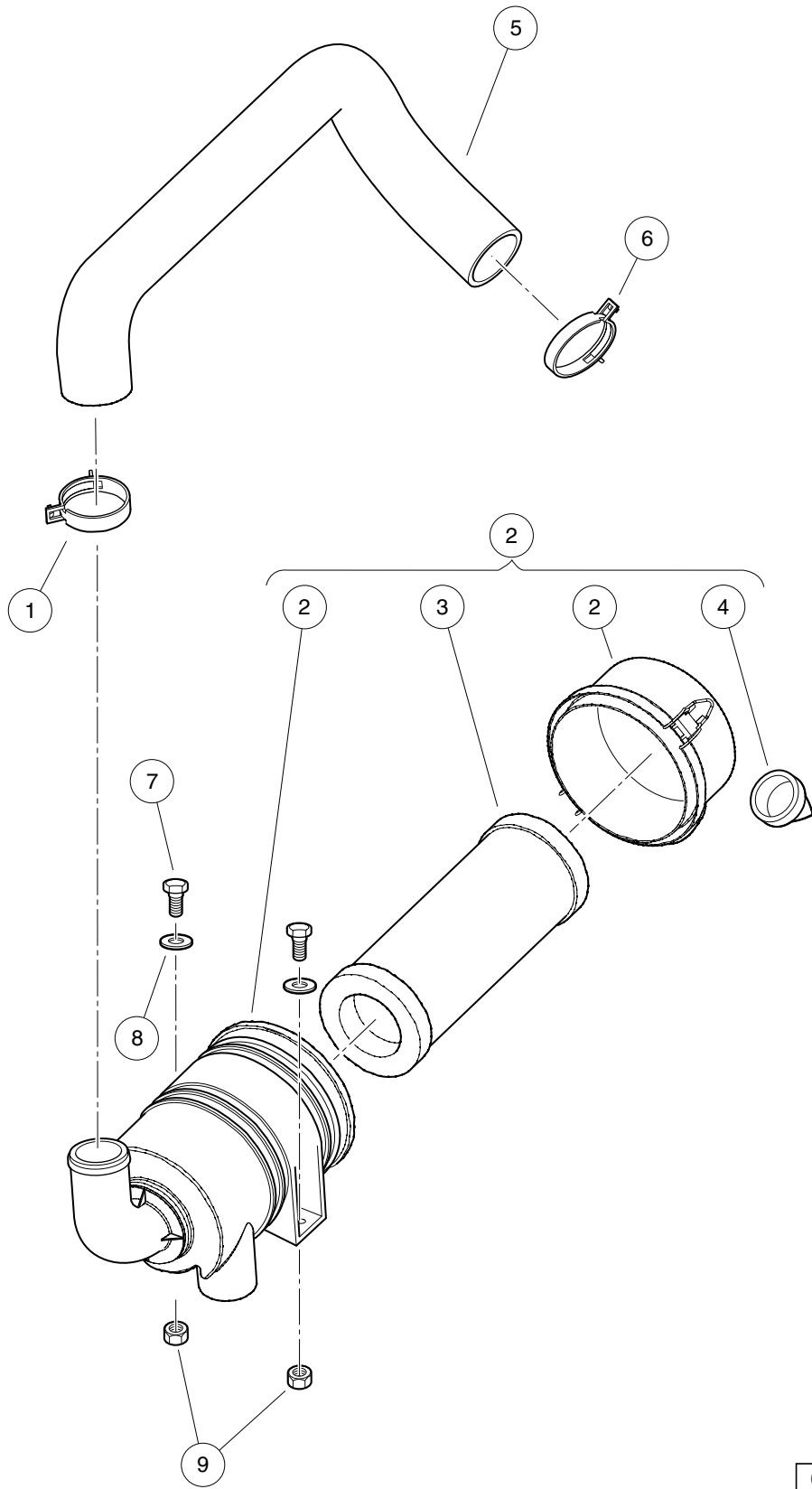


## GOVERNOR AND ACCELERATOR CABLES – EFI

ITEM	PART NO.	DESCRIPTION	QTY
		1 2 3 4	
1	<u>1011114</u>	Nut, M6-1.00 Hex .....	1
2	<u>1014007</u>	Washer, 1/4, Flat .....	1
3	<u>101886101</u>	Screw, 1/4-20 X 1.00, Square-Head .....	1
4	<u>102410604</u>	P-clamp, Insulated, 0.625 Inch .....	1
5	<u>102476401</u>	Bolt, Stop, Pedal .....	1
6	<u>102490301</u>	Bolt, M6 X 1 X 16, Loctite .....	1
7	<u>102498201</u>	Bolt, M10 X 1.25 X 25, Loctite .....	4
8	<u>103978001</u>	Cable, Governor, EX40 .....	1
9	<u>104023501</u>	Arm, Governor, ED65 .....	1
10	<u>105007402</u>	Cable, Accelerator, Utility, Low-Speed .....	1
11	<u>105007403</u>	Cable, Accelerator, Utility, Std-Speed .....	1
12	<u>105135101</u>	Bracket, Cable, FNR/Accelerator, ED65 .....	1
13	<u>105144401</u>	Weldment, Governor Bracket .....	1
14	<u>8233</u>	Locknut, 1/4-20, Nylon Insert .....	1

9

G



000983-001

## AIR FILTER SYSTEM AND INTAKE HOSE – EFI

ITEM	PART NO.	DESCRIPTION	QTY
		<b>1 2 3 4</b>	
1	<u>102411209</u>	Clamp, Hose, Ctb 55mm Dia. ....	1
2	<u>105009101</u>	Air Cleaner, Utility with EFI (includes items 3 and 4) ....	1
3	<u>102558201</u>	Air Filter, 4 Inch ....	1
4	<u>102725501</u>	Valve, Evacuator, Filter Air ....	1
5	<u>105043001</u>	Hose, Air Intake, Utility with EFI ....	1
6	<u>105088501</u>	Clamp, Ctb, 49mm Dia, W/clip ....	1
7	1218	Screw, 5/16-18 X 1.25 Hex-Head Cap ....	2
8	<u>1241</u>	Washer, 5/16 Type A Flat ....	2
9	<u>7473</u>	Locknut, 5/16-18 Nylon Insert ....	2

9

G

9

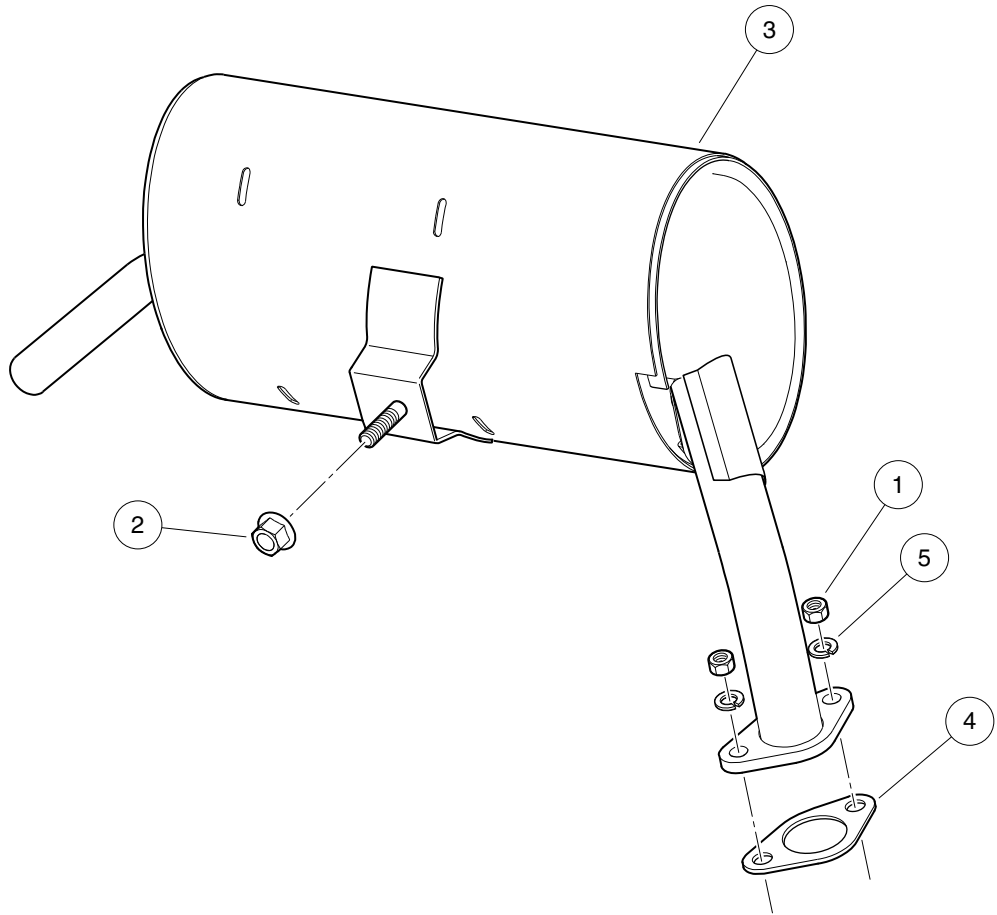
G

# EXHAUST SYSTEM – EX40 ENGINE

---

10

G



000948-001

## EXHAUST SYSTEM – UTILITY

ITEM	PART NO.	DESCRIPTION	QTY
		1 2 3 4	
1	<u>1012528</u>	Nut, M8-1.25 Hex .....	2
2	<u>102617201</u>	Nut, Flanged, M10 X 1.5, Mechanically Deformed .....	1
3	103980001	Exhaust System, EX40 .....	1
4	<u>103993601</u>	Gasket, Exhaust, EX40 .....	1
5	<u>7174</u>	Lockwasher, 5/16 Split .....	2

10

G

**10**

**G**

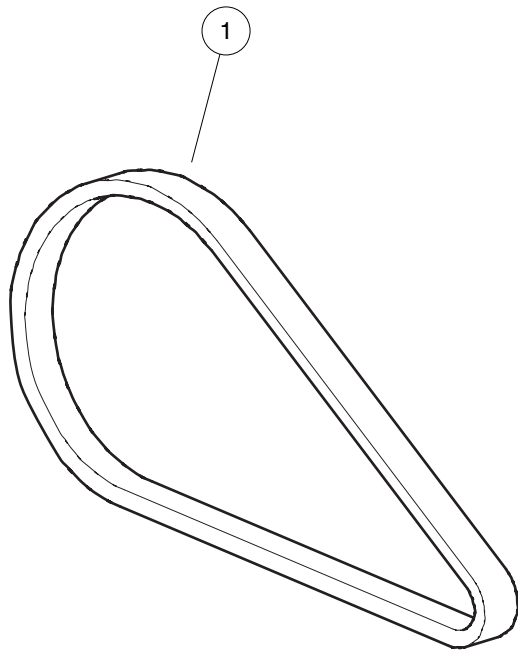


# DRIVE BELT AND CLUTCHES – EX40

---

11

G



000918-001

# DRIVE BELT – KEY-START VEHICLES WITH EFI

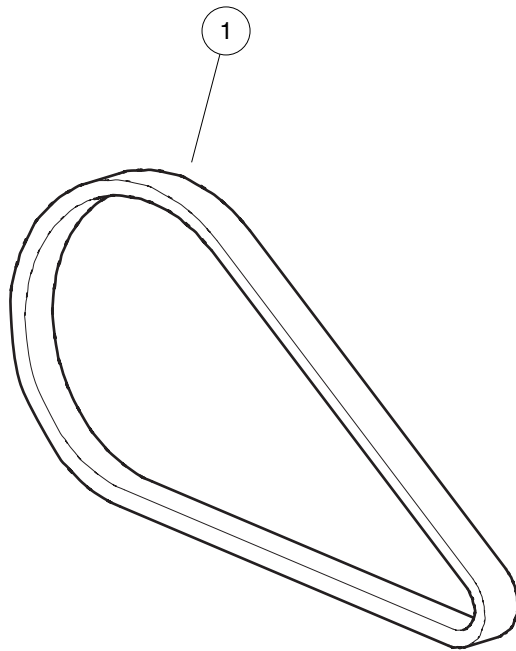
ITEM	PART NO.	DESCRIPTION	QTY
1	<u>103974102</u>	1 2 3 4 Belt, Drive, Key-Start .....	1

11

G

11

G



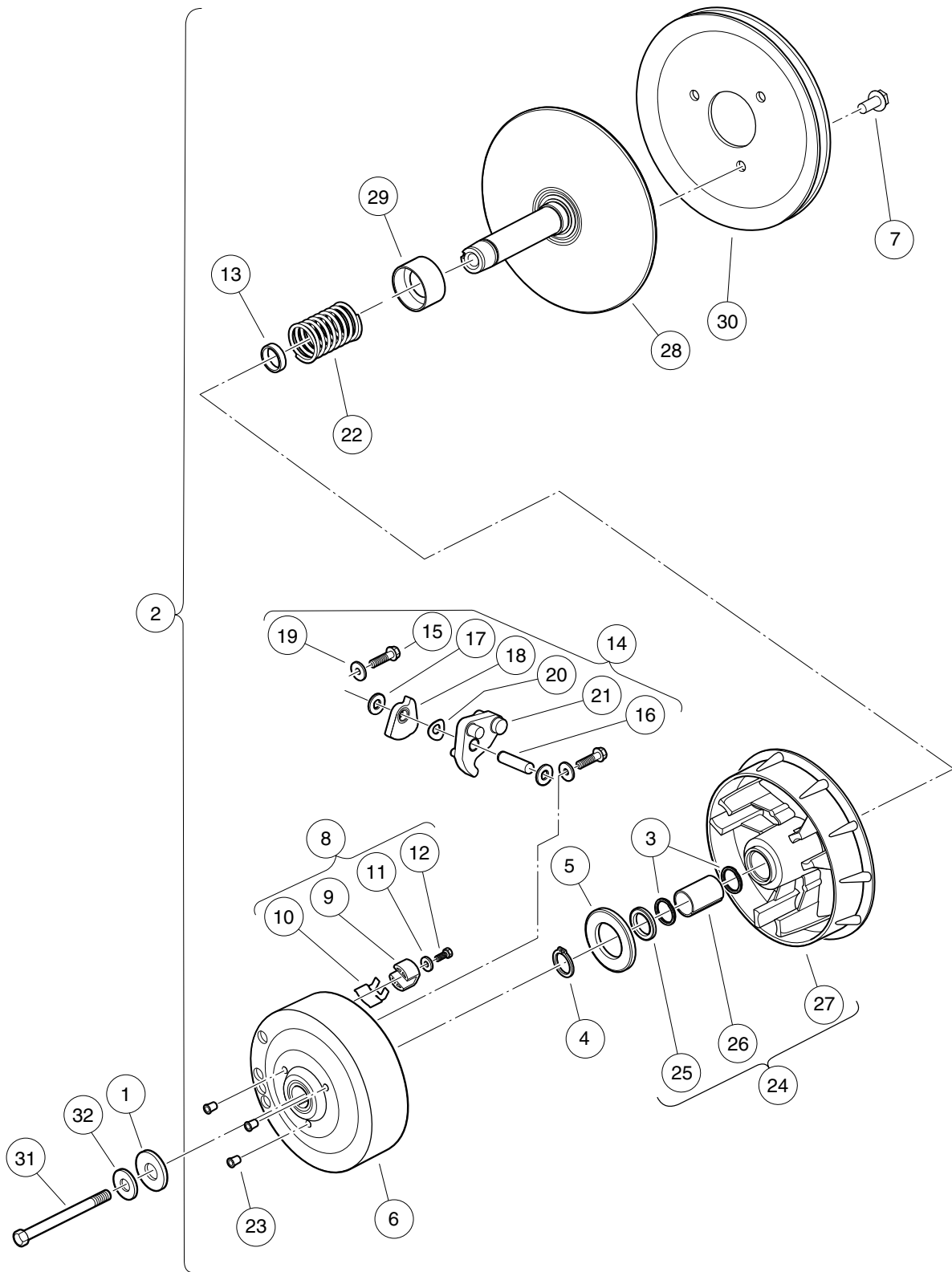
000918-001

## DRIVE BELT – PEDAL-START VEHICLES WITH EFI

ITEM	PART NO.	DESCRIPTION	QTY
1	<u>105245801</u>	1 2 3 4 Belt, Drive, Pedal-Start .....	1

11

G

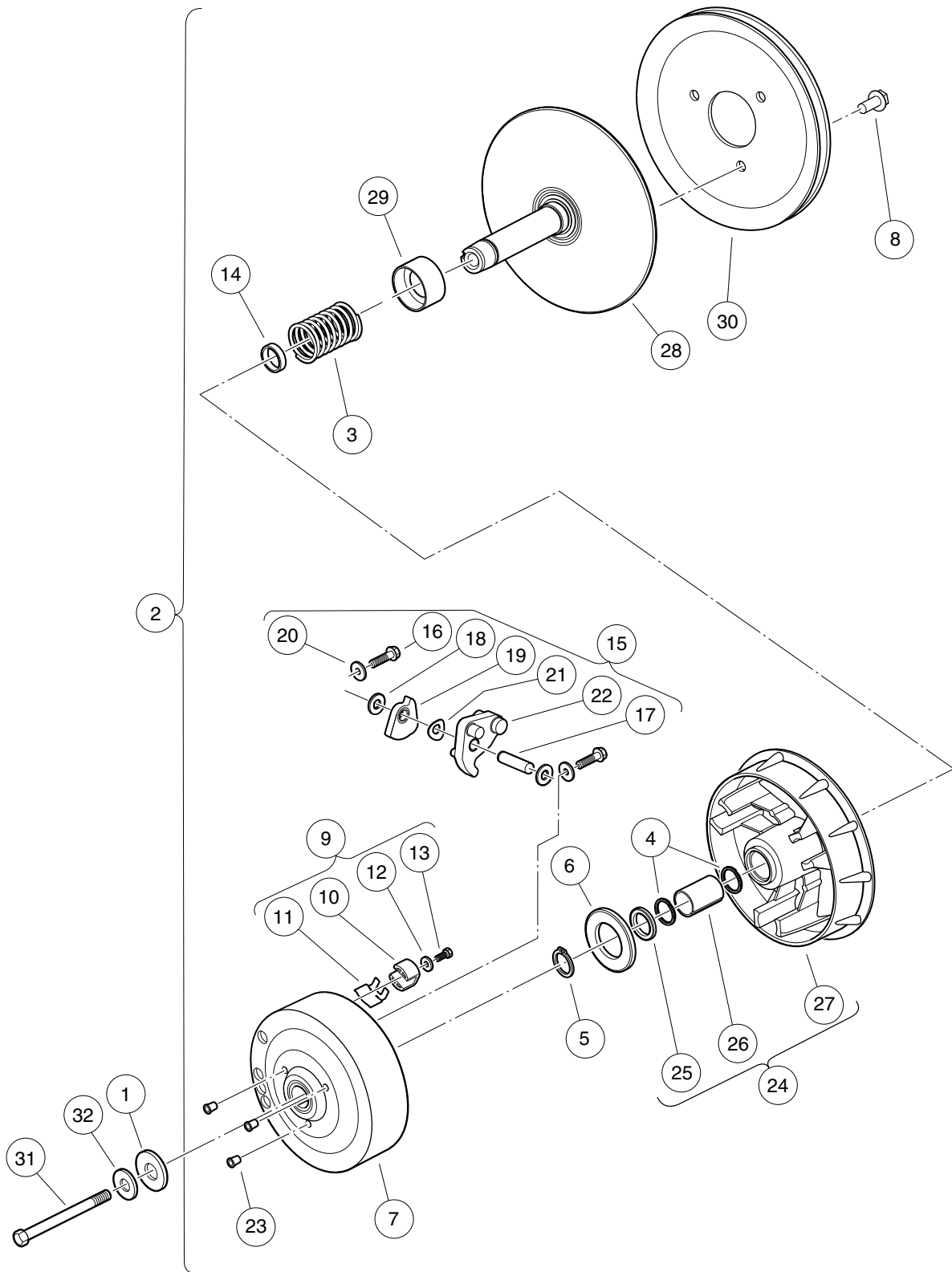


000958-002

## DRIVE CLUTCH – KEY-START VEHICLES

ITEM	PART NO.	DESCRIPTION	QTY
		1 2 3 4	
1	<u>102491501</u>	Washer, Hard, M10 .....	1
2	<u>103973902</u>	Clutch, Drive, Key-Start (includes items 3 through 30) .....	1
3	<u>1014056</u>	Ring, Spiral Backup .....	2
4	<u>1014057</u>	Ring, 0.810" Internal Retaining .....	1
5	<u>1014058</u>	Thrust Washer .....	1
6	<u>1014059</u>	Drive Hub Assy, Drive Clutch .....	1
7	<u>1014288</u>	Screw, 5/16-18 X 0.75, Thread-Forming .....	3
8	<u>1014453</u>	Kit, Drive Clutch Button (includes items 9 through 12) .....	1
9	<u>1014062</u>	Driver, Drive Clutch .....	3
10	<u>1014287</u>	Spring, Drive Button .....	3
11	<u>183</u>	Washer, #10, Type A, Flat .....	3
12	<u>8450</u>	Screw, #10-24 X 0.50, Hex-Head .....	3
13	<u>1016289</u>	Spacer, Fixed Face Shaft .....	1
14	<u>1016801</u>	Kit, Drive Clutch Weight (includes items 15 through 21) .....	1
15	<u>1014063</u>	Screw, 1/4-20 X 1.00, Hex Head .....	6
16	N/A	Pin, Dowel, 0.3752 x 1.50 .....	3
17	<u>1014065</u>	Washer, Flat, 0.38" ID, Delrin .....	6
18	N/A	Clutch Weight, Secondary .....	3
19	N/A	Washer .....	6
20	<u>1016201</u>	Washer, Wave .....	3
21	N/A	Weight, Primary .....	3
22	<u>1016901</u>	Spring, Drive Clutch .....	1
23	N/A	Cap Plug .....	3
24	<u>103974201</u>	Asm, Sheave, Moveable, Drive, Wr (includes items 25 through 27) .....	1
25	<u>1014055</u>	Retainer .....	1
26	N/A	Bushing, Split, Drive Clutch .....	1
27	N/A	Sheave, Moveable, Drive, Wr .....	1
28	<u>103974401</u>	Sheave, Fixed, Drive, Wr .....	1
29	<u>103984601</u>	Spacer, Idler, Drive .....	1
30	<u>105096101</u>	Pulley, 7.3 Inch Effective Dia .....	1
31	<u>103976101</u>	Screw, 3/8-24x5.75, Patch .....	1
32	<u>334</u>	Washer, 3/8, Type A, Flat .....	1

**11**  
**G**



000958-001



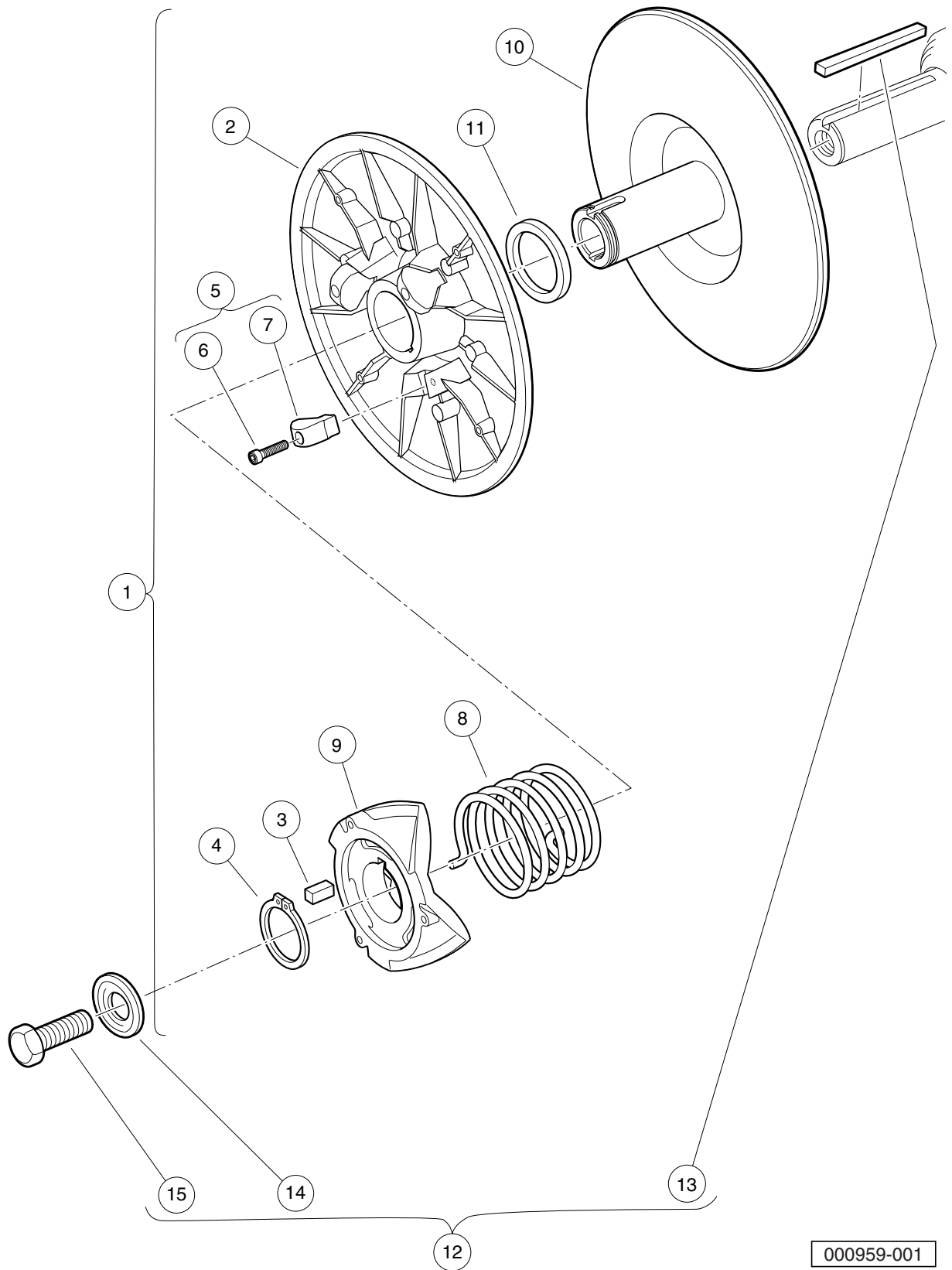
# DRIVE CLUTCH – PEDAL-START VEHICLES

ITEM	PART NO.	DESCRIPTION	QTY
		<b>1 2 3 4</b>	
1	<u>102491501</u>	Washer, Hard, M10 .....	1
2	<u>103973901</u>	Clutch, Drive, Pedal-Start (includes items 3 through 30) .....	1
3	<u>1014051</u>	Spring, Drive Clutch .....	1
4	<u>1014056</u>	Ring, Spiral Backup .....	2
5	<u>1014057</u>	Ring, 0.810" Internal Retaining .....	1
6	<u>1014058</u>	Thrust Washer .....	1
7	<u>1014059</u>	Drive Hub Assy, Drive Clutch .....	1
8	<u>1014288</u>	Screw, 5/16-18 X 0.75, Thread-Forming .....	3
9	<u>1014453</u>	Kit, Drive Clutch Button (includes items 10 through 13) .....	1
10	<u>1014062</u>	Driver, Drive Clutch .....	3
11	<u>1014287</u>	Spring, Drive Button .....	3
12	<u>183</u>	Washer, #10, Type A, Flat .....	3
13	<u>8450</u>	Screw, #10-24 X 0.50, Hex-Head .....	3
14	<u>1016289</u>	Spacer, Fixed Face Shaft .....	1
15	<u>1016801</u>	Kit, Drive Clutch Weight (includes items 16 through 22) .....	1
16	<u>1014063</u>	Screw, 1/4-20 X 1.00, Hex Head .....	6
17	N/A	Pin, Dowel, 0.3752 x 1.50 .....	3
18	<u>1014065</u>	Washer, Flat, 0.38" ID, Delrin .....	6
19	N/A	Clutch Weight, Secondary .....	3
20	N/A	Washer .....	6
21	<u>1016201</u>	Washer, Wave .....	3
22	N/A	Weight, Primary .....	3
23	N/A	Cap Plug .....	3
24	<u>103974201</u>	Asm, Sheave, Moveable, Drive, Wr (includes items 25 through 27) .....	1
25	<u>1014055</u>	Retainer .....	1
26	N/A	Bushing, Split, Drive Clutch .....	1
27	N/A	Sheave, Moveable, Drive, Wr .....	1
28	<u>103974401</u>	Sheave, Fixed, Drive, Wr .....	1
29	<u>103984601</u>	Spacer, Idler, Drive .....	1
30	<u>105096101</u>	Pulley, 7.3 Inch Effective Dia .....	1
31	<u>103976101</u>	Screw, 3/8-24x5.75, Patch .....	1
32	<u>334</u>	Washer, 3/8, Type A, Flat .....	1

11

G

**11**  
**G**



000959-001

# DRIVEN CLUTCH (STANDARD SPEED) – KEY START AND PEDAL START

ITEM	PART NO.	DESCRIPTION	QTY
		1 2 3 4	
1	<u>103974002</u>	Clutch, Driven, Std-Speed, Key and Pedal Start (includes items 2 through 11) .....	1
2	<u>1014072</u>	Movable-Face Assembly with Bushing .....	1
3	<u>1014078</u>	Key, Driven Clutch .....	1
4	<u>1014080</u>	Ring, Retaining .....	1
5	<u>1014454</u>	Kit, Driven Clutch Button (includes items 6 and 7) .....	1
6	<u>1012836</u>	Screw, #8-32 X 3/4, Socket-Head Cap .....	3
7	N/A	Button, Drive .....	3
8	<u>1017145</u>	Spring, Driven Clutch, 55 Degree .....	1
9	<u>1017686</u>	Cam, Driven Clutch .....	1
10	<u>103975301</u>	Sheave, Fixed, Driven, Wr .....	1
11	<u>104025101</u>	Washer, Acetal, Driven Clutch .....	1
12	<u>AM10419</u>	Kit, Clutch Repair (includes items 13 through 15) .....	1
13	<u>101833401</u>	Key, 3/16 Sq X 1.50" .....	1
14	<u>102155801</u>	Washer, Driven Clutch .....	1
15	<u>102242101</u>	Screw, 5/16-18 X 3/4 Hex-Head with Patch .....	1

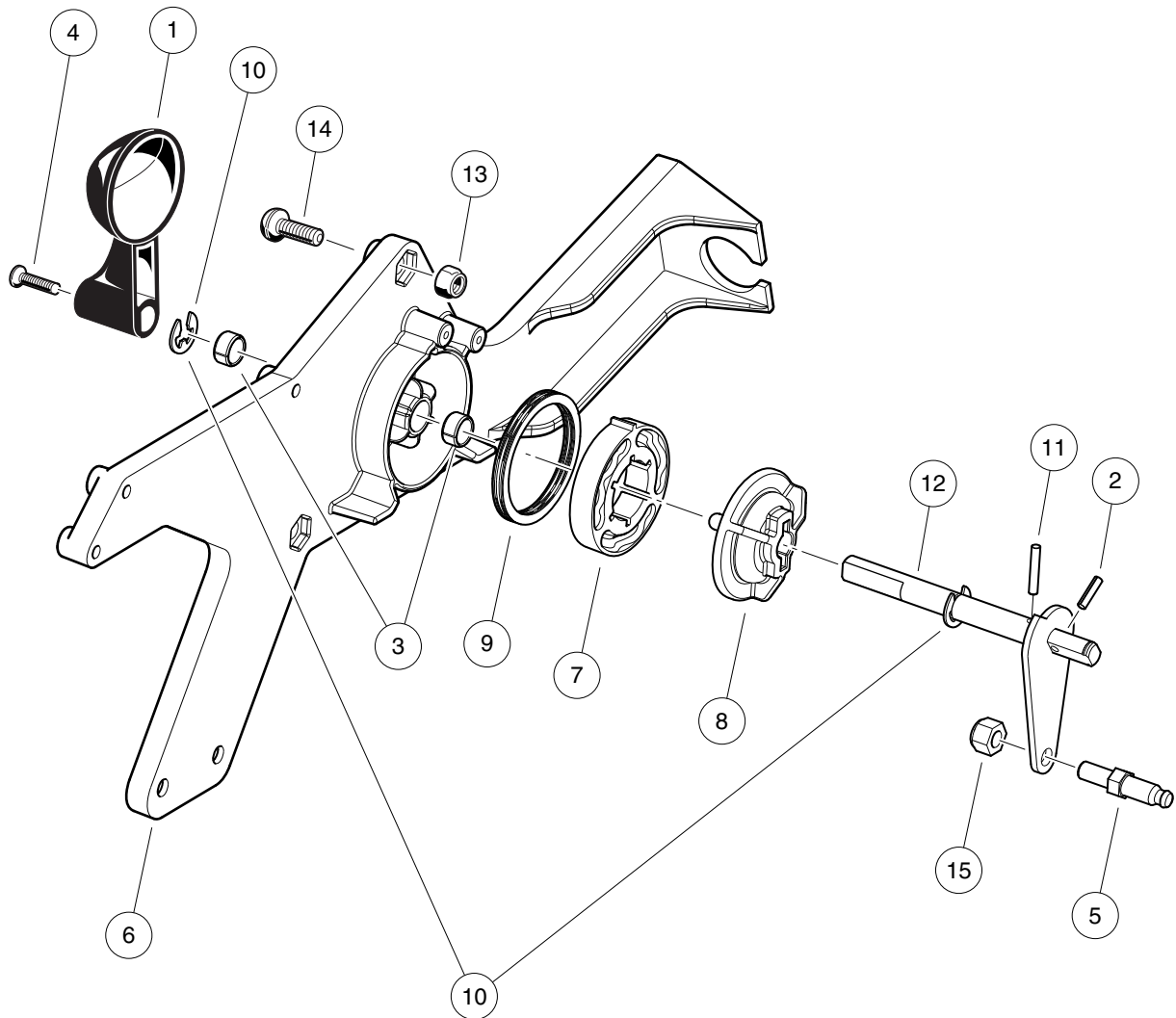
**11**  
**G**

11

G

# TRANSAXLE (FUJI ED65)

---



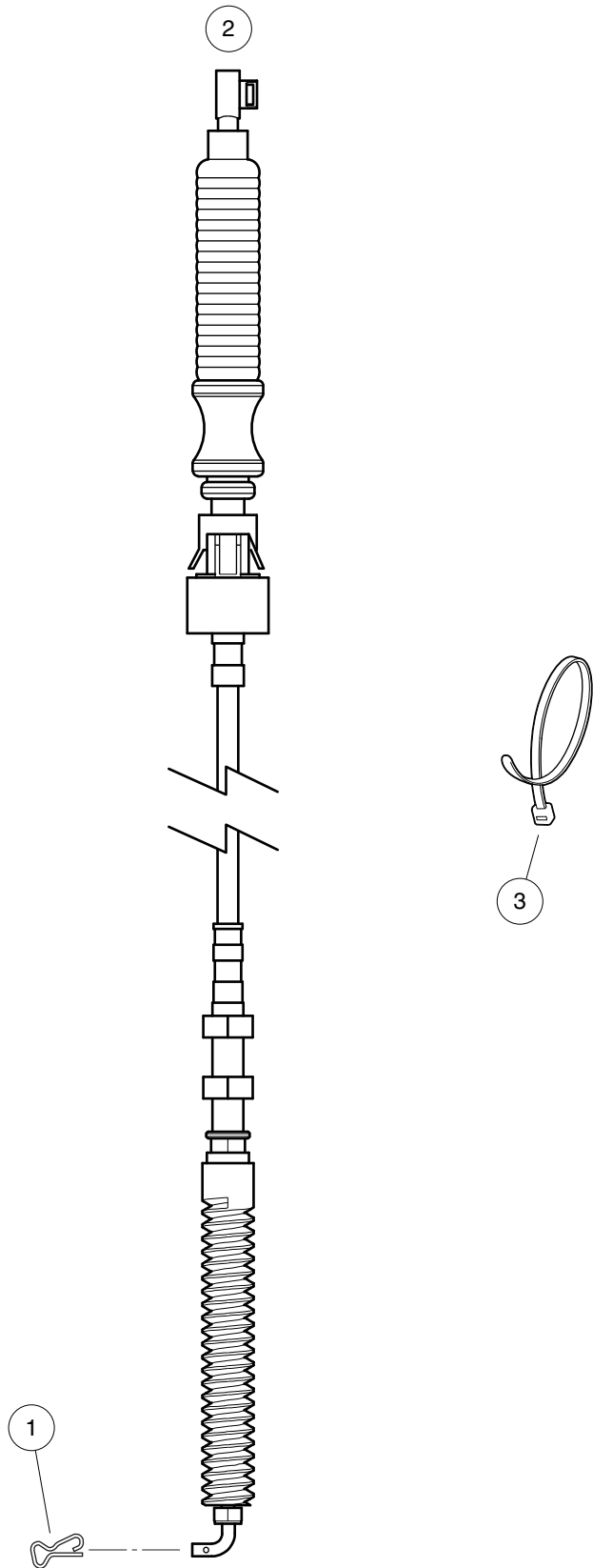
001012-001

## FORWARD/REVERSE SHIFTER – EFI

ITEM	PART NO.	DESCRIPTION	QTY
		1 2 3 4	
1	<u>1012987</u>	Handle, FNR .....	1
2	<u>1013591</u>	Pin, Roll, 1/8 X 1/2 .....	1
3	<u>1014145</u>	Bushing, Secondary Weight, Split .....	2
4	<u>1015064</u>	Screw, #8-32 X 0.63 Machine .....	1
5	<u>102526201</u>	Stud, Thread, 1/4-28 .....	1
6	<u>105037501</u>	Housing, Gas FNR Body Shift .....	1
7	<u>105037601</u>	Cam, FNR Detent, 45 Degree .....	1
8	<u>105037701</u>	Follower, FNR Detent .....	1
9	<u>105038501</u>	Spring, Wave, Gas FNR Shifter .....	1
10	<u>105039801</u>	E-Clip, External, 8mm Groove .....	2
11	<u>105040401</u>	Pin, Round, 0.125 Dia x 0.625 .....	1
12	<u>105041201</u>	Weldment, Shaft, FNR, Dash .....	1
13	<u>8233</u>	Locknut, 1/4-20, Nylon Insert .....	3
14	<u>8248</u>	Screw, 1/4-20 X 0.75, Truss-Head Machine .....	3
15	<u>8717</u>	Locknut, Nylon Insert, 1/4-28 .....	1

12

G



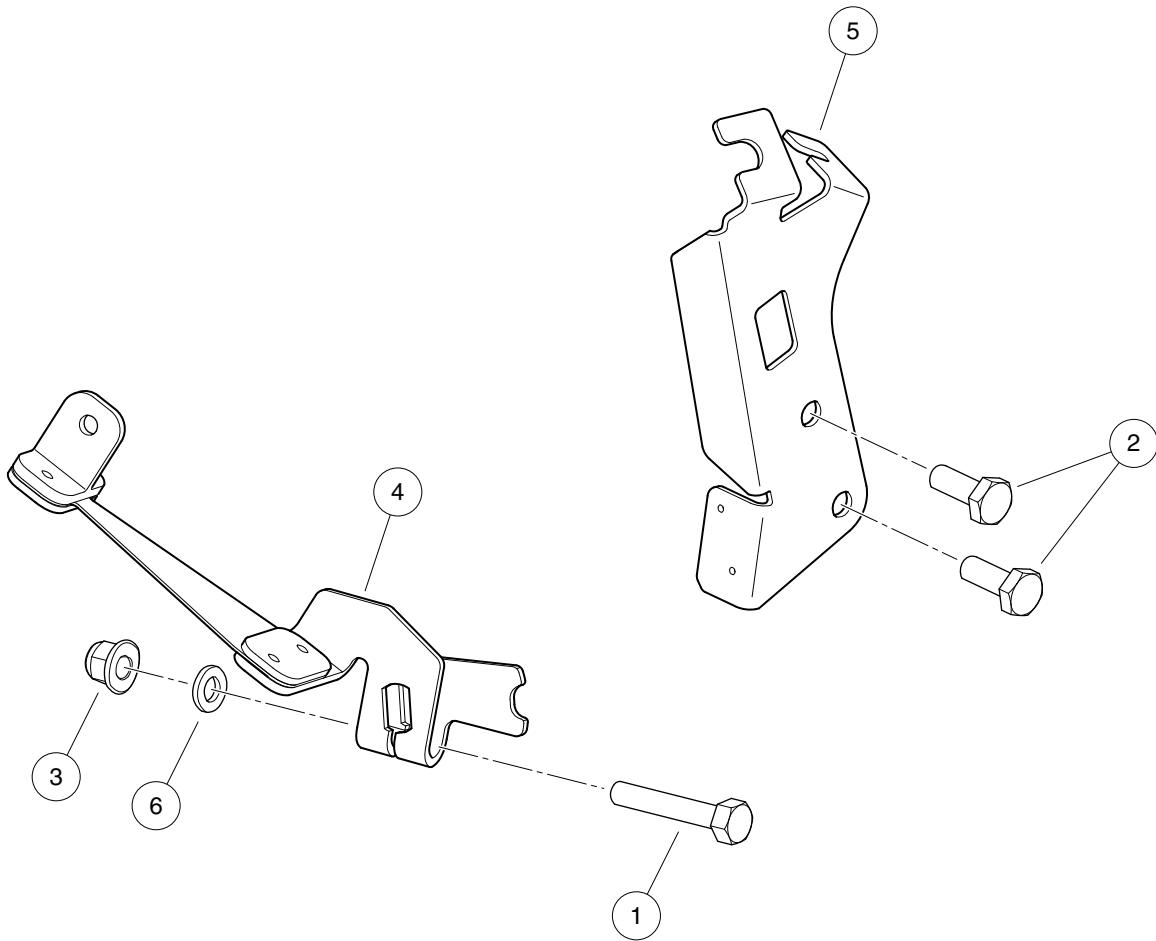
000988-001



# SHIFTER CABLE

ITEM	PART NO.	DESCRIPTION	QTY
1	<u>103886601</u>	1 2 3 4 Clip, Bowtie .....	1
2	<u>105038801</u>	Cable, Shifter .....	1
3	<u>8990</u>	Tie Wrap, 8" Nylon .....	A/R

**12**  
**G**



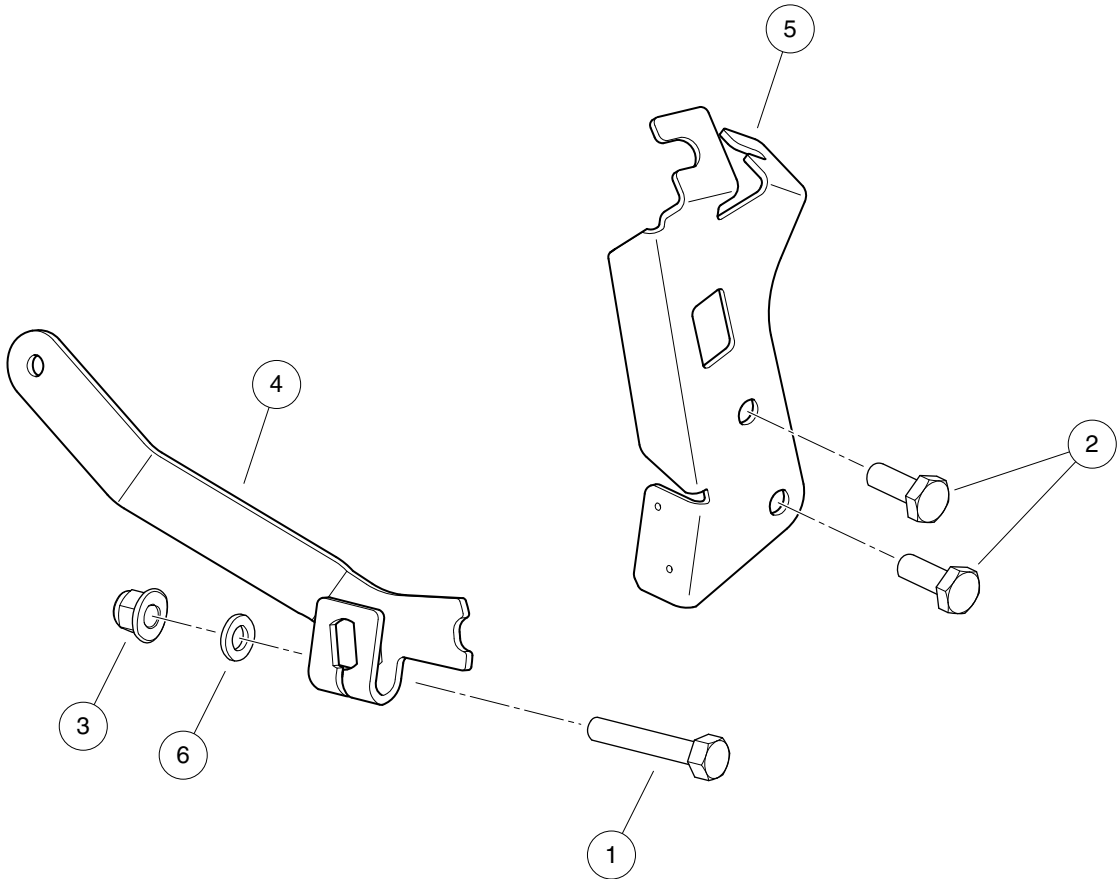
000965-001

# SHIFT LEVER AND BRACKET – PEDAL-START ENGINES

ITEM	PART NO.	DESCRIPTION	QTY
		1 2 3 4	
1	<u>102059501</u>	Screw, 6M-1.00 X 35mm, Hex Head .....	1
2	<u>102498201</u>	Bolt, M10 X 1.25 X 25, Loctite .....	2
3	<u>102621501</u>	Nut, Flange, M6 X 1.0, Nylon .....	1
4	<u>105040901</u>	Lever, Shift, Flex, Transaxle, Pedal-Start .....	1
5	<u>105135101</u>	Bracket, Cable, FNR/Accelerator, ED65 .....	1
6	<u>96705199</u>	Washer, M6 .....	1

12

G

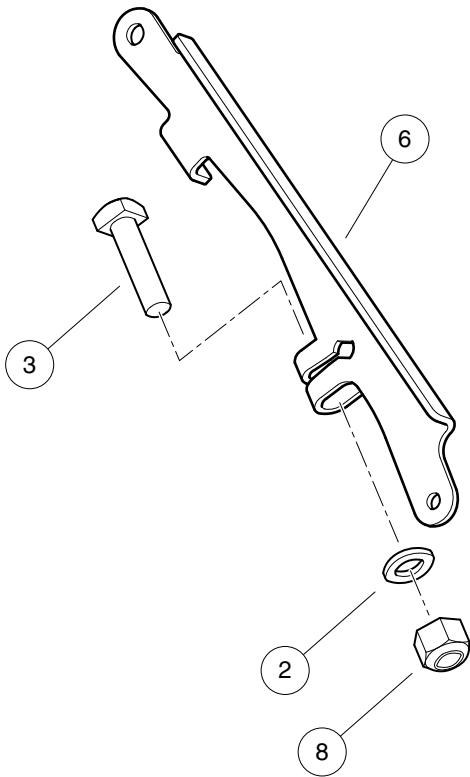
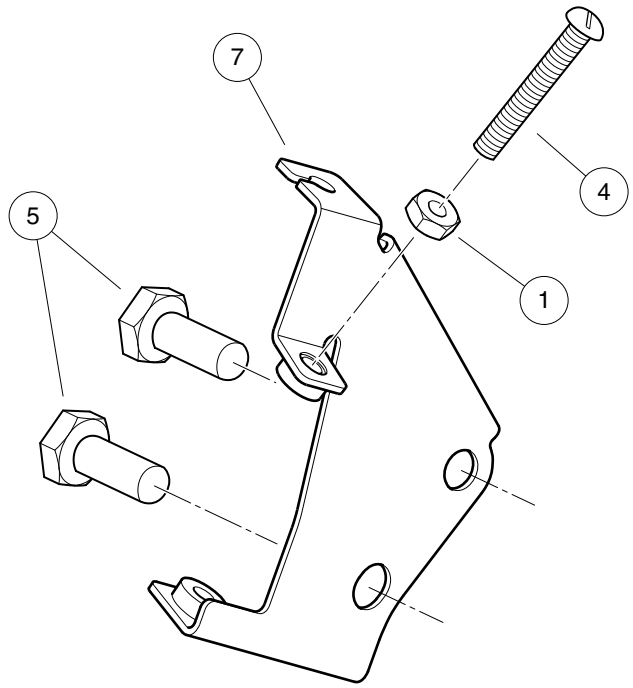


000965-002

## SHIFT LEVER AND BRACKET – KEY-START ENGINES

ITEM	PART NO.	DESCRIPTION	QTY
		1 2 3 4	
1	<u>102059501</u>	Screw, 6M-1.00 X 35mm, Hex Head .....	1
2	<u>102498201</u>	Bolt, M10 X 1.25 X 25, Loctite .....	2
3	<u>102621501</u>	Nut, Flange, M6 X 1.0, Nylon .....	1
4	<u>105134901</u>	Lever, Shift, Transaxle, Key-Start .....	1
5	<u>105135101</u>	Bracket, Cable, FNR/Accelerator, ED65 .....	1
6	<u>96705199</u>	Washer, M6 .....	1

**12**  
**G**

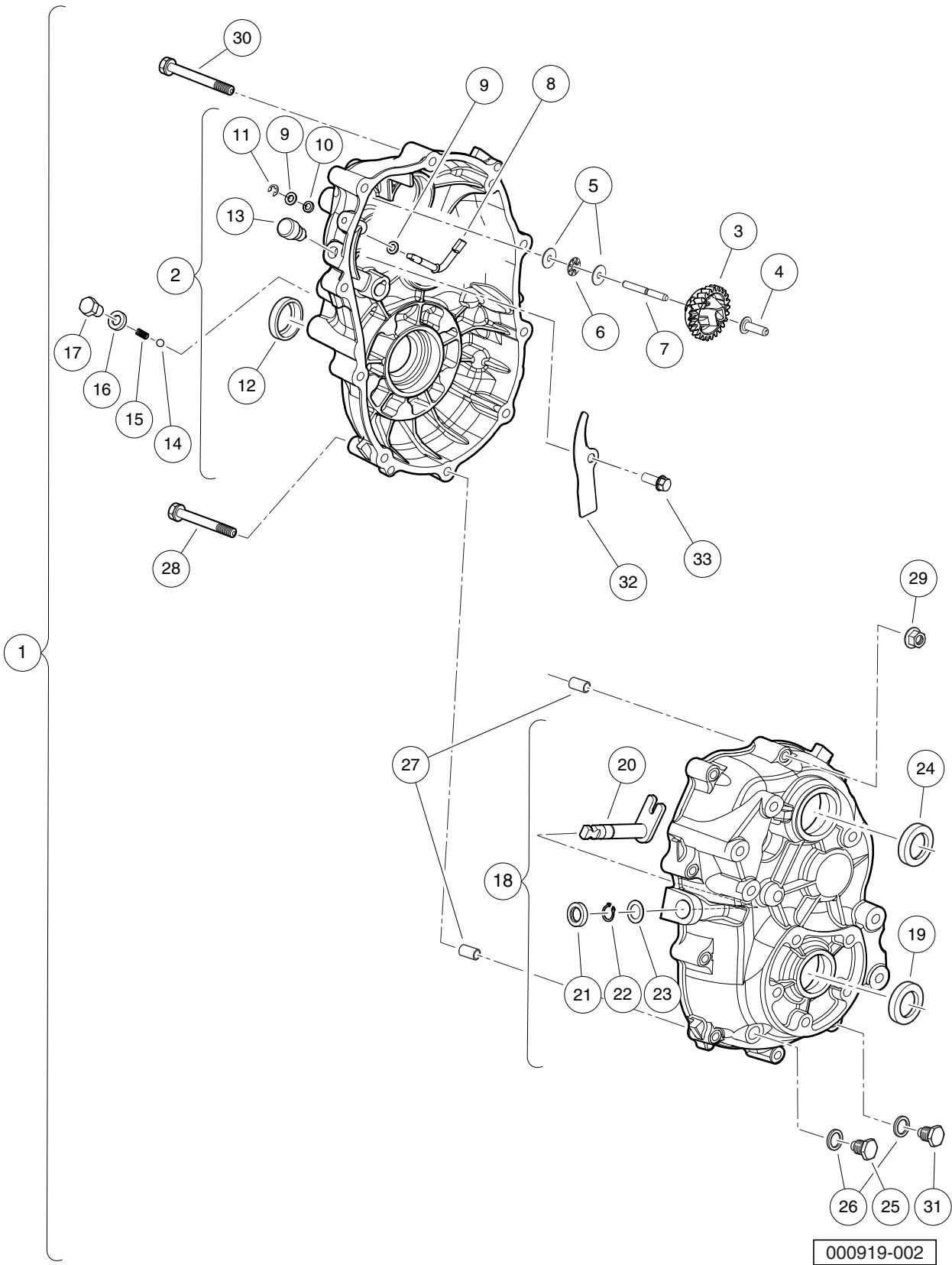


000966-002

## GOVERNOR ARM AND BRACKETS – UTILITY VEHICLES

ITEM	PART NO.	DESCRIPTION	QTY
		1 2 3 4	
1	<u>1011114</u>	Nut, M6-1.00 Hex .....	1
2	<u>1014007</u>	Washer, 1/4, Flat .....	1
3	<u>101886101</u>	Screw, 1/4-20 X 1.00, Square-Head .....	1
4	<u>102476401</u>	Bolt, Stop, Pedal .....	1
5	<u>102498201</u>	Bolt, M10 X 1.25 X 25, Loctite .....	2
6	<u>104023501</u>	Arm, Governor, ED65 .....	1
7	<u>105144401</u>	Weldment, Governor Bracket .....	1
8	<u>8233</u>	Locknut, 1/4-20, Nylon Insert .....	1

**12**  
**G**



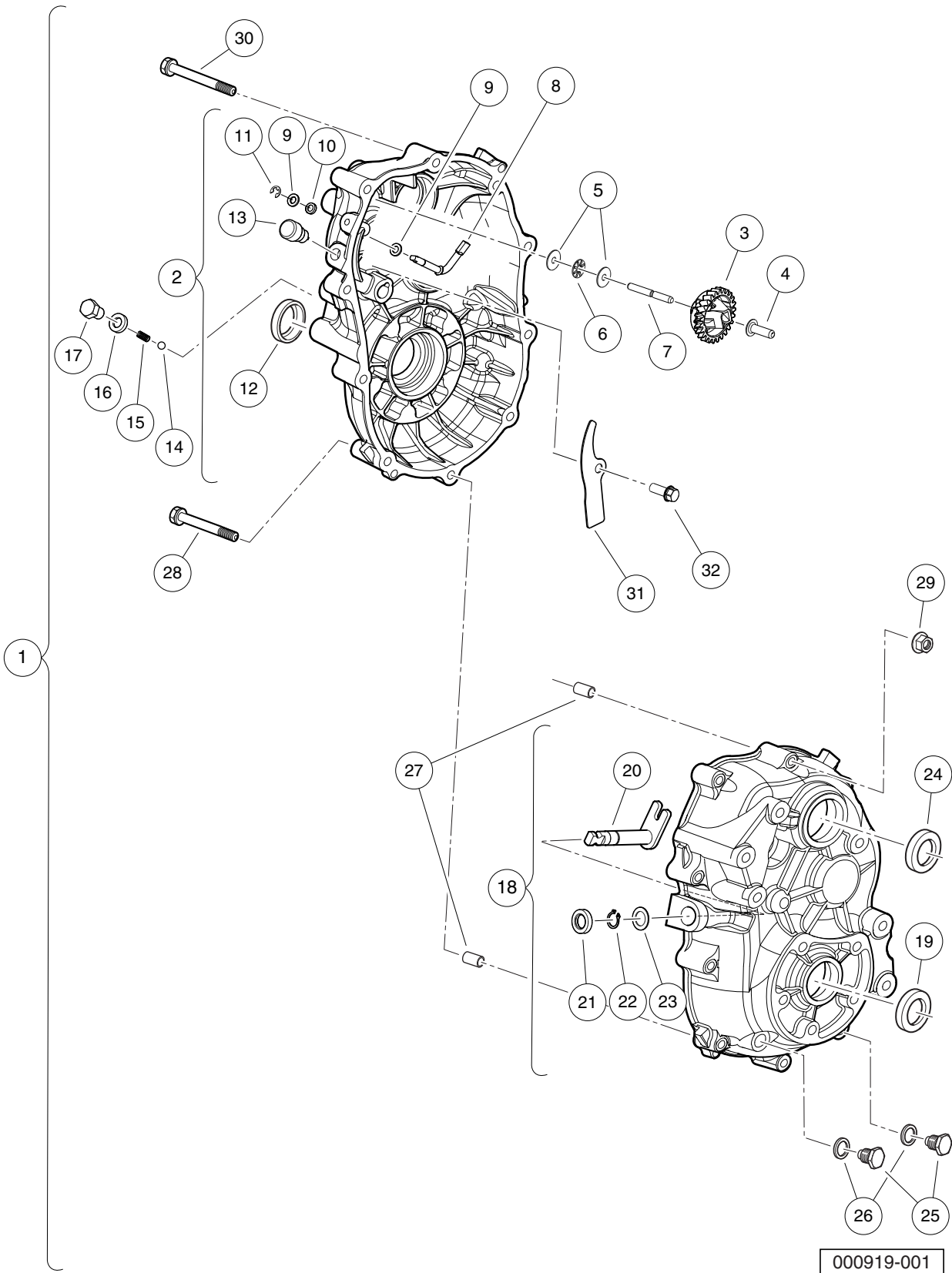


## TRANSAXLE (ED65), LIMITED SLIP – PAGE 1 OF 3

ITEM	PART NO.	DESCRIPTION	QTY
		1 2 3 4	
1	<u>103879702</u>	Transaxle, ED65, Limited-Slip Differential (includes items 2 through 33) .....	1
2	<u>105025001</u>	Case, Transaxle, Left, Complete, ED65 (includes items 3 through 13) .....	1
3	<u>105025101</u>	Gear, Governor, Complete, ED65 .....	1
4	<u>105025201</u>	Sleeve, Governor, ED65 .....	1
5	<u>105025301</u>	Washer, ED65 .....	2
6	<u>105025401</u>	Bearing, Thrust, ED65 .....	1
7	<u>105025501</u>	Shaft, Governor Gear, ED65 .....	1
8	<u>105025601</u>	Shaft, Governor, ED65 .....	1
9	<u>105025701</u>	Washer, 6mm, ED65 .....	2
10	<u>105025801</u>	Seal, Oil, 6x10x2.5, ED65 .....	1
11	<u>105025901</u>	Retaining Ring, E5, ED65 .....	1
12	<u>105026001</u>	Seal, Oil, 24x40x9, ED65 .....	1
13	<u>105027101</u>	Vent, Breather, ED65 .....	1
14	<u>105026101</u>	Ball, Steel, ED65 .....	1
15	<u>105026201</u>	Spring, ED65 .....	1
16	<u>105026301</u>	Gasket, 10, ED65 .....	1
17	<u>105026401</u>	Bolt, M10-1.25x12mm Lg, ED65 .....	1
18	<u>105026501</u>	Case, Transaxle, Right, Complete, ED65 (includes items 19 through 24) .....	1
19	<u>105026001</u>	Seal, Oil, 24x40x9, ED65 .....	1
20	<u>105026601</u>	Shaft, Select, ED65 .....	1
21	<u>105026701</u>	Seal, Oil, 13x22x5, ED65 .....	1
22	<u>105026801</u>	Snap Ring, 13mm, ED65 .....	1
23	<u>105026901</u>	Spacer, 13x1, ED65 .....	1
24	<u>105027001</u>	Seal, Oil, 25x45x7, ED65 .....	1
25	<u>105027201</u>	Plug, Oil Drain, ED65 .....	1
26	<u>105027301</u>	Gasket, 14, ED65 .....	2
27	<u>105028301</u>	Pin, Guide, ED65 .....	2
28	<u>105028501</u>	Bolt, Flange, M8-1.25x65mm, ED65 .....	1
29	<u>105030001</u>	Nut, Flange, M8-1.25, ED65 .....	10
30	<u>105030701</u>	Bolt, Flanged, M8-1.25x80mm, ED65 .....	9
31	<u>105063501</u>	Plug, Oil Drain, Magnetic, ED65 .....	1
32	<u>105234801</u>	Plate, Ed65 Splash .....	1
33	<u>105234901</u>	Bolt, M6-1 X 12mm Lg, Ed65 .....	1
Note: Fuji transaxle component listings span three pages. To identify your transaxle, locate the serial number decal on the axle tube.			

12

G



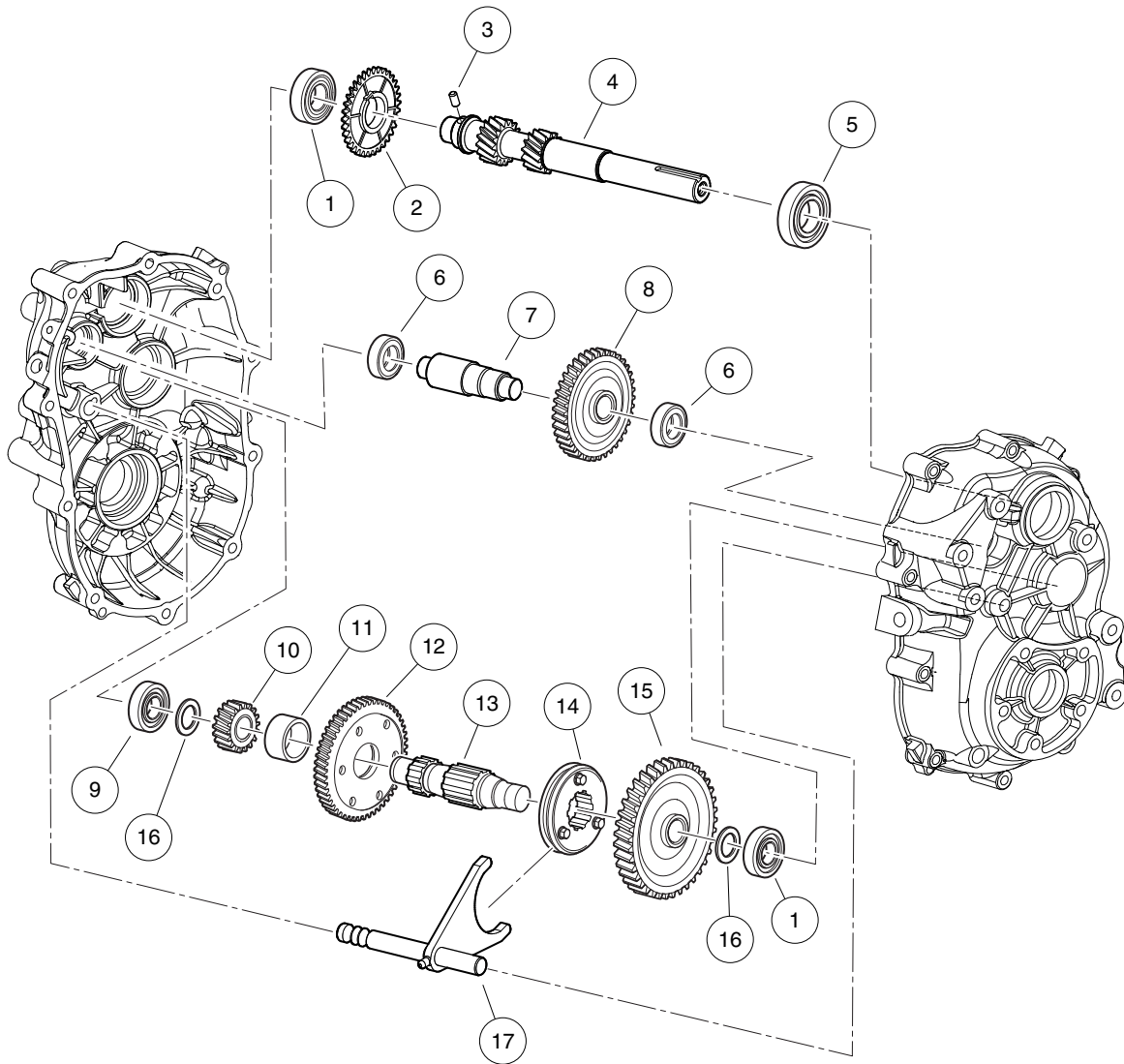
000919-001

# TRANSAXLE (ED65), OPEN – PAGE 1 OF 3

ITEM	PART NO.	DESCRIPTION	QTY
		1 2 3 4	
1	<u>103879701</u>	Transaxle, ED65, Open Differential (includes items 2 through 32) .....	1
2	<u>105025001</u>	Case, Transaxle, Left, Complete, ED65 (includes items 3 through 13) .....	1
3	<u>105025101</u>	Gear, Governor, Complete, ED65 .....	1
4	<u>105025201</u>	Sleeve, Governor, ED65 .....	1
5	<u>105025301</u>	Washer, ED65 .....	2
6	<u>105025401</u>	Bearing, Thrust, ED65 .....	1
7	<u>105025501</u>	Shaft, Governor Gear, ED65 .....	1
8	<u>105025601</u>	Shaft, Governor, ED65 .....	1
9	<u>105025701</u>	Washer, 6mm, ED65 .....	2
10	<u>105025801</u>	Seal, Oil, 6x10x2.5, ED65 .....	1
11	<u>105025901</u>	Retaining Ring, E5, ED65 .....	1
12	<u>105026001</u>	Seal, Oil, 24x40x9, ED65 .....	1
13	<u>105027101</u>	Vent, Breather, ED65 .....	1
14	<u>105026101</u>	Ball, Steel, ED65 .....	1
15	<u>105026201</u>	Spring, ED65 .....	1
16	<u>105026301</u>	Gasket, 10, ED65 .....	1
17	<u>105026401</u>	Bolt, M10-1.25x12mm Lg, ED65 .....	1
18	<u>105026501</u>	Case, Transaxle, Right, Complete, ED65 (includes items 19 through 24) .....	1
19	<u>105026001</u>	Seal, Oil, 24x40x9, ED65 .....	1
20	<u>105026601</u>	Shaft, Select, ED65 .....	1
21	<u>105026701</u>	Seal, Oil, 13x22x5, ED65 .....	1
22	<u>105026801</u>	Snap Ring, 13mm, ED65 .....	1
23	<u>105026901</u>	Spacer, 13x1, ED65 .....	1
24	<u>105027001</u>	Seal, Oil, 25x45x7, ED65 .....	1
25	<u>105027201</u>	Plug, Oil Drain, ED65 .....	2
26	<u>105027301</u>	Gasket, 14, ED65 .....	2
27	<u>105028301</u>	Pin, Guide, ED65 .....	2
28	<u>105028501</u>	Bolt, Flange, M8-1.25x65mm, ED65 .....	1
29	<u>105030001</u>	Nut, Flange, M8-1.25, ED65 .....	10
30	<u>105030701</u>	Bolt, Flanged, M8-1.25x80mm, ED65 .....	9
31	<u>105234801</u>	Plate, Ed65 Splash .....	1
32	<u>105234901</u>	Bolt, M6-1 X 12mm Lg, Ed65 .....	1
Note: Fuji transaxle component listings span three pages. To identify your transaxle, locate the serial number decal on the axle tube.			

12

G



000919-003

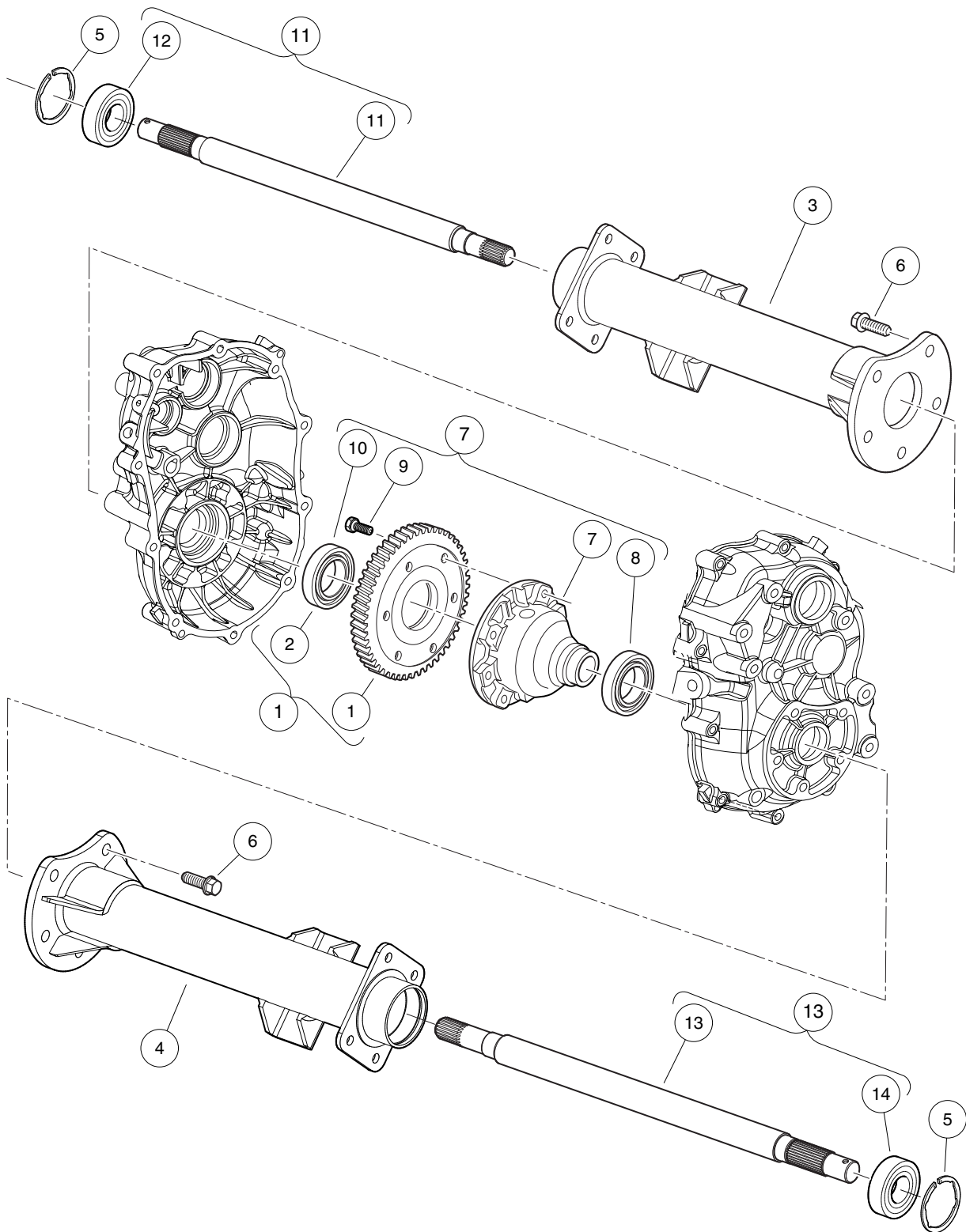
# TRANSAXLE (ED65), LIMITED SLIP AND OPEN – PAGE 2 OF 3

ITEM	PART NO.	DESCRIPTION	QTY
		1 2 3 4	
1	<u>105027401</u>	Bearing, Ball (6204) .....	2
2	<u>105027501</u>	Gear, Governor, 34 Tooth, ED65 .....	1
3	<u>105027601</u>	Pin, 6x12 Long, ED65 .....	1
4	105027701	Shaft, Input, ED65 .....	1
5	105027801	Bearing, Ball (6205 seal) .....	1
6	<u>105027901</u>	Bearing, Ball (6202) .....	2
7	105028001	Shaft, Counter, ED65 .....	1
8	105028201	Gear, 34 Tooth, ED65 .....	1
9	<u>105028401</u>	Bearing, Ball (6304) .....	1
10	105028601	Gear, 17 Tooth, ED65 .....	1
11	<u>105028701</u>	Collar, 24 x 12, ED65 .....	1
12	<u>105028801</u>	Gear, 52 Tooth, ED65 .....	1
13	105028901	Shaft, Center, ED65 .....	1
14	<u>105029001</u>	Clutch, Pin, ED65 .....	1
15	105029101	Gear, 62 Tooth, ED65 .....	1
16	<u>105029201</u>	Spacer, 20x2, ED65 .....	2
17	<u>105030901</u>	Shaft, Shift, ED65 .....	1
		<p>Note: To identify your transaxle, locate the serial number decal on the axle tube.</p>	

12

G

**12**  
**G**



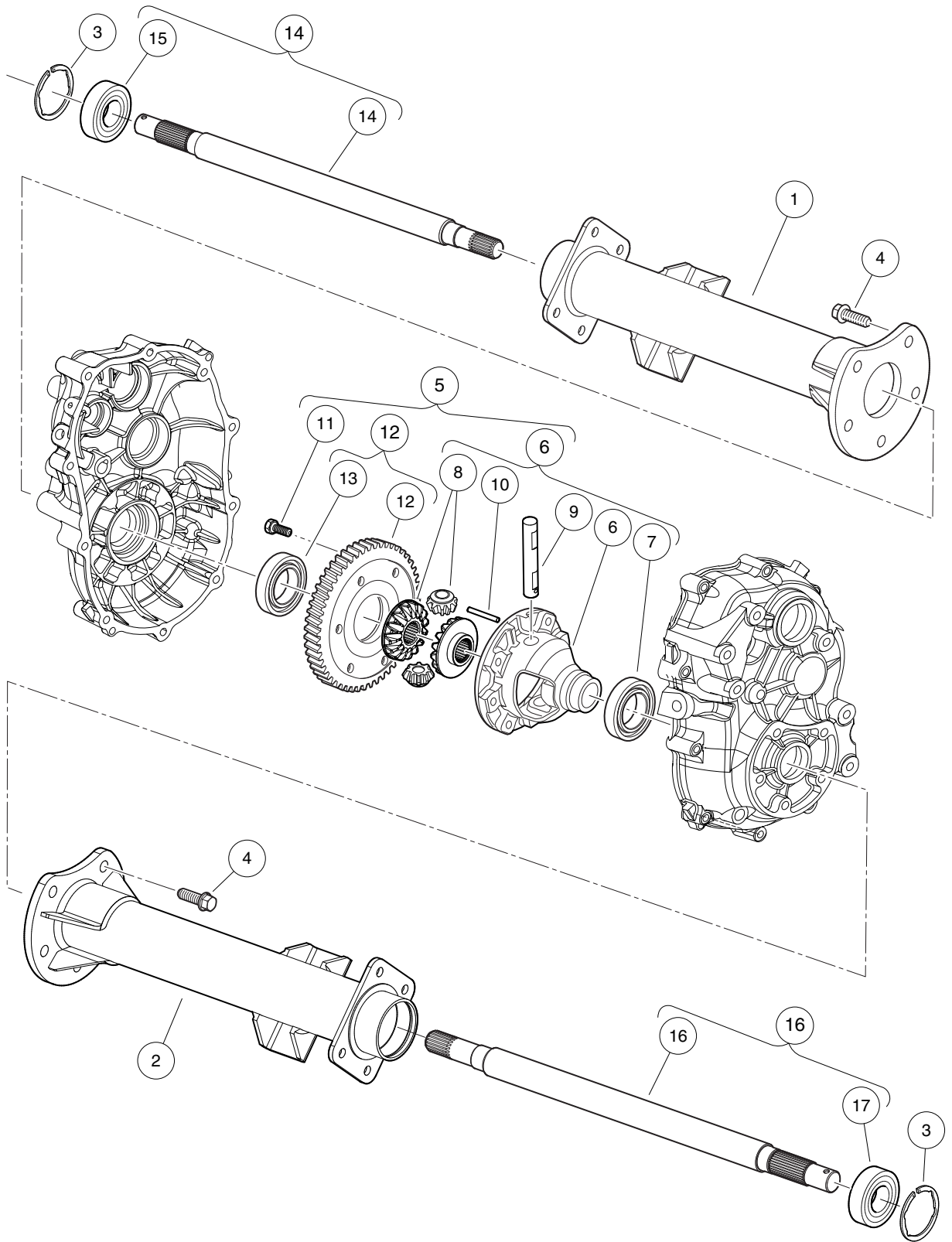
000919-005

## TRANSAXLE (ED65), LIMITED SLIP – PAGE 3 OF 3

ITEM	PART NO.	DESCRIPTION	QTY
		1 2 3 4	
1	105029901	Gear, 60 Tooth, Complete, ED65 (includes item 2) .....	1
2	<u>105029801</u>	Bearing, Ball (6007) .....	1
3	105030401	Axle Tube, Driver-Side, ED65 .....	1
4	105030501	Axle Tube, Passenger-Side, ED65 .....	1
5	<u>105030601</u>	Snap Ring, 52mm, ED65 .....	2
6	<u>105030801</u>	Bolt, Flange, M10-1.25x25, ED65 .....	10
7	<u>105063601</u>	Differential, Limited-Slip, ED65 (includes items 8 through 10) .....	1
8	<u>105028101</u>	Bearing, Ball (6006) .....	1
9	<u>105029501</u>	Bolt, M10-1.25x26mm Lg, ED65 .....	6
10	<u>105029801</u>	Bearing, Ball (6007) .....	1
11	<u>105066001</u>	Axle Shaft, Driver-Side, Complete, ED65 (includes item 12) .....	1
12	<u>105030301</u>	Bearing, Ball (6205DD) .....	1
13	<u>105066101</u>	Axle Shaft, Passenger-Side, Complete, ED65 (includes item 14) .....	1
14	<u>105030301</u>	Bearing, Ball (6205DD) .....	1
<p style="margin-left: 40px;">Note: To identify your transaxle, locate the serial number decal on the axle tube.</p>			

12

G



000919-004

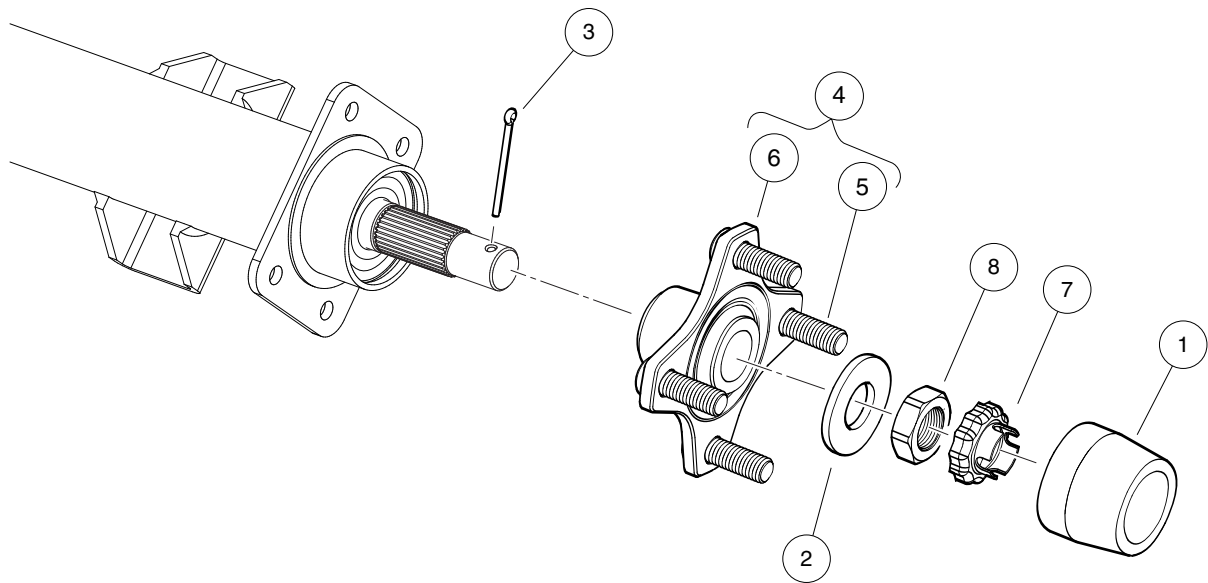


## TRANSAXLE (ED65), OPEN – PAGE 3 OF 3

ITEM	PART NO.	DESCRIPTION	QTY
		1 2 3 4	
1	105030401	Axle Tube, Driver-Side, ED65 .....	1
2	105030501	Axle Tube, Passenger-Side, ED65 .....	1
3	<u>105030601</u>	Snap Ring, 52mm, ED65 .....	2
4	<u>105030801</u>	Bolt, Flange, M10-1.25x25, ED65 .....	10
5	<u>105031001</u>	Differential, Open, ED65 (includes items 6 through 12) .....	1
6	<u>105029301</u>	Case, Differential, Complete, ED65 (includes items 7 through 10) .....	1
7	<u>105028101</u>	Bearing, Ball (6006) .....	1
8	105029401	Gear Set, Differential, ED65 .....	1
9	<u>105029601</u>	Shaft, Differential, ED65 .....	1
10	<u>105029701</u>	Pin, 4x40 Long, ED65 .....	1
11	<u>105029501</u>	Bolt, M10-1.25x26mm Lg, ED65 .....	6
12	105029901	Gear, 60 Tooth, Complete, ED65 (includes item 13) .....	1
13	<u>105029801</u>	Bearing, Ball (6007) .....	1
14	<u>105066001</u>	Axle Shaft, Driver-Side, Complete, ED65 (includes item 15) .....	1
15	<u>105030301</u>	Bearing, Ball (6205DD) .....	1
16	<u>105066101</u>	Axle Shaft, Passenger-Side, Complete, ED65 (includes item 17) .....	1
17	<u>105030301</u>	Bearing, Ball (6205DD) .....	1
<p style="margin-left: 40px;">Note: To identify your transaxle, locate the serial number decal on the axle tube.</p>			

12

G



000919-006

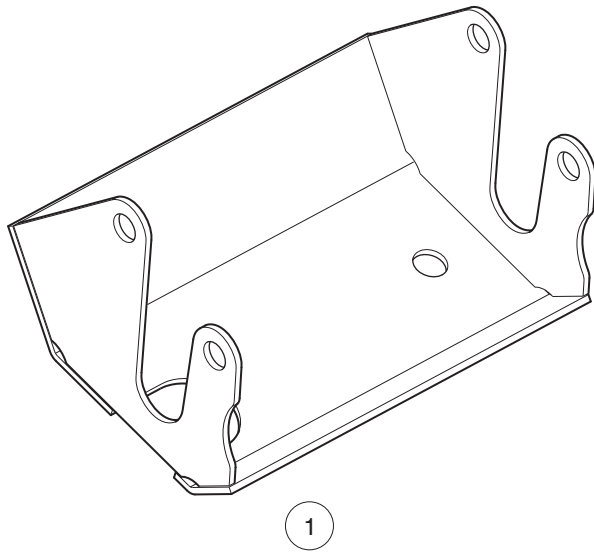
# HUB, REAR

ITEM	PART NO.	DESCRIPTION	QTY
		<b>1 2 3 4</b>	
1	102274101	Center Cap, Rubber .....	2
2	<u>102617801</u>	Washer, Hard, M22 .....	2
3	<u>103989501</u>	Pin, Cotter, 9/64 X 1.75" .....	2
4	<u>103995001</u>	Asm, Hub, Machined (includes items 5 and 6) .....	2
5	<u>103951501</u>	Lug Stud, 1/2-20 UNF, SAE J1102 .....	4
6	<u>103979301</u>	Hub, Machined .....	1
7	<u>104021701</u>	Retaining Ring, Hex Nut, M22 .....	2
8	<u>104027101</u>	Nut, Hex, M22x1.5, Thin .....	2

**12**  
**G**

12

G



001436-001

# DIFFERENTIAL GUARD, ED65 – GASOLINE VEHICLE

ITEM	PART NO.	DESCRIPTION	QTY
1	<u>103989901</u>	1 2 3 4 Weldment, Diff Guard, Ed65 .....	1

12

G

12

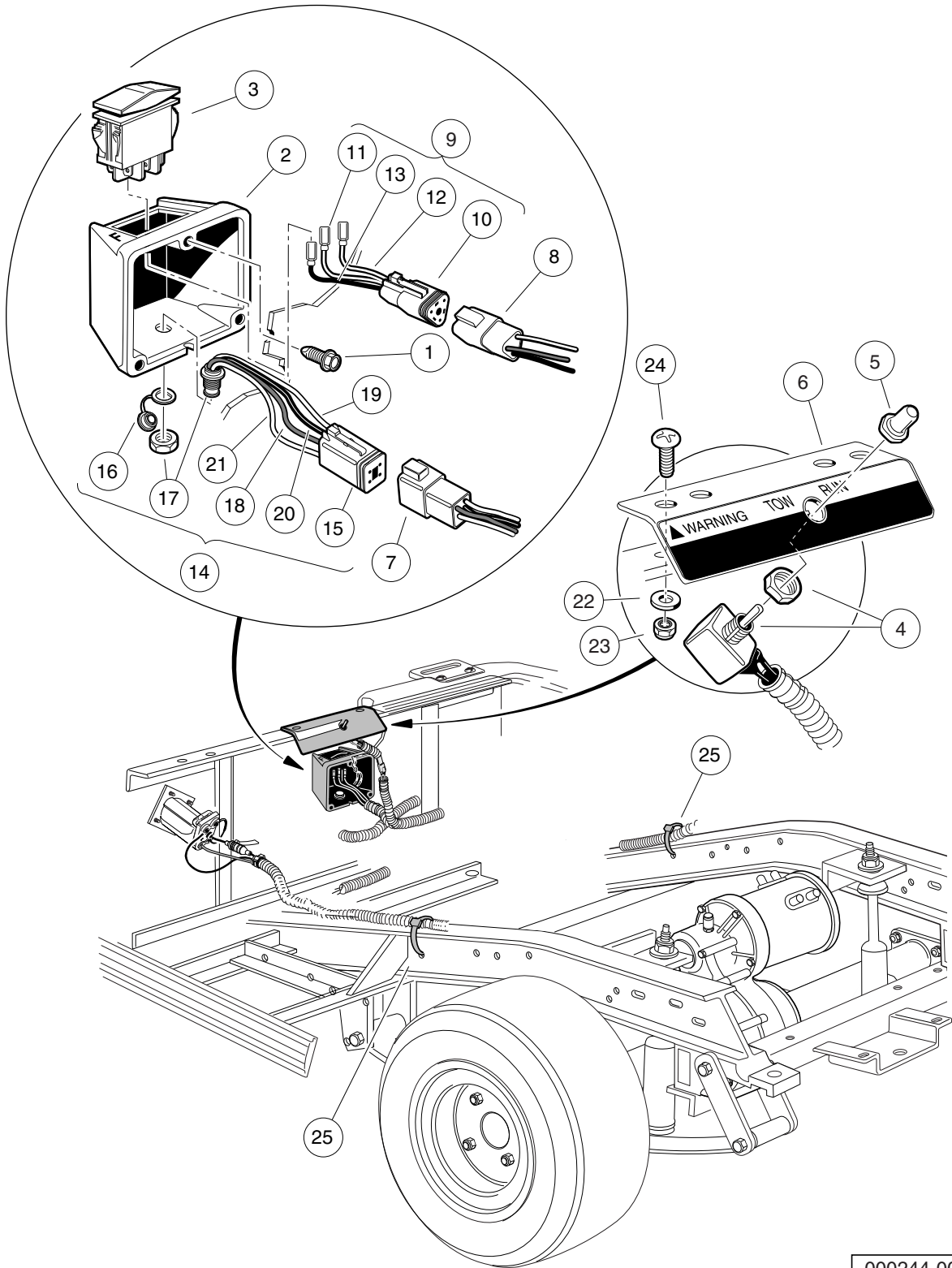
G

# ELECTRICAL SYSTEM – ELECTRIC VEHICLES

---

13

E



000244-001

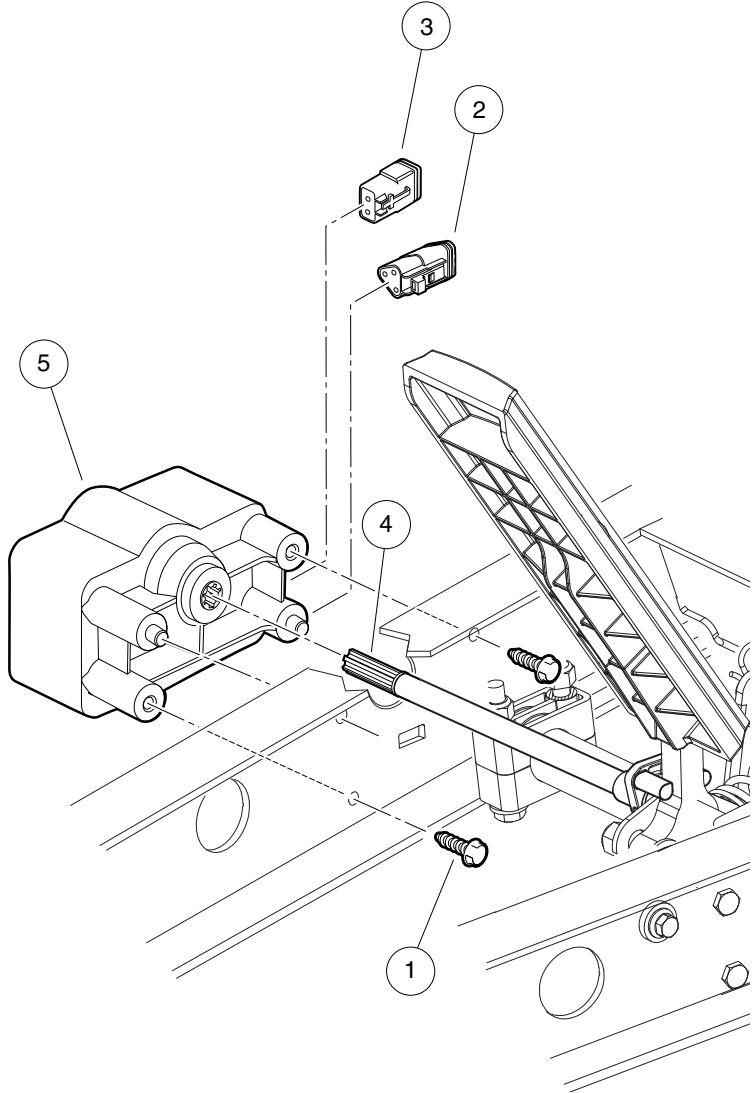


## FORWARD/REVERSE SWITCH, TOW/RUN SWITCH

ITEM	PART NO.	DESCRIPTION	QTY
		1 2 3 4	
1	<u>1012285</u>	Screw, 1/4 X 0.625 Hex-Head .....	3
2	101855002	Case, FNR Switch .....	1
3	<u>101856002</u>	Switch, Rocker, Single-Pole .....	1
4	<u>101908101</u>	Switch Assembly, Tow/Run .....	1
5	<u>101908401</u>	Boot, Switch .....	1
6	<u>101922501</u>	Bracket, Tow/Run Switch Mounting .....	1
7	<u>101932401</u>	Kit, 4-Pin Receptacle and Wedge Lock .....	1
8	<u>101942301</u>	Kit, 3-Pin Wedge Lock .....	1
9	<u>102266601</u>	Wire Assembly, FNR Switch (includes items 10 through 13) .....	1
10	<u>101920101</u>	Kit, 3-Pin Wedge Lock .....	1
11	N/A	Wire Assembly, #18 Blue .....	1
12	N/A	Wire Assembly, #18 Orange .....	1
13	N/A	Wire Assembly, #18 Brown .....	1
14	102266701	Wire Assembly, IQDM Port (includes items 15 through 21) .....	1
15	<u>101932501</u>	Kit, 4-Pin Wedge Lock .....	1
16	<u>102196901</u>	Dust Cap .....	1
17	N/A	Connector Mount, Four-Pin .....	1
18	N/A	Wire Assembly, #18 Red/Yellow .....	1
19	N/A	Wire Assembly, #18 Black/Yellow .....	1
20	N/A	Wire Assembly, #18 Blue/Yellow .....	1
21	N/A	Wire Assembly, #18 Green/Yellow .....	1
22	<u>332</u>	Washer, 1/4 Type A Narrow Flat .....	2
23	<u>8233</u>	Locknut, 1/4-20, Nylon Insert .....	2
24	<u>8248</u>	Screw, 1/4-20 X 0.75, Truss-Head Machine .....	2
25	<u>8990</u>	Tie Wrap, 8" Nylon .....	1

13

E



001070-001

# MOTOR CONTROLLER OUTPUT REGULATOR (MCOR)

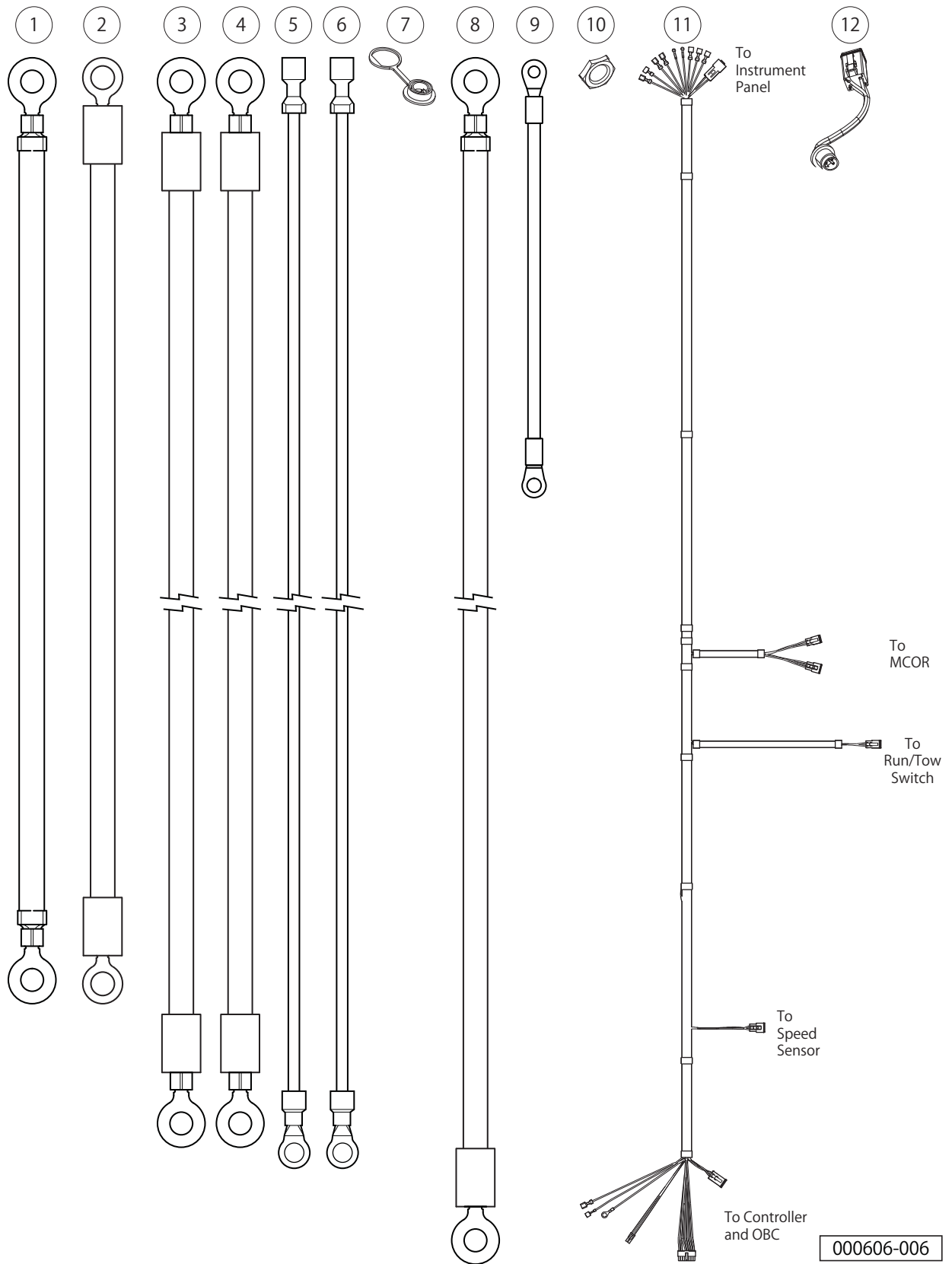
ITEM	PART NO.	DESCRIPTION	QTY
		1 2 3 4	
1	<u>1015752</u>	Screw, #12-16 X 0.625, Hi-Lo .....	2
2	<u>101920101</u>	Kit, 3-Pin Wedge Lock .....	1
3	<u>101936801</u>	Kit, 2-Pin Wedge Lock .....	1
4	102101001	Bar, Drive, Cast .....	1
5	<u>102101101</u>	MCOR .....	1

13

E

13

E



# WIRING – ELECTRIC VEHICLE

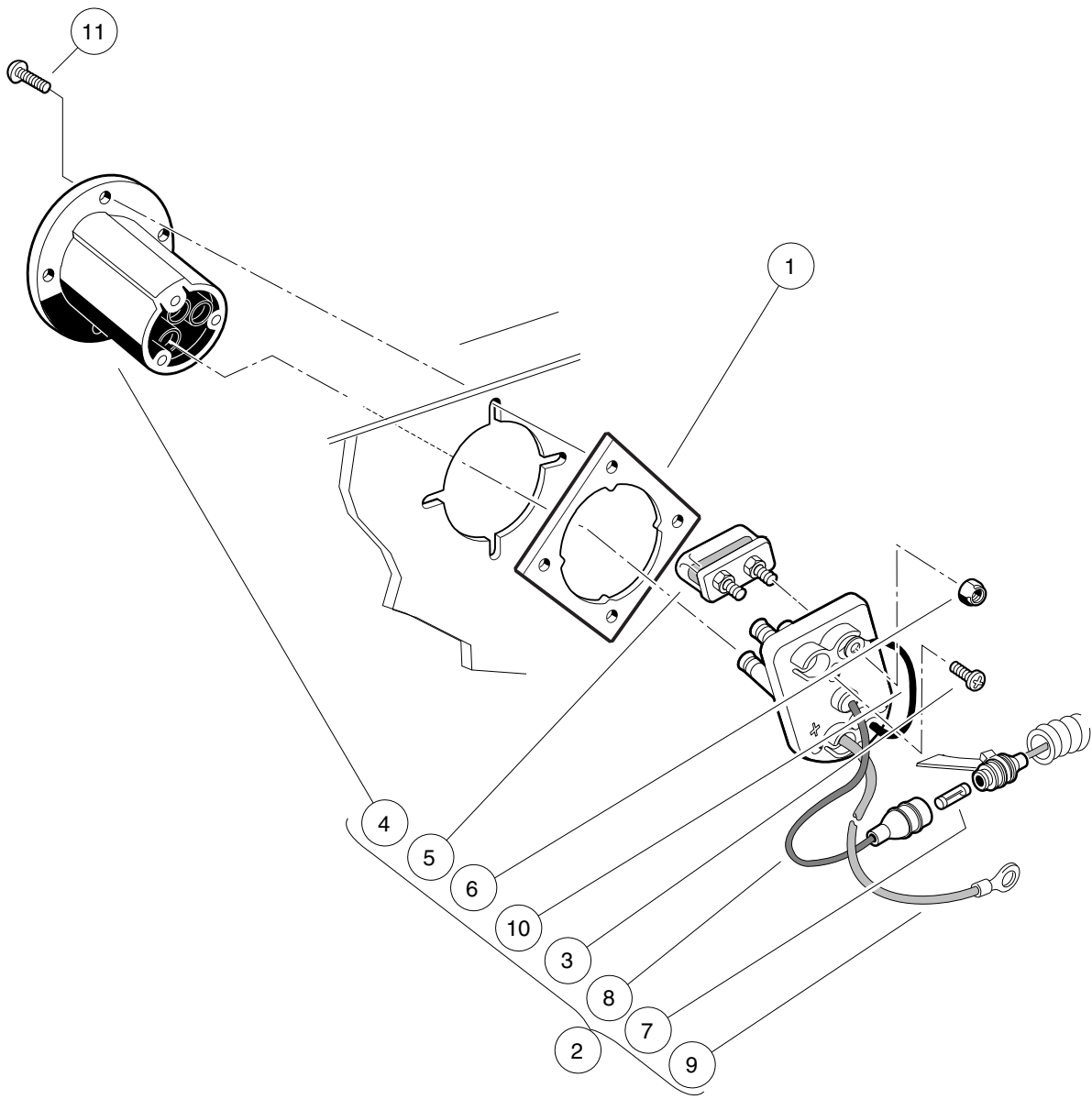
**13**

ITEM	PART NO.	DESCRIPTION	QTY
		<b>1 2 3 4</b>	
1	<u>101795701</u>	Asm, Wire, #6blk, 15 In .....	3
2	<u>101903001</u>	Wire Assembly #6 Yellow .....	1
3	<u>101968701</u>	Wire Assy, #6 White .....	1
4	<u>101978001</u>	Wire Assy, #6 Green .....	1
5	<u>101978101</u>	Asm, Wire, #10 Orange 5/16 .....	1
6	<u>101978201</u>	Asm, Wire, #10 Blue 5/16 .....	1
7	<u>102196901</u>	Dust Cap .....	1
8	<u>102199601</u>	Wire Asm, #6 Red, 37.7 .....	1
9	<u>102263601</u>	Wire Assy, #10 Black .....	1
10	<u>102572401</u>	Nut, Diagnostic Port .....	1
11	<u>102810501</u>	Wire Harness, Electric Vehicle .....	1
12	<u>103218601</u>	Harness, Diagnostic Port .....	1

**E**

13

E



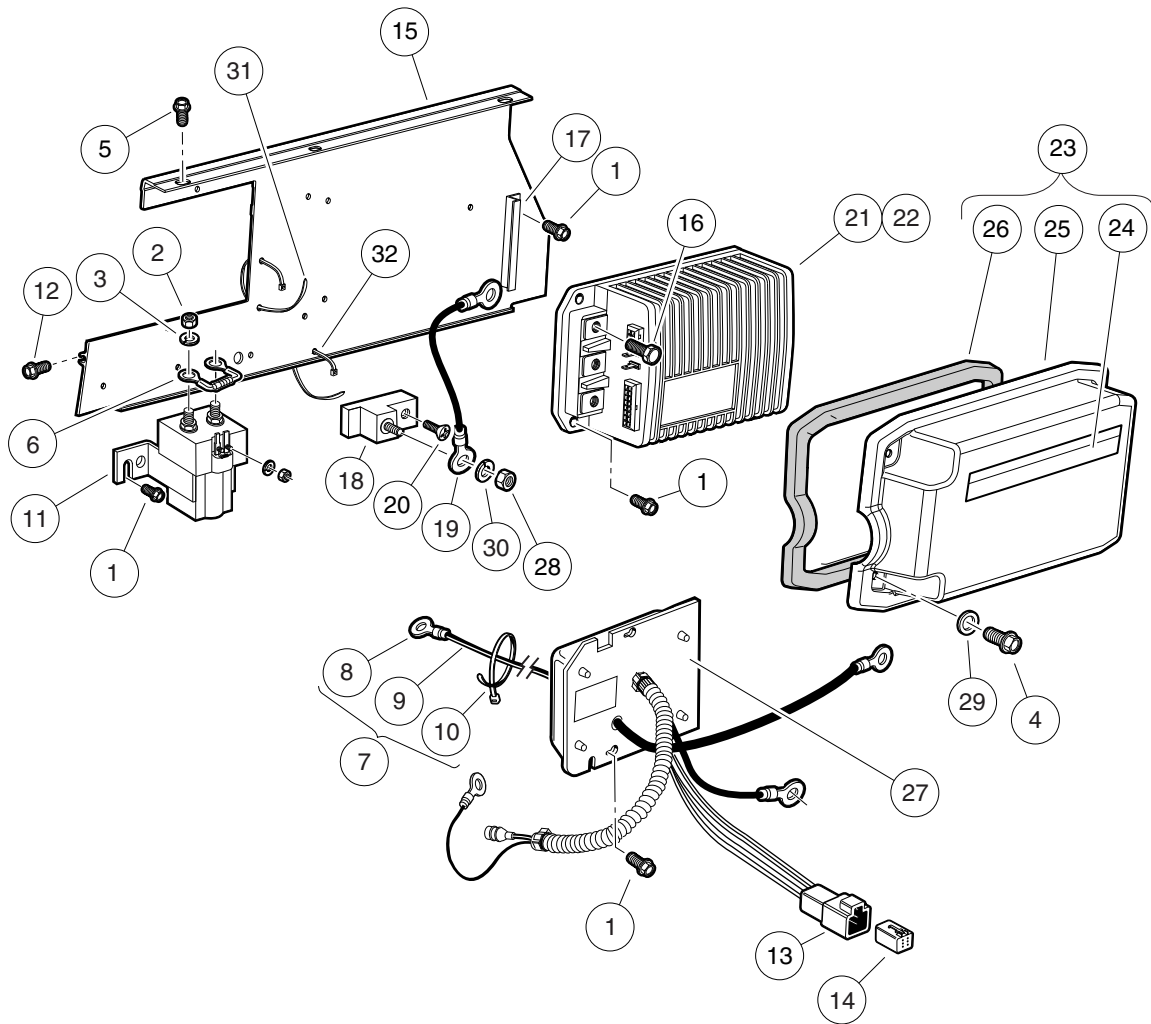
000369-001

# BATTERY CHARGER RECEPTACLE

ITEM	PART NO.	DESCRIPTION	QTY
		1 2 3 4	
1	<u>101801001</u>	Plate, Receptacle Backing .....	1
2	<u>101802101</u>	Fuse and Receptacle Assembly (includes items 3 through 10) .....	1
3	<u>1017705</u>	Screw, #8 X 5/8 Phillips Pan-Head Type AB .....	3
4	<u>101796501</u>	Receptacle .....	1
5	<u>101796801</u>	Fuse Assembly (includes item 6) .....	1
6	<u>1013061</u>	Locknut, #10-32 Nylon Insert .....	2
7	<u>101894901</u>	Fuse, 3/8-Amp .....	1
8	N/A	Wire Assembly, Sense Lead, Gray .....	1
9	N/A	Wire Assembly, #10 Red .....	1
10	N/A	Wire Assembly, #10 Black .....	1
11	<u>101832001</u>	Screw, #7-19 X 0.625 Phillips Pan-Head Tap .....	4

13

E



000607-003

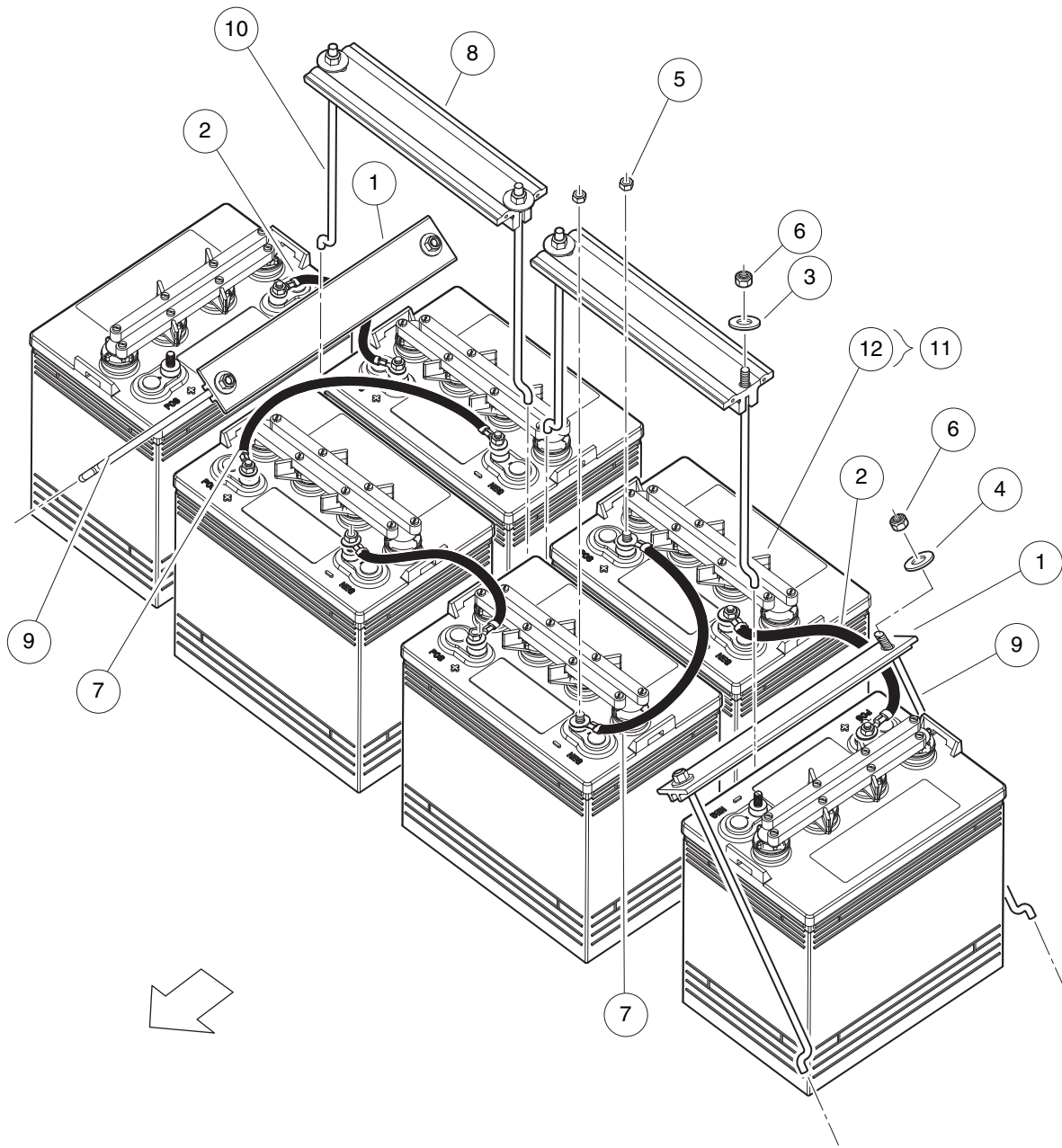


# COMPUTER, CONTROLLER, AND SOLENOID

ITEM	PART NO.	DESCRIPTION	QTY
		<b>1 2 3 4</b>	
1	<u>1012285</u>	Screw, 1/4 X 0.625 Hex-Head .....	14
2	<u>1012528</u>	Nut, M8-1.25 Hex .....	2
3	<u>1013734</u>	Lockwasher, 8mm Split .....	2
4	<u>1014063</u>	Screw, 1/4-20 X 1.00, Hex Head .....	2
5	<u>1014288</u>	Screw, 5/16-18 X 0.75, Thread-Forming .....	2
6	<u>1014947</u>	Resistor Assembly .....	1
7	101827801	Ground Wire Kit, 48-Volt (includes items 8 through 10) .....	1
8	101826801	Compression Lug .....	1
9	N/A	Wire Assembly, Black .....	1
10	<u>8990</u>	Tie Wrap, 8" Nylon .....	3
11	<u>101908703</u>	Solenoid, 48v W/ Diode .....	1
12	<u>101910401</u>	Screw, 5/16-18 X 1.25 Thrd Frm .....	2
13	<u>101932601</u>	Kit, 6-Pin Wedge Lock .....	1
14	<u>101932701</u>	Kit, 6-Pin Receptacle and Wedge Lock .....	1
15	<u>101965205</u>	Plate, Component Mounting .....	1
16	<u>102240501</u>	Bolt, Controller, Terminal .....	3
17	<u>102243101</u>	Extrusion, Cover Support .....	1
18	<u>102259801</u>	Terminal Block .....	1
19	<u>102263601</u>	Wire Assy, #10 Black .....	1
20	<u>102263701</u>	Screw, #10-24 X 0.75 Phillips, Thread-Forming .....	1
21	<u>102806201</u>	Controller, IQ, 48-volt .....	1
22	<u>102806203</u>	Controller, IQ, 48-volt, CE .....	1
23	<u>103316901</u>	Cover Asm - Controller (includes items 24 through 26) .....	1
24	<u>101931501</u>	Decal, Component Cover .....	1
25	<u>103316701</u>	Cover - Controller, Deep .....	1
26	<u>103316801</u>	Gasket - Controller Cover .....	1
27	103403101	Asm, Obc, Iq, V3.0 .....	1
28	<u>1242</u>	Nut, 5/16-18 Hex .....	1
29	<u>332</u>	Washer, 1/4 Type A Narrow Flat .....	2
30	<u>7174</u>	Lockwasher, 5/16 Split .....	1
31	<u>8639</u>	Tie Wrap, 11" Nylon .....	1
32	<u>8990</u>	Tie Wrap, 8" Nylon .....	1

**13**

**E**



002515-002

## BATTERIES 8-VOLT, HEAVY DUTY

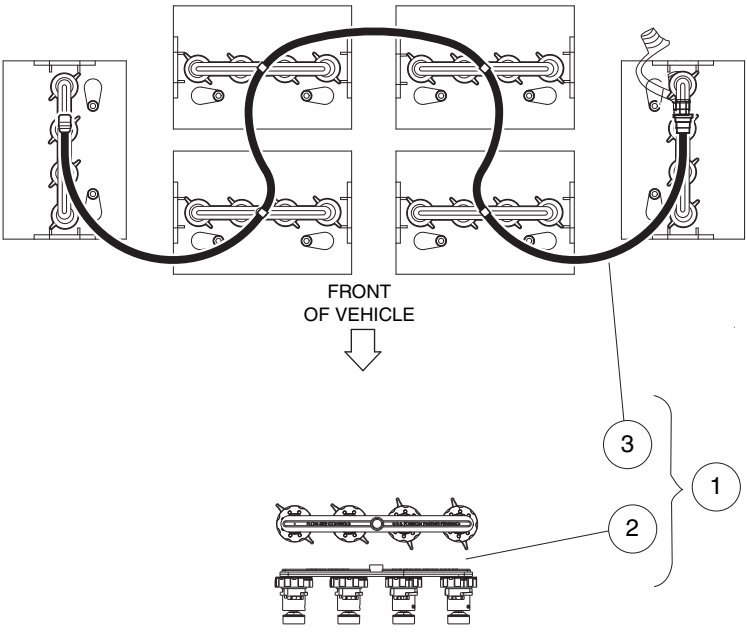
ITEM	PART NO.	DESCRIPTION	QTY
		1 2 3 4	
1	<u>101090802</u>	Hold-Down, Battery .....	2
2	<u>1010958</u>	Asm, Wire, #6blk 8in .....	3
3	<u>1011578</u>	Washer, 5/16 Type B Flat .....	4
4	<u>1011697</u>	Washer, 5/16 Flat .....	4
5	<u>1014304</u>	Nut, 5/16-18 Stainless-Steel Hex .....	12
6	<u>1015072</u>	Locknut, 5/16-18 Nylon Insert .....	8
7	<u>101795701</u>	Asm, Wire, #6blk, 15 In .....	2
8	<u>103504301</u>	Tee, Batt Ret Ctr Short .....	2
9	<u>103696801</u>	J Bolt, Batt Hold Down 12" .....	4
10	<u>103958101</u>	J-bolt 10.75" .....	4
11	<u>105138301</u>	Battery, 8-Volt, JCI GC8 Type E (includes item 12) .....	6
12	<u>103765601</u>	Cap, Spin, 8-Volt Battery .....	1

13

E

13

E



002526-001

# SINGLE POINT WATERING SYSTEM (SPWS)

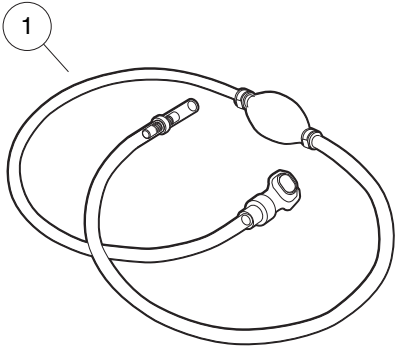
ITEM	PART NO.	DESCRIPTION	QTY
		1 2 3 4	
1	<u>103711302</u>	Kit, Spws, Us 8v, Ds (includes items 2 and 3) .....	1
2	<u>103510602</u>	Spws, Manifold Asm, 8v Non-Trojan .....	6
3	<u>103864601</u>	Asm, Hose, Spws, Ds 8v .....	1

13

E

**13**

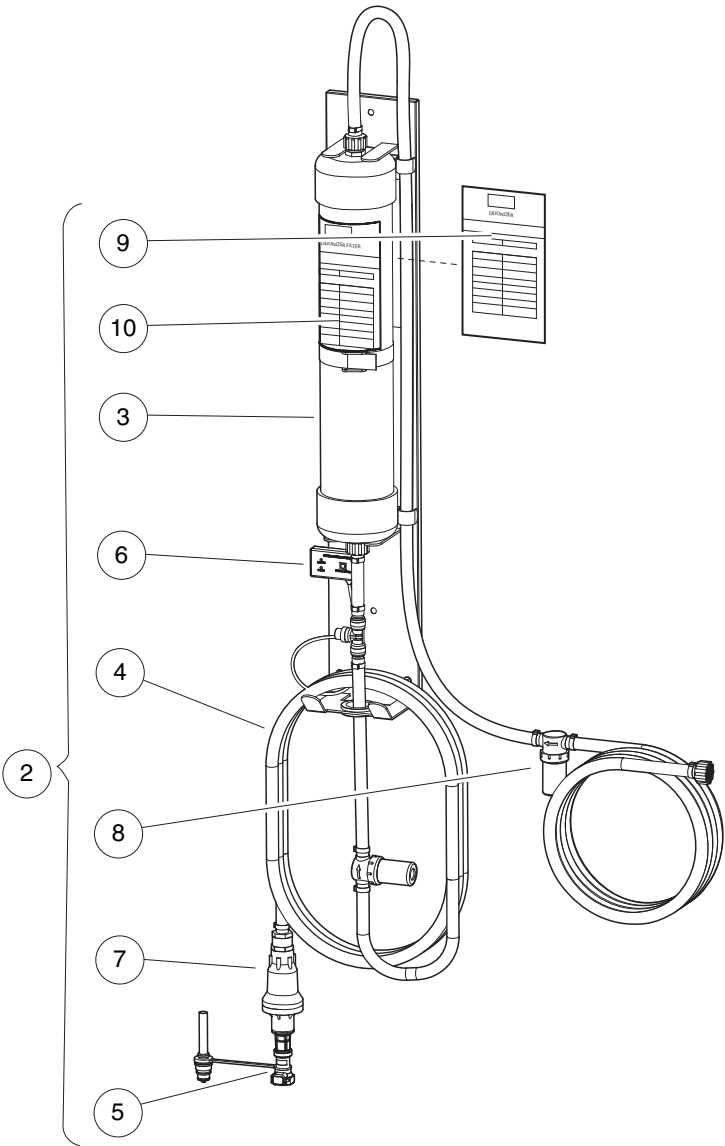
**E**



11



12



002523-003

# HAND PUMP AND DEIONIZER (BATTERY-POWERED QUALITY LIGHT)

ITEM	PART NO.	DESCRIPTION	QTY
		<b>1 2 3 4</b>	
1	<u>104006101</u>	Kit, Hand Pump, Spws .....	1
2	<u>105166801</u>	Deionizer, w/Battery-Powered Water Quality Light (includes items 3 through 10) .....	1
3	<u>104005901</u>	Cartridge, Deionizer .....	1
4	<u>105166901</u>	Hose,outlet,deionizer .....	1
5	<u>105167001</u>	Flow Ind, W/coupler, Deionizer .....	1
6	<u>105167101</u>	Light, Quality, Battery-Powered, w/T-Fitting .....	1
7	<u>105168501</u>	Regulator, Pressure, Deionizer .....	1
8	<u>105168601</u>	Strainer, In-line, Deionizer .....	1
9	<u>AM1300001</u>	Decal, Filter Log, Blue .....	1
10	<u>AM1300201</u>	Decal, Inspect Log, Yellow .....	1
11	AM1300101	Decal, Filter Log, Blue, Pack of 100 .....	A/R
12	AM1300301	Decal, Inspect Log, Yellow, Pack of 100 .....	A/R

13

E

**13**

***E***

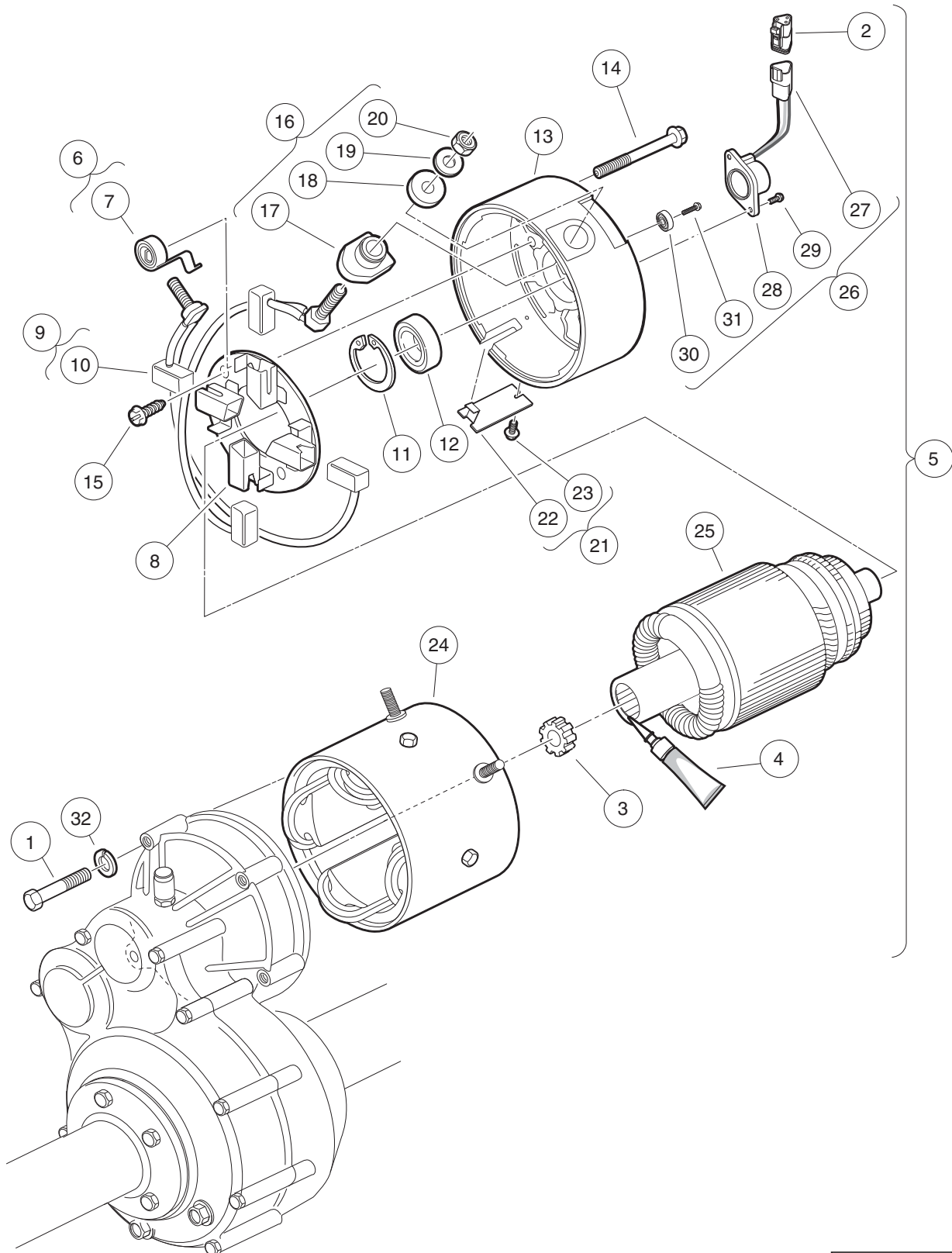


# ELECTRIC MOTOR

---

14

*E*



000185-002

## MOTOR (MODEL EJ8-4001A) – ELECTRIC VEHICLE

ITEM	PART NO.	DESCRIPTION	QTY
		<b>1 2 3 4</b>	
1	1014201	Screw, 1/4-20 X 2.25 Hex Cap .....	3
2	<u>101920101</u>	Kit, 3-Pin Wedge Lock .....	1
3	<u>102235201</u>	Bumper, Drive Unit .....	1
4	<u>102243403</u>	Lubricant, Moly-Teflon (Single-Use Tube) .....	1
5	<u>103572501</u>	IQ Electric Motor, 48-VDC 3.3 hp (includes items 6 through 26) .....	1
6	<u>102186001</u>	Spring Kit, Motor Brush (includes item 7) .....	1
7	N/A	Spring, Brush, S-g .....	4
8	<u>102186101</u>	Brush Box Assembly .....	1
9	<u>102186201</u>	Brush Kit, Motor (includes item 10) .....	1
10	N/A	Assembly, Brush and Terminal .....	2
11	N/A	Ring, 2.24" Internal Retaining .....	1
12	<u>102186401</u>	Bearing, Ball .....	1
13	<u>102186701</u>	End Cap, Motor .....	1
14	N/A	Screw, 1/4-20 X 2.25 Hex-Head Washer .....	2
15	<u>102186901</u>	Screw, #8-32 X .5 Hex-Head .....	2
16	<u>102187101</u>	Hardware Kit, Motor Terminal (includes items 17 through 20) .....	2
17	N/A	Bushing, Nylon .....	2
18	N/A	Washer, Nylon Flat .....	2
19	N/A	Washer, Flat, 5/16 Steel .....	2
20	N/A	Nut, Brass Hex, 5/16 - 18 .....	2
21	<u>102187201</u>	Plate Kit, Motor Cover (includes items 22 and 23) .....	1
22	N/A	Assembly, Cover Plate .....	1
23	N/A	Screw, #8-32 x 0.375, Taptite Thread .....	1
24	<u>102704701</u>	Frame and Field Assembly .....	1
25	<u>102704801</u>	Armature Assembly .....	1
26	<u>102704901</u>	Kit, Speed Sensor (includes items 27 through 31) .....	1
27	<u>101942301</u>	Kit, 3-Pin Wedge Lock .....	1
28	N/A	Sensor, Motor Speed, ADC .....	1
29	N/A	Screw, #8-32, Taptite Thread .....	2
30	N/A	Magnet, ADC Motor .....	1
31	N/A	Screw, 1/4-20 x 0.5 .....	1
32	<u>451</u>	Lockwasher, 1/4 Split .....	3
Note: The F1 and F2 terminal posts on the EJ8-4001A motor have 1/4 - 20			

14

E

**14**

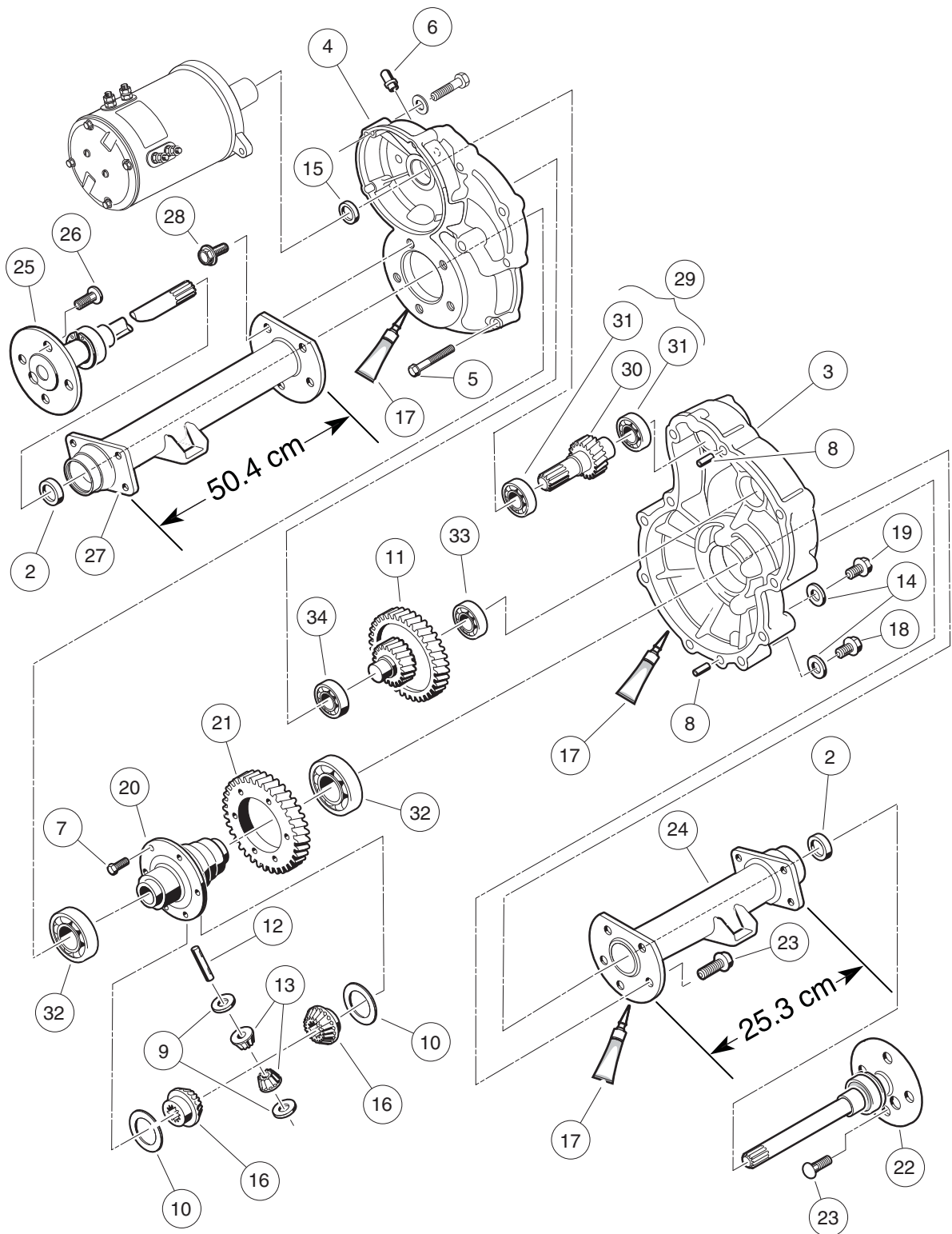
***E***

# TRANSAXLE – ELECTRIC VEHICLES

---

15

*E*



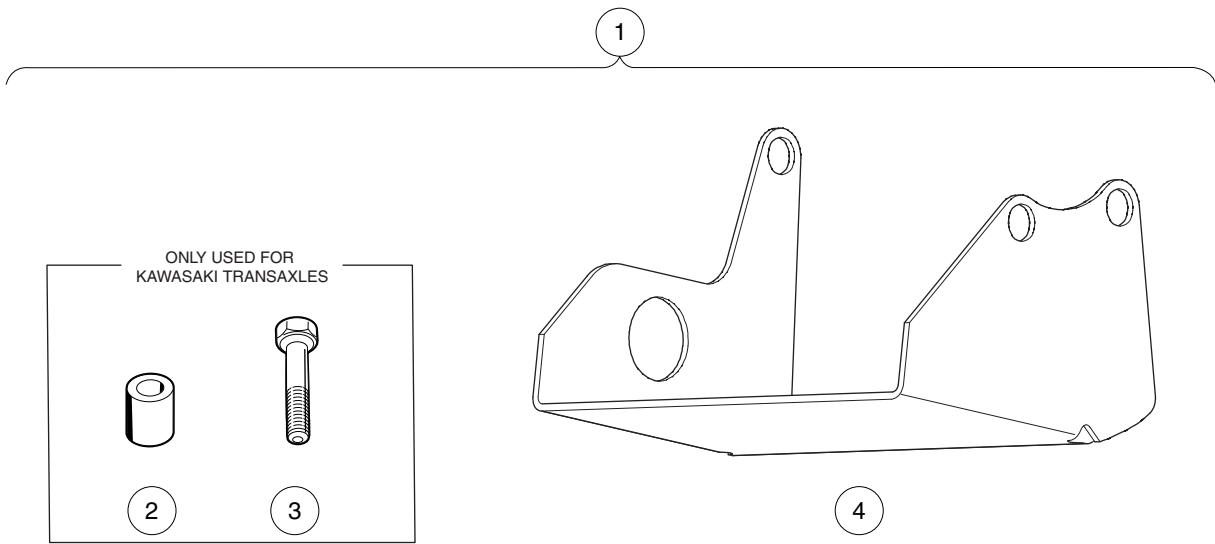
000223-005

# TRANSAXLE – ELECTRIC VEHICLES

ITEM	PART NO.	DESCRIPTION	QTY
		<b>1 2 3 4</b>	
1	<u>102771701</u>	Transaxle, Electric (includes items 2 through 34) .....	1
2	<u>1013794</u>	Axle Shaft Oil Seal .....	2
3	<u>101895401</u>	Gear Case, Driver-Side .....	1
4	<u>101895501</u>	Gear Case, Passenger-Side .....	1
5	<u>101897001</u>	Screw, M8-1.25 X 60mm Hex-Head .....	11
6	<u>101897201</u>	Breather .....	1
7	<u>101897401</u>	Screw, M10-1.25 X 25mm .....	6
8	<u>101897601</u>	Pin, 11mm OD X 8.5mm ID X 10mm .....	2
9	<u>101903601</u>	Washer, Thrust .....	2
10	<u>101903701</u>	Washer, Thrust .....	2
11	<u>101906901</u>	Intermediate Shaft Assembly .....	1
12	<u>101922101</u>	Pin, 15.99mm X 88.7mm Dowel .....	1
13	<u>101923001</u>	Gear, Differential Idler .....	2
14	<u>101923201</u>	Gasket .....	2
15	<u>101923501</u>	Seal, Lip .....	1
16	<u>101923901</u>	Gear, Differential .....	2
17	<u>101928701</u>	Liquid Gasket (Transaxle case) .....	1
18	<u>101972101</u>	Plug, M14-1.5 X 12mm Magnetic .....	1
19	<u>101972201</u>	Plug, M14-1.5 X 12mm Hex .....	1
20	<u>102356601</u>	Housing, Differential, 6 Bolt .....	6
21	<u>102356801</u>	Gear, Differential Output, 6-Bolt .....	6
22	<u>102886301</u>	Axle Assembly, Driver-Side (includes item 23) .....	1
23	<u>101922201</u>	Lug Stud .....	4
24	<u>102886401</u>	Tube, Axle, Driver-Side .....	1
25	<u>102886501</u>	Axle Assembly, Passenger-Side (includes item 26) .....	1
26	<u>101922201</u>	Lug Stud .....	4
27	<u>102886601</u>	Tube, Axle, Passenger-Side .....	1
28	<u>102902801</u>	Screw, M10 X 30 .....	10
29	<u>103582801</u>	Asm, E Trans Shaft/bearing (includes items 30 and 31) .....	1
30	N/A	Shaft, Input .....	1
31	<u>7335</u>	Bearing .....	2
32	<u>7330</u>	Inner Axle Tube Bearing .....	2
33	<u>7335</u>	Bearing .....	1
34	<u>7336</u>	Bearing .....	1

15

E



000365-002



## DIFFERENTIAL GUARD – ELECTRIC VEHICLES

ITEM	PART NO.	DESCRIPTION	QTY
		1 2 3 4	
1	<u>101611402</u>	Kit, Differential Guard, Elec Vehicles (includes items 2 through 4) .....	1
2	<u>101914001</u>	Spacer, Steel .....	2
3	<u>101936101</u>	Screw, M10-1.50 X 60mm Hex Cap .....	2
4	<u>101978601</u>	Guard, Differential, Electric Vehicle Transaxle .....	1

15

E

**15**

***E***

# BATTERY CHARGERS

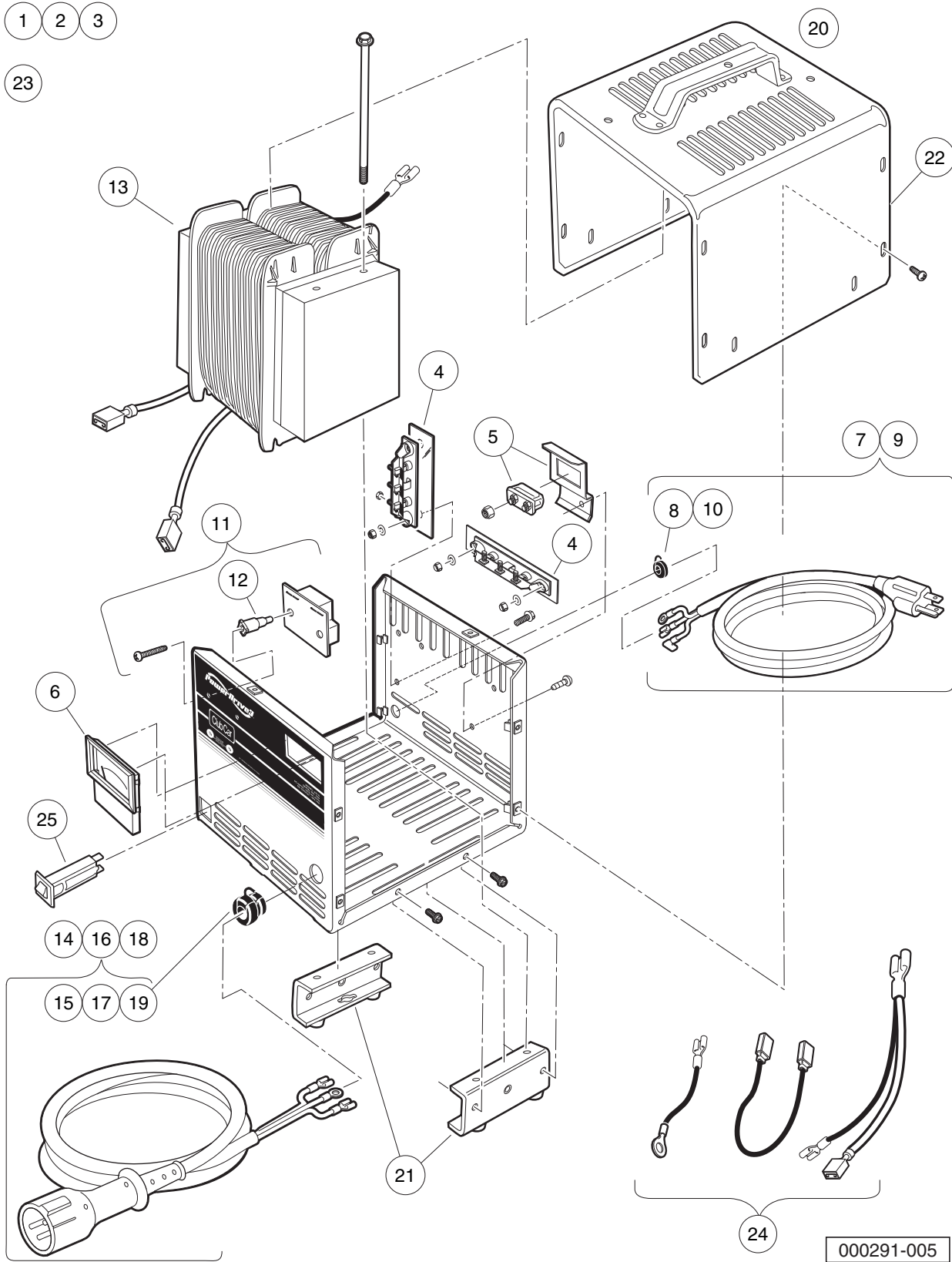
---

16

*E*

- 1
- 2
- 3

- 23



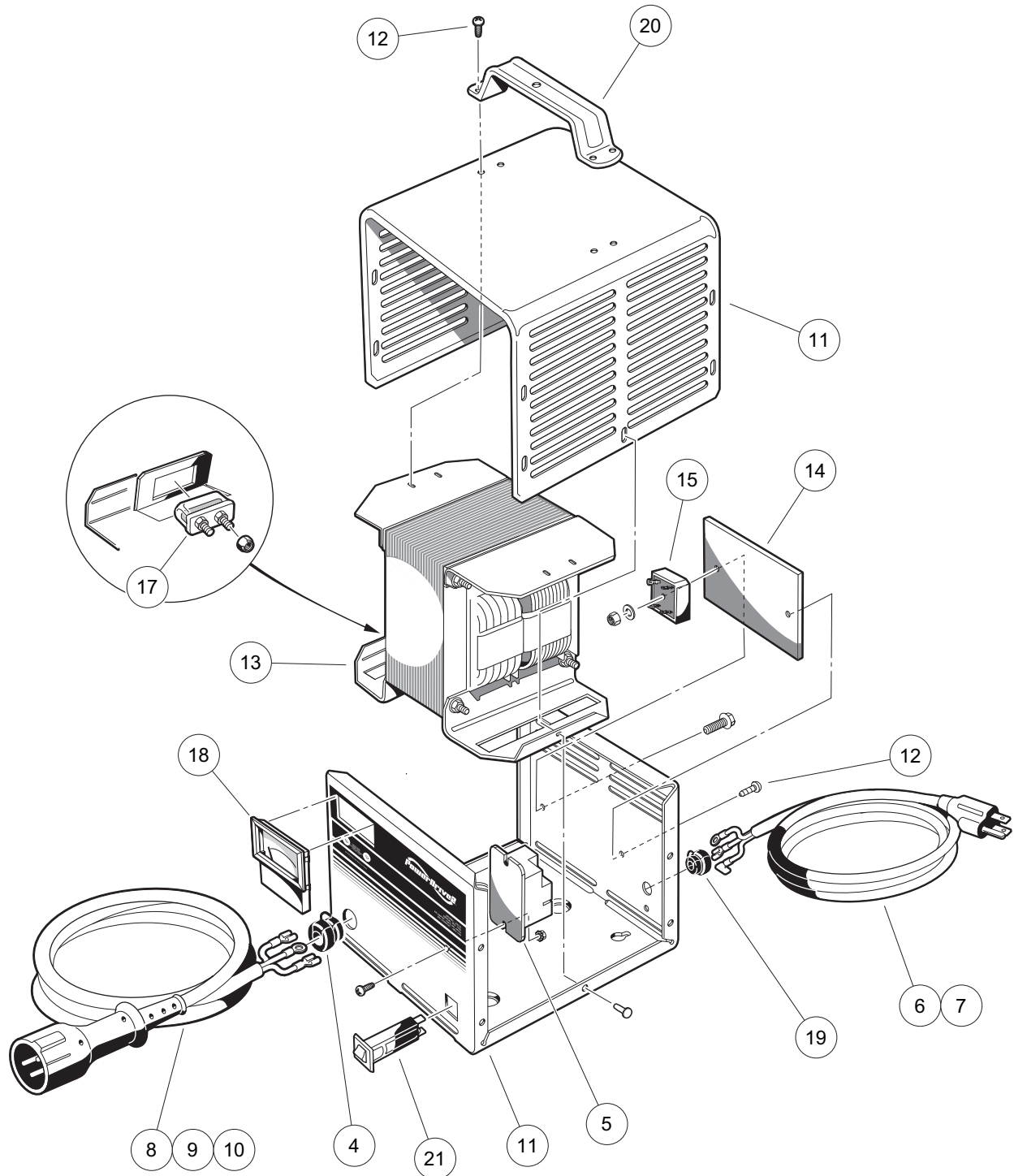
000291-005

# POWERDRIVE 3 BATTERY CHARGER (MODEL 26580), DOMESTIC

ITEM	PART NO.	DESCRIPTION	QTY
		<b>1 2 3 4</b>	
1	103499101	Charger, PowerDrive 3, 9ft DC, 6ft AC .....	1
2	<u>103499102</u>	Charger, PowerDrive 3, 12ft DC, 9ft AC .....	1
3	<u>103499103</u>	Charger, PowerDrive 3, 20ft DC, 9ft AC (includes items 4 through 25) .....	1
4	<u>1015914</u>	Rectifier with Heatsink Assembly .....	2
5	<u>102273701</u>	PD2 Fuse Asm .....	1
6	<u>102273801</u>	PD2 Ammeter .....	1
7	<u>103428501</u>	Kit, PD3 Cordset - AC 80" (includes item 8) .....	1
8	<u>102273901</u>	PD2 AC Cord Bushing .....	1
9	<u>103428601</u>	Kit, PD3 Cordset, - AC 114" (includes item 10) .....	1
10	<u>102273901</u>	PD2 AC Cord Bushing .....	1
11	<u>103428701</u>	Asm, PD3 Board Relay (includes item 12) .....	1
12	<u>103429701</u>	PD3 Plastic Stand-Offs .....	2
13	<u>103428801</u>	PD3 Transformer .....	1
14	<u>103429001</u>	PD3 Cordset - DC 113" (includes item 15) .....	1
15	<u>1012098</u>	Bushing, DC Cord .....	1
16	<u>103429101</u>	PD3 Cordset - DC 154" (includes item 17) .....	1
17	<u>1012098</u>	Bushing, DC Cord .....	1
18	<u>103429201</u>	PD3 Cordset - DC 205" (includes item 19) .....	1
19	<u>1012098</u>	Bushing, DC Cord .....	1
20	<u>103429301</u>	Asm, PD3 Case (includes items 21 and 22) .....	1
21	<u>103434001</u>	Asm, PD3 Legs .....	1
22	<u>103439901</u>	PD3Case Top (Includes Handle) .....	1
23	<u>103429501</u>	Kit, PD3 Hardware .....	1
24	<u>103429601</u>	Kit, PD3 Wires .....	1
25	<u>CCX8506</u>	Circuit Breaker, 15-Amp/120-Volt .....	1

**16**

**E**



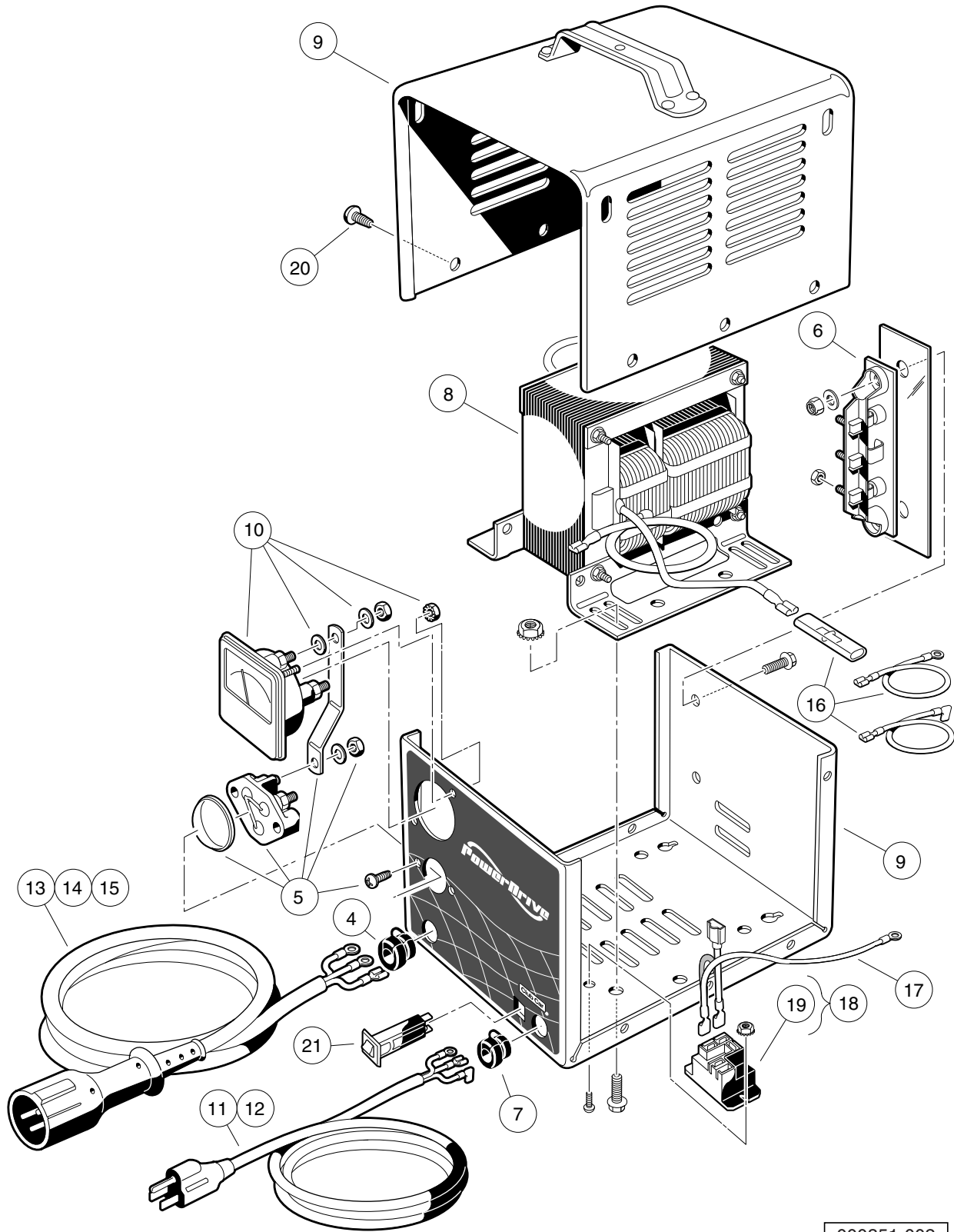
000291-004

# POWERDRIVE 2 BATTERY CHARGER (MODEL 22110), DOMESTIC

ITEM	PART NO.	DESCRIPTION	QTY
		<b>1 2 3 4</b>	
1	<u>101802204</u>	48-V/13-A PowerDrive 2 (9-ft. DC, 6-ft. AC) .....	1
2	<u>101802205</u>	48-V/13-A PowerDrive 2 (12-ft. DC, 9-ft. AC) .....	1
3	<u>101802206</u>	48-V/13-A PowerDrive 2 (20-ft. DC, 9-ft. AC) (includes items 4 through 21) .....	1
4	<u>1012098</u>	Bushing, DC Cord .....	1
5	<u>101828601</u>	Relay, 48-Volt .....	1
6	<u>101828801</u>	Cord, AC, 80-Inch (203 cm) .....	1
7	<u>101828802</u>	Cord, AC, 108-Inch (274 cm) .....	1
8	<u>101828904</u>	PD2 DC Cordset, 113-inch .....	1
9	<u>101828905</u>	PD2 DC Cordset, 154-inch .....	1
10	<u>101828906</u>	Pd2 Dc Cordset 250 Inch .....	1
11	<u>102273201</u>	PD2 Case (includes item 12) .....	1
12	7577	Screw, #10 X 0.50 Phillips Pan-Head .....	12
13	<u>102273301</u>	PD2 Transformer Asm .....	1
14	<u>102273401</u>	PD2 Heatsink .....	1
15	<u>102273501</u>	PD2 Diode Bridge w/Film .....	1
16	<u>102273601</u>	PD2 Wire Asm .....	1
17	<u>102273701</u>	PD2 Fuse Asm .....	1
18	<u>102273801</u>	PD2 Ammeter .....	1
19	<u>102273901</u>	PD2 AC Cord Bushing .....	1
20	<u>102274001</u>	PD2 Handle .....	1
21	<u>CCX8506</u>	Circuit Breaker, 15-Amp/120-Volt .....	1
<p>Note: Item 16 not shown. Level 1 Battery Charger part numbers include one AC and one DC cord. They do not include all of the level 2 cords listed.</p>			

**16**

**E**



000351-002

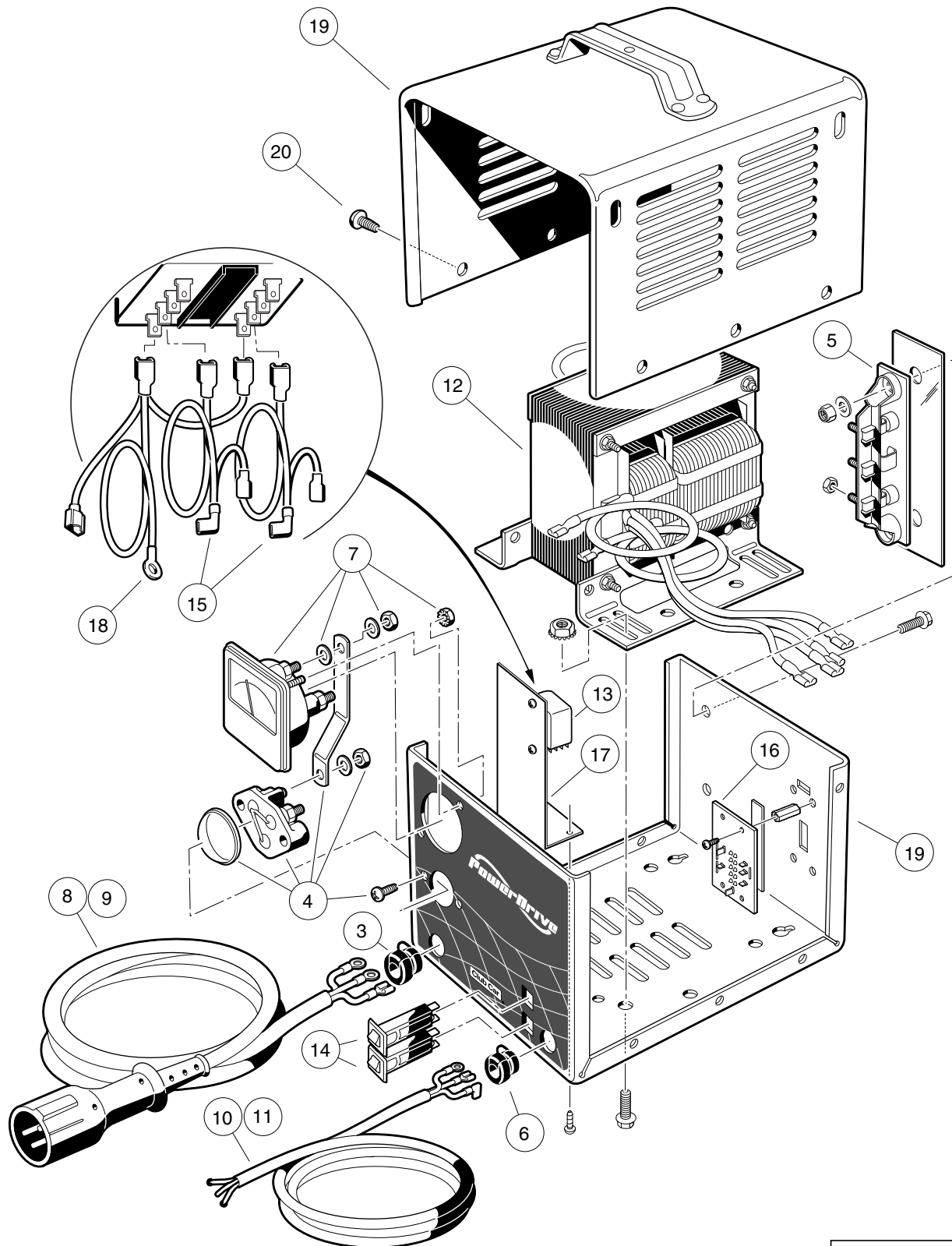


# POWERDRIVE BATTERY CHARGER (MODEL 17930), DOMESTIC

**16**

**E**

ITEM	PART NO.	DESCRIPTION	QTY
		<b>1 2 3 4</b>	
1	<u>101802201</u>	Charger, PowerDrive, 48V/17A, 9ft DC, 6ft AC Cord .....	1
2	<u>101802202</u>	Charger, PowerDrive, 48V/17A, 12ft DC, 9ft AC Cord .....	1
3	<u>101802203</u>	Charger, PowerDrive, 48V/17A, 20ft DC, 9ft AC Cord (includes items 4 through 21) .....	1
4	<u>1012098</u>	Bushing, DC Cord .....	1
5	<u>1012101</u>	Fuse Assembly .....	1
6	<u>1015914</u>	Rectifier with Heatsink Assembly .....	1
7	<u>1015917</u>	Bushing, AC Cord .....	1
8	<u>101819701</u>	Transformer, Battery Charger .....	1
9	<u>101828301</u>	Case Assembly .....	1
10	<u>101828501</u>	Ammeter .....	1
11	<u>101828801</u>	Cord, AC, 80-Inch (203 cm) .....	1
12	<u>101828802</u>	Cord, AC, 108-Inch (274 cm) .....	1
13	<u>101828901</u>	Cord, DC, 113-Inch (287 cm) .....	1
14	<u>101828902</u>	Cord, DC, 154-Inch (391 cm) .....	1
15	<u>101828903</u>	Cord, DC, 250-Inch (635 cm) .....	1
16	<u>101831101</u>	Wire Assembly Kit .....	1
17	101914401	Assembly, Voltage Suppressor .....	1
18	<u>103414901</u>	Kit, Relay, 48v 30a W/instr (includes item 19) .....	1
19	<u>103397901</u>	Relay, Spst No, 48v 30a, Pmt .....	1
20	7577	Screw, #10 X 0.50 Phillips Pan-Head .....	10
21	<u>CCX8506</u>	Circuit Breaker, 15-Amp/120-Volt .....	1
<p>Note: Level 1 Battery Charger part numbers include one AC and one DC cord. They do not include all of the level 2 cords listed.</p>			



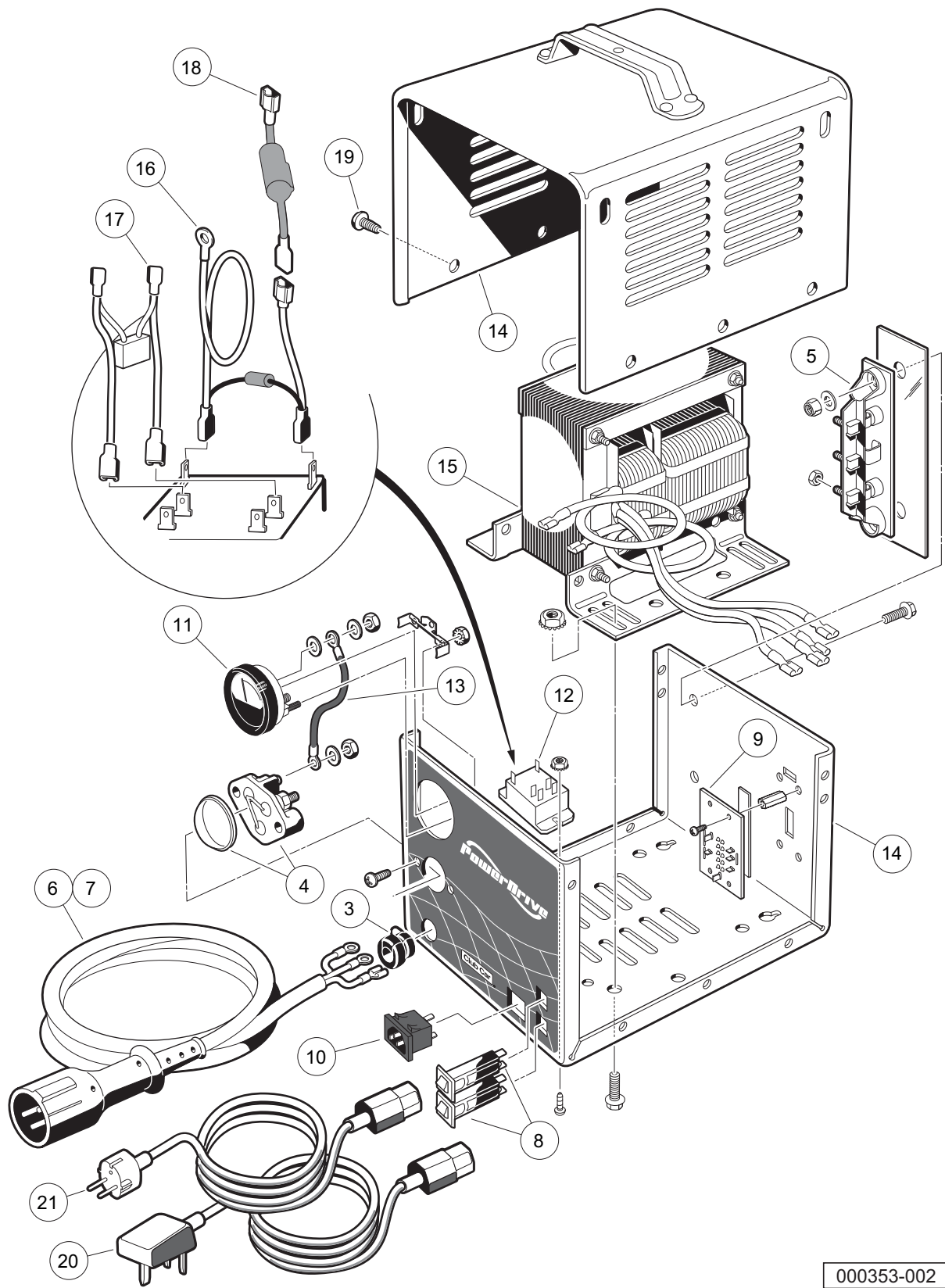
000352-001

# POWERDRIVE BATTERY CHARGER (MODEL 18780), EXPORT

ITEM	PART NO.	DESCRIPTION	QTY
		1 2 3 4	
1	101831503	Battery Charger, 48-Volt DC (8.5-ft DC, 6-ft AC) .....	1
2	101831504	Battery Charger, 48-Volt DC (12-ft DC, 9-ft AC) (includes items 3 through 20) .....	1
3	<u>1012098</u>	Bushing, DC Cord .....	1
4	<u>1012101</u>	Fuse Assembly .....	1
5	<u>1015914</u>	Rectifier with Heatsink Assembly .....	1
6	<u>1015917</u>	Bushing, AC Cord .....	1
7	<u>101828501</u>	Ammeter .....	1
8	<u>101828901</u>	Cord, DC, 113-Inch (287 cm) .....	1
9	<u>101828902</u>	Cord, DC, 154-Inch (391 cm) .....	1
10	<u>101831701</u>	Cord, AC, 80-Inch (203 cm), without Plug .....	1
11	<u>101831702</u>	Cord, AC, 118-Inch (300 cm), without Plug .....	1
12	101838201	Transformer, Export Battery Charger .....	1
13	<u>101838301</u>	Relay, Export Charger .....	1
14	101838401	Circuit Breaker .....	2
15	101838501	Kit, Wire Assembly .....	1
16	101838601	Four-Position Switch .....	1
17	<u>101838701</u>	Mounting Bracket, Relay .....	1
18	101914401	Assembly, Voltage Suppressor .....	1
19	N/A	Case, Charger .....	1
20	7577	Screw, #10 X 0.50 Phillips Pan-Head .....	10
<p>Note: Level 1 Battery Charger part numbers include one AC and one DC cord. They do not include all of the level 2 cords listed.</p>			

16

E



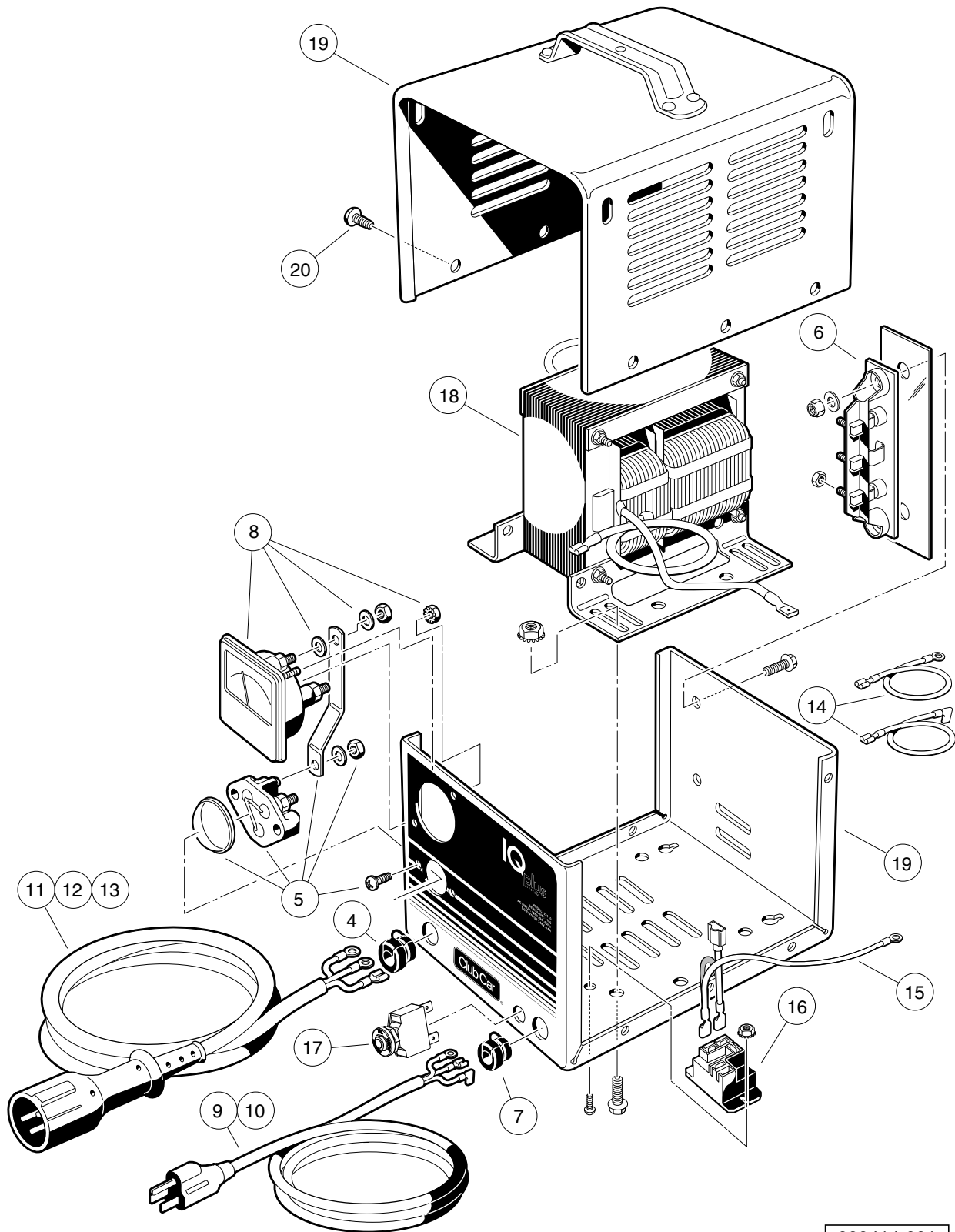
000353-002

# POWERDRIVE BATTERY CHARGER (MODEL 20310), EUROPEAN

**16**

**E**

ITEM	PART NO.	DESCRIPTION	QTY
		<b>1 2 3 4</b>	
1	<u>101956201</u>	Battery Charger, 48-Volt w/ 4-Position Switch (8.5-ft DC) .....	1
2	<u>101956202</u>	Battery Charger, 48-Volt w/ 4-Pos. Switch (12-ft DC) (includes items 3 through 19) .....	1
3	<u>1012098</u>	Bushing, DC Cord .....	1
4	<u>1012101</u>	Fuse Assembly .....	1
5	<u>1015914</u>	Rectifier with Heatsink Assembly .....	1
6	<u>101828901</u>	Cord, DC, 113-Inch (287 cm) .....	1
7	<u>101828902</u>	Cord, DC, 154-Inch (391 cm) .....	1
8	101838401	Circuit Breaker .....	2
9	101838601	Four-Position Switch .....	1
10	101973501	Receptacle, AC Cord .....	1
11	101976601	Ammeter with Mounting Bracket .....	1
12	<u>101987501</u>	Relay .....	1
13	N/A	Wire, Jumper .....	1
14	N/A	Case, Charger .....	1
15	****	Transformer, European Battery Charger .....	1
16	****	Suppressor, AC Voltage .....	1
17	****	Assembly, Wire .....	1
18	N/A	Limiter, Current .....	1
19	7577	Screw, #10 X 0.50 Phillips Pan-Head .....	10
20	<u>101958201</u>	Cord, UK, AC, Battery Charger .....	1
21	101958301	Cord, European AC, Battery Charger .....	1
<p>**** Special order item available upon request.</p> <p>Note: Level 1 Battery Charger part numbers include one AC and one DC cord. They do not include all of the level 2 cords listed.</p>			



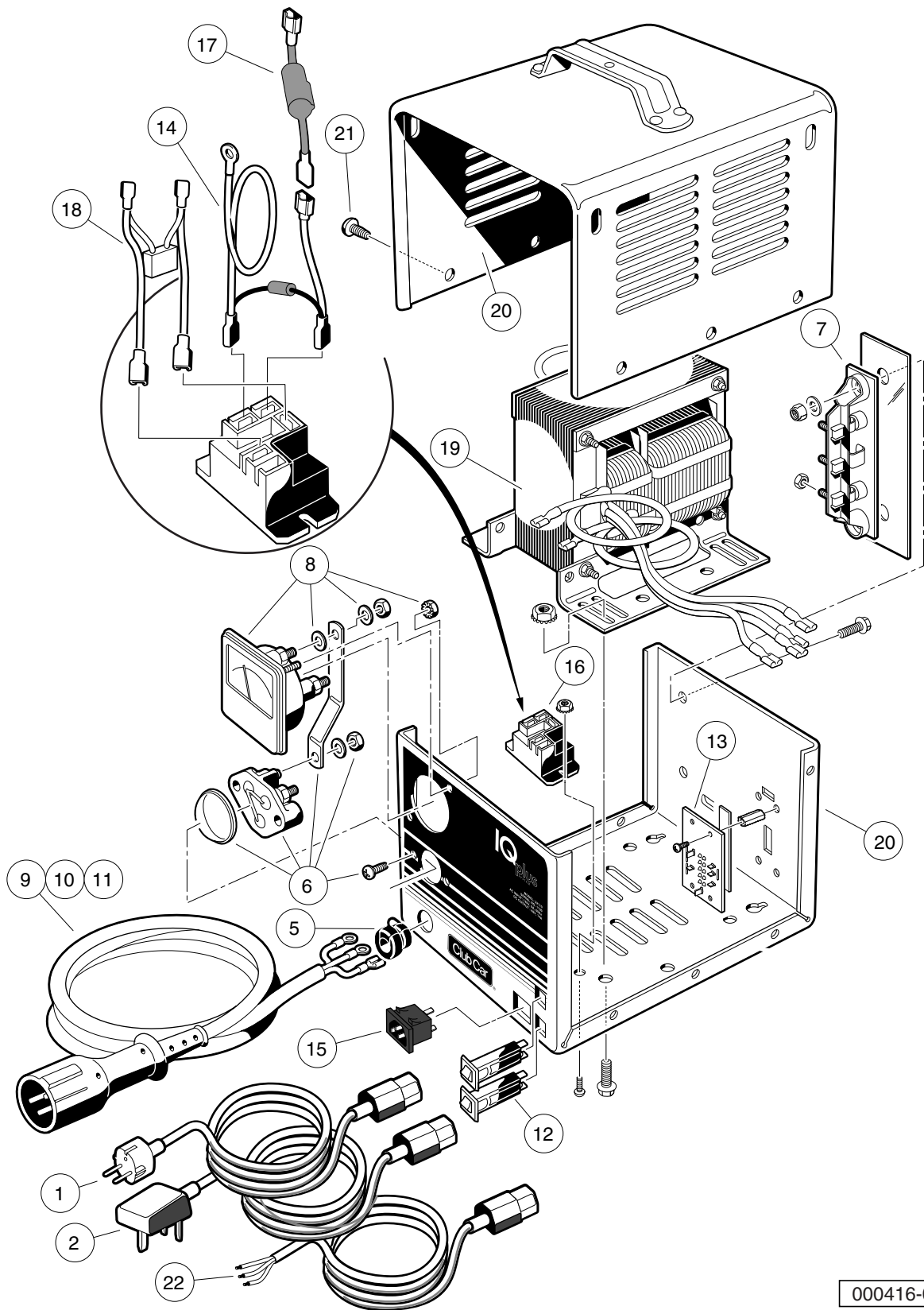
000414-001

# IQ PLUS BATTERY CHARGER (MODELS 25730-11,-18,-19), DOMESTIC

ITEM	PART NO.	DESCRIPTION	QTY
		1 2 3 4	
1	<u>102847801</u>	Charger, IQ Plus, Domestic (9-ft. DC Cord, 6-ft. AC Cord) .....	1
2	<u>102847802</u>	Charger, IQ Plus, Domestic (12-ft. DC Cord, 9-ft. AC Cord) .....	1
3	<u>102847803</u>	Charger, IQ Plus, Domestic (20-ft. DC Cord, 9-ft. AC Cord) (includes items 4 through 20)	1
4	<u>1012098</u>	Bushing, DC Cord .....	1
5	<u>1012101</u>	Fuse Assembly .....	1
6	<u>1015914</u>	Rectifier with Heatsink Assembly .....	1
7	<u>1015917</u>	Bushing, AC Cord .....	1
8	<u>101828501</u>	Ammeter .....	1
9	<u>101828801</u>	Cord, AC, 80-Inch (203 cm) .....	1
10	<u>101828802</u>	Cord, AC, 108-Inch (274 cm) .....	1
11	<u>101828901</u>	Cord, DC, 113-Inch (287 cm) .....	1
12	<u>101828902</u>	Cord, DC, 154-Inch (391 cm) .....	1
13	<u>101828903</u>	Cord, DC, 250-Inch (635 cm) .....	1
14	<u>101831101</u>	Wire Assembly Kit .....	1
15	101914401	Assembly, Voltage Suppressor .....	1
16	<u>102275401</u>	Relay, 48-VDC .....	1
17	<u>102838101</u>	Circuit Breaker 250vac-50vdc .....	1
18	N/A	Transformer, Battery Charger .....	1
19	N/A	Case, Battery Charger .....	1
20	7577	Screw, #10 X 0.50 Phillips Pan-Head .....	10

16

E



000416-002

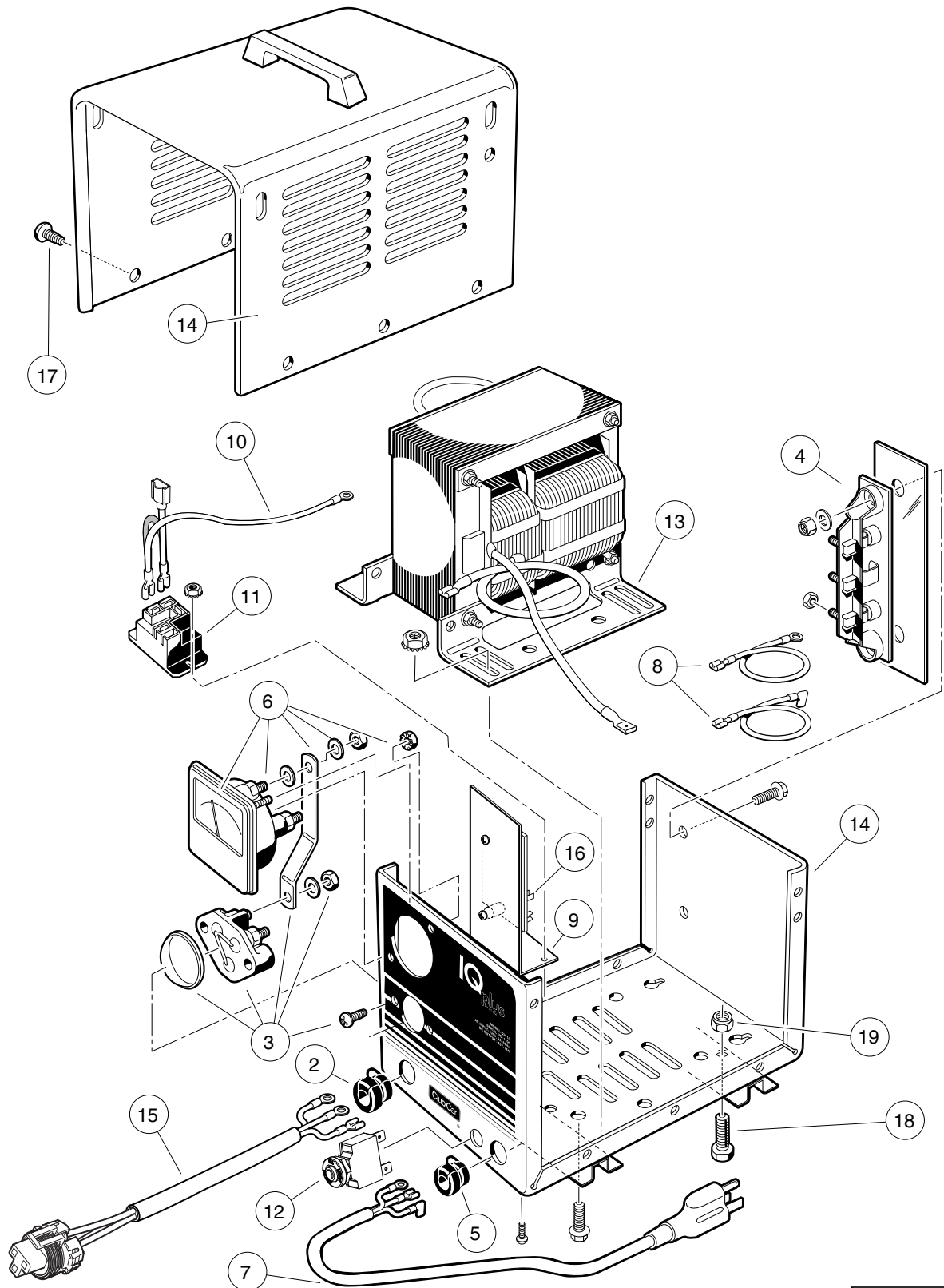


# IQ PLUS BATTERY CHARGER (MODELS 25880-11 AND -18), INTERNATIONAL

ITEM	PART NO.	DESCRIPTION	QTY
		1 2 3 4	
1	<u>101958201</u>	Cord, UK, AC, Battery Charger .....	1
2	<u>101958301</u>	Cord, European AC, Battery Charger .....	1
3	<u>102892901</u>	Charger, IQ Plus, International (9-ft. DC Cord) .....	1
4	<u>102892902</u>	Charger, IQ Plus, International (12-ft. DC Cord) (includes items 5 through 21) .....	1
5	<u>1012098</u>	Bushing, DC Cord .....	1
6	<u>1012101</u>	Fuse Assembly .....	1
7	<u>1015914</u>	Rectifier with Heatsink Assembly .....	1
8	<u>101828501</u>	Ammeter .....	1
9	<u>101828901</u>	Cord, DC, 113-Inch (287 cm) .....	1
10	<u>101828902</u>	Cord, DC, 154-Inch (391 cm) .....	1
11	<u>101828903</u>	Cord, DC, 250-Inch (635 cm) .....	1
12	<u>101838401</u>	Circuit Breaker .....	2
13	<u>101838601</u>	Four-Position Switch .....	1
14	<u>101914401</u>	Assembly, Voltage Suppressor .....	1
15	<u>101973501</u>	Receptacle, AC Cord .....	1
16	<u>102275401</u>	Relay, 48-VDC .....	1
17	N/A	Limiter, Current .....	1
18	N/A	Wire Assembly, Battery Charger .....	1
19	N/A	Transformer, Battery Charger .....	1
20	N/A	Case, Battery Charger .....	1
21	7577	Screw, #10 X 0.50 Phillips Pan-Head .....	10
22	<u>102939501</u>	Cord, European AC, Battery Charger .....	1

16

E



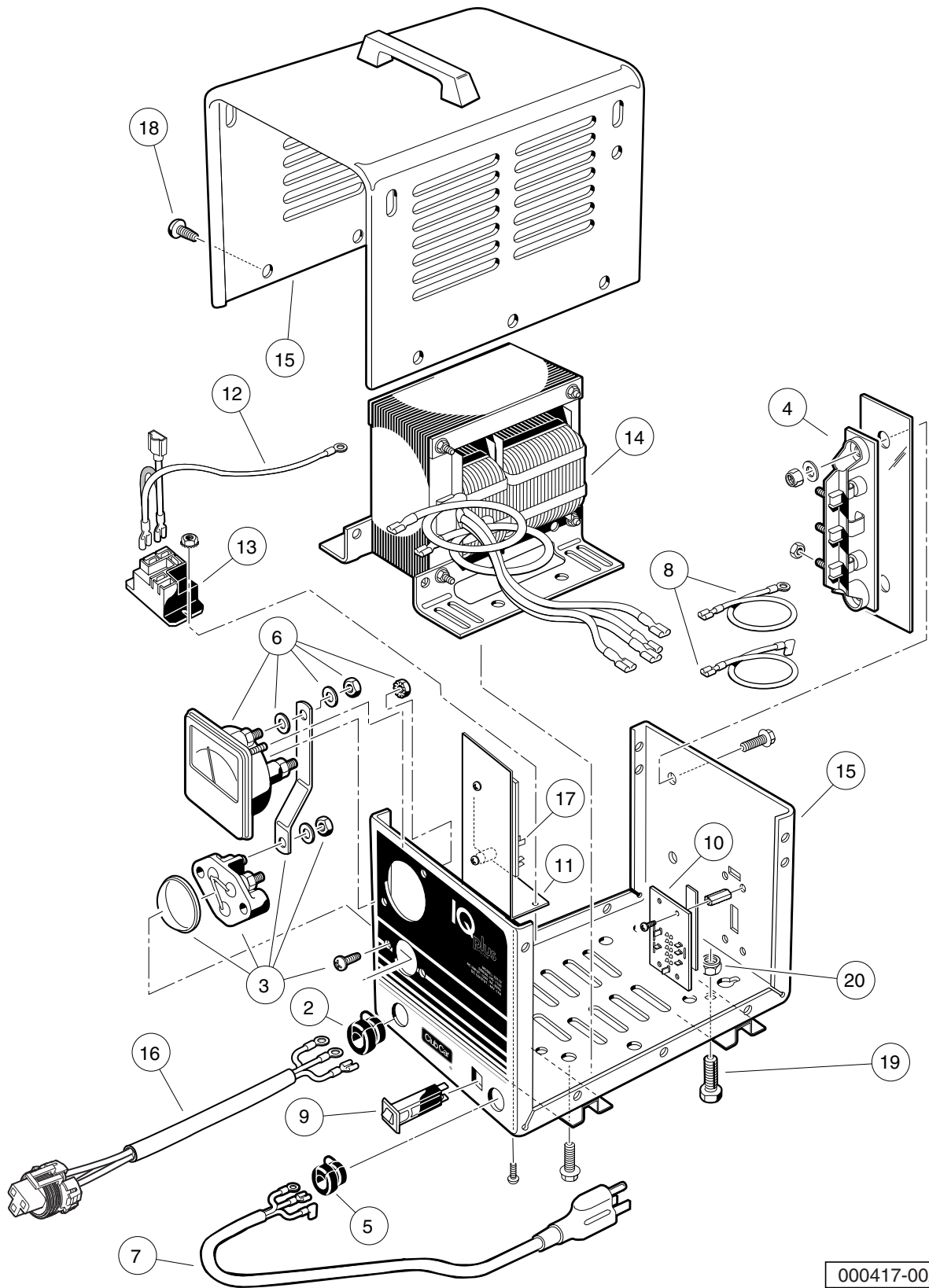
000415-002

# ONBOARD IQ PLUS BATTERY CHARGER (MODEL 25260-50), DOMESTIC

ITEM	PART NO.	DESCRIPTION	QTY
		1 2 3 4	
1	<u>103772401</u>	Charger, IQ Plus, Onboard, Domestic (includes items 2 through 19) .....	1
2	<u>1012098</u>	Bushing, DC Cord .....	1
3	<u>1012101</u>	Fuse Assembly .....	1
4	<u>1015914</u>	Rectifier with Heatsink Assembly .....	1
5	<u>1015917</u>	Bushing, AC Cord .....	1
6	<u>101828501</u>	Ammeter .....	1
7	<u>101829001</u>	Cord, AC, 22-Inch (56 cm) .....	1
8	<u>101831101</u>	Wire Assembly Kit .....	1
9	<u>101838701</u>	Mounting Bracket, Relay .....	1
10	<u>101914401</u>	Assembly, Voltage Suppressor .....	1
11	<u>102275401</u>	Relay, 48-VDC .....	1
12	<u>102838101</u>	Circuit Breaker, 20 Amp .....	1
13	N/A	Transformer, Battery Charger .....	1
14	N/A	Case, Battery Charger .....	1
15	<u>103832001</u>	Cord, DC, 20", Charger .....	1
16	<u>103869401</u>	Control Board, Potted .....	1
17	7577	Screw, #10 X 0.50 Phillips Pan-Head .....	12
18	<u>7847</u>	Screw, 1/4-20 X 0.75 Hex-Head Cap .....	4
19	<u>8233</u>	Locknut, 1/4-20, Nylon Insert .....	4
Note: DC Cord (item 15) uses the Packard 480 Connector.			

16

E



000417-002

# ONBOARD IQ PLUS BATTERY CHARGER (MODEL 25660-50), INTERNATIONAL

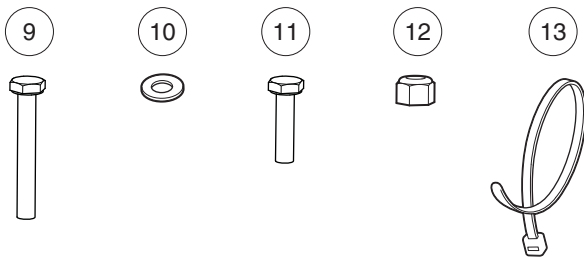
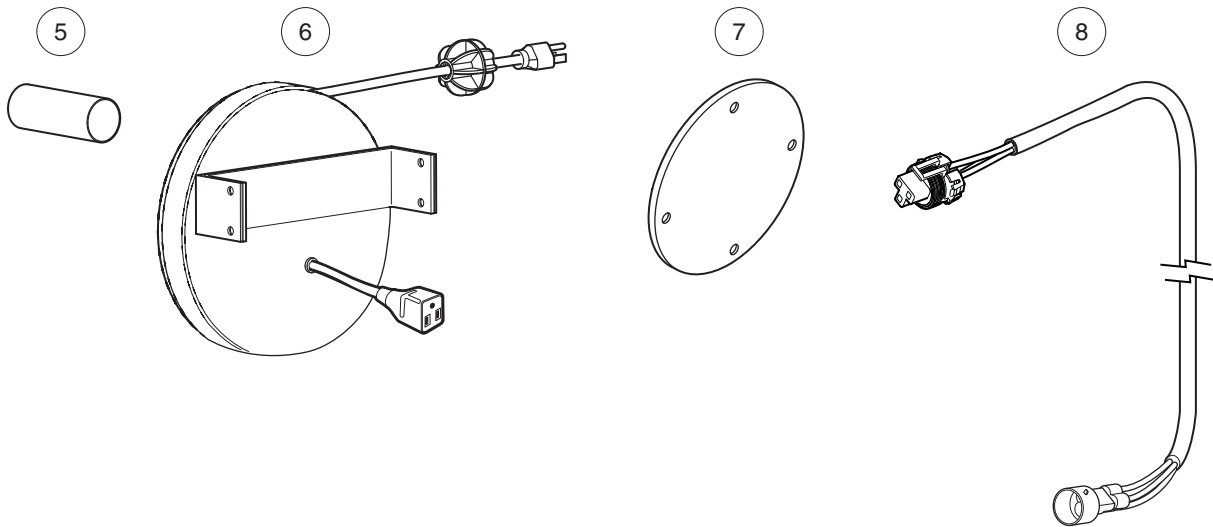
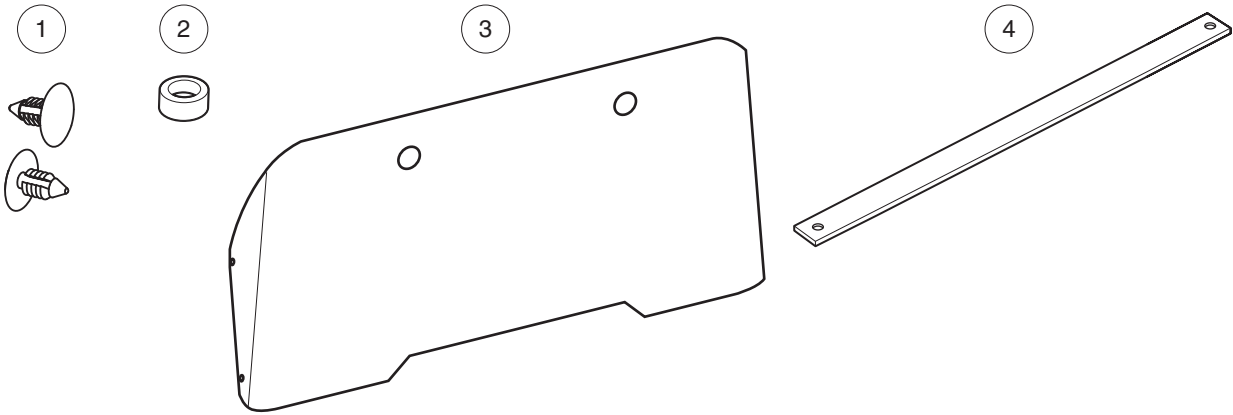
ITEM	PART NO.	DESCRIPTION	QTY
		1 2 3 4	
1	<u>103771601</u>	Charger, IQ Plus, Onboard, International (includes items 2 through 20) .....	1
2	<u>1012098</u>	Bushing, DC Cord .....	1
3	<u>1012101</u>	Fuse Assembly .....	1
4	<u>1015914</u>	Rectifier with Heatsink Assembly .....	1
5	<u>1015917</u>	Bushing, AC Cord .....	1
6	<u>101828501</u>	Ammeter .....	1
7	<u>101829001</u>	Cord, AC, 22-Inch (56 cm) .....	1
8	<u>101831101</u>	Wire Assembly Kit .....	1
9	<u>101838401</u>	Circuit Breaker .....	1
10	<u>101838601</u>	Four-Position Switch .....	1
11	<u>101838701</u>	Mounting Bracket, Relay .....	1
12	<u>101914401</u>	Assembly, Voltage Suppressor .....	1
13	<u>102275401</u>	Relay, 48-VDC .....	1
14	N/A	Transformer, Battery Charger .....	1
15	N/A	Case, Battery Charger .....	1
16	<u>103832001</u>	Cord, DC, 20", Charger .....	1
17	<u>103869401</u>	Control Board, Potted .....	1
18	<u>7577</u>	Screw, #10 X 0.50 Phillips Pan-Head .....	12
19	<u>7847</u>	Screw, 1/4-20 X 0.75 Hex-Head Cap .....	4
20	<u>8233</u>	Locknut, 1/4-20, Nylon Insert .....	4
Note: DC Cord (item 16) uses the Packard 480 Connector.			

16

E

16

E



001289-002

# ONBOARD IQ PLUS CHARGER AND CORD REEL MOUNTING

ITEM	PART NO.	DESCRIPTION	QTY
		1 2 3 4	
1	<u>1010434</u>	Barrel - Plastic .....	4
2	<u>1010927</u>	Hill Brake Spacer .....	4
3	1011348	Rear Panel 4 Passenger .....	1
4	<u>1011707</u>	Bracket, Mounting, Battery Charger .....	2
5	<u>1017189</u>	Heat Shrink Tube 1.5"x 4' .....	1
6	<u>101965401</u>	Reel Assy, Retractable Cord .....	1
7	<u>103218001</u>	Cover Plate, Receptacle .....	1
8	103772201	Harness, Ob Charg, Vill, 480 .....	1
9	<u>1703</u>	Screw, 1/4-20 X 1.50 Hx Hd Cap .....	4
10	<u>332</u>	Washer, 1/4 Type A Narrow Flat .....	4
11	<u>7847</u>	Screw, 1/4-20 X 0.75 Hex-Head Cap .....	4
12	<u>8233</u>	Locknut, 1/4-20, Nylon Insert .....	8
13	<u>8990</u>	Tie Wrap, 8" Nylon .....	4
Note: Charger Harness (item 8) uses the Packard 480 Connector.			

16

E

**16**

***E***



# MAINTENANCE AND SERVICE TOOLS

---

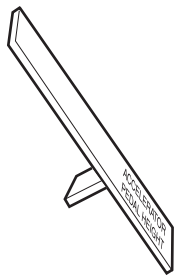
17

G

E

D

**17**  
**G**  
**E**  
**D**



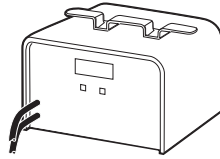
1



2



3



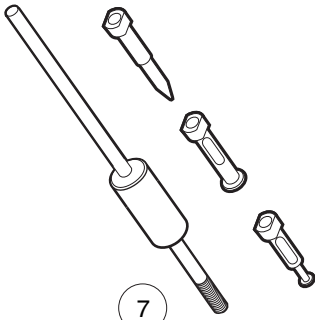
4



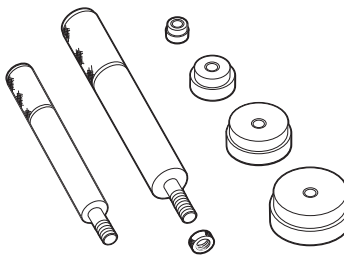
5



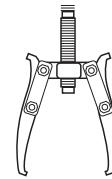
6



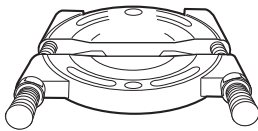
7



8



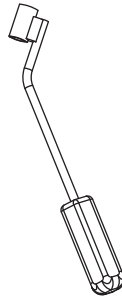
9



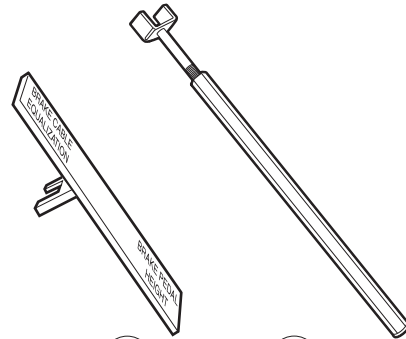
10



11



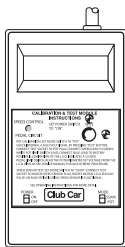
12



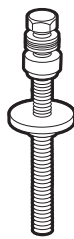
13

14

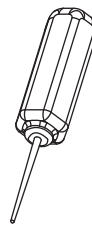
15



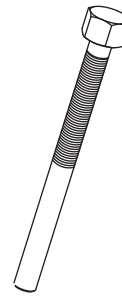
16



17



18



19

# MAINTENANCE AND SERVICE TOOLS

ITEM	PART NO.	DESCRIPTION	QTY DIESEL	QTY GAS	QTY ELEC
		<p style="text-align: center;">1 2 3 4</p> <p>The following tool list includes all tools available from Club Car for maintenance and service procedures for gasoline, electric, and/or diesel vehicles, both past and present models. Be sure to carefully examine the tool list for applicability to your vehicle before ordering.</p>			
1	<u>101871001</u>	Accelerator Pedal Adjustment Tool .....		1	1
2	<u>101813202</u>	Adhesive, Guide Ring, 3-Gram Tube .....			1
3	<u>101641202</u>	Arbor .....		1	
4	<u>101831901</u>	Battery Discharge Machine, 36/48 Volt .....			1
5	<u>1014305</u>	Battery Terminal Protector Spray .....	1	1	1
6	1011767	Battery Thermometer .....	1	1	1
7	<u>1016417</u>	Bearing and Oil Seal Remover Assembly .....	1	1	1
8	<u>1016416</u>	Bearing Driver Set .....	1	1	1
9	<u>1012811</u>	Bearing Puller .....	1	1	1
10	<u>1012812</u>	Bearing Puller Wedge Attachment .....	1	1	1
11	1013582	Brake Adjustment Tool (used only on vehicles with manually adjusted mechanical brakes) .....			
12	<u>102555501</u>	Brake Cable Release Tool .....	1	1	1
13	102249901	Brake Pedal Adjustment Tool Kit (used for the Carryall Electric Industrial Truck only) (includes items 14 and 15).....			1
14	****	Brake Pedal Adjustment Tool .....			1
15	****	Brake Pedal Tension Tool .....			1
16	<u>101887101</u>	Calibration Test Module .....			1
17	<u>101808401</u>	Cam Installation Tool .....		1	
18	<u>102562401</u>	Charger Bezel Tool .....			1
19	<u>102686101</u>	Clutch Removal Tool (for 4x4 vehicles) .....	1	1	
		<p style="text-align: center;">Please refer to the maintenance and service manual for proper tool application.</p> <p style="text-align: center;">**** Special order item available upon request</p>			

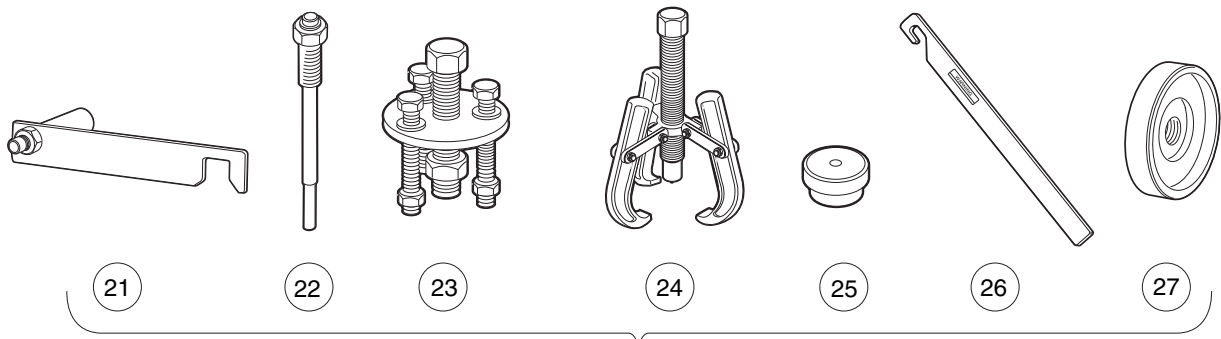
17

G

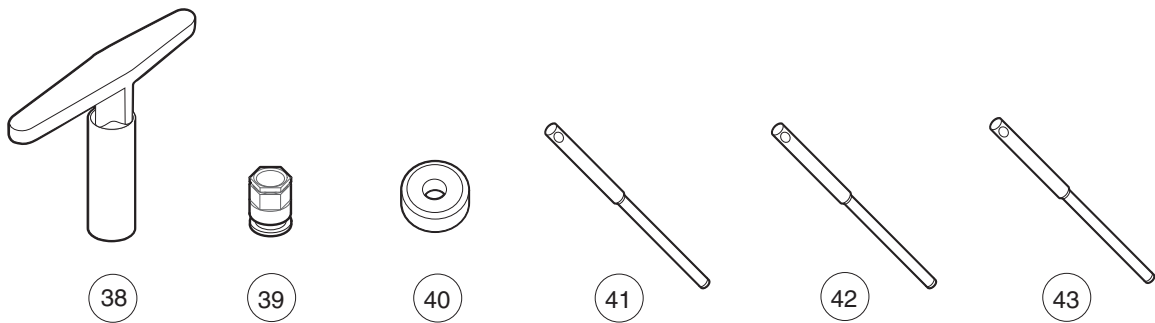
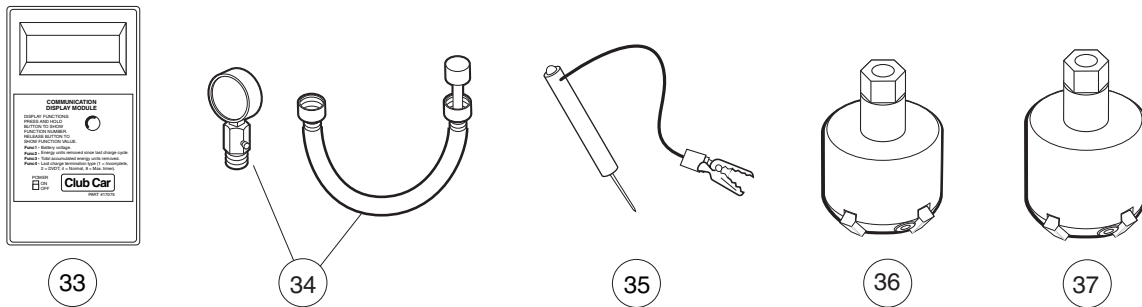
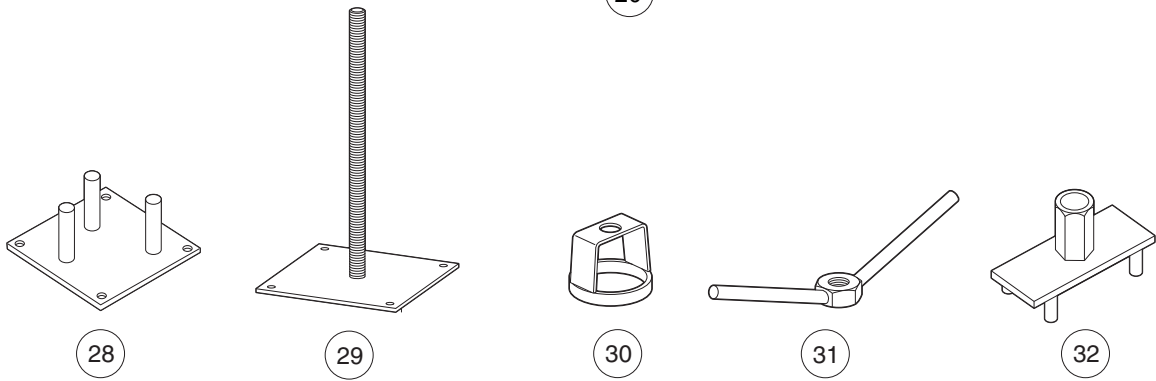
E

D

**17**  
**G**  
**E**  
**D**



20



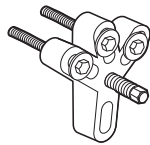
## MAINTENANCE AND SERVICE TOOLS, CONTINUED

ITEM	PART NO.	DESCRIPTION	QTY DIESEL	QTY GAS	QTY ELEC	<b>17</b>
		1 2 3 4				<b>G</b>
20	<u>1014510</u>	Clutch Tool Kit (includes items 21 - 27) .....		1		<b>E</b>
21	<u>1014498</u>	Clutch Alignment Tool (for pre-unitized transaxle vehicles built prior to 1997 model year) .....		1		<b>D</b>
22	<u>1014496</u>	Drive Clutch Puller (for Kawasaki engines only) .....		1		
23	<u>1014497</u>	Drive Clutch Hub Puller (for Kawasaki engines only) .....		1		
24	<u>1014508</u>	Driven Clutch Cam Puller (for Kawasaki engines only) .....		1		
25	<u>1014507</u>	Driven Clutch Puller Plug (for Kawasaki engines only) .....		1		
26	<u>1015524</u>	Drive Clutch Holder Tool Assembly (for Kawasaki engines only) .....		1		
27	<u>101809101</u>	Press Weldment (for Kawasaki engines only) .....		1		
28	<u>102601501</u>	Drive ClutchFixed Sheave Tool (for 4x4 vehicles) .....	1	1		
29	<u>102603501</u>	Driven Clutch Spring Compression Base (for use with items 30 and 31) (for 4x4 vehicles) .....	1	1		
30	<u>102605201</u>	Driven Clutch Spring Compression Collar (for use with items 29 and 31) (for 4x4 vehicles) .....	1	1		
31	<u>102606101</u>	Driven Clutch Spring Compression Nut (for use with items 29 and 30) (for 4x4 vehicles) .....	1	1		
32	<u>102607501</u>	Drive Clutch Spider Removal Tool (for 4x4 vehicles) .....	1	1		
33	101831801	Communication Display Module .....			1	
34	101641002	Compression Gauge and Adapter .....		1		
35	1011273	Continuity Tester .....		1	1	
36	<u>102773801</u>	Cutter, Valve Seat, #122 .....		1		
37	<u>102773901</u>	Cutter, Valve Seat #115 .....		1		
38	<u>102774101</u>	Wrench, T, #505.....		1		
39	<u>102774101</u>	Adapter, T-Wrench.....		1		
40	102675401	Cutter, Valve Seat, 60 Degree (requires item 51) (for Honda GX620 Gasoline Engines) .....		1		
41	<u>102774201</u>	Pilot, 6.6 MM .....		1		
42	<u>102774301</u>	Pilot, 6.62 MM.....		1		
43	<u>102774401</u>	Pilot, 6.65 MM.....		1		
		Please refer to the maintenance and service manual for proper tool application.				

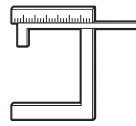
**17**  
**G**  
**E**  
**D**



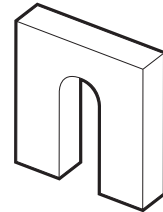
44



45



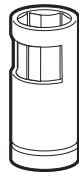
46



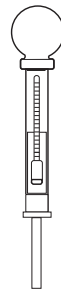
47



48



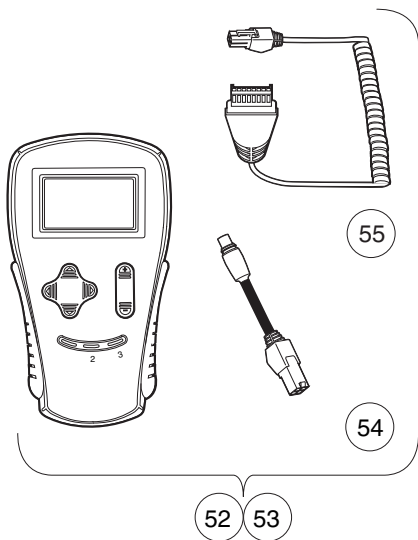
49



50



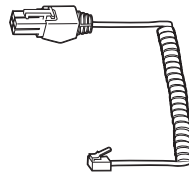
51



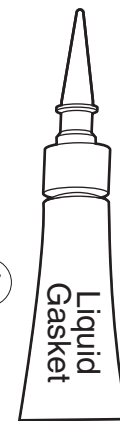
52 53

55

54



56



57



58



59 60



61

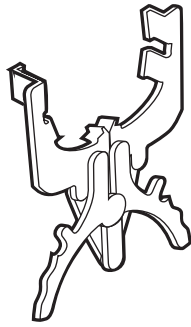
## MAINTENANCE AND SERVICE TOOLS, CONTINUED

ITEM	PART NO.	DESCRIPTION	QTY DIESEL	QTY GAS	QTY ELEC	<b>17</b>	
		1 2 3 4					
44	<u>1012151</u>	Dry Moly Lubricant .....	1	1	1	<b>G</b>	
45	<u>1016627</u>	Flywheel Puller Kit (for Kawasaki Engines) .....		1			<b>E</b>
46	<u>102669901</u>	Gauge, Carburetor Float Level (for Honda GX620 Gasoline Engines) .....		1			
47	<u>1016418</u>	Gear Yoke .....	1	1	1		
48	<u>101933101</u>	Governor Shaft Installation Tool (for Kawasaki Engine Vehicles) .....		1			
49	<u>102169401</u>	Hydraulic Brake Adjuster (for Turf/CA 272/472, Pioneer/XRT 1200, Bobcat 2100, HUV 4213) .....			1		
50	<u>1011478</u>	Hydrometer .....	1	1	1		
51	<u>1013593</u>	Internal Retaining Ring Pliers .....	1	1	1		
52	<u>102248803</u>	IQ Display Module (IQDM) Kit (IQ System and IQ Plus vehicles) .....			1		
		(includes items 54 and 55)					
53	<u>102248804</u>	IQ Display Module (IQDM-P) Kit (IQ System and IQ Plus vehicles) .....			1		
		(includes items 54 and 55)					
54	<u>102251501</u>	Adaptor, Cable .....			1		
55	<u>102241502</u>	IQDM Series 2 Cable .....			1		
56	<u>102241501</u>	IQDM Series 1 Cable (replacement) .....			1		
57	<u>101928701</u>	Liquid Gasket (transaxle case) .....	1	1	1		
58	<u>102243402</u>	Moly-Teflon Lubricant (4-oz. (113-gram) tube) .....			1		
59	<u>101997201</u>	Paint, Touch-Up – Beige* .....		1	1		
59	<u>101997207</u>	Paint, Touch-Up – Black* .....		1	1		
59	<u>101997212</u>	Paint, Touch-Up – Burgundy* .....		1	1		
59	<u>101997211</u>	Paint, Touch-Up – Classic Blue (Navy)* .....		1	1		
59	<u>101997205</u>	Paint, Touch-Up – Dark Gray* .....	1	1	1		
59	<u>101997209</u>	Paint, Touch-Up – Dark Green* .....	1	1	1		
59	<u>101997204</u>	Paint, Touch-Up – Gray* .....	1	1	1		
59	<u>101997203</u>	Paint, Touch-Up – Red* .....	1	1	1		
59	<u>101997206</u>	Paint, Touch-Up – Royal Blue (Pacific Blue)* .....		1	1		
59	<u>101997202</u>	Paint, Touch-Up – White* .....	1	1	1		
60	<u>102562301</u>	Paint, Precedent Underbody – Gray .....		1	1		
61	<u>102587201</u>	Paint Pen, Touch-Up, Precedent Underbody – Black .....		1	1		
<p>Please refer to the maintenance and service manual for proper tool application.</p> <p>* Item 59 is not for use on Surlyn<sup>®</sup> body material, which is used on Precedent vehicles.</p>							

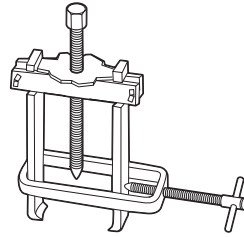
**17**  
**G**  
**E**  
**D**



62



63



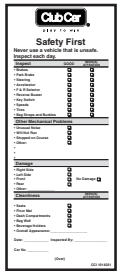
64



65



66



67



68



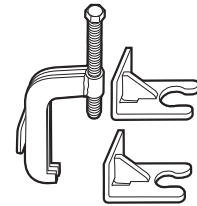
69



70



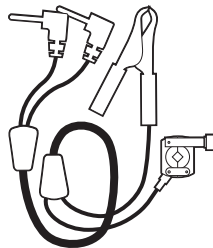
71



72



73



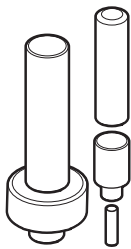
74



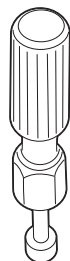
75



76



77



83



84



85



86



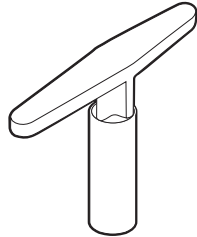
## MAINTENANCE AND SERVICE TOOLS, CONTINUED

ITEM	PART NO.	DESCRIPTION	QTY	QTY	QTY	17
			DIESEL	GAS	ELEC	
		1 2 3 4				G
62	<u>1016414</u>	Piston Ring Compressor Kit (FE290, FE350 and FE400 engines) .....		1		E
63	<u>1016415</u>	Piston Ring Pliers (for Kawasaki Engines) .....		1		D
64	<u>102668801</u>	Puller, Special Use (for Kubota D722 Diesel Engines) .....	1			
65	<u>1012549</u>	Retaining Ring Pliers, 45° External .....	1	1	1	
66	<u>1012560</u>	Retaining Ring Pliers, 90° Internal .....	1	1	1	
67	<u>101823101</u>	Safety First Card (50 per pack) .....	1	1	1	
68	<u>1012809</u>	Seal Puller .....	1	1	1	
69	<u>102330901</u>	Spanner Wrench (for coil over shock front suspension vehicles only) .....	1	1		
70	<u>1014264</u>	Steering Column Bearing Press Tool .....		1	1	
71	<u>1014259</u>	Steering Column Retaining Ring Tool .....		1	1	
72	<u>102061201</u>	Steering Wheel Puller Tool .....	1	1	1	
73	<u>AM10753</u>	Tachometer (includes gasoline engine pick up lead only) .....	1	1		
74	<u>AM10771</u>	Tachometer Diesel Probe (for use with item 73) .....	1			
75	<u>1014162</u>	Transaxle Axle Seal Tool .....		1		
76	<u>1014161</u>	Transaxle Pinion Seal Tool .....		1		
77	<u>1014115</u>	Transmission Tool Kit .....		1		
78	<u>101611003</u>	Tune-Up Kit, All OHV (for FE290, FE350, FE400 only) (includes air filter, spark plug, oil filter, fuel filters) (not shown) .....		1		
79	<u>AM11804</u>	Tune-Up Kit, Gx620 (for Honda Engines) (includes air filter, spark plug, oil filter, fuel filters) (not shown) .....		1		
80	<u>AM11805</u>	Tune-Up Kit, D722 (for Kubota Engines) (includes air filter, oil filter, fuel filters, water separator filter) (not shown) .....	1			
81	<u>AM1220301</u>	Tune-Up Kit, Precedent (for FE290/350 Engines) (includes air filter, spark plug, oil filter, fuel filters) (not shown) .....		1		
82	<u>AM1232401</u>	Tune-Up Kit, FH680D (for Kawasaki V-Twin Engines) (includes oil filter, fuel filter, air filter, and spark plugs) (not shown).....		1		
83	<u>1016413</u>	Valve Clearance Adjuster Screw Holder (for FE290 engines only) .....		1		
84	<u>102674601</u>	Valve Guide Driver (for Honda GX620 Gasoline Engines) .....		1		
85	<u>101641201</u>	Valve Guide Reamer (FE290, FE350, and FE400 only) .....		1		
86	<u>102674401</u>	Valve Guide Reamer, 6.6 mm (for Honda GX620 Gasoline Engines) .....		1		

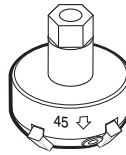
**17**  
**G**  
**E**  
**D**



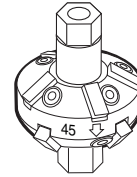
87



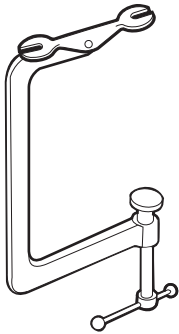
88



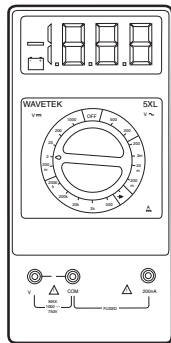
89



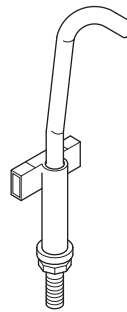
90



91



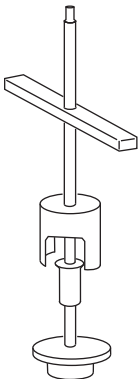
92



93



94



95



96

## MAINTENANCE AND SERVICE TOOLS, CONTINUED

ITEM	PART NO.	DESCRIPTION	QTY DIESEL	QTY GAS	QTY ELEC
		1 2 3 4			
87	<u>1016552</u>	Valve Seat Cutter Guide .....		1	
88	<u>1016551</u>	Valve Seat Cutter T-Wrench .....		1	
89	<u>1016553</u>	Valve Seat Cutter, 45° (32 mm diameter) (for FE290 engines only) .....		1	
90	<u>1016554</u>	Valve Seat Cutter, 45°/30° (35 mm diameter) .....		1	
91	<u>101641101</u>	Valve Spring Compressor .....		1	
92	1011480	Volt Ohm Meter .....	1	1	1
93	<u>102570401</u>	Tool, Tensioning, Starter Generator (For Precedent vehicles) .....		1	
94	<u>103601401</u>	Puller, Drive Clutch, XRT 950* .....		1	
95	<u>103601701</u>	Tool, Disassembly, Driven Clutch, XRT 950 .....		1	
96	<u>103600501</u>	Screw, Driven Clutch Disassembly, M6, XRT 950 .....		1	
<p>*Note: The XRT 950 Drive Clutch Puller requires the use of Screw, Driven Clutch Disassembly, CCI Part Number <u>103600501</u>.</p>					

17

G

E

D



# INDEX

## Part Number and Page

AM10753	17-9	7847	1-23, 1-25, 1-29, 1-33, 4-33, 16-17, 16-19, 16-21	1011439	4-5, 4-7
AM10771	17-9	7893	4-5, 4-9, 4-21, 7-13, 7-15	1011466	5-11
AM10419	11-11	8056	4-11, 7-19	1011478	17-7
AM1243501	4-27	8057	4-11, 7-15, 7-17, 7-19	1011480	17-11
AM1243701	4-23, 4-25, 4-27	8058	7-15, 7-17, 7-19	1011557	4-5, 4-7
AM1243801	4-23, 4-25, 4-27	8067	6-13	1011578	1-31, 6-5, 13-13
AM1300001	13-17	8104	4-9	1011582	4-33
AM1300101	13-17	8233	1-3, 1-23, 1-25, 1-29, 1-33, 4-23, 4-25, 4-29, 4-31, 5-5, 5-7, 9-11, 12-3, 12-11, 13-3, 16-17, 16-19, 16-21	1011590	4-9
AM1300201	13-17	8248	12-3, 13-3	1011652	1-27
AM1300301	13-17	8251	1-23, 1-25	1011694	5-5, 5-7
CCX8506	16-3, 16-5, 16-7	8294	4-29	1011697	6-5, 13-13
183	4-5, 4-7, 4-9, 4-21, 4-27, 11-7, 11-9	8450	11-7, 11-9	1011707	16-21
304	1-31, 4-29	8639	4-27, 7-13, 7-15, 13-11	1011734	5-9
320	1-21, 1-31, 1-33	8717	5-7, 7-13, 7-15, 12-3	1011767	17-3
324	4-23, 4-25	8754	1-21, 5-5, 5-7, 5-13, 6-5, 6-7, 6-9, 6-11, 6-15, 7-11	1011779	5-13
332	1-3, 1-23, 1-25, 1-27, 1-33, 4-23, 4-25, 4-29, 13-3, 13-11, 16-21	8755	1-33, 6-9, 6-15	1011825	4-29
334	1-33, 5-5, 5-7, 6-5, 6-7, 11-7, 11-9	8861	6-11	101187702	5-3
357	6-9	8990	4-9, 4-19, 4-25, 4-31, 6-7, 12-5, 13-3, 13-11, 16-21	1011895	6-7
451	14-3	1010124	6-9	1011930	6-7
706	6-9	1010138	1-31, 6-11	1011931	1-29, 5-5, 5-7
1016	4-5, 4-9, 4-21	1010145	6-15	1011990	1-21
1017	4-3	1010150	6-9	1012098	16-3, 16-5, 16-7, 16-9, 16-11, 16-13, 16-15, 16-17, 16-19
1028	5-3	1010434	16-21	1012101	16-7, 16-9, 16-11, 16-13, 16-15, 16-17, 16-19
1032	5-3	1010436	1-17	1012151	17-7
1035	6-7	1010543	1-27	1012285	4-31, 13-3, 13-11
1218	9-13	1010545	1-31	1012295	7-13, 7-15
1241	1-5, 1-29, 4-5, 4-7, 5-3, 5-5, 5-7, 5-13, 7-13, 7-15, 7-23, 8-5, 9-13	1010577	8-5	1012303	1-33, 6-9, 6-15
1242	4-19, 5-13, 7-11, 7-13, 7-15, 13-11	1010805	5-3	1012304	6-15
1606	7-23	1010829	5-13	1012412	1-23, 1-25
1624	5-5, 5-7, 6-7, 7-11	1010850	5-11	1012431	4-11, 7-15, 7-17, 7-19
1703	16-21	1010877	5-3	1012438	4-7, 4-27
2402	6-11	1010878	1-33, 5-3	1012467	6-7
4029	4-29	101090802	13-13	1012528	10-3, 13-11
7048	6-13	1010909	4-5, 4-21	1012549	17-9
7173	4-5, 4-7, 7-23	1010921	5-3	1012560	17-9
7174	6-5, 7-11, 10-3, 13-11	1010927	5-3, 16-21	1012594	7-17, 7-19
7251	1-11	1010932	5-3	1012604	6-5
7310	2-3	1010933	5-3	1012605	6-5
7311	1-29	1010934	7-23	1012649	9-5
7330	15-3	1010954	7-13, 7-15	1012809	17-9
7335	15-3	1010958	13-13	1012811	17-3
7336	15-3	1010984	2-3	1012812	17-3
7473	1-11, 4-5, 4-7, 5-3, 5-5, 5-7, 5-13, 7-13, 7-15, 7-23, 9-13	1010993	1-23, 1-25	1012836	11-11
7540	6-7	1011084	5-9	1012986	4-13
7555	6-7	1011114	9-11, 12-11	1012987	12-3
7577	16-5, 16-7, 16-9, 16-11, 16-13, 16-15, 16-17, 16-19	1011229	4-5, 4-7	101303202	1-7
7591	4-5, 4-7, 8-9	1011273	17-5	1013035	6-7
7602	6-7	1011280	4-5, 4-7	1013042	6-7, 6-11
7716	5-3, 5-5, 5-7	1011348	16-21	1013044	6-7
7818	7-13, 7-15	1011402	5-3	1013052	6-7
7820	4-29	1011415	6-15	1013061	13-9
		1011418	5-3	1013164	6-15
				1013357	4-5, 4-7
				1013461	4-3

# INDEX

1013509	4-23, 4-25	1014496	17-5	1016103	8-9
1013531	5-13	1014497	17-5	101611003	17-9
1013547	4-31	1014498	17-5	101611402	15-5
1013579	4-31	1014507	17-5	1016183	6-5
1013582	17-3	1014508	17-5	1016201	11-7, 11-9
1013589	7-13, 7-15	1014510	17-5	1016230	4-27
1013591	12-3	1014530	4-29	1016267	4-27
1013593	17-7	1014540	4-31	1016269	6-5
1013609	7-13, 7-15	101454902	6-15	1016287	4-27
1013734	13-11	1014555	6-15	1016289	11-7, 11-9
1013746	9-5	1014573	6-15	1016346	6-11
1013794	15-3	1014675	6-15	1016349	6-11
1013857	4-13, 4-15	1014727	7-17, 7-19	1016350	6-11
1013869	5-3	1014789	7-3, 7-5	1016351	6-11
1013870	5-3	1014807	7-15, 7-17, 7-19	1016353	6-11
1013871	5-5, 5-7	1014808	7-15	1016356	4-5, 4-7
1013876	1-31, 5-3	1014901	6-15	1016363	4-7
1013924	5-11, 8-5	1014902	6-15	1016365	4-19
1013983	1-19	1014947	13-11	1016366	4-7
1014007	5-5, 5-7, 9-11, 12-11	1015010	4-27	1016384	6-9
1014051	11-9	101503202	1-3	1016385	6-11
1014055	11-7, 11-9	1015064	12-3	1016386	6-9
1014056	11-7, 11-9	1015072	13-13	1016387	6-9
1014057	11-7, 11-9	1015137	9-5	1016389	6-9
1014058	11-7, 11-9	1015153	4-23	101641002	17-5
1014059	11-7, 11-9	1015154	4-23	101641101	17-11
1014062	11-7, 11-9	1015156	4-23, 4-25, 4-27	101641201	17-9
1014063	11-7, 11-9, 13-11	1015157	4-23, 4-25	101641202	17-3
1014065	7-13, 7-15, 11-7, 11-9	1015160	4-23, 4-25	1016413	17-9
1014072	11-11	1015162	4-23	1016414	17-9
1014078	11-11	1015167	4-27	1016415	17-9
1014080	11-11	1015170	4-27	1016416	17-3
1014115	17-9	1015172	4-23, 4-25	1016417	17-3
1014116	9-3	1015187	4-23, 4-25, 4-27	1016418	17-7
1014125	6-5	1015332	7-3, 7-5	1016423	4-5, 4-7
1014126	6-5	1015373	7-13, 7-15	1016551	17-11
1014145	7-13, 7-15, 12-3	1015391	1-31	1016552	17-11
1014153	5-11	1015405	7-13, 7-15	1016553	17-11
1014161	17-9	101547601	3-7	1016554	17-11
1014162	17-9	1015524	17-5	1016627	17-7
1014201	14-3	1015526	4-23, 4-25, 4-27	1016630	4-13
1014213	6-5	1015583	1-33, 6-15	1016717	4-33
1014214	6-5	101558302	6-9	1016801	11-7, 11-9
1014217	6-5	1015597	6-7, 6-13	1016837	4-23, 4-25
1014259	17-9	1015737	7-13, 7-15	1016851	4-11
1014264	17-9	1015741	4-5, 4-7, 7-13, 7-15	1016868	1-11
1014276	6-9	1015752	4-33, 7-13, 7-15, 13-5	1016879	4-3
1014287	11-7, 11-9	1015765	4-23	1016880	4-3
1014288	6-5, 7-23, 11-7, 11-9, 13-11	1015768	4-27	1016901	11-7
1014289	7-7, 7-9	1015770	4-27	1016916	1-27
1014304	13-13	1015878	7-15	1016929	4-23, 4-25, 4-27
1014305	17-3	1015914	16-3, 16-7, 16-9, 16-11, 16-13, 16-15, 16-17, 16-19	1016952	1-23, 1-25
1014306	1-23, 1-25, 4-31	1015917	16-7, 16-9, 16-13, 16-17, 16-19	1016967	1-11
1014375	7-23	1015932	7-11	1017029	5-3
1014453	11-7, 11-9	1015969	8-7	1017062	4-3
1014454	11-11			1017064	4-3

# INDEX

1017065	4-3	101823302	5-11	101880201	6-7
101707402	4-9	101823801	5-11	101880301	6-7
1017075	4-9	101823901	5-11	101881501	4-31
1017080	1-11	101824001	5-11	101881601	4-31
1017141	1-23, 1-25	101824002	5-11	101884801	8-5
1017145	11-11	101824101	8-9	101886101	9-11, 12-11
1017189	16-21	101826801	13-11	101887101	17-3
1017226	6-5	101827801	13-11	101894901	13-9
1017235	6-15	101828301	16-7	101895401	15-3
1017266	6-11	101828501	16-7, 16-9, 16-13, 16-15, 16-17, 16-19	101895501	15-3
1017273	6-3	101828601	16-5	101897001	15-3
1017313	6-5	101828801	16-5, 16-7, 16-13	101897201	15-3
1017314	6-5	101828802	16-5, 16-7, 16-13	101897401	15-3
1017315	6-5	101828901	16-7, 16-9, 16-11, 16-13, 16-15	101897601	15-3
1017317	6-5	101828902	16-7, 16-9, 16-11, 16-13, 16-15	101898001	7-23
1017378	5-5, 5-7	101828902	16-7, 16-9, 16-11, 16-13, 16-15	101898101	7-23
1017380	5-5, 5-7	101828903	16-7, 16-13, 16-15	101903001	13-7
1017424	5-5, 5-7	101828904	16-5	101903101	6-9
1017686	11-11	101828905	16-5	101903601	15-3
1017696	5-5, 5-7	101828906	16-5	101903701	15-3
1017705	13-9	101829001	16-17, 16-19	101906901	15-3
1017721	4-5, 4-21	101830701	4-15	101908101	13-3
1017724	4-9	101831101	16-7, 16-13, 16-17, 16-19	101908401	13-3
1017774	1-29	101831503	16-9	101908601	3-11
1017853	4-5, 4-7	101831504	16-9	101908703	13-11
101791101	5-11	101831701	16-9	101910401	1-29, 13-11
101795701	13-7, 13-13	101831702	16-9	101912401	5-9
101796201	5-5, 5-7	101831801	17-5	101914001	15-5
101796501	13-9	101831901	17-3	101914401	4-5, 16-7, 16-9, 16-13, 16-15, 16-17, 16-19
101796801	13-9	101832001	13-9	101915201	3-7
101801001	13-9	101833401	11-11	101918501	5-3
101802101	13-9	101834602	8-5	101919801	5-5, 5-7
101802201	16-7	101835601	1-33, 4-19, 4-33	101920101	13-3, 13-5, 14-3
101802202	16-7	101838201	16-9	101922101	15-3
101802203	16-7	101838301	16-9	101922201	15-3
101802204	16-5	101838401	16-9, 16-11, 16-15, 16-19	101922501	13-3
101802205	16-5	101838501	16-9	101923001	15-3
101802206	16-5	101838601	16-9, 16-11, 16-15, 16-19	101923201	15-3
101806901	1-7	101838701	16-9, 16-17, 16-19	101923501	15-3
101808401	17-3	101855002	13-3	101923901	15-3
101809101	17-5	101855801	1-23, 1-25	101926501	6-15
101810501	4-7	101856002	13-3	101928701	15-3, 17-7
101813202	17-3	101856102	7-13, 7-15	101929401	6-15
101814601	4-25	101861901	5-5, 5-7	101931501	3-11, 13-11
101815501	5-11	101862001	5-5	101932201	4-5, 4-7
101815502	5-11	101871001	17-3	101932401	13-3
101816301	5-11	101878201	5-3	101932501	13-3
101816501	5-11	101878302	6-7	101932601	13-11
101816502	5-11	101879401	6-7	101932701	13-11
101817401	5-5, 5-7	101879501	6-7	101933101	17-7
101818801	5-7	101879601	6-7	101936101	15-5
101819701	16-7	101879701	6-7	101936801	13-5
101821601	4-27	101879801	6-7	101942301	13-3, 14-3
101823101	17-9	101879901	6-7	101953101	5-13
101823201	5-11	101880001	6-7	101954301	1-3, 1-27
101823301	5-11	101880101	6-7		

# INDEX

101955101	4-29	102044702	4-13	102273401	16-5
101956201	16-11	102044801	4-13	102273501	16-5
101956202	16-11	102045001	1-3	102273601	16-5
101957101	4-5, 4-7	102048401	1-3	102273701	16-3, 16-5
101958201	16-11, 16-15	102051601	4-13	102273801	16-3, 16-5
101958301	16-11, 16-15	102051701	4-13, 4-15	102273901	16-3, 16-5
101960501	1-7, 3-7	102051901	4-13, 4-15	102274001	16-5
101963401	7-21, 8-5	102059501	12-7, 12-9	102274101	12-23
101965205	13-11	102061201	17-9	102275401	16-13, 16-15, 16-17, 16-19
101965401	16-21	102065901	1-33	102278001	6-5
101968701	13-7	102066201	5-13	102289001	1-33
101969701	4-29	102101001	13-5	102289002	1-9, 1-13
101972001	17-7	102101101	13-5	102289201	6-11
101972002	17-7	102155801	11-11	102289301	1-33
101972003	17-7	102158901	5-5, 5-7	102292801	5-13
101972004	17-7	102169401	17-7	102296530	1-29
101972005	17-7	102174201	1-27	102298116	8-9
101972006	17-7	102174202	1-27	102298240	1-9, 1-13
101972007	17-7	102174204	1-27	102310701	1-19
101972009	17-7	102174205	1-27	102323101	5-3
101972011	17-7	102186001	14-3	102323201	5-3
101972012	17-7	102186101	14-3	102330901	17-9
101972101	15-3	102186201	14-3	102352201	4-19
101972201	15-3	102186401	14-3	102353201	6-13
101973501	16-11, 16-15	102186701	14-3	102353301	6-13
101976601	16-11	102186901	14-3	102353401	6-13
101978001	13-7	102187101	14-3	102354104	6-13
101978101	13-7	102187201	14-3	102354204	6-13
101978201	13-7	102196901	13-3, 13-7	102354901	4-19
101978601	15-5	102198001	4-13, 4-15	102355001	4-19
101979101	7-17, 7-19	102198701	4-5	102355102	1-21
101984801	6-5	102199001	4-5	102355301	7-23
101987501	16-11	102199201	4-5	102356601	15-3
101987901	4-3	102199301	4-5	102356801	15-3
101988001	4-3	102199401	4-5	102357501	4-19
101988002	4-3	102199601	13-7	102357701	6-13
101988101	4-3	102221201	1-23, 1-25	102410604	8-9, 9-11
101988201	4-3	102235201	14-3	102411203	9-3
101990703	4-13	102240501	13-11	102411209	9-13
101990801	5-13	102241501	17-7	102476401	9-11, 12-11
101991101	4-13	102241502	17-7	102490301	9-11
101997802	4-31	102242101	1-5, 8-5, 11-11	102491501	11-7, 11-9
101997803	4-31	102243101	13-11	102498201	9-11, 12-7, 12-9, 12-11
101997902	4-31	102243402	17-7	102499001	4-15
101997903	4-31	102243403	14-3	102503221	1-29
101998211	1-27	102248803	17-7	102503222	1-29
101998212	1-27	102249901	17-3	102503224	1-29
101998214	1-27	102251501	17-7	102508601	4-15
101998215	1-27	102259801	13-11	102508701	4-15
101998501	1-27	102263601	13-7, 13-11	102526201	12-3
102022101	5-13	102263701	13-11	102529201	4-9
102022601	6-11	102266601	13-3	102540301	8-5
102022602	6-11	102266701	13-3	102541402	8-9
102025801	1-3	102269701	7-21	102544201	1-29
102025901	4-13	102273201	16-5	102555501	17-3
102026001	5-5, 5-7	102273301	16-5	102558201	8-3, 9-13



# INDEX

102562401	17-3	102796501	1-17	102841101	7-7, 7-9
102570401	17-11	102796701	1-3	102844601	7-7, 7-9
102572401	13-7	102796801	1-23	102844701	7-7, 7-9
102581201	1-29	102796802	1-23	102847801	16-13
102588501	6-15	102796803	1-23	102847802	16-13
102601501	17-5	102796804	1-23	102847803	16-13
102603501	17-5	102796805	1-23	102852401	1-13
102605201	17-5	102797201	1-33	102852501	4-33
102606101	17-5	102804501	4-13	102857401	1-3
102607501	17-5	102804502	4-13	102861401	2-5
102617201	8-5, 10-3	102804503	4-15	102865101	9-5
102617801	12-23	102804504	4-15	102869401	4-5, 4-7
102618601	1-9, 1-13	102806201	13-11	102886301	15-3
102621501	12-7, 12-9	102806203	13-11	102886401	15-3
102668801	17-9	102810301	1-15	102886501	15-3
102669901	17-7	102810501	13-7	102886601	15-3
102674001	17-5	102815801	2-3	102892901	16-15
102674101	17-5	102815901	2-3	102892902	16-15
102674201	17-5	102816201	1-29	102902801	15-3
102674401	17-9	102818301	1-25	102909901	4-33
102674601	17-9	102818302	1-25	102911601	4-33
102675001	17-5	102818303	1-25	102913101	1-29
102675101	17-5	102818305	1-25	102913102	1-29
102675201	17-5	102819101	2-3	102913601	6-9
102675301	17-5	102820301	1-33	102914301	1-3
102675401	17-5	102820501	1-33	102939501	16-15
102686101	17-3	102821101	1-33	102959401	1-17
102704701	14-3	102822001	1-3	102967901	1-3, 4-13, 4-15
102704801	14-3	102822002	1-3	103189901	1-31
102704901	14-3	102822401	6-3	103196202	8-5
102711201	7-13, 7-15	102823201	1-33	103200701	4-15
102725501	9-13	102825401	3-9	103218001	16-21
102732401	8-5	102825402	3-9	103218601	13-7
102766701	1-3	102825501	3-13	103234303	3-3
102771701	15-3	102825502	3-13	103246701	1-27
102777601	1-23, 1-25	102825601	3-9	103246801	1-27
102777602	1-23, 1-25	102825701	3-13	103255601	4-5
102778501	1-3	102828701	1-3, 1-17	103255701	4-7
102778502	1-3	102829703	1-21	103256901	4-5
102778503	1-3	102829704	1-21	103257001	4-7
102778504	1-3	102829802	1-21	103257603	4-17
102778505	1-3	102830201	1-13	103257701	4-17
102778507	1-3	102830401	1-13, 6-9	103257801	4-17
102778509	1-3	102830501	1-9	103293501	1-31
102778601	1-3	102830701	1-31	103306301	9-3
102778901	1-31	102830801	4-15	103313301	1-5
102779001	1-31	102831901	3-5, 3-13	103316701	13-11
102779201	1-31	102832001	3-5, 3-13	103316801	13-11
102779301	1-31	102833301	3-5, 3-11	103316901	13-11
102779401	1-31	102838101	16-13, 16-17	103317501	1-31
102779501	1-31	102838701	7-7, 7-9	103344501	1-15
102779601	1-31	102838801	7-7, 7-9	103347101	7-7, 7-9
102796101	1-29	102838901	7-7, 7-9	103347301	7-7, 7-9
102796201	6-3	102839001	7-7, 7-9	103347601	7-7, 7-9
102796301	1-29	102839301	7-7, 7-9	103347701	7-7, 7-9
102796302	1-29	102840301	1-29	103347801	7-7, 7-9

# INDEX

103347901	7-7, 7-9	103924801	7-3, 7-5	105011701	8-19
103348202	4-17	103944301	9-3	105011801	8-19
103351001	6-11	103951501	12-23	105011901	8-15
103354401	4-17	103953301	7-7, 7-9	105012001	8-15
103354701	6-11	103958101	13-13	105012101	8-15
103372101	9-3	103973901	11-9	105012201	8-15
103372401	9-5	103973902	11-7	105012301	8-15
103377201	5-13	103974002	11-11	105012401	8-15
103377301	5-13	103974102	11-3	105012501	8-19
103397901	4-7, 16-7	103974201	11-7, 11-9	105012601	8-7, 8-13, 8-15
103403101	13-11	103974401	11-7, 11-9	105012701	8-21
103414901	4-7, 16-7	103975301	11-11	105012801	8-21
103428501	16-3	103976101	11-7, 11-9	105012901	8-21
103428601	16-3	103978001	9-11	105013001	8-21
103428701	16-3	103979301	12-23	105013101	8-21
103428801	16-3	103979401	8-5	105013201	8-21
103429001	16-3	103980001	10-3	105013301	8-21
103429101	16-3	103982201	8-5	105013401	8-21
103429201	16-3	103983501	9-9	105013501	8-21
103429301	16-3	103984601	11-7, 11-9	105013601	8-21
103429501	16-3	103989501	12-23	105013701	8-21
103429601	16-3	103989901	12-25	105013801	8-21
103429701	16-3	103993601	10-3	105013901	8-21
103434001	16-3	103995001	12-23	105014001	8-21
103439901	16-3	103995901	8-7	105014101	8-21
103452001	9-5	103996201	8-5	105014201	8-17
103477901	6-13	104005301	7-11	105014301	8-17
103496801	7-23	104005901	13-17	105014401	8-17
103499101	16-3	104006101	13-17	105014501	8-17
103499102	16-3	104021701	12-23	105014601	8-17
103499103	16-3	104023501	9-11, 12-11	105014701	8-17
103502601	6-9	104025101	11-11	105014801	8-17
103504301	13-13	104027101	12-23	105014901	8-17
103507001	6-9	105000301	7-13, 7-15	105015001	8-17
103510602	13-15	105000401	7-13, 7-15	105015101	8-17
103572501	14-3	105007402	9-11	105015201	8-17
103582801	15-3	105007403	9-11	105015301	8-17
103601601	6-5	105008101	7-3, 7-5	105015401	8-17
103628701	6-9	105009101	9-13	105015501	8-17
103653501	6-11	105010001	8-19	105015601	8-17
103653601	6-11	105010101	8-15	105015701	8-17
103696801	13-13	105010201	8-15	105015801	8-17
103711302	13-15	105010301	8-15	105015901	8-17
103756401	9-5	105010401	8-19	105016001	8-11, 8-17
103765601	13-13	105010501	8-19	105016101	9-9
103771601	16-19	105010601	8-19	105016201	9-9
103772201	16-21	105010701	8-19	105016301	9-9
103772401	16-17	105010801	8-15	105016401	9-9
103832001	16-17, 16-19	105010901	8-15, 9-9	105016501	9-9
103864601	13-15	105011001	8-19	105016701	8-7
103869401	16-17, 16-19	105011101	8-19	105016801	8-7
103879701	12-15	105011201	8-19	105016901	8-7
103879702	12-13	105011301	8-19	105017001	8-7
103882801	8-5	105011401	8-19	105017101	8-7
103886601	12-5	105011501	8-19	105017201	9-7
103905201	9-3	105011601	8-19	105017301	8-11

# INDEX

105017401	8-11	105029401	12-21	105166801	13-17
105017501	8-11	105029501	12-19, 12-21	105166901	13-17
105017601	8-11	105029601	12-21	105167001	13-17
105017701	8-11	105029701	12-21	105167101	13-17
105017801	8-3, 8-11	105029801	12-19, 12-21	105168501	13-17
105017901	8-11	105029901	12-19, 12-21	105168601	13-17
105018001	8-13	105030001	12-13, 12-15	105190101	7-9
105018101	8-13	105030301	12-19, 12-21	105190102	7-7
105018201	8-13	105030401	12-19, 12-21	105199601	3-3
105018301	8-13	105030501	12-19, 12-21	105205401	7-11
105018401	8-13	105030601	12-19, 12-21	105215401	9-3
105018501	8-15	105030701	12-13, 12-15	105234801	12-13, 12-15
105025001	12-13, 12-15	105030801	12-19, 12-21	105234901	12-13, 12-15
105025101	12-13, 12-15	105030901	12-17	105245701	7-3, 7-5
105025201	12-13, 12-15	105031001	12-21	105245801	11-5
105025301	12-13, 12-15	105037201	7-21	105256701	7-3, 7-5
105025401	12-13, 12-15	105037401	7-13, 7-15	105256801	7-3, 7-5
105025501	12-13, 12-15	105037501	12-3	96705199	12-7, 12-9
105025601	12-13, 12-15	105037601	12-3	96741046	8-5
105025701	12-13, 12-15	105037701	12-3		
105025801	12-13, 12-15	105038501	12-3	<b>A</b>	
105025901	12-13, 12-15	105038801	12-5	absorber, rear shock	6-15
105026001	12-13, 12-15	105039801	12-3	AC cord	16-3, 16-5, 16-7, 16-9, 16-11, 16-13, 16-15, 16-17, 16-19
105026101	12-13, 12-15	105040401	12-3	AC cord bushing	16-3, 16-5
105026201	12-13, 12-15	105040901	12-7	AC cord receptacle	16-11, 16-15
105026301	12-13, 12-15	105041201	12-3	accelerator bracket and bearing assembly	5-5, 5-7
105026401	12-13, 12-15	105043001	9-13	accelerator cable	9-11
105026501	12-13, 12-15	105043501	9-3	accelerator pedal	5-5, 5-7
105026601	12-13, 12-15	105063501	12-13	accelerator pedal adjustment tool	17-3
105026701	12-13, 12-15	105063601	12-19	accelerator pivot rod	5-5, 5-7
105026801	12-13, 12-15	105066001	12-19, 12-21	accelerator return spring	5-5, 5-7
105026901	12-13, 12-15	105066101	12-19, 12-21	accelerator rod	5-9
105027001	12-13, 12-15	105075301	8-9	accessory receptacle	4-13, 4-15
105027101	12-13, 12-15	105081501	7-3, 7-5	adapter	
105027201	12-13, 12-15	105081601	7-3, 7-5	air intake	9-9
105027301	12-13, 12-15	105084801	8-9	cable (IQDM)	17-7
105027401	12-17	105088501	9-13	adhesive, guide ring	17-3
105027501	12-17	105093601	9-3	adjuster	
105027601	12-17	105096101	11-7, 11-9	hydraulic brake	17-7
105027701	12-17	105102601	7-19	air cleaner assembly	9-13
105027801	12-17	105134601	8-5	air deflector	8-9
105027901	12-17	105134901	12-9	air filter	8-3, 9-13
105028001	12-17	105135101	9-11, 12-7, 12-9	air filter evacuator	9-13
105028101	12-19, 12-21	105135901	7-3, 7-5	air intake adapter	9-9
105028201	12-17	105136001	7-3, 7-5	air intake hose	9-13
105028301	12-13, 12-15	105138301	13-13	ammeter	16-3, 16-5, 16-7, 16-9, 16-11, 16-13, 16-15, 16-17, 16-19
105028401	12-17	105143301	7-3, 7-5, 9-3	angled bumper mount	6-15
105028501	12-13, 12-15	105144401	9-11, 12-11	A-plate strap	6-11
105028601	12-17	105149301	8-5	A-plate, delta	6-11
105028701	12-17	105151001	7-3	arbor	17-3
105028801	12-17	105151101	7-5	arm	
105028901	12-17	105153201	3-11	governor	9-11, 12-11
105029001	12-17	105153202	3-11	armature	14-3
105029101	12-17	105153301	3-9		
105029201	12-17	105153302	3-9		
105029301	12-21	105161701	7-3, 7-5, 7-7, 7-9		

# INDEX

- assembly
    - accelerator bracket and bearing 5-5, 5-7
    - accelerator pivot rod 5-5, 5-7
    - bearing, steering shaft 6-5
    - brake lever 5-11
    - delta A-plate 6-11
    - delta shock and gear support 6-11
    - drive hub 11-7, 11-9
    - driven clutch 11-11
    - frame and field (motor) 14-3
    - fuel cap 9-3
    - headlight 4-3
    - headlight harness 4-3
    - inner ball joint 6-7
    - kingpin 6-9
    - moveable-face 11-7, 11-9, 11-11
    - ratchet 5-3
    - secondary clutch weight 11-7, 11-9
    - steering shaft 6-5
    - turn signal lens 4-3
  - axle 15-3
  - axle guard 15-5
  - axle shaft 12-19, 12-21
  - axle shaft oil seal 15-3
  - axle tube 12-19, 12-21, 15-3
- B**
- backing plate, brake 5-11
  - backrest, beige 1-29
  - backrest, gray 1-29
  - backrest, white 1-29
  - baffle
    - crankcase 8-7
  - balance shaft 8-21
  - ball bearing 7-7, 7-9, 12-17, 12-19, 12-21
  - ball joint 5-3, 5-9, 6-7
  - ball joint, left-hand thread 6-7
  - ball stud 7-13, 7-15
  - ball, bearing 6-13
  - bar, drive 13-5
  - barrel, plastic 16-21
  - battery
    - 12-volt, side-post 7-23
    - 8-volt, GC8 Type E 13-13
  - battery charger 16-3, 16-5, 16-7, 16-9, 16-11, 16-13, 16-15
  - battery charger case 16-3, 16-5, 16-7, 16-9, 16-11, 16-13, 16-15, 16-17, 16-19
  - battery charger handle 16-5
  - battery charger receptacle 13-9
  - battery charger retractable cord assembly 16-21
  - battery charger transformer 16-5, 16-7, 16-9, 16-11, 16-13, 16-15, 16-17, 16-19
  - battery charger wire assembly 16-15
  - battery charger, onboard 16-17, 16-19
  - battery clamp 7-23
  - battery condition indicator 4-17
  - battery condition indicator kit 4-17
  - battery condition indicator, 48-volt 4-15
  - battery discharge machine 17-3
  - battery hold-down 13-13
  - battery light 4-15
  - battery retainer 7-23
  - battery terminal protector spray 17-3
  - battery thermometer 17-3
  - battery, top-post, wire, 4ga, B+ 7-3, 7-5
  - battery, top-post, wire, B- 4ga, 7-3, 7-5
  - bearing 15-3
    - balance shaft 8-19
    - ball 6-13, 7-7, 7-9, 12-17, 12-19, 12-21
    - ball (motor) 14-3
    - ball (steering pinion) 6-7
    - crankshaft 8-19
    - inner axle tube 15-3
    - lower pinion (steering) 6-7
    - pivot support 5-5, 5-7
    - steering shaft 6-5
    - thrust 6-9, 12-13, 12-15
  - bearing and oil seal remover 17-3
  - bearing driver set 17-3
  - bearing puller 17-3
  - bearing puller wedge 17-3
  - bearing seat 6-5
  - bed support 1-29
  - bed support stiffener 1-33
  - bed, cargo 1-31
  - bellows 6-7
  - belt, drive 11-3, 11-5
  - belt, starter/generator 7-11
  - bezel, headlight 4-3
  - block, brake-mounting 5-3
  - block, fuse 4-5, 4-7, 7-13, 7-15
  - block, terminal 4-5, 4-7
  - body kick plate 1-23, 1-25
  - body, front 1-3
  - body, rear 1-23, 1-25
  - bolt, U- 6-15
  - boot, steering column 6-5
  - boot, switch 13-3
  - box
    - dash 1-15
    - glove 1-17
    - steering gear 6-7
  - box lock kit, glove 1-17
  - brace, canopy 1-5
  - brace, seat support cross 1-29
  - bracket 4-13, 6-15
    - accel.cable 9-11, 12-7, 12-9
    - battery charger 16-21
    - brake light switch 4-5, 4-7
    - carbon canister 9-5
    - FNR cable 9-11, 12-7, 12-9
    - governor 9-11, 12-11
    - headlight mounting 4-3
    - horn 4-29
    - hour meter 4-31
    - mounting, starter/generator 8-5
    - mounting, transaxle/exhaust 8-5
    - relay mounting 16-9, 16-17, 16-19
    - snubber 8-5
    - starter/generator adjusting 7-11
    - steering column 6-5
    - steering column mounting 6-5
    - Tow/Run switch 13-3
  - brake adjusting mechanism 5-11
  - brake adjustment tool 17-3
  - brake backing plate 5-11
  - brake cable 5-13
  - brake cable equalizer 5-13
  - brake cable release tool 17-3
  - brake cluster 5-11
  - brake drum 5-11
  - brake lever 5-11
  - brake light switch bracket 4-5, 4-7
  - brake mounting block 5-3
  - brake pedal 5-3
  - brake pedal adjustment tool 17-3
  - brake pedal pad 5-3
  - brake pedal tension tool 17-3
  - brake relay kit, 12-volt 4-5
  - brake return spring 5-13
  - brake self-adjusting mechanism 5-11
  - brake shoe 5-11
  - brake spring 5-11
  - breaker, circuit 16-3, 16-5, 16-7, 16-9, 16-11, 16-15, 16-19
  - breather 12-13, 12-15, 15-3
  - breather hose 9-9
  - brush 14-3
  - brush box assembly 14-3
  - brush cover kit, starter/generator 7-7, 7-9
  - brush guard 1-13
  - brush guard support 1-13, 6-9
  - brush inspection port cover 7-7, 7-9
  - brush rigging 14-3
  - brush spring 7-7, 7-9, 14-3
  - brush spring set 7-7, 7-9
  - brush spring, starter/generator 7-7, 7-9
  - brush terminal, starter/generator 7-7, 7-9
  - bulb, headlight 4-3
  - bulb, strobe light 4-23, 4-25, 4-27
  - bulb, tail light 4-33
  - bumper
    - cast 1-9
    - drive unit (motor) 14-3
    - front 1-11
    - front, kit 1-11

# INDEX

- jounce 6-15
- rubber 1-17, 1-33, 5-3
- side trim 1-19
- spring return 5-5, 5-7
- bumper mount, angled 6-15
- bushing 7-13, 7-15, 11-7, 11-9, 12-3
  - AC cord 16-3, 16-5
  - bronze 6-13
  - nylon 5-3
  - spindle 6-13
  - steel 1-33, 6-9, 6-15
  - urethane 1-33, 6-9, 6-11, 6-15
- button, drive 11-11
- buzzer, reverse 4-11
- C**
- cable
  - accelerator 9-11
  - brake 5-13
  - FNR shifter 12-5
  - governor 9-11
  - IQDM 17-7
- cable retainer 1-23, 1-25
- cable, cargo bed 1-31
- calibration test module 17-3
- cam
  - driven clutch 11-11
  - electrical component box 7-13, 7-15
- cam installation tool 17-3
- cam, engine 8-17
- camshaft 8-17
- camshaft o-ring 8-17
- canister, carbon, fuel tank 9-5
- canopy brace 1-5
- cap
  - dust 13-3, 13-7
  - front hub 6-13
  - fuel, gas, ratchet 9-3
  - rubber 12-23
- carbon canister 9-5
- carburetor float level tool 17-7
- card, safety first 17-9
- cargo bed 1-31
- cargo bed hinge 1-33
- case
  - battery charger 16-3, 16-5, 16-7, 16-9, 16-11, 16-13, 16-15, 16-17, 16-19
  - FNR switch 13-3
  - gear 15-3
  - transaxle 12-13, 12-15
- cast bumper 1-9
- catch, tilt bed 1-31
- CE mark controller 13-11
- center shaft 12-17
- center, steering wheel 6-3
- chain, timing 8-17
- charger
  - wire assembly kit 16-7, 16-13, 16-17, 16-19
- charger bezel tool 17-3
- charger hardware kit 16-3
- charger receptacle 13-9
- charger wires 16-3
- charger, battery 16-13, 16-15
- charger, battery, onboard 16-17, 16-19
- charger, battery, PD2 16-5
- charger, battery, PD3 16-3
- charger, battery, PowerDrive 16-7
- charger, battery, PowerDrive European 16-11
- charger, battery, PowerDrive Export 16-9
- charging diode 7-21
- circuit breaker 16-3, 16-5, 16-7, 16-9, 16-11, 16-13, 16-15, 16-17, 16-19
- clamp
  - battery 7-23
  - hose 9-3, 9-5, 9-13
  - p- (fuel filter) 8-9, 9-11
- clevis, upper delta 6-9
- clip
  - retainer plate 8-15
- clip, piston pin 8-21
- cluster, brake 5-11
- clutch
  - pin 12-17
- clutch alignment tool 17-5
- clutch removal tool 17-3
- clutch repair kit 11-11
- clutch tool kit 17-5
- clutch weight 11-7, 11-9
- clutch, drive 11-7, 11-9
- clutch, driven 11-11
- coil, ignition 8-11
- collar 12-17
- collet 8-17
- column, steering 6-5
- communication display module 17-5
- component mounting plate 13-11
- compression gauge 17-5
- compression lug 13-11
- compressor, piston ring 17-9
- compressor, valve spring 17-11
- computer, onboard 13-11
- conduit 4-27
- connecting rod 8-21
- connector, four-pin 13-3
- continuity tester 17-5
- control board, potted 16-17, 16-19
- controller cover 13-11
- controller cover gasket 13-11
- controller, motor speed
  - IQ 13-11
- controller, motor speed (CE) 13-11
- converter, DC/DC 4-19
- cooling fan 8-7
- cord set, DC 16-3, 16-5
- cord, AC 16-3, 16-5, 16-7, 16-9, 16-11, 16-13, 16-15, 16-17, 16-19
- cord, DC 16-7, 16-9, 16-11, 16-13, 16-15, 16-17, 16-19
- cord, retractable, assembly 16-21
- counter shaft 12-17
- cover
  - brush inspection port 7-7, 7-9
  - cowl 1-3
  - crankcase 8-19
  - dust 5-11
  - fan 8-7
  - fuse block 4-7
  - steering column 6-5
- cover gasket, controller 13-11
- cover plate 14-3
- cover, controller 13-11
- cover, rocker 8-15
- cover, speed controller 13-11
- cover, steering column 4-9
- cover, valve 8-15
- cowl 1-3
- cowl cover 1-3
- cowl support 1-3
- crankcase 8-19
- crankcase baffle 8-7
- crankcase cover 8-19
- crankshaft 8-21
- cross brace, seat support 1-29
- C-type stop ring 6-7
- cup, spring 5-5, 5-7
- current limiter 16-11, 16-15
- cushion, shock absorber 6-15
- cutter, valve seat 17-5, 17-11
- cylinder head 8-15
- D**
- dash 1-3
- dash box 1-15
- DC cord 16-7, 16-9, 16-11, 16-13, 16-15, 16-17, 16-19
- DC cord set 16-3, 16-5
- DC/DC converter 4-19
- decal
  - component cover 3-11, 13-11
  - crush area 3-5, 3-13
  - crush warning 3-5, 3-13
  - driver/passenger 3-7
  - engine warning 8-7
  - filter log 13-17
  - frame ground 3-7
  - inspect log 13-17
  - instrument panel warning 3-9, 3-13
  - operating instructions 3-9, 3-13

# INDEX

- owner notice 3-5, 3-11
- rotating parts 1-7, 3-7
- Tow/Run switch warning 3-11
- deflector
  - air 8-9
- deionizer 13-17
  - cartridge 13-17
- delta A-plate 6-11
- delta A-plate sub-assembly 6-11
- delta shock and gear support 6-11
- diagnostic port 13-7
- diesel tachometer probe 17-9
- differential 12-21
  - limited-slip 12-19
  - open 12-21
- differential drive unit 15-3
- differential gear 15-3
- differential gear set 12-21
- differential guard 15-5
- differential housing 15-3
- differential shaft 12-21
- diode 7-3, 7-5
- diode, charging 7-21
- diode, rectifier 16-5
- dipstick 8-19
- drain plug 8-19, 12-13, 12-15
- drain plug gasket 8-19
- drain plug, rubber 7-7, 7-9
- drive bar 13-5
- drive belt 11-3, 11-5
- drive button 11-11
- drive clutch 11-7, 11-9
- drive clutch button 11-7, 11-9
- drive clutch fixed sheave tool 17-5
- drive clutch holder tool 17-5
- drive clutch hub puller 17-5
- drive clutch puller 17-5
- drive clutch spider removal tool 17-5
- drive clutch spring 11-7, 11-9
- drive clutch weight 11-7, 11-9
- drive hub 11-7, 11-9
- drive unit bumper 14-3
- drive unit guard 15-5
- driven clutch 11-11
- driven clutch button 11-11
- driven clutch cam 11-11
- driven clutch cam puller 17-5
- driven clutch puller plug 17-5
- driven clutch spring compression base tool 17-5
- driven clutch spring compression collar tool 17-5
- driven clutch spring compression nut tool 17-5
- driver, drive clutch 11-7, 11-9
- drum, brake 5-11
- dry moly lubricant 17-7
- dust cap 13-3, 13-7
- dust cover 5-11
- E**
- eccentric bolt 6-9
- E-clip 5-13
- ECU 9-7
- end cap, motor 14-3
- end, tie rod 6-11
- engine
  - air cleaner 9-13
  - air deflector 8-9
  - air filter 8-3, 9-13
  - air intake hose 9-13
  - balance shaft 8-21
  - bearing, balance shaft 8-19
  - bearing, crankshaft 8-19
  - breather hose 9-9
  - cam 8-17
  - camshaft 8-17
  - camshaft O-ring 8-17
  - connecting rod 8-21
  - crankcase 8-19
  - crankcase baffle 8-7
  - crankcase cover 8-19
  - crankcase plug 8-19
  - crankshaft 8-21
  - crankshaft key 8-21
  - cylinder head 8-15
  - dipstick 8-19
  - drain plug gasket 8-19
  - ECU 9-7
  - exhaust valve 8-17
  - fan 8-7
  - fan housing 8-7
  - flywheel 8-11
  - fuel injector 9-7
  - guide pin 8-19
  - head gasket 8-15
  - ignition coil 8-11
  - insulator, throttle body 9-9
  - intake valve 8-17
  - oil drain plug 8-19
  - oil filler tube 8-19
  - oil filler tube O-ring 8-19
  - oil level sensor 8-13
  - oil seal 8-19
  - piston 8-21
  - piston pin 8-21
  - piston pin clip 8-21
  - piston ring set 8-21
  - retainer plate 8-15
  - retainer plate clip 8-15
  - rocker arm 8-17
  - rocker cover 8-15
  - rocker cover gasket 8-15
  - rocker shaft 8-17
  - spark plug 8-3, 8-11
  - temperature sensor 8-13
  - throttle body 9-7
  - timing chain 8-17
  - timing chain guide 8-17
  - timing chain sprocket 8-17
  - timing chain tensioner 8-17
  - valve collet 8-17
  - valve guide 8-15
  - valve seal 8-15
  - valve spring 8-17
  - valve spring retainer 8-17
  - warning decal 8-7
- engine warning decal 8-7
- engine, EX40 8-5
- equalizer rod 5-13
- equalizer, brake cable 5-13
- exhaust system 10-3
- exhaust valve 8-17
- extension, spring latch 1-31
- extrusion, cover support 13-11
- F**
- face, moveable 11-11
- fan
  - cooling 8-7
- fan cover 8-7
- fan housing 8-7
- fender 1-23, 1-25
- field coil housing 7-7, 7-9
- filter
  - air 8-3, 9-13
- fitting, thread-forming grease 6-7, 6-13
- floor mat 1-3
- flywheel 8-11
- flywheel puller 17-7
- FNR handle 12-3
- FNR shift lever 12-7, 12-9
- FNR shifter base 12-3
- FNR shifter cable 12-5
- FNR switch case 13-3
- foam, seat 1-27
- frame and field assembly (motor) 14-3
- frame and field, starter/generator 7-7, 7-9
- front body 1-3
- front body support 1-23, 1-25
- front bumper 1-11
- front bumper kit 1-11
- front hub 6-13
- front spring retainer plate 6-9
- fuel gauge/hour meter 4-13
- fuel injector 9-7
- fuel line 9-5
- fuse 13-9, 16-7, 16-9, 16-11, 16-13, 16-15,

# INDEX

16-17, 16-19  
10-amp 7-3, 7-5, 7-13, 7-15  
20-amp 4-5, 4-7  
2-amp 7-3, 7-5  
3/8-amp 13-9  
5-amp 7-3, 7-5  
charger 16-3, 16-5  
fuse block 4-5, 4-7, 7-13, 7-15  
fuse block cover 4-7

**G**

gasket 12-13, 12-15  
cover, rocker 8-15  
cover, valve 8-15  
drain plug 8-19  
exhaust 10-3  
insulator 9-9  
liquid 15-3, 17-7  
plug 15-3  
seat 1-27  
taillight 4-33

gasket, controller cover 13-11  
gasket, head 8-15  
gauge, battery condition 4-17  
gauge, compression 17-5  
gauge, fuel/hour 4-13  
gear  
17 tooth 12-17  
34 tooth 12-17  
52 tooth 12-17  
60 tooth 12-19, 12-21  
62 tooth 12-17  
differential 15-3  
differential idler 15-3  
differential output 15-3  
governor 12-13, 12-15  
governor, 34 tooth 12-17  
set, differential 12-21

gear yoke 17-7  
gearcase 15-3  
glove box 1-17  
glove box lock 1-17  
glove box lock kit 1-17  
governor arm 9-11, 12-11  
governor cable 9-11  
governor gear shaft 12-13, 12-15  
governor shaft 12-13, 12-15  
governor shaft installation tool 17-7  
grommet 9-3  
guard, brush 1-13  
guard, differential 15-5  
guide  
valve 8-15  
valve seat cutter 17-11  
guide pin 8-19, 12-13, 12-15  
guide ring adhesive 17-3

guide, timing chain 8-17

## H

handle, battery charger 16-5  
handle, FNR 12-3  
hardware kit, charger 16-3  
harness, headlight 4-5, 4-7  
harness, main 7-5  
harness, wire 4-19, 4-23, 4-25, 4-33, 13-7  
harness, wire, gas engine-ECU 7-3, 7-5  
harness, wire, lighting 4-7  
head gasket 8-15  
head, cylinder 8-15  
headlight 4-3  
headlight assembly 4-3  
headlight bulb 4-3  
headlight harness 4-3  
headlight retainer 4-3  
headlight wire harness 4-5, 4-7  
heat shrink tube 16-21  
heatsink 16-5  
heatsink and rectifier 16-3, 16-7, 16-9, 16-11,  
16-13, 16-15, 16-17, 16-19  
hill brake rod 5-3  
hill brake weld assembly 5-3  
hinge plate 1-23, 1-25, 1-27  
hinge support 1-33  
hinge, cargo bed 1-33  
hold-down, battery 13-13  
holder, object 1-3  
horn 4-29  
horn bracket 4-29  
horn button and wire assembly 4-29  
hose  
air intake 9-13  
engine breather 9-9  
fuel 9-5  
vent 9-5  
hour meter 4-31  
hour meter, 36-48 volt 4-31  
hour meter/fuel gauge 4-13  
housing  
2-pin 13-5  
3-pin 13-3, 13-5, 14-3  
4-pin 13-3  
6-pin 13-11  
differential 15-3  
fan 8-7  
field coil 7-7, 7-9  
hub 6-13, 12-23  
hub and spindle 6-13  
hub cap 6-13  
hub, front 6-13  
hydraulic brake adjuster 17-7  
hydrometer 17-7

## I

idler gear, differential 15-3  
ignition coil 8-11  
indicator, battery condition 4-17  
inner frame snubber 8-5  
input shaft 12-17, 15-3  
instrument panel 4-13, 4-15  
insulator 9-9  
insulator gasket 9-9  
intake valve 8-17  
intermediate shaft 15-3  
internal retaining ring pliers 17-7  
IQ display module (IQDM) 17-7

## J

joint  
ball 5-3, 5-9  
left-hand thread ball 6-7  
jounce bumper 6-15  
jumper harness, run/maint 7-3, 7-5

## K

key 4-15  
driven clutch 11-11  
square 11-11  
key (pair) 4-13  
key switch 4-13, 4-15  
key switch spacer 4-13  
key, crankshaft 8-21  
keyswitch nut 4-13, 4-15  
kick plate, body 1-23, 1-25  
kingpin 6-9  
kit  
2-pin housing 13-5  
3-pin housing 13-3, 13-5, 14-3  
4-pin housing 13-3  
6-pin housing 13-11  
accelerator pivot rod 5-5, 5-7  
battery condition indicator 4-17  
brake cable 5-13  
brake pedal 5-3  
brake pedal adjustment tool 17-3  
brake relay 4-5  
brake shoe retainer 5-11  
clutch repair 11-11  
deflector, air 8-9  
drive clutch button 11-7, 11-9  
drive clutch weight 11-7, 11-9  
driven clutch button 11-11  
front bumper 1-11  
front hub replacement 6-13  
hand pump, SPWS 13-17  
hour meter 4-31  
IQ display module (IQDM) 17-7  
motor brush 14-3

# INDEX

motor brush spring 14-3  
motor cover plate 14-3  
motor speed sensor 14-3  
motor terminal hardware 14-3  
park brake latch 5-3  
park brake pedal 5-3  
PD3 hardware 16-3  
PD3 wiring 16-3  
relay, 48V 4-7, 16-7  
shock absorber 6-15  
shock absorber cushion 6-15  
shoe retainer 5-11  
steering column mounting bracket 6-5  
strobe light 4-23, 4-25, 4-27  
tune-up 17-9  
turn signal 4-9  
wire assembly, charger 16-7, 16-13, 16-17, 16-19  
knob, light switch 4-13, 4-15

## L

lamp, strobe light 4-23, 4-25, 4-27  
lamp, turn signal and socket 4-9  
latch spring 1-31  
latch, park brake 5-3  
leaf spring 6-15  
lens, headlight 4-3  
lens, strobe light 4-23, 4-25, 4-27  
lens, taillight 4-33  
lever  
    transaxle shift 12-7, 12-9  
light  
    battery 4-15  
    oil 4-13  
    tail 4-33  
    water quality 13-17  
light switch 4-13, 4-15  
light switch knob 4-13, 4-15  
light, strobe 4-23, 4-25, 4-27  
limit switch 4-5, 4-7, 7-15, 7-17, 7-19  
limiter  
    current 16-11, 16-15  
    voltage 4-5, 4-7, 4-21  
line, fuel 9-5  
link, rack and pinion drag 6-7  
link, rod 1-31  
liquid gasket 15-3, 17-7  
lock kit, glove box 1-17  
lock, glove box 1-17  
low oil warning light 4-13  
lubricant, dry moly 17-7  
lubricant, moly-teflon 14-3, 17-7  
lug nut 2-3  
lug stud 6-13, 12-23, 15-3  
lug, compression 13-11

## M

magnet, speed sensor 14-3  
main harness 7-5  
mat, floor 1-3  
MCOR 13-5  
mechanism, brake adjusting 5-11  
meter, hour 4-31  
meter, volt ohm 17-11  
module  
    calibration test 17-3  
    communication display 17-5  
moly-teflon lubricant 17-7  
motor  
    48-volt IQ 14-3  
motor brush kit 14-3  
motor brush spring kit 14-3  
motor bumper 14-3  
motor end cap 14-3  
motor magnet, speed sensor 14-3  
motor speed controller  
    CE 13-11  
    IQ 13-11  
motor speed sensor 14-3  
motor speed sensor kit 14-3  
motor terminal hardware kit 14-3  
mounting block, brake 5-3  
moveable-face 11-7, 11-9, 11-11

## N

nerf bar 1-21  
non-skid tape 1-21  
nut, keyswitch 4-13, 4-15  
nut, lug 2-3

## O

OBC 13-11  
object holder 1-3  
oil filler tube 8-19  
oil level sensor 8-13  
oil seal 8-19, 12-13, 12-15  
oil warning light, low 4-13  
onboard battery charger 16-17, 16-19  
onboard computer 13-11  
O-ring 8-17, 8-19  
overload bumper spacer 6-15

## P

pad  
    accelerator pedal 5-5, 5-7  
    brake pedal 5-3  
    park brake 5-3  
    thermal 7-21  
    wear 1-23, 1-25  
paint, touch-up 17-7  
panel

instrument 4-13  
panel, instrument 4-13, 4-15  
panel, rear 16-21  
park brake latch 5-3  
park brake pedal 5-3  
park brake rod sleeve 5-3  
park brake spacer 5-3, 16-21  
park brake torsion spring 5-3  
pawl 5-3  
p-clamp (fuel filter) 8-9, 9-11  
pedal, accelerator 5-5, 5-7  
pedal, brake 5-3  
pedal, park brake 5-3  
pin  
    bow tie locking 5-13  
    clevis 5-13  
    differential 12-21  
    guide 8-19, 12-13, 12-15  
    input shaft 12-17  
    piston 8-21  
pinion, steering 6-7  
piston 8-21  
piston pin 8-21  
piston pin clip 8-21  
piston ring 8-21  
piston ring compressor 17-9  
piston ring pliers 17-9  
piston ring set 8-21  
pivot support bearing 5-5, 5-7  
plate  
    backing (brake) 5-11  
    body kick 1-23, 1-25  
    component mounting 13-11  
    cover 14-3  
    front spring retainer 6-9  
    hinge 1-23, 1-25, 1-27  
    mounting, CVT, center 8-5  
    mounting, engine/axle 8-5  
    receptacle backing 13-9  
    retainer 8-15  
    spring mounting 6-9  
pliers  
    internal retaining ring 17-7  
    piston ring 17-9  
    retaining ring 17-9  
plug  
    4-pin 13-3  
    6-pin 13-11  
    drain 12-13, 12-15  
    driven clutch puller 17-5  
    oil drain 8-19  
    rubber drain 7-7, 7-9  
    rubber, crankcase 8-19  
    spark 8-3, 8-11  
port, diagnostic 13-7  
press weldment 17-5



# INDEX

- protector spray, battery terminal 17-3
- puller
  - bearing 17-3
  - clutch 17-3
  - drive clutch 17-5
  - drive clutch hub 17-5
  - driven clutch cam 17-5
  - flywheel 17-7
  - seal 17-9
  - special use tool 17-9
- pulley
  - starter-generator 7-7, 7-9
  - v-belt 7-7, 7-9
- R**
- rack and pinion drag link 6-7
- rack guide pressure spring 6-7
- rack, steering 6-7
- ratchet, park brake 5-3
- reamer, valve guide 17-9
- rear body 1-23
- rear panel 16-21
- rear spring shackle 6-15
- receptacle 13-9
- receptacle backing plate 13-9
- receptacle, AC cord 16-11, 16-15
- receptacle, accessory 4-13, 4-15
- receptacle, battery charger 13-9
- rectifier diode 16-5
- rectifier with heatsink 16-3, 16-7, 16-9, 16-11, 16-13, 16-15, 16-17, 16-19
- reel assembly, retractable 16-21
- regulator, voltage 7-13, 7-15
- relay 4-7, 16-3, 16-7, 16-9, 16-11
- relay mounting bracket 16-9, 16-17, 16-19
- relay, 12-volt 4-5
- relay, 48V 4-7, 16-7
- relay, 48-volt 16-5, 16-13, 16-15, 16-17, 16-19
- relay, brake, kit, 12-volt 4-5
- remover, bearing and oil seal 17-3
- resistor assembly 13-11
- retainer
  - accelerator pedal spring 5-5, 5-7
  - battery 7-23
  - brake shoe 5-11
  - cable 1-23, 1-25
  - headlight 4-3
  - shock absorber cushion 6-15
  - spring 6-15
  - valve spring 8-17
- retainer plate 8-15
- retaining ring 6-5
- retaining ring pliers 17-9
- return spring bumper 5-5, 5-7
- reverse buzzer 4-11
- rim, wheel 2-3
- ring
  - C-type stop 6-7
  - piston 8-21
  - retaining 6-5, 7-13, 7-15, 11-7, 11-9, 11-11, 12-13, 12-15, 12-23
  - snap 6-7
  - spiral backup 11-7, 11-9
- rivet, blind push 1-11
- Rivet, Removable 1-3, 4-13, 4-15
- rock guard 15-5
- rocker arm 8-17
- rocker cover 8-15
- rocker cover gasket 8-15
- rocker shaft 8-17
- rocker switch 13-3
- rocker switch (lights) 4-5, 4-7
- rod
  - accelerator 5-9
  - accelerator pivot 5-5, 5-7
  - connecting 8-21
  - equalizer 5-13
  - hill brake 5-3
  - link 1-31
- rubber bumper 1-17
- S**
- safety first card 17-9
- screw, valve clearance adjuster 17-9
- seal
  - lip 15-3
  - oil 8-19, 12-13, 12-15, 15-3
  - steering pinion dust 6-7
  - valve 8-15
  - vertical socket dust 6-7
- seal puller 17-9
- sealant 15-3
- seat back, beige 1-29
- seat back, gray 1-29
- seat back, white 1-29
- seat bottom assembly 1-27
- seat bottom cover 1-27
- seat cover, vinyl 1-27
- seat cover, white 1-27
- seat foam 1-27
- seat gasket 1-27
- seat support 1-29
- seat support cross brace 1-29
- seat, bearing 6-5
- select shaft 12-13, 12-15
- sensor
  - oil level 8-13
  - temperature 8-13
- sensor, motor speed 14-3
- shackle, rear spring 6-15
- shaft
  - axle 12-19, 12-21
  - balance 8-21
  - center 12-17
  - counter 12-17
  - differential 12-21
  - governor 12-13, 12-15
  - governor gear 12-13, 12-15
  - input 12-17, 15-3
  - intermediate 15-3
  - rocker 8-17
  - select 12-13, 12-15
  - shift 12-17
  - steering column 6-5
- shift lever 12-7, 12-9
- shift shaft 12-17
- shock absorber 6-11
- shock absorber (rear) 6-15
- shock absorber cushion 6-15
- shock absorber cushion retainer 6-15
- shoe retainer kit 5-11
- shoe, brake 5-11
- side bar 1-21
- signal, turn 4-9
- sleeve 12-13, 12-15
  - delta A-plate 6-11
  - park brake rod 5-3
- snap ring 6-7
- snubber bracket 8-5
- snubber, inner frame 8-5
- socket 6-7
- solenoid 13-11
- solenoid, 12-volt 7-13, 7-15
- spacer 12-13, 12-15, 12-17
  - accelerator pivot rod 5-5, 5-7
  - key switch 4-13
  - overload bumper 6-15
  - park brake 5-3, 16-21
- spanner wrench 17-9
- spark plug 8-3, 8-11
- speed controller
  - CE 13-11
  - IQ 13-11
- speed controller cover 13-11
- speed sensor 14-3
- speed sensor magnet 14-3
- speed sensor, motor 14-3
- spindle 6-13
- spindle and hub 6-13
- spiral backup ring 11-7, 11-9
- spray, battery terminal protector 17-3
- spring 1-31, 12-13, 12-15
  - accelerator return 5-5, 5-7
  - brake 5-11
  - brake return 5-13
  - brush 7-7, 7-9, 14-3
  - drive button 11-7, 11-9
  - drive clutch 11-7, 11-9

# INDEX

- driven clutch 11-11
  - extension 1-31
  - leaf 6-15
  - park brake torsion 5-3
  - rack guide pressure 6-7
  - steering shaft compression 6-5
  - valve 8-17
  - spring cup 5-5, 5-7
  - spring mounting plate 6-9
  - spring retainer 6-15, 8-17
  - spring, leaf 6-9
  - stand-offs, plastic 16-3
  - starter/generator 7-7, 7-9
  - starter/generator brush cover kit 7-7, 7-9
  - starter/generator brush spring 7-7, 7-9
  - starter/generator brush terminal 7-7, 7-9
  - starter/generator frame and field 7-7, 7-9
  - starter/generator pulley 7-7, 7-9
  - steel bushing 1-33, 6-9, 6-15
  - steering column 6-5
  - steering column bearing press tool 17-9
  - steering column cover 4-9
  - steering column retaining ring tool 17-9
  - steering gear box 6-7
  - steering pinion 6-7
  - steering pinion dust seal 6-7
  - steering rack 6-7
  - steering shaft assembly 6-5
  - steering shaft compression spring 6-5
  - steering wheel 6-3
  - steering wheel center 6-3
  - steering wheel puller tool 17-9
  - stem, valve 2-3
  - stiffener, bed support 1-33
  - strap, A-plate 6-11
  - strobe light 4-23, 4-25, 4-27
  - strobe light lens 4-23, 4-25, 4-27
  - stud
    - exhaust mounting engine exhaust mounting stud 8-15
    - intake mounting engine intake mounting stud 8-15, 9-9
    - lug 6-13, 12-23, 15-3
  - stud, ball 7-13, 7-15
  - support
    - bed 1-29
    - brush guard 1-13, 6-9
    - cowl 1-3
    - hinge 1-33
    - latch link 1-31
    - seat 1-29
  - support yoke (steering) 6-7
  - support, front body 1-23, 1-25
  - support, seat 1-29
  - suppressor, voltage 4-5, 16-7, 16-9, 16-11, 16-13, 16-15, 16-17, 16-19
  - switch plate cover 4-23, 4-25, 4-27
  - switch
    - four-position 16-9, 16-11, 16-15, 16-19
    - key 4-13, 4-15
    - light 4-13, 4-15
    - light rocker 4-5, 4-7
    - limit 4-5, 4-7, 7-15, 7-17, 7-19
    - rocker 13-3
    - Tow/Run 13-3
    - turn signal 4-9
  - switch assembly 4-23, 4-25, 4-27
  - switch rubber boot 13-3
- ## T
- 12-volt solenoid 7-13, 7-15
  - tachometer 17-9
  - tachometer probe, diesel 17-9
  - tail light bulb 4-33
  - taillight 4-33
  - taillight gasket 4-33
  - taillight kit 4-33
  - taillight lens 4-33
  - taligate 1-31
  - tape, non-skid 1-21
  - temperature sensor 8-13
  - tensioner, timing chain 8-17
  - terminal block 4-5, 4-7, 13-11
  - terminal, 1/4 quick-disconnect 4-19
  - tester, continuity 17-5
  - thermal pad 7-21
  - thermometer, battery 17-3
  - thread-forming grease fitting 6-7, 6-13
  - throttle body 9-7
  - thrust bearing 6-9
  - tie rod 6-11
  - tie rod end 6-11
  - tie wrap 4-9, 4-19, 4-25, 4-27, 4-31, 6-7, 7-13, 7-15, 12-5, 13-3, 13-11, 16-21
  - tilt bed catch 1-31
  - tilt latch 1-31
  - timing chain 8-17
  - timing chain guide 8-17
  - tire 2-3
  - tool
    - accelerator pedal adjustment 17-3
    - belt tensioning, starter/generator 17-11
    - brake adjustment 17-3
    - brake cable release 17-3
    - brake pedal adjustment 17-3
    - brake pedal tension 17-3
    - cam installation 17-3
    - carburetor float level 17-7
    - charger bezel 17-3
    - clutch alignment 17-5
    - cT-wrench 17-5
    - drive clutch fixed sheave 17-5
    - drive clutch holder 17-5
    - drive clutch spider removal 17-5
    - driven clutch spring compression base 17-5
    - driven clutch spring compression collar 17-5
    - driven clutch spring compression nut 17-5
    - governor shaft installation 17-7
    - puller, special use 17-9
    - steering column bearing press 17-9
    - steering column retaining ring 17-9
    - steering wheel puller 17-9
    - transaxle axle seal 17-9
    - transaxle pinion seal 17-9
    - transmission 17-9
    - valve guide driver 17-9
    - valve seat cutter 17-5
  - tool kit, clutch 17-5
  - touch-up paint 17-7
  - Tow/Run switch 13-3
  - Tow/Run switch bracket 13-3
  - transaxle (Electric Vehicle) 15-3
  - transaxle axle seal tool 17-9
  - transaxle guard 15-5
  - transaxle pinion seal tool 17-9
  - transaxle, limited-slip (Gas Vehicle) 12-13
  - transaxle, open-diff (Gas Vehicle) 12-15
  - transformer 16-3
  - transformer, battery charger 16-5, 16-7, 16-9, 16-11, 16-13, 16-15, 16-17, 16-19
  - transmission tool 17-9
  - tube
    - axle 12-19, 12-21, 15-3
    - oil filler 8-19
  - Tuflok 1-3, 4-13, 4-15
  - tune-up kit 17-9
  - turn signal 4-9
  - turn signal conversion kit 4-9
  - turn signal lens 4-3
  - turn signal socket and lamp 4-9
  - T-wrench tool 17-5
- ## U
- U-bolt 6-15
  - upper delta clevis 6-9
  - urethane bushing 1-33, 6-9, 6-11, 6-15
- ## V
- valve 9-13
    - exhaust 8-17
    - intake 8-17
  - valve clearance adjuster screw 17-9
  - valve collet 8-17
  - valve cover 8-15

# INDEX

valve cover gasket 8-15  
valve guide 8-15  
valve guide driver tool 17-9  
valve guide reamer 17-9  
valve seal 8-15  
valve seat cutter 17-5, 17-11  
valve seat cutter guide 17-11  
valve seat cutter tool 17-5  
valve seat t-wrench 17-11  
valve spring 8-17  
valve spring compressor 17-11  
valve stem 2-3  
vent  
    fuel tank 9-3  
    transaxle 12-13, 12-15  
vent, barb 9-5  
vertical socket dust seal 6-7  
volt ohm meter 17-11  
voltage limiter 4-5, 4-7, 4-21  
voltage regulator 7-13, 7-15  
voltage suppressor 4-5, 16-7, 16-9, 16-11,  
    16-13, 16-15, 16-17, 16-19

## W

warning light, low oil 4-13  
water quality light 13-17  
wear pad 1-23, 1-25  
wedge, bearing puller 17-3  
weight  
    clutch 11-7, 11-9  
    secondary clutch 11-7, 11-9  
weldment  
    governor bracket 9-11, 12-11  
    press 17-5  
wheel cover 2-5  
wheel rim 2-3  
wheel, steering 6-3  
wire  
    green, starter/generator 7-3, 7-5, 7-7, 7-9  
    ground, fuel tank 7-3, 7-5, 9-3  
wire assembly, battery charger 16-15  
wire harness 4-19, 4-23, 4-25, 4-33, 7-3, 7-5,  
    13-7  
wire harness, headlight 4-5, 4-7  
wire harness, lighting 4-7  
wiring, charger 16-3  
wrap, tie 4-9, 4-19, 4-25, 4-27, 4-31, 6-7, 7-13,  
    7-15, 12-5, 13-3, 13-11, 16-21  
wrench, spanner 17-9

## Y

yoke, gear 17-7  
yoke, support (steering) 6-7











**Club Car, Inc.**  
P.O. Box 204658  
Augusta, GA 30917-4658  
USA

**Web** [www.clubcar.com](http://www.clubcar.com)  
**Phone** 1.706.863.3000  
1.800.ClubCar  
**Int'l** +1 706.863.3000  
**Fax** 1.706.863.5808