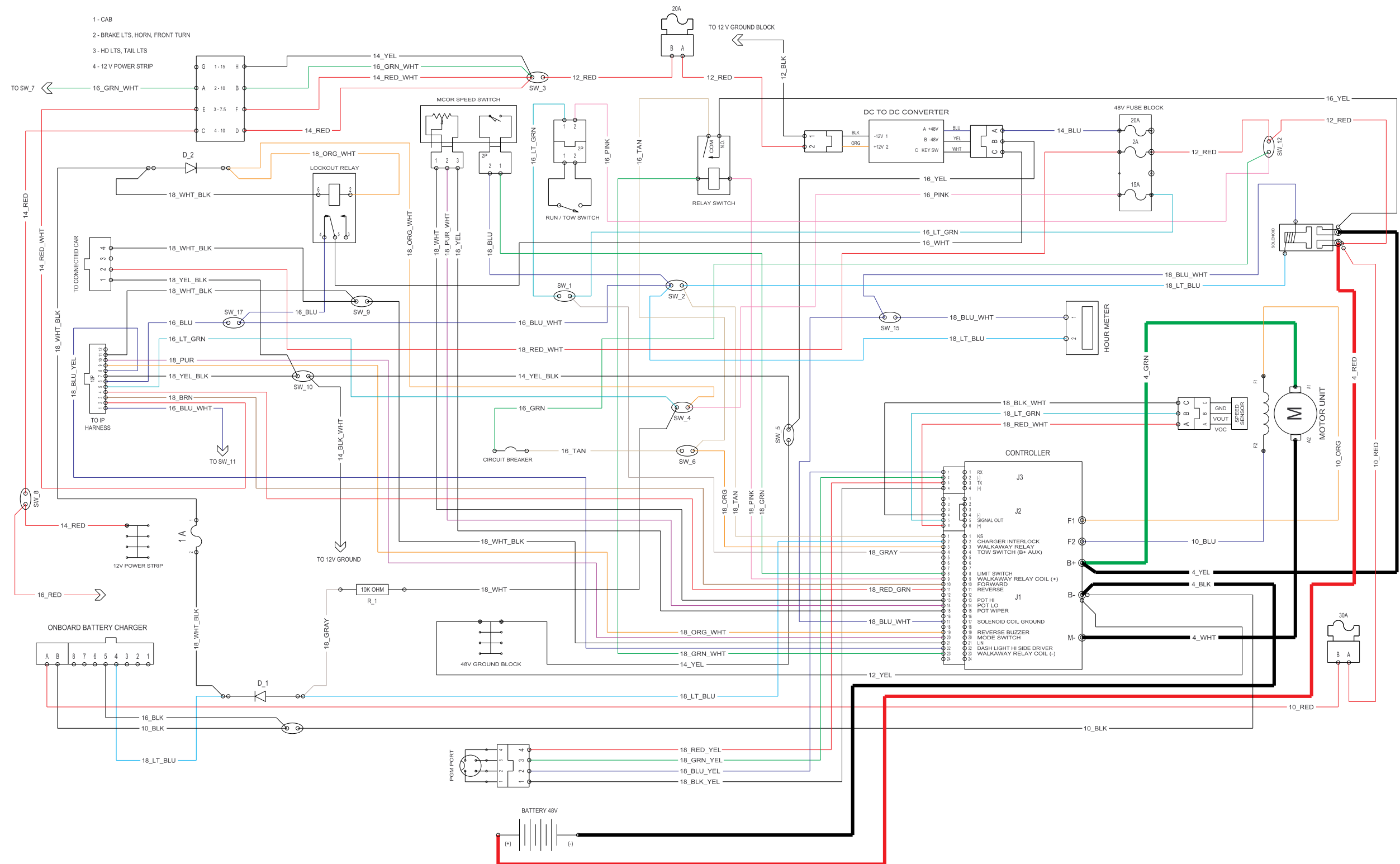
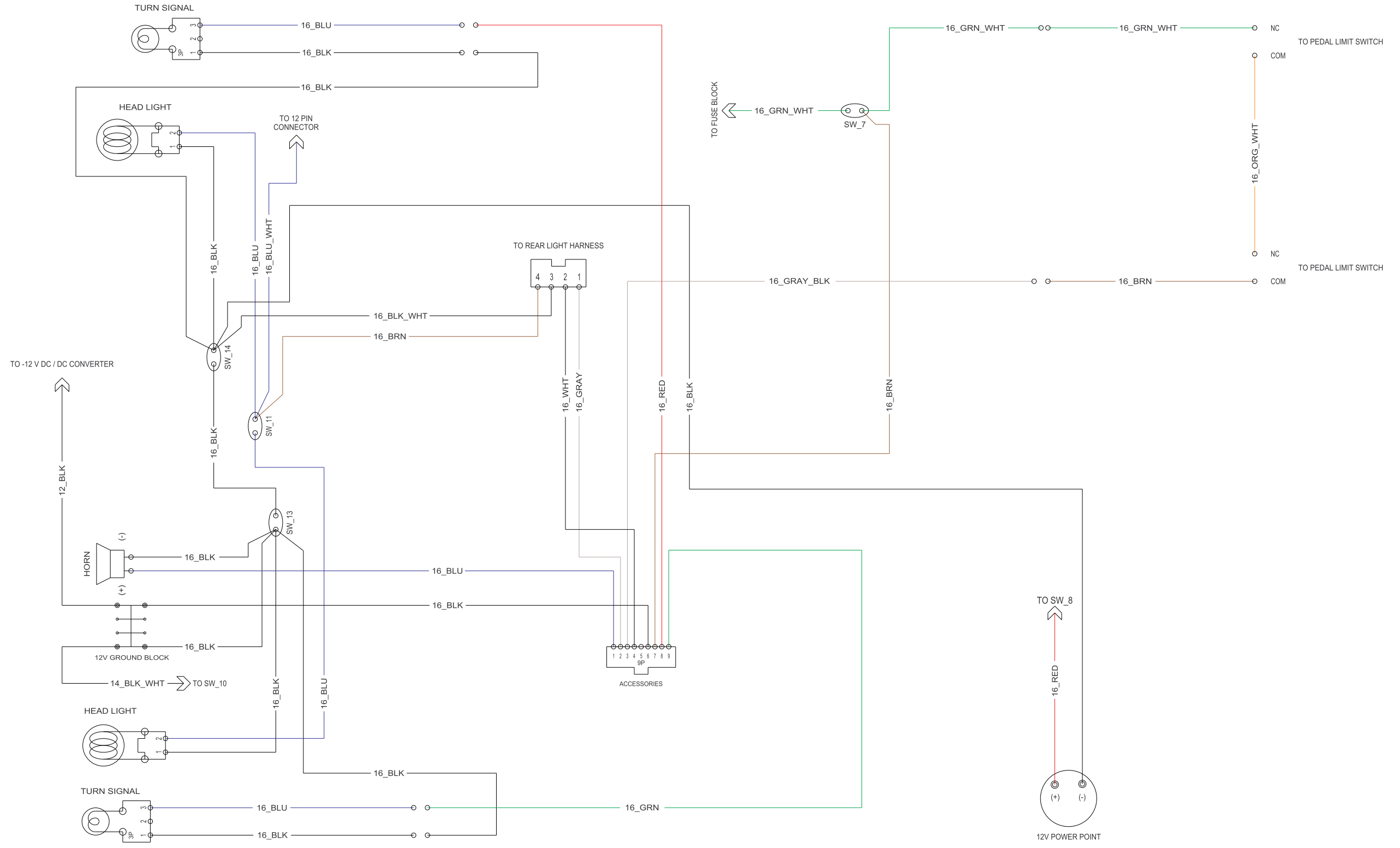


ELECTRIC: MAIN HARNESS



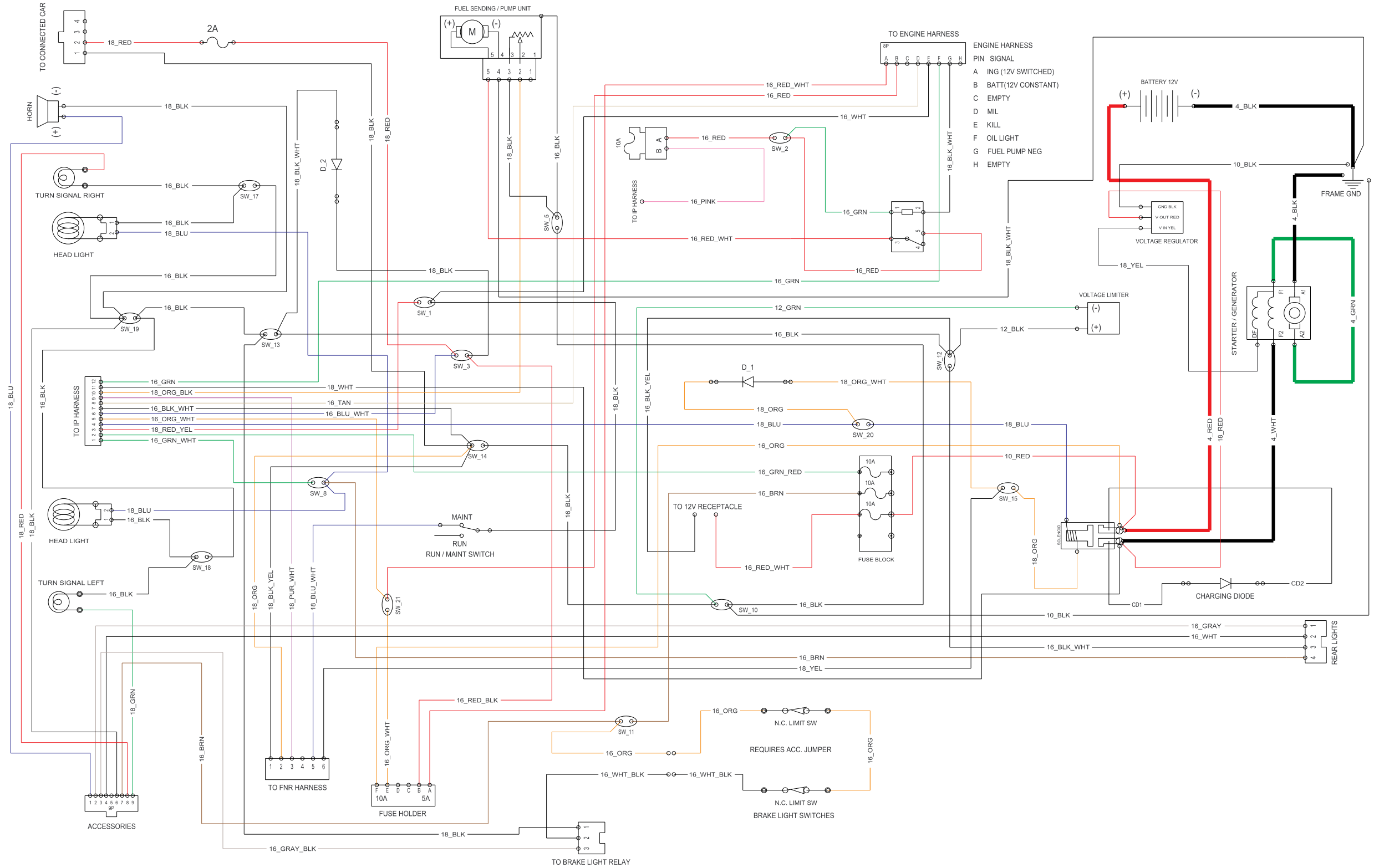
(Page intentionally left blank.)

ELECTRIC: ACCESSORIES HARNESS



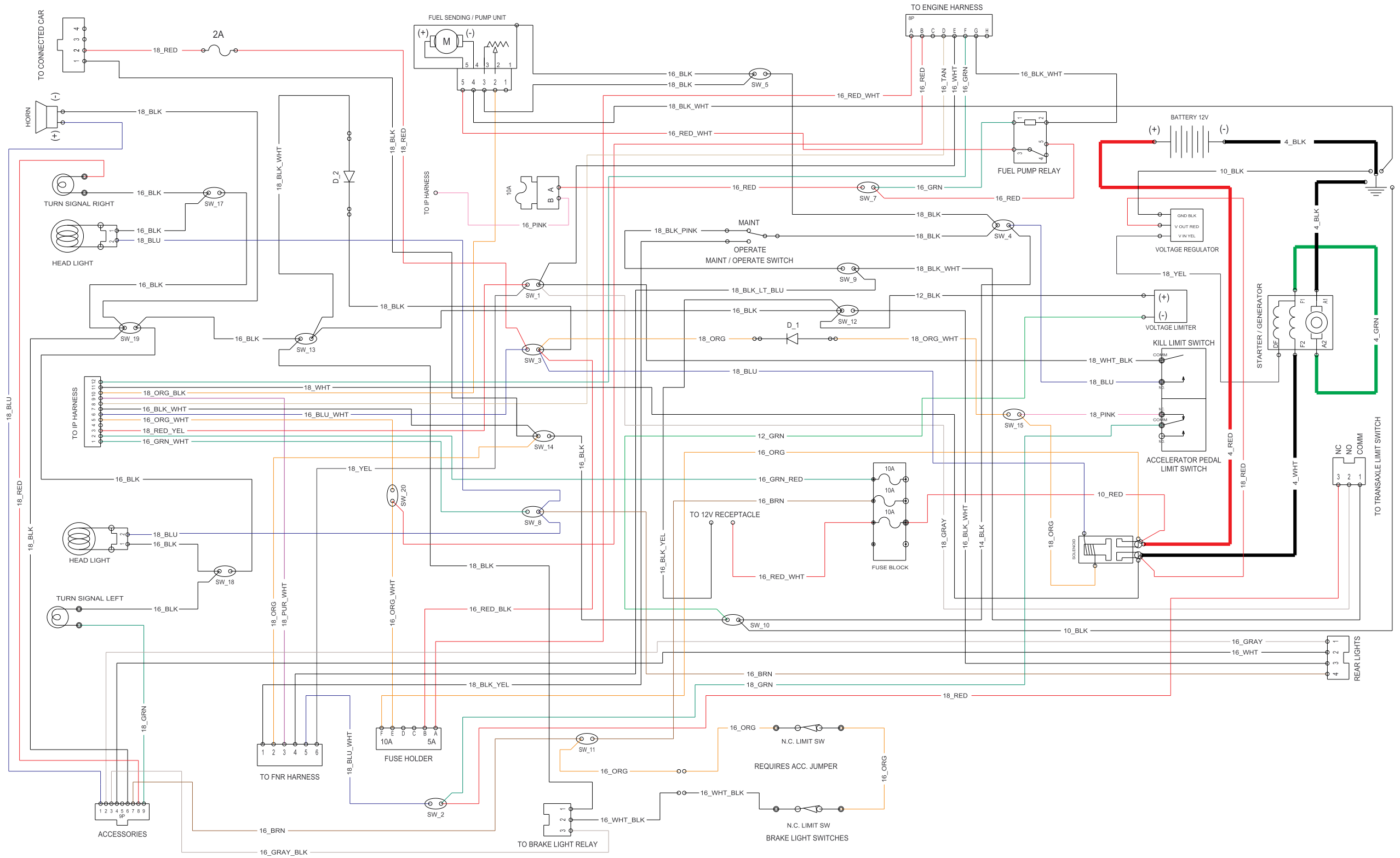
(Page intentionally left blank.)

GASOLINE: KEY-START MAIN HARNESS



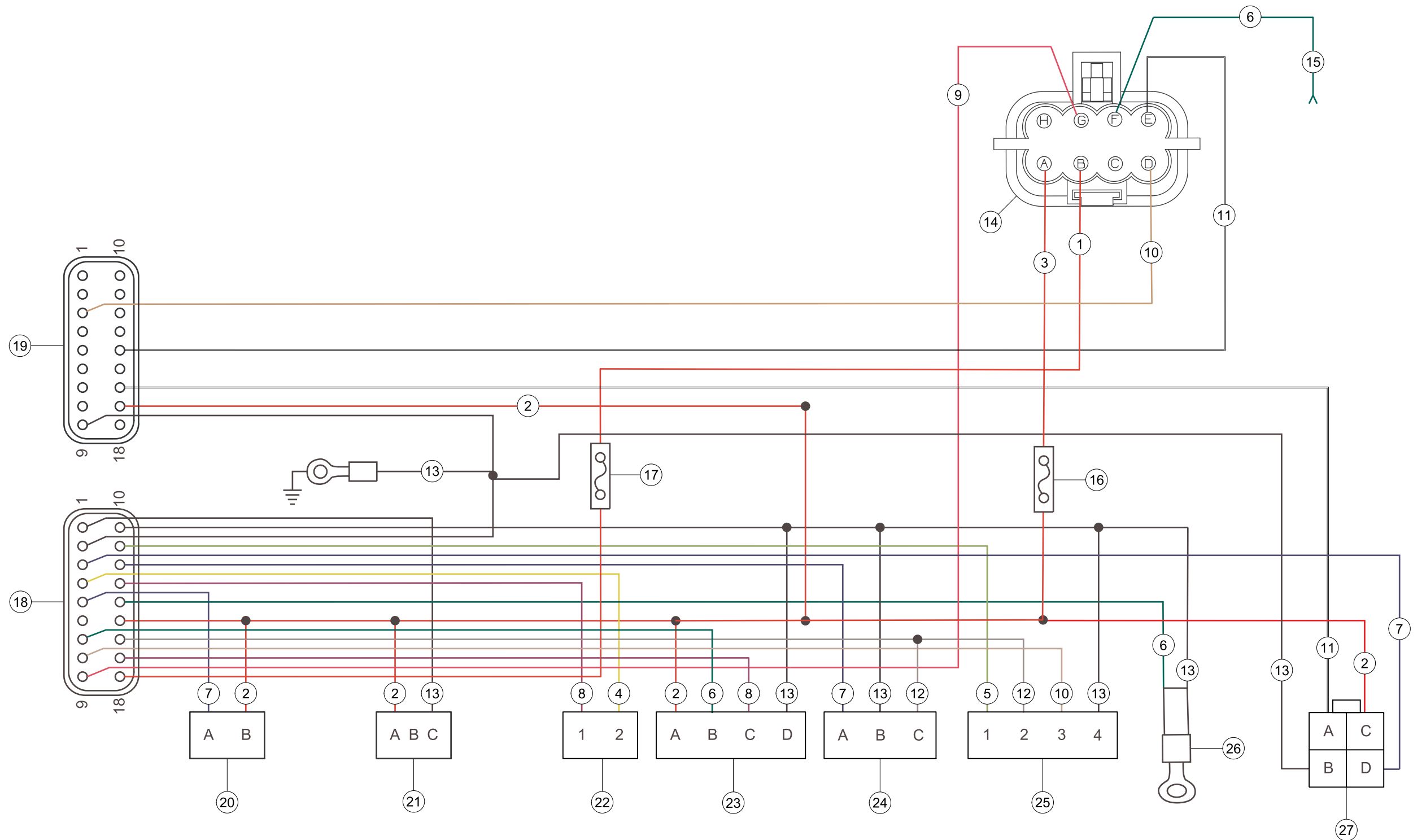
(Page intentionally left blank.)

GASOLINE: PEDAL-START MAIN HARNESS



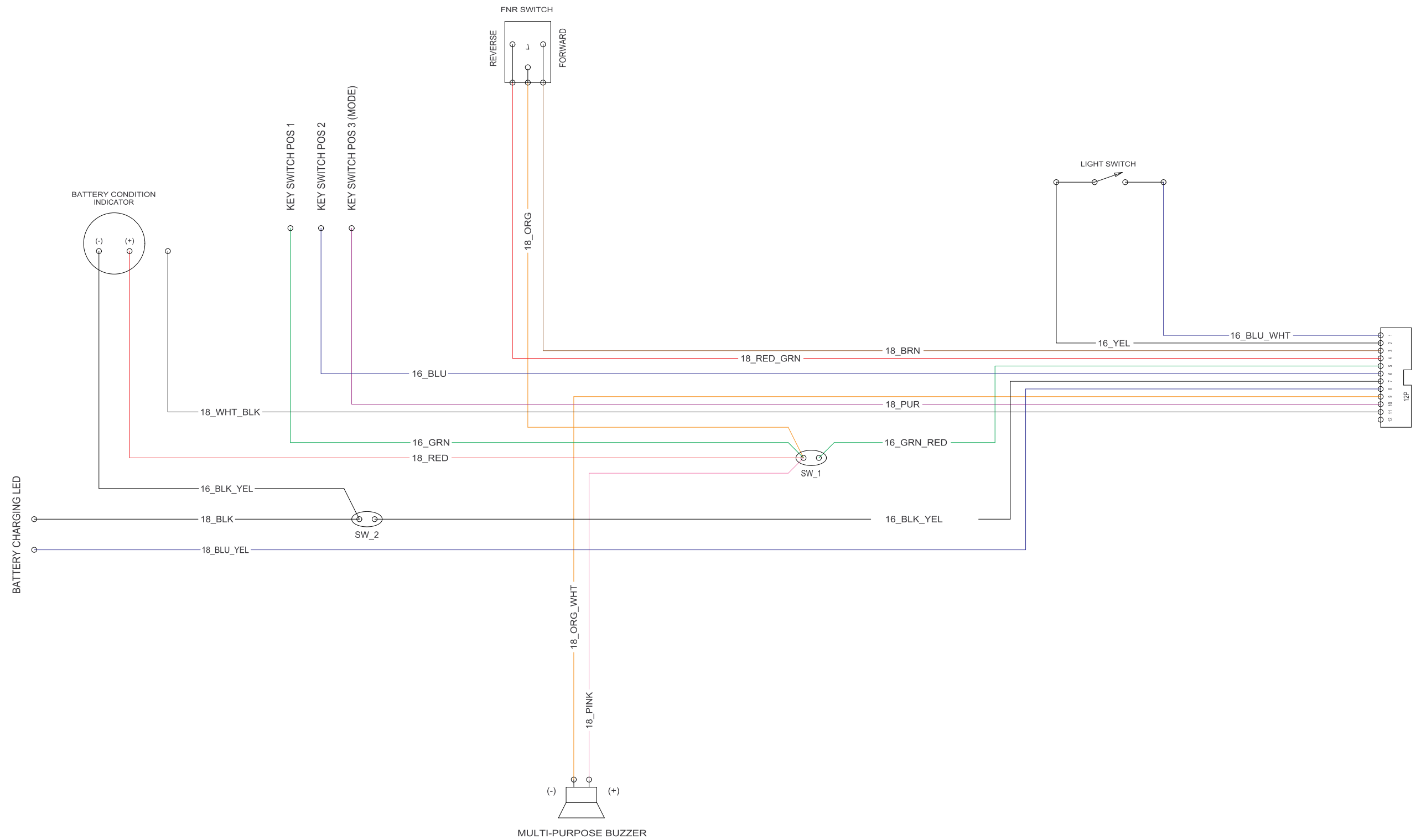
(Page intentionally left blank.)

GASOLINE: ENGINE HARNESS



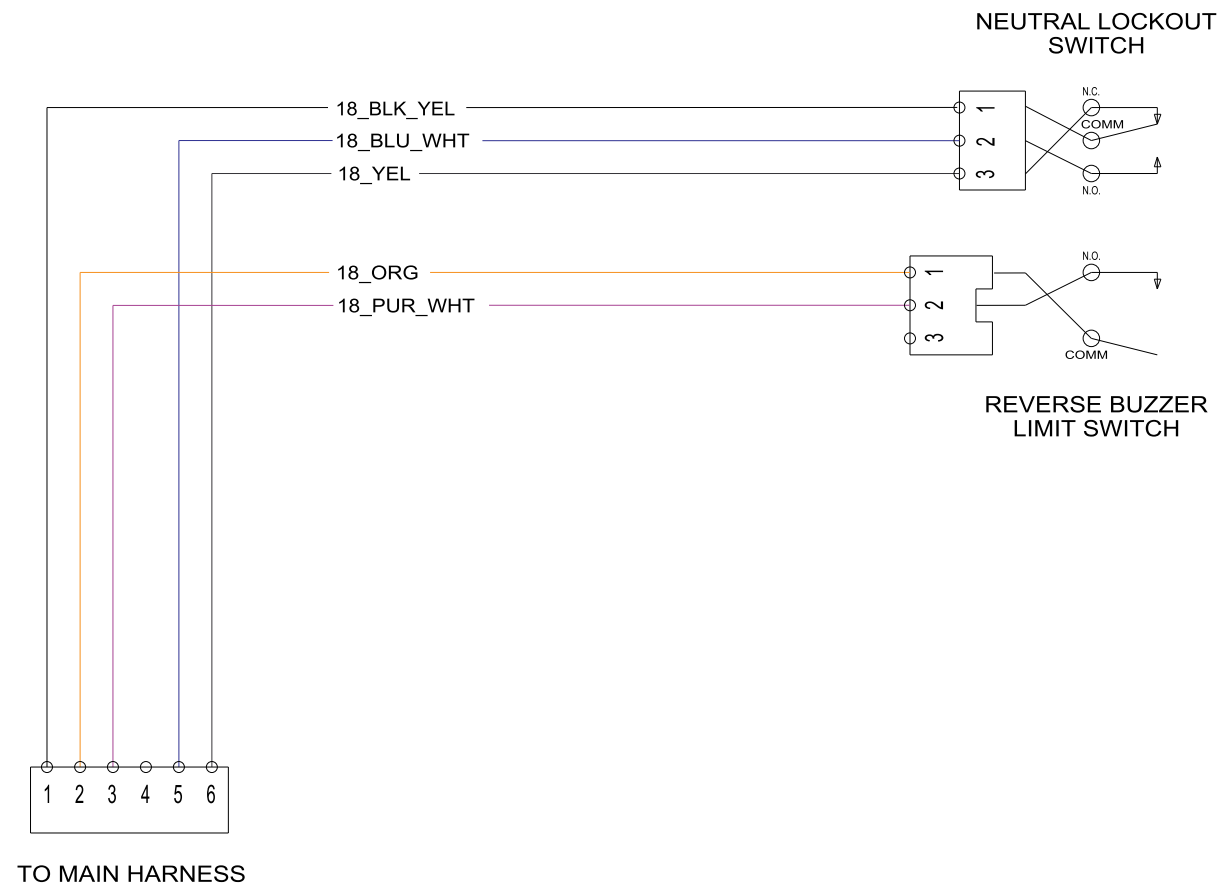
(Page intentionally left blank.)

ELECTRIC: INSTRUMENT PANEL HARNESS



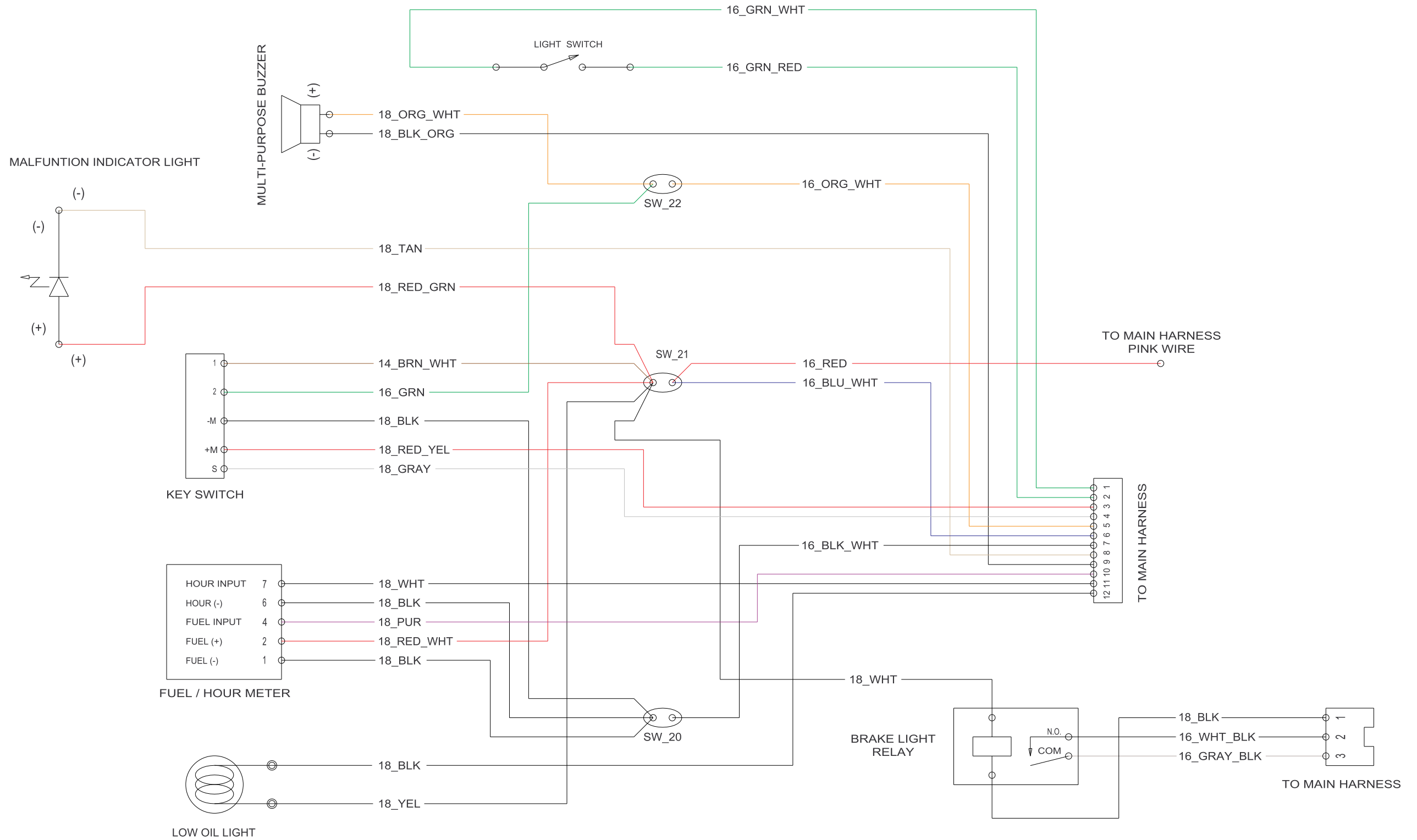
(Page intentionally left blank.)

GASOLINE: FNR HARNESS



(Page intentionally left blank.)

GASOLINE: INSTRUMENT PANEL HARNESS



(Page intentionally left blank.)