



GAS OWNER'S MANUAL
RXV FLEET
FREEDOM[®]
SHUTTLE[™] 2+2

ISSUED FEBRUARY 2011 REVISED AUGUST 2012

615262



A Textron Company

SAFETY

For any questions on material contained in this manual, contact an authorized representative for clarification.

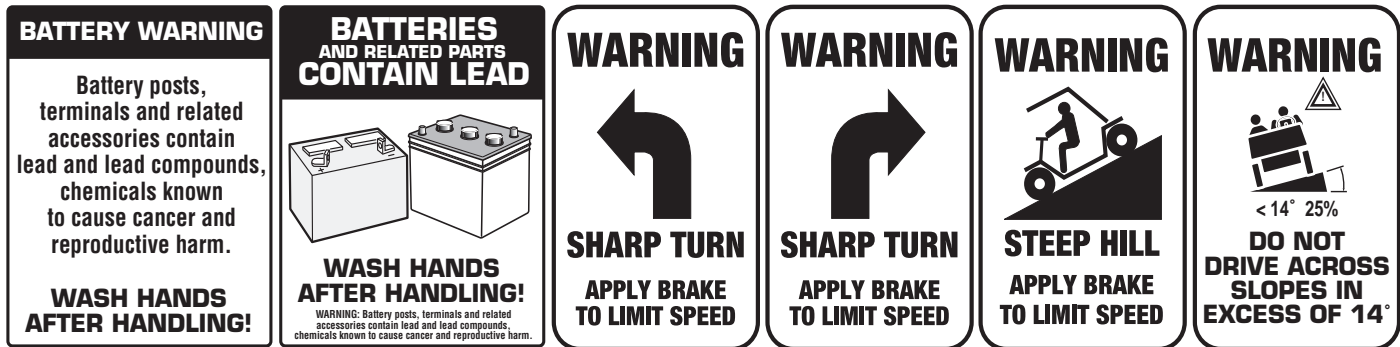
Read and understand all labels located on the vehicle. Always replace any damaged or missing labels.

On steep hills it is possible for vehicles to coast at greater than normal speeds encountered on a flat surface. To prevent loss of vehicle control and possible serious injury, speeds should be limited to no more than the maximum speed on level ground. See GENERAL SPECIFICATIONS. Limit speed by applying the service brake.

Catastrophic damage to the drivetrain components due to excessive speed may result from driving the vehicle above specified speed. Damage caused by excessive speed may cause a loss of vehicle control, is costly, is considered abuse and will not be covered under warranty.

For towing/transporting vehicle, refer to "TRANSPORTING VEHICLE".

Signs similar to the ones illustrated should be used to warn of situations that could result in an unsafe condition.



Be sure that this manual remains as part of the permanent service record should the vehicle be sold.

NOTES, CAUTIONS, WARNINGS AND DANGERS

Throughout this guide **NOTE**, **CAUTION** and **WARNING** and **DANGER** will be used.

NOTICE

Address practices not related to personal injury.

CAUTION

Indicates a hazardous situation which, if not avoided, could result in minor or moderate injury.

WARNING

Indicates a hazardous situation which, if not avoided, could result in death or serious injury.

DANGER

Indicates a hazardous situation which, if not avoided, will result in death or serious injury.

Please observe these **NOTES**, **CAUTIONS** and **WARNINGS**; be aware that servicing a vehicle requires mechanical skill and a regard for conditions that could be hazardous. Improper service or repair may damage the vehicle or render it unsafe.

WARNING

Engine exhaust from this product contains chemicals known, in certain quantities, to cause cancer, birth defects, or other reproductive harm.

NOTE

The exhaust emissions of this vehicles' engine complies with regulations set forth by the Environmental Protection Agency (EPA) of the United States of America (USA) at time of manufacture. Significant fines could result from modifications or tampering with the engine, fuel, ignition or air intake systems.

WARNING

Battery posts, terminals and related accessories contain lead and lead compounds. Wash hands after handling.

NOTE

This spark ignition system meets all requirements of the Canadian Interference-Causing Equipment Regulations.

(NOTES, CAUTIONS AND WARNINGS CONTINUED ON INSIDE OF BACK COVER)

OWNER'S MANUAL AND SERVICE GUIDE

GASOLINE POWERED FLEET GOLF CARS

RXV GOLF CAR
RXV FREEDOM™
RXV SHUTTLE 2 + 2

STARTING MODEL YEAR 2011

E-Z-GO Division of TEXTRON Inc. reserves the right to make design changes without obligation to make these changes on units previously sold and the information contained in this manual is subject to change without notice.

E-Z-GO Division of TEXTRON Inc. is not liable for errors in this manual or for incidental or consequential damages that result from the use of the material in this manual.

These are the original instructions as defined by 2006/42/EC.

TO CONTACT US

NORTH AMERICA:

TECHNICAL ASSISTANCE & WARRANTY PHONE: 1-800-774-3946, FAX: 1-800-448-8124

SERVICE PARTS PHONE: 1-888-GET-EZGO (1-888-438-3946), FAX: 1-800-752-6175

INTERNATIONAL:

PHONE: 001-706-798-4311, FAX: 001-706-771-4609

E-Z-GO DIVISION OF TEXTRON INC., 1451 MARVIN GRIFFIN ROAD, AUGUSTA, GEORGIA USA 30906-3852

GENERAL INFORMATION

The use of non Original Equipment Manufacturer (OEM) approved parts may void the warranty.

Overfilling the battery may void the warranty.

Tampering with or adjusting the governor to permit vehicle to operate at above factory specifications will void the vehicle warranty.

When servicing engines, all adjustments and replacement components must be per original vehicle specifications in order to maintain the United States of America Federal and State emission certification applicable at the time of manufacture.

BATTERY PROLONGED STORAGE

All batteries will self discharge over time. The rate of self discharge varies depending on the ambient temperature and the age and condition of the batteries.

A fully charged battery will not freeze in winter temperatures unless the temperature falls below -75° F (-60° C).

SECTION TITLE	PAGE NO.
SAFETY	Inside Covers
GENERAL INFORMATION	ii
SAFETY INFORMATION	v]
VEHICLE LABELS AND PICTOGRAMS	ix
SERIAL NUMBER LOCATION	1
BEFORE INITIAL USE.....	2
CONTROLS AND INDICATORS.....	2
KEY SWITCH.....	3
DIRECTION SELECTOR	3
ACCELERATOR PEDAL.....	3
COMBINATION SERVICE BRAKE & PARK BRAKE PEDAL	3
CHOKE	3
FUEL GAUGE.....	3
LOW OIL PRESSURE INDICATOR	3
HEADLIGHT SWITCH.....	4
TURN SIGNAL SWITCH	4
HORN	4
OPERATING THE VEHICLE.....	4
RUN-IN	5
COLD STARTING	5
STARTING AND DRIVING.....	5
STARTING VEHICLE ON A HILL.....	6
COASTING	6
FUEL.....	6
BATTERY	7
STARTING A VEHICLE WITH A DISCHARGED BATTERY	7
LABELS AND PICTOGRAMS	7
SUN TOP AND WINDSHIELD	7
VEHICLE CLEANING & CARE.....	7
VEHICLE CLEANING.....	7
REPAIR.....	8
LIFTING THE VEHICLE	9
WHEELS AND TIRES	9
TIRE REPAIR.....	9
WHEEL INSTALLATION	10
LIGHT BULB REPLACEMENT	10
HEADLIGHT BULB REPLACEMENT	10
TURN SIGNAL BULB REPLACEMENT	11
TAIL LIGHT/BRAKE LIGHT BULB REPLACEMENT.....	11
TRANSPORTING THE VEHICLE	11
TOWING	11
NEUTRAL LOCK.....	12
HAULING	12

TABLE OF CONTENTS

SECTION TITLE	PAGE NO.
SERVICE AND MAINTENANCE	13
PERIODIC SERVICE SCHEDULE.....	13
CAPACITIES AND REPLACEMENT PARTS.....	14
HARDWARE.....	15
TIRE INSPECTION.....	16
REAR AXLE	16
CHECKING THE LUBRICANT LEVEL.....	16
CHECKING THE OIL LEVEL	16
CHANGING THE OIL.....	17
AIR CLEANER INSPECTION AND REPLACEMENT	19
CLEANING THE AIR FILTER ELEMENT.....	19
STARTER/GENERATOR BELT TENSION	20
ADJUSTING THE BELT	20
COOLING SYSTEM CLEANING.....	20
SPARK PLUG.....	21
CLEANING THE BATTERY	21
BATTERY REMOVAL AND INSTALLATION	21
PERIODIC BRAKE PERFORMANCE TEST	25
GENERAL SPECIFICATIONS	27
RXV GAS - FLEET VEHICLE SPECIFICATIONS	28
RXV GAS - FREEDOM VEHICLE SPECIFICATIONS	29
RXV GAS - SHUTTLE 2 + 2 VEHICLE SPECIFICATIONS.....	30
DECLARATION OF CONFORMITY.....	35

SAFETY INFORMATION

Read all of manual to become familiar with vehicle. Pay attention to all NOTICES, CAUTIONS, WARNINGS and DANGERS.

This manual has been designed to assist in maintaining the vehicle in accordance with procedures developed by the manufacturer. Adherence to these procedures and troubleshooting tips will ensure the best possible service from the product. To reduce the chance of personal injury or property damage, the following must be carefully observed:



CAUTION

Certain replacement parts can be used independently and/or in combination with other accessories to modify an E-Z-GO-manufactured vehicle to permit the vehicle to operate at or in excess of 20mph. When an E-Z-GO-manufactured vehicle is modified in any way by the Distributor, Dealer or customer to operate at or in excess of 20mph, UNDER FEDERAL LAW the modified product will be a Low Speed Vehicle (LSV) subject to the strictures and requirements of Federal Motor Vehicle Safety Standard 571.500. In these instances, pursuant to Federal law the Distributor or Dealer MUST equip the product with headlights, rear lights, turn signals, seat belts, top, horn and all other modifications for LSV's mandated in FMVSS 571.500, and affix a Vehicle Identification Number to the product in accordance with the requirements of FMVSS 571.565. Pursuant to FMVSS 571.500, and in accordance with the State laws applicable in the places of sale and use of the product, the Distributor, Dealer or customer modifying the vehicle also will be the Final Vehicle Manufacturer for the LSV, and required to title or register the vehicle as mandated by State law.

E-Z-GO will NOT approve Distributor, Dealer or customer modifications converting E-Z-GO products into LSV's.

The Company recommends that all E-Z-GO products sold as personal transportation vehicles BE OPERATED ONLY BY PERSONS WITH VALID DRIVERS LICENSES, AND IN ACCORDANCE WITH APPLICABLE STATE REQUIREMENTS. This restriction is important to the SAFE USE AND OPERATION of the product.

All customers should adhere to this SAFETY RESTRICTION, in connection with the use of all E-Z-GO products, new and used, the Distributor or Dealer has reason to believe may be operated in personal transportation applications.

Information on FMVSS 571.500 can be obtained at Title 49 of the Code of Federal Regulations, section 571.500, or through the Internet at the website for the U.S. Department of Transportation - at Dockets and Regulation, then to Title 49 of the Code of Federal Regulations (Transportation)

GENERAL

All vehicles can be used for a variety of tasks beyond the original intended use of the vehicle; therefore, it is impossible to anticipate and warn against every possible combination of circumstances that may occur. No warning can take replace good common sense and prudent driving practices.

Good common sense and prudent driving practices do more to prevent accidents and injury than all of the warnings and instructions combined. E-Z-GO strongly suggests that all users and maintenance personnel read this entire manual paying particular attention to the CAUTIONS, WARNINGS and DANGERS contained therein.

If you have any questions regarding this vehicle, contact your E-Z-GO dealer or write to the address on the back cover of this publication, Attention: Customer Care Department.

E-Z-GO reserves the right to make design changes without obligation to make these changes on units previously sold. The information contained in this manual is subject to change without notice.

E-Z-GO IS NOT LIABLE FOR ERRORS IN THIS MANUAL. E-Z-GO IS NOT LIABLE FOR INCIDENTAL OR CONSEQUENTIAL DAMAGES THAT RESULT FROM THE USE OF THE MATERIAL IN THIS MANUAL.

This vehicle conforms to the current applicable standard(s) for safety and performance requirements.

These vehicles are designed and manufactured for off-road use. They DO NOT conform to Federal Motor Vehicle Safety Standards of the United States of America (USA) and are not equipped for operation on public streets. Some communities may permit these vehicles to be operated on their streets on a limited basis and in accordance with local ordinances.

With electric powered vehicles, be sure that all electrical accessories are grounded directly to the battery (-) post.

Never use the chassis or body as a ground connection.

Refer to GENERAL SPECIFICATIONS for vehicle seating capacity.

SAFETY INFORMATION

Read all of manual to become familiar with vehicle. Pay attention to all NOTICES, CAUTIONS, WARNINGS and DANGERS.

Never modify the vehicle in any way that will alter the weight distribution of the vehicle, decrease its stability or increase the speed or extend the stopping distance beyond the factory specification. Such modifications can result in serious personal injury or death.

Do not make any such modifications or changes. E-Z-GO prohibits and disclaims responsibility for all such modifications or and alterations which would adversely affect the safety of the vehicle.

Vehicles that are capable of higher speeds must limit their speed to no more than the speed of other vehicles when used in a golf course environment. Additionally, speed should be further moderated by the environmental conditions, terrain and common sense.

Operation of the vehicle is limited to persons above the height of 59 inches (150 cm).

GENERAL OPERATION

ALWAYS:

- use the vehicle in a responsible manner and maintain the vehicle in safe operating condition
- read and observe all warnings and operation instruction labels affixed to the vehicle
- follow all safety rules established in the area where the vehicle is being operated
- leave the vehicle when there is a risk of lightning
- reduce speed to compensate for poor terrain or conditions
- apply service brake to control speed on steep grades
- maintain adequate distance between vehicles
- maintain adequate distance between vehicles
- reduce speed in wet areas
- use extreme caution when approaching sharp or blind turns
- use extreme caution when driving over loose terrain
- use extreme caution in areas where pedestrians are present

MAINTENANCE

ALWAYS:

- replace damaged or missing warning, caution or information labels
- maintain the vehicle in accordance with the manufacturer's periodic service schedule
- ensure that repairs are performed by trained and qualified personnel
- follow the manufacturer's maintenance procedures
- insulate any tools used within the battery area in order to prevent sparks or battery explosion
- check the polarity of each battery terminal and be sure to rewire the batteries correctly
- use specified replacement parts, NEVER use replacement parts of lesser quality
- use recommended tools
- determine that tools and procedures not specifically recommended by the manufacturer will not compromise the safety of personnel nor jeopardize the safe operation of the vehicle
- support the vehicle using wheel chocks and jack stands, NEVER get under a vehicle that is supported by a jack, lift the vehicle in accordance with the manufacturer's instructions
- maintain the vehicle in an area away from exposed flame or persons who are smoking
- be aware that a vehicle that is not performing as designed is a potential hazard and must not be operated
- test drive the vehicle after any repairs or maintenance in a safe area that is free of both vehicular and pedestrian traffic
- keep complete records of the maintenance history of the vehicle

SAFETY INFORMATION

Read all of manual to become familiar with vehicle. Pay attention to all NOTICES, CAUTIONS, WARNINGS and DANGERS.

The manufacturer cannot anticipate all situations, therefore people attempting to maintain or repair the vehicle must have the skill and experience to recognize and protect themselves from potential situations that could result in severe personal injury or death and damage to the vehicle. Use extreme caution and, if unsure as to the potential for injury, refer the repair or maintenance to a qualified mechanic.

VENTILATION

Always store gasoline vehicles in a well ventilated area. Ventilation prevents gasoline fumes from accumulating.

Never fuel a vehicle in an area that is subject to flame or spark. Pay particular attention to natural gas or propane water heaters and furnaces.

Never work around or operate a vehicle in an environment that does not ventilate exhaust gases from the area. Carbon monoxide is a dangerous gas that can cause unconsciousness and is potentially lethal.

SAFETY INFORMATION

Read all of manual to become familiar with vehicle. Pay attention to all NOTICES, CAUTIONS, WARNINGS and DANGERS.

Notes:

A large grid of graph paper, consisting of approximately 30 columns and 40 rows of small squares, intended for the user to write their notes.

Read all of manual to become familiar with this vehicle. Pay attention to all NOTICES, CAUTIONS, WARNINGS and DANGERS.

LABELS & PICTOGRAMS

LABELS & PICTOGRAMS

Read all of manual to become familiar with this vehicle. Pay attention to all NOTICES, CAUTIONS, WARNINGS and DANGERS.

⚠ WARNING Failure to follow these instructions can result in **SERIOUS INJURY** or **DEATH**

Except where PERMITTED BY LAW: NEVER drive on public roads. • Drivers must possess a valid drivers license in accordance with local state law.

AVOID FALLS from the vehicle: Do not start moving until all occupants are **PROPERLY SEATED** and **HOLDING ON**. • **KEEP** entire body **INSIDE VEHICLE** while moving.

Reduce the RISK OF ACCIDENTS: Always **DRIVE SLOWLY** in congested areas, on wet or loose terrain, and when backing up. • **DRIVE SLOWLY** when turning and **AVOID** sudden stops. **ALWAYS** drive straight up and down slopes. Do not coast, use **BRAKE** when going down a slope. • **NEVER** drive this vehicle under the influence of drugs or alcohol.

This vehicle is NOT A TOY: Drive responsibly. • **NEVER** leave children unattended or allow children to play on the vehicle. • **NEVER** leave the key in the vehicle when parked.

DO NOT OVERLOAD this vehicle: NEVER carry more than 2 occupants on each bench seat. • Do not exceed vehicle **WEIGHT CAPACITY** (see Owner's Manual).

DO NOT MODIFY this vehicle: NEVER alter this vehicle to increase travel speeds above factory specifications. • **ONLY** authorized E-Z-GO dealers should alter the vehicle using approved parts. • Alterations not approved or tested by E-Z-GO can create unsafe conditions and increase your chance of having an accident.

608528

608528

⚠ WARNING Failure to follow these instructions can result in **SERIOUS INJURY** or **DEATH**

Except where PERMITTED BY LAW: To be operated by persons with valid drivers license, in accordance with state requirements. Operate from Driver's side only.

Reduce the RISK OF ACCIDENTS: For non-road use, and in designated areas only. Do not operate under the influence of drugs or alcohol.

AVOID FALLS from the vehicle: All occupants must be fully seated, keep entire body inside vehicle and hold on while vehicle is in motion.

STARTING the vehicle: Apply service brake, move direction selector to desired position and accelerate smoothly. On Gas Vehicle, direction selector is the F-N-R. On Electric vehicle, direction selector is the key switch.

DO NOT OVERLOAD this vehicle: Maximum vehicle payload is 800 lbs. (363 kg) including a maximum of 2 persons, options, and accessories.

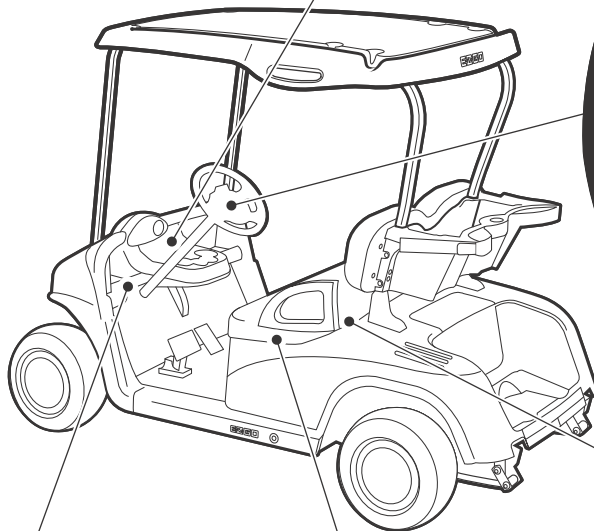
Drive with CAUTION: Drive slowly straight up and down slopes and in turns. Use care in reverse, congested areas, and wet or loose terrain.

STOPPING the vehicle: To stop, release accelerator pedal and apply service brake.

PARKING the vehicle: Before leaving vehicle, turn key OFF. On Gas vehicle, move the direction selector to "FORWARD" and engage park brake.

608522

608522 FLEET VEHICLES



⚠ WARNING

OPERATING INSTRUCTIONS

BEFORE OPERATING

- READ all warning labels and the owner's manual. Contact an authorized E-Z-GO dealer or visit www.ezgo.com for a replacement manual.
- This vehicle is equipped for personal use in most communities. However, state law or local rules may require additional equipment in your community.

SAFE OPERATION

- Turn key to "ON" - select "forward" or "reverse" - release the parking brake (Gas vehicle only) - then slowly depress accelerator pedal.
- Always bring the vehicle to a complete stop **BEFORE** shifting the direction selector.
- Operate from the driver's seat **ONLY**.

PARKING

- **ALWAYS** fully engage the parking brake and remove the key **BEFORE** leaving the vehicle. In an electric vehicle set the direction selector to "neutral" and in a gasoline vehicle set the selector to "forward".

MAINTENANCE

- This vehicle requires regularly scheduled maintenance (see owner's manual). **ONLY** qualified personnel should service this vehicle.

608529

608529

⚠ WARNING NEVER allow the positive battery post or cable to contact the frame. **BATTERY EXPLOSION** and serious injury can result, this vehicle is equipped with a negative ground system.

608526

608526

⚠ WARNING DO NOT TAMPER WITH OR ATTEMPT TO CHANGE THE ADJUSTMENT OF THE GOVERNOR. GOVERNOR TAMPERING CAN RESULT IN SERIOUS PERSONAL INJURY AND WILL VOID THE VEHICLE WARRANTY.

608527

608527

⚠ 1. To Prevent Roll-Back On a Hill From a Stopped Position

⚠ 2. Apply Service Brake With Left Foot

⚠ 3. Fully Release Park Brake

⚠ 4. Depress Accelerator While Releasing Service Brake As Vehicle Starts

74443G01

74443G01

LABELS & PICTOGRAMS

Read all of manual to become familiar with this vehicle. Pay attention to all NOTICES, CAUTIONS, WARNINGS and DANGERS.

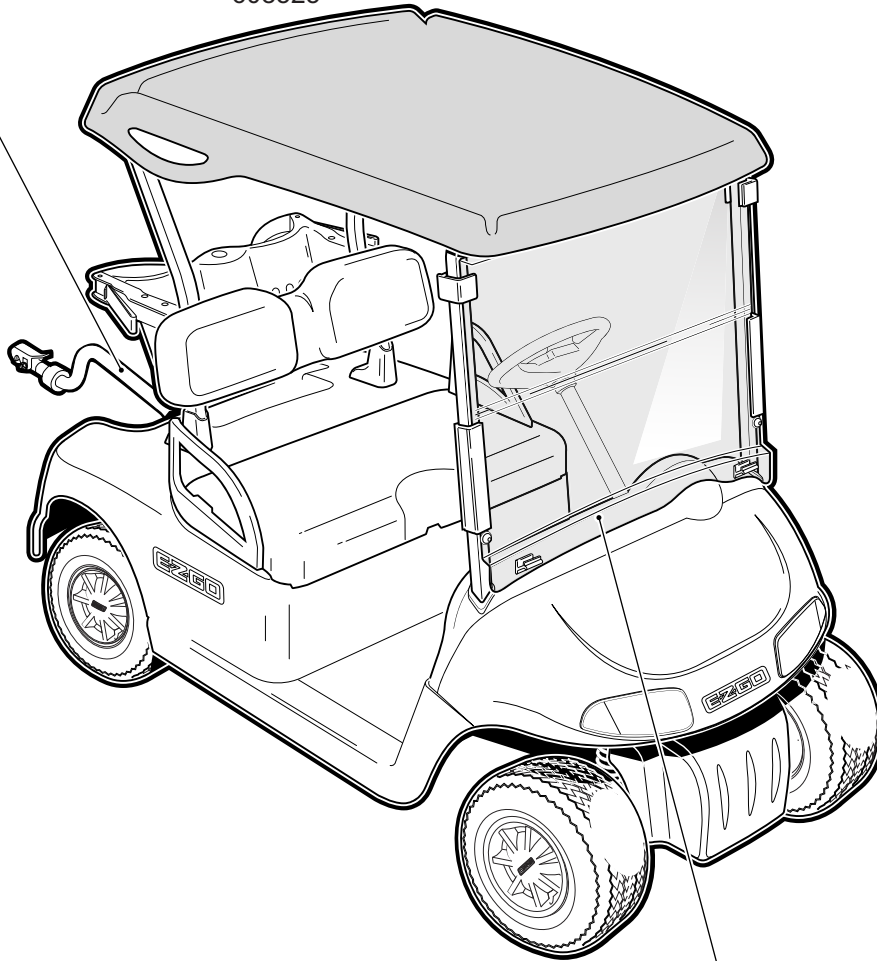
WARNING



- This device is **ONLY** to be used for towing E-Z-GO vehicles. NEVER tow other vehicles or equipment. READ Owner's Manual before towing.
- FULLY ENGAGE coupling. Rubber latch-stop must be under latch release lever.
- NEVER tow more than 3 vehicles at one time. DRIVE SLOWLY and never tow vehicle over rough or unsafe terrain. NO RIDERS in towed cars.
- MONTHLY INSPECTION: tow bar pins, attaching hardware, and front frame attachment of towed cars. Replace worn or damaged parts. CHECK alignment of wheels on towed cars.



608525



WARNING

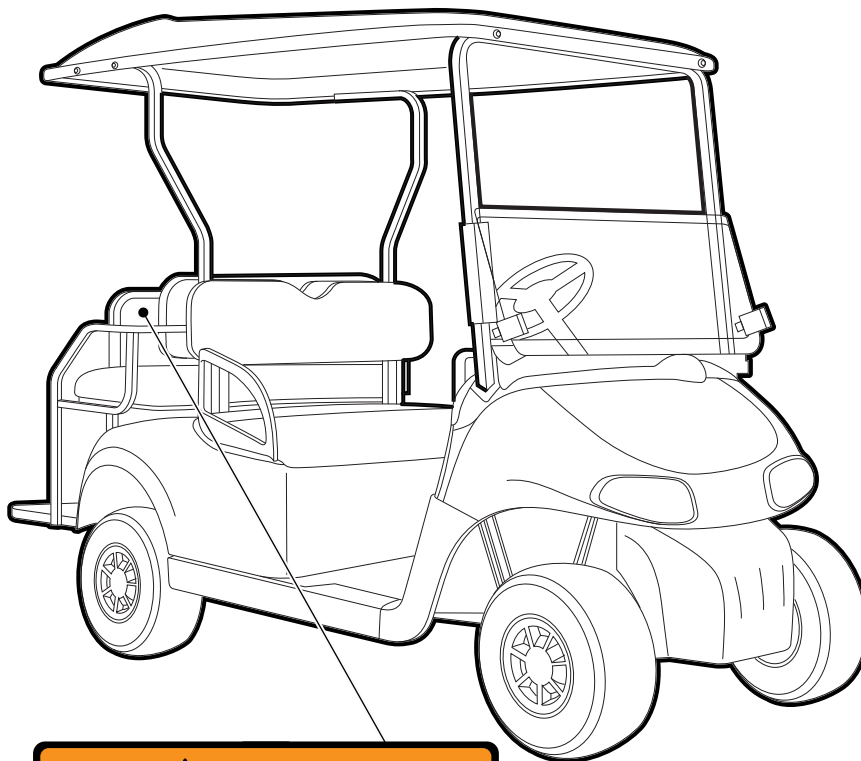


Windshields do not provide protection from golf balls or other flying objects.

EGWHL14

LABELS & PICTOGRAMS

Read all of manual to become familiar with this vehicle. Pay attention to all NOTICES, CAUTIONS, WARNINGS and DANGERS.



⚠ WARNING
FAILURE TO FOLLOW THESE INSTRUCTIONS
MAY RESULT IN SEVERE PERSONAL INJURY.

AVOID FALLS from the vehicle and other SERIOUS INJURIES:

- Never attempt to enter or exit a moving vehicle.
- AVOID standing in front of, or behind vehicle.
- ONLY 2 occupants per seat.
- Always remain PROPERLY SEATED and HOLDING ON.
- KEEP feet, legs, hands, and arms inside the vehicle at all times.
- NEVER leave children unattended. Children may need assistance to remain properly seated and holding on.

608537

608537

LABELS & PICTOGRAMS

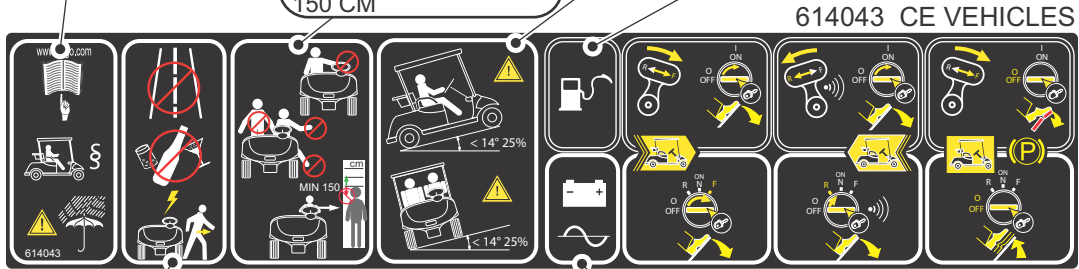
Read all of manual to become familiar with this vehicle. Pay attention to all NOTICES, CAUTIONS, WARNINGS and DANGERS.

READ THE MANUAL
OPERATE ACCORDING TO LOCAL LAWS AND REGULATIONS
USE CAUTION IN BAD WEATHER

GASOLINE VEHICLES	FORWARD OPERATION * TURN KEY TO 'ON' * MOVE DIRECTION SELECTOR TO 'F' * PRESS ACCELERATOR PEDAL GENTLY	REVERSE OPERATION * TURN KEY TO 'ON' * MOVE DIRECTION SELECTOR TO 'R' * PRESS ACCELERATOR PEDAL GENTLY	PARK VEHICLE * MOVE DIRECTION SELECTOR TO 'F' * TURN KEY TO 'OFF' * APPLY PARKING BRAKE
-------------------	---	---	--

OPERATE FROM DRIVER SIDE ONLY
DO NOT STAND UP AND KEEP ENTIRE BODY INSIDE VEHICLE
MINIMUM HEIGHT TO OPERATE VEHICLE IS 150 CM

MAXIMUM RAMP OR HILL
MAXIMUM CROSS RAMP OR HILL



DO NOT DRIVE ON HIGHWAY
DO NOT OPERATE IF USING DRUGS OR ALCOHOL
DO NOT OPERATE VEHICLE WHEN LIGHTNING IS IN THE AREA

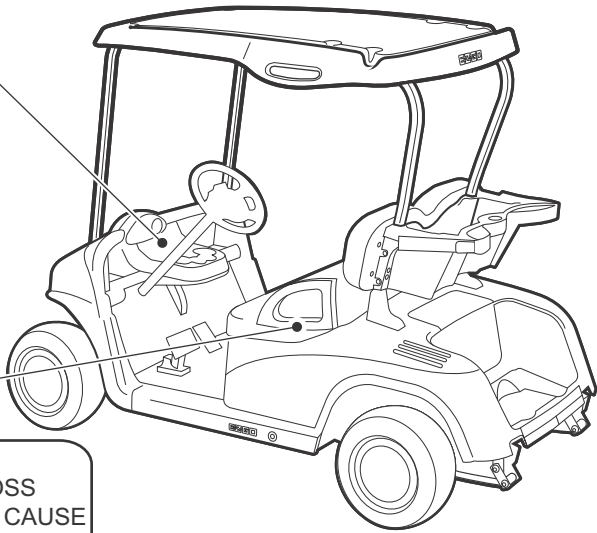
ELECTRIC VEHICLES	FORWARD OPERATION * TURN KEY TO 'F' * PRESS ACCELERATOR PEDAL GENTLY	REVERSE OPERATION * TURN KEY TO 'R' * GENTLY PRESS ACCELERATOR PEDAL	PARK VEHICLE * TURN KEY TO 'OFF'
-------------------	--	--	-------------------------------------

READ THE MANUAL REPLACEMENT AVAILABLE AT www.ezgo.com

WARNING: NEGATIVE GROUND ELECTRICAL SYSTEM



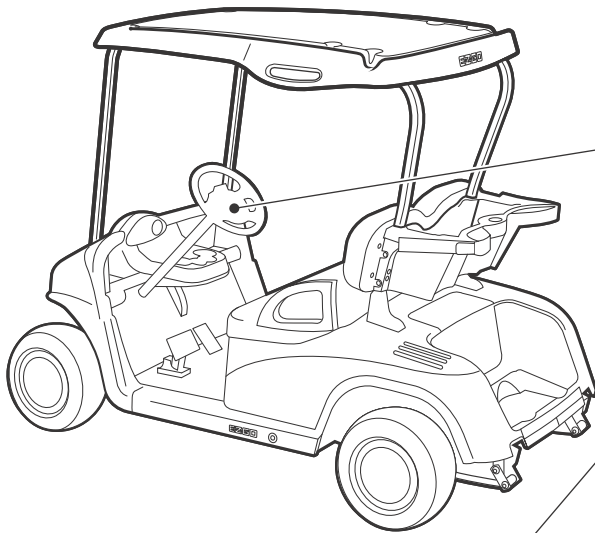
WARNING: SHORTING ACROSS TERMINALS MAY CAUSE BATTERY EXPLOSION



LABELS & PICTOGRAMS

Read all of manual to become familiar with this vehicle. Pay attention to all **NOTICES, CAUTIONS, WARNINGS and DANGERS.**

GASOLINE VEHICLES	FORWARD OPERATION * TURN KEY TO 'ON' * MOVE DIRECTION SELECTOR TO 'F' * PRESS ACCELERATOR PEDAL GENTLY	REVERSE OPERATION * TURN KEY TO 'ON' * MOVE DIRECTION SELECTOR TO 'R' * PRESS ACCELERATOR PEDAL GENTLY	PARK VEHICLE * MOVE DIRECTION SELECTOR TO 'F' * TURN KEY TO 'OFF' * APPLY PARKING BRAKE
--------------------------	--	--	---



WARNING	READ THE MANUAL REPLACEMENT IS AVAILABLE AT www.ezgo.com	READ ALL LABELS	OPERATE FROM DRIVER SIDE ONLY	OPERATE ACCORDING TO LOCAL LAWS AND REGULATIONS	MAINTAIN ACCORDING TO SERVICE & REPAIR MANUAL AVAILABLE AT www.ezgo.com
----------------	--	-----------------	-------------------------------	---	---

MINIMUM HEIGHT TO OPERATE VEHICLE IS 150 CM	DO NOT OPERATE VEHICLE WHEN LIGHTNING IS IN THE AREA
---	--

ELECTRIC VEHICLES	FORWARD OPERATION * TURN KEY TO 'F' * PRESS ACCELERATOR PEDAL GENTLY	REVERSE OPERATION * TURN KEY TO 'R' * PRESS ACCELERATOR PEDAL GENTLY	PARK VEHICLE * TURN KEY TO 'OFF'
--------------------------	---	---	--

LABELS & PICTOGRAMS

Read all of manual to become familiar with this vehicle. Pay attention to all **NOTICES, CAUTIONS, WARNINGS and DANGERS.**

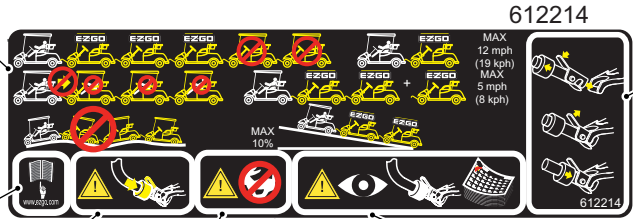
DO NOT TOW MORE THAN 3 VEHICLES MAX 12 mph (19 kph) TOWING 1 VEHICLE
 DO NOT DRIVE IN REVERSE WHEN TOWING VEHICLES MAX 5 mph (8 kph) TOWING 2 or 3 VEHICLES
 NO PASSENGERS IN TOWED VEHICLES
 DO NOT TOW VEHICLES OVER UNEVEN TERRAIN 10% MAX SLOPE FOR TOWING VEHICLES

READ THE MANUAL REPLACEMENT AVAILABLE AT www.ezgo.com

WARNING ENGAGE LOCKING COLLAR

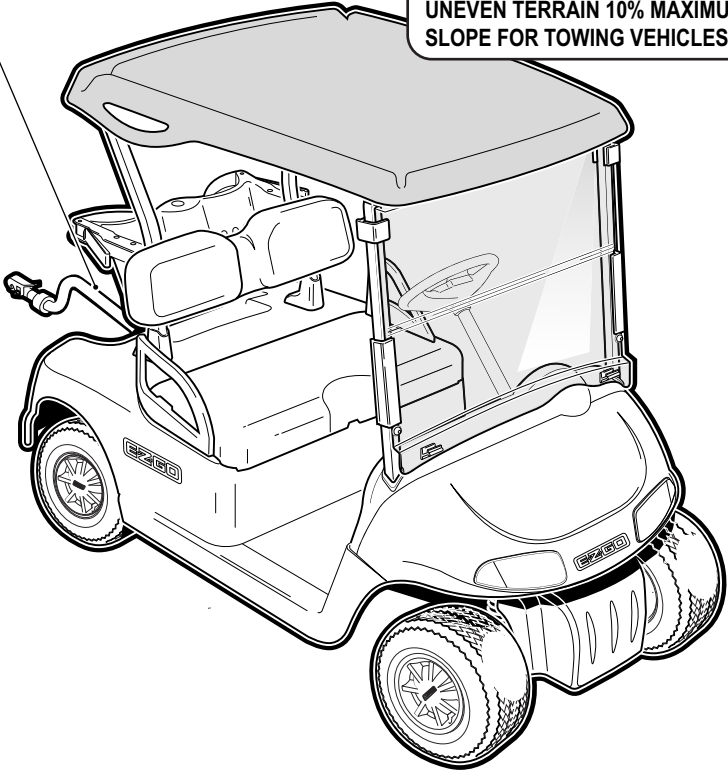
WARNING DO NOT DRIVE FAST

WARNING INSPECT TOW BAR SYSTEM EVERY 30 DAYS



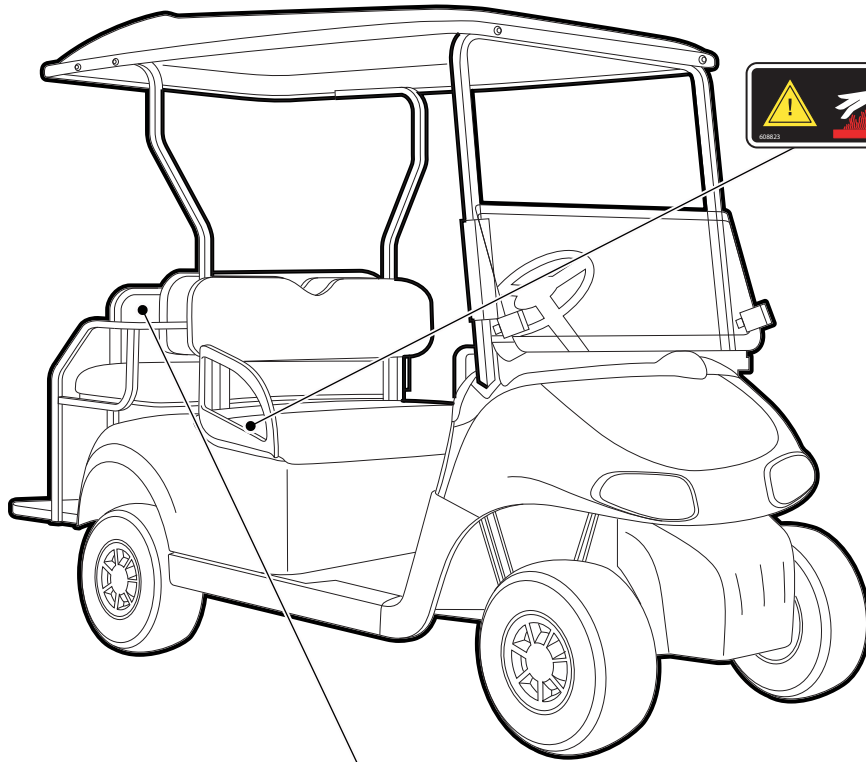
TOW BAR OPERATION

- * PULL LOCKING COLLAR AWAY FROM LATCH AND PRESS ON LATCH TAB TO OPEN
- * PLACE LATCH OVER FRONT TOWING BRACKET
- * CLOSE LATCH AND MOVE LOCKING COLLAR UNDER LATCH TAB
- * DO NOT TOW MORE THAN 3 VEHICLES
- * 12 mph (19 kph) MAX SPEED TOWING 1 VEHICLE
- * DO NOT DRIVE IN REVERSE WHEN TOWING VEHICLES
- * NO PASSENGERS IN TOWED VEHICLES
- * DO NOT TOW VEHICLES OVER UNEVEN TERRAIN 10% MAXIMUM SLOPE FOR TOWING VEHICLES



LABELS & PICTOGRAMS

Read all of manual to become familiar with this vehicle. Pay attention to all **NOTICES, CAUTIONS, WARNINGS and DANGERS.**

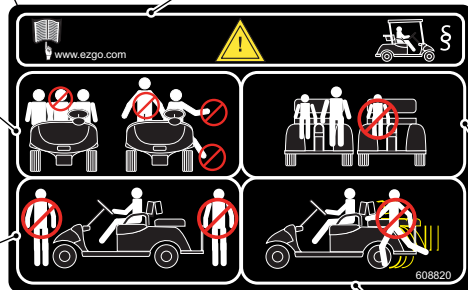


WARNING
HOT SURFACE

READ THE MANUAL REPLACEMENT AVAILABLE AT www.ezgo.com	WARNING	OPERATE ACCORDING TO LOCAL LAWS AND REGULATIONS
--	---------	---

NO MORE THAN 2 OCCUPANTS IN EACH SEAT	DO NOT STAND UP AND KEEP ENTIRE BODY INSIDE VEHICLE
---	--

DO NOT STAND IN FRONT
OF OR BEHIND VEHICLE



CHILDREN MUST BE
ACCOMPANIED BY
AN ADULT

DO NOT ALLOW
CHILDREN TO
RIDE ALONE

DO NOT GET ON OR OFF
A MOVING VEHICLE

OPERATION AND SERVICE INFORMATION

Read all of manual to become familiar with this vehicle. Pay attention to all NOTICES, CAUTIONS, WARNINGS and DANGERS.

.Thank you for purchasing this vehicle. Before driving the vehicle, we ask you to spend some time reading this Owner's Guide. This guide contains the information that will assist you in maintaining this highly reliable vehicle. Some illustrations may show items that are optional for your vehicle.

This vehicle has been designed and manufactured as a 'World Vehicle'. Some countries have individual requirements to comply with their specifications; therefore, some sections may not apply in your country.

Most of the service procedures in this guide can be accomplished using common automotive hand tools. Contact your service representative on servicing the vehicle in accordance with the Periodic Service Schedule.

Service Parts Manuals as well as Repair and Service Manuals are available from a local Distributor, an authorized Branch or the E-Z-GO Service Parts Department. When ordering parts or requesting information for your vehicle, provide vehicle model, serial number and manufacture date code.

SERIAL NUMBER LOCATION

Three serial number and manufacture date code labels are on the vehicle. One is placed on the steering column (Ref. Fig. 1), the second is located on the frame member under the front splash shield on the driver side (Ref. Fig. 2) and the third is located on the passenger side frame rail at the rear of the vehicle (Ref. Fig. 3).

In order to obtain correct components for the vehicle, the manufacture date code, serial number and vehicle model must be provided when ordering service parts.

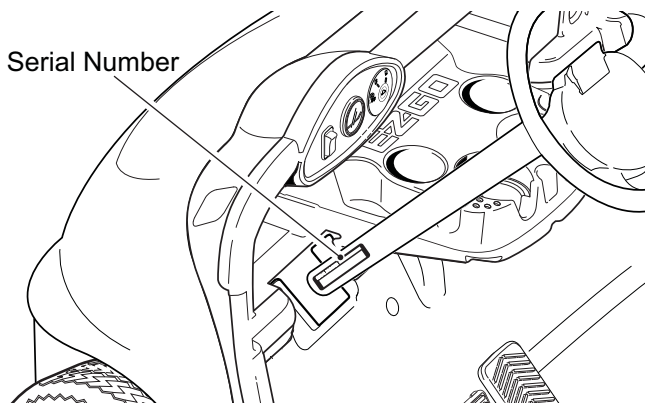


Fig. 1 Serial Number Location on Steering Column

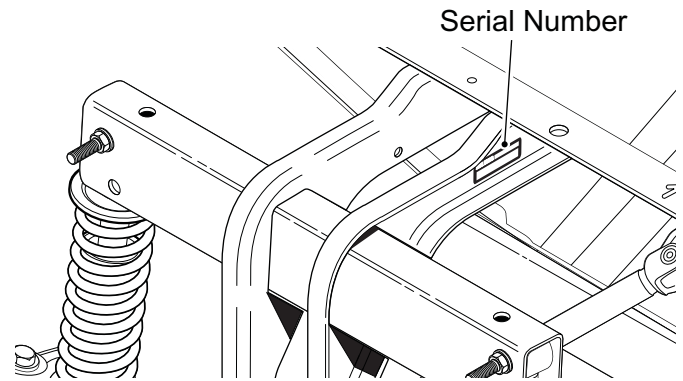


Fig. 2 Serial Number on Front Frame

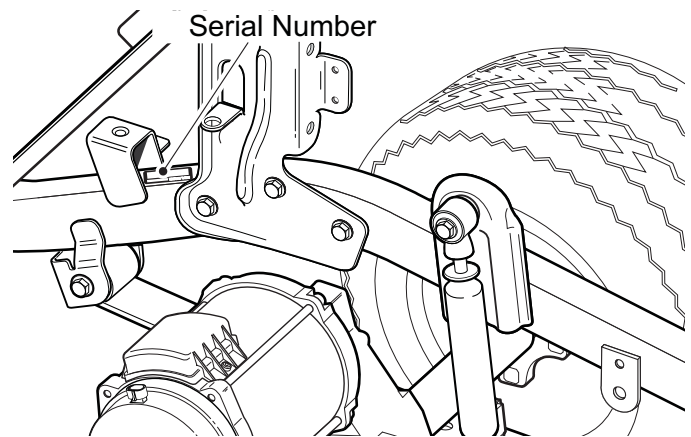


Fig. 3 Serial Number on Rear Frame

OPERATION AND SERVICE INFORMATION

Read all of manual to become familiar with this vehicle. Pay attention to all **NOTICES, CAUTIONS, WARNINGS and DANGERS.**

BEFORE INITIAL USE

Read, understand and follow the safety label on the instrument panel. Be sure you understand how to operate the vehicle, it's equipment and how to use it safely. Maintaining good performance depends to a large extent on the operator.

WARNING

Hydrogen gas is generated as a natural part of the lead acid battery charging process. A 4% concentration of hydrogen gas is explosive and could cause severe injury or death. Charging must take place in an area that is adequately ventilated (minimum of 5 air exchanges per hour).

To reduce the chance of battery explosion that could result in severe injury or death, never smoke around or charge batteries in an area that has open flame or electrical equipment that could cause an electrical arc.

Before a new vehicle is put into operation, the items shown in the **INITIAL SERVICE CHART** must be performed (Ref. Fig. 4).

The vehicle battery must be fully charged before initial use.

Check for correct tire inflation. See **GENERAL SPECIFICATIONS**.

Check for oil or fuel leaks that could have developed in shipment from the factory.

Determine and record the braking distance required to stop the vehicle for future brake performance tests.

Remove the protective clear plastic from the seat bottom and back rest before placing the vehicle in service

ITEM	SERVICE OPERATION
Battery	Charge battery
Seats	Remove protective plastic covering
Brakes	Check operation and adjust if necessary Establish new vehicle braking distance
Tires	Check air pressure (see SPECIFICATIONS)
Fuel	Fill tank with correct fuel
Engine	Check oil level

Fig. 4 Initial Service Chart

CONTROLS AND INDICATORS

Vehicle controls and indicators consist of:

1. Key Switch
2. Fuel Gauge (optional)
3. Head Light Switch (optional)
4. Turn Signal Switch (optional)
5. Horn Button (optional)
6. Accelerator Pedal
7. Service Brake Pedal
8. Park Brake

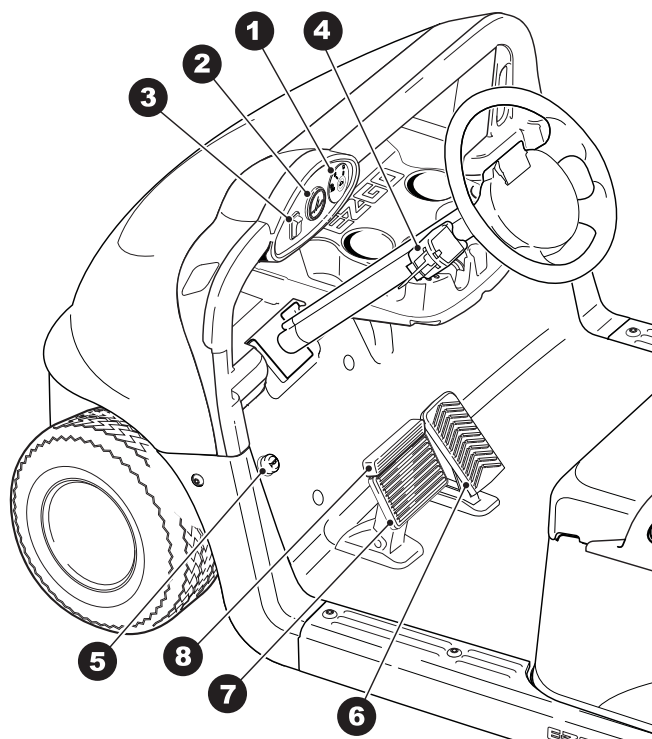


Fig. 5 Operator Controls & Gauges

9. Hour Meter (optional)
10. Direction Selector
11. Choke

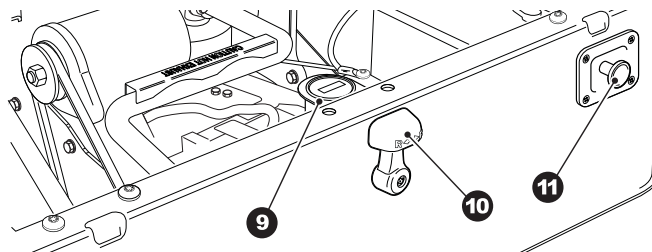


Fig. 6 Hour Meter

OPERATION AND SERVICE INFORMATION

Read all of manual to become familiar with this vehicle. Pay attention to all **NOTICES, CAUTIONS, WARNINGS and DANGERS.**

KEY SWITCH

Located on the dash panel, the key switch (1) enables the basic electrical system of the vehicle to be turned on and off by turning the key. To prevent inadvertent operation of the vehicle when left unattended, the key should be turned to the 'OFF' position and removed.

DIRECTION SELECTOR

CAUTION

To reduce the possibility of component damage, the vehicle must be completely stopped before moving the direction selector.

Located on the seat support panel, this lever permits the selection of either 'F' (forward) or 'R' (reverse). Neutral can be locked by following the instructions under 'Neutral Lock' in the Towing section of this guide. The vehicle should be left in 'F' when unattended.

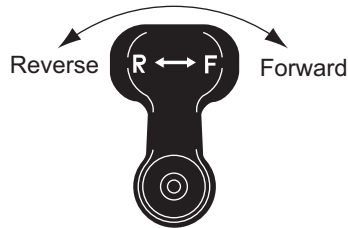


Fig. 7 Direction Selector

ACCELERATOR PEDAL

WARNING

Unintentional movement of the accelerator pedal will release the park brake and may cause the vehicle to move, which could cause severe personal injury or death.

With the key switch in the 'ON' position, depressing the accelerator pedal starts the engine. When the pedal is released, the engine will stop. To stop the vehicle more quickly, depress the service brake.

Depressing the accelerator pedal will release the park brake if it is engaged. This is a feature to assure the vehicle is not driven with the park brake engaged. This is not the preferred method of releasing the park brake.

COMBINATION SERVICE BRAKE & PARK BRAKE PEDAL

The service brake pedal incorporates a park brake feature. To engage the park brake, push down on the top section of the pedal until it locks in place. The park brake will release when the service brake pedal (lower

section) is depressed. Use the *LOWER* section of the brake pedal to operate the service brake system.

NOTICE

Depressing the bottom of the brake pedal is the preferred method of releasing the park brake to assure the longest service life of the brake components.

CHOKE

Located on the seat support panel, the choke is used to aid cold starting. Pull the choke knob out for the first start of the day, or if the vehicle does not start within ten seconds after partially depressing the accelerator pedal. Do not operate at full throttle until the engine has reached operating temperature.

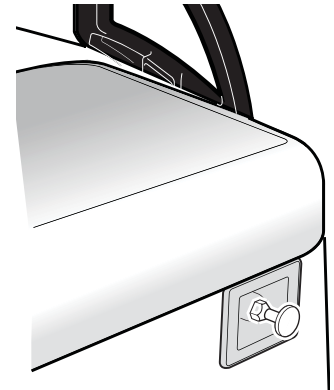


Fig. 8 Choke

FUEL GAUGE (IF SO EQUIPPED)

If the vehicle is equipped with an electric fuel gauge (2), it is located in the dash panel to the left of the key switch (1). The fuel gauge indicates the amount of fuel remaining in the fuel tank. The fuel gauge operates only when the key is in the 'ON' position and the accelerator is pressed.

LOW OIL PRESSURE INDICATOR (IF SO EQUIPPED)

The low oil pressure indicator is a light that will illuminate when the oil pressure is low. The light is located in the electric Fuel Gauge.

If the 'Low Pressure' indicator is lit, check the oil level:

- If the level is repeatedly between the 'L' (low) and 'H' (high) marks on the dipstick, a mechanical problem may exist within the engine and the vehicle should not be driven. Contact a local distributor or an authorized branch.
- If the oil level is below the 'L' mark on the dipstick, add oil to bring the level to the 'H' mark. Drive the vehicle a short distance and check the oil pressure light. If the oil pressure light does not come on, continue to use the vehicle.

CAUTION

To prevent engine damage **DO NOT** operate the vehi-

OPERATION AND SERVICE INFORMATION

Read all of manual to become familiar with this vehicle. Pay attention to all NOTICES, CAUTIONS, WARNINGS and DANGERS.

cle until the oil pressure is corrected. DO NOT over fill the engine. Too much oil may cause smoking or allow oil to enter the air filter enclosure.

HEADLIGHT SWITCH (IF SO EQUIPPED)

If the vehicle is equipped with lights, the head light ON/OFF switch (3) is located on the instrument panel to the left of the key switch (1).

TURN SIGNAL SWITCH (IF SO EQUIPPED)

If the vehicle is equipped with turn signals, the switch (4) is mounted on the steering column.

HORN (IF SO EQUIPPED)

If the vehicle is equipped with a horn, the horn button (5) is located on the driver's side floorboard; depressing the button will sound the vehicle's horn.

NOTICE

If the vehicle is equipped with factory installed custom accessories, some accessories remain operational with the key switch in the 'OFF' position.

OPERATING THE VEHICLE

CAUTION

Improper use of the vehicle or the lack of proper maintenance may result in damage or decreased performance.

Read and understand the following warnings before attempting to operate the vehicle.

WARNING

To reduce the possibility of severe injury or death resulting from loss of vehicle control, the following warnings must be observed:

When driving vehicle, consider the terrain, traffic conditions and the environmental factors that effect the terrain and the ability to control the vehicle.

Use extra care and reduced speed when driving on poor surfaces, such as loose dirt, wet grass, gravel, etc.

Stay in designated areas and avoid extremely rough terrain.

Maintain a safe speed when driving down hill. Use the service brake to control speed when traveling down an incline. A sudden stop or change of direction may result in loss of control.

To prevent loss of control, do not move the direction selector while the vehicle is in motion. Moving the direction selector will result in a sudden slowing of the vehicle.

Slow down before and during turns. All turns should be made at reduced speed.

Never drive vehicle up, down, or across an incline that exceeds 14° (25% grade).

WARNING

To reduce the possibility of severe injury or death resulting from improper vehicle operation, the following warnings must be observed:

Refer to GENERAL SPECIFICATIONS for seating capacity.

Depressing the accelerator pedal will release the foot operated park brake and may cause inadvertent vehicle movement. Turn the key to the 'OFF' position whenever the vehicle is parked.

To prevent inadvertent movement when the vehicle is to be left unattended, engage the park brake, move the direction selector to the forward (F) position, turn the key to the 'OFF' position and remove the key.

Make sure that the direction selector is in the correct position before attempting to start the vehicle.

Always bring the vehicle to a complete stop before shifting the direction selector.

DO NOT take the vehicle out of 'gear' while in motion (coast).

Check the area behind the vehicle before operating in reverse.

All occupants must be seated. Keep entire body inside vehicle and hold on while vehicle is in motion.

RUN-IN

Check for oil or fuel leaks that could have developed in shipment from the factory. Avoid full throttle starts and

OPERATION AND SERVICE INFORMATION

Read all of manual to become familiar with this vehicle. Pay attention to all **NOTICES, CAUTIONS, WARNINGS** and **DANGERS**.

rapid acceleration until the engine has achieved operating temperature.

All engines consume more oil than normal during the first hours of operation. As internal moving parts are run-in, oil consumption should gradually decrease until the rate of consumption stabilizes.

Check the oil level per the Periodic Service Schedule. Add oil if the level on the dipstick indicates that oil is in the add oil range.

CAUTION

Do not overfill the engine. Too much oil may cause smoking or allow oil to enter the air filter enclosure or foul the spark plugs.

NOTICE

The oil dipstick and cap must be in place before operating the engine. Failure to install the dipstick and cap will result in oil becoming contaminated and/or being discharged into the engine compartment.



Fig. 9 Oil Dipstick and Cap

The oil should be changed in accordance with the Periodic Service Schedule. When changing the oil, allow the engine to warm up before draining the oil. See the section on Service and Maintenance for checking the oil level and the procedure for changing the oil.

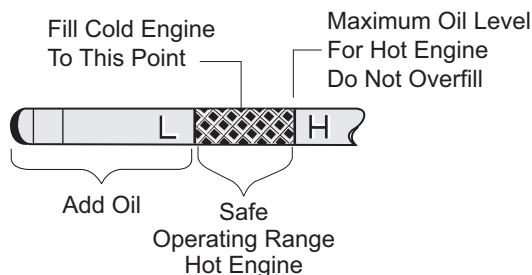


Fig. 10 Check Oil Level

COLD STARTING

Starting a cold engine **may** require the use of the choke. Depress the accelerator approximately 1" (2.5 cm) or until the starter just begins to operate. Pull the choke out as required. Accelerate slowly and push the choke in completely when the engine runs smoothly.

CAUTION

Do not allow the starter to operate continuously for more than 10 seconds. Allow 30 seconds before attempting to start the vehicle a second time. If the vehicle does not start on the third attempt, turn the key switch to the off position, set the park brake and determine the cause of the problem.

If the vehicle has been running and the engine does not start within 10 seconds, use the choke.

STARTING AND DRIVING

WARNING

To reduce the possibility of roll-back that could result in severe injury or vehicle damage, do not release the service brake until the engine has started.

To operate vehicle:

- Apply the service brake, place the key in the key switch and turn it to the 'ON' position.
- Move the direction selector to the direction desired.
- Release the park brake by depressing the service brake pedal until the park brake releases.
- Slowly depress the accelerator pedal to start the engine. Release service brake when engine starts.
- When the accelerator pedal is released, the engine circuit is de-energized and the engine stops. To stop the vehicle more quickly, depress the **service brake pedal**

NOTICE

When the direction selector is in the reverse position, a warning signal will sound to indicate that the vehicle is ready to run in reverse.

OPERATION AND SERVICE INFORMATION

Read all of manual to become familiar with this vehicle. Pay attention to all **NOTICES, CAUTIONS, WARNINGS and DANGERS.**

STARTING VEHICLE ON A HILL

! WARNING

To reduce the possibility of roll-back that could result in severe injury or vehicle damage, do not release the service brake until motor has started.

! CAUTION

Do not hold vehicle on hill by using accelerator and engine. This will cause premature and excessive wear of the drive train components.

To reduce the possibility of permanent damage to the drive system, it is important to prevent excessive roll-back. When starting the vehicle on a hill, follow the procedure below:

- Place the left foot on the service brake and depress to release the park brake.
- Place the right foot on the accelerator pedal.
- Press the accelerator pedal while releasing the service brake.

COASTING

! WARNING

To reduce the possibility of severe injury or death from coasting at above-recommended speeds, limit speed with the service brake.

On steep hills, it is possible for the vehicle to coast at greater than normal speeds encountered on flat surfaces. To reduce the possible loss of vehicle control and severe drivetrain damage, speeds should be limited to no more than the maximum governed speed on level ground (see GENERAL SPECIFICATIONS). Limit vehicle speed by applying the service brake.

FUEL

! WARNING

To reduce the possibility of severe injury or death from improper fuel handling.

DO NOT smoke near the fuel tank.

DO NOT refuel near an open flame or electrical items which could produce a spark.

Always handle gasoline in a well ventilated area.

Always wear eye protection to protect against splashed fuel and fuel vapors.

Always allow adequate space for the expansion of gasoline. Leave at least 1" (2.5 cm) of space below the bottom of the filler neck.

Inspect the fuel cap, tank and other components for leaks or deterioration that could cause a hazardous condition.

The fuel tank is located under the seat on the passenger side of the vehicle. Fill the tank with fresh, clean, automotive regular grade gasoline (87 octane minimum). High altitude or heavy use/load applications may benefit from higher octane gasoline. Gasoline ethanol blends with up to 10% ethanol may be used. **DO NOT** use gasoline that contains Methanol.

! CAUTION

Some fuels, called oxygenated or reformulated gasoline, consist of gasoline blended with alcohols or ethers. Excessive amounts of these blends can damage the fuel system or cause performance problems. If any undesirable operating symptoms occur, use gasoline with a lower percentage of alcohol or ether.

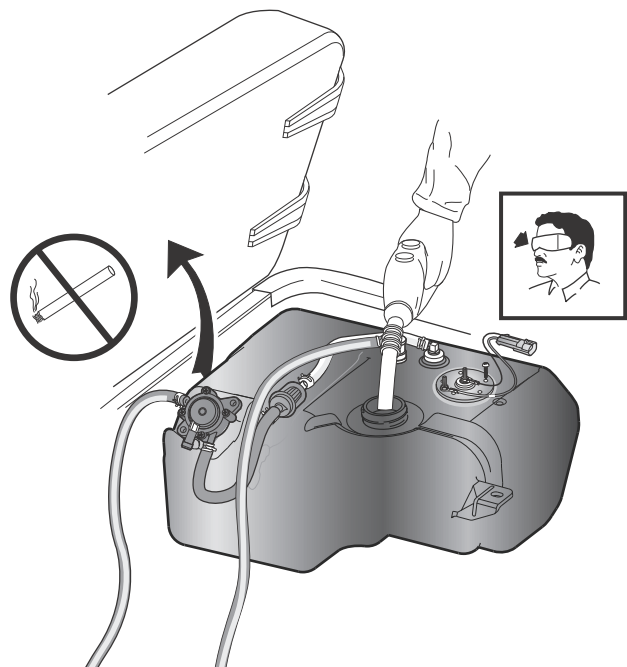


Fig. 11 Fueling

OPERATION AND SERVICE INFORMATION

Read all of manual to become familiar with this vehicle. Pay attention to all NOTICES, CAUTIONS, WARNINGS and DANGERS.

BATTERY



CAUTION

Excessive use of accessories may drain the battery and leave insufficient reserve to start the vehicle.

The vehicle uses a combination starter/generator to both start the engine and charge the battery. The engine will not idle; therefore, the battery can not be charged while the vehicle is stopped. Do not operate accessory items (such as lights) excessively while the vehicle is stopped.

The generator is capable of supplying 35 amps; therefore, operation of all accessories could result in the discharge of the battery even though the engine is running and the generator is operating. Discharging the battery is known as deep cycling. The battery is not a deep cycle model, it is a starting battery. Multiple deep cycling will result in the premature failure of the battery.

STARTING A VEHICLE WITH A DISCHARGED BATTERY



WARNING

DO NOT attempt to 'jump start' a vehicle.

This vehicle is equipped with a starter/generator. When starting the engine, the starter/generator functions as a starter and with the engine running, it functions as a generator.

With the short running times associated with this kind of vehicle, the generator is more than adequate to maintain the battery charge level. The generator is not designed to charge a discharged battery.

When the engine starts, the clutches engage and cause the vehicle to move making 'jump starting' both dangerous and impractical. Furthermore, the engine stops when the accelerator is released. **DO NOT attempt to 'jump start' this vehicle.**

If the vehicle battery has become discharged, it must be charged using a 12 volt charger that is rated at 10 amps or less. Read and understand all instructions provided by the manufacturer of the charger.

LABELS AND PICTOGRAMS

Vehicles may be labeled with pictograms as a method of conveying information or warnings. The Vehicle Label Identification Section of this manual explains the labels that are used on this vehicle.

SUN TOP AND WINDSHIELD



WARNING

The sun top does not provide protection from roll over or falling objects.

The windshield does not provide protection from tree limbs or flying objects.

The sun top and windshield provide some protection from the elements; however, they will not keep the operator and passenger dry in a downpour. This vehicle is not equipped with seat belts and the sun top has not been designed to provide roll over protection. In addition, the sun top does not protect against falling objects and the windshield does not protect against flying objects and tree limbs. Keep arms and legs inside of vehicle while it is moving.

VEHICLE CLEANING AND CARE

VEHICLE CLEANING



WARNING

To reduce the possibility of severe injury or vehicle damage, read and understand all instructions supplied by manufacturer of pressure washer.



CAUTION

When pressure washing exterior of vehicle, do not use pressure in excess of 700 psi. To reduce the possibility of cosmetic damage, do not use any abrasive or reactive solvents to clean plastic parts.

It is important that proper techniques and cleaning materials be used. Using excessive water pressure may cause severe injury to operator or bystander, damage to seals, plastics, seat material, body finish or electrical system. Do not use pressure in excess of 700 psi to wash exterior of vehicle.

Clean the windshield with lots of water, mild soap and a clean cloth.

Normal cleaning of vinyl seats and plastic or rubber trim requires the use of a mild soap solution applied with a sponge or soft brush and wiped with a damp cloth.

Removal of oil, tar, asphalt, shoe polish, etc. will require the use of a commercially available vinyl/rubber cleaner.

OPERATION AND SERVICE INFORMATION

Read all of manual to become familiar with this vehicle. Pay attention to all NOTICES, CAUTIONS, WARNINGS and DANGERS.

The painted surfaces of the vehicle provide an attractive appearance and durable protection. Frequent washing with lukewarm or cold water and mild detergent is required to preserve the painted surfaces.

Occasional cleaning and waxing with non-abrasive products designed for 'clear coat' automotive finishes will enhance the appearance and durability of the painted surfaces.

Corrosive materials used as fertilizers or for dust control can collect on the underbody of the vehicle. These materials will cause corrosion of underbody parts unless flushed occasionally with plain water. Thoroughly clean any areas where mud or other debris can collect. Sediment packed in closed areas should be loosened to ease its removal, taking care not to chip or otherwise damage paint.

REPAIR

LIFTING THE VEHICLE

Tool List

Qty.

Floor jack	1
Jack stands.....	4
Wheel Chocks	4

Some servicing operations may require the front wheels, the rear wheels, or the entire vehicle be raised.

WARNING

To reduce the possibility of severe injury or death from a vehicle falling from a jack:

Be sure the vehicle is on a firm and level surface.

Never get under a vehicle while it is supported by a jack.

Use jack stands and test the stability of the vehicle on the stands.

Always place chocks in front and behind the wheels not being raised.

Use extreme care since the vehicle is extremely unstable during the lifting process.

CAUTION

When lifting vehicle, position jacks and jack stands at the areas indicated only.

To raise the entire vehicle, install the wheel chocks in front and behind each front wheel. Center the jack under

the bagwell and place a piece of wood, approximately 2" x 4" x 12", between the jack and the underside of the bagwell. Raise the vehicle and position the jack stands under the frame where the leaf spring mounting bracket is welded to the frame. (See Fig. 13)

Lower the jack and test the stability of the vehicle on the two jack stands.

Place the jack under the center front of the car just behind the bumper. (See Fig. 13) Raise the vehicle and position the jack stands under the frame where the instrument panel support is attached to the frame.

Lower the jack and test the stability of the vehicle on all four jack stands.

To raise only the front or rear of the vehicle, place the wheel chocks in front and behind the wheels that are not to be raised. The jack may be left under the center front of the frame while the front end of the vehicle is on the jack stands.

Lower the vehicle by reversing the lifting sequence.

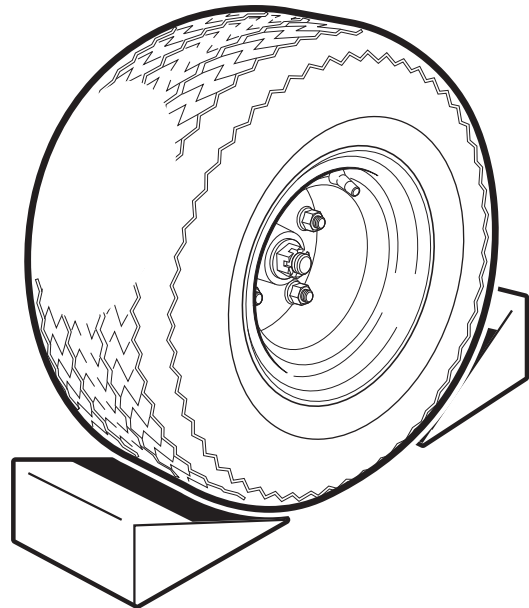


Fig. 12 Chock Wheels

OPERATION AND SERVICE INFORMATION

Read all of manual to become familiar with this vehicle. Pay attention to all NOTICES, CAUTIONS, WARNINGS and DANGERS.

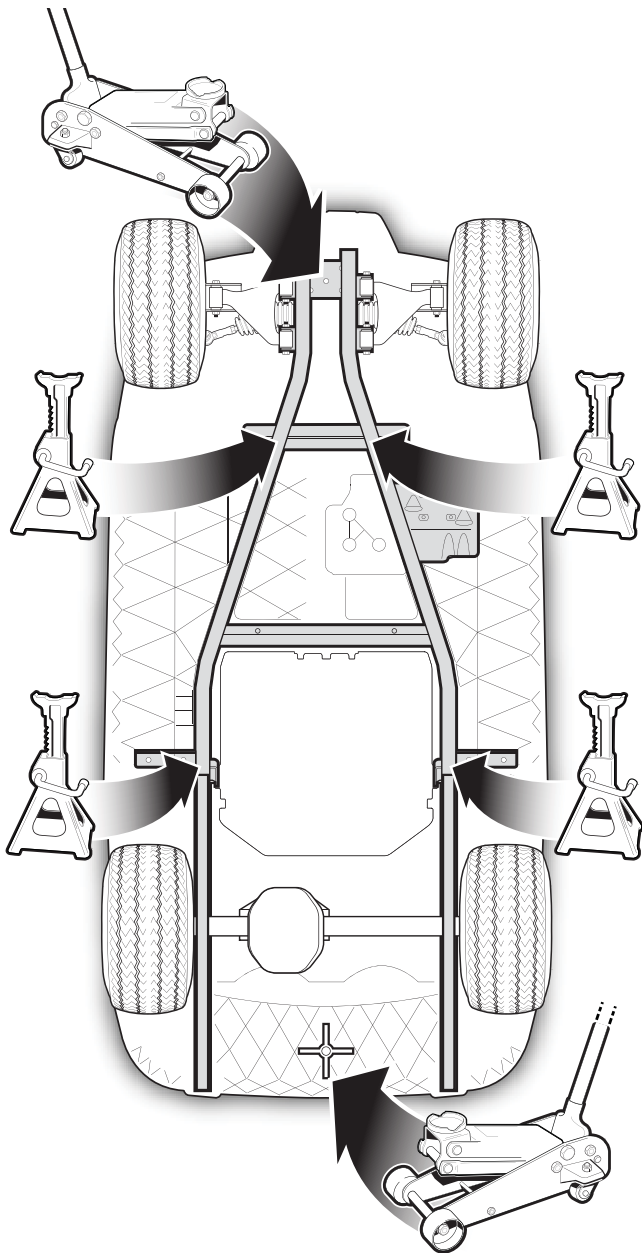


Fig. 13 Lifting the Vehicle

⚠ WARNING

A tire explosion can cause severe injury or death. Never exceed the inflation pressure rating on the tire sidewall.

To reduce the possibility of tire explosion, pressurize tire with small amount of air applied intermittently to seat beads. Due to the low volume of the small tires, overinflation can occur in seconds. Never exceed the tire manufacturer's recommendation when seating a bead. Protect face and eyes from escaping air when removing a valve core.

To reduce the possibility of severe injury caused by a broken socket when removing wheels, use only sockets designed for impact wrench use.

Use caution when inflating tires. Overinflation could cause the tire to separate from the wheel or cause the tire to explode, either of which could cause severe injury.

DO NOT use low inflation tires on any E-Z-GO vehicle. DO NOT use any tire which has a recommended inflation pressure less than the inflation pressure recommended in the owner's guide.

Use caution when inflating tires. Due to the low volume of the small tires, overinflation can occur in seconds. Overinflation could cause the tire to separate from the wheel or cause the tire to explode.

Tire inflation should be determined by the condition of the terrain. See GENERAL SPECIFICATIONS section for recommended tire inflation pressure. For outdoor applications with major use on grassy areas, the following should be considered. On hard turf, it is desirable to have a **slightly** higher inflation pressure. On very soft turf, a lower pressure reduces the possibility of tires cutting into the turf. For vehicles being used on paved or hard surfaces, tire inflation pressure should be in the higher allowable range, but under no condition should inflation pressure be higher than recommended on tire sidewall. **All four tires** should have the same pressure for optimum handling characteristics. Be sure to install the valve stem dust cap after checking or inflating.

The vehicle is fitted with low pressure tubeless tires mounted on one piece rims; therefore, the most cost effective way to repair a puncture in the tread is to use a commercial tire plug.

WHEELS AND TIRES

TIRE REPAIR

Tool List

	Qty.
Lug wrench, 3/4"	1
Impact socket, 3/4"	1
Impact wrench	1
Torque wrench, ft. lbs.	1

OPERATION AND SERVICE INFORMATION

Read all of manual to become familiar with this vehicle. Pay attention to all **NOTICES**, **CAUTIONS**, **WARNINGS** and **DANGERS**.

NOTICE

Tire plug tools and plugs are available at most automotive parts outlets and have the advantage of not requiring the tire be removed from the wheel.

If the tire is flat, remove the wheel and inflate the tire to the maximum recommended pressure for the tire. Immerse the tire in water to locate the leak and mark with chalk. Insert tire plug in accordance with manufacturer's instructions

WARNING

To reduce the possibility of severe injury, be sure the mounting/demounting machine is anchored to floor. Wear OSHA approved safety equipment when mounting/demounting tires.

If the tire is to be removed or mounted, the tire changing machine manufacturer's recommendations must be followed in order to reduce possibility of severe injury.

WHEEL INSTALLATION

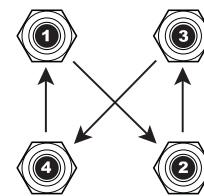
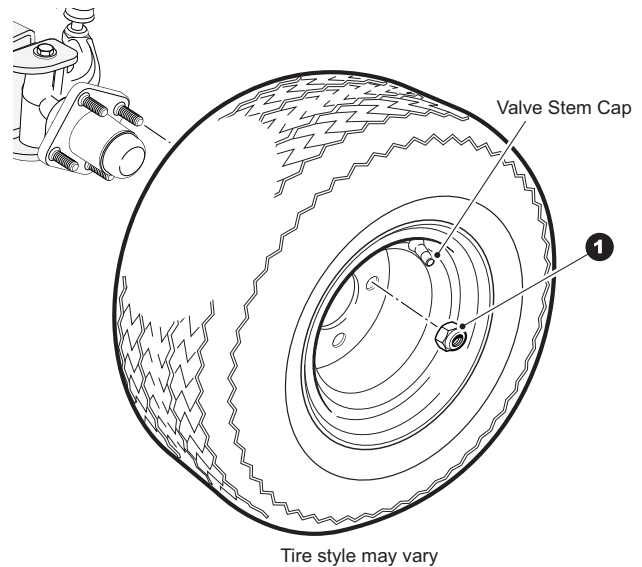
CAUTION

To reduce the possibility of component damage, do not tighten lug nuts to more than 85 ft. lbs. (115 Nm) torque.

NOTICE

It is important to follow the 'cross sequence' pattern when installing lug nuts. This will assure even seating of the wheel against the hub.

With the valve stem to the outside, mount the wheel onto the hub with lug nuts. Finger tighten the lug nuts in a 'cross sequence' pattern (Ref. Fig. 14). Tighten the lug nuts to 50 - 85 ft. lbs. (70 - 115 Nm) torque in 20 ft. lbs. (30 Nm) increments following the 'cross sequence' pattern. (Ref. Fig. 14)



Cross Sequence

Fig. 14 Wheel Installation

Light Bulb Replacement

CAUTION

To reduce the possibility of premature bulb failure, do not touch new bulbs with bare fingers. Use clean, dry tissue or paper towel to handle the glass portion of the bulb.

HEAD LIGHT BULB REPLACEMENT

Make sure that the vehicle key switch is in the 'OFF' position and the key has been removed. For vehicles equipped with lights mounted in the cowl, locate the headlight bulb socket on the backside of the light assembly.

1. Turn the headlight bulb (3) clockwise and pull to remove.
2. Disconnect the accessory harness (5) from the light bulb.

OPERATION AND SERVICE INFORMATION

Read all of manual to become familiar with this vehicle. Pay attention to all **NOTICES, CAUTIONS, WARNINGS and DANGERS.**

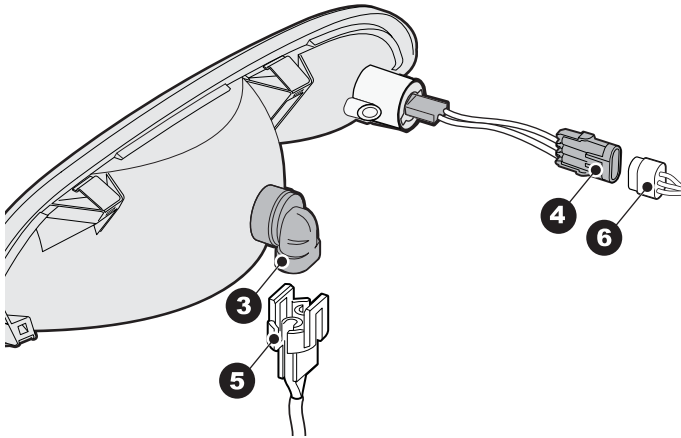


Fig. 15 Head Light Bulb Replacement

3. Connect the accessory harness (5) to the light bulb (3).
4. Align the bulb with the opening in the back of the headlight assembly.
5. Turn the bulb (3) counter clockwise until it stops.

TURN SIGNAL BULB REPLACEMENT

Make sure that the vehicle key switch is in the 'OFF' position and the key has been removed.

1. Remove the phillips head screw (7) and turn the retaining collar (8) to align with the turn signal bulb housing (9).
2. Grip the turn signal bulb housing (9) and pull backward to remove housing from the headlight assembly.

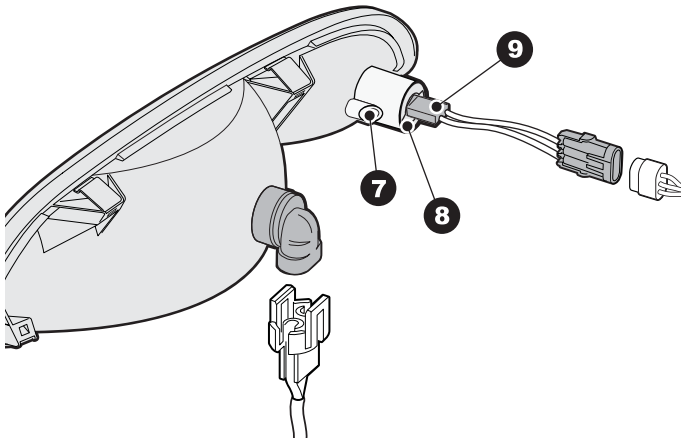


Fig. 16 Turn Signal Bulb Replacement

3. Remove the bulb from the housing and replace with a new one.
4. Push turn signal housing (9) into headlight assembly firmly, making sure that it is seated completely.

5. Turn the retaining collar (8) to secure the bulb housing and install the phillips head screw (7) to secure in place.

TAIL LIGHT/BRAKE LIGHT BULB REPLACEMENT

Make sure that the vehicle key switch is in the 'OFF' position and the key has been removed.

1. Remove the two phillips head screws (8) that secure the lens (9) to the tail light assembly.
2. Remove the light bulb.
3. Install the new light bulb.
4. Install the lens (9) and secure in place with the two phillips head screws (8)

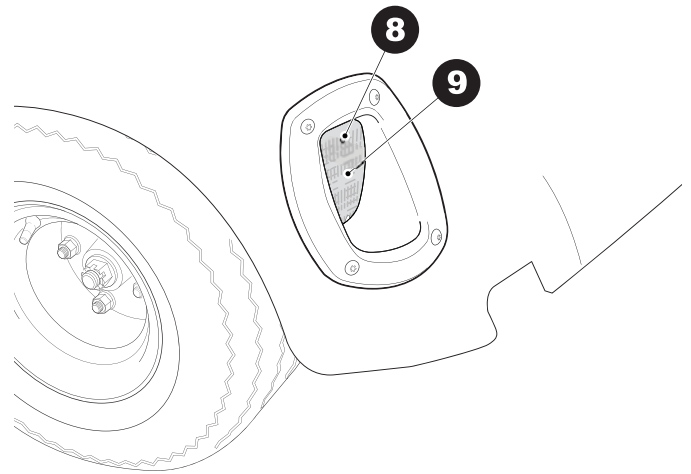


Fig. 17 Tail and Brake Light Bulb Replacement

TRANSPORTING VEHICLE

TOWING

! WARNING

To reduce the possibility of severe injury or death:

- Use extra caution when towing a vehicle.
- DO NOT ride on the vehicle being towed.
- DO NOT attempt to tow the vehicle with ropes, chains or any device other than a factory approved tow bar.
- DO NOT tow the vehicle on highways.
- DO NOT tow a single vehicle at speeds in

OPERATION AND SERVICE INFORMATION

Read all of manual to become familiar with this vehicle. Pay attention to all **NOTICES**, **CAUTIONS**, **WARNINGS** and **DANGERS**.

excess of 12 mph (19 kph).

DO NOT tow more than three vehicles at a time.

DO NOT exceed 5 mph (8 kph) while towing multiple vehicles.

CAUTION

Place the direction selector in neutral and engage the neutral lock to secure the direction selector in the neutral position.

Do not tow a single vehicle at speeds in excess of 12 mph (19 kph). Do not tow more than three vehicles at a time. Do not exceed 5 mph (8 kph) while towing multiple vehicles. Towing the vehicle above the recommended speed may result in severe injury and/or damage to the vehicle and other property.

Tow bars are not intended for road use.

Never use ropes or chains to tow vehicle(s). Tow bars are available from the E-Z-GO Service Parts Department.

Tow bars are not intended for highway use. Before towing, place direction selector in neutral and engage the neutral lock. Do not ride on the vehicle being towed.

Tow bars are designed to tow only one vehicle at a maximum speed of 12 mph (19 kph) and up to three vehicles at a maximum speed of 5 mph (8 kph).

NEUTRAL LOCK

To prevent the driven clutch from turning the rear wheels during service operations and to prevent wear to the belt while being towed, a neutral lock is located on the direction selector.

To operate the neutral lock, turn the key switch to 'OFF', place the direction selector in 'R' and remove the seat. Pull out (1) and rotate (2) the neutral lock pin handle so that the pointed portion of the handle is over the side of the direction selector cam (Ref. Fig. 18). Move direction selector lever towards the area between 'F' and 'R'. During that motion, the pin will snap into the hole in the direction selector mounting bracket, preventing any movement of the lever. When in this position, the direction selector remains locked in the neutral position.

WARNING

The direction selector is a spring-loaded mechanism. To prevent the possibility of fingers becoming pinched in the direction selector

mechanism, hold the direction selector lever when releasing the neutral lock pin handle.

To activate the direction selector, pull the neutral lock pin handle out and rotate it until the pointed portion of the handle fits into the hole (3) in the direction selector cam.

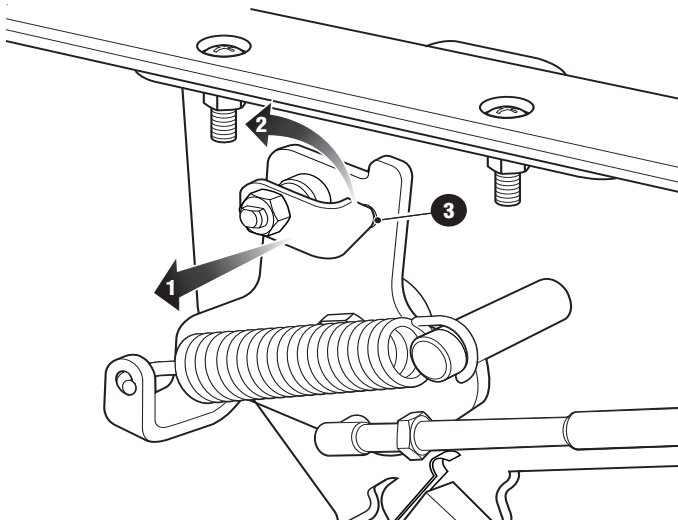


Fig. 18 Neutral Lock

HAULING

WARNING

To reduce the possibility of severe injury or death while transporting the vehicle:

Secure the vehicle and contents.

Never ride on the vehicle being transported.

Always remove the windshield before transporting.

Maximum speed with a sun top installed is 50 mph (80 kph).

If the vehicle is to be transported at highway speeds, the sun top must be removed and the seat bottom secured. When transporting the vehicle below highway speeds, check for tightness of hardware and cracks in sun top at mounting points. Always remove the windshield when transporting. Always check that the vehicle and contents are adequately secured before transporting. The rated capacity of the trailer or truck must exceed the weight of the vehicle (see GENERAL SPECIFICATIONS for vehicle weight) and load plus 1000 lbs. (454 kg). Lock the park brake and secure the vehicle using ratchet tie-downs.

OPERATION AND SERVICE INFORMATION

Read all of manual to become familiar with this vehicle. Pay attention to all NOTICES, CAUTIONS, WARNINGS and DANGERS.

SERVICE AND MAINTENANCE

PERIODIC SERVICE SCHEDULE

✓ - CHECK C&A - CHECK & ADJUST CL - CLEAN R - REPLACE

REMARKS	before each use DAILY	WEEKLY	20 rnds/20 hrs 100 miles/160 kms MONTHLY	60 rnds/60 hrs 300 miles/500 kms QUARTERLY	125 rnds/125 hrs 600miles/1000 kms SEMI-ANNUAL	250 rnds/250 hrs 1200miles/2000 kms ANNUAL	5 YEARS	PAGE
Tires - pressure, condition of tires & rims	✓	✓	✓	✓	✓	✓		
Hardware - loose or missing	✓	✓	✓	✓	✓	✓		
Reverse Warning Indicator	✓	✓	✓	✓	✓	✓		
Overall Vehicle Condition	✓	✓	✓	✓	✓	✓		
Battery - charge condition, loose terminals, corrosion, hold down & hardware	✓	✓	CL	CL	CL	CL		
Service Brake (Mechanical) - smooth operation	✓	✓	✓	✓	✓	✓		
Brakes - aggressive stop test			C&A	C&A	C&A	C&A		
Park Brake - operation, does it hold on a hill	✓	✓	C&A	C&A	C&A	C&A		
Accelerator - smooth operation	✓	✓	✓	✓	✓	✓		
Starter/Generator Belt - tension, wear, cracks		✓	✓	✓	✓	✓		
Wiring - loose connections, broken or missing insulation			✓	✓	✓	✓		
Carburetor Linkage - attachment			C&A	C&A	C&A	C&A		
Carburetor						CL		
Direction Selector - attachment and mechanism			C&A	C&A	C&A	C&A		
Cooling Fan - build up of debris on blower housing screen	CL	CL	CL	CL	CL	CL		
Engine Oil ** - oil level	C&A	C&A	C&A	C&A	C&A	C&A		
Engine Oil **& Filter - drain and change					R	R		
Engine - noise, vibration, acceleration, oil leaks			C&A	C&A	C&A	C&A		
Valves - check cold - Ref: Repair & Service Manual						C&A		
Cylinder Head & Piston - remove carbon							CL	
Choke Cable - smooth movement & adjustment			C&A	C&A	C&A	C&A		
Cooling Fan - build-up of foreign matter inside housing & fins			CL	CL	CL	CL		

Fig. 19

**Initial oil change after 8 hours of run time.

OPERATION AND SERVICE INFORMATION

Read all of manual to become familiar with this vehicle. Pay attention to all **NOTICES, CAUTIONS, WARNINGS and DANGERS.**

REMARKS	before each use DAILY	WEEKLY	20 rnds/20 hrs 100 miles/160 kms MONTHLY	60 rnds/60 hrs 300 miles/500 kms QUARTERLY	125 rnds/125 hrs 600miles/1000 kms SEMI-ANNUAL	250 rnds/250 hrs 1200miles/2000 kms ANNUAL	5 YEARS	PAGE
Steering Assembly - excessive play, loose or missing hardware			✓	✓	✓	✓		
Tie Rods - excessive play, bent rods, loose or missing hardware			✓	✓	✓	✓		
Rear Axle - fluid level, oil leakage, noise, loose or missing hardware			✓	✓	✓	✓		
Rear Axle - drain & replace fluid							R	
Rear Suspension - shock oil leakage, worn bushings, loose or missing hardware				✓	✓	✓		
Front Suspension - strut oil leakage, excessive play in hubs or kingpins, worn bushings, loose or missing hardware			✓	✓	✓	✓		
Front Wheel Alignment - unusual tire wear				C&A	C&A	C&A		
Fuel Level	✓	✓	✓	✓	✓	✓		
Fuel System - leaks at tank, cap, system lines for cracks/deterioration, filters, pump				✓	✓	✓		
Fuel Filter						R		
Spark Plug						R		
Throttle/Governor Linkage - operation & governed speed				✓	✓	✓		
Air Filter Element - check & replace as necessary					✓	✓		
Drive Belt - cracks, frayed, excessive wear					✓	✓		

Fig. 19

**Initial oil change after 8 hours of run time.

CAPACITIES AND REPLACEMENT PARTS

Fuel Tank	5.1 gal (19.3 liters) 87 Octane minimum
Engine Oil	1.25 L (1.3 qt.)
Rear Axle Lubricant Oil SAE 30	1.5 L. (51 oz.)

Fig. 20 Capacities

Oil Filter	E-Z-GO P/N 607454
Air Filter	E-Z-GO P/N 28463G01
Spark Plug	NGK BPR2ES (E-Z-GO P/N 607462)
Starter/Gen. Belt	E-Z-GO P/N 606138
Clutch Belt	E-Z-GO P/N 606136
Fuse	ATC 10A (E-Z-GO P/N 35212G07)
Headlight Bulb	894 (E-Z-GO P/N 74004G01)
Turn Signal Bulb	912-NA (E-Z-GO P/N 74005G01)
Tail Light Bulb	2057 (E-Z-GO P/N 604311)

Fig. 21 Replacement Parts

OPERATION AND SERVICE INFORMATION

Read all of manual to become familiar with this vehicle. Pay attention to all **NOTICES, CAUTIONS, WARNINGS and DANGERS.**

HARDWARE

Periodically, the vehicle should be inspected for loose fasteners. Fasteners should be tightened in accordance with the Torque Specifications table (Ref. Fig. 22).

Use care when tightening fasteners and refer to the Technician's Repair and Service Manual for specific torque values.

Generally, three grades of hardware are used in the vehicle. Grade 5 hardware can be identified by the three marks on the hexagonal head and grade 8 hardware is identified by 6 marks on the head. Unmarked hardware is Grade 2 (Ref. Fig. 22).







ALL TORQUE FIGURES ARE IN FT. LBS. (Nm)											
Unless otherwise noted in text, tighten all hardware in accordance with this chart.											
This chart specifies 'lubricated' torque figures. Fasteners that are plated or lubricated when installed are considered 'wet' and require approximately 80% of the torque required for 'dry' fasteners.											
BOLT SIZE	1/4"	5/16"	3/8"	7/16"	1/2"	9/16"	5/8"	3/4"	7/8"	1"	
Grade 2 	4 (5)	8 (11)	15 (20)	24 (33)	35 (47)	55 (75)	75 (102)	130 (176)	125 (169)	190 (258)	
Grade 5 	6 (8)	13 (18)	23 (31)	35 (47)	55 (75)	80 (108)	110 (149)	200 (271)	320 (434)	480 (651)	
Grade 8 	6 (8)	18 (24)	35 (47)	55 (75)	80 (108)	110 (149)	170 (230)	280 (380)	460 (624)	680 (922)	
BOLT SIZE	M4	M5	M6	M8	M10	M12	M14				
Class 5.8 (Grade 2) 	1 (2)	2 (3)	4 (6)	10 (14)	20 (27)	35 (47)	55 (76.4)				
Class 8.8 (Grade 5) 	2 (3)	4 (6)	7 (10)	18 (24)	35 (47)	61 (83)	97 (131)				
Class 10.9 (Grade 8) 	3 (4)	6 (8)	10 (14)	25 (34)	49 (66)	86 (117)	136 (184)				

Fig. 22 Torque Specifications and Bolt Grades

WARNING

To reduce the possibility of severe injury or death from improper servicing techniques:

DO NOT attempt any type of servicing operations before reading and understanding all notes, cautions and warnings in this manual.

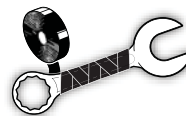
Any servicing requiring adjustments to be made to the powertrain while the motor is running must be made with both drive wheels raised and vehicle properly supported on jack stands.

To reduce the possibility of motor damage, never operate vehicle at full throttle for more than 4 - 5 seconds while vehicle is in a 'no load' condition.



Wear eye protection when working on the vehicle. Use extra care when working around batteries, or using solvents or compressed air.

To reduce the possibility of causing an electrical arc, which could result in a battery explosion, turn off all electrical loads from the battery before removing battery wires.



Wrap wrenches with vinyl tape to reduce the possibility of a dropped wrench 'shorting out' a battery, which could result in an explosion.

explosion.

Reduce the possibility of accidental starting by removing and grounding spark plug wires and disconnecting battery at negative terminal before servicing.

The electrolyte in a battery is an acid solution which can cause severe burns to the

OPERATION AND SERVICE INFORMATION

Read all of manual to become familiar with this vehicle. Pay attention to all **NOTICES, CAUTIONS, WARNINGS and DANGERS.**

skin and eyes. Treat all electrolyte spills to the body and eyes with extended flushing with clear water. Contact a physician immediately.

Any electrolyte spills should be neutralized with a solution of 2 teaspoons (10 ml) sodium bicarbonate (baking soda) dissolved in 1 quart (1 liters) of water and flushed with water.

Aerosol containers of battery terminal protectant must be used with extreme care. Insulate metal container to reduce the possibility of can contacting battery terminals which could result in an explosion.

It is in the best interest of both vehicle owner and service technician to carefully follow the procedures recommended in this manual. Preventative maintenance, applied at recommended intervals, is the best guarantee for keeping the vehicle both dependable and economical.

This vehicle will give years of satisfactory service, providing it receives regular maintenance. Refer to the Periodic Service Schedule for appropriate service intervals.



CAUTION

To prolong vehicle life, some maintenance items must be serviced more frequently on vehicles used under severe driving conditions such as extreme temperatures, extreme dust/debris conditions, and frequent use with maximum load.

TIRE INSPECTION

Tire condition should be inspected per the Periodic Service Schedule. Inflation pressures should be checked when the tires are cool. Be sure to install the valve dust cap after checking or inflating.

REAR AXLE

The only maintenance required for the first five years is the periodic inspection of the lubricant level. The rear axle is provided with a lubricant level check/fill plug located on the bottom of the differential. Unless leakage is evident, the lubricant needs to be replaced after five years.

To access the powertrain for routine maintenance, lift or remove the seat and remove the rear access panel. For major repair, refer to the appropriate Technician's Repair and Service Manual.

Some service procedures may require the vehicle to be lifted. Refer to **LIFTING THE VEHICLE** for proper lifting procedure and safety information.

CHECKING THE LUBRICANT LEVEL

Clean the area around the check/fill plug and remove the plug. The correct lubricant level is just below the bottom of the threaded hole. If lubricant is low, add lubricant slowly until lubricant starts to seep from the hole. Install the check/fill plug. In the event that the lubricant is to be replaced, a drain plug is provided at the bottom of the differential housing.

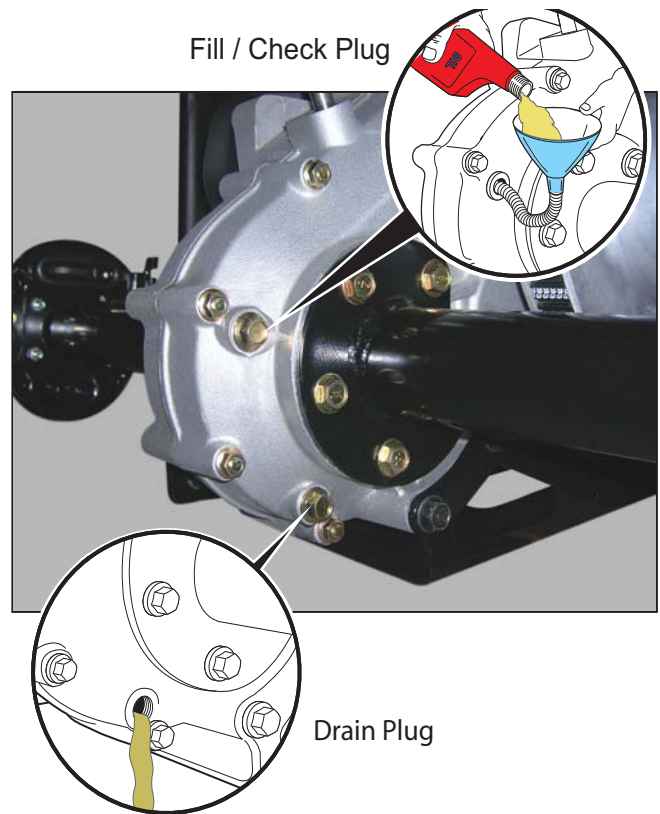


Fig. 23 Add, Check and Drain Axle Lubricant

CHECKING THE OIL LEVEL



CAUTION

Do not overfill the engine with oil. Too much oil may cause smoking or cause spark plug fouling.

The oil should be checked with the engine warm. The vehicle should be on a level surface with the parking (PARK) brake engaged. Allow adequate time for oil to drain into the crankcase before checking.

OPERATION AND SERVICE INFORMATION

Read all of manual to become familiar with this vehicle. Pay attention to all **NOTICES, CAUTIONS, WARNINGS and DANGERS.**

Remove the dipstick and wipe off the entire area with a lint-free cloth.



Fig. 24 Oil Dipstick & Cap

Insert the dipstick **fully** into the dipstick hole and remove. Examine the level of the oil on the dipstick.

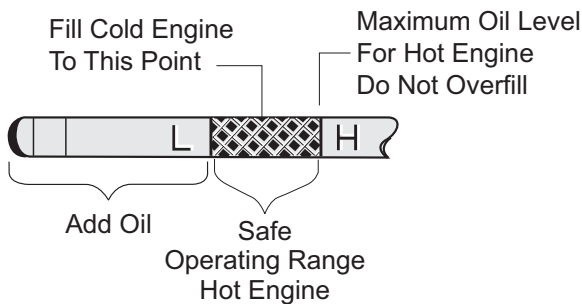


Fig. 25 Check Oil Level on Dipstick

The engine can be operated safely as long as oil is within the safe operating range as indicated on the dip stick. **DO NOT operate vehicle if the oil level is below the safe area indicated on the dipstick.**

Oil should be added to bring the level into the safe operating range. Remember that oil expands as it gets hot. **DO NOT overfill the engine with oil.** Check that the oil cap is firmly in place.

NOTICE

When adding oil between oil changes, do not mix brands and viscosity grades of oil.

Both the oil dipstick and cap must be in place before operating the engine. Failure to install the dipstick and cap will result in oil becoming contaminated and/or oil being discharged into the engine compartment.

CHANGING THE OIL

Tool List	Qty.
Socket, 10 mm.....	1
Ratchet	1
Extension	1
Oil drain pan	1
Oil Filter Wrench	1

For maximum performance and longevity, the engine oil should be replaced after the first 8 hours of operation. After the initial oil change, it should be changed every 125 hours of operation or semi-annually, whichever comes first.

The selection of oil is dependent upon the service that the vehicle will perform. Most vehicles require 10W-30 oil, whereas vehicles used at capacity or near capacity load applications will utilize 10W-40 oil after a break-in period of 100 hours.

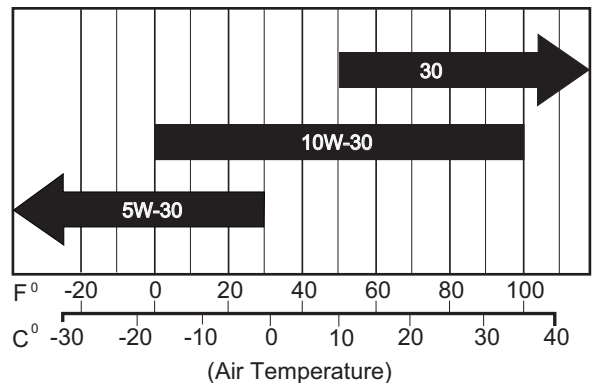


Fig. 26 Oil Viscosity Chart

NOTICE

If the vehicle is to be stored over the winter months, it can be stored with the oil left in engine. The oil should be changed as part of spring maintenance. This will remove any moisture that has accumulated during storage.

OPERATION AND SERVICE INFORMATION

Read all of manual to become familiar with this vehicle. Pay attention to all **NOTICES, CAUTIONS, WARNINGS and DANGERS.**

⚠ WARNING

Be aware that engine fluids may be hot and contact to the skin may cause severe burns. Wear rubber gloves to protect skin from exposure to the old oil and degreaser.

The oil should be changed with the engine warm. Park the vehicle on a level surface, engage the parking brake and remove the key. Place a drain pan under the engine. Wipe the top of the engine clean with a cloth. Remove the oil dipstick and cap.

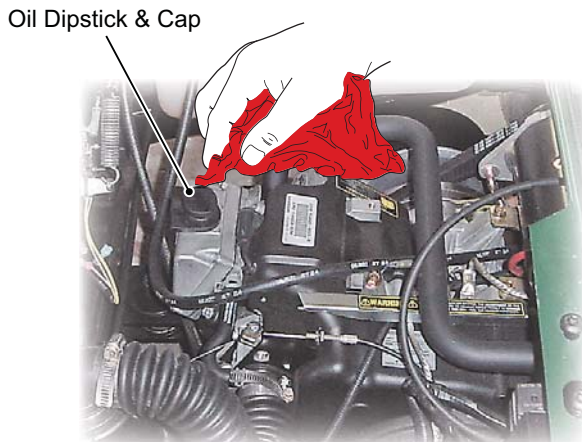


Fig. 27 Cleaning Top of Engine

Clean the area around the filter. Using an oil filter wrench, strap wrench or other suitable filter wrench (A), remove the oil filter (B) from the engine and allow the oil to drain.

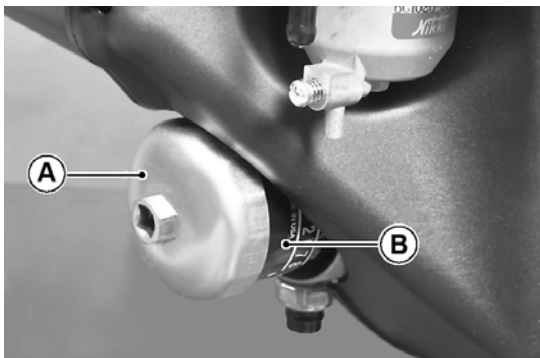


Fig. 28 Remove Oil Filter

The 'O'-ring may remain on the engine (C) or on the filter (D). Inspect the filter, check to see if the 'O' ring is present or has been left on the engine surface. If the 'O' ring has remained on the engine, remove it.

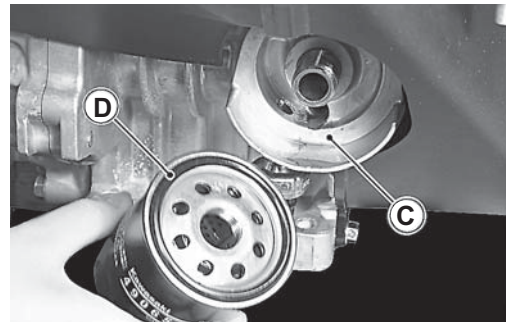


Fig. 29 Inspect Oil Filter

⚠ WARNING

Be careful of hot oil when drained. It may be hot enough to burn you severely.

Drain the oil by removing the drain plug found at the rear of the engine base. Remove using a 3/4" (19mm) wrench. At the first oil change, **small** metal chips and lint may be found. This is normal, resulting from the break-in period. Inspect the filter at every oil change. The presence of large metal chips could indicate possible damage to the engine.

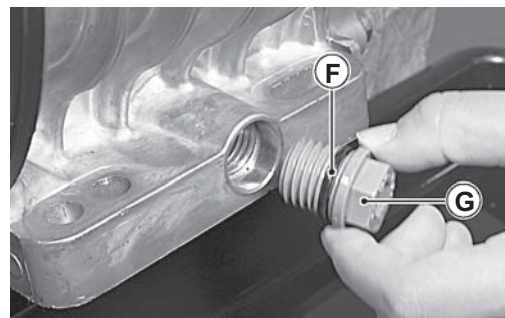


Fig. 30 Oil Drain Plug

Wipe the area around the drain plug mount with a lint-free cloth and inspect the drain plug (G) for damage; replace if necessary. Replace the "O"-ring (F) with a new one and tighten to 61 in. lbs. (7.0 Nm) torque.

Apply a thin film of engine oil to the oil filter 'O'-ring and install the oil filter onto the engine until the seal contacts mounting surface of the engine. Then turn the filter 2/3 to 3/4 of a rotation by **HAND**. Add slightly less than 1.4 quarts (1.3 liters); to allow for possible residual oil left in engine; of high quality oil that meets or exceeds API SF, SG, CC standards. Check the oil level on the dipstick. The oil should be slightly below the 'H' to allow for expansion when the engine is hot. If necessary, continue to add oil slowly and allow time for the oil to flow down into the engine. Check the oil level on the dipstick. **DO NOT overfill the engine with oil.**

OPERATION AND SERVICE INFORMATION

Read all of manual to become familiar with this vehicle. Pay attention to all **NOTICES, CAUTIONS, WARNINGS and DANGERS.**



CAUTION

Do not overfill engine. Too much oil may cause smoking or allow oil to enter the air filter enclosure.

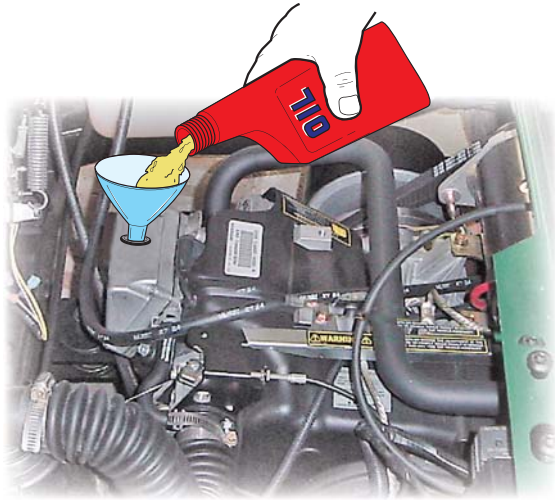


Fig. 31 Add Engine Oil

NOTE

The oil dipstick and cap must be in place before operating the engine. Failure to install the dipstick and cap will result in oil being discharged into the engine compartment.

As a final check, check the oil level again with the vehicle on level ground. Like all liquids, oil increases in volume when warm. The full 'H' mark on the dipstick is calibrated for an engine at operating temperature. When the engine is cold, the oil will be below the full mark. The engine can be operated safely as long as the oil is within the safe operating range as indicated on the dipstick. **DO NOT operate the vehicle if the oil level is below the safe area indicated on the dipstick.**

AIR CLEANER INSPECTION AND REPLACEMENT

NOTICE

The air cleaner unit on the vehicle is a dry unit. **DO NOT** use oil on the filter element or any part of the unit.

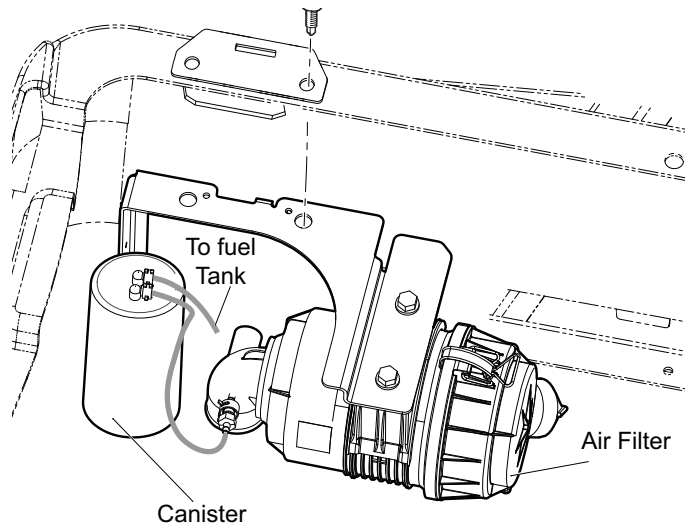


Fig. 32 Air Cleaner

CLEANING THE AIR FILTER ELEMENT



CAUTION

DO NOT use compressed air to clean the air filter. Doing so will damage the filter and will cause damage the engine.

The air cleaner element is accessible by unsnapping the clips on the air canister and removing the cover and air filter element. Clean inside of cover, canister and dust collector. Install the element and cover the same way they were removed. Be sure the positioning arrow on cover is pointing upward and all clips are fastened securely

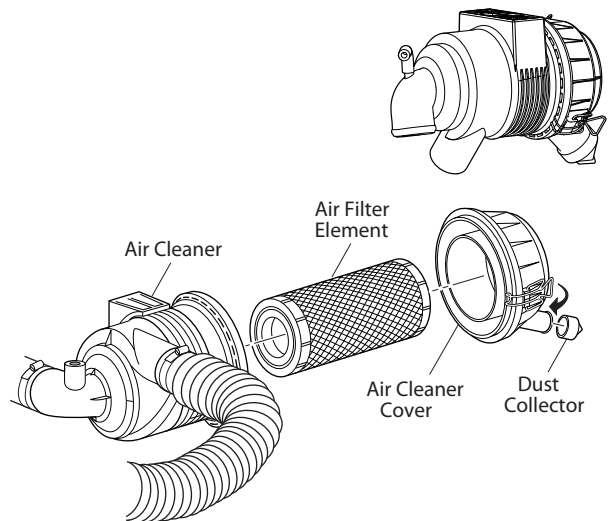


Fig. 33 .Air Cleaner Assembly

OPERATION AND SERVICE INFORMATION

Read all of manual to become familiar with this vehicle. Pay attention to all **NOTICES, CAUTIONS, WARNINGS and DANGERS.**

If the element is in acceptable condition, loose dirt may be removed by tapping the filter lightly. Do not use oil on the filter element or any part of the unit

STARTER/GENERATOR BELT TENSION

Tool List	Qty.
Belt tension gauge.....	1
Wrench, 13mm.....	1
Wrench, 14mm".....	2
Ratchet.....	1
Socket, 15mm.....	1

The starter/generator belt tension should be checked after the first 15 - 20 hours and set to 75 - 80 lbs. (34 - 36 kg).

NOTICE

A loose belt can cause audible vibration and squeal.

Tighten a **new** starter/generator belt to 115 - 125 lbs. (52 - 57 kg) tension when a gauge is applied half way between the two pulleys.

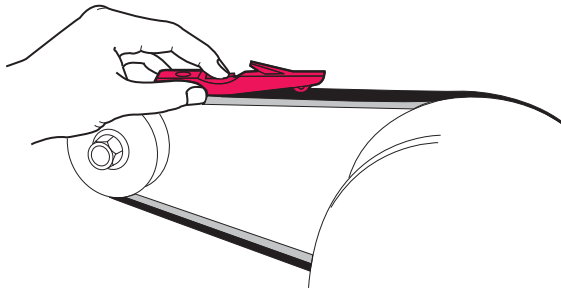


Fig. 34 Checking Belt Tension with Gauge

Although not as accurate, a **new** belt may be depressed with a finger to check the belt tension. A maximum deflection of 3/8" (10 mm) is acceptable.

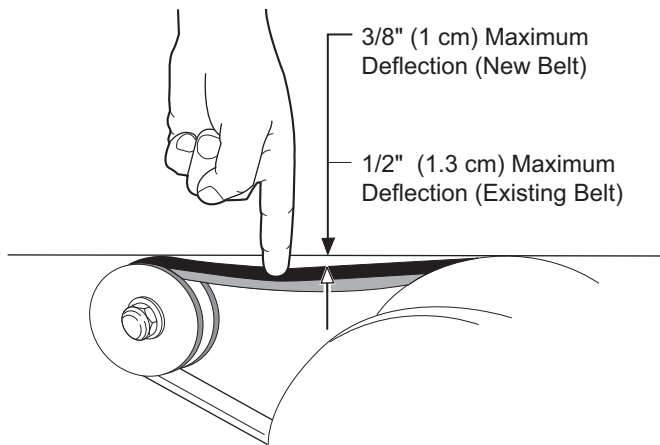


Fig. 35 Checking Belt Tension with Finger

Re-tighten an **existing** belt to 75 - 80 lbs. (34 - 36 kg) tension using the same technique. A maximum deflection of 1/2" (13 mm) is acceptable.

ADJUSTING THE BELT

Using a 15mm socket and a 13mm open end wrench, loosen the starter/generator pivot bolt.

While holding the lower adjusting nut with a 14mm wrench, loosen the upper jam nut with another 14mm wrench. Move the lower nut up or down the adjustment bolt until proper belt tension is achieved. Hold the lower nut in place and tighten the upper jam nut against it.



Fig. 36 Adjusting the Belt Tension

Using a 15mm socket and a 13mm open end wrench, tighten the starter/generator pivot bolt.

COOLING SYSTEM CLEANING

At least once a year, or more often under adverse conditions, the cooling system should be cleaned. Cleaning will assure an adequate supply of air to the cooling fins. Compressed air may be used for routine cooling system maintenance.

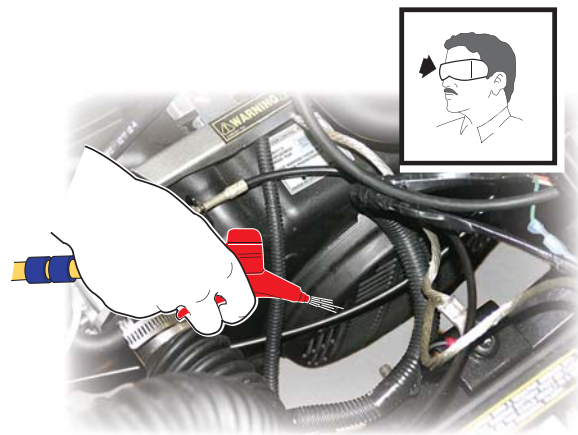


Fig. 37 Cleaning Cooling System with Air

OPERATION AND SERVICE INFORMATION

Read all of manual to become familiar with this vehicle. Pay attention to all **NOTICES, CAUTIONS, WARNINGS and DANGERS.**

SPARK PLUG

Tool List	Qty. Required
Spark plug wrench, 13/16"	1
Plug gauge, wire type.....	1

Using a 13/16" spark plug wrench, remove the spark plug at intervals indicated in the Periodic Service Schedule, check, clean and set the gap to 0.7 - 0.8 mm (.028" - .031"). Install the spark plug and tighten to 16 ft. lbs. (22 Nm) torque.

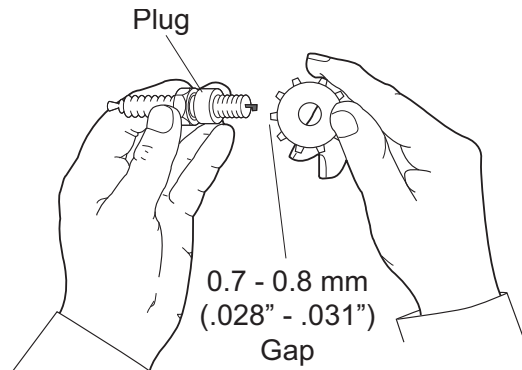


Fig. 38 Gapping the Spark Plug

A fouled spark plug is indicated by a wet, black appearance. This could be caused by a dirty air filter element or other restrictions in the air intake system. Incorrectly adjusted valves, a spark plug wire in poor condition or poor quality fuel could also contribute to the problem.



CAUTION

Use care not to over-tighten the plug. Over-tightening can cause damage to the aluminum cylinder head threads.

CLEANING THE BATTERY



CAUTION

To reduce the possibility of damage to the vehicle, neutralize acid before rinsing the battery.

To reduce the possibility of damage to electrical components while cleaning, do not use a pressure washer.

When cleaning the outside of the battery and terminals, do not use a water hose without first spraying with a solution of baking soda (sodium bicarbonate) and water to neutralize any acid deposits. Use of a water hose without first neutralizing any acid, will move the acid from the top of the battery to another area of the vehicle or storage facility where it will attack the metal structure or the concrete/asphalt floor. After hosing down the bat-

tery, a residue will be left on the battery which is conductive and will contribute to the discharge of the battery.

The correct cleaning technique is to spray the top and sides of the battery with a solution of baking soda and water. This solution is best applied with a garden type sprayer equipped with a non metallic spray wand. The solution should consist of 1/4 cup (60 ml) of baking soda mixed with 1 1/2 gallons (6 liters) of clear water. In addition to the battery, special attention should be paid to the metallic components adjacent to the battery which should also be sprayed with the baking soda solution.

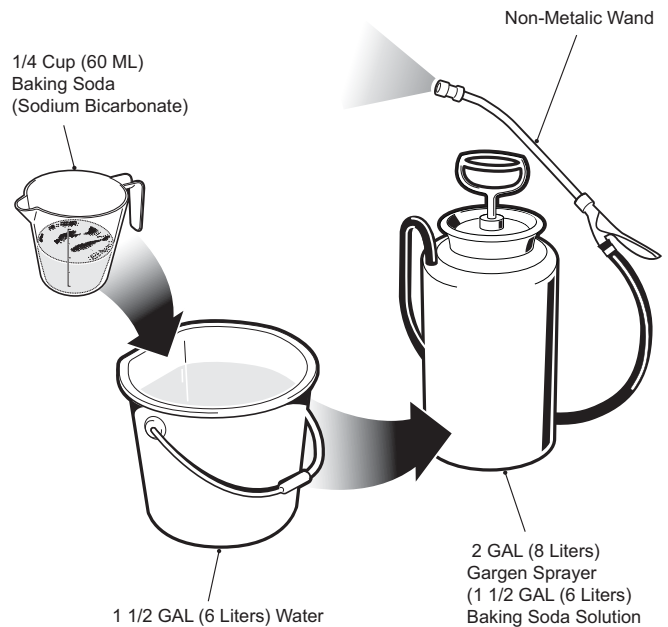


Fig. 39 Preparing Acid Neutralizing Solution

Allow the solution to sit for at least three minutes; use a soft bristle brush or cloth to wipe the top of the battery in order to remove any residue that could cause the self discharge of the battery. Rinse the entire area with low pressure clear water. **DO NOT use a pressure washer.**

BATTERY REMOVAL AND INSTALLATION

Tool List	Qty.
Insulated Wrench, 1/2"	1
Socket, 1/2"	1
Extension, 12"	1
Ratchet	1
Torque Wrench, ft. lbs.	1

OPERATION AND SERVICE INFORMATION

Read all of manual to become familiar with this vehicle. Pay attention to all **NOTICES, CAUTIONS, WARNINGS and DANGERS.**

NOTICE

In the following text, there are references to removing/installing bolts etc. Additional hardware (nuts, washers, etc.) that is removed must always be installed in its original position unless otherwise specified. Non-specified torques are as shown in the torque specifications(Ref. Fig. 22).

At the battery, remove the **negative (-)** cable before removing the **positive (+)** cable. Remove the bolt from the battery hold down and remove the battery.

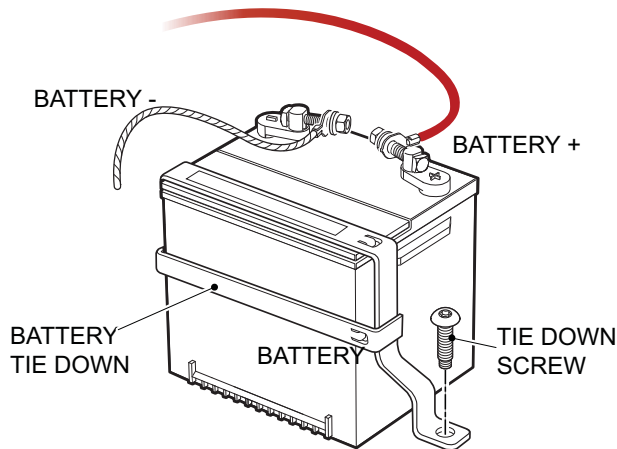


Fig. 40 Battery Removal

When installing the battery connect the positive (+) battery cable first. **Connect negative (-) battery cable last.**

Be sure to remove all corrosion from terminals and hardware. After installing battery, coat terminals with commercially available terminal protectant.

WARNING

To prevent battery explosion that could result in severe personal injury or death, extreme care must be used with aerosol containers of battery terminal protectant. Insulate the metal container to prevent the metal can from contacting battery terminals which could result in an explosion.

Periodic Brake Performance Test (PBPT)

WARNING

To prevent severe injury or death resulting from operating a vehicle with improperly operating brake system, the brake system must be properly maintained. All driving brake tests must be done in a safe location with regard for the safety of all personnel.

The Periodic Brake Performance Test (PBPT) should be performed regularly (see Periodic Service Schedule) as an evaluation of braking system performance. It is useful as a method of identifying a subtle loss of performance over time and as part of troubleshooting a problem vehicle.

Before performing this test, inspect the brake pedal and linkage; correct any problems found, including adjusting the brake pedal free travel if required.

The purpose of this test is to compare the braking performance of the vehicle to the braking performance of a new or "known to be good" vehicles or to an established acceptable stopping distance (see below). The actual stopping distances will be influenced by weather conditions, terrain, road surface condition, actual vehicle weight (accessories installed) and vehicle speed. No specific braking distance can be reliably specified. The test is conducted by latching the parking brake to eliminate different pedal pressures and to include the affects of linkage mis-adjustment. Significant changes or differences in braking performance will be evident due to mis-adjustment.

Establish the acceptable stopping distance by testing a new or "known to be good" vehicle and recording the stopping location or stopping distance. For fleets of vehicles, several vehicles should be tested when new and the range of stopping locations or distances recorded.

OPERATION AND SERVICE INFORMATION

Read all of manual to become familiar with this vehicle. Pay attention to all **NOTICES**, **CAUTIONS**, **WARNINGS** and **DANGERS**.

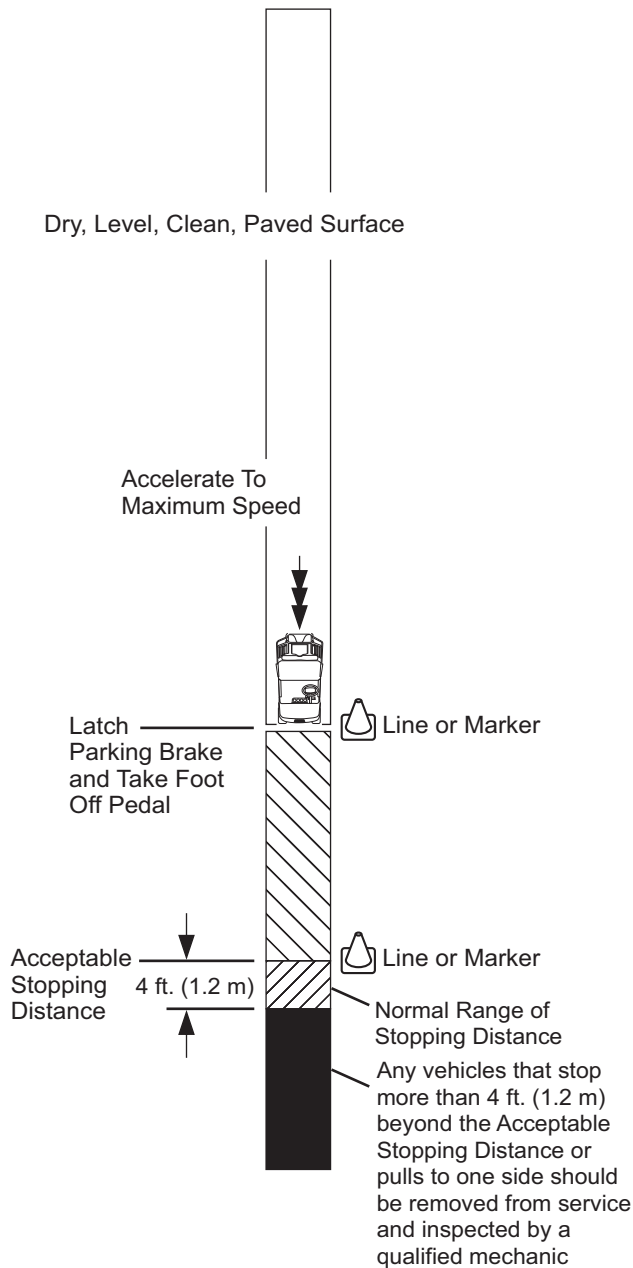


Fig. 41 Periodic Brake Performance Test

NOTICE

Over time, a subtle loss of performance may take place; therefore, it is important to establish the standard with a new vehicle.

Drive the vehicle at maximum speed on a flat, dry, clean, paved surface. Quickly depress the brake pedal to latch the parking brake at the line or marker in the test area and remove foot from pedal. The vehicle should stop aggressively. The wheel brakes may or may not lock. Observe the vehicle stopping location or mea-

sure the vehicle stopping distance from the point at which the brakes were latched. The vehicle should stop within the "normal" range of stopping distances. If the vehicle stops more than 4 ft. (1.2 m) beyond the acceptable stopping distance or pulls to one side, the vehicle has failed the test.

Repeat test two more times.

If the vehicle fails to pass two of three Periodic Brake Performance Tests, perform the Aggressive Stop Test 10 times as described below, then repeat the Periodic Brake Performance Test three more times (second set of three).

If the vehicle passes two of three Periodic Brake Performance Tests, check that the clevis pins at the brake levers are loose. If they are loose, return vehicle to service. If they are tight, adjust free travel. Then repeat the Periodic Brake Performance Tests. If vehicle fails, remove from service and refer to 'Wheel Brake Inspection' section in the Service and Repair Manual, to evaluate the reason for failure.

PROLONGED STORAGE

WARNING

To reduce the possibility of severe injury or death resulting from a possible explosion:

DO NOT handle fuel in an area that is not adequately ventilated. **DO NOT** smoke near the fuel tank or refuel near an open flame or electrical items which could produce a spark.

Store vehicle in a clean, dry area. **DO NOT** store in the same area as a stove, furnace, water heater, or other appliances that use a pilot light or have a device that can create a spark.

When refueling, inspect the fuel cap for leaks or breaks that could result in fuel spillage.

Always wear safety glasses while refueling to prevent possible eye injury from gasoline or gasoline vapor.

Keep hands, clothing and jewelry away from moving parts. Use care not to contact hot objects. Raise the rear of the vehicle and support it on jack stands before attempting to run the engine.

OPERATION AND SERVICE INFORMATION

Read all of manual to become familiar with this vehicle. Pay attention to all NOTICES, CAUTIONS, WARNINGS and DANGERS.

Preparing the engine for a prolonged storage period (30 days or more) calls for a few simple steps to prevent a build up of varnish and gum in the carburetor and corrosion in the engine.

- Raise the rear of the vehicle and support it on jack stands. Refer to 'Lifting the Vehicle' for proper lifting procedure and safety information.
- Turn the fuel shut-off valve to the closed position.
- With proper ventilation, turn the key to the 'ON' position and depress the accelerator pedal, allowing the engine to run until it stops due to lack of fuel.
- Remove the spark plug and pour about 1 oz. (30 ml) of engine oil into the cylinder. Replace the spark plug, ground the spark plug wire and use the starter to turn the engine over for a few seconds to distribute the oil.
- Add a gasoline additive to the fuel tank in accordance with the manufacturer's recommendations.

GENERAL SPECIFICATIONS

GENERAL SPECIFICATIONS

RXV GAS - FLEET VEHICLE SPECIFICATIONS

BATTERY	One 12 Volt Maintenance Free
ENGINE	13 hp (9.7 kW) rated 24.5 cu. inch (401 cc), single cylinder, air cooled, overhead valve, pressure fed lubrication, cartridge type full flow oil filter, transistor type flywheel magneto
AIR CLEANER	Replaceable dry cartridge element
TRANSAXLE	11.42:1 Helical geared with neutral lock & ground speed governor
TRANSMISSION	Automatic continuously variable transmission (CVT)
FUEL TANK	5.1 gallon (19 liter) tank, 36 lbs. (16 kg) fuel weight
BRAKES	Dual rear wheel, self-adjusting mechanical drum brakes
PARKING BRAKE	Automatic parking brake release with self-compensating system
FRONT SUSPENSION	Coil springs over hydraulic shock absorbers
REAR SUSPENSION	Leaf springs with hydraulic shock absorbers
STEERING	Single reduction rack & pinion
STEERING WHEEL	Dual handgrips, scorecard holder & pencil holder
SEATING	Foam cushion with vinyl cover and hip restraints/hand holds
SEATING CAPACITY	Operator & 1 passenger
TOTAL LOAD CAPACITY	800 lbs. (360 kg) including operator, passenger, accessories & cargo
SPEED	14 mph (23 kph) in forward on flat ground
CHASSIS	Welded tubular steel, powder coated (DuraShield™)
BODY	Flexible, Impact resistant, Injection Molded TPO (Thermoplastic Polyolefin) with Base Coat / Clear Coat
STANDARD COLORS	Ivory & Forest Green
DASH PANEL	Scuff resistant plastic with 4 drink holders & storage for balls & tees
TIRES	18 x 8.5 - 8 (4 ply rated)**
TIRE PRESSURE*	18 - 22 psi (124 - 152 kPa)**
GROUND CLEARANCE	3.3 inches (8 cm) at differential
WEIGHT	697 lbs (316 kg) dry weight
OPERATING CONTROLS & INSTRUMENTATION	Removable key, 'deadman' accelerator control, direction selector, audible reverse warning
NOISE VIBRATION, WBV VIBRATION, HAV	Sound pressure; continued A-weighted equal to or less than 70 db(A) The highest RMS value of weighted acceleration is: less than 2.5 m/s ² The highest RMS value of weighted acceleration is: less than 2.5 m/s ² The uncertainty of measurement is 0.98 m/s ² Measurement methods were applied per the ISO 2631 and ISO 5349 standards under conditions of typical vehicle surfaces.

** DO NOT use low inflation pressure tires on any E-Z-GO vehicle. DO NOT use any tire which has a recommended inflation pressure less than the inflation pressure recommended in the Owner's Guide

RXV GAS - FREEDOM VEHICLE SPECIFICATIONS

BATTERY	One 12 Volt Maintenance Free
ENGINE	13 hp (9.7 kW) rated 24.5 cu. inch (401 cc), single cylinder, air cooled, overhead valve, pressure fed lubrication, cartridge type full flow oil filter, transistor type flywheel magneto
Air Cleaner	Replaceable dry cartridge element
TRANSAXLE	11.42:1 Helical geared with neutral lock & ground speed governor
TRANSMISSION	Automatic continuously variable transmission (CVT)
FUEL TANK	5.1 gallon (19 liter) tank, 36 lbs. (16 kg) fuel weight
BRAKES	Dual rear wheel, self-adjusting mechanical drum brakes
PARKING BRAKE	Automatic parking brake release with self-compensating system
FRONT SUSPENSION	Coil springs over hydraulic shock absorbers
REAR SUSPENSION	Leaf springs with hydraulic shock absorbers
STEERING	Single reduction rack & pinion
STEERING WHEEL	Dual handgrips, scorecard holder & pencil holder
SEATING	Foam cushion with vinyl cover and hip restraints/hand holds
SEATING CAPACITY	Operator & 1 passenger
TOTAL LOAD CAPACITY	800 lbs. (360 kg) including operator, passenger, accessories & cargo
SPEED	19 mph (31 kph) in forward on flat ground
CHASSIS	Welded tubular steel, powder coated (DuraShield™)
BODY	Flexible, Impact resistant, Injection Molded TPO (Thermoplastic Polyolefin) with Base Coat / Clear Coat
STANDARD COLORS	Ivory & Forest Green
DASH PANEL	Scuff resistant plastic with 4 drink holders & storage for balls & tees
TIRES	18 x 8.5 - 8 (4 ply rated)**
TIRE PRESSURE*	18 - 22 psi (124 - 152 kPa)**
LIGHTS	HEAD LIGHTS, TAIL LIGHTS, BRAKE LIGHTS
GROUND CLEARANCE	3.3 inches (8 cm) at differential
WEIGHT	697 lbs (747 kg) dry weight
OPERATING CONTROLS & INSTRUMENTATION	Removable key, 'deadman' accelerator control, direction selector, audible reverse warning
NOISE VIBRATION, WBV VIBRATION, HAV	Sound pressure; continued A-weighted equal to or less than 70 db(A) The highest RMS value of weighted acceleration is: less than 2.5 m/s ² The highest RMS value of weighted acceleration is: less than 2.5 m/s ² The uncertainty of measurement is 0.98 m/s ² Measurement methods were applied per the ISO 2631 and ISO 5349 standards under conditions of typical vehicle surfaces.

** DO NOT use low inflation pressure tires on any E-Z-GO vehicle. DO NOT use any tire which has a recommended inflation pressure less than the inflation pressure recommended in the Owner's Guide

GENERAL SPECIFICATIONS

RXV GAS - SHUTTLE 2 + 2 VEHICLE SPECIFICATIONS

BATTERY	One 12 Volt Maintenance Free
ENGINE	13 hp (9.7 kW) rated 24.5 cu. inch (401 cc), single cylinder, air cooled, overhead valve, pressure fed lubrication, cartridge type full flow oil filter, transistor type flywheel magneto
AIR CLEANER	Replaceable dry cartridge element
TRANSAXLE	11.42:1 Helical geared with neutral lock & ground speed governor
TRANSMISSION	Automatic continuously variable transmission (CVT)
FUEL TANK	5.1 gallon (19 liter) tank, 36 lbs. (16 kg) fuel weight
BRAKES	Dual rear wheel, self-adjusting mechanical drum brakes
PARKING BRAKE	Automatic parking brake release with self-compensating system
FRONT SUSPENSION	Coil springs over hydraulic shock absorbers
REAR SUSPENSION	Leaf springs with hydraulic shock absorbers
STEERING	Single reduction rack & pinion
STEERING WHEEL	Dual handgrips, scorecard holder & pencil holder
SEATING	Foam cushion with vinyl cover and hip restraints/hand holds
SEATING CAPACITY	Operator & 3 passengers
TOTAL LOAD CAPACITY	700 lbs. (318 kg) including operator, passenger, accessories & cargo
SPEED	14 mph (23 kph) in forward on flat ground
CHASSIS	Welded tubular steel, powder coated (DuraShield™)
BODY	Flexible, Impact resistant, Injection Molded TPO (Thermoplastic Polyolefin) with Base Coat / Clear Coat
STANDARD COLORS	Ivory & Forest Green
DASH PANEL	Scuff resistant plastic with 4 drink holders & storage for balls & tees
TIRES	18 x 8.5 - 8 (4 ply rated)**
TIRE PRESSURE*	18 - 22 psi (124 - 152 kPa)**
GROUND CLEARANCE	3.3 inches (8 cm) at differential
WEIGHT	788 lbs (357 kg) dry weight
OPERATING CONTROLS & INSTRUMENTATION	Removable key, 'deadman' accelerator control, direction selector, audible reverse warning
NOISE VIBRATION, WBV VIBRATION, HAV	Sound pressure; continued A-weighted equal to or less than 70 db(A) The highest RMS value of weighted acceleration is: less than 2.5 m/s ² The highest RMS value of weighted acceleration is: less than 2.5 m/s ² The uncertainty of measurement is 0.98 m/s ² Measurement methods were applied per the ISO 2631 and ISO 5349 standards under conditions of typical vehicle surfaces.

** DO NOT use low inflation pressure tires on any E-Z-GO vehicle. DO NOT use any tire which has a recommended inflation pressure less than the inflation pressure recommended in the Owner's Guide

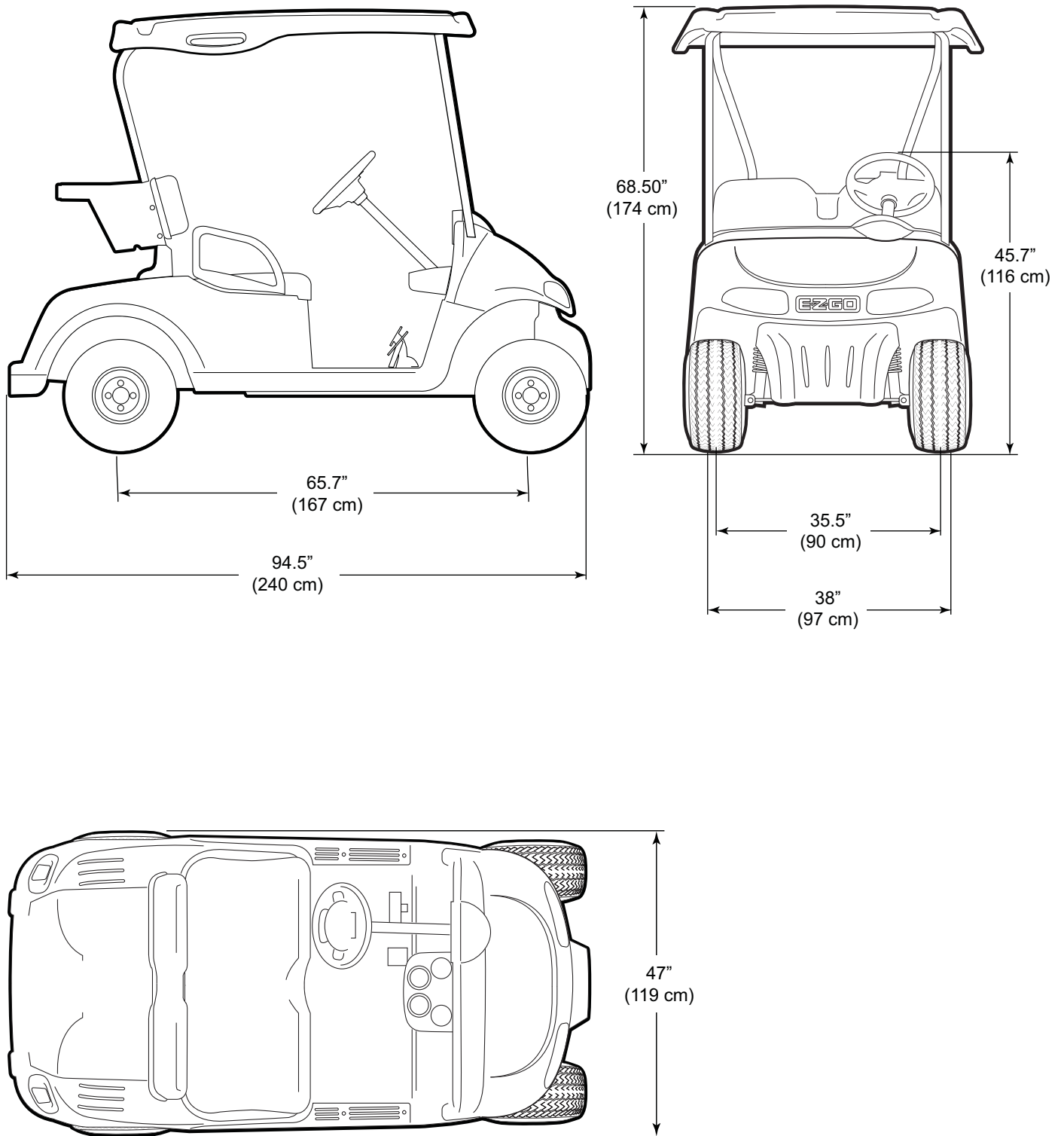


Fig. 42 Flee & Freedom Vehicle Dimensions

GENERAL SPECIFICATIONS

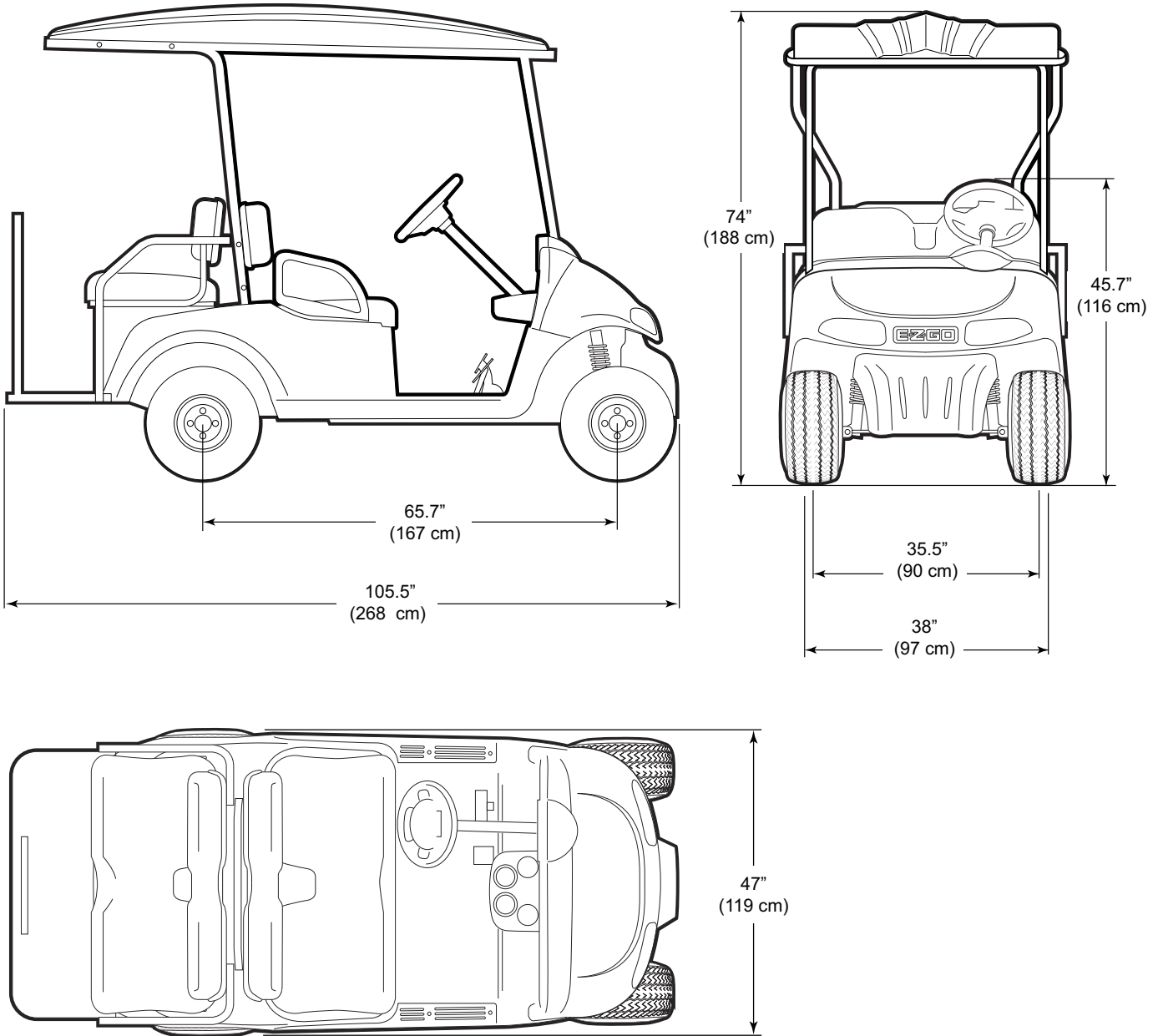
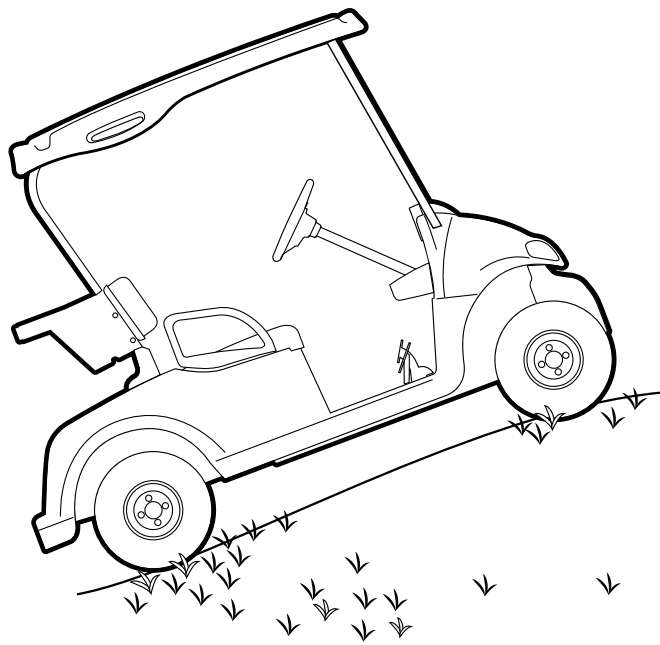
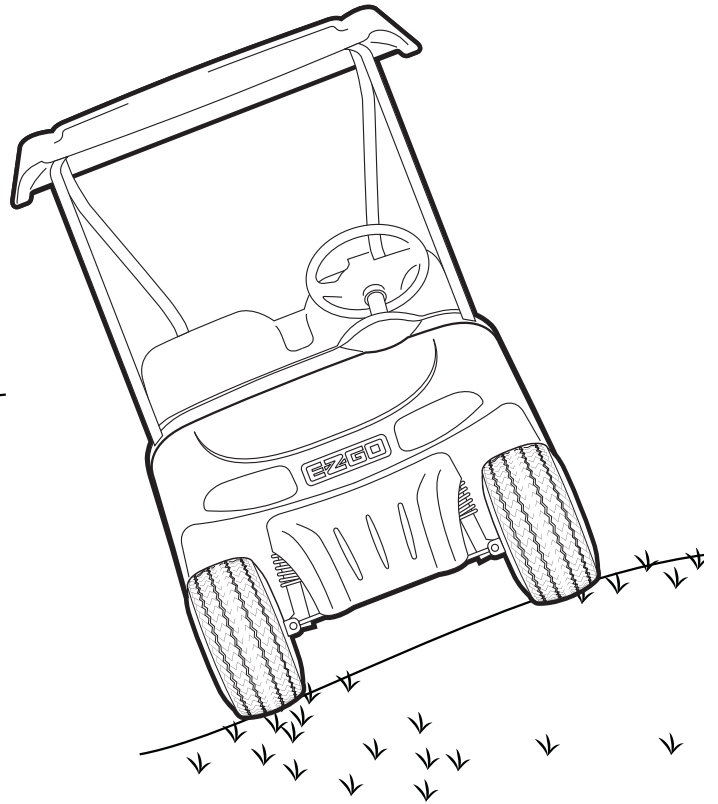


Fig. 42 Shuttle 2 + 2 Vehicle Dimensions



RECOMMENDED MAX RAMP
25% GRADE OR 14° MAX



RECOMMENDED MAX SIDE TILT
25% GRADE OR 14° MAX

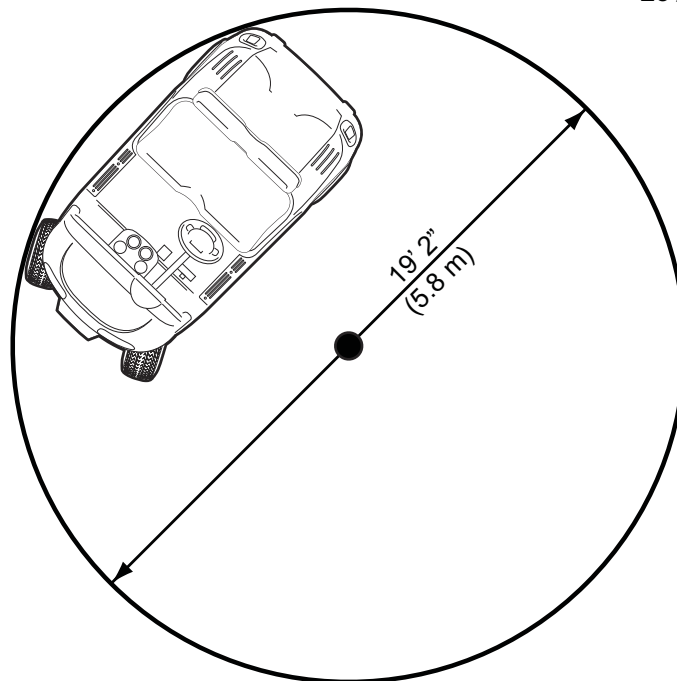


Fig. 43 Vehicle Dimensions, Incline Specifications and Turning Clearance Diameter

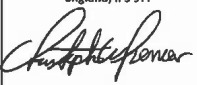
DECLARATION OF CONFORMITY

DECLARATION OF CONFORMITY

IFORMIDAD • DEKLARATION OM ÖVERENSSTÄMMELSE • SAMRÆMISYFIRLÝSING • KONFORMITETSERKL

<p>and full address of the manufacturer • Το πλήρες όνομα και η πλήρης διεύθυνση του παραγωγού • Piná adresa výrobcu • Producentens firmanavn og fulde adresse • Bedrijfsnaam en volledige adres van de fabrikant • Tooteja äänimi ja täielik adresa • Önime ja täydellinen osoite • Nom commercial et adresse complète du fabricant • Firmennamen und vollständige Adresse des Herstellers • Επωνυμία και διεύθυνση κατασκευαστή • A gyártó üzleti neve és teljes címe • Ragione sociale e indirizzo completo del fabbricante • Uzņēmuma nosaukums un pilnā adrese • Verslo pavadinimas ir pilnas gamintojo adresas • Isem kummersjalti u indrizz aħiħ tal-fabbrikant • Nazwa firmy i pełny adres producenta • Nome da empresa completo do fabricante • Denumirea comercială și adresa completă a producătorului • Obchodný názov a úplná adresa výrobcu • Naziv podjetja in zvežajca • Nombre de la empresa y dirección completa del fabricante • Tilverkarens företagsnamn och kompletta adress • Fyrntakishæfti og fullt heitiöndanda • Firmanavn og full adresse for produsenten</p>	<p>E-Z-GO Division of Text 1451 Marvin Griffin Augusta, GA 30906</p>
<p>Код на продукта • Kód výrobku • Produktkode • Productcode • Toote kood • Tuotekoodi • Code produit • Produktcode • Κωδικός προϊόντος • Termékkód • Produktia kods • Produkto kods • Kodič tai-Prodotti • Kod produktu • Código do Produto • Cod produs • Kód výrobku • Oznaka proizvoda • Código de identificação • Vörunúmer • Produktkoda</p>	<p>606601, 606603, 606605, 6093 614419, 614420, 6152 When Fitted With CE Kit</p>
<p>Наименование на машината • Název stroje • Maskinnavn • Maschinenname • Masina nmi • Laitteen nimi • Nom de la machine • Maschinenbezeichnung • Μηχός • Gégnév • Denominazione della macchina • Iekārta nosaukums • Mášinos pavadinimas • Isem tai-Magna • Nazwa urządzenia • Nome da empresa achupamentului • Název stroja • Naziv stroja • Nombre de la máquina • Maskinens navn • Heiti tækis • Maskinnavn</p>	<p>RXV golf car and personal models)</p>
<p>Назначение • Označení • Betegnelse • Benaming • Nimetus • Tyypimerkintä • Pažymėjimas • αρκτηρισμός • Megnevezés • Funzione • Apzīmējums • Lithuanian • Denominazzjoni • Oznaczenie • ificação • Označenie • Namen stroja • Descripción • Beteckning • Märking • Konstrukção</p>	<p>Golf Car</p>
<p>Серийн номер • Sériové číslo • Seriennummer • Seriennummer • Seriennummer • Valmistusnumero • Numéro de série • Seriennummer • Σειριακός αριθμός • Numero di serie • Sérijas numurs • Serjos numurs • Numru Serjali • Numer serjyny • Número de Série • Număr de serie • Sériové číslo • Serijska številka • • Seriennummer • Rēdnúmer • Seriennummer</p>	<p>5135691 to 530000</p>
<p>Критерий • В съответствие с директивата • Splnčuje podminky směrnice • Er i overensstemmelse med direktiver • Voldoet aan de richtlijnen • Vastab direktiivien mukainen • Conforme aux directives • Entspricht Richtlinien • Ακολουθείται πιστά τις Οδηγίες • Megfelel az irányelveknek • Conforme alle direttive • Atitinka direktyvų reikalavimus • Valutazzjoni tal-Konformità • Dyrektywy związane • Cumpra as Directivas • Respectă Directivale • Je v súlade s smernicami • Skladnost z direktivami • Cumple con las Directivas • Uppfyller direktiv • Samræmist tilskipnum • I samsvar med direktiv</p>	<p>2006/42/EC</p>
<p>Assessment • Оценка за съответствие • Hodnocení plnění podmínek • Overensstemmelsesvurdering • ordering • Vastavushindamine • Vaatimustenmukaisuuden arviointi • Evaluation de conformité • heilung • Διαπίστωση Συμμόρφωσης • Megfelelőség-értékelés • Valutazione della conformità • tėjimas • Atitikties įvertinimas • Livell tal-Qanun ta-Floss Imkejjal • Ocena zgodności • Informaade • Evaluarea conformității • Vyhodnotenie zhodnosti • Ocena skladnosti • onformidad • Bedømming av överensslämmelse • Samræmistat • Konformitetsvurdering</p>	<p>2006/42/EC Annex I</p>
<p>Standards used • Исползвани хармонизирани стандарти • Použitě harmonizované normy • Brugte harmoniserede standarder • Gebruikte geharmoniseerde statuud utilistatud standardid • Käytetyt yhdenmukaistetut standardit • Normes harmonisées utilisées • Angewandte harmonisierte Normen • τροτυπα που χρησιμοποιήθηκαν • Harmonizált szabványok • Standard armonizzati applicati • Izmantotie saskaņotie standarti • Panaudoti sudurti dards armonizati uzati • Normy spójne používané • Normas harmonizadas usadas • Standardele armonizate utilizate • Použitě harmonizované normy • ajeni standardi • Estándares armonizados utilizados • Harmoniserade standarder som använde</p>	<p>EN 61000-6-2:2005 EN 61000-6-4:2007 EN ISO 5349:2001 EN ISO 11202:1995</p>
<p>Standards and specifications used • Исползвани технически стандарти и спецификации • Použitě technické standardy a specifikace • Brugte tekniske standarder og specifikationer • Gebruikte technische standaards en specificaties • Kasutatud tehnilised standardid ja spetsifikatsioonid • Standardit ja eritelmat • Spécifications et normes techniques utilisées • Technische Normen und Spezifikationen • Τεχνικά πρότυπα και προδιαγραφές που χρησιμοποιήθηκαν • Műszaki szabványok és specifikációk • Standardi tehnici aplicati • Normy i specyfikacje techniczne powiązane • Normas técnicas relacionadas • Standardele tehnice și specificațiile utilizate • Normy a specifikácie • Uporabjeni tehnični standardi in specifikacije • Normas técnicas relacionadas • Tekniska standarder och specifikationer som används • Samræmistat teknískir standaer • Beyttede harmoniserede</p>	<p>ISO 2631-1:1997</p>
<p>Place and date of the declaration • Место и дата на декларацията • Misto e datum prohlášení • Sted og dato for erklængen • Plaats en datum van de verklaring • ajastamise koht ja kuupäev • Vakuutuksen paikka ja päivämäärä • Lieu et date de la déclaration • Ort und Datum der Erklärung • Τόπος και ημερομηνία atkoztai kelte (hely és idő) • Luogo e data della dichiarazione • Deklarācijas vieta un datums • Deklarācijas vieta ir data • Il-post u d-data tad-dikjarazzjoni • stavenama deklaracij • Local e data da declaração • Local și data declarației • Miesto e dátum vyhlášení • Kraj in datum izjave • Lugar y fecha de la declaración • Staður og dagur fyrir deklaráttina • Teknistaðir og tæknilysingar sem notaðir eru • Beyttede tekniske standarder og specifikasjoner • Staður og dagur • Sted og dato for erklængen</p>	<p>E-Z-GO Division of Text 1451 Marvin Griffin R Augusta, GA 30906 I</p>

DECLARATION OF CONFORMITY

<p>Signature of the person empowered to draw up the declaration on behalf of the manufacturer, holds the technical documentation and is authorised to complete the technical file, and who is established in the Community.</p> <p>Подпис на човека упълномощен да състави декларацията от името на производителя, който поддържа техническата документация и е оторизиран да изготви техническия файл и е регистриран в общността</p> <p>Podpis osoby oprávněné sestavit prohlášení jménem výrobce, držet technickou dokumentaci a osobu oprávněné sestavit technický soubor v zájmové rámci Evropského společenství</p> <p>Underskrift af personen, der har fuldmagt til at udstæde erklæringen på vegne af producenten, der er indehaver af dokumentationen og er bemyndiget til at udstæde den tekniske journal, og som er baseret i medlemsstat</p> <p>Håndtekening van die persoon die bevoegd is de verklaring namens de fabrikant te tekenen, die technische documentatie bewaart en bevoegd is om het technische bestand samen te stellen en die is gevestigd in het Woongebied</p> <p>Uhenduse registreerise kantud isiku allikil, kes on võetud looja nimel deklaraatori koostama, kes omab tehnilist dokumentatsiooni ja kellel on õigus koostada tehnilise faili.</p> <p>Den ansvarige selskapsleder, joks on vottutud toogu nimel deklaraatori koostama, joks on haldavaan tehnilist dokumentatsiooni, joks on valitud toogu nimel deklaraatori koostama, kes omab tehnilist dokumentatsiooni ja kellel on õigus koostada tehnilise faili.</p> <p>Signature de la personne habilitée à rédiger la déclaration au nom du fabricant, à détenir la documentation technique, à compléter les fichiers techniques et qui est implantée dans la Communauté</p> <p>Unterschrift der Person, die berechtigt ist, die Erklärung im Namen des Herstellers abzugeben, die die technischen Unterlagen aufbewahrt und berechtigt ist, die technischen Unterlagen zusammenzustellen und die in der Gemeinschaft niedergelassen ist.</p> <p>Υπογραφή του υπουλομοσμένου για την προκήρυξη της δηλώσης, το άτομο που κατοχυρώσει, ο οποίος κρατάει την τεχνική οροκία και έχει την άδεια να συμπληρώσει τον τεχνικό αρχείο και ο οποίος είναι διοκημένος στην Κοινότητα</p> <p>A gyártó nevelben meghatalmazott személy, akinek jogában áll módosítani a nyilatkozatot a műszaki dokumentáció őrl, megőszíteni, rendelkezni a műszaki dokumentációval, és aki a közösségekben letelepedett személy.</p> <p>Firma della persona autorizzata a redigere la dichiarazione e nome del fabbricante, in possesso della documentazione tecnica ed autorizzata a compilare il fascicolo tecnico che deve essere stabilito nella Comunità</p> <p>Ta persona parakata, kura ir pilnvarots deklarācijas sastādāšanai, rādītāja vārdā, kura ir tehniskā dokumentācija, kura ir pilnvarots sagatavot tehnisko reģistru un kura ir iestādīšanās Kopienā</p> <p>Розум, куди усе грати зробили, куди зберігаються технічні дані, куди встановлено документацію, і куди яє повноваження на внесення технічної інформації в усе виробничі документи та інші документи</p> <p>Li-forma las-personas autorizata a redigere si declaratia in numele fabricantului, ghandu si documentatiile tehnice si este autorizata sa completeze si fişciul tehnico si este stabilita in Comunitate</p> <p>Podpis osoby upowaznionej do sporozdzenia deklaracji w imieniu producenta, przechowujacej dokumentacje techniczna upowaznionej do stworzenia dokumentacji technicznej oraz wyznaczoney do wypracowywania</p> <p>Assinatura da pessoa com poderes para emitir a declaração em nome do fabricante, que possui a documentação técnica, que está autorizada a compilar o processo técnico e que está estabelecida na Comunità</p> <p>Semnatuara persoanei impusemote să elaboreze declaratia în numele producătorului, care deține documentația tehnică, este autorizată să completeze dosarul tehnic și este stabilită în Comunitate</p> <p>Podpis osoby powoznonyj wystawieniu wyławienia w imie wyrobcy. Mosa ma technicku dokumentaciu a je upowaznonyj na opracowanie technickie poobladky a storaj je umieszczenia w Spozedzenie</p> <p>Podpis osebe poobladkone za izdelavo zjave v imenu proizvajalca, ki ima tehniko dokumentacijo in lahko sestavlja splo tehniko dokumentacijo, ki ima moedel v Skupnosti</p> <p>Firma de la persona responsabile de la declaración en nombre del fabricante, que posee la documentación técnica y está autorizada para recopilar el archivo técnico y que está establecida en la Comunità</p> <p>Undertecknas av den som bemyndigad att upprätta deklarationen i tillverkarens vägnar, innehar den tekniska dokumentationen och är bemyndigad att sammanställa den tekniska informationen och som är etablerad i gemenskapen</p> <p>Underskrift skubane sam helur umboel til ad give erklæringen iys hånd frædsfabrikantens helur under hørdum løstingsgøgn og helur lerys til ad laka samant teknisk oplysning, og er vdrkandur i man evropska rfnahagsvevbernis</p> <p>Signaturen af personen som har fuldmagt til at udstæde erklæringen på vegne af producenten er i besiddelse af den tekniske dokumentation, har autorisation til at udstæde den tekniske filen og som har sinet i EU</p>	<p>2006/42/EC Annex II 1A: 2</p> <p>Tim Lansdell Technical Director 04th February 2011 Ransomes Jacobsen Ltd, West Road, Ransomes Europark, Ipswich, England, IP3 9TT</p>  <p>2006/42/EC Annex II 1A: 10 Christopher W. Spencer Vice President of Engineering E-Z-GO Division of Textron Inc, 1451 Marvin Griffin Road Augusta, GA 30906 USA 04th February 2011</p>
---	--

- | | | | | | | | | | | | | |
|-----------------------------|-----------------------|---------------------------|-----------------------------|------------------------|--------------------------|----------------------|---------------------|-----------------------|----------------------|----------------------|-----------------------|-----------------------|
| GB
United Kingdom | BG
Bulgaria | CH
Switzerland | CZ
Czech Republic | DK
Denmark | NL
Netherlands | EE
Estonia | ES
Spain | FI
Finland | FR
France | DE
Germany | GR
Greece | HU
Hungary |
| IS
Iceland | IT
Italy | LI
Lichtenstein | LV
Latvia | LT
Lithuania | MT
Malta | NO
Norway | PL
Poland | PT
Portugal | RO
Romania | SE
Sweden | SK
Slovakia | SI
Slovenia |

NOTICE

Read the following warnings before attempting to operate the vehicle

:

WARNING

To prevent personal injury or death, observe the following:

When vehicle is to be left unattended, engage park brake, move direction selector to neutral, turn key to 'OFF' position and remove key.

Drive vehicle only as fast as terrain and safety considerations allow. Consider the terrain and traffic conditions. Consider environmental factors which effect the terrain and the ability to control the vehicle.

Avoid driving fast down hill. Sudden stops or change of direction may result in a loss of control. Use service brake to control speed when traveling down an incline.

Use extra care and reduced speed when driving on poor surfaces, such as loose dirt, wet grass, gravel, etc.

All travel should be directly up or down hills.

Use extra care when driving the vehicle across an incline.

Stay in designated areas and avoid steep slopes. Use the park brake whenever the vehicle is parked.

Keep feet, legs, hands and arms inside vehicle at all times.

Avoid extremely rough terrain.

Check area behind the vehicle before operating in reverse.

Make sure the direction selector is in correct position before attempting to start the vehicle.

Slow down before and during turns. All turns should be executed at reduced speed.

Always bring vehicle to a complete stop before shifting the direction selector.

See GENERAL SPECIFICATIONS for vehicle load and seating capacity.

NOTICE

Read the following text and warnings before attempting to service vehicle:

In any product, components will eventually fail to perform properly as the result of normal use, age, wear or abuse. It is virtually impossible to anticipate all possible component failures or the manner in which each component may fail.

Be aware that a vehicle requiring repair indicates that the vehicle is no longer functioning as designed and therefore should be considered potentially hazardous. Use extreme care when working on any vehicle. When diagnosing, removing or replacing any components that are not operating correctly, take time to consider the safety of yourself and others around you should the component move unexpectedly.

Some components are heavy, spring loaded, highly corrosive, explosive or may produce high amperage or reach high temperatures. Battery acid and hydrogen gas could result in serious bodily injury to the technician/mechanic and bystanders if not treated with the utmost caution. Be careful not to place hands, face, feet or body in a location that could expose them to injury should an unforeseen situation occur.

Always use the appropriate tools listed in the tool list and wear approved safety equipment

.

WARNING

Before working on the vehicle, remove all jewelry (rings, watches, necklaces, etc.)

Be sure no loose clothing or hair can contact moving parts.

Use care not to touch hot objects.

Raise rear of vehicle and support on jack stands before attempting to run or adjust powertrain.

Wear eye protection when working on or around the vehicle. In particular, use care when working around batteries, using solvents or compressed air.

Hydrogen gas is formed when charging batteries. Do not charge batteries without adequate ventilation.

Do not permit open flame or anyone to smoke in an area that is being used for charging batteries. A concentration of 4% hydrogen gas or more is explosive.



A Textron Company

E-Z-GO Division of Textron Inc.,
1451 Marvin Griffin Road, Augusta, Georgia USA 30906-3852

TO CONTACT US...

North America:

Technical Assistance & Warranty

Phone: 1-800-774-3946, FAX: 1-800-448-8124

Service Parts

Phone: 1-888-GET-E-Z-GO (1-888-438-3946), FAX: 1-800-752-6175

International:

Phone: 001-706-798-4311, FAX: 001-706-771-4609



Copyrighted Material
This manual may not be reproduced in whole or
in part without the express permission of
E-Z-GO Division of Textron Inc.
Technical Communications Department