

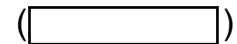


PARTS CATALOGUE

DR2A17 PTV (J0D1) U.S.A.



1SJ0D-110E1



DR2A17 PTV
PARTS CATALOGUE
©2016 by Yamaha Motor Co., Ltd.
1st edition, August 2016
All rights reserved.
Any reprinting or unauthorized use
without the written permission of
Yamaha Motor Co., Ltd.
is expressly prohibited.
Printed in Japan.

FOREWORD

This Parts Catalogue is related to the parts for the model(s) on the cover page. When you are ordering replacement parts, please refer to this Parts Catalogue and quote both part numbers and part names correctly.

1. Modifications or additions which have been made after the issue of the Parts Catalogue will be announced in the Parts News.
It is advisable that you make the necessary corrections to the Parts Catalogue according to the Parts News.
2. Abbreviations
The following abbreviations are used in this Parts Catalogue.
“UR” Use specified parts number.
“UN” Use as many as needed.
“AP” Alternate Parts
“LM” Locally Made (Parts need to be ordered locally)
“F#” Frame No. (Applicable machine No.)
“O/S” Over Size
3. The number of components for assembly
 - Parts, which are to be supplied in an assembly, are listed with a dot (.) in front of the part name as shown below.
 - The numeral appearing to the right of each component part indicates the quantity of parts for each assembly unit.

PART NO.	DESCRIPTION	Q'TY	REMARKS
2F5-83310-60	FRONT FLASHER LIGHT ASSY	2	
115-83311-60	.BULB (6V-18W)	1	

4. Applicable colours of graphics are represented in the “REMARKS” as shown below.

PART NO.	DESCRIPTION	Q'TY	REMARKS
2N4-24110-00-X5	FUEL TANK COMP.	2	MXR
3J1-24240-10	.GRAPHIC, FUEL TANK	1	FOR MXR

5. Note that the illustrations for reference in finding parts numbers are not to be used for assembling. When assembling, please use the applicable service manual.

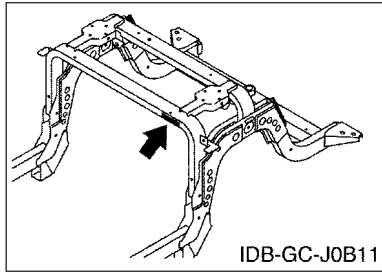
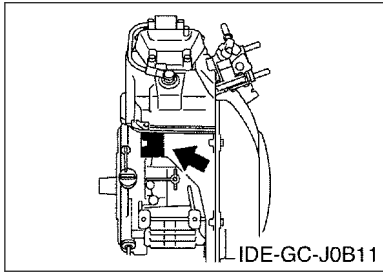
6. The asterisk (*) before a reference number indicates modified items after the first edition.

FOREWORD

7. Applicable Serial No.

Engine Serial No.

Frame Serial No.



10. Applicable Starting Serial No.

Frame Serial No.

Serial No.	Name Of Q'ty Column	Model Code
J0D-000101	J0D1	J0D1

8. Applicable Colour Code (The (*) mark shows Model colour.)

Abbreviation	Colour Name	Colour Code
BMG(*)	BLACK METALLIC G	1050
BW1(*)	BLUISH WHITE 1	1571
DNBME(*)	DARK GRAYISH BLUE METALLIC E	0866
DRMV(*)	DEEP RED METALLIC V	1365
DYNAM2(*)	DARK YELLOWISH GRAY METALLIC 2	1509
LNMP(*)	LIGHT GRAY METALLIC P	0925
LN YM8(*)	LIGHT GRAYISH YELLOW ME 8	1047
VPBM6(*)	VIVID PURPLISH BLUE METALLIC 6	1002

9. Quantity Column Information

Column No.	Name Of Q'ty Column	Destination
1	J0D1	U.S.A.

CONTENTS

ENGINE 1.....	1
---------------	---

ENGINE

CYLINDER HEAD.....	2
CRANKSHAFT & PISTON.....	3
CAMSHAFT & VALVE.....	4
AIR SHROUD & FAN.....	5
INTAKE 1.....	6
INTAKE 2.....	7
EXHAUST.....	8
CRANKCASE.....	9

BODY

ENGINE BRACKET.....	10
REAR ARM & SUSPENSION.....	11
FRAME.....	13
FRONT SUSPENSION & WHEEL.....	15
STEERING.....	17
FUEL TANK.....	19
PEDAL WIRE.....	20
PEDAL ASSEMBLY.....	21
BRAKE.....	23
GOVERNOR.....	24

DRIVE

PRIMARY SHEAVE.....	25
SECONDARY SHEAVE.....	26
TRANSMISSION.....	27
SHIFTER & CABLES.....	29
REAR AXLE & WHEEL.....	30
BUMPER.....	31
BODY.....	32
BODY 2.....	34
BODY FITTING.....	37
CARRIER.....	38
REAR VIEW MIRROR.....	39
SEAT.....	40

ELECTRICAL

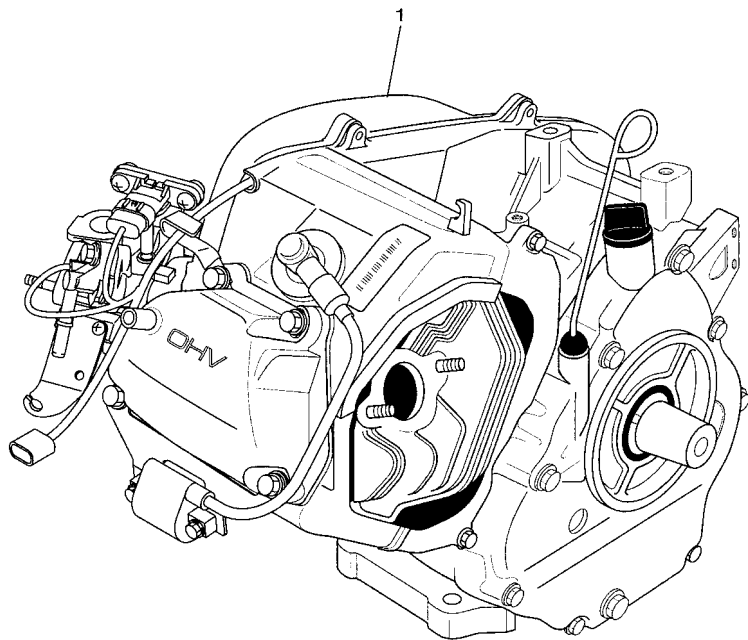
STARTING MOTOR.....	41
---------------------	----

HEAD & TAIL LIGHT.....	43
ELECTRICAL 1.....	45
ELECTRICAL 2.....	47
ALTERNATE FOR WINDSHIELD.....	50
ALTERNATE FOR SUN ROOF.....	51

INDEX

NUMERICAL INDEX.....	52
----------------------	----

FIG. 1 ENGINE 1



REF. NO.	PART NO.	DESCRIPTION	JDD1					REMARKS
1	JOB-19001-10	ENGINE ASSEMBLY	1					

 JC04110-L010

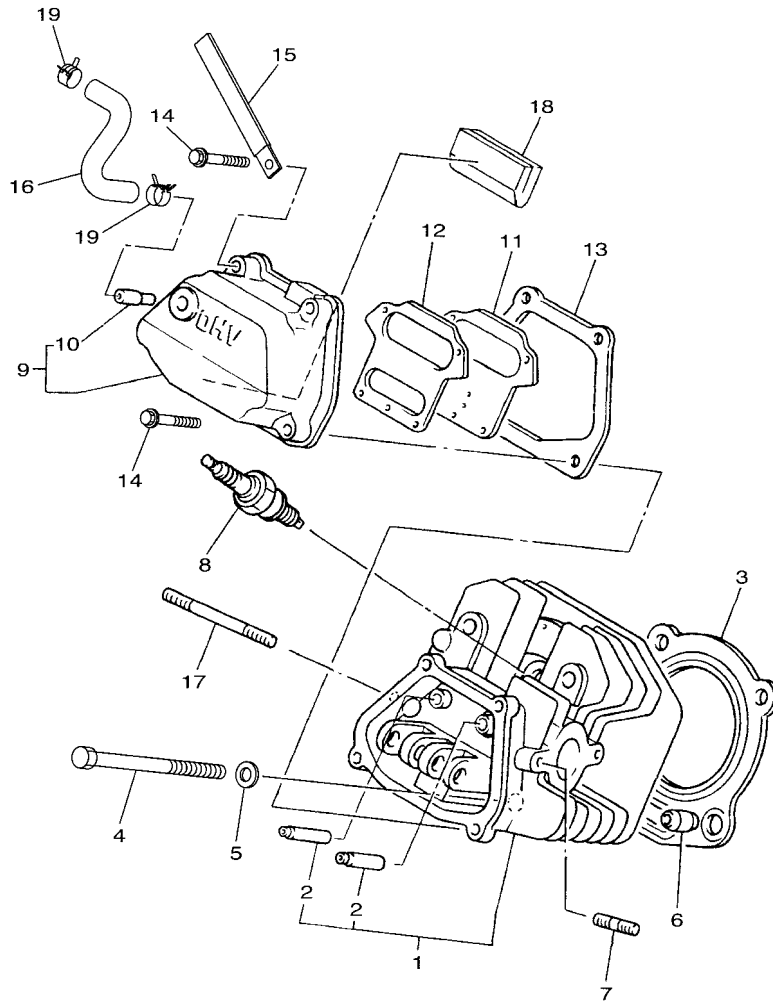


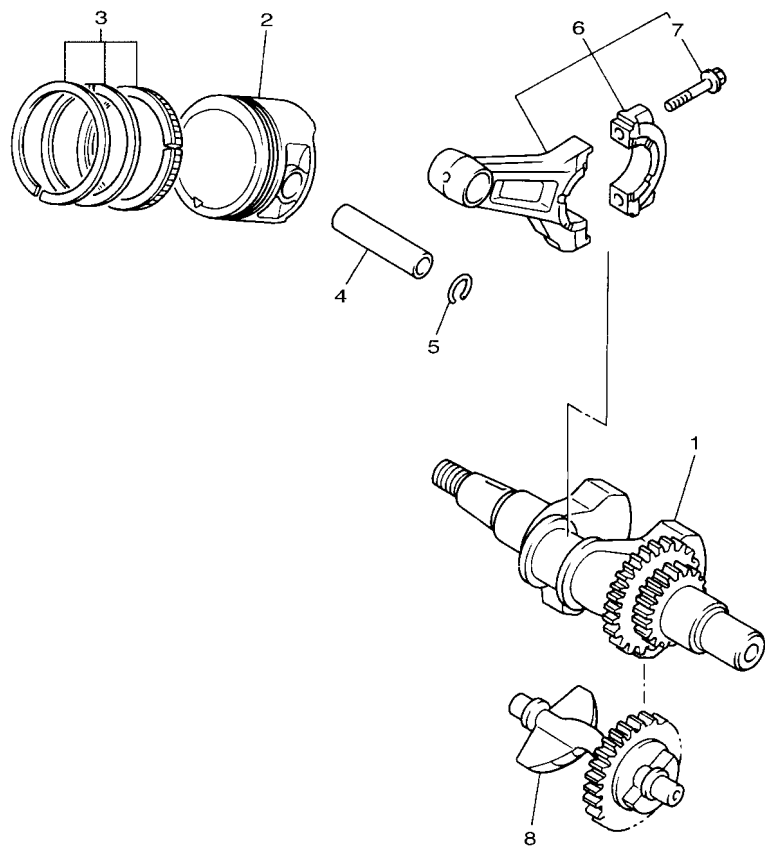
FIG. 2 CYLINDER HEAD

REF. NO.	PART NO.	DESCRIPTION	JOD1				REMARKS
1	JT0-11111-00	HEAD, CYLINDER 1	1				
2	JN6-11133-10	.GUIDE, VALVE 1	2				
3	JT0-11181-00	GASKET, CYLINDER HEAD 1	1				
4	97012-10070	BOLT	4				
5	90201-10057	WASHER, PLATE	4				
6	99530-14016	PIN, DOWEL	2				
7	95622-08618	BOLT, STUD	2				
8	94702-00348	PLUG, SPARK (NGK-BPR2ES)	1				STD
	94702-00343	PLUG, SPARK (NGK BP4ES)	1				AP
9	JN6-11191-01	COVER, CYLINDER HEAD 1	1				
10	JN6-11116-00	.JOINT, BREATHER	1				
11	JN6-11168-00	COVER, BREATHER	1				
12	JN6-11169-00	GASKET, BREATHER COVER	1				
13	JN6-11193-00	GASKET, HEAD COVER 1	1				
14	95822-06030	BOLT, FLANGE	4				
15	90462-05061	CLAMP	1				
16	J0B-E1166-00	PIPE, BREATHER 1	1				
17	95602-08710	BOLT, STUD	2				
18	JR7-11163-10	ELEMENT	1				
19	90467-13847	CLIP	2				



J0B1110-S010

FIG. 3 CRANKSHAFT & PISTON

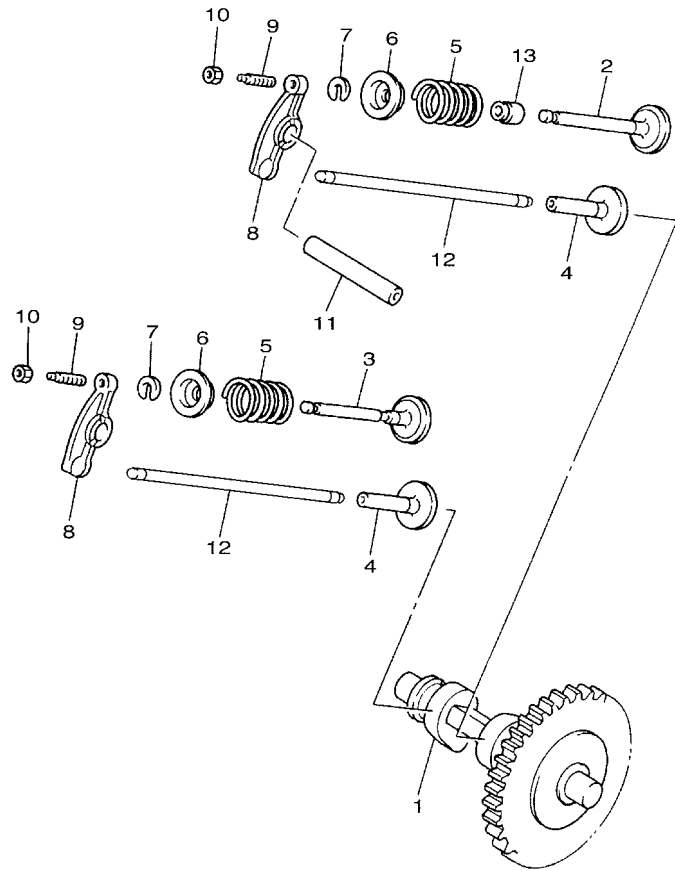


REF. NO.	PART NO.	DESCRIPTION	JDD1				REMARKS
1	JN6-11400-00	CRANKSHAFT ASSY	1				
2	JR7-11631-00-A0	PISTON (STD)	1				
	JR7-11635-00	PISTON (0.25MM O/S)	1				AP
	JR7-11636-00	PISTON (0.50MM O/S)	1				AP
3	JR7-11610-00	PISTON RING SET (STD)	1				
	JR7-11610-10	PISTON RING SET (0.25MM O/S)	1				AP
	JR7-11610-20	PISTON RING SET (0.50MM O/S)	1				AP
4	583-11633-00	PIN, PISTON	1				
5	93450-21053	CIRCLIP	2				
6	JN6-11650-10	CONNECTING ROD ASSY	1				
7	JN6-11654-10	.BOLT, CONNECTING ROD	2				
8	JN6-11454-10	WEIGHT 1	1				



JN7010-6021

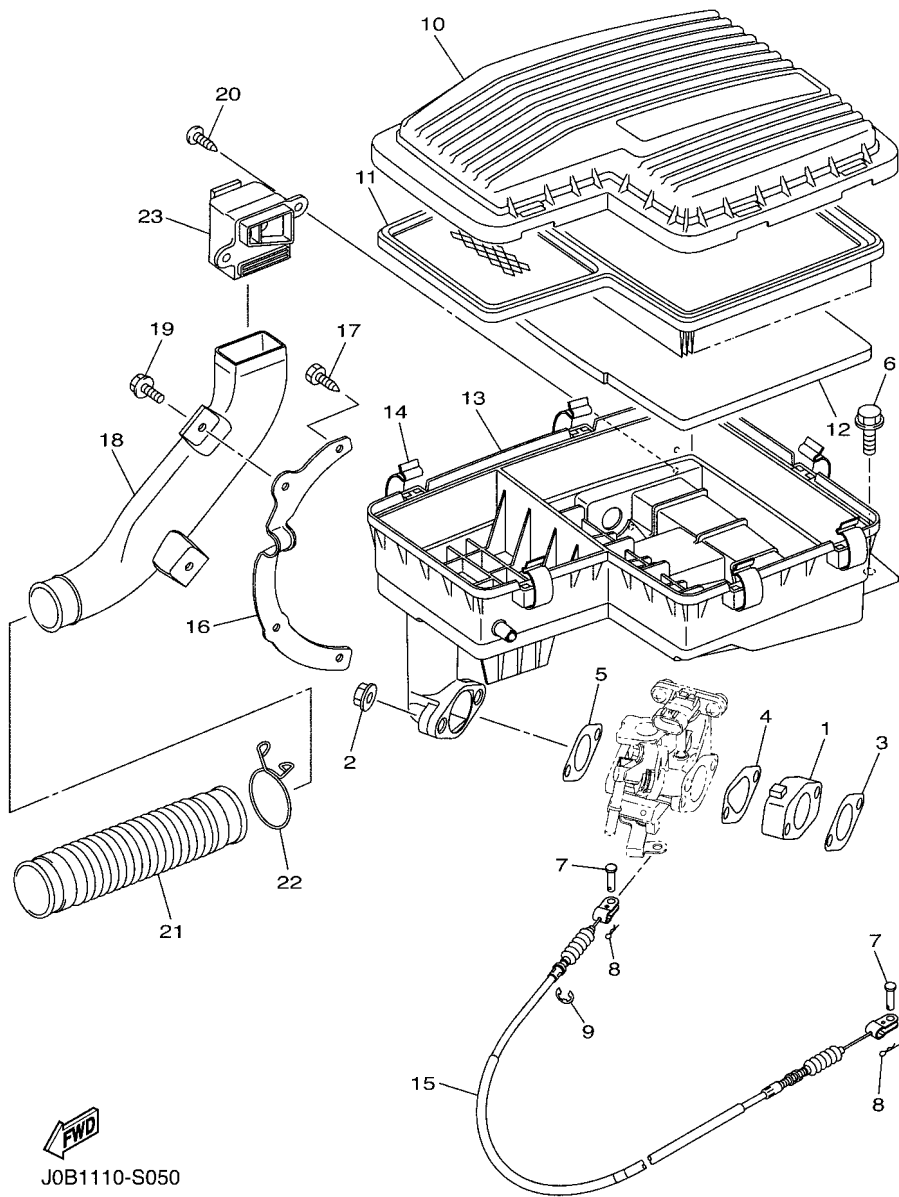
FIG. 4 CAMSHAFT & VALVE



REF. NO.	PART NO.	DESCRIPTION	JDD1				REMARKS
1	JR7-12170-00	CAMSHAFT ASSY 1	1				
2	JN6-12111-10	VALVE, INTAKE	1				
3	7RH-12121-10	VALVE, EXHAUST	1				
4	JN6-12153-10	LIFTER, VALVE	2				
5	90501-264A9	SPRING, COMPRESSION	2				
6	J38-12117-01	RETAINER, VALVE SPRING	2				
7	J38-12118-00	LOCK, VALVE SPRING RETAINER	2				
8	JN6-12151-10	ARM, VALVE ROCKER	2				
9	22F-12159-10	SCREW, VALVE ADJUSTING	2				
10	90170-05302	NUT	2				
11	J38-12156-20	SHAFT, ROCKER 2	1				
12	JR7-12154-10	ROD, VALVE PUSH	2				
13	4G0-12119-00	SEAL, VALVE STEM	1				



JD13110-K030

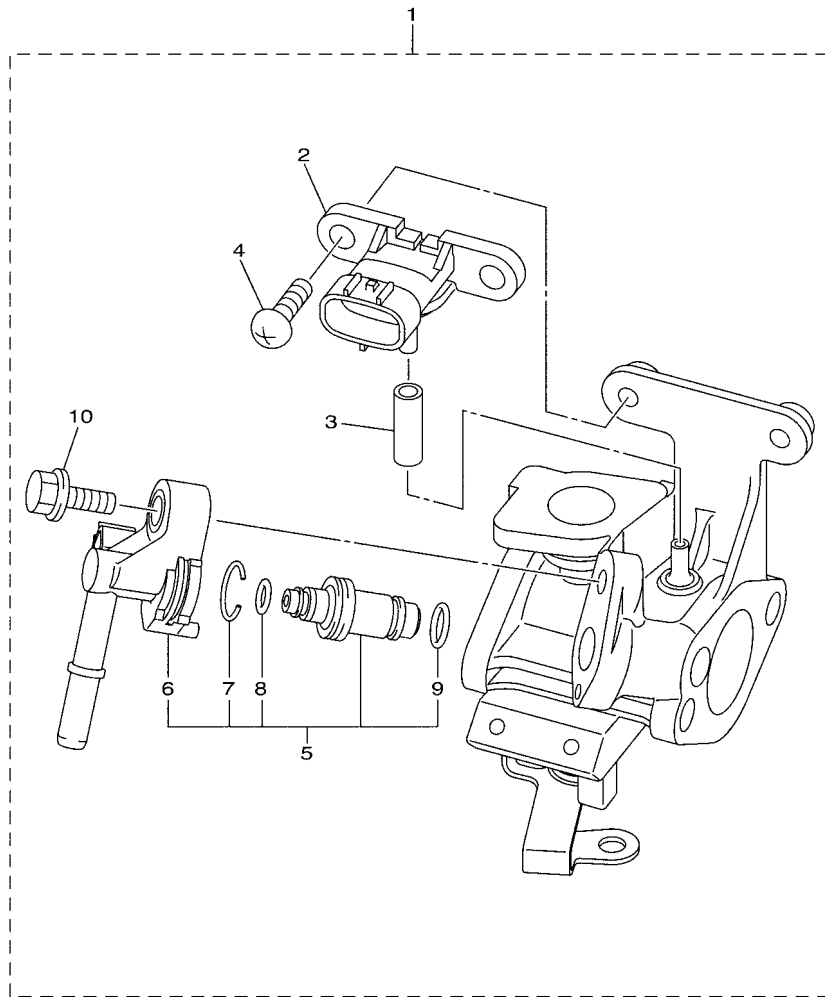


J0B1110-S050

FIG. 6 INTAKE 1

REF. NO.	PART NO.	DESCRIPTION	J0D1				REMARKS
1	JC0-13595-00	JOINT	1				
2	95702-08500	NUT, FLANGE	2				
3	JN6-13567-00	GASKET	1				
4	JC0-13567-00	GASKET	1				
5	JN6-13567-00	GASKET	1				
6	95802-06016	BOLT, FLANGE	2				
7	91702-05010	PIN, CLEVIS	2				
8	90468-10049	CLIP	2				
9	99001-07600	CIRCLIP	1				
10	J0B-E4412-00	CAP, CLEANER CASE 1	1				
11	J0B-E4451-01	ELEMENT, AIR CLEANER	1				
12	JU0-E445E-00	FILTER 1	1				
13	J0B-E4411-01	CASE, AIR CLEANER 1	1				
14	3B4-14424-00	CLIP, CAP FITTING	7				
15	J0B-F6312-00	CABLE, THROTTLE 2	1				
16	J0B-E4413-00	STAY	1				
17	97702-60416	SCREW, TAPPING	2				
18	J0B-E5471-00	DUCT, AIR	1				
19	90105-06057	BOLT, FLANGE	2				
20	97702-50016	SCREW, TAPPING	2				
21	J0B-E4437-00	DUCT	1				
22	90467-24140	CLIP	1				
23	J0B-E4453-01	JOINT, AIR CLEANER 1	1				

FIG. 7 INTAKE 2

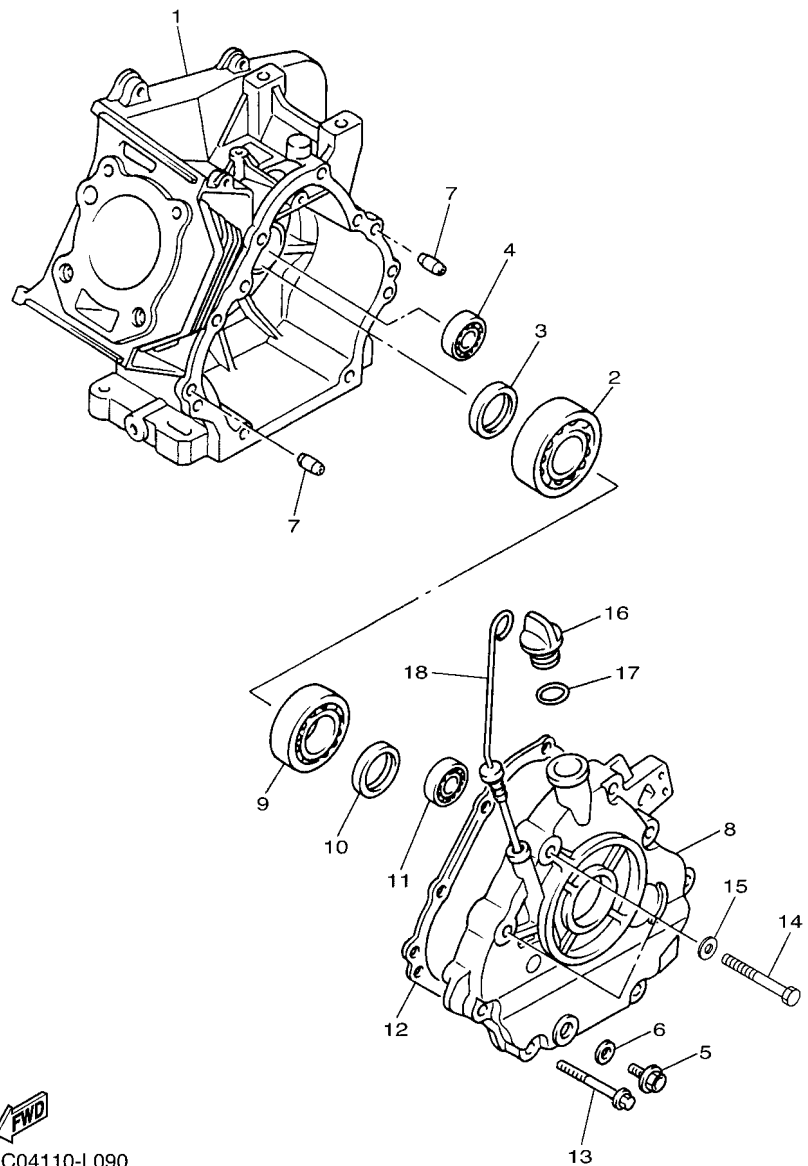


REF. NO.	PART NO.	DESCRIPTION	JOB1				REMARKS
1	J0B-13750-00	THROTTLE BODY ASSY	1				
2	1C7-82380-00	.SENSOR, PRESSURE	1				
3	JC0-13542-00	.HOSE, VACUUM SENSING 1	1				
4	98502-06014	.SCREW, PAN HEAD	2				
5	J0B-13770-00	.INJECTOR ASSY	1				
6	52S-13938-00	..PIPE	1				
7	52B-14137-00	..CLIP	1				
8	52B-14147-00	..O-RING	1				
9	5CA-14147-00	..O-RING	1				
10	95812-06025	..BOLT, FLANGE	1				



J0B1110-S060

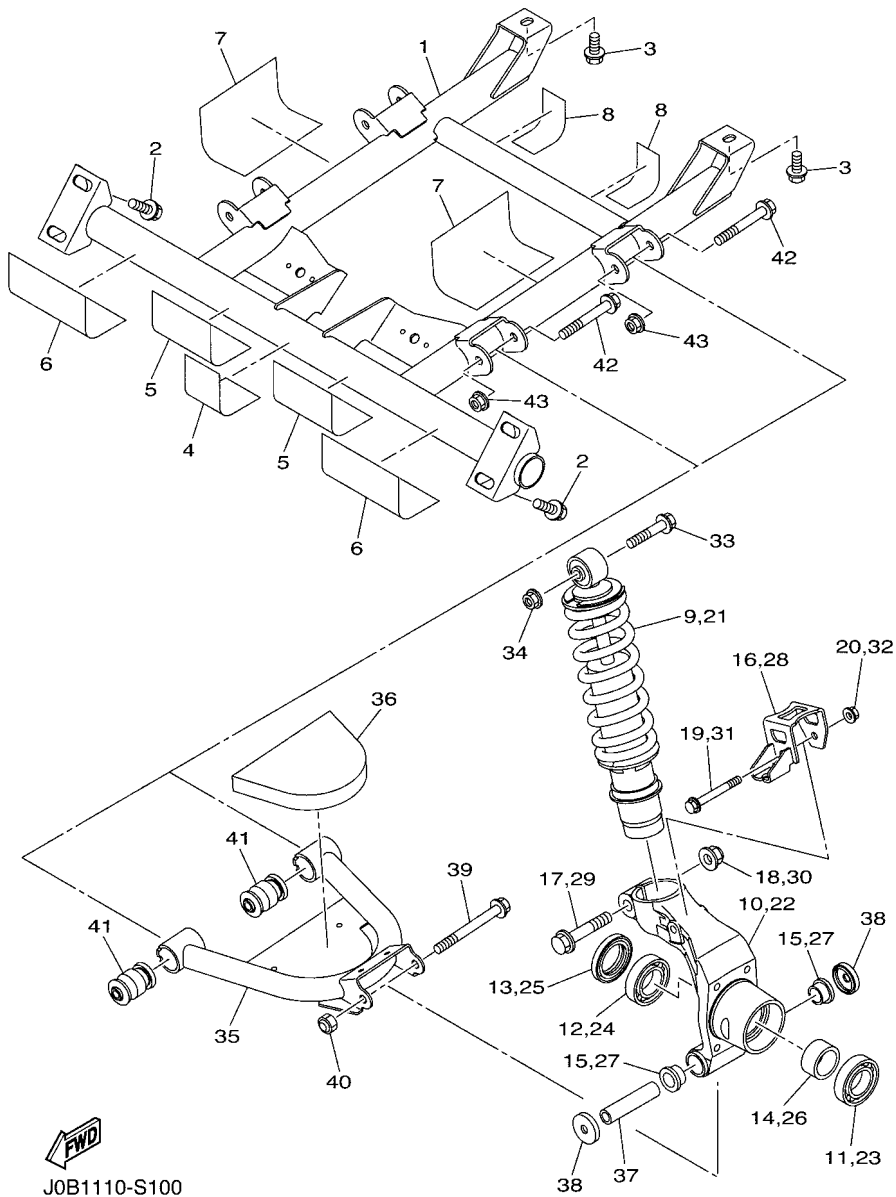
FIG. 9 CRANKCASE



REF. NO.	PART NO.	DESCRIPTION	JDD1				REMARKS
1	JC0-15111-01	CRANKCASE 1	1				
2	93306-30709	BEARING	1				
3	93102-35014	OIL SEAL	1				
4	93306-20201	BEARING	1				
5	90340-12097	PLUG, STRAIGHT SCREW	1				
6	812-11198-00	GASKET	1				
7	99530-08016	PIN, DOWEL	2				
8	JN6-15411-01	COVER, CRANKCASE 1	1				
9	93306-20714	BEARING	1				
10	93102-35014	OIL SEAL	1				
11	93306-20201	BEARING	1				
12	JY2-15451-00	GASKET, CRANKCASE COVER 1	1				
13	95812-08045	BOLT, FLANGE	6				
14	97012-10050	BOLT	2				
15	90201-10057	WASHER, PLATE	2				
16	796-15363-01	PLUG, OIL	1				
17	93210-22344	O-RING	1				
18	J38-15361-00	GAUGE, LEVEL	1				



JC04110-L090



J0B1110-S100

FIG. 11 REAR ARM & SUSPENSION

REF. NO.	PART NO.	DESCRIPTION	J0D1				REMARKS
1	J0B-F2110-02	REAR ARM COMP.	1				
2	95822-10020	BOLT, FLANGE	4				
3	J0B-F1531-00	BOLT	2				
4	J0B-F8218-00	SEAL 1	1				
5	J0B-F8228-00	SEAL 2	2				
6	J0B-F8238-00	SEAL 3	2				
7	J0B-F8268-00	SEAL 4	2				
8	J0B-F8278-00	SEAL 5	2				
9	J0B-F2210-00	SHOCK ABSORBER ASSY, REAR	1				
10	J0B-F53A1-01	KNUCKLE, REAR	1				
11	93306-00622	BEARING	1				
12	93306-006Y4	BEARING	1				
13	93106-38046	OIL SEAL	1				
14	J0B-F3113-00	COLLAR	1				
15	90381-17800	BUSH, SOLID	2				
16	J0B-F537W-00	BRACKET 1	1				
17	95812-12055	BOLT, FLANGE	1				
18	95602-12200	NUT, SELF-LOCKING	1				
19	95812-08060	BOLT, FLANGE	1				
20	95702-08500	NUT, FLANGE	1				
21	J0B-F2210-00	SHOCK ABSORBER ASSY, REAR	1				
22	J0B-F53A1-01	KNUCKLE, REAR	1				
23	93306-00622	BEARING	1				
24	93306-006Y4	BEARING	1				
25	93106-38046	OIL SEAL	1				
26	J0B-F3113-00	COLLAR	1				
27	90381-17800	BUSH, SOLID	2				

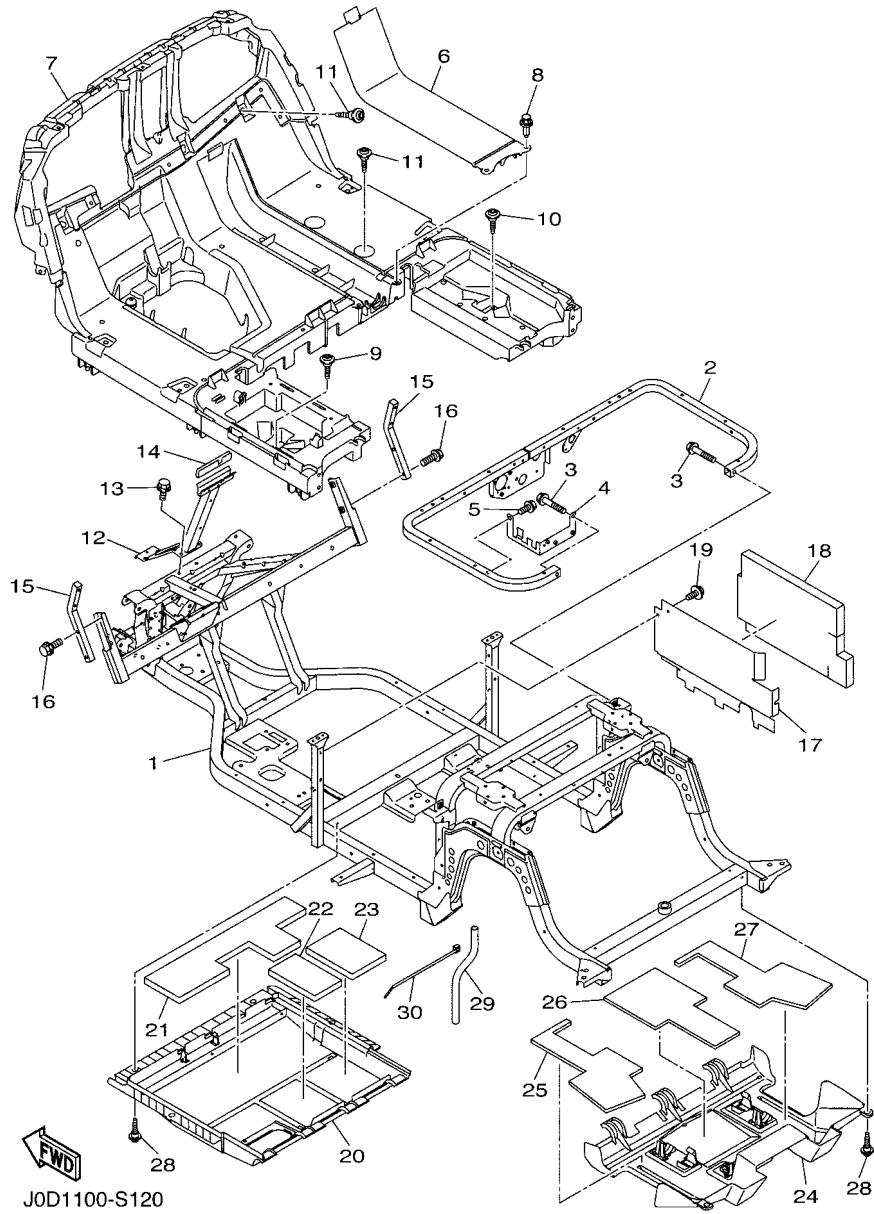
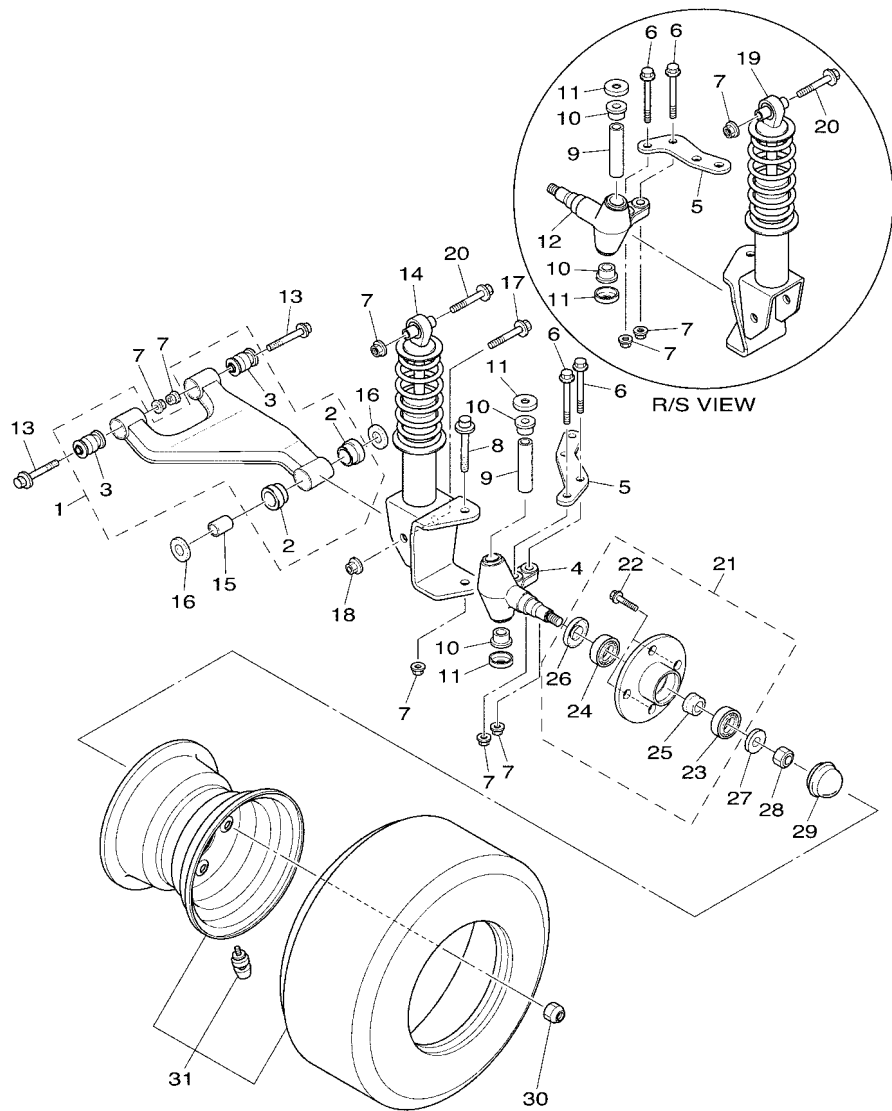


FIG. 12 FRAME

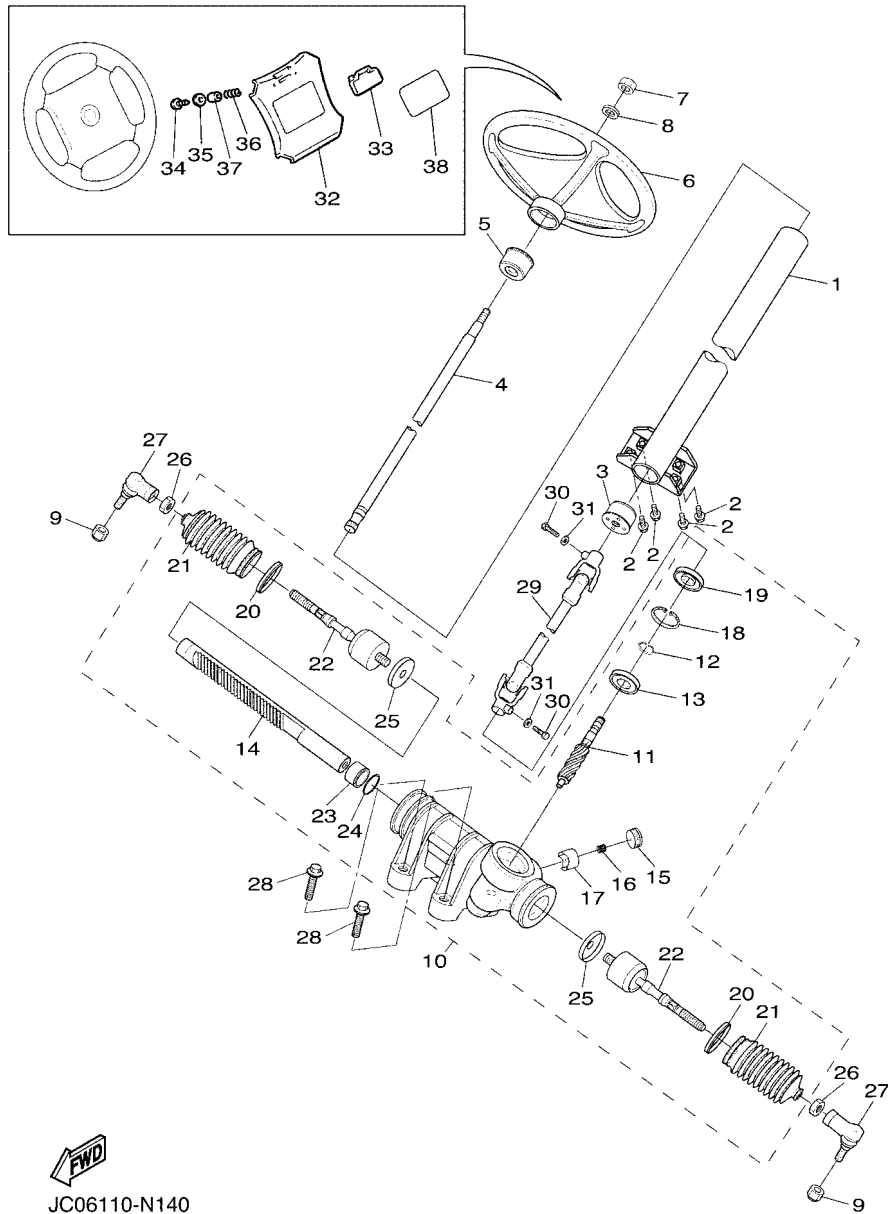
REF. NO.	PART NO.	DESCRIPTION	J0D1				REMARKS
1	J0B-F2501-00	FRAME COMP.	1				
2	J0B-F255G-00	MEMBER, SEAT SUPPORT	1				
3	95812-08040	BOLT, FLANGE	2				
4	J0B-F253B-00	STAY, RELAY	1				
5	90105-08867	BOLT, FLANGE	1				
6	J0B-F7413-01	COVER, FOOTREST	1				
7	J0D-F7411-01	FOOTREST 1	1				
8	90269-09003	RIVET	2				
9	J0B-F1738-00	BOLT	1				
10	J0B-F1738-00	BOLT	1				
11	J0B-F1738-00	BOLT	7				
12	J0B-F258E-00	SUPPORT, FRONT COWL	1				
13	90105-08867	BOLT, FLANGE	2				
14	J0B-F2127-00	SHIM	1				
15	J0B-K816M-00	REAR STORAGE BOX COMP.	2				
16	90105-088B6	BOLT, FLANGE	4				
17	J0B-F258R-00	PLATE, BATTERY 3	1				
18	J0B-K8252-00	PAD, SILENCER 2	1				
19	90105-08867	BOLT, FLANGE	2				
20	J0B-F3123-01	COVER, UNDER 1	1				
21	J0B-K8256-00	PAD, SILENCER 6	1				
22	J0B-K8257-00	PAD, SILENCER 7	1				
23	J0B-K8258-00	PAD, SILENCER 8	1				
24	J0B-F3133-02	COVER, LOWER 2	1				
25	J0B-K8259-00	PAD, SILENCER 9	1				
26	J0B-K825A-00	PAD, SILENCER 10	1				
27	J0B-K825E-00	PAD, SILENCER 11	1				

FIG. 13 FRONT SUSPENSION & WHEEL



J0D1100-S130

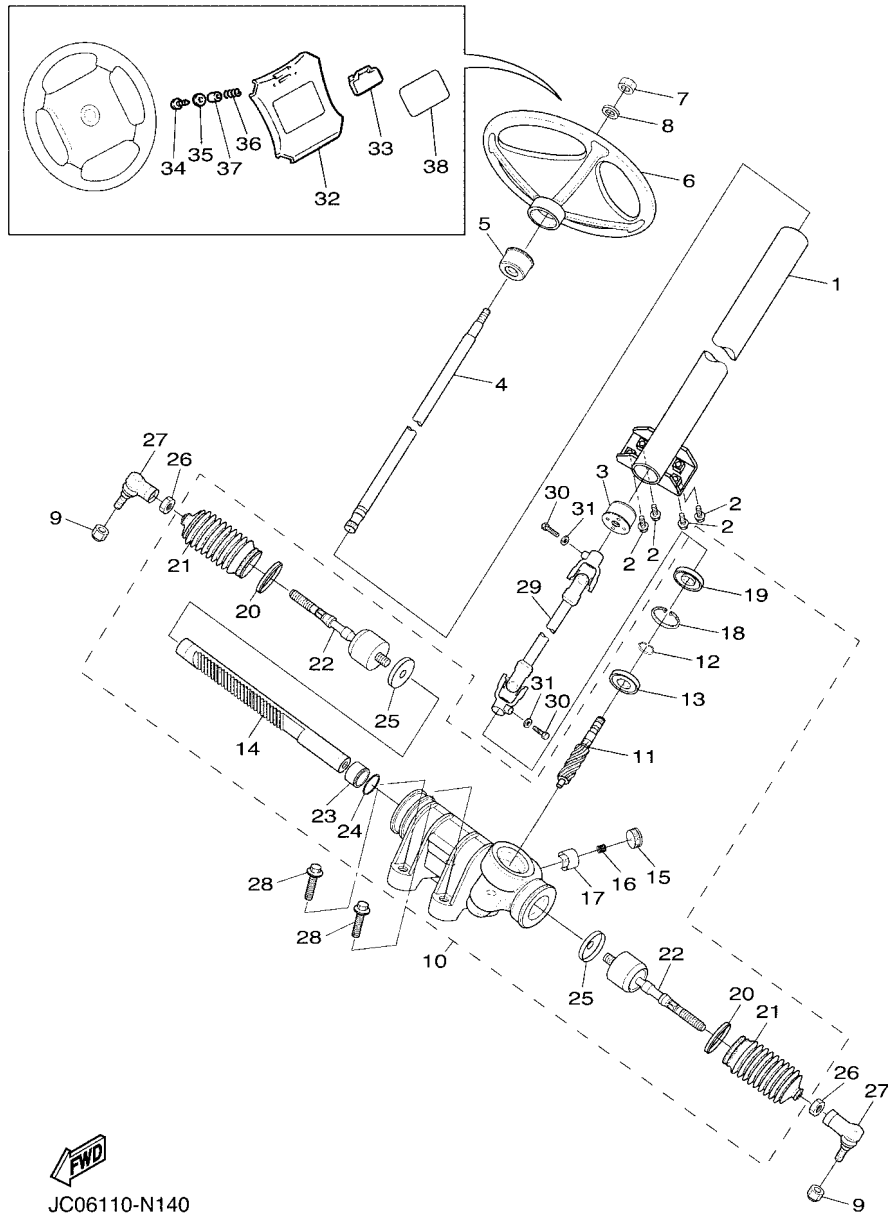
REF. NO.	PART NO.	DESCRIPTION	J0D1	REMARKS
1	J0B-F3570-10	FRONT LOWER ARM COMP. (LEFT)	2	
2	90381-18801	.BUSH, SOLID	2	
3	2HR-23526-00	.BUSH	2	
4	JU0-F3511-20	KNUCKLE, STEERING 1	1	
5	JW1-F3512-00	ARM, KNUCKLE 1	2	
6	90105-10373	BOLT, FLANGE	4	
7	95602-10200	NUT, S/L FLANGE	12	
8	90105-10219	BOLT, FLANGE	2	
9	2NL-23448-00	SPACER	2	
10	90381-17800	BUSH, SOLID	4	
11	2NL-23517-00	COVER, THRUST 1	4	
12	JU0-F3521-20	KNUCKLE, STEERING 2	1	
13	90105-10267	BOLT, FLANGE	4	
14	J0B-F3350-00	SHOCK ABSORBER ASSY	1	
15	90387-12016	COLLAR	2	
16	401-22128-01	COVER, THRUST 1	4	
17	95812-12080	BOLT, FLANGE	2	
18	95612-12100	NUT, U	2	
19	J0B-F3390-00	SHOCK ABSORBER ASSY 2	1	
20	90105-10267	BOLT, FLANGE	2	
21	JC1-F5103-00	HUB BEARING UNIT ASSY	2	
22	90114-12805	.BOLT, SERRATION	4	
23	93306-204X0	.BEARING	1	
24	93306-005Y3	.BEARING	1	
25	90387-241M7	.COLLAR	1	
26	93102-30083	.OIL SEAL	1	
27	90208-14801	WASHER, CONICAL SPRING	2	



JC06110-N140

FIG. 14 STEERING

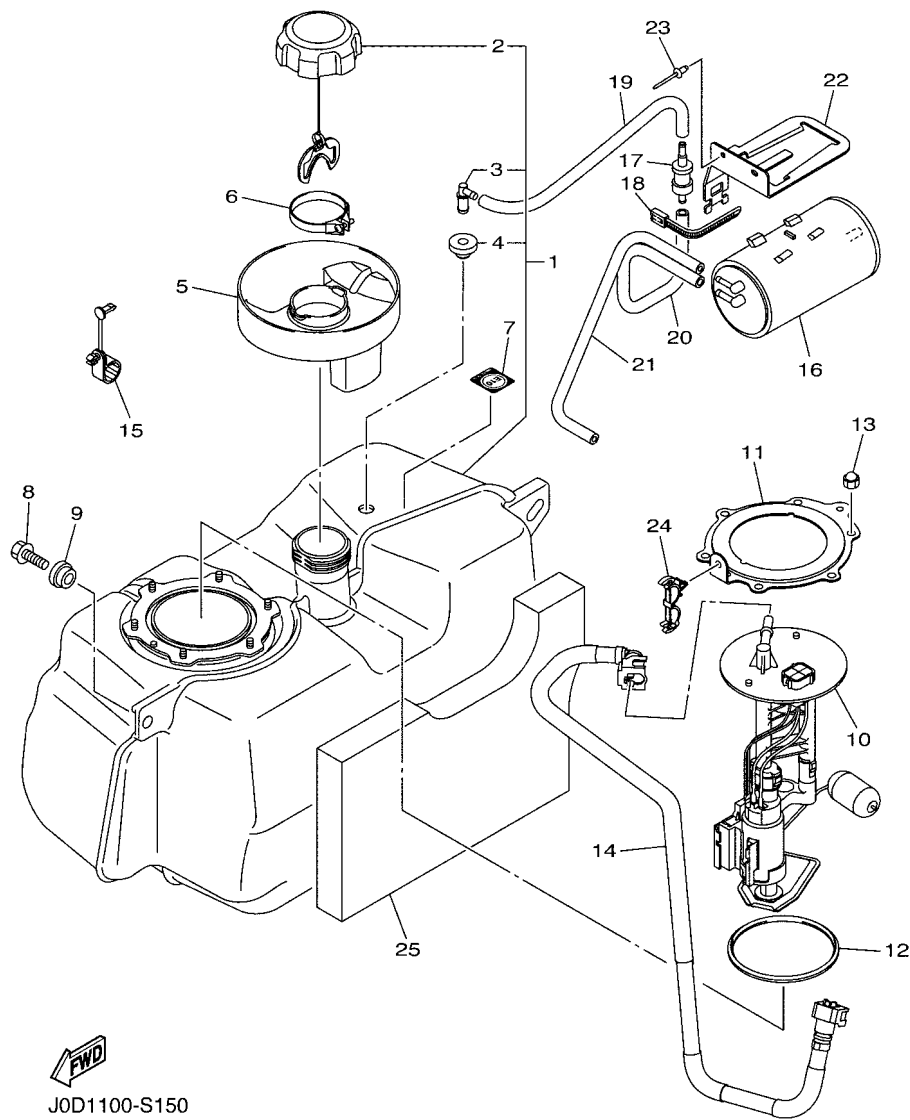
REF. NO.	PART NO.	DESCRIPTION	JQD1				REMARKS
1	JW1-F3811-03	COLUMN, STEERING	1				
2	95812-08020	BOLT, FLANGE	4				
3	JU0-F3857-11	HOLDER	1				
4	JU0-F3828-10	ROD, STEERING	1				
5	JU0-F3857-11	HOLDER	1				
6	JN3-F3838-00	WHEEL, STEERING	1				
7	90185-12008	NUT, SELF-LOCKING	1				
8	92902-12200	WASHER	1				
9	95602-12200	NUT, SELF-LOCKING	2				
10	JW1-F3400-00	STEERING ASSY	1				
11	JW1-F387A-00	.GEAR, PINION	1				
12	JW1-F3183-00	.CIRCLIP	1				
13	JW1-F3812-00	.BEARING, STEERING	1				
14	JW1-F387E-00	.GEAR, RACK	1				
15	5UG-F387G-00	.COVER, ADJUST	1				
16	5UG-F387K-00	.SPRING, PRESSURE	1				
17	5UG-F387F-00	.PAD, PRESSURE	1				
18	5UG-F387J-00	.RING, STOPPER	1				
19	5UG-F3844-00	.SEAL	1				
20	5UG-F3489-00	.BAND	2				
21	5UG-F3527-00	.SEAL, DUST 1	2				
22	JW1-F3837-00	.ROD, TIE 2	2				
23	JW1-F467K-00	.BUSH, CAP	1				
24	JW1-F3866-00	.CIRCLIP	1				
25	JW1-F3894-00	.WASHER, LOCK 1	2				
26	1P0-F3833-00	NUT 1	2				
27	JW8-23841-01	JOINT, UNIVERSAL 1	2				



JC06110-N140

FIG. 14 STEERING

REF. NO.	PART NO.	DESCRIPTION	JOD1				REMARKS
28	90105-10847	BOLT, FLANGE	4				
29	JW1-F3822-01	JOINT 1	1				
30	97012-08030	BOLT	2				
31	92902-08600	WASHER, PLATE	2				
32	JW8-K8357-00	HOLDER 1	1				
33	JN6-K8358-01	HOLDER 2	1				
34	97702-40525	SCREW, TAPPING	2				
35	90201-04810	WASHER, PLATE	2				
36	90502-10013	SPRING, CONICAL	2				
37	90387-046N7	COLLAR	2				
38	JC0-K7762-00	LABEL, WARNING 2	1				

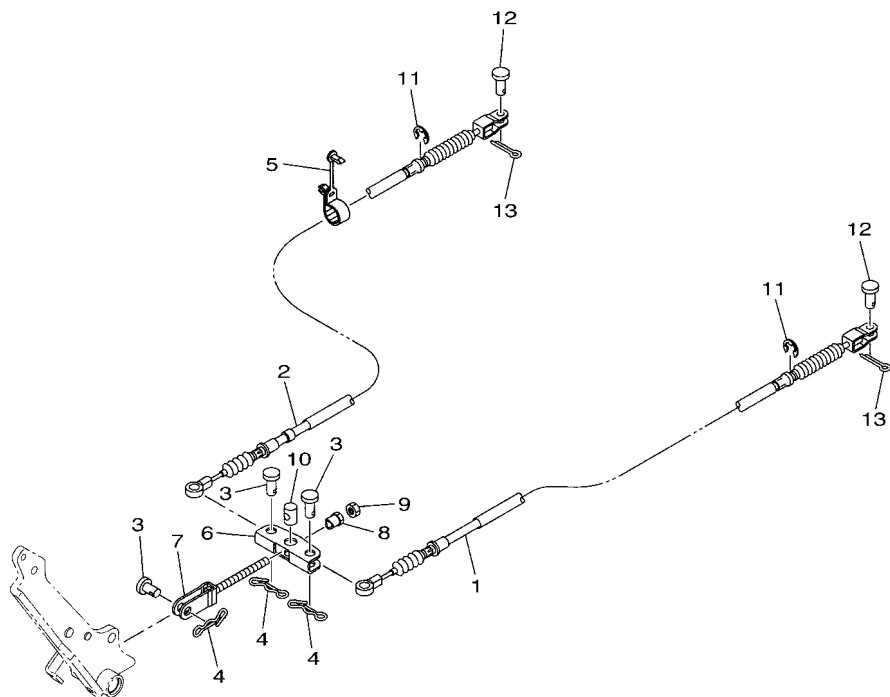


J0D1100-S150

FIG. 15 FUEL TANK

REF. NO.	PART NO.	DESCRIPTION	J0D1				REMARKS
1	JC0-F4111-01	TANK, FUEL	1				
2	JW1-F4610-00	.CAP ASSY	1				
3	JW1-F4112-00	.PIPE	1				
4	JU5-F4375-00	.GROMMET	1				
5	J0B-F4217-00	COVER	1				
6	90450-54008	HOSE CLAMP ASSY	1				
7	B88-2817K-00	LABEL, FUEL	1				
8	JW1-F1738-00	BOLT	2				
9	90560-08251	SPACER	2				
10	J0D-13907-00	FUEL PUMP COMP.	1				
11	JC0-24491-00	BRACKET, FUEL PUMP	1				
12	1S3-24486-00	O-RING	1				
13	95302-06800	NUT, CROWN	6				
14	J0D-13971-00	PIPE, FUEL 1	1				
15	JW7-F312H-00	CLAMP	1				
16	7CC-F4170-01	CANISTER ASSY	1				
17	4WM-24180-00	ROLL OVER VALVE ASSY	1				
18	90464-40825	CLAMP	1				
19	J0B-F4314-00	PIPE 4	1				
20	J0B-F4316-00	PIPE 6	1				
21	J0B-F4317-00	PIPE 7	1				
22	J0B-F419A-00	HOLDER	1				
23	JW7-K7329-00	RIVET	2				
24	90464-18246	CLAMP	1				
25	J0B-K8253-00	PAD, SILENCER 3	1				

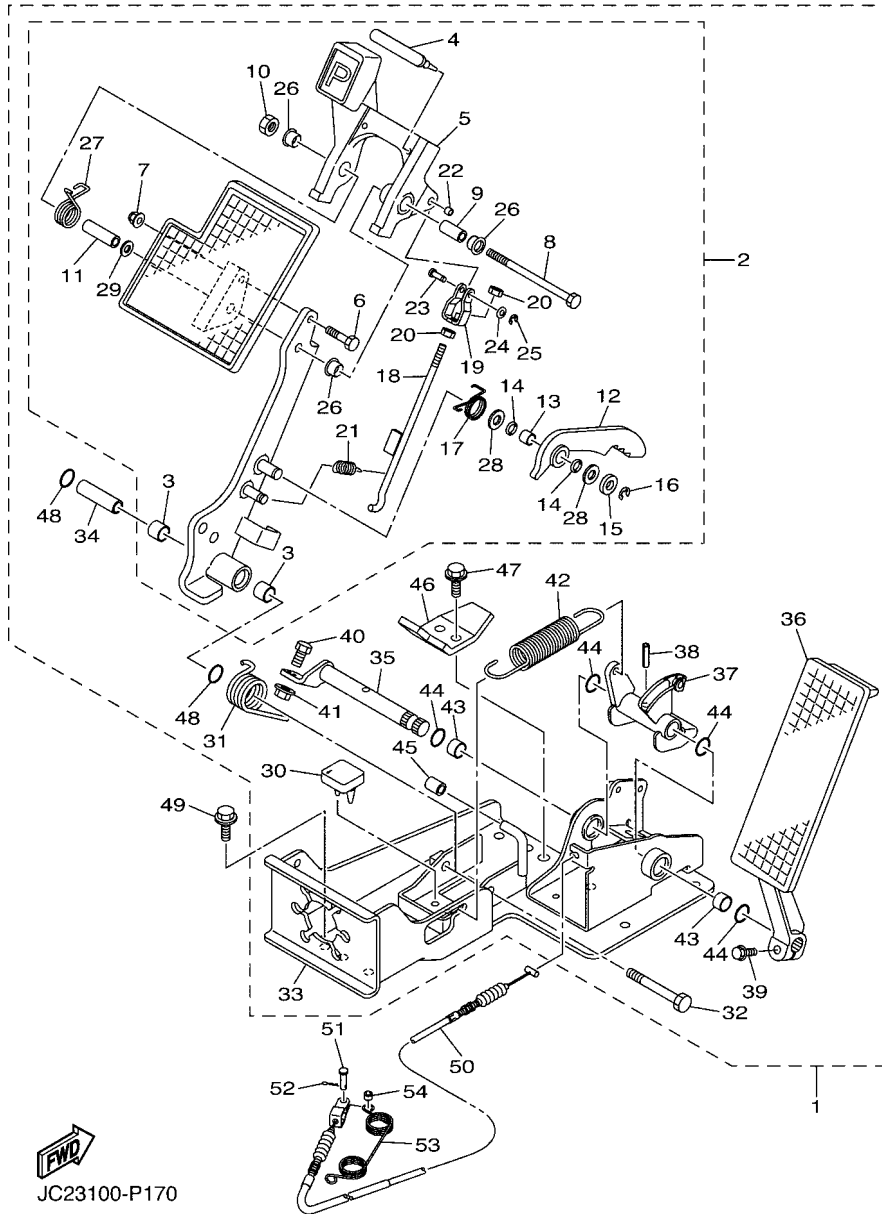
FIG. 16 PEDAL WIRE



REF. NO.	PART NO.	DESCRIPTION	JOB1				REMARKS
1	J0B-F6341-00	WIRE, BRAKE 1	1				
2	J0B-F6351-00	CABLE, BRAKE	1				
3	91702-10026	PIN, CLEVIS	3				
4	90468-20196	CLIP	3				
5	JW7-F312H-00	CLAMP	4				
6	JW8-F5681-10	EQUALIZER, BRAKE	1				
7	JN6-F5685-01	ROD	1				
8	90179-08822	NUT	1				
9	95307-08700	NUT	1				
10	90249-14129	PIN	1				
11	99001-09600	CIRCLIP	2				
12	91701-08018	PIN	2				
13	91490-25015	PIN. COTTER	2				



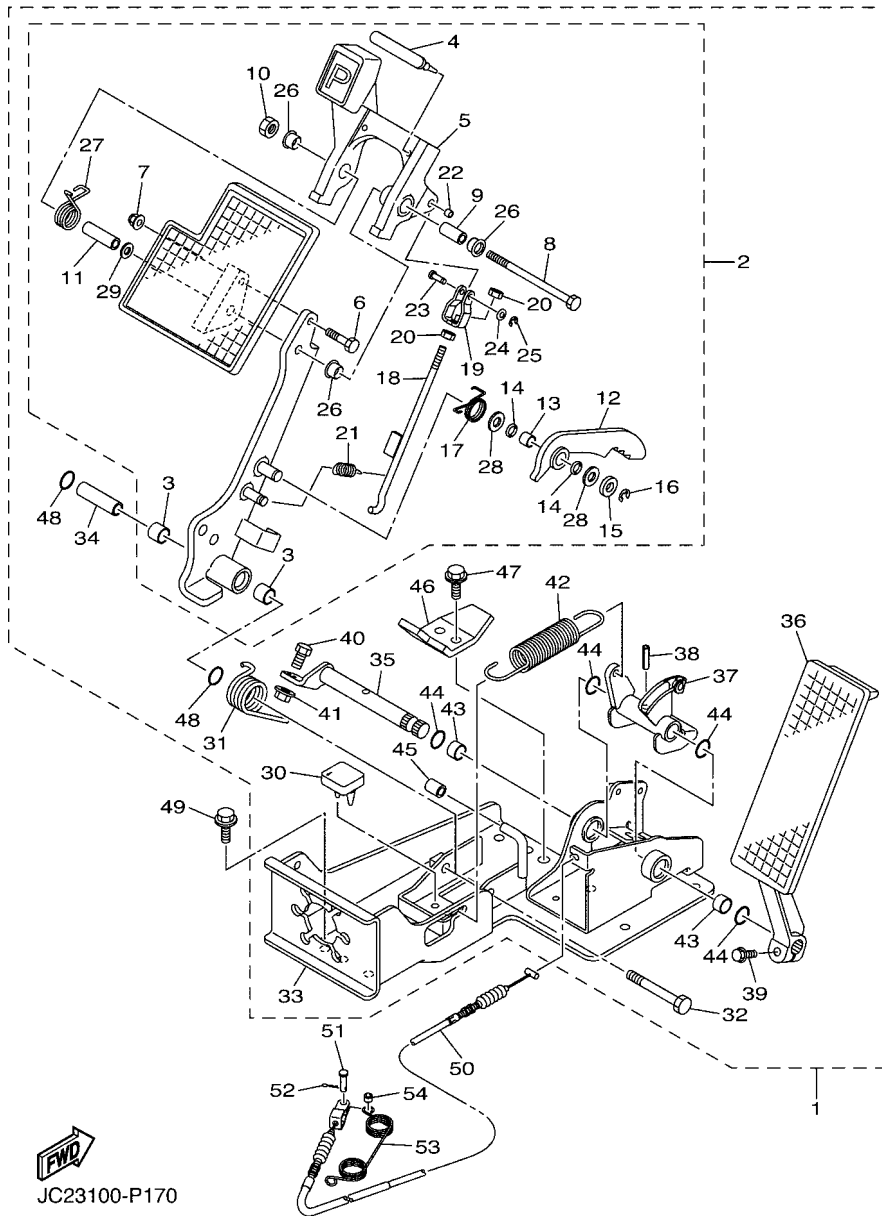
J0B1110-S150



JC23100-P170

FIG. 17 PEDAL ASSEMBLY

REF. NO.	PART NO.	DESCRIPTION	JOD1	REMARKS
1	JW8-F7850-31	PEDAL ASSY (L.H)	1	
2	JW9-F7200-21	.PEDAL, BRAKE	1	
3	JW8-F7814-21	.BUSH, PEDAL	2	
4	JW9-F5672-00	..PAD, PARKING PEDAL	1	
5	JW9-F5671-00	..PEDAL, PARKING BRAKE	1	
6	JW8-F7117-00	..BOLT, MAIN STAND	1	
7	JW8-F8363-00	..NUT	1	
8	JW8-F7416-00	..BOLT, FOOTREST	1	
9	JW8-F639N-00	..COLLAR	1	
10	JW8-F7218-00	..NUT	1	
11	JW8-F7113-00	..COLLAR, MAIN STAND	1	
12	JW9-F5666-00	..SECTOR, PARKING BRAKE	1	
13	JW8-F7121-00	..BUSH	1	
14	JW9-F7221-00	..SEAL, SHAFT	2	
15	JW8-F7322-00	..WASHER	1	
16	JW8-F3183-00	..CIRCLIP	1	
17	JW8-F7426-01	..SPRING, RETURN	1	
18	JW9-F7231-10	..ROD, BRAKE	1	
19	JW9-F7232-00	..END, ROD 2	1	
20	JW8-F7318-00	..NUT	2	
21	JW8-F6314-00	..SPRING	1	
22	JW8-F639L-00	..BUSH 1	1	
23	JW9-F7228-00	..PIN, JOINT	1	
24	JW8-F8323-00	..WASHER, LEG SHIELD	1	
25	JW8-F5415-00	..CIRCLIP	1	
26	90386-12800	..BUSH	3	
27	JW8-F7825-01	..SPRING, RETURN	1	

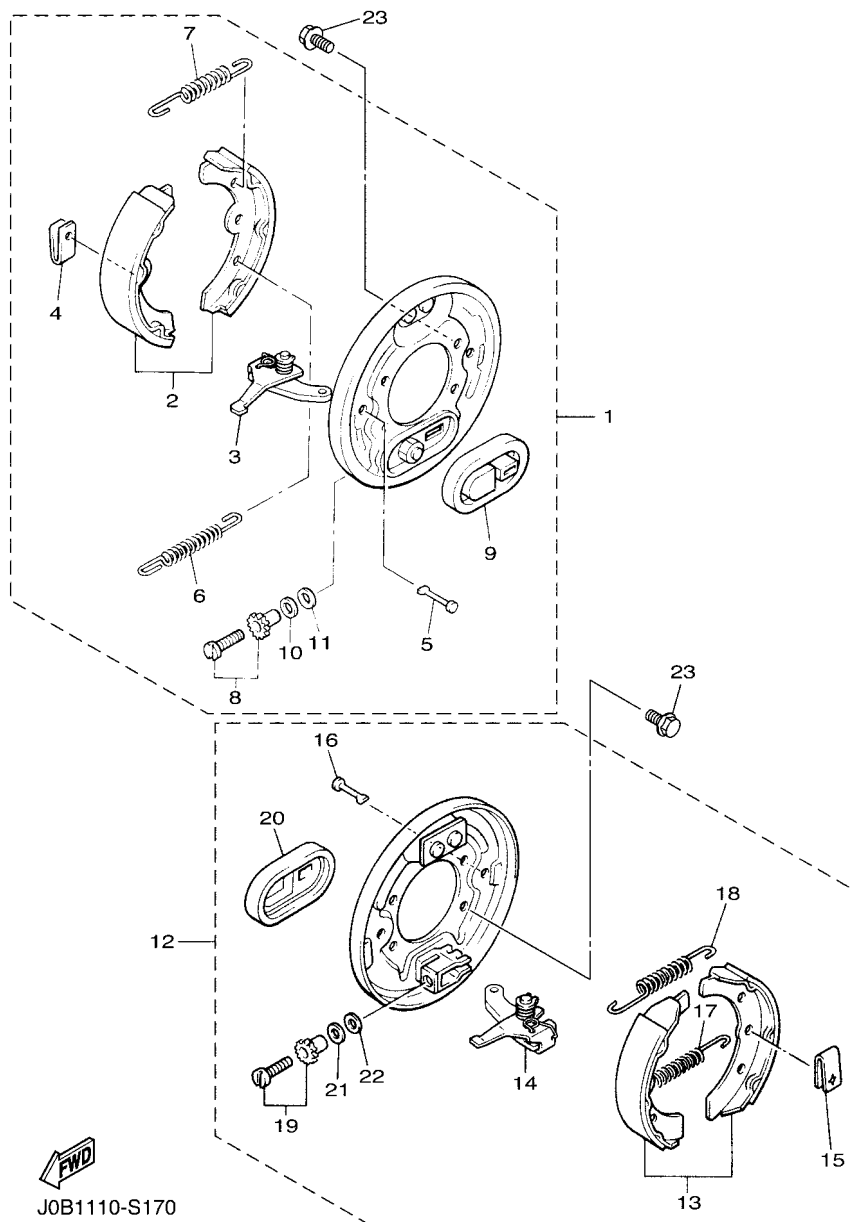


JC23100-P170

FIG. 17 PEDAL ASSEMBLY

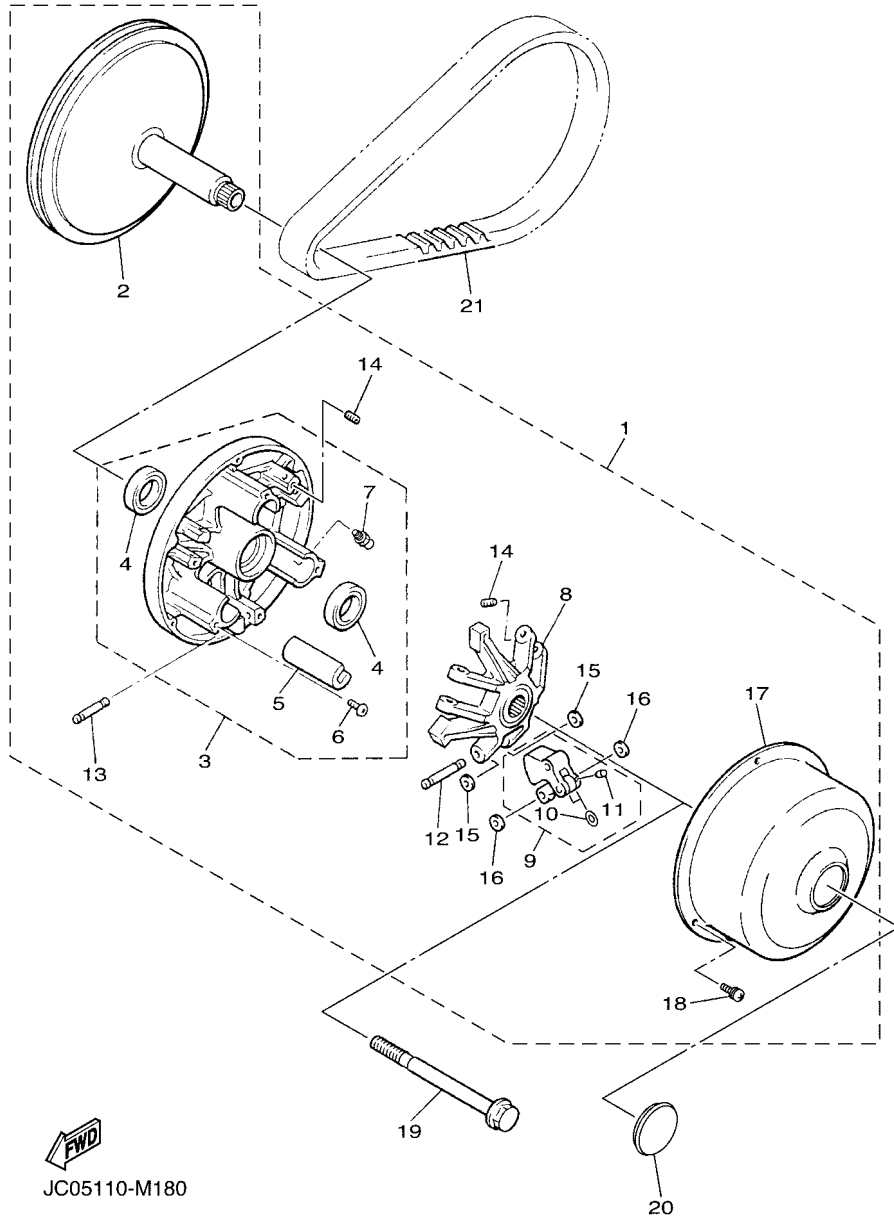
REF. NO.	PART NO.	DESCRIPTION	JQD1				REMARKS
28	JW8-F7119-00	..WASHER	2				
29	JW8-F8319-00	..WASHER	1				
30	JW9-F7245-10	.PAD, BRAKE PEDAL	1				
31	JW8-F7316-01	.SPRING, SIDE STAND	1				
32	JW8-F7217-00	.BOLT	1				
33	JW8-F7445-31	.PLATE 1	1				
34	JW8-F7213-20	.COLLAR	1				
35	JW8-F7853-10	.SHAFT, PEDAL 1	1				
36	JW9-F7871-10	.PEDAL, ACCELERATOR	1				
37	JW8-F7872-30	.ARM, ACCELERATOR PEDAL	1				
38	JW8-F7438-00	.PIN, CLEVIS	1				
39	JW8-F7434-00	.BOLT	1				
40	JW8-F7317-00	.BOLT	1				
41	JW8-F7118-00	.NUT	1				
42	JW8-F815H-01	.SPRING	1				
43	JW8-F7814-21	.BUSH, PEDAL	2				
44	JW8-F4486-00	.O-RING	4				
45	JW9-F5673-00	.DAMPER, BRAKE	1				
46	JW9-F7246-20	.NAIL, BRAKE	1				
47	JW8-F8331-00	.BOLT, LEG SHIELD	2				
48	JW8-F4486-00	.O-RING	2				
49	95812-08020	BOLT, FLANGE	6				
50	J0B-F6311-00	CABLE, THROTTLE 1	1				
51	91702-05014	PIN, CLEVIS	1				
52	90468-10049	CLIP	1				
53	90508-16460	SPRING, TORSION	1				
54	90560-05001	SPACER	1				

FIG. 18 BRAKE



J0B1110-S170

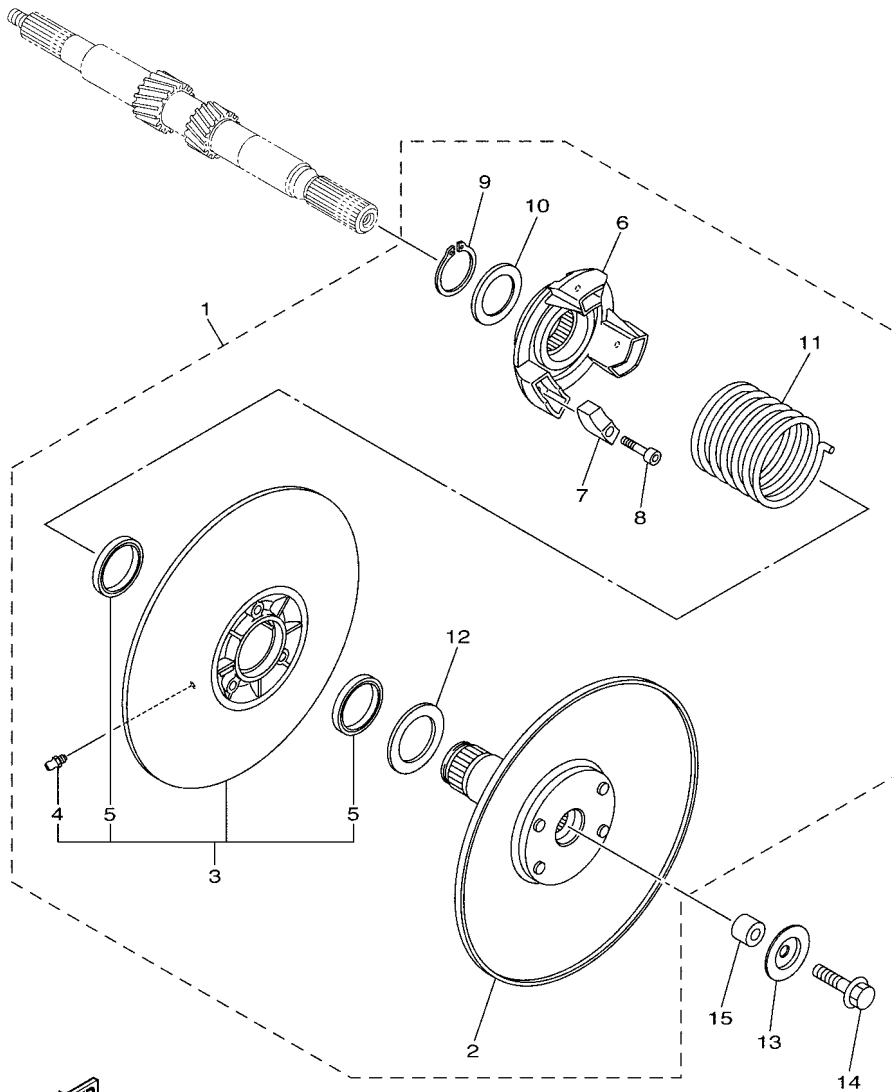
REF. NO.	PART NO.	DESCRIPTION	J0D1				REMARKS
1	JW8-F7280-00	BACKING PLATE ASSY 1	1				
2	JN9-W2536-00	.BRAKE SHOE SET	1				
3	J38-27204-00	.LEVER ASSY 1	1				
4	JW8-F7281-00	.SPRING, SHOE CLAMP	2				
5	J10-27282-00	.PIN, SHOE HOLD DOWN	2				
6	90506-20281	.SPRING, TENSION	1				
7	90506-14001	.SPRING, TENSION	1				
8	J55-27270-00	.ADJUSTER ASSY	1				
9	JW8-F7286-00	.COVER, DUST	1				
10	90201-121H9	.WASHER, PLATE	1				
11	90201-121H8	.WASHER, PLATE	1				
12	JW8-F7290-00	BACKING PLATE ASSY 2	1				
13	JN9-W2536-00	.BRAKE SHOE SET	1				
14	J38-27205-00	.LEVER ASSY 2	1				
15	JW8-F7281-00	.SPRING, SHOE CLAMP	2				
16	J10-27282-00	.PIN, SHOE HOLD DOWN	2				
17	90506-20281	.SPRING, TENSION	1				
18	90506-14001	.SPRING, TENSION	1				
19	J55-27260-00	.ADJUSTER ASSY	1				
20	JW8-F7286-00	.COVER, DUST	1				
21	90201-121H9	.WASHER, PLATE	1				
22	90201-121H8	.WASHER, PLATE	1				
23	90105-082A0	BOLT, FLANGE	8				



JC05110-M180

FIG. 20 PRIMARY SHEAVE

REF. NO.	PART NO.	DESCRIPTION	JOD1				REMARKS
1	J0B-G6201-01	PRIMARY CLUTCH ASSY	1				
2	JW8-G6210-01	.PRIMARY FIXED SHEAVE COMP.	1				
3	J0B-G6220-01	.PRIMARY SLIDING SHEAVE COMP.	1				
4	JW8-G624A-00	.OIL SEAL 1	2				
5	JW8-G6253-00	.SLIDER	3				
6	JW8-G4189-00	.SCREW	3				
7	JW8-F135J-00	.NIPPLE	1				
8	JW8-G6251-21	.SPIDER	1				
9	JW8-G6205-22	.WEIGHT LINK ASSY	3				
10	JW8-G5618-00	.WASHER, 1	2				
11	90113-04803	.BOLT, SET	2				
12	JW8-G6236-20	.PIN, WEIGHT	3				
13	JW8-G6237-20	.PIN, WEIGHT 2	3				
14	90113-04803	.BOLT, SET	6				
15	JW8-G5618-00	.WASHER, 1	6				
16	JW8-G5621-00	.WASHER, 2	6				
17	J0B-G6231-00	.CAP	1				
18	JW8-G5282-00	.SCREW	3				
19	JW8-G6249-00	BOLT	1				
20	JW8-G7339-00	PLUG	1				
21	J0D-G6241-00	BELT	1				



JC05110-M190

FIG. 21 SECONDARY SHEAVE

REF. NO.	PART NO.	DESCRIPTION	JDD1				REMARKS
1	JW8-G6202-22	SECONDARY SHEAVE ASSY	1				
2	JW8-G6260-22	.SECONDARY FIXED SHEAVE COMP.	1				
3	JW8-G6270-21	.SECONDARY SLIDING SHEAVE COMP.	1				
4	JW8-F135J-00	.NIPPLE	1				
5	JW8-G624B-00	.OIL SEAL 2	2				
6	JW8-G6284-00	.SEAT, SECONDARY SPRING	1				
7	JW8-E7688-00	.SHOE, RAMP	3				
8	JW8-G6159-00	.BOLT 3	3				
9	JW8-G5531-00	.CLIP, DRIVE SHAFT	1				
10	JW8-G6374-00	.COLLAR, SPRING	1				
11	JW8-G6275-10	.SPRING, CLUTCH 1	1				
12	JW8-G5677-00	.WASHER	1				
13	90209-08018	WASHER	1				
14	90105-08260	BOLT, FLANGE	1				
15	JW8-G5697-20	COLLAR	1				

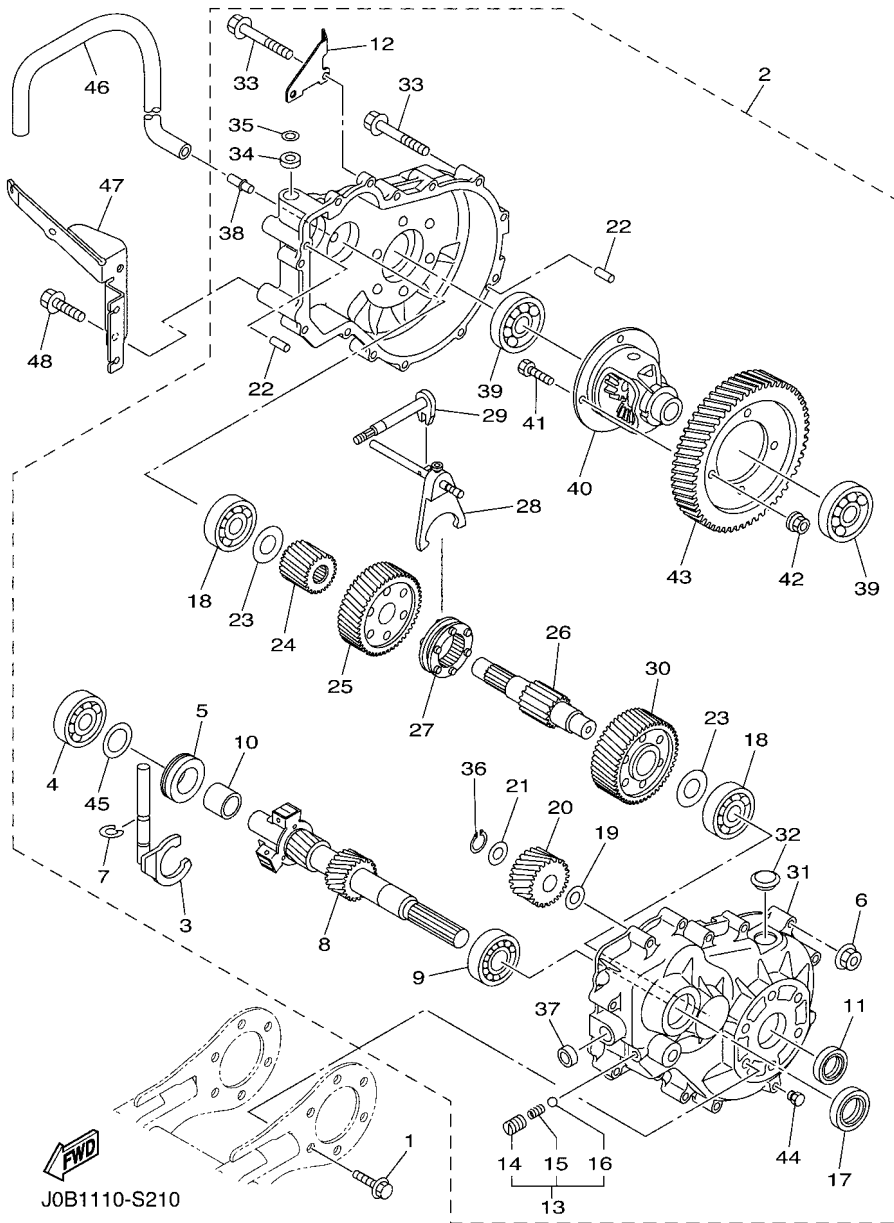


FIG. 22 TRANSMISSION

REF. NO.	PART NO.	DESCRIPTION	JOD1				REMARKS
1	95812-10020	BOLT, FLANGE	6				
2	J0D-G6301-00	TRANSMISSION ASSY	1				
3	J0B-G633E-00	.BAR 1	1				
4	93306-303Y6	.BEARING	1				
5	JW8-E1923-00	.SLEEVE, GOVERNOR	1				
6	J0B-G2391-00	.NUT 1	13				
7	JU0-F722H-00	.RETAINER	1				
8	J0D-G6320-00	.INPUT SHAFT ASSY	1				
9	J0B-G6164-00	.BEARING 1	1				
10	J0B-G3127-00	.COLLAR	1				
11	J0B-G3812-00	.SEAL, DUST	2				
12	J0B-G6555-00	.BRACKET 2	1				
13	JU0-G6376-00	.SPRING SET	1				
14	90113-08803	.BOLT, SET	1				
15	90501-10852	.SPRING, COMPRESSION	1				
16	93500-06826	.BALL	1				
17	93102-25868	.OIL SEAL	1				
18	J0B-G580H-00	.BEARING ASSY	2				
19	90201-208H9	.WASHER, PLATE	1				
20	J0B-G6356-00	.GEAR, IDLER	1				
21	90201-208J0	.WASHER, PLATE	1				
22	93606-10842	.PIN, DOWEL	2				
23	J0B-G1297-00	.WASHER, 1	2				
24	J0B-G6316-00	.GEAR, PINION 1	1				
25	J0B-G6326-00	.GEAR, WHEEL 1	1				
26	J0B-G633G-00	.SHAFT	1				
27	J0B-G6153-00	.COLLAR, GUIDE	1				

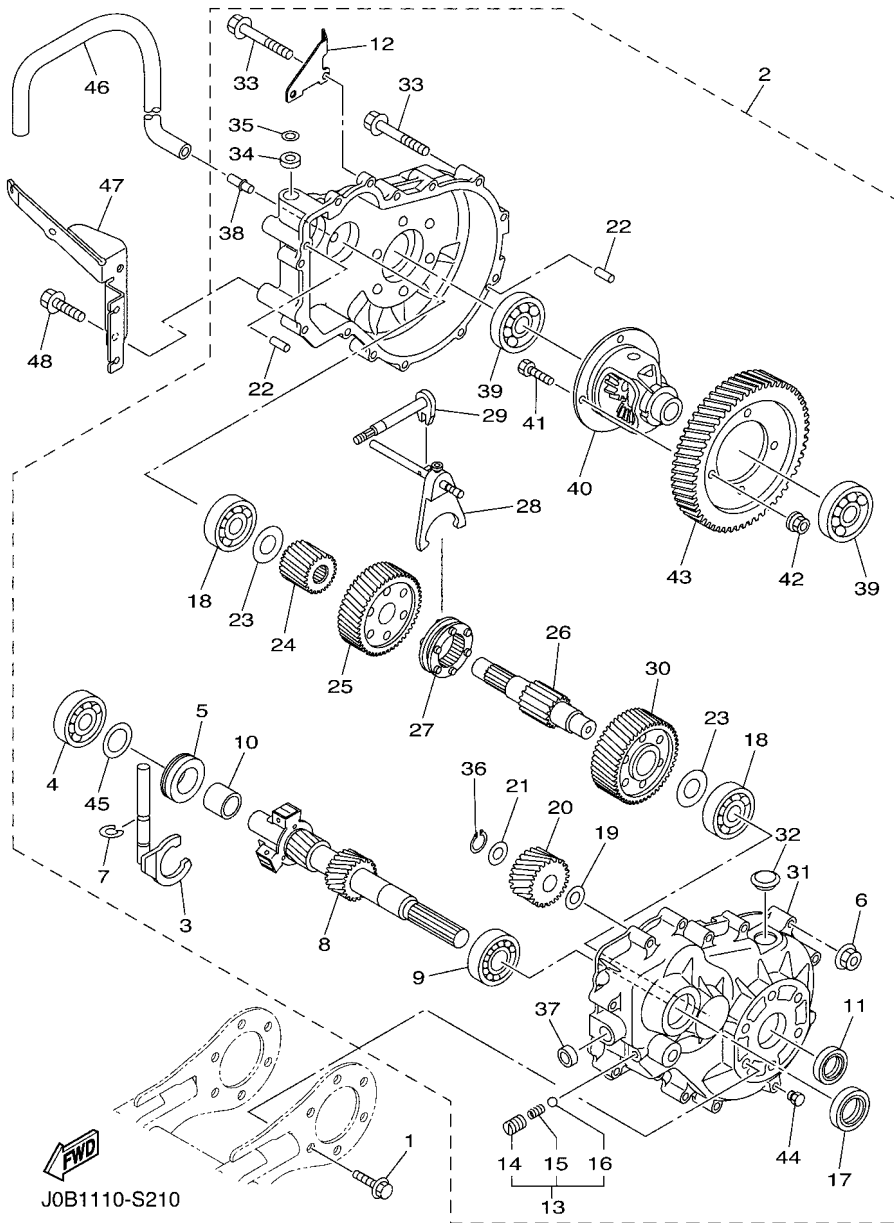
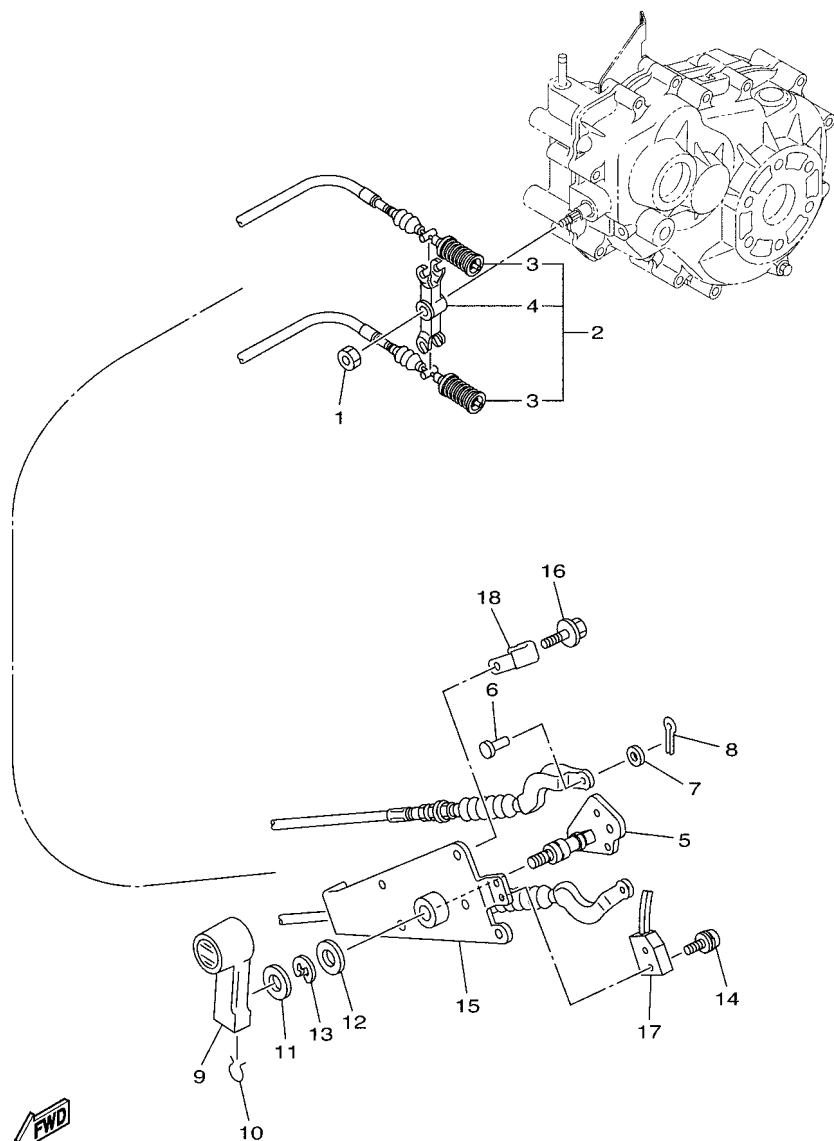


FIG. 22 TRANSMISSION

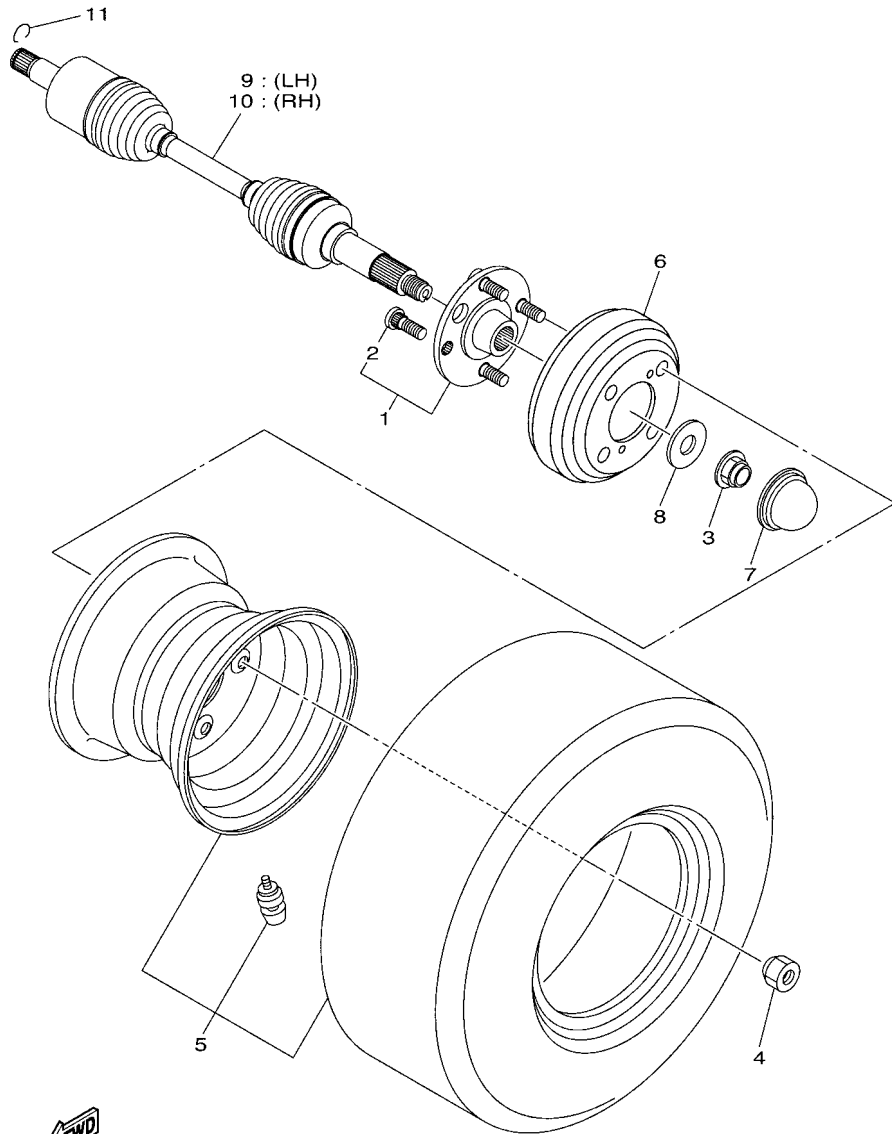
REF. NO.	PART NO.	DESCRIPTION	JOB1				REMARKS
28	J0B-G638E-00	.BAR, SHIFT 2	1				
29	J0B-G638A-00	.BAR, SHIFT 1	1				
30	J0D-G6327-00	.GEAR, WHEEL 2	1				
31	J0B-G6314-00	.COVER, TRANSMISSION	1				
32	JN3-G6432-00	.STOPPER	1				
<hr/>							
33	J0B-G1148-00	.BOLT	13				
34	93109-10820	.OIL SEAL	1				
35	JU0-F723F-00	.WASHER, SPECIAL	1				
36	JW8-F47E3-00	.CIRCLIP	1				
37	93104-11829	.OIL SEAL	1				
<hr/>							
38	JW8-G5378-00	.NIPPLE, HOSE	1				
39	93306-007Y0	.BEARING	2				
40	J0B-G6410-00	.DIFFERENTIAL ASSY.	1				
41	JC1-G2544-00	.BOLT	4				
42	90170-10840	.NUT	4				
<hr/>							
43	J0B-G6355-00	.GEAR, PRIMARY	1				
44	J0B-G5148-00	.PLUG, DRAIN	1				
45	JN3-G6344-00	.SHIM, 0.76MM (0.030IN)	1				
46	JW8-G2541-00	PIPE 1	1				
47	J0B-G6556-00	BRACKET 3	1				
<hr/>							
48	90105-08867	BOLT, FLANGE	2				
<hr/>							

FIG. 23 SHIFTER & CABLES



J0B1110-S220

REF. NO.	PART NO.	DESCRIPTION	J0D1				REMARKS
1	95602-08100	NUT, U	1				
2	J0B-G8330-00	CABLE END ASSY	1				
3	J0B-G6371-00	.WIRE, SHIFT	2				
4	JW8-G6383-10	.LEVER, SHIFT 2	1				
5	J0B-G6382-00	LEVER, SHIFT 1	1				
6	91702-06014	PIN, CLEVIS	2				
7	92902-06600	WASHER, PLATE	2				
8	91402-20012	PIN, COTTER	2				
9	JN3-G6381-00	KNOB, SHIFT	1				
10	JN3-G6376-00	SPRING SET	1				
11	90201-208S8	WASHER, PLATE	1				
12	90201-198S7	WASHER, PLATE	1				
13	99009-19400	CIRCLIP	1				
14	97602-04316	SCREW, PAN HEAD WITH WASHER	2				
15	J0B-G6372-00	BRACKET, SHIFT WIRE	1				
16	90105-06831	BOLT, FLANGE	3				
17	JN3-82617-01	SWITCH	1				
18	90465-06038	CLAMP	1				

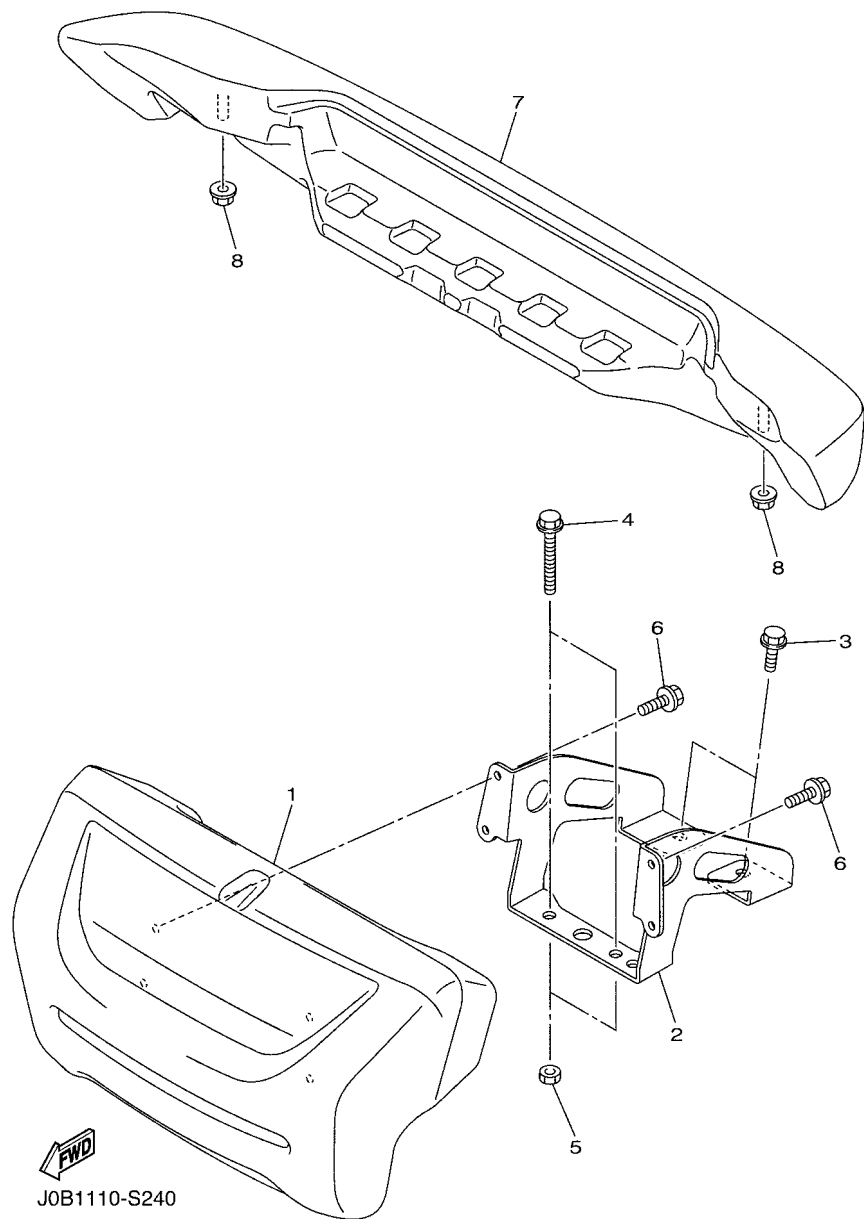


J0D1100-S240

FIG. 24 REAR AXLE & WHEEL

REF. NO.	PART NO.	DESCRIPTION	J0D1				REMARKS
1	J0B-F5310-01	HUB ASSY	2				
2	90114-12004	.BOLT, SERRATION	4				
3	90179-20016	NUT	2				
4	90179-12262	NUT	8				
5	JC1-F5100-01	WHEEL ASSY (205/65-10 4P)	2				
6	JW3-G6521-00	DRUM	2				
7	JW8-F5118-00	COVER, HUB DUST	2				
8	90201-20035	WASHER, PLATE	2				
9	J0B-F518F-00	DRIVE SHAFT ASSY	1				
10	J0B-F518G-00	DRIVE SHAFT ASSY	1				
11	93450-22119	CIRCLIP	2				

FIG. 25 BUMPER



REF. NO.	PART NO.	DESCRIPTION	JOB1				REMARKS
1	J0B-K7510-00	FRONT BUMPER COMP.	1				
2	J0B-K8164-00	STAY, FRONT BUMPER (L.H)	1				
3	95812-08016	BOLT, FLANGE	2				
4	95812-08050	BOLT, FLANGE	2				
5	95302-08700	NUT, HEXAGON	2				
6	95822-06012	BOLT, FLANGE	4				
7	JW8-K7540-00	REAR BUMPER COMP.	1				
8	95602-10200	NUT, S/L FLANGE	2				

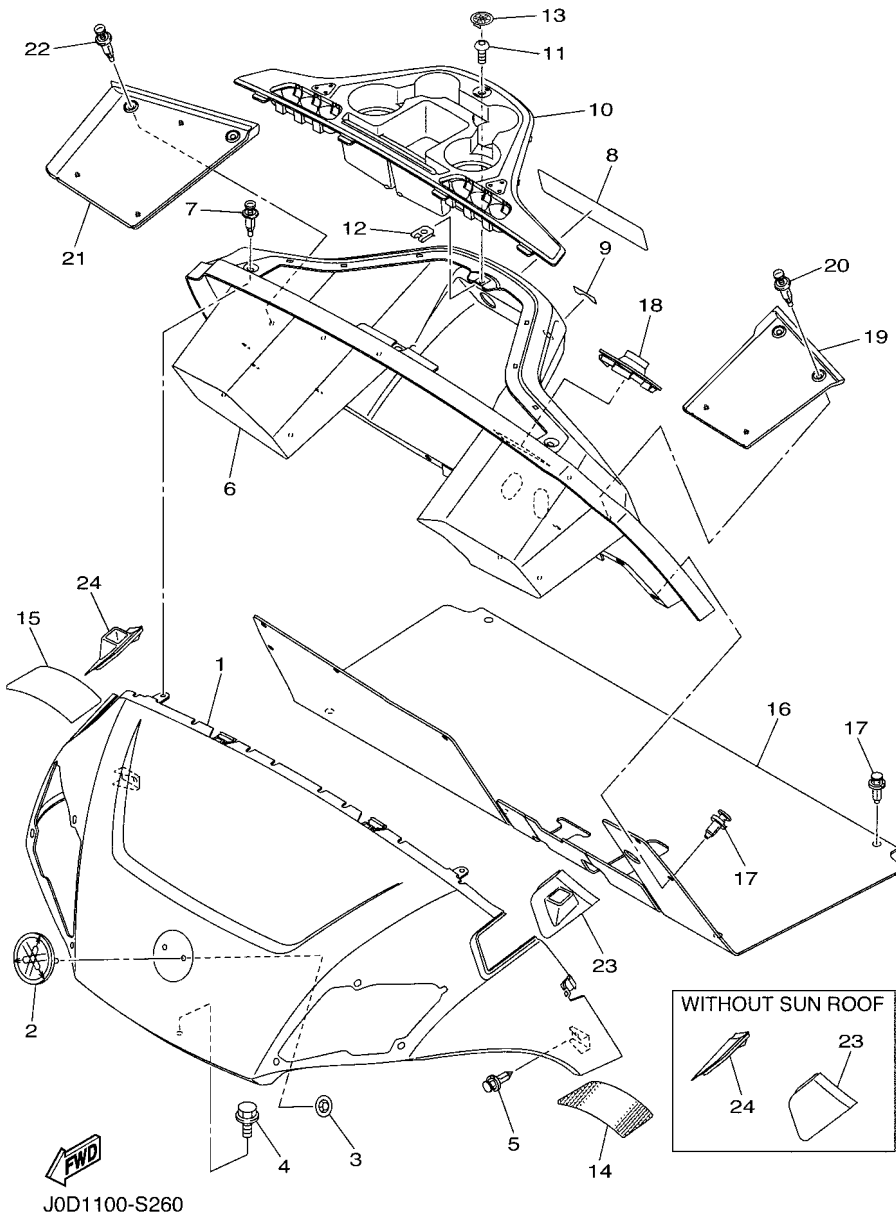


FIG. 26 BODY

REF. NO.	PART NO.	DESCRIPTION	J0D1			REMARKS
1	J0D-K8115-A0	COWL, FRONT	1			UR FOR BW1
	J0D-K8115-00	COWL, FRONT	1			UR FOR DNBME
	J0D-K8115-20	COWL, FRONT	1			UR FOR LNYM8
	J0D-K8115-30	COWL, FRONT	1			UR FOR LNMP
	J0D-K8115-40	COWL, FRONT	1			UR FOR DYNM2
	J0D-K8115-70	COWL, FRONT	1			UR FOR DRMV
	J0D-K8115-80	COWL, FRONT	1			UR FOR BMG
	J0D-K8115-90	COWL, FRONT	1			UR FOR VPBM6
2	J0B-F4161-00	EMBLEM 1	1			
3	JU0-K7573-00	NUT, SPECIAL	2			
4	90105-06831	BOLT, FLANGE	1			
5	90269-06804	RIVET	2			
6	J0D-K8114-00	PANEL, FRONT	1			
7	90269-07803	RIVET	3			
8	J0B-K7768-00	LABEL, WARNING 8	1			ENGLISH
9	J0D-K8282-00	PLATE, SWITCH PANEL	1			
10	J0B-K835E-00	HOLDER, BEVERAGE	1			
11	90111-05805	BOLT, HEX. SOCKET BUTTON	1			
12	90183-05008	NUT, SPRING	1			
13	J0B-H2370-00	PLUG CAP ASSY	1			
14	J0D-H333B-00	REFLECTOR 1	1			
15	J0D-H334B-00	REFLECTOR, 2	1			
16	J0D-K8233-00	MAT, MAIN FLOOR 3	1			
17	90269-09003	RIVET	12			
18	J0B-K8273-00	COVER, HOLE	1			
19	J0B-K8243-00	MAT, REAR BODY SIDE (LH)	1			
20	90269-07803	RIVET	2			

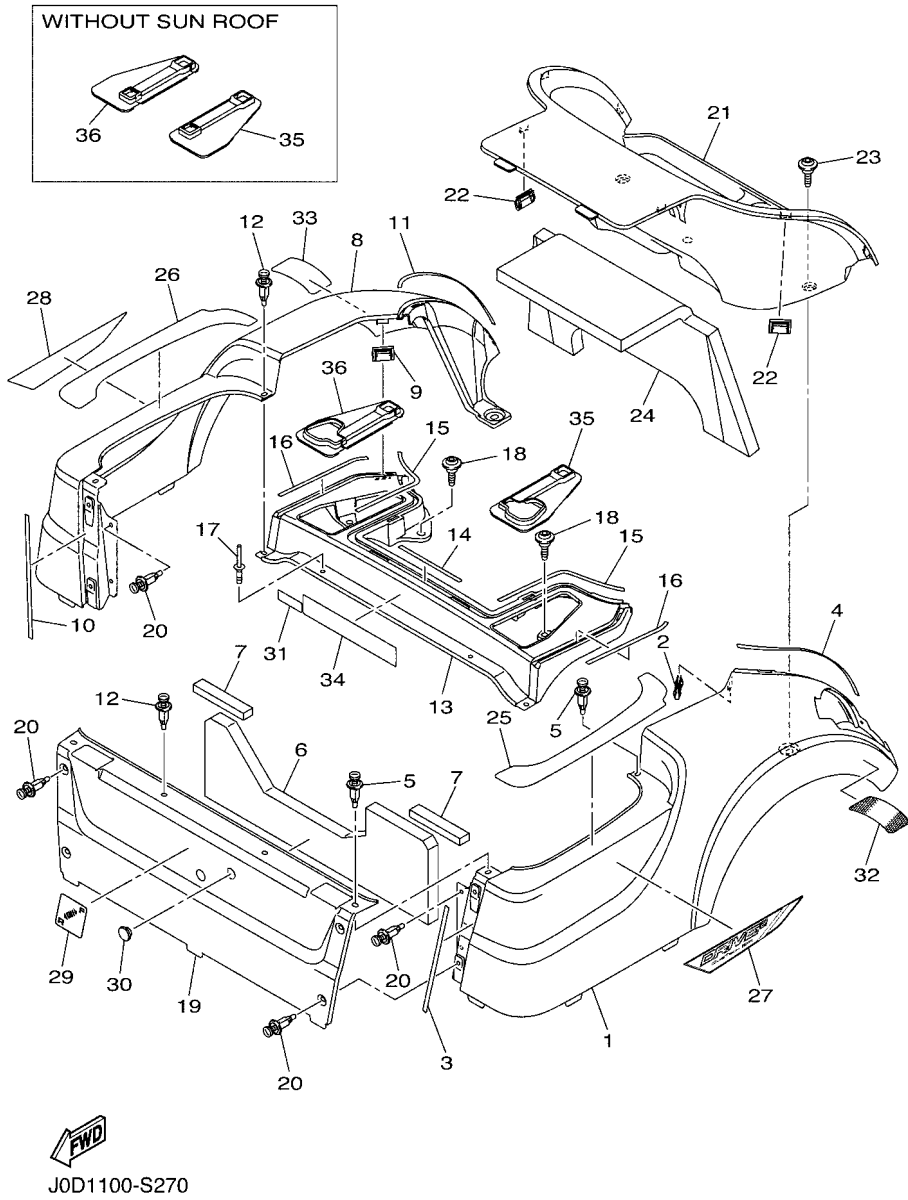
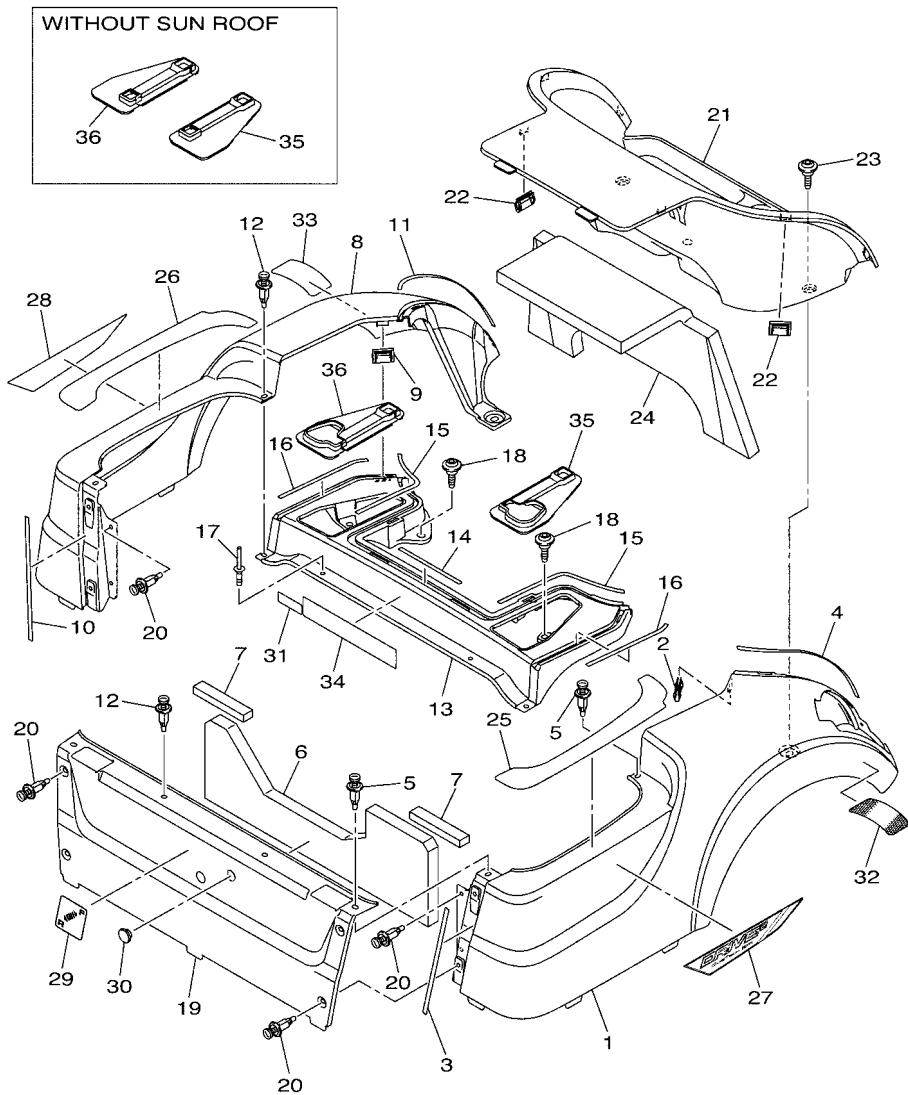


FIG. 27 BODY 2

REF. NO.	PART NO.	DESCRIPTION	J0D1	REMARKS
1	J0D-K8111-A0	PANEL, BODY SHELL	1	UR FOR BW1
	J0D-K8111-00	PANEL, BODY SHELL	1	UR FOR DNBME
	J0D-K8111-20	PANEL, BODY SHELL	1	UR FOR LNYM8
	J0D-K8111-30	PANEL, BODY SHELL	1	UR FOR LNMP
	J0D-K8111-40	PANEL, BODY SHELL	1	UR FOR DYNM2
	J0D-K8111-70	PANEL, BODY SHELL	1	UR FOR DRMV
	J0D-K8111-80	PANEL, BODY SHELL	1	UR FOR BMG
	J0D-K8111-90	PANEL, BODY SHELL	1	UR FOR VPBM6
2	J0B-F3447-00	CLIP	1	
3	J0B-K814E-00	SEAL, BODY SIDE 1	1	
4	J0B-K814F-00	SEAL, BODY SIDE 2	1	
5	90269-07803	RIVET	3	
6	J0B-K8251-00	PAD, SILENCER 1	1	
7	J0D-K825G-00	PAD, SILENCER 13	2	
8	J0D-K8112-A0	PANEL, BODY SHELL	1	UR FOR BW1
	J0D-K8112-00	PANEL, BODY SHELL	1	UR FOR DNBME
	J0D-K8112-20	PANEL, BODY SHELL	1	UR FOR LNYM8
	J0D-K8112-30	PANEL, BODY SHELL	1	UR FOR LNMP
	J0D-K8112-40	PANEL, BODY SHELL	1	UR FOR DYNM2
	J0D-K8112-70	PANEL, BODY SHELL	1	UR FOR DRMV
	J0D-K8112-80	PANEL, BODY SHELL	1	UR FOR BMG
	J0D-K8112-90	PANEL, BODY SHELL	1	UR FOR VPBM6
9	J0B-F3447-00	CLIP	1	
10	J0B-K814E-00	SEAL, BODY SIDE 1	1	
11	J0B-K814F-00	SEAL, BODY SIDE 2	1	
12	90269-07803	RIVET	3	
13	J0B-K819H-00	SHELL, REAR BODY	1	

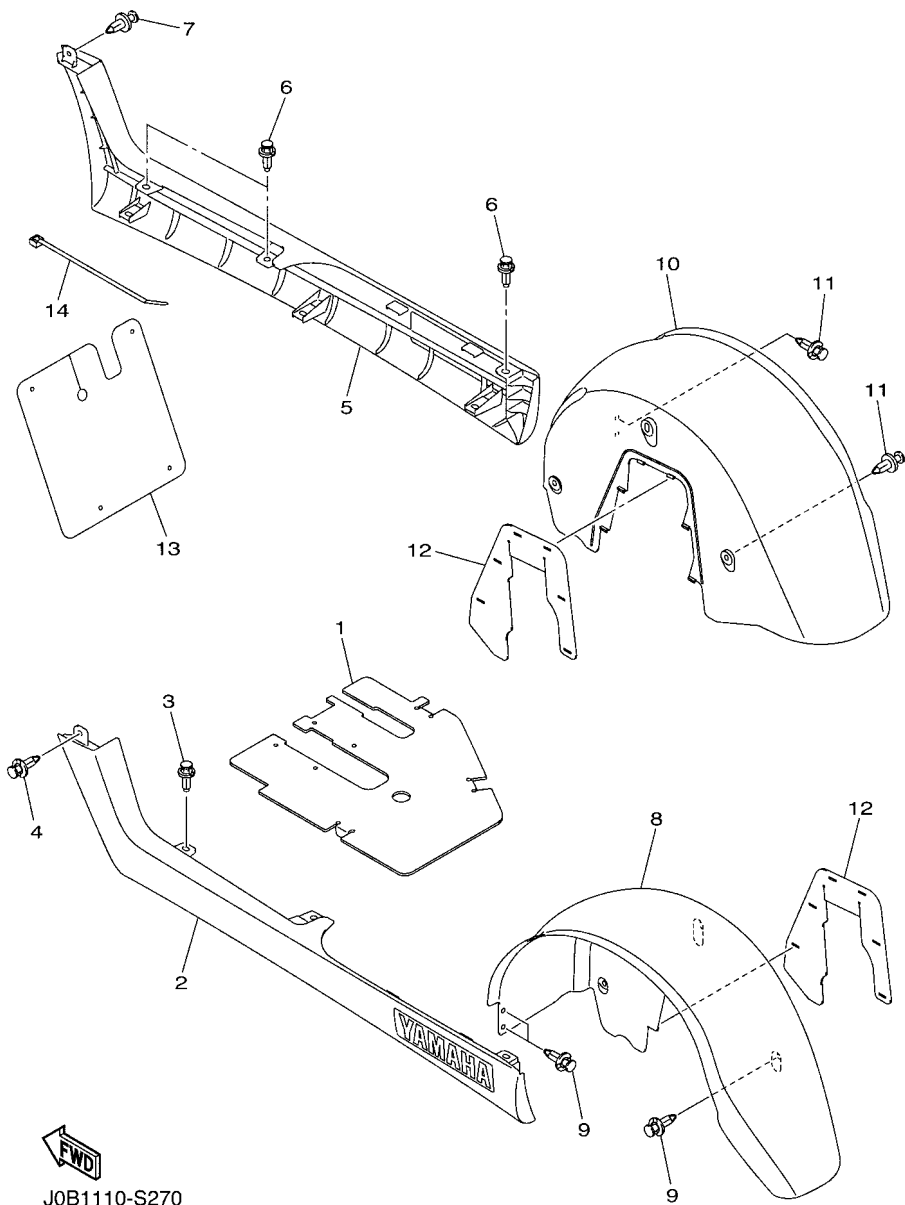


J0D1100-S270

FIG. 27 BODY 2

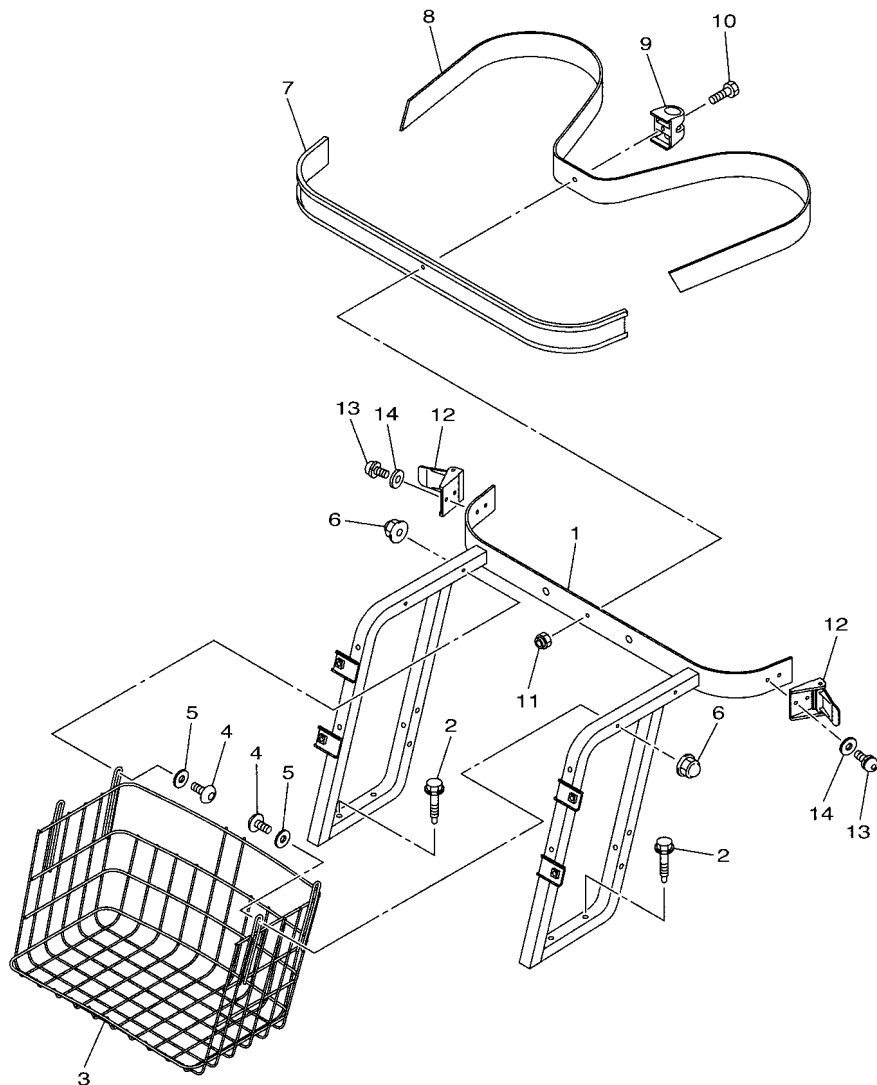
REF. NO.	PART NO.	DESCRIPTION	J0D1	REMARKS
14	J0B-K814R-00	SEAL, BODY SIDE 3	1	
15	J0B-K814T-00	SEAL, BODY SIDE 4	2	
16	J0B-K814U-00	SEAL, BODY SIDE	2	
17	JW7-K7329-00	RIVET	2	
18	J0B-F1738-00	BOLT	4	
19	J0B-K8141-A0	PANEL, INTERMEDIATE BODY	1	UR FOR BW1
	J0B-K8141-00	PANEL, INTERMEDIATE BODY	1	UR FOR DNBME
	J0B-K8141-20	PANEL, INTERMEDIATE BODY	1	UR FOR LNYM8
	J0B-K8141-30	PANEL, INTERMEDIATE BODY	1	UR FOR LNMP
	J0B-K8141-40	PANEL, INTERMEDIATE BODY	1	UR FOR DYNM2
	J0B-K8141-70	PANEL, INTERMEDIATE BODY	1	UR FOR DRMV
	J0B-K8141-80	PANEL, INTERMEDIATE BODY	1	UR FOR BMG
	J0B-K8141-90	PANEL, INTERMEDIATE BODY	1	UR FOR VPBM6
20	90269-07803	RIVET	8	
21	J0B-K8237-01	COVER, REAR FLOOR	1	
22	J0B-F3447-00	CLIP	4	
23	J0B-F1738-00	BOLT	2	
24	J0B-K8255-01	PAD, SILENCER 5	1	
25	J0B-F2873-01	SEAL 1	1	
26	J0B-F2874-01	SEAL 2	1	
27	J0D-F1781-00	EMBLEM 1	1	FOR DYNM2,BMG
	J0D-F1781-10	EMBLEM 1	1	EXCEPT DYNM2,BMG
28	J0D-F1782-00	EMBLEM 2	1	FOR DYNM2,BMG
	J0D-F1782-10	EMBLEM 2	1	EXCEPT DYNM2,BMG
29	JW1-K7741-00	INDICATOR 1	1	
30	JR1-K8139-00	CAP, END	1	
31	JN6-H2377-00	LABEL	1	

FIG. 28 BODY FITTING



REF. NO.	PART NO.	DESCRIPTION	JOB1				REMARKS
1	J0B-K8271-00	SERVICE LID, PEDAL	1				
2	J0B-K818A-00	PROTECTOR, SIDE PLATE	1				
3	90269-09003	RIVET	3				
4	90269-06804	RIVET	1				
5	J0B-K818B-00	PROTECTOR, SIDE PLATE 2	1				
6	90269-09003	RIVET	3				
7	90269-06804	RIVET	1				
8	J0B-K8191-00	PANEL, REAR FENDER 1	1				
9	90269-06804	RIVET	5				
10	J0B-K8192-00	PANEL, REAR FENDER 2	1				
11	90269-06804	RIVET	5				
12	J0B-K8197-01	FLAP, REAR FENDER	2				
13	J0B-K8187-00	FLAP, FRONT FENDER	1				
14	90464-76800	CLAMP	4				

FIG. 29 CARRIER



J0B1110-S280

REF. NO.	PART NO.	DESCRIPTION	J0D1				REMARKS
1	J0B-K8423-00	SUPPORT, SEAT BACK	1				
2	90109-08002	BOLT	4				
3	JW1-K8340-00	LUGGAGE RACK ASSY., REAR	1				
4	92017-06040	BOLT, BUTTON HEAD	4				
5	J0B-K7389-00	WASHER	4				
6	90176-06008	NUT, CROWN	4				
7	JF2-K8356-00	PAD, BAG SUPPORT	1				
8	JN6-K8355-20	BAND	1				
9	JW1-K834G-00	HOLDER, RAKE SAND	1				
10	9708R-06020	BOLT	1				
11	90185-06836	NUT, SELF-LOCKING	1				
12	JN6-K8380-00	LOCK ASSY	2				
13	90159-06845	SCREW, WITH WASHER	4				
14	9299R-06200	WASHER	4				

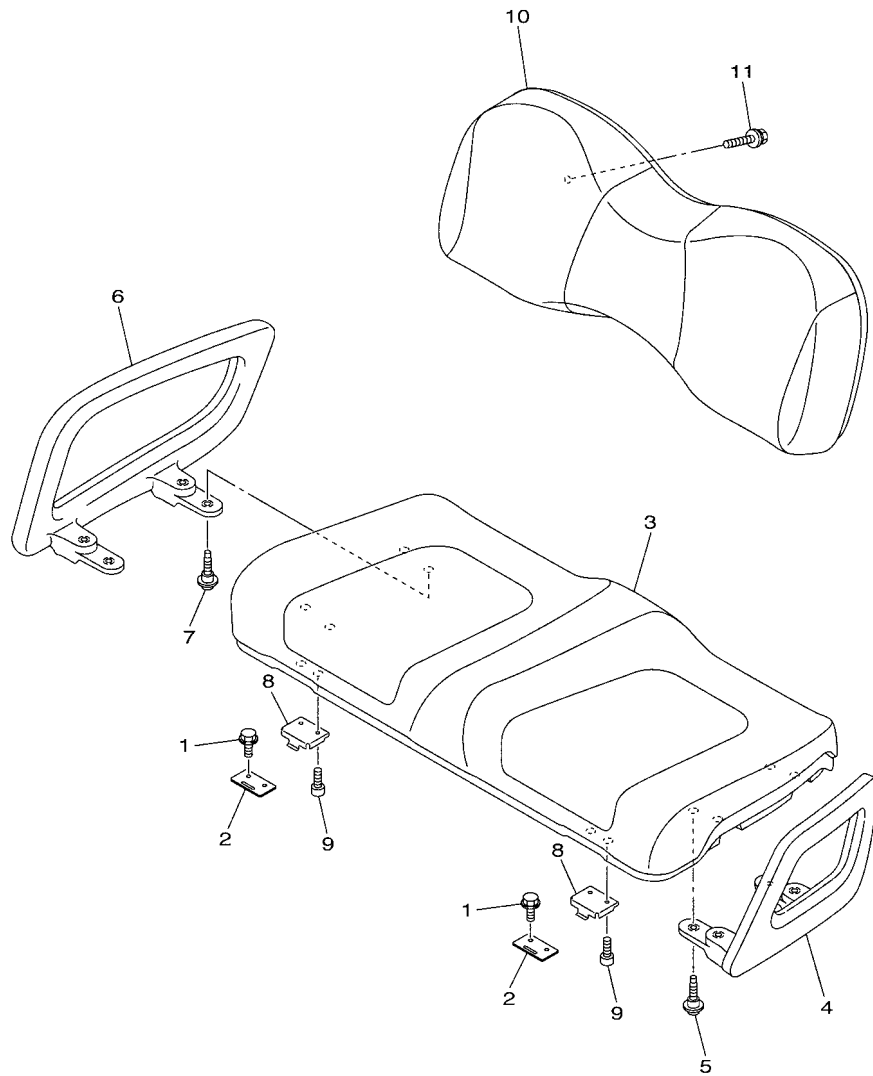
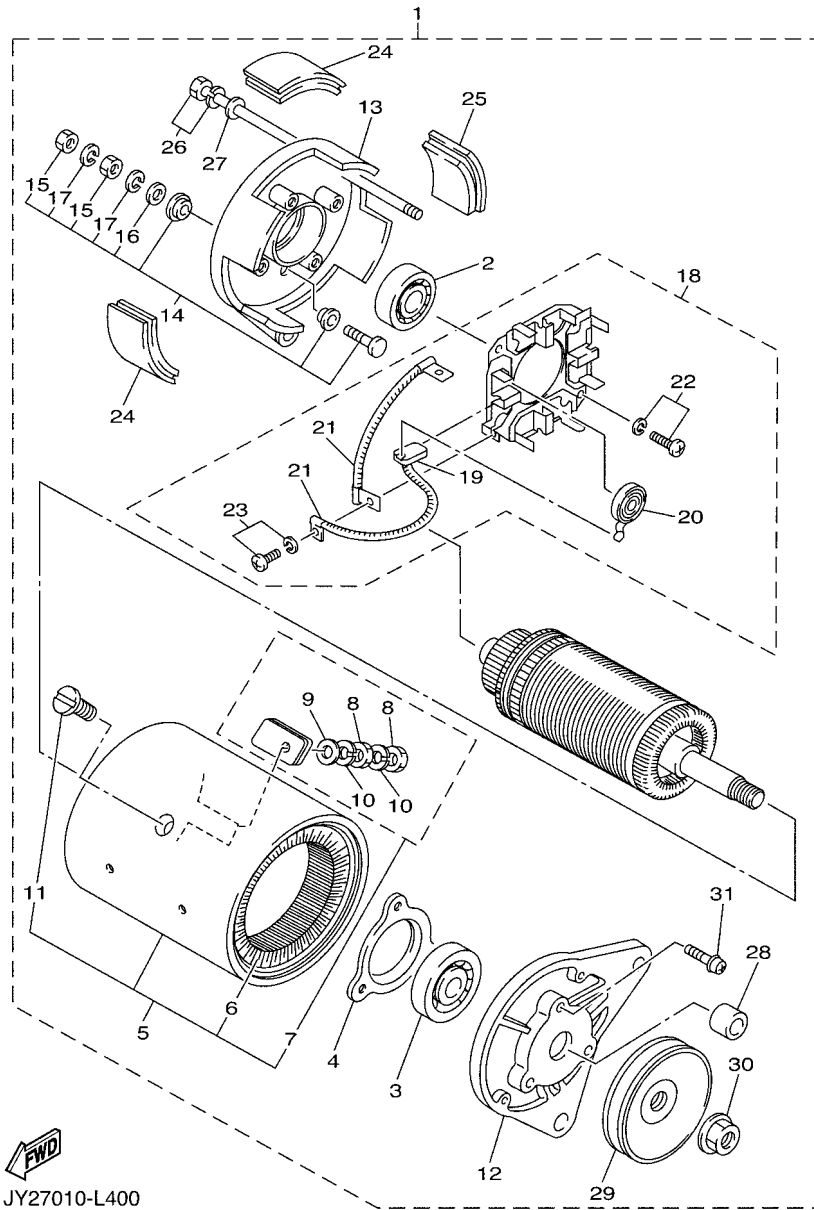


FIG. 31 SEAT

REF. NO.	PART NO.	DESCRIPTION	JDD1				REMARKS
1	JW9-H1674-00	BOLT	4				
2	J0B-K8427-00	HINGE, SEAT 2	2				
3	J0B-K8401-00	SEAT SUB-ASSY,CUSHION	1				
4	J0B-K8361-00	ARM REST 1	1				
5	J0B-F1738-00	BOLT	4				
6	J0B-K8362-00	ARM REST 2	1				
7	J0B-F1738-00	BOLT	4				
8	J0B-K8426-10	HINGE, SEAT 1	2				
9	90110-06125	BOLT, HEXAGON SOCKET HEAD	4				
10	JW1-K8402-10	SEAT SUB ASSY, BACK	1				
11	90119-06808	BOLT, WITH WASHER	4				



J0B1110-S290



JY27010-L400

FIG. 32 STARTING MOTOR

REF. NO.	PART NO.	DESCRIPTION	JUD1				REMARKS
1	JN6-H1100-04	STARTER GENERATOR ASSY	1				
2	J10-H1157-10	..BEARING 1	1				
3	J10-H1158-10	..BEARING 2	1				
4	J10-81159-10	..HOLDER, BEARING	1				
5	JN6-H1110-10	..STATOR ASSY	1				
6	JN6-H1160-10	..FIELD COIL ASSY	1				
7	J10-81148-10	..SCREW SET 4	2				
8	9530N-06600	...NUT, HEX	2				
9	9290N-06600	...WASHER	1				
10	92907-06100	...WASHER, SPRING	2				
11	J10-81146-10	..SCREW 2	4				
12	JN6-H1165-00	..BRACKET, STARTER GENERATOR 1	1				
13	J10-H1166-10	..BRACKET, STARTER GENERATOR 2	1				
14	J10-81147-10	..SCREW SET 3	2				
15	9530N-06600	..NUT, HEX	2				
16	9290N-06600	..WASHER	1				
17	92907-06100	..WASHER, SPRING	2				
18	JN6-H1119-00	..BRUSH HOLDER ASSY	1				
19	JF2-H1111-00	..BRUSH	4				
20	JN6-H1113-00	..SPRING, BRUSH	4				
21	J10-81115-10	..WIRE, LEAD	2				
22	9850N-05016	..SCREW, PAN HEAD	2				
23	9850N-04010	..SCREW, PAN HEAD	4				
24	J10-81129-10	..COVER, BRUSH	3				
25	J10-81139-10	..COVER, BRUSH 2	1				
26	J10-H1145-10	..SCREW 1	2				
27	9290N-06600	..WASHER	2				

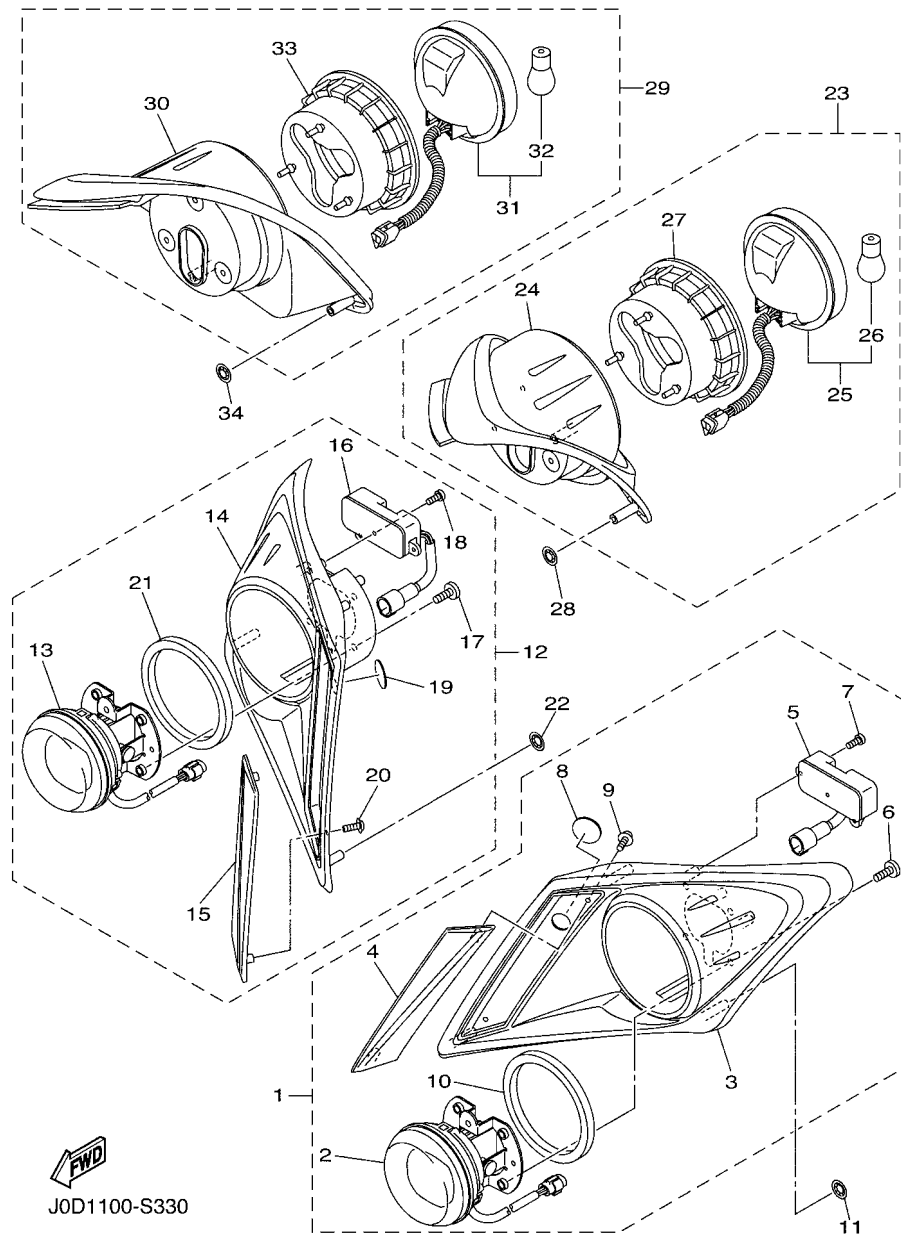


FIG. 33 HEAD & TAIL LIGHT

REF. NO.	PART NO.	DESCRIPTION	J0D1	REMARKS
1	J0D-H4110-00	HEADLIGHT UNIT ASSY	1	
2	J0D-H4300-00	.HEADLIGHT ASSY	1	
3	J0D-H411T-00	.HOLDER, 1	1	
4	J0D-H4385-00	.CAP,1	1	
5	J0D-H5490-00	.LIGHT CONTROL UNIT	1	
6	J0D-H4526-00	.SCREW	4	
7	J0D-H4726-00	.SCREW	3	
8	J0D-H3547-00	.COVER, SOCKET	1	
9	J0D-H4524-00	.SCREW, LENS FITTING	2	
10	J0D-H4195-00	.RING, RETAINING	1	
11	90183-08800	NUT, SPRING	3	
12	J0D-H4170-00	HEAD LIGHT UNIT ASSY	1	
13	J0D-H4300-00	.HEADLIGHT ASSY	1	
14	J0D-H411U-00	.HOLDER, 2	1	
15	J0D-H4386-00	.CAP,2	1	
16	J0D-H5490-00	.LIGHT CONTROL UNIT	1	
17	J0D-H4526-00	.SCREW	4	
18	J0D-H4726-00	.SCREW	3	
19	J0D-H3547-00	.COVER, SOCKET	1	
20	J0D-H4524-00	.SCREW, LENS FITTING	2	
21	J0D-H4195-00	.RING, RETAINING	1	
22	90183-08800	NUT, SPRING	3	
23	J0D-H4710-00	TAILLIGHT UNIT ASSY	1	
24	J0D-H431U-00	.HOLDER	1	
25	J0D-H4700-00	.TAILLIGHT ASSY	1	
26	JC0-H4514-00	.BULB	1	(12V-7W/27W)
27	J0D-H4718-00	.GROMMET	1	

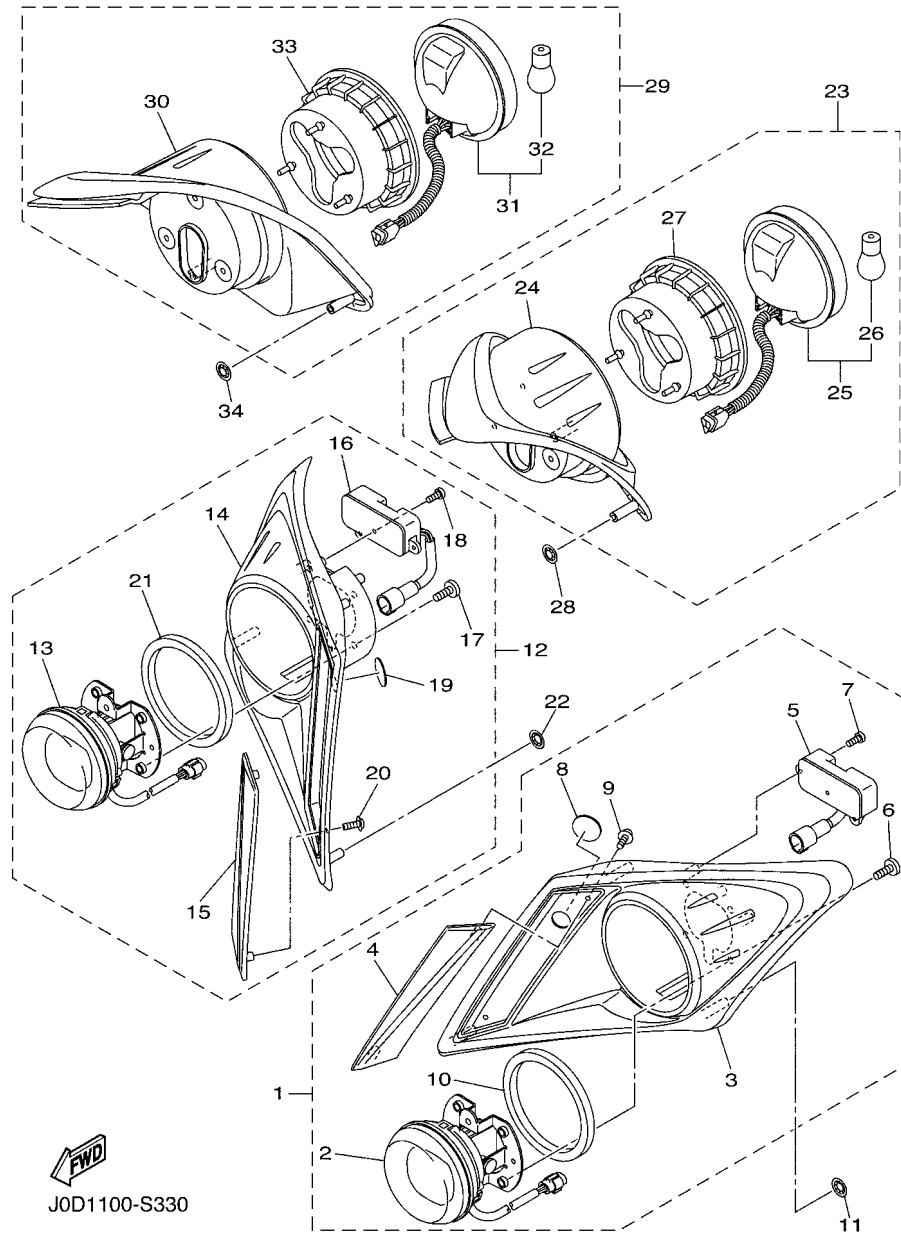
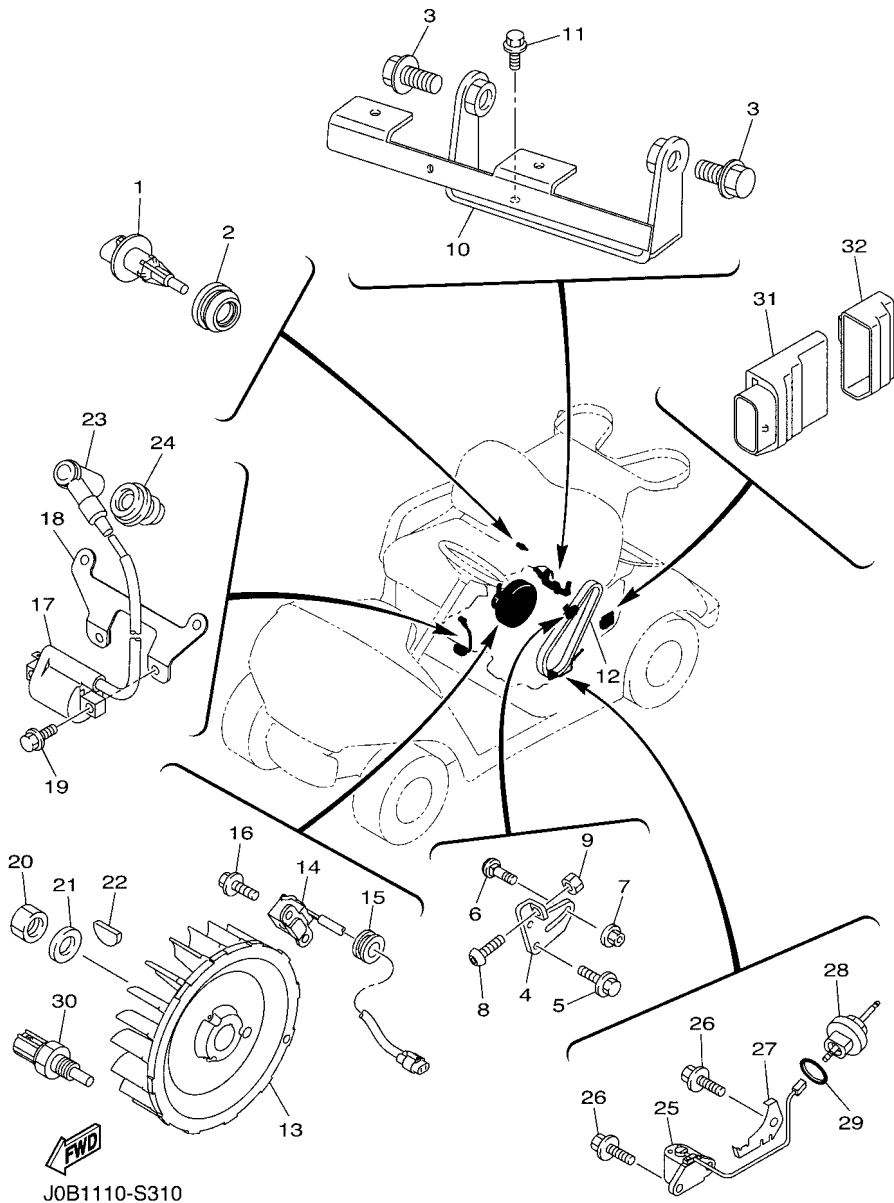


FIG. 33 HEAD & TAIL LIGHT

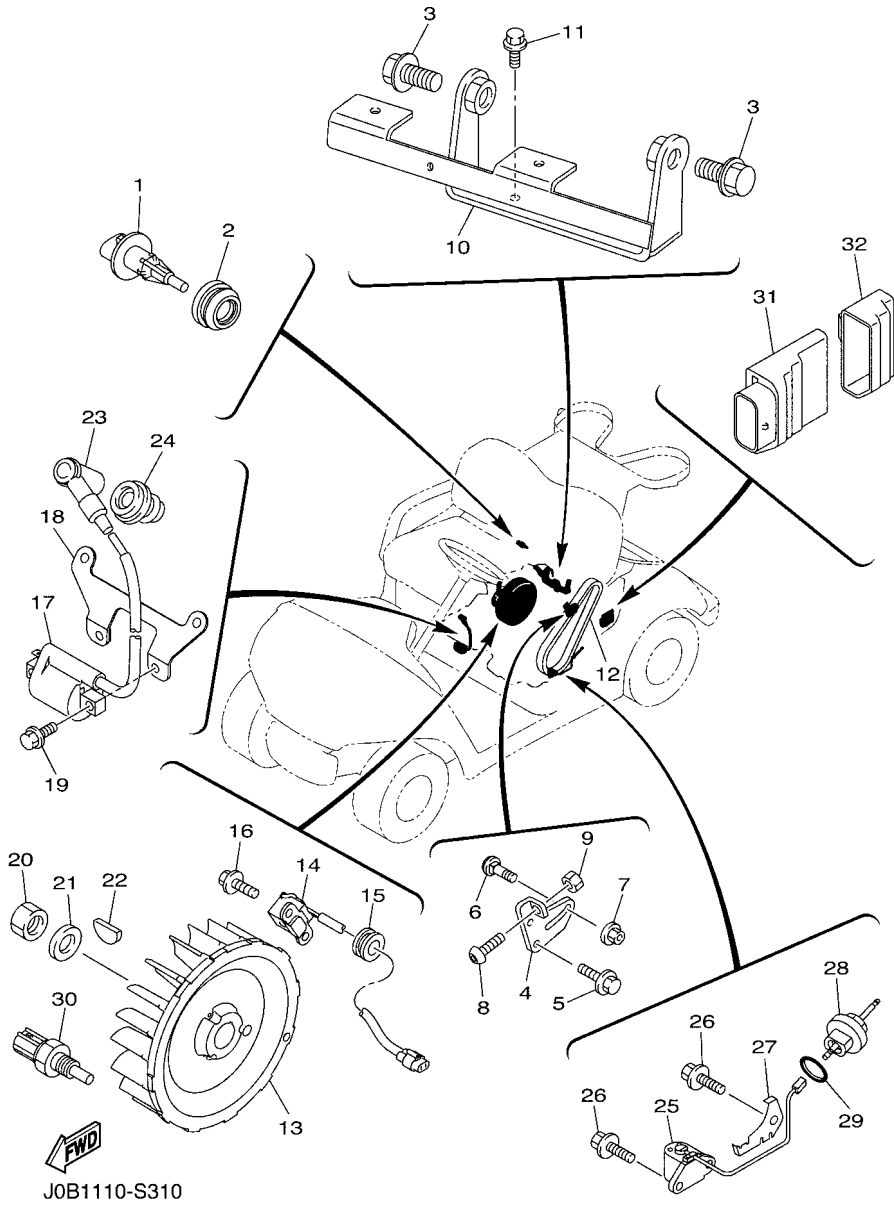
REF. NO.	PART NO.	DESCRIPTION	J0D1	REMARKS
28	90183-08800	NUT, SPRING	2	
29	J0D-H4730-00	TAILLIGHT UNIT ASSY	1	
30	J0D-H4387-00	.HOLDER	1	
31	J0D-H4700-00	.TAILLIGHT ASSY	1	
32	JC0-H4514-00	.BULB	1	(12V-7W/27W)
33	J0D-H4718-00	.GROMMET	1	
34	90183-08800	NUT, SPRING	2	

FIG. 34 ELECTRICAL 1



REF. NO.	PART NO.	DESCRIPTION	J0D1	REMARKS
1	5CA-85886-00	SENSOR, AIR TEMPRATURE	1	
2	5CA-14435-00	GROMMET	1	
3	95812-12030	BOLT, FLANGE	2	
4	JW1-H1170-11	TENSIONER ASSY	1	
5	95822-08020	BOLT, FLANGE	2	
6	90109-08827	BOLT	1	
7	95702-08500	NUT, FLANGE	1	
8	92012-06030	BOLT, BUTTON HEAD	1	
9	95302-06600	NUT, HEXAGON	1	
10	JN6-H1171-11	BRACKET, STARTER GENERATOR	1	
11	95822-08020	BOLT, FLANGE	2	
12	JW1-H1173-02	BELT	1	
13	JC0-85650-10	ROTOR ASSY	1	
14	JB2-81670-00	PICK-UP ASSY	1	
15	90480-20564	GROMMET	1	
16	95822-06016	BOLT, FLANGE	2	
17	1S4-82310-00	IGNITION COIL ASSY	1	
18	JC0-82316-00	BRACKET, IGNITION COIL	1	
19	95822-06016	BOLT, FLANGE	2	
20	95302-18600	NUT, HEXAGON	1	
21	90201-18620	WASHER, PLATE	1	
22	90280-04052	KEY, WOODRUFF	1	
23	JN6-82370-00	PLUG CAP ASSY	1	
24	JE8-82372-00	SEAL, PLUG CAP	1	
25	JT0-85720-00	OIL LEVEL GAUGE ASSY	1	
26	95822-06012	BOLT, FLANGE	3	
27	JT0-85724-00	CLAMP	1	

FIG. 34 ELECTRICAL 1



REF. NO.	PART NO.	DESCRIPTION	JOB1				REMARKS
28	JT0-15362-00	PLUG, OIL LEVEL	1				
29	93210-15414	O-RING	1				
30	4P9-83591-00	THERMO UNIT	1				
31	J0B-H591A-01	ENGINE CONTROL UNIT ASSY	1				
32	J0B-H5546-00	BAND	1				
<hr/>							
<hr/>							
<hr/>							
<hr/>							
<hr/>							
<hr/>							
<hr/>							
<hr/>							
<hr/>							
<hr/>							

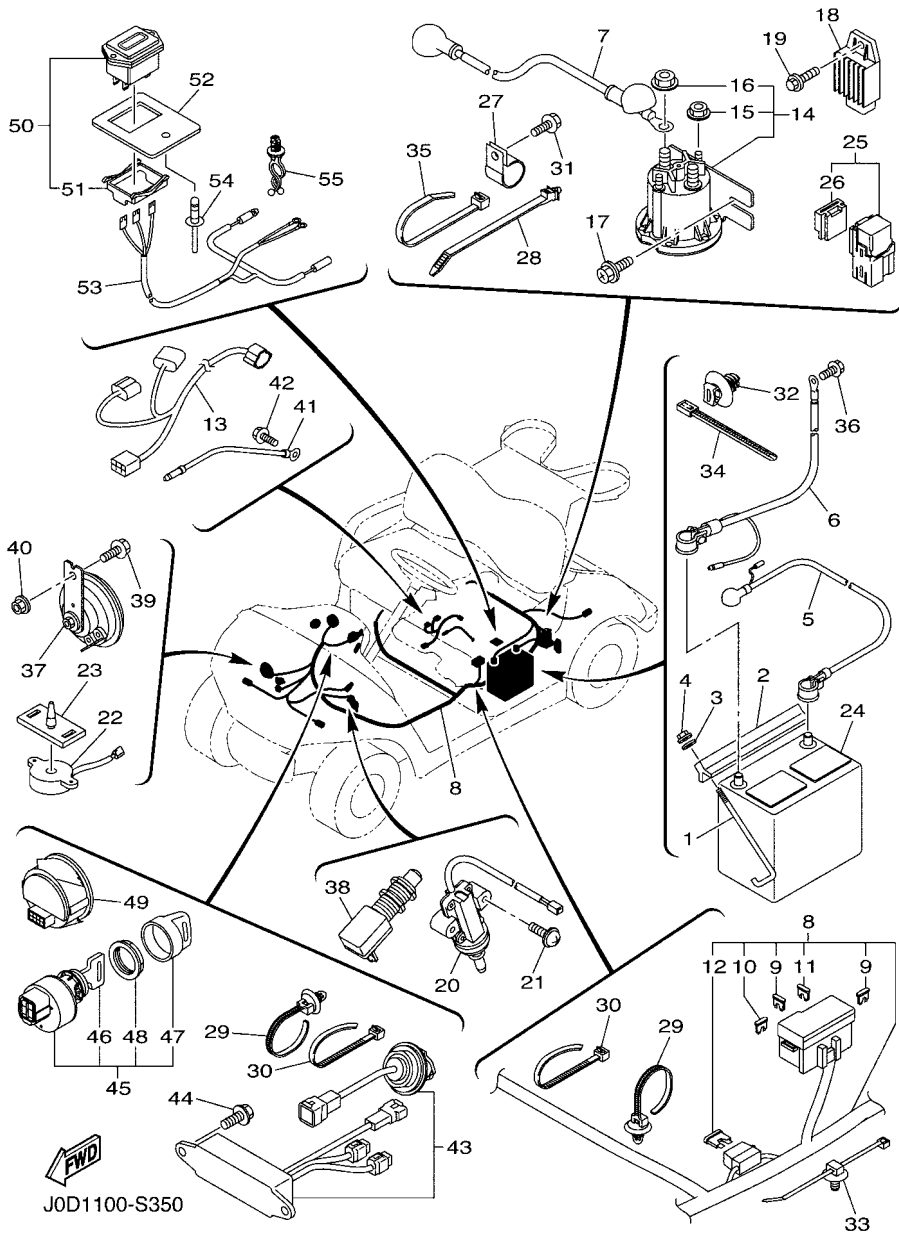


FIG. 35 ELECTRICAL 2

REF. NO.	PART NO.	DESCRIPTION	J0D1				REMARKS
1	JW1-H2133-00	SCREW, FITTING	2				
2	J55-H2136-00	PLATE, BATTERY FITTING	1				
3	92902-06200	WASHER	2				
4	95702-06500	NUT, FLANGE	2				
5	J0B-H2115-00	WIRE, PLUS LEAD	1				
6	J0B-H2116-01	WIRE, MINUS LEAD	1				
7	J0B-H2117-00	WIRE, LEAD	1				
8	J0D-H2590-01	WIRE HARNESS ASSY	1				
9	JW6-H554E-00	.FUSE (10A)	2				
10	JW6-H554E-20	.FUSE (25A)	1				
11	JW6-H554E-10	.FUSE (15A)	1				
12	J0D-H2151-00	.FUSE	1				
13	J0B-82149-01	WIRE, LEAD 3	1				
14	JW1-H1950-00	RELAY ASSY	1				
15	90179-05807	.NUT	2				
16	90179-08824	.NUT	2				
17	90105-06831	BOLT, FLANGE	2				
18	JF2-81910-10	VOLTAGE REGULATOR ASSY	1				
19	90105-06870	BOLT, FLANGE	1				
20	JF7-82817-22	SWITCH	1				
21	97602-05225	SCREW, PAN HEAD WITH WASHER	2				
22	JR1-H3383-02	BUZZER	1				
23	JN6-H3386-01	STAY, BUZZER	1				
24	*	BATTERY ASSY (GC-24, 12V)	1				LM
25	1TP-81950-00	RELAY ASSY (1TP-00)	1				
26	5EA-81952-00	.HOLDER, RELAY	1				
27	90461-14108	CLAMP	1				

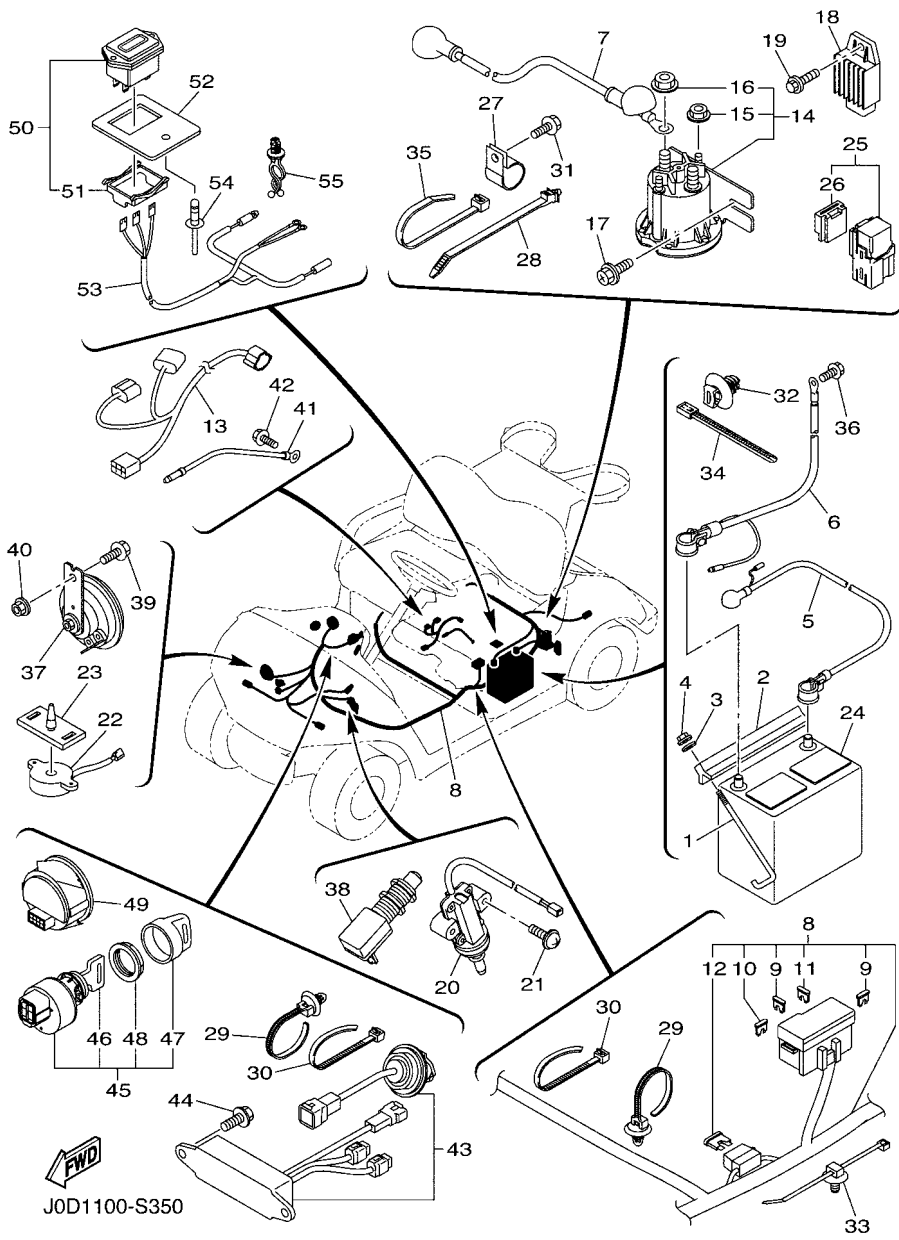


FIG. 35 ELECTRICAL 2

REF. NO.	PART NO.	DESCRIPTION	JOD1				REMARKS
28	90464-09823	CLAMP	1				
29	90464-20005	CLAMP	3				
30	90464-48800	CLAMP	3				
31	90119-06868	BOLT, WITH WASHER	1				
32	5UG-F2465-10	HOLDER	1				
33	1NS-F1338-00	CLAMP	3				
34	90464-40825	CLAMP	2				
35	90464-76800	CLAMP	2				
36	90105-08867	BOLT, FLANGE	1				
37	4LR-83371-11	HORN	1				
38	JR6-H270X-00	SWITCH	1				
39	95822-06016	BOLT, FLANGE	1				
40	95702-06500	NUT, FLANGE	1				
41	JC0-82519-00	WIRE, EARTH LEAD	1				
42	95822-06012	BOLT, FLANGE	1				
43	J0D-H21E0-01	USB ASSY	1				
44	90119-06868	BOLT, WITH WASHER	2				
45	JW6-H2510-00	MAIN SWITCH ASSY	1				
46	JU6-H2511-10	.KEY, MAIN SWITCH	2				
47	5UG-H2579-00	.CAP, KEY	1				
48	JU6-H2569-00	.NUT, MAIN SWITCH	1				
49	JC0-H351C-10	GAUGE 1	1				
50	JN6-H351C-10	GAUGE 1	1				AP
51	JW1-H1128-00	.CLAMP	1				AP
52	J0B-F4881-00	BRKT., METER	1				AP
53	JW1-H2386-10	EXTENSION, WIRE HARNESS	1				AP
54	JW7-K7329-00	RIVET	1				AP

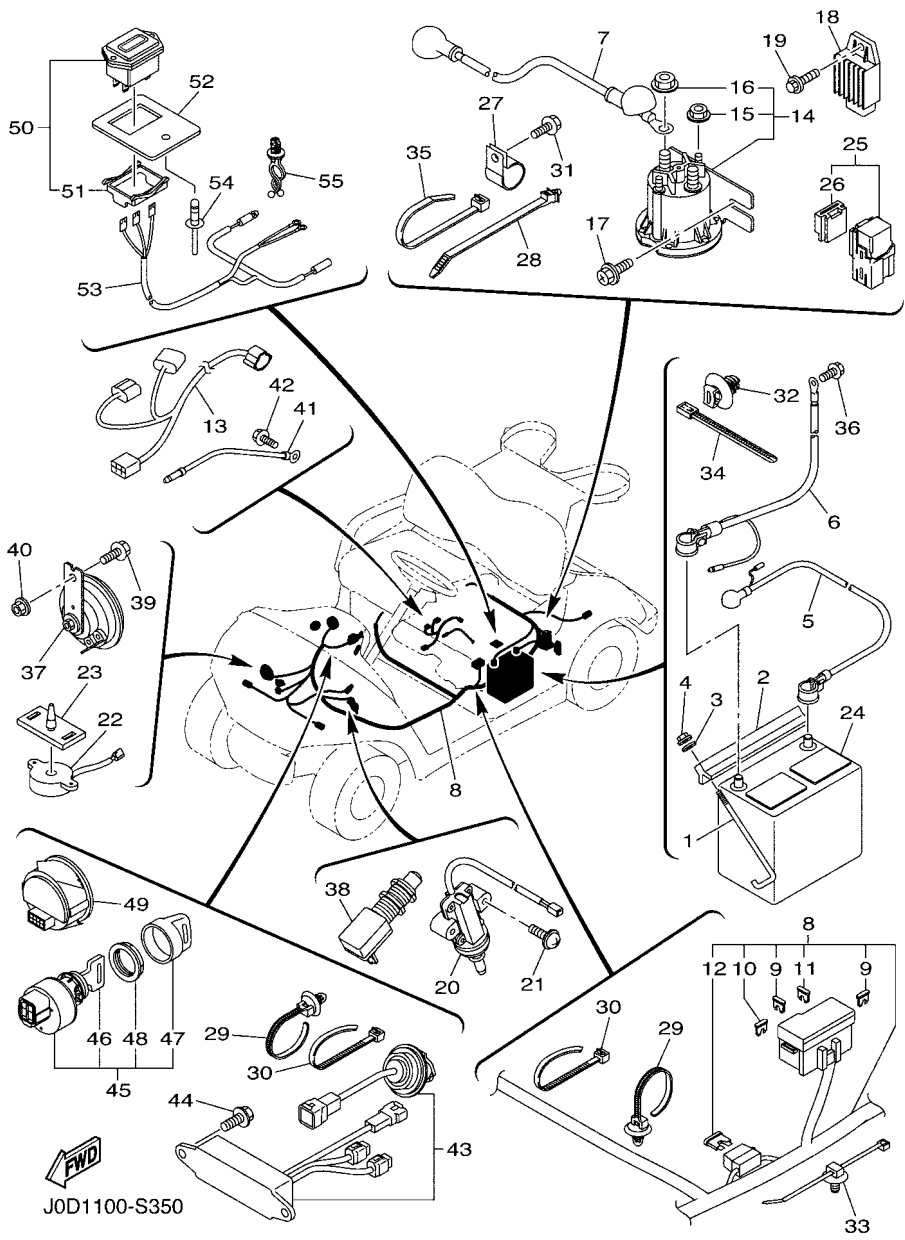
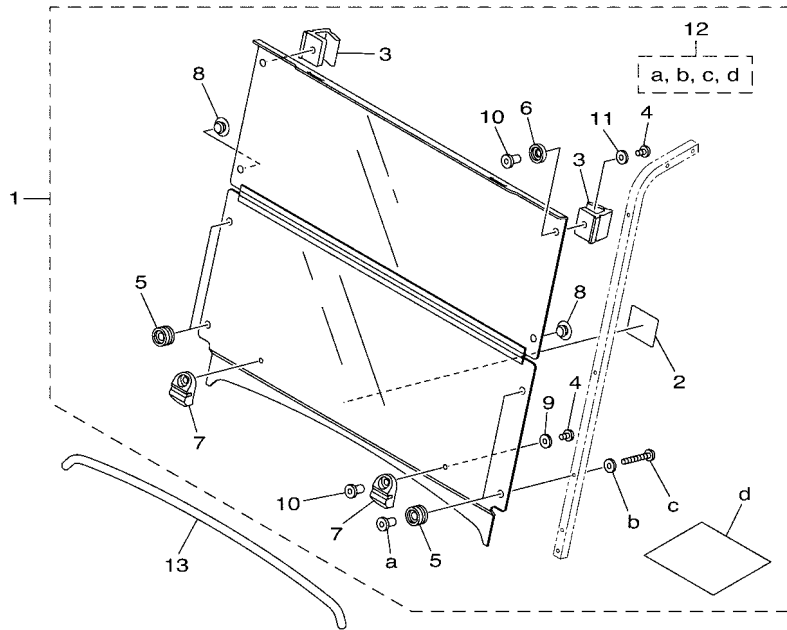


FIG. 35 ELECTRICAL 2

REF. NO.	PART NO.	DESCRIPTION	J0D1	REMARKS
55	90464-12836	CLAMP	1	AP
<hr/>				
<hr/>				
<hr/>				
<hr/>				
<hr/>				
<hr/>				
<hr/>				
<hr/>				
<hr/>				
<hr/>				

FIG. 36 ALTERNATE FOR WINDSHIELD

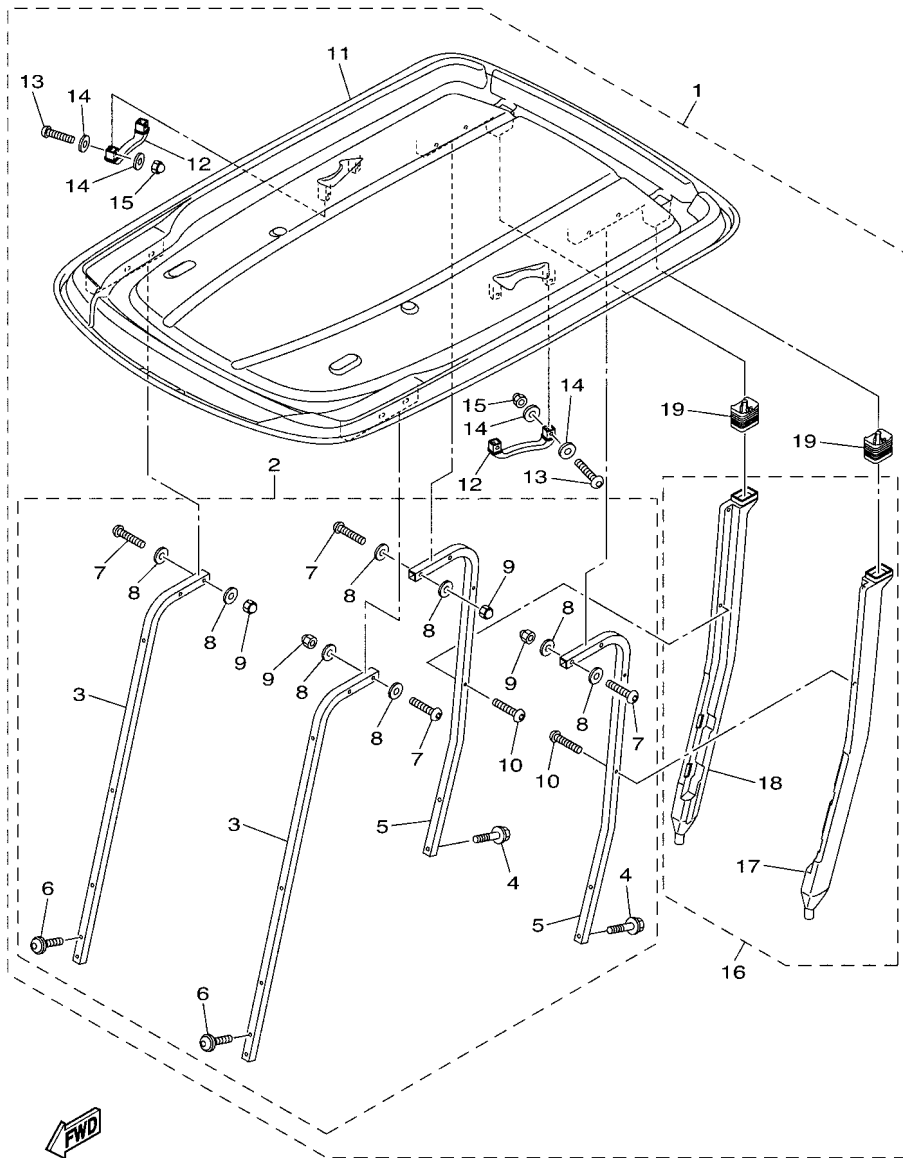


REF. NO.	PART NO.	DESCRIPTION	J0D1				REMARKS
1	J0B-K7200-20	WINDSHIELD ASSY	1				UR CLEAR
	J0B-K7200-30	WINDSHIELD ASSY	1				UR SMOKE
2	J0B-K7458-00	.LABEL, WARNING	1				
3	J0B-K7173-20	.LEVER, LATCH 1	2				
4	J0B-K7258-00	.SCREW, 2	4				
5	J0B-K7237-00	.GROMMET	2				
6	J0B-K7247-00	.GROMMET, W/S 2	2				
7	J0B-K7257-00	.GROMMET, W/S 3	2				
8	J0B-K7238-00	.DAMPER	2				
9	J0B-K7218-00	.WASHER 1	2				
10	J0B-K7217-00	.NUT, WIND SHIELD	4				
11	J0B-K7219-00	.WASHER 2	2				
12	J0B-K7240-20	.WIND SHIELD HARDWARE KIT 1	1				
13	J0B-K7213-00	TRIM, UPPER	1				



J0D1100-S360

FIG. 37 ALTERNATE FOR SUN ROOF



J0B1110-S340

REF. NO.	PART NO.	DESCRIPTION	J0D1		REMARKS
1	J0B-K84A0-00	SUN TOP KIT	1		UR AP TAN
	J0B-K84A0-10	SUN TOP KIT	1		UR AP BLACK
2	J0B-K84A2-00	.HARDWARE KIT, SUN TOP	1		
3	J0B-K8312-00	..SUPPORT, SUN ROOF 1	2		
4	JW1-K8388-00	..BOLT, ROOF 1	4		
5	JW1-K8313-01	..SUPPORT, SUN ROOF 2	2		
6	J0B-K8388-00	..BOLT, ROOF 1	4		
7	JU0-K8388-00	..BOLT, ROOF 1	8		
8	JW1-F1549-01	..WASHER, FENDER MOLD	16		
9	JU0-K8398-00	..NUT, ROOF 1	8		
10	JW1-K7387-00	..SCREW	4		
11	JW1-K8314-10	..COVER, SUN ROOF	1		UR TAN
	JW1-K8314-20	..COVER, SUN ROOF	1		UR BLACK
12	JW1-K8214-00	..GRIP, HAND	2		
13	JU0-K8388-00	..BOLT, ROOF 1	4		
14	JW1-F1549-01	..WASHER, FENDER MOLD	8		
15	JU0-K8398-00	..NUT, ROOF 1	4		
16	J0B-F417A-00	..DRAIN TUBE ASSY	1		
17	J0B-F413G-00	..TUBE, DRAIN	1		
18	J0B-F413J-00	..TUBE, DRAIN 2	1		
19	JW1-F414G-10	SEAL	2		

NUMERICAL INDEX

PART NO.	REF. NO.	PART NO.	REF. NO.	PART NO.	REF. NO.	PART NO.	REF. NO.	PART NO.	REF. NO.	PART NO.	REF. NO.
JT0-11111-00	2 - 1	52B-14147-00	7 - 8	JN6-82370-00	34 - 23	J0D-F1782-00	27 - 28	5UG-F387F-00	14 - 17	JW8-F6314-00	17 - 21
JN6-11116-00	2 - 10	5CA-14147-00	7 - 9	JE8-82372-00	34 - 24	J0D-F1782-10	27 - 28	5UG-F387G-00	14 - 15	J0B-F6341-00	16 - 1
JN6-11133-10	2 - 2	3B4-14424-00	6 - 14	JE8-82372-00	7 - 2	J0B-F2110-02	11 - 1	5UG-F387J-00	14 - 18	J0B-F6351-00	16 - 2
JR7-11163-10	2 - 18	J0B-14430-00	8 - 7	JC0-82519-00	35 - 41	J0B-F2127-00	12 - 14	5UG-F387K-00	14 - 16	JW8-F639L-00	17 - 22
JN6-11168-00	2 - 11	5CA-14435-00	34 - 2	JN3-82617-01	23 - 17	J0B-F2171-01	11 - 35	JW1-F3894-00	14 - 25	JW8-F639N-00	17 - 9
JN6-11169-00	2 - 12	7KY-14613-01	8 - 3	JF7-82817-22	35 - 20	J0B-F2210-00	11 - 9	JC0-F4111-01	15 - 1	JW8-F7113-00	17 - 11
JT0-11181-00	2 - 3	JC0-15111-01	9 - 1	4LR-83371-11	35 - 37		11 - 21	JW1-F4112-00	15 - 3	JW8-F7117-00	17 - 6
JN6-11191-01	2 - 9	J38-15361-00	9 - 18	4P9-83591-00	34 - 30	5UG-F2465-10	35 - 32	J0B-F413G-00	37 - 17	JW8-F7118-00	17 - 41
JN6-11193-00	2 - 13	JT0-15362-00	34 - 28	JC0-85650-10	34 - 13	J0B-F2501-00	12 - 1	J0B-F413J-00	37 - 18	JW8-F7119-00	17 - 28
812-11198-00	9 - 6	796-15363-01	9 - 16	JT0-85720-00	34 - 25	J0B-F253B-00	12 - 4	JW1-F414G-10	37 - 19	JW8-F7121-00	17 - 13
JN6-11400-00	3 - 1	JN6-15411-01	9 - 8	JT0-85724-00	34 - 27	J0B-F255G-00	12 - 2	J0B-F4161-00	26 - 2	JW9-F7200-21	17 - 2
JN6-11454-10	3 - 8	JY2-15451-00	9 - 12	5CA-85886-00	34 - 1	J0B-F258E-00	12 - 12	7CC-F4170-01	15 - 16	JW8-F7213-20	17 - 34
JR7-11610-00	3 - 3	J0B-19001-10	1 - 1	J0B-E1166-00	2 - 16	J0B-F258R-00	12 - 17	J0B-F417A-00	37 - 16	JW8-F7217-00	17 - 32
JR7-11610-10	3 - 3	JT0-21481-00	10 - 5	JW8-E1923-00	22 - 5	J0B-F2873-01	27 - 25	J0B-F419A-00	15 - 22	JW8-F7218-00	17 - 10
JR7-11610-20	3 - 3	401-22128-01	13 - 16	J0B-E2691-00	5 - 7	J0B-F2874-01	27 - 26	JW9-F4217-00	15 - 5	JW9-F7221-00	17 - 14
JR7-11631-00-A0	3 - 2	2NL-23448-00	13 - 9	J0B-E4411-01	6 - 13	J0B-F3113-00	11 - 14	J0B-F4314-00	15 - 19	JW9-F7228-00	17 - 23
583-11633-00	3 - 4	5KM-23448-00	11 - 37	J0B-E4412-00	6 - 10		11 - 26	J0B-F4316-00	15 - 20	JU0-F722H-00	22 - 7
JR7-11635-00	3 - 2	2NL-23517-00	13 - 11	J0B-E4413-00	6 - 16	J0B-F3123-01	12 - 20	J0B-F4317-00	15 - 21	JW9-F7231-10	17 - 18
JR7-11636-00	3 - 2	5UG-23517-10	11 - 38	J0B-E4437-00	6 - 21	JW7-F312H-00	15 - 15	JU5-F4375-00	15 - 4	JW9-F7232-00	17 - 19
JN6-11650-10	3 - 6	2HR-23526-00	11 - 41	J0B-E4451-01	6 - 11		16 - 5	JW8-F4486-00	17 - 44	JU0-F723F-00	22 - 35
JN6-11654-10	3 - 7		13 - 3	J0B-E4453-01	6 - 23	J0B-F3133-02	12 - 24		17 - 48	JW9-F7245-10	17 - 30
JN6-12111-10	4 - 2	JW8-23841-01	14 - 27	JU0-E445E-00	6 - 12	JW1-F3183-00	14 - 12	JW1-F4610-00	15 - 2	JW9-F7246-20	17 - 46
J38-12117-01	4 - 6	4WM-24180-00	15 - 17	J0B-E4710-01	8 - 1	JW8-F3183-00	17 - 16	JW1-F467K-00	14 - 23	JW8-F7280-00	18 - 1
J38-12118-00	4 - 7	1S3-24486-00	15 - 12	JW1-E4713-00	8 - 4	J0B-F3350-00	13 - 14	JW8-F47E3-00	22 - 36	JW8-F7281-00	18 - 4
4G0-12119-00	4 - 13	JC0-24491-00	15 - 11	J0B-E5471-00	6 - 18	J0B-F3390-00	13 - 19	J0B-F4881-00	35 - 52		18 - 15
7RH-12121-10	4 - 3	J38-27204-00	18 - 3	JW8-E7688-00	21 - 7	JW1-F3400-00	14 - 10	JC1-F5100-01	13 - 31	JW8-F7286-00	18 - 9
JN6-12151-10	4 - 8	J38-27205-00	18 - 14	J0B-F125J-00	12 - 29	J0B-F3447-00	27 - 2		24 - 5		18 - 20
JN6-12153-10	4 - 4	J55-27260-00	18 - 19	1NS-F1338-00	35 - 33		27 - 9	JC1-F5103-00	13 - 21	JW8-F7290-00	18 - 12
JR7-12154-10	4 - 12	J55-27270-00	18 - 8	JW8-F135J-00	20 - 7		27 - 22	JW8-F5118-00	24 - 7	JW8-F7316-01	17 - 31
J38-12156-20	4 - 11	J10-27282-00	18 - 5		21 - 4	5UG-F3489-00	14 - 20	JN6-F5118-01	13 - 29	JW8-F7317-00	17 - 40
22F-12159-10	4 - 9		18 - 16	J0B-F1411-00	10 - 1	JU0-F3511-20	13 - 4	J0B-F518F-00	24 - 9	JW8-F7318-00	17 - 20
JR7-12170-00	4 - 1	J0B-27951-00	19 - 1	J0B-F1419-01	10 - 4	JW1-F3512-00	13 - 5	J0B-F518G-00	24 - 10	JW8-F7322-00	17 - 15
JN6-12621-02	5 - 1	J38-27959-00	19 - 5	J0B-F1436-00	8 - 2	JU0-F3521-20	13 - 12	J0B-F5310-01	24 - 1	J0D-F7411-01	12 - 7
JR7-12634-00	5 - 9	B88-2817K-00	15 - 7	J0B-F1485-00	10 - 8	5UG-F3527-00	14 - 21	J0B-F537W-00	11 - 16	J0B-F7413-01	12 - 6
JN6-12651-01	5 - 3	J10-81115-10	32 - 21	J0B-F1531-00	11 - 3	J0B-F3570-10	13 - 1		11 - 28	JW8-F7416-00	17 - 8
JN6-12652-00	5 - 5	J10-81129-10	32 - 24	JW1-F1549-01	37 - 8	JW1-F3811-03	14 - 1	J0B-F53A1-01	11 - 10	JW8-F7426-01	17 - 17
JR7-12658-00	5 - 4	J10-81139-10	32 - 25		37 - 14	JW1-F3812-00	14 - 13		11 - 22	JW8-F7434-00	17 - 39
JC0-13542-00	7 - 3	J10-81146-10	32 - 11	J0B-F1738-00	12 - 9	JW1-F3822-01	14 - 29	JW8-F5415-00	17 - 25	JW8-F7438-00	17 - 38
JC0-13567-00	6 - 4	J10-81147-10	32 - 14		12 - 10	JU0-F3828-10	14 - 4	JW9-F5666-00	17 - 12	JW8-F7445-31	17 - 33
JN6-13567-00	6 - 3	J10-81148-10	32 - 7		12 - 11	1P0-F3833-00	14 - 26	JW9-F5671-00	17 - 5	JW8-F7814-21	17 - 3
	6 - 5	J10-81159-10	32 - 4		12 - 28	JW1-F3837-00	14 - 22	JW9-F5672-00	17 - 4		17 - 43
JC0-13595-00	6 - 1	JB2-81670-00	34 - 14		27 - 18	JN3-F3838-00	14 - 6	JW9-F5673-00	17 - 45	JW8-F7825-01	17 - 27
J0B-13750-00	7 - 1	JF2-81910-10	35 - 18		27 - 23	5UG-F3844-00	14 - 19	JW8-F5681-10	16 - 6	JW8-F7850-31	17 - 1
J0B-13770-00	7 - 5	1TP-81950-00	35 - 25		31 - 5	JU0-F3857-11	14 - 3	JN6-F5685-01	16 - 7	JW8-F7853-10	17 - 35
J0D-13907-00	15 - 10	5EA-81952-00	35 - 26		31 - 7		14 - 5	JC0-F6280-01	30 - 1	JW9-F7871-10	17 - 36
52S-13938-00	7 - 6	J0B-82149-01	35 - 13	JW1-F1738-00	15 - 8	JW1-F3866-00	14 - 24	JC0-F6291-00	30 - 2	JW8-F7872-30	17 - 37
J0D-13971-00	15 - 14	1S4-82310-00	34 - 17	J0D-F1781-00	27 - 27	JW1-F387A-00	14 - 11	J0B-F6311-00	17 - 50	JW8-F815H-01	17 - 42
52B-14137-00	7 - 7	JC0-82316-00	34 - 18	J0D-F1781-10	27 - 27	JW1-F387E-00	14 - 14	J0B-F6312-00	6 - 15	J0B-F8218-00	11 - 4

NUMERICAL INDEX

PART NO.	REF. NO.	PART NO.	REF. NO.	PART NO.	REF. NO.	PART NO.	REF. NO.	PART NO.	REF. NO.	PART NO.	REF. NO.
J0B-F8228-00	11 - 5	JW8-G6284-00	21 - 6	J0B-H2115-00	35 - 5	J0D-H4718-00	33 - 33	J0D-K8112-20	27 - 8	J0B-K8243-00	26 - 19
J0B-F8238-00	11 - 6	J0D-G6301-00	22 - 2	J0B-H2116-01	35 - 6	J0D-H4726-00	33 - 7	J0D-K8112-30	27 - 8	J0B-K8244-00	26 - 21
J0B-F8268-00	11 - 7	J0B-G6314-00	22 - 31	J0B-H2116-01	35 - 7			J0D-K8112-40	27 - 8	J0B-K8251-00	27 - 6
J0B-F8278-00	11 - 8	J0B-G6316-00	22 - 24	JW1-H2133-00	35 - 1	J0D-H4730-00	33 - 29	J0D-K8112-70	27 - 8	J0B-K8252-00	12 - 18
JW8-F8319-00	17 - 29	J0D-G6320-00	22 - 8	J55-H2136-00	35 - 2	J0D-H5490-00	33 - 5	J0D-K8112-80	27 - 8	J0B-K8253-00	15 - 25
JC0-F831W-10	30 - 3	J0B-G6326-00	22 - 25	J0D-H2151-00	35 - 12			J0D-K8112-90	27 - 8	J0B-K8254-00	11 - 36
JW8-F8323-00	17 - 24	J0D-G6327-00	22 - 30	J0D-H21E0-01	35 - 43	J0B-H5546-00	34 - 32	J0D-K8112-A0	27 - 8	J0B-K8255-01	27 - 24
JW8-F8331-00	17 - 47	J0B-G633E-00	22 - 3	J0B-H2370-00	26 - 13	JW6-H554E-00	35 - 9	J0D-K8114-00	26 - 6	J0B-K8256-00	12 - 21
JC0-F834N-10	30 - 4	J0B-G633G-00	22 - 26	JN6-H2377-00	27 - 31	JW6-H554E-10	35 - 11	J0D-K8115-00	26 - 1	J0B-K8257-00	12 - 22
JW8-F8363-00	17 - 7	JN3-G6344-00	22 - 45	JW1-H2386-10	35 - 53	JW6-H554E-20	35 - 10	J0D-K8115-20	26 - 1	J0B-K8258-00	12 - 23
J0B-G1148-00	22 - 33	J0B-G6355-00	22 - 43	JW6-H2510-00	35 - 45	J0B-H591A-01	34 - 31	J0D-K8115-30	26 - 1	J0B-K8259-00	12 - 25
J0B-G1297-00	22 - 23	J0B-G6356-00	22 - 20	JU6-H2511-10	35 - 46	J0B-K7173-20	36 - 3	J0D-K8115-40	26 - 1	J0B-K825A-00	12 - 26
J0B-G2391-00	22 - 6	J0B-G6371-00	23 - 3	JU6-H2569-00	35 - 48	J0B-K7200-20	36 - 1	J0D-K8115-70	26 - 1	J0B-K825E-00	12 - 27
JW8-G2541-00	22 - 46	J0B-G6372-00	23 - 15	5UG-H2579-00	35 - 47	J0B-K7200-30	36 - 1	J0D-K8115-80	26 - 1	J0D-K825G-00	27 - 7
JC1-G2544-00	22 - 41	JW8-G6374-00	21 - 10	J0D-H2590-01	35 - 8	JC0-K7212-00	30 - 8	J0D-K8115-90	26 - 1	J0B-K8271-00	28 - 1
J0B-G3127-00	22 - 10	JN3-G6376-00	23 - 10	JR6-H270X-00	35 - 38	J0B-K7217-00	36 - 10	J0D-K8115-A0	26 - 1	J0B-K8273-00	26 - 18
J0B-G3812-00	22 - 11	JU0-G6376-00	22 - 13	J0D-H333B-00	26 - 14	JW1-K7217-00	30 - 7	JR1-K8139-00	27 - 30	J0D-K8282-00	26 - 9
JW8-G4189-00	20 - 6	JN3-G6381-00	23 - 9	J0D-H334B-00	26 - 15	J0B-K7218-00	36 - 9	JW1-K8297-02	27 - 19	JW1-K8297-02	27 - 34
J0B-G5148-00	22 - 44	J0B-G6382-00	23 - 5	JR1-H3383-02	35 - 22	J0B-K7219-00	36 - 11	J0B-K8141-20	27 - 19	J0B-K8312-00	37 - 3
JW8-G5282-00	20 - 18	JW8-G6383-10	23 - 4	JN6-H3386-01	35 - 23	J0B-K7227-20	36 - 13	J0B-K8141-30	27 - 19	JW1-K8313-01	37 - 5
JW8-G5378-00	22 - 38	J0B-G638A-00	22 - 29	JC0-H351C-10	35 - 49	J0B-K7237-00	36 - 5	J0B-K8141-40	27 - 19	JW1-K8314-10	37 - 11
JW8-G5531-00	21 - 9	J0B-G638E-00	22 - 28	JN6-H351C-10	35 - 50	J0B-K7238-00	36 - 8	J0B-K8141-70	27 - 19	JW1-K8314-20	37 - 11
JW8-G5618-00	20 - 10	J0B-G6410-00	22 - 40	J0D-H3547-00	33 - 8	J0B-K7240-20	36 - 12	J0B-K8141-80	27 - 19	J0B-K832F-00	26 - 23
		JN3-G6432-00	22 - 32			J0B-K7247-00	36 - 6	J0B-K8141-90	27 - 19	J0B-K832F-10	26 - 23
JW8-G5621-00	20 - 16	JW3-G6521-00	24 - 6	J0D-H360G-00	27 - 32	J0B-K7257-00	36 - 7	J0B-K8141-A0	27 - 19	J0B-K832G-00	26 - 24
JW8-G5677-00	21 - 12	J0B-G6555-00	22 - 12	J0D-H360H-00	27 - 33	J0B-K7258-00	36 - 4	J0B-K814E-00	27 - 3	J0B-K832G-10	26 - 24
JW8-G5697-20	21 - 15	J0B-G6556-00	22 - 47	J0D-H4110-00	33 - 1	JW7-K7329-00	15 - 23			JW1-K8340-00	29 - 3
J0B-G580H-00	22 - 18	JW8-G7339-00	20 - 20	J0D-H411T-00	33 - 3			J0B-K814F-00	27 - 4	JW1-K834G-00	29 - 9
J0B-G6153-00	22 - 27	J0B-G8330-00	23 - 2	J0D-H411U-00	33 - 14					JN6-K8355-20	29 - 8
JW8-G6159-00	21 - 8	JN6-H1100-04	32 - 1	J0D-H4170-00	33 - 12	JW1-K7387-00	37 - 10	J0B-K814R-00	27 - 14	JF2-K8356-00	29 - 7
J0B-G6164-00	22 - 9	JN6-H1110-10	32 - 5	J0D-H4195-00	33 - 10	JW1-K7387-10	30 - 5	J0B-K814T-00	27 - 15	JW8-K8357-00	14 - 32
J0B-G6201-01	20 - 1	JF2-H1111-00	32 - 19			J0B-K7389-00	29 - 5	J0B-K814U-00	27 - 16	JN6-K8358-01	14 - 33
JW8-G6202-22	21 - 1	JN6-H1113-00	32 - 20	J0D-H4300-00	33 - 2	J0B-K7458-00	36 - 2	J0B-K8164-00	25 - 2	J0B-K835E-00	26 - 10
JW8-G6205-22	20 - 9	JN6-H1119-00	32 - 18			J0B-K7510-00	25 - 1	J0B-K816M-00	12 - 15	J0B-K8361-00	31 - 4
JW8-G6210-01	20 - 2	JW1-H1128-00	35 - 51	J0D-H431U-00	33 - 24	JW8-K7540-00	25 - 7	J0B-K817H-00	27 - 35	J0B-K8362-00	31 - 6
J0B-G6220-01	20 - 3	J10-H1145-10	32 - 26	J0D-H4385-00	33 - 4	JU0-K7573-00	26 - 3	J0B-K817H-10	27 - 35	JN6-K8380-00	29 - 12
J0B-G6231-00	20 - 17	J10-H1157-10	32 - 2	J0D-H4386-00	33 - 15	JW1-K7741-00	27 - 29	J0B-K817J-00	27 - 36	J0B-K8388-00	37 - 6
JW8-G6236-20	20 - 12	J10-H1158-10	32 - 3	J0D-H4387-00	33 - 30	JC0-K7762-00	14 - 38	J0B-K817J-10	27 - 36	JU0-K8388-00	37 - 7
JW8-G6237-20	20 - 13	JN6-H1160-10	32 - 6	JC0-H4514-00	33 - 26	J0B-K7768-00	26 - 8	J0B-K8187-00	28 - 13		
J0D-G6241-00	20 - 21	JN6-H1161-00	32 - 29			J0D-K8111-00	27 - 1	J0B-K818A-00	28 - 2	JW1-K8388-00	37 - 4
JW8-G6249-00	20 - 19	JN6-H1165-00	32 - 12	J0D-H4524-00	33 - 9	J0D-K8111-20	27 - 1	J0B-K818B-00	28 - 5	JU0-K8398-00	37 - 9
JW8-G624A-00	20 - 4	J10-H1166-10	32 - 13			J0D-K8111-30	27 - 1	J0B-K8191-00	28 - 8		
JW8-G624B-00	21 - 5	JW1-H1170-11	34 - 4	J0D-H4526-00	33 - 6	J0D-K8111-40	27 - 1	J0B-K8192-00	28 - 10	J0B-K8401-00	31 - 3
JW8-G6251-21	20 - 8	JN6-H1171-11	34 - 10			J0D-K8111-70	27 - 1	J0B-K8197-01	28 - 12	JW1-K8402-10	31 - 10
JW8-G6253-00	20 - 5	JW1-H1173-02	34 - 12	J0D-H4700-00	33 - 25	J0D-K8111-80	27 - 1	J0B-K819H-00	27 - 13	J0B-K8423-00	29 - 1
JW8-G6260-22	21 - 2	JN3-H1661-00	32 - 28			J0D-K8111-90	27 - 1	JW1-K8214-00	37 - 12	J0B-K8426-10	31 - 8
JW8-G6270-21	21 - 3	JW9-H1674-00	31 - 1	J0D-H4710-00	33 - 23	J0D-K8111-A0	27 - 1	J0D-K8233-00	26 - 16	J0B-K8427-00	31 - 2
JW8-G6275-10	21 - 11	JW1-H1950-00	35 - 14	J0D-H4718-00	33 - 27	J0D-K8112-00	27 - 8	J0B-K8237-01	27 - 21	J0B-K84A0-00	37 - 1

NUMERICAL INDEX

PART NO.	REF. NO.	PART NO.	REF. NO.	PART NO.	REF. NO.	PART NO.	REF. NO.	PART NO.	REF. NO.	PART NO.	REF. NO.
J0B-K84A0-10	37 - 1	90183-08800	33 - 11	90386-12800	17 - 26	92902-10200	10 - 6	95602-10200	10 - 9	97012-08030	14 - 30
J0B-K84A2-00	37 - 2		33 - 22	90387-046N7	14 - 37	92902-12200	14 - 8		11 - 34	97012-10050	9 - 14
JN9-W2536-00	18 - 2		33 - 28	90387-046N7	13 - 15	92907-06100	32 - 10		11 - 43	97012-10070	2 - 4
	18 - 13		33 - 34	90387-241M7	13 - 25		32 - 17		13 - 7	9708R-06020	29 - 10
90105-06057	6 - 19	90185-06836	29 - 11	90450-54008	15 - 6	9290N-06600	32 - 9		25 - 8	97602-04316	23 - 14
90105-06831	23 - 16	90185-10012	11 - 40	90461-14108	35 - 27		32 - 16	95602-12200	11 - 18	97602-05225	35 - 21
	26 - 4	90185-12008	14 - 7	90462-05061	2 - 15		32 - 27		11 - 30	97702-40525	14 - 34
	35 - 17	90201-04810	14 - 35	90464-09823	8 - 8	9299R-06200	29 - 14		14 - 9	97702-50016	6 - 20
90105-06870	35 - 19	90201-068G7	30 - 6		35 - 28	93102-25868	22 - 17	95602-14100	13 - 28	97702-60416	6 - 17
90105-08260	21 - 14	90201-10057	2 - 5	90464-12836	35 - 55	93102-30083	13 - 26	95612-12100	13 - 18	98502-06014	7 - 4
90105-082A0	18 - 23		9 - 15	90464-18246	15 - 24	93102-35014	9 - 3	95622-08618	2 - 7	9850N-04010	32 - 22
90105-08867	12 - 5	90201-10072	10 - 3	90464-20005	35 - 29		9 - 10	95702-06500	35 - 4	9850N-05016	32 - 23
	12 - 13	90201-121H8	18 - 11	90464-40825	15 - 18	93104-11829	22 - 37		35 - 40	9850N-05018	32 - 31
	12 - 19		18 - 22		35 - 34	93106-38046	11 - 13	95702-08500	6 - 2	99001-07600	6 - 9
	22 - 48	90201-121H9	18 - 10	90464-48800	35 - 30		11 - 25		8 - 6	99001-09600	16 - 11
	35 - 36		18 - 21	90464-76800	12 - 30	93109-10820	22 - 34		11 - 20	99009-19400	23 - 13
90105-088B6	12 - 16	90201-18620	34 - 21		28 - 14	93210-15414	34 - 29		11 - 32	99530-08016	9 - 7
90105-10185	11 - 39	90201-198S7	23 - 12		35 - 35	93210-22344	9 - 17		34 - 7	99530-14016	2 - 6
90105-10219	13 - 8	90201-20035	24 - 8	90465-06038	23 - 18	93306-005Y3	13 - 24	95802-06016	6 - 6		
90105-10267	11 - 42	90201-208H9	22 - 19	90467-13847	2 - 19	93306-00622	11 - 11	95802-06020	5 - 2		
	13 - 13	90201-208J0	22 - 21	90467-24140	6 - 22		11 - 23		5 - 6		
	13 - 20	90201-208S8	23 - 11	90468-10049	6 - 8	93306-006Y4	11 - 12	95812-06025	7 - 10		
90105-10373	13 - 6	90208-14801	13 - 27		17 - 52		11 - 24	95812-08016	25 - 3		
90105-10847	14 - 28	90209-08018	21 - 13	90468-20196	16 - 4	93306-007Y0	22 - 39	95812-08020	14 - 2		
90109-08002	29 - 2	90249-14129	16 - 10	90480-20564	34 - 15	93306-20201	9 - 4		17 - 49		
90109-08827	34 - 6	90269-06804	26 - 5	90501-10852	22 - 15		9 - 11	95812-08040	12 - 3		
90110-06125	31 - 9		28 - 4	90501-264A9	4 - 5	93306-204X0	13 - 23	95812-08045	9 - 13		
90111-05805	26 - 11		28 - 7	90502-10013	14 - 36	93306-20714	9 - 9	95812-08050	25 - 4		
90113-04803	20 - 11		28 - 9	90506-14001	18 - 7	93306-303Y6	22 - 4	95812-08060	11 - 19		
	20 - 14		28 - 11		18 - 18	93306-30709	9 - 2		11 - 31		
90113-08803	22 - 14	90269-07803	26 - 7	90506-20281	18 - 6	93450-21053	3 - 5	95812-10020	10 - 2		
90114-12004	24 - 2		26 - 20		18 - 17	93450-22119	24 - 11		22 - 1		
90114-12805	13 - 22		26 - 22	90508-16460	17 - 53	93500-06826	22 - 16	95812-10055	11 - 33		
90119-06808	31 - 11		27 - 5	90508-40678	19 - 4	93606-10842	22 - 22	95812-12030	34 - 3		
90119-06868	35 - 31		27 - 12	90560-05001	17 - 54	94702-00343	2 - 8	95812-12055	11 - 17		
	35 - 44		27 - 20	90560-08251	15 - 9	94702-00348	2 - 8		11 - 29		
90159-06845	29 - 13	90269-09003	12 - 8	91402-20012	23 - 8	95302-06600	19 - 2	95812-12080	13 - 17		
90170-05302	4 - 10		26 - 17	91490-25015	16 - 13		34 - 9	95822-06012	25 - 6		
90170-10840	22 - 42		28 - 3	91701-08018	16 - 12	95302-06800	15 - 13		34 - 26		
90176-06008	29 - 6		28 - 6	91702-05010	6 - 7	95302-08700	25 - 5		35 - 42		
90179-05807	35 - 15	90269-10001	5 - 8	91702-05014	17 - 51	95302-18600	34 - 20	95822-06016	34 - 16		
90179-08822	16 - 8	90280-04052	34 - 22	91702-06014	23 - 6	95307-08700	16 - 9		34 - 19		
90179-08824	35 - 16	90340-12097	9 - 5	91702-10026	16 - 3	9530N-06600	32 - 8		35 - 39		
90179-12262	13 - 30	90381-17800	11 - 15	92012-06030	34 - 8		32 - 15	95822-06030	2 - 14		
	24 - 4		11 - 27	92017-06040	29 - 4	95602-06200	19 - 6	95822-08020	8 - 5		
90179-16889	32 - 30		13 - 10	92902-06200	35 - 3	95602-08100	23 - 1		34 - 5		
90179-20016	24 - 3	90381-18801	13 - 2	92902-06600	23 - 7	95602-08710	2 - 17		34 - 11		
90183-05008	26 - 12	90386-08141	19 - 3	92902-08600	14 - 31	95602-10200	10 - 7	95822-10020	11 - 2		