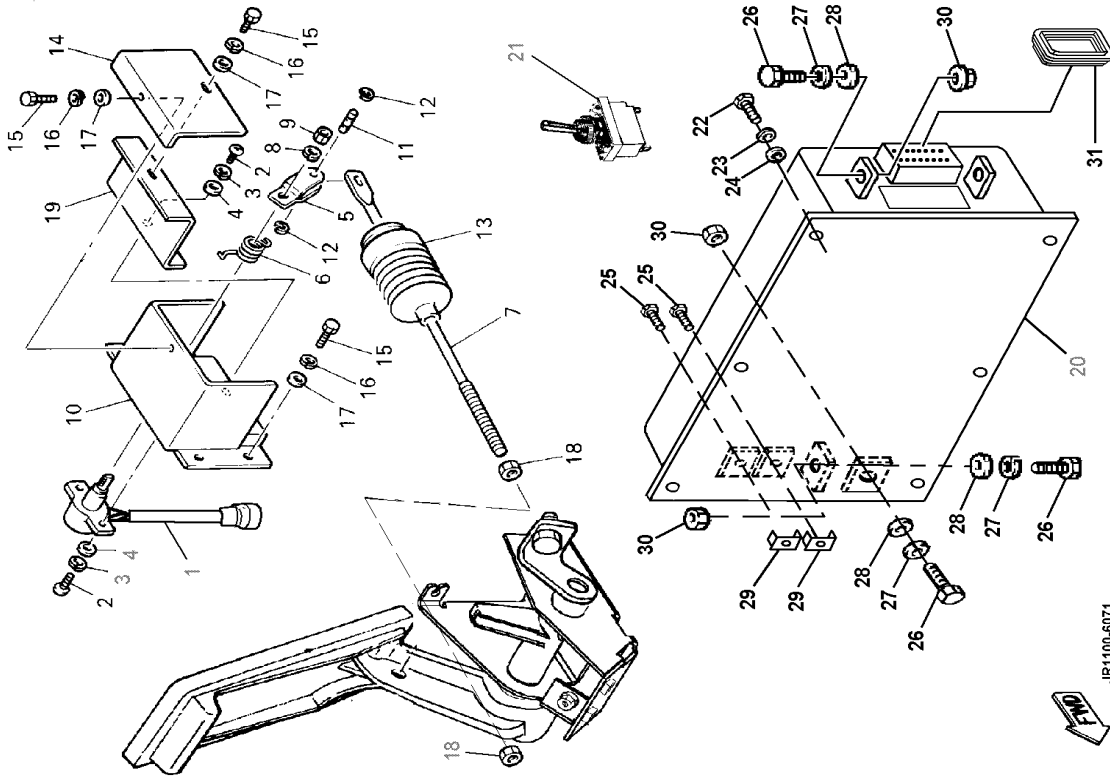


FIG. 18 CONTROLLER 1

REF NO.	PART NUMBER	DESCRIPTION	QTY	REMARKS
1	JR1-85885-00-00	THROTTLE SENSOR	1	
2	98507-05316-00	SCREW, PAN HEAD	3	
3	92907-05100-00	WASHER, LOCK	3	
4	92907-05600-00	WASHER	3	
5	JF3-2625H-00-00	ARM, THROTTLE	1	
6	JF3-27825-00-00	SPRING, RETURN	1	
7	JN4-F7241-00-00	ROD, JOINT	1	
8	92907-06100-00	WASHER, SPRING	1	
9	95307-06600-00	NUT, HEX.	1	
10	JF3-27981-00-00	BRACKET, THROTTLE	1	
11	JF3-27813-00-00	PIN, PEDAL CRANK	1	
12	99001-04600-00	CIRCLIP (E)	2	
13	JN4-F7486-00-00	COVER, 1	1	
14	JF3-27487-00-00	COVER, 2	1	
15	97017-05616-00	BOLT, HEX. HEAD	6	
16	92907-05100-00	WASHER, LOCK	6	
17	92907-05600-00	WASHER	6	
18	95307-08700-00	NUT, HEX.	2	
19	JF3-27445-00-00	PLATE 1	1	
20	JR1-H6510-10-00	CONTROL UNIT	1	
21	JR1-H2727-00-00	SWITCH, TOW / STORAGE	1	
22	97017-06020-00	BOLT	4	
23	92907-06100-00	WASHER, LOCK	4	
24	92907-06600-00	WASHER, PLATE	4	
25	90119-04824-00	BOLT, W/WASHER	2	
26	97017-08016-00	BOLT	4	
27	92907-08100-00	WASHER, LOCK	4	



JR1100-6071