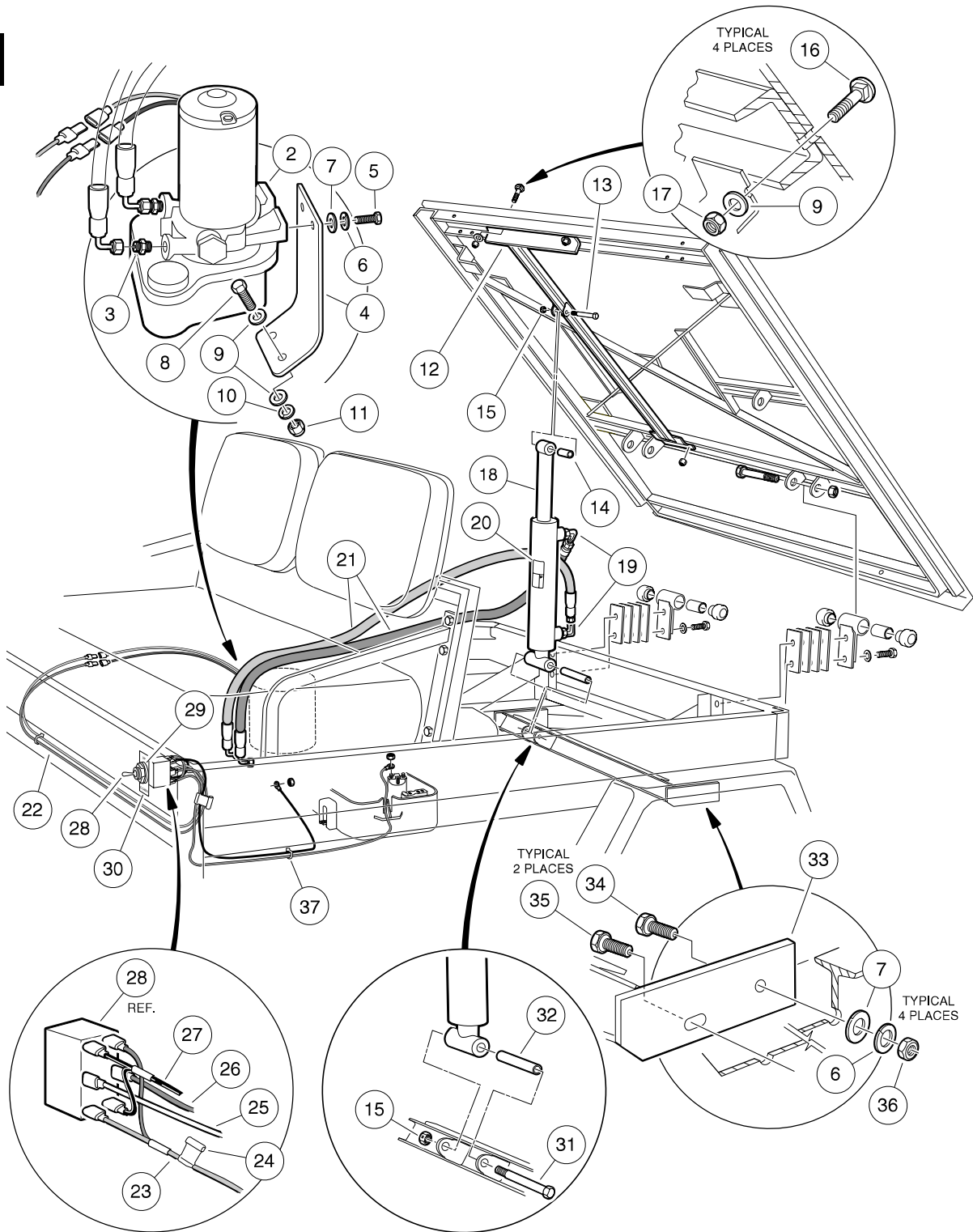


8



HYDRAULIC TILT BED KIT

8

ITEM	PART NO.	DESCRIPTION	QTY
		1 2 3 4	
1	1015640	Kit, Hydraulic Tilt Bed (gasoline vehicles) (includes items 2 - 37).....	1
2	1016136	Pump Assembly, Hydraulic Tilt Bed	1
3	1015623	Adapter, Straight Thread	2
4	1015621	Bracket, Hydraulic Pump Mounting.....	1
5	1012463	Screw, Hex-Head Cap, 3/8-16 x 7/8.....	2
6	357	Washer, Lock, 3/8	6
7	1011990	Washer, Flat, 3/8	6
8	1010934	Screw, Hex-Head Cap, 5/16-18 x 1.....	2
9	1241	Washer, Flat, 5/16.....	6
10	7174	Washer, Lock, 5/16	2
11	1242	Nut, Hex, 5/16-18.....	2
12	1015615	Weldment, Actuator Adapter	1
13	1010177	Bolt, Hex-Head, 3/8-16 x 2.....	1
14	1015608	Spacer, Small Tube	1
15	1010138	Nut, Hex Dimpled Lock, 3/8-16	1
16	1010435	Bolt, Carriage, 5/16-18 x 1	4
17	7473	Nut, Nylon Lock, 5/16-18	5
18	1015617	Cylinder, Hydraulic Tilt Bed	1
19	1015624	Elbow, 90°, Straight Thread	2
20	101570401	Decal, Warning, Hydraulic Cylinder	1
21	1015616	Hose Assembly, Hydraulic	2
22	1015638	Wire Harness (includes items 23 - 28).....	1
23	101888401	Wire Assembly, #14 Red (includes item 24).....	1
24	101881801	Breaker, Circuit	1
25	N/A	Wire Assembly, #14 Yellow	1
26	N/A	Wire Assembly, #14 Red	1
27	N/A	Wire Assembly, #14 Black	1
28	1015636	Switch, Toggle	1
29	1014557	Washer, Flat, 7/16.....	1
30	1015653	Decal, Up/Down	1
31	7561	Bolt, Hex-Head, 3/8-16 x 3.....	1
32	1015610	Spacer, Large Tube	1
33	1015612	Bracket, Cylinder Mounting	1
34	705	Screw, Hex-Head, 3/8-16 x 1-1/4.....	2
35	320	Screw, Hex-Head, 3/8-16 x 1	2
36	706	Nut, Hex, 3/8-16.....	4
37	8990	Tie, Wire.....	8
38	101895301	*Kit, Reservoir, Hydraulic Pump (includes reservoir and gasket) (not shown) *Use automatic transmission uid with the reser voir kit.	A/R