



PARTS CATALOGUE

YUM2E20 (J0H2) CANADA, EUROPE, OTHERS



1VJ0H-100E1

()

YUM2E20
PARTS CATALOGUE
©2019 by Yamaha Motor Co., Ltd.
1st edition, June 2019
All rights reserved.
Any reprinting or unauthorized use
without the written permission of
Yamaha Motor Co., Ltd.
is expressly prohibited.
Printed in Japan.

FOREWORD

This Parts Catalogue is related to the parts for the model(s) on the cover page. When you are ordering replacement parts, please refer to this Parts Catalogue and quote both part numbers and part names correctly.

1. Modifications or additions which have been made after the issue of the Parts Catalogue will be announced in the Parts News.
It is advisable that you make the necessary corrections to the Parts Catalogue according to the Parts News.

2. Abbreviations

The following abbreviations are used in this Parts Catalogue.

“UR” Use specified parts number.

“UN” Use as many as needed.

“AP” Alternate Parts

“LM” Locally Made (Parts need to be ordered locally)

“F#” Frame No. (Applicable machine No.)

“O/S” Over Size

3. The number of components for assembly

- Parts, which are to be supplied in an assembly, are listed with a dot (.) in front of the part name as shown below.
- The numeral appearing to the right of each component part indicates the quantity of parts for each assembly unit.

PART NO.	DESCRIPTION	Q'TY	REMARKS
2F5-83310-60	FRONT FLASHER LIGHT ASSY	2	
115-83311-60	.BULB (6V-18W)	1	

4. Applicable colours of graphics are represented in the “REMARKS” as shown below.

PART NO.	DESCRIPTION	Q'TY	REMARKS
2N4-24110-00-X5	FUEL TANK COMP.	2	MXR
3J1-24240-10	.GRAPHIC, FUEL TANK	1	FOR MXR

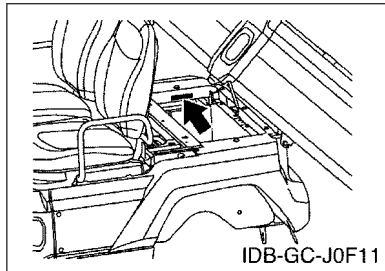
5. Note that the illustrations for reference in finding parts numbers are not to be used for assembling. When assembling, please use the applicable service manual.

6. The asterisk (*) before a reference number indicates modified items after the first edition.

FOREWORD

7. Applicable Serial No.

Frame Serial No.



10. Applicable Starting Serial No.

Frame Serial No.

Serial No.	Name Of Q'ty Column	Model Code
J0H-100101	J0H2	J0H2

8. Applicable Colour Code (The (*) mark shows Model colour.)

Abbreviation	Colour Name	Colour Code
DNLGM3(*)	DARK GRAYISH LEAF GREEN ME 3	1702
DNMC(*)	DARK GRAY METALLIC C	0922
DOMD(*)	DEEP ORANGE METALLIC D	1703
DRMV(*)	DEEP RED METALLIC V	1365
VPBM6(*)	VIVID PURPLISH BLUE METALLIC 6	1002
WS7(*)	WHITE SOLID 7	1045

9. Quantity Column Information

Column No.	Name Of Q'ty Column	Destination
1	J0H2	CANADA, EUROPE, OTHERS

CONTENTS

BODY

REAR ARM & SUSPENSION.....	1
FRAME.....	2
FRONT SUSPENSION.....	4
STEERING.....	6
PEDAL WIRE.....	8
PEDAL ASSEMBLY.....	9
BRAKE 1.....	12
BRAKE 2.....	14

DRIVE

TRANSAXLE.....	15
WHEEL.....	17
BUMPER.....	18
BODY.....	19
BODY 2.....	22
BODY FITTING.....	25
CARRIER.....	27
SEAT.....	31

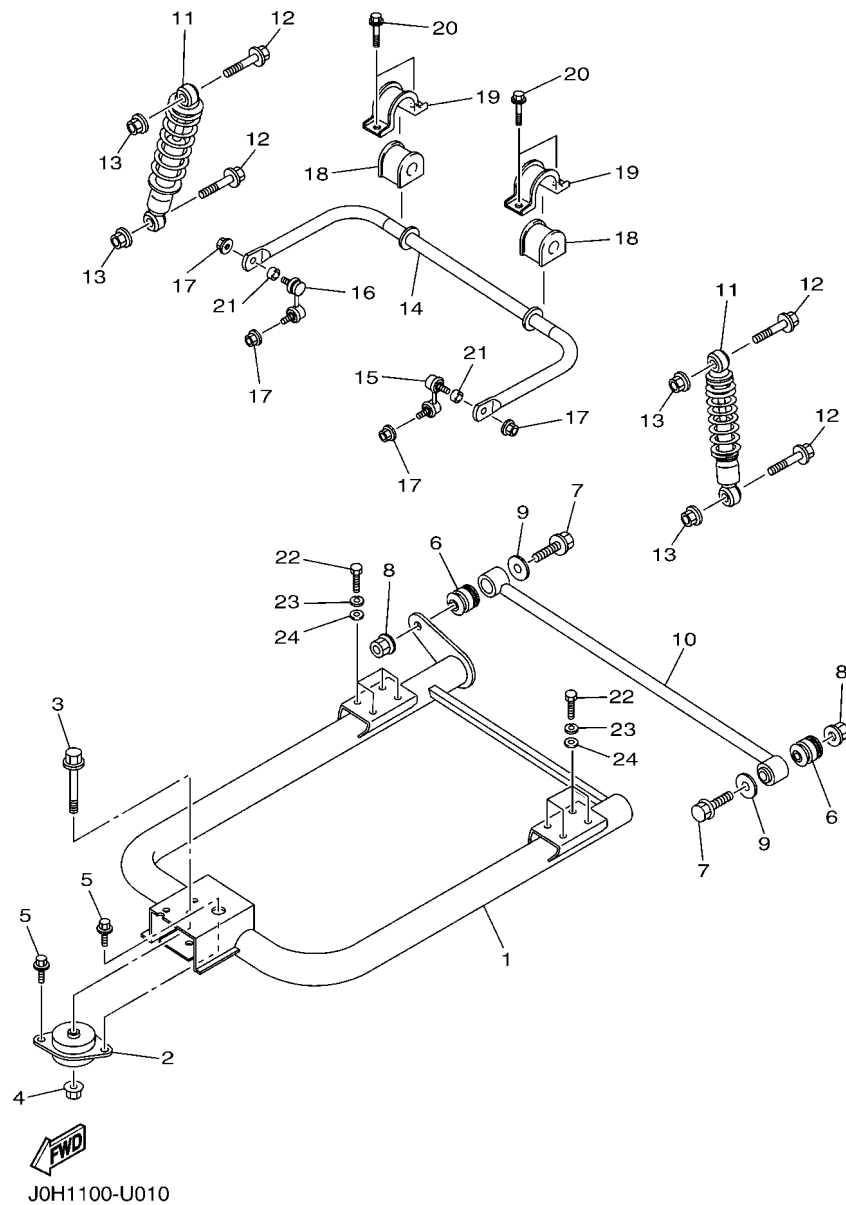
ELECTRICAL

ELECTRIC MOTOR.....	33
HEAD & TAIL LIGHT.....	34
CONTROLLER 1.....	35
ELECTRICAL 1.....	36
BATTERY CHARGER.....	39
ALTERNATE FOR WINDSHIELD.....	40
ALTERNATE FOR SUN ROOF.....	42
ALTERNATE FOR CHASSIS 1.....	43
ALTERNATE FOR CHASSIS 2.....	44

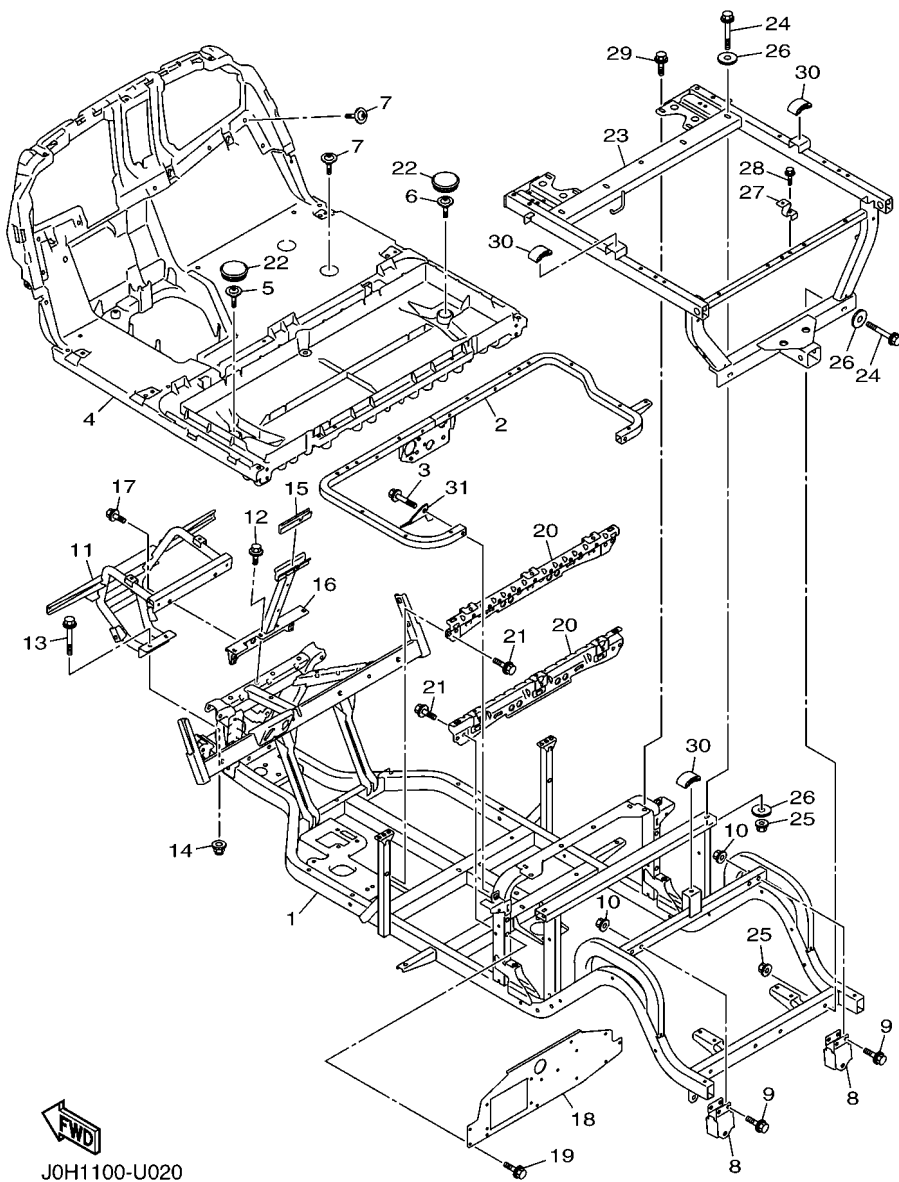
INDEX

NUMERICAL INDEX.....	45
----------------------	----

FIG. 1 REAR ARM & SUSPENSION



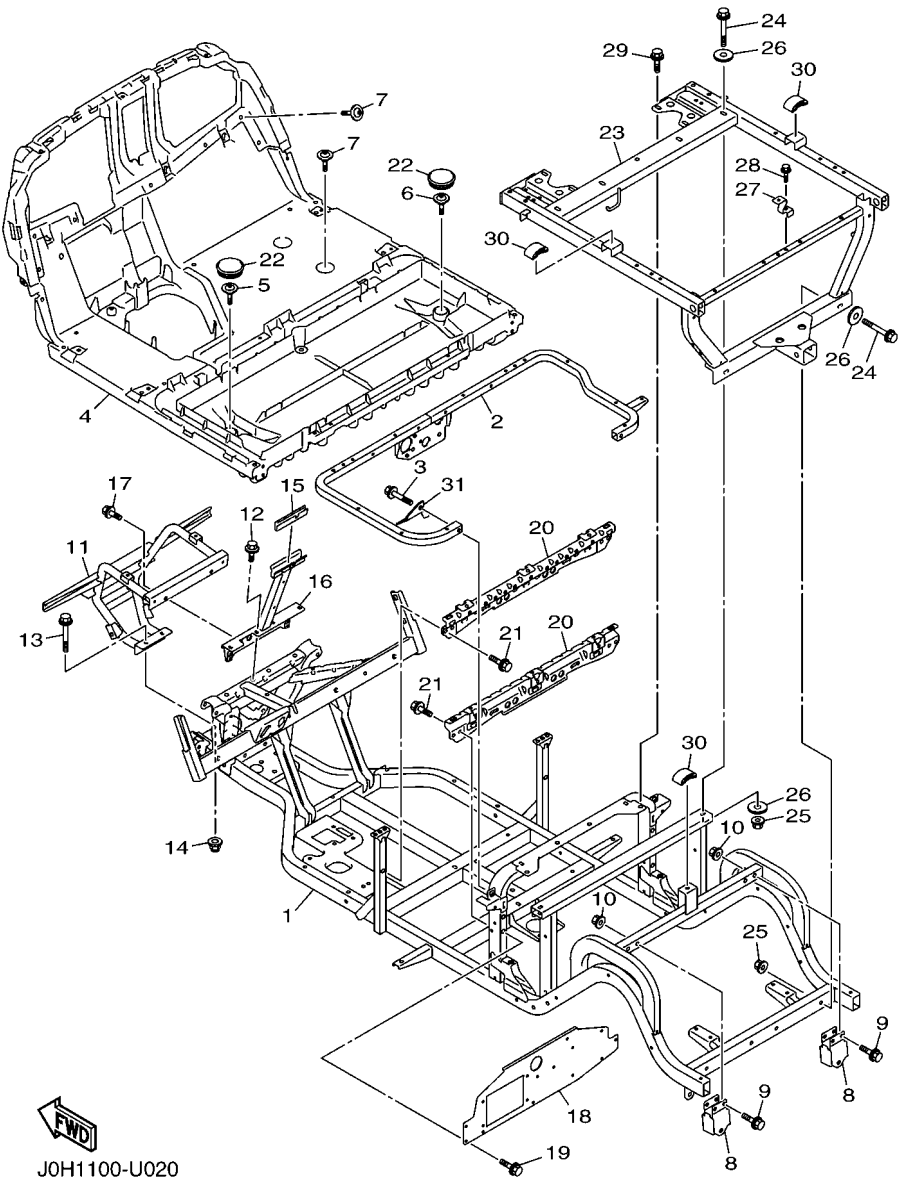
REF. NO.	PART NO.	DESCRIPTION	J0H2				REMARKS
1	JW3-F2110-01	REAR ARM COMP.	1				
2	JN6-F2123-20	BUSH 1	1				
3	90105-13800	BOLT, FLANGE	1				
4	90179-13800	NUT	1				
5	90119-10044	BOLT, WITH WASHER	2				
6	JN6-F2124-10	BUSH 2	2				
7	95812-12065	BOLT, FLANGE	2				
8	90185-12811	NUT, SELF-LOCKING	2				
9	90201-128S4	WASHER, PLATE	2				
10	JW1-F217G-10	ROD, CONNECTING 2	1				
11	J0H-F2210-00	SHOCK ABSORBER ASSY, REAR	2				
12	95812-12055	BOLT, FLANGE	4				
13	90185-12002	NUT, SELF-LOCKING	4				
14	1D9-G7491-00	BAR, STABILIZER	1				
15	16B-2385L-10	JOINT, STABILIZER 1	1				
16	16B-2385M-10	JOINT, STABILIZER 2	1				
17	95602-10200	NUT, S/L FLANGE	4				
18	1D9-F386G-10	BUSH, STABILIZER FRONT	2				
19	1D9-F386H-01	COVER, STABILIZER FRONT	2				
20	95812-08012	BOLT, FLANGE	4				
21	JW7-F1459-00	SPACER	2				
22	97012-10020	BOLT	8				
23	92902-10100	WASHER, SPRING	8				
24	92902-10600	WASHER, PLATE	8				



J0H1100-U020

FIG. 2 FRAME

REF. NO.	PART NO.	DESCRIPTION	J0H2			REMARKS
1	J0G-F2501-00	FRAME COMP.	1			
2	J0G-F255G-01	MEMBER, SEAT SUPPORT	1			
3	95812-08040	BOLT, FLANGE	2			
4	J0H-F7411-00	FOOTREST 1	1			
5	J0B-F1738-00	BOLT	1			
6	J0B-F1738-00	BOLT	1			
7	J0B-F1738-00	BOLT	7			
8	J0G-F1798-00	BRACKET, DAMPER	2			
9	95812-10055	BOLT, FLANGE	4			
10	95602-10200	NUT, S/L FLANGE	4			
11	J0G-F258E-00	SUPPORT, FRONT COWL	1			
12	90105-08867	BOLT, FLANGE	4			
13	95812-08055	BOLT, FLANGE	2			
14	95602-08200	NUT, U FLANGE	2			
15	J0B-F2127-00	SHIM	1			
16	J0G-F2219-00	BRACKET, UPPER	1			
17	90105-08867	BOLT, FLANGE	2			
18	J0H-F252M-00	BRACKET, 3	1			
19	JW1-F1738-00	BOLT	3			
20	JW9-F2535-00	STAY, BATTERY 1	2			
21	JW1-F1738-00	BOLT	4			
22	JW9-F2417-00	PLUG	2			
23	J0H-F2504-00	RR. SUB-FRAME COMP.	1			
24	90105-088A7	BOLT, FLANGE	6			
25	95602-08200	NUT, U FLANGE	6			
26	90201-08843	WASHER, PLATE	8			
27	J0F-F1425-00	BRACKET, REAR UPPER 1	1			



J0H1100-U020

FIG. 2 FRAME

REF. NO.	PART NO.	DESCRIPTION	J0H2				REMARKS
28	90105-06832	BOLT, FLANGE	1				
29	90105-08171	BOLT, FLANGE	2				
30	JJ3-K815H-01	DAMPER, LOCK	3				
31	J0H-F258A-00	BRACKET, SWITCH	1				

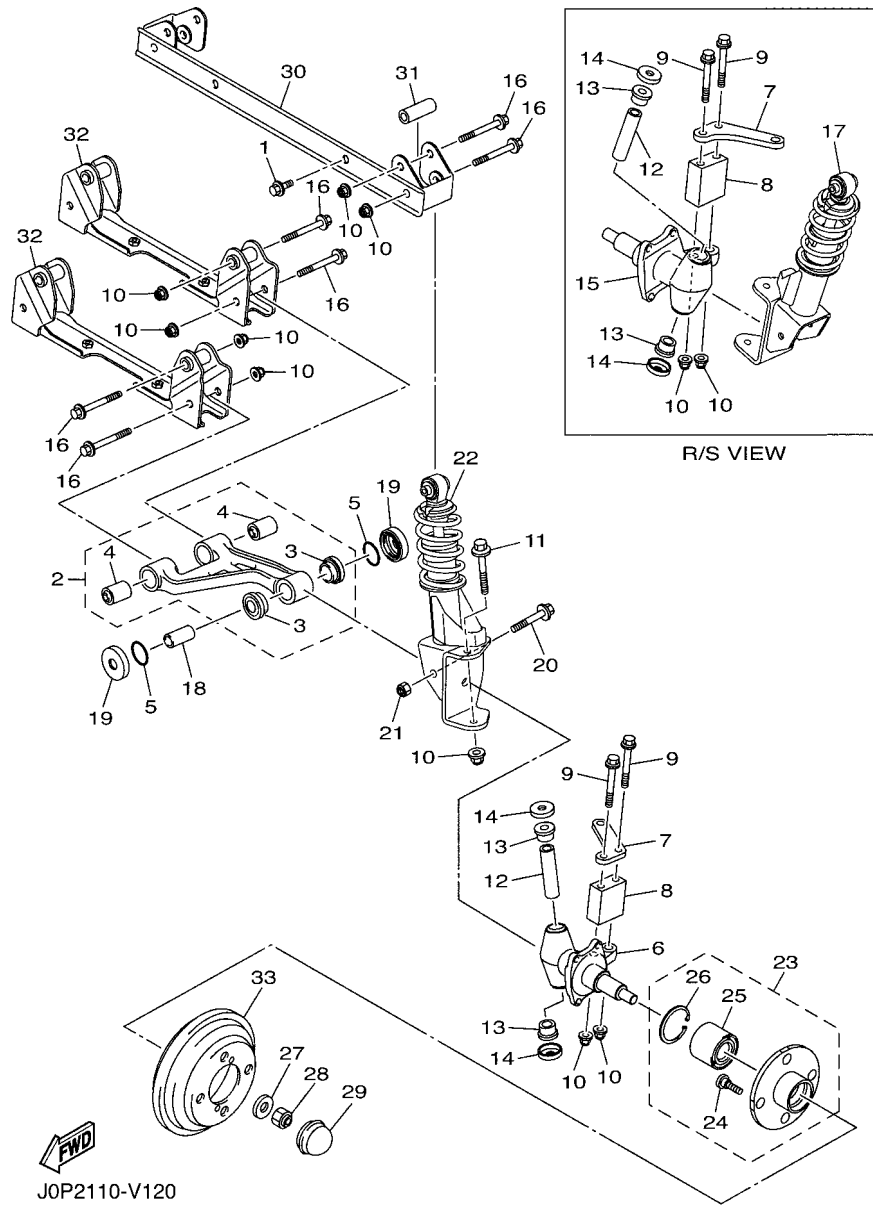


FIG. 3 FRONT SUSPENSION

REF. NO.	PART NO.	DESCRIPTION	J0P2				REMARKS
1	90105-08867	BOLT, FLANGE	2				
2	J0G-F3570-00	FRONT LOWER ARM COMP. (LEFT)	2				
3	90381-18802	.BUSH, SOLID	2				
4	1HP-F3526-00	.BUSH	2				
5	93210-22298	O-RING	4				
6	J0G-F3511-00	KNUCKLE, STEERING 1	1				
7	J0G-F3512-01	ARM, KNUCKLE 1	2				
8	J0G-F3118-00	SPACER	2				
9	90105-10843	BOLT, FLANGE	4				
10	90185-10011	NUT, SELF-LOCKING	18				
11	90105-10219	BOLT, FLANGE	2				
12	90387-10120	COLLAR	2				
13	90381-17800	BUSH, SOLID	4				
14	2NL-23517-00	COVER, THRUST 1	4				
15	J0G-F3521-00	KNUCKLE, STEERING 2	1				
16	90105-10272	BOLT, FLANGE	12				
17	JW7-F3350-11	SHOCK ABSORBER ASSY	1				
18	90387-12016	COLLAR	2				
19	401-22128-01	COVER, THRUST 1	4				
20	95812-12080	BOLT, FLANGE	2				
21	90185-12810	NUT, SELF-LOCKING	2				
22	JW7-F3390-11	SHOCK ABSORBER ASSY 2	1				
23	J0G-F5103-00	HUB BEARING UNIT ASSY	2				
24	90114-12805	.BOLT, SERRATION	4				
25	93305-20511	.BEARING	1				
26	99009-52500	.CIRCLIP	1				
27	90201-16023	WASHER, PLATE	2				

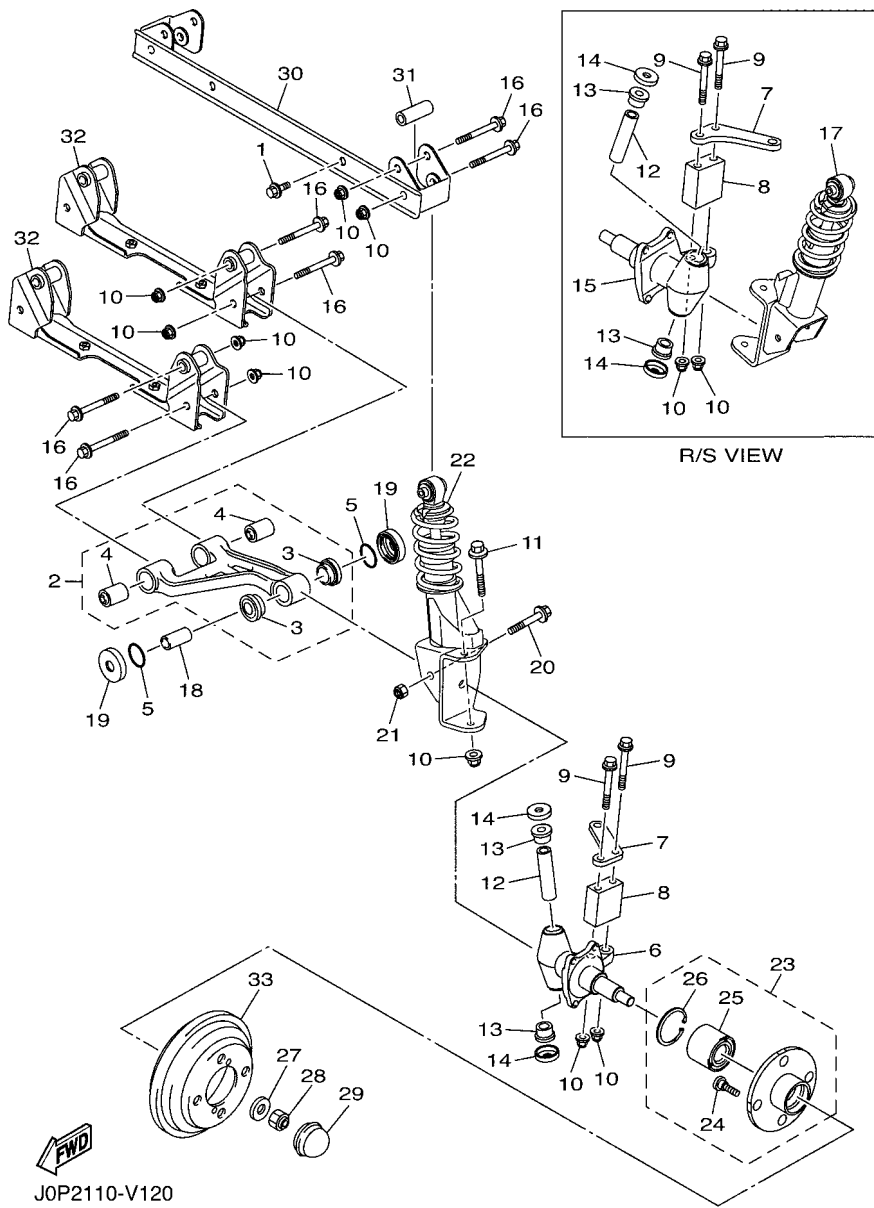
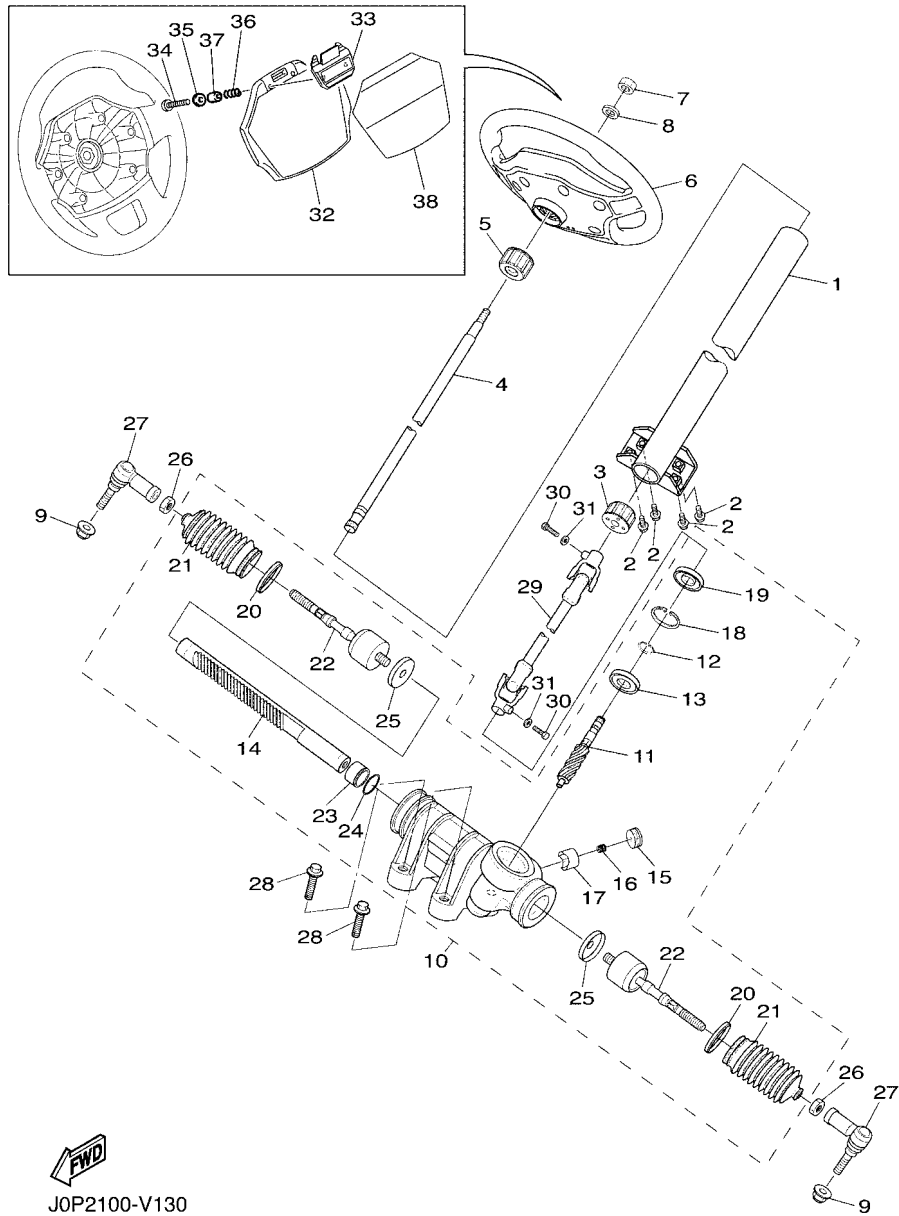


FIG. 3 FRONT SUSPENSION

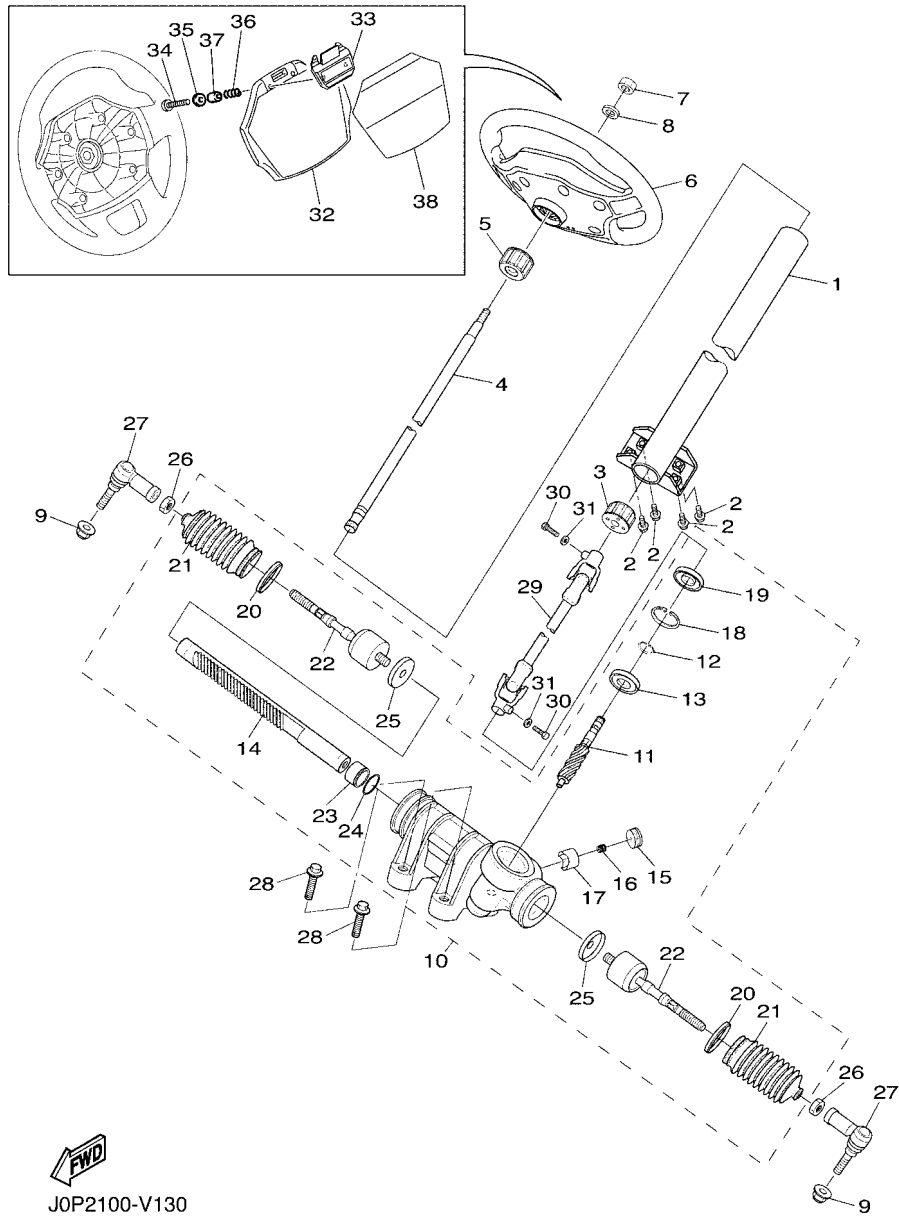
REF. NO.	PART NO.	DESCRIPTION	J0M2			REMARKS
28	95602-16100	NUT, U	2			
29	JN6-F5118-01	COVER, HUB DUST	2			
30	J0G-F1415-00	BRACKET, FRONT UPPER 1	1			
31	J0G-F1998-00	SPACER	2			
32	J0M-F1417-00	BRACKET, FRONT LOWER 1	2			
33	JW3-G6521-00	DRUM	2			
<hr/>						
<hr/>						
<hr/>						
<hr/>						
<hr/>						
<hr/>						
<hr/>						
<hr/>						



J0P2100-V130

FIG. 4 STEERING

REF. NO.	PART NO.	DESCRIPTION	JOH2				REMARKS
1	J0G-F3811-00	COLUMN, STEERING	1				
2	95812-08020	BOLT, FLANGE	4				
3	JU0-F3857-20	HOLDER	1				
4	JU0-F3828-10	ROD, STEERING	1				
5	JU0-F3857-20	HOLDER	1				
6	J0B-F3838-00	WHEEL, STEERING	1				
7	90185-12008	NUT, SELF-LOCKING	1				
8	92902-12200	WASHER	1				
9	90185-12811	NUT, SELF-LOCKING	2				
10	JW1-F3400-00	STEERING ASSY	1				
11	JW1-F387A-00	.GEAR, PINION	1				
12	JW1-F3183-00	.CIRCLIP	1				
13	JW1-F3812-00	.BEARING, STEERING	1				
14	JW1-F387E-00	.GEAR, RACK	1				
15	5UG-F387G-00	.COVER, ADJUST	1				
16	5UG-F387K-00	.SPRING, PRESSURE	1				
17	5UG-F387F-00	.PAD, PRESSURE	1				
18	5UG-F387J-00	.RING, STOPPER	1				
19	5UG-F3844-00	.SEAL	1				
20	5UG-F3489-00	.BAND	2				
21	5UG-F3527-00	.SEAL, DUST 1	2				
22	JW1-F3837-00	.ROD, TIE 2	2				
23	JW1-F467K-00	.BUSH, CAP	1				
24	JW1-F3866-00	.CIRCLIP	1				
25	JW1-F3894-00	.WASHER, LOCK 1	2				
26	1P0-F3833-00	NUT 1	2				
27	5B4-23841-00	JOINT, UNIVERSAL 1	2				

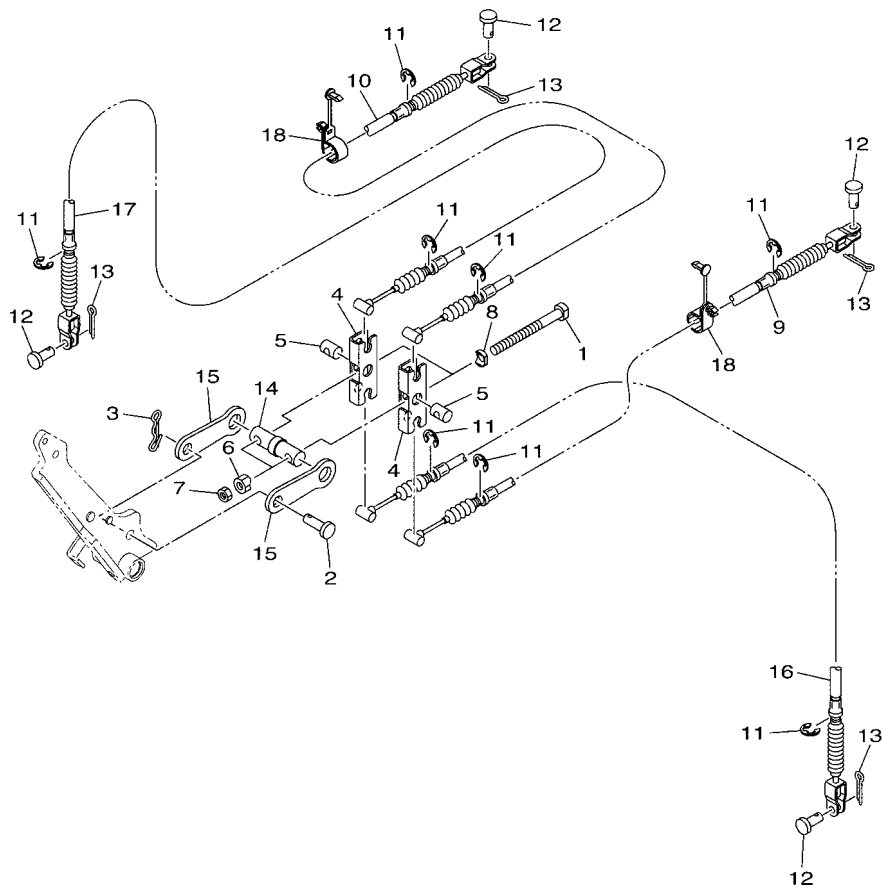


J0P2100-V130

FIG. 4 STEERING

REF. NO.	PART NO.	DESCRIPTION	J0M2				REMARKS
28	90105-10847	BOLT, FLANGE	4				
29	JW1-F3822-01	JOINT 1	1				
30	97012-08030	BOLT	2				
31	92902-08600	WASHER, PLATE	2				
32	J0G-K8357-00	HOLDER 1	1				
33	J0B-K8358-00	HOLDER 2	1				
34	J0B-K7387-00	SCREW	2				
35	90201-04810	WASHER, PLATE	2				
36	J0B-K7363-00	SPRING	2				
37	J0B-K7115-00	COLLAR	2				
38	J0G-K7762-10	LABEL, WARNING 2	1				UR ENGLISH/FRENCH
	J0G-K7762-20	LABEL, WARNING 2	1				UR GERMAN/SPANISH

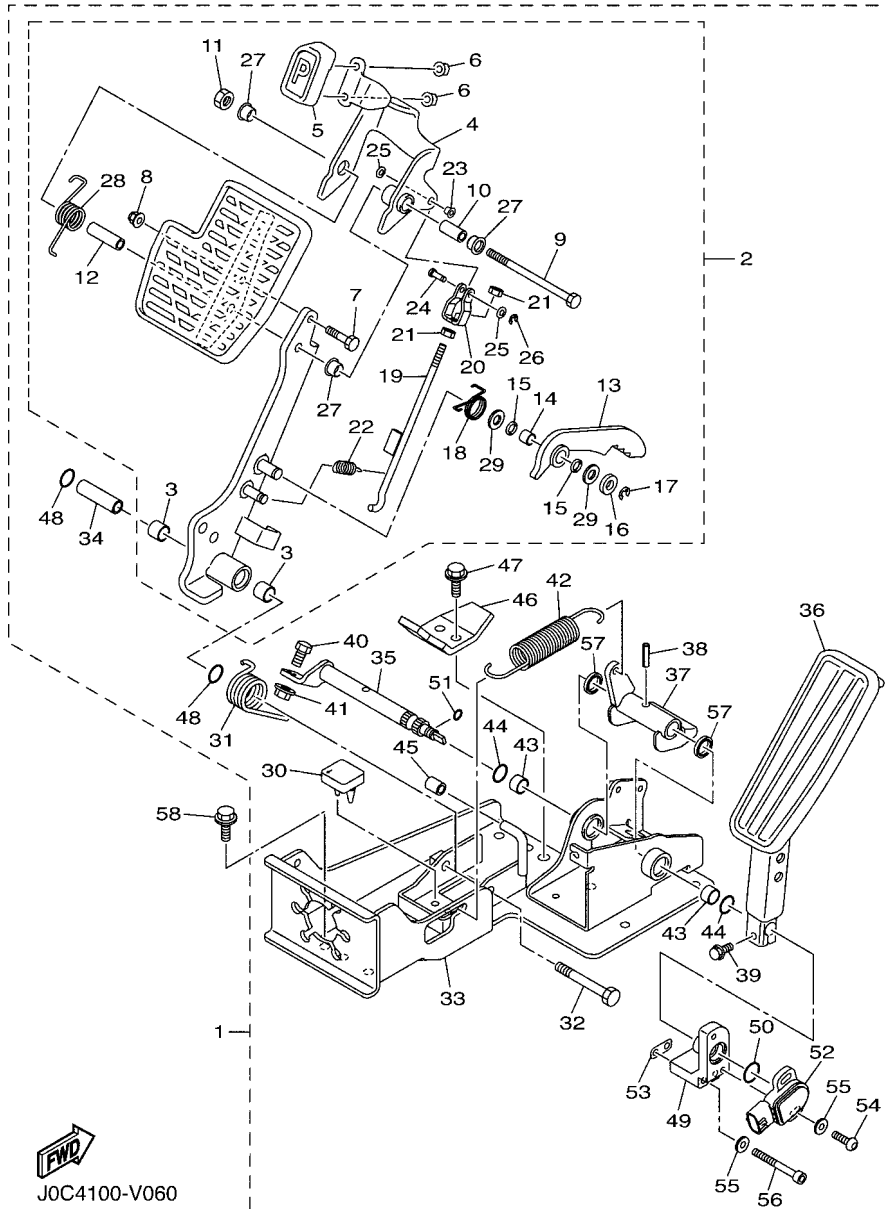
FIG. 5 PEDAL WIRE



REF. NO.	PART NO.	DESCRIPTION	JOH#2				REMARKS
1	JW7-27227-00	BOLT, AJUSTING	2				
2	91702-10022	PIN, CLEVIS	1				
3	90468-20196	CLIP	1				
4	JW7-F5681-00	EQUALIZER, BRAKE	2				
5	90249-14129	PIN	2				
6	JW7-27238-00	NUT, ADJUSTING	2				
7	95302-08700	NUT, HEXAGON	2				
8	JW7-27213-00	COLLAR	2				
9	JW3-26341-00	WIRE, BRAKE 1	1				
10	JW7-26351-10	CABLE, BRAKE	1				
11	99002-09600	CIRCLIP	8				
12	91702-08018	PIN, CLEVIS	4				
13	91490-25020	PIN, COTTER	4				
14	JW7-27229-00	PIN, JOINT	1				
15	JW7-27275-00	PLATE	2				
16	J0G-26361-00	CABLE, BRAKE	1				
17	J0G-26373-00	CABLE, BRAKE 4	1				
18	JW7-F312H-00	CLAMP	2				



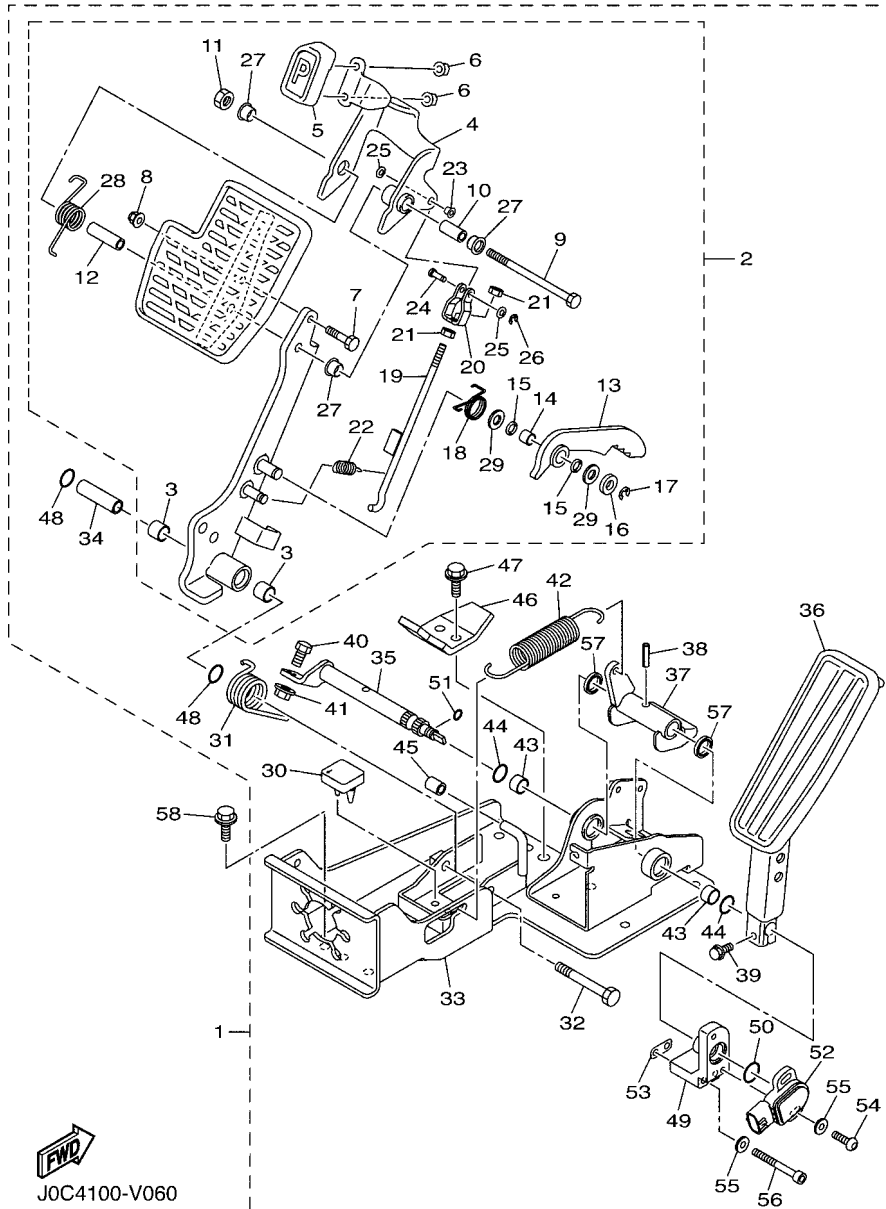
JW31110-P050



J0C4100-V060

FIG. 6 PEDAL ASSEMBLY

REF. NO.	PART NO.	DESCRIPTION	J0H2	REMARKS
1	J0H-F7850-20	PEDAL ASSY (L.H)	1	
2	J0G-F7200-02	.PEDAL, BRAKE	1	
3	JW8-F7814-21	.BUSH, PEDAL	2	
4	J0G-F5671-00	..PEDAL, PARKING BRAKE	1	
5	J0G-F7854-00	..COVER, PEDAL	1	
6	95607-06200	..NUT, SELF U-FLANGE	2	
7	97012-06020	..BOLT	1	
8	JW8-F8363-00	..NUT	1	
9	J0G-F7416-00	..BOLT, FOOTREST	1	
10	JW8-F639N-00	..COLLAR	1	
11	J0G-F7218-00	..NUT	1	
12	J0G-F7313-00	..COLLAR	1	
13	JW9-F5666-00	..SECTOR, PARKING BRAKE	1	
14	JW8-F7121-00	..BUSH	1	
15	JW9-F7221-00	..SEAL, SHAFT	2	
16	JW8-F7322-00	..WASHER	1	
17	JW8-F3183-00	..CIRCLIP	1	
18	JW8-F7426-01	..SPRING, RETURN	1	
19	JW9-F7231-10	..ROD, BRAKE	1	
20	JW9-F7232-00	..END, ROD 2	1	
21	JW8-F7318-00	..NUT	2	
22	JW8-F6314-00	..SPRING	1	
23	J0G-F7814-00	..BUSH, PEDAL	1	
24	JW9-F7228-00	..PIN, JOINT	1	
25	JW8-F8323-00	..WASHER, LEG SHIELD	2	
26	JW8-F5415-00	..CIRCLIP	1	
27	90386-12800	..BUSH	3	



J0C4100-V060

FIG. 6 PEDAL ASSEMBLY

REF. NO.	PART NO.	DESCRIPTION	J0H2				REMARKS
28	J0G-F7825-00	.SPRING, RETURN	1				
29	JW8-F7119-00	.WASHER	2				
30	JW9-F7245-10	.PAD, BRAKE PEDAL	1				
31	JW8-F7316-01	.SPRING, SIDE STAND	1				
32	JW8-F7217-00	.BOLT	1				
33	J0H-F7445-10	.PLATE 1	1				
34	JW8-F7213-20	.COLLAR	1				
35	J0H-F7853-10	.SHAFT, PEDAL 1	1				
36	J0G-F7871-01	.PEDAL, ACCELERATOR	1				
37	J0H-F7872-00	.ARM, ACCELERATOR PEDAL	1				
38	JW8-F7438-00	.PIN, CLEVIS	1				
39	JW8-F7434-00	.BOLT	1				
40	JW8-F7317-00	.BOLT	1				
41	JW8-F7118-00	.NUT	1				
42	J0G-F815H-10	.SPRING	1				
43	J0G-F5922-00	.WASHER	2				
44	JW8-F4486-00	.O-RING	2				
45	JW9-F5673-00	.DAMPER, BRAKE	1				
46	JW9-F7246-20	.NAIL, BRAKE	1				
47	JW8-F8331-00	.BOLT, LEG SHIELD	2				
48	JW8-F4486-00	.O-RING	2				
49	JW9-F7263-00	.BRACKET 1	1				
50	JW9-F4648-20	.O-RING	1				
51	JW8-F41B8-00	.O-RING	1				
52	JW9-H5885-00	.THROTTLE SENSOR ASSY	1				
53	JW9-F5827-00	.SHIM, CALIPER	1				T: 0.5 MM
	JW9-F5827-10	.SHIM, CALIPER	1				T: 0.9 MM

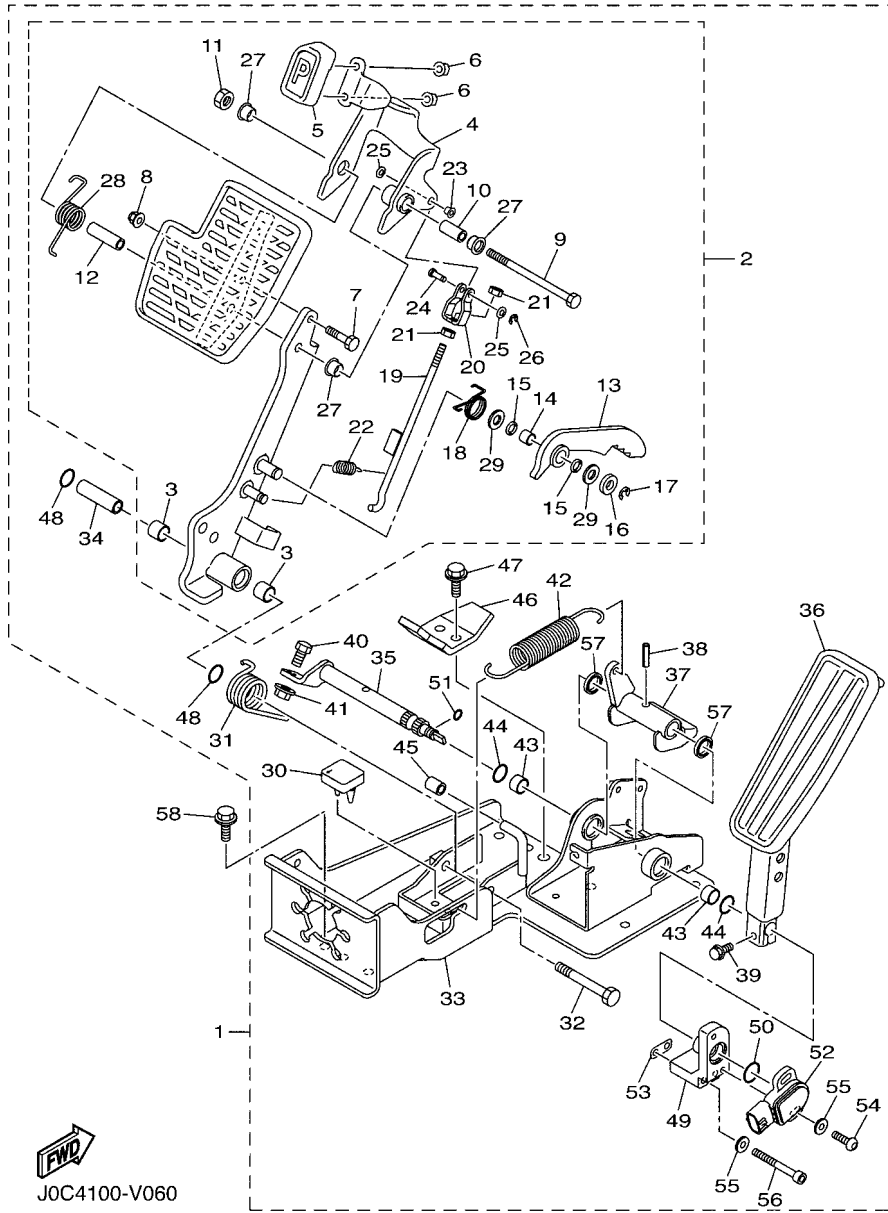
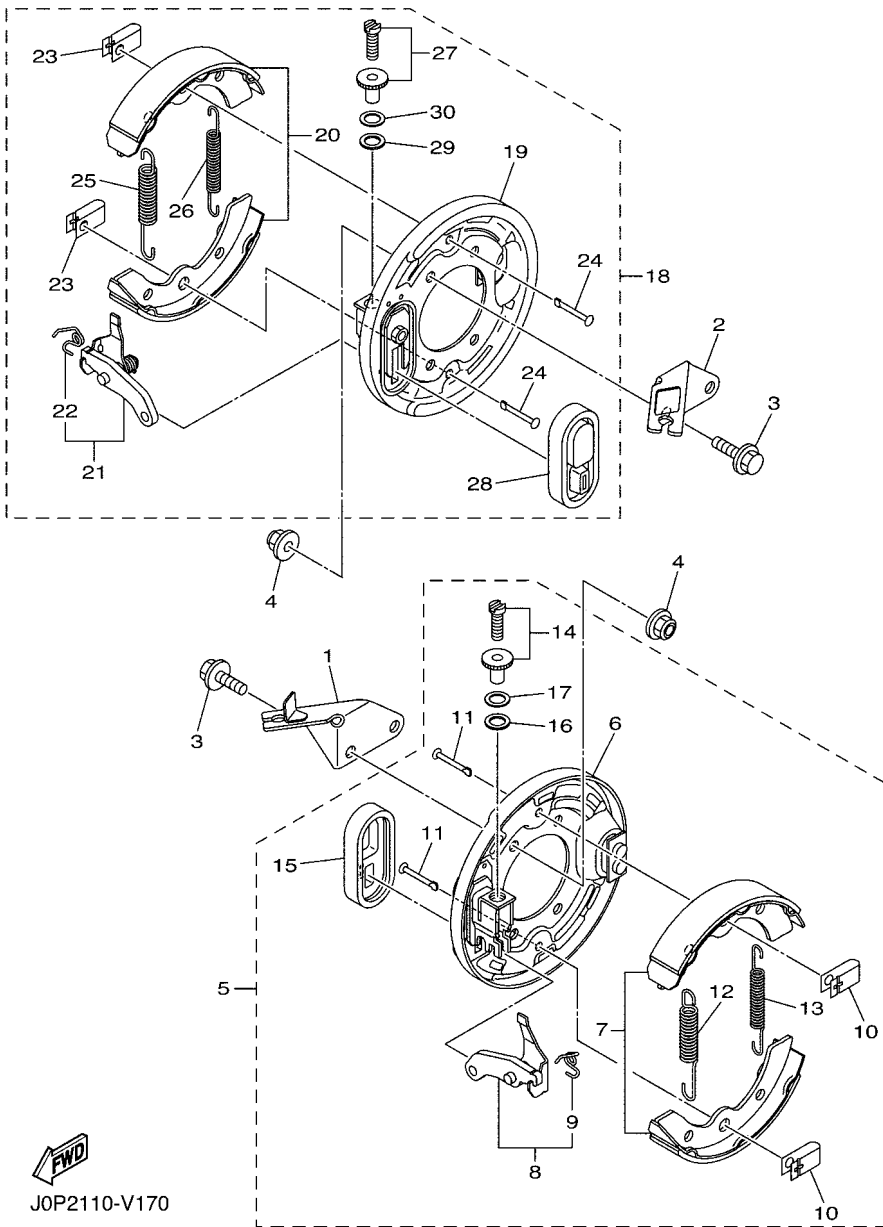


FIG. 6 PEDAL ASSEMBLY

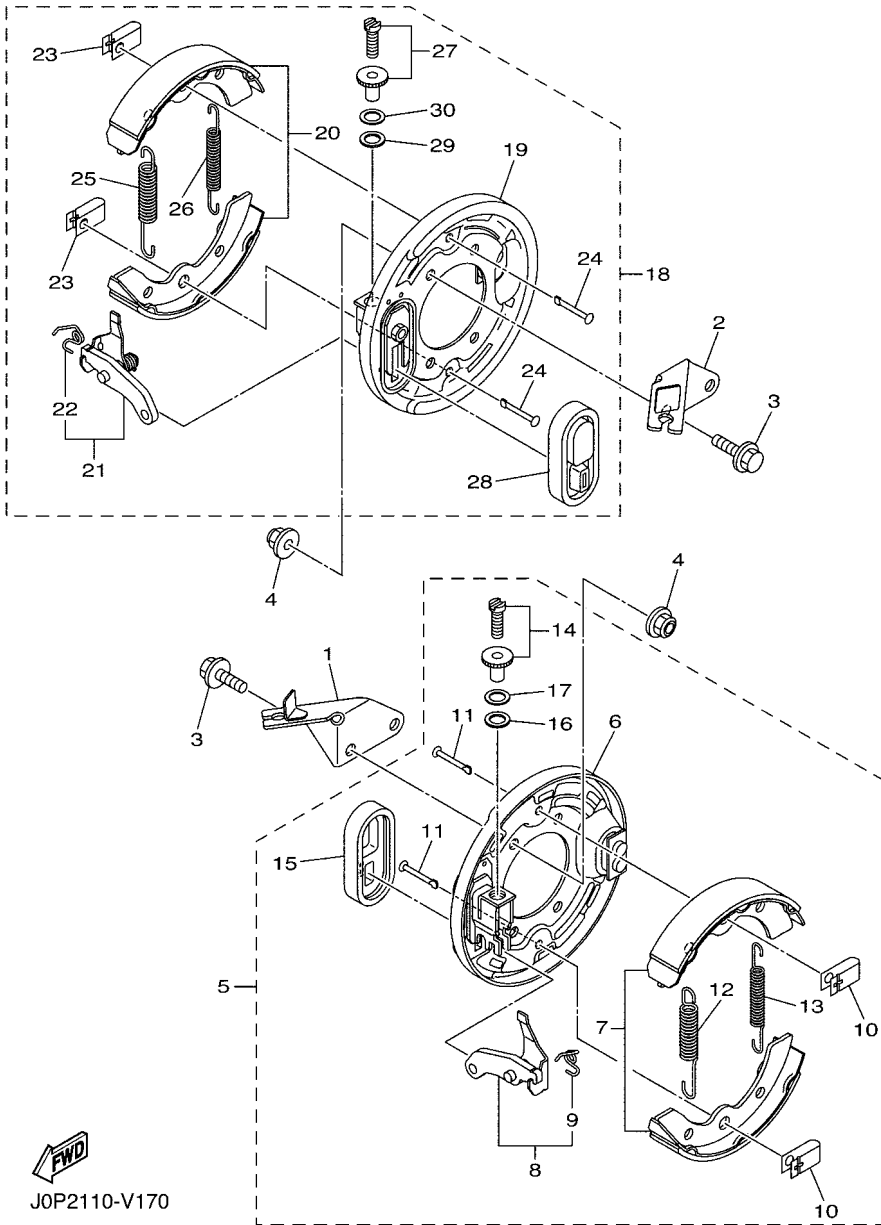
REF. NO.	PART NO.	DESCRIPTION	J0M2			REMARKS
54	JW9-F632G-00	.SCREW	2			
55	90201-05824	.WASHER, PLATE	4			
56	JW8-F7435-00	.BOLT	2			
57	J0G-F3145-00	.OIL SEAL	2			
58	95812-08020	BOLT, FLANGE	6			



J0P2110-V170

FIG. 7 BRAKE 1

REF. NO.	PART NO.	DESCRIPTION	JOH2				REMARKS
1	JW7-F7263-00	BRACKET 1	1				
2	JW7-F7264-00	BRACKET 2	1				
3	90105-081A7	BOLT, FLANGE	8				
4	95602-08200	NUT, U FLANGE	8				
5	JN9-27280-10	BACKING PLATE ASSY 1	1				
6	JH2-27208-01	.BACKING PLATE SUB ASSY 1	1				
7	JN9-W2536-11	.BRAKE SHOE SET	1				
8	J38-27204-00	.LEVER ASSY 1	1				
9	J55-25358-00	..SPRING, RETURN	1				
10	J10-27281-00	.SPRING, SHOE CLAMP	2				
11	J10-27282-00	.PIN, SHOE HOLD DOWN	2				
12	90506-20281	.SPRING, TENSION	1				
13	90506-14001	.SPRING, TENSION	1				
14	J55-27270-00	.ADJUSTER ASSY	1				
15	J10-27286-00	.COVER, DUST	1				
16	90201-121H8	.WASHER, PLATE	1				
17	90201-121H9	.WASHER, PLATE	1				
18	JN9-27290-10	BACKING PLATE ASSY 2	1				
19	JH2-27209-01	.BACKING PLATE SUB ASSY 2	1				
20	JN9-W2536-11	.BRAKE SHOE SET	1				
21	J38-27205-00	.LEVER ASSY 2	1				
22	J55-25357-00	..SPRING, LEVER RETURN	1				
23	J10-27281-00	.SPRING, SHOE CLAMP	2				
24	J10-27282-00	.PIN, SHOE HOLD DOWN	2				
25	90506-20281	.SPRING, TENSION	1				
26	90506-14001	.SPRING, TENSION	1				
27	J55-27260-00	.ADJUSTER ASSY	1				



J0P2110-V170

FIG. 7 BRAKE 1

REF. NO.	PART NO.	DESCRIPTION	J0M2					REMARKS
28	J10-27286-00	.COVER, DUST	1					
29	90201-121H8	.WASHER, PLATE	1					
30	90201-121H9	.WASHER, PLATE	1					

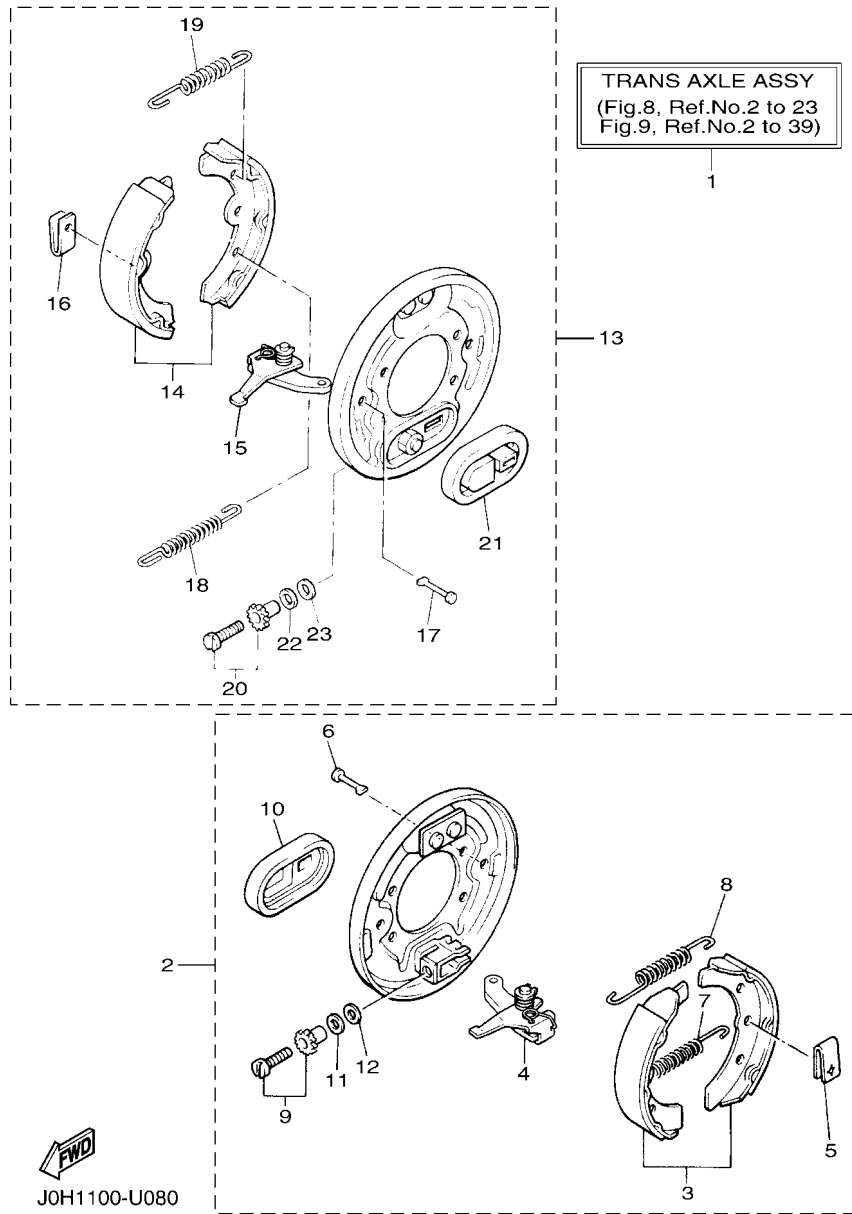
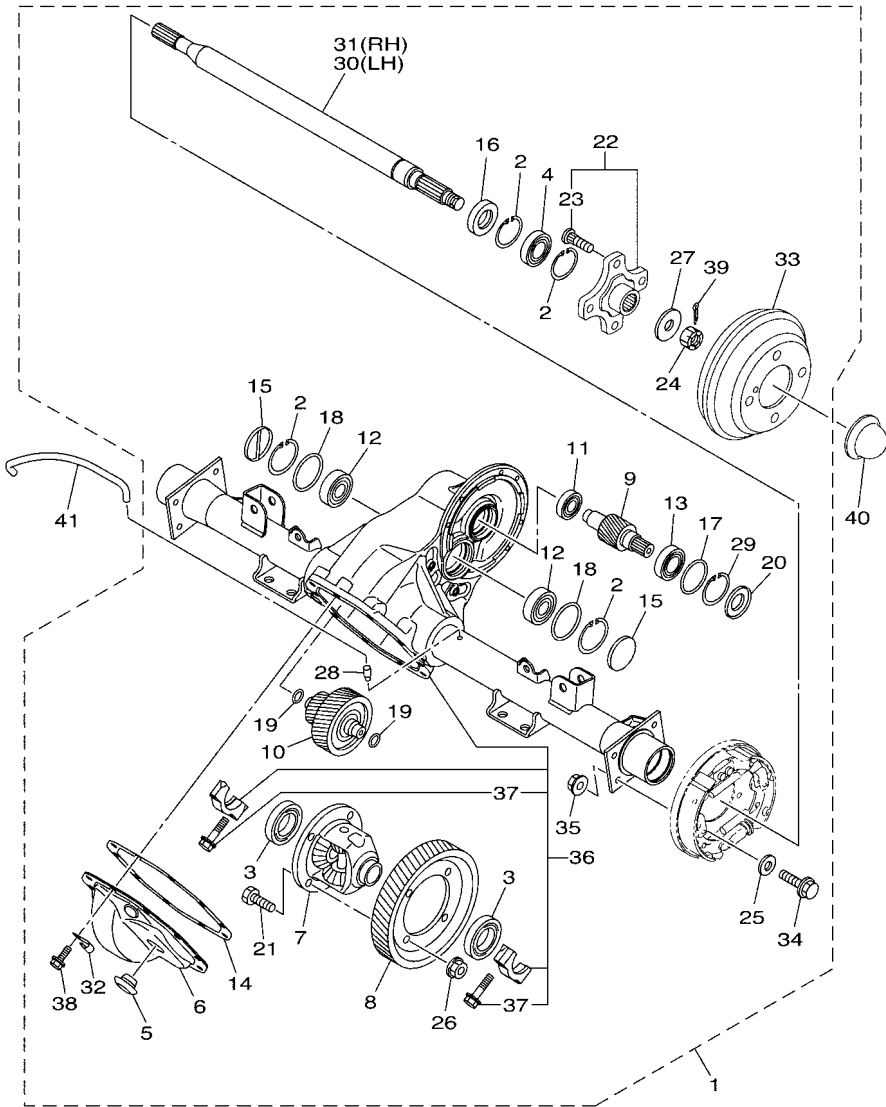


FIG. 8 BRAKE 2

REF. NO.	PART NO.	DESCRIPTION	J0H2				REMARKS
1	J0H-G6300-10	TRANS AXLE ASSY	1				
2	JW8-F7290-10	..BACKING PLATE ASSY 2	1				
3	JN9-W2536-11	..BRAKE SHOE SET	1				
4	J38-27205-00	..LEVER ASSY 2	1				
5	JW8-F7281-00	..SPRING, SHOE CLAMP	2				
6	J10-27282-00	..PIN, SHOE HOLD DOWN	2				
7	90506-20281	..SPRING, TENSION	1				
8	90506-14001	..SPRING, TENSION	1				
9	J55-27260-00	..ADJUSTER ASSY	1				
10	JW8-F7286-00	..COVER, DUST	1				
11	90201-121H9	..WASHER, PLATE	1				
12	90201-121H8	..WASHER, PLATE	1				
13	JW8-F7280-10	..BACKING PLATE ASSY 1	1				
14	JN9-W2536-11	..BRAKE SHOE SET	1				
15	J38-27204-00	..LEVER ASSY 1	1				
16	JW8-F7281-00	..SPRING, SHOE CLAMP	2				
17	J10-27282-00	..PIN, SHOE HOLD DOWN	2				
18	90506-20281	..SPRING, TENSION	1				
19	90506-14001	..SPRING, TENSION	1				
20	J55-27270-00	..ADJUSTER ASSY	1				
21	JW8-F7286-00	..COVER, DUST	1				
22	90201-121H9	..WASHER, PLATE	1				
23	90201-121H8	..WASHER, PLATE	1				

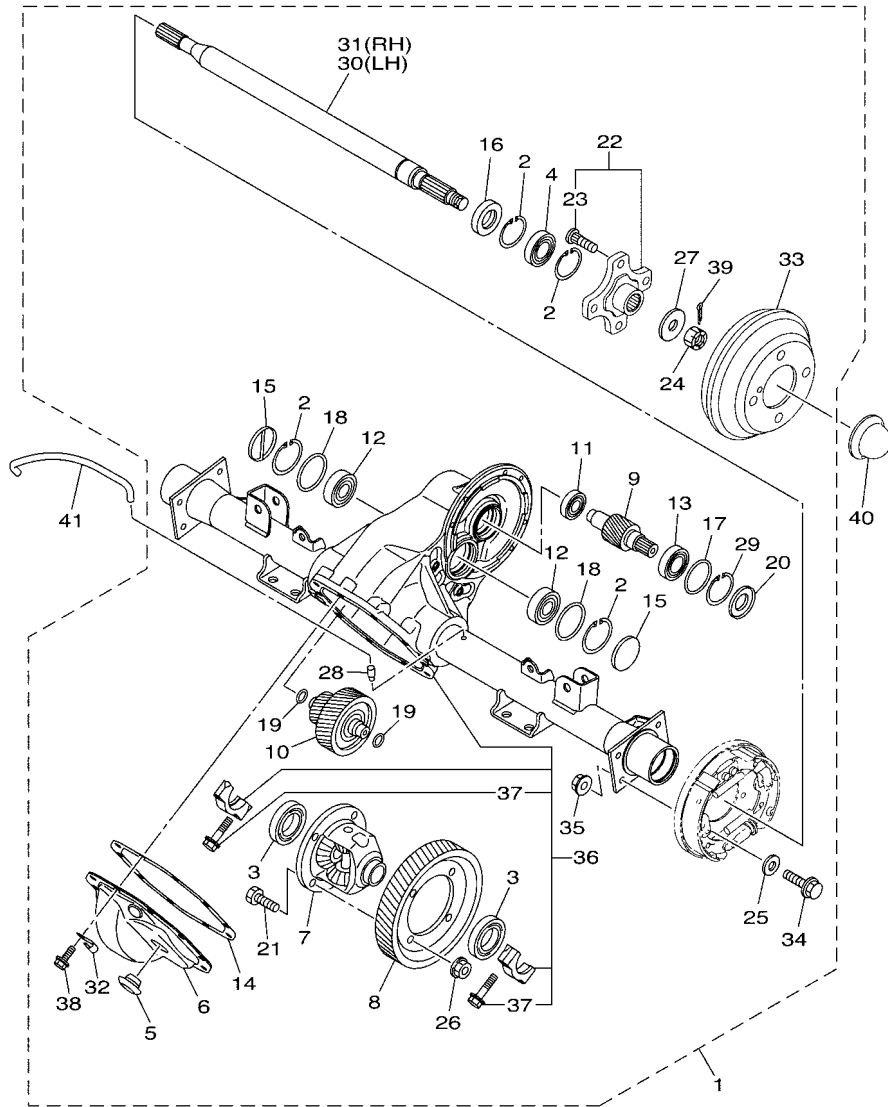


J0H1100-U090

FIG. 9 TRANSAXLE

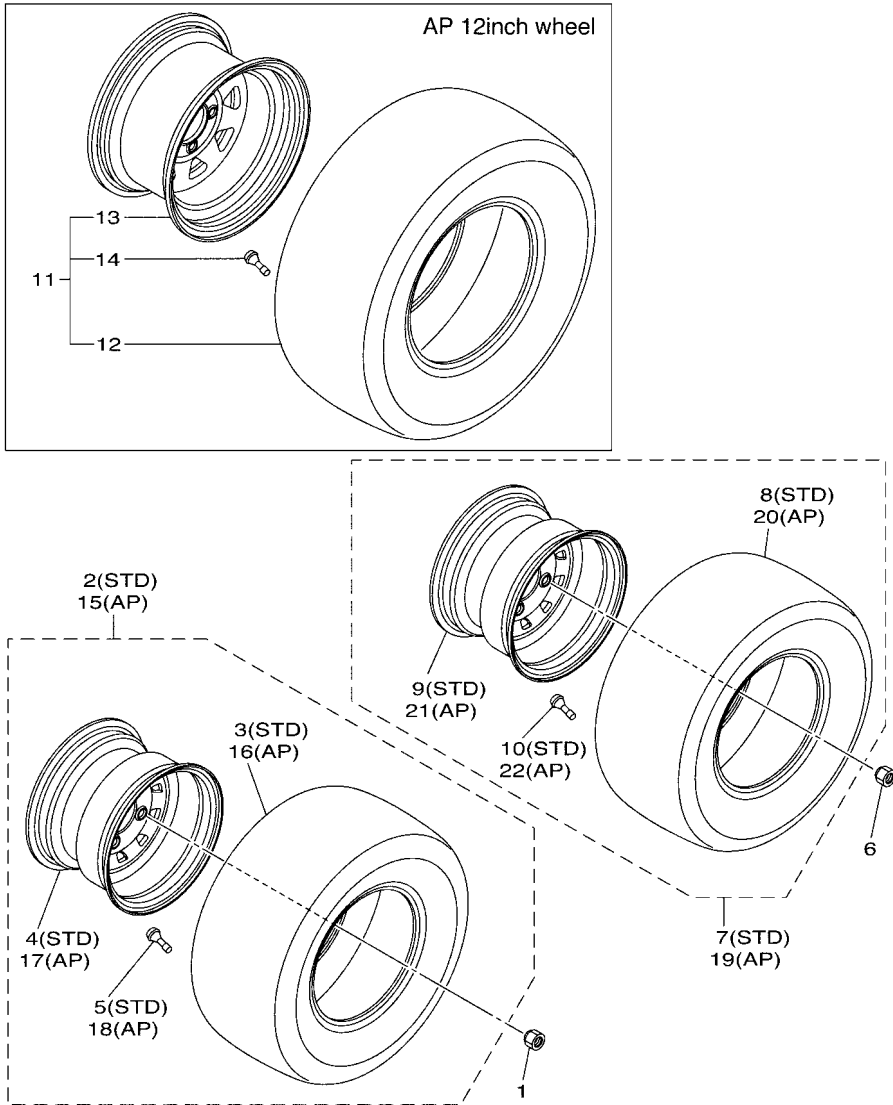
REF. NO.	PART NO.	DESCRIPTION	J0H2				REMARKS
1	J0H-G6300-10	TRANS AXLE ASSY	1				
2	93420-52806	.CIRCLIP	6				
3	93306-303Y6	.BEARING	2				
4	J0G-G6106-00	.BEARING ASSY	2				
5	JN3-G6432-00	.STOPPER	1				
6	JW9-G6312-00	.CASE, TRANSMISSION 2	1				
7	J0G-G6410-00	.DIFFERENTIAL ASSY.	1				
8	JW9-G6421-00	.GEAR, RING	1				
9	J0H-G6321-00	.SHAFT, INPUT	1				
10	J0H-G6350-00	.COUNTER GEAR ASSY	1				
11	93306-203X1	.BEARING	1				
12	J0H-G5233-00	.HSG. ,BRG.	2				
13	93306-005Y1	.BEARING	1				
14	JU0-G631A-00	.GSKT., CASE	1				
15	J0H-G3396-00	.PLUG, BLIND	2				
16	93101-31836	.OIL SEAL	2				
17	93210-478B8	.O-RING	1				
18	J0H-G2416-00	.O-RING	2				
19	J0H-G2414-00	.O-RING	2				
20	J0H-G6136-00	.SEAL 1	1				
21	JC1-G2544-00	.BOLT	4				
22	J0G-G6514-00	.HUB, REAR AXLE	2				
23	JW8-G4178-00	.BOLT, STUD	8				
24	J0G-G5244-00	.NUT	2				
25	J0G-G2535-00	.WASHER, THRUST	8				
26	90170-10840	.NUT	4				
27	J0G-G2536-00	.WASHER, THRUST 2	2				

FIG. 9 TRANSAXLE



J0H1100-U090

REF. NO.	PART NO.	DESCRIPTION	J0H2				REMARKS
28	J0G-G5378-00	.NIPPLE, HOSE	1				
29	93420-50804	.CIRCLIP	1				
30	J0H-G6511-00	.SHAFT, REAR AXLE 1 (L.H)	1				
31	J0H-G6512-00	.SHAFT, REAR AXLE 2 (R.H)	1				
32	JW8-G2756-00	.STAY, CLAMP	1				
33	JW3-G6521-00	.DRUM	2				
34	J0G-G3886-00	.BOLT	8				
35	J0G-G5721-00	.NUT, LOCK	8				
36	J0H-G6290-00	.CASE ASSY	1				
37	90105-10840	..BOLT, FLANGE	4				
38	90101-08856	.BOLT	10				
39	91490-30030	.PIN. COTTER	2				
40	JW8-F5118-00	COVER, HUB DUST	2				
41	JW8-G2541-00	PIPE 1	1				



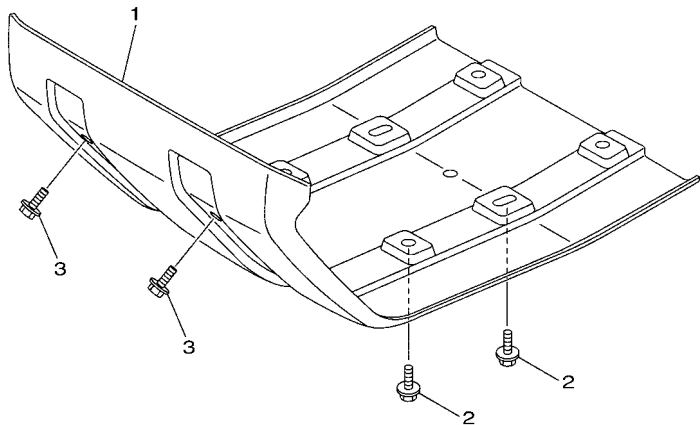
J0F1110-U230

FIG. 10 WHEEL

REF. NO.	PART NO.	DESCRIPTION	J0M2	REMARKS
1	90179-12262	NUT	8	
2	J0G-F5100-00	WHEEL ASSY	2	STD
3	J0G-F510S-00	.TIRE	1	
4	J0G-F5180-00	.WHEEL COMP.	1	
5	93900-00801	.VALVE, RIM	1	
6	90179-12262	NUT	8	
7	J0G-F5300-00	REAR WHEEL ASSY	2	STD
8	J0G-F510S-10	.TIRE	1	
9	J0G-F5180-00	.WHEEL COMP.	1	
10	93900-00801	.VALVE, RIM	1	
11	J0M-F5100-00	WHEEL ASSY	4	AP
12	J0M-F510S-00	.TIRE	1	
13	J0M-F5180-00	.WHEEL COMP.	1	
14	93900-00801	.VALVE, RIM	1	
15	J0G-F5100-B0	WHEEL ASSY	2	AP
16	J0G-F510S-B0	.TIRE (20X10-10 6PR TL, K389)	1	
17	J0G-F5180-00	.WHEEL COMP.	1	
18	93900-00801	.VALVE, RIM	1	
19	J0G-F5300-A0	REAR WHEEL ASSY	2	AP
20	J0G-F510S-C0	.TIRE	1	
21	J0G-F5180-00	.WHEEL COMP.	1	
22	93900-00801	.VALVE, RIM	1	

FIG. 11 BUMPER

REF. NO.	PART NO.	DESCRIPTION	JOM#2					REMARKS
1	J0G-K8216-00	COVER, BUMPER GAP	1					
2	95822-06012	BOLT, FLANGE	4					
3	95822-06012	BOLT, FLANGE	2					



J0F1110-U240

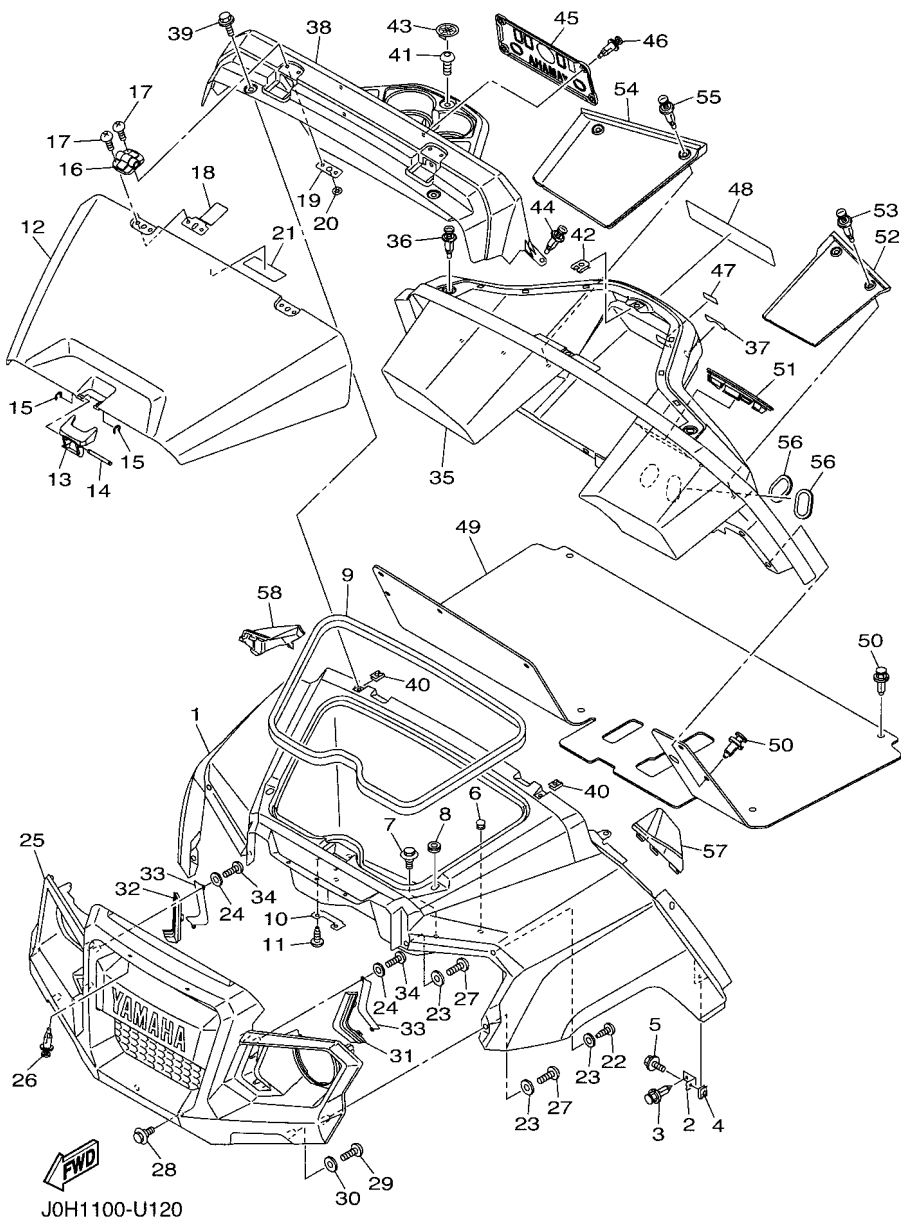


FIG. 12 BODY

REF. NO.	PART NO.	DESCRIPTION	J0H2	REMARKS
1	J0G-K8115-00	COWL, FRONT	1	UR FOR WS7
	J0G-K8115-10	COWL, FRONT	1	UR FOR VPBM6
	J0G-K8115-20	COWL, FRONT	1	UR FOR DNMC
	J0G-K8115-30	COWL, FRONT	1	UR FOR DRMV
	J0G-K8115-40	COWL, FRONT	1	UR FOR DNLGM3
	J0G-K8115-50	COWL, FRONT	1	UR FOR DOMD
2	J0G-F464R-00	PLATE, HOLDER	2	
3	90269-06804	RIVET	2	
4	90183-060A6	NUT, SPRING	2	
5	90119-06147	BOLT, WITH WASHER	2	
6	90338-12800	PLUG	2	
7	90109-06330	BOLT	2	
8	90480-01558	GROMMET	2	
9	J0G-K815G-00	SEAL, FRONT STORAGE	1	
10	J0G-K7175-01	HOLDER, LATCH	1	
11	97702-50014	SCREW, TAPPING	2	
12	J0G-K819E-00	SHELL,FR. STORAGE LID	1	UR FOR WS7
	J0G-K819E-10	SHELL,FR. STORAGE LID	1	UR FOR VPBM6
	J0G-K819E-20	SHELL,FR. STORAGE LID	1	UR FOR DNMC
	J0G-K819E-30	SHELL,FR. STORAGE LID	1	UR FOR DRMV
	J0G-K819E-40	SHELL,FR. STORAGE LID	1	UR FOR DNLGM3
	J0G-K819E-50	SHELL,FR. STORAGE LID	1	UR FOR DOMD
13	F3Y-U2875-00	LOCK	1	
14	90249-05802	PIN	1	
15	99002-03600	CIRCLIP	2	
16	J0G-K8153-00	HINGE, FRONT LID	2	
17	98902-05014	SCREW, BIND	8	

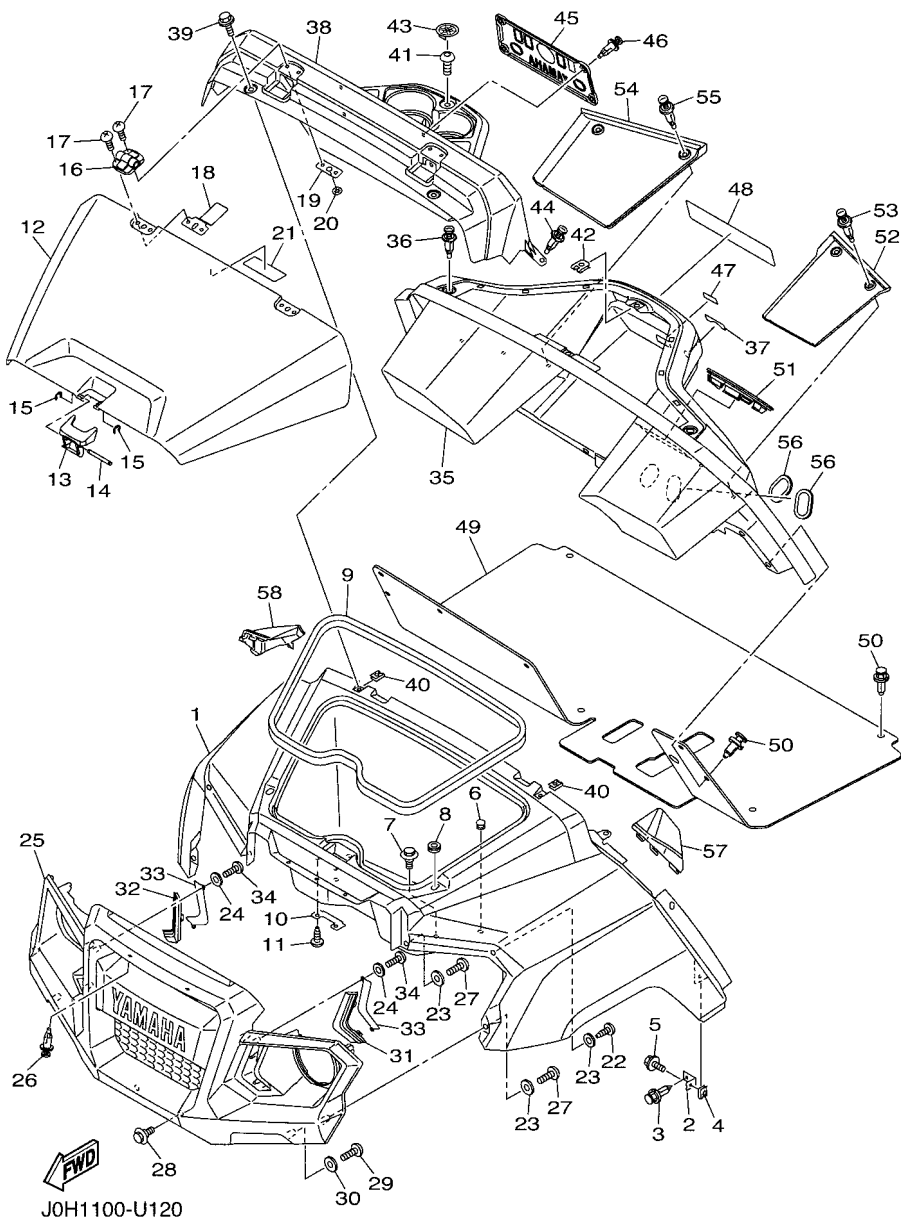


FIG. 12 BODY

REF. NO.	PART NO.	DESCRIPTION	J0H2				REMARKS
18	J0G-K8562-00	PLATE, HINGE 1	2				
19	J0G-K8563-00	PLATE, HINGE 2	2				
20	JU0-K7573-00	NUT, SPECIAL	2				
21	J0G-F151F-00	LABEL 3	1				UR ENGLISH
	J0G-F151F-10	LABEL 3	1				UR ENGLISH/FRENCH
	J0G-F151F-20	LABEL 3	1				UR GERMAN/SPANISH
22	90164-05800	SCREW, TAPPING	2				
23	90201-05800	WASHER, PLATE	6				
24	92907-05200	WASHER	4				
25	J0G-K8217-00	GRILLE, FRONT	1				
26	90269-07805	RIVET	2				
27	J0G-K7387-00	SCREW	4				
28	90109-06330	BOLT	2				
29	J0G-K7387-00	SCREW	2				
30	92907-05200	WASHER	2				
31	J0G-H4385-01	CAP,1	1				
32	J0G-H4386-01	CAP,2	1				
33	J0G-H1362-00	COVER, HOLE	2				
34	J0G-K7387-00	SCREW	4				
35	J0G-K8114-00	PANEL, FRONT	1				
36	90269-08001	RIVET	3				
37	J0B-K8282-00	PLATE, SWITCH PANEL	1				
38	J0G-K835E-00	HOLDER, BEVERAGE	1				
39	90119-06147	BOLT, WITH WASHER	2				
40	90183-060A6	NUT, SPRING	2				
41	90111-05805	BOLT,HEX. SOCKET BUTTON	1				
42	90183-05008	NUT, SPRING	1				

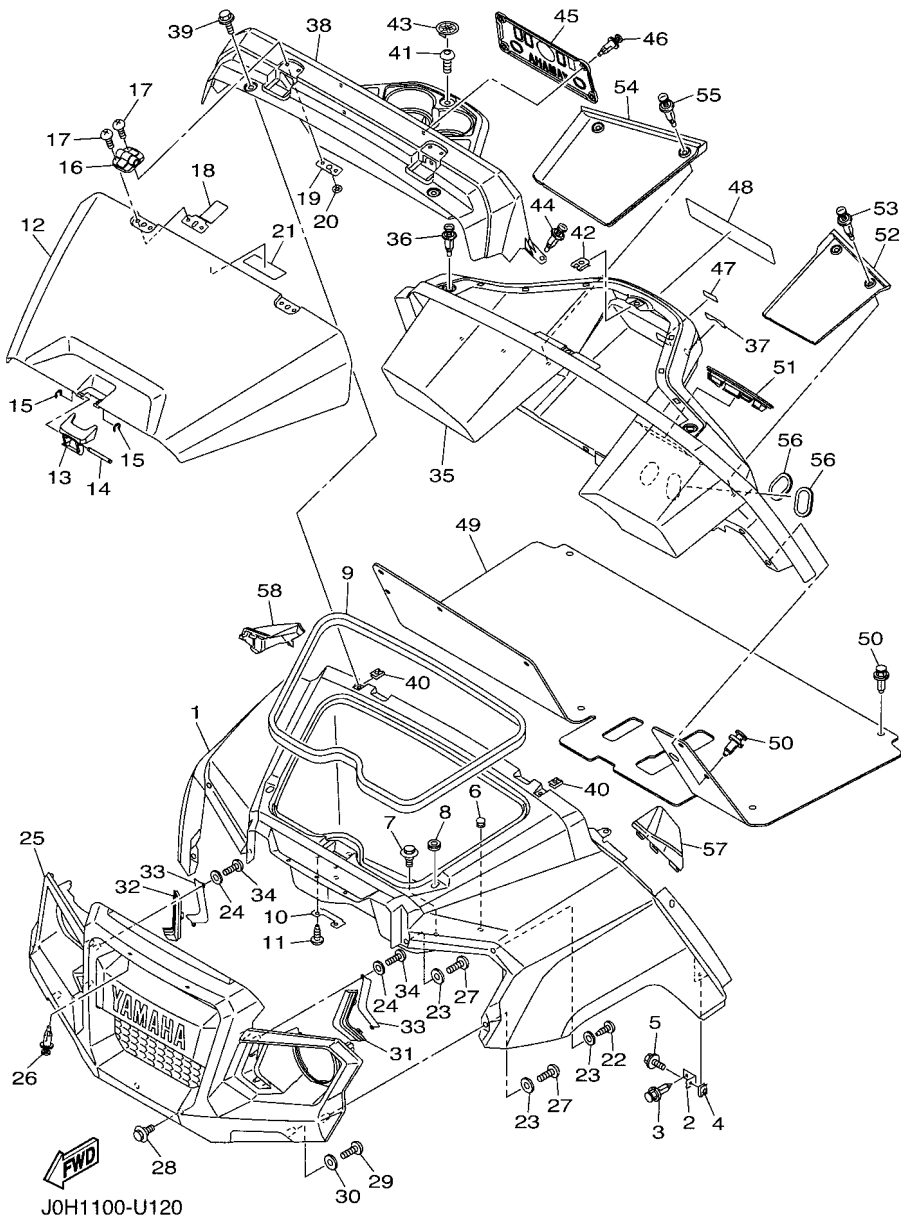


FIG. 12 BODY

REF. NO.	PART NO.	DESCRIPTION	J0H2			REMARKS
43	J0B-H2370-00	PLUG CAP ASSY	1			
44	90269-07805	RIVET	2			
45	J0G-K7736-10	LID, GLOVE BOX	1			
46	90269-07805	RIVET	4			
47	J0C-K7741-00	INDICATOR 1	1			
48	J0G-K7768-30	LABEL, WARNING 8	1			UR ENGLISH
	J0G-K7768-40	LABEL, WARNING 8	1			UR ENGLISH/FRENCH
	J0G-K7768-50	LABEL, WARNING 8	1			UR GERMAN
	J0G-K7768-60	LABEL, WARNING 8	1			UR SPANISH
49	J0D-K8233-00	MAT, MAIN FLOOR 3	1			
50	90269-09003	RIVET	12			
51	J0B-K8273-10	COVER, HOLE	1			
52	J0B-K8243-00	MAT, REAR BODY SIDE (LH)	1			
53	90269-07805	RIVET	2			
54	J0B-K8244-00	MAT, REAR BODY SIDE (RH)	1			
55	90269-07805	RIVET	2			
56	J0G-K814A-00	SEAL, BODY UPPER	2			
57	J0G-K832H-01	GROMMET, ROOF SUPPORT 3	1			
58	J0G-K833H-01	GROMMET, ROOF SUPPORT 4	1			

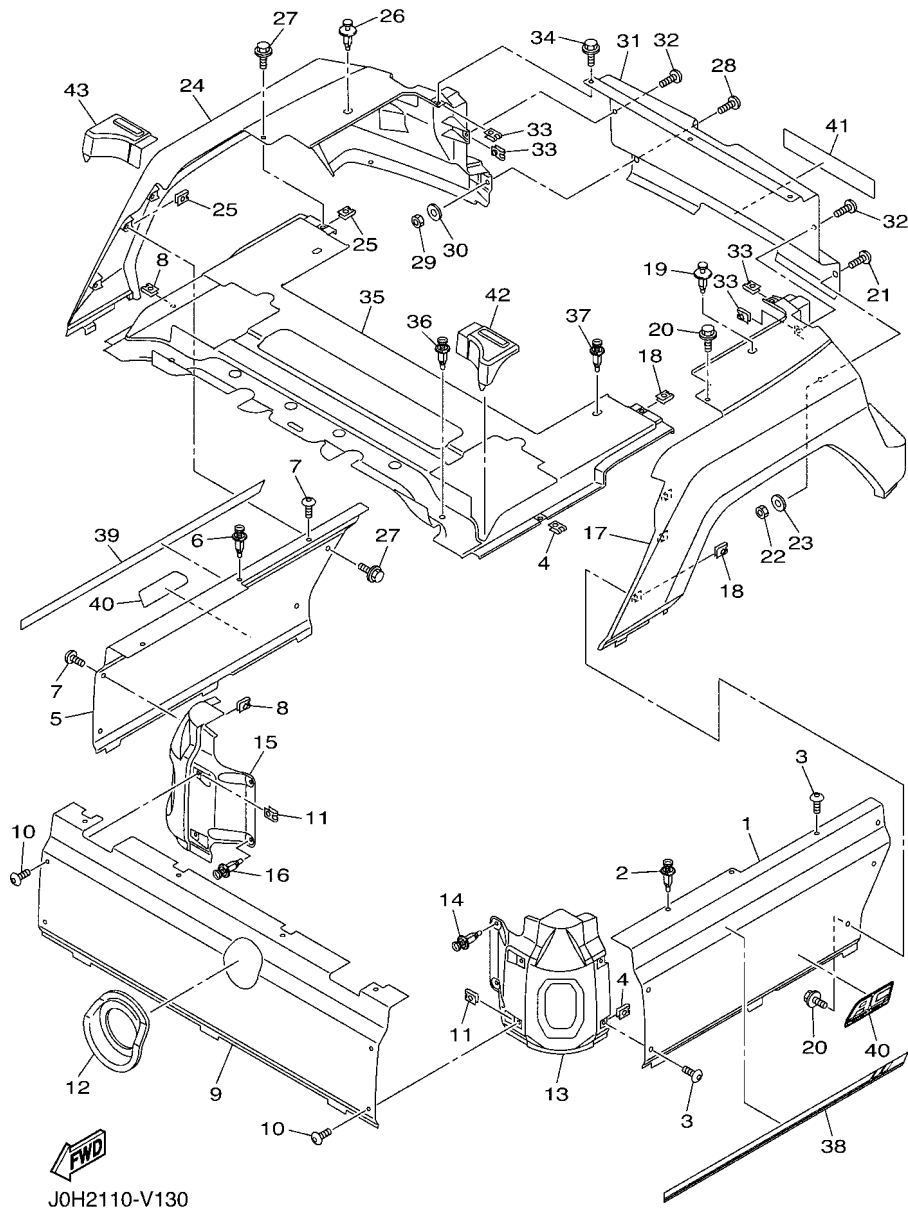


FIG. 13 BODY 2

REF. NO.	PART NO.	DESCRIPTION	J0H2	REMARKS
1	J0G-K8111-00	PANEL, BODY SHELL	1	
2	90269-07805	RIVET	2	
3	90111-06116	BOLT,HEX. SOCKET BUTTON	3	
4	90183-060A6	NUT, SPRING	3	
5	J0H-K8112-00	PANEL, BODY SHELL	1	
6	90269-07805	RIVET	2	
7	90111-06116	BOLT,HEX. SOCKET BUTTON	3	
8	90183-060A6	NUT, SPRING	3	
9	J0H-K8141-00	PANEL, INTERMEDIATE BODY	1	
10	90111-06116	BOLT,HEX. SOCKET BUTTON	4	
11	90183-060A6	NUT, SPRING	4	
12	J0H-K827A-00	GUIDE 1	1	
13	J0G-K811V-00	PROTECTOR 1	1	
14	90269-07805	RIVET	2	
15	J0G-K811W-00	PROTECTOR 2	1	
16	90269-07805	RIVET	2	
17	J0G-K819F-00	SHELL, SIDE PANEL 1	1	
18	90183-060A6	NUT, SPRING	4	
19	JW6-K7449-00	RIVET 1	1	
20	90119-06147	BOLT, WITH WASHER	4	
21	90111-06116	BOLT,HEX. SOCKET BUTTON	1	
22	95612-06100	NUT, U	1	
23	90201-06078	WASHER, PLATE	1	
24	J0G-K819G-00	SHELL, SIDE PANEL 2	1	
25	90183-060A6	NUT, SPRING	4	
26	JW6-K7449-00	RIVET 1	1	
27	90119-06147	BOLT, WITH WASHER	4	

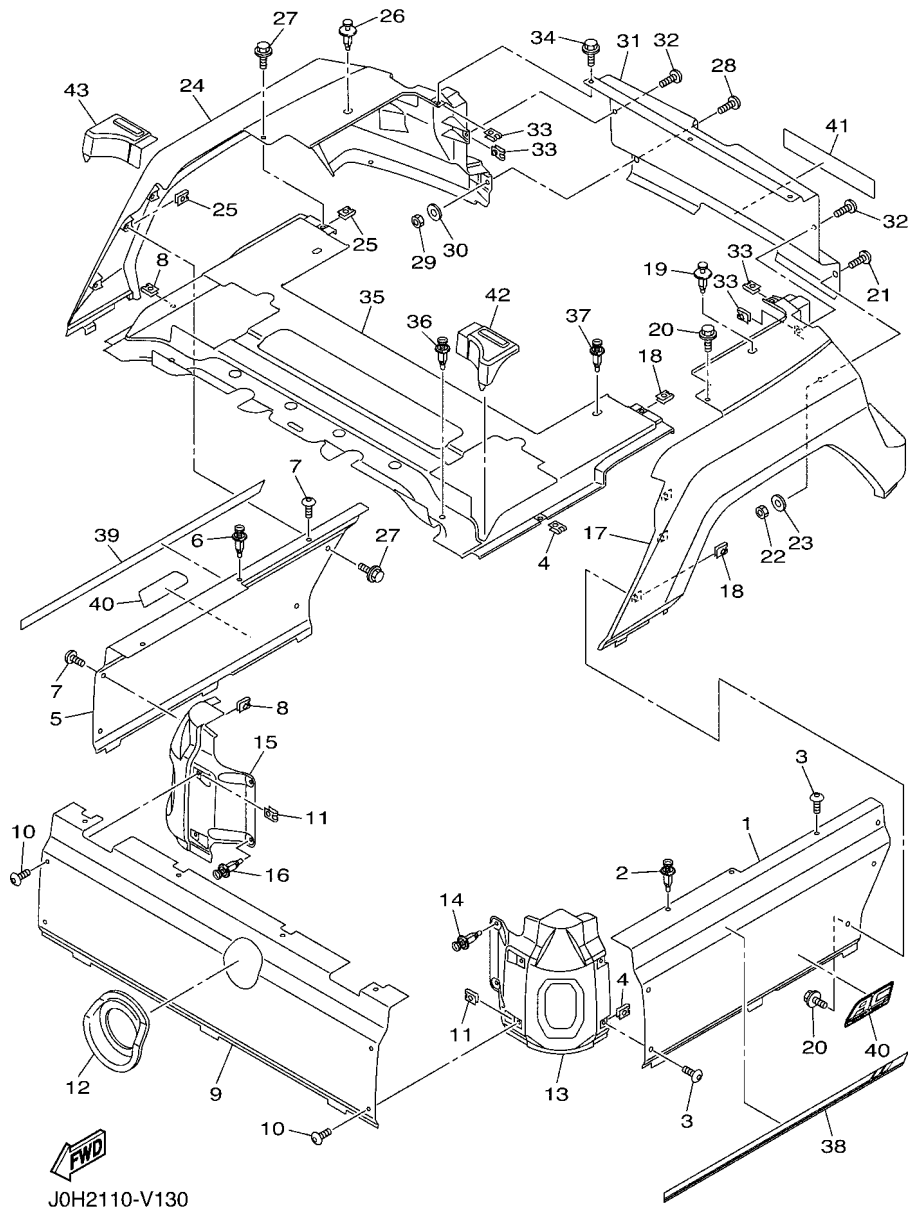
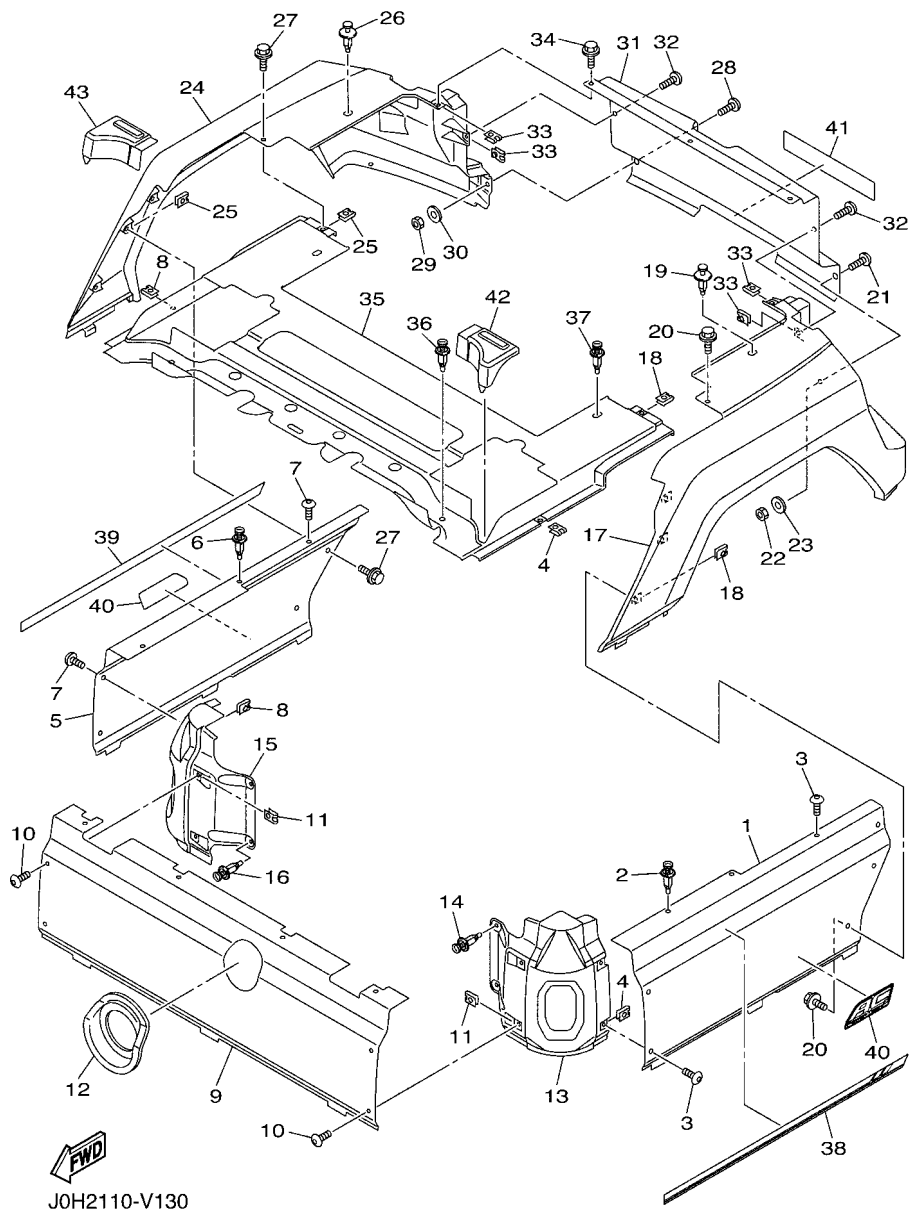


FIG. 13 BODY 2

REF. NO.	PART NO.	DESCRIPTION	J0H2			REMARKS
28	90111-06116	BOLT,HEX. SOCKET BUTTON	1			
29	95612-06100	NUT, U	1			
30	90201-06078	WASHER, PLATE	1			
31	J0G-K8237-00	COVER, REAR FLOOR	1			
32	90111-06116	BOLT,HEX. SOCKET BUTTON	2			
33	90183-060A6	NUT, SPRING	4			
34	90119-06147	BOLT, WITH WASHER	3			
35	J0G-K819H-00	SHELL, REAR BODY	1			
36	90269-07805	RIVET	2			
37	JW6-K7449-00	RIVET 1	2			
38	J0G-K711C-00	GRAPHIC 3	1			UR FOR WS7
	J0G-K711C-10	GRAPHIC 3	1			UR FOR VPBM6
	J0G-K711C-20	GRAPHIC 3	1			UR FOR DNMC
	J0G-K711C-30	GRAPHIC 3	1			UR FOR DRMV
	J0G-K711C-40	GRAPHIC 3	1			UR FOR DNLGM3
	J0G-K711C-50	GRAPHIC 3	1			UR FOR DOMD
39	J0H-K711D-00	GRAPHIC 4	1			UR FOR WS7
	J0H-K711D-10	GRAPHIC 4	1			UR FOR VPBM6
	J0H-K711D-20	GRAPHIC 4	1			UR FOR DNMC
	J0H-K711D-30	GRAPHIC 4	1			UR FOR DRMV
	J0H-K711D-40	GRAPHIC 4	1			UR FOR DNLGM3
	J0H-K711D-50	GRAPHIC 4	1			UR FOR DOMD
40	J0J-F1781-00	EMBLEM 1	2			
41	J0G-F1696-00	LABEL, CAUTION	1			UR ENGLISH
	J0G-F1696-10	LABEL, CAUTION	1			UR ENGLISH/FRENCH
	J0G-F1696-20	LABEL, CAUTION	1			UR GERMAN/SPANISH
42	J0G-K817K-00	TRIM, SIDE PANEL 3	1			



J0H2110-V130

FIG. 13 BODY 2

REF. NO.	PART NO.	DESCRIPTION	J0H2				REMARKS
43	J0G-K817L-00	TRIM, SIDE PANEL 4	1				

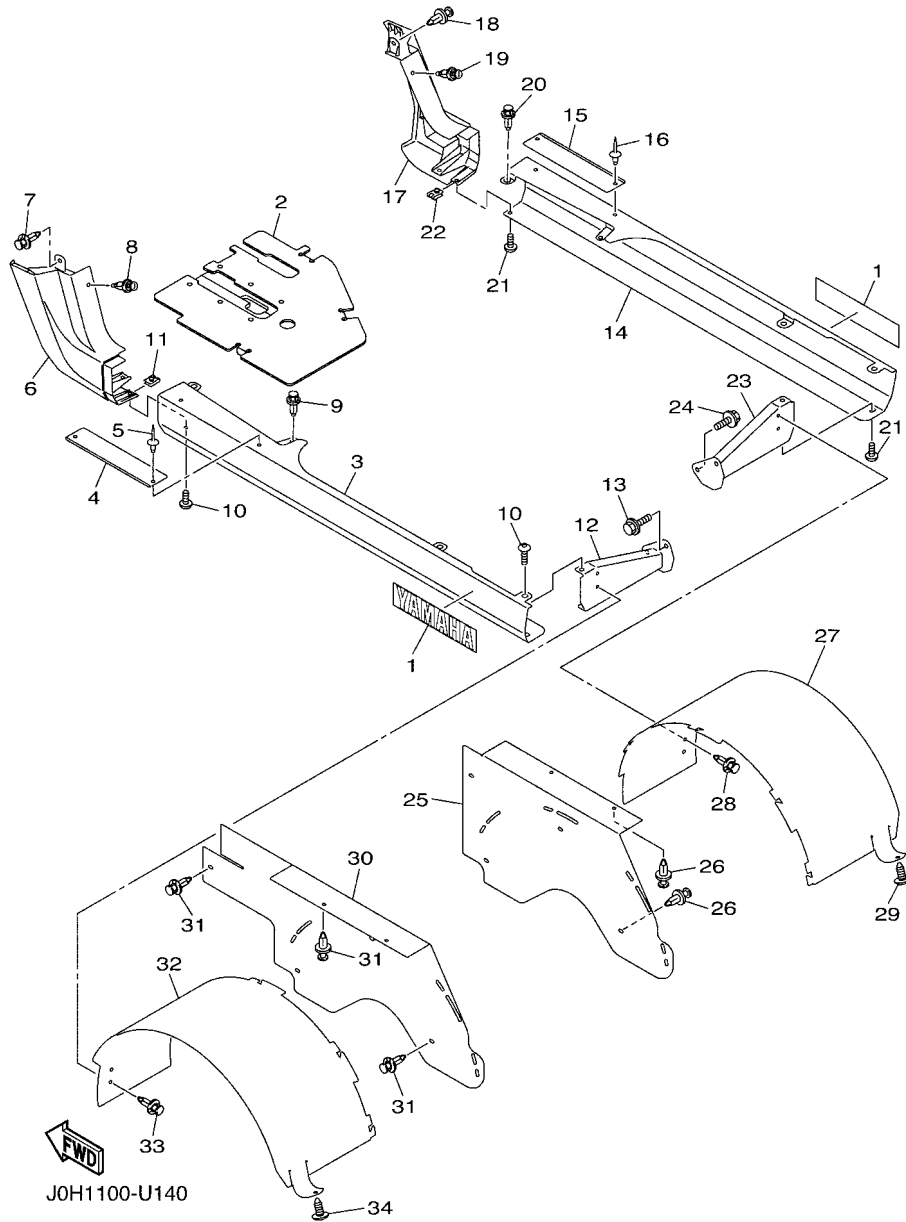


FIG. 14 BODY FITTING

REF. NO.	PART NO.	DESCRIPTION	J0H2				REMARKS
1	J0G-U411C-00	EMBLEM, YAMAHA	2				
2	J0G-K8270-00	LID ASSY	1				
3	J0G-K818A-01	PROTECTOR, SIDE PLATE	1				
4	J0G-K8215-00	PLATE, SIDE TRIM	1				
5	90267-489U9	RIVET, BLIND	2				
6	J0G-K819L-00	PANEL, FRONT FENDER 1	1				
7	90269-06804	RIVET	1				
8	90269-07805	RIVET	1				
9	90269-09003	RIVET	3				
10	90111-06116	BOLT,HEX. SOCKET BUTTON	3				
11	90183-060A6	NUT, SPRING	1				
12	J0G-K818E-00	CAP, PROTECTOR END 1	1				
13	90105-08867	BOLT, FLANGE	2				
14	J0G-K818B-01	PROTECTOR, SIDE PLATE 2	1				
15	J0G-K8215-00	PLATE, SIDE TRIM	1				
16	90267-489U9	RIVET, BLIND	2				
17	J0G-K819M-00	PANEL, FRONT FENDER 2	1				
18	90269-06804	RIVET	1				
19	90269-07805	RIVET	1				
20	90269-09003	RIVET	3				
21	90111-06116	BOLT,HEX. SOCKET BUTTON	3				
22	90183-060A6	NUT, SPRING	1				
23	J0G-K818F-00	CAP, PROTECTOR END 2	1				
24	90105-08867	BOLT, FLANGE	2				
25	J0H-K817R-10	PANEL, RR. BODY 2	1				
26	90269-06804	RIVET	6				
27	J0G-K8193-10	PANEL, REAR FENDER 3	1				

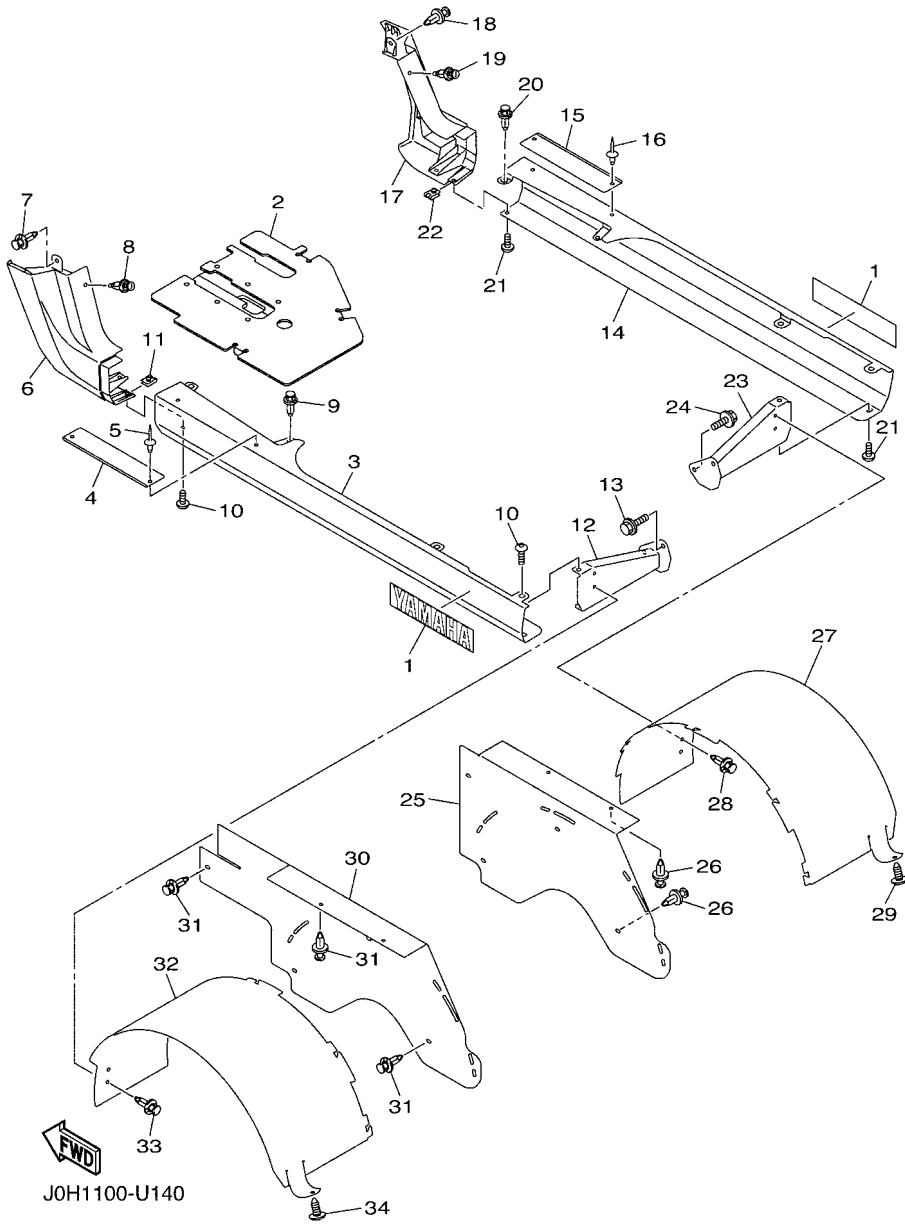


FIG. 14 BODY FITTING

REF. NO.	PART NO.	DESCRIPTION	J0H2	REMARKS
28	90269-06804	RIVET	2	
29	90269-07809	RIVET	1	
30	J0G-K817P-10	PANEL, RR. BODY 1	1	
31	90269-06804	RIVET	7	
32	J0G-K8193-10	PANEL, REAR FENDER 3	1	
33	90269-06804	RIVET	2	
34	90269-07809	RIVET	1	

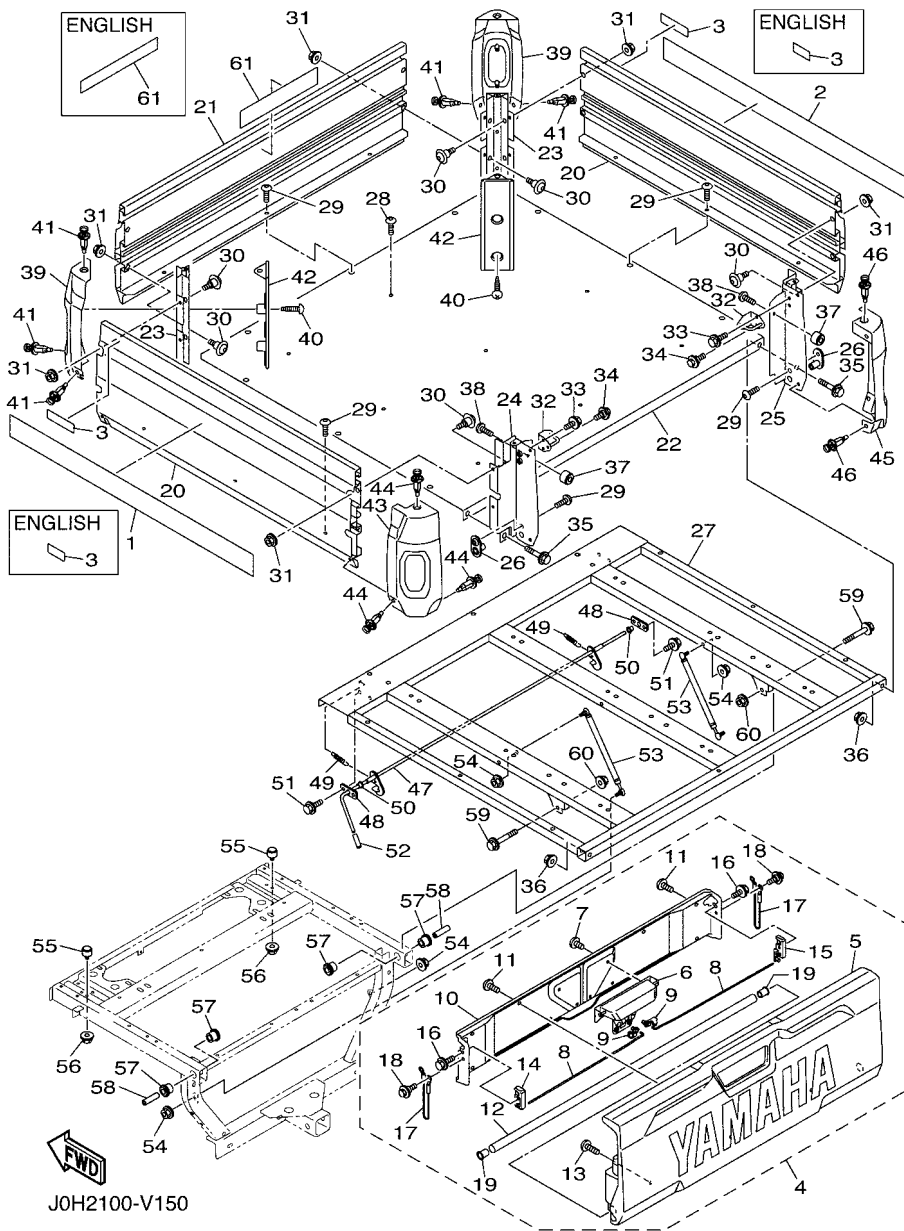


FIG. 15 CARRIER

REF. NO.	PART NO.	DESCRIPTION	J0H2	REMARKS
1	J0G-K711A-00	GRAPHIC 1	1	UR WS7 CAN
	J0G-K7254-00	GRAPHIC 1	1	UR WS7 EXC. CAN
	J0G-K711A-10	GRAPHIC 1	1	UR VPBM6 CAN
	J0G-K7254-10	GRAPHIC 1	1	UR VPBM6 EXC. CAN
	J0G-K711A-20	GRAPHIC 1	1	UR DNMC CAN
	J0G-K7254-20	GRAPHIC 1	1	UR DNMC EXC. CAN
	J0G-K711A-30	GRAPHIC 1	1	UR DRMV
	J0G-K711A-40	GRAPHIC 1	1	UR DNLMG3 CAN
	J0G-K7254-40	GRAPHIC 1	1	UR DNLMG3 EXC. CAN
	J0G-K711A-50	GRAPHIC 1	1	UR DOMD
2	J0G-K711B-00	GRAPHIC 2	1	UR WS7 CAN
	J0G-K7255-00	GRAPHIC 2	1	UR WS7 EXC. CAN
	J0G-K711B-10	GRAPHIC 2	1	UR VPBM6 CAN
	J0G-K7255-10	GRAPHIC 2	1	UR VPBM6 EXC. CAN
	J0G-K711B-20	GRAPHIC 2	1	UR DNMC CAN
	J0G-K7255-20	GRAPHIC 2	1	UR DNMC EXC. CAN
	J0G-K711B-30	GRAPHIC 2	1	UR DRMV
	J0G-K711B-40	GRAPHIC 2	1	UR DNLMG3 CAN
	J0G-K7255-40	GRAPHIC 2	1	UR DNLMG3 EXC. CAN
	J0G-K711B-50	GRAPHIC 2	1	UR DOMD
3	J0G-K7764-00	LABEL, WARNING 4	2	UR ENGLISH
	J0G-K7764-10	LABEL, WARNING 4	2	UR ENGLISH/FRENCH
	J0G-K7764-20	LABEL, WARNING 4	2	UR GERMAN/SPANISH
4	J0G-K810N-00	REAR STORAGE LID COMP.	1	
5	J0G-K8365-01	.CASE	1	
6	BG4-F389F-01	.HANDLE, LATCH	1	
7	90111-06838	.BOLT,HEX. SOCKET BUTTON	4	

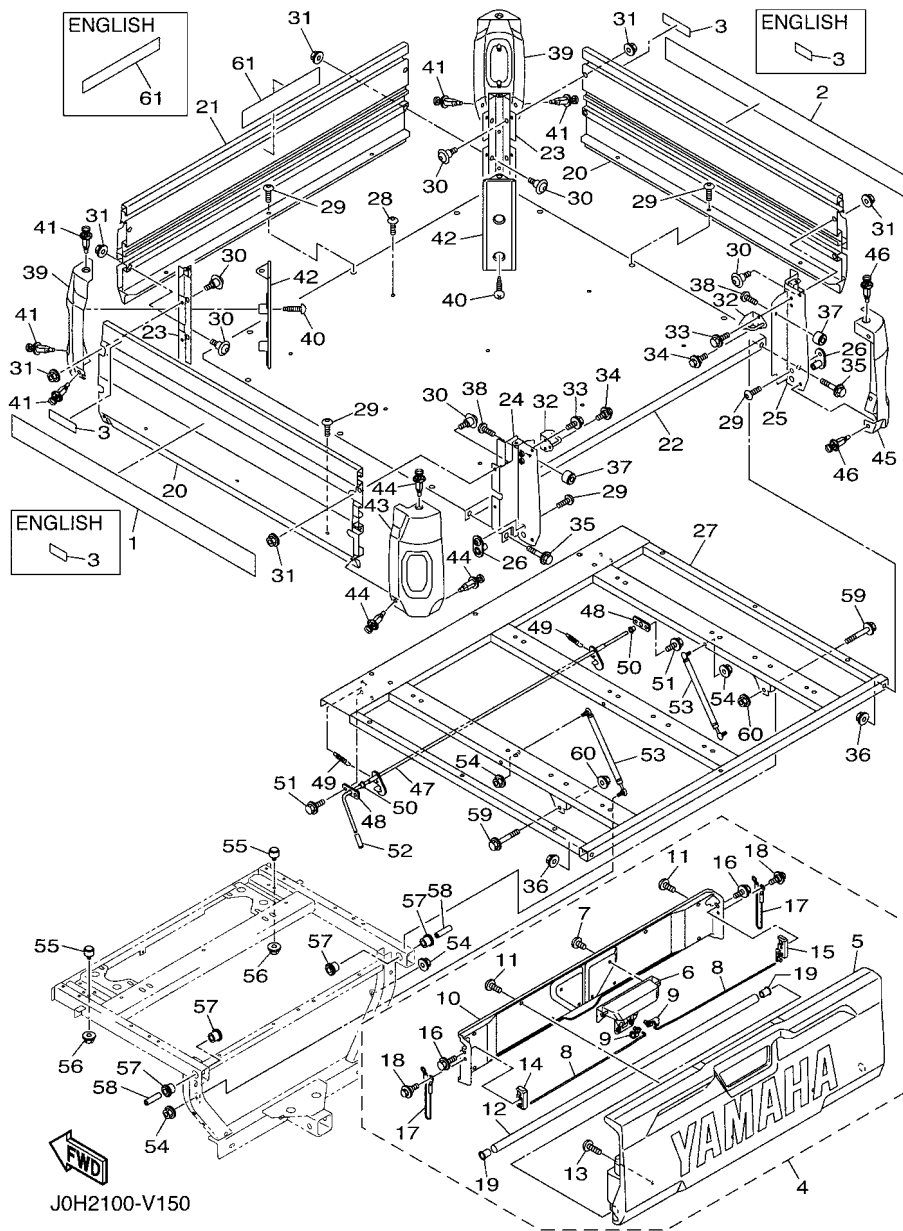
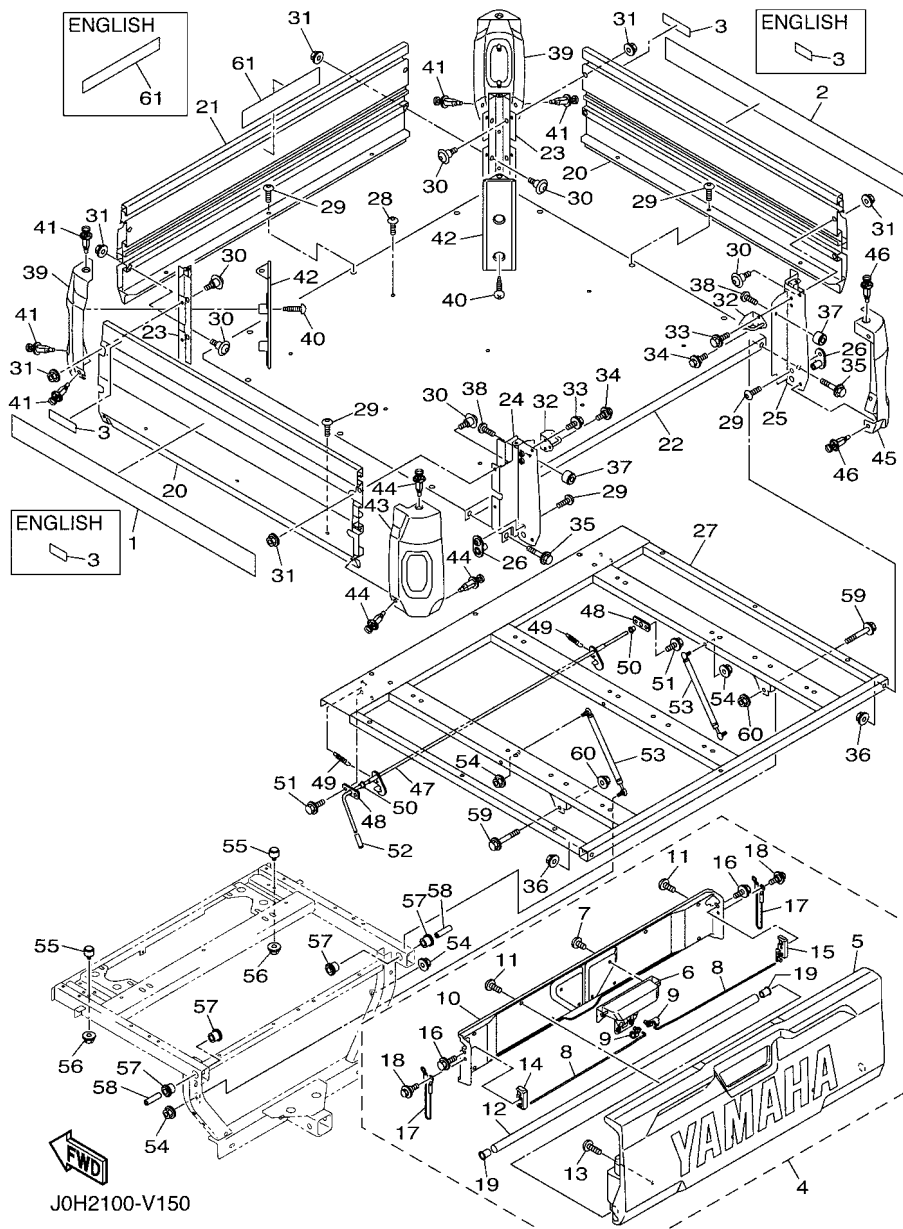


FIG. 15 CARRIER

REF. NO.	PART NO.	DESCRIPTION	J0H2	REMARKS
8	J0G-F8478-00	.ROD	2	
9	BG4-F2805-00	.CLIP, CABLE	2	
10	J0G-F331G-00	.COVER	1	
11	90111-06173	.BOLT,HEX. SOCKET BUTTON	8	
12	J0G-F463F-00	.HINGE 2	1	
13	90149-06846	.SCREW	3	
14	BG4-F16A0-00	.LOCK ASSY	1	
15	BG4-F16B0-00	.LOCK ASSY 2	1	
16	95812-06016	.BOLT, FLANGE	2	
17	J0G-K7195-00	.HOLDER, CABLE	2	
18	90109-06171	.BOLT	2	
19	J0G-K839J-00	.SLEEVE 1	2	
20	J0G-F846C-00	BOX, SIDE 1	2	
21	J0G-F845D-00	BOX, FRONT	1	
22	J0G-F845C-01	BOX, BASE	1	
23	J0G-K853J-00	REINF. ,1	2	
24	J0G-K853K-00	REINF. ,2	1	
25	J0G-K853L-00	REINF. ,3	1	
26	J0G-F114B-00	BRACKET, HINGE	2	
27	J0G-K818N-00	BED, BOX	1	
28	90111-06116	BOLT,HEX. SOCKET BUTTON	9	
29	92014-10020	BOLT, BUTTON HEAD	11	
30	J0G-F2125-00	BOLT	12	
31	95602-08200	NUT, U FLANGE	12	
32	J0G-K8579-00	STRIKER	2	
33	95812-06016	BOLT, FLANGE	2	
34	90109-06171	BOLT	2	

FIG. 15 CARRIER



REF. NO.	PART NO.	DESCRIPTION	J0H2			REMARKS
35	95802-10050	BOLT, FLANGE	2			
36	95602-10200	NUT, S/L FLANGE	2			
37	J0G-F4747-00	DAMPER, SEAT	2			
38	90111-06173	BOLT, HEX. SOCKET BUTTON	2			
39	J0G-K7392-00	COVER, LUGGAGE BOX	2			
40	97707-60130	SCREW, TAPPING	4			
41	90269-07805	RIVET	6			
42	J0G-K7377-00	COVER, LUGGAGE BOX 2	2			
43	J0G-F846T-00	COVER, SIDE BOX 1	1			
44	90269-07805	RIVET	4			
45	J0G-F846U-00	COVER, SIDE BOX 2	1			
46	90269-07805	RIVET	4			
47	J0G-K7180-01	LATCH ASSY	1			
48	J0G-K814M-00	PLATE, LEVER SUPPORT	2			
49	90506-16451	SPRING, TENSION	2			
50	2P5-K7515-00	BUSH, RUBBER 1	2			
51	95822-08016	BOLT, FLANGE	4			
52	JJ3-K818M-00	CAP, PROTECTOR END 4	1			
53	5UG-F8415-00	DAMPER 1	2			
54	95602-08200	NUT, U FLANGE	4			
55	JU5-K8167-01	BUMPER, RUBBER 1	2			
56	95602-08200	NUT, U FLANGE	2			
57	JW6-F2123-00	BUSH 1	4			
58	JW6-F1633-00	COLLAR, 1	2			
59	95812-08070	BOLT, FLANGE	2			
60	95602-08200	NUT, U FLANGE	2			
61	J0G-K7766-00	LABEL, WARNING 6	1			UR ENGLISH

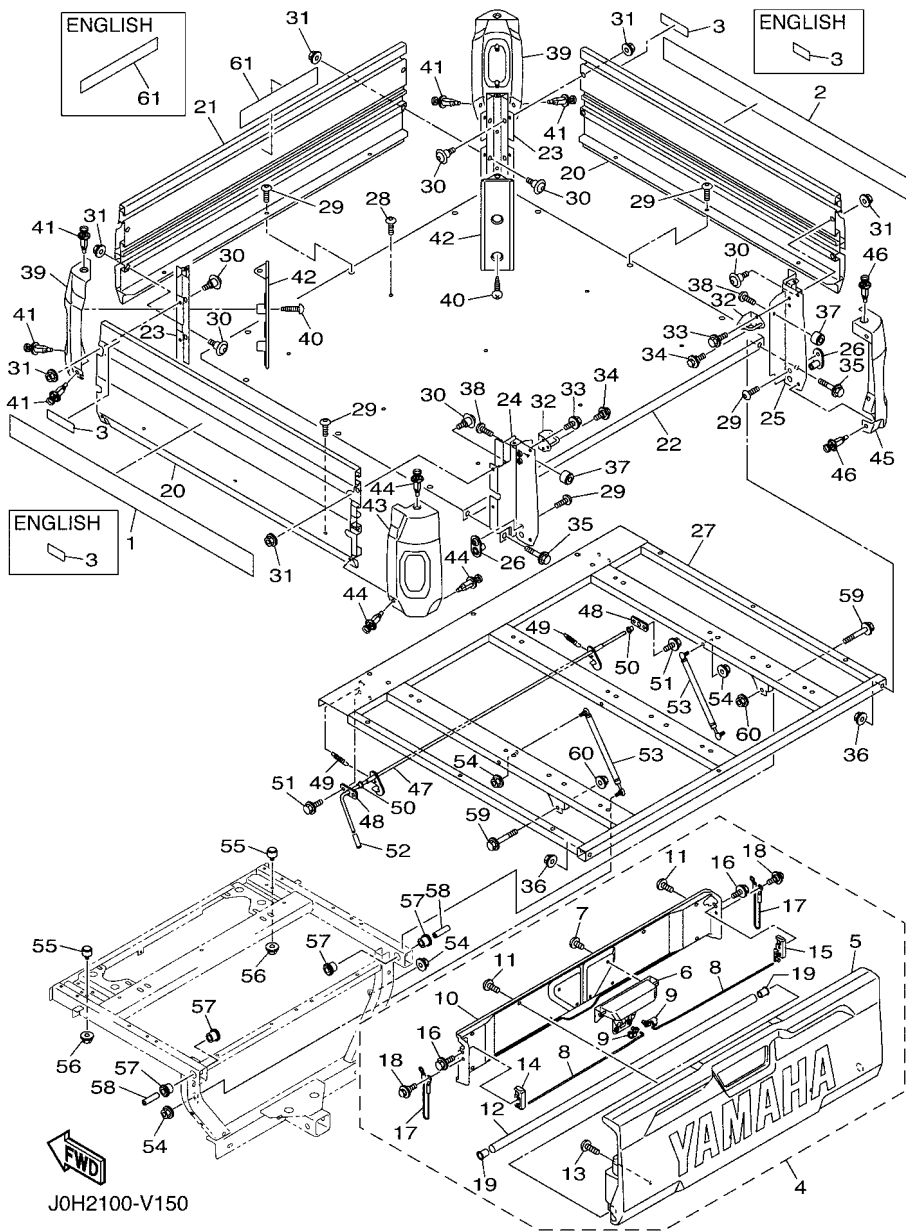
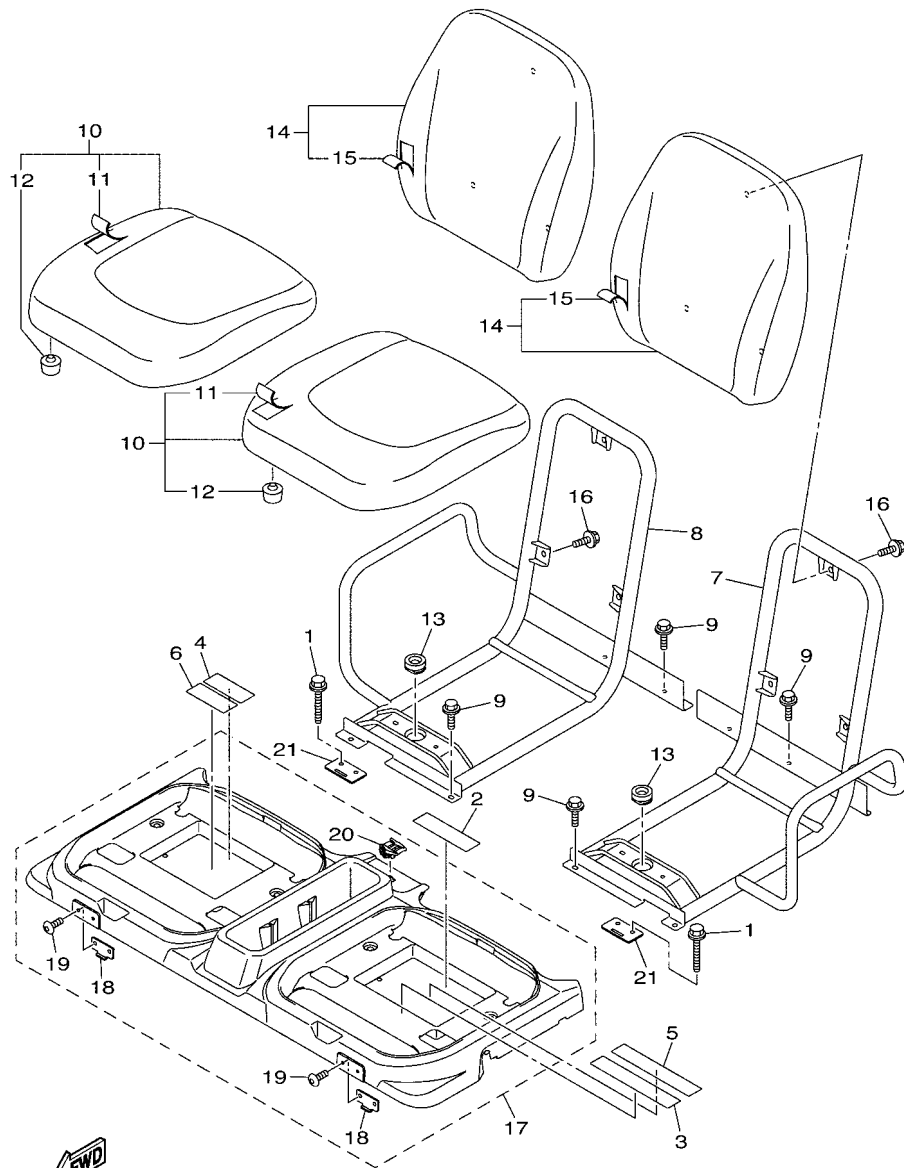


FIG. 15 CARRIER

REF. NO.	PART NO.	DESCRIPTION	J0H2			REMARKS
61	J0G-K7766-10	LABEL, WARNING 6	1			UR ENGLISH/FRENCH
	J0G-K7766-20	LABEL, WARNING 6	1			UR GERMAN/SPANISH

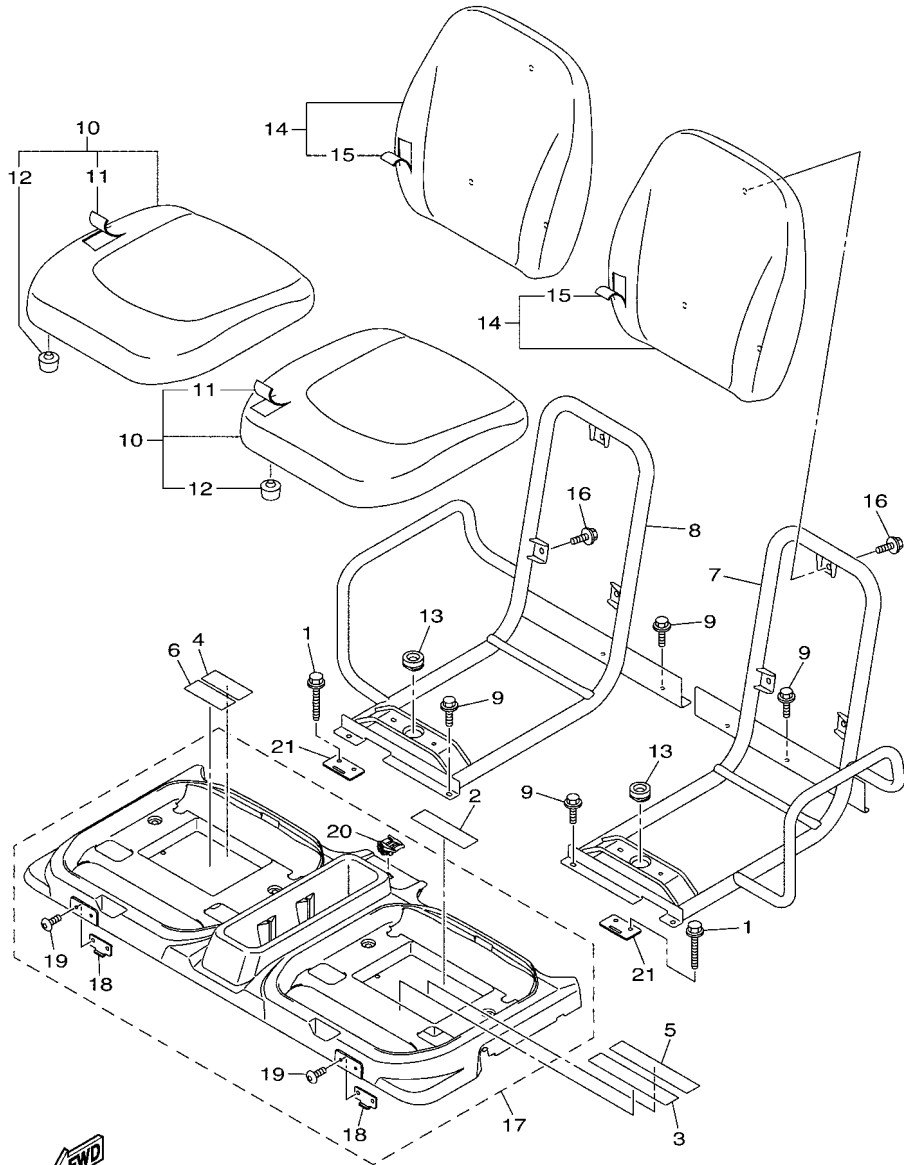


J0N2100-V160

FIG. 16 SEAT

REF. NO.	PART NO.	DESCRIPTION	J0H2				REMARKS
1	JW9-H1674-00	BOLT	4				
2	J0C-K8298-00	PLATE, CAUTION 2	1				UR ENGLISH/FRENCH
	J0C-K8298-10	PLATE, CAUTION 2	1				UR GERMAN/SPANISH
3	J0H-K8297-00	PLATE, CAUTION 1	1				UR ENGLISH
	J0H-K8297-10	PLATE, CAUTION 1	1				UR FRENCH EX. CAN
	J0H-K8297-20	PLATE, CAUTION 1	1				UR GERMAN
	J0H-K8297-30	PLATE, CAUTION 1	1				UR SPANISH
4	J0H-H2108-00	LABEL	1				UR ENGLISH
	J0H-H2108-10	LABEL	1				UR FRENCH
	J0H-H2108-20	LABEL	1				UR GERMAN
	J0H-H2108-30	LABEL	1				UR SPANISH
5	J0H-K8297-10	PLATE, CAUTION 1	1				FRENCH FOR CAN
6	J0H-H2108-10	LABEL	1				FRENCH FOR CAN
7	J0G-F473C-01	FRAME, SEAT 1	1				
8	J0G-F473D-01	FRAME, SEAT 2	1				
9	90105-08879	BOLT, FLANGE	8				
10	J0G-F4700-00	SEAT ASSY	2				
11	J0G-F4731-00	.COVER, SEAT	1				
12	1XD-F4723-00	.DAMPER, SEAT	4				
13	1XD-F4742-00	GROMMET	2				
14	J0G-F4790-00	SEAT BACK ASSY	2				
15	J0G-F4711-00	.COVER, SINGLE SEAT	1				
16	95817-06016	BOLT, FLANGE	6				
17	J0G-K8401-00	SEAT SUB-ASSY,CUSHION	1				
18	J0G-K8426-00	.HINGE, SEAT 1	2				
19	90111-06116	.BOLT,HEX. SOCKET BUTTON	4				
20	1XD-2175K-10	.LEVER, LOCK	1				

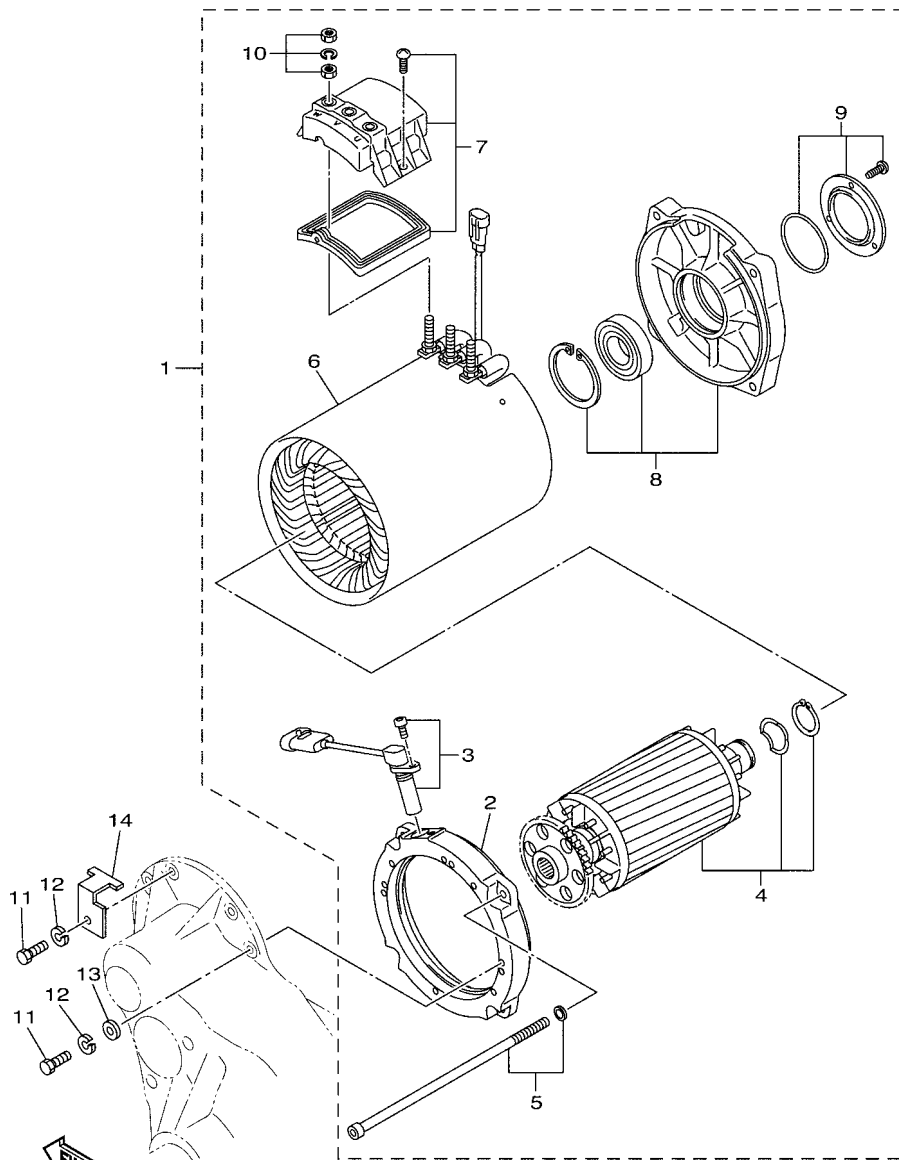
FIG. 16 SEAT



J0N2100-V160

REF. NO.	PART NO.	DESCRIPTION	J0N2	REMARKS
21	JW1-K8427-00	HINGE, SEAT 2	2	

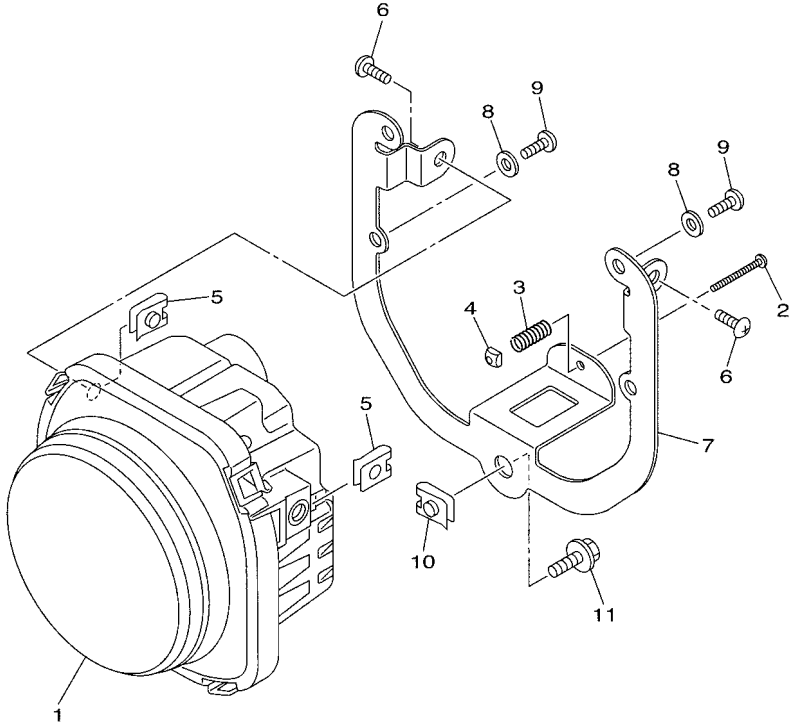
FIG. 17 ELECTRIC MOTOR



J0H1100-U170

REF. NO.	PART NO.	DESCRIPTION	J0H2				REMARKS
1	JW3-H1890-10	MOTOR ASSY	1				
2	JW3-H183J-00	.BRACKET, FRONT	1				
3	JW3-H3756-00	.SENSOR, UNIT	1				
4	JW3-H1155-00	.ARMATURE	1				
5	JW3-H2379-00	.SCREW, UNIT	1				
6	JW3-H1117-10	.STATOR	1				
7	JW3-H165G-00	.PLTE, TERMINAL	1				
8	JW3-H182J-00	.BRACKET COMPLETE	1				
9	JW3-H1869-00	.COVER, DUST	1				
10	JW3-H182V-00	.NUT & WASHER KIT	1				
11	90101-069U0	BOLT	3				
12	90215-06811	WASHER, LOCK	3				
13	90201-068E2	WASHER, PLATE	2				
14	JU2-H218E-01	RELIEF, STRAIN 1	1				

FIG. 18 HEAD & TAIL LIGHT



REF. NO.	PART NO.	DESCRIPTION	JOM2				REMARKS
1	2UD-84300-00	HEADLIGHT ASSY	2				
2	98502-03530	SCREW, PAN HEAD	2				
3	90501-08614	SPRING, COMPRESSION	2				
4	2GU-84334-00	NUT, ADJUSTING	2				
5	90183-05008	NUT, SPRING	4				
6	98902-05016	SCREW, BIND	4				
7	J0G-F3174-00	STAY, HEADLIGHT	2				
8	92907-05200	WASHER	4				
9	J0G-K7387-00	SCREW	4				
10	90183-060A6	NUT, SPRING	2				
11	90119-06147	BOLT, WITH WASHER	2				



J0F1110-U310

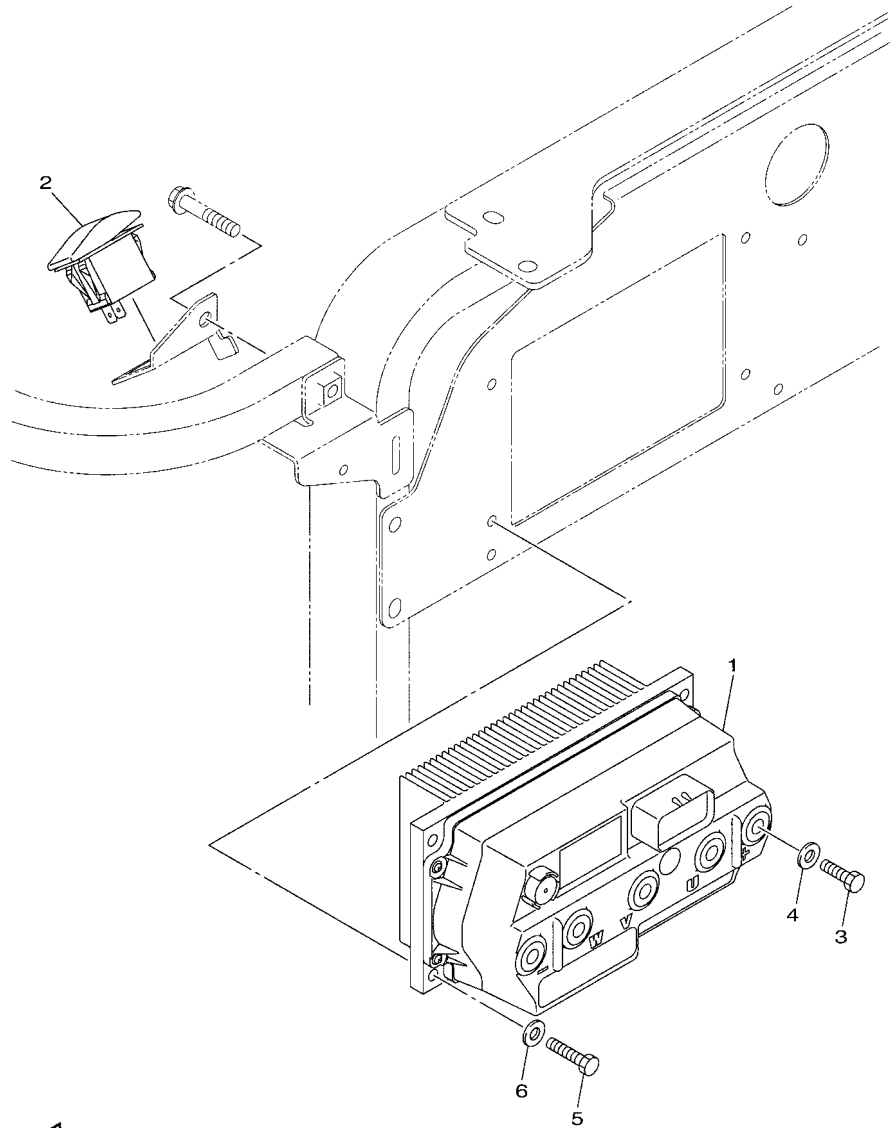


FIG. 19 CONTROLLER 1

REF. NO.	PART NO.	DESCRIPTION	J0H2				REMARKS
1	J0H-86510-00	MOTOR CONTROL UNIT ASSY	1				
2	JW2-H2727-00	SWITCH	1				
3	97027-08016	BOLT, HEXAGON	5				
4	92907-08600	WASHER, PLATE	5				
5	97007-06025	BOLT	4				
6	92907-06600	WASHER, PLATE	4				



J0H1100-U190

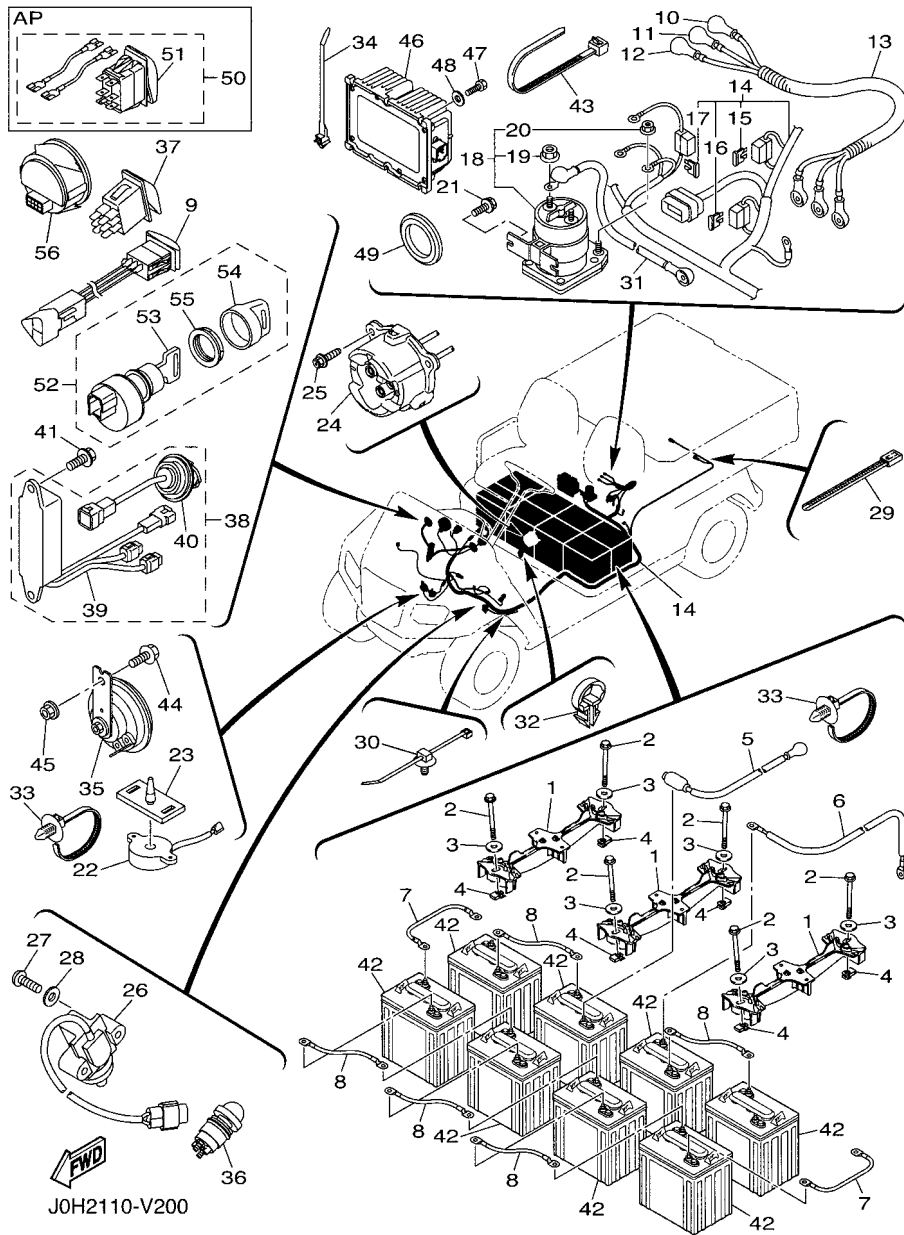


FIG. 20 ELECTRICAL 1

REF. NO.	PART NO.	DESCRIPTION	JOH2	REMARKS
1	JW9-H2136-00	PLATE, BATTERY FITTING	3	
2	JW9-H1892-00	BOLT, SPECIAL	6	
3	90201-08310	WASHER, PLATE	6	
4	JW9-K811K-00	NUT, TRIM FITTING	6	
5	JW3-H2115-00	WIRE, PLUS LEAD	1	
6	JW3-H2116-00	WIRE, MINUS LEAD	1	
7	JW3-H2127-00	WIRE, LEAD 2	2	
8	JW3-H2149-00	WIRE, LEAD 3	5	
9	JU2-H2917-00	SWITCH	1	
10	JW3-H6171-00	WIRE, LEAD 1	1	(U)
11	JW3-H6172-00	WIRE, LEAD 2	1	(V)
12	JW3-H6173-00	WIRE, LEAD 3	1	(W)
13	JU2-H7196-20	TUBE 1	1	
14	J0H-H2590-10	WIRE HARNESS ASSY	1	
15	JR1-H2151-00	.FUSE (3A)	1	
16	J0E-H2151-10	.FUSE (1A)	1	
17	J0E-H2151-00	.FUSE (10A)	1	
18	JU6-H1950-00	RELAY ASSY	1	
19	90179-08887	.NUT	2	
20	90179-05886	.NUT	2	
21	90105-06831	BOLT, FLANGE	2	
22	JR1-H3383-02	BUZZER	1	
23	JN6-H3386-01	STAY, BUZZER	1	
24	JW9-H6181-00	RECEPTACLE	1	
25	JW1-F3394-00	BOLT, SPECIAL	3	
26	JF7-82817-22	SWITCH	1	
27	98502-05025	SCREW, PAN HEAD	2	

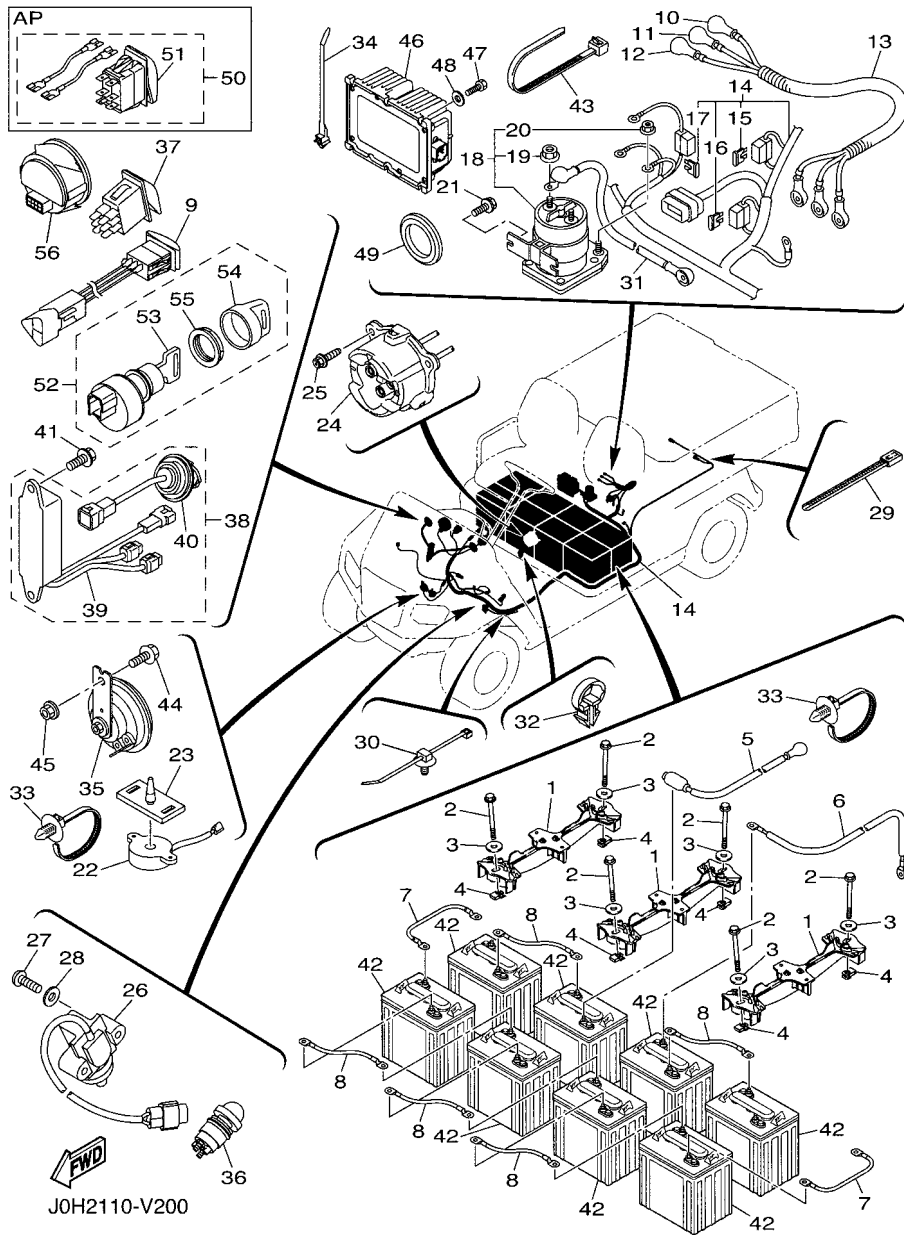
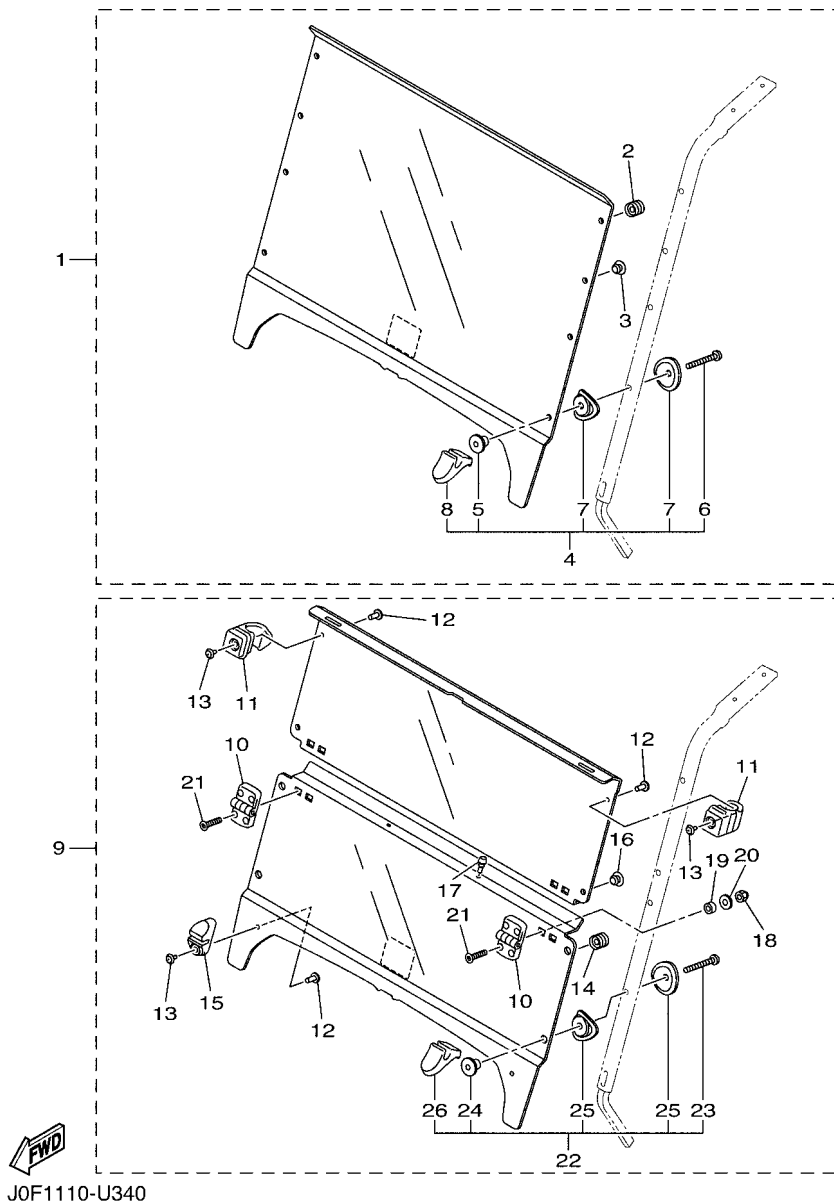


FIG. 20 ELECTRICAL 1

REF. NO.	PART NO.	DESCRIPTION	JOH2	REMARKS
28	92902-05600	WASHER, PLATE	2	
29	90464-40825	CLAMP	4	
30	1NS-F1338-00	CLAMP	1	
31	JW3-H6527-00	WIRE 7	1	
32	90464-19815	CLAMP	1	
33	90464-20005	CLAMP	5	
34	90464-38800	CLAMP	2	
35	4LR-83371-11	HORN	1	
36	JR6-H270X-00	SWITCH	1	
37	J0G-H2526-00	SWITCH, LAMP	1	
38	J0E-H21E0-02	USB ASSY	1	
39	J0E-H21E1-01	.PLUG, USB	1	
40	J0D-H21E2-01	.CABLE, USB	2	
41	90119-06868	BOLT, WITH WASHER	2	
42 *	BATTERY ASSY (GC2, 6V)		8	LM
43	90464-48800	CLAMP	2	
44	95822-06016	BOLT, FLANGE	1	
45	95702-06500	NUT, FLANGE	1	
46	J0E-81910-00	VOLTAGE REGULATOR ASSY	1	
47	98502-05025	SCREW, PAN HEAD	4	
48	92902-05600	WASHER, PLATE	4	
49	90480-48243	GROMMET	1	
50	J0G-H25A0-A0	LIGHT SWITCH KIT	1	AP
51	J0G-H2565-A0	.PANEL, SWITCH	1	
52	J0G-H2510-00	MAIN SWITCH ASSY	1	
53	JU6-H2511-10	.KEY, MAIN SWITCH	2	
54	5UG-H2579-00	.CAP, KEY	1	

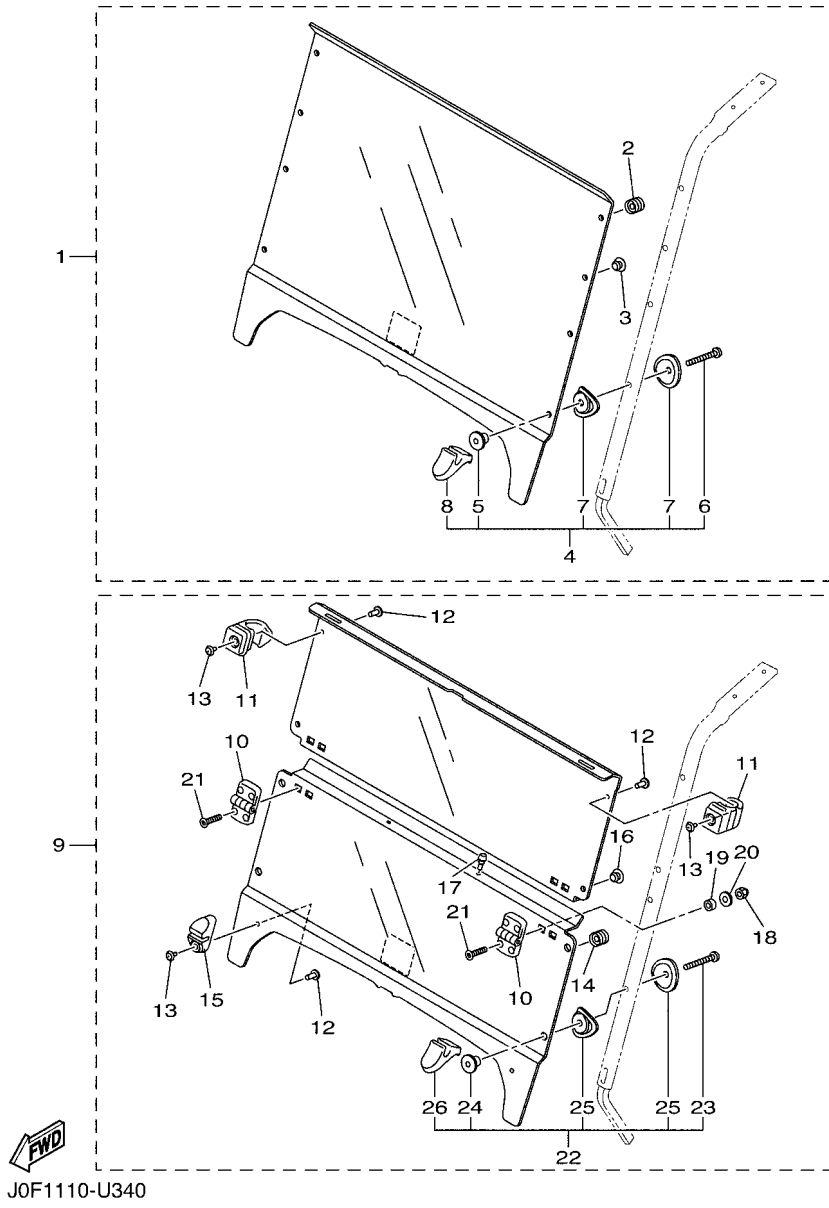
FIG. 22 ALTERNATE FOR WINDSHIELD



REF. NO.	PART NO.	DESCRIPTION	JOH#2			REMARKS
1	J0G-K7200-A1	WINDSHIELD ASSY	1			UR AP CLEAR
	J0G-K7200-B1	WINDSHIELD ASSY	1			UR AP SMOKE
2	J0B-K7237-00	.GROMMET	6			
3	J0B-K7238-00	.DAMPER	2			
4	J0G-K7240-A0	.WIND SHIELD HARDWARE KIT 1	1			
5	J0B-K7217-00	..NUT, WIND SHIELD	6			
6	J0G-K7248-A0	..SCREW 1	6			
7	J0G-K7218-A0	..WASHER 1	12			
8	J0G-K838A-A0	..RETAINER 1	1			
9	J0G-K7200-C1	WINDSHIELD ASSY	1			UR AP CLEAR
	J0G-K7200-D1	WINDSHIELD ASSY	1			UR AP SMOKE
10	J0G-K721F-C1	..HINGE 1	2			
11	J0G-K7173-C0	..LEVER, LATCH 1	2			
12	J0G-K7155-C0	..RIVET 1	4			
13	J0G-K7156-C0	..RIVET 2	4			
14	J0B-K7237-00	.GROMMET	4			
15	J0B-K7257-00	.GROMMET, W/S 3	2			
16	J0B-K7238-00	.DAMPER	2			
17	J0B-K7529-20	.SPACER, BUMPER	2			
18	J0G-K6169-C0	..NUT	8			
19	J0G-K6197-C0	..SPACER	8			
20	J0G-K7389-C0	..WASHER	8			
21	J0G-K7258-C0	..SCREW, 2	8			
22	J0G-K7240-C1	..WIND SHIELD HARDWARE KIT 1	1			
23	J0G-K7248-A0	..SCREW 1	4			
24	J0B-K7217-00	..NUT, WIND SHIELD	4			
25	J0G-K7218-A0	..WASHER 1	8			

FIG. 22 ALTERNATE FOR WINDSHIELD

REF. NO.	PART NO.	DESCRIPTION	J0F1110						REMARKS
26	J0G-K838A-A0	..RETAINER 1	1						



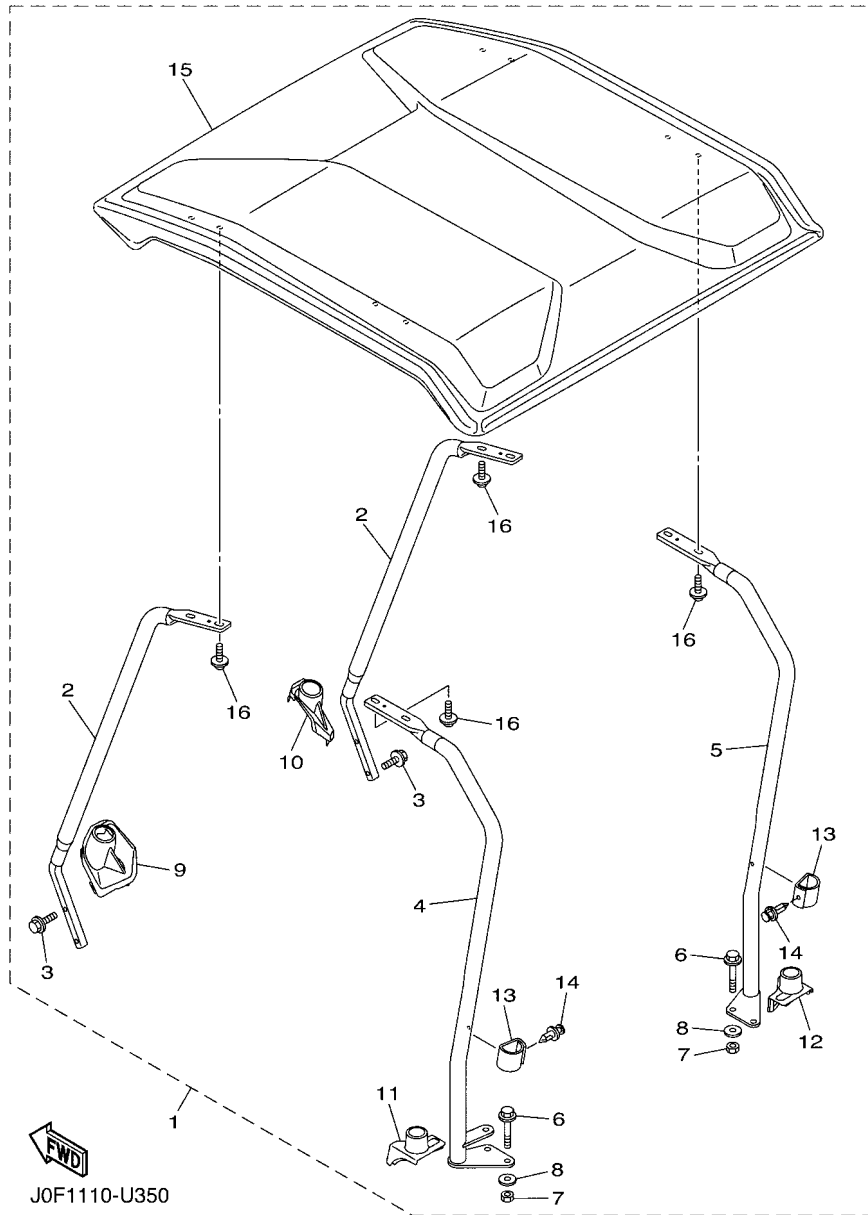


FIG. 23 ALTERNATE FOR SUN ROOF

REF. NO.	PART NO.	DESCRIPTION	JOM2				REMARKS
1	J0G-K84A0-A1	SUN TOP KIT	1				AP
2	J0G-K8312-A0	.SUPPORT, SUN ROOF 1	2				
3	J0P-K8384-00	.BOLT	4				
4	J0G-K8313-A0	.SUPPORT, SUN ROOF 2	1				
5	J0G-K831A-A0	.SUPPORT, ROOF 3	1				
6	J0P-K8385-00	.BOLT 2	4				
7	J0P-K8399-00	.NUT, ROOF 2	4				
8	J0P-K837E-00	.WASHER, ROOF 2	4				
9	J0P-K832F-00	.GROMMET, ROOF SUPPORT 1	1				
10	J0P-K832G-00	.GROMMET, ROOF SUPPORT 2	1				
11	J0G-K817H-A0	.TRIM, SIDE PANEL 1	1				
12	J0G-K817J-A0	.TRIM, SIDE PANEL 2	1				
13	J0P-K8305-00	.DAMPER	2				
14	90269-06804	.RIVET	2				
15	J0G-K8314-A0	.COVER, SUN ROOF	1				
16	J0B-K8388-00	.BOLT, ROOF 1	8				

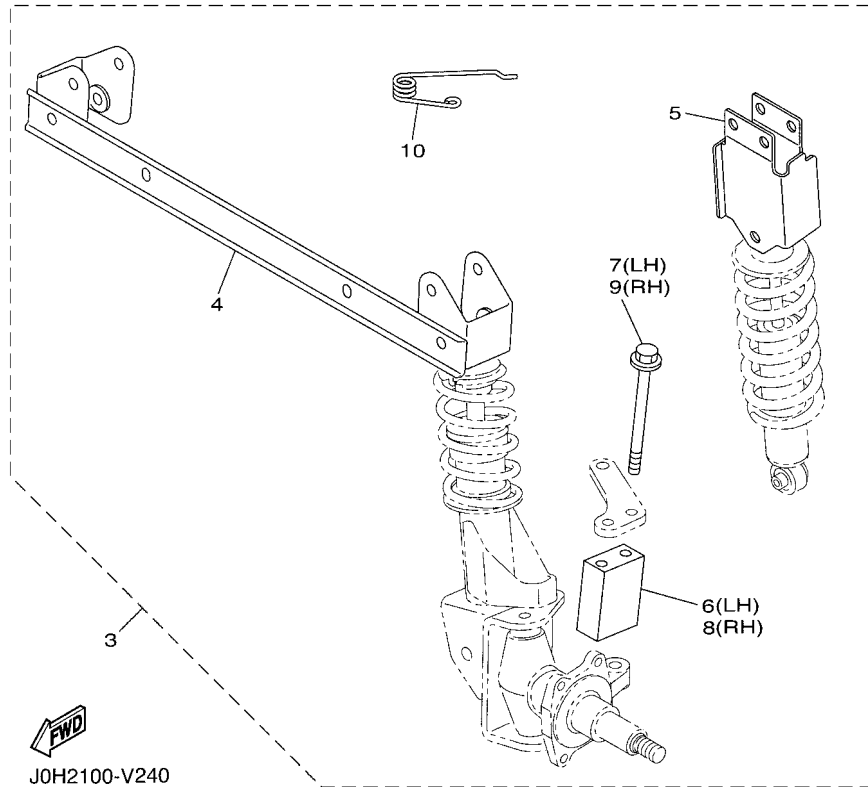
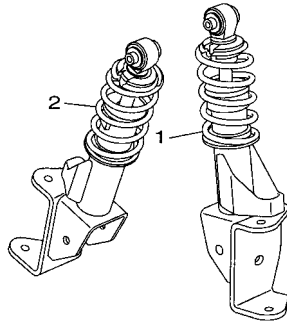
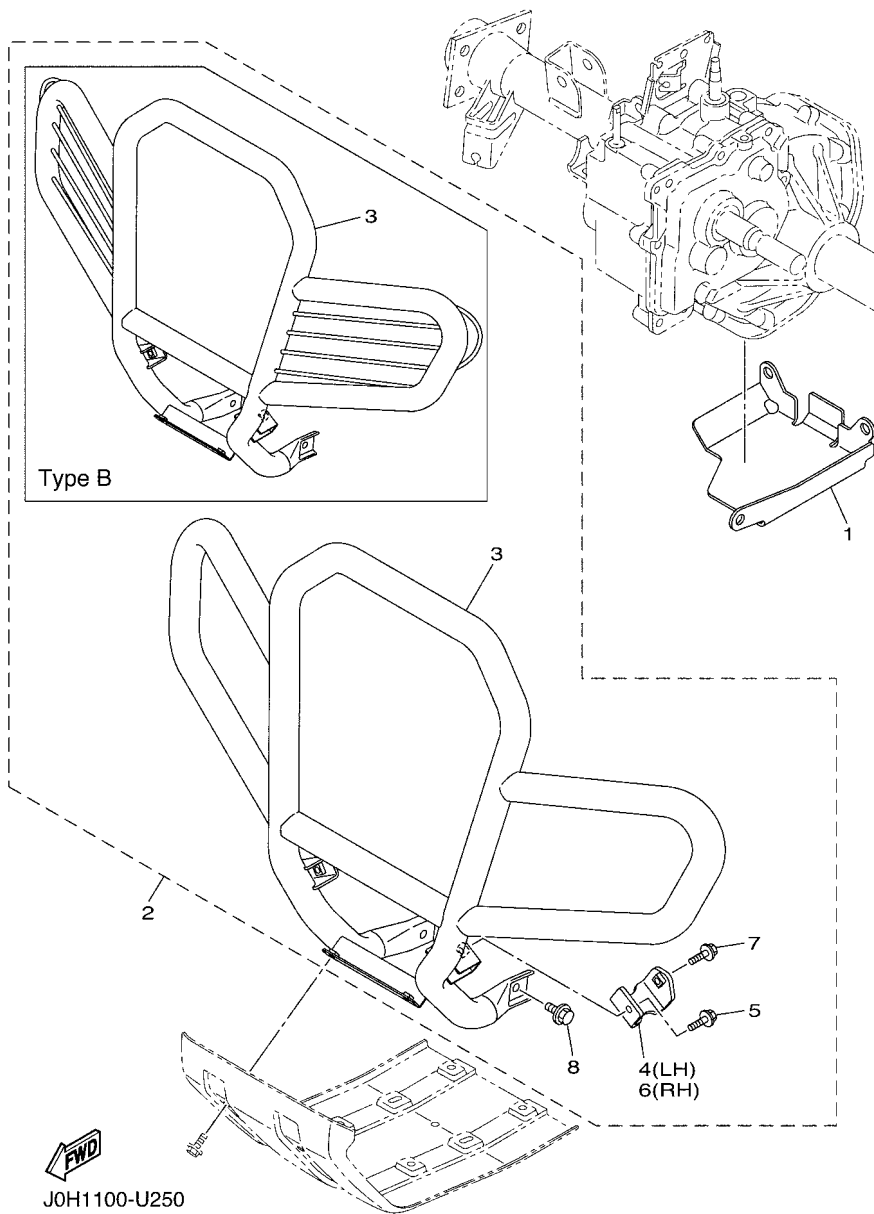


FIG. 24 ALTERNATE FOR CHASSIS 1

REF. NO.	PART NO.	DESCRIPTION	J0H2				REMARKS
1	JW3-F3350-11	SHOCK ABSORBER ASSY	1				AP
2	JW3-F3390-11	SHOCK ABSORBER ASSY 2	1				AP
3	J0G-F2520-A1	LIFT UP KIT	1				AP
4	J0M-F1415-00	.BRACKET, FRONT UPPER 1	1				
5	J0M-F1121-00	.BRACKET, DAMPER	2				
6	J0M-F3118-00	.SPACER	1				
7	90105-108A9	.BOLT, FLANGE	2				
8	J0M-F3118-00	.SPACER	1				
9	90105-108A9	.BOLT, FLANGE	2				
10	90508-40813	.SPRING, TORSION	1				

FIG. 25 ALTERNATE FOR CHASSIS 2



REF. NO.	PART NO.	DESCRIPTION	J0H2			REMARKS
1	J0H-F21A0-A0	REAR ARM SKID PLATE KIT	1			AP
2	J0G-F85F0-A0	BRUSH GUARD KIT	1			UR AP TYPE A
	J0G-F85F0-B0	BRUSH GUARD KIT	1			UR AP TYPE B
3	J0G-F845N-A0	.BAR, CARRY FRONT	1			UR TYPE A
	J0G-F845N-B0	.BAR, CARRY FRONT	1			UR TYPE B
4	J0G-F845S-A0	.SUPT, 1	1			
5	J0G-F8331-A0	.BOLT, LEG SHIELD	2			
6	J0G-F845T-A0	.SUPT. ,2	1			
7	J0G-F8331-A0	.BOLT, LEG SHIELD	2			
8	90105-10877	.BOLT, FLANGE	2			

NUMERICAL INDEX

PART NO.	REF. NO.	PART NO.	REF. NO.	PART NO.	REF. NO.	PART NO.	REF. NO.	PART NO.	REF. NO.	PART NO.	REF. NO.
J0H-H2108-30	16 - 4	J0G-K711A-50	15 - 1	J0G-K7255-20	15 - 2	J0G-K814M-00	15 - 48	J0C-K8298-10	16 - 2	90105-08867	14 - 24
JW3-H2115-00	20 - 5	J0G-K711B-00	15 - 2	J0G-K7255-40	15 - 2	J0G-K8153-00	12 - 16	J0P-K8305-00	23 - 13	90105-08879	16 - 9
JW3-H2116-00	20 - 6	J0G-K711B-10	15 - 2	J0B-K7257-00	22 - 15	J0G-K815G-00	12 - 9	J0G-K8312-A0	23 - 2	90105-088A7	2 - 24
JW3-H2127-00	20 - 7	J0G-K711B-20	15 - 2	J0G-K7258-C0	22 - 21	JJ3-K815H-01	2 - 30	J0G-K8313-A0	23 - 4	90105-10219	3 - 11
JW9-H2136-00	20 - 1	J0G-K711B-30	15 - 2	J0B-K7363-00	4 - 36	JU5-K8167-01	15 - 55	J0G-K8314-A0	23 - 15	90105-10272	3 - 16
JW3-H2149-00	20 - 8	J0G-K711B-40	15 - 2	J0G-K7377-00	15 - 42	J0G-K817H-A0	23 - 11	J0G-K831A-A0	23 - 5	90105-10840	9 - 37
J0E-H2151-00	20 - 17	J0G-K711B-50	15 - 2	J0B-K7387-00	4 - 34	J0G-K817J-A0	23 - 12	J0P-K832F-00	23 - 9	90105-10843	3 - 9
JR1-H2151-00	20 - 15	J0G-K711C-00	13 - 38	J0G-K7387-00	12 - 27	J0G-K817K-00	13 - 42	J0P-K832G-00	23 - 10	90105-10847	4 - 28
J0E-H2151-10	20 - 16	J0G-K711C-10	13 - 38		12 - 29	J0G-K817L-00	13 - 43	J0G-K832H-01	12 - 57	90105-10877	25 - 8
JU2-H218E-01	17 - 14	J0G-K711C-20	13 - 38		12 - 34	J0G-K817P-10	14 - 30	J0G-K833H-01	12 - 58	90105-108A9	24 - 7
J0E-H21E0-02	20 - 38	J0G-K711C-30	13 - 38		18 - 9	J0H-K817R-10	14 - 25	J0G-K8357-00	4 - 32		24 - 9
J0E-H21E1-01	20 - 39	J0G-K711C-40	13 - 38	J0G-K7389-C0	22 - 20	J0G-K818A-01	14 - 3	J0B-K8358-00	4 - 33	90105-13800	1 - 3
J0D-H21E2-01	20 - 40	J0G-K711C-50	13 - 38	J0G-K7392-00	15 - 39	J0G-K818B-01	14 - 14	J0G-K835E-00	12 - 38	90109-06171	15 - 18
J0B-H2370-00	12 - 43	J0H-K711D-00	13 - 39	JW6-K7449-00	13 - 19	J0G-K818E-00	14 - 12	J0G-K8365-01	15 - 5		15 - 34
JW3-H2379-00	17 - 5	J0H-K711D-10	13 - 39		13 - 26	J0P-K818F-00	14 - 23	J0P-K837E-00	23 - 8	90109-06330	12 - 7
J0G-H2510-00	20 - 52	J0H-K711D-20	13 - 39		13 - 37	JJ3-K818M-00	15 - 52	J0P-K8384-00	23 - 3		12 - 28
JU6-H2511-10	20 - 53	J0H-K711D-30	13 - 39	2P5-K7515-00	15 - 50	J0G-K818N-00	15 - 27	J0P-K8385-00	23 - 6	90111-05805	12 - 41
J0G-H2526-00	20 - 37	J0H-K711D-40	13 - 39	J0B-K7529-20	22 - 17	J0G-K8193-10	14 - 27	J0B-K8388-00	23 - 16	90111-06116	13 - 3
J0G-H2565-A0	20 - 51	J0H-K711D-50	13 - 39	JU0-K7573-00	12 - 20		14 - 32	J0G-K838A-A0	22 - 8		13 - 7
JU6-H2569-00	20 - 55	J0G-K7155-C0	22 - 12	J0G-K7736-10	12 - 45	J0G-K819E-00	12 - 12		22 - 26		13 - 10
5UG-H2579-00	20 - 54	J0G-K7156-C0	22 - 13	J0C-K7741-00	12 - 47	J0G-K819E-10	12 - 12	J0P-K8399-00	23 - 7		13 - 21
J0H-H2590-10	20 - 14	J0G-K7173-C0	22 - 11	J0G-K7762-10	4 - 38	J0G-K819E-20	12 - 12	J0G-K839J-00	15 - 19		13 - 28
J0G-H25A0-A0	20 - 50	J0G-K7175-01	12 - 10	J0G-K7762-20	4 - 38	J0G-K819E-30	12 - 12	J0G-K8401-00	16 - 17		13 - 32
JR6-H270X-00	20 - 36	J0G-K7180-01	15 - 47	J0G-K7764-00	15 - 3	J0G-K819E-40	12 - 12	J0G-K8426-00	16 - 18		14 - 10
JW2-H2727-00	19 - 2	J0G-K7195-00	15 - 17	J0G-K7764-10	15 - 3	J0G-K819E-50	12 - 12	JW1-K8427-00	16 - 21		14 - 21
JU2-H2917-00	20 - 9	J0G-K7200-A1	22 - 1	J0G-K7764-20	15 - 3	J0G-K819F-00	13 - 17	J0G-K84A0-A1	23 - 1		15 - 28
JR1-H3383-02	20 - 22	J0G-K7200-B1	22 - 1	J0G-K7766-00	15 - 61	J0G-K819G-00	13 - 24	J0G-K853J-00	15 - 23		16 - 19
JN6-H3386-01	20 - 23	J0G-K7200-C1	22 - 9	J0G-K7766-10	15 - 61	J0G-K819H-00	13 - 35	J0G-K853K-00	15 - 24	90111-06173	15 - 11
JC1-H351B-01	20 - 56	J0G-K7200-D1	22 - 9	J0G-K7766-20	15 - 61	J0G-K819L-00	14 - 6	J0G-K853L-00	15 - 25		15 - 38
JW3-H3756-00	17 - 3	J0B-K7217-00	22 - 5	J0G-K7768-30	12 - 48	J0G-K819M-00	14 - 17	J0G-K8562-00	12 - 18	90111-06838	15 - 7
J0G-H4385-01	12 - 31		22 - 24	J0G-K7768-40	12 - 48	J0G-K8215-00	14 - 4	J0G-K8563-00	12 - 19	90114-12805	3 - 24
J0G-H4386-01	12 - 32	J0G-K7218-A0	22 - 7	J0G-K7768-50	12 - 48		14 - 15	J0G-K8579-00	15 - 32	90119-06147	12 - 5
JW9-H5885-00	6 - 52		22 - 25	J0G-K7768-60	12 - 48	J0G-K8216-00	11 - 1	F3Y-U2875-00	12 - 13		12 - 39
JW3-H6171-00	20 - 10	J0G-K721F-C1	22 - 10	J0G-K810N-00	15 - 4	J0G-K8217-00	12 - 25	J0G-U411C-00	14 - 1		13 - 20
JW3-H6172-00	20 - 11	J0B-K7237-00	22 - 2	J0G-K8111-00	13 - 1	J0D-K8233-00	12 - 49	JN9-W2536-11	7 - 7		13 - 27
JW3-H6173-00	20 - 12		22 - 14	J0H-K8112-00	13 - 5	J0G-K8237-00	13 - 31		7 - 20		13 - 34
JW9-H6181-00	20 - 24	J0B-K7238-00	22 - 3	J0G-K8114-00	12 - 35	J0B-K8243-00	12 - 52		8 - 3		18 - 11
JW3-H6527-00	20 - 31		22 - 16	J0G-K8115-00	12 - 1	J0B-K8244-00	12 - 54		8 - 14	90119-06868	20 - 41
JU2-H7196-20	20 - 13	J0G-K7240-A0	22 - 4	J0G-K8115-10	12 - 1	J0G-K8270-00	14 - 2	90101-069U0	17 - 11	90119-10044	1 - 5
JW2-H7209-20	21 - 2	J0G-K7240-C1	22 - 22	J0G-K8115-20	12 - 1	J0B-K8273-10	12 - 51	90101-08856	9 - 38	90149-06846	15 - 13
J0G-K6169-C0	22 - 18	J0G-K7248-A0	22 - 6	J0G-K8115-30	12 - 1	J0H-K827A-00	13 - 12	90105-06831	20 - 21	90164-05800	12 - 22
J0G-K6197-C0	22 - 19		22 - 23	J0G-K8115-40	12 - 1	J0B-K8282-00	12 - 37	90105-06832	2 - 28	90170-10840	9 - 26
J0B-K7115-00	4 - 37	J0G-K7254-00	15 - 1	J0G-K8115-50	12 - 1	J0H-K8297-00	16 - 3	90105-08171	2 - 29	90179-05886	20 - 20
J0G-K711A-00	15 - 1	J0G-K7254-10	15 - 1	JW9-K811K-00	20 - 4	J0H-K8297-10	16 - 3	90105-081A7	7 - 3	90179-08887	20 - 19
J0G-K711A-10	15 - 1	J0G-K7254-20	15 - 1	J0G-K811V-00	13 - 13		16 - 5	90105-08867	2 - 12	90179-12262	10 - 1
J0G-K711A-20	15 - 1	J0G-K7254-40	15 - 1	J0G-K811W-00	13 - 15	J0H-K8297-20	16 - 3		2 - 17		10 - 6
J0G-K711A-30	15 - 1	J0G-K7255-00	15 - 2	J0H-K8141-00	13 - 9	J0H-K8297-30	16 - 3		3 - 1	90179-13800	1 - 4
J0G-K711A-40	15 - 1	J0G-K7255-10	15 - 2	J0G-K814A-00	12 - 56	J0C-K8298-00	16 - 2		14 - 13	90183-05008	12 - 42

NUMERICAL INDEX

PART NO.	REF. NO.	PART NO.	REF. NO.	PART NO.	REF. NO.	PART NO.	REF. NO.	PART NO.	REF. NO.	PART NO.	REF. NO.
90183-05008	18 - 5	90269-06804	23 - 14	91490-30030	9 - 39	95812-08012	1 - 20				
90183-060A6	12 - 4	90269-07805	12 - 26	91702-08018	5 - 12	95812-08020	4 - 2				
	12 - 40		12 - 44	91702-10022	5 - 2		6 - 58				
	13 - 4		12 - 46	92014-10020	15 - 29	95812-08040	2 - 3				
	13 - 8		12 - 53	92902-05600	20 - 28	95812-08055	2 - 13				
	13 - 11		12 - 55		20 - 48	95812-08070	15 - 59				
	13 - 18		13 - 2	92902-08600	4 - 31	95812-10055	2 - 9				
	13 - 25		13 - 6	92902-10100	1 - 23	95812-12055	1 - 12				
	13 - 33		13 - 14	92902-10600	1 - 24	95812-12065	1 - 7				
	14 - 11		13 - 16	92902-12200	4 - 8	95812-12080	3 - 20				
	14 - 22		13 - 36	92907-05200	12 - 24	95817-06016	16 - 16				
	18 - 10		14 - 8		12 - 30	95822-06012	11 - 2				
90185-10011	3 - 10		14 - 19		18 - 8		11 - 3				
90185-12002	1 - 13		15 - 41	92907-06600	19 - 6	95822-06016	20 - 44				
90185-12008	4 - 7		15 - 44	92907-08600	19 - 4	95822-08016	15 - 51				
90185-12810	3 - 21		15 - 46	93101-31836	9 - 16	97007-06025	19 - 5				
90185-12811	1 - 8	90269-07809	14 - 29	93210-22298	3 - 5	97012-06020	6 - 7				
	4 - 9		14 - 34	93210-478B8	9 - 17	97012-08030	4 - 30				
90201-04810	4 - 35	90269-08001	12 - 36	93305-20511	3 - 25	97012-10020	1 - 22				
90201-05800	12 - 23	90269-09003	12 - 50	93306-005Y1	9 - 13	97027-08016	19 - 3				
90201-05824	6 - 55		14 - 9	93306-203X1	9 - 11	97702-50014	12 - 11				
90201-06078	13 - 23		14 - 20	93306-303Y6	9 - 3	97707-60130	15 - 40				
	13 - 30	90338-12800	12 - 6	93420-50804	9 - 29	98502-03530	18 - 2				
90201-068E2	17 - 13	90381-17800	3 - 13	93420-52806	9 - 2	98502-05025	20 - 27				
90201-08310	20 - 3	90381-18802	3 - 3	93900-00801	10 - 5		20 - 47				
90201-08843	2 - 26	90386-12800	6 - 27		10 - 10	98902-05014	12 - 17				
90201-121H8	7 - 16	90387-10120	3 - 12		10 - 14	98902-05016	18 - 6				
	7 - 29	90387-12016	3 - 18		10 - 18	99002-03600	12 - 15				
	8 - 12	90464-19815	20 - 32		10 - 22	99002-09600	5 - 11				
	8 - 23	90464-20005	20 - 33	95302-08700	5 - 7	99009-52500	3 - 26				
90201-121H9	7 - 17	90464-38800	20 - 34	95602-08200	2 - 14						
	7 - 30	90464-40825	20 - 29		2 - 25						
	8 - 11	90464-48800	20 - 43		7 - 4						
	8 - 22	90468-20196	5 - 3		15 - 31						
90201-128S4	1 - 9	90480-01558	12 - 8		15 - 54						
90201-16023	3 - 27	90480-48243	20 - 49		15 - 56						
90215-06811	17 - 12	90501-08614	18 - 3		15 - 60						
90249-05802	12 - 14	90506-14001	7 - 13	95602-10200	1 - 17						
90249-14129	5 - 5		7 - 26		2 - 10						
90267-489U9	14 - 5		8 - 8		15 - 36						
	14 - 16		8 - 19	95602-16100	3 - 28						
90269-06804	12 - 3	90506-16451	15 - 49	95607-06200	6 - 6						
	14 - 7	90506-20281	7 - 12	95612-06100	13 - 22						
	14 - 18		7 - 25		13 - 29						
	14 - 26		8 - 7	95702-06500	20 - 45						
	14 - 28		8 - 18	95802-10050	15 - 35						
	14 - 31	90508-40813	24 - 10	95812-06016	15 - 16						
	14 - 33	91490-25020	5 - 13		15 - 33						