



Illustrated Parts Catalog



APPLICABLE TO VEHICLES WITH SERIAL PREFIX

**U6, U7, UA, UB, UC, UD, UE, UF, UG, UH, UJ, UK,
UL, UM, UN, N1, AND N50**

INTRODUCTION

VEHICLE MODEL AND SERIAL NUMBER

The vehicle serial number is located on a bar code decal installed near the accelerator.

1. A two-letter code that identifies the vehicle model.
2. A four-digit code that identifies the model year and production week the vehicle was assembled.
3. A unique six-digit number given to each vehicle built within a specified model year.

LIABILITY AND VEHICLE DESIGN CHANGES

Club Car is not liable for errors in this manual or for incidental or consequential damages that result from the use of the material in this manual.

Club Car reserves the right to make design changes to vehicles without obligation to make these changes on units previously sold.

This manual is the original instructions provided by the manufacturer if in English. This manual is a translation of the original instructions if in any language other than English.

VEHICLE MODIFICATIONS



MODIFICATIONS OR CHANGES TO THE VEHICLE THAT AFFECT THE OCCUPANT RETENTION, ELECTRICAL SYSTEM, STABILITY OR HANDLING OF THE VEHICLE, OR INCREASES THE MAXIMUM VEHICLE SPEED CAN CAUSE SERIOUS PERSONAL INJURY OR DEATH.

⚠ CAUTION

THE FUEL SYSTEM AND ENGINE ON YOUR VEHICLE ARE DESIGNED AND BUILT TO GOVERNMENT EMISSIONS STANDARDS. TAMPERING BY DEALERS, CUSTOMERS, OPERATORS, AND USERS IS STRICTLY PROHIBITED BY LAW. FAILURE TO COMPLY COULD RESULT IN GOVERNMENT FINES, REWORK CHARGES, INVALID WARRANTY, LEGAL ACTION, AND POSSIBLE CONFISCATION OF THE VEHICLE UNTIL REWORK TO ORIGINAL CONDITION IS COMPLETED. ENGINE SERVICE AND REPAIRS MUST BE DONE BY A TRAINED TECHNICIAN ONLY.

NOTICE

MODIFICATIONS TO THE GOVERNOR WILL VOID THE WARRANTY AND DAMAGE THE ENGINE AND OTHER COMPONENTS. DO NOT MODIFY THE GOVERNOR.

MODIFICATIONS TO THE VEHICLE MUST NOT COMPROMISE COMPLIANCE WITH STATE OR FEDERAL REGULATIONS.

THE DRIVER-SIDE FRAME IS PART OF THE AIR INTAKE SYSTEM. MODIFICATIONS TO THE FRAME CAN DAMAGE THE ENGINE BY CONTAMINATING THE AIR INTAKE SYSTEM. DO NOT DRILL INTO THE DRIVER-SIDE OF THE FRAME.

Modifications made to vehicles or installation of accessories that are not approved by Club Car may adversely affect the safe operation and performance of the vehicle. These modifications include, but are not limited to lift kits, seating changes, increased speed and cargo capacity. Club Car does not recommend any modification of this vehicle except kits and upgrades specifically designed and offered by Club Car. However, if the vehicle is modified, the modifier shall:

1. arrange for the modification to be designed, tested and implemented by an engineer with expertise in vehicles and their safety;
2. maintain a permanent record of the design, testing and implementation of the modification;
3. make appropriate changes to the capacity, plate(s), decals, and operation and maintenance manuals; and
4. apply a permanent and readily visible label on the vehicle stating the vehicle has been modified with the date of the modification and the name of the entity that made the modification.

The entity making any modification becomes the original equipment manufacturer of the modified vehicle, assumes liability for the vehicle, and has the responsibilities listed above.

Modifications may void the warranty. Refer to the warranty for more details.

APPROVED DEALERS AND DISTRIBUTORS

Club Car's customer support system offers fast and courteous service. Speak with your dealer or distributor for:

- Accessories
- Publications
- Replacement Parts
- Technical Advice
- Warranty Work



To find your nearest dealer or distributor:

- Visit www.clubcardealer.com
- Scan the dealer locator Quick Response (QR) code

SATISFACTION AND FEEDBACK

Let your voice be heard!

Your feedback will help improve our publications. You can access the survey through any internet-connected device with a web browser. The survey is available in many different languages.

Scan the Quick Response (QR) code or type the web address <http://bit.ly/1w9uFMh> to complete the survey.



PUBLICATION COPYRIGHT

This manual contains proprietary information that is protected by copyright. All rights are reserved. Express written consent of Club Car is necessary to photocopy, replicate, or translate this manual. The information contained in this publication is subject to change without notice.

HOW TO READ AND UNDERSTAND THE ILLUSTRATED PARTS LIST

1. Introduction

a. Function

- i. The function of this illustrated parts list is to show the disassembly sequence, or as nearly as possible, the parts and components of the Club Car vehicle manufactured by Club Car, LLC.

b. How to Use

- i. Go to the figure number for the component disassembly list.
- ii. Refer to Club Car component maintenance and service manual for maintenance operation or applicable vendor manual number(s) when such vendor manuals are referenced in the parts list.

c. Explanation of Parts List Data

- i. The item number agrees with the item number shown for the part in the illustration.
- ii. Parts with a dash before their item numbers are not illustrated. Alpha variant item numbers are shown with a dash before the item numbers unless the part is configured differently for the base item number.
- iii. General System

- 1) The indenture system used in the parts list shows the relationship of parts and disassemblies to the next higher assemblies or installation as follows:

1 2 3 4 5 6 7
Assembly or installation (RF) number
. Detail Parts for Assembly or Installation
. Sub-assembly
. . Detail Parts for Subassembly
. . Sub-sub-assembly
. . . Detail Parts for Sub-sub-assembly
. . . Sub-sub-assembly
. . . . Detail Parts for Sub-sub-assembly

iv. Effectivity

- 1) An entry in the effectivity code column (EFF) shows the use of the part is limited. Parts that are not usual to all configurations but apply to a coded assembly or installation (A, B, etc.) are coded with the same letter. If the part is the same for all assemblies, the effectivity column will be empty.
- 2) When changes are made which do not align with the configuration effectivities, a parenthetical note will be added to show cumulative effectivity.

v. Units for Each Assembly

- 1) A numeric entry in the Units for Each Assembly (QTY) column shows the quantity of the part used for each next higher assembly or installation.
- 2) "RF" is shown in the Units For Each Assembly column when an assembly or installation is not procurable as a spare part.
- 3) "AR" is used to show "as required" for usual hardware items with large quantities, over 99 in any one application, or for shims where quantity must be determined upon installation.

vi. Optional parts are listed as alpha variants. The alpha variant item numbers are not listed on the associated figures but are in the same location as the base item number.

vii. Attaching Parts captioned are listed following the part(s) attached and designated with the letter A in the column between the part number and part nomenclature.

viii. Special Notes

- 1) When special conditions apply, the following notes are used in the Illustrated Parts List following the nomenclature of the part:

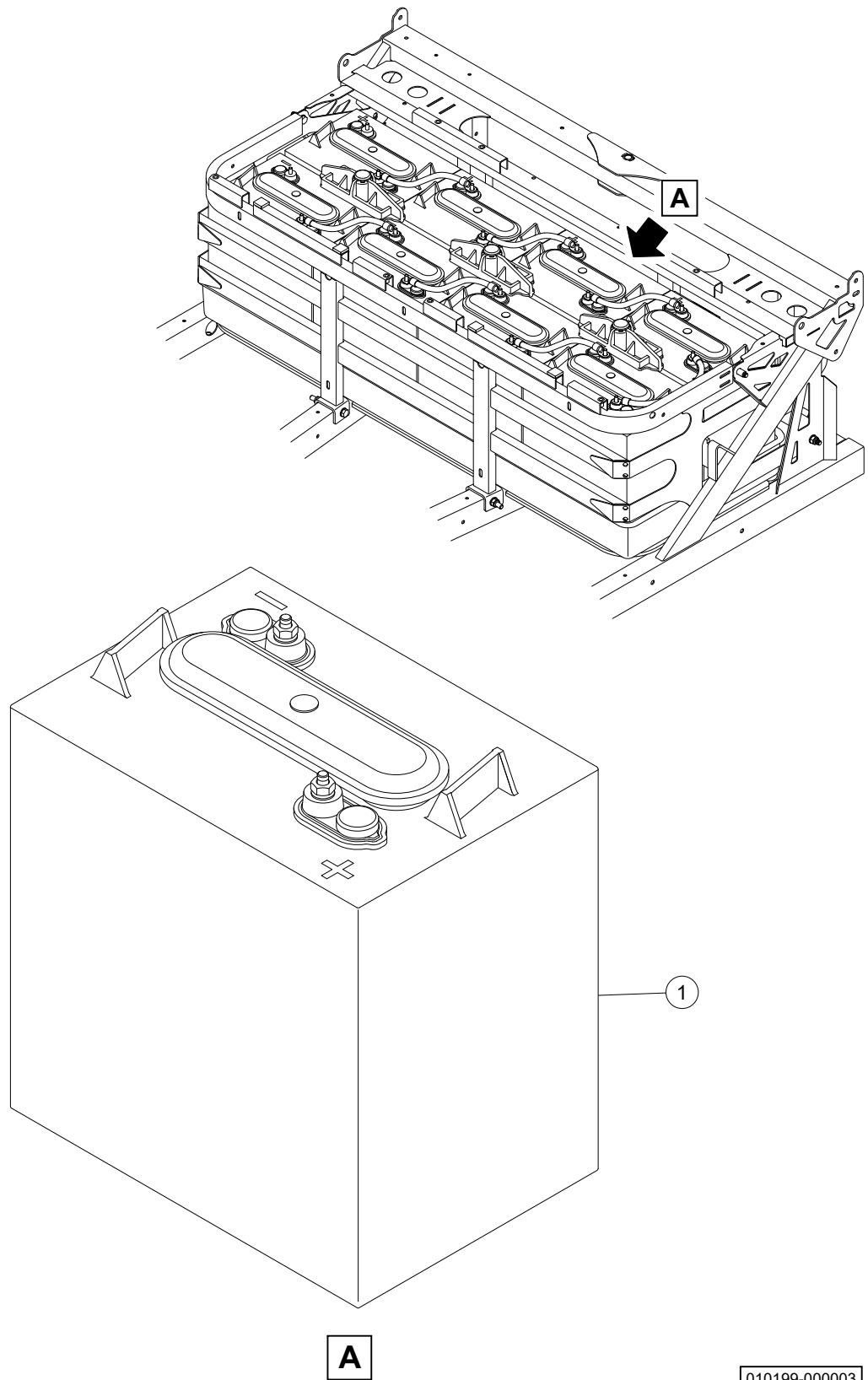
Alternate Part	ALT NAS24654-34-23ZZ
Alternate To Part	ALT TO NAS24654-34-23
Altered Parts	A/F NAS24654-34-23
Dimension Data	SIZE 2.0 IN (50.8 MM) X 0.032 IN (0.8128 MM) X 21 IN (533.4 MM)
Illustration Reference	RF OR ILLUSTRATION REFERENCE
Mfg From P/N or Stock	MFD FROM NAS24654-34
Mfg Per Material Specification	MATL PER MIL-C-1248
NLA Cross Reference	SEE FIG. 17 FOR DET
Replaces Part	REPLACES NAS24654-34-23
Replaced By Part	REPLACED BY NAS24654-34-23
Rework Drawings	RWK BY NAS24654-34-23

1

BATTERY / BATTERIES

1

BATTERY/BATTERIES
BATTERY, FLOOD LEAD ACID (FLA)



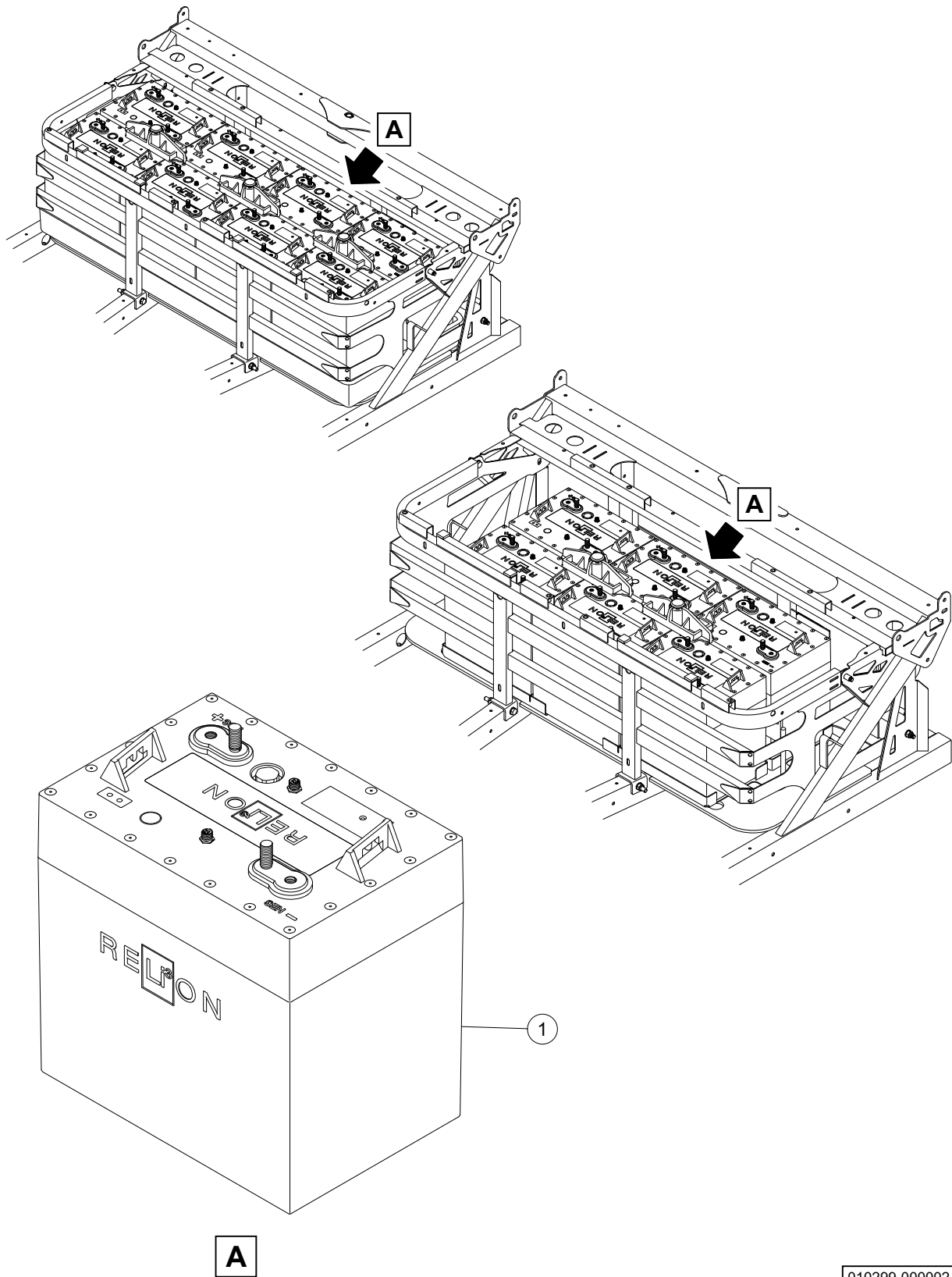
010199-000003

ITEM	PART NUMBER		NOMENCLATURE	EFF	QTY
1	U2114210000		BATTERY, FLOOD LEAD ACID (FLA)	A	RF
	EFFECTIVITY CODE				
	A		FOR USE ONLY ON SERIAL PREFIX VEHICLES UA, UB, UC, UD, UE, AND UF		

- ITEM NOT ILLUSTRATED

1

BATTERY/BATTERIES
BATTERY, LITHIUM-ION (LI-ION) - RELION 200 AH



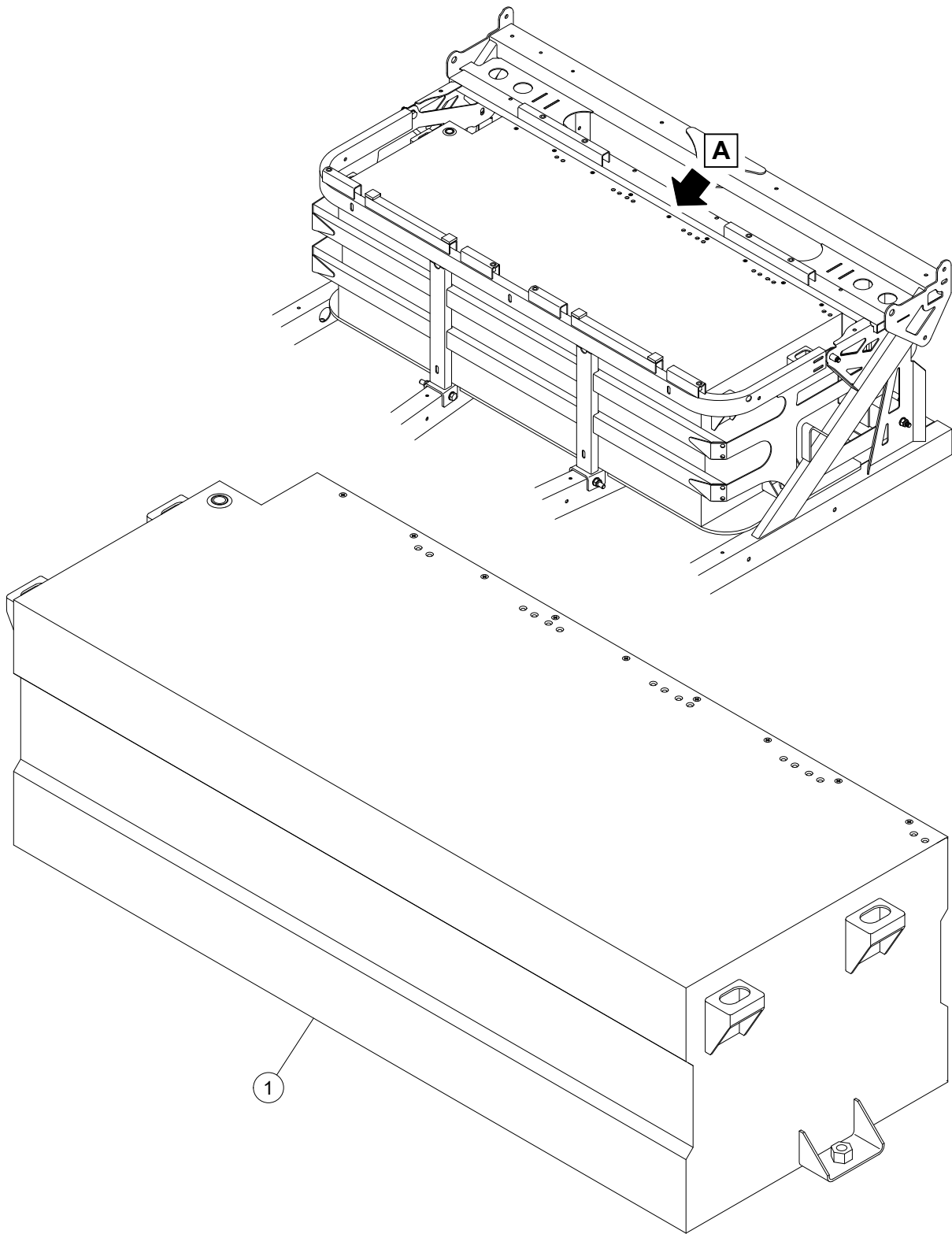
010299-000002

ITEM	PART NUMBER	NOMENCLATURE							EFF	QTY
		1	2	3	4	5	6	7		
1	G2114360101								A	RF
	EFFECTIVITY CODE									
	A									

- ITEM NOT ILLUSTRATED

1

BATTERY/BATTERIES
BATTERY, LITHIUM-ION (LI-ION) - INSIGHT

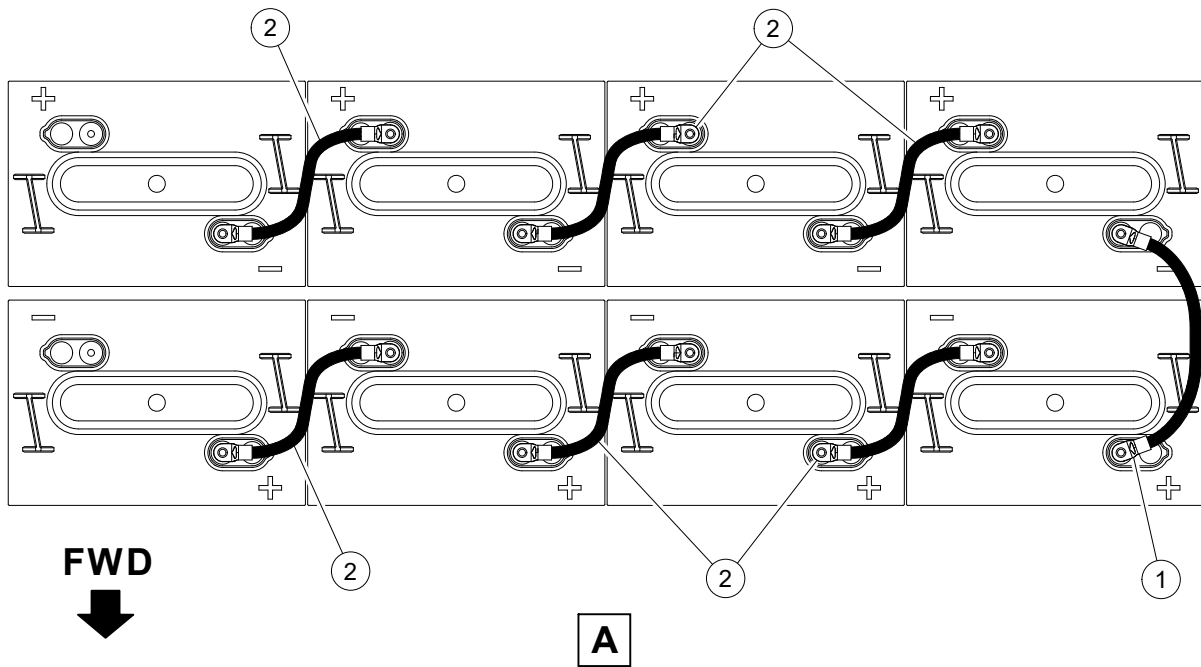
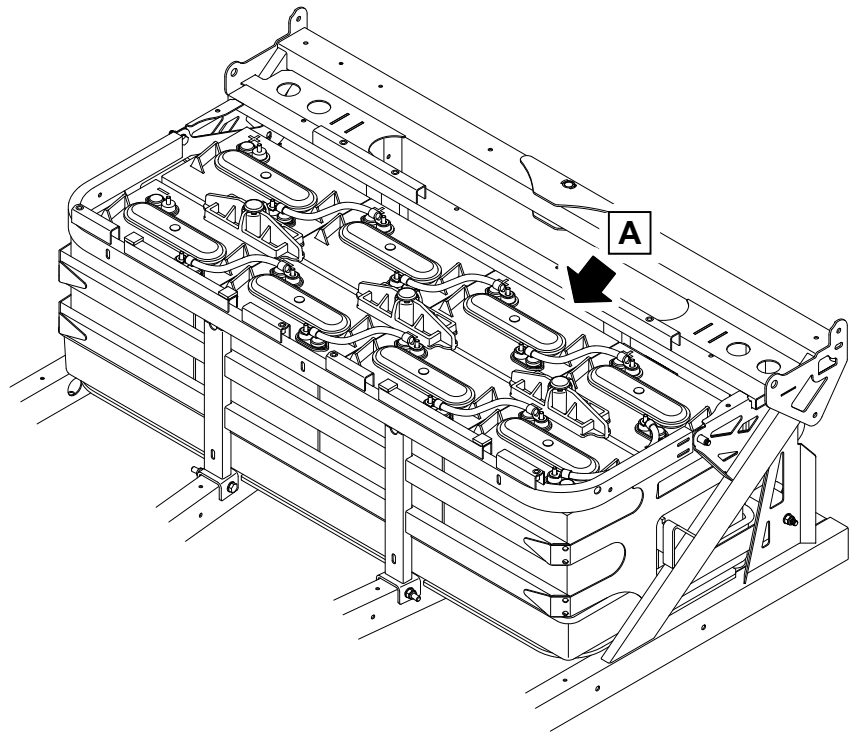


A

010299-000003

1

BATTERY/BATTERIES
BATTERY POWER CABLE HARNESS (FLA)



010399-000001

BATTERY/BATTERIES
BATTERY POWER CABLE HARNESS (FLA)

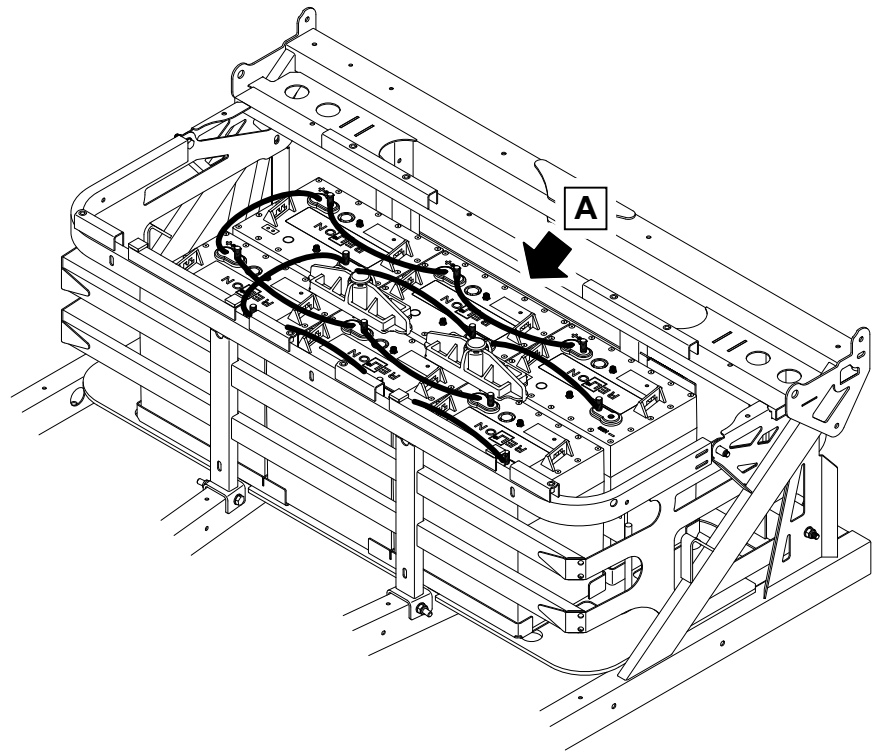
1

ITEM	PART NUMBER	NOMENCLATURE							EFF	QTY
		1	2	3	4	5	6	7		
1	U2190201000								A	1
2	U2190201100								A	6
	EFFECTIVITY CODE									
	A									

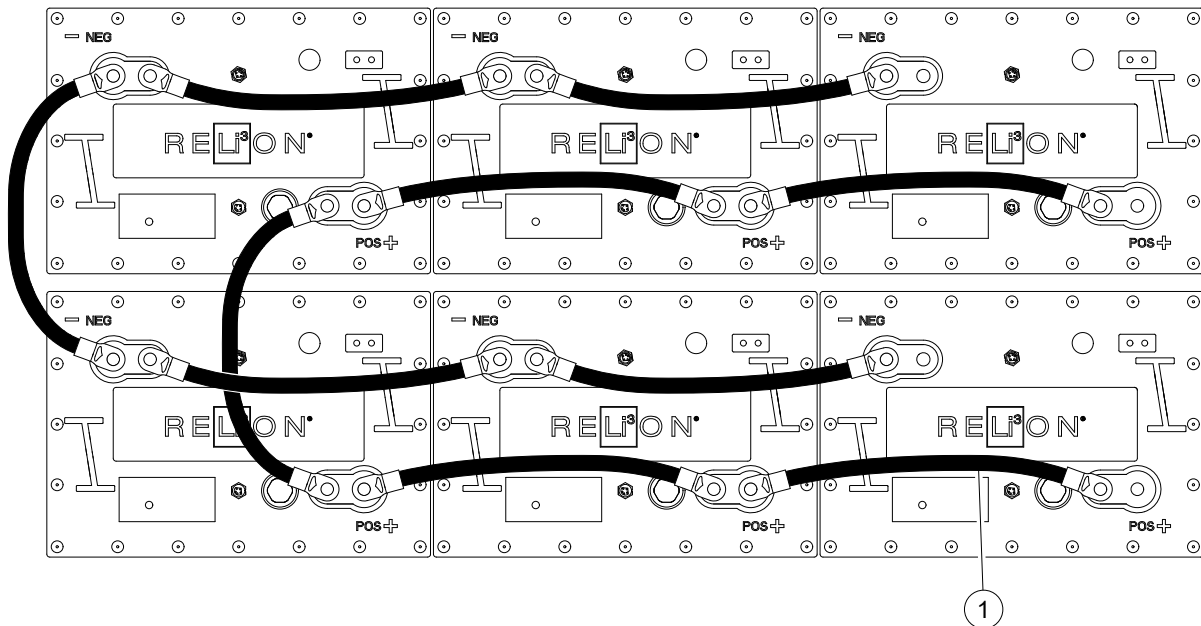
- ITEM NOT ILLUSTRATED

1

BATTERY/BATTERIES
BATTERY POWER CABLE HARNESS (LITHIUM-ION) 6 BATTERY



↑
FWD



A

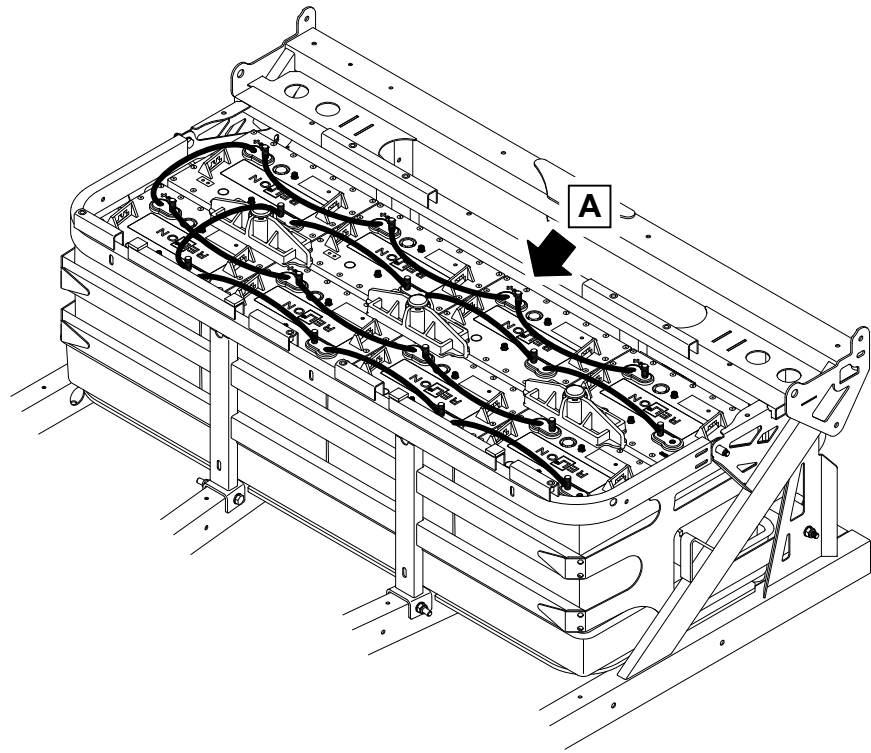
010399-000003

ITEM	PART NUMBER	1	2	3	4	5	6	7	NOMENCLATURE	EFF	QTY
1	U2190201100								BATTERY POWER CABLE HARNESS - LI-ION (200 MM)	A	10
	EFFECTIVITY CODE										
	A								FOR USE ONLY ON SERIAL PREFIX VEHICLES U6, U7, UG,		
									UH, UJ, UK, UM, AND UN		

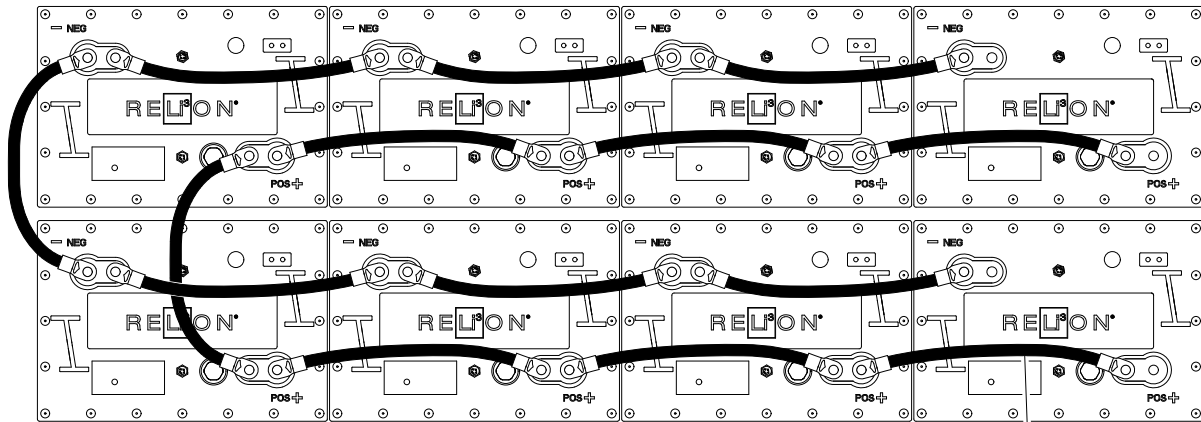
- ITEM NOT ILLUSTRATED

1

BATTERY/BATTERIES
BATTERY POWER CABLE HARNESS (LITHIUM-ION) 8 BATTERY



↑
FWD



1

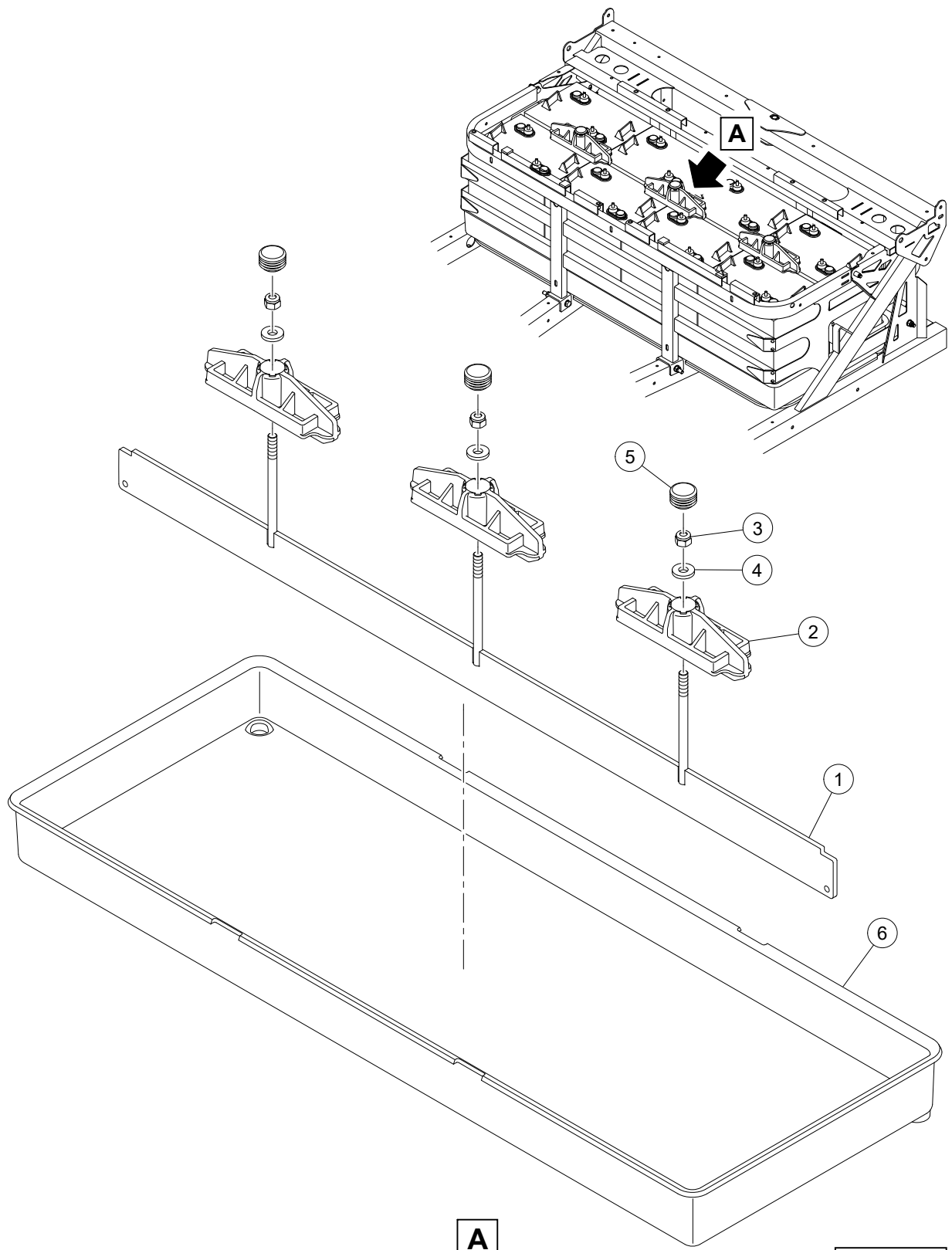
A

ITEM	PART NUMBER	NOMENCLATURE							EFF	QTY
		1	2	3	4	5	6	7		
1	U2190201100	BATTERY POWER CABLE HARNESS, LI-ION (200 MM)							A	14
	EFFECTIVITY CODE									
	A	FOR USE ONLY ON SERIAL PREFIX VEHICLES U6, U7, UG,								
		UH, UJ, UK, UM, AND UN								

- ITEM NOT ILLUSTRATED

1

BATTERY/BATTERIES
BATTERY HOLD-DOWNS (FLA AND LI-ION) 8 BATTERY



010599-000003

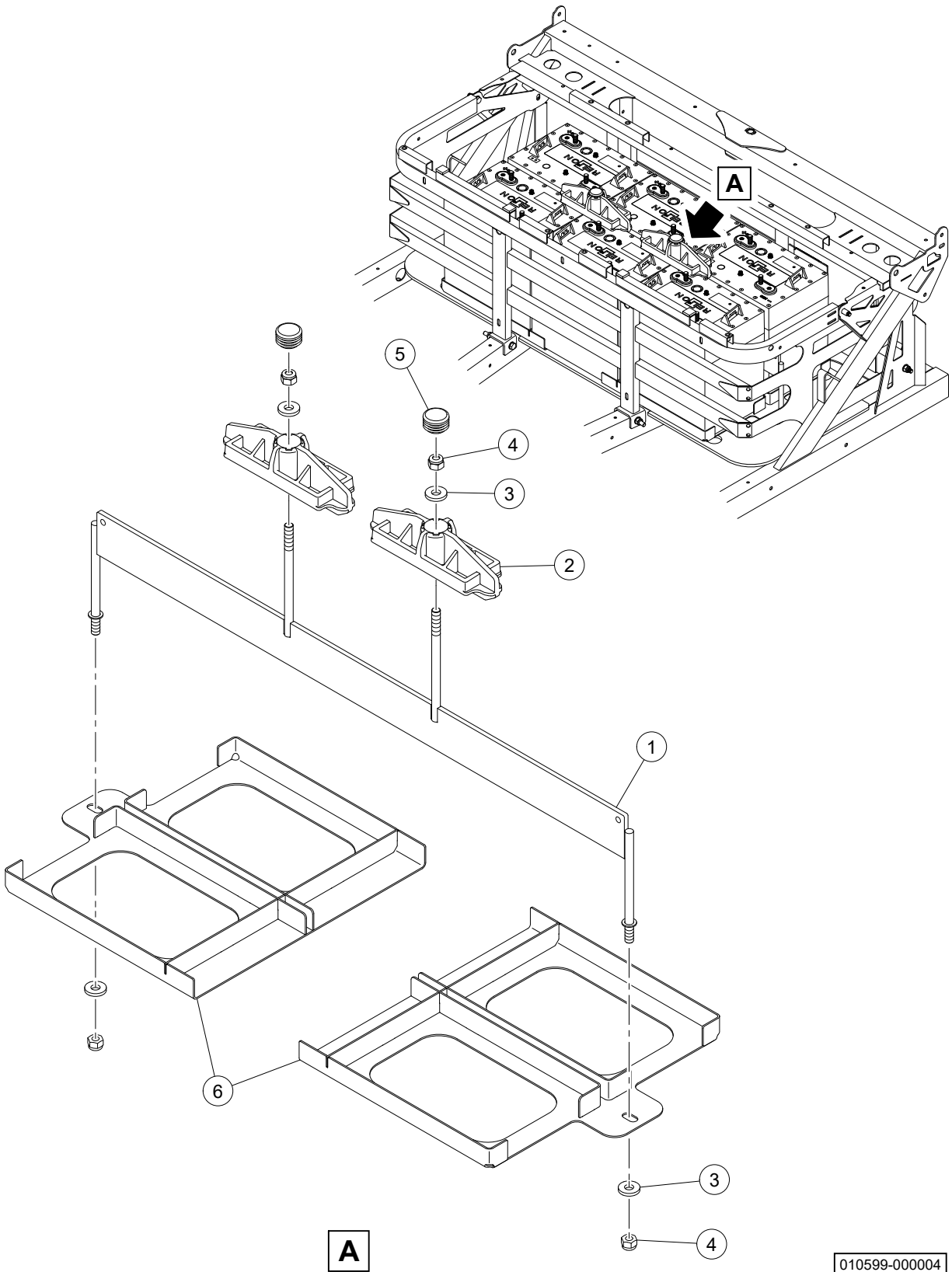
BATTERY/BATTERIES
BATTERY HOLD-DOWNS (FLA AND LI-ION) 8 BATTERY

ITEM	PART NUMBER		NOMENCLATURE							EFF	QTY
			1	2	3	4	5	6	7		
1	U2114710000		BRACKET, BATTERY MOUNT								1
2	G2114700801		BRACKET, PLASTIC, BATTERY								3
3	G1199100700	A	NUT								3
4	G1199202500	A	WASHER								3
5	G1199708900		PLUG, COVER								3
6	G2114701000		HOLDER ASSY, BATTERY								1
			FOR USE ONLY ON EIGHT BATTERY FLOOD LEAD ACID (FLA)								
			AND EIGHT BATTERY LITHIUM-ION (LI-ION) VEHICLE								
			CONFIGURATIONS								

- ITEM NOT ILLUSTRATED

1

BATTERY/BATTERIES
BATTERY HOLD-DOWNS (LI-ION) 6 BATTERY



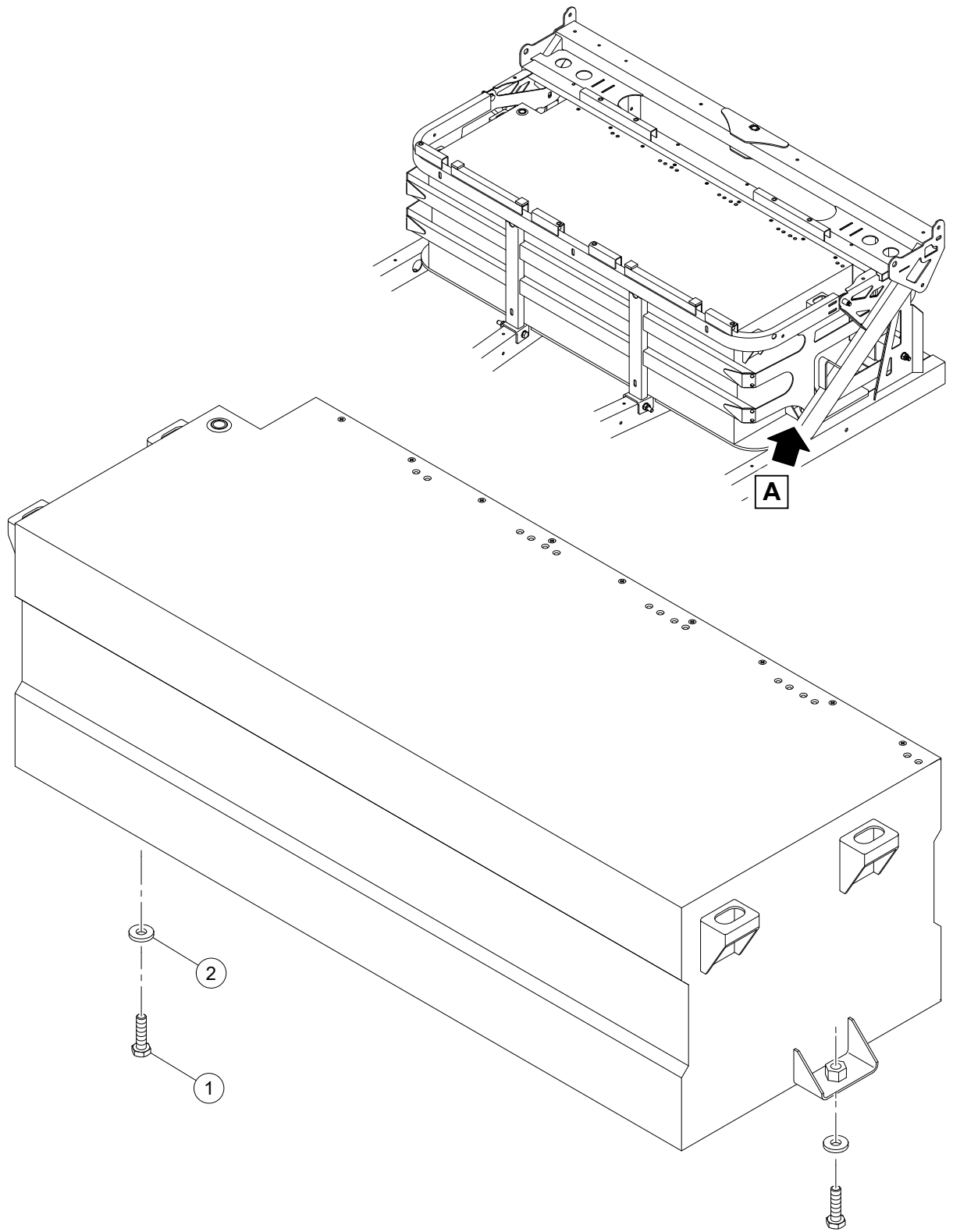
010599-000004

ITEM	PART NUMBER		NOMENCLATURE							EFF	QTY
			1	2	3	4	5	6	7		
1	G2114700702		BRACKET, BATTERY MOUNTING								1
2	G2114700801		BRACKET, BATTERY, PLASTIC								2
3	G1199100700	A	NUT								4
4	G1199202500	A	WASHER								4
5	G1199708900		COVER, PLUG								2
6	G2114701000		HOLDER ASSY, BATTERY								2
			FOR USE ONLY ON RELION (LI-ION) SIX BATTERY								
			CONFIGURATIONS								

- ITEM NOT ILLUSTRATED

1

BATTERY/BATTERIES
BATTERY HOLD-DOWN (LI-ION) SINGLE CONFIGURATION



A

010599-000005

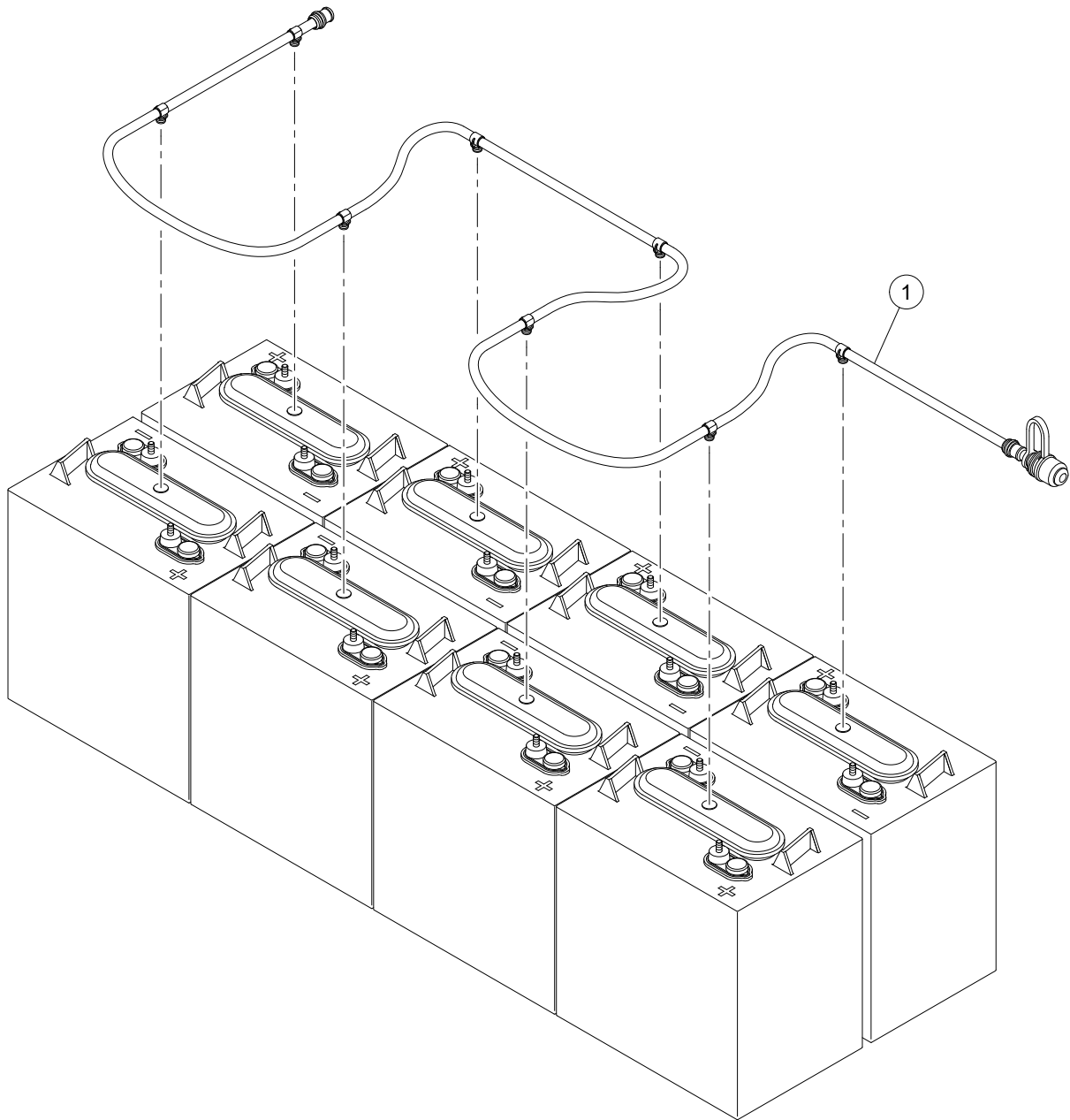
BATTERY/BATTERIES
 BATTERY HOLD-DOWN (LI-ION) SINGLE CONFIGURATION

ITEM	PART NUMBER		NOMENCLATURE							EFF	QTY
			1	2	3	4	5	6	7		
1	G1199012900	A	BOLT								2
2	G1199201100	A	WASHER								2
			FOR USE WITH INSIGHT LI-ION BATTERY								

- ITEM NOT ILLUSTRATED

1

BATTERY/BATTERIES
SINGLE POINT WATERING SYSTEM (SPWS)



010699-000001

ITEM	PART NUMBER		1 2 3 4 5 6 7 NOMENCLATURE	EFF	QTY
1	U2114250000		SPWS (SINGLE POINT WATERING SYSTEM) HYDROLINK		1
			FOR USE ONLY ON FLOOD LEAD ACID (FLA) VEHICLES WITH		
			EIGHT BATTERY CONFIGURATION		

- ITEM NOT ILLUSTRATED

Electrical equipment.



11-12



2



4



5

Electrical equipment



13



3



6



1

15

Electrical equipment

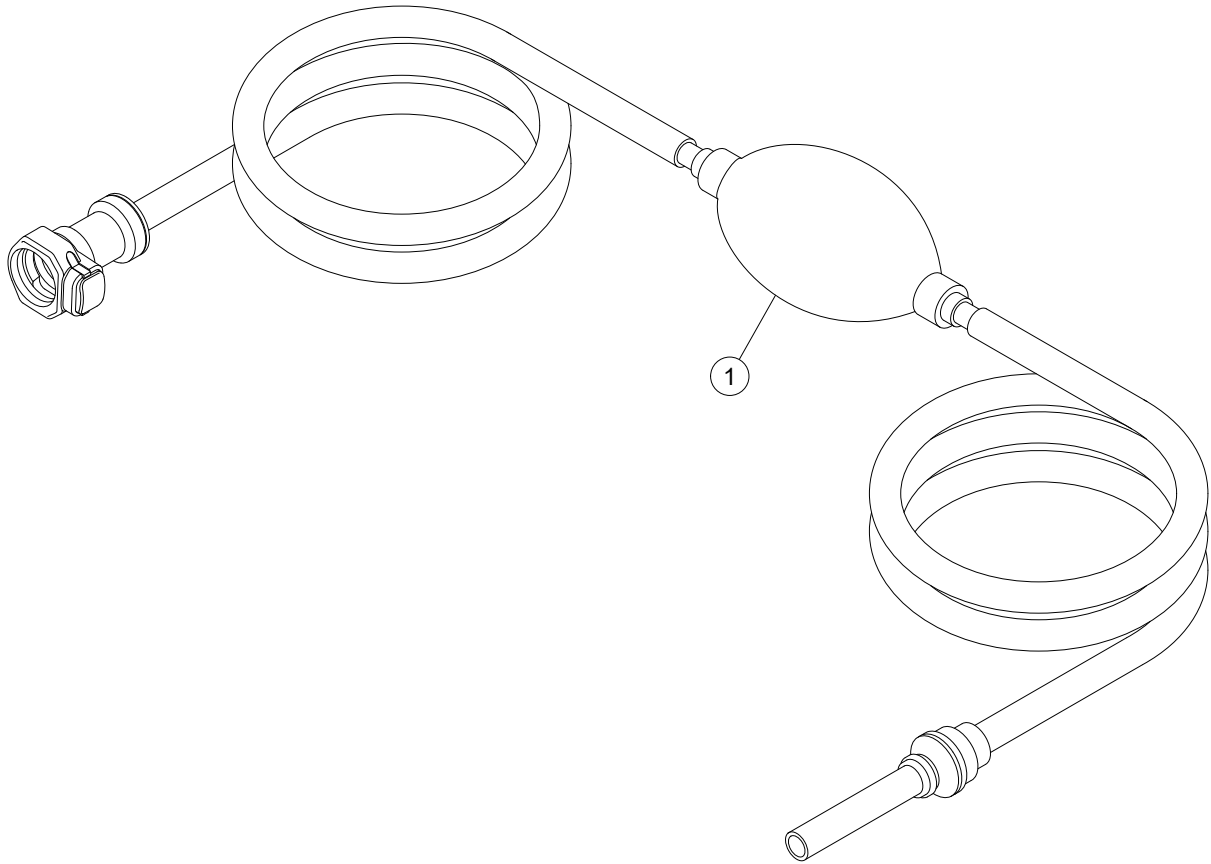


Black Box battery- optional (above picture)

Item	Part Number	Part Name
1	U2110100100	Electromagnetic parking brake, LWB & N1
2	G21S7400100	Wiper motor pre-assembly LHD
3	G2191400600	Trottle potentiometer, LHD
4	G2191201000	Solenoid
5	G2191100200	Charger inlet repair kit
6	G2190202200	Charger cable 3,5m, EU Plug
7	G2180201201	Switch, Hazard light
8	G2180200500	Switch, main power
9	G2191100400	12 volt power socket
10	G2180100400	Indicator arm
11	G2114400201Li	Charger / Converter DC/AC 48V (200 AH Lithium box)
12	G2114400201In	Charger / Converter DC/AC 48V (30 AH Lithium box)
13	G2110101500	AC-Motor 8kW

1

BATTERY/BATTERIES
HAND-PUMP, SINGLE POINT WATERING SYSTEM (SPWS)



010699-000002

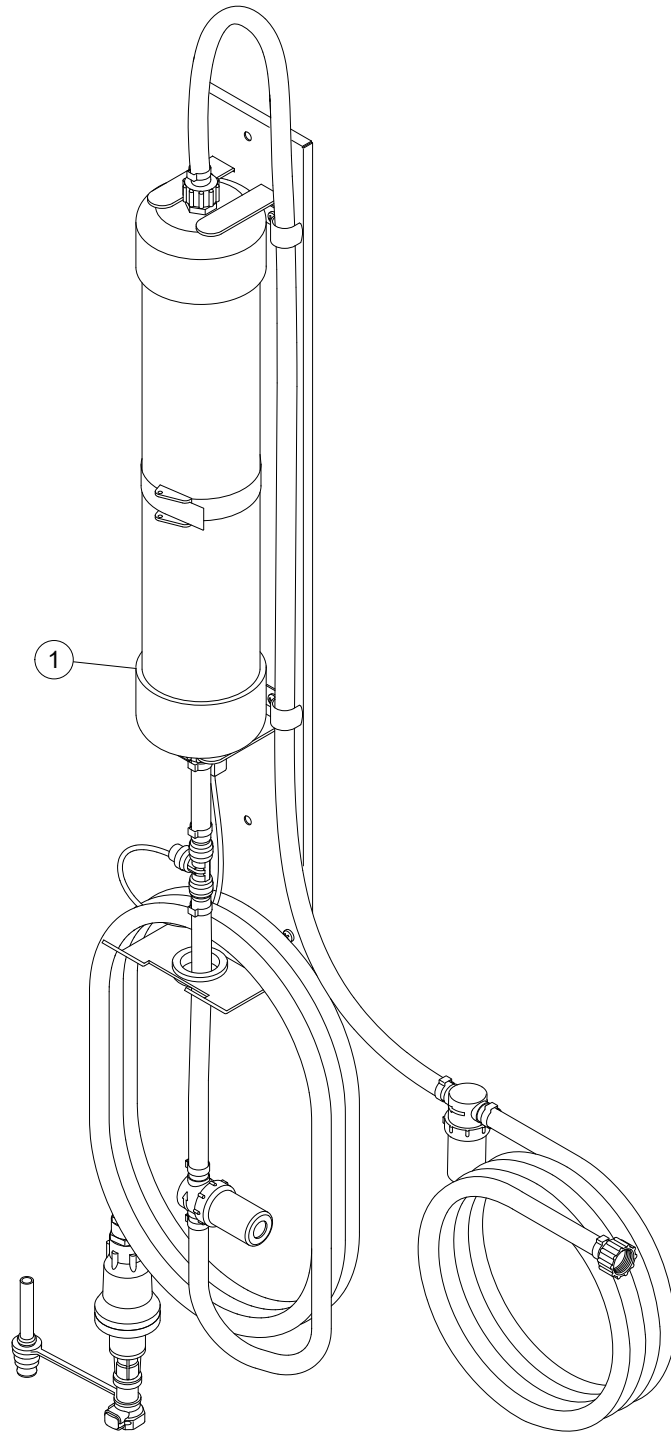
BATTERY/BATTERIES
HAND-PUMP, SINGLE POINT WATERING SYSTEM (SPWS)

ITEM	PART NUMBER	NOMENCLATURE							EFF	QTY
		1	2	3	4	5	6	7		
1	104006101	HAND PUMP (SPWS)								1
		FOR USE ONLY ON VEHICLES WITH FLOOD LEAD ACID (FLA)								
		BATTERIES								

- ITEM NOT ILLUSTRATED

1

BATTERY/BATTERIES
DEIONOZER



010699-000003

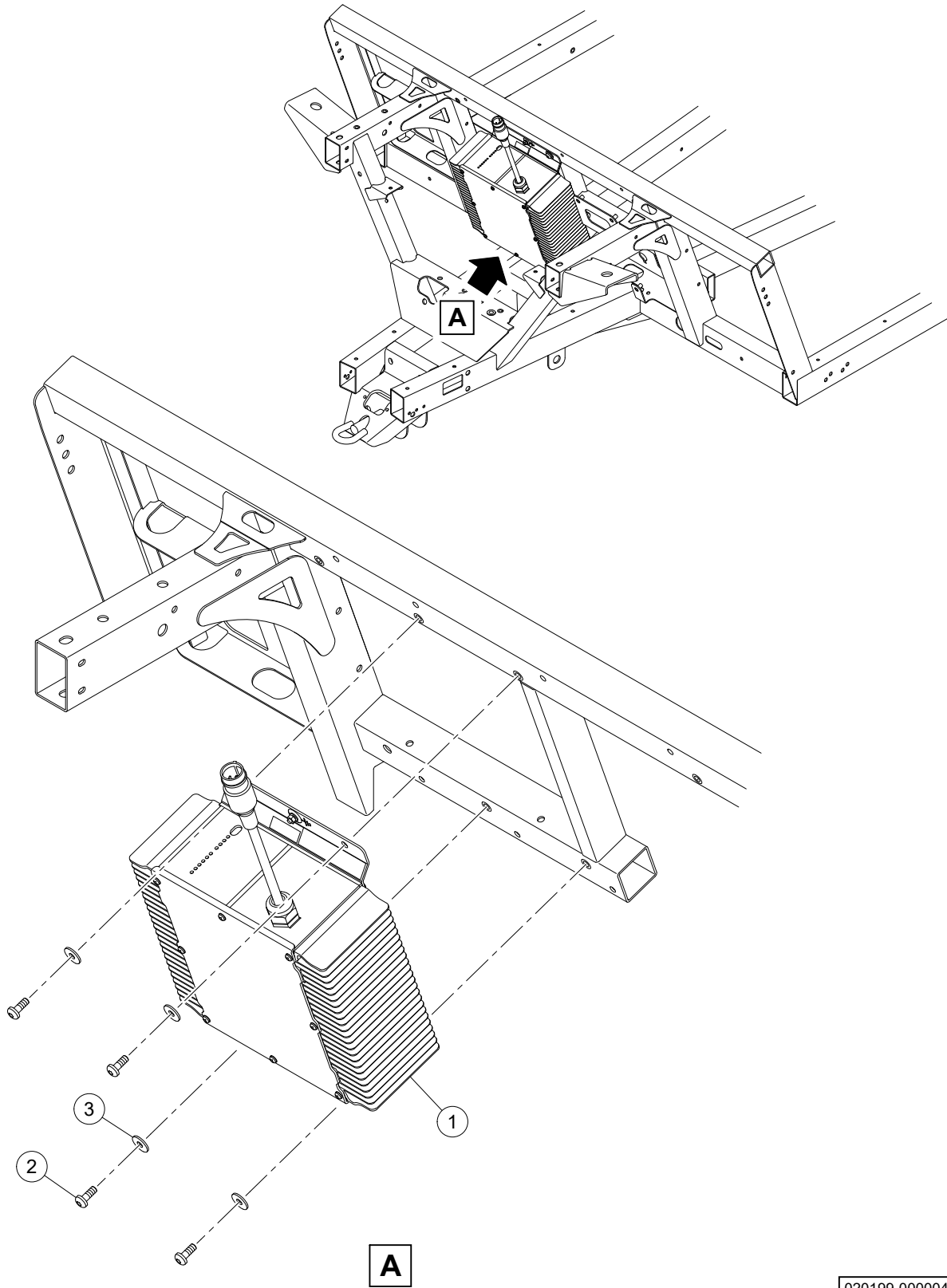
(Page intentionally left blank.)

2

BATTERY CHARGER(S)

2

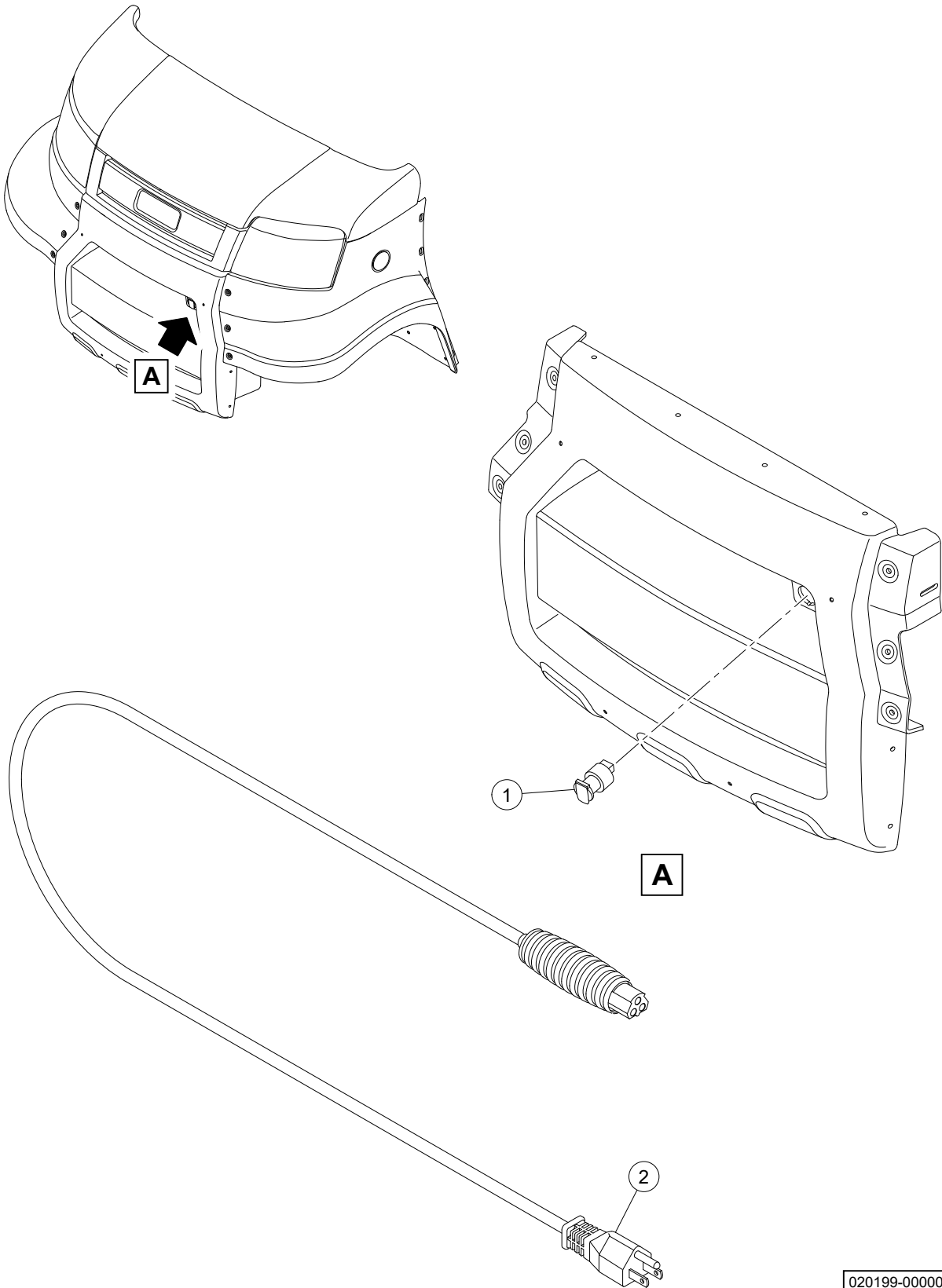
BATTERY CHARGER(S) BATTERY CHARGER



020199-000004

2

BATTERY CHARGER(S)
CHARGER PLUG AND CABLES



020199-000005

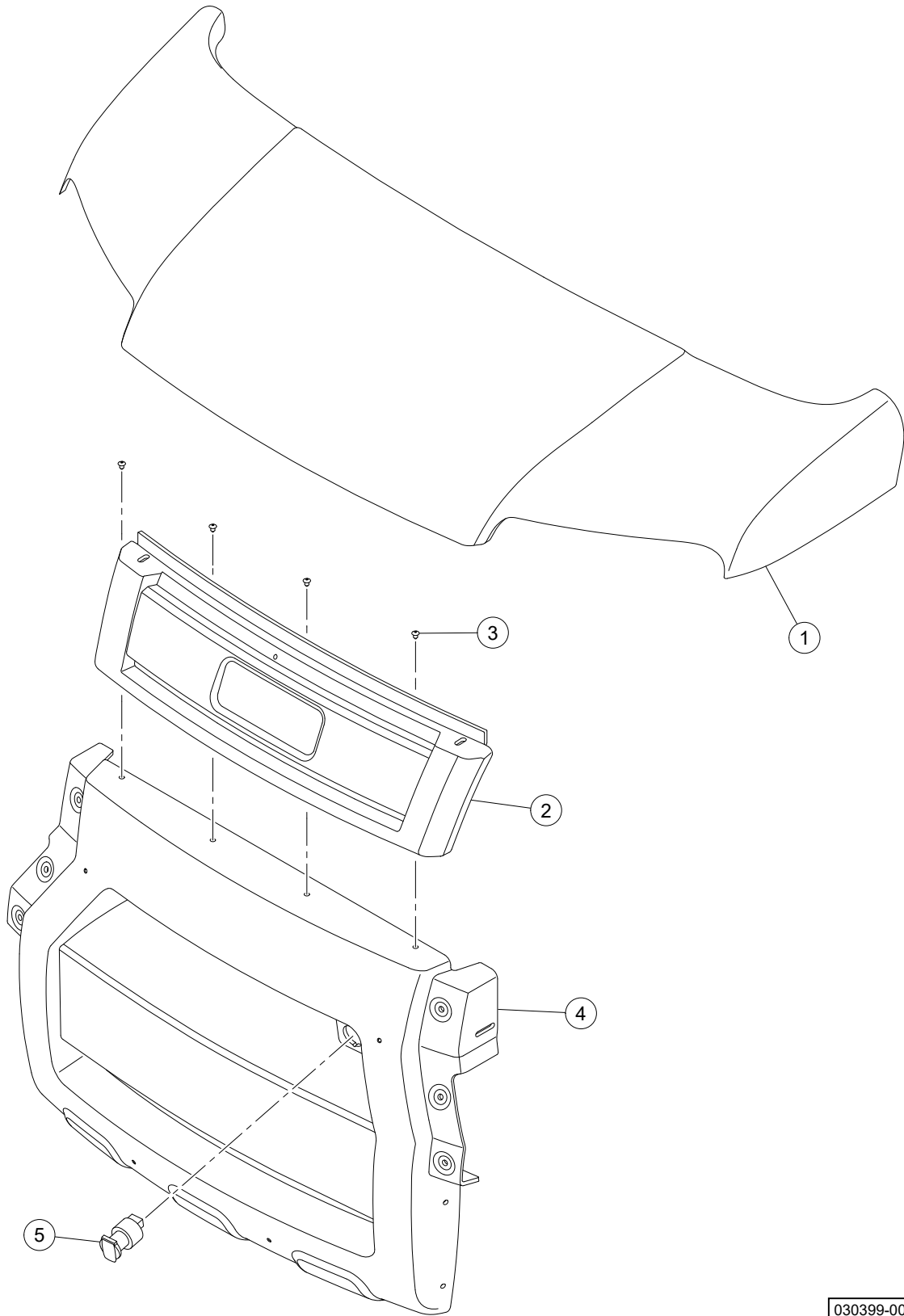
(Page intentionally left blank.)

3

BODY

3

BODY
BODY, FRONT



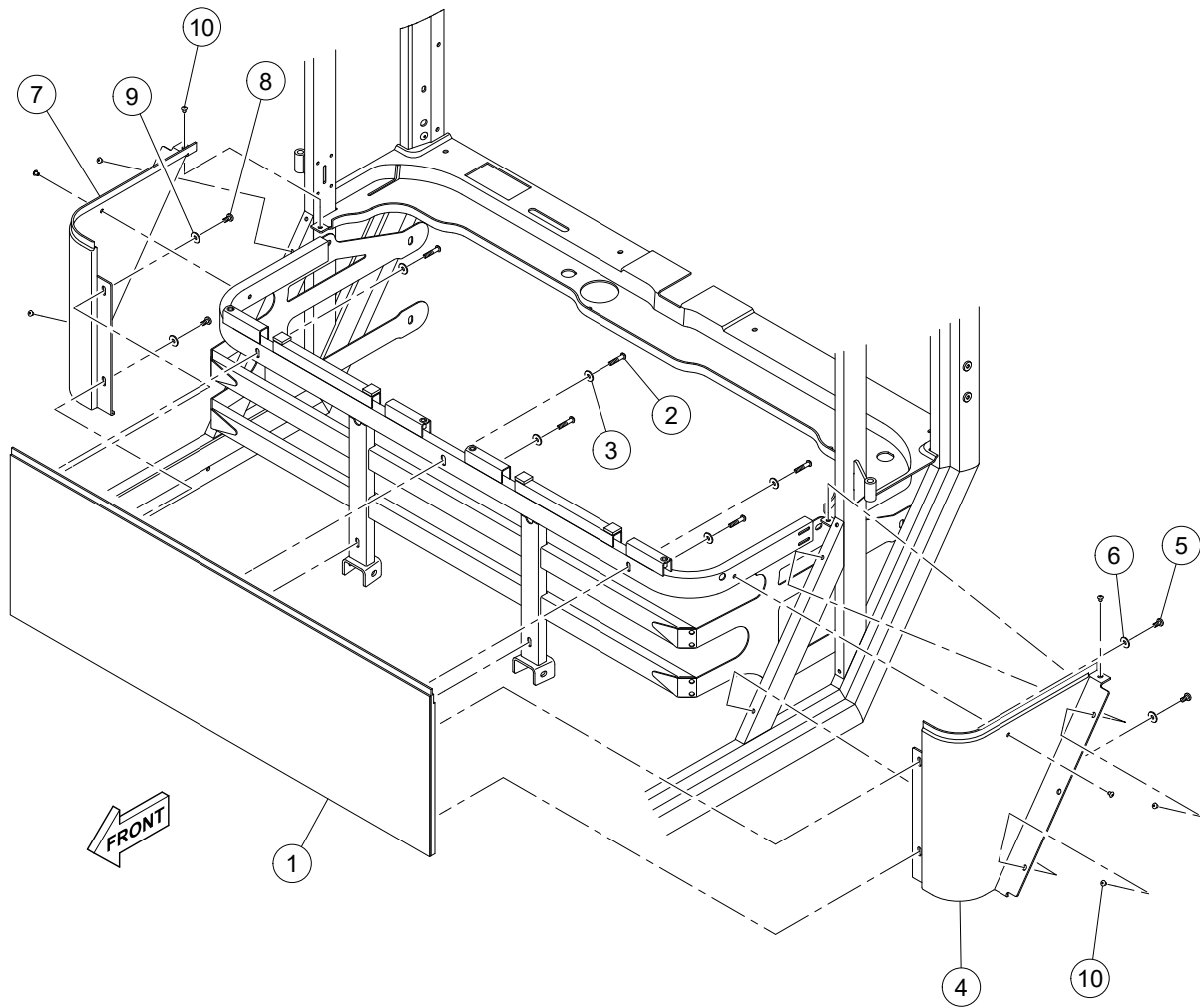
030399-000001

ITEM	PART NUMBER	NOMENCLATURE					EFF	QTY
		1	2	3	4	5		
1	U2161310001B1							AR
-1A	U2161310001B2							AR
-1B	U2161310001B3							AR
-1C	U2161310001B4							AR
2	U2161430200B1							AR
-2A	U2161430200B2							AR
-2B	U2161430200B3							AR
-2C	U2161430200B4							AR
3	G1199701400	A						4
4	U2161400001							1
5	G2191100100							1

- ITEM NOT ILLUSTRATED

3

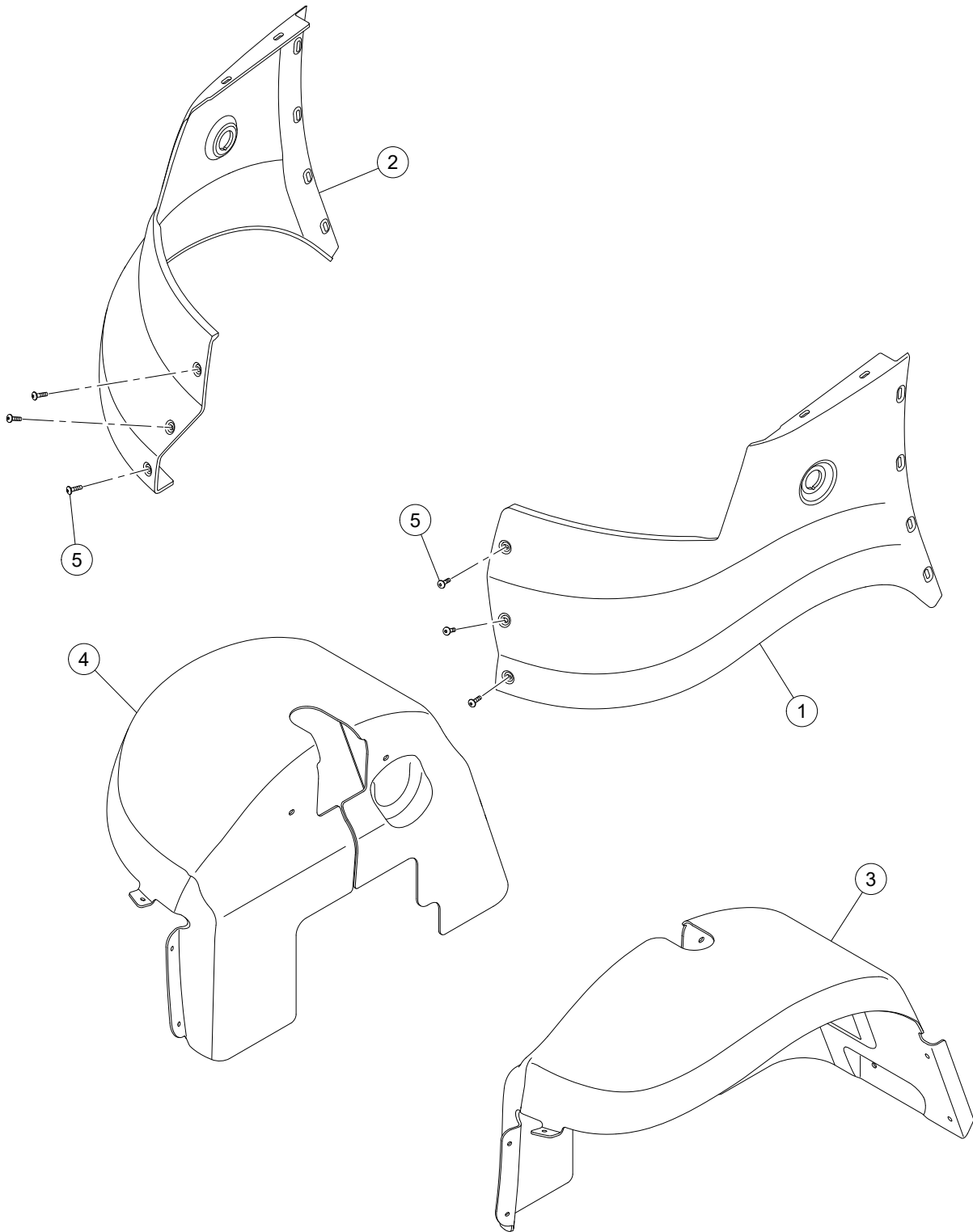
BODY SEAT CLOSEOUTS



030399-000005

3

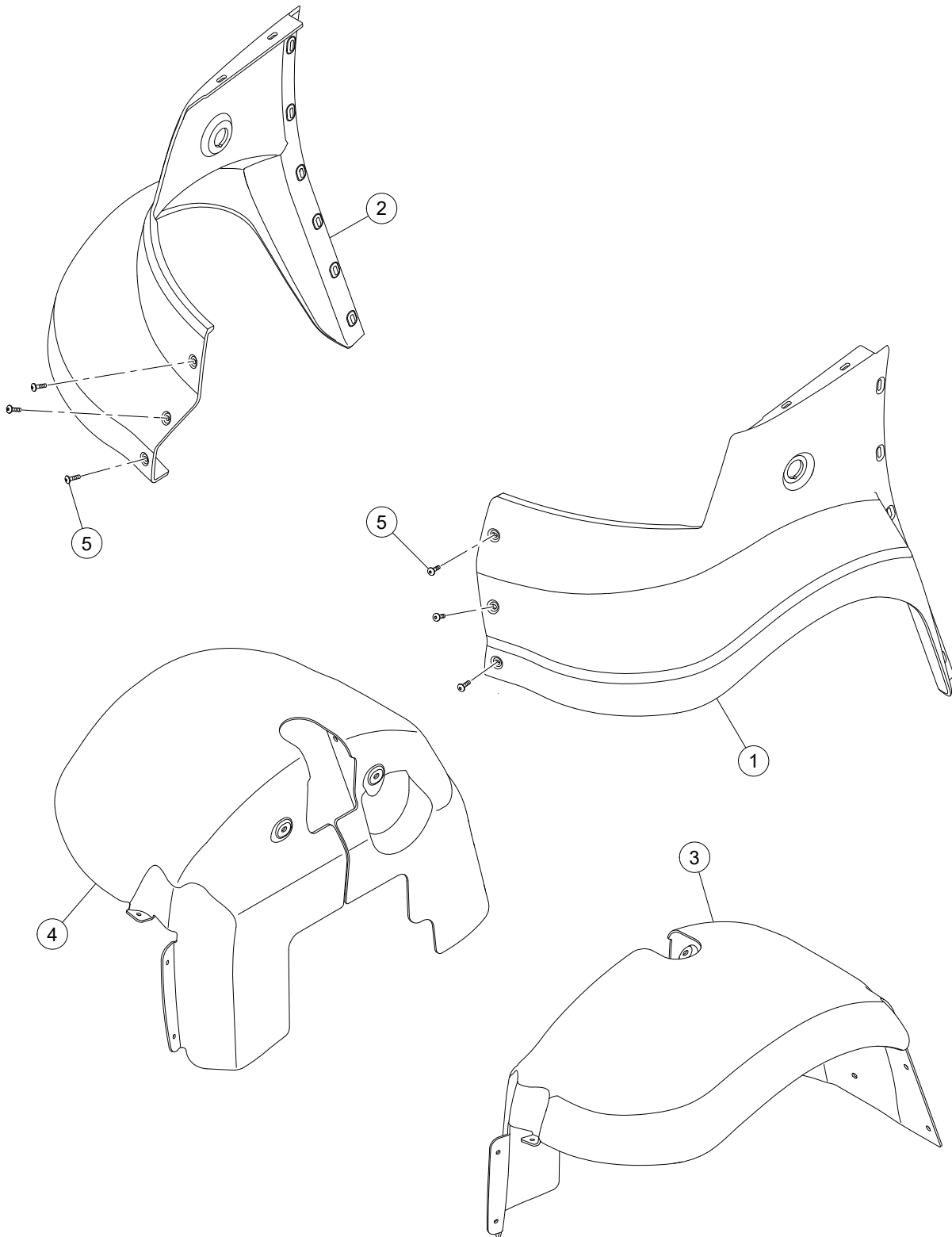
BODY FENDERS, FRONT (STANDARD)



030399-000004

3

BODY FENDERS, FRONT (WIDE)



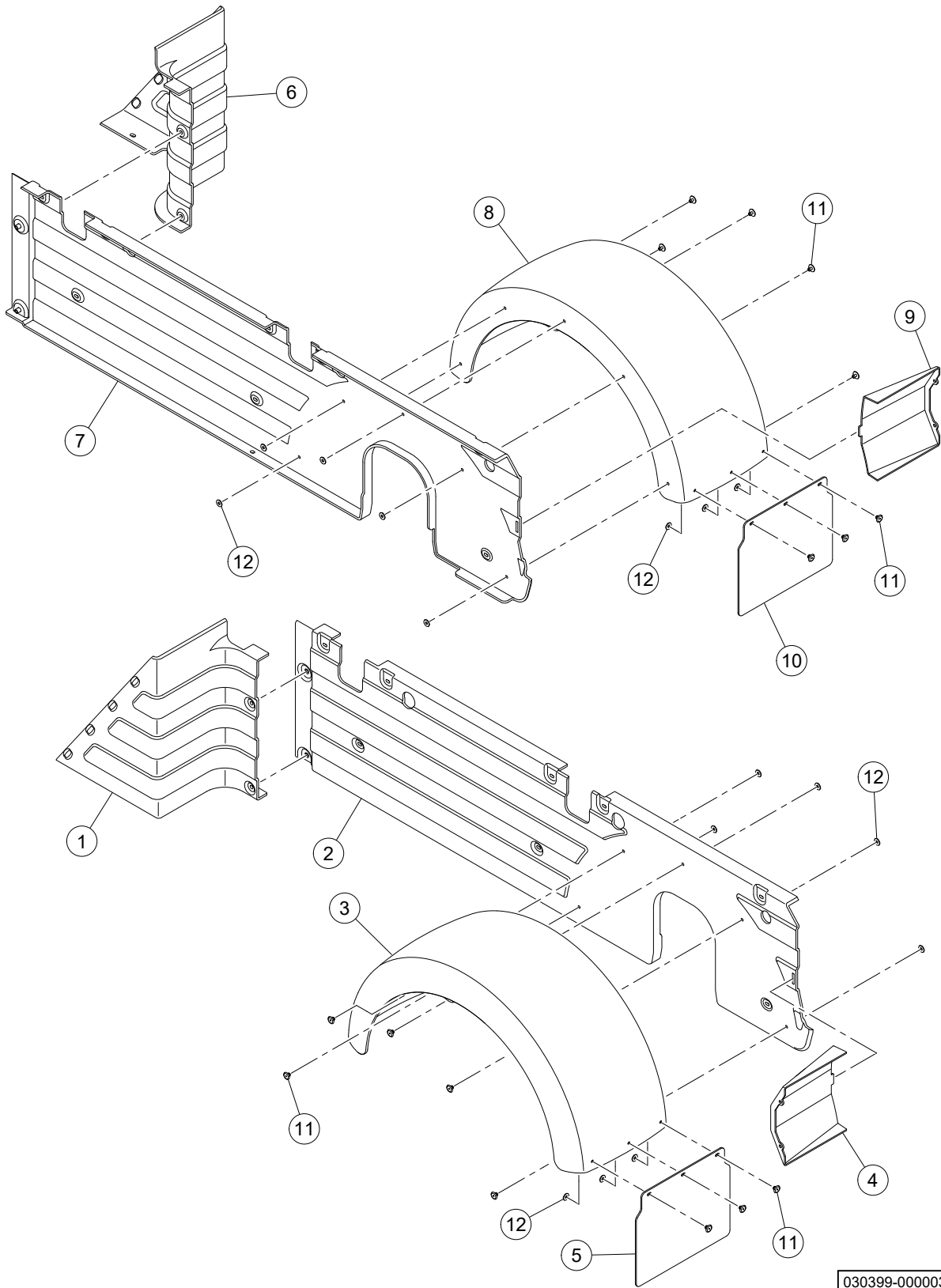
030399-000002

ITEM	PART NUMBER		NOMENCLATURE							EFF	QTY
			1	2	3	4	5	6	7		
1	U2161410700		FENDER, WIDE (LH)								1
2	U2161410800		FENDER, WIDE (RH)								1
3	U2161610700		WHEEL ARCH, FRONT (LH)								1
4	U2161610800		WHEEL ARCH, FRONT (RH)								1
5	G1199001700	A	BOLT, BLACK								AR

- ITEM NOT ILLUSTRATED

3

BODY FENDERS, REAR, EXTENDED CARGO (WIDE)

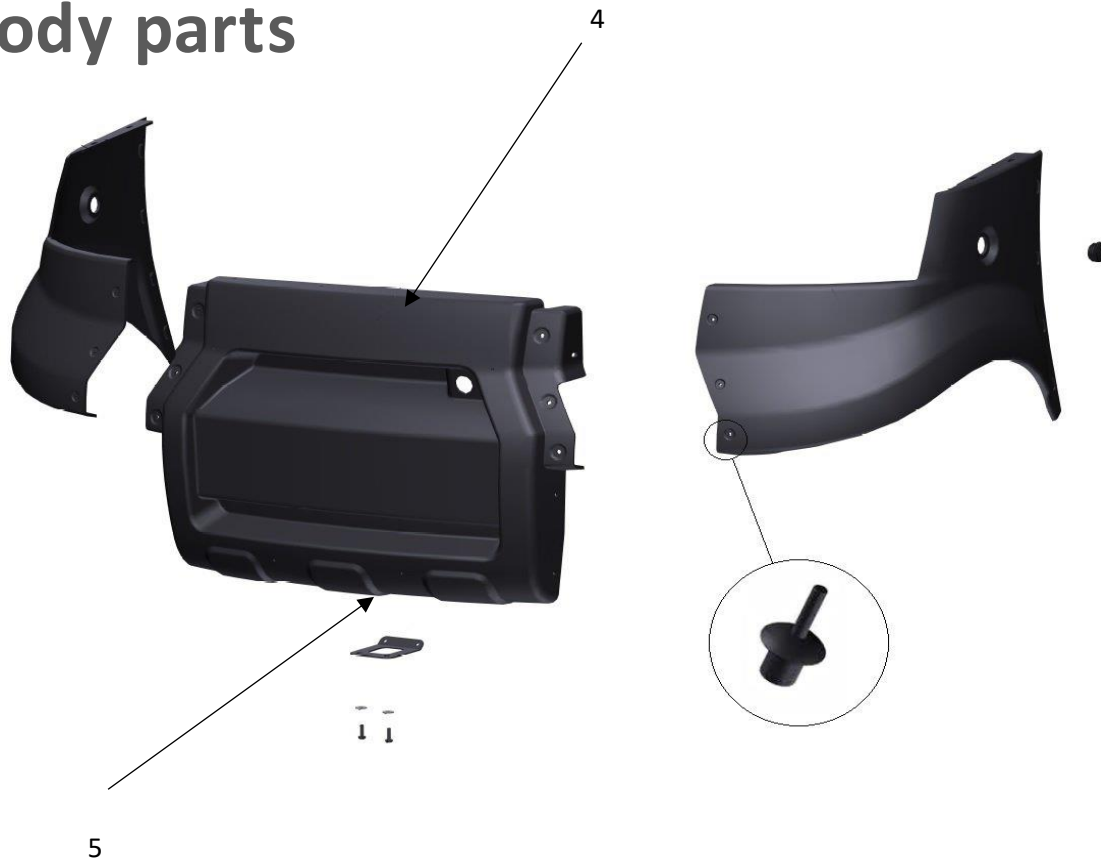


030399-000003

~~Body~~ parts.



Body parts



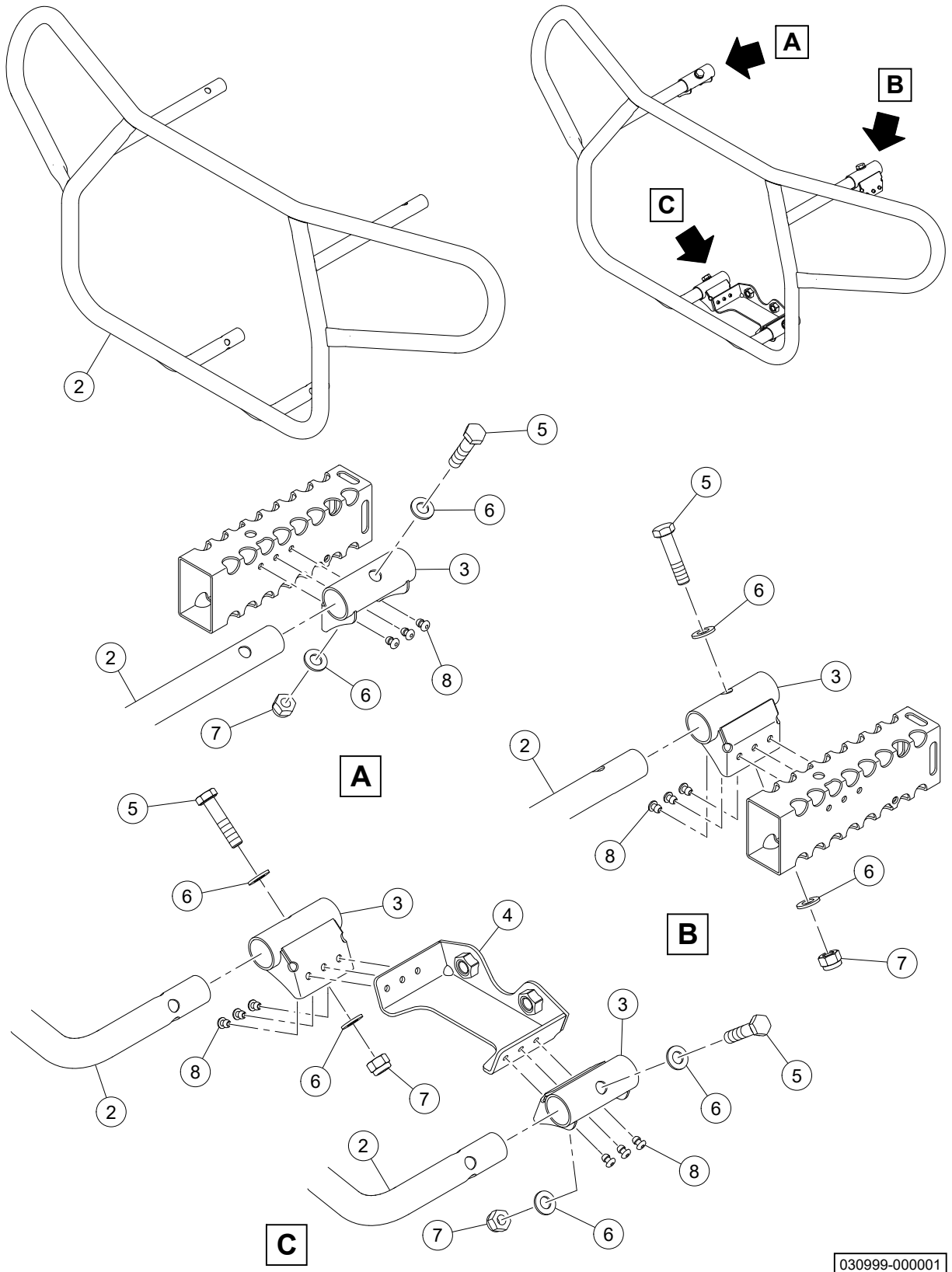
Item	Part Number	Part Name
1	U2161430300B5	Front panel, Melex, Silver
2	U2161410302B5	Front wing, LH, silver
3	U2161410402B5	Front wing, RH, silver
4	U2161400001B5	Front bumper, center asm, silver
5	U2161420500	Bracket for front bumper, lower
6	U2161310000B5	Front bonnet asm, silver
7	G2161300203	Lock, bonnet
8	G2161300303	Hinge, LH, asm
9	G2161300403	Hinge, RH, asm
10	U2161410500	Front fender canard, LH
11	U2161410600	Front fender canard, RH
12	G2175601200	Side-reflector, AJ-BA CT55

ITEM	PART NUMBER		NOMENCLATURE							EFF	QTY
			1	2	3	4	5	6	7		
1	U2162111100		PANEL, REAR SIDE, FRONT (LH)								1
2	U2162110301		REAR PANEL ASSY, LONG (LH)								1
3	U2162410200		WHELL ARCH, REAR (LH)								1
4	U2162111300		PANEL, REAR SIDE (LH)								1
5	U2162410300		MUD FLAP (LH)								1
6	U2162111200		PANEL, REAR SIDE, FRONT (RH)								1
7	U2162110401		REAR PANEL ASSY, LONG (RH)								1
8	U2162410200		WHEEL ARCH, REAR (RH)								1
9	U2162111400		PANEL, REAR SIDE (RH)								1
10	U2162410300		MUD FLAP (RH)								1
11	G1199711200	A	RIVET								AR
12	G1199201600	A	WASHER								AR

- ITEM NOT ILLUSTRATED

3

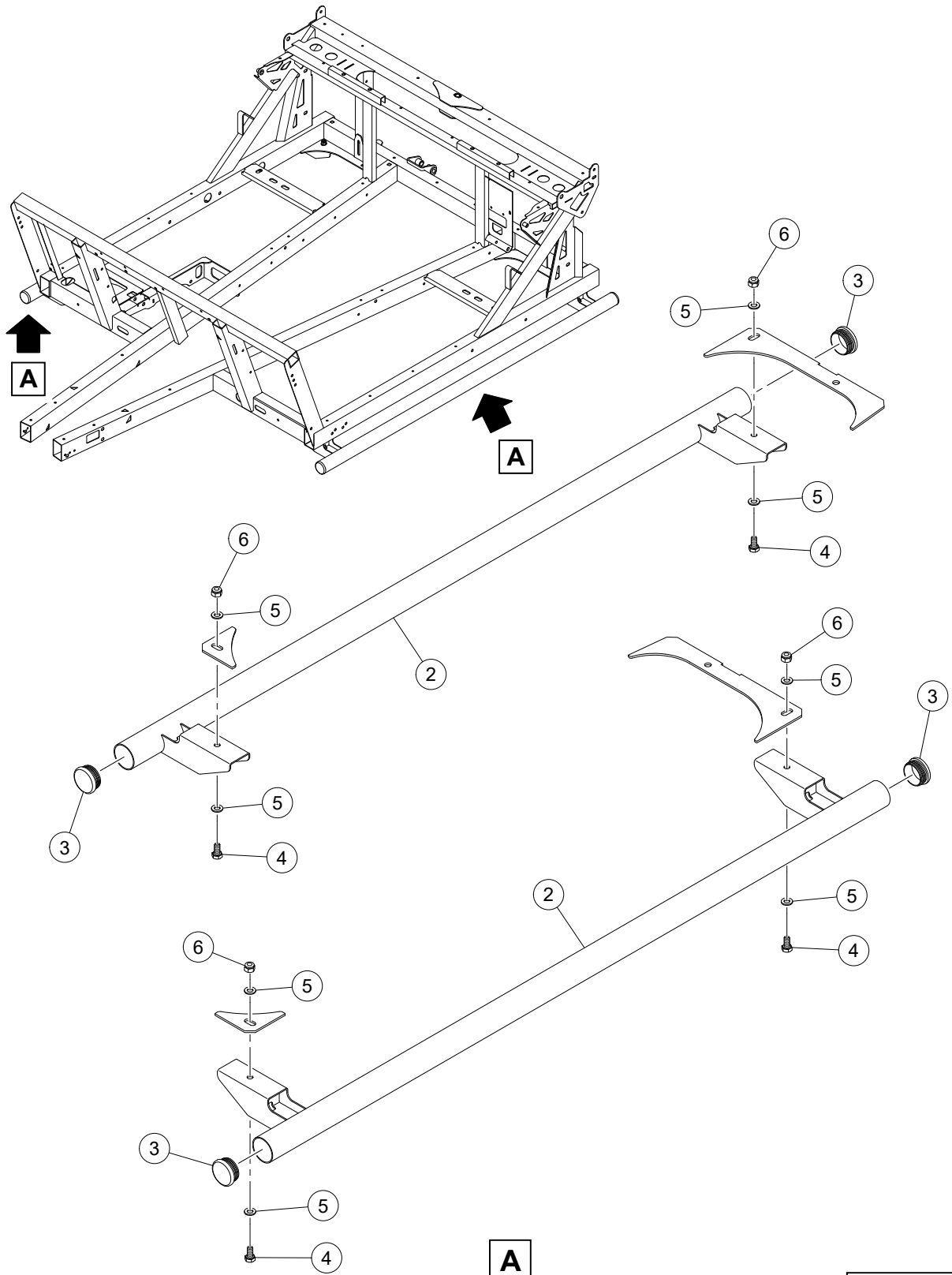
BODY BRUSH GUARD



030999-000001

3

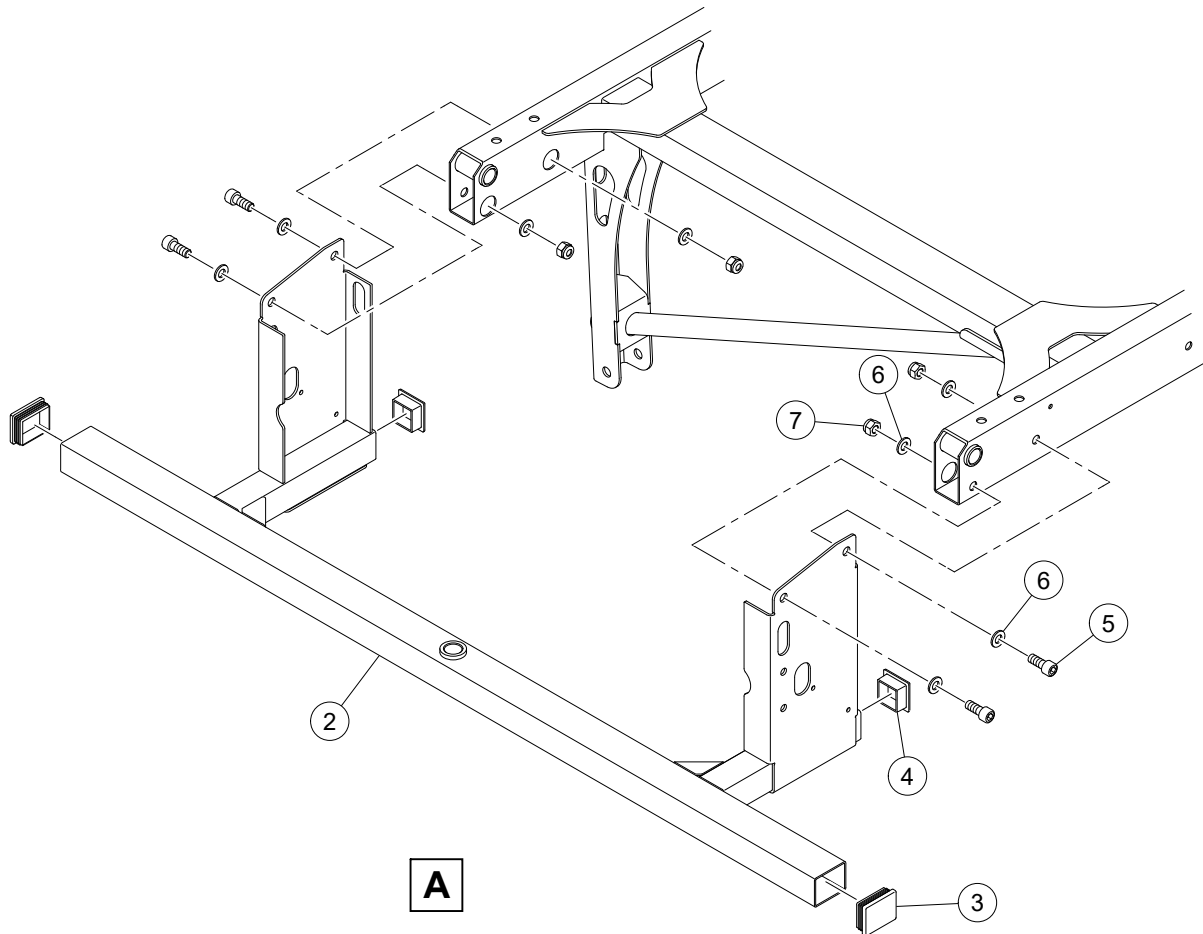
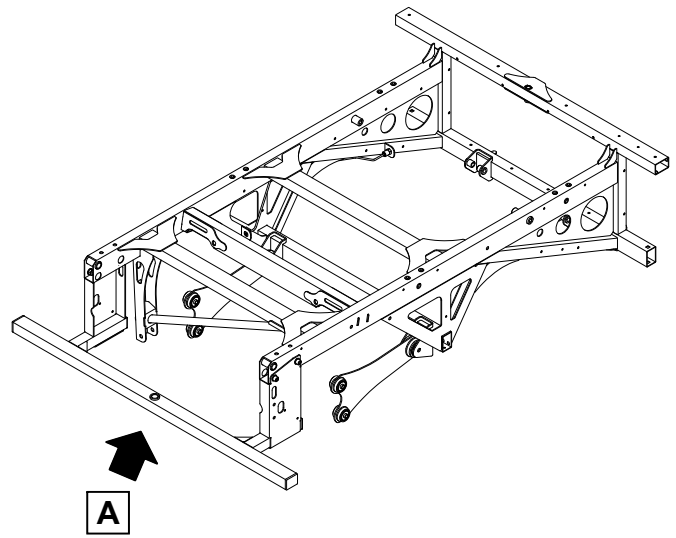
BODY NERF BARS



030999-000002

3

BODY
BUMPER, REAR



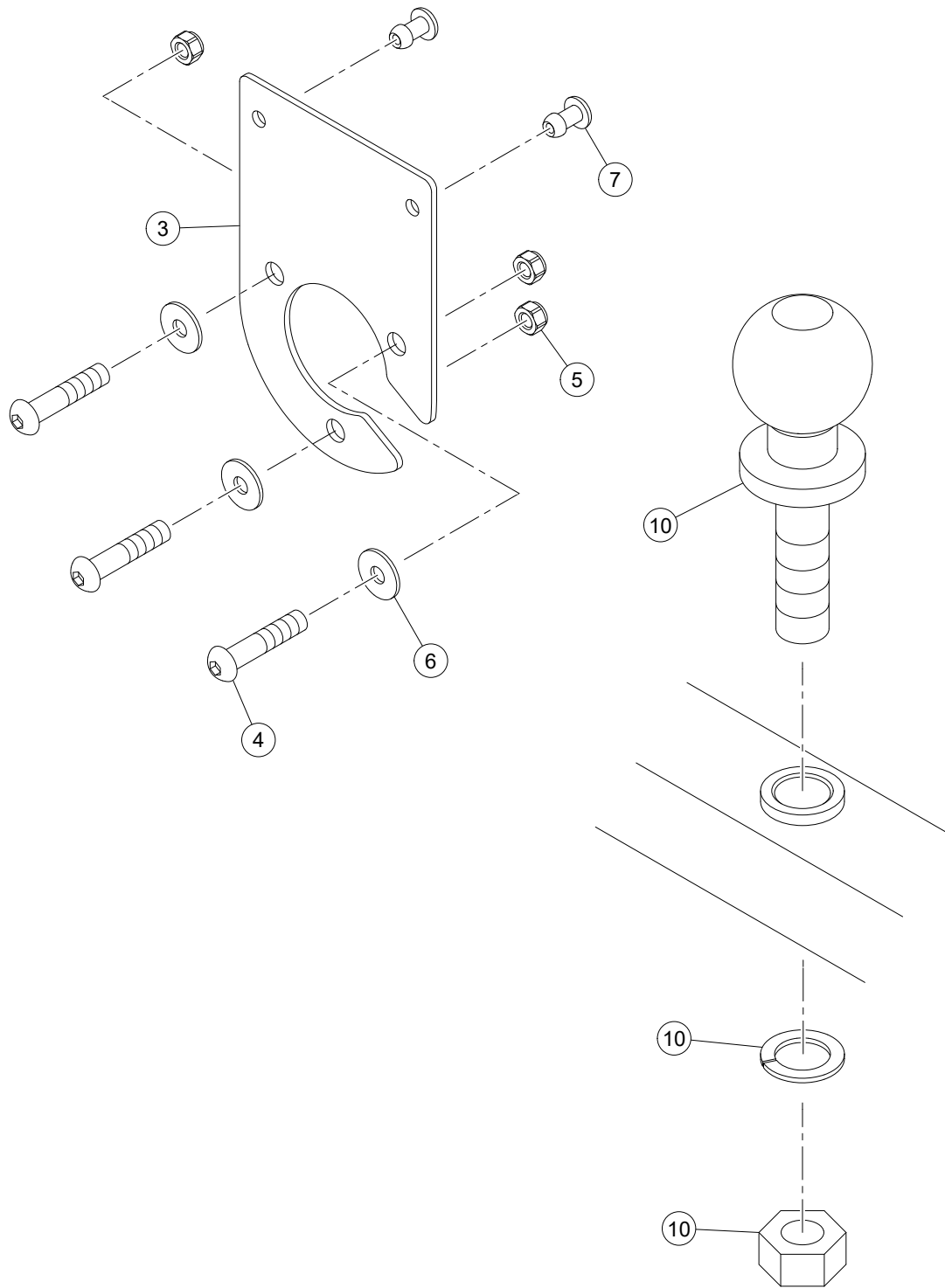
030599-000003

ITEM	PART NUMBER	NOMENCLATURE							EFF	QTY
		1	2	3	4	5	6	7		
-1	47786600001									RF
2	U2150241101									1
3	G1199711500									2
4	G2145101400									2
5	G1199007100	A								4
6	G1199201100	A								8
7	G1199100700	A								4

- ITEM NOT ILLUSTRATED

3

BODY TOW BALL AND LIGHT SOCKET



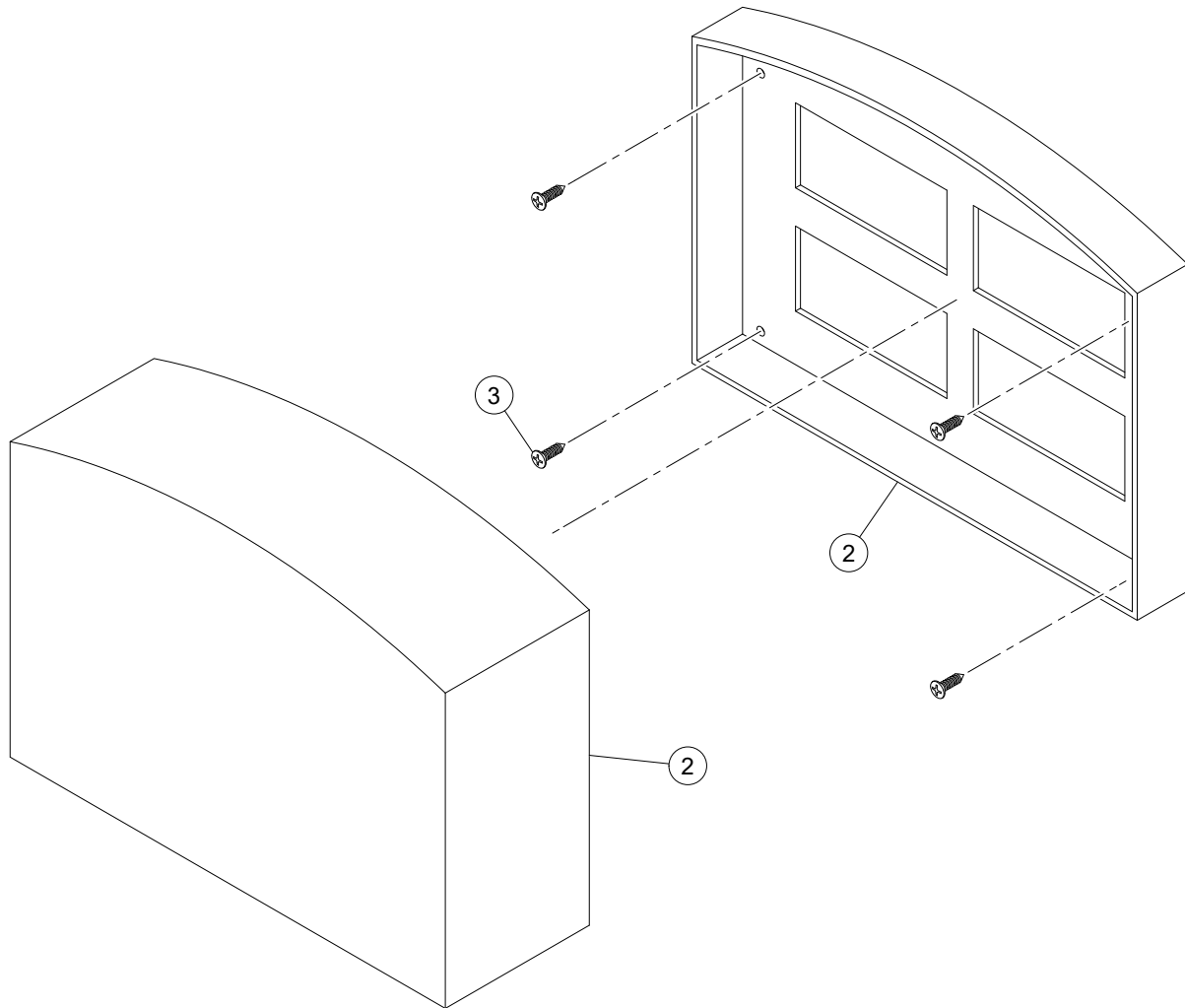
031499-000001

ITEM	PART NUMBER	NOMENCLATURE							EFF	QTY
		1	2	3	4	5	6	7		
-1	47786680002									RF
-2	47786657001									RF
3	U2145410100									1
4	G1199011700	A								3
5	G1199101800	A								3
6	G1199201600	A								6
7	G1199704400	A								2
-8	U2190201300									1
-9	47786658001									RF
10	U2145410000									1

- ITEM NOT ILLUSTRATED

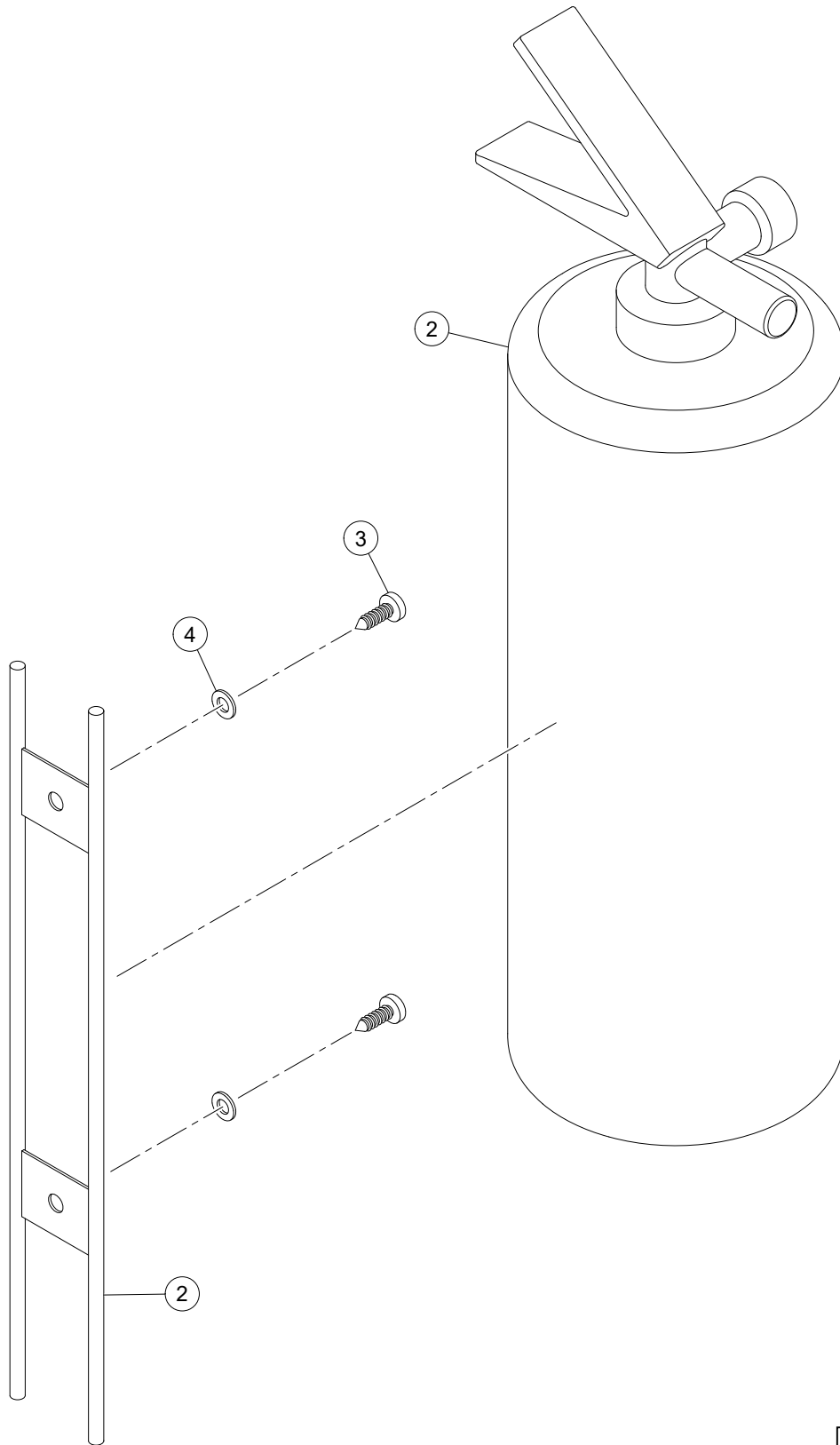
3

BODY
FIRST AID KIT



3

BODY
FIRE EXTINGUISHER

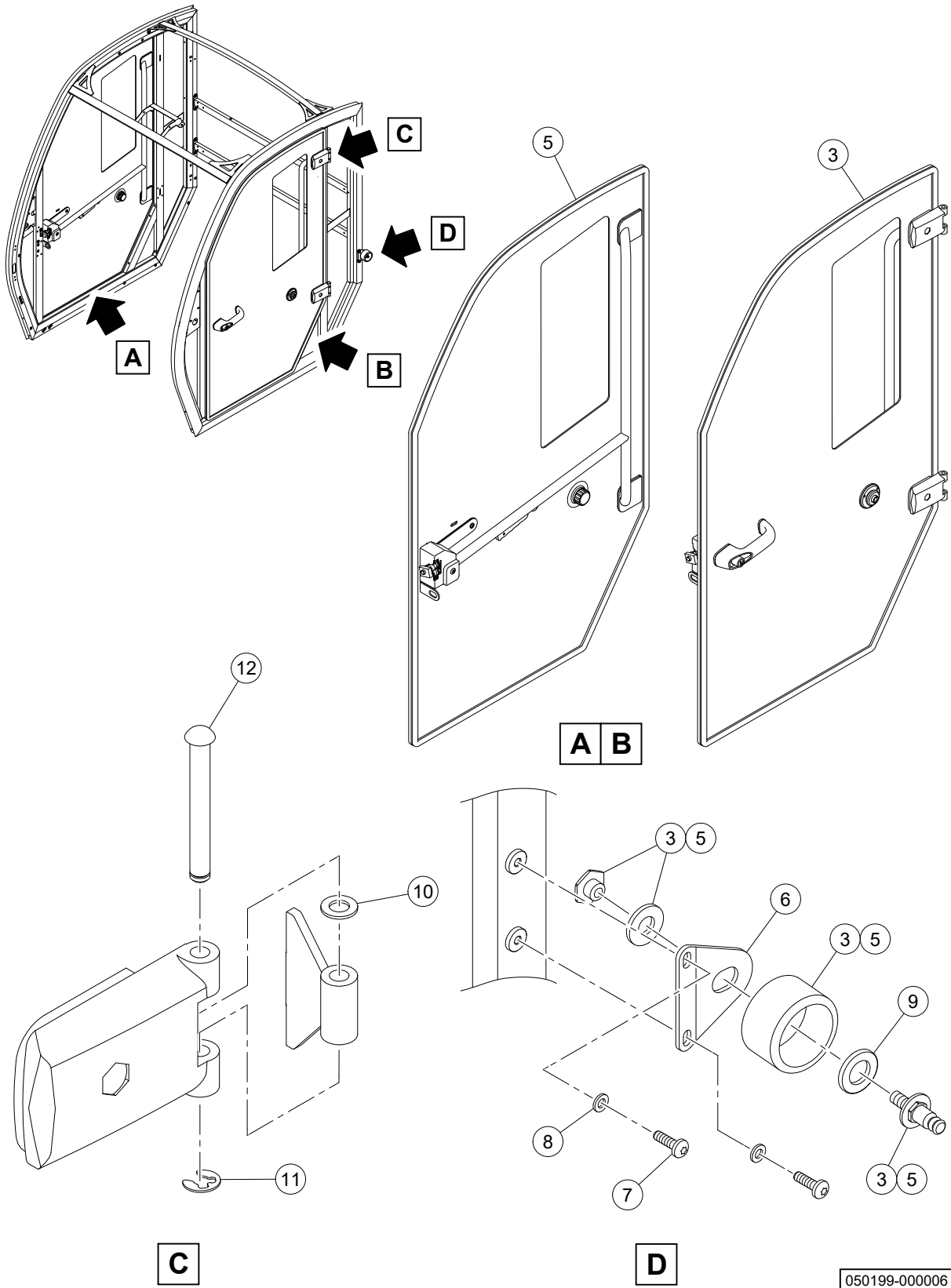


191899-000002

(Page intentionally left blank.)

4

CAB

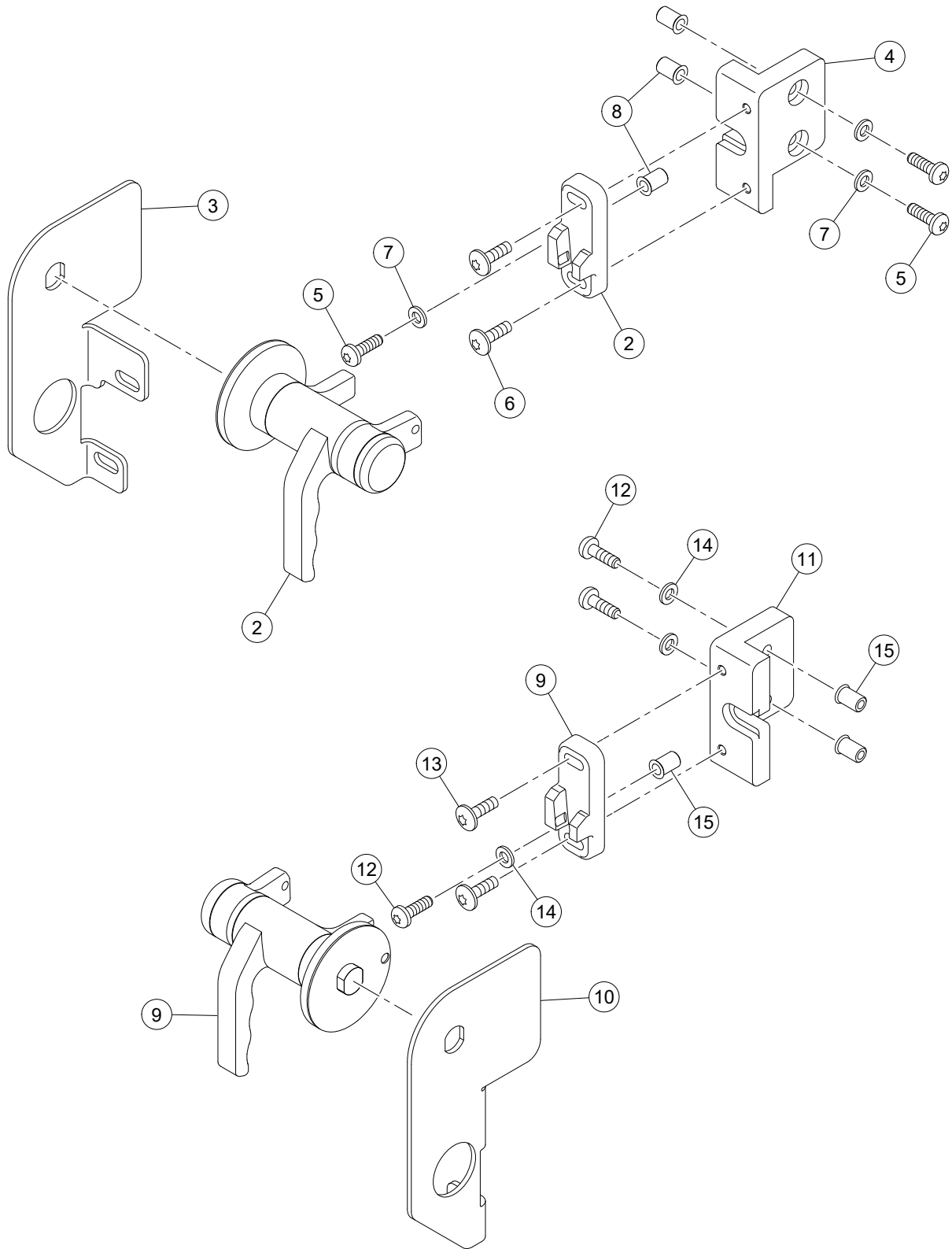


ITEM	PART NUMBER		NOMENCLATURE							EFF	QTY
			1	2	3	4	5	6	7		
-1	47786681001		CAB DOOR INSTL								RF
-2	47786664001		* CAB DOOR ASSY (LH)								RF
3	U2170300101		* * DOOR AND FRAME ASSY (LH)								1
-4	47786665001		* CAB DOOR ASSY (RH)								RF
5	U2170300201		* * DOOR AND FRAME ASSY (RH)								1
6	U2170390800		* BRACKET								AR
7	G1199000800	A	* BOLT								AR
8	G1199200200	A	* WASHER								AR
9	G1199201400	A	* WASHER								AR
10	U2170350400	A	* SPACER								AR
11	U2170350600	A	* CIRCLIP								AR
12	U2170350500	A	* PIN, HINGE								AR
			SOME ITEMS ILLUSTRATED ARE SUPPLIED AS PART OF THE								
			DOOR ASSEMBLIES								

- ITEM NOT ILLUSTRATED

4

CAB CAB DOOR HANDLES



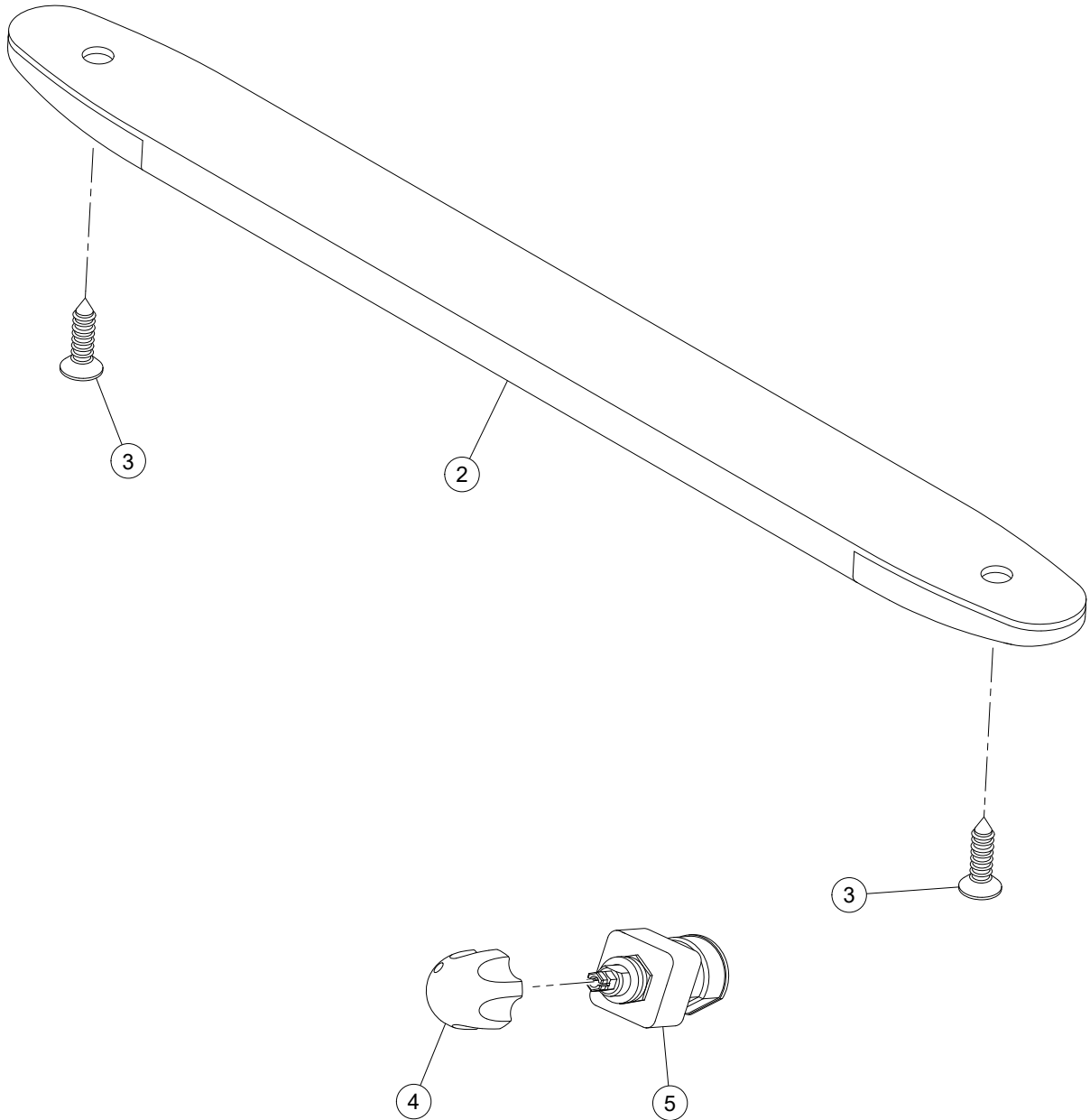
050199-000005

ITEM	PART NUMBER		NOMENCLATURE							EFF	QTY
			1	2	3	4	5	6	7		
-1	47786643001		CAB DOOR HANDLE INSTL								RF
2	U2170357300		* DOOR LOCK, LH								1
3	U2170356000		* BRACKET, LH								1
4	U2170357001		* CHIM, LH								1
5	G1199000800	A	* BOLT								3
6	G1199007000	A	* BOLT								2
7	G1199200800	A	* WASHER								3
8	G1199701700		* INSERT, THREADED								3
9	U2170357200		* DOOR LOCK, RH								1
10	U2170356200		* BRACKET, RH								1
11	U2170357101		* CHIM, RH								1
12	G1199000800	A	* BOLT								3
13	G1199007000	A	* BOLT								2
14	G1199200800	A	* WASHER								3
15	G1199701700		* INSERT, THREADED								3

- ITEM NOT ILLUSTRATED

4

CAB
CAB LIGHT (STD)



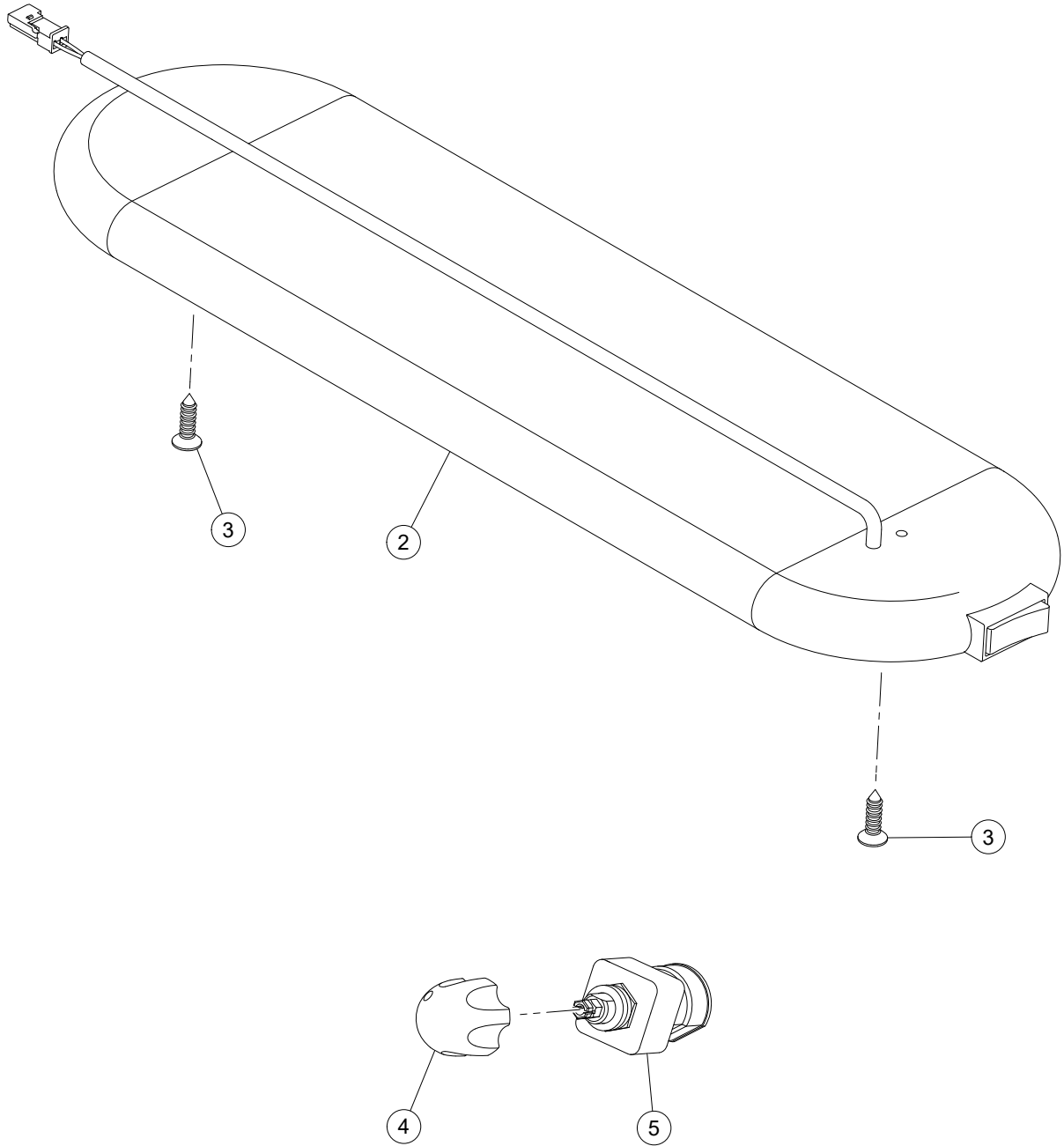
050199-000001

ITEM	PART NUMBER	NOMENCLATURE						EFF	QTY
		1	2	3	4	5	6		
-1	47786644001								RF
2	G2142300101								1
3	G1199003400	A							2
4	G2180200601								1
5	G2180200800								1

- ITEM NOT ILLUSTRATED

4

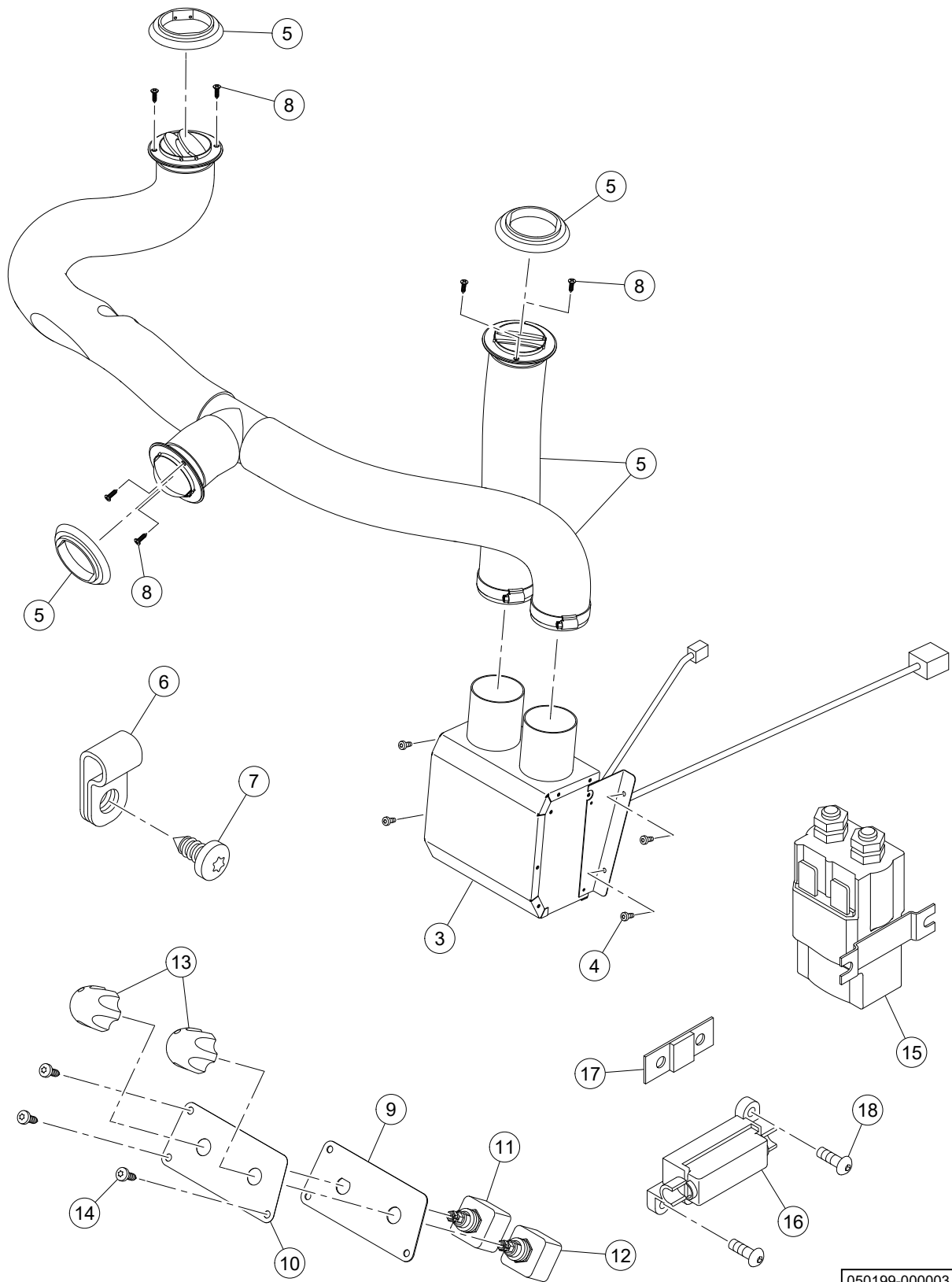
CAB
CAB LIGHT (BLUE)



050199-000002

ITEM	PART NUMBER		NOMENCLATURE							EFF	QTY
			1	2	3	4	5	6	7		
-1	47786645001		CAB LIGHT INSTL (WHITE/BLUE)								RF
2	G2142300400		* LIGHT, INTERIOR (WHITE/BLUE)								1
3	G1199003400	A	* SCREW								2
4	G2180200601		* KNOB								1
5	G2180200800		* SWITCH, ON-OFF								1
			ONLY APPLICABLE TO DELUXE CAB								

- ITEM NOT ILLUSTRATED

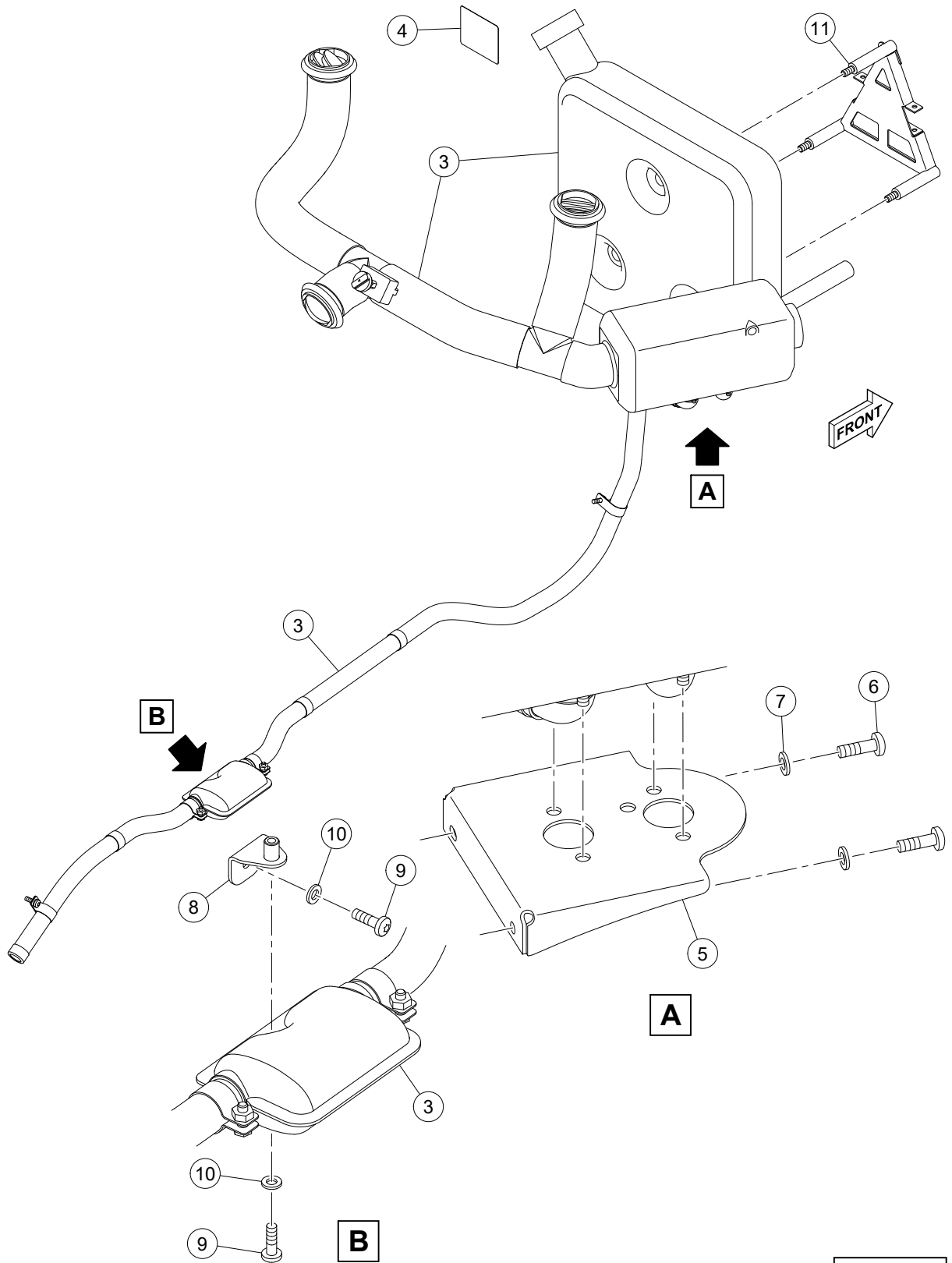


ITEM	PART NUMBER		NOMENCLATURE							EFF	QTY
			1	2	3	4	5	6	7		
-1	47786683001		CABIN HEATER INSTL, ELECTRIC								RF
-2	47786683001		* CABIN HEATER ASSY, ELECTRIC								RF
3	U2143812100		* * CABIN HEATER, ELECTRIC								1
4	G1199016100	A	* * BOLT								4
5	U2143812200		* * HOSE AND NOZZLE ASSY, HEATER								1
6	G1199712100		* * PIPE CLIP, NYLON								3
7	G1199012500	A	* * SCREW								3
8	G1199003400	A	* * SCREW								6
9	U2143812300		* * PANEL, SWITCH, ELECTRIC HEATER								1
10	U2143812500		* * * LABEL, HEATER SWITCH PANEL								1
11	G2180201300		* * * SWITCH, ROTARY, 1-2								1
12	G2180201400		* * * SWITCH, ROTARY, 0-1-2								1
13	G2180200601		* * * KNOB, DASH SWITCH								2
14	G1199001000	A	* * * SCREW								3
15	G2191200700		* * SOLENOID								1
16	G2190101100		* * FUSEHOLDER, MIDI								1
17	G1199400700		* * FUSE, MIDI, 30A-58VDC								1
18	G1199000500	A	* * BOLT								2
-19	U2190221301		* * HARNESS, ELECTRIC HEATER								RF
			SOLENOID, FUSEHOLDER AND FUSE ARE CONTAINED								
			WITHIN THE CABIN HEATER ASSEMBLY AND CAN BE								
			PROCURED INDIVIDUALLY								

- ITEM NOT ILLUSTRATED

4

CAB CABIN HEATER, DIESEL



050199-000004

ITEM	PART NUMBER		NOMENCLATURE	EFF	QTY
			1 2 3 4 5 6 7		
-1	47786683002		CABIN HEATER INSTL, DIESEL		RF
-2	47786636001		* CABIN HEATER ASSY, DIESEL		RF
3	U2143810000		* * HEATER, MAIN PACK, DIESEL		1
4	U2143811500		* * * DECAL, HEATER "DIESEL ONLY"		1
5	U2143820100		* * BRACKET, MAIN, HEATER		1
6	G1199000800	A	* * BOLT		2
7	G1199200800	A	* * WASHER		2
8	U2143840000		* * BRACKET, HEATER MUFFLER EXHAUST		1
9	G1199002900	A	* * BOLT		2
10	G1199200800	A	* * WASHER		2
11	U2143830000		* * BRACKET, HEATER FUEL TANK SUPPORT		1

- ITEM NOT ILLUSTRATED

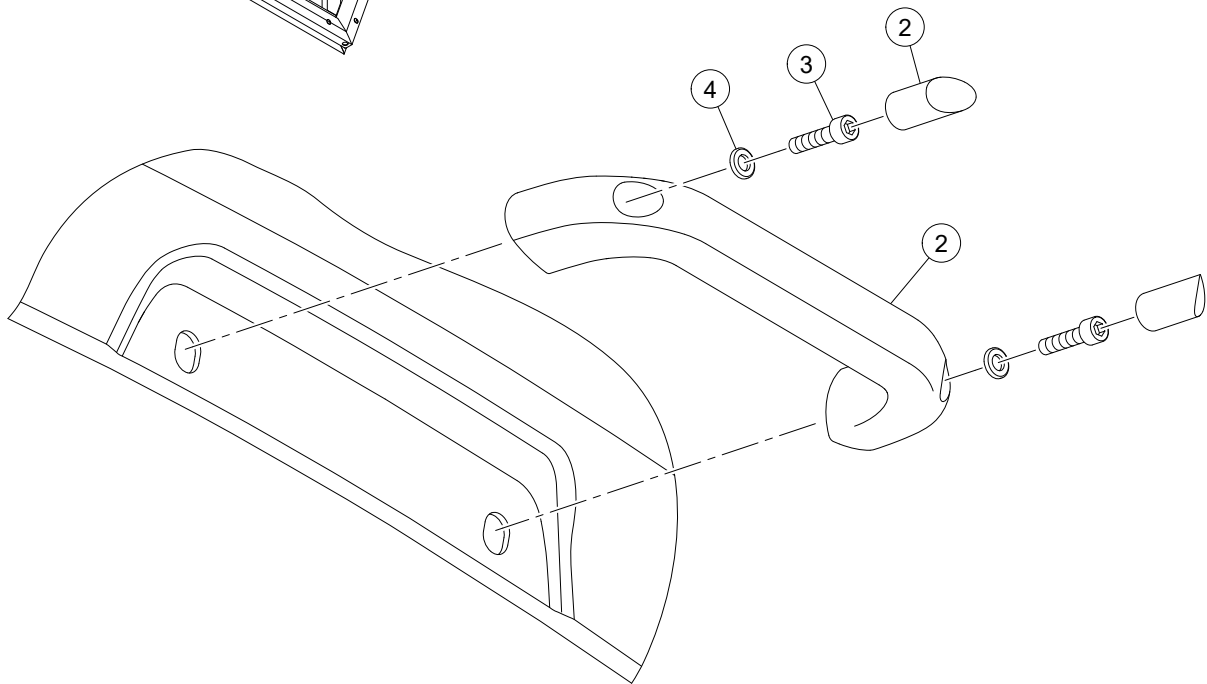
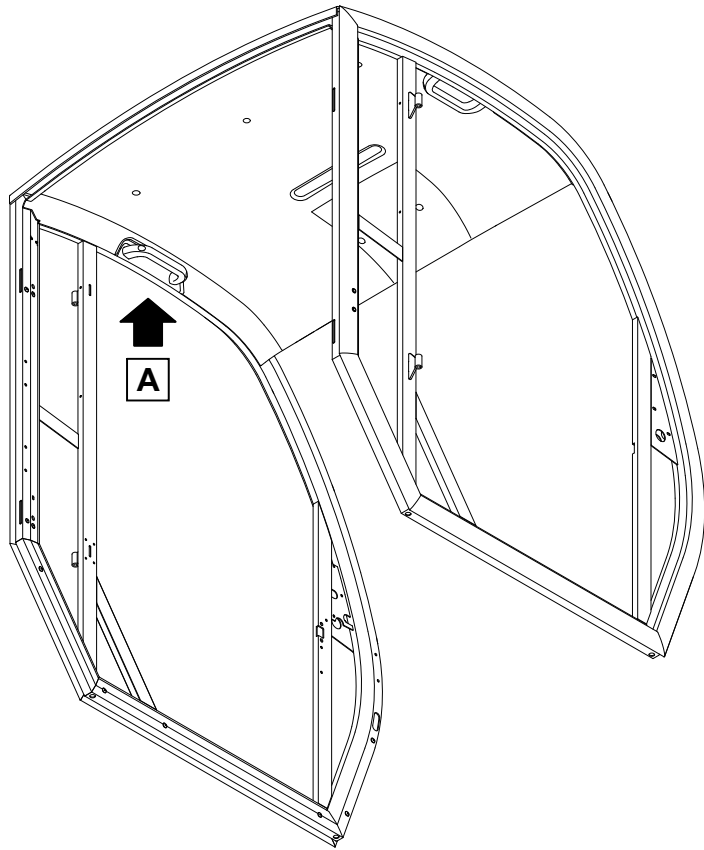
(Page intentionally left blank.)

5

CANOPY/TOP

5

CANOPY/TOP
GRAB HANDLE(S)

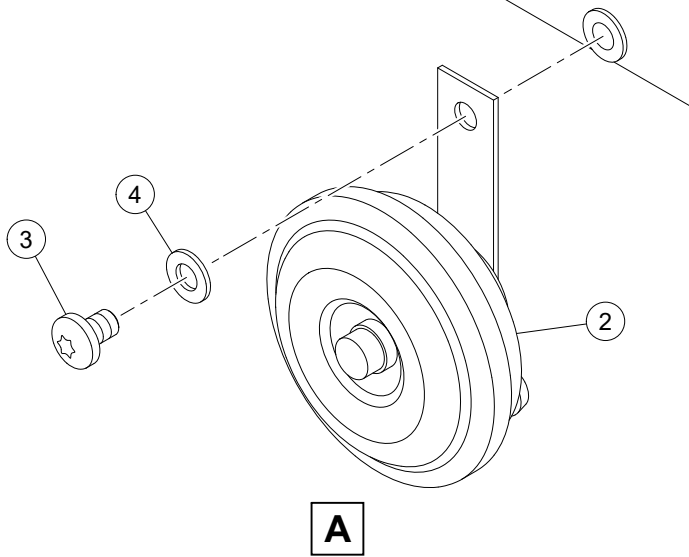
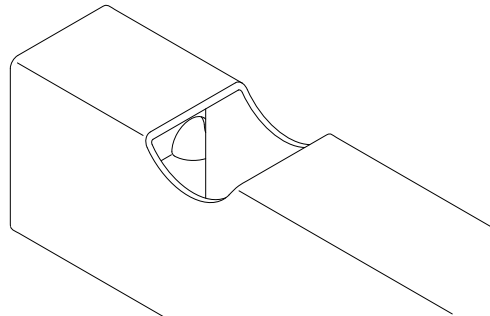
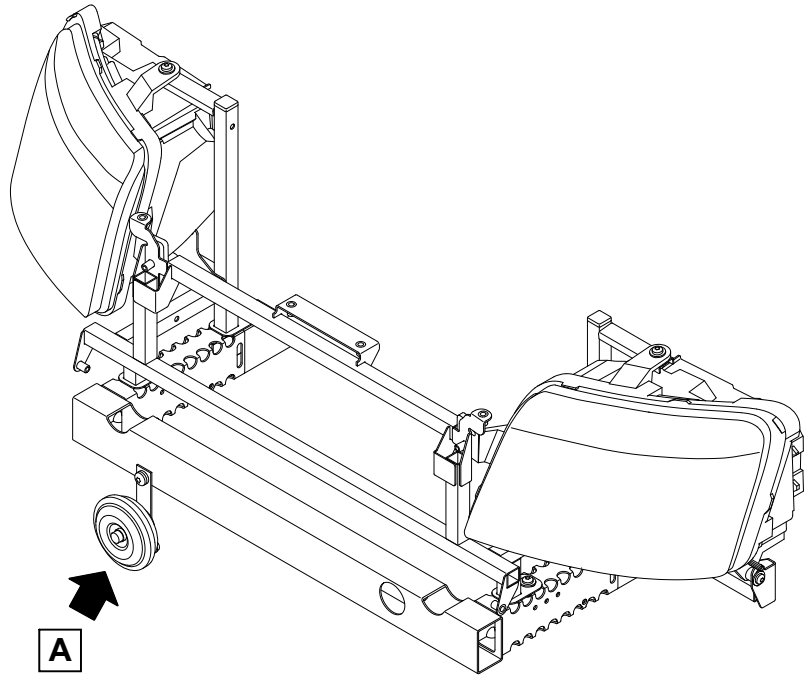


A

060699-000001

(Page intentionally left blank.)

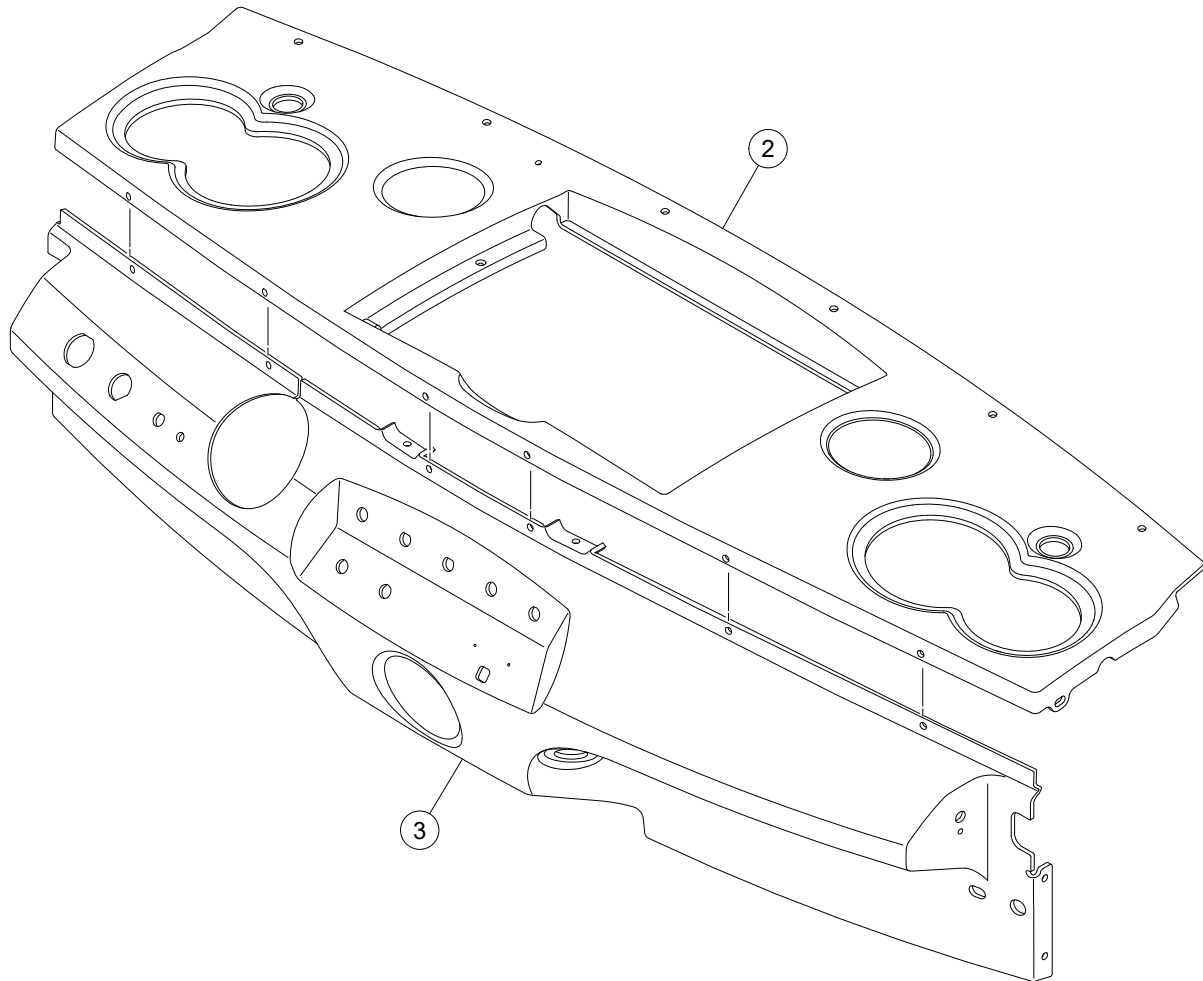
CONTROLS

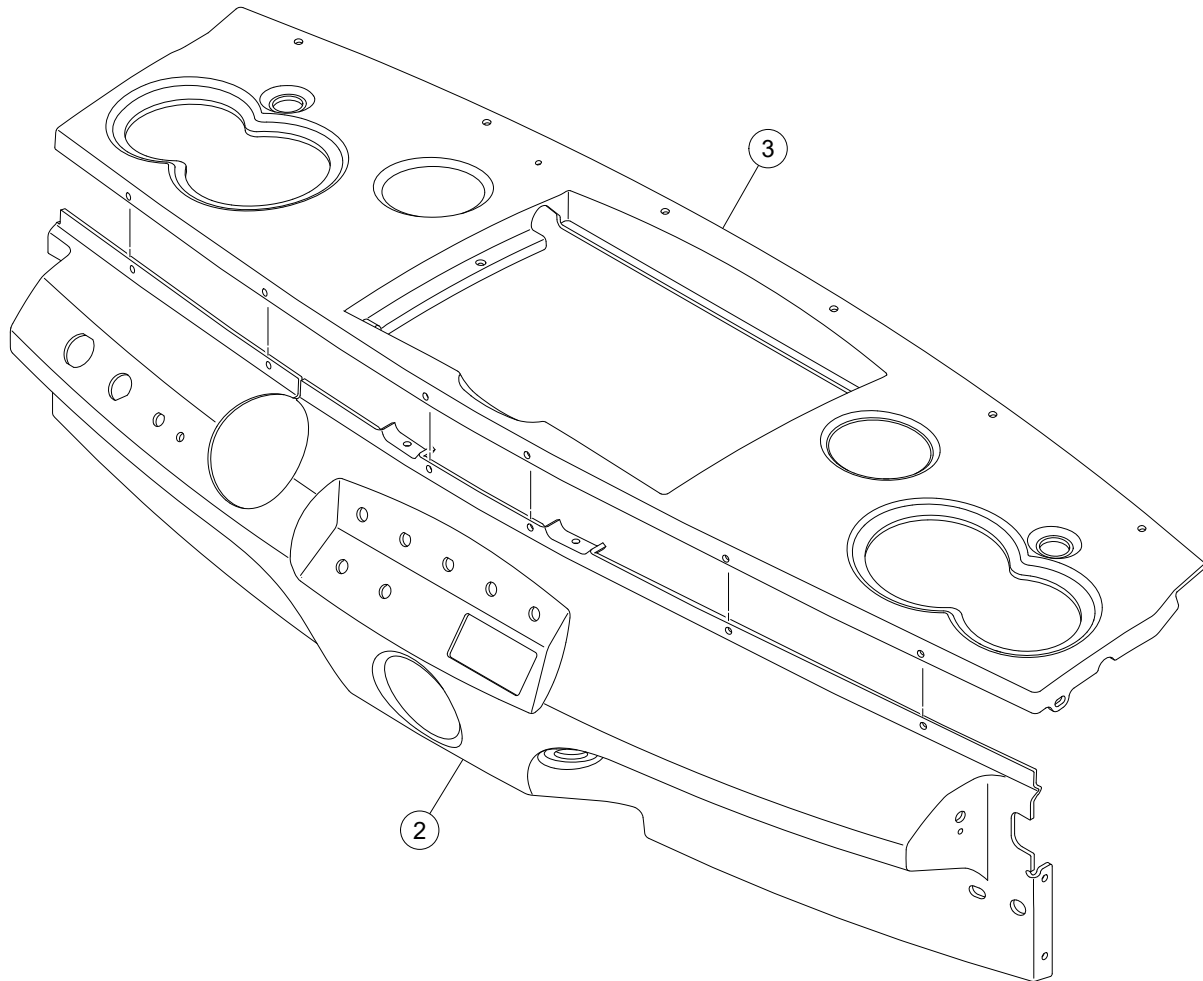


(Page intentionally left blank.)

7

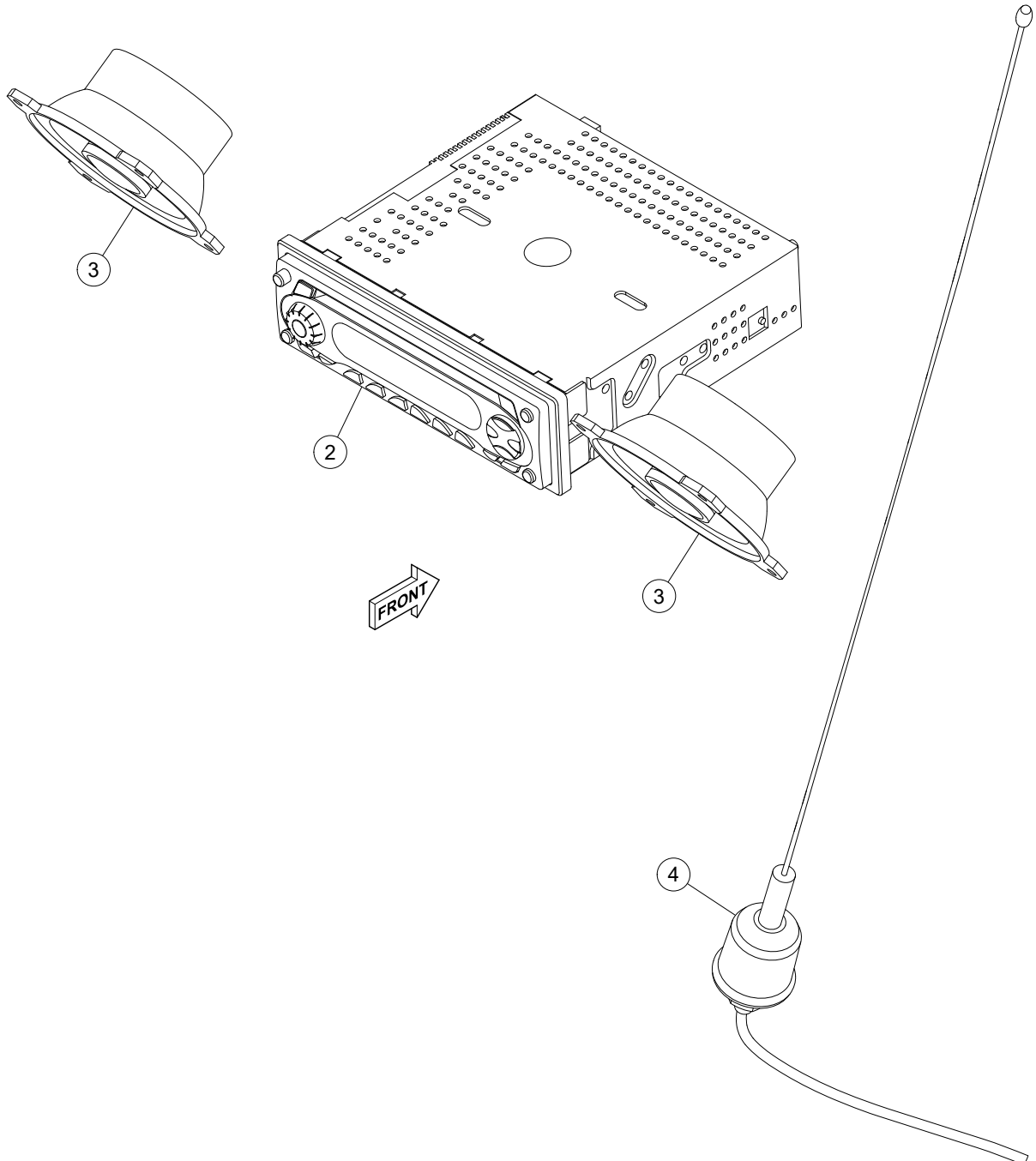
**INTERIORS AND
ACCESSORIES**





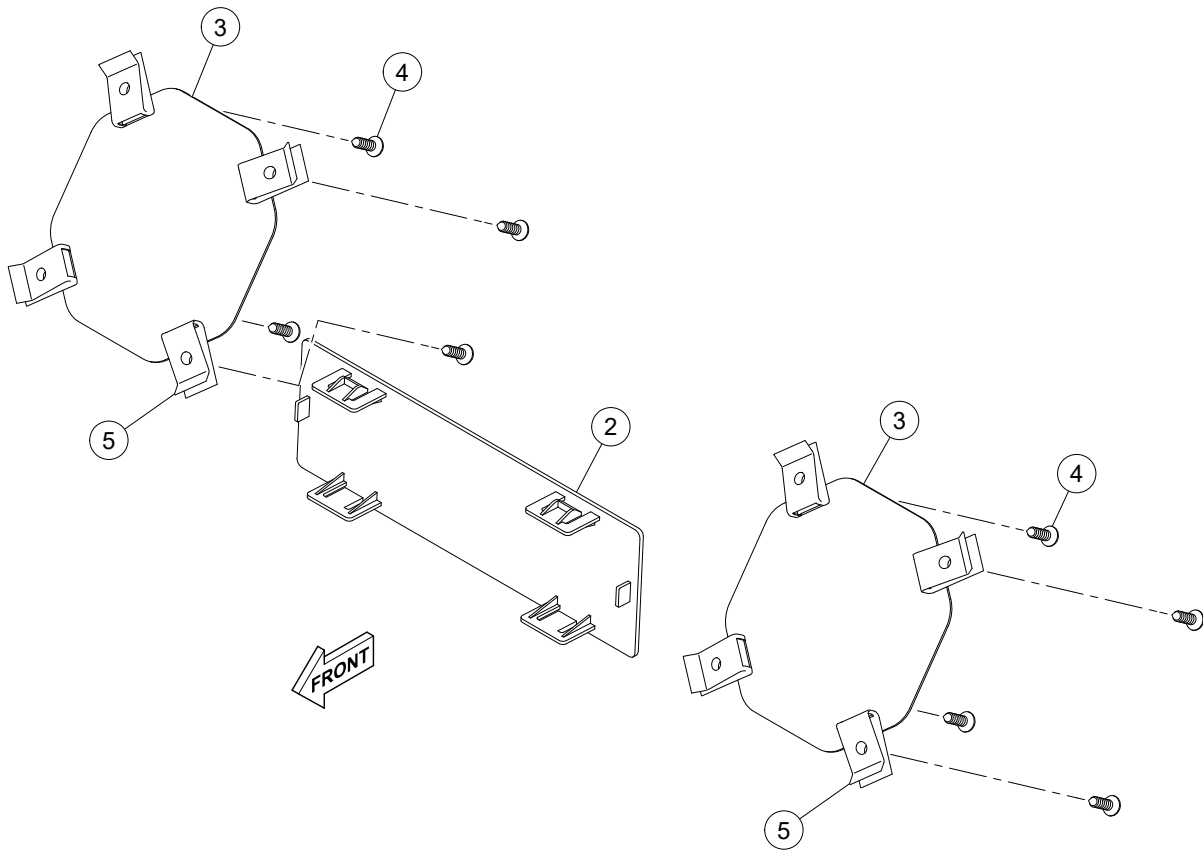
ITEM	PART NUMBER		NOMENCLATURE							EFF	QTY
			1	2	3	4	5	6	7		
-1	47786635001		CAB PANEL INSTL, WITH CABIN HEATER								RF
2	U214012062.1		* PANEL, FRONT DASH								1
3	U2140140102		* PANEL, TOP, WITH HEATER								1

- ITEM NOT ILLUSTRATED



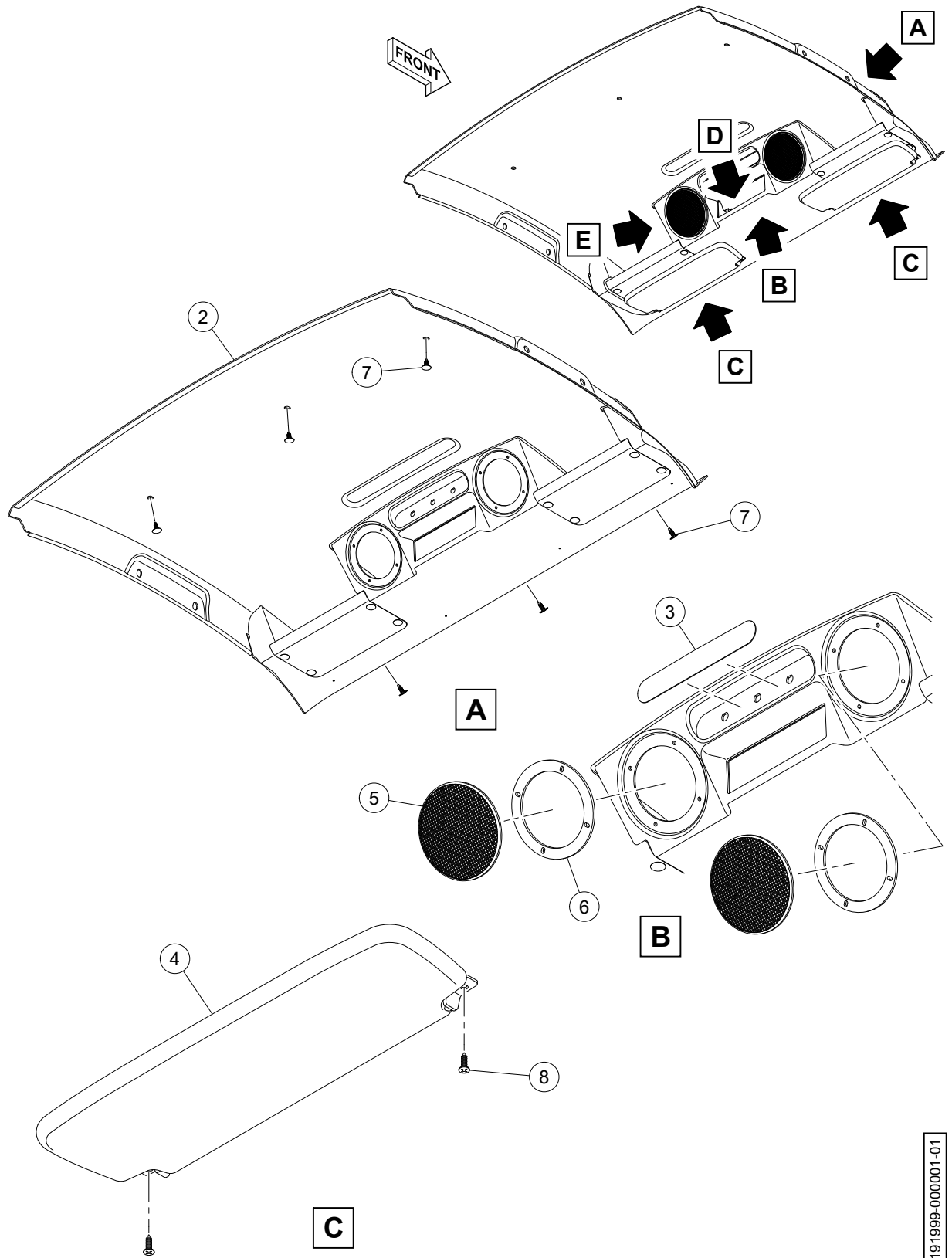
ITEM	PART NUMBER	NOMENCLATURE							EFF	QTY
		1	2	3	4	5	6	7		
-1	47786655001									RF
2	G2143710000									1
3	G2143711000									2
4	G2143720000									1
-5	U2143720100									1

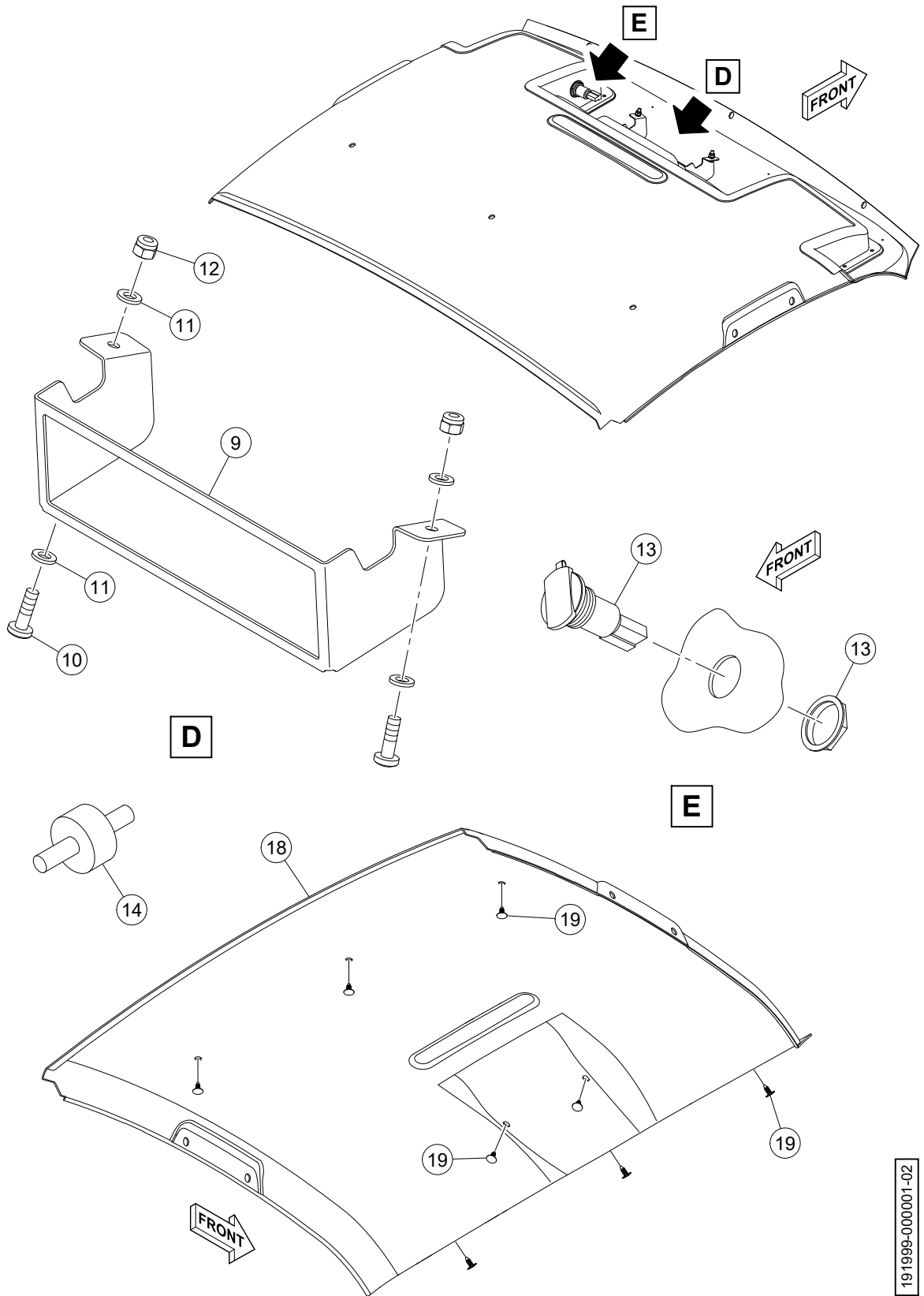
- ITEM NOT ILLUSTRATED



ITEM	PART NUMBER		NOMENCLATURE							EFF	QTY
			1	2	3	4	5	6	7		
-1	47786646001		COVER INSTL, NO STEREO								RF
2	U2143730100		* COVER, NO RADIO								1
3	U2143730200		* COVER, NO SPEAKER								2
4	G1199003400	A	* SCREW								8
5	G1199100100	A	* NUT, FORMED								8

- ITEM NOT ILLUSTRATED



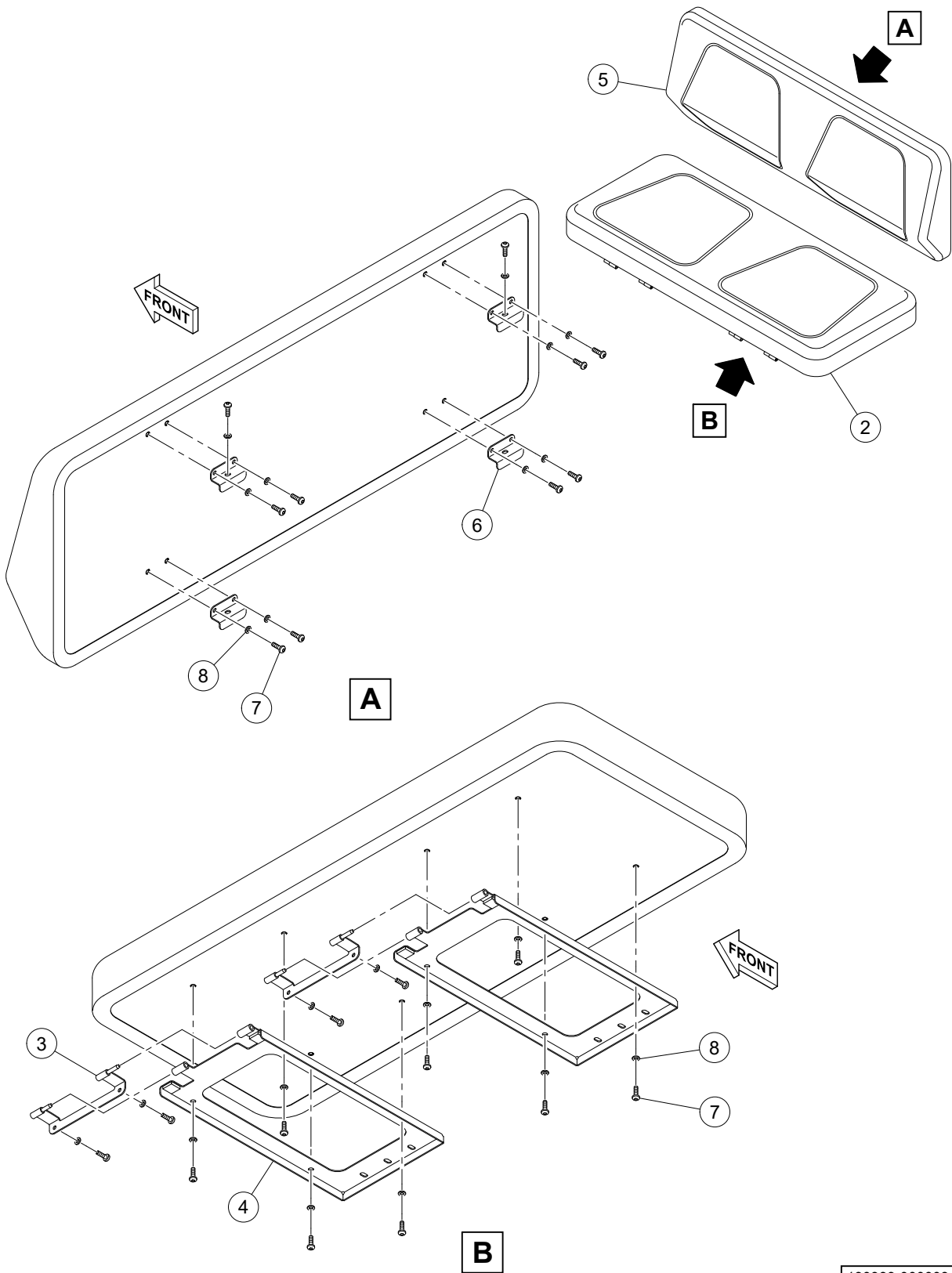


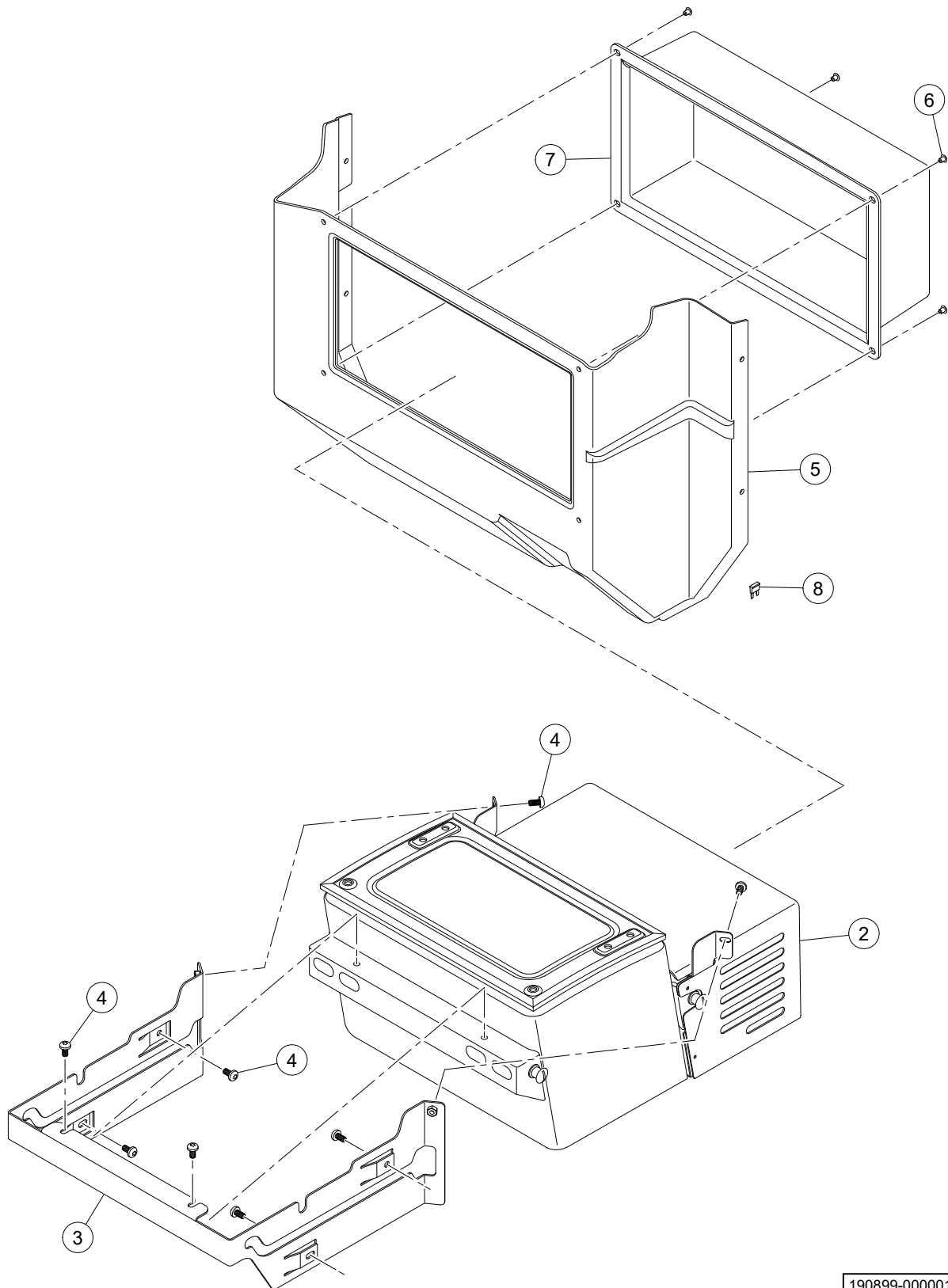
191999-000001-02

ITEM	PART NUMBER		NOMENCLATURE							EFF	QTY
			1	2	3	4	5	6	7		
-1	47786656001		CAB HEADLINER INSTL, DELUXE CAB								RF
2	U2142110001		* HEADLINER ASSY, STORAGE AND STEREO								1
3	U2142120000		* * SWITCH PANEL								1
4	U2142410000		* * SUN VISOR								2
5	G2143711100		* * GRID, SPEAKER								2
6	G2143703601		* * SPACER, SPEAKER								2
7	G1199707000	A	* * CLIP								6
8	G1199003400	A	* * SCREW								4
9	U214371011.1		* * BRACKET, STEREO SUPPORT								1
10	G1199000800	A	* * BOLT								2
11	G1199200800	A	* * WASHER								4
12	G1199100900	A	* * NUT, HEX								2
13	G2191100400		* * SOCKET, POWER, 12V								1
14	G1199715100		* DAMPER, VIBRATION								2
-15	U2190200800		* HARNESS, DELUXE CAB EXTENSION								1
-16	U2190201701		* HARNESS, HEADLINER EXTENSION								1
-17	47786648001		CAB HEADLINER INSTL, STANDARD								RF
18	U2142100001		* HEADLINER ASSY, STANDARD								1
19	G1199707000	A	* CLIP								8

- ITEM NOT ILLUSTRATED

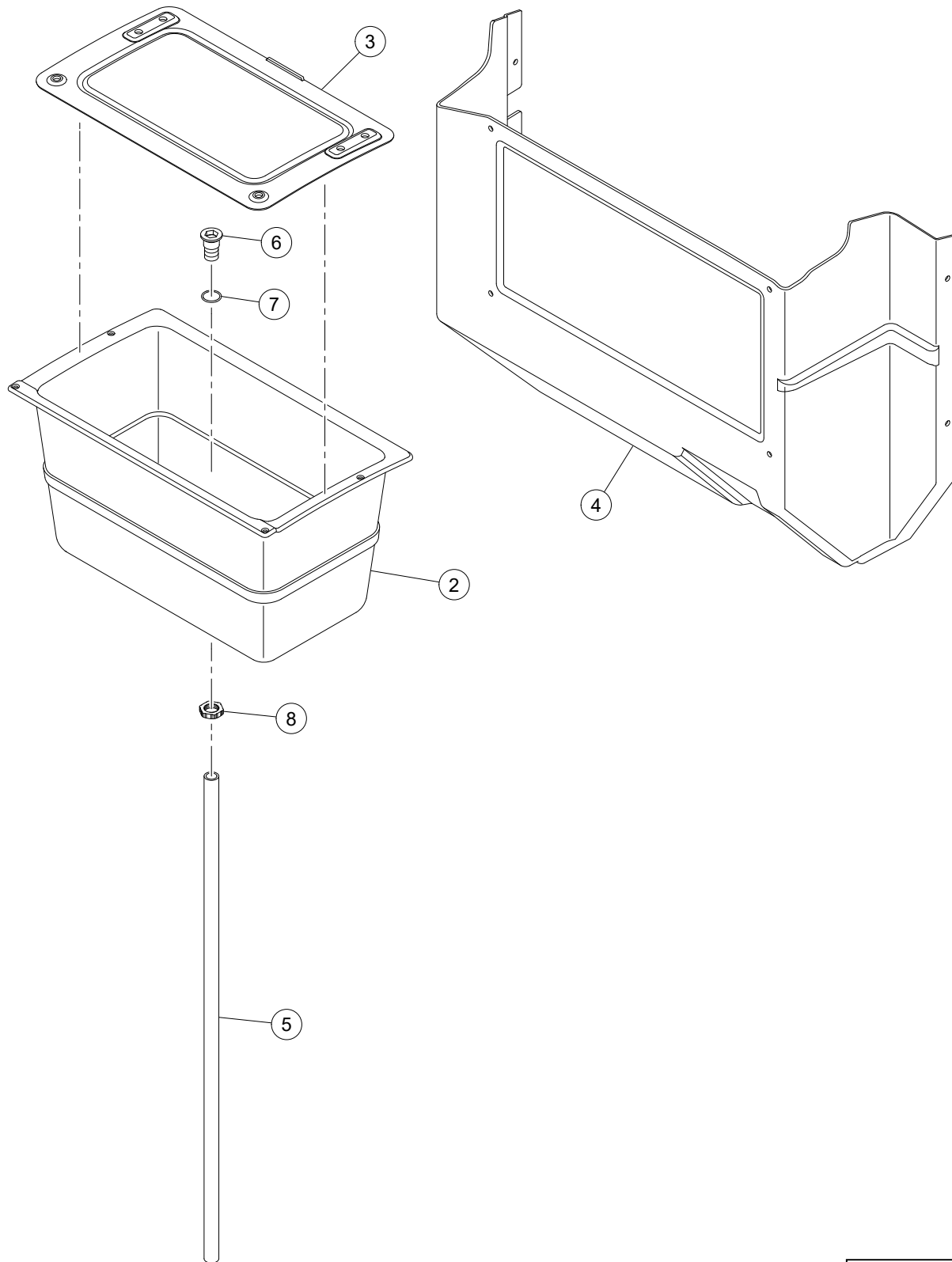
(Page intentionally left blank.)



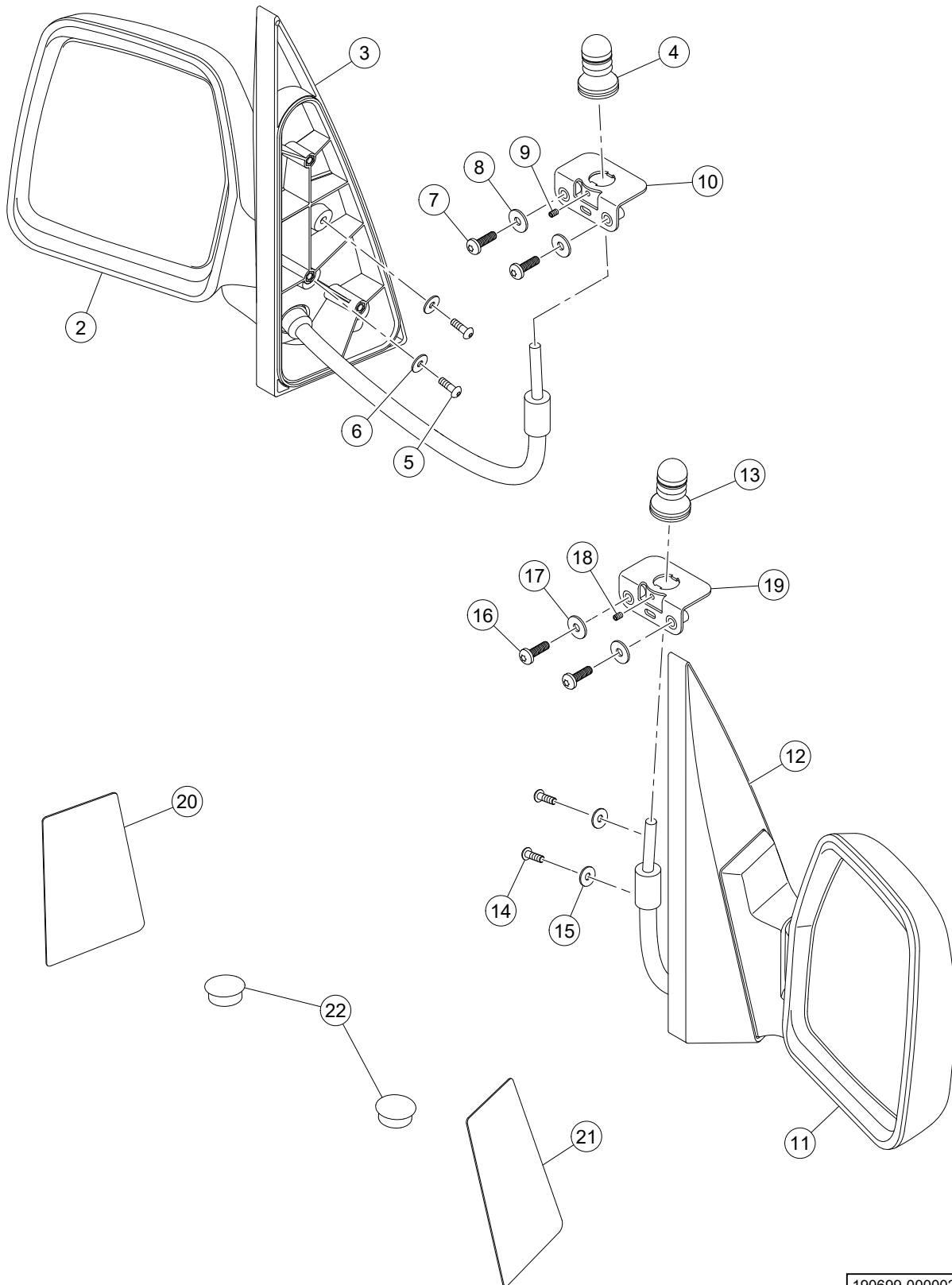


7

INTERIORS AND ACCESSORIES
STORAGE, NO REFRIGERATOR



190899-000002



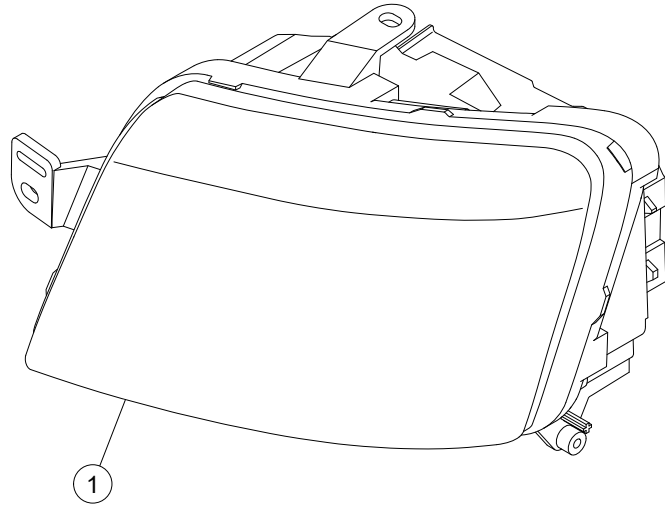
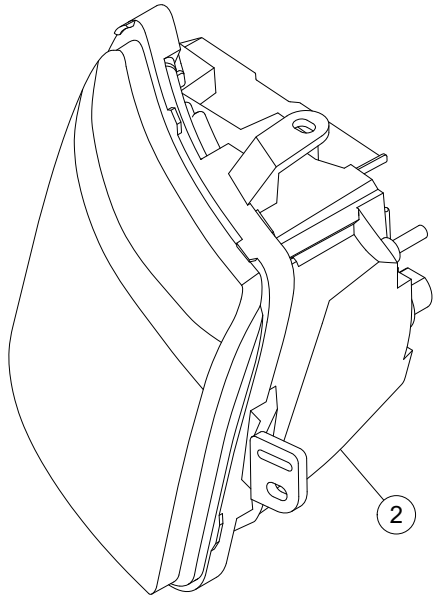
ITEM	PART NUMBER		NOMENCLATURE							EFF	QTY
			1	2	3	4	5	6	7		
-1	47786666001		SIDE MIRROR INSTL								RF
2	U2164120100		* MIRROR ASSY, LH								1
3	U2164110100		* * FOOT, SIDE MIRROR, LH								1
4	U2140180000		* * CAP, MIRROR								1
5	G1199000500	A	* * BOLT								3
6	G1199201600	A	* * WASHER								3
7	G1199000800	A	* * BOLT								2
8	G1199200300	A	* * WASHER								2
9	G1199004100	A	* * BOLT, BLIND								1
10	U2164140700		* BRACKET ASSY, MIRROR LEVEL								1
11	U2164120200		* MIRROR ASSY, RH								1
12	U2164110200		* * FOOT, SIDE MIRROR, RH								1
13	U2140180000		* * CAP, MIRROR								1
14	G1199000500	A	* * BOLT								3
15	G1199201600	A	* * WASHER								3
16	G1199000800	A	* * BOLT								2
17	G1199200300	A	* * WASHER								2
18	G1199004100	A	* * BOLT, BLIND								1
19	U2164140700		* * BRACKET ASSY, MIRROR LEVEL								1
20	U2164130100		* STICKER, COVER, LH							A	1
21	U2164130200		* STICKER, COVER, RH							A	1
22	G1199707100		* CAP, INSPECTION HOLE							A	AR
	EFFECTIVITY CODE										
	A		FOR USE WHEN NO SIDE MIRROR IS INSTALLED								

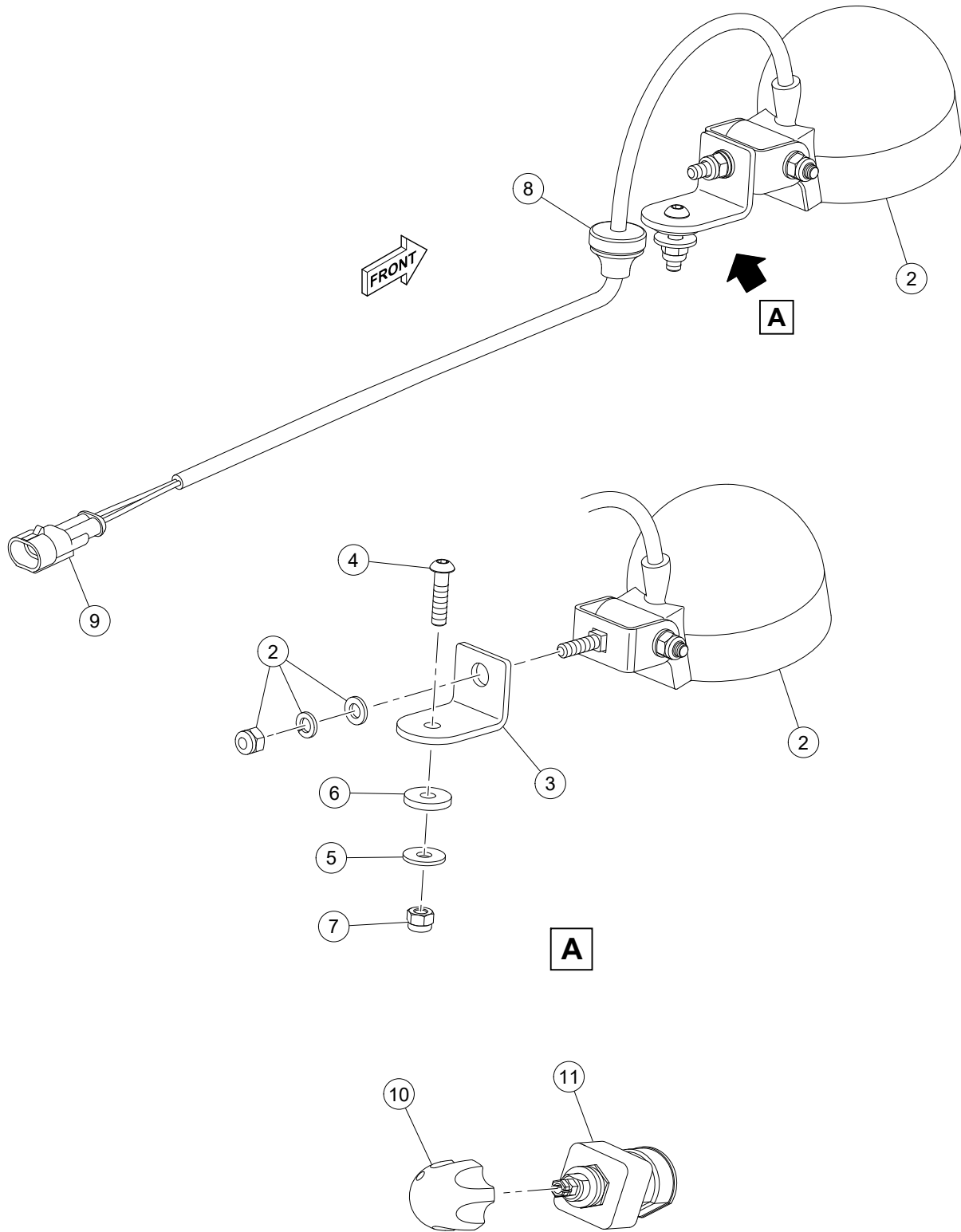
- ITEM NOT ILLUSTRATED

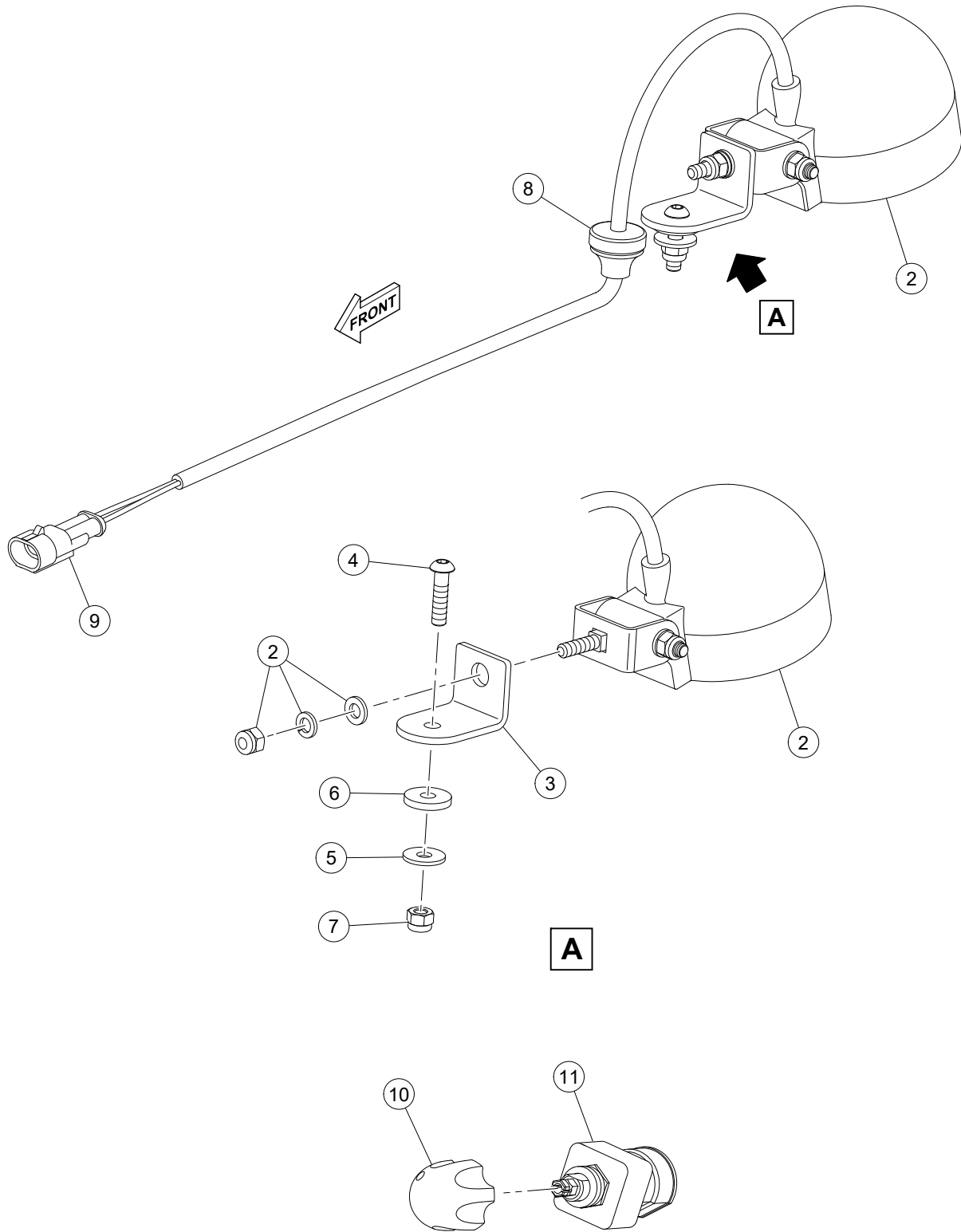
(Page intentionally left blank.)

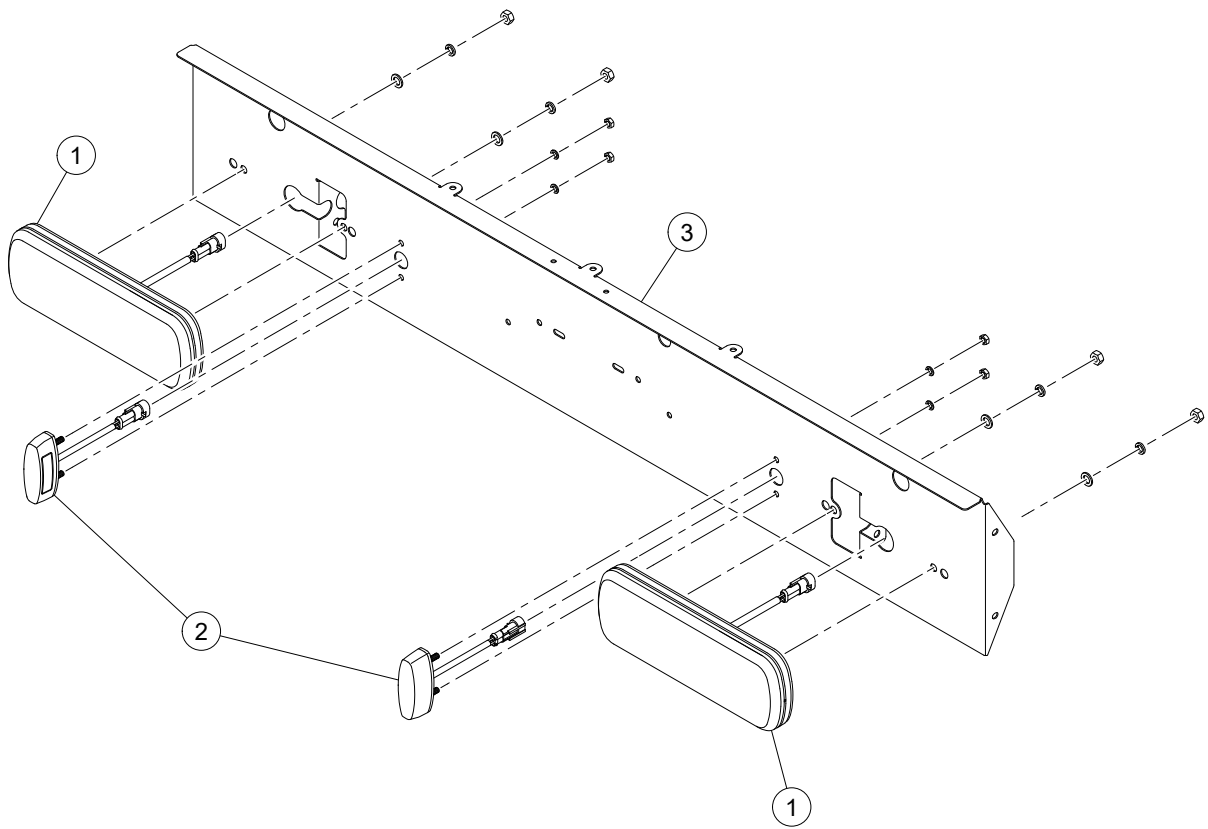
8

LIGHTS









Cabin and light with lock and keys.



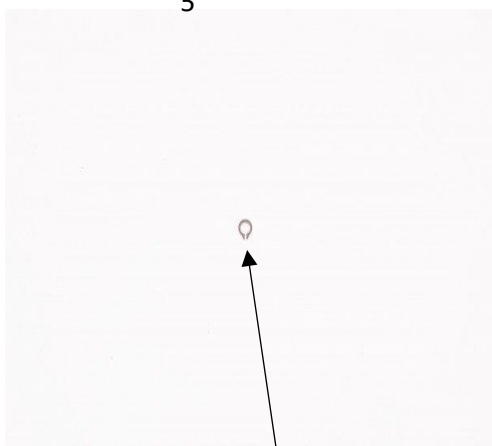
4.1 Cabin and light with lock and keys.



5



6-15



4



16-25

4.2 Cabin and light with lock and keys.

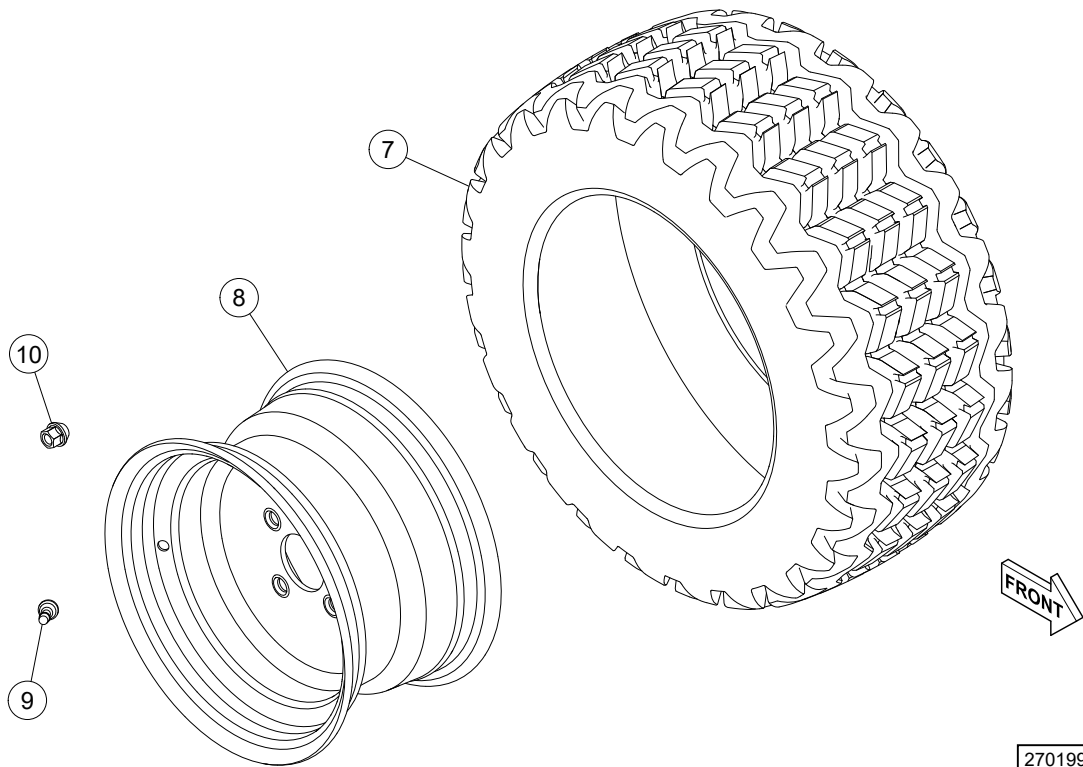
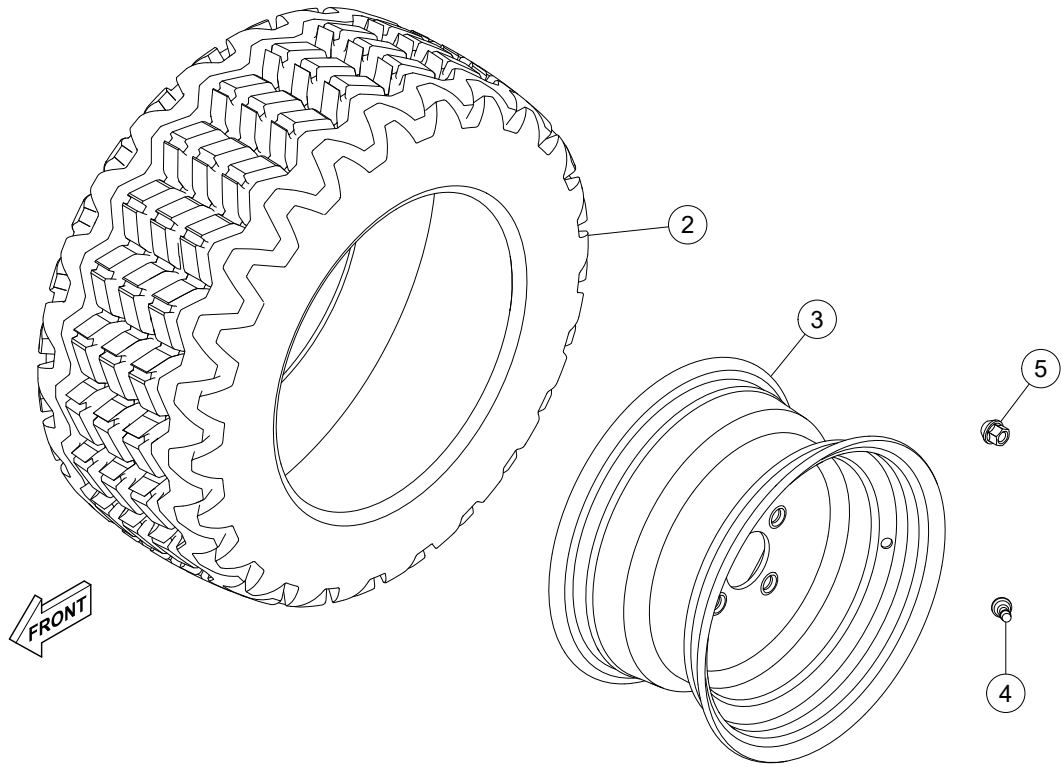
Door decals show in page 12.

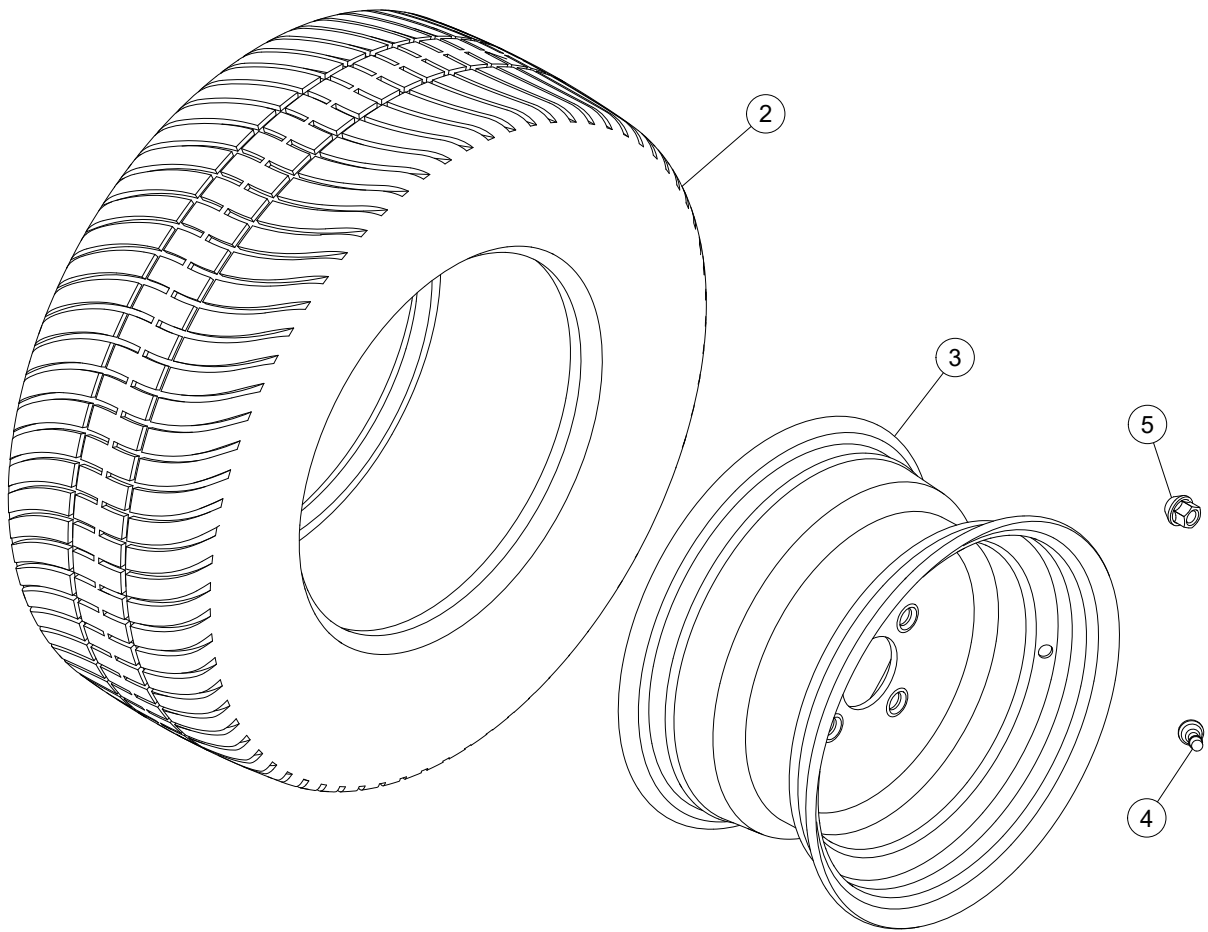
Item	Part Number	Part Name
1	G2172102100	Turn signal lamp (LED)
2	U2173110600	Rear lamp, N1
3	U2173110200	License plate lamp
4	U2170350600	Door hinge pin circlip
5	U2170350500	Door hinge pin
6	U2170305000	Door Key set, 110
7	U2170304900	Door Key set, 109
8	U2170304800	Door Key set, 108
9	U2170304700	Door Key set, 107
10	U2170304600	Door Key set, 106
11	U2170304500	Door Key set, 105
12	U2170304400	Door Key set, 104
13	U2170304300	Door Key set, 103
14	U2170304200	Door Key set, 102
15	U2170304100	Door Key set, 101
16	U2170304000	Door Lock cylinder, 110
17	U2170303900	Door Lock cylinder, 109
18	U2170303800	Door Lock cylinder, 108
19	U2170303700	Door Lock cylinder, 107
20	U2170303600	Door Lock cylinder, 106
21	U2170303500	Door Lock cylinder, 105
22	U2170303400	Door Lock cylinder, 104
23	U2170303300	Door Lock cylinder, 103
24	U2170303200	Door Lock cylinder, 102
25	U2170303100	Door Lock cylinder, 101
26	U2170305500	Standard door, front hinged main asm, LH
27	U2170305600	Standard door, front hinged main asm, RH
28	U2175800100R1	N50 door decals, LH
29	U2175800200R1	N50 door decals, RH
30	U2164120200	Side view mirror RH
31	U2164120100	Side view mirror LH
32	U2170100202	Windscreen w heating 48V

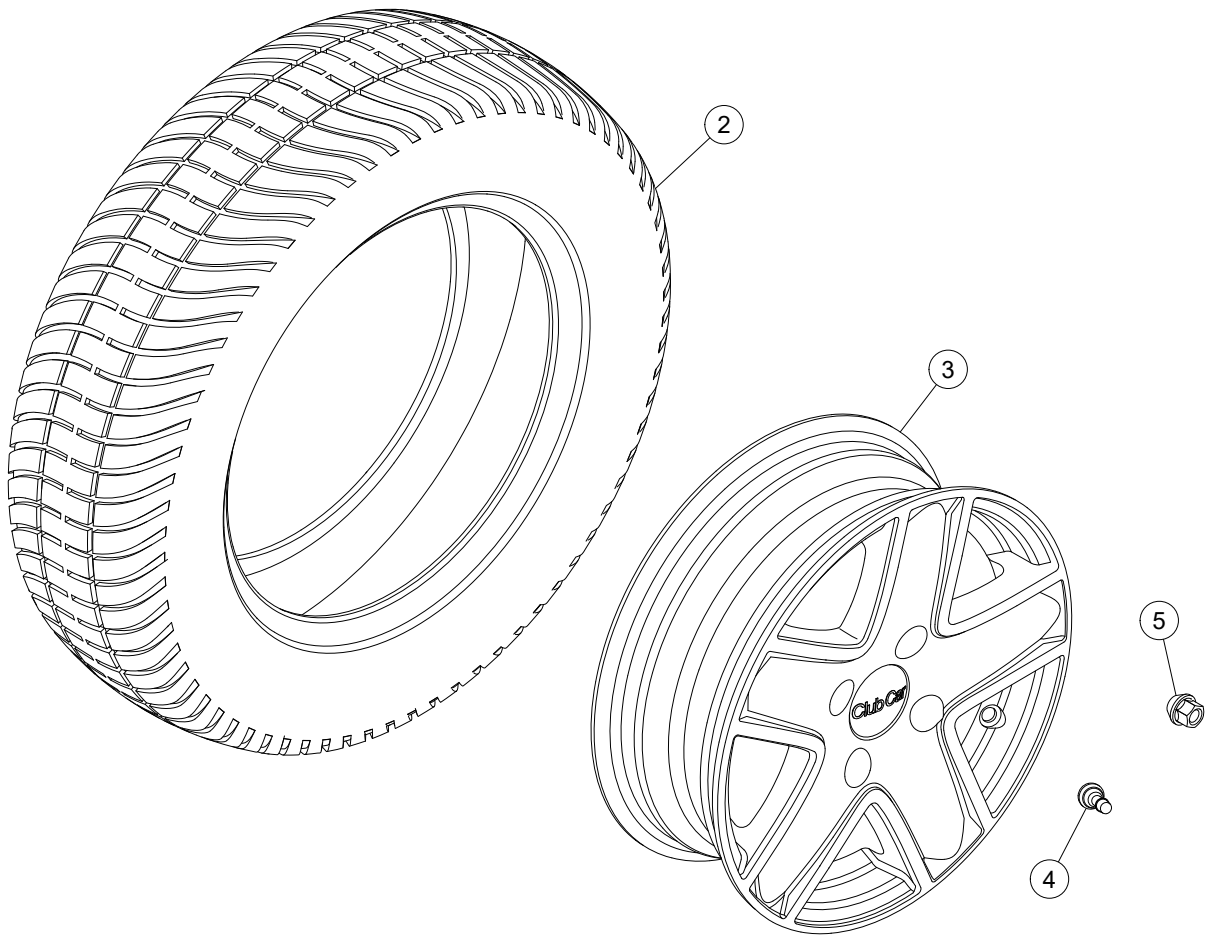
(Page intentionally left blank.)

9

WHEELS AND TIRES





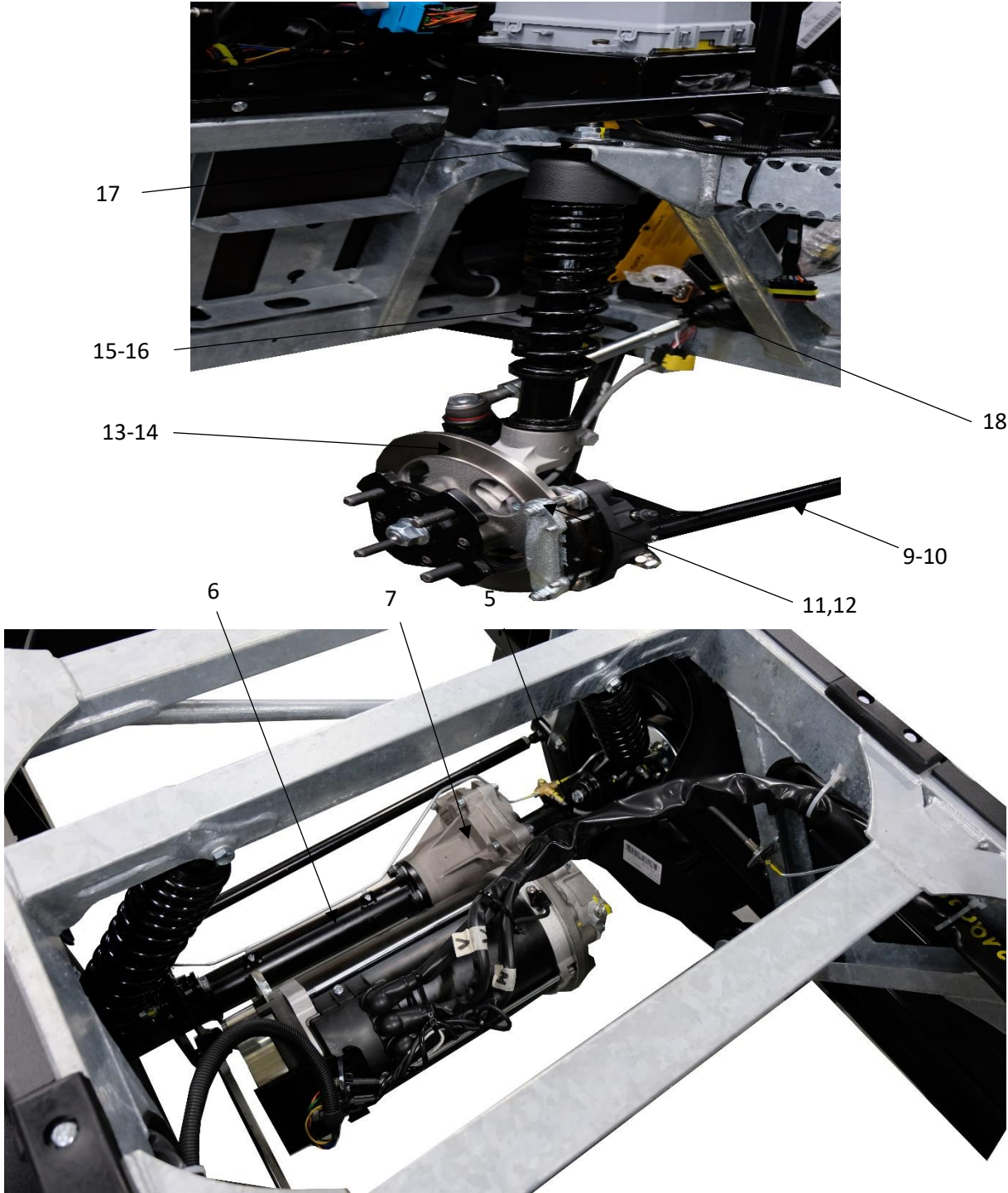


(Page intentionally left blank.)

Suspension, steering, brakes.



Suspension, steering, brakes.

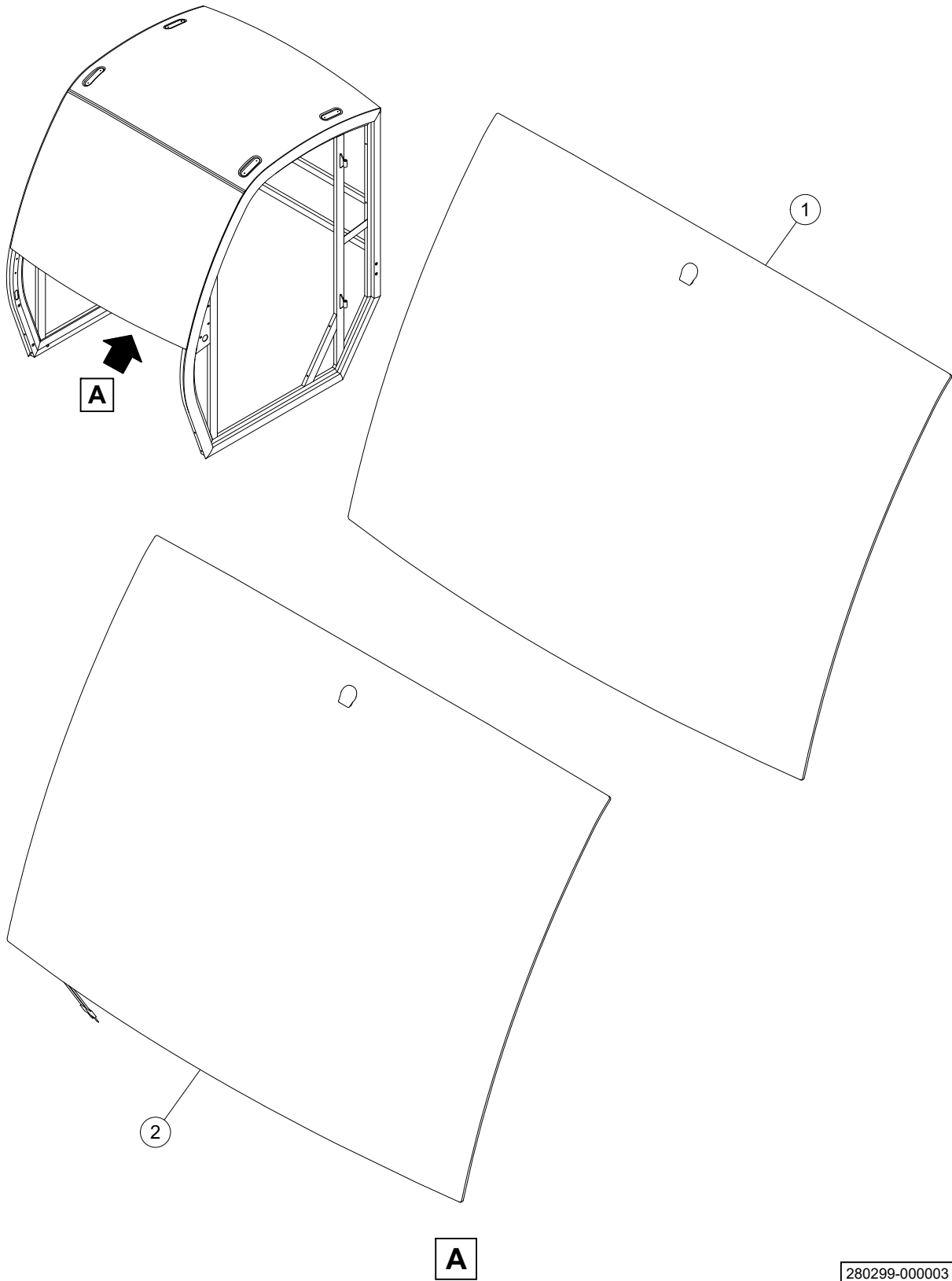


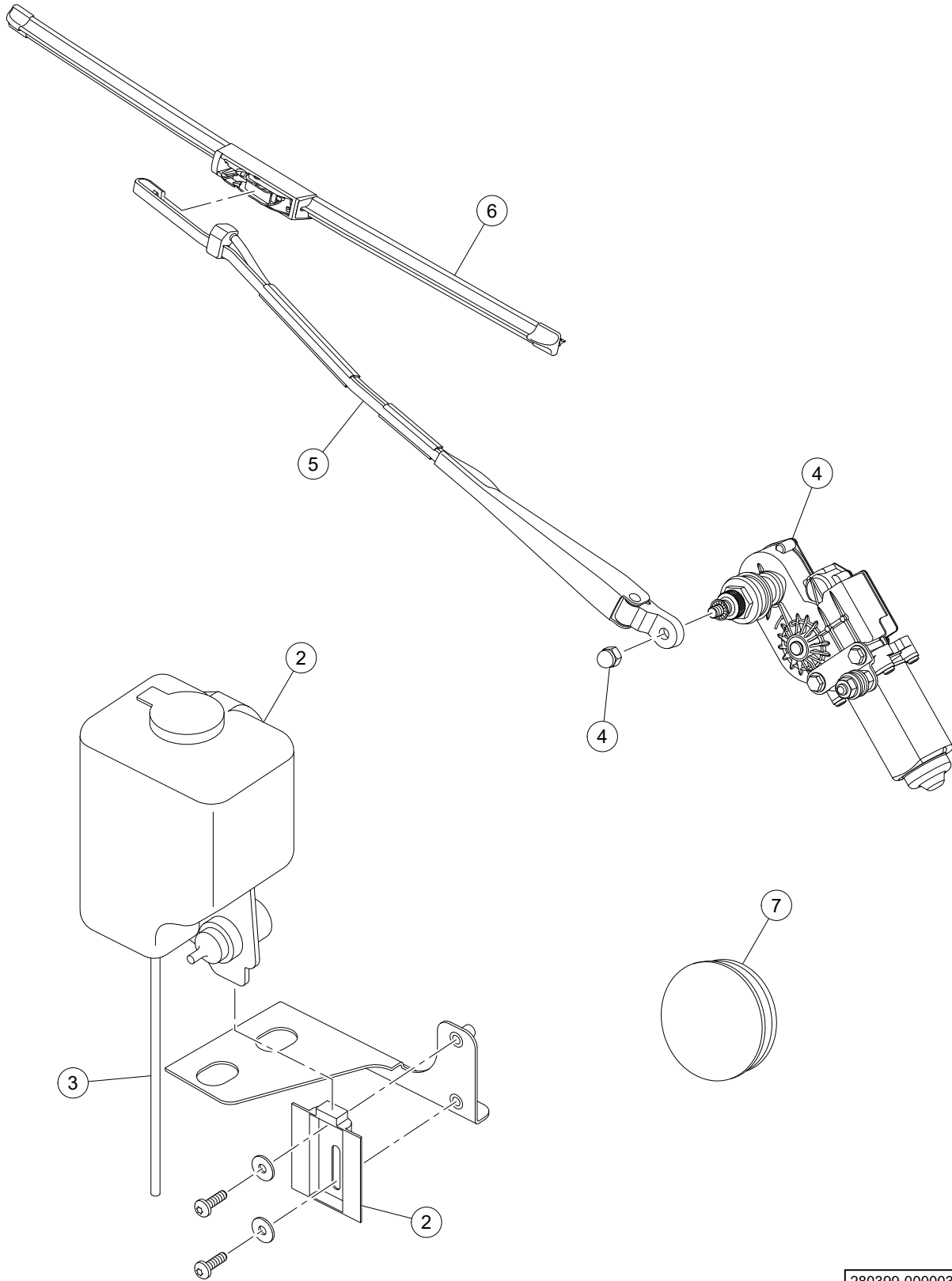
Suspension, steering, brakes.

Item	Part Number	Part Name
1	U2124312000	Wheel 13" asm Melex
2	G2124700103	Wheel nut 17mm
3	U2124312100	Rim 13x4" Black, diamond cut, asm
4	U2124311300	Winter tire 165/70R13C RW12
5	U2123313100	Rear axle control arm main asm, LWB - Gimec - N1
6	U2123313200	Rear axle control arm main asm, SWB - Gimec- N1
7	U2111100100	Rigid drive axle unit V2. Ratio 15,24 - Gimec - N1
8	U2123320002	Trailing link attachment bracket
9	U2122410203	A-arm asm, RH
10	U2122410103	A-arm asm, LH
11	U2122210300	Brake caliper
12	G2122101100	Brake Pads (kit of 4 pcs.)
13	U2122210200	Spindle assembly RH - large disc brake
14	U2122210100	Spindle assembly, LH - large disc brake
15	UC121310000	McPherson strut, v2, EC
16	U2121311402	McPherson strut, SC
17	U2121311000	McPherson strut top bearing cover
18	G2120100300	Tie rod end

10

WINDSHIELDS



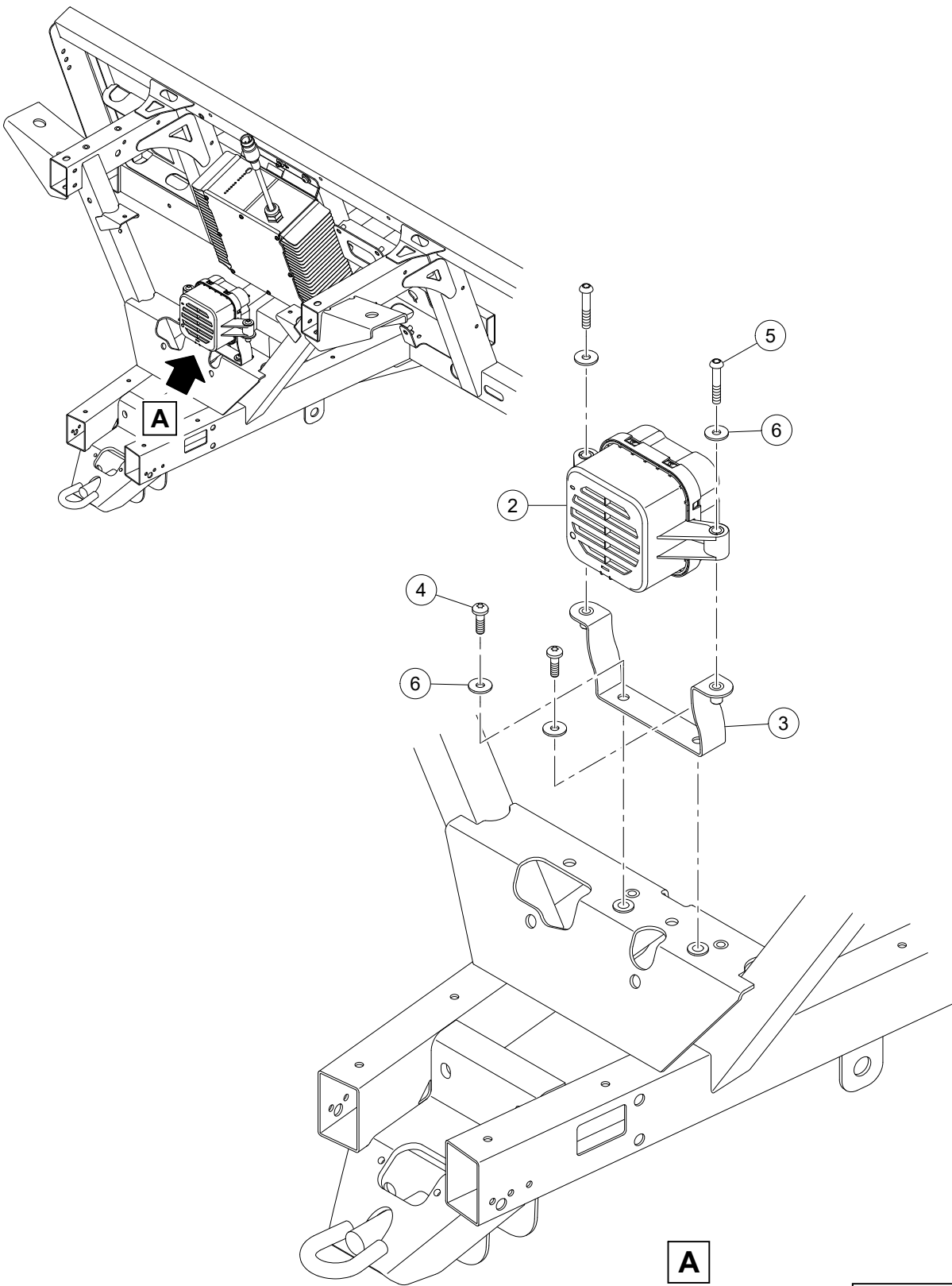


Washers and wipers.



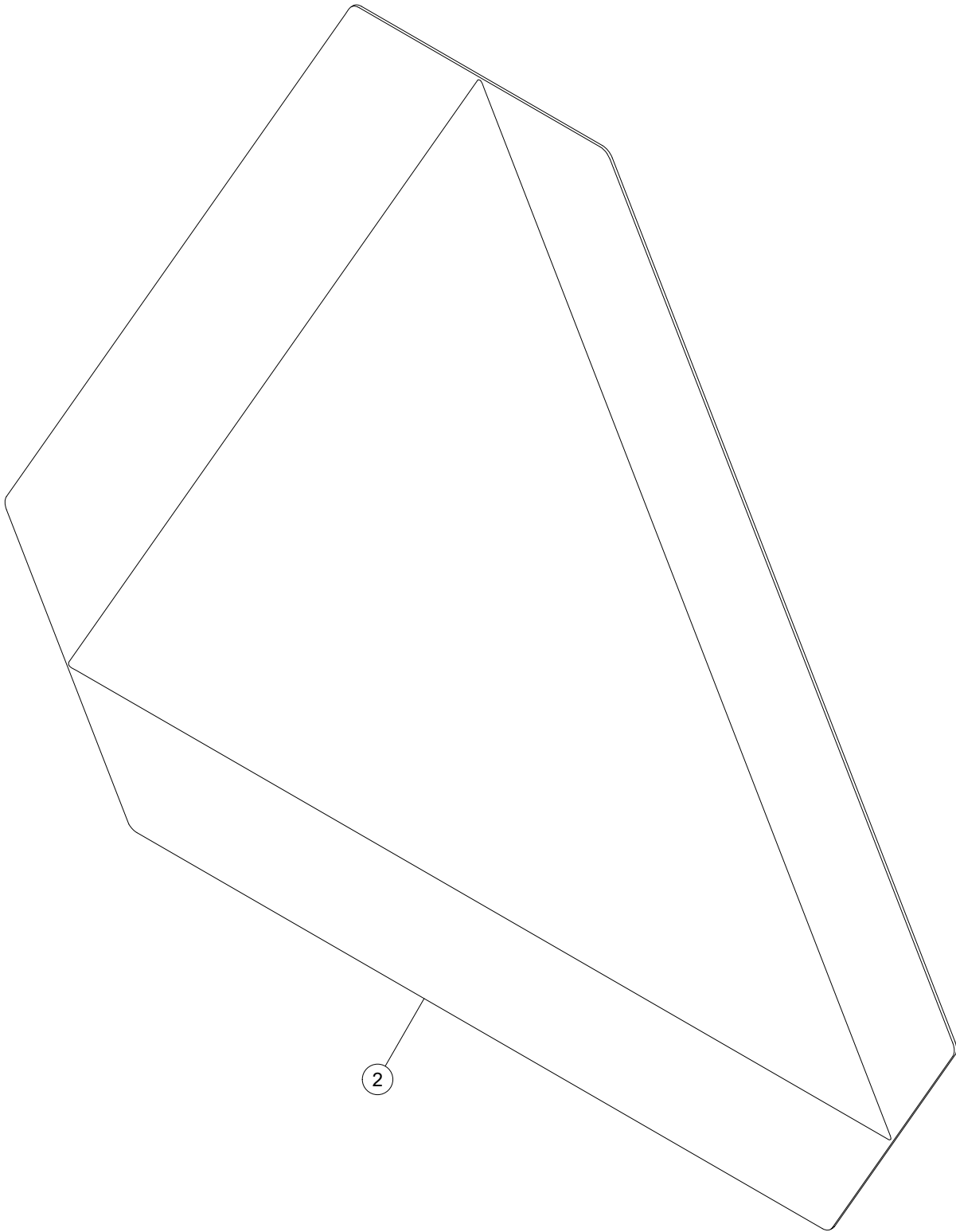
Item	Part Number	Part Name
1	G2174400100	Water reservoir and pump
2	G2174100300	Wiper blade
3	G2174100101	Wiper arm
4	G2174100400	Wiper motor, LHD

(Page intentionally left blank.)

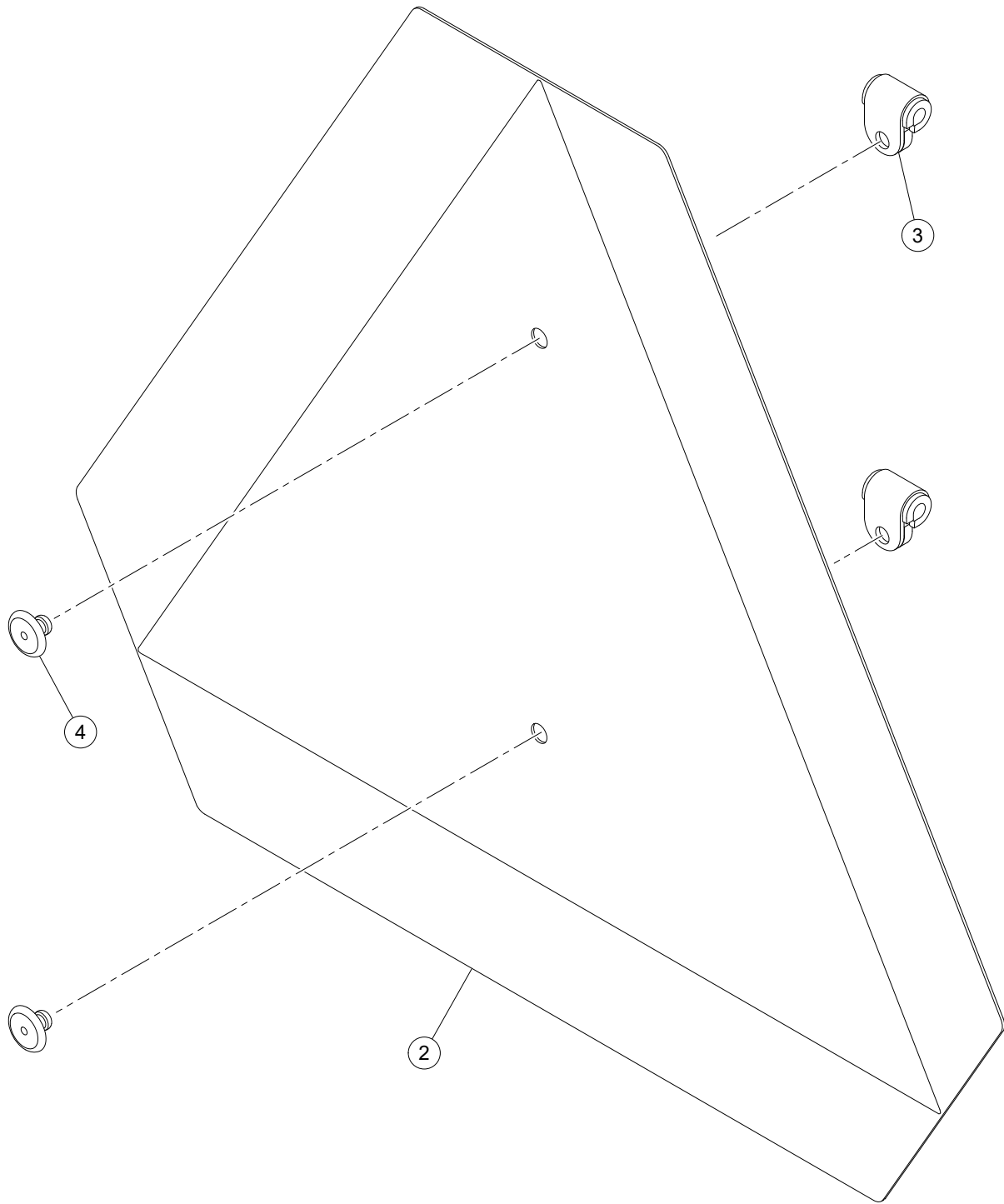


(Page intentionally left blank.)

**SAFETY AND MARKETING
DECALS**



031399-000002



Stickers.



Stickers.



3



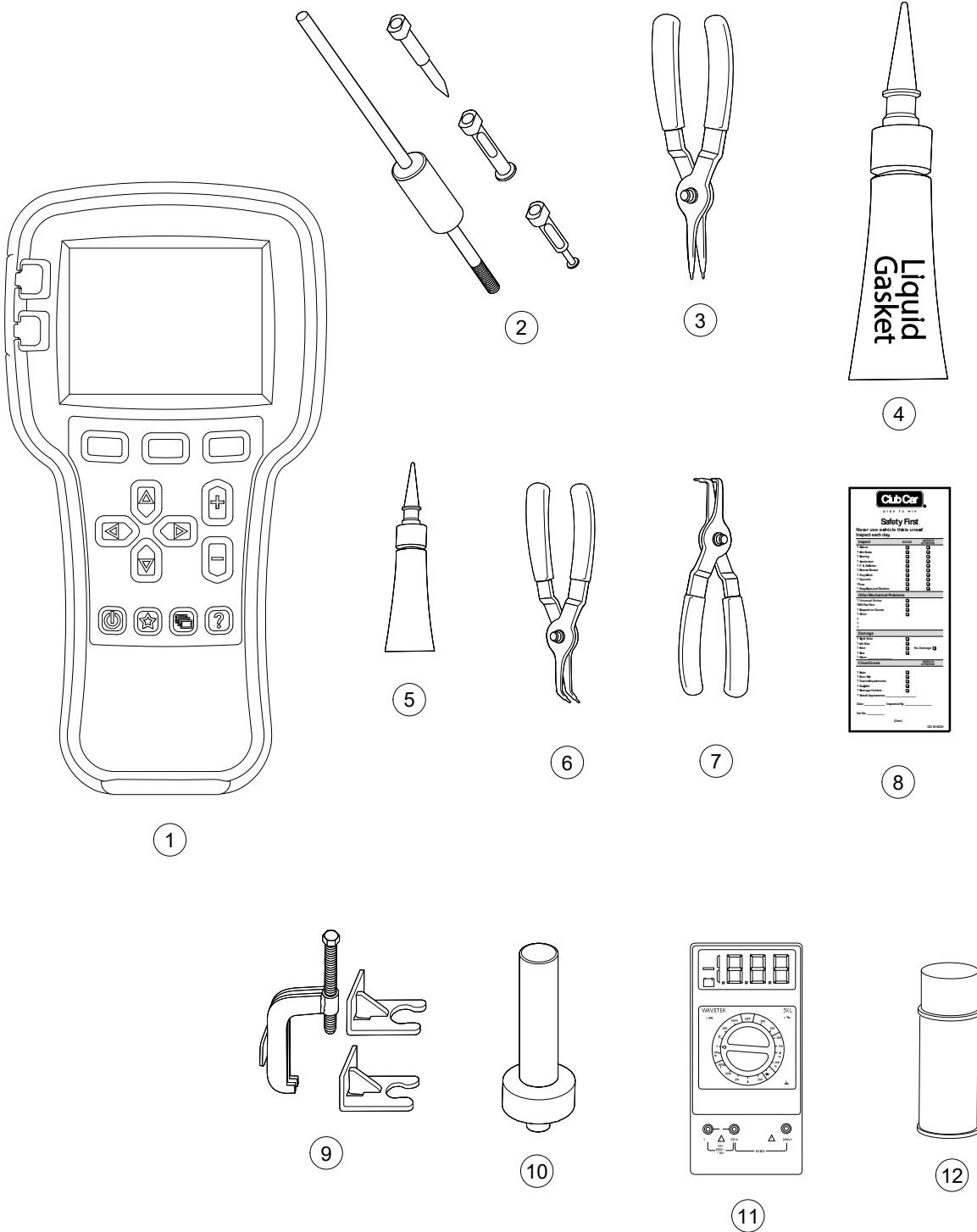
5

Item	Part Number	Part Name
1	U2175571500	Rear light bar sticker, N 50
2	U2175561000	Melex info label for N1
3	300101	Emblem Melex, black
4	U2175555201	Sticker, DNR-direction and wiper, washer arm
5	U2140160101	Dashboard switch panel, lower

(Page intentionally left blank.)

13

TOOLS AND CONSUMABLES



(Page intentionally left blank.)

APPENDICES

(Page intentionally left blank.)

Alphabetical Index

A

ANTENNA, RADIO, CALEARO (840 MM) 7-7
AUX SOCKET ASSY, TOW HITCH 3-19

B

BATTERY POWER CABLE HARNESS - LI-ION (200 MM) 1-11
BATTERY POWER CABLE HARNESS, LI-ION (200 MM) 1-13
BATTERY, FLOOD LEAD ACID (FLA) 1-3
BATTERY, LITHIUM-ION - RELION 200 AH 1-5
BATTERY, LITHIUM-ION, INSIGHT 48V 1-7
BEACON INSTL, LED FLASHING 8-9
BEACON, LED BLITZ 8-9
BRACKET 4-3
BRACKET ASSY, MIRROR LEVEL 7-21
BRACKET, AVAS UNIT 11-3
BRACKET, BATTERY MOUNT 1-15
BRACKET, BATTERY MOUNTING 1-17
BRACKET, BATTERY, PLASTIC 1-17
BRACKET, BRUSH GUARD, LOWER 3-13
BRACKET, BRUSH GUARD, UPPER 3-13
BRACKET, HEATER FUEL TANK SUPPORT 4-13
BRACKET, HEATER MUFFLER EXHAUST 4-13
BRACKET, LH 4-5
BRACKET, MAIN, HEATER 4-13
BRACKET, PLASTIC, BATTERY 1-15
BRACKET, REAR LIGHT BAR 8-11
BRACKET, RH 4-5
BRACKET, ROOF 8-5, 8-7
BRACKET, SEAT BACK 7-15
BRACKET, SEAT SUPPORT 7-15
BRACKET, STEREO SUPPORT 7-12
BRACKET, TOW HITCH 3-19
BRUSH GUARD 3-13
BRUSH GUARD INSTL 3-13
BULB, HEADLIGHT, 60/55W 8-3
BULB, INDICATOR, ORANGE, 21W 8-3
BUMPER ASSY, FRONT 3-3
BUMPER INSTL, REAR 3-17

C

CAB DOOR ASSY (LH) 4-3
CAB DOOR ASSY (RH) 4-3
CAB DOOR HANDLE INSTL 4-5
CAB DOOR INSTL 4-3
CAB HEADLINER INSTL, DELUXE CAB 7-12
CAB HEADLINER INSTL, STANDARD 7-12

CAB LIGHT INSTL (STD) 4-7
CAB LIGHT INSTL (WHITE/BLUE) 4-9
CAB LIGHT, INTERIOR 4-7
CAB PANEL INSTL, WITH CABIN HEATER 7-5
CAB PANELS INSTL, NO CABIN HEATER 7-3
CABIN HEATER ASSY, DIESEL 4-13
CABIN HEATER ASSY, ELECTRIC 4-11
CABIN HEATER INSTL, DIESEL 4-13
CABIN HEATER INSTL, ELECTRIC 4-11
CABIN HEATER, ELECTRIC 4-11
CABLE, CHARGER, 11.5 FT, US 2-5
CAP, INSPECTION HOLE 7-21
CAP, MIRROR 7-21
CARD PACK, SAFETY FIRST (50 PACK) 13-3
CHARGER PLUG, DASHBOARD 3-3
CHARGER, BATTERY 2-3
CHIM, LH 4-5
CHIM, RH 4-5
CLIP 12-5
CLOSEOUT, FRONT, VERTICAL 3-5
COVER INSTL, NO STEREO 7-9
COVER, NO RADIO 7-9
COVER, NO SPEAKER 7-9
COVER, PLUG 1-17
COVER, SEAT SIDE (LH) 3-5
COVER, SEAT SIDE (RH) 3-5
COVER, STORAGE BOX 7-17
COWL ASSY, FRONT, BLUE 3-3
COWL ASSY, FRONT, GRAY 3-3
COWL ASSY, FRONT, ORANGE 3-3
COWL ASSY, FRONT, WHITE 3-3

D

DAMPER, VIBRATION 7-12
DECAL, HEATER "DIESEL ONLY" 4-13
DECAL, WARNING TRIANGLE 12-3
DEIONIZER ASSY 1-25
DOOR AND FRAME ASSY (LH) 4-3
DOOR AND FRAME ASSY (RH) 4-3
DOOR LOCK, LH 4-5
DOOR LOCK, RH 4-5

F

FENDER, FRONT, LH (STD) 3-7
FENDER, FRONT, RH (STD) 3-7
FENDER, WIDE (LH) 3-9

FENDER, WIDE (RH) 3-9
FIRE EXTINGUISHER 3-23
FIRE EXTINGUISHER INSTL 3-23
FIRST AID KIT 3-21
FIRST AID KIT INSTL 3-21
FOOT, SIDE MIRROR, LH 7-21
FOOT, SIDE MIRROR, RH 7-21
FRAME, REFRIGERATOR 7-17
FUSE, MIDI, 30A-58VDC 4-11
FUSE, MINI, 15A 7-17
FUSEHOLDER, MIDI 4-11

G

GRAB HANDLE 5-3
GRAB HANDLE INSTL 5-3
GRID, SPEAKER 7-12
GROMMET, RUBBER 8-5, 8-7

H

HAND PUMP (SPWS) 1-23
HARNESS EXTENSION 8-9
HARNESS EXTENSION, TOW HITCH 3-19
HARNESS, AVAS EXTENSION 11-3
HARNESS, DELUXE CAB EXTENSION 7-12
HARNESS, ELECTRIC HEATER 4-11
HARNESS, FLA BATTERY POWER CABLE (200 MM) 1-9
HARNESS, FLA BATTERY POWER CABLE (260 MM) 1-9
HARNESS, HEADLINER EXTENSION 7-12
HEADLIGHT ASSY, LH 8-3
HEADLIGHT ASSY, RH 8-3
HEADLINER ASSY, STANDARD 7-12
HEADLINER ASSY, STORAGE AND STEREO 7-12
HEATER, MAIN PACK, DIESEL 4-13
HINGE, SEAT BOTTOM 7-15
HOLDER ASSY, BATTERY 1-15, 1-17
HORN 6-3
HORN INSTL 6-3
HOSE AND NOZZLE ASSY, HEATER 4-11
HOSE, DRAIN 7-19
HOUSING, SUPER SEAL 8-7
HOUSING, SUPERSEAL 8-5

I

INSERT, THREADED 4-5

K

KIT, CDT WITH ADAPTOR 13-3
KNOB 4-7, 4-9, 8-9

KNOB, DASH SWITCH 4-11
KNOB, SWITCH 8-5, 8-7

L

LABEL, HEATER SWITCH PANEL 4-11
LID, TRIM 7-19
LIGHT ASSY, LICENSE PLATE 8-11
LIGHT, INTERIOR (WHITE/BLUE) 4-9
LUBRICANT, DRY-MOLY (11 OZ) 13-3
LUBRICANT, MOLY-TEFLON 13-3

M

METER, VOLTAGE OHM 13-3
MIRROR ASSY, LH 7-21
MIRROR ASSY, RH 7-21
MOTOR, WIPER 10-5
MUD FLAP (LH) 3-11
MUD FLAP (RH) 3-11

N

NERF BAR ASSY 3-15
NERF BAR INSTL 3-15

P

PANEL, DASH FRONT 7-3
PANEL, DASHBOARD, TOP 7-3
PANEL, FRONT DASH 7-5
PANEL, FRONT, BLUE 3-3
PANEL, FRONT, GRAY 3-3
PANEL, FRONT, ORANGE 3-3
PANEL, FRONT, WHITE 3-3
PANEL, REAR SIDE (LH) 3-11
PANEL, REAR SIDE (RH) 3-11
PANEL, REAR SIDE, FRONT (LH) 3-11
PANEL, REAR SIDE, FRONT (RH) 3-11
PANEL, SWITCH, ELECTRIC HEATER 4-11
PANEL, TOP, WITH HEATER 7-5
PIPE CLIP, NYLON 4-11
PLATE, WARNING TRIANGLE 12-5
PLIERS, INTERNAL RETAINING RING 13-3
PLIERS, RETAINING RING (45 DEGREE) 13-3
PLIERS, RETAINING RING (90 DEGREE) 13-3
PLUG, COVER 1-15
PLUG, DASHBOARD CHARGER 2-5
PLUG, MOUNTING HOLE 10-5
PLUG, TUBE END 3-15, 3-17
PLUG, TUBE END, BLACK 3-17

R

RADIO, BLUETOOTH 7-7
REAR PANEL ASSY, LONG (LH) 3-11
REAR PANEL ASSY, LONG (RH) 3-11
REFRIGERATOR 7-17
REFRIGERATOR INSTL 7-17
RESERVOIR HOSE 10-5
RIM, WHEEL, 12X7 9-3
RIM, WHEEL, 12X7, STEEL 9-5
RIM, WHEEL, SILVER, 13X4 9-7

S

SEALANT, LIQUID GASKET 13-3
SEAT BACK ASSY 7-15
SEAT BOTTOM ASSY 7-15
SEAT INSTL, BENCH 7-15
SIDE MIRROR INSTL 7-21
SOCKET, POWER, 12V 7-12
SOLENOID 4-11
SPACER, SPEAKER 7-12
SPEAKER, 180W 7-7
SPLITTER, ANTENNA, DAB 7-7
SPWS (SINGLE POINT WATERING SYSTEM) HYDROLINK 1-21
STEREO SYSTEM INSTL 7-7
STICKER, COVER, LH 7-21
STICKER, COVER, RH 7-21
STORAGE BOX 7-19
STORAGE BOX, FRONT 7-17
STORAGE BOX, FRONT, REAR 7-19
STORAGE INSTL, NO REFRIGERATOR 7-19
SUN VISOR 7-12
SWITCH PANEL 7-12
SWITCH, HEATED WINDSHIELD 8-9
SWITCH, ON-OFF 4-7, 4-9, 8-5, 8-7, 8-9
SWITCH, ROTARY, 0-1-2 4-11
SWITCH, ROTARY, 1-2 4-11

T

TAILLIGHT ASSY 8-11
TIRE ASSY (STD), 13" 9-7
TIRE ASSY, ALL TERRAIN, LH 9-3
TIRE ASSY, ALL TERRAIN, RH 9-3
TIRE ASSY, TURF, 12" 9-5
TIRE, 220/55-R12 9-3
TIRE, R165/70R13C 9-7
TIRE, TURF, 23X8.5-12 9-5
TOOL, BEARING/OIL SEAL REMOVER 13-3
TOOL, STEERING WHEEL PULLER 13-3

TOOL, TRANSAXLE PINION SEAL 13-3
TOW BALL 3-19
TOW BALL AND LIGHT SOCKET INSTL 3-19
TOW BALL ASSY 3-19
TOW BAR ASSY, BALL HITCH 3-17

V

VALVE, WHEEL 9-3, 9-5, 9-7
VEHICLE ALERT SYSTEM INSTL 11-3
VEHICLE ALERT SYSTEM UNIT 11-3

W

WARNING TRIANGLE INSTL, MESH CAGE 12-5
WARNING TRIANGLE INSTL, REAR 12-3
WATER RESERVOIR ASSY 10-5
WHEEL ARCH, FRONT (LH) 3-9
WHEEL ARCH, FRONT (RH) 3-9
WHEEL ARCH, FRONT, LH (STD) 3-7
WHEEL ARCH, FRONT, RH (STD) 3-7
WHEEL ARCH, REAR (RH) 3-11
WHEEL ARCH, REAR (LH) 3-11
WINDSHIELD, HEATED 10-3
WINDSHIELD, NON-HEATED 10-3
WINDSHIELD WASHER AND WIPER INSTL 10-5
WIPER ARM ASSY 10-5
WIPER BLADE 10-5
WORK LIGHT INSTL, FRONT 8-5
WORK LIGHT INSTL, REAR 8-7
WORK LIGHT, LED 8-5
WORK LIGHT, REAR, LED 8-7

(Page intentionally left blank.)

U2143812500	4-11	U2164130100	7-21
U2143820100	4-13	U2164130200	7-21
U2143830000	4-13	U2164140700	7-21
U2143840000	4-13	U2170100100	10-3
U2145410000	3-19	U2170100200	10-3
U2145410100	3-19	U2170300101	4-3
U2145674500	12-5	U2170300201	4-3
U2145800000	8-5, 8-7	U2170356000	4-5
U2145800200	8-5, 8-7	U2170356200	4-5
U2145800400	8-9	U2170357001	4-5
U2146120001	3-5	U2170357101	4-5
U2150241101	3-17	U2170357200	4-5
U2161210101	7-19	U2170357300	4-5
U2161210201	7-17	U2170390800	4-3
U2161210300	7-17	U2172110100	8-3
U2161310001B1	3-3	U2172110200	8-3
U2161310001B2	3-3	U2172110300	8-3
U2161310001B3	3-3	U2172110400	8-3
U2161310001B4	3-3	U2173110200	8-11
U2161400001	3-3	U217311052.1	8-11
U2161410302	3-7	U2173110600	8-11
U2161410402	3-7	U2174100200	10-5
U2161410700	3-9	U2174100301	10-5
U2161410800	3-9	U2174100500	10-5
U2161430200B1	3-3	U2175610100	12-3
U2161430200B2	3-3	U2190200800	7-12
U2161430200B3	3-3	U2190201000	1-9
U2161430200B4	3-3	U2190201100	1-9, 1-11, 1-13
U2161610502	3-7	U2190201300	3-19
U2161610602	3-7	U2190201701	7-12
U2161610700	3-9	U2190203700	8-9
U2161610800	3-9	U2190204000	11-3
U2162110301	3-11	U2190221301	4-11
U2162110401	3-11	U2191300500	11-3
U2162111100	3-11	U219130071.1	11-3
U2162111200	3-11		
U2162111300	3-11		
U2162111400	3-11		
U2162140102	3-5		
U2162140202	3-5		
U2162410200	3-11		
U2162410300	3-11		
U2163300600	3-13		
U2163300800	3-13		
U2163304000	3-13		
U2163310000	3-15		
U2164110100	7-21		
U2164110200	7-21		
U2164120100	7-21		
U2164120200	7-21		

(Page intentionally left blank.)

Publication Part Number

Edition Code

Club Car, LLC
P.O. Box 204658
Augusta, GA 30917-4658
USA

Web www.clubcar.com
Phone 1 706 258 2225
1 800 ClubCar
Fax 1 706 863 5858