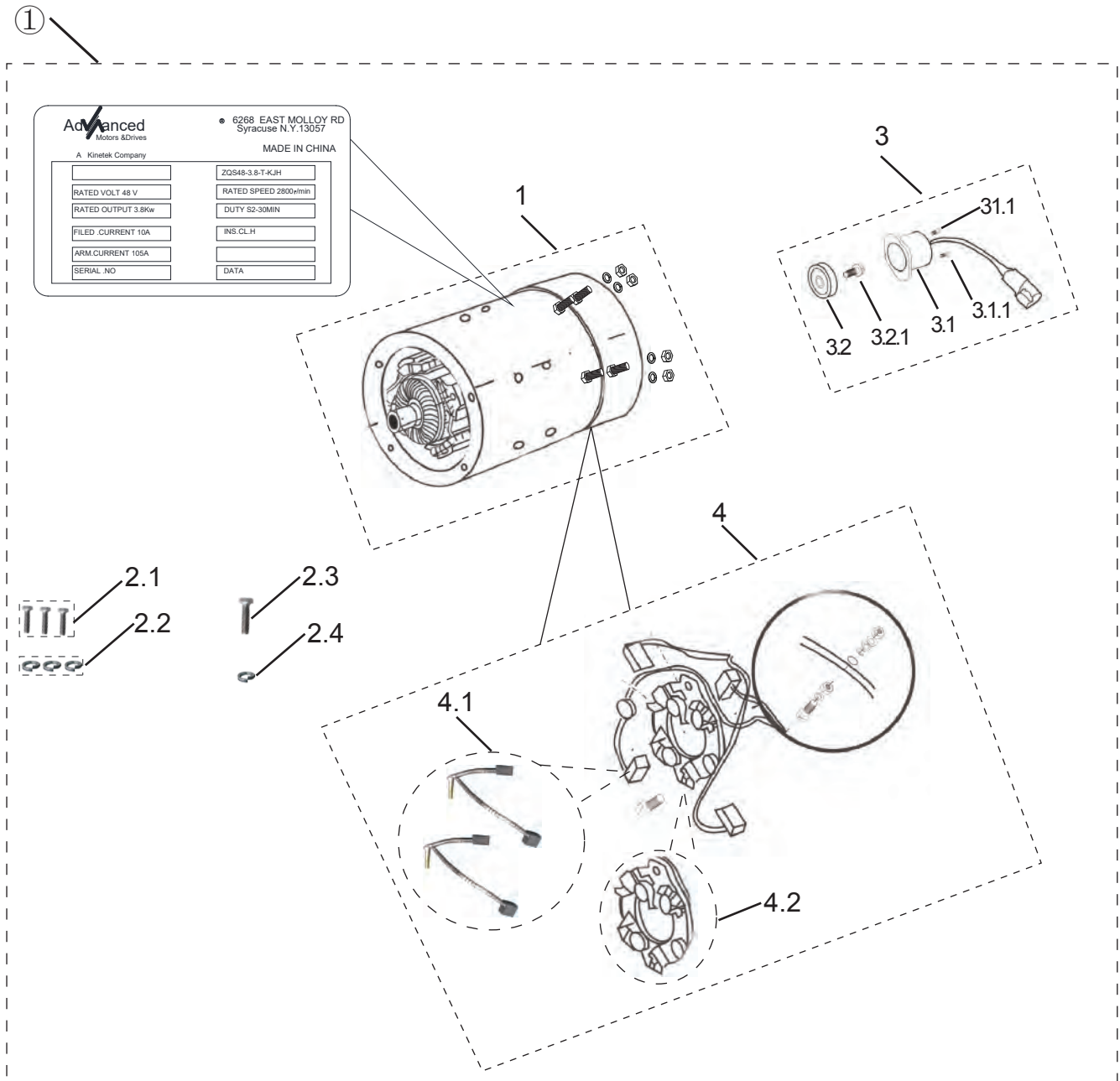


MadJax X2

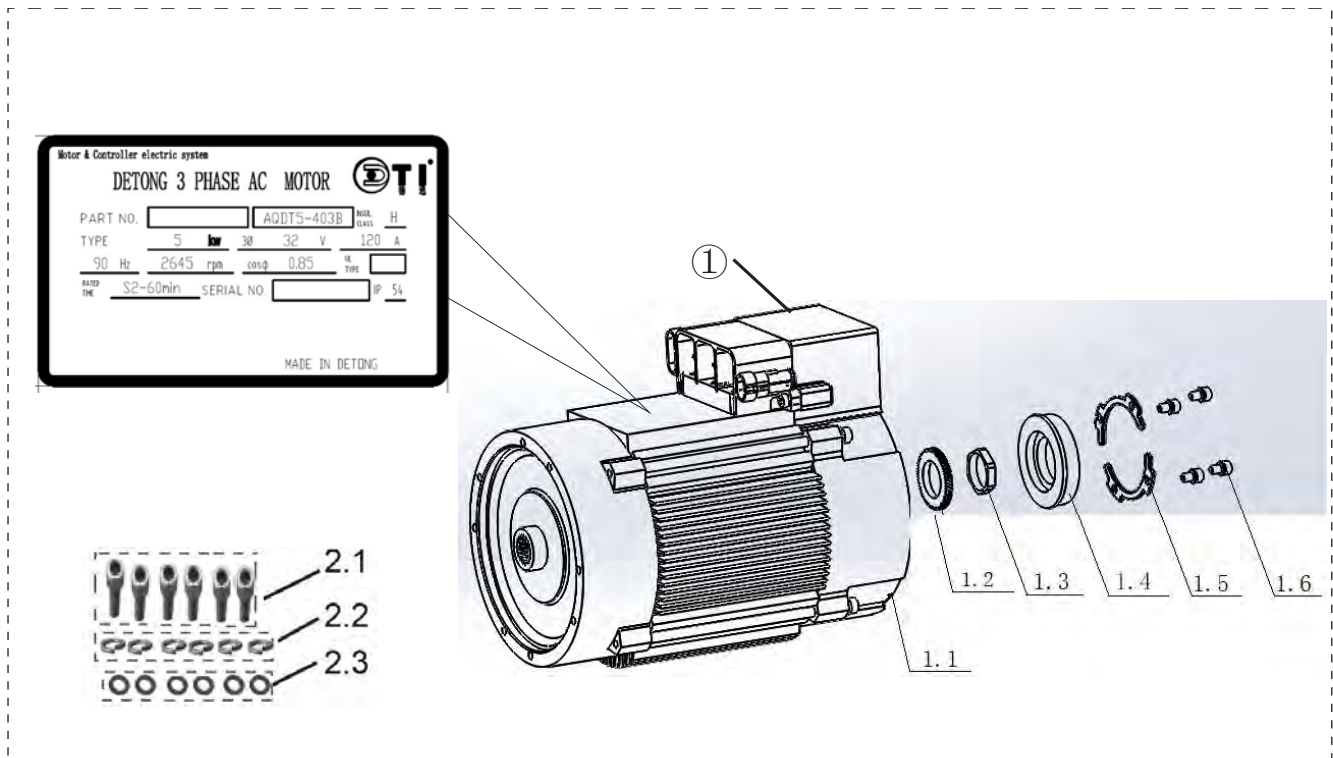
Parts Manual

Model Year
2022

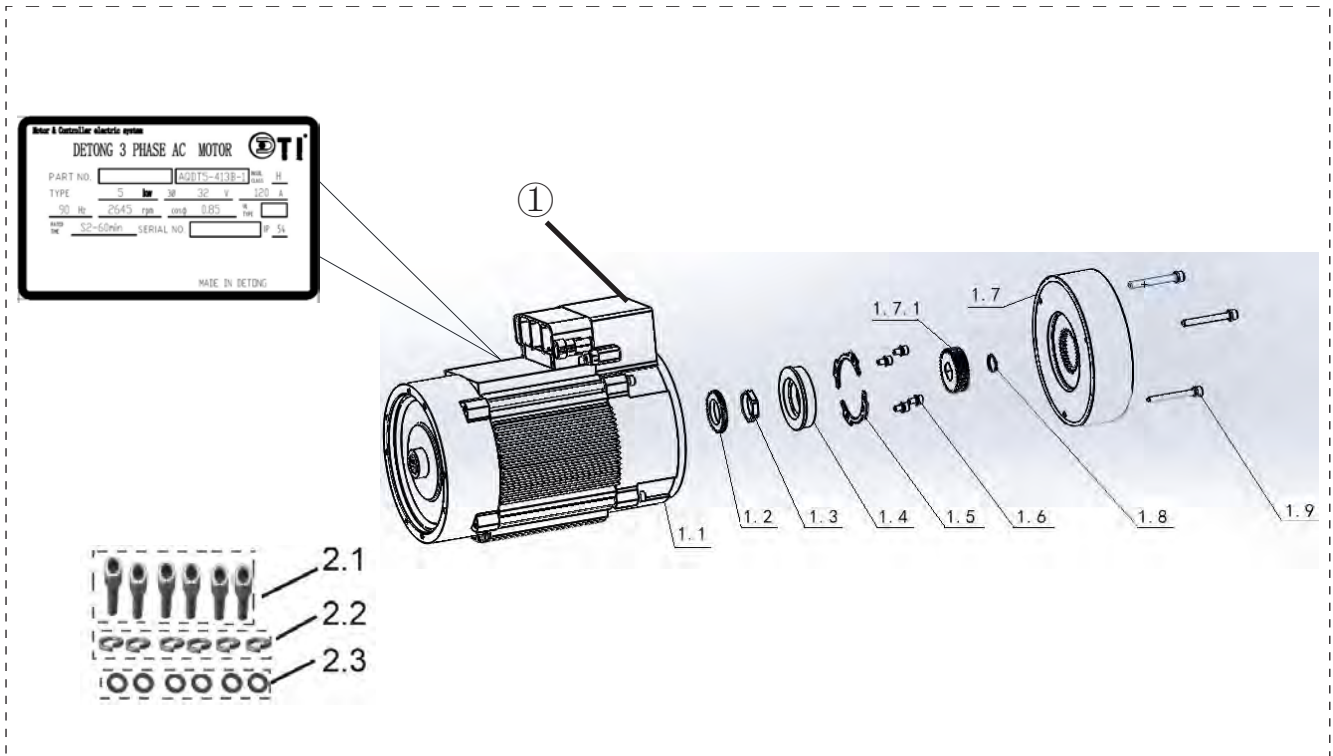
Nivel Parts and Manufacturing



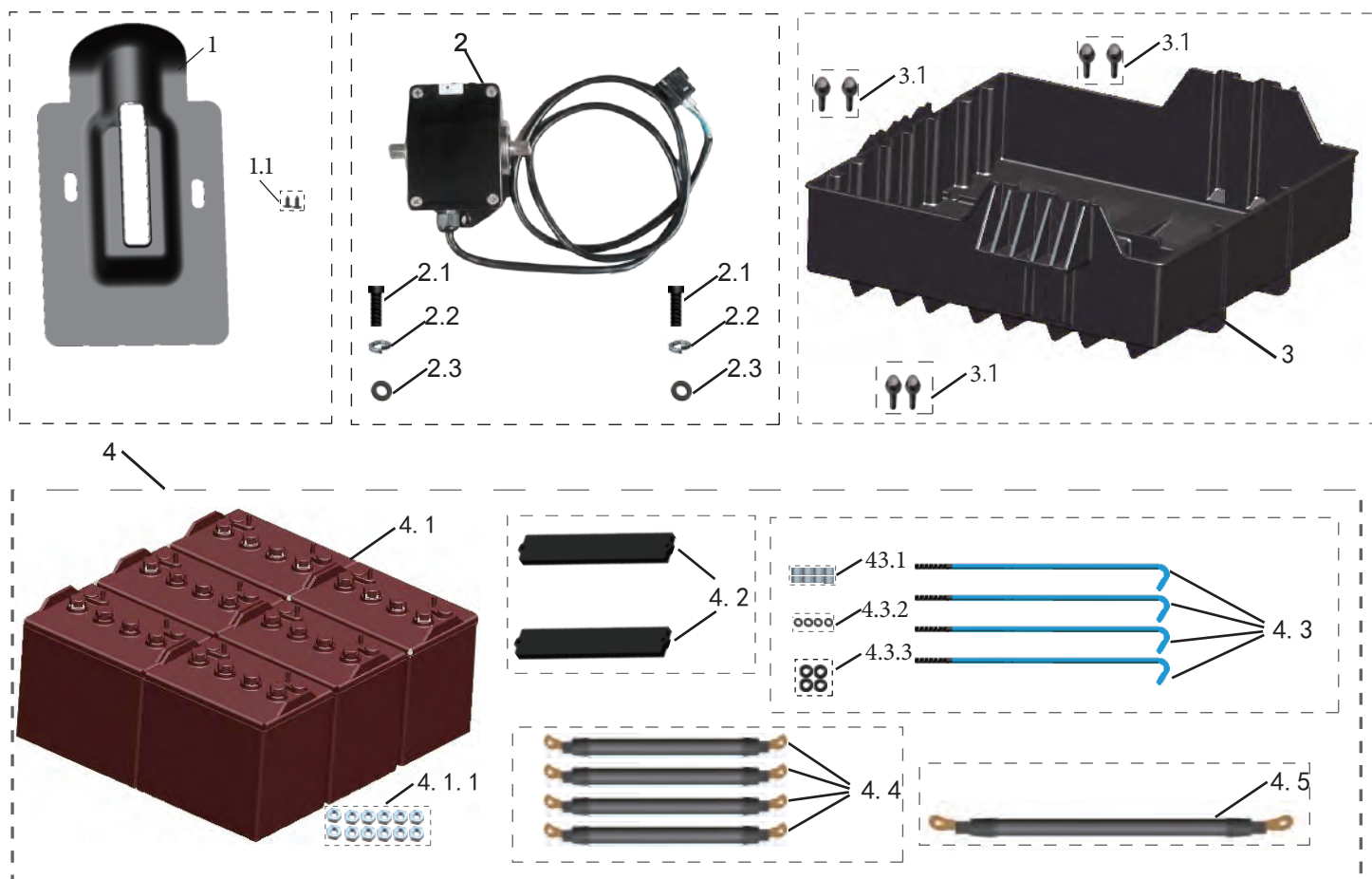
No.	Part No.	Part Name	Qty.
①	TA0A100010	DC Motor Assembly (ZQS-3.8-T-KJH)	1
1	TA1A101010	DC Motor (ZQS-3.8-T-KJH)	1
2.1	TA01001010	Hexagon Head Bolt (1/4-20*55) (White Zinc)	1
2.2	TA01001020	Spring Pad (1/4) (White Zinc)	2
2.3	TA01001030	Hexagon Head Bolt (5/16-18*30) (White Zinc)	1
2.4	TA01001040	Spring Pad (Φ8) (White Zinc)	1
3	TA1A100020	X2 Speed Sensor Assembly	1
3.1	TA01002010	X2 Speed Sensor	3
3.1.1	TA01002020	X2 Speed Sensor Fixing Screw	3
3.2	TA01002030	X2 Speed Sensor Magnetic Ring	1
3.2.1	TA01002040	Magnetic Ring Fixing Screw (1/4-20*19)	1
4	TA1A100030	X2 Carbon Brush Assembly	1
4.1	TA01003010	X2 Carbon Brush	2
4.2	TA01003020	X2 Carbon Brush Bracket	1



No.	Part No.	Part Name	Qty.
①	TAOA100040	AC Three Phase Asynchronous Variable Frequency Motor Assembly (AQDT5-403B)	1
1	TAOA104010	AC Three Phase Asynchronous Variable Frequency Motor	1
1.1	TAOA104020	Signal Gear	1
1.2	TAOA104030	M27*1.5*6 Hex Thin Nut (Galvanized)	1
1.3	TAOA104040	Encoder (64 Bit) Closed (+BA-)	1
1.4	TAOA104050	Encoder Pressing Plate	2
1.5	TAOA104060	M5*10 Hexagon Bolt With Spring Washer (Grade 12.9)	4
2.1	T02GB03073	GB/T70.1-M6*30 Hexagon Socket Head Screw (Black)	6
2.2	T02GB03001	GB/T93-φ6 Spring Washer (Black)	6
2.3	T02GB03004	GB/T95-φ6 Flat Washer (Black)	6

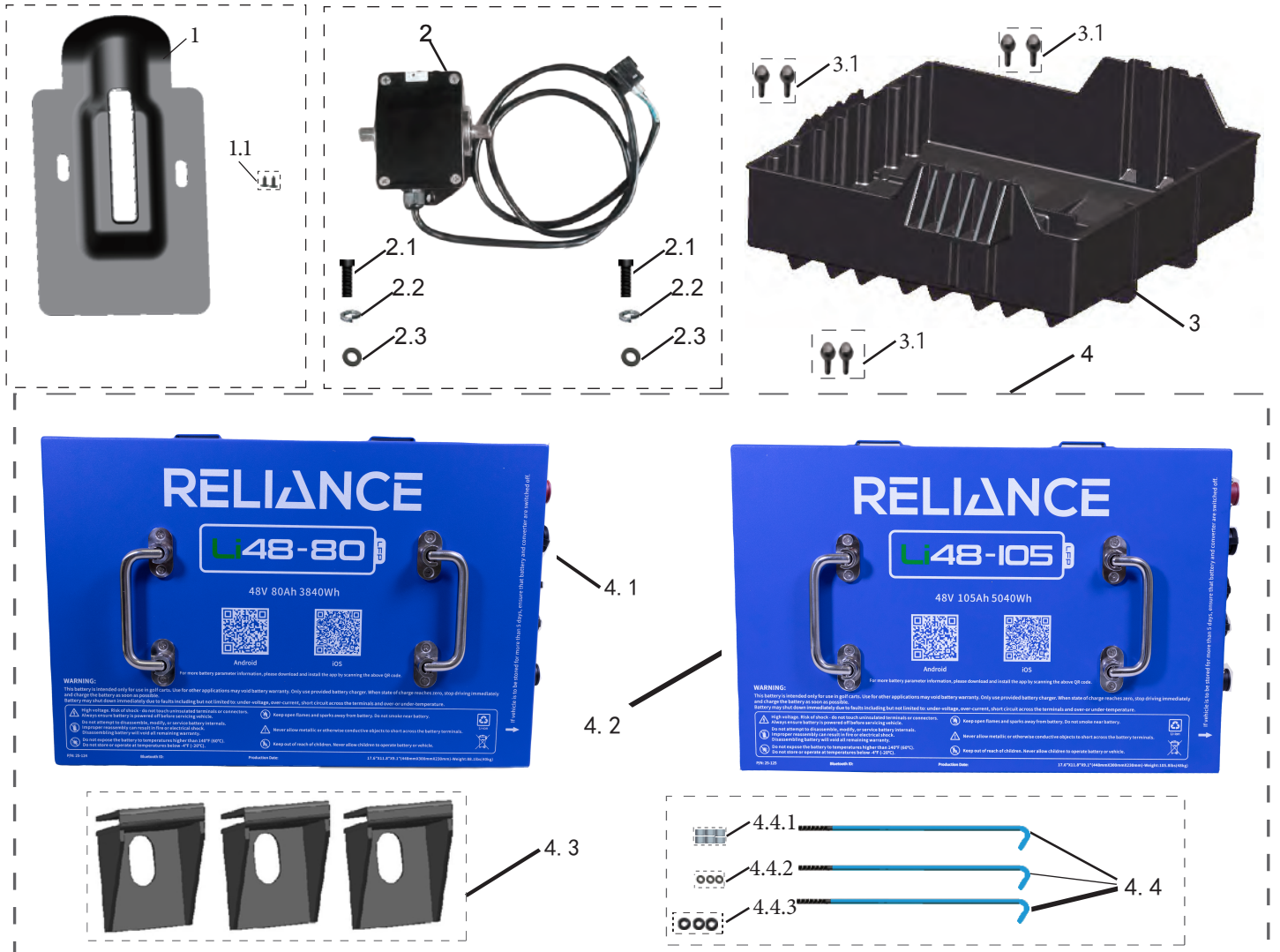


No.	Part No.	Part Name	Qty.
①	TAOA100020	X2 Three Phase Asynchronous Variable Frequency Motor Assembly (AQDT5-413B-1 With Electromagnetic Brake)	1
1.1	TAOA100030	X2 Three Phase Asynchronous Frequency Conversion Motor (AQDT5-413B-1 Without Electromagnetic Brake)	1
1.2	TAOA104020	Signal Gear	1
1.3	TAOA104030	M27*1.5*6 Hex Thin Nut (Galvanized)	1
1.4	TAOA102010	Encoder (64 bit) Opening (+BA-)	1
1.5	TAOA104050	Encoder Pressing Plate	2
1.6	TAOA104060	M5*10 Hexagon Bolt With Spring Washer (Grade 12.9)	4
1.7	TAO2105070	Electromagnetic Brake C028-C14 (Including Gear)	1
1.7.1		Brake Gear	1
1.8	TAOA102020	GB/T894.1-86 Circlips For $\phi 20$ Shafts	1
1.9	TAOA102030	GB/T70.1-M6*55 Hexagon Socket Head Bolt	3
2.1	T02GB03073	GB/T70.1-M6*30 Hexagon Socket Head SScrew (Black)	6
2.2	T02GB03001	GB/T93- $\phi 6$ Spring Washer (Black)	6
2.3	T02GB03004	GB/T95- $\phi 6$ Flat Washer (Black)	6

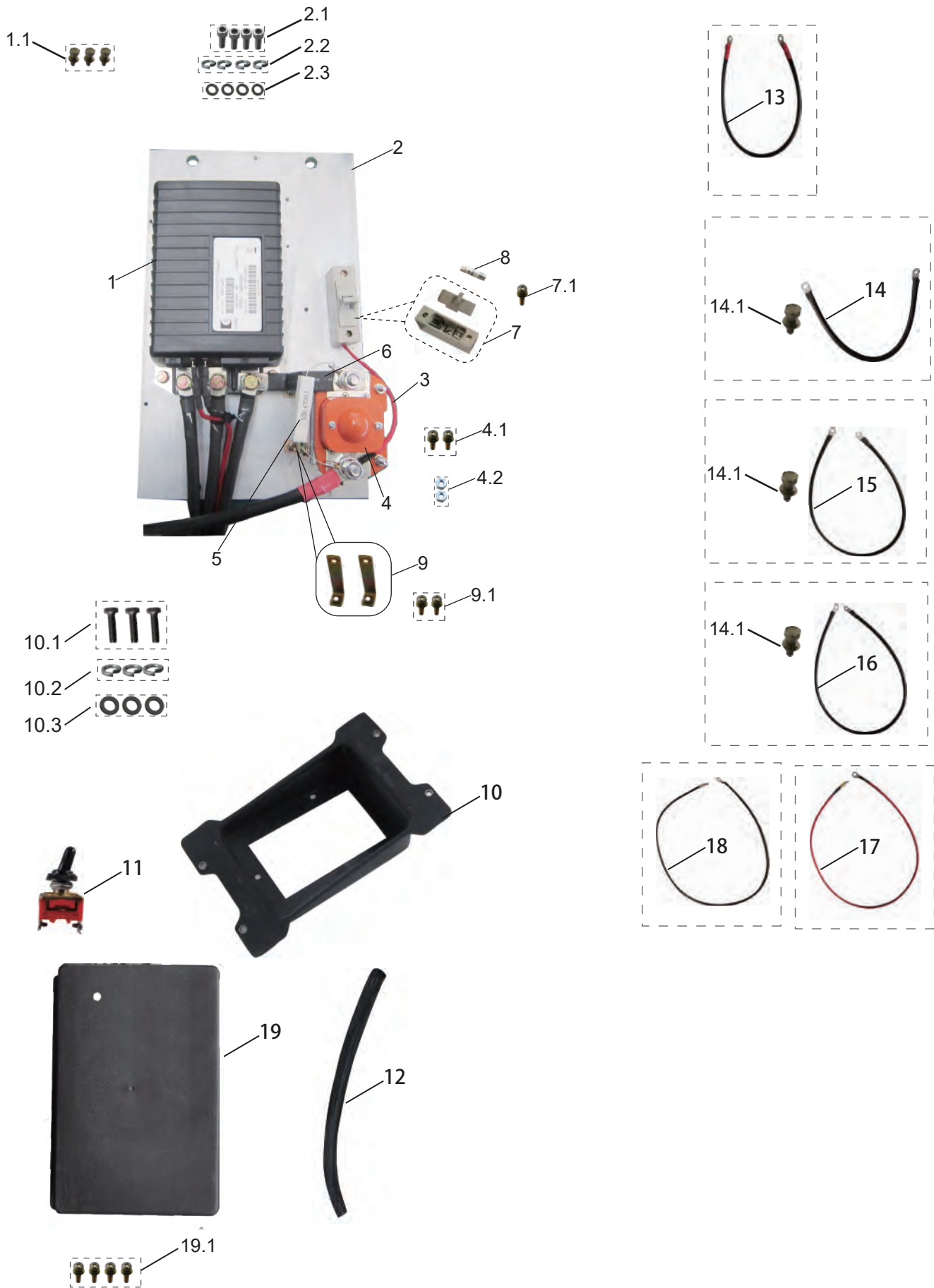


No.	Part No.	Part Name	Qty.
1	TA01100070	X2 Accelerator Dust Cover	1
1.1	TA01100080	Christmas Tree Rivet 06639	2
2	TA01100090	Hall Accelerator (0-4.7V)	1
2.1	T02GB03026	GB/T70.1-M8*25 Hexagon Socket Head Cap Screw (Black)	2
2.2	T02GB03007	GB/T95-φ8 Flat Gasket (Black)	2
2.3	T02GB03002	GB/T93-φ8 Spring Pad (Black)	2
3	TA01100010	Battery Tray	1
3.1	T02GB03046	GB/T5789-M10*25 Hexagon Flange Bolt (Black)	6
4	TA1A110010	X2 Battery Pack	1
4.1	TA01101010	Battery (TrOjan T875)	6
4.1.1	TA01101020	Hexagon Nut (5/16)	12
4.2	TA01100020	X2 Battery Briquette	2
4.3	TA01100030	X2 Battery Fixing Screw(M6*320mm)	4
4.3.1	T02GB01006	GB/T6170-M6 Hexagon Nut (Stainless Steel)	8
4.3.2	T02GB01001	GB/T-93-φ6 Spring Pad (Stainless Steel)	4
4.3.3	TA01100040	O-Ring	4
4.4	TA01100050	X2 Battery Cable (25mm²*260mm)	4
4.5	TA01100060	X2 Battery Cable (25mm²*450mm)	1

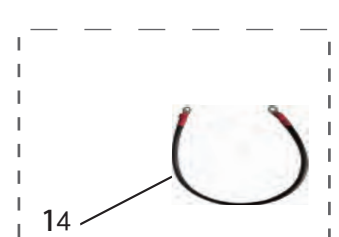
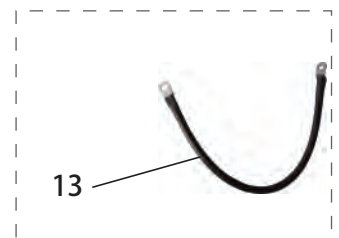
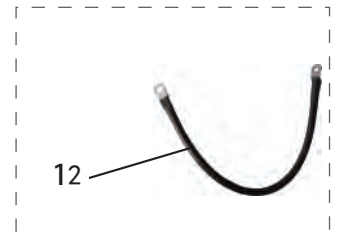
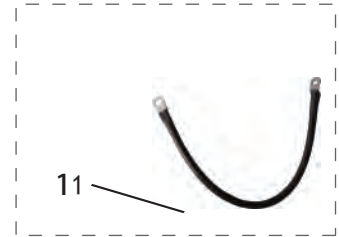
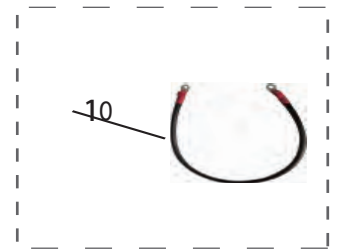
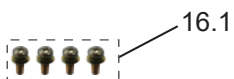
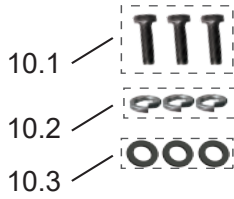
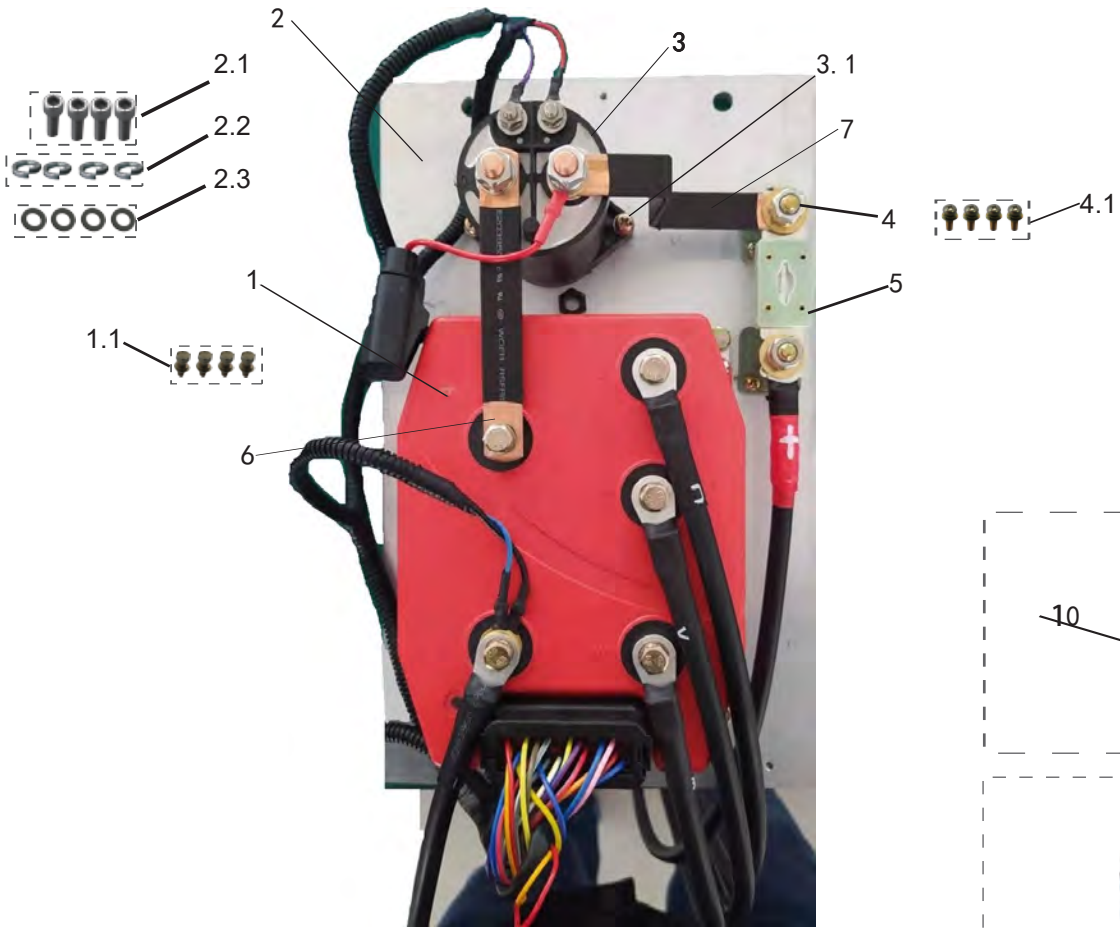
Lithium battery parts



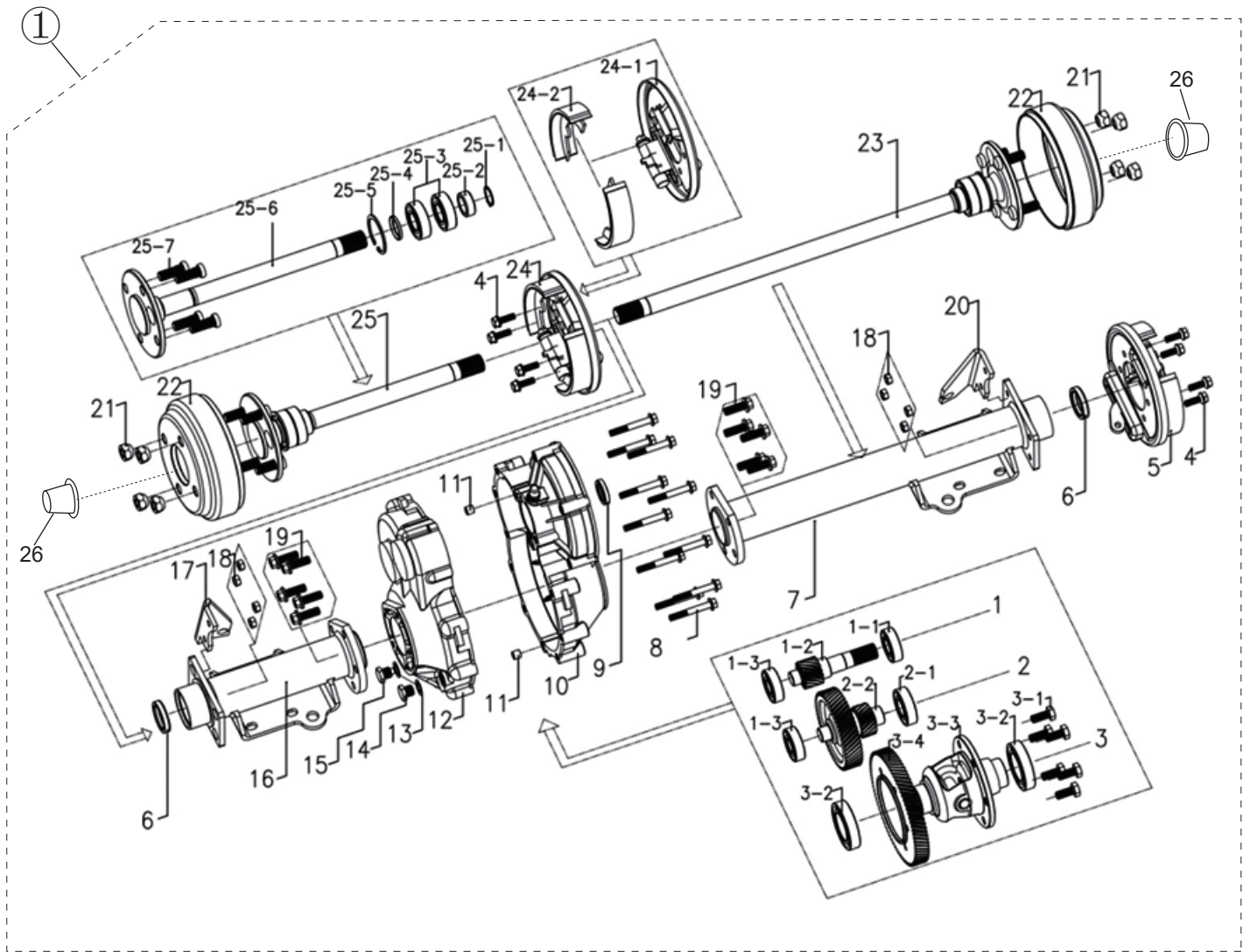
No.	Part No.	Part Name	Qty.
1	TA01100070	X2 Accelerator dust sealant	1
1.1	TA01100080	Glue nail 06639	2
2	TB01101090	Hall accelerator (0-4.7V)	1
2.1	T02GB03026	GB/T70.1-M8*25 Hexagon Socket Head Cap Screw (Black)	2
2.2	T02GB03007	GB/T95-φ8 Flat Gasket (Black)	2
2.3	T02GB03002	GB/T93-φ8 Spring Pad (black)	2
3	TA01100010	Battery Tray	1
3.1	T02GB03046	GB/T5789-M10*25 Hexagon Flange Bolt (Black)	6
4	TA1A110080	X2 Lithium Battery Pack	
4.1	TA1A110020	X2 Lithium Battery (C48-080D) (One Out Of Two)	1
4.2	TA1A110030	X2 Lithium Battery (C48-105D) (One Out Of Two)	1
4.3	TA01102010	Fixed Ear Piece Of Lithium Battery (Equipped With Lithium Battery)	3
4.4	TA01102020	X2 Battery Fixing Screw (Lithium Battery 250mm)	3
4.4.1	T02GB01006	GB/T6170-M6 Hexagon Nut (Stainless Steel)	6
4.4.2	T02GB01001	GB/T-93-φ6 Spring Pad (Stainless Steel)	3
4.4.3	TA01100040	O-Ring	3



No.	Part No.	Part Name	Qty.
1	TA02101010	X2 Controller (CTS1266A)	1
1.1	T02GB02029	GB/T9074.17-M6*16 Hexagon Head Combination Bolt (Color Zinc)	3
2	TA02101020	X2 Aluminum Plate(CTS1266A)	1
2.1	T02GB03026	GB/T70.1-M8*25 Hexagon Socket Head Cap Screw (Black)	4
2.2	T02GB03002	GB/T93-φ8 Spring Washer (Black)	4
2.3	T02GB03007	GB/T95-φ8 Flat Washer (Black)	4
3	TA02101120	X2 Main Contactor Connection Line B (#16AWG)	1
4	TA02101030	X2 Main Contactor (ZJ200D/48V)	1
4.1	T02GB02032	GB/T9074.4-M4*12 Cross Groove Pan Head Combination Screw (Color Zinc)	2
4.2	T02GB02011	GB/T6170-M4 Hexagon Nut (Color Zinc)	2
5	TA02101040	470Ω Cement Resistance	1
6	TA02101080	X2 Copper Bar (Z-Type Copper Bar)	1
7	TA02101060	X2 Fuse Holder	1
7.1	T02GB02032	GB/T9074.4-M4*12 Cross Groove Pan Head Combination Screw (Color Zinc)	1
8	TA02101070	X2 Fuse (30A Fuse)	1
9	TA02101090	Anti Skid Contactor Bracket	2
9.1	T02GB02032	GB/T9074.4-M4*12 Cross Groove Pan Head Combination Screw (Color Zinc)	2
10	TA02101100	X2 Controller Mounting Bracket (Plastic Part)	1
10.1	T02GB03026	GB/T70.1-M8*25 Hexagon Socket Head Cap Screw (Black)	3
10.2	T02GB03002	GB/T93-φ8 Spring Pad (Black)	3
10.3	T02GB03007	GB/T95-φ8 Flat Mat (Black)	3
11	TA02101100	Twist Switch (1021 With Waterproof Cap)	1
12	ALR01A210040	Protective Sleeve For Wire Harness (650mm)	1
13	TA02101130	X2 Power Supply Positive Wire (25mm ² *750mm)	1
14	TA02101140	X2 Negative Wire Of Power Supply (25mm ² *360mm)	1
14.1	T02GB02030	GB/T9074.17-M8*16 Hexagon Head Combination Bolt (Color Zinc)	3
15	TA02101150	X2 Motor Connecting LineA1 (25mm ² *700mm)	1
16	TA02101160	X2 Motor Connecting LineA2 (25mm ² *800mm)	1
17	TA02101170	X2 Motor Excitation LineF1 (6mm ² *700mm)	1
18	TA02101180	X2 Motor Excitation LineF2 (6mm ² *800mm)	1
19	TA02101190	X2 Controller Waterproof Cover	1
19.1	T02GB02032	GB/T9074.4-M4*12 Cross Groove Pan Head Combination Screw (Color Zinc)	4

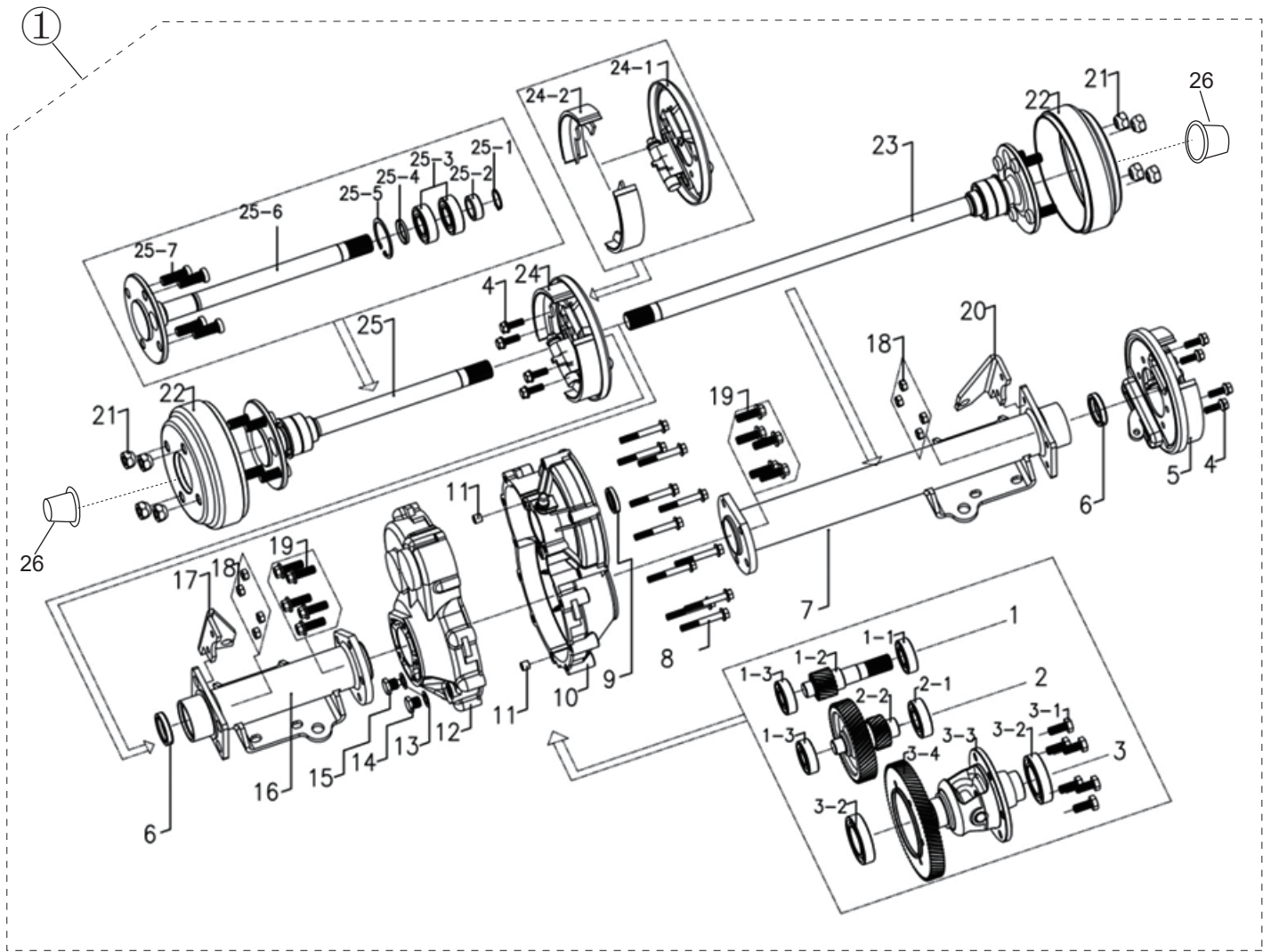


No.	Part No.	Part Name	Qty.
1	TA02109010	X2 AC Controller (1232SER-5422)	1
1.1	T02GB02029	GB/T9074.17-M6*16 Hexagon Head Combination Bolt (Color Zinc)	4
2	TA02109020	X2 AC Aluminum Plate(CTS 5422)	1
2.1	T02GB03026	GB/T70.1-M8*25 Hexagon Socket Head Cap Screw (Black)	4
2.2	T02GB03002	GB/T93- ϕ 8 Spring Washer (Black)	4
2.3	T02GB03007	GB/T95- ϕ 8 Flat Washer (Black)	4
3	TB02101030	TYCO Main Contactor (JQX200-48ND)	1
3.1	T02GB02035	GB/T9074.4-M5*25 CrossGroove Pan Head Combination Screw (Color Zinc)	2
4	TB02101060	X2 AC Fuse InsulatedTerminal(CTS 5422)	2
4.1	T02GB02035	GB/T9074.4-M5*25 Cross Groove Pan Head Combination Screw (Color Zinc)	4
5	TA02109050	X2 AC CrossGroove Pan Head Combination Screw (Color Zinc)(CTS 5422-300A)	1
6	TA02109030	X2 AC Controller Copper Bar(CTS 5422)	1
7	TA02109040	L2AC Z-shaped Copper Bar Of Controller(CTS 5422)	1
8	TA02101100	X2 Controller Mounting Bracket (Plastic Part)	1
8.1	T02GB03026	GB/T70.1-M8*25 Hexagon Socket Head Cap Screw (Black)	3
8.2	T02GB03002	GB/T93- ϕ 8 Spring Washer (Black)	3
8.3	T02GB03007	GB/T95- ϕ 8 Flat Washer (Black)	3
9	TA02101100	Twist Switch (1021 With WaterproOf Cap)	1
10	TA02105110	X2 AC Power Supply Positive Wire (800)	1
11	TA02105080	X2 AC Motor Connecting LineU(DT403B-850mm)	1
12	TA02105090	X2 AC Motor Connecting LineV(DT403B-800mm)	1
13	TA02105100	X2 AC Motor Connecting LineW(DT403B-750mm)	1
14	TA02105120	X2 AC Negative wire Of power supply(450mm)	1
15	TA02101110	X2 Harness Protective Sleeve (Nylon 650mm)	1
16	TA02101190	X2 WaterproOf Cover Of Controller	1
16.1	T02GB02033	GB/T9074.4-M4*12 CrossGroove Pan Head Combination Screw (Color Zinc)	4



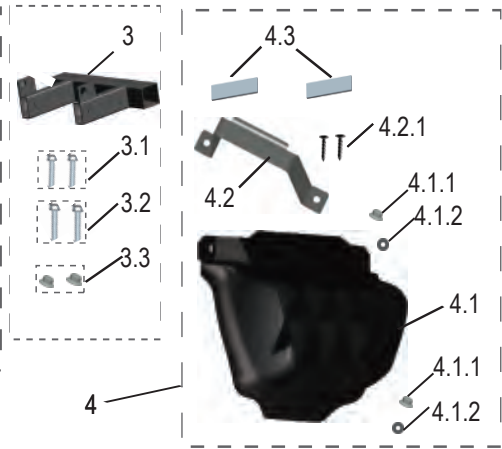
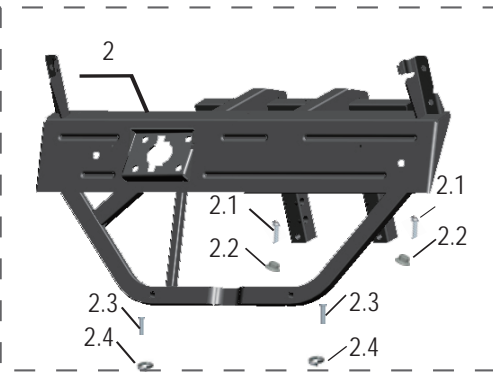
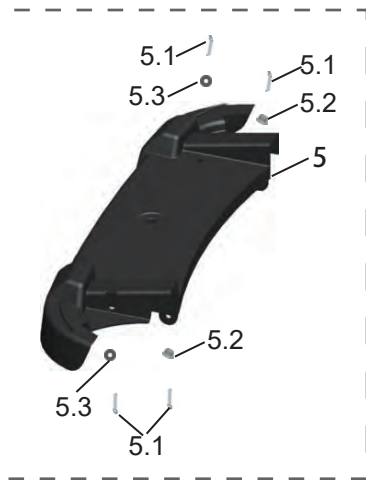
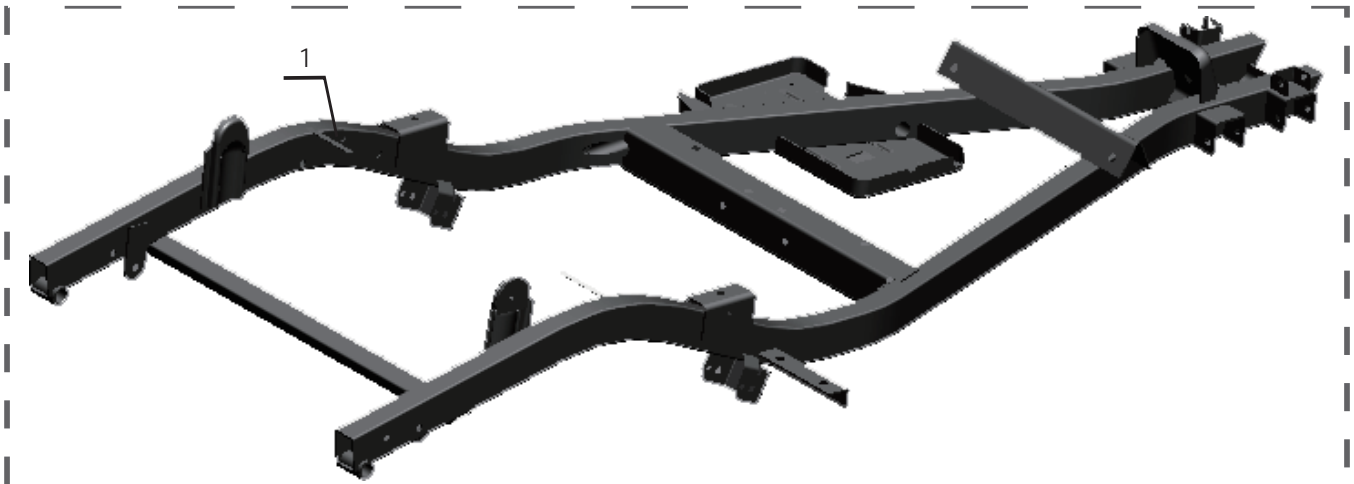
No.	Part No.	Part Name	Qty.
①	TA1A240010	Rear Axle (LY Mechanical-φ155-12.375)	1
1	TA02401010	Input Shaft Assembly LY130R-1000	1
1-1	TA02401020	Ball Bearing LY130R-1000	1
1-2	TA02401030	Input Shaft Y130R-1001	1
1-3	TA02401040	Ball Bearing LY130R-1003	1
2	TA02401050	Intermediate Shaft Assembly LY130R-2000	1
2-1	TA02401060	Ball Bearing LY130R-2003	1
2-2	TA02401070	Intermediate Shaft Gear LY130R-2001	1
1-3	TA02401080	Ball Bearing LY130R-1003	1
3	TA02401090	Differential Assembly LY130R-3000	1
3-1	TA02401100	Differential Bolt LY130R-3009	6
3-2	TA02401110	Ball Bearing LY130R-3002	2
3-3	TA02401120	Differential LY130R-3003	1
3-4	TA02401130	Main Reduction Gear LY130R-3001	1
4	TA02401140	Brake Bolt LY130R-5013	8
5	TA02401150	Right Brake Assembly LY130R-J160-02	1
6	TA02401160	Half Shaft Oil Seal LY130R-5008	2
7	TA02401170	Long Tube LY130R-5002	1
8	TA02401180	Housing Connection Bolt LY130R-4008	11
9	TA02401190	Input Shaft Oil Seal LY130R-4007	1
10	TA02401200	Transmission Front Housing LY130R-4001	1
11	TA02401210	Hollow Positioning Pin LY130R-4003	2
12	TA02401220	Transmission Rear Housing LY130R-4002	1

13	TA02401230	Aluminum Washer LY125-4004	2
14	TA02401240	Oil Inlet Bolt LY125-4005	1
15	TA02401250	Oil Outlet Bolt LY125-4006	1
16	TA02401260	Short Tube LY130R-5001	1
17	TA02401270	Left Stay Bracket LY130R-5015-01	1
18	TA02401280	Brake Bolt LY130R-5014	8
19	TA02401290	Coupling Disc Bolt LY130R-5003	10
20	TA02401300	Right Stay Bracket LY130R-5015-02	1
21	TA03100160	Tire cap nut	8
22	TA02401310	Brake Drum LY130R-G160	2
23	TA02401320	Long Half Shaft Assembly LY130R-7000	1
24	TA02401330	Left Brake Assembly LY130R-J160-01	1
24-1	TA02401340	Left Brake Baseboard LY130R-J160-0101	1
24-2	TA02401350	Brake Shoe LY130R-J160-0102	4
25	TA02401360	Short Half Shaft Assembly LY130R-5000	1
25-1	TA02401370	Check Ring LY130R-5007	2
25-2	TA02401380	Half Shaft Bearing Sleeve LY130R-5006	2
25-3	TA02401390	Half Shaft Bearing LY130R-5005	4
25-4	TA02401400	Washer LY130R-5012	2
25-5	TA02401410	Half Shaft Bearing Sleeve Ring LY130R-5009	2
25-6	TA02401420	Short Half Shaft LY130R-5004	1
25-7	TA02401430	Wheel Hub Bolt LY130R-5010	8
26	TA02400010	Dust Cover	2

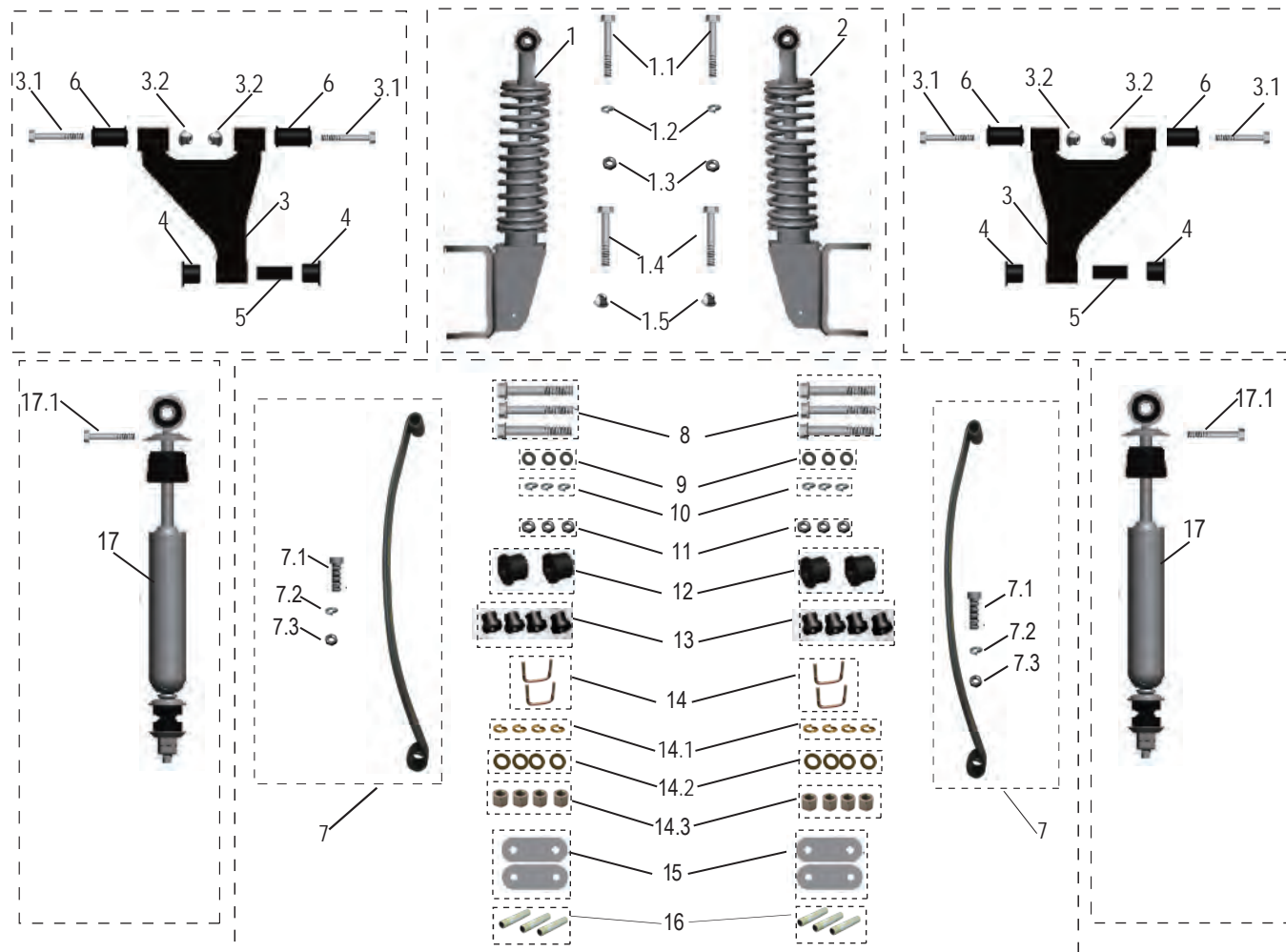


No.	Part No.	Part Name	Qty.
①	TA1B240010	Rear Axle (LY Mechanical-φ155-12.375)	1
1	TA02401010	Input Shaft Assembly LY130R-1000	1
1-1	TA02401020	Ball Bearing LY130R-1000	1
1-2	TA02401030	Input Shaft Y130R-1001	1
1-3	TA02401040	Ball Bearing LY130R-1003	1
2	TB02401050	Intermediate Shaft Assembly LY130B-2000	1
2-1	TA02401060	Ball Bearing LY130R-2003	1
2-2	TA02401070	Intermediate Shaft Gear LY130R-2001	1
1-3	TA02401080	Ball Bearing LY130R-1003	1
3	TB02401090	Differential Assembly LY130B-2001	1
3-1	TA02401100	Differential Bolt LY130R-3009	6
3-2	TA02401110	Ball Bearing LY130R-3002	2
3-3	TA02401120	Differential LY130R-3003	1
3-4	TB02401130	Main Reduction Gear LY130R-3001	1
4	TA02401140	Brake Bolt LY130R-5013	8
5	TA02401150	Right Brake Assembly LY130R-J160-02	1
6	TA02401160	Half Shaft Oil Seal LY130R-5008	2
7	TA02401170	Long Tube LY130R-5002	1
8	TA02401180	Housing Connection Bolt LY130R-4008	11
9	TA02401190	Input Shaft Oil Seal LY130R-4007	1
10	TA02401200	Transmission Front Housing LY130R-4001	1
11	TA02401210	Hollow Positioning Pin LY130R-4003	2
12	TA02401220	Transmission Rear Housing LY130R-4002	1

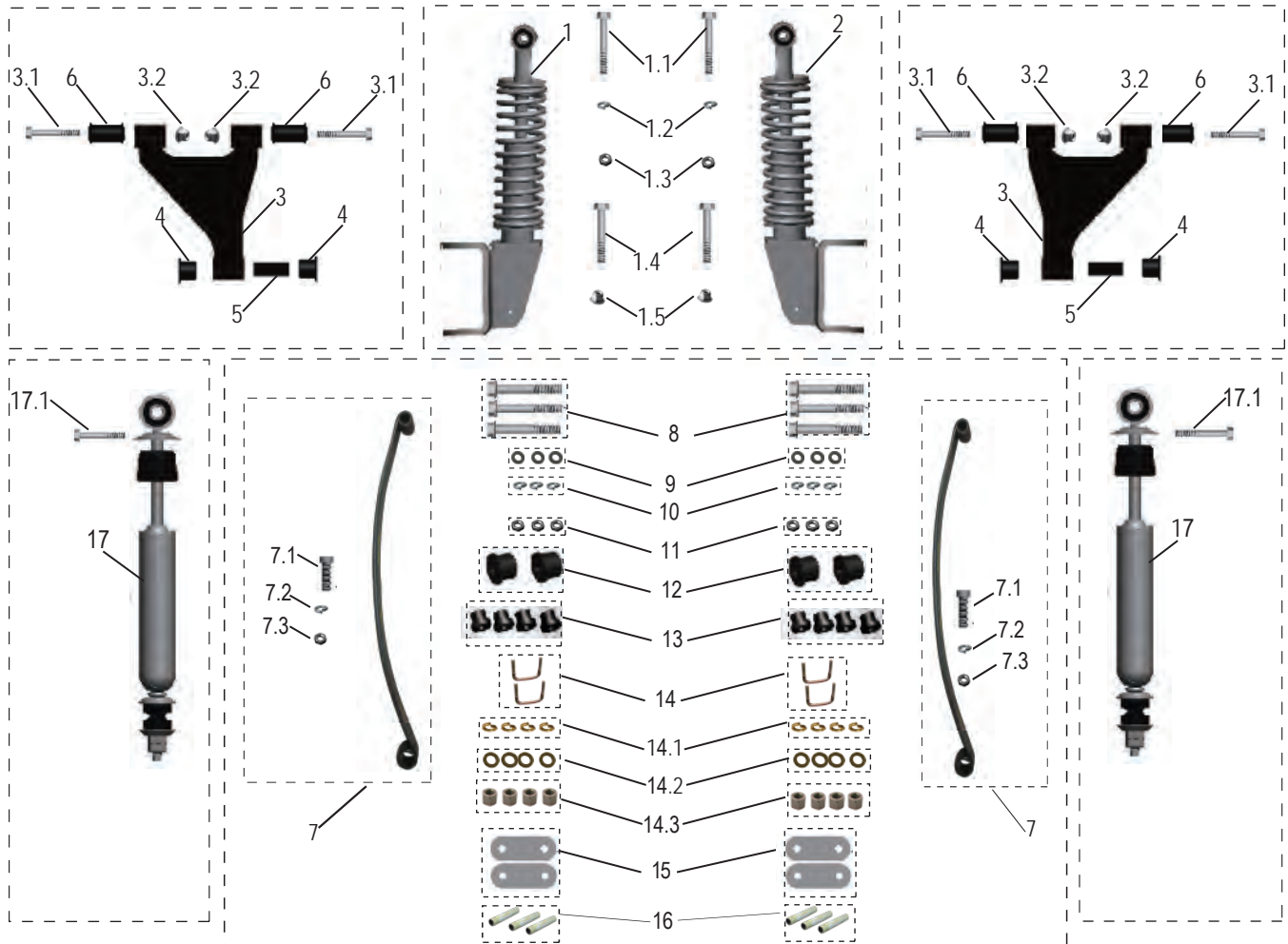
13	TA02401230	Aluminum Washer LY125-4004	2
14	TA02401240	Oil Inlet Bolt LY125-4005	1
15	TA02401250	Oil Outlet Bolt LY125-4006	1
16	TA02401260	Short Tube LY130R-5001	1
17	TA02401270	Left Stay Bracket LY130R-5015-01	1
18	TA02401280	Brake Bolt LY130R-5014	8
19	TA02401290	Coupling Disc Bolt LY130R-5003	10
20	TA02401300	Right Stay Bracket LY130R-5015-02	1
21	TA03100160	Tire cap nut	8
22	TA02401310	Brake Drum LY130R-G160	2
23	TA02401320	Long Half Shaft Assembly LY130R-7000	1
24	TA02401330	Left Brake Assembly LY130R-J160-01	1
24-1	TA02401340	Left Brake Baseboard LY130R-J160-0101	1
24-2	TA02401350	Brake Shoe LY130R-J160-0102	4
25	TA02401360	Short Half Shaft Assembly LY130R-5000	1
25-1	TA02401370	Check Ring LY130R-5007	2
25-2	TA02401380	Half Shaft Bearing Sleeve LY130R-5006	2
25-3	TA02401390	Half Shaft Bearing LY130R-5005	4
25-4	TA02401400	Washer LY130R-5012	2
25-5	TA02401410	Half Shaft Bearing Sleeve Ring LY130R-5009	2
25-6	TA02401420	Short Half Shaft LY130R-5004	1
25-7	TA02401430	Wheel Hub Bolt LY130R-5010	8
26	TA02400010	Dust Cover	2



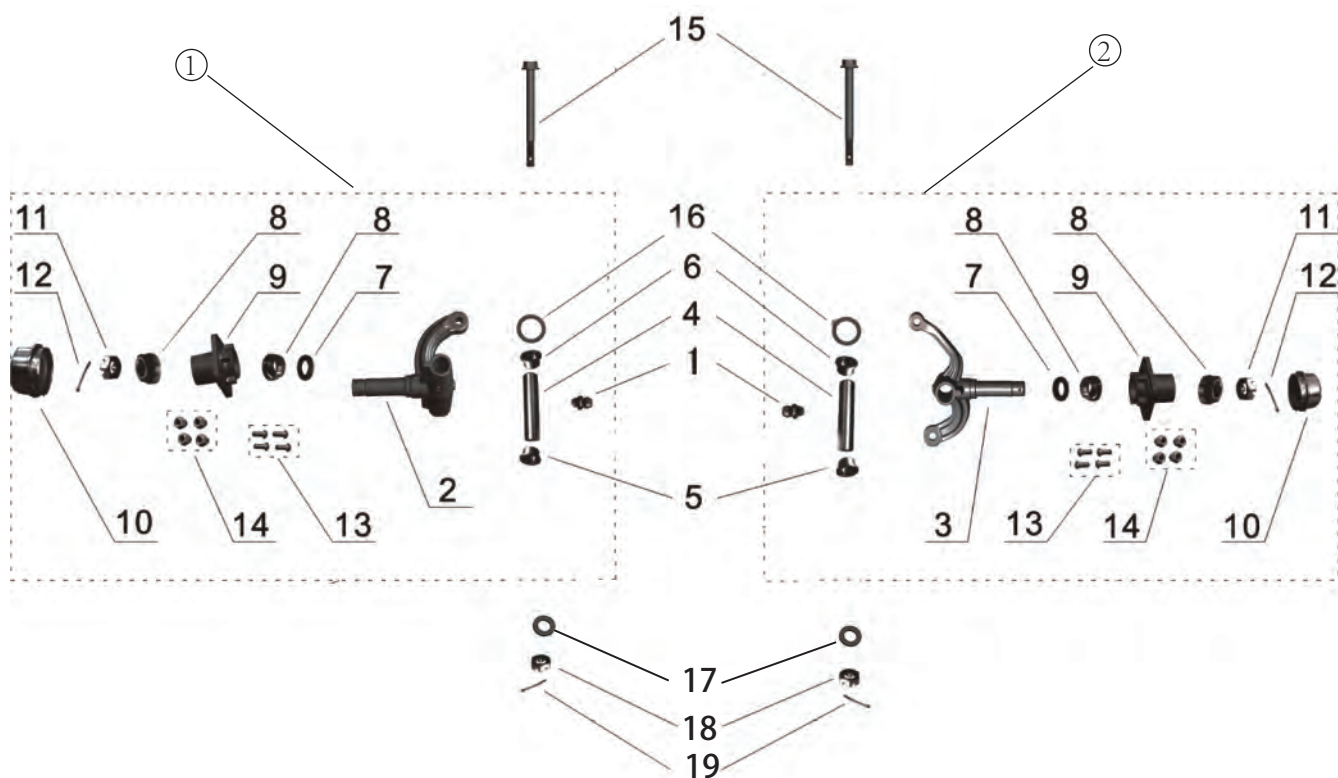
No.	Part No.	Part Name	Qty.
1	ALR00A280030	X2 Frame Weldment (Powder)	1
	ALR00A280010	X2 Frame Weldment (Galvanizing)	1
2	ALR00A280040	X2 IP Support Weldment (Powder)	1
	ALR00A280020	X2 IP Support Weldment (Galvanizing)	1
2.1	T02GB03052	GB/T5789-M10*65 Flanged Face Hex Head Bolt (Black)	2
2.2	T02GB03016	GB/T6183.1-M10 Flanged Face Hex Head Nylon Self-Locking Nut (Black)	2
2.3	T02GB03040	GB/T5783-M10*40 Hex Head Bolt (Black)	2
2.4	T02GB03003	GB/T93-φ10 Spring Washer (Black)	2
3	TA02800010	Front Bumper Bracket	1
3.1	T02GB03052	GB/T5789-M10*65 Flanged Face Hex Head Bolt (Black)	2
3.2	T02GB03055	GB/T5789-M10*80 Flanged Face Hex Head Bolt (Black)	2
3.3	T02GB03016	GB/T6183.1-M10 Flanged Face Hex Head Nylon Self-Locking Nut (Black)	4
4	ALR01A280010	X2 Bumper As-Front	1
4.1	TA02800050	X2 Front Bumper (Plastic Part)	1
4.1.1	T02GB03009	GB/T96.2-φ10 Large flat pad (Black)	2
4.1.2	T02GB03016	GB/T6183.1-M10 Flanged Face Hex Head Nylon Self-Locking Nut (Black)	2
4.2	TA05300270	X2 Front Cowl Support Bracket	1
4.2.1	T02GB03066	GB/T845-ST4.8*9.5 Cross Pan Head Tapping Screw (Black)	2
4.3	TA05300280	X2 Rubber Spacer for Front Cowl Support Bracket60*30*3mm	2
5	TA02800020	X2 Rear Bumper	1
5.1	T02GB03046	GB/T5789-M10*25 Flanged Face Hex Head Bolt (Black)	4
5.2	T02GB03016	GB/T6183.1-M10 Flanged Face Hex Head Bolt (Black)	2
5.3	T02GB03009	GB/T96.2-φ10 Big Flat Washer (Black)	2



No.	Part No.	Part Name	Qty.
1	TA1A290010	X2 Front Shock Absorber (L) (Spring ϕ 8)	1
1.1	T02GB03053	GB/T5789-M10*70 Hexagon Flange Bolt (Black)	2
1.2	T02GB03003	GB/T93- ϕ 10 Spring Washer(Black)	2
1.3	T02GB03013	GB/T6170-M10 Hexagon Nut (Black)	2
1.4	T02GB03055	GB/T5789-M10*80 Hexagon Flange Bolt (Black)	2
1.5	T02GB03016	GB/T6183.1-M10 Flanged Face Hex Head Nylon Self-Locking Nut (Black)	2
2	TA1A290020	X2 Front Shock Absorber (R) (Spring ϕ 8)	1
3	TA02900010	X2 Front cradle	2
3.1	T02GB03055	GB/T5789-M10*80 Hexagon Flange Bolt (Black)	4
3.2	T02GB03016	GB/T6183.1-M10 Flanged Face Hex Head Nylon Self-Locking Nut (Black)	4
4	TA02900020	X2 Nylon Sleeve Of Front Cradle	4
5	TA02900030	X2 Front Cradle Inner Bushing	2
6	TA02900040	X2 Buffer Rubber Sleeve Of Front Cradle	4
7	ALR01A290030	X2 Rear Leaf Spring Assembly	2
7.1	ALR01A290040	X2 Rear Leaf Spring (Electrophoresis)	2
7.2	TA02903030	X2 Rear Leaf Spring Set Bolt	2
7.3	T02GB03002	GB/T93- ϕ 8 Spring Washer(Black)	2
7.4	T02GB03011	GB/T6170-M6 Hexagon Nut (Black)	2
8	T02GB03057	GB/T5789-M10*100 Hexagon Flange Bolt (Black)	6
9	T02GB03003	GB/T93- ϕ 10 Spring Washer(Black)	6
10	T02GB03005	GB/T95- ϕ 10 Flat Washer(Black)	6
10.1	T02GB03013	GB/T6170-M10 Hex Nut(Black)	6
10.2	TA02900050	X2 Rear Leaf Spring Buffer Rubber Sleeve (Front)	4
10.3	TA02900060	X2 Rear leaf spring buffer rubber sleeve (Rear)	8
11	TA02900070	X2 U-Bolt	4
12	T02GB02004	GB/T93- ϕ 10 Spring Pad (Color Zinc)	8
13	T02GB02008	GB/T95- ϕ 10 Flat Pad (Color Zinc)	8
14	TA02900080	X2 Rear Leaf Spring Fixing Nut (Color Zinc)	8
15	TA02900090	X2 Rear Leaf Spring Connecting Plate	4
16	TA02900100	X2 Buffer Rubber Sleeve Inner Spacer	6
17	TA1A290040	X2 Rear Shock Absorber Assembly	2
17.1	T02GB03052	GB/T5789-M10*65 Hexagon Flange Bolt (Black)	2



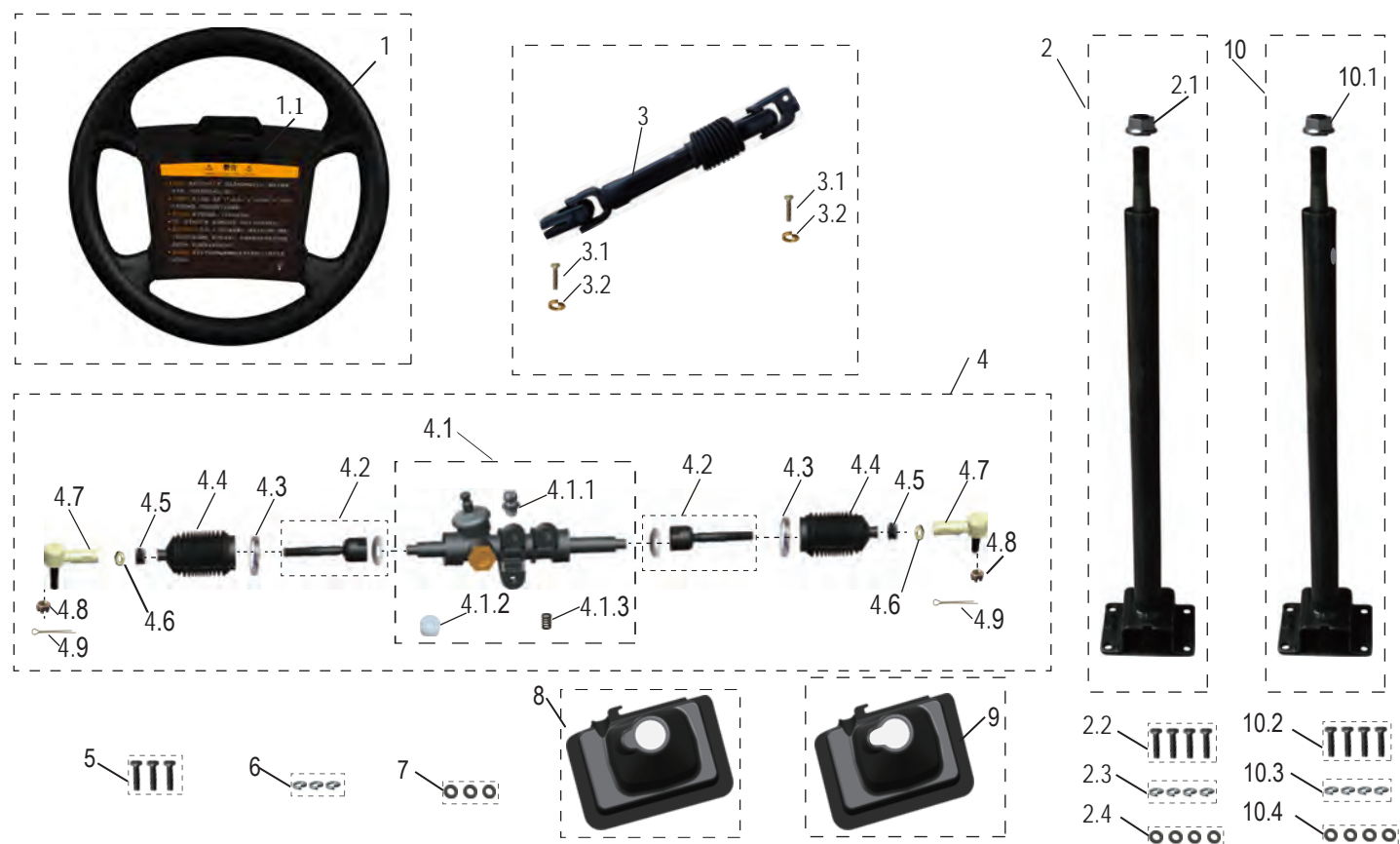
No.	Part No.	Part Name	Qty.
1	TA1A290050	X2 Front Shock Absorber (L) (Spring $\phi 7.5$)	1
1.1	T02GB03053	GB/T5789-M10*70 Hexagon Flange Bolt (Black))	2
1.2	T02GB03003	GB/T93- $\phi 10$ Spring Washer (Black)	2
1.3	T02GB03013	GB/T6170-M10 Hexagon Nut (Black)	2
1.4	T02GB03055	GB/T5789-M10*80 Hexagon Flange Bolt (Black)	2
1.5	T02GB03016	GB/T6183.1-M10 Flanged Face Hex Head Nylon Self-Locking Nut (Black)	2
2	TA1A290060	X2 Front Shock Absorber (R) (Spring $\phi 7.5$)	1
3	TA02900010	X2 Front cradle	2
3.1	T02GB03055	GB/T5789-M10*80 Hexagon Flange Bolt (Black)	4
3.2	T02GB03016	GB/T6183.1-M10 Flanged Face Hex Head Nylon Self-Locking Nut (Black)	4
4	TA02900020	X2 Nylon Sleeve Of Front Cradle	4
5	TA02900030	X2 Front Cradle Inner Bushing	2
6	TA02900040	X2 Buffer Rubber Sleeve Of Front Cradle	4
7	ALR01A290050	X2 Rear Leaf Spring Assembly (T10mm)	2
7.1	TA02903110	X2 Rear Leaf Spring (T10mm)	2
7.2	TA02903030	X2 Rear Leaf Spring Set Bolt	2
7.3	T02GB03002	GB/T93- $\phi 8$ Spring Washer (Black)	2
7.4	T02GB03011	GB/T6170-M6 Hexagon Nut (Black)	2
8	T02GB03057	GB/T5789-M10*100 Hexagon Flange Bolt (Black)	6
9	T02GB03003	GB/T93- $\phi 10$ Spring Washer (Black)	6
10	T02GB03005	GB/T95- $\phi 10$ Flat Washer (Black)	6
10.1	T02GB03013	GB/T6170-M10 Hex Nut (Black)	6
10.2	TA02900050	X2 Rear Leaf Spring Buffer Rubber Sleeve (Front)	4
10.3	TA02900060	X2 Rear Leaf Spring Buffer Rubber Sleeve (Rear)	8
11	TA02900070	X2 U-Bolt	4
12	T02GB02004	GB/T93- $\phi 10$ Spring Pad (Color Zinc)	8
13	T02GB02008	GB/T95- $\phi 10$ Flat Pad (Color Zinc)	8
14	TA02900080	X2 Rear Leaf Spring Fixing Nut (Color Zinc)	8
15	TA02900090	X2 Rear Leaf Spring Connecting Plate	4
16	TA02900100	X2 Buffer Rubber Sleeve Inner Spacer	6
17	TA1A290040	X2 Rear Shock Absorber Assembly	2
17.1	T02GB03052	GB/T5789-M10*65 Hexagon Flange Bolt (Black)	2



No.	Part No.	Part Name	Qty.
①	TA1A300010	X2 Spindle Assembly (L)	1
②	TA1A300020	X2 Spindle Assembly (R)	1
1	T02GB02038	JB/T7940.1-M6-Cu Nozzle	2
2	TA03000010	X2 Spindle (L)	1
3	TA03000020	X2 Spindle (R)	1
4	TA03000030	X2 Kingpin Tube	2
5	TA03000040	Thrust Washer (Lower)	2
6	TA03000050	Thrust Washer (Upper)	2
7	TA03000060	Oil Seal	2
8	TA03000070	Tapered Bearing (L44643/L44610)	4
9	TA03000080	X2 Hub Assembly	2
10	TA03000090	Dust Cover	2
11	TA03000100	M24 Spindle Nut	2
12	T02GB02010	GB/T91-2.5*28 Cotter Pin	2
13	TA03000110	Wheel Stud	8
14	TA03000120	Wheel Nut	8
15	TA03000130	Hex Head Flanged Face Bolt (With Hole For Cotter Pin)	2
16	TA03000140	Adjusting Pad	2
17	T02GB03006	GB/T95-φ12 Flat Washer (Black)	2
18	T02GB03017	GB/T9459-M12*1.25 Castle Hex Nut (Black)	2
19	T02GB02010	GB/T91-2.5*28 Cotter Pin (Color Zinc)	2

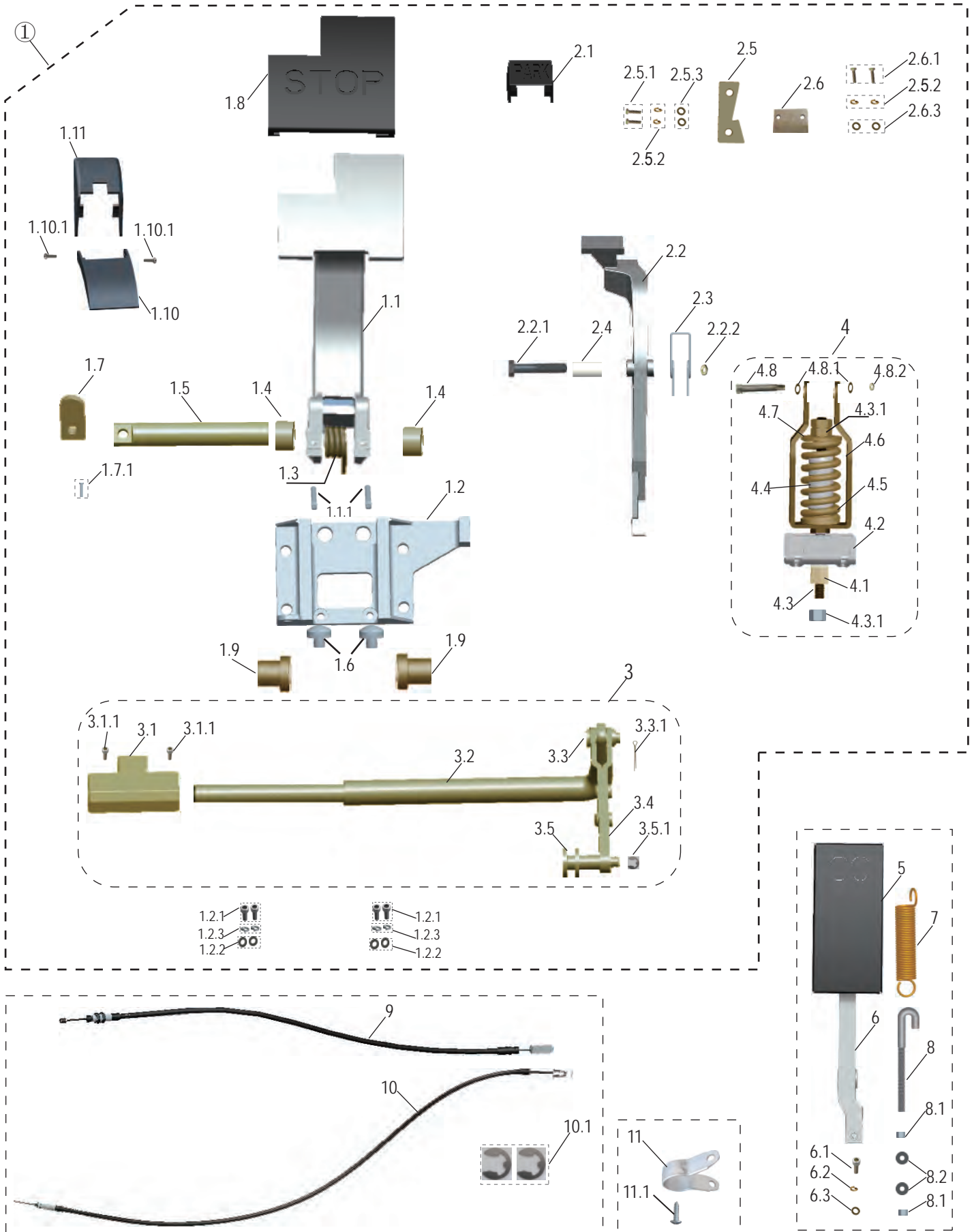


No.	Part No.	Part Name	Qty.
1	TA03100010	Iron hub(8 inch)(Bright White)	4
	TA03100020	Iron hub (8 inch) (Ivory)	4
2	TA03100030	Valve Stem (8 inch) (long)	4
3	TA03100040	Tire (8 inch) 4 pliers	4
4	TA03100050	Iron hub (10 inch)	4
5	TA03100070	Tire (10 inch) 4 pliers	4
6	TA03100100	Hub Cover (10 inch)	4
7	TA03100180	Rear Splash Guard (L)	1
7.1	TA01100080	Christmas Tree Rivet06639	8
8	TA03100190	Rear Splash Guard (R)	1
9	TA03100140	Wheel Hub (8 inch) (Aluminum alloy)	4
10	TA03100160	Castle Nut	16
11	TA03100130	Aluminum Rim Trim Cover	4
12	TA03100150	Valve Stem (8 inch) (short)	4
13	TA03100170	Wheel Hub (10 inch) (Aluminum alloy)	4



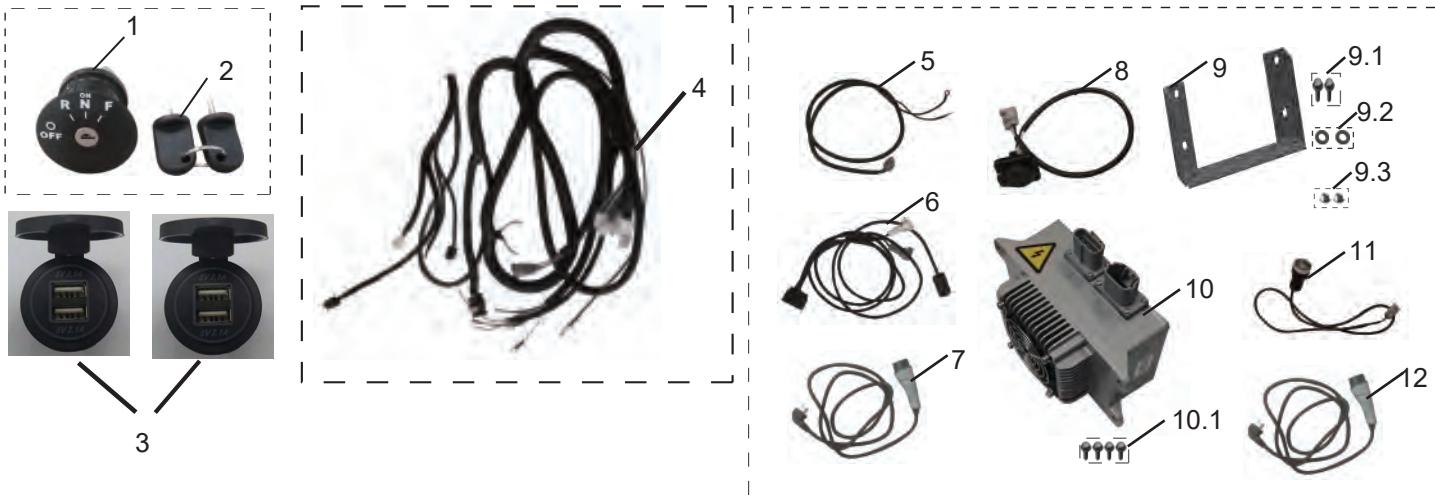
No.	Part No.	Part Name	Qty.
1	TA1A340010	X2 Steering Wheel Assembly (Including Cover Plate)	1
1.1	TA03401010	X2 Steering Wheel	1
1.2	TA03401020	X2 Scorecard Holder Assembly	1
1.2.1	TA03901180	Certificate of Conformity (English)	1
2	TA1A340020	X2 Steering Column Assembly	1
2.1	T02GB03067	GB/T6177.1-M16 Flanged Face Hex Nut	1
2.2	T02GB03039	GB/T5783-M10*30 Hex Head Bolt (Black)	4
2.3	T02GB03003	GB/T93-φ10 Spring Washer (Black)	4
2.4	T02GB03005	GB/T95-φ10 Flat Washer (Black)	4
3	TA03400010	X2 Intermediate Shaft Assembly	1
3.1	T02GB02041	GB/T5782-M8*30 Hex Head Bolt (Color Zinc)	2
3.2	T02GB02003	GB/T93-φ8 Spring Washer (Color Zinc)	2
4	TA1A340030	X2 Steering Box Assembly	1
4.1	TA1A340040	X2 Steering Transmission Assembly	1
4.1.1	T02GB02038	JB/T7940.1-M6-Cu Nozzle	1
4.1.2	TA03404010	X2 Adjusting Block	1
4.1.3	TA03404020	X2 Spring	1
4.2	TA03403010	X2 Tie Rod Assembly	2
4.3	TA03403030	X2 Steering Box Clip (Big)	2
4.4	TA03403020	X2 Dust Cover	2
4.5	TA03403040	X2 Steering Box Clip (Small)	2
4.6	T02GB02039	GB/T6170-M16*1.5 Hex Nut (Color Zinc)	2
4.7	TA03403050	X2 Ball Pin Assembly	2
4.8	T02GB02040	GB/T9459-M12*1.25 Castle Hex Nut (Color Zinc)	2
4.9	T02GB02010	GB/T91-2.5*28 Cotter Pin (Color Zinc)	2
5	T02GB03040	GB/T5783-M10*40 Hex Head Bolt (Black)	3
6	T02GB03003	GB/T93-φ10 Spring Washer (Black)	3
7	T02GB03005	GB/T95-φ10 Flat Washer (Black)	3
8	TA03400020	X2 Steering Column Bracket Cover	1
9	ALR01A340010	X2 Steering Column Assembly (With Mounting Holes)	1
10	ALR01A340020	X2 Steering Column Bracket Cover (with lights)	1
10.1	T02GB03067	GB/T6177.1-M16 Flanged Face Hex Nut	1
10.2	T02GB03039	GB/T5783-M10*30 Hex Head Bolt (Black)	4
10.3	T02GB03003	GB/T93-φ10 Spring Washer (Black)	4
10.4	T02GB03005	GB/T95-φ10 Flat Washer (Black)	4

X2 Shuttle ① :1.1—4.8.2

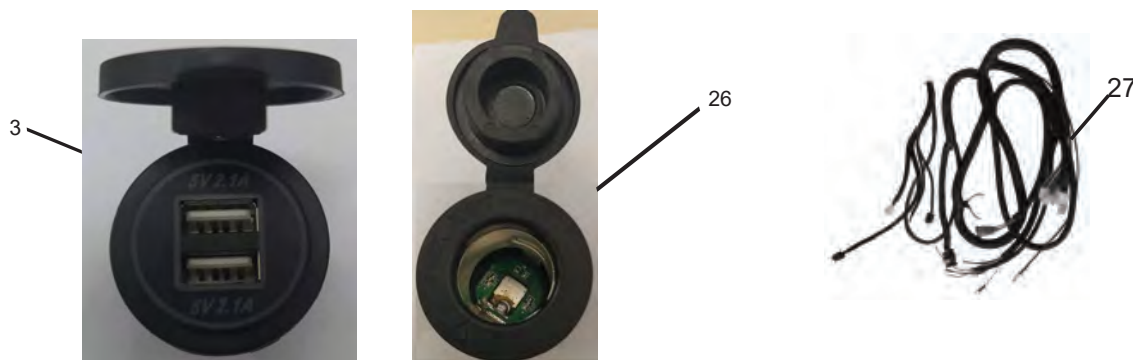
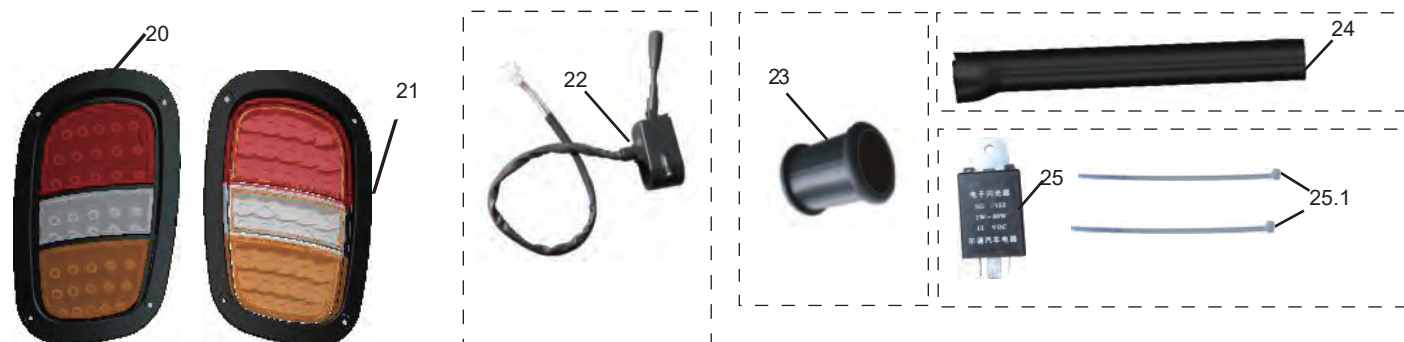
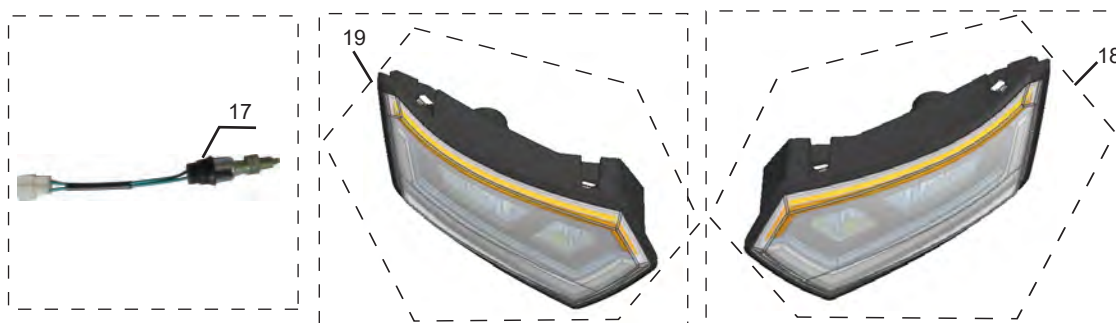
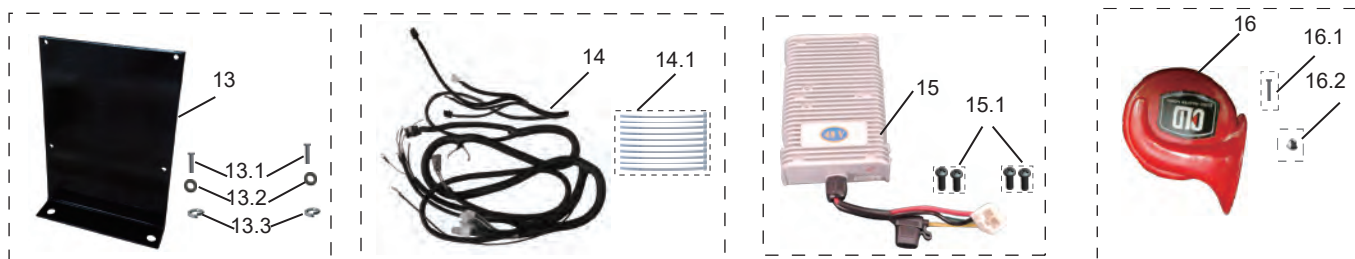


No.	Part No.	Part Name	Qty.
①	ALR01A350010	X2 Brake Pedal Assembly	1
1.1	TA03502010	X2 Brake Pedal	1
1.1.1	T02GB01034	GB/T 79-M6*16 Hex Socket Screw (Stainless Steel)	2
1.2	TA03502020	X2 Brake Pedal Holddown	1
1.2.1	T02GB03026	GB/T70.1-M8*25 Hexagon Socket Head Cap Screw (Black)	4
1.2.2	T02GB03002	GB/T93- ϕ 8 Spring Washer (Black)	4
1.2.3	T02GB03007	GB/T95- ϕ 8 Flat Washer(Black)	4
1.3	TA03502030	X2 Brake Pedal Return Spring	1
1.4	TA03502040	X2 Brake Pedal Copper Bushing	2
1.5	TA03502050	X2 Brake Pedal Shaft	1
1.6	TA03502060	X2 Brake Pedal Limiting Bushing	2
1.7	TA03502070	X2 Brake Switch Limiting Plate	1
1.7.1	T02GB02029	GB/T9074.17-M6*16 Hexagon head combination bolt (Color Zinc)	1
1.8	TA03500020	X2 Brake Pedal Pad	1
1.9	TA03504010	X2 Disengaging Copper Bushing	2
1.10	TA03500050	X2 Brake Dust Cover (Rear)	1
1.10.1	T02GB02024	GB/T818-M5*10 Pan Head with Cross Recess Screw (Color Zinc)	2
1.11	TA03500040	X2 Brake Dust Cover (Front)	1
2.1	TA03500020	X2 Park Pedal Pad	1
2.2	TA03503010	X2 Park Pedal	1
2.2.1	T02GB02048	GB/T5783-M8*50 Hex Head Screw (Color Zinc)	1
2.2.2	T02GB02012	GB/T6170-M8 Hex Nut (Color Zinc)	1
2.3	TA03503020	X2 Park Pedal Return Spring	1
2.4	TA03503030	X2 Park Pedal Nylon Bushing	1
2.5	TA03503040	X2 Park Pedal Hook	1
2.5.1	T02GB02046	GB/T5783-M6*16 Hex Head Screw (Color Zinc)	2
2.5.2	T02GB02037	GB/T93- ϕ 6 Spring Washer (Color Zinc)	2
2.5.3	T02GB02007	GB/T97- ϕ 6 Flat Washer (Color Zinc)	2
2.6	TA03503050	X2 Park Pedal Plate	1
2.6.1	T02GB02047	GB/T5783-M6*20 Hex Head Screw (Color Zinc)	2
2.6.2	T02GB02037	GB/T93- ϕ 6 Spring Washer (Color Zinc)	2
2.6.3	T02GB02007	GB/T97- ϕ 6 Flat Washer (Color Zinc)	2
3	TA2A350040	X2 Disengaging Assembly	1
3.1	TA03504020	X2 Disengaging Block	1
3.1.1	T02GB02045	GB/T70.1-M6*10 Hexagon Socket Head Cap Screw (Color Zinc)	2
3.2	TA03504030	X2 Disengaging Arm	1
3.3	TA03504040	X2 Disengaging Arm Clevis Pin	1
3.3.1	T02GB02044	GB/T91-1.5*20 Cotter Pin (Color Zinc)	1
3.4	TA03504050	X2 Disengaging Arm Sliding Rod	1
3.5	TA03504060	X2 Disengaging Arm Clevis Pin	1
3.5.1	T02GB01033	GB/T 896- ϕ 5 Split Washer (Stainless Steel)	1
4	TA2A350050	X2 Buffer Base	1
4.1	TA03505010	X2 Adjusting Nut	1
4.2	TA03505020	X2 Brake Line Mouting Pad	1
4.3	TA03505030	X2 Screw Rod	1
4.3.1	T02GB02012	GB/T6170-M8 Hex Nut (Color Zinc)	3
4.4	TA03505040	X2 Nylon Bushing	1
4.5	TA03505050	X2 Shock Absorbing Spring	1
4.6	TA03505060	X2 Spring Holder	1
4.7	TA03505070	X2 Spring Washer	1
4.8	TA03505080	X2 Spring Positioning Bolt	1
4.8.1	T02GB02043	GB/T95- ϕ 8 Flat Washer (Color Zinc)	2
4.8.2	T02GB02012	GB/T6170-M8 Hex Nut (Color Zinc)	1

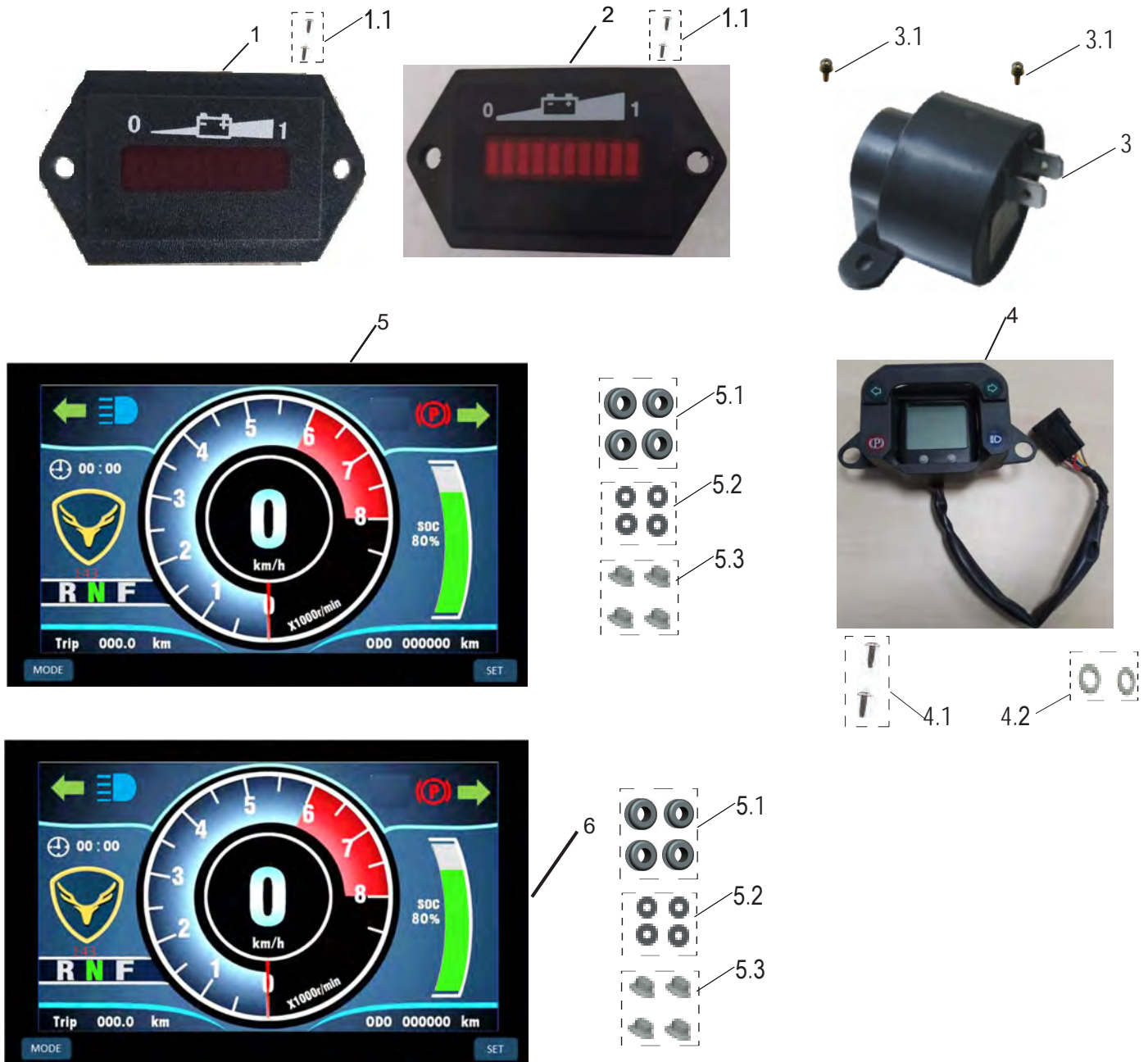
No.	Part No.	Part Name	Qty.
5	TA03500030	X2 Accelerator Pedal Bushing	1
6	TA03500060	X2 Accelerator Pedal	1
6.1	T02GB03073	GB/T70.1-M6*30 Hexagon Socket Head Cap Screw (Black)	1
6.2	T02GB03001	GB/T93- ϕ 6 Spring Washer (Black)	1
6.3	T02GB03004	GB/T95- ϕ 6 Flat Washer (Black)	1
7	TA03500070	X2 Accelerator Return Spring	1
8	TA03500080	X2 Accelerator Return Hook	1
8.1	T02GB01005	GB/T6170-M5 Hex Nut (Stainless Steel)	2
8.2	T02GB01004	GB/T5287- ϕ 5 Super Big Washer (grade C) (Stainless Steel)	2
9	TA03500090	X2 Brake Cable (L)	1
10	TA03500100	X2 Brake Cable (R)	1
10.1	T02GB01023	GB896-86- ϕ 12 "E" Clip (Stainless Steel)	2
11	TA03500110	X2 Brake Line Clip	1
11.1	T02GB01019	GB/T-845-ST4.8*16 Pan Head with Cross Recess Self-Tapping Screw (Stainless Steel)	1



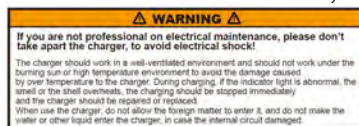
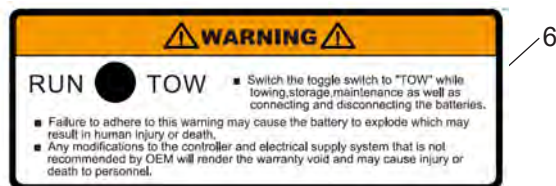
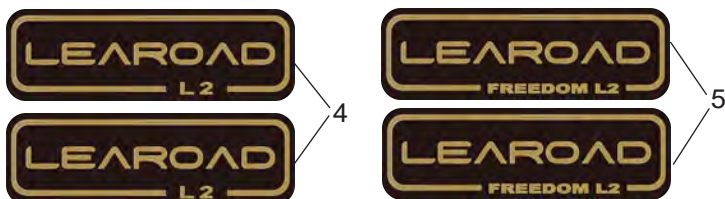
X2 Lights 1、2、4-23.1



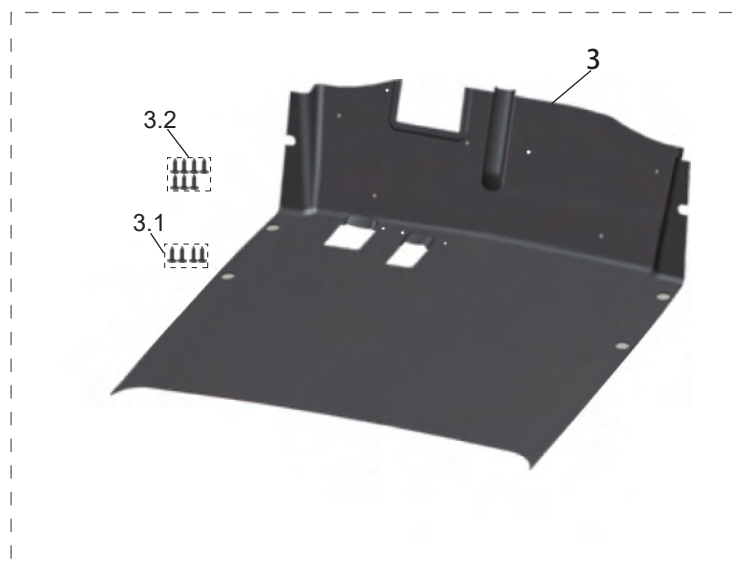
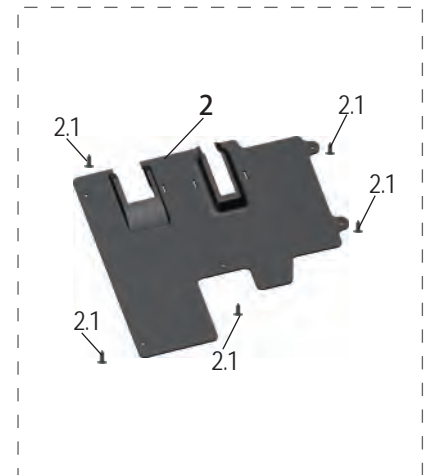
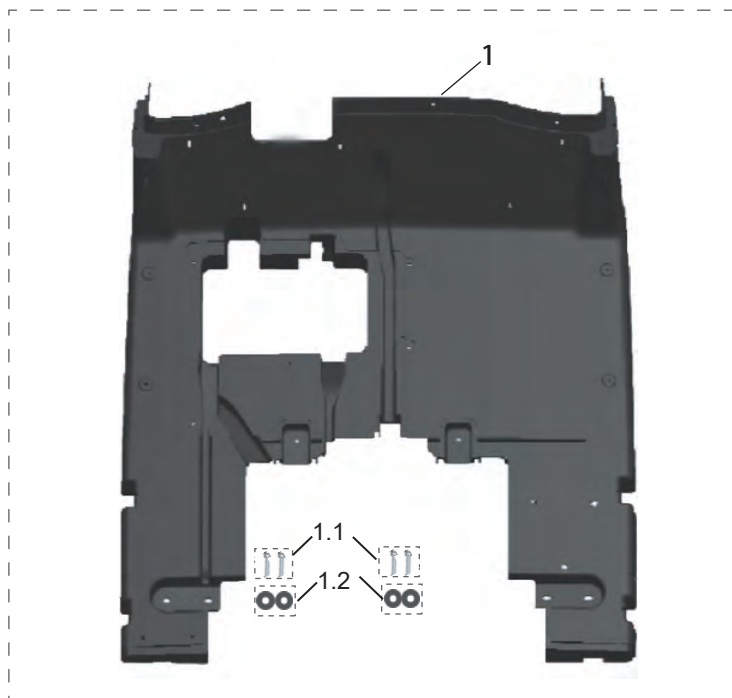
No.	Part No.	Part Name	Qty.
1	TA1A370010	X2 Power lock gear switch assembly (mutual opening)	1
2	TA03701010	X2 Power lock gear switch (mutual open)	2
3	TA03600020	X2 USB socket on board(48V-5V)	2
4	TA03700010	X2 DC Universal main cable	1
5	TA03700180	X2 Charger output line	1
6	TA03700190	X2 Charger signal line (temperature sensor / interlock switch / charging indicator)	1
7	TA03700200	X2 External Connector Cable For Charger (national Standard/16A/2.5m)	1
8	TA03700210	X2 Charger Receptacle	1
9	TA03700230	X2 Fixed Bracket For Charger	1
9.1	T02GB03047	GB/T5789-M10*30 Flanged Face Hex Head Bolt (Black)	2
9.2	T02GB03009	GB/T96.2- ϕ 10 Big Flat Washer(Black)	2
9.3	T02GB03016	GB/T6183.1-M10 Flanged Face Hex Head Nylon Self-Locking Nut(Black)	2
10	TA03700170	X2 On-board Charger (48V16A)	1
10.1	T02GB03042	GB/T5789-M6*20 Flanged Face Hex Head Bolt (Black)	4
11	TA03700220	X2 Charger Indicator	1
12	TA03700340	X2 External Connector Cable For Charger (USA Standard/10A/4m)	1
	ALR01A370010	X2 DC with lamp assembly	1
13	TA03700060	X2 Converter Mounting Bracket	1
13.1	T02GB03034	GB/T5783-M8*25 Hex Head Bolt (Black)	2
13.2	T02GB03007	GB/T95- ϕ 8 Flat Washer(Black)	2
13.3	T02GB03002	GB/T93- ϕ 8 Spring Washer (Black)	2
14	TA03700030	X2 General lighting cable	1
14.1	TA03700050	Bandage 150mm	10
15	TA03700070	X2 DC to DC Converter (48V-12V)	1
15.1	T02GB02024	GB/T818-M5*10 Pan Head Screw with Cross Recess (Color Zinc)	4
16	TA03700150	X2 Horn (12V, 30W)	1
16.1	T02GB03060	GB/5783-M6*60 Hex Head Bolt (Black)	1
16.2	T02GB03014	GB/T6183.1-M6 Flanged Face Hex Head Nylon Self-Locking Nut(Black)	1
17	TA03700080	X2 Molex Braking Sensor	1
18	TA03700090	X2 Headlight Assembly(L)	1
19	TA03700100	X2 Headlight Assembly	1
20	TA03700110	X2 Taillight Assembly(L)	1
21	TA03700120	X2 Taillight Assembly	1
22	TA03700130	X2 Combination Switch	1
23	TA03702080	X2 Combination Switch Bushing	1
24	TA03700140	X2 Combination Switch Assembly Wiring Sheath	1
25	TA03600010	X2 Turn Signal Flasher(12V, 1-60W)	1
25.1	TA03700050	Bandage 150mm	2
26	TA03600030	X2 Car lighter seat(12V)	1
27	TA03700260	X2 Special cable for lithium battery	1



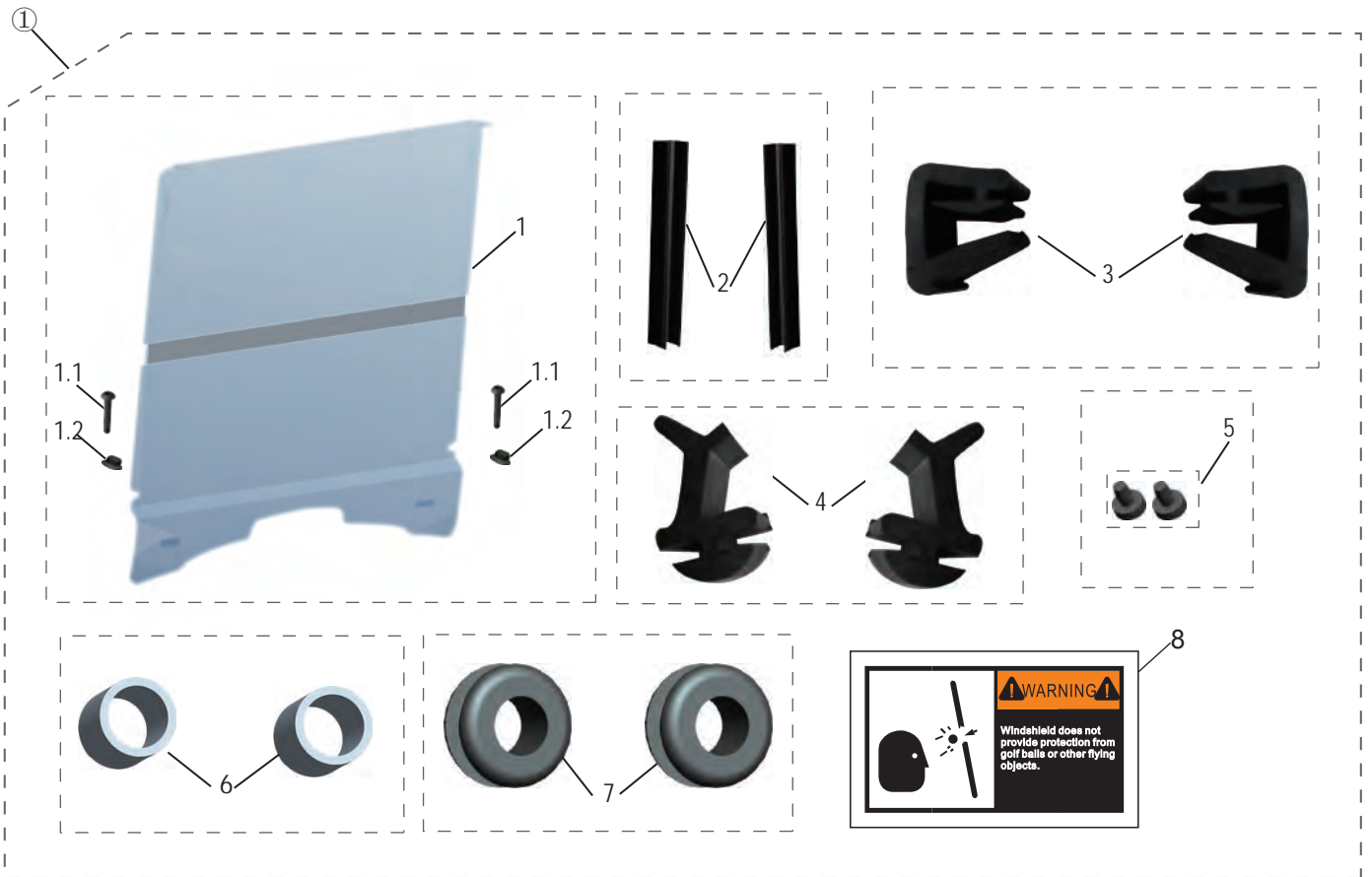
No.	Part No.	Part Name	Qty.
1	TA03800020	X2 Diamond meter (48V-QS-906)	1
1.1	T02GB03023	GB/T845-ST3.5*12 Pan Head Self Tapping Screw with Cross Recess (Black)	2
2	TA03800030	X2 Lithium Battery Energy Meter (48-72V-LD)	1
1.1	T02GB03023	GB/T845-ST3.5*12 Pan Head Self Tapping Screw with Cross Recess (Black)	2
3	TA03800010	X2 Reverse Warning Buzzer	1
3.1	T02GB02033	GB/T9074.4-M3*10 Cross slotted pan head combination screw (Color Zinc)	2
4	TB03800040	X4 48V Speedometer	1
4.1	T02GB02031	GB/T845-ST4.8*9.5 Pan Head Self Tapping Screw with Cross Recess (Color Zinc)	2
4.2	T02GB01004	GB/T5287-φ5 Extra large gasket grade C (Stainless Steel)	2
5	TA1A380010	X2 Speed Odometer LCD (DC Lead Acid DT033-c001)	1
5.1	TA03801010	X2 LCD Damping Adhesive	4
5.2	T02GB01035	GB/T-95-φ5 Flat Washer (Stainless Steel)	4
5.2	T02GB01036	GB/T889.1-M5 Flanged Face Hex Head Nylon Self-Locking Nut	4
6	TA1A380020	X2 LCD (DC Lithium Battery DT033-c002)	1
6.1	TA03801010	X2 LCD Damping Rubber	4
6.2	T02GB01035	GB/T-95-φ5 Flat Washer (Stainless Steel)	4
6.2	T02GB01036	GB/T889.1-M5 Flanged Face Hex Head Nylon Self-Locking Nut	4



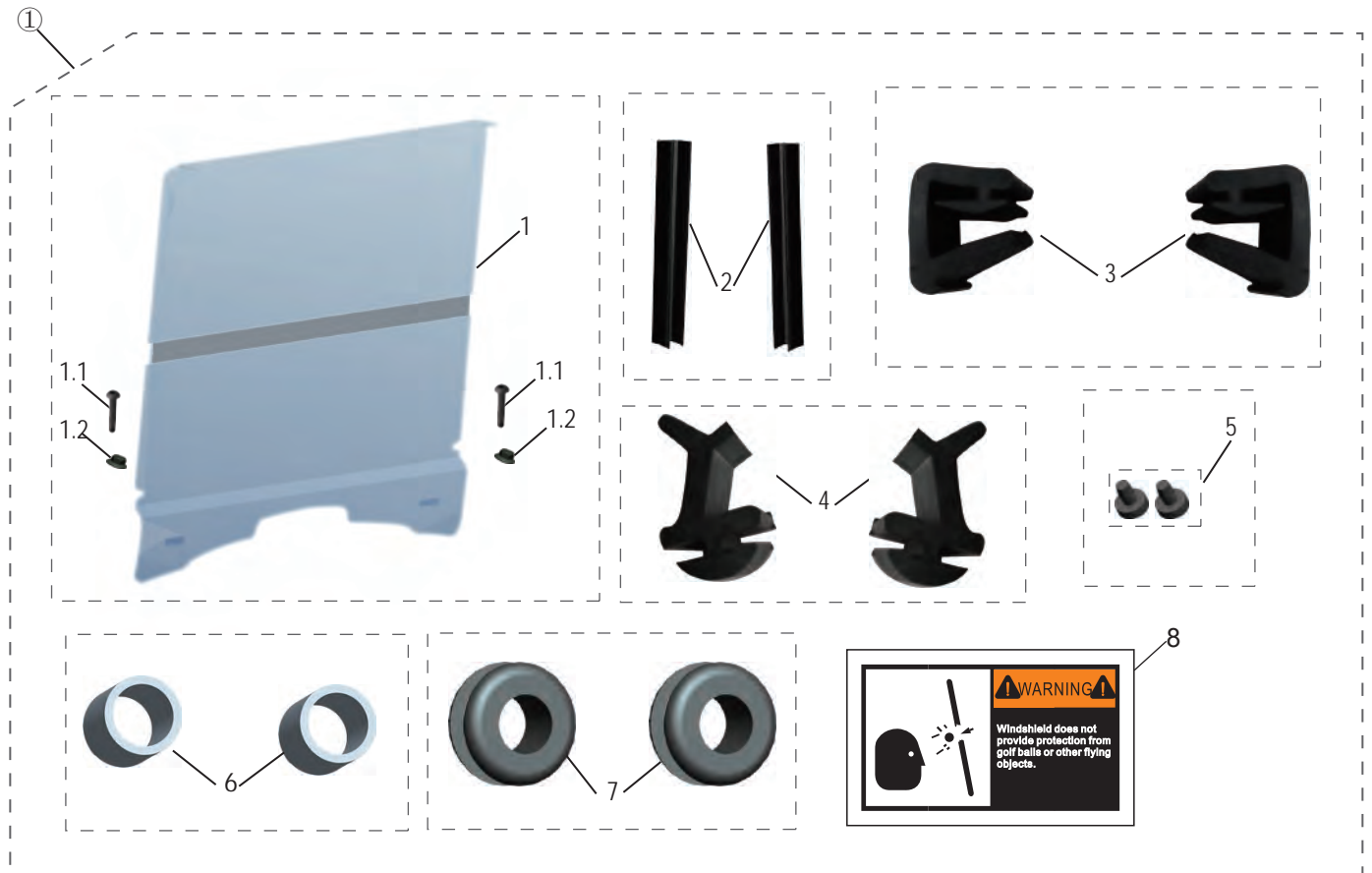
No.	Part No.	Part Name	Qty.
1	TA03901020	X2 Warning Label For Instrument Panel (Without Light)	1
	TA03901040	X2 Warning Label For Instrument Panel (With Light)	1
2	TA03901060	X2 Battery Warning Label	1
3	TA03901130	Front Decal	1
4	TA03901080	X2 Controller(Run Tow Switch)Warning Label	1
5	TA03901110	X2 Rear Body Decal	2
6	TA03901120	X2 Rear Body Decal(Freedom)	2
7	TA03901160	X2 Serial Plate(English Language)	1
8	TA03901180	X2 Steering Wheel Decal	1
9	TA03901200	X2 Steering Wheel Warning Sticker (With Light)	1
10	TA03901220	X2 Charging Indicator Warning Label (English)	1
11	TA03901240	X2 Charging Warning Label (English)	1
12	TA03901340	AC-48V Side Stick	1



No.	Part No.	Part Name	Qty.
1	TA05100010	X2 Floor Board	1
1.1	T02GB03046	GB/T5789-M10*25 Flanged Face Hex Head Bolt (Black)	4
1.2	T02GB03009	GB/T96.2-φ10 Big Flat Washer (Black)	4
2	TA05100020	X2 Pedal Cover	1
2.1	TA01100080	Christmas Tree Rivet 6639	5
3	TA05100030	X2 Floor Mat	1
3.1	TA01100080	Christmas Tree Rivet 6639	4
3.2	TA05100040	Christmas Tree Rivet A0025	7

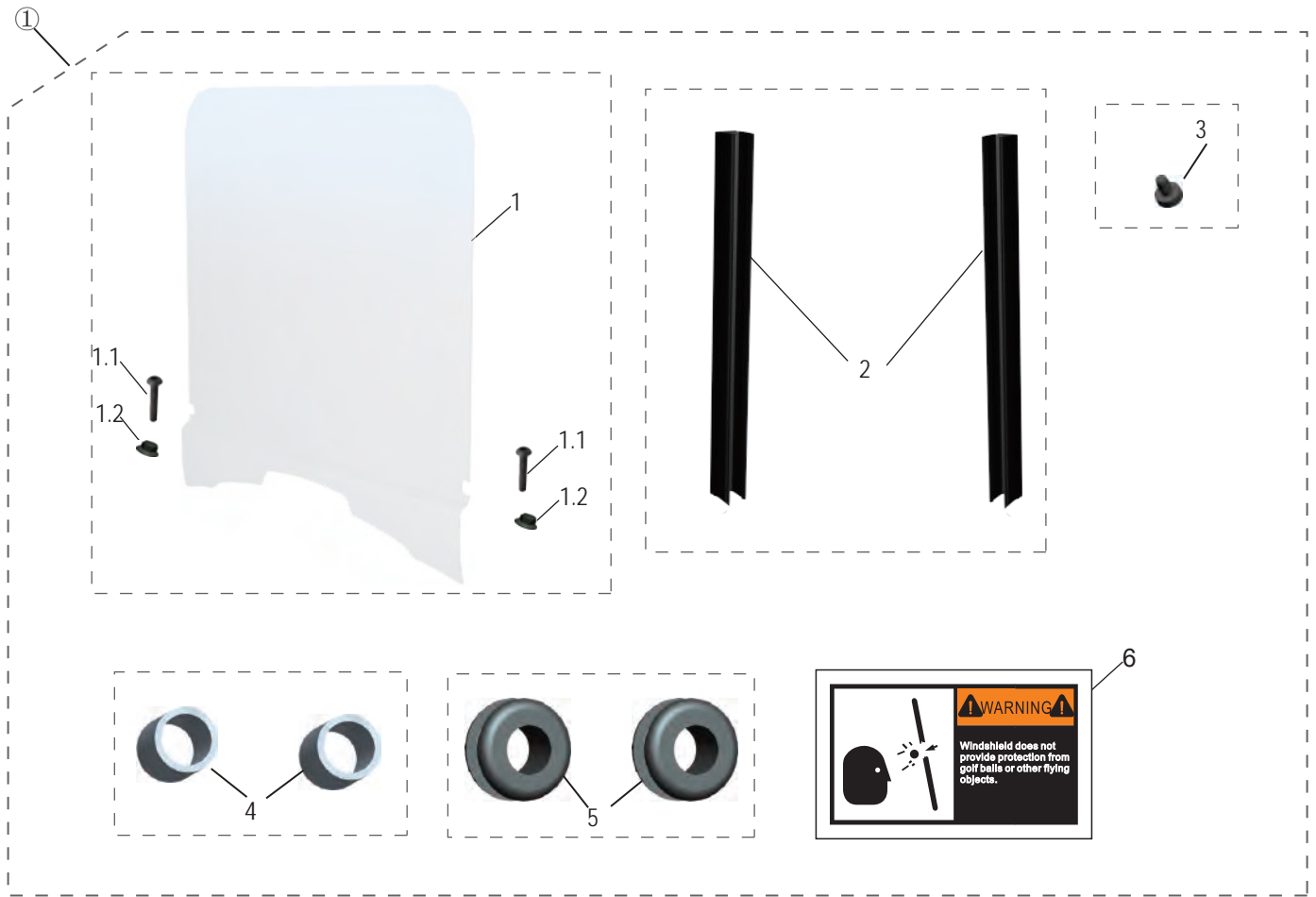


No.	Part No.	Part Name	Qty.
①	ALR01A520010	X2 Windshield Assembly (collapsible)	1
1	ALR02A520010	X2 Windshield (collapsible)	1
1.1	T02GB03031	GB/T2672-M10*60 Flanged Face Hex Self-Locking Nut (Black)	2
1.2	T02GB03016	GB/T6183.1-M10 Flanged Face Hex Self-Locking Nut (Black)	2
2	TA05201010	Upper Windshield Attachment Sash(230mm)	2
3	TA05201020	Upper Windshield Latch	2
4	TA05201030	Lower Windshield Latch	2
5	TA05201040	Windshield Damping Rubber	2
6	TA05201050	Windshield Grommet Bushing	2
7	TA05201060	Windshield Grommet	2
8	TA03901100	Windshield Warning Label	1

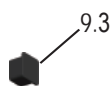
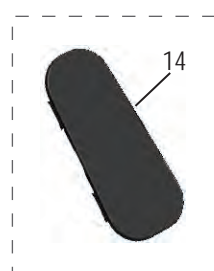
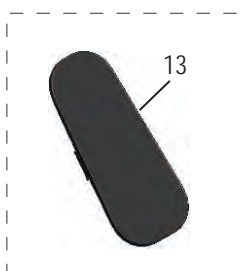
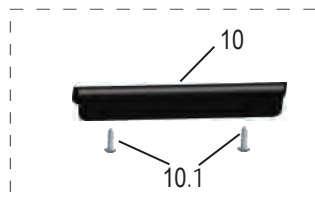
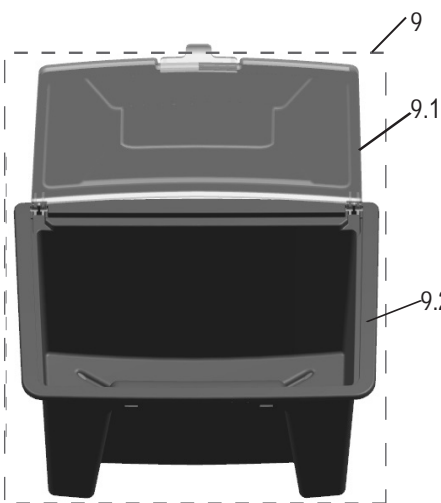
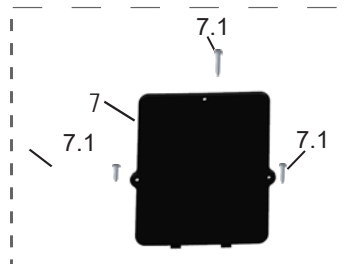
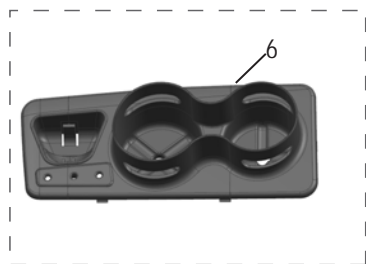
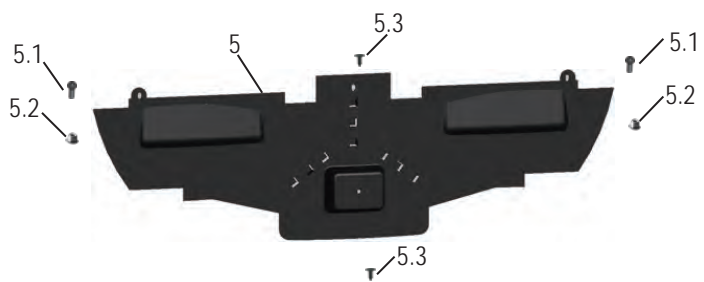
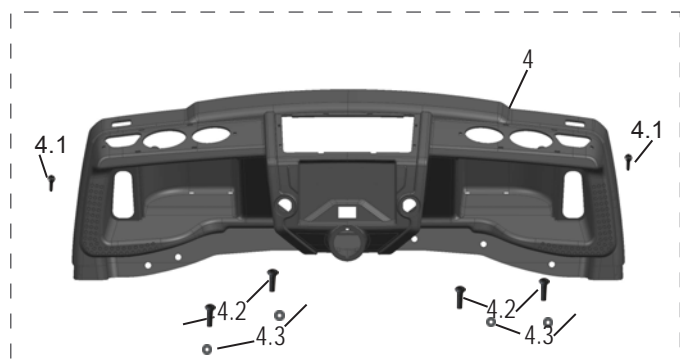
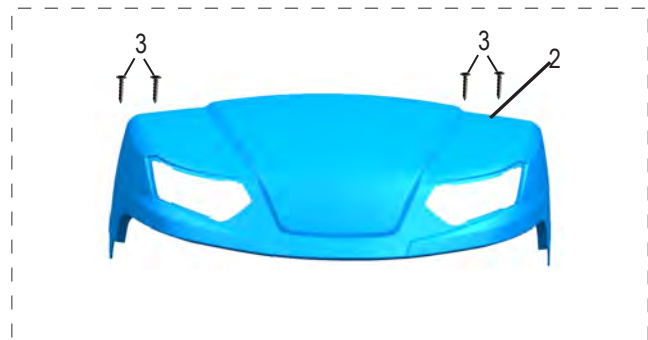
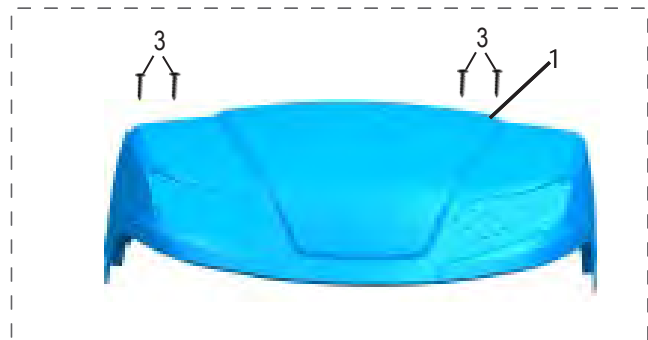


No.	Part No.	Part Name	Qty.
①	ALR01B520010	X4 Windshield Assembly (collapsible)	1
1	ALR02B520010	X4 Windshield (collapsible)	1
1.1	T02GB03031	GB/T2672-M10*60 Hexalobular Socket Pan Head Screw (Black)	2
1.2	T02GB03016	GB/T6183.1-M10 Flanged Face Hex Self-Locking Nut(Black)	2
2	TA05201010	Upper Windshield Attachment Sash(230mm)	2
3	TA05201020	Upper Windshield Latch	2
4	TA05201030	Lower Windshield Latch	2
5	TA05201040	Windshield Damping Rubber	2
6	TA05201050	Windshield Grommet Bushing	2
7	TA05201060	Windshield Grommet	2
8	TA03901100	Windshield Warning Label	1

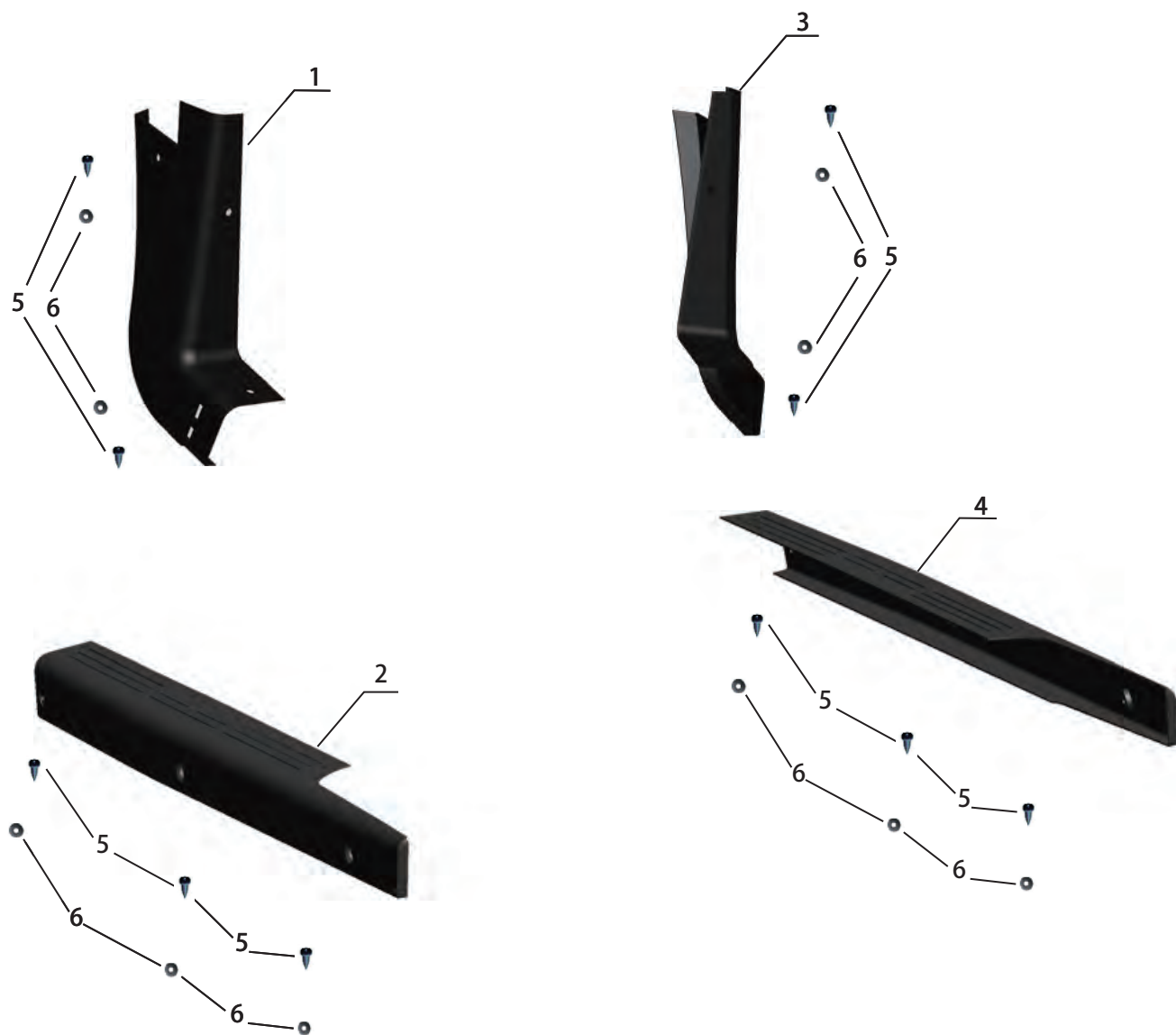
2+2 Collapsible Windshield Assembly



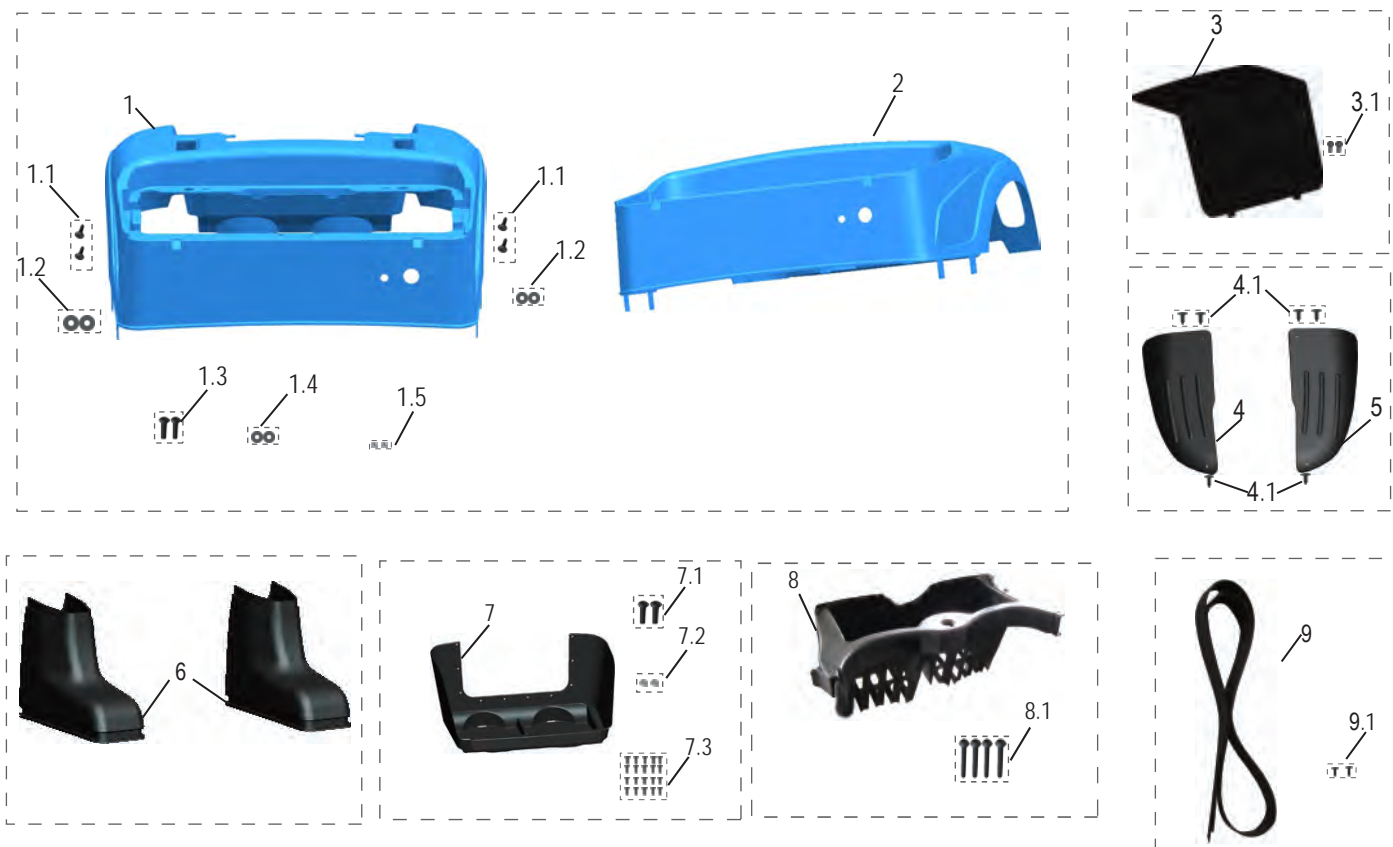
No.	Part No.	Part Name	Qty.
①	ALR01B520020	2+2 Windshield Assembly(collapsible)	1
1	ALR02B520020	2+2 Windshield(collapsible)	1
1.1	T02GB03031	GB/T2672-M10*60 Hexalobular Socket Pan Head Screw (Black)	2
1.2	T02GB03016	GB/T6183.1-M10 Flanged Face Hex Self-Locking Nut(Black)	2
2	TB05202010	Upper Windshield Attachment Sash (580mm)	2
3	TA05201040	Windshield Damping Rubber	1
4	TA05201050	Windshield Grommet Bushing	2
5	TA05201060	Windshield Grommet	2
6	TA03901100	Windshield Warning Label	1



No.	Part No.	Part Name	Qty.
1	ALR01A530010	X2 Front Cowl(Gold) (W/O Headlight Hole)	1
	ALR01A530020	X2 Front Cowl(Forest Green) (W/O Headlight Hole)	
	ALR01A530030	X2 Front Cowl(Bright White) (W/O Headlight Hole)	
	ALR01A530040	X2 Front Cowl(Ivory) (W/O Headlight Hole)	
	ALR01A530050	X2 Front Cowl(Flame Red) (W/O Headlight Hole)	
	ALR01A530060	X2 Front Cowl(Inferno Red) (W/O Headlight Hole)	
	ALR01A530070	X2 Front Cowl(Burgundy) (W/O Headlight Hole)	
	ALR01A530080	X2 Front Cowl(Black) (W/O Headlight Hole)	
	ALR01A530090	X2 Front Cowl(Electric Blue) (W/O Headlight Hole)	
	ALR01A530100	X2 Front Cowl(Platinum) (W/O Headlight Hole)	
	ALR01A530110	X2 Front Cowl(Orange) (W/O Headlight Hole)	
	ALR01A530120	X2 Front Cowl(Blue) (W/O Headlight Hole)	
	ALR01A530130	X2 Front Cowl(Yellow) (W/O Headlight Hole)	
2	ALR01A530140	X2 Front Cowl(Almond) (W/I Headlight Hole)	
	ALR01A530150	X2 Front Cowl(Forest Green) (W/I Headlight Hole)	
	ALR01A530160	X2 Front Cowl(White) (W/I Headlight Hole)	
	ALR01A530170	X2 Front Cowl(Ivory) (W/I Headlight Hole)	
	ALR01A530180	X2 Front Cowl(Flame Red) (W/I Headlight Hole)	
	ALR01A530190	X2 Front Cowl(Inferno Red) (W/I Headlight Hole)	
	ALR01A530200	X2 Front Cowl(Burgundy) (W/I Headlight Hole)	
	ALR01A530210	X2 Front Cowl(Black) (W/I Headlight Hole)	
	ALR01A530220	X2 Front Cowl(Electric Blue) (W/I Headlight Hole)	
	ALR01A530230	X2 Front Cowl(Platinum) (W/I Headlight Hole)	
	ALR01A530240	X2 Front Cowl(Orange) (W/I Headlight Hole)	
	ALR01A530250	X2 Front Cowl(Blue) (W/I Headlight Hole)	
	ALR01A530260	X2 Front Cowl(Yellow) (W/I Headlight Hole)	
3	T02GB03024	GB/T845-ST4. 8*25 Cross Recessed Pan Head Self Tapping Screw (Black)	4
4	TA05301010	X2 Instrument Panel Console	1
4.1	TB05400050	Hexagon Socket Button Head Screw	2
4.2	T02GB03030	GB/T2672-M10*25 Hexalobular Socket Pan Head Screw (Black)	4
4.3	T02GB03009	GB/T96.2-φ10 Big Flat Washer(φ10) (Black)	4
5	TA05300300	X2 Front Splash Guard	1
5.1	T02GB03019	GB/T818-M6*20 Pan Head Screw with Cross Recess (Black)	2
5.2	T02GB03014	GB/T6183.1-M6 Flanged Face Hex Head Nylon Self-Locking Nut(Black)	2
5.3	TA01100080	Christmas Tree Rivet (06639)	2
6	TA05301030	X2 Cup Holder(L)	1
7	TA05301040	X2 Cup Holder(R)	1
8	TA05301050	X2 Cup Holder Cover	1
8.1	T02GB03074	GB/T845-ST4. 2*9.5 Cross Recessed Countersunk Head Self Tapping Screw(Black)	3
9	ALR02A530010	Front Storage Box Assembly	1
9.1	TA05301070	X2 Front Storage Box	1
9.2	TA05301080	X2 Front Storage Box Cover	1
9.3	TA05301090	X2 Front Storage Box Rubber Plug	4
10	TA05301060	X2 Glovebox Trim(L)	2
10.1	T02GB03068	GB/T845-ST4. 2*20 Cross Recessed Countersunk Head Self Tapping Screw(Black)	4
11	TA05300310	X2 Front Strut(L)	1
12	TA05300320	X2 Front Strut(R)	1
13	TA05300330	X2 Access Cover Assembly (L)/with clip	1
14	TA05300340	X2 Access Cover Assembly (R)/with clip	1
15	TA05300350	X2 Glovebox Bottom Panel (small)	2



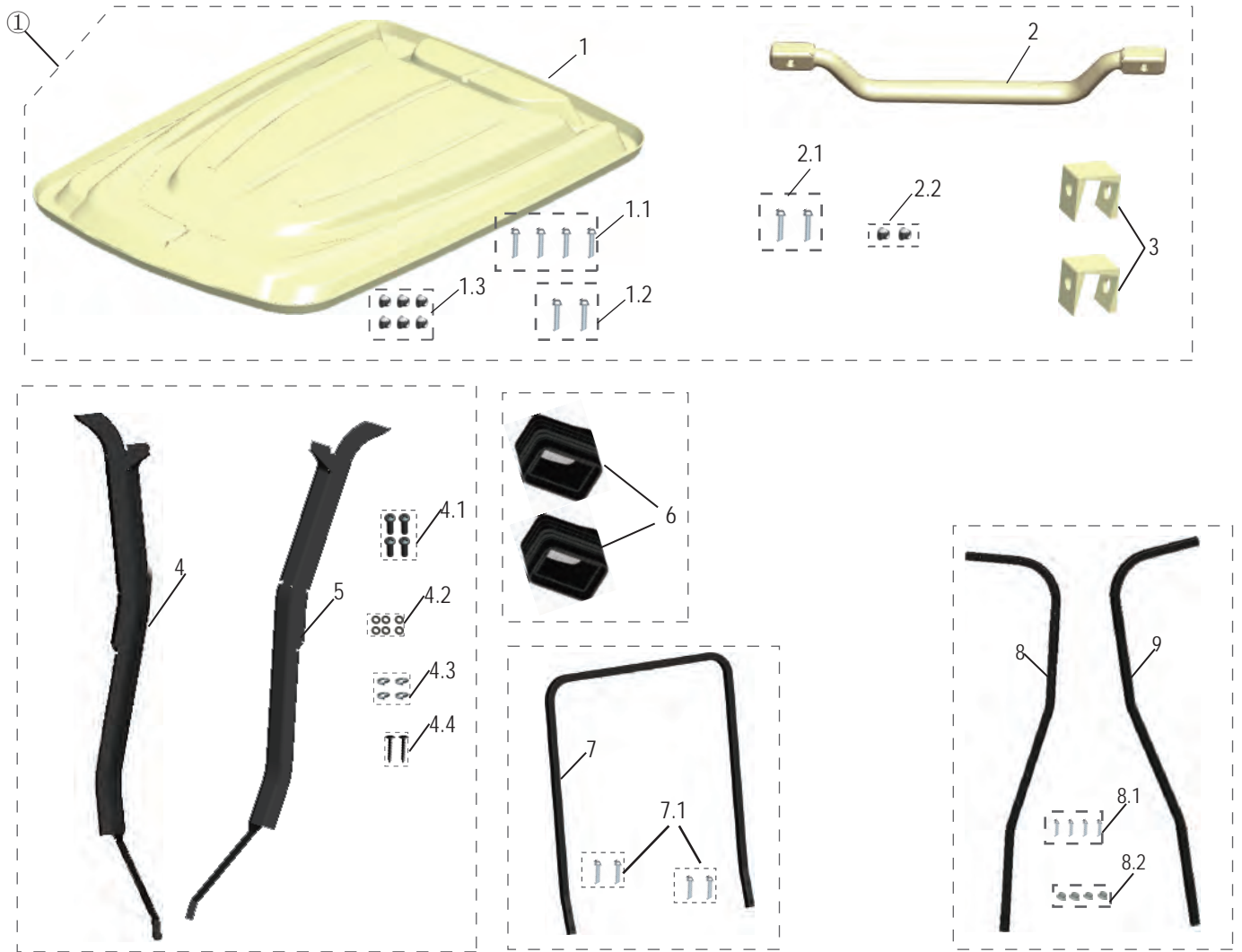
No.	Part No.	Part Name	Qty.
1	TA05400010	X2 Left Rocker Panel (front)	1
2	TA05400020	X2 Left Rocker Panel (rear)	1
3	TA05400030	X2 Right Rocker Panel (front)	1
4	TA05400040	X2 Right Rocker Panel (rear)	1
5	TA05400050	Flat Head Hex Socket Self-Tapping Screw 08030	10
6	T02GB03008	GB/T96.2-φ8 Big Flat Washer (φ22) (Black)	10



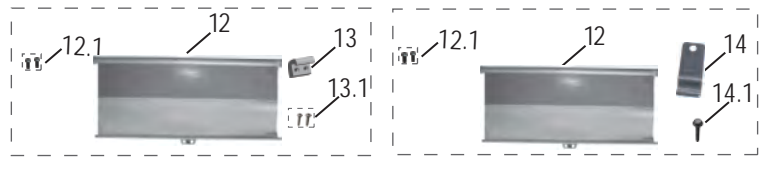
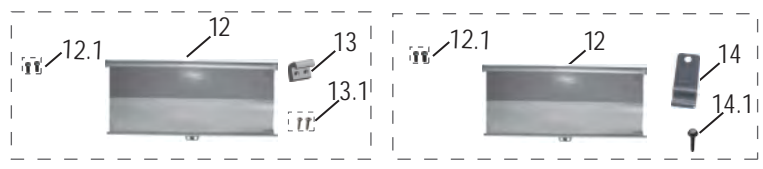
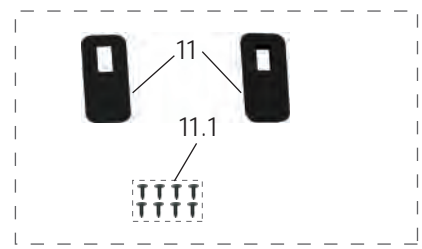
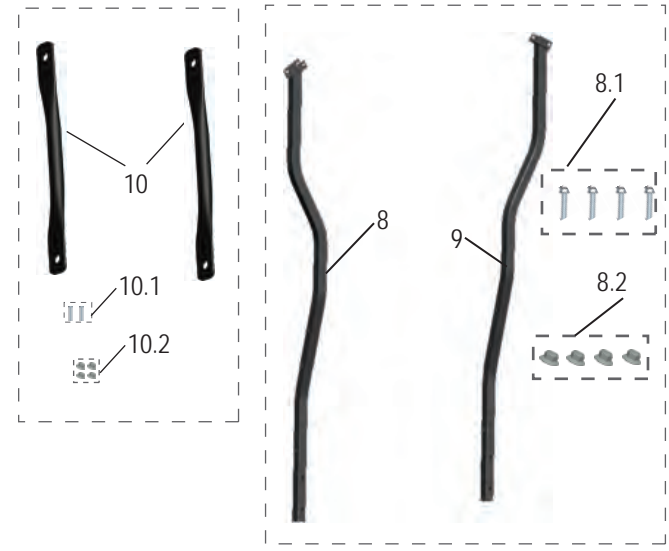
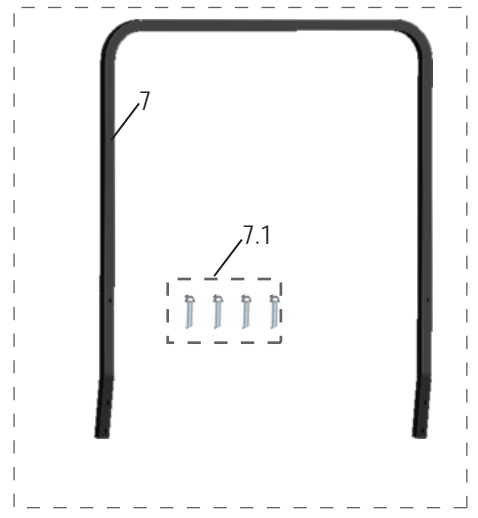
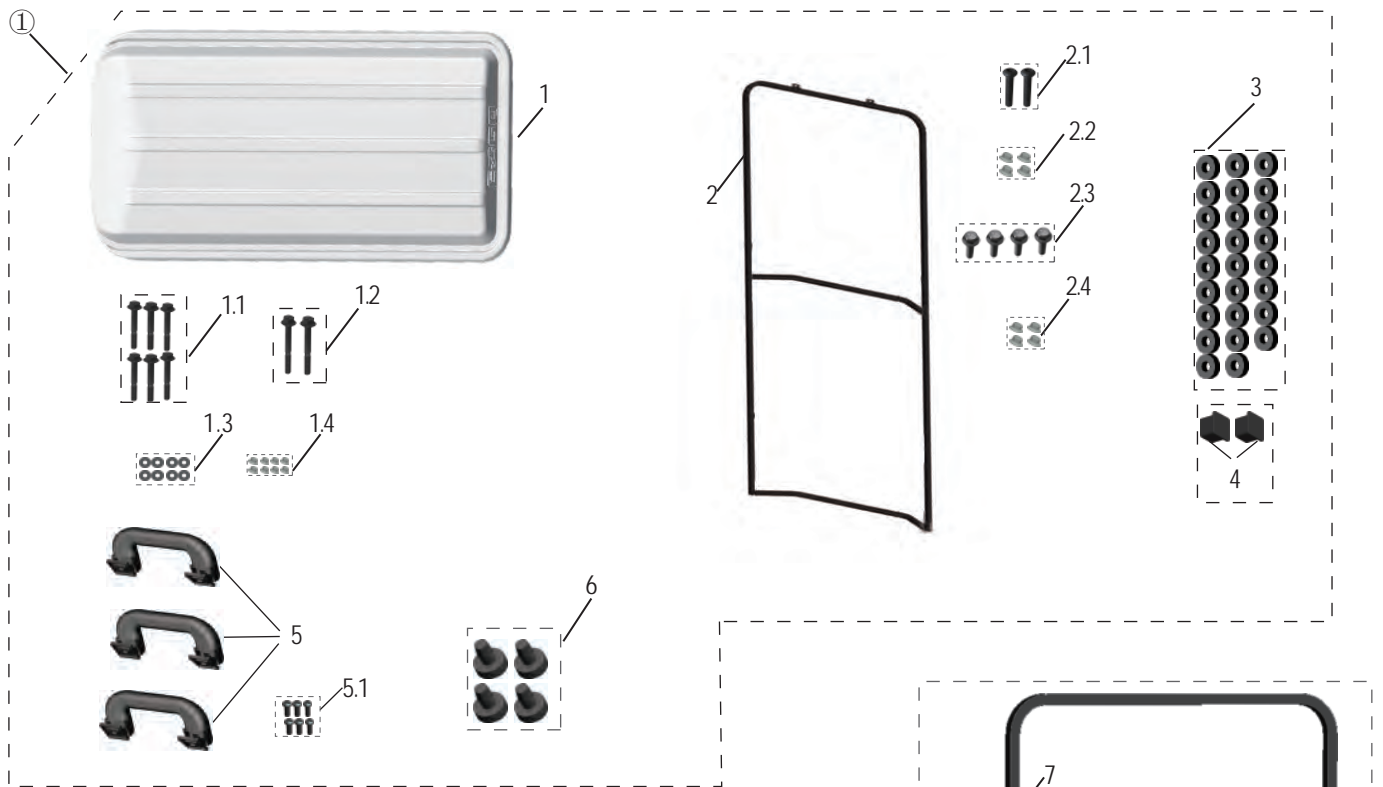
No.	Part No.	Part Name	Qty.
1	ALR01A560010	X2 Rear Body (Gold,With Socket Hole)	1
	ALR01A560020	X2 Rear Body (Forest Green,With Socket Hole)	
	ALR01A560030	X2 Rear Body (Bright White,With Socket Hole)	
	ALR01A560040	X2 Rear Body (Ivory,With Socket Hole)	
	ALR01A560050	X2 Rear Body (Flame Red,With Socket Hole)	
	ALR01A560060	X2 Rear Body (Inferno Red,With Socket Hole)	
	ALR01A560070	X2 Rear Body (Burgundy,With Socket Hole)	
	ALR01A560080	X2 Rear Body (Black,With Socket Hole)	
	ALR01A560090	X2 Rear Body (Electric Blue,With Socket Hole)	
	ALR01A560100	X2 Rear Body (Platinum,With Socket Hole)	
	ALR01A560110	X2 Rear Body (Orange,With Socket Hole)	
	ALR01A560120	X2 Rear Body (Blue,With Socket Hole)	
	ALR01A560130	X2 Rear Body (Yellow,With Socket Hole)	
2	ALR01A560140	X2 Rear Body (Gold, With Socket Hole) (W/I Taillight Hole)	1
	ALR01A560150	X2 Rear Body (Forest Green,With Socket Hole) (W/I Taillight Hole)	
	ALR01A560160	X2 Rear Body (Bright White,With Socket Hole) (W/I Taillight Hole)	
	ALR01A560170	X2 Rear Body (Ivory,With Socket Hole) (W/I Taillight Hole)	
	ALR01A560180	X2 Rear Body (Flame Red,With Socket Hole) (W/I Taillight Hole)	
	ALR01A560190	X2 Rear Body (Inferno Red,With Socket Hole) (W/I Taillight Hole)	
	ALR01A560200	X2 Rear Body (Burgundy,With Socket Hole) (W/I Taillight Hole)	
	ALR01A560210	X2 Rear Body (Black,With Socket Hole) (W/I Taillight Hole)	
	ALR01A560220	X2 Rear Body (Electric Blue,With Socket Hole) (W/I Taillight Hole)	
	ALR01A560230	X2 Rear Body (Platinum,With Socket Hole) (W/I Taillight Hole)	
	ALR01A560240	X2 Rear Body (Orange,With Socket Hole) (W/I Taillight Hole)	
	ALR01A560250	X2 Rear Body (Blue,With Socket Hole) (W/I Taillight Hole)	
	ALR01A560260	X2 Rear Body (Yellow,With Socket Hole) (W/I Taillight Hole)	

No.	Part No.	Part Name	Qty.
1.1	TA05400050	Flat Head Hex Socket Self-Tapping Screw 08030	4
1.2	T02GB03008	GB/T96.2- ϕ 8 Big Flat Washer(Black)	4
1.3	T02GB03030	GB/T2672-M10*25 Hexalobular Socket Pan Head Screw (Black)	2
1.4	T02GB03009	GB/T96.2- ϕ 10 Big Flat Washer(Black)	2
1.5	T02GB03061	QC/T330-M6 Barrel Clip	2
3	TA05600270	X2 Rear Body Access Panel	1
3.1	T02GB03019	GB/T818-M6*20 Pan Head Screw with Cross Recess (Black)	2
4	TA05600280	L2Scuff Guard (L)	1
4.1	TA01100080	Christmas Tree Rivet(6639)	6
5	TA05600290	X2 Scuff Guard	1
6	TA05600300	X2 Rear Strut Cover	2
7	TA05600310	X2 Bag Well Liner	1
7.1	T02GB03031	GB/T2672-M10*60 Hexalobular Socket Pan Head Screw (Black)	2
7.2	T02GB03016	GB/T6183.1-M10 Flanged Face Hex Head Nylon Self-Locking Nut(Black)	2
7.3	TA01100080	Christmas Tree Rivet(6639)	20
8	TA05601010	X2 Sweater Basket (With Strap Clamp)	1
8.2	T02GB03031	GB/T2672-M10*60 Hexalobular Socket Pan Head Screw (Black)	4
9	TA05601020	X2 Bag Strap (2m)	1
9.1	TA01100080	Christmas Tree Rivet(6639)	2

2 Seat Sun Top and Bracket Assembly



No.	Part No.	Part Name	Qty.
①	ALR01A570010	X2 Sun Top Assembly(Oyster)	1
1	TA05701010	X2 Sun Top(Oyster)	1
1.1	T02GB03051	GB/T5789-M10*60 Flanged Face Hex Head Bolt (Black)	4
1.2	T02GB03051	GB/T5789-M10*60 Flanged Face Hex Head Bolt (Black)	2
1.3	T02GB03016	GB/T6183.1-M10 Flanged Face Hex Nylon Self-Locking Nut(Black)	6
2	TA05701020	X2 Sun Top Handle(Oyster)	1
2.1	T02GB03043	GB/T5789-M8*45 Flanged Face Hex Head Bolt (Black)	2
2.2	T02GB03015	GB/T6183.1-M8 Flanged Face Hex Nylon Self-Locking Nut(Black)	2
3	TA05701030	X2 Front Clip for Sun Top(Oyster)	2
4	TA05703010	X2 Sun Top Drain Pipe (L)	1
4.1	T02GB03020	GB/818-M6*45 Pan Head Screw With Cross Recess (Black)	4
4.2	T02GB03004	GB/T95-φ6 Flat Washer (Black)	6
4.3	T02GB03001	GB/T93-φ6 Spring Washer (Black)	4
4.4	T02GB03062	GB/818-M6*45 Pan Head Screw With Cross Recess (Black)	2
5	TA05704010	X2 Sun Top Drain Pipe	1
6	TA05703020	X2 Drain Pipe Bushing	2
7	TA05300290	X2 Front Strut	1
7.1	T02GB03049	GB/T5789-M10*50 Flanged Face Hex Head Bolt (Black)	4
8	TA05600360	X2 Rear Strut (L)	1
8.1	T02GB03049	GB/T5789-M10*50 Flanged Face Hex Head Bolt (Black)	4
8.2	T02GB03016	GB/T6183.1-M10 Flanged Face Hex Nylon Self-Locking Nut(Black)	4
9	TA05600370	X2 Rear Strut (R)	1

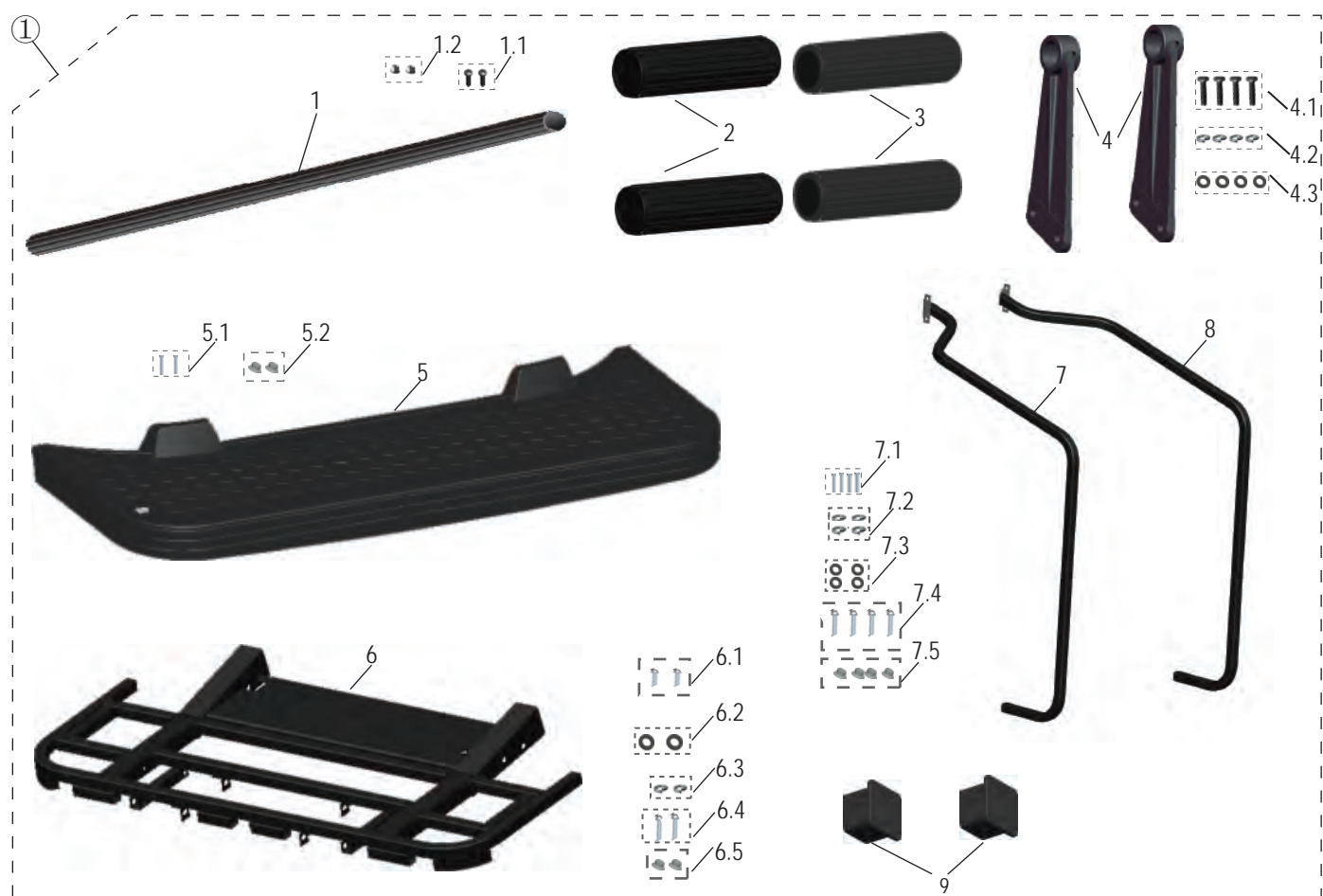


2+2 Sun Top and Bracket Assembly

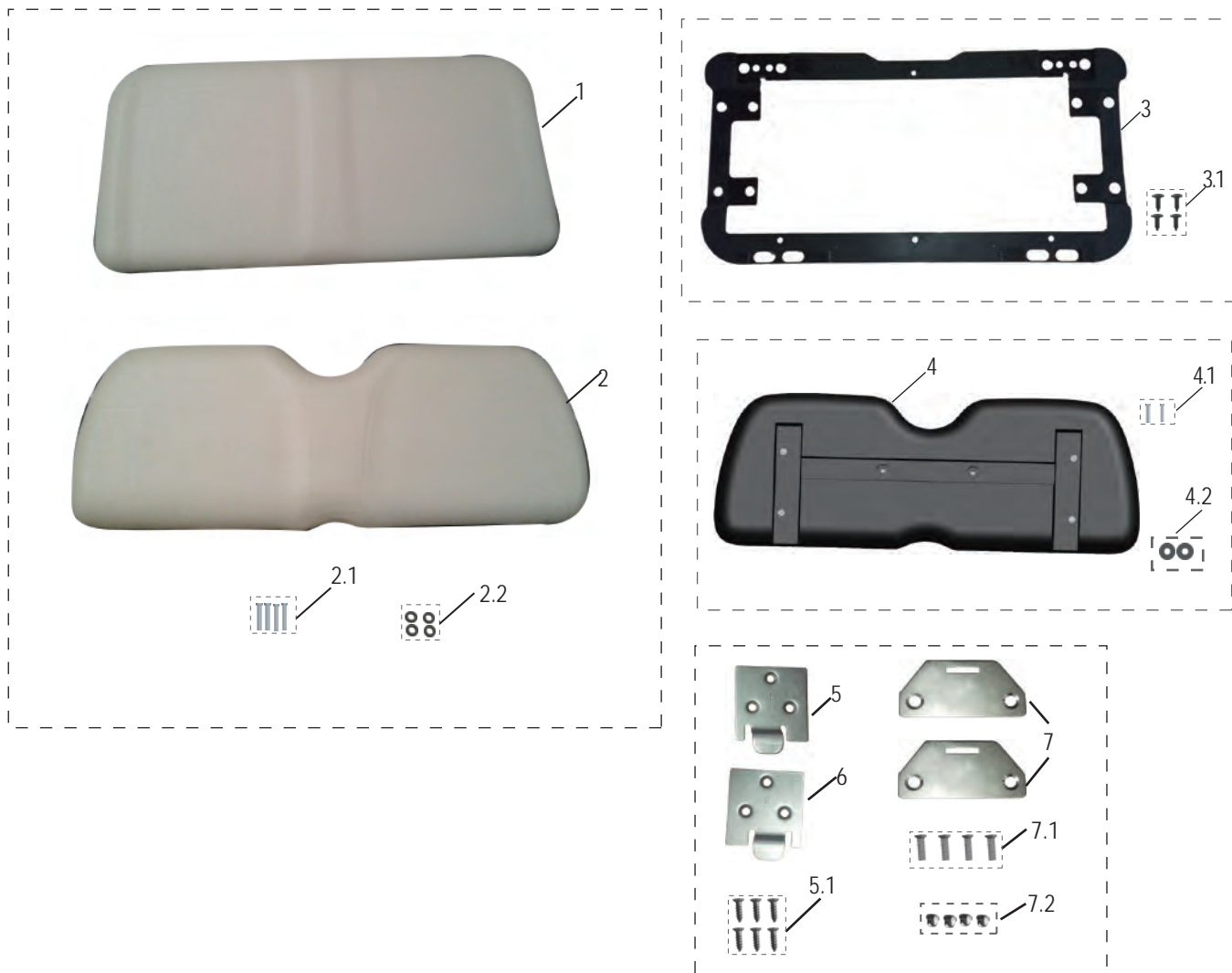
No.	Part No.	Part Name	Qty.
①	ALR01B570010	X4 Sun Top Assembly (2.4m)	1
1	TB05701010	X4 Sun Top (2.4m)	1
1.1	T02GB03070	GB/T5789-M8*55 Flanged Face Hex Bolt (Black)	6
1.2	T02GB03044	GB/T5789-M8*70 Flanged Face Hex Bolt (Black)	2
1.3	T02GB03008	GB/T96.2-φ8 Big Flat Washer(Black)	8
1.4	T02GB03015	GB/T6183.1-M8 Flanged Face Hex Nylon Self-Locking Nut(Black)	8
2	TB05701020	X4 Sun Top Bracket	1
2.1	T02GB03031	GB/T2672-M10*60 Hexalobular Socket Pan Head Screw (Black)	2
2.2	T02GB03016	GB/T6183.1-M10 Flanged Face Hex Nylon Self-Locking Nut(Black)	2
2.3	T02GB03043	GB/T5789-M8*45 Flanged Face Hex Bolt (Black)	4
2.4	T02GB03015	GB/T6183.1-M8 Flanged Face Hex Nylon Self-Locking Nut(Black)	4
3	TB05701030	Sun Top Bushing (5.5mm)	8
4	TB05701040	Sun Top Bushing (11mm)	6
5	TB05701050	Sun Top Bushing (22mm)	2
5.1	TB05701060	X4 Sun Top Bushing	2
6	TA05700010	X2 Sun Top Handle	3
7	T02GB03063	GB/T2672-M6*20 Hexalobular Socket Pan Head Screw (Black)	6
7.1	TA05201040	X2 Windshield Damping Rubber	4
8	TB05300010	X4 Front Strut	1
8.1	T02GB03049	GB/T5789-M10*50 Flanged Face Hex Bolt (Black)	4
8.2	TA05600380	X2+2 Rear Strut (L)	1
9	T02GB03049	GB/T5789-M10*50 Flanged Face Hex Bolt (Black)	4
10	T02GB03016	GB/T6183.1-M10 Flanged Face Hex Nylon Self-Locking Nut(Black)	4
10.1	TA05600390	X2+2 Rear Strut (R)	1
10.2	TA05600400	X2 Rear Strut Supporting Tube	2
11	T02GB03049	GB/T5789-M10*50 Flanged Face Hex Bolt (Black)	2
11.1	T02GB03016	GB/T6183.1-M10 Flanged Face Hex Nylon Self-Locking Nut(Black)	4
12	TA05600410	X2 Rear Strut Bushing	2
12.1	TA01100080	Rear Strut Bushing(6639)	8
13	TA08200150	X2+2 Sunshade Curtain	4
13.1	T02GB03019	GB/T818-M6*20 Pan Head Screw with Cross Recess (Black)	8
14	TA08200160	X2+2 Sunshade Curtain Hook (Plastic)	4
14.1	T02GB01020	GB/T-845-ST4.2*20 Pan Head Screw with Cross Recess (Stainless Steel)	8



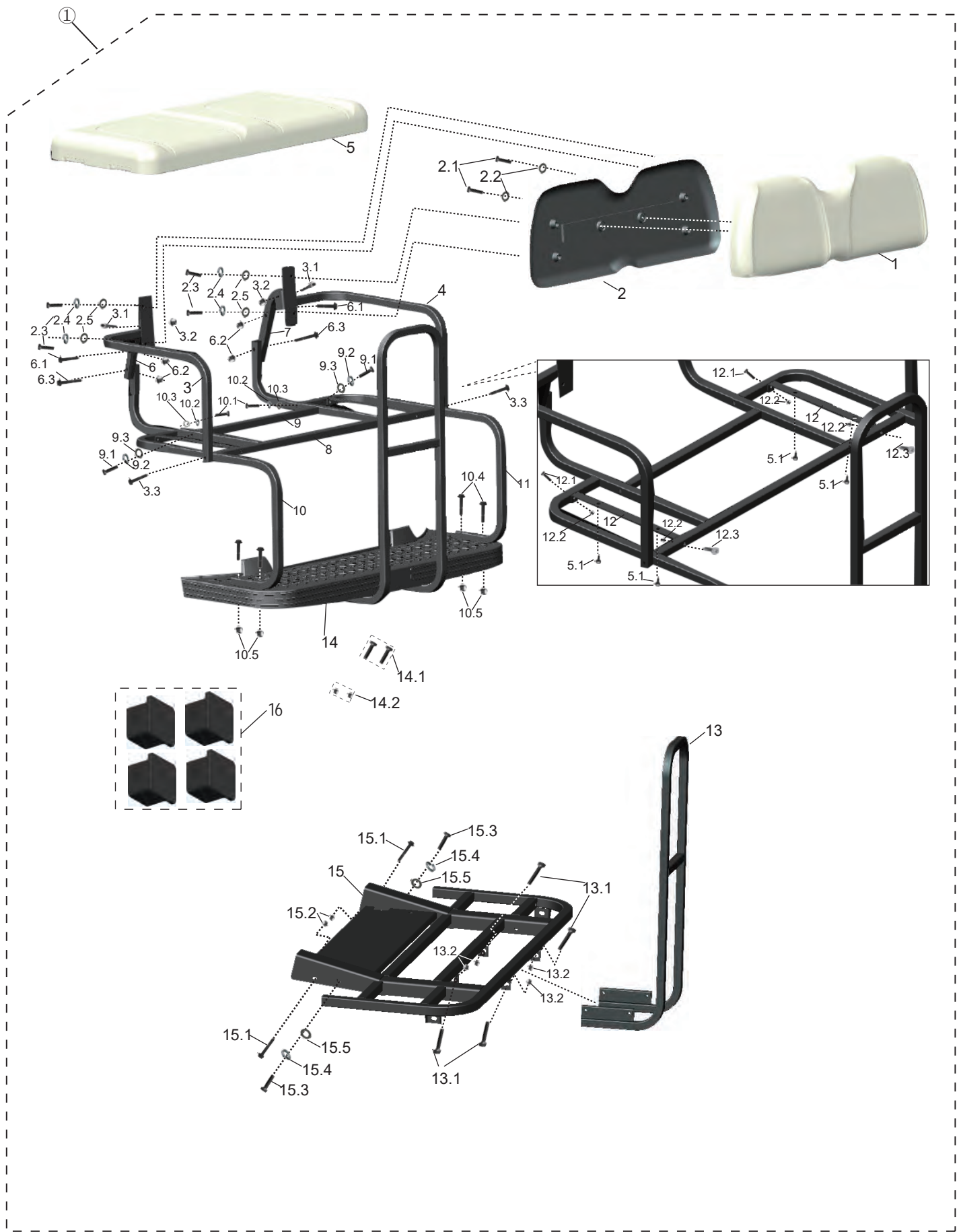
No.	Part No.	Part Name	Qty.
1	TA06900060	X2 Seat Support, Brace	1
1.1	T02GB03030	GB/T2672-M10*25 Hexalobular Socket Pan Head Screw (Black)	2
2	TA06900030	X2 Hip Restraint (small)	1
2.1	T02GB03047	GB/T5789-M10*30 Flanged Face Hex Head Bolt (Black)	8
3	TA06900040	X2 Hip Restraint (R)	1
4	TA06900050	X2 Seat Front Support	1
4.1	T02GB03046	GB/T5789-M10*25 Flanged Face Hex Head Bolt (Black)	2
5	TA06900070	X2 Seat Back Support (L)	1
5.1	T02GB03037	GB/T5783-M8*40 Hex Head Bolt (Black)	4
5.2	T02GB03007	GB/T95-φ8 Flat Washer (Black)	4
5.3	T02GB03002	GB/T93-φ8 Spring Washer (Black)	4
6	TA06900080	X2 Seat Back Support (R)	1
7	TA05600340	X2 Seat Support Bracket (L)	1
7.1	T02GB03046	GB/T5789-M10*25 Flanged Face Hex Head Bolt (Black)	6
8	TA05600350	X2 Seat Support Bracket (R)	1



No.	Part No.	Part Name	Qty.
①	ALR01A780020	X2 Rear Platform Assembly	1
1	TA07801010	X2 Rear Caddie Grab Bar	1
1.1	T02GB03021	GB/T818-M6*50 Pan Head Screw with Cross Recess (Black)	2
1.2	T02GB03014	GB/T6183.1-M6 Flanged Face Hex Nylon Self-Locking Nut (Black)	2
2	TA07801020	X2 Rear Caddie Grab Bar Grip	2
3	TA07801030	X2 Rear Caddie Grab Bar Support	2
4	TA07801040	X2 Caddie Armrest Bracket	2
4.1	T02GB03034	GB/T5783-M8*25 Hex Head Bolt (Black)	4
4.2	T02GB03002	GB/T93- ϕ 8 Spring Washer (Black)	4
4.3	T02GB03007	GB/T95- ϕ 8 Flat Washer (Black)	4
5	TA07800040	X2 Rear Platform	1
5.1	T02GB03034	GB/T5783-M8*25 Hex Head Bolt (Black)	2
5.2	T02GB03015	GB/T6183.1-M8 Flanged Face Hex Nylon Self-Locking Nut (Black)	2
6	TA07800010	X2 Rear Platform Support	1
6.1	T02GB03039	GB/T5783-M10*30 Hex Head Bolt (Black)	2
6.2	T02GB03009	GB/T96.2- ϕ 10 Big Flat Washer (Black)	2
6.3	T02GB03003	GB/T93- ϕ 10 Spring Washer (Black)	2
6.4	T02GB03053	GB/T5789-M10*70 Flanged Face Hex Head Bolt (Black)	2
6.5	T02GB03016	GB/T6183.1-M10 Flanged Face Hex Nylon Self-Locking Nut (Black)	2
7	TA07800020	X2 Caddie Armrest (L)	1
7.1	T02GB03034	GB/T5783-M8*25 Hex Head Bolt (Black)	4
7.2	T02GB03002	GB/T93- ϕ 8 Spring Washer (Black)	4
7.3	T02GB03007	GB/T95- ϕ 8 Flat Washer (Black)	4
7.4	T02GB03052	GB/T5789-M10*65 Flanged Face Hex Head Bolt (Black)	4
7.5	T02GB03016	GB/T6183.1-M10 Flanged Face Hex Nylon Self-Locking Nut (Black)	4
8	TA07800030	X2 Caddie Armrest (R)	1
9	TB05701060	X4 Sun Top Bushing	2

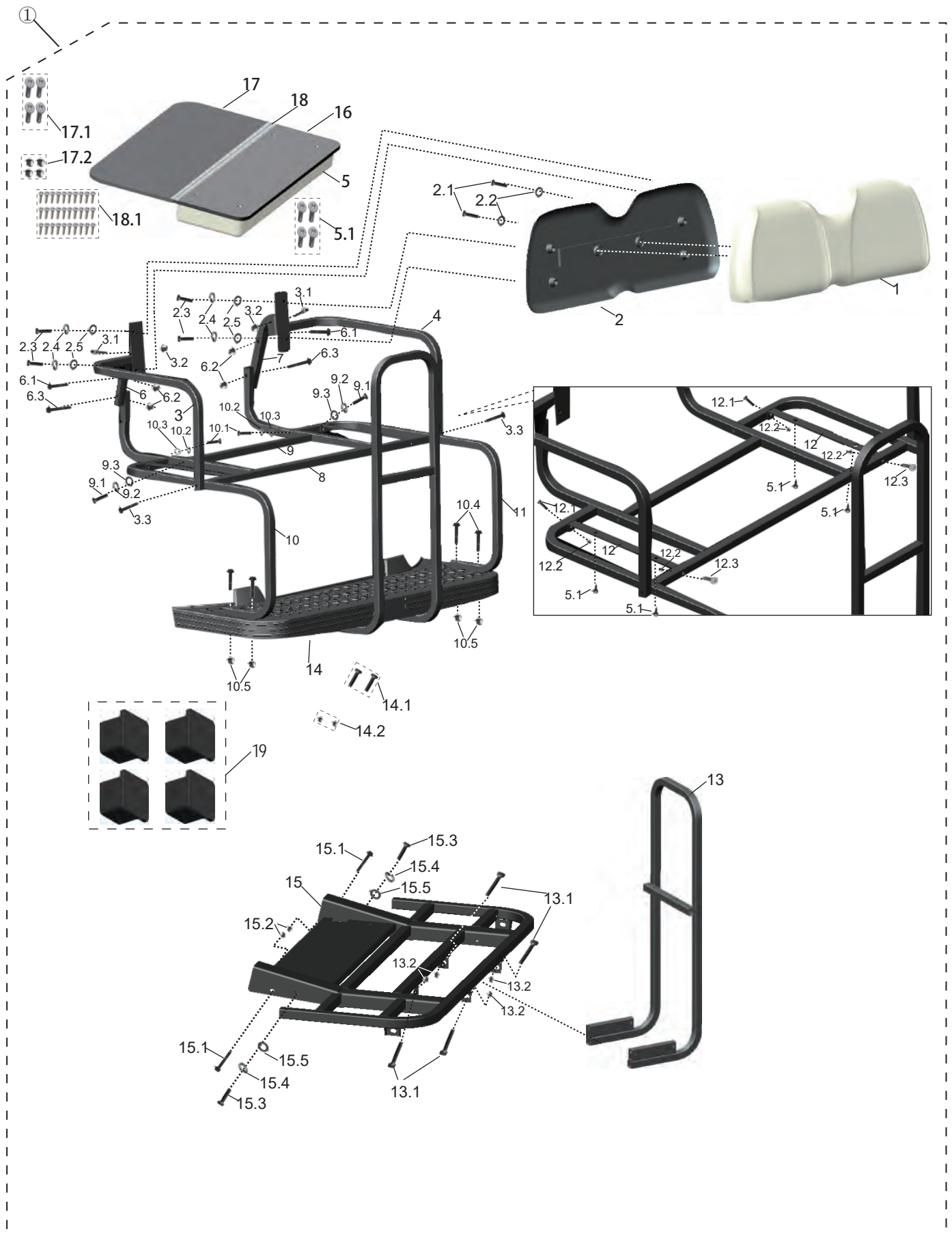


No.	Part No.	Part Name	Qty.
1	TA07201010	X2 Seat Bottom Cover (Beige)	1
	TA07202010	X2 Seat Bottom Cover (Creamy White)	
	TA07203010	X2 Seat Bottom Cover (Brown)	
	TA07204010	X2 Seat Bottom Cover (Black)	
2	TA07205010	X2 Seat Back (Beige)	1
	TA07206010	X2 Seat Back (Creamy White)	
	TA07207010	X2 Seat Back (Brown)	
	TA07208010	X2 Seat Back (Black)	
2.1	T02GB03033	GB/T5783-M8*20 Hex Head Bolt (Black)	4
2.2	T02GB03007	GB/T95-φ8 Plain Washer (Black)	4
3	TA06900010	X2 Seat Cover Bottom Plate	1
3.1	TA01100080	Christmas Tree Rivet (6639)	4
4	TA06900020	X2 Seat Back Bottom Plate	1
4.1	T02GB03033	GB/T5783-M8*20 Hex Head Bolt (Black)	2
4.2	T02GB03008	GB/T96.2-φ8 Big Flat Washer (Black)	2
5	TA06900090	X2 Seat Hinge (upper-L)	1
5.1	T02GB01021	GB/T846-ST6.3*25 Cross Recessed countersunk Head Self-Tapping Screw)	6
6	TA06900100	X2 Seat Hinge (upper-R)	1
7	TA06900110	X2 Seat Hinge (lower)	2
7.1	T02GB03022	GB819.1-M8*20 Cross Recessed Countersunk Head Screw (Black)	4
7.2	T02GB03015	GB/T6183.1-M8 Flanged Face Hex Nylon Self-Locking Nut (Black)	4



No.	Part No.	Part Name	Qty.
①	ALR01A700010	X2 Seat Back Assembly (Beige)	1
	ALR01A700020	X2 Seat Back Assembly (Creamy White)	
	ALR01A700030	X2 Seat Back Assembly (Brown)	
	ALR01A700040	X2 Seat Back Assembly (Black)	
1	TA07205010	X2 Seat Back(Beige)	1
	TA07206010	X2 Seat Back(Creamy White)	
	TA07207010	X2 Seat Back(Brown)	
	TA07208010	X2 Seat Back(Black)	
2	TA06900120	X2+2 Seat Back Bottom Plate	1
2.1	T02GB03034	GB/T5783-M8*25 Hex Head Bolt (Black)	2
2.2	T02GB03008	GB/T96.2-φ8 Big Flat Washer(Black)	2
2.3	T02GB03037	GB/T5783-M8*40 Hex Head Bolt (Black)	4
2.4	T02GB03002	GB/T93-φ8 Spring Washer (Black)	4
2.5	T02GB03007	GB/T95-φ8 Flat Washer(Black)	4
3	TA07000010	X2+2 Rear Seat Cover Handle (L)	1
3.1	T02GB03029	GB/T70.1-M8*40 Hexagon Socket Head Cap Screw (Black)	2
3.2	T02GB03015	GB/T6183.1-M8 Flanged Face Hex Head Nylon Self-Locking Nut(Black)	2
3.3	T02GB03044	GB/T5789-M8*70 Flanged Face Hex Head Bolt (Black)	2
4	TA07000020	X2+2 Rear Seat Cover Handle (R)	1
5	TB069B0010	X4 Pod Cover (Beige)	1
	TB069B0020	X4 Pod Cover (Creamy White)	
	TB069B0030	X4 Pod Cover (Brown)	
	TB069B0040	X4 Pod Cover (Black)	
5.1	T02GB03046	GB/T5789-M10*25 Flanged Face Hex Head Bolt (Black)	4
6	TA06900130	X2+2 Seat Back Bracket(L)	1
6.1	T02GB03053	GB/T5789-M10*70 Flanged Face Hex Head Bolt (Black)	2
6.2	T02GB03016	GB/T6183.1-M10 Flanged Face Hex Head Nylon Self-Locking Nut(Black)	4
6.3	T02GB03057	GB/T5789-M10*100 Flanged Face Hex Head Bolt (Black)	2
7	TA06900140	X2+2 Seat Back Bracket (R)	1
8	TA07000030	X2+2 Rear Seat Under Bracket	1
9	TA07000040	X2+2 Rear Seat Under Bracket Tube	1
9.1	T02GB03037	GB/T5783-M8*40 Hex Head Bolt (Black)	2
9.2	T02GB03002	GB/T93-φ8 Spring Washer (Black)	2
9.3	T02GB03007	GB/T95-φ8 Flat Washer(Black)	2
10	TA07000050	X2+2 Rear Seat Bracket(L)	1
10.1	T02GB03037	GB/T5783-M8*40 Hex Head Bolt (Black)	2
10.2	T02GB03002	GB/T93-φ8 Spring Washer (Black)	2
10.3	T02GB03007	GB/T95-φ8 Flat Washer(Black)	2
10.4	T02GB03052	GB/T5789-M10*65 Flanged Face Hex Head Bolt (Black)	4
10.5	T02GB03016	GB/T6183.1-M10 Flanged Face Hex Head Nylon Self-Locking Nut(Black)	4
11	TA07000060	X2+2 Rear Seat Bracket(R)	1
12	TA07000070	X2+2 Fixing Plate	2
12.1	T02GB03037	GB/T5783-M8*40 Hex Head Bolt (Black)	2
12.2	T02GB03015	GB/T6183.1-M8 Flanged Face Hex Head Nylon Self-Locking Nut(Black)	4
12.3	T02GB03075	GB819.1-M8*40 Flat Head Philips Screw (Black)	2
13	TA07000080	X2+2 Rear Seat Armrest	1
13.1	T02GB03040	GB/T5783-M10*40 Hex Head Bolt (Black)	4
13.2	T02GB03016	GB/T6183.1-M10 Flanged Face Hex Head Nylon Self-Locking Nut(Black)	4
14	TA07800040	X2 Rear Platform	1
14.1	T02GB03034	GB/T5783-M8*25 Hex Head Bolt (Black)	2

14.2	T02GB03015	GB/T6183.1-M8 Flanged Face Hex Head Nylon Self-Locking Nut(Black)	2
15	TA07800010	X2 Rear Platform Bracket	1
15.1	T02GB03053	GB/T5789-M10*70 Flanged Face Hex Head Bolt (Black)	2
15.2	T02GB03016	GB/T6183.1-M10 Flanged Face Hex Head Nylon Self-Locking Nut(Black)	2
15.3	T02GB03047	GB/T5789-M10*30 Flanged Face Hex Head Bolt (Black)	2
15.4	T02GB03009	GB/T96.2- ϕ 10 Flat Washer(Black)	2
15.5	T02GB03003	GB/T93- ϕ 10 Spring Washer (Black)	2
16	TB05701060	X4 Sun Top Bushing	4



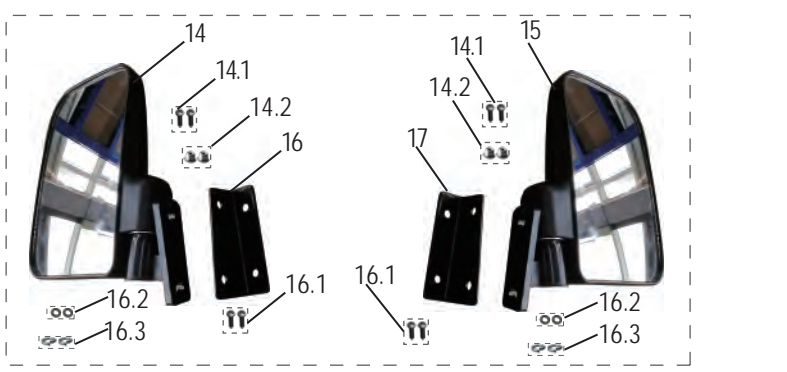
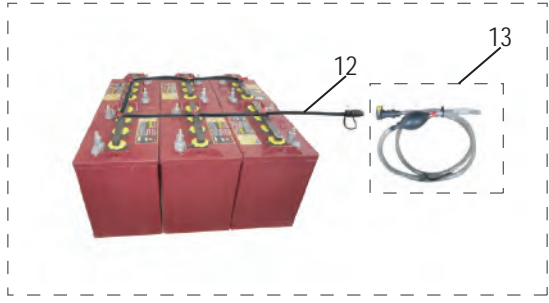
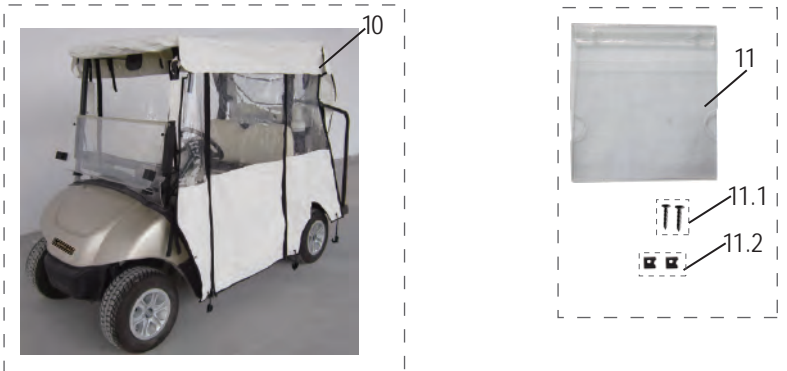
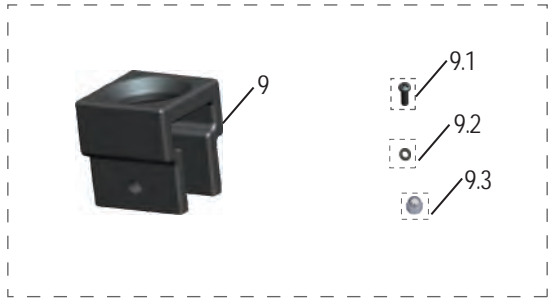
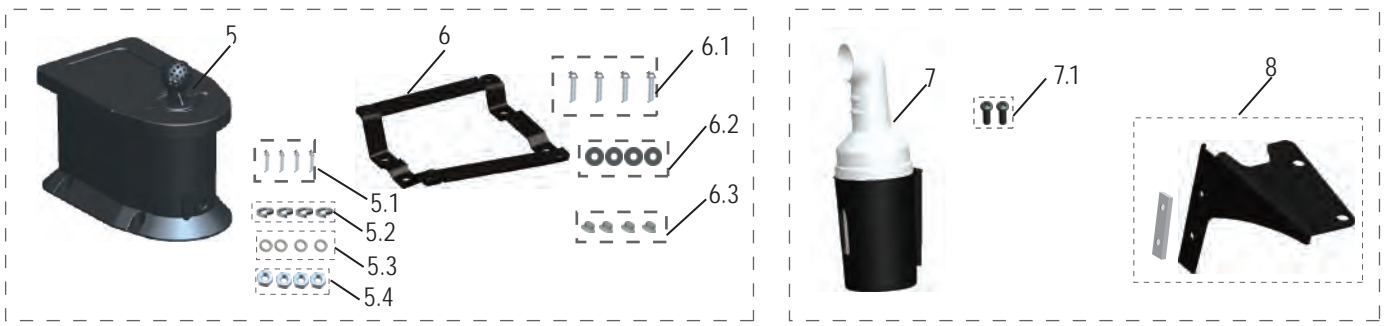
2+2 Collapsible Seat Cover Assembly

No.	Part No.	Part Name	Qty.
①	ALR01A700050	Collapsible Seat Cover Assembly(Beige)	1
	ALR01A700060	Collapsible Seat Cover Assembly(Creamy White)	
	ALR01A700070	Collapsible Seat Cover Assembly(Black)	
1	TA07205010	X2 Seat Back(Beige)	1
	TA07206010	X2 Seat Back(Creamy White)	
	TA07208010	X2 Seat Back(Black)	
2	TA06900120	X2+2 Seat Back Bottom Plate	1
2.1	T02GB03034	GB/T5783-M8*25 Hex Head Bolt (Black)	2
2.2	T02GB03008	GB/T96.2- ϕ 8 Big Flat Washer(Black)	2
2.3	T02GB03037	GB/T5783-M8*40 Hex Head Bolt (Black)	4
2.4	T02GB03002	GB/T93- ϕ 8 Spring Washer (Black)	4
2.5	T02GB03007	GB/T95- ϕ 8 Flat Washer(Black)	4
3	TA07000010	X2+2 Rear Seat Cover Handle (L)	1
3.1	T02GB03029	GB/T70.1-M8*40 Hexagon Socket Head Cap Screw (Black)	2
3.2	T02GB03015	GB/T6183.1-M8 Flanged Face Hex Head Nylon Self-Locking Nut(Black)	2
3.3	T02GB03044	GB/T5789-M8*70 Flanged Face Hex Head Bolt (Black)	2
4	TA07000020	Rear Seat Cover Handle (R)	1
5	TA07005010	Collapsible Seat Cover(Beige)	1
	TA07006010	Collapsible Seat Cover(Creamy White)	
	TA07007010	Collapsible Seat Cover(Black)	
5.1	T02GB01038	GB819.1-M8*35 Flat Head Philips Screw (Stainless Steel)	4
6	TA06900130	X2+2 Seat Back Bracket(L)	1
6.1	T02GB03053	GB/T5789-M10*70 Flanged Face Hex Head Bolt (Black)	2
6.2	T02GB03016	GB/T6183.1-M10 Flanged Face Hex Head Nylon Self-Locking Nut(Black)	4
6.3	T02GB03057	GB/T5789-M10*100 Flanged Face Hex Head Bolt (Black)	2
7	TA06900140	X2+2 Seat Back Bracket (R)	1
8	TA07000030	X2+2 Rear Seat Under Bracket	1
9	TA07000040	X2+2 Rear Seat Under Bracket Tube	1
9.1	T02GB03037	GB/T5783-M8*40 Hex Head Bolt (Black)	2
9.2	T02GB03002	GB/T93- ϕ 8 Spring Washer (Black)	2
9.3	T02GB03007	GB/T95- ϕ 8 Flat Washer(Black)	2
10	TA07000050	X2+2 Rear Seat Bracket(L)	1
10.1	T02GB03037	GB/T5783-M8*40 Hex Head Bolt (Black)	2
10.2	T02GB03002	GB/T93- ϕ 8 Spring Washer (Black)	2
10.3	T02GB03007	GB/T95- ϕ 8 Flat Washer(Black)	2
10.4	T02GB03052	GB/T5789-M10*65 Flanged Face Hex Head Bolt (Black)	4
10.5	T02GB03016	GB/T6183.1-M10 Flanged Face Hex Head Nylon Self-Locking Nut(Black)	4
11	TA07000060	X2+2 Rear Seat Bracket(R)	1
12	TA07000070	X2+2 Fixing Plate	2
12.1	T02GB03037	GB/T5783-M8*40 Hex Head Bolt (Black)	2
12.2	T02GB03015	GB/T6183.1-M8 Flanged Face Hex Head Nylon Self-Locking Nut(Black)	4
12.3	T02GB03075	GB819.1-M8*40 Flat Head Philips Screw (Black)	2
13	TA07005050	Rear Seat Armrest (Collapsible Seat Cover)	1
13.1	T02GB03040	GB/T5783-M10*40 Hex Head Bolt (Black)	4
13.2	T02GB03016	GB/T6183.1-M10 Flanged Face Hex Head Nylon Self-Locking Nut(Black)	4
14	TA07800040	X2 Rear Platform	1
14.1	T02GB03034	GB/T5783-M8*25 Hex Head Bolt (Black)	2
14.2	T02GB03015	GB/T6183.1-M8 Flanged Face Hex Head Nylon Self-Locking Nut(Black)	2
15	TA07800010	X2 Rear Platform Bracket	1
15.1	T02GB03053	GB/T5789-M10*70 Flanged Face Hex Head Bolt (Black)	2

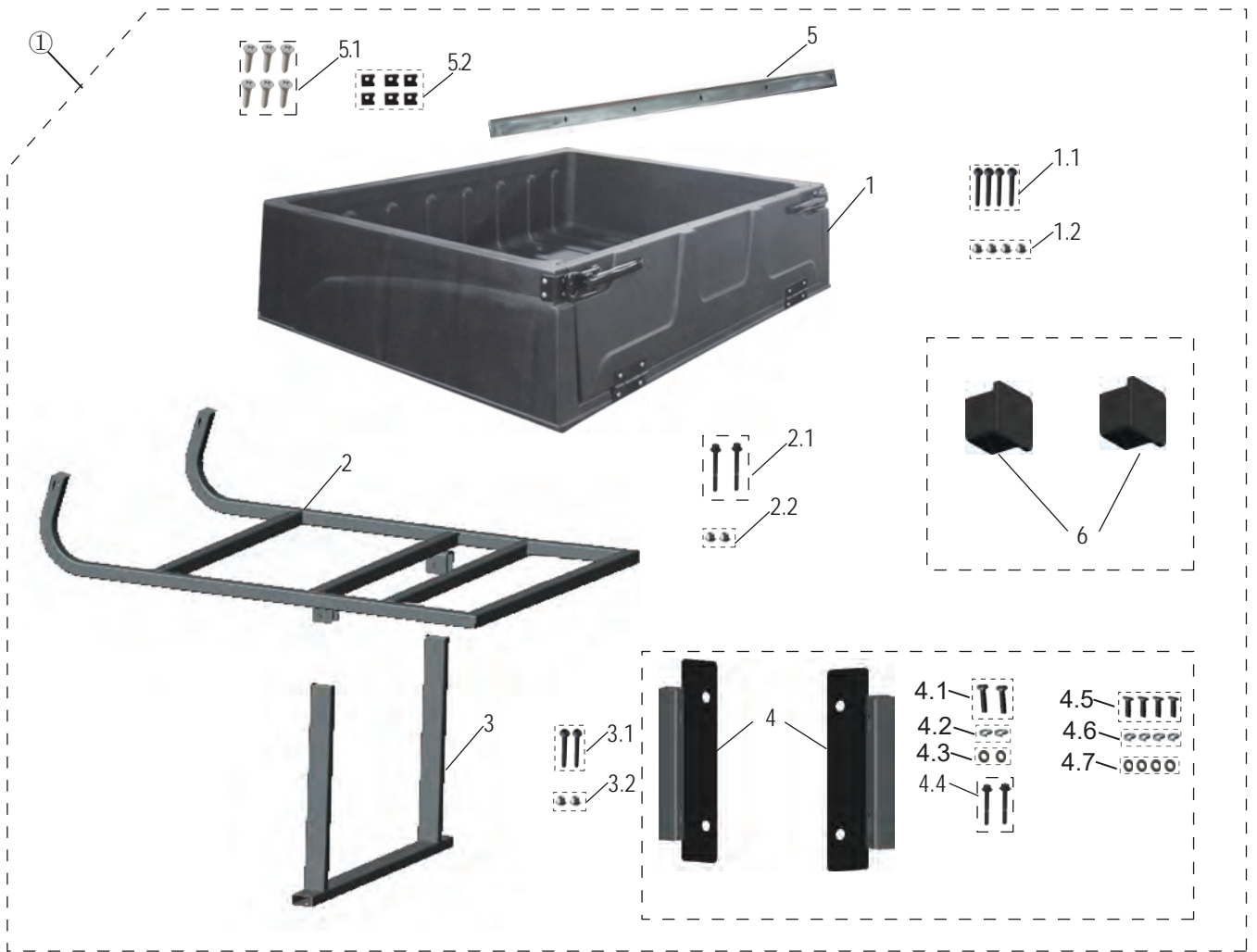
2+2 Collapsible Seat Cover Assembly

15.2	T02GB03016	GB/T6183.1-M10 Flanged Face Hex Head Nylon Self-Locking Nut (Black)	2
15.3	T02GB03047	GB/T5789-M10*30 Flanged Face Hex Head Bolt (Black)	2
15.4	T02GB03009	GB/T96.2- ϕ 10 Flat Washer (Black)	2
15.5	T02GB03003	GB/T93- ϕ 10 Spring Washer (Black)	2
16	TA07005020	X2 Collapsible Seat Cover Upper Plate	1
17	TA07005030	X2 Collapsible Seat Cover Lower Plate	1
17.1	T02GB01038	GB819.1-M8*35 Flat Head Philips Screw (Stainless Steel)	4
17.2	T02GB03015	GB/T6183.1-M8 Flanged Face Hex Head Nylon Self-Locking Nut (Black)	4
18	TA07005040	X2 Collapsible Seat Cover Hinge	1
18.1	T02GB01037	GB/T13806.2-ST 4.2*10 Flat Head Philips Screw	30
19	TB05701060	X4 Sun Top Bushing	4

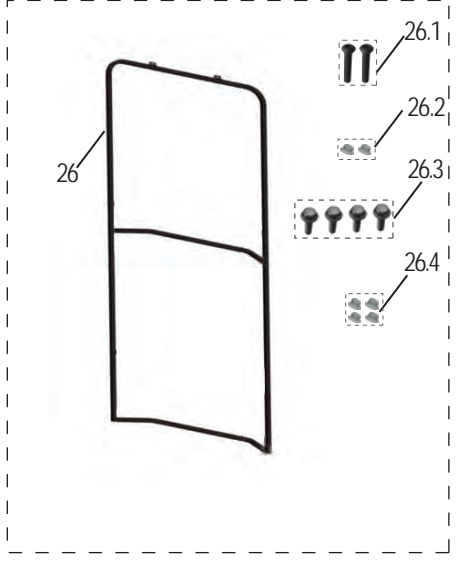
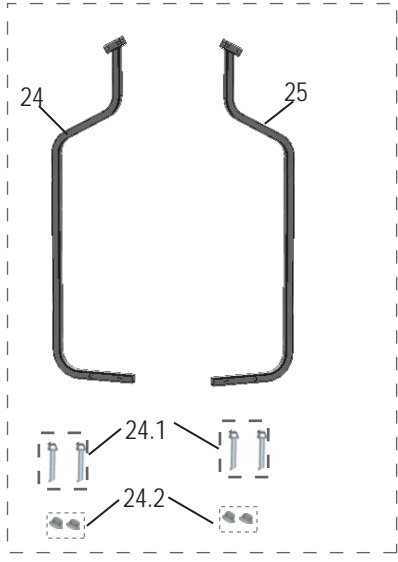
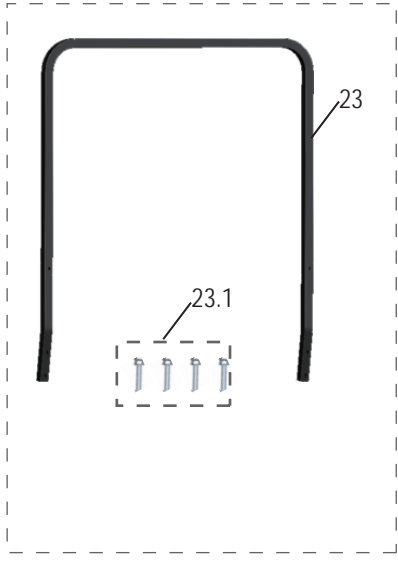
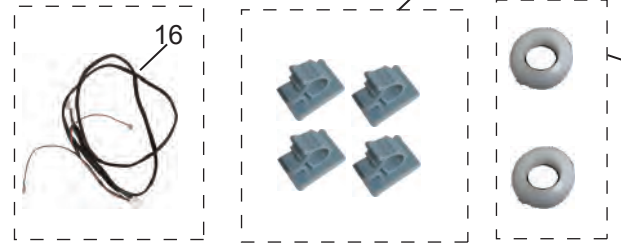
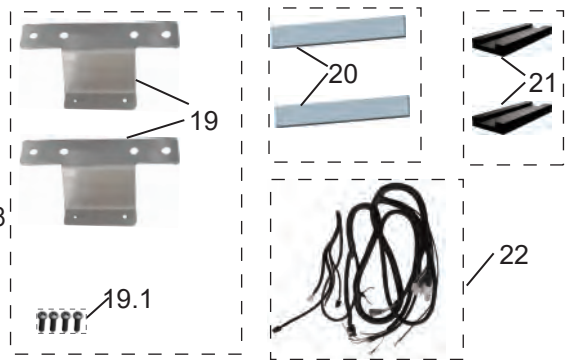
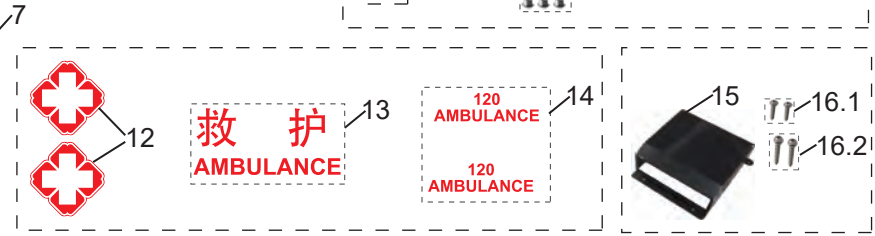
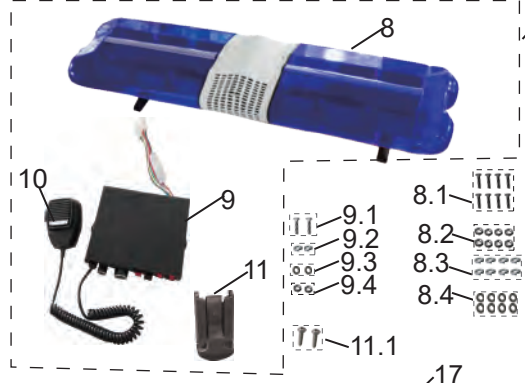
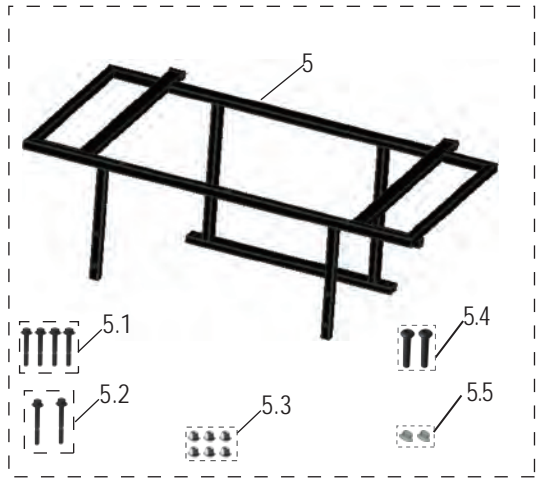
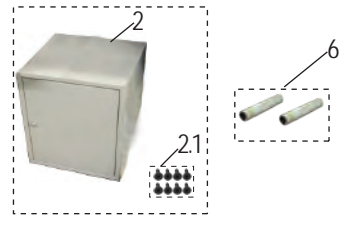
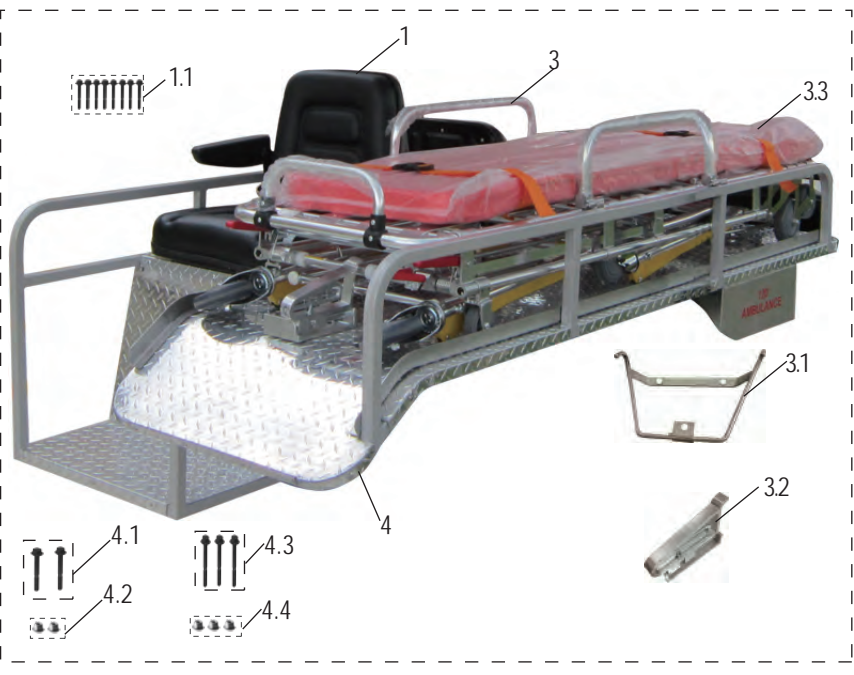
Accessories



No.	Part No.	Part Name	Qty.
1	TA08200010	Rear View Mirror	1
1.1	T02GB03019	GB/T818-M6*20 Pan Head Screw with Cross Recess (Black)	2
1.2	T02GB03004	GB/T95- ϕ 6 Flat Washer (Black)	2
1.3	T02GB03001	GB/T93- ϕ 6 BlackSpring Washer (Black)	2
2	TA08200180	Ash Tray	1
3	TA08200020	Cooler	1
4	TA08200030	Cooler Mounting Bracket	1
4.1	T02GB03059	GB/T5789-M8*25 BlackSpring WasherFlanged Face Hex Head Bolt(Black)	4
4.2	T02GB03008	GB/T96.2- ϕ 8 Big Flat Washer(Black)	4
4.3	T02GB03015	GB/T6183.1-M8 Flanged Face Hex Head Nylon Self-Locking Nut(Black)	4
5	TA08200040	Ball Washer	1
5.1	T02GB01026	GB/T5782-M5*14 Hex Head Bolt(Stainless Steel)	4
5.2	T02GB01029	GB/T93- ϕ 5 BlackSpring Washer (Stainless Steel)	4
5.3	T02GB01035	GB/T-95- ϕ 5 Flat Washer (Stainless Steel)	4
5.4	T02GB01005	GB/T6170-M5 Hex Nut (Stainless Steel)	4
6	TA08200050	Ball Washer Mounting Bracket	1
6.1	T02GB03059	GB/T5789-M8*25 BlackSpring WasherFlanged Face Hex Head Bolt(Black)	4
6.2	T02GB03008	GB/T96.2- ϕ 8 Big Flat Washer(Black)	4
6.3	T02GB03015	GB/T6183.1-M8 Flanged Face Hex Head Nylon Self-Locking Nut(Black)	4
7	TA08200060	Sand Bottle	1
7.1	T02GB03018	GB/T818-M6*12 Pan Head Screw with Cross Recess (Black)	2
8	TA08200070	Sand Bottle Mounting Bracket(with aluminum mounting bracket)	1
9	TA08200090	Rake Holder	1
9.1	T02GB01011	GB/T818-M6*40 Pan Head Screw with Cross Recess(Stainless Steel)	1
9.2	T02GB01003	GB/T-95- ϕ 6 Flat Washer (Stainless Steel)	1
9.3	T02GB01039	GB/7923-M6 Castle Nut (Stainless Steel)	1
10	TA08200100	X2 Rain Enclosure	1
11	TA08200120	Messenger Holder	1
11.1	T02GB03019	GB/T818-M6*20 Pan Head with Cross Recess Self-Tapping Screw (Black)	2
11.2	T02GB03061	QC/T330-M6 Barrel Clip	2
12	TA08200130	X2 Battery Watering System	1
13	TA08200140	Hand Pump Kit	1
14	TA08201010	Left Rear View Mirror	1
14.1	T02GB03019	GB/T818-M6*20 Pan Head Screw with Cross Recess (Black)	4
14.2	T02GB03014	GB/T6183.1-M6 Flanged Face Hex Head Nylon Self-Locking Nut(Black)	4
15	TA08202010	Right Rear View Mirror	1
16	TA08201020	Left Rear View Mirror Bracket	1
16.1	T02GB03019	GB/T818-M6*20 Pan Head Screw with Cross Recess (Black)	4
16.2	T02GB03004	GB/T95- ϕ 6 Flat Washer (Black)	4
16.3	T02GB03001	GB/T93- ϕ 6 BlackSpring Washer (Black)	4
17	TA08202020	Right Rear View Mirror Bracket	1
18	ALR01A820030	X2 Ball bag	1
18.1	T02GB03031	GB/T2672-M10*60 Hexalobular Socket Pan Head Screw (Black)	4
19	TA08200080	Sand Rake	1



No.	Part No.	Part Name	Qty.
①	ALR01A850010	X2 Plastic Cargo Box Assembly	1
1	TA08501010	X2 Plastic Cargo Box	1
1.1	T02GB03031	GB/T2672-M10*60 Hexalobular Socket Pan Head Screw (Black)	4
1.2	T02GB03016	GB/T6183.1-M10 Flanged Face Hex Head Nylon Self-Locking Nut (Black)	4
2	TA08501020	X2 Mounting Frame For Plastic Cargo Box	1
2.1	T02GB03049	GB/T5789-M10*50 Flanged Face Hex Head Bolt (Black)	2
2.2	T02GB03016	GB/T6183.1-M10 Flanged Face Hex Head Nylon Self-Locking Nut (Black)	2
3	TA08501030	X2 Supporting Bar	1
3.1	T02GB03031	GB/T2672-M10*60 Hexalobular Socket Pan Head Screw (Black)	2
3.2	T02GB03016	GB/T6183.1-M10 Flanged Face Hex Head Nylon Self-Locking Nut (Black)	2
4	TB069B0100	X4 Seatback Support	2
4.1	T02GB03029	GB/T70.1-M8*40 Hexagon socket head cap screw (Black)	2
4.2	T02GB03002	GB/T93-φ8 Spring Washer (Black)	2
4.3	T02GB03007	GB/T95-φ8 Plain Washer (Black)	2
4.4	T02GB03053	GB/T5789-M10*70 Flanged Face Hex Head Bolt (Black)	2
4.5	T02GB03034	GB/T5783-M8*25 Hex Head Bolt (Black)	4
4.6	T02GB03002	GB/T93-φ8 Spring Washer (Black)	4
4.7	T02GB03007	GB/T95-φ8 Plain Washer (Black)	4
5	TA08501040	X2 Reinforcement Plate of Rear Door of Plastic Cargo Box	1
5.1	T02GB01022	GB/T-846-ST4.8*19 Cross Recessed Countersunk Head Self Tapping Screw ((Stainless Steel))	6
5.2	T02GB03061	QC/T330-M6 Barrel Clip	6
6	TB05701060	X4 Sun Top Bushing	2



No.	Part No.	Part Name	Qty.
1	TA1A870010	Driver Seat	2
1.1	T02GB03076	GB/T5789-M8*40 Flanged Face Hex Head Bolt (Black)	8
2	TA1A870020	Medicine Box (Ivory)	1
	TA1A870030	Medicine Box (White)	1
2.1	TA05400050	Flat Head Hex Socket Self-Tapping Screw08030	4
3	ALR01A870040	Mobile Folding Stretcher (containing3.1-3.3)	1
3.1	TA08704010	Front Mounting For Stretcher	1
3.2	TA08704020	Rear Mounting For Stretcher	1
3.3	TA08704030	Stretcher Cushion	1
4	ALR01A870050	Stretcher Aluminum Bracket Assembly	1
4.1	T02GB03052	GB/T5789-M10*65 Flanged Face Hex Head Bolt (Black)	2
4.2	T02GB03016	GB/T6183.1-M10 Flanged Face Hex Head Nylon Self-Locking Nut(Black)	2
4.3	T02GB03044	GB/T5789-M8*70 Flanged Face Hex Head Bolt (Black)	3
4.4	T02GB03015	GB/T6183.1-M8 Flanged Face Hex Head Nylon Self-Locking Nut(Black)	3
5	ALR01A870060	Stretcher Iron Chassis Assembly	1
5.1	T02GB03038	GB/T5783-M8*50 Hex Head Bolt (Black)	4
5.2	T02GB03044	GB/T5789-M8*70 Flanged Face Hex Head Bolt (Black)	2
5.3	T02GB03015	GB/T6183.1-M8 Flanged Face Hex Head Nylon Self-Locking Nut(Black)	6
5.4	T02GB03031	GB/T2672-M10*60 Hexalobular Socket Pan Head Screw (Black)	2
5.5	T02GB03016	GB/T6183.1-M10 Flanged Face Hex Head Nylon Self-Locking Nut(Black)	2
6	TB08502010	Container Turn Over Inner Sleeve(Color Zinc)	2
7	ALR01A870070	Ambulance Alarm Lamp Assembly(Pure blue, with megaphone)	1
8	TA08707010	Alarm Lamp(Pure blue)	1
8.1	T02GB03040	GB/T5783-M10*40 Hex Head Bolt (Black)	8
8.2	T02GB03013	GB/T6170-M10 Hex Nut (Black)	8
8.3	T02GB03003	GB/T93-φ10 Spring Washer (Black)	8
8.4	T02GB03005	GB/T95-φ10 Flat Washer (Black)	8
9	TB08701020	Regulator	1
9.1	T02GB01026	GB/T5782-M5*14 Hex Head Bolt(Stainless Steel)	4
9.2	T02GB01029	GB/T93-φ5 Spring Washer (Stainless Steel)	4
9.3	T02GB01035	GB/T-95-φ5 Flat Washer (Stainless Steel)	4
9.4	T02GB01005	GB/T6170-M5 Hex Nut (Stainless Steel)	2
10	TB08701030	Megaphone	1
11	TB08701170	Megaphone Hook	1
11.1	T02GB01020	GB/T-845-ST4.2*20 Cross Recess Self-Tapping Screw (Stainless Steel)	2
12	TB08701070	Police Car Rear Storage Box Label(Cross)	2
13	TA08700010	AMBULANCE (Label)	1
14	TA08700020	120 AMBULANCE (Label)	2
15	TB08701040	Regulator Fixed Box	1
15.1	T02GB01018	GB/T-845-ST4.8*9.5 Cross Recess Self-Tapping Screw (Stainless Steel)	2
15.2	T02GB01019	GB/T-845-ST4.8*16 Cross Recess Self-Tapping Screw (Stainless Steel)	2
16	TB08701050	Alarm Lamp Jump Harness	1
17	TB08701060	Alarm Lamp Jump Harness Line Card	4
18	TB08701090	Cross-hole Rubber Sleeve	2
19	TB08701100	Alarm Lamp Mounting Plate	2
19.1	T02GB03019	GB/T818-M6*20 Cross Recessed Pan Head Tapping Screw (Black)	4
20	TB08701160	Alarm Lamp Mounting Plate Buffer Rubber	2
21	TA08700030	Container Damping Rubber(1000mm)	2
22	TB05300060	Police CarFront Strut	1
22.1	T02GB03049	GB/T5789-M10*50 Flanged Face Hex Head Bolt (Black)	4
23	TA08700040	Rear Strut (L)	1
23.1	T02GB03053	GB/T5789-M10*70 Flanged Face Hex Head Bolt (Black)	4
23.2	T02GB03016	GB/T6183.1-M10 Flanged Face Hex Head Nylon Self-Locking Nut(Black)	4

24	TA08700050	Rear Strut (R)	1
25	TB08700180	Sun Top Bracket	1
25.1	T02GB03031	GB/T2672-M10*60 Hexalobular Socket Pan Head Screw (Black)	2
25.2	T02GB03016	GB/T6183.1-M10 Flanged Face Hex Head Nylon Self-Locking Nut (Black)	2
25.3	T02GB03070	GB/T5789-M8*55 Flanged Face Hex Head Bolt (Black)	6
25.4	T02GB03044	GB/T5789-M8*70 Flanged Face Hex Head Bolt (Black)	1
25.5	T02GB03015	GB/T6183.1-M8 Flanged Face Hex Head Nylon Self-Locking Nut (Black)	7
26	TB05701010	X4 Sun Top (2.4m)	1
27	TB05701030	Sun Top Bushing (5.5mm)	8
28	TB05701040	Sun Top Bushing (11mm)	6
29	TB05701050	Sun Top Bushing (22mm)	2
30	TB05701060	X4 Sun Top Bushing	2
31	TA05201040	X2 Sun Top Handle	4

NIVEL PARTS & MANUFACTURING
3510 PORT JACKSONVILLE PKWY
JACKSONVILLE, FL 32226

Technical Assistance & Warranty

Phone: +1-800-959-0852