



A Textron Company

RXV GASOLINE SERVICE PARTS MANUAL



611106

ISSUED FEB 2009

REVISED MAY 2015

SERVICE PARTS MANUAL

GASOLINE POWERED GOLF CARS & PERSONAL VEHICLES

RXV GOLF CAR

RXV FREEDOM™

RXV SHUTTLE 2 + 2

STARTING MID-MODEL YEAR 2009

(MANUFACTURED BEGINNING MARCH 16, 2009)

E-Z-GO Division of TEXTRON Inc. reserves the right to incorporate engineering and design changes to products in this Manual, without obligation to include these changes on units leased/sold previously.

The information contained in this Manual may be revised periodically by the E-Z-GO Division, and therefore is subject to change without notice.

The E-Z-GO Division **DISCLAIMS LIABILITY FOR ERRORS IN THIS MANUAL**, and the E-Z-GO Division **SPECIFICALLY DISCLAIMS LIABILITY FOR INCIDENTAL AND CONSEQUENTIAL DAMAGES** resulting from the use of the information and materials in this Manual.

TO CONTACT US

NORTH AMERICA:

TECHNICAL ASSISTANCE & WARRANTY PHONE: 1-800-774-3946, FAX: 1-800-448-8124

SERVICE PARTS PHONE: 1-888-GET-EZGO (1-888-438-3946), FAX: 1-800-752-6175

INTERNATIONAL: PHONE: 001-706-798-4311, FAX: 001-706-771-4609

E-Z-GO DIVISION OF TEXTRON INC., 1451 MARVIN GRIFFIN ROAD, AUGUSTA, GEORGIA USA 30906-3852

GENERAL INFORMATION

This vehicle has been designed and manufactured in the United States of America (USA) as a 'World Vehicle'. The Standards and Specifications listed in the following text originate in the USA unless otherwise indicated.

The use of non Original Equipment Manufacturer (OEM) approved parts may void the warranty.

Tampering with or adjusting the governor to permit vehicle to operate at above factory specifications will void the vehicle warranty.

When servicing engines, all adjustments and replacement components must be per original vehicle specifications in order to maintain the United States of America Federal and State emission certification applicable at the time of manufacture.

BATTERY PROLONGED STORAGE

All batteries will self discharge over time. The rate of self discharge varies depending on the ambient temperature and the age and condition of the batteries.

A fully charged battery will not freeze in winter temperatures unless the temperature falls below -75° F (-60° C).

TABLE OF CONTENTS

SECTION	Page No.
HOW TO USE THE SERVICE PARTS MANUAL	vii
ACCELERATOR PEDAL ASSEMBLY	A-1
• Pedal Cover	
• Accelerator Pedal	
• Accelerator Pedal Switch	
AIR FILTER	B-1
• Air Cleaner Element	
• Air Filter Housing	
• Air Cleaner Hose	
BODY - FRONT	C-1
• Front Bumper	
• Front Splash Shield	
• Cowl	
• Nameplate	
• Instrument Panel	
• Instrument Panel Trim	
• Cup Holder	
BODY - MID SECTION	C-5
• Pedal Cover	
• Floorboard	
• Floormat	
• Rocker Panels	
BODY - REAR	C-7
• Rear Body	
• Rear Splash Shields	
• Seat Support	
• Bagwell Liner	
• Access Panel	
BODY - ACCESSORIES	C-11
• Sand Bottle	
• Cooler Jug	
• Scuff Guard	
• Soft Swipe	
BODY - ACCESSORIES	C-13
• Divot Repair Kit	
• Club & Ball Washer	
• Four Bag Attachment	
BRAKES	D-1
• Brake Pedal Pad	
• Brake Pedal	
• Brake Cable	
• Brake Drum Assembly	
CARBURETOR AND CHOKE	E-1
• Carburetor	
• Main Jet	
• Choke Cable	
CLUTCH	F-1
• Drive Clutch	

TABLE OF CONTENTS

SECTION	Page No.
• Driven Clutch	
DIRECTION SELECTOR	G-1
• Push/Pull Shifter Cable	
• Compression Spring	
• Neutral Lock Bracket	
ELECTRICAL SYSTEM	H-1
• Main Harness	
• Battery	
• Hour Meter	
• Ground Cable	
• Turn Signal	
• Headlight	
• Key Switch	
• Tail Lights	
ENGINE AND MUFFLER	J-1
• Engine	
• Muffler	
• Oil Dip Stick	
• Oil Filter	
ENGINE MOUNTING	K-5
• Engine Pan Mount	
• Front Engine Mount	
FRONT SUSPENSION AND STEERING	L-1
• Strut	
• Spindle	
• A-Arm	
• Steering Box	
• Steering Column	
• Steering Wheel	
FUEL SYSTEM	M-1
• Fuel Tank	
• Pulse Line	
REAR AXLE	N-1
• Axle Shaft	
• Axle Tube	
• Oil Check Plug	
REAR SUSPENSION	P-1
• Shocks	
• Leaf Spring	
• Shackles	
SEATING - GOLF CAR	Q-1
• Seat Bottom	
• Seat Back	
• Hip Restraints	
• Seat Back Support	
SEATING - SHUTTLE 2+2	Q-4
• Seat Bottom, Rear Facing Seat	
• Seat Back, Rear Facing Seat	

TABLE OF CONTENTS

SECTION	Page No.
• Floorboard, Rear Facing Seat • Arm Rest, Rear Facing Seat • Seat Belt	
STARTER / GENERATOR	R-1
• Starter • Starter Belt • Starter Tensioner	
TOW BAR	S-1
WEATHER PROTECTION - GOLF CAR	T-1
• Sun Top	
WEATHER PROTECTION - SHUTTLE 2+2	T-3
• Sun Top	
WEATHER PROTECTION - WINDHIELD	T-5
WHEELS AND TIRES	U-1
• Tire & Wheel Assembly • Lug Nuts • Dust Cap	
FRAMES	V-1
• Frames • Seat Frames	

HOW TO USE THE SERVICE PARTS MANUAL

This manual is divided into several sections:

GENERAL INFORMATION

- TABLE OF CONTENTS
- HOW TO USE THE SERVICE PARTS MANUAL

ILLUSTRATED PARTS BREAKDOWN

- Contains illustrations and parts lists for all systems of the vehicle.

USE OF THE MANUAL

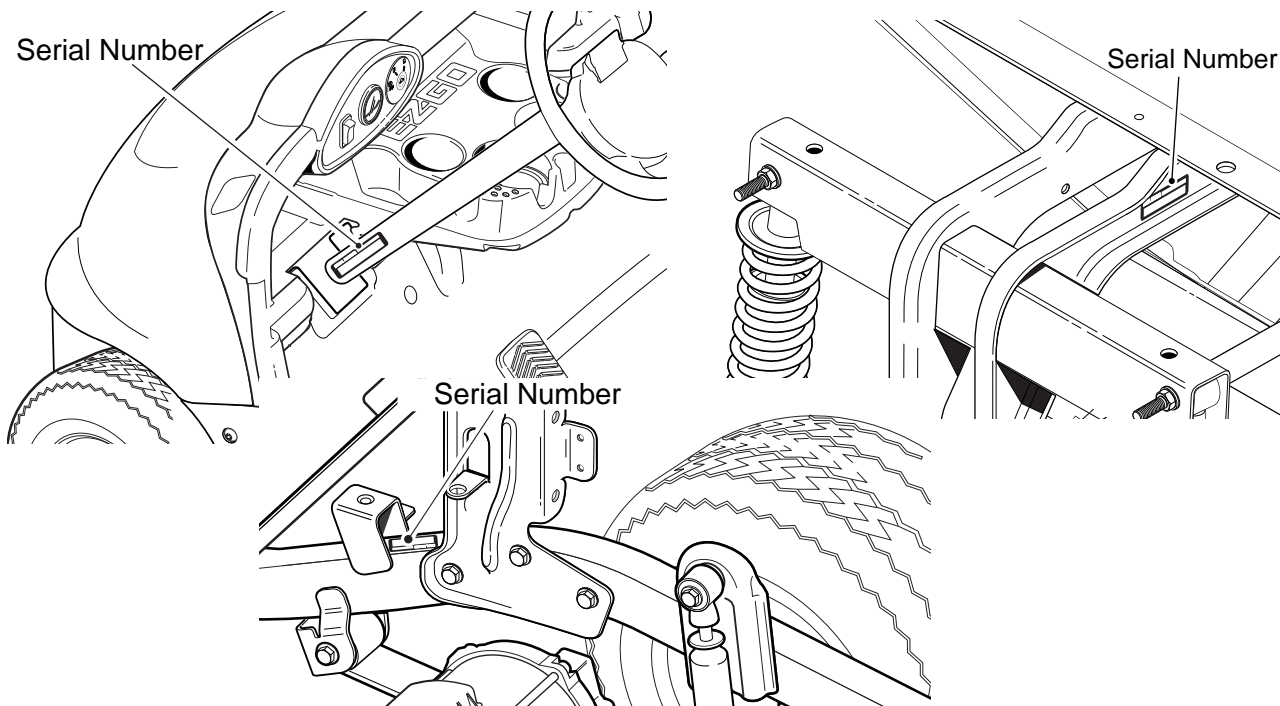
To use this manual, consult the TABLE OF CONTENTS (page iii) to locate the information or illustration required.

Introduction of some revisions varies due to supply of components; therefore, it is possible that various combinations of components may be found that are not directly reflected by each illustration. Consult the illustration that best suits your situation. Locate the serial number. It is important that the serial number of your vehicle and its model number be supplied to Service Parts when ordering any replacement components.

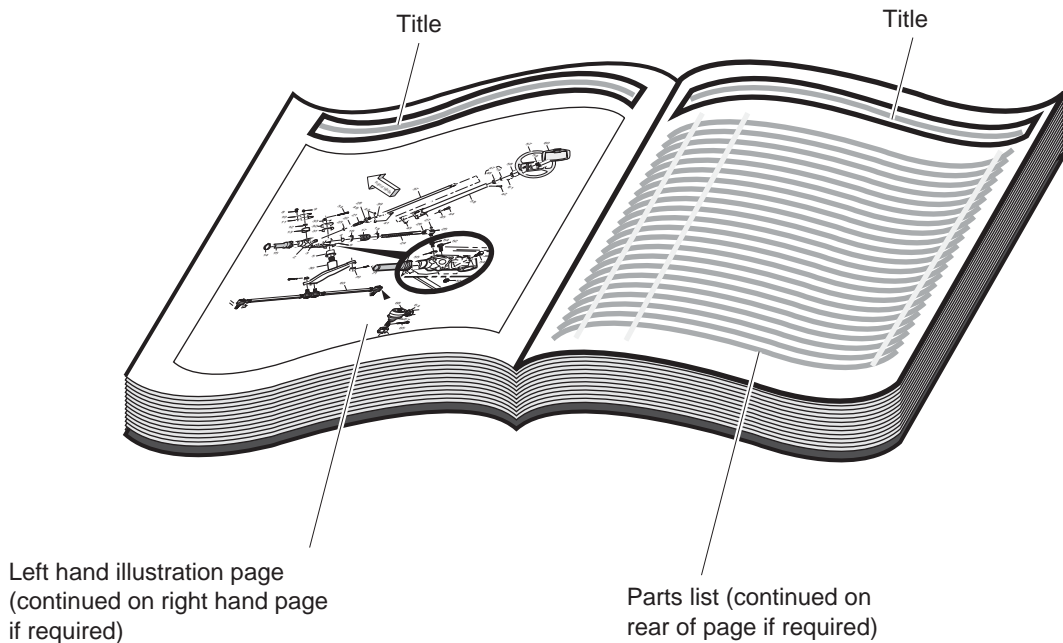
SERIAL NUMBER LOCATION

Three serial number and manufacture date code labels are on the vehicle. One is placed on the steering column, the second is located on the frame member under the front splash shield on the driver side and the third is located on the passenger side frame rail at the rear of the vehicle.

In order to obtain correct components for the vehicle, the manufacture date code, serial number and vehicle model must be provided when ordering service parts.



HOW TO USE THE SERVICE PARTS MANUAL



1. WHEN THE PART NUMBER IS NOT KNOWN

- Determine the function and application of the part required. Turn to the TABLE OF CONTENTS and select the most appropriate component description.
- Turn to the page number indicated and locate the part description in the parts list. Read the full accompanying description for specific information regarding the part that was not shown in the index.
- From the parts list, obtain the item number assigned to it and confirm that the part selected is correct by verifying it with the pictorial representation on the illustrated page.

Should an asterisk (*) appear in the part number column on the parts list page, read upwards until a part number is found. The part number is the lowest assembly sold by Service Parts. The asterisk (*) indicates that the part depicted is not available for purchase.

NOTE: Descriptions are indented under the assembly that they are used on. That assembly is, in turn listed under the assembly that it is used on. This process is repeated until the highest final assembly is reached.

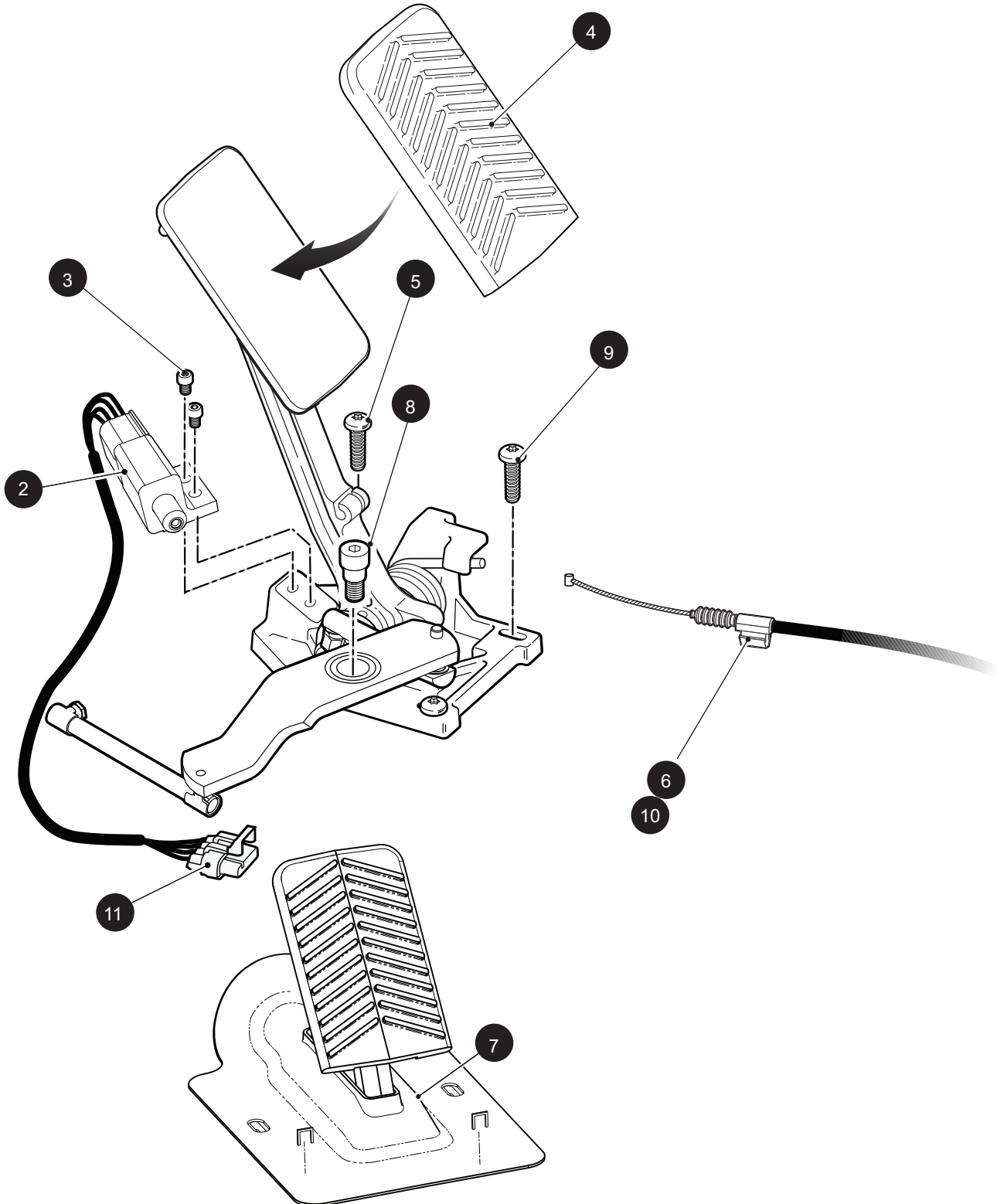
To facilitate the maintenance and repair of the vehicle, a Technician's Repair and Service Manual is available from the Service Parts Department.

ILLUSTRATED PARTS BREAKDOWN

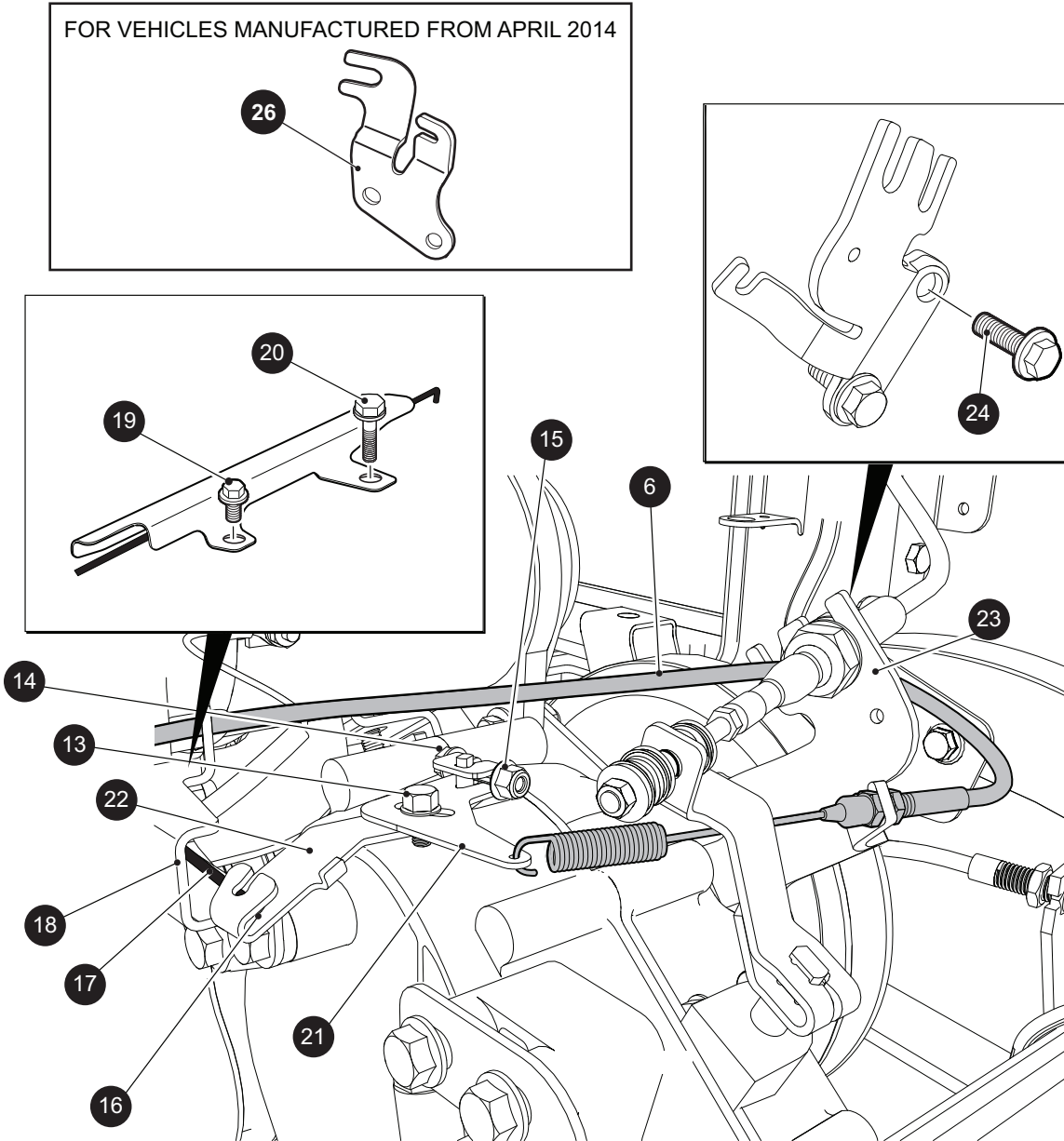
ILLUSTRATED PARTS BREAKDOWN

ACCELERATOR

1 Accelerator Pedal Assembly includes items 2 - 4



FOR VEHICLES MANUFACTURED FROM APRIL 2014



Differential

ACCELERATOR

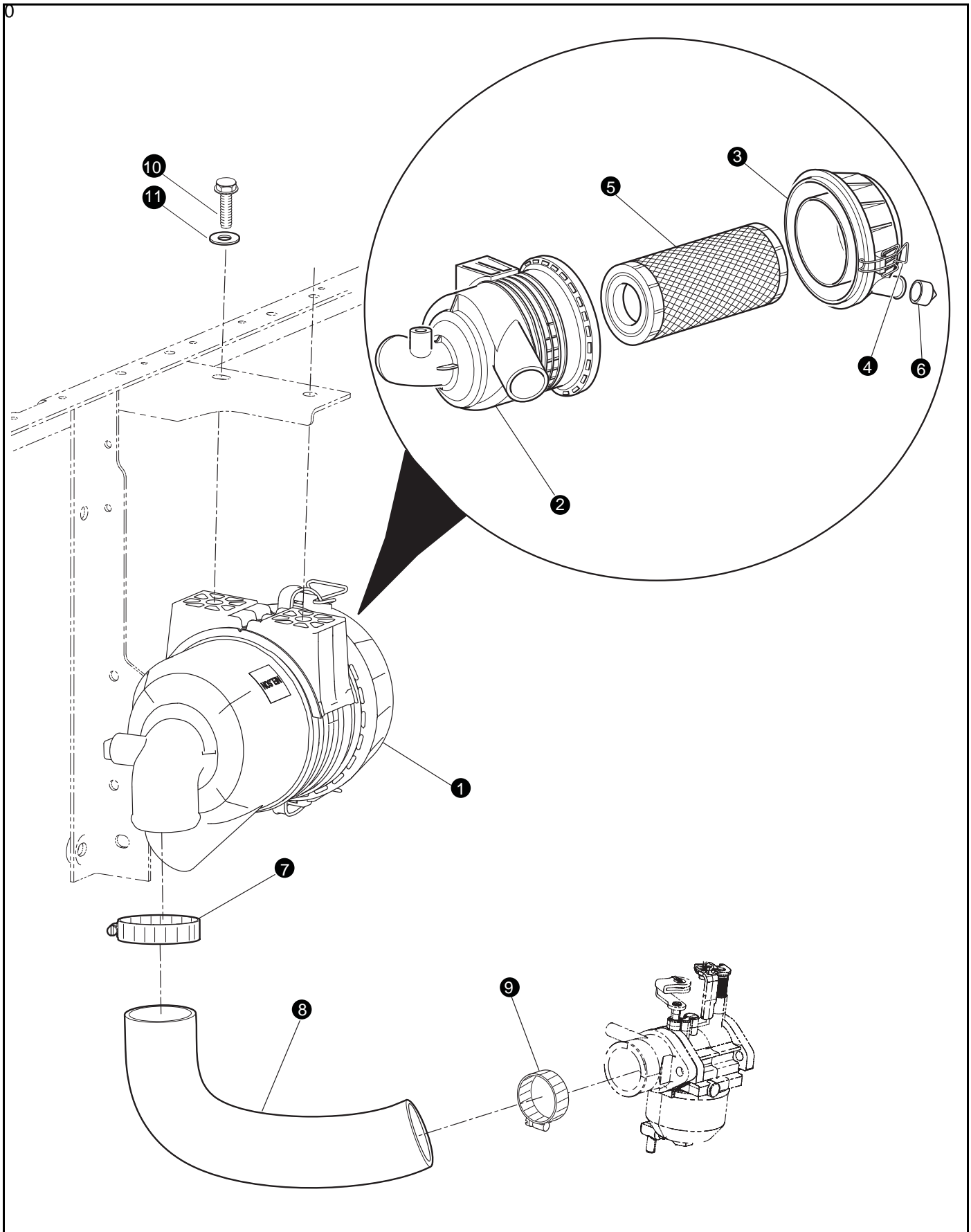
When ordering parts, please specify the model and serial number of the product.

* Indicates a component that is not available as an individual part.

*** Indicates consult Customer Service Department for additional information.

ITEM	PART NO.	1 2 3 4 5	DESCRIPTION	QTY.
1	626158		ACCELERATOR PEDAL ASSEMBLY (INCLUDES ITEMS 2 - 4)	1
2	612889		ACCELERATOR PEDAL MOLEX SWITCH	1
3	620030		SOCKET HEAD SCREW, M5 X 0.8.....	2
4	610529		ACCELERATOR PEDAL COVER	1
5	608290		BOLT	2
6	609850		ACCELERATOR CABLE, 23.8 LBS - IN.....	1
7	614393		ACCELERATOR PEDAL BOOT	1
8	604536		BOLT, M8 - 1.25 X 20	2
9	606277		BOSS BOLT, M6	3
10	609849		ACCELERATOR CABLE, 16 LBS - IN.....	1
11	615747		JUMPER HARNESS, ACCELERATOR PEDAL SWITCH.....	1
12				
13	606265		BOLT, M6 - 1 X 12	1
14	606421		BOLT, M6 - 1 X 30	1
15	450452		NUT, M6 - 1.0	1
16	606283		GOVERNOR LEVER BUSHING	1
17	606284		GOVERNOR ROD.....	1
18	603890		GOVERNOR ROD GUARD.....	1
19	606264		BOLT, M6 - 1 X 20	1
20	606262		BOLT, M8 - 1.25 X 16	1
21	606083		UPPER GOVERNOR BRACKET	1
22	606005		LOWER GOVERNOR BRACKET	1
23	606074		GOVERNOR CABLE/DIRECTION SELECTOR BRACKET.....	1
24	606256		BOLT, M10 - 1.25 X 16	2
25				
26	632936		GOVERNOR CABLE / DIRECTION SELECTOR BRACKET (FOR VEHICLES MANUFACTURED FROM APRIL 2014)	1

AIR FILTER CARB



AIR FILTER CARB

When ordering parts, please specify the model and serial number of the product.

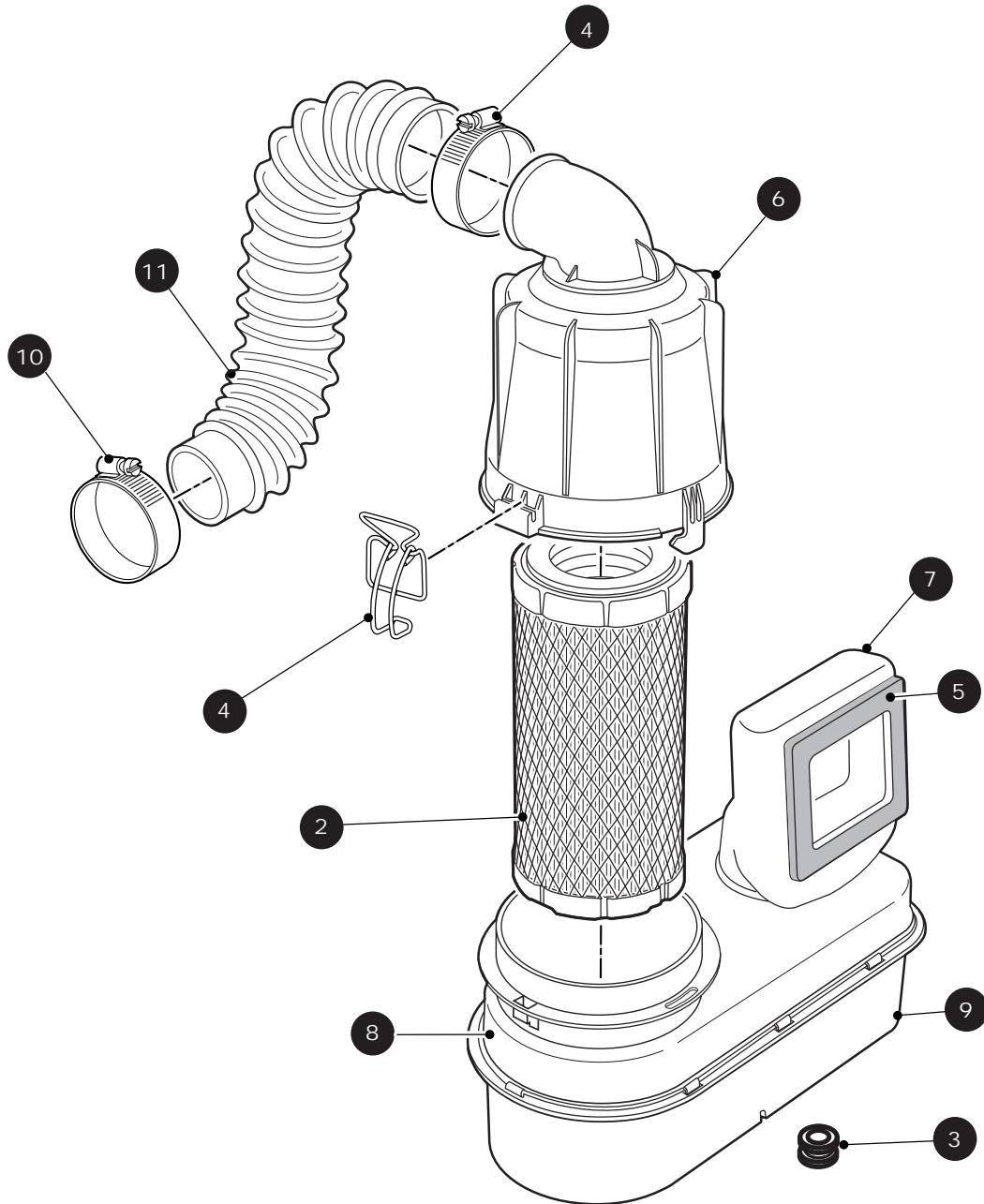
* Indicates a component that is not available as an individual part.

*** Indicates consult Customer Service Department for additional information.

ITEM	PART NO.	1 2 3 4 5	DESCRIPTION	QTY.
1	606952		AIR CLEANER (INCLUDES ITEMS 2 - 6)	1
2	607269		BODY & BRACKET ASSEMBLY	1
3	72599G01		AIR CLEANER COVER	1
4	72604G01		AIR CLEANER CLIP	2
5	28463G01		AIR FILTER	1
6	28462G01		VALVE DUST EJECTOR	1
7	11391G7		HOSE CLAMP	1
8	601910		HOSE	1
9	11391G7		HOSE CLAMP	1
10	606261		BOLT M8 X 1.25 X 20	2
11	606272		WASHER	2

AIR FILTER

1 - Includes items 2 - 9



When ordering parts, please specify the model and serial number of the product.

* Indicates a component that is not available as an individual part.

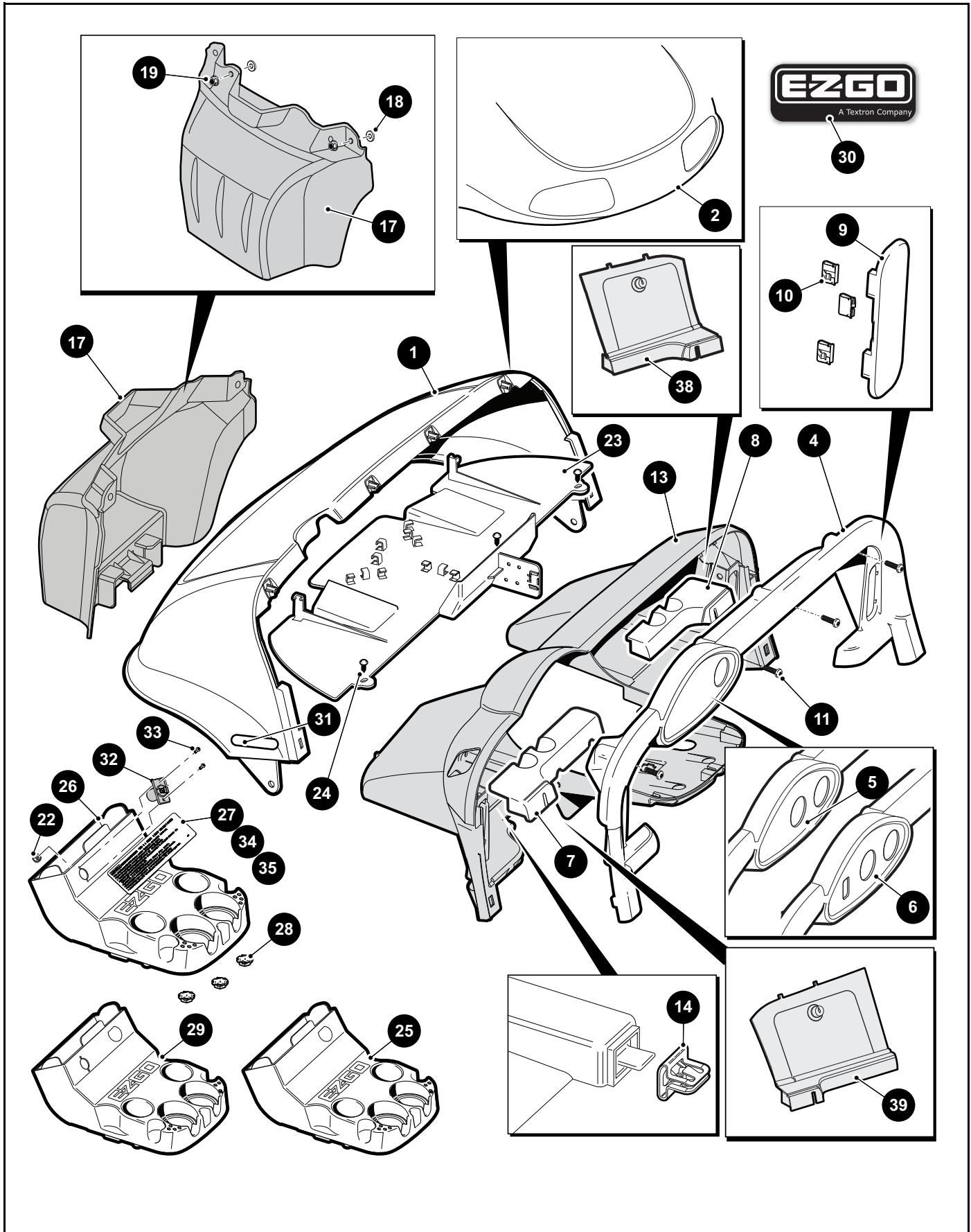
*** Indicates consult Customer Service Department for additional information.

ITEM	PART NO.	1 2 3 4 5	DESCRIPTION	QTY.
1	601729		AIR CLEANER ASSEMBLY	1
2	28463G01		AIR CLEANER ELEMENT.....	1
3	603752		AIR CLEANER BASE GROMMET	3
4	603750		AIR FILTER LATCH.....	1
5	603749		INTAKE TUBE GASKET.....	1
6	601728		AIR FILTER HOUSING.....	1
7	601727		AIR FILTER INTAKE TUBE	1
8	601726		AIR FILTER COVER.....	1
9	601725		AIR FILTER BASE	1
10	11391G7		HOSE CLAMP.....	2
11	601910		AIR CLEANER HOSE	1

Notes:

A large grid of graph paper with 20 columns and 40 rows, intended for taking notes. The grid consists of thin black lines forming a series of small squares.

BODY



When ordering parts, please specify the model and serial number of the product.

* Indicates a component that is not available as an individual part.

*** Indicates consult Customer Service Department for additional information.

ITEM	PART NO.	1 2 3 4 5	DESCRIPTION	QTY.
1	6XXXXX***		FRONT COWL, WITHOUT HEADLIGHT OPENING (see colors below)..... 606953 IVORY 606954 FOREST GREEN 606955 PATRIOT BLUE 606956 BLACK 606957 BURGANDY 606958 BRIGHT WHITE 606959 FLAME RED 606960 STEEL BLUE 608476 PLATINUM 608477 ALMOND 608493 ELECTRIC BLUE 608494 INFERNO RED 617580 SUNBURST ORANGE 617578 BRITISH RACING GREEN 630161 BARLEY GOLD 630163 OASIS GREEN 630165 JAVA BROWN 630167 METALLIC CHARCOAL	1
2	6XXXXX***		FRONT COWL, WITH HEADLIGHT OPENING (see colors below) 620227 IVORY 620228 FOREST GREEN 620229 PATRIOT BLUE 620230 BLACK 620231 BURGANDY 620232 BRIGHT WHITE 620233 FLAME RED 620234 STEEL BLUE 608478 PLATINUM 608479 ALMOND 608516 ELECTRIC BLUE 608517 INFERNO RED 617581 SUNBURST ORANGE 617579 BRITISH RACING GREEN 630169 BARLEY GOLD 630171 OASIS GREEN 630173 JAVA BROWN 630175 METALLIC CHARCOAL	1

BODY

When ordering parts, please specify the model and serial number of the product.

* Indicates a component that is not available as an individual part.

*** Indicates consult Customer Service Department for additional information.

ITEM	PART NO.	1 2 3 4 5	DESCRIPTION	QTY.
3				
4	600242		INSTRUMENT PANEL TRIM, OPENING FOR KEY SWITCH ONLY.....	1
5	608808		INSTRUMENT PANEL TRIM, OPENING FOR KEY SWITCH & SOC.....	1
6	608864		INSTRUMENT PANEL TRIM, OPENING FOR KEY SW, SOC & LIGHT SW .	1
7	600243		BALL HOLDER INSERT, DRIVER SIDE	1
8	600241		BALL HOLDER INSERT, PASSENGER SIDE.....	1
9	602388		ACCESS COVER ASSEMBLY (includes item 10)	1
10	602100		U-CLIP	3
11	606277		BOSS SCREW, M6	4
12				
13	602387		INSTRUMENT PANEL (includes item 14)	1
14	602184		SPRING CLIP	4
15				
16				
17	605935		FRONT BUMPER.....	1
18	604066		FLAT WASHER, M10	2
19	600525		FLANGED HEX NUT WITH PLASTIC INSERT, M10-1.5.....	1
20				
21				
22	602053		LOCK NUT, M4 - 0.7.....	2
23	601634		FRONT SPLASH GUARD	1
24	16816G2		CHRISTMAS TREE RIVET (.25" x .88")	3
25	635612		CUPHOLDER ASSEMBLY WITH USB CUTOUT (includes item 27)	1
26	602101		CUPHOLDER ASSEMBLY (includes item 27)	1
27	608522		WARNING AND INSTRUCTION DECAL.....	1
28	71597G01		SELF THREADING NUT	3
29	639633		CUPHOLDER ASSEMBLY WITH 12V OUTLET & USB CUTOUT (includes item 27)	1
30	606405		E - Z - GO NAMEPLATE	1
31	608991		YELLOW REFLECTOR, FRONT	2
32	71078G01		12V OUTLET	1
33	600543		BUTTON HEAD TORX BOLT, M4 - 0.75 X 12.....	2

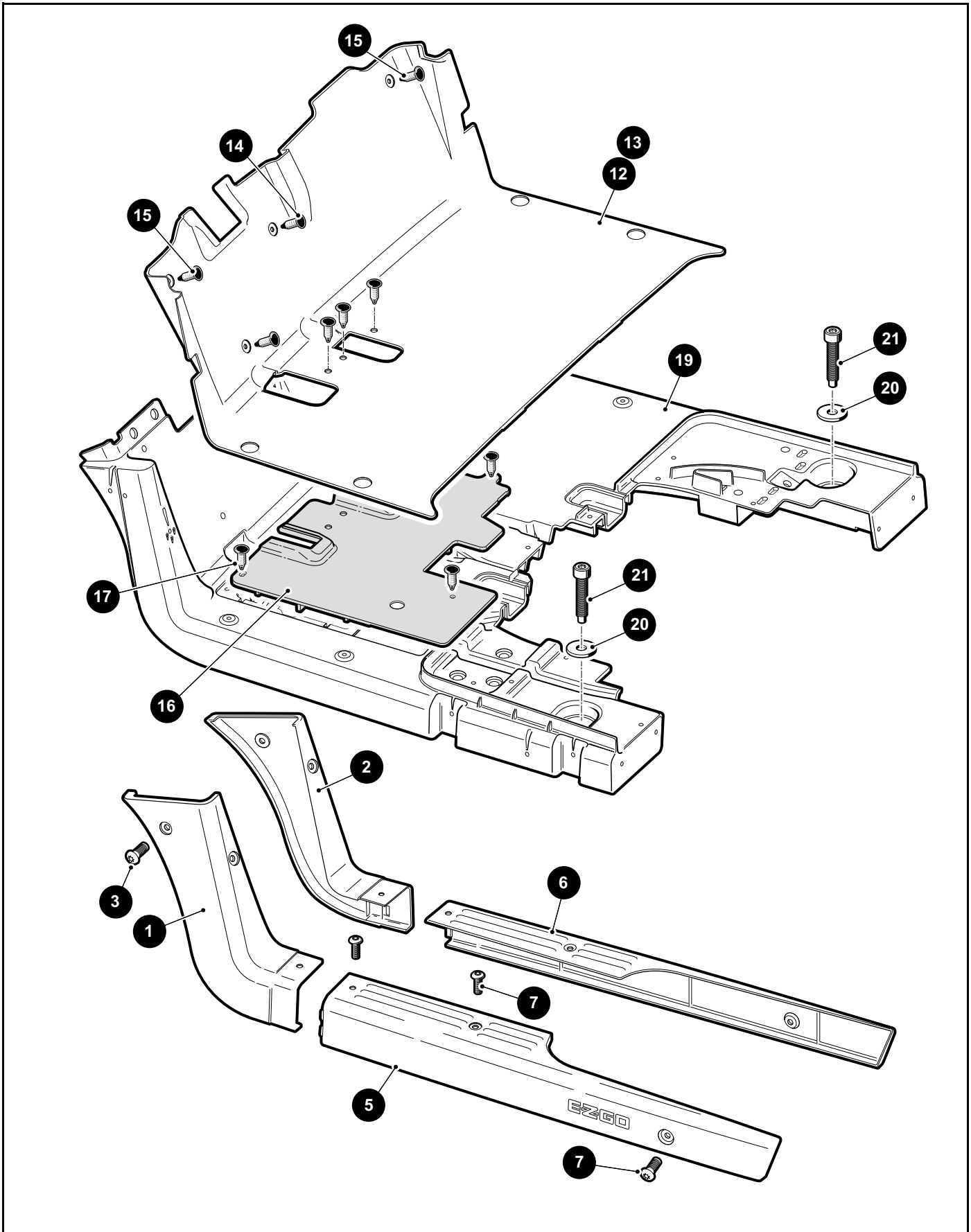
When ordering parts, please specify the model and serial number of the product.

* Indicates a component that is not available as an individual part.

*** Indicates consult Customer Service Department for additional information.

ITEM	PART NO.	1 2 3 4 5	DESCRIPTION	QTY.
34	608528		WARNING AND INSTRUCTION DECAL (Freedom vehicles)	1
35	608701		WARNING AND INSTRUCTION DECAL, PICTOGRAMS (CE vehicles)	1
36				
37				
38	607131		GLOVE BOX (PASSENGER SIDE)	1
39	607533		GLOVE BOX (DRIVER SIDE).....	1

BODY



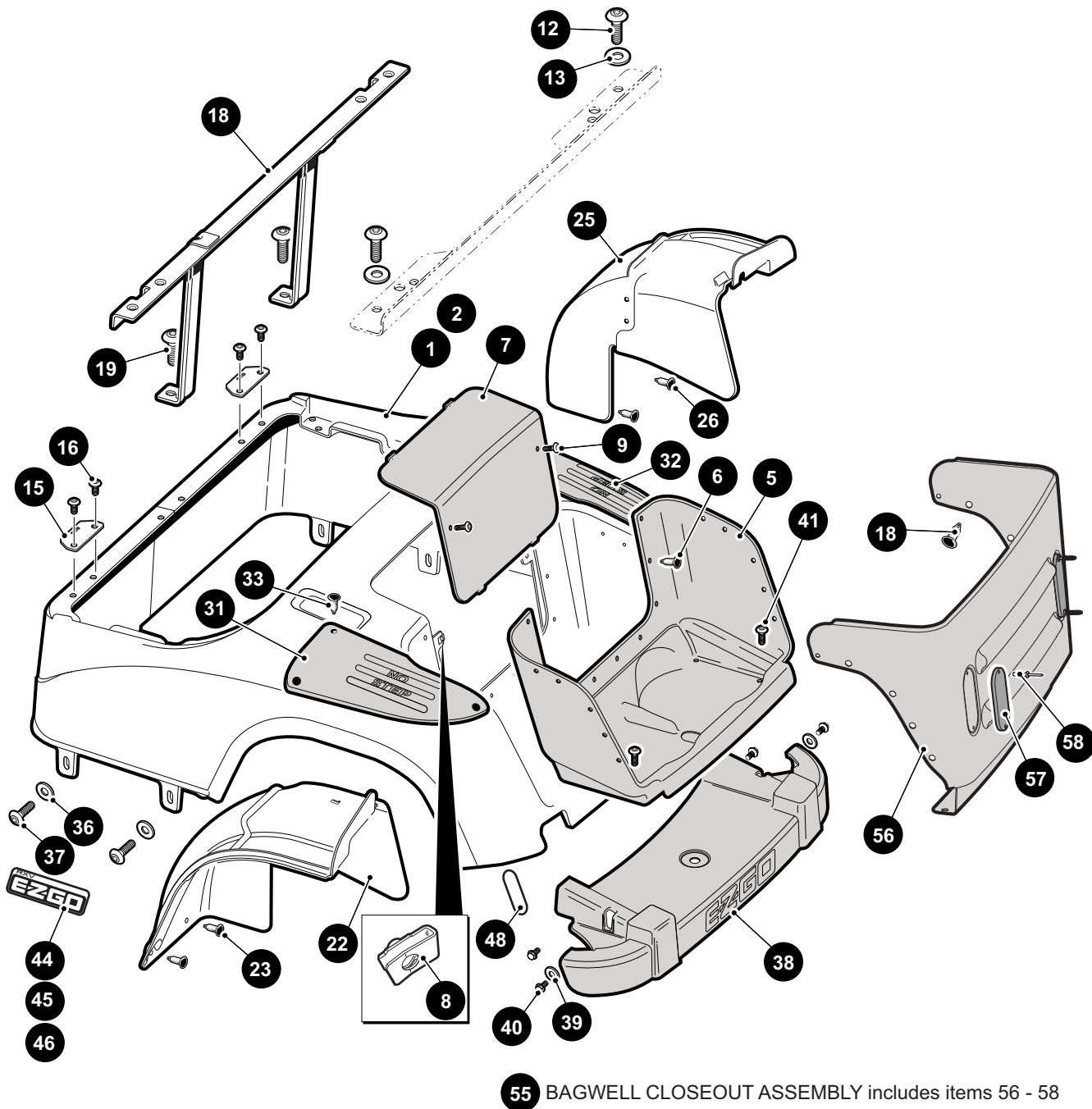
When ordering parts, please specify the model and serial number of the product.

* Indicates a component that is not available as an individual part.

*** Indicates consult Customer Service Department for additional information.

ITEM	PART NO.	1 2 3 4 5	DESCRIPTION	QTY.
1	601257		UPPER ROCKER PANEL, DRIVER SIDE	1
2	601258		UPPER ROCKER PANEL, PASSENGER SIDE	1
3	605957		BUTTON HEAD TORX SCREW, THREAD FORMING, M8.....	4
4				
5	600253		LOWER ROCKER PANEL, DRIVER SIDE	1
6	600257		LOWER ROCKER PANEL, PASSENGER SIDE	1
7	605957		BUTTON HEAD TORX SCREW, THREAD FORMING, M8.....	6
8				
9				
10				
11				
12	601118		FLOORMAT WITHOUT HOLE FOR HORN.....	1
13	603707		FLOORMAT WITH HOLE FOR HORN	1
14	16816G2		CHRISTMAS TREE RIVET (.25" X .88")	5
15	16816G1		CHRISTMAS TREE RIVET (.25" X .68")	2
16	605277		PEDAL COVER PLATE	1
17	16816G2		CHRISTMAS TREE RIVET (.25" X .88")	4
18				
19	603798		FLOOR BOARD.....	1
20	604066		FLAT WASHER, M10.....	2
21	602020		TORX SOCKET HEAD CAP SCREW, M10 - 1.5 X 50MM LG	2

BODY



When ordering parts, please specify the model and serial number of the product.

* Indicates a component that is not available as an individual part.

*** Indicates consult Customer Service Department for additional information.

ITEM	PART NO.	1 2 3 4 5	DESCRIPTION	QTY.
1	6XXXXX		REAR BODY ASSEMBLY WITHOUT LIGHT OPENINGS (includes items 5 - 6) (see colors below)..... 614976 IVORY 614979 FOREST GREEN 614980 PATRIOT BLUE 614981 BLACK 614982 BURGANDY 614983 BRIGHT WHITE 614984 FLAME RED 614985 STEEL BLUE 614989 PLATINUM 614988 ALMOND 614987 ELECTRIC BLUE 614986 INFERNO RED 617590 SUN BURST ORANGE 617592 BRITISH RACING GREEN 630178 BARLEY GOLD 630181 OASIS GREEN 630184 JAVA BROWN 630187 METALLIC CHARCOAL	1
2	6XXXXX		REAR BODY ASSEMBLY WITH LIGHT OPENINGS (includes items 5 - 6) (see colors below)..... 615014 IVORY 615015 FOREST GREEN 615016 PATRIOT BLUE 615017 BLACK 615018 BURGANDY 615019 BRIGHT WHITE 615020 FLAME RED 615021 STEEL BLUE 615025 PLATINUM 615024 ALMOND 615023 ELECTRIC BLUE 615022 INFERNO RED 617594 SUN BURST ORANG 617596 BRITISH RACING GREEN 630195 BARLEY GOLD	1

BODY

When ordering parts, please specify the model and serial number of the product.

* Indicates a component that is not available as an individual part.

*** Indicates consult Customer Service Department for additional information.

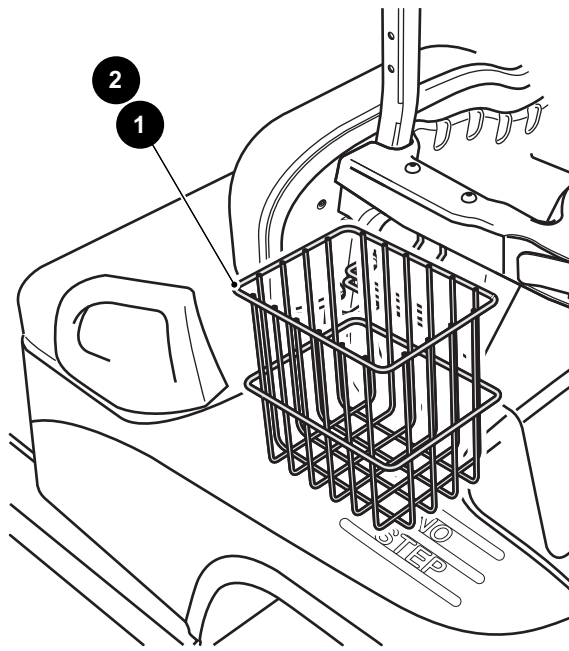
ITEM	PART NO.	1 2 3 4 5	DESCRIPTION	QTY.
			630201..... OASIS GREEN	
			630207..... JAVA BROWN	
			630213..... METALLIC CHARCOAL	
3				
4				
5	601679		BAGWELL LINER INSERT	1
6	16816G2		CHRISTMAS TREE RIVET (.25" X .88")	20
7	600249		REAR BODY ACCESS PANEL	1
8	602409		BARREL CLIP, M6-1	2
9	601326		BUTTON HEAD TORX BOLT, M6 - 1 X 20.....	2
10				
11				
12	602572		PAN HEAD TORX BOLT, M10 - 1.5 X 25MM LG	2
13	604066		FLAT WASHER, M10	2
14				
15	602558		SEAT HINGE PLATE	1
16	602572		PAN HEAD TORX BOLT, M10 - 1.5 X 25MM LG	2
17				
18	601921		FRONT SEAT SUPPORT ASSEMBLY.....	1
19	602572		PAN HEAD TORX BOLT, M10 - 1.5 X 25	2
20				
21				
22	601621		REAR SPLASH GUARD, DRIVER SIDE	1
23	16816G2		CHRISTMAS TREE RIVET (.25" X .88").....	4
24				
25	601622		REAR SPLASH GUARD, PASSENGER SIDE	1
26	16816G2		CHRISTMAS TREE RIVET (.25" X .88").....	4
27				
28				
29				
30				
31	601865		SCUFF GUARD, DRIVER SIDE.....	1

When ordering parts, please specify the model and serial number of the product.

* Indicates a component that is not available as an individual part.

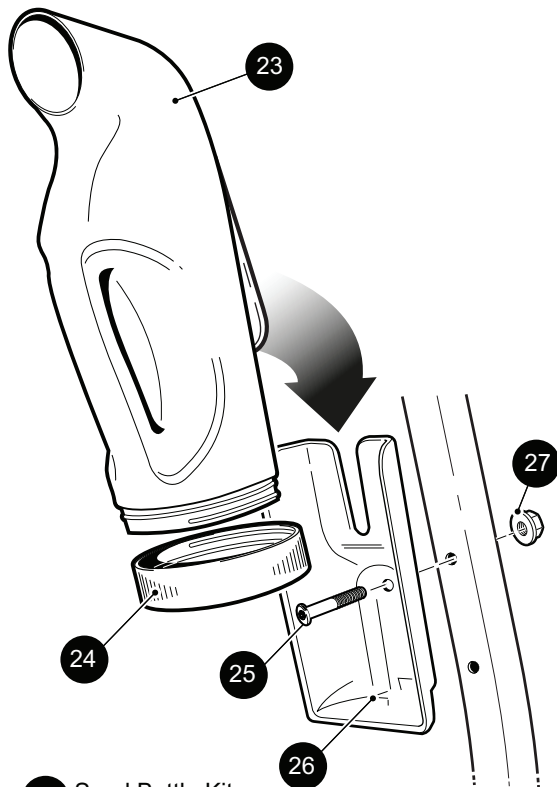
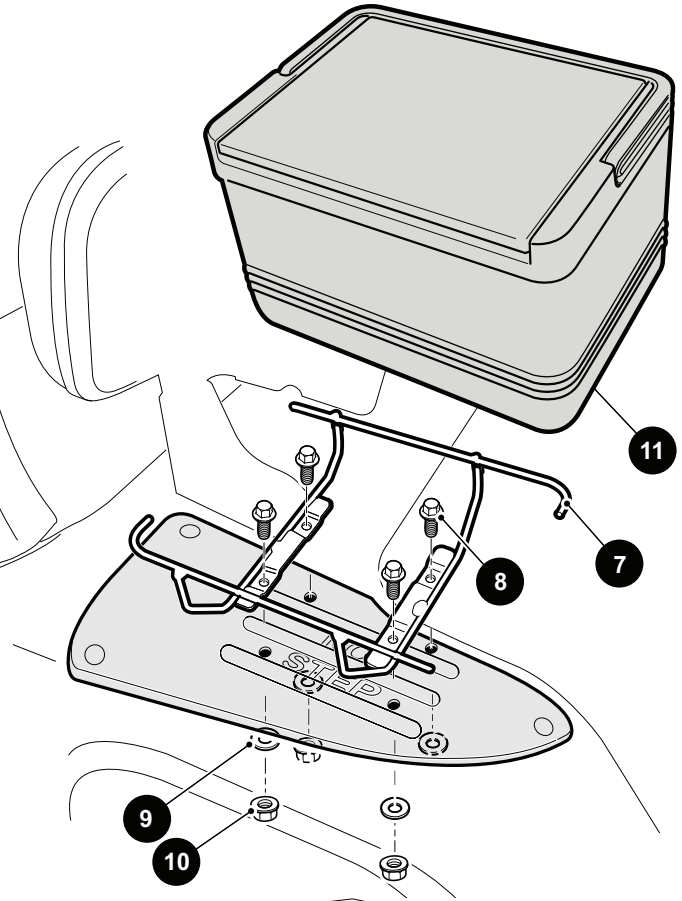
*** Indicates consult Customer Service Department for additional information.

ITEM	PART NO.	1 2 3 4 5	DESCRIPTION	QTY.
32	601864		SCUFF GUARD, PASSENGER SIDE.....	1
33	16816G2		CHRISTMAS TREE RIVET (.25" X .88")	6
34				
35				
36	604066		FLAT WASHER, (O.D. 30, I.D. 10.5, THK. 1.75)	4
37	605957		BUTTON HEAD TORX SCREW, THREAD FORMING, M8.....	4
38	603819		REAR BUMPER.....	1
39	604266		FLAT WASHER, M10.....	2
40	603799		HEX HEAD FLANGED BOLT, M10 - 1.5 X 25	4
41	608313		BUTTON HEAD TORX BOLT, M10 - 1.5 X 25	2
42				
43				
44	607859		RXV DECAL.....	2
45	610521		E - Z - GO FREEDOM DECAL.....	2
46	607863		E - Z - GO 2 + 2 SHUTTLE DECAL	2
47				
48	608993		RED SIDE REFLECTOR, DRIVER SIDE	1
49	608996		RED SIDE REFLECTOR, PASSENGER SIDE	1
50				
51				
52	608992		RED REAR REFLECTOR, DRIVER SIDE	1
53	608998		RED REAR REFLECTOR, PASSENGER SIDE	1
54				
55	611940		BAGWELL CLOSEOUT ASSEMBLY (includes items 56 - 58)	1
56	609310		BAGWELL CLOSEOUT	1
57	614973		OVAL RED REFLECTOR WITH ADHESIVE.....	2
58	71055G02		RIVET 3/16".....	4



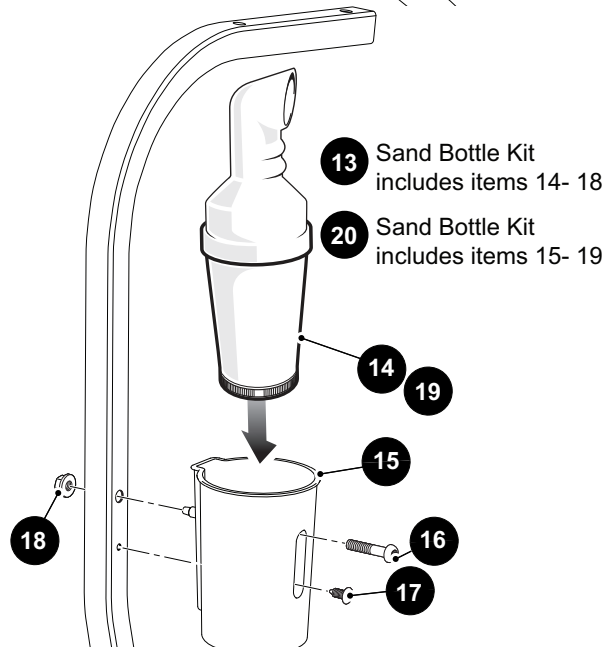
5 Beverage Cooler Kit, Driver Side
includes items 7 - 11

6 Beverage Cooler Kit, Passenger Side
includes items 8 - 12



21 Sand Bottle Kit
includes items 22- 27

22 Sand Bottle Assembly
includes items 23 & 24



13 Sand Bottle Kit
includes items 14- 18

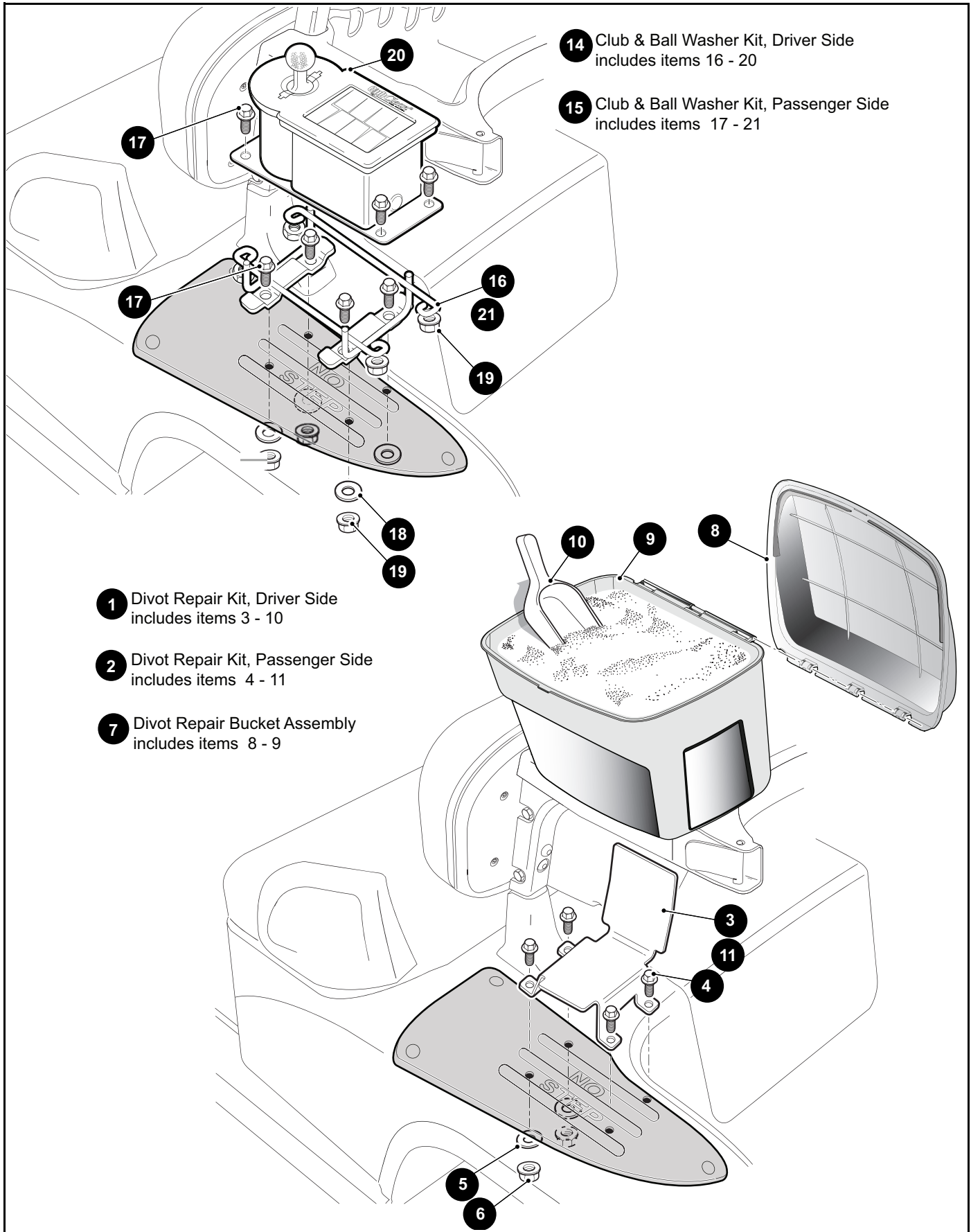
20 Sand Bottle Kit
includes items 15- 19

When ordering parts, please specify the model and serial number of the product.

* Indicates a component that is not available as an individual part.

*** Indicates consult Customer Service Department for additional information.

ITEM	PART NO.	1 2 3 4 5	DESCRIPTION	QTY.
1	603846		SIDE BASKET, DRIVER SIDE (use existing hardware).....	1
2	603702		SIDE BASKET, PASSENGER SIDE (use existing hardware).....	1
3				
4				
5	603733		BEVERAGE COOLER KIT, DRIVER SIDE (includes items 7 - 11	1
6	604215		BEVERAGE COOLER KIT, PASSENGER SIDE (includes items 8 - 12)	1
7	603706		MOUNTING BRACKET, DRIVER SIDE	1
8	606256		FLANGED HEX HEAD BOLT, M10 - 1.5 X 34	4
9	608520		POLYPROPYLENE WASHER.....	4
10	606274		FLANGED HEX NUT, M10 - 1.25	4
11	601366		BEVERAGE COOLER.....	1
12	603777		MOUNTING BRACKET, PASSENGER SIDE (not illustrated)	1
13	614179		SAND BOTTLE KIT (includes items 14 - 18)	1
14	600612		SAND BOTTLE ASSEMBLY.....	1
15	28660G01		SAND BOTTLE ASSEMBLY HOLDER.....	1
16	603800		FLANGE HEAD BOLT, M10 - 1.5 X 50.....	1
17	16816G2		RATCHET RIVET, .25" X .887"	1
18	600525		LOCK NUT, M10 - 1.5.....	1
19	28459G01		SAND BOTTLE.....	1
20	614195		SAND BOTTLE KIT (includes items 15 - 19)	1
21	614390		SAND BOTTLE KIT (includes items 22 - 27)	1
22	607102		SAND BOTTLE ASSEMBLY (includes items 23 & 24)	1
23	605961		SAND BOTTLE	1
24	605962		SAND BOTTLE CAP	1
25	603800		FLANGE HEAD BOLT, M10 - 1.5 X 50.....	1
26	606085		SAND BOTTLE MOUNTING BRACKET	1
27	600525		LOCK NUT, M10 - 1.5.....	1



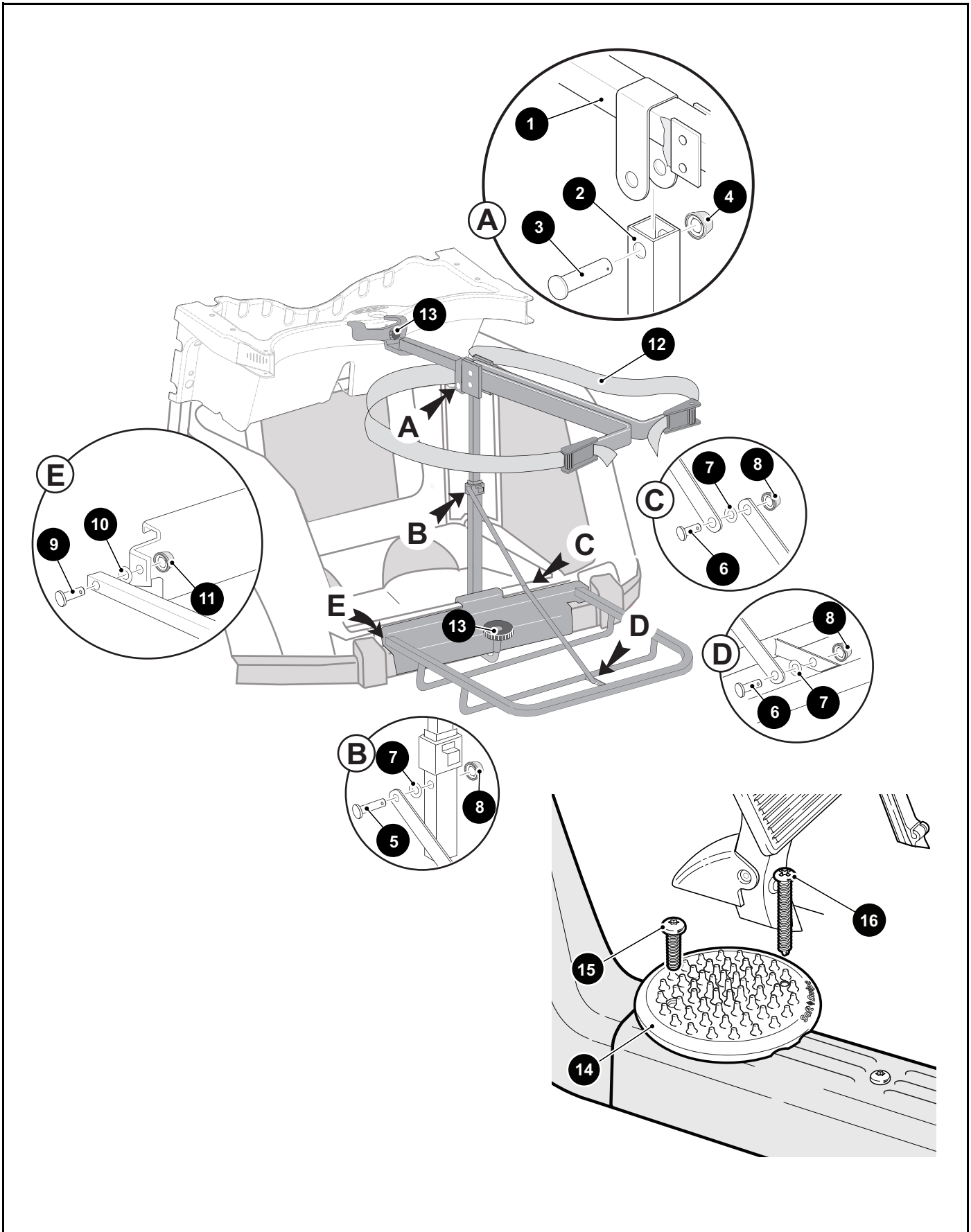
When ordering parts, please specify the model and serial number of the product.

* Indicates a component that is not available as an individual part.

*** Indicates consult Customer Service Department for additional information.

ITEM	PART NO.	1 2 3 4 5	DESCRIPTION	QTY.
1	604214		DIVOT REPAIR KIT, DRIVER SIDE (includes items 3 - 9)	1
2	603250		DIVOT REPAIR KIT, PASSENGER SIDE (includes items 4 - 10)	1
3	603825		MOUNTING BRACKET, DRIVER SIDE	1
4	606256		FLANGED HEX HEAD BOLT, M10 - 1.5 X 34	4
5	608520		POLYPROPYLENE WASHER.....	4
6	606274		FLANGED HEX NUT, M10 - 1.25	4
7	605702		DIVOT REPAIR BUCKET ASSEMBLY (includes items 8 - 9)	1
8	607635		DIVOT REPAIR BUCKET, TOP	1
9	607881		DIVOT REPAIR BUCKET, BOTTOM.....	1
10	74848G01		SCOOP.....	1
11	603824		MOUNTING BRACKET, PASSENGER SIDE	1
12				
13				
14	604216		CLUB & BALL WASHER KIT, DRIVER SIDE (includes items 16 - 20)	1
15	603252		CLUB & BALL WASHER KIT, PASSENGER SIDE (includes items 17 - 21)...	1
16	604576		MOUNTING BRACKET, DRIVER SIDE	1
17	606256		FLANGED HEX HEAD BOLT, M10 - 1.5 X 25	4
18	608520		POLYPROPYLENE WASHER.....	4
19	606274		FLANGED HEX NUT, M10 - 1.25	8
20	603836		CLUB & BALL WASHER	1
21	604577		MOUNTING BRACKET, PASSENGER SIDE	1

BODY



When ordering parts, please specify the model and serial number of the product.

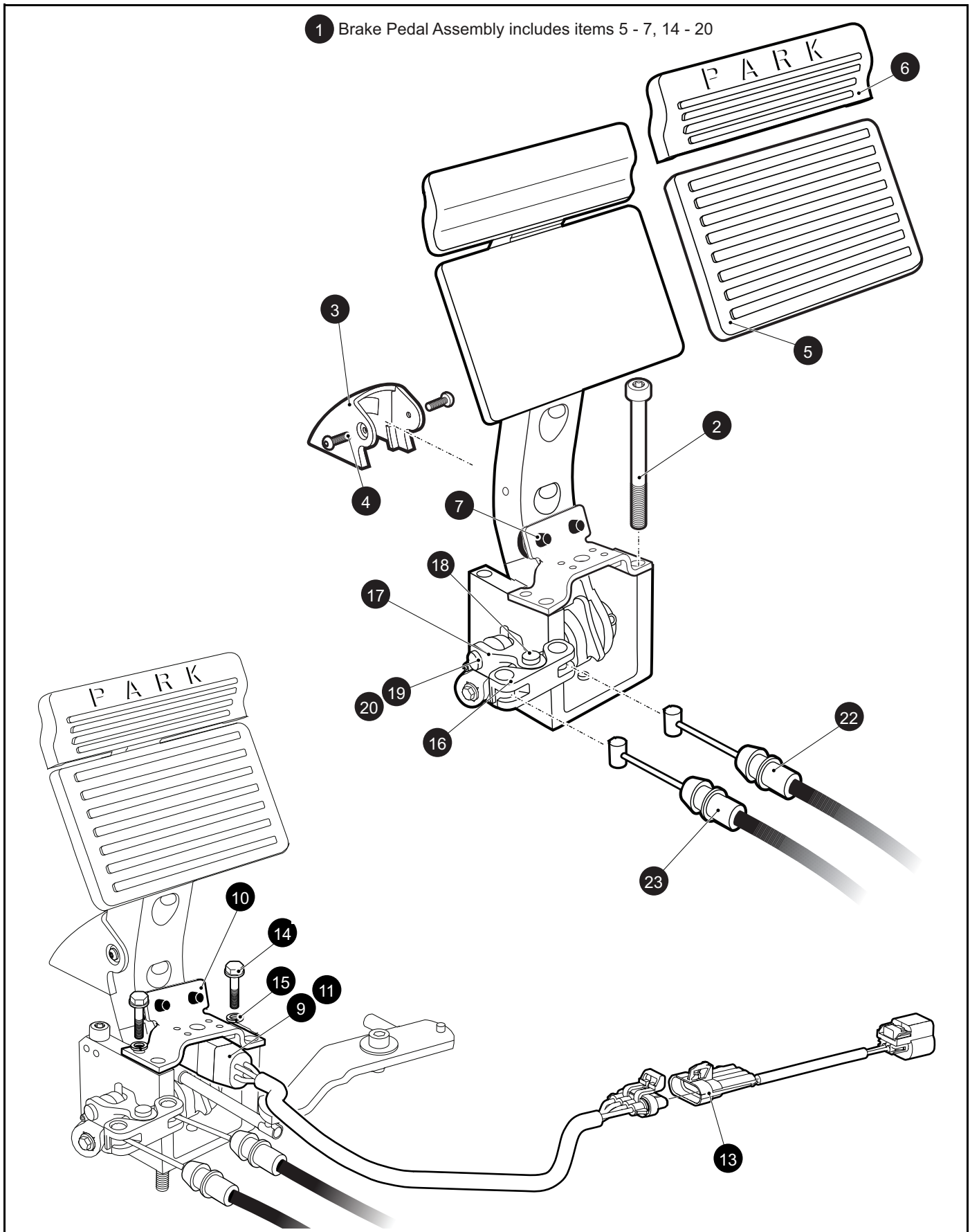
* Indicates a component that is not available as an individual part.

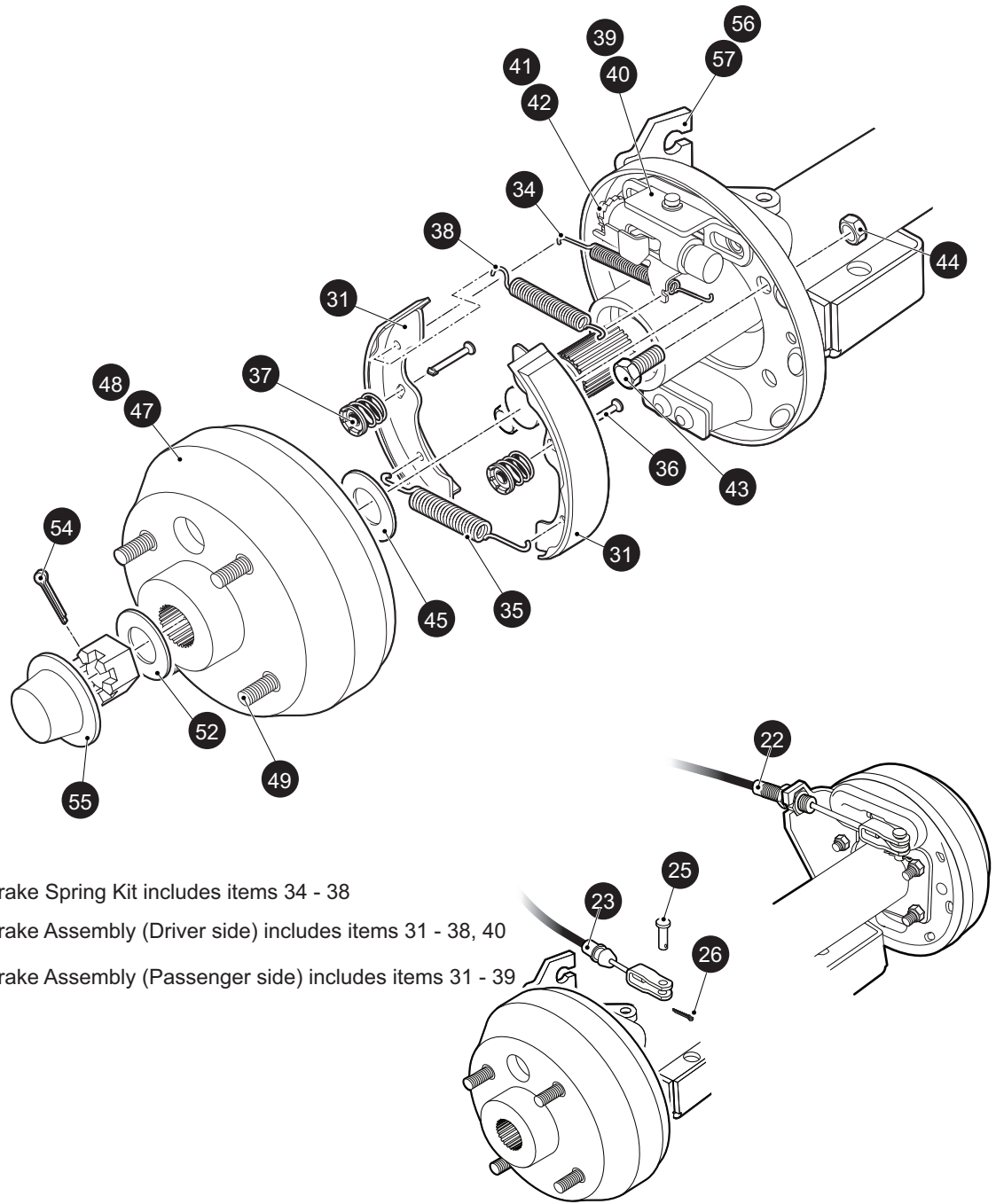
*** Indicates consult Customer Service Department for additional information.

ITEM	PART NO.	1 2 3 4 5	DESCRIPTION	QTY.
1	608949		TOP RACK ASSEMBLY	1
2	608956		BOTTOM RACK ASSEMBLY	1
3	17651G2		CLEVIS PIN 5/16" X 1.250"	1
4	28129G01		CAP NUT 5/16" PLASTIC	1
5	17651G2		CLEVIS PIN 5/16" X 1.250"	1
6	17651G3		CLEVIS PIN 5/16" X 0.625"	2
7	00559G8		FLAT WASHER 5/16"	3
8	28129G01		CAP NUT 5/16" BLACK	3
9	17651G1		CLEVIS PIN 3/8" X 1.250"	2
10	00560G1		FLAT WASHER	2
11	28128G02		CAP NUT 3/8" BLACK	2
12	17641G1		STRAP	2
13	75337G01		KNOB 5/16" - 18 THRU HOLE	2
14	604360		SOFTSWIPE	1
15	605957		BUTTON HEAD TORX SCREW, THREAD FORMING, M8	1
16	620209		PAN HEAD PHILLIPS SCREW, #10 X 2"	1

BRAKES

1 Brake Pedal Assembly includes items 5 - 7, 14 - 20





- 33 Brake Spring Kit includes items 34 - 38
- 30 Brake Assembly (Driver side) includes items 31 - 38, 40
- 29 Brake Assembly (Passenger side) includes items 31 - 39

BRAKES

When ordering parts, please specify the model and serial number of the product.

* Indicates a component that is not available as an individual part.

*** Indicates consult Customer Service Department for additional information.

ITEM	PART NO.	1 2 3 4 5	DESCRIPTION	QTY.
1	626150		BRAKE PEDAL ASSEMBLY (INCLUDES ITEMS 5 - 7, 14 - 20)	1
2	605254		SOCKET HEAD SCREW, M8 - 1.25 X 90MM LG	4
3	605688		BRAKE PEDAL COVER.....	1
4	600543		TORX SCREW, M4 - .7 X 12MM LG	2
5	610471		BRAKE PEDAL RUBBER COVER	1
6	610635		PARK BRAKE PEDAL RUBBER COVER.....	1
7	604097		REBOUND BUMPER.....	2
8				
9	609260		BRAKE LIGHT SWITCH ASSEMBLY (INCLUDES ITEMS 7, 10 - 13).....	1
10	609226		BRAKE LIGHT SWITCH BRACKET	1
11	607605		SWITCH.....	1
12	620030		SOCKET HEAD CAP SCREW, M5 X 0.8 (NOT ILLUSTRATED)	2
13	609181		JUMPER HARNESS	1
14	613231		HEX HEAD BOLT, M6 - 1.00 X 20MM LG.....	2
15	601327		LOCK WASHER, M6.....	2
16	604458		EQUALIZER.....	1
17	604459		BRAKE CABLE CLIP	1
18	601894		CLEVIS PIN, 8MM X 21.5MM	2
19	601835		E CLIP RING, 8 MM	4
20	601895		CLEVIS PIN, 8MM X 27.0MM	1
21				
22	601286		BRAKE CABLE (PASSENGER SIDE).....	1
23	611373		BRAKE CABLE (DRIVER SIDE)	1
24				
25	10386G3		CLEVIS PIN.....	2
26	10387G3		COTTER PIN, .94" X .75"	2
27				
28				
29	70998G01		BRAKE ASSEMBLY (PASSENGER SIDE) (INCLUDES ITEMS 31 - 39).....	1
30	70998G02		BRAKE ASSEMBLY (DRIVER SIDE) (INCLUDES ITEMS 31 - 38, 40).....	1
31	70795G01		BRAKE SHOE.....	4

When ordering parts, please specify the model and serial number of the product.

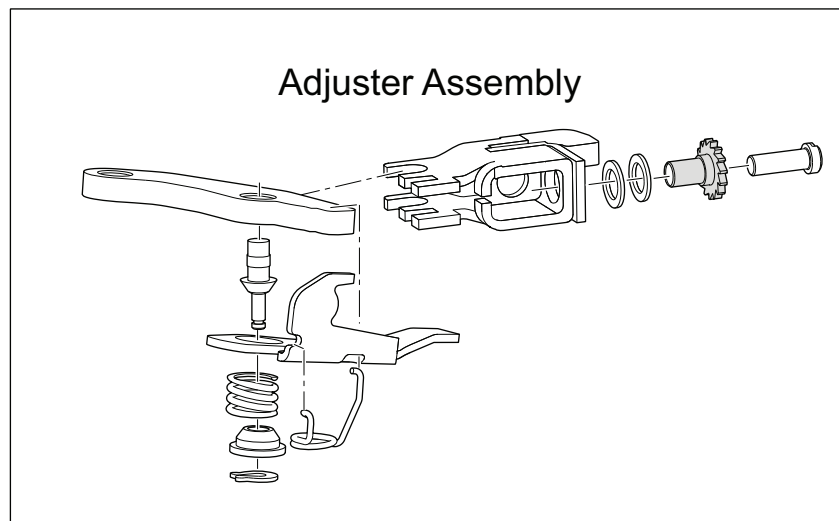
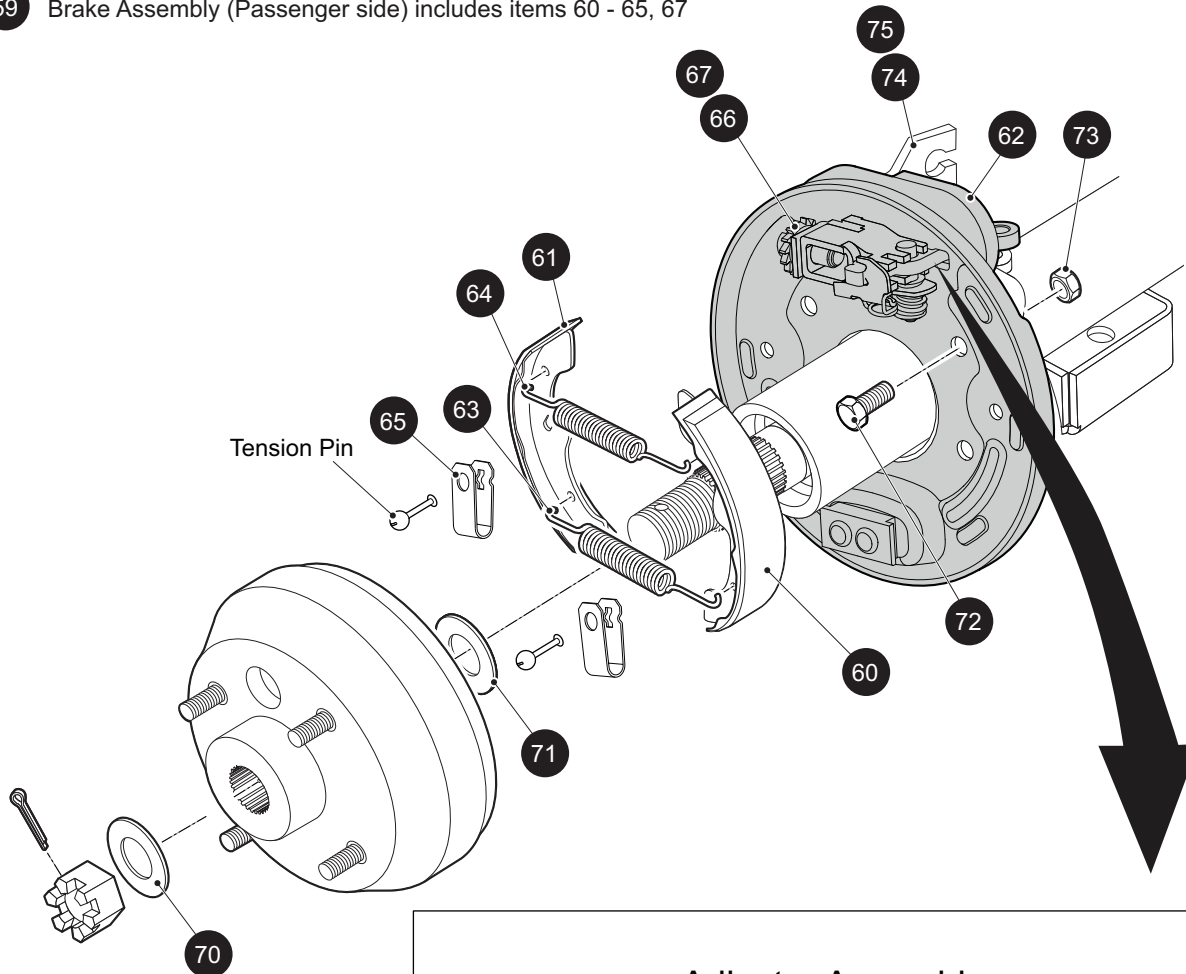
* Indicates a component that is not available as an individual part.

*** Indicates consult Customer Service Department for additional information.

ITEM	PART NO.	1 2 3 4 5	DESCRIPTION	QTY.
32				
33	27944G01		BRAKE SPRING KIT (INCLUDES ITEMS 34 - 38)	2
34	*		UPPER SPRING	1
35	*		LOWER SPRING	1
36	*		PIN	2
37	*		CUP AND SPRING	2
38	*		ADJUSTER SPRING	1
39	72582G01		BRAKE ADJUSTER KIT (PASSENGER SIDE) (INCLUDES ITEMS 41 - 42).....	1
40	72582G02		BRAKE ADJUSTER KIT (DRIVER SIDE) (INCLUDES ITEMS 41 - 42)...	1
41	*		ADJUSTER	1
42	*		TEFLON WASHER	2
43	17083G2		HEX HEAD BOLT, 5/16" - 24 X 1" LG	8
44	15126G1		LOCK NUT, 5/16" - 24.....	8
45	21809G1		INNER BRAKE DRUM WASHER, 1 5/16" O.D. X 1" I.D. X 1/32".....	2
46				
47	21807G1		BRAKE DRUM ASSEMBLY (INCLUDES ITEMS 48 - 49)	2
48	*		BRAKE DRUM.....	1
49	19862G1		LUG BOLT, 1/2" - 20 X 1 3/16" LG.....	4
50				
51				
52	21830G1		OUTER BRAKE DRUM WASHER.....	2
53				
54	10387G1		COTTER PIN, 1/8" X 1 1/2" LG.....	2
55	74175G01		SPINDLE CAP	2
56	608200		BRAKE CABLE BRACKET (PASSENGER SIDE)	1
57	610096		BRAKE CABLE BRACKET (DRIVER SIDE).....	1

TOP PULL

- 58 Brake Assembly (Driver side) includes items 60 - 66
- 59 Brake Assembly (Passenger side) includes items 60 - 65, 67



When ordering parts, please specify the model and serial number of the product.

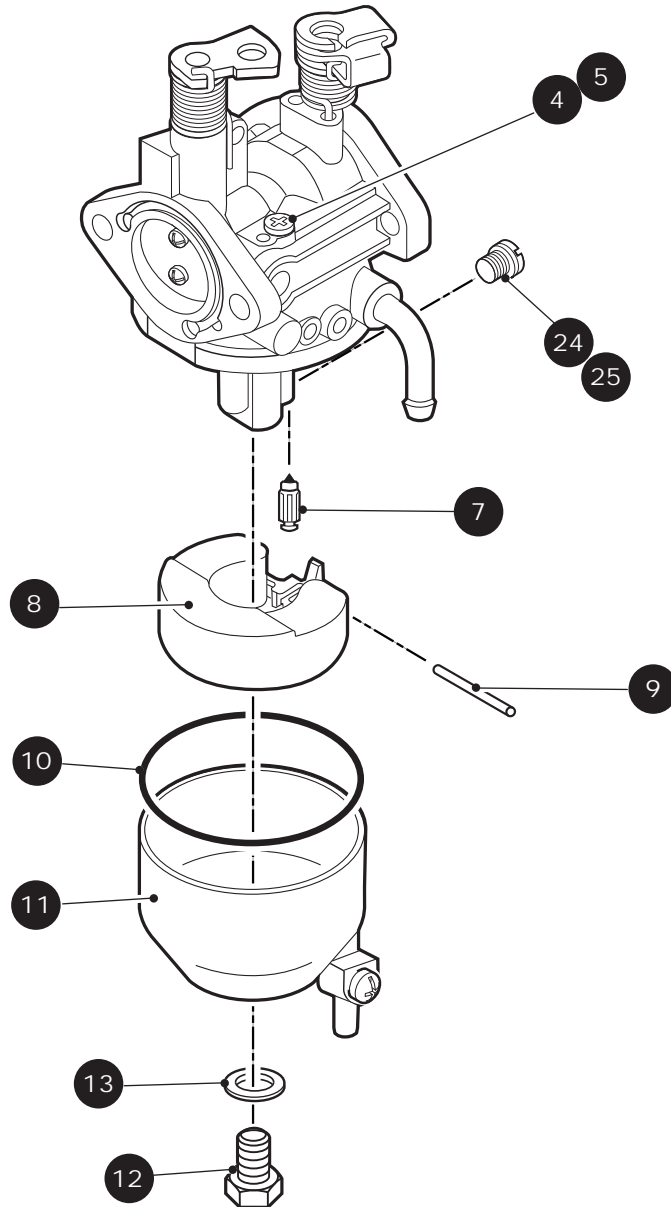
* Indicates a component that is not available as an individual part.

*** Indicates consult Customer Service Department for additional information.

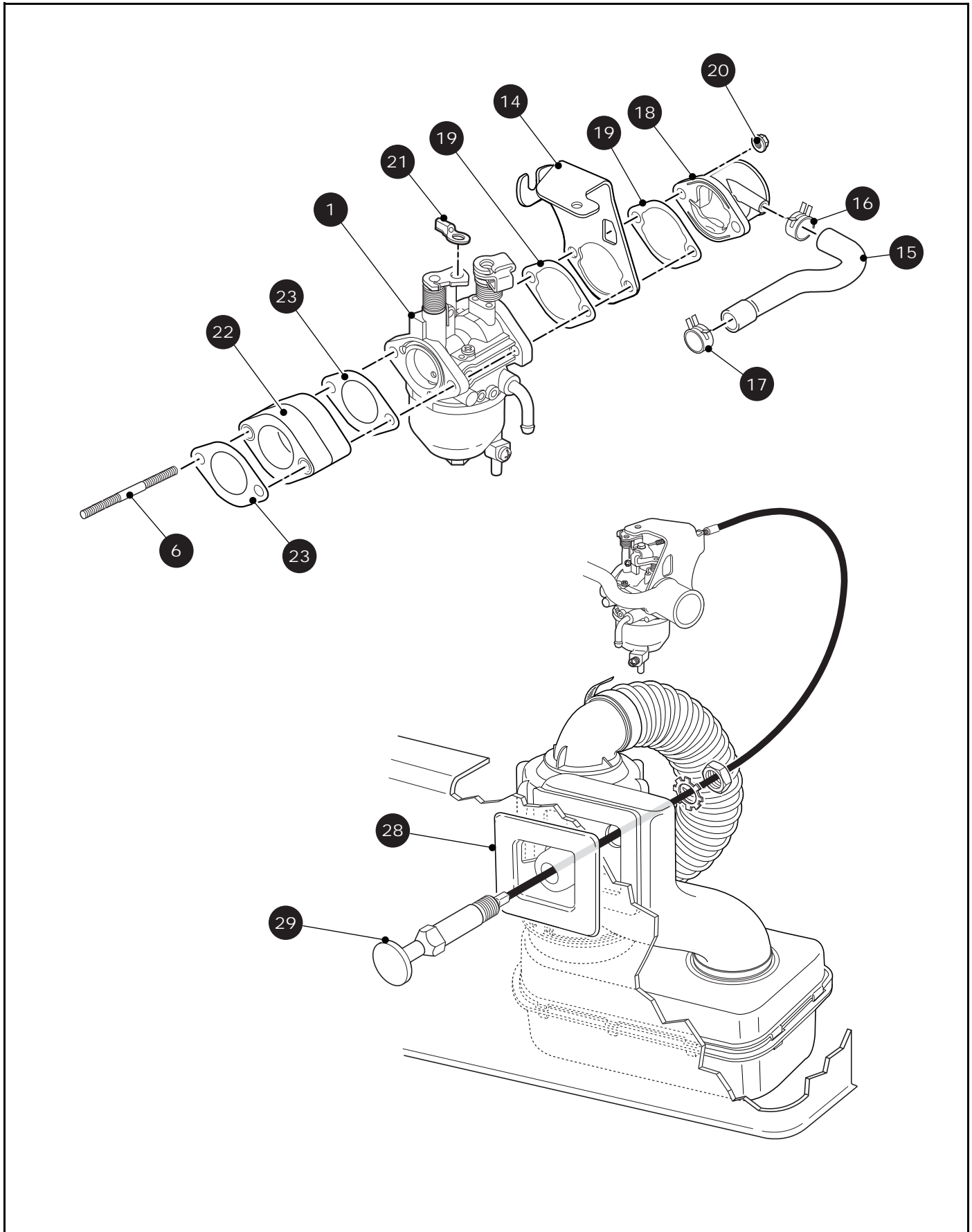
ITEM	PART NO.	1 2 3 4 5	DESCRIPTION	QTY.
58	612211		BRAKE ASSEMBLY (DRIVER SIDE) (INCLUDES ITEMS 60 - 66).....	1
59	612189		BRAKE ASSEMBLY (PASSENGER SIDE) (INCLUDES ITEMS 60 - 65, 67) .	1
60	612411		BRAKE SHOE, L	2
61	612412		BRAKE SHOE, T	2
62	612413		DUST COVER	1
63	612414		BRAKE SPRING, BOTTOM.....	1
64	612415		BRAKE SPRING, TOP	1
65	612416		SHOE CLAMP	2
66	612418		GEAR ADJUSTER (DRIVER SIDE)	1
67	612417		GEAR ADJUSTER (PASSENGER SIDE).....	1
68				
69				
70	606945		FLAT WASHER, BRAKE DRUM, 1.75" O.D. X .886" I.D.	2
71	21809G1		FLAT WASHER, BRAKE DRUM, 1 5/16" O.D. X 1" I.D.	2
72	17083G2		HEX HEAD BOLT, 5/16" - 24 X 1" LG	8
73	15126G1		LOCK NUT, 5/16" - 24	8
74	610096		BRAKE CABLE BRACKET (DRIVER SIDE).....	1
75	608200		BRAKE CABLE BRACKET (PASSENGER SIDE)	1

CARBURETOR AND CHOKE

1 Carburetor includes items 3 - 23



CARBURETOR AND CHOKE



CARBURETOR AND CHOKE

When ordering parts, please specify the model and serial number of the product.

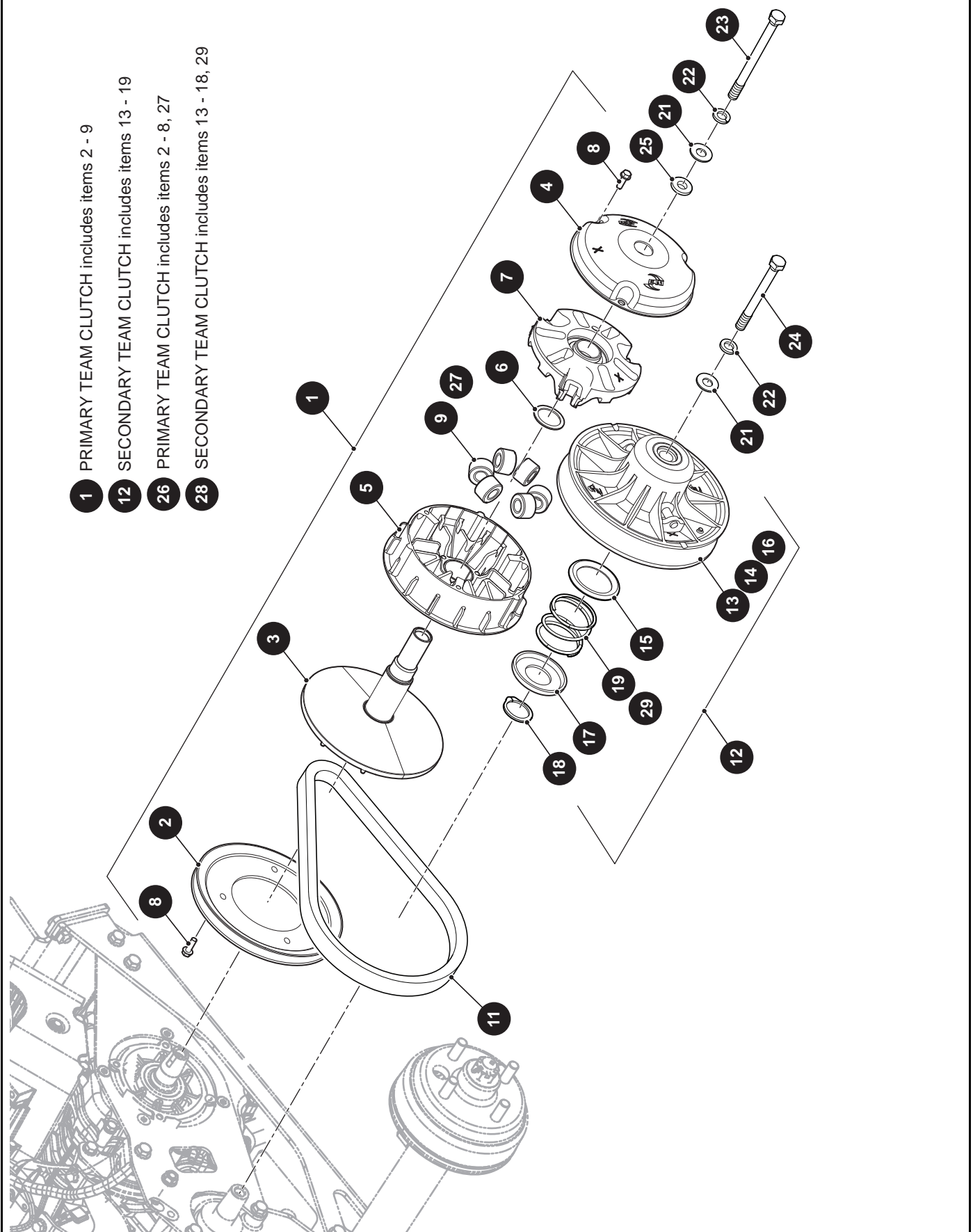
* Indicates a component that is not available as an individual part.

*** Indicates consult Customer Service Department for additional information.

ITEM	PART NO.	1	2	3	4	5	DESCRIPTION	QTY.
1	607954						CARBURETOR (INCLUDES ITEMS 3 - 23).....	1
2								
3								
4	608021						PILOT JET (#44).....	1
5	603585						PLUG	1
6	603584						STUD BOLT	1
7	603586						NEEDLE VALVE.....	1
8	603587						FLOAT.....	1
9	603588						FLOAT PIN.....	1
10	603589						FLOAT BOWL GASKET.....	1
11	603590						FLOAT CHAMBER.....	1
12	603592						CHAMBER PLUG	1
13	603591						BOWL GASKET	1
14	603583						CHOKE BRACKET	1
15	603598						BREATHER TUBE	1
16	603596						CLAMP, INTAKE TUBE.....	1
17	603597						CLAMP CYLINDER HEAD TUBE	1
18	603594						INTAKE TUBE.....	1
19	603593						CHOKE GASKET.....	2
20	603595						HEX NUT, M6 X 1.0	2
21	608023						THROTTLE ROD ATTACHMENT BUSHING.....	1
22	603581						CARBURETOR INSULATOR	1
23	603580						CARBURETOR MOUNT GASKET	2
24	607684						MAIN JET (#102) (FOR ELEVATIONS OF 3000 FT - 6000 FT).....	1
25	607685						MAIN JET (#100) (FOR ELEVATIONS OF 6000 FT - 10000 FT).....	1
26								
27								
28	600209						CHOKE/AIR INTAKE ADAPTER	1
29	601986						CHOKE CABLE (22 1/4" LG WITH NUTS).....	1
30	607681						LABEL, HIGH ALTITUDE JET, 3000 FT - 6000 FT (NOT ILLUSTRATED)	1
31	607682						LABEL, HIGH ALTITUDE JET, 6000 FT (NOT ILLUSTRATED).....	1

CLUTCH

- 1 PRIMARY TEAM CLUTCH includes items 2 - 9
- 12 SECONDARY TEAM CLUTCH includes items 13 - 19
- 26 PRIMARY TEAM CLUTCH includes items 2 - 8, 27
- 28 SECONDARY TEAM CLUTCH includes items 13 - 18, 29



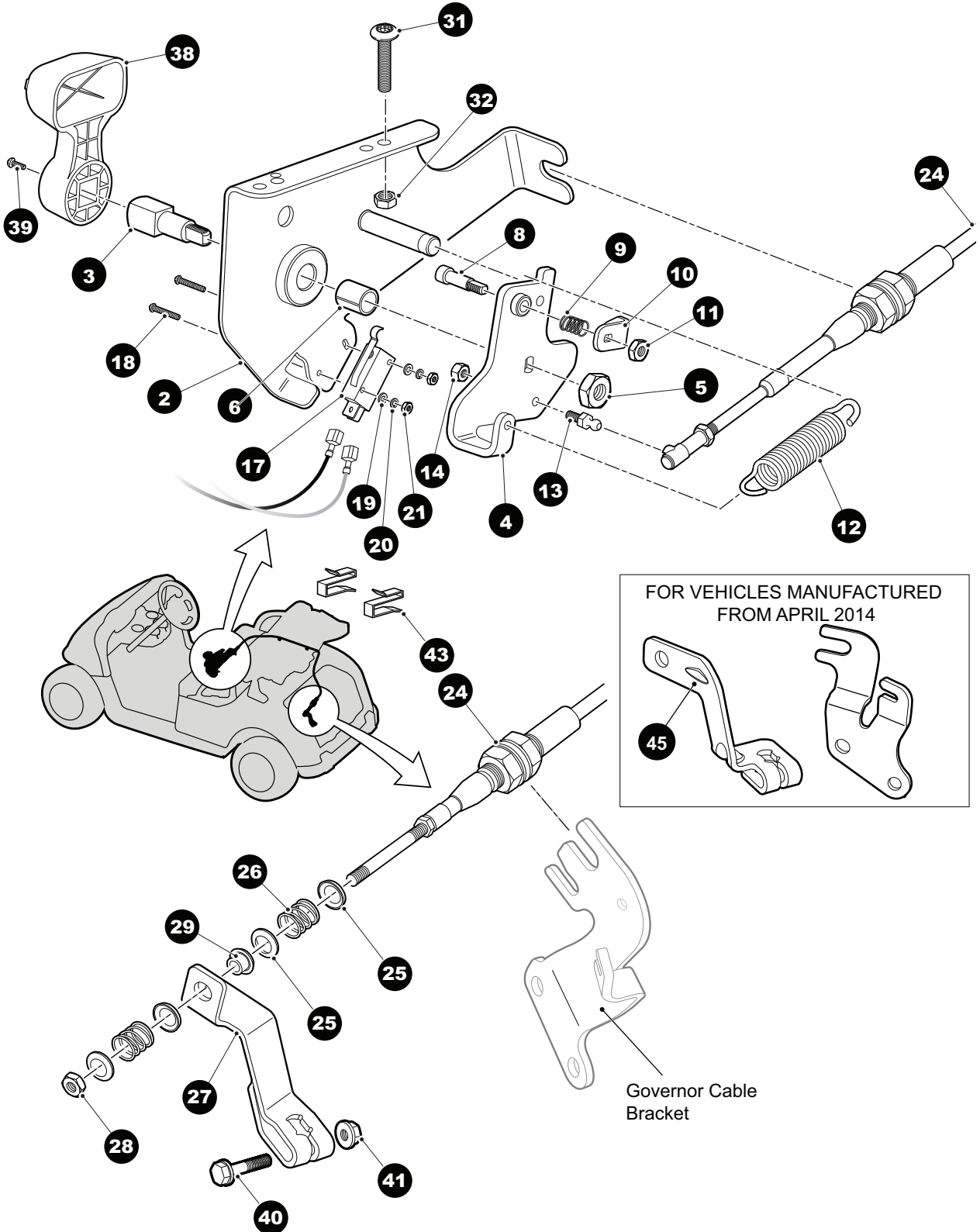
When ordering parts, please specify the model and serial number of the product.

* Indicates a component that is not available as an individual part.

*** Indicates consult Customer Service Department for additional information.

ITEM	PART NO.	1 2 3 4 5	DESCRIPTION	QTY.
1	618684		PRIMARY TEAM CLUTCH (Includes items 2 - 9).....	1
2	619333		PRIMARY STARTER PULLY, 195 - SVC.....	1
3	619334		STATIONARY ASSEMBLY	1
4	619339		PRIMARY DUST COVER ASSEMBLY.....	1
5	619335		MOVEABLE PRIMARY ASSEMBLY	1
6	619337		SHIM, 39.5 MM X 31.75 MM	1
7	619338		PRIMARY SPIDER ASSEMBLY	1
8	619332		HEX TAP BOLT, 1/4" - 20 X 0.75" LG.....	7
9	619336		SHIFT ROLLER ASSEMBLY.....	6
10				
11	618630		BELT DRIVE	1
12	618685		SECONDARY TEAM CLUTCH (Includes items 13 - 19)	1
13	*		SECONDARY STATIONARY, 9.5.....	1
14	*		MOVEABLE SECONDARY, 9.5.....	1
15	619327		INNER RETAINER SPRING.....	1
16	619331		THRUST WASHER, 1.530 X 1.830 X 1.....	1
17	619329		OUTER SPRING RETAINER	1
18	619330		RETAINER RING.....	1
19	619328		COMPRESSION SPRING, 2.70 O.D.....	1
20				
21	606239		CONICAL WASHER, M12	2
22	00566G3		SPRING TYPE LOCK WASHER	2
23	606245		HEX HEAD BOLT, M12 - 1.25 X 160 MM LG.....	1
24	606243		HEX HEAD BOLT, M12 - 1.25 X 120 MM LG.....	1
25	606230		CLUTCH WASHER, 13.06 MM DIA.....	1
26	623948		PRIMARY TEAM CLUTCH (Includes items 2 - 8, 27).....	1
27	624112		SHIFT ROLLER ASSEMBLY.....	6
28	623949		SECONDARY TEAM CLUTCH (Includes items 13 - 18, 29)	1
29	624111		COMPRESSION SPRING, 2.70 O.D.....	1

DIRECTION SELECTOR



DIRECTION SELECTOR

When ordering parts, please specify the model and serial number of the product.

* Indicates a component that is not available as an individual part.

*** Indicates consult Customer Service Department for additional information.

ITEM	PART NO.	1 2 3 4 5	DESCRIPTION	QTY.
1	608161		DIRECTION SELECTOR ASSEMBLY (INCLUDES ITEMS 2 - 28)	1
2	603627		DIRECTION SELECTOR BRACKET WITH BUSHING	1
3	608150		DIRECTION SELECTOR SHAFT	1
4	603700		DIRECTION SELECTOR CAM.....	1
5	14390G1		LOCK NUT, 3/8" - 24	1
6	25664G2		BUSHING	1
7				
8	72724G01		NEUTRAL LOCK PIN	1
9	72733G01		COMPRESSION SPRING, 3/8" X 5/8" LG	1
10	72729G01		NEUTRAL LOCK BRACKET	1
11	00734G2		LOCK NUT, 1/4" - 28	1
12	28574G01		EXTENSION SPRING	1
13	72732G01		BALL STUD, 1/4".....	1
14	00734G5		LOCK NUT, #10 - 32.....	1
15				
16				
17	72736G01		MICRO SWITCH	1
18	01062G01		ROUND HEAD SCREW, #4 - 40 X 1" LG.....	2
19	00559G1		FLAT WASHER, #4	2
20	00565G1		LOCK WASHER, #4	2
21	00526G2		HEX NUT, #4 - 40	2
22				
23				
24	603615		PUSH / PULL SHIFTER CABLE	1
25	25727G01		CUP WASHER, 1/4"	4
26	72735G01		COMPRESSION SPRING, 19/32" X 1" LG	2
27	606014		FNR PIVOT BRACKET	1
28	00734G5		LOCK NUT, #10 - 32.....	1
29	22754G4		FLIP-LOK BUSHING, .25 DIA.....	1
30				
31	601326		HEX HEAD BOLT, M6 - 1 X 20MM LG.....	2

DIRECTION SELECTOR

When ordering parts, please specify the model and serial number of the product.

* Indicates a component that is not available as an individual part.

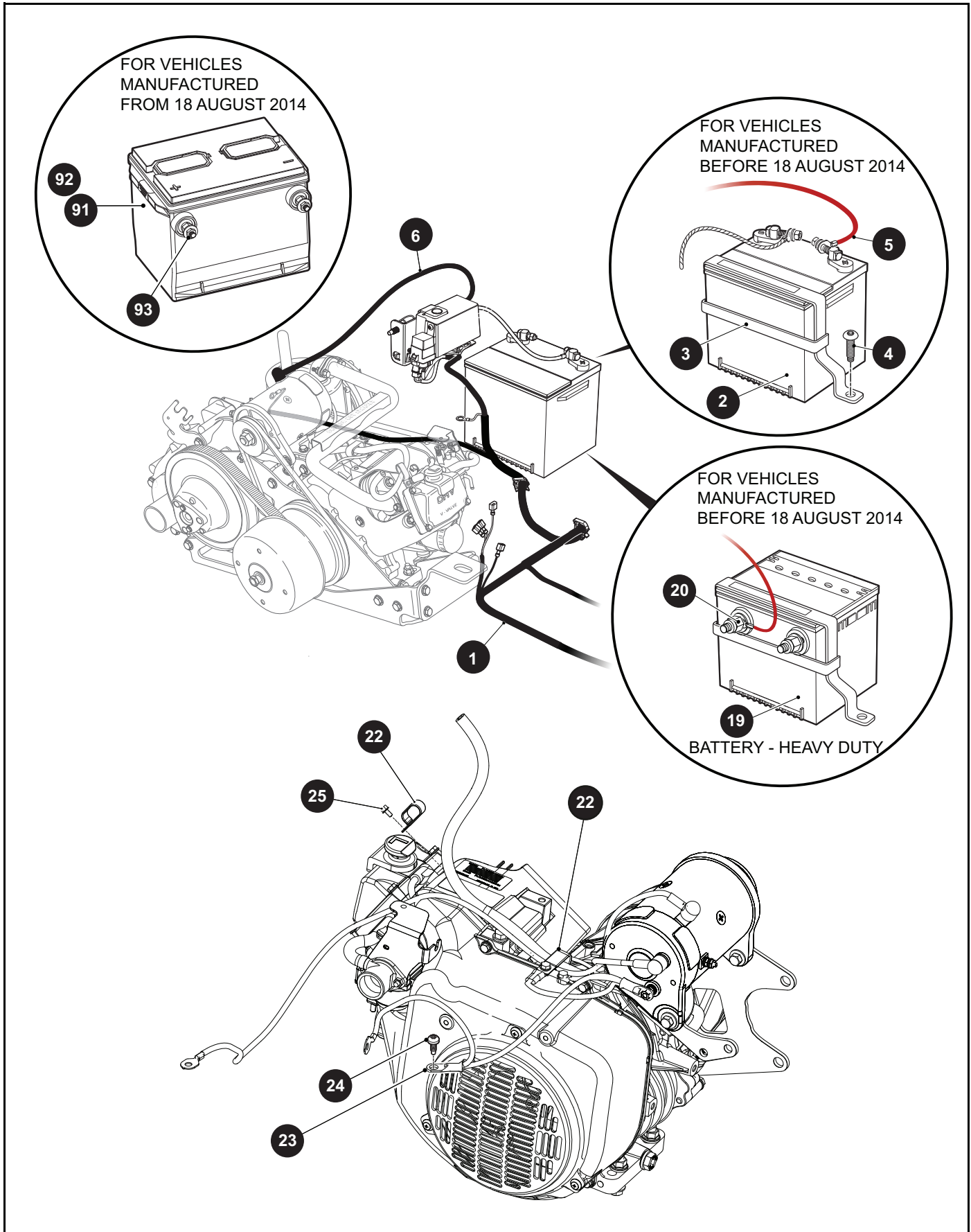
*** Indicates consult Customer Service Department for additional information.

ITEM	PART NO.	1 2 3 4 5	DESCRIPTION	QTY.
32	450452		HEX NUT, M6 - 1	2
33				
34				
35	26830G01		LOCK NUT, M8 X 1.25 MM	1
36				
37				
38	71205G01		DIRECTION SELECTOR HANDLE	1
39	00740G4		HEX HEAD BOLT (SS), #10 - 32 X 1/2" LG	1
40	606421		HEX HEAD BOLT, M6 - 1 X 30MM LG	1
41	450452		HEX NUT, M6 - 1	1
42				
43	01072-G01		CABLE CLIP	2
44				
45	632891		DIRECTION SELECTOR PIVOT BRACKET (FOR VEHICLES MANUFACTURED FROM APRIL 2014)	1

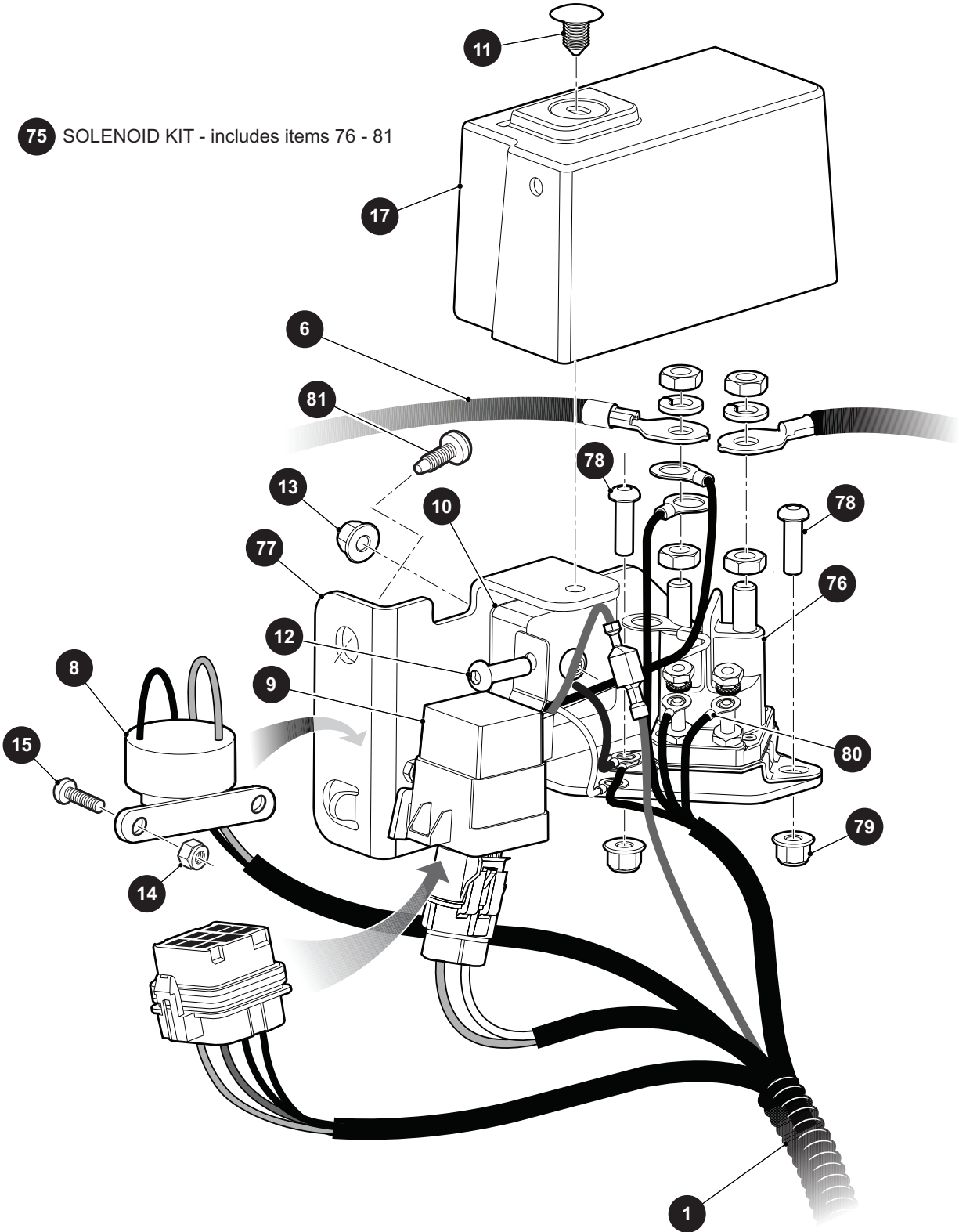
Notes:

Large grid area for notes.

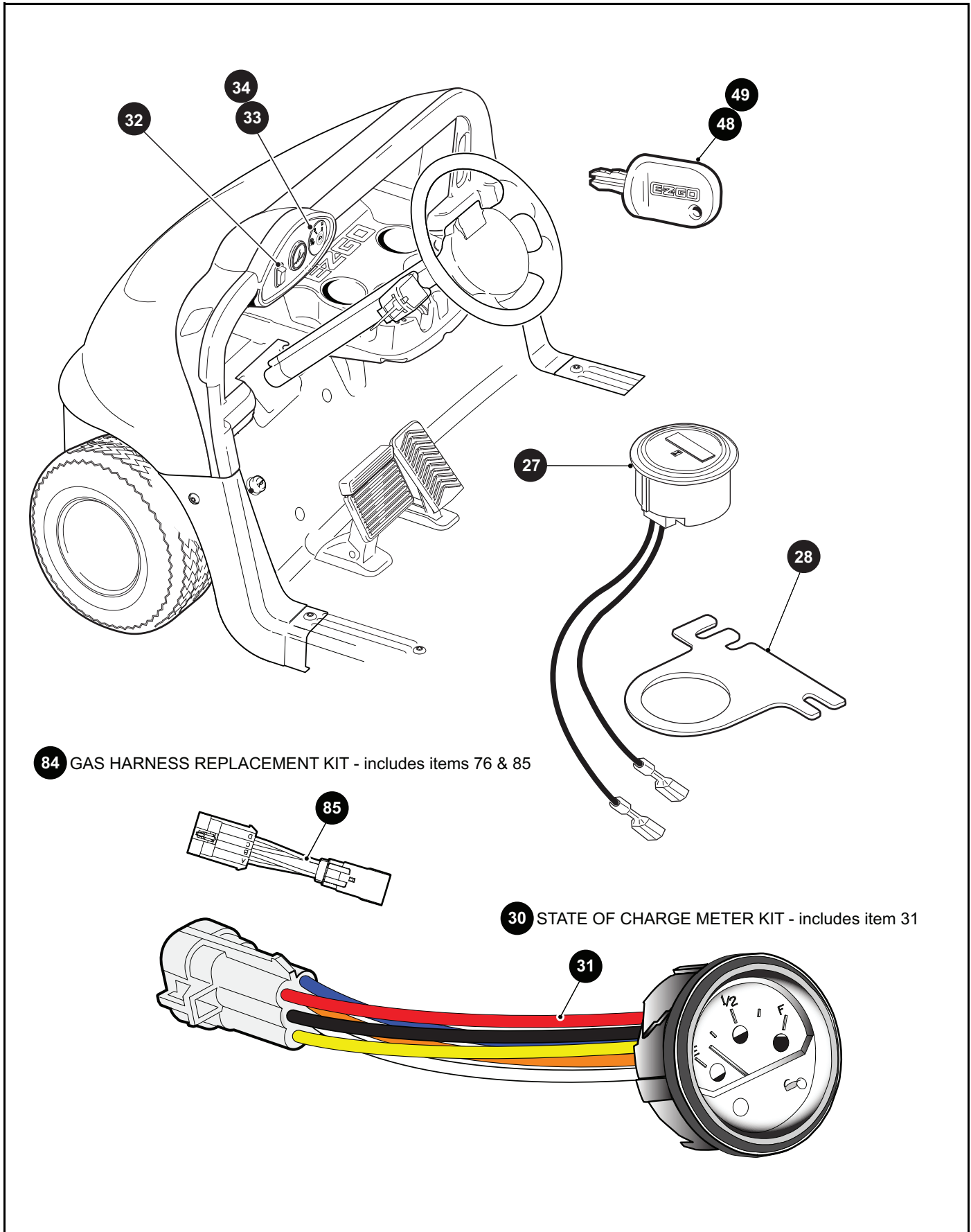
ELECTRICAL SYSTEM



75 SOLENOID KIT - includes items 76 - 81

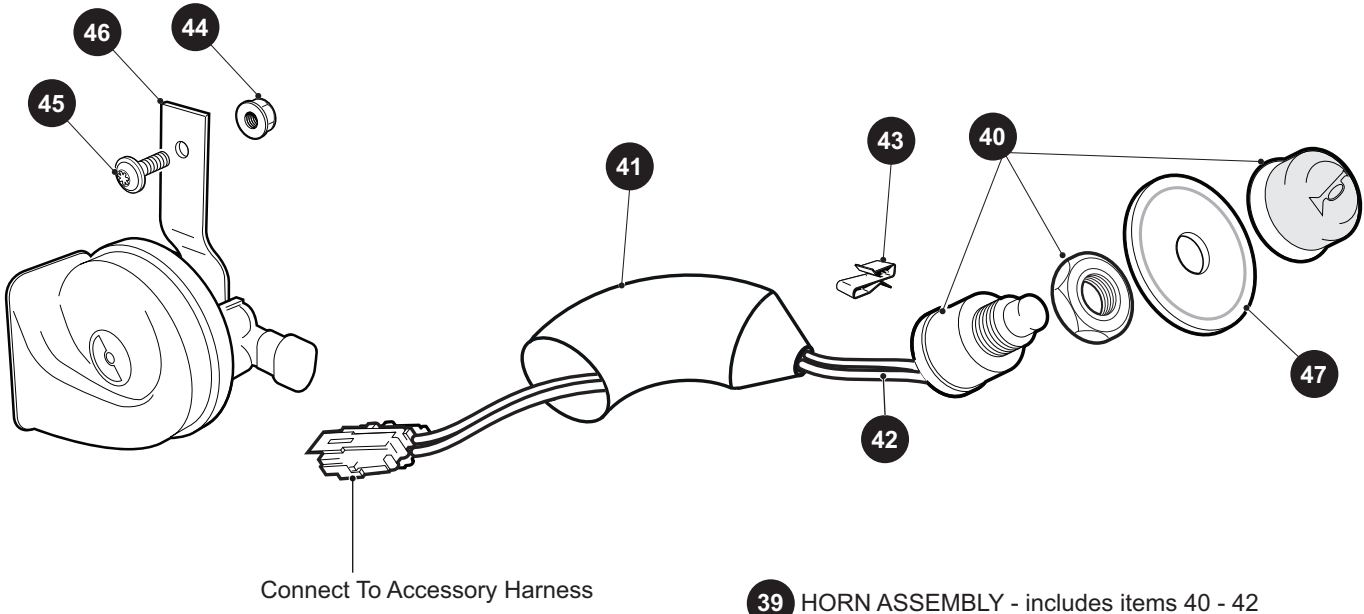
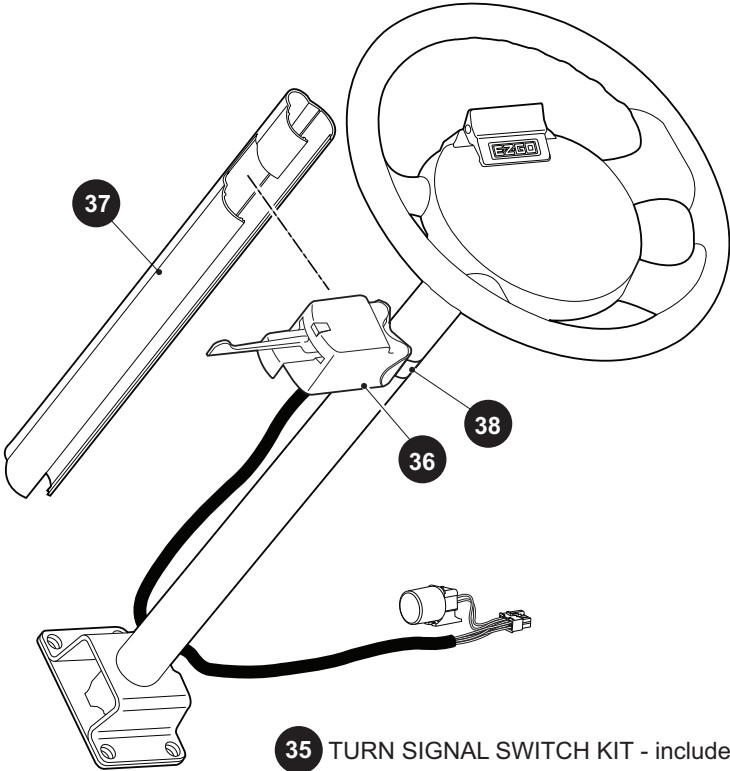


ELECTRICAL SYSTEM

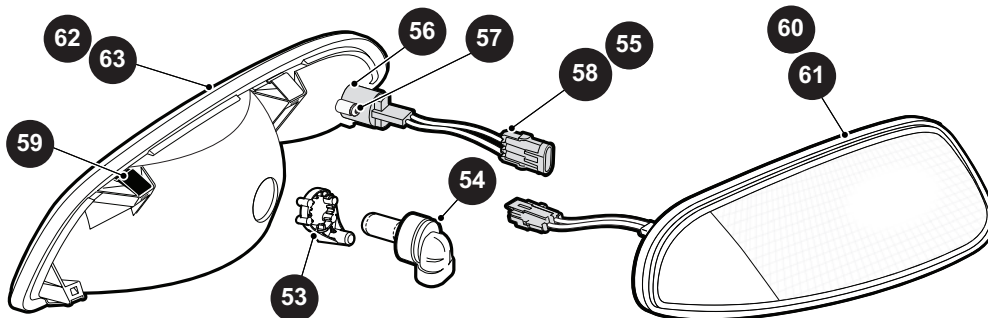


84 GAS HARNESS REPLACEMENT KIT - includes items 76 & 85

30 STATE OF CHARGE METER KIT - includes item 31

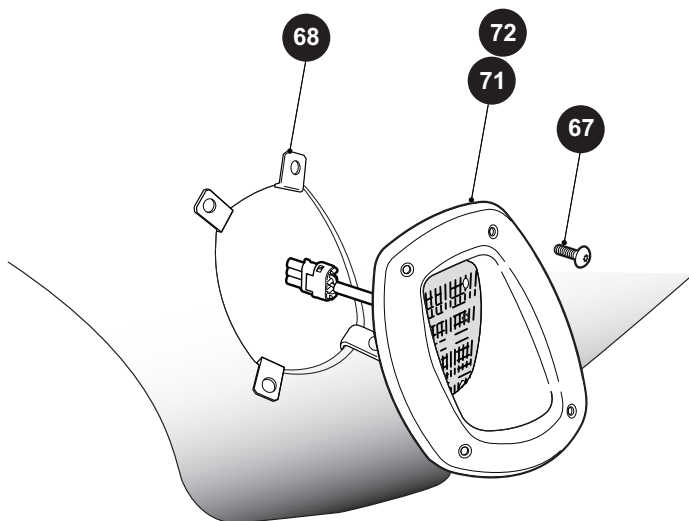


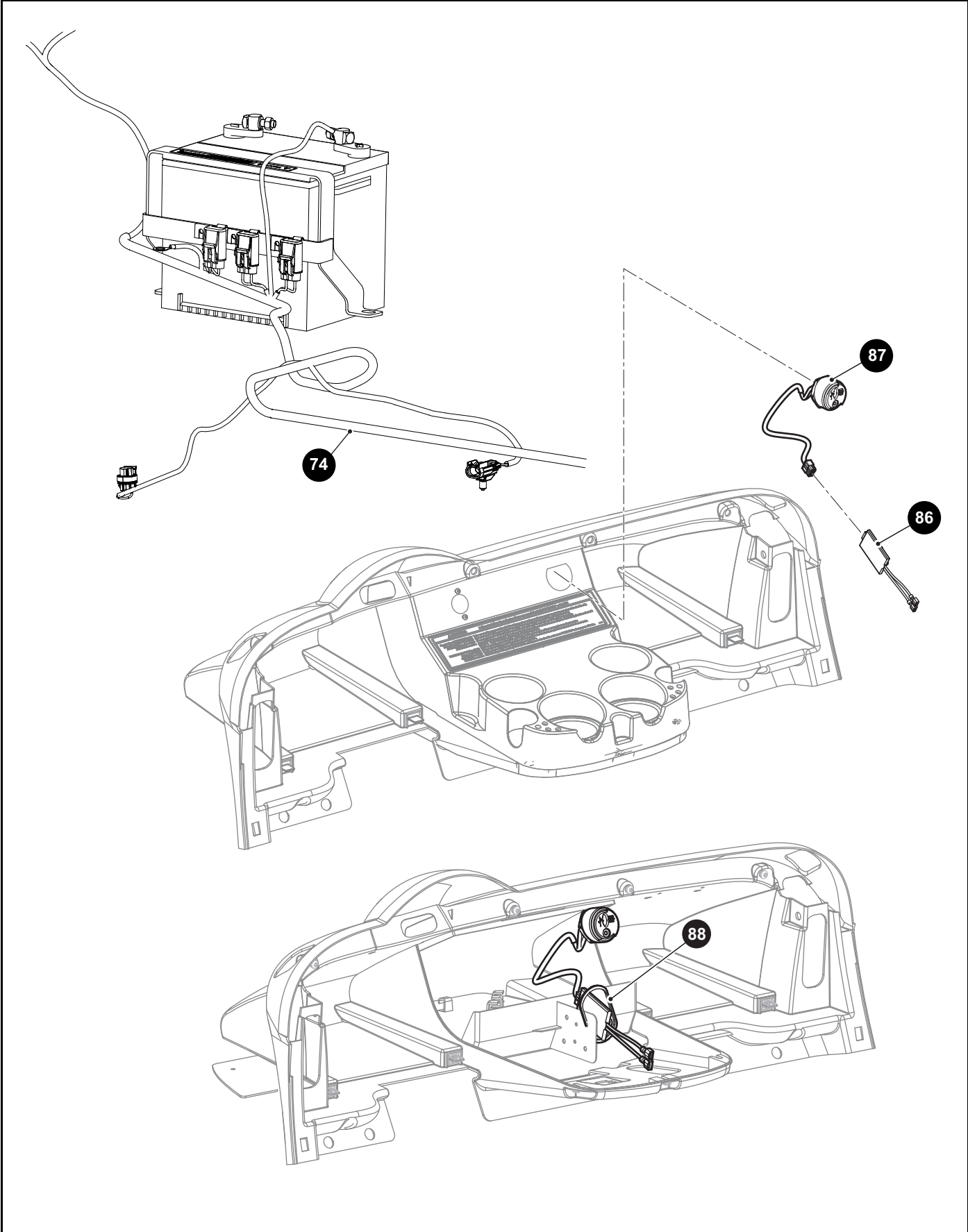
ELECTRICAL SYSTEM



- 50 HEAD LIGHT KIT - includes items 51, 52
- 51 HEAD LIGHT ASSEMBLY, DRIVER SIDE - includes items 53 - 59, 61, 63
- 52 HEAD LIGHT ASSEMBLY, PASSENGER SIDE - includes items 53 - 60, 62

- 65 TAIL LIGHT KIT - includes items 66 - 72
- 66 TAIL LIGHT HARDWARE KIT - includes items 67 & 68
- 69 TAIL LIGHT ASSEMBLY, DRIVER SIDE - includes items 71 & 72
- 70 TAIL LIGHT ASSEMBLY, PASSENGER SIDE - includes items 71 & 72





ELECTRICAL SYSTEM

When ordering parts, please specify the model and serial number of the product.

* Indicates a component that is not available as an individual part.

*** Indicates consult Customer Service Department for additional information.

ITEM	PART NO.	1 2 3 4 5	DESCRIPTION	QTY.
1	615758		MAIN HARNESS	1
2	24775G1		BATTERY, 12V (FOR VEHICLES MANUFACTURED BEFORE 18AUG2014)	1
3	643145		BATTERY TIE DOWN	1
4	605957		BOSS SCREW, M8	2
5	601462		POSITIVE BATTERY CABLE (SOL - BATT+)	1
6	603874		6 GA. WIRE, (SOL - F2)	1
7				
8	608899		REVERSE WARNING BUZZER KIT	1
9	603282		RELAY, 12V	1
10	27739G01		VOLTAGE REGULATOR	1
11	16816G1		RACHET FASTENER	1
12	601326		BUTTON HEAD TORX SCREW, M6 - 1.0 X 25 LG	1
13	601476		LOCK NUT, M6 - 1.....	2
14	602053		LOCK NUT, M4 - 0.7.....	3
15	600543		BUTTON HEAD TORX SCREW, M4 - 0.7 X 12 LG	3
16				
17	603390		COVER.....	1
18				
19	600497		BATTERY, 12V HEAVY DUTY (FOR VEHICLES MANUFACTURED BEFORE 18AUG2014)	1
20	610428		BOLT EXTENDER, BATTERY.....	2
21	602070		GROUND CABLE	1
22	606962		CLAMP	2
23	606264		HEX FLANGE HEAD BOLT, M6 - 1.0 X 20 LG.....	1
24	602572		PAN HEAD BOLT, M10 - 1.5 X 25 LG	1
25	606265		HEX FLANGE HEAD BOLT, M6 -1 X 12 LG.....	1
26				
27	607120		HOUR METER	1
28	603721		HOUR METER BRACKET	1
29				
30	610583		STATE OF CHARGE METER KIT (includes item 31).....	1

ELECTRICAL SYSTEM

When ordering parts, please specify the model and serial number of the product.

* Indicates a component that is not available as an individual part.

*** Indicates consult Customer Service Department for additional information.

ITEM	PART NO.	1 2 3 4 5	DESCRIPTION	QTY.
31	612314		FUEL GAUGE	1
32	604019		HEADLIGHT SWITCH	1
33	611284		KEY SWITCH.....	1
34	609695		KEY SWITCH.....	1
35	607530		TURN SIGNAL SWITCH KIT (includes items 36 - 38).....	1
36	604511		TURN SIGNAL ASSEMBLY	1
37	20965G3		COVER.....	1
38	608771		RUBBER TAPE/INSULATION	1
39	624610		HORN ASSEMBLY KIT (includes items 40- 42)	1
40	17318G1		MOMENTARY SWITCH	1
41	27068G01		BOOT HORN SWITCH.....	1
42	618801		HORN BUTTON HARNESS.....	1
43	01072G01		CLIP	3
44	601476		LOCK NUT, M6 - 1	1
45	601326		BUTTON HEAD TORX BOLT, M6 - 1 X 20 LG	1
46	604196		HORN ASSEMBLY	1
47	608397		HORN PLATE	1
48	609680		KEY.....	1
49	612956		KEY.....	1
50	607445		HEADLIGHT KIT (includes items 51, 52).....	1
51	607439		HEADLIGHT ASSEMBLY, DRIVER SIDE (includes items 53 - 59, 61, 63)	1
52	607438		HEADLIGHT ASSEMBLY, PASSENGER SIDE (includes items 53 - 60, 62)	1
53	615459		HEADLAMP COLLAR	1
54	74004G01		HEADLIGHT BULB	1
55	604539		TURN SIGNAL BULB.....	1
56	608322		BULB RETAINER.....	1
57	608328		BUTTON HEAD TORX SCREW, PLASTITE, M3 - 1.3 X 14 LG	1
58	607487		TURN SIGNAL WIRE HARNESS	1
59	607434		HEADLIGHT RETAINING CLIP	4
60	607437		GASKET, PASSENGER SIDE	1

ELECTRICAL SYSTEM

When ordering parts, please specify the model and serial number of the product.

* Indicates a component that is not available as an individual part.

*** Indicates consult Customer Service Department for additional information.

ITEM	PART NO.	1	2	3	4	5	DESCRIPTION	QTY.
61	607452						GASKET, DRIVER SIDE	1
62	607435						HEAD LAMP, PASSENGER SIDE	1
63	607436						HEAD LAMP, DRIVER SIDE	1
64								
65	607450						TAIL LIGHT KIT (includes items 66 - 72).....	1
66	607474						TAIL LIGHT HARDWARE KIT (includes items 67 & 68)	1
67	601326						BUTTON HEAD TORX BOLT, M6 - 1 X 20 LG	8
68	602409						BARRELL CLIP, M6.....	8
69	603325						TAIL LIGHT ASSEMBLY, DRIVER SIDE (includes items 71 & 72).....	1
70	603326						TAIL LIGHT ASSEMBLY, PASSENGER SIDE (includes items 71 & 72).....	1
71	604311						TAIL LIGHT BULB	1
72	604858						TAIL LIGHT LENS	1
73								
74	621167						ACCESSORY HARNESS.....	1
75	620963						SOLENOID KIT, 14 V (includes items 76 - 81)	1
76	620962						SOLENOID BASE	1
77	615349						BRACKET	1
78	601326						BUTTON HEAD TORX BOLT, M6 - 1.0 X 20 LG	2
79	601476						LOCK NUT, M6 - 1	2
80	11343G2						TERMINAL RING	2
81	602572						PAN HEAD BOLT, M6 - 1.5 X 25 LG	1
82	17618G1						NYLON CLAMP (NOT ILLUSTRATED).....	3
83								
84	631284						GAS HARNESS REPLACEMENT KIT (includes items 76, 85).....	1
85	631282						THROTTLE SWITCH JUMPER	1
86	638233						ELECTRONICS BOX	1
87	639384						USB PORT	1
88	17618G1						NYLON CLAMP.....	2
89	638512						USB HARNESS (NOT ILLUSTRATED).....	1
90								

ELECTRICAL SYSTEM

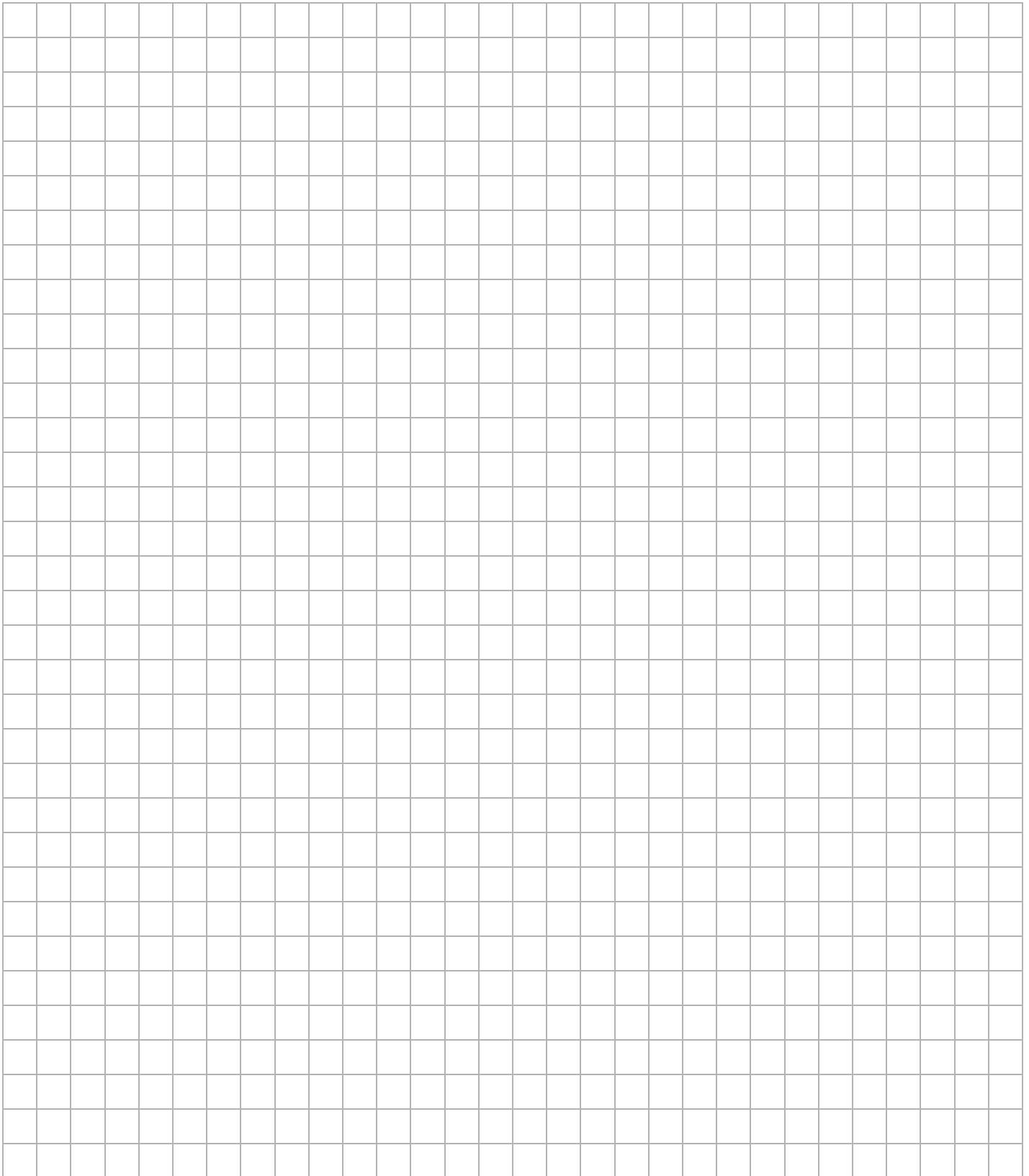
When ordering parts, please specify the model and serial number of the product.

* Indicates a component that is not available as an individual part.

*** Indicates consult Customer Service Department for additional information.

ITEM	PART NO.	1 2 3 4 5	DESCRIPTION	QTY.
91	637484		BATTERY, 12V (FOR VEHICLES MANUFACTURED FROM 18AUG2014)	1
92	638433		BATTERY, HEAVY DUTY (FOR VEHICLES MANUFACTURED FROM 18AUG2014)	1
93	610428		BATTERY BOLT EXTENDER (FOR VEHICLES MANUFACTURED FROM 18AUG2014)	2

Notes:

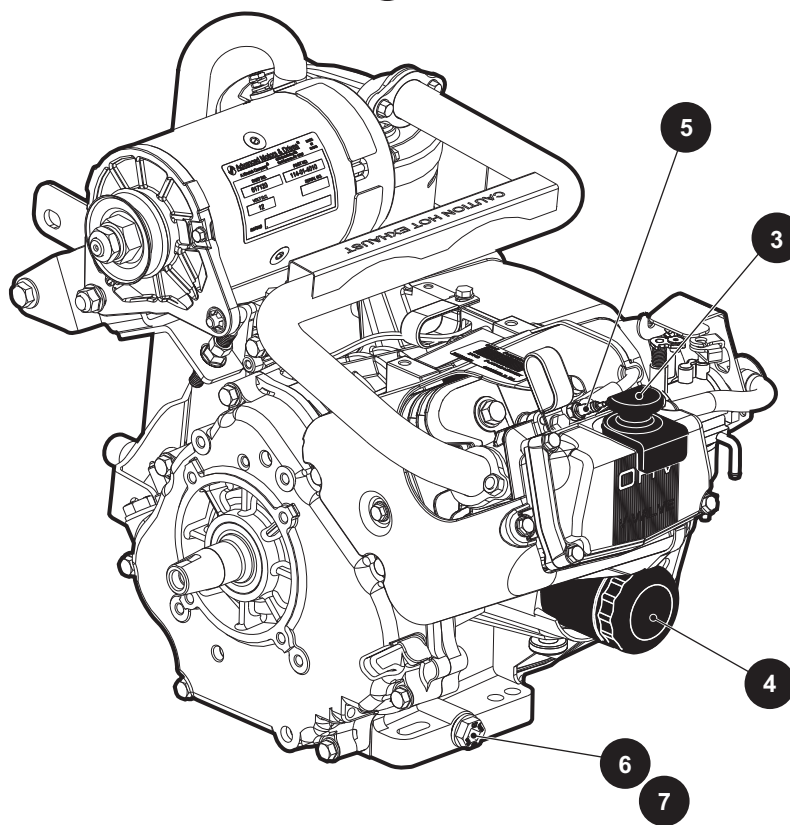


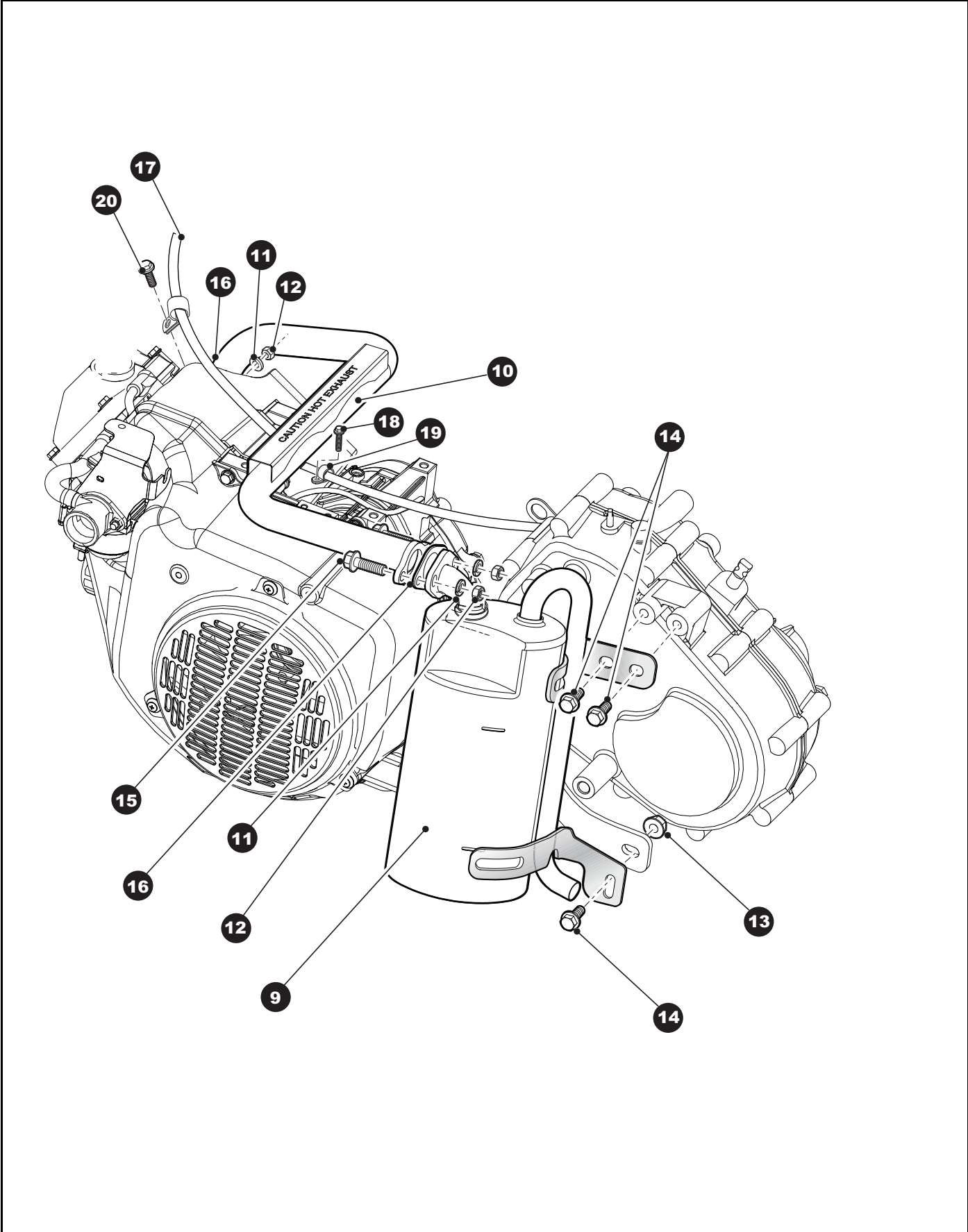
Notes:

A large grid for taking notes, consisting of 20 columns and 30 rows of small squares.

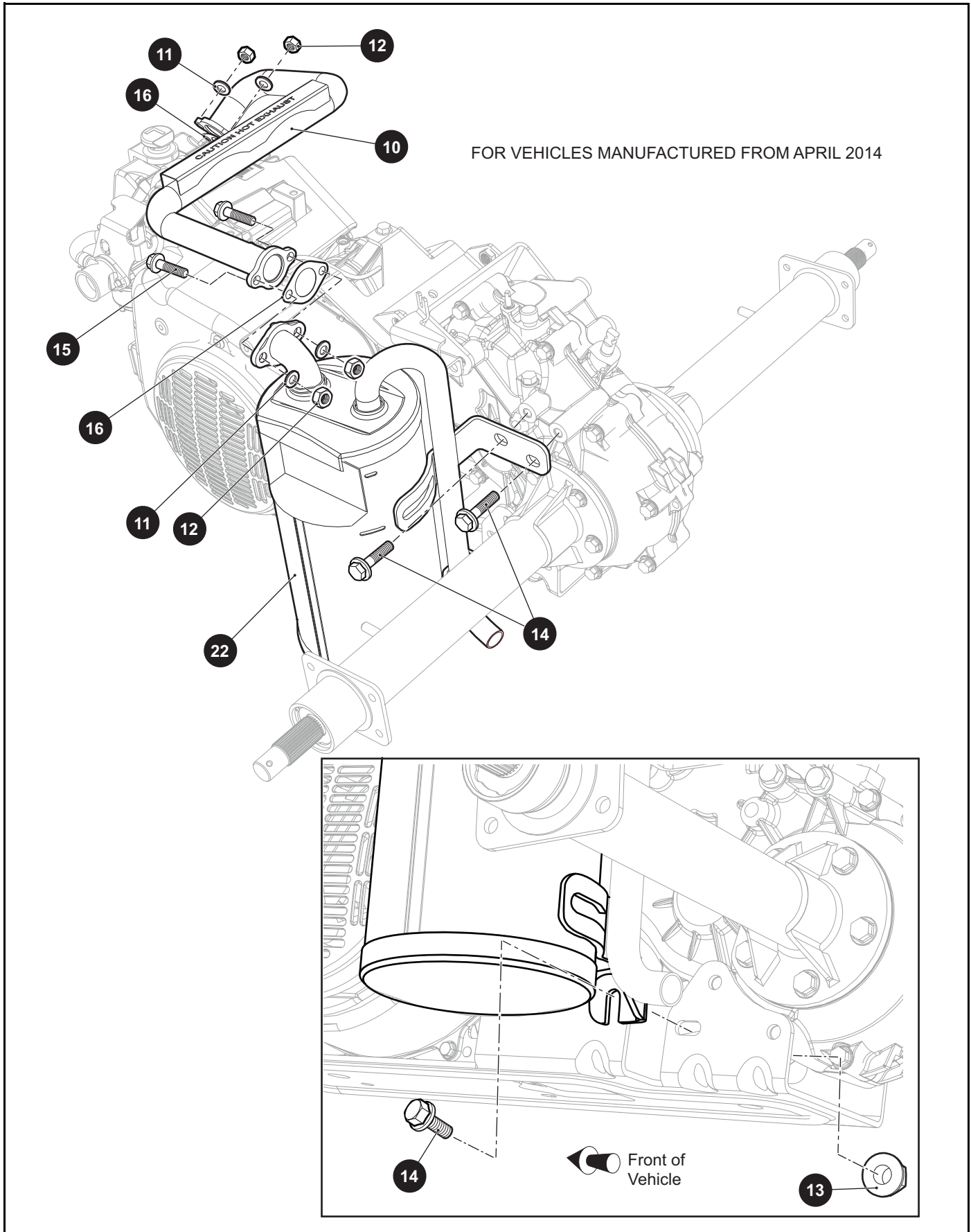
ENGINE AND MUFFLER

1 GAS ENGINE includes items 4 - 7





ENGINE AND MUFFLER



ENGINE AND MUFFLER

When ordering parts, please specify the model and serial number of the product.

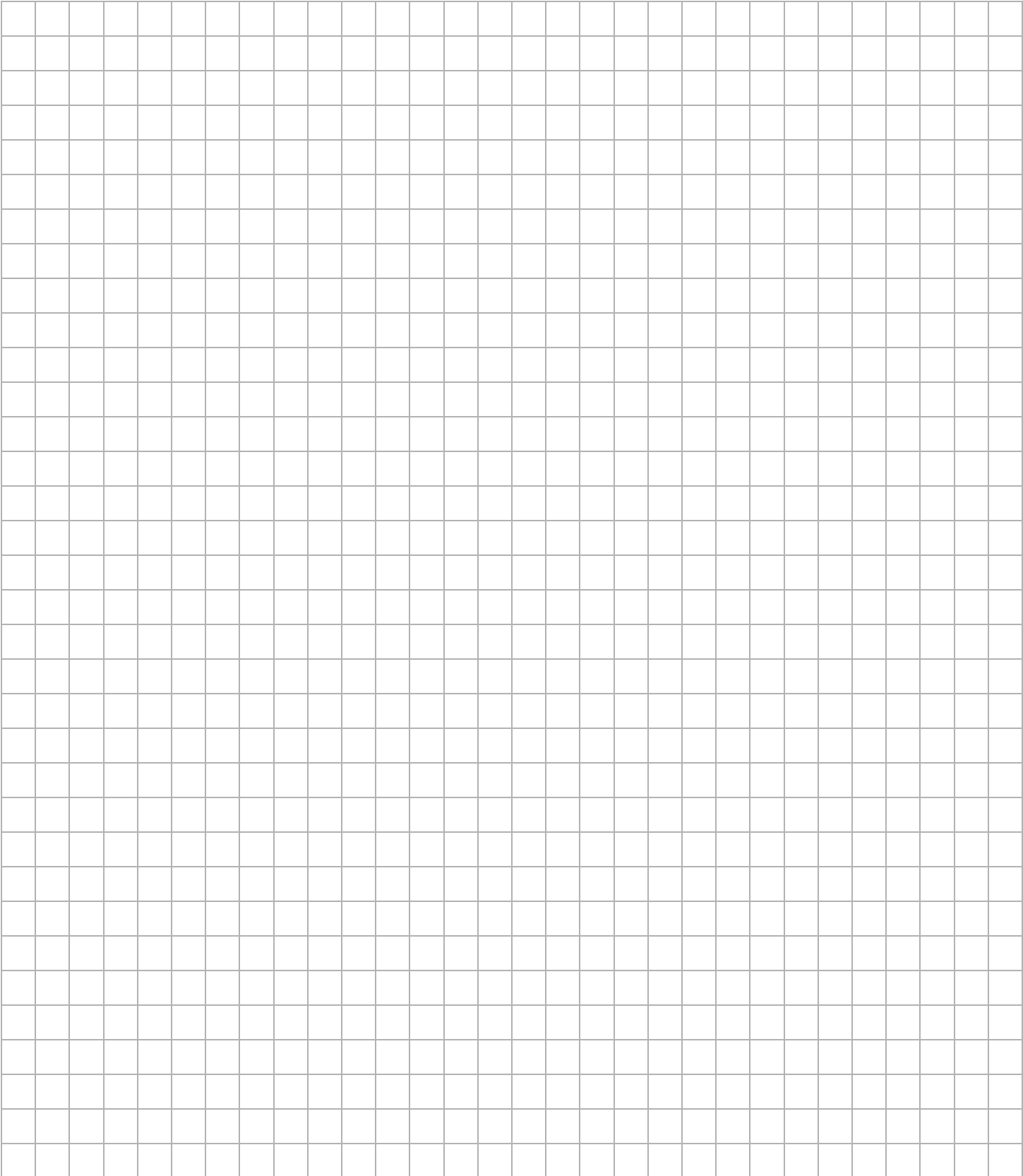
* Indicates a component that is not available as an individual part.

*** Indicates consult Customer Service Department for additional information.

ITEM	PART NO.	1 2 3 4 5	DESCRIPTION	QTY.
1	633740		ENGINE, GAS, 13HP, NON-GOLF (INCLUDES ITEMS 4 - 7)	1
2				
3	606390		DIP STICK.....	1
4	607454		OIL FILTER.....	1
5	607462		SPARK PLUG (BPR2ES)	1
6	603557		OIL DRAIN PLUG.....	1
7	603562		'O' RING, 16MM.....	1
8				
9	612266		MUFFLER	1
10	606982		EXHAUST PIPE	1
11	606272		SPLIT WASHER, 8MM	4
12	606267		JAM NUT, M8 X 1.25.....	4
13	606279		FLANGE NUT, M10 - 1.25.....	1
14	606256		HEX HEAD FLANGE BOLT, M10 - 1.25 X 25MM LG	3
15	602330		HEX HEAD FLANGE BOLT, M8 - 1.25 X 30MM LG	2
16	603599		EXHAUST GASKET.....	2
17	27184G12		FUEL TUBE	1
18	606264		HEX HEAD FLANGE BOLT, M6 - 1 X 20MM LG	1
19	606962		CLAMP.....	2
20	606265		HEX HEAD FLANGE BOLT, M6 - 1 X 12MM LG	1
21				
22	630970		MUFFLER (FOR VEHICLES MANUFACTURED FROM APRIL 2014)	1

ENGINE AND MUFFLER

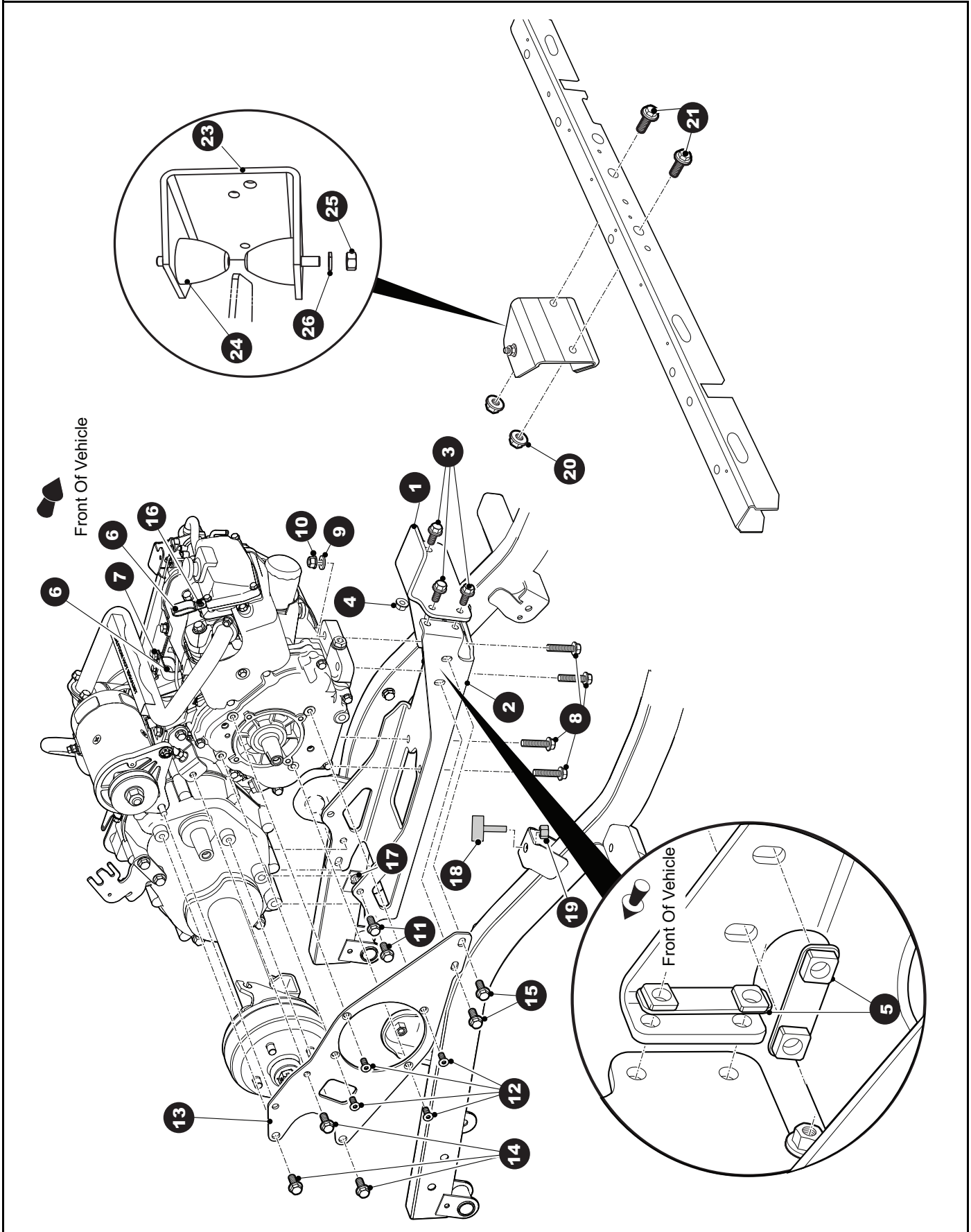
Notes:

A large grid of graph paper with approximately 26 columns and 30 rows, intended for taking notes.

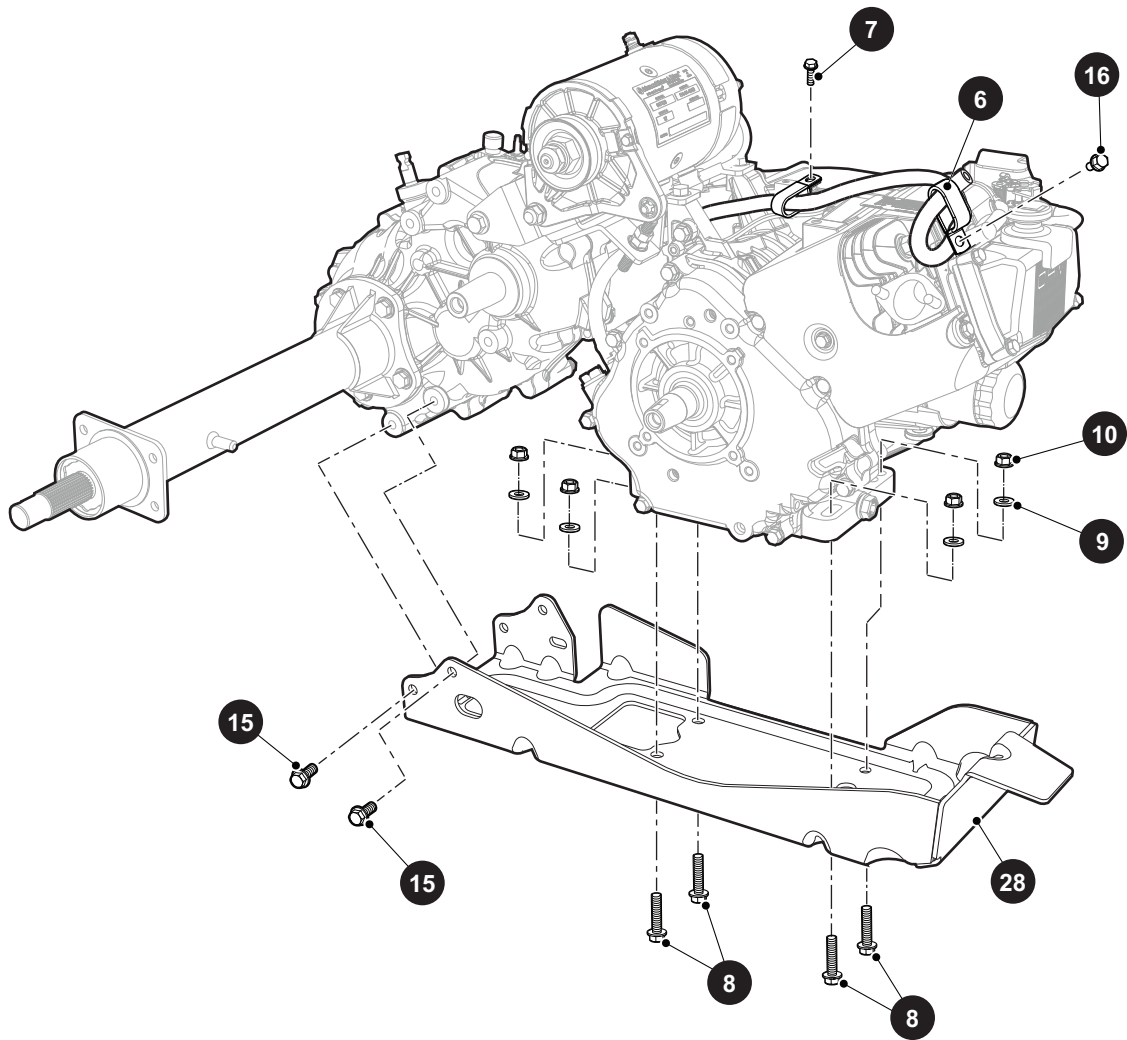
Notes:

A large grid of graph paper with 25 columns and 30 rows, intended for taking notes.

ENGINE MOUNTING



FOR VEHICLES MANUFACTURED FROM APRIL 2014



ENGINE MOUNTING

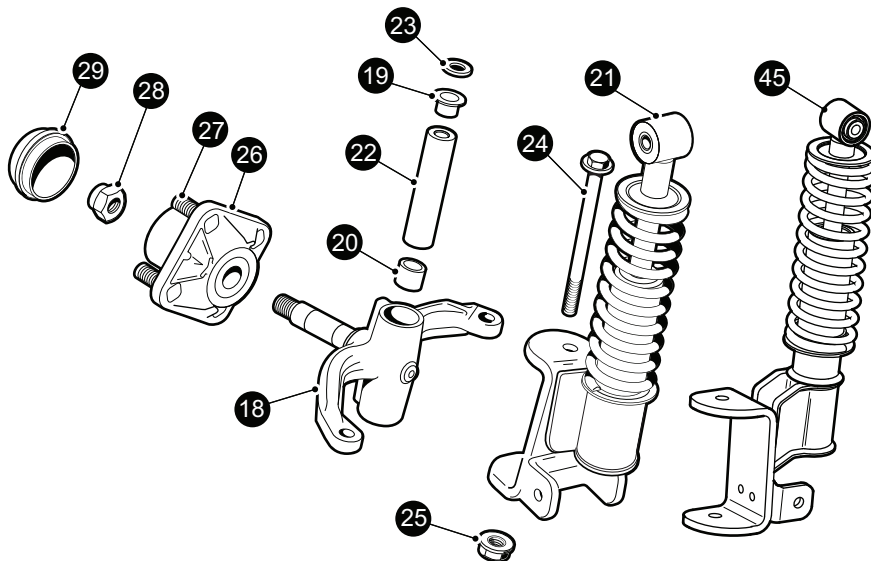
When ordering parts, please specify the model and serial number of the product.

* Indicates a component that is not available as an individual part.

*** Indicates consult Customer Service Department for additional information.

ITEM	PART NO.	1 2 3 4 5	DESCRIPTION	QTY.
1	606007		FRONT ENGINE MOUNT	1
2	603101		ENGINE PAN MOUNT	1
3	606256		HEX HEAD BOLT, M10 - 1.25 X 25MM LG	3
4	606279		HEX FLANGE NUT, M12 - 1.25.....	1
5	606096		NUT PLATE	2
6	606962		CLAMP	2
7	606264		HEX HEAD BOLT, M6 - 1.0 X 20MM LG	1
8	606259		HEX HEAD BOLT, M10 - 1.25 X 45MM LG	4
9	603823		FLAT WASHER, M10 X 22 - 2.5MM.....	4
10	606279		HEX FLANGE NUT, M10 - 1.25.....	4
11	608020		HEX FLANGE HEAD BOLT, M10 - 1.25 X 34MM LG.....	4
12	606246		FLAT HEAD SCREW, T40.....	4
13	602146		DIFFERENTIAL PLATE	1
14	606256		HEX FLANGE HEAD BOLT, M10 - 1.25 X 25MM LG.....	3
15	606256		HEX FLANGE HEAD BOLT, M10 - 1.25 X 25MM LG.....	2
16	606265		HEX FLANGE HEAD BOLT, M6 -1 X 12MM LG.....	1
17	00560G2		FLAT WASHER, 3/8"	2
18	70113G01		ADJUSTABLE RUBBER BUMPER	1
19	11098G6		PLASTIC LOCK NUT, 5/16" -18	1
20	600525		LOCK NUT, M10 X 1.5	2
21	603799		HEX HEAD BOLT, M10 -1.5 X 25MM LG	2
22				
23	625345		FRONT MOUNT BRACKET	1
24	605757		RUBBER BUMPER	2
25	00974G01		HEX NUT, M10 - 1.5.....	2
26	608654		SPLIT LOCK WASHER, 10MM	2
27				
28	630776		ENGINE PAN (FOR VEHICLES MANUFACTURED FROM APRIL 2014)	1

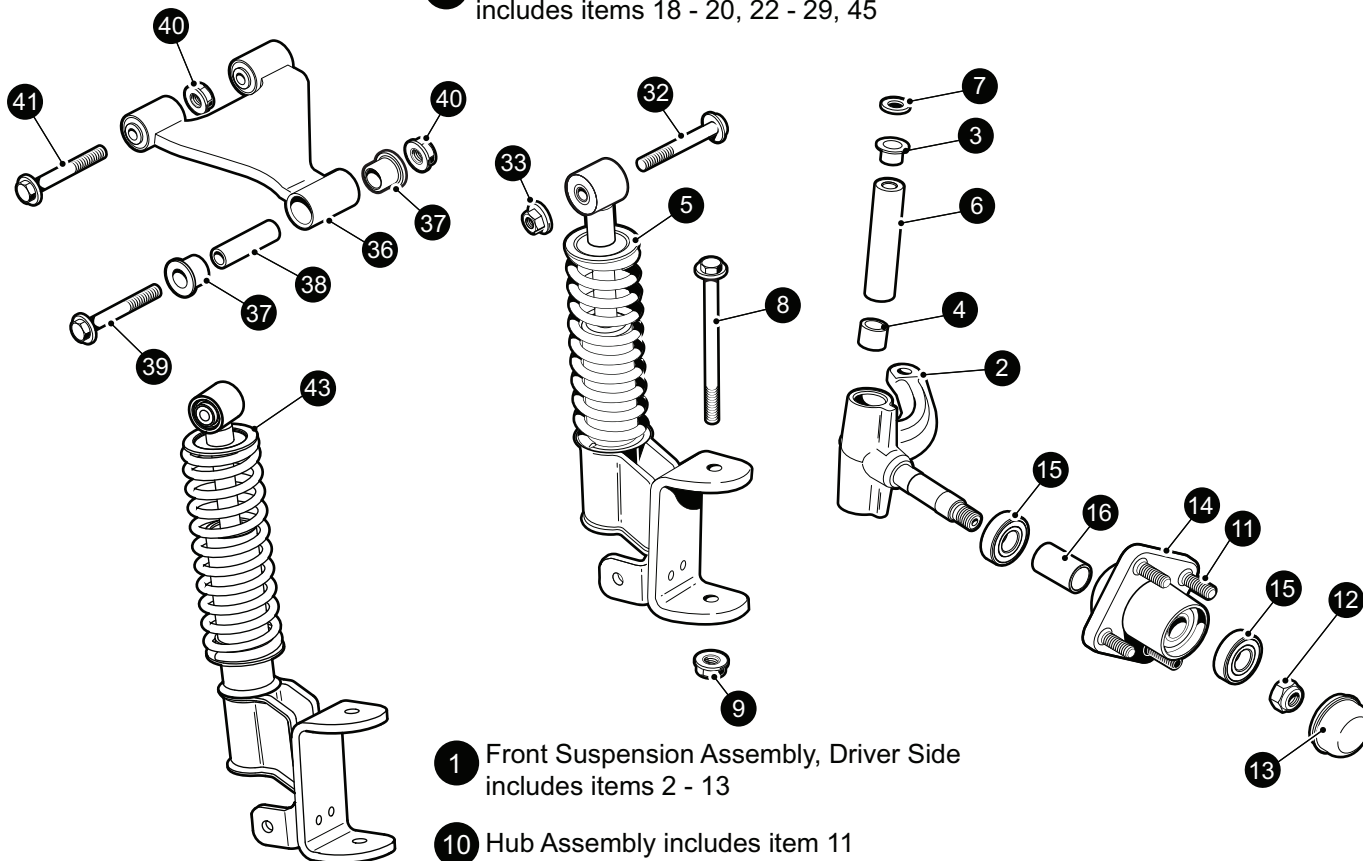
FRONT SUSPENSION



17 Front Suspension Assembly, Passenger Side
includes items 18 - 29

26 Hub Assembly includes item 27

44 Strut Spindle Assembly, Passenger Side
includes items 18 - 20, 22 - 29, 45



1 Front Suspension Assembly, Driver Side
includes items 2 - 13

10 Hub Assembly includes item 11

42 Strut Spindle Assembly, Driver Side
includes items 2- 4, 6 - 13, 43

FRONT SUSPENSION

When ordering parts, please specify the model and serial number of the product.

* Indicates a component that is not available as an individual part.

*** Indicates consult Customer Service Department for additional information.

ITEM	PART NO.	1 2 3 4 5	DESCRIPTION	QTY.
1	620671		SHOCK ABSORBER ASSEMBLY, DRIVER SIDE (includes items 2 - 13)	1
2	601413		SPINDLE ASSEMBLY, DRIVER SIDE.....	1
3	632925		FLANGE BUSHING, 25MM, DP4	1
4	632926		BUSHING, 25MM, DP4.....	1
5	601246		STRUT ASSEMBLY, DRIVER SIDE	1
6	614034		KINGPIN TUBE	1
7	601920		THRUST WASHER (SS), 2.5MM	1
8	620380		KINGPIN, HEX HEAD FLANGE BOLT, M12 - 1.25 X 145MM LG	1
9	600549		HEX FLANGED NUT, M12 - 1.25	1
10	609603		HUB ASSEMBLY (includes item 11, 14 - 17).....	1
11	19862G1		WHEEL STUD.....	4
12	615109		LOCK NUT, M16 - 2.....	1
13	12091G2		SPINDLE CAP	1
14	602340		HUB CAST & MACH	1
15	602341		BALL BEARING 47 X 20 X 14	2
16	602342		TUBE BEARING SPACER	1
17	620672		SHOCK ABSORBER ASSEMBLY, PASSENGER SIDE (includes items 18 - 29).....	1
18	610802		SPINDLE ASSEMBLY, PASSENGER SIDE	1
19	632925		FLANGED BUSHING, 25MM, DP4.....	1
20	632926		BUSHING, 25MM, DP4.....	1
21	603024		STRUT ASSEMBLY, PASSENGER SIDE	1
22	614034		KINGPIN TUBE	1
23	601920		THRUST WASHER (SS), 2.5MM	1
24	620380		KINGPIN, HEX HEAD FLANGE BOLT, M12 - 1.25 X 145MM LG	1
25	600549		HEX FLANGE NUT, M12 - 1.25.....	1
26	609603		HUB ASSEMBLY (includes item 27).....	1
27	19862G1		WHEEL STUD.....	4
28	615109		LOCK NUT, M16 - 2.....	1
29	12091G2		SPINDLE CAP	1
30				

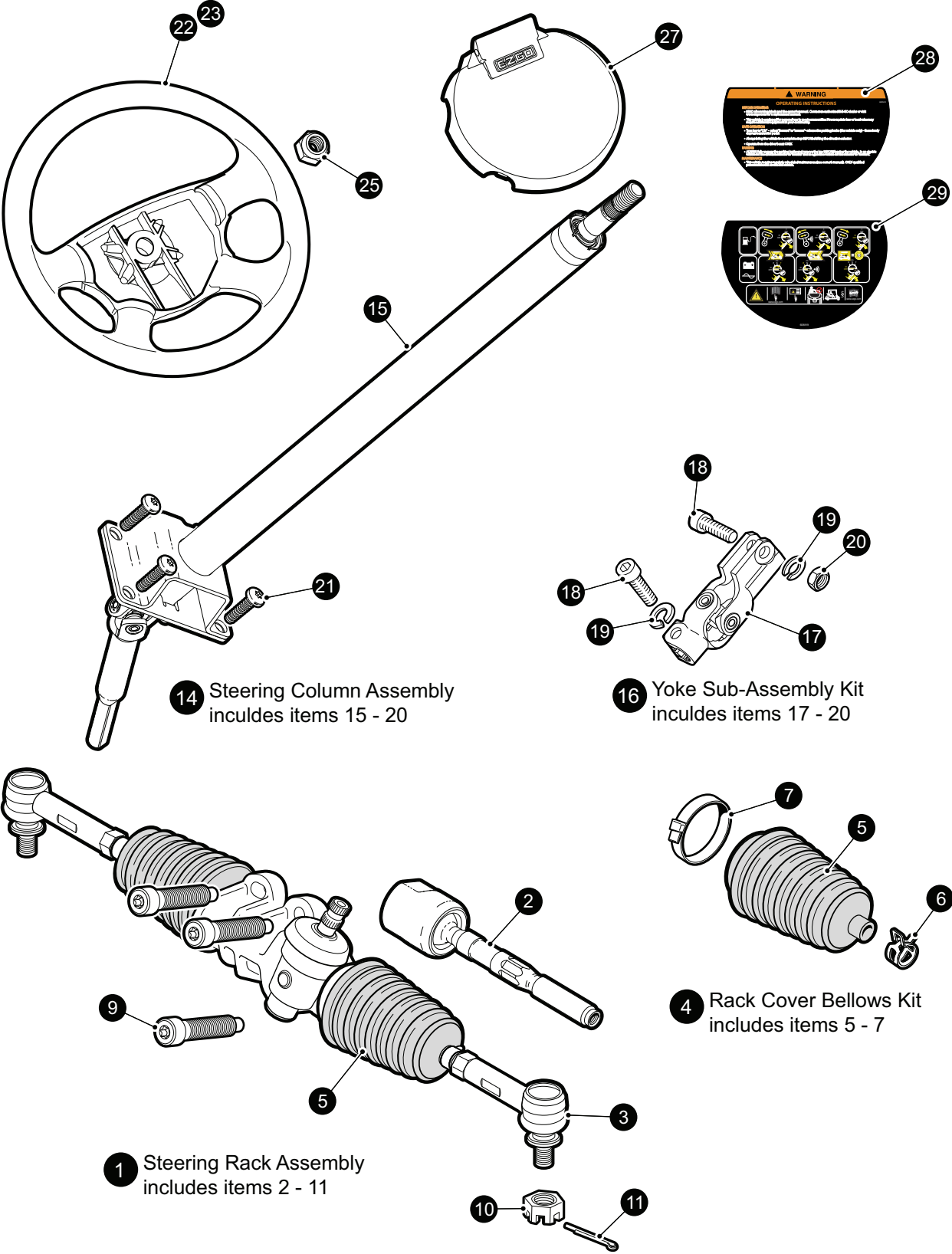
FRONT SUSPENSION

When ordering parts, please specify the model and serial number of the product.

* Indicates a component that is not available as an individual part.

*** Indicates consult Customer Service Department for additional information.

ITEM	PART NO.	1 2 3 4 5	DESCRIPTION	QTY.
31				
32	602415		HEX HEAD FLANGE BOLT, M10 - 1.5 X 80	2
33	600525		LOCK NUT, M10 - 1.5.....	2
34				
35				
36	608089		A-ARM ASSEMBLY	2
37	601340		A-ARM BUSHING.....	4
38	602085		A-ARM CARRIER TUBE	2
39	601754		HEX HEAD FLANGE BOLT, M10 - 1.5 X 90	2
40	600525		LOCK NUT, M10 - 1.5.....	6
41	602415		HEX HEAD FLANGE BOLT, M10 - 1.5 X 80	4
42	638947		STRUT SPINDLE ASSEMBLY, DRIVER SIDE (includes items 2 - 4, 6 - 13, 43)	1
43	639431		STRUT ASSEMBLY, DRIVER SIDE	1
44	638948		STRUT SPINDLE ASSEMBLY, PASSENGER SIDE (includes items 18 - 20, 22 - 29, 45)	1
45	639432		STRUT ASSEMBLY, PASSENGER SIDE	1



14 Steering Column Assembly includes items 15 - 20

16 Yoke Sub-Assembly Kit includes items 17 - 20

1 Steering Rack Assembly includes items 2 - 11

4 Rack Cover Bellows Kit includes items 5 - 7

FRONT SUSPENSION

When ordering parts, please specify the model and serial number of the product.

* Indicates a component that is not available as an individual part.

*** Indicates consult Customer Service Department for additional information.

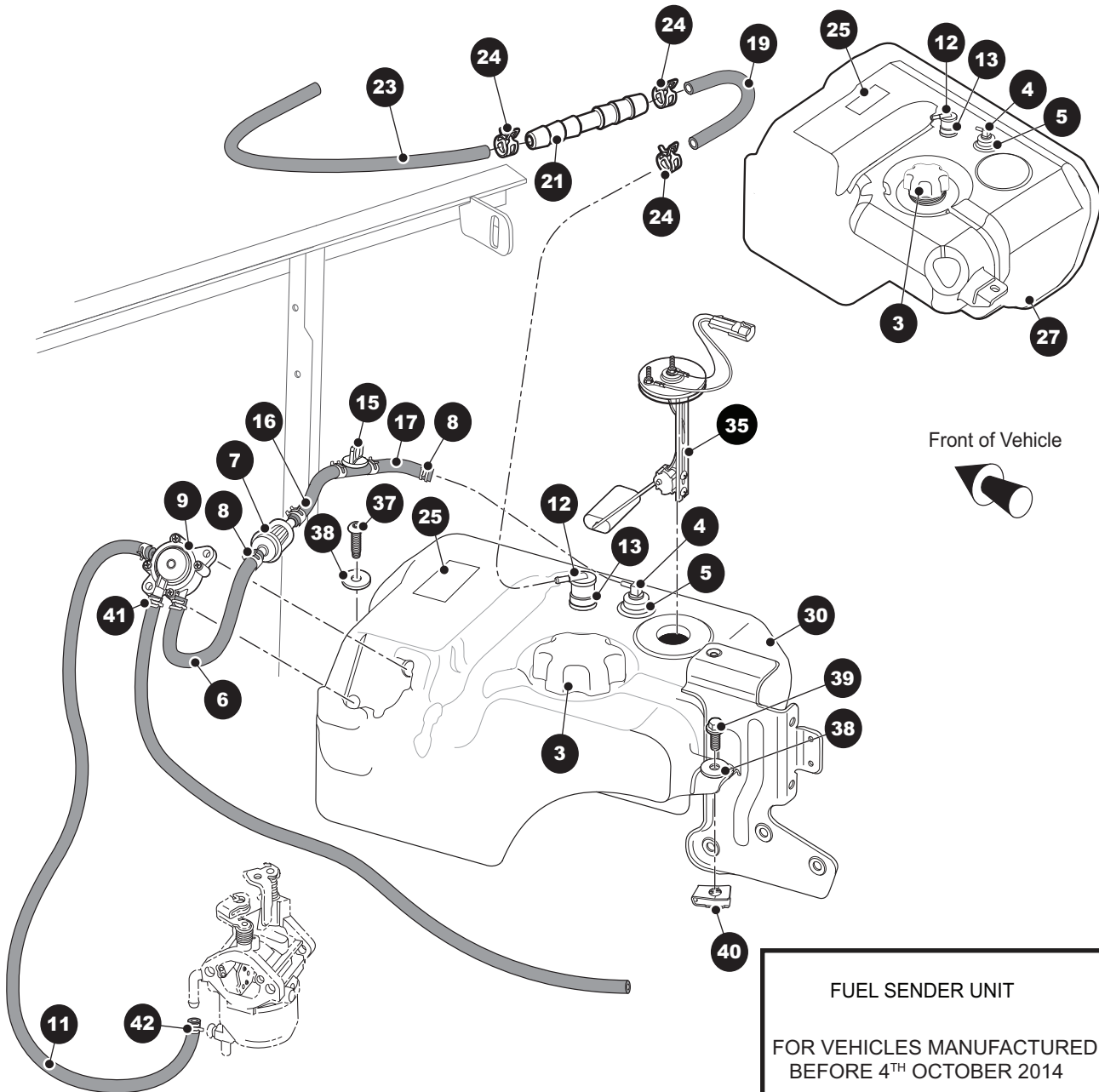
ITEM	PART NO.	1 2 3 4 5	DESCRIPTION	QTY.
1	618329		STEERING RACK ASSEMBLY (includes items 2 - 11)	1
2	603865		STEERING ROD	2
3	604614		ROD END	2
4	604615		RACK COVER BELLOWS KIT (includes items 5 - 7)	2
5	608112		BELLOWS	1
6	608108		BELLOWS CLAMP (small end)	1
7	608109		BELLOWS CLIP (large end)	1
8				
9	602020		TORX SOCKET HEAD CAP SCREW, M10 - 1.5 X 80MM LG	3
10	608005		CASTLE HEX NUT, M12 - 1.25	2
11	10387G2		COTTER PIN	2
12				
13				
14	600333		STEERING COLUMN ASSEMBLY (includes items 15 - 20)	1
15	608117		STEERING COLUMN SUB ASSEMBLY	1
16	604613		YOKE SUB ASSEMBLY KIT (includes items 17 - 20)	1
17	608114		STEERING YOKE	1
18	608653		SOCKET HEAD BOLT, M10 X 1.5 X 35MM LG	2
19	608654		LOCK WASHER, M10.5	2
20	608655		HEX NUT, M10 - 1.5	1
21	602572		PAN HEAD TORX SCREW, TAPTITE M10 - 1.5 X 25MM LG	4
22	602980		STEERING WHEEL, PREMIUM (Optional)	1
23	602979		STEERING WHEEL, FLEET	1
24				
25	601709		LOCK NUT, M16 - 2	1
26				
27	607925		SCORECARD HOLDER ASSEMBLY	1
28	608529		STEERING WHEEL WARNING LABEL	1
29	608819		STEERING WHEEL WARNING LABEL, CE	1

Notes:

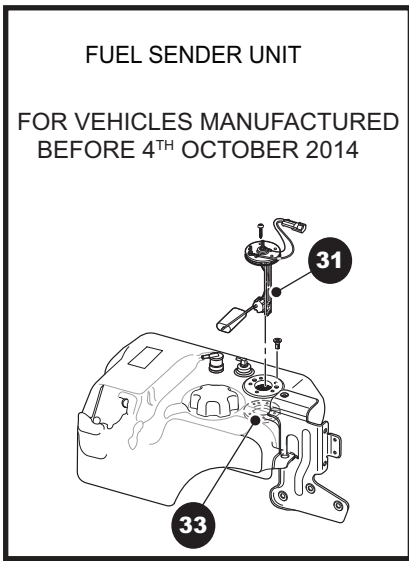
A large grid of graph paper for taking notes, consisting of 20 columns and 30 rows of small squares.

FUEL SYSTEM CARB

FOR VEHICLES MANUFACTURED FROM 5TH OCTOBER TO 2ND DECEMBER 2014



Front of Vehicle



- 1** CARB FUEL TANK ASSEMBLY (WITHOUT SENDING UNIT)
(includes items 3 - 26)
- 2** CARB FUEL TANK ASSEMBLY (WITH SENDING UNIT)
(includes items 3 - 25, 30, 35)
(FOR VEHICLES MANUFACTURED FROM 5TH OCT TO 2ND DEC 2014)
- 26** FLUOR FUEL TANK (WITHOUT SENDER UNIT)
(includes item 27)
- 34** FUEL TANK ASSEMBLY (FLEET)
(includes items 3, 25, 26)

FUEL SYSTEM CARB

When ordering parts, please specify the model and serial number of the product.

* Indicates a component that is not available as an individual part.

*** Indicates consult Customer Service Department for additional information.

ITEM	PART NO.	1 2 3 4 5	DESCRIPTION	QTY.
1	615247		CARB FUEL TANK ASSEMBLY (WITHOUT SENDING UNIT) (INCLUDES ITEMS 3 - 26)	1
2	615248		CARB FUEL TANK ASSEMBLY (WITH SENDING UNIT) (INCLUDES ITEMS 3 - 25, 30, 35)	1
			(FOR VEHICLES MANUFACTURED FROM 5TH OCT TO 2ND DEC 2014)	
3	635688		FUEL TANK CAP (RATCHET).....	1
4	635539		SIPHON TUBE, SHORT	1
5	70988G01		SIPHON TUBE GROMMET	1
6	615121		FUEL HOSE, 13" LG	2
7	72084G01		FUEL LINE FILTER	1
8	18292G1		TUBING CLAMP	7
9	602061		FUEL PUMP	1
10				
11	604597		FUEL HOSE, 26" LG	1
12	606067		ROLLOVER VALVE	1
13	606068		ROLLOVER VALVE GROMMET	1
14				
15	611181		SHUT-OFF VALVE.....	1
16	615350		FUEL HOSE, 2" LG	1
17	615120		FUEL HOSE, 6" LG	1
18				
19	614417		HOSE, 3/16" I.D. X 41" LG	1
20				
21	615346		HOSE REDUCER, 1/4" I.D. X 3/16"	1
22				
23				
24	606963		HOSE TUBING CLAMP, 3/16" I.D.	3
25	625826		FUEL TANK LABEL (EPA).....	1
26	615245		FLUORINATED FUEL TANK (WITHOUT SENDER UNIT) (INCLUDES ITEM 27)	1
27	613182		RXV FUEL TANK (WITHOUT SENDER UNIT).....	1
28				

FUEL SYSTEM CARB

When ordering parts, please specify the model and serial number of the product.

* Indicates a component that is not available as an individual part.

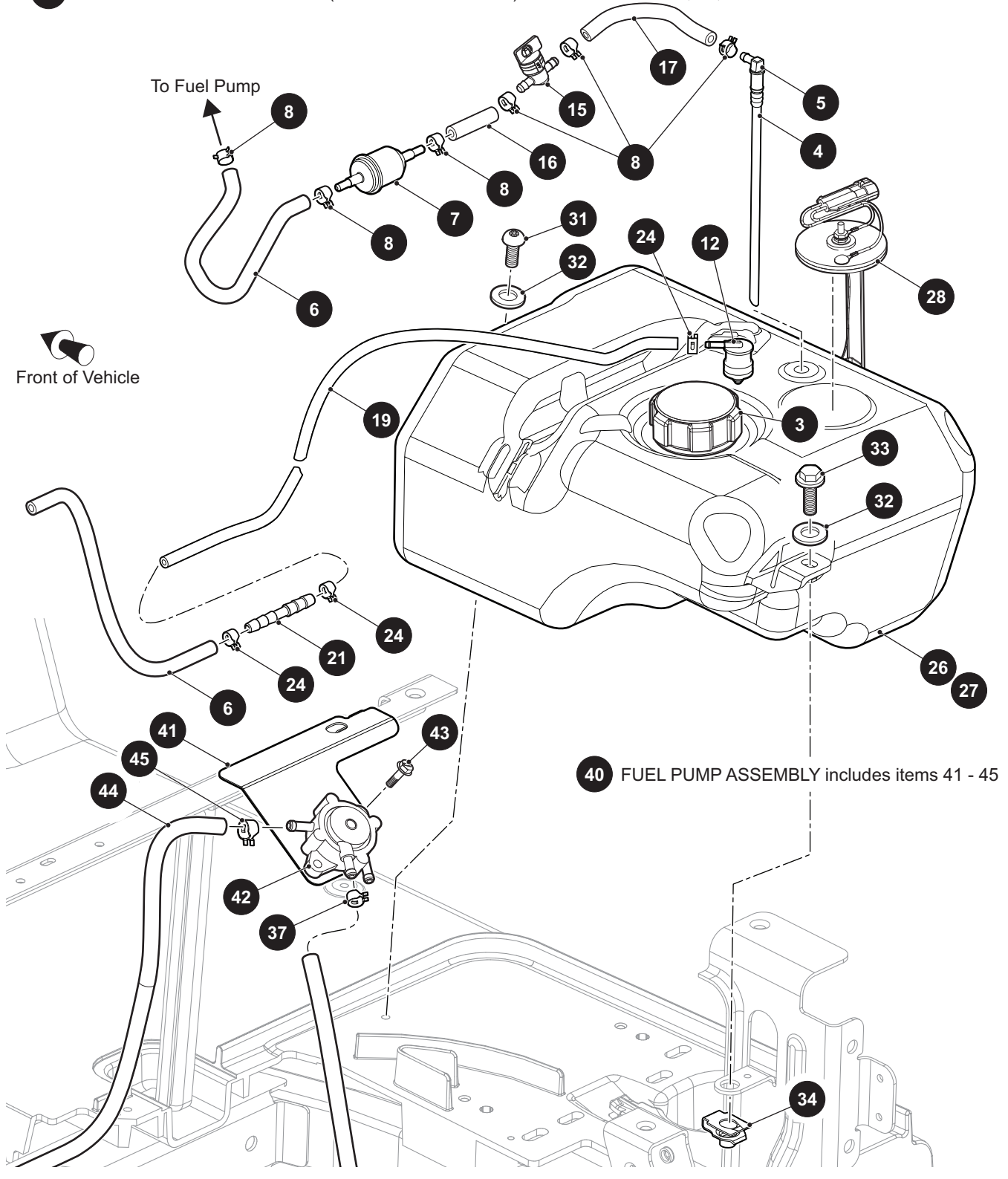
*** Indicates consult Customer Service Department for additional information.

ITEM	PART NO.	1	2	3	4	5	DESCRIPTION	QTY.
29								
30	637493						NON FLUORINATED FUEL TANK (WITH SENDER UNIT)	1
31	604188						FUEL LEVEL SENDER	1
32								
33	72229G01						FUEL LEVEL SENDER ADAPTER	1
34	618118						FUEL TANK ASSEMBLY WITH CAP (FLEET) (INCLUDES ITEM 3, 25, 26)..	1
35	633024G01						PRESS FIT FUEL SENDER	1
36								
37	605957						BOSS SCREW, M8	1
38	604066						FLAT WASHER, M10	2
39	603799						HEX HEAD BOLT, M10 - 1.5 X 25MM LG	1
40	603818						BARREL CLIP NUT, M10 - 1.5	1
41	18292G1						TUBING CLAMP	1
42	11391G4						HOSE CLAMP, .25"	1

FUEL SYSTEM CARB

FOR VEHICLES MANUFACTURED FROM 3RD DECEMBER 2014

- 1 CARB FUEL TANK ASSEMBLY (WITHOUT SENDER HOLE) includes items 3 - 26
- 2 CARB FUEL TANK ASSEMBLY (WITH SENDING UNIT) includes items 3 - 24, 27, 28



FUEL SYSTEM CARB

When ordering parts, please specify the model and serial number of the product.

* Indicates a component that is not available as an individual part.

*** Indicates consult Customer Service Department for additional information.

ITEM	PART NO.	1 2 3 4 5	DESCRIPTION	QTY.
1	615247		CARB FUEL TANK ASSEMBLY (WITHOUT SENDER HOLE) (INCLUDES ITEMS 3 - 26)	1
2	615248		CARB FUEL TANK ASSEMBLY (WITH SENDING UNIT) (INCLUDES ITEMS 3 - 24, 27, 28)	1
3	635688		FUEL TANK CAP (RATCHET).....	1
4	635539		SIPHON TUBE	1
5	70988G01		GROMMET (SIPHON TUBE)	1
6	615121		FUEL HOSE, 13" LG	2
7	72084G01		FUEL LINE FILTER	1
8	18292G1		TUBING CLAMP	6
9				
10				
11				
12	606067		ROLLOVER VALVE	1
13	606068		ROLLOVER VALVE GROMMET (NOT ILLUSTRATED)	1
14				
15	611181		SHUT-OFF VALVE.....	1
16	615350		FUEL HOSE, 2" LG	1
17	615120		FUEL HOSE, 6" LG	1
18				
19	614417		HOSE, 3/16" I.D. X 41" LG	1
20				
21	615346		HOSE REDUCER, 1/4" I.D. X 3/16"	1
22				
23				
24	606963		HOSE TUBING CLAMP, 3/16" I.D.	3
25				
26	643721		FUEL TANK (WITHOUT SENDER HOLE)	1
27	643726		FUEL TANK (WITH SENDER HOLE).....	1
28	633024G01		FUEL SENDER	1
29				
30				

FUEL SYSTEM CARB

When ordering parts, please specify the model and serial number of the product.

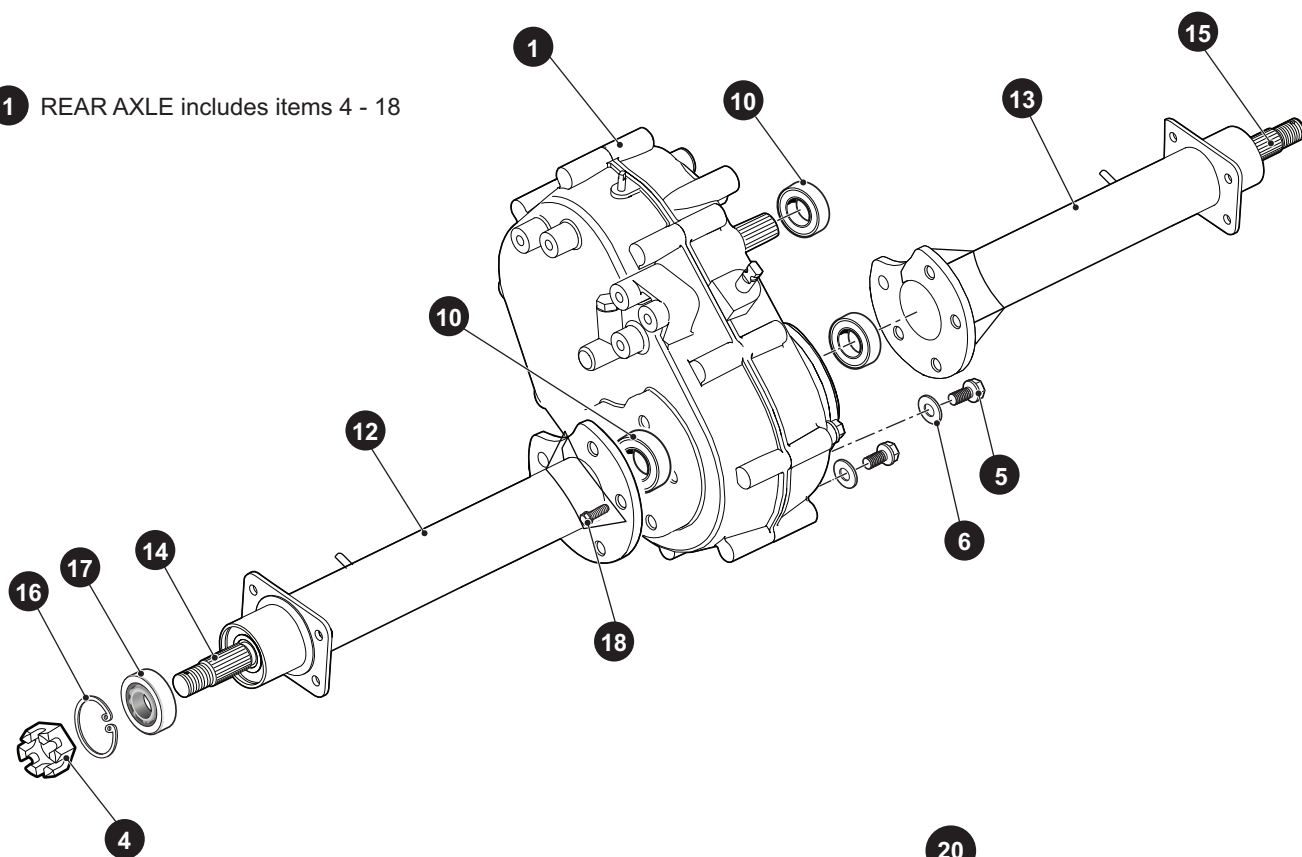
* Indicates a component that is not available as an individual part.

*** Indicates consult Customer Service Department for additional information.

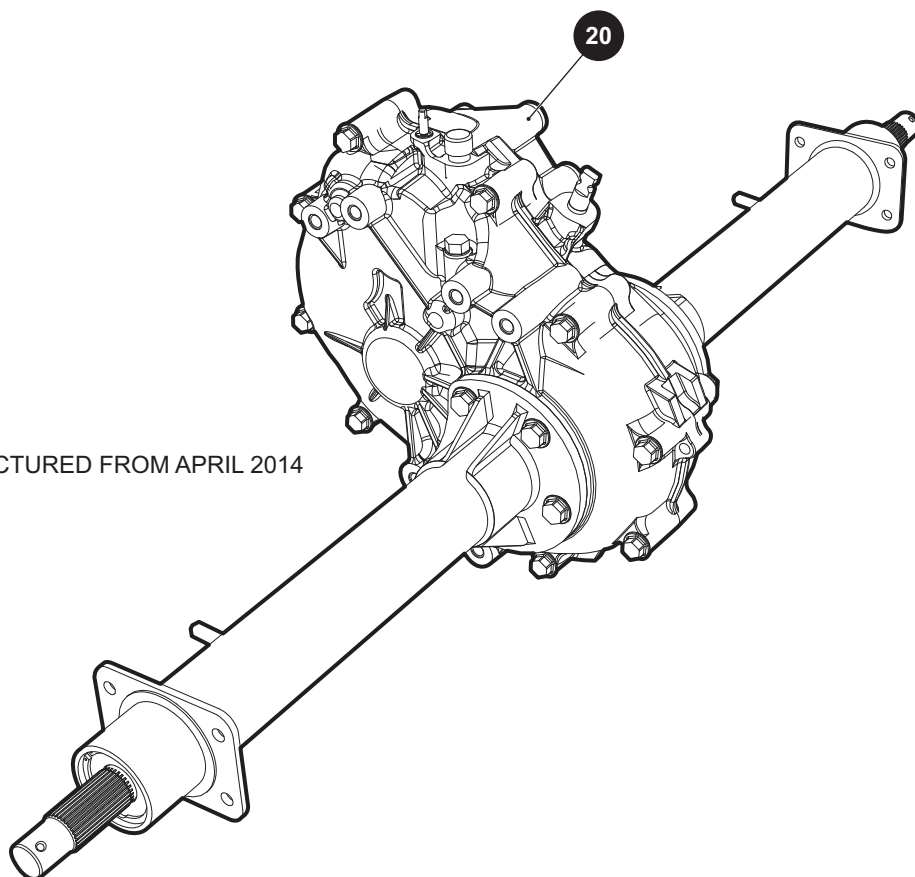
ITEM	PART NO.	1 2 3 4 5	DESCRIPTION	QTY.
31	605957		BOSS SCREW, M8	1
32	604066		FLAT WASHER, M10	2
33	603799		HEX HEAD BOLT, M10 - 1.5 X 25MM LG	1
34	603818		BARREL CLIP NUT, M10 - 1.5	1
35				
36				
37	18292G1		TUBING CLAMP	1
38	11391G4		HOSE CLAMP, .25" (NOT ILLUSTRATED)	1
39				
40	642779		FUEL PUMP ASSEMBLY (INCLUDES ITEMS 41 - 45)	1
41	641301		BRACKET	1
42	602061		FUEL PUMP	1
43	00114G6		HEX WASHER HEAD TAPPING SCREW, 1/4" - 10 X 3/4" LG	2
44	604597		FUEL HOSE, 26" LG	1
45	18292G1		TUBING CLAMP	1

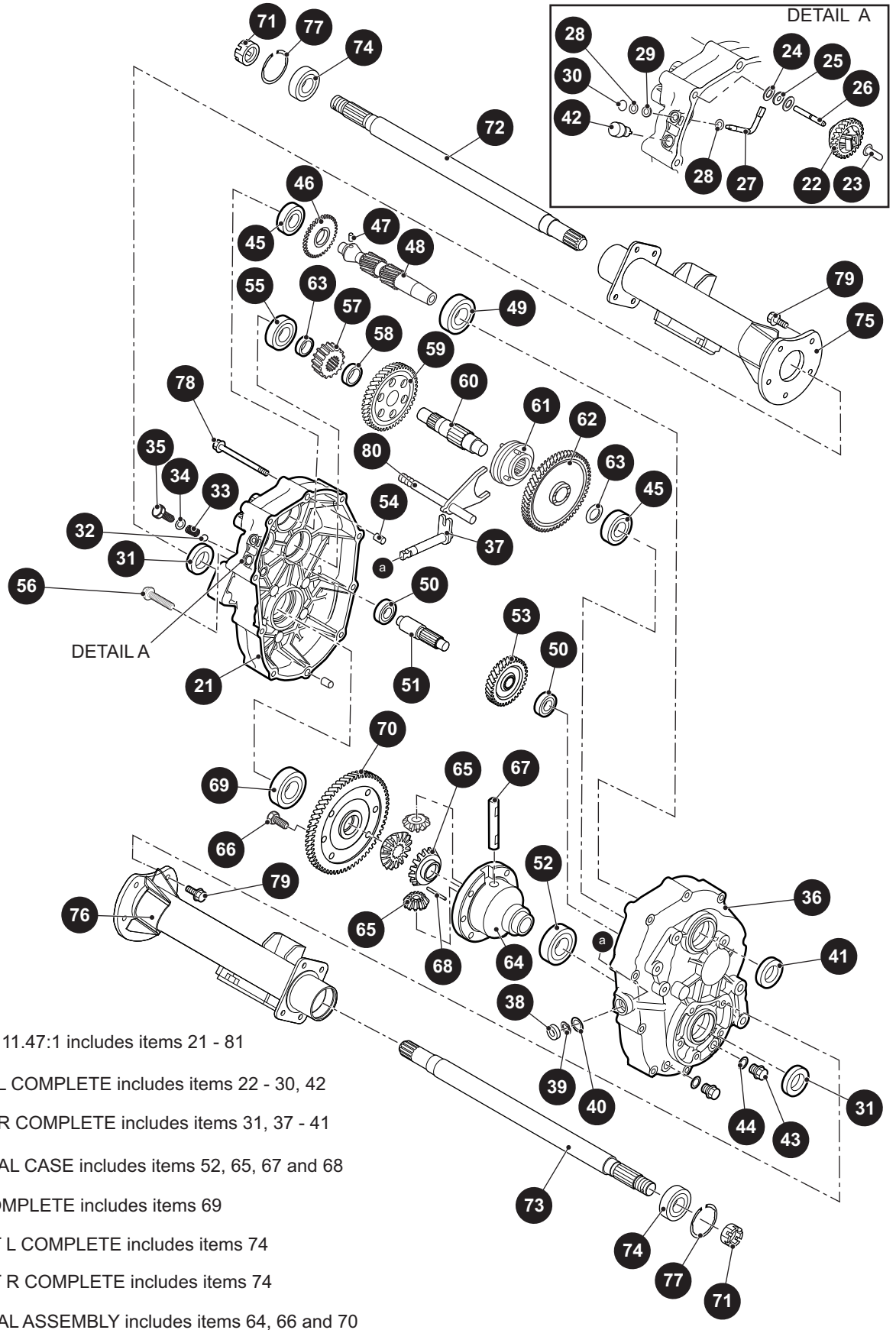
REAR AXLE

1 REAR AXLE includes items 4 - 18



FOR VEHICLES MANUFACTURED FROM APRIL 2014





- 20 REAR AXLE, 11.47:1 includes items 21 - 81
- 21 AXLE CASE L COMPLETE includes items 22 - 30, 42
- 36 AXLE CASE R COMPLETE includes items 31, 37 - 41
- 64 DIFFERENTIAL CASE includes items 52, 65, 67 and 68
- 70 GEAR, 60 COMPLETE includes items 69
- 72 AXLE SHAFT L COMPLETE includes items 74
- 73 AXLE SHAFT R COMPLETE includes items 74
- 81 DIFFERENTIAL ASSEMBLY includes items 64, 66 and 70

REAR AXLE

When ordering parts, please specify the model and serial number of the product.

* Indicates a component that is not available as an individual part.

*** Indicates consult Customer Service Department for additional information.

ITEM	PART NO.	1 2 3 4 5	DESCRIPTION	QTY.
1	627891		REAR AXLE (INCLUDES ITEMS 4 - 18)	1
2				
3				
4	606403		SLOTTED NUT, M22 X 1.5	2
5	26770G01		OIL DRAIN PLUG	2
6	26771G01		GASKET, 14 MM	2
7				
8				
9				
10	72259G01		OIL SEAL 28 X 47 X 9 MM	3
11				
12	607939		AXLE TUBE (DRIVER SIDE)	1
13	607940		AXLE TUBE (PASSENGER SIDE)	1
14	607945		AXLE SHAFT (DRIVER SIDE)	1
15	607946		AXLE SHAFT (PASSENGER SIDE)	1
16	26814G01		RETAINING RING, 52 MM	2
17	26811G01		BALL BEARING	2
18	72260G01		FLANGED HEX HEAD BOLT, M10 X 1.5 X 23 MM LG	10
19				
20	632513		REAR AXLE, 11.47:1 (INCLUDES ITEMS 21 - 81) (FOR VEHICLES MANUFACTURED FROM APRIL 2014)	1
21	639859		AXLE CASE L COMPLETE (INCLUDES ITEMS 22 - 30, 42)	1
22	639686		GOVERNOR GEAR	1
23	639689		GOVERNOR SLEEVE	1
24	607904		FLAT WASHER	2
25	607905		THRUST BEARING	1
26	639698		GOVERNOR GEAR SHAFT	1
27	639707		GOVERNOR SHAFT	1
28	639736		FLAT WASHER, 6MM	2
29	607911		OIL SEAL, 6 x 10 x 2.5 MM	1
30	607913		RETAINING RING E5	1
31	639738		OIL SEAL, 24 x 40 x 9MM	2

When ordering parts, please specify the model and serial number of the product.

* Indicates a component that is not available as an individual part.

*** Indicates consult Customer Service Department for additional information.

ITEM	PART NO.	1 2 3 4 5	DESCRIPTION	QTY.
32	26818G01		STEEL BALL	1
33	26819G01		SPRING	1
34	26831G01		GASKET, 10	1
35	26820G01		FLANGED HEX HEAD BOLT, M10 x 1.25 x 12 MM LG	1
36	639865		AXLE CASE R COMPLETE (INCLUDES ITEMS 31, 37 - 41)	1
37	639746		SELECT SHAFT	1
38	607915		OIL SEAL, 13 x 22 x 5MM.....	1
39	607916		SNAP RING, 13MM.....	1
40	607917		SPACER, 13 x 1MM.....	1
41	640093		OIL SEAL, 28 x 47 x 9MM.....	1
42	607919		AIR BREATHER.....	1
43	639747		OIL DRAIN PLUG	2
44	639748		GASKET, 14MM	2
45	26785G01		BALL BEARING (6204)	2
46	607921		GOVERNOR GEAR, 34	1
47	607920		PIN, 6 x 12L.....	1
48	639750		INPUT SHAFT	1
49	607922		BALL BEARING (62/28)	1
50	639868		BALL BEARING (TMB202).....	2
51	639755		COUNTER SHAFT	1
52	640744		BALL BEARING (6006)	1
53	639758		GEAR, 34	1
54	639869		KNOCK PIPE.....	2
55	639760		BALL BEARING (6304)	2
56	639768		FLANGED HEX HEAD BOLT, M8 - 1.25 X 40MM LG	1
57	639769		GEAR, 17	1
58	28689G01		COLLAR, 24 x 7.5MM	1
59	639771		GEAR, 52	1
60	639772		CENTER SHAFT	1
61	639774		CLUTCH PIN	1
62	639777		GEAR, 61	1

REAR AXLE

When ordering parts, please specify the model and serial number of the product.

* Indicates a component that is not available as an individual part.

*** Indicates consult Customer Service Department for additional information.

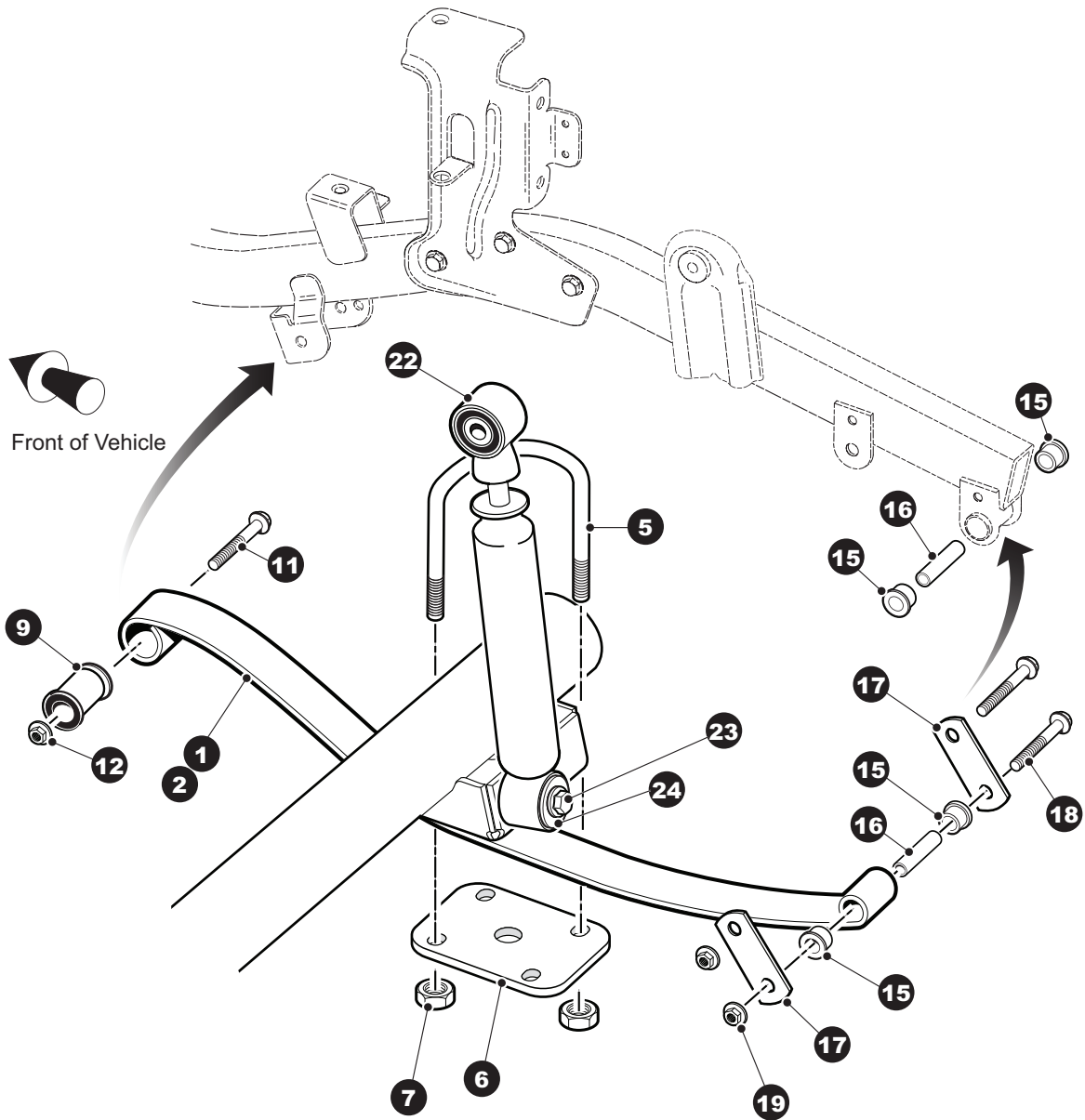
ITEM	PART NO.	1	2	3	4	5	DESCRIPTION	QTY.
63	639797						SPACER, 20 x 2MM.....	2
64	639872						DIFFERENTIAL CASE (INCLUDES ITEMS 52, 65, 67 AND 68)	1
65	639800						DIFFERENTIAL PAIR GEAR	1
66	26808G01						HEX HEAD BOLT, M10 x 1.25 x 26 MM LG	6
67	28723G01						DIFFERENTIAL SHAFT.....	1
68	28697G01						SPRING PIN, 4 x 40L.....	1
69	639801						BALL BEARING (6007).....	1
70	640739						GEAR, 60 COMPLETE (INCLUDES ITEM 69).	1
71	607938						CASTLED NUT, M22 - 1.5	2
72	639876						AXLE SHAFT L COMPLETE (INCLUDES ITEM 74)	1
73	639881						AXLE SHAFT R COMPLETE (INCLUDES ITEM 74).....	1
74	639836						BALL BEARING (6205DD)	2
75	607939						AXLE CASE L COMPLETE	1
76	607940						AXLE CASE R COMPLETE.....	1
77	26814G01						SNAP RING, 52MM.....	2
78	639839						FLANGED HEX HEAD BOLT, M8 x 1.25 x 60MM LG.....	9
79	639840						FLANGED HEX HEAD BOLT, M10 x 1.25 x 25MM LG.....	10
80	639844						SHIFT SHAFT COMPLETE	1
81	639847						DIFFERENTIAL ASSEMBLY (INCLUDES ITEMS 64, 66 AND 70)	1

Notes:

A large rectangular grid of graph paper, consisting of 25 columns and 25 rows of small squares. The grid is intended for the user to write notes on.

REAR SUSPENSION

For models manufactured before 5th March 2013



REAR SUSPENSION

When ordering parts, please specify the model and serial number of the product.

* Indicates a component that is not available as an individual part.

*** Indicates consult Customer Service Department for additional information.

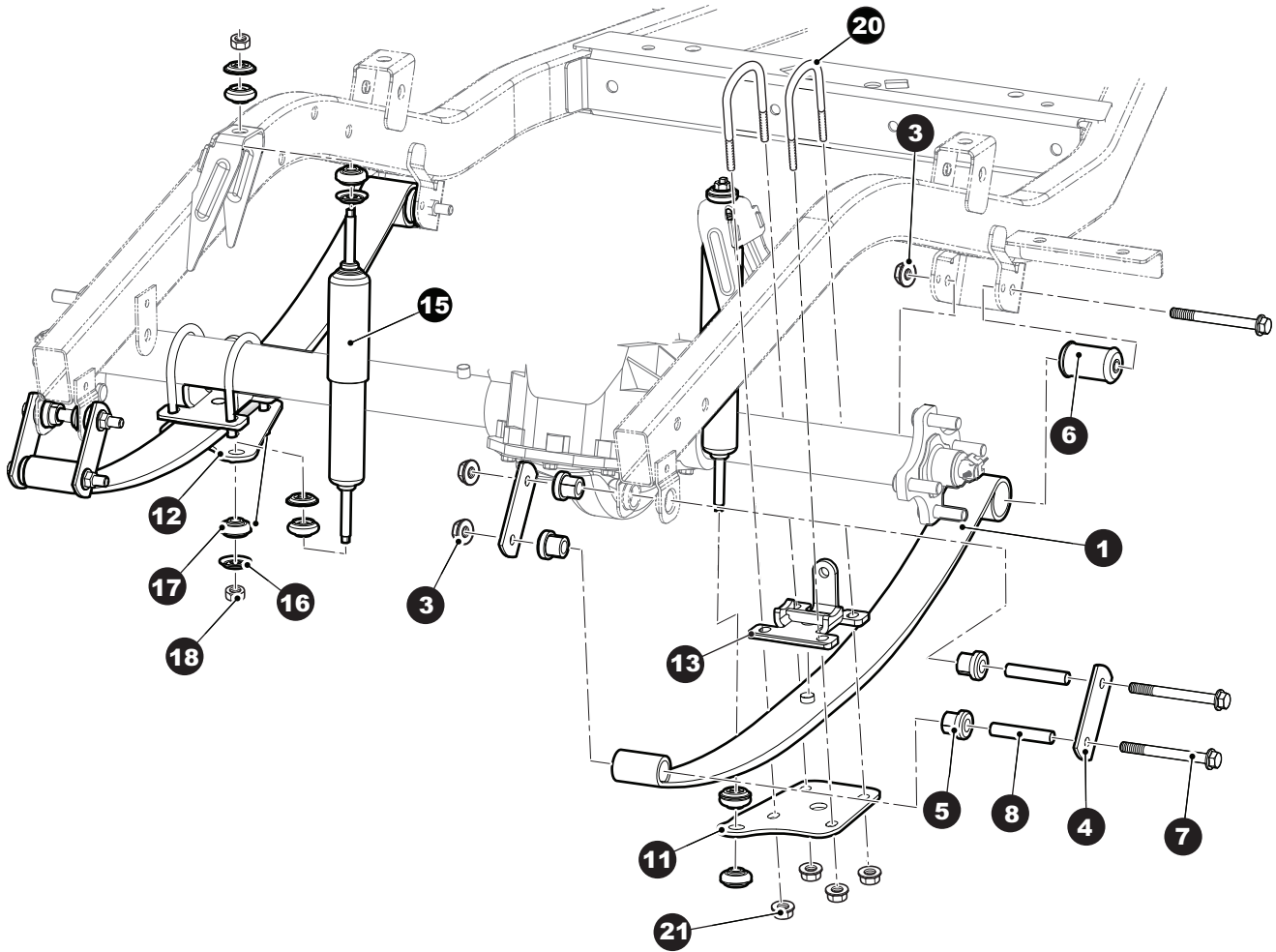
ITEM	PART NO.	1 2 3 4 5	DESCRIPTION	QTY.
1	625709		TAPERED LEAF SPRING, MD	2
2	604494		HEAVY DUTY TAPERED LEAF SPRING	2
3				
4				
5	603415		U-BOLT, M10 - 1.5 X 115.6MM LG	2
6	612765		LEAF SPRING PLATE	2
7	614974		LOCK NUT, M10 - 1.5	4
8				
9	605684		FRONT SPRING BUSHING.....	2
10				
11	601754		FLANGED HEX HEAD BOLT, M10 - 1.5 X 100 MM LG.....	2
12	614974		LOCK NUT, M10 - 1.5	2
13				
14				
15	624030		FLANGED BUSHING (SMALL).....	8
16	620161		SPLIT STEEL SPACER, .394" I.D X .51" O.D X 2.65" LG.....	4
17	603648		SHACKLE PLATE	4
18	601754		FLANGED HEX HEAD BOLT, M10 - 1.5 X 100 MM LG.....	4
19	614974		LOCK NUT, M10 - 1.5	4
20				
21				
22	611724		SHOCK ABSORBER	2
23	601414		FLANGED HEX HEAD BOLT, M10 - 1.5 X 65 MM LG.....	4
24	604066		FLAT WASHER, M10.....	4

REAR SUSPENSION

For models manufactured after 5th March 2013



Front of Vehicle



REAR SUSPENSION

When ordering parts, please specify the model and serial number of the product.

* Indicates a component that is not available as an individual part.

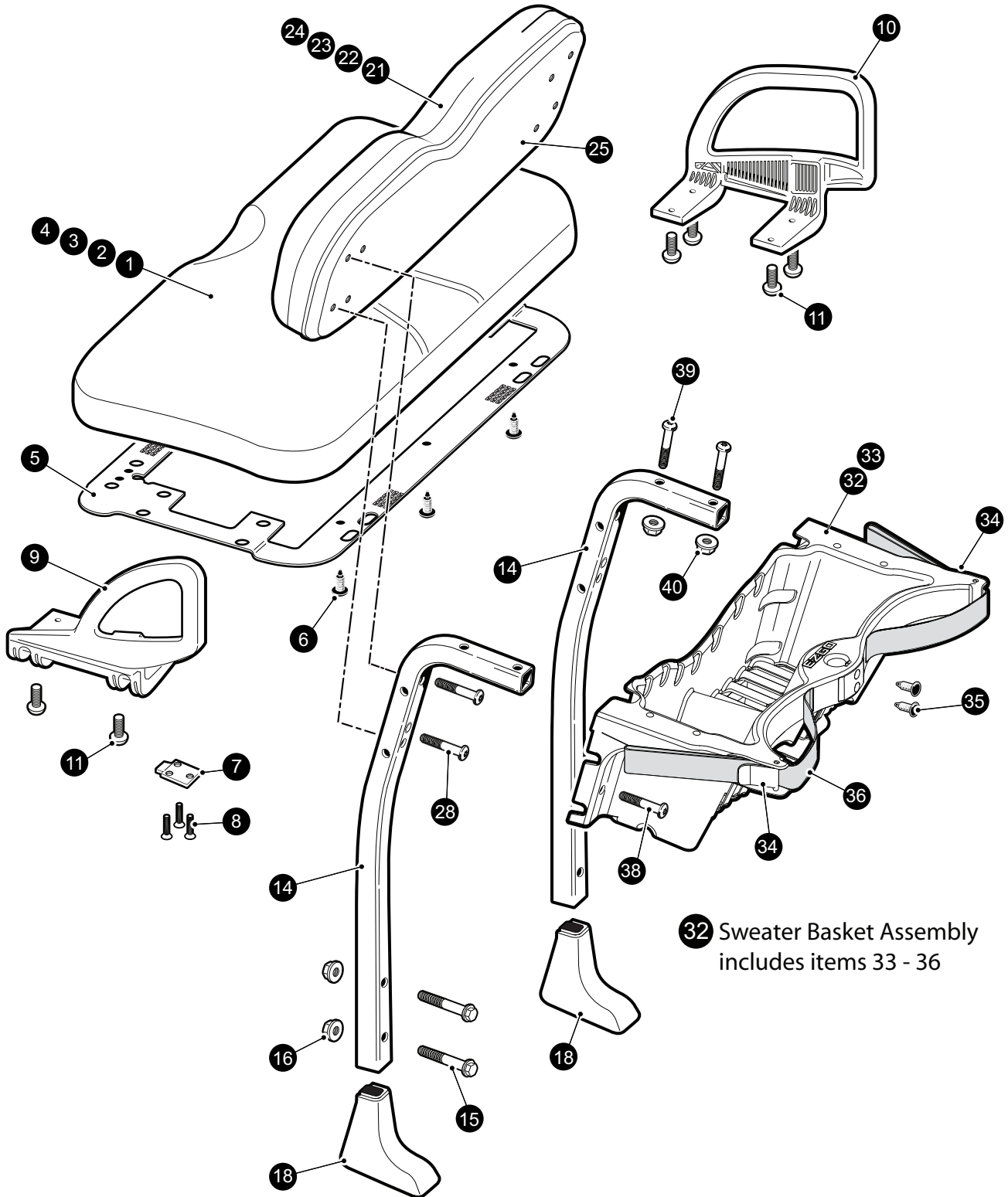
*** Indicates consult Customer Service Department for additional information.

ITEM	PART NO.	1 2 3 4 5	DESCRIPTION	QTY.
1	625709		MID DUTY TAPERED LEAF SPRING	2
2				
3	614974		LOCK NUT, M10 - 1.5	6
4	603648		SHACKLE PLATE	4
5	624030		FLANGED BUSHING (SMALL).....	8
6	605684		FRONT SPRING BUSHING.....	2
7	601754		FLANGED HEX HEAD BOLT, M10 - 1.5 X 100 MM LG.....	6
8	620161		SPLIT STEEL SPACER, .394" I. D. X .51" O. D. X 2.65" LG.....	4
9				
10				
11	625658		SHOCK MOUNT PLATE (PASSENGER SIDE)	1
12	625657		SHOCK MOUNT PLATE (DRIVER SIDE).....	1
13	626422		AXLE SUPPORT BRACKET.....	2
14				
15	76418G01		SHOCK ABSORBER	2
16	10435G1		SHOCK ABSORBER WASHER.....	8
17	10194G1		SHOCK RUBBER BUSHING	8
18	00532G6		HEX NUT, 1/4" - 20	4
19				
20	632103		U-BOLT, 68 MM DIA X 45 MM X 110 MM LG	4
21	600525		PLASTIC LOCK NUT, M10 - 1.5	8

SEATING & BASKET

1 Seat Bottom Assembly includes items 2 - 11

21 Seat Back Assembly includes items 22 - 26



32 Sweater Basket Assembly includes items 33 - 36

SEATING & BASKET

When ordering parts, please specify the model and serial number of the product.

* Indicates a component that is not available as an individual part.

*** Indicates consult Customer Service Department for additional information.

ITEM	PART NO.	1 2 3 4 5	DESCRIPTION	QTY.
1	***		SEAT BOTTOM ASSEMBLY (select color below), (includes items 2 - 11) 629269G1002....STONE BEIGE SEAT BOTTOM 629269G1001....OYSTER SEAT BOTTOM 629269G1006....BLACK SEAT BOTTOM	1
2	***		SEAT BOTTOM VINYL COVER (select color below) 600221.....STONE BEIGE SEAT BOTTOM VINYL COVER 608007.....OYSTER SEAT BOTTOM VINYL COVER 615169.....BLACK SEAT BOTTOM VINYL COVER	1
3	605503		SEAT BOTTOM FOAM.....	1
4	605502		SEAT BOTTOM WOODEN BASE ASSEMBLY.....	1
5	602551		SEAT BOTTOM COVER PLATE	1
6	16816G2		RATCHET RIVET, .25" X .887"	4
7	71610G01		SEAT HINGE	2
8	00720G08		FLAT HEAD PHILLIPS TAPPING SCREW, #12 - 14 X 1" LG	6
9	617645		HIP RESTRAINT (DRIVER SIDE).....	1
10	617644		HIP RESTRAINT (PASSENGER SIDE)	1
11	600530		BUTTON HEAD TORX BOLT, M10 - 1.5 X 25MM LG.....	8
12				
13				
14	602413		SEAT BACK SUPPORT STRUT.....	2
15	603800		FLANGED HEX HEAD BOLT, M10 - 1.5 X 50 MM LG.....	4
16	600525		LOCK NUT, M10 - 1.5	4
17				
18	645088		SEAT BACK SUPPORT STRUT COVER.....	2
19				
20				
21	***		SEAT BACK ASSEMBLY (select color below), (includes items 22 - 26)..... 605548.....STONE BEIGE SEAT BACK ASSEMBLY 608012.....OYSTER SEAT BACK ASSEMBLY 615133..... BLACK SEAT BACK ASSEMBLY	1
22	***		SEAT BACK VINYL COVER (select color below)..... 605537.....STONE BEIGE SEAT BACK VINYL COVER 608006.....OYSTER SEAT BACK VINYL COVER 615132.....BLACK SEAT BACK VINYL COVER	1
23	71754G01		SEAT BACK FOAM	1

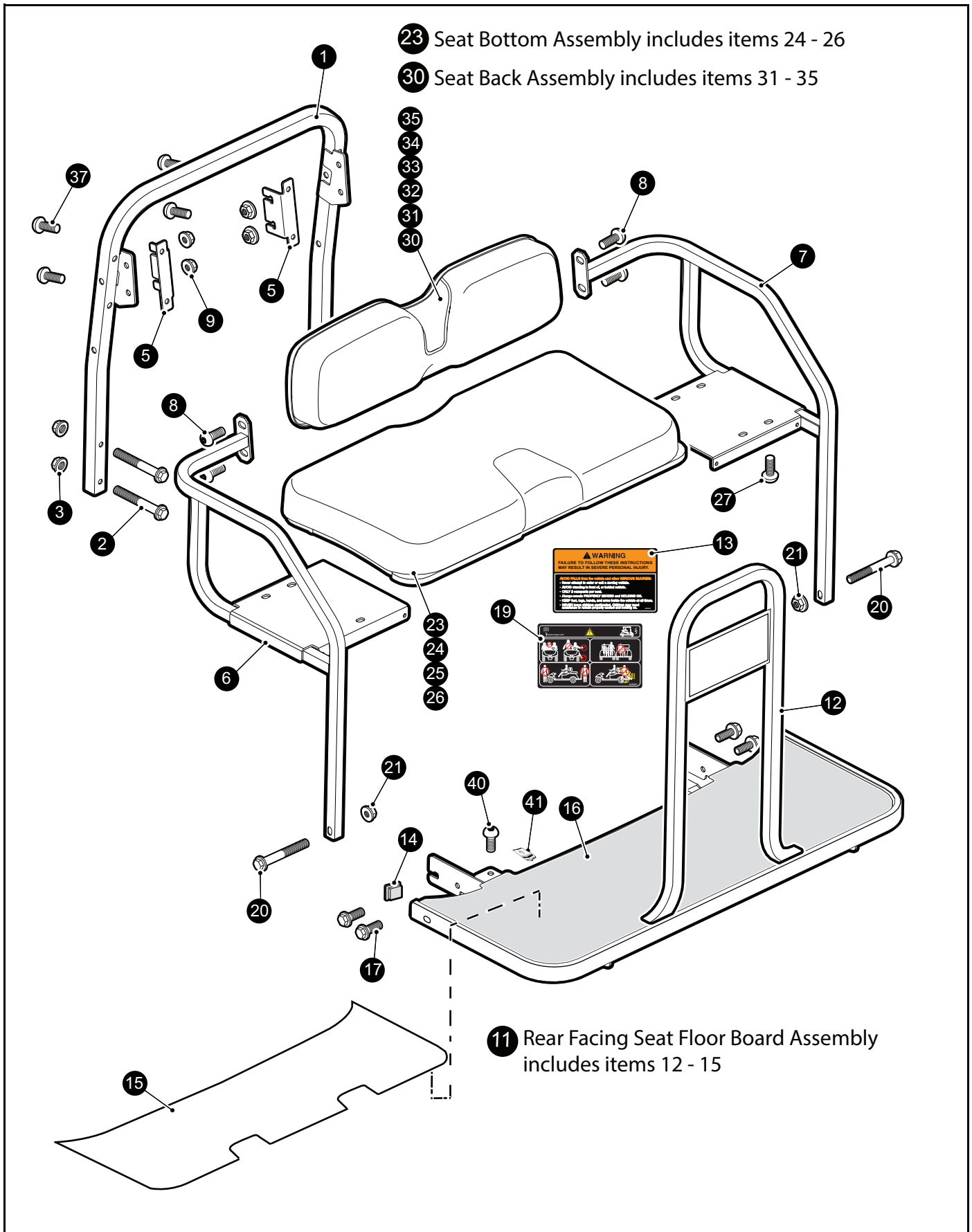
SEATING & BASKET

When ordering parts, please specify the model and serial number of the product.

* Indicates a component that is not available as an individual part.

*** Indicates consult Customer Service Department for additional information.

ITEM	PART NO.	1	2	3	4	5	DESCRIPTION	QTY.
24	605550						SEAT BACK WOODEN BASE ASSEMBLY	1
25	605529						SEAT BACK BLACK PLASTIC COVER.....	1
26	23222G1						FLAT STAPLE (SS), 3/8" (NOT ILLUSTRATED)	AR
27								
28	600527						BUTTON HEAD TORX BOLT, M10 - 1.5 X 60 MM LG.....	4
29								
30								
31								
32	602742						SWEATER BASKET ASSEMBLY (includes items 33 - 36)	1
33	610607						SWEATER BASKET	1
34	608051						BAG STRAP CLAMP	2
35	16816G1						CHRISTMAS TREE RIVET	2
36	604102						BAG STRAP.....	1
37								
38	600530						BUTTON HEAD TORX BOLT, M10 - 1.5 X 25 MM LG.....	2
39	600527						BUTTON HEAD TORX BOLT, M10 - 1.5 X 60 MM LG.....	4
40	600525						LOCK NUT, M10 - 1.5.....	4



SEATING & BASKET

When ordering parts, please specify the model and serial number of the product.

* Indicates a component that is not available as an individual part.

*** Indicates consult Customer Service Department for additional information.

ITEM	PART NO.	1 2 3 4 5	DESCRIPTION	QTY.
1	604473		SEAT BACK SUPPORT, 2 + 2 SEAT	1
2	603800		HEX HEAD FLANGED BOLT, M10 - 1.5 X 50 MM LG	4
3	600525		LOCK NUT, M10 - 1.5.....	4
4				
5	606286		REAR SEAT BACK MOUNTING BRACKET	2
6	604723		ARM REST (DRIVER SIDE).....	1
7	604725		ARM REST (PASSENGER SIDE)	1
8	600530		BUTTON HEAD TORX BOLT, M10 - 1.5 X 25 MM LG	4
9	600525		LOCK NUT, M10 - 1.5.....	4
10				
11	604457		REAR FACING SEAT FLOORBOARD ASSEMBLY (includes items 12 - 15) .	1
12	611116		FOOTREST WELDMENT	1
13	608537		REAR FACING SEAT WARNING DECAL	1
14	19853G1		END CAP	2
15	640653		FOOTREST GRIPTAPE.....	1
16	604407		RUBBER FLOORMAT	1
17	603799		HEX HEAD FLANGED BOLT, M10 - 1.5 X 25 MM LG	4
18				
19	608820		2 + 2 WARNING DECAL, CE	1
20	602415		HEX HEAD FLANGED BOLT, M10 - 1.5 X 80 MM LG	2
21	600525		LOCK NUT, M10 - 1.5.....	2
22				
23	***		SEAT BOTTOM ASSEMBLY (select color below) (includes items 24 - 26)..... 605501..... STONE BEIGE SEAT BOTTOM ASSEMBLY 608010..... OYSTER SEAT BOTTOM ASSEMBLY	1
24	***		SEAT BOTTOM VINYL COVER (select color below)	1
			600221..... STONE BEIGE SEAT BOTTOM VINYL COVER 608007..... OYSTER SEAT BOTTOM VINYL COVER	
25	605503		SEAT BOTTOM FOAM	1
26	605502		SEAT BOTTOM WOODEN BASE ASSEMBLY	1
27	603799		HEX HEAD FLANGED BOLT, M10 - 1.5 X 25 MM LG	4
28				

SEATING & BASKET

When ordering parts, please specify the model and serial number of the product.

* Indicates a component that is not available as an individual part.

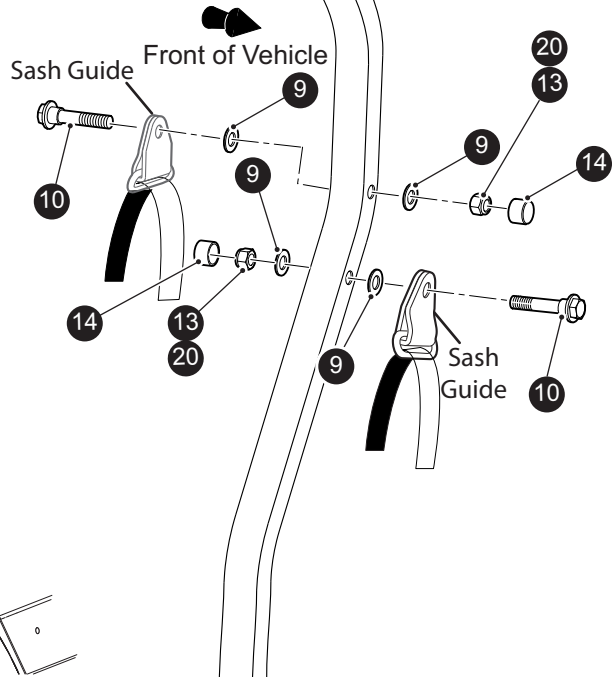
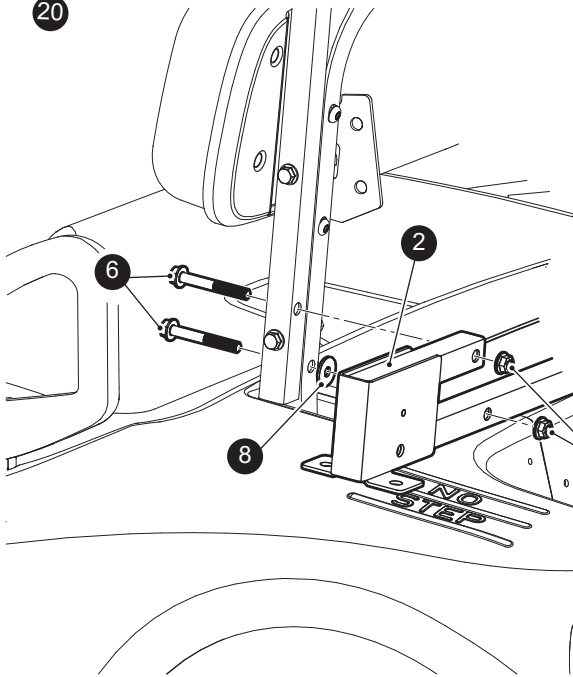
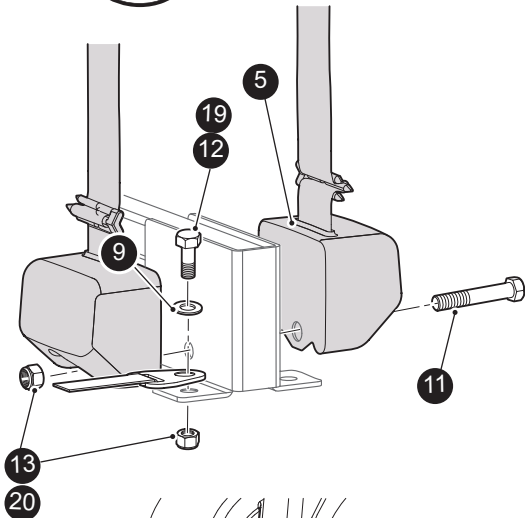
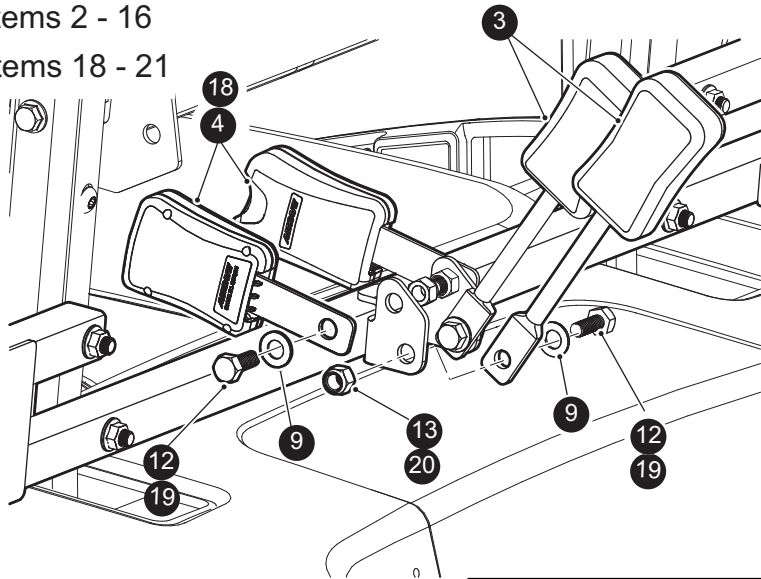
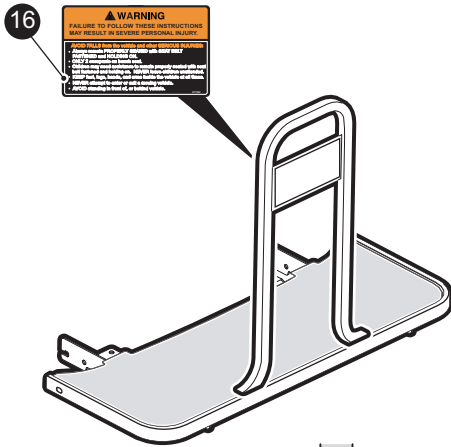
*** Indicates consult Customer Service Department for additional information.

ITEM	PART NO.	1 2 3 4 5	DESCRIPTION	QTY.
29				
30	***		SEAT BACK ASSEMBLY (select color below)	1
			605548 STONE BEIGE SEAT BACK ASSEMBLY	
			608012 OYSTER SEAT BACK ASSEMBLY	
31	***		SEAT BACK VINYL COVER (select color below).....	1
			605537 STONE BEIGE SEAT BACK VINYL COVER	
			608006 OYSTER SEAT BACK VINYL COVER	
32	71754G01		SEAT BACK FOAM	1
33	605550		SEAT BACK WOODEN BASE ASSEMBLY	1
34	605529		SEAT BACK BLACK PLASTIC COVER	1
35	603000		BUTTON HEAD TORX SCREW, M6 - 15.....	4
36				
37	600530		BUTTON HEAD TORX BOLT, M101 - 1.5 X 25 MM LG	2
38				
39				
40	600530		BUTTON HEAD TORX BOLT, M10 - 1.5 X 25 MM LG	2
41	603818		BARREL CLIP, M10 - 1.5.....	2

SEATING & BASKET

1 Seat belt assembly kit includes items 2 - 16

17 Seat belt assembly kit includes items 18 - 21



SEATING & BASKET

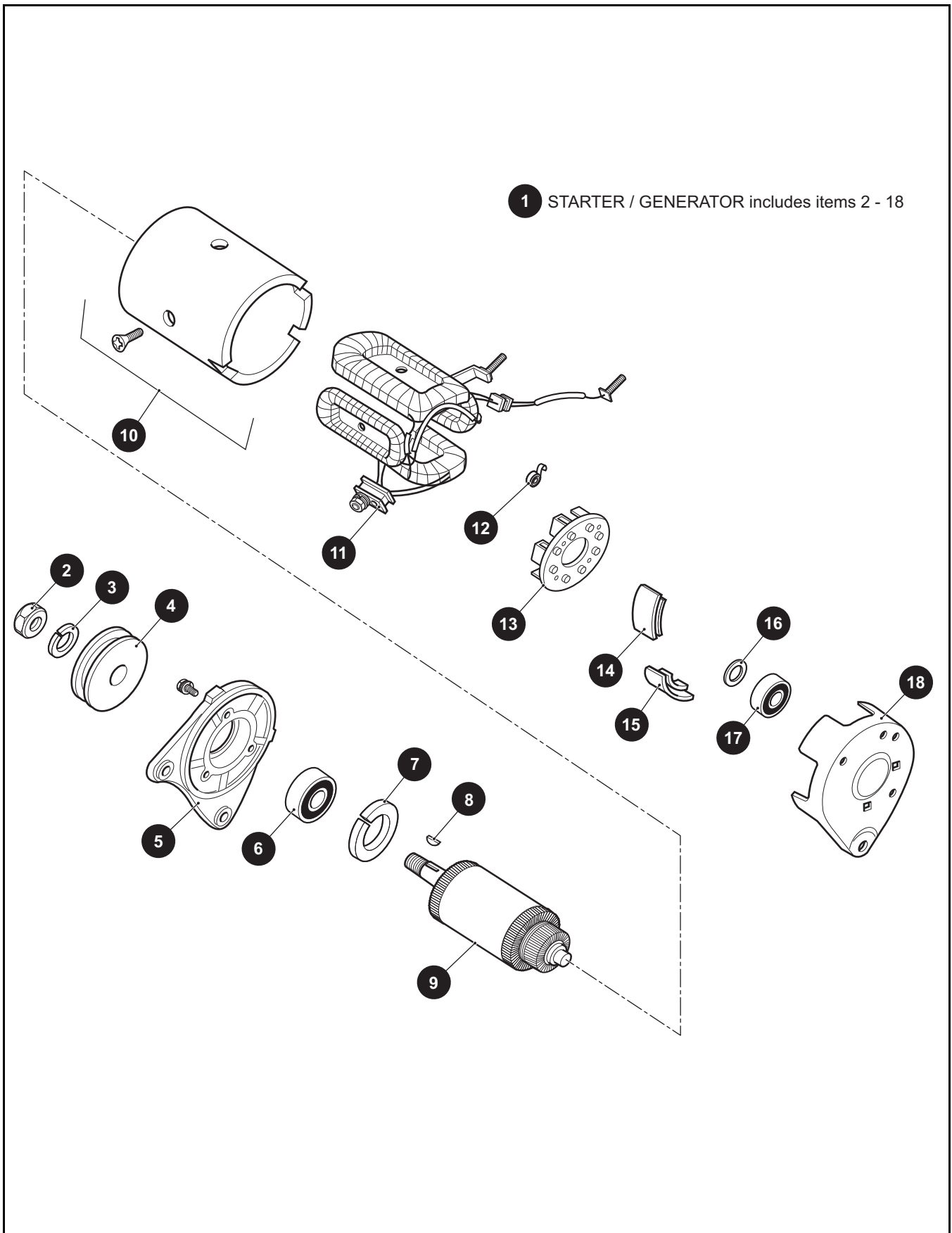
When ordering parts, please specify the model and serial number of the product.

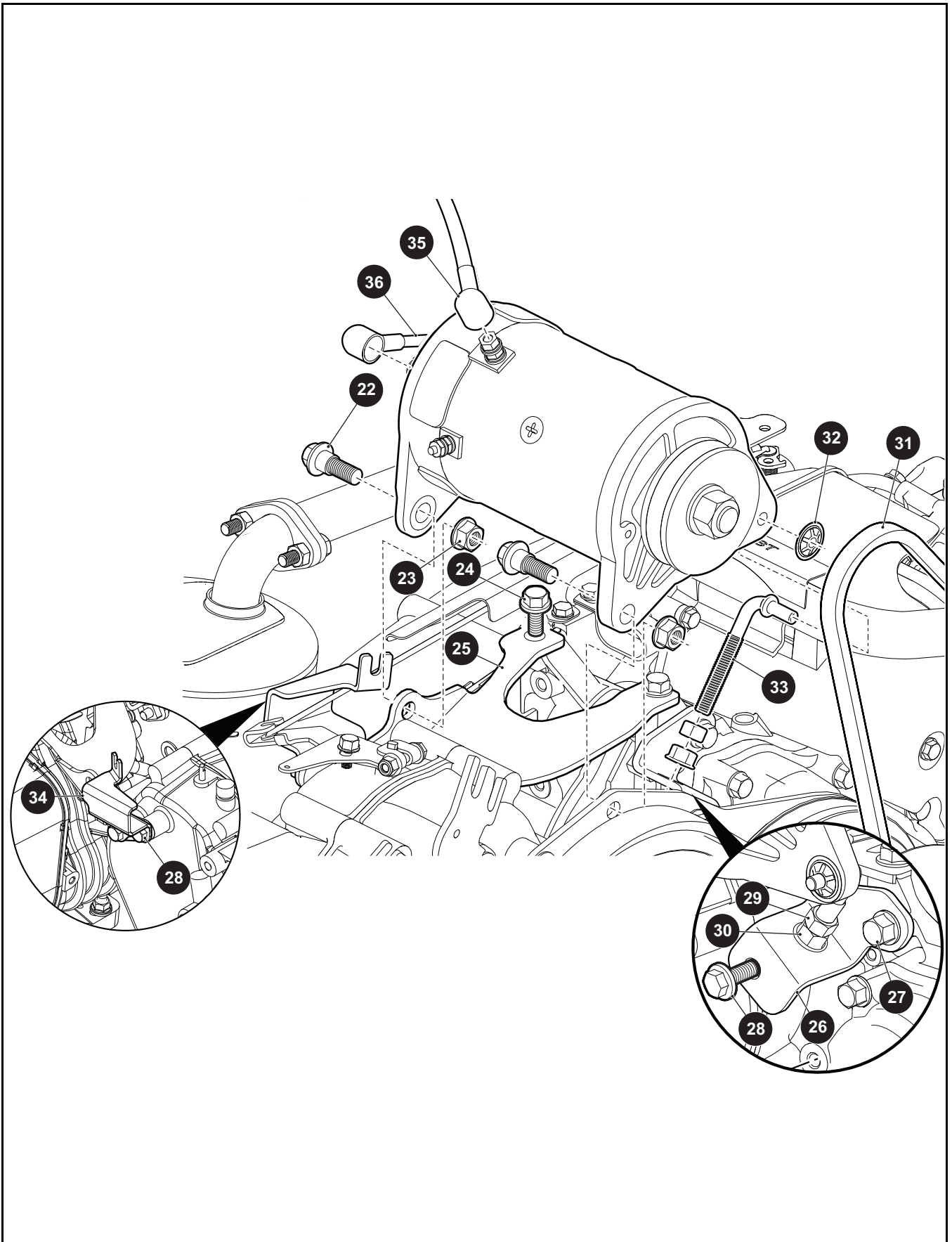
* Indicates a component that is not available as an individual part.

*** Indicates consult Customer Service Department for additional information.

ITEM	PART NO.	1 2 3 4 5	DESCRIPTION	QTY.
1	620704		SEAT BELT ASSEMBLY KIT (includes items 2 - 16)	1
2	610739		SEAT BELT CROSS BAR.....	1
3	609031		SEAT BELT BUCKLE, 9"	2
4	609854		SEAT BELT BUCKLE, 6"	2
5	611254		SEAT BELT RETRACTOR ASSEMBLY	4
6	602415		FLANGED HEX HEAD BOLT, M10 - 1.5 X 80 MM LG	4
7	600525		FLANGED LOCK NUT, M10 - 1.5.....	4
8	604066		FLAT WASHER, M10	4
9	00560G2		FLAT WASHER, 3/8"	16
10	620770		HEX HEAD SHOULDER BOLT, 7/16" - 20 X 2.28" LG.....	4
11	612346		HEX HEAD BOLT, 7/16" - 20 X 2.50" LG.....	2
12	610753		HEX HEAD CAP SCREW, 7/16" - 20 X 1" LG.....	8
13	00734G3		LOCK NUT, 7/16" - 20	14
14	605686		VINYL CAP.....	4
15	612194		CUP HOLDER DECAL	1
16	611362		REAR FACING SEAT DECAL	1
17	613474		SEAT BELT ASSEMBLY KIT (includes items 18 - 21)	1
18	609854		SEAT BELT BUCKLE, 6"	2
19	610753		HEX HEAD CAP SCREW, 7/16" - 20 X 1" LG.....	8
20	00734G3		LOCK NUT, 7/16" - 14	18
21	600525		FLANGED LOCK NUT, M10 - 1.5.....	4

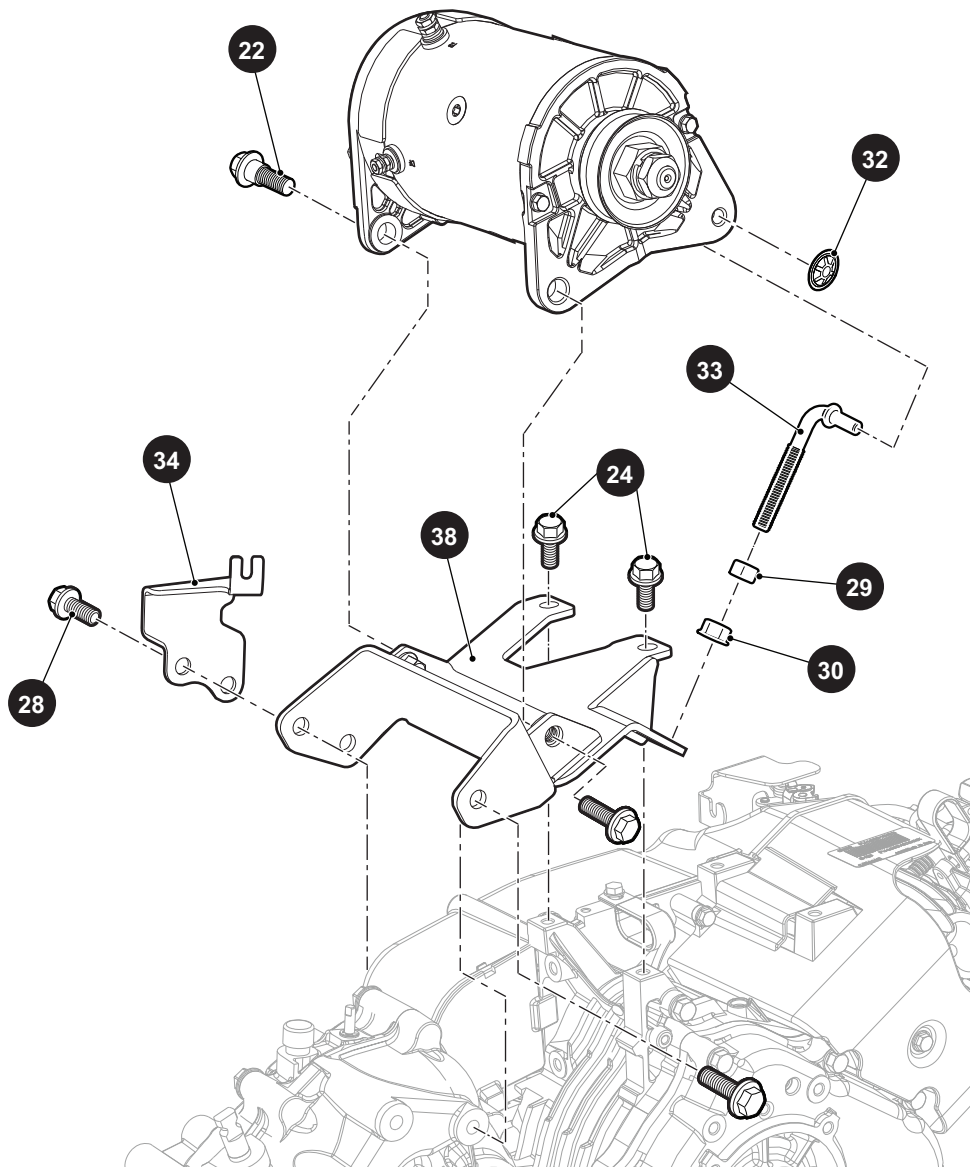
STARTER / GENERATOR





STARTER / GENERATOR

FOR VEHICLES MANUFACTURED FROM APRIL 2014



STARTER / GENERATOR

Where applicable, THE USE OF NON UL PARTS WILL VOID ANY UL LISTING.

When ordering parts, please specify the model and serial number of the product.

* Indicates a component that is not available as an individual part.

G** Indicates consult Customer Service Department for additional information.

ITEM	PART NO.	1 2 3 4 5	DESCRIPTION	QTY.
1	625715		STARTER / GENERATOR (INCLUDES ITEMS 2 - 18).....	1
2	612029		HEX NUT	1
3	612030		LOCK WASHER	1
4	625716		PULLEY, 2.5 O.D	1
5	612032		FRONT COVER.....	1
6	612033		BEARING.....	1
7	612034		RETAINING RING.....	1
8	612035		KEY.....	1
9	612036		ARMATURE ASSEMBLY	1
10	612037		FRAME & FIELD ASSEMBLY.....	1
11	612038		BRUSH LEAD & TERMINAL PKG.....	1
12	612039		BRUSH SPRING.....	4
13	612040		BRUSH BOX ASSEMBLY.....	1
14	612041		BRUSH 1 COVER.....	3
15	612042		BRUSH 2 COVER.....	2
16	612043		WAVY WASHER	1
17	612044		BEARING.....	1
18	612045		REAR COVER	1
19				
20				
21				
22	606235		HEX FLANGE HEAD SHOULDER BOLT, M10 - 1.25 X 20MM LG.....	2
23	606279		HEX NUT, M10 - 1.25.....	2
24	606261		HEX HEAD BOLT, M8 - 1.25 X 20MM LG	3
25	602141		STARTER / GENERATOR BRACKET.....	1
26	602145		TENSIONER BRACKET	1
27	606261		HEX HEAD BOLT, M8 - 1.25 X 20MM LG	1
28	606256		HEX HEAD BOLT, M10 - 1.25 X 25MM LG	9
29	606255		HEX JAM NUT, M10 - 1.25.....	1
30	606274		HEX FLANGE NUT, M10 - 1.25	1

STARTER / GENERATOR

Where applicable, THE USE OF NON UL PARTS WILL VOID ANY UL LISTING.

When ordering parts, please specify the model and serial number of the product.

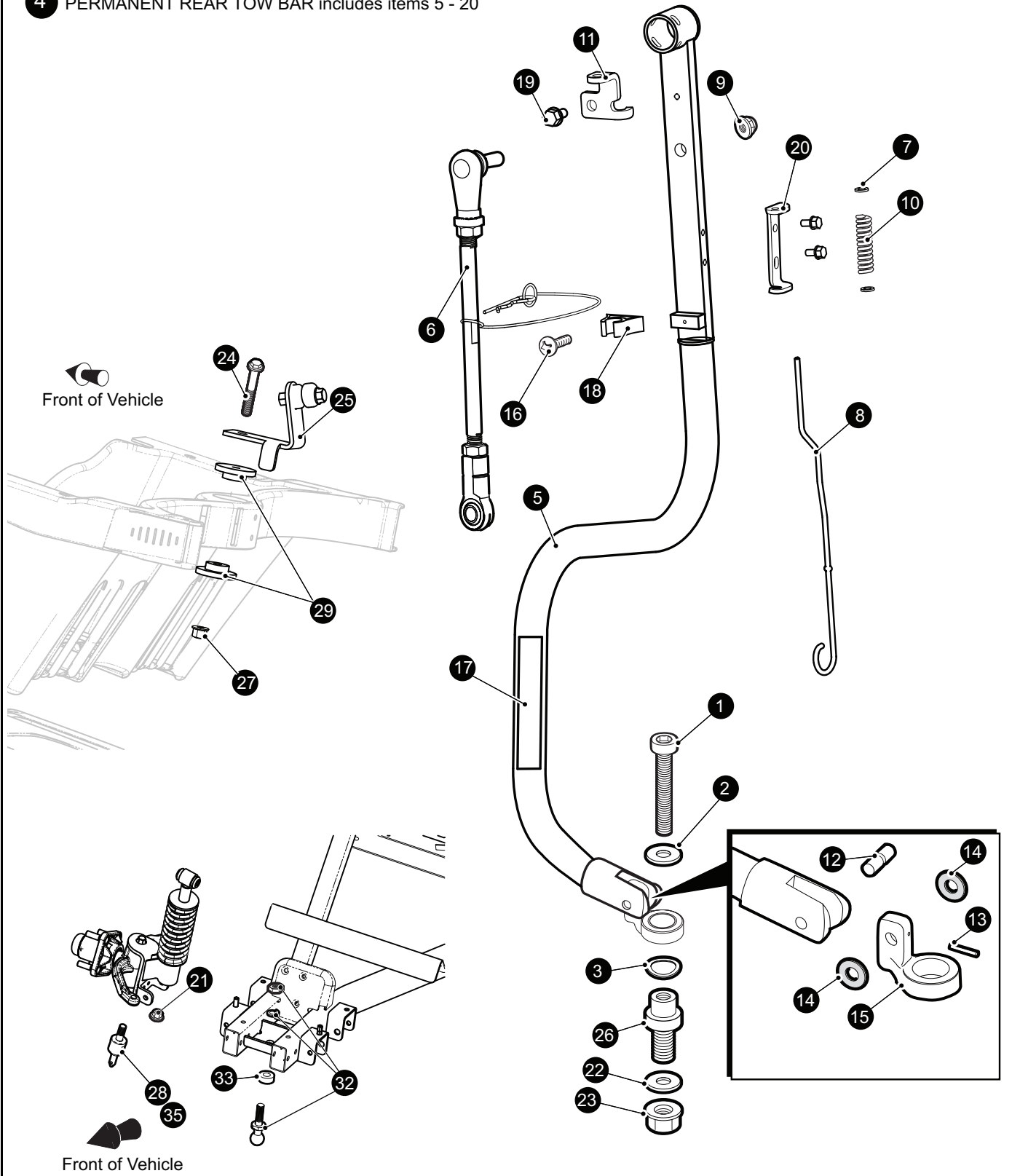
* Indicates a component that is not available as an individual part.

G** Indicates consult Customer Service Department for additional information.

ITEM	PART NO.	1 2 3 4 5	DESCRIPTION	QTY.
31	630587		STARTER / GENERATOR BELT	1
32	12064G6		PUSH NUT, 5/16"	1
33	629763		TENSIONER BOLT, M10 X 1.25 X 85MM LG	1
34	603884		CABLE GUIDE BRACKET	1
35	25682G01		TERMINAL BOOT	3
36	607053		6 GA WIRE ASSEMBLY	1
37				
38	631972		STARTER/GENERATOR SUPPORT BRACKET (FOR VEHICLES MANUFACTURED FROM APRIL 2014).....	1

TOW BAR

4 PERMANENT REAR TOW BAR includes items 5 - 20



When ordering parts, please specify the model and serial number of the product.

* Indicates a component that is not available as an individual part.

*** Indicates consult Customer Service Department for additional information.

ITEM	PART NO.	1 2 3 4 5	DESCRIPTION	QTY.
1	603384		SOCKET HEAD CAP SCREW, M12 - 1.25 X 100MM LG	1
2	603182		FLAT WASHER, M12, 13.5 X 32 X 3	1
3	603341		WAVY WASHER, 32MM	1
4	612392		PERMANENT TOW BAR (TOWING VEHICLE) (INCLUDES ITEMS 5 - 20)..	1
5	613224		TOW BAR WELDMENT	1
6	617752		TIE ROD ASSEMBLY	1
7	00559G5		FLAT WASHER, 1/2"	2
8	613215		TOW BAR PULL HANDLE	1
9	617787		FLANGED LOCK NUT, M12 - 1.75.....	1
10	75065G01		COMPRESSION SPRING	1
11	614893		FRONT PIN GUIDE	1
12	75360G01		PIVOT PIN.....	1
13	608793		SPIROL PIN, 3MM X 22MM	1
14	75340G01		DELFIN WASHER, M10 - 22MM.....	2
15	625458		TOW BAR SWIVEL	1
16	800178		PHILLIPS HEAD SCREW, #8 - 32 X 1/2" LG	1
17	624868		WARNING DECAL	1
18	614454		TIE ROD HOLDER.....	1
19	606265		HEX HEAD BOLT, M6 - 1 X12MM LG.....	3
20	614865		RETAINER RELEASE PIN.....	1
21	617787		LOCK NUT, M12 - 1.75	1
22	603182		FLAT WASHER, M12, 13.5 X 32 X 3	1
23	600549		HEX FLANGED NUT, M12 - 1.25.....	1
24	601414		HEX HEAD BOLT, M10 -1.5 X 65MM LG.....	1
25	625441		END MOUNT ASSEMBLY	1
26	602990		TOW BAR PIVOT.....	1
27	600525		HEX LOCK NUT, M10 - 1.5.....	1
28	614714		TIE ROD SPACER	1
29	615435		TOW BAR MOUNT SPACER, 51MM.....	2
30				
31				

TOW BAR

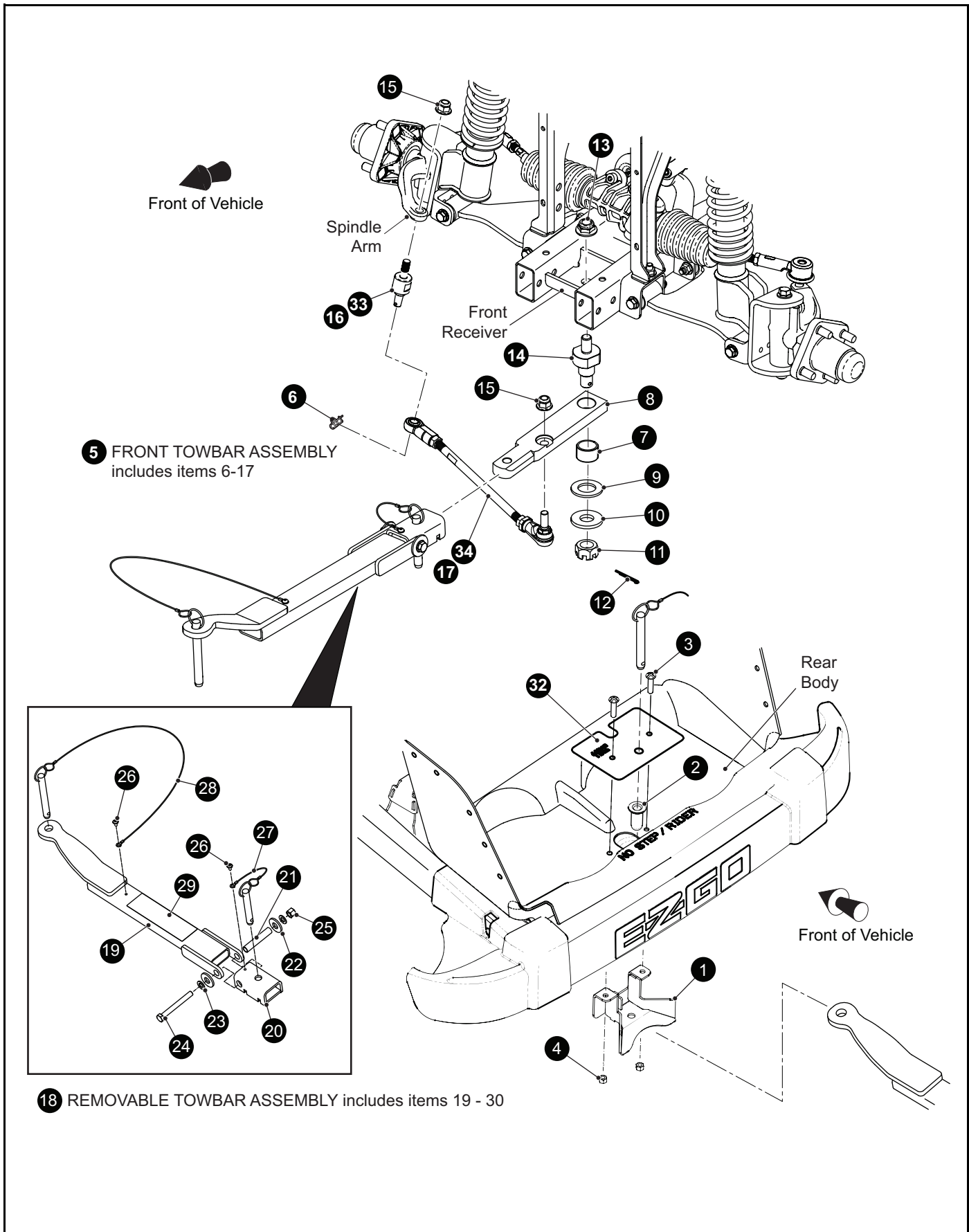
When ordering parts, please specify the model and serial number of the product.

* Indicates a component that is not available as an individual part.

*** Indicates consult Customer Service Department for additional information.

ITEM	PART NO.	1 2 3 4 5	DESCRIPTION	QTY.
32	625066		TOW BALL ASSEMBLY	1
33	614394		HITCH BALL SPACER, 34.9MM	1
34				
35	639520		TIE ROD SPACER	1

TOW BAR



When ordering parts, please specify the model and serial number of the product.

* Indicates a component that is not available as an individual part.

*** Indicates consult Customer Service Department for additional information.

ITEM	PART NO.	1 2 3 4 5	DESCRIPTION	QTY.
1	635343		TOW BAR RECEIVER	1
2	635442		BUSHING	1
3	00762G2		TRUSS HEAD BOLT, 5/6" - 18 X 1.25" LG	2
4	11098G6		LOCK NUT, 5/16" - 18	2
5	637318		FRONT TOWBAR ASSEMBLY (INCLUDES ITEMS 6 - 17)	1
6	639519		RUE PIN	1
7	75307G01		BEARING	1
8	635474		FRONT PIVOT BAR	1
9	75309G01		THRUST BEARING	1
10	75342G01		FLAT WASHER, 1.7" O.D. X .781" I.D.	1
11	00518G8		CASTLE NUT, 3/4" - 16	1
12	10387G1		COTTER PIN, .125" X 1.50"	1
13	601709		LOCK NUT, M16 - 2	1
14	63544		PIVOT BOLT	1
15	617787		LOCK NUT, M12 - 1.75	2
16	639520		TIE ROD SPACER	1
17	639552		TIE ROD	1
18	635736		REMOVABLE TOW BAR ASSEMBY (INCLUDES ITEMS 19 - 30)	1
19	635428		TOW BAR TONGUE WELDMENT	1
20	635461		TOW BAR COUPLING WELDMENT	1
21	620161		SPLIT STEEL SPACER	1
22	00675G3		FLAT WASHER (SS), 1/4"	2
23	00560G1		FLAT WASHER, 3/8"	2
24	00429G2		HEX HEAD BOLT, 3/8" - 16 X 3.25" LG	1
25	11098G5		LOCK NUT, 3/8" - 16	1
26	637563		SELF TAPPING SCREW, M4 - 1 X 14 LG	2
27	641170		HITCH PIN ASSEMBLY (SHORT)	1
28	641171		HITCH PIN ASSEMBLY (LONG)	1
29	635906		WARNING DECAL	1
30	17618G1		NYLON CLAMP (NOT ILLUSTRATED)	2
31	31539G1		NYLON CLAMP (NOT ILLUSTRATED)	2

TOW BAR

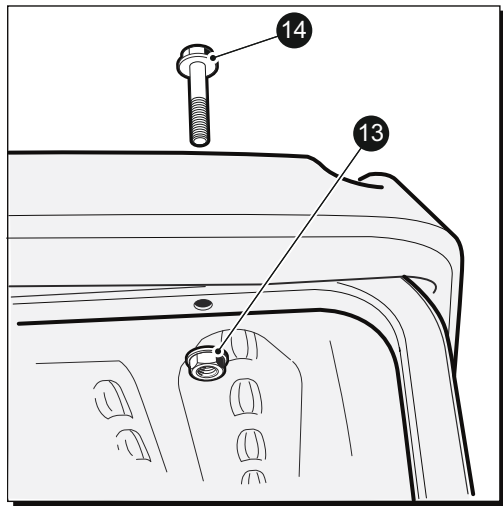
When ordering parts, please specify the model and serial number of the product.

* Indicates a component that is not available as an individual part.

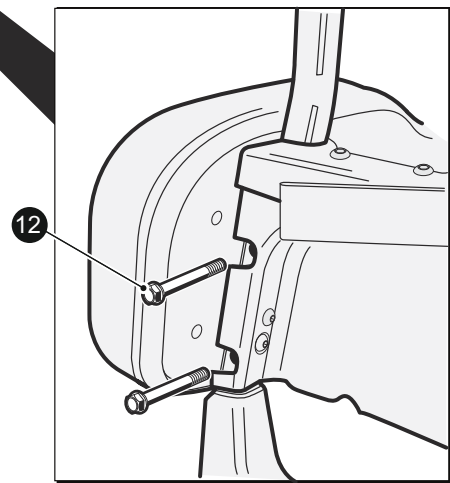
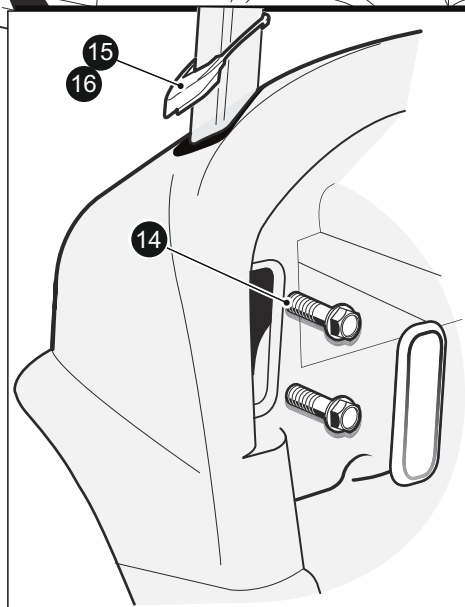
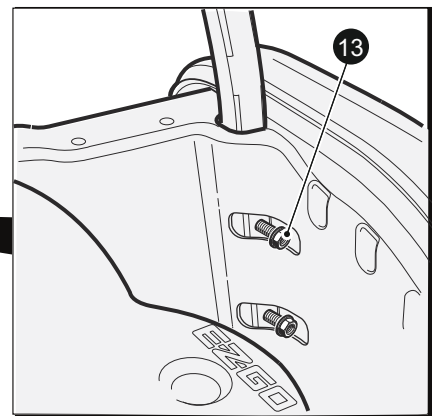
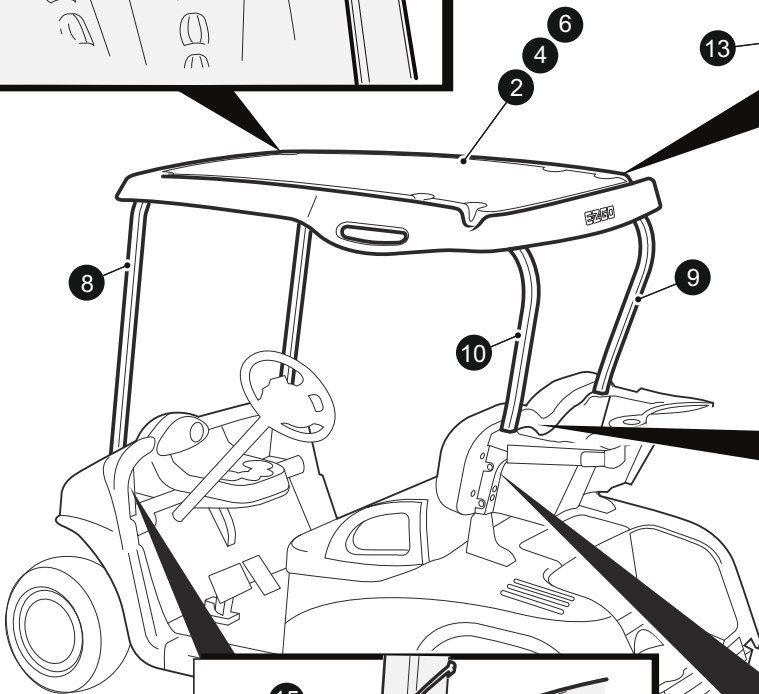
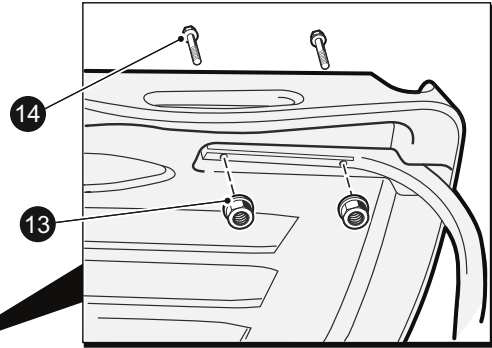
*** Indicates consult Customer Service Department for additional information.

ITEM	PART NO.	1 2 3 4 5	DESCRIPTION	QTY.
32	635757		DRILL TEMPLATE.....	1
33	614714		TIE ROD SPACER	1
34	617752		TIE ROD.....	1

WEATHER PROTECTION



- 1 Stone Beige Sun Top Kit includes items 2 & 7
- 3 Oyster Sun Top Kit includes items 4 & 7
- 5 Black Sun Top Kit includes items 6 & 7
- 7 Strut Kit includes items 8 - 11
- 11 Sun Top Hardware Kit includes items 12 - 16



WEATHER PROTECTION

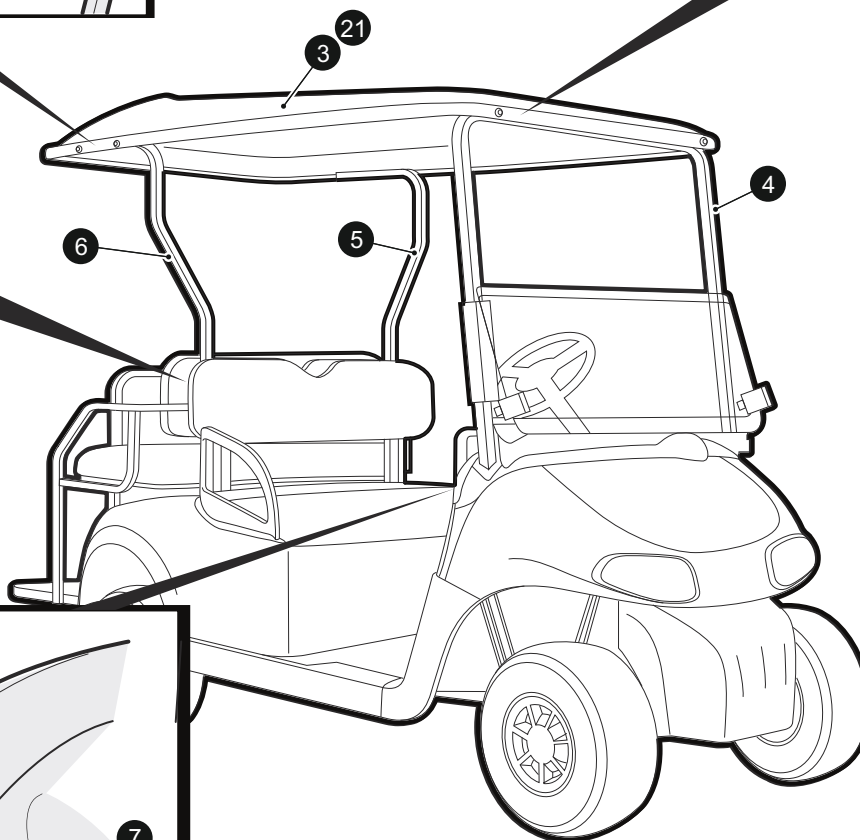
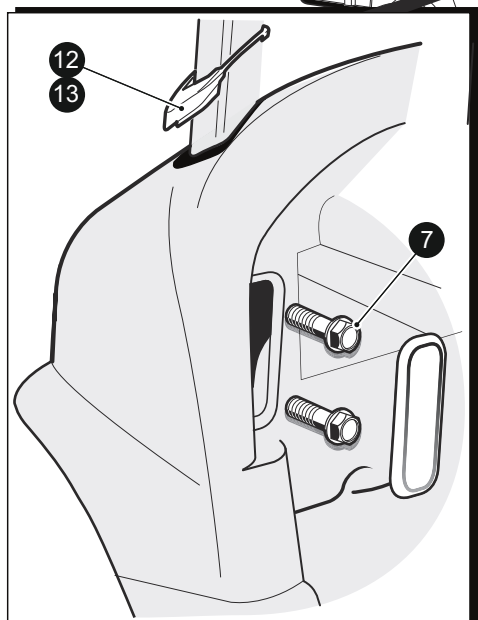
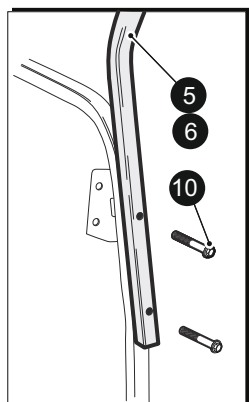
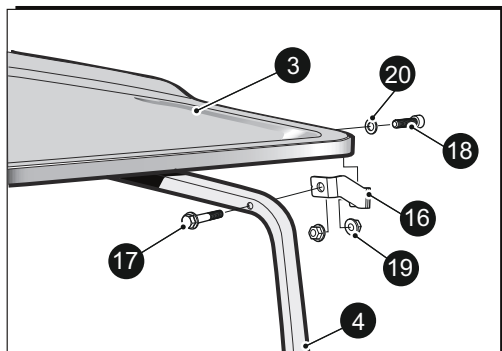
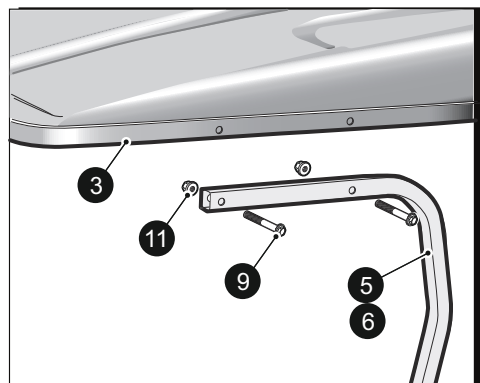
When ordering parts, please specify the model and serial number of the product.

* Indicates a component that is not available as an individual part.

*** Indicates consult Customer Service Department for additional information.

ITEM	PART NO.	1 2 3 4 5	DESCRIPTION	QTY.
1	606354		SUN TOP KIT, STONE BEIGE (includes items 2 & 7)	1
2	608198		SUN TOP, STONE BEIGE	1
3	608695		SUN TOP KIT, OYSTER (includes items 4 & 7).....	1
4	608015		SUN TOP, OYSTER	1
5	613233		SUN TOP KIT, BLACK (includes item 6 & 7)	1
6	613227		SUN TOP, BLACK	
7	608677		SUN TOP STRUT KIT (includes items 8 - 11)	1
8	603203		FRONT STRUT	1
9	614310		REAR STRUT, PASSENGER SIDE	1
10	614309		REAR STRUT, DRIVER SIDE.....	1
11	607013		SUN TOP HARDWARE KIT (includes items 12 - 16)	1
12	602415		HEX HEAD FLANGED BOLT, M10 - 1.5 X 80	4
13	600525		FLANGED LOCK NUT, M10 - 1.5.....	10
14	603800		HEX HEAD FLANGED BOLT, M10 - 1.5 X 50	10
15	602770		GROMMET, DRIVER SIDE	1
16	602992		GROMMET, PASSENGER SIDE	1

WEATHER PROTECTION



- 1 2 + 2 Stone Beige Sun Top Kit includes items 3 - 14
- 2 2 + 2 Oyster Sun Top Kit includes items 4 - 14 & 21
- 8 2 + 2 Sun Top Hardware Kit includes items 9 - 13
- 14 2 + 2 Sun Top Hardware Kit includes items 15 - 20

WEATHER PROTECTION

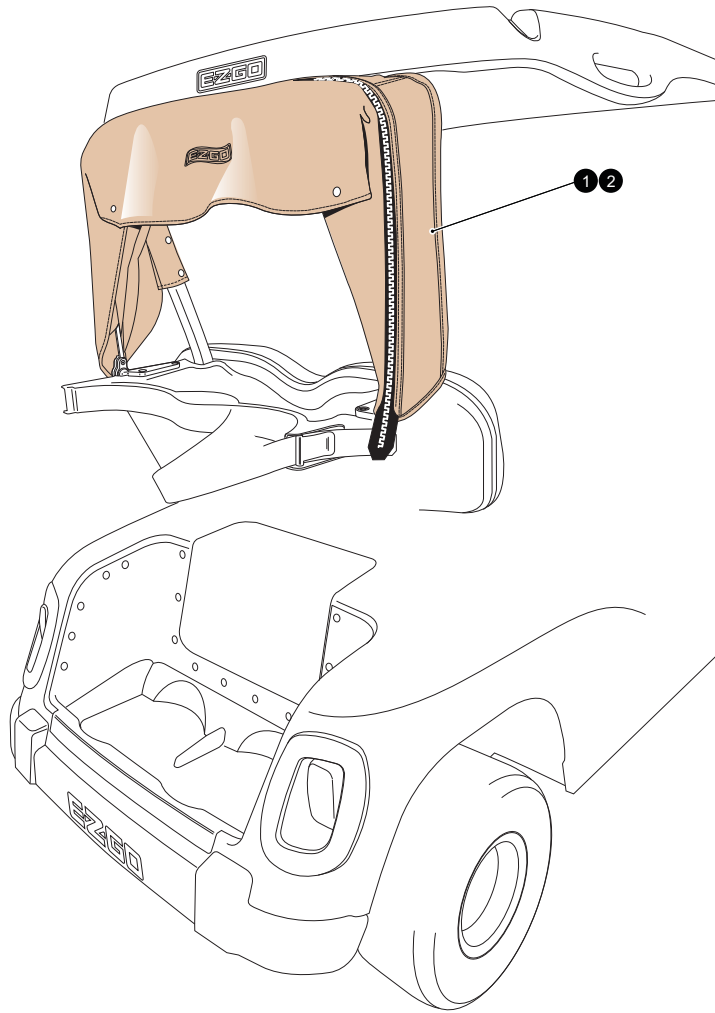
When ordering parts, please specify the model and serial number of the product.

* Indicates a component that is not available as an individual part.

*** Indicates consult Customer Service Department for additional information.

ITEM	PART NO.	1 2 3 4 5	DESCRIPTION	QTY.
1	610461		2 + 2 SUN TOP KIT, STONE BEIGE (includes items 3 - 14)	1
2	610462		2 + 2 SUN TOP KIT, OYSTER (includes items 4 -14 & 21)	
3	610434		2 + 2 SUN TOP, STONE BEIGE	1
4	603203		FRONT STRUT	1
5	604423		2 + 2 REAR STRUT, DRIVER SIDE	1
6	604424		2 + 2 REAR STRUT, PASSENGER SIDE	1
7	603800		HEX HEAD FLANGED BOLT, M10 - 1.5 X 50	1
8	610468		2 + 2 SUN TOP HARDWARE KIT (includes items 9 - 13)	1
9	601414		HEX HEAD FLANGED BOLT, M10 - 1.5 X 65	4
10	602415		HEX HEAD FLANGED BOLT, M10 - 1.5 X 80	4
11	600525		FLANGED LOCK NUT, M10 - 1.5	4
12	602770		STRUT GROMMET, DRIVER SIDE	1
13	602992		STRUT GROMMET, PASSENGER SIDE	1
14	610472		2 + 2 SUN TOP HARDWARE KIT (includes items 15-20)	1
15	610424		BRACKET, DRIVER SIDE (NOT SHOWN)	1
16	610425		BRACKET, PASSENGER SIDE	1
17	603800		HEX HEAD FLANGED BOLT, M10 - 1.5 X 50	2
18	608653		SOCKET HEAD SCREW, M10 - 1.5 X 35	2
19	600525		FLANGED LOCK NUT, M10 - 1.5	4
20	00560G1		FLAT WASHER	2
21	610433		2 + 2 SUN TOP, OYSTER	1

WEATHER PROTECTION



WEATHER PROTECTION

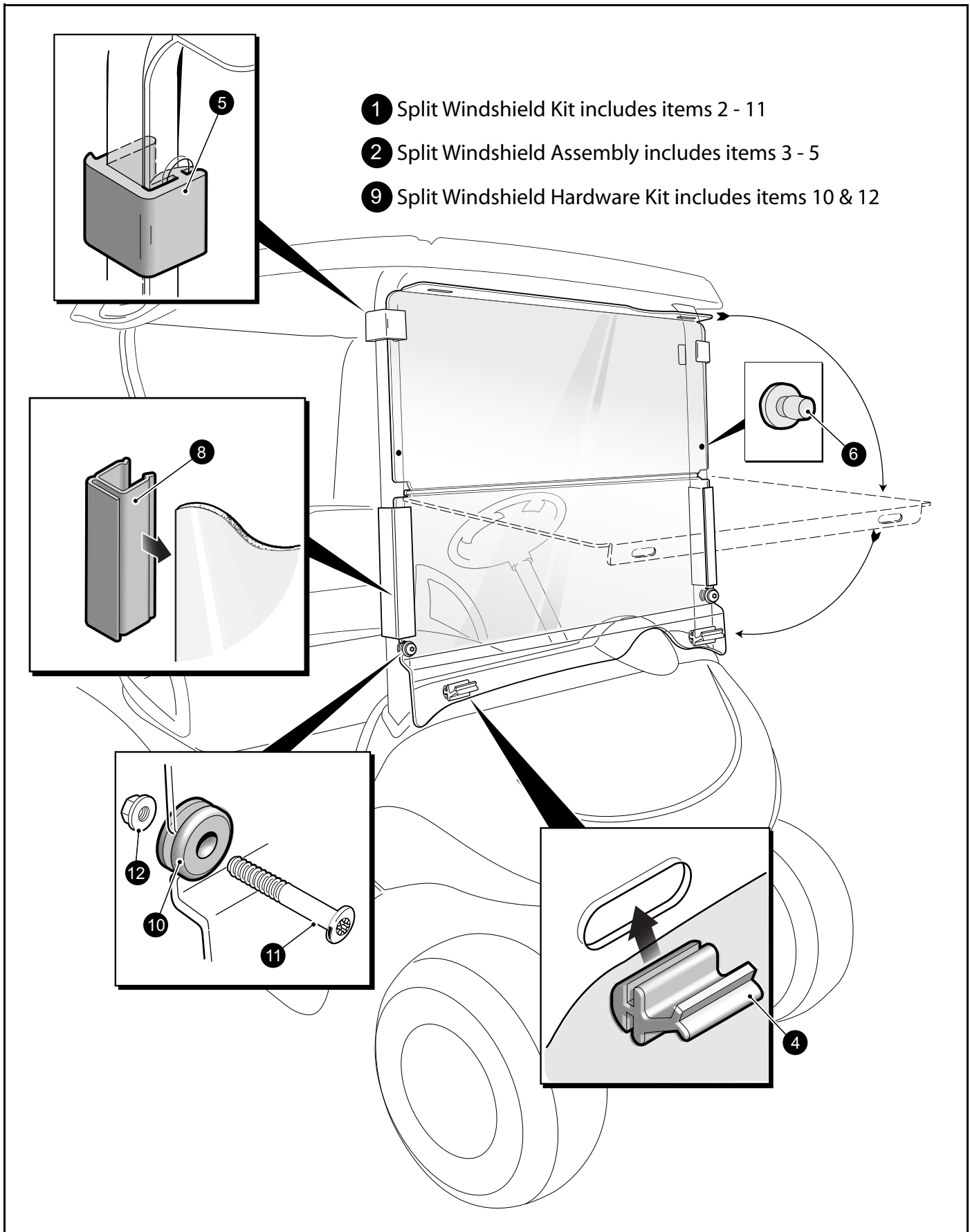
When ordering parts, please specify the model and serial number of the product.

* Indicates a component that is not available as an individual part.

*** Indicates consult Customer Service Department for additional information.

ITEM	PART NO.	1	2	3	4	5	DESCRIPTION	QTY.
1	604666						BAG COVER KIT,STONE BEIGE	1
2	620604						BAG COVER KIT, OYSTER.....	1

WEATHER PROTECTION



- 1 Split Windshield Kit includes items 2 - 11
- 2 Split Windshield Assembly includes items 3 - 5
- 9 Split Windshield Hardware Kit includes items 10 & 12

WEATHER PROTECTION

When ordering parts, please specify the model and serial number of the product.

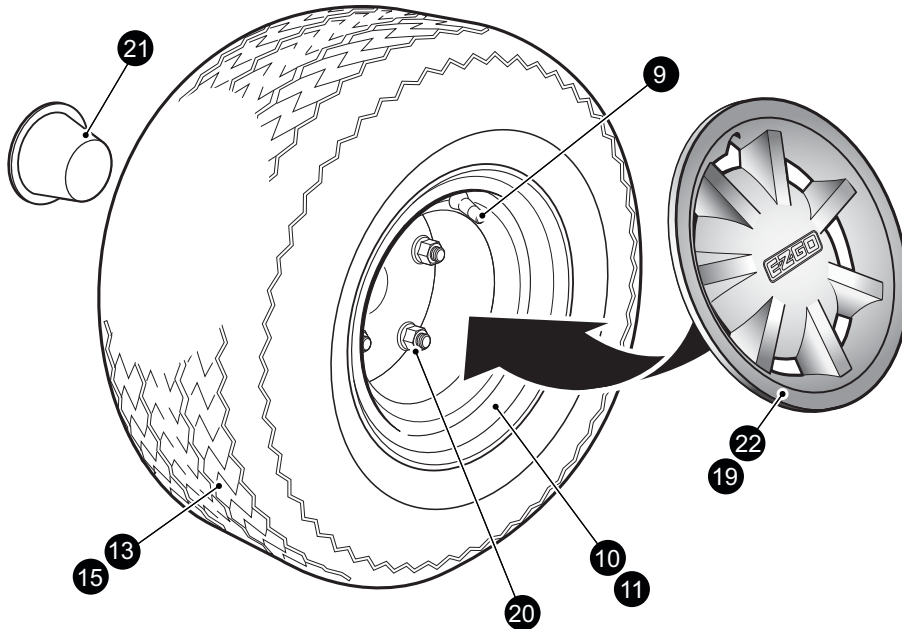
* Indicates a component that is not available as an individual part.

*** Indicates consult Customer Service Department for additional information.

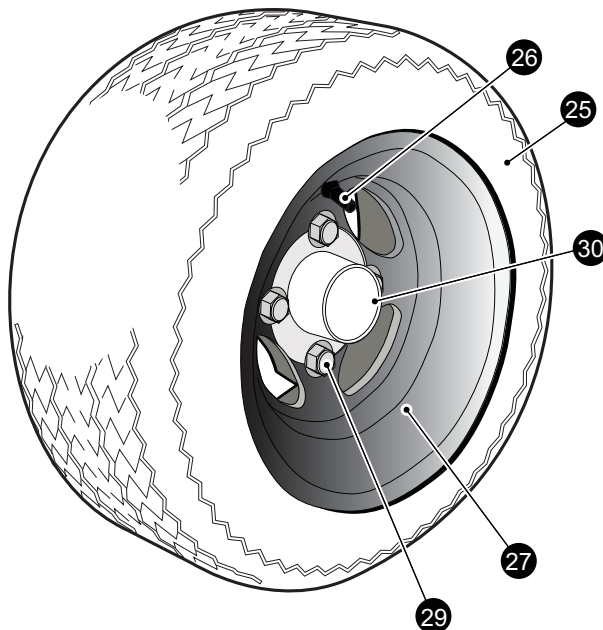
ITEM	PART NO.	1 2 3 4 5	DESCRIPTION	QTY.
1	606584		SPLIT WINDSHIELD KIT (includes items 2 - 11).....	1
2	606623		SPLIT WINDSHIELD ASSEMBLY (includes items 3 - 5).....	1
3	603738		SPLIT WINDSHIELD.....	1
4	603201		LOWER WINDSHIELD LATCH.....	2
5	603198		UPPER WINDSHIELD LATCH.....	2
6	604115		WINDSHIELD ISOLATOR.....	2
7				
8	603852		WINDSHIELD ATTACHMENT SASH	2
9	607014		SPLIT WINDSHIELD HARDWARE KIT (includes items 10 & 11)	1
10	604116		GROMMET	2
11	602527		TORX BOLT, BHD, M10 - 1.5 X 60	2
12	600525		LOCK NUT, M10 - 1.5	2

WHEELS AND TIRES

- 1 LINKS STONE BEIGE WHEEL & TIRE ASSEMBLY (includes items 9, 10, 13)
- 2 LINKS WHITE WHEEL & TIRE ASSEMBLY (includes items 9, 11 & 13)
- 5 USA STONE BEIGE WHEEL& TIRE ASSEMBLY (includes items 9, 10 & 15)
- 6 USA WHITE WHEEL& TIRE ASSEMBLY (includes items 9, 11 & 15)



- 24 ALLOY WHEEL AND TIRE ASSEMBLY (includes items 25 - 27)



WHEELS AND TIRES

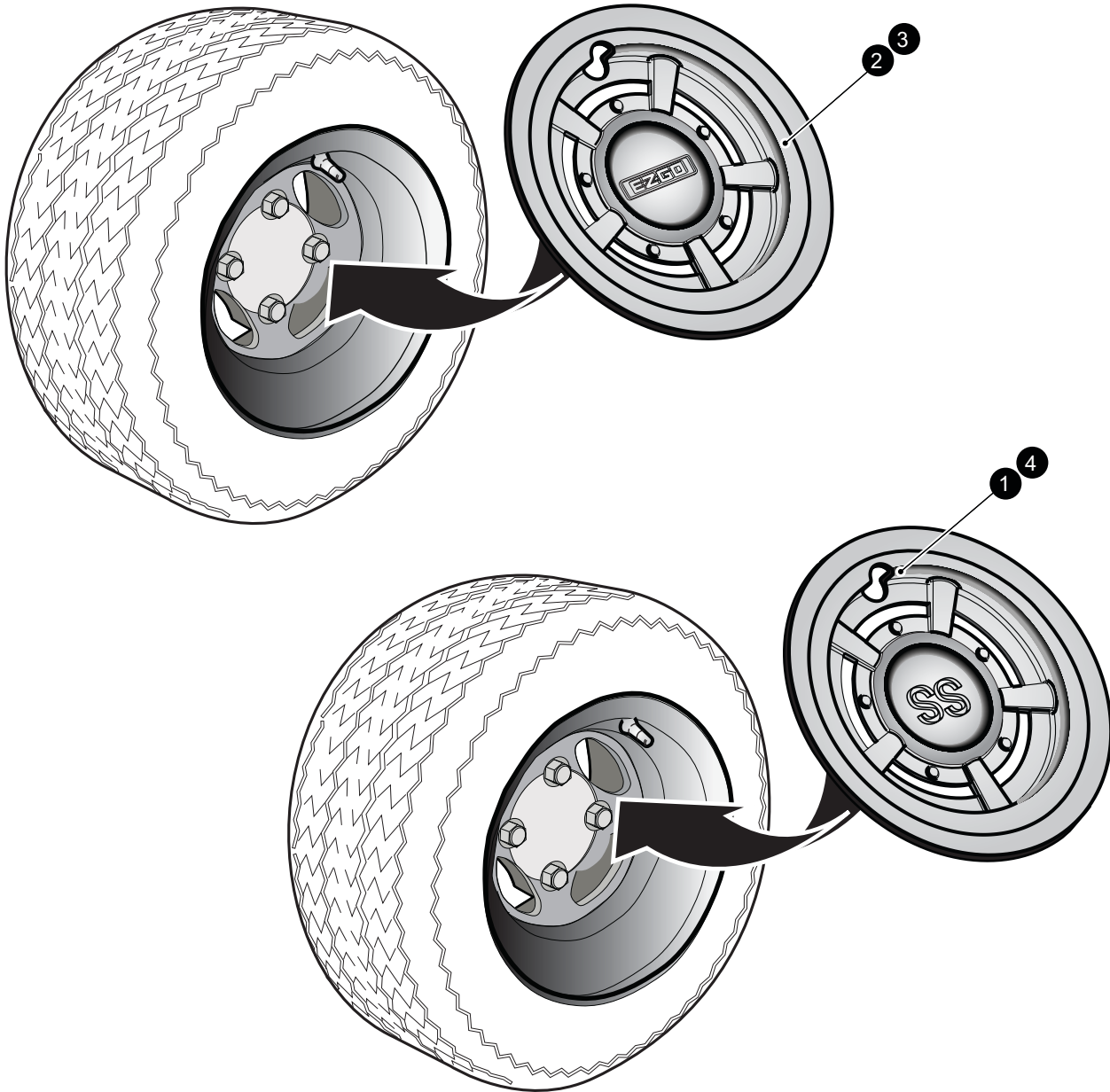
When ordering parts, please specify the model and serial number of the product.

* Indicates a component that is not available as an individual part.

*** Indicates consult Customer Service Department for additional information.

ITEM	PART NO.	1 2 3 4 5	DESCRIPTION	QTY.
1	603173		LINKS STONE BEIGE WHEEL & TIRE ASSEMBLY (includes items 9, 10, 13)	1
2	28757G01		LINKS WHITE WHEEL & TIRE ASSEMBLY (includes items 9, 11 & 13)	1
3				
4				
5	603216		USA STONE BEIGE WHEEL& TIRE ASSEMBLY (includes items 9, 10 & 15)	1
6	28842G01		USA WHITE WHEEL& TIRE ASSEMBLY (includes items 9, 11 & 15)	1
7				
8				
9	11657G2		VALVE STEM.....	1
10	603172		STONE BEIGE WHEEL.....	1
11	28759G01		WHITE WHEEL	1
12				
13	28764G01		CARLISLE LINKS TIRE, 18 X 8.5 - 8.....	1
14				
15	28764-G08		CARLISLE USA TRAIL TIRE 18.5 X 8.5 - 8.....	1
16				
17				
18				
19	607096		HUB CAP, SILVER	4
20	14723-G1		LUG NUT, 1/2" - 20 UNF	4
21	74175-G01		DUST CAP	1
22	603785		HUB CAP, GOLD	4
23				
24	635726		ALLOY WHEEL AND TIRE ASSEMBLY (includes items 25 - 27) (FREEDOM ONLY)	4
25	601768		TOUR MAX TIRE, 205 / 50 - 10	1
26	601767		VALVE STEM.....	1
27	635727		ITP ALLOY WHEEL.....	1
28				
29	605310		CHROME LUG NUT, 1/2" - 20 UNF	16
30	601353		ALLOY WHEEL CAP	4

WHEELS AND TIRES



WHEELS AND TIRES

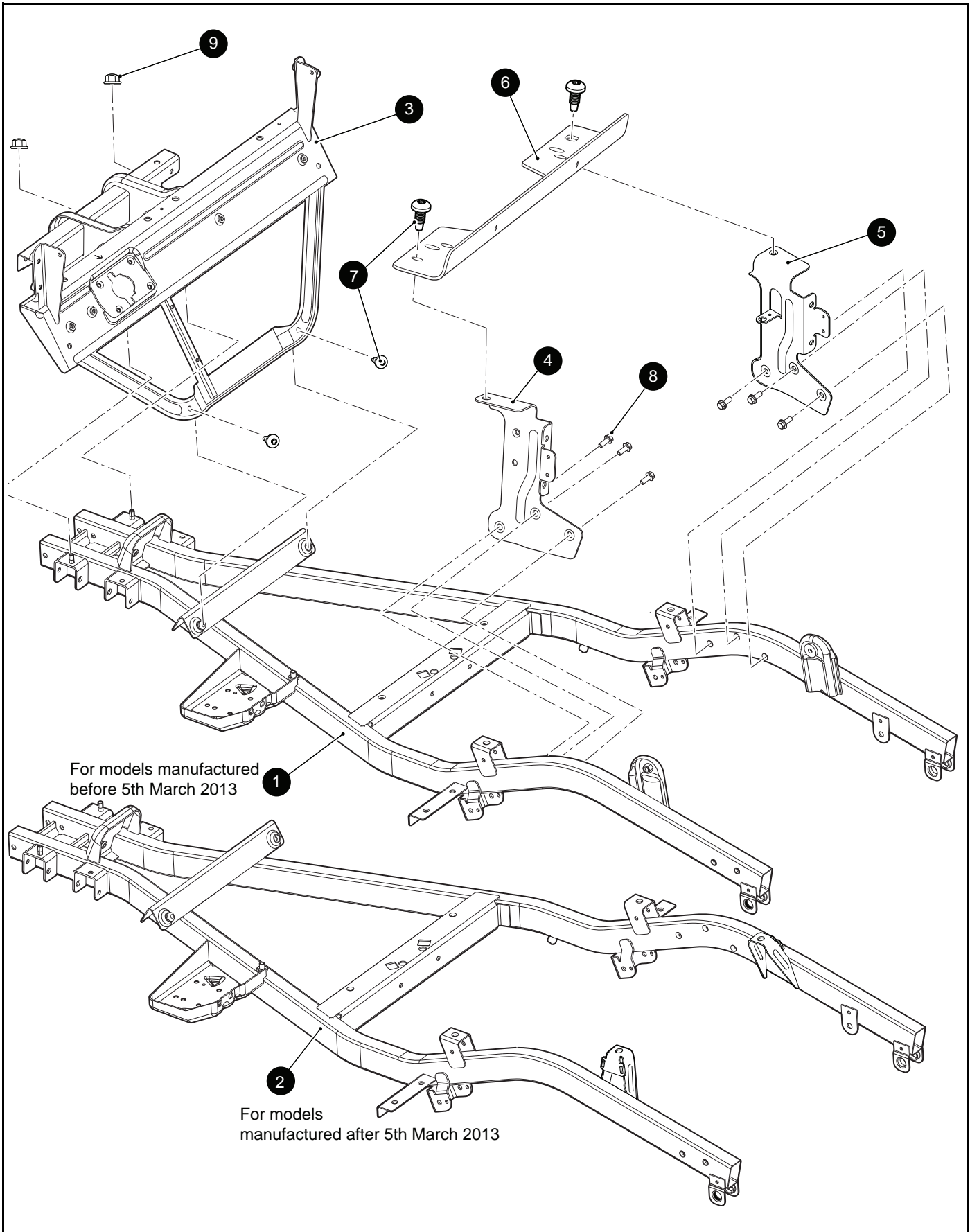
When ordering parts, please specify the model and serial number of the product.

* Indicates a component that is not available as an individual part.

*** Indicates consult Customer Service Department for additional information.

ITEM	PART NO.	1 2 3 4 5	DESCRIPTION	QTY.
1	608291		WHEEL COVER, CHROME SS, 8"	4
2	608292		WHEEL COVER, CHROME E-Z-GO, 8"	4
3	608627		WHEEL COVER, CHROME SILVER E-Z-GO, 8"	4
4	608629		WHEEL COVER, CHROME SILVER SS, 8"	4

FRAME



When ordering parts, please specify the model and serial number of the product.

* Indicates a component that is not available as an individual part.

*** Indicates consult Customer Service Department for additional information.

ITEM	PART NO.	1 2 3 4 5	DESCRIPTION	QTY.
1	612527		FRAME WELDMENT (For models manufactured before 5th March 2013)	1
2	631180		FRAME WELDMENT (For models manufactured after 5th March 2013)	1
3	614597		IP SUPPORT WELDMENT	1
4	600218		SEAT SUPPORT BRACKET (DRIVER SIDE)	1
5	613187		SEAT SUPPORT BRACKET (PASSENGER SIDE).....	1
6	601275		SEAT SUPPORT, BRACE.....	1
7	602572		PAN HEAD TORX BOLT, M10 - 1.5 X 25MM LG	4
8	603799		HEX HEAD FLANGED BOLT , M10 - 1.5 X 23MM LG	6
9	600525		FLANGED HEX NUT, M10 -1.5.....	2

Notes:

A large grid area for taking notes, consisting of many small squares. The grid is approximately 28 columns wide and 32 rows high, providing a structured space for handwritten notes.



A Textron Company

E-Z-GO Division of Textron Inc.,
1451 Marvin Griffin Road, Augusta, Georgia 30906 - 3852 USA

TO CONTACT US...

North America:

**Technical Assistance & Warranty
Service Parts**

Phone: 1-800-774-3946, FAX: 1-800-448-8124

Phone: 1-888-GET-E-Z-GO (1-888-438-3946), FAX: 1-800-752-6175

International:

Phone: 001-706-798-4311, FAX: 001-706-771-4609

Copyrighted Material
This manual may not be reproduced in whole or
in part without the express permission of
E-Z-GO Division of Textron, Inc.
Technical Communications Department