



CUSHMAN®
LET'S WORK!

SERVICE PARTS MANUAL
HAULER 1200X

ISSUED AUGUST 2016

655822-Y
REVISED OCTOBER 2018

SERVICE PARTS MANUAL

GASOLINE POWERED VEHICLE

HAULER 1200X

STARTING MODEL YEAR 2017

CALIFORNIA Proposition 65 Warning

WARNING: Motor vehicles may contain fuels, oils and fluids, battery posts, terminals, and related accessories which contain lead and lead compounds and other chemicals identified by the State of California to potentially cause cancer, birth defects, and other reproductive harm. These chemicals are found in vehicles, vehicle parts and accessories, both new and replacements. During maintenance, these vehicles generate used oil, waste fluids, grease, fumes, and particulates, all identified by the State of California to potentially cause cancer, birth defects, and other reproductive harm.

Never modify the vehicle in any way that will alter the weight distribution of the vehicle, decrease its stability or increase the speed beyond the factory specifications. Such modifications can cause serious personal injury or death. Textron Specialized Vehicles prohibits and dis-claims responsibility for any such modifications or any other alteration which would adversely affect the safety of the vehicle. TSV reserves the right to incorporate engineering and design changes to products in this manual, without obligation to include these changes on units sold previously.

The information contained in this manual may be revised periodically by TSV, and therefore is subject to change without notice.

TSV DISCLAIMS LIABILITY FOR ERRORS IN THIS MANUAL, and SPECIFICALLY DISCLAIMS LIABILITY FOR INCIDENTAL AND CONSEQUENTIAL DAMAGES resulting from the use of the information and materials in this manual.

These are the original instructions as defined by 2006/42/EC.

TO CONTACT US:

Textron Specialized Vehicles, Inc.

1451 Marvin Griffin Road

Augusta, Georgia, USA 30906-3852

NORTH AMERICA:

Technical Assistance & Warranty PHONE: 1-800-774-3946, FAX: 1-800-448-8124

Service Parts PHONE: 1-888-438-3946, FAX: 1-800-752-6175

International: PHONE: 001-706-798-4311, FAX: 001-706-771-4609

cushmancomm@textron.com

GENERAL INFORMATION

To obtain a copy of the limited warranty applicable to the vehicle, call or write a local Distributor, authorized Branch or the Warranty Department with vehicle serial number and manufacturer code.

The use of non Original Equipment Manufacturer (OEM) approved parts may void the warranty.

Tampering with or adjusting the governor to permit vehicle to operate at above factory specifications will void the vehicle warranty.

When servicing engines, all adjustments and replacement components must be per original vehicle specifications in order to maintain the United States of America Federal and State emission certification applicable at the time of manufacture.

BATTERY PROLONGED STORAGE

Batteries self-discharge over time. The rate of self-discharge varies depending on the ambient temperature, the age and condition of the batteries.

Fully charged batteries will not freeze in winter temperatures unless the temperature falls below -75°F (-60°C).

BATTERY DISPOSAL

Lead-acid batteries are recyclable. Return whole scrap batteries to distributor, manufacturer or lead smelter for recycling. For neutralized spills, place residue in acid-resistant containers with absorbent material such as sand. Dispose in accordance with local, state and federal regulations for acid and lead compounds. Contact local and/or state environmental officials regarding disposal information.

TABLE OF CONTENTS

SECTION	Page No.
HOW TO USE THE SERVICE PARTS MANUAL	V
ACCELERATOR	A
AIR FILTER	B
BODY	C
BRAKES	D
CAB	E
CARBURETOR AND CHOKE	F
CLUTCH	G
DIRECTION SELECTOR	H
ELECTRICAL	J
ENGINE AND MUFFLER	K
ENGINE MOUNTING	L
FRONT SUSPENSION AND STEERING	M
FUEL SYSTEM	N
REAR AXLE	P
REAR SUSPENSION	R
SEATING	S
STATER GENERATOR	T
TRUCK BED	U
WEATHER PROTECTION	V
WHEELS AND TIRES	W
DECALS AND LABELS	X

HOW TO USE THE SERVICE PARTS MANUAL

This manual is divided into several sections:

- GENERAL INFORMATION
- ILLUSTRATED PARTS BREAKDOWN
- APPENDIX

The first section, GENERAL INFORMATION, contains the following information:

- WARRANTY INFORMATION
- GENERAL INDEX
- HOW TO USE THE SERVICE PARTS MANUAL

The second section, ILLUSTRATED PARTS BREAKDOWN, contains illustrations and parts lists for all systems of your vehicle.

The third section, APPENDIX, contains a listing of specialty products and accessories.

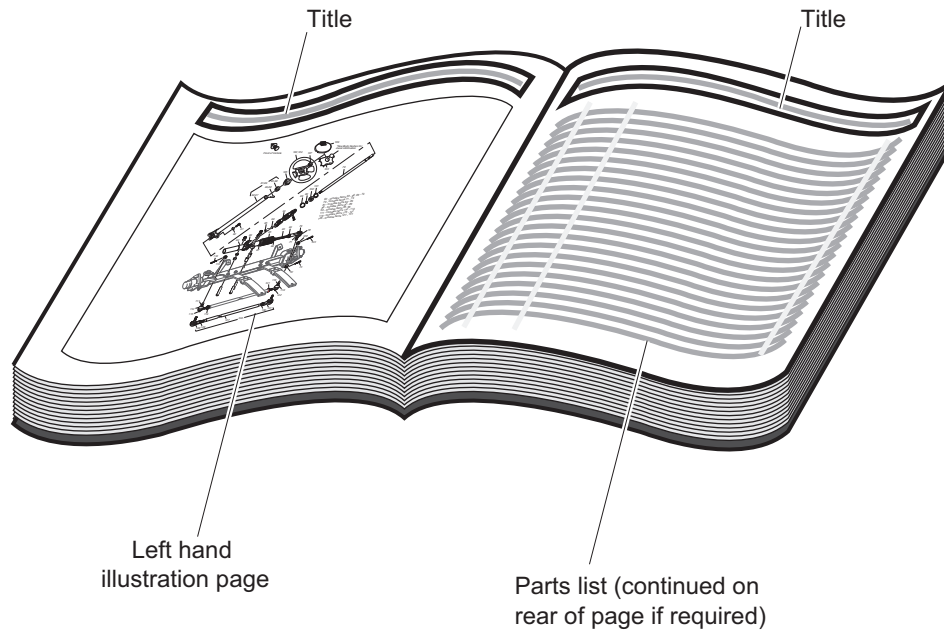
USE OF THE MANUAL

To use this manual, consult the GENERAL INDEX to locate the information or illustration required.

Introduction of some revisions varies due to supply of components; therefore, it is possible that various combinations of components may be found that are not directly reflected by each illustration. Consult the illustration that best suits your situation and then contact the Service Parts Department. It is important that the serial number of your vehicle and its model number be supplied to Service Parts when ordering any replacement components.

Locate the serial number plate (see BODY located in the Illustrated Parts Breakdown section of this manual for its location) and note the complete number shown on the plate.

HOW TO USE THE SERVICE PARTS MANUAL



1. WHEN THE PART NUMBER IS NOT KNOWN

- Determine the function and application of the part required. Turn to the General Index and select the most appropriate title.
- Turn to the page number indicated and locate the desired part on the illustration.
- From the illustration, obtain the item number assigned to the desired part. Refer to the accompanying description for specific information regarding the part.

2. IF YOU KNOW THE PART NUMBER

- Locate the part number or description in the appropriate column on the parts list page.

NOTE: Confirm the part selected is correct by verifying it with the illustration.

If an asterisk (*) appears in the part number column on the parts list page, read upward until a part number is found. The part number is the lowest assembly sold by Service Parts and the asterisk (*) indicates the part depicted is not available for purchase.

NOTE: Descriptions are indented under the assembly that they are used on. That assembly is, in turn listed under the assembly that it is used on. This process is repeated until the highest final assembly is reached.

To facilitate the maintenance and repair of the vehicle, a Technician's Repair and Service Manual is available from the Service Parts Department.

HOW TO USE THE SERVICE PARTS MANUAL

3. COLOR CODE FOR BODY COMPONENTS

The last two digits of the part number for the body part will denote the color code, locate the part number for the cowl, rear body, seat pod, side panel or seat wrap then locate your color in the list below, replace the last ** or XX with the two digit color code.

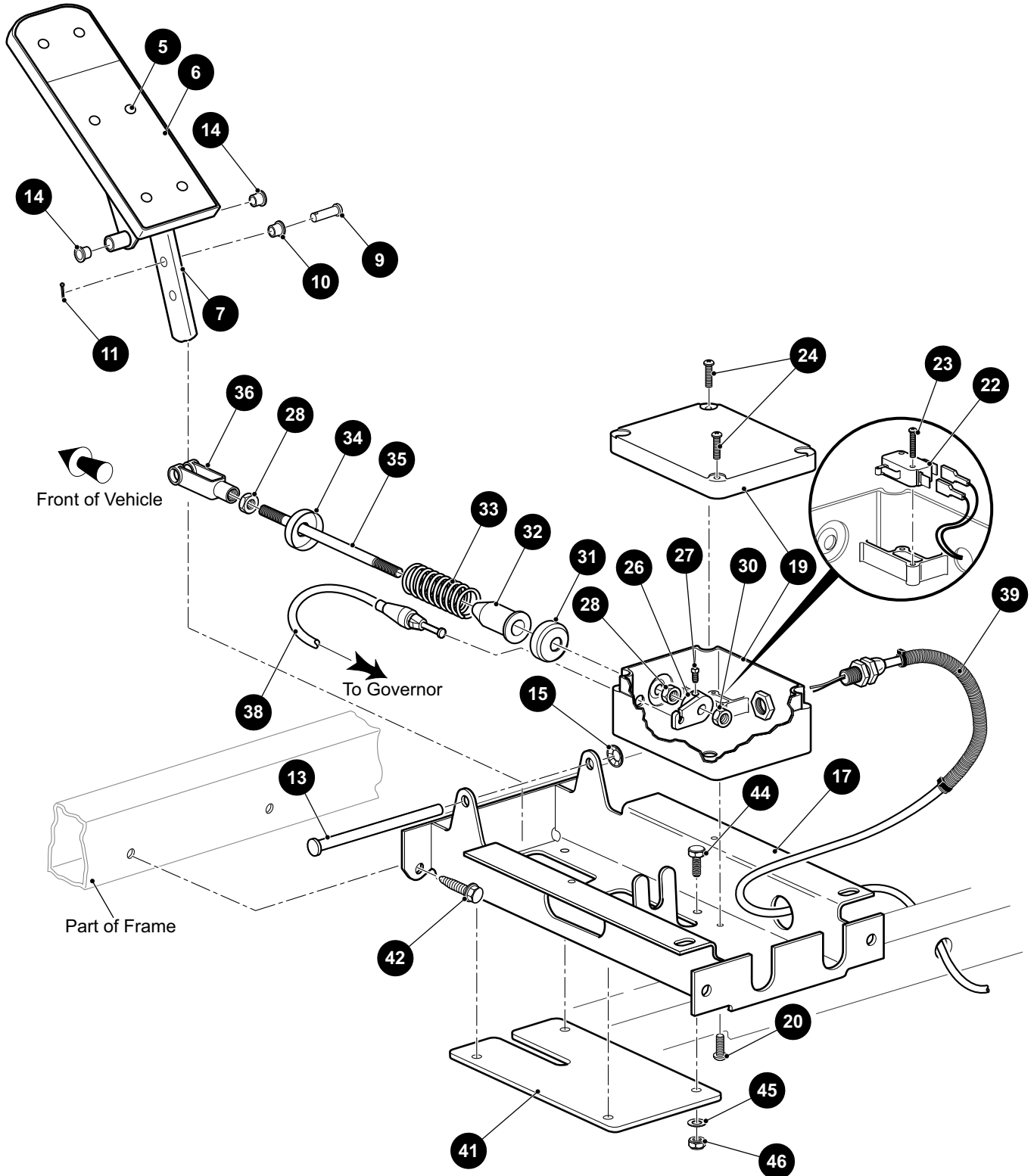
<u>CODE #</u>	<u>DESCRIPTION</u>
11	BLACK
19	PATRIOT BLUE PEARL
20	INFERNO RED METALLIC
26	STEEL BLUE PEARL
31	METALLIC CHARCOAL
35	SAFETY YELLOW
36	IVORY
37	FOREST GREEN
38	BRIGHT WHITE
39	FLAME RED
41	ELECTRIC BLUE
42	PLATINUM
43	BURGUNDY
44	ALMOND
51	SUNBURST ORANGE
52	BRITISH RACING GREEN
69	MONSTER GREEN
72	MATTE BLACK
73	MATTE GREEN
74	BARLEY GOLD
75	OASIS GREEN
76	JAVA BROWN
78	REAL TREE XTRA DIPPED
79	JACOBSEN ORANGE 172
80	REAL TREE ADVANTAGE MAX 5-DIPPED

ACCELERATOR

1 ACCELERATOR PEDAL BOX ASSEMBLY
includes items 3 - 17, 19 - 39

3 ACCELERATOR PEDAL ASSEMBLY
includes items 4, 7

4 ACCELERATOR PEDAL PAD KIT
includes items 5, 6



ACCELERATOR

THE USE OF NON U.L. PARTS WILL VOID ANY U.L. LISTING.

When ordering parts, please specify the model and serial number of the product.

* Indicates a component that is not available as an individual part.

*** Indicates consult Customer Service Department for additional information.

ITEM	PART NO.	1 2 3 4 5	DESCRIPTION	QTY.
1	606991		ACCELERATOR PEDAL BOX ASSEMBLY (INCLUDES ITEMS 3 - 17, 19 - 39)	1
2				
3	25799G03		ACCELERATOR PEDAL ASSEMBLY (INCLUDES ITEMS 4, 7)	1
4	27844G01		ACCELERATOR PEDAL PAD KIT (INCLUDES ITEMS 5, 6)	1
5	16409G1		OVAL RIVET (ALUMINUM), 3/16" X .51" LG	6
6	27512G01		ACCELERATOR PEDAL PAD	1
7	652824		ACCELERATOR PEDAL	1
8				
9	10386G3		CLEVIS PIN, .313" X .940" LG	1
10	17838G1		FLANGED NYLINER BUSHING, .374" O.D. X .313" I.D. X .312" LG	1
11	10387G3		COTTER PIN, .094" X .75"	1
12				
13	74432G01		PEDAL PIVOT PIN, .313" X 4.87" LG	1
14	17838G1		FLANGED NYLINER BUSHING, .374" O.D. X .313" I.D. X .312" LG	2
15	12064G6		PUSH NUT, .301" X .092" LG	1
16				
17				
18	652241G03		ACCELERATOR PEDAL BRACKET	1
19	25853G03		PEDAL BOX AND COVER	1
20	01051G01		PAN HEAD PHILLIPS SCREW, #8 - 16 X 1/2" LG	4
21				
22	25861G01		MICRO SWITCH	1
23	01050G01		PAN HEAD TORX SCREW, #4 - 20 X 5/8" LG	2
24	00684G6		TRUSS HEAD PHILLIPS SCREW, #8 - 32 X 3/4" LG	2
25				
26	72716G01		MICRO SWITCH CAM	1
27	00487G3		SOCKET HEAD SET SCREW, 1/4" - 20 X 3/8" LG	1
28	00532G4		HEX NUT, 5/16" - 24	2
29				
30	15126G1		LOCK NUT, 5/16" - 24	1

ACCELERATOR

THE USE OF NON U.L. PARTS WILL VOID ANY U.L. LISTING.

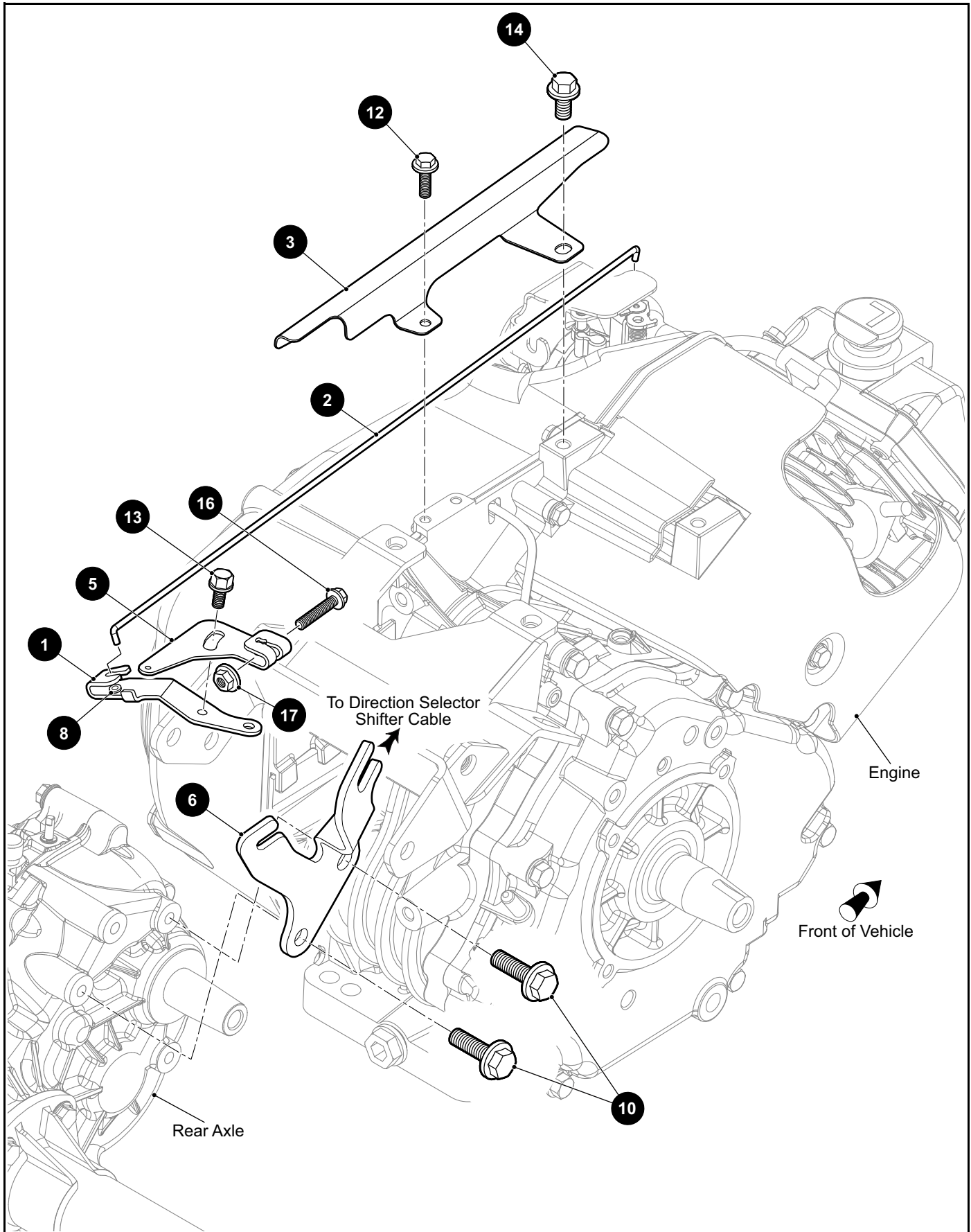
When ordering parts, please specify the model and serial number of the product.

* Indicates a component that is not available as an individual part.

*** Indicates consult Customer Service Department for additional information.

ITEM	PART NO.	1	2	3	4	5	DESCRIPTION	QTY.
31	17677G1						SPRING RETAINER, 1.062" O.D. X .5" I.D. X .34" LG	1
32	17979G1						ACCELERATOR ROD BUSHING, .464" DIA X 2.06" LG	1
33	73046G01						COMPRESSION SPRING, .884" O.D. X .793" I.D. X 4.625" LG	1
34	17677G2						SPRING RETAINER, 1.062" O.D. X .38" I.D. X .34" LG	1
35	72072G01						ACCELERATOR ROD, .311" X 7.31" LG	1
36	10385G4						CLEVIS YOKE (ADJUSTABLE)	1
37								
38	608614						ACCELERATOR CABLE, 75.75" LG	1
39	72201G04						WIRE HARNESS (PEDAL BOX)	1
40								
41	652780G03						PEDAL GUARD	1
42	00715G2						FLANGED HEX HEAD BOLT, 5/16" -18 X 4/5" LG	4
43								
44	00414G6						HEX HEAD BOLT, 1/4" - 20 X 3/4" LG	4
45	01110G01						FLAT WASHER, 1/4"	4
46	00654G2						LOCK NUT (SS), 1/4" - 20	4
47								
48	17618G1						CLAMP (NYLON), 8" LG (NOT ILLUSTRATED)	1

ACCELERATOR

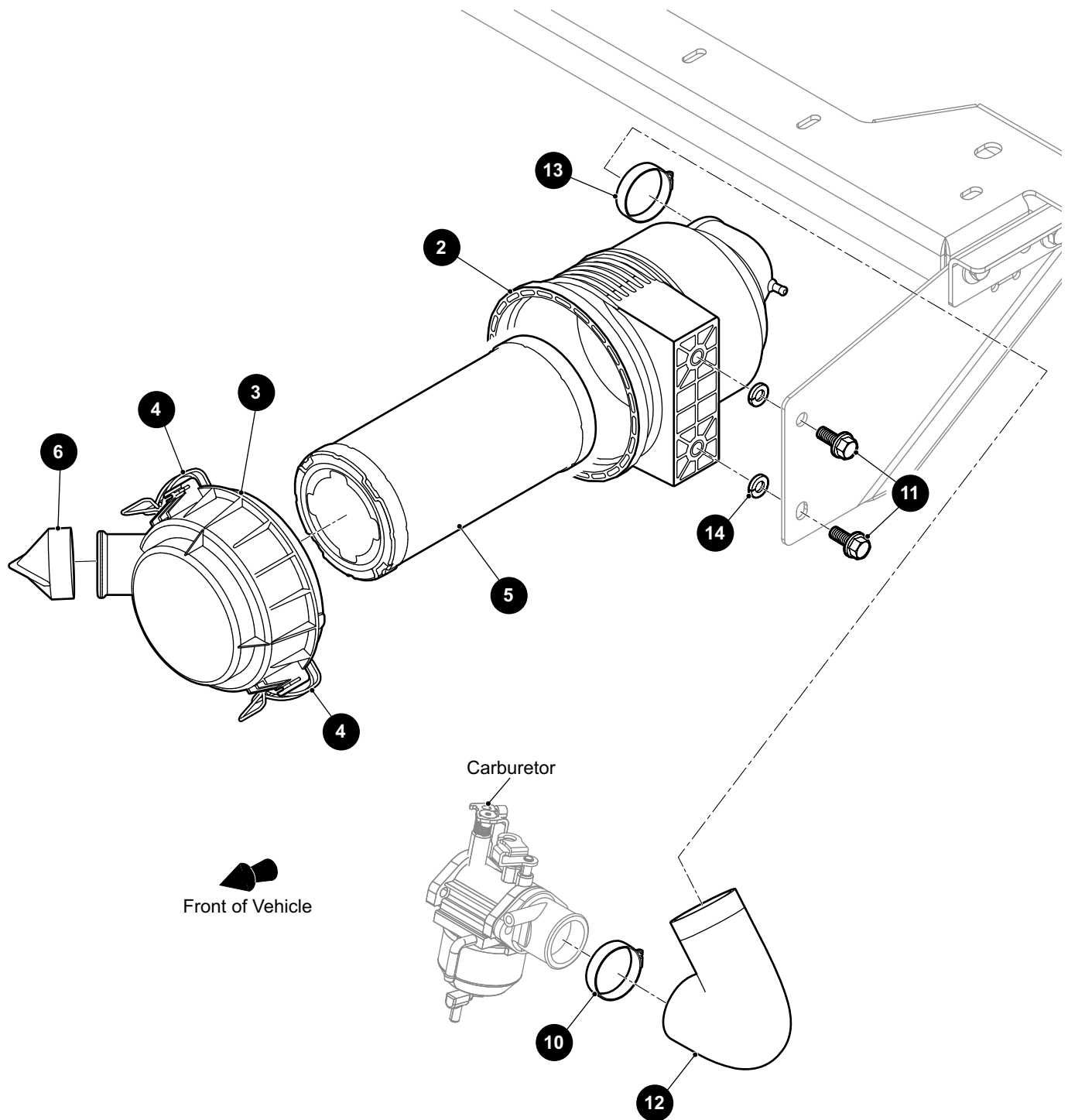


THE USE OF NON U.L. PARTS WILL VOID ANY U.L. LISTING.
 When ordering parts, please specify the model and serial number of the product.
 * Indicates a component that is not available as an individual part.
 *** Indicates consult Customer Service Department for additional information.

ITEM	PART NO.	1 2 3 4 5	DESCRIPTION	QTY.
1	606005		GOVERNOR BRACKET (LOWER).....	1
2	606284		GOVERNOR LINK ROD	1
3	603890		GOVERNOR GUARD BRACKET	1
4				
5	606083		GOVERNOR BRACKET (UPPER)	1
6	632936		DIRECTION SELECTOR AND ACCELERATOR BRACKET	1
7				
8	606283		GOVERNOR LEVER BUSHING	1
9				
10	606256		FLANGED HEX HEAD BOLT, M10 - 1.25 X 25MM LG.....	2
11				
12	606264		FLANGED HEX HEAD BOLT, M6 - 1 X 20MM LG.....	1
13	606265		FLANGED HEX HEAD BOLT, M6 - 1 X 12MM LG.....	1
14	606262		FLANGED HEX HEAD BOLT, M8 - 1.25 X 16MM LG.....	1
15				
16	606421		FLANGED HEX HEAD BOLT, M6 - 1 X 30MM LG.....	1
17	450452		FLANGED HEX NUT, M6 - 1.....	1

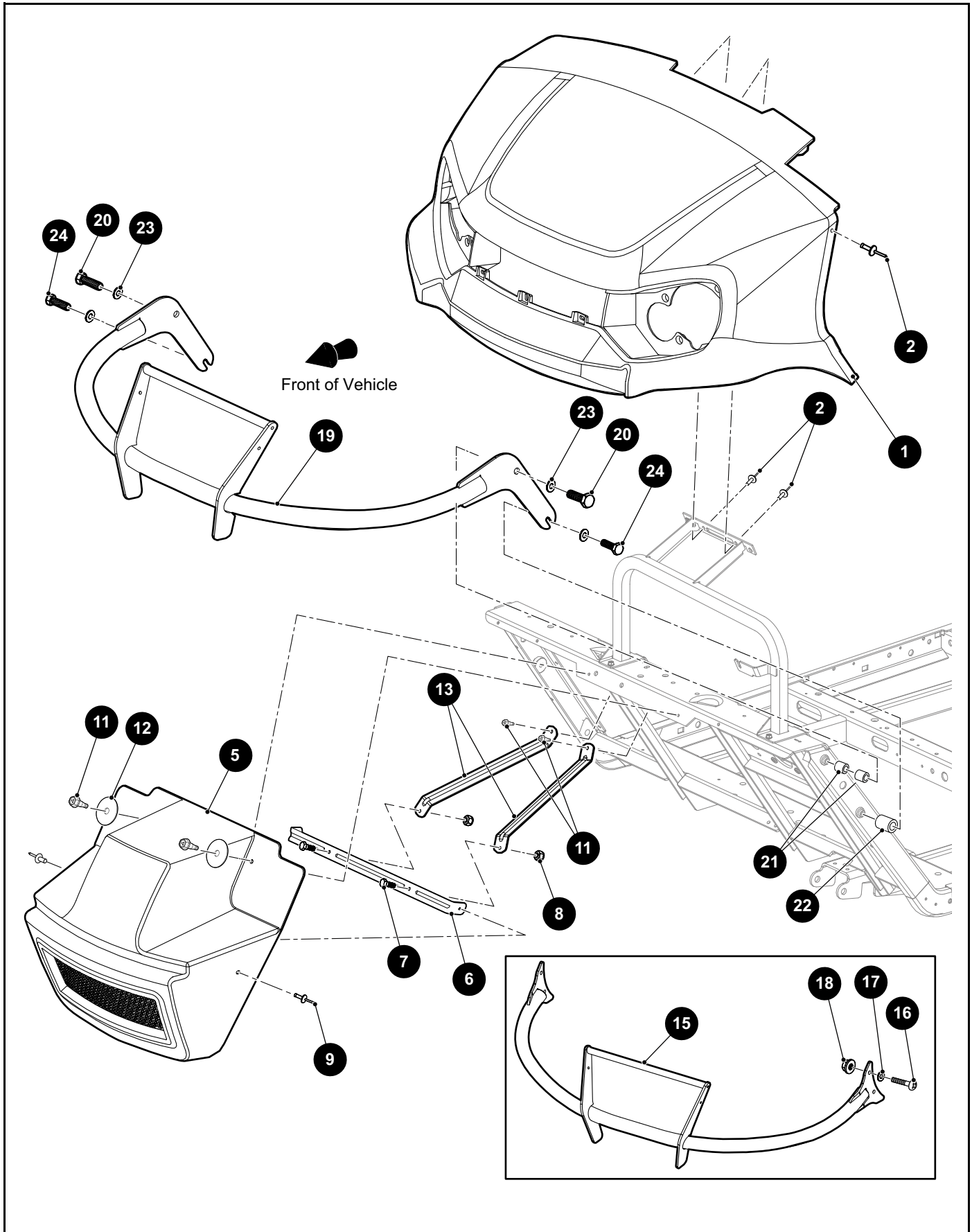
AIR FILTER

1 AIR CLEANER ASSEMBLY includes items 2 - 6



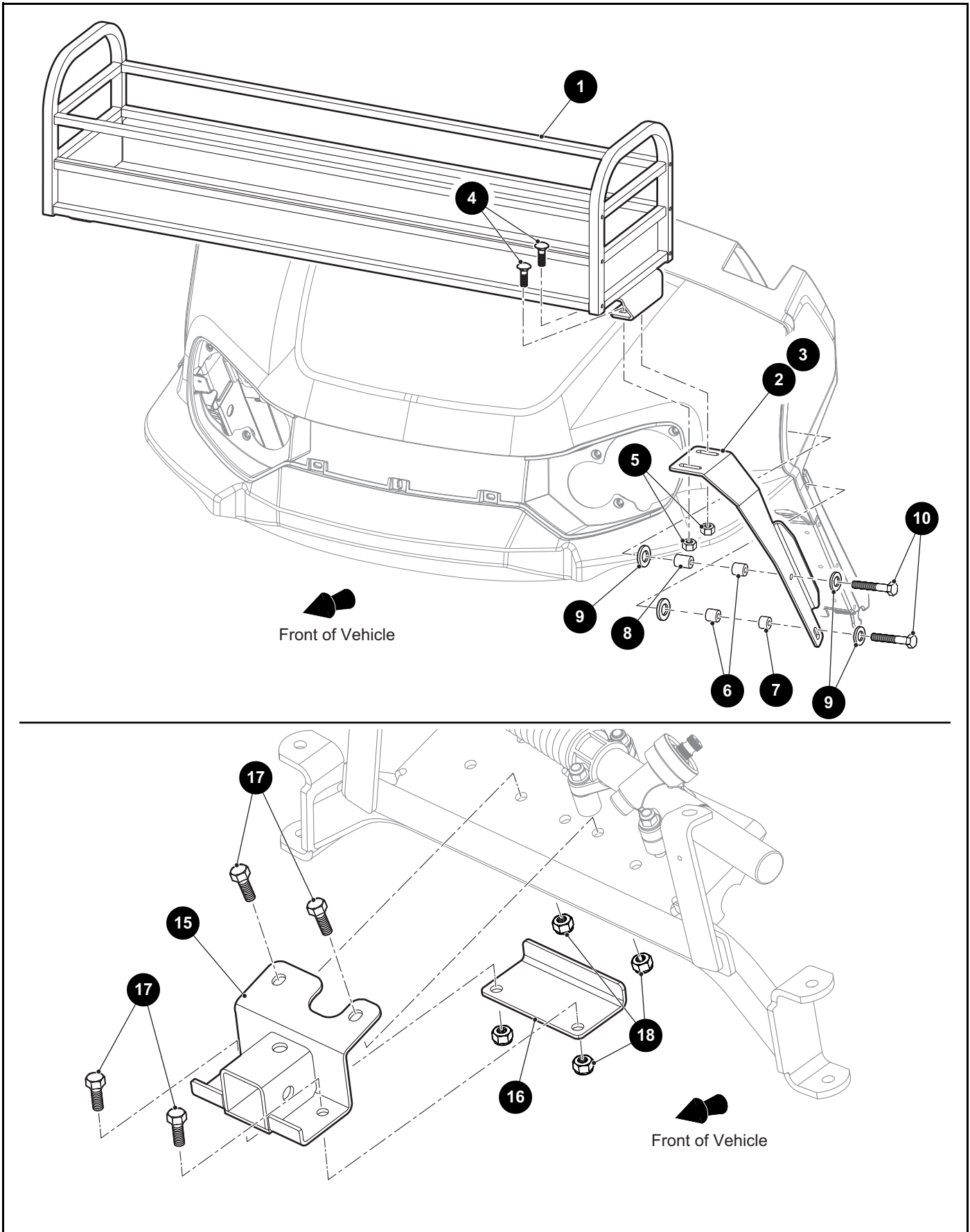
THE USE OF NON U.L. PARTS WILL VOID ANY U.L. LISTING.
 When ordering parts, please specify the model and serial number of the product.
 * Indicates a component that is not available as an individual part.
 *** Indicates consult Customer Service Department for additional information.

ITEM	PART NO.	1 2 3 4 5	DESCRIPTION	QTY.
1	658941		AIR CLEANER ASSEMBLY (INCLUDES ITEMS 2 - 6)	1
2	659139		BODY AND BRACKET ASSEMBLY	1
3	658957		AIR CLEANER COVER	1
4	72604G01		AIR CLEANER CLIP	2
5	28463G01		AIR FILTER ELEMENT	1
6	28462G01		DUST EJECTOR VALVE	1
7				
8				
9				
10	11391G1		HOSE CLAMP, 1.31"	1
11	606261		FLANGED HEX HEAD BOLT, M8 - 1.25 X 20MM LG.	2
12	601910		AIR FILTER TUBE, 14" LG	1
13	11391G7		HOSE CLAMP, 1.56"	1
14	606272		LOCK WASHER, 8MM	2



THE USE OF NON U.L. PARTS WILL VOID ANY U.L. LISTING.
 When ordering parts, please specify the model and serial number of the product.
 * Indicates a component that is not available as an individual part.
 *** Indicates consult Customer Service Department for additional information.

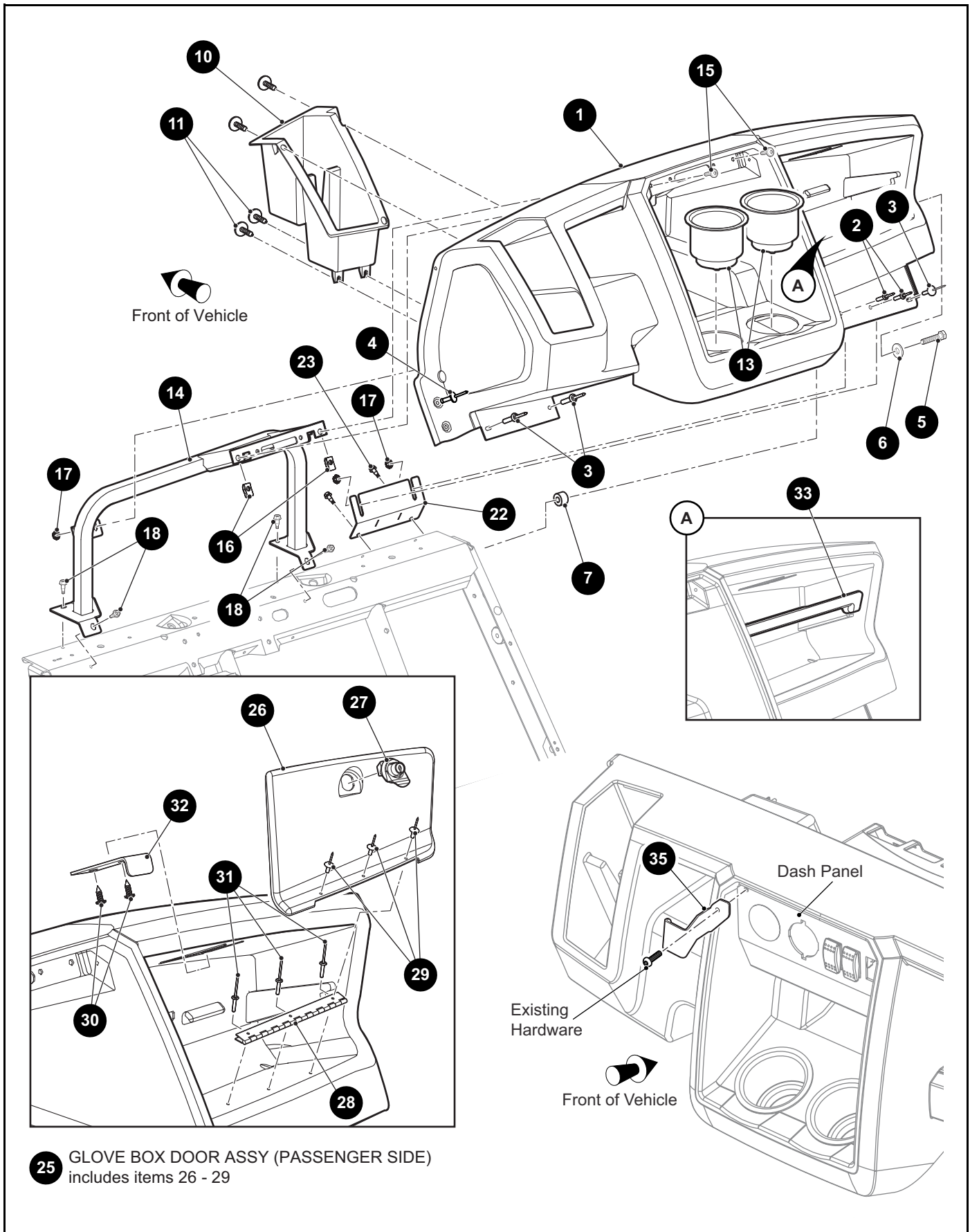
ITEM	PART NO.	1 2 3 4 5	DESCRIPTION	QTY.
1	648566G00XX		COWL (SEE COLOR CODE IN HOW TO USE SECTION)	1
2	71055G02		ALUMINUM RIVET, 3/16" X 1.18" LG	4
3				
4				
5	613273		FRONT FASCIA	1
6	654275		MOUNTING BRACKET	1
7	00414G6		HEX HEAD BOLT, 1/4" - 20 X 3/4" LG	2
8	14390G4		LOCK NUT, 1/4" - 20	2
9	15058G1		RIVET (ALUMINUM), 3/16" X .45" LG	2
10				
11	01038G01		HEX WASHER HEAD SWAGEFORM SCREW, 1/4" - 20 X .70" LG	4
12	16469G1		FENDER WASHER	2
13	654276		FRONT FASCIA MOUNTING BRACE	1
14				
15	662016		BRUSH GUARD (FOR VEHICLES FITTED WITH CAB)	1
16	600530		BUTTON HEAD TORX BOLT, M10 - 1.5 X 25MM LG	4
17	603823		FLAT WASHER, M10 X 22MM X 2.5MM LG	4
18	600525		FLANGED LOCK NUT, M10 - 15	4
19	662022		BRUSH GUARD	1
20	00441G2		HEX HEAD BOLT, 5/16 - 18 X 3 1/4" LG	2
21	75048G04		SPACER, .328" I.D. X .75" O.D. X 1" LG	4
22	75048G03		SPACER, .328" I.D. X .75" O.D. X 1.5" LG	2
23	00559G8		FLAT WASHER, .349" I.D. X .692" O.D.	4
24	00440G6		HEX HEAD BOLT, 5/16 - 18 X 2 3/4" LG	2



THE USE OF NON U.L. PARTS WILL VOID ANY U.L. LISTING.
 When ordering parts, please specify the model and serial number of the product.
 * Indicates a component that is not available as an individual part.
 *** Indicates consult Customer Service Department for additional information.

ITEM	PART NO.	1 2 3 4 5	DESCRIPTION	QTY.
1	74523G01		FRONT BASKET	1
2	651010G01		FRONT BASKET BRACKET (DRIVER SIDE)	1
3	651010G02		FRONT BASKET BRACKET (PASSENGER SIDE)	1
4	00769G2		ROUND HEAD CARRIAGE BOLT, 3/8" - 16 X 1 1/4" LG	4
5	11098G5		LOCK NUT, 3/8" - 16	4
6	619586		SPACER .328" O.D. X .75" I.D. X .75" L.G.	4
7	634807		SPACER, .328" O.D. X .75" I.D. X .50" L.G.	2
8	75048G04		SPACER .328" O.D. X .75" I.D. X 1" L.G.	2
9	00570G2		FLAT WASHER, 5/16"	8
10	00440G6		HEX HEAD BOLT, 5/16" - 18 X 2 3/4" LG	4
11				
12				
13				
14				
15	635202		WINCH RECEIVER	1
16	604572		WINCH RECEIVER RETAINER	1
17	00462G8		HEX HEAD BOLT, 7/16" - 14 X 7/8" LG	4
18	00734G1		LOCK NUT, 7/16" - 14	4

BODY



THE USE OF NON U.L. PARTS WILL VOID ANY U.L. LISTING.
 When ordering parts, please specify the model and serial number of the product.
 * Indicates a component that is not available as an individual part.
 *** Indicates consult Customer Service Department for additional information.

ITEM	PART NO.	1 2 3 4 5	DESCRIPTION	QTY.
1	648568		INSTRUMENT PANEL	1
2	71055G01		RIVET (ALUMINUM), 3/16" X 1 1/8" LG	2
3	14601G11		RIVET (ALUMINUM), 3/16" X 9/16" LG	3
4	71055G02		ALUMINUM RIVET, 3/16" X 1.18" LG	2
5	651011		HEX HEAD BOLT, 5/16" - 18 X 1.5" LG	2
6	634808		FLAT WASHER, 5/16"	2
7	75048G01		SPACER, .328" X .75" X .5"	2
8				
9				
10	648562		CUP HOLDER (DRIVER SIDE)	1
11	613373		PAN HEAD TAPPING SCREW (WITH WASHER), M4.8 - 1.6 X 22MM LG ...	4
12				
13	650913		SINGLE CENTER CUP HOLDER	2
14	650043		IP SUPPORT	1
15	645323		PAN WASHER HEAD TORX SCREW, M6 - 1 X 23.4MM LG	2
16	602409		BARREL CLIP, M6 - 1	2
17	71597G01		SELF THREADING NUT, 5MM X 10MM X 15MM	3
18	01038G01		HEX WASHER HEAD SWAGEFORM SCREW, 1/4" - 20 X .70" LG	4
19				
20				
21				
22	650042		INSTRUMENT PANEL SUPPORT BRACKET (PASSENGER SIDE)	1
23	01038G01		HEX WASHER HEAD SWAGEFORM SCREW, 1/4" - 20 X .70" LG	2
24				
25	650784		GLOVE BOX DOOR ASSY (PASSENGER SIDE) (INCLUDES ITEM 26 - 29)	1
26	650813		DOOR	1
27	654475		LOCK ASSEMBLY	1
28	652386		HINGE	1
29	14601G10		RIVET (ALUMINUM), 5/32" X .425" LG.....	3
30	00614G4		PAN HEAD PHILLIPS TAPPING SCREW, #8 - 18 X 1/2" LG	2
31	71045G01		RIVET (ALUMINUM), 5/32" X .785" LG	3

BODY

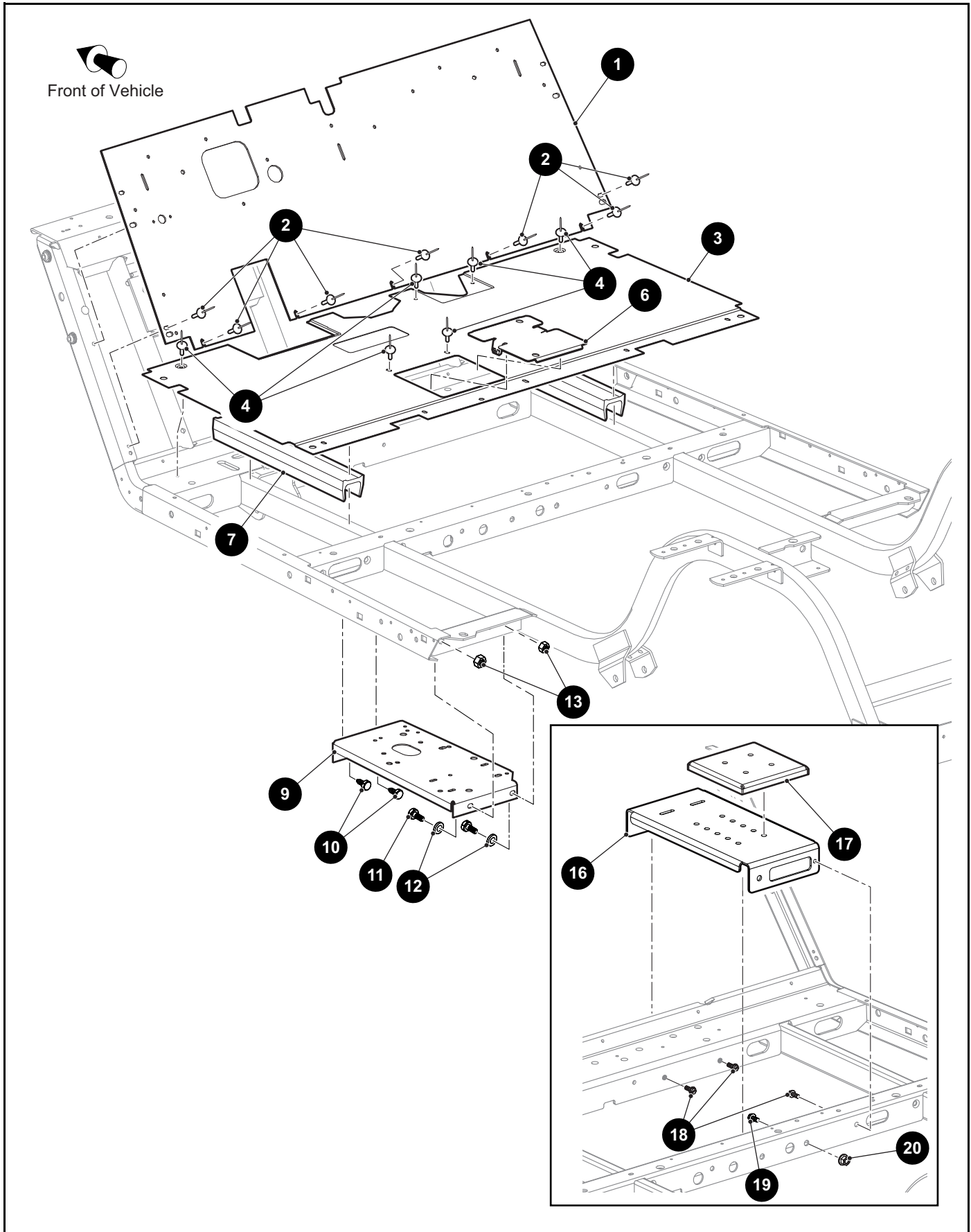
THE USE OF NON U.L. PARTS WILL VOID ANY U.L. LISTING.

When ordering parts, please specify the model and serial number of the product.

* Indicates a component that is not available as an individual part.

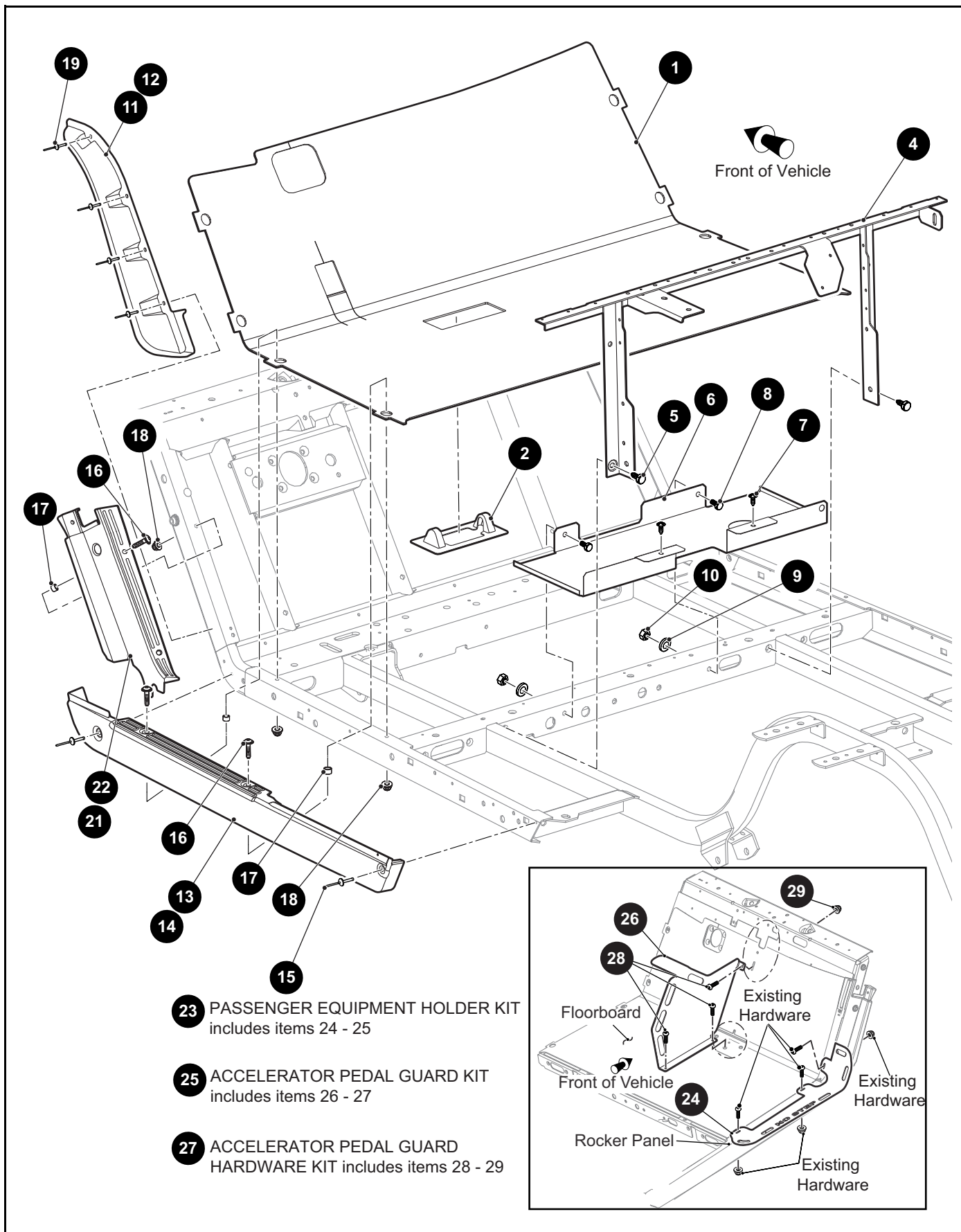
*** Indicates consult Customer Service Department for additional information.

ITEM	PART NO.	1 2 3 4 5	DESCRIPTION	QTY.
32	652390		GLOVE BOX STRIKER	1
33	648561		TRAY PANEL (PASSENGER SIDE)	1
34				
35	664044		RADIO CLIP	1



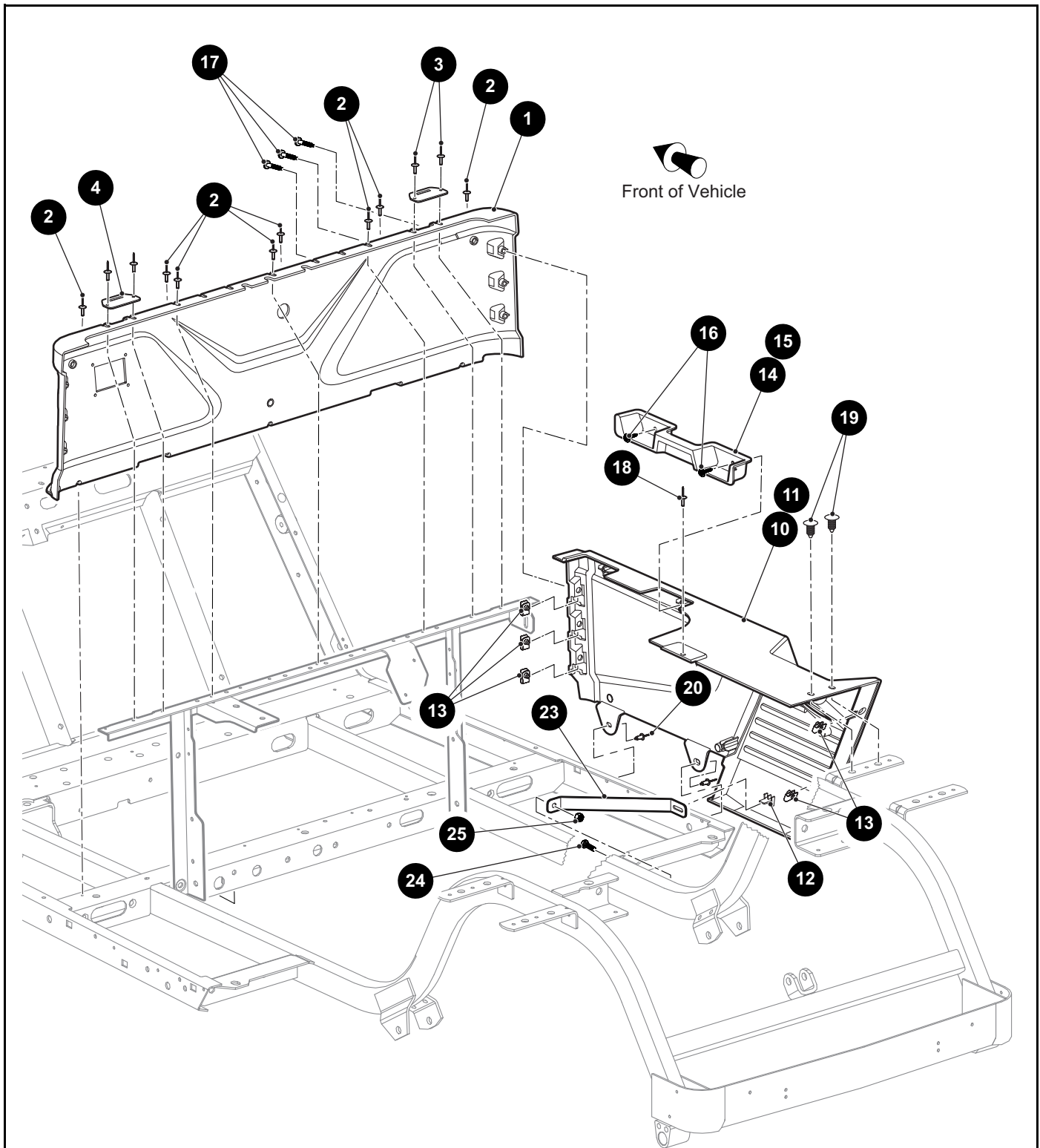
THE USE OF NON U.L. PARTS WILL VOID ANY U.L. LISTING.
 When ordering parts, please specify the model and serial number of the product.
 * Indicates a component that is not available as an individual part.
 *** Indicates consult Customer Service Department for additional information.

ITEM	PART NO.	1 2 3 4 5	DESCRIPTION	QTY.
1	641260		UPPER FLOOR PANEL	1
2	14601G11		RIVET (ALUMINUM), 3/16" X .575" LG	7
3	664052G02		FLOOR MAT (LOWER)	1
4	14601G11		RIVET (ALUMINUM), 3/16" X .575" LG	6
5				
6	665025		ACCESS COVER (MICRO SWITCH)	1
7	664735		FLOORBOARD SPACER	2
8				
9	70244G05		SPLASH PAN	1
10	00715G2		HEX WASHER HEAD SCREW, 5/16" - 18 X .8" LG	2
11	00438G8		HEX HEAD BOLT, 5/16" - 18 X 5/8" LG	2
12	00559G8		FLAT WASHER, 5/16"	2
13	11098G6		LOCK NUT, 5/16" - 18	2
14				
15				
16	653010		BASE PLATE	1
17	74365G01		GUN HOLDER MOUNTING	1
18	00114G6		HEX WASHER HEAD SCREW, 1/4" - 14 X 3/4" LG	3
19	800385		FLANGED HEX HEAD BOLT, 3/8" - 16 X 3/4" LG	1
20	11027G5		FLANGED LOCK NUT, 3/8" - 16	1



THE USE OF NON U.L. PARTS WILL VOID ANY U.L. LISTING.
 When ordering parts, please specify the model and serial number of the product.
 * Indicates a component that is not available as an individual part.
 *** Indicates consult Customer Service Department for additional information.

ITEM	PART NO.	1 2 3 4 5	DESCRIPTION	QTY.
1	651764G01		UPPER FLOOR MAT	1
2	70135G01		PEDAL PIVOT COVER	1
3				
4	605694		SEAT FRAME	1
5	00715G2		HEX WASHER HEAD SCREW, 5/16" - 18 X .8" LG	2
6	70629G01		SPLASH PAN (MID FRAME)	1
7	00106G6		PAN HEAD PHILLIPS SCREW, #12 - 14 X .78" LG	2
8	00438G7		HEX HEAD BOLT, 5/16" - 18 X 5/8" LG	2
9	01110G03		FLAT WASHER, 5/16"	2
10	01109G01		LOCK NUT, 5/16" - 18	2
11	674546G01		LARGE FRONT FENDER FLARE (DRIVER SIDE)	1
12	674546G02		LARGE FRONT FENDER FLARE (PASSENGER SIDE)	1
13	615239		ROCKER PANEL (DRIVER SIDE)	1
14	617333		ROCKER PANEL (PASSENGER SIDE)	1
15	15058G6		RIVET (ALUMINUM), 3/16" X .95" LG	2
16	645323		PAN WASHER HEAD TORX SCREW, M6 - 1 X 23.4MM LG	4
17	23726G4		SPACER, .5" O.D. X .38" I.D. X .325" LG	4
18	601476		FLANGED LOCK NUT, M6 - 1	4
19	71055G02		RIVET (ALUMINUM), 3/16" X .38" LG	4
20				
21	655917G03		UPPER ROCKER PANEL WITH FENDER FLARE MOUNTING HOLES (DRIVER SIDE)	1
22	655917G04		UPPER ROCKER PANEL WITH FENDER FLARE MOUNTING HOLES (PASSENGER SIDE)	1
23	666366		PASSENGER EQUIPMENT HOLDER KIT (INCLUDES ITEMS 24 - 25)	1
24	661653		FLOORBOARD MOUNT.....	1
25	666379		ACCELERATOR PEDAL GUARD KIT (INCLUDES ITEMS 26 - 27)	1
26	662991		ACCELERATOR PEDAL GUARD.....	1
27	666380		ACCELERATOR PEDAL GUARD HARDWARE KIT (INCLUDES ITEMS 28 - 29)	1
28	645323		TORX HEAD SCREW, M6 X 1 - 23.4MM LG.....	3
29	601476		LOCK NUT, M6 - 1.....	3

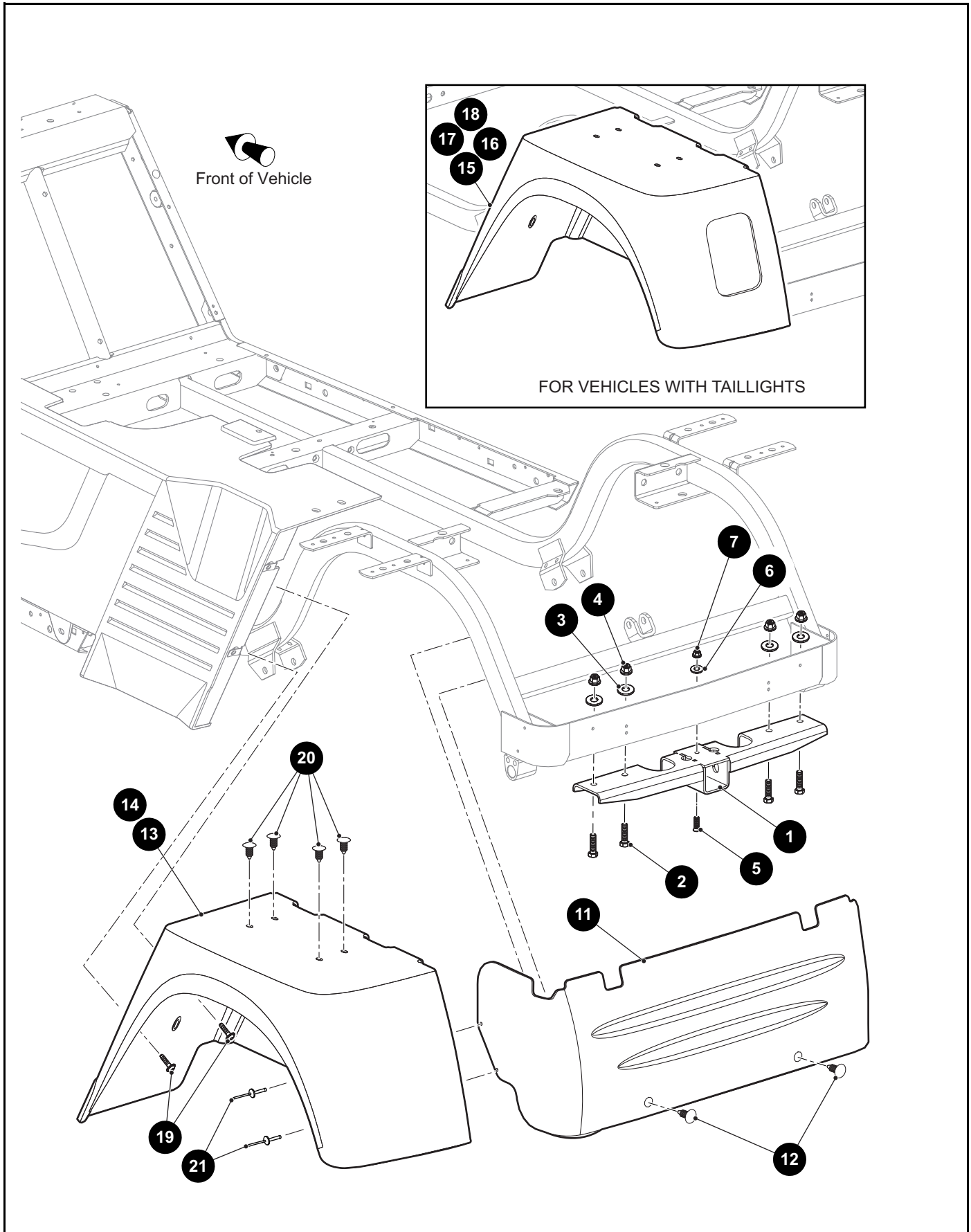


8 SIDE PANEL (DRIVER SIDE) includes items 10, 12 - 13

9 SIDE PANEL (PASSENGER SIDE) includes items 11 - 13

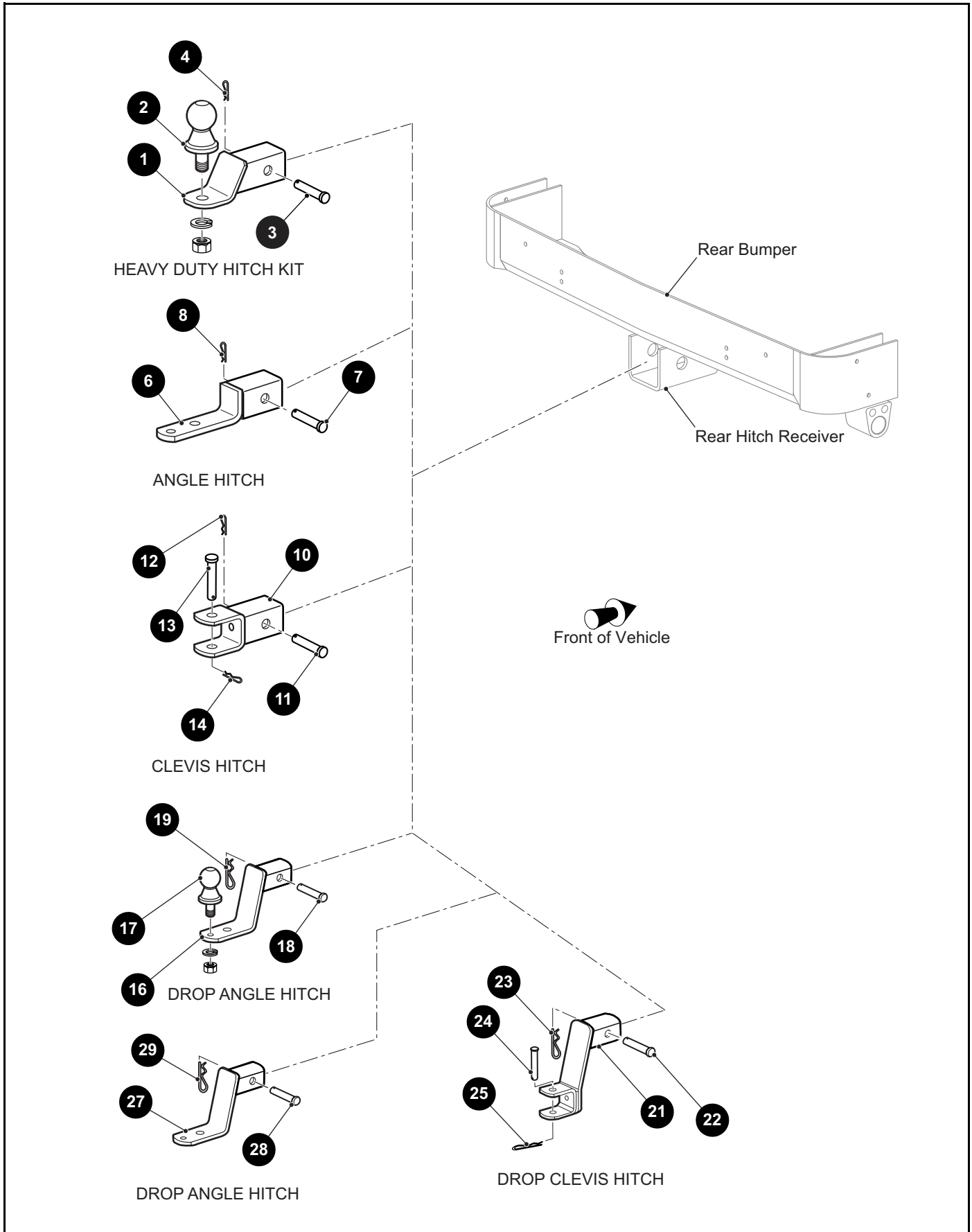
THE USE OF NON U.L. PARTS WILL VOID ANY U.L. LISTING.
 When ordering parts, please specify the model and serial number of the product.
 * Indicates a component that is not available as an individual part.
 *** Indicates consult Customer Service Department for additional information.

ITEM	PART NO.	1 2 3 4 5	DESCRIPTION	QTY.
1	649251G02		SEAT WRAP	1
2	10570G10		RIVET (SS), 5/32" X .55" LG	8
3	10570G11		RIVET (SS), 3/16" X .7" LG	2
4	71609G01		SEAT HINGE PLATE	1
5				
6				
7				
8	652716G01		SIDE PANEL (DRIVER SIDE) (INCLUDES ITEMS 10, 12 - 13)	1
9	652716G02		SIDE PANEL (PASSENGER SIDE) (INCLUDES ITEMS 11 - 13).....	1
10	649388G01		SIDE PANEL (DRIVER SIDE)	1
11	649388G02		SIDE PANEL (PASSENGER SIDE).....	1
12	602184		TRIM CLIP	1
13	602409		BARREL CLIP, M6 - 1.....	5
14	649657G01		HIP RESTRAINT CLOSEOUT (DRIVER SIDE).....	1
15	649657G02		HIP RESTRAINT CLOSEOUT (PASSENGER SIDE)	1
16	613373		PAN HEAD TORX TAPPING SCREW, M4.5 - 1.6 X 22MM LG	2
17	634161		BUTTON HEAD TORX SCREW, M6 - 1 X 30MM LG	6
18	10570G10		RIVET (SS), 5/32" X .55" LG	1
19	16816G2		RATCHET RIVET, .25" X .887"	2
20	10570G12		RIVET (ALUMINUM), 1/4" X .625"	2
21				
22				
23	655654		SIDE PANEL MOUNT BRACKET	1
24	00438G8		HEX HEAD BOLT, 5/16" - 18 X 1" LG	1
25	11098G6		LOCK NUT, 5/16"	1



THE USE OF NON U.L. PARTS WILL VOID ANY U.L. LISTING.
 When ordering parts, please specify the model and serial number of the product.
 * Indicates a component that is not available as an individual part.
 *** Indicates consult Customer Service Department for additional information.

ITEM	PART NO.	1 2 3 4 5	DESCRIPTION	QTY.
1	647080		HITCH RECEIVER	1
2	00463G4		HEX HEAD BOLT, 7/16" - 14 X 1 1/2" LG	4
3	00922G3		FLAT WASHER, 7/16"	4
4	00734G1		LOCK NUT, 7/16" - 14	4
5	00198G8		FLAT HEAD MACHINE SCREW, 5/16" - 18 X 1" LG	1
6	00571G2		FLAT WASHER, 5/16"	1
7	11098G6		LOCK NUT, 5/16" - 18	1
8				
9				
10				
11	74890G01		REAR VALANCE PANEL	1
12	16816G2		RATCHET RIVET, .25" X .887"	2
13	74892G01		REAR FENDER WITHOUT TAILLIGHT (DRIVER SIDE)	1
14	74892G02		REAR FENDER WITHOUT TAILLIGHT (PASSENGER SIDE)	1
15	74892G03		REAR FENDER WITH TAILLIGHT (DRIVER SIDE)	1
16	74892G04		REAR FENDER WITH TAILLIGHT (PASSENGER SIDE)	1
17	625170G01		REAR FENDER WITH TAILLIGHT (4 PASSENGER) (DRIVER SIDE)	1
18	625170G02		REAR FENDER WITH TAILLIGHT (4 PASSENGER) (PASSENGER SIDE) ..	1
19	612635		PAN WASHER HEAD TORX SCREW, M6 - 1 X 20MM LG	2
20	16816G2		RATCHET RIVET, .25" X .887"	4
21	71055G01		RIVET (ALUMINUM), 3/16" X 1 1/8" LG	2



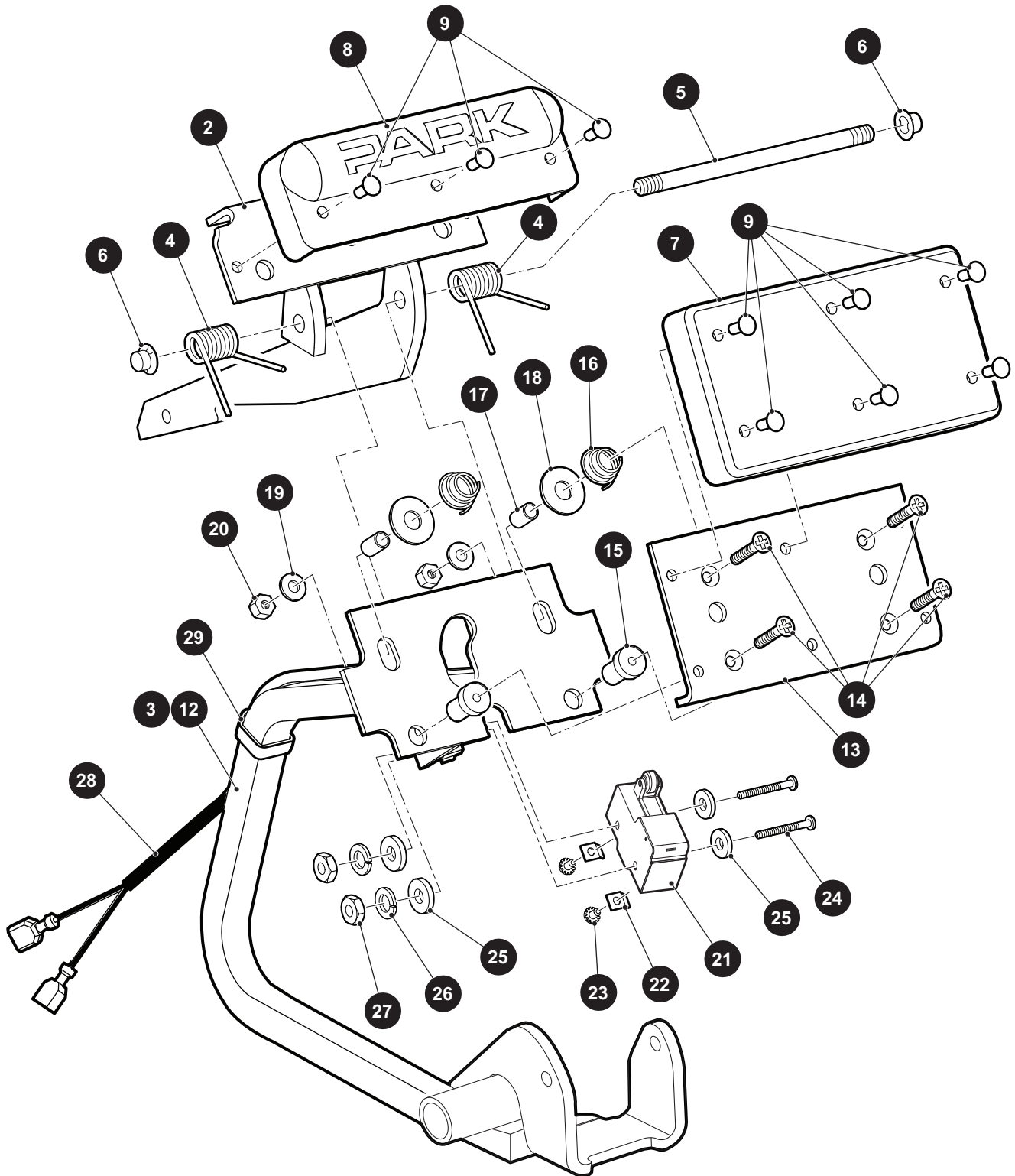
THE USE OF NON U.L. PARTS WILL VOID ANY U.L. LISTING.
 When ordering parts, please specify the model and serial number of the product.
 * Indicates a component that is not available as an individual part.
 *** Indicates consult Customer Service Department for additional information.

ITEM	PART NO.	1 2 3 4 5	DESCRIPTION	QTY.
1	646730		HEAVY DUTY HITCH.....	1
2	31757G1		HITCH BALL, 1 7/8"	1
3	21317G1		CLEVIS PIN, 5/8" X 3" LG.....	1
4	21683G1		COTTER PIN, 15/32" X 2 1/16" LG.....	1
5				
6	646729		ANGLE HITCH	1
7	21317G1		CLEVIS PIN, 5/8" X 3" LG.....	1
8	21683G1		COTTER PIN, 15/32" X 2 1/16" LG.....	1
9				
10	646727		CLEVIS HITCH	1
11	21317G1		CLEVIS PIN, 5/8" X 3" LG.....	1
12	21683G1		COTTER PIN, 15/32" X 2 1/16" LG.....	1
13	14443G10		CLEVIS PIN, 1/2" X 3" LG.....	1
14	19314G1		COTTER PIN, 5/2" LG	1
15				
16	646743		DROP ANGLE HITCH.....	1
17	31757G1		HITCH BALL, 1 7/8"	1
18	21317G1		CLEVIS PIN, 5/8" X 3" LG.....	1
19	21683G1		COTTER PIN, 15/32" X 2 1/16" LG.....	1
20				
21	646744		DROP CLEVIS HITCH.....	1
22	21317G1		CLEVIS PIN, 5/8" X 3" LG.....	1
23	21683G1		COTTER PIN, 15/32" X 2 1/16" LG.....	1
24	14443G10		CLEVIS PIN, 1/2" X 3" LG.....	1
25	19314G1		COTTER PIN, 5/2" LG	1
26				
27	646731		DROP ANGLE HITCH.....	1
28	21317G1		CLEVIS PIN, 5/8" X 3" LG.....	1
29	21683G1		COTTER PIN, 15/32" X 2 1/16" LG.....	1

BRAKES

1 BRAKE PEDAL ASSEMBLY (WITHOUT LIGHT) includes items 2 - 9

11 BRAKE PEDAL ASSEMBLY (WITH LIGHT) includes items 2, 4 - 9, 12 - 29



BRAKES

THE USE OF NON U.L. PARTS WILL VOID ANY U.L. LISTING.

When ordering parts, please specify the model and serial number of the product.

* Indicates a component that is not available as an individual part.

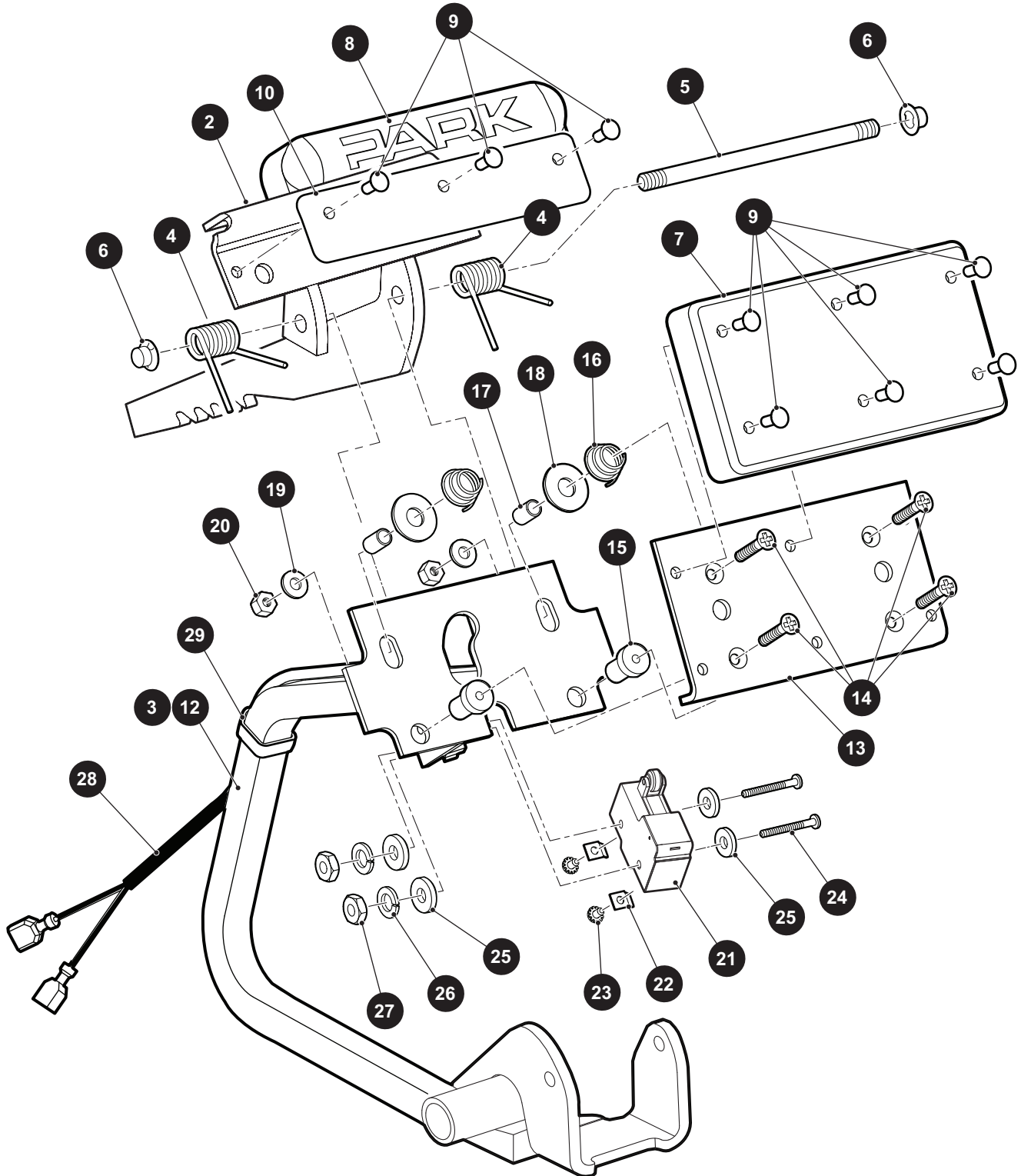
*** Indicates consult Customer Service Department for additional information.

ITEM	PART NO.	1 2 3 4 5	DESCRIPTION	QTY.
1	651213G01		BRAKE PEDAL ASSEMBLY (WITHOUT LIGHT) (INCLUDES ITEMS 2 - 9)	1
2	652253G03		PARK BRAKE PEDAL WELDMENT	1
3	651207G0003		BRAKE PEDAL WELDMENT (WITHOUT LIGHTS)	1
4	70681G01		TORSION SPRING	2
5	70682G01		PIVOT PIN, .314" DIA X 5.25" LG	1
6	658825		PUSH NUT, 5/16" - 24	2
7	70257G01		BRAKE PAD	1
8	70256G01		PARK BRAKE PAD	1
9	16409G1		OVAL RIVET, .375" X .468" LG	9
10				
11	651213G02		BRAKE PEDAL ASSEMBLY (WITH LIGHT) (INCLUDES ITEMS 2, 4 - 9, 12 - 29)	1
12	651207G0103		BRAKE PEDAL (WITH LIGHTS)	1
13	652820		BRAKE PEDAL PLATE	1
14	00737G8		FLAT HEAD PHILLIPS SCREW, #10 - 24 X .875" LG	4
15	00739G1		WELL NUT (RUBBER), #10 - 24	2
16	27137G01		CONICAL SPRING	2
17	652355		BRAKE PEDAL SPACER	2
18	00642G8		FLAT WASHER, 5/16"	2
19	00559G5		FLAT WASHER, #10	2
20	14390G10		LOCK NUT, #10 - 24	2
21	10606G8		MICRO SWITCH	1
22	14628G1		FASTON TAB	2
23	13514G1		PAN HEAD PHILLIPS SCREW WITH INTERNAL TOOTH LOCK WASHER, #6 - 32 X .22" LG	2
24	00645G2		PAN HEAD PHILLIPS SCREW, #6 - 32 X 1.25" LG	2
25	00559G3		FLAT WASHER, #6	4
26	00565G3		LOCK WASHER, #6	2
27	00525G5		LOCK NUT, #6 - 32	2
28	24605G1		WIRE HARNESS (BRAKE LIGHT)	1
29	17618G1		WIRE TIE	2

BRAKES

1 BRAKE PEDAL ASSEMBLY (WITHOUT LIGHT) includes items 2 - 9

11 BRAKE PEDAL ASSEMBLY (WITH LIGHT) includes items 2, 4 - 9, 12 - 29



BRAKES

THE USE OF NON U.L. PARTS WILL VOID ANY U.L. LISTING.

When ordering parts, please specify the model and serial number of the product.

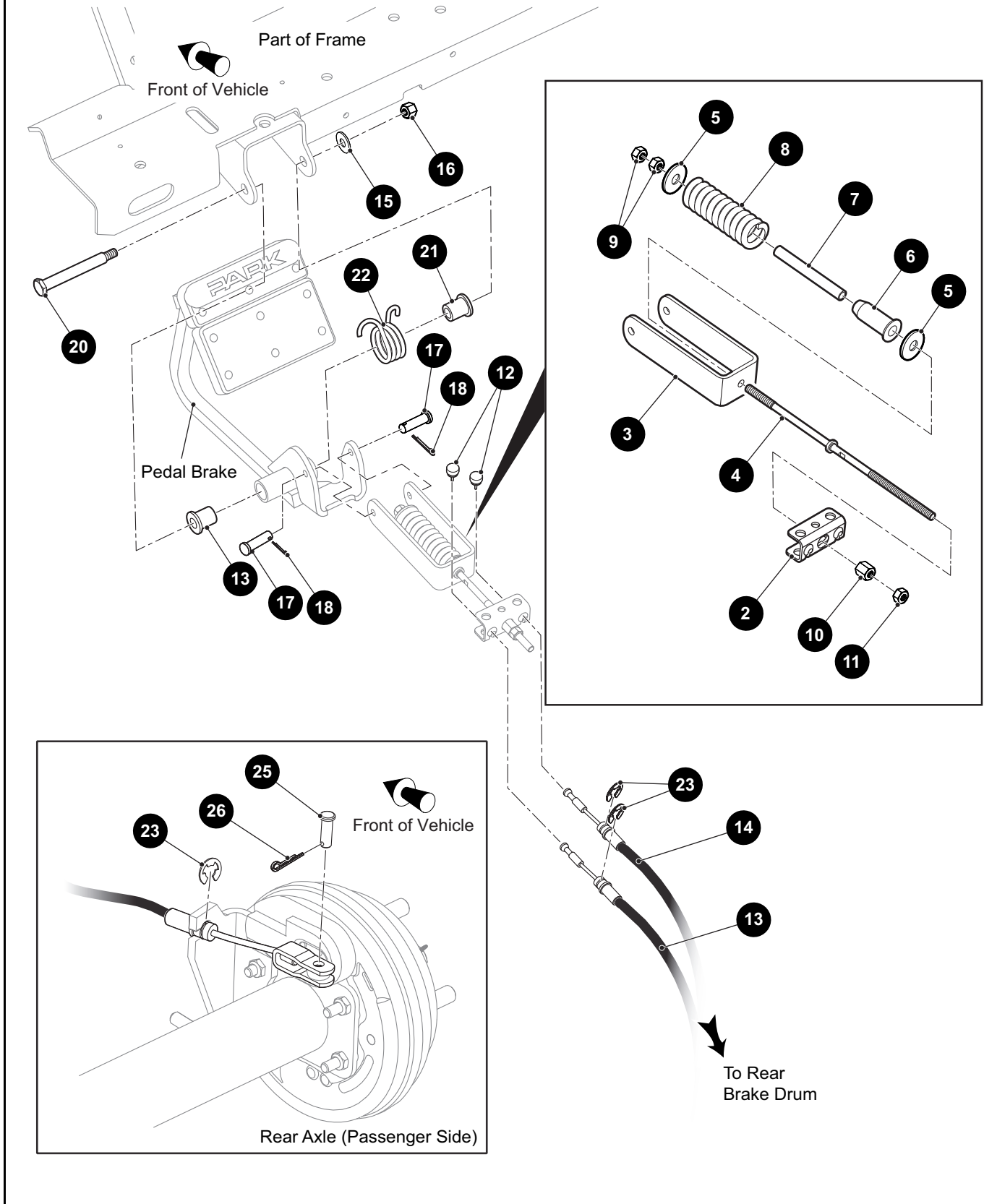
* Indicates a component that is not available as an individual part.

*** Indicates consult Customer Service Department for additional information.

ITEM	PART NO.	1 2 3 4 5	DESCRIPTION	QTY.
1	651213G03		BRAKE PEDAL ASSEMBLY (WITHOUT LIIGHT) (4 WHEEL DRUM BRAKES) (INCLUDES ITEMS 2 - 10)	1
2	660528G03		PARK BRAKE PEDAL WELDMENT	1
3	651207G0003		BRAKE PEDAL WELDMENT (WITHOUT LIGHTS)	1
4	70681G01		TORSION SPRING	2
5	70682G01		PIVOT PIN, .314" DIA X 5.25" LG	1
6	658825		PUSH NUT, 5/16" - 24	2
7	70257G01		BRAKE PAD	1
8	665987		PARK BRAKE PAD	1
9	16409G1		OVAL RIVET, .375" X .468" LG	9
10	665556		DECAL (MULTI LATCH PLATE).....	1
11	651213G04		BRAKE PEDAL ASSEMBLY (WITH LIIGHT) (4 WHEEL DRUM BRAKES) (INCLUDES ITEMS 2, 4 - 10, 12 - 29)	1
12	651207G0103		BRAKE PEDAL (WITH LIGHTS)	1
13	652820		BRAKE PEDAL PLATE	1
14	00737G8		FLAT HEAD PHILLIPS SCREW, #10 - 24 X .875" LG	4
15	00739G1		WELL NUT (RUBBER), #10 - 24	2
16	27137G01		CONICAL SPRING	2
17	652355		BRAKE PEDAL SPACER	2
18	00642G8		FLAT WASHER, 5/16"	2
19	00559G5		FLAT WASHER, #10	2
20	14390G10		LOCK NUT, #10 - 24	2
21	10606G8		MICRO SWITCH	1
22	14628G1		FASTON TAB	2
23	13514G1		PAN HEAD PHILLIPS SCREW WITH INTERNAL TOOTH LOCK WASHER, #6 - 32 X .22" LG	2
24	00645G2		PAN HEAD PHILLIPS SCREW, #6 - 32 X 1.25" LG	2
25	00559G3		FLAT WASHER, #6	4
26	00565G3		LOCK WASHER, #6	2
27	00525G5		LOCK NUT, #6 - 32	2
28	24605G1		WIRE HARNESS (BRAKE LIGHT)	1
29	17618G1		WIRE TIE	2

BRAKES

1 COMPENSATOR ASSEMBLY (2 WHEEL DRUM BRAKES) includes items 2 - 14



BRAKES

THE USE OF NON U.L. PARTS WILL VOID ANY U.L. LISTING.

When ordering parts, please specify the model and serial number of the product.

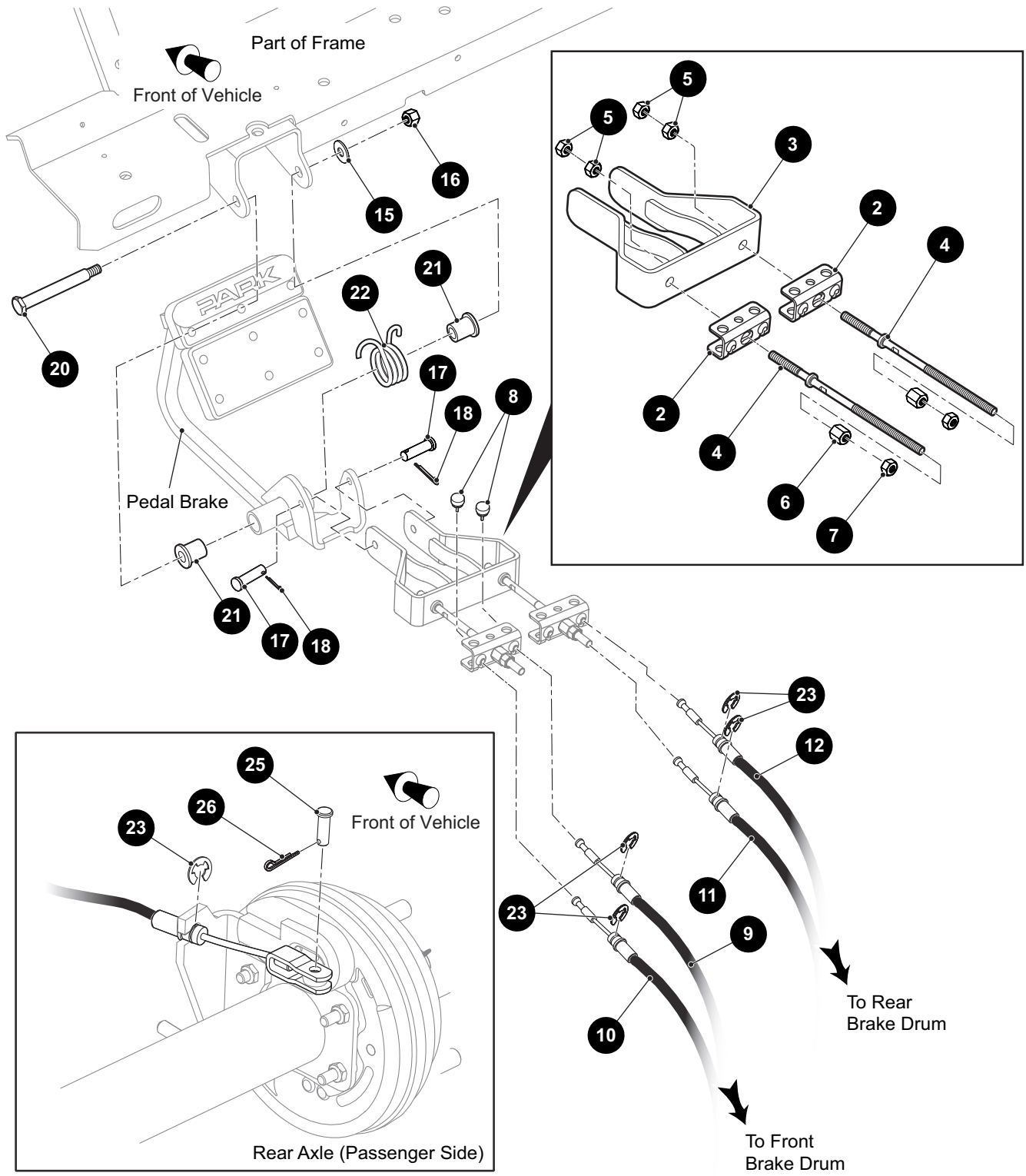
* Indicates a component that is not available as an individual part.

*** Indicates consult Customer Service Department for additional information.

ITEM	PART NO.	1 2 3 4 5	DESCRIPTION	QTY.
1	651204G02		COMPENSATOR ASSEMBLY (2 WHEEL DRUM BRAKES) (INCLUDES ITEM 2 - 14)	1
2	651072		BRAKE DRUM EQUALIZER	1
3	651070		BRAKE DRUM YOKE	1
4	612557		COMPENSATOR LINK ROD, 10.5" LG	1
5	15121G1		FLAT WASHER, 3/8"	2
6	17979G1		BUSHING, .464" I.D. X 1" O.D. X 2" LG	1
7	23061G2		TUBE, .315" I.D. X .44" O.D. X 3.66" LG	1
8	23463G1		COMPRESSION SPRING, 1.28" DIA X 4.06" LG	1
9	00532G4		HEX NUT, 5/16" - 24	2
10	629486		SPHERICAL HEX NUT, 5/16"- 24	1
11	11098G9		HEX LOCK NUT, 5/16" - 24	1
12	28083G01		COMPENSATOR BUMPER, .56" DIA	2
13	624697		BRAKE CABLE, 48.06" LG	1
14	624698		BRAKE CABLE, 57.81" LG	1
15	00643G1		FLAT WASHER, 3/8"	1
16	11098G5		LOCK NUT, 3/8" - 16	1
17	10386G3		CLEVIS PIN, .313" X .84" LG	2
18	10387G3		COTTER PIN, .094" X .75"	2
19				
20	70582G01		SHOULDER BOLT, .495 DIA X 3/8" - 16 THREAD X 3.406" LG	1
21	70581G01		BUSHING (ACETAL), .51" I.D. X .795" O.D. X .75" LG	2
22	70676G01		TORSION SPRING 1.34" DIA	1
23	01111G01		RETAINING RING, .8" O.D. X .39" I.D. X .42" LG	4
24				
25	10386G3		CLEVIS PIN, .313" X .84" LG	2
26	10387G3		COTTER PIN, .094" X .75"	2
27				
28	12416G2		WEDGE CLAMP (NYLON), 11.8" LG (NOT ILLUSTRATED)	5

BRAKES

1 COMPENSATOR ASSEMBLY (4 WHEEL DRUM BRAKES) includes items 2 - 12



13 EQUILIZER AND BRAKE CABLE ASSEMBLY includes items 2, 8 - 10

BRAKES

THE USE OF NON U.L. PARTS WILL VOID ANY U.L. LISTING.

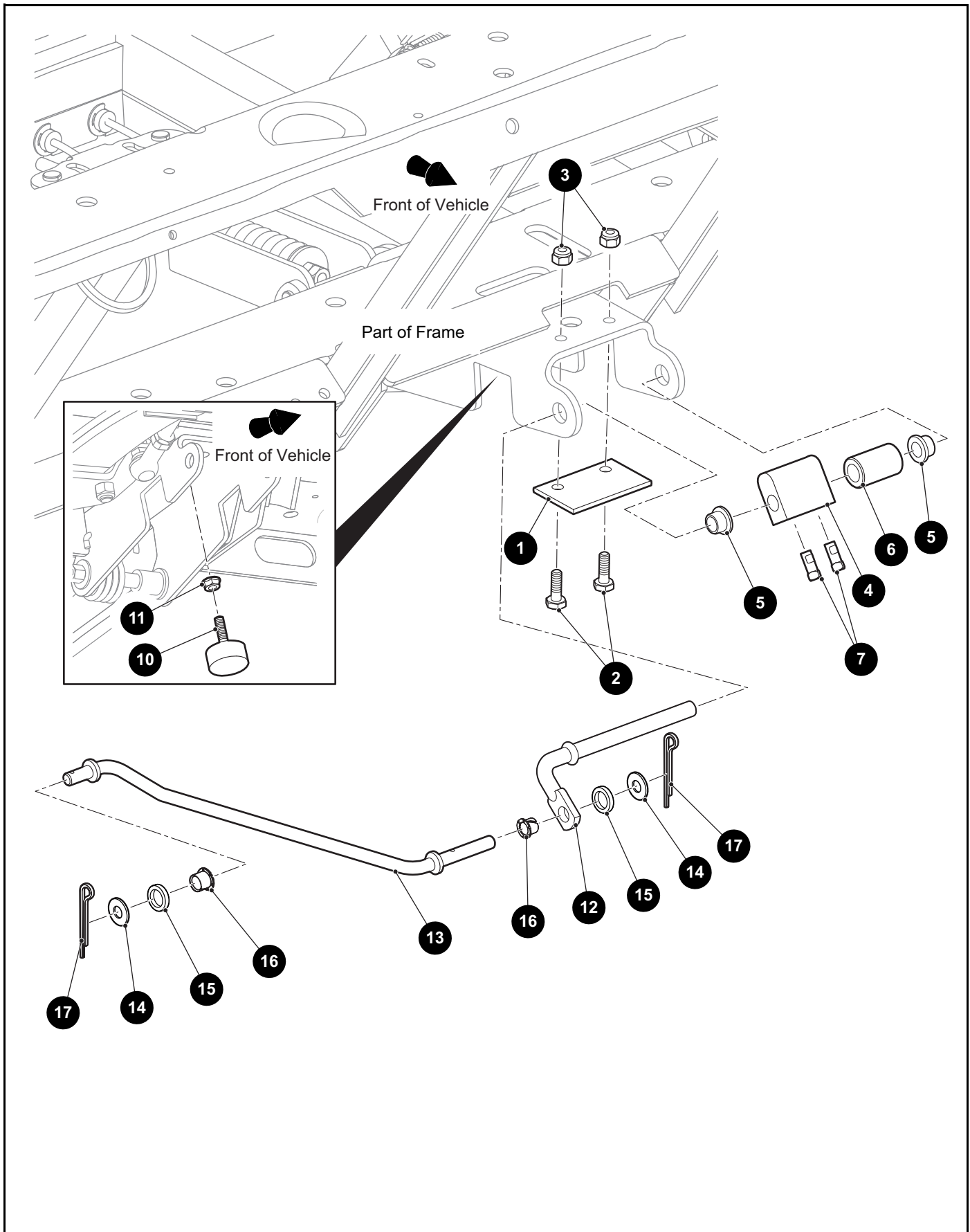
When ordering parts, please specify the model and serial number of the product.

* Indicates a component that is not available as an individual part.

*** Indicates consult Customer Service Department for additional information.

ITEM	PART NO.	1 2 3 4 5	DESCRIPTION	QTY.
1	651204G01		COMPENSATOR ASSEMBLY (4 WHEEL DRUM BRAKES) (INCLUDES ITEM 2 - 12).....	1
2	651072		BRAKE DRUM EQUALIZER	1
3	661816		YOKE WELDMENT	1
4	661536		COMPENSATOR LINK ROD, 6.91" LG	2
5	00532G4		HEX NUT, 5/16" - 24	4
6	629486		SPHERICAL HEX NUT, 5/16"- 24	2
7	11098G9		HEX LOCK NUT, 5/16" - 24	2
8	28083G01		COMPENSATOR BUMPER, .56" DIA	4
9	624697		FRONT BRAKE CABLE, 48.06" LG (DRIVER SIDE).....	1
10	624698		FRONT BRAKE CABLE, 57.81" LG (DRIVER SIDE).....	1
11	652751		REAR BRAKE CABLE, 98" LG (PASSENGER SIDE).....	1
12	652752		REAR BRAKE CABLE, 103" LG (PASSENGER SIDE).....	1
13	624711		EQUILIZER AND BRAKE CABLE ASSEMBLY INCLUDES ITEMS (2, 8 - 10)	1
14				
15	00643G1		FLAT WASHER, 3/8"	1
16	11098G5		LOCK NUT, 3/8" - 16	1
17	10386G3		CLEVIS PIN, .313" X .84" LG	2
18	10387G3		COTTER PIN, .094" X .75"	2
19				
20	70582G01		SHOULDER BOLT, .495 DIA X 3/8" - 16 THREAD X 3.406" LG.....	1
21	70581G01		BUSHING (ACETAL), .51" I.D. X .795" O.D. X .75" LG	2
22	70676G01		TORSION SPRING 1.34" DIA	1
23	01111G01		RETAINING RING, .8" O.D. X .39" I.D. X .42" LG	8
24				
25	10386G3		CLEVIS PIN, .313" X .84" LG	2
26	10387G3		COTTER PIN, .094" X .75"	2
27				
28	12416G2		WEDGE CLAMP (NYLON), 11.8" LG (NOT ILLUSTRATED)	5
29	660369		DOUBLE TUBE CLAMP, 1" (NOT ILLUSTRATED)	1
30	70200G01		TRUSS HEAD TORX SCREW, 3/8" - 16 X 3/4" LG (NOT ILLUSTRATED).....	1

BRAKES



THE USE OF NON U.L. PARTS WILL VOID ANY U.L. LISTING.

When ordering parts, please specify the model and serial number of the product.

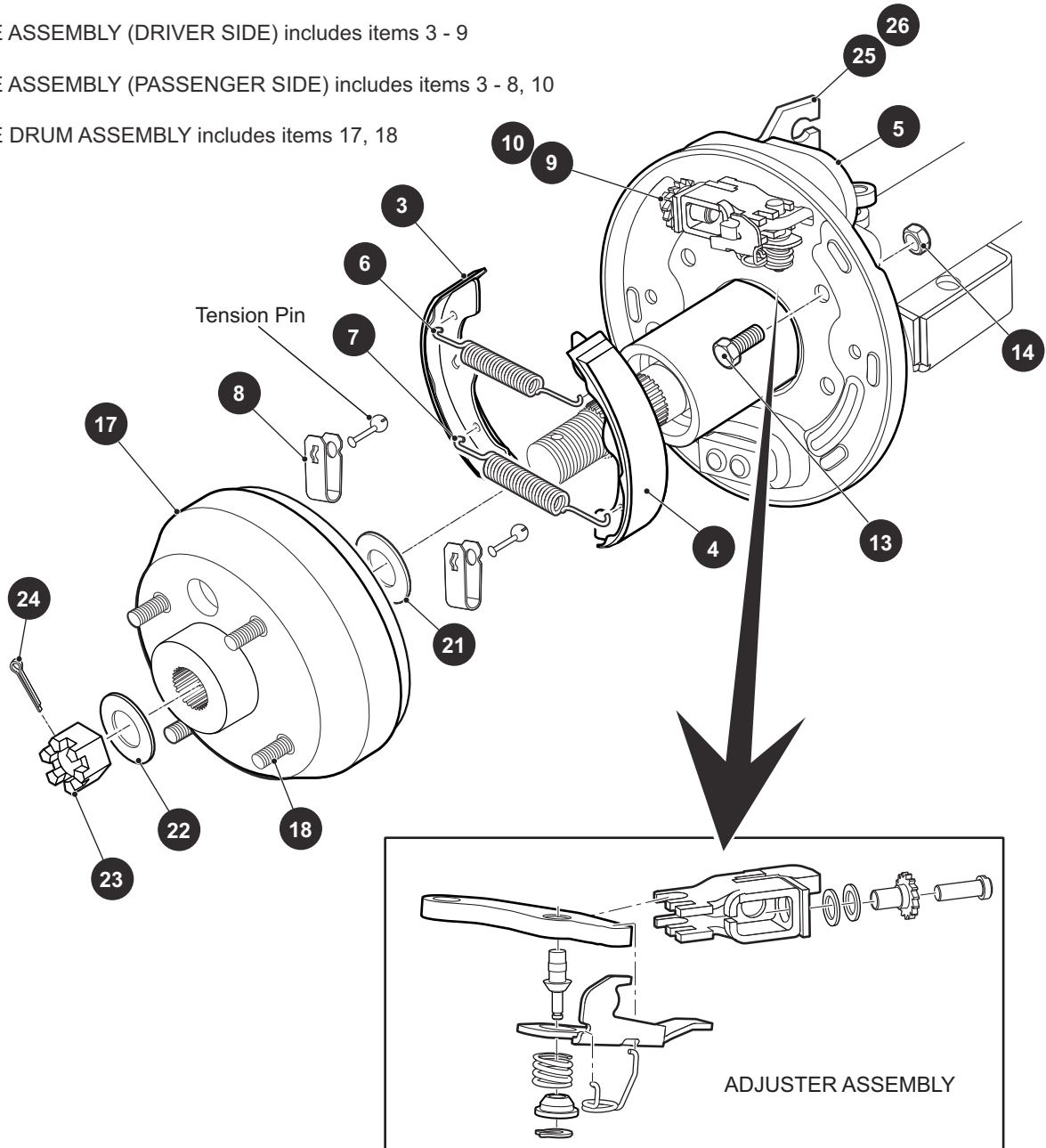
* Indicates a component that is not available as an individual part.

*** Indicates consult Customer Service Department for additional information.

ITEM	PART NO.	1 2 3 4 5	DESCRIPTION	QTY.
1	70080G02		HILL BRAKE CATCH BRACKET	1
2	00414G6		HEX HEAD BOLT, 1/4" - 20 X .75" LG	2
3	14390G4		LOCK NUT, 1/4" - 20	2
4	70587G01		PARK BRAKE CAM	1
5	10097G6		FLANGED BEARING .502 O.D. X .378 I.D. X .380 LG	2
6	14134G4		SPACER, .76" O.D. X .405" I.D. X 1.25" LG	1
7	71215G01		SQUARE HEAD SET SCREW WITH PATCH LOCK, 1/4" - 20 X .5" LG	2
8				
9				
10	70113G01		ADJUSTABLE RUBBER BUMPER	1
11	11027G1		FLANGED LOCK NUT, 5/16" - 18	1
12	70098G01		KICK-OFF CAM PIVOT	1
13	70601G01		KICK-OFF LINKAGE ROD	1
14	00559G8		FLAT WASHER, 1/4" - 20	2
15	20835G1		WASHER, .62" O.D. X .39" I.D. X .135" LG	2
16	17838G1		FLANGED NYLINER BUSHING, .374" O.D. X .313" I.D. X .312" LG	2
17	10387G3		COTTER PIN, .094" X .75"	2

REAR MECHANICAL BRAKES

- 1** BRAKE ASSEMBLY (DRIVER SIDE) includes items 3 - 9
- 2** BRAKE ASSEMBLY (PASSENGER SIDE) includes items 3 - 8, 10
- 16** BRAKE DRUM ASSEMBLY includes items 17, 18



BRAKES

THE USE OF NON U.L. PARTS WILL VOID ANY U.L. LISTING.

When ordering parts, please specify the model and serial number of the product.

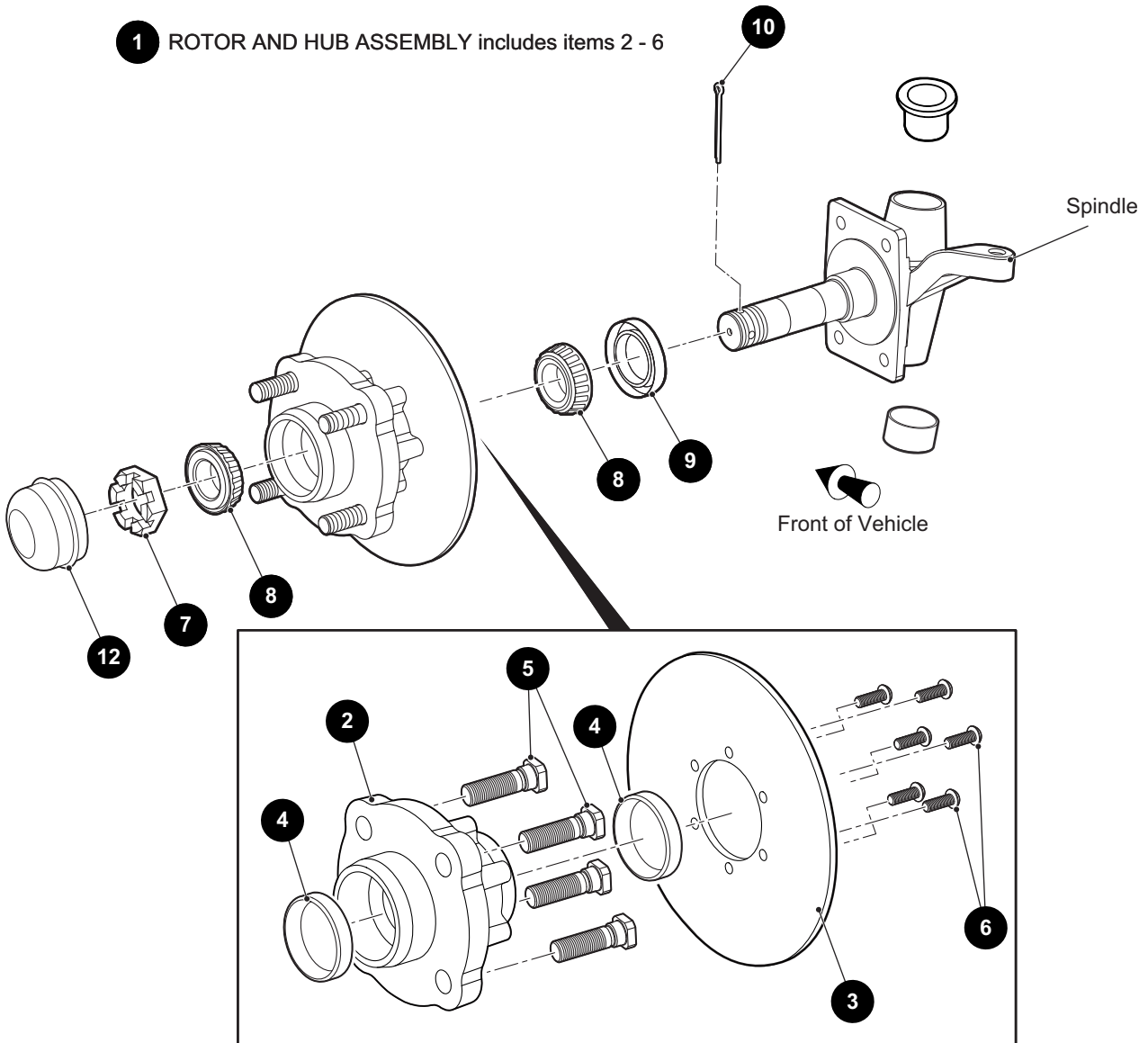
* Indicates a component that is not available as an individual part.

*** Indicates consult Customer Service Department for additional information.

ITEM	PART NO.	1 2 3 4 5	DESCRIPTION	QTY.
1	612211		BRAKE ASSEMBLY (DRIVER SIDE) (INCLUDES ITEMS 3 - 9).....	1
2	612189		BRAKE ASSEMBLY (PASSENGER SIDE) (INCLUDES ITEMS 3 - 8, 10)	1
3	612411		BRAKE SHOE, LEADING	1
4	612412		BRAKE SHOE, TRAILING.....	1
5	612413		DUST COVER	1
6	612415		BRAKE SPRING, TOP	1
7	612414		BRAKE SPRING, BOTTOM	1
8	612416		SHOE CLAMP	2
9	612418		GEAR ADJUSTER (DRIVER SIDE)	1
10	612417		GEAR ADJUSTER (PASSENGER SIDE).....	1
11				
12				
13	17083G2		HEX HEAD BOLT, 5/16" - 24 X 1" LG	8
14	15126G1		LOCK NUT, 5/16" - 24.....	8
15				
16	21807G2		BRAKE DRUM ASSEMBLY (INCLUDES ITEMS 17, 18).....	2
17	20947G1		BRAKE DRUM.....	1
18	19862G2		LUG BOLT, 1/2" - 20 X 1 3/16" LG.....	4
19				
20				
21	21809G1		FLAT WASHER, INNER WHEEL RIM, 1.31" O.D. X .85" I.D.....	2
22	606945		FLAT WASHER - BRAKE DRUM, 1.75" O.D. X .89" I.D.....	2
23	613172		CASTELLATED HEX NUT, 3/4" - 16	2
24	10387G1		COTTER PIN, .125" X 1.50" LG	2
25	652248		BRAKE CABLE BRACKET (PASSENGER SIDE)	1
26	652249		BRAKE CABLE BRACKET (DRIVER SIDE).....	1

FRONT DISC BRAKES

1 ROTOR AND HUB ASSEMBLY includes items 2 - 6

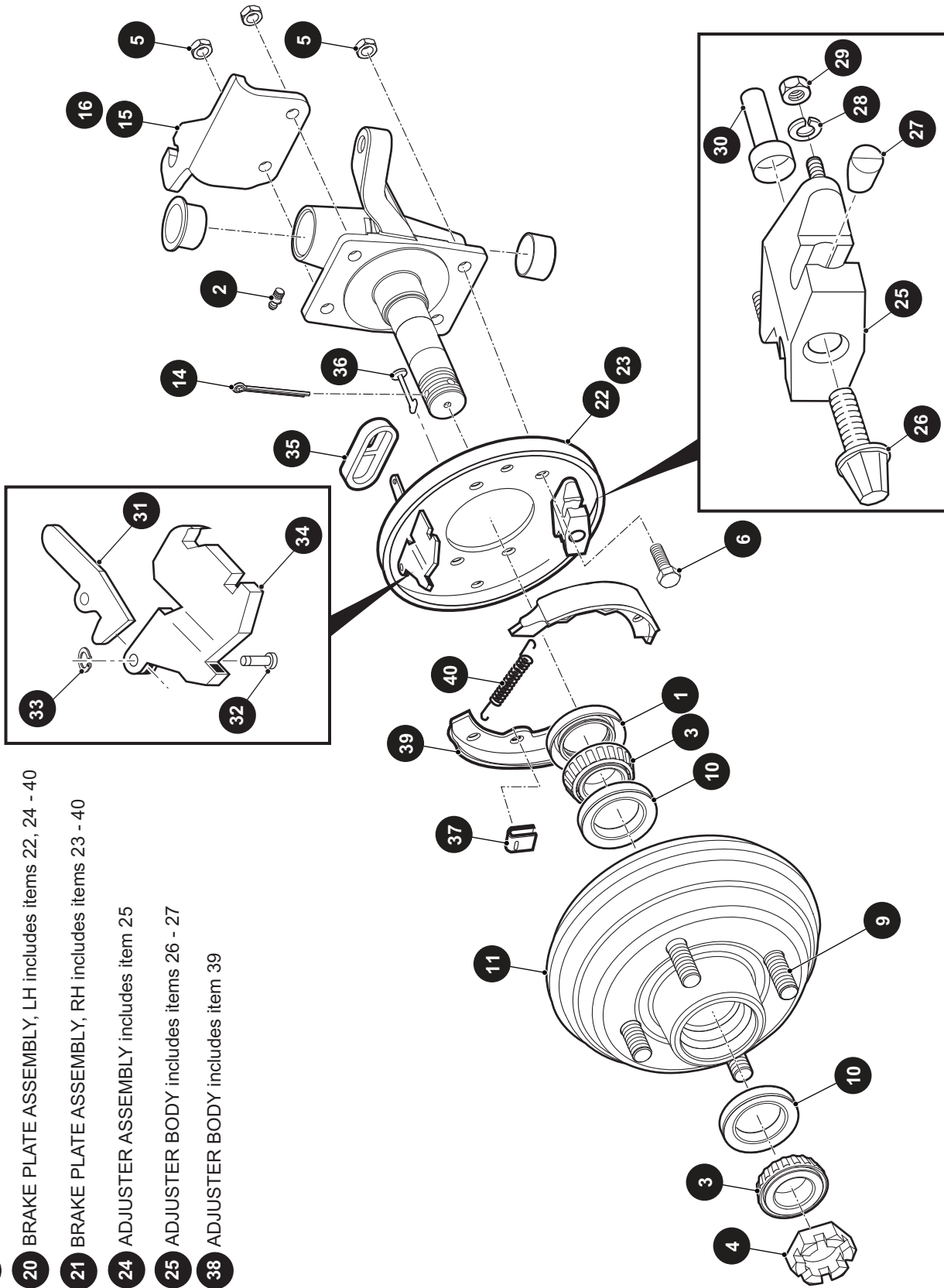


THE USE OF NON U.L. PARTS WILL VOID ANY U.L. LISTING.
 When ordering parts, please specify the model and serial number of the product.
 * Indicates a component that is not available as an individual part.
 *** Indicates consult Customer Service Department for additional information.

ITEM	PART NO.	1 2 3 4 5	DESCRIPTION	QTY.
1	651149		ROTOR AND HUB ASSEMBLY (INCLUDES ITEM 2 - 6)	1
2	647507		HUB	1
3	647215		DISC, 7.2"	1
4	51141G1		BEARING RACE	2
5	19862G2		WHEEL HUB BOLT, 1/2" - 20 X 1.718" LG	4
6	651143		BUTTON HEAD SOCKET SCREW, 1/4" - 28 X .75" LG	6
7	12093G1		HEX NUT (SLOTTED), #1 - 14	1
8	11750G2		ROLLER BEARING	2
9	25146G1		GREASE SEAL	1
10	00798G8		COTTER PIN, 5/32" X 1 3/4"	1
11				
12	12091G2		SPINDLE CAP	1

FOR VEHICLES WITH MECHANICAL DRUM BRAKES

- 8 DRUM AND HUB ASSEMBLY includes items 9 - 11
- 20 BRAKE PLATE ASSEMBLY, LH includes items 22, 24 - 40
- 21 BRAKE PLATE ASSEMBLY, RH includes items 23 - 40
- 24 ADJUSTER ASSEMBLY includes item 25
- 25 ADJUSTER BODY includes items 26 - 27
- 38 ADJUSTER BODY includes item 39



*The orientation will be different based on the vehicle model

THE USE OF NON U.L. PARTS WILL VOID ANY U.L. LISTING.

When ordering parts, please specify the model and serial number of the product.

* Indicates a component that is not available as an individual part.

*** Indicates consult Customer Service Department for additional information.

ITEM	PART NO.	1 2 3 4 5	DESCRIPTION	QTY.
1	25146G1		SEAL.....	1
2	10389G3		GREASE FITTING	1
3	11750G2		ROLLER BEARING.....	2
4	12093G1		SLOTTED HEX NUT, 1" - 14.....	1
5	15126G1		LOCK NUT, 5/16" - 24.....	4
6	17083G2		HEX HEAD BOLT, 5/16" - 24 X 1" LG	4
7				
8	652164		DRUM AND HUB ASSEMBLY (INCLUDES ITEMS 9 - 11).....	1
9	19862G2		WHEEL HUB BOLT, 1/2 - 20 X 1.718" LG	4
10	51141G1		RACE BEARING	2
11	647535		HUB	1
12				
13				
14	00798G8		COTTER PIN, 5/32" X 1-3/4" LG	1
15	648617G01		BRAKE CABLE BRACKET (DRIVER SIDE).....	1
16	648617G02		BRAKE CABLE BRACKET (PASSENGER SIDE)	1
17				
18				
19				
20	20938G1		BRAKE ASSEMBLY, LH (INCLUDES ITEMS 22, 24 - 40)	1
21	20938G2		BRAKE ASSEMBLY, RH (INCLUDES ITEMS 23 - 40)	1
22	22519G1		BACKING PLATE, LH.....	1
23	22518G1		BACKING PLATE, RH	1
24	22516G1		ADJUSTER ASSEMBLY (INCLUDES ITEM 25).....	1
25	22520G1		ADJUSTER BODY (INCLUDES ITEMS 26 - 27)	1
26	17287G1		ADJUSTER BOLT.....	1
27	17289G1		PISTON ANCHOR	2
28	00664G7		LOCK WASHER, 1/4" (SS).....	2
29	13632G1		HEX NUT, 6MM	2
30	17294G1		ADJUSTING BOLT CAP.....	1
31	22512G1		ACTUATING LEVER	1

BRAKES

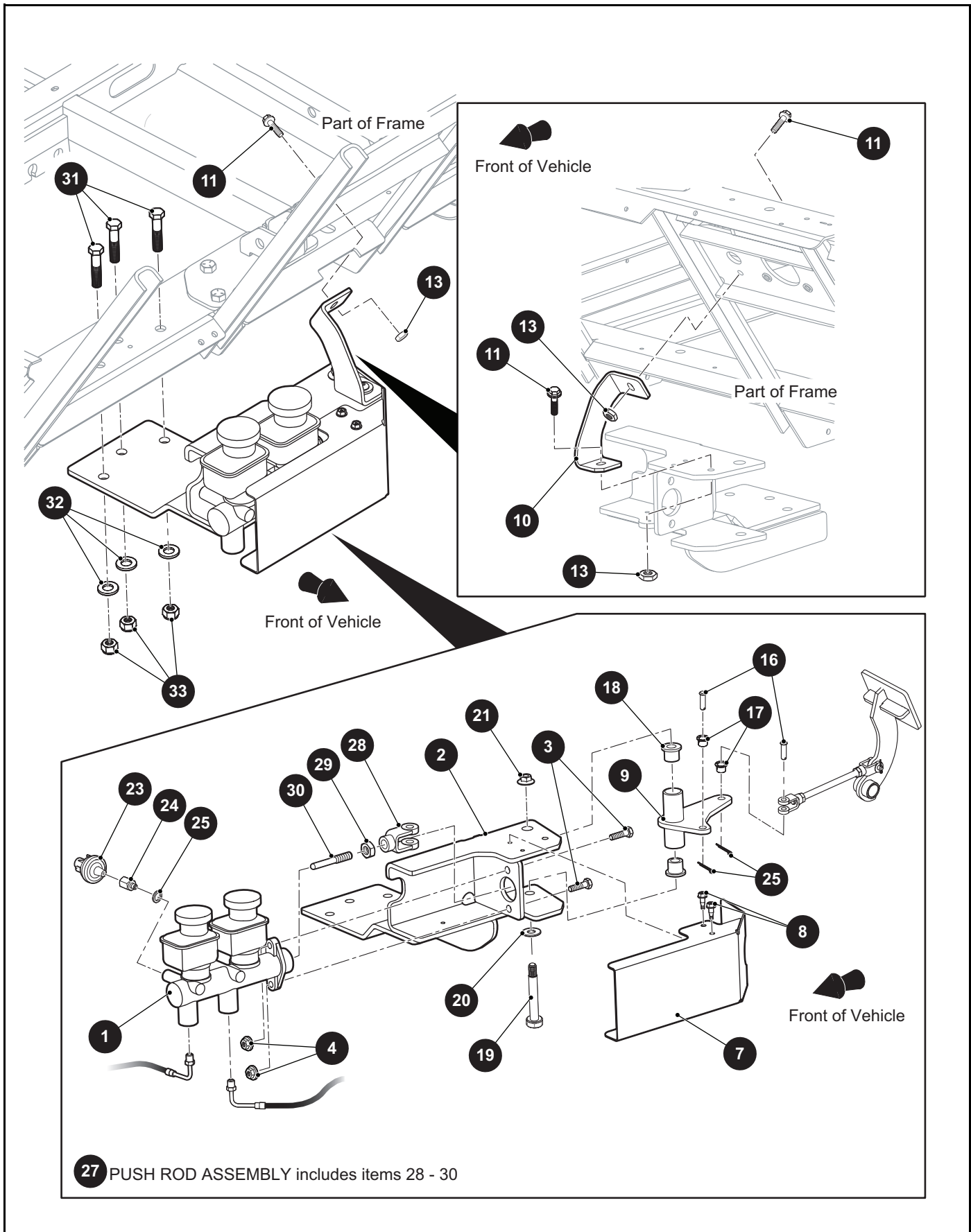
THE USE OF NON U.L. PARTS WILL VOID ANY U.L. LISTING.

When ordering parts, please specify the model and serial number of the product.

* Indicates a component that is not available as an individual part.

*** Indicates consult Customer Service Department for additional information.

ITEM	PART NO.	1	2	3	4	5	DESCRIPTION	QTY.
32	22513G1						LEVER PIN	1
33	22514G1						'U' CLIP	1
34	22515G1						SLIDING BLOCK.....	1
35	22511G1						DUST COVER.....	1
36	17292G1						TENSION PIN	2
37	17291G1						SPRING CLAMP	2
38	23398G1						BRAKE SHOE SET (INCLUDES ITEM 39).....	1
39	23355G1						BRAKE SHOE	2
40	17290G1						BRAKE SPRING	2



THE USE OF NON U.L. PARTS WILL VOID ANY U.L. LISTING.
 When ordering parts, please specify the model and serial number of the product.
 * Indicates a component that is not available as an individual part.
 *** Indicates consult Customer Service Department for additional information.

ITEM	PART NO.	1 2 3 4 5	DESCRIPTION	QTY.
1	73793G01		MASTER CYLINDER	1
2	649216		MASTER CYLINDER MOUNTING BRACKET	1
3	00439G1		HEX HEAD BOLT, 5/16" - 18 X 1 1/8" LG.	2
4	800697		FLANGED HEX LOCK NUT, 5/16" - 18	2
5				
6				
7	649149		MASTER CYLINDER COVER	1
8	01038G01		HEX WASHER HEAD SWAGEFORM SCREW, 1/4" - 20 X .70" LG	2
9	649068		BELL CRANK	1
10	654555		STIFFENER BRACKET	1
11	13437G3		FLANGED HEX HEAD BOLT, 5/16" - 18 X 1" LG	2
12				
13	11027G1		FLANGED LOCK NUT, 5/16" - 18	2
14				
15				
16	14443G3		CLEVIS PIN, .311" X .998" LG	2
17	17838G1		BUSHING (NYLINER), .374" O.D. X .313" I.D. X .312" LG	2
18	70581G02		BUSHING (ACETAL), .51" I.D. X .795" O.D. X .75" LG	2
19	0040G01		HEX HEAD BOLT, 1/2" - 13 X 5" LG	1
20	00560G3		FLAT WASHER (SS), 1/2"	1
21	00551G1		HEX NUT, 1/2" - 13	1
22				
23	620274		SWITCH (STOP LIGHT), 1.47" DIA	1
24	600401		ADAPTER, .56" X 1.05" LG	1
25	600479		WASHER (PRESSURE SEAL), M8	1
26	654461		HARNESS (HYDRAULIC BRAKE) (NOT ILLUSTRATED)	1
27	651077		PUSH ROD ASSEMBLY (INCLUDES ITEMS 28 - 30)	1
28	21508G1		CLEVIS YOKE	1
29	00544G6		HEX JAM NUT, 3/8" - 24	1
30	651076		PUSH ROD, 3/8" - 24 X 3.21" LG	1

BRAKES

THE USE OF NON U.L. PARTS WILL VOID ANY U.L. LISTING.

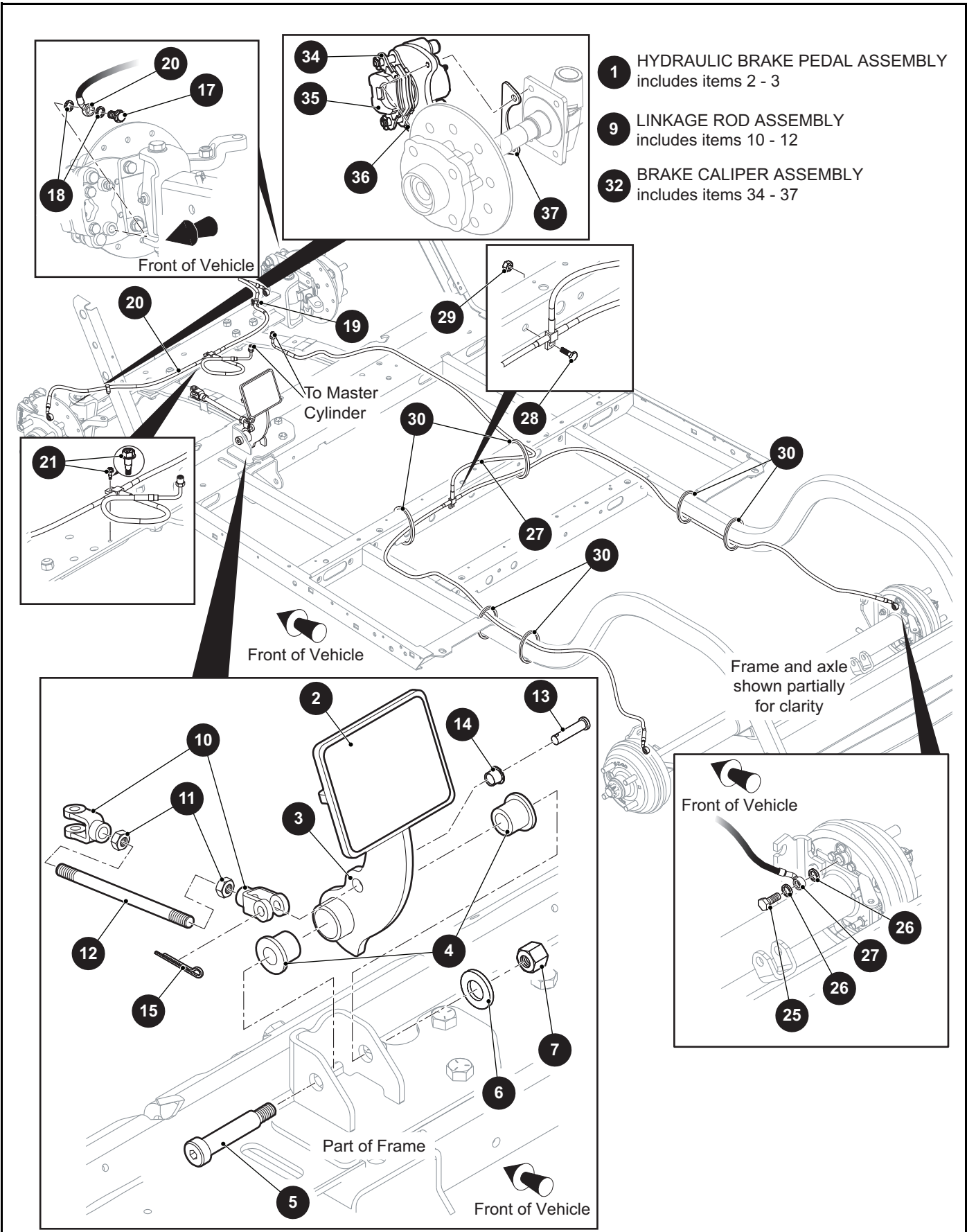
When ordering parts, please specify the model and serial number of the product.

* Indicates a component that is not available as an individual part.

*** Indicates consult Customer Service Department for additional information.

ITEM	PART NO.	1 2 3 4 5	DESCRIPTION	QTY.
31	00463G11		HEX HEAD BOLT, 7/16" - 14 X 1 3/4" LG	3
32	00560G2		FLAT WASHER, 7/16"	3
33	00734G1		LOCK NUT, 7/16" - 14	3

BRAKES



BRAKES

THE USE OF NON U.L. PARTS WILL VOID ANY U.L. LISTING.

When ordering parts, please specify the model and serial number of the product.

* Indicates a component that is not available as an individual part.

*** Indicates consult Customer Service Department for additional information.

ITEM	PART NO.	1 2 3 4 5	DESCRIPTION	QTY.
1	651144		HYDRAULIC BRAKE PEDAL ASSEMBLY (INCLUDES ITEM 2 - 3)	1
2	640478		PEDAL GRIP, 3.75" X 3.06"	1
3	649865		BRAKE PEDAL	1
4	70581G02		BUSHING (ACETAL), .51" I.D. X .795" O.D. X .75" LG	2
5	635177		SOCKET HEAD SHOULDER BOLT, 1/2" X 2", 3/8" - 16 X .5" LG.....	1
6	00643G1		FLAT WASHER, 1.015" O.D. X .421" I.D. X .071" LG	2
7	11098G5		LOCK NUT, 3/8" - 16.....	1
8				
9	649072		LINKAGE ROD ASSEMBLY (INCLUDES ITEMS 10 - 12)	1
10	21508G1		CLEVIS YOKE	2
11	00544G6		HEX JAM NUT, 3/8" - 24.....	2
12	649071		LINKAGE ROD, 3/8" - 24 X 6.18" LG	1
13	14443G3		CLEVIS PIN, .311" X .998" LG.....	1
14	17838G1		BUSHING (NYLINER), .374" O.D. X .313" I.D. X .312" LG	1
15	10387G3		COTTER PIN, 3/32" X 3/4"	1
16				
17	616459		BANJO BOLT, M10 - 1 X 20MM LG	1
18	613293		CRUSH WASHER, M10.....	2
19	74875G01		WIRE RETAINER, .34" DIA.....	2
20	649248		BRAKE LINE (FRONT)	1
21	01038G01		HEX WASHER HEAD SWAGEFORM SCREW, 1/4" - 20 X .70" LG	1
22				
23				
24				
25	75683G01		BANJO BOLT, 3/8" - 24 X .88" LG	1
26	75684G01		GASKET (COPPER), .391" I.D. X .625" O.D. X .062" LG.....	2
27	648521		BRAKE LINE (REAR)	1
28	00414G5		HEX HEAD BOLT, 1/4" - 20 X 1/2" LG	1
29	00550G1		HEX NUT WITH INTERNAL LOCK, 1/4" X 20	1
30	12416G2		WEDGE CLAMP (NYLON), 11.8" LG.....	10

BRAKES

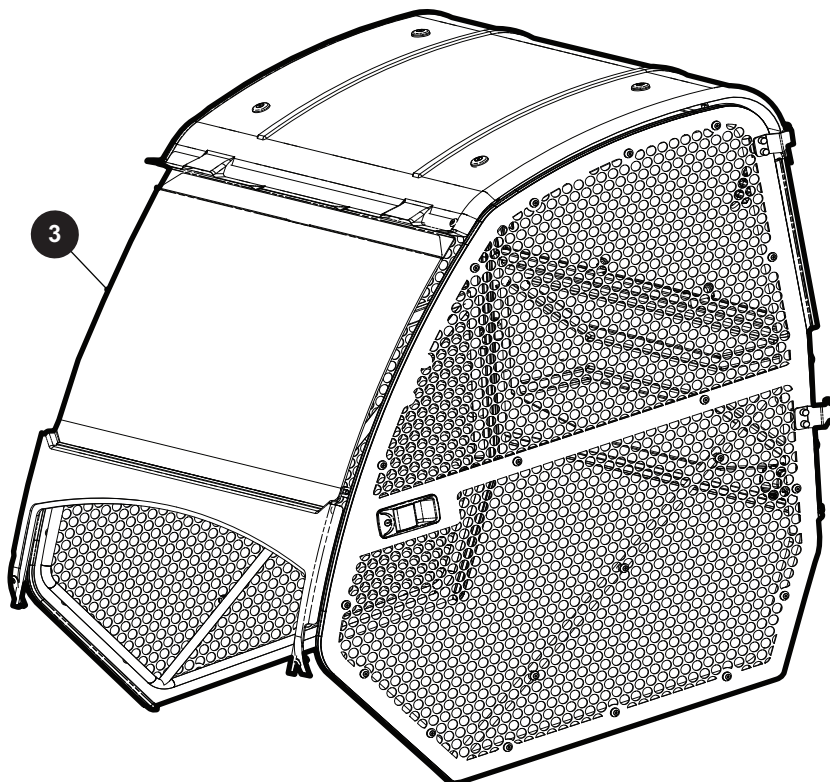
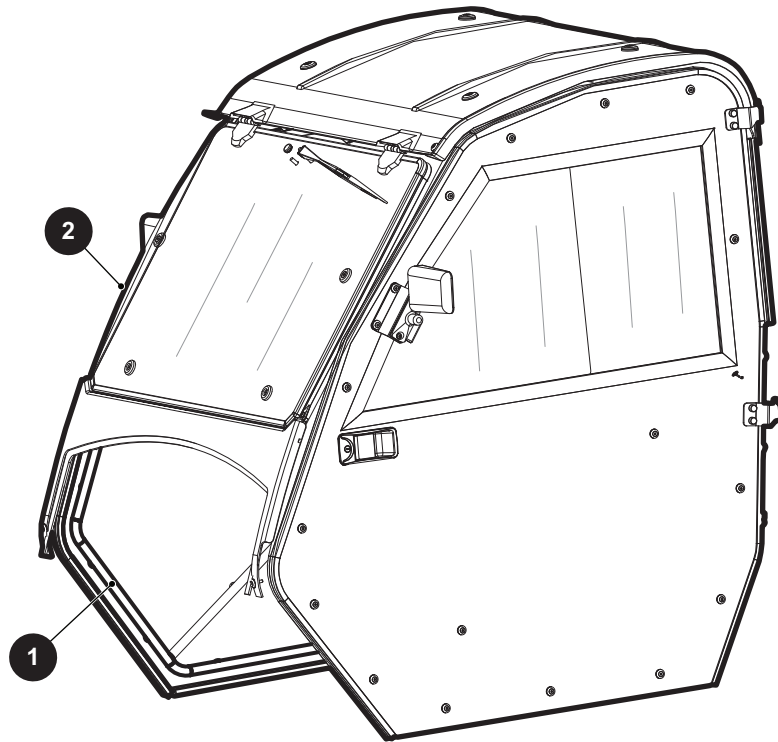
THE USE OF NON U.L. PARTS WILL VOID ANY U.L. LISTING.

When ordering parts, please specify the model and serial number of the product.

* Indicates a component that is not available as an individual part.

*** Indicates consult Customer Service Department for additional information.

ITEM	PART NO.	1 2 3 4 5	DESCRIPTION	QTY.
31				
32	670873		BRAKE CALIPER ASSEMBLY (INCLUDES ITEMS 34 - 37)	1
33				
34	672761		BRAKE PAD KIT	1
35	670862		CALIPER	1
36	658896		CALIPER PLATE	1
37	659244		BRAKE CALIPER PLATE SPACER.....	1



THE USE OF NON U.L. PARTS WILL VOID ANY U.L. LISTING.

When ordering parts, please specify the model and serial number of the product.

* Indicates a component that is not available as an individual part.

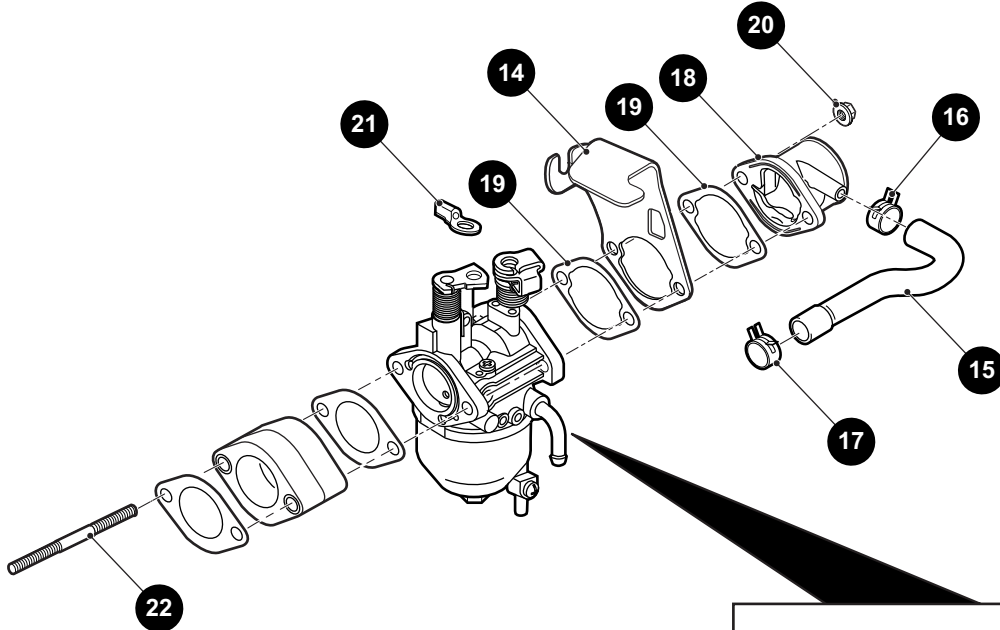
*** Indicates consult Customer Service Department for additional information.

ITEM	PART NO.	1 2 3 4 5 DESCRIPTION	QTY.
1	652854	CAB, ROPS KIT	1
2	652855	CAB, UTILITY KIT	1
3	652856	CAB, BALL CAGE KIT	1

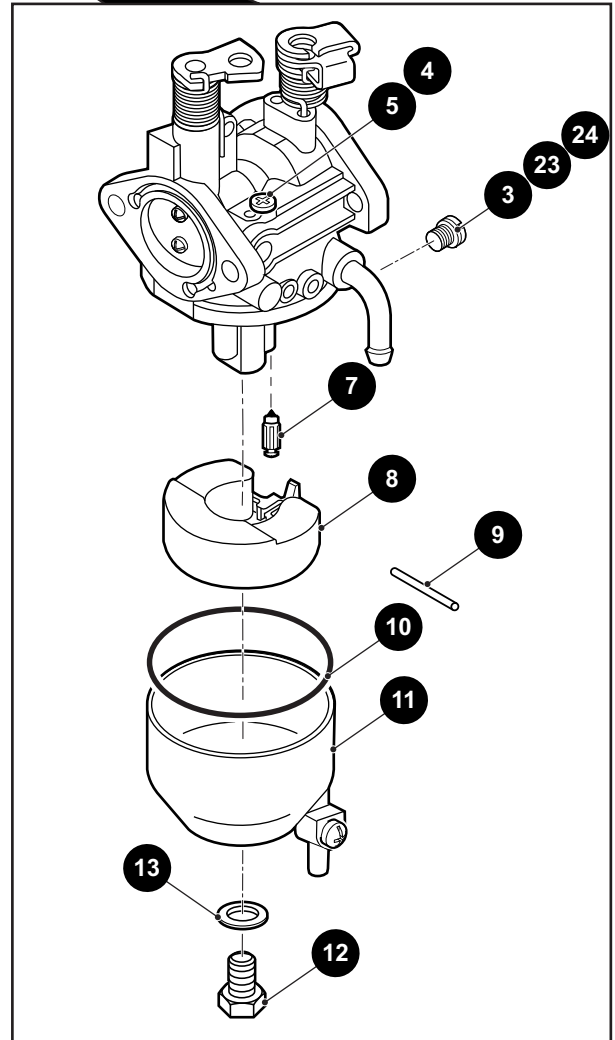
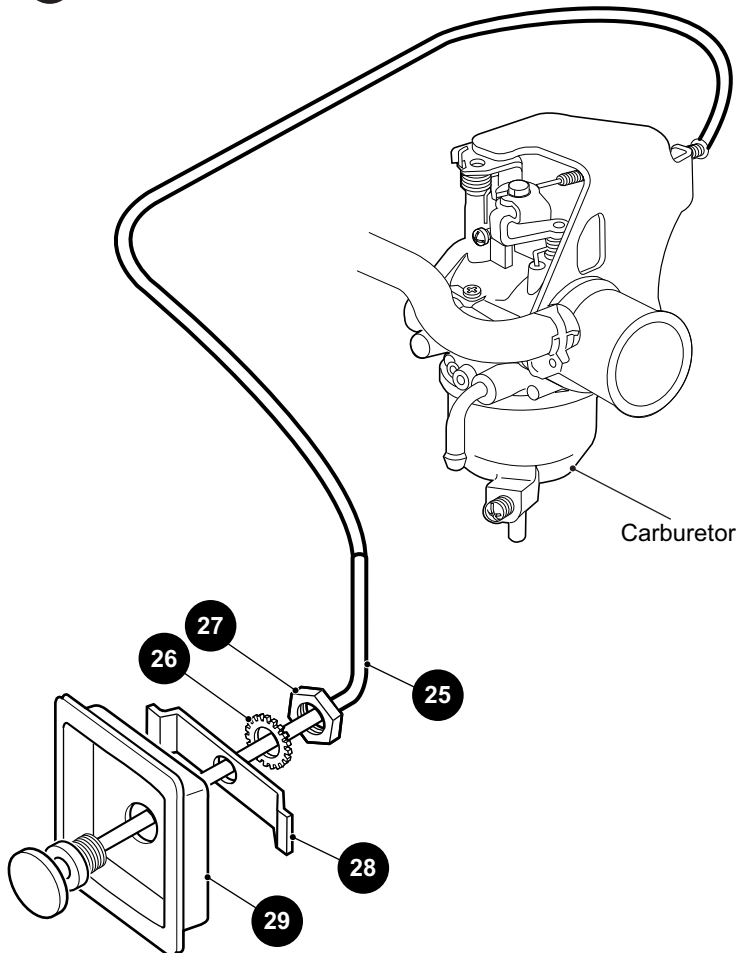
Notes:

Grid area for notes.

CARBURETOR AND CHOKE



1 CARBURETOR includes items 3 - 22



CARBURETOR AND CHOKE

THE USE OF NON U.L. PARTS WILL VOID ANY U.L. LISTING.

When ordering parts, please specify the model and serial number of the product.

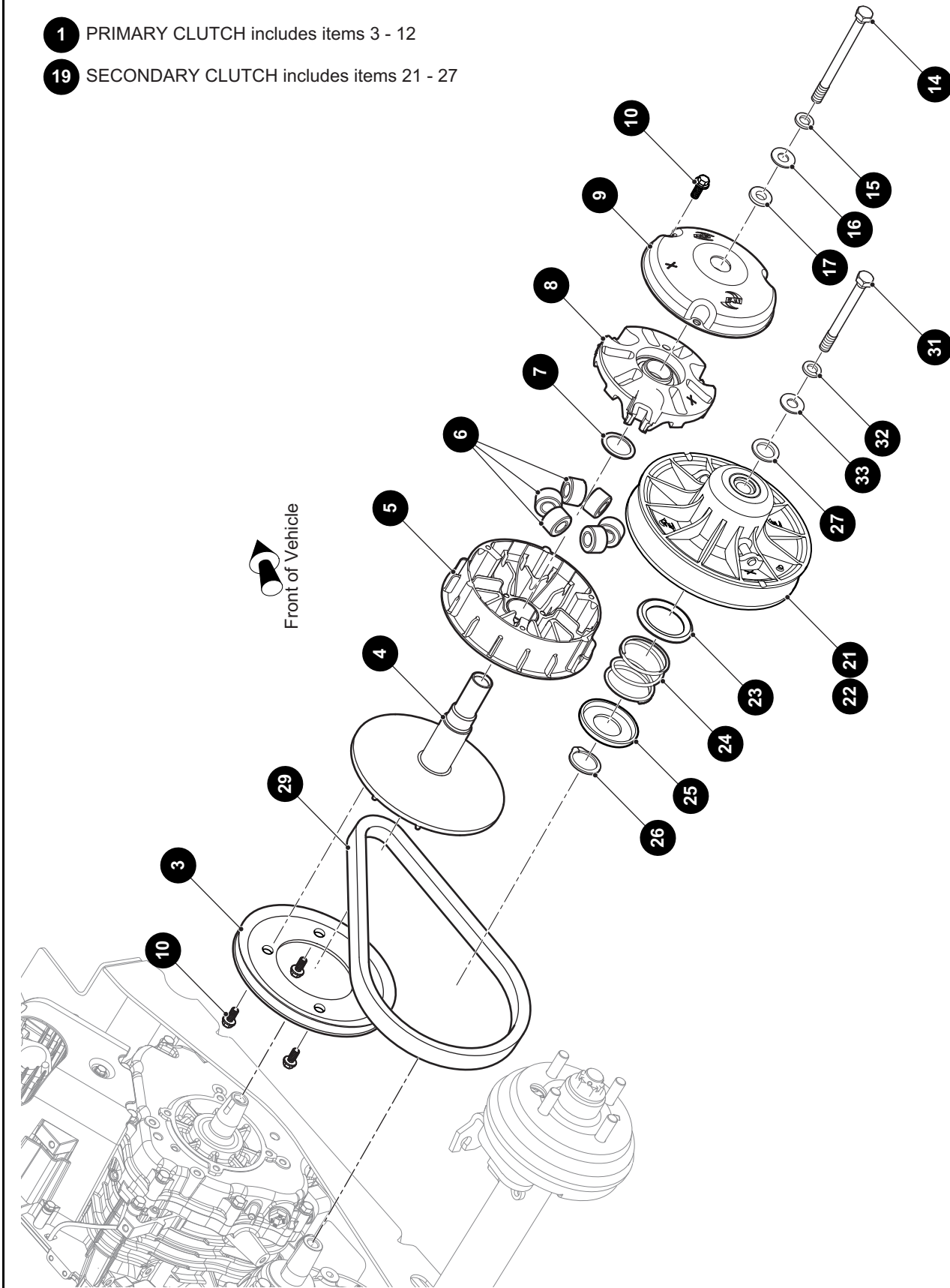
* Indicates a component that is not available as an individual part.

*** Indicates consult Customer Service Department for additional information.

ITEM	PART NO.	1 2 3 4 5	DESCRIPTION	QTY.
1	607954		CARBURETOR (INCLUDES ITEMS 3 - 22)	1
2				
3	607956		MAIN JET (#106).....	1
4	607957		PILOT JET (#52).....	1
5	603585		PLUG.....	1
6				
7	603586		FLOAT VALVE	1
8	603587		FLOAT	1
9	603588		FLOAT PIN	1
10	603589		BOWL GASKET.....	1
11	603590		FLOAT CHAMBER ASSEMBLY.....	1
12	603592		CHAMBER PLUG	1
13	603591		CHAMBER GASKET	1
14	603583		CHOKE CABLE BRACKET	1
15	603598		BREATHER TUBE.....	1
16	603596		INTAKE TUBE CLAMP	1
17	603597		CYLINDER HEAD TUBE CLAMP.....	1
18	603594		INTAKE TUBE	1
19	603593		CHOKE GASKET	2
20	603595		FLANGE NUT, M6 X 1.0.....	2
21	608023		THROTTLE ROD ATTACHMENT BUSHING	1
22	603584		STUD BOLT.....	2
23	607684		MAIN JET (#102) (FOR ELEVATIONS OF 6000 FT - 10000 FT)	1
24	607983		MAIN JET (#104) (FOR ELEVATIONS OF 3000 FT - 6000 FT)	1
25	605793		CHOKE CABLE.....	1
26	00568G4		LOCK WASHER (TOOTH TYPE), 9/16"	1
27	00545G4		JAM NUT, 9/16" - 18	1
28	72155G01		RETAINER, CHOKE ADAPTER.....	1
29	72154G01		CHOKE CABLE ADAPTER.....	1

CLUTCH

- 1 PRIMARY CLUTCH includes items 3 - 12
- 19 SECONDARY CLUTCH includes items 21 - 27



THE USE OF NON U.L. PARTS WILL VOID ANY U.L. LISTING.
 When ordering parts, please specify the model and serial number of the product.
 * Indicates a component that is not available as an individual part.
 *** Indicates consult Customer Service Department for additional information.

ITEM	PART NO.	1 2 3 4 5	DESCRIPTION	QTY.
1	644301		PRIMARY CLUTCH (INCLUDES ITEMS 3 - 12)	1
2				
3	619333		PRIMARY STARTER PULLEY	1
4	619334		STATIONARY ASSEMBLY	1
5	619335		MOVEABLE PRIMARY ASSEMBLY	1
6	624112		SHIFT ROLLER ASSEMBLY	6
7	619337		SHIM, 39.5MM X 31.75MM	1
8	644303		PRIMARY SPIDER ASSEMBLY	1
9	619339		PRIMARY DUST COVER ASSEMBLY	1
10	619332		HEX WASHER HEAD BOLT, 1/4" - 20 X 3/4" LG	7
11	644305		PRIMARY TORQUE BUTTON (NOT ILLUSTRATED)	6
12	644306		TORQUE BUTTON PLUG (NOT ILLUSTRATED)	6
13				
14	606245		HEX HEAD BOLT, M12 - 1.25 X 160MM LG	1
15	00566G3		LOCK WASHER (SPRING TYPE), 1/2"	1
16	606239		CONICAL WASHER, M12	1
17	606230		CLUTCH WASHER, 27.5MM O.D X 13.06MM I.D. X 6MM LG	1
18				
19	623949		SECONDARY CLUTCH (INCLUDES ITEMS 21 - 27)	1
20				
21	*		SECONDARY STATIONARY, 9.5	1
22	*		MOVEABLE SECONDARY, 9.5	1
23	619327		INNER RETAINER SPRING	1
24	624111		COMPRESSION SPRING	1
25	619329		OUTER SPRING RETAINER	1
26	652515		RETAINER RING	1
27	619331		THRUST WASHER, 1.830" O.D X 1.530" I.D. X 1" LG	1
28				
29	618630		DRIVE BELT	1
30				
31	606243		HEX HEAD BOLT, M12 - 1.25 X 120MM LG	1

CLUTCH

THE USE OF NON U.L. PARTS WILL VOID ANY U.L. LISTING.

When ordering parts, please specify the model and serial number of the product.

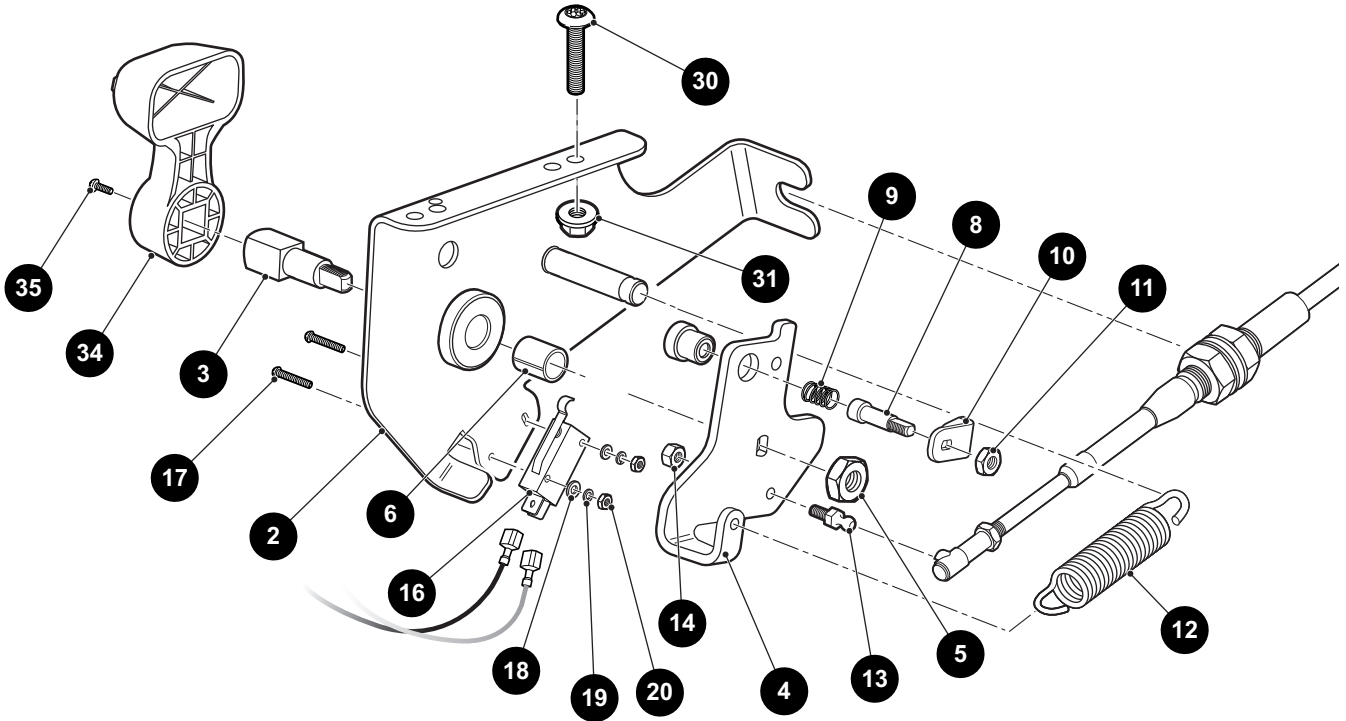
* Indicates a component that is not available as an individual part.

*** Indicates consult Customer Service Department for additional information.

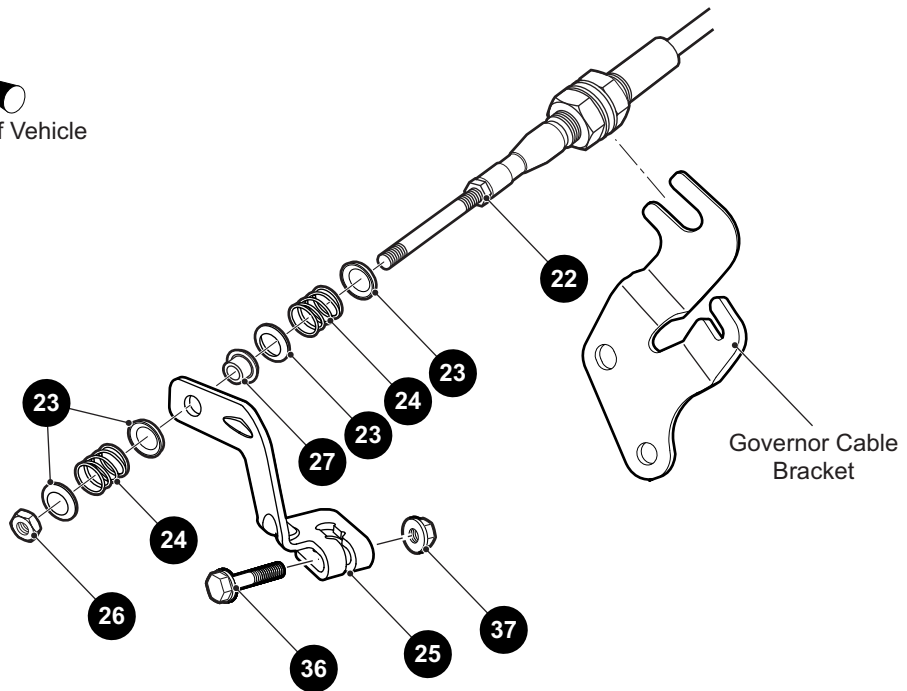
ITEM	PART NO.	1 2 3 4 5	DESCRIPTION	QTY.
32	00566G3		LOCK WASHER (SPRING TYPE), 3/8"	1
33	606239		CONICAL WASHER, M12	1

DIRECTION SELECTOR

1 DIRECTION SELECTOR ASSEMBLY includes items 2 - 27




Front of Vehicle



DIRECTION SELECTOR

THE USE OF NON U.L. PARTS WILL VOID ANY U.L. LISTING.

When ordering parts, please specify the model and serial number of the product.

* Indicates a component that is not available as an individual part.

*** Indicates consult Customer Service Department for additional information.

ITEM	PART NO.	1 2 3 4 5	DESCRIPTION	QTY.
1	606173		DIRECTION SELECTOR ASSEMBLY (INCLUDES ITEMS 2 - 27)	1
2	606077		DIRECTION SELECTOR BRACKET.....	1
3	70233G01		DIRECTION SELECTOR SHAFT.....	1
4	603700		DIRECTION SELECTOR CAM.....	1
5	14390G1		LOCK NUT, 3/8" - 24	1
6	25664G2		BUSHING, 1/2" X .750" LG	1
7				
8	72724G01		NEUTRAL LOCK PIN	1
9	72733G01		COMPRESSION SPRING.....	1
10	72729G01		NEUTRAL LOCK LATCH.....	1
11	00734G2		LOCK NUT, 1/4" - 28	1
12	28574G01		EXTENSION SPRING	1
13	72732G01		BALL STUD, #10 - 32.....	1
14	00734G5		LOCK NUT, #10 - 32.....	1
15				
16	72736G01		MICRO SWITCH	1
17	01062G01		ROUND HEAD SCREW, #4 - 40 X 1" LG.....	2
18	00559G1		FLAT WASHER, #4	2
19	00565G1		LOCK WASHER, #4	2
20	00526G2		HEX NUT, #4 - 40	2
21				
22	605807		DIRECTION SELECTOR CABLE.....	1
23	25727G01		CUP WASHER, 1/4"	4
24	72735G01		COMPRESSION SPRING.....	2
25	632891		PIVOT BRACKET.....	1
26	00734G5		LOCK NUT, #10 - 32.....	1
27	22754G4		BUSHING (FLIP LOK), .250"	1
28				
29				
30	70227G01		SOCKET HEAD BOLT, 1/4" - 20 X 7/8" LG.....	2
31	11027G2		FLANGED LOCK NUT, 1/4" - 20.....	2

DIRECTION SELECTOR

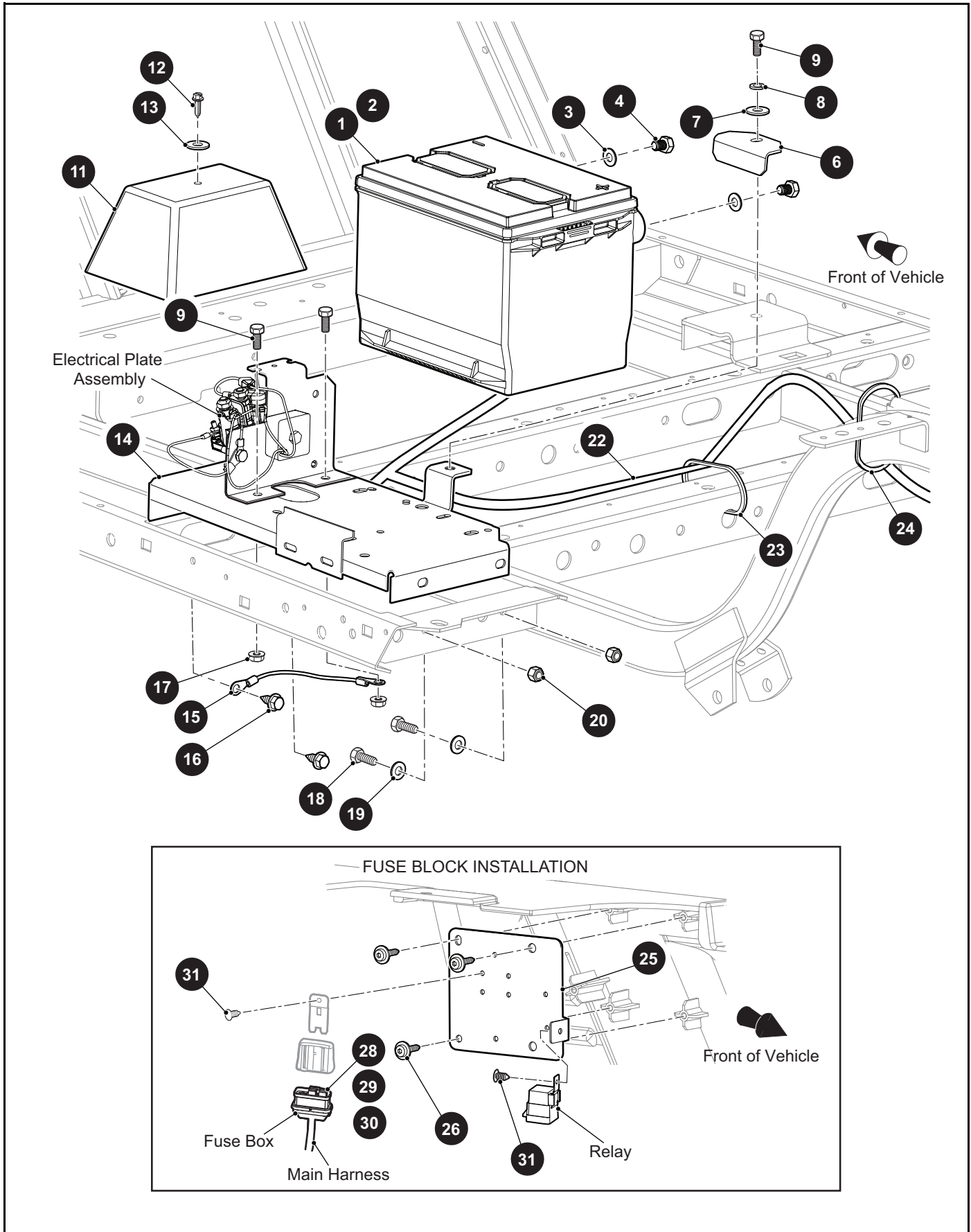
THE USE OF NON U.L. PARTS WILL VOID ANY U.L. LISTING.

When ordering parts, please specify the model and serial number of the product.

* Indicates a component that is not available as an individual part.

*** Indicates consult Customer Service Department for additional information.

ITEM	PART NO.	1	2	3	4	5	DESCRIPTION	QTY.
32	31539G1						CLAMP (NYLON), 15.5" LG (NOT ILLUSTRATED)	1
33								
34	71205G01						DIRECTION SELECTOR HANDLE	1
35	645185						TRUSS HEAD PHILLIPS SCREW, #10 - 32 X 1/2" LG	1
36	606421						FLANGED HEX HEAD BOLT, M6 - 1 X 30MM LG	1
37	450452						HEX NUT, M6 - 1	1



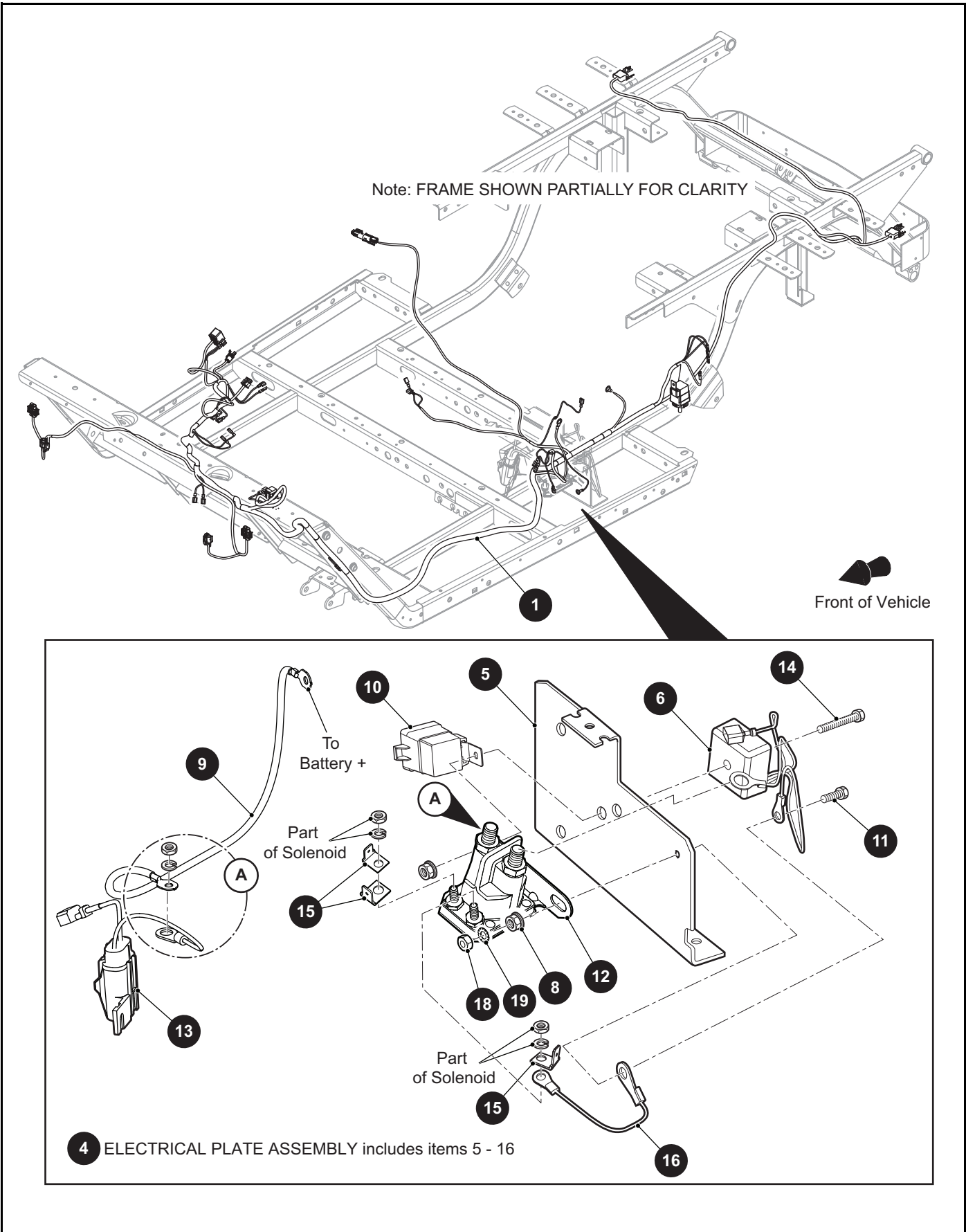
THE USE OF NON U.L. PARTS WILL VOID ANY U.L. LISTING.

When ordering parts, please specify the model and serial number of the product.

* Indicates a component that is not available as an individual part.

*** Indicates consult Customer Service Department for additional information.

ITEM	PART NO.	1 2 3 4 5	DESCRIPTION	QTY.
1	638433		BATTERY (HD), 12V	1
2	637484		BATTERY, 12V	1
3	614221		FLAT WASHER, 3/8"	2
4	651336		BATTERY BOLT, 3/8" - 16 X .5" LG	2
5				
6	72101G02		BATTERY HOLD DOWN.....	1
7	00571G2		FLAT WASHER (SS), 5/16".....	1
8	00565G8		LOCK WASHER, 5/16"	1
9	00438G6		HEX HEAD BOLT, 5/16" - 18 X 3/4" LG	3
10				
11	73049G01		DIRECTION SELECTOR COVER	1
12	00114G6		HEX WASHER HEAD TAPPING SCREW, 1/4" - 14 X 3/4" LG	1
13	16469G1		FENDER WASHER, 1/4"	1
14	652441G03		BATTERY TRAY.....	1
15	25976G19		14 GA WIRE (BLACK), 6"	1
16	00715G2		FLANGED HEX HEAD BOLT, 5/16" - 18 X .8" LG	2
17	11027G1		LOCK NUT, 5/16" - 18.....	2
18	00438G8		HEX HEAD BOLT, 5/16" - 18 X 1" LG	2
19	00559G8		FLAT WASHER, 5/16"	2
20	11098G6		LOCK NUT, 5/16" - 18	2
21				
22	605821		CONTROL HARNESS	1
23				
24	31539G1		NYLON CLAMP, 15.5" LG.....	2
25	649890		FUSE BLOCK MOUNTING PLATE.....	1
26	613373		TAPPING SCREW, M4.8 - 1.6 X 22MM LG	3
27	603282		RELAY (NOT ILLUSTRATED).....	1
28	636455G10		FUSE, 5A	1
29	636455G13		FUSE, 15A	1
30	636455G14		FUSE, 20A	1
31	16816G2		RATCHET RIVET, .25" X .887"	2



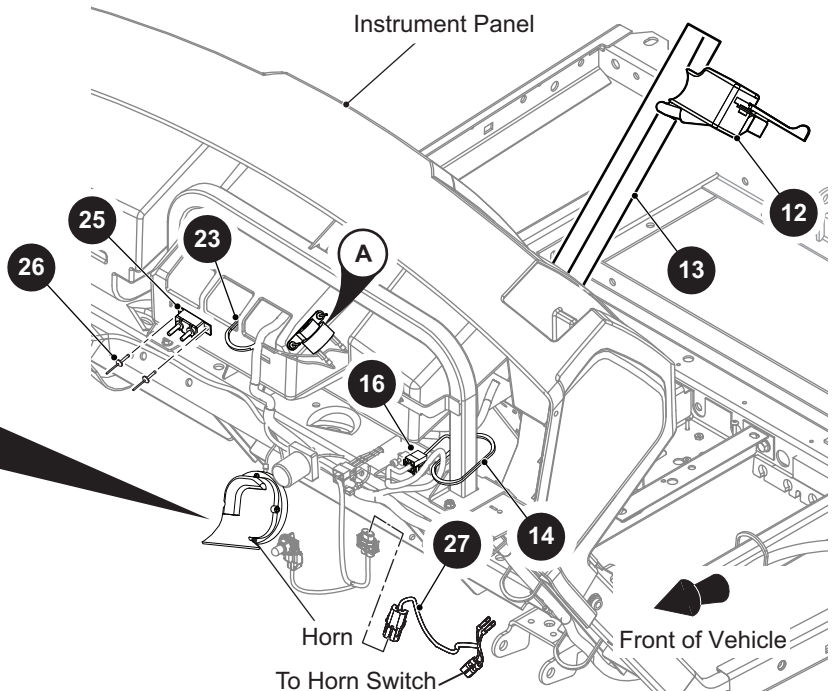
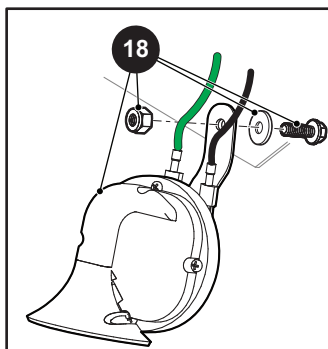
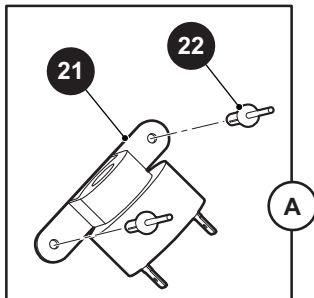
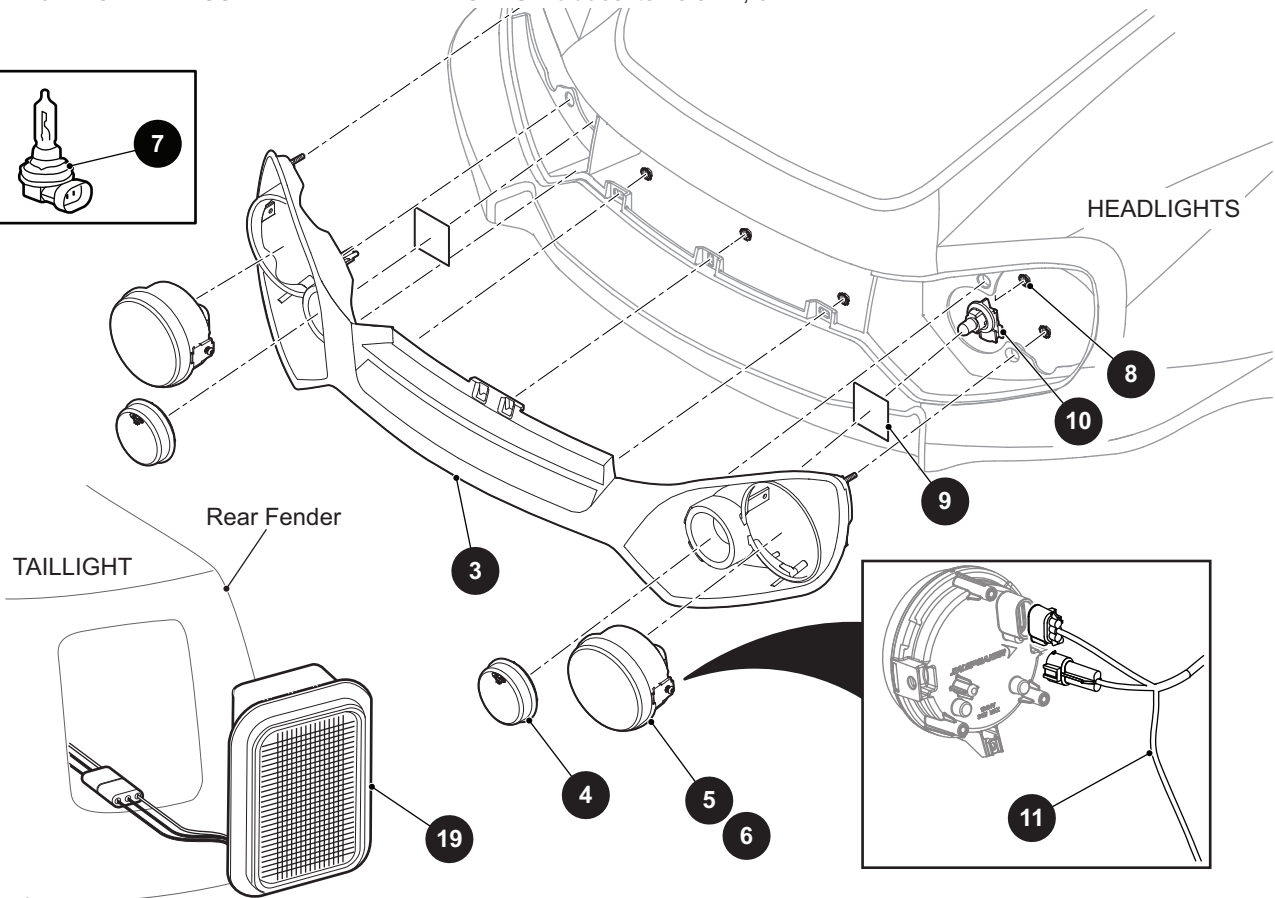
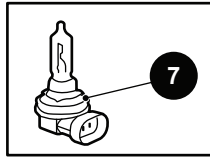
THE USE OF NON U.L. PARTS WILL VOID ANY U.L. LISTING.
 When ordering parts, please specify the model and serial number of the product.
 * Indicates a component that is not available as an individual part.
 *** Indicates consult Customer Service Department for additional information.

ITEM	PART NO.	1 2 3 4 5	DESCRIPTION	QTY.
1	674060		MAIN HARNESS.....	1
2	31539G1		NYLON CLAMP, 15.5" LG (NOT ILLUSTRATED).....	5
3				
4	605563		ELECTRICAL PLATE ASSEMBLY (INCLUDES ITEMS 5 - 16)	1
5	73057G02		BRACKET.....	1
6	27739G01		VOLTAGE REGULATOR	1
7				
8	11027G2		LOCK NUT, 1/4" - 20	2
9	645190		WIRE ASSEMBLY, 6 GA.....	1
10	603282		RELAY	1
11	00661G8		HEX HEAD BOLT (SS), 1/4" - 20 X 1" LG	1
12	612813		SOLENOID, 14V.....	1
13	600418G01		FUSE HOLDER ASSEMBLY	1
14	303459		HEX HEAD BOLT, 1/4" - 20 X 1.5" LG.....	1
15	73446G01		FASTON TAB, 90°	3
16	25978G56		18 GA WIRE (BLACK), 5 3/4" LG	1
17				
18	00532G1		HEX NUT, 1/4" - 20	1
19	00567G7		LOCK WASHER, .502" O.D X .272" I.D.....	1

ELECTRICAL

1 FRONT GRILLE ASSEMBLY WITH LIGHTS includes items 3 - 5

2 FRONT GRILLE ASSEMBLY WITH LED LIGHTS includes items 3 - 4, 6



ELECTRICAL

THE USE OF NON U.L. PARTS WILL VOID ANY U.L. LISTING.

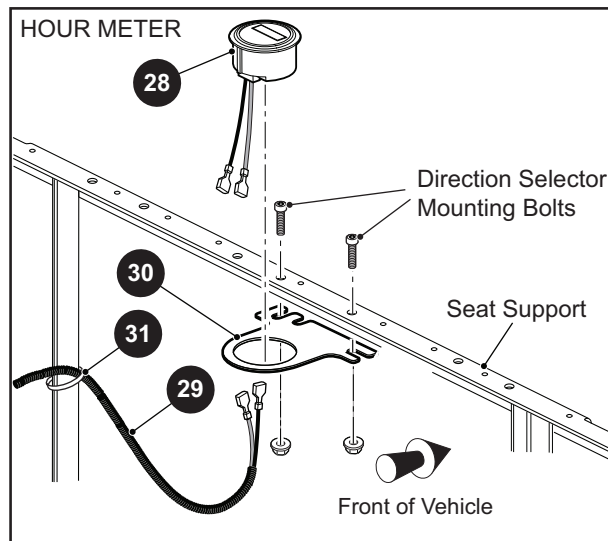
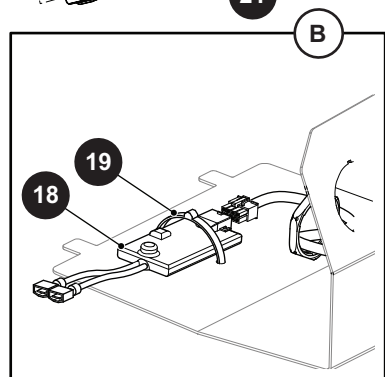
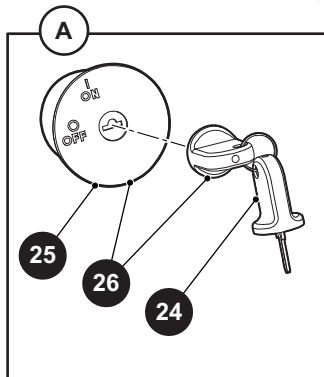
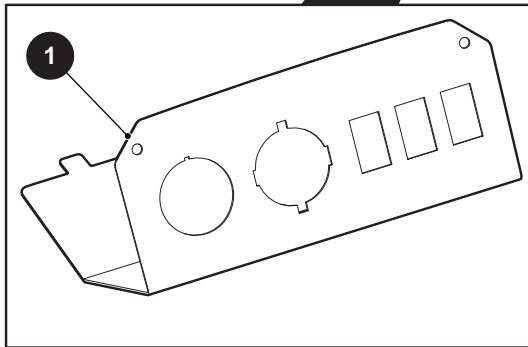
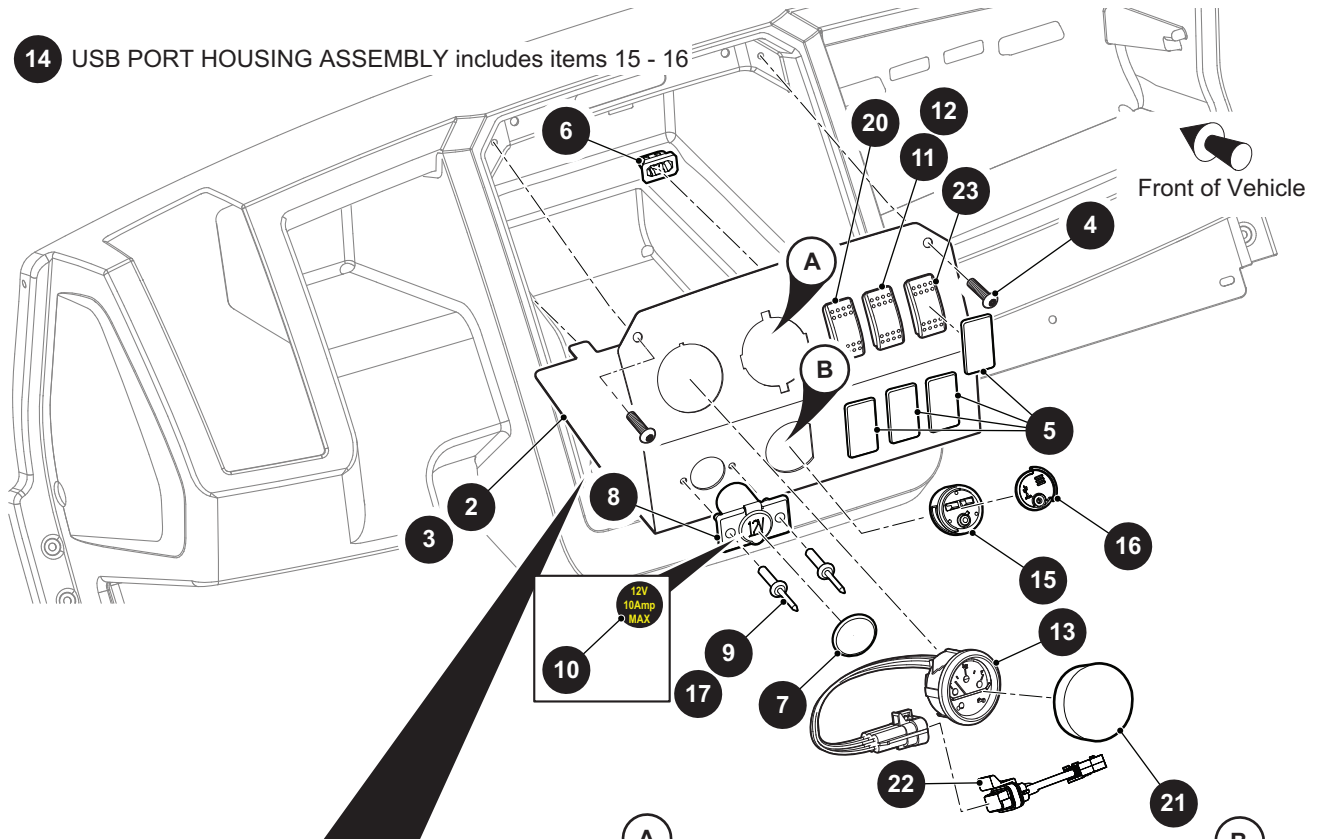
When ordering parts, please specify the model and serial number of the product.

* Indicates a component that is not available as an individual part.

*** Indicates consult Customer Service Department for additional information.

ITEM	PART NO.	1 2 3 4 5	DESCRIPTION	QTY.
1	651698G01		FRONT GRILLE ASSEMBLY WITH LIGHTS (INCLUDES ITEMS 3 - 5)	1
2	651698G03		FRONT GRILLE ASSEMBLY WITH LED LIGHTS (INCLUDES ITEMS 3 - 4, 6)	1
3	648564		FRONT GRILLE	1
4	651437		LENS COVER	2
5	651411G01		HEADLIGHT	2
6	651411G03		LED HEADLIGHT	2
7	619100		HDL HEADLIGHT BULB	1
8	71597G01		SELF THREADING NUT, 5 X 10 X 15MM	9
9	71781G02		VINYL TAPE (FOR VEHICLES WITHOUT TURN SIGNAL LIGHTS)	2
10	619102		TURN SIGNAL BULB	2
11	670038		JUMPER HARNESS, HI/LOW LED HEADLIGHT	1
12	615236		TURN SIGNAL SWITCH ASSEMBLY WITH HORN	1
13	20965G3		STEERING COLUMN COVER	1
14	31539G1		NYLON CLAMP, 15.5" LG (NOT ILLUSTRATED).....	2
15				
16	664780		TURN SIGNAL LIGHTS JUMPER HARNESS	1
17				
18	32860G01		HORN.....	1
19	32739G3		TAILLIGHT	1
20				
21	613271		REVERSE BUZZER.....	1
22	01041G01		ALUMINUM RIVET, 5/32"	2
23	31539G1		NYLON CLAMP, 15.5" LG.....	1
24				
25	21320G3		CIRCUIT BREAKER	1
26	01041G01		ALUMINUM RIVET, 5/32"	2
27	664706		HORN JUMPER HARNESS	1

14 USB PORT HOUSING ASSEMBLY includes items 15 - 16



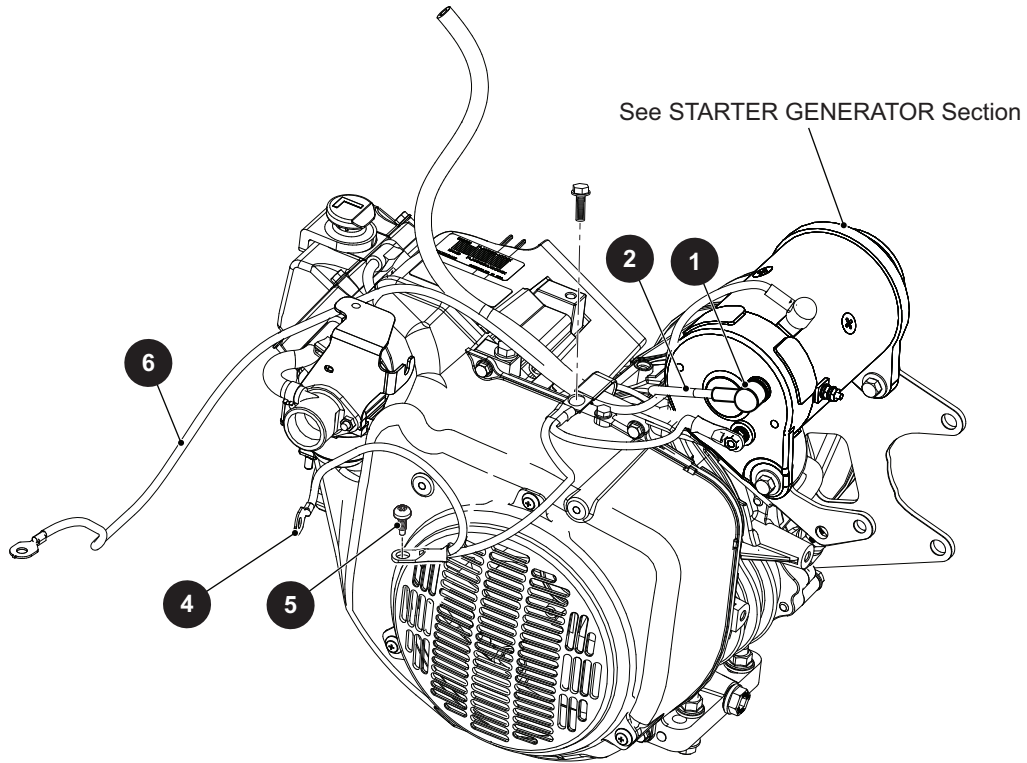
THE USE OF NON U.L. PARTS WILL VOID ANY U.L. LISTING.

When ordering parts, please specify the model and serial number of the product.

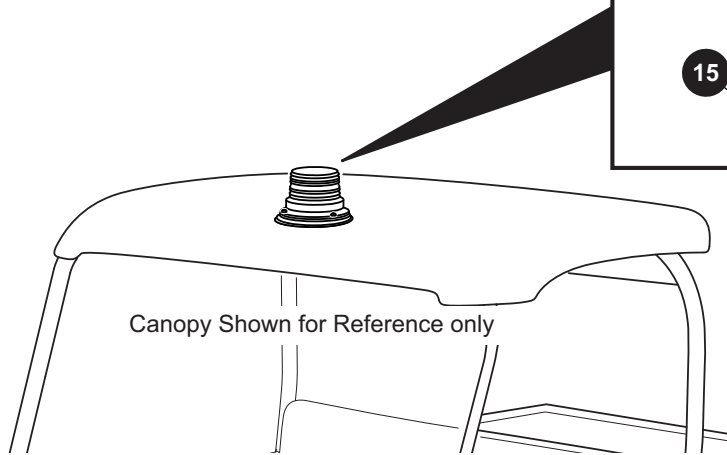
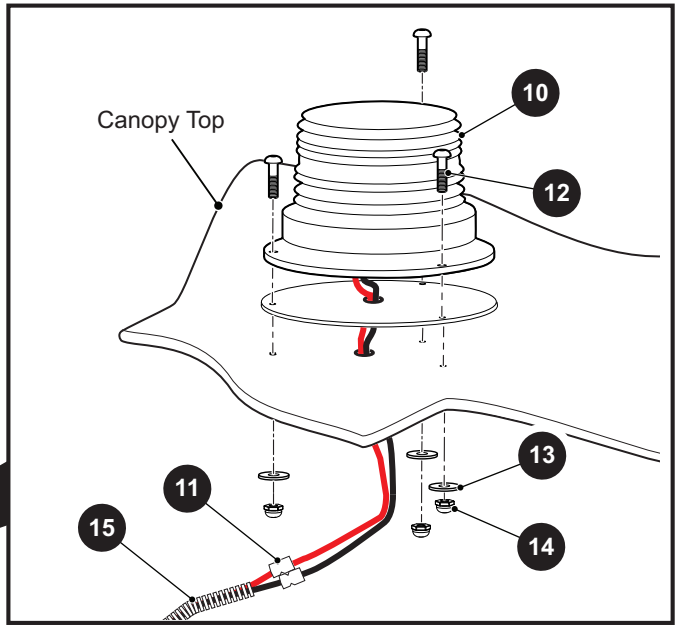
* Indicates a component that is not available as an individual part.

*** Indicates consult Customer Service Department for additional information.

ITEM	PART NO.	1 2 3 4 5	DESCRIPTION	QTY.
1	662083G01		GAUGE PANEL (KEY, FUEL/SOC).....	1
2	662083G02		GAUGE PANEL (KEY, FUEL/SOC, 12V OUTLET)	1
3	662083G03		GAUGE PANEL (KEY, 12V OUTLET, USB, FUEL/SOC).....	1
4	649803		PAN HEAD TORX SCREW, M6 - 2.65 X 25MM LG.....	2
5	627035		PLUG	4
6	602184		CLIP	2
7	20271G10		HOLE PLUG, DIA 1.125"	1
8	71078G01		12V POWER OUTLET	1
9	71055G01		ALUMINUM RIVET, 3/16" X 1" LG	2
10	637067		12V POWER OUTLET LABEL (CE VEHICLES).....	1
11	651897G02		HEADLIGHT SWITCH, 2 - POSITION (ON/OFF).....	1
12	651897G03		HEADLIGHT SWITCH, 3 - POSITION (HI/LOW).....	1
13	612314		FUEL GAUGE	1
14	639384		USB PORT HOUSING ASSEMBLY (INCLUDES ITEMS 15 - 16)	1
15	639383		USB PORT HOUSING.....	1
16	639382		USB PORT LID.....	1
17	33623G02		PLASTIC RIVET.....	2
18	638233		USB ELECTRONICS	1
19	17618G1		NYLON CLAMP, 8" LG.....	1
20	651897G01		HORN SWITCH	1
21	20271G3		HOLE PLUG.....	1
22	672225		JUMPER HARNESS	1
23	651897G04		TRUCK BED SWITCH	1
24	611282		COMMON KEY SET	1
25	611284		KEY SWITCH.....	1
26	609696		KEY SWITCH AND UNIQUE KEY SET	1
27				
28	617074		HOUR METER.....	1
29	664689		HOUR METER HARNESS.....	1
30	635649		BRACKET	1
31	17618G1		NYLON CLAMP, 8" LG.....	2



- 8 STROBE LIGHT ASSEMBLY includes items 9 - 18
- 9 STROBE LIGHT ASSEMBLY includes items 10 - 11



THE USE OF NON U.L. PARTS WILL VOID ANY U.L. LISTING.
 When ordering parts, please specify the model and serial number of the product.
 * Indicates a component that is not available as an individual part.
 *** Indicates consult Customer Service Department for additional information.

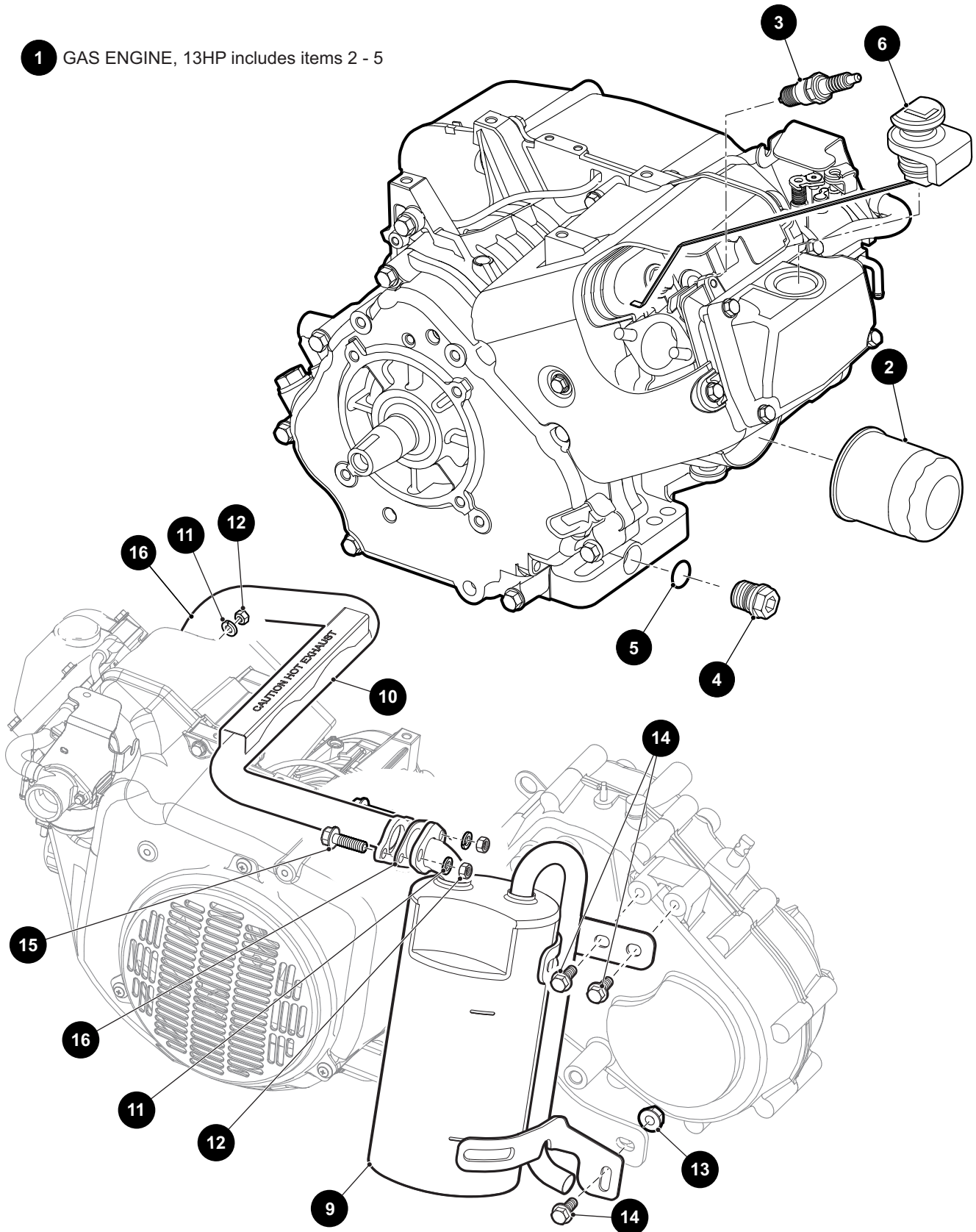
ITEM	PART NO.	1 2 3 4 5	DESCRIPTION	QTY.
1	607053		6 GA WIRE (BLACK), 6"	1
2	25682G01		TERMINAL COVER	3
3				
4	645191		GROUND CABLE	1
5	26676G01		FLANGED BOLT, M6 - 1 X 23MM.....	1
6	656339G01		6 GA WIRE, 55"	1
7				
8	618916		STROBE LIGHT KIT (INCLUDES ITEMS 9 - 18)	1
9	638496		STROBE LIGHT ASSEMBLY (INCLUDES ITEMS 10 - 11).....	1
10	639425		STROBE LIGHT	1
11	17064G1		PUSH ON TERMINALS	2
12	00979G01		SOCKET HEAD SCREW, #10 - 24 X 7/8" LG	3
13	00559G5		FLAT WASHER, #10	3
14	14390G10		LOCK NUT, #10 - 24.....	3
15	656405		STROBE LIGHT HARNESS	1
16	17618G1		NYLON CLAMP (NOT ILLUSTRATED).....	16
17	614901		SPLICE (NOT ILLUSTRATED).....	1
18	35212G05		FUSE (NOT ILLUSTRATED).....	1
19				
20	629631		DUAL SET LED LIGHTS KIT (NOT ILLUSTRATED)	1
21	656410		ACCESSORY LIGHTS KIT (NOT ILLUSTRATED)	1

Notes:

A large grid of graph paper for taking notes, consisting of 30 columns and 30 rows of small squares.

ENGINE AND MUFFLER

1 GAS ENGINE, 13HP includes items 2 - 5



ENGINE AND MUFFLER

THE USE OF NON U.L. PARTS WILL VOID ANY U.L. LISTING.

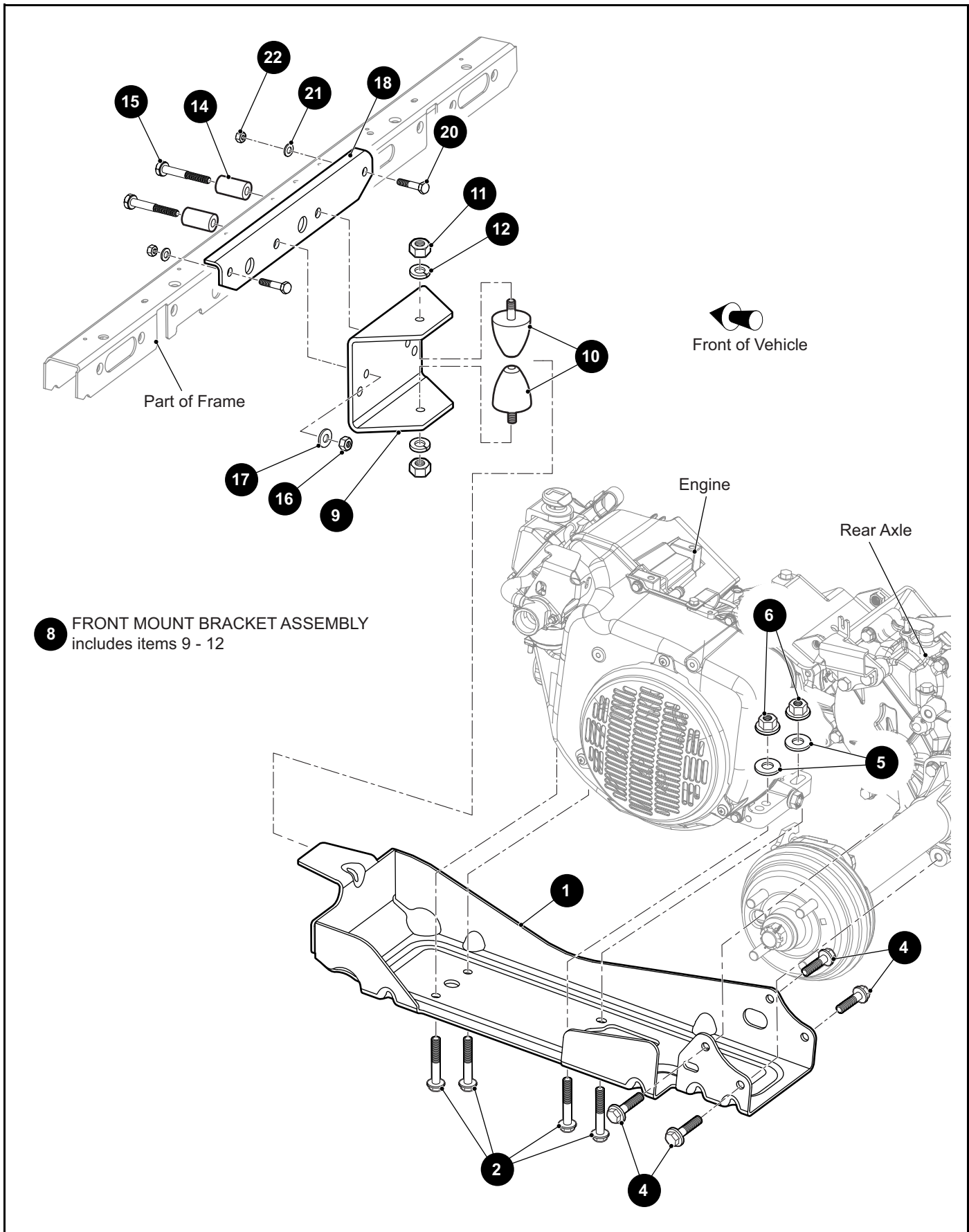
When ordering parts, please specify the model and serial number of the product.

* Indicates a component that is not available as an individual part.

*** Indicates consult Customer Service Department for additional information.

ITEM	PART NO.	1 2 3 4 5	DESCRIPTION	QTY.
1	633740		GAS ENGINE, 13HP (INCLUDES ITEMS 2 - 5)	1
2	607454		OIL FILTER	1
3	607462		SPARK PLUG	1
4	603557		OIL DRAIN PLUG	3
5	603562		O-RING, 16MM	3
6	606390		DIP STICK	1
7				
8				
9	630970		MUFFLER	1
10	606982		EXHAUST PIPE	1
11	606272		LOCK WASHER, 8MM	4
12	606267		HEX JAM NUT, M8 X 1.25	4
13	606279		FLANGED HEX NUT, M10 - 1.25	1
14	606256		FLANGED HEX HEAD BOLT, M10 - 1.25 X 25MM LG	3
15	602330		FLANGED HEX HEAD BOLT, M8 - 1.25 X 30MM LG	2
16	603599		EXHAUST GASKET	2

ENGINE MOUNTING



ENGINE MOUNTING

THE USE OF NON U.L. PARTS WILL VOID ANY U.L. LISTING.

When ordering parts, please specify the model and serial number of the product.

* Indicates a component that is not available as an individual part.

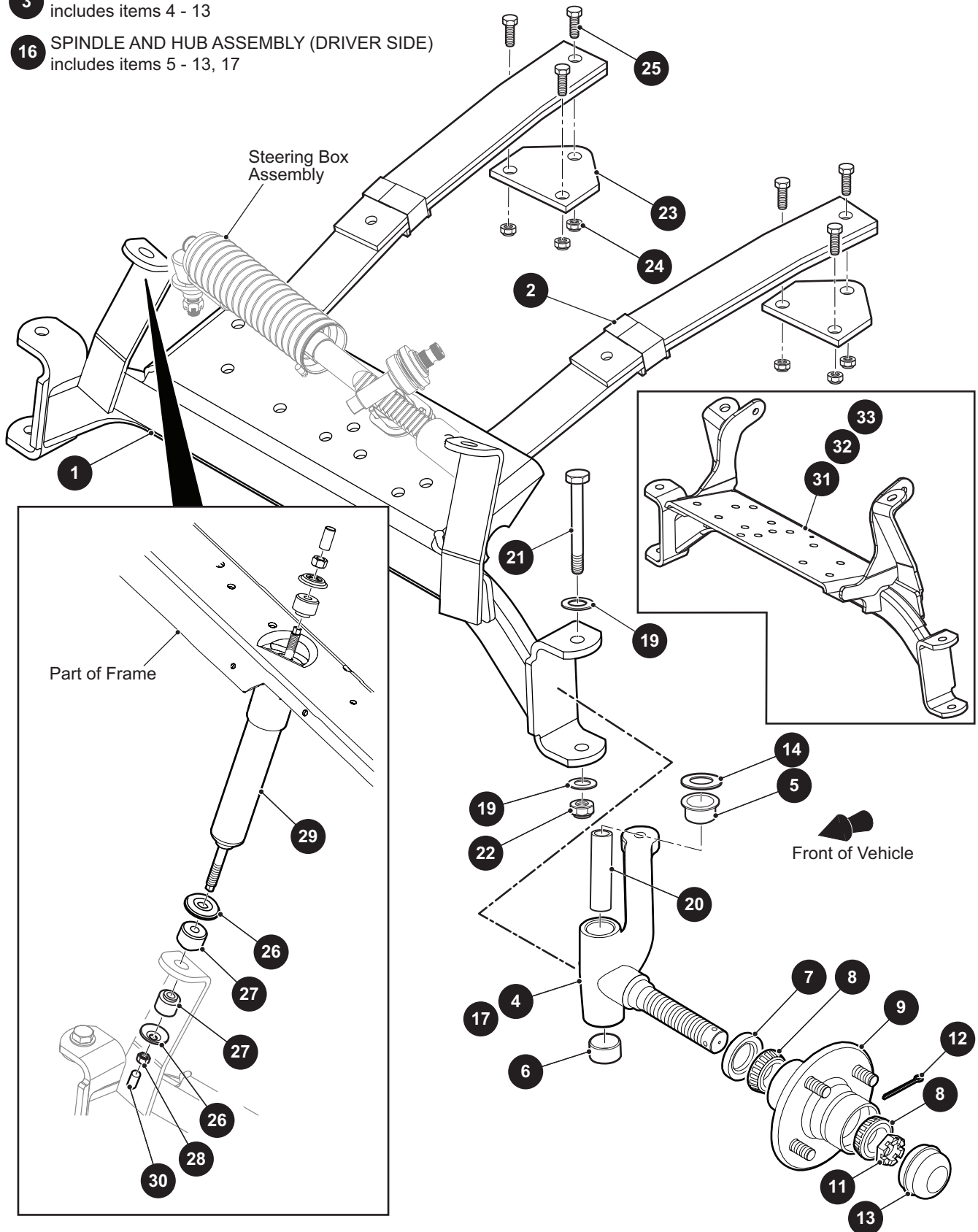
*** Indicates consult Customer Service Department for additional information.

ITEM	PART NO.	1 2 3 4 5	DESCRIPTION	QTY.
1	630776		ENGINE PAN	1
2	606259		FLANGED HEX HEAD BOLT, M10 - 1.25 X 45MM LG	4
3				
4	606256		FLANGED HEX HEAD BOLT, M10 - 1.25 X 25MM LG	4
5	603823		FLAT WASHER, M10 X 22MM X 2.5MM	4
6	606279		FLANGED HEX NUT, M10 - 1.25	4
7				
8	627627		FRONT MOUNT BRACKET ASSEMBLY (INCLUDES ITEMS 9 - 12)	1
9	625345		BRACKET	1
10	605757		RUBBER BUMPER	2
11	00974G01		HEX NUT, M10 - 1.25	2
12	608654		SPLIT LOCK WASHER, 10MM	2
13				
14	72016G01		TUBE SPACER	2
15	00428G8		HEX HEAD BOLT, 3/8" - 16 X 2 1/4" LG	2
16	11098G5		LOCK NUT, 3/8" - 16	2
17	00643G1		FLAT WASHER, 3/8"	2
18	652247		CROSSMEMBER BRACE	1
19				
20	00438G7		HEX HEAD BOLT, 5/16" - 18 X 5/8" LG	2
21	00559G8		FLAT WASHER, 5/16"	2
22	01109G01		LOCK NUT, 5/16" - 18	2

FRONT SUSPENSION AND STEERING

3 SPINDLE AND HUB ASSEMBLY, 4 LUG (PASSENGER SIDE)
includes items 4 - 13

16 SPINDLE AND HUB ASSEMBLY (DRIVER SIDE)
includes items 5 - 13, 17



FRONT SUSPENSION AND STEERING

THE USE OF NON U.L. PARTS WILL VOID ANY U.L. LISTING.

When ordering parts, please specify the model and serial number of the product.

* Indicates a component that is not available as an individual part.

*** Indicates consult Customer Service Department for additional information.

ITEM	PART NO.	1 2 3 4 5	DESCRIPTION	QTY.
1	633795		FRONT AXLE.....	1
2	70990G03		LEAF SPRING	2
3	70930G01		SPINDLE AND HUB ASSEMBLY, 4 LUG (PASSENGER SIDE) (INCLUDES ITEMS 4 - 13)	1
4	70802G01		SPINDLE ASSEMBLY	1
5	632925		FLANGED BUSHING, O.D 35MM X I.D 25MM.....	1
6	632926		BEARING, O.D 28MM.....	1
7	25146G1		GREASE SEAL.....	1
8	11750G2		ROLLER BEARING AND RACE ASSEMBLY.....	2
9	35886G01		WHEEL HUB	1
10				
11	12093G1		SLOTTED NUT, #1 - 14.....	1
12	00798G8		COTTER PIN, 5/32" X 1 3/4" LG	1
13	12091G2		SPINDLE CAP.....	1
14	70754G01		THRUST WASHER (SS), 1.3"	1
15				
16	70931G01		SPINDLE AND HUB ASSEMBLY, 4 LUG (DRIVER SIDE) (INCLUDES ITEMS 5 - 13 AND 17).....	1
17	70803G01		SPINDLE ASSEMBLY	1
18				
19	00560G3		FLAT WASHER, 1/2".....	2
20	70745G01		KING PIN TUBE, 4.36" LG.....	1
21	00407G6		HEX HEAD BOLT, 1/2" - 13 X 6" LG	1
22	14390G6		LOCK NUT, 1/2" - 13.....	1
23	652258		SPRING PLATE	2
24	00734G1		LOCK NUT, 7/16" - 14.....	6
25	00463G11		HEX HEAD BOLT, 7/16" - 14 X 1 1/2" LG	6
26	10435G1		SHOCK ABSORBER WASHER.....	4
27	10194G1		RUBBER SHOCK ABSORBER BUSHING	4
28	00532G6		HEX NUT, 1/4" - 20	2
29	76419G01		SHOCK ABSORBER.....	1
30	10044G01		VINYL CAP.....	2

FRONT SUSPENSION AND STEERING

THE USE OF NON U.L. PARTS WILL VOID ANY U.L. LISTING.

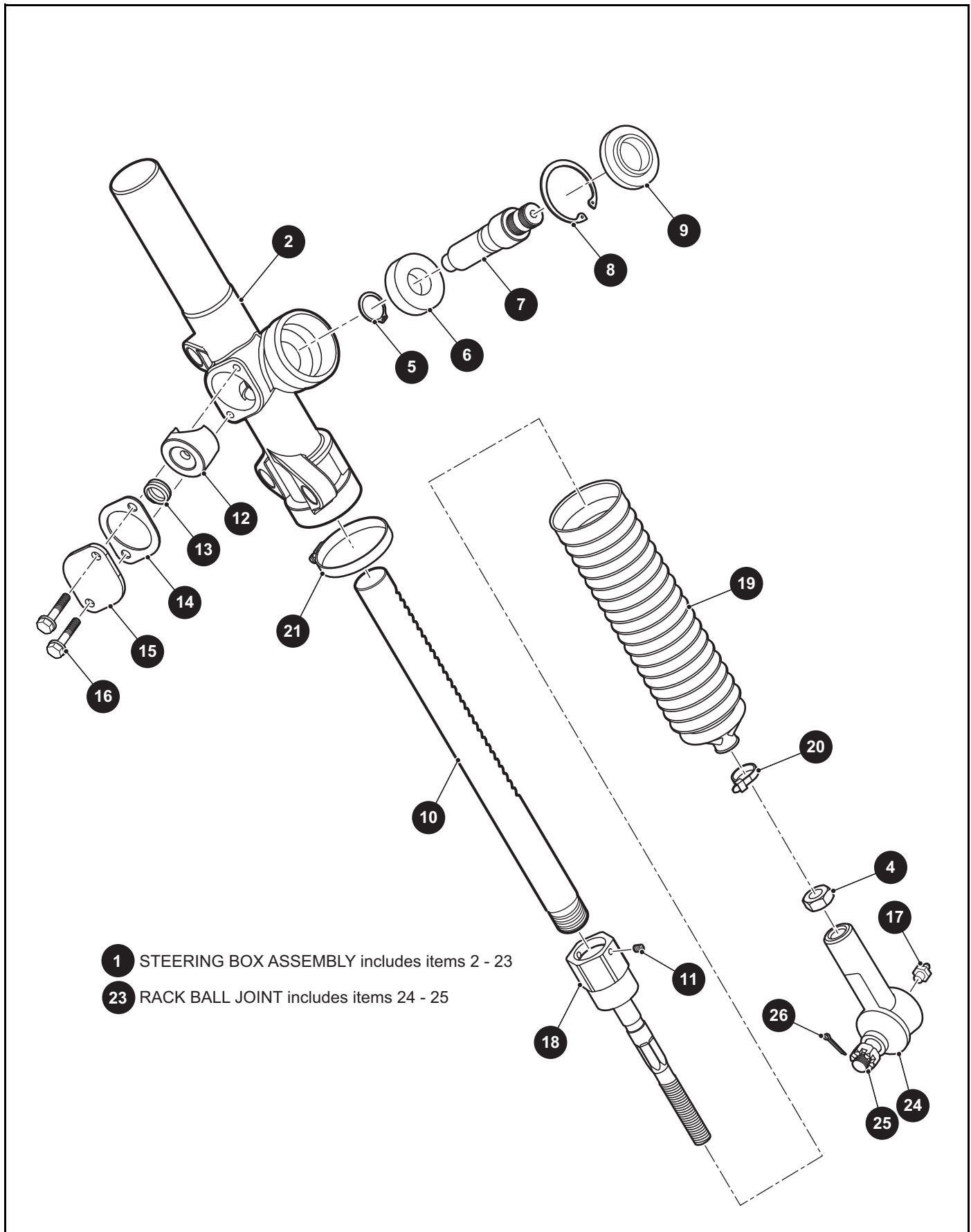
When ordering parts, please specify the model and serial number of the product.

* Indicates a component that is not available as an individual part.

*** Indicates consult Customer Service Department for additional information.

ITEM	PART NO.	1 2 3 4 5	DESCRIPTION	QTY.
31	664447G02		FRONT AXLE, P-COAT	1
32	664447G03		FRONT AXLE, E-COAT	1
33	664447G04		FRONT AXLE, E-COAT/P-COAT	1

FRONT SUSPENSION AND STEERING



FRONT SUSPENSION AND STEERING

THE USE OF NON U.L. PARTS WILL VOID ANY U.L. LISTING.

When ordering parts, please specify the model and serial number of the product.

* Indicates a component that is not available as an individual part.

*** Indicates consult Customer Service Department for additional information.

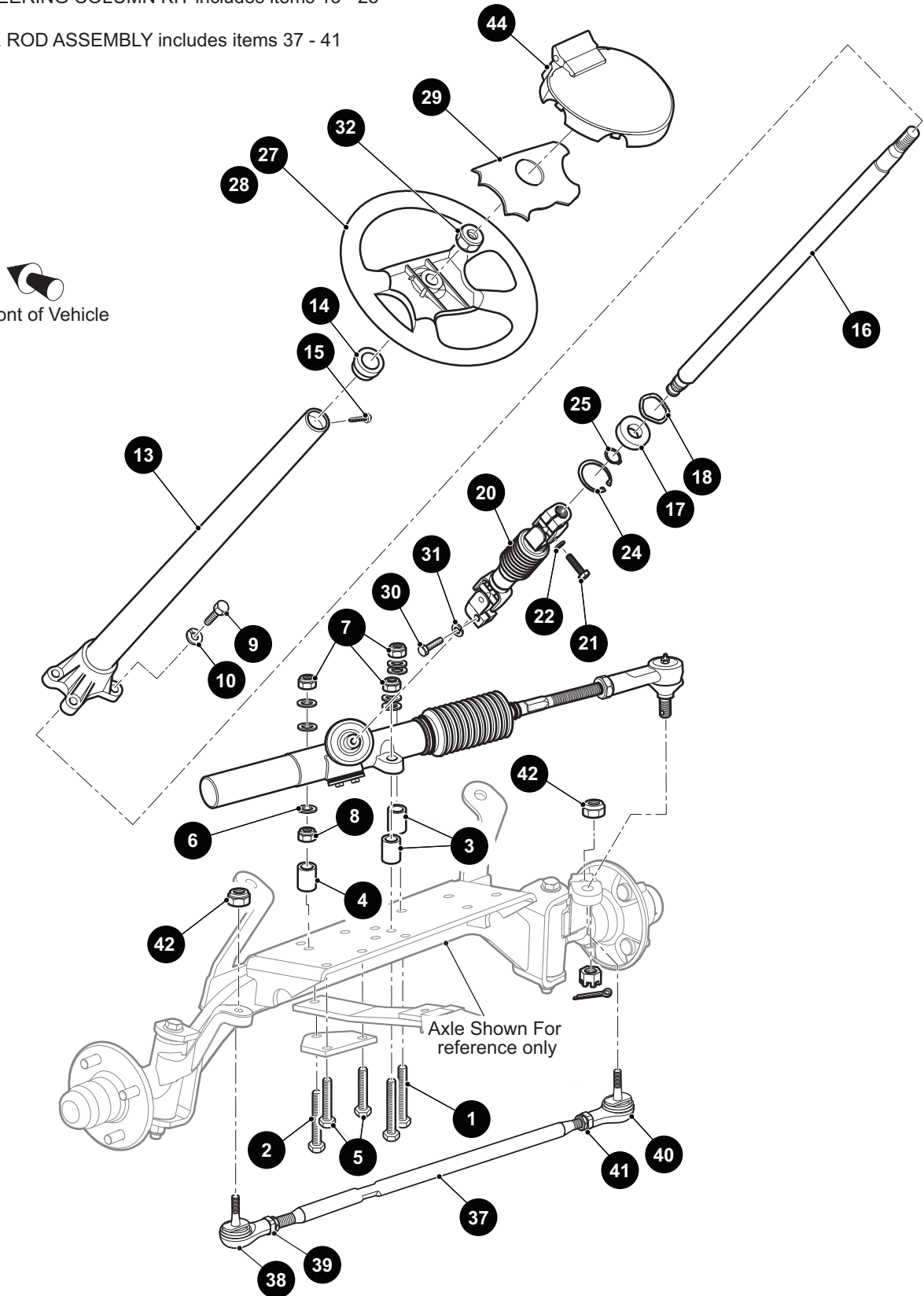
ITEM	PART NO.	1 2 3 4 5	DESCRIPTION	QTY.
1	70964G01		STEERING BOX ASSEMBLY (INCLUDES ITEMS 2 - 23)	1
2	70965G01		STEERING RACK COVER AND BEARING	1
3				
4	*		JAM NUT, 1/2" - 20	1
5	70750G01		RETAINING RING (EXTERNAL)	1
6	15112G1		BALL BEARING, O.D 1.65" X I.D .78"	1
7	70603G01		PINION	1
8	70751G01		RETAINING RING (INTERNAL)	1
9	70638G01		SEAL (PINION)	1
10	70604G01		STEERING RACK	1
11	*		SET SCREW, #10 - 32 X .25" LG	1
12	70590G01		RACK LOADER	1
13	70666G01		COMPRESSION SPRING	1
14	70645G01		GASKET (RACK LOADER COVER)	1
15	652259		COVER (RACK LOADER)	1
16	71102G01		HEX WASHER HEAD BOLT, 1/4" - 20 X 11/16" LG	2
17	10389G3		GREASE FITTING (STRAIGHT)	1
18	74694G01		ROD END (INNER)	1
19	70961G01		RACK BOOT	1
20	12416G2		NYLON CLAMP, 10" LG	1
21	11391G8		HOSE CLAMP, 1.81"	1
22				
23	70695G01		TIE ROD END (OUTER) (INCLUDES ITEMS 24 - 25)	1
24	50641G1		GROMMET	1
25	50209G2		HEX SLOTTED NUT, 7/16" - 20	1
26	10387G2		COTTER PIN, 3/32" X 1"	1

FRONT SUSPENSION AND STEERING

12 STEERING COLUMN KIT includes items 13 - 25

36 TIE ROD ASSEMBLY includes items 37 - 41

Front of Vehicle



FRONT SUSPENSION AND STEERING

THE USE OF NON U.L. PARTS WILL VOID ANY U.L. LISTING.

When ordering parts, please specify the model and serial number of the product.

* Indicates a component that is not available as an individual part.

*** Indicates consult Customer Service Department for additional information.

ITEM	PART NO.	1 2 3 4 5	DESCRIPTION	QTY.
1	00464G8		HEX HEAD BOLT, 7/16" - 14 X 2 3/4" LG	2
2	01068G01		HEX HEAD BOLT, 7/16" - 14 X 3.5" LG	1
3	70667G02		SPACER, O.D, 1" X I.D .46" X 1.2" LG	2
4	70667G04		SPACER, O.D 1" X I.D .46" X .69" LG	1
5	00463G11		HEX HEAD BOLT, 7/16" - 14 X 1 1/2" LG	2
6	00560G2		FLAT WASHER, 7/16"	7
7	00734G1		LOCK NUT, 7/16" - 14	3
8	00532G7		HEX NUT, 1/4" - 20	1
9	01006G01		HEX WASHER HEAD BOLT, 3/8" - 16 X 1 1/4" LG	4
10	00879G1		LOCK WASHER, 3/8"	4
11				
12	70758G05		STEERING COLUMN ASSEMBLY (INCLUDES ITEMS 13 - 25)	1
13	70610G03		STEERING COLUMN.....	1
14	28569G01		STEERING COLUMN BUSHING	1
15	01022G01		HEX WASHER HEAD BOLT, #6 - 20 X 5/16" LG	1
16	70607G01		STEERING SHAFT.....	1
17	15112G1		BALL BEARING, O.D 1.65" X I.D .78"	1
18	70887G01		WAVE WASHER.....	1
19				
20	70580G01		INTERMEDIATE SHAFT	1
21	01055G01		HEX HEAD BOLT, M8 X 1 1/4" LG	1
22	00565G8		LOCK WASHER, 5/16"	2
23				
24	70751G01		RETAINING RING (INTERNAL)	1
25	70888G01		RETAINING RING (EXTERNAL)	1
26				
27	602980		STEERING WHEEL (PREMIUM).....	1
28	602979		STEERING WHEEL	1
29	71147G01		STEERING WHEEL COVER	1
30	01055G01		HEX HEAD BOLT, M8 X 1 1/4" LG.....	1
31	00565G8		LOCK WASHER, 5/16"	1

FRONT SUSPENSION AND STEERING

THE USE OF NON U.L. PARTS WILL VOID ANY U.L. LISTING.

When ordering parts, please specify the model and serial number of the product.

* Indicates a component that is not available as an individual part.

*** Indicates consult Customer Service Department for additional information.

ITEM	PART NO.	1 2 3 4 5	DESCRIPTION	QTY.
32	14390G2		LOCK NUT, 5/8" - 18	1
33				
34				
35				
36	70876G02		TIE ROD ASSEMBLY, 26.44" LG (INCLUDES ITEMS 37 - 41).....	1
37	70897G02		THREADED ROD (24" LG).....	1
38	70902G01		TIE ROD END (LEFT HAND THREADS)	1
39	01069G01		JAM NUT, M12 X 1.25 - 05 (LEFT HAND THREADS).....	1
40	70902G02		TIE ROD END (RIGHT HAND THREADS).....	1
41	01069G02		JAM NUT, M12 X 1.25 - 05 (RIGHT HAND THREADS)	1
42	00734G1		LOCK NUT, 7/16" - 14	2
43				
44	652801		SCORECARD HOLDER.....	1

Notes:

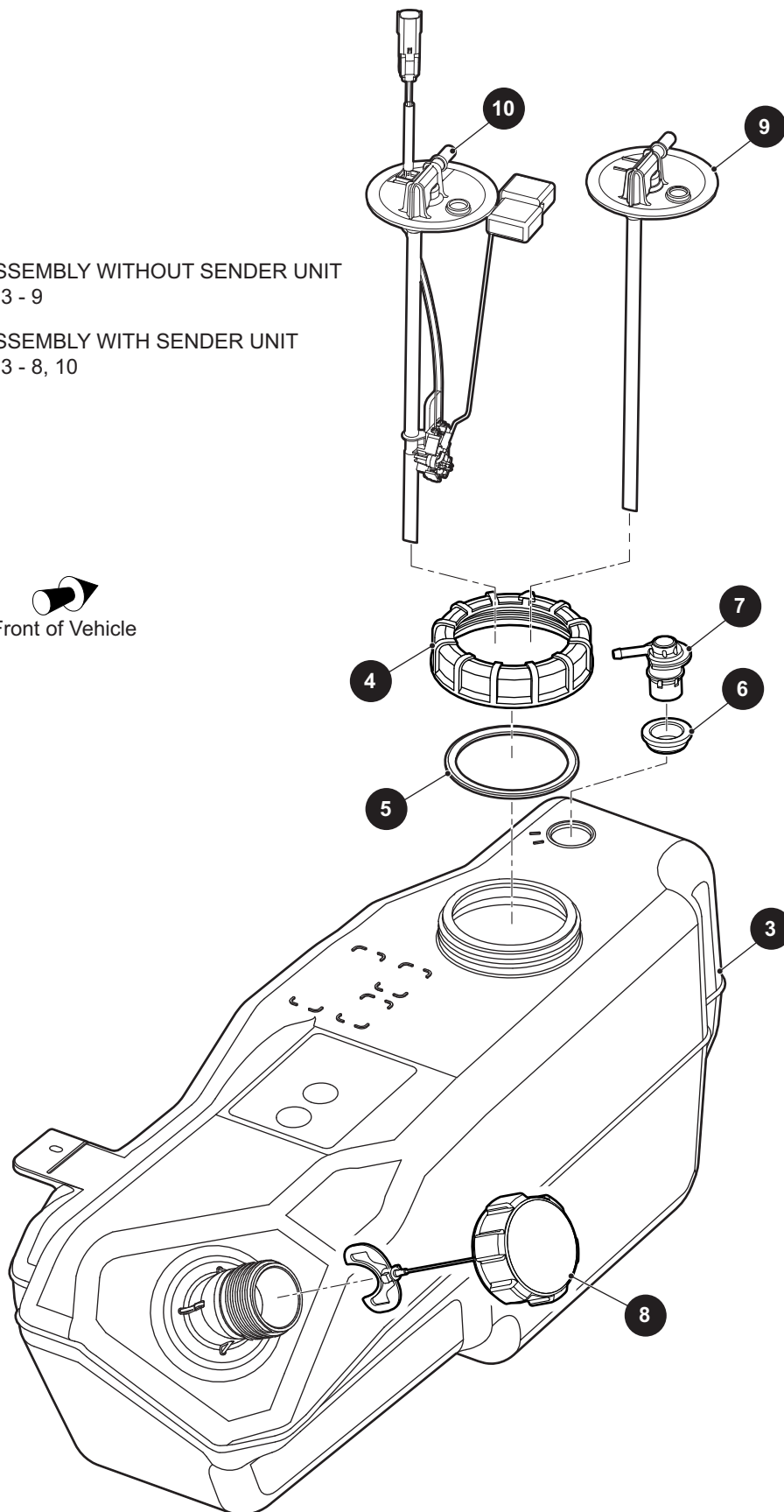


FUEL SYSTEM

1 FUEL TANK ASSEMBLY WITHOUT SENDER UNIT
includes items 3 - 9

2 FUEL TANK ASSEMBLY WITH SENDER UNIT
includes items 3 - 8, 10


Front of Vehicle



FUEL SYSTEM

THE USE OF NON U.L. PARTS WILL VOID ANY U.L. LISTING.

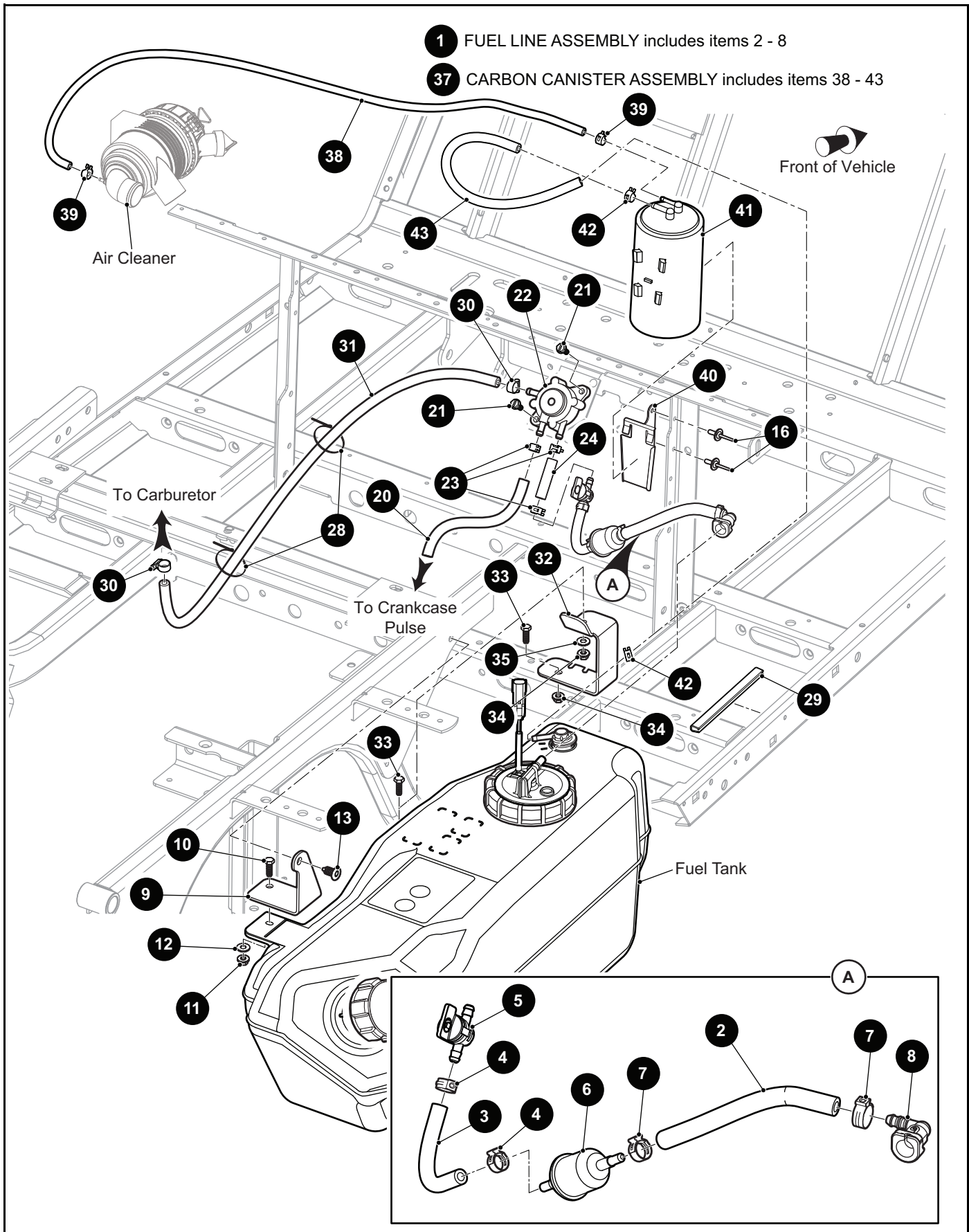
When ordering parts, please specify the model and serial number of the product.

* Indicates a component that is not available as an individual part.

*** Indicates consult Customer Service Department for additional information.

ITEM	PART NO.	1 2 3 4 5	DESCRIPTION	QTY.
1	651969		FUEL TANK ASSEMBLY WITHOUT SENDER UNIT (INCLUDES ITEMS 3 - 9)	1
2	651970		FUEL TANK ASSEMBLY WITH SENDER UNIT (INCLUDES ITEMS 3 - 8, 10)	1
3	650264		FUEL TANK	1
4	646837		CAP	1
5	646838		SEAL.....	1
6	647810		ROLLOVER VALVE GROMMET	1
7	647809		ROLLOVER VALVE	1
8	635688		FUEL CAP RATCHET.....	1
9	656135		FUEL PICKUP WITHOUT SENDER UNIT	1
10	659206		FUEL PICKUP WITH SENDER UNIT.....	1

FUEL SYSTEM



FUEL SYSTEM

THE USE OF NON U.L. PARTS WILL VOID ANY U.L. LISTING.

When ordering parts, please specify the model and serial number of the product.

* Indicates a component that is not available as an individual part.

*** Indicates consult Customer Service Department for additional information.

ITEM	PART NO.	1 2 3 4 5	DESCRIPTION	QTY.
1	649515		FUEL LINE ASSEMBLY (INCLUDES ITEMS 2 - 8)	1
2	649570		FUEL HOSE, .312" I.D. X .562" O.D. X 9" LG	1
3	615350		FUEL HOSE, 2" LG	1
4	649873		HOSE CLAMP, 1/2"	2
5	611181		SHUT OFF VALVE.....	1
6	72084G01		FUEL FILTER	1
7	649874		HOSE CLAMP, 9/16"	2
8	649577		FUEL LINE CONNECTOR	1
9	650268		UPPER BRACKET.....	1
10	302288		HEX HEAD BOLT, 1/4" - 20 X 1" LG	1
11	800706		CROWN LOCK NUT, 1/4" - 20.....	1
12	01110G01		FLAT WASHER, 1/4"	1
13	70200G01		TRUSS HEAD TORX SCREW, 3/8" - 16 X 3/4" LG	1
14				
15				
16	10570G11		DOMED RIVET, 3/16"	2
17				
18				
19				
20	607009		HOSE (PULSE LINE).....	1
21	00114G6		HEX WASHER HEAD SLOTTED TAPPING SCREW, 1/4" - 14 X 3/4" LG.....	2
22	602061		FUEL PUMP.....	1
23	18292G1		TUBING CLAMP, .5" O.D.....	3
24	615350		FUEL HOSE, 2".....	1
25				
26				
27				
28	17618G1		NYLON CLAMP, 7" LG.....	2
29	32372G6		VINYL TRIM, 6.25" LG	1
30	11391G4		HOSE CLAMP, .25"	2
31	604597		FUEL HOSE, 26" LG.....	1

FUEL SYSTEM

THE USE OF NON U.L. PARTS WILL VOID ANY U.L. LISTING.

When ordering parts, please specify the model and serial number of the product.

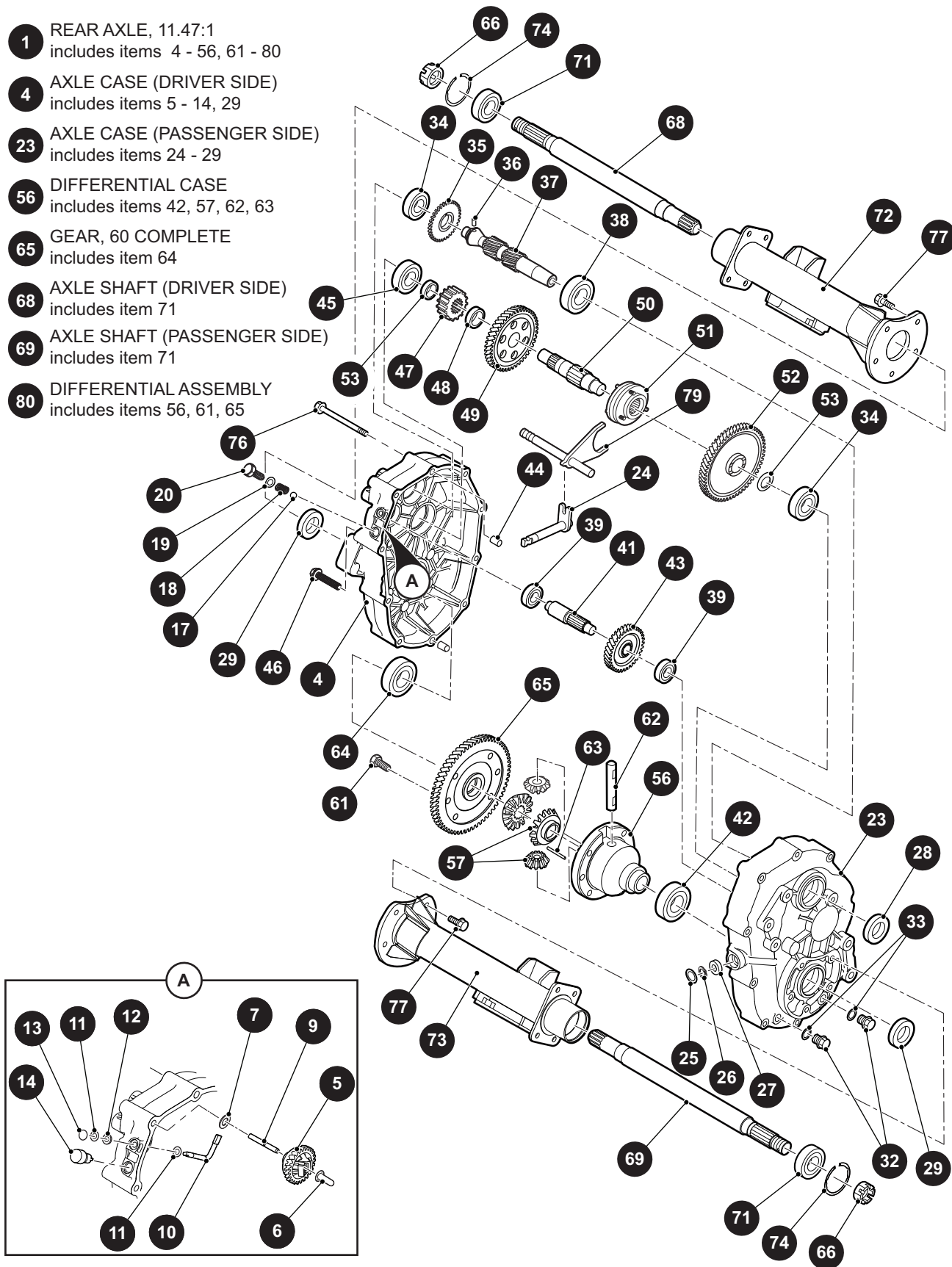
* Indicates a component that is not available as an individual part.

*** Indicates consult Customer Service Department for additional information.

ITEM	PART NO.	1	2	3	4	5	DESCRIPTION	QTY.
32	650275						LOWER BRACKET	1
33	302288						HEX HEAD BOLT, 1/4" - 20 X 1" LG.....	2
34	800706						CROWN LOCK NUT, 1/4" - 20	2
35	01110G01						FLAT WASHER, 1/4"	1
36								
37	654986						CARBON CANISTER ASSEMBLY (INCLUDES ITEMS 38 - 43)	1
38	606966						HOSE, 3/16" I.D. X 34" LG.....	1
39	606963						HOSE CLAMP, 3/16"	2
40	606310						CANISTER BRACKET	1
41	606071						CARBON CANISTER.....	1
42	18292G1						TUBING CLAMP, .5" O.D.....	2
43	27184G14						TUBE, .25" I.D. X .5" O.D. X 13" LG	1

REAR AXLE

- 1** REAR AXLE, 11.47:1
includes items 4 - 56, 61 - 80
- 4** AXLE CASE (DRIVER SIDE)
includes items 5 - 14, 29
- 23** AXLE CASE (PASSENGER SIDE)
includes items 24 - 29
- 56** DIFFERENTIAL CASE
includes items 42, 57, 62, 63
- 65** GEAR, 60 COMPLETE
includes item 64
- 68** AXLE SHAFT (DRIVER SIDE)
includes item 71
- 69** AXLE SHAFT (PASSENGER SIDE)
includes item 71
- 80** DIFFERENTIAL ASSEMBLY
includes items 56, 61, 65



THE USE OF NON U.L. PARTS WILL VOID ANY U.L. LISTING.
 When ordering parts, please specify the model and serial number of the product.
 * Indicates a component that is not available as an individual part.
 *** Indicates consult Customer Service Department for additional information.

ITEM	PART NO.	1 2 3 4 5	DESCRIPTION	QTY.
1	670468		REAR AXLE, 11.47:1 (INCLUDES ITEMS 4 - 56, 61 - 80)	1
2				
3				
4	639859		AXLE CASE (DRIVER SIDE) (INCLUDES ITEMS 5 - 14, 29)	1
5	665887		GOVERNOR GEAR	1
6	639689		GOVERNOR SLEEVE	1
7	607904		FLAT WASHER	1
8				
9	639698		GOVERNOR GEAR SHAFT	1
10	639707		GOVERNOR SHAFT	1
11	639736		FLAT WASHER, 6MM	2
12	607911		OIL SEAL, 6MM I.D. X 10MM O.D. X 2.5 MM	1
13	607913		RETAINING RING	1
14	607919		AIR BREATHER	1
15				
16				
17	26818G01		STEEL BALL	1
18	26819G01		SPRING	1
19	26831G01		GASKET, #10	1
20	26820G01		FLANGED HEX HEAD BOLT, M10 - 1.25 X 12MM LG	1
21				
22				
23	639865		AXLE CASE (PASSENGER SIDE) (INCLUDES ITEMS 24 - 29)	1
24	639746		SHAFT	1
25	607915		OIL SEAL, 13MM I.D. X 22MM O.D. X 5MM	1
26	607916		SNAP RING, 13MM	1
27	607917		SPACER	1
28	640093		OIL SEAL, 28MM I.D. X 47MM O.D. X 9MM	1
29	639738		OIL SEAL, 24MM I.D. X 40MM O.D. X 9MM	2
30				
31				

REAR AXLE

THE USE OF NON U.L. PARTS WILL VOID ANY U.L. LISTING.

When ordering parts, please specify the model and serial number of the product.

* Indicates a component that is not available as an individual part.

*** Indicates consult Customer Service Department for additional information.

ITEM	PART NO.	1	2	3	4	5	DESCRIPTION	QTY.
32	639747						OIL DRAIN PLUG	2
33	639748						GASKET, 14MM DIA	2
34	26785G01						BALL BEARING	2
35	665888						GOVERNOR GEAR, 34	1
36	607920						PIN	1
37	639750						INPUT SHAFT	1
38	607922						BALL BEARING	1
39	639868						BALL BEARING	2
40								
41	639755						COUNTER SHAFT	1
42	640744						BALL BEARING	1
43	639758						GEAR, 34	1
44	639869						KNOCK PIPE	2
45	639760						BALL BEARING	2
46	639768						FLANGED HEX HEAD BOLT, M8 - 1.25 X 40MM LG	1
47	639769						GEAR, 17	1
48	28689G01						COLLAR, 24 X 7.5MM	1
49	639771						GEAR, 52	1
50	670697						CENTER SHAFT	1
51	639774						CLUTCH PIN	1
52	670696						GEAR, 61	1
53	639797						SPACER, 20 X 2MM	2
54								
55								
56	639872						DIFFERENTIAL CASE (INCLUDES ITEMS 42, 57, 62, 63)	1
57	639800						DIFFERENTIAL PAIR GEAR	1
58								
59								
60								
61	26808G01						HEX HEAD BOLT, M10 - 1.25 X 26MM LG	6
62	28723G01						DIFFERENTIAL SHAFT	1

THE USE OF NON U.L. PARTS WILL VOID ANY U.L. LISTING.
 When ordering parts, please specify the model and serial number of the product.
 * Indicates a component that is not available as an individual part.
 *** Indicates consult Customer Service Department for additional information.

ITEM	PART NO.	1	2	3	4	5	DESCRIPTION	QTY.
63	28697G01						SPRING PIN	1
64	639801						BALL BEARING	1
65	640739						GEAR, 60 (INCLUDES ITEM 64)	1
66	607938						CASTLED NUT, M22 - 1.5	2
67								
68	639876						AXLE SHAFT (DRIVER SIDE) (INCLUDES ITEM 71)	1
69	639881						AXLE SHAFT (PASSENGER SIDE) (INCLUDES ITEM 71)	1
70								
71	639836						BALL BEARING	2
72	607939						AXLE CASE (PASSENGER SIDE)	1
73	607940						AXLE CASE RIGHT COMPLETE	1
74	26814G01						SNAP RING, 52MM	2
75								
76	639839						FLANGED HEX HEAD BOLT, M8 - 1.25 X 60MM LG	9
77	639840						FLANGED HEX HEAD BOLT, M10 - 1.25 X 25MM LG	10
78								
79	639844						SHIFT SHAFT	1
80	639847						DIFFERENTIAL ASSEMBLY (INCLUDES ITEMS 56, 61, 65)	1

REAR AXLE

1 REAR AXLE WITH LIMITED SLIP DIFFERENTIAL, 11.47:1
includes items 4 - 53, 59 - 79, 81

4 AXLE CASE (DRIVER SIDE)
includes items 5 - 14, 29

23 AXLE CASE (PASSENGER SIDE)
includes items 24 - 29

56 DIFFERENTIAL CASE
includes items 42, 57, 62, 63

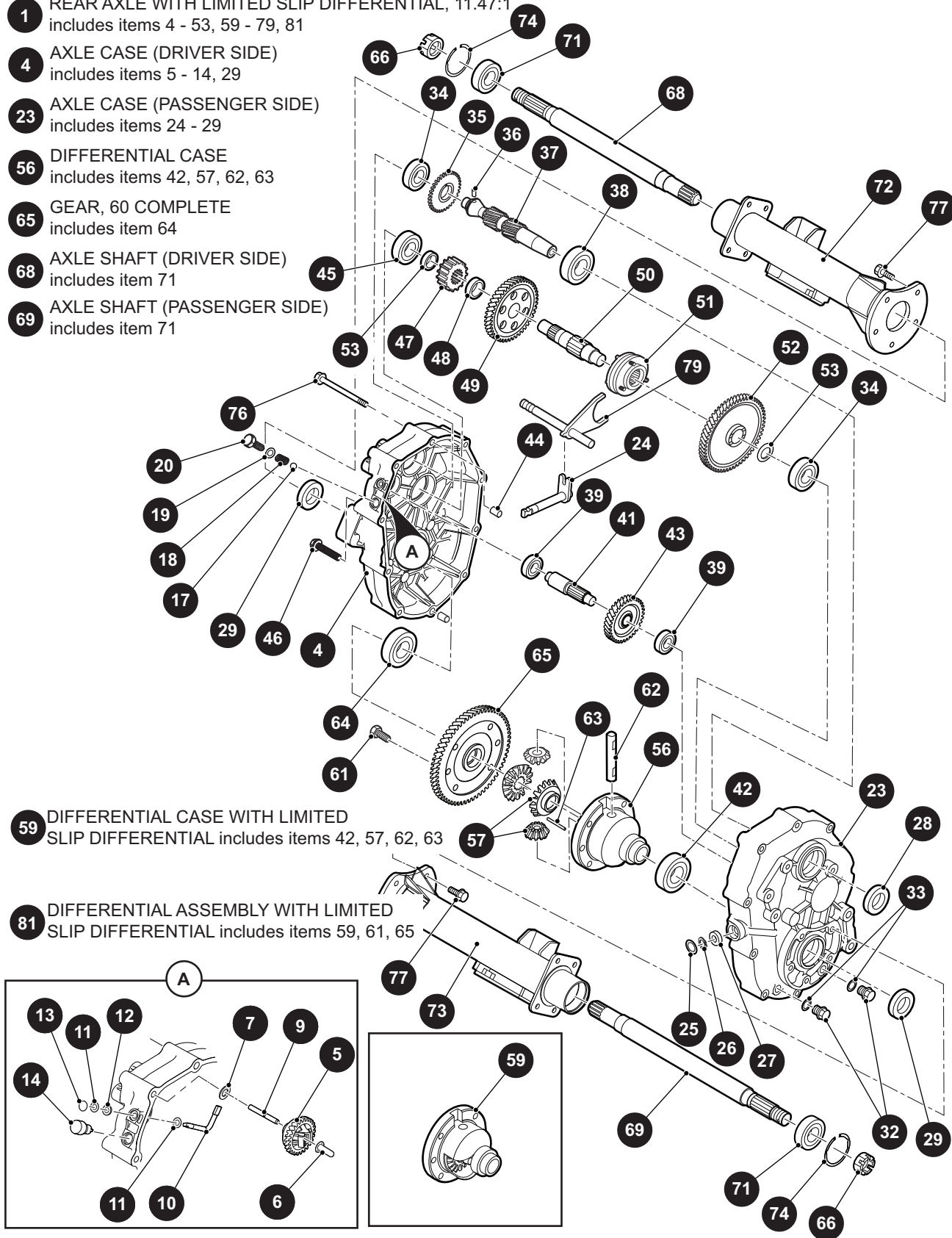
65 GEAR, 60 COMPLETE
includes item 64

68 AXLE SHAFT (DRIVER SIDE)
includes item 71

69 AXLE SHAFT (PASSENGER SIDE)
includes item 71

59 DIFFERENTIAL CASE WITH LIMITED
SLIP DIFFERENTIAL includes items 42, 57, 62, 63

81 DIFFERENTIAL ASSEMBLY WITH LIMITED
SLIP DIFFERENTIAL includes items 59, 61, 65



REAR AXLE

THE USE OF NON U.L. PARTS WILL VOID ANY U.L. LISTING.

When ordering parts, please specify the model and serial number of the product.

* Indicates a component that is not available as an individual part.

*** Indicates consult Customer Service Department for additional information.

ITEM	PART NO.	1 2 3 4 5	DESCRIPTION	QTY.
1	670470		REAR AXLE WITH LIMITED SLIP DIFFERENTIAL, 11.47:1 (INCLUDES ITEMS 4 - 53, 59 - 79, 81)	1
2				
3				
4	639859		AXLE CASE (DRIVER SIDE) (INCLUDES ITEMS 5 - 14, 29)	1
5	665887		GOVERNOR GEAR	1
6	639689		GOVERNOR SLEEVE	1
7	607904		FLAT WASHER	1
8				
9	639698		GOVERNOR GEAR SHAFT	1
10	639707		GOVERNOR SHAFT	1
11	639736		FLAT WASHER, 6MM	2
12	607911		OIL SEAL, 6MM I.D. X 10MM O.D. X 2.5 MM	1
13	607913		RETAINING RING	1
14	607919		AIR BREATHER	1
15				
16				
17	26818G01		STEEL BALL	1
18	26819G01		SPRING	1
19	26831G01		GASKET, #10	1
20	26820G01		FLANGED HEX HEAD BOLT, M10 - 1.25 X 12MM LG	1
21				
22				
23	639865		AXLE CASE (PASSENGER SIDE) (INCLUDES ITEMS 24 - 29)	1
24	639746		SHAFT	1
25	607915		OIL SEAL, 13MM I.D. X 22MM O.D. X 5MM	1
26	607916		SNAP RING, 13MM	1
27	607917		SPACER	1
28	640093		OIL SEAL, 28MM I.D. X 47MM O.D. X 9MM	1
29	639738		OIL SEAL, 24MM I.D. X 40MM O.D. X 9MM	2
30				

REAR AXLE

THE USE OF NON U.L. PARTS WILL VOID ANY U.L. LISTING.

When ordering parts, please specify the model and serial number of the product.

* Indicates a component that is not available as an individual part.

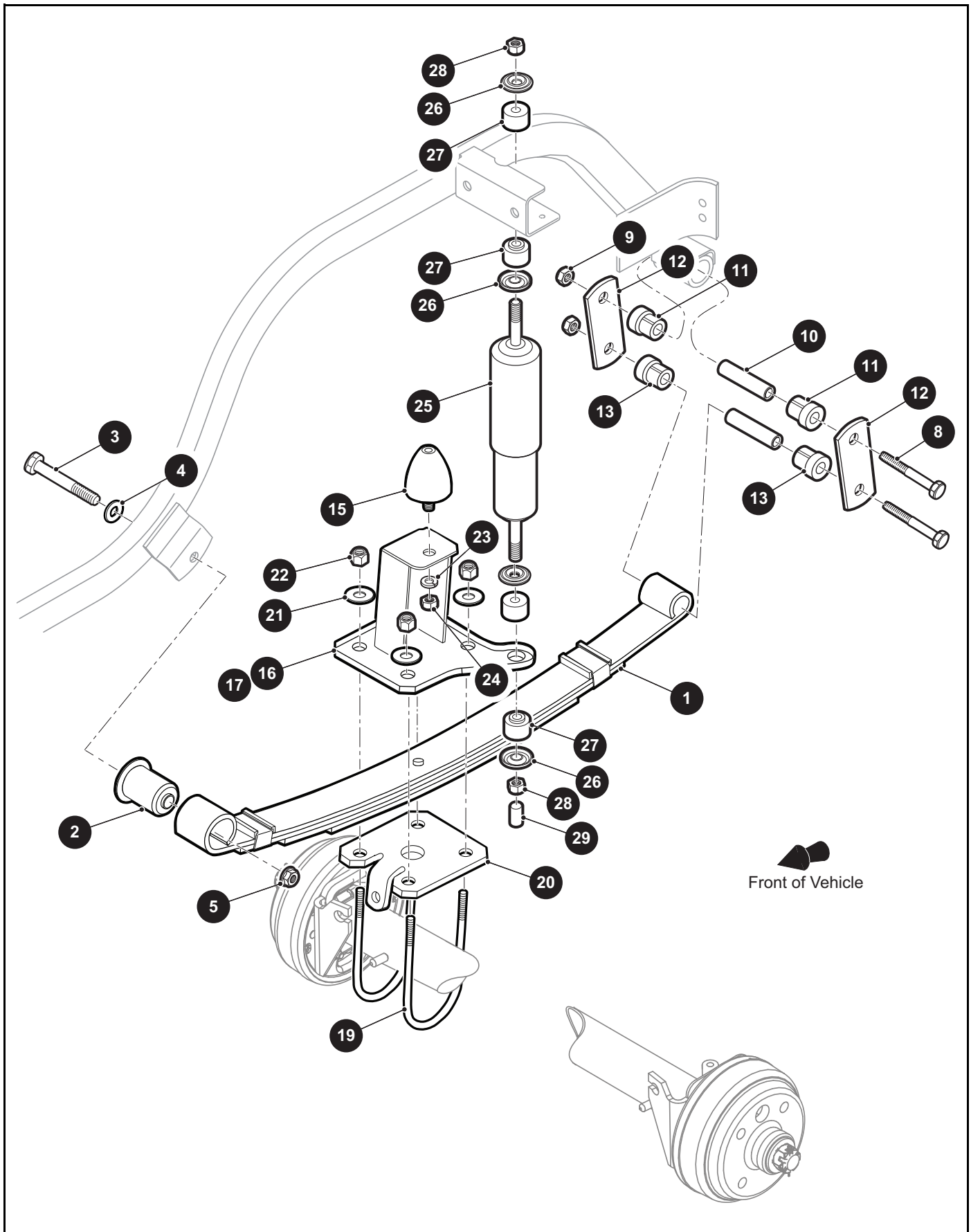
*** Indicates consult Customer Service Department for additional information.

ITEM	PART NO.	1	2	3	4	5	DESCRIPTION	QTY.
31								
32	639747						OIL DRAIN PLUG	2
33	639748						GASKET, 14MM DIA	2
34	26785G01						BALL BEARING	2
35	665888						GOVERNOR GEAR, 34	1
36	607920						PIN	1
37	639750						INPUT SHAFT	1
38	607922						BALL BEARING	1
39	639868						BALL BEARING	2
40								
41	639755						COUNTER SHAFT	1
42	640744						BALL BEARING	1
43	639758						GEAR, 34	1
44	639869						KNOCK PIPE	2
45	639760						BALL BEARING	2
46	639768						FLANGED HEX HEAD BOLT, M8 - 1.25 X 40MM LG	1
47	639769						GEAR, 17	1
48	28689G01						COLLAR, 24 X 7.5MM	1
49	639771						GEAR, 52	1
50	670697						CENTER SHAFT	1
51	639774						CLUTCH PIN	1
52	670696						GEAR, 61	1
53	639797						SPACER, 20 X 2MM	2
54								
55								
56	639872						DIFFERENTIAL CASE (INCLUDES ITEMS 42, 57, 62, 63)	1
57	639800						DIFFERENTIAL PAIR GEAR	1
58								
59	640098						DIFFERENTIAL CASE WITH LIMITED SLIP DIFFERENTIAL (INCLUDES ITEMS 42, 57, 62, 63) .	1
60								
61	26808G01						HEX HEAD BOLT, M10 - 1.25 X 26 MM LG	6

THE USE OF NON U.L. PARTS WILL VOID ANY U.L. LISTING.
 When ordering parts, please specify the model and serial number of the product.
 * Indicates a component that is not available as an individual part.
 *** Indicates consult Customer Service Department for additional information.

ITEM	PART NO.	1	2	3	4	5	DESCRIPTION	QTY.
62	28723G01						DIFFERENTIAL SHAFT	1
63	28697G01						SPRING PIN	1
64	639801						BALL BEARING	1
65	640739						GEAR, 60 (INCLUDES ITEM 64)	1
66	607938						CASTLED NUT, M22 - 1.5	2
67								
68	639876						AXLE SHAFT (DRIVER SIDE) (INCLUDES ITEM 71)	1
69	639881						AXLE SHAFT (PASSENGER SIDE) (INCLUDES ITEM 71)	1
70								
71	639836						BALL BEARING	2
72	607939						AXLE CASE (PASSENGER SIDE)	1
73	607940						AXLE CASE RIGHT COMPLETE	1
74	26814G01						SNAP RING, 52MM	2
75								
76	639839						FLANGED HEX HEAD BOLT, M8 - 1.25 X 60MM LG	9
77	639840						FLANGED HEX HEAD BOLT, M10 - 1.25 X 25MM LG	10
78								
79	639844						SHIFT SHAFT	1
80								
81	639847						DIFFERENTIAL ASSEMBLY WITH LIMITED SLIP DIFFERENTIAL (INCLUDES ITEMS 59, 61, 65)	1

REAR SUSPENSION



REAR SUSPENSION

THE USE OF NON U.L. PARTS WILL VOID ANY U.L. LISTING.

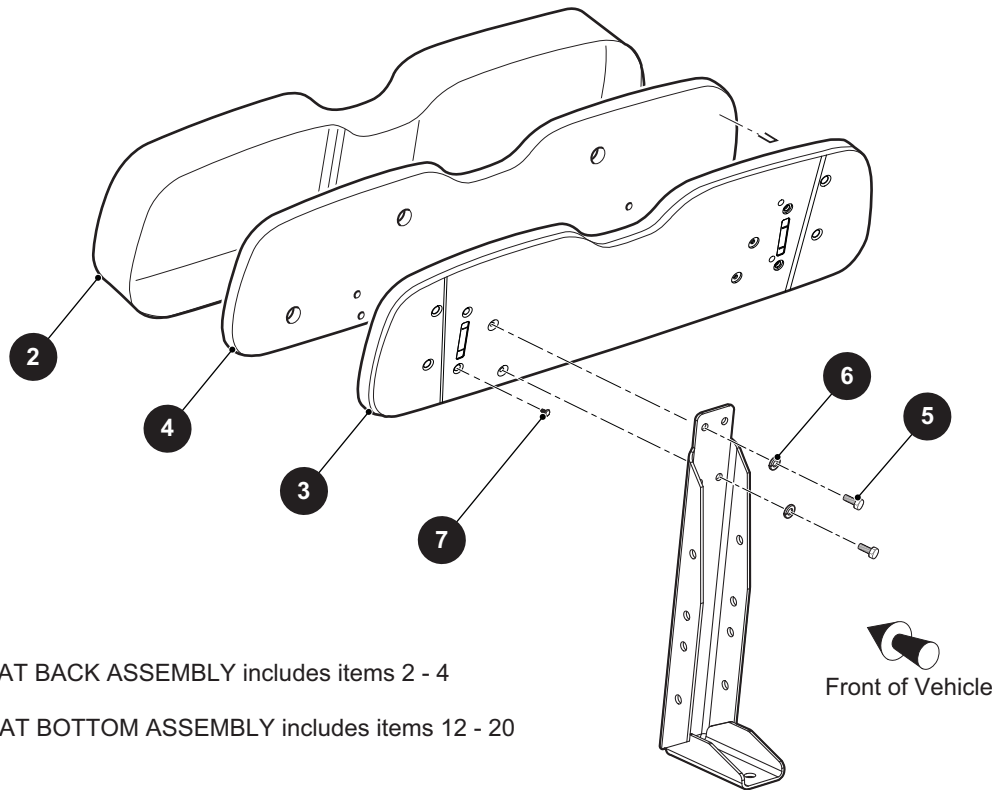
When ordering parts, please specify the model and serial number of the product.

* Indicates a component that is not available as an individual part.

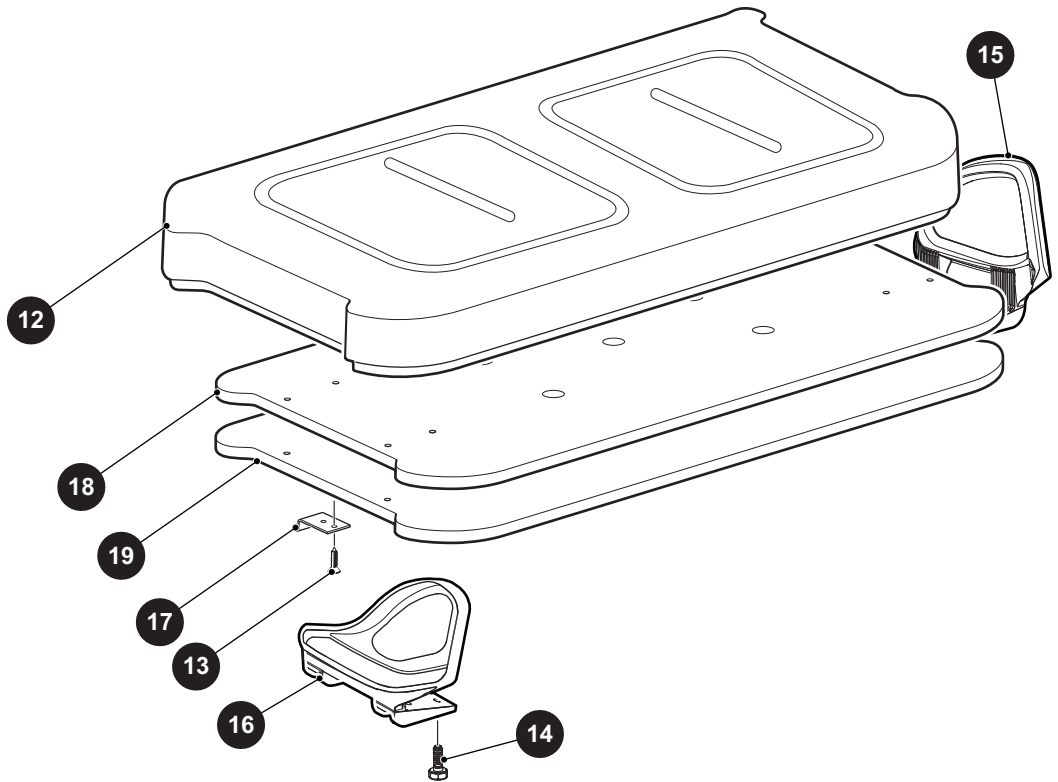
*** Indicates consult Customer Service Department for additional information.

ITEM	PART NO.	1 2 3 4 5	DESCRIPTION	QTY.
1	605722		LEAF SPRING	2
2	605445		LEAF SPRING BUSHING (FRONT)	2
3	00665G9		HEX HEAD BOLT (SS), 3/8" - 16 X 3.5" LG	2
4	00643G1		FLAT WASHER, 3/8"	2
5	12262G1		FLANGED LOCK NUT, 3/8" - 16	2
6				
7				
8	00665G9		HEX HEAD BOLT (SS), 3/8" - 16 X 3.5" LG	2
9	11098G5		LOCK NUT, 3/8" - 16	2
10	70289G02		SPLIT SPACER (STEEL), I.D .376" X O.D 1" X 1" LG	2
11	624030		FLANGED BUSHING	2
12	652252G03		SHACKLE PLATE	2
13	624030		FLANGED BUSHING	4
14				
15	70492G01		RUBBER BUMPER	1
16	652629G103		SPRING PLATE (DRIVER SIDE)	1
17	652629G203		SPRING PLATE (PASSENGER SIDE)	1
18				
19	32195G3		U-BOLT, 3/8" - 16 X 5" LG	2
20	652580		REAR SUSPENSION PLATE	1
21	00643G1		FLAT WASHER, 3/8"	4
22	11098G5		LOCK NUT, 3/8" - 16	4
23	608654		SPLIT LOCK WASHER, M10	1
24	00974G01		HEX NUT, M10	1
25	642085		SHOCK ABSORBER	2
26	10435G1		SHOCK ABSORBER WASHER, 1.25" O.D X .406" I.D	8
27	10194G1		RUBBER BUSHING	8
28	00532G6		HEX NUT, 3/8" - 24	4
29	10044G01		VINYL CAP	2

SEATING



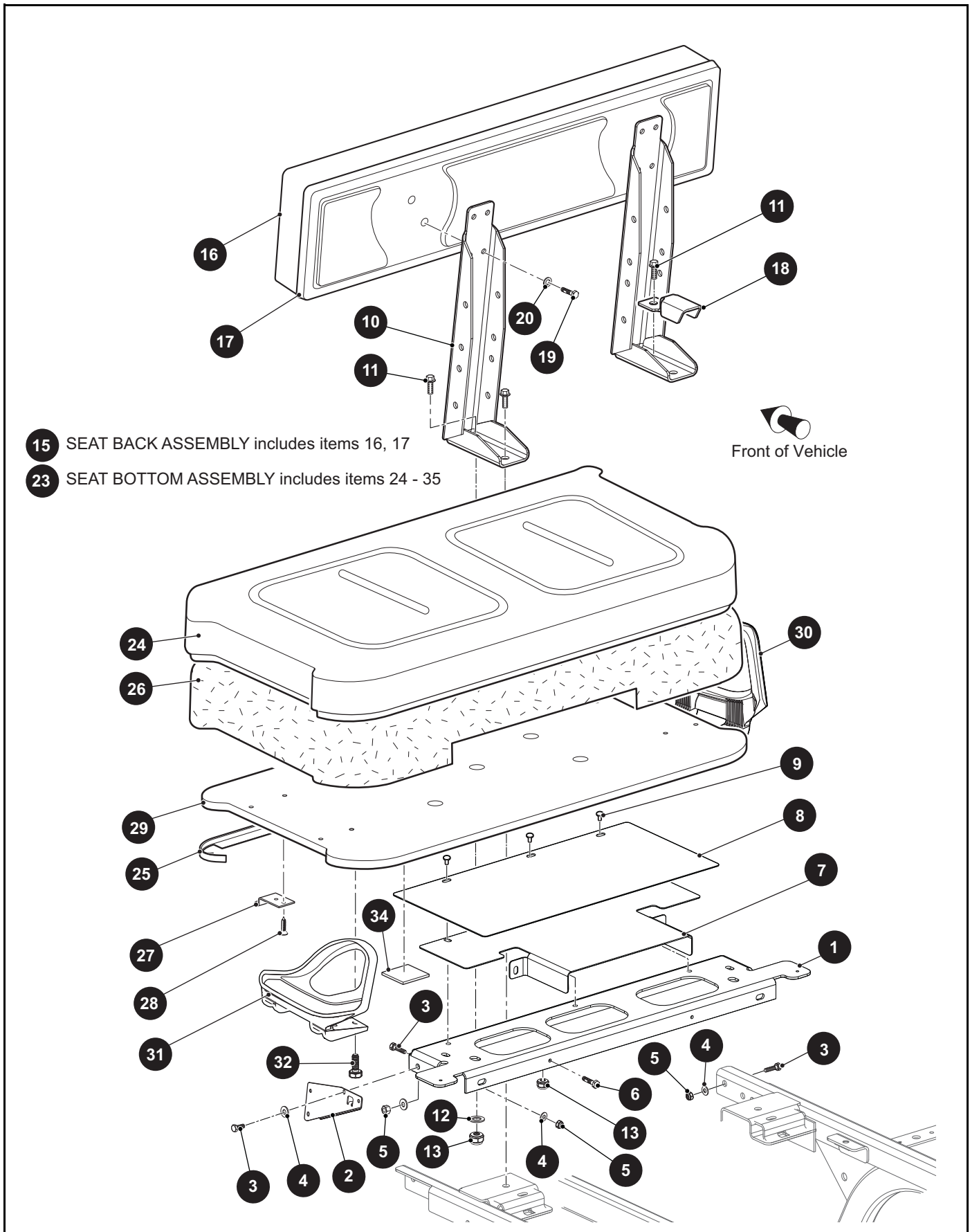
- 1** SEAT BACK ASSEMBLY includes items 2 - 4
- 11** SEAT BOTTOM ASSEMBLY includes items 12 - 20



THE USE OF NON U.L. PARTS WILL VOID ANY U.L. LISTING.
 When ordering parts, please specify the model and serial number of the product.
 * Indicates a component that is not available as an individual part.
 *** Indicates consult Customer Service Department for additional information.

ITEM	PART NO.	1	2	3	4	5	DESCRIPTION	QTY.
1	641897G00**	SEAT BACK ASSEMBLY (INCLUDES ITEMS 2 - 4).....					1	
		641897G0001	OYSTER					
		641897G0002	STONE BEIGE					
		641897G0006	BLACK					
		641897G0004	GRAY					
2	644820G**	VINYL SEAT BACK COVER.....					1	
		644820G01	OYSTER					
		644820G02	STONE BEIGE					
		644820G06	BLACK					
		644820G04	GRAY					
3	605529	SEAT BACK COVER.....					1	
4	644268	SEAT BACK HIP BASE.....					1	
5	605056	HEX HEAD BOLT (SS), 1/4" - 20 X 1" LG.....					4	
6	00664G7	LOCK WASHER, 1/4".....					4	
7	617533	PUSH RIVET.....					4	
8								
9								
10								
11	629269G15**	SEAT BOTTOM ASSEMBLY (INCLUDES ITEMS 12 - 20).....					1	
		629269G1501	OYSTER					
		629269G1502	STONE BEIGE					
		629269G1506	BLACK					
		629269G1504	GRAY					
12	644819G0*	VINYL SEAT BOTTOM COVER.....					1	
		644819G01	OYSTER					
		644819G02	STONE BEIGE					
		644819G06	BLACK					
		644819G04	GRAY					
13	00720G08	FLAT HEAD PHILLIPS TAPPING SCREW, #12 - 14 X 1" LG.....					6	
14	615417	BUTTON HEAD TORX BOLT, M10 - 1.5 X 25MM LG.....					8	
15	617644	HIP RESTRAINT (PASSENGER SIDE).....					1	
16	617645	HIP RESTRAINT (DRIVER SIDE).....					1	
17	71610G01	SEAT HINGE.....					2	
18	644351	SEAT BOTTOM WOOD ASSEMBLY.....					1	
19	602551	SEAT BOTTOM COVER.....					1	
20	16816G2	RATCHET RIVET, .25 X .887.....					4	

SEATING



THE USE OF NON U.L. PARTS WILL VOID ANY U.L. LISTING.

When ordering parts, please specify the model and serial number of the product.

* Indicates a component that is not available as an individual part.

*** Indicates consult Customer Service Department for additional information.

ITEM	PART NO.	1 2 3 4 5	DESCRIPTION	QTY.
1	609567		SEAT BACK SUPPORT	1
2	634703		AIR CLEANER BRACKET	1
3	00438G8		HEX HEAD BOLT, 5/16" - 18 X 1" LG	5
4	00571G2		LOCK WASHER, 5/16"	6
5	11098G6		LOCK NUT, 5/16" - 18.....	5
6	00114G6		HEX HEAD WASHER BOLT, 1/4" - 10 X 3/4" LG	2
7	609575		ACCESS COVER.....	1
8	657165		FRAME CLOSEOUT COVER	1
9	18436G1		RIVET, 1/4" X .75" LG	3
10	652243G03		SEAT BACK SUPPORT BRACKET	2
11	00427G2		HEX HEAD BOLT, 3/8" - 16 X 1 1/4" LG	4
12	00560G1		FLAT WASHER, 3/8"	4
13	11098G5		LOCK NUT, 3/8" - 16.....	4
14				
15	71274G**		SEAT BACK ASSEMBLY (INCLUDES ITEMS 16, 17)..... 71274G01 WHITE 71274G02 BLACK 71274G03 TAN 71274G04 GRAY 71274G05 OYSTER 71274G07 BROWN	1
16	18144G**		VINYL SEAT BACK COVER..... 18144G2 WHITE 18144G3 BLACK 18144G4 TAN 18144G5 GRAY 18144G6 OYSTER 18144G8 BROWN	1
17	74889G01		PLASTIC SEAT BACK COVER (BLACK)	1
18	652444G03		BED BUMPER BRACKET	2
19	605056		HEX HEAD BOLT, 1/4" - 20 X 1" LG	4
20	00664G7		LOCK WASHER, 1/4"	4
21				
22				

SEATING

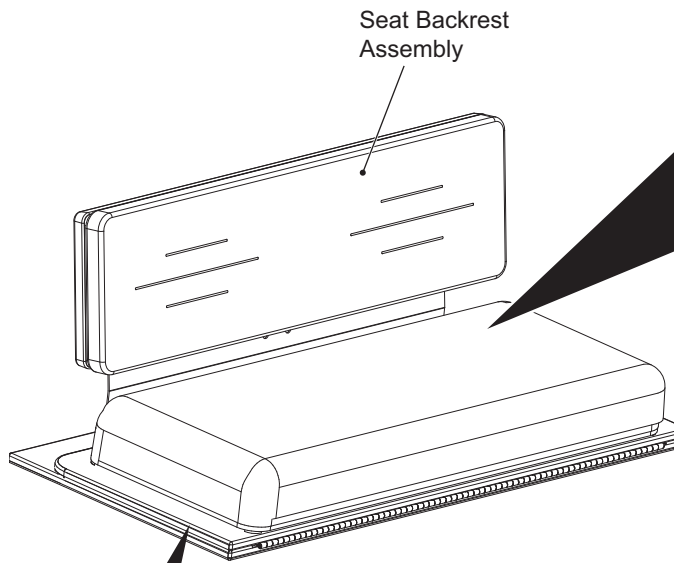
THE USE OF NON U.L. PARTS WILL VOID ANY U.L. LISTING.

When ordering parts, please specify the model and serial number of the product.

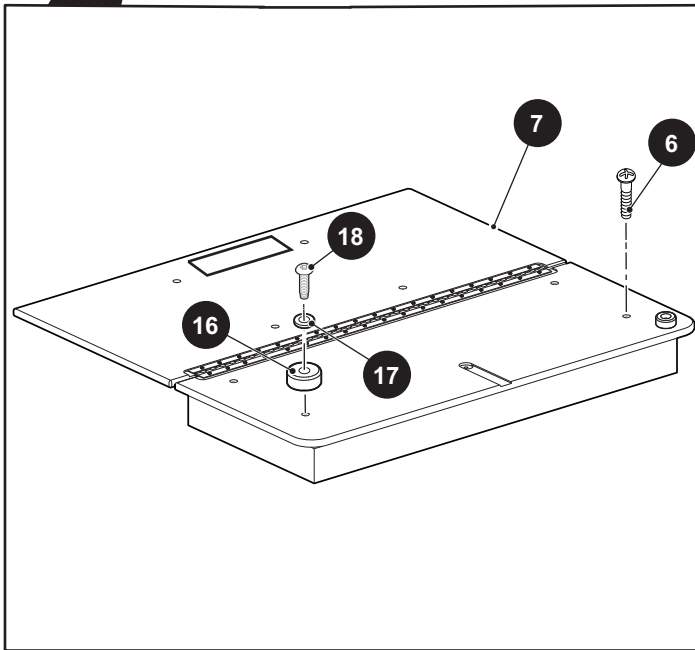
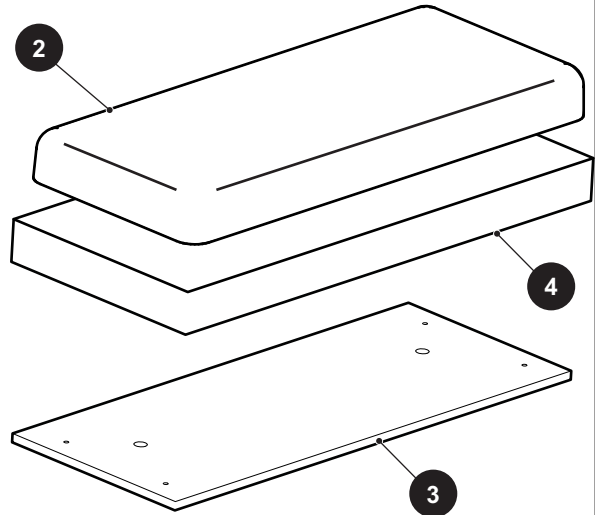
* Indicates a component that is not available as an individual part.

*** Indicates consult Customer Service Department for additional information.

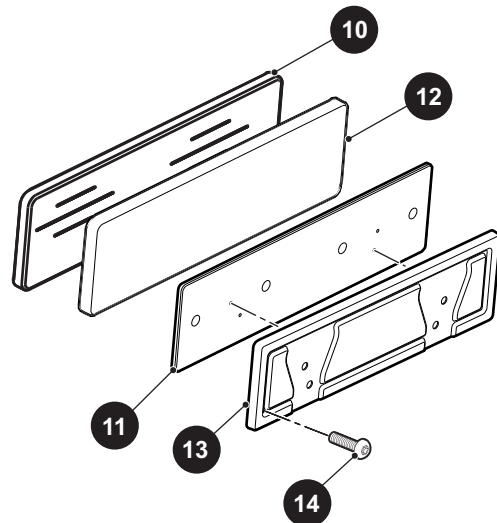
ITEM	PART NO.	1	2	3	4	5	DESCRIPTION	QTY.
23	629269G01**						SEAT BOTTOM ASSEMBLY (INCLUDES ITEMS 24 - 35).....	1
							629269G0101 OYSTER	
							629269G0103 TAN	
							629269G0104 GRAY	
							629269G0105 WHITE	
							629269G0106 BLACK	
							629269G0107 BROWN	
24	71602G**						VINYL SEAT BOTTOM COVER.....	1
							71602G01 WHITE	
							71602G02 GRAY	
							71602G03 OYSTER	
							71602G04 TAN	
							71602G06 BLACK	
							71602G07 BROWN	
25	71012G01						VINYL TRIM (SEAT BOTTOM)	1
26	71603G02						FOAM PADDING (SEAT BOTTOM).....	1
27	71610G01						SEAT HINGE.....	2
28	00720G08						FLAT HEAD PHILLIPS TAPPING SCREW, #12 - 14 X 1" LG.....	6
29	645492						SEAT BOTTOM.....	1
30	617644						HIP RESTRAINT (PASSENGER SIDE)	1
31	617645						HIP RESTRAINT (DRIVER SIDE)	1
32	615417						BUTTON HEAD TORX BOLT, M10 - 1.5 X 25MM LG	8
33	23222G1						FLAT STAPLE (NOT ILLUSTRATED)	AR
34	17074G1						RUBBER PAD	2
35	23223G1						FLAT STAPLE (NOT ILLUSTRATED)	AR



1 SEAT BOTTOM ASSEMBLY
includes items 2 - 4

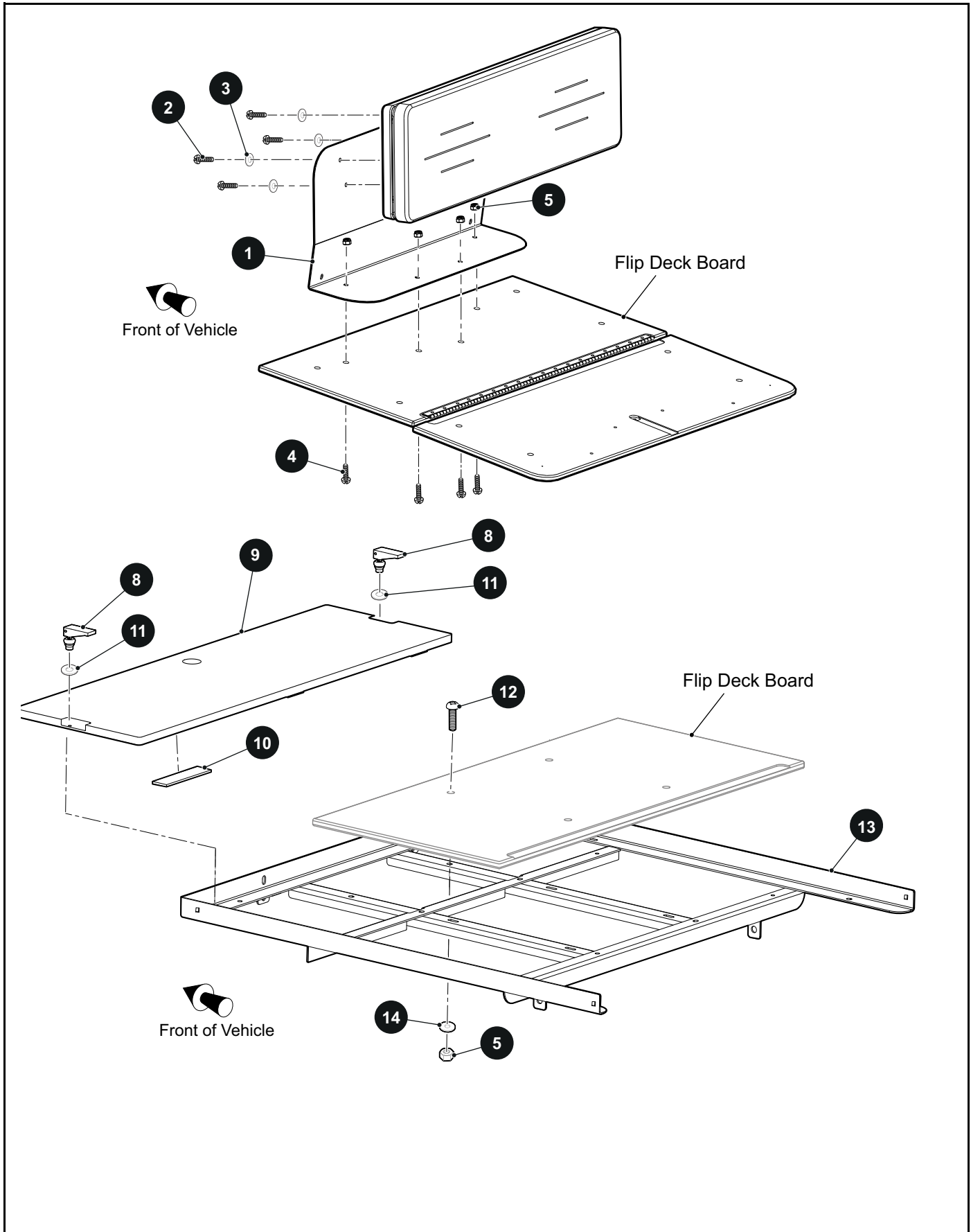


9 BACKREST ASSEMBLY (BLACK)
includes items 10 - 14



THE USE OF NON U.L. PARTS WILL VOID ANY U.L. LISTING.
 When ordering parts, please specify the model and serial number of the product.
 * Indicates a component that is not available as an individual part.
 *** Indicates consult Customer Service Department for additional information.

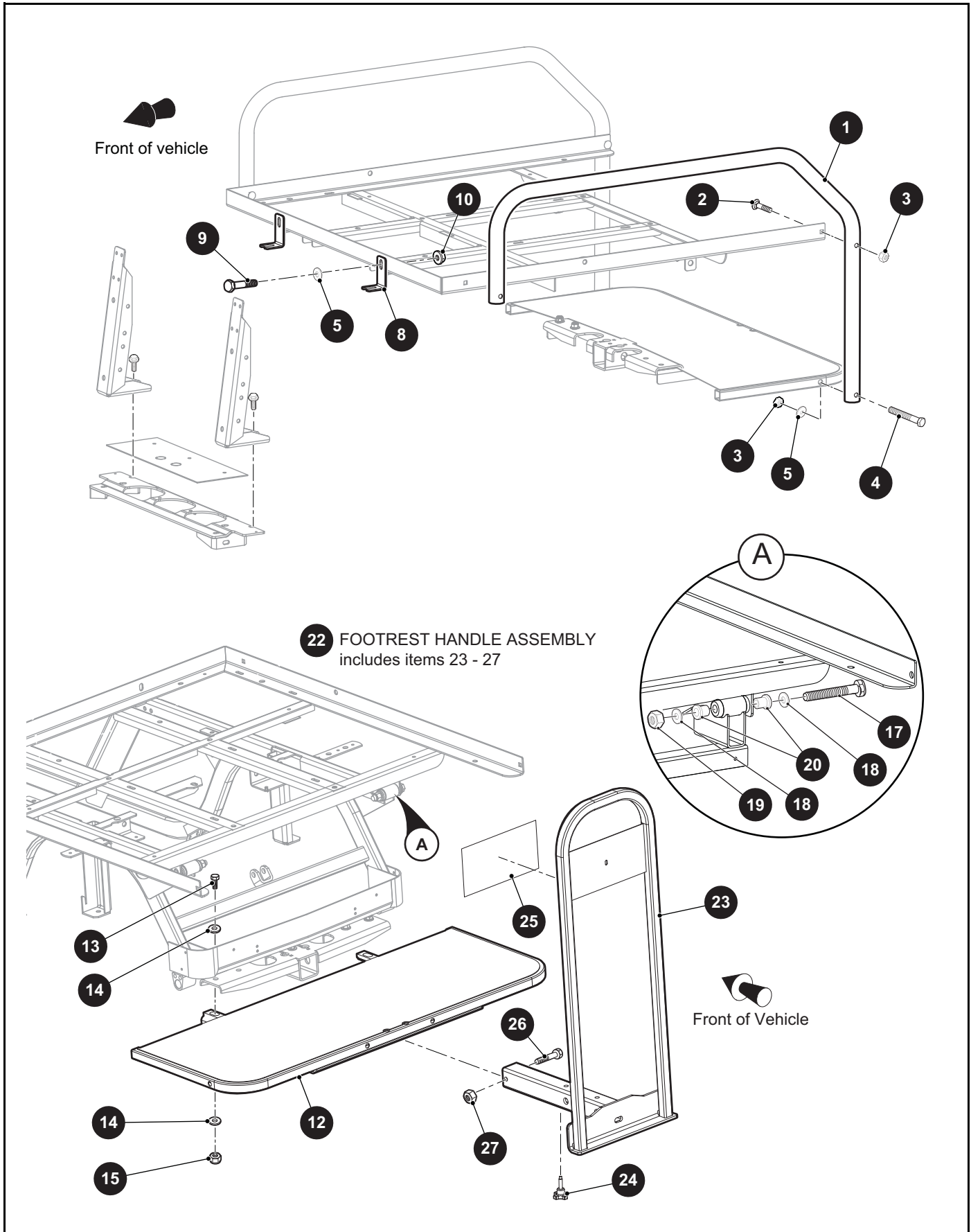
ITEM	PART NO.	1 2 3 4 5	DESCRIPTION	QTY.
1	XXXXXX		SEAT BOTTOM ASSEMBLY (INCLUDES ITEMS 2 - 4) 617895 GRAY 617897 BROWN 621026 OYSTER 621027 TAN 621036 BLACK	1
2	XXXXXX		SEAT BOTTOM VINYL 617892 GRAY 617893 BROWN 615646 OYSTER 615647 TAN 615648 BLACK	
3	645820		SEAT BOTTOM	1
4	617401		SEAT BOTTOM FOAM.....	1
5				
6	16705G1		TRUSS HEAD PHILLIPS SCREW (SS), 1/4" - 20 X 1" LG.....	4
7	627157		DECK BOARD ASSEMBLY	1
8				
9	71274G0*		BACK REST ASSEMBLY (INCLUDES ITEMS 10 - 14) 71274G04 GRAY 71274G07 BROWN 71274G05 OYSTER 71274G03 TAN 71274G02 BLACK	1
10	18144G*		SEAT BACK COVER 18144G2 BLACK 18144G3 TAN 18144G4 GRAY 18144G6 OYSTER 18144G8 BROWN	
11	644269		SEAT BACK BASE	1
12	25433G4		SEAT BACK FOAM	1
13	74489G01		SEAT BACK COVER	1
14	01107G01		PAN HEAD TORX SCREW (SS), #8 X 5/8" LG.....	4
15				
16	619756		RUBBER BUMPER.....	2
17	616671		FLAT WASHER, 8MM	2
18	800344		TRUSS HEAD PHILLIPS TAPPING SCREW, #10 - 16 X 5/8" LG.....	2



THE USE OF NON U.L. PARTS WILL VOID ANY U.L. LISTING.
 When ordering parts, please specify the model and serial number of the product.
 * Indicates a component that is not available as an individual part.
 *** Indicates consult Customer Service Department for additional information.

ITEM	PART NO.	1 2 3 4 5	DESCRIPTION	QTY.
1	627804		SEAT BACK WELDMENT.....	1
2	16705G9		TRUSS HEAD PHILLIPS SCREW (SS), 1/4" - 20 X 1.25" LG.....	4
3	00664G7		LOCK WASHER, 1/4"	4
4	16705G1		TRUSS HEAD PHILLIPS SCREW (SS), 1/4" - 20 X 1" LG.....	4
5	14390G4		LOCK NUT, 1/4" - 20	8
6				
7				
8	638060		SWELL LATCH.....	2
9	637994		SWING DECK BOARD FILLER.....	1
10	640577		RUBBER PAD	6
11	00793G2		FLAT WASHER (SS), 1/4".....	2
12	16705G9		TRUSS HEAD PHILLIPS SCREW (SS), 1/4" - 20 X 1.25" LG.....	8
13	640259		SEAT FRAME	1
14	01110G01		FLAT WASHER, 1/4"	4

SEATING



THE USE OF NON U.L. PARTS WILL VOID ANY U.L. LISTING.

When ordering parts, please specify the model and serial number of the product.

* Indicates a component that is not available as an individual part.

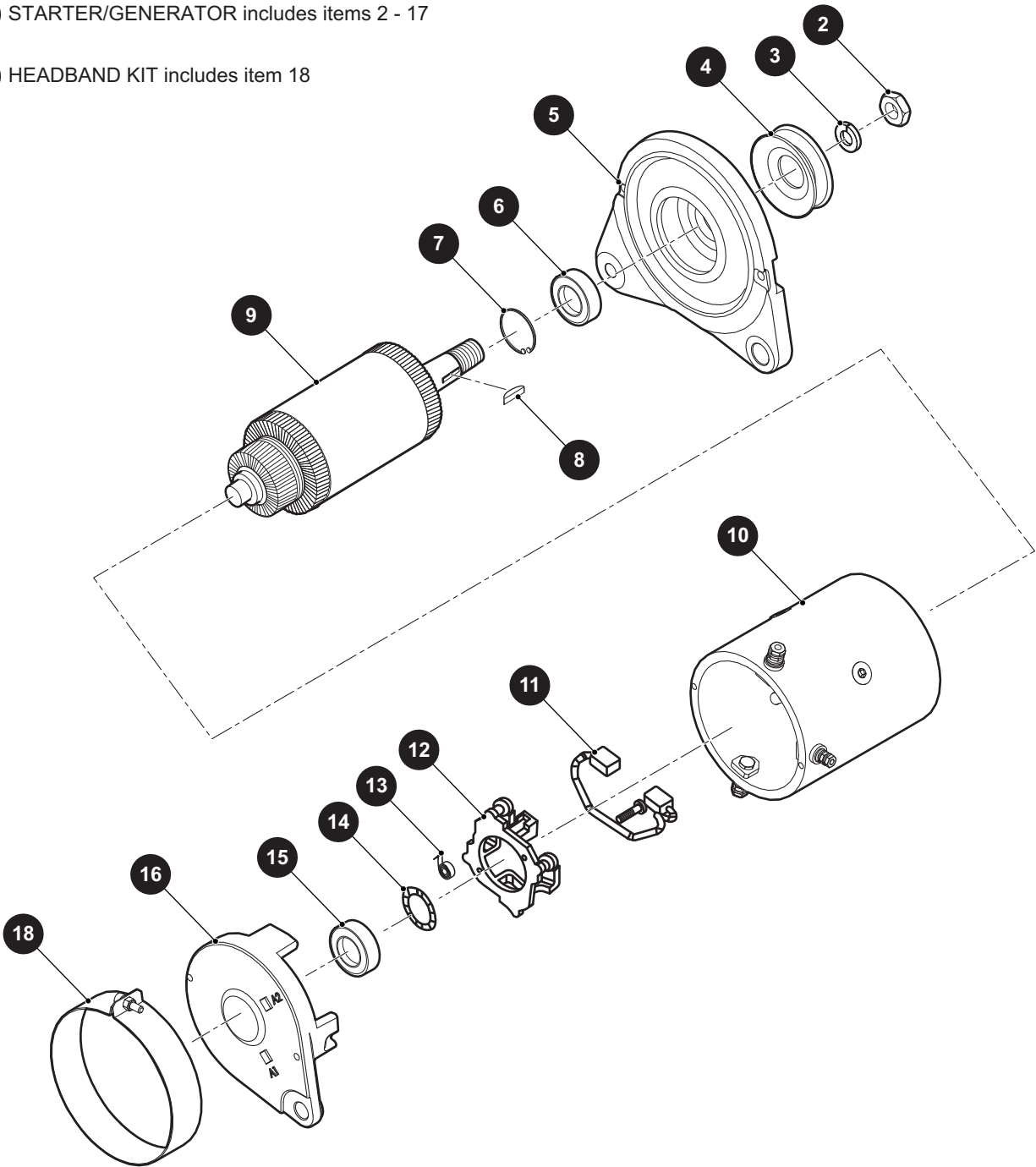
*** Indicates consult Customer Service Department for additional information.

ITEM	PART NO.	1 2 3 4 5	DESCRIPTION	QTY.
1	627783		FLIP SEAT ARMREST	2
2	630673		CARRIAGE BOLT, 3/8" - 16 X 2.25" LG.....	4
3	630643		LOCK NUT, 3/8" - 16.....	6
4	630674		HEX HEAD BOLT, 3/8" - 16 X 3.25" LG	2
5	00560G1		FLAT WASHER, 3/8".....	4
6				
7				
8	627797		SEAT FRAME BRACKET.....	2
9	00426G8		HEX HEAD BOLT, 3/8" - 16 X 3/4" LG	2
10	11027G5		FLANGED LOCK NUT, 3/8" - 16.....	4
11				
12	628552		FOOTREST WELDMENT	1
13	00463G4		FLANGED HEX HEAD BOLT, 7/16" - 14 X 1 1/2" LG	2
14	00560G2		FLAT WASHER, 7/16".....	4
15	00734G1		LOCK NUT, 7/16" - 14.....	2
16				
17	311398		HEX HEAD BOLT, 1/2" - 13 X 3 1/2" LG	2
18	00560G3		FLAT WASHER, 3/8".....	4
19	14390G6		LOCK NUT, 1/2" - 13.....	2
20	624030		FLANGE BUSHING	4
21				
22	643451		FOOT REST HANDLE ASSEMBLY (INCLUDES ITEMS 23 - 27)	1
23	646777		FOOT REST HANDLE WELDMENT	1
24	643468		KNOB, 1/2" - 13.....	1
25	651665		REAR FACING SEAT AND DECK WARNING LABEL	1
26	00428G4		HEX HEAD BOLT, 3/8 - 16 X 2 1/4" LG.....	1
27	11098G5		LOCK NUT, 3/8" - 16	1

STARTER AND GENERATOR

1 STARTER/GENERATOR includes items 2 - 17

17 HEADBAND KIT includes item 18



STARTER AND GENERATOR

THE USE OF NON U.L. PARTS WILL VOID ANY U.L. LISTING.

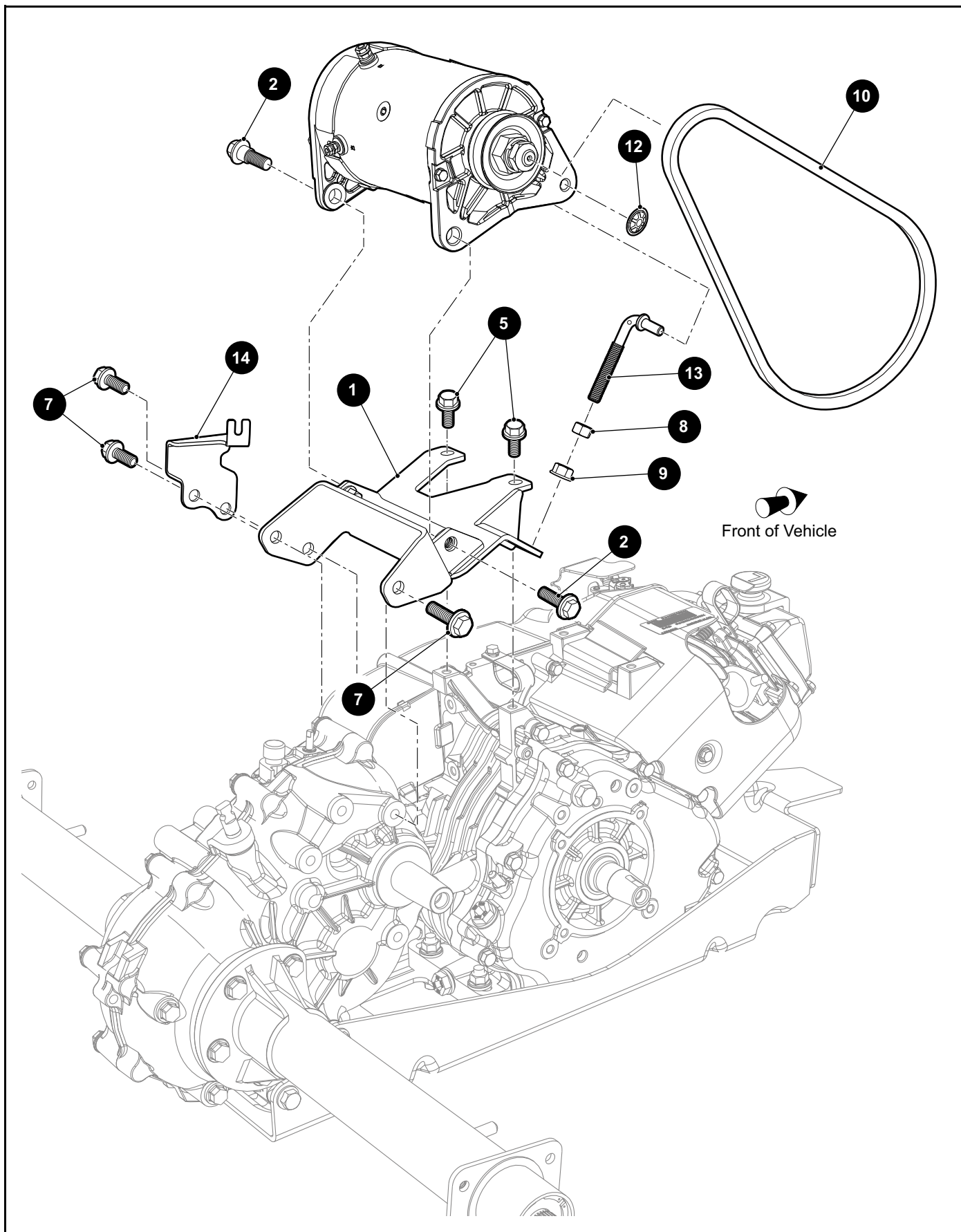
When ordering parts, please specify the model and serial number of the product.

* Indicates a component that is not available as an individual part.

*** Indicates consult Customer Service Department for additional information.

ITEM	PART NO.	1 2 3 4 5	DESCRIPTION	QTY.
1	660379		STARTER/GENERATOR (INCLUDES ITEMS 2 - 17)	1
2	612029		HEX NUT	1
3	612030		LOCK WASHER	1
4	625716		PULLEY, 2.5" O.D.	1
5	654715		DRIVE END HEAD COVER	1
6	612033		BEARING	1
7	612034		RETAINING RING	1
8	612035		WOODRUFF KEY	1
9	612036		ARMATURE ASSEMBLY	1
10	654716		FRAME AND FIELD ASSEMBLY	1
11	612038		BRUSH LEAD AND TERMINAL PACKAGE	1
12	654717		BRUSH BOX ASSEMBLY	1
13	656659		BRUSH SPRING	4
14	612043		WAVY WASHER	1
15	612044		BEARING	1
16	612045		COMMUTATOR END HEAD	1
17	658172		HEADBAND KIT (INCLUDES ITEM 18)	1
18	654718		HEADBAND	1

STARTER AND GENERATOR



STARTER AND GENERATOR

THE USE OF NON U.L. PARTS WILL VOID ANY U.L. LISTING.

When ordering parts, please specify the model and serial number of the product.

* Indicates a component that is not available as an individual part.

*** Indicates consult Customer Service Department for additional information.

ITEM	PART NO.	1 2 3 4 5	DESCRIPTION	QTY.
1	631972		STARTER/GENERATOR SUPPORT BRACKET	1
2	606235		FLANGED HEX HEAD BOLT, M10 - 1.25 X 20MM LG.....	2
3				
4				
5	606261		FLANGED HEX HEAD BOLT, M8 - 1.25 X 20MM LG.....	2
6				
7	606256		FLANGED HEX HEAD BOLT, M10 - 1.25 X 25MM LG.....	3
8	606255		HEX JAM NUT, M10 - 1.25	1
9	606274		FLANGED HEX NUT, M10 - 1.25.....	1
10	630587		STARTER/GENERATOR BELT.....	1
11				
12	12064G6		PUSH NUT, 5/16"	1
13	629763		TENSIONER BOLT	1
14	603884		CABLE GUIDE BRACKET	1

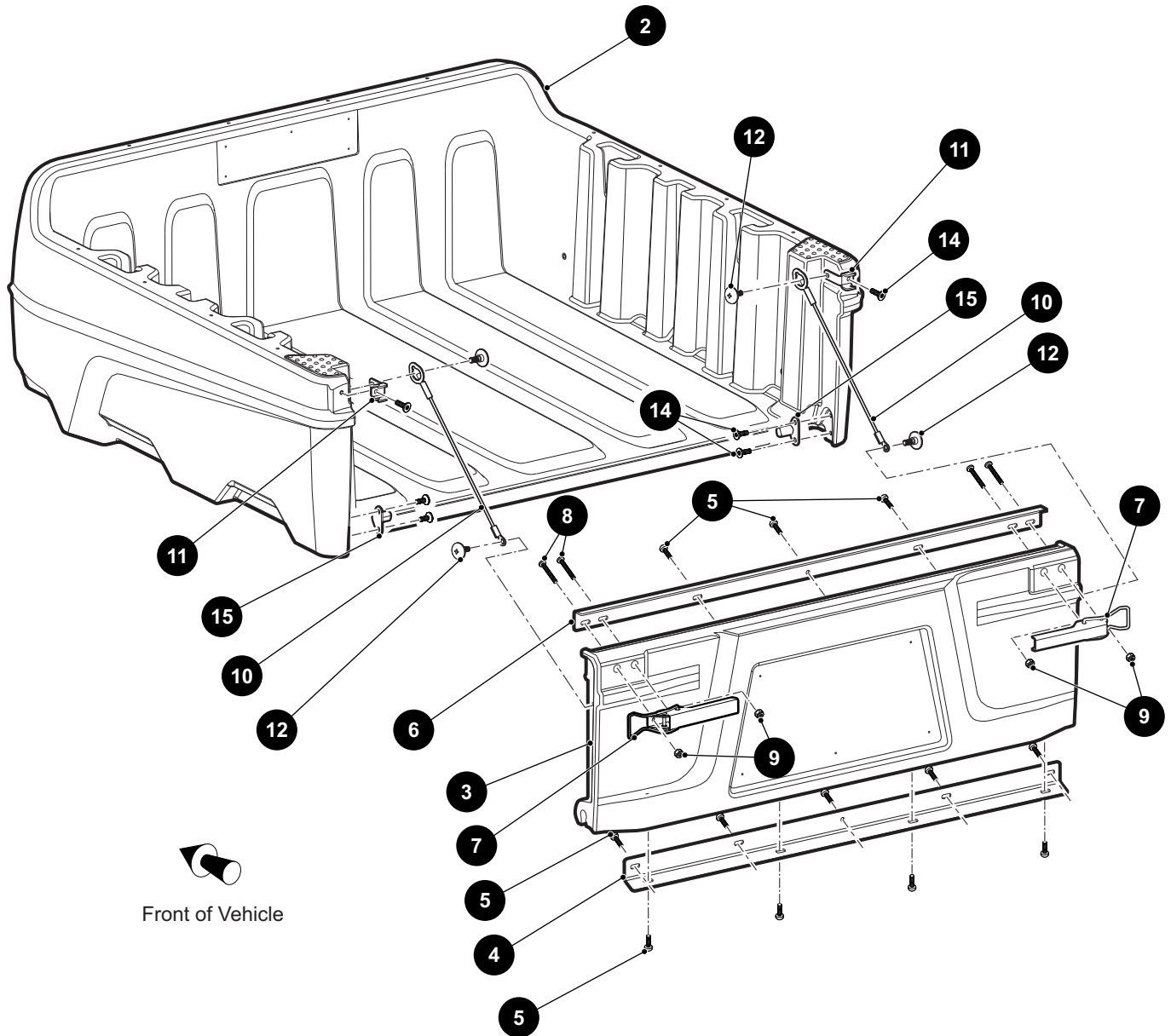
Notes:

A large grid area for taking notes, consisting of 30 columns and 35 rows of small squares.

TRUCK BED

PLASTIC TRUCK BED

1 TRUCK BED ASSEMBLY, 40" includes items 2 - 15



THE USE OF NON U.L. PARTS WILL VOID ANY U.L. LISTING.

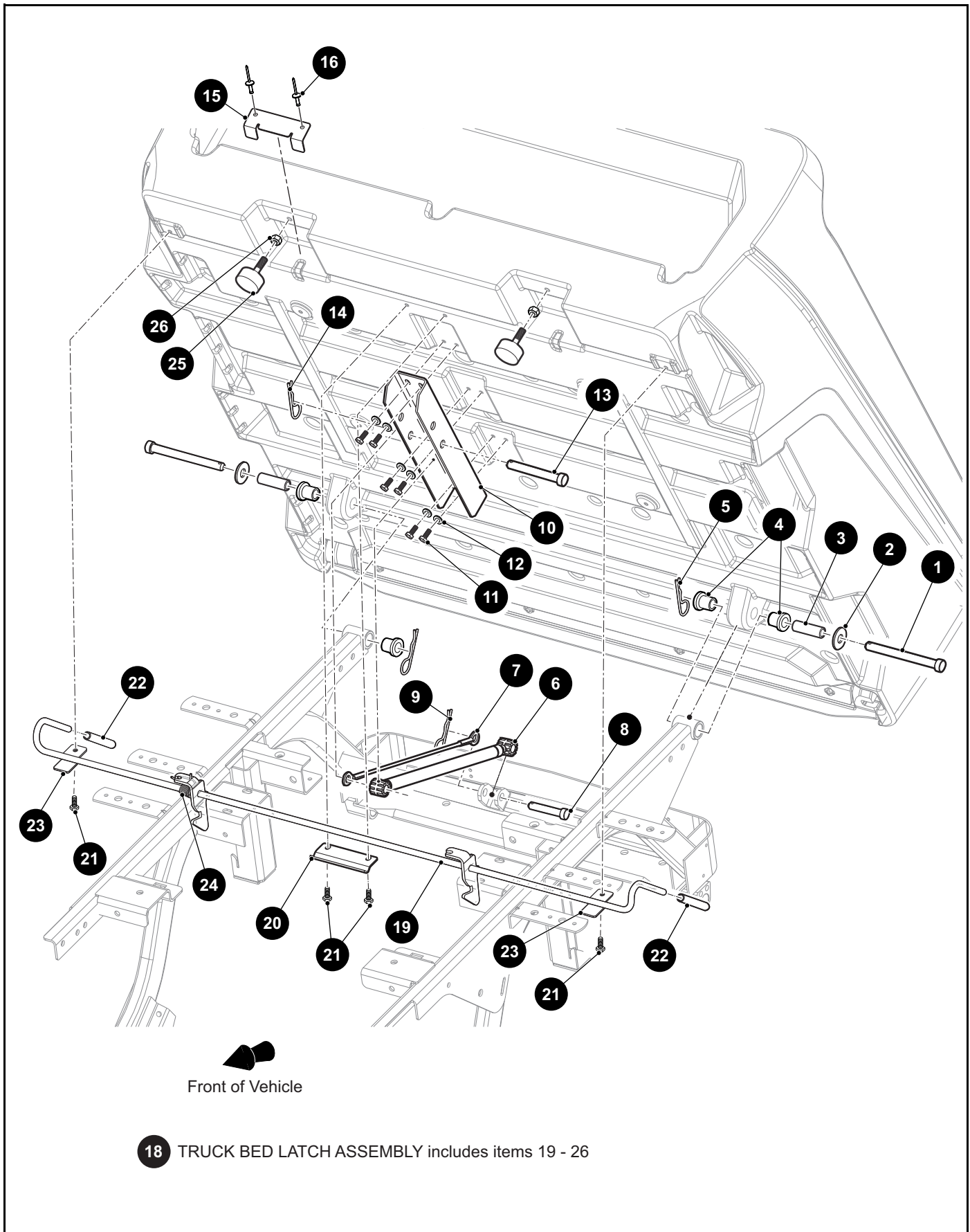
When ordering parts, please specify the model and serial number of the product.

* Indicates a component that is not available as an individual part.

*** Indicates consult Customer Service Department for additional information.

ITEM	PART NO.	1 2 3 4 5	DESCRIPTION	QTY.
1	649869		TRUCK BED ASSEMBLY, 40" (PLASTIC) (INCLUDES ITEMS 2 - 15)	1
2	649871		BED, 40"	1
3	649872		TAILGATE, 40"	1
4	651108		LOWER STIFFENER	1
5	663506		PAN HEAD PHILLIPS SCREW, 1/4" - 20 X 5/8" LG.....	12
6	651107		UPPER STIFFENER	1
7	663143		TAILGATE LATCH	2
8	663718		PAN HEAD PHILLIPS HEAD SCREW, 1/4" - 20 X 3" LG.....	4
9	663527		LOCK NUT, 1/4" - 20	4
10	651635		TAILGATE CABLE ASSEMBLY	2
11	651110		TAILGATE BRACKET	2
12	73460G01		SHOULDER BOLT, .875" DIA X 3/4" LG	4
13				
14	663506		PAN HEAD PHILLIPS SCREW, 1/4" - 20 X 5/8" LG.....	6
15	651109		PIVOT PIN.....	2

TRUCK BED



THE USE OF NON U.L. PARTS WILL VOID ANY U.L. LISTING.

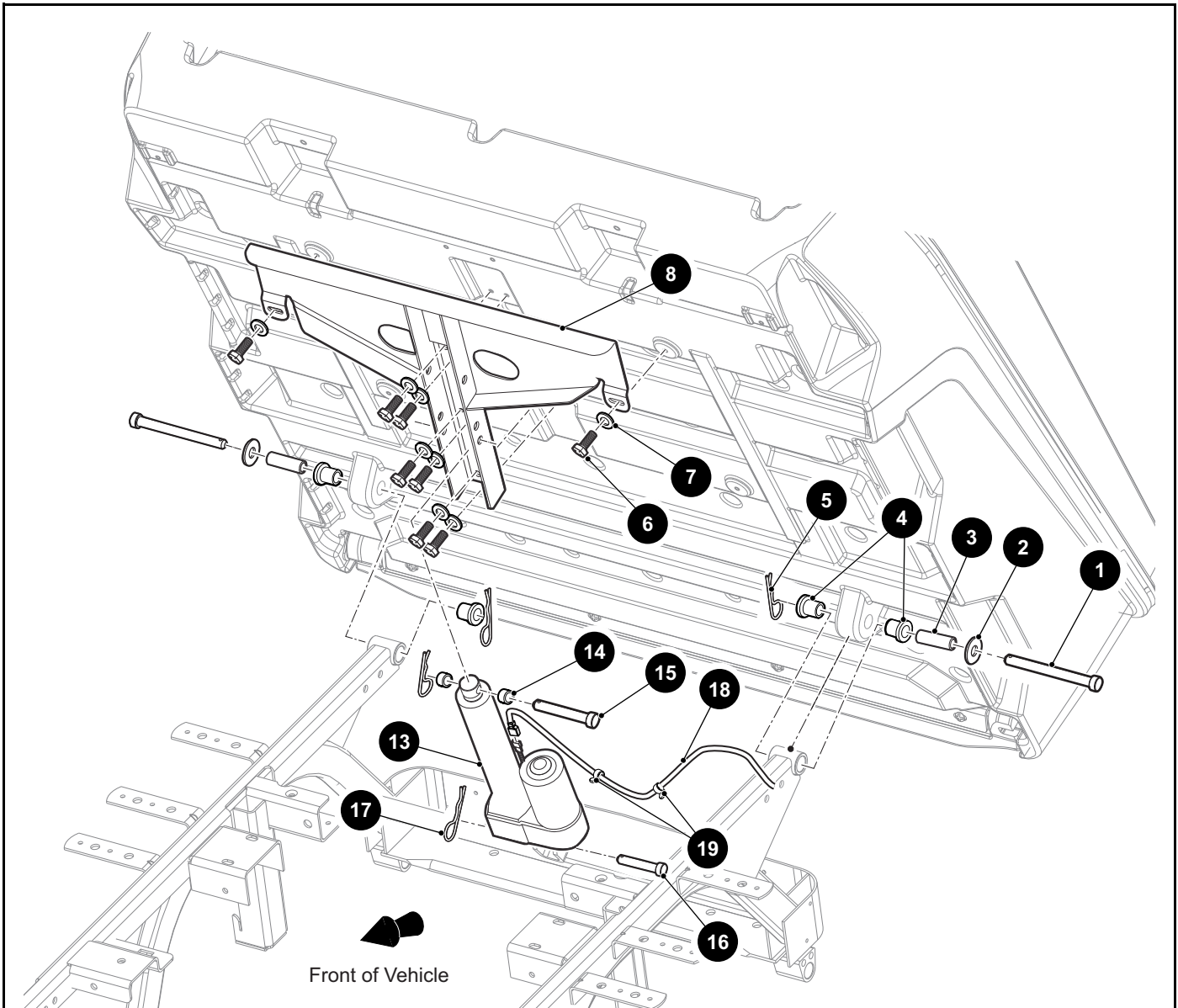
When ordering parts, please specify the model and serial number of the product.

* Indicates a component that is not available as an individual part.

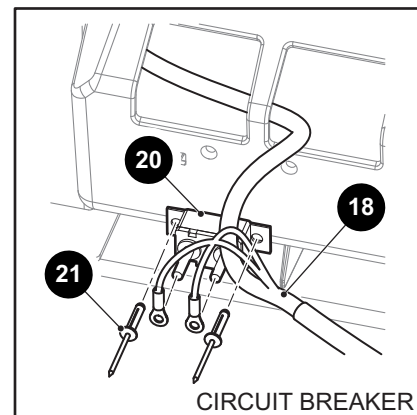
*** Indicates consult Customer Service Department for additional information.

ITEM	PART NO.	1 2 3 4 5	DESCRIPTION	QTY.
1	71571G01		CLEVIS PIN, .5" DIA X 5.25" LG.....	2
2	00571G5		FLAT WASHER, 1/2".....	2
3	71570G01		BUSHING (ACETAL), 2.3" LG.....	2
4	624030		FLANGED BUSHING, .93" LG.....	4
5	21683G1		COTTER PIN, .320" X 2.969".....	2
6	71537G02		GAS SPRING.....	1
7	602904		BED TETHER CABLE ASSEMBLY.....	1
8	14443G12		CLEVIS PIN, .5" DIA X 2.22" LG.....	1
9	21683G1		COTTER PIN, .320" X 2.969".....	1
10	71569G02		GAS SPRING CHANNEL.....	1
11	01118G01		HEX HEAD BOLT WITH PATCH LOCK, 1/4" - 20 X .62" LG.....	6
12	00642G7		FLAT WASHER, 1/4".....	6
13	14443G10		CLEVIS PIN, .5" DIA X 3" LG.....	1
14	21683G1		COTTER PIN, .320" X 2.969".....	1
15	658171		LATCH BED PLATE.....	1
16	71055G01		RIVET (ALUMINIUM), 3/16" X .985" LG.....	2
17				
18	651708		TRUCK BED LATCH ASSEMBLY (INCLUDES ITEMS 19 - 26).....	1
19	647965		LATCH.....	1
20	652440G03		LATCH RETAINER BRACKET.....	1
21	01118G01		HEX HEAD BOLT WITH PATCH LOCK, 1/4" - 20 X .62" LG.....	4
22	71704G01		HANDLE GRIP.....	2
23	657267		RETAINER BRACKET.....	2
24	71538G01		TORSION SPRING.....	1
25	70113G01		ADJUSTABLE RUBBER BUMPER.....	2
26	11027G1		LOCK NUT, 5/16" - 18.....	2

TRUCK BED



12 ELECTRIC DUMP ASSEMBLY includes items 13 - 21



THE USE OF NON U.L. PARTS WILL VOID ANY U.L. LISTING.

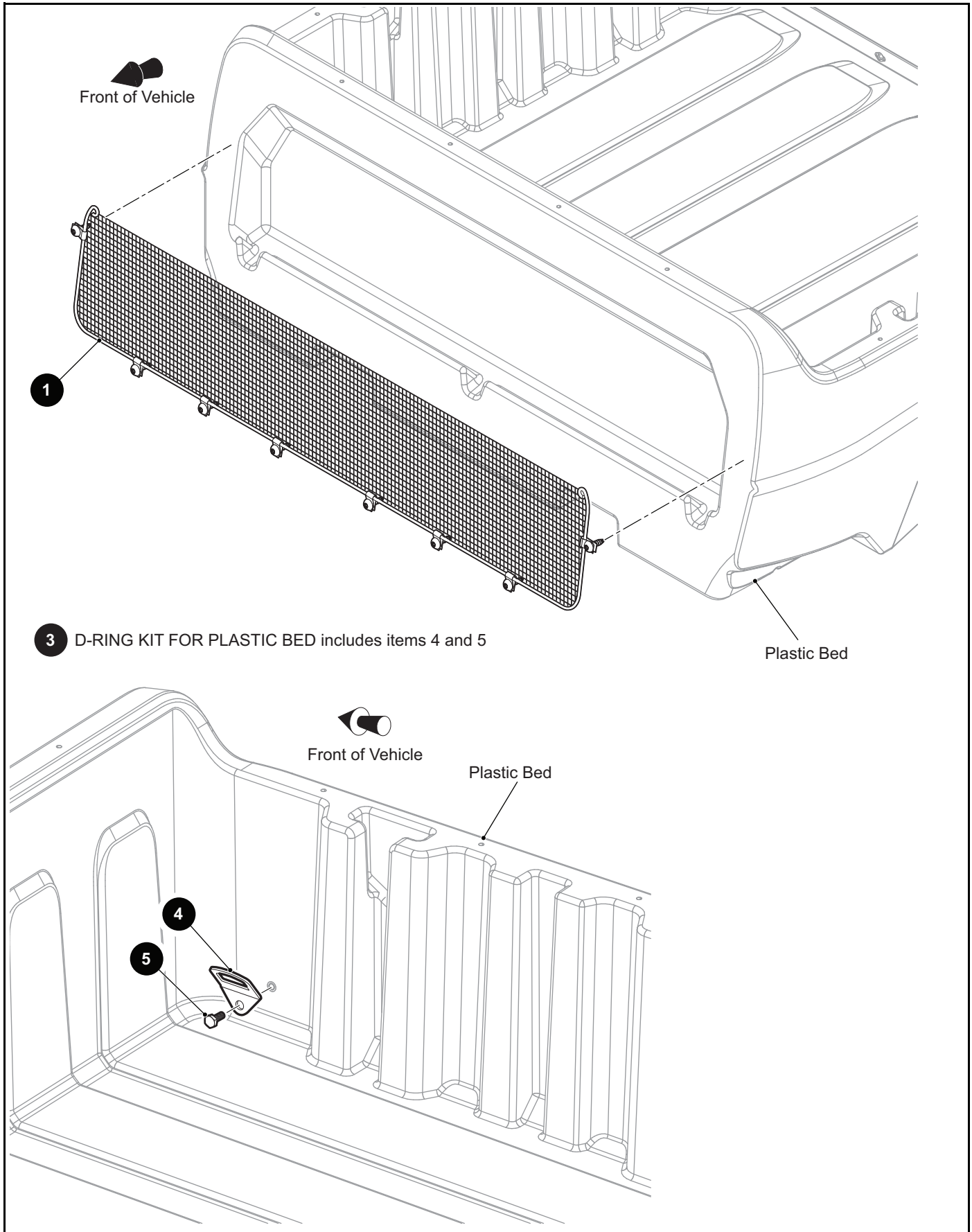
When ordering parts, please specify the model and serial number of the product.

* Indicates a component that is not available as an individual part.

*** Indicates consult Customer Service Department for additional information.

ITEM	PART NO.	1 2 3 4 5	DESCRIPTION	QTY.
1	71571G01		CLEVIS PIN, .5" DIA X 5.25" LG	2
2	00571G5		FLAT WASHER, 1/2"	2
3	71570G01		BUSHING (ACETAL), 2.3" LG.....	2
4	624030		FLANGED BUSHING, .93" LG.....	4
5	21683G1		COTTER PIN, .320" X 2.969"	2
6	01118G01		HEX HEAD BOLT WITH PATCH LOCK, 1/4" - 20 X .62" LG	8
7	00642G7		FLAT WASHER, 1/4"	8
8	71547G02		CHANNEL OUTRIGGER	1
9				
10				
11				
12	653323		ELECTRIC DUMP ASSEMBLY (INCLUDES ITEMS 13 - 21)	1
13	27612G04		ELECTRIC ACTUATOR.....	1
14	27613G01		SPACER, .75" O.D. X .5" I.D.	2
15	14443G10		CLEVIS PIN, .5" X 3" LG	1
16	14443G11		CLEVIS PIN, .5" X 1.92" LG	1
17	21683G1		COTTER PIN, .320" X 2.969"	2
18	653362		ELECTRIC DUMP HARNESS	1
19	17618G1		NYLON CLAMP, 8" LG	7
20	21320G04		CIRCUIT BREAKER, 15A 24V	1
21	01041G01		RIVET (ALUMINUM), 5/23" DIA	2

TRUCK BED



THE USE OF NON U.L. PARTS WILL VOID ANY U.L. LISTING.

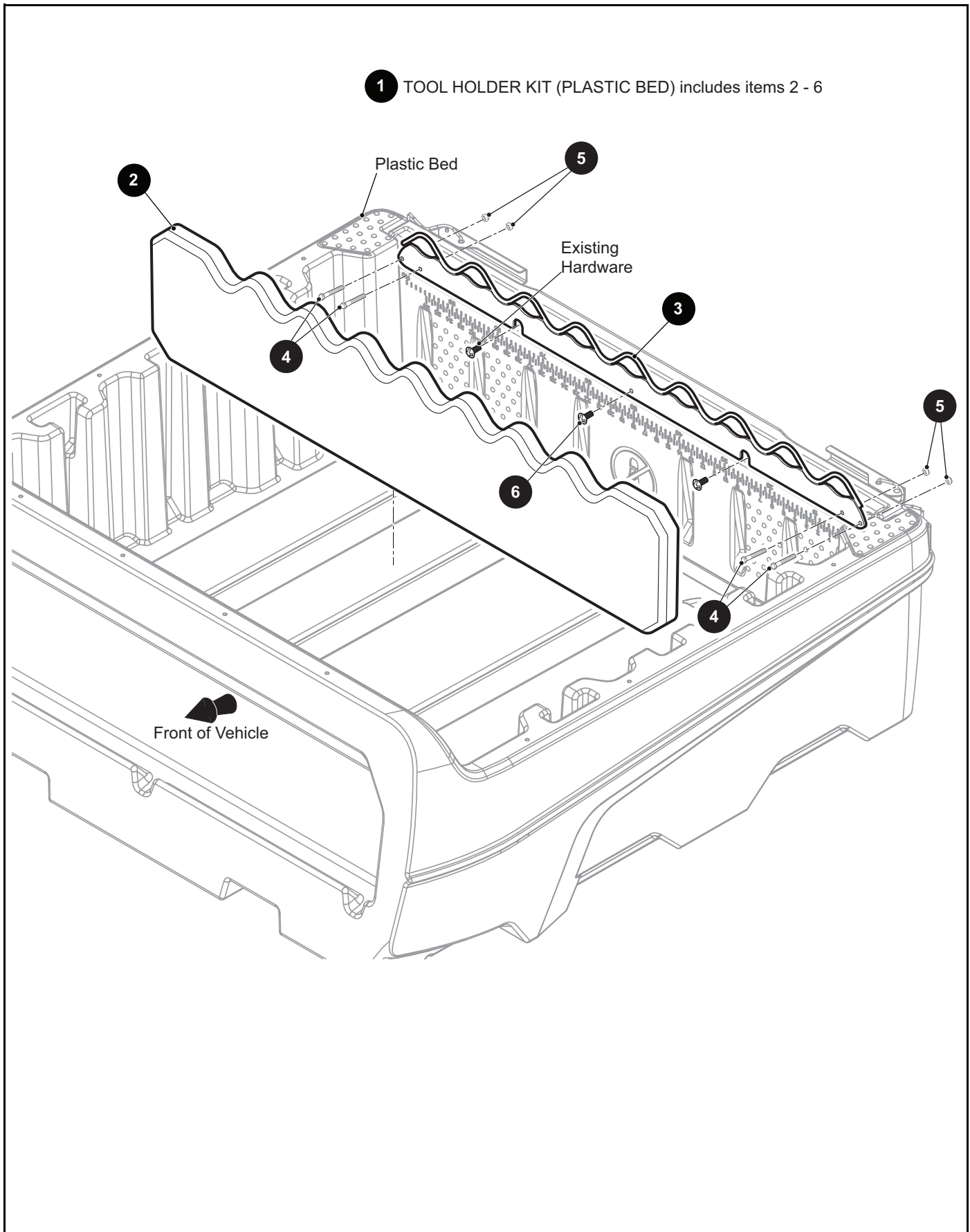
When ordering parts, please specify the model and serial number of the product.

* Indicates a component that is not available as an individual part.

*** Indicates consult Customer Service Department for additional information.

ITEM	PART NO.	1 2 3 4 5	DESCRIPTION	QTY.
1	652838		MESH NET FOR PLASTIC BED (INCLUDES MOUNTING HARDWARE)	1
2				
3	652349		D-RING KIT FOR PLASTIC BED (INCLUDES 4 AND 5)	1
4	650566		D-RING (PLASTIC BED)	4
5	73296G01		HEX HEAD BOLT, M8 - 1.5 X 16MM LG	4

TRUCK BED



THE USE OF NON U.L. PARTS WILL VOID ANY U.L. LISTING.

When ordering parts, please specify the model and serial number of the product.

* Indicates a component that is not available as an individual part.

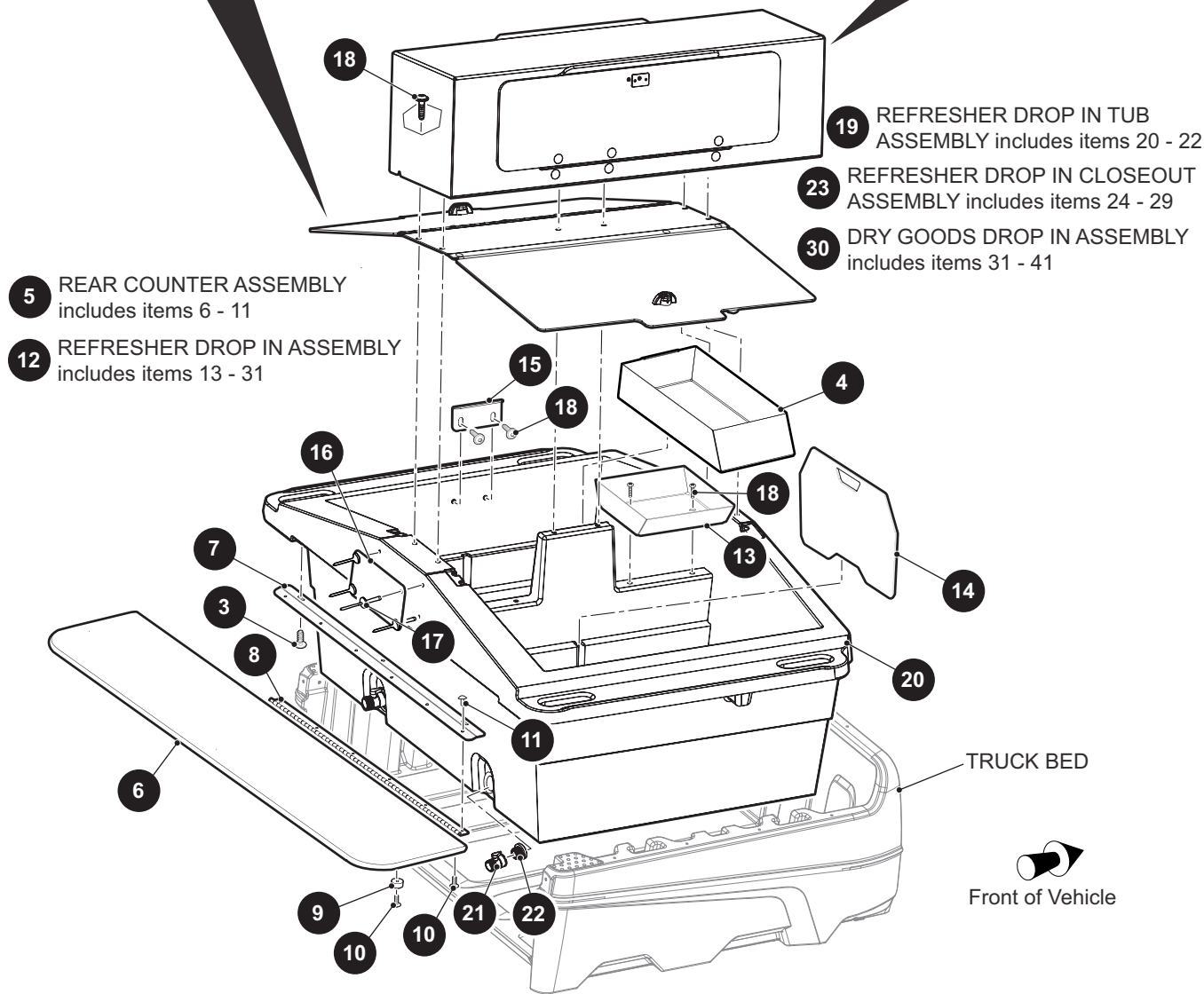
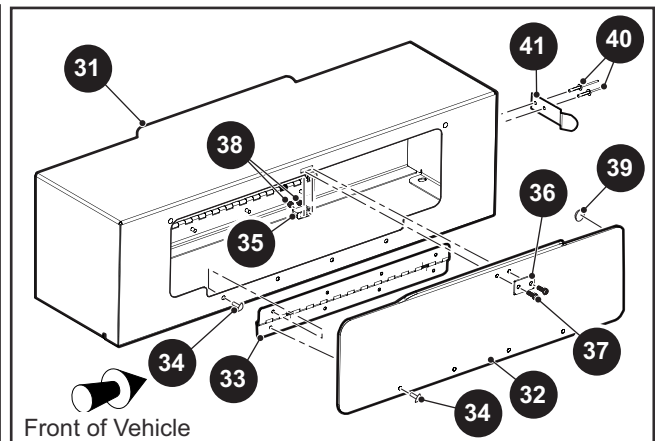
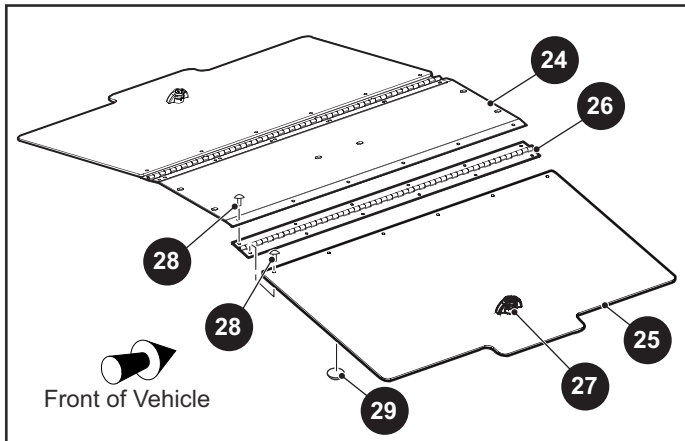
*** Indicates consult Customer Service Department for additional information.

ITEM	PART NO.	1 2 3 4 5	DESCRIPTION	QTY.
1	652510		TOOL HOLDER KIT (PLASTIC BED) (INCLUDES ITEMS 2 - 6)	1
2	652657		BED DIVIDER.....	1
3	651732		LONG HANDLER TOOL HOLDER.....	1
4	00416G6		HEX HEAD BOLT, 1/4" - 20 X 2 3/4" LG.....	4
5	14390G4		LOCK NUT, 1/4" - 20	4
6	16705G2		PAN HEAD PHILLIPS SCREW (SS), 1/4" - 20 X 5/8" LG	1

TRUCK BED

1 REFRESHER DROP IN WITH COUNTER KIT includes items 3, 5 - 12

2 REFRESHER DROP IN WITH COUNTER, ICEBOX KIT includes items 3 - 12



5 REAR COUNTER ASSEMBLY includes items 6 - 11

12 REFRESHER DROP IN ASSEMBLY includes items 13 - 31

19 REFRESHER DROP IN TUB ASSEMBLY includes items 20 - 22

23 REFRESHER DROP IN CLOSEOUT ASSEMBLY includes items 24 - 29

30 DRY GOODS DROP IN ASSEMBLY includes items 31 - 41

TRUCK BED

Front of Vehicle

THE USE OF NON U.L. PARTS WILL VOID ANY U.L. LISTING.

When ordering parts, please specify the model and serial number of the product.

* Indicates a component that is not available as an individual part.

*** Indicates consult Customer Service Department for additional information.

ITEM	PART NO.	1 2 3 4 5	DESCRIPTION	QTY.
1	666929G02		REFRESHER DROP IN WITH COUNTER KIT (INCLUDES ITEMS 3, 5 - 12)	1
2	666929G04		REFRESHER DROP IN WITH COUNTER, ICEBOX KIT (INCLUDES ITEMS 3 - 12)	1
3	667938		ROUND WASHER HEAD BOLT, M6 - 1 X 16MM LG.....	3
4	666955		REFRESHER DROP IN, ICE BIN.....	1
5	667253		REAR COUNTER ASSEMBLY (INCLUDES ITEMS 6 - 11)	1
6	667258		REAR COUNTER	1
7	666231		SHELF MOUNT PLATE	1
8	666966		HINGE, 27" LG.....	1
9	667271		BUMPER PAD.....	3
10	667798		PHILLIPS HEAD SCREW (SS), #10 X .5" LG	9
11	662020		RIVET, 3/16" X 7/16" LG	6
12	666939		REFRESHER DROP IN ASSEMBLY (INCLUDES ITEMS 13 - 30).....	1
13	666953		TRAY	2
14	666952		DIVIDER.....	2
15	666951		LATCH PLATE	2
16	666960		LABEL	2
17	71055G01		RIVET, 3/16" DIA.....	4
18	667938		ROUND WASHER HEAD BOLT, M6 - 1 X 16MM LG	14
19	666940		REFRESHER DROP IN TUB ASSEMBLY (INCLUDES ITEMS 20 - 22)	1
20	663588		DROP IN COOLER.....	1
21	666941		REFRESHER DROP IN DRAIN	2
22	668951		REFRESHER DROP IN SPIN WELD	2
23	666931		REFRESHER DROP IN CLOSEOUT ASSEMBLY (INCLUDES ITEMS 24 - 29)	1
24	665961		COVER PLATE.....	1
25	666093		DOOR.....	2
26	666966		HINGE, 27" LG	2
27	666962		CAM LATCH	2
28	662020		RIVET, 3/16" X 7/16" LG	24

TRUCK BED

THE USE OF NON U.L. PARTS WILL VOID ANY U.L. LISTING.

When ordering parts, please specify the model and serial number of the product.

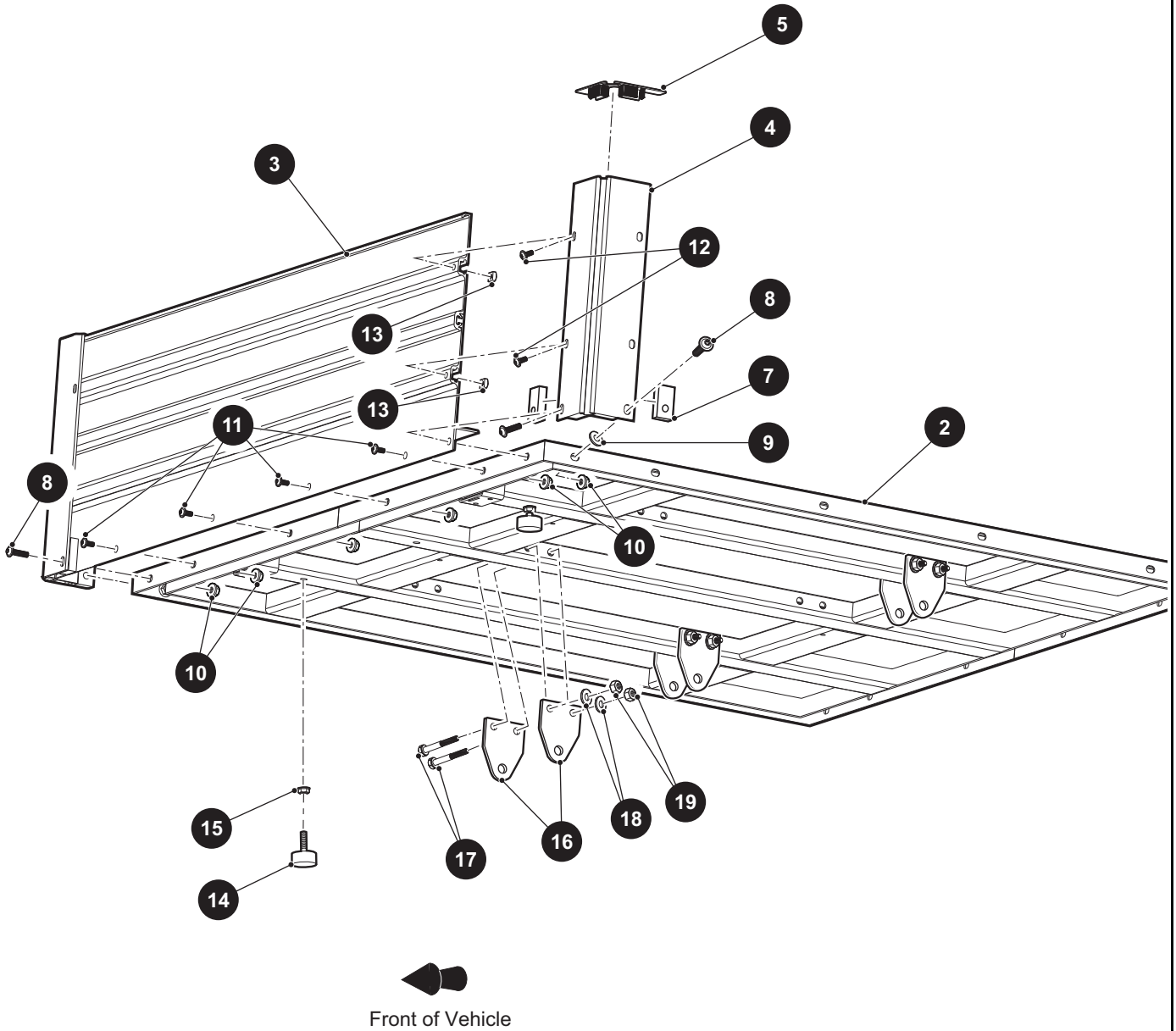
* Indicates a component that is not available as an individual part.

*** Indicates consult Customer Service Department for additional information.

ITEM	PART NO.	1	2	3	4	5	DESCRIPTION	QTY.
29	676505						ROUND BUMPON 5/16" O.D. X 5/46"	8
30	666933						DRY GOODS DROP IN ASSEMBLY (INCLUDES ITEMS 31 - 41)	1
31	665973						DRY GOODS DROP IN	1
32	665975						DRY GOODS DROP IN DOOR.....	2
33	667097						SPRING HINGE	2
34	662020						RIVET, 3/16" X 7/16" LG	16
35	672857						BALL LATCH	2
36	674061						COVER PLATE	2
37	674068						HEX HEAD BOLT, #4 - 40 X .4375" LG	4
38	674813						ACORN NUT #4 - 40.....	4
39	676505						ROUND BUMPON, 5/16" O.D. X 5/46"	4
40	71045G01						RIVET, 5/23" DIA.....	4
41	676565						REFRESHER DROP IN LID	2

TRUCK BED

1 FLAT TRUCK BED ASSEMBLY includes items 2 - 19



THE USE OF NON U.L. PARTS WILL VOID ANY U.L. LISTING.

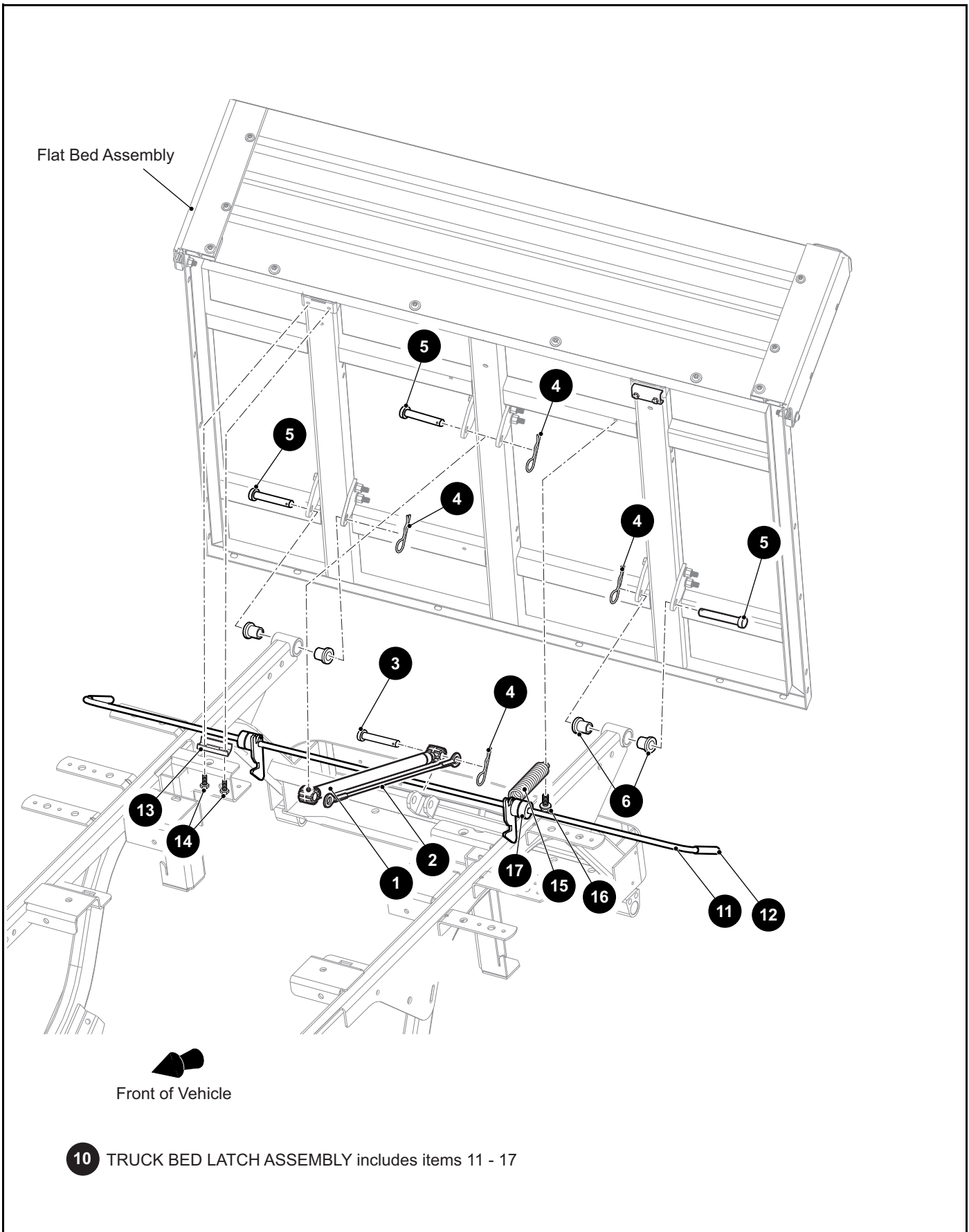
When ordering parts, please specify the model and serial number of the product.

* Indicates a component that is not available as an individual part.

*** Indicates consult Customer Service Department for additional information.

ITEM	PART NO.	1 2 3 4 5	DESCRIPTION	QTY.
1	653275		FLAT TRUCK BED ASSEMBLY (INCLUDES ITEMS 2 - 19)	1
2	647761		BED FRAME.....	1
3	664662		FRONT PANEL ASSEMBLY	1
4	648142		CORNER EXTRUSION	2
5	657300		SIDE PANEL EXTRUSION CAP.....	2
6				
7	648829		BED SPACER (ALUMINUM).....	4
8	650116		ROUND HEAD TORX SCREW, 3/8" - 16 X 1 1/2" LG	4
9	20835G1		FLAT WASHER, .62" O.D. X .385" I.D.	2
10	11027G5		FLANGED LOCK NUT, 3/8" - 16	8
11	648778		ROUND HEAD TORX SCREW, 3/8" - 16 X 3/4" LG	4
12	650167		ROUND HEAD TORX SCREW, 5/16" - 18 X 3/4" LG	4
13	655642		SQUARE NUT, 5/16" - 18	4
14	70113G01		ADJUSTABLE BUMPER (RUBBER).....	2
15	11027G1		FLANGED LOCK NUT, 5/16" - 18	2
16	647976		BED MOUNT (ALUMINUM).....	6
17	649153		HEX HEAD BOLT, 3/8" X 16 X 4" LG	6
18	00560G1		FLAT WASHER, 3/8"	6
19	11098G5		LOCK NUT, 3/8" - 16	6

TRUCK BED



THE USE OF NON U.L. PARTS WILL VOID ANY U.L. LISTING.

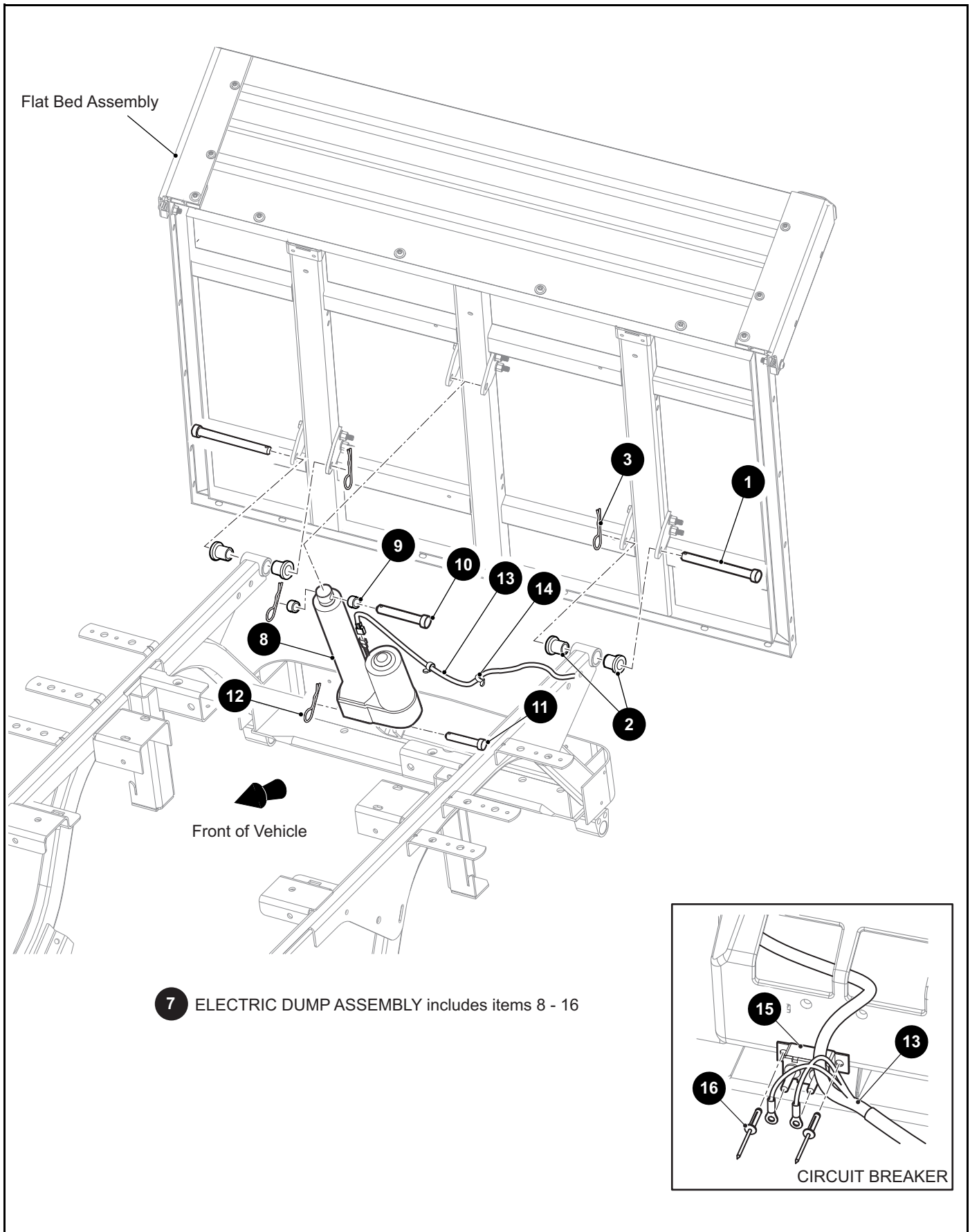
When ordering parts, please specify the model and serial number of the product.

* Indicates a component that is not available as an individual part.

*** Indicates consult Customer Service Department for additional information.

ITEM	PART NO.	1 2 3 4 5	DESCRIPTION	QTY.
1	71537G02		GAS SPRING.....	1
2	602904		BED TETHER CABLE ASSEMBLY.....	1
3	14443G12		CLEVIS PIN, .5" X 2.22" LG.....	1
4	21683G1		COTTER PIN, .320" X 2.969".....	4
5	14443G13		CLEVIS PIN, .5" X 3.5" LG.....	3
6	624030		FLANGED BUSHING, .93" LG.....	4
7				
8				
9				
10	653279G01		TRUCK BED LATCH ASSEMBLY (INCLUDES ITEMS 11 - 17).....	1
11	658739		ALUMINUM BED LATCH.....	1
12	71704G01		HANDLE GRIP.....	2
13	650239		LATCH CLAMP BRACKET.....	2
14	00414G6		HEX HEAD BOLT, 1/4" - 20 X 3/4" LG.....	4
15	30177G1		BRAKE SPRING.....	1
16	00715G2		HEX WASHER HEAD BOLT, 5/16" - 18 X .8" LG.....	1
17	634005		RUBBER BUSHING.....	4

TRUCK BED



THE USE OF NON U.L. PARTS WILL VOID ANY U.L. LISTING.

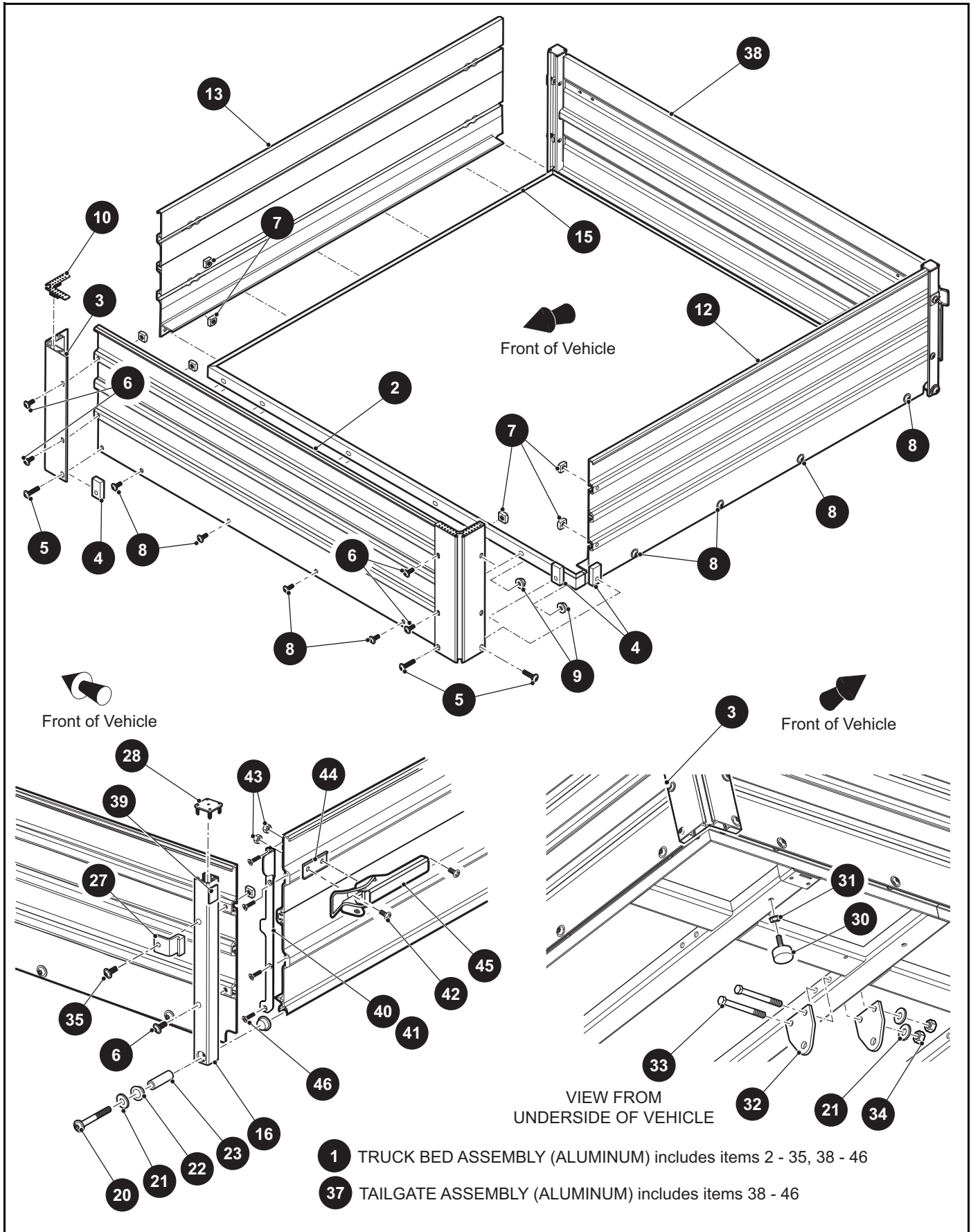
When ordering parts, please specify the model and serial number of the product.

* Indicates a component that is not available as an individual part.

*** Indicates consult Customer Service Department for additional information.

ITEM	PART NO.	1 2 3 4 5	DESCRIPTION	QTY.
1	14443G13		CLEVIS PIN, .5" X 3.5" LG.....	2
2	624030		FLANGED BUSHING, .93" LG.....	4
3	21683G1		COTTER PIN, .320" X 2.969"	2
4				
5				
6				
7	653322		ELECTRIC DUMP ASSEMBLY (INCLUDES ITEMS 8 - 16).....	1
8	27612G02		ELECTRIC ACTUATOR, 12V, 1500 #.....	1
9	27613G01		SPACER, .75" O.D. X .5" I.D.	2
10	14443G10		CLEVIS PIN, .5" X 3" LG	1
11	14443G11		CLEVIS PIN, .5" X 1.92" LG	1
12	21683G1		COTTER PIN, .320" X 2.969"	2
13	653361		ELECTRIC DUMP HARNESS	1
14	17618G1		NYLON CLAMP, 8" LG	7
15	21320G04		CIRCUIT BREAKER, 15A, 24V	1
16	01041G01		RIVET (ALUMINUM), 5/23" DIA	2

TRUCK BED



THE USE OF NON U.L. PARTS WILL VOID ANY U.L. LISTING.

When ordering parts, please specify the model and serial number of the product.

* Indicates a component that is not available as an individual part.

*** Indicates consult Customer Service Department for additional information.

ITEM	PART NO.	1 2 3 4 5	DESCRIPTION	QTY.
1	649005		TRUCK BED ASSEMBLY (ALUMINUM) (INCLUDES ITEMS 2 - 35, 38 - 46).	1
2	664662		FRONT PANEL ASSEMBLY	1
3	648142		CORNER EXTRUSION	2
4	648829		BED SPACER (ALUMINUM)	4
5	650116		ROUND HEAD TORX SCREW, 3/8" - 16 X 1 1/2" LG	4
6	650167		ROUND HEAD TORX SCREW, 5/16" - 18 X 3/4" LG	10
7	655642		SQUARE NUT, 5/16" - 18	12
8	648778		ROUND HEAD TORX SCREW, 3/8" - 16 X 3/4" LG	12
9	11027G5		FLANGED LOCK NUT, 3/8" - 16	16
10	657300		CORNER EXTRUSION CAP	2
11				
12	664655		SIDE PANEL ASSEMBLY (DRIVER SIDE).....	1
13	664656		SIDE PANEL ASSEMBLY (PASSENGER SIDE)	1
14				
15	647761		BED FRAME.....	1
16	649219		POST EXTRUSION	2
17				
18				
19				
20	648814		ROUND HEAD TORX SCREW, 3/8" - 16 X 3 1/4" LG	2
21	00560G1		FLAT WASHER, 3/8"	8
22	649091		PLAIN FLANGE BEARING.....	4
23	648809		TAILGATE BUSHING	2
24				
25				
26				
27	658878		TAILGATE LATCH BRACKET	2
28	657301		EXTRUSION POST CAP.....	2
29				
30	70113G01		ADJUSTABLE BUMPER (RUBBER).....	2
31	11027G1		FLANGED LOCK NUT, 5/16" - 18	2

TRUCK BED

THE USE OF NON U.L. PARTS WILL VOID ANY U.L. LISTING.

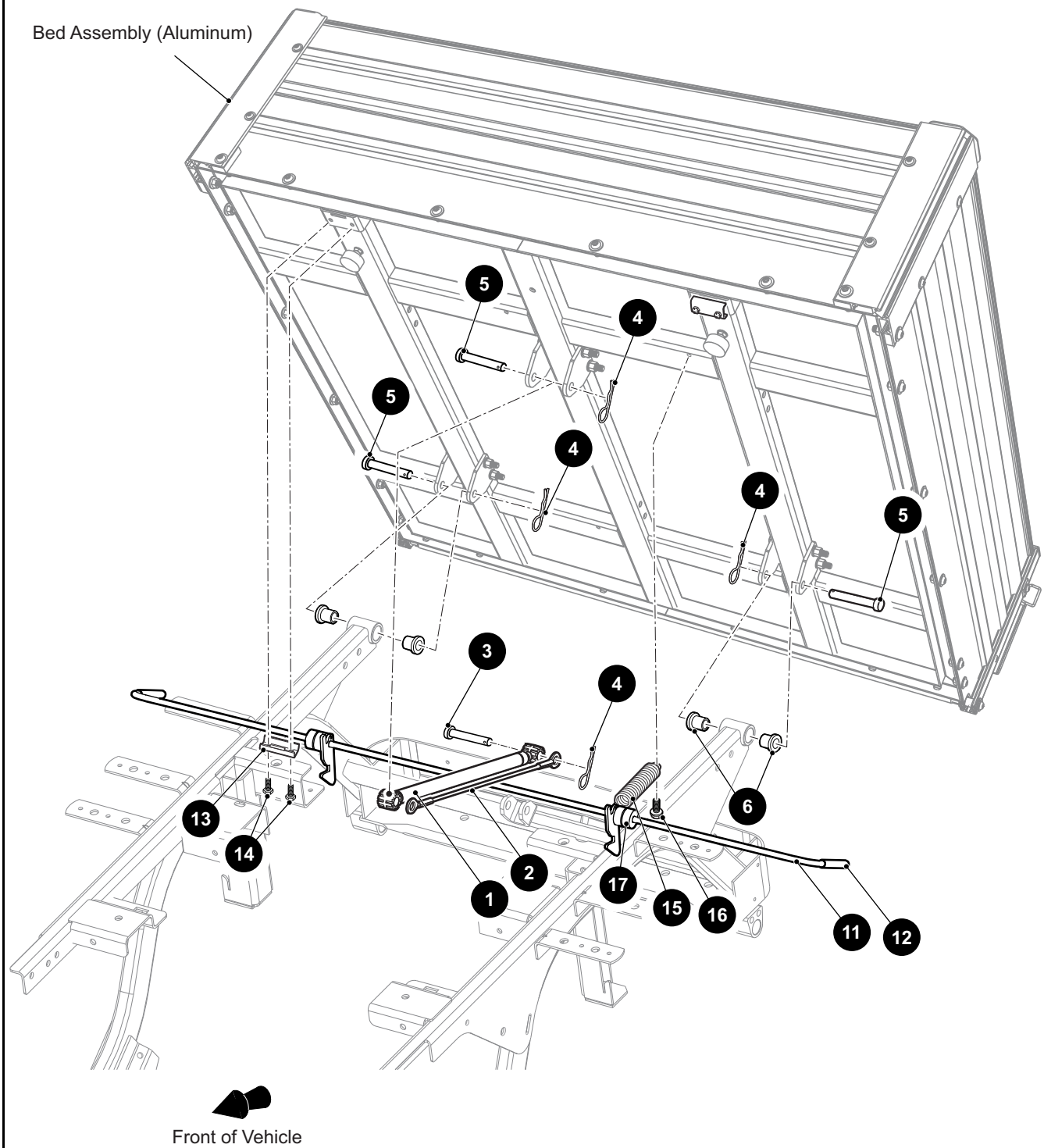
When ordering parts, please specify the model and serial number of the product.

* Indicates a component that is not available as an individual part.

*** Indicates consult Customer Service Department for additional information.

ITEM	PART NO.	1	2	3	4	5	DESCRIPTION	QTY.
32	647976						BED MOUNT (ALUMINUM)	6
33	649153						HEX HEAD BOLT, 3/8" X 16 X 4" LG	6
34	11098G5						LOCK NUT, 3/8" - 16	6
35	648988						ROUND HEAD TORX SCREW, 5/16" - 18 X 1 1/4" LG	2
36								
37	660552						TAILGATE ASSEMBLY (ALUMINIUM) (INCLUDES ITEMS 38 - 46)	1
38	659203						TAILGATE ASSEMBLY	1
39	659417						FOAM TAPE (BLACK)	2
40	658708G01						TAILGATE BRACKET (DRIVER SIDE)	1
41	658708G02						TAILGATE BRACKET (PASSENGER SIDE)	1
42	800296						TRUSS HEAD PHILLIPS SCREW, #10 - 24 X 3/4" LG	4
43	14390G10						LOCK NUT, #10 - 24	4
44	658929						STOP LATCH (SHIM).....	2
45	652781						TAILGATE LATCH ASSEMBLY	2
46	659541						FLAT HEAD TAPPING SCREW, #10 - 24 X 3/4" LG	8

TRUCK BED



10 TRUCK BED LATCH ASSEMBLY includes items 11 - 17

THE USE OF NON U.L. PARTS WILL VOID ANY U.L. LISTING.

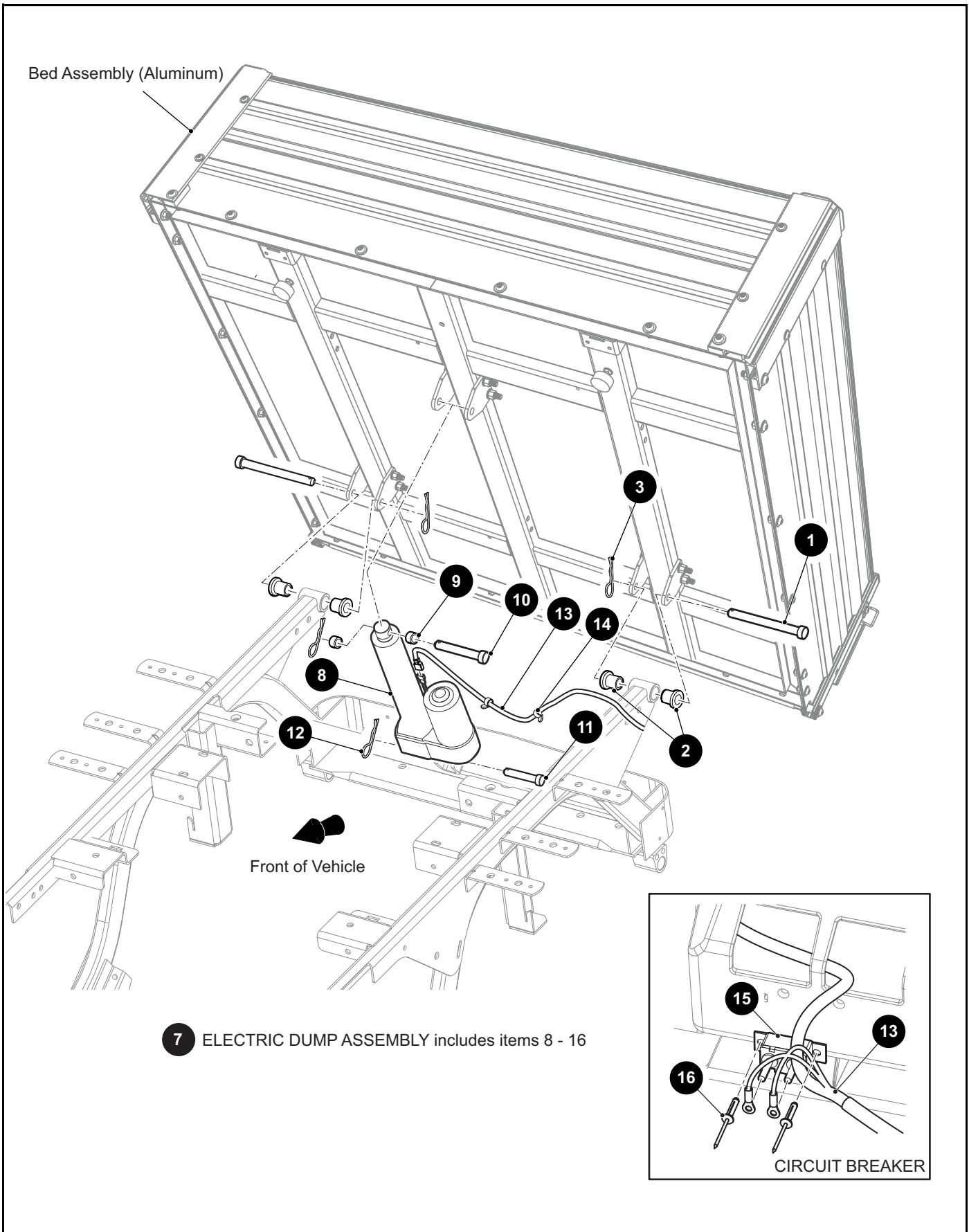
When ordering parts, please specify the model and serial number of the product.

* Indicates a component that is not available as an individual part.

*** Indicates consult Customer Service Department for additional information.

ITEM	PART NO.	1 2 3 4 5	DESCRIPTION	QTY.
1	71537G02		GAS SPRING.....	1
2	602904		BED TETHER CABLE ASSEMBLY.....	1
3	14443G12		CLEVIS PIN, .5" X 2.22" LG.....	1
4	21683G1		COTTER PIN, .320" X 2.969".....	4
5	14443G13		CLEVIS PIN, .5" X 3.5" LG.....	3
6	624030		FLANGED BUSHING, .93" LG.....	4
7				
8				
9				
10	653279G01		TRUCK BED LATCH ASSEMBLY (INCLUDES ITEMS 11 - 17).....	1
11	658739		ALUMINUM BED LATCH.....	1
12	71704G01		HANDLE GRIP.....	2
13	650239		LATCH CLAMP BRACKET.....	2
14	00414G6		HEX HEAD BOLT, 1/4" - 20 X 3/4" LG.....	4
15	30177G1		BRAKE SPRING.....	1
16	00715G2		HEX WASHER HEAD BOLT, 5/16" - 18 X .8" LG.....	1
17	634005		RUBBER BUSHING.....	4

TRUCK BED



THE USE OF NON U.L. PARTS WILL VOID ANY U.L. LISTING.

When ordering parts, please specify the model and serial number of the product.

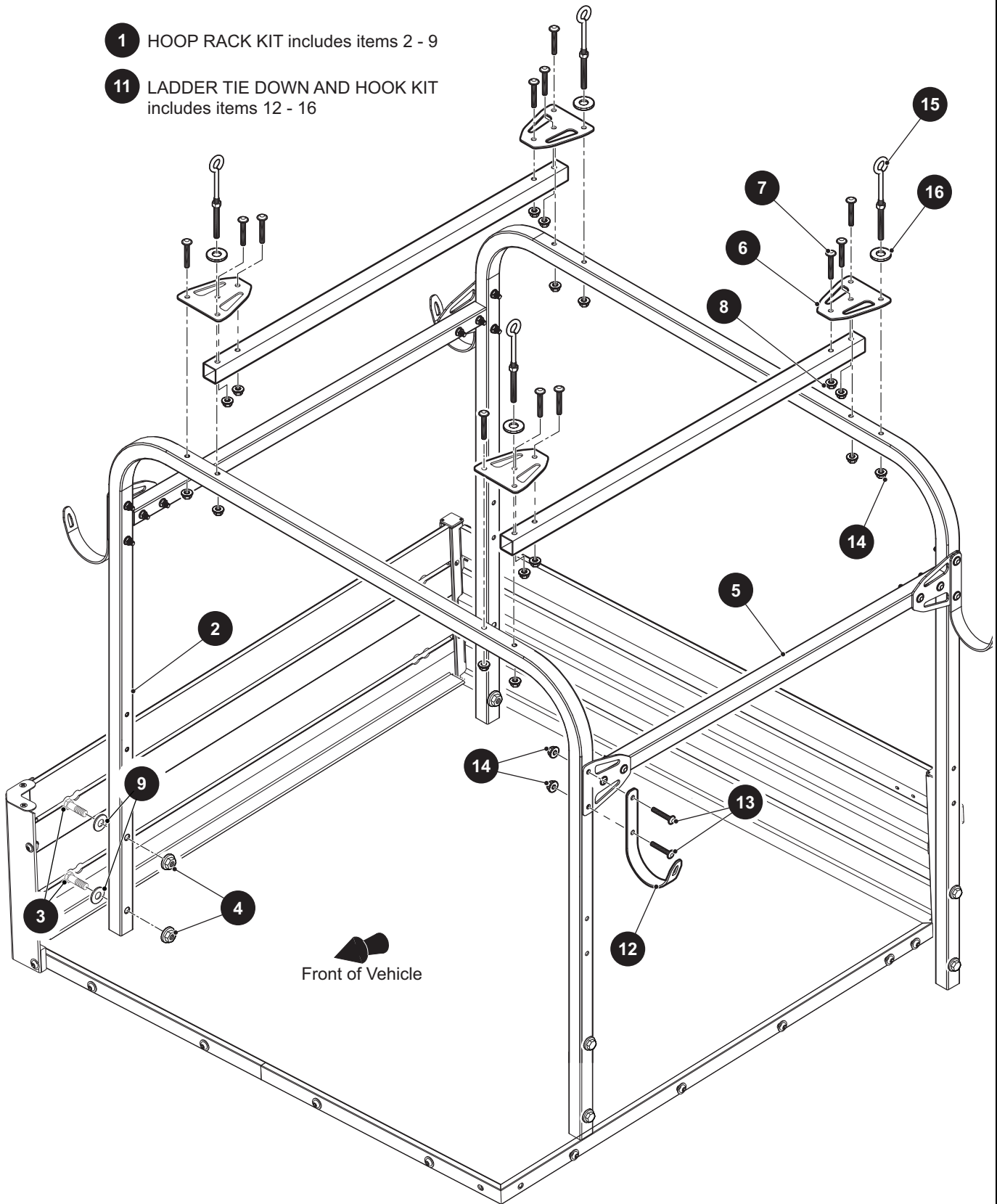
* Indicates a component that is not available as an individual part.

*** Indicates consult Customer Service Department for additional information.

ITEM	PART NO.	1 2 3 4 5	DESCRIPTION	QTY.
1	14443G13		CLEVIS PIN, .5" X 3.5" LG.....	2
2	624030		FLANGED BUSHING, .93" LG.....	4
3	21683G1		COTTER PIN, .320" X 2.969"	2
4				
5				
6				
7	653322		ELECTRIC DUMP ASSEMBLY (INCLUDES ITEMS 8 - 16).....	1
8	27612G02		ELECTRIC ACTUATOR, 12V, 1500 #.....	1
9	27613G01		SPACER, .75" O.D. X .5" I.D.	2
10	14443G10		CLEVIS PIN, .5" X 3" LG	1
11	14443G11		CLEVIS PIN, .5" X 1.92" LG	1
12	21683G1		COTTER PIN, .320" X 2.969"	2
13	653361		ELECTRIC DUMP HARNESS	1
14	17618G1		NYLON CLAMP, 8" LG	7
15	21320G04		CIRCUIT BREAKER, 15A, 24V	1
16	01041G01		RIVET (ALUMINUM), 5/23" DIA	2

TRUCK BED

- 1 HOOP RACK KIT includes items 2 - 9
- 11 LADDER TIE DOWN AND HOOK KIT includes items 12 - 16



THE USE OF NON U.L. PARTS WILL VOID ANY U.L. LISTING.

When ordering parts, please specify the model and serial number of the product.

* Indicates a component that is not available as an individual part.

*** Indicates consult Customer Service Department for additional information.

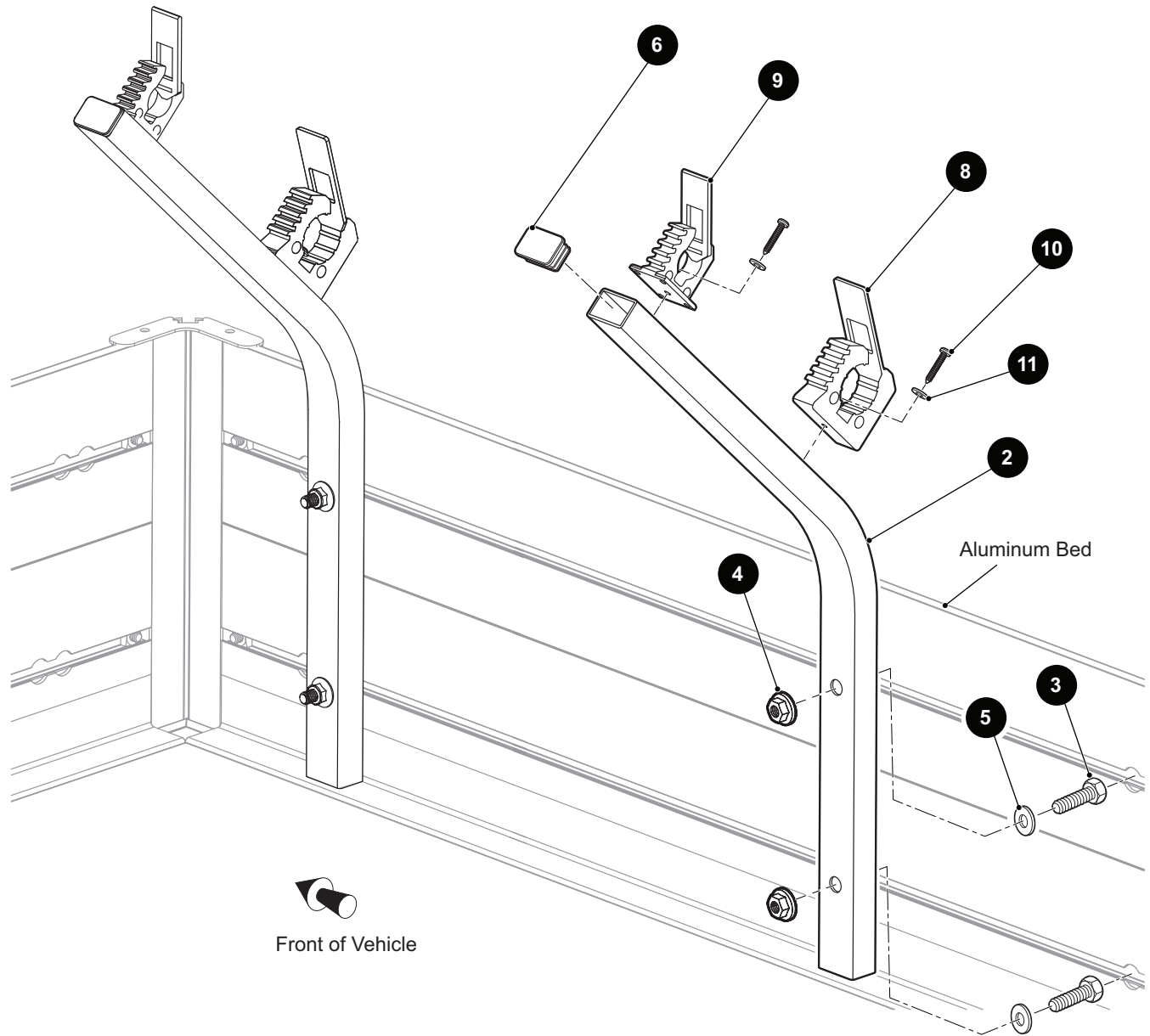
ITEM	PART NO.	1 2 3 4 5	DESCRIPTION	QTY.
1	658573		HOOP RACK KIT (INCLUDES ITEMS 2 - 9)	1
2	650766		ALUMINUM BED HOOP.....	2
3	00427G8		HEX HEAD BOLT, 3/8" - 16 X 2" LG	8
4	12262G1		FLANGED LOCK NUT, 3/8" - 16	8
5	650931		HOOK RACK TIE BAR	2
6	650950		HOOK RACK TIE BAR BRACKET	4
7	652310		ROUND HEAD TORX BOLT, 5/16" - 18 X 2" LG	16
8	11027G1		FLANGED LOCK NUT, 5/16" - 18	16
9	00560G1		FLAT WASHER, 3/8"	8
10				
11	650921		LADDER TIE DOWN AND HOOK KIT (IN CLUDES ITEMS 12 - 16)	1
12	651379		HOOK	4
13	652310		ROUND HEAD TORX BOLT, 5/16" - 18 X 2" LG	8
14	11027G1		FLANGED LOCK NUT, 5/16" - 18	8
15	651338		EYE BOLT, 5/16" - 18 X 5" LG	4
16	00642G8		FLAT WASHER, 5/16"	4

TRUCK BED

1 TOOL HOLDER KIT includes items 2 - 7

7 QUICK FIST KIT includes items 8 - 11

14 L-TRACK D-LOOP KIT (NOT ILLUSTRATED) includes item 15



THE USE OF NON U.L. PARTS WILL VOID ANY U.L. LISTING.

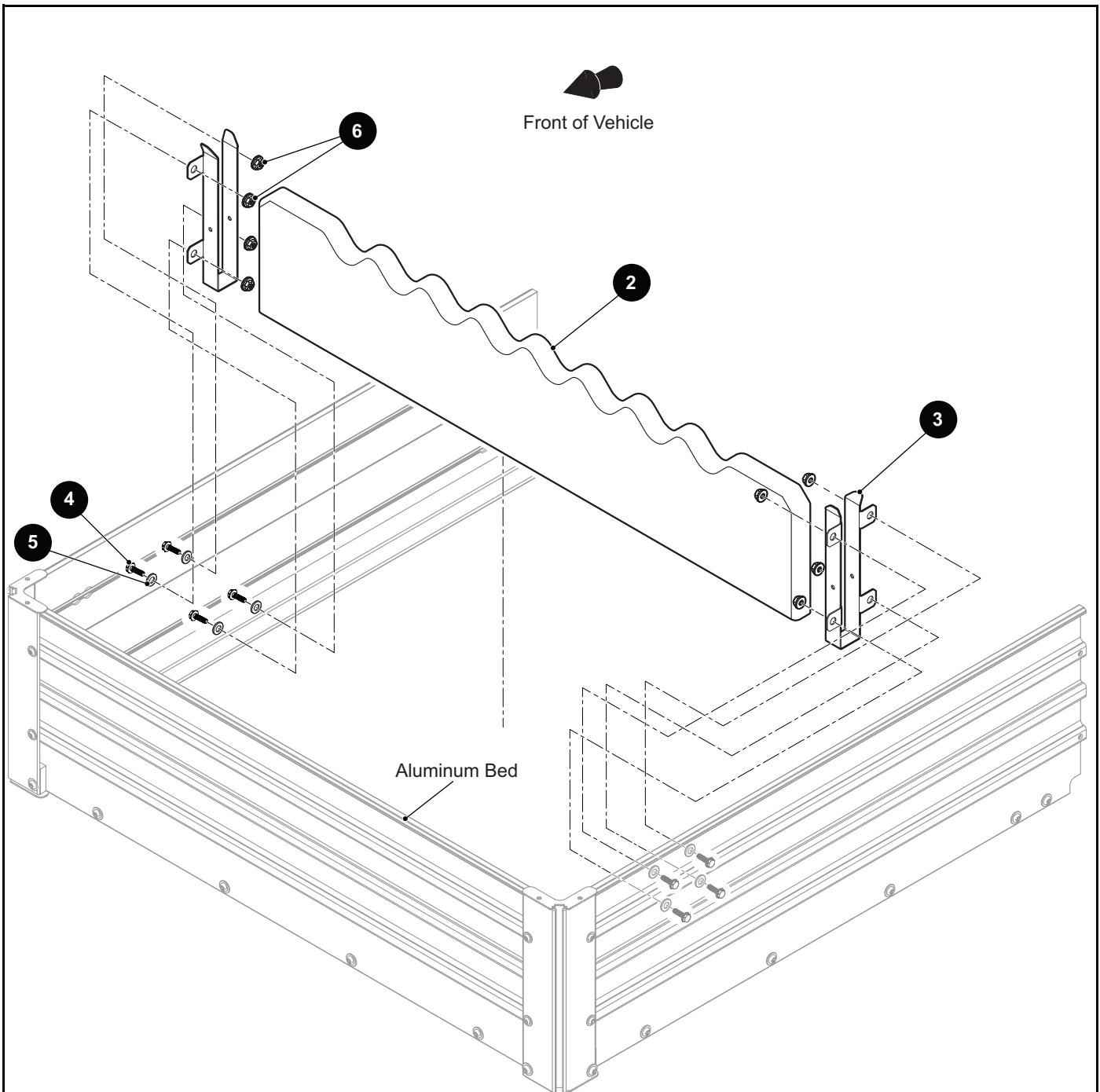
When ordering parts, please specify the model and serial number of the product.

* Indicates a component that is not available as an individual part.

*** Indicates consult Customer Service Department for additional information.

ITEM	PART NO.	1 2 3 4 5	DESCRIPTION	QTY.
1	658536		TOOL HOLDER KIT (INCLUDES ITEMS 2 - 7)	1
2	658535		BED BAR	2
3	00427G8		HEX HEAD BOLT, 3/8" - 16 X 2" LG.....	4
4	12262G1		FLANGED LOCK NUT, 3/8" - 16	4
5	00560G1		FLAT WASHER, 3/8"	4
6	652697		END CAP, 1" 1 1/2".....	2
7	652615		QUICK FIST KIT (INCLUDES ITEMS 8 - 11)	1
8	652590		QUICK FIST CLAMP (ORIGINAL).....	2
9	646404		QUICK FIST CLAMP (MINI).....	2
10	648271		PAN HEAD TORX SCREW, #8 - 15 X 1" LG	4
11	00559G4		FLAT WASHER, #8	4
12				
13				
14	652347		L-TRACK D-LOOP KIT (NOT ILLUSTRATED) (INCLUDES ITEM 15)	1
15	652346		L-TRACK D-LOOP.....	4

TRUCK BED



1 ALUMINUM BED DIVIDER KIT includes items 2 - 6

THE USE OF NON U.L. PARTS WILL VOID ANY U.L. LISTING.

When ordering parts, please specify the model and serial number of the product.

* Indicates a component that is not available as an individual part.

*** Indicates consult Customer Service Department for additional information.

ITEM	PART NO.	1 2 3 4 5	DESCRIPTION	QTY.
1	652674		ALUMINUM BED DIVIDER KIT (INCLUDES ITEMS 2 - 6).....	1
2	652673		BED DIVIDER.....	1
3	652677		BED DIVIDER BRACKET.....	2
4	00426G8		HEX HEAD FLANGED BOLT, 3/8" - 16 X 1" LG.....	8
5	00560G1		FLAT WASHER, 3/8"	8
6	12262G1		FLANGED LOCK NUT, 3/8" - 16	8

WEATHER PROTECTION

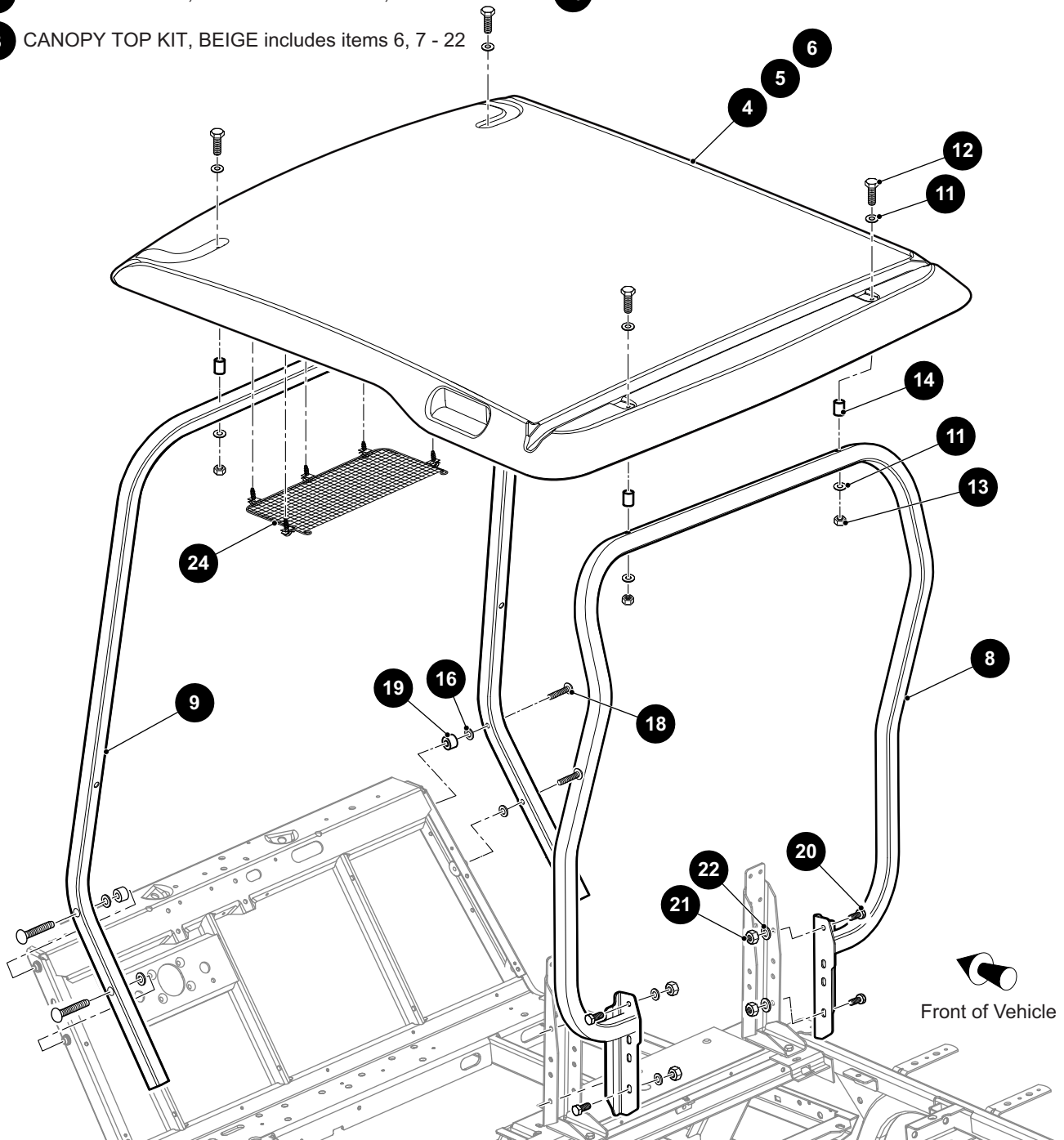
1 CANOPY TOP KIT, BLACK includes items 4, 7 - 22

2 CANOPY TOP KIT, TAN includes items 5, 7 - 22

3 CANOPY TOP KIT, BEIGE includes items 6, 7 - 22

7 CANOPY STRUT SET includes items 8 - 10

10 HARDWARE KIT includes items 11 - 22



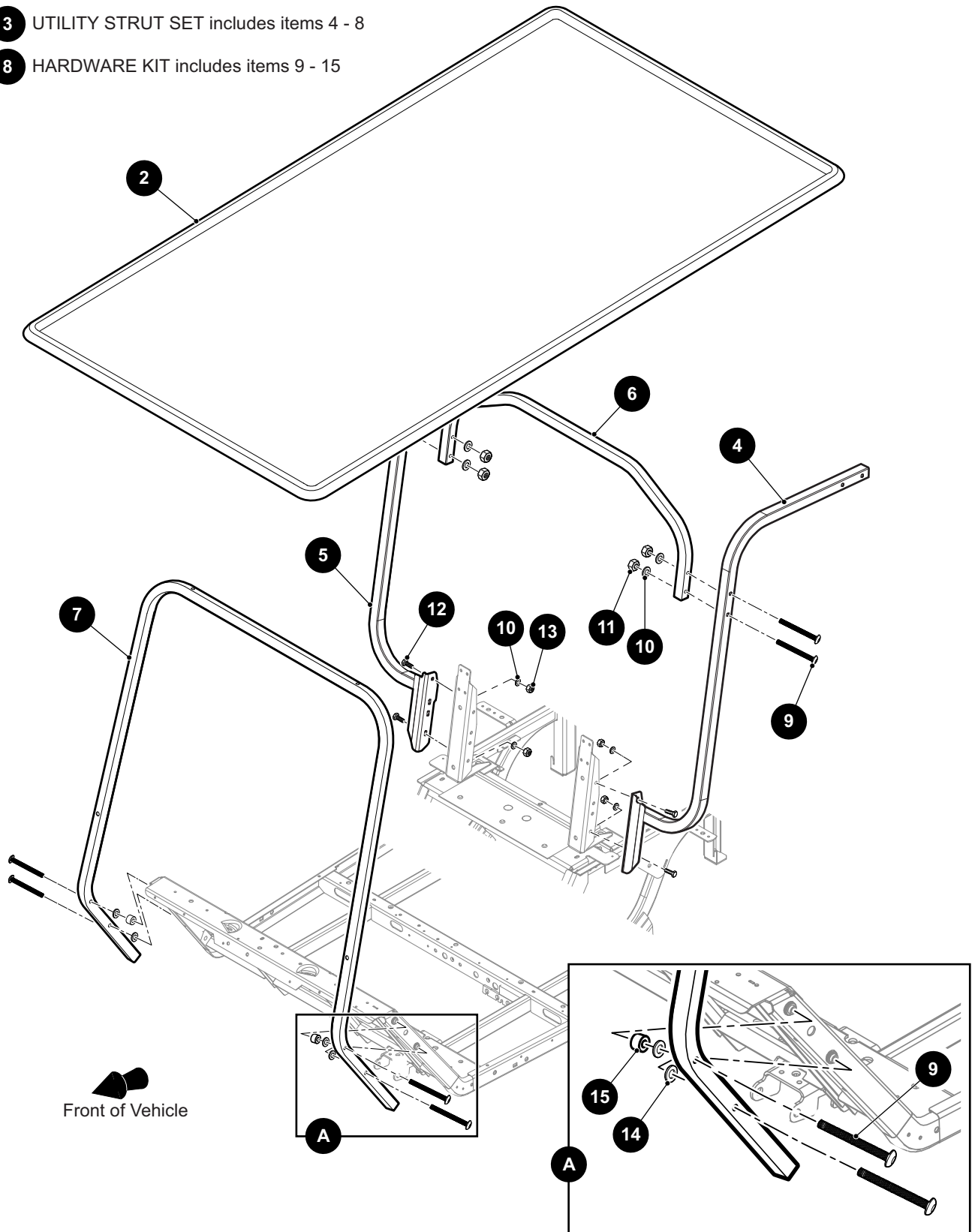
WEATHER PROTECTION

THE USE OF NON U.L. PARTS WILL VOID ANY U.L. LISTING.
 When ordering parts, please specify the model and serial number of the product.
 * Indicates a component that is not available as an individual part.
 *** Indicates consult Customer Service Department for additional information.

ITEM	PART NO.	1 2 3 4 5	DESCRIPTION	QTY.
1	651917G01		CANOPY TOP KIT (BLACK) (INCLUDES ITEMS 4, 7 - 22)	1
2	651917G02		CANPOPY TOP KIT (TAN) (INCLUDES ITEMS 5, 7 - 22).....	1
3	651917G03		CANOPY TOP KIT (BEIGE) (INCLUDES ITEMS 6, 7 - 22)	1
4	625292		CANOPY TOP (BLACK)	1
5	625290		CANOPY TOP (TAN)	1
6	625291		CANOPY TOP (BEIGE)	1
7	654452		STRUT SET (INCLUDES ITEMS 8 - 10)	1
8	658690		REAR STRUT	1
9	648270		FRONT STRUT	1
10	652328		HARDWARE KIT (INCLUDES ITEMS 11 - 22)	1
11	652324		FLAT WASHER, O.D .692" X I.D .349".....	8
12	652326		HEX HEAD BOLT, 1/4" - 20 X 2.75" LG.....	4
13	652319		LOCK NUT, 1/4 - 20.....	4
14	625301		SPACER, .74" LG	4
15				
16	634808		FLAT WASHER, 5/16"	4
17				
18	652311		ROUND HEAD TORX SCREW (BLACK), 5/16" - 18 X 3" LG	4
19	634807		SPACER, .5" LG	2
20	652313		HEX HEAD BOLT, 5/16" - 18 X 1" LG.....	4
21	652317		LOCK NUT, 5/16" - 18 X .34" LG	4
22	634810		FLAT WASHER, 5/16"	4
23				
24	653594		MESH NET KIT	1

WEATHER PROTECTION

- 1 BESTOP KIT includes items 2 - 3
- 3 UTILITY STRUT SET includes items 4 - 8
- 8 HARDWARE KIT includes items 9 - 15

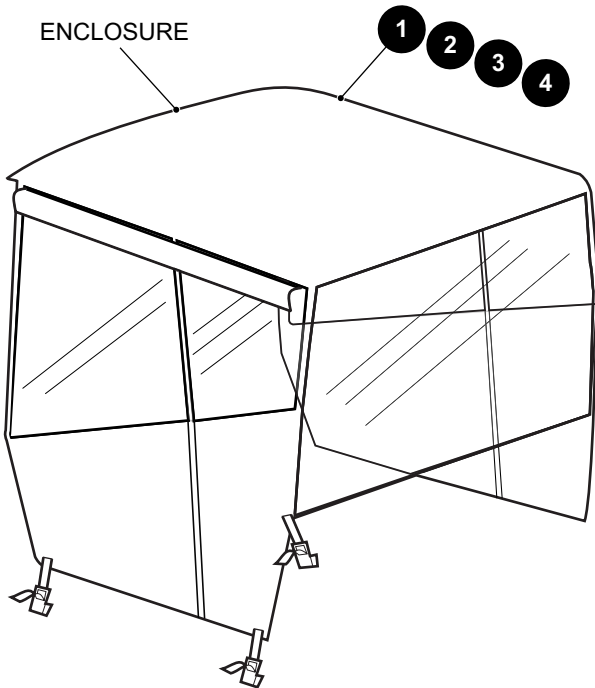


WEATHER PROTECTION

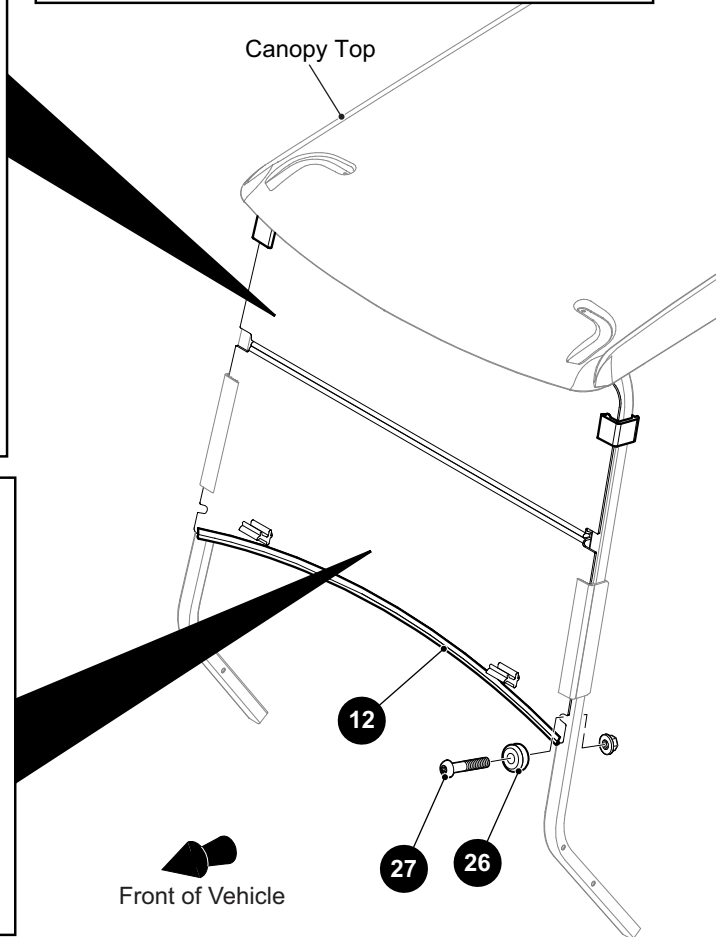
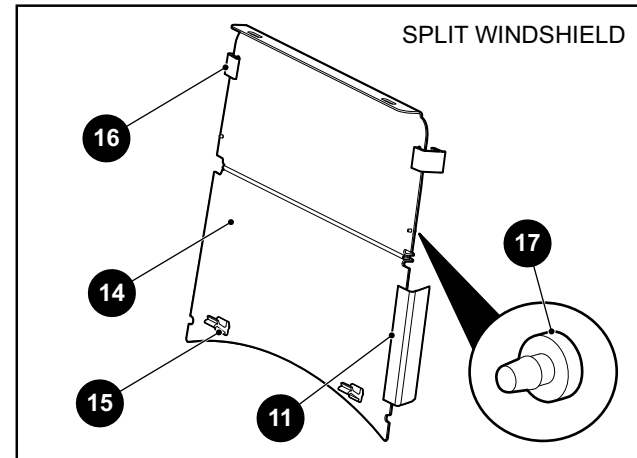
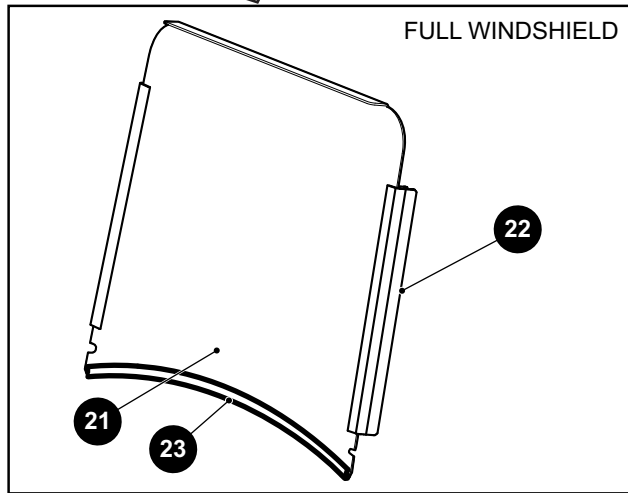
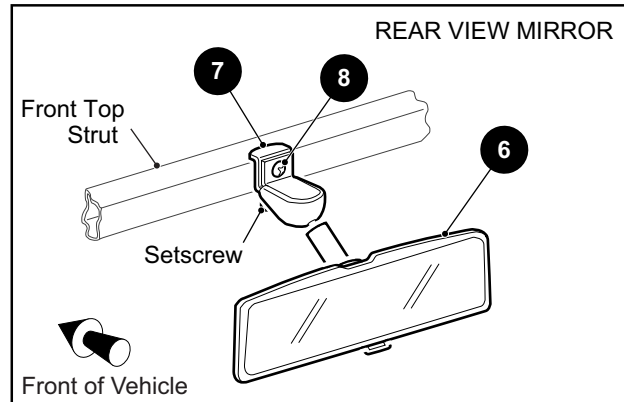
THE USE OF NON U.L. PARTS WILL VOID ANY U.L. LISTING.
 When ordering parts, please specify the model and serial number of the product.
 * Indicates a component that is not available as an individual part.
 *** Indicates consult Customer Service Department for additional information.

ITEM	PART NO.	1	2	3	4	5	DESCRIPTION	QTY.
1	651916G01						BESTOP KIT (BLACK) (INCLUDES ITEMS 2 - 3)	1
2	655556						SOFT TOP KIT	1
3	651871						UTILITY STRUT SET (INCLUDES ITEMS 4 - 8).....	1
4	659146G01						REAR STRUT (DRIVER SIDE).....	1
5	659146G02						REAR STRUT (PASSENGER SIDE)	1
6	651857						BRACE.....	1
7	648270						FRONT STRUT	1
8	652843						HARDWARE KIT (INCLUDES ITEMS 9 - 15)	1
9	652311						ROUND HEAD TORX SCREW, 5/16" - 18 X 3" LG	8
10	634810						FLAT WASHER, 5/16"	8
11	654587						HEX NUT, 5/16"	4
12	652313						HEX HEAD BOLT, 5/16" - 18 X 1" LG.....	4
13	652317						LOCK NUT, 5/16" - 18	8
14	634808						FLAT WASHER, 5/16"	4
15	634807						SPACER, O.D .328 X I.D .75.....	2
16								
17								
18								
19	601379						REAR VIEW MIRROR KIT (NOT ILLUSTRATED).....	1

WEATHER PROTECTION



- 5 REAR VIEW MIRROR KIT includes items 11 - 16
- 10 SPLIT WINDSHIELD UTILITY KIT includes items 11 - 17, 25
- 13 SPLIT WINDSHIELD ASSEMBLY includes items 14 - 17
- 20 FULL WINDSHIELD UTILITY KIT includes items 21 - 25
- 25 WINDSHIELD HARDWARE KIT includes items 26 - 27



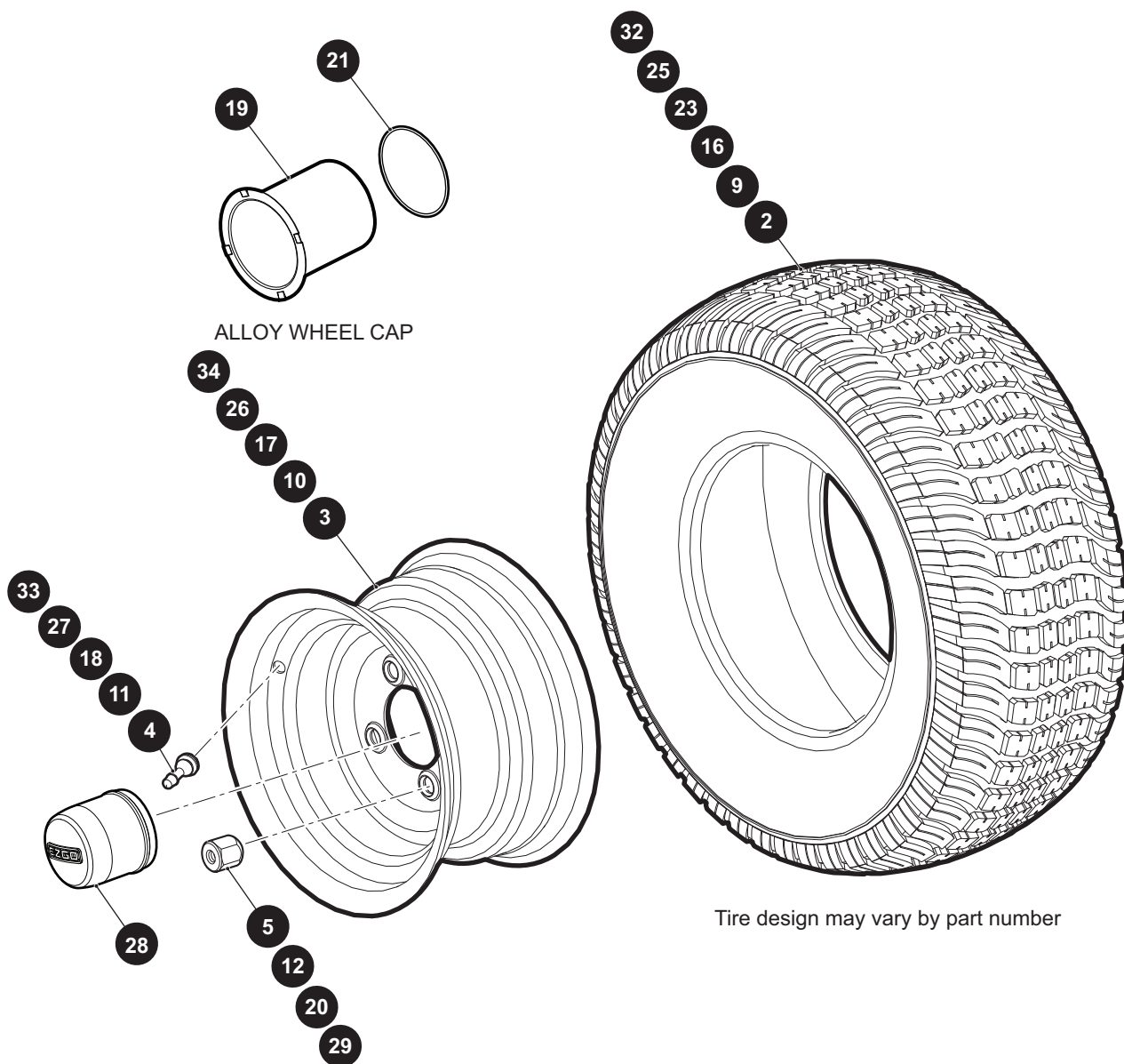
WEATHER PROTECTION

THE USE OF NON U.L. PARTS WILL VOID ANY U.L. LISTING.
 When ordering parts, please specify the model and serial number of the product.
 * Indicates a component that is not available as an individual part.
 *** Indicates consult Customer Service Department for additional information.

ITEM	PART NO.	1 2 3 4 5	DESCRIPTION	QTY.
1	652344G01		TOP ENCLOSURE (WHITE), 54"	1
2	652344G02		TOP ENCLOSURE (BLACK), 54"	1
3	652344G03		TOP ENCLOSURE (TAN), 54"	1
4	652845G01		TOP ENCLOSURE (BLACK), 86"	1
5	19528G2		REAR VIEW MIRROR KIT (INCLUDES ITEMS 6 - 8)	1
6	19496G1		REAR VIEW MIRROR	1
7	19502G2		SUPPORT BRACKET	1
8	19527G1		PAN HEAD SCREW (SS), #8 - 32 X 5/8" LG	1
9				
10	649825		SPLIT WINDSHIELD KIT (INCLUDES ITEMS 11 - 17, 25).....	1
11	613136		SASH	2
12	649836		SEAL.....	1
13	649849		SPLIT WINDSHIELD ASSEMBLY (INCLUDES ITEMS 14 - 17)	1
14	*		WINDSHIELD.....	1
15	603201		LOWER LATCH	2
16	603198		UPPER LATCH	2
17	604115		GROMMET	2
18				
19				
20	649883		FULL WINDSHIELD KIT (INCLUDES ITEMS 21 - 25).....	1
21	*		FLAT WINDSHIELD	1
22	649885		SASH.....	1
23	649836		SEAL.....	1
24				
25	607014		WINDSHIELD HARDWARE KIT (INCLUDES ITEMS 26 - 27).....	1
26	604116		GROMMET	2
27	602572		PAN HEAD TAPTITE BOLT, M10 - 1.5 X 25 MM LG	2

WHEELS AND TIRES

- 1 WHEEL AND TIRE ASSEMBLY includes items 2 - 4
- 8 WHEEL AND TIRE ASSEMBLY includes items 9 - 11
- 15 WHEEL AND TIRE ASSEMBLY includes items 16 - 18
- 24 WHEEL AND TIRE ASSEMBLY includes items 25 - 27
- 31 WHEEL AND TIRE ASSEMBLY includes items 32 - 34



WHEELS AND TIRES

THE USE OF NON U.L. PARTS WILL VOID ANY U.L. LISTING.
 When ordering parts, specify the model and serial number of the product.
 * Indicates a component that is not available as an individual part.
 *** Indicates consult Customer Service Department for additional information.

ITEM	PART NO.	1 2 3 4 5	DESCRIPTION	QTY.
1	652263		WHEEL AND TIRE ASSEMBLY (KENDA) (INCLUDES ITEMS 2 - 4)	1
2	652986		TIRE, 20 X 8 - 10, 6PLY	1
3	643934		WHEEL, 10 X 6	1
4	643948		VALVE STEM.....	1
5	14723G1		LUG NUT, 1/2" - 20	4
6				
7				
8	652392		WHEEL AND TIRE ASSEMBLY (KENDA) (INCLUDES ITEMS 9 - 11).....	1
9	652992		TIRE, 205/65 - 10, 6PLY	1
10	643934		WHEEL, 10 X 6	1
11	643948		VALVE STEM.....	1
12	14723G1		LUG NUT, 1/2" - 20	4
13				
14				
15	608914		WHEEL AND TIRE ASSEMBLY, TERRA TRAC (INCLUDES ITEMS 16 - 18) (FOR VEHICLES MANUFACTURED BEFORE MAY 19, 2018)	1
16	606141		TIRE, 22 X 11 X 10.....	1
17	604927		WHEEL, 10 X 7	1
18	604915		VALVE STEM.....	1
19	601353		WHEEL CAP (ALLOY)	1
20	605310		LUG NUT (CHROME), 1/2" - 20 X 1.88" LG	4
21	650164		O-RING	1
22				
23	665084		TIRE, 22 X 10 R10	1
24	607252		WHEEL AND TIRE ASSEMBLY, TERRA TRAC (INCLUDES ITEMS 25 - 27)	1
25	606142		TIRE, 23 X 10.5 X 12.....	1
26	606149		WHEEL.....	1
27	604915		VALVE STEM.....	1
28	614272		WHEEL CAP	1
29	605310		LUG NUT, 1/2" - 20 X 1.88" LG.....	4

WHEELS AND TIRES

THE USE OF NON U.L. PARTS WILL VOID ANY U.L. LISTING.

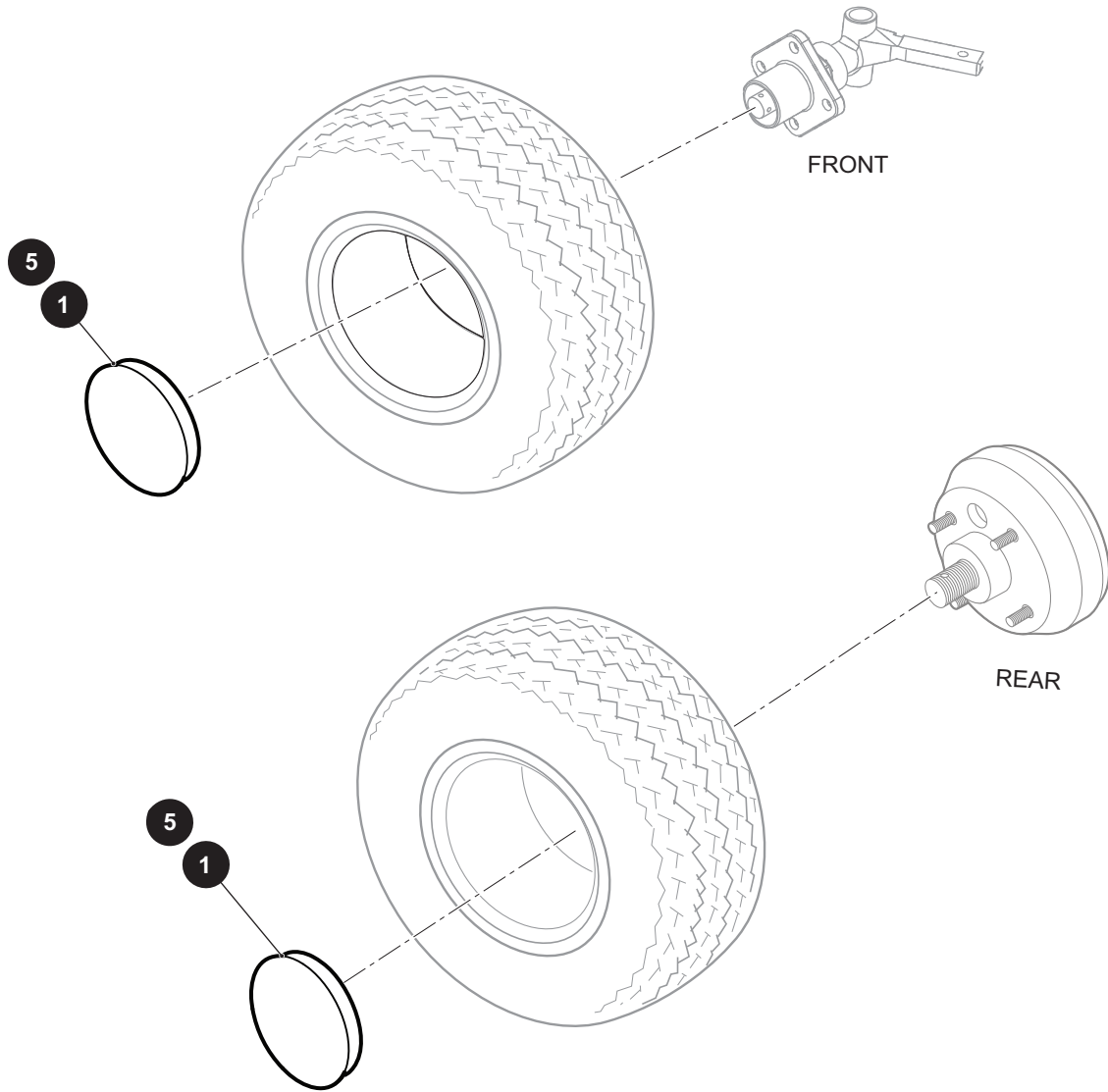
When ordering parts, please specify the model and serial number of the product.

* Indicates a component that is not available as an individual part.

*** Indicates consult Customer Service Department for additional information.

ITEM	PART NO.	1	2	3	4	5	DESCRIPTION	QTY.
30								
31	653627						WHEEL AND TIRE ASSEMBLY (INCLUDES ITEMS 32 - 34) (FOR VEHICLES MANUFACTURED AFTER MAY 19, 2018)	AR
32	658351						TIRE, K502, 22 X 10 - 10, 6PLY	1
33	604915						CHROME VALVE STEM	1
34	604927						POLISHED SPOKED WHEEL, 10 X 7.....	1

WHEELS AND TIRES

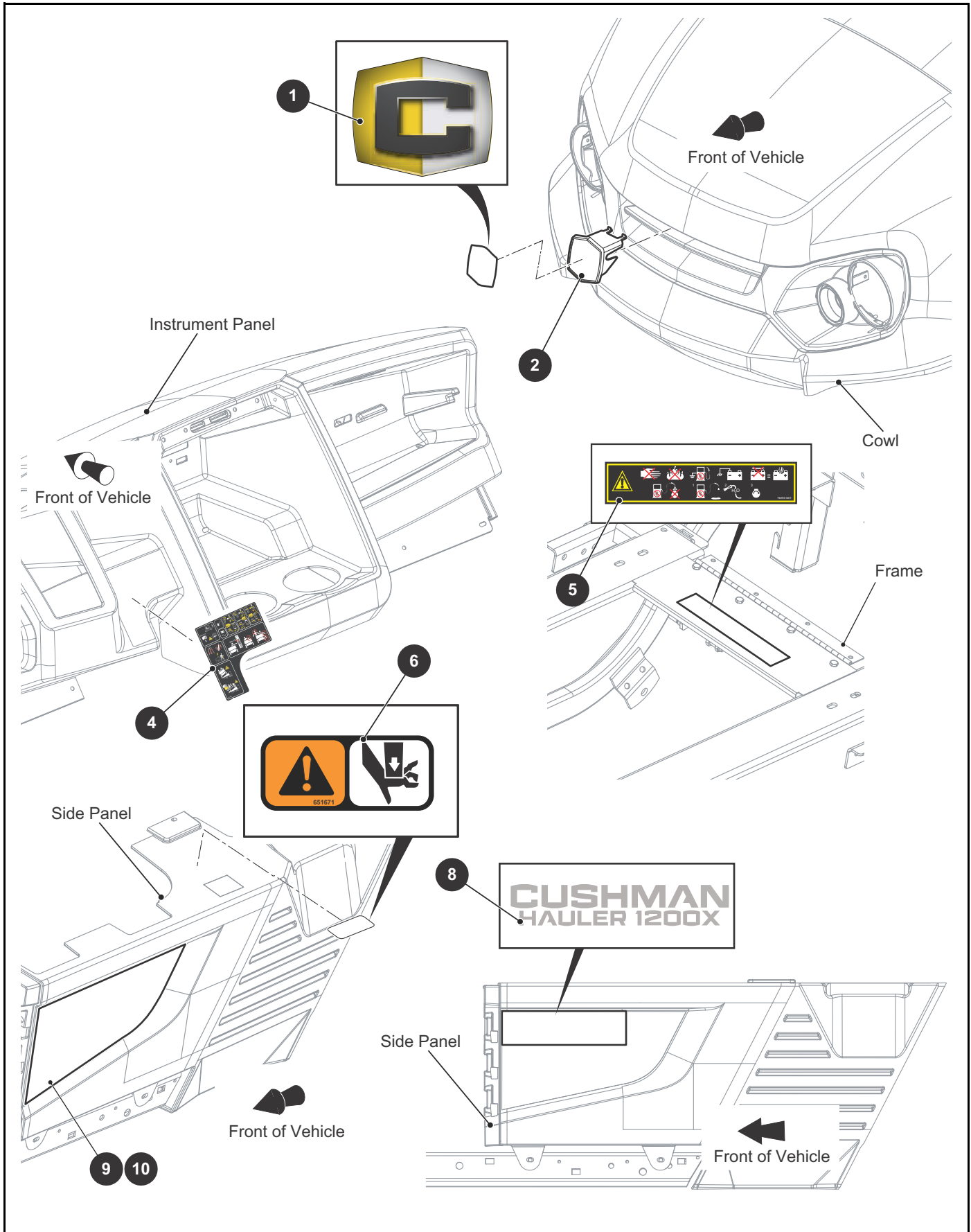


WHEELS AND TIRES

THE USE OF NON U.L. PARTS WILL VOID ANY U.L. LISTING.
 When ordering parts, specify the model and serial number of the product.
 * Indicates a component that is not available as an individual part.
 *** Indicates consult Customer Service Department for additional information.

ITEM	PART NO.	1 2 3 4 5	DESCRIPTION	QTY.
1	74175G01		DUST CAP	1
2				
3				
4				
5	608912		WHEEL COVER.....	1

DECALS AND LABELS



DECALS AND LABELS

THE USE OF NON U.L. PARTS WILL VOID ANY U.L. LISTING.

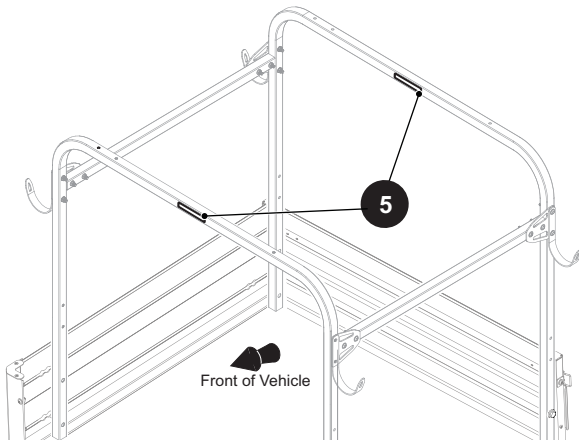
When ordering parts, please specify the model and serial number of the product.

* Indicates a component that is not available as an individual part.

*** Indicates consult Customer Service Department for additional information.

ITEM	PART NO.	1 2 3 4 5	DESCRIPTION	QTY.
1	650284		COWL DECAL	1
2	649875G01		COWL LOGO ATTACHMENT	1
3				
4	651654		OPERATING INSTRUCTION LABEL	1
5	74093G01		ENGINE WARNING LABEL	1
6	651671		PINCH WARNING LABEL	1
7				
8	652081		SIDE PANEL DECAL	1
9	651580G02XX		SIDE COLOR DECAL (PASSENGER SIDE) (SEE COLOR CODE IN HOW TO USE SECTION)	1
10	651580G01XX		SIDE COLOR DECAL (DRIVER SIDE) (SEE COLOR CODE IN HOW TO USE SECTION)	1

DECALS AND LABELS



5

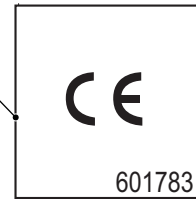
WARNING

- Maximum weight capacity for the ladder rack is 50 lbs. (22 kg).
- The bed load capacity is reduced anytime the ladder rack is installed. Refer to the bed label to determine reduced capacity.
 - If 800 lbs. (362 kg), maximum bed load capacity is reduced to 650 lbs. (295 kg).
 - If 500 lbs. (227 kg), maximum bed load capacity is reduced to 300 lbs. (136 kg).
- To prevent an increased risk of rollover, do not exceed maximum weight limits indicated.

7



4



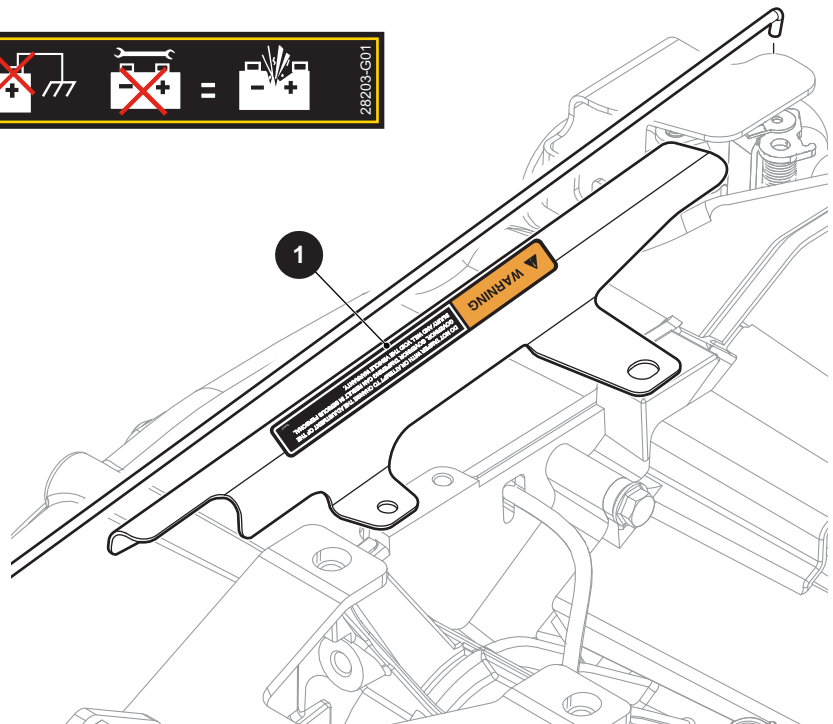
3



2



1



DECALS AND LABELS

THE USE OF NON U.L. PARTS WILL VOID ANY U.L. LISTING.

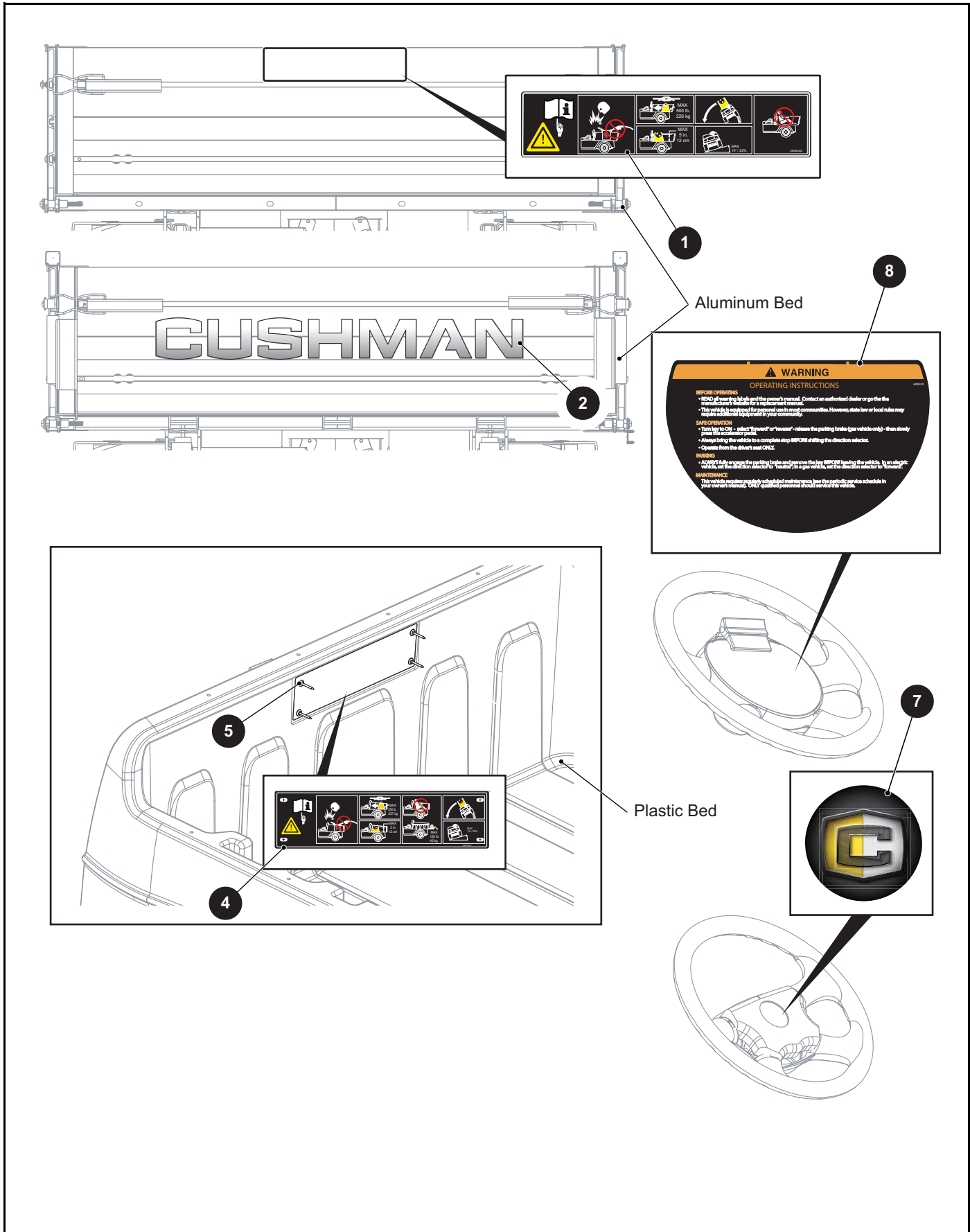
When ordering parts, please specify the model and serial number of the product.

* Indicates a component that is not available as an individual part.

*** Indicates consult Customer Service Department for additional information.

ITEM	PART NO.	1 2 3 4 5	DESCRIPTION	QTY.
1	608527		GOVERNOR WARNING LABEL.....	1
2	608822		GOVERNOR (FOR CE VEHICLES)	1
3	68203G01		BATTERY WARNING LABEL (FOR CE VEHICLES)	1
4	601783		CE SYMBOL LABEL (FOR CE VEHICLES)	1
5	658428		HOOP RACK WARNING LABEL	2
6				
7	614121		OPERATING INSTRUCTION LABEL (FOR CE VEHICLES)	1

DECALS AND LABELS



DECALS AND LABELS

THE USE OF NON U.L. PARTS WILL VOID ANY U.L. LISTING.

When ordering parts, please specify the model and serial number of the product.

* Indicates a component that is not available as an individual part.

*** Indicates consult Customer Service Department for additional information.

ITEM	PART NO.	1 2 3 4 5	DESCRIPTION	QTY.
1	35980G02		LOAD BED LABEL (ALUMINUM) (500 LBS)	1
2	618088		TAILGATE DECAL	1
3				
4	74821G01		LOAD BED LABEL (PLASTIC) (500 LBS)	1
5	71055G01		RIVET (ALUMINUM), 3/16" X .985" LG	4
6				
7	618086		STEERING WHEEL DECAL	1
8	608529		STEERING WHEEL WARNING LABEL	1



CUSHMAN®

LET'S WORK!

Textron Specialized Vehicles, Inc.
1451 Marvin Griffin Road
Augusta, Georgia 30906 - 3852 USA

CONTACT US:

North America:

Technical Assistance & Warranty Phone: 1-800-774-3946, FAX: 1-800-448-8124
Service Parts Phone: 1-888-438-3946, FAX: 1-800-752-6175

International:

Phone: 001-706-798-4311, FAX: 001-706-771-4609

Service Parts Manuals, as well as Repair and Service Manuals
are available from a local Distributor, or an authorized Branch,
Parts & Accessories Department or at www.cushman.com.

Copyrighted Material

This manual may not be reproduced in whole
or in part without the express permission of
TSV Technical Communications Department