



CUSHMAN®
LET'S WORK!

Service Parts Manual

GASOLINE POWERED UTILITY VEHICLE



629502-AV

ISSUED MARCH 2013

REVISED OCTOBER 2018

SERVICE PARTS MANUAL

GASOLINE POWERED UTILITY VEHICLE

SHUTTLE 8

STARTING MODEL YEAR 2013

DISCLAIMER: The E-Z-GO Division of Textron Inc. (E-Z-GO) reserves the right to incorporate engineering and design changes to products in this Manual, without obligation to include these changes on units leased/sold previously.

The information contained in this Manual may be revised periodically E-Z-GO, and therefore is subject to change without notice.

E-Z-GO DISCLAIMS LIABILITY FOR ERRORS IN THIS MANUAL, and E-Z-GO SPECIFICALLY DISCLAIMS LIABILITY FOR INCIDENTAL AND CONSEQUENTIAL DAMAGES RESULTING FROM THE USE OF THE INFORMATION AND MATERIALS IN THIS MANUAL.

TO CONTACT US

NORTH AMERICA:

TECHNICAL ASSISTANCE & WARRANTY PHONE: 1-800-774-3946, FAX: 1-800-448-8124

SERVICE PARTS PHONE: 1-888-GET-EZGO (1-888-438-3946), FAX: 1-800-752-6175

INTERNATIONAL: PHONE: 001-706-798-4311, FAX: 001-706-771-4609

E-Z-GO DIVISION OF TEXTRON INC., 1451 MARVIN GRIFFIN RD., AUGUSTA, GEORGIA USA 30906-3852

GENERAL INFORMATION

To obtain a copy of the limited warranty applicable to the vehicle, call or write a local Distributor, authorized Branch or the Warranty Department with vehicle serial number and manufacturer code.

The use of non Original Equipment Manufacturer (OEM) approved parts may void the warranty.

Tampering with or adjusting the governor to permit vehicle to operate at above factory specifications will void the vehicle warranty.

When servicing engines, all adjustments and replacement components must be per original vehicle specifications in order to maintain the United States of America Federal and State emission certification applicable at the time of manufacture.

BATTERY PROLONGED STORAGE

All batteries will self discharge over time. The rate of self discharge varies depending on the ambient temperature and the age and condition of the batteries.

A fully charged battery will not freeze in winter temperatures unless the temperature falls below -75° F (-60° C).

TABLE OF CONTENTS

SECTION	Page No.
HOW TO USE THE SERVICE PARTS MANUAL	Vii
ACCELERATOR	A - 1
AIR FILTER	B - 1
BODY	C - 1
BRAKES	D - 1
PARKING BRAKE	E - 1
CARBURETOR	F - 1
CLUTCH	G - 1
DIRECTION SELECTOR	H - 1
ELECTRICAL SYSTEM	J - 1
ENGINE AND MUFLER	K - 1
ENGINE MOUNTING	L - 1
FRONT SUSPENSION AND STEERING	M - 1
FUEL SYSTEM	N - 1
REAR AXLE	P - 1
REAR SUSPENSION	Q - 1
SEATING	R - 1
STARTER / GENERATOR	S - 1
TRUCK BED	T - 1
WEATHER PROTECTION	U - 1
WHEELS AND TIRES	V - 1

NOTES

A large grid of graph paper for taking notes, consisting of 20 columns and 30 rows of small squares.

HOW TO USE THE SERVICE PARTS MANUAL

This manual is divided into several sections:

- GENERAL INFORMATION
- ILLUSTRATED PARTS BREAKDOWN
- APPENDIX

The first section, GENERAL INFORMATION, contains the following information:

- WARRANTY INFORMATION
- GENERAL INDEX
- HOW TO USE THE SERVICE PARTS MANUAL

The second section, ILLUSTRATED PARTS BREAKDOWN, contains illustrations and parts lists for all systems of your vehicle.

The third section, APPENDIX, contains a listing of specialty products and accessories.

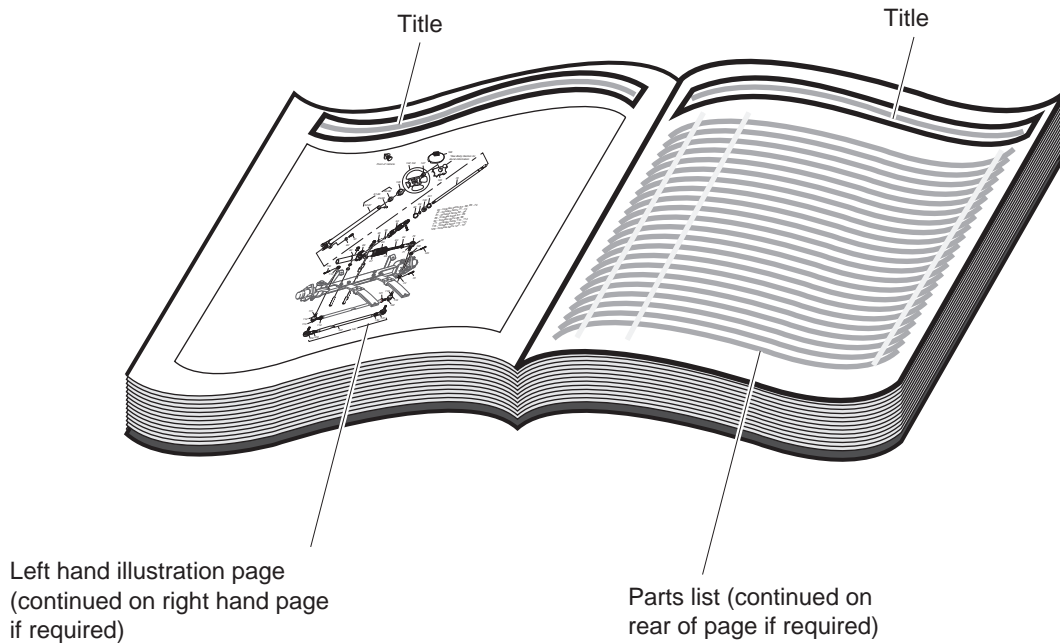
USE OF THE MANUAL

To use this manual, consult the GENERAL INDEX to locate the information or illustration required.

Introduction of some revisions varies due to supply of components; therefore, it is possible that various combinations of components may be found that are not directly reflected by each illustration. Consult the illustration that best suits your situation and then contact the Service Parts Department. It is important that the serial number of your vehicle and its model number be supplied to Service Parts when ordering any replacement components.

Locate the serial number plate (see BODY located in the Illustrated Parts Breakdown section of this manual for its location) and note the complete number shown on the plate.

HOW TO USE THE SERVICE PARTS MANUAL



1. WHEN THE PART NUMBER IS NOT KNOWN

- Determine the function and application of the part required. Turn to the General Index and select the most appropriate title.
- Turn to the page number indicated and locate the desired part on the illustration.
- From the illustration, obtain the item number assigned to the desired part. Refer to the accompanying description for specific information regarding the part.

2. IF YOU KNOW THE PART NUMBER

- Locate the part number or description in the appropriate column on the parts list page.

NOTE: It is suggested that you confirm that the part selected is correct by verifying it with the pictorial representation on the illustrated page.

Should an asterisk (*) appear in the part number column on the parts list page, read upwards until a part number is found. The part number is the lowest assembly sold by Service Parts and the asterisk (*) indicates that the part depicted is not available for purchase.

NOTE: Descriptions are indented under the assembly that they are used on. That assembly is, in turn listed under the assembly that it is used on. This process is repeated until the highest final assembly is reached.

To facilitate the maintenance and repair of the vehicle, a Technician's Repair and Service Manual is available from the Service Parts Department.

HOW TO USE THE SERVICE PARTS MANUAL

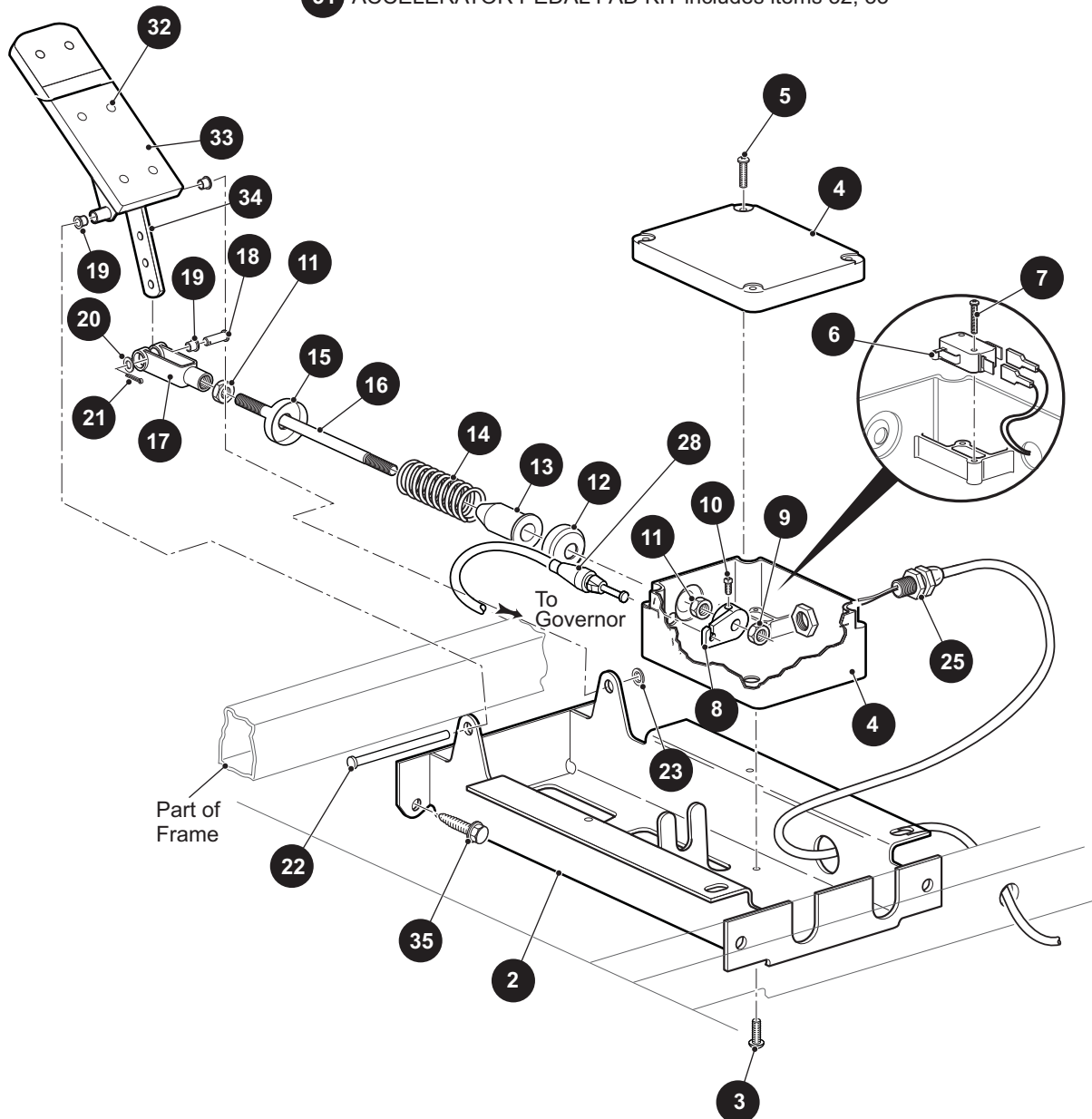
3. COLOR CODE FOR BODY COMPONENTS

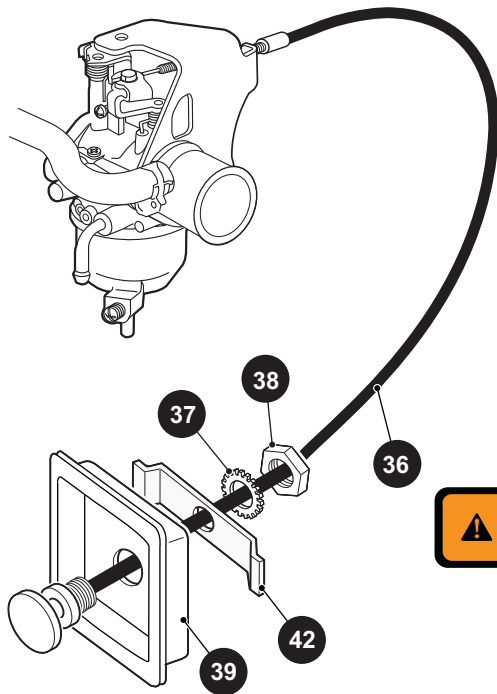
The last two digits of the part number for the body part will denote the color code. Locate the part number for the cowl, rear body, seat pod, side panel or seat wrap then locate your color in the list below. Replace the last ** or XX with the two digit color code.

<u>CODE #</u>	<u>DESCRIPTION</u>	<u>CODE #</u>	<u>DESCRIPTION</u>
01	NO PAINT	53	MOSSY OAK NEW BREAK UP - DIPPED
02	SPECIAL COLOR	54	MOSSY OAK OBSESSION - DIPPED
05	JACOBSEN ORANGE	55	REALTREE ADVANTAGE MAX 4 - DIPPED
06	LIGHT GOLD PEARL	56	REALTREE HARDWOOD BROWN - DIPPED
07	SILVER PEARL METALIC	57	REALTREE AP HOT PINK - DIPPED
11	BLACK	58	BLACK / SILVER MARBLE - DIPPED
12	EMERALD GREEN PEARL	59	RED / SILVER MARBLE - DIPPED
13	CLOUD GRAY	60	HOT PINK / SILVER MARBLE - DIPPED
14	VIPER BLUE METALLIC	61	REALTREE AP
19	PATRIOT BLUE PEARL	62	REALTREE MAX 4
20	INFERNO RED METALLIC	63	MOSSY OAK BREAKUP
23	ADVANTAGE CLASSIC CAMO	64	MOSSY OAK TREESTAND
24	NATURAL	65	REALTREE APG
25	VIVID NEW HOLLAND BLUE	66	REALTREE MAX 1
26	STEEL BLUE PEARL	67	REALTREE AP PINK
27	BRIGHT SILVER METALLIC	68	REALTREE AP - DIPPED
29	PRIMER ONLY	69	MONSTER GREEN
30	HD ADVANTAGE CAMO	74	BARLEY GOLD
31	METALLIC CHARCOAL	75	OASIS GREEN
32	LIGHT ALMOND PEARL	76	JAVA BROWN
33	TIMBERLINE GREEN		
34	DEEP MOLTEN RED		
35	SAFETY YELLOW		
36	IVORY		
37	FOREST GREEN		
38	BRIGHT WHITE		
39	FLAME RED		
40	BLACK		
41	ELECTRIC BLUE		
42	PLATINUM		
43	BURGUNDY		
44	ALMOND		
45	BLACK		
46	FLAME RED		
47	BURLINGTON GREEN		
48	BLACK		
49	FLAME RED		
50	RECON GREEN		
51	SUNBURST ORANGE		
52	BRITISH RACING GREEN		

ACCELERATOR

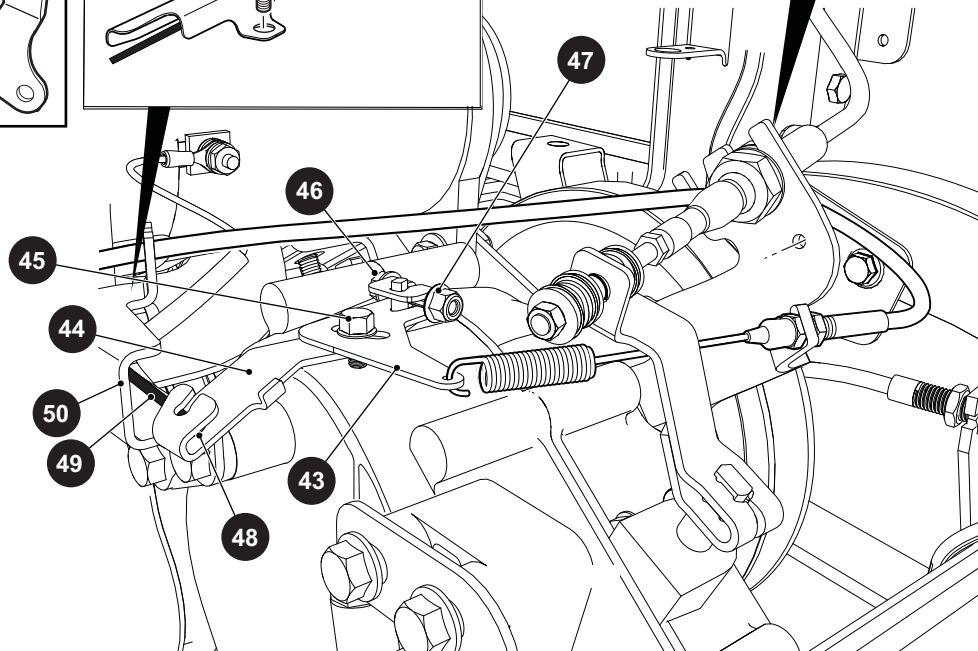
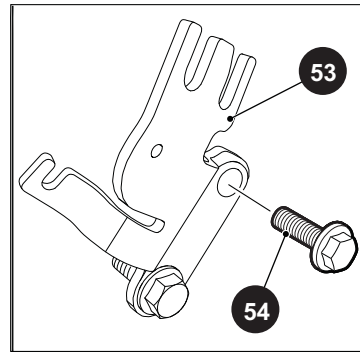
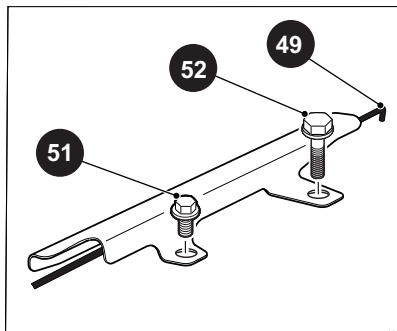
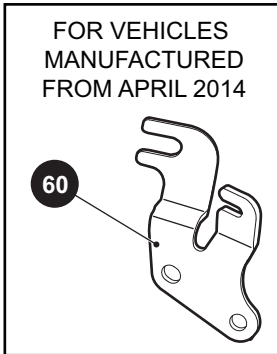
- 1 PEDAL BOX ASSEMBLY includes items 2 - 30
- 30 ACCELERATOR PEDAL ASSEMBLY includes items 31 - 34
- 31 ACCELERATOR PEDAL PAD KIT includes items 32, 33





⚠ WARNING DO NOT TAMPER WITH OR ATTEMPT TO CHANGE THE ADJUSTMENT OF THE GOVERNOR. GOVERNOR TAMPERING CAN RESULT IN SERIOUS PERSONAL INJURY AND WILL VOID THE VEHICLE WARRANTY.

56



Differential

ACCELERATOR

When ordering parts, please specify the model and serial number of the product.

* Indicates a component that is not available as an individual part.

*** Indicates consult Customer Service Department for additional information.

ITEM	PART NO.	1	2	3	4	5	DESCRIPTION	QTY.
1	606992						PEDAL BOX ASSEMBLY (INCLUDES ITEMS 2 - 30).....	1
2	652241G03						ACCELERATOR PEDAL BRACKET	1
3	01051G01						PAN HEAD PHILLIPS SCREW, #8 - 16 X 1/2" LG	4
4	25853G03						PEDAL BOX AND COVER.....	1
5	00684G6						TRUSS HEAD PHILLIPS SCREW, #8 - 32 X 3/4" LG	2
6	25861G01						MICRO SWITCH	1
7	01050G01						PAN HEAD TORX SCREW, #4 - 20 X 5/8" LG	2
8	72716G01						MICRO SWITCH CAM.....	1
9	15126G1						LOCK NUT, 5/16" - 24.....	1
10	00487G3						SET SCREW, 1/4" - 20 X 3/8" LG	1
11	00532G4						HEX NUT, 1/4" - 20	2
12	17677G1						SPRING RETAINER	1
13	17979G1						ACCELERATOR ROD BUSHING	1
14	73046G01						COMPRESSION SPRING	1
15	17677G2						SPRING RETAINER	1
16	72072G01						ACCELERATOR ROD	1
17	10385G4						CLEVIS YOKE (ADJUSTABLE)	1
18	10386G3						CLEVIS PIN, 5/16" X 13/16"	1
19	17838G1						NYLON BUSHING	3
20	17255G1						TEFLON WASHER, 5/16"	1
21	10387G3						COTTER PIN, 3/32" X 3/4"	1
22	74432G01						PEDAL PIVOT PIN.....	1
23	12064G6						PUSH NUT, 9/32"	1
24								
25	72201G04						WIRE HARNESS (PEDAL BOX).....	1
26								
27								
28	626829						ACCELERATOR CABLE.....	1
29								
30	627067						ACCELERATOR PEDAL ASSEMBLY (INCLUDES ITEMS 31 - 34)	1
31	27512G01						ACCELERATOR PEDAL PAD KIT (INCLUDES ITEMS 32, 33)	1

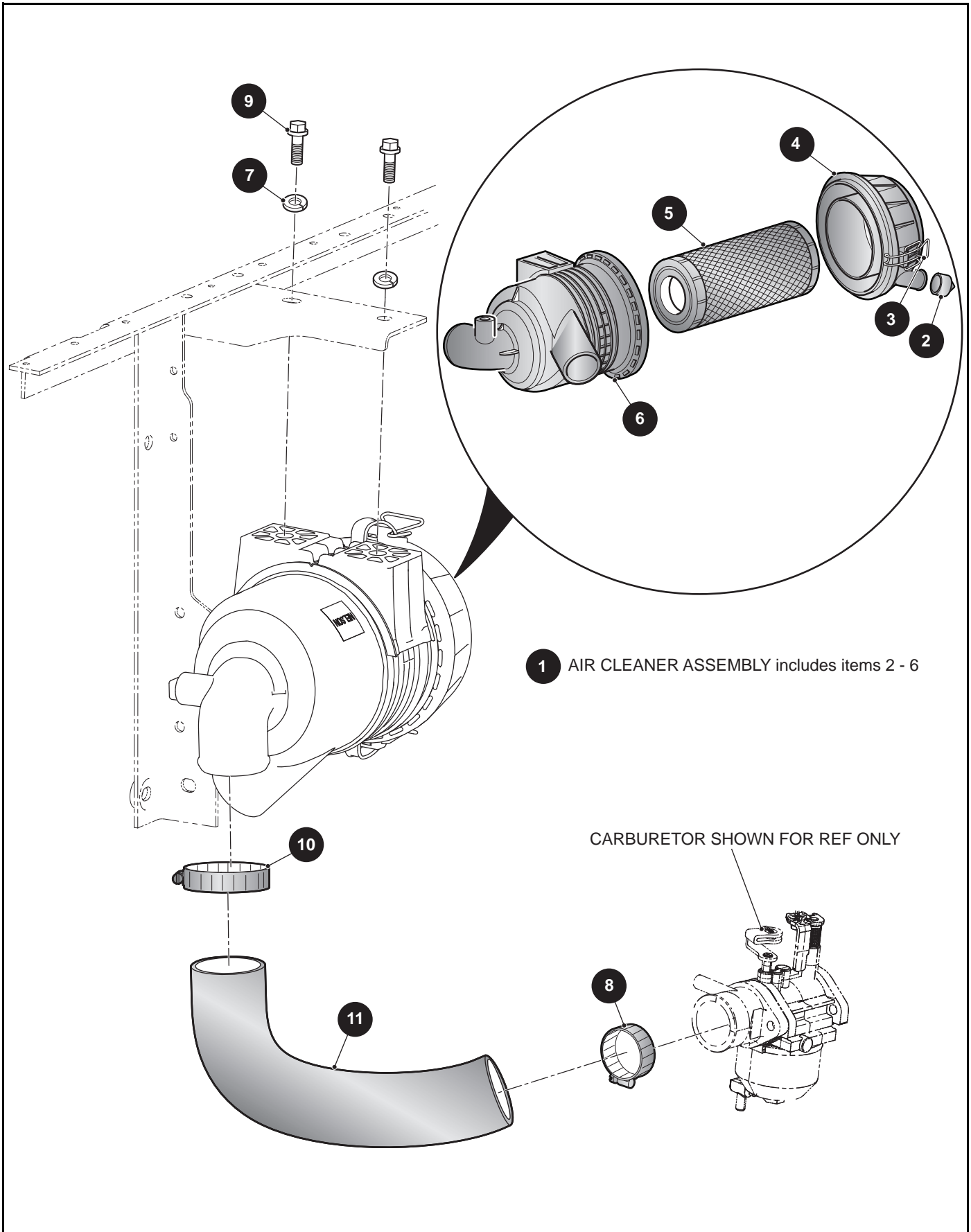
When ordering parts, please specify the model and serial number of the product.

* Indicates a component that is not available as an individual part.

*** Indicates consult Customer Service Department for additional information.

ITEM	PART NO.	1 2 3 4 5	DESCRIPTION	QTY.
32	16409G1		OVAL RIVET, 3/16" X 7/16" LG.....	6
33	27512G01		ACCELERATOR PEDAL PAD	1
34	*		ACCELERATOR PEDAL	
35	00715G2		HEX HEAD BOLT, 5/16" -18 X 4/5" LG	4
36	626825		CHOKE CABLE ASSY	1
37	00568G4		LOCK WASHER, 9/16"	1
38	00545G4		JAM NUT, 9/16" - 18	1
39	72154G01		CHOKE CABLE ADAPTER.....	1
40				
41				
42	72155G01		RETAINER	1
43	606083		UPPER GOVERNOR BRACKET.....	1
44	606005		LOWER GOVERNOR BRACKET	1
45	606265		HEX HEAD BOLT, M6 - 1 X 12MM LG.....	1
46	606421		HEX HEAD BOLT, M6 - 1 X 30MM LG.....	1
47	450452		HEX NUT, M6 - 1.0.....	1
48	606283		GOVERNOR LEVER BUSHING	1
49	606284		GOVERNOR ROD	1
50	603890		GOVERNOR ROD GUARD	1
51	606264		HEX HEAD BOLT, M6 - 1 X 20MM LG.....	1
52	606262		HEX HEAD BOLT, M8 - 1.25 X 16MM LG.....	1
53	606074		GOVERNOR CABLE / DIRECTION SELECTOR BRACKET	1
54	606256		HEX HEAD BOLT, M10 - 1.25 X 16MM LG.....	2
55				
56	608527		GOVERNOR WARNING DECAL.....	1
57				
58				
59	17618G1		NYLON CLAMP (NOT ILLUSTRATED)	2
60	632936		GOVERNOR CABLE / DIRECTION SELECTOR BRACKET (FOR VEHICLES MANUFACTURED FROM APRIL 2014).....	1

AIR FILTER

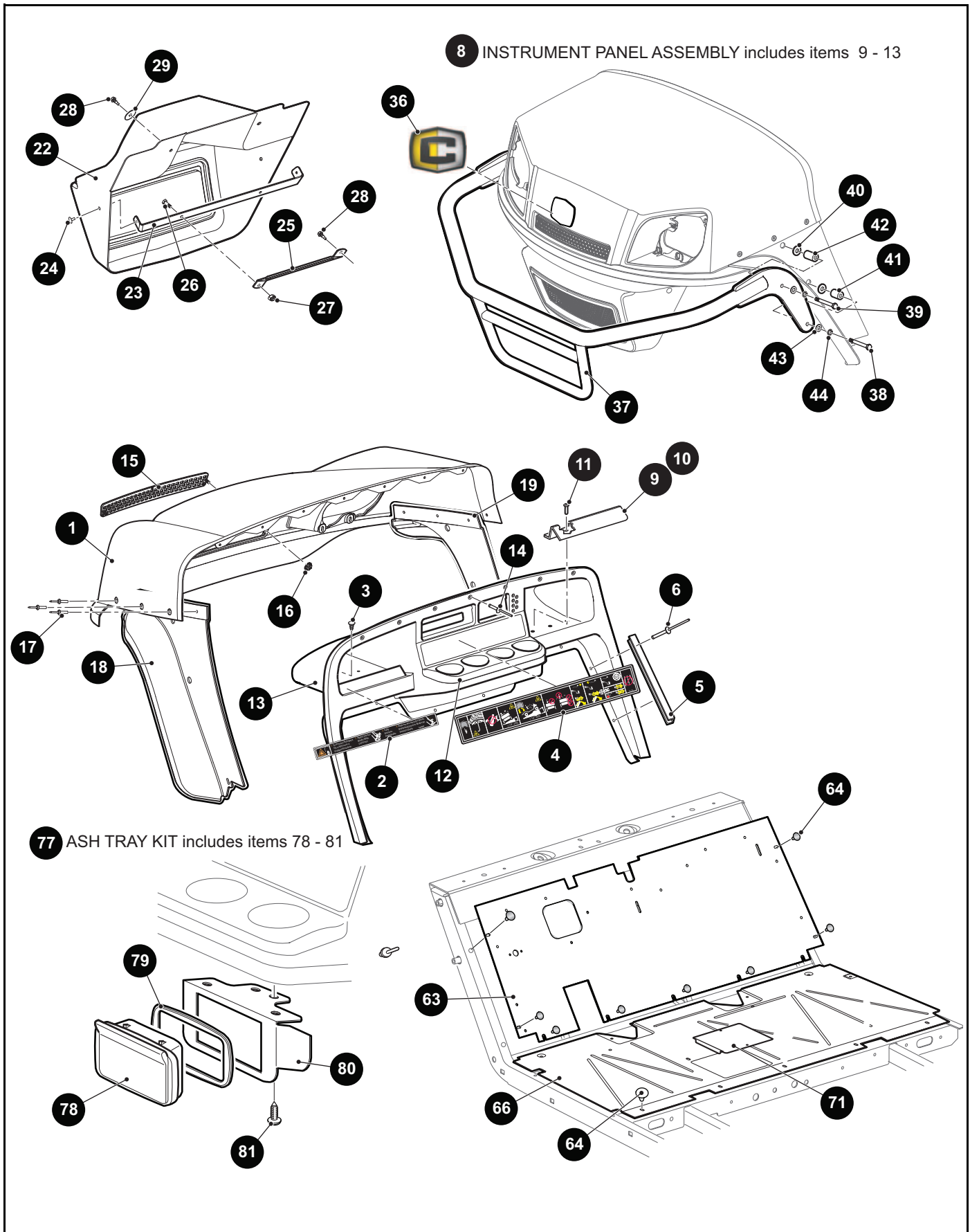


When ordering parts, please specify the model and serial number of the product.

* Indicates a component that is not available as an individual part.

*** Indicates consult Customer Service Department for additional information.

ITEM	PART NO.	1 2 3 4 5	DESCRIPTION	QTY.
1	614852		AIR CLEANER ASSEMBLY (INCLUDES ITEMS 2 - 6)	1
2	28462G01		DUST EJECTOR VALVE	1
3	72604G01		AIR CLEANER CLIP	2
4	72599G01		AIR CLEANER COVER	1
5	28463G01		AIR FILTER	1
6	615390		AIR CLEANER	1
7	606272		LOCK WASHER, 8 MM	2
8	11391G1		HOSE CLAMP, 1.31"	1
9	606261		HEX HEAD BOLT, M8 - 1.25 X 20MM LG	2
10	11391G7		HOSE CLAMP, 1.56"	1
11	607950		AIR FILTER HOSE	1



When ordering parts, please specify the model and serial number of the product.

* Indicates a component that is not available as an individual part.

*** Indicates consult Customer Service Department for additional information.

ITEM	PART NO.	1 2 3 4 5	DESCRIPTION	QTY.
1	613036G***		COWL (SEE COLOR CODES IN HOW TO USE SECTION).....	1
2	74443G01		ANTI - ROLLBACK DECAL.....	1
3	16816G2		RATCHET FASTENER, 1/4" X 3/4" LG.....	4
4	601781		OPERATOR INSTRUCTION DECAL.....	1
5	71115G01		VINYL TRIM.....	2
6	71055G01		RIVET, 3/16" X 1" (3/8" GRIP).....	4
7				
8	71151G01		INSTRUMENT PANEL ASSEMBLY (INCLUDES ITEMS 9 - 13).....	1
9	71153G01		DEFLECTOR (PASSENGER SIDE).....	1
10	71154G01		DEFLECTOR (DRIVER SIDE).....	1
11	00614G3		PAN HEAD PHILLIPS SCREW, #8 - 15 X 3/8" LG.....	4
12	71158G01		INSTRUMENT PANEL INSERT (FOUR CUP).....	1
13	71152G01		INSTRUMENT PANEL.....	1
14	71055G01		RIVET, 3/16" X 1" (3/8" GRIP).....	7
15	617643		COWL GRILL COVER.....	1
16	71597G01		SELF THREADING NUT, 3/16".....	2
17	71055G01		RIVET, 3/16" X 1" (3/8" GRIP).....	6
18	614378		FENDER FLARE (DRIVER SIDE).....	1
19	613274		FENDER FLARE (PASSENGER SIDE).....	1
20				
21				
22	613273		FRONT FASCIA.....	1
23	618653		FASCIA BRACKET.....	1
24	15058G1		RIVET (ALUMINUM) (BLACK), 3/16" X .45" (1/4" GRIP).....	2
25	70725G02		FRONT SHIELD BRACE.....	2
26	300646		HEX HEAD BOLT, 1/4" - 20 X 3/4" LG.....	2
27	14390G4		LOCK NUT, 1/4" - 20.....	2
28	01038G01		FLANGED HEX HEAD THREAD FORMING BOLT, 1/4" - 20 X 3/4" LG.....	4
29	16469G1		FENDER WASHER, 9/32" I.D X 1 1/4" O.D.....	2
30				
31				

BODY

When ordering parts, please specify the model and serial number of the product.

* Indicates a component that is not available as an individual part.

*** Indicates consult Customer Service Department for additional information.

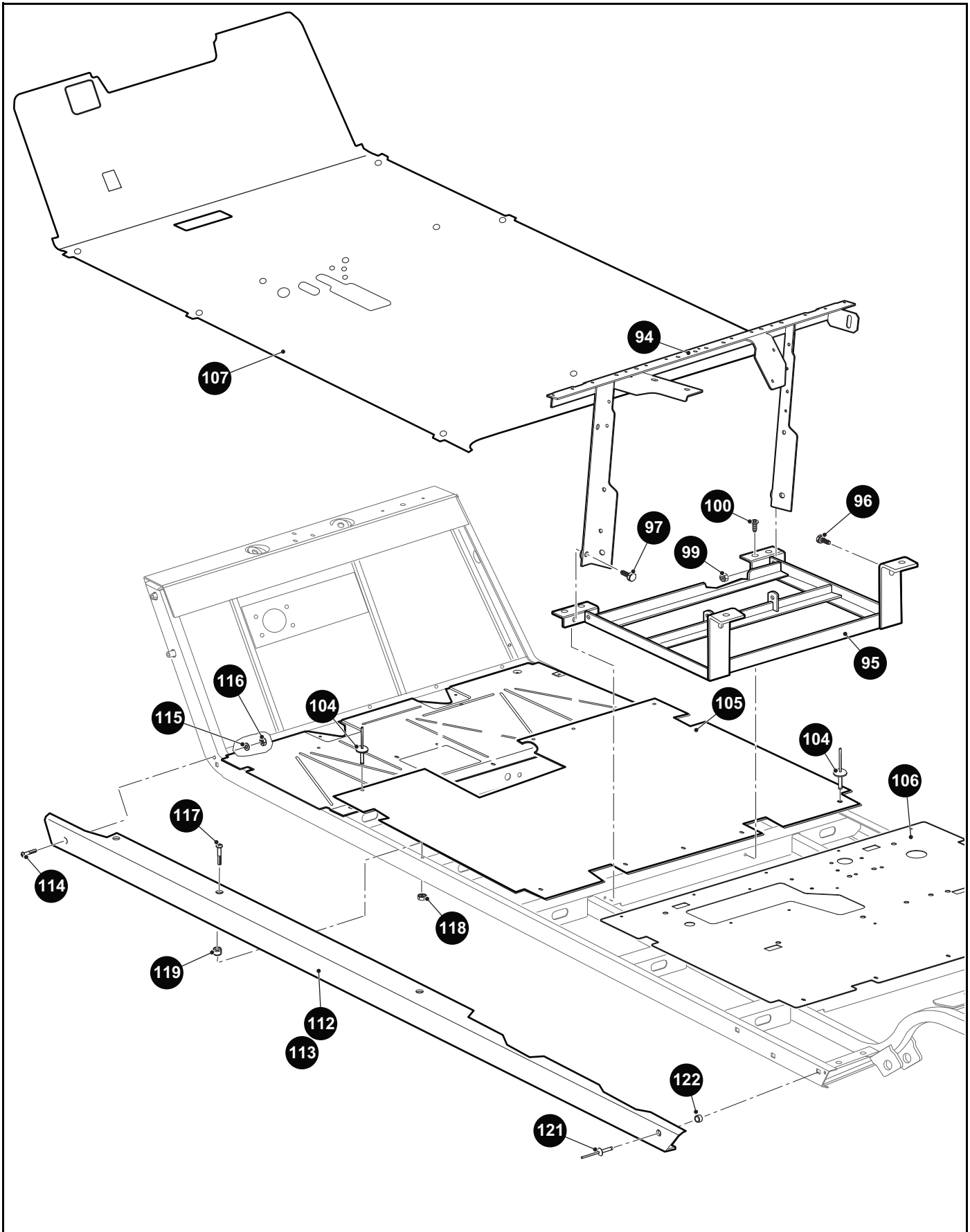
ITEM	PART NO.	1	2	3	4	5	DESCRIPTION	QTY.
32								
33								
34								
35								
36	619135						CUSHMAN COWL DECAL.....	1
37	617620						BRUSHGUARD.....	1
38	00440G2						HEX HEAD BOLT, 5/16" - 18 X 2 1/4" LG.....	2
39	00440G6						HEX HEAD BOLT, 5/16" - 18 X 2 3/4" LG.....	2
40	00570G2						FLAT WASHER, 5/16".....	4
41	75048G04						SPACER, 1".....	2
42	75048G02						SPACER, 1 5/16".....	2
43	00559G8						NARROW FLAT WASHER, 5/16".....	4
44	00905G8						LOCK WASHER, 5/16".....	4
45								
46								
47								
48								
49								
50								
51								
52								
53								
54								
55								
56								
57								
58								
59								
60								
61								
62								

When ordering parts, please specify the model and serial number of the product.

* Indicates a component that is not available as an individual part.

*** Indicates consult Customer Service Department for additional information.

ITEM	PART NO.	1 2 3 4 5	DESCRIPTION	QTY.
63	637534		UPPER FLOORPAN	1
64	14601G11		RIVET (ALUMINUM), 3/16" X 9/16"	17
65				
66	626492		LOWER FLOORPAN	1
67				
68				
69				
70				
71	70452G01		ACCESS COVER.....	1
72				
73				
74				
75				
76				
77	75109G03		ASH TRAY KIT (INCLUDES ITEMS 78 - 81)	1
78	27731G01		ASH TRAY	1
79	27736G01		GASKET	1
80	75108G02		BRACKET.....	1
81	00106G6		PAN HEAD PHILLIPS SCREW, #12 - 14 X .75" LG.....	4
82				
83				
84				
85				
86				
87				
88				
89				
90				
91				
92				
93				

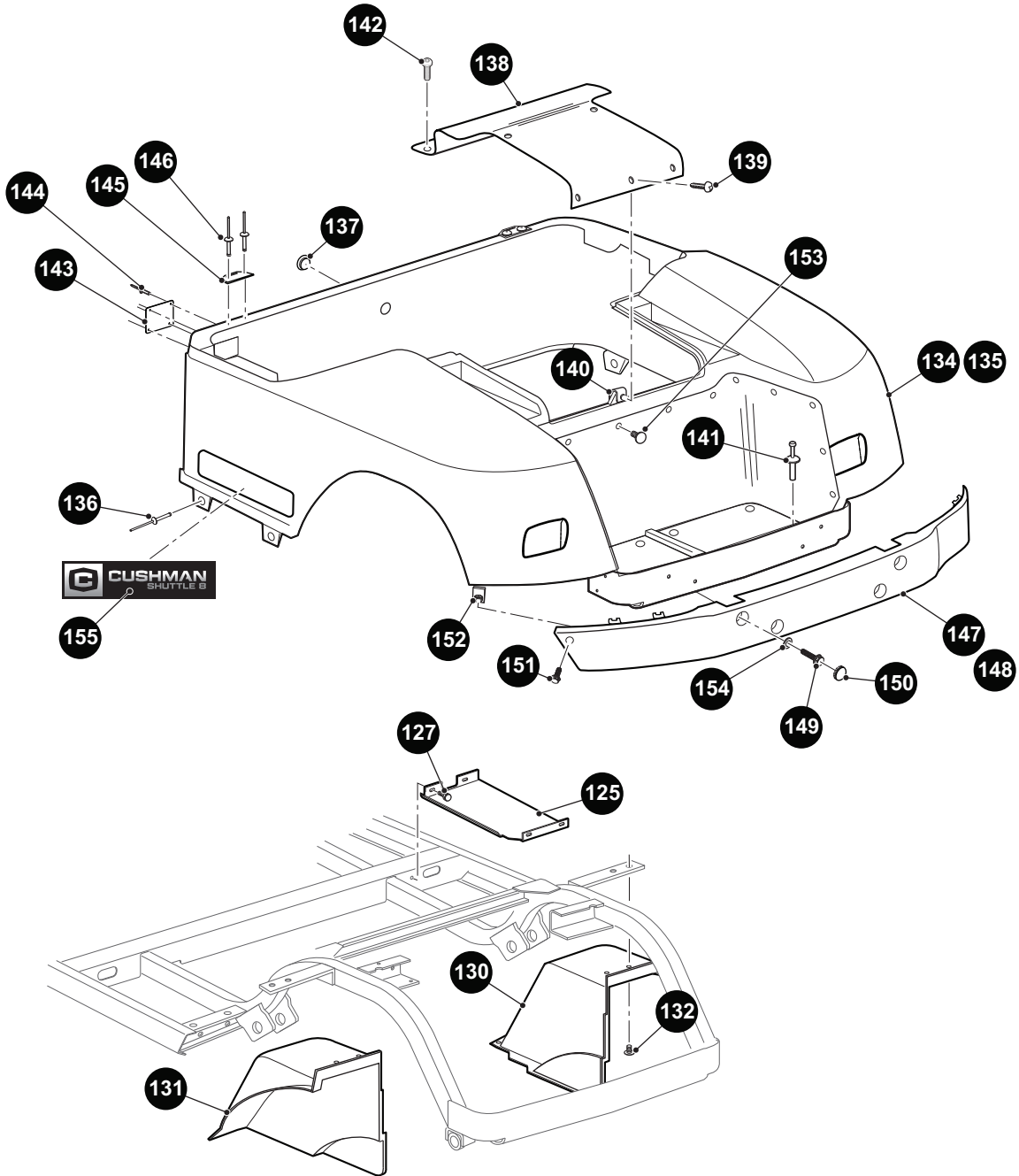


When ordering parts, please specify the model and serial number of the product.

* Indicates a component that is not available as an individual part.

*** Indicates consult Customer Service Department for additional information.

ITEM	PART NO.	1 2 3 4 5	DESCRIPTION	QTY.
94	605694		SEAT FRAME	1
95	607841		BATTERY RACK.....	1
96	00715G2		HEX HEAD BOLT, 5/16" - 18 X 13/16" LG	4
97	00715G2		HEX HEAD BOLT, 5/16" - 18 X 13/16" LG	2
98				
99	11098G6		LOCK NUT, 5/16" - 18.....	2
100	70200G01		TRUSS HEAD TORX BOLT, 3/8" - 16 X 3/4" LG	2
101				
102				
103				
104	10570G10		RIVET (SS), 5/32" X 9/16"	10
105	626493		MID FLOOR PANEL.....	1
106	648840		REAR FLOOR PANEL	1
107	626499		FLOORMAT	1
108				
109				
110				
111				
112	626497		ROCKER PANEL (DRIVER SIDE)	1
113	626498		ROCKER PANEL (PASSENGER SIDE)	1
114	00789G2		TRUSS HEAD PHILLIPS SCREW (SS), #10 - 24 X 1.25" LG.....	2
115	00660G5		FLAT WASHER, #10	2
116	14390G10		LOCK NUT, #10 - 24	2
117	16705G1		TRUSS HEAD PHILLIPS SCREW (SS), 1/4" - 20 X 1" LG.....	6
118	14390G4		LOCK NUT, 1/4" - 20.....	6
119	23726G4		SPACER, 5/16"	6
120				
121	15058G6		RIVET (ALUMINUM), 3/16" X 15/16"	2
122	19247G3		REAR STRUT SPACER, 1/4"	2
123				
124				



When ordering parts, please specify the model and serial number of the product.

* Indicates a component that is not available as an individual part.

*** Indicates consult Customer Service Department for additional information.

ITEM	PART NO.	1 2 3 4 5	DESCRIPTION	QTY.
125	70385G01		SPLASH PAN.....	1
126				
127	00715G2		HEX HEAD BOLT, 5/16" - 18 X .80" LG	4
128				
129				
130	635054G02		FENDER LINER (PASSENGER SIDE).....	1
131	635054G01		FENDER LINER (DRIVER SIDE)	1
132	16816G2		RATCHET FASTENER	8
133				
134	625272G1XX		REAR BODY W/TAILLIGHTS (see COLOR CODES in HOW TO USE section) (FOR VEHICLES MANUFACTURED FROM MARCH 2014).....	1
135	71333G1**		REAR BODY (SEE COLOR CODES IN HOW TO USE SECTION)	1
136	10570G12		RIVET (ALUMINUM), 1/4" X 9/16" LG	2
137	71316G01		PLUG	1
138	71320G01		ACCESS PANEL.....	1
139	01107G01		PAN HEAD TORX SCREW, #8 X 5/8" LG	5
140	71364G02		'J' CLIP	1
141	633917		PLASTIC DRIVE RIVET, .625" X 1" LG (FOR VEHICLES MANUFACTURED FROM MARCH 2014).....	2
142	16816G2		RATCHET RIVET, .25" X .887" LG (FOR VEHICLES MANUFACTURED FROM MARCH 2014).....	2
143	73173G02		COVER PLATE (FOR VEHICLES MANUFACTURED FROM MARCH 2014)	1
144	71055G01		RIVET (ALUMINUM), 3/16" X 1" (FOR VEHICLES MANUFACTURED FROM MARCH 2014).....	4
145	71609G01		HINGE PLATE.....	2
146	10570G11		RIVET (SS), 3/16" X 3/4"	4
147	71451G02		REAR BUMPER.....	1
148	71456G01		REAR BUMPER (FOR VEHICLES WITH CARGO BED OPTION)	1
149	71102G01		HEX HEAD BOLT, 1/4" - 20 X 3/4" LG	2
150	71455G01		BUMPER PLUG.....	4
151	71102G01		HEX HEAD BOLT, 1/4" - 20 X 3/4" LG	2
152	71554G01		J - TYPE NUT RETAINER, 1/4" - 20	2

BODY

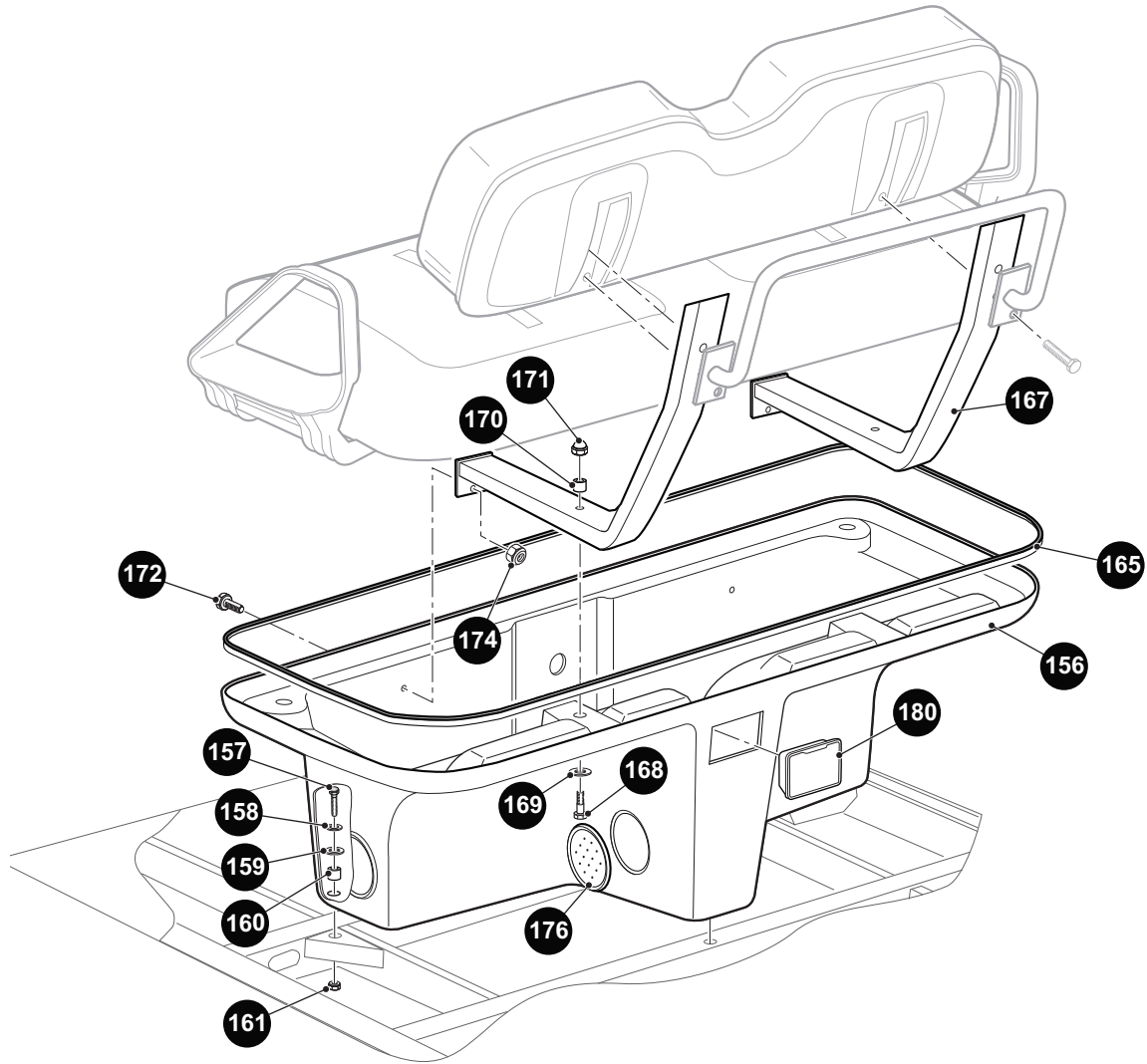
When ordering parts, please specify the model and serial number of the product.

* Indicates a component that is not available as an individual part.

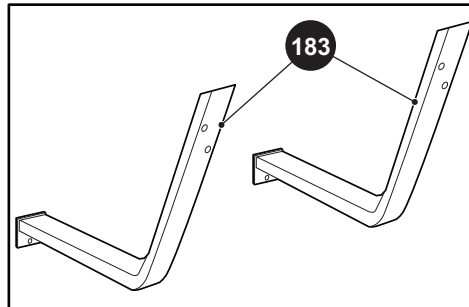
*** Indicates consult Customer Service Department for additional information.

ITEM	PART NO.	1 2 3 4 5	DESCRIPTION	QTY.
153	18436G1		PLASTIC DRIVE RIVET, 1/4" X 9/16"	2
154	00571G2		FLAT WASHER, 5/16"	2
155	626533		CUSHMAN LOGO DECAL	1

FOR SEAT BOTTOM AND BACK - SEE SEATING SECTION



**EARLY PRODUCTION
VEHICLES**



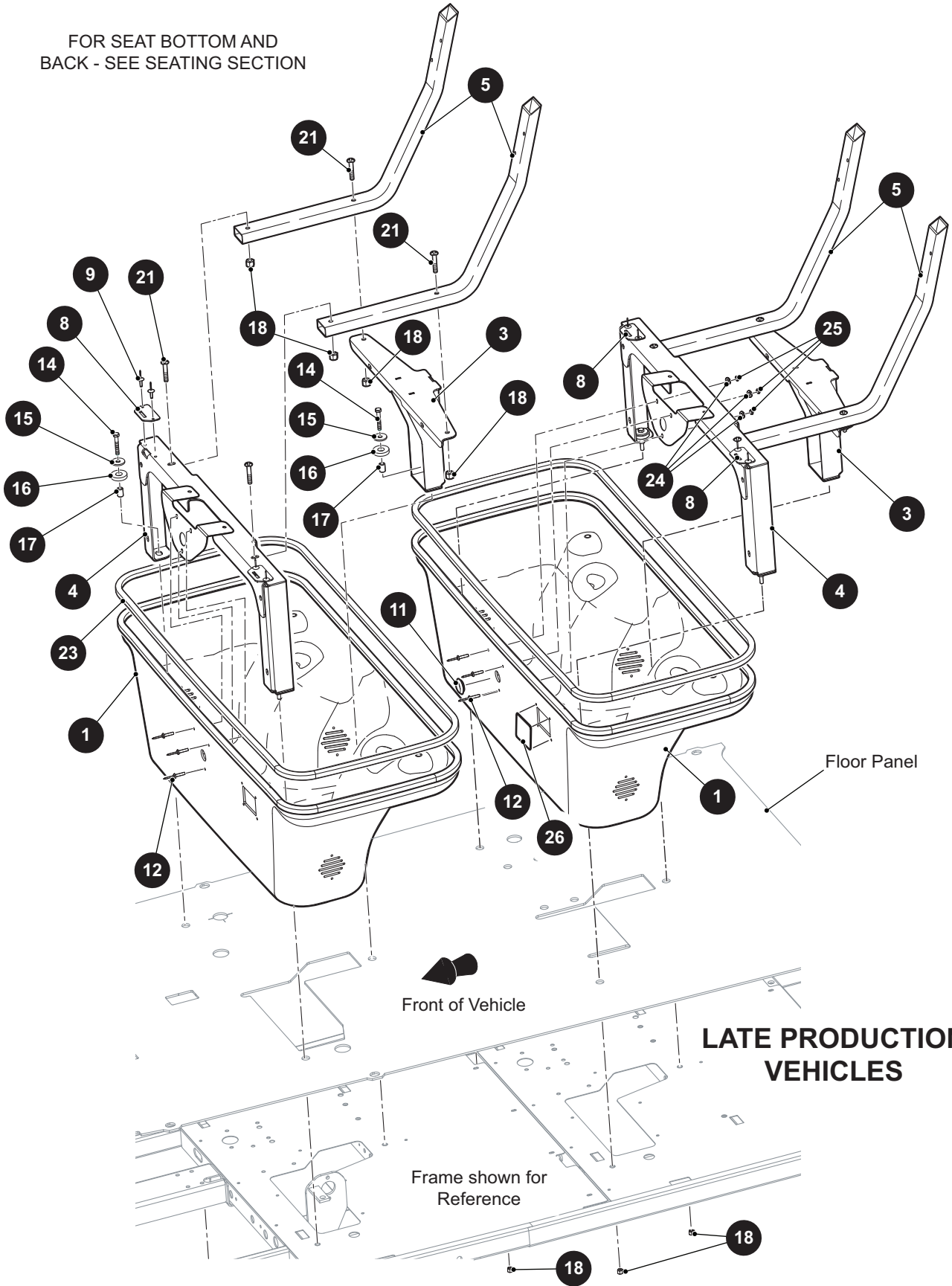
When ordering parts, please specify the model and serial number of the product.

* Indicates a component that is not available as an individual part.

*** Indicates consult Customer Service Department for additional information.

ITEM	PART NO.	1 2 3 4 5	DESCRIPTION	QTY.
156	70836GXX		SEAT POD (SEE COLOR CODES IN HOW TO USE SECTION)	2
157	00439G8		HEX HEAD BOLT, 5/16" - 18 X 2" LG	6
158	00675G1		FLAT WASHER (SS), 3/8" ID X 1 1/4" OD	5
159	71883G01		RUBBER WASHER, 5/8" ID X 1 1/2" OD.....	6
160	23726G9		SPACER, 3/4"	6
161	11098G6		LOCK NUT (SS), 5/16" - 18	5
162	71055G01		RIVET, 3/16" X 1" LG (NOT ILLUSTRATED)	3
163				
164				
165	32805G6		TRIM, 118" LG	2
166				
167	626576		SEAT BACK BRACKET	4
168	00427G8		HEX HEAD BOLT, 3/8" - 16 X 2" LG	4
169	00675G1		FLAT WASHER (SS), 3/8" ID X 1 1/4" OD	5
170	23726G4		SPACER, 5/16"	4
171	15717G5		CROWN NUT, 3/8" - 16.....	4
172	00976G06		TRUSS HEAD PHILLIPS SCREW (SS), 5/16" - 18 X 3/4" LG.....	4
173				
174	11098G6		LOCK NUT (SS), 1/4" - 20	5
175				
176	71599G01		VENT PLUG.....	8
177				
178				
179				
180	27731G01		FLUSH MOUNT ASH TRAY.....	1
181				
182				
183	71868G01		SEAT BACK SUPPORT WELDMENT	2

FOR SEAT BOTTOM AND
BACK - SEE SEATING SECTION



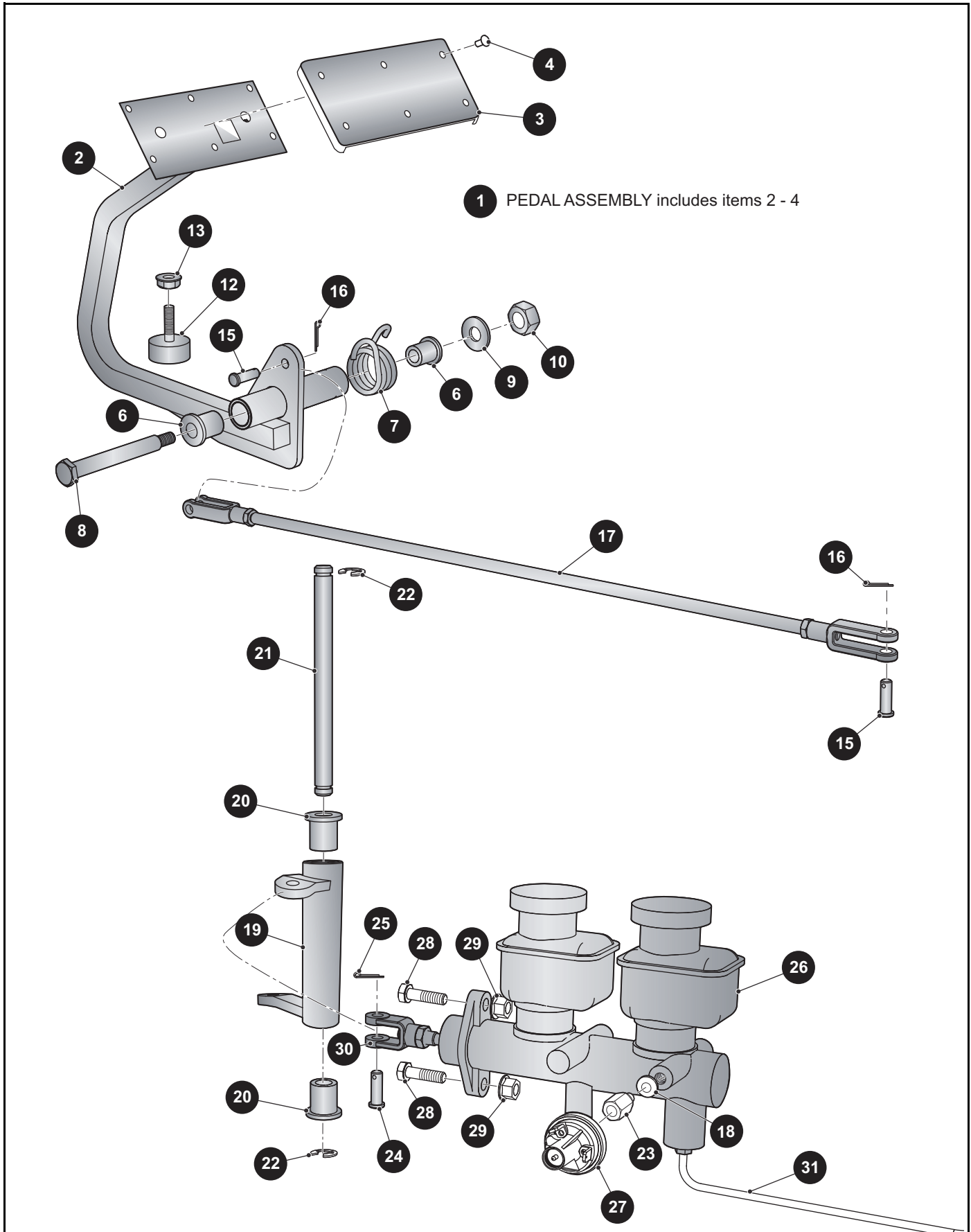
When ordering parts, please specify the model and serial number of the product.

* Indicates a component that is not available as an individual part.

*** Indicates consult Customer Service Department for additional information.

ITEM	PART NO.	1 2 3 4 5	DESCRIPTION	QTY.
1	648313GXX		SEAT POD	2
2				
3	648507		REAR SEAT SUPPORT	2
4	654767		SEAT SUPPORT	2
5	648523		SEAT BACK SUPPORT TUBE	4
6				
7				
8	71609G01		HINGE PLATE.....	4
9	10570G11		RIVET (SS), 3/16" X .70" LG.....	8
10				
11	71316G01		PLUG	1
12	71055G01		RIVET (ALUMINUM), 3/16" X 1" LG	3
13				
14	00439G8		HEX HEAD BOLT (SS), 5/16" - 18 X 2" LG	6
15	00675G1		WASHER (SS), .398" I.D. X 1.25" O.D. X .115" LG	6
16	71883G01		WASHER (RUBBER), .625" I.D. X 1.50" O.D. X .312" LG.....	6
17	23726G9		SPACER, .312" I.D. X .562" O.D. X .750" LG	6
18	11098G6		LOCK NUT, 5/16" - 18.....	14
19				
20				
21	00762G6		TRUSS HEAD PHILLIPS SCREW (SS), 5/16" - 18 X 3/4" LG.....	8
22				
23	32805G6		TRIM, 118" LG	2
24	00660G5		FLAT WASHER, #10	3
25	01110G01		FLAT WASHER, 1/4"	3
26	666066		RECEPTACLE COVER.....	1

HYDRAULIC BRAKES



HYDRAULIC BRAKES

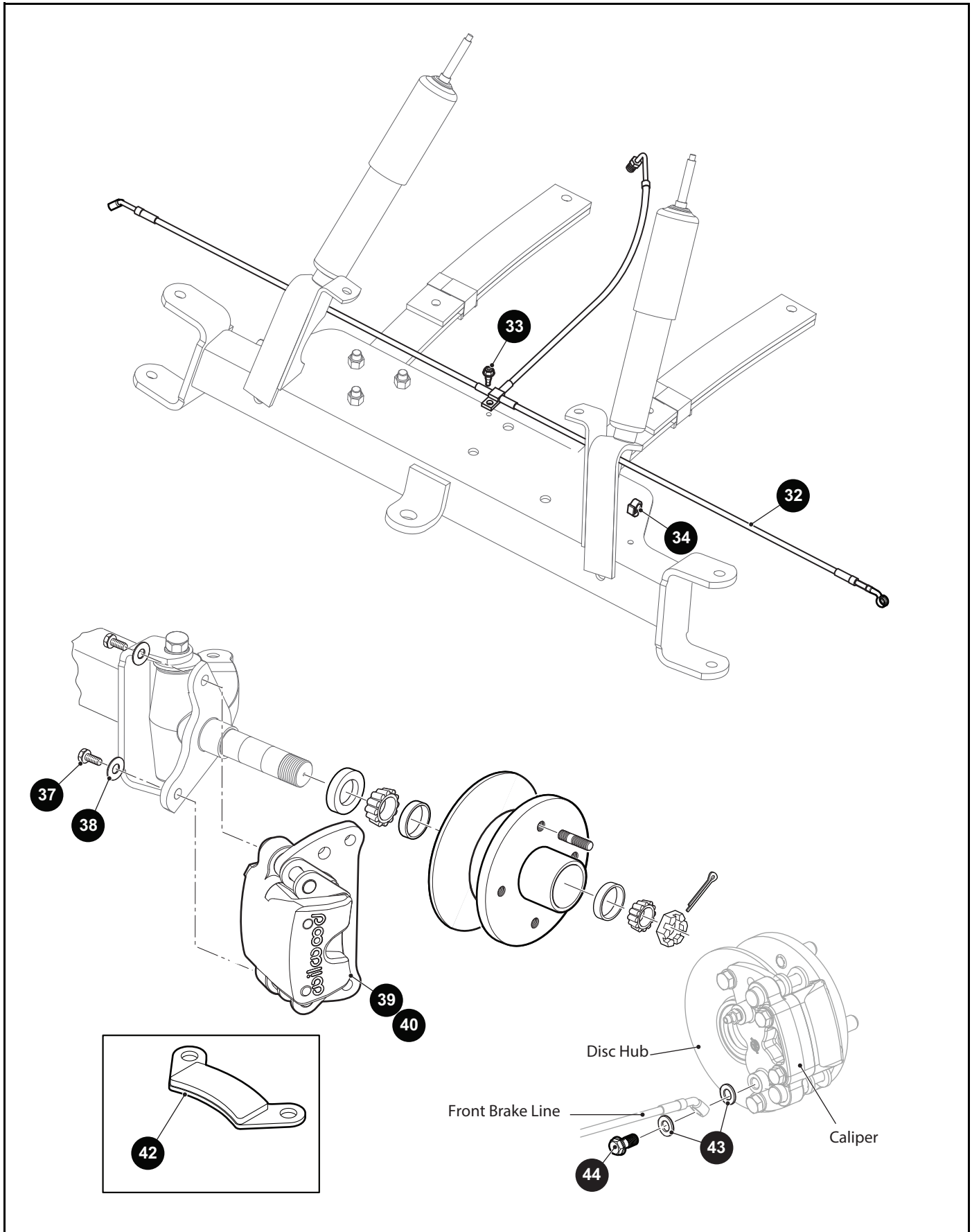
When ordering parts, please specify the model and serial number of the product.

* Indicates a component that is not available as an individual part.

*** Indicates consult Customer Service Department for additional information.

ITEM	PART NO.	1 2 3 4 5	DESCRIPTION	QTY.
1	610639		BRAKE PEDAL ASSEMBLY (INCLUDES ITEMS 2 - 4).....	1
2	75605G01		BRAKE PEDAL.....	1
3	70257G01		BRAKE PEDAL PAD.....	1
4	16409G1		OVAL HEAD RIVET, 3/8" X 15/32"	6
5				
6	70581G01		BUSHING, ACETAL	2
7	70676G01		TORSION SPRING	1
8	70582G01		SHOULDER BOLT, 3/8" - 16.....	1
9	00643G1		FLAT WASHER, 3/8".....	1
10	11098G5		LOCK NUT, 3/8" - 16.....	1
11				
12	70113G01		ADJUSTABLE RUBBER BUMPER.....	1
13	11027G1		LOCK NUT, 5/16" - 18.....	1
14	12416G2		NYLON WEDGE LOCK CLAMP (NOT ILLUSTRATED).....	2
15	10386G3		CLEVIS PIN, 5/16" DIA X 13/16".....	2
16	10387G3		COTTER PIN, 15/16" X 3/4"	2
17	30295G8		LINKAGE ROD.....	1
18	600479		PRESSURE SEALING WASHER	1
19	70415G01		BELLCRANK.....	1
20	70581G01		BUSHING, ACETAL	2
21	70410G01		PIVOT SHAFT.....	1
22	01111G01		RETAINING RING (SS).....	2
23	600401G01		ADAPTER	1
24	14443G3		CLEVIS PIN, 5/16" DIA X 1".....	1
25	10387G3		COTTER PIN, 15/16" X 3/4"	1
26	73793G01		TANDEM MASTER CYLINDER.....	1
27	620274		STOP LIGHT SWITCH.....	1
28	00439G1		HEX HEAD BOLT, 5/16" - 18 X 1 1/8" LG	2
29	800697		FLANGED LOCK NUT, 5/16" - 18.....	2
30	626513		PUSH ROD ASSEMBLY	1
31	626514		REAR BRAKE LINE	1

HYDRAULIC BRAKES



HYDRAULIC BRAKES

When ordering parts, please specify the model and serial number of the product.

* Indicates a component that is not available as an individual part.

*** Indicates consult Customer Service Department for additional information.

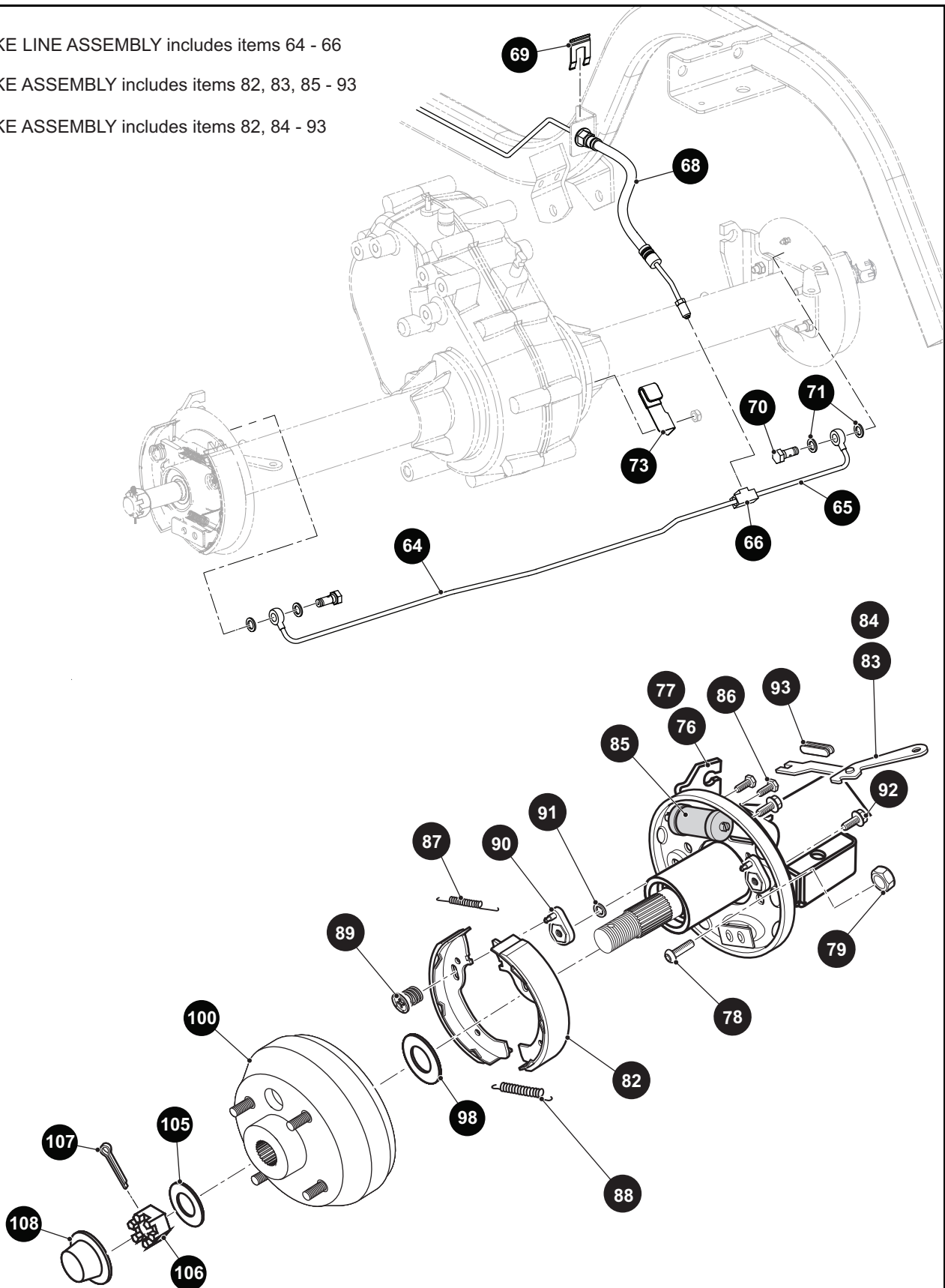
ITEM	PART NO.	1 2 3 4 5	DESCRIPTION	QTY.
32	632771		FRONT BRAKE LINE.....	1
33	01038G01		SWAGEFORM SCREW, 1/4" - 20 X .7" LG	1
34	74875G01		WIRE RETAINER.....	2
35				
36				
37	00426G6		HEX HEAD BOLT (GRADE 5), 3/8" - 16 X 3/4" LG.....	4
38	00566G1		LOCK WASHER, 3/8"	4
39	633918G01		CALIPER ASSEMBLY (PASSENGER SIDE)	1
40	633918G02		CALIPER ASSEMBLY (DRIVER SIDE)	1
41	74917G01		BRAKE PADS AND PINS SERVICE KIT (NOT ILLUSTRATED)	1
42	649167		BRAKE PAD.....	2
43	613293		CRUSH WASHER, M10.....	4
44	616459		BANJO BOLT, M10 - 1" X 20" LG	2
45				
46				
47				
48				
49				
50				
51				
52				
53				
54				
55				
56				
57				
58				
59				
60				
61				
62				

HYDRAULIC BRAKES

63 BRAKE LINE ASSEMBLY includes items 64 - 66

80 BRAKE ASSEMBLY includes items 82, 83, 85 - 93

81 BRAKE ASSEMBLY includes items 82, 84 - 93



HYDRAULIC BRAKES

When ordering parts, please specify the model and serial number of the product.

* Indicates a component that is not available as an individual part.

*** Indicates consult Customer Service Department for additional information.

ITEM	PART NO.	1 2 3 4 5	DESCRIPTION	QTY.
63	620855		BRAKE LINE ASSEMBLY (INCLUDES ITEMS 64 - 66)	1
64	620857		LONG BRAKE LINE	1
65	620856		SHORT BRAKE LINE	1
66	820008		UNION TEE	1
67				
68	34989G01		FLEXIBLE BRAKE LINE (SS).....	1
69	11456G1		FLEX HOSE CLIP	1
70	75683G01		HEX HEAD BANJO BOLT, 3/8" - 16 X 0.88 LG	2
71	75684G01		COPPER GASKET	4
72				
73	75813G01		BRAKE LINE CLAMP.....	1
74				
75	17618G1		NYLON CLAMP (NOT ILLUSTRATED)	10
76	652249		BRAKE CABLE BRACKET (DRIVER SIDE).....	1
77	652248		BRAKE CABLE BRACKET (PASSENGER SIDE)	1
78	631224		SOCKET HEAD CAP SCREW, 5/16" - 24 X 1" LG	8
79	15126G1		LOCK NUT, 5/16" - 24.....	8
80	75685G01		BRAKE ASSEMBLY (DRIVER SIDE) (INCLUDES ITEMS 82, 83, 85 - 93) ...	1
81	75685G02		BRAKE ASSEMBLY (PASSENGER SIDE) (INCLUDES ITEMS 82, 84 - 93) .	1
82	75830G01		BRAKE SHOE	2
83	75829G01		PARK BRAKE WHEEL LEVER (DRIVER SIDE)	1
84	75829G02		PARK BRAKE WHEEL LEVER (PASSENGER SIDE).....	1
85	75828G01		WHEEL CYLINDER.....	1
86	*		WHEEL CYLINDER BOLT.....	2
87	*		UPPER RETURN SPRING	1
88	*		LOWER RETURN SPRING.....	1
89	*		CUP AND SPRING.....	2
90	*		ADJUSTER.....	2
91	*		FLAT WASHER	2
92	*		HEX HEAD BOLT, 1/4" - 28 X 1/2" LG.....	2
93	*		DUST COVER	1

HYDRAULIC BRAKES

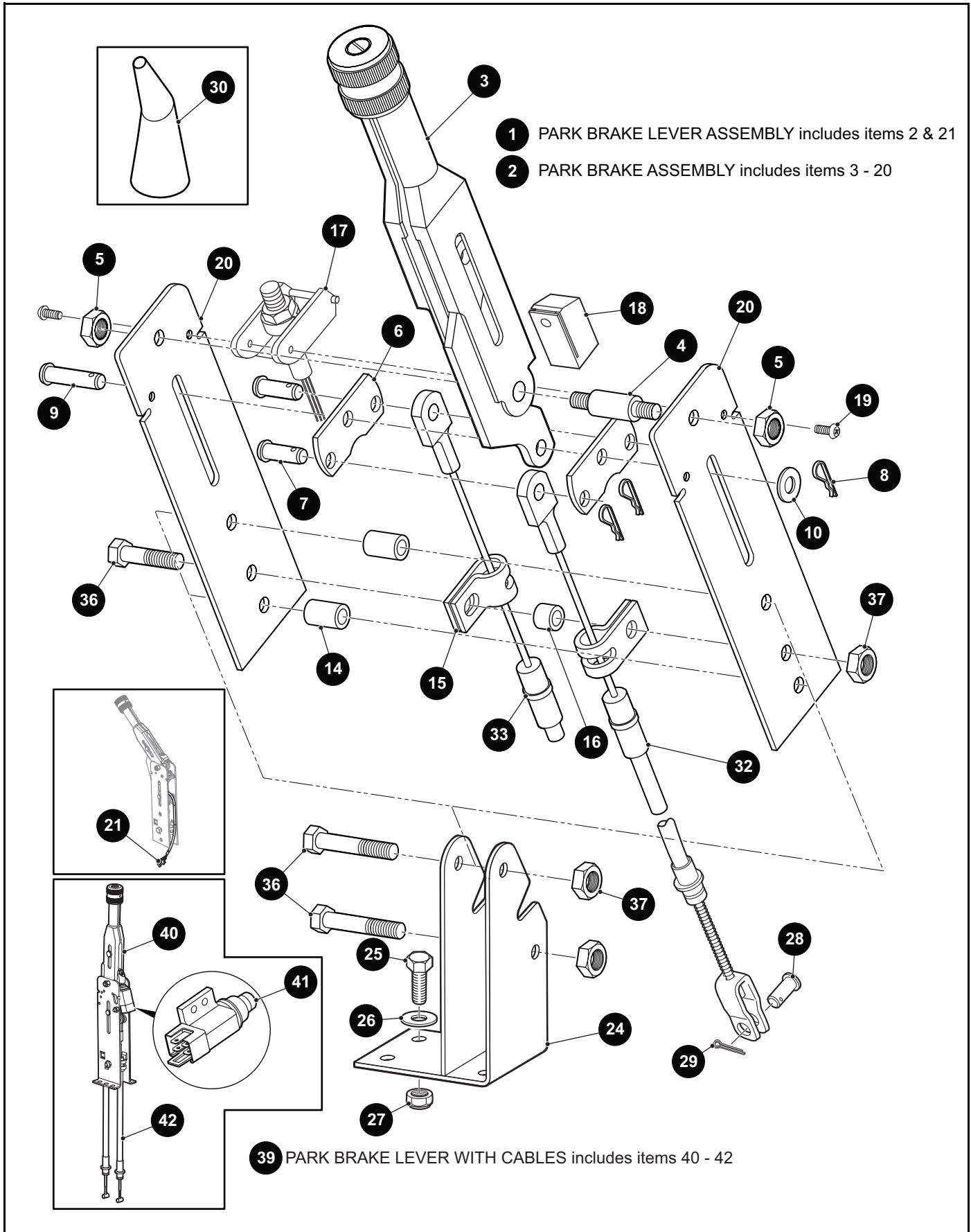
When ordering parts, please specify the model and serial number of the product.

* Indicates a component that is not available as an individual part.

*** Indicates consult Customer Service Department for additional information.

ITEM	PART NO.	1	2	3	4	5	DESCRIPTION	QTY.
94								
95								
96								
97								
98	21809G1						INNER BRAKE DRUM WASHER, 1.31" O.D. X 1" I.D. X .031"	2
99								
100	21807G2						BRAKE DRUM ASSEMBLY	2
101								
102								
103								
104								
105	21830G1						OUTER BRAKE DRUM WASHER, 1.50" O.D. X .76" I.D. X .119"	2
106	613172						CASTLE NUT, 3/4" - 16	2
107	10387G1						COTTER PIN, 1/8" X 1.50"	2
108	74175G01						MOLDED DUST CAP	2

PARKING BRAKE



PARKING BRAKE

When ordering parts, please specify the model and serial number of the product.

* Indicates a component that is not available as an individual part.

*** Indicates consult Customer Service Department for additional information.

ITEM	PART NO.	1 2 3 4 5	DESCRIPTION	QTY.
1	639883		PARK BRAKE LEVER ASSEMBLY (INCLUDES ITEMS 2 & 21)	1
2	626518		PARK BRAKE ASSEMBLY (INCLUDES ITEMS 3 - 20)	1
3	*		BRAKE LEVER ASSEMBLY	1
4	*		PIVOT FASTENER	1
5	*		PIVOT NUT	2
6	*		CONNECTING LINK	2
7	*		CLEVIS PIN	2
8	*		HAIR PIN OR COTTER PIN	3
9	*		CLEVIS PIN	1
10	*		FLAT WASHER	1
11				
12				
13				
14	*		SPACER.....	2
15	*		CLAMP	2
16	*		SPACER.....	1
17	*		MAGNETIC SWITCH ASSEMBLY	1
18	*		MAGNET ASSEMBLY	1
19	*		PHILLIPS HEAD SCREW	2
20	*		SIDE PLATE.....	2
21	17064G1		PUSH ON TERMINAL (FEMALE)	2
22				
23				
24	616446		MOUNTING BRACKET.....	1
25	00414G7		HEX HEAD BOLT, 1/4" - 20 X 1/2" LG	4
26	00559G7		FLAT WASHER, 1/4"	4
27	14390G4		LOCK NUT, 1/4" - 20	4
28	14443G3		CLEVIS PIN, 1.0" X 2.406"	2
29	10387G3		COTTER PIN, .094" X .75"	2
30	627940		PARKING BRAKE BOOT	1
31	17618G1		NYLON CLAMP (NOT ILLUSTRATED)	8

PARKING BRAKE

When ordering parts, please specify the model and serial number of the product.

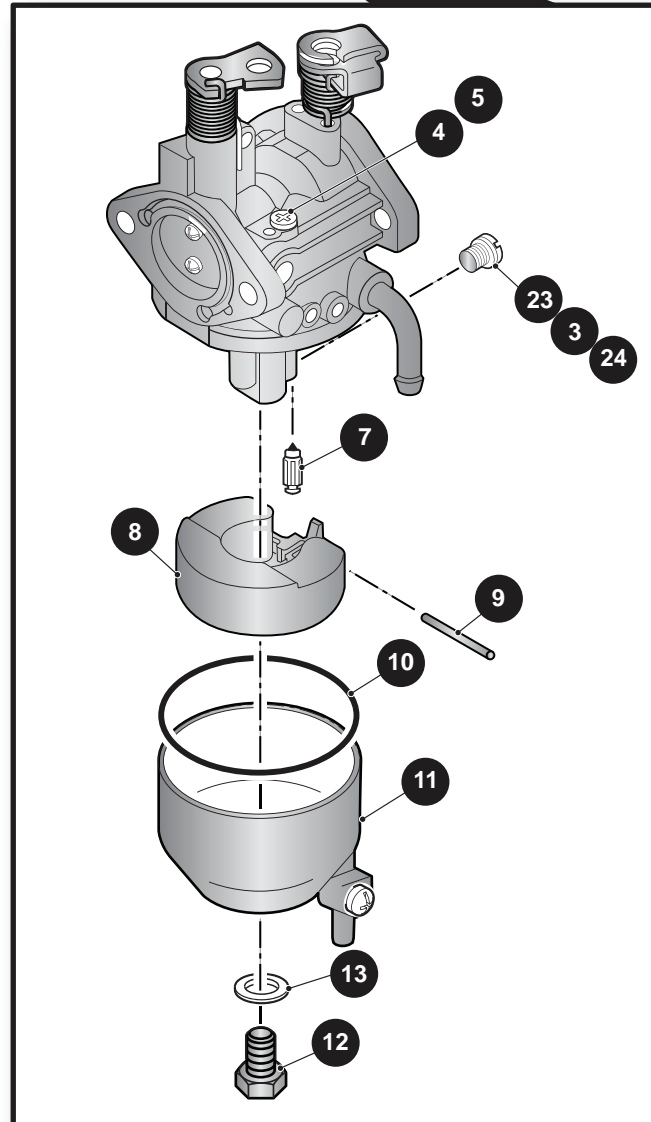
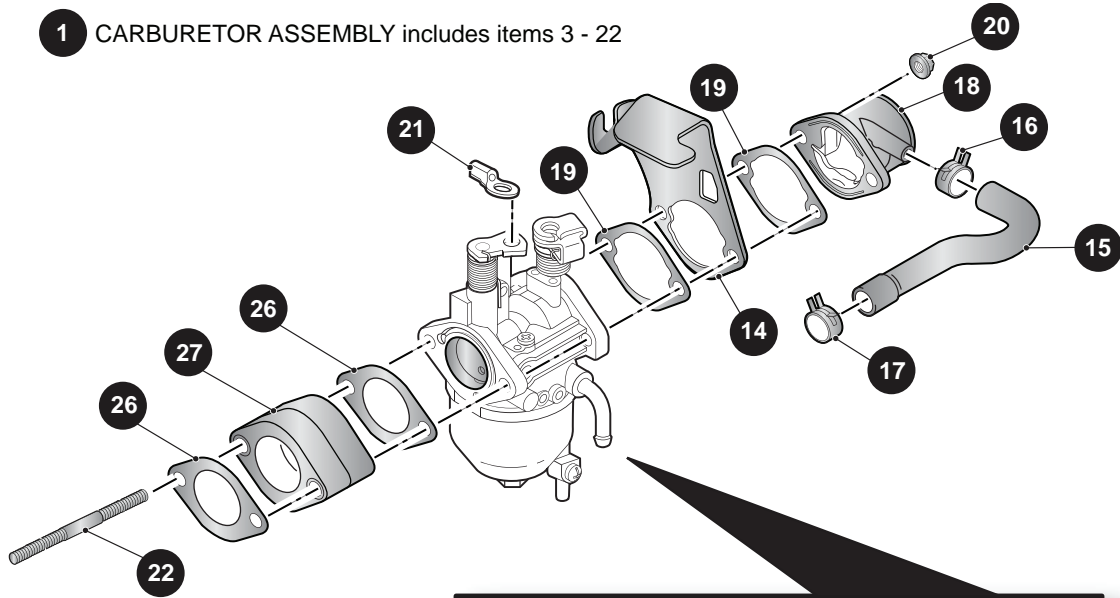
* Indicates a component that is not available as an individual part.

*** Indicates consult Customer Service Department for additional information.

ITEM	PART NO.	1 2 3 4 5	DESCRIPTION	QTY.
32	626820		BRAKE CABLE ASSEMBLY (DRIVER SIDE)	1
33	626517		BRAKE CABLE ASSEMBLY (PASSENGER SIDE).....	1
34				
35				
36	616672		HEX HEAD BOLT, M8 - 1.25 X 60MM LG	3
37	616673		LOCK NUT, M8 X 1.25	3
38				
39	635382		PARK BRAKE LEVER WITH CABLES (INCLUDES ITEMS 40 - 42)	1
40	627393		PARK BRAKE LEVER.....	1
41	634719		PARK BRAKE SWITCH	1
42	616447		PARK BRAKE CABLE.....	2

CARBURETOR

1 CARBURETOR ASSEMBLY includes items 3 - 22



When ordering parts, please specify the model and serial number of the product.

* Indicates a component that is not available as an individual part.

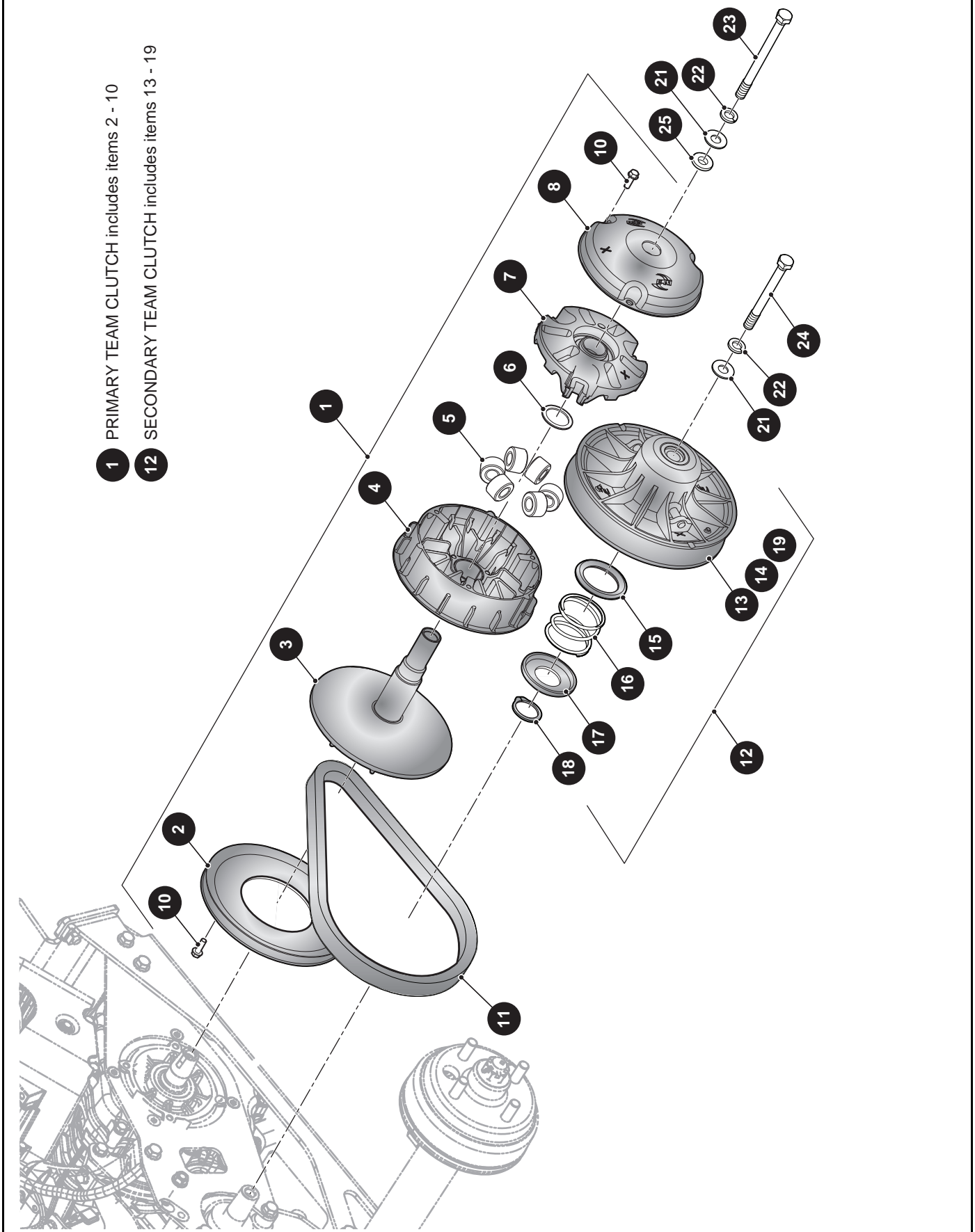
*** Indicates consult Customer Service Department for additional information.

ITEM	PART NO.	1 2 3 4 5	DESCRIPTION	QTY.
1	607954		CARBURETOR (INCLUDES ITEMS 3 - 22)	1
2				
3	607683		MAIN JET (#104).....	1
4	608021		PILOT JET (#44)	1
5	603585		PLUG.....	1
6				
7	603586		NEEDLE VALVE	1
8	603587		FLOAT	1
9	603588		FLOAT PIN	1
10	603589		FLOAT BOWL GASKET	1
11	603590		FLOAT CHAMBER	1
12	603592		PLUG.....	1
13	603591		BOWL GASKET	1
14	603583		CHOKE BRACKET.....	1
15	603598		BREATHER TUBE.....	1
16	603596		CLAMP, INTAKE TUBE	1
17	603597		CLAMP, CYLINDER HEAD TUBE	1
18	603594		INTAKE TUBE	1
19	603593		CHOKE GASKET	2
20	603595		HEX NUT, M6 X 1.0.....	2
21	608023		THROTTLE ROD ATTACHMENT BUSHING	1
22	603584		STUD BOLT.....	2
23	607684		MAIN JET (#102) (FOR ELEVATIONS OF 6000 FT - 10000 FT)	1
24	607683		MAIN JET (#104) (FOR ELEVATIONS OF 3000 FT - 6000 FT)	1
25				
26	603580		CARBURETOR MOUNT GASKET	2
27	603581		CARBURETOR INSULATOR	1

CLUTCH

1 PRIMARY TEAM CLUTCH includes items 2 - 10

12 SECONDARY TEAM CLUTCH includes items 13 - 19



When ordering parts, please specify the model and serial number of the product.

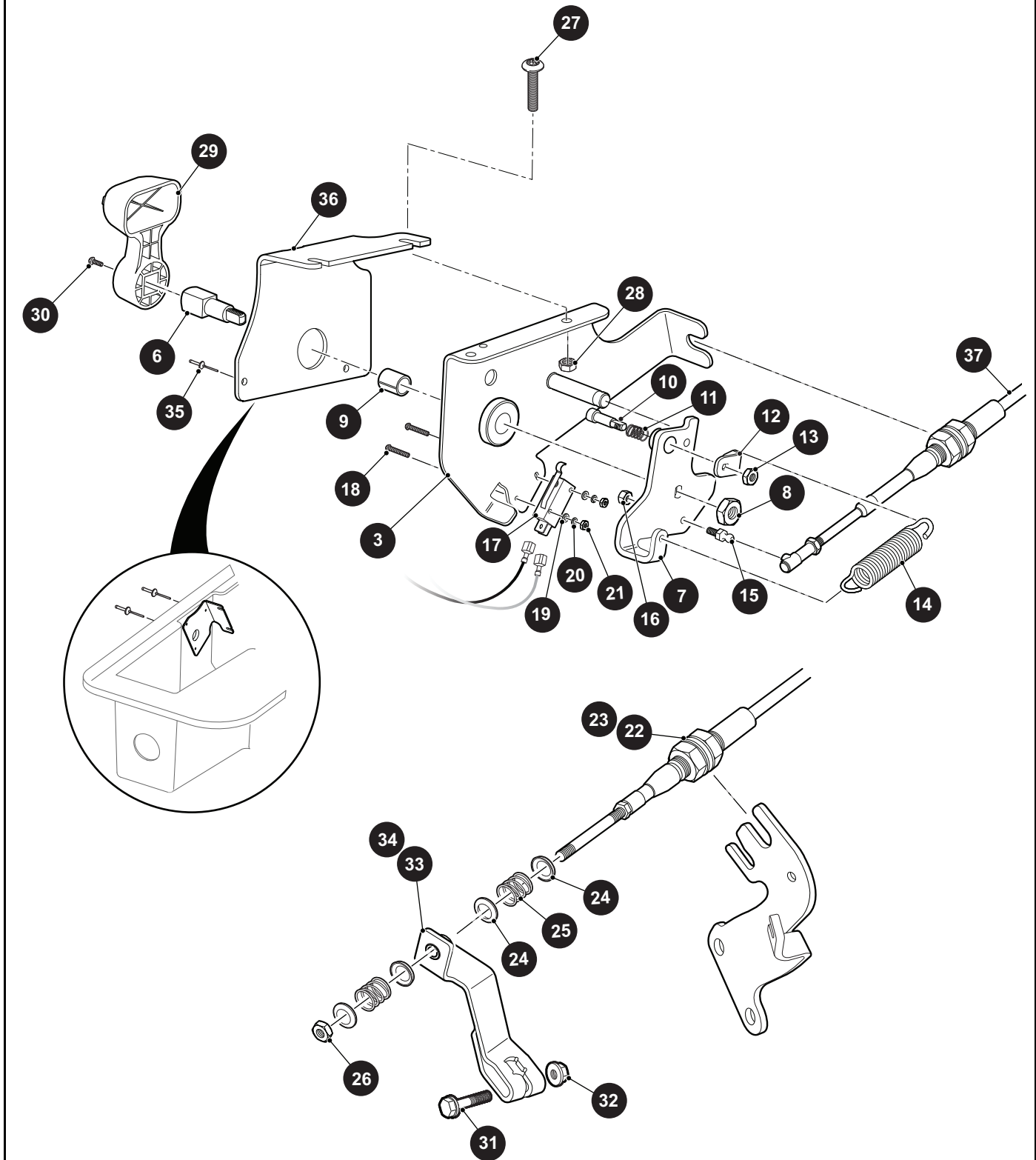
* Indicates a component that is not available as an individual part.

*** Indicates consult Customer Service Department for additional information.

ITEM	PART NO.	1 2 3 4 5	DESCRIPTION	QTY.
1	623948		PRIMARY TEAM CLUTCH (INCLUDES ITEMS 2 - 10)	1
2	619333		PRIMARY STARTER PULLY, 195 - SVC.....	1
3	619334		STATIONARY ASSEMBLY	1
4	619335		MOVEABLE PRIMARY ASSEMBLY	1
5	624112		SHIFT ROLLER ASSEMBLY.....	6
6	619337		SHIM, 39.5 X 31.75	1
7	619338		PRIMARY SPIDER ASSEMBLY	1
8	619339		PRIMARY DUST COVER ASSEMBLY.....	1
9				
10	619332		HEX HEAD BOLT, 1/4" - 20 X 3/4" LG.....	7
11	618630		DRIVE BELT	1
12	623949		SECONDARY TEAM CLUTCH (INCLUDES ITEMS 13 - 19)	1
13	*		SECONDARY STATIONARY, 9.5	1
14	*		MOVEABLE SECONDARY, 9.5.....	1
15	619327		INNER RETAINER SPRING.....	1
16	624111		COMPRESSION SPRING, 2.70" OD.....	1
17	619329		OUTER SPRING RETAINER	1
18	619330		RETAINER RING.....	1
19	619331		THRUST WASHER, 1.530 X 1.830 X 1.....	1
20				
21	606239		CONICAL WASHER, M12	2
22	00566G3		SPRING TYPE LOCK WASHER	2
23	606245		HEX HEAD BOLT, M12 - 1.25 X 160MM LG.....	1
24	606243		HEX HEAD BOLT, M12 - 1.25 X 120MM LG.....	1
25	606230		CLUTCH WASHER.....	1

DIRECTION SELECTOR

1 DIRECTION SELECTOR ASSEMBLY includes items 3 - 21



DIRECTION SELECTOR

When ordering parts, please specify the model and serial number of the product.

* Indicates a component that is not available as an individual part.

*** Indicates consult Customer Service Department for additional information.

ITEM	PART NO.	1 2 3 4 5	DESCRIPTION	QTY.
1	605999		DIRECTION SELECTOR ASSEMBLY (INCLUDES ITEMS 3 - 21)	1
2				
3	603627		DIRECTION SELECTOR BRACKET.....	1
4				
5				
6	606266		DIRECTION SELECTOR SHAFT.....	1
7	603700		DIRECTION SELECTOR CAM.....	1
8	14390G1		LOCK NUT, 3/8" - 24	1
9	25664G2		BUSHING, 1/2" X .75" LG.....	1
10	72724G01		NEUTRAL LOCK PIN	1
11	72733G01		COMPRESSION SPRING, 3/8" X 5/8"	1
12	72729G01		NEUTRAL LOCK BRACKET	1
13	00734G2		LOCK NUT, 1/4" - 28	1
14	28574G01		EXTENSION SPRING	1
15	72732G01		BALL STUD, 1/4".....	1
16	00734G5		LOCK NUT, #10 - 32.....	1
17	72736G01		MICRO SWITCH	1
18	01062G01		SLOTTED MACHINED SCREW, #4 - 40 X 1" LG	2
19	00559G1		LOCK WASHER, 5/8"	2
20	00565G1		LOCK WASHER, 3/4"	2
21	00526G2		HEX NUT, #4 - 40	2
22				
23				
24	25727G01		CUP WASHER, 1/4".....	4
25	72735G01		COMPRESSION SPRING, 19/32" X 1".....	2
26	00734G5		LOCK NUT, #10 - 32	1
27	70227G01		SOCKET HEAD SCREW, 1/4" - 20 X 7/8" LG	2
28	11027G2		LOCK NUT, 1/4" - 20	2
29	71205G01		DIRECTION SELECTOR HANDLE	1
30	00740G4		TRUSS HEAD PHILLIPS SCREW, #10 - 32 X 1/2" LG	1

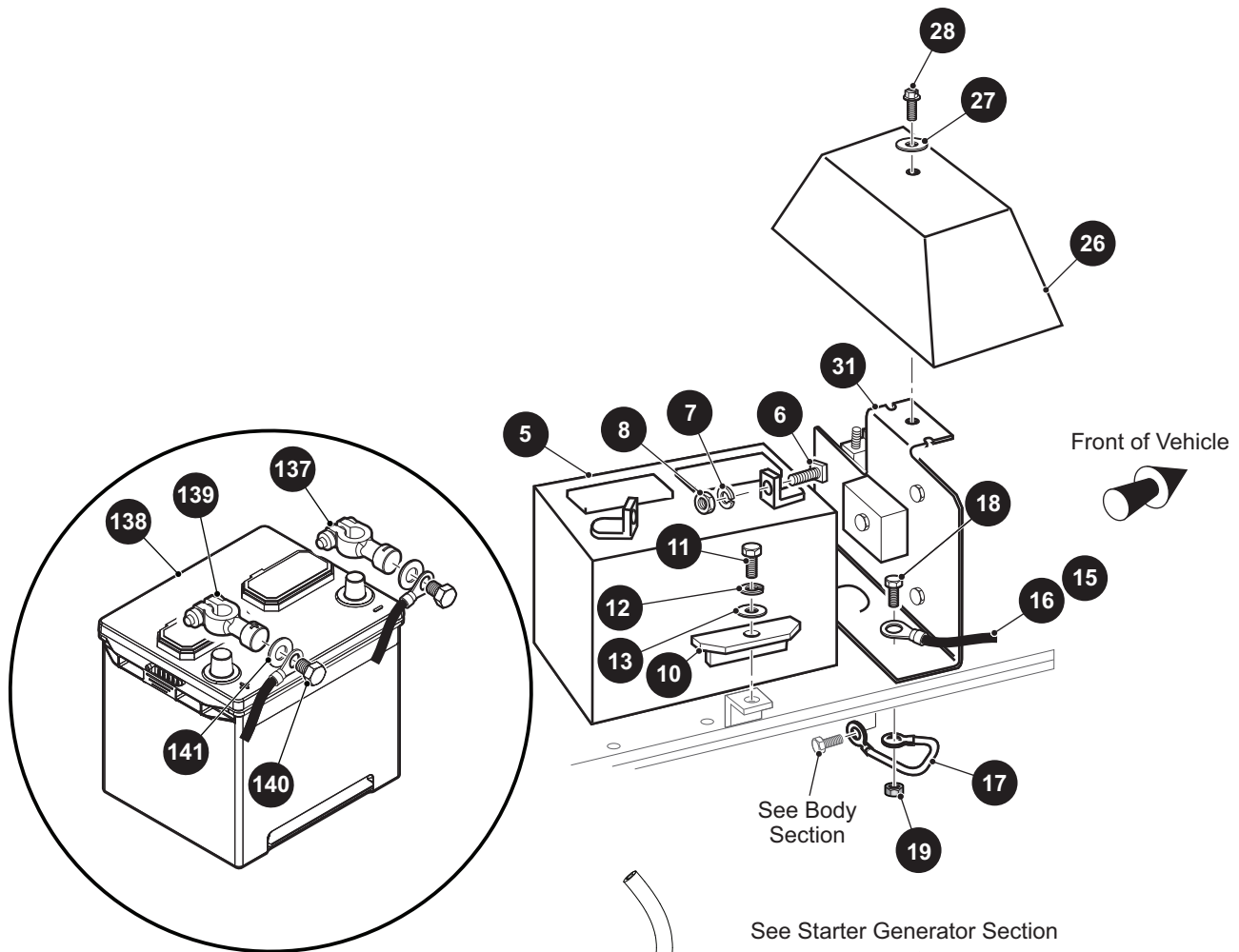
DIRECTION SELECTOR

When ordering parts, please specify the model and serial number of the product.

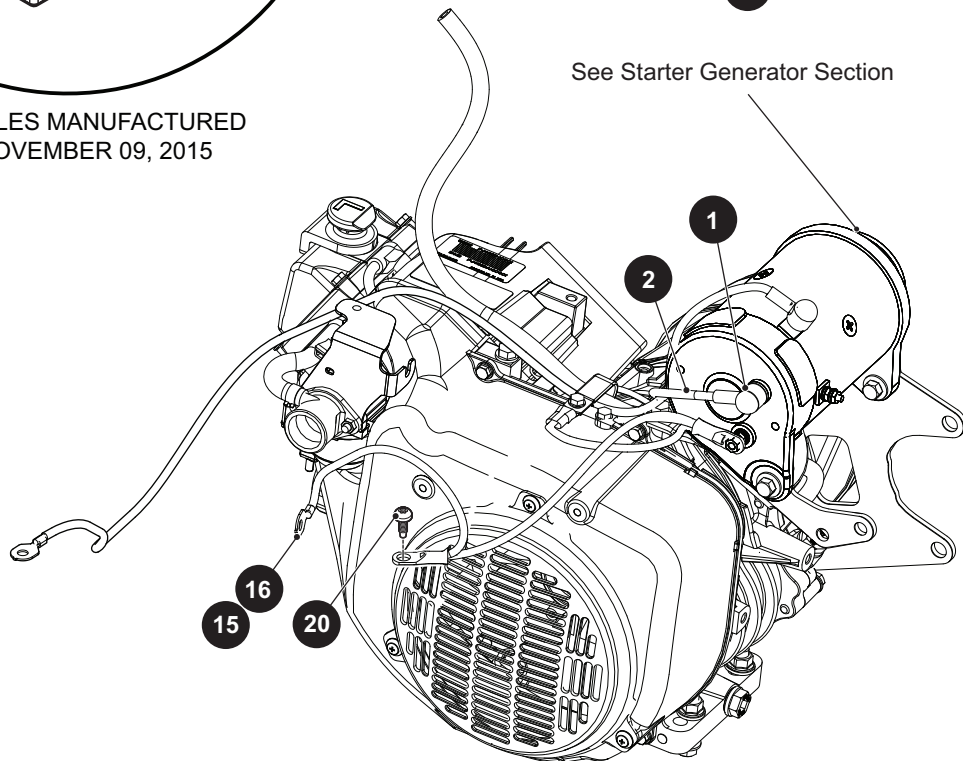
* Indicates a component that is not available as an individual part.

*** Indicates consult Customer Service Department for additional information.

ITEM	PART NO.	1 2 3 4 5	DESCRIPTION	QTY.
31	606421		HEX HEAD BOLT, M6 - 1 X 30MM LG	1
32	450452		HEX NUT, M6 - 1	1
33	608832		SHIFTER ARM	1
34	22754G4		FLIP LOK BUSHING, .25".....	1
35	71055G01		RIVET, 3/16" X .38" GRIP.....	3
36	605869		MOUNTING BRACKET	1
37	627511		FNR CABLE ASSEMBLY	1



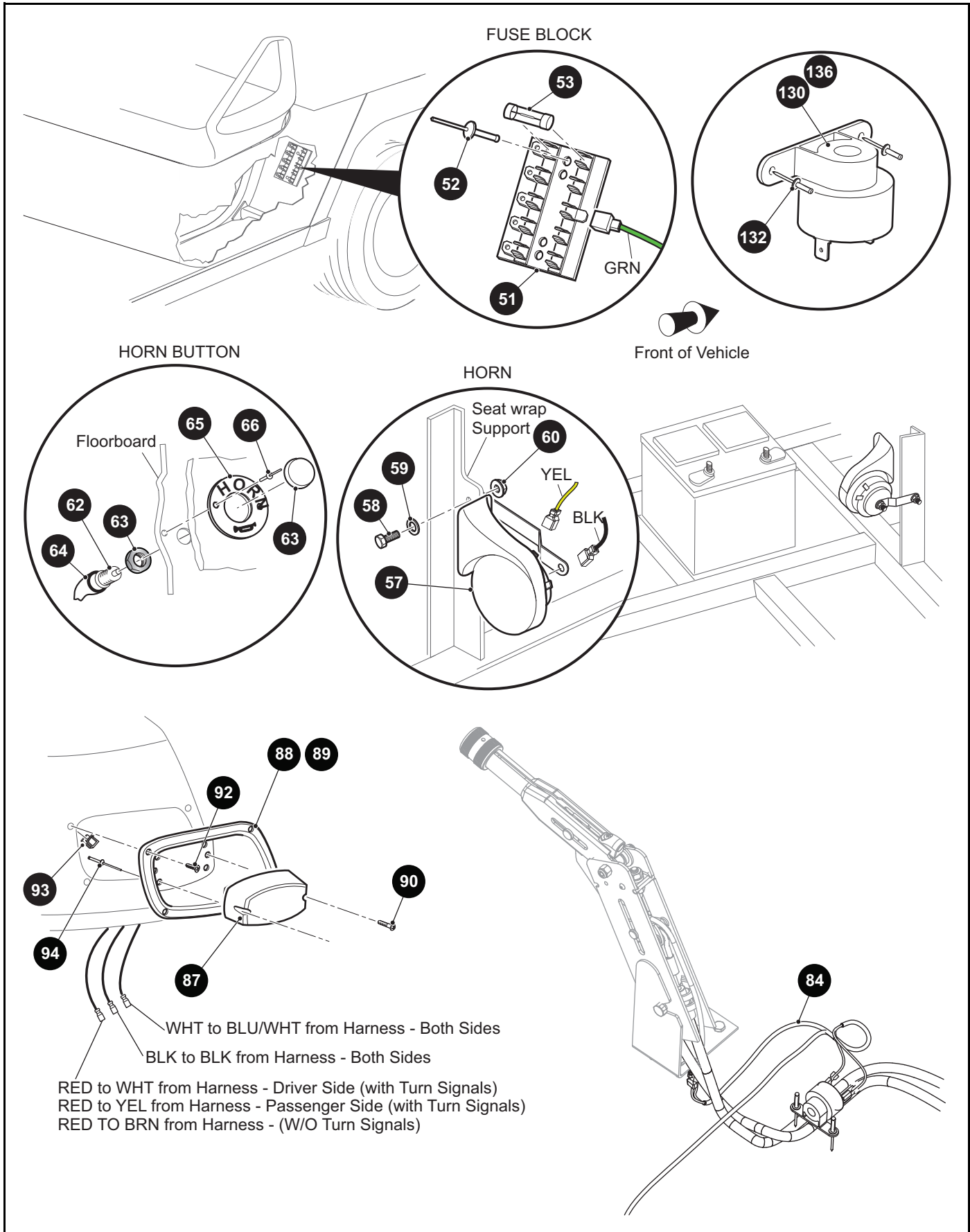
FOR VEHICLES MANUFACTURED
FROM NOVEMBER 09, 2015

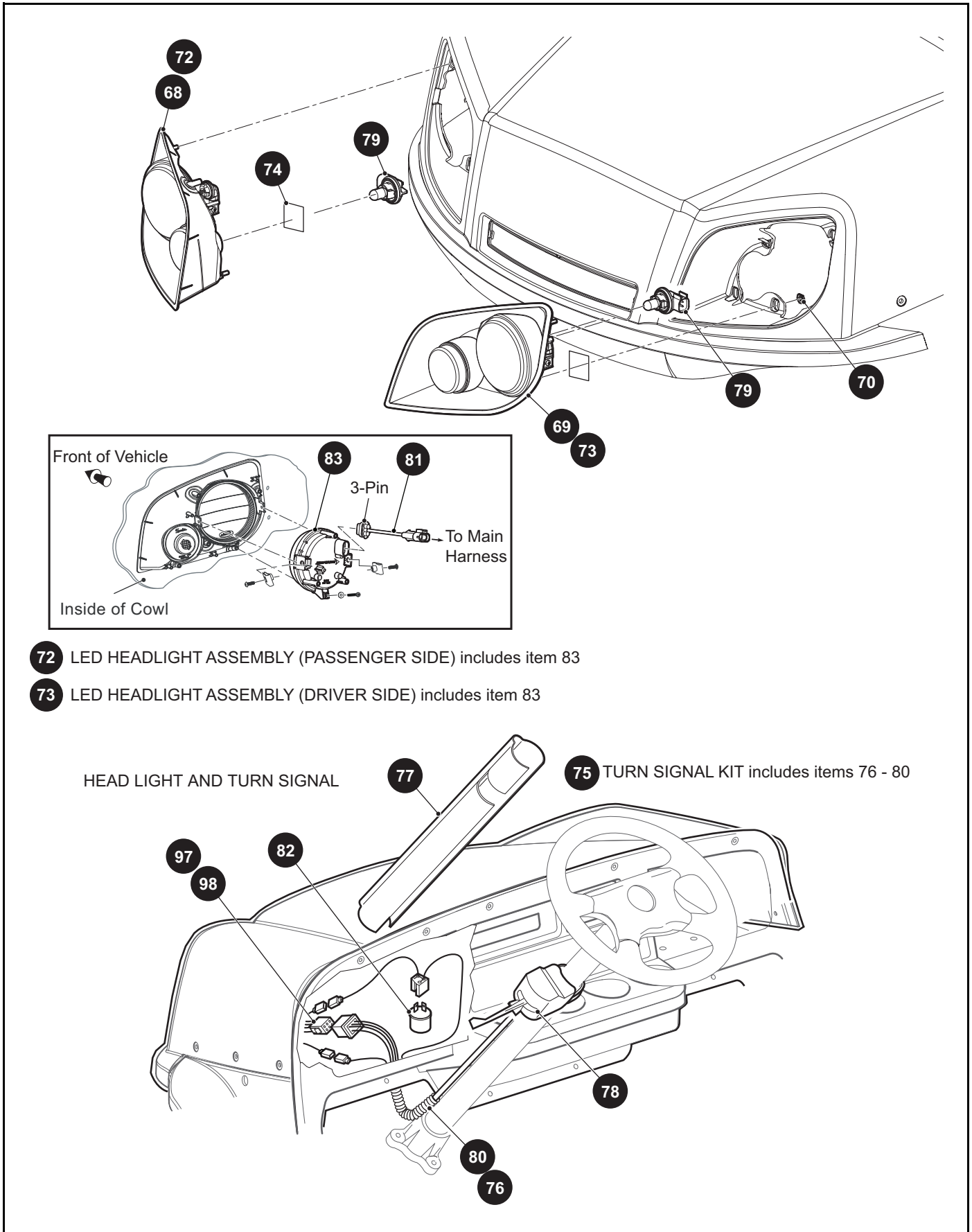




31 ELECTRICAL PLATE ASSEMBLY includes items 32 - 39 and 46 - 49

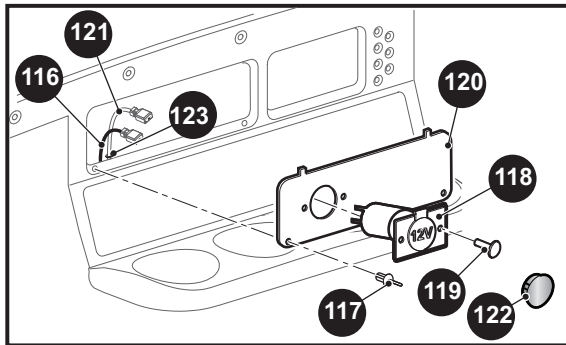
ELECTRICAL SYSTEM





ELECTRICAL SYSTEM

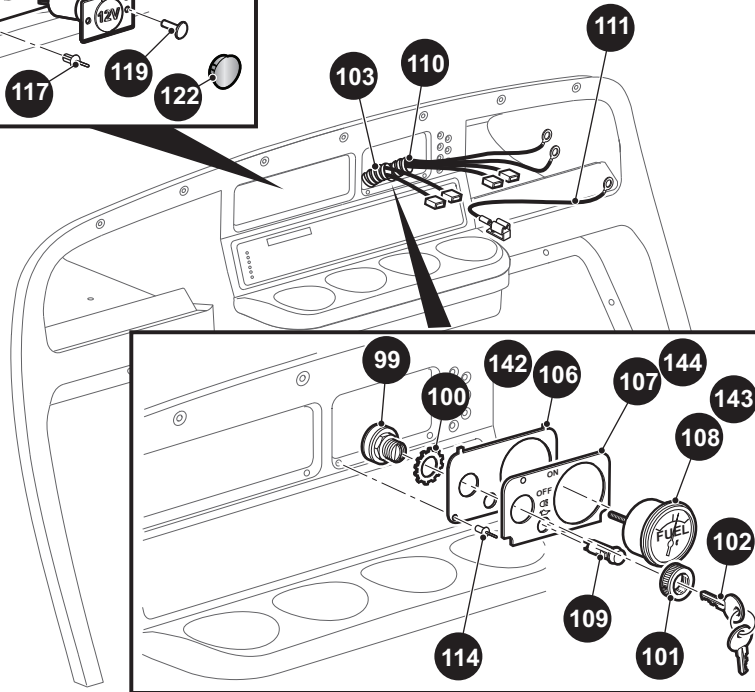
CONSOLE INSERT PLATE (WITH POWER OUTLET SHOWN)



113 CONSOLE INSERT PLATE ASSEMBLY includes items 120, 122

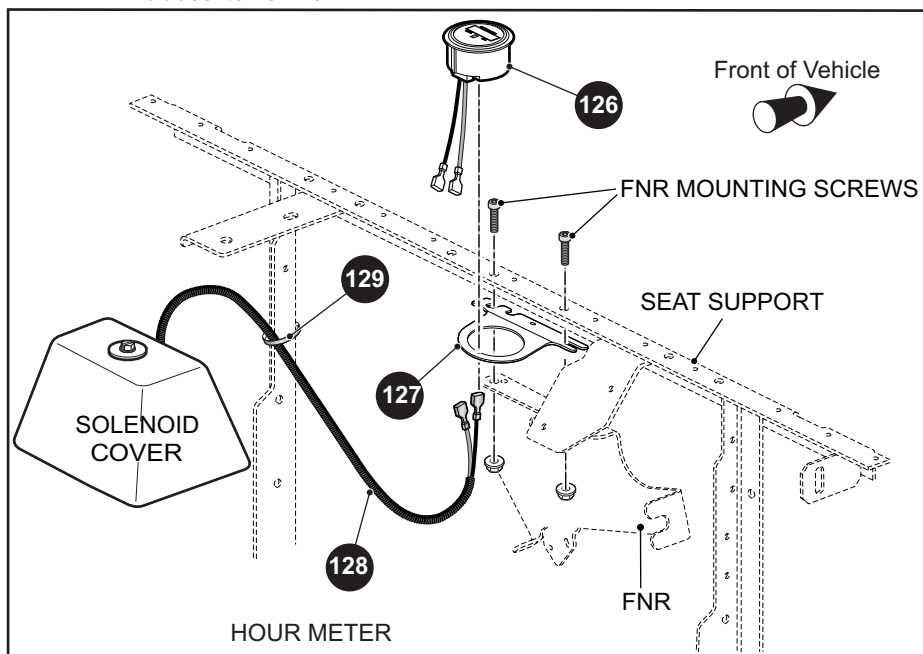
115 POWER OUTLET 12V includes items 116 - 121

Front of Vehicle



111 KEY SWITCH, INDICATOR LIGHT(S), AND FUEL GAUGE

125 HOUR METER KIT includes items 126 - 127



ELECTRICAL SYSTEM

When ordering parts, please specify the model and serial number of the product.

* Indicates a component that is not available as an individual part.

*** Indicates consult Customer Service Department for additional information.

ITEM	PART NO.	1 2 3 4 5	DESCRIPTION	QTY.
1	607053		6 GA WIRE (BLACK 6", F1 - A2).....	1
2	25682G01		TERMINAL COVER	3
3	626816		CONTROL HARNESS (NOT ILLUSTRATED)	1
4	626817		KEY SWITCH HARNESS (NOT ILLUSTRATED)	1
5	24775G1		BATTERY, 12V.....	1
6	*		HEX HEAD BOLT, 5/16" - 18 X 1 1/4" LG.....	2
7	*		LOCK WASHER(SILICON BRONZE), 5/16"	2
8	*		HEX NUT (SILICON BRONZE), 5/16" - 18.....	2
9				
10	72101G02		BATTERY HOLD DOWN.....	1
11	00438G6		HEX HEAD BOLT, 5/16" - 18 X 3/4" LG	3
12	00565G8		LOCK WASHER, 5/16"	1
13	00571G2		FLAT WASHER (SS), 5/16".....	1
14				
15	651911		GROUND CABLE (FOR VEHICLES MANUFACTURED FROM NOVEMBER 09, 2015)	1
16	27044G03		GROUND CABLE	1
17	25976G19		14 GA WIRE (BLACK 6")	1
18	00438G6		HEX HEAD BOLT, 5/16" - 18 X 3/4" LG	2
19	11027G1		LOCK NUT, 5/16" - 18.....	2
20	26676G01		FLANGED BOLT, M6 X 1.0 X 23MM LG.....	1
21				
22				
23				
24	605777		WIRE HARNESS (CONTROL)	1
25	17618G1		WIRE TIE (NOT ILLUSTRATED)	AR
26	73049G01		DIRECTION SELECTOR COVER	1
27	16469G1		FLAT WASHER, 1/4"	1
28	00114G6		HEX HEAD BOLT, 1/4" - 14 X 3/4" LG	1
29				
30				

ELECTRICAL SYSTEM

When ordering parts, please specify the model and serial number of the product.

* Indicates a component that is not available as an individual part.

*** Indicates consult Customer Service Department for additional information.

ITEM	PART NO.	1 2 3 4 5	DESCRIPTION	QTY.
31	605563		ELECTRICAL PLATE ASSEMBLY (INCLUDES ITEMS 32 - 39 AND 46 - 49)	1
32	73057G02		BRACKET	1
33	27739G01		VOLTAGE REGULATOR.....	1
34	303459		HEX HEAD BOLT, 1/4" - 20 X 1 1/2" LG	1
35	11027G2		LOCK NUT, 1/4" - 20	1
36	645190		6 AWG WIRE ASSEMBLY.....	1
37	603282		RELAY.....	1
38	00661G8		HEX HEAD BOLT, 1/4" - 20 X 1" LG	1
39	612813		SOLENOID (INCLUDES ITEMS 40 - 43).....	1
40	*		LOCK WASHER, #10	2
41	*		HEX NUT, #10 - 32	2
42	*		LOCK WASHER, 5/16"	2
43	*		HEX NUT, 5/16" - 24	2
44	00567G7		LOCK WASHER (EXTERNAL TOOTH TYPE), 1/4"	1
45	00532G1		HEX NUT, 1/4" - 20.....	1
46	600418G01		FUSE HOLDER ASSEMBLY.....	1
47	11027G2		LOCK NUT, 1/4" - 20	1
48	73446G01		FASTON TAB, 90°	3
49	25978G56		18 GA WIRE (BLACK 5 3/4")	1
50				
51	22674G1		FUSE BLOCK.....	1
52	01041G01		RIVET, 1/8" X 13/16" LG.....	2
53	18392G1		15 AMP FUSE	3
54	645190		6 GA WIRE ASSEMBLY	1
55	20216G1		16 GA WIRE (RED)	1
56				
57	32860G1		HORN	1
58	00414G5		HEX HEAD BOLT, 1/4" - 20 X 5/8" LG.....	1
59	00559G7		LOCK WASHER (SS), 1/4".....	1
60	14390G4		LOCK NUT, 1/4" - 20	1
61				

ELECTRICAL SYSTEM

When ordering parts, please specify the model and serial number of the product.

* Indicates a component that is not available as an individual part.

*** Indicates consult Customer Service Department for additional information.

ITEM	PART NO.	1 2 3 4 5	DESCRIPTION	QTY.
62	17318G1		HORN SWITCH	1
63	17318G2		HORN SWITCH CAP AND NUT	1
64	27068G01		HORN SWITCH BOOT	1
65	19233G1		HORN SWITCH LABEL	1
66	71055G01		RIVET (ALUMINUM), 3/16" X 1" LG	2
67				
68	614497		RIGHT HEAD LIGHT ASSEMBLY	1
69	614501		LEFT HEADLIGHT ASSEMBLY	1
70	71597G01		SELF THREADING NUT, 5 X 10 X 15 MM	8
71				
72	659008		LED HEADLIGHT ASSEMBLY (PASSENGER SIDE) (INCLUDES ITEM 83).	1
73	659009		LED HEADLIGHT ASSEMBLY (DRIVER SIDE) (INCLUDES ITEM 83)	1
74	71781G02		VINYL TAPE	2
75	622712		TURN SIGNAL KIT (INCLUDES ITEMS 76 - 80)	1
76	17618G1		NYLON CLAMP	2
77	20965G3		STEERING COLUMN COVER	1
78	611810		TURN SIGNAL SWITCH ASSEMBLY	1
79	619102		TURN SIGNAL BULB	2
80	32307G3		FLEX ZIP LOOM	1
81	654465		JUMPER HARNESS, LED HEADLIGHT	2
82	21640G1		FLASHER UNIT	1
83	651411G03		LED HEADLIGHT	1
84	626520		PARK BRAKE/BUZZER HARNESS	1
85				
86				
87	22288G1		TAILLIGHT ASSEMBLY	2
88	625251		BEZEL (DRIVER SIDE) (FOR VEHICLES MANUFACTURED FROM MARCH 2014)	1
89	625252		BEZEL (PASSENGER SIDE) (FOR VEHICLES MANUFACTURED FROM MARCH 2014)	1
90	00513G4		PAN HEAD PHILLIPS SCREW, # 8 - 18 X 1 1/2" LG (FOR VEHICLES MANUFACTURED FROM MARCH 2014)	4

ELECTRICAL SYSTEM

When ordering parts, please specify the model and serial number of the product.

* Indicates a component that is not available as an individual part.

*** Indicates consult Customer Service Department for additional information.

ITEM	PART NO.	1	2	3	4	5	DESCRIPTION	QTY.
91								
92	71425G01						COUNTERSUNK PHILLIPS HEAD TAPPING SCREW, # 8 - 18 X 3/4" LG (FOR VEHICLES MANUFACTURED FROM MARCH 2014)	8
93	71364G02						J - CLIP (FOR VEHICLES MANUFACTURED FROM MARCH 2014)	8
94	14601G11						RIVET (ALUMINUM), 3/16" X 9/16" (FOR VEHICLES MANUFACTURED FROM MARCH 2014)	4
95								
96								
97	666151						ACCESSORY WIRE HARNESS (FOR VEHICLES MANUFACTURED FROM NOVEMBER 09, 2015)	1
98	619092						ACCESSORY WIRE HARNESS (LONG).....	1
99	33639G01						IGNITION SWITCH (WITH LIGHTS).....	1
100	00568G6						LOCK WASHER, 3/4"	1
101	17137G1						FACE NUT, 3/4" - 20.....	1
102	17063G1						IGNITION KEY	1
103	605866						WIRE HARNESS (KEY SWITCH)	1
104								
105								
106	73030G04						PLATE (FUEL GAUGE AND OIL LIGHT)	1
107	71131G01						LABEL (OIL LIGHT AND FUEL GAUGE WITH HEADLIGHTS)	1
108	21553G1						FUEL GAUGE.....	1
109	23474G1						INDICATOR LIGHT.....	1
110	74311G01						HARNESS (OIL LIGHT/FUEL GAUGE)	1
111	25978G122						18 GA WIRE (RED 6").....	1
112								
113	74693G02						CONSOLE INSERT PLATE ASSY (INCLUDES ITEMS 120, 122).....	1
114	33623G02						RIVET (BLACK), 3/16" X 3/8"	2
115	612143						POWER OUTLET 12V (INCLUDES ITEMS 116 - 121).....	1
116	612107						WIRE HARNESS, POWER OUTLET 12V	1
117	33623G02						RIVET, 3/16" X 3/8"	3
118	71078G01						OUTLET, POWER 12V	1
119	14601G10						RIVET (ALUMINUM), 5/32"	2

ELECTRICAL SYSTEM

When ordering parts, please specify the model and serial number of the product.

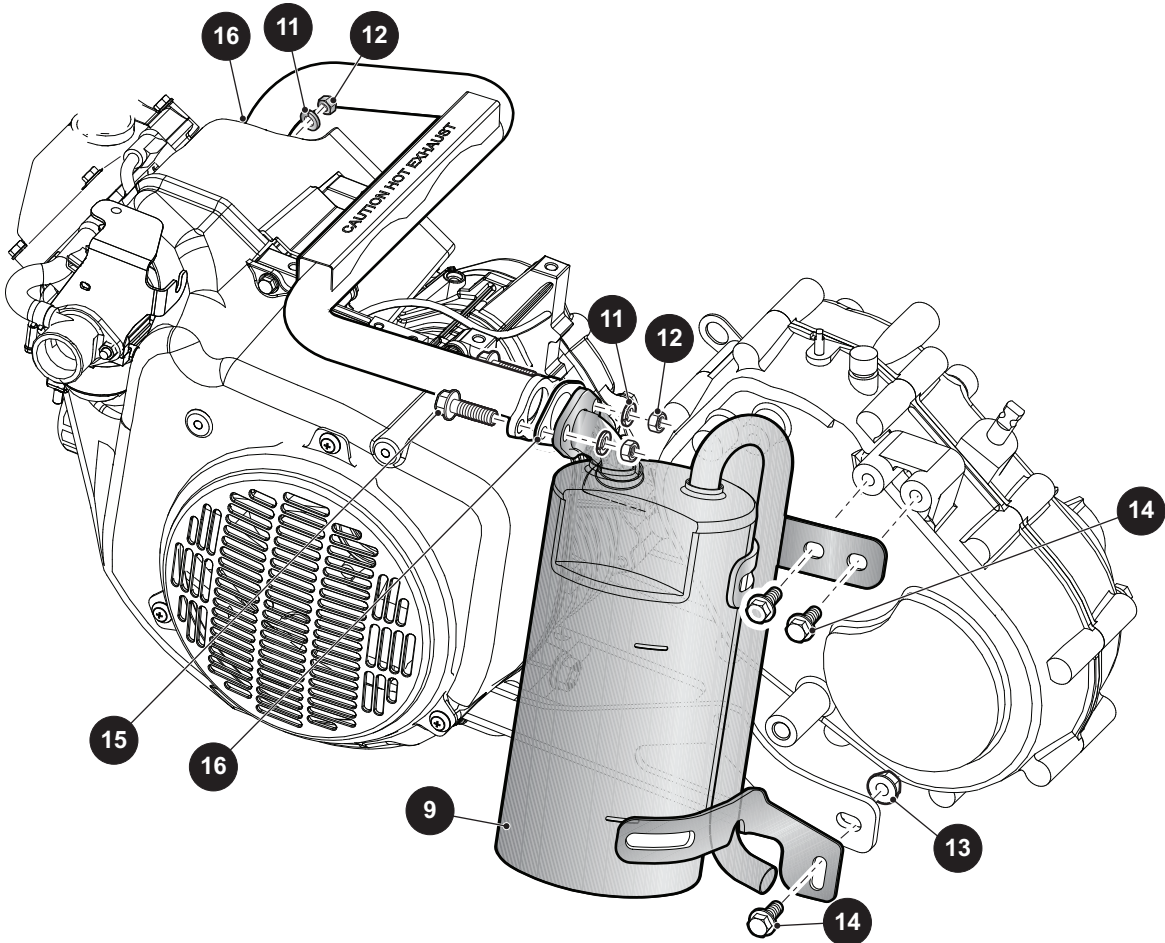
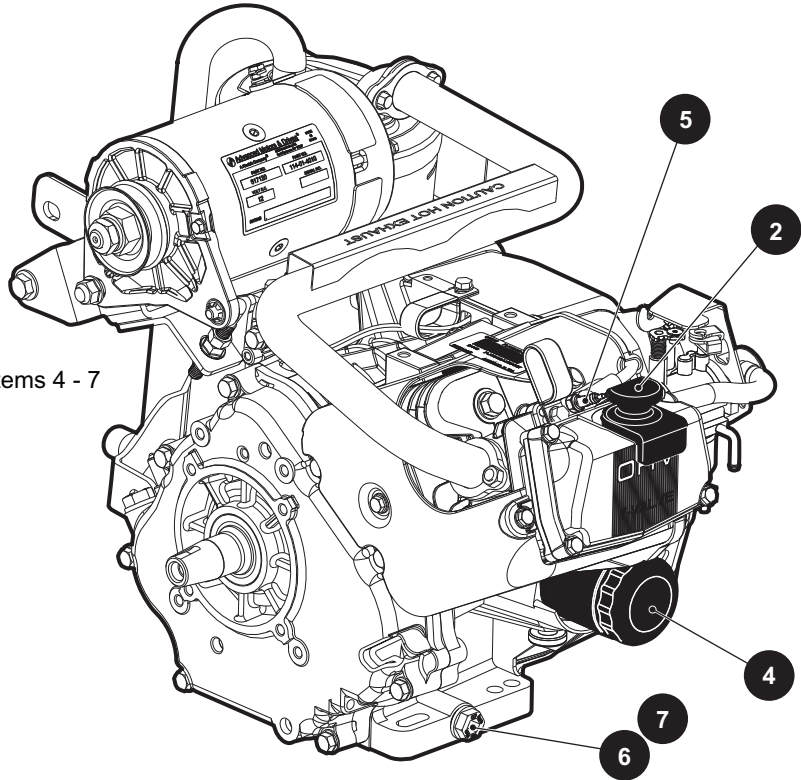
* Indicates a component that is not available as an individual part.

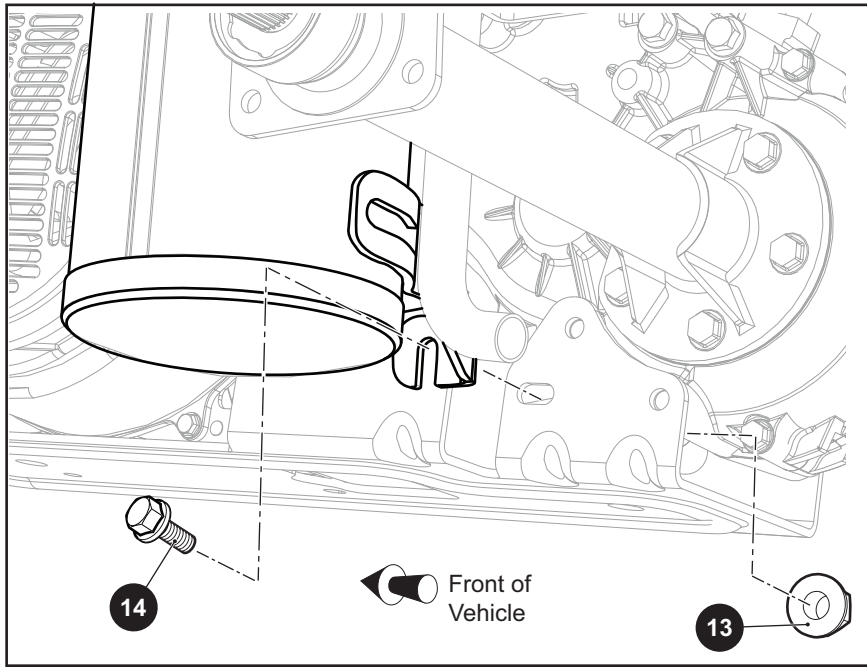
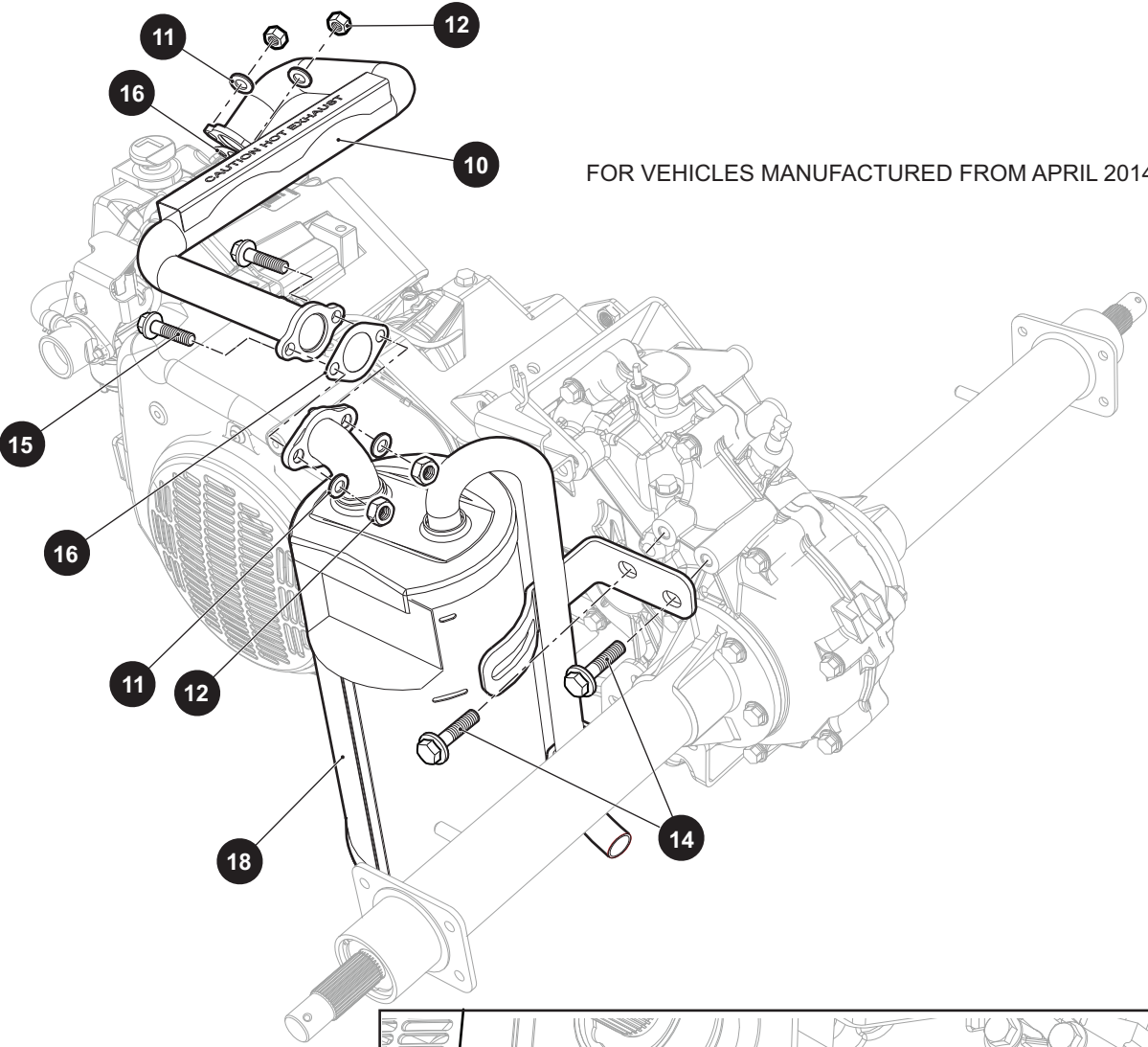
*** Indicates consult Customer Service Department for additional information.

ITEM	PART NO.	1 2 3 4 5	DESCRIPTION	QTY.
120	73522G03		CONSOLE PLATE (E - COAT)	1
121	35212G01		FUSE, AUTOMOTIVE ATC TYPE, 15A	1
122	20271G01		HOLE PLUG.....	1
123	17618G1		NYLON CLAMP.....	1
124				
125	607284		HOUR METER KIT (INCLUDES ITEMS 126 - 127).....	1
126	617074		HOUR METER	1
127	635649		HOUR METER BRACKET.....	1
128	664689		WIRE HARNESS (HOUR METER).....	1
129	31539G1		NYLON CLAMP, 15.5" (NOT ILLUSTRATED)	AR
130	73290G03		CONTINUOUS TONE POTTED BUZZER	1
131	626519		BUZZER HARNESS	1
132	01041G01		RIVET, 5/32" DIA.....	2
133	00439G1		HEX HEAD CAP SCREW, 5/16" - 18 X 1 1/8" LG (NOT ILLUSTRATED)	1
134	75048G01		SPACER, .328" X .75" X .50 (NOT ILLUSTRATED)	1
135	11098G6		LOCK NUT, 5/16" - 18 (NOT ILLUSTRATED).....	1
136	73290G01		INTERMITTENT BUZZER	1
137	640360		BATTERY TERMINAL ADAPTOR, NEGATIVE (FOR VEHICLES MANUFACTURED FROM NOVEMBER 09, 2015)	1
138	639553		BATTERY, 12V (FOR VEHICLES MANUFACTURED FROM NOVEMBER 09, 2015)	1
139	640359		BATTERY TERMINAL ADAPTOR, POSITIVE (FOR VEHICLES MANUFACTURED FROM NOVEMBER 09, 2015)	1
140	651336		BATTERY BOLT (FOR VEHICLES MANUFACTURED FROM NOVEMBER 09, 2015)	1
141	614221		FLAT WASHER, 3/8" (FOR VEHICLES MANUFACTURED FROM NOVEMBER 09, 2015)	1
142	73030G14		CONSOLE INSERT PLATE (FOR VEHICLES MANUFACTURED FROM NOVEMBER 09, 2015)	1
143	648247		FUEL LEVEL GAUGE (FOR VEHICLES MANUFACTURED FROM NOVEMBER 09, 2015)	1
144	648855		CONSOLE LABEL (FOR VEHICLES MANUFACTURED FROM NOVEMBER 09, 2015)	1

ENGINE AND MUFFLER

1 GAS ENGINE includes items 4 - 7





ENGINE AND MUFFLER

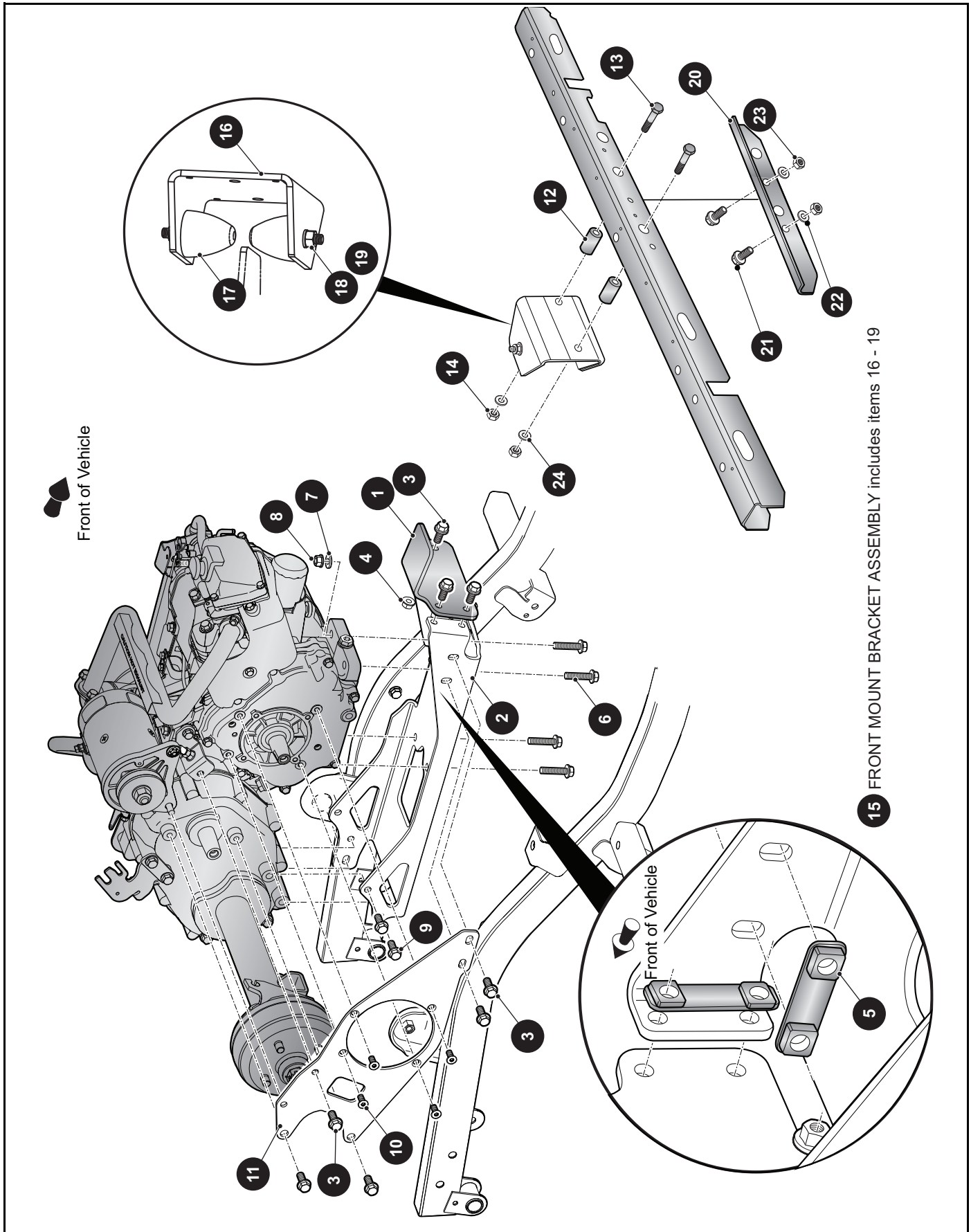
When ordering parts, please specify the model and serial number of the product.

* Indicates a component that is not available as an individual part.

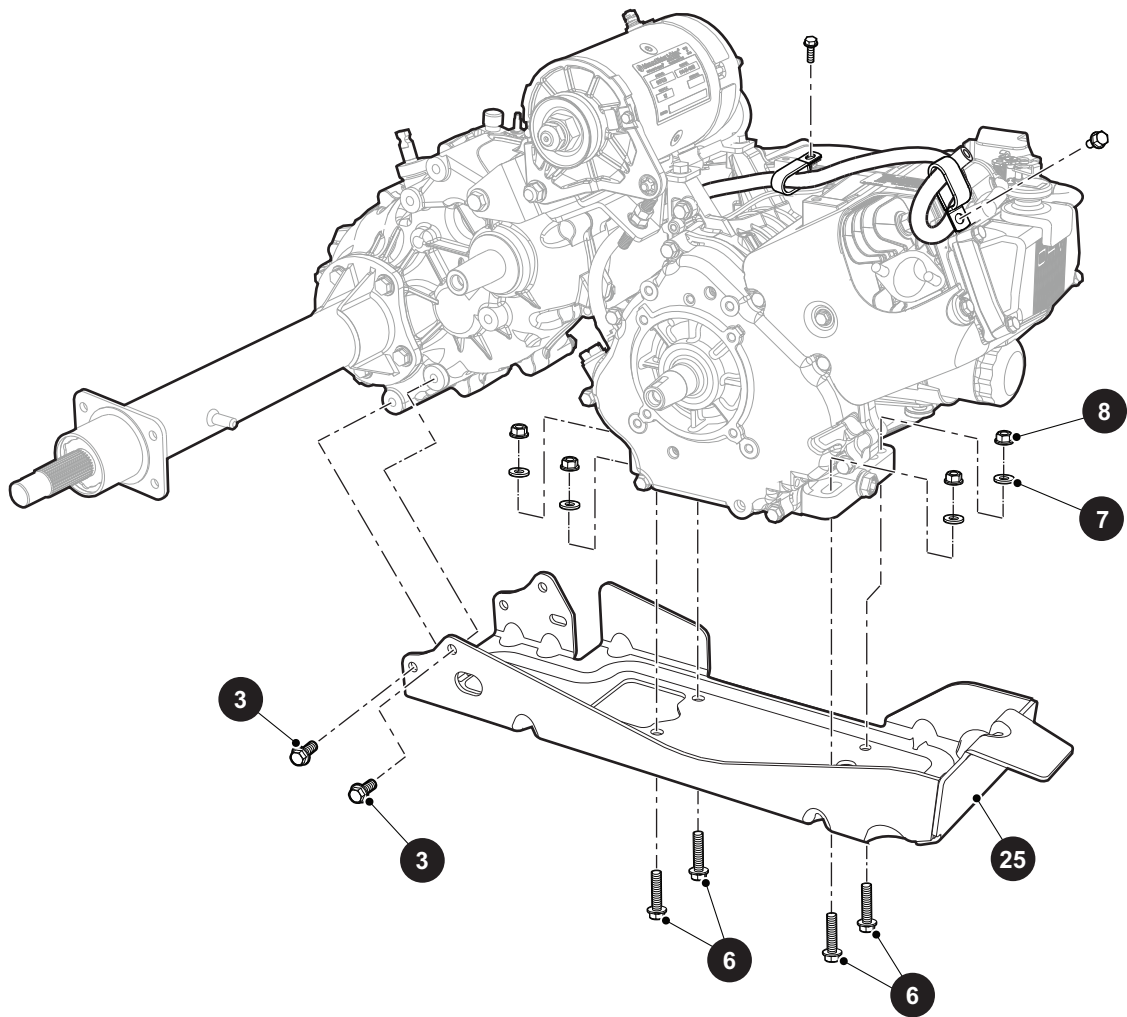
*** Indicates consult Customer Service Department for additional information.

ITEM	PART NO.	1	2	3	4	5	DESCRIPTION	QTY.
1	633740						GAS ENGINE - 13HP, NON - GOLF (INCLUDES ITEMS 4 - 7).....	1
2	606390						DIP STICK.....	1
3								
4	607454						OIL FILTER.....	1
5	607462						SPARK PLUG (BPR2ES).....	1
6	603557						OIL DRAIN PLUG.....	1
7	603562						'O' RING, 16MM.....	1
8								
9	612266						MUFFLER.....	1
10	606982						EXHAUST PIPE.....	1
11	606272						LOCK WASHER, 8MM.....	4
12	606267						HEX JAM NUT, M8 X 1.25.....	4
13	606279						HEX NUT, M10 - 1.25.....	1
14	606256						HEX HEAD BOLT, M10 - 1.25 X 25MM LG.....	3
15	602330						HEX HEAD BOLT, M8 - 1.25 X 30MM LG.....	2
16	603599						EXHAUST GASKET.....	2
17								
18	630970						MUFFLER (FOR VEHICLES MANUFACTURED FROM APRIL 2014).....	1

ENGINE MOUNTING



FOR VEHICLES MANUFACTURED FROM APRIL 2014



ENGINE MOUNTING

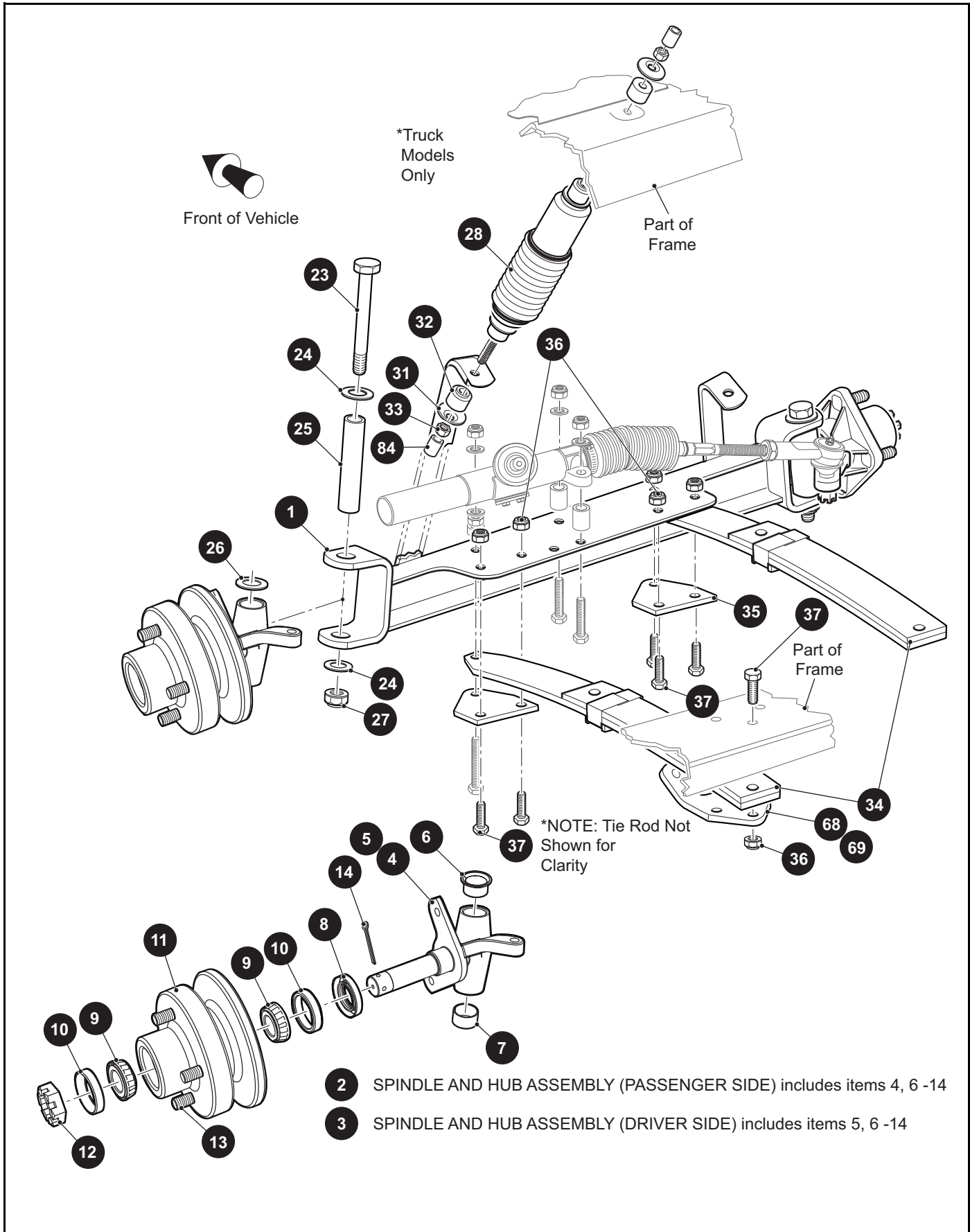
When ordering parts, please specify the model and serial number of the product.

* Indicates a component that is not available as an individual part.

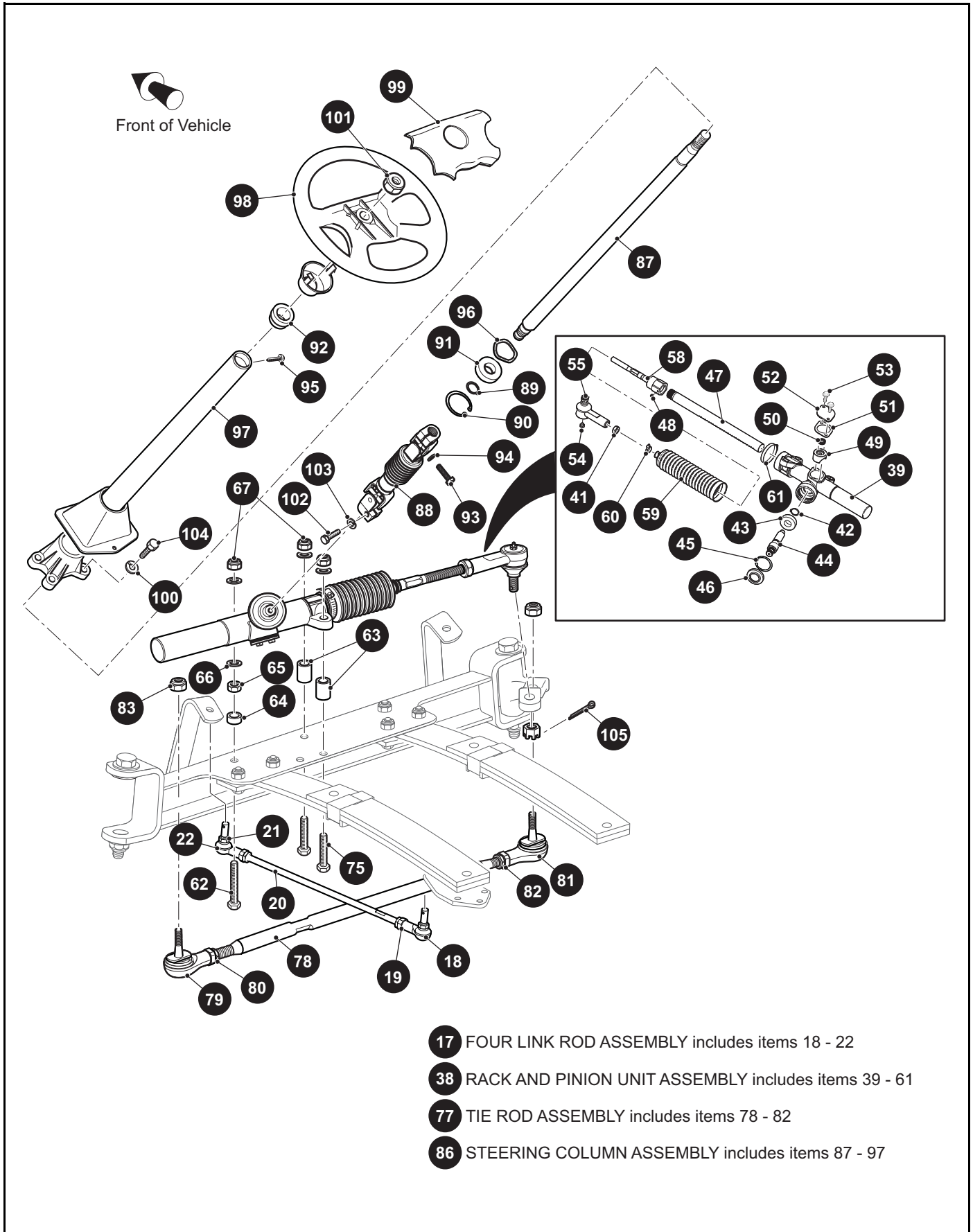
*** Indicates consult Customer Service Department for additional information.

ITEM	PART NO.	1	2	3	4	5	DESCRIPTION	QTY.
1	606007						FRONT ENGINE MOUNT	1
2	603101						ENGINE PAN MOUNT.....	1
3	606256						HEX HEAD BOLT, M10 - 1.25 X 25MM LG	10
4	606279						HEX NUT, M10 - 1.25	1
5	606096						NUT PLATE	2
6	606259						HEX HEAD BOLT, M10 - 1.25 X 45MM LG	4
7	603823						FLAT WASHER, M10 X 22 X 2.5.....	4
8	606279						HEX NUT, M10 - 1.25	5
9	608020						HEX HEAD BOLT, M10 - 1.25 X 34MM LG	4
10	606246						FLAT HEAD SCREW, M6 - 1 X 12	4
11	602146						DIFFERENTIAL PLATE	1
12	72016G01						TUBE SPACER	2
13	00428G8						HEX HEAD BOLT, 3/8" - 16 X 2.75" LG.....	2
14	11098G5						PLASTIC INSERT LOCK NUT, 3/8" - 16	2
15	627627						FRONT MOUNT BRACKET ASSEMBLY (INCLUDES ITEMS 16 - 19).....	1
16	625345						FRONT MOUNT BRACKET.....	1
17	605757						RUBBER BUMPER.....	2
18	00974G01						HEX NUT, M10 X 1.5	2
19	608654						SPLIT LOCK WASHER, 10MM.....	2
20	652247						CROSSMEMBER BRACE.....	1
21	00438G7						HEX HEAD BOLT, 5/16" - 18 X 7/8" LG.....	2
22	00559G8						FLAT WASHER, 5/16"	2
23	01109G01						LOCK NUT, 5/16" - 18	2
24	00643G1						FLAT WASHER, 3/8" X1.0 X 0.063"	2
25	630776						ENGINE PAN (FOR VEHICLES MANUFACTURED FROM APRIL 2014)	1

FRONT SUSPENSION AND STEERING



FRONT SUSPENSION AND STEERING



FRONT SUSPENSION AND STEERING

When ordering parts, please specify the model and serial number of the product.

* Indicates a component that is not available as an individual part.

*** Indicates consult Customer Service Department for additional information.

ITEM	PART NO.	1 2 3 4 5	DESCRIPTION	QTY.
1	602327		FRONT AXLE	1
2	602288		SPINDLE AND HUB ASSEMBLY (PASSENGER SIDE) (INCLUDES ITEMS 4, 6 - 14)	1
3	602281		SPINDLE AND HUB ASSEMBLY (DRIVER SIDE) (INCLUDES ITEMS 5, 6 - 14)	1
4	602158		SPINDLE (PASSENGER SIDE)	1
5	602176		SPINDLE (DRIVER SIDE)	1
6	70648G01		FLANGED BEARING	1
7	70749G01		BEARING	1
8	25146G1		GREASE SEAL	1
9	11750G2		ROLLER BEARING	2
10	51141G1		BEARING RACE	2
11	630672		HUB, DISC BRAKE	1
12	12093G1		SLOTTED NUT, 17/32"	1
13	74864G01		DRIVE FLANGE STUD, 1 1/2"	4
14	00798G8		COTTER PIN, 5/32" X 1 3/4"	1
15				
16	01084G01		LOCK NUT, M10 - 1 1/4" (NOT ILLUSTRATED)	4
17	74730G01		LINK ROD ASSEMBLY (INCLUDES ITEMS 18 - 22)	2
18	74734G02		TIE ROD END (RH THREAD)	1
19	01083G01		JAM NUT, M10 - 1 1/4" (RH THREAD)	1
20	618531		LINK ROD	1
21	01083G02		JAM NUT, M10 - 1 1/4" (LH THREAD)	1
22	74734G01		TIE ROD END (LH THREAD)	1
23	00407G6		HEX HEAD BOLT, 1/2" - 13 X 6" LG	2
24	00560G3		FLAT WASHER, 1/2"	4
25	70745G01		KING PIN TUBE	2
26	70754G01		THRUST WASHER (SS), 1"	2
27	14390G6		LOCK NUT, 1/2" - 13	2
28	76419G01		SHOCK ABSORBER	2
29				
30				

FRONT SUSPENSION AND STEERING

When ordering parts, please specify the model and serial number of the product.

* Indicates a component that is not available as an individual part.

*** Indicates consult Customer Service Department for additional information.

ITEM	PART NO.	1 2 3 4 5	DESCRIPTION	QTY.
31	10435G1		SHOCK ABSORBER WASHER, .406" I.D, 1.25" O.D	8
32	10194G1		RUBBER BUSHING	8
33	00532G6		HEX NUT, 1/4" - 20	4
34	70664G03		LEAF SPRING (HEAVY DUTY) (SEE PART NUMBER ON SPRING).....	2
35	652258		SPRING PLATE	2
36	00734G1		LOCK NUT, 7/16" - 14.....	11
37	00463G11		HEX HEAD BOLT, 7/16" - 14 X 1 1/2" LG	11
38	70964G01		RACK AND PINION UNIT (COMPLETE) (INCLUDES ITEMS 39 - 61)	1
39	70965G01		STEERING RACK COVER AND BEARING	1
40				
41	*		JAM NUT, 1/2" - 20.....	1
42	70750G01		RETAINING RING (EXTERNAL)	1
43	15112G1		BALL BEARING	1
44	70603G01		PINION	1
45	70751G01		RETAINING RING (INTERNAL)	1
46	70638G01		PINION SEAL	1
47	70604G01		STEERING RACK	1
48	*		SOCKET HEAD SCREW, #10 - 32.....	1
49	70590G01		RACK LOADER	1
50	70666G01		COMPRESSION SPRING	1
51	70645G01		GASKET (RACK LOADER)	1
52	652259		COVER (RACK LOADER)	1
53	71102G01		HEX HEAD BOLT, 1/4" - 20	2
54	10389G3		GREASE FITTING, STRAIGHT.....	1
55	70695G01		TIE ROD END (OUTER)	1
56	*		GROMMET (NOT ILLUSTRATED).....	1
57	*		SLOTTED NUT, 7/16" - 20 (NOT ILLUSTRATED).....	1
58	74694G01		TIE ROD END (INNER).....	1
59	70961G01		BELLOWS RACK COVER	1
60	12416G2		NYLON CLAMP, 10"	1
61	11391G8		HOSE CLAMP, 1.81"	1

FRONT SUSPENSION AND STEERING

When ordering parts, please specify the model and serial number of the product.

* Indicates a component that is not available as an individual part.

*** Indicates consult Customer Service Department for additional information.

ITEM	PART NO.	1 2 3 4 5	DESCRIPTION	QTY.
62	01068G01		HEX HEAD BOLT, 7/16" - 14 X 3 1/2" LG.....	1
63	70667G02		SPACER, 1.21".....	2
64	70667G04		STEERING HOUSING SPACER.....	1
65	00532G7		HEX NUT, 1/4" - 20.....	1
66	00560G2		FLAT WASHER, 3/8".....	7
67	00734G1		LOCK NUT, 7/16" - 14.....	3
68	74731G01		SPRING PLATE (DRIVER SIDE).....	1
69	74731G02		SPRING PLATE (PASSENGER SIDE).....	1
70				
71				
72				
73				
74				
75	00464G8		HEX HEAD BOLT, 7/16" - 14 X 2 3/4" LG.....	2
76				
77	70876G02		TIE ROD ASSEMBLY (INCLUDES ITEMS 78 - 82).....	1
78	70897G02		THREADED ROD (24" LG).....	1
79	70902G01		TIE ROD END (LEFT HAND THREADS).....	1
80	01069G01		JAM NUT, M12 X 1.25 - 05 (LEFT HAND THREADS).....	1
81	70902G02		TIE ROD END (RIGHT HAND THREADS).....	1
82	01069G02		JAM NUT, M12 X 1.25 - 05 (RIGHT HAND THREADS).....	1
83	00734G1		LOCK NUT, 7/16" - 14.....	2
84	10044G01		VINYL CAP.....	4
85				
86	70758G05		STEERING COLUMN ASSEMBLY (INCLUDES ITEMS 87 - 97).....	1
87	70607G01		STEERING SHAFT.....	1
88	70580G01		INTERMEDIATE SHAFT.....	1
89	70888G01		RETAINING RING (EXTERNAL).....	1
90	70751G01		RETAINING RING (INTERNAL).....	1
91	15112G1		BALL BEARING.....	1
92	28569G01		BUSHING.....	1

FRONT SUSPENSION AND STEERING

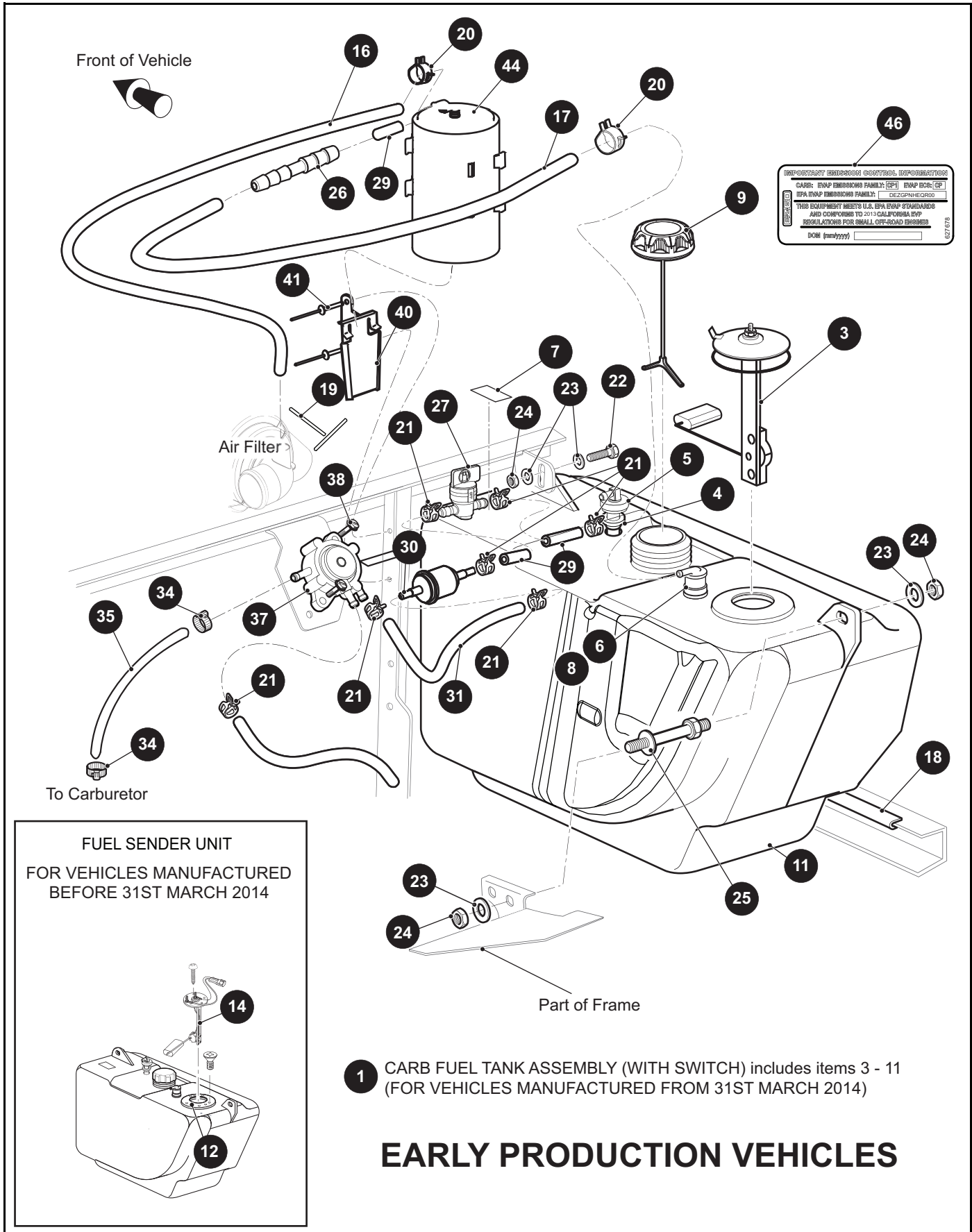
When ordering parts, please specify the model and serial number of the product.

* Indicates a component that is not available as an individual part.

*** Indicates consult Customer Service Department for additional information.

ITEM	PART NO.	1 2 3 4 5	DESCRIPTION	QTY.
93	01055G01		HEX HEAD BOLT, M8 - 1 1/4" X 30MM LG	1
94	00565G8		SPRING LOCK WASHER	1
95	01022G01		HEX HEAD BOLT, #6 - 20 X 5/16" LG	1
96	70887G01		WAVE WASHER (SS).....	1
97	70610G03		STEERING COLUMN ASSEMBLY	1
98	602980		STEERING WHEEL (PREMIUM).....	1
99	71147G01		STEERING WHEEL COVER	1
100	00879G1		FLAT WASHER, 3/8"	4
101	14390G2		LOCK NUT, 5/8" - 18.....	1
102	01055G01		HEX HEAD BOLT, M8 - 1 1/4" X 30MM LG	1
103	00565G8		LOCK WASHER, 5/16"	1
104	01006G01		HEX HEAD BOLT, 3/8" - 16 X 1 1/4" LG	4
105	10387G2		COTTER PIN, .094" X 1"	1

FUEL SYSTEM



FUEL SYSTEM

When ordering parts, please specify the model and serial number of the product.

* Indicates a component that is not available as an individual part.

*** Indicates consult Customer Service Department for additional information.

ITEM	PART NO.	1 2 3 4 5	DESCRIPTION	QTY.
1	645034		CARB FUEL TANK ASSEMBLY (WITH SWITCH) (INCLUDES ITEMS 3 - 11).....	1
2				
3	633024G02		PRESS FIT FUEL SENDER	1
4	70988G01		SIPHON TUBE GROMMET	1
5	18287G3		SIPHON TUBE ASSEMBLY	1
6	606068		ROLLOVER VALVE GROMMET	1
7	625826		EPA FUEL TANK LABEL.....	1
8	606067		ROLLOVER VALVE.....	1
9	633423		FUEL TANK CAP (RATCHET).....	1
10				
11	*		FUEL TANK (WITH SENDER UNIT).....	1
12	72229G01		FUEL TANK ADAPTER.....	1
13				
14	20048G2		FUEL LEVEL SENDER	1
15				
16	606966		LOW PRESSURE FUEL HOSE, 3/16" I.D. X 3/8" O.D. X 34" LONG (CARB)	1
17	607546		LOW PRESSURE FUEL HOSE, 3/16" I.D. X 3/8 "O.D. X 17" LONG (CARB)	1
18	32372G6		BLACK TRIM, 6.25" LONG	1
19	17618G1		NYLON CLAMP	2
20	606963		TUBING CLAMP, 3/16" I.D.....	2
21	18292G1		HOSE CLAMP, .50" DIAMETER	8
22	00438G8		HEX HEAD BOLT, 5/16" - 18 X 1" LG	1
23	00559G8		FLAT WASHER, 5/16"	4
24	11098G6		LOCK NUT, 5/16" - 18.....	3
25	70483G01		SPACER BOLT, 5/16" - 18	1
26	615346		HOSE REDUCER - ID 1/4" X 3/16"	1
27	611181		FUEL SHUT - OFF VALVE	1
28				
29	615350		FUEL SYSTEM HOSE, 2"	3
30	72084G01		FUEL LINE FILTER	1

FUEL SYSTEM

When ordering parts, please specify the model and serial number of the product.

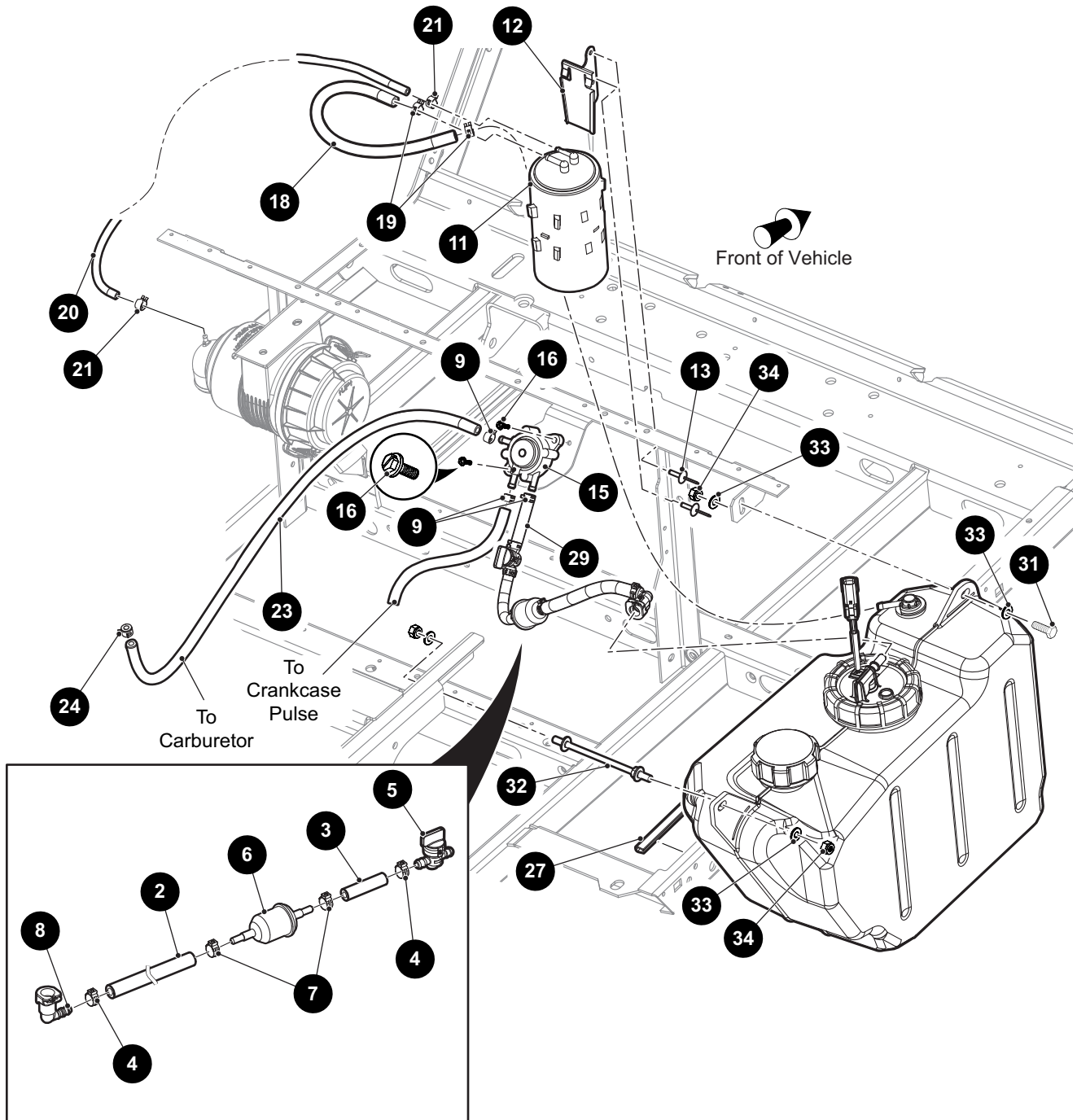
* Indicates a component that is not available as an individual part.

*** Indicates consult Customer Service Department for additional information.

ITEM	PART NO.	1 2 3 4 5	DESCRIPTION	QTY.
31	606969		FUEL SYSTEM HOSE, .25" I.D. X.50" O.D. X 8" LONG.....	1
32				
33				
34	11391G4		HOSE CLAMP, .25" - .63" DIA.....	2
35	604597		CARB FUEL SYSTEM HOSE, .25" I.D. X.50" O.D. X 26" LONG.....	1
36				
37	602061		FUEL PUMP	1
38	00114G6		HEX WASHER HEAD SLOTTED TAPPING SCREW, 1/4" - 14 X 3/4" LG	2
39				
40	606310		CARBON CANISTER MOUNTING BRACKET	1
41	10570G11		RIVET, 3/16" DIA X .70".....	2
42				
43				
44	606071		CARBON CANISTER	1
45				
46	*		EVAP LABEL	1

FUEL SYSTEM

1 FUEL LINE ASSEMBLY includes items 2 - 8



LATE PRODUCTION VEHICLES

When ordering parts, please specify the model and serial number of the product.

* Indicates a component that is not available as an individual part.

*** Indicates consult Customer Service Department for additional information.

ITEM	PART NO.	1 2 3 4 5	DESCRIPTION	QTY.
1	649515		FUEL LINE ASSEMBLY (INCLUDES ITEMS 2 - 8)	1
2	649570		HOSE, .312" I.D. X .562" O.D. X 9" LG	1
3	615350		HOSE, 2" LG	1
4	649873		CLAMP, 1/2" O.D.	2
5	611181		SHUT-OFF VALVE.....	1
6	72084G01		FUEL FILTER	1
7	649874		CLAMP, 9/16" O.D.	2
8	649577		CONNECTOR, 5/16" I.D.	1
9	18292G1		CLAMP, 1/2" O.D.	3
10				
11	606071		CARBON CANISTER.....	1
12	606310		CANISTER BRACKET	1
13	10570G11		RIVET (SS), 3/16" X .70"	2
14				
15	602061		FUEL PUMP.....	1
16	00114G6		HEX WASHER HEAD BOLT, 1/4" - 10 X 3/4" LG	2
17				
18	27184G14		FUEL SYSTEM TUBE.....	1
19	18292G1		CLAMP, 1/2" O.D.	2
20	606966		HOSE, 3/16" I.D. X 34" LG.....	1
21	606963		CLAMP, 3/16" I.D.	2
22				
23	604597		FUEL HOSE, 26" LG.....	1
24	18292G1		CLAMP, 1/2" O.D.	1
25				
26	17618G1		NYLON CLAMP, 7" LG (NOT ILLUSTRATED).....	2
27	32372G6		VINYL TRIM, 6.25" LG	1
28				
29	615350		FUEL HOSE, 2" LG.....	1
30				
31	00438G8		HEX HEAD BOLT, 5/16" - 18 X 5/8" LG	1

FUEL SYSTEM

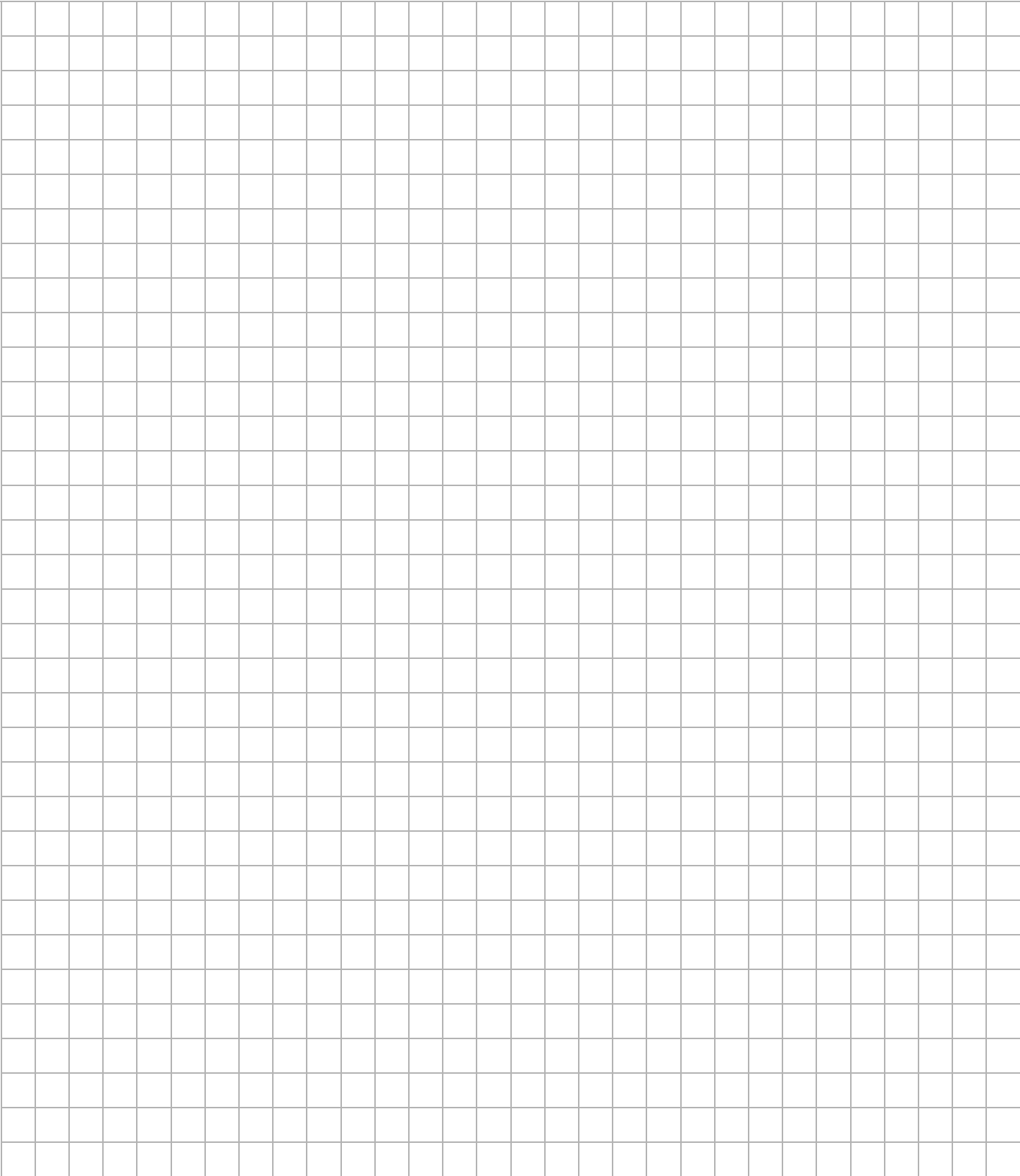
When ordering parts, please specify the model and serial number of the product.

* Indicates a component that is not available as an individual part.

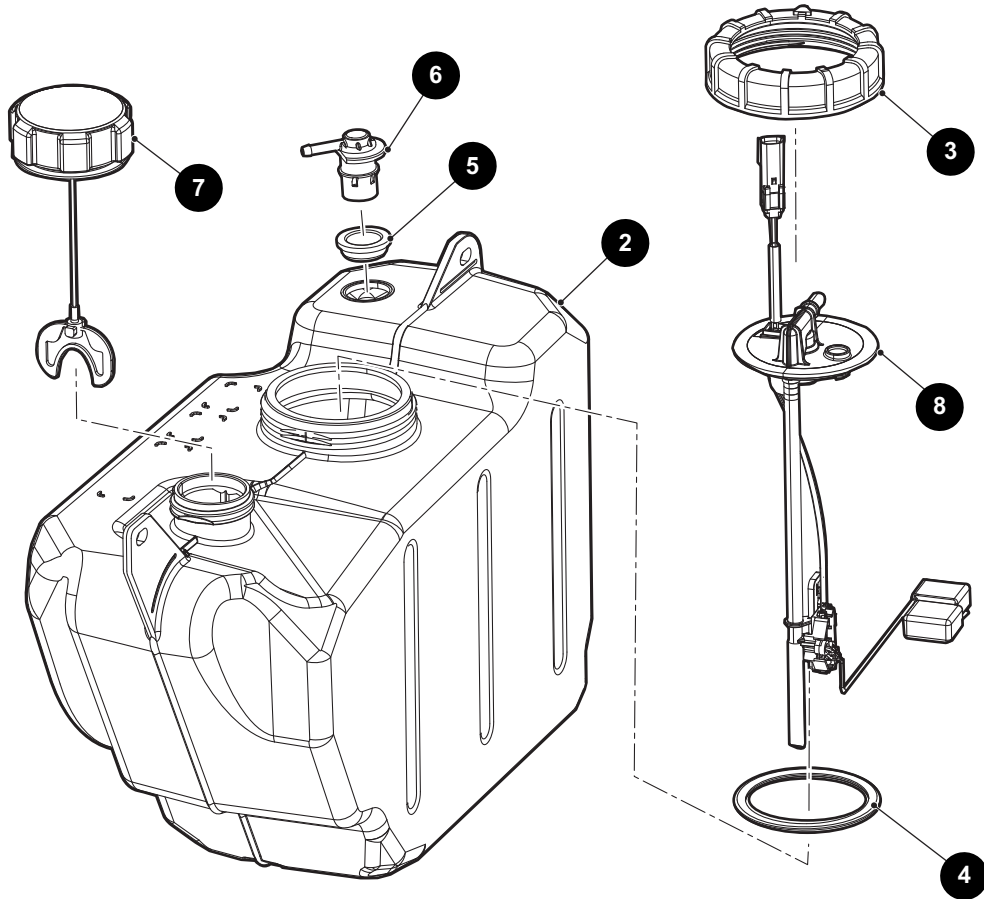
*** Indicates consult Customer Service Department for additional information.

ITEM	PART NO.	1 2 3 4 5	DESCRIPTION	QTY.
32	70483G01		SPACER	1
33	00559G8		FLAT WASHER, 5/16"	4
34	11098G6		LOCK NUT, 5/16" - 18	3

Notes:

A large, empty grid of approximately 30 columns and 40 rows, intended for writing notes.

- 1** FUEL TANK ASSEMBLY (WITH SENDER UNIT)
includes items 2 - 8



LATE PRODUCTION VEHICLES

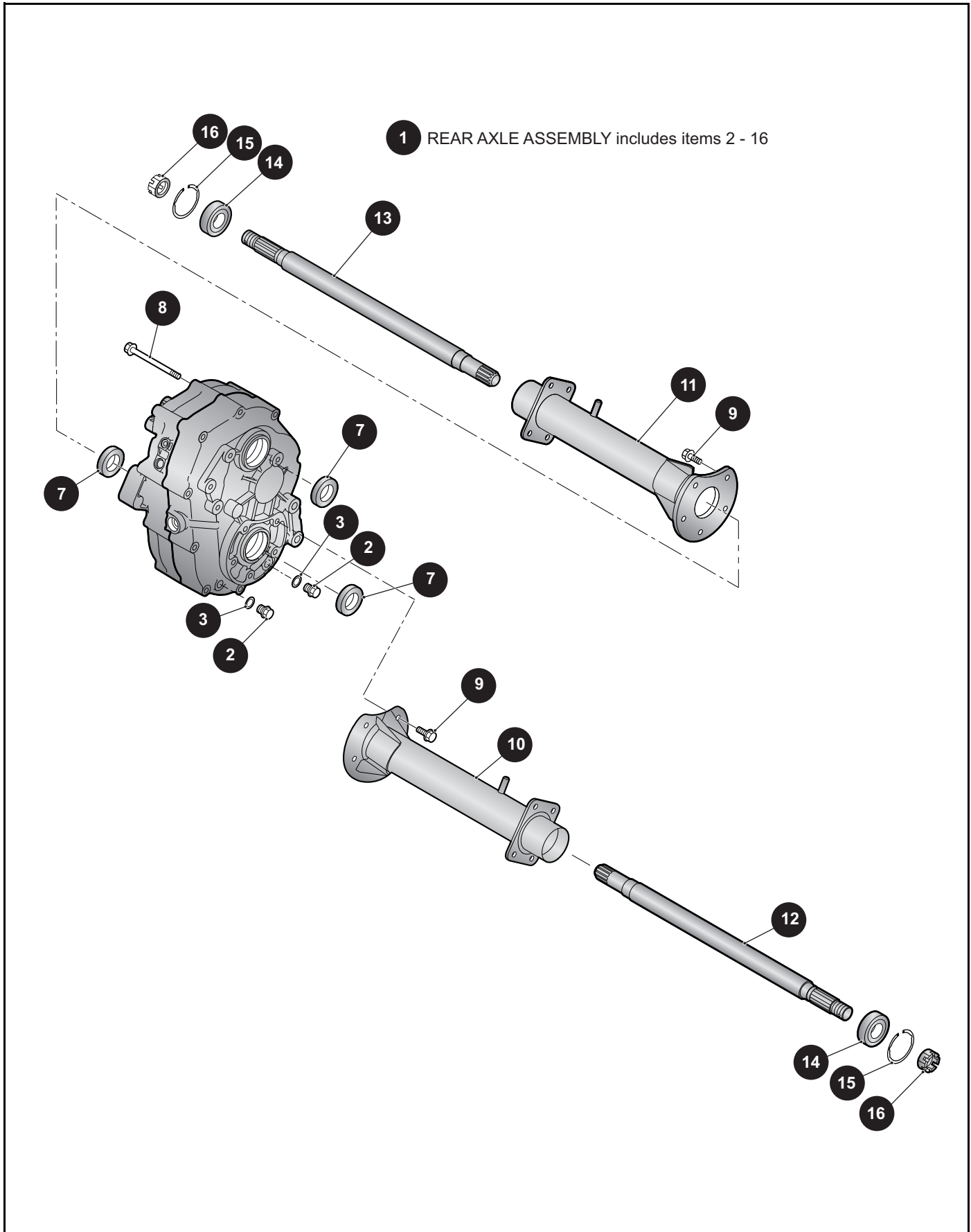
When ordering parts, please specify the model and serial number of the product.

* Indicates a component that is not available as an individual part.

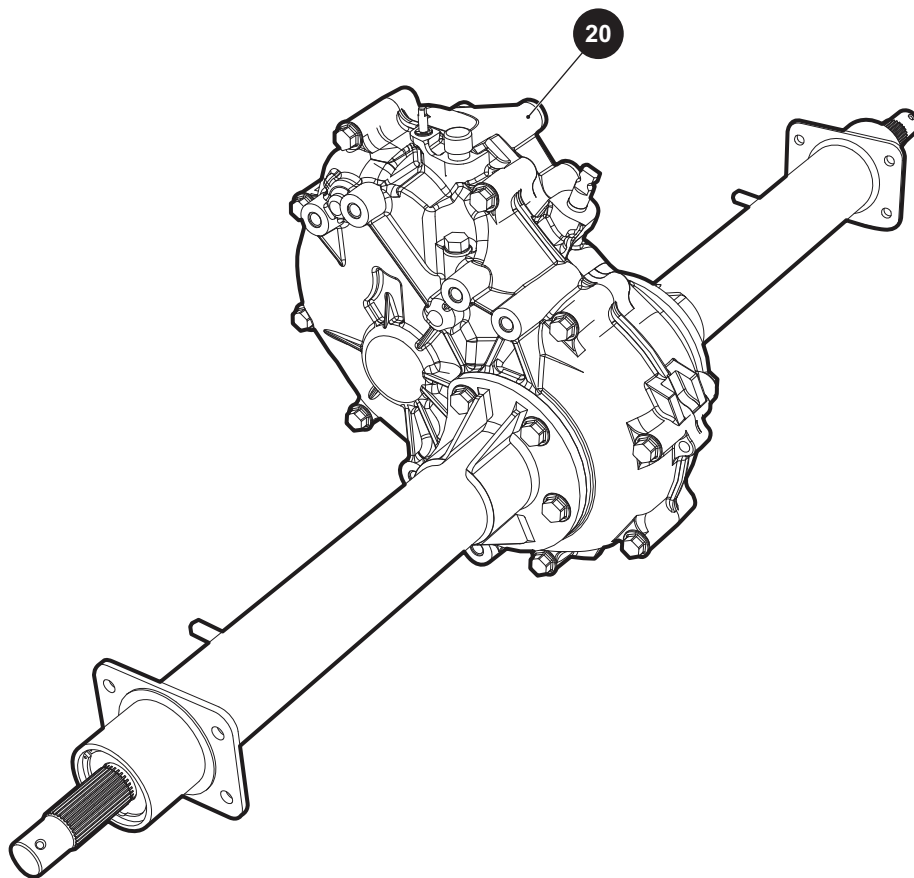
*** Indicates consult Customer Service Department for additional information.

ITEM	PART NO.	1 2 3 4 5	DESCRIPTION	QTY.
1	656139		FUEL TANK ASSEMBLY (WITH SENDER UNIT) (INCLUDES ITEMS 2 - 8) ..	1
2	646306		FUEL TANK	1
3	646837		CAP	1
4	646838		SEAL.....	1
5	647810		GROMMET	1
6	647809		ROLLOVER VALVE	1
7	635688		FUEL CAP	1
8	656144		FUEL PICKUP WITH SENDER ASSEMBLY	1

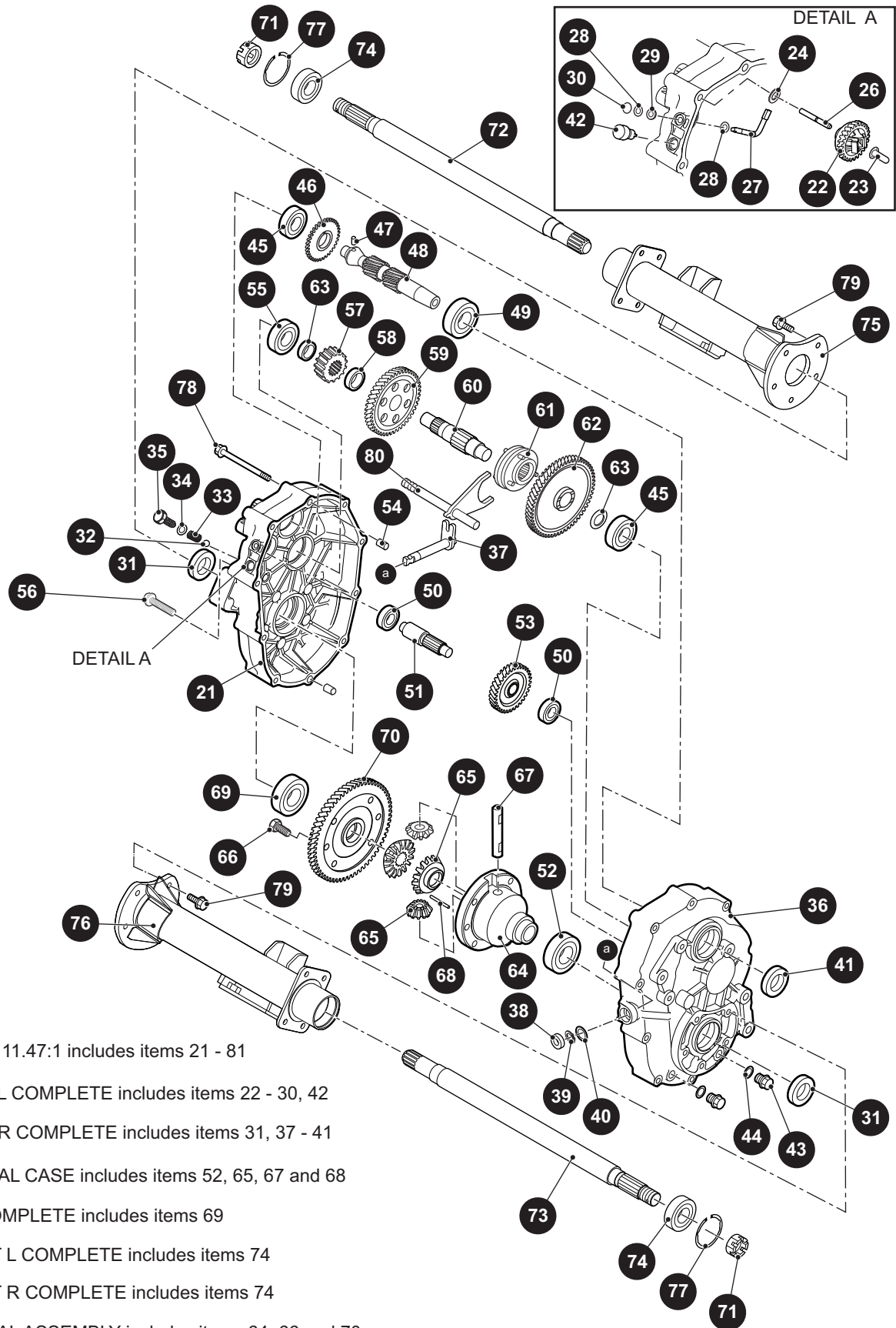
REAR AXLE



FOR VEHICLES MANUFACTURED FROM APRIL 2014



REAR AXLE



- 20 REAR AXLE, 11.47:1 includes items 21 - 81
- 21 AXLE CASE L COMPLETE includes items 22 - 30, 42
- 36 AXLE CASE R COMPLETE includes items 31, 37 - 41
- 64 DIFFERENTIAL CASE includes items 52, 65, 67 and 68
- 70 GEAR, 60 COMPLETE includes items 69
- 72 AXLE SHAFT L COMPLETE includes items 74
- 73 AXLE SHAFT R COMPLETE includes items 74
- 81 DIFFERENTIAL ASSEMBLY includes items 64, 66 and 70

When ordering parts, please specify the model and serial number of the product.

* Indicates a component that is not available as an individual part.

*** Indicates consult Customer Service Department for additional information.

ITEM	PART NO.	1 2 3 4 5	DESCRIPTION	QTY.
1	627891		REAR AXLE (INCLUDES ITEMS 2 - 16)	1
2	26770G01		OIL DRAIN PLUG	2
3	26771G01		GASKET, 14 MM	2
4				
5				
6				
7	72259G01		OIL SEAL, 28 X 47 X 9 MM	3
8	26823G01		FLANGED HEX HEAD BOLT, M8 X 1.25 X 100MM LG	10
9	72260G01		FLANGED HEX HEAD BOLT, M10 X 1.5 X 23MM LG	10
10	607940		AXLE TUBE (PASSENGER SIDE)	1
11	607939		AXLE TUBE (DRIVER SIDE).....	1
12	607946		AXLE SHAFT (PASSENGER SIDE).....	1
13	607945		AXLE SHAFT (DRIVER SIDE)	1
14	26811G01		BALL BEARING	2
15	26814G01		SNAP RING, 52 MM	2
16	606403		SLOTTED NUT, M22 X 1.5.....	2
17				
18				
19				
20	670468		REAR AXLE, 11.47:1 (INCLUDES ITEMS 21 - 81) (FOR VEHICLES MANUFACTURED FROM APRIL 2014).....	1
21	639859		AXLE CASE L COMPLETE (INCLUDES ITEMS 22 - 30, 42)	1
22	665887		GOVERNOR GEAR	1
23	639689		GOVERNOR SLEEVE	1
24	607904		FLAT WASHER	1
25				
26	639698		GOVERNOR GEAR SHAFT	1
27	639707		GOVERNOR SHAFT	1
28	639736		FLAT WASHER, 6MM	2
29	607911		OIL SEAL, 6 x 10 x 2.5MM.....	1
30	607913		RETAINING RING E5	1

REAR AXLE

When ordering parts, please specify the model and serial number of the product.

* Indicates a component that is not available as an individual part.

*** Indicates consult Customer Service Department for additional information.

ITEM	PART NO.	1	2	3	4	5	DESCRIPTION	QTY.
31	639738						OIL SEAL, 24 x 40 x 9MM	2
32	26818G01						STEEL BALL	1
33	26819G01						SPRING	1
34	26831G01						GASKET, 10	1
35	26820G01						FLANGED HEX HEAD BOLT, M10 x 1.25 x 12 MM LG.....	1
36	639865						AXLE CASE R COMPLETE (INCLUDES ITEMS 31, 37 - 41)	1
37	639746						SELECT SHAFT	1
38	607915						OIL SEAL, 13 x 22 x 5MM	1
39	607916						SNAP RING, 13MM.....	1
40	607917						SPACER, 13 x 1MM	1
41	640093						OIL SEAL, 28 x 47 x 9MM	1
42	607919						AIR BREATHER	1
43	639747						OIL DRAIN PLUG	2
44	639748						GASKET, 14MM.....	2
45	26785G01						BALL BEARING (6204).....	2
46	665888						GOVERNOR GEAR, 34.....	1
47	607920						PIN, 6 x 12L	1
48	639750						INPUT SHAFT.....	1
49	607922						BALL BEARING (62/28).....	1
50	639868						BALL BEARING (TMB202)	2
51	639755						COUNTER SHAFT.....	1
52	640744						BALL BEARING (6006).....	1
53	639758						GEAR, 34.....	1
54	639869						KNOCK PIPE	2
55	639760						BALL BEARING (6304).....	2
56	639768						FLANGED HEX HEAD BOLT, M8 - 1.25 X 40MM LG.....	1
57	639769						GEAR, 17	1
58	28689G01						COLLAR, 24 x 7.5MM.....	1
59	639771						GEAR, 52.....	1
60	670697						CENTER SHAFT.....	1
61	639774						CLUTCH PIN.....	1

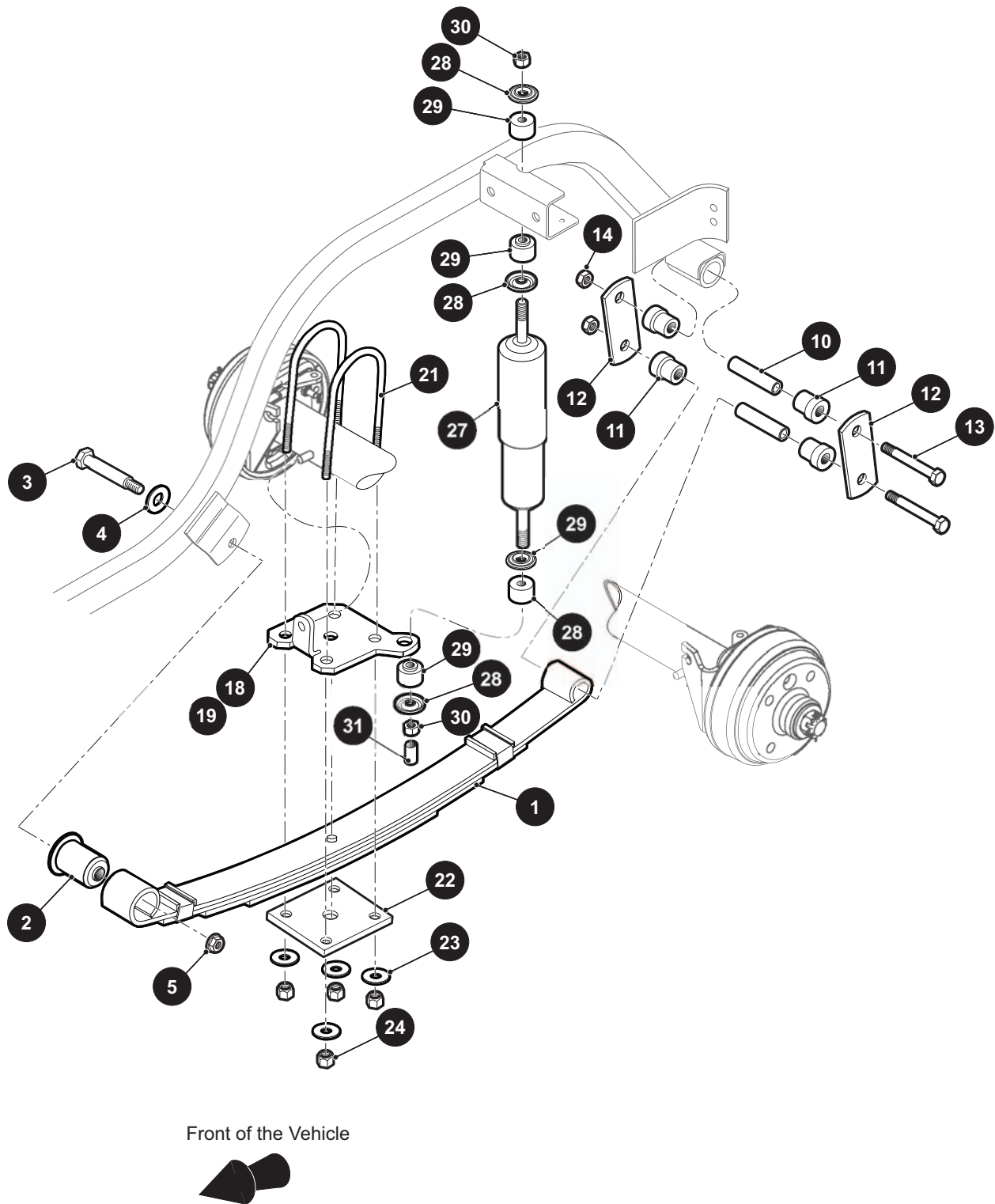
When ordering parts, please specify the model and serial number of the product.

* Indicates a component that is not available as an individual part.

*** Indicates consult Customer Service Department for additional information.

ITEM	PART NO.	1 2 3 4 5	DESCRIPTION	QTY.
62	670696		GEAR, 61	1
63	639797		SPACER, 20 x 2MM	2
64	639872		DIFFERENTIAL CASE (INCLUDES ITEMS 52, 65, 67 AND 68)	1
65	639800		DIFFERENTIAL PAIR GEAR	1
66	26808G01		HEX HEAD BOLT, M10 x 1.25 x 26MM LG	6
67	28723G01		DIFFERENTIAL SHAFT	1
68	28697G01		SPRING PIN, 4 x 40L	1
69	639801		BALL BEARING (6007)	1
70	640739		GEAR, 60 COMPLETE (INCLUDES ITEM 69)	1
71	607938		CASTLED NUT, M22 - 1.5	2
72	639876		AXLE SHAFT L COMPLETE (INCLUDES ITEM 74)	1
73	639881		AXLE SHAFT R COMPLETE (INCLUDES ITEM 74)	1
74	639836		BALL BEARING (6205DD)	2
75	607939		AXLE CASE L COMPLETE	1
76	607940		AXLE CASE R COMPLETE	1
77	26814G01		SNAP RING, 52MM	2
78	639839		FLANGED HEX HEAD BOLT, M8 x 1.25 x 60MM LG	9
79	639840		FLANGED HEX HEAD BOLT, M10 x 1.25 x 25MM LG	10
80	639844		SHIFT SHAFT COMPLETE	1
81	639847		DIFFERENTIAL ASSEMBLY (INCLUDES ITEMS 64, 66 AND 70)	1

REAR SUSPENSION



REAR SUSPENSION

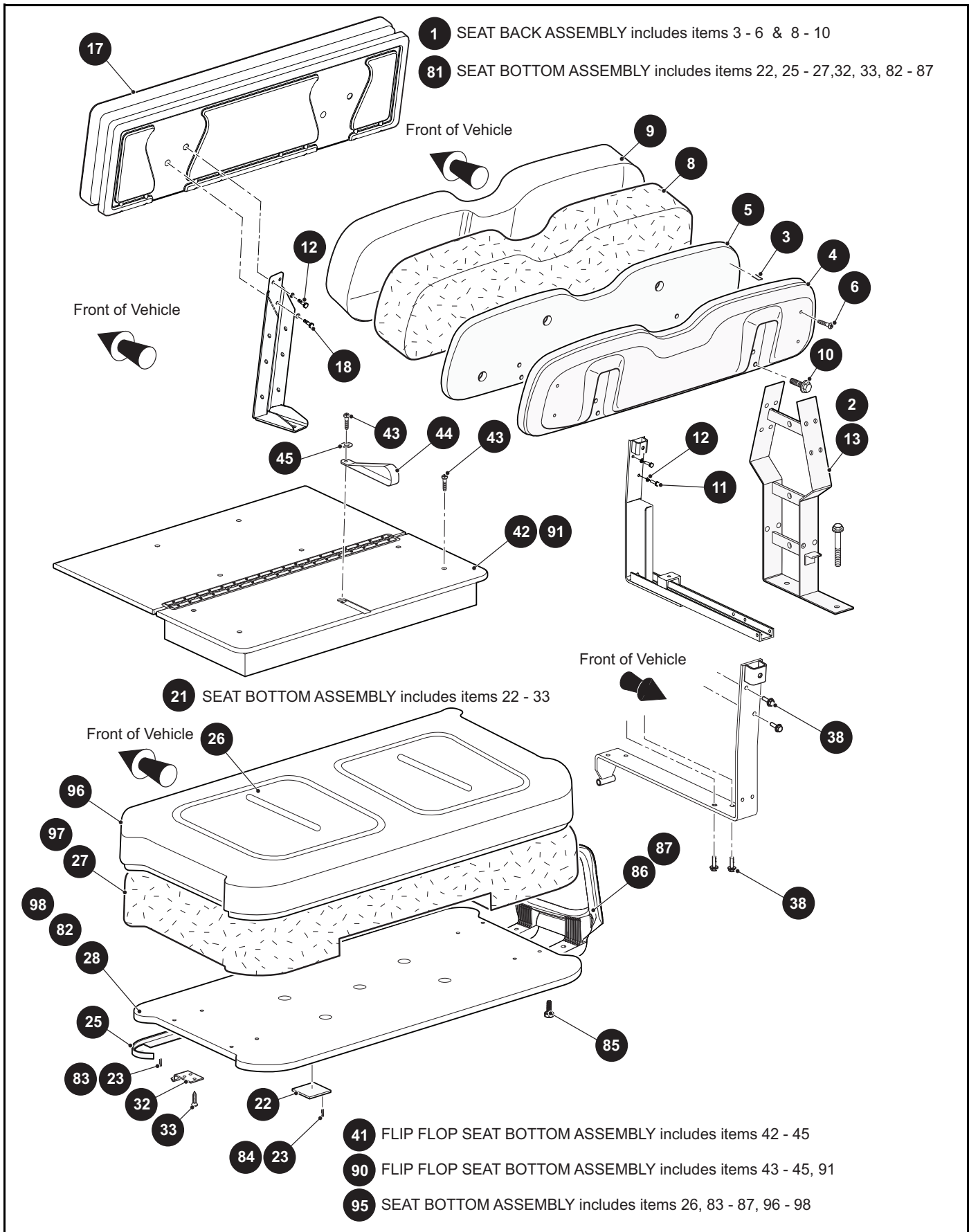
When ordering parts, please specify the model and serial number of the product.

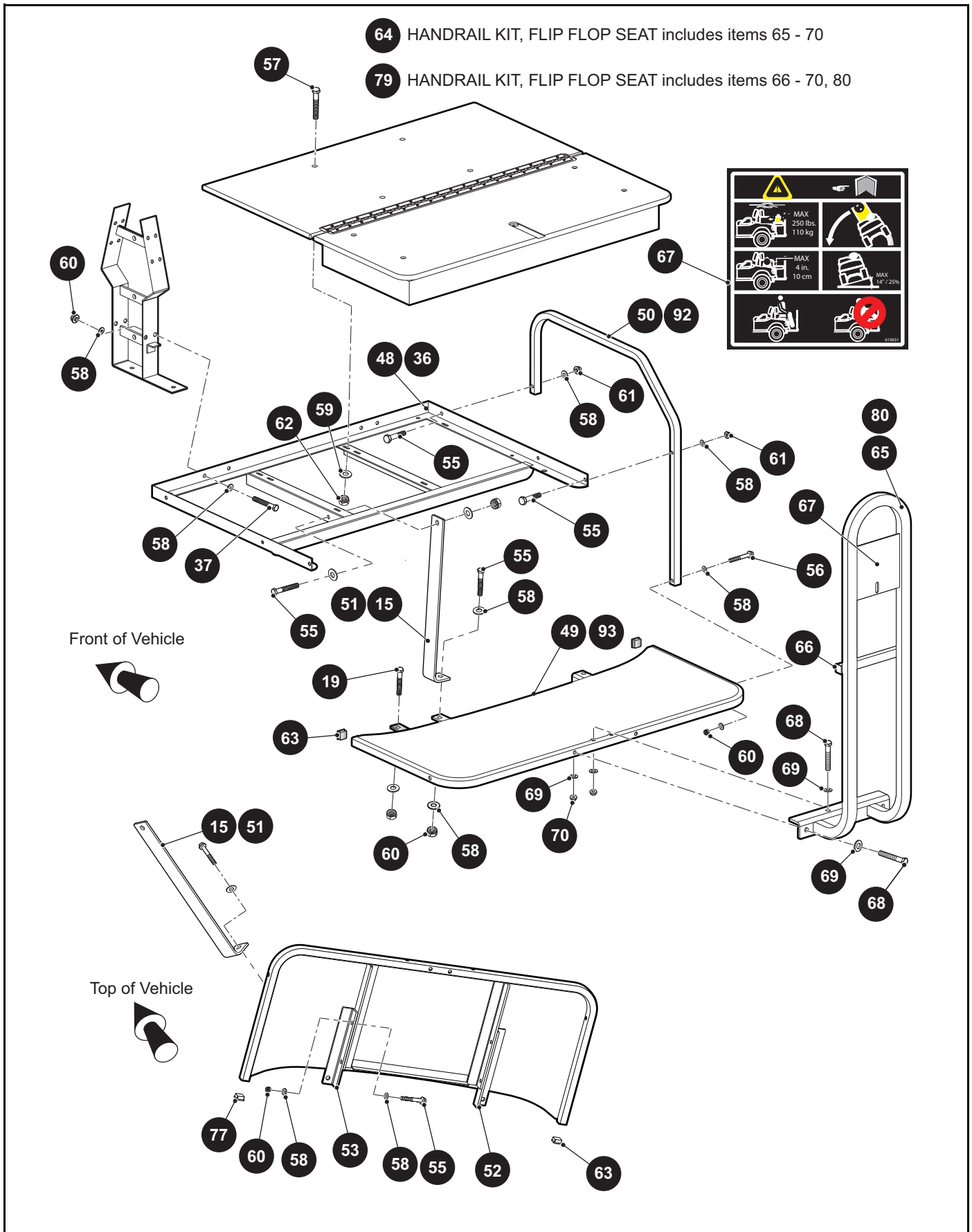
* Indicates a component that is not available as an individual part.

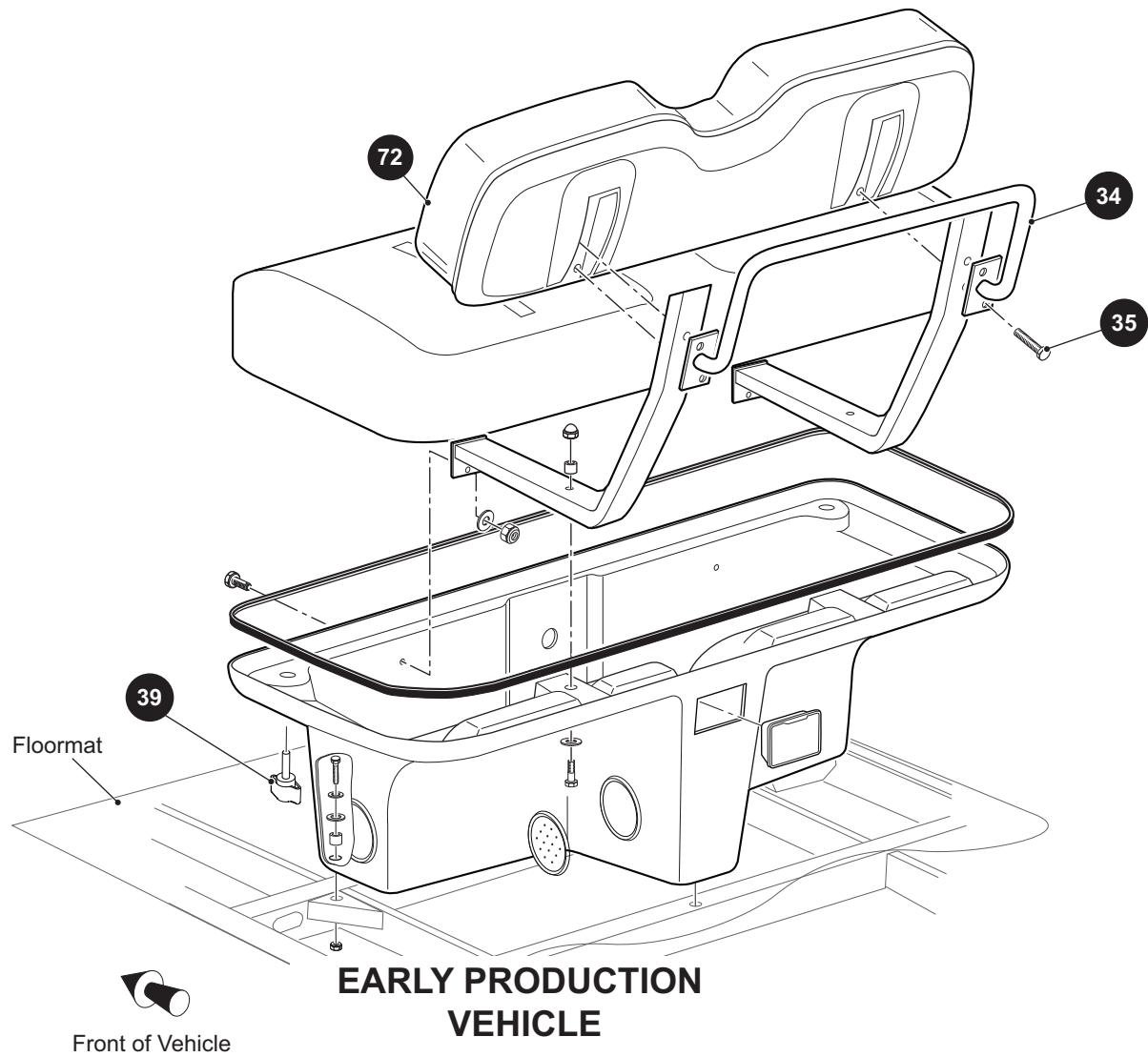
*** Indicates consult Customer Service Department for additional information.

ITEM	PART NO.	1 2 3 4 5	DESCRIPTION	QTY.
1	627738		HEAVY DUTY LEAF SPRING.....	2
2	605445		LEAF SPRING BUSHING, FRONT.....	2
3	00665G9		HEX HEAD BOLT (SS), 3/8" - 16 X 3.5" LG	2
4	00643G1		FLAT WASHER, 3/8"	2
5	12262G1		FLANGED LOCK NUT, 3/8" - 16.....	2
6				
7				
8				
9				
10	70289G02		SPLIT STEEL SPACER	4
11	70291G01		FLANGED URETHANE BUSHING	8
12	652245		SHACKLE PLATE	4
13	00665G9		HEX HEAD BOLT (SS), 3/8" - 16 X 3.5" LG	4
14	11098G5		LOCK NUT, 3/8" - 16.....	4
15				
16				
17				
18	605938		AXLE BRACKET, DRIVER SIDE	1
19	605958		AXLE BRACKET, PASSTENGER SIDE.....	1
20				
21	32195G3		U - BOLT, 2 3/8"	4
22	652246		REAR SUSPENSION PLATE	2
23	00643G1		FLAT WASHER, 3/8"	8
24	11098G5		LOCK NUT, 3/8" - 16.....	8
25				
26				
27	642085		SHOCK ABSORBER.....	2
28	10435G1		SHOCK ABSORBER WASHER.....	8
29	10194G1		SHOCK BUSHING, RUBBER	8
30	00532G6		HEX NUT, 3/8" - 24	4
31	10044G01		VINYL CAP.....	2

SEATING







When ordering parts, please specify the model and serial number of the product.

* Indicates a component that is not available as an individual part.

*** Indicates consult Customer Service Department for additional information.

ITEM	PART NO.	1 2 3 4 5	DESCRIPTION	QTY.
1	***		SEAT BACK ASSEMBLY (INCLUDES ITEMS 2 - 6 & 8 - 10) 71751G01 WHITE 71751G02 GRAY 71751G03 OYSTER 71751G04 TAN 71751G06 BROWN 71751G07 BLACK 606828 RED/BLACK 604908 WHITE/BLUE 604907 WHITE/RED (FOR VEHICLES MANUFACTURED FROM MARCH 2014) 615838 WHITE/BLACK (FOR VEHICLES MANUFACTURED FROM MARCH 2014) 620794 WHITE/YELLOW (FOR VEHICLES MANUFACTURED FROM MARCH 2014) 620796 GRAY/BLACK (FOR VEHICLES MANUFACTURED FROM MARCH 2014) 615837 OYSTER/GARNET (FOR VEHICLES MANUFACTURED FROM MARCH 2014)	2
2	634178		SEAT BACK SUPPORT (FOR VEHICLES MANUFACTURED FROM MARCH 2014)	2
3	*		FLAT STAPLE.....	AR
4	71752G01		PLASTIC SEAT BACK COVER	1
5	645021		SEAT BACK BASE	1
6	01107G01		PAN HEAD TORX SCREW (SS), #8 X 3/8" LG.....	4
7	607535		PAN HEAD SCREW, #8 X 0.88" LG	4
8	71754G01		FOAM PADDING (SEAT BACK).....	1
9	***		VINYL SEAT BACK COVER..... 71753G01 WHITE 71753G02 GRAY 71753G03 OYSTER 71753G04 TAN 71513G06 BROWN 71513G07 BLACK 604912G0304 RED/BLACK 604912G0102 WHITE/BLUE	1
10	71204G01		MACHINE SCREW WITH PATCH LOCK, 1/4" - 20 X 7/8" LG	8
11	00661G8		HEX HEAD BOLT, 1/4" - 20 X 1/2" LG	4
12	00664G7		LOCK WASHER (SS), 0.255" X 0.263"	4
13	615730		SEAT BACK SUPPORT	1
14				

SEATING

When ordering parts, please specify the model and serial number of the product.

* Indicates a component that is not available as an individual part.

*** Indicates consult Customer Service Department for additional information.

ITEM	PART NO.	1	2	3	4	5	DESCRIPTION	QTY.
15	634174						SEAT FRAME SUPPORT (FOR VEHICLES MANUFACTURED FROM MARCH 2014)	2
16								
17	***						SEAT BACK ASSEMBLY	1
							71274G03 TAN 71274G04 GRAY 71274G05 OYSTER	
18	605056						HEX HEAD BOLT, 1/4" - 20 X 1" LG.....	4
19	00427G6						HEX HEAD BOLT, 3/8" - 16 X 1 1/4" LG (FOR VEHICLES MANUFACTURED FROM MARCH 2014)	2
20								
21	***						SEAT BOTTOM ASSEMBLY (INCLUDES ITEMS 22 - 33, 85 - 87)	1
							629269G0105 WHITE 629269G0104 GRAY 629269G0101 OYSTER 629269G0103 TAN	
22	17074G1						RUBBER PAD	2
23	*						FLAT STAPLE	AR
24								
25	71012G01						VINYL TRIM (SEAT BOTTOM)	1
26	***						VINYL SEAT BOTTOM COVER.....	1
							71602G01 WHITE 71602G02 GRAY 71602G03 OYSTER 71602G04 TAN 71602G06 BLACK (FOR VEHICLES MANUFACTURED FROM MARCH 2014) 71602G07 BROWN (FOR VEHICLES MANUFACTURED FROM MARCH 2014) 604912G0102 WHITE/BLUE (FOR VEHICLES MANUFACTURED FROM MARCH 2014) 604912G0304 RED/BLACK (FOR VEHICLES MANUFACTURED FROM MARCH 2014) 604912G0103 WHITE/RED (FOR VEHICLES MANUFACTURED FROM MARCH 2014) 604912G0104 WHITE/BLACK (FOR VEHICLES MANUFACTURED FROM MARCH 2014) 604912G0108 WHITE/YELLOW (FOR VEHICLES MANUFACTURED FROM MARCH 2014)	

When ordering parts, please specify the model and serial number of the product.

* Indicates a component that is not available as an individual part.

*** Indicates consult Customer Service Department for additional information.

ITEM	PART NO.	1 2 3 4 5	DESCRIPTION	QTY.
			604912G0704 GRAY/BLACK (FOR VEHICLES MANUFACTURED FROM MARCH 2014)	
27	71603G02		FOAM PADDING (SEAT BOTTOM)	1
28	645492		SEAT BOTTOM	1
29				
30				
31				
32	71610G01		SEAT HINGE	2
33	00720G08		FLAT HEAD PHILLIPS SCREW, #12 -14 X 1" LG.....	6
34	71632G01		REAR HAND HOLD BAR.....	2
35	71204G02		MACHINE SCREW WITH PATCH LOCK, 1/4" - 20 X 2" LG.....	8
36	634180		SEAT FRAME WELDMENT (FOR VEHICLES MANUFACTURED FROM MARCH 2014).....	1
37	00427G2		HEX HEAD BOLT, 3/8" - 49 X 1.25" LG (FOR VEHICLES MANUFACTURED FROM MARCH 2014).....	4
38	71204G01		MACHINE SCREW WITH PATCH LOCK, 1/4" - 20 X 7/8" LG.....	12
39	70864G01		T-KNOB STUD, 1/4" - 20 X 1" LG (FOR VEHICLES MANUFACTURED FROM MARCH 2014).....	8
40				
41	***		FLIP FLOP SEAT BOTTOM ASSEMBLY (INCLUDES ITEMS 42 -45)	1
			626833 BLACK ECON 626834 TAN 626835 WHITE / RED 626836 WHITE / BLUE 626837 WHITE / YELLOW 626838 WHITE / BLACK 626839 OYSTER / GARNET 626840 GRAY / BLACK 626841 OYSTER 626842 BLACK 626843 TAN 626844 WHITE / RED 626845 WHITE / BLUE 626846 WHITE / YELLOW 626847 WHITE / BLACK 626848 OYSTER / GARNET 626849 GRAY / BLACK	
42	617137		DECK BOARD ASSEMBLY	1

SEATING

When ordering parts, please specify the model and serial number of the product.

* Indicates a component that is not available as an individual part.

*** Indicates consult Customer Service Department for additional information.

ITEM	PART NO.	1	2	3	4	5	DESCRIPTION	QTY.
43	16705G1						TRUSS HEAD PHILLIPS SCREW (SS), 1/4" - 20 X 1" LG.....	5
44	617402						SEAT STRAP	1
45	00559G7						FLAT WASHER, 1/4"	1
46								
47								
48	615712						SEAT FRAME WELDMENT	1
49	615714						FOOTREST WELDMENT.....	1
50	615729						ARMREST, REAR SEAT	2
51	615713						SEAT FRAME SUPPORT.....	2
52	615728						FOOTREST BRACKET (PASSENGER SIDE)	1
53	615727						FOOTREST BRACKET (DRIVER SIDE).....	1
54	01006G01						HEX HEAD BOLT, 3/8" - 16 X 1 1/4" LG.....	4
55	00427G4						HEX HEAD BOLT, 3/8" - 16 X 1 1/2" LG.....	6
56	00428G8						HEX HEAD SCREW, 3/8" - 16 X 3.25" LG	2
57	16705G9						TRUSS HEAD PHILLIPS SCREW (SS), 1/4" - 20 X 1 1/4" LG	4
58	614221						FLAT WASHER, 3/8"	24
59	00559G7						FLAT WASHER, 1/4"	4
60	11098G5						LOCK NUT, 3/8" - 16	10
61	11027G5						LOCK NUT, 3/8" - 16	4
62	14390G4						LOCK NUT, 1/4" - 20	4
63	19853G1						SQUARE TUBE CAP, 1".....	2
64	617901						HANDRAIL KIT, FLIP FLOP SEAT (INCLUDES ITEMS 65 - 70).....	1
65	615721						FOOTREST HANDLE WELDMENT	1
66	19859G1						SQUARE TUBE CAP, 3/4"	2
67	610631						DECAL	1
68	00427G8						HEX HEAD BOLT, 3/8" - 16 X 2" LG	4
69	614221						FLAT WASHER, 3/8"	8
70	11098G5						LOCK NUT, 3/8" - 16.....	4
71								
72	71751GXX						SEAT BACK ASSEMBLY	1
73								

When ordering parts, please specify the model and serial number of the product.

* Indicates a component that is not available as an individual part.

*** Indicates consult Customer Service Department for additional information.

ITEM	PART NO.	1	2	3	4	5	DESCRIPTION	QTY.
74								
75								
76								
77								
78								
79	634184						HANDRAIL KIT, FLIP-FLOP SEAT (INCLUDES ITEMS 66 - 70, 80) (FOR VEHICLES MANUFACTURED FROM MARCH 2014).....	1
80	631485						FOOTREST HANDLE WELDMENT	1
81	***						SEAT BOTTOM ASSEMBLY (INCLUDES ITEMS 22, 25 - 27, 32, 33, 82 - 87) (FOR VEHICLES MANUFACTURED FROM MARCH 2014).....	1
							629269G0101 OYSTER 629269G0103 TAN 629269G0104 GRAY 629269G0106 BLACK 629269G0107 BROWN 629269G0109 WHITE/BLUE 629269G0110 RED/BLACK 629269G0111 WHITE/RED 629269G0112 WHITE/BLACK 629269G0113 WHITE/YELLOW 629269G0114 GRAY/BLACK 629269G0115 OYSTER/GARNET	
82	645492						SEAT BOTTOM	1
83	23222G1						FLAT STAPLE.....	110
84	23222G1						FLAT STAPLE.....	36
85	615417						BUTTON HEAD TORX BOLT, M10 - 1.5 X 25MM LG	8
86	617645						HIP RESTRAINT (DRIVER SIDE)	1
87	617644						HIP RESTRAINT (PASSENGER SIDE)	1
88								
89								
90	***						FLIP FLOP SEAT BOTTOM ASSEMBLY (INCLUDES ITEMS 43 - 45, 91) (FOR VEHICLES MANUFACTURED FROM MARCH 2014).....	1
							628058G01 OYSTER 628058G03 TAN 628058G04 GRAY 628058G06 BLACK 628058G07 BROWN 628058G09 WHITE/BLUE 628058G10 RED/BLACK	

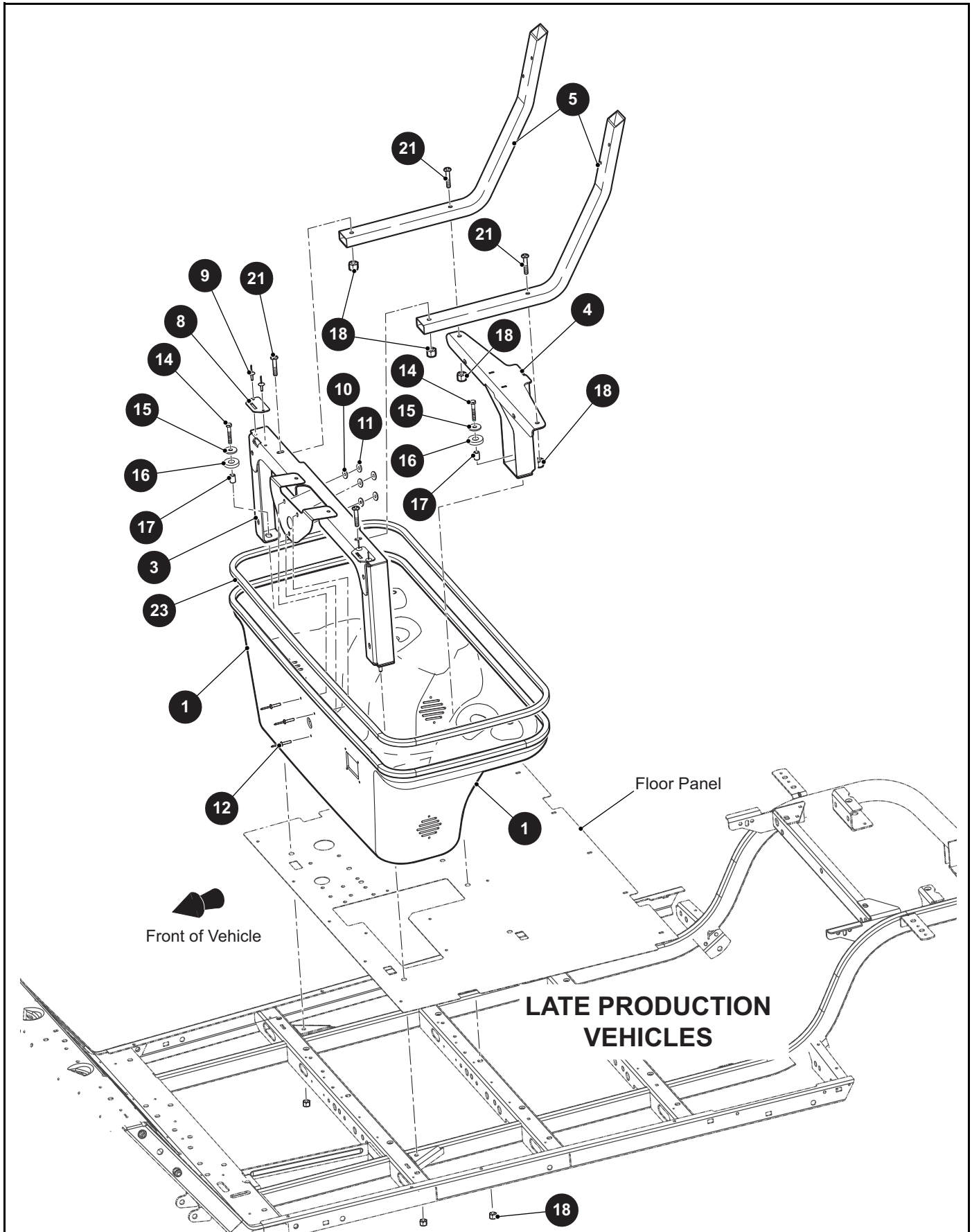
SEATING

When ordering parts, please specify the model and serial number of the product.

* Indicates a component that is not available as an individual part.

*** Indicates consult Customer Service Department for additional information.

ITEM	PART NO.	1	2	3	4	5	DESCRIPTION	QTY.
							628058G11 WHITE/RED 628058G12 WHITE/BLACK 628058G13 WHITE/YELLOW 628058G14 GRAY/BLACK 628058G15 OYSTER/GARNET	
91	634190						DECK BOARD ASSEMBLY (FOR VEHICLES MANUFACTURED FROM MARCH 2014).....	1
92	634175						REAR SEAT ARM REST (FOR VEHICLES MANUFACTURED FROM MARCH 2014).....	2
93	634179						FOOTREST WELDMENT (FOR VEHICLES MANUFACTURED FROM MARCH 2014).....	1
94								
95	***						SEAT BOTTOM ASSEMBLY (INCLUDES ITEMS 26, 83 - 87, 96 - 98) (FOR VEHICLES MANUFACTURED FROM MARCH 2014).....	1
							629269G0401 OYSTER 629269G0403 TAN 629269G0404 GRAY 629269G0406 BLACK 629269G0407 BROWN 629269G0409 WHITE/BLUE 629269G0410 RED/BLACK 629269G0411 WHITE/RED 629269G0412 WHITE/BLACK 629269G0413 WHITE/YELLOW 629269G0414 GRAY/BLACK 629269G0415 OYSTER/GARNET	
96	***						FRONT SEAT BOTTOM	1
							71624G02 GRAY 71624G03 OYSTER 71624G04 TAN 71624G05 SPECIAL 71624G06 BROWN 71624G07 BLACK	
97	71625G01						FOAM PADDING (SEAT BOTTOM).....	1
98	645494						SEAT BOTTOM.....	1



When ordering parts, please specify the model and serial number of the product.

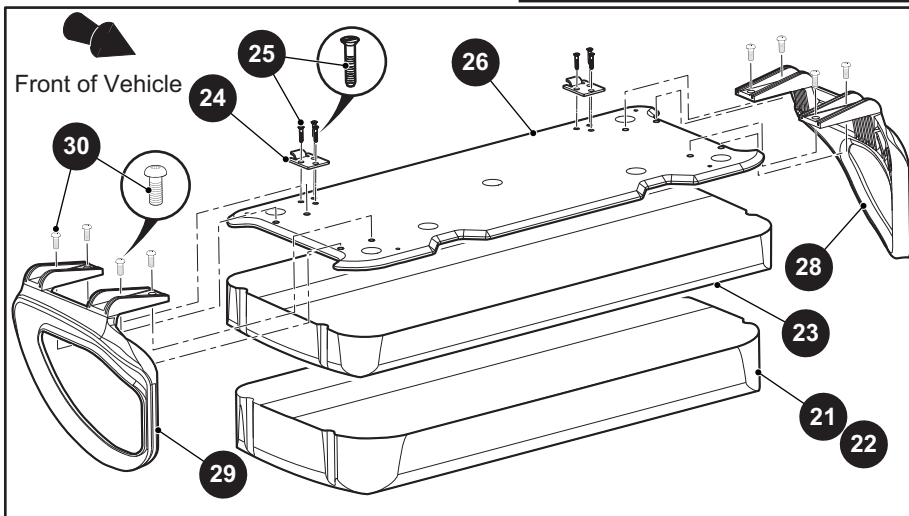
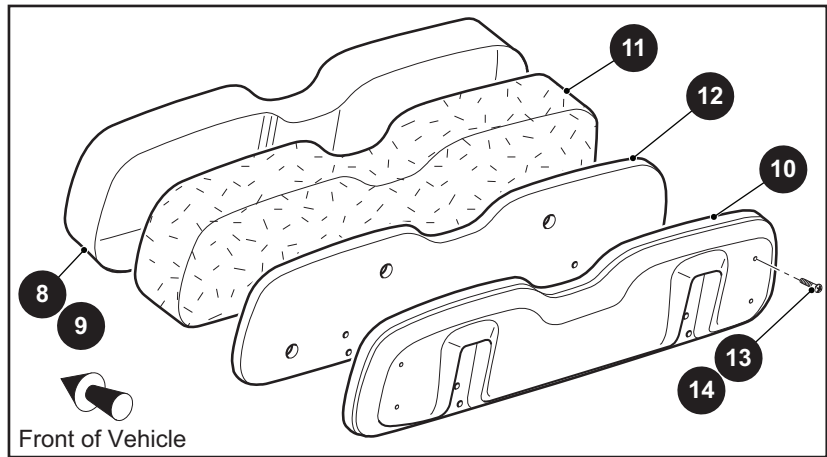
* Indicates a component that is not available as an individual part.

*** Indicates consult Customer Service Department for additional information.

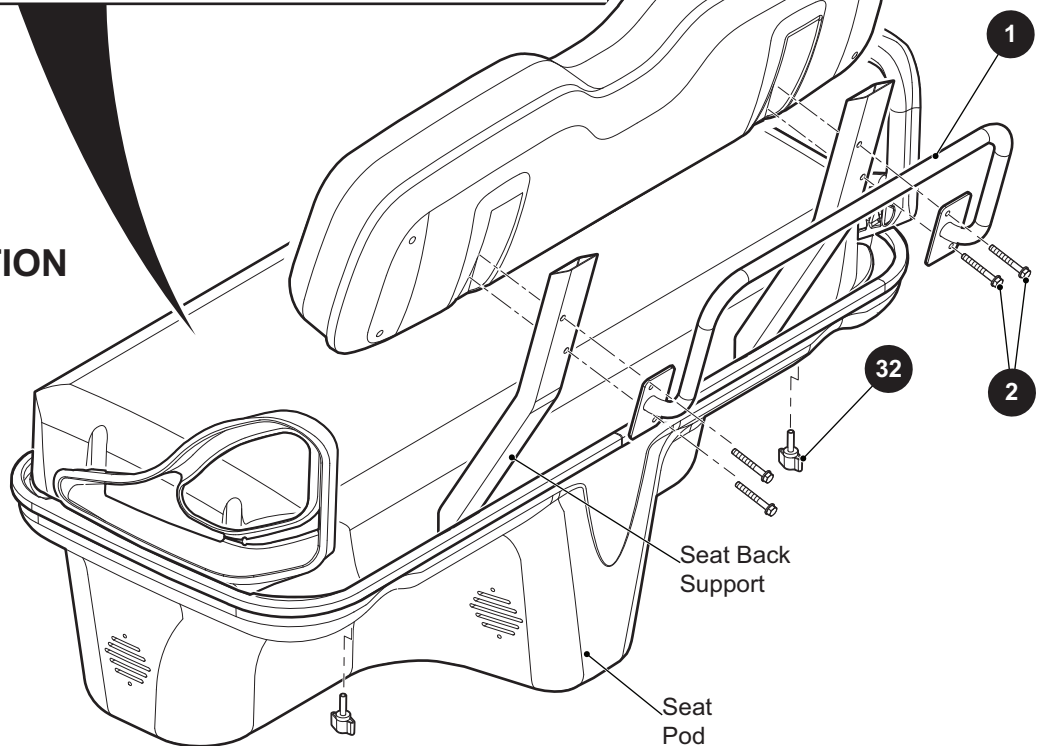
ITEM	PART NO.	1 2 3 4 5	DESCRIPTION	QTY.
1	648313GXX		SEAT POD	1
2				
3	654767		SEAT SUPPORT	1
4	657681		REAR SEAT SUPPORT	1
5	648523		SEAT BACK SUPPORT TUBE	2
6				
7				
8	71609G01		HINGE PLATE.....	2
9	10570G11		RIVET (SS), 3/16" X .70" LG.....	4
10	00660G5		FLAT WASHER (SS), #10.....	3
11	01110G01		FLAT WASHER, 1/4".....	3
12	71055G01		RIVET (ALUMINUM), 3/16" X 1" LG	3
13				
14	00439G8		HEX HEAD BOLT (SS), 5/16" - 18 X 2" LG	3
15	00675G1		WASHER (SS), .398" I.D. X 1.25" O.D. X .115" LG	3
16	71883G01		WASHER (RUBBER), .625" I.D. X 1.50" O.D. X .312" LG.....	3
17	23726G9		SPACER, .312" I.D. X .562" O.D. X .750" LG	3
18	11098G6		LOCK NUT, 5/16" - 18.....	7
19				
20				
21	00762G6		TRUSS HEAD PHILLIPS SCREW (SS), 5/16" - 18 X 3/4" LG.....	4
22				
23	32805G6		TRIM, 118" LG	1

SEATING

- 6** SEAT BACK ASSEMBLY
includes items 8, 10 - 13
- 7** SEAT BACK ASSEMBLY
includes items 9 - 12, 14
- 17** SEAT BOTTOM ASSEMBLY
includes items 22 - 30
- 18** SEAT BOTTOM ASSEMBLY
includes items 21, 23 - 30



**LATE PRODUCTION
VEHICLES**



When ordering parts, please specify the model and serial number of the product.

* Indicates a component that is not available as an individual part.

*** Indicates consult Customer Service Department for additional information.

ITEM	PART NO.	1 2 3 4 5	DESCRIPTION	QTY.
1	71632G01		HAND GRIP WELDMENT.....	2
2	71204G02		MACHINE SCREW WITH PATCH LOCK, 1/4" - 20 X 2" LG.....	8
3				
4				
5				
6	***		SEAT BACK ASSEMBLY (INCLUDES ITEM 8, 10 - 13)..... 606828 RED/BLACK 604908 WHITE/BLUE 604907 WHITE/RED 615838 WHITE/BLACK 620794 WHITE/YELLOW 620796 GRAY/BLACK 615837 OYSTER/GARNET	2
7	***		SEAT BACK ASSEMBLY (INCLUDES ITEM 9 - 12, 14)..... 71751G01 WHITE 71751G03 OYSTER 71751G04 TAN 71751G06 BROWN 71751G07 BLACK	2
8	***		VINYL SEAT BACK COVER..... 604916G0304 RED/BLACK 604912G0102 WHITE/BLUE 604912G0103 WHITE/RED 604916G0104 WHITE/BLACK 604916G0108 WHITE/YELLOW 604916G0704 GREY/BLACK 604916G0506 OYSTER/GARNET	1
9	***		VINYL SEAT BACK COVER..... 71753G01 WHITE 71753G03 OYSTER 71753G04 TAN 71753G06 BROWN 71753G07 BLACK	1
10	71752G01		REAR SEAT BACK COVER.....	1
11	71754G01		SEAT BACK PADDING	1
12	645021		SEAT BACK BASE	1
13	648271		PAN HEAD TORX SCREW (SS), #8 - 15 X 1" LG	4
14	01107G01		PAN HEAD TORX SCREW (SS), #8 X .63" LG.....	4
15				
16				

SEATING

When ordering parts, please specify the model and serial number of the product.

* Indicates a component that is not available as an individual part.

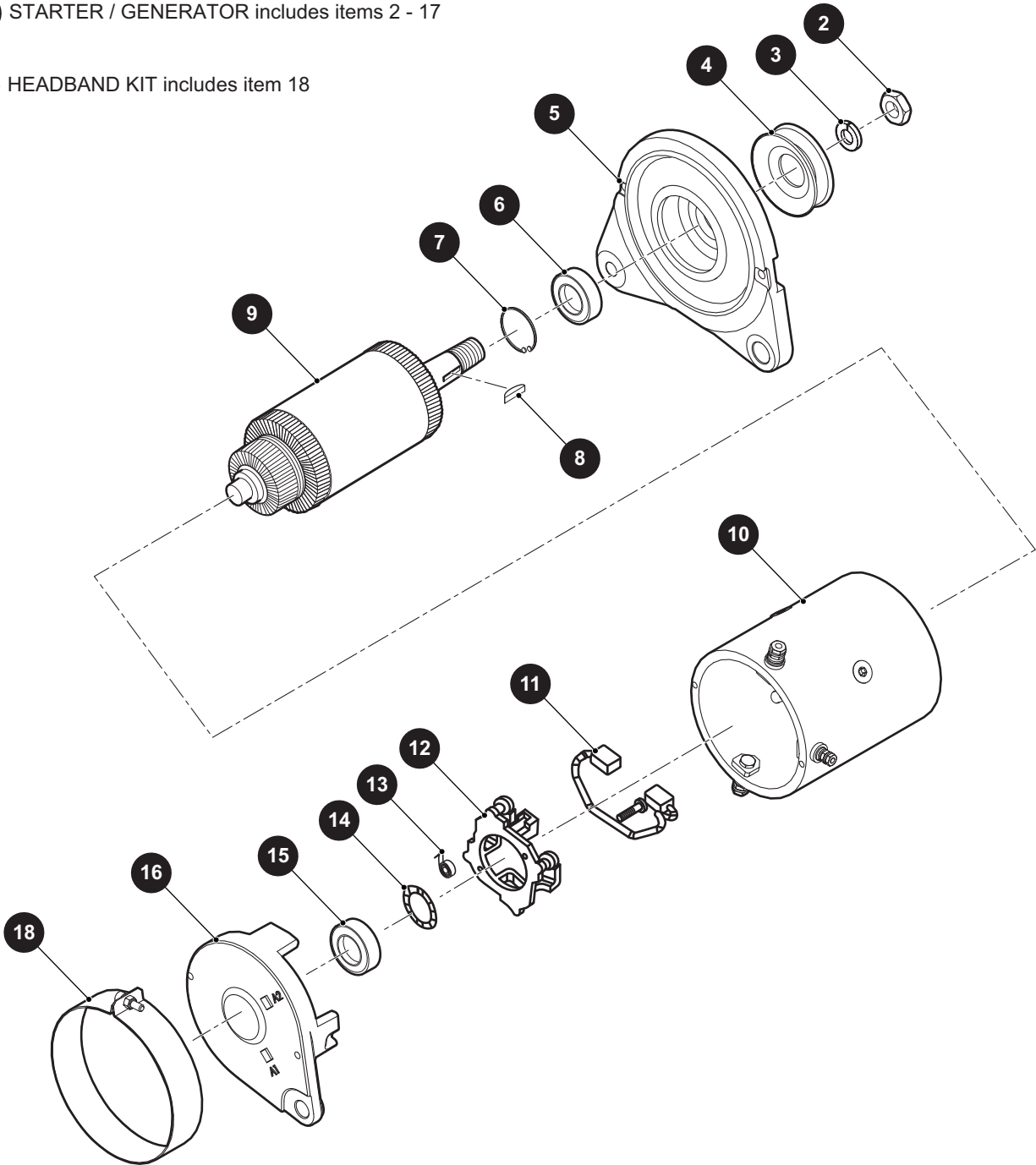
*** Indicates consult Customer Service Department for additional information.

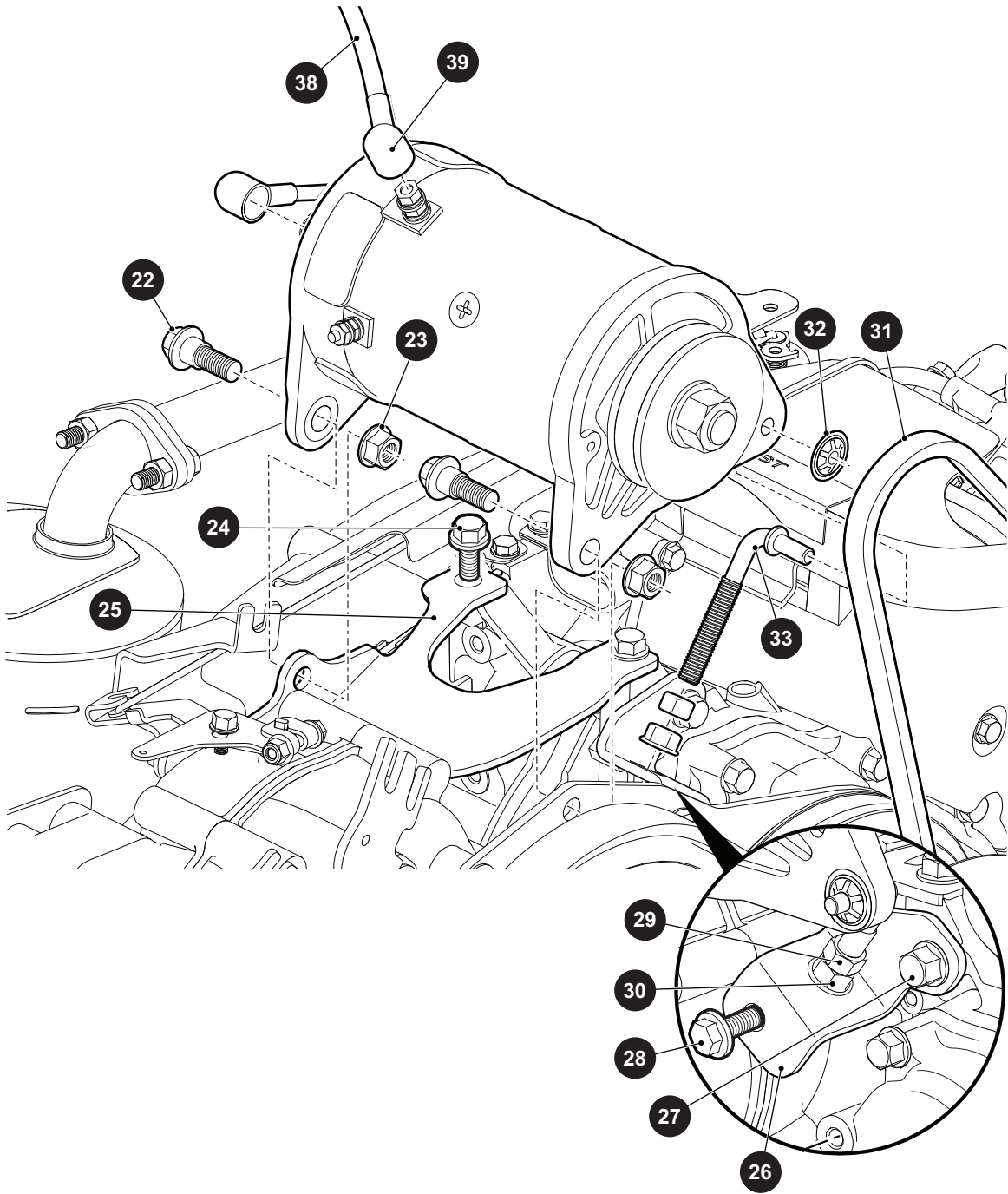
ITEM	PART NO.	1	2	3	4	5	DESCRIPTION	QTY.
17	***						SEAT BOTTOM ASSEMBLY (INCLUDES ITEM 22 - 30) 629269G1701 OYSTER 629269G1703 TAN 629269G1704 GRAY 629269G1706 BLACK 629269G1707 BROWN	1
18	***						SEAT BOTTOM ASSEMBLY (INCLUDES ITEM 21, 23 - 30) 629269G1709 WHITE/BLUE 629269G1710 RED/BLACK 629269G1711 WHITE/RED 629269G1712 WHITE/BLACK 629269G1713 WHITE/YELLOW 629269G1714 GRAY/BLACK 629269G1715 OYSTER/GARNET	1
19								
20								
21	***						VINYL SEAT COVER 604912G0102 WHITE/BLUE 604912G0103 WHITE/RED 604916G0104 WHITE/BLACK 604916G0108 WHITE/YELLOW 604916G0304 RED/BLACK 604916G0506 OYSTER/GARNET 604916G0704 GREY/BLACK	1
22	***						VINYL SEAT COVER 71624G03 OYSTER 71624G04 TAN 71624G02 GRAY 71624G07 BLACK 71624G06 BROWN	1
23	71625G01						SEAT BOTTOM PADDING.....	1
24	71610G01						SEAT HINGE.....	2
25	00720G08						FLAT HEAD PHILLIPS SCREW, #12 -14 X 1" LG	6
26	649851						SEAT BOTTOM BASE	1
27								
28	617645						HIP RESTRAINT (DRIVER SIDE)	1
29	617644						HIP RESTRAINT (PASSENGER SIDE).....	1
30	615417						BUTTON HEAD TORX BOLT, M10 - 1.5 X 25MM LG	8
31								
32	70864G01						T-KNOB STUD, 1/4" - 20 X 1" LG	4

STARTER GENERATOR

1 STARTER / GENERATOR includes items 2 - 17

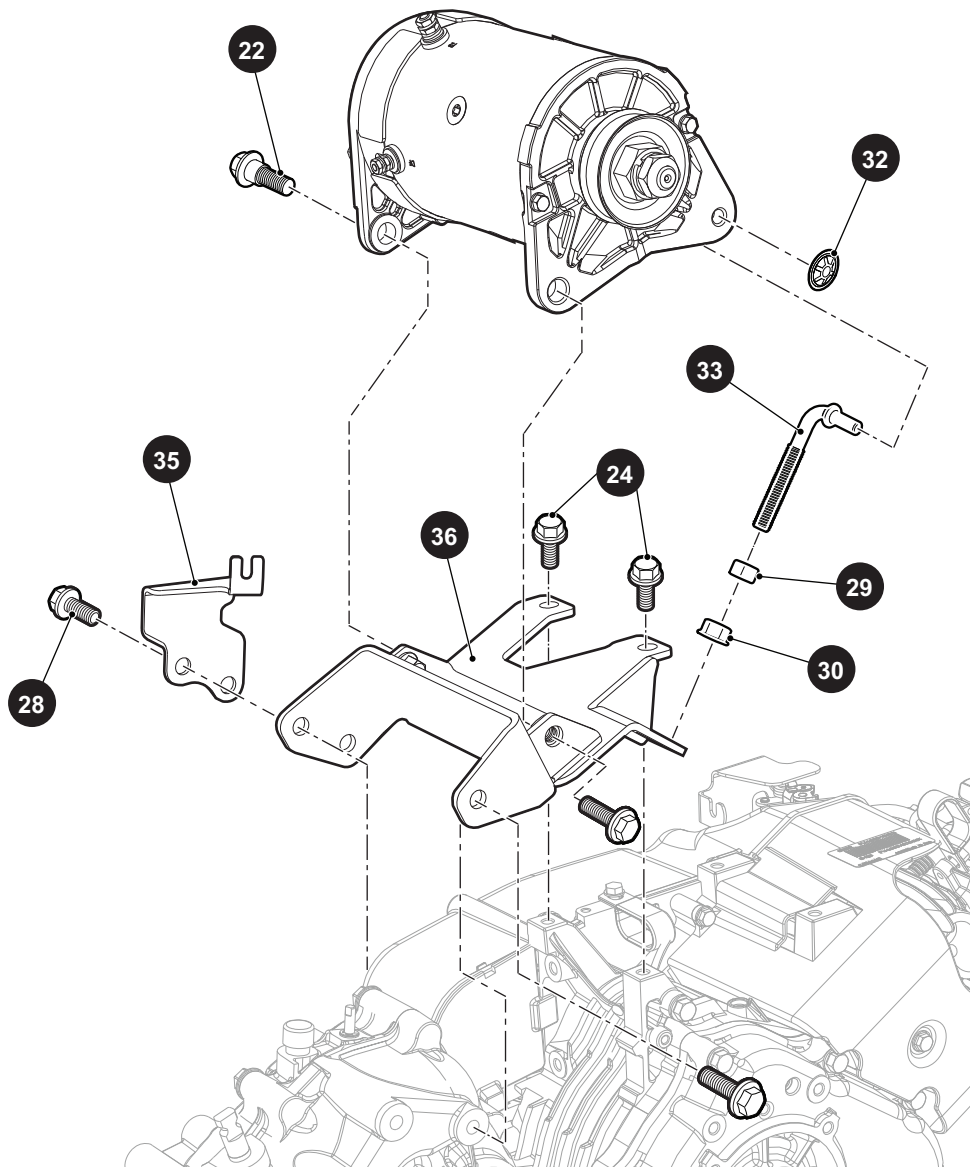
17 HEADBAND KIT includes item 18





STARTER GENERATOR

FOR VEHICLES MANUFACTURED FROM APRIL 2014



STARTER GENERATOR

When ordering parts, please specify the model and serial number of the product.

* Indicates a component that is not available as an individual part.

*** Indicates consult Customer Service Department for additional information.

ITEM	PART NO.	1 2 3 4 5	DESCRIPTION	QTY.
1	660379		STARTER / GENERATOR (INCLUDES ITEMS 2 - 17)	1
2	612029		HEX NUT	1
3	612030		LOCK WASHER	1
4	625716		PULLEY, 2.5" O.D.	1
5	654715		DRIVE END HEAD	1
6	612033		BEARING	1
7	612034		RETAINING RING	1
8	612035		WOODRUFF KEY	1
9	612036		ARMATURE ASSEMBLY	1
10	654716		FRAME AND FIELD ASSEMBLY	1
11	612038		BRUSH LEAD AND TERMINAL PACKAGE	1
12	654717		BRUSH BOX ASSEMBLY	1
13	656659		BRUSH SPRING	4
14	612043		WAVY WASHER	1
15	612044		BEARING	1
16	612045		COMMUTATOR END HEAD	1
17	658172		HEADBAND KIT (INCLUDES ITEM 18)	1
18	654718		HEADBAND	1
19				
20				
21				
22	606235		HEX HEAD SHOULDER BOLT, M10 - 1.25 X 20MM LG.	2
23	606279		HEX NUT, M10 - 1.25	2
24	606261		HEX HEAD BOLT, M8 - 1.25 X 20MM LG.	3
25	602141		STARTER / GENERATOR BRACKET	1
26	602145		TENSIONER BRACKET	1
27	606261		HEX HEAD BOLT, M8 - 1.25 X 20MM LG.	1
28	606256		HEX HEAD BOLT, M10 - 1.25 X 25MM LG.	1
29	606255		HEX NUT, M10 - 1.25	1
30	606274		HEX NUT, M10 - 1.25	1

STARTER GENERATOR

When ordering parts, please specify the model and serial number of the product.

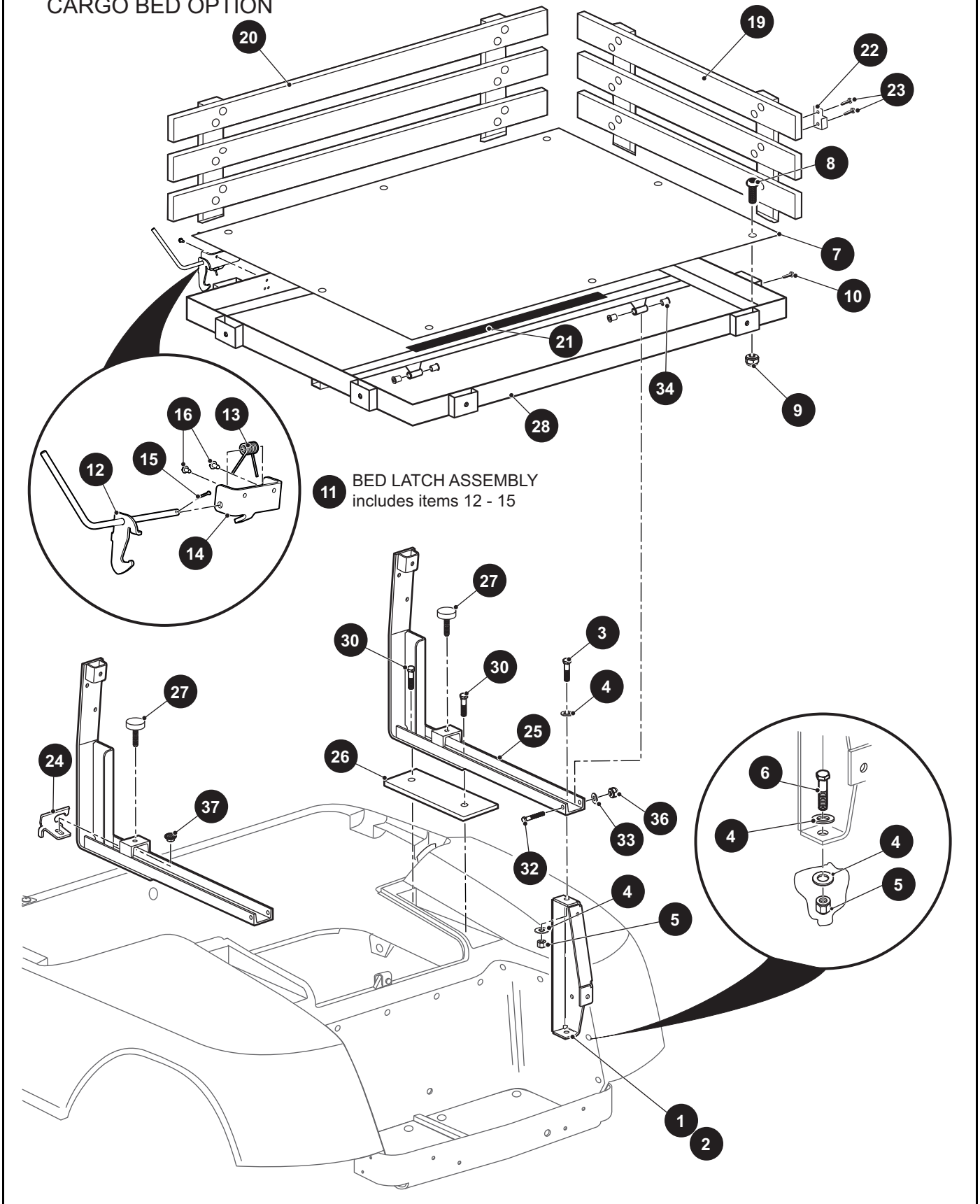
* Indicates a component that is not available as an individual part.

*** Indicates consult Customer Service Department for additional information.

ITEM	PART NO.	1 2 3 4 5	DESCRIPTION	QTY.
31	630587		STARTER / GENERATOR BELT	1
32	12064G6		PUSH NUT, 5/16"	1
33	629763		TENSIONER BOLT, 85MM.....	1
34				
35	603884		BRACKET (GUIDE CABLE)	1
36	631972		STARTER / GENERATOR SUPPORT BRACKET (FOR VEHICLES MANUFACTURED FROM APRIL 2014)	1
37				
38	607103		WIRE ASSEMBLY, 6 AWG, 42" LG	1
39	25682G01		RUBBER BOOT	3

TRUCK BED

CARGO BED OPTION



When ordering parts, please specify the model and serial number of the product.

* Indicates a component that is not available as an individual part.

*** Indicates consult Customer Service Department for additional information.

ITEM	PART NO.	1 2 3 4 5	DESCRIPTION	QTY.
1	74126G01		REAR SUPPORT FRAME (DRIVER SIDE)	1
2	74126G02		REAR SUPPORT FRAME (PASSENGER SIDE)	1
3	00426G8		HEX HEAD BOLT, 3/16" - 16 X 1" LG, GRADE 5	2
4	00560G1		FLAT WASHER, 3/8"	8
5	11098G5		LOCK NUT, 3/8" - 16	4
6	00427G4		HEX HEAD BOLT, 3/8" - 16 X 1 1/2" LG, GRADE 5	2
7	655936		CARGO DECKBOARD	1
8	16705G9		TRUSS HEAD PHILLIPS SCREW (SS), 1/4" - 20 X 1 1/4" LG	8
9	14390G4		LOCK NUT, 1/4" - 20	8
10	00666G6		TRUSS HEAD THREAD FORMING SCREW (SS), #10 - 12 X 3/4" LG	6
11	72913G01		BED LATCH ASSEMBLY (INCLUDES ITEMS 12 - 15)	1
12	72912G01		BED LATCH	1
13	70681G01		TORSION SPRING	1
14	74509G01		PIVOT BRACKET	1
15	10387G3		COTTER PIN	1
16	00100G6		HEX WASHER SELF TAPPING SCREW, #10 - 16 X 3/4" LG	2
17				
18				
19	34280G01		CARGO RACK, 30.5"	2
20	34280G02		CARGO RACK, 43"	2
21	23052G1		WEATHER STRIPPING	1
22	74079G02		TAILGATE RETAINER BRACKET	2
23	00666G6		TRUSS HEAD THREAD FORMING SCREW (SS), #10 - 12 X 3/4" LG	4
24	72914G01		LATCH TAB BRACKET (PASSENGER SIDE)	1
25	625525		SEAT SUPPORT WELDMENT	2
26	70364G01		SPACER PLATE	2
27	70113G01		ADJUSTABLE RUBBER BUMPER	2
28	635862		CARGO DECK WELDMENT	1
29				
30	01006G01		HEX HEAD BOLT, 3/8" - 16 X 1 1/4" LG	4
31				

TRUCK BED

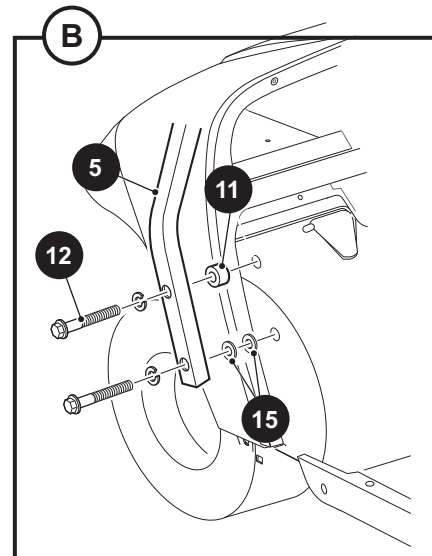
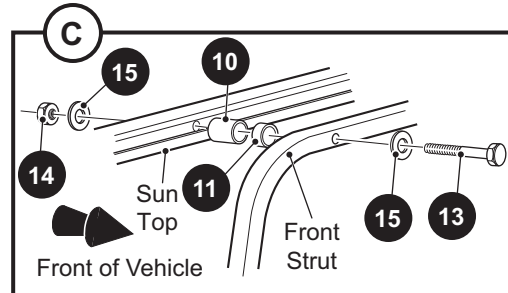
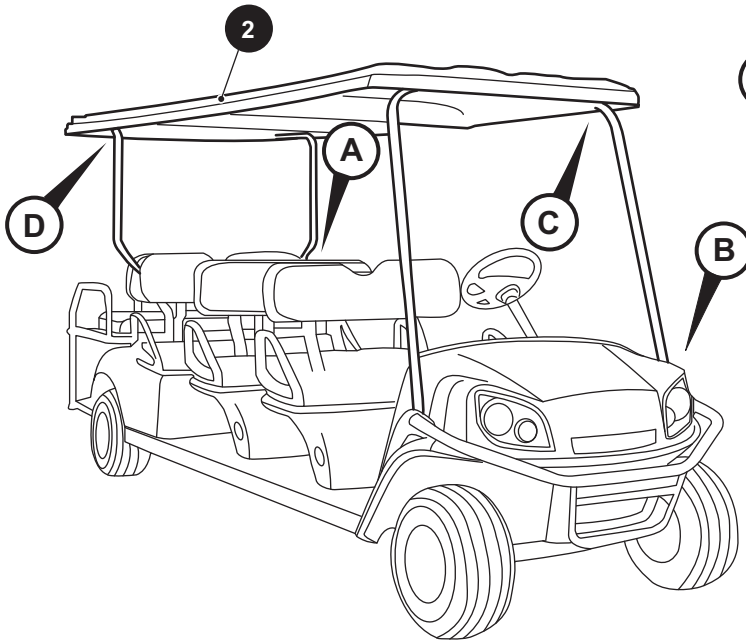
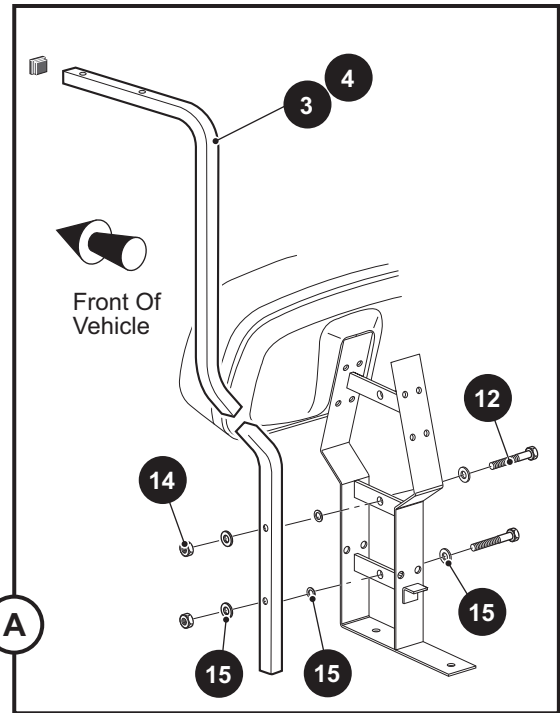
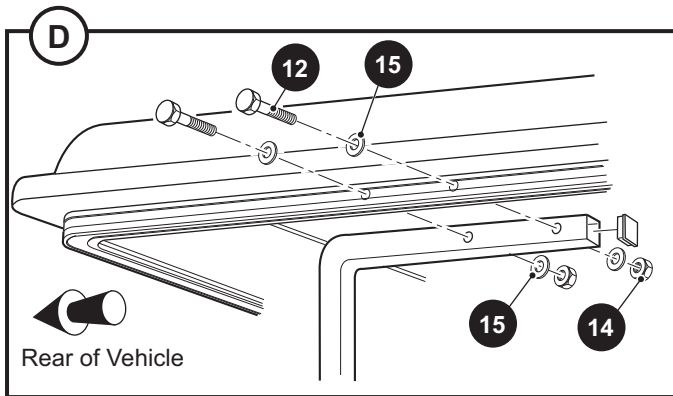
When ordering parts, please specify the model and serial number of the product.

* Indicates a component that is not available as an individual part.

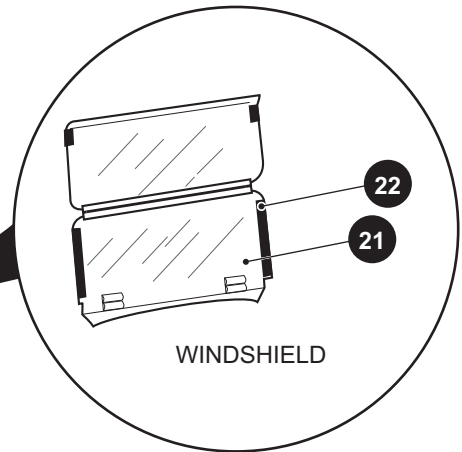
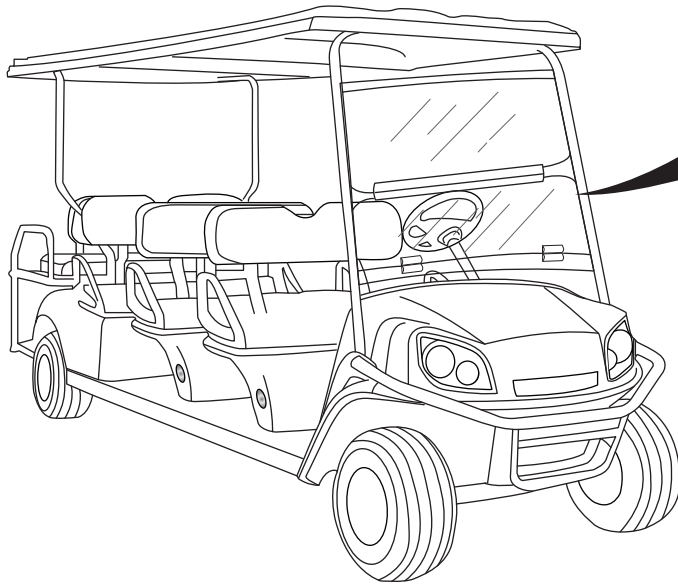
*** Indicates consult Customer Service Department for additional information.

ITEM	PART NO.	1 2 3 4 5	DESCRIPTION	QTY.
32	00440G4		HEX HEAD BOLT, 5/16" 18 X 1 1/4" LG.....	2
33	00559G8		FLAT WASHER, 5/16"	2
34	17838G1		NYLINER BUSHING.....	4
35				
36	11098G6		LOCK NUT, 5/16" - 18	2
37	11027G1		FLANGED LOCK NUT, 5/16" - 18	4

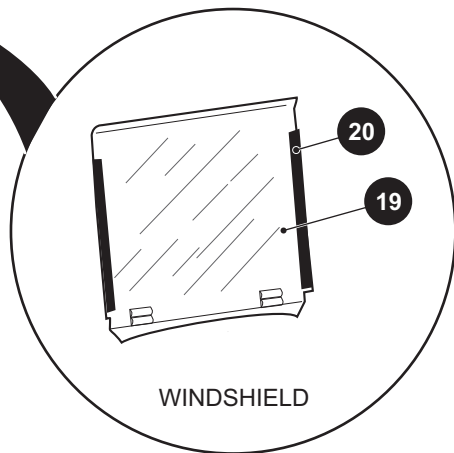
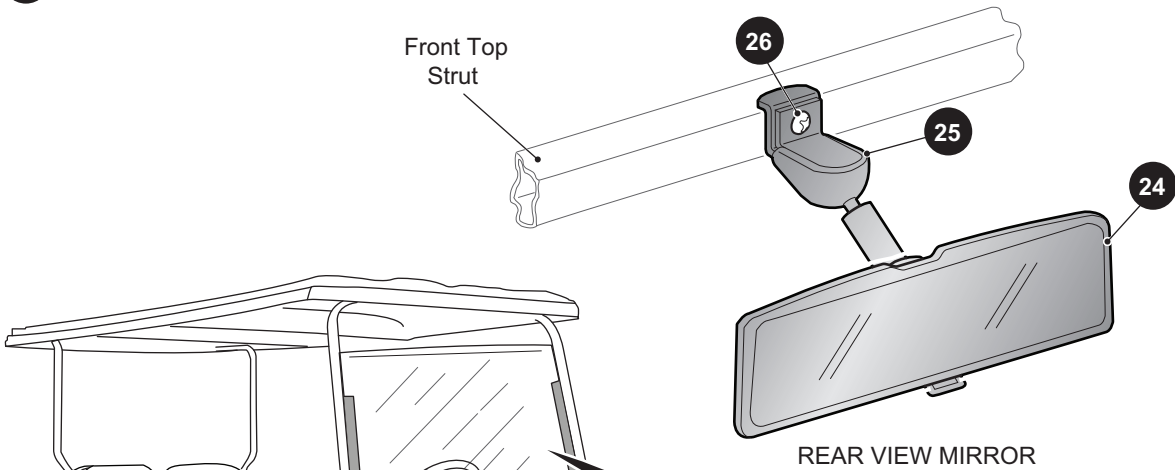
WEATHER PROTECTION



- 1** SUN TOP 140" KIT includes items 2 - 9
- 9** SUN TOP HARDWARE KIT includes items 10 - 16



23 REAR VIEW MIRROR KIT includes items 24 - 26



WEATHER PROTECTION

When ordering parts, please specify the model and serial number of the product.

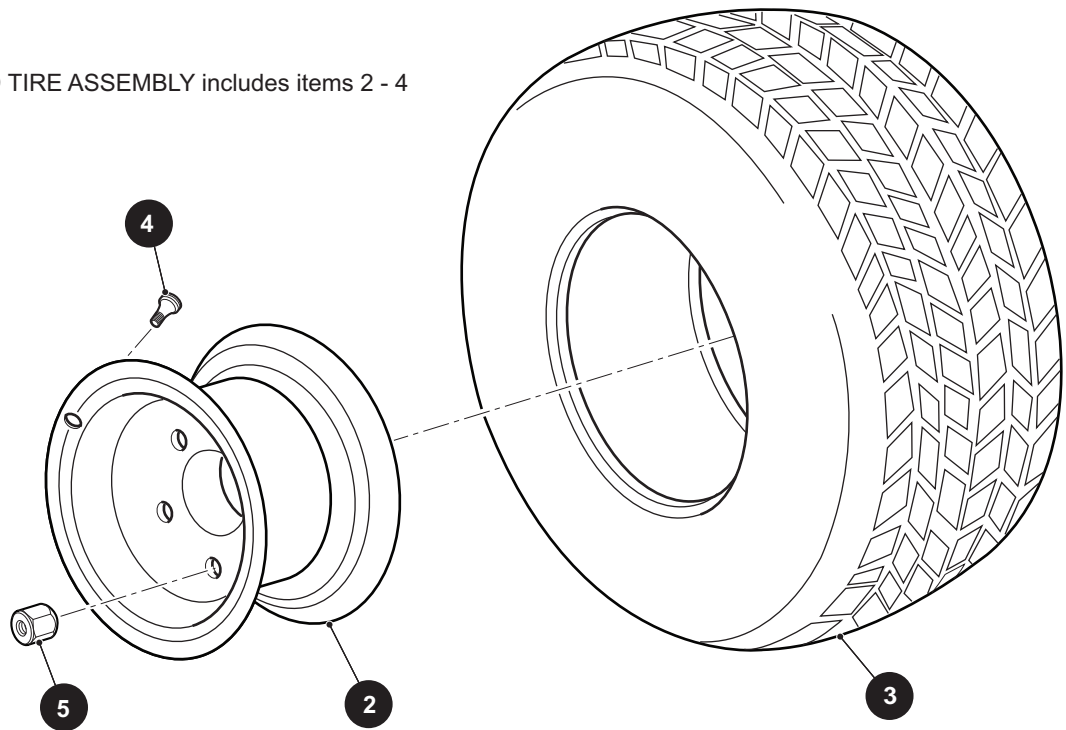
* Indicates a component that is not available as an individual part.

*** Indicates consult Customer Service Department for additional information.

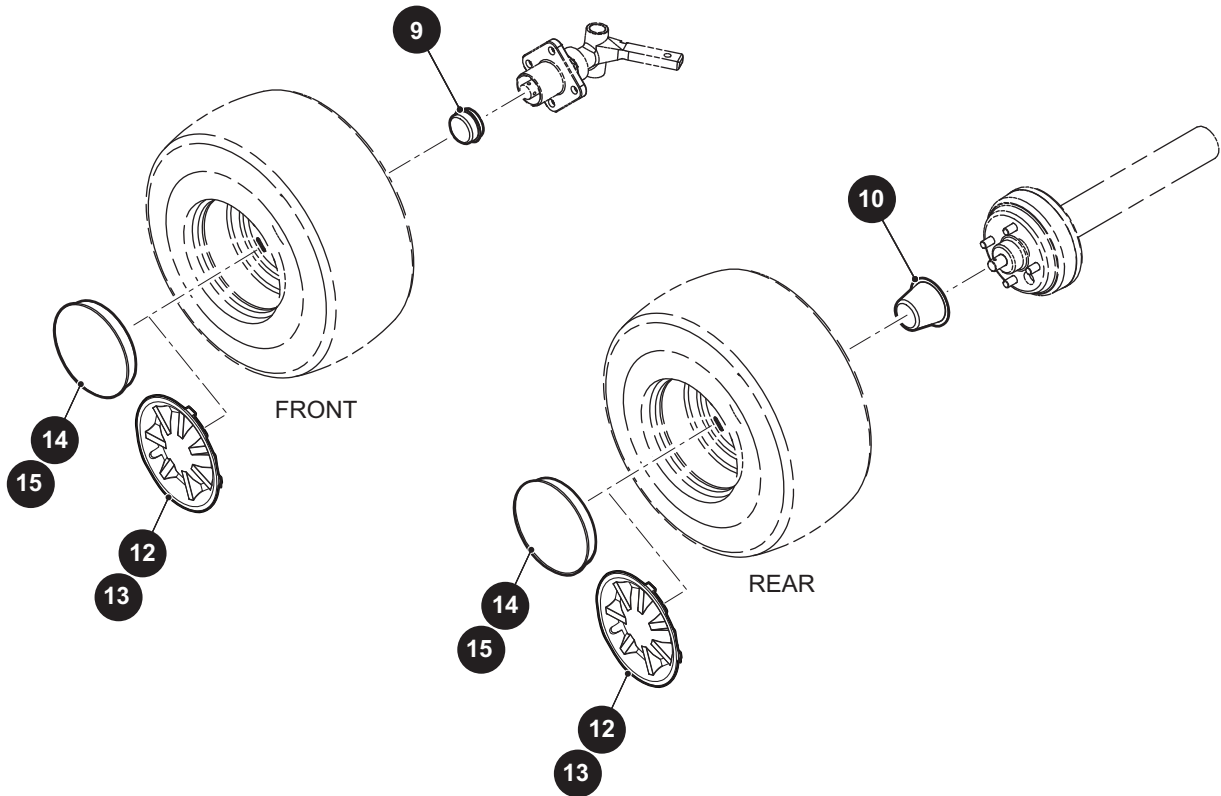
ITEM	PART NO.	1 2 3 4 5	DESCRIPTION	QTY.
1	626706		SUN TOP KIT, 140" (INCLUDES ITEMS 2 - 9).....	1
2	626701		SUN TOP, WHITE	1
3	626704		REAR STRUT, PASSENGER SIDE	1
4	626705		REAR STRUT, DRIVER SIDE.....	1
5	626703		FRONT STRUT	1
6	626702		SUN TOP SUPPORT (NOT ILLUSTRATED)	2
7	22280G1		TRIM, BLACK (NOT ILLUSTRATED)	AR
8				
9	627706		SUN TOP HARDWARE KIT (INCLUDES ITEMS 10 - 16)	1
10	75048G04		SPACER, .328 X .75 X 1" LG	2
11	75048G01		SPACER, .328 X .75 X 1/2" LG	4
12	01035G02		HEX HEAD BOLT, 5/16" - 18 X 2.5" LG.....	12
13	00441G8		HEX HEAD BOLT, 5/16" - 18 X 2" LG.....	2
14	11098G6		PLASTIC INSERT LOCK NUT, 5/16" - 18	10
15	01110G03		FLAT WASHER, 5/16"	28
16	800943		T-SCREW, #10 - 16 X 3/4" LG (NOT ILLUSTRATED).....	8
17				
18				
19	611099		WINDSHIELD KIT	1
20	615662		SASH, 26"	2
21	611100		WINDSHIELD KIT	1
22	615661		SASH, 12"	2
23	19528G2		REAR VIEW MIRROR KIT (INCLUDES ITEMS 24 - 26)	1
24	19496G1		REAR VIEW MIRROR	1
25	19502G2		SUPPORT BRACKET	1
26	19527G1		PAN HEAD SCREW (SS), # 8 - 32 X 5/8" LG.....	1

WHEELS AND TIRES

1 WHEEL AND TIRE ASSEMBLY includes items 2 - 4



(Style of tire may differ from tire shown)



WHEELS AND TIRES

When ordering parts, please specify the model and serial number of the product.

* Indicates a component that is not available as an individual part.

*** Indicates consult Customer Service Department for additional information.

ITEM	PART NO.	1 2 3 4 5	DESCRIPTION	QTY.
1	614437		WHEEL AND TIRE ASSEMBLY - LOAD STAR (INCLUDES ITEMS 2 - 4).....	1
2	614621		WHEEL RIM, 8" X 7"	1
3	614438		TIRE	1
4	11657G2		VALVE STEM.....	1
5	14723G1		LUG NUT, 1/2" - 20	4
6				
7				
8				
9	12091G2		SPINDLE CAP	2
10	74175G01		MOLDED DUST CAP.....	2
11				
12	615618		HUB CAP (SILVER) (FOR VEHICLES MANUFACTURED BEFORE JANUARY 8, 2018).....	4
13	615617		HUB CAP (GOLD) (FOR VEHICLES MANUFACTURED BEFORE JANUARY 8, 2018).....	4
14	665144		WHEEL COVER (METALLIC SILVER) (FOR VEHICLES MANUFACTURED AFTER JANUARY 8, 2018)	4
15	665149		WHEEL COVER (METALLIC GOLD) (FOR VEHICLES MANUFACTURED AFTER JANUARY 8, 2018)	4



CUSHMAN®
LET'S WORK!

E-Z-GO Division of Textron Inc.,
1451 Marvin Griffin Road, Augusta, Georgia 30906 - 3852 USA

TO CONTACT US...

North America:

Technical Assistance & Warranty

Phone: 1-800-774-3946, FAX: 1-800-448-8124

Service Parts

Phone: 1-888-GET-E-Z-GO (1-888-438-3946), FAX: 1-800-752-6175

International:

Phone: 001-706-798-4311, FAX: 001-706-771-4609

Service Parts Manuals, as well as Repair and Service Manuals
are available from a local Distributor, an authorized Branch,
Genuine E-Z-GO Parts & Accessories Department or at www.shopezgo.com.

Copyrighted Material
This manual may not be reproduced in whole or
in part without the express permission of
E-Z-GO Division of Textron Inc.
Technical Communications Department