



CUSHMAN[®]
LET'S WORK.

72V AC SHUTTLE 4

Service Parts Manual

California Proposition 65



WARNING

Operating, servicing and maintaining a passenger vehicle or off-road vehicle can expose you to chemicals including phthalates and lead, which are known to the State of California to cause cancer and birth defects or other reproductive harm. To minimize exposure, wear gloves and wash your hands frequently when servicing your vehicle.

For more information go to www.P65Warnings.ca.gov/passenger-vehicle.

SERVICE PARTS MANUAL

ELECTRIC POWERED UTILITY VEHICLE

SHUTTLE 4 72V

STARTING MODEL YEAR 2018

Never modify the vehicle in any way that will alter the weight distribution of the vehicle, decrease its stability or increase the speed beyond the factory specifications. Such modifications can cause serious personal injury or death. Textron Specialized Vehicles prohibits and dis-claims responsibility for any such modifications or any other alteration which would adversely affect the safety of the vehicle.

TSV reserves the right to incorporate engineering and design changes to products in this manual, without obligation to include these changes on units sold previously.

The information contained in this manual may be revised periodically by TSV, and therefore is subject to change without notice.

TSV DISCLAIMS LIABILITY FOR ERRORS IN THIS MANUAL, and SPECIFICALLY DISCLAIMS LIABILITY FOR INCIDENTAL AND CONSEQUENTIAL DAMAGES resulting from the use of the information and materials in this manual.

These are the original instructions as defined by 2006/42/EC.

TO CONTACT US:

Textron Specialized Vehicles, Inc.
1451 Marvin Griffin Road
Augusta, Georgia, USA 30906-3852

NORTH AMERICA:

Technical Assistance & Warranty PHONE: 1-800-774-3946, FAX: 1-800-448-8124

Service Parts PHONE: 1-888-438-3946, FAX: 1-800-752-6175

International: PHONE: 001-706-798-4311, FAX: 001-706-771-4609

GENERAL INFORMATION

To obtain a copy of the limited warranty applicable to the vehicle, call or write a local Distributor, authorized Branch or the Warranty Department with vehicle serial number and manufacturer code.

The use of non Original Equipment Manufacturer (OEM) approved parts may void the warranty.

Tampering with or adjusting the governor to permit vehicle to operate at above factory specifications will void the vehicle warranty.

When servicing engines, all adjustments and replacement components must be per original vehicle specifications in order to maintain the United States of America Federal and State emission certification applicable at the time of manufacture.

BATTERY PROLONGED STORAGE

All batteries will self discharge over time. The rate of self discharge varies depending on the ambient temperature and the age and condition of the batteries.

A fully charged battery will not freeze in winter temperatures unless the temperature falls below -75° F (-60° C).

BATTERY DISPOSAL

Lead-acid batteries are recyclable. Return whole scrap batteries to distributor, manufacturer or lead smelter for recycling. For neutralized spills, place residue in acid-resistant containers with absorbent material, sand or earth and dispose of in accordance with local, state and federal regulations for acid and lead compounds. Contact local and/or state environmental officials regarding disposal information.

TABLE OF CONTENTS

SECTION	Page No.
HOW TO USE THE SERVICE PARTS MANUAL.....	V
ACCELERATOR.....	A - 1
BATTERY CHARGER.....	B - 1
BODY.....	C - 1
BRAKES.....	D - 1
ELECTRICAL.....	E - 1
ELECTRONIC SPEED CONTROL.....	F - 1
FRONT SUSPENSION.....	G - 1
MOTOR.....	H - 1
REAR AXLE.....	J - 1
REAR SUSPENSION.....	K - 1
SEATING.....	L - 1
TRUCK BED.....	M - 1
WEATHER PROTECTION.....	N - 1
WHEELS AND TIRES.....	P - 1
DECALS AND LABELS.....	R - 1

HOW TO USE THE SERVICE PARTS MANUAL

This manual is divided into several sections:

- GENERAL INFORMATION
- ILLUSTRATED PARTS BREAKDOWN

The first section, GENERAL INFORMATION, contains the following information:

- WARRANTY INFORMATION
- TABLE OF CONTENT
- HOW TO USE THE SERVICE PARTS MANUAL

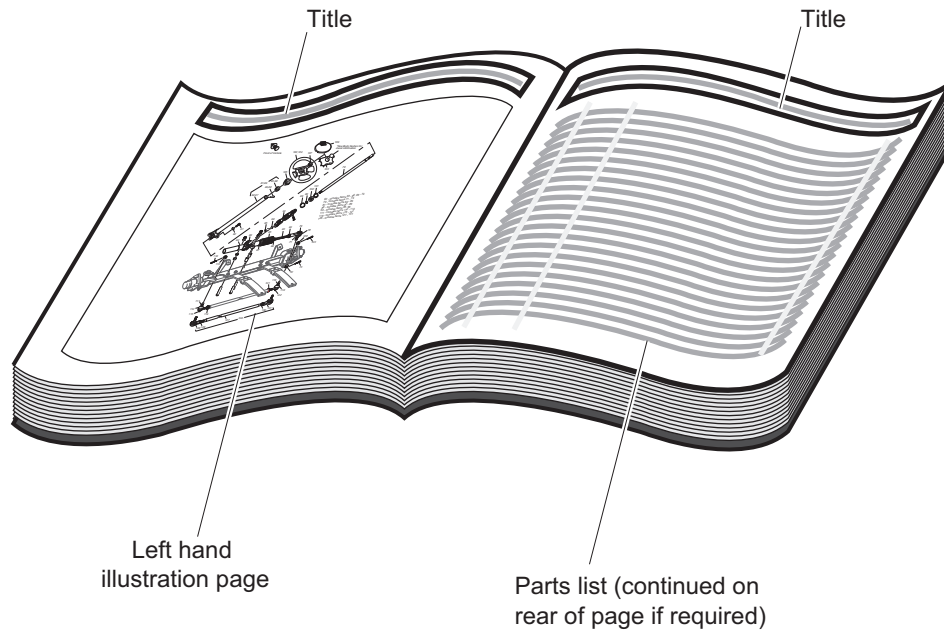
The second section, ILLUSTRATED PARTS BREAKDOWN, contains illustrations and parts lists for all systems of your vehicle.

USE OF THE MANUAL

To use this manual, consult the TABLE OF CONTENT to locate the information or illustration required.

Introduction of some revisions varies due to supply of components; therefore, it is possible that various combinations of components may be found that are not directly reflected by each illustration. Consult the illustration that best suits your situation and then contact the Service Parts Department. It is important that the serial number or VIN of your vehicle and the model name be supplied to Service Parts when ordering any replacement components.

HOW TO USE THE SERVICE PARTS MANUAL



1. WHEN THE PART NUMBER IS NOT KNOWN

- Determine the function and application of the part required. Turn to the Table of Content and select the most appropriate title.
- Turn to the page number indicated and locate the desired part on the illustration.
- From the illustration, obtain the item number assigned to the desired part. Refer to the accompanying description for specific information regarding the part.

2. IF YOU KNOW THE PART NUMBER

- Locate the part number or description in the appropriate column on the parts list page.

NOTE: It is suggested that you confirm that the part selected is correct by verifying it with the pictorial representation on the illustrated page.

Should an asterisk (*) appear in the part number column on the parts list page, read upwards until a part number is found. The part number is the lowest assembly sold by Service Parts and the asterisk (*) indicates that the part depicted is not available for purchase.

NOTE: Descriptions are indented under the assembly that they are used on. That assembly is, in turn listed under the assembly that it is used on. This process is repeated until the highest final assembly is reached.

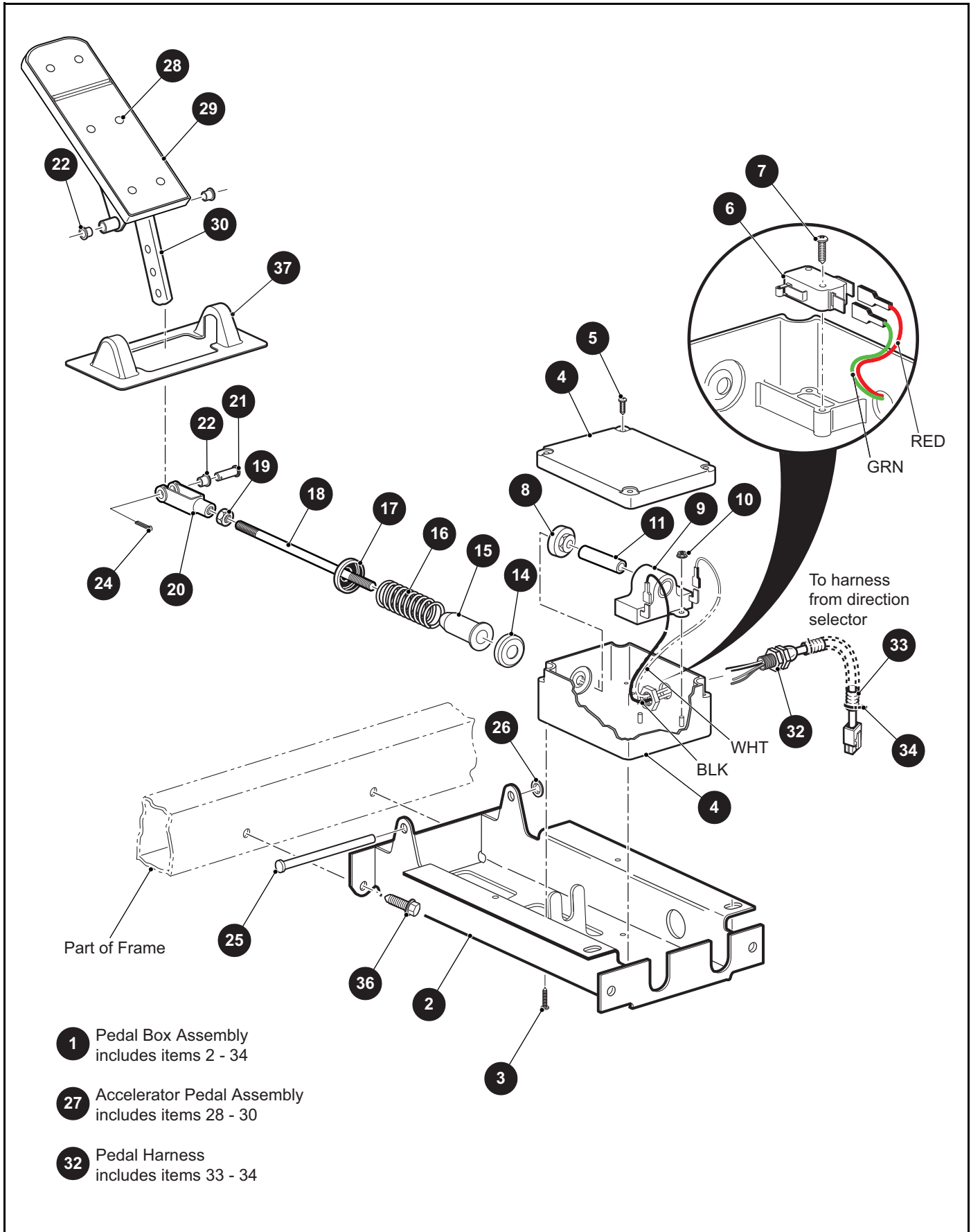
To facilitate the maintenance and repair of the vehicle, a Technician's Repair and Service Manual is available from the Service Parts Department.

3. COLOR CODE FOR BODY COMPONENTS

The last two digits of the part number for the body part will denote the color code, locate the part number for the cowl, rear body, seat pod, side panel or seat wrap then locate your color in the list below, replace the last ** or XX with the two digit color code.

<u>CODE #</u>	<u>DESCRIPTION</u>
02	SPECIAL COLOR
05	JACOBSEN ORANGE
11	BLACK
19	PATRIOT BLUE PEARL
20	INFERNO RED METALLIC
26	STEEL BLUE PEARL
31	METALLIC CHARCOAL
35	SAFETY YELLOW
36	IVORY
37	FOREST GREEN
38	BRIGHT WHITE
39	FLAME RED
41	ELECTRIC BLUE
42	PLATINUM
43	BURGUNDY
44	ALMOND
51	SUNBURST ORANGE
52	BRITISH RACING GREEN
69	MONSTER GREEN
74	BARLEY GOLD
75	OASIS GREEN
76	JAVA BROWN
79	JACOBSEN ORANGE 172

ACCELERATOR



THE USE OF NON U.L. PARTS WILL VOID ANY U.L. LISTING.

When ordering parts, please specify the model and serial number of the product.

* Indicates a component that is not available as an individual part.

*** Indicates consult Customer Service Department for additional information.

ITEM	PART NO.	1 2 3 4 5	DESCRIPTION	QTY.
1	73333G11		Pedal Box Assembly (Includes Items 2 - 34).....	1
2	652241G03		Accelerator Pedal Bracket	1
3	01051G01		Pan Head Phillips Screw, #8 - 10 x 1/2" Lg	4
4	25853G01		Pedal Box and Cover.....	1
5	00684G6		Truss Head Screw (SS), #8 - 32 x 3/4" Lg.....	2
6	25861G01		Micro Switch	1
7	01050G01		Pan Head Torx Screw, #4 - 20 x 5/8" Lg.....	2
8	28444G01		Accelerator Rod Cam	1
9	25854G01		Inductive Throttle Sensor.....	1
10	00983G01		Self Threading Nut, .38"	2
11	602484		Plunger	1
12				
13				
14	17677G1		Spring Retainer.....	1
15	17979G1		Bushing, .75" x 2" Lg	1
16	73046G01		Compression Spring	1
17	17677G2		Spring Retainer, 3/8".....	1
18	73332G01		Accelerator Rod.....	1
19	00532G4		Hex Nut, 5/16" - 24	1
20	10385G4		Clevis Yoke (Adjustable).....	1
21	10386G3		Clevis Pin, 5/16" x 13/16" Lg	1
22	17838G1		Nylon Bushing, .37" x .31" Lg	3
23				
24	10387G3		Cotter Pin, 3/32" x 3/4" Lg	1
25	74432G01		Pedal Pivot Pin	1
26	12064G6		Push Nut, 5/16".....	1
27	25799G03		Accelerator Pedal Assembly (Includes Items 28 - 30)	1
28	16409G1		Oval Rivet, 3/16" x 7/16" Lg	6
29	27512G01		Accelerator Pedal Pad	1
30	652824		Accelerator Pedal.....	1
31				

ACCELERATOR

THE USE OF NON U.L. PARTS WILL VOID ANY U.L. LISTING.

When ordering parts, please specify the model and serial number of the product.

* Indicates a component that is not available as an individual part.

*** Indicates consult Customer Service Department for additional information.

ITEM	PART NO.	1	2	3	4	5	DESCRIPTION	QTY.
32	25879G08						Pedal Harness (Includes Items 33 - 34).....	1
33	17313G1						Loom Flex (Bulk), 3/8"	1
34	17618G1						Nylon Clamp, 8" Lg.....	2
35								
36	00715G2						Hex Head Bolt, 5/16" - 18 x 3/4" Lg.....	4
37	70135G01						Pedal Pivot Cover.....	1

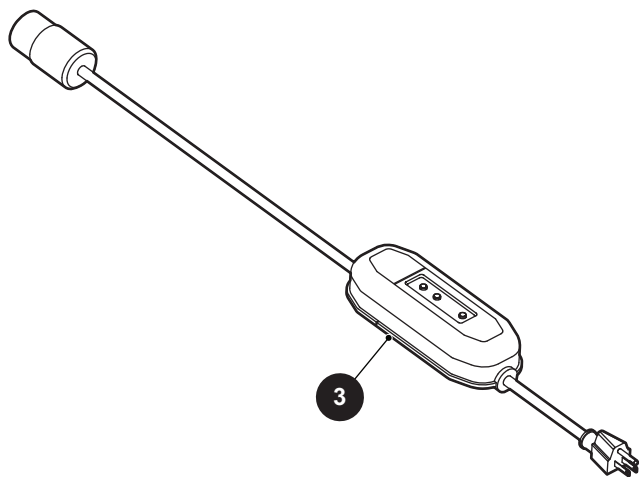
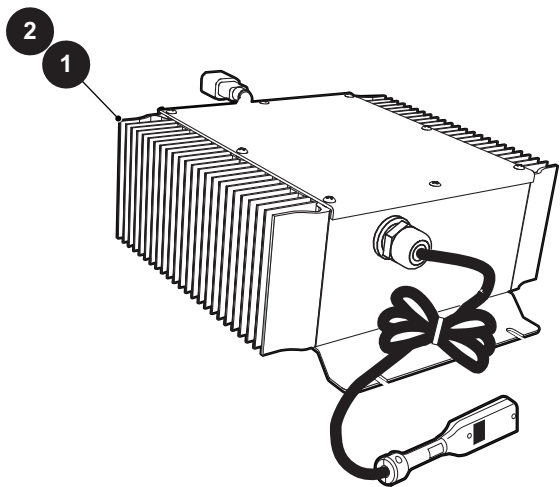
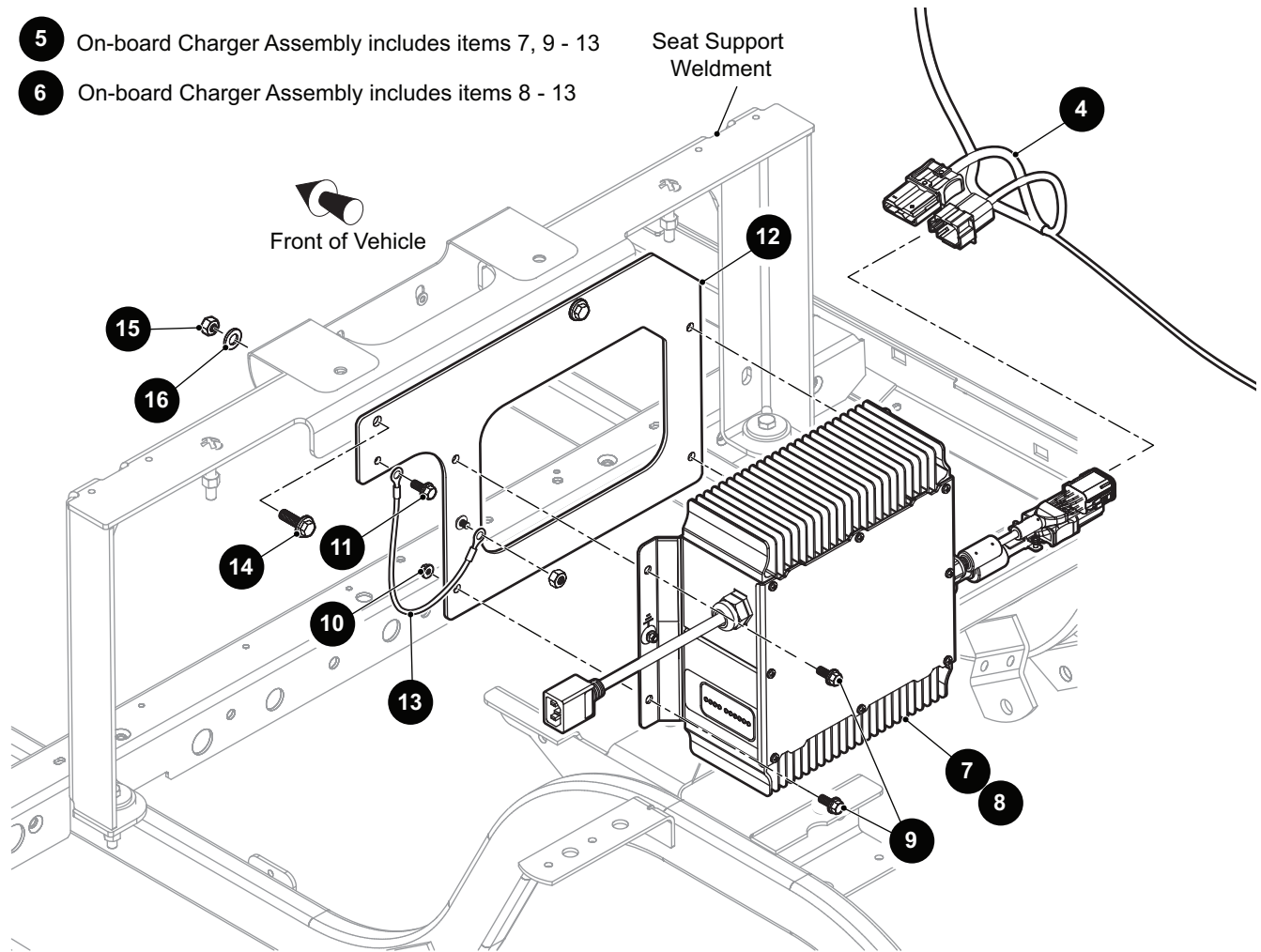
Notes:

A large grid of graph paper, consisting of 20 columns and 30 rows of small squares, intended for taking notes.

BATTERY CHARGER

5 On-board Charger Assembly includes items 7, 9 - 13

6 On-board Charger Assembly includes items 8 - 13



BATTERY CHARGER

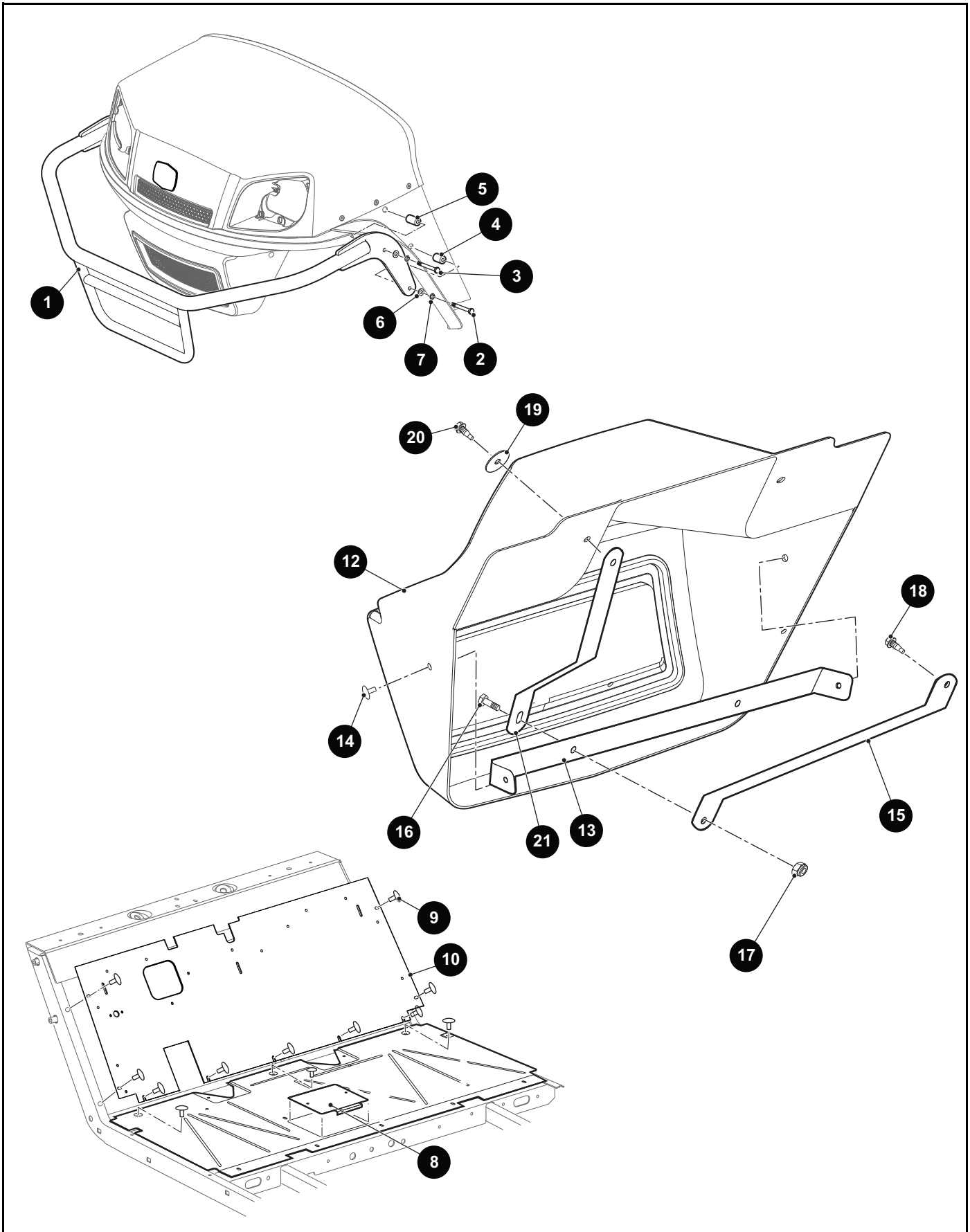
THE USE OF NON U.L. PARTS WILL VOID ANY U.L. LISTING.

When ordering parts, please specify the model and serial number of the product.

* Indicates a component that is not available as an individual part.

*** Indicates consult Customer Service Department for additional information.

ITEM	PART NO.	1 2 3 4 5	DESCRIPTION	QTY.
1	634567		Off-board Battery Charger, 72V, 1000W	1
2	645743		Off-board Battery Charger, 72V, 1500W	1
3	652608		Charger Cord, 5meter (For Vehicles with On-board Charger)	1
4	671750		On-board Charger Harness.....	1
5	681354G01		On-board Charger Assembly, 1000W, 72V (Includes Items 7, 9 - 13)	1
6	681354G02		On-board Charger Assembly, 1500W, 72V (Includes Items 8 - 13)	1
7	640261		On-board Charger, 72V (Quiq)	1
8	642542		On-board Charger, 72V (Delta - Q)	1
9	16705G3		Truss Head Phillips Screw (SS), 1/4" - 20 x 3/4" Lg, (Grade 5).....	4
10	11027G2		Flanged Lock Nut, 1/4" - 20	4
11	71102G02		Hex Washer Head Bolt, 1/4" - 20 x 1/2" Lg.....	1
12	672193		Mounting Plate.....	1
13	668709		Charger Bonding Jumper	1
14	13437G3		Serrated Flanged Hex Head Bolt, 5/16" - 18 x 1" Lg, (Grade 5)	2
15	11098G6		Lock Nut, 5/16" - 18	2
16	00559G8		Flat Washer, 5/16"	2



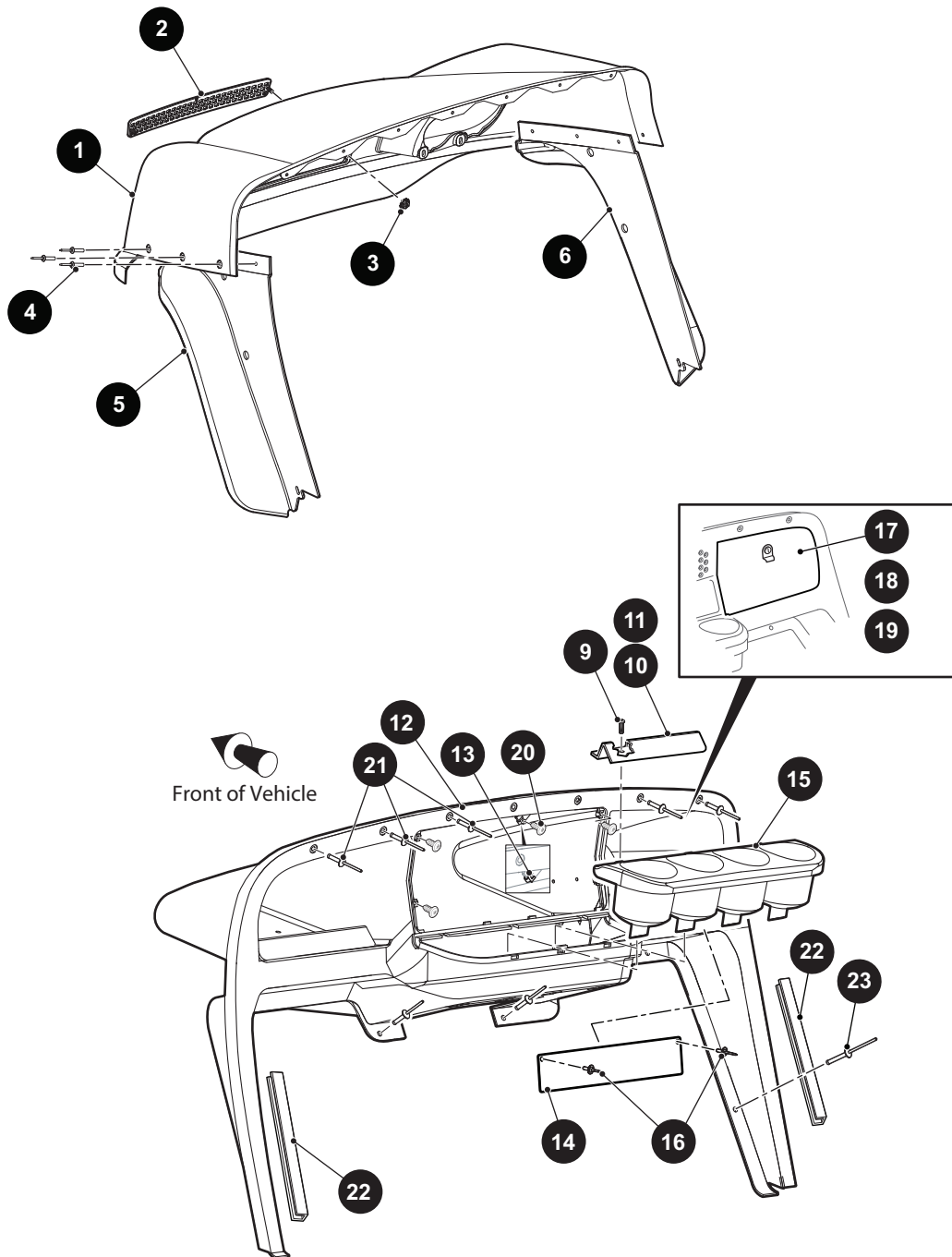
THE USE OF NON U.L. PARTS WILL VOID ANY U.L. LISTING.

When ordering parts, please specify the model and serial number of the product.

* Indicates a component that is not available as an individual part.

*** Indicates consult Customer Service Department for additional information.

ITEM	PART NO.	1 2 3 4 5	DESCRIPTION	QTY.
1	617620		Brushguard.....	1
2	00440G2		Hex Head Bolt, 5/16" - 18 x 2 1/4" Lg	2
3	00440G6		Hex Head Bolt, 5/16" - 18 x 2 3/4" Lg	2
4	75048G04		Spacer, .328" x .75" x 1" Lg	2
5	75048G02		Spacer, .328" x .75" x 1.31" Lg	2
6	00559G8		Flat Washer (Narrow), 5/16".....	4
7	00565G8		Lock Washer, 5/16"	4
8	70452G01		Access Cover	1
9	14601G11		Rivet (Aluminum), 3/16" x 9/16" Lg	16
10	641260		Upper Floor Panel.....	1
11				
12	613273		Front Fascia	1
13	654275		Front Fascia Bracket.....	1
14	15058G1		Rivet (Aluminum Black), 3/16" x .45"	2
15	654276		Front Fascia Brace	2
16	00414G6		Hex Head Bolt, 1/4" - 20 Lg, Grade 5	2
17	14390G4		Lock Nut, 1/4" - 20	2
18	01038G01		Hex Washer Head Bolt, 1/4" - 20 x .700" Lg	2
19	16469G1		Fender Washer, 1 1/4" O.D. x 9/32" I.D.	2
20	71102G03		Hex Washer Head Taptite Bolt, 1/4 - 20 x 1.15 mm Lg, Grade 5	2
21	664610		Cowl Strap.....	2



7 Instrument Panel Assembly includes items 8 - 16

8 Instrument Panel Assembly with Ball Deflector includes items 9 - 13

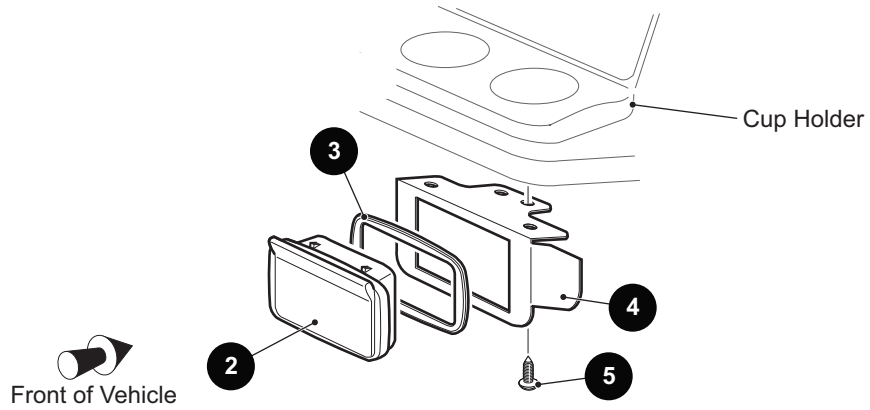
THE USE OF NON U.L. PARTS WILL VOID ANY U.L. LISTING.

When ordering parts, please specify the model and serial number of the product.

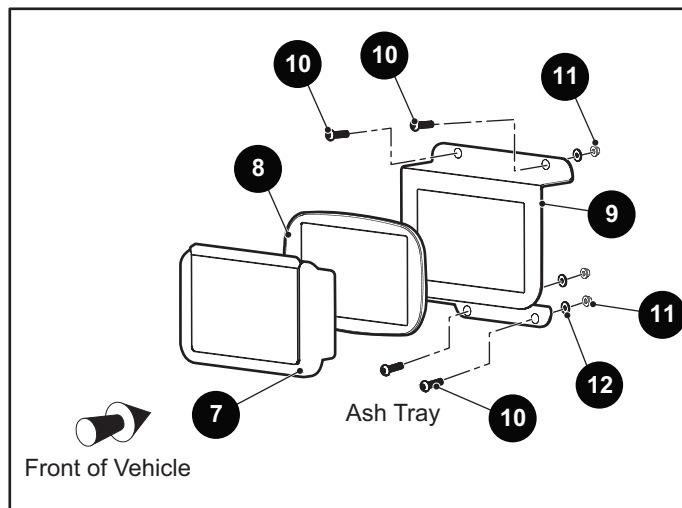
* Indicates a component that is not available as an individual part.

*** Indicates consult Customer Service Department for additional information.

ITEM	PART NO.	1 2 3 4 5	DESCRIPTION	QTY.
1	613036G0**		Cowl (See HOW TO USE Section for COLOR CODES)	1
2	617643		Grill Cover	1
3	71597G01		Self Threading Nut, 5mm x 10mm x 15mm.....	2
4	71055G01		Rivet, 3/16" x 1" Lg	6
5	614378		Fender Flare (Driver Side)	1
6	613274		Fender Flare (Passenger Side).....	1
7	674314		Instrument Panel Assembly (Includes Item 8 - 16).....	1
8	71917G01		Instrument Panel Assembly with Ball Deflector (Includes Item 9 - 13)	1
9	00614G3		Pan Head Phillips Screw, #8 - 18 x 5/8" Lg.....	6
10	71153G01		Ball Deflector (Passenger Side)	1
11	71154G01		Ball Deflector (Driver Side)	1
12	628010		Instrument Panel	1
13	71364G02		Speed Nut "J" Type, #8	5
14	662223		Safety Console Label Bracket	1
15	71158G01		Cup Holder Insert	1
16	71055G01		Rivet (Aluminum), 3/16" x 1" Lg	2
17	75459G01		Glove Box (Driver/Passenger Side)	1
18	75459G02		Glove Box (Driver Side)	1
19	75459G03		Glove Box (Passenger Side).....	1
20	608290		Self Tapping Screw, #10 - 16 x 3/4" Lg	5
21	71055G01		Rivet (Aluminum), 3/16" x 1" Lg	7
22	71115G01		Vinyl Trim	2
23	71055G01		Rivet (Aluminum), 3/16" x 1" Lg.....	2



1 Ash Tray Kit includes items 2 - 5



6 Ash Tray, Seat Pod Kit includes items 7 - 12

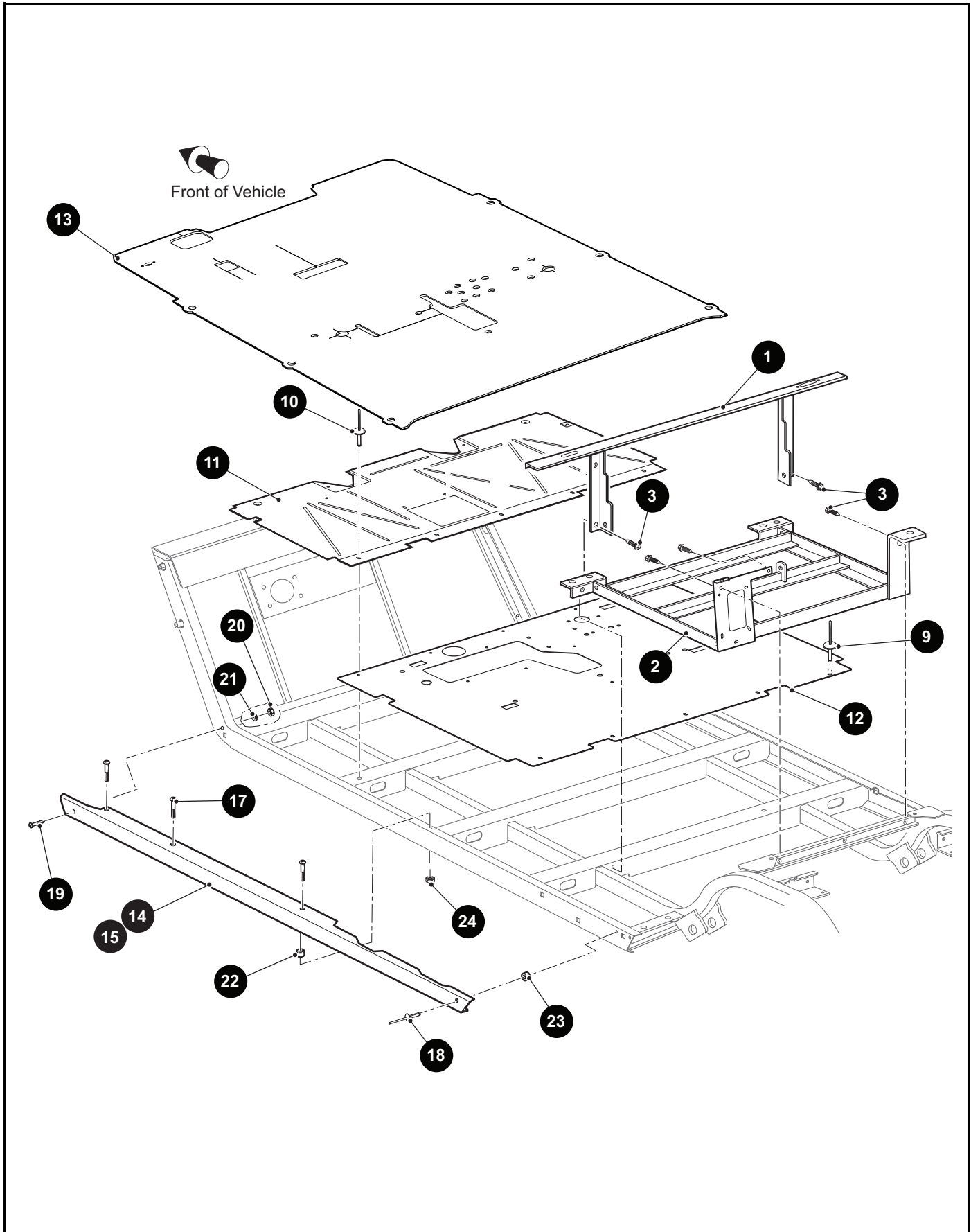
THE USE OF NON U.L. PARTS WILL VOID ANY U.L. LISTING.

When ordering parts, please specify the model and serial number of the product.

* Indicates a component that is not available as an individual part.

*** Indicates consult Customer Service Department for additional information.

ITEM	PART NO.	1 2 3 4 5	DESCRIPTION	QTY.
1	75109G03		Ash Tray Kit (Includes Items 2 - 5).....	1
2	27731G01		Ash Tray	1
3	27736G01		Gasket	1
4	75108G02		Bracket	1
5	00106G6		Pan Head Phillips Screw, #12 - 14 x .75" Lg	4
6	632412		Ash Tray, Seat Pod Kit (Includes Items 7 - 12)	1
7	27731G01		Ash Tray	1
8	27736G01		Gasket	1
9	631079		Bracket	1
10	601326		Button Head Torx Bolt, M6 - 1 x 20mm Lg.....	4
11	601476		Flanged Lock Nut, M6	4
12	16469G1		Fender Washer, 9/32" I.D x 1 1/4" O.D.....	4



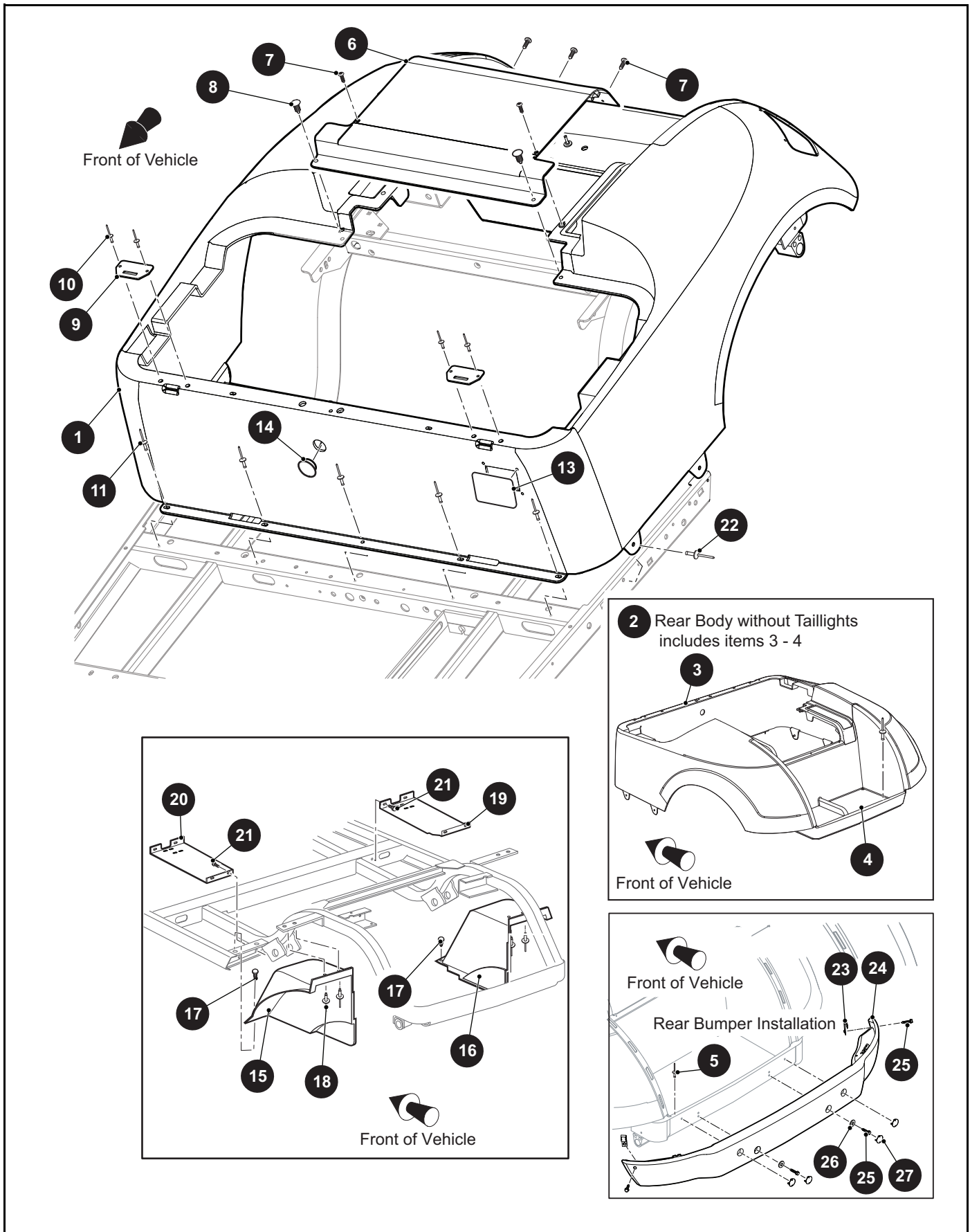
THE USE OF NON U.L. PARTS WILL VOID ANY U.L. LISTING.

When ordering parts, please specify the model and serial number of the product.

* Indicates a component that is not available as an individual part.

*** Indicates consult Customer Service Department for additional information.

ITEM	PART NO.	1 2 3 4 5	DESCRIPTION	QTY.
1	70441G01		Seat Frame	1
2	671632		Battery Tray	1
3	00715G2		Hex Washer Head Screw, 5/16" - 18 x .875 " Lg	5
4				
5				
6				
7				
8				
9	10570G10		Domed Rivet (SS), 5/32" x 9/16" Lg	10
10	14601G11		Rivet (Aluminum), 3/16" x 9/16" Lg	5
11	70451G01		Lower Floor Panel	1
12	648840		Rear Floor Panel	1
13	652139G01		Floormat	1
14	618888		Rocker Panel (Driver Side)	1
15	618889		Rocker Panel (Passenger Side)	1
16				
17	634161		Flanged Button Head Torx Bolt, M6 - 1 x 30mm Lg	3
18	15058G6		Rivet (Aluminum), 3/16" x .95" Lg	1
19	00789G2		Truss Head Phillips Screw (SS), #10 - 24 x 1 - 1/4" Lg	1
20	14390G10		Lock Nut, #10 - 24	1
21	00660G5		Flat Washer, #10	1
22	23726G4		Spacer, 5/16"	3
23	23726G4		Spacer, 5/16"	1
24	601476		Flanged Lock Nut, M6	3



THE USE OF NON U.L. PARTS WILL VOID ANY U.L. LISTING.

When ordering parts, please specify the model and serial number of the product.

* Indicates a component that is not available as an individual part.

*** Indicates consult Customer Service Department for additional information.

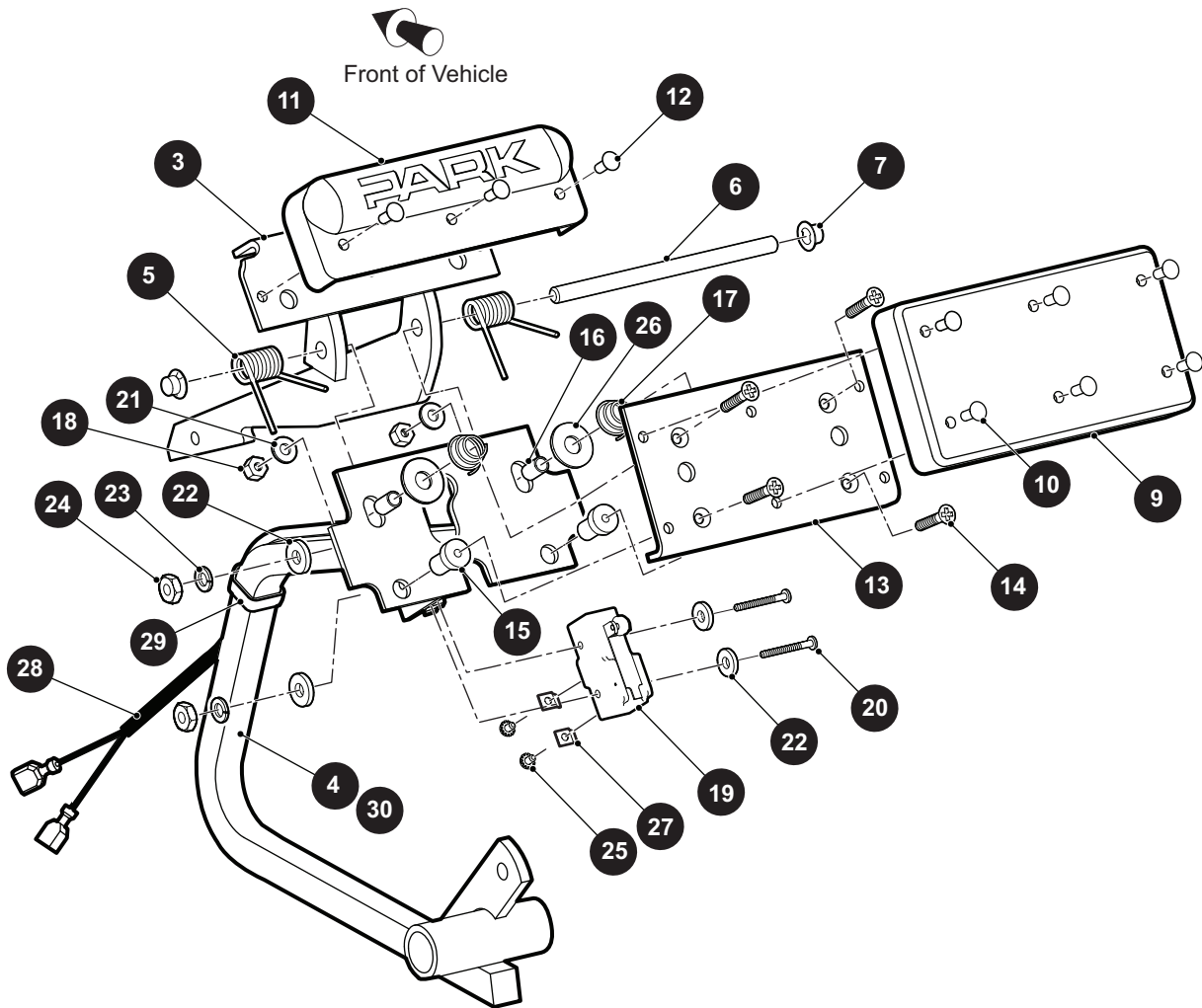
ITEM	PART NO.	1 2 3 4 5	DESCRIPTION	QTY.
1	625272G1XX		Rear Body with Taillights (See HOW TO USE Section for COLOR CODES)	1
2	625272G0XX		Rear Body without Taillights (Includes Items 3 - 4)	1
			(See HOW TO USE Section for COLOR CODES)	
3	619752G0XX		Rear Body.....	1
4	624374		Bagwell Liner	1
5	633917		Rivet (Plastic).....	2
6	71320G01		Access Panel	1
7	01107G01		Pan Head Torx Screw (SS), #8 x .63" Lg	5
8	16816G2		Ratchet Rivet, .25" x .887"	2
9	71609G01		Seat Hinge Plate	2
10	10570G11		Rivet (SS), 5/32" x .70" Lg	4
11	10570G10		Rivet (SS), 5/32" x .55" Lg	5
12				
13	666066		Cover Plate	1
14	71316G01		Plug	1
15	658946		Fender Liner (Passenger Side).....	1
16	658949		Fender Liner (Driver Side).....	1
17	16816G2		Ratchet Fastener, 1/4" x .887" Lg	2
18	14601G17		Rivet (Aluminum), 3/16" x .575" Lg	2
19	652443G203		Battery Tray (Passenger Side).....	1
20	652443G103		Battery Tray (Driver Side).....	1
21	00715G2		Hex Washer Head Screw, 5/16" - 18 x .875 " Lg	4
22	10570G12		Rivet (Aluminum), .257" x .556" Lg	2
23	71554G01		"J" - Type Nut Retainer, 1/4" - 20.....	2
24	71456G01		Rear Bumper.....	1
25	71102G01		Hex Head Bolt, 1/4" - 20 x 3/4" Lg	4
26	00571G2		Flat Washer, 5/16"	2
27	71455G01		Bumper Plug	4

Notes:

A large grid area for taking notes, consisting of 30 columns and 40 rows of small squares.

BRAKES

- 1 Brake Pedal Assembly (without Brake Lights) includes items 3 - 12
- 2 Brake Pedal Assembly (with Brake Lights) includes items 3, 5 - 30



BRAKES

THE USE OF NON U.L. PARTS WILL VOID ANY U.L. LISTING.

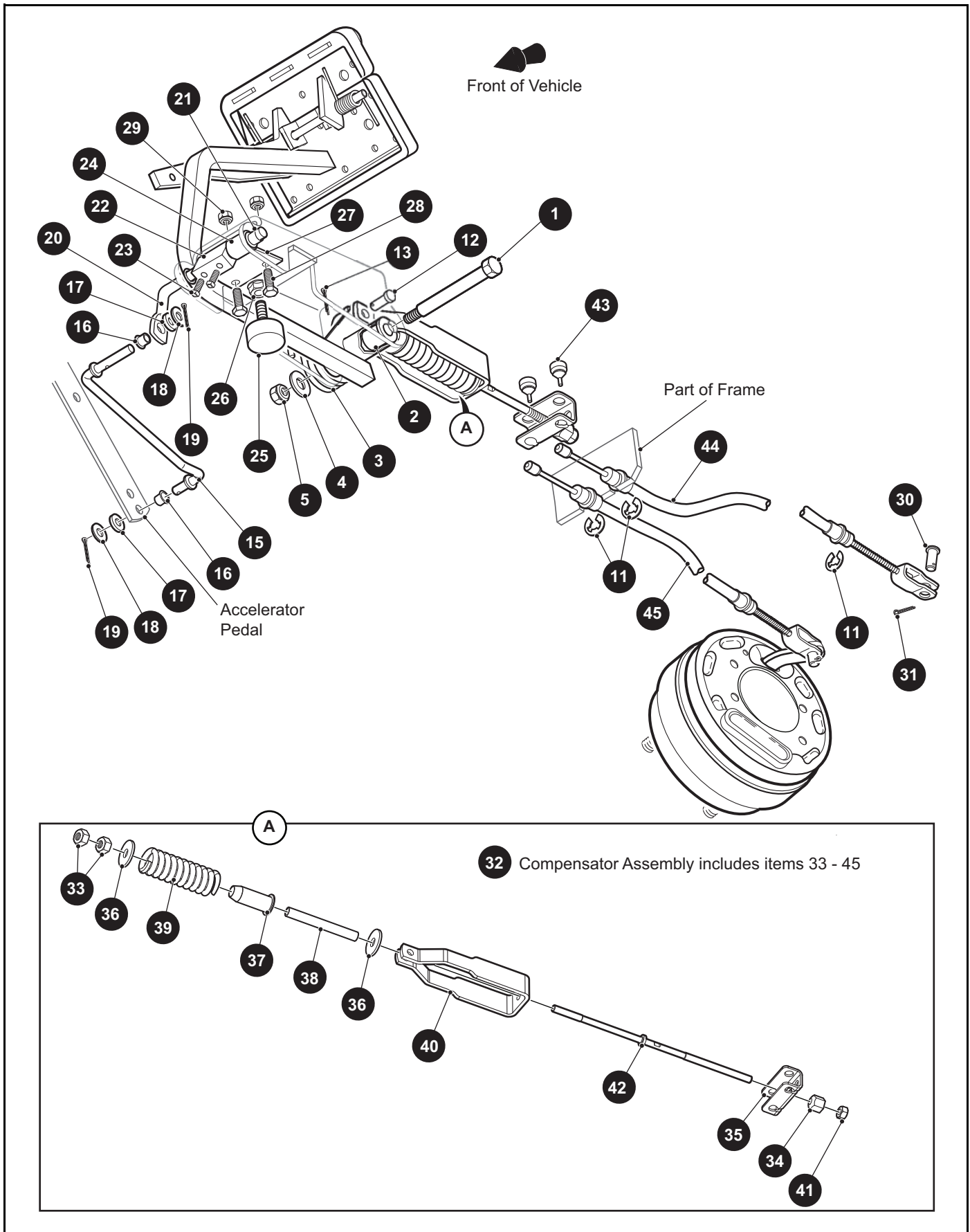
When ordering parts, please specify the model and serial number of the product.

* Indicates a component that is not available as an individual part.

*** Indicates consult Customer Service Department for additional information.

ITEM	PART NO.	1 2 3 4 5	DESCRIPTION	QTY.
1	70612G02		Brake Pedal Assembly (without Lights) (Includes Items 3 - 12)	1
2	70690G02		Brake Pedal Assembly (with Lights) (Includes Items 3, 5 - 30)	1
3	652253G03		Park Brake Pedal.....	1
4	652251G03		Brake Pedal (without Lights).....	1
5	70681G01		Torsion Spring.....	2
6	70682G01		Pivot Pin	1
7	658825		Push Nut, 5/16" - 24	2
8				
9	70257G01		Service Brake Pad.....	1
10	16409G1		Oval Rivet, .375" x .468" Lg.....	6
11	70256G01		Park Brake Pedal Pad	1
12	16409G1		Oval Rivet, .375" x .468" Lg.....	3
13	652820		Service Brake Pedal Plate	1
14	00737G8		Flat Head Phillips Screw, #10 - 24 x .875" Lg.....	4
15	00739G1		Rubber Well Nut, #10 - 24	2
16	652355		Brake Pedal Spacer.....	2
17	27137G01		Conical Spring	2
18	14390G10		Lock Nut, #10 - 24	2
19	10606G8		Micro Switch	1
20	00645G2		Pan Head Phillips Screw, #6 - 32 x 1.25" Lg	2
21	00559G5		Flat Washer, #10.....	2
22	00559G3		Flat Washer, #6.....	2
23	00565G3		Lock Washer, #6	2
24	00525G5		Lock Nut, #6 - 32	2
25	13514G1		Pan Head Phillips Screw with Internal Tooth Lock Washer, #6 - 32 x .22" Lg	2
26	00642G8		Flat Washer, 5/16"	2
27	14628G1		Faston Tab.....	2
28	24605G1		Wire Harness (Brake Light)	1
29	17618G1		Wire Tie	2
30	652791G03		Brake Pedal (with Lights).....	1

BRAKES



THE USE OF NON U.L. PARTS WILL VOID ANY U.L. LISTING.

When ordering parts, please specify the model and serial number of the product.

* Indicates a component that is not available as an individual part.

*** Indicates consult Customer Service Department for additional information.

ITEM	PART NO.	1 2 3 4 5	DESCRIPTION	QTY.
1	70582G01		Shoulder Bolt (SS), 1/2" x 3/8" - 16 x 3.406" Lg.....	1
2	70581G01		Flanged Bushing, .1.062" O.D. x .795" I.D.....	2
3	70676G01		Torsion Spring	1
4	00643G1		Lock Washer, 3/8"	1
5	11098G5		Lock Nut, 3/8" - 16	1
6	01038G01		Hex Washer Head Swageform Screw, 1/4" - 20 X .7" Lg (Not Illustrated)	1
7	12416G2		Nylon Wedge Lock Clamp (Not Illustrated).....	3
8				
9				
10				
11	01111G01		Retaining Ring (SS), Dia .8"	4
12	10386G3		Clevis Pin, .438" x .938" Lg.....	1
13	10387G3		Cotter Pin, .094" x .75" Lg.....	1
14				
15	70601G01		Kick-off Link.....	1
16	17838G1		Nylon Bushing, .37" O.D. x .31" I.D.....	2
17	20835G1		Teflon Washer, 3/8"	2
18	00559G8		Flat Washer, 5/16"	2
19	10387G3		Cotter Pin, .094" x .75" Lg.....	2
20	70098G01		Kick-off Cam Pivot.....	1
21	10097G6		Flanged Bearing.....	2
22	70587G01		Kick-off Cam.....	1
23	71215G01		Set Screw with Patch Lock, 1/4" - 20 x .5" Lg	2
24	14134G4		Spacer, .76" O.D. x .395" I.D. x 1.25" Lg	1
25	70113G01		Adjustable Bumper.....	1
26	11027G1		Lock Nut, 5/16" - 18	1
27	70080G02		Catch Bracket.....	1
28	00414G6		Hex Head Bolt, 1/4" - 20 x .25" Lg, Grade 5	2
29	14390G4		Lock Nut (SS), 1/4" - 20	2
30	10386G3		Clevis Pin, .438" x .938" Lg.....	1
31	10387G3		Cotter Pin, .094" x .75" Lg.....	1

BRAKES

THE USE OF NON U.L. PARTS WILL VOID ANY U.L. LISTING.

When ordering parts, please specify the model and serial number of the product

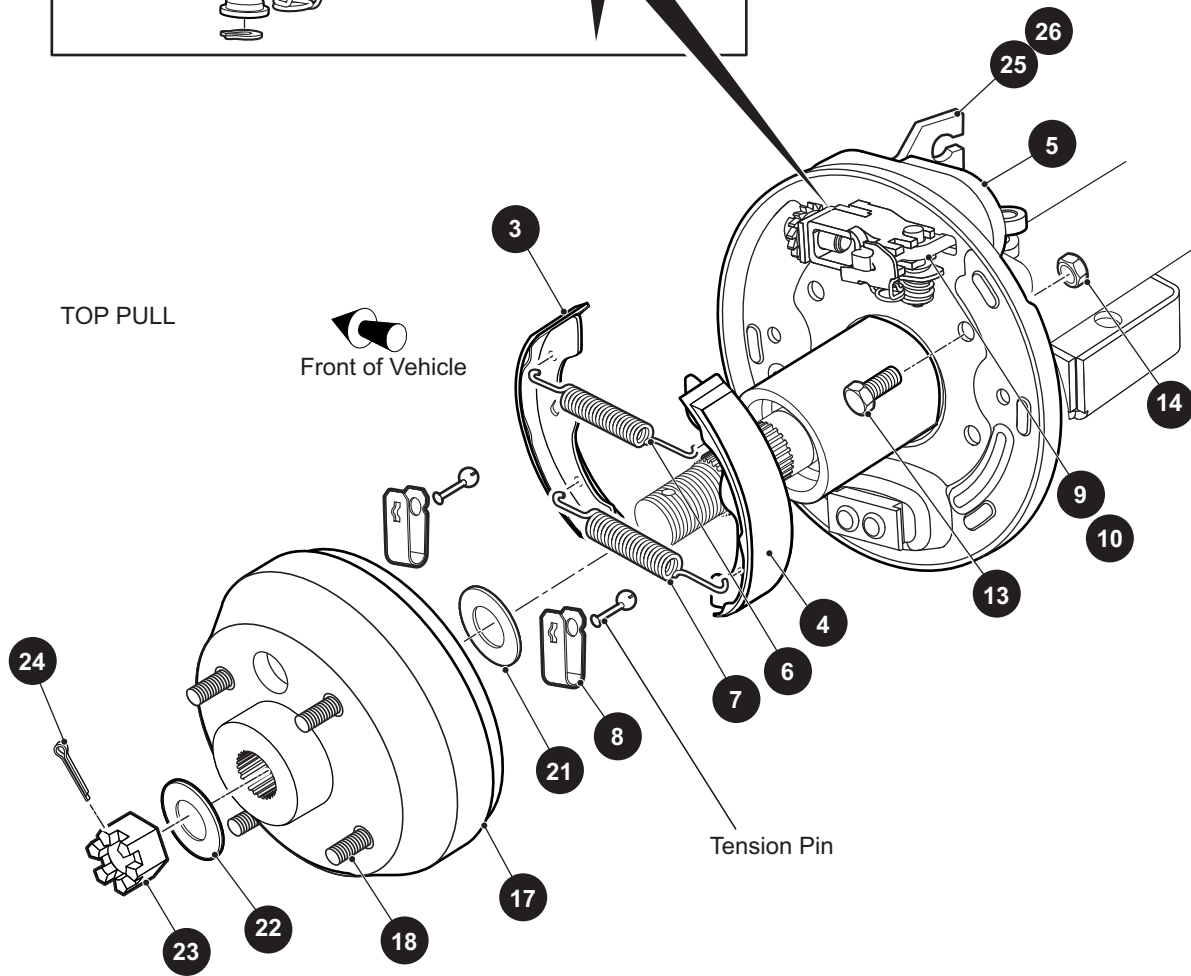
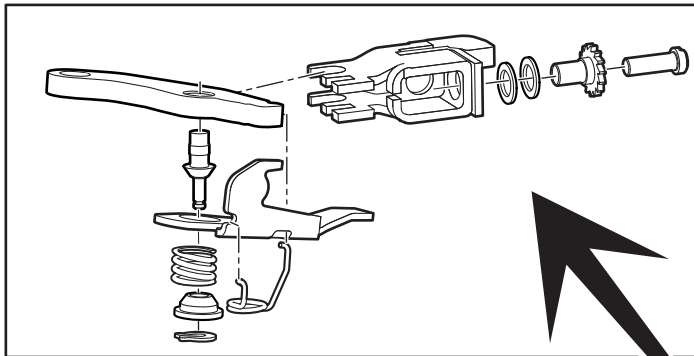
* Indicates a component that is not available as an individual part.

*** Indicates consult Customer Service Department for additional information.

ITEM	PART NO.	1	2	3	4	5	DESCRIPTION	QTY.
32	654665						Compensator Assembly (Includes Items 33 - 45).....	1
33	00532G4						Hex Nut, 1/4" - 20.....	2
34	629486						Spherical Hex Nut, 5/16" - 24.....	1
35	28082G01						Equalizer Bracket.....	1
36	15121G1						Flat Washer, 5/16".....	2
37	17979G1						Accelerator Rod Bushing, .464" I.D. x 1" O.D. x 2" Lg.....	1
38	23061G2						Tube.....	1
39	23463G1						Compression Spring.....	1
40	652256						Brake Yoke.....	1
41	11098G9						Hex Lock Nut, 5/16" - 24.....	1
42	612557						Compensator Link Rod.....	1
43	28083G01						Brake Compensator Bumper.....	2
44	624695						Brake Cable (Driver Side), 65.06" Lg.....	1
45	624696						Brake Cable (Passenger Side), 74.81" Lg.....	1
46								
47	17618G1						Nylon Clamp, 8" Lg (Not Illustrated).....	1

BRAKES

- 1 Brake Assembly (Driver Side) includes items 3 - 9
- 2 Brake Assembly (Passenger Side) includes items 3 - 8, 10
- 16 Brake Drum Assembly includes items 17, 18



THE USE OF NON U.L. PARTS WILL VOID ANY U.L. LISTING.

When ordering parts, please specify the model and serial number of the product.

* Indicates a component that is not available as an individual part.

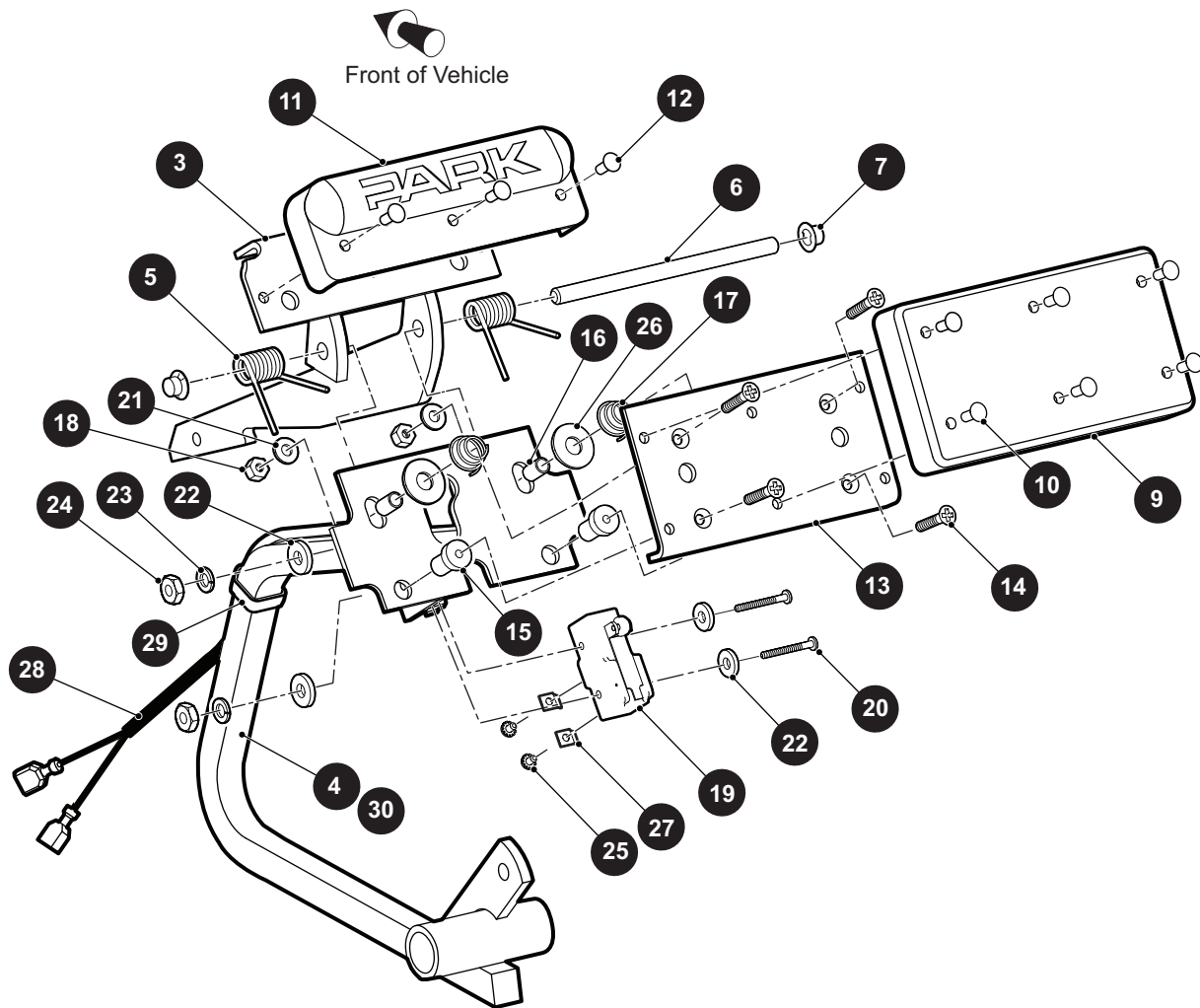
*** Indicates consult Customer Service Department for additional information.

ITEM	PART NO.	1 2 3 4 5	DESCRIPTION	QTY.
1	612189		Brake Assembly (Driver Side) (Includes Items 3 - 9)	1
2	612211		Brake Assembly (Passenger Side) (Includes Items 3 - 8, 10).....	1
3	612411		Brake Shoe, Leading	1
4	612412		Brake Shoe, Trailing	1
5	612413		Dust Cover.....	1
6	612415		Brake Spring, Top	1
7	612414		Brake Spring, Bottom	1
8	612416		Shoe Clamp	2
9	612418		Gear Adjuster (Driver Side)	1
10	612417		Gear Adjuster (Passenger Side).....	1
11				
12				
13	17083G2		Hex Head Bolt, 5/16" - 24 x 1" Lg, Grade 8	4
14	15126G1		Lock Nut, 5/16" - 24	4
15				
16	21807G2		Brake Drum Assembly (Includes Items 17, 18).....	1
17	20947G1		Brake Drum	1
18	19862G2		Lug Bolt, 1/2" - 20 x 1.718" Lg.....	4
19				
20				
21	21809G1		Flat Washer (Inner Wheel Rim), .984" x 1.312" x .031"	1
22	21830G1		Flat Washer (Brake Drum), .765" x 1.50" x .1196"	1
23	613172		Slotted Hex Nut, 3/4" - 16	1
24	10387G1		Cotter Pin, 5/32" x 1 3/4" Lg.....	1
25	652248		Brake Cable Bracket (Passenger Side)	1
26	652249		Brake Cable Bracket (Driver Side).....	1

BRAKES - FRONT DISC

1 Brake Pedal Assembly (without Brake Lights) includes items 3 - 12

2 Brake Pedal Assembly (with Brake Lights) includes items 3, 5 - 30



BRAKES - FRONT DISC

THE USE OF NON U.L. PARTS WILL VOID ANY U.L. LISTING.

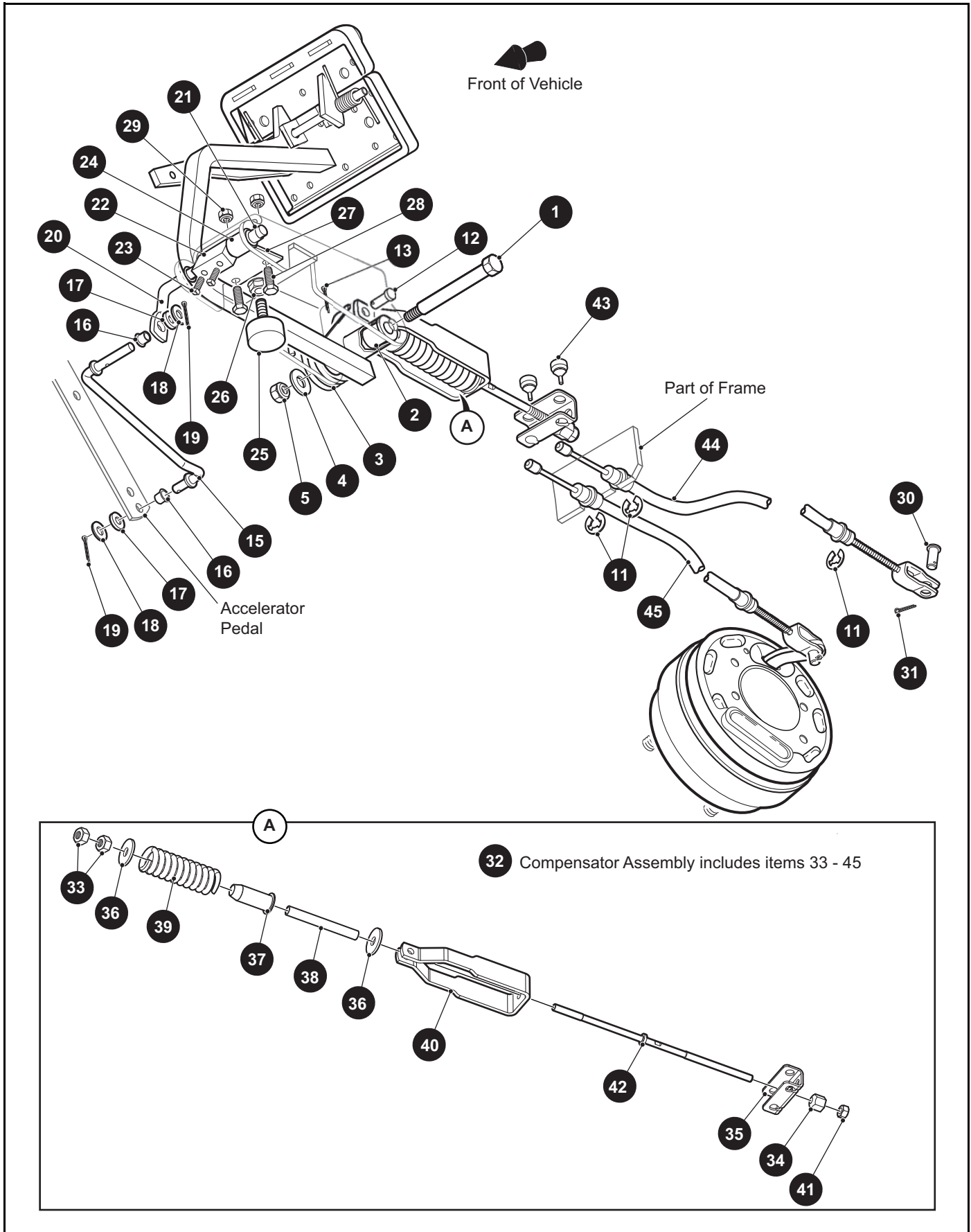
When ordering parts, please specify the model and serial number of the product.

* Indicates a component that is not available as an individual part.

*** Indicates consult Customer Service Department for additional information.

ITEM	PART NO.	1 2 3 4 5	DESCRIPTION	QTY.
1	74723G01		Brake Pedal Assembly (without Lights) (Includes Items 3 - 12)	1
2	74874G01		Brake Pedal Assembly (with Lights) (Includes Items 3, 5 - 30)	1
3	641760		Park Brake Pedal.....	1
4	74721G01		Brake Pedal (Without Lights).....	1
5	70681G01		Torsion Spring.....	2
6	70682G01		Pivot Pin	1
7	658825		Push Nut, 5/16" - 24	2
8				
9	70257G01		Service Brake Pad.....	1
10	16409G1		Oval Rivet, .375" x .468" Lg.....	6
11	70256G01		Park Brake Pedal Pad	1
12	16409G1		Oval Rivet, .375" x .468" Lg.....	3
13	652820		Service Brake Pedal Plate	1
14	00737G8		Flat Head Phillips Screw, #10 - 24 x .875" Lg.....	4
15	00739G1		Rubber Well Nut, #10 - 24	2
16	652355		Brake Pedal Spacer.....	2
17	27137G01		Conical Spring	2
18	14390G10		Lock Nut, #10 - 24	2
19	10606G8		Micro Switch	1
20	00645G2		Pan Head Phillips Screw, #6 - 32 x 1.25" Lg	1
21	00559G5		Flat Washer, #10.....	2
22	00559G3		Flat Washer, #6.....	2
23	00565G3		Lock Washer, #6	1
24	00525G5		Lock Nut, #6 - 32	1
25	13514G1		Pan Head Phillips Screw with Internal Tooth Lock Washer, #6 - 32 x .22" Lg	1
26	00642G8		Flat Washer, 5/16"	2
27	14628G1		Faston Tab.....	2
28	24605G1		Wire Harness (Brake Light)	1
29	17618G1		Wire Tie	2
30	74870G01		Brake Pedal (with Lights).....	1

BRAKES - FRONT DISC



BRAKES - FRONT DISC

THE USE OF NON U.L. PARTS WILL VOID ANY U.L. LISTING.

When ordering parts, please specify the model and serial number of the product.

* Indicates a component that is not available as an individual part.

*** Indicates consult Customer Service Department for additional information.

ITEM	PART NO.	1 2 3 4 5	DESCRIPTION	QTY.
1	70582G01		Shoulder Bolt (SS), 1/2" x 3/8" - 16 x 3.406" Lg.....	1
2	70581G01		Flanged Bushing, .1.062" O.D. x .795" I.D.....	2
3	70676G01		Torsion Spring	1
4	00643G1		Lock Washer, 3/8"	1
5	11098G5		Lock Nut, 3/8" - 16	1
6	01038G01		Hex Washer Head Swageform Screw, 1/4" - 20 X .7" Lg (Not Illustrated)	1
7	12416G2		Nylon Wedge Lock Clamp (Not Illustrated).....	3
8				
9				
10				
11	01111G01		Retaining Ring (SS), Dia .8"	4
12	10386G3		Clevis Pin, .438" x .938" Lg.....	1
13	10387G3		Cotter Pin, .094" x .75" Lg.....	1
14				
15	70601G01		Kick-off Link.....	1
16	17838G1		Nylon Bushing, .37" O.D. x .31" I.D.....	2
17	20835G1		Teflon Washer, 3/8"	2
18	00559G8		Flat Washer, 5/16"	2
19	10387G3		Cotter Pin, .094" x .75" Lg.....	2
20	70098G01		Kick-off Cam Pivot.....	1
21	10097G6		Flanged Bearing.....	2
22	70587G01		Kick-off Cam.....	1
23	71215G01		Set Screw with Patch Lock, 1/4" - 20 x .5" Lg	2
24	14134G4		Spacer, .76" O.D. x .395" I.D. x 1.25" Lg	1
25	70113G01		Adjustable Bumper.....	1
26	11027G1		Lock Nut, 5/16" - 18	1
27	70080G02		Catch Bracket.....	1
28	00414G6		Hex Head Bolt, 1/4" - 20 x .25" Lg, Grade 5	2
29	14390G4		Lock Nut (SS), 1/4" - 20	2
30	10386G3		Clevis Pin, .438" x .938" Lg.....	1
31	10387G3		Cotter Pin, .094" x .75" Lg.....	1

BRAKES - FRONT DISC

THE USE OF NON U.L. PARTS WILL VOID ANY U.L. LISTING.

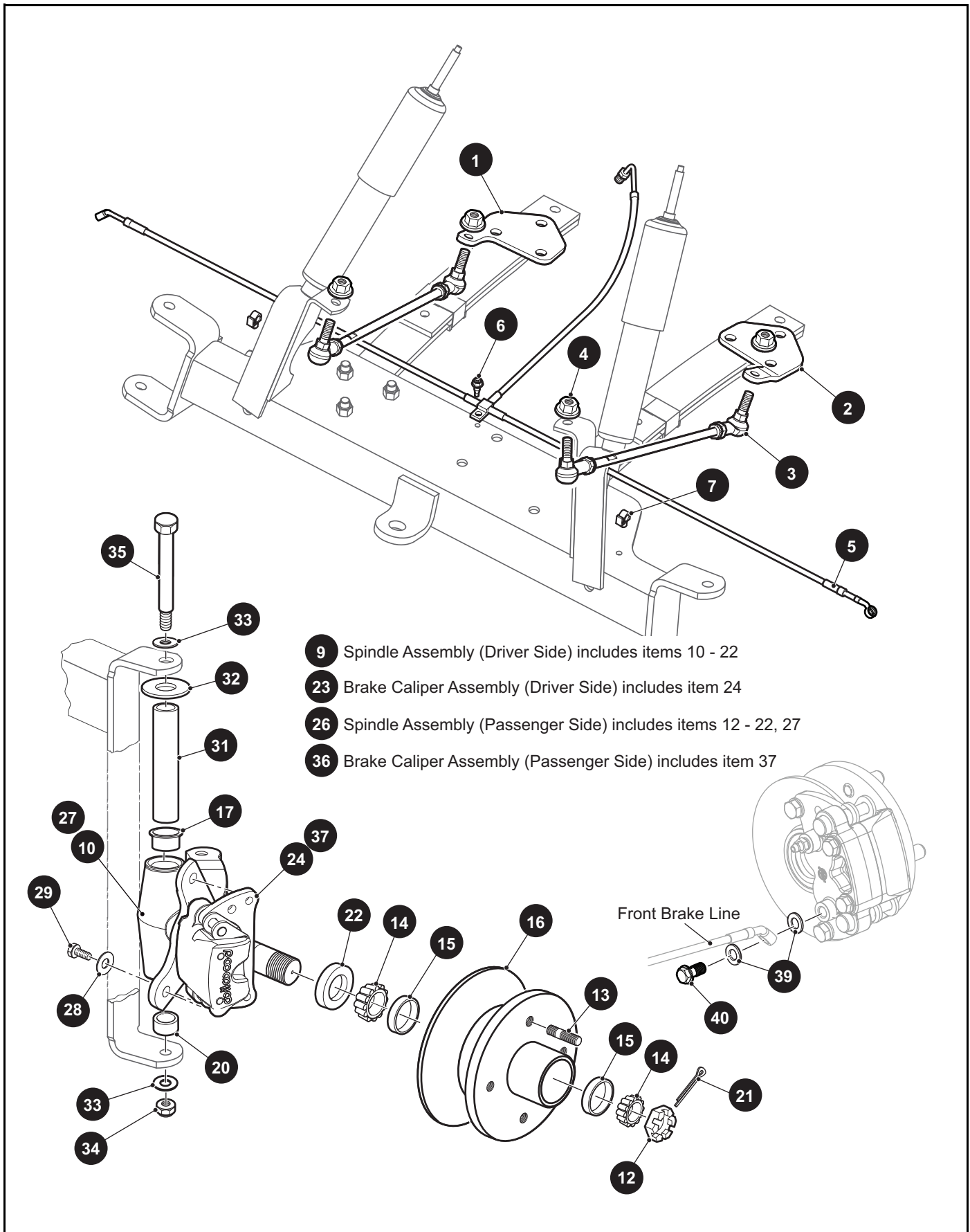
When ordering parts, please specify the model and serial number of the product

* Indicates a component that is not available as an individual part.

*** Indicates consult Customer Service Department for additional information.

ITEM	PART NO.	1	2	3	4	5	DESCRIPTION	QTY.
32	654665						Compensator Assembly (Includes Items 33 - 45).....	1
33	00532G4						Hex Nut, 1/4" - 20.....	2
34	629486						Spherical Hex Nut, 5/16" - 24.....	1
35	28082G01						Equalizer Bracket.....	1
36	15121G1						Flat Washer, 5/16".....	2
37	17979G1						Accelerator Rod Bushing, .464" I.D. x 1" O.D. x 2" Lg.....	1
38	23061G2						Tube.....	1
39	23463G1						Compression Spring.....	1
40	652256						Brake Yoke.....	1
41	11098G9						Hex Lock Nut, 5/16" - 24.....	1
42	612557						Compensator Link Rod.....	1
43	28083G01						Brake Compensator Bumper.....	2
44	624695						Brake Cable (Driver Side), 65.06" Lg.....	1
45	624696						Brake Cable (Passenger Side), 74.81" Lg.....	1
46								
47	17618G1						Nylon Clamp, 8" Lg (Not Illustrated).....	1

BRAKES - FRONT DISC



BRAKES - FRONT DISC

THE USE OF NON U.L. PARTS WILL VOID ANY U.L. LISTING.

When ordering parts, please specify the model and serial number of the product.

* Indicates a component that is not available as an individual part.

*** Indicates consult Customer Service Department for additional information.

ITEM	PART NO.	1 2 3 4 5	DESCRIPTION	QTY.
1	74731G02		Spring Plate (Passenger Side).....	1
2	74731G01		Spring Plate (Driver Side)	1
3	74730G01		Four Link Rod.....	1
4	606279		Hex Nut, M10 - 1.25.....	2
5	630766		Brake Line.....	1
6	01038G01		Hex Washer Head Swageform Screw, 1/4" - 20 X .7" Lg	1
7	74875G01		Wire Retainer	2
8				
9	602281		Spindle Assembly (Driver Side) (Includes Items 10 - 22).....	1
10	602176		Disc Brake Spindle (Driver Side)	1
11				
12	12093G1		Hex Slotted Nut, 1" - 14	1
13	74864G01		Drive Flange Stud, 1.5".....	4
14	11750G2		Roller Bearing.....	2
15	51141G1		Bearing Race.....	2
16	630672		Disc Brake Hub.....	1
17	632925		Flanged Bushing.....	1
18				
19				
20	632926		Sleeve Bushing.....	1
21	00798G8		Cotter Pin, 5/32" X 1 3/4" Lg.....	1
22	25146G1		Grease Seal.....	1
23	633918G01		Brake Caliper Assembly (Driver Side) (Includes Item 24).....	1
24	668990		Brake Pad (1 Pair)	1
25				
26	602288		Spindle Assembly (Passenger Side) (Includes Items 12 - 22, 27)	1
27	602158		Disc Brake Spindle (Passenger Side)	1
28	00566G1		Flat Washer, 3/8"	2
29	00426G6		Hex Head Bolt, 3/8" - 16 X 3/4" Lg, Grade 5.....	2
30				
31	70745G01		Kingpin Tube	1

BRAKES - FRONT DISC

THE USE OF NON U.L. PARTS WILL VOID ANY U.L. LISTING.

When ordering parts, please specify the model and serial number of the product

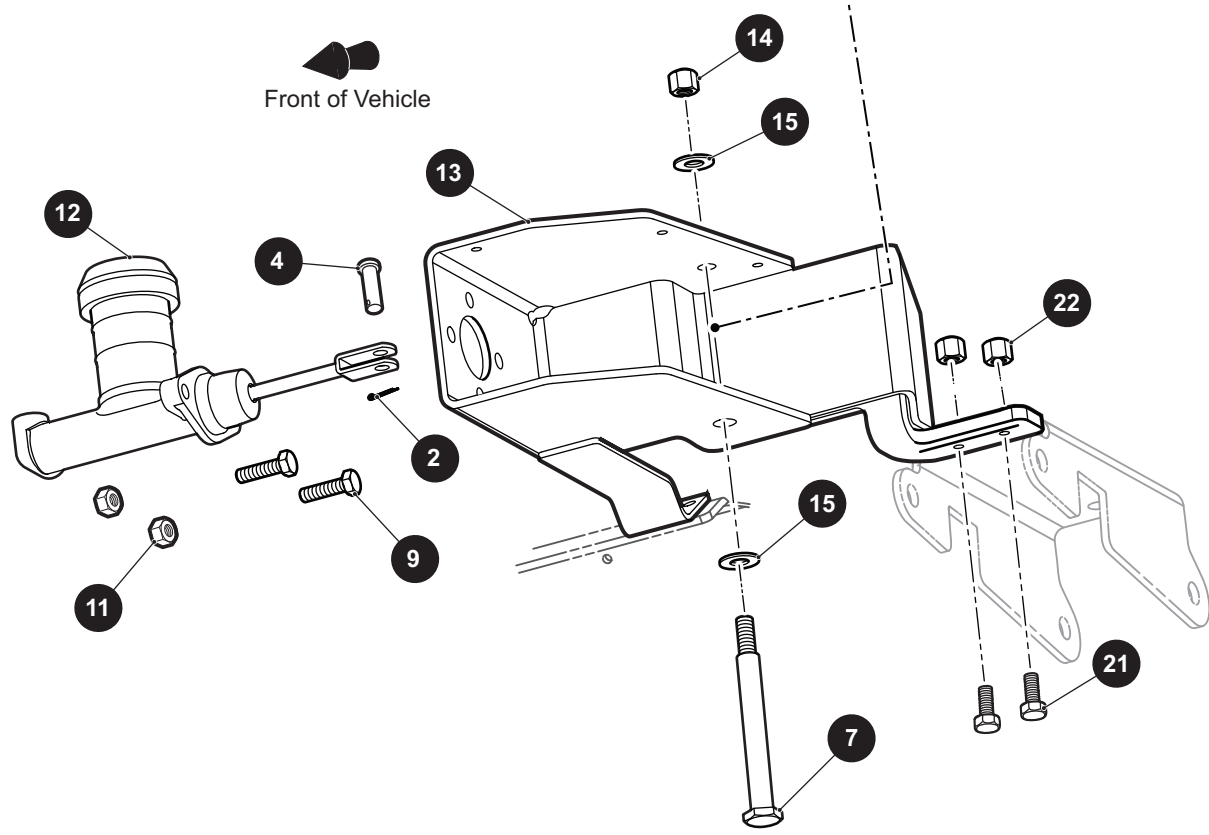
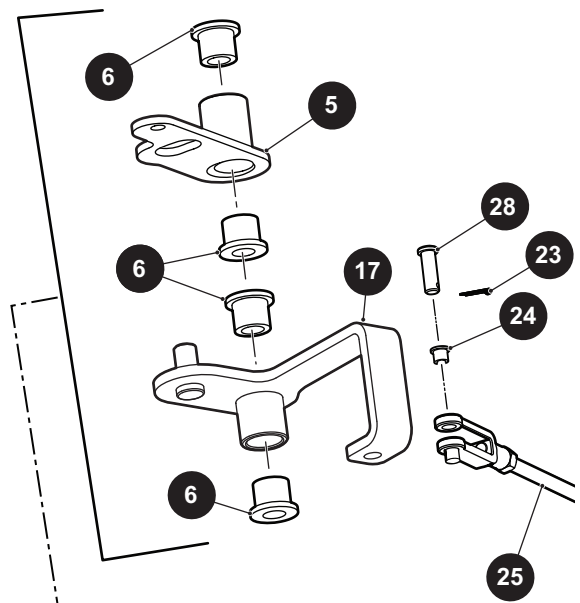
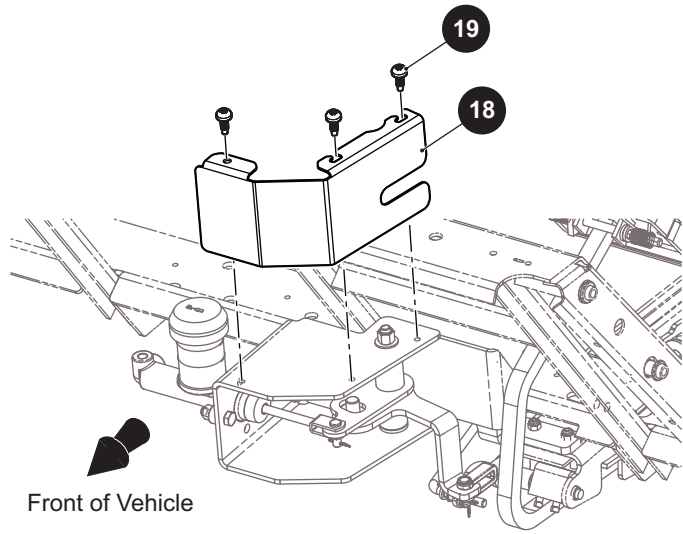
* Indicates a component that is not available as an individual part.

*** Indicates consult Customer Service Department for additional information.

ITEM	PART NO.	1 2 3 4 5	DESCRIPTION	QTY.
32	70754G01		Thrust Washer, 1.38" O.D. X .995" I.D.	1
33	00560G3		Lock Washer, 1/2"	2
34	14390G6		Lock Nut, 1/2" - 13	1
35	00407G6		Hex Head Bolt, 1/2" - 13 X 6" Lg, Grade 5	1
36	633918G02		Brake Caliper Assembly (Passenger Side) (Includes Item 37)	1
37	668990		Brake Pad (1 Pair).....	1
38				
39	613293		Crush Washer, M10	2
40	616459		Banjo Bolt, M10 - 1 X 20mm Lg.....	1

BRAKES - FRONT DISC

1 Front Disc Brake Actuator Assembly includes items 2 - 17



BRAKES - FRONT DISC

THE USE OF NON U.L. PARTS WILL VOID ANY U.L. LISTING.

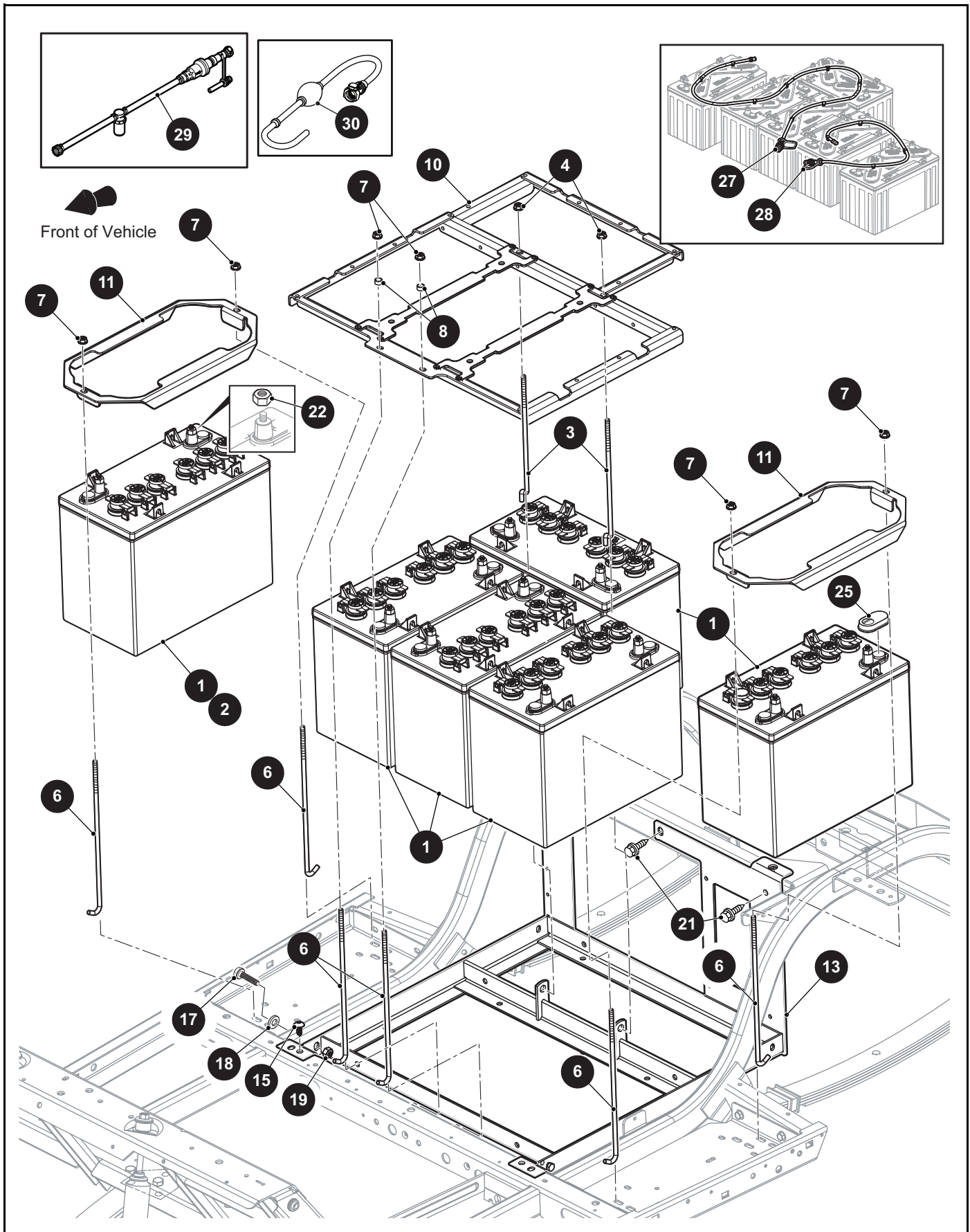
When ordering parts, please specify the model and serial number of the product.

* Indicates a component that is not available as an individual part.

*** Indicates consult Customer Service Department for additional information.

ITEM	PART NO.	1 2 3 4 5	DESCRIPTION	QTY.
1	608706		Front Disc Brake Actuator Assembly (Includes Items 2 - 17)	1
2	10387G3		Cotter Pin, 3/32" X 3/4" Lg.....	1
3				
4	10386G3		Clevis Pin, 5/16" X 1" Lg.....	1
5	608122		Upper Actuator Pivot Bracket	1
6	70581G02		Acetal Bushing, .79" O.D. X .5" I.D. X .75" Lg.....	4
7	74711G01		Actuator Pivot Bolt, 3/4" - 16 X 3/4" Lg	1
8				
9	00439G1		Hex Head Bolt, 1/2" - 13 X 6" Lg, Grade 5	2
10				
11	11098G6		Lock Nut, 5/16" - 18.....	2
12	887364		Master Cylinder	1
13	612706		Master Cylinder Mount Weldment	1
14	11098G5		Lock Nut, 3/8" - 16.....	1
15	00679G1		Lock Washer (SS), 3/8"	2
16				
17	641826		Lower Actuator Pivot.....	1
18	612704		Actuator Assembly Cover.....	1
19	01038G01		Hex Washer Head Swageform Screw, 1/4" - 20 X .7" Lg.....	3
20				
21	00414G6		Hex Head Bolt, 1/4" - 20 X 3/4" Lg. Grade 5.....	2
22	14390G4		Lock Nut, 1/4" - 20	2
23	10387G3		Cotter Pin, .094" X .75" Lg	2
24	17838G1		Nylon Bushing, .37" O.D. X .31" I.D.....	2
25	608943		Actuator Linkage	1
26	00771G5		Flat Washer, 3/8" (Not Illustrated)	1
27				
28	10386G3		Clevis Pin, 5/16" X 13/16" Lg	2

ELECTRICAL



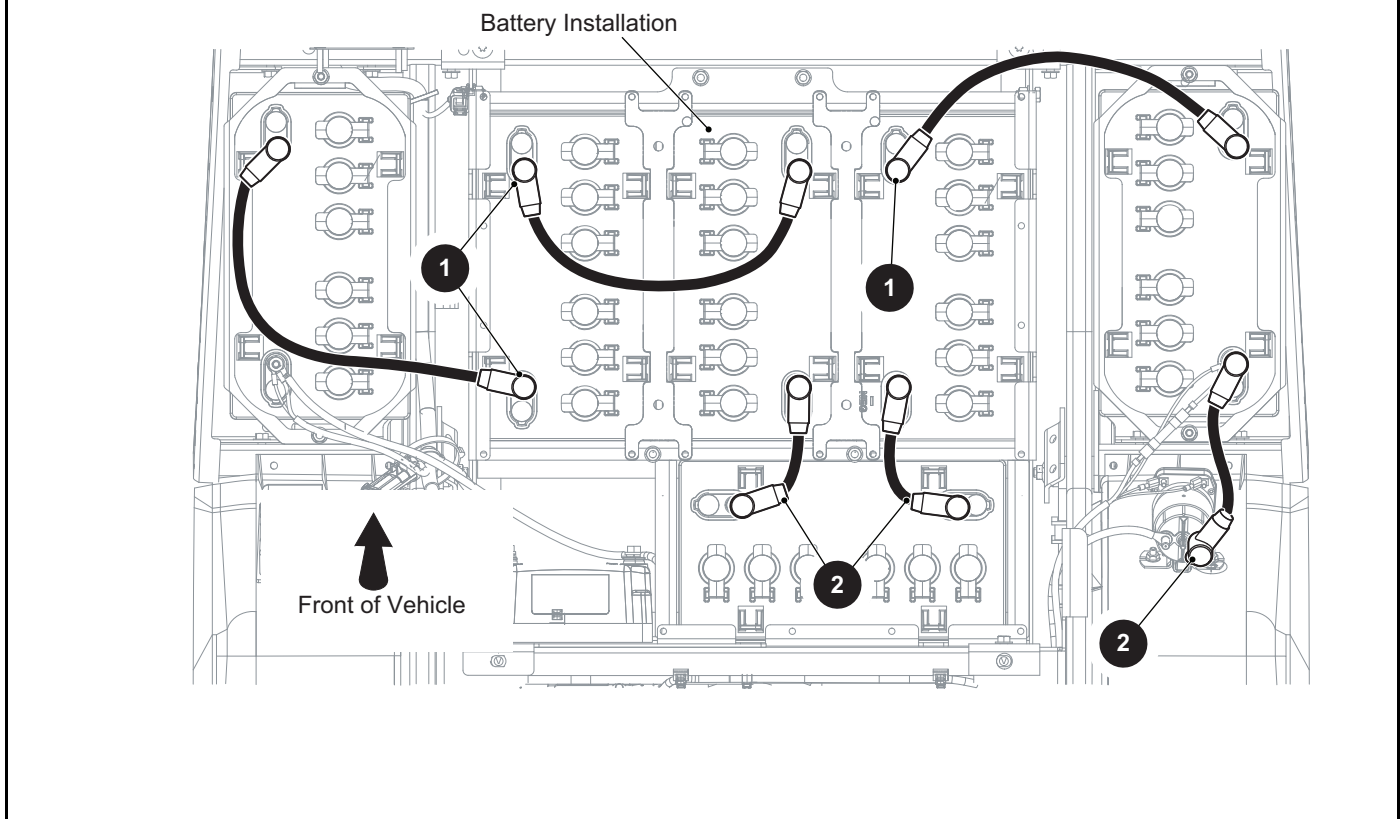
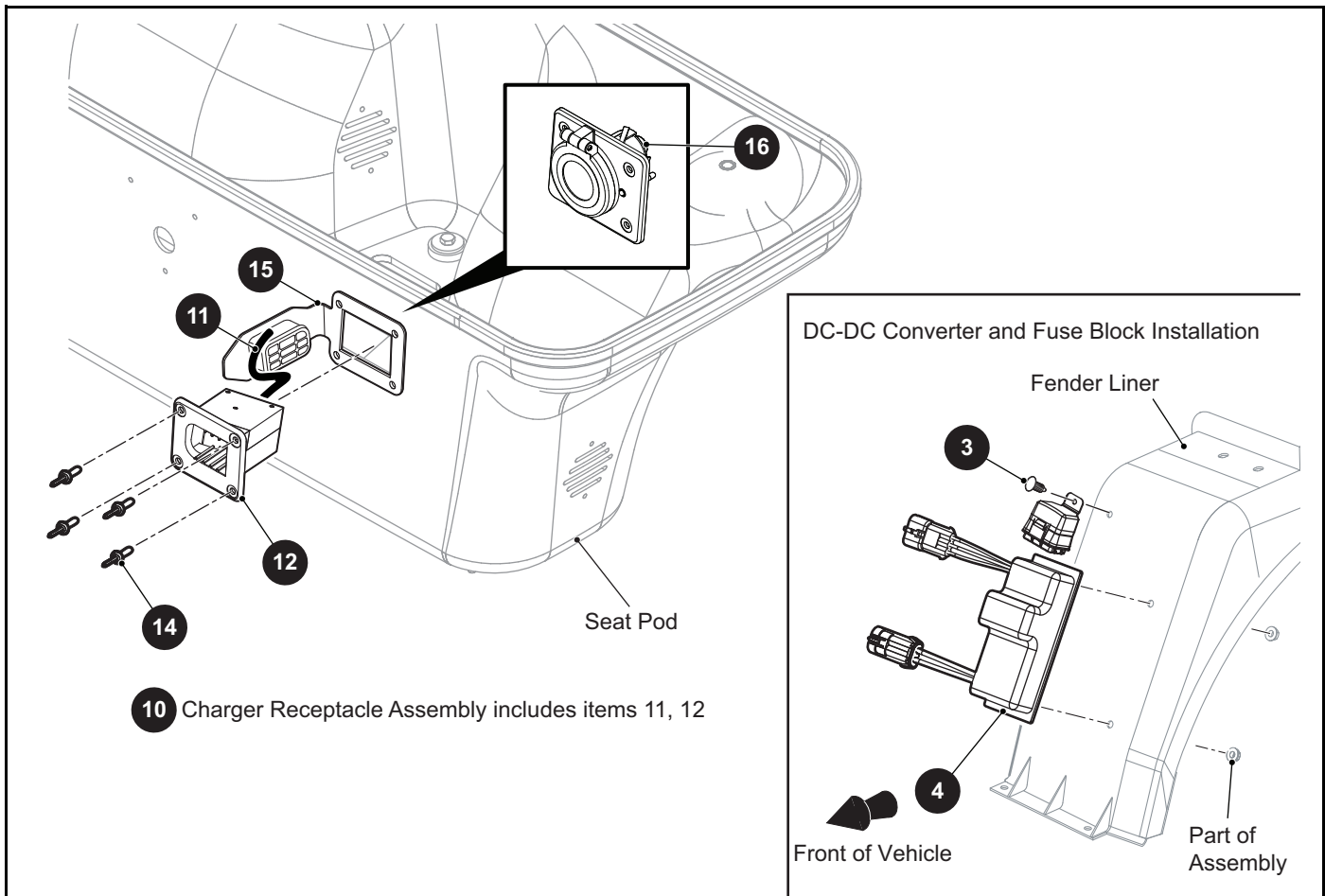
THE USE OF NON U.L. PARTS WILL VOID ANY U.L. LISTING.

When ordering parts, please specify the model and serial number of the product.

* Indicates a component that is not available as an individual part.

*** Indicates consult Customer Service Department for additional information.

ITEM	PART NO.	1 2 3 4 5	DESCRIPTION	QTY.
1	652457		Battery (12V) without Hydro	6
2	652295		Battery (12V) with Hydro	6
3	01101G01		Tie Down Bolt	2
4	11027G1		Flanged Lock Nut, 5/16" - 18	2
5				
6	70386G01		Battery Tie Down Bolt, 5/16" - 18 x 2" Lg	6
7	11027G1		Flanged Lock Nut, 5/16" - 18	6
8	23726G2		Spacer, .5" O.D. x .25" I.D. x .26" Lg	2
9				
10	658565		Battery Hold Down	1
11	631988		Battery Hold Down	2
12				
13	671632		Battery Rack	1
14				
15	70200G01		Truss Head Torx Screw, 3/8" - 16 x 3/4" Lg	2
16				
17	00438G6		Hex Head Bolt, 5/16" - 18 x 3/4" Lg, Grade 5	2
18	00559G8		Flat Washer, 5/16"	2
19	11098G6		Lock Nut, 5/16" - 18	2
20				
21	00715G2		Hex Washer Head Bolt, 5/16" - 18 x 3/4" Lg	3
22	00702G2		Hex Nut, 5/16" - 18	2
23				
24				
25	631156		Terminal Protector	12
26				
27	620820		Hydro-link Snake Assembly	1
28	630974		Battery Fill Snake	1
29	614521		Regulated Hose, 20ft Kit	1
30	676122		Trojan Hand Pump Kit	1



THE USE OF NON U.L. PARTS WILL VOID ANY U.L. LISTING.

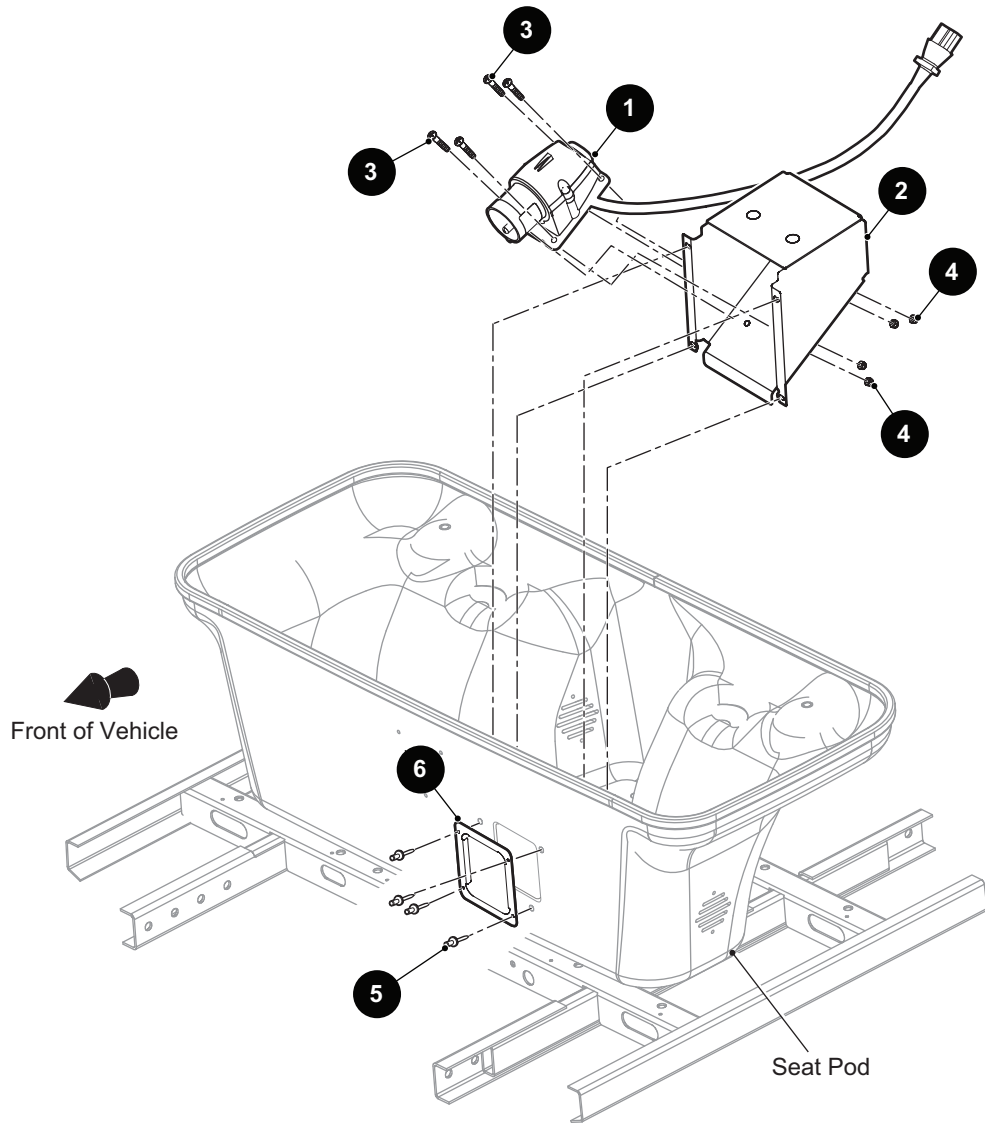
When ordering parts, please specify the model and serial number of the product.

* Indicates a component that is not available as an individual part.

*** Indicates consult Customer Service Department for additional information.

ITEM	PART NO.	1 2 3 4 5	DESCRIPTION	QTY.
1	634270G03		#4 AWG Battery Wire, 15" Lg.....	3
2	634270G01		#4 AWG Battery Wire, 6" Lg.....	3
3	16816G2		Ratchet Rivet, .25" x .887"	1
4	633778		DC-DC Converter (72V)	1
5				
6				
7				
8				
9				
10	671655		Charger Receptacle Assembly (Includes Items 11, 12)	1
11	669167		Receptacle Harness	1
12	663285		Charger Receptacle.....	1
13				
14	71055G01		Rivet (Aluminum), 5/32"	4
15	660162		Receptacle Cover	1
16	610536		Charger Receptacle (On Board Charger)	1

For CE Vehicles Only



THE USE OF NON U.L. PARTS WILL VOID ANY U.L. LISTING.

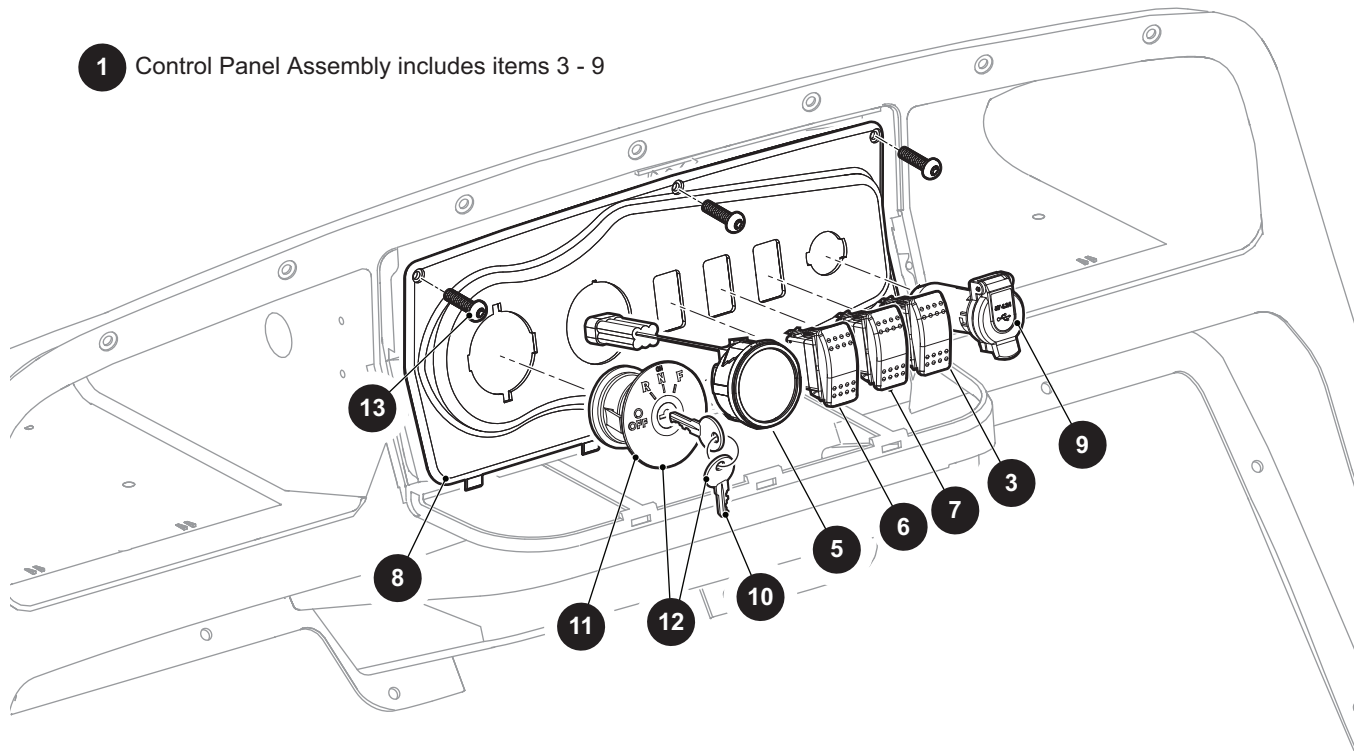
When ordering parts, please specify the model and serial number of the product.

* Indicates a component that is not available as an individual part.

*** Indicates consult Customer Service Department for additional information.

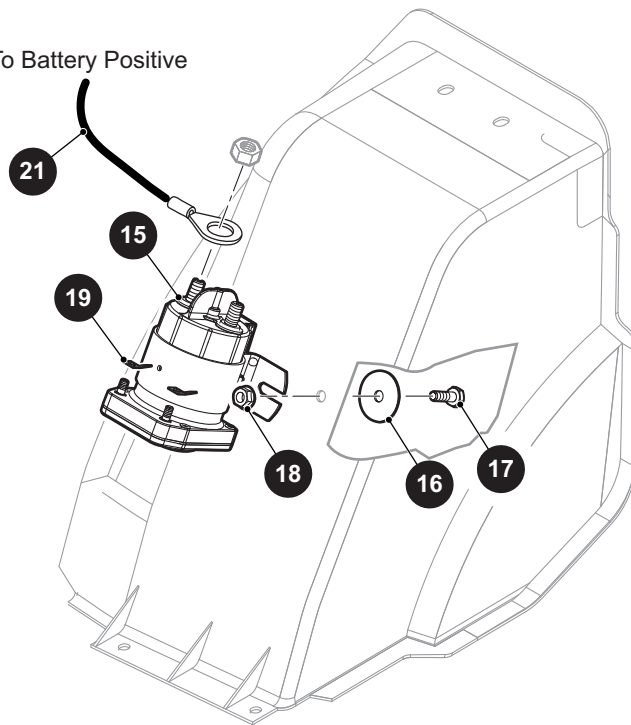
ITEM	PART NO.	1 2 3 4 5	DESCRIPTION	QTY.
1	638478		Receptacle, AC	1
2	639167		Receptacle Bracket.....	1
3	00379G4		Pan Head Phillips Screw, #10 - 24 x 1/2" Lg.....	4
4	14390G10		Lock Nut, #10 - 24.....	4
5	14601G13		Rivet, 5/32" x 9/16" Lg.....	4
6	639412		Cover Plate	1

1 Control Panel Assembly includes items 3 - 9



Front of Vehicle

To Battery Positive



Solenoid Installation

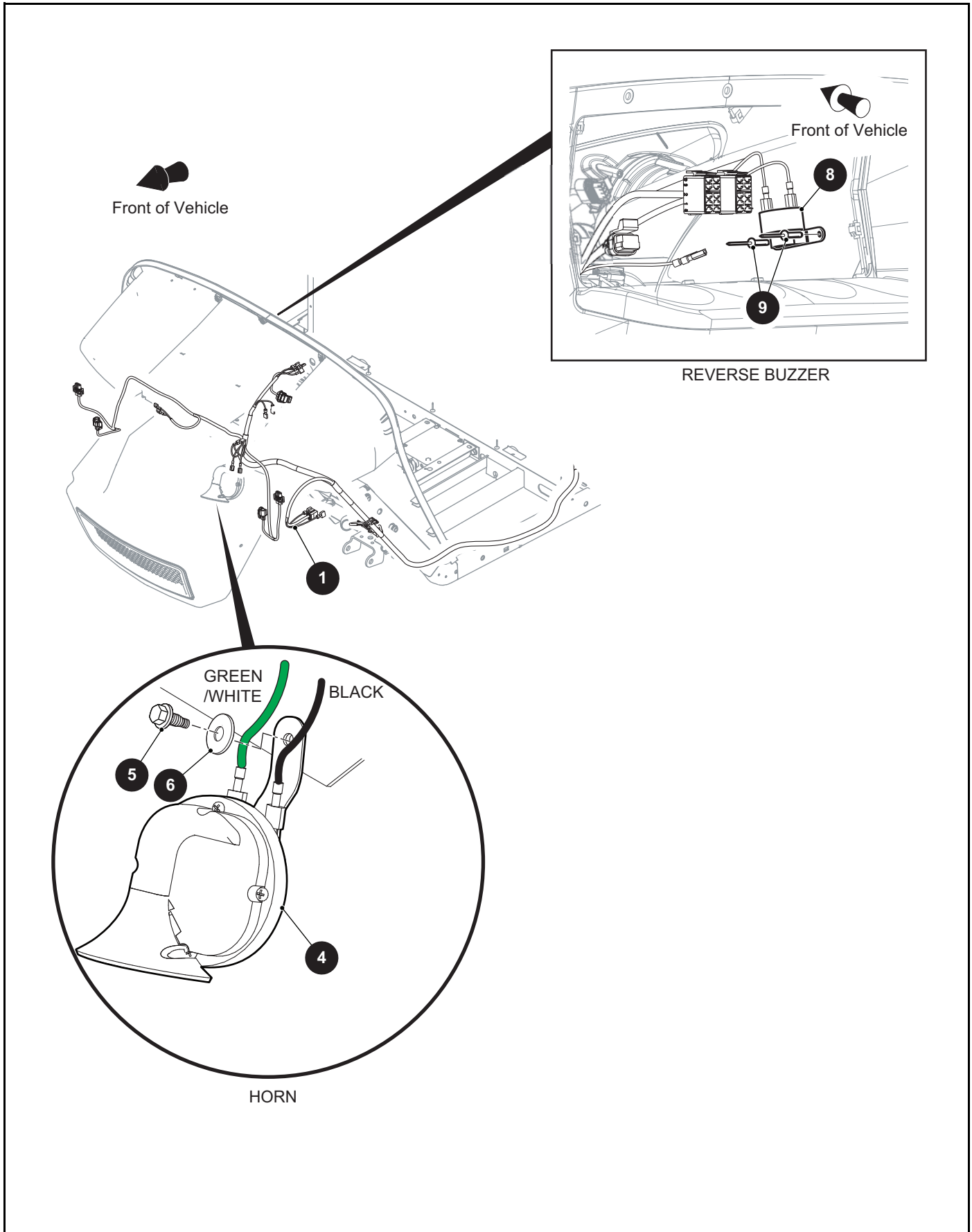
THE USE OF NON U.L. PARTS WILL VOID ANY U.L. LISTING.

When ordering parts, please specify the model and serial number of the product.

* Indicates a component that is not available as an individual part.

*** Indicates consult Customer Service Department for additional information.

ITEM	PART NO.	1 2 3 4 5	DESCRIPTION	QTY.
1	628708G11		Control Panel Assembly (Includes Items 3 - 9)	1
2				
3	651897G01		Horn Switch	1
4				
5	667014G01		State of Charge Meter	1
6	651897G06		Speed Rocker Switch	1
7	651897G05		Lights Rocker Switch	1
8	626655G06		Control Panel	1
9	651901		12V USB Port	1
10	611282		Common Key Set.....	1
11	611283		Key Switch Set.....	1
12	609692		Key Set and Key Switch.....	1
13	608290		Self Tapping Screw, #10 - 16 x .780" Lg	3
14				
15	621330		Solenoid	1
16	16469G1		Fender Washer	2
17	00414G6		Hex Head Bolt, 1/4" - 20 x .25" Lg	2
18	11027G2		Flanged Lock Nut, 1/4" - 20	2
19	12914G1		Faston Tab	2
20				
21	634270G02		#4 AWG Battery Wire, 9" Lg.....	1



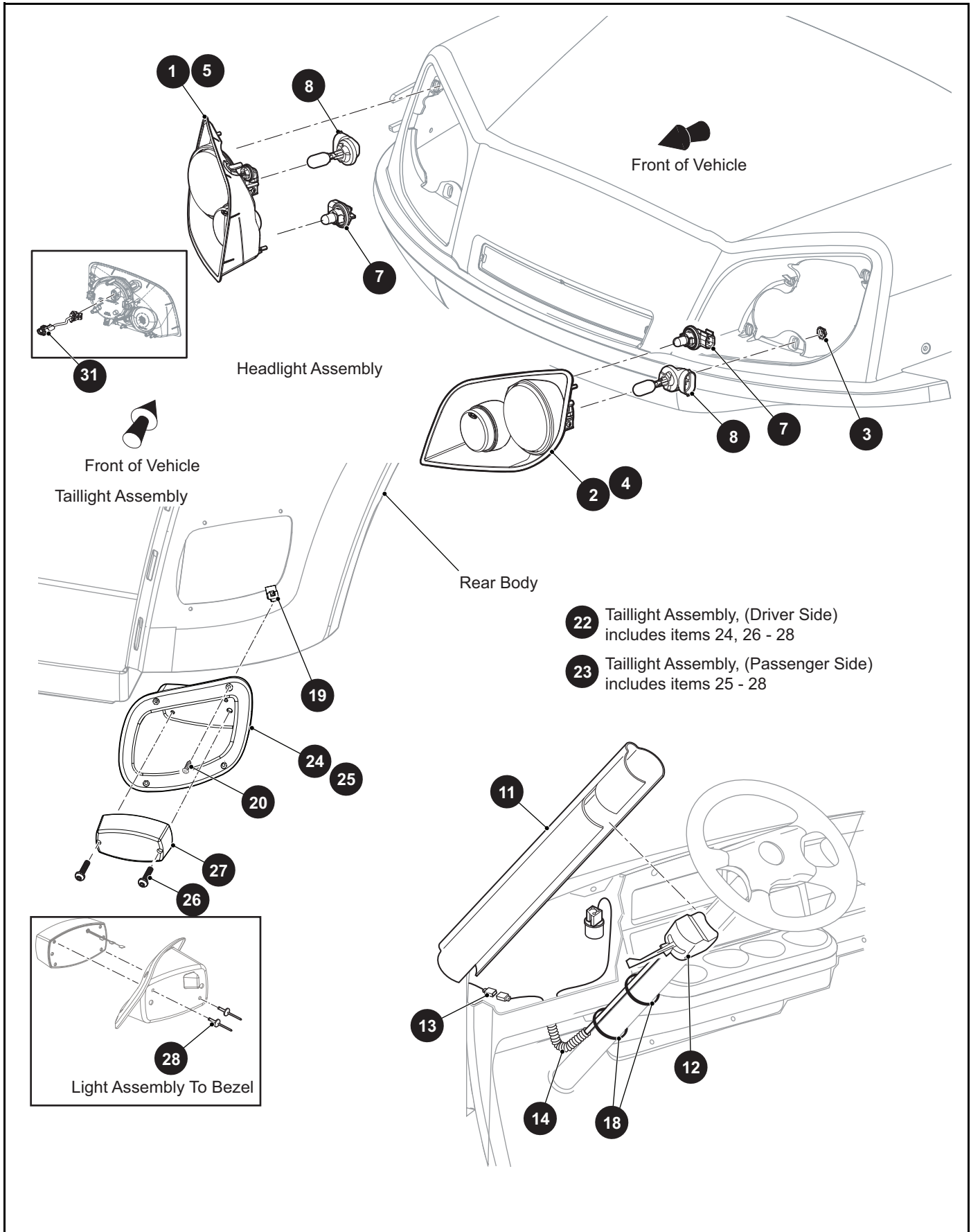
THE USE OF NON U.L. PARTS WILL VOID ANY U.L. LISTING.

When ordering parts, please specify the model and serial number of the product.

* Indicates a component that is not available as an individual part.

*** Indicates consult Customer Service Department for additional information.

ITEM	PART NO.	1 2 3 4 5	DESCRIPTION	QTY.
1	669056		Control Harness	1
2				
3				
4	32860G01		Horn	1
5	01038G01		Hex Washer Head Swageform Screw, 1/4" - 20 X .70" Lg.....	1
6	16469G1		Fender Washer	1
7				
8	613271		Reverse Buzzer.....	1
9	01041G01		Rivet (Bulbex), 5/32"	2
10	17618G1		Nylon Clamp, 7" Lg (Not Illustrated).....	9
11				
12	664780		Turn Signal Lights Jumper Harness (Not Illustrated)	1



THE USE OF NON U.L. PARTS WILL VOID ANY U.L. LISTING.

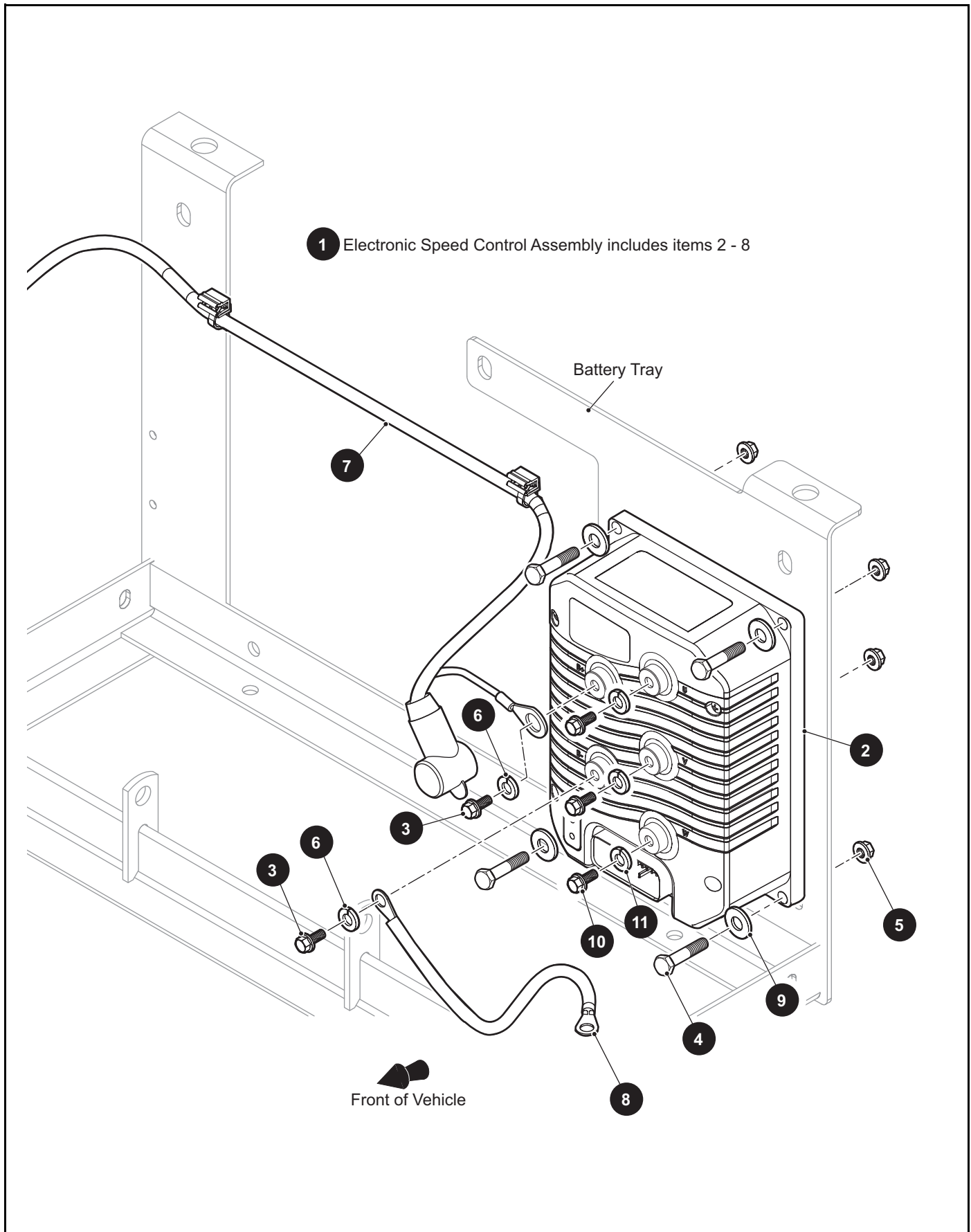
When ordering parts, please specify the model and serial number of the product.

* Indicates a component that is not available as an individual part.

*** Indicates consult Customer Service Department for additional information.

ITEM	PART NO.	1 2 3 4 5	DESCRIPTION	QTY.
1	659008		LED Headlight Assembly (Passenger Side).....	1
2	659009		LED Headlight Assembly (Driver Side)	1
3	71597G01		Self Threading Nut, 5mm x 10mm x 15mm.....	4
4	644877		Headlight Assembly (Driver Side)	1
5	644876		Headlight Assembly (Passenger Side).....	1
6				
7	619102		Turn Signal Bulb	1
8	619100		Headlight Bulb (For Non LED Lights Only)	1
9				
10				
11	20965G3		Steering Column Cover.....	1
12	615236		Turn Signal Switch Assembly with Horn.....	1
13	664706		Horn Jumper Harness	1
14	17313G1		Flex Loom	1
15				
16				
17				
18	31539G1		Nylon Clamp, 5.5" Lg	2
19	71364G02		"J" Type Nut, #8	4
20	71425G01		Tapping Screw, #8 - 18 X 3/4" Lg.....	4
21	71781G02		Tape (Vinyl) (Not Illustrated)	1
22	655150		Taillight Assembly (Driver Side) (Includes Items 24, 26 - 28).....	1
23	655152		Taillight Assembly (Passenger Side) (Includes Items 25 - 28)	1
24	625251		Taillight Bezel (Driver Side)	1
25	625252		Taillight Bezel (Passenger Side).....	1
26	00513G4		Pan Head Phillips Screw, #8 - 18 X 3/4" Lg.....	2
27	22288G1		Taillight Assembly.	1
28	14601G11		Rivet (Aluminum), 3/16" X 9/16"	2
29				
30				
31	654465		LED Jumper Harness	1

ELECTRONIC SPEED CONTROL



ELECTRONIC SPEED CONTROL

THE USE OF NON U.L. PARTS WILL VOID ANY U.L. LISTING.

When ordering parts, please specify the model and serial number of the product.

* Indicates a component that is not available as an individual part.

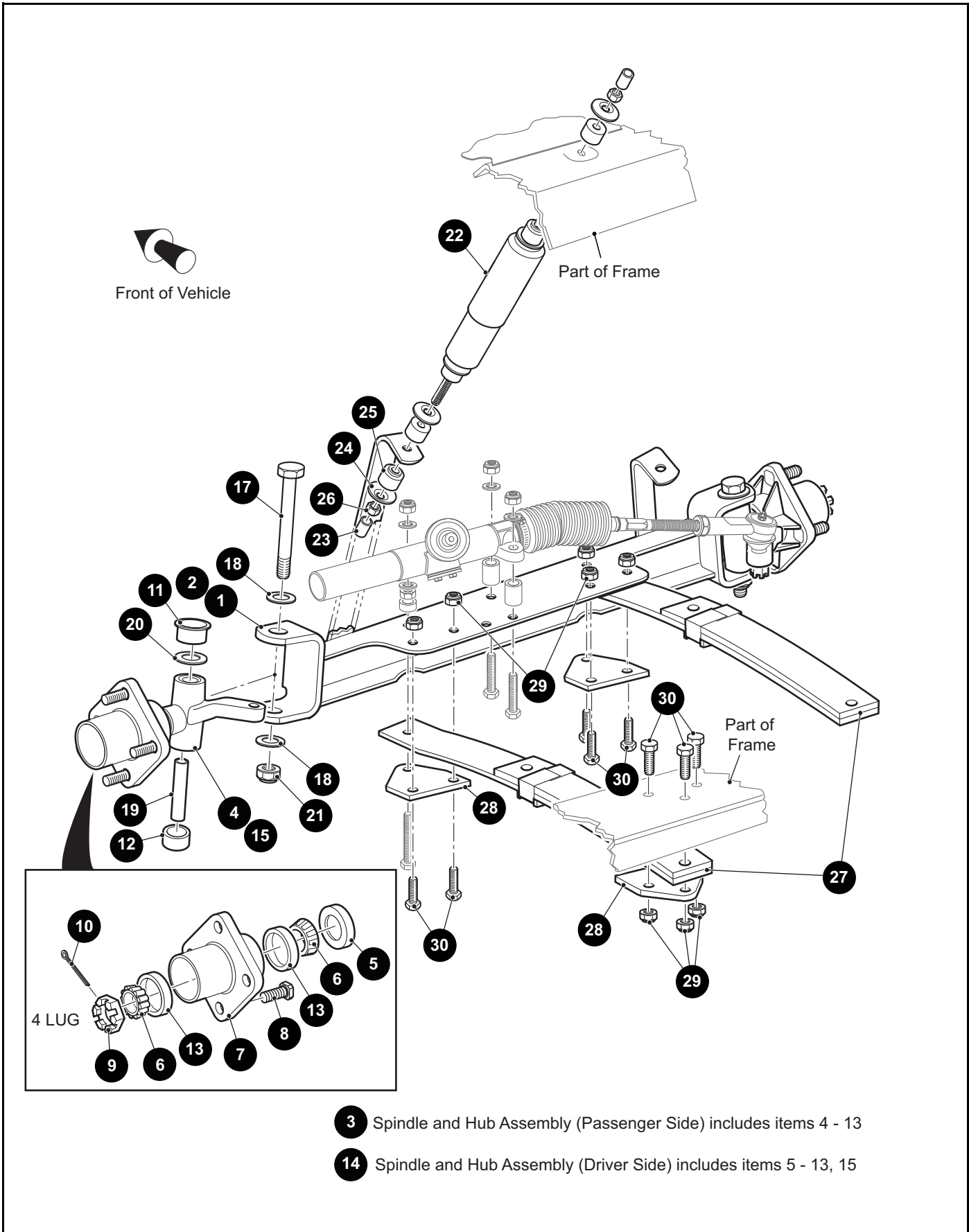
*** Indicates consult Customer Service Department for additional information.

ITEM	PART NO.	1 2 3 4 5	DESCRIPTION	QTY.
FOR VEHICLES WITH 1234E CONTROLLER				
1	671632		Electronic Speed Control Assembly (Includes Items 2 - 8)	1
2	672599G002		Controller, 1234SE-AC, 350A	1
3	73876G01		Flanged Hex Head Bolt, M6 - 1 x 12mm Lg	2
4	00797G2		Hex Head Bolt, 1/4" - 20 x 1 1/4" Lg, Grade 8	4
5	11027G2		Flanged Lock Nut, 1/4" - 20	4
6	606272		Lock Washer, 8mm	2
7	634210G13		Battery Wire, 4 AWG, 34" Lg	1
8	634270G04		Battery Wire, 4 AWG, 22" Lg	1
9				
10	73876G01		Flanged Hex Head Bolt, M6 - 1 x 12mm Lg	3
11	606272		Lock Washer, 8mm	3
FOR VEHICLES WITH 1236E CONTROLLER				
1	683061		Electronic Speed Control Assembly (Includes Items 2 - 8)	1
2	683003G001		Controller, 1236E-AC, 350A	1
3	606262		Flanged Hex Head Bolt, M8 - 1.25 x 16mm Lg	2
4	00797G2		Hex Head Bolt, 1/4" - 20 x 1 1/4" Lg, Grade 8	4
5	11027G2		Flanged Lock Nut, 1/4" - 20	4
6	606272		Lock Washer, 8mm	2
7	634210G13		Battery Wire, 4 AWG, 34" Lg	1
8	634270G04		Battery Wire, 4 AWG, 22" Lg	1
9	00642G7		Flat Washer, 1/4"	4
10	73876G01		Flanged Hex Head Bolt, M6 - 1 x 12mm Lg	3
11	606272		Lock Washer, 8mm	3

Notes:

A large grid of graph paper, consisting of 30 columns and 25 rows of small squares, intended for taking notes or drawing.

FRONT SUSPENSION AND STEERING



FRONT SUSPENSION AND STEERING

THE USE OF NON U.L. PARTS WILL VOID ANY U.L. LISTING.

When ordering parts, please specify the model and serial number of the product.

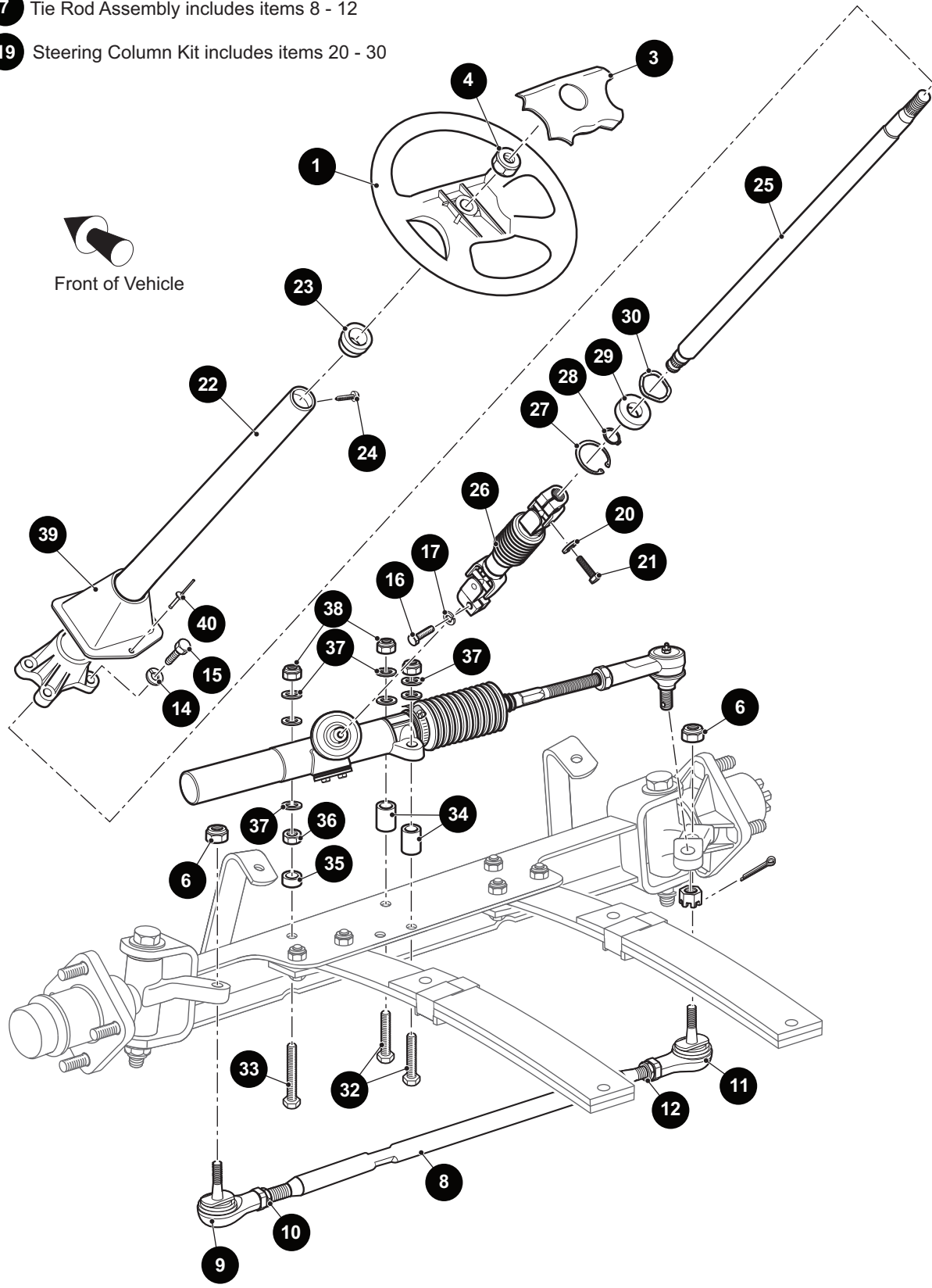
* Indicates a component that is not available as an individual part.

*** Indicates consult Customer Service Department for additional information.

ITEM	PART NO.	1 2 3 4 5	DESCRIPTION	QTY.
1	652822		Front Axle	1
2	602327		Front Axle (For Vehicles with Front Disc Brakes).....	1
3	70942G03		Spindle and Hub Assembly, 4 Lug (Passenger Side) (Includes Items 4 - 13).	1
4	70940G02		Spindle Assembly (Passenger Side)	1
5	25146G1		Grease Seal.....	1
6	11750G2		Roller Bearing.....	2
7	70589G01		Wheel Hub.....	1
8	19862G1		Lug Bolt, 1/2" - 20 x 1 3/16" Lg.....	4
9	12093G1		Castellated Nut, 1" - 14.....	1
10	00798G8		Cotter Pin, 5/32" x 1 3/4" Lg	1
11	632925		Flanged Bushing.....	1
12	632926		Bushing.....	1
13	51141G1		Race Bearing.....	2
14	70673G03		Spindle and Hub Assembly, 4 Lug (Driver Side) (Includes Items 5 - 13, 15) ..	1
15	70742G02		Spindle Assembly (Driver Side)	1
16				
17	00407G6		Hex Head Bolt, 1/2" - 13 x 6" Lg, Grade 5	1
18	00560G3		Flat Washer, 1/2".....	2
19	70745G01		King Pin Tube.....	1
20	70754G01		Thrust Washer (SS), 1"	1
21	14390G6		Lock Nut, 1/2" - 13	1
22	76419G01		Shock Absorber.....	2
23	10044G01		Vinyl Cap.....	2
24	10435G1		Shock Absorber Washer	4
25	10194G1		Rubber Bushing	4
26	00532G6		Hex Nut, 3/8" - 24.....	2
27	70664G03		Leaf Spring.....	2
28	652258		Spring Plate.....	4
29	00734G1		Lock Nut, 7/16" - 14	11
30	00463G11		Hex Head Bolt, 7/16" - 14 x 1 3/4" Lg, Grade 5	11

FRONT SUSPENSION AND STEERING

- 7 Tie Rod Assembly includes items 8 - 12
- 19 Steering Column Kit includes items 20 - 30



FRONT SUSPENSION AND STEERING

THE USE OF NON U.L. PARTS WILL VOID ANY U.L. LISTING.

When ordering parts, please specify the model and serial number of the product.

* Indicates a component that is not available as an individual part.

*** Indicates consult Customer Service Department for additional information.

ITEM	PART NO.	1 2 3 4 5	DESCRIPTION	QTY.
1	602979		Steering Wheel.....	1
2				
3	71147G01		Steering Wheel Cover.....	1
4	14390G2		Lock Nut, 5/8" - 18	1
5				
6	00734G1		Lock Nut, 7/16" - 14	2
7	70876G02		Tie Rod Assembly (Includes Items 8 - 12)	1
8	70897G02		Threaded Rod, 24" Lg	1
9	70902G01		Tie Rod End (Left Hand Threads).....	1
10	01069G01		Jam Nut, M12 x 1.25 (Left Hand Threads)	1
11	70902G02		Tie Rod End (Right Hand Threads)	1
12	01069G02		Jam Nut, M12 x 1.25 (Right Hand Threads).....	1
13				
14	00879G1		Lock Washer, 3/8"	4
15	01006G01		Hex Washer Head Bolt, 3/8" - 16 x 1 1/4" Lg	4
16	01055G01		Hex Head Bolt, M8 - 1.25 x 1.18" Lg, Grade 5.....	1
17	00565G8		Lock Washer, 5/16"	1
18				
19	70758G05		Steering Column Kit (Includes Items 20 - 30)	1
20	00565G8		Lock Washer, 5/16".....	1
21	01055G01		Hex Head Bolt, M8 - 1.25 x 1.18" Lg, Grade 5	1
22	70610G03		Steering Column	1
23	28569G01		Steering Column Bushing.....	1
24	01022G01		Hex Washer Head Screw, #6 - 20 x 5/16" Lg	1
25	70607G01		Steering Shaft.....	1
26	70580G01		Intermediate Shaft	1
27	70751G01		Retaining Ring (Internal).....	1
28	70888G01		Retaining Ring (External)	1
29	15112G1		Ball Bearing	1
30	70887G01		Wave Washer	1
31				

FRONT SUSPENSION AND STEERING

THE USE OF NON U.L. PARTS WILL VOID ANY U.L. LISTING.

When ordering parts, please specify the model and serial number of the product.

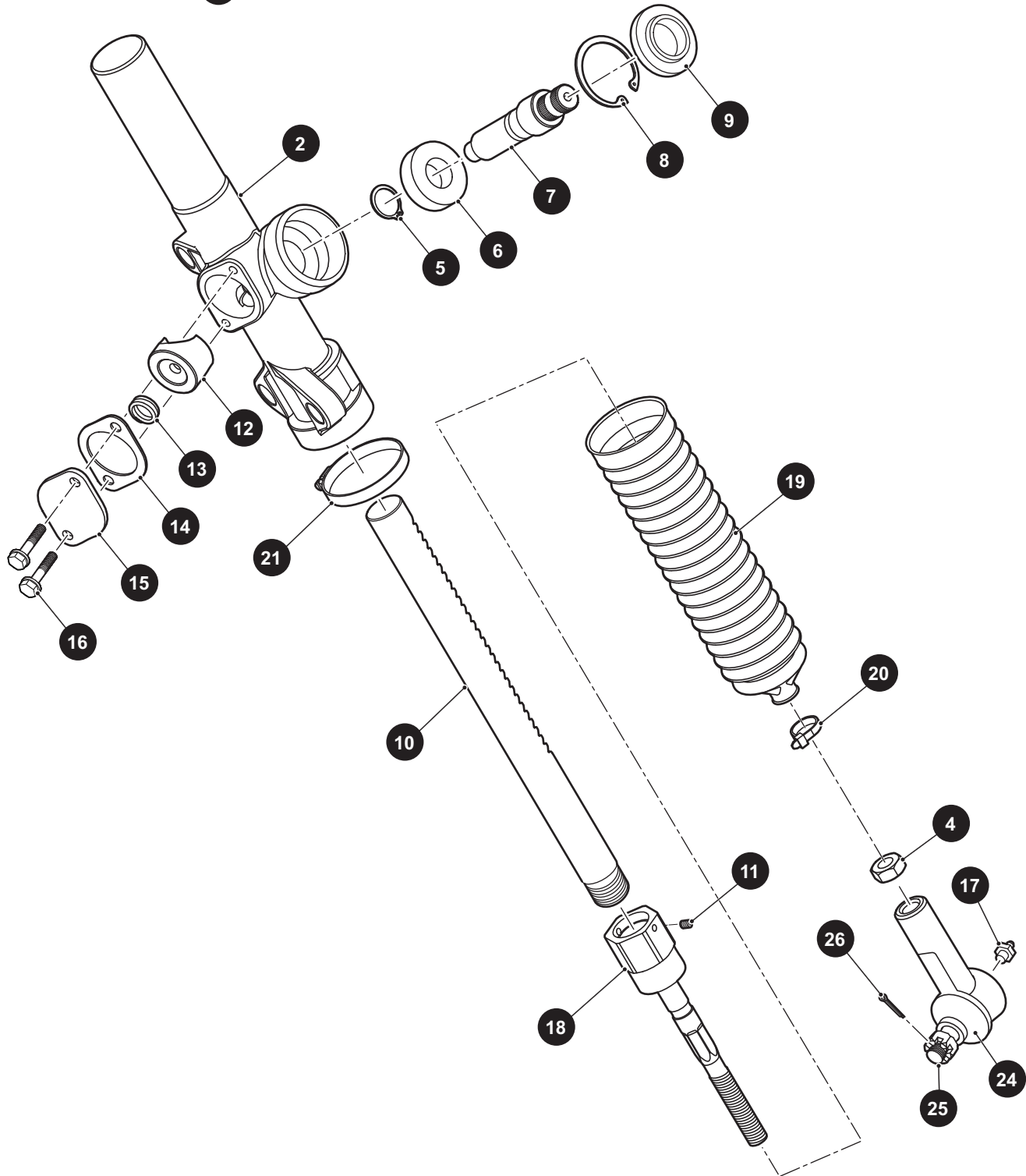
* Indicates a component that is not available as an individual part.

*** Indicates consult Customer Service Department for additional information.

ITEM	PART NO.	1 2 3 4 5	DESCRIPTION	QTY.
32	00464G8		Hex Head Bolt, 7/16" - 14 x 2 3/4" Lg, Grade 5.....	2
33	01068G01		Hex Head Bolt, 7/16" - 14 x 3 1/2" Lg, Grade 5.....	1
34	70667G02		Spacer, 1.21"	2
35	70667G04		Spacer (Short), .69"	1
36	00532G7		Hex Nut, 7/16" - 14	1
37	00560G2		Flat Washer, 7/16"	7
38	00734G1		Lock Nut, 7/16" - 14	3
39	70997G01		Cover	1
40	71055G01		Rivet (Aluminum), 3/16" x 1" Lg.....	1

FRONT SUSPENSION AND STEERING

- 1 Rack and Pinion Unit includes items 2 - 23
- 23 Tie Rod End (Outer) includes items 24 - 25



FRONT SUSPENSION AND STEERING

THE USE OF NON U.L. PARTS WILL VOID ANY U.L. LISTING.

When ordering parts, please specify the model and serial number of the product.

* Indicates a component that is not available as an individual part.

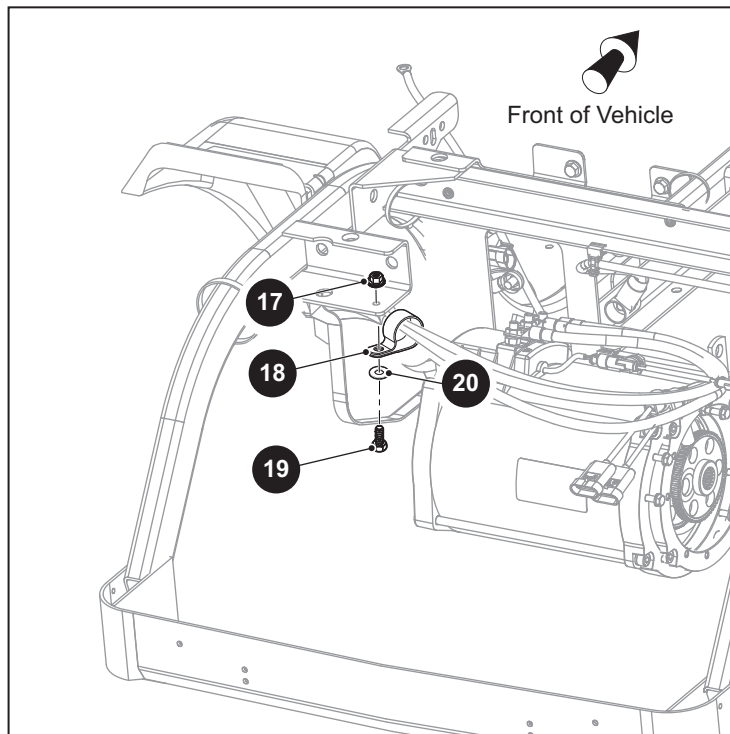
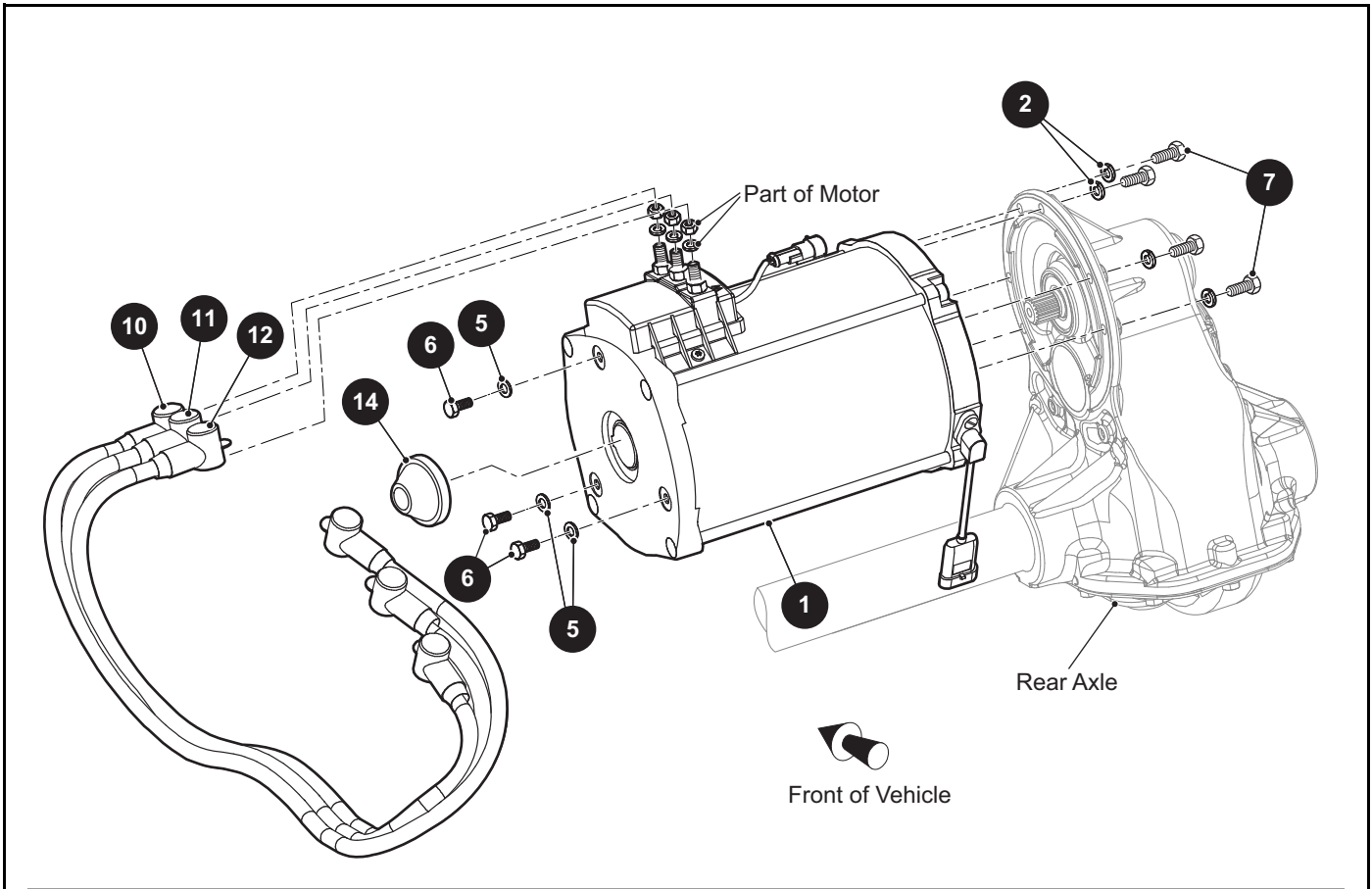
*** Indicates consult Customer Service Department for additional information.

ITEM	PART NO.	1 2 3 4 5	DESCRIPTION	QTY.
1	70964G01		Rack and Pinion Unit (Includes Items 2 - 23).....	1
2	70965G01		Steering Rack Cover and Bearing.....	1
3				
4	*		Jam Nut, 1/2" - 20.....	1
5	70750G01		Retaining Ring (External)	1
6	15112G1		Ball Bearing	1
7	70603G01		Pinion.....	1
8	70751G01		Retaining Ring (Internal).....	1
9	70638G01		Seal (Pinion)	1
10	70604G01		Steering Rack.....	1
11	*		Set Screw, #10 - 32 x .25" Lg	1
12	70590G01		Rack Loader	1
13	70666G01		Compression Spring	1
14	70645G01		Gasket (Rack Loader Cover).....	1
15	652259		Cover (Rack Loader)	1
16	71102G01		Hex Washer Head Bolt, 1/4" - 20 x 11/16" Lg, Grade 5.....	2
17	10389G3		Grease Fitting (Straight)	1
18	70694G01		Rod End (Inner)	1
19	70961G01		Rack Boot.....	1
20	12416G2		Nylon Clamp, 11.8" Lg.....	1
21	11391G8		Hose Clamp, 1.81".....	1
22				
23	70695G01		Tie Rod End (Outer) (Includes Items 24 - 25).....	1
24	50641G1		Grommet.....	1
25	*		Hex Slotted Nut, 7/16" - 20	1
26	10387G2		Cotter Pin, 3/32" X 1"	1

Notes:

A large rectangular grid consisting of 30 columns and 30 rows of small squares, intended for handwritten notes.

MOTOR



THE USE OF NON U.L. PARTS WILL VOID ANY U.L. LISTING.

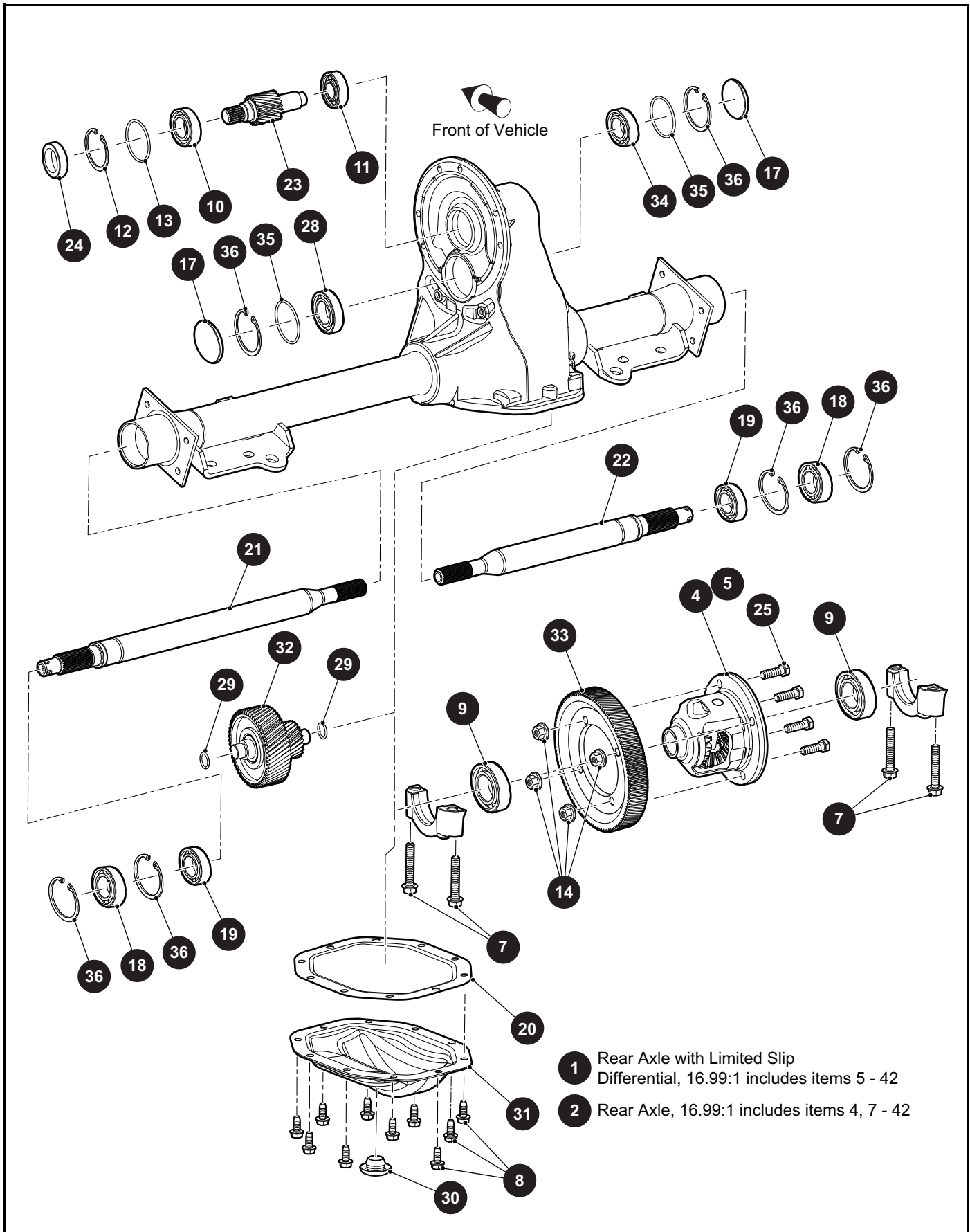
When ordering parts, please specify the model and serial number of the product.

* Indicates a component that is not available as an individual part.

*** Indicates consult Customer Service Department for additional information.

ITEM	PART NO.	1 2 3 4 5	DESCRIPTION	QTY.
1	667272		Motor, 72V.....	1
2	601327		Lock Washer, 6mm	6
3				
4				
5	00915G1		Bonded Seal Washer, 1/4" I.D.	3
6	616716		Hex Head Bolt, M6 - 1 x 16mm Lg.....	3
7	605741		Hex Head Bolt, M6 - 1 x 25mm Lg.....	6
8				
9				
10	635137G01		Motor Wire (U), 2AWG, 44".....	1
11	635137G02		Motor Wire (V), 2AWG, 41"	1
12	635137G03		Motor Wire (W), 2AWG, 37"	1
13				
14	668275		End Cap Plug.....	1
15				
16				
17	11027G2		Flanged Lock Nut, 1/4" - 20	1
18	630761		Loop Clamp.....	1
19	00414G7		Hex Head Bolt, 1/4" - 20 x 7/8" Lg, Grade 5	1
20	00559G7		Flat Washer, 1/4".....	1

REAR AXLE



THE USE OF NON U.L. PARTS WILL VOID ANY U.L. LISTING.

When ordering parts, please specify the model and serial number of the product.

* Indicates a component that is not available as an individual part.

*** Indicates consult Customer Service Department for additional information.

ITEM	PART NO.	1 2 3 4 5	DESCRIPTION	QTY.
1	633600		Rear Axle with Limited Slip Differential, 16.99:1 (Includes Items 5 - 42)	1
2	633599		Rear Axle, 16.99:1 (Includes Items 4, 7 - 42)	1
3				
4	601082		Differential Assembly	1
5	614059		Limited Slip Differential Carrier with CC Clutch	1
6				
7	15118G1		Hex Head Bolt, 3/8" - 16 X 2.125" Lg	4
8	15558G1		Hex Head Bolt, 5/16" - 18 X .75" Lg	10
9	17473G1		Bearing Assembly	2
10	23519G2		Ball Bearing Single Lip Seal	1
11	23520G1		Ball Bearing	1
12	23530G1		Retainer Ring.....	1
13	24628G1		O-ring Seal	1
14	601084		Lock Nut, 3/8" - 24	4
15				
16				
17	608811		End Cap.....	2
18	611788		Ball Bearing	2
19	612064		Oil Seal	2
20	612824		Gasket	1
21	617608		Axle Shaft (Driver Side)	1
22	617609		Axle Shaft (Passenger Side)	1
23	620327		Input Gear.....	1
24	620328		Oil Seal	1
25	620335		Hex Head Bolt, 3/8" - 24 X 1.25" Lg	4
26				
27				
28	620340		Ball Bearing	1
29	620345		O-ring, 18mm.....	2
30	620347		Rubber Plug.....	1

REAR AXLE

THE USE OF NON U.L. PARTS WILL VOID ANY U.L. LISTING.

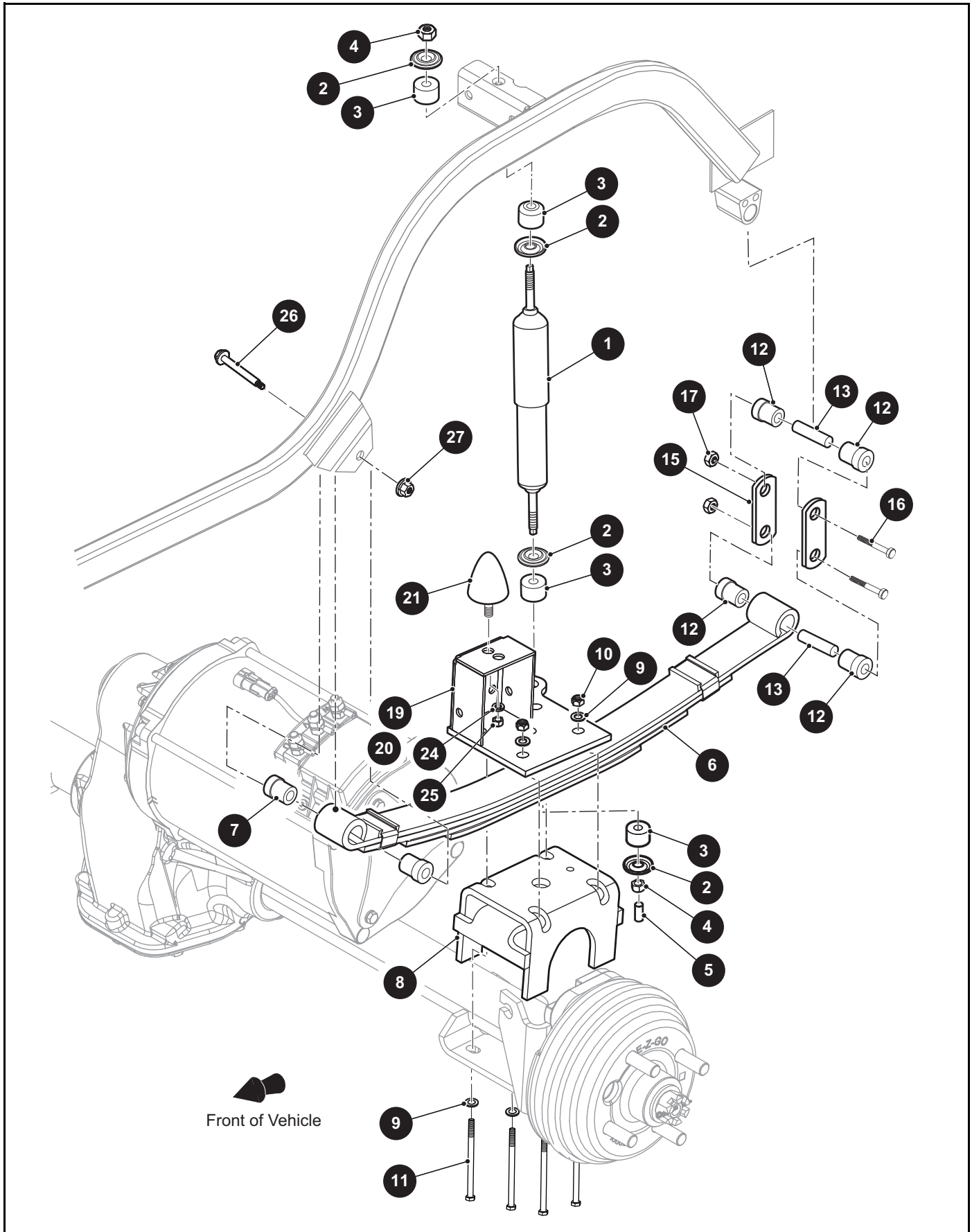
When ordering parts, please specify the model and serial number of the product.

* Indicates a component that is not available as an individual part.

*** Indicates consult Customer Service Department for additional information.

ITEM	PART NO.	1	2	3	4	5	DESCRIPTION	QTY.
31	620348						Differential Cover Plate	1
32	620349						Intermediate Gear Assembly	1
33	620350						Drive Gear	1
34	620355						Ball Bearing	1
35	620358						O-ring, 18mm	2
36	620359						Retaining Ring.....	6
37								
38								
39	620329						Input Gears Kit (Not Illustrated).....	1
40	620361						Internal Gears Kit (Not Illustrated).....	1
41	620362						Ball Bearing Kit (Not Illustrated)	1
42	620363						Differential Cover Assembly Kit (Not Illustrated)	1

REAR SUSPENSION



REAR SUSPENSION

THE USE OF NON U.L. PARTS WILL VOID ANY U.L. LISTING.

When ordering parts, please specify the model and serial number of the product.

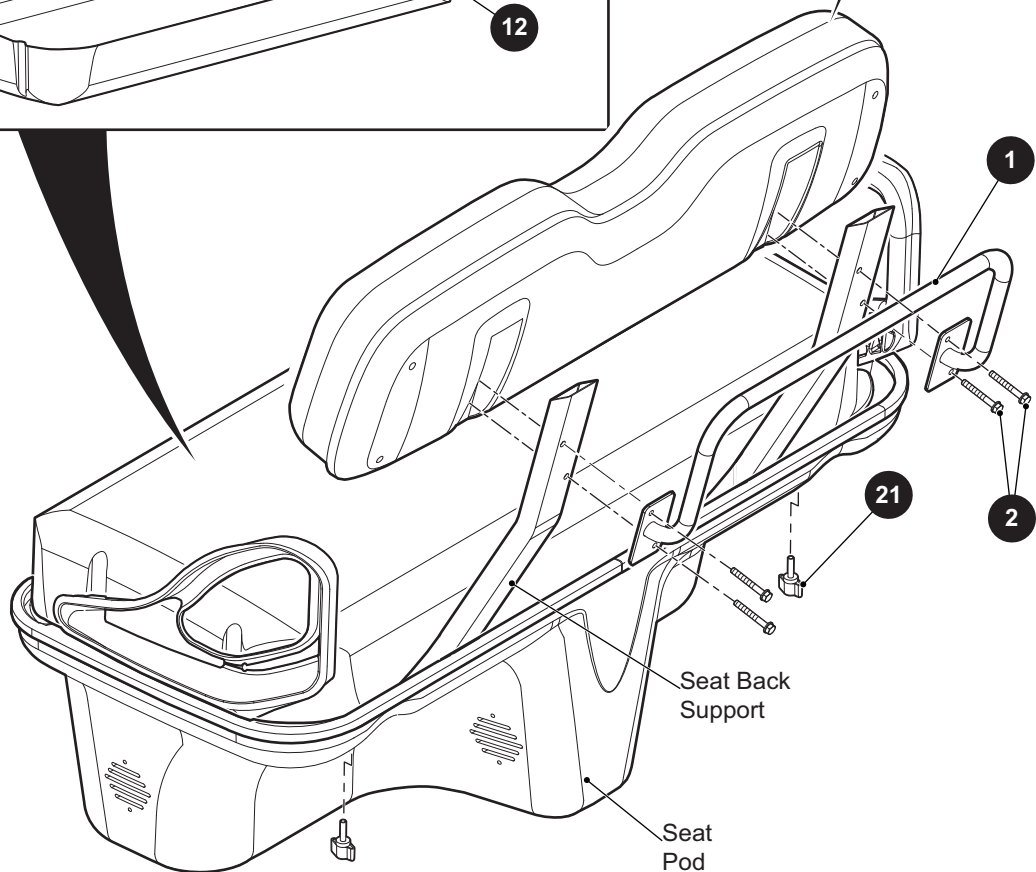
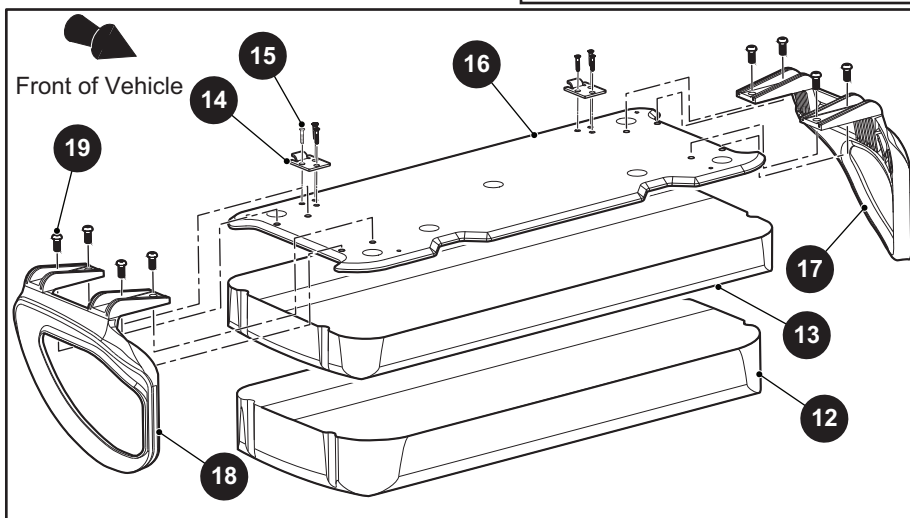
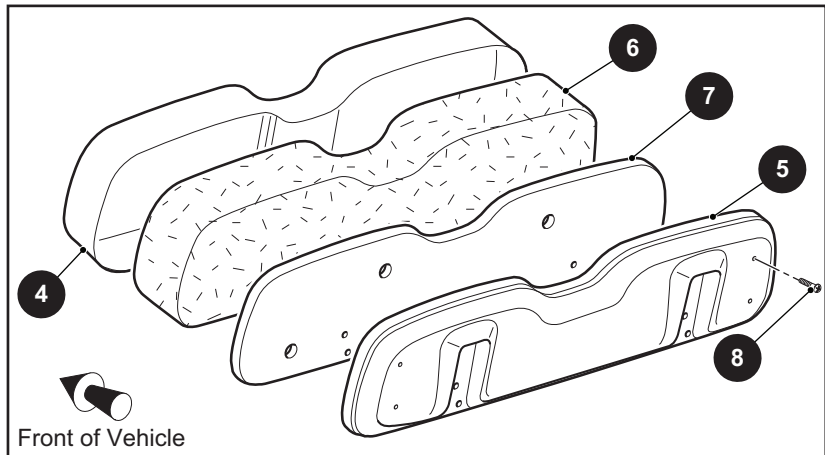
* Indicates a component that is not available as an individual part.

*** Indicates consult Customer Service Department for additional information.

ITEM	PART NO.	1 2 3 4 5	DESCRIPTION	QTY.
1	642085		Shock Absorber.....	2
2	10435G1		Shock Absorber Washer, I.D. .406" x O.D. 1.25"	4
3	10194G1		Rubber Bushing	4
4	00532G6		Hex Nut, 3/8" - 24.....	2
5	10044G01		Vinyl Cap.....	1
6	667990		Leaf Spring.....	2
7	624030		Flanged Bushing	2
8	652708G03		Lift Bracket	1
9	00560G1		Flat Washer, 3/8"	8
10	11098G5		Lock Nut, 3/8" - 16	4
11	00430G12		Hex Head Bolt, 3/8" - 16 x 5 1/2" Lg	4
12	624030		Flanged Bushing	4
13	70289G02		Split Spacer (Steel), I.D. .376" x O.D. 1" x 1" Lg.....	2
14				
15	652245		Shackle Plate	2
16	00665G9		Hex Head Bolt (SS), 3/8" - 16 x 3 1/2" Lg	2
17	11098G5		Lock Nut, 3/8" - 16	2
18				
19	652713G103		Mounting Plate (Driver Side).....	1
20	652713G203		Mounting Plate (Passenger Side)	1
21	70492G01		Rubber Bumper.....	1
22				
23				
24	608654		Split Lock Washer, M10	1
25	00974G01		Hex Nut, M10 x 1.0	1
26	14158G1		Shoulder Bolt, 1/2" Dia x 3/8" - 16 Thread x 3 1/4" Lg	1
27	12262G1		Flanged Lock Nut, 3/8" - 16	1

SEATING

- 11 Seat Bottom Assembly includes items 12 - 19
- 3 Seat Back Assembly includes items 4 - 8



THE USE OF NON U.L. PARTS WILL VOID ANY U.L. LISTING.

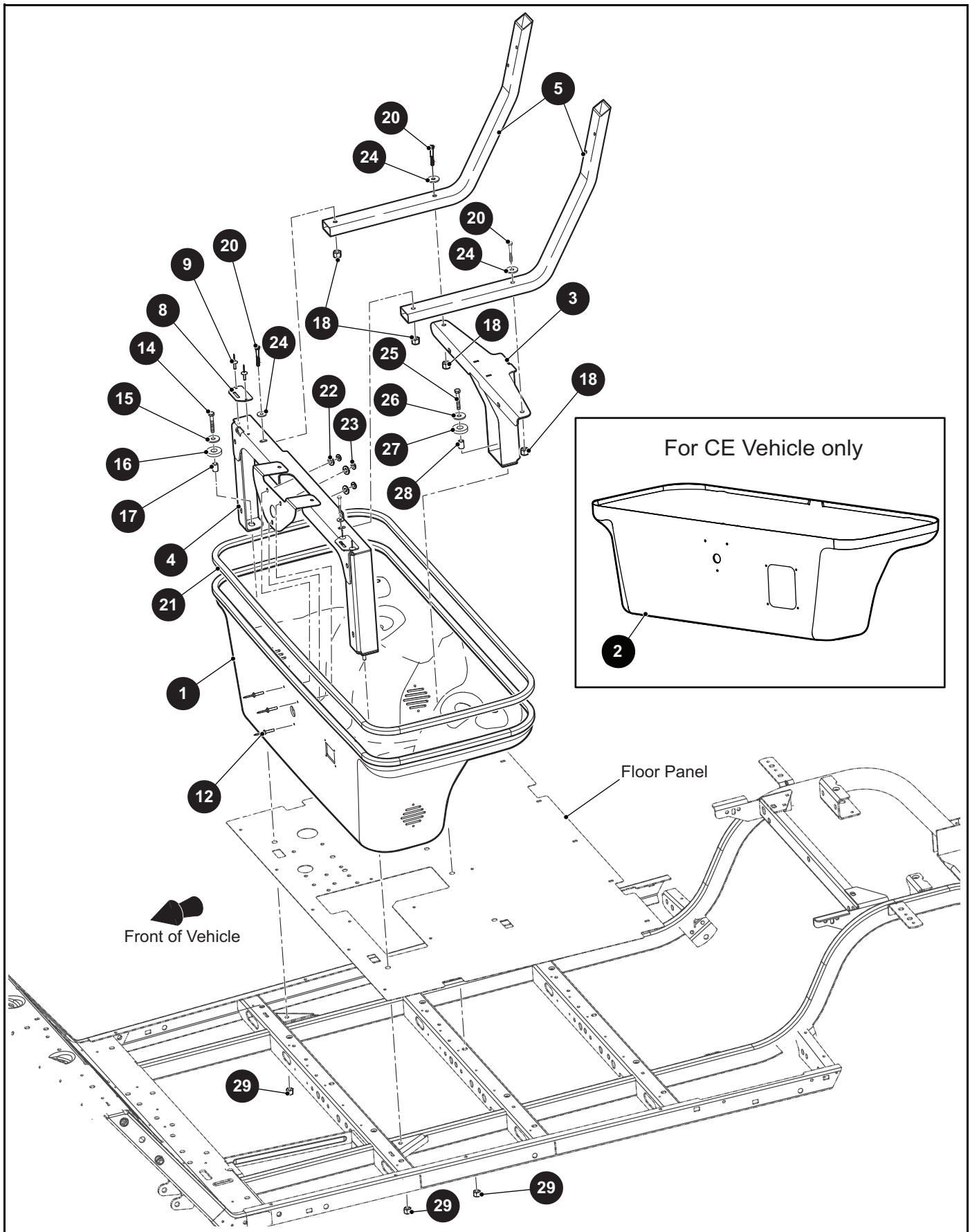
When ordering parts, please specify the model and serial number of the product.

* Indicates a component that is not available as an individual part.

*** Indicates consult Customer Service Department for additional information.

ITEM	PART NO.	1 2 3 4 5	DESCRIPTION	QTY.
1	71632G01		Hand Grip Weldment.....	1
2	71204G02		Hex Washer Head Bolt with Patch Lock, 1/4" - 20 x 2" Lg.....	4
3	71751G**		Seat Back Assembly (Includes Items 4 - 8)..... 71751G02 Gray 71751G03 Oyster 71751G04 Tan	1
4	71753G**		Vinyl Seat Back Cover 71753G02 Gray 71753G03 Oyster 71753G04 Tan	1
5	71752G01		Rear Seat Back Cover.....	1
6	71754G01		Seat Back Padding	1
7	645021		Seat Back Base	1
8	01107G01		Pan Head Torx Screw (SS), #8 x .63" Lg.....	4
9				
10				
11	629269G**		Seat Bottom Assembly (Includes Items 12 - 19)..... 629269G1701 Oyster 629269G1703 Tan 629269G1704 Gray	1
12	71624G**		Vinyl Seat Cover 71624G03 Oyster 71624G04 Tan 71624G02 Gray	1
13	71625G01		Seat Bottom Padding.....	1
14	71610G01		Seat Hinge.....	2
15	00720G08		Flat Head Phillips Screw, #12 -14 x 1" Lg.....	6
16	649851		Seat Bottom Base.....	1
17	617645		Hip Restraint (Driver Side).....	1
18	617644		Hip Restraint (Passenger Side).....	1
19	615417		Button Head Torx Bolt, M10 - 1.5 x 25mm Lg.....	4
20				
21	70864G01		T-knob Stud, 1/4" - 20 x 1" Lg	2

SEATING



THE USE OF NON U.L. PARTS WILL VOID ANY U.L. LISTING.

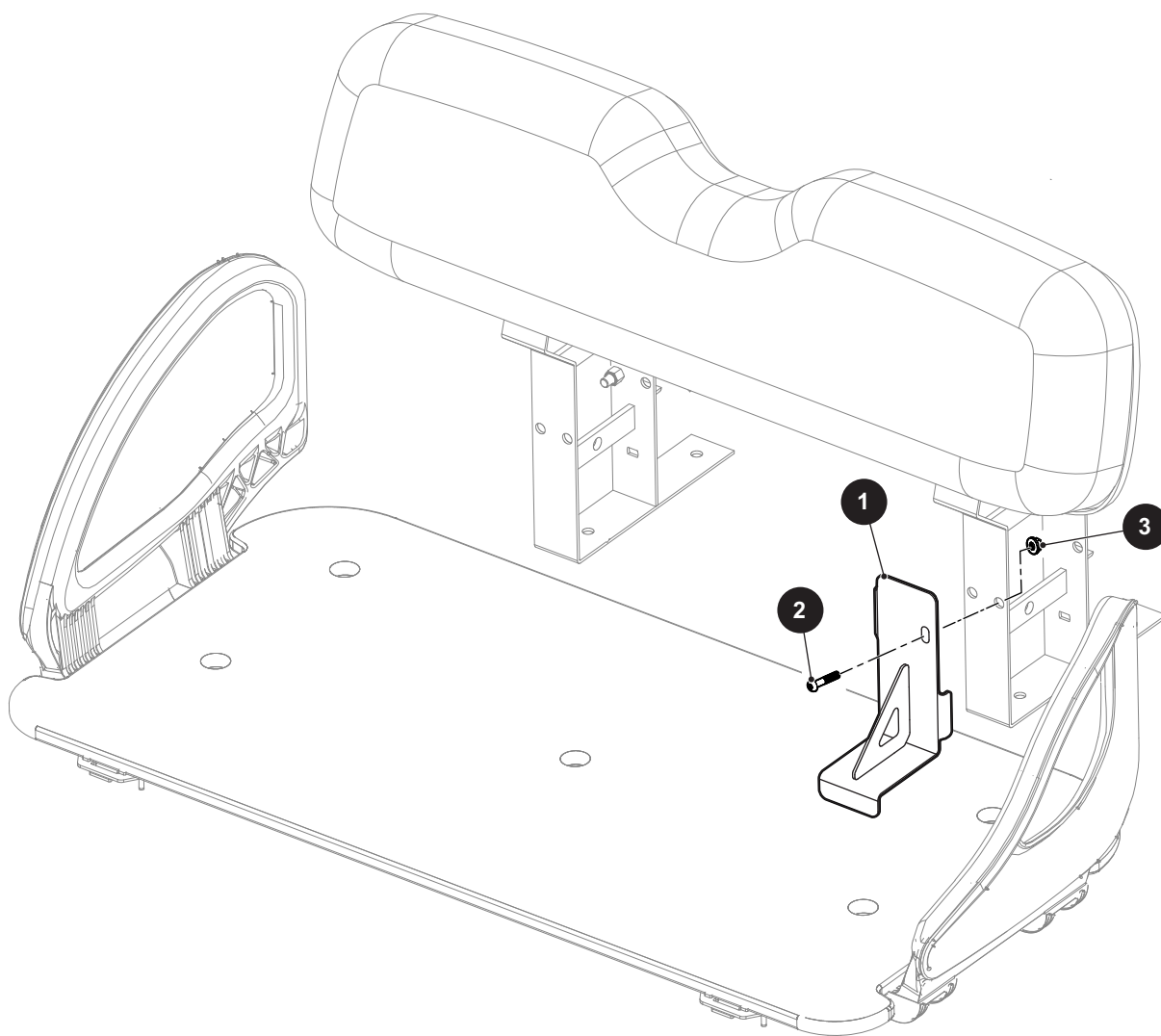
When ordering parts, please specify the model and serial number of the product.

* Indicates a component that is not available as an individual part.

*** Indicates consult Customer Service Department for additional information.

ITEM	PART NO.	1 2 3 4 5	DESCRIPTION	QTY.
1	648313GXX		Seat Pod (See HOW TO USE Section for COLOR CODES).....	1
2	674210GXX		Seat Pod (See HOW TO USE Section for COLOR CODES).....	1
3	657681		Rear Seat Support Weldment	1
4	654767		Seat Support Weldment	1
5	648523		Seat Back Support Tube	2
6				
7				
8	71609G01		Hinge Plate.....	2
9	10570G11		Rivet (SS), 3/16" x .70" Lg	4
10				
11				
12	71055G01		Rivet (Aluminum), 3/16" x 1" Lg	3
13				
14	00439G8		Hex Head Bolt (SS), 5/16" - 18 x 2" Lg, Grade 5	2
15	00675G1		Flat Washer (SS), .398" I.D. x 1.25" O.D. x .115" Lg	2
16	71883G01		Flat Washer (Rubber), .625" I.D. x 1.50" O.D. x .312" Lg	2
17	23726G9		Spacer, .312" I.D. x .562" O.D. x .750" Lg	2
18	11098G6		Lock Nut, 5/16" - 18	4
19				
20	00439G6		Hex Head Bolt (SS), 5/16" - 18 x 1 - 3/4" Lg, Grade 5	4
21	32805G6		Trim, 118" Lg	1
22	00660G5		Flat Washer, #10	3
23	01110G01		Flat Washer, 1/4"	3
24	00560G1		Flat Washer, 3/4"	4
25	00439G8		Hex Head Bolt (SS), 5/16" - 18 x 2" Lg, Grade 5	1
26	00675G1		Flat Washer (SS), .398" I.D. x 1.25" O.D. x .115" Lg	1
27	71883G01		Flat Washer (Rubber), .625" I.D. x 1.50" O.D. x .312" Lg	1
28	23726G9		Spacer, .312" I.D. x .562" O.D. x .750" Lg	1
29	11098G6		Lock Nut, 5/16" - 18	3
30				
31				

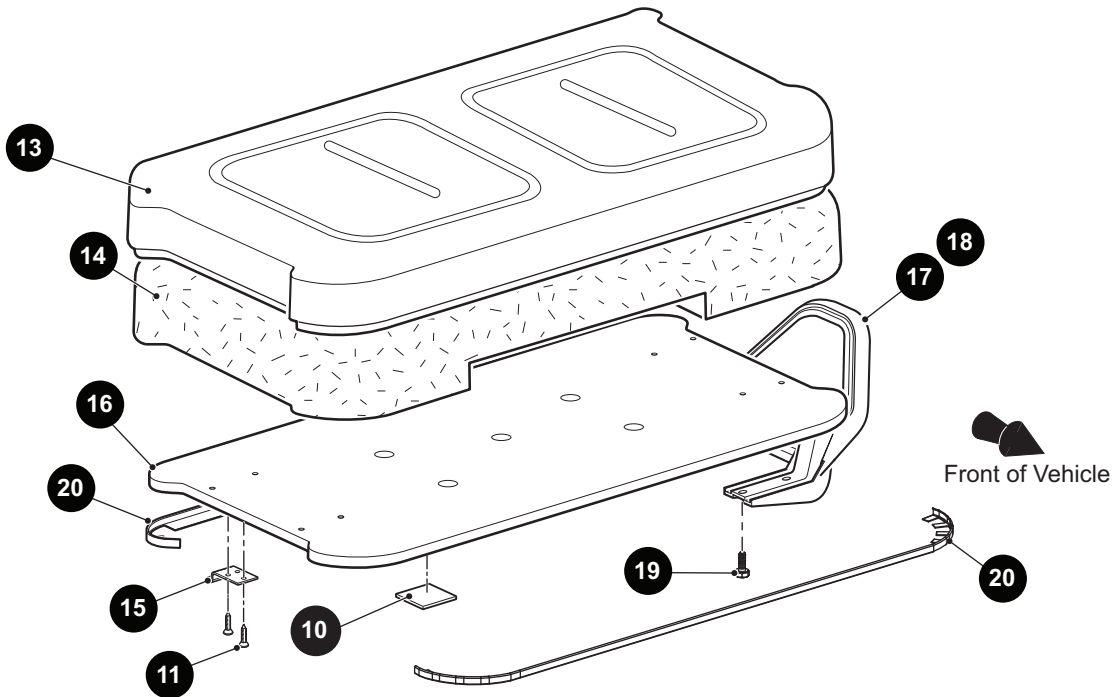
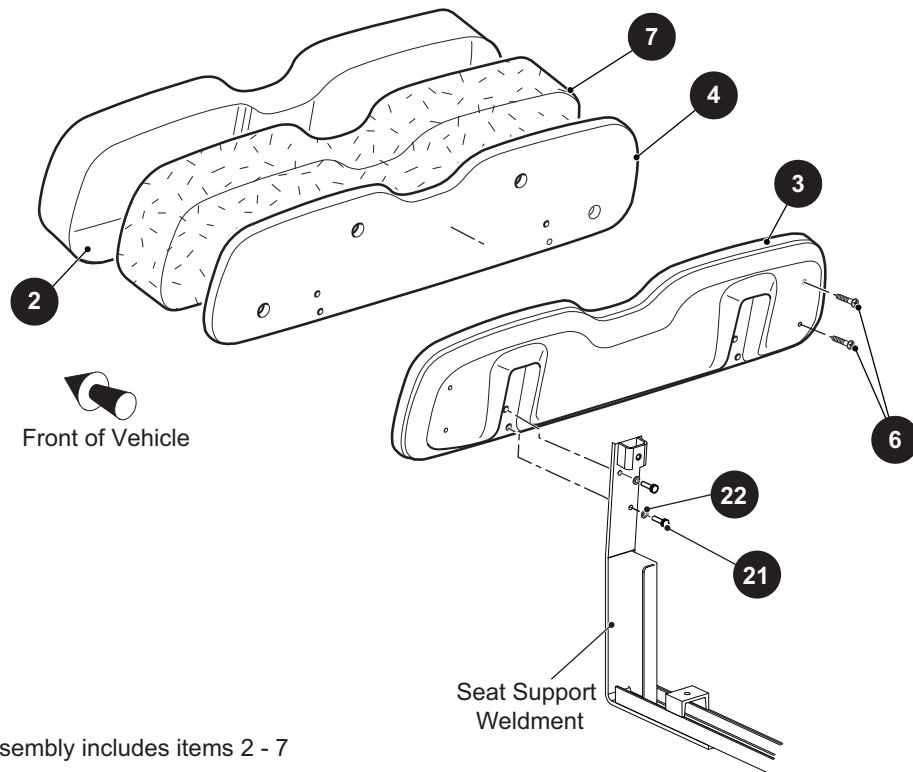
For CE Vehicles Only



THE USE OF NON U.L. PARTS WILL VOID ANY U.L. LISTING.
 When ordering parts, please specify the model and serial number of the product.
 * Indicates a component that is not available as an individual part.
 *** Indicates consult Customer Service Department for additional information.

ITEM	PART NO.	1 2 3 4 5 DESCRIPTION	QTY.
1	679973	Lock Out Weldment.....	1
2	601326	Button Head Torx Bolt, M6 - 1 x 20mm Lg	1
3	601476	Flanged Lock Nut, M6.....	1

SEATING



THE USE OF NON U.L. PARTS WILL VOID ANY U.L. LISTING.

When ordering parts, please specify the model and serial number of the product.

* Indicates a component that is not available as an individual part.

*** Indicates consult Customer Service Department for additional information.

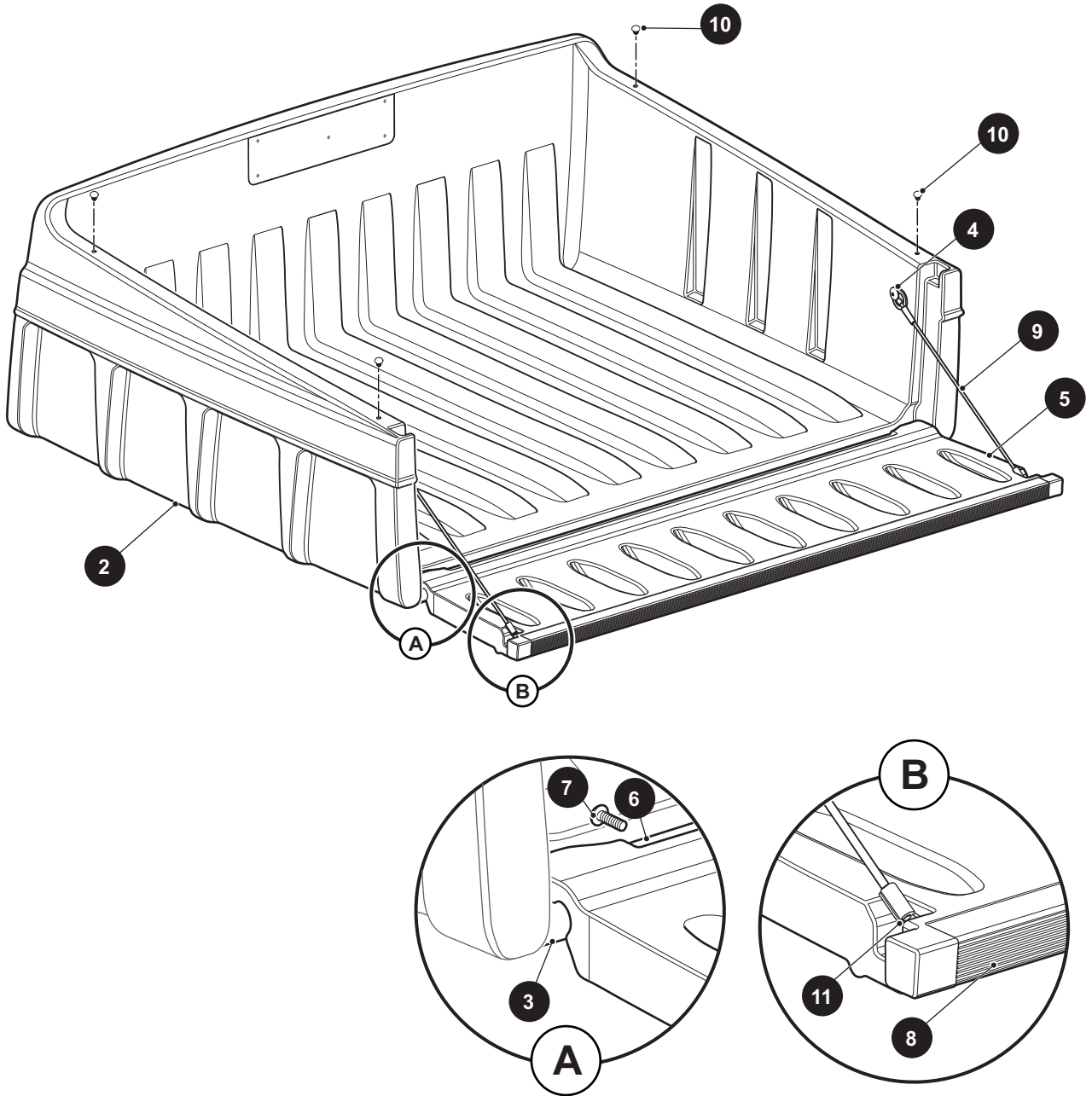
ITEM	PART NO.	1 2 3 4 5	DESCRIPTION	QTY.
1	71751G**		Seat Back Assembly (Includes Items 2 - 7)..... 71751G02 Gray 71751G03 Oyster 71751G04 Tan	1
2	71753G**		Vinyl Seat Back Cover..... 71753G02 Gray 71753G03 Oyster 71753G04 Tan	1
3	71752G01		Seat Back Cover.....	1
4	645021		Seat Back Base	1
5				
6	01107G01		Pan Head Torx Screw, #8 x 5/8" Lg.....	4
7	71754G01		Foam Padding (Seat Back)	1
8				
9	629269G01**		Seat Bottom Assembly (Includes Items 10 - 20)..... 629269G0101 Oyster 629269G0104 Gray 629269G0103 Tan	1
10	17074G1		Rubber Pad	2
11	00720G08		Flat Head Phillips Screw, #12 -14 x 1" Lg.....	6
12				
13	71602G**		Vinyl Seat Bottom Cover	1
			71602G02 Gray 71602G03 Oyster 71602G04 Tan	
14	71603G02		Foam Padding (Seat Bottom).....	1
15	71610G01		Seat Hinge.....	2
16	645492		Seat Bottom.....	1
17	617644		Hip Restraint (Driver Side).....	1
18	617645		Hip Restraint (Passenger Side).....	1
19	615417		Button Head Torx Bolt, M10 - 1.5 x 25mm Lg.....	4
20	71012G01		Trim Front Polypropylene	1
21	00661G8		Hex Head Bolt, 1/4" - 20 x 1/2" Lg	4
22	00664G7		Lock Washer, .255" x .263"	4

Notes:

A large grid of graph paper for taking notes, consisting of 24 columns and 28 rows of small squares.

TRUCK BED

1 Bed Assembly includes items 2 - 11



THE USE OF NON U.L. PARTS WILL VOID ANY U.L. LISTING.

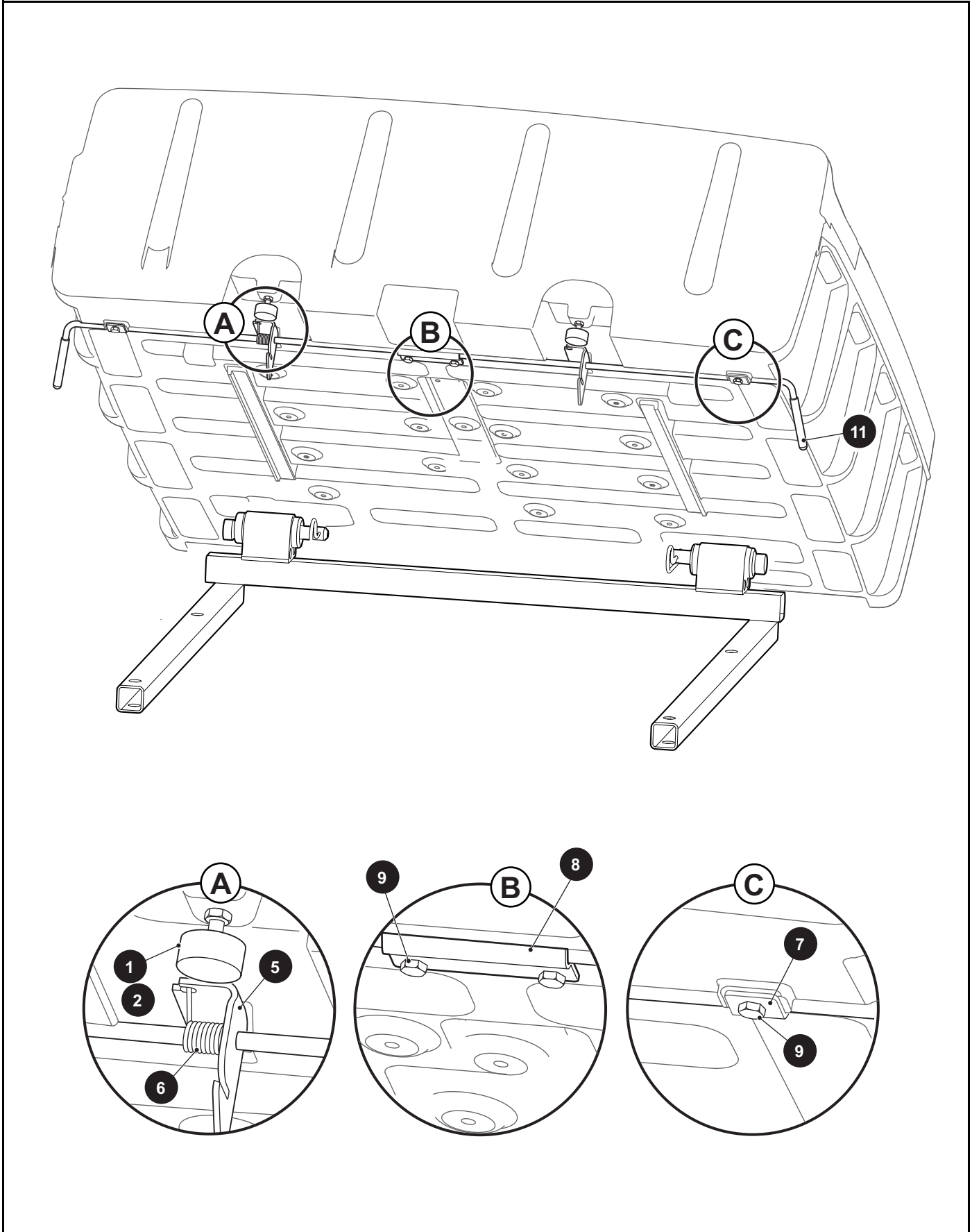
When ordering parts, please specify the model and serial number of the product.

* Indicates a component that is not available as an individual part.

*** Indicates consult Customer Service Department for additional information.

ITEM	PART NO.	1 2 3 4 5	DESCRIPTION	QTY.
1	72647G01		Bed Assembly (Includes Items 2 -11).....	1
2	72648G01		Plastic Bed, 36"	1
3	73454G01		Pivot Shaft	2
4	73460G01		Shoulder Bolt, .350" Dia x 1/4" - 20 x 3/4" Lg.....	2
5	72649G01		Tailgate	1
6	73450G01		Bowed Angle.....	1
7	16705G2		Pan Head Phillips Screw (SS), 1/4" - 20 x 5/8" Lg	4
8	73449G01		Tailgate Cap.....	1
9	73455G02		Tailgate Cable	1
10	16816G5		Ratchet Rivet, .187 x .550	4
11	00415G2		Hex Head Bolt, 1/4" - 20 x 1 1/4" Lg, Grade 5.....	2

TRUCK BED



THE USE OF NON U.L. PARTS WILL VOID ANY U.L. LISTING.

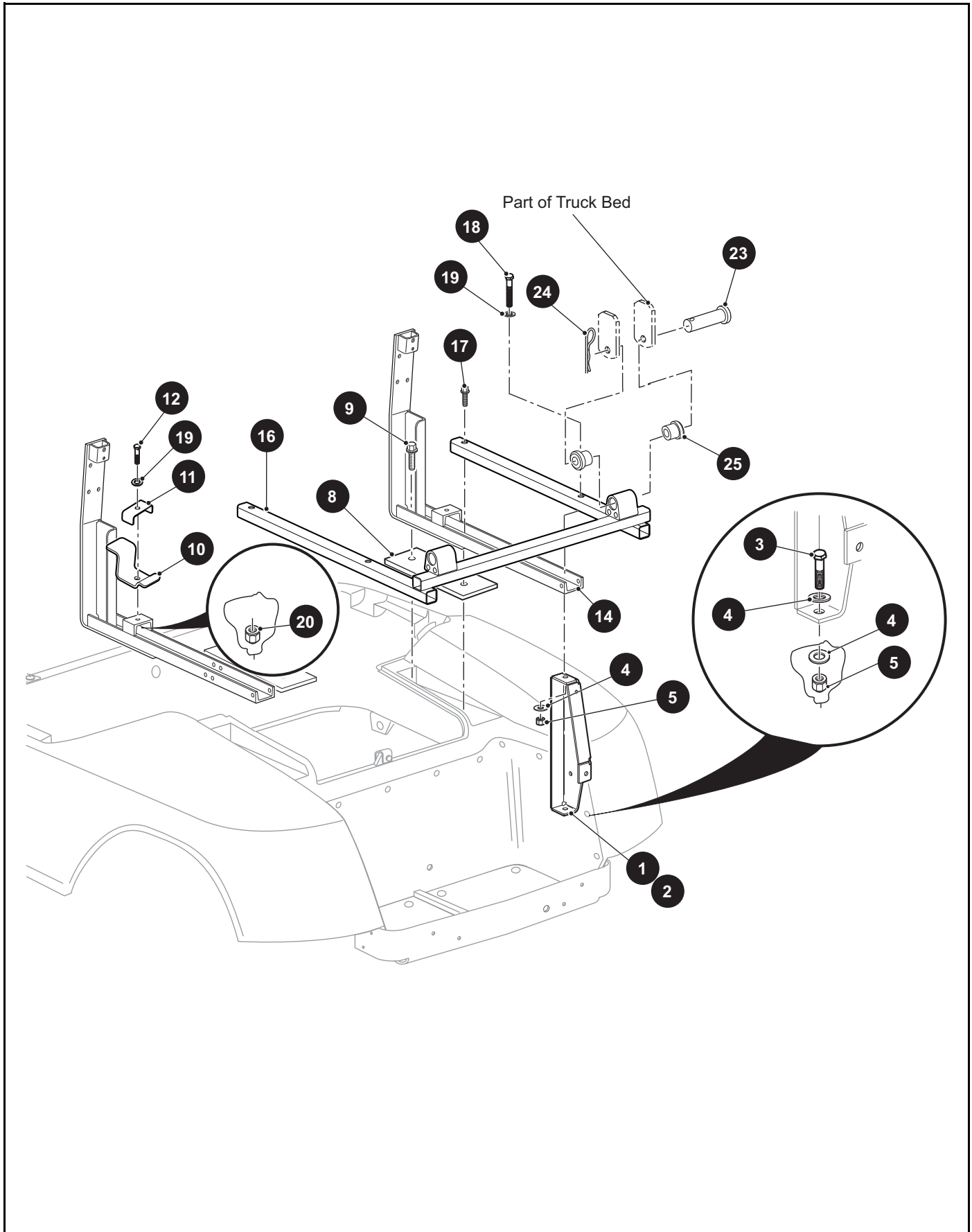
When ordering parts, please specify the model and serial number of the product.

* Indicates a component that is not available as an individual part.

*** Indicates consult Customer Service Department for additional information.

ITEM	PART NO.	1 2 3 4 5	DESCRIPTION	QTY.
1	70113G01		Adjustable Rubber Bumper	2
2	11027G1		Lock Nut, 5/16" - 18	2
3				
4				
5	607072		Bed Latch	1
6	71538G01		Latch Torsion Spring	1
7	652442G03		Keeper Plate	2
8	652440G03		Retainer Bracket	1
9	01118G01		Hex Head Bolt, 1/4" - 20 x 5/8" Lg	4
10				
11	71704G01		Handle Grip.....	2

TRUCK BED



THE USE OF NON U.L. PARTS WILL VOID ANY U.L. LISTING.

When ordering parts, please specify the model and serial number of the product.

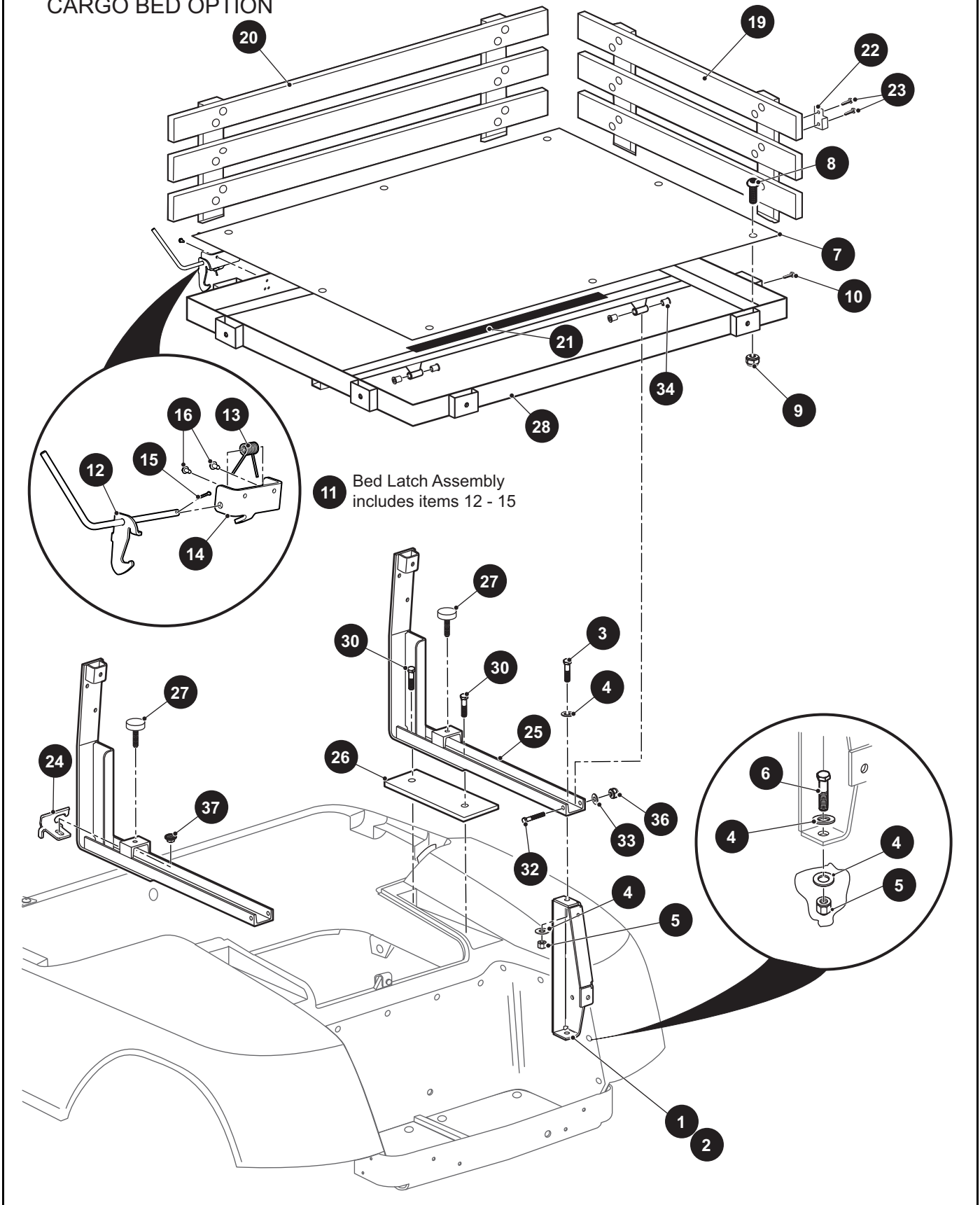
* Indicates a component that is not available as an individual part.

*** Indicates consult Customer Service Department for additional information.

ITEM	PART NO.	1 2 3 4 5	DESCRIPTION	QTY.
1	74126G01		Rear Support Frame (Driver Side)	1
2	74126G02		Rear Support Frame (Passenger Side)	1
3	00427G4		Hex Head Bolt, 3/8" - 16 X 1 1/2" Lg, Grade 5.....	2
4	00560G1		Flat Washer, 3/8"	6
5	11098G5		Lock Nut, 3/8" - 16	4
6				
7				
8	70364G01		Spacer.....	2
9	01006G02		Hex Washer Head Bolt, 3/8" - 16 X 1 1/2" Lg	2
10	606167		Front Bed Support.....	2
11	607093		Bed Support Bracket	2
12	00439G1		Hex Head Bolt, 5/16"- 18 X 1 1/8" Lg, Grade 5.....	2
13				
14	625525		Seat Support	2
15				
16	635380		Bed Frame	1
17	01075G02		Hex Washer Head Bolt, 3/8" - 16 X 2.5" Lg	2
18	00665G8		Hex Head Bolt, 3/8" - 16 X 2" Lg.....	2
19	00559G8		Flat Washer, 5/16"	4
20	11098G6		Lock Nut, 3/8" - 16	2
21				
22				
23	71571G01		Clevis Pin	2
24	21683G1		Cotter Pin, 5/32" X 2 13/16"	2
25	624030		Flanged Bushing	4

TRUCK BED

CARGO BED OPTION



THE USE OF NON U.L. PARTS WILL VOID ANY U.L. LISTING.

When ordering parts, please specify the model and serial number of the product.

* Indicates a component that is not available as an individual part.

*** Indicates consult Customer Service Department for additional information.

ITEM	PART NO.	1 2 3 4 5	DESCRIPTION	QTY.
1	74126G01		Rear Support Frame (Driver Side)	1
2	74126G02		Rear Support Frame (Passenger Side).....	1
3	00426G8		Hex Head Bolt, 3/16" - 16 x 1" Lg, Grade 5	2
4	00560G1		Flat Washer, 3/8"	8
5	11098G5		Lock Nut, 3/8" - 16	4
6	00427G4		Hex Head Bolt, 3/8" - 16 x 1 1/2" Lg, Grade 5	2
7	655936		Cargo Deckboard	1
8	16705G9		Truss Head Phillips Screw (SS), 1/4" - 20 x 1 1/4" Lg.....	8
9	14390G4		Lock Nut, 1/4" - 20	8
10	00666G6		Truss Head Thread Forming Screw (SS), #10 - 12 x 3/4" Lg.....	6
11	72913G01		Bed Latch Assembly (Includes Items 12 - 15).....	1
12	72912G01		Bed Latch	1
13	70681G01		Torsion Spring.....	1
14	74509G01		Pivot Bracket	1
15	10387G3		Cotter Pin.....	1
16	00100G6		Hex Washer Self Tapping Screw, #10 - 16 x 3/4" Lg.....	2
17				
18				
19	34280G01		Cargo Rack, 30.5"	2
20	34280G02		Cargo Rack, 43"	2
21	23052G1		Weather Stripping	1
22	74079G02		Tailgate Retainer Bracket.....	2
23	00666G6		Truss Head Thread Forming Screw (SS), #10 - 12 x 3/4" Lg.....	4
24	72914G01		Latch Tab Bracket (Passenger Side).....	1
25	625525		Seat Support Weldment.....	2
26	70364G01		Spacer Plate.....	2
27	70113G01		Adjustable Rubber Bumper	2
28	635862		Cargo Deck Weldment	1
29				
30	01006G01		Hex Washer Head Thread Forming Screw, 3/8" - 16 x 1 1/4" Lg.....	4
31				

TRUCK BED

THE USE OF NON U.L. PARTS WILL VOID ANY U.L. LISTING.

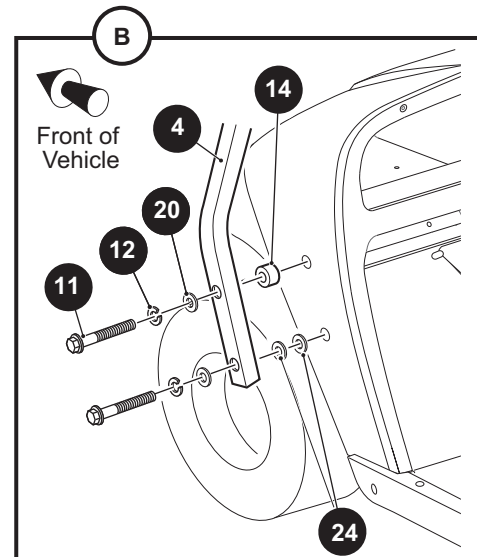
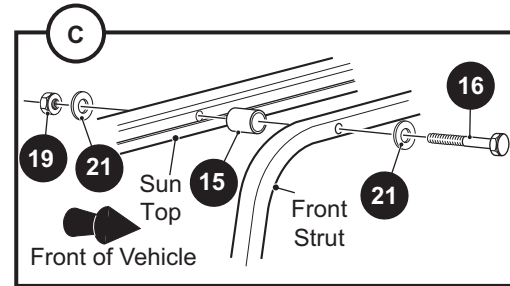
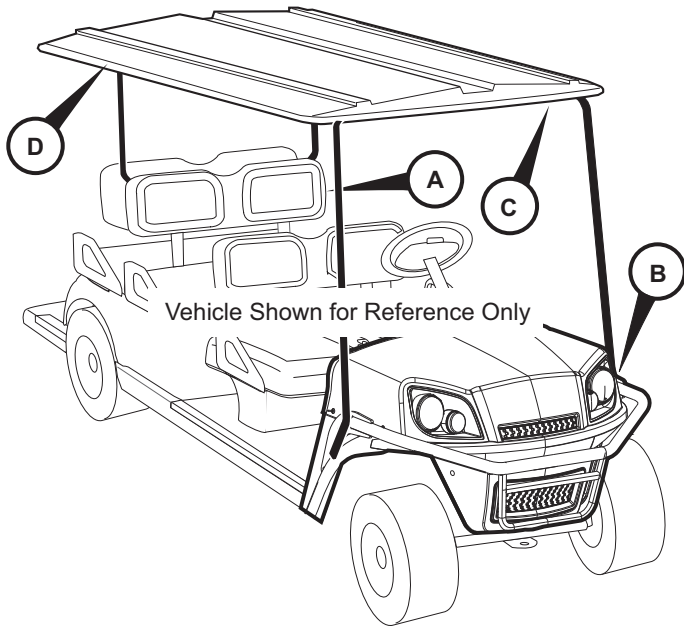
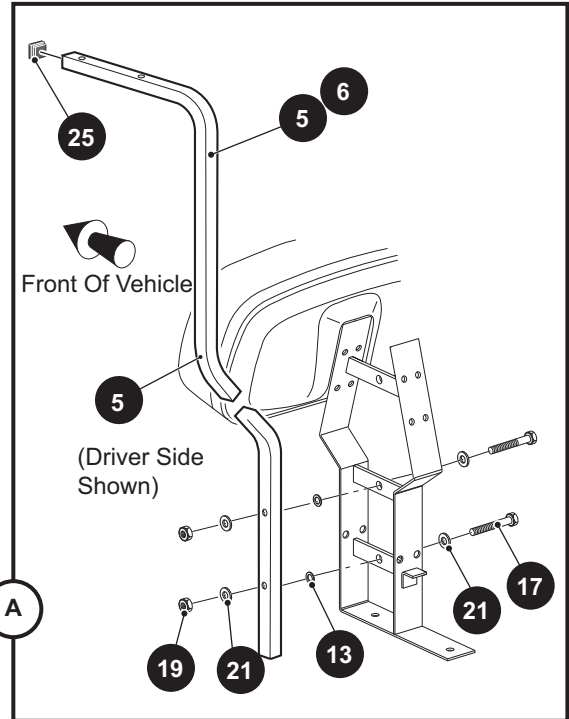
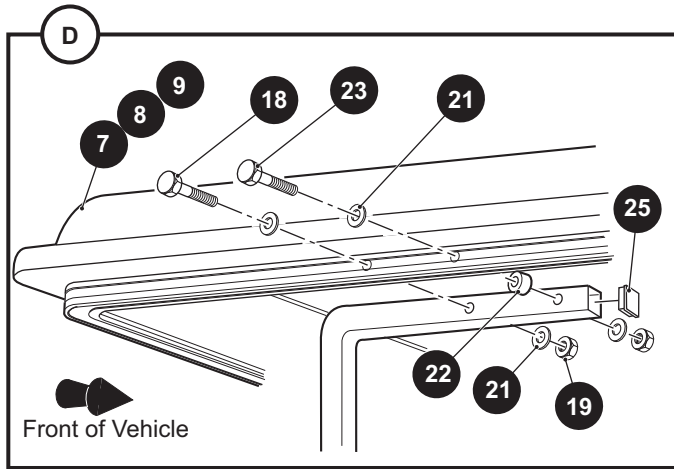
When ordering parts, please specify the model and serial number of the product.

* Indicates a component that is not available as an individual part.

*** Indicates consult Customer Service Department for additional information.

ITEM	PART NO.	1 2 3 4 5	DESCRIPTION	QTY.
32	00440G4		Hex Head Bolt, 5/16" 18 x 1 1/4" Lg.....	2
33	00559G8		Flat Washer, 5/16"	2
34	17838G1		Nyliner Bushing	4
35				
36	11098G6		Lock Nut, 5/16" - 18.....	2
37	11027G1		Flanged Lock Nut, 5/16" - 18.....	4

WEATHER PROTECTION



- 1 Sun Top Kit, Black includes items 4 - 6, 7, 10 - 25
- 2 Sun Top Kit, White includes items 4 - 6, 8, 10 - 25
- 3 Sun Top Kit, Beige includes items 4 - 6, 9, 10 - 25
- 10 Sun Top Hardware Kit includes items 11 - 25

WEATHER PROTECTION

THE USE OF NON U.L. PARTS WILL VOID ANY U.L. LISTING.

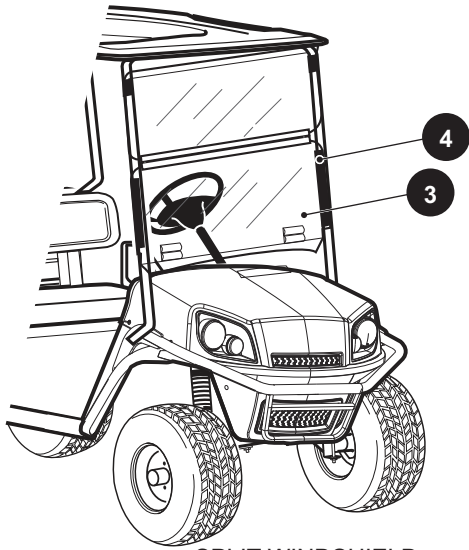
When ordering parts, please specify the model and serial number of the product.

* Indicates a component that is not available as an individual part.

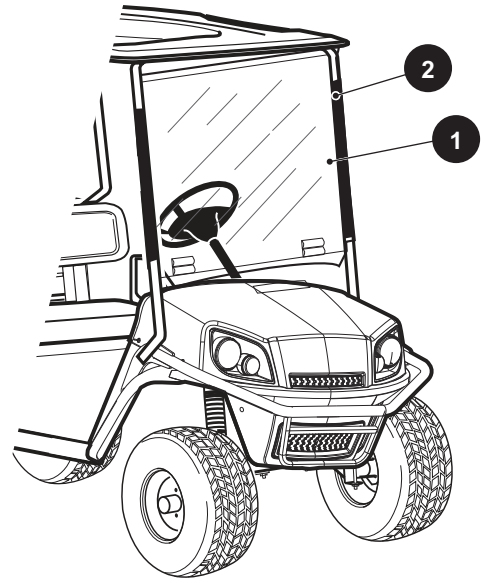
*** Indicates consult Customer Service Department for additional information.

ITEM	PART NO.	1 2 3 4 5	DESCRIPTION	QTY.
1	610266		Sun Top Kit, Black (Includes Items 4 - 6, 7, 10 - 25)	1
2	610268		Sun Top Kit, White (Includes Items 4 - 6, 8, 10 - 25).....	1
3	610267		Sun Top Kit, Beige (Includes Items 4 - 6, 9 - 25).....	1
4	610260		Front Support.....	1
5	602743		Rear Support (Driver Side)	1
6	602741		Rear Support (Passenger Side)	1
7	610263		Sun Top, Black.....	1
8	610265		Sun Top, White	1
9	610264		Sun Top, Beige	1
10	610259		Sun Top Hardware Kit (Includes Items 11 - 25)	1
11	00440G2		Hex Head Bolt, 5/16" - 18 x 2 1/4" Lg, Grade 5	2
12	00565G8		Lock Washer, 5/16"	4
13	00771G5		Nylon Washer, 3/8".....	4
14	75048G01		Spacer, 1/2".....	2
15	18716G1		Spacer (Aluminum), 3" Lg.....	2
16	00674G8		Hex Head Bolt (SS), 3/8" - 16 x 5" Lg	2
17	00665G5		Hex Head Bolt (SS), 3/8" - 16 x 1 3/4" Lg	4
18	00665G6		Hex Head Bolt (SS), 3/8" - 16 x 2" Lg	2
19	00891G5		Lock Nut, 3/8" - 16	10
20	00559G8		Flat Washer, 5/16"	4
21	00653G1		Flat Washer (SS), 3/8"	20
22	24647G1		Spacer, 1/4" Thick	2
23	00665G3		Hex Head Bolt, 3/8" - 16 x 2 1/2" Lg	4
24	00879G1		Flat Washer, 3/8"	4
25	19853G1		End Cap, 1"	2

WEATHER PROTECTION

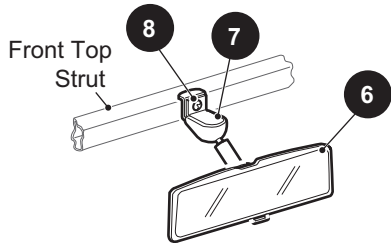


SPLIT WINDSHIELD

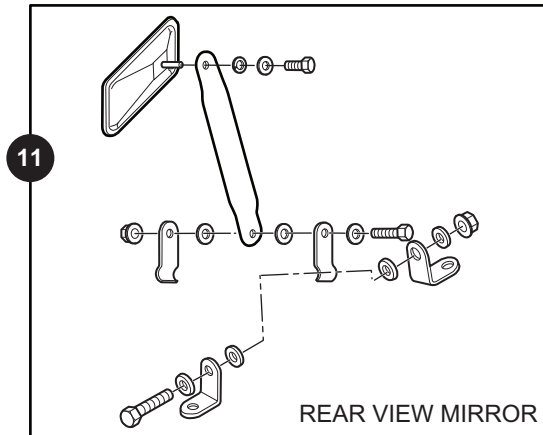


FULL WINDSHIELD

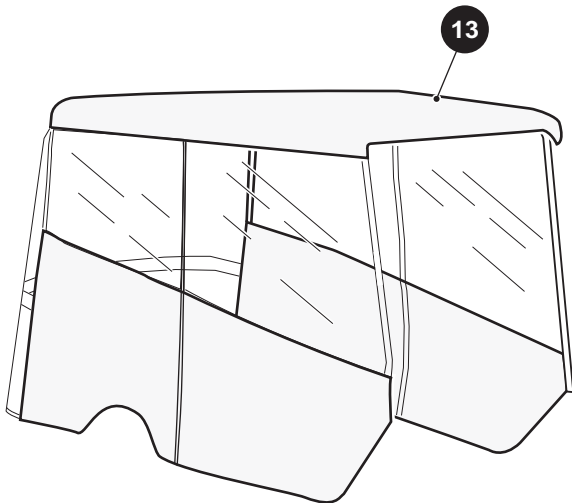
5 Rear View Mirror Kit includes items 6 - 8



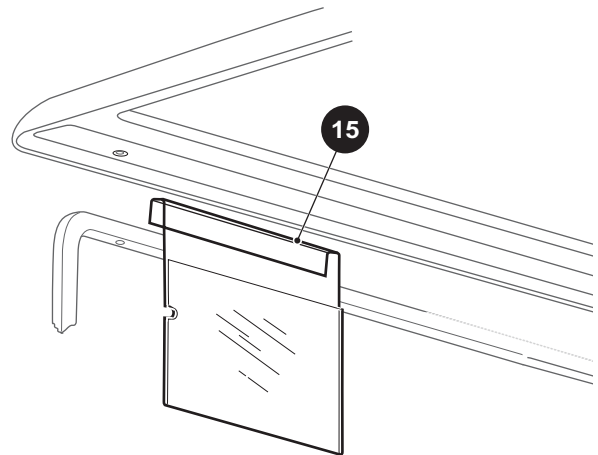
REAR VIEW MIRROR



REAR VIEW MIRROR



WEATHER ENCLOSURE



MESSAGE HOLDER

WEATHER PROTECTION

THE USE OF NON U.L. PARTS WILL VOID ANY U.L. LISTING.

When ordering parts, please specify the model and serial number of the product.

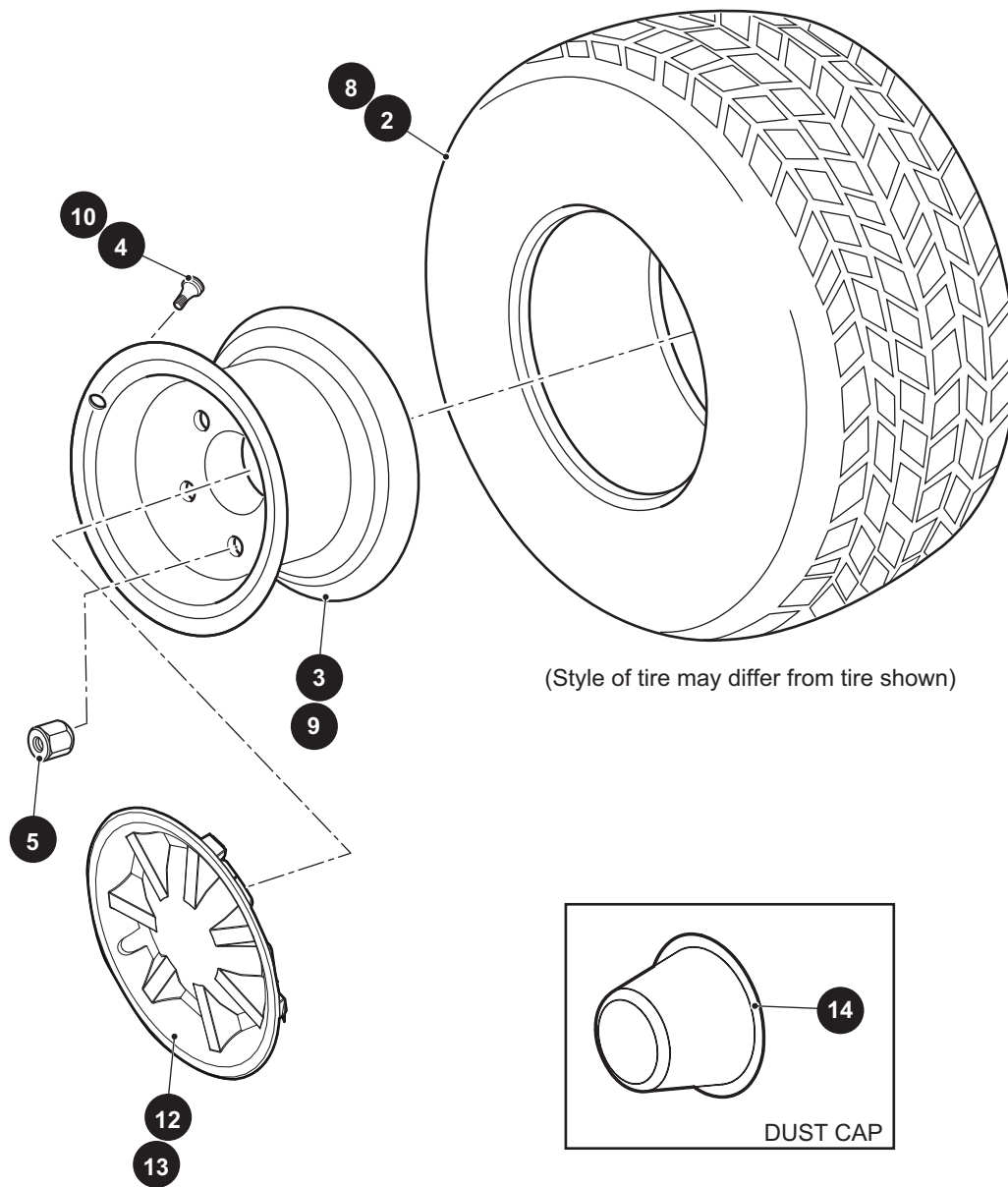
* Indicates a component that is not available as an individual part.

*** Indicates consult Customer Service Department for additional information.

ITEM	PART NO.	1 2 3 4 5	DESCRIPTION	QTY.
1	611099		Windshield Kit (Includes Item 2).....	1
2	615662		Sash, 26"	2
3	611100		Windshield Kit (Includes Item 4).....	1
4	615661		Sash, 12"	2
5	19528G2		Rear View Mirror Kit (Includes Items 6 - 8)	1
6	19496G1		Rear View Mirror.....	1
7	19502G2		Support Bracket.....	1
8	19527G1		Pan Head Screw, # 8 - 32 X 5/8" LG	1
9				
10				
11	27924G01		Rear View Mirror (Curtis Cab Kit).....	1
12				
13	611907		Enclosure Kit (White)	1
14				
15	75509G01		Message Holder Kit (1 Piece)	1
16	601379		Rear View Mirror (Five Panel Kit) (Not Illustrated)	1

WHEELS AND TIRES

- 1 Wheel and Tire Assembly includes items 2 - 4
- 7 Wheel and Tire Assembly includes items 8 - 10



WHEELS AND TIRES

THE USE OF NON U.L. PARTS WILL VOID ANY U.L. LISTING.

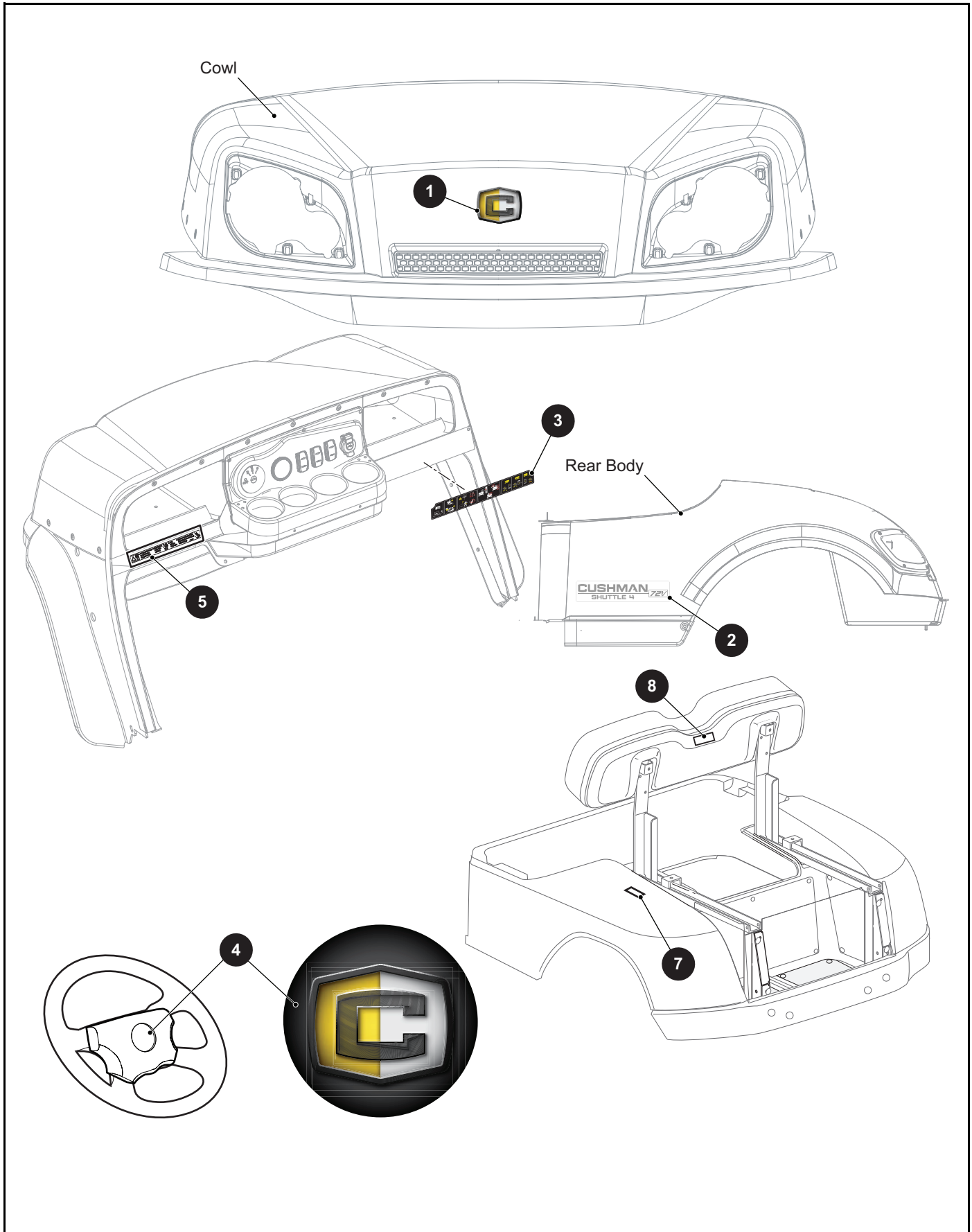
When ordering parts, please specify the model and serial number of the product.

* Indicates a component that is not available as an individual part.

*** Indicates consult Customer Service Department for additional information.

ITEM	PART NO.	1 2 3 4 5	DESCRIPTION	QTY.
1	614437		Wheel and Tire Assembly, Load Star (Includes Items 2 - 4)	1
2	614438		Tire.....	1
3	614621		Rim	1
4	11657G2		Valve Stem	1
5	14723G1		Lug Nut, 1/2" - 20	4
6				
7	612772		Wheel and Tire Assembly, Hole-N-One (Includes Items 8 - 10).....	1
8	612771		Tire, 18 x 8.50.....	1
9	612770		Rim	1
10	11657G2		Valve Stem	1
11				
12	665144		Wheel Cover, 8" (Metallic Silver).....	1
13	665149		Wheel Cover, 8" (Metallic Gold)	1
14	74175G01		Dust Cap	1

DECALS AND LABELS



DECALS AND LABELS

THE USE OF NON U.L. PARTS WILL VOID ANY U.L. LISTING.

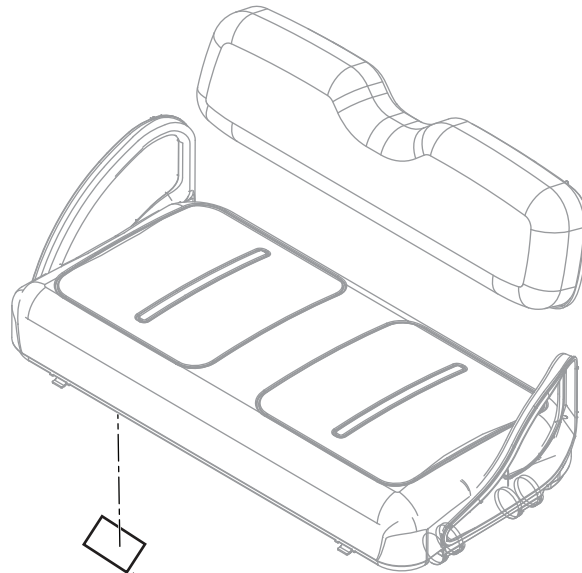
When ordering parts, please specify the model and serial number of the product.

* Indicates a component that is not available as an individual part.

*** Indicates consult Customer Service Department for additional information.

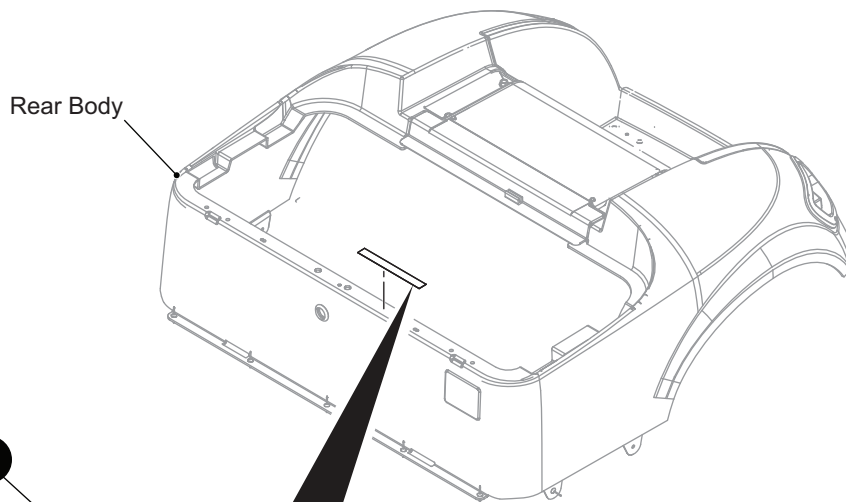
ITEM	PART NO.	1 2 3 4 5	DESCRIPTION	QTY.
1	619135		Cowl Decal	1
2	671320		Side Decal	1
3	662186		Operating Instruction Label	1
4	618086		Steering Wheel Decal	1
5	74443G01		Anti Rollback Decal	1
6				
7	74099G01		Bed Latch Warning Label.....	1
8	74095G01		Bed Warning Label.....	1

For CE vehicles only



1

AUTHORIZED REPRESENTATIVE IN EC IS:
RANSOMES JACOBSEN LTD.
WEST ROAD, IPSWICH,
SUFFOLK, IP3 9TT, UK



Rear Body

2



DECALS AND LABELS

THE USE OF NON U.L. PARTS WILL VOID ANY U.L. LISTING.

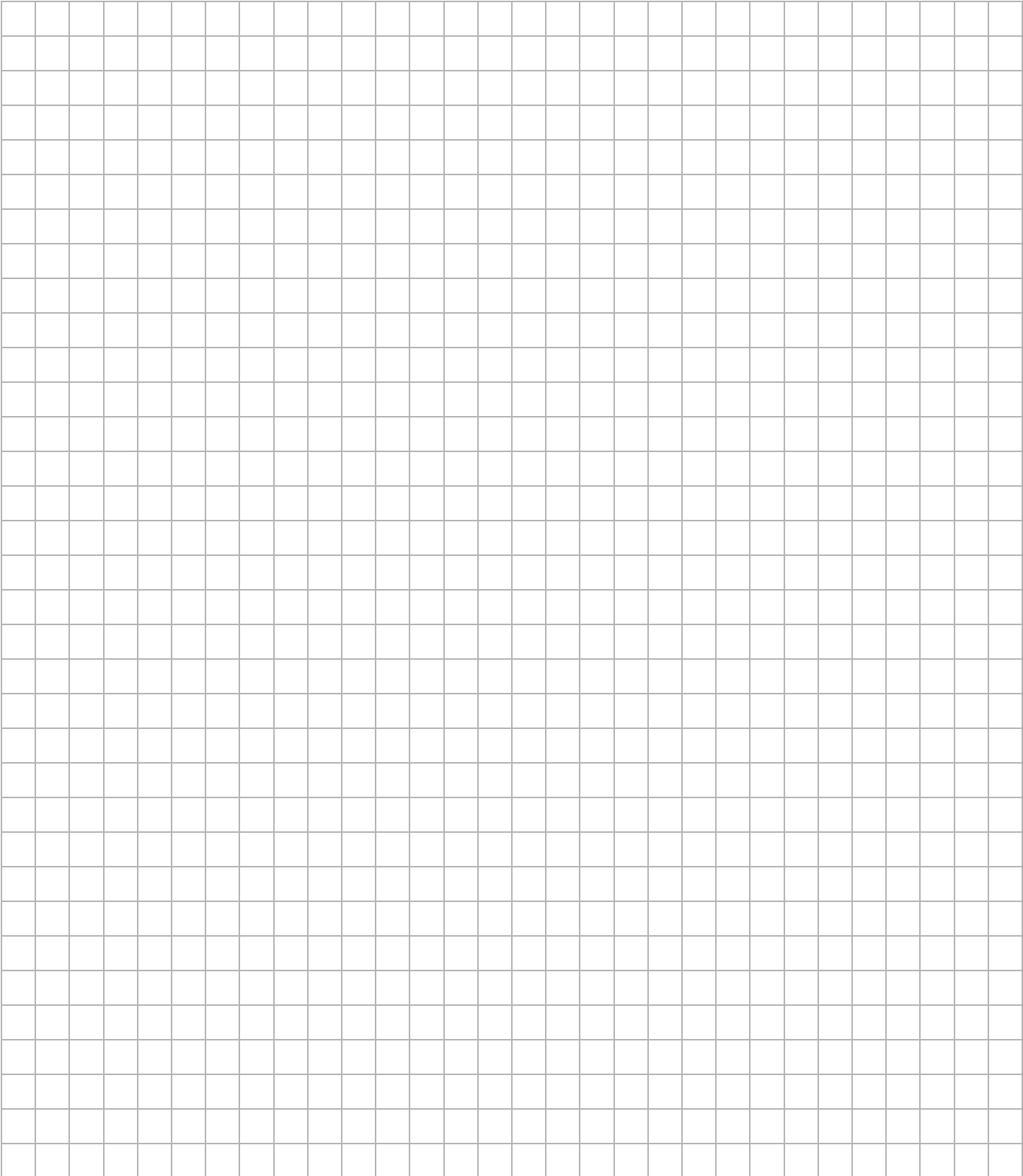
When ordering parts, please specify the model and serial number of the product.

* Indicates a component that is not available as an individual part.

*** Indicates consult Customer Service Department for additional information.

ITEM	PART NO.	1 2 3 4 5	DESCRIPTION	QTY.
1	614068		Authorized Representative Label	1
2	28203G01		Battery Warning Decal	1

Notes:



The page contains a large grid for taking notes. The grid is composed of 31 columns and 30 rows of small squares. The grid is empty, with no text or markings inside the cells.



Textron Specialized Vehicles, Inc.,
1451 Marvin Griffin Road
Augusta, Georgia 30906 - 3852 USA

CONTACT INFORMATION

North America:

Technical Assistance & Warranty Phone: 1-800-774-3946, FAX: 1-800-448-8124
Service Parts Phone: 1-888-438-3946, FAX: 1-800-752-6175

International: Phone: 001-706-798-4311, FAX: 001-706-771-4609

Owner's Guides and Repair Manuals
are available from a local Distributor, an authorized Branch,
Parts & Accessories Department or at www.cushman.com.

Copyrighted Material
This manual may not be reproduced in whole or
in part without the express permission of
Textron Specialized Vehicles
Technical Publications Department