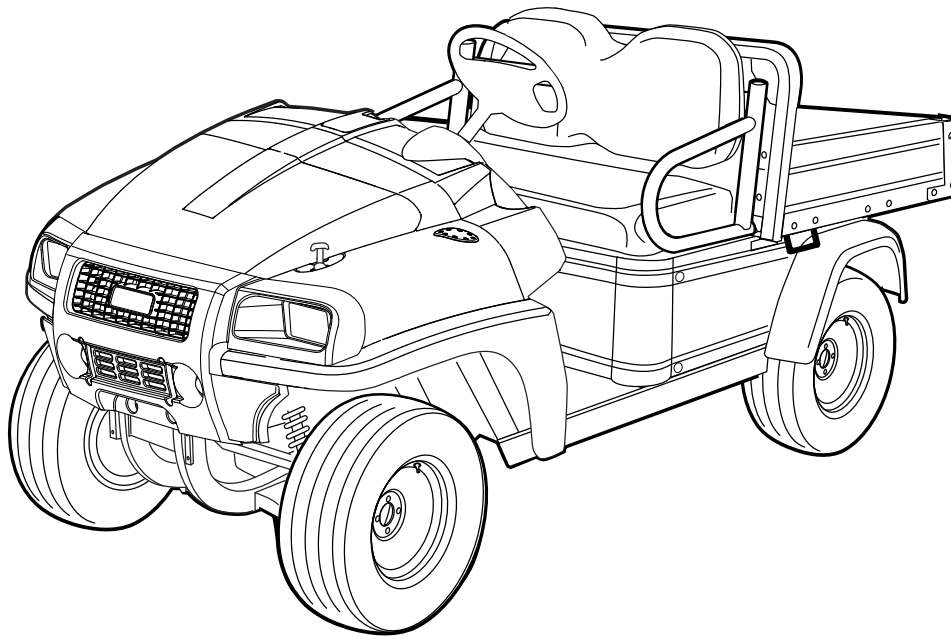




**2013**  
**Carryall 295 2WD**  
**Illustrated Parts List**



**Gasoline Utility Vehicle**

Manual Number 103997625  
Edition Code 0812B0616A



# USING THE ILLUSTRATED PARTS LIST

---

## **⚠ WARNING**

- **This manual is to be used only for identification and ordering of service parts. Be sure to read and use the maintenance and service manual before attempting any vehicle repairs.**

This manual covers all 2013 Carryall 295 two-wheel drive vehicles.

The manual is divided into sections. Note that there are two or three flags on the outside edge of each page. The first flag contains the section number of which that page is a part. The other flag (or flags) contains the letter D, E, or G, signifying that the page pertains to the diesel, electric, or gasoline vehicles only.

Use the Table of Contents to find the sections and pages that contain the parts and assemblies you seek. The Table of Contents lists section numbers, and under them, the individual page titles and numbers to be found in that section. The index can be used to find specific parts and assemblies. The index is divided into numerical and alphabetical listings with the page numbers in italic text.

There is a two-page spread for each individual page title in the Table of Contents. On the left-hand page is an illustration showing the parts in their relative positions; the parts are each tagged with an item number in a balloon. The right-hand page is the parts list page, and gives the page title at the top, then the item numbers (corresponding to the numbers on the illustration), part descriptions, and quantity of parts used.

Note that a part description may be indented. This indentation corresponds to a parts assembly level indicated by the numbers 1, 2, 3, and 4 at the top left corner of the parts description area of the parts list page. A part that is indented to *level 2* is a component of the *level 1* part (assembly) that it is listed under. A *level 3* part is a component of the *level 2* part that it is listed under, and a *level 4* part is a component of the *level 3* part preceding it. In each case, the part quantity given for a level 2, 3, or 4 part is the quantity used per next higher level assembly of which it is a component. A part that is not indented is a *level 1* part. This means that the quantity given is the quantity used per the portion of the vehicle illustrated on that particular spread.

## **HOW TO ORDER PARTS**

Replacement parts and accessories can be obtained from our network of authorized dealers and distributors. You can obtain the name and phone number of your closest authorized Club Car dealer or distributor by visiting our web site at [www.clubcar.com](http://www.clubcar.com) and clicking on the "Distributor Search" link or by calling our toll-free Service Parts and Technical Assistance hotline at (800) 872-2246 or (706) 863-3000, extension 3887.



**P. O. Box 204658**  
**Augusta, Georgia 30917-4658 USA**  
**Telephone 706-863-3000**  
**Service Parts Fax 706-855-7413**  
**[www.clubcar.com](http://www.clubcar.com)**

**NOTE:** *This illustrated parts list represents the most current information at the time of publication. Club Car, LLC. is continually working to further improve its vehicles and other products. These improvements may affect the parts used to service the vehicle. Any modification and/or significant change in specifications will be forwarded to all Club Car and Carryall distributors/dealers and will, when applicable, appear in future editions of this illustrated parts list.*

*Club Car, LLC. reserves the right to change specifications and designs at any time without notice and without the obligation of making changes to units previously sold.*

Copyright © 2012 Club Car, LLC.  
Club Car is a registered trademark of Club Car, LLC.  
This manual effective July 18, 2012.

# CONTENTS

---

## SECTION 1 – BODY AND TRIM

---

Fascia and Fenders .....	1-3
Cowl Assemblies .....	1-5
Dash and Splash Guard .....	1-7
Glove Box .....	1-9
Side Stringers .....	1-11
Floorboard .....	1-13
Seat Frame – Vehicle without ROPS .....	1-15
Bench Seat .....	1-17
Bucket Seats – Gray .....	1-19
Bucket Seats – Black .....	1-21
Bench Seat Conversion Kit .....	1-23
2-Point Seat Belts .....	1-25
ROPS .....	1-27
Canopy (Vehicle with ROPS) .....	1-29
Canopy and Supports – Vehicle without ROPS .....	1-31
Latch Plates and Prop Rod .....	1-33
Tilt Bed, Hinge, and Latch .....	1-35
Box Bed – Aluminum .....	1-37
Side Panels and Rear Fenders .....	1-39

---

## SECTION 2 – WHEELS AND TIRES

---

Wheels and Tires – Steel with Turf .....	2-3
Wheels and Tires – Steel with All-Terrain/Mud .....	2-5
Wheels and Tires – Alloy with All-Terrain/Mud .....	2-7

---

## SECTION 3 – DECALS

---

Safety Decals .....	3-3
Safety Decals, Continued (without ROPS Option) .....	3-5
Safety Decals, Continued (with ROPS Option) .....	3-7
Badging Decals .....	3-9

---

## SECTION 4 – BRAKE SYSTEM

---

Front Brakes .....	4-3
Master Cylinder with Integral Reservoir .....	4-5
Hydraulic Brake Lines and Clips .....	4-7
Brake Pedal .....	4-9
Park Brake System .....	4-11

# CONTENTS

Rear Brakes .....	4-13
-------------------	------

## SECTION 5 – STEERING AND SUSPENSION

Steering Wheel and Column .....	5-3
Steering Gear .....	5-5
Steering Damper .....	5-7
Front Suspension (S/N Lower than 347765) – Page 1 of 2 .....	5-9
Front Suspension – Page 2 of 2 .....	5-11
Shock Absorbers – 1050 lb. Capacity .....	5-13
Shock Absorbers – 1500 lb. Capacity .....	5-15
Rear Suspension (4-Link) .....	5-17

## SECTION 6 – ELECTRICAL SYSTEM

Wiring – Gasoline Vehicle .....	6-5
Electrical Components, Front Body – Gas Vehicle .....	6-7
Electrical Component Box, Gasoline Vehicle .....	6-9
Battery – Gasoline Vehicle .....	6-11

## SECTION 7 – KAWASAKI FH680D GASOLINE ENGINE

Kawasaki FH680D Gasoline Engine and Mounting .....	7-3
Oil and Lubrication Components .....	7-5
Oil Filter Adapter – Kawasaki FH680 .....	7-7
Ignition Components and Flywheel – Kawasaki FH680 .....	7-9
Cylinder Head and Crankcase .....	7-11
Valves and Camshaft .....	7-13
Pistons and Crankshaft .....	7-15
Shrouds and Brackets .....	7-17

## SECTION 8 – FUEL, INTAKE, ACCELERATOR AND GOVERNOR SYSTEMS

Fuel Tank (S/N 346908 and Greater) – Gasoline Vehicle .....	8-3
Fuel Pump, Filter and Hose – Kawasaki FH680 .....	8-5
Carbon Canister – Gasoline Vehicle .....	8-7
Intake Hoses and Air Filter – Kawasaki FH680 .....	8-9
Carburetor – Kawasaki FH680 .....	8-11
Intake Manifold and Carburetor Mounting – Kawasaki FH680 .....	8-13
Accelerator Pedal .....	8-15
Accelerator and Choke Cables – Kawasaki FH680 .....	8-17
Governor Arm and Springs – Kawasaki FH680 .....	8-19

# CONTENTS

---

## SECTION 9 – EXHAUST SYSTEM

---

Exhaust Pipe and Muffler .....	9-3
Exhaust Header – Kawasaki FH680 .....	9-5

## SECTION 10 – CLUTCHES

---

Drive Belt .....	10-3
Drive Clutch (3 Weight) – Gas Vehicle .....	10-5
Driven Clutch (for 3 Weight Drive Clutch) .....	10-7
Clutch Cover (Non-Sealed) .....	10-9
Clutch Cover (Sealed) .....	10-11

## SECTION 11 – DRIVETRAIN COMPONENTS

---

Forward/Reverse Shifter and Cable .....	11-3
Transmission – Page 1 of 3 .....	11-5
Transmission – Page 2 of 3 .....	11-7
Transmission – Page 3 of 3 .....	11-9
Prop Shaft .....	11-11
Rear Differential and Axles – Page 1 of 2 .....	11-13
Rear Differential and Axles – Page 2 of 2 .....	11-15

## SECTION 12 – MAINTENANCE AND SERVICE TOOLS

---

Maintenance and Service Tools – AWD/950 .....	12-3
Maintenance and Service Tools – AWD/950, Continued .....	12-5
Maintenance and Service Tools – AWD/950, Continued .....	12-7

## SECTION i – INDEX

---



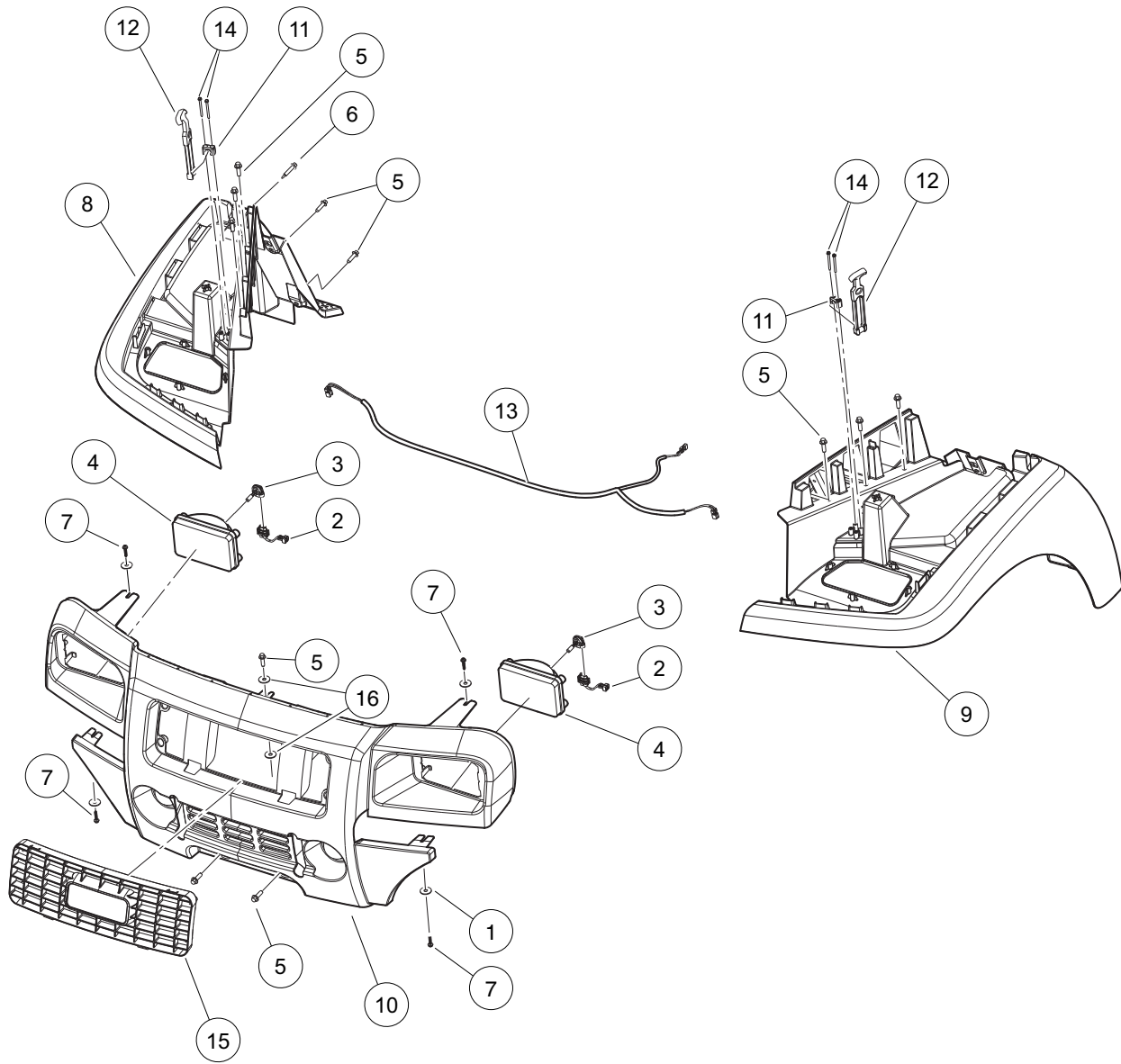


# BODY AND TRIM

---

1

G

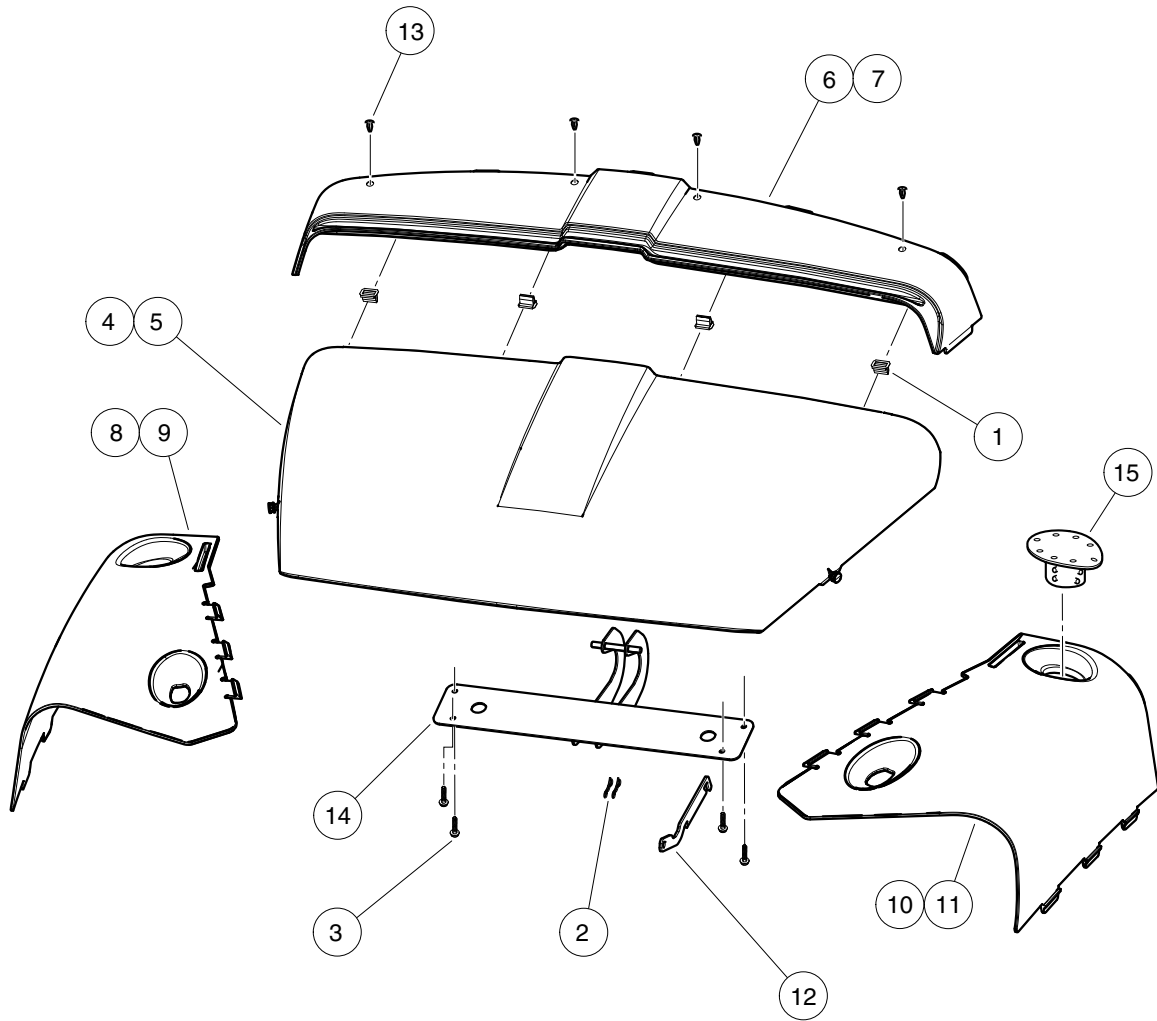


000507-003

# FASCIA AND FENDERS

ITEM	PART NO.	DESCRIPTION	QTY
		1 2 3 4	
1	<u>1011578</u>	Washer, 5/16 Type B Flat .....	4
2	<u>101987901</u>	Connector, Harness Assembly, Headlight .....	2
3	<u>101988101</u>	Bulb, Headlight .....	2
4	<u>101988201</u>	Lens, Headlight .....	2
5	<u>102289001</u>	Screw, M8X1.25X30, Hex .....	13
6	<u>102292356</u>	Screw-1/4-20x56 Hwh Self Drill .....	2
7	<u>102297230</u>	Screw, M6, Torx, Interlock Thread .....	4
8	<u>102866901</u>	Fender, Front, Pass, AWD .....	1
9	<u>102867001</u>	Fender, Front, Drv, AWD .....	1
10	<u>102867501</u>	Fascia, Front, CA, AWD .....	1
11	<u>102882401</u>	Bracket, Latch, Draw .....	2
12	<u>102895101</u>	Latch, Draw, Hood .....	2
13	<u>103213301</u>	Harness, Wire, XRT/CA Restyle Headlights .....	1
14	<u>103218107</u>	Screw, #8x2.00 AB Thd, Hex Hd .....	4
15	<u>103760601</u>	Grill, Carryall .....	1
16	<u>808</u>	Washer, 3/8 Type B Flat .....	2

1  
G



000508-005

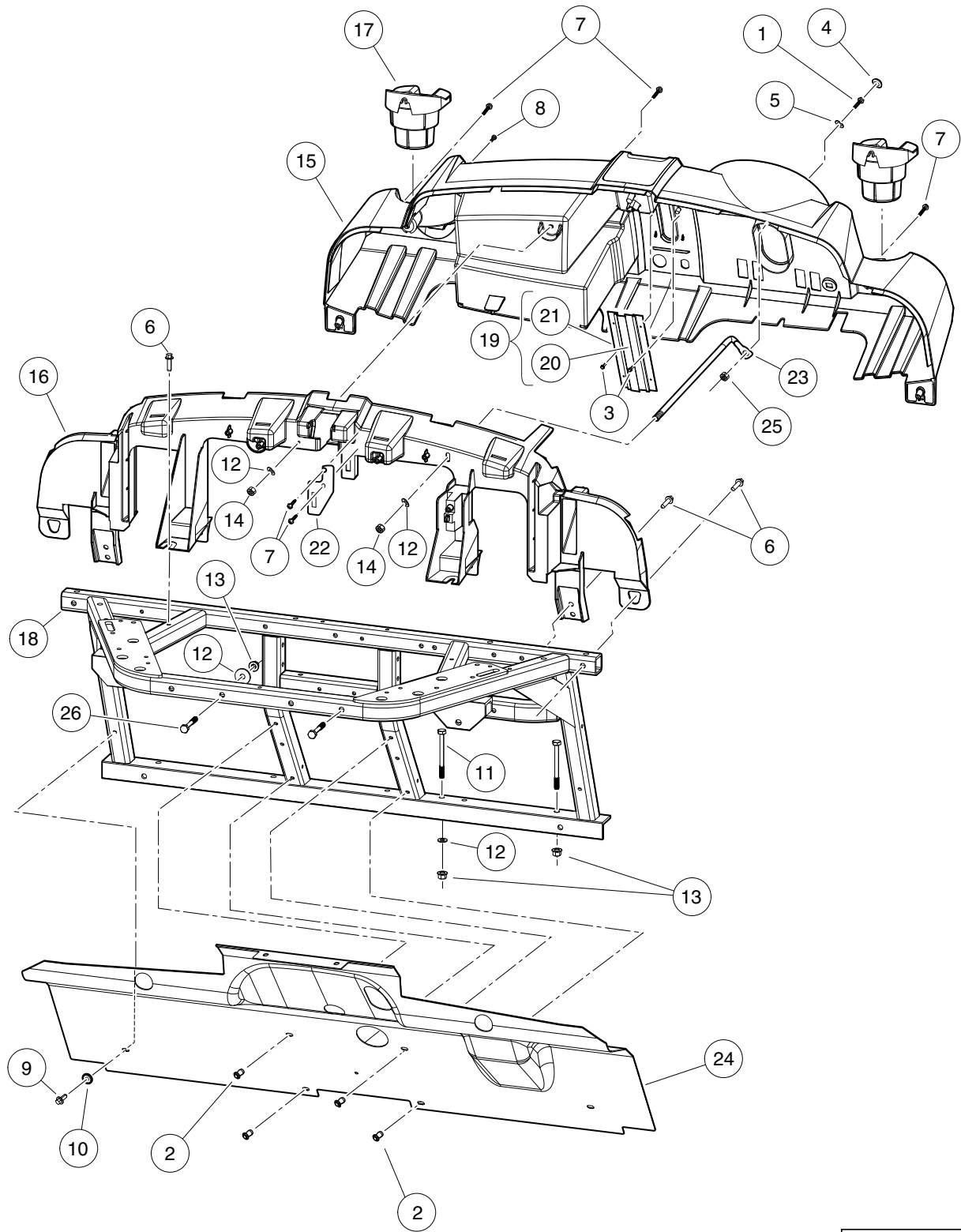
# COWL ASSEMBLIES

ITEM	PART NO.	DESCRIPTION	QTY
		1 2 3 4	
1	<u>102292701</u>	Clip-body-trim .....	4
2	<u>102292801</u>	Pin, Bow Tie Locking - .072 .....	2
3	<u>102297230</u>	Screw, M6, Torx, Interlock Thread .....	4
4	<u>102866510</u>	Hood, Dark Green .....	1
5	<u>102866514</u>	Hood, Dark Gray .....	1
6	<u>102866610</u>	Panel, Cowl, Center, Dark Green .....	1
7	<u>102866614</u>	Panel, Cowl, Center, Dark Gray .....	1
8	<u>102866710</u>	Panel, Cowl, Passenger-Side, Dark Green .....	1
9	<u>102866714</u>	Panel, Cowl, Passenger-Side, Dark Gray .....	1
10	<u>102866810</u>	Panel, Cowl, Driver-Side, Dark Green .....	1
11	<u>102866814</u>	Panel, Cowl, Driver-Side, Gray .....	1
12	<u>102896501</u>	Prop, Hood .....	1
13	<u>102967901</u>	Rivet, Removable, Tuflok 1/4" .....	4
14	<u>103588001</u>	Asm, Hood Hinge .....	1
15	<u>103954001</u>	Plug, Panel, Cowl .....	2

**1**

**G**

**1**  
**G**



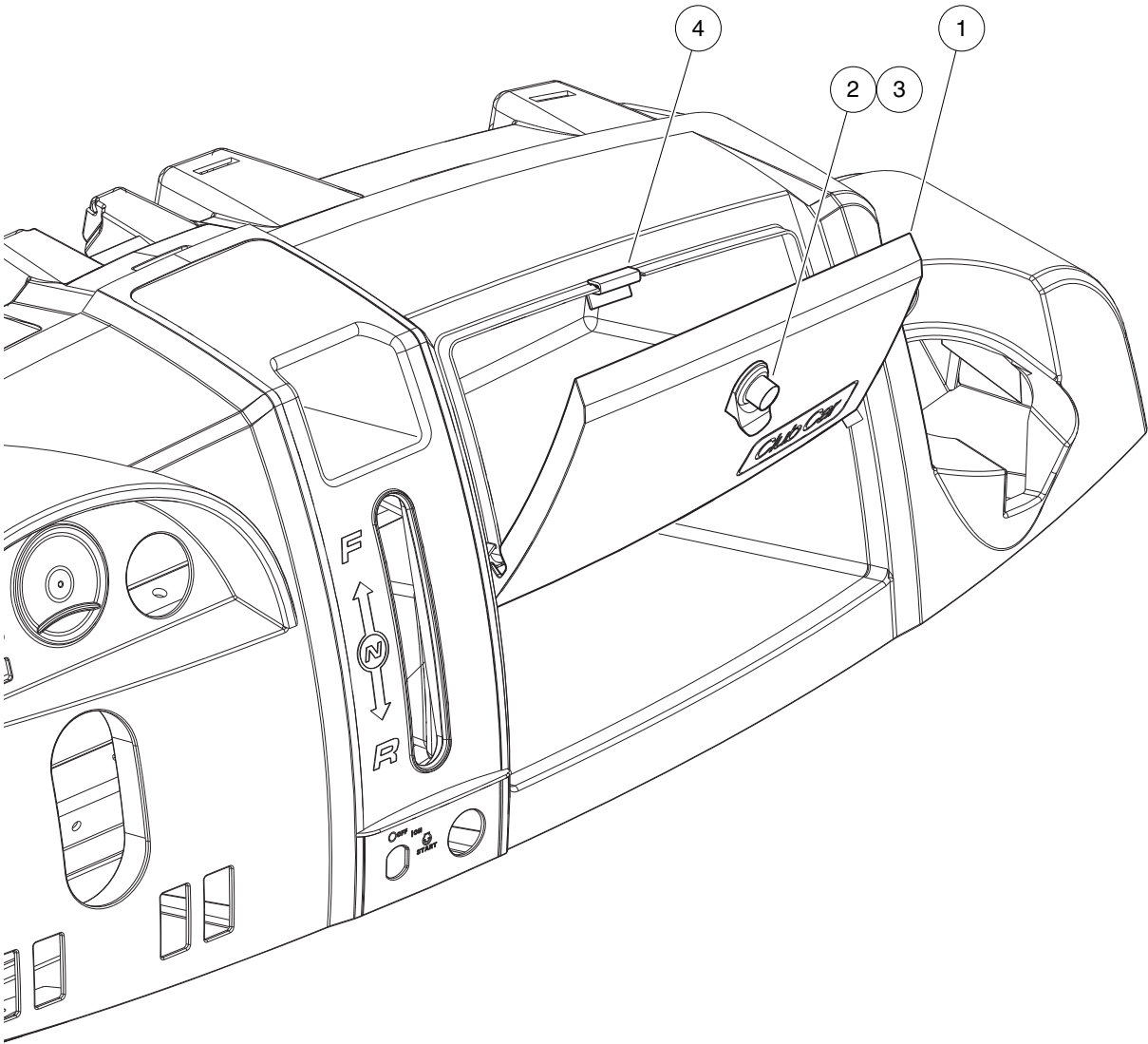
000519-003

# DASH AND SPLASH GUARD

ITEM	PART NO.	DESCRIPTION	QTY
		<b>1 2 3 4</b>	
1	1016916	Screw, 1/4-20 X 1.50 Hex-Head Cap .....	1
2	1016967	Blind Rivet, Push Type .....	4
3	101804301	Screw, #8 X 0.500, Hex-Head Hi-Lo .....	2
4	102045001	Cap, 1/4" Plastic Screw Head .....	1
5	102048401	Washer, 1/4 Id Scalloped Plast .....	1
6	102289001	Screw, M8X1.25X30, Hex .....	6
7	102297230	Screw, M6, Torx, Interlock Thread .....	5
8	102298580	M8-1.25 X 80 Sems .....	1
9	102298720	Screw, M8-1.25x20, Taptite .....	2
10	102323501	Washer, Flat, 3/8, Blk Fin .....	2
11	102491301	Bolt, M10x1.50x100 (Black) .....	4
12	102491501	Washer, Hard, M10 .....	10
13	102617201	Nut, Flanged, M10 X 1.5, Mechanically Deformed .....	8
14	102618601	Lock Nut, Flange, M8 X 1.25 Nylon .....	2
15	102867101	Dash, Design A .....	1
16	102867301	Support, Structural .....	1
17	102883401	Cup Holder, Utility .....	2
18	102935501	Weldment, Dash, Front .....	1
19	103233001	Asm, Brush, Fnr (includes items 20 and 21) .....	2
20	N/A	Brush, Strip, FNR .....	2
21	N/A	Holder, Brush, Strip, FNR .....	2
22	103253801	Bracket, Hood Support .....	1
23	103268001	Rod, Connection, Dash .....	1
24	103296001	Guard, Splash, Gas Injection .....	1
25	8233	Locknut, 1/4-20, Nylon Insert .....	1
26	96715552	Bolt, M10 X 1.50 X 65 .....	4

**1**  
**G**

1  
G



000789-001

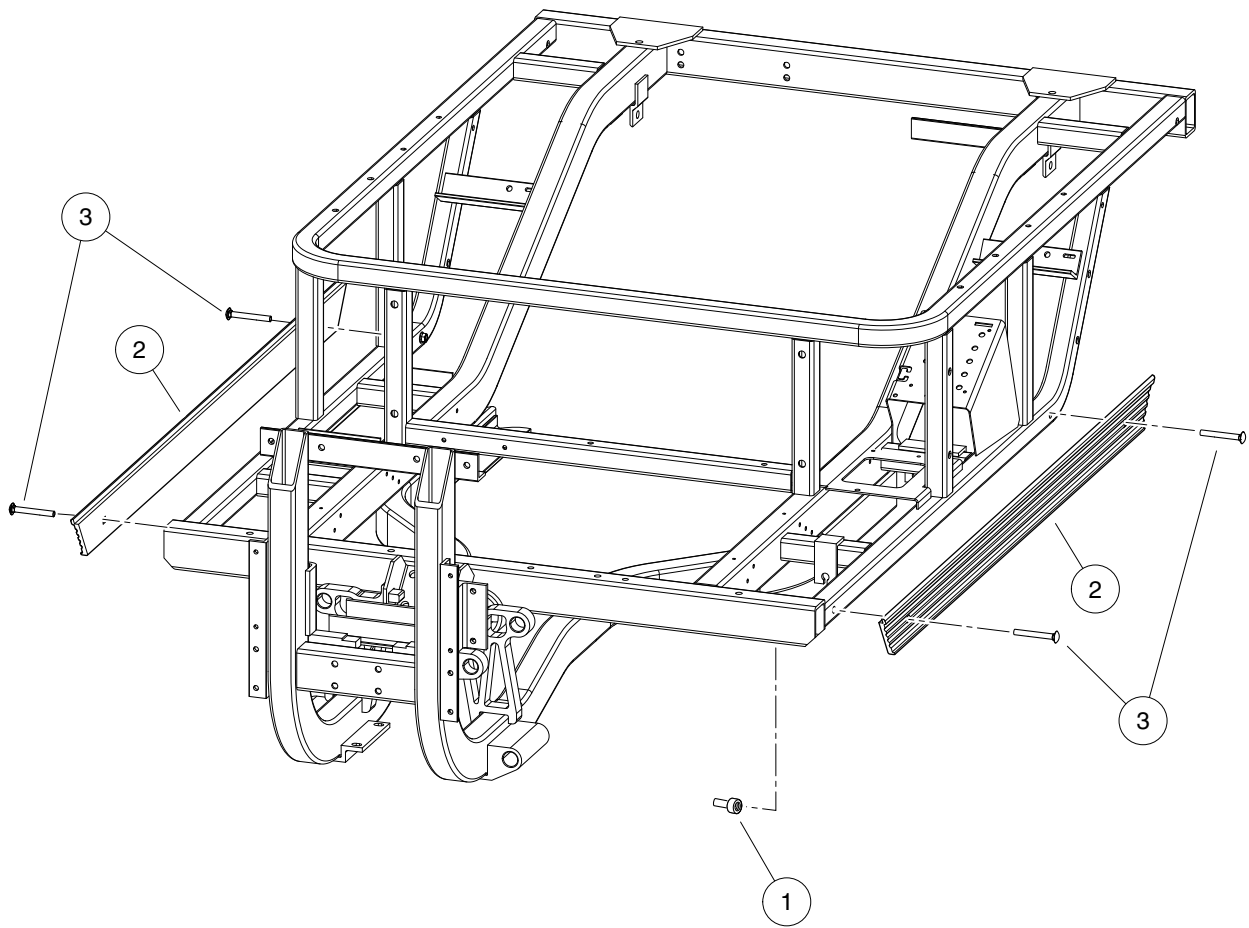


# GLOVE BOX

ITEM	PART NO.	DESCRIPTION	QTY
		<b>1 2 3 4</b>	
1	<u>102867202</u>	Cover, Storage, Dash, Blk, Cci .....	1
2	<u>103182701</u>	Latch, Push Close .....	1
3	<u>103182702</u>	Latch, Push Close W/ Key .....	1
4	<u>103182801</u>	Keeper, Latch, Push Close .....	1

**1**  
**G**

**1**  
**G**



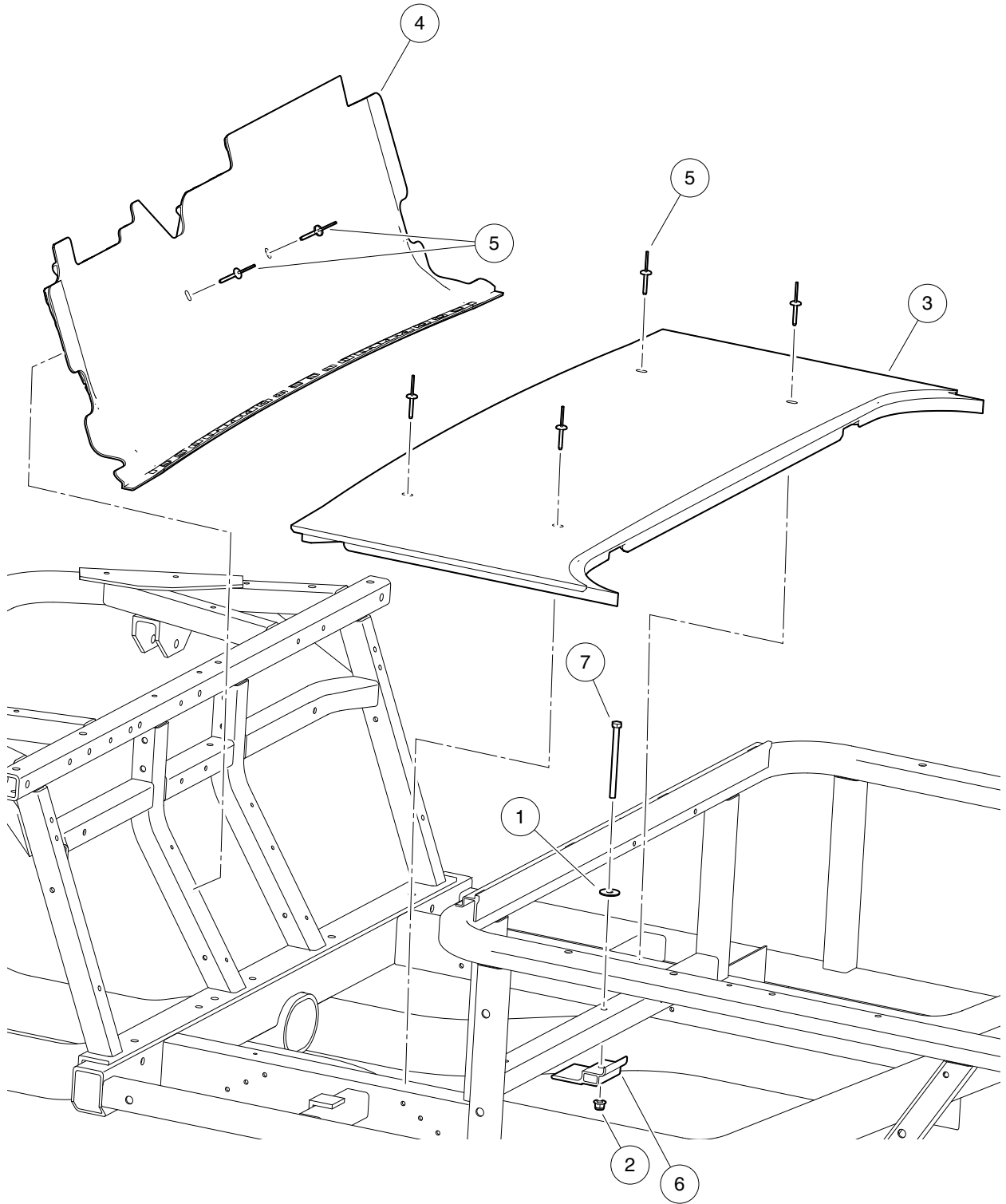
000527-001

# SIDE STRINGERS

ITEM	PART NO.	DESCRIPTION	QTY
1	<u>102491701</u>	Well Nut 1/4-20 .....	8
2	<u>103485501</u>	Stringer, Side, 1200mm .....	2
3	<u>103487501</u>	Screw, 1/4-20 X 1.0, Black .....	8

**1**  
**G**

**1**  
**G**



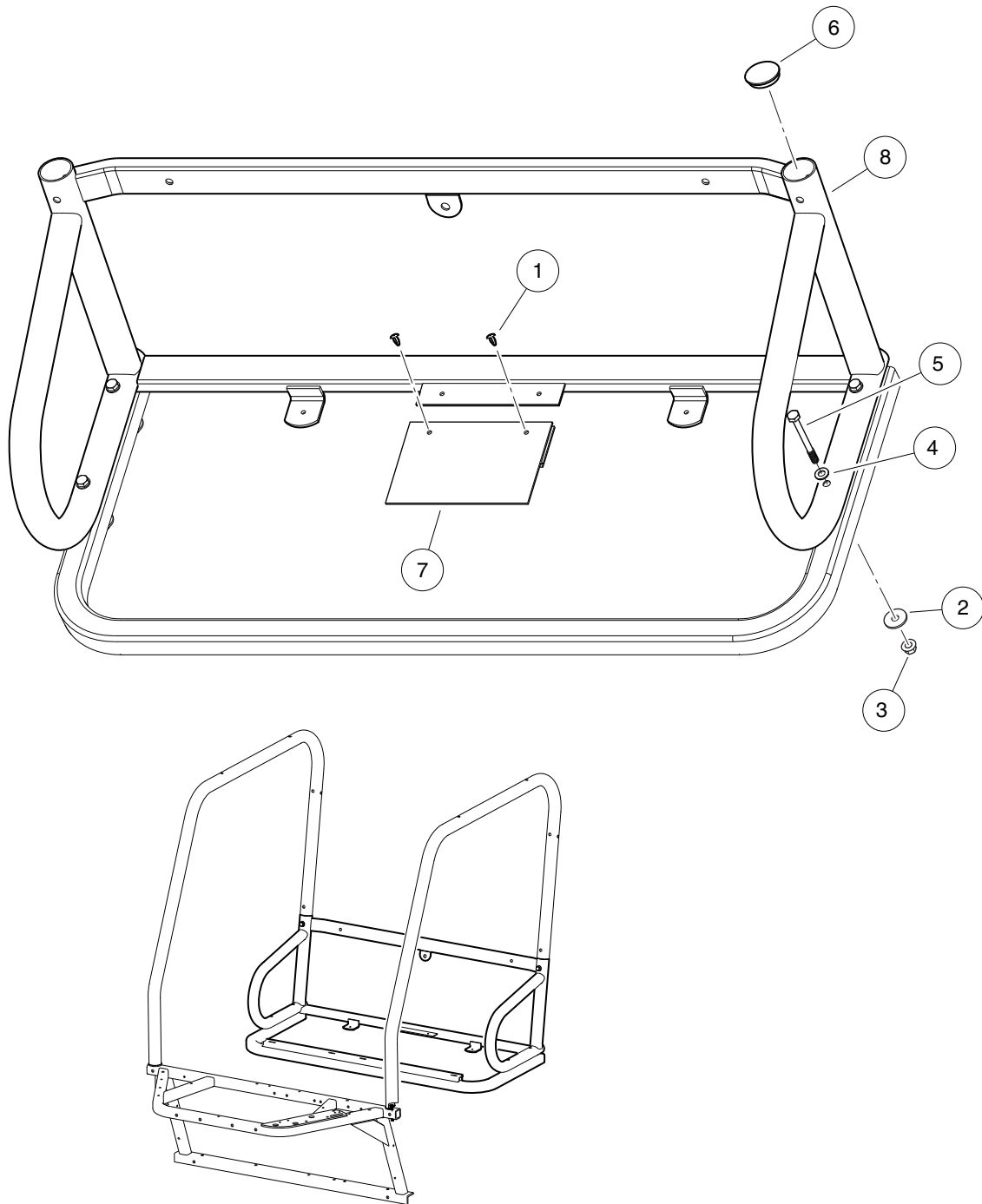
000790-003

# FLOORBOARD

ITEM	PART NO.	DESCRIPTION	QTY
		<b>1 2 3 4</b>	
1	<u>1011578</u>	Washer, 5/16 Type B Flat .....	1
2	102618601	Lock Nut, Flange, M8 X 1.25 Nylon .....	1
3	<u>103319601</u>	Floorboard, Lower .....	1
4	<u>103319701</u>	Floorboard, Upper .....	1
5	<u>103400001</u>	3/16 X 1.19 Alum Rivet, Blk .....	6
6	<u>103417401</u>	Bracket, Support, Floorboard .....	1
7	<u>103423701</u>	Bolt, M8 X 1.25 X 110 .....	1

**1**  
**G**

**1**  
**G**



000029-006

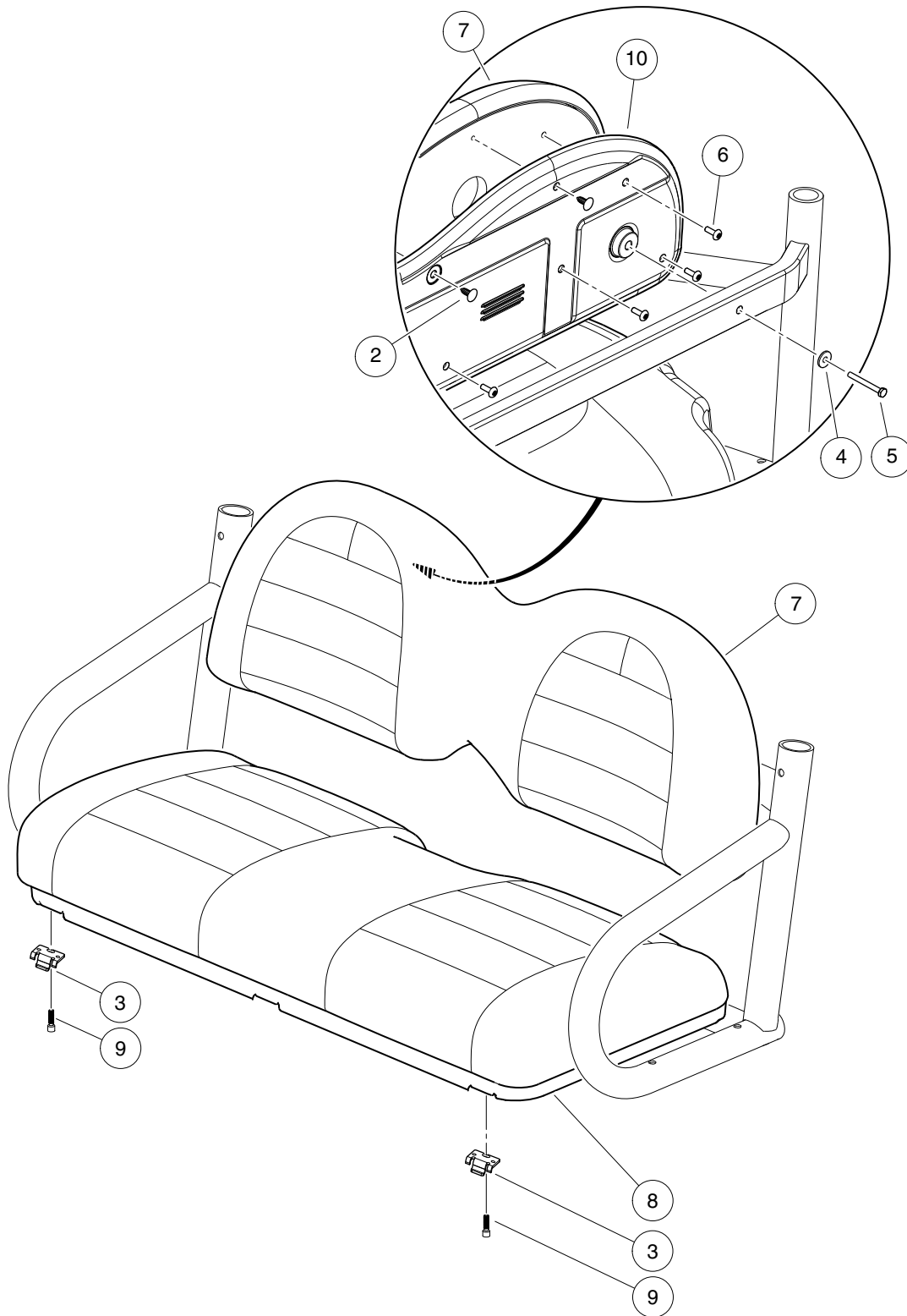
## SEAT FRAME – VEHICLE WITHOUT ROPS

ITEM	PART NO.	DESCRIPTION	QTY
		1 2 3 4	
1	<u>102025701</u>	Screw, Tuflok Panel, 1/4 .....	2
2	<u>102491501</u>	Washer, Hard, M10 .....	4
3	<u>102617201</u>	Nut, Flanged, M10 X 1.5, Mechanically Deformed .....	4
4	<u>102718101</u>	Washer, Hard, M10, Zn-Ni/Blk .....	4
5	<u>102732301</u>	Bolt, M10 X 100, Zn-Ni (Black) .....	4
6	<u>103215301</u>	Plug, Tube, Round, 2" .....	2
7	<u>103636701</u>	Closeout, Center, Style B .....	1
8	<u>103954101</u>	Weldment, Seat Support, 2wd .....	1

**1**

**G**

**1**  
**G**



000523-002

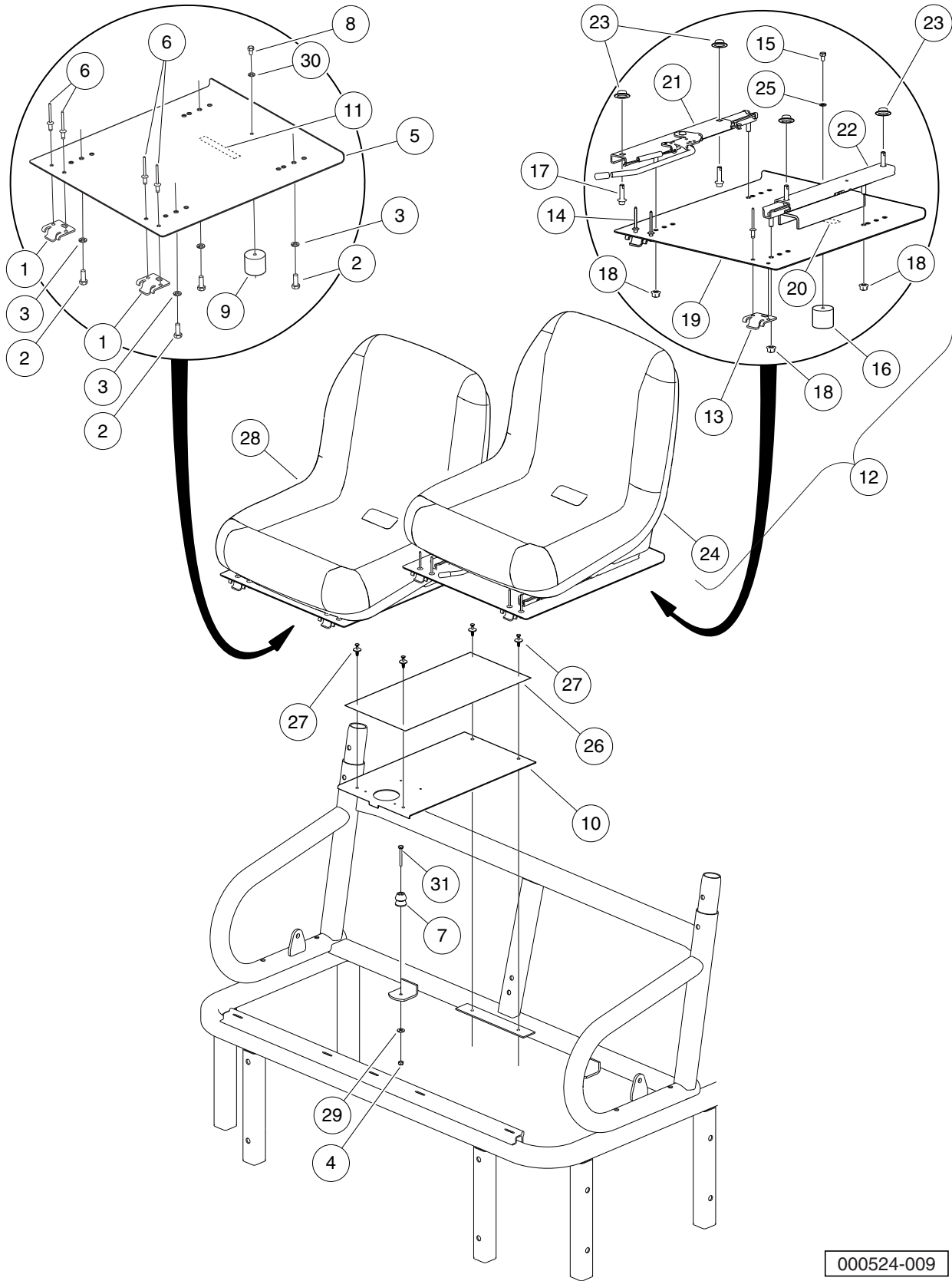


# BENCH SEAT

ITEM	PART NO.	DESCRIPTION	QTY
		<b>1 2 3 4</b>	
1	<u>103647201</u>	Kit, Bench Seat, Gray (includes items 2 through 10) .....	1
2	<u>1010434</u>	Barrel - Plastic .....	8
3	<u>1011652</u>	Hinge Plate .....	2
4	<u>1011697</u>	Washer, 5/16 Flat .....	3
5	1014201	Screw, 1/4-20 X 2.25 Hex Cap .....	3
6	<u>1014415</u>	Screw, 1/4-20 X 0.75 Torx Truss-Head .....	4
7	<u>103456001</u>	Seat Back, Bench, Gray .....	1
8	<u>103629102</u>	Seat, Bench, Bottom, Gray .....	1
9	<u>103629501</u>	Screw, 1/4-20 X .75 Shcs .....	4
10	<u>103831101</u>	Cap, Seatback, Vented .....	1
<p>Note: For other colors, order -02 Kit for Black; -03 Kit for Tan.</p>			

**1**  
**G**

**1**  
**G**



000524-009

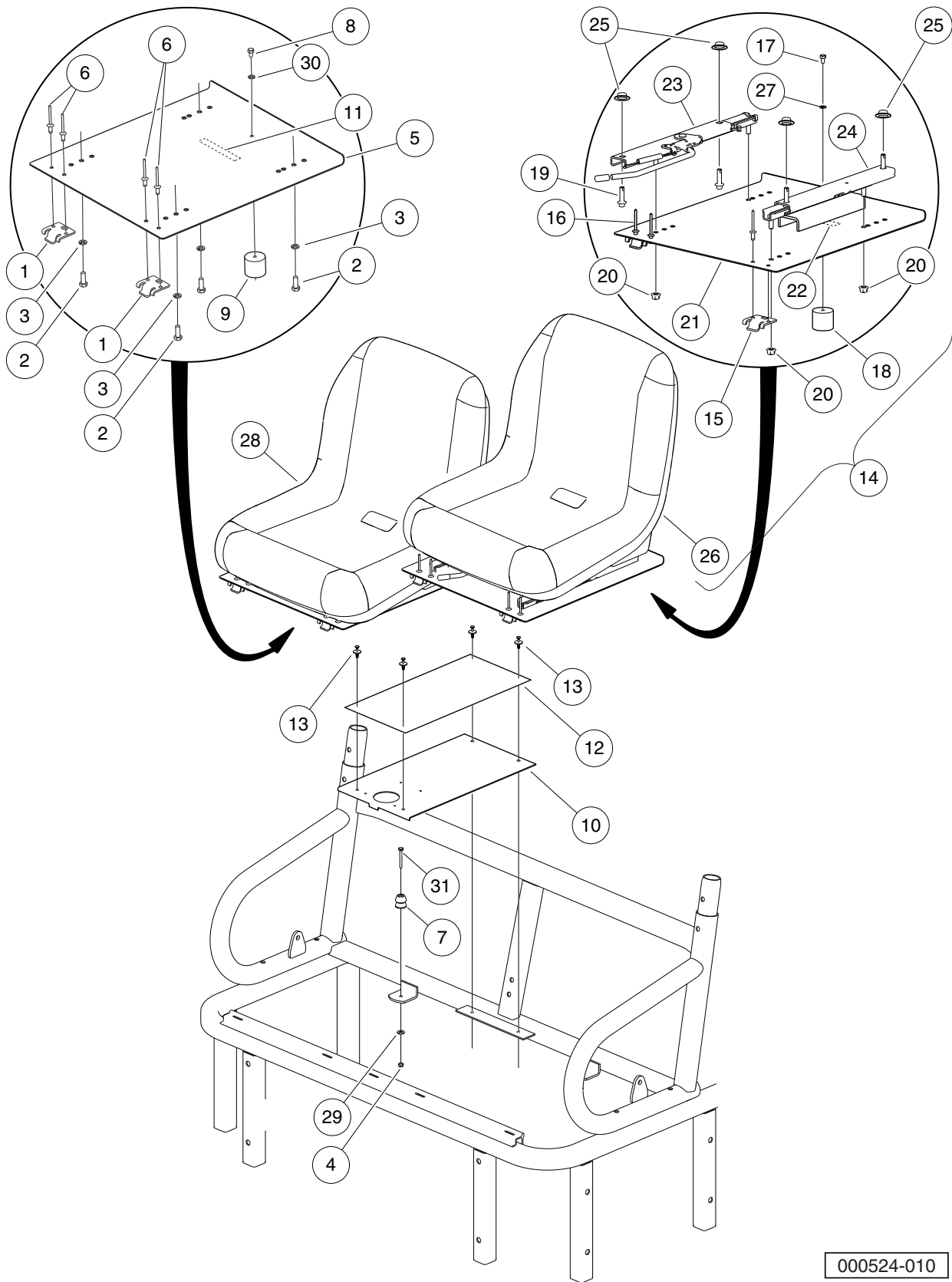
# BUCKET SEATS – GRAY

ITEM	PART NO.	DESCRIPTION	QTY
		1 2 3 4	
1	<u>1011652</u>	Hinge Plate .....	2
2	<u>1012830</u>	Screw, M8-125 X 22 Hex-Head .....	4
3	<u>1013734</u>	Lockwasher, 8mm Split .....	4
4	<u>101887601</u>	Locknut, M6-1.00 Nylon Insert .....	2
5	<u>102023703</u>	Pan, Seat, Passenger .....	1
6	<u>102047001</u>	Rivet, 1/4 X .438 Blind .....	4
7	<u>102059001</u>	Seat Holder Base .....	2
8	<u>102059401</u>	Screw, 6m-1.00 X 10mm Hex Head .....	1
9	<u>102061101</u>	Seat Holder Cup .....	1
10	<u>102442001</u>	Pan, Center, Closeout .....	1
11	<u>102458901</u>	Decal, Hot Surface Warning .....	1
12	<u>102473701</u>	Asm, Bucket Seat Adjustable (includes items 13 through 25) .....	1
13	<u>1011652</u>	Hinge Plate .....	2
14	<u>102047001</u>	Rivet, 1/4 X .438 Blind .....	4
15	<u>102059401</u>	Screw, 6m-1.00 X 10mm Hex Head .....	1
16	<u>102061101</u>	Seat Holder Cup .....	1
17	<u>102298130</u>	Bolt, Flange Head, M8 X 30.0 .....	4
18	<u>102298401</u>	Nut,m8,all Metal Lock .....	4
19	<u>102456001</u>	Pan, Seat, Driver Asm .....	1
20	<u>102458901</u>	Decal, Hot Surface Warning .....	1
21	<u>102473501</u>	Adjuster, Forward/Aft .....	1
22	<u>102473601</u>	Adjuster, Slider .....	1
23	<u>102475901</u>	Washer, Bell .....	4
24	<u>103267001</u>	Seat, Bucket, Gray .....	1
25	<u>451</u>	Lockwasher, 1/4 Split .....	1
26	<u>102763701</u>	Cover, Center Console .....	1
27	<u>102967901</u>	Rivet, Removable, Tuflok 1/4" .....	4
28	<u>103267001</u>	Seat, Bucket, Gray .....	1
29	<u>332</u>	Washer, 1/4 Type A Narrow Flat .....	2
30	<u>451</u>	Lockwasher, 1/4 Split .....	1
31	<u>96742515</u>	Bolt, M6 X 1 X 45 .....	2

**1**

**G**

**1**  
**G**



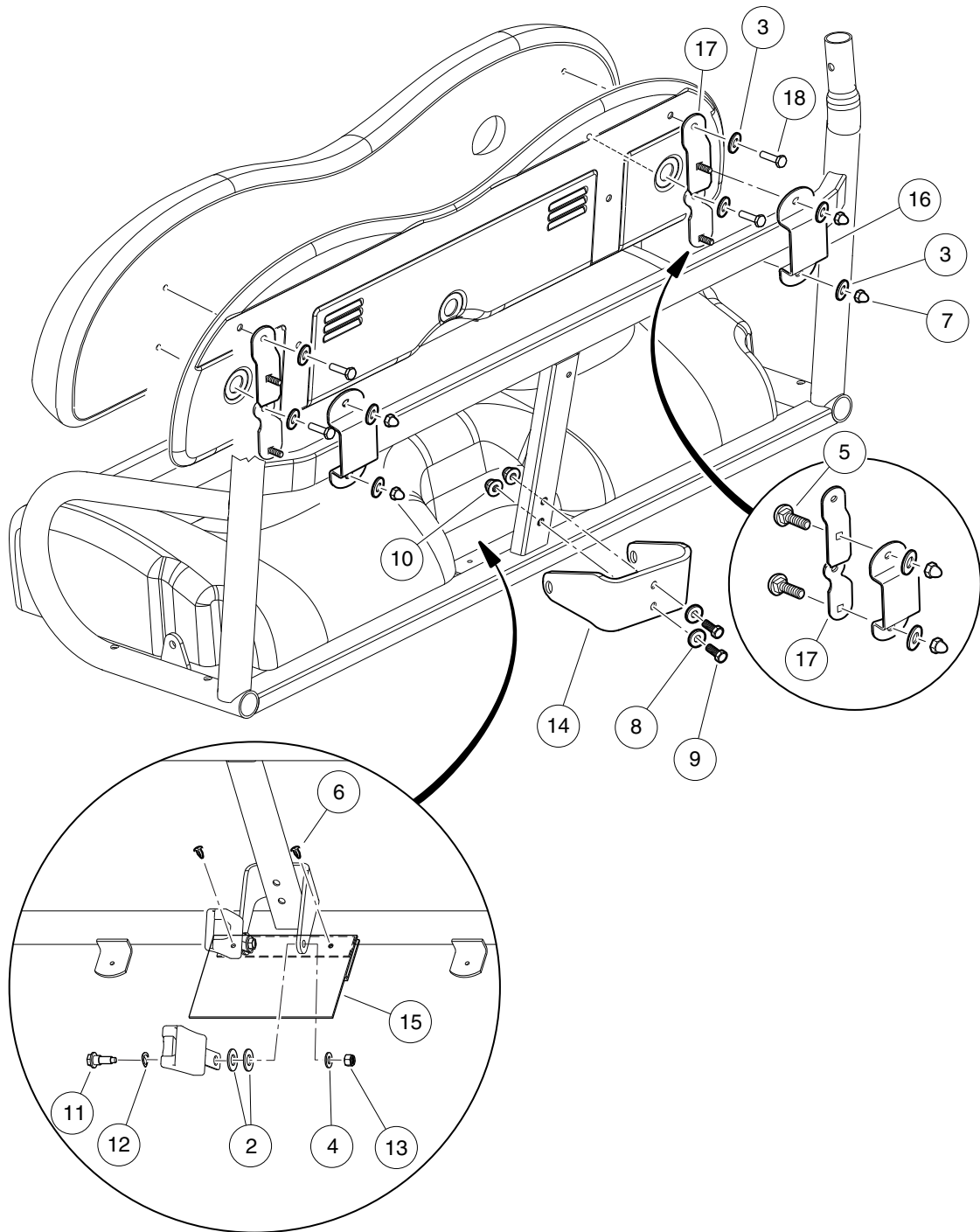
000524-010

# BUCKET SEATS – BLACK

ITEM	PART NO.	DESCRIPTION	QTY
		1 2 3 4	
1	<u>1011652</u>	Hinge Plate .....	2
2	<u>1012830</u>	Screw, M8-125 X 22 Hex-Head .....	4
3	<u>1013734</u>	Lockwasher, 8mm Split .....	4
4	<u>101887601</u>	Locknut, M6-1.00 Nylon Insert .....	2
5	<u>102023703</u>	Pan, Seat, Passenger .....	1
6	<u>102047001</u>	Rivet, 1/4 X .438 Blind .....	4
7	<u>102059001</u>	Seat Holder Base .....	2
8	<u>102059401</u>	Screw, 6m-1.00 X 10mm Hex Head .....	1
9	<u>102061101</u>	Seat Holder Cup .....	1
10	<u>102442001</u>	Pan, Center, Closeout .....	1
11	<u>102458901</u>	Decal, Hot Surface Warning .....	1
12	<u>102763701</u>	Cover, Center Console .....	1
13	<u>102967901</u>	Rivet, Removable, Tuflok 1/4" .....	4
14	<u>103218901</u>	Asm, Bucket Seat, Adj, Blk (includes items 15 through 27) .....	1
15	<u>1011652</u>	Hinge Plate .....	2
16	<u>102047001</u>	Rivet, 1/4 X .438 Blind .....	4
17	<u>102059401</u>	Screw, 6m-1.00 X 10mm Hex Head .....	1
18	<u>102061101</u>	Seat Holder Cup .....	1
19	<u>102298130</u>	Bolt, Flange Head, M8 X 30.0 .....	4
20	<u>102298401</u>	Nut,m8,all Metal Lock .....	4
21	<u>102456001</u>	Pan, Seat, Driver Asm .....	1
22	<u>102458901</u>	Decal, Hot Surface Warning .....	1
23	<u>102473501</u>	Adjuster, Forward/Aft .....	1
24	<u>102473601</u>	Adjuster, Slider .....	1
25	<u>102475901</u>	Washer, Bell .....	4
26	<u>103267002</u>	Seat, Bucket, Black .....	1
27	<u>451</u>	Lockwasher, 1/4 Split .....	1
28	<u>103267002</u>	Seat, Bucket, Black .....	1
29	<u>332</u>	Washer, 1/4 Type A Narrow Flat .....	2
30	<u>451</u>	Lockwasher, 1/4 Split .....	1
31	<u>96742515</u>	Bolt, M6 X 1 X 45 .....	2

**1**

**G**



000523-003

# BENCH SEAT CONVERSION KIT

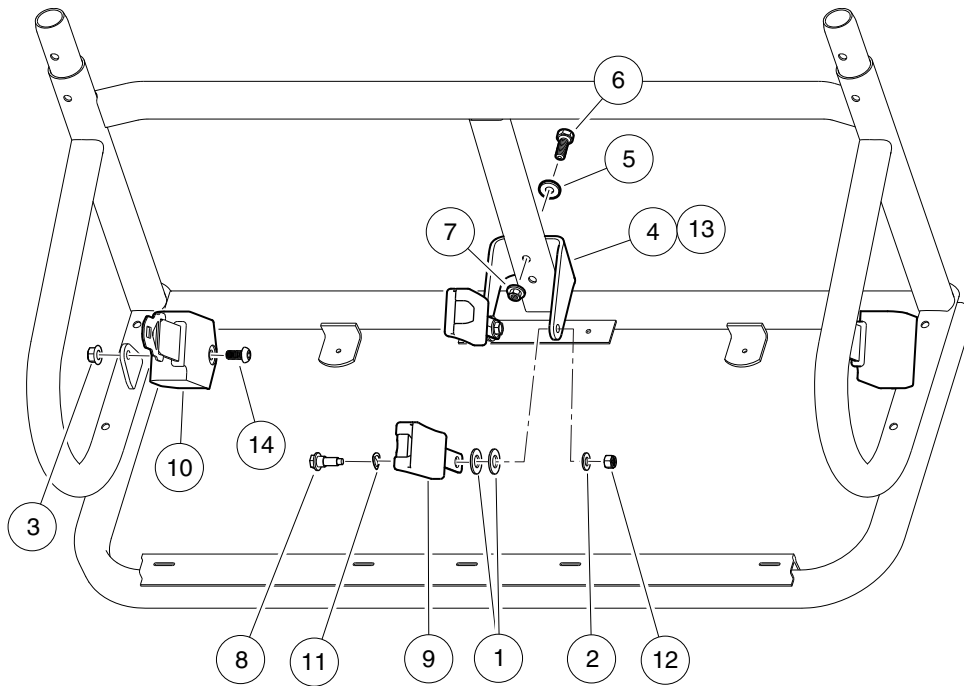
ITEM	PART NO.	DESCRIPTION	QTY
		1 2 3 4	
1	<u>103643901</u>	Kit, Seat, Bench, Conv (includes items 2 through 18) .....	1
2	<u>1010193</u>	Washer, 5/8 Type A Plain Flat .....	4
3	<u>1011964</u>	Washer, 1/4 Flat .....	8
4	<u>1014557</u>	Washer, 7/16 Flat .....	2
5	<u>101958601</u>	Carriage Bolt, 1/4-20 X 0.75 .....	4
6	<u>102025701</u>	Screw, Tuflok Panel, 1/4 .....	2
7	<u>102242401</u>	Nut - Nylon Insert W/cap .....	4
8	<u>102718101</u>	Washer, Hard, M10, Zn-Ni/Blk .....	2
9	<u>102732401</u>	Bolt, M10 X 45, Zn-Ni (Black) .....	2
10	<u>103216401</u>	Nut, Flanged, M10 x 1.5, Black .....	2
11	<u>103529601</u>	Bolt, Shoulder, 15 Mm .....	2
12	<u>103530701</u>	Washer, Spring, 15 Mm Id .....	2
13	<u>103534201</u>	Lock Nut, 7/16-20 Nylon .....	2
14	<u>103635101</u>	Bracket, Seatbelt, Style H, Bolt-On (for Bench Seat) .....	1
15	<u>103636701</u>	Closeout, Center, Style B .....	1
16	<u>103646501</u>	Bracket - Seat Clamp .....	2
17	<u>103646601</u>	Bracket - Seat Adapt .....	2
18	<u>304</u>	Screw, 1/4-20 X 1.0 Hex-Head Cap .....	4
<p style="text-align: center;">Note: <u>103643901</u> Bench Seat Conversion Kit is required to be used with 103647201, 02, and 03 Bench Seat Kits.</p>			

1

G

1

G



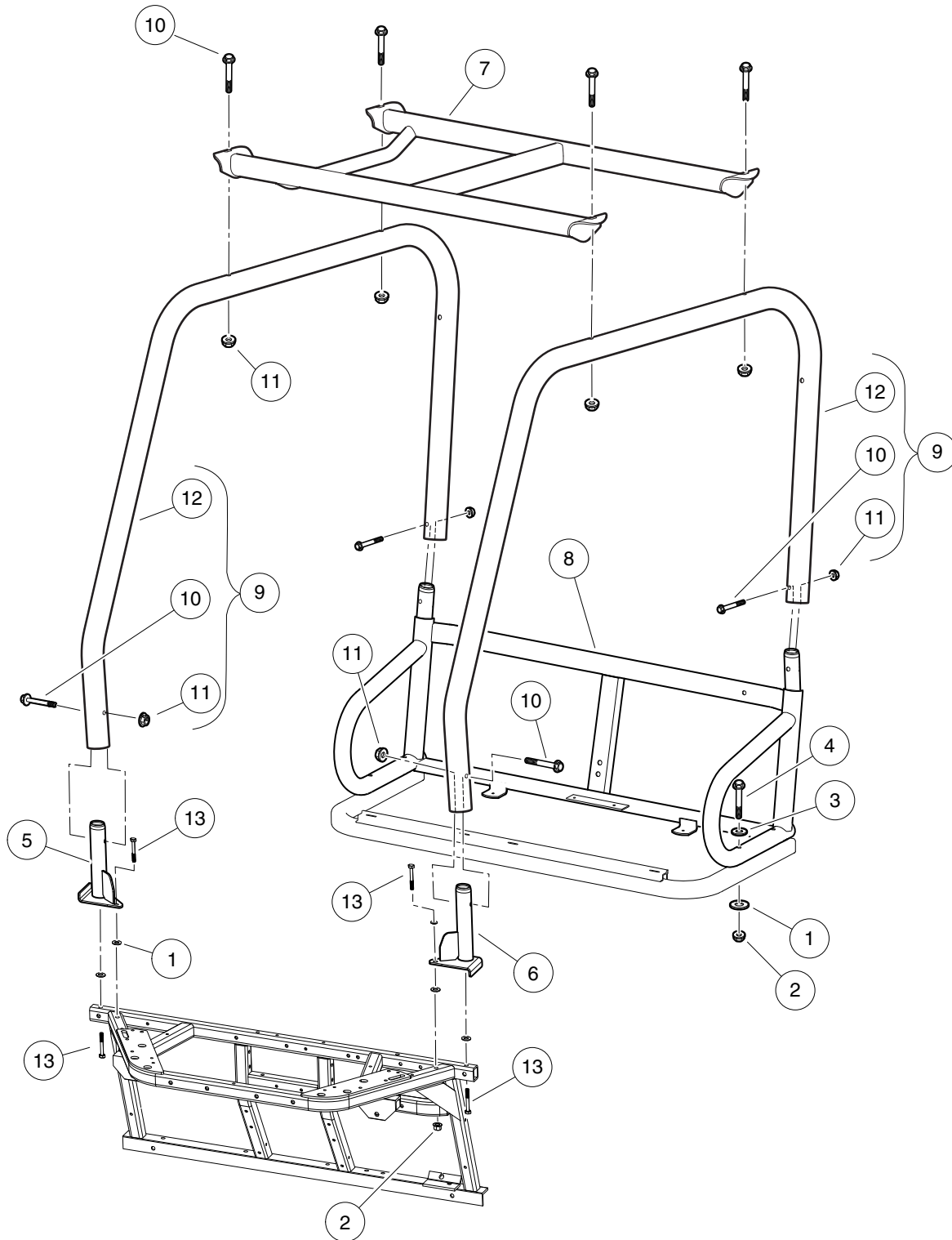
000029-007



## 2-POINT SEAT BELTS

ITEM	PART NO.	DESCRIPTION	QTY
		1 2 3 4	
1	<u>1010193</u>	Washer, 5/8 Type A Plain Flat .....	4
2	<u>1014557</u>	Washer, 7/16 Flat .....	2
3	<u>102620301</u>	Ln Flg, M12 X 1.75, Md, Black .....	2
4	<u>102670601</u>	Bracket, Seatbelt, Bolt-On (for Bucket Seats) .....	1
5	<u>102718101</u>	Washer, Hard, M10, Zn-Ni/Blk .....	2
6	<u>102732401</u>	Bolt, M10 X 45, Zn-Ni (Black) .....	2
7	<u>103216401</u>	Nut, Flanged, M10 x 1.5, Black .....	2
8	<u>103529601</u>	Bolt, Shoulder, 15 Mm .....	2
9	<u>103529701</u>	Asm, Buckle, Seat-belt .....	2
10	<u>103529801</u>	Retractor, Seat-belt .....	2
11	<u>103530701</u>	Washer, Spring, 15 Mm Id .....	2
12	<u>103534201</u>	Lock Nut, 7/16-20 Nylon .....	2
13	<u>103635101</u>	Bracket, Seatbelt, Style H, Bolt-On (for Bench Seat) .....	1
14	<u>103806401</u>	Bolt Btn, M12x1.75 X 25 Black .....	2
Note: Item 4 bracket is for bucket seats. Item 13 bracket is for bench seat.			

1  
G



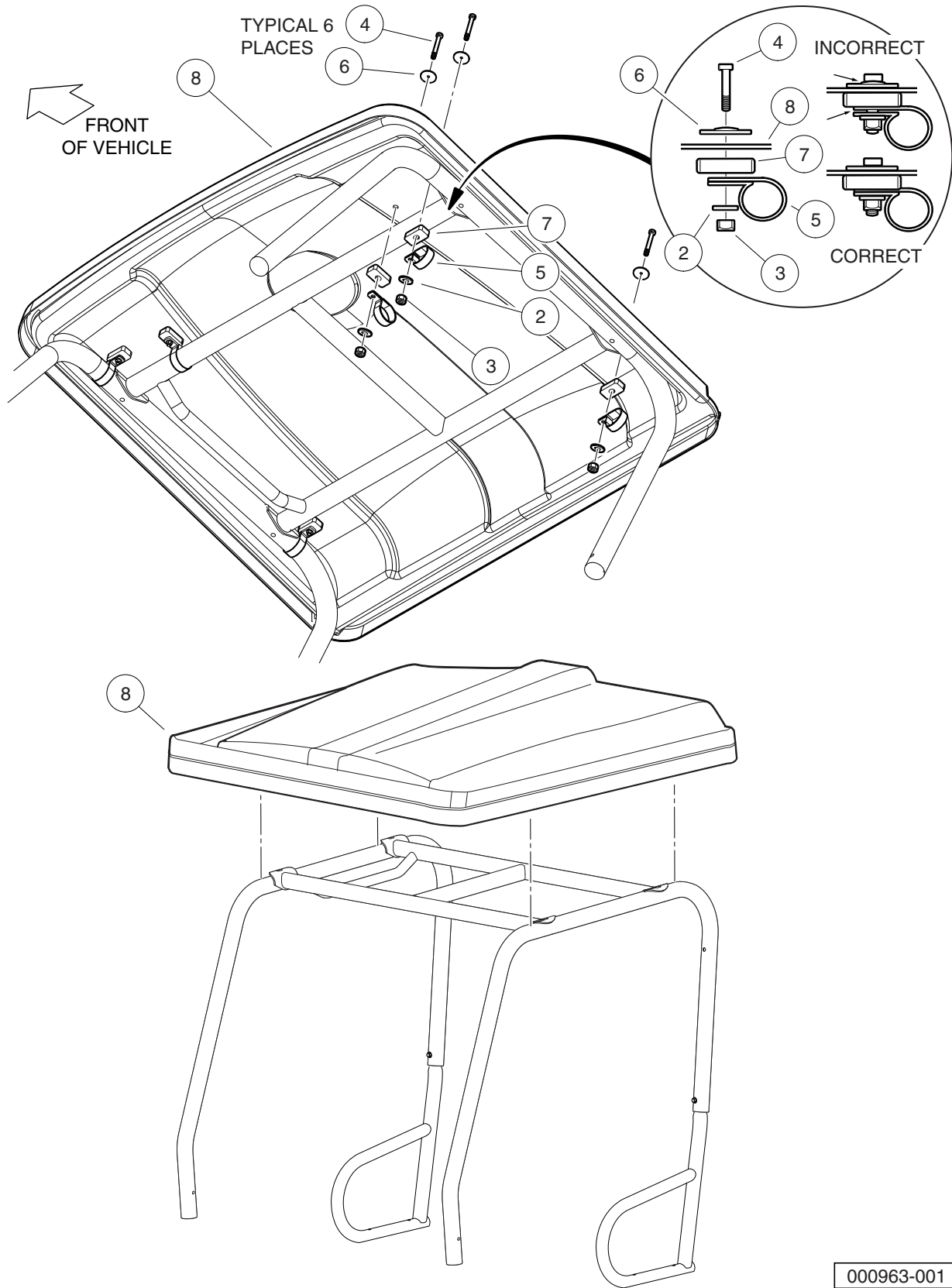
000029-008

# ROPS

ITEM	PART NO.	DESCRIPTION	QTY
		<b>1 2 3 4</b>	
1	<u>102491501</u>	Washer, Hard, M10 .....	8
2	<u>102617201</u>	Nut, Flanged, M10 X 1.5, Mechanically Deformed .....	4
3	<u>102718101</u>	Washer, Hard, M10, Zn-Ni/Blk .....	4
4	<u>102732301</u>	Bolt, M10 X 100, Zn-Ni (Black) .....	4
5	<u>102983201</u>	Weldment, Front, Base, ROPS, Right-Hand .....	1
6	<u>102983601</u>	Weldment, Front, Base, ROPS, Left-Hand .....	1
7	<u>103225801</u>	Asm, Top, ROPS .....	1
8	<u>103361701</u>	Weldment, Seat Support, ROPS .....	1
9	<u>103511201</u>	Kit, Side Rops, Awd, Domestic (includes items 10 through 12) .....	1
10	<u>102988701</u>	Bolt, Flanged, M10 X 1.5 X 65 .....	8
11	<u>103216401</u>	Nut, Flanged, M10 x 1.5, Black .....	8
12	N/A	Tube, Rops, Side Support, Awd .....	2
13	<u>96715552</u>	Bolt, M10 X 1.50 X 65 .....	4

**1**  
**G**

**1**  
**G**



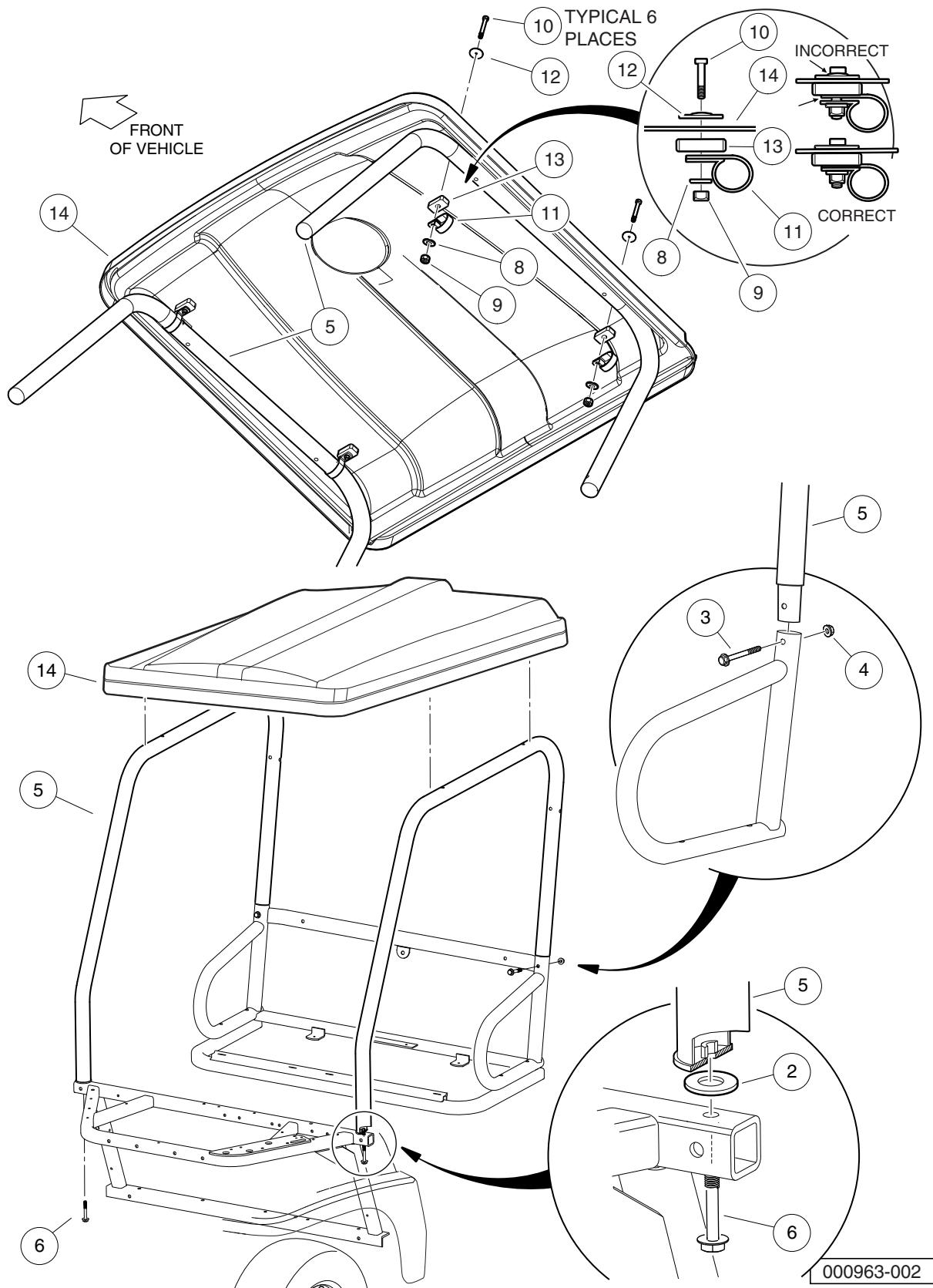
000963-001

# CANOPY (VEHICLE WITH ROPS)

ITEM	PART NO.	DESCRIPTION	QTY
		1 2 3 4	
1	<u>103955901</u>	Kit, Canopy, Black, 4wd (includes items 2 through 8) .....	1
2	1011964	Washer, 1/4 Flat .....	6
3	1015068	Locknut, 1/4-20 Nylon .....	6
4	<u>102343601</u>	Screw, 1/4-20 X 1 3/4 Ss Hx Ca .....	6
5	<u>103223101</u>	P Clamp Insul 50.8 Dia .....	6
6	<u>103844301</u>	Washer, Sealing, 0.25 X 1.50 .....	6
7	<u>103844401</u>	Spacer, 0.625 X 2.25 X 1.25 .....	6
8	N/A	Canopy, Black, 4wd .....	1

**1**  
**G**

**1**  
**G**

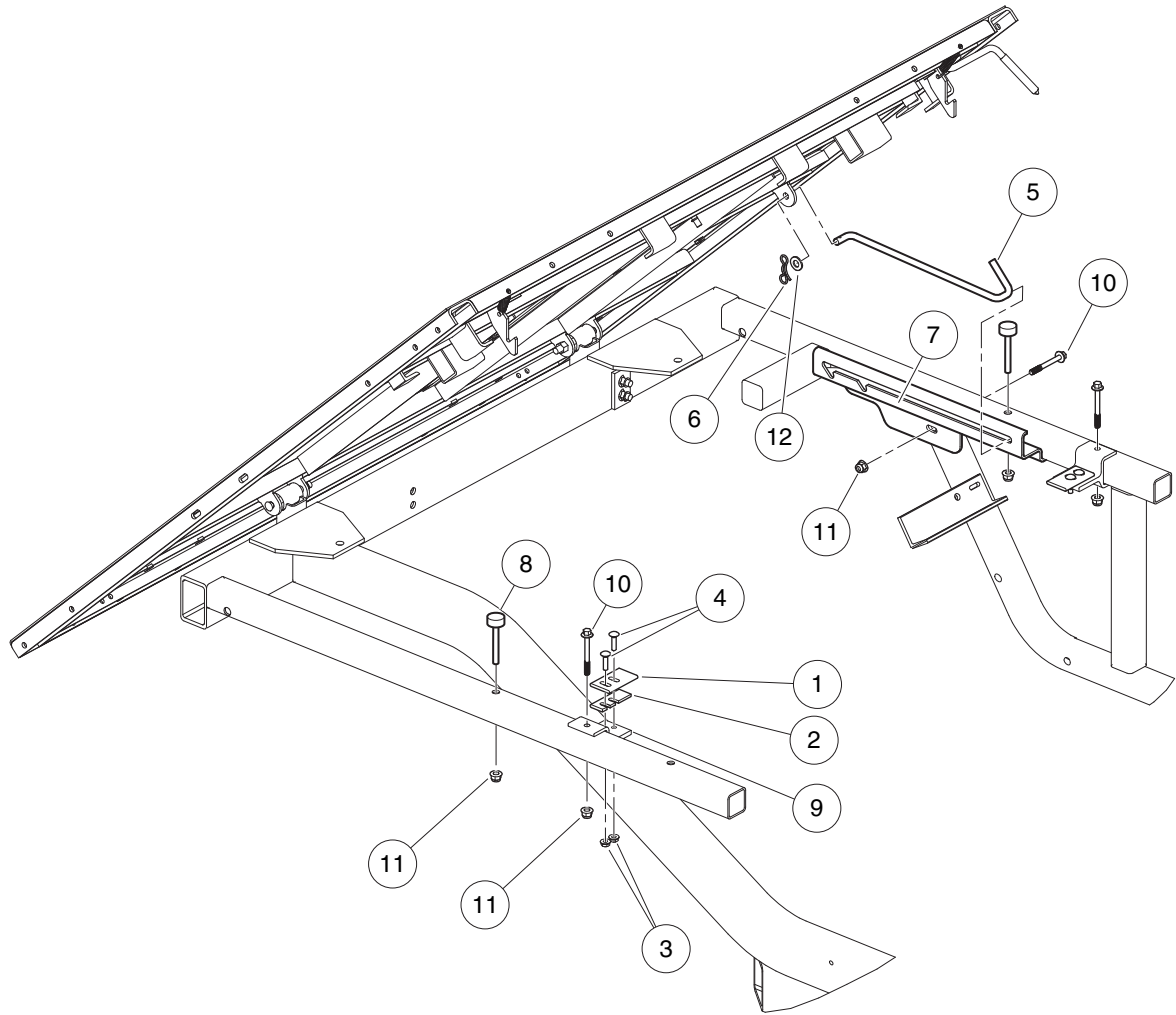


## CANOPY AND SUPPORTS – VEHICLE WITHOUT ROPS

ITEM	PART NO.	DESCRIPTION	QTY
		1 2 3 4	
1	103948601	Kit, Support, Canopy/windshld (includes items 2 through 6) .....	1
2	<u>102491501</u>	Washer, Hard, M10 .....	2
3	<u>102988701</u>	Bolt, Flanged, M10 X 1.5 X 65 .....	2
4	<u>103216401</u>	Nut, Flanged, M10 x 1.5, Black .....	2
5	103948501	Weldment, Canopy/windshld .....	2
6	<u>96715552</u>	Bolt, M10 X 1.50 X 65 .....	2
7	<u>103955902</u>	Kit, Canopy, Black, 2wd (includes items 8 through 14) .....	1
8	1011964	Washer, 1/4 Flat .....	4
9	1015068	Locknut, 1/4-20 Nylon .....	4
10	<u>102343601</u>	Screw, 1/4-20 X 1 3/4 Ss Hx Ca .....	4
11	<u>103223101</u>	P Clamp Insul 50.8 Dia .....	4
12	<u>103844301</u>	Washer, Sealing, 0.25 X 1.50 .....	4
13	<u>103844401</u>	Spacer, 0.625 X 2.25 X 1.25 .....	4
14	N/A	Canopy, Black, 2wd .....	1

**1**

**G**



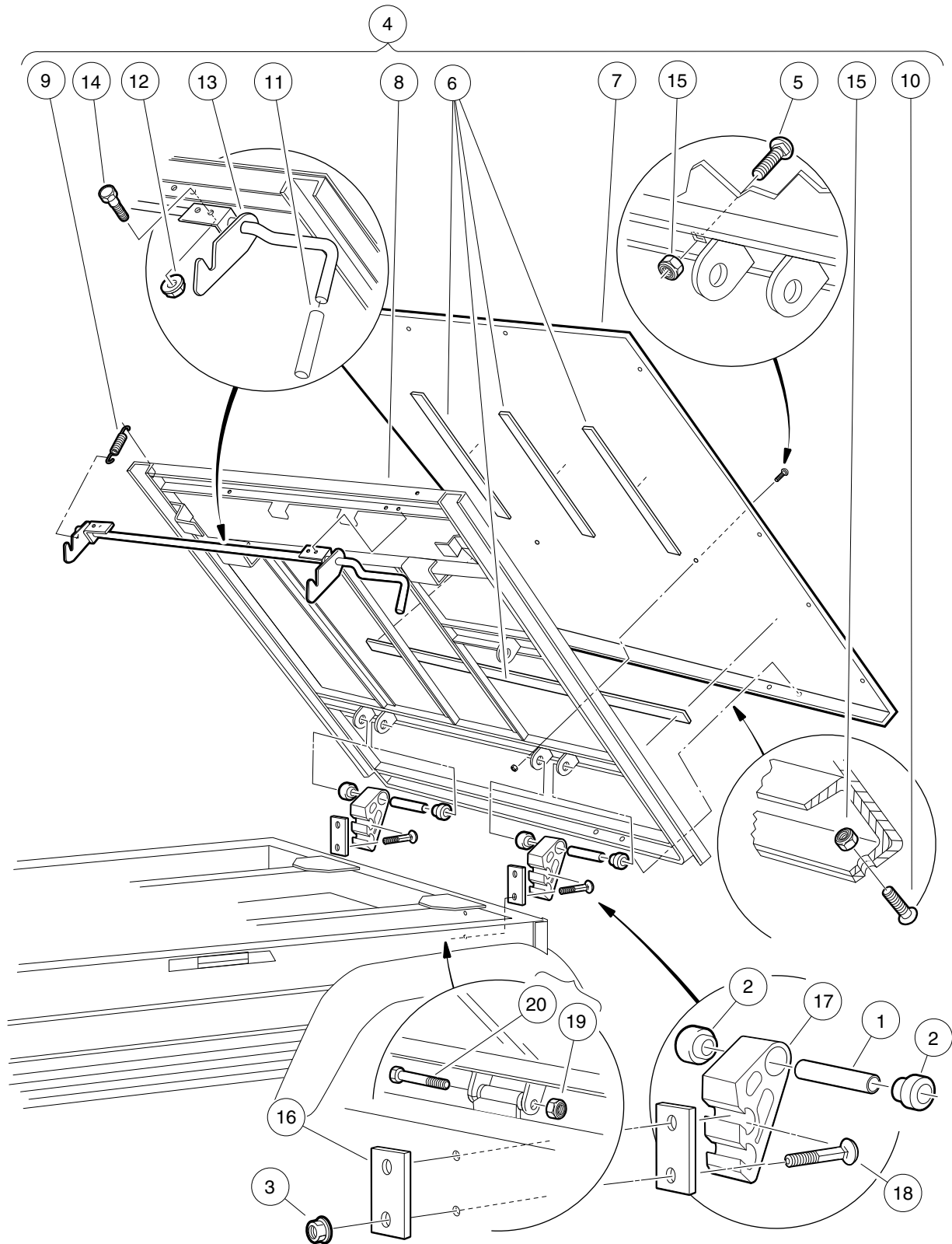
000036-001



# LATCH PLATES AND PROP ROD

ITEM	PART NO.	DESCRIPTION	QTY
		1 2 3 4	
1	<u>1015277</u>	Latch Plate, Tilt Bed .....	2
2	<u>1016078</u>	Latch Plate Shim .....	1
3	<u>101835601</u>	Locknut, 1/4-20 Hex Whiz .....	4
4	<u>101958602</u>	Bolt, Carriage, 1/4-20 X 1.0 .....	4
5	<u>102301401</u>	Rod, Prop .....	1
6	<u>102323101</u>	Pin, Bow Tie Locking .....	1
7	<u>102418101</u>	Track, Prop Rod .....	1
8	<u>102426601</u>	Bumper, Bed, Mtg, Front .....	2
9	<u>102493801</u>	Bracket, Latch, Bed .....	2
10	<u>102618301</u>	Bolt, Flanged Head, M8 X 1.25 X 65 .....	3
11	102618601	Lock Nut, Flange, M8 X 1.25 Nylon .....	5
12	<u>334</u>	Washer, 3/8, Type A, Flat .....	1

**1**  
**G**

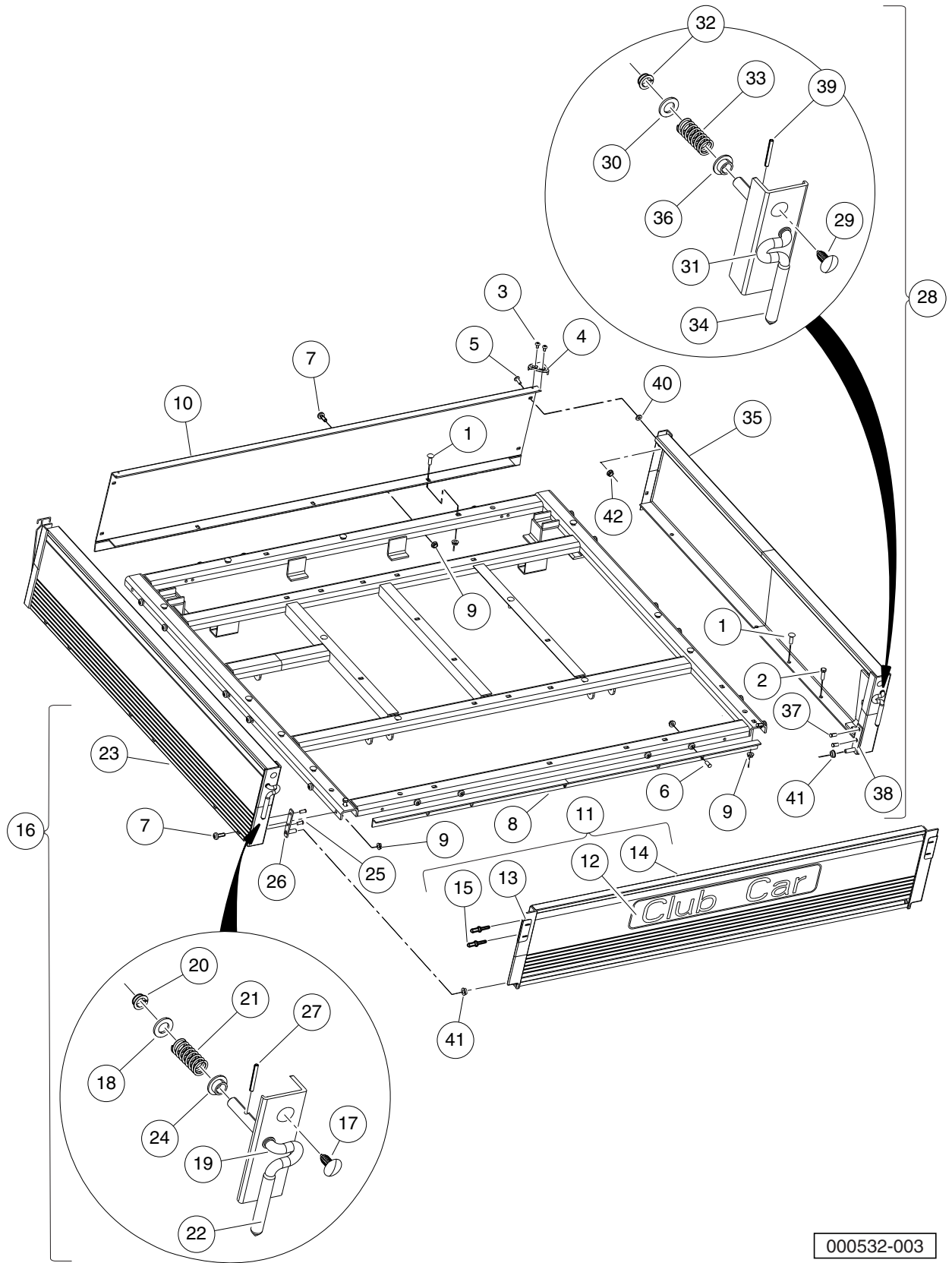


000037-001

# TILT BED, HINGE, AND LATCH

ITEM	PART NO.	DESCRIPTION	QTY
		1 2 3 4	
1	<u>1012303</u>	Bushing, Steel .....	2
2	<u>1015583</u>	Bushing, Urethane .....	2
3	<u>102065901</u>	Locknut, 3/8-16 Flanged Dimple .....	4
4	<u>102171503</u>	Tilt Bed Assembly (includes items 5 through 15) .....	1
5	<u>1010435</u>	Bolt, Carriage, 5/16-18 X 1.00 .....	4
6	<u>1014471</u>	Tape, Vinyl Foam 1/8" x 3/4" .....	1
7	<u>1015258</u>	Plate, Floor Bed .....	1
8	N/A	Frame Assembly .....	1
9	<u>1015391</u>	Extension, Spring Latch .....	2
10	1015399	Screw, 5/16-18 X 0.88 Torx Truss-Head .....	4
11	<u>1015400</u>	Grip, Tilt Latch Hand .....	1
12	<u>101835601</u>	Locknut, 1/4-20 Hex Whiz .....	4
13	<u>102426901</u>	Ltch Weld Asm Tlt Bd .....	1
14	<u>403</u>	Screw, 1/4-20 X 0.625 Hex-Head Cap .....	4
15	<u>7473</u>	Locknut, 5/16-18 Nylon Insert .....	8
16	<u>102614101</u>	Plate, Back .....	2
17	<u>103538701</u>	Bracket, Bed Hinge, Extruded .....	2
18	<u>103538901</u>	Bolt, Carriage, 3/8-16 x 3.5" Grade 5 .....	4
19	<u>8754</u>	Locknut, 3/8-16 Hex .....	2
20	<u>8755</u>	Screw, 3/8-16 X 3.375 Hex Cap .....	2

**1**  
**G**

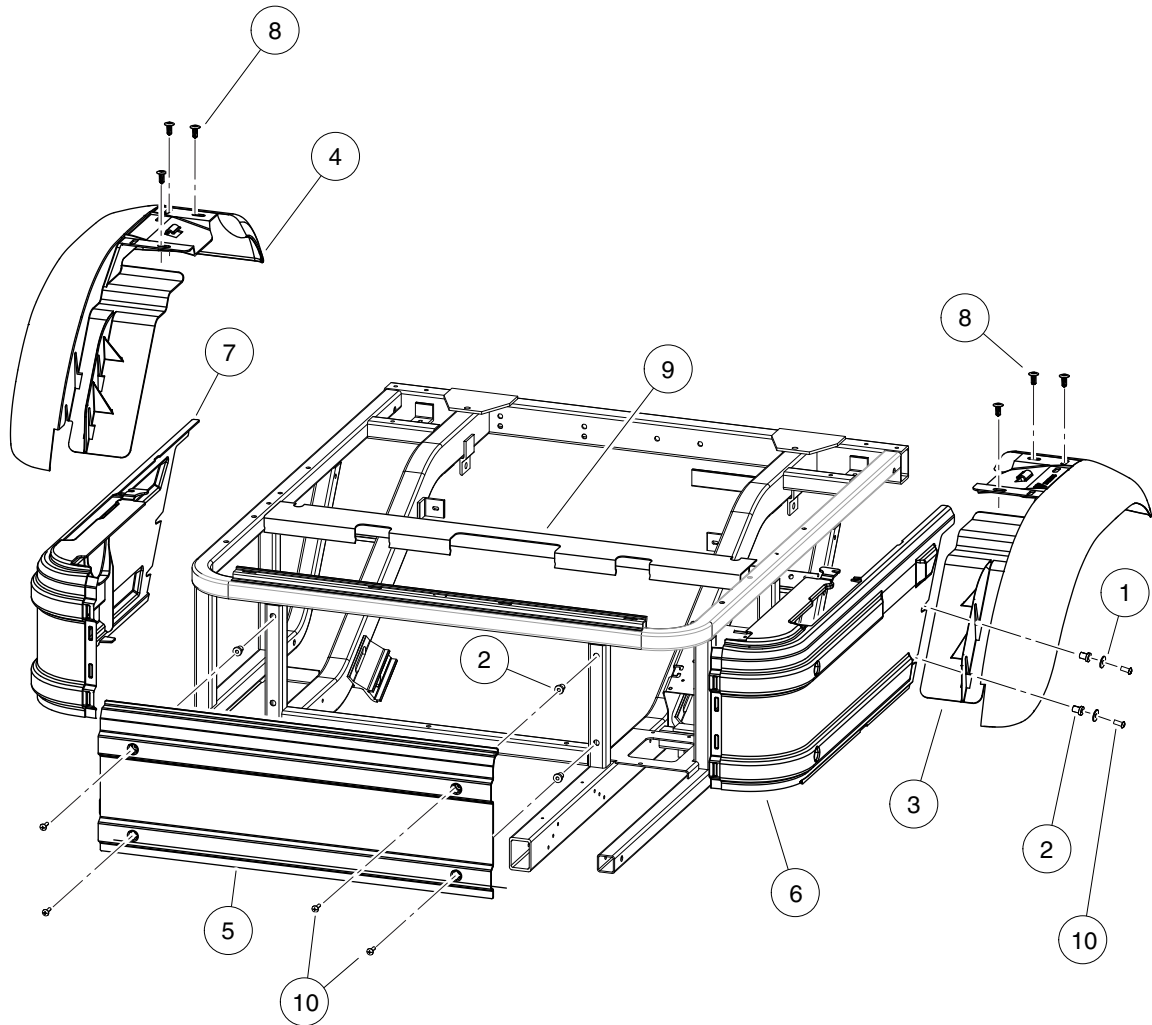


000532-003

# BOX BED – ALUMINUM

ITEM	PART NO.	DESCRIPTION	QTY
		<b>1 2 3 4</b>	
1	<u>1010435</u>	Bolt, Carriage, 5/16-18 X 1.00 .....	11
2	<u>1010934</u>	Screw, 5/16-18 X 1.00 Hex Cap .....	2
3	<u>1014321</u>	Screw, #10 Truss-Head Torx .....	4
4	<u>1014387</u>	Cap, Corner .....	2
5	<u>1014415</u>	Screw, 1/4-20 X 0.75 Torx Truss-Head .....	4
6	<u>1014537</u>	Stud, Self-Clinching Flush Head .....	2
7	1015399	Screw, 5/16-18 X 0.88 Torx Truss-Head .....	16
8	N/A	Box Bed Tailgate Angle .....	1
9	<u>101963401</u>	Locknut, 5/16-18 Hex Flange .....	33
10	<u>102030101</u>	Panel, Front .....	1
11	<u>102030201</u>	Tailgate Asm (includes items 12 through 15) .....	1
12	<u>1013317</u>	Decal, Logo, Tailgate .....	1
13	<u>1015246</u>	Plate, Tailgate Latch Wear .....	2
14	N/A	Tailgate Weldment .....	1
15	<u>7973</u>	Rivet, 3/16 X .400 Blind .....	4
16	<u>103191401</u>	Asm, Panel, Side, Left (includes items 17 through 28) .....	1
17	<u>1010434</u>	Barrel - Plastic .....	1
18	<u>1011990</u>	Washer, 3/8 Flat .....	1
19	<u>1015313</u>	Latch, Tailgate, Left-Hand .....	1
20	<u>1015363</u>	Bushing, Snap-In .....	1
21	<u>1015390</u>	Compression Spring Latch Tilt .....	1
22	<u>1015400</u>	Grip, Tilt Latch Hand .....	1
23	<u>103191201</u>	Weldment, Panel, Side, Left .....	1
24	<u>1032</u>	Bushing, Nylon .....	1
25	<u>103379401</u>	Rivet, 1/4 X 0.30, Blind .....	2
26	<u>103406501</u>	Kit, Tailgate Mounting Bracket, CA, LH (includes item 27) .....	1
27	<u>103406601</u>	Stud, 1/4 Self-clnchg Flush .....	2
28	1231	Pin, 1/8 X 1.00 Split Roll .....	1
29	<u>103191501</u>	Asm, Panel, Side, Right (includes items 30 through 41) .....	1
30	<u>1010434</u>	Barrel - Plastic .....	1
31	<u>1011990</u>	Washer, 3/8 Flat .....	1
32	<u>1015245</u>	Latch, Tailgate, Right-Hand .....	1
33	<u>1015363</u>	Bushing, Snap-In .....	1
34	<u>1015390</u>	Compression Spring Latch Tilt .....	1
35	<u>1015400</u>	Grip, Tilt Latch Hand .....	1
36	<u>103191301</u>	Weldment, Panel, Side, Right .....	1
37	<u>1032</u>	Bushing, Nylon .....	1
38	<u>103379401</u>	Rivet, 1/4 X 0.30, Blind .....	2
39	<u>103406502</u>	Kit, Tailgate Mounting Bracket, CA, RH (includes item 40) .....	1
40	<u>103406601</u>	Stud, 1/4 Self-clnchg Flush .....	2
41	1231	Pin, 1/8 X 1.00 Split Roll .....	1
42	<u>332</u>	Washer, 1/4 Type A Narrow Flat .....	4
43	<u>7049</u>	Bushing, Nylon .....	2
44	<u>8233</u>	Locknut, 1/4-20, Nylon Insert .....	4

**1**  
**G**



000518-005

# SIDE PANELS AND REAR FENDERS

ITEM	PART NO.	DESCRIPTION	QTY
		1 2 3 4	
1	<u>1014306</u>	Washer, 1/4" Type B Flat .....	4
2	<u>102491701</u>	Well Nut 1/4-20 .....	8
3	<u>102913801</u>	Left Rear Fender (Black) .....	1
4	<u>102913901</u>	Right Rear Fender (Black) .....	1
5	<u>102914001</u>	Panel, Front, Kick (Black) .....	1
6	<u>102914101</u>	Panel, Side, Molded, Driver (Black) .....	1
7	<u>102914102</u>	Panel, Side, Molded, Passenger (Black) .....	1
8	<u>103200501</u>	Screw, Tuflok, 10mm .....	6
9	<u>103331201</u>	Closeout, Extrusion .....	1
10	<u>8251</u>	Screw, 1/4-20 X 1.0 Truss-Head Machine .....	8

**1**  
**G**

1

G

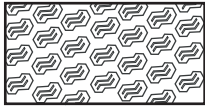


# WHEELS AND TIRES

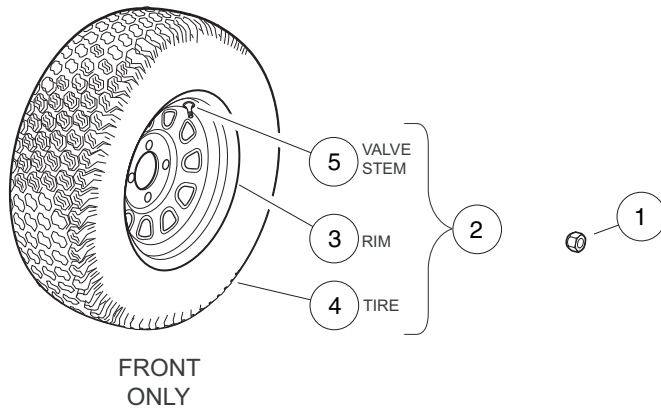
---

2

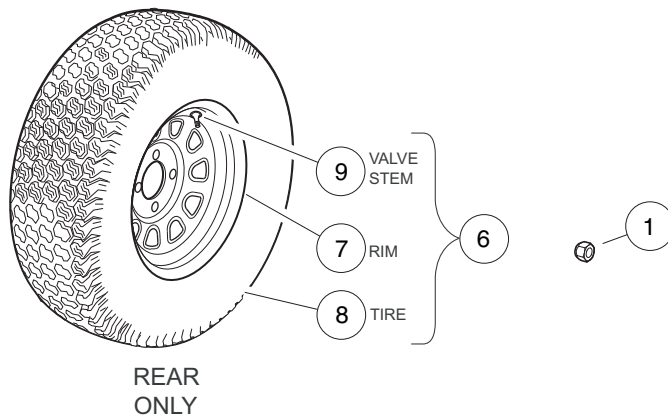
G



Turf



FRONT ONLY



REAR ONLY

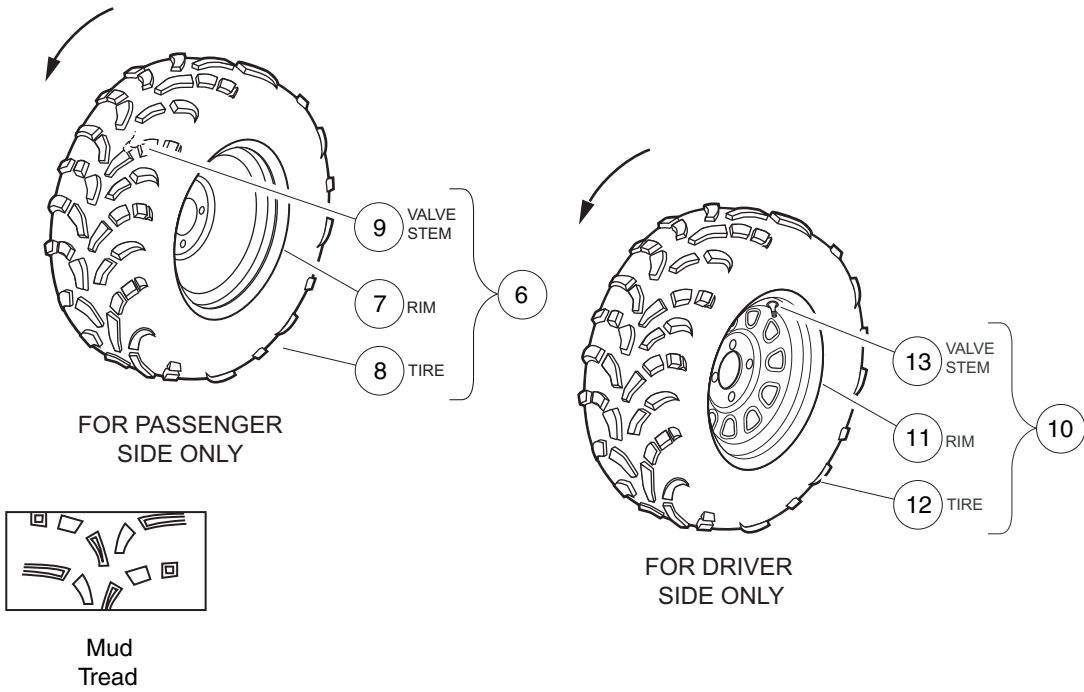
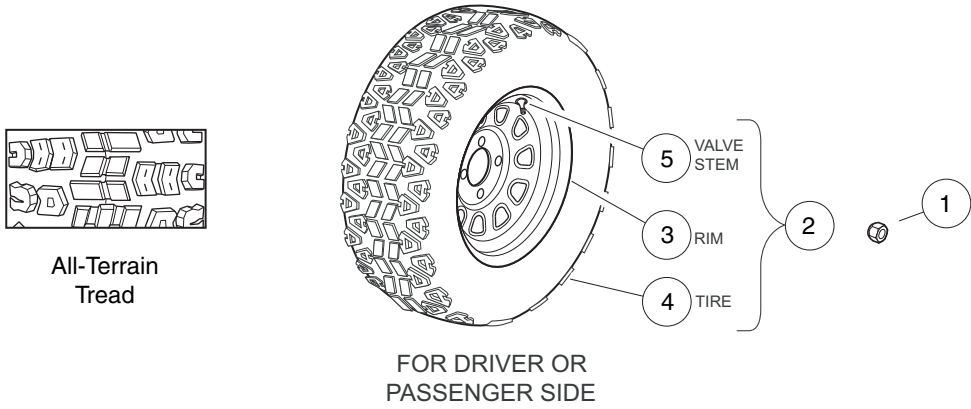
000506-004

## WHEELS AND TIRES – STEEL WITH TURF

ITEM	PART NO.	DESCRIPTION	QTY
		1 2 3 4	
1	<u>102736901</u>	Nut, Lug, 1/2-20 SAE J2283 .....	16
2	<u>103971001</u>	Wheel/Tire Assy, Turf, 23x10.5-12 K500, Black Wheel (includes items 3 through 5) .....	2
3	<u>103234503</u>	Wheel, 10 Window, Black .....	1
4	<u>103971101</u>	Tire, Turf K500, 23x10.5-12 4p .....	1
5	<u>7310</u>	Valve Stem, Black Plastic .....	1
6	<u>103971201</u>	Wheel/Tire Assy, Turf, 24x12-12 K500, Black Wheel (includes items 7 through 9) .....	2
7	<u>103234503</u>	Wheel, 10 Window, Black .....	1
8	<u>103971301</u>	Tire, Turf K500, 24x12-12 4p .....	1
9	<u>7310</u>	Valve Stem, Black Plastic .....	1
Note: Must use Item 2 on front; Item 6 on rear.			

2

G

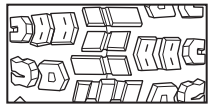


000506-002

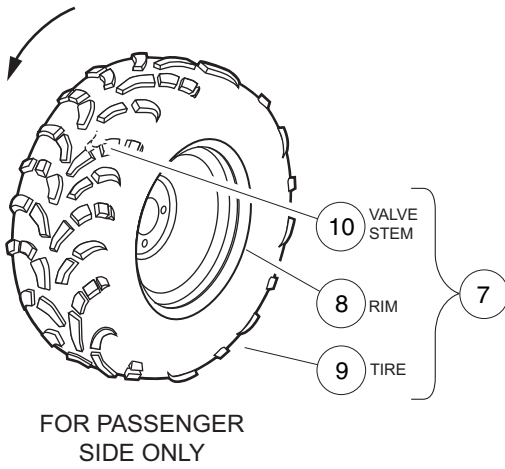
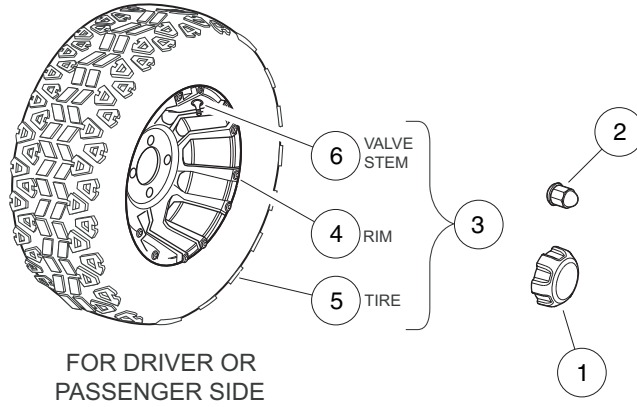
## WHEELS AND TIRES – STEEL WITH ALL-TERRAIN/MUD

ITEM	PART NO.	DESCRIPTION	QTY
		1 2 3 4	
1	<u>102736901</u>	Nut, Lug, 1/2-20 SAE J2283 .....	16
2	<u>103779001</u>	Wheel/Tire Assy, All Terrain, 25x11-12 K502, Black Wheel (includes items 3 through 5) .	4
3	<u>103234503</u>	Wheel, 10 Window, Black .....	1
4	<u>103778601</u>	Tire, All Terrain, K502, 25x11-12 .....	1
5	<u>7310</u>	Valve Stem, Black Plastic .....	1
6	<u>103901101</u>	Wheel/Tire Assy, Pass. Side, Mud, 25x11-12 OTR 440, Black (includes items 7 through 9)	2
7	<u>103234503</u>	Wheel, 10 Window, Black .....	1
8	<u>103901001</u>	Tire, Mud, 6ply, 25x11-12, 440 .....	1
9	<u>7310</u>	Valve Stem, Black Plastic .....	1
10	<u>103901102</u>	Wheel/Tire Assy, Driver Side, Mud, 25x11-12 OTR 440, Black (includes items 11 through 13)	2
11	<u>103234503</u>	Wheel, 10 Window, Black .....	1
12	<u>103901001</u>	Tire, Mud, 6ply, 25x11-12, 440 .....	1
13	<u>7310</u>	Valve Stem, Black Plastic .....	1
Note: Must use Item 6 on passenger side; Item 10 on driver side.			

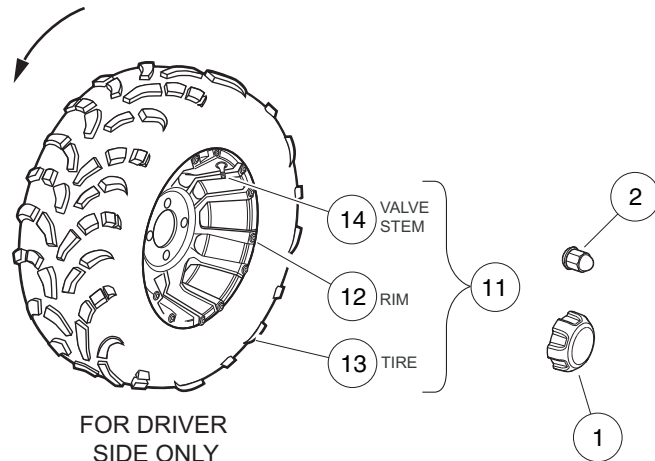
2  
G



All-Terrain



Mud



000506-003

## WHEELS AND TIRES – ALLOY WITH ALL-TERRAIN/MUD

ITEM	PART NO.	DESCRIPTION	QTY
		1 2 3 4	
1	<u>103532801</u>	Cap, Center, Chrome .....	4
2	<u>103699801</u>	Lug Nut, 13/16 X 1/2-20, CE .....	16
3	<u>103779004</u>	Wheel/Tire Assy, All Terrain, 25x11-12 K502, Alloy Wheel (includes items 4 through 6) .	4
4	<u>103525002</u>	Wheel, Alloy .....	1
5	<u>103778601</u>	Tire, All Terrain, K502, 25x11-12 .....	1
6	<u>7310</u>	Valve Stem, Black Plastic .....	1
7	103901107	Wheel/Tire Assy, Pass. Side, Mud, 25x11-12 OTR 440, Alloy (includes items 8 through 10)	2
8	<u>103525002</u>	Wheel, Alloy .....	1
9	<u>103901001</u>	Tire, Mud, 6ply, 25x11-12, 440 .....	1
10	<u>7310</u>	Valve Stem, Black Plastic .....	1
11	103901108	Wheel/Tire Assy, Driver Side, Mud, 25x11-12 OTR 440, Alloy (includes items 12 through 14)	2
12	<u>103525002</u>	Wheel, Alloy .....	1
13	<u>103901001</u>	Tire, Mud, 6ply, 25x11-12, 440 .....	1
14	<u>7310</u>	Valve Stem, Black Plastic .....	1
Note: Must use Item 7 on passenger side; Item 11 on driver side.			

2

G

2

G



# DECALS

---

3

G

**⚠ WARNING**  
**GASOLINE EXPLOSION / FIRE.**  
 • Can cause severe injury or death.  
 • No smoking, sparks, or open flames.  
 • Stop engine, allow to cool before refueling.  
 • Turn fuel valve (—) on during operation.  
 (—) off during storage or transport.  
 CCI 10245901

**OPERATING INSTRUCTIONS**

- Read owner's manual and vehicle safety warnings. Study and understand controls.

**TO START ENGINE**

- Place shift lever in NEUTRAL (N) and press brake pedal.
- Turn key to START and hold until engine starts.

**Diesel Vehicles Only:**

- If required, turn key to PREHEAT and hold for 10-15 seconds.

**TO OPERATE VEHICLE**

- Ensure wheels are turned in desired direction and path is clear.
- With vehicle stopped and engine at idle, select vehicle direction.

Forward   
 Neutral   
 Reverse (Buzzer will sound)

- Release park brake and slowly press accelerator pedal to increase speed.
- All-wheel drive will automatically drive appropriate wheel(s).

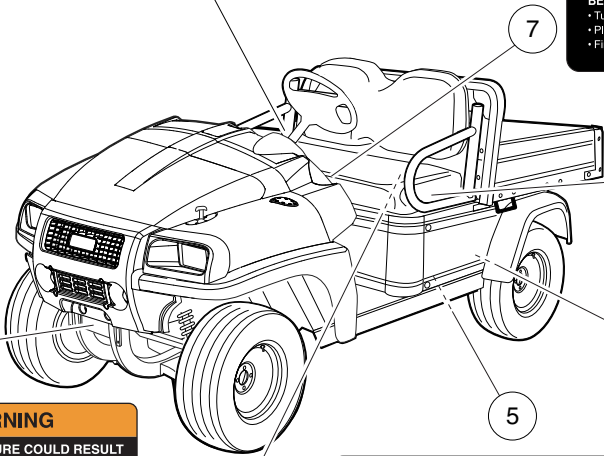
**TO STOP VEHICLE**

- Release accelerator pedal and push brake pedal.

**BEFORE LEAVING VEHICLE**

- Turn key to OFF and remove key.
- Place shift lever in NEUTRAL (N).
- Firmly set park brake.

CCI 102884301



**⚠ WARNING**  
**CAN CAUSE SEVERE INJURY**  
  
**HOT manifold**  
**KEEP CLEAR**  
 CCI 102459001

**⚠ WARNING**  
**WINCH CABLE FRACTURE COULD RESULT IN SERIOUS INJURY OR DEATH.**  
 • Do not use winch while persons are seated on the vehicle.  
 • Use remote operation switch for winch control.  
 • Stand to the side and away from the vehicle to operate winch.  
 • Read winch operator manual before operating winch.  
 102231601

**⚠ WARNING**  
**CAN CAUSE SEVERE BURNS**  
 Hot Surface  
 CCI 102458901

**⚠ WARNING**  
  
**Negative frame ground. Can cause severe injury. Do not contact positive (+) battery post or cable to frame. Disconnect negative (-) battery cable first.**  
 CCI 102459101

<p><b>⚠ WARNING</b> <b>CAN CAUSE SEVERE INJURY</b> Rotating parts. KEEP CLEAR.</p>	<p><b>⚠ WARNING</b> <b>CAN CAUSE SEVERE INJURY</b> Hot manifold and muffler. KEEP CLEAR. CCI 102459501</p>
--	--

# SAFETY DECALS

ITEM	PART NO.	DESCRIPTION	QTY
		<b>1 2 3 4</b>	
1	<u>101547601</u>	Decal, Gasoline Explosion/Fire Warning .....	1
2	<u>102231601</u>	Decal, Winch Cable Fracture Warning .....	1
3	<u>102458901</u>	Decal, Hot Surface Warning .....	2
4	<u>102459001</u>	Decal, Hot Manifold Warning .....	1
5	<u>102459101</u>	Decal, Frame Ground Warning .....	1
6	<u>102459501</u>	Decal, Rotating Parts and Hot Exhaust Warning .....	1
7	<u>102884301</u>	Decal, Operating Instr, AWD .....	1

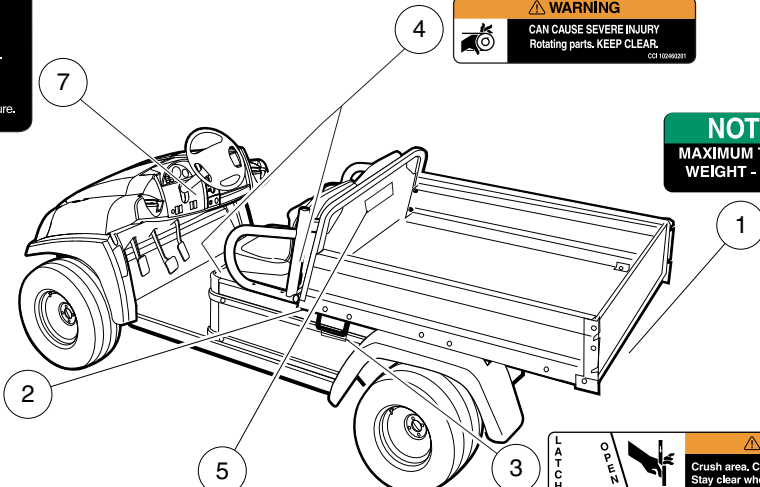
**3**  
**G**

**⚠ WARNING**  
**UNINTENDED MOVEMENT, ROLLOVER, OR FALLING OUT CAN CAUSE SERIOUS INJURY OR DEATH.**

- Young drivers increase chance of death.
  - No drivers younger than 16 years old.
  - Vehicle to be operated by licensed and authorized persons only.
- Use in authorized areas only. Do not operate on public roads.
- One (1) person per bucket seat maximum.
- Two (2) persons per bench seat maximum.
- Operate from driver's seat only.
- Do not start vehicle until all occupants are fully seated.
- Drive slowly in turns and straight up and down slopes.
- Remain fully seated while moving.
- Hold on and keep entire body inside vehicle while moving.
- Never attempt jumps and avoid extreme braking in reverse.
- Do not leave children unattended in vehicle at any time.
- Children requiring a child safety seat must not ride in vehicle.
- Never operate under the influence of alcohol or drugs.

**NOTICE**  
 The canopy support is not certified as a rollover protective structure.

**UNDER 16**



**⚠ WARNING**  
**CAN CAUSE SEVERE INJURY**  
 Rotating parts. **KEEP CLEAR.**

**NOTICE**  
**MAXIMUM TONGUE WEIGHT - 150 lbs.**

**⚠ WARNING**  
**CRUSH AREA**  
**STAY CLEAR**

**⚠ WARNING**  
 Crush area. Can cause severe injury. Stay clear when closing bed.

<p><b>⚠ WARNING</b>  <b>RIDING IN CARGO BED CAN CAUSE SERIOUS INJURY OR DEATH.</b></p> <p>• Do not ride in cargo bed.</p>	<p><b>⚠ WARNING</b>  <b>ROLLOVER CAN CAUSE SERIOUS INJURY OR DEATH.</b></p> <p>• Place cargo forward in the cargo bed and distribute evenly side to side. Secure load.</p> <p>• On uneven or steep terrain, reduce speed and load.</p> <p>• Avoid stopping on or backing down steep hills.</p> <p>• Avoid top-heavy loads.</p>	<p><b>HIGH-CAPACITY VEHICLE LOADING</b></p> <p>• Read owner's manual and warnings on dash.</p> <p>• Vehicle rated capacity: 1450 lb. (658 kg) on level surface only.</p> <p>• Includes occupants and cargo load.</p> <p>• Maximum cargo load: 1050 lb. (476 kg).</p> <p>• Includes cargo, bed load, optional equipment, and trailer tongue weight.</p>
---	--	--

<p><b>⚠ WARNING</b>  <b>RIDING IN CARGO BED CAN CAUSE SERIOUS INJURY OR DEATH.</b></p> <p>• Do not ride in cargo bed.</p>	<p><b>⚠ WARNING</b>  <b>ROLLOVER CAN CAUSE SERIOUS INJURY OR DEATH.</b></p> <p>• Reduce speed when heavily loaded.</p> <p>• Place cargo forward in the cargo bed and distribute evenly side to side. Secure load.</p> <p>• On uneven or steep terrain, reduce speed and load.</p> <p>• Avoid stopping on or backing down steep hills.</p> <p>• Avoid top-heavy loads.</p>	<p><b>HIGH-CAPACITY VEHICLE LOADING</b></p> <p>• Read owner's manual and warnings on dash.</p> <p>• Vehicle rated capacity: 1900 lb. (862 kg) on level surface only.</p> <p>• Includes occupants and cargo load.</p> <p>• Maximum cargo load: 1500 lb. (680 kg) - Includes cargo, bed load, optional equipment, and trailer tongue weight.</p> <p>• Towing not allowed when cargo load exceeds 1050 lb. ( 476 kg).</p>
---	---	--

000509-004

## SAFETY DECALS, CONTINUED (WITHOUT ROPS OPTION)

ITEM	PART NO.	DESCRIPTION	QTY
		1 2 3 4	
1	<u>1011553</u>	Decal, Trailer Hitch .....	1
2	<u>101609401</u>	Decal, Crush Area Warning .....	1
3	<u>102459301</u>	Decal, Bed Crush Area Warning .....	1
4	<u>102460201</u>	Decal, Rotating Parts Warning .....	2
5	<u>103210401</u>	Decal, Vehicle Loading, 1050 lbs .....	1
6	<u>103951301</u>	Decal, Vehicle Loading, 1500 lbs .....	1
7	<u>103962801</u>	Decal, Warning, Occ, 2wd No ROPS .....	1

**3**  
**G**

**WARNING**

**ROLLOVER OR FALLING OFF MAY CAUSE DEATH**

- Read owner's manual and operating instructions.
- Fasten seat belts and remain seated while moving.
- Children requiring a child safety seat must not ride on vehicle. Comply with state and local laws pertaining to child safety.
- Drive slowly in turns and straight up and down slopes.
- Do not start vehicle until all occupants are seated.
- Two (2) persons per bench seat maximum.
- One (1) person per bucket seat maximum.
- Operate from driver side only and not on public roads.
- Keep entire body inside vehicle while moving.
- Do not operate while under the influence of alcohol or drugs.
- Never attempt jumps and avoid extreme braking in reverse.

CCI 102884401

**UNDER 16**

**WARNING**

**YOUNG DRIVERS INCREASE CHANCE OF DEATH**

- Young drivers may not be able to control vehicle.
- No drivers younger than 16 years old.
- Do not leave children unattended on vehicle.

CCI 102899401

**WARNING**

- Do not modify or remove Roll-over Protective Structure (ROPS).
- Replace ROPS if damaged. Do not attempt repair.
- Use seat belts during operation. Do not jump from vehicle.
- Keep away from drop-offs, steep slopes, and unstable surfaces.

CCI 102961201

**WARNING**

**CAN CAUSE SEVERE INJURY**

Rotating parts. KEEP CLEAR.

CCI 10146001

**NOTICE**

**MAXIMUM TONGUE WEIGHT - 150 lbs.**

CCI 1011553

**WARNING**

**CRUSH AREA**

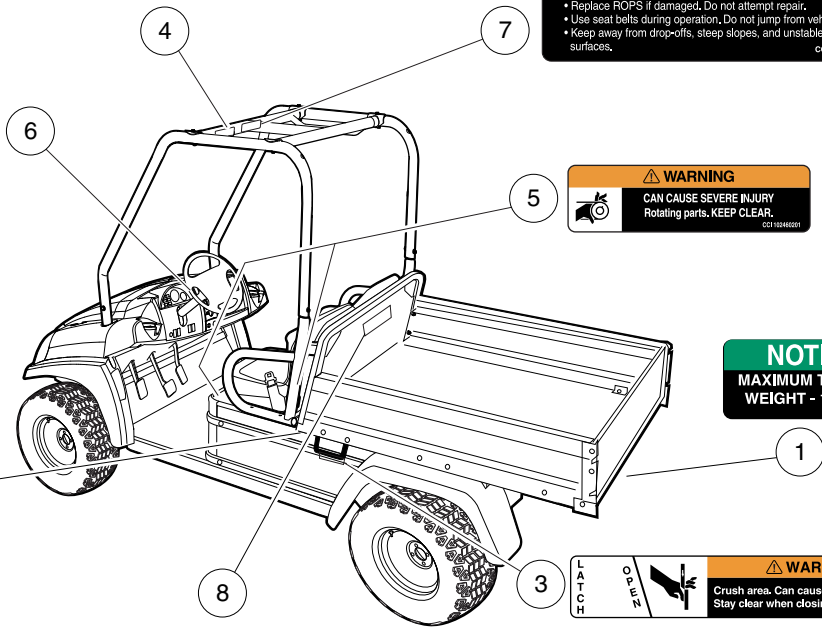
**STAY CLEAR**

CCI 101093401

**WARNING**

**Crush area. Can cause severe injury. Stay clear when closing bed.**

CCI 10146001



9

**WARNING**

**RIDING IN CARGO BED CAN CAUSE SERIOUS INJURY OR DEATH.**

• Do not ride in cargo bed.

**WARNING**

**ROLLOVER CAN CAUSE SERIOUS INJURY OR DEATH.**

- Place cargo forward in the cargo bed and distribute evenly side to side. Secure load.
- On uneven or steep terrain, reduce speed and load.
- Avoid stopping on or backing down steep hills.
- Avoid top-heavy loads.

102210401

**HIGH-CAPACITY VEHICLE LOADING**

- Read owner's manual and warnings on dash.
- Vehicle rated capacity: 1450 lb. (658 kg) on level surface only.
- Includes occupants and cargo load.
- Maximum cargo load: 1050 lb. (476 kg).
- Includes cargo, bed load, optional equipment, and trailer tongue weight.

102210401

**WARNING**

**RIDING IN CARGO BED CAN CAUSE SERIOUS INJURY OR DEATH.**

• Do not ride in cargo bed.

**WARNING**

**ROLLOVER CAN CAUSE SERIOUS INJURY OR DEATH.**

- Reduce speed when heavily loaded.
- Place cargo forward in the cargo bed and distribute evenly side to side. Secure load.
- On uneven or steep terrain, reduce speed and load.
- Avoid stopping on or backing down steep hills.
- Avoid top-heavy loads.

103951301

**HIGH-CAPACITY VEHICLE LOADING**

- Read owner's manual and warnings on dash.
- Vehicle rated capacity: 1900 lb. (862 kg) on level surface only.
- Includes occupants and cargo load.
- Maximum cargo load: 1500 lb. (680 kg) - Includes cargo, bed load, optional equipment, and trailer tongue weight.
- Towing not allowed when cargo load exceeds 1050 lb. (476 kg).

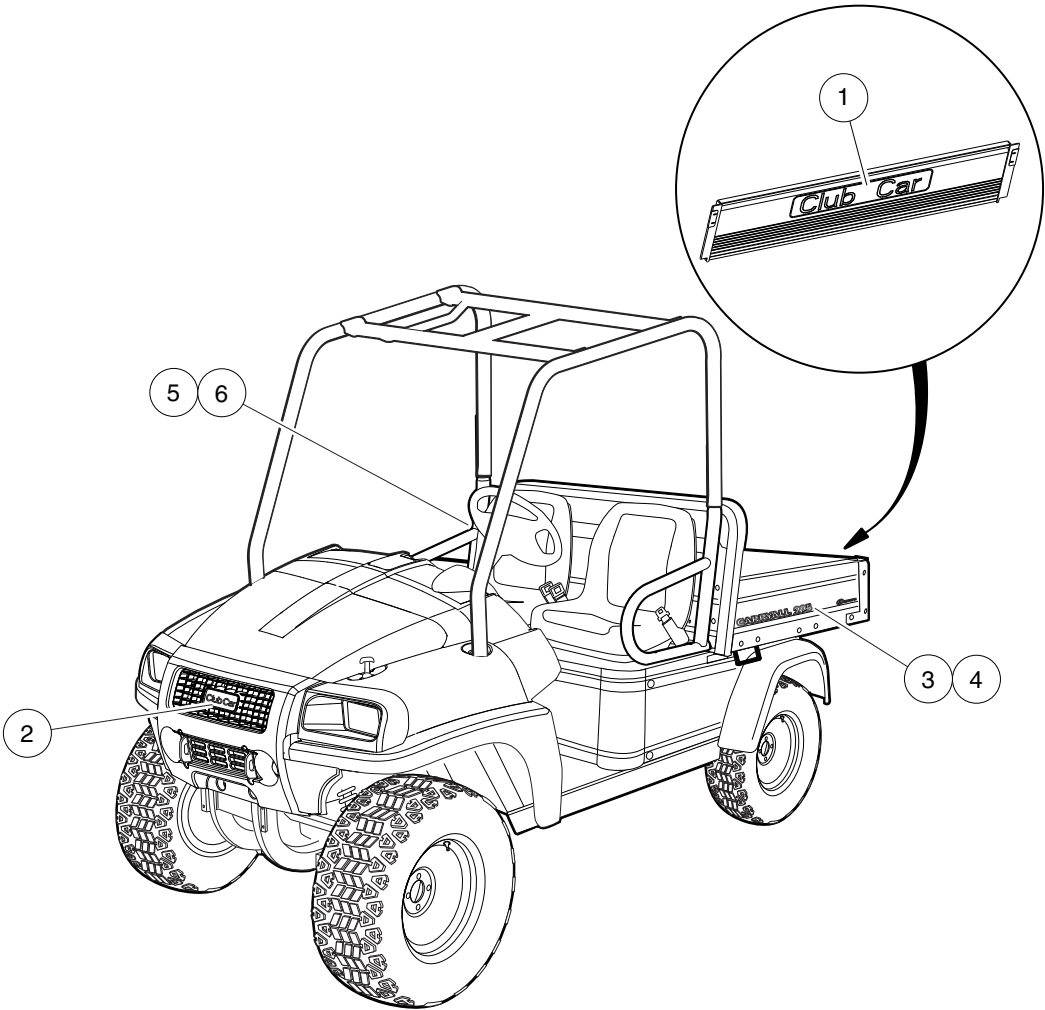
103951301

000509-005

## SAFETY DECALS, CONTINUED (WITH ROPS OPTION)

ITEM	PART NO.	DESCRIPTION	QTY
		1 2 3 4	
1	<u>1011553</u>	Decal, Trailer Hitch .....	1
2	<u>101609401</u>	Decal, Crush Area Warning .....	1
3	<u>102459301</u>	Decal, Bed Crush Area Warning .....	1
4	<u>102459401</u>	Decal, Young Driver Warning .....	1
5	<u>102460201</u>	Decal, Rotating Parts Warning .....	2
6	<u>102884401</u>	Decal, Warning, Rollover .....	1
7	<u>102961201</u>	Decal, Warning, AWD ROPS .....	1
8	<u>103210401</u>	Decal, Vehicle Loading, 1050 lbs .....	1
9	<u>103951301</u>	Decal, Vehicle Loading, 1500 lbs .....	1

**3**  
**G**



000531-004



# BADGING DECALS

ITEM	PART NO.	DESCRIPTION	QTY
		<b>1 2 3 4</b>	
1	<u>1013317</u>	Decal, Logo, Tailgate .....	1
2	<u>102883601</u>	Decal, Nameplate, CCI, Front .....	1
3	<u>103233614</u>	Decal, Badge, CA 295, Driver-Side, Dk Gray .....	1
4	<u>103233617</u>	Decal, Badge, CA 295, Driver-Side, Ntrl .....	1
5	<u>103233714</u>	Decal, Badge, CA 295, Passenger-Side, Dk Gray .....	1
6	<u>103233717</u>	Decal, Badge, CA 295, Passenger-Side, Ntrl .....	1

3

G

3

G

# BRAKE SYSTEM

---

4

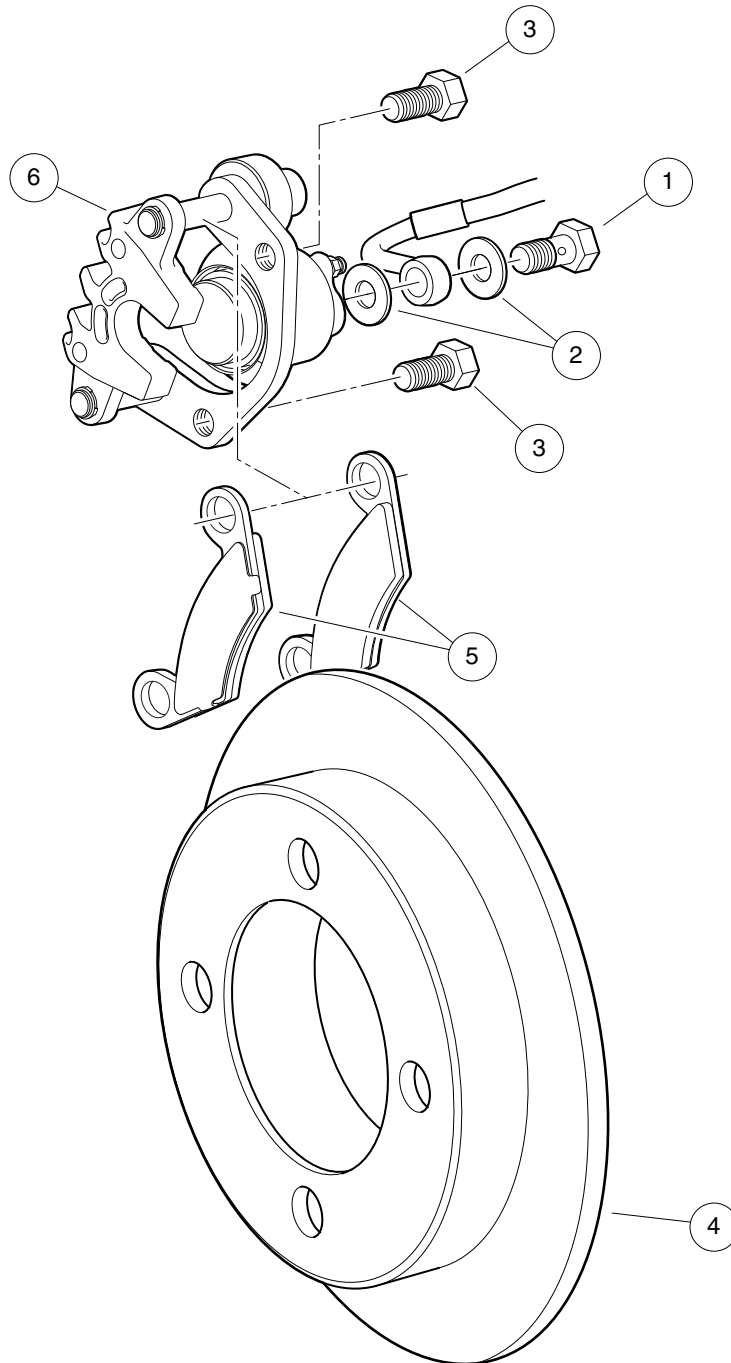
G

D

4

G

D



000067-003

# FRONT BRAKES

ITEM	PART NO.	DESCRIPTION	QTY
		1 2 3 4	
1	<u>102488001</u>	Bolt, Banjo, M10x1x19 .....	2
2	<u>102491601</u>	Washer, Copper, M10 Crush .....	2
3	<u>102493301</u>	Bolt, Flange Head, 3/8-24x.750 with Loctite .....	4
4	<u>103077501</u>	Rotor, Disc, Brake .....	2
5	<u>103160101</u>	Kit, Brake Pad, 7646 .....	1
6	<u>103574301</u>	Caliper, Brake, Front, w/pad 7646 .....	2

4

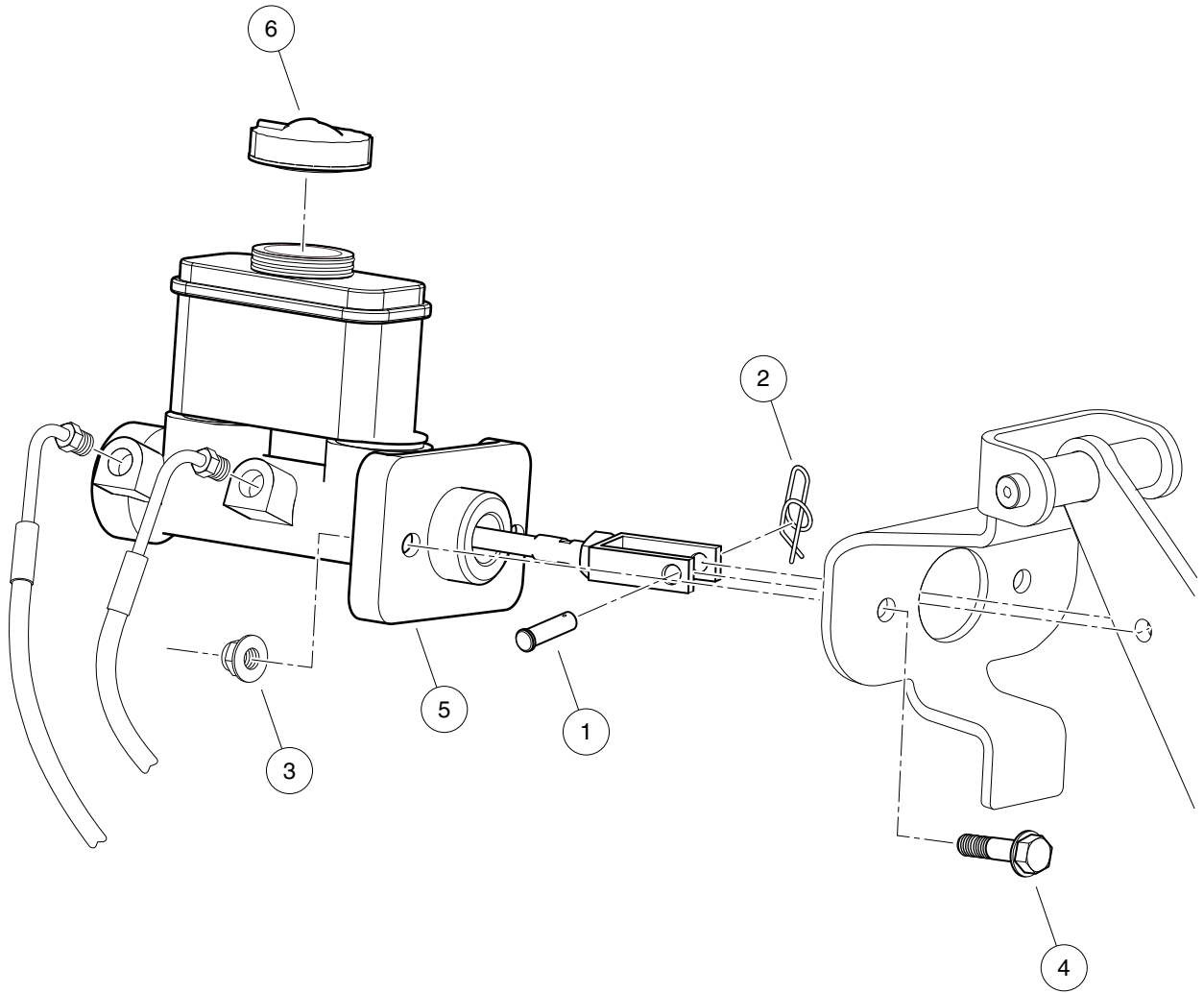
G

D

4

G

D



000792-001

# MASTER CYLINDER WITH INTEGRAL RESERVOIR

ITEM	PART NO.	DESCRIPTION	QTY
		1 2 3 4	
1	<u>101082903</u>	Pin, Clevis, 5/16 X 1 .....	1
2	<u>102176901</u>	Pin, Rue .....	1
3	<u>102298401</u>	Nut,m8,all Metal Lock .....	2
4	<u>102618401</u>	Bolt Flanged Head, M8 X 1.25 X 35 .....	2
5	<u>103376101</u>	Cylinder, Master, Integral Res .....	1
6	<u>103380701</u>	Cap, Filler, Master Cylinder .....	1

4

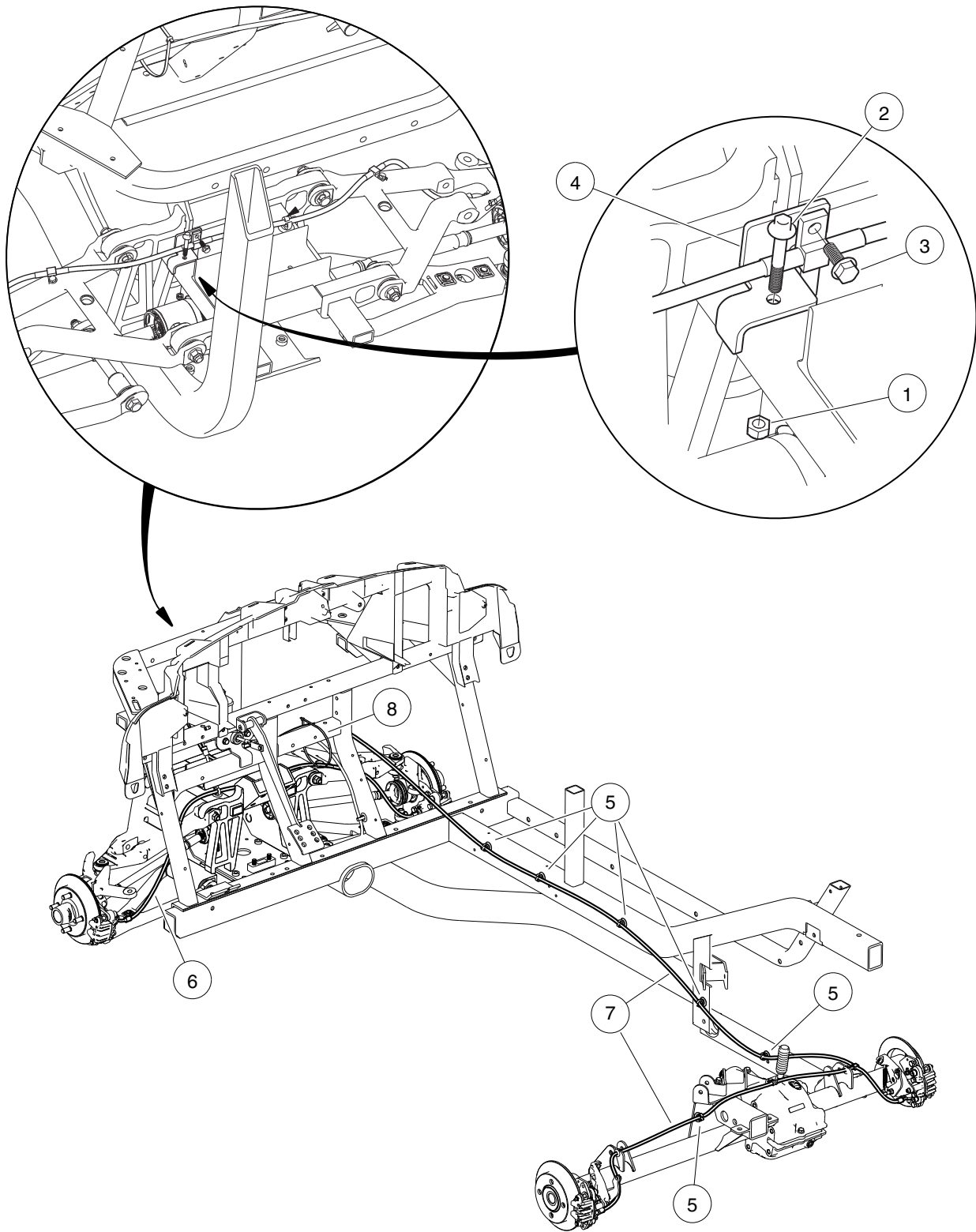
G

D

4

G

D



000015-005



# HYDRAULIC BRAKE LINES AND CLIPS

ITEM	PART NO.	DESCRIPTION	QTY
		1 2 3 4	
1	<u>101887601</u>	Locknut, M6-1.00 Nylon Insert .....	1
2	<u>102296140</u>	Bolt, Flanged Head, M6x1.0x40 .....	1
3	<u>102296716</u>	Screw, M6 X 16 Tt Hx Fl Hd .....	4
4	<u>102474301</u>	Bracket, Tee, Brakeline .....	1
5	<u>102475701</u>	Clip, Brake Line .....	9
6	<u>103174302</u>	Brake Line, Front, 295/295 SE/1550/1550 SE .....	1
7	<u>103842501</u>	Brake Line, Rear, 295/1550 .....	1
8	<u>8639</u>	Tie Wrap, 11" Nylon .....	1

**4**

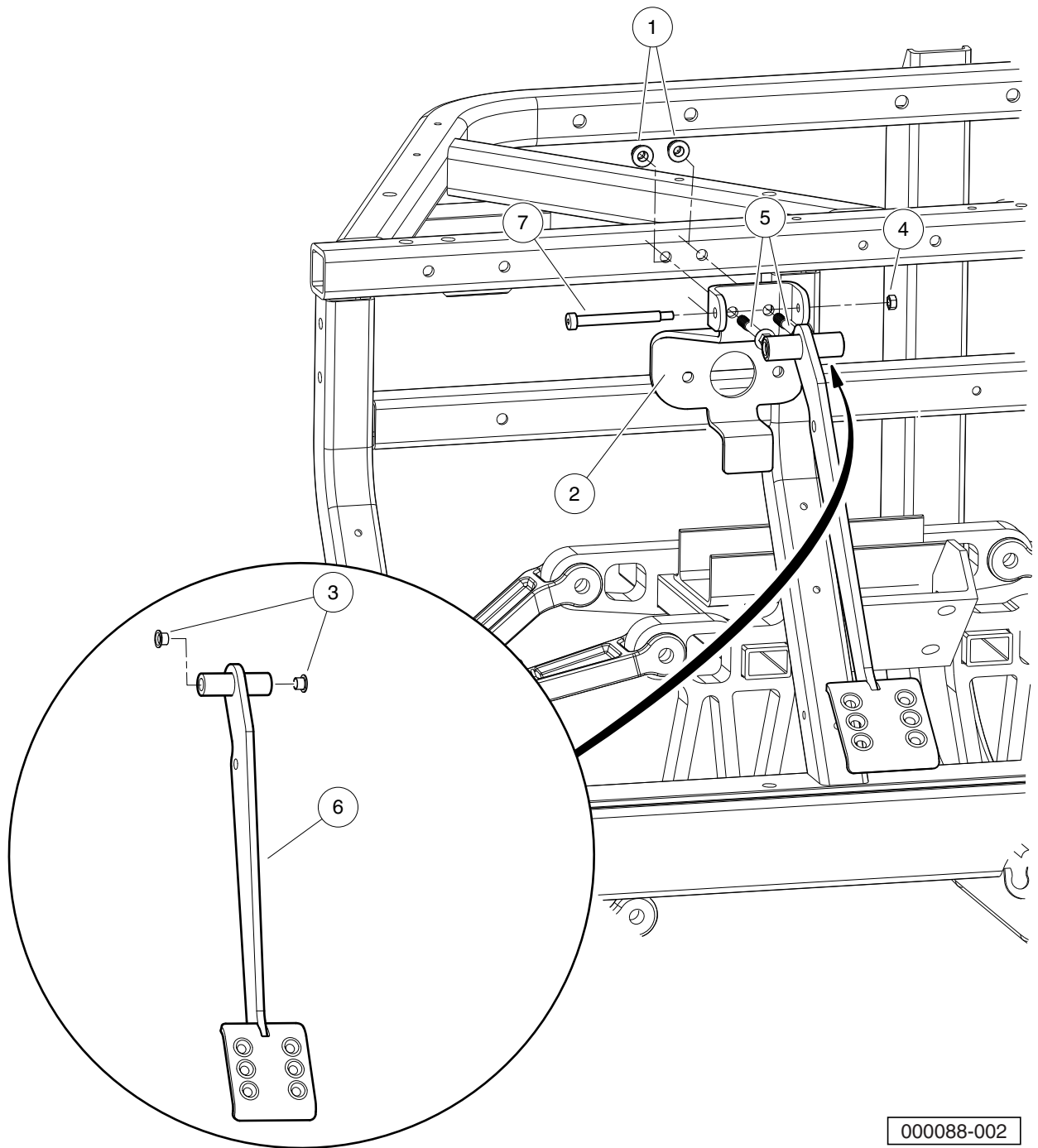
**G**

**D**

4

G

D



000088-002

# BRAKE PEDAL

ITEM	PART NO.	DESCRIPTION	QTY
		<b>1 2 3 4</b>	
1	<u>102298401</u>	Nut,m8,all Metal Lock .....	2
2	<u>102380601</u>	Bracket, Pedal, Brake .....	1
3	<u>102442901</u>	Bushing, Greaseless .....	2
4	<u>102618101</u>	Nut, M6x1, Mechanically Deformed .....	1
5	<u>102618301</u>	Bolt, Flanged Head, M8 X 1.25 X 65 .....	2
6	<u>102626201</u>	Weldment, Pedal, Brake, Hung .....	1
7	<u>103273101</u>	Bolt, Shoulder, M8 X 70, Hc .....	1

**4**

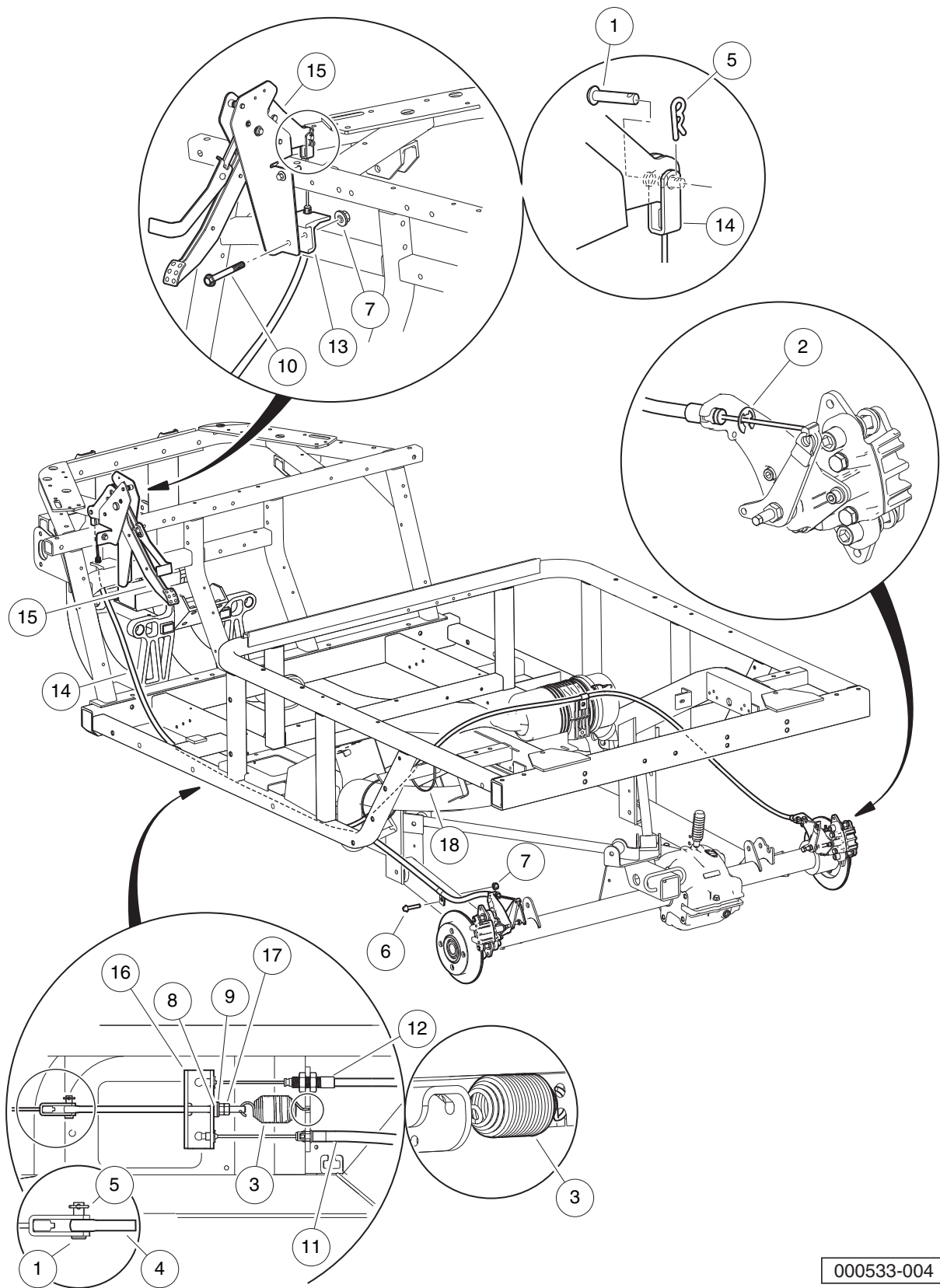
**G**

**D**

4

G

D



000533-004

# PARK BRAKE SYSTEM

ITEM	PART NO.	DESCRIPTION	QTY
		<b>1 2 3 4</b>	
1	<u>101082903</u>	Pin, Clevis, 5/16 X 1 .....	2
2	<u>1011779</u>	E-Clip, 1/2 .....	2
3	<u>1013531</u>	Spring, Brake Return .....	1
4	<u>101953101</u>	Rod, Equalizer, 8.91" .....	1
5	<u>102292801</u>	Pin, Bow Tie Locking - .072 .....	2
6	<u>102298240</u>	Bolt, Flange Head, M8-1.25 X 40 .....	1
7	<u>102298401</u>	Nut,m8,all Metal Lock .....	4
8	<u>102551901</u>	Washer, 5/16, Self Comp, Cup .....	1
9	<u>102552001</u>	Washer, 5/16, Self Comp, Cone .....	1
10	<u>102618301</u>	Bolt, Flanged Head, M8 X 1.25 X 65 .....	3
11	<u>102763301</u>	Cable, Noncoated, Pbrake, Left .....	1
12	<u>102763401</u>	Cable, Noncoated, Pbrake, Right .....	1
13	<u>103500901</u>	Bracket, Cable, Park Brake .....	1
14	<u>103505301</u>	Cable, Main Park Brake, 295/1550 .....	1
15	<u>103505401</u>	Asm, Pedal, Park Brake .....	1
16	<u>103535001</u>	Bracket, Equalizer, Prec Awd .....	1
17	<u>1242</u>	Nut, 5/16-18 Hex .....	2
18	<u>8639</u>	Tie Wrap, 11" Nylon .....	2

4

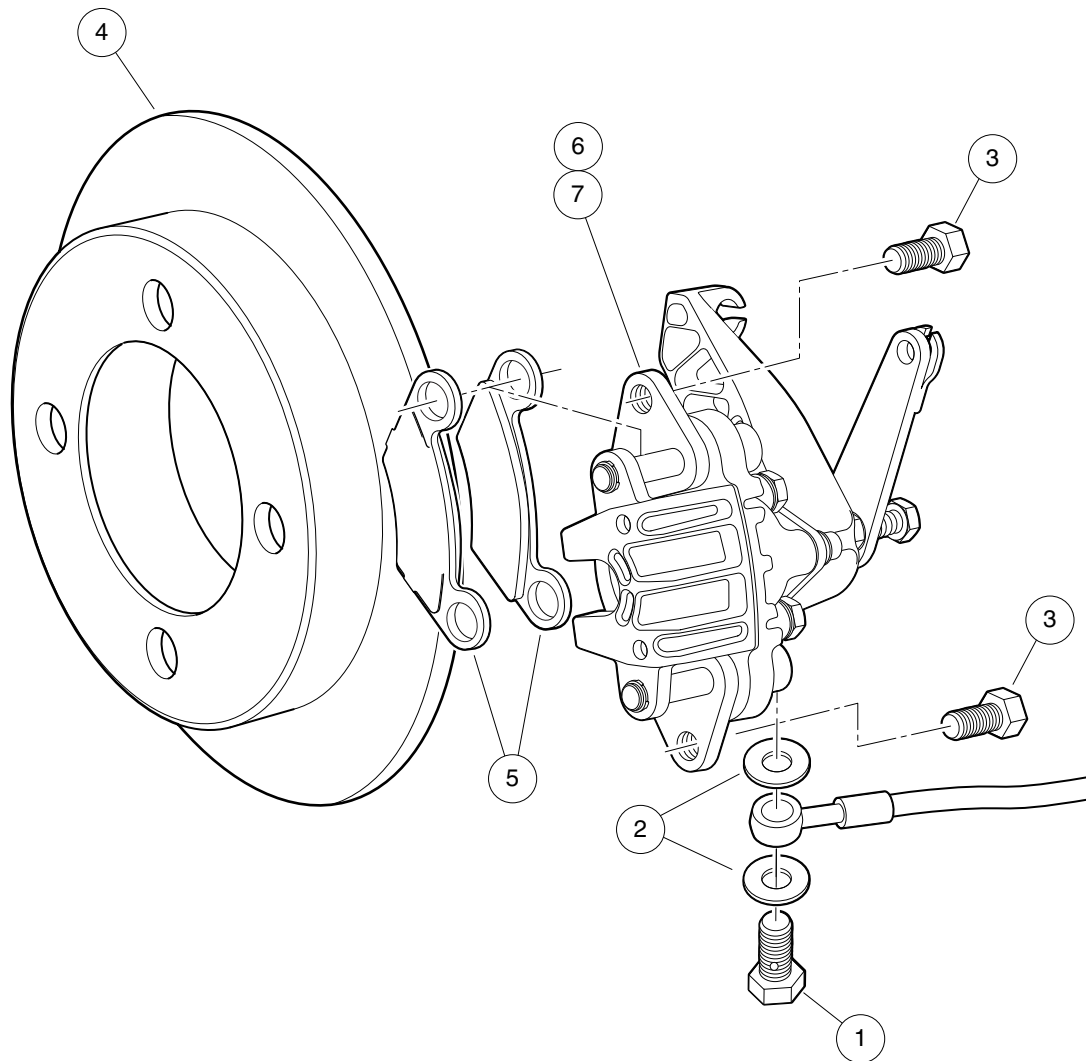
G

D

4

G

D



000068-005

# REAR BRAKES

ITEM	PART NO.	DESCRIPTION	QTY
		<b>1 2 3 4</b>	
1	<u>102488001</u>	Bolt, Banjo, M10x1x19 .....	2
2	<u>102491601</u>	Washer, Copper, M10 Crush .....	4
3	<u>102493301</u>	Bolt, Flange Head, 3/8-24x.750 with Loctite .....	4
4	<u>103077501</u>	Rotor, Disc, Brake .....	2
5	<u>103160101</u>	Kit, Brake Pad, 7646 .....	1
6	<u>103523602</u>	Caliper, Brake, Rear, LH, with Park Brake .....	1
7	<u>103523702</u>	Caliper, Brake, Rear, RH, with Park Brake .....	1

**4**

**G**

**D**

**4**

**G**

**D**



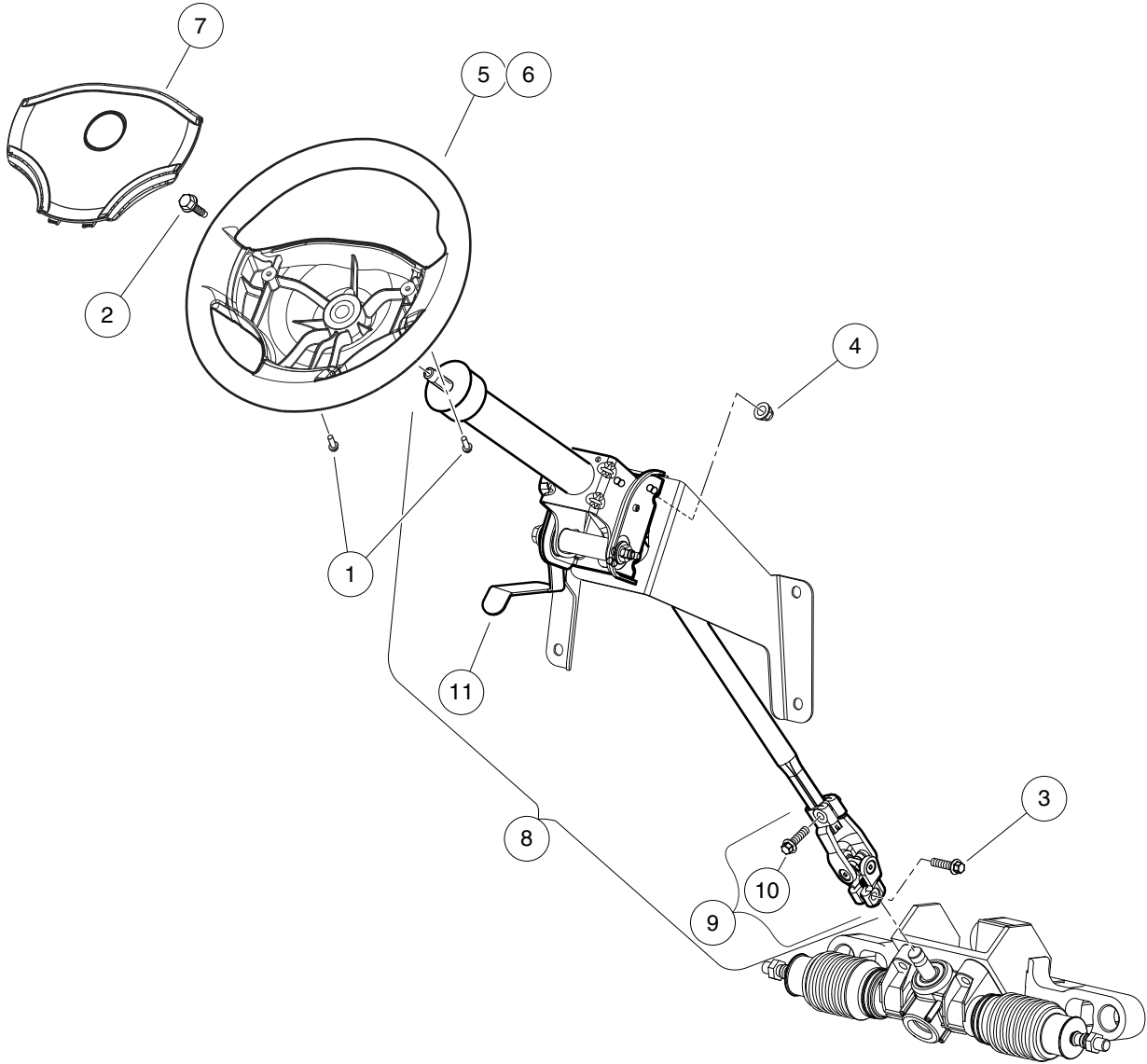
# STEERING AND SUSPENSION

---

5

G

**5**  
**G**



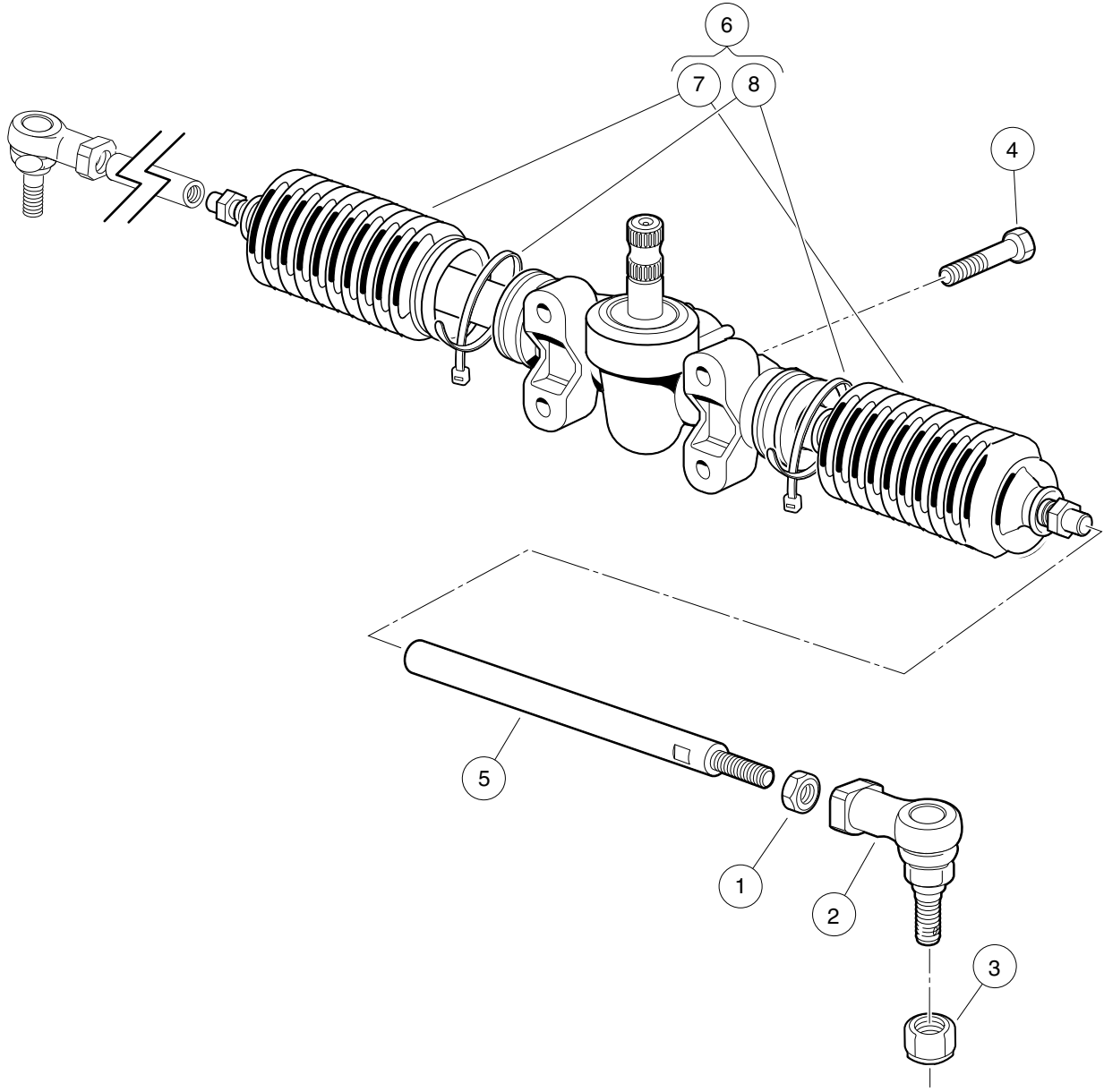
000070-006

# STEERING WHEEL AND COLUMN

ITEM	PART NO.	DESCRIPTION	QTY
		1 2 3 4	
1	<u>101850301</u>	Screw, #12-16 X 0.50 Washer-Head Hi-Lo .....	2
2	<u>102290120</u>	Bolt, M10 X 20 Hex Washer Hd .....	1
3	<u>102298130</u>	Bolt, Flange Head, M8 X 30.0 .....	1
4	<u>102298401</u>	Nut,m8,all Metal Lock .....	3
5	<u>103724501</u>	Steering Wheel, Hex .....	1
6	<u>103724503</u>	Steering Wheel, Soft Grip, Hex .....	1
7	<u>103724602</u>	Cover, Steering Wheel, Generic .....	1
8	<u>103859901</u>	Column, Steering, Awd (includes items 9 through 11) .....	1
9	<u>103810201</u>	Kit, Prec Lower Yoke, Wanda (includes item 10) .....	1
10	<u>102298130</u>	Bolt, Flange Head, M8 X 30.0 .....	1
11	<u>103862701</u>	Handle, Steering, Tilt, Awd .....	1

**5**  
**G**

**5**  
**G**

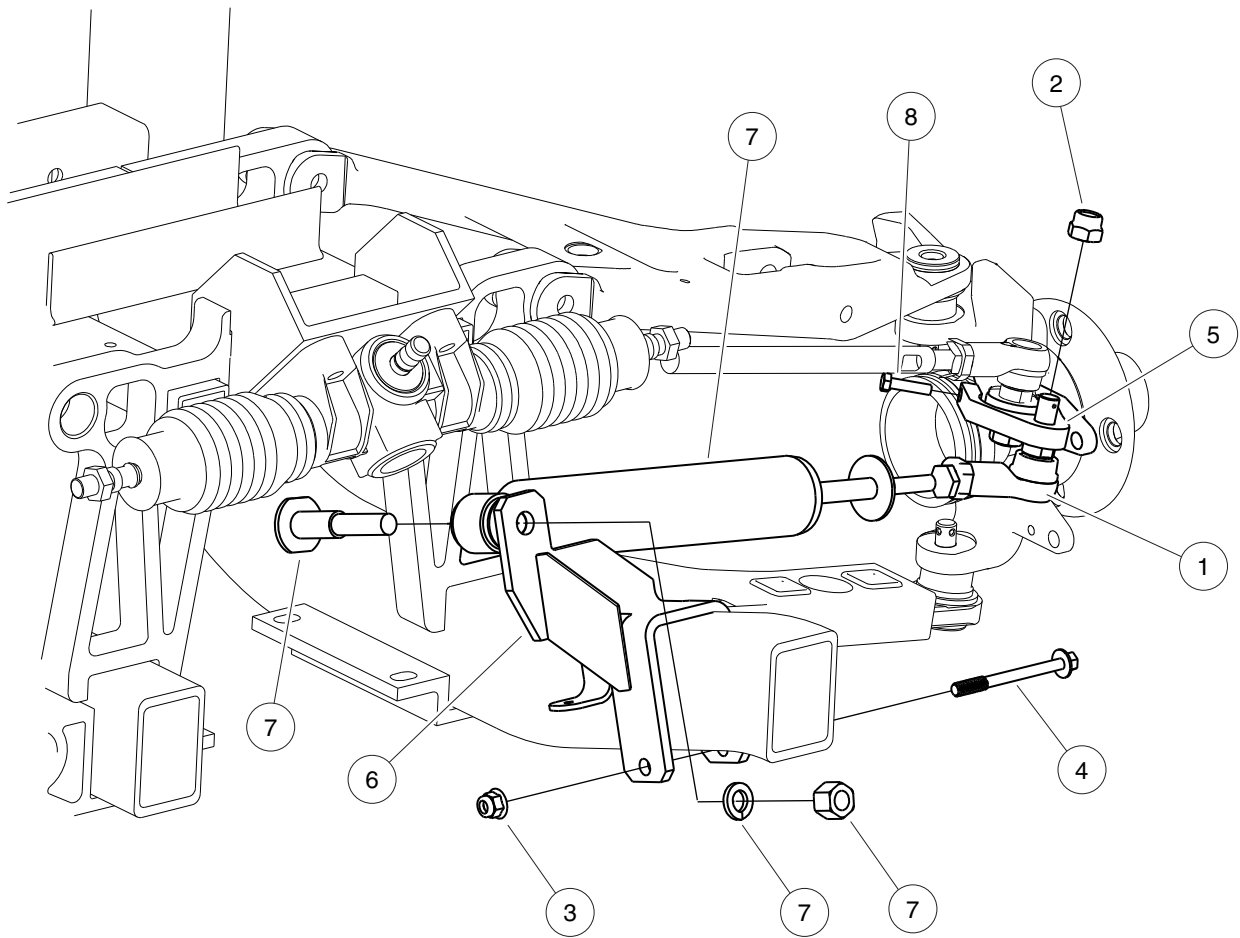


000071-004

# STEERING GEAR

ITEM	PART NO.	DESCRIPTION	QTY
		<b>1 2 3 4</b>	
1	1013042	Nut, 12mm Hex .....	2
2	<u>102022601</u>	End, Tie Rod M12 X 1.25 Rh .....	2
3	<u>102022901</u>	Locknut, M12-1.25 Nylon .....	2
4	<u>102687801</u>	Bolt, Flange Head, M10x 1.5 X 40 with Loctite .....	4
5	<u>102816801</u>	Link, Drag, Wt .....	2
6	<u>103866601</u>	Gear, Steering, AWD (includes items 7 and 8) .....	1
7	<u>1013035</u>	Bellows, Long .....	2
8	<u>8990</u>	Tie Wrap, 8" Nylon .....	2

**5**  
**G**



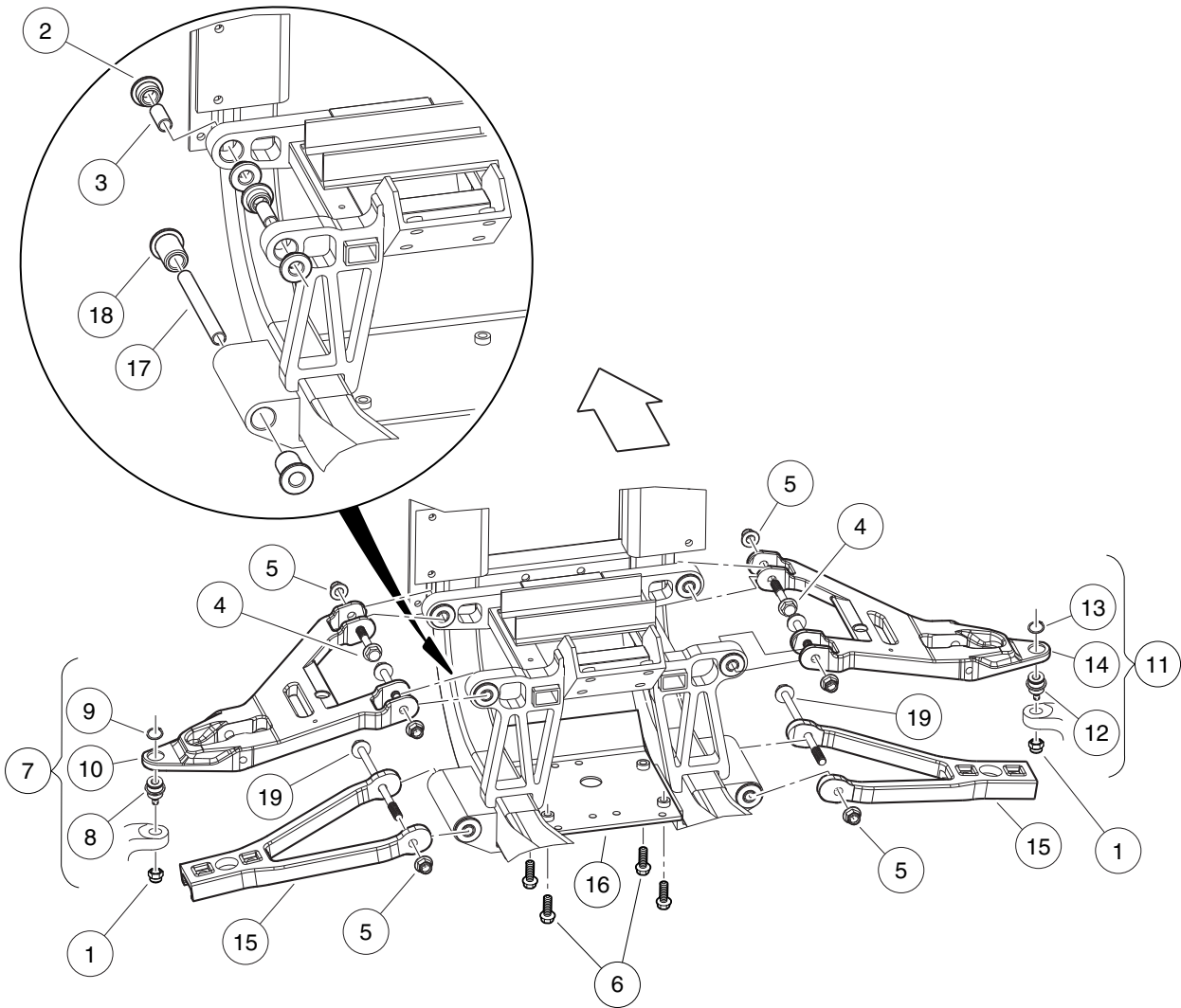
000962-002

# STEERING DAMPER

ITEM	PART NO.	DESCRIPTION	QTY
		<b>1 2 3 4</b>	
1	<u>102022601</u>	End, Tie Rod M12 X 1.25 Rh .....	1
2	<u>102022901</u>	Locknut, M12-1.25 Nylon .....	1
3	<u>102618601</u>	Lock Nut, Flange, M8 X 1.25 Nylon .....	1
4	<u>103146801</u>	Bolt, Flg, M8 X 1.25 X 80 .....	1
5	<u>103935401</u>	Bracket, Knuckle, Damper, Steering .....	1
6	<u>103938601</u>	Weldment, Bracket, Steering Damper .....	1
7	<u>103939001</u>	Damper, Steering, M12 X 1.25 .....	1
8	<u>103946001</u>	Bolt, M6-1.0 X 25 Hhcs, Loctite .....	1
<p>Note: Item 7 Steering Damper includes special bolt, lock washer and nut.</p>			

**5**  
**G**

**5**  
**G**



000534-003

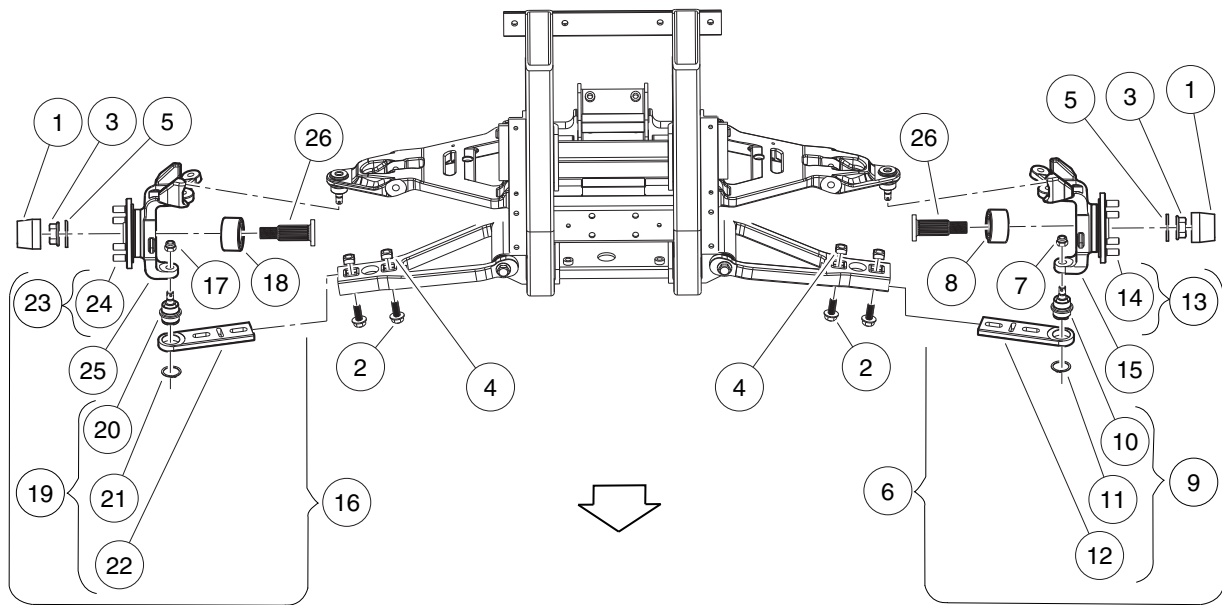


# FRONT SUSPENSION (S/N LOWER THAN 347765) – PAGE 1 OF 2

ITEM	PART NO.	DESCRIPTION	QTY
		1 2 3 4	
1	<u>102022901</u>	Locknut, M12-1.25 Nylon .....	2
2	<u>102408401</u>	Bushing, A-Arm .....	8
3	<u>102437001</u>	Sleeve, Upper .....	4
4	<u>102616301</u>	Bolt, Flange Head, M12 X 1.75 X 70 .....	4
5	<u>102620501</u>	Nut, Flange, M12x1.75, Nylon Grade 10 .....	6
6	<u>102711601</u>	Bolt, Flange Head, M10 X 1.5 X 25 .....	4
7	<u>102792001</u>	Asm, A-Arm, Upper, Left (includes items 8 through 10) .....	1
8	<u>102361901</u>	Joint, Ball .....	1
9	<u>102722301</u>	Ring, Retaining, Ext, 1-1/4" .....	1
10	<u>102927101</u>	Arm, Upper, Wide, Machined, LH .....	1
11	<u>102792002</u>	Asm, A-arm, Upper, Right (includes items 12 through 14) .....	1
12	<u>102361901</u>	Joint, Ball .....	1
13	<u>102722301</u>	Ring, Retaining, Ext, 1-1/4" .....	1
14	<u>102927102</u>	Arm, Upper, Wide, Machined, RH .....	1
15	<u>102874501</u>	A-Arm, Lower .....	2
16	<u>103244701</u>	Asm, Mount, Diff Plate .....	1
17	<u>103256401</u>	Sleeve, Lower Arm .....	2
18	<u>103256501</u>	Bushing, Lower Arm .....	4
19	<u>103256701</u>	Bolt, Flange, M12 X 1.75 X 200 10 .....	2

5

G



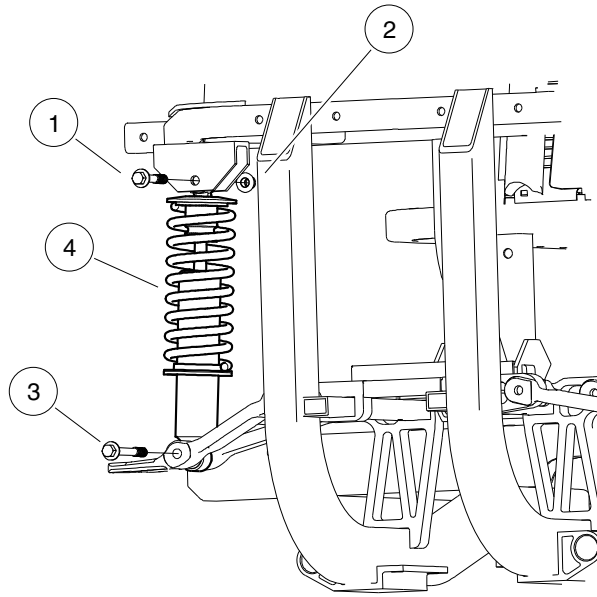
000534-004

## FRONT SUSPENSION – PAGE 2 OF 2

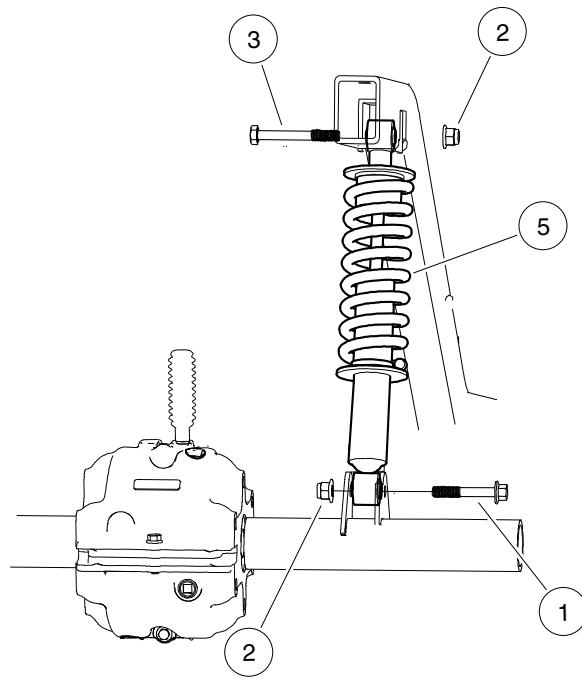
ITEM	PART NO.	DESCRIPTION	QTY
		1 2 3 4	
1	102274101	Center Cap, Rubber .....	2
2	<u>102490801</u>	Bolt, Flange Head, M12x 1.75x 30 with Loctite .....	4
3	<u>102617501</u>	Nut, Flange, M22 X 1.5 Mech Def .....	2
4	<u>102617701</u>	Nut, Square, M12x 1.75 .....	4
5	<u>102617801</u>	Washer, Hard, M22 .....	2
6	<u>103863601</u>	Asm, Upright, Awd, LH (includes items 7 through 15) .....	1
7	<u>102022901</u>	Locknut, M12-1.25 Nylon .....	1
8	<u>102464301</u>	Bearing .....	1
9	<u>102874301</u>	Asm, Adjuster, Slide (includes items 10 through 12) .....	1
10	<u>102361901</u>	Joint, Ball .....	1
11	<u>102722301</u>	Ring, Retaining, Ext, 1-1/4" .....	1
12	N/A	Slide, Adjuster .....	1
13	<u>103146204</u>	Wheel Hub, Front, 1550, Service (includes item 14) .....	1
14	<u>103951501</u>	Lug Stud, 1/2-20 UNF, SAE J1102 .....	4
15	N/A	Upright, Finished, LH .....	1
16	<u>103863602</u>	Asm, Upright, Awd, RH (includes items 17 through 25) .....	1
17	<u>102022901</u>	Locknut, M12-1.25 Nylon .....	1
18	<u>102464301</u>	Bearing .....	1
19	<u>102874301</u>	Asm, Adjuster, Slide (includes items 20 through 22) .....	1
20	<u>102361901</u>	Joint, Ball .....	1
21	<u>102722301</u>	Ring, Retaining, Ext, 1-1/4" .....	1
22	N/A	Slide, Adjuster .....	1
23	<u>103146204</u>	Wheel Hub, Front, 1550, Service (includes item 24) .....	1
24	<u>103951501</u>	Lug Stud, 1/2-20 UNF, SAE J1102 .....	4
25	N/A	Upright, Finished, RH .....	1
26	<u>103948401</u>	Retainer, Front Wheel Bearing .....	2

**5**

**G**



Front



Rear

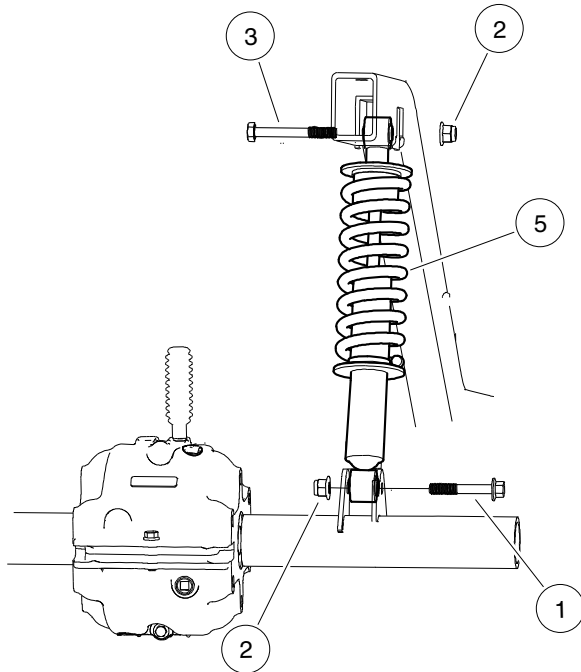
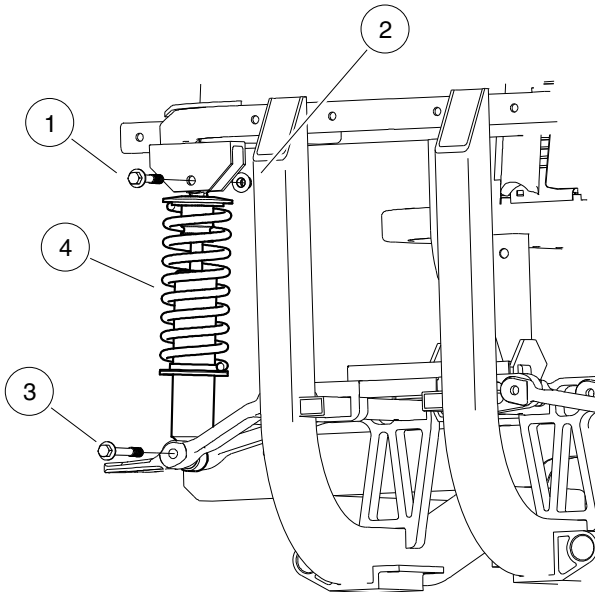
000530-005

## SHOCK ABSORBERS – 1050 LB. CAPACITY

ITEM	PART NO.	DESCRIPTION	QTY
		1 2 3 4	
1	<u>102616301</u>	Bolt, Flange Head, M12 X 1.75 X 70 .....	4
2	<u>102620501</u>	Nut, Flange, M12x1.75, Nylon Grade 10 .....	6
3	<u>102788701</u>	Bolt, Flange, M12x1.75x100, Patch .....	4
4	<u>103841801</u>	Shock Absorber, Coil-over, Front, 1050 lb Capacity .....	2
5	<u>103930501</u>	Shock Absorber, Coil-over, Rear, 1050 lb Capacity .....	2
		Note: Shocks must be installed as matched pairs.	

5  
G

**5**  
**G**



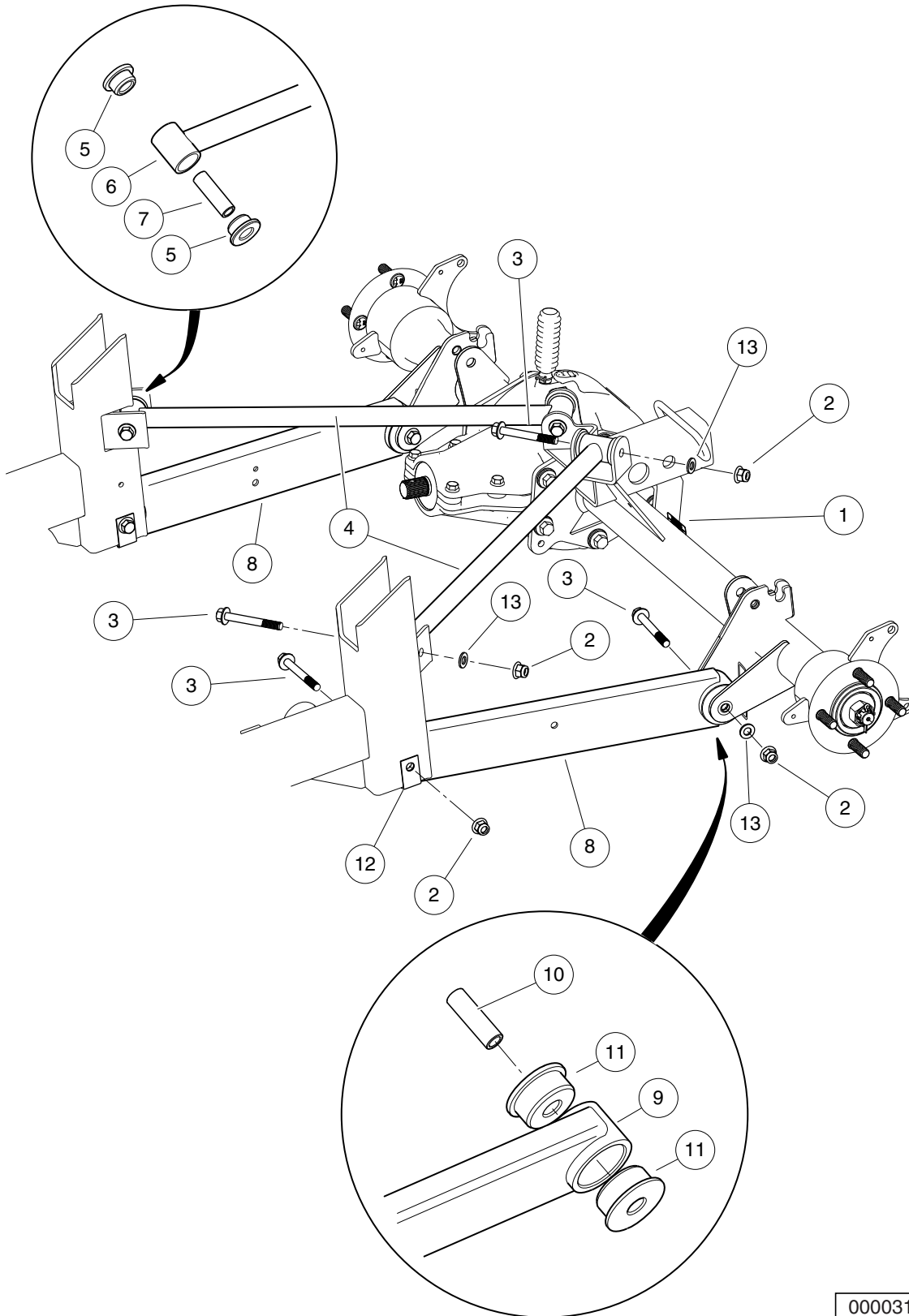
000530-006

## SHOCK ABSORBERS – 1500 LB. CAPACITY

ITEM	PART NO.	DESCRIPTION	QTY
		1 2 3 4	
1	<u>102616301</u>	Bolt, Flange Head, M12 X 1.75 X 70 .....	4
2	<u>102620501</u>	Nut, Flange, M12x1.75, Nylon Grade 10 .....	6
3	<u>102788701</u>	Bolt, Flange, M12x1.75x100, Patch .....	4
4	<u>103951601</u>	Shock Absorber, Coil-over, Front, 1500 lb Capacity .....	2
5	<u>103951701</u>	Shock Absorber, Coil-over, Rear, 1500 lb Capacity .....	2
		Note: Shocks must be installed as matched pairs.	

**5**  
**G**

**5**  
**G**



000031-005



## REAR SUSPENSION (4-LINK)

ITEM	PART NO.	DESCRIPTION	QTY
		1 2 3 4	
1	<u>1011553</u>	Decal, Trailer Hitch .....	1
2	<u>102670701</u>	Nut, Flange, M10 X 1.5 Nylon .....	8
3	<u>103147001</u>	Bolt, Flg, M10 X 1.5 X 80 .....	8
4	103860302	Assy, Lateral Link, Service Replacement, 4-Link Susp (includes items 5 through 7) .....	2
5	<u>102408401</u>	Bushing, A-Arm .....	4
6	N/A	Link, Lateral, Awd .....	1
7	<u>103845501</u>	Sleeve, Inner, 4link .....	2
8	103860402	Assy, Trailing Link, Service Replacement, 4-Link Susp (includes items 9 through 11) .....	2
9	N/A	Link, Trailing, Awd .....	1
10	<u>103845501</u>	Sleeve, Inner, 4link .....	2
11	<u>103886201</u>	Bushing, Poly, 4-link .....	4
12	<u>103923001</u>	Clip, Wear, Trail Link .....	4
13	<u>96741046</u>	Washer, M10, Hard .....	6

**5**

**G**

5

G

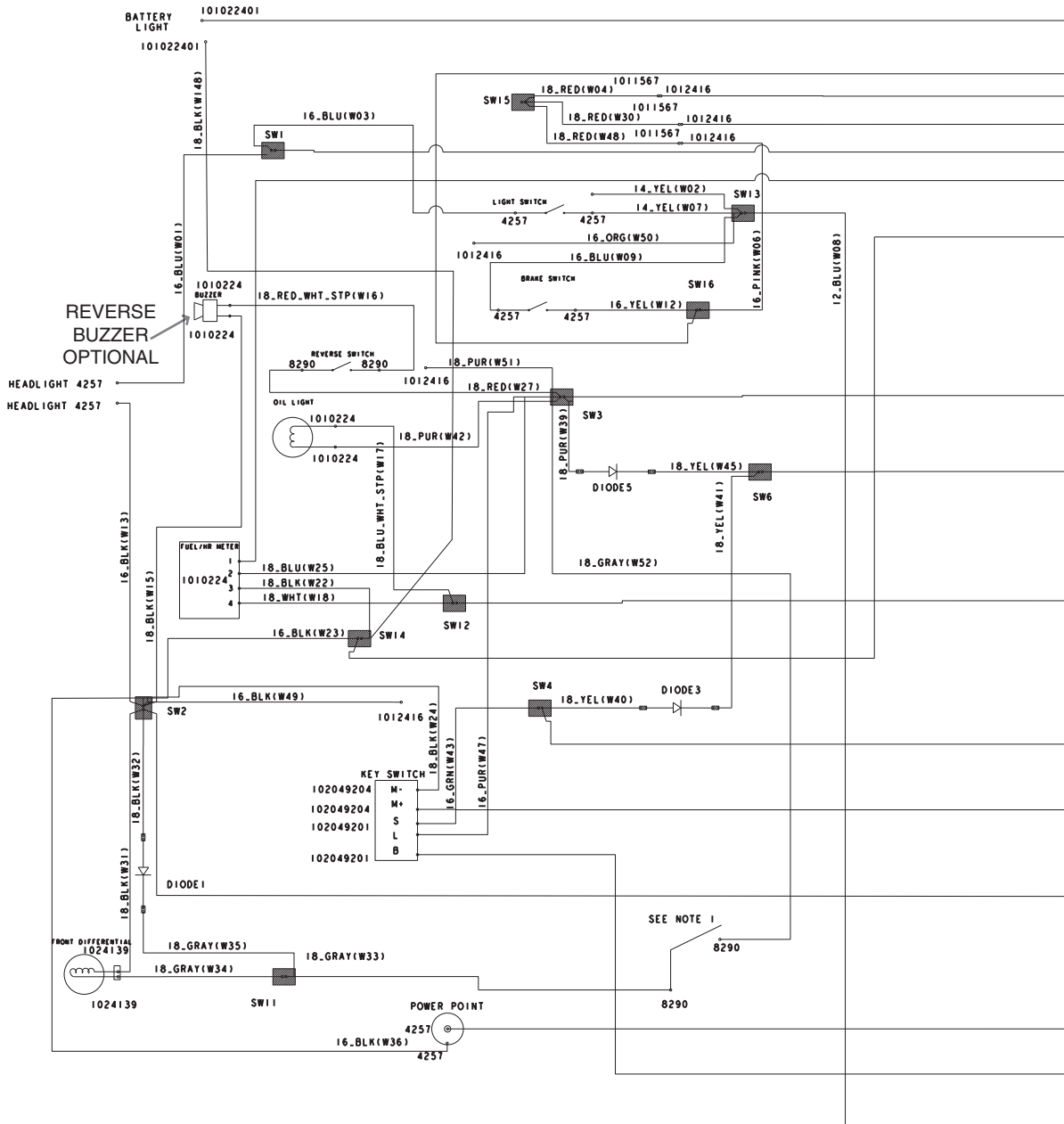
# ELECTRICAL SYSTEM

---

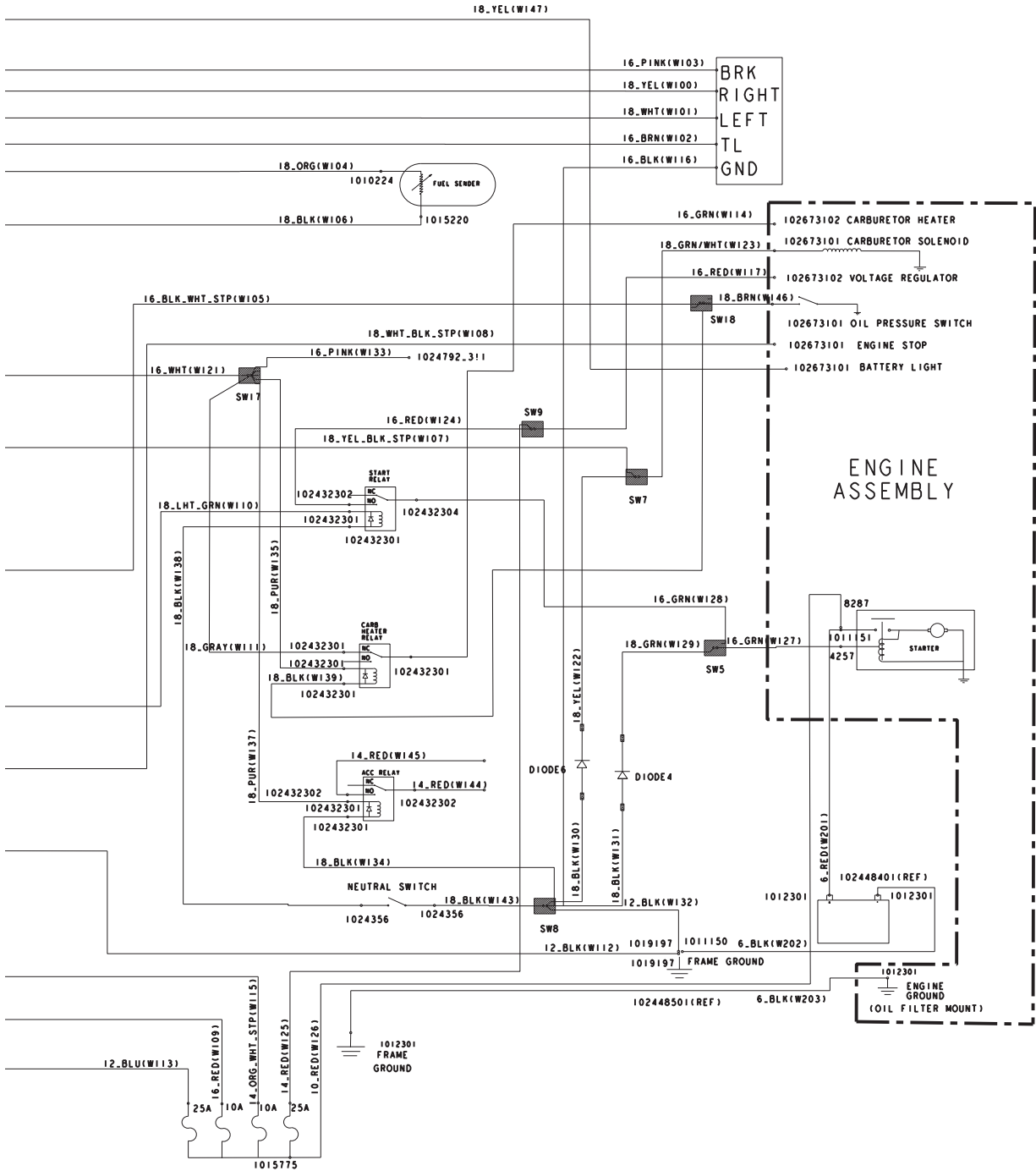
6

G

# KAWASAKI GASOLINE VEHICLE



000662-001



000662-001

6

G

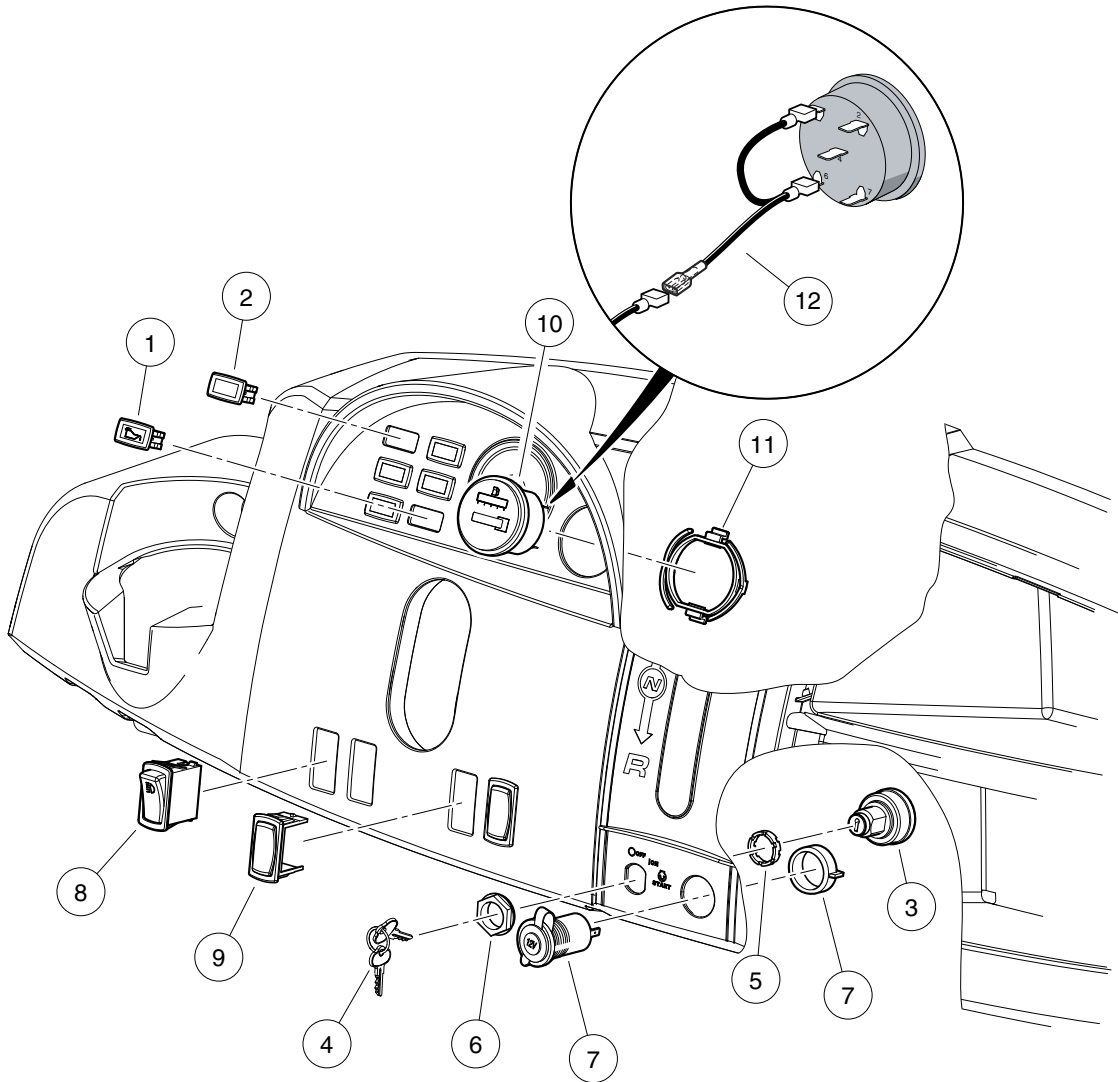
See previous two pages for illustration.

# WIRING – GASOLINE VEHICLE

ITEM	PART NO.	DESCRIPTION	QTY
		1 2 3 4	
1	<u>102538501</u>	Diode, General Purpose, 6.0a .....	1
2	<u>103305701</u>	Harness, Wire, AWD, Kawasaki FH680, 295/1550 .....	1

6

G



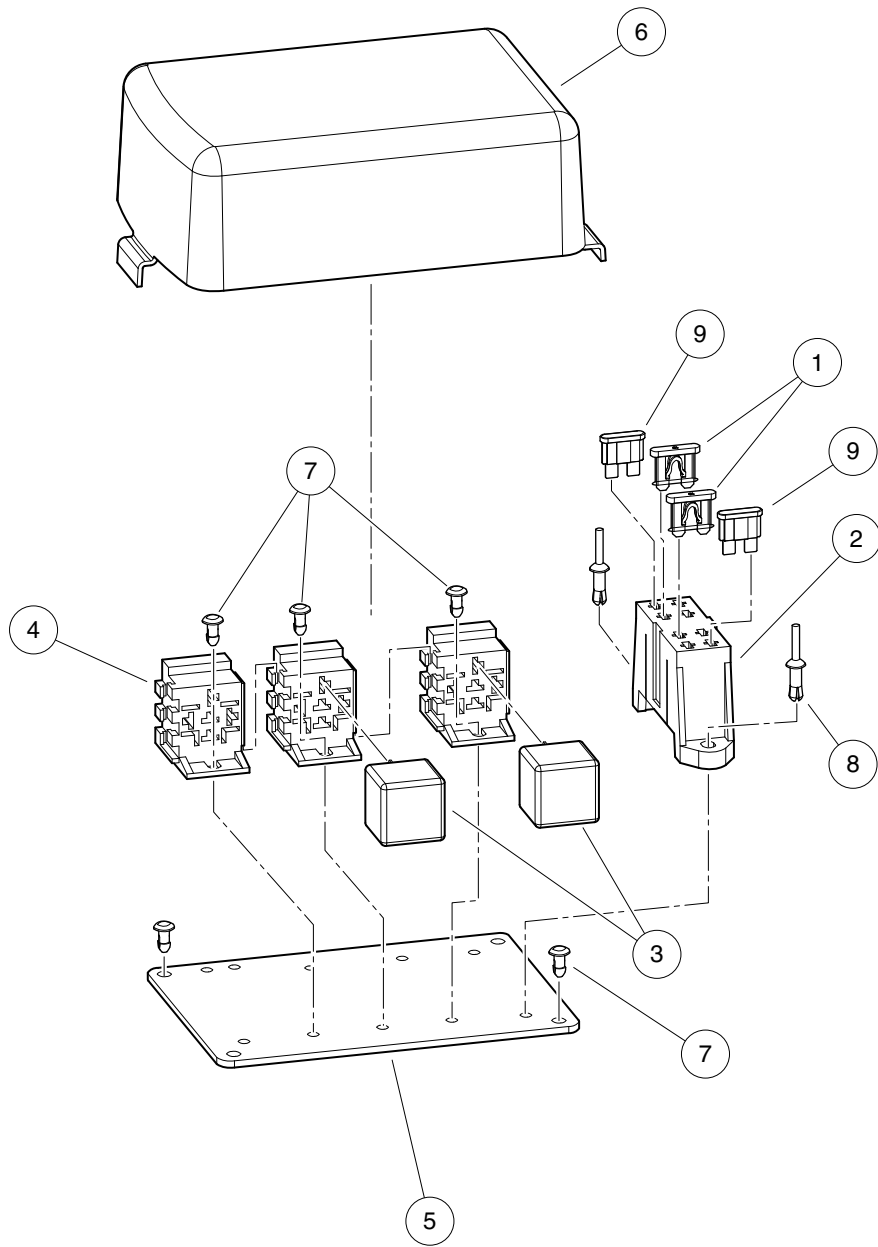
000543-009



# ELECTRICAL COMPONENTS, FRONT BODY – GAS VEHICLE

ITEM	PART NO.	DESCRIPTION	QTY
		1 2 3 4	
1	<u>1016630</u>	Light, Oil .....	1
2	<u>101802601</u>	Plug, Hole .....	5
3	<u>102044702</u>	Key Switch 12v Key Start .....	1
4	<u>102044801</u>	Key Set .....	1
5	<u>102051601</u>	Spacer, Keyswitch .....	1
6	<u>102051701</u>	Nut, Key Switch .....	1
7	<u>102198001</u>	Receptacle, Accessory .....	1
8	<u>102869401</u>	Switch, Rocker, Light .....	1
9	<u>103180101</u>	Cover, Hole, Switch, Rocker .....	3
10	<u>103348101</u>	Gauge, Fuel-hour, Sep Gnd .....	1
11	<u>103348201</u>	Clip, Meter, Round .....	1
12	<u>103348501</u>	Asm, Wire Meter, F-h Jumper .....	1

6  
G



000076-003

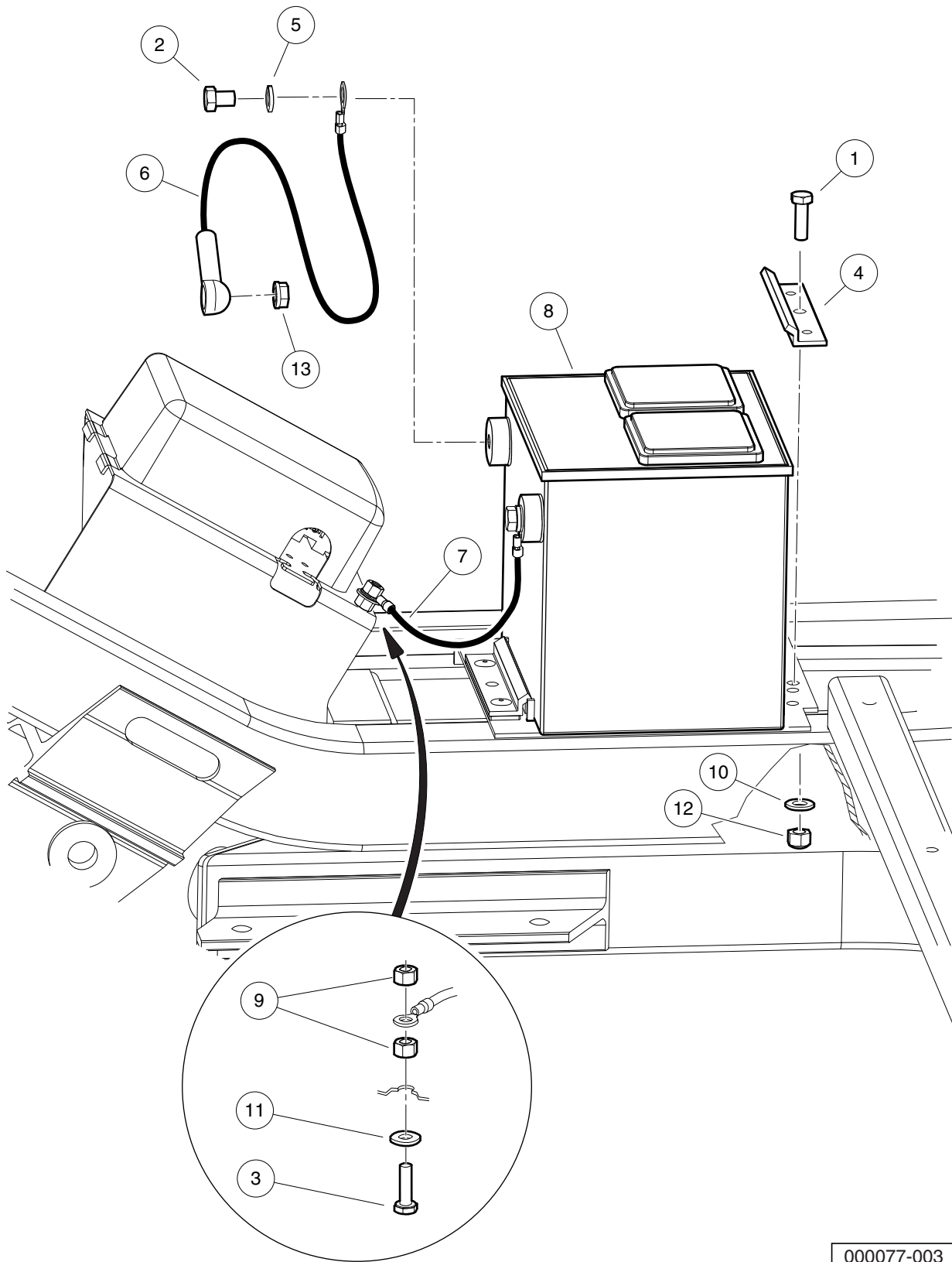
# ELECTRICAL COMPONENT BOX, GASOLINE VEHICLE

ITEM	PART NO.	DESCRIPTION	QTY
		1 2 3 4	
1	<u>1012295</u>	Fuse, 10-Amp .....	2
2	<u>1015741</u>	Fuse Block .....	1
3	<u>102420201</u>	Relay, Mini ISO, SPDT .....	3
4	<u>102420301</u>	Connector, Relay .....	3
5	<u>102420401</u>	Plate, Electrical .....	1
6	<u>102420501</u>	Cover, Electrical .....	1
7	<u>102447901</u>	Fastener, Push-in .....	7
8	<u>102448001</u>	Rivet, Drive .....	2
9	<u>102492201</u>	Fuse, 25-Amp .....	2

6

G

**6**  
**G**



000077-003

## BATTERY – GASOLINE VEHICLE

ITEM	PART NO.	DESCRIPTION	QTY
		1 2 3 4	
1	<u>1010934</u>	Screw, 5/16-18 X 1.00 Hex Cap .....	1
2	<u>1014375</u>	Screw, 3/8-16 X 0.50, Stainless Steel, Hex-Head .....	2
3	<u>1015521</u>	Screw, 1/4-20 X .88 Hex Hd Cap .....	1
4	<u>101898001</u>	Clamp, Battery .....	1
5	<u>102355301</u>	Lockwasher, 3/8 Split Ss .....	2
6	<u>102442201</u>	Asm, #6 Red Wire .....	1
7	<u>102448401</u>	Wire Asm, #6 Blk, Awd, 350 .....	1
8	<u>103496801</u>	Battery, Start, 12v .....	1
9	<u>1108</u>	Locknut, 1/4-20 Dimpled .....	2
10	<u>1241</u>	Washer, 5/16 Type A Flat .....	1
11	<u>332</u>	Washer, 1/4 Type A Narrow Flat .....	1
12	<u>7473</u>	Locknut, 5/16-18 Nylon Insert .....	1
13	<u>96704416</u>	Nut, Flange, M8 X 1.25 Serrated .....	1

6  
G

6

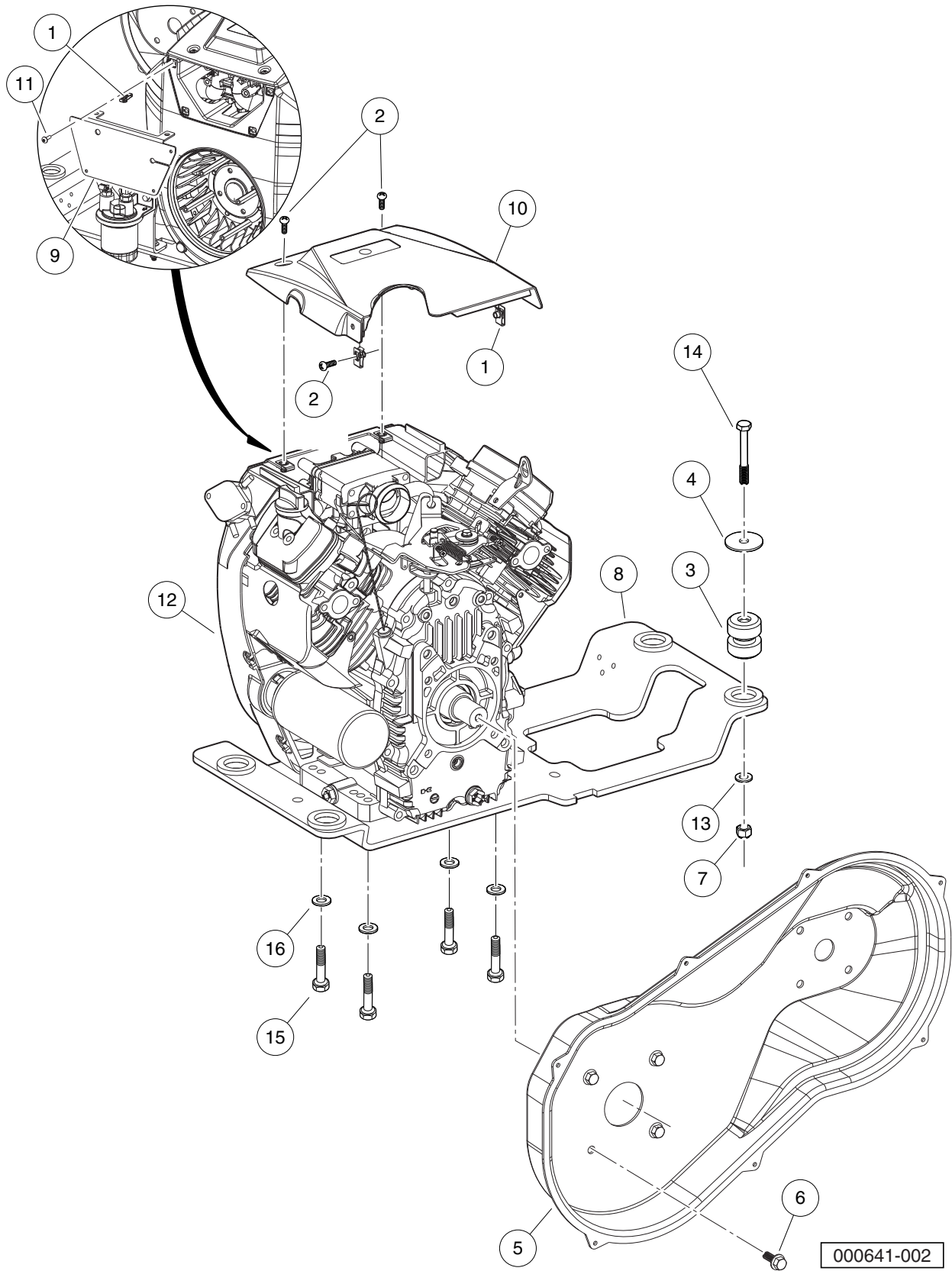
G

# KAWASAKI FH680D GASOLINE ENGINE

---

7

G





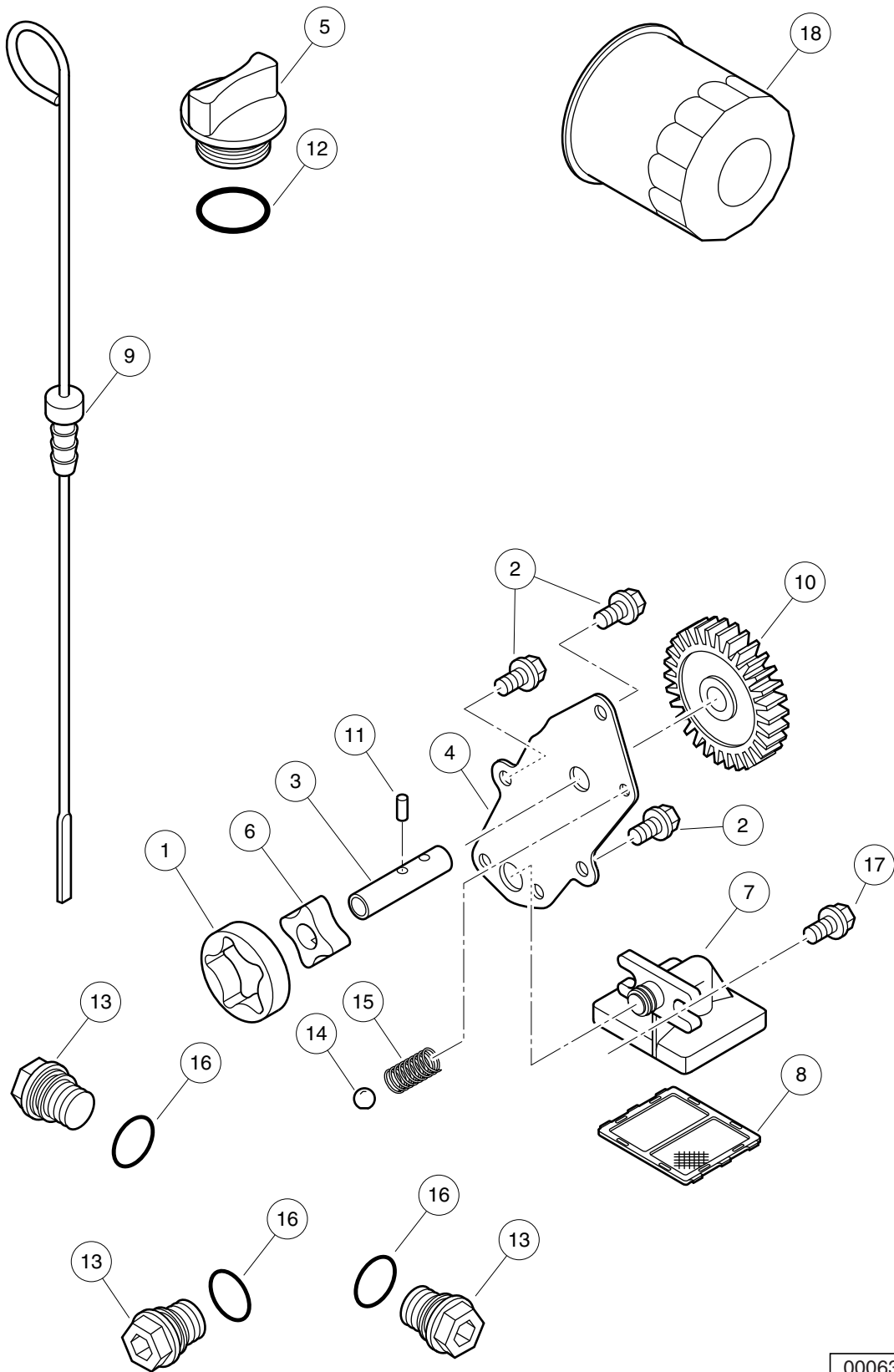
# KAWASAKI FH680D GASOLINE ENGINE AND MOUNTING

ITEM	PART NO.	DESCRIPTION	QTY
		1 2 3 4	
1	<u>102296601</u>	U-Nut, M6-1.0, Prevailing Torque .....	4
2	<u>102296920</u>	Screw, M6, Torx Button Head, Sems .....	4
3	<u>102370501</u>	Isolator Ring and Bushing .....	4
4	<u>102370601</u>	Washer, Snubbing, Ring N Bush .....	4
5	<u>102462504</u>	Cover, Cvt, Inner Fh680d .....	1
6	<u>102491001</u>	Bolt, Flanged Head, 3/8-16x1.0 with Loctite .....	4
7	<u>102740401</u>	Locknut, M12x1.75 Nylon Insert .....	4
8	<u>102951901</u>	Weldment, Eng Mnt, Kaw, Fh680d .....	1
9	<u>103208701</u>	Engine, Front Cover, Fh680d .....	1
10	<u>103262901</u>	Cover, Engine, Top .....	1
11	<u>103279201</u>	Screw, Pn Hd Blk, 10-16 X .625 .....	4
12	<u>103528201</u>	Engine, Kawasaki, FH680D .....	1
13	<u>96701412</u>	Washer, M12 Hard .....	4
14	<u>96704721</u>	Bolt, M12 X 1.75 X 90 .....	4
15	<u>96704960</u>	Bolt, M10 X 1.5 X 60 .....	4
16	<u>96741046</u>	Washer, M10, Hard .....	4

7

G

**7**  
**G**



000637-004

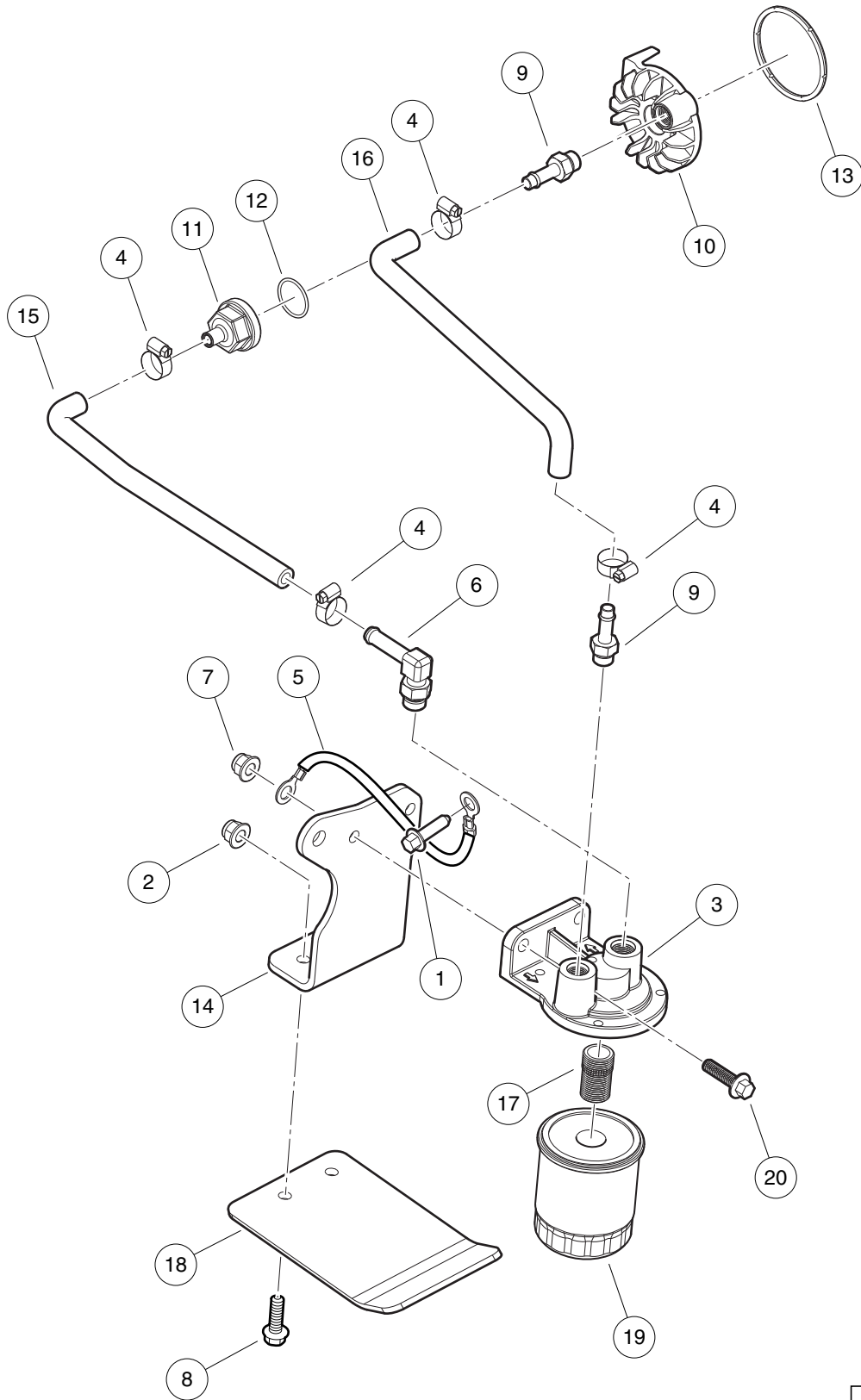
# OIL AND LUBRICATION COMPONENTS

ITEM	PART NO.	DESCRIPTION	QTY
		1 2 3 4	
1	101648201	Rotor, Pump, Oil, Outer .....	1
2	<u>102992401</u>	Bolt, Flg, M6 X 1.0 X 12 .....	3
3	<u>102996901</u>	Shaft, Oil Pump, Fh .....	1
4	<u>102997001</u>	Plate, Oil Pump, Fh .....	1
5	<u>102997101</u>	Cap, Oil, Fill, Fh .....	1
6	<u>102997201</u>	Rotor, Pump, Oil, Inner, Fh .....	1
7	<u>102997401</u>	Pickup, Oil, Fh .....	1
8	<u>102997601</u>	Screen, Pickup, Oil, Fh .....	1
9	<u>102997701</u>	Gauge, Oil, Fh .....	1
10	<u>102997801</u>	Gear, Spur, Oil Pump, Fh .....	1
11	<u>102997901</u>	Pin, Oil Pump, Fh .....	2
12	<u>102998001</u>	O-ring, Cap, Oil, Fill, Fh .....	1
13	<u>102998101</u>	Plug, Oil Drain, Fh .....	3
14	<u>102998201</u>	Ball, Oil Pump, Fh .....	1
15	<u>102998301</u>	Spring, Oil Pump, Fh .....	1
16	<u>102998401</u>	O-ring, Drain Plug, Oil, Fh .....	3
17	<u>103300301</u>	Bolt, Oil Pickup, Fh .....	2
18	<u>103887901</u>	Filter, Oil, Kawasaki .....	1

7

G

**7**  
**G**



000671-004

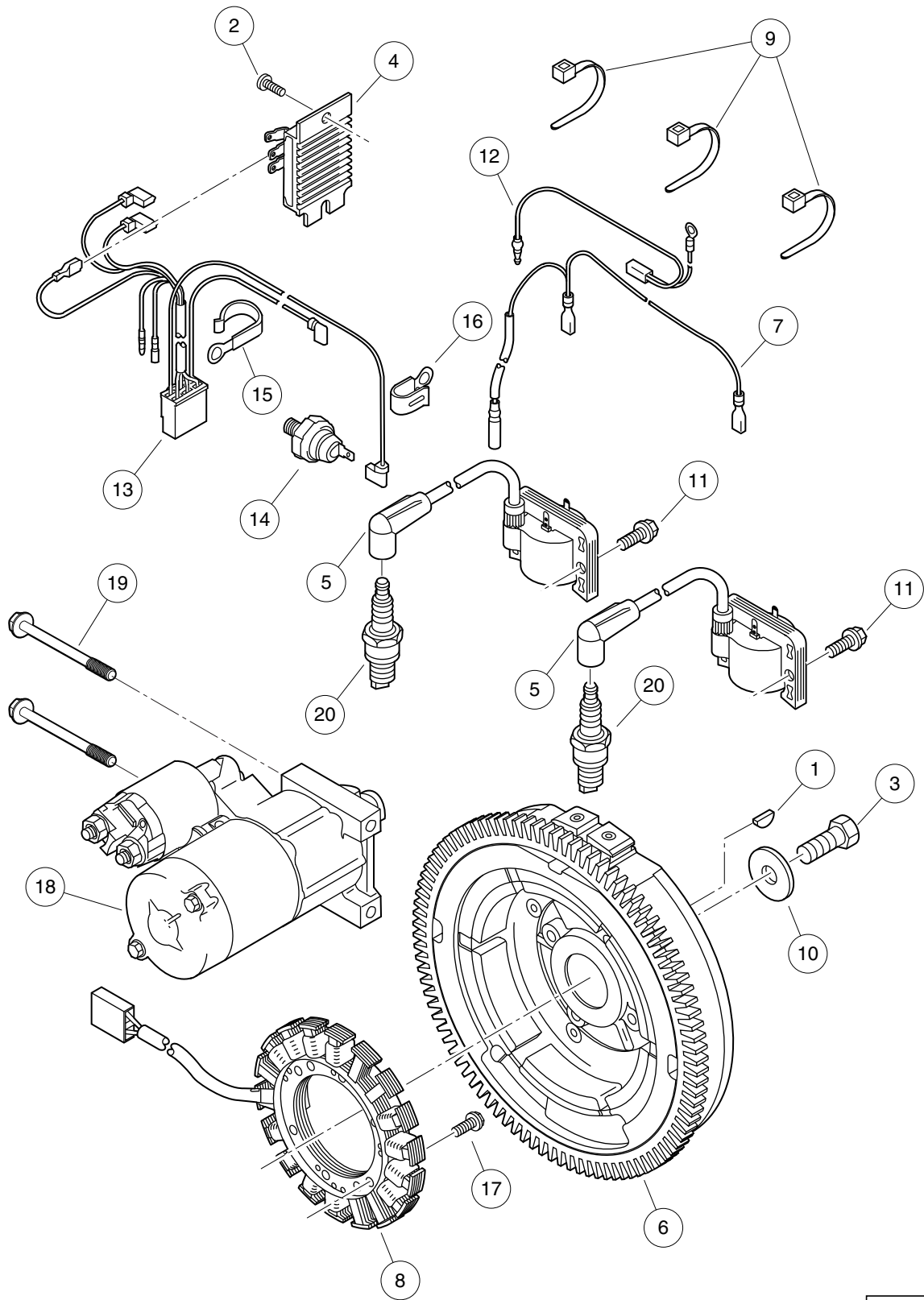
# OIL FILTER ADAPTER – KAWASAKI FH680

ITEM	PART NO.	DESCRIPTION	QTY
		1 2 3 4	
1	<u>102289001</u>	Screw, M8X1.25X30, Hex .....	1
2	<u>102298401</u>	Nut,m8,all Metal Lock .....	2
3	<u>102371401</u>	Bracket, Oil Filter Mount .....	1
4	<u>102443601</u>	Clamp, Hose .....	4
5	<u>102448501</u>	Wire Asm, #6 Blk, Awd, 325 .....	1
6	<u>102457501</u>	Adapter, 90, 3/8 Tube .....	1
7	<u>102618601</u>	Lock Nut, Flange, M8 X 1.25 Nylon .....	2
8	<u>102621301</u>	Bolt, M8 X 1.25 X 40 with Loctite .....	2
9	<u>102722001</u>	Adapter, 5/16 Hose .....	2
10	<u>102958301</u>	Adapter, Special, Oil Filter .....	1
11	<u>102958401</u>	Nut, Special, Hose Adapter .....	1
12	<u>102958501</u>	O-ring, 23.52 X 1.78mm .....	1
13	<u>102958601</u>	O-ring, Oil Filter Adapter .....	1
14	<u>103197201</u>	Bracket, Oil Filter, Fh680d .....	1
15	<u>103240601</u>	Hose, Formed, Oil, 5/16" .....	1
16	<u>103246901</u>	Hose, Formed, Oil, 5/16", Ret .....	1
17	<u>103276201</u>	Nipple, 3/4-16 X M20 X 1.5-6g .....	1
18	<u>103326401</u>	Guard, Oil Filter, Fh680d .....	1
19	<u>103887901</u>	Filter, Oil, Kawasaki .....	1
20	<u>96705587</u>	Bolt, M8 X 1.25 X 30 .....	2

7

G

**7**  
**G**

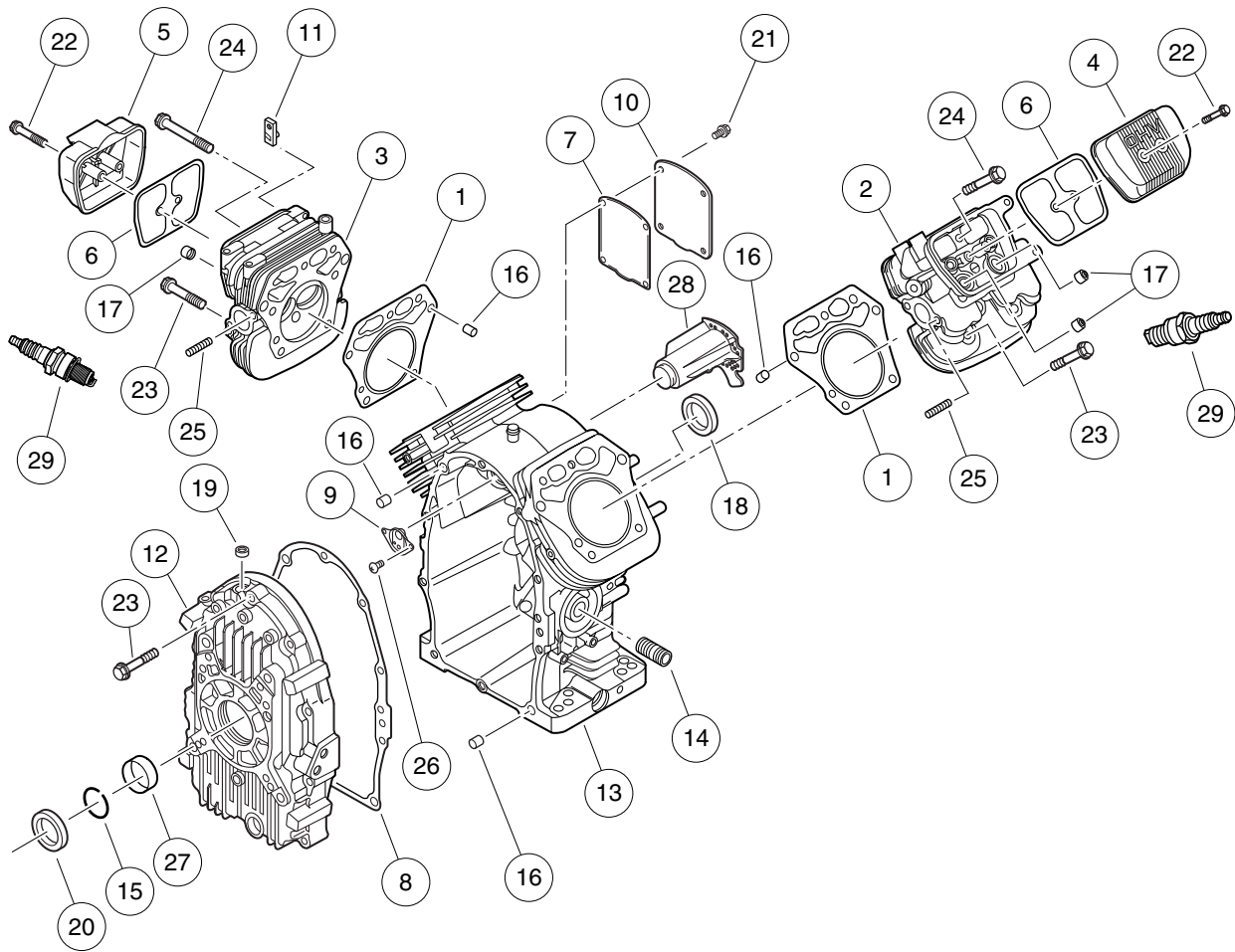


000626-002

# IGNITION COMPONENTS AND FLYWHEEL – KAWASAKI FH680

ITEM	PART NO.	DESCRIPTION	QTY
		1 2 3 4	
1	N/A	Key .....	1
2	<u>1016544</u>	Screw .....	1
3	<u>102994301</u>	Bolt, Flg, M12 X 1.25 X 30 .....	1
4	<u>103000401</u>	Regulator, Voltage, Fh .....	1
5	<u>103000501</u>	Asm, Coil, Ignition, Fh .....	2
6	<u>103000601</u>	Flywheel, Assy, Fh .....	1
7	<u>103000801</u>	Harness, Regulator, Fh .....	1
8	<u>103000901</u>	Coil, Charging, Fh .....	1
9	<u>103001301</u>	Band, Harness, Fh .....	3
10	<u>103001501</u>	Washer, Flywheel, Fh .....	1
11	<u>103298501</u>	Bolt, Flanged, M6 X 20, Kaw .....	4
12	<u>103299501</u>	Harness, Ignition, Fh .....	1
13	<u>103299601</u>	Harness, Engine, Main, Fh .....	1
14	<u>103299701</u>	Switch, Oil Pressure, Fh .....	1
15	<u>103299801</u>	Clamp, Harness, Large, Fh .....	1
16	<u>103299901</u>	Clamp, Harness, Small, Fh .....	1
17	<u>103300101</u>	Screw, Pan, Coil Mount, Fh .....	4
18	<u>103345501</u>	Starter, Electric, Fh680d .....	1
19	<u>103687401</u>	Bolt, Flg, M8 X 1.25 X 83 .....	2
20	<u>AM1232301</u>	Spark Plug, BPR2ES .....	2

**7**  
**G**



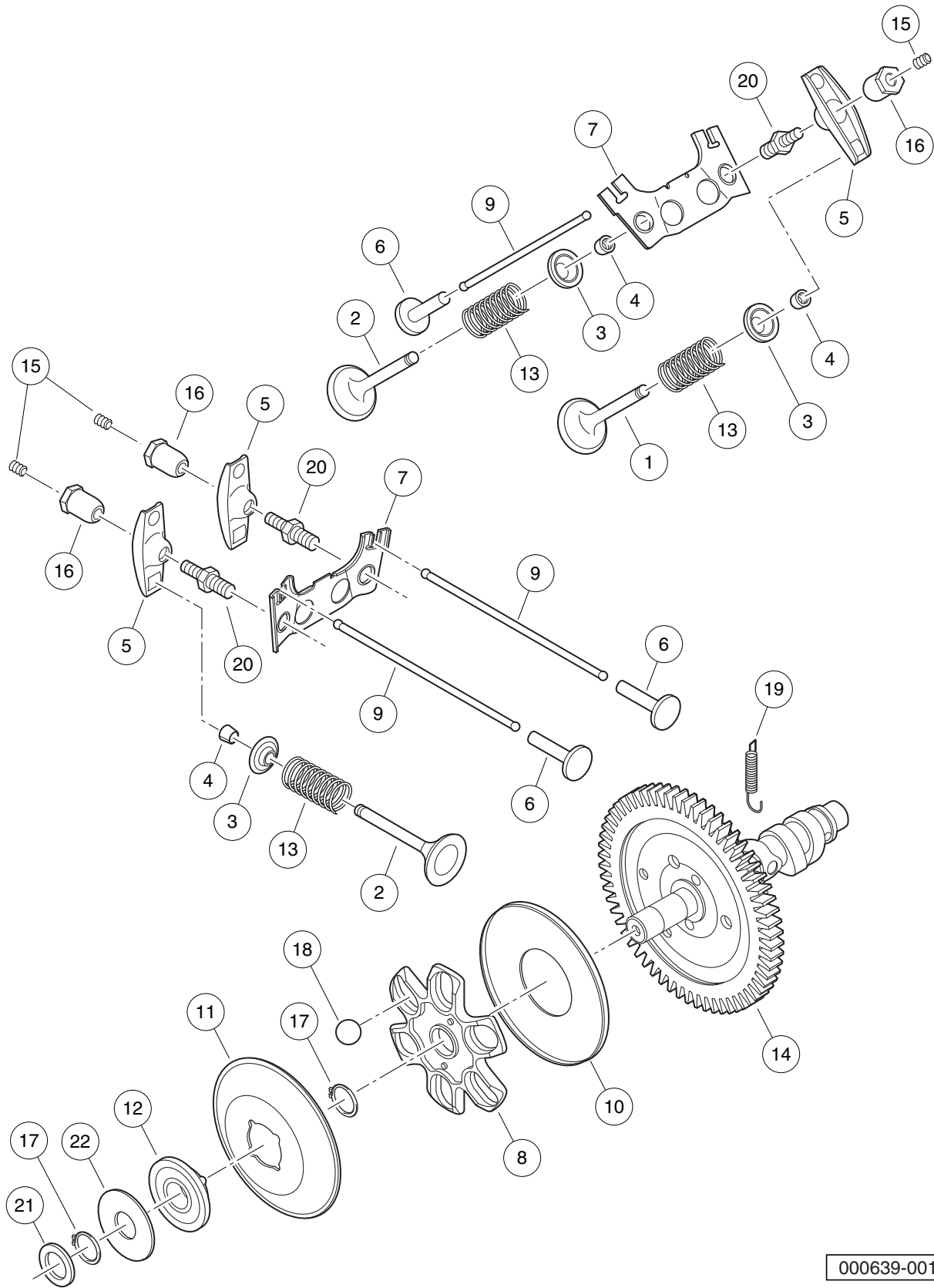
000638-002



# CYLINDER HEAD AND CRANKCASE

ITEM	PART NO.	DESCRIPTION	QTY
		1 2 3 4	
1	<u>102990101</u>	Gasket, Head, Cyl, Fh .....	2
2	<u>102990201</u>	Head, Cyld 1, Fh .....	1
3	<u>102990301</u>	Head, Cyld 2, Fh .....	1
4	<u>102990401</u>	Cover, Rocker, Cyld 1, Fh .....	1
5	<u>102990501</u>	Cover, Rocker, Cyld 2, Fh .....	1
6	<u>102990601</u>	Gasket, Rocker, Cover, FH .....	2
7	<u>102990701</u>	Gasket, Breather, Fh .....	1
8	<u>102990801</u>	Gasket, Cover, Crank, Fh .....	1
9	<u>102990901</u>	Valve, Assy, Reed, Fh .....	1
10	<u>102991101</u>	Cover, Crkcase, Comp, Fh .....	1
11	<u>102991201</u>	Pipe, Head, Comp, Clyd, Fh .....	1
12	<u>102991401</u>	Cover, Crankcase, Fh .....	1
13	<u>102991501</u>	Crankcase, Comp, Fh .....	1
14	<u>102991601</u>	Nipple, Oil Filter, Fh .....	1
15	<u>102991801</u>	Ring, Snap, Fh .....	1
16	<u>102991901</u>	Pin, Head, Fh .....	6
17	<u>102992001</u>	Seal, Oil, Valve, Fh .....	4
18	<u>102992101</u>	Seal, Oil, Crank, Rear, Fh .....	1
19	<u>102992201</u>	Seal, Oil, Governor, Fh .....	1
20	<u>102992301</u>	Seal, Oil, Crank, Front, Fh .....	1
21	<u>102992401</u>	Bolt, Flg, M6 X 1.0 X 12 .....	4
22	<u>102992601</u>	Bolt, Flg, M6 X 1.0 X 40 .....	4
23	<u>102992701</u>	Bolt, Flg, M8 X 1.25 X 50 .....	18
24	<u>102992801</u>	Bolt, Flg, M8 X 1.25 X 75 .....	2
25	<u>102992901</u>	Stud, M8 X 1.25, Exhaust, Fh .....	4
26	<u>103298601</u>	Screw, Pan, Governor, Fh .....	2
27	<u>103298901</u>	Bushing, Main, Fh .....	1
28	<u>103981201</u>	Pipe, Crankcase Breather, Fh680 (with O-Ring) .....	1
29	<u>AM1232301</u>	Spark Plug, BPR2ES .....	2

**7**  
**G**



000639-001

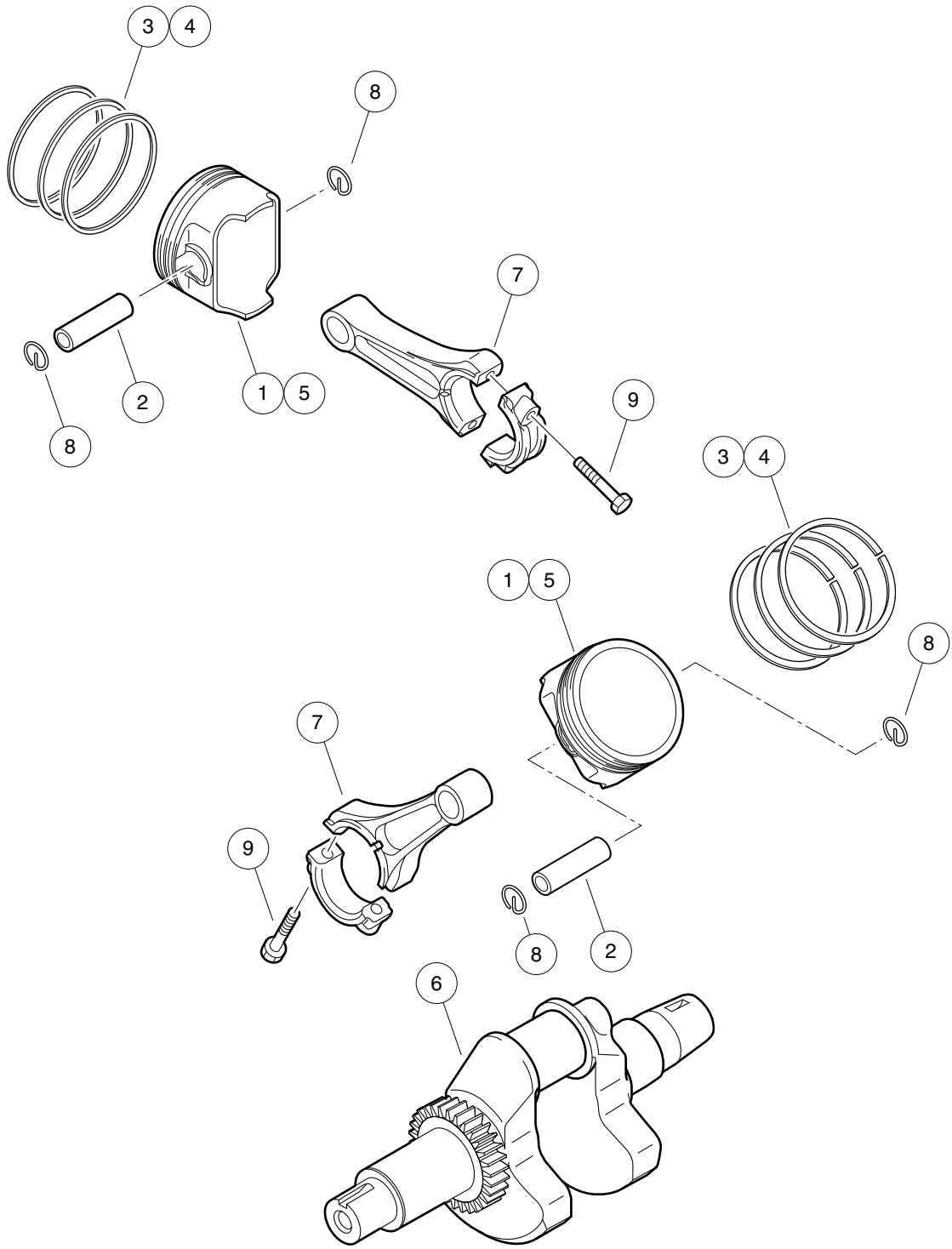
# VALVES AND CAMSHAFT

ITEM	PART NO.	DESCRIPTION	QTY
		1 2 3 4	
1	<u>102994601</u>	Valve, Intake, Fh .....	2
2	<u>102994701</u>	Valve, Exhaust, Fh .....	2
3	<u>102994801</u>	Retainer, Valve Spring, Fh .....	4
4	<u>102994901</u>	Collet, Spring, Valve, Fh .....	8
5	<u>102995001</u>	Arm, Rocker .....	4
6	<u>102995101</u>	Tappet, Rod, Push, Fh .....	4
7	<u>102995201</u>	Guide, Arm, Rocker, Fh .....	2
8	<u>102995301</u>	Guide, Camshaft, Gov, Fh .....	1
9	<u>102995401</u>	Rod, Push, Fh .....	4
10	<u>102995501</u>	Plate, Camshaft, Gov, Fh .....	1
11	<u>102995601</u>	Plate, Ring, Gov, Fh .....	1
12	<u>102995701</u>	Sleeve, Plate, Gov, Fh .....	1
13	<u>102995801</u>	Spring, Valve, Fh .....	4
14	<u>102995901</u>	Kit, Camshaft, Comp, Fh .....	1
15	<u>102996001</u>	Screw, Rocker Arm, Fh .....	4
16	<u>102996101</u>	Nut, Arm, Rocker, Fh .....	4
17	<u>102996201</u>	Ring, Snap, Gov, Fh .....	2
18	<u>102996301</u>	Ball, Guide, Gov, Fh .....	6
19	<u>102996401</u>	Spring, Camshaft, Fh .....	1
20	<u>102996501</u>	Stud, Rocker Arm, Fh .....	4
21	<u>102996601</u>	Washer, Sleeve, Gov, Fh .....	1
22	<u>102996701</u>	Washer, Gov, Fh .....	1

7

G

**7**  
**G**

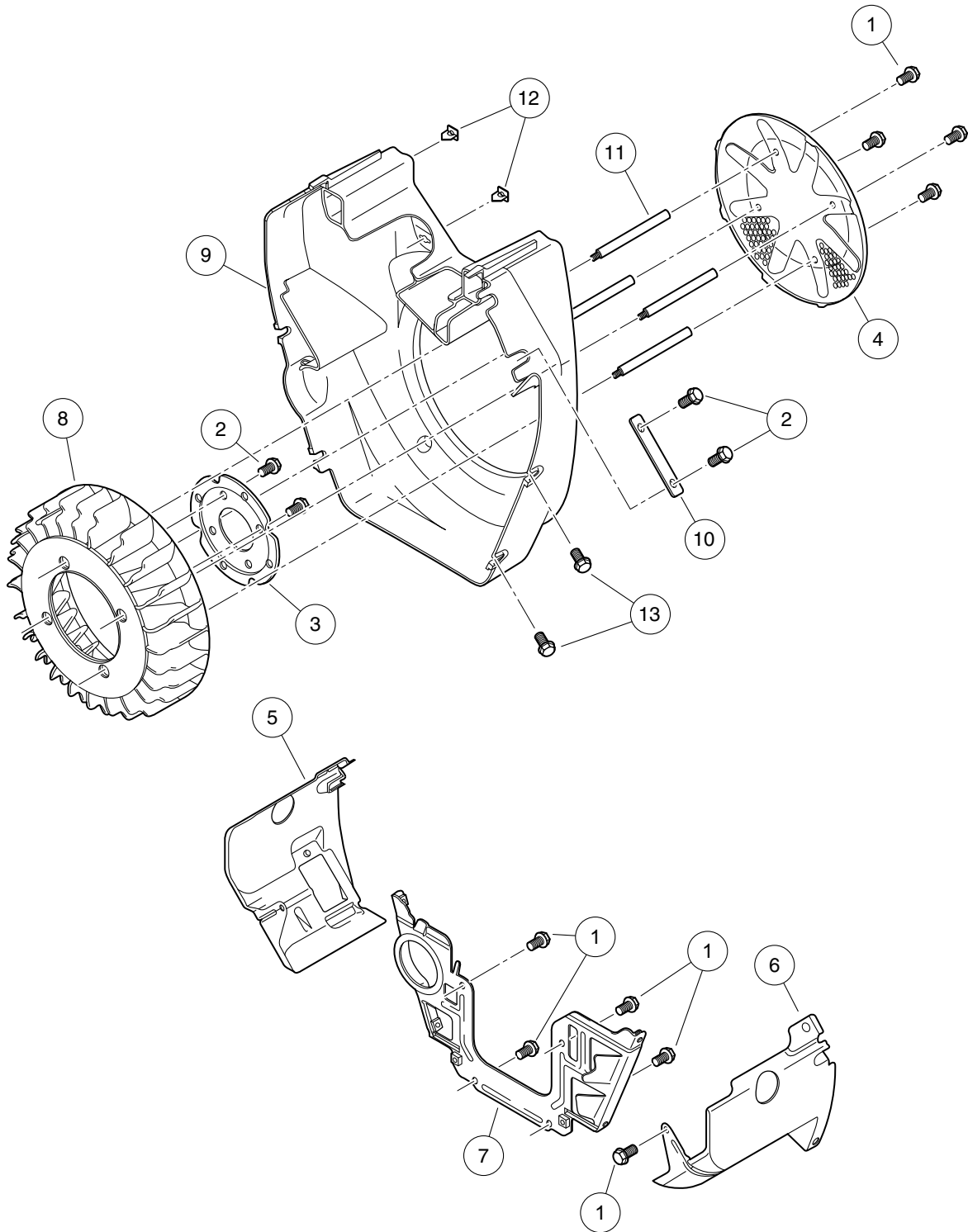


000640-001

# PISTONS AND CRANKSHAFT

ITEM	PART NO.	DESCRIPTION	QTY
		1 2 3 4	
1	<u>102993201</u>	Piston, Engine, Fh .....	2
2	<u>102993301</u>	Pin, Piston, Engine, Fh .....	2
3	<u>102993401</u>	Ring, Set, Piston, Fh .....	2
4	<u>102993501</u>	Ring, Set, Piston, 0.50, Fh .....	1
5	<u>102993601</u>	Piston, Engine, 0.50, Fh .....	1
6	<u>102993701</u>	Crankshaft, Comp, Fh .....	1
7	<u>102993901</u>	Kit, Rod, Connecting, Fh .....	2
8	<u>102994101</u>	Ring, Snap, Pin, Piston, Fh .....	4
9	<u>102994401</u>	Bolt, Flg, M6 X 1.00 X 35 .....	4

**7**  
**G**



000625-001

# SHROUDS AND BRACKETS

ITEM	PART NO.	DESCRIPTION	QTY
		1 2 3 4	
1	<u>102992401</u>	Bolt, Flg, M6 X 1.0 X 12 .....	9
2	<u>102992501</u>	Bolt, Flg, M6 X 1.0 X 16 .....	4
3	<u>102998601</u>	Plate, Housing, Fan, Fh .....	1
4	<u>102998701</u>	Screen, Fan, Fh .....	1
5	<u>102999101</u>	Shroud, Engine, Rh, Fh .....	1
6	<u>102999201</u>	Shroud, Engine, Lh, Fh .....	1
7	<u>102999301</u>	Shroud, Engine, Front, Fh .....	1
8	<u>102999501</u>	Fan, Cooling, Fh .....	1
9	<u>102999601</u>	Housing, Engine, Fh .....	1
10	<u>103000001</u>	Washer, Housing, Fan, Fh .....	1
11	<u>103299301</u>	Stud, Fan Screen, Fh .....	4
12	<u>103299401</u>	Nut, Press In, Front Cover, Fh .....	4
13	<u>103300301</u>	Bolt, Oil Pickup, Fh .....	4

7

G

7

G

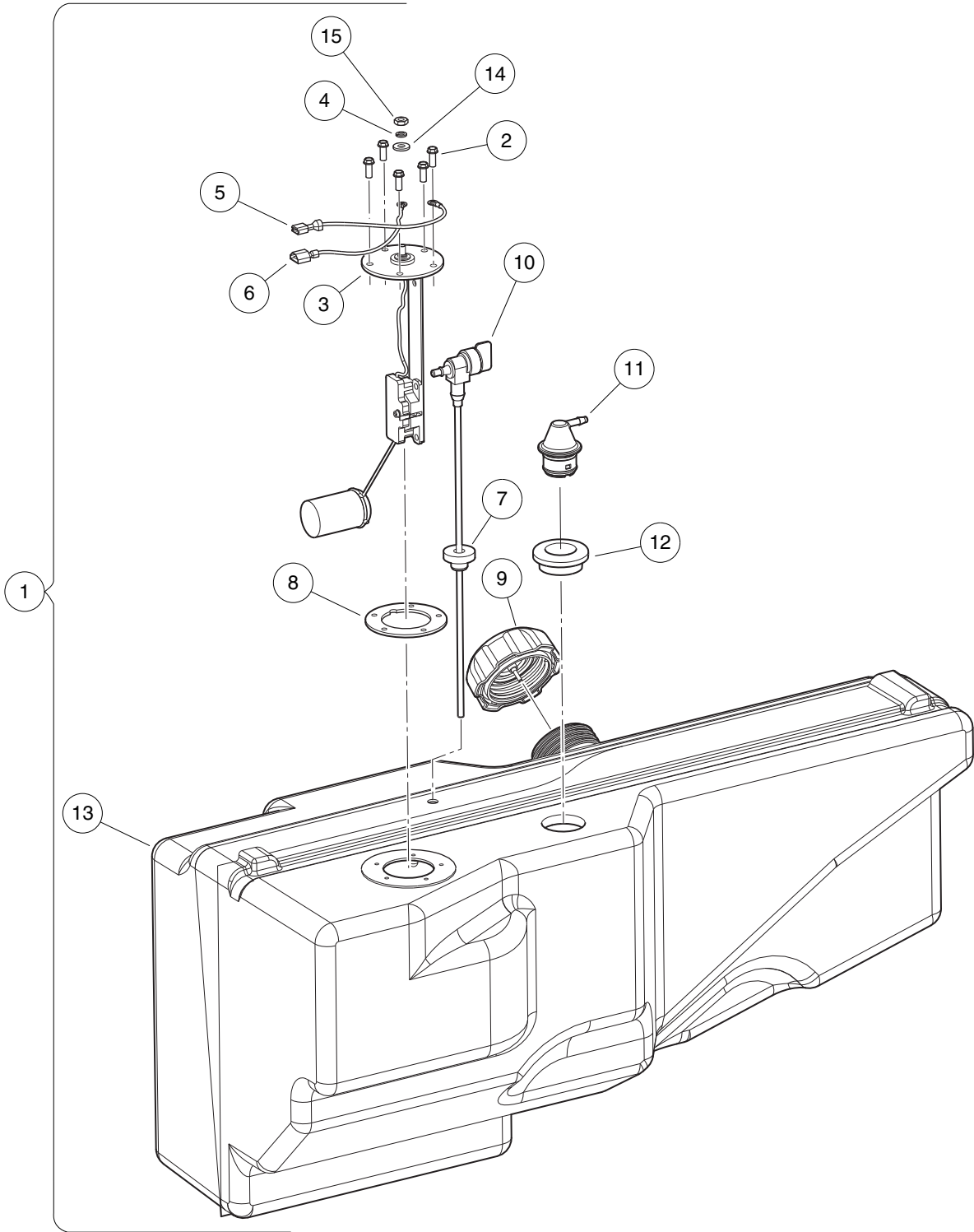


# FUEL, INTAKE, ACCELERATOR AND GOVERNOR SYSTEMS

---

8

G



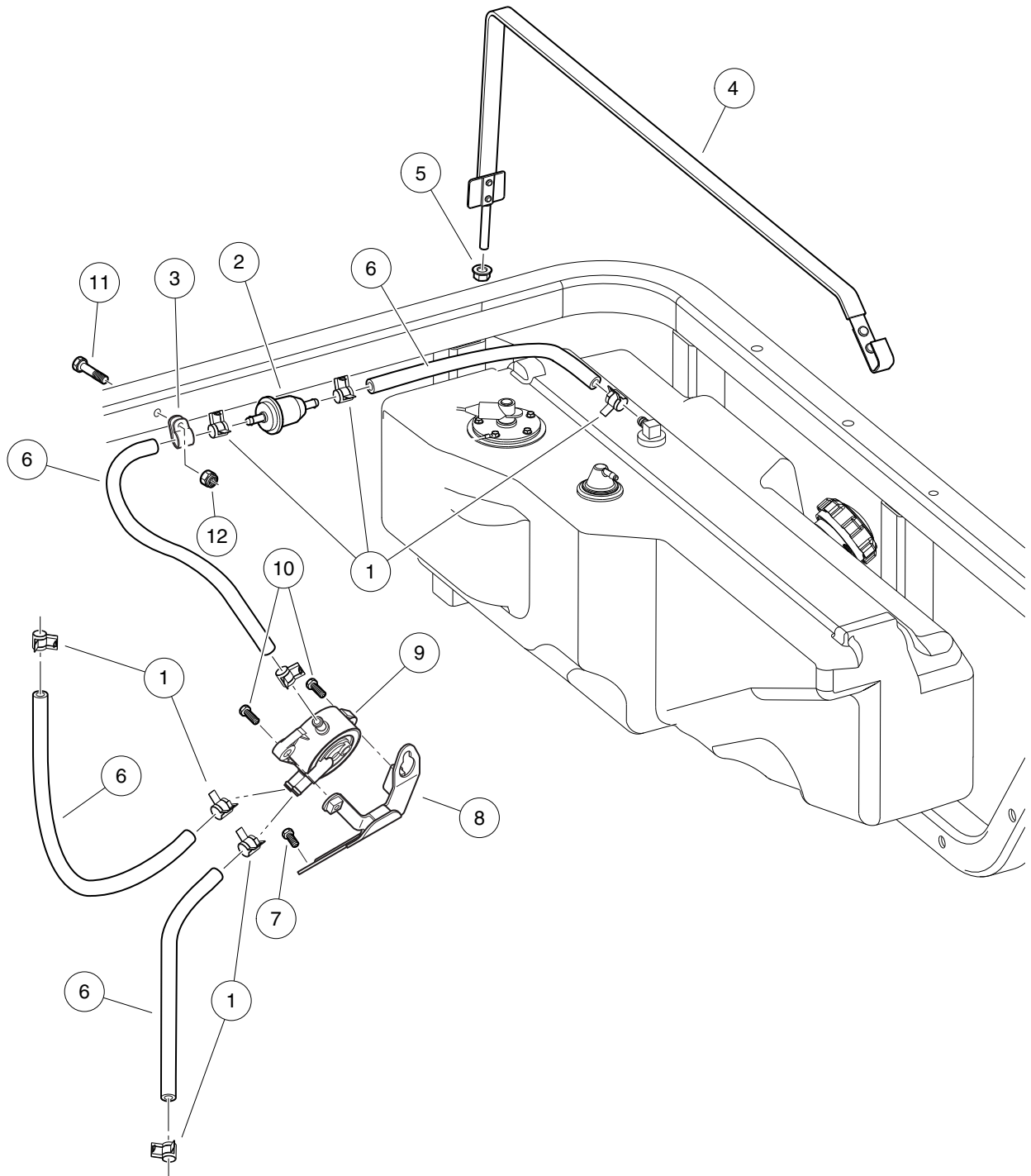
000082-008

# FUEL TANK (S/N 346908 AND GREATER) – GASOLINE VEHICLE

ITEM	PART NO.	DESCRIPTION	QTY
		1 2 3 4	
1	<u>103963701</u>	Asm, Tank Fuel, Gas 4x4 Nano (includes items 2 through 15) .....	1
2	<u>1013461</u>	Screw, #10-16 Hex-Head Hi-Lo .....	5
3	<u>1013462</u>	Sending Unit, Fuel Level * .....	1
4	<u>1016</u>	Lockwasher, #10 Split .....	1
5	N/A	Wire Asm, Blk, 170mm .....	1
6	N/A	Wire Asm, Org, 170mm .....	1
7	<u>102406701</u>	Bushing, Line, Return .....	1
8	<u>102522001</u>	Gasket, Rubber .....	1
9	<u>103372101</u>	Cap, Fuel Tank, Gas, Ratchet .....	1
10	<u>103372302</u>	Valve, Fuel, 288mm .....	1
11	<u>103905201</u>	Assembly, Vent, Fuel, 1/4 Inch O.D. ....	1
12	<u>103944301</u>	Grommet, Fuel Tank, Vent .....	1
13	N/A	Tank, Fuel, Gas, 4x4 Nano .....	1
14	<u>183</u>	Washer, #10, Type A, Flat .....	1
15	<u>8797</u>	Nut, #10-32 Brass Hex .....	1
		* Note: Must replace fuel sending unit gasket when servicing this component.	

8

G

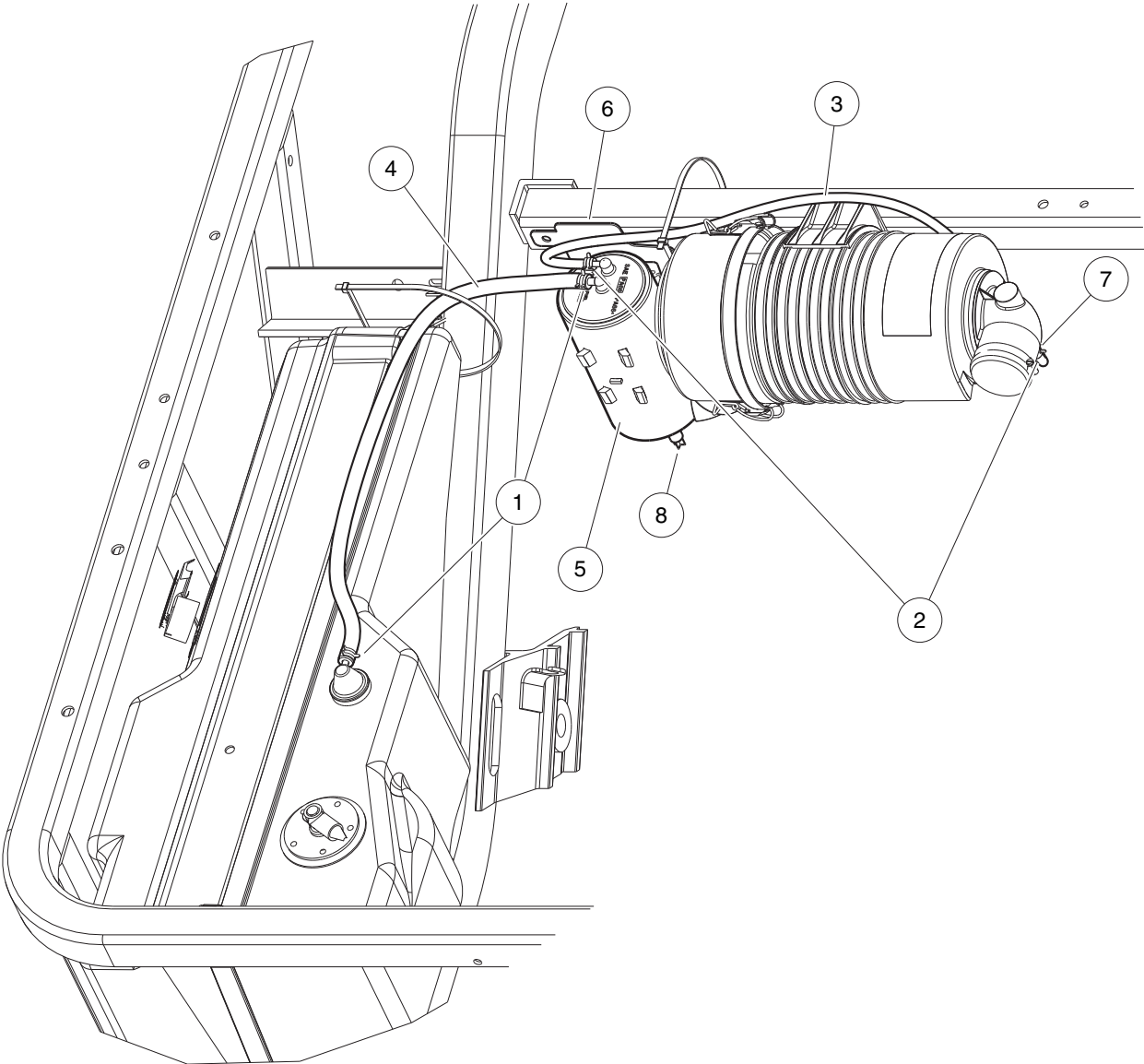


000672-003

## FUEL PUMP, FILTER AND HOSE – KAWASAKI FH680

ITEM	PART NO.	DESCRIPTION	QTY
		1 2 3 4	
1	<u>1012649</u>	Clamp, 0.460 Red Hose .....	4
2	<u>102003201</u>	Filter, Fuel, 30 Micron .....	1
3	<u>102410604</u>	P-clamp, Insulated, 0.625 Inch .....	1
4	<u>102426301</u>	Strap, Tank, Fuel .....	1
5	<u>102618601</u>	Lock Nut, Flange, M8 X 1.25 Nylon .....	1
6	<u>102865101</u>	Fuel Line, 1/4 (available by the foot) .....	A/R
7	<u>102992501</u>	Bolt, Flg, M6 X 1.0 X 16 .....	1
8	<u>103009901</u>	Bracket, Fuel Pump, Fh .....	1
9	<u>103010101</u>	Pump, Fuel, Impulse, Fh .....	1
10	<u>103298501</u>	Bolt, Flanged, M6 X 20, Kaw .....	2
11	<u>324</u>	Screw, 1/4-20 X 2.50 Hx Hd Cap .....	1
12	<u>8233</u>	Locknut, 1/4-20, Nylon Insert .....	1

**8**  
**G**

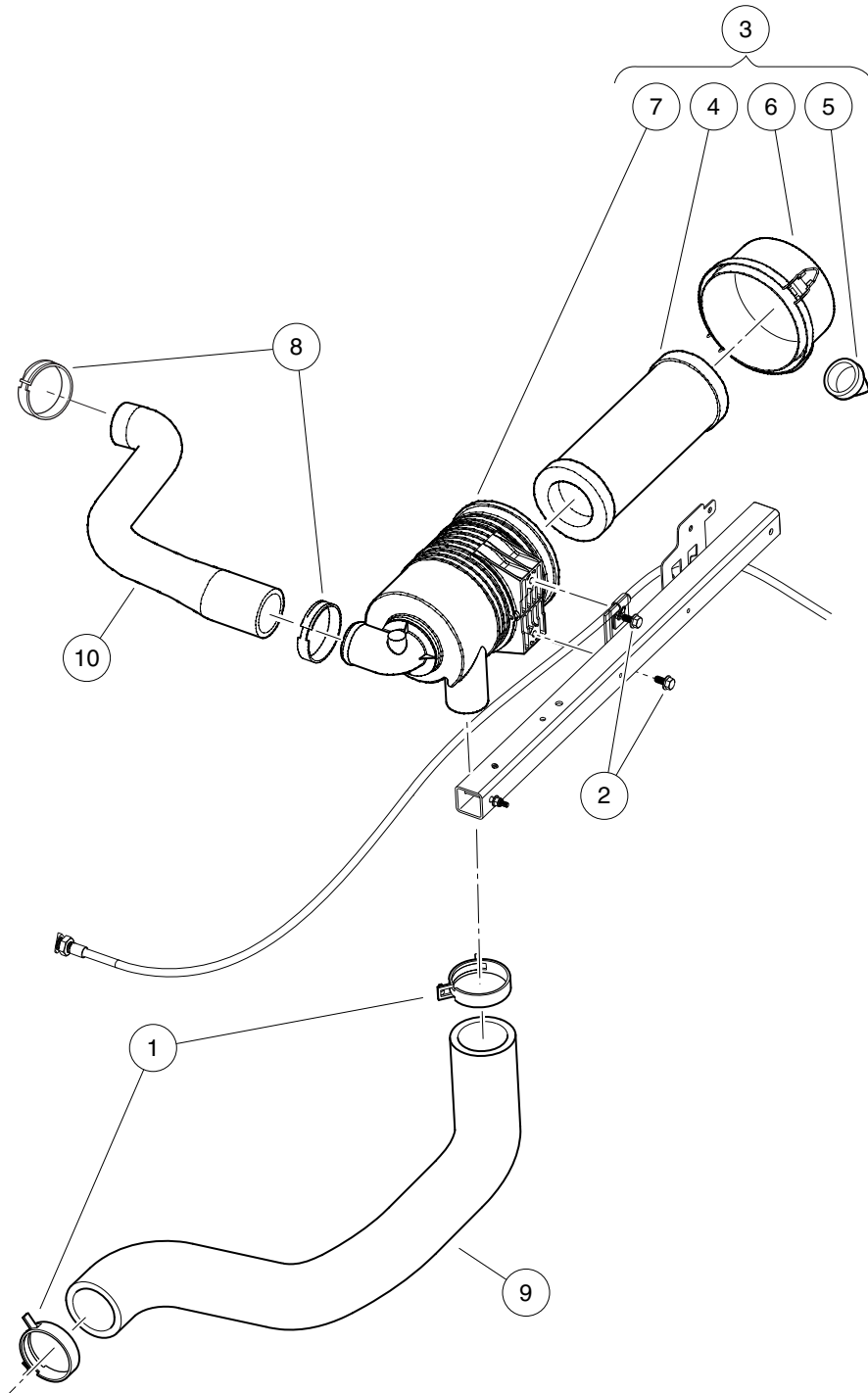


000972-001

## CARBON CANISTER – GASOLINE VEHICLE

ITEM	PART NO.	DESCRIPTION	QTY
		<b>1 2 3 4</b>	
1	<u>1012649</u>	Clamp, 0.460 Red Hose .....	2
2	<u>101313402</u>	Clamp, Green Hose .....	2
3	<u>1015137</u>	Fuel Line, 3/16 (available by the foot) .....	3
4	<u>102865101</u>	Fuel Line, 1/4 (available by the foot) .....	2
5	<u>103372401</u>	Canister, Carbon .....	1
6	<u>103452001</u>	Brkt, Mtg, Carbon Canister .....	1
7	<u>103701301</u>	Adapter, 1/8 Npt X 3/16 Barb .....	1
8	<u>103756401</u>	Asm, Vent Line, Carbon Canister (includes items 9 and 10) .....	1
9	N/A	Hose, Vent, 5/16 I.D., Bulk .....	1
10	N/A	Vent, Barb, 5/16 I.D. Hose .....	1

**8**  
**G**



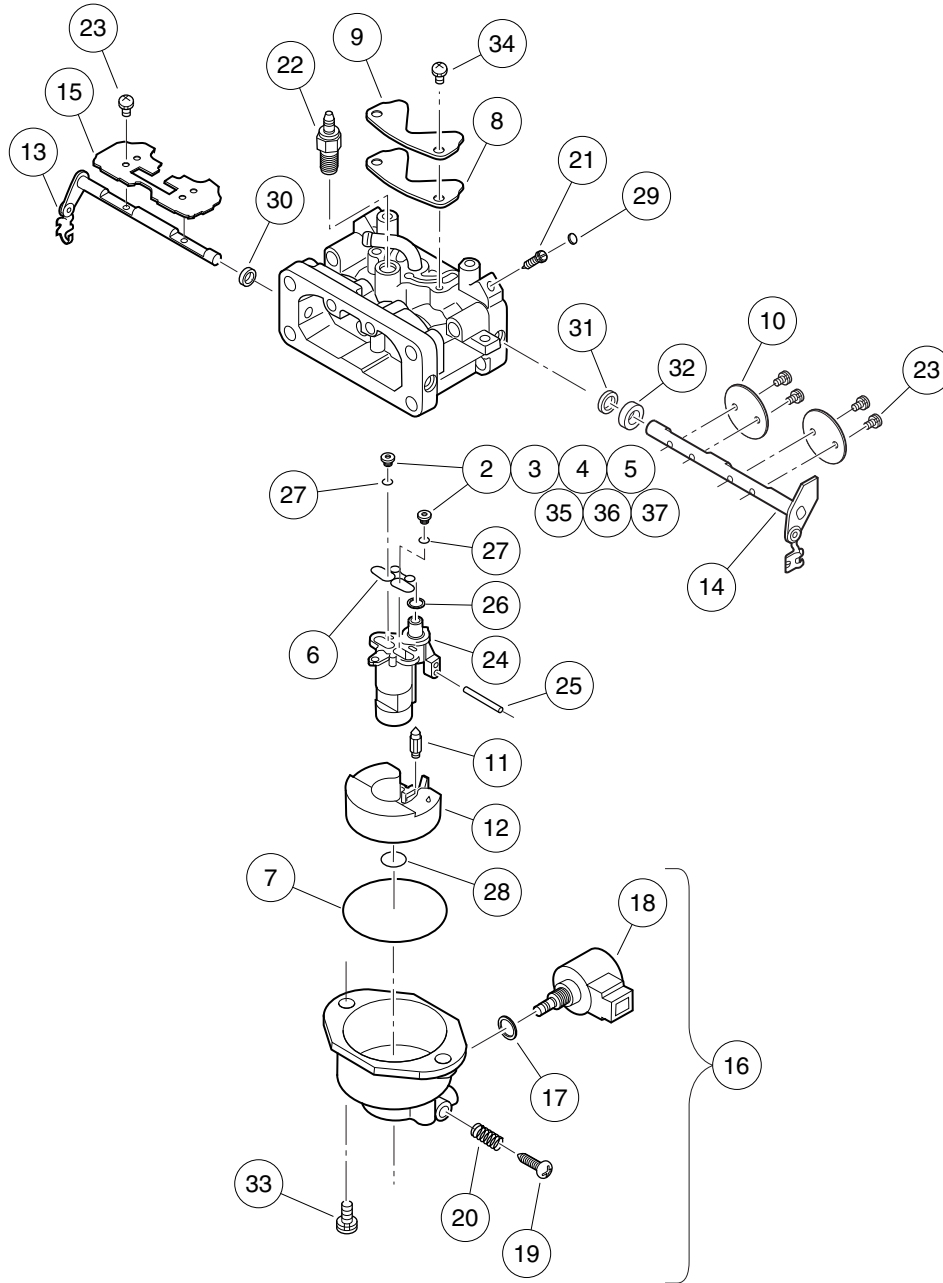
000090-006



## INTAKE HOSES AND AIR FILTER – KAWASAKI FH680

ITEM	PART NO.	DESCRIPTION	QTY
		1 2 3 4	
1	<u>102411210</u>	Clamp, Hose, Ctb 64mm .....	2
2	<u>102621201</u>	Bolt, Flanged Head, M8 X1.25x 16, with Loctite .....	2
3	<u>102810701</u>	Filter, Air, Canister, with Label (includes items 4 through 7) .....	1
4	<u>102498601</u>	Element, Filter, Air, 5 Inch .....	1
5	<u>102725501</u>	Valve, Evacuator, Filter Air .....	1
6	<u>102725601</u>	Cap, Latch Lock, Filter, Air .....	1
7	N/A	Body, Canister, Filter, Air .....	1
8	<u>103441401</u>	Clamp, Worm Screw, Hose, 2" .....	2
9	<u>103848401</u>	Hose, Intake, Air .....	1
10	<u>103924701</u>	Hose, Air Intake, Awd, Gas .....	1

**8**  
**G**



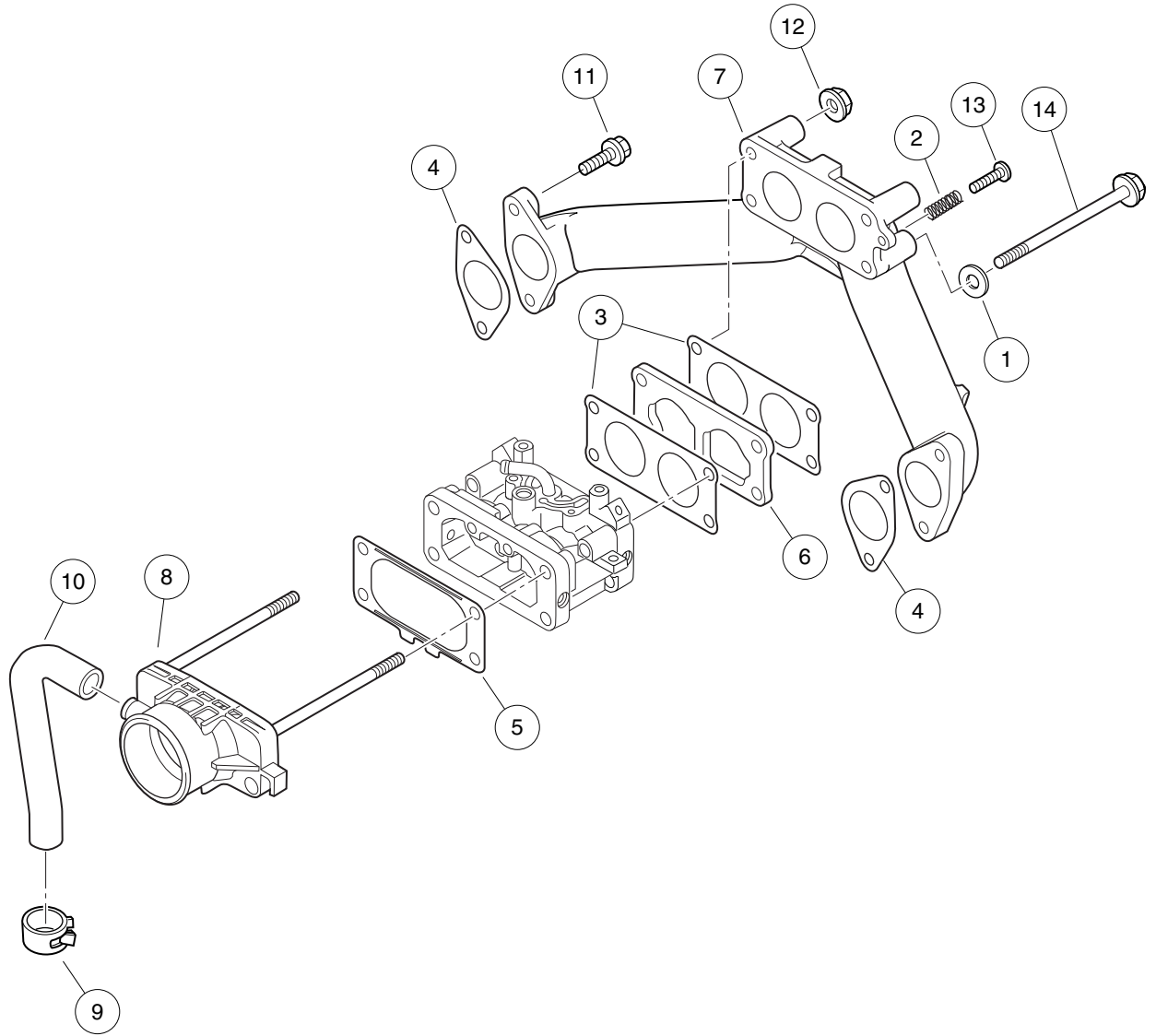
000673-004

# CARBURETOR – KAWASAKI FH680

ITEM	PART NO.	DESCRIPTION	QTY
		1 2 3 4	
1	<u>103596801</u>	Asm, Carburetor, FH680D (includes items 2 through 35) .....	1
2	<u>103307201</u>	Kit, Jet, 6600 Ft +, Fh680d (includes item 3) .....	1
3	<u>103306801</u>	Jet, Push In #96, FH680D (6600 ft and higher (2000 m and higher)) .....	2
4	<u>103307301</u>	Kit, Jet, 3300-6600 Ft, Fh680d (includes item 5) .....	1
5	<u>103306901</u>	Jet, Push In #99, FH680D (3300-6600 ft (1000-2000 m)) .....	2
6	<u>103340601</u>	Gasket, Fh680d .....	1
7	<u>103340701</u>	Gasket, Carburetor, Dia. 52 .....	1
8	<u>103340801</u>	Gasket, Cover, Fh680d .....	1
9	<u>103340901</u>	Cover, Slow Passage, Fh680d .....	1
10	<u>103341101</u>	Valve, Throttle, Fh680d .....	2
11	<u>103341201</u>	Valve, Float, Fh680d .....	1
12	<u>103341301</u>	Float, Carburetor, Fh680d .....	1
13	<u>103341401</u>	Shaft, Carburetor, Fh680d .....	1
14	<u>103341501</u>	Shaft, Carburetor, Throttle .....	1
15	<u>103341601</u>	Valve, Carburetor, Fh680d .....	1
16	<u>103341701</u>	Asm, Chamber, Float, Fh680d (includes items 17 through 20) .....	1
17	<u>103340501</u>	Gasket, Carburetor, Fh680d .....	1
18	<u>103341901</u>	Solenoid, Carburetor, Fh680d .....	1
19	<u>103342201</u>	Screw, Drain, Carburetor .....	1
20	<u>103343601</u>	Spring, Carburetor, Fh680d .....	1
21	<u>103341801</u>	Needle, Jet, Fh680d .....	2
22	<u>103342001</u>	Heater, Carburetor, Fh680d .....	1
23	<u>103342101</u>	Screw, Carburetor, M3 X 6 .....	6
24	<u>103342301</u>	Spacer, Carburetor, Fh680d .....	1
25	N/A	Pin, Carburetor, Fh680d .....	1
26	<u>103342501</u>	O-ring, Carburetor, Dia. 6.5 .....	1
27	<u>103342601</u>	O-ring, Carburetor, Fh680d .....	2
28	<u>103342701</u>	O-ring, Carburetor, Dia. 9 .....	1
29	<u>103343301</u>	Plug, Expansion, Carburetor .....	2
30	<u>103343401</u>	Seal, Carburetor, Dia. 5.9 .....	1
31	<u>103343501</u>	Seal, Carburetor, Fh680d .....	1
32	<u>103343701</u>	Collar, Carburetor, Fh680d .....	1
33	<u>103343801</u>	Screw, Carburetor, M5 .....	2
34	<u>103343901</u>	Screw, Carburetor, M4 .....	2
35	<u>103596701</u>	Kit, Jet, 0-3300 ft. FH680D (includes items 36 and 37) .....	1
36	<u>103307001</u>	Jet, Push In #102, FH680D (0-3300 ft (0-1000 m)) .....	1
37	<u>103596601</u>	Jet, Push In, #104 FH680D (0-3000 ft (0-1000m)) .....	1

**8**

**G**



000673-002

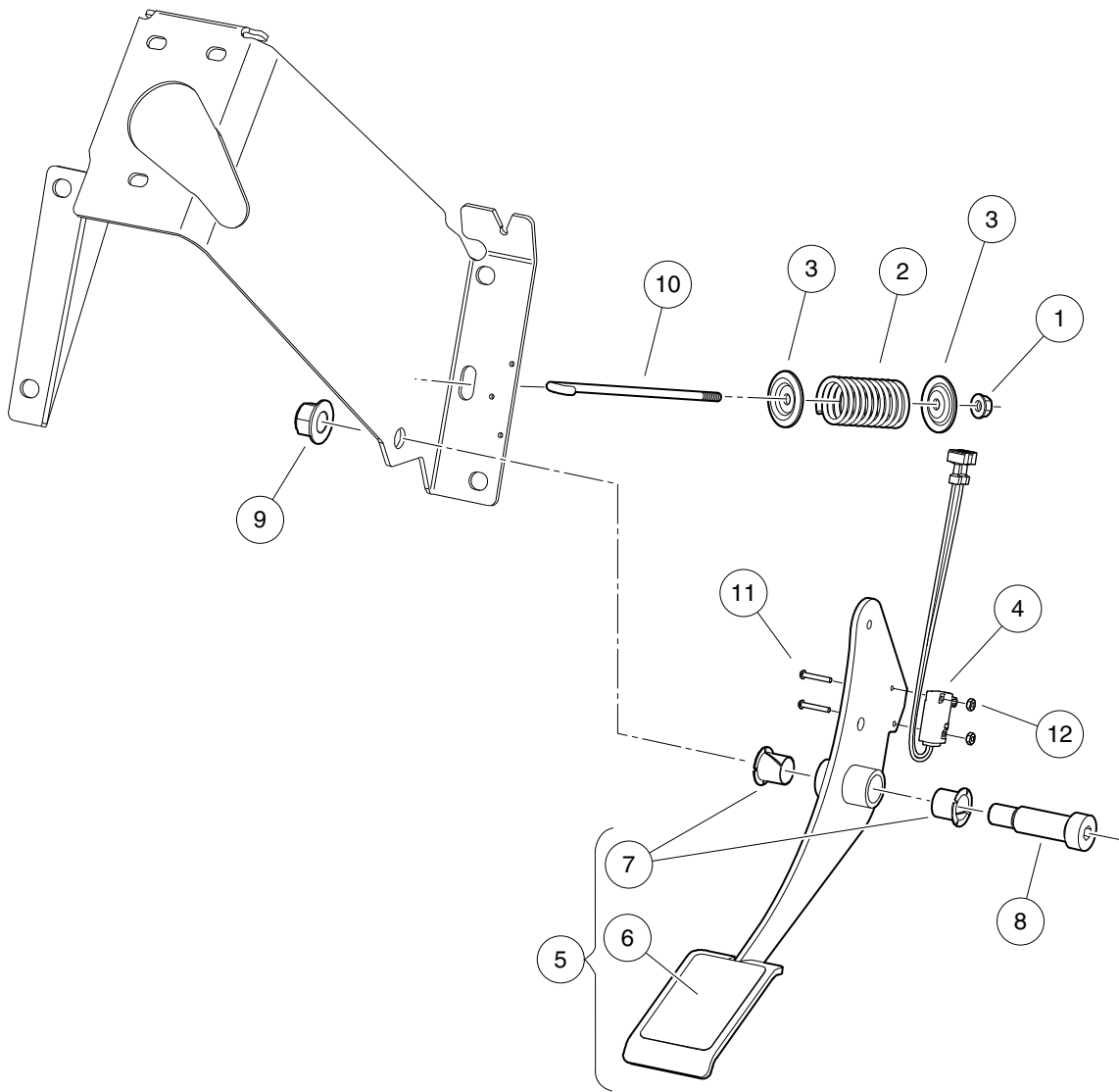
# INTAKE MANIFOLD AND CARBURETOR MOUNTING – KAWASAKI FH680

ITEM	PART NO.	DESCRIPTION	QTY
		1 2 3 4	
1	<u>1016513</u>	Washer, M6 Flat .....	2
2	<u>103002801</u>	Spring, Fh .....	1
3	<u>103003801</u>	Gasket, Carburetor, Fh .....	2
4	<u>103003901</u>	Gasket, Manifold, Fh .....	2
5	<u>103004201</u>	Gasket, Air Filter, Fh .....	1
6	<u>103005001</u>	Insulator, Manifold, Fh .....	1
7	<u>103005601</u>	Manifold, Intake, Fh .....	1
8	<u>103297101</u>	Pipe, Intake Adapter, Fh .....	1
9	<u>103297201</u>	Clamp, Crankcase Vent, Fh .....	1
10	<u>103297301</u>	Tube, Crankcase Vent, Fh .....	1
11	<u>103298501</u>	Bolt, Flanged, M6 X 20, Kaw .....	4
12	<u>103320201</u>	Nut, Carburetor, M6 .....	2
13	<u>103320301</u>	Screw, Carburetor, M4 X 20 .....	1
14	<u>103320401</u>	Bolt, Flg, Carburetor, M6x105 .....	2

**8**  
**G**

8

G



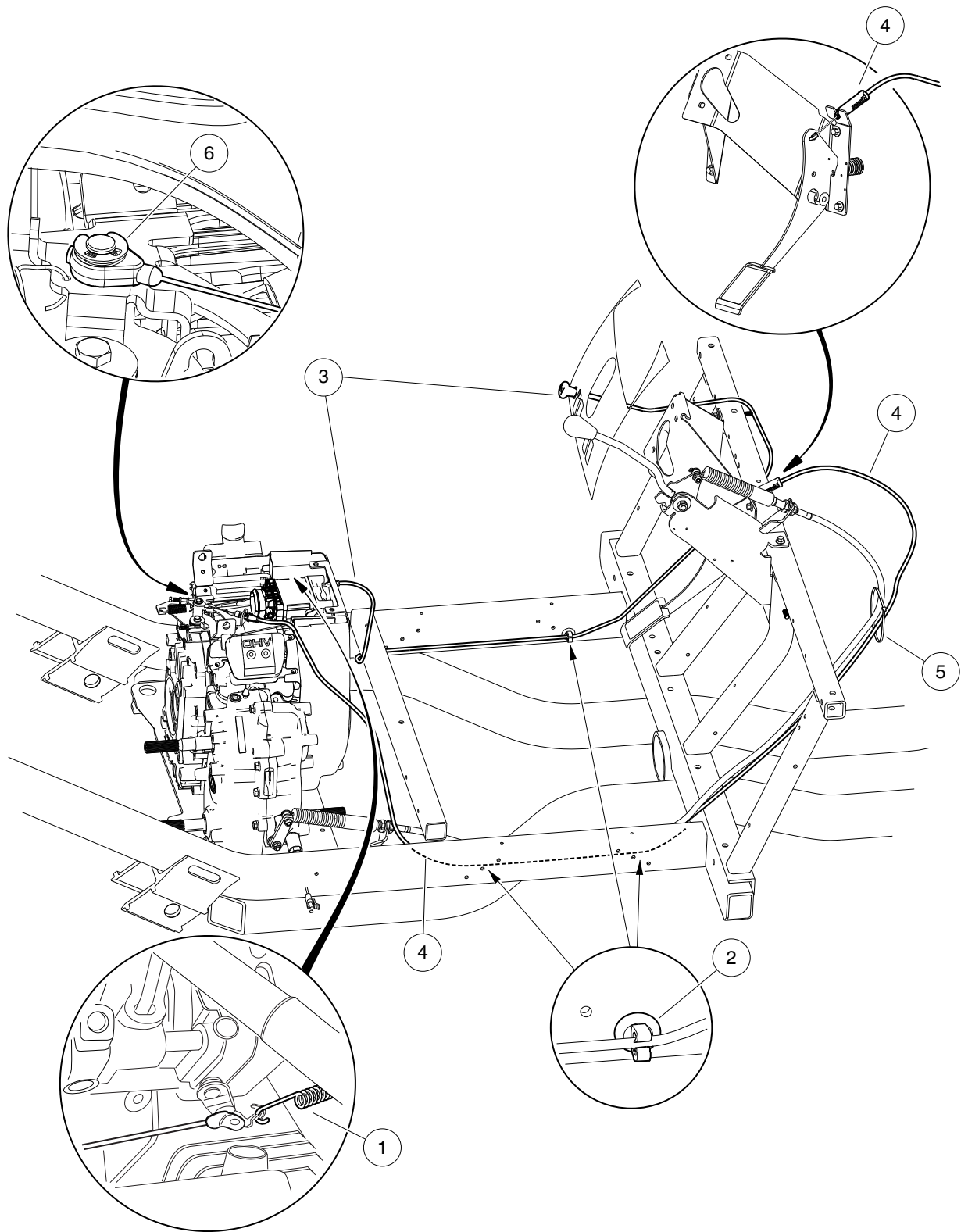
000026-003

# ACCELERATOR PEDAL

ITEM	PART NO.	DESCRIPTION	QTY
		1 2 3 4	
1	<u>102296401</u>	Nut, M6x1.0, Flange, Metal Lock .....	1
2	<u>102445201</u>	Spring, Comp, Pedal, Pullrod .....	1
3	<u>102461401</u>	Washer, Retaining Spring, 7mm .....	2
4	<u>103327201</u>	Asm, Switch, Limit, Awd .....	1
5	<u>103478901</u>	Asm, Pedal, Accelerator (includes items 6 and 7) .....	1
6	<u>102479301</u>	Pad, Grip Tape, Accelerator .....	1
7	<u>103479101</u>	Bushing, Nyliner, 5/8" .....	2
8	<u>103479201</u>	Bolt, Shoulder, 5/8 X 1 1/2 .....	1
9	<u>103479301</u>	Nut Hex Flg 1/2-13 Nylock Gr G .....	1
10	<u>103883201</u>	Rod, Accelerator Return, J .....	1
11	<u>8056</u>	Screw, #4-40 X 0.75 Round-Head Machine .....	2
12	<u>8057</u>	Nut, #4-40 Hex Machine .....	2
		Note: Items 4 (switch), 11 (screw) and 12 (nut) are not used in two-wheel drive vehicle.	

**8**

**G**



000536-007

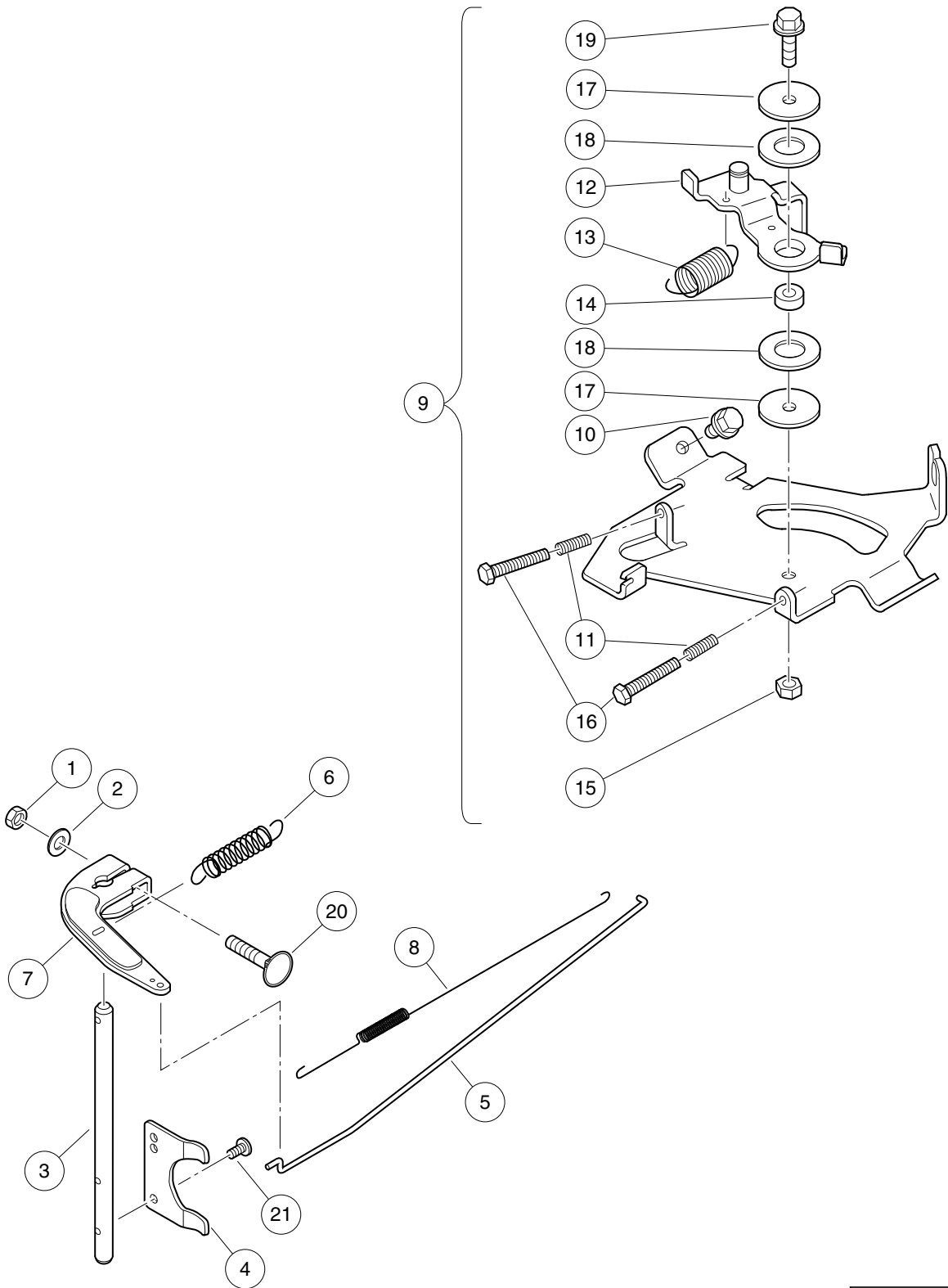


# ACCELERATOR AND CHOKE CABLES – KAWASAKI FH680

ITEM	PART NO.	DESCRIPTION	QTY
		1 2 3 4	
1	<u>102457001</u>	Spring .....	1
2	<u>102475701</u>	Clip, Brake Line .....	3
3	<u>103277401</u>	Cable, Choke, AWD, FH680D, 295/1550 .....	1
4	<u>103922001</u>	Cable, Accelerator, AWD, Gas .....	1
5	<u>8990</u>	Tie Wrap, 8" Nylon .....	1
6	<u>96950126</u>	Ring, Retaining .....	1

**8**

**G**



000636-001

## GOVERNOR ARM AND SPRINGS – KAWASAKI FH680

ITEM	PART NO.	DESCRIPTION	QTY
		1 2 3 4	
1	N/A	Nut, M6 .....	1
2	<u>1016513</u>	Washer, M6 Flat .....	1
3	<u>103002001</u>	Shaft, Governor, Fh .....	1
4	<u>103002101</u>	Plate, Governor, Fh .....	1
5	<u>103002301</u>	Link, Arm, Governor, Fh .....	1
6	<u>103002401</u>	Spring, Governor, Fh .....	1
7	<u>103002501</u>	Arm, Governor, Shaft .....	1
8	<u>103002901</u>	Spring, Arm, Governor, Fh .....	1
9	<u>103297701</u>	Panel, Control, Complete, Fh (includes items 10 through 19) .....	1
10	<u>102992401</u>	Bolt, Flg, M6 X 1.0 X 12 .....	2
11	<u>103002801</u>	Spring, Fh .....	2
12	<u>103297401</u>	Lever, Governor, Control, Fh .....	1
13	<u>103297501</u>	Spring, Governor Return, Fh .....	1
14	<u>103297601</u>	Collar, Governor, Fh .....	1
15	<u>103297801</u>	Nut, Governor, Fh .....	1
16	<u>103298001</u>	Bolt, Speed Control, Fh .....	2
17	<u>103298201</u>	Washer, Governor, Lower, Fh .....	2
18	<u>103298301</u>	Washer, Governor, Middle, Fh .....	2
19	<u>103298501</u>	Bolt, Flanged, M6 X 20, Kaw .....	1
20	<u>103298101</u>	Bolt, M6 X 35, Kawasaki .....	1
21	<u>103298601</u>	Screw, Pan, Governor, Fh .....	2

**8**

**G**

8

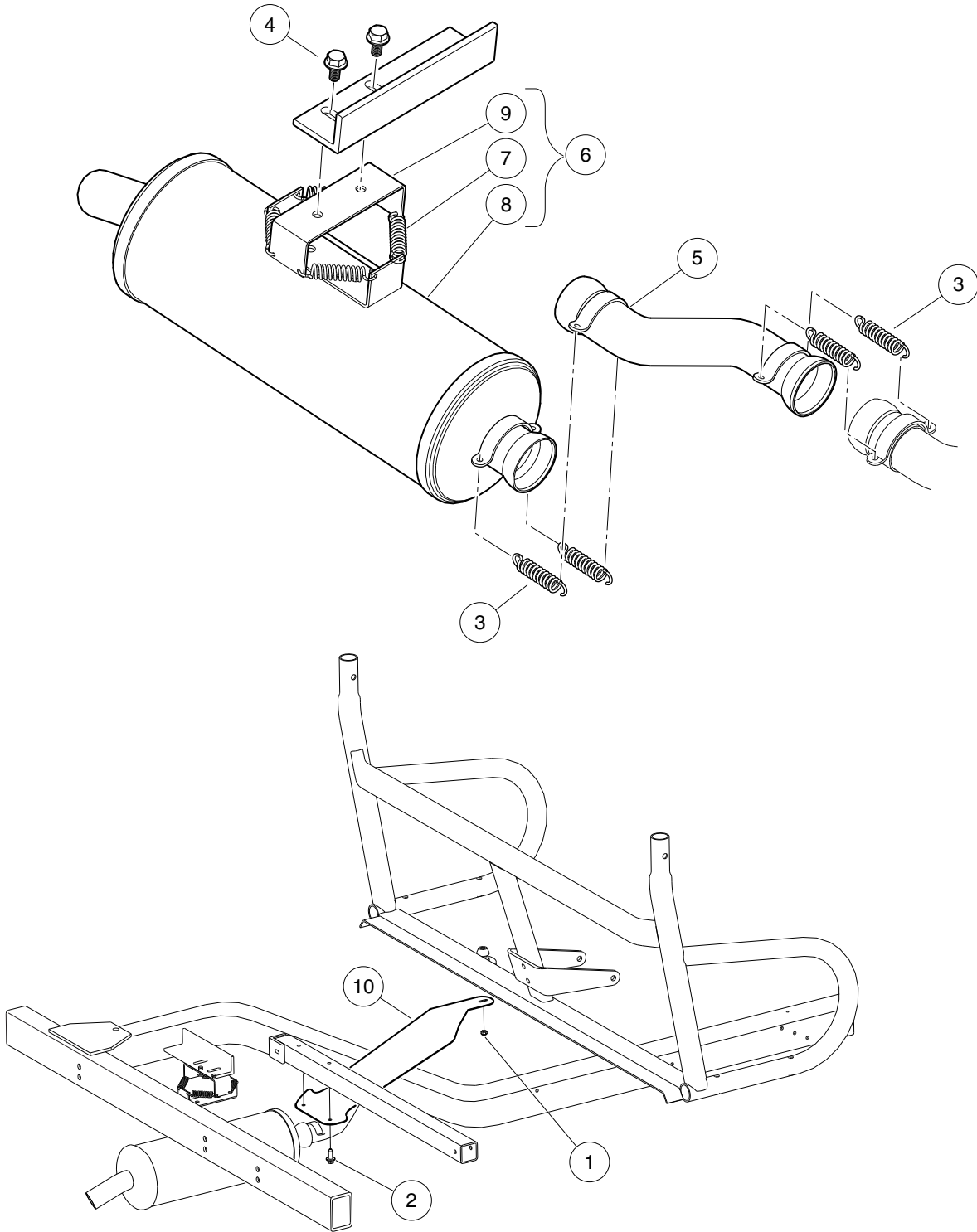
G

# EXHAUST SYSTEM

---

9

G



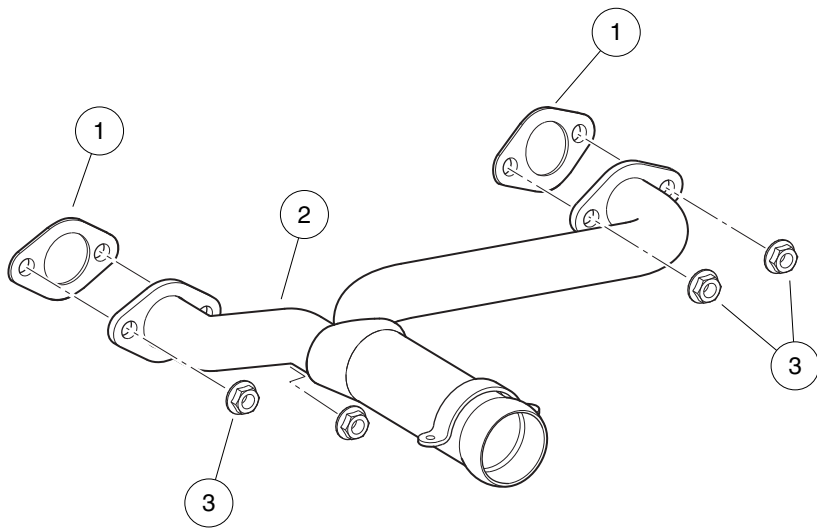
000538-005

# EXHAUST PIPE AND MUFFLER

ITEM	PART NO.	DESCRIPTION	QTY
		1 2 3 4	
1	<u>101887601</u>	Locknut, M6-1.00 Nylon Insert .....	1
2	<u>102298720</u>	Screw, M8-1.25x20, Taptite .....	2
3	<u>102409501</u>	Spring, Exhaust .....	4
4	<u>102621201</u>	Bolt, Flanged Head, M8 X1.25x 16, with Loctite .....	2
5	<u>102786201</u>	Pipe, Exhaust, Int, Offset .....	1
6	<u>102812801</u>	Asm, Muffler, AWD Homologation (includes items 7 through 9) .....	1
7	<u>102409501</u>	Spring, Exhaust .....	4
8	N/A	Muffler .....	1
9	N/A	Bracket, Muffler .....	1
10	<u>102930901</u>	Shield, Exhaust, Clearance .....	1

**9**

**G**



000538-004



# EXHAUST HEADER – KAWASAKI FH680

ITEM	PART NO.	DESCRIPTION	QTY
		1 2 3 4	
1	<u>102949301</u>	Gasket, Exhaust Header, Fh680d .....	2
2	<u>103268101</u>	Header, Exhaust, Gas, Fh680d .....	1
3	<u>96704416</u>	Nut, Flange, M8 X 1.25 Serrated .....	4

9

G

9

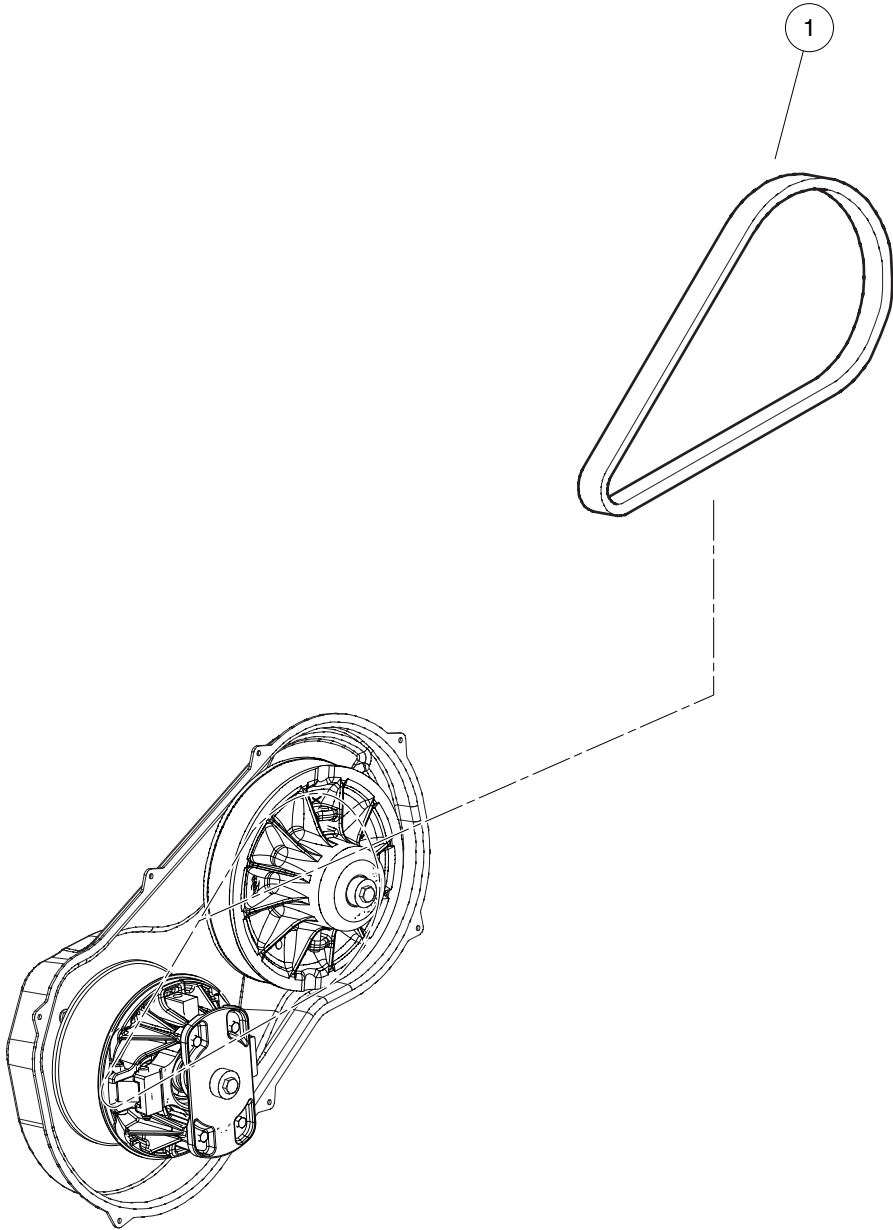
G

# CLUTCHES

---

10

G

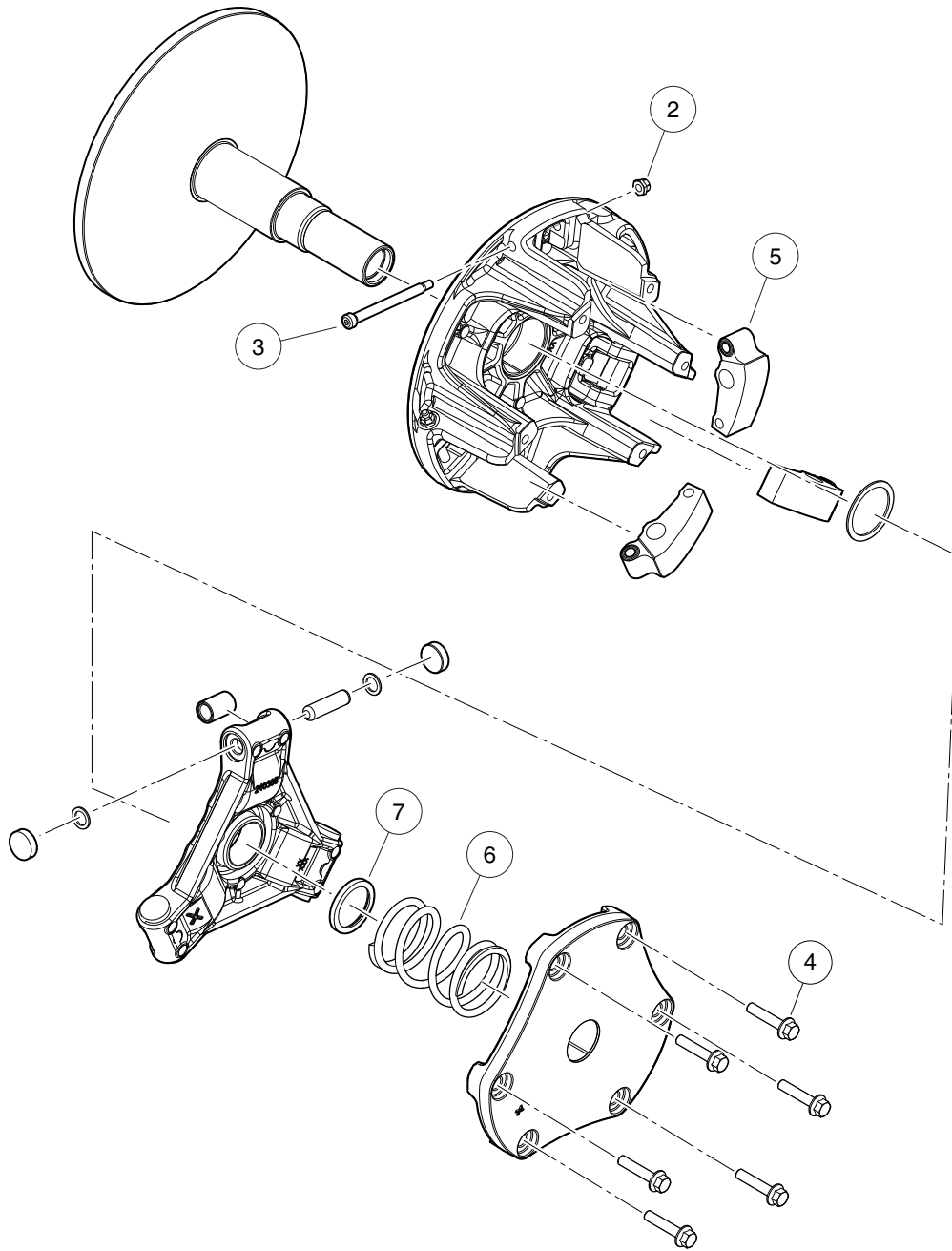


000084-001

# DRIVE BELT

ITEM	PART NO.	DESCRIPTION	QTY
1	<u>102374901</u>	1 2 3 4 Belt, Drive .....	1

**10**  
**G**

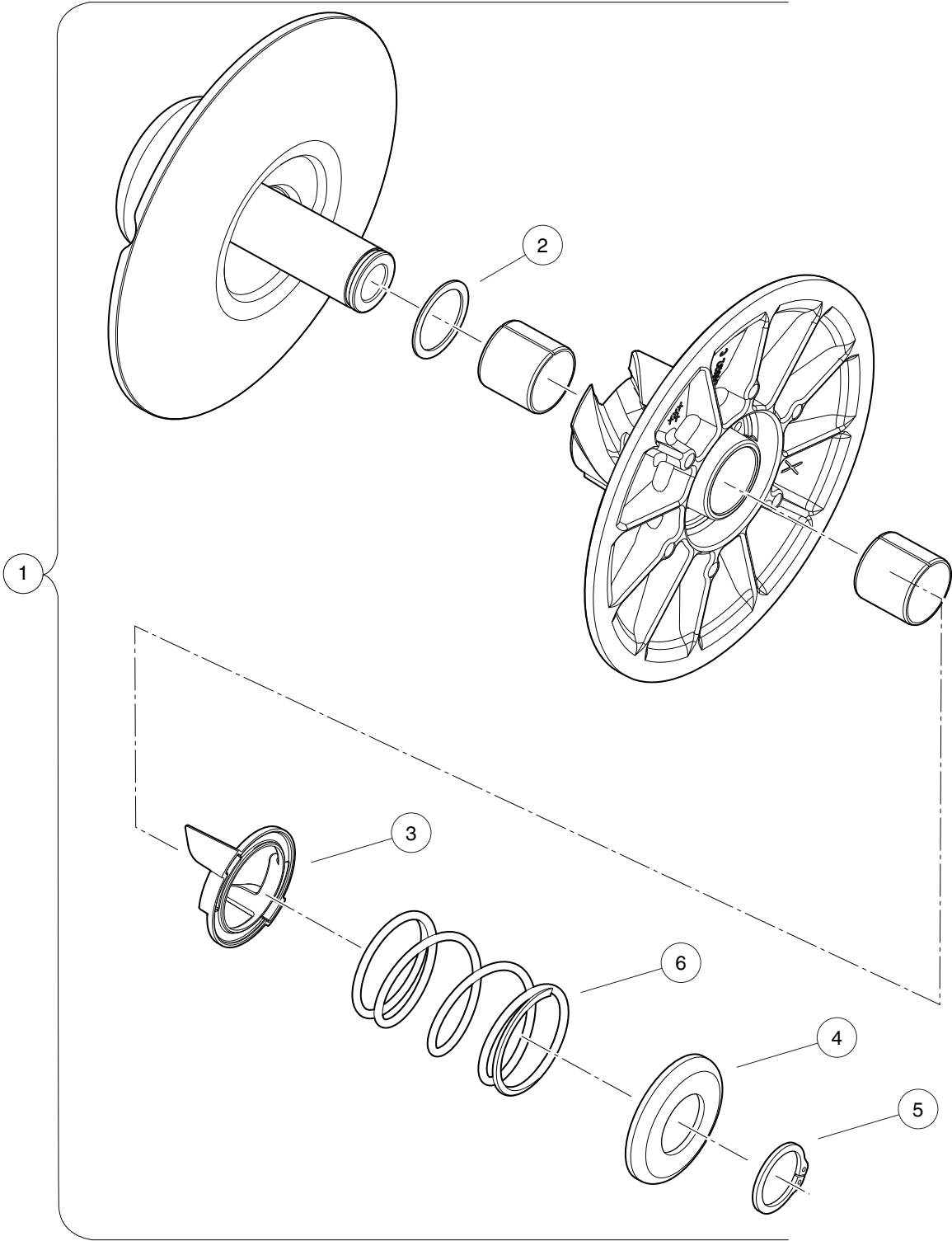


000007-008

## DRIVE CLUTCH (3 WEIGHT) – GAS VEHICLE

ITEM	PART NO.	DESCRIPTION	QTY
		<b>1 2 3 4</b>	
1	<u>103948801</u>	Clutch, Drive, Gas, 3wt. 19mph (includes items 2 through 7) .....	1
2	<u>103829601</u>	Nut, Lock, Hex #10-24 Flexloc .....	3
3	<u>103829701</u>	Screw, Shldr, Hex Skt .25x2.5 .....	3
4	<u>103829801</u>	Screw, Hex Flg Hd, 1/4-20x1.25 .....	6
5	<u>103829901</u>	Weight, Clutch, D-153 G .....	3
6	<u>103856101</u>	Spring, Comp, 2.0 Od Black/slv .....	1
7	103957501	Spacer, 3wt CVT .....	1

**10**  
**G**



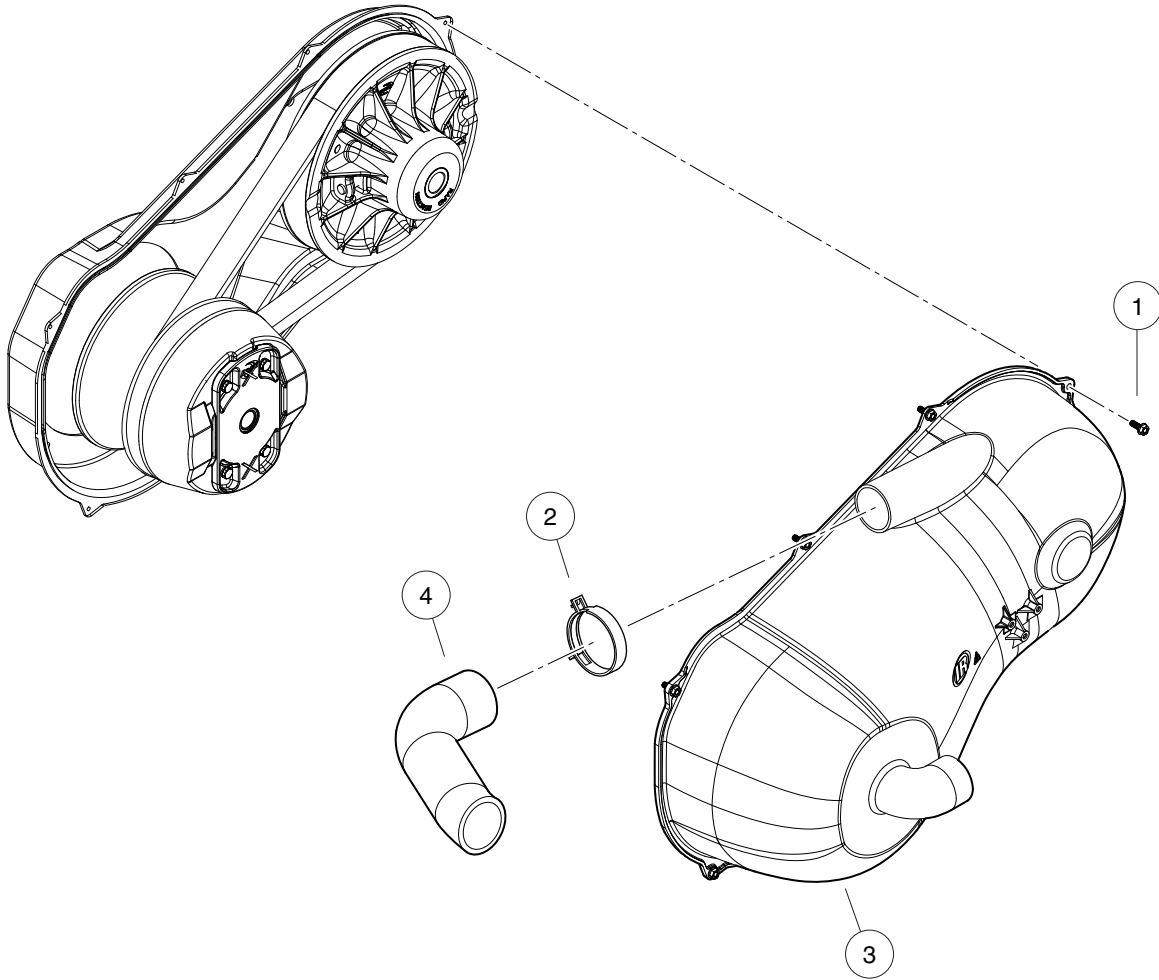
000003-002



## DRIVEN CLUTCH (FOR 3 WEIGHT DRIVE CLUTCH)

ITEM	PART NO.	DESCRIPTION	QTY
		<b>1 2 3 4</b>	
1	<u>103828201</u>	Clutch, Driven, 3 Weight (includes items 2 through 6) .....	1
2	<u>102695401</u>	Washer, Thrust, 1.53 X 1.92 .....	1
3	<u>102695601</u>	Retainer, Spring, Inner .....	1
4	<u>102695801</u>	Retainer, Spring, Outer .....	1
5	<u>102695901</u>	Ring, Retaining, External .....	1
6	<u>103829001</u>	Spring, Comp, 2.7 Od, Almd/blk .....	1

**10**  
**G**

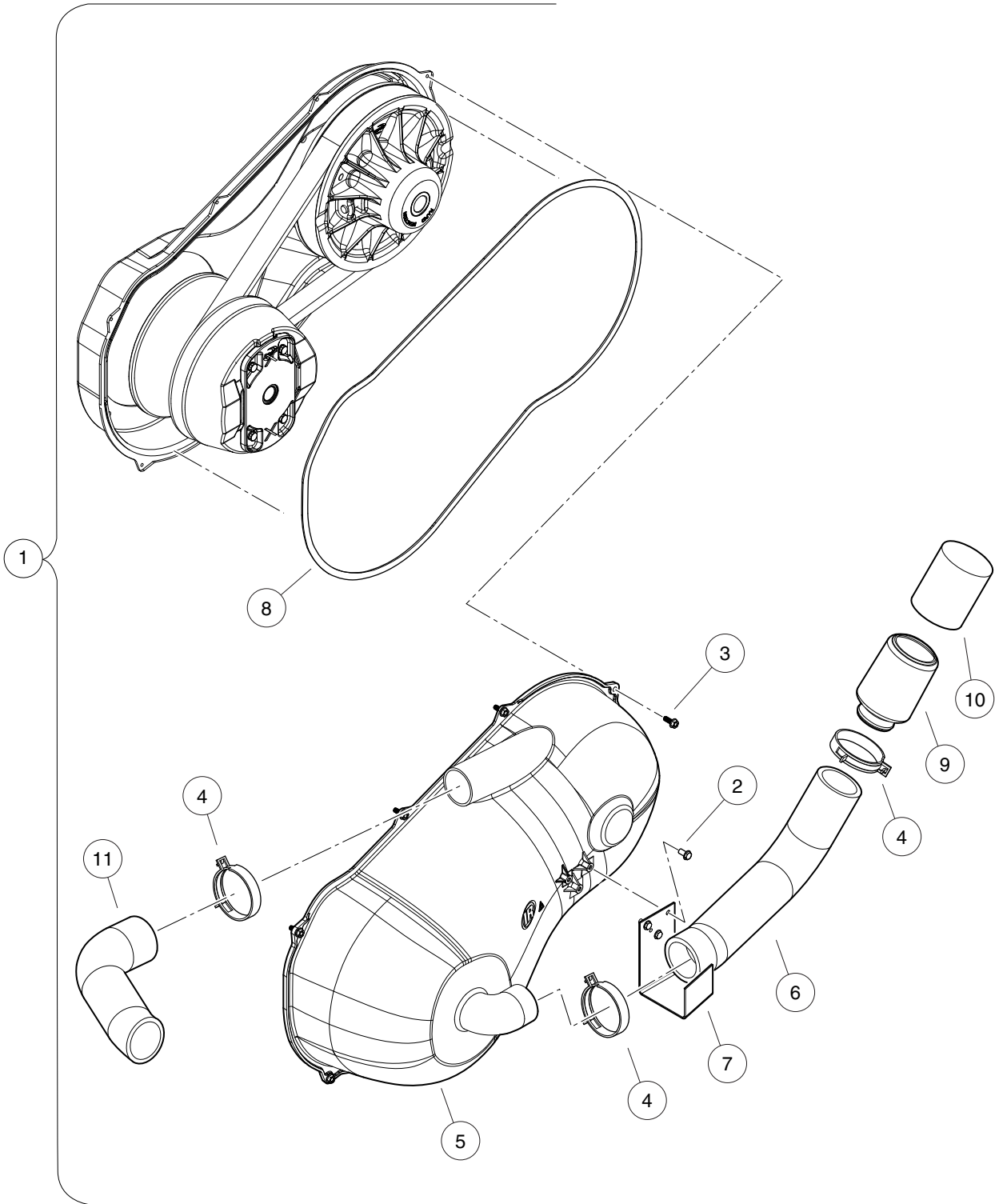


000008-003

## CLUTCH COVER (NON-SEALED)

ITEM	PART NO.	DESCRIPTION	QTY
		1 2 3 4	
1	<u>102296716</u>	Screw, M6 X 16 Tt Hx Fl Hd .....	7
2	<u>102411210</u>	Clamp, Hose, Ctb 64mm .....	1
3	<u>102628301</u>	Cover, Cvt, Open .....	1
4	<u>103320601</u>	Hose, Outlet, Cvt .....	1

**10**  
**G**



000008-004

## CLUTCH COVER (SEALED)

ITEM	PART NO.	DESCRIPTION	QTY
		1 2 3 4	
1	<u>102616003</u>	Kit, Sealed CVT Cover (includes items 2 through 11) .....	1
2	<u>101856101</u>	Screw, 1/4-15 X .50 Hi-lo Hex .....	3
3	<u>102296716</u>	Screw, M6 X 16 Tt Hx Fl Hd .....	7
4	<u>102411210</u>	Clamp, Hose, Ctb 64mm .....	2
5	<u>102414501</u>	Cover, CVT Outer .....	1
6	<u>102481001</u>	Hose, Inlet, Cover, CVT .....	1
7	<u>102481201</u>	Bracket, Inlet, Cover, CVT .....	1
8	<u>102481301</u>	Gasket, Cover, CVT .....	1
9	<u>102616101</u>	Cap, Inlet, Cover, CVT .....	1
10	<u>102628001</u>	Filter, Inlet, Cover, CVT .....	1
11	<u>103320601</u>	Hose, Outlet, Cvt .....	1

10

G

**10**

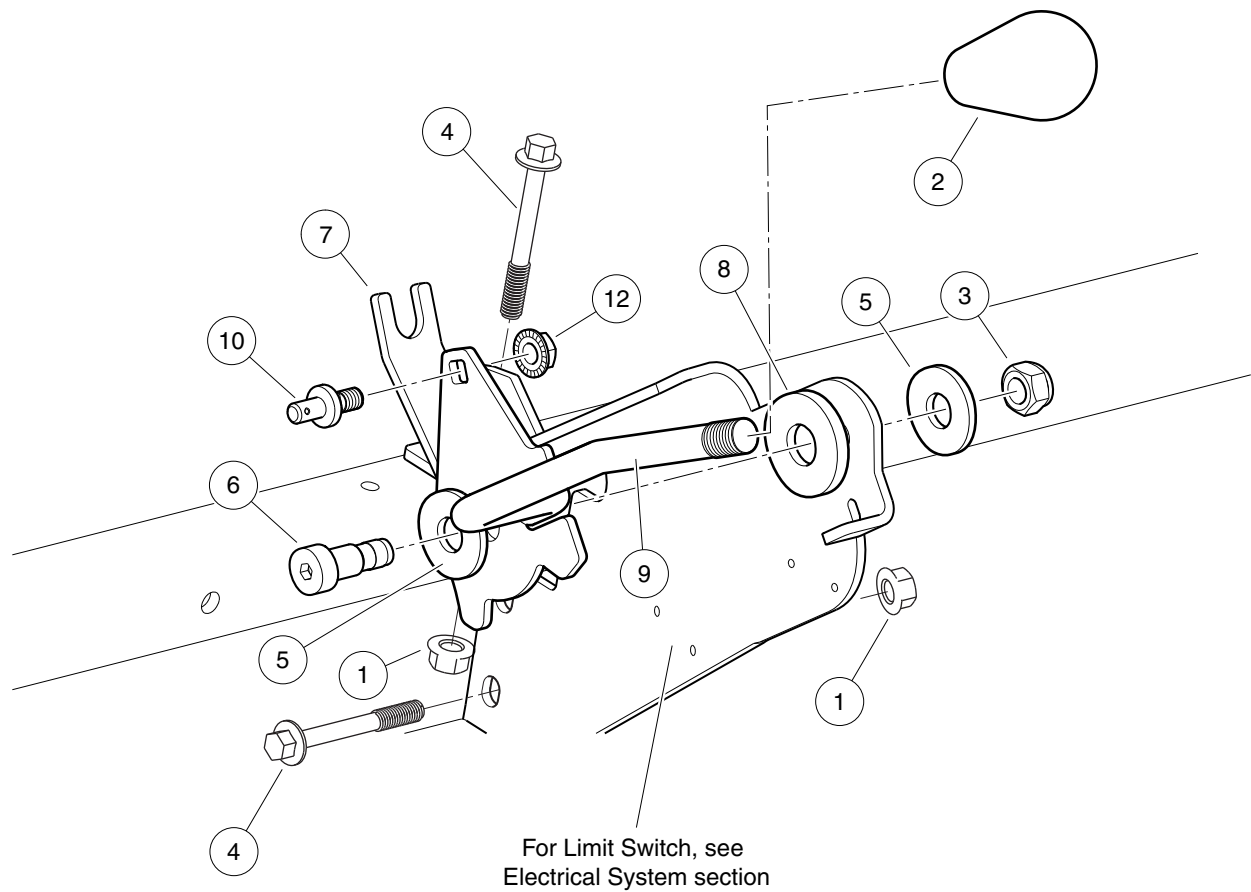
**G**

# DRIVETRAIN COMPONENTS

---

11

G



000030-004

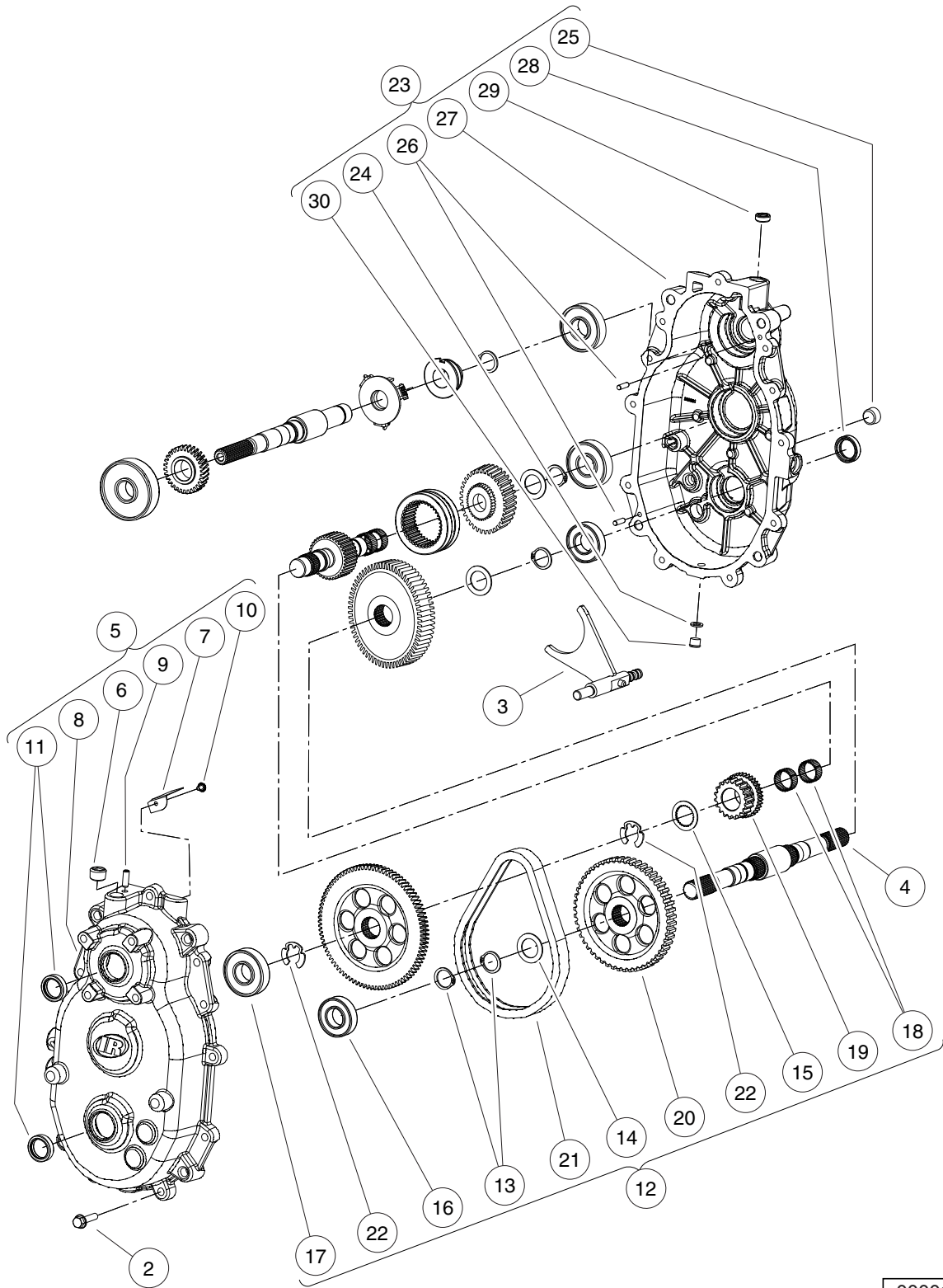


# FORWARD/REVERSE SHIFTER AND CABLE

ITEM	PART NO.	DESCRIPTION	QTY
		1 2 3 4	
1	<u>102298401</u>	Nut,m8,all Metal Lock .....	3
2	<u>102376001</u>	Knob, FNR, Shifter .....	1
3	<u>102616701</u>	Locknut, M10x1.5 Nylon Insert .....	1
4	<u>102618301</u>	Bolt, Flanged Head, M8 X 1.25 X 65 .....	3
5	<u>102684501</u>	Washer, M12 Hard Regular .....	2
6	<u>102684603</u>	Shoulder Bolt, M12 X 16 .....	1
7	N/A	Weldment, FNR Shift-Bracket, AWD .....	1
8	<u>103873001</u>	Bushing, Fnr, Awd .....	1
9	<u>103886001</u>	Weldment, Shifter, FNR, AWD .....	1
10	<u>103886101</u>	Pin, Cable, Fnr .....	1
11	<u>8990</u>	Tie Wrap, 8" Nylon .....	2
12	<u>96704416</u>	Nut, Flange, M8 X 1.25 Serrated .....	1
		Note: Item 11 not shown.	

11

G



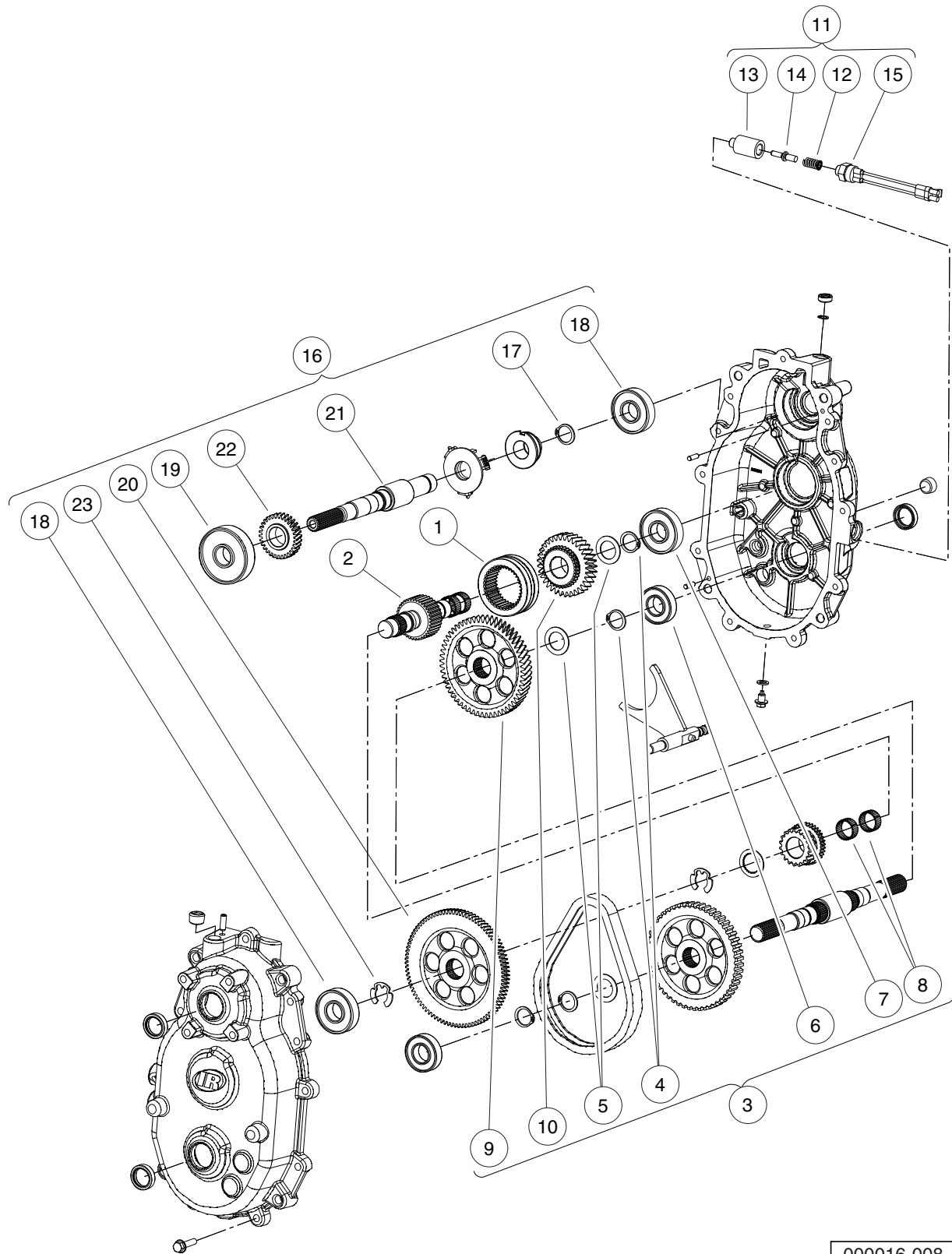
000016-012

# TRANSMISSION – PAGE 1 OF 3

ITEM	PART NO.	DESCRIPTION	QTY
		1 2 3 4	
1	103883101	Transmission, w/o Governor (includes items 2 through 23) .....	1
2	<u>102693301</u>	Screw, hex Flange, M8 X 35 .....	11
3	<u>102697801</u>	Fork, Transmission .....	1
4	<u>102698801</u>	Shaft, Output .....	1
5	<u>102764201</u>	Asm, Gear Case, Rear (includes items 6 through 11) .....	1
6	<u>102694201</u>	Plug, Square Skt, 1/12-14, Ptf .....	1
7	N/A	Oil, Deflector .....	1
8	N/A	Gearcase, Rear .....	1
9	N/A	Vent, Trans .....	1
10	N/A	Screw, Tapping # 10-24 X .375 .....	1
11	<u>102699401</u>	Seal, Triple, 25 X 35 X 7.8 .....	2
12	<u>102765201</u>	Kit, Reverse Gear Repair (includes items 13 through 22) .....	1
13	<u>102696201</u>	Ring, Retaining, Basic External .....	2
14	<u>102696501</u>	Washer, Thrust, 1.007 X .062 .....	1
15	<u>102696701</u>	Washer, 26.231 X 39.167 X 1.57 .....	1
16	<u>102696801</u>	Bearing, Ball .....	1
17	<u>102696901</u>	Bearing, Ball .....	1
18	<u>102697101</u>	Bearing, Needle .....	2
19	N/A	Sprocket, 19-Tooth .....	1
20	N/A	Sprocket, 51-Tooth .....	1
21	N/A	Chain, .375p, .75 Wide, 60ptch .....	1
22	<u>102699701</u>	Ring, Retaining, E-Ring .....	2
23	<u>103250301</u>	Asm, Case, Gear, Front (includes items 24 through 30) .....	1
24	<u>102693501</u>	Washer, .625 X .382 X .60 .....	1
25	<u>102694201</u>	Plug, Square Skt, 1/12-14, Ptf .....	1
26	<u>102696101</u>	Pin, Dowel, 6 X 20 .....	2
27	N/A	Gearcase, Front .....	1
28	<u>102699401</u>	Seal, Triple, 25 X 35 X 7.8 .....	1
29	<u>102721501</u>	Seal, Dual-Lip .....	1
30	<u>103250401</u>	Plug, 3/4-16 .....	1

11

G



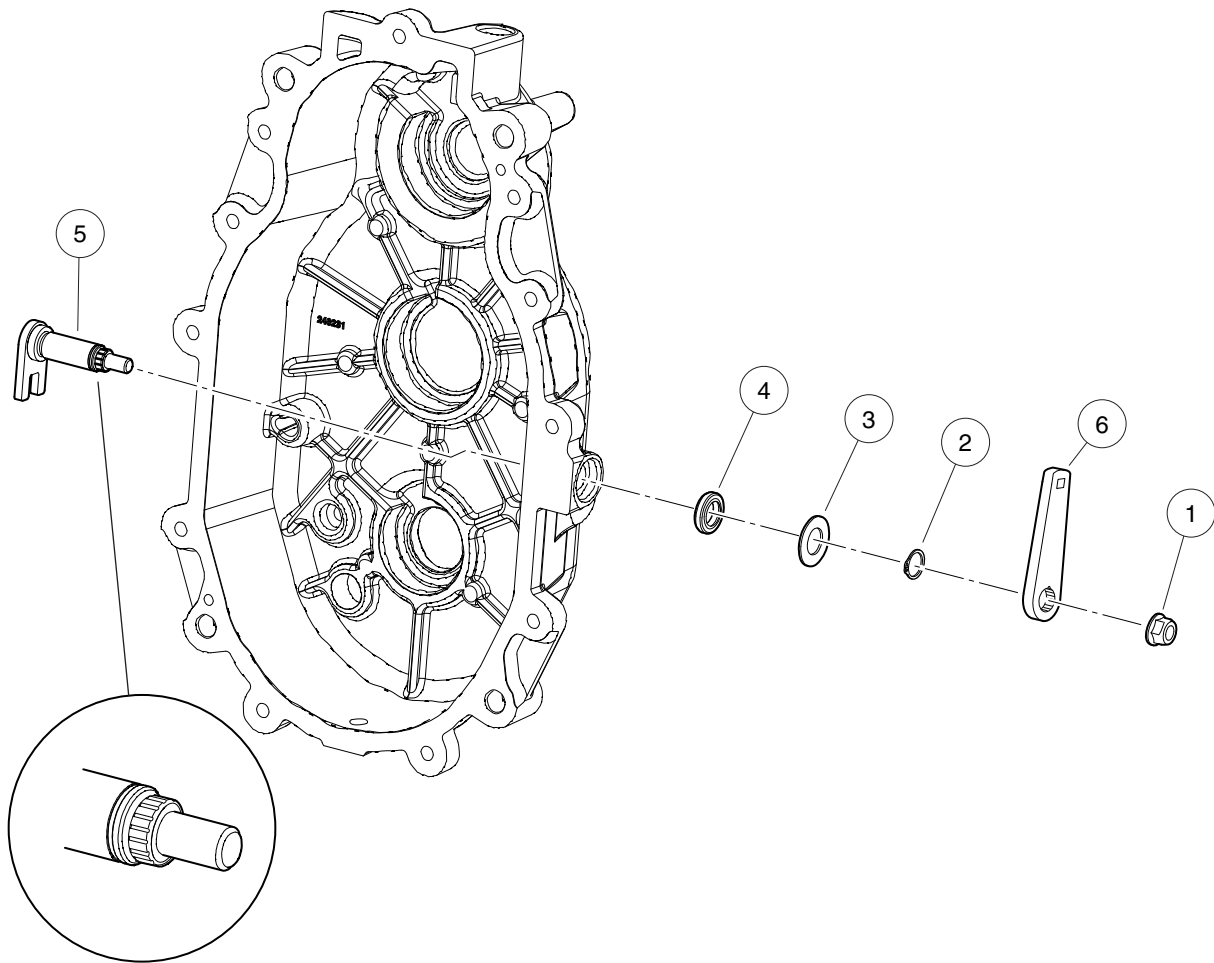
000016-008

## TRANSMISSION – PAGE 2 OF 3

ITEM	PART NO.	DESCRIPTION	QTY
		1 2 3 4	
1	<u>102697501</u>	Dog, Engagement .....	1
2	<u>102698701</u>	Shaft, Intermediate .....	1
3	102764901	Kit, Forward Gear Repair (includes items 4 through 10) .....	1
4	<u>102696201</u>	Ring, Retaining, Basic External .....	2
5	<u>102696501</u>	Washer, Thrust, 1.007 X .062 .....	2
6	<u>102696801</u>	Bearing, Ball .....	1
7	<u>102696901</u>	Bearing, Ball .....	1
8	<u>102697101</u>	Bearing, Needle .....	2
9	N/A	Gear, Helical 58-Tooth .....	1
10	N/A	Gear, Helical 34-Tooth .....	1
11	<u>102765101</u>	Kit, Neutral Switch Repair (includes items 12 through 15) .....	1
12	N/A	Spring, .484 X .340 X 1.076 .....	1
13	N/A	Guide, Detent Bullet .....	1
14	<u>102698601</u>	Bullet, Detent .....	1
15	N/A	Switch, Indicator, Pollak .....	1
16	<u>103721801</u>	Kit, Input Shaft Repair (includes items 17 through 23) .....	1
17	<u>102696201</u>	Ring, Retaining, Basic External .....	1
18	<u>102696901</u>	Bearing, Ball .....	2
19	<u>102697001</u>	Bearing, Ball .....	1
20	N/A	Gear, Helical 90-Tooth .....	1
21	N/A	Shaft, Input .....	1
22	N/A	Gear, Helical, 31-tooth .....	1
23	<u>102699701</u>	Ring, Retaining, E-Ring .....	1

11

G



000016-013

# TRANSMISSION – PAGE 3 OF 3

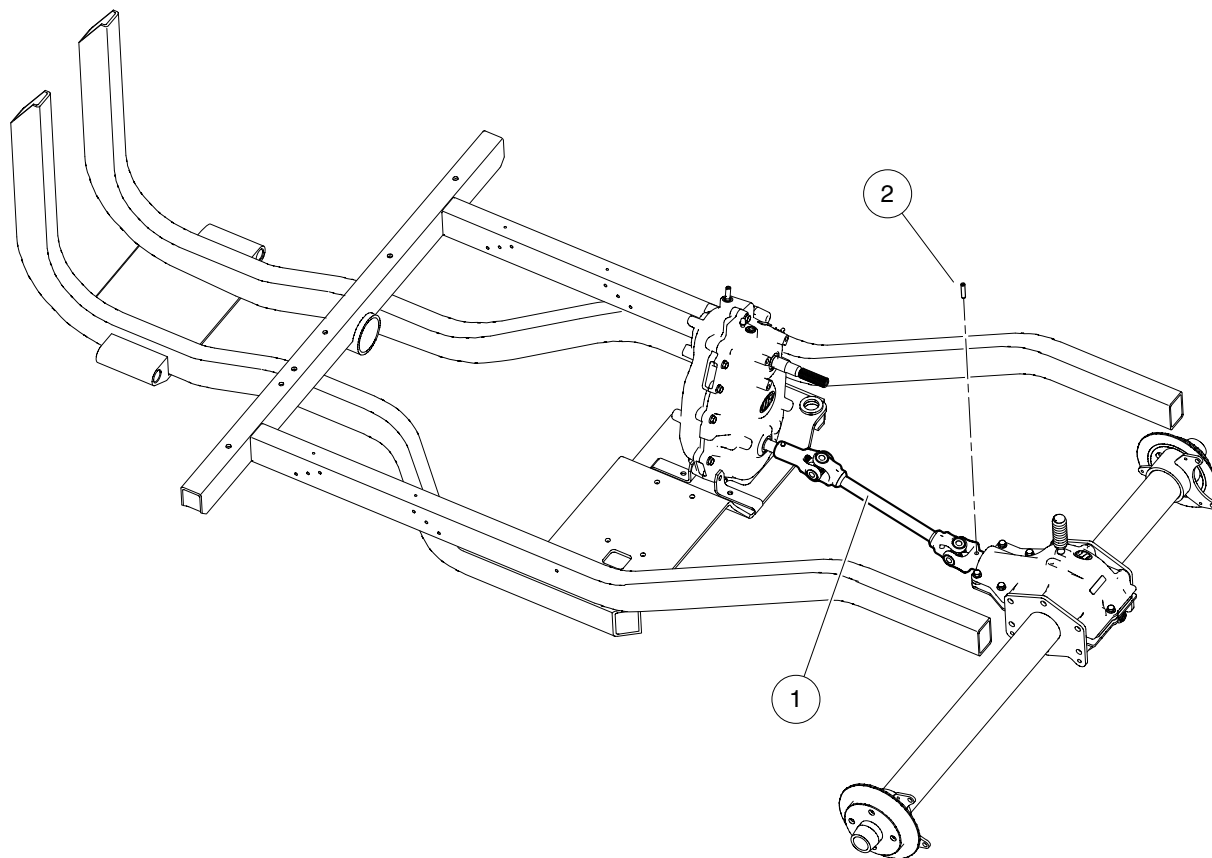
ITEM	PART NO.	DESCRIPTION	QTY
		1 2 3 4	
1	<u>102696001</u>	Nut, Lock Hex, Nylon, 5/16-24 .....	1
2	<u>102696401</u>	Ring, Retaining, External 9/16 .....	1
3	<u>102696601</u>	Washer, Flat, .58 X 1.08 X .05 .....	1
4	<u>102699601</u>	Seal, Dual Lip, .88 X .56 X .19 .....	1
5	<u>103239801</u>	Shaft, Shift .....	1
6	<u>103883001</u>	Bellcrank, Square-hole .....	1

11

G

11

G



000091-003

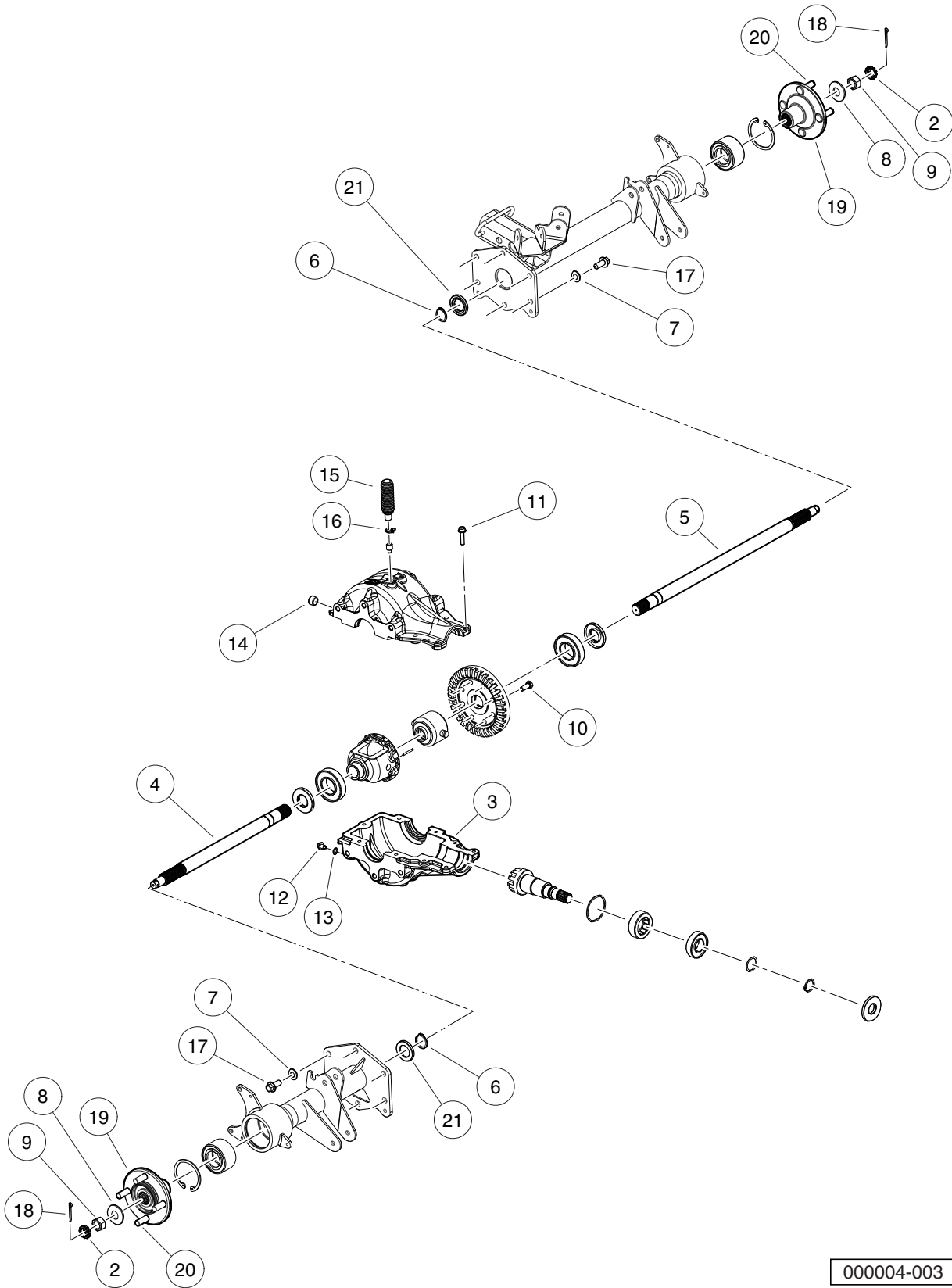


# PROP SHAFT

ITEM	PART NO.	DESCRIPTION	QTY
		1 2 3 4	
1	102372101	Prop Shaft, Rear, 295/295 SE/1550/1550 SE .....	1
2	95293643	Pin, Spring, 5/16 X 1-1/2 Hd .....	1

11

G



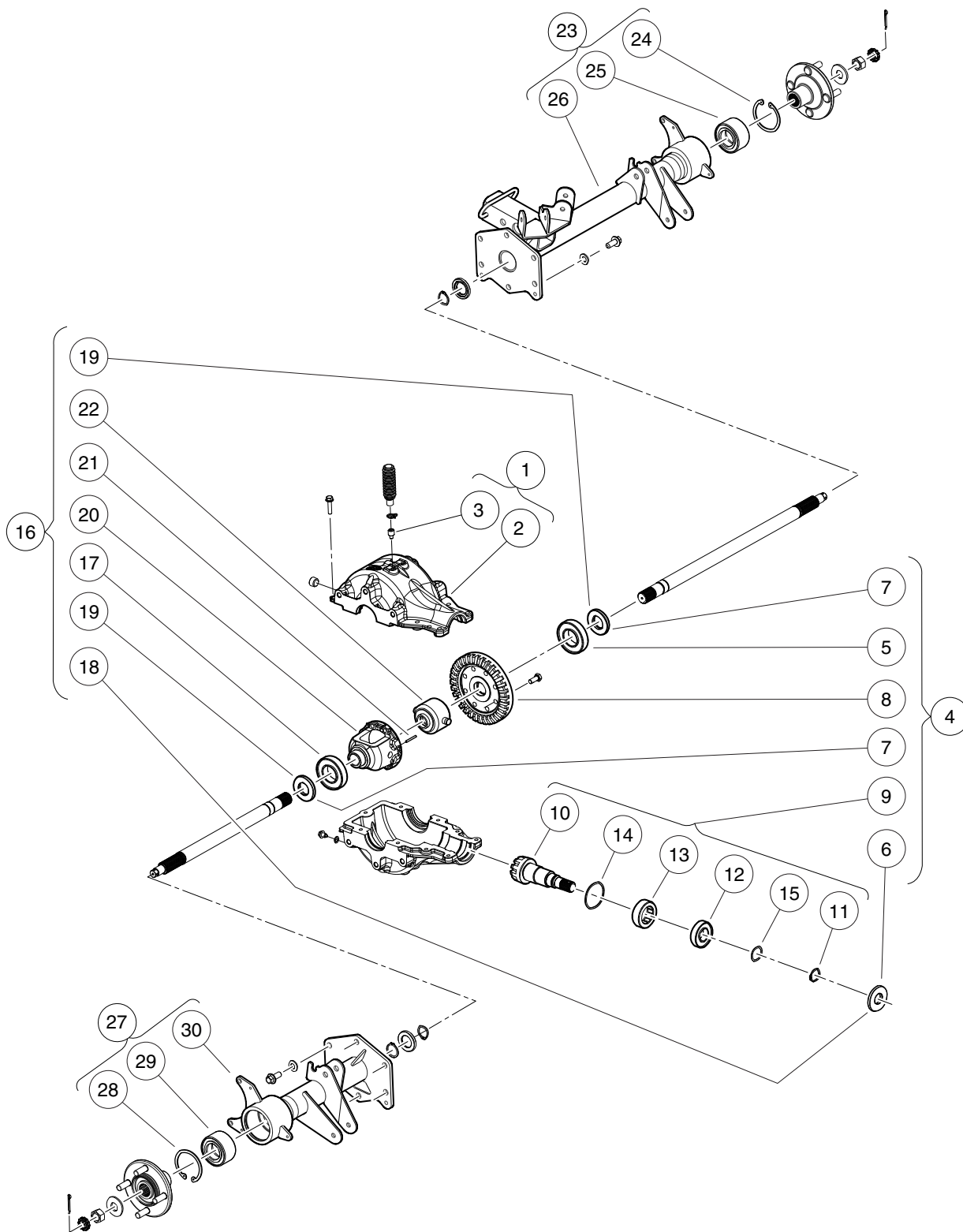
000004-003

## REAR DIFFERENTIAL AND AXLES – PAGE 1 OF 2

ITEM	PART NO.	DESCRIPTION	QTY
		1 2 3 4	
1	<u>103843901</u>	Axle, Rear, Awd, 4link (includes items 2 through 21) .....	1
2	<u>102276001</u>	Locking Cap, Nut .....	2
3	<u>102449101</u>	Gearcase, Lower, Machined .....	1
4	<u>102463501</u>	Axle, Right-hand .....	1
5	<u>102463601</u>	Axle, Left-Hand .....	1
6	<u>102463901</u>	Ring, Retaining, External .....	2
7	<u>102672201</u>	Washer, Belleville, 1.063 X .043 .....	12
8	<u>102672301</u>	Washer, Belleville, 49 X 4 .....	2
9	<u>102672401</u>	Nut, Hex, M20 X 1.5 , Modified .....	2
10	<u>102693201</u>	Screw, M10 X 25 .....	8
11	<u>102693301</u>	Screw, hex Flange, M8 X 35 .....	9
12	<u>102693401</u>	Plug,3/8-16, Hex Flange .....	1
13	<u>102693501</u>	Washer, .625 X .382 X .60 .....	1
14	<u>102694201</u>	Plug, Square Skt, 1/12-14, Ptf .....	1
15	<u>102694301</u>	Bellows, Vent, Upper Housing .....	1
16	<u>102694401</u>	Clamp, Hose, Dw-9.5 .....	1
17	<u>102694701</u>	Screw, Hex Fl, M12 X 1.75 X 30 .....	12
18	<u>102694801</u>	Pin, Cotter, 5/32 X 1.25 .....	2
19	<u>103146203</u>	Asm, Wheel Hub, Rear, 1550 (includes item 20) .....	2
20	<u>103951501</u>	Lug Stud, 1/2-20 UNF, SAE J1102 .....	4
21	<u>103879501</u>	Washer, C-bored 60.5 X 30.3 .....	2

11

G



000004-004

## REAR DIFFERENTIAL AND AXLES – PAGE 2 OF 2

ITEM	PART NO.	DESCRIPTION	QTY
		1 2 3 4	
1	<u>102765301</u>	Asm, Gearcase, Upper (includes items 2 and 3) .....	1
2	N/A	Gearcase, Upper, Machined .....	1
3	<u>102694001</u>	Vent, Top, Upper Housing .....	1
4	<u>102765801</u>	Kit, Rear Axle Gear Repair (includes items 5 through 9) .....	1
5	<u>102464201</u>	Bearing, Ball .....	1
6	<u>102464401</u>	Seal, Dual-Lip 25x 62x 7tc .....	1
7	<u>102464501</u>	Seal, Dual-Lip 30x 62x 8tc .....	2
8	<u>102762601</u>	Gear, Ring, 33-Tooth .....	1
9	<u>102765701</u>	Asm, Pinion W/ Bearings (includes items 10 through 15) .....	1
10	<u>102463101</u>	Pinion, 10t Machined .....	1
11	<u>102463901</u>	Ring, Retaining, External .....	1
12	<u>102464001</u>	Bearing, Ball .....	1
13	<u>102464101</u>	Bearing, Needle, Drawn Shell .....	1
14	<u>102693601</u>	Washer, 2.625 X 2.367 X .06 .....	1
15	<u>102694502</u>	Shim, 1.50 X 1.189 X .008 .....	1
16	<u>103871801</u>	Asm, Carrier, Etched Locker (includes items 17 through 22) .....	1
17	<u>102464201</u>	Bearing, Ball .....	1
18	<u>102464401</u>	Seal, Dual-Lip 25x 62x 7tc .....	1
19	<u>102464501</u>	Seal, Dual-Lip 30x 62x 8tc .....	2
20	<u>102961301</u>	Housing, Differential, Mach .....	1
21	<u>102961401</u>	Pin, Dowel, 4 X 35 .....	1
22	N/A	Asm, Locker, Nongrease/Spacers .....	1
23	<u>103922801</u>	Assy, Axle Tube, Rear, LH (includes items 24 through 26) .....	1
24	<u>102463801</u>	Ring, Retaining, Internal .....	1
25	<u>102464301</u>	Bearing .....	1
26	<u>103868201</u>	Weldment, Axle Tube, LH, 4-Link Susp .....	1
27	<u>103922901</u>	Assy, Axle Tube, Rear, RH (includes items 28 through 30) .....	1
28	<u>102463801</u>	Ring, Retaining, Internal .....	1
29	<u>102464301</u>	Bearing .....	1
30	<u>103868301</u>	Weldment, Axle Tube, RH, 4-Link Susp .....	1

**11**

**G**

11

G

# MAINTENANCE AND SERVICE TOOLS

---

12

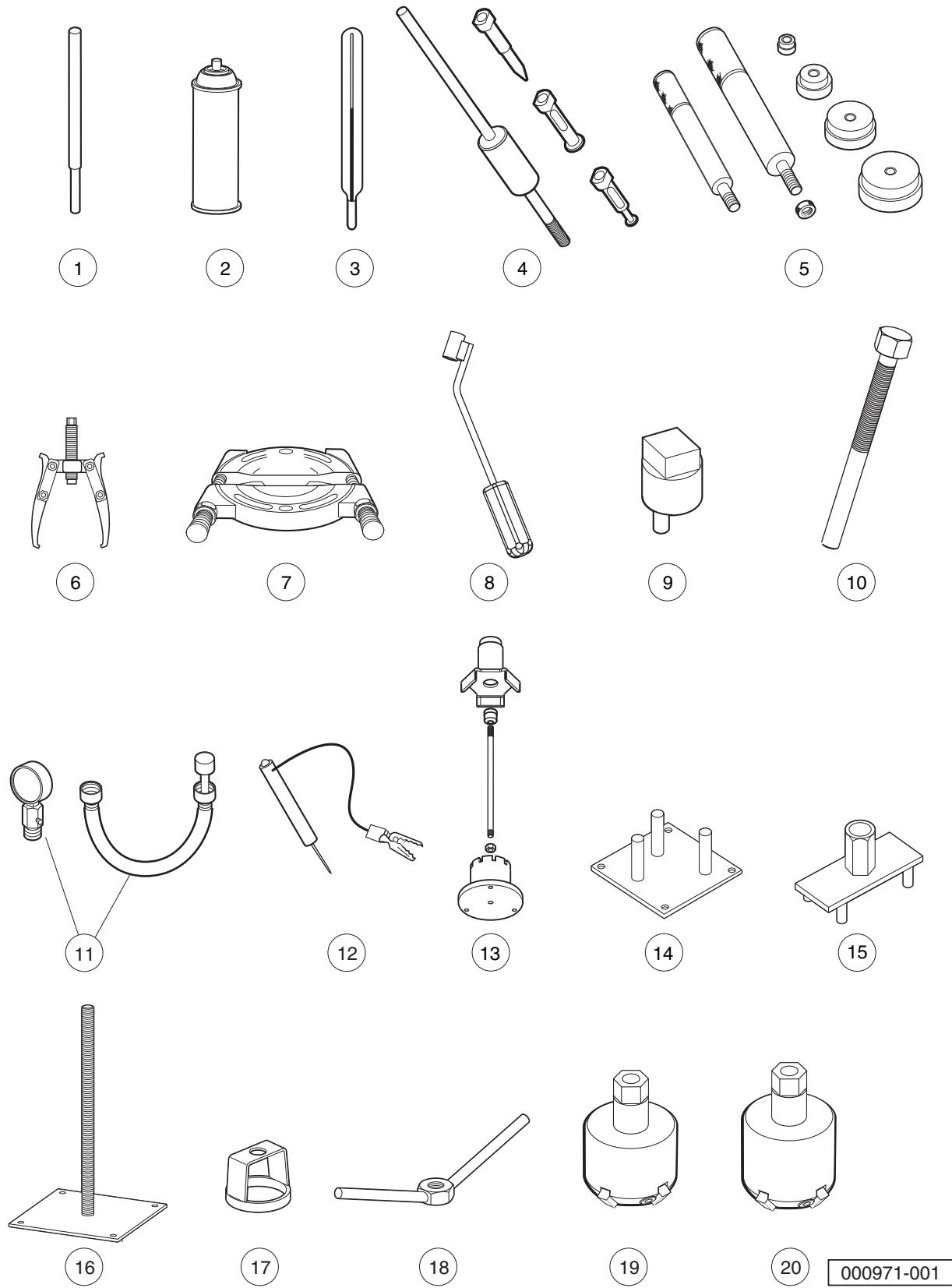
G

D

12

G

D



000971-001



# MAINTENANCE AND SERVICE TOOLS – AWD/950

ITEM	PART NO.	DESCRIPTION	QTY GAS	QTY DIESEL
		<p style="text-align: center;">1 2 3 4</p> <p>The following tool list includes all tools available from Club Car for maintenance and service procedures on AWD-based and XRT950-based utility vehicles, both past and present models. Be sure to carefully examine the tool list for applicability to your vehicle before ordering.</p>		
1	<u>101641202</u>	Arbor .....	1	1
2	<u>1014305</u>	Battery Terminal Protector Spray .....	1	1
3	<u>1011767</u>	Battery Thermometer .....	1	1
4	<u>1016417</u>	Bearing and Oil Seal Remover Assembly .....	1	1
5	<u>1016416</u>	Bearing Driver Set .....	1	1
6	<u>1012811</u>	Bearing Puller .....	1	1
7	<u>1012812</u>	Bearing Puller Wedge Attachment .....	1	1
8	<u>102555501</u>	Brake Cable Release Tool .....	1	1
9	<u>102447101</u>	Camber Adjustment Tool (for AWD vehicles) .....	1	1
10	<u>102686101</u>	Clutch Removal Tool (for AWD vehicles) .....	1	1
11	<u>101641002</u>	Compression Gauge and Adapter .....	1	
12	<u>1011273</u>	Continuity Tester .....	1	1
13	<u>103865301</u>	Drive Clutch Service Tool (for AWD vehicles with 3-weight drive clutch) .....	1	1
14	<u>102601501</u>	Drive ClutchFixed Sheave Tool (for AWD vehicles with 2-weight drive clutch) .....	1	1
15	<u>102607501</u>	Drive Clutch Spider Removal Tool (for AWD vehicles with 2-weight drive clutch) .....	1	1
16	<u>102603501</u>	Driven Clutch Spring Compression Base (for use with items 17 and 18) (for AWD vehicles) .....	1	1
17	<u>102605201</u>	Driven Clutch Spring Compression Collar (for use with items 16 and 18) (for AWD vehicles) .....	1	1
18	<u>102606101</u>	Driven Clutch Spring Compression Nut (for use with items 16 and 17) (for AWD vehicles) .....	1	1
19	<u>102773801</u>	Cutter, Valve Seat, #122 .....	1	
20	<u>102773901</u>	Cutter, Valve Seat #115 .....	1	
		<p>Items 19 and 20 are for AWD vehicles with Honda GX620 gasoline engines.</p> <p>Please refer to the maintenance and service manual for proper tool application.</p>		

**12**

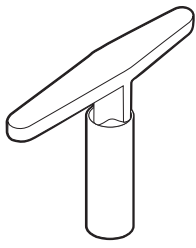
**G**

**D**

12

G

D



21



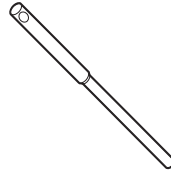
22



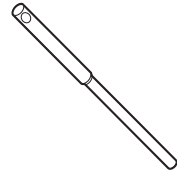
23



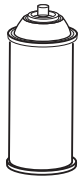
24



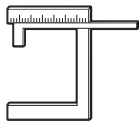
25



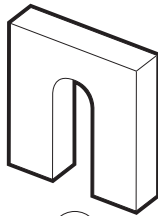
26



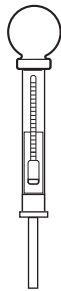
27



28



29



30



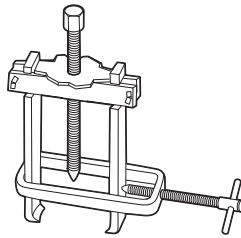
31



32



33



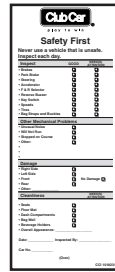
34



35



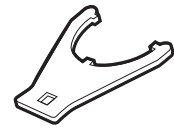
36



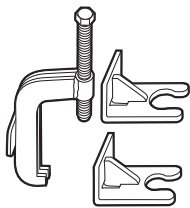
37



38



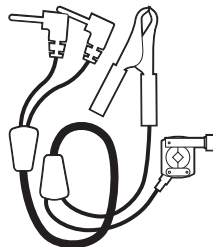
39



40



41



42



46



47

000971-002

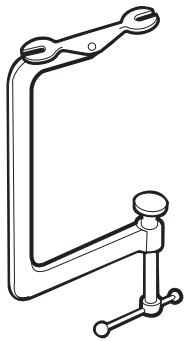
# MAINTENANCE AND SERVICE TOOLS – AWD/950, CONTINUED

ITEM	PART NO.	DESCRIPTION	QTY GAS	QTY DIESEL	
		1 2 3 4			<b>12</b>
					<b>G</b>
21	<u>102774101</u>	Wrench, T, #505.....	1		
22	<u>102774101</u>	Adapter, T-Wrench.....	1		
23	<u>102675401</u>	Cutter, Valve Seat, 60 Degree.....	1		
24	<u>102774201</u>	Pilot, 6.6 MM.....	1		
25	<u>102774301</u>	Pilot, 6.62 MM.....	1		
26	<u>102774401</u>	Pilot, 6.65 MM.....	1		
27	<u>1012151</u>	Dry Moly Lubricant.....	1	1	
28	<u>102669901</u>	Gauge, Carburetor Float Level (for AWD vehicles with Honda GX620 Gasoline Engines).....	1		
29	<u>1016418</u>	Gear Yoke.....	1	1	
30	<u>1011478</u>	Hydrometer.....	1	1	
31	<u>1013593</u>	Internal Retaining Ring Pliers.....	1	1	
32	<u>101928701</u>	Liquid Gasket (transaxle case).....	1	1	
33	<u>101997207</u>	Paint, Touch-Up – Black.....	1	1	
33	<u>101997205</u>	Paint, Touch-Up – Dark Gray.....	1	1	
33	<u>101997209</u>	Paint, Touch-Up – Dark Green.....	1	1	
33	<u>101997204</u>	Paint, Touch-Up – Gray.....	1	1	
33	<u>101997203</u>	Paint, Touch-Up – Red.....	1	1	
34	<u>102668801</u>	Puller, Special Use (for AWD vehicles with Kubota D722 Diesel Engines).....		1	
35	<u>1012549</u>	Retaining Ring Pliers, 45° External.....	1	1	
36	<u>1012560</u>	Retaining Ring Pliers, 90° Internal.....	1	1	
37	<u>101823101</u>	Safety First Card (50 per pack).....	1	1	
38	<u>1012809</u>	Seal Puller.....	1	1	
39	<u>102330901</u>	Spanner Wrench (for coil over shock front suspension vehicles only).....	1	1	
40	<u>102061201</u>	Steering Wheel Puller Tool.....	1	1	
41	<u>AM10753</u>	Tachometer (includes gasoline engine pick up lead only).....	1	1	
42	<u>AM10771</u>	Tachometer Diesel Probe (for use with item 41).....		1	
43	<u>AM11804</u>	Tune-Up Kit, Gx620 (for Honda Engines) (includes air filter, spark plug, oil filter, fuel filters) (not shown).....	1		
44	<u>AM11805</u>	Tune-Up Kit, D722 (for Kubota Engines) (includes air filter, oil filter, fuel filters, water separator filter) (not shown).....		1	
45	<u>AM1232401</u>	Tune-Up Kit, FH680D (for Kawasaki V-Twin Engines) (includes oil filter, fuel filter, air filter, and spark plugs) (not shown).....	1		
46	<u>102674601</u>	Valve Guide Driver (for AWD vehicles with Honda GX620 Gasoline Engines).....	1		
47	<u>102674401</u>	Valve Guide Reamer, 6.6 mm (for AWD vehicles with Honda GX620 Gasoline Engines).....	1		
		Items 21 through 26, 28, 46 and 47 are for AWD vehicles with Honda GX620 gasoline engines.			
		Please refer to the maintenance and service manual for proper tool application.			

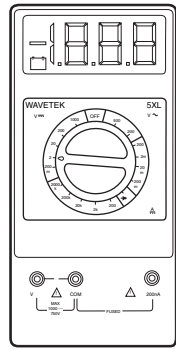
12

G

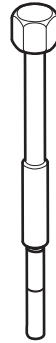
D



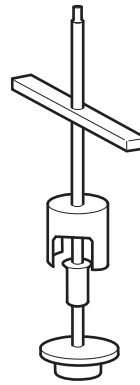
48



49



50



51



52

000971-003

# MAINTENANCE AND SERVICE TOOLS – AWD/950, CONTINUED

ITEM	PART NO.	DESCRIPTION	QTY GAS	QTY DIESEL
		1 2 3 4		
48	<u>101641101</u>	Valve Spring Compressor .....	1	
49	1011480	Volt Ohm Meter .....	1	1
50	<u>103601401</u>	Puller, Drive Clutch* (for XRT 950 vehicles only).....	1	
51	<u>103601701</u>	Tool, Disassembly, Driven Clutch (for XRT 950 vehicles only).....	1	
52	<u>103600501</u>	Screw, Driven Clutch, M6* (for XRT 950 vehicles only).....	1	
<p style="margin-left: 40px;">Items 50 through 52 are for XRT 950 vehicles only.</p> <p style="margin-left: 40px;">*Note: The XRT 950 Drive Clutch Puller (item 50) requires the use of Screw, Driven Clutch (item 52) to remove the drive belt.</p>				

12

G

D



# INDEX

## Part Number and Page

AM10753	12-5	1012812	12-3	101856101	10-11
AM10771	12-5	1012830	1-19, 1-21	101887601	1-19, 1-21, 4-7, 9-3
AM1232301	7-9, 7-11	1013035	5-5	101898001	6-11
183	8-3	1013042	5-5	101928701	12-5
304	1-23	101313402	8-7	101953101	4-11
324	8-5	1013317	1-37, 3-9	101958601	1-23
332	1-19, 1-21, 1-37, 6-11	1013461	8-3	101958602	1-33
334	1-33	1013462	8-3	101963401	1-37
403	1-35	1013531	4-11	101972003	12-5
451	1-19, 1-21	1013593	12-5	101972004	12-5
808	1-3	1013734	1-19, 1-21	101972005	12-5
1016	8-3	1014201	1-17	101972007	12-5
1032	1-37	1014305	12-3	101972009	12-5
1108	6-11	1014306	1-39	101987901	1-3
1231	1-37	1014321	1-37	101988101	1-3
1241	6-11	1014375	6-11	101988201	1-3
1242	4-11	1014387	1-37	102003201	8-5
7049	1-37	1014415	1-17, 1-37	102022601	5-5, 5-7
7310	2-3, 2-5, 2-7	1014471	1-35	102022901	5-5, 5-7, 5-9, 5-11
7473	1-35, 6-11	1014537	1-37	102023703	1-19, 1-21
7973	1-37	1014557	1-23, 1-25	102025701	1-15, 1-23
8056	8-15	1015068	1-29, 1-31	102030101	1-37
8057	8-15	1015137	8-7	102030201	1-37
8233	1-7, 1-37, 8-5	1015245	1-37	102044702	6-7
8251	1-39	1015246	1-37	102044801	6-7
8639	4-7, 4-11	1015258	1-35	102045001	1-7
8754	1-35	1015277	1-33	102047001	1-19, 1-21
8755	1-35	1015313	1-37	102048401	1-7
8797	8-3	1015363	1-37	102051601	6-7
8990	5-5, 8-17, 11-3	1015390	1-37	102051701	6-7
1010193	1-23, 1-25	1015391	1-35	102059001	1-19, 1-21
1010434	1-17, 1-37	1015399	1-35, 1-37	102059401	1-19, 1-21
1010435	1-35, 1-37	1015400	1-35, 1-37	102061101	1-19, 1-21
101082903	4-5, 4-11	101547601	3-3	102061201	12-5
1010934	1-37, 6-11	1015521	6-11	102065901	1-35
1011273	12-3	1015583	1-35	102171503	1-35
1011478	12-5	1015741	6-9	102176901	4-5
1011480	12-7	1016078	1-33	102198001	6-7
1011553	3-5, 3-7, 5-17	101609401	3-5, 3-7	102231601	3-3
1011578	1-3, 1-13	101641002	12-3	102242401	1-23
1011652	1-17, 1-19, 1-21	101641101	12-7	102274101	5-11
1011697	1-17	101641202	12-3	102276001	11-13
1011767	12-3	1016416	12-3	102289001	1-3, 1-7, 7-7
1011779	4-11	1016417	12-3	102290120	5-3
1011964	1-23, 1-29, 1-31	1016418	12-5	102292356	1-3
1011990	1-37	101648201	7-5	102292701	1-5
1012151	12-5	1016513	8-13, 8-19	102292801	1-5, 4-11
1012295	6-9	1016544	7-9	102296140	4-7
1012303	1-35	1016630	6-7	102296401	8-15
1012549	12-5	1016916	1-7	102296601	7-3
1012560	12-5	1016967	1-7	102296716	4-7, 10-9, 10-11
1012649	8-5, 8-7	101802601	6-7	102296920	7-3
1012809	12-5	101804301	1-7	102297230	1-3, 1-5, 1-7
1012811	12-3	101823101	12-5	102298130	1-19, 1-21, 5-3
		101835601	1-33, 1-35	102298240	4-11
		101850301	5-3	102298401	1-19, 1-21, 4-5, 4-9, 4-11, 5-3, 7-7,

# INDEX

11-3		
102298580	1-7	
102298720	1-7, 9-3	
102301401	1-33	
102323101	1-33	
102323501	1-7	
102330901	12-5	
102343601	1-29, 1-31	
102355301	6-11	
102361901	5-9, 5-11	
102370501	7-3	
102370601	7-3	
102371401	7-7	
102372101	11-11	
102374901	10-3	
102376001	11-3	
102380601	4-9	
102406701	8-3	
102408401	5-9, 5-17	
102409501	9-3	
102410604	8-5	
102411210	8-9, 10-9, 10-11	
102414501	10-11	
102418101	1-33	
102420201	6-9	
102420301	6-9	
102420401	6-9	
102420501	6-9	
102426301	8-5	
102426601	1-33	
102426901	1-35	
102437001	5-9	
102442001	1-19, 1-21	
102442201	6-11	
102442901	4-9	
102443601	7-7	
102445201	8-15	
102447101	12-3	
102447901	6-9	
102448001	6-9	
102448401	6-11	
102448501	7-7	
102449101	11-13	
102456001	1-19, 1-21	
102457001	8-17	
102457501	7-7	
102458901	1-19, 1-21, 3-3	
102459001	3-3	
102459101	3-3	
102459301	3-5, 3-7	
102459401	3-7	
102459501	3-3	
102460201	3-5, 3-7	
102461401	8-15	
102462504	7-3	
102463101	11-15	
102463501	11-13	
102463601	11-13	
102463801	11-15	
102463901	11-13, 11-15	
102464001	11-15	
102464101	11-15	
102464201	11-15	
102464301	5-11, 11-15	
102464401	11-15	
102464501	11-15	
102473501	1-19, 1-21	
102473601	1-19, 1-21	
102473701	1-19	
102474301	4-7	
102475701	4-7, 8-17	
102475901	1-19, 1-21	
102479301	8-15	
102481001	10-11	
102481201	10-11	
102481301	10-11	
102488001	4-3, 4-13	
102490801	5-11	
102491001	7-3	
102491301	1-7	
102491501	1-7, 1-15, 1-27, 1-31	
102491601	4-3, 4-13	
102491701	1-11, 1-39	
102492201	6-9	
102493301	4-3, 4-13	
102493801	1-33	
102498601	8-9	
102522001	8-3	
102538501	6-5	
102551901	4-11	
102552001	4-11	
102555501	12-3	
102601501	12-3	
102603501	12-3	
102605201	12-3	
102606101	12-3	
102607501	12-3	
102614101	1-35	
102616003	10-11	
102616101	10-11	
102616301	5-9, 5-13, 5-15	
102616701	11-3	
102617201	1-7, 1-15, 1-27	
102617501	5-11	
102617701	5-11	
102617801	5-11	
102618101	4-9	
102618301	1-33, 4-9, 4-11, 11-3	
102618401	4-5	
102618601	1-7, 1-13, 1-33, 5-7, 7-7, 8-5	
102620301	1-25	
102620501	5-9, 5-13, 5-15	
102621201	8-9, 9-3	
102621301	7-7	
102626201	4-9	
102628001	10-11	
102628301	10-9	
102668801	12-5	
102669901	12-5	
102670601	1-25	
102670701	5-17	
102672201	11-13	
102672301	11-13	
102672401	11-13	
102674001	12-3	
102674101	12-3	
102674201	12-5	
102674401	12-5	
102674601	12-5	
102675001	12-5	
102675101	12-5	
102675201	12-5	
102675301	12-5	
102675401	12-5	
102684501	11-3	
102684603	11-3	
102686101	12-3	
102687801	5-5	
102693201	11-13	
102693301	11-5, 11-13	
102693401	11-13	
102693501	11-5, 11-13	
102693601	11-15	
102694001	11-15	
102694201	11-5, 11-13	
102694301	11-13	
102694401	11-13	
102694502	11-15	
102694701	11-13	
102694801	11-13	
102695401	10-7	
102695601	10-7	
102695801	10-7	
102695901	10-7	
102696001	11-9	
102696101	11-5	
102696201	11-5, 11-7	
102696401	11-9	
102696501	11-5, 11-7	
102696601	11-9	
102696701	11-5	
102696801	11-5, 11-7	
102696901	11-5, 11-7	
102697001	11-7	
102697101	11-5, 11-7	
102697501	11-7	
102697801	11-5	
102698601	11-7	



# INDEX

102698701	11-7	102884401	3-7	102993701	7-15
102698801	11-5	102895101	1-3	102993901	7-15
102699401	11-5	102896501	1-5	102994101	7-15
102699601	11-9	102913801	1-39	102994301	7-9
102699701	11-5, 11-7	102913901	1-39	102994401	7-15
102711601	5-9	102914001	1-39	102994601	7-13
102718101	1-15, 1-23, 1-25, 1-27	102914101	1-39	102994701	7-13
102721501	11-5	102914102	1-39	102994801	7-13
102722001	7-7	102927101	5-9	102994901	7-13
102722301	5-9, 5-11	102927102	5-9	102995001	7-13
102725501	8-9	102930901	9-3	102995101	7-13
102725601	8-9	102935501	1-7	102995201	7-13
102732301	1-15, 1-27	102949301	9-5	102995301	7-13
102732401	1-23, 1-25	102951901	7-3	102995401	7-13
102736901	2-3, 2-5	102958301	7-7	102995501	7-13
102740401	7-3	102958401	7-7	102995601	7-13
102762601	11-15	102958501	7-7	102995701	7-13
102763301	4-11	102958601	7-7	102995801	7-13
102763401	4-11	102961201	3-7	102995901	7-13
102763701	1-19, 1-21	102961301	11-15	102996001	7-13
102764201	11-5	102961401	11-15	102996101	7-13
102764901	11-7	102967901	1-5, 1-19, 1-21	102996201	7-13
102765101	11-7	102983201	1-27	102996301	7-13
102765201	11-5	102983601	1-27	102996401	7-13
102765301	11-15	102988701	1-27, 1-31	102996501	7-13
102765701	11-15	102990101	7-11	102996601	7-13
102765801	11-15	102990201	7-11	102996701	7-13
102786201	9-3	102990301	7-11	102996901	7-5
102788701	5-13, 5-15	102990401	7-11	102997001	7-5
102792001	5-9	102990501	7-11	102997101	7-5
102792002	5-9	102990601	7-11	102997201	7-5
102810701	8-9	102990701	7-11	102997401	7-5
102812801	9-3	102990801	7-11	102997601	7-5
102816801	5-5	102990901	7-11	102997701	7-5
102865101	8-5, 8-7	102991101	7-11	102997801	7-5
102866510	1-5	102991201	7-11	102997901	7-5
102866514	1-5	102991401	7-11	102998001	7-5
102866610	1-5	102991501	7-11	102998101	7-5
102866614	1-5	102991601	7-11	102998201	7-5
102866710	1-5	102991801	7-11	102998301	7-5
102866714	1-5	102991901	7-11	102998401	7-5
102866810	1-5	102992001	7-11	102998601	7-17
102866814	1-5	102992101	7-11	102998701	7-17
102866901	1-3	102992201	7-11	102999101	7-17
102867001	1-3	102992301	7-11	102999201	7-17
102867101	1-7	102992401	7-5, 7-11, 7-17, 8-19	102999301	7-17
102867202	1-9	102992501	7-17, 8-5	102999501	7-17
102867301	1-7	102992601	7-11	102999601	7-17
102867501	1-3	102992701	7-11	103000001	7-17
102869401	6-7	102992801	7-11	103000401	7-9
102874301	5-11	102992901	7-11	103000501	7-9
102874501	5-9	102993201	7-15	103000601	7-9
102882401	1-3	102993301	7-15	103000801	7-9
102883401	1-7	102993401	7-15	103000901	7-9
102883601	3-9	102993501	7-15	103001301	7-9
102884301	3-3	102993601	7-15	103001501	7-9

# INDEX

103002001	8-19	103262901	7-3	103341301	8-11
103002101	8-19	103267001	1-19	103341401	8-11
103002301	8-19	103267002	1-21	103341501	8-11
103002401	8-19	103268001	1-7	103341601	8-11
103002501	8-19	103268101	9-5	103341701	8-11
103002801	8-13, 8-19	103273101	4-9	103341801	8-11
103002901	8-19	103276201	7-7	103341901	8-11
103003801	8-13	103277401	8-17	103342001	8-11
103003901	8-13	103279201	7-3	103342101	8-11
103004201	8-13	103296001	1-7	103342201	8-11
103005001	8-13	103297101	8-13	103342301	8-11
103005601	8-13	103297201	8-13	103342501	8-11
103009901	8-5	103297301	8-13	103342601	8-11
103010101	8-5	103297401	8-19	103342701	8-11
103077501	4-3, 4-13	103297501	8-19	103343301	8-11
103146203	11-13	103297601	8-19	103343401	8-11
103146204	5-11	103297701	8-19	103343501	8-11
103146801	5-7	103297801	8-19	103343601	8-11
103147001	5-17	103298001	8-19	103343701	8-11
103160101	4-3, 4-13	103298101	8-19	103343801	8-11
103174302	4-7	103298201	8-19	103343901	8-11
103180101	6-7	103298301	8-19	103345501	7-9
103182701	1-9	103298501	7-9, 8-5, 8-13, 8-19	103348101	6-7
103182702	1-9	103298601	7-11, 8-19	103348201	6-7
103182801	1-9	103298901	7-11	103348501	6-7
103191201	1-37	103299301	7-17	103361701	1-27
103191301	1-37	103299401	7-17	103372101	8-3
103191401	1-37	103299501	7-9	103372302	8-3
103191501	1-37	103299601	7-9	103372401	8-7
103197201	7-7	103299701	7-9	103376101	4-5
103200501	1-39	103299801	7-9	103379401	1-37
103208701	7-3	103299901	7-9	103380701	4-5
103210401	3-5, 3-7	103300101	7-9	103400001	1-13
103213301	1-3	103300301	7-5, 7-17	103406501	1-37
103215301	1-15	103305701	6-5	103406502	1-37
103216401	1-23, 1-25, 1-27, 1-31	103306801	8-11	103406601	1-37
103218107	1-3	103306901	8-11	103417401	1-13
103218901	1-21	103307001	8-11	103423701	1-13
103223101	1-29, 1-31	103307201	8-11	103441401	8-9
103225801	1-27	103307301	8-11	103452001	8-7
103233001	1-7	103319601	1-13	103456001	1-17
103233614	3-9	103319701	1-13	103478901	8-15
103233617	3-9	103320201	8-13	103479101	8-15
103233714	3-9	103320301	8-13	103479201	8-15
103233717	3-9	103320401	8-13	103479301	8-15
103234503	2-3, 2-5	103320601	10-9, 10-11	103485501	1-11
103239801	11-9	103326401	7-7	103487501	1-11
103240601	7-7	103327201	8-15	103496801	6-11
103244701	5-9	103331201	1-39	103500901	4-11
103246901	7-7	103340501	8-11	103505301	4-11
103250301	11-5	103340601	8-11	103505401	4-11
103250401	11-5	103340701	8-11	103511201	1-27
103253801	1-7	103340801	8-11	103523602	4-13
103256401	5-9	103340901	8-11	103523702	4-13
103256501	5-9	103341101	8-11	103525002	2-7
103256701	5-9	103341201	8-11	103528201	7-3

# INDEX

- 103529601 1-23, 1-25  
103529701 1-25  
103529801 1-25  
103530701 1-23, 1-25  
103532801 2-7  
103534201 1-23, 1-25  
103535001 4-11  
103538701 1-35  
103538901 1-35  
103574301 4-3  
103588001 1-5  
103596601 8-11  
103596701 8-11  
103596801 8-11  
103629102 1-17  
103629501 1-17  
103635101 1-23, 1-25  
103636701 1-15, 1-23  
103643901 1-23  
103646501 1-23  
103646601 1-23  
103647201 1-17  
103687401 7-9  
103699801 2-7  
103701301 8-7  
103721801 11-7  
103724501 5-3  
103724503 5-3  
103724602 5-3  
103756401 8-7  
103760601 1-3  
103778601 2-5, 2-7  
103779001 2-5  
103779004 2-7  
103806401 1-25  
103810201 5-3  
103828201 10-7  
103829001 10-7  
103829601 10-5  
103829701 10-5  
103829801 10-5  
103829901 10-5  
103831101 1-17  
103841801 5-13  
103842501 4-7  
103843901 11-13  
103844301 1-29, 1-31  
103844401 1-29, 1-31  
103845501 5-17  
103848401 8-9  
103856101 10-5  
103859901 5-3  
103860302 5-17  
103860402 5-17  
103862701 5-3  
103863601 5-11  
103863602 5-11  
103865301 12-3  
103866601 5-5  
103868201 11-15  
103868301 11-15  
103871801 11-15  
103873001 11-3  
103879501 11-13  
103883001 11-9  
103883101 11-5  
103883201 8-15  
103886001 11-3  
103886101 11-3  
103886201 5-17  
103887901 7-5, 7-7  
103901001 2-5, 2-7  
103901101 2-5  
103901102 2-5  
103901107 2-7  
103901108 2-7  
103905201 8-3  
103922001 8-17  
103922801 11-15  
103922901 11-15  
103923001 5-17  
103924701 8-9  
103930501 5-13  
103935401 5-7  
103938601 5-7  
103939001 5-7  
103944301 8-3  
103946001 5-7  
103948401 5-11  
103948501 1-31  
103948601 1-31  
103948801 10-5  
103951301 3-5, 3-7  
103951501 5-11, 11-13  
103951601 5-15  
103951701 5-15  
103954001 1-5  
103954101 1-15  
103955901 1-29  
103955902 1-31  
103957501 10-5  
103962801 3-5  
103963701 8-3  
103971001 2-3  
103971101 2-3  
103971201 2-3  
103971301 2-3  
103981201 7-11  
95293643 11-11  
96701412 7-3  
96704416 6-11, 9-5, 11-3  
96704721 7-3  
96704960 7-3  
96705587 7-7  
96715552 1-7, 1-27, 1-31  
96741046 5-17, 7-3  
96742515 1-19, 1-21  
96950126 8-17
- ## A
- A-arm 5-9  
accelerator cable 8-17  
accelerator pedal 8-15  
accessory receptacle 6-7  
adapter  
    hose 7-7  
    oil filter 7-7  
    tube 7-7  
adjuster, forward/aft 1-19, 1-21  
adjuster, slide 5-11  
adjuster, slider 1-19, 1-21  
air filter 8-9  
air filter canister 8-9  
air filter evacuator 8-9  
air filter gasket 8-13  
arbor 12-3  
arm  
    A 5-9  
    A- 5-9  
    governor link 8-19  
    governor shaft 8-19  
    rocker 7-13  
assembly  
    accelerator pedal 8-15  
    brake line 4-7  
    brake pedal 4-9  
    bucket seat 1-19  
    filler cap 4-5  
    forward/reverse 11-3  
    fuel cap 8-3  
    fuel pump 8-5  
    gear case 11-5, 11-15  
    headlight harness 1-3  
    latch, tilt bed 1-35  
    muffler 5-9  
    pinion 11-15  
    tilt bed 1-35  
    wire 6-11, 7-7, 8-3  
axle 11-13  
axle tube 11-15  
axle, rear 11-13
- ## B
- ball joint 5-9, 5-11  
banjo bolt 4-3, 4-13  
barrel, plastic 1-17, 1-37  
base, seat holder 1-19, 1-21

# INDEX

- battery
  - 12-volt, side-post 6-11
- battery clamp 6-11
- battery terminal protector spray 12-3
- battery thermometer 12-3
- bearing
  - hub 5-11, 11-15
  - needle 11-5, 11-7, 11-15
- bearing and oil seal remover 12-3
- bearing driver set 12-3
- bearing puller 12-3
- bearing puller wedge 12-3
- bed floor plate 1-35
- bed latch 1-37
- bed latch spring 1-37
- bed, tilt 1-35
- bellcrank 11-9
- bellows 5-5, 11-13
- belt, drive 10-3
- bench seat back 1-17
- bench seat back cap 1-17
- bench seat bottom 1-17
- bench seat conversion kit 1-23
- block, fuse 6-9
- bolt
  - banjo 4-3, 4-13
- bracket
  - bed latch 1-33
  - brake line 4-7
  - brake pedal 4-9
  - carbon canister 8-7
  - cover inlet 10-11
  - draw latch 1-3
  - equalizer 4-11
  - hood support 1-7
  - muffler 9-3
  - oil filter 7-7
  - oil filter mount 7-7
  - seatbelt 1-25
- bracket, hinge, bed 1-35
- brake cable 4-11
- brake cable release tool 12-3
- brake caliper, front 4-3
- brake caliper, rear 4-13
- brake line, front 4-7
- brake line, rear 4-7
- brake pad service kit 4-3, 4-13
- brake pedal 4-9
- brake return spring 4-11
- brake rotor 4-3, 4-13
- breather gasket 7-11
- brush, FNR 1-7
- bucket seat 1-19, 1-21
- buckle, seat-belt 1-25
- bulb, headlight 1-3
- bullet, detent 11-7
- bumper
  - bed 1-33
- bushing
  - A-arm 5-9, 5-17
  - forward/reverse 11-3
  - greaseless 4-9
  - lower arm 5-9
  - nylon 1-37
  - return line 8-3
  - snap-in 1-37
  - steel 1-35
  - urethane 1-35
- C**
- cable
  - accelerator 8-17
  - brake 4-11
  - choke 8-17
  - main park brake 4-11
- caliper, brake, front 4-3
- caliper, brake, rear 4-13
- camber adjustment tool 12-3
- camshaft 7-13
- camshaft guide 7-13
- camshaft kit 7-13
- camshaft plate 7-13
- camshaft spring 7-13
- canister, air filter 8-9
- canister, carbon, fuel tank 8-7
- canopy 1-29, 1-31
- canopy support kit 1-31
- cap
  - air filter 8-9
  - center, alloy wheel 2-7
  - corner 1-37
  - filler 4-5
  - fuel, gas, ratchet 8-3
  - inlet 10-11
  - oil fill 7-5
  - rubber 5-11
- carbon canister 8-7
- carburetor 8-11
- carburetor float level tool 12-5
- carburetor gasket 8-11, 8-13
- carburetor heater 8-11
- carburetor jet 8-11
- carburetor seal 8-11
- carburetor shaft 8-11
- carburetor solenoid 8-11
- carburetor spring 8-11
- carburetor throttle shaft 8-11
- carburetor valve 8-11
- card, safety first 12-5
- carrier, differential 11-15
- case
  - gear 11-5, 11-13, 11-15
- center closeout 1-15, 1-23
- center console cover 1-19, 1-21
- chain, transmission 11-5
- charge coil 7-9
- choke cable 8-17
- clamp
  - battery 6-11
  - hose 8-5, 8-7
  - hose, green 8-7
  - p- (fuel filter) 8-5
- clevis pin 4-5, 4-11
- clip
  - body trim 1-5
  - brake line 4-7, 8-17
  - meter 6-7
  - wear 5-17
- closeout 1-39
- closeout, center 1-15, 1-23
- clutch 10-5, 10-7
- clutch cover (non-sealed)
  - CVT 10-9
- clutch cover (sealed) 10-11
- clutch removal tool 12-3
- coil
  - charge 7-9
  - ignition 7-9
- coil over shock 5-13, 5-15
- column, steering 5-3
- compression gauge 12-3
- compressor, valve spring 12-7
- connecting rod 7-15
- connector, relay 6-9
- continuity tester 12-3
- control panel 8-19
- cooling fan 7-17
- cover
  - CCI dash storage 1-9
  - crankcase 7-11
  - CVT 7-3, 10-11
  - electrical 6-9
  - engine 7-3
  - rocker 7-11
  - rocker switch hole 6-7
- cover gasket 8-11
- cowl panel 1-5
- cowl panel, driver-side 1-5
- cowl panel, passenger-side 1-5
- cowl plug 1-5
- crank oil seal 7-11
- crankcase 7-11
- crankcase cover 7-11
- crankcase cover gasket 7-11
- crankcase vent tube 8-13
- crankshaft 7-15
- cup holder 1-7
- cup holder, seat 1-19, 1-21

# INDEX

cutter, valve seat 12-5  
CVT cover 7-3, 10-9  
CVT cover kit, sealed 10-11  
CVT cover kit, unsealed 10-11  
cylinder head 7-11  
cylinder, master 4-5

## D

damper, steering 5-7  
dash 1-7  
dash weldment 1-7  
decal  
    CA 295 3-9  
    crush area warning 3-5, 3-7  
    driver/passenger 3-3  
    ground warning 3-3  
    hot manifold warning 3-3  
    hot surface warning 1-19, 1-21, 3-3  
    nameplate 3-9  
    occupant warning 3-5  
    operating instructions 3-3  
    operator warning 3-7  
    ROPS warning 3-7  
    rotating parts and hot manifold 3-3  
    rotating parts warning 3-5, 3-7  
    tailgate 1-37, 3-9  
    trailer hitch 3-5, 3-7, 5-17  
    under 16 warning 3-7  
    vehicle loading 3-5, 3-7  
    winch cable warning 3-3  
deflector oil 11-5  
diesel tachometer probe 12-5  
differential housing 11-15  
differential, rear 11-13, 11-15  
diode 6-5  
drag link 5-5  
drive belt 10-3  
drive clutch 10-5  
drive clutch fixed sheave tool 12-3  
drive clutch service tool 12-3  
drive clutch spacer 10-5  
drive clutch spider removal tool 12-3  
drive shaft 11-11  
driven clutch 10-7  
driven clutch spring compression base tool 12-3  
driven clutch spring compression collar tool 12-3  
driven clutch spring compression nut tool 12-3  
dry moly lubricant 12-5

## E

E-clip 4-11  
end, tie rod 5-5, 5-7  
engine cover 7-3

engine shroud 7-17  
engine starter motor 7-9  
engine, gasoline, Kawasaki FH680 7-3  
equalizer 4-11  
equalizer rod 4-11  
exhaust gasket 9-5  
exhaust header 9-5  
exhaust header gasket 9-5  
exhaust pipe 9-3  
exhaust shield 9-3  
exhaust valve 7-13  
extension, spring latch 1-35

## F

fan housing plate 7-17  
fan, cooling 7-17  
fascia 1-3  
fastener, push-in 6-9  
fender, front 1-3  
fender, left rear 1-39  
fender, rear 1-39  
filler cap 4-5  
filter  
    air 8-9  
    fuel 8-5  
    inlet cover 10-11  
    oil 7-5, 7-7  
float valve 8-11  
floor plate, bed 1-35  
floorboard 1-13  
flywheel 7-9  
FNR brush 1-7  
FNR brush strip 1-7  
FNR shifter 11-3  
fork, transmission 11-5  
frame, tilt bed 1-35  
front gear case 11-5  
front panel 1-37  
fuel filter 8-5  
fuel gauge sending unit 8-3  
fuel gauge/hour meter 6-7  
fuel line 8-5, 8-7  
fuel pump 8-5  
fuel tank (gasoline) 8-3  
fuel tank strap 8-5  
fuse  
    10-amp 6-9  
    25-amp 6-9  
fuse block 6-9

## G

gasket 8-11  
    air filter 8-13  
    breather 7-11  
    carburetor 8-11, 8-13

    cover 8-11, 10-11  
    crankcase cover 7-11  
    exhaust header 9-5  
    head 7-11  
    liquid 12-5  
    manifold 8-13  
    rocker cover 7-11  
    sending unit 8-3  
gauge  
    compression 12-3  
    fuel-hour 6-7  
    oil dipstick 7-5  
gear  
    case 11-5, 11-13, 11-15  
    helical 11-7  
    oil pump 7-5  
    ring 11-15  
    steering 5-5  
gear case, front 11-5  
gear ring engagement 11-7  
gear yoke 12-5  
governor control lever 8-19  
governor link arm 8-19  
governor oil seal 7-11  
governor plate 8-19  
governor return spring 8-19  
governor shaft 8-19  
governor shaft arm 8-19  
governor spring 8-19  
gray bench seat kit 1-17  
grill 1-3  
grip tape, accelerator pad 8-15  
grip, tilt latch hand 1-35, 1-37  
grommet 8-3  
guard, oil filter 7-7  
guard, splash 1-7  
guide  
    camshaft 7-13  
    detent bullet 11-7  
    rocker arm 7-13

## H

harness 7-9  
harness, wire 1-3  
harness, wire - Kawasaki FH680 6-5  
head gasket 7-11  
head, cylinder 7-11  
header, exhaust 9-5  
headlight 1-3  
headlight bulb 1-3  
headlight harness 1-3  
heater, carburetor 8-11  
helical gear 11-7  
hinge plate 1-17, 1-19, 1-21  
hinge, hood 1-5  
holder

# INDEX

cup 1-7  
FNR strip brush 1-7  
hood 1-5  
hood latch 1-3  
hood prop 1-5  
hose  
fuel 8-5, 8-7  
inlet 10-11  
intake 8-9  
outlet 10-9, 10-11  
vent 8-7  
hose clamp, green 8-7  
hour meter 6-7  
housing  
differential 11-15  
hub  
wheel 5-11  
hydrometer 12-5

**I**

ignition coil 7-9  
insulator, manifold 8-13  
intake adapter pipe 8-13  
intake hose 8-9  
intake manifold 8-13  
intake valve 7-13  
internal retaining ring pliers 12-5  
isolator ring and bushing 7-3

**J**

jet kit  
0-3300 ft 8-11  
3300-6600 ft 8-11  
6600+ ft 8-11  
jet needle 8-11  
jet, carburetor 8-11  
joint  
ball 5-9, 5-11

**K**

keeper, push-close latch 1-9  
key 7-9  
key (pair) 6-7  
key switch 6-7  
key switch spacer 6-7  
keyswitch nut 6-7  
kick panel 1-39  
kit  
bench seat conversion 1-23  
bench seat gray 1-17  
brake pad service 4-3, 4-13  
canopy 1-29, 1-31  
canopy support 1-31  
carburetor jet 8-11  
connecting rod 7-15

forward gear repair 11-7  
neutral switch repair 11-7  
rear axle gear repair 11-15  
reverse gear repair 11-5  
tailgate mounting 1-37  
tune-up 12-5  
knob, forward/reverse 11-3

**L**

latch 1-9  
latch bracket 1-3  
latch keeper 1-9  
latch plate, tilt bed 1-33  
latch, bed 1-37  
latch, hood draw 1-3  
latch, tilt bed 1-35  
lateral link, rear suspension 5-17  
lens, headlight 1-3  
lever  
governor control 8-19  
light  
oil 6-7  
limit switch 8-15  
line, fuel 8-7  
link, drag 5-5  
liquid gasket 12-5  
low oil warning light 6-7  
lubricant, dry moly 12-5  
lug stud 5-11, 11-13

**M**

manifold  
intake 8-13  
manifold gasket 8-13  
manifold insulator 8-13  
master cylinder 4-5  
meter clip 6-7  
meter, volt ohm 12-7  
muffler 5-9, 9-3

**N**

nameplate decal 3-9  
needle, jet 8-11  
nongrease/spacers locker 11-15  
nut, keyswitch 6-7

**O**

oil cap 7-5  
oil deflector 11-5  
oil dipstick gauge 7-5  
oil drain plug 7-5  
oil filter 7-5, 7-7  
oil filter adapter 7-7  
oil filter bracket 7-7  
oil filter guard 7-7

oil filter nipple 7-11  
oil pickup 7-5  
oil pickup screen 7-5  
oil pressure switch 7-9  
oil pump 7-5  
oil pump plate 7-5  
oil pump rotor 7-5  
oil pump shaft 7-5  
oil pump spring 7-5  
oil pump spur gear 7-5  
oil seal, crank 7-11  
oil seal, governor 7-11  
oil valve seal 7-11  
oil warning light, low 6-7  
O-ring 7-5, 7-7, 8-11

**P**

pan  
center 1-19, 1-21  
seat 1-19, 1-21  
panel  
center cowl 1-5  
control 8-19  
driver-side 1-39  
driver-side cowl 1-5  
front 1-37  
front kick 1-39  
passenger-side 1-39  
passenger-side cowl 1-5  
side 1-37  
park brake cable 4-11  
p-clamp (fuel filter) 8-5  
pedal, accelerator 8-15  
pedal, brake 4-9  
pedal, park brake 4-11  
pickup, oil 7-5  
pin  
bow tie locking 1-5, 4-11  
pin, cable 11-3  
pin, clevis 4-5, 4-11  
pinion 11-15  
pipe  
exhaust 9-3  
intake adapter 8-13  
piston 7-15  
piston ring set 0.50 7-15  
plate  
back 1-35  
camshaft 7-13  
closeout 1-39  
electrical 6-9  
fan housing 7-17  
governor 8-19  
hinge 1-17, 1-19, 1-21  
latch 1-33  
oil pump 7-5

# INDEX

tailgate latch wear 1-37  
pliers  
  internal retaining ring 12-5  
  retaining ring 12-5  
plug 11-5  
  2 inch tube 1-15  
  engine block 11-13  
  gearcase 11-5, 11-13  
  hole 6-7  
  oil drain 7-5  
  spark 7-9, 7-11  
plug, cowl 1-5  
prop rod 1-33  
prop shaft 11-11  
prop, hood 1-5  
protector spray, battery terminal 12-3  
puller  
  bearing 12-3  
  clutch 12-3  
  seal 12-5  
  special use tool 12-5  
pump  
  fuel 8-5  
pump, oil 7-5  
push rod 7-13  
push rod tappet 7-13

## R

rear axle 11-13  
rear differential 11-13, 11-15  
receptacle, accessory 6-7  
reed valve assembly 7-11  
regulator, voltage 7-9  
relay 6-9  
relay connector 6-9  
remover, bearing and oil seal 12-3  
retainer  
  spring (driven clutch) 10-7  
  valve spring 7-13  
retaining ring pliers 12-5  
retractor, seat-belt 1-25  
ring  
  retaining, ext 5-9, 5-11  
ring gear 11-15  
rivet, blind push 1-7  
Rivet, Removable 1-5, 1-19, 1-21  
rocker arm 7-13  
rocker arm guide 7-13  
rocker arm stud 7-13  
rocker cover 7-11  
rocker cover gasket 7-11  
rocker switch (lights) 6-7  
rod  
  "J" 8-15  
  equalizer 4-11  
  prop 1-33

  push 7-13  
ROPS front base weldment 1-27  
ROPS seat support 1-27  
ROPS side 1-27  
ROPS top 1-27  
ROPS warning decal 3-7  
rotor disc brake 4-3, 4-13  
rotor, oil pump 7-5

## S

safety first card 12-5  
screen, oil pickup 7-5  
seal  
  carburetor 8-11  
  dual lip 11-5, 11-9, 11-15  
  oil valve 7-11  
  triple lip 11-5  
seal puller 12-5  
seat  
  bucket 1-19, 1-21  
seat back cap, bench 1-17  
seat back, bench 1-17  
seat belt buckle 1-25  
seat bottom, bench 1-17  
seat holder base 1-19, 1-21  
seat, bucket 1-21  
seat-belt retainer 1-25  
sending unit, fuel gauge 8-3  
shaft  
  carburetor 8-11  
  drive 11-11  
  governor 8-19  
  input 11-7  
  intermediate 11-7  
  oil pump 7-5  
  output 11-5  
  prop 11-11  
  shift 11-9  
shield, exhaust 9-3  
shim 11-15  
shim, latch plate 1-33  
shock absorber, coil over 5-13, 5-15  
shroud, engine 7-17  
side panel weldment 1-37  
side stringer 1-11  
sleeve  
  lower arm 5-9  
  upper suspension 5-9  
slide adjuster 5-11  
solenoid, carburetor 8-11  
spacer  
  5/8 x 2 1/4 x 1 1/4 1-29, 1-31  
  drive clutch 10-5  
  key switch 6-7  
spanner wrench 12-5  
spark plug 7-9, 7-11

splash guard 1-7  
spray, battery terminal protector 12-3  
spring 7-5, 7-13  
  brake return 4-11  
  carburetor 8-11  
  choke spring 8-17  
  compression 10-5, 10-7  
  detent bullet 11-7  
  exhaust 9-3  
  extension 1-35  
  governor 8-19  
  governor idle 8-17  
  governor return 8-19  
  latch tilt 1-37  
  pedal 8-15  
  valve 7-13  
sprocket 11-5  
starter motor, engine 7-9  
steel bushing 1-35  
steering  
  upper A-arm 5-9  
steering column 5-3  
steering damper 5-7  
steering gear 5-5  
steering wheel 5-3  
steering wheel puller tool 12-5  
stem, valve 2-3, 2-5, 2-7  
strap, fuel tank 8-5  
stringer, side 1-11  
strip, FNR brush 1-7  
stud  
  lug 5-11, 11-13  
  self-clinching 1-37  
support, structural 1-7  
switch  
  indicator (transmission) 11-7  
  key 6-7  
  light rocker 6-7  
  limit 8-15  
  oil pressure 7-9

## T

tachometer 12-5  
tachometer probe, diesel 12-5  
tailgate 1-37  
tailgate angle 1-37  
tailgate latch wear plate 1-37  
tailgate mounting kit 1-37  
tank, fuel (gasoline) 8-3  
tape, grip, accelerator pad 8-15  
tape, vinyl foam 1-35  
tappet, push rod 7-13  
tester, continuity 12-3  
thermometer, battery 12-3  
throttle shaft, carburetor 8-11  
throttle valve 8-11

# INDEX

tie rod end 5-5, 5-7  
tie wrap 4-7, 4-11, 5-5, 8-17, 11-3  
tilt bed 1-35  
tilt bed frame 1-35  
tilt latch hand grip 1-35, 1-37  
tire  
    all-terrain 2-5, 2-7  
    mud 2-5, 2-7  
    turf 2-3  
tool  
    brake cable release 12-3  
    camber adjustment 12-3  
    carburetor float level 12-5  
    cT-wrench 12-5  
    drive clutch fixed sheave 12-3  
    drive clutch service 12-3  
    drive clutch spider removal 12-3  
    driven clutch spring compression base 12-3  
    driven clutch spring compression collar 12-3  
    driven clutch spring compression nut 12-3  
    puller, special use 12-5  
    steering wheel puller 12-5  
    valve guide driver 12-5  
    valve seat cutter 12-3  
track, prop rod 1-33  
trailing link, rear suspension 5-17  
transaxle housing 11-15  
transmission 11-5  
transmission chain 11-5  
transmission fork 11-5  
tube  
    axle 11-15  
    crankcase vent 8-13  
Tuflok 1-5, 1-19, 1-21  
tune-up kit 12-5  
T-wrench tool 12-5

## U

upright 5-11  
urethane bushing 1-35

## V

valve 8-9  
    carburetor 8-11  
    exhaust 7-13  
    float 8-11  
    intake 7-13  
    throttle 8-11  
valve assembly, reed 7-11  
valve guide driver tool 12-5  
valve seat cutter 12-5  
valve seat cutter tool 12-3  
valve spring 7-13  
valve spring compressor 12-7

valve spring retainer 7-13  
valve stem 2-3, 2-5, 2-7  
vent  
    fuel tank 8-3  
vent, barb 8-7  
vent, housing, upper 11-15  
vent, transmission 11-5  
volt ohm meter 12-7  
voltage regulator 7-9

## W

warning light, low oil 6-7  
wear clip 5-17  
wedge, bearing puller 12-3  
weldment  
    brake pedal 4-9  
    front dash 1-7  
    ROPS base front 1-27  
    seat support 1-15  
    seat support ROPS 1-27  
    tilt bed frame 1-35  
weldment, seat 1-15  
wheel  
    alloy 2-7  
    hub 5-11  
    steel 2-3, 2-5  
    steering 5-3  
wheel cap, alloy 2-7  
wire assembly 6-11, 7-7, 8-3  
wire harness 1-3, 7-9  
wire harness - Kawasaki FH680 6-5  
wrap, tie 4-7, 4-11, 5-5, 8-17, 11-3  
wrench, spanner 12-5

## Y

yoke, gear 12-5











**Club Car, Inc.**  
P.O. Box 204658  
Augusta, GA 30917-4658  
USA

**Web** [www.clubcar.com](http://www.clubcar.com)  
**Phone** 1.706.863.3000  
1.800.ClubCar  
**Int'l** +1 706.863.3000  
**Fax** 1.706.863.5808