



2022 Onward 6 Passenger Illustrated Parts List



2022 Onward 6 Passenger

Manual Number 86753090141
Edition Code_A

USING THE ILLUSTRATED PARTS LIST

⚠ WARNING

- **This manual is to be used only for identification and ordering of service parts. Be sure to read and use the maintenance and service manual before attempting any vehicle repairs.**

The manual is divided into sections. Note that there are two or three flags on the outside edge of each page. The first flag contains the section number of which that page is a part. The other flag (or flags) contains the letter E or G, signifying that the page pertains to electric or gasoline vehicles.

Use the Table of Contents to find the sections and pages that contain the parts and assemblies you seek. The Table of Contents lists section numbers, and under them, the individual page titles and numbers to be found in that section. The index can be used to find specific parts and assemblies. The index is divided into numerical and alphabetical listings with the page numbers in italic text.

There is a two-page spread for each individual page title in the Table of Contents. On the left-hand page is an illustration showing the parts in their relative positions; the parts are each tagged with an item number in a balloon. The right-hand page is the parts list page, and gives the page title at the top, then the item numbers (corresponding to the numbers on the illustration), part descriptions, and quantity of parts used. Some item numbers have more than one part number because several configurations of a component are represented together on one spread.

Note that a part description may be indented. This indentation corresponds to a parts assembly level indicated by the numbers 1, 2, 3, and 4 at the top left corner of the parts description area of the parts list page. A part that is indented to *level 2* is a component of the *level 1* part (assembly) that it is listed under. A *level 3* part is a component of the *level 2* part that it is listed under, and a *level 4* part is a component of the *level 3* part preceding it. In each case, the part quantity given for a level 2, 3, or 4 part is *the quantity used per next higher level assembly of which it is a component*. A part that is not indented is a *level 1* part. This means that the quantity given is the quantity used per the portion of the vehicle illustrated on that particular spread.



P. O. Box 204658
Augusta, Georgia 30917-4658 USA
Telephone 706-863-3000
Service Parts Fax 706-855-7413
www.clubcar.com

HOW TO ORDER PARTS

Replacement parts and accessories can be obtained from our network of authorized dealers and distributors. You can obtain the name and phone number of your closest authorized Club Car dealer or distributor by visiting our web site at www.clubcardealer.com, by calling our toll-free Service Parts and Technical Assistance hotline at (800) 872-2246 or (706) 863-3000, extension 3887, or by scanning this Quick Response (QR) code to be taken to the Club Car dealer locator. **Refer to Figure 1.** Download a QR code reader such as RedLaser or Barcode Scanner to your cell phone or tablet.



Figure 1 Dealer Locator QR Code

CUSTOMER SATISFACTION SURVEY

Let your voice be heard!

Please take time to participate in the Technical Publications satisfaction survey. Obtaining feedback from our customers is important to the department's continuous improvement process. The online survey takes less than five minutes and responses will help the department to examine current performance as well as identify areas for future improvement.

Our top priority is to provide timely, accurate, and user friendly manuals.

The online satisfaction survey can be found at: <http://bit.ly/1w9uFMh>



Figure 2 Survey QR Code

NOTE: *This illustrated parts list represents the most current information at the time of publication. Club Car, LLC is continually working to further improve its vehicles and other products. These improvements may affect the parts used to service the vehicle. Any modification and/or significant change in specifications will be forwarded to all Club Car and Carryall distributors/dealers and will, when applicable, appear in future editions of this illustrated parts list.*

Club Car, LLC reserves the right to change specifications and designs at any time without notice and without the obligation of making changes to units previously sold.

Copyright © 2021 Club Car, LLC
Club Car, Onward, and Surlyn
are registered trademarks of Club Car, LLC
This manual effective July 1, 2021.

CONTENTS

SECTION 1 – BODY AND TRIM

Frame Support and Floor	1-3
Brush Guards	1-5
Grill Inserts	1-7
Front Bumper	1-9
Front Fenders	1-11
Front Body	1-13
Dash	1-15
Floor Mats and Rocker Panels	1-17
Underbody and Insulation	1-19
Front Seat Frame	1-21
Front Seat and Bucket	1-23
Front Seat Back and Bottom	1-25
Kick Plate – Gasoline Vehicle	1-27
Kick Plate – Electric Vehicle	1-29
Rear Seats – Forward Facing	1-31
Rear-Facing Seat Frame and Foot Deck	1-33
Rear Seats – Rear Facing	1-35
Rear Body	1-37
Rear Valance	1-39
Rear Fenders	1-41
Receiver Hitch	1-43
Canopy Kits and Rear Struts	1-45
Front Strut Kit	1-47
Grab Handle Kits	1-49
Hinged Windshield, Clear	1-51
Hinged Windshield, Tinted	1-53
Beverage Holder	1-55
Mirrors, Side	1-57
Overhead Storage	1-59
Mirror, 5-Panel	1-61

SECTION 2 – WHEELS AND TIRES

Wheel and Tire Assemblies – 12 Inch	2-3
Wheel and Tire Assemblies – 14 Inch	2-5

SECTION 3 – DECALS

Decals	3-3
--------------	-----

CONTENTS

SECTION 4 – LIGHTS, CONTROLS AND INDICATORS

Headlights – Onward	4-3
Lighting System Components	4-5
Horn	4-7
Instrument Panel – Electric Vehicle with ERIC Charger	4-9
Battery Charge Indicator	4-11
Instrument Panel – ECH440 Gas Vehicle	4-13
Bluetooth Sound System	4-15
DC/DC Converter – Electric Vehicle	4-17
Voltage Limiter – Gasoline Vehicle	4-19
Taillights	4-21

SECTION 5 – BRAKES AND PEDAL GROUP ASSEMBLIES

Rear Brakes, Manual Adjust, Electric Vehicle	5-3
Rear Brakes, Manual Adjust, Gasoline Vehicle	5-5
Front Brakes, Manual Adjust	5-7
Front Brake Cables and Equalizer Bracket	5-9
Rear Brake Cables and Equalizer Bracket	5-11
Bellcrank Assembly	5-13
Pedal Group with Sensor – Gasoline Vehicle	5-15
Pedal Group w/o Sensor, Gasoline Vehicle	5-17
Pedal Group w/o MCOR – Electric Vehicle	5-19
Pedal Group with MCOR – Electric Vehicle	5-21

SECTION 6 – STEERING, FRONT AND REAR SUSPENSION – NON-LIFTED

Steering Wheel, Comfort Grip with Clip	6-3
Steering Wheel, Comfort Grip with Logo	6-5
Steering Column	6-7
Steering Gear Assembly	6-9
Front Suspension, Upper	6-11
Front Hub Assembly	6-13
Front Suspension, Lower	6-15
Rear Suspension, Electric Vehicle	6-17
Rear Suspension, Gasoline Vehicle	6-19
Rear Suspension, Electric, HD	6-21
Panhard Rod	6-23

CONTENTS

SECTION 7 – STEERING, FRONT AND REAR SUSPENSION – LIFTED

Steering Wheel, Comfort Grip with Clip	7-3
Steering Wheel, Comfort Grip with Logo	7-5
Steering Column	7-7
Steering Gear Assembly	7-9
Front Hub Assembly – Lifted	7-11
Front Suspension, Lifted	7-13
Rear Suspension, Lifted	7-15
Panhard Rod	7-17

SECTION 8 – ELECTRICAL SYSTEM – GASOLINE

Accelerator Pedal Assembly w/Sensor – EFI	8-3
Wiring Harnesses and Fuses	8-5
Starter/Generator, Key and Pedal Start – EFI	8-7
Starter/Generator Mounting – ECH440	8-9
Battery, Solenoid, Voltage Regulator, Relay – EFI	8-11
Maintenance/Operate Switch	8-13
USB Port Kit for Gas Vehicles	8-15
Forward/Reverse Shifter Switches – EFI	8-17

SECTION 9 – ENGINE (KOHLER ECH440)

Tune-Up Parts	9-3
Engine and Engine Mounting	9-5
Engine Pan and Snubber Mounting	9-7
Snubber Housing and Ground Wire	9-9
Blower Housing and Heat Shield – ECH440	9-11
Ignition Components and Flywheel – ECH440	9-13
Cylinder Head and Valve – ECH440	9-15
Crankcase and Piston – ECH440	9-17
Oil Sensor and Lubrication – ECH440	9-19
Crankshaft – ECH440	9-21

SECTION 10 – FUEL SYSTEM – EFI

Fuel Tanks	10-3
Fuel Pump and Fuel Filter Kits	10-5
Carbon Canister – EFI	10-7
Throttle Body and Mounting	10-9
Governor Bracket and Cover – EFI	10-11

CONTENTS

Governor and Accelerator Cables – EFI	10-13
Air Intake Elbow – EFI	10-15
Air Filter System and Intake Hose – EFI	10-17

SECTION 11 – EXHAUST SYSTEMS – ECH440

Exhaust Systems	11-3
-----------------------	------

SECTION 12 – DRIVE BELT AND CLUTCHES – EFI GASOLINE VEHICLES

Drive Belts – EFI	12-3
Drive Clutch – Key-Start Vehicles	12-5
Drive Clutch – Pedal-Start Vehicles	12-7
Driven Clutch – Key Start and Pedal Start	12-9

SECTION 13 – TRANSAXLE, FUJI ED65

Forward/Reverse Shifter Assembly – EFI	13-3
Shifter Cable	13-5
Shift Lever and Bracket – Pedal-Start Engines	13-7
Governor Arm and Brackets	13-9
Transaxle (ED65), Open – Page 1 of 3	13-11
Transaxle (ED65), Limited Slip and Open – Page 2 of 3	13-13
Transaxle (ED65), Open – Page 3 of 3	13-15
Hub, Rear	13-17
Differential Guard, ED65 – Gasoline Vehicle	13-19

SECTION 14 – ELECTRICAL SYSTEM – ELECTRIC VEHICLES

Motor Controller Output Regulator (MCOR)	14-3
Wiring and Fuses – Lifted and Non-Lifted	14-5
Forward/Reverse Switch and Tow/Run Switch	14-7
Batteries and Battery Bucket, PD+ 8-Volt, Non-Lifted	14-9
Batteries and Battery Bucket, PD+ 8-Volt – Lifted	14-11
Single Point Watering System, 8V	14-13
Hand Pump and Deionizer (Battery-Powered Quality Light)	14-15
Controller, Solenoid and Wiring	14-17
USB Port Kit for Electric Vehicles	14-19

SECTION 16 – TRANSAXLE – ELECTRIC VEHICLES

Transaxle – Electric Vehicles	16-3
Differential Guard – Electric Vehicles	16-5

CONTENTS

SECTION 17 – BATTERY CHARGERS – HIGH-FREQUENCY

JCI Battery Charger, High-Frequency – U.S./Canada	17-3
Battery Charger, High-Freq., 2.74 m DC Cord – Global	17-5
Battery Charger, High-Freq., 3.66 m DC Cord – Global	17-7
Battery Charger, High-Freq., 6.1 m DC Cord – Global	17-9
Cords – Battery Charger, High-Frequency	17-11
Battery Charger, High-Frequency – Onboard	17-13

SECTION 18 – MAINTENANCE AND SERVICE TOOLS

Maintenance and Service Tools	18-3
Maintenance and Service Tools, Continued	18-5
Maintenance and Service Tools, Continued	18-7

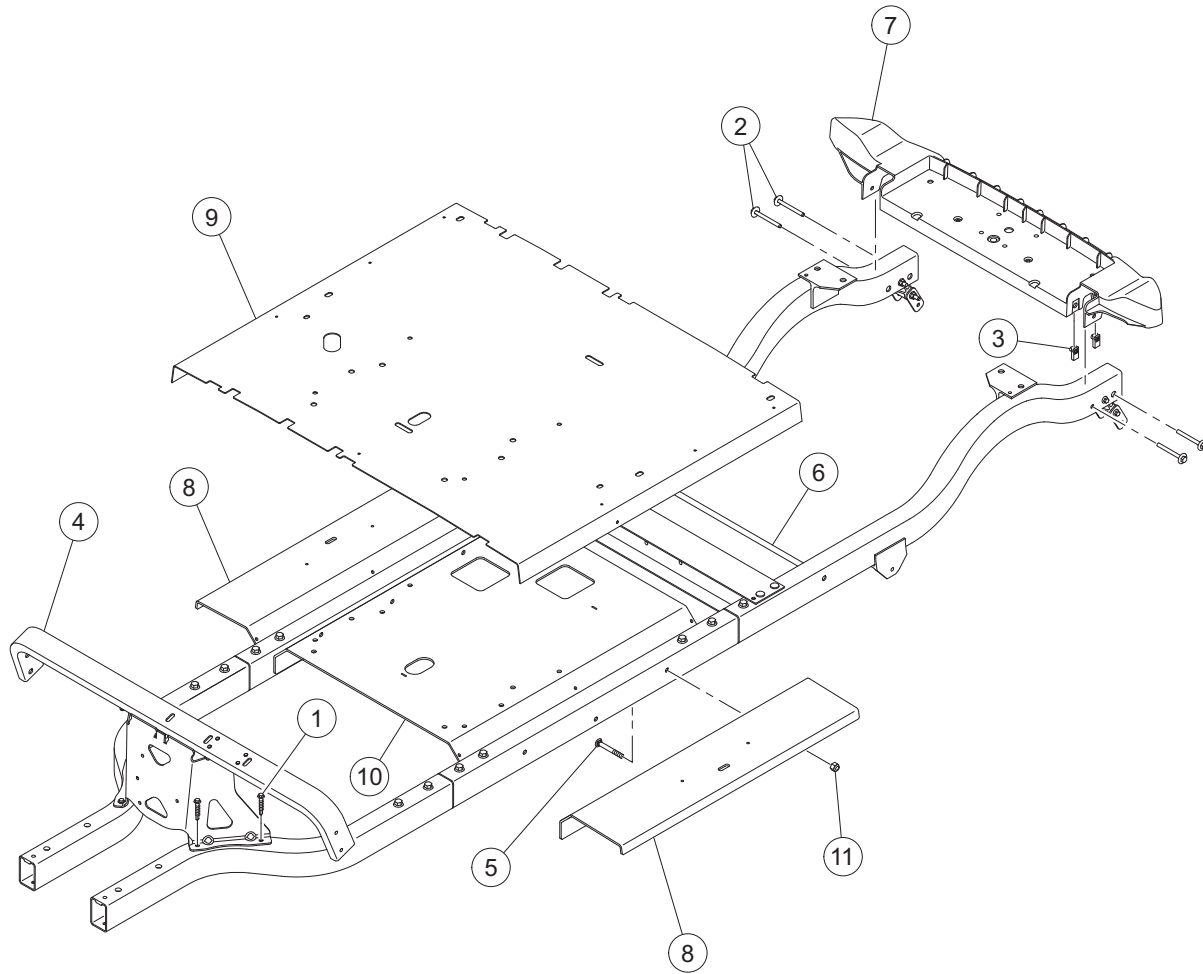
SECTION i – INDEX

BODY AND TRIM

1

G

E



G-010199-000002

FRAME SUPPORT AND FLOOR

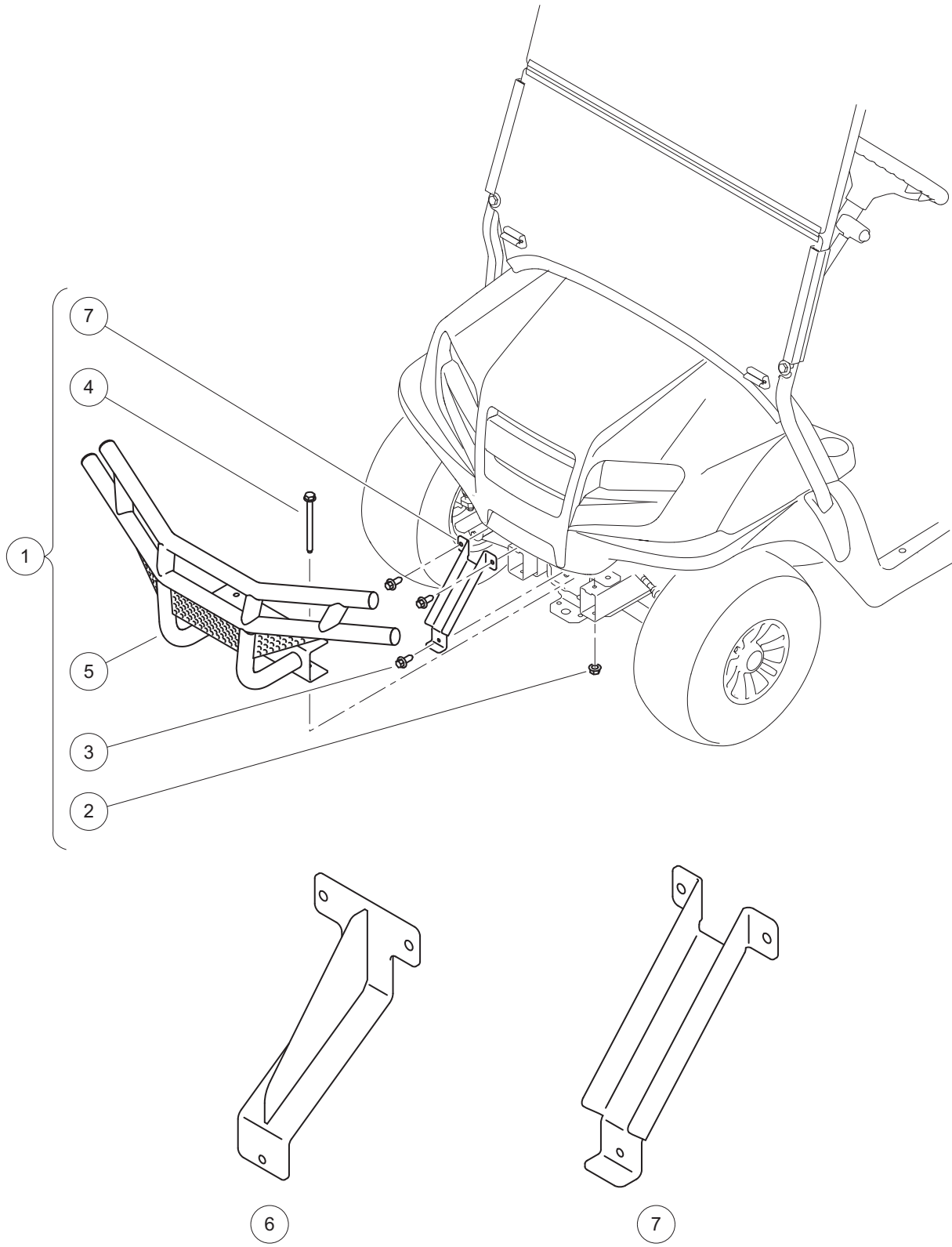
ITEM	PART NO.	DESCRIPTION	QTY
		1 2 3 4	
1	<u>102292101</u>	Screw-5/16 X 1.5 Tek	4
2	<u>102298580</u>	M8-1.25 X 80 Sems	4
3	<u>102298601</u>	J-clip - M8 X 1.25	4
4	<u>102505701</u>	Assembly, Dash Support	1
5	<u>102950402</u>	Bolt, 3/8-16 X 3, Carriage Blk	2
6	<u>103638901</u>	Rod, .5 Od X 26.26	1
7	103926603	Rear Cross Member, Csmr, Sp	1
8	47630083001	Brkt, Floor Plt, Side	2
9	47630087001	Plate, Floor Cover	1
10	47632499002	Weldment, Support, Floor, Ctrb	1
11	<u>8754</u>	Locknut, 3/8-16 Hex	2
Note: Item 8 applies to electric vehicles only.			

1

G

E

1
G
E



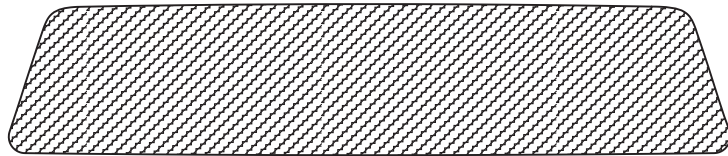
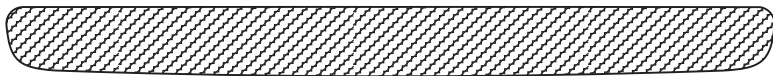
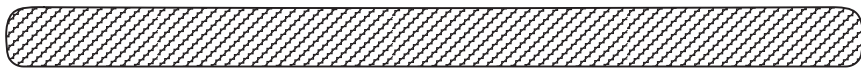
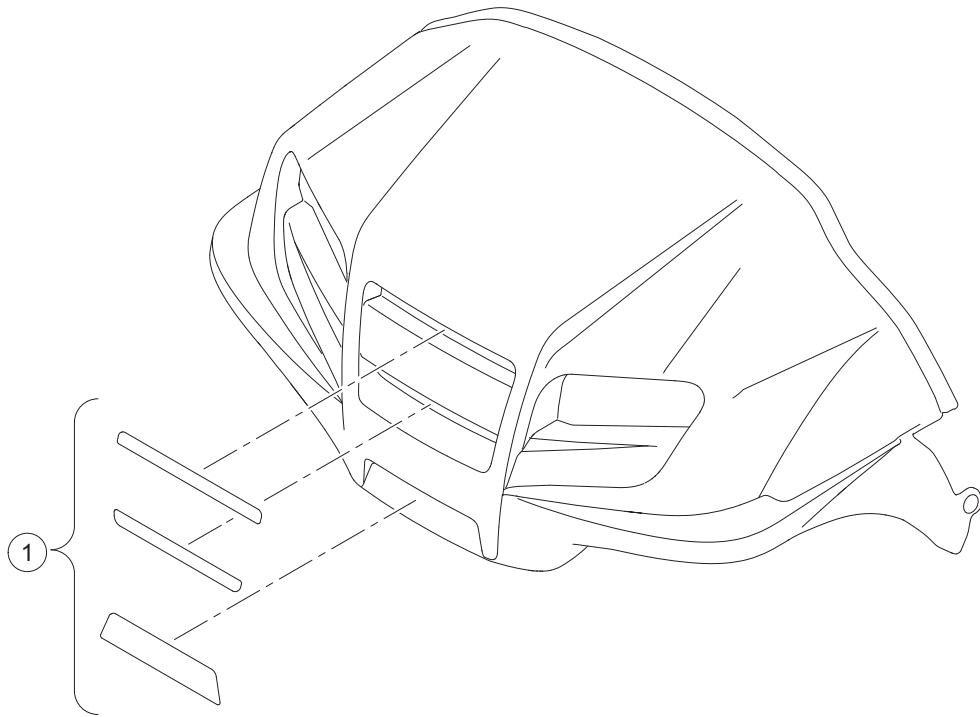
001297-002

BRUSH GUARDS

ITEM	PART NO.	DESCRIPTION	QTY
		1 2 3 4	
1	<u>47577561001</u>	Kit, Brush Guard, Non-Lifted (includes items 2 through 7)	1
2	<u>102298401</u>	Nut, M8, All Metal Lock	2
3	<u>102298720</u>	Screw, M8-1.25x20, Taptite	3
4	102534201	Bolt - Fl Hd, M8 X 95	2
5	47578016001	Asm, Brush Guard Res	1
6	47578438001	Bracket, Cowl/bumper, Brushgrd	1
7	<u>47636151001</u>	Bracket, Cowl/bumper, Brushgrd	1
8	<u>47577561002</u>	Kit, Brush Guard, Lifted (includes items 9 through 11)	1
9	<u>102298401</u>	Nut, M8, All Metal Lock	2
10	102534201	Bolt - Fl Hd, M8 X 95	2
11	47578016001	Asm, Brush Guard Res	1
		Note: Item 7 is the field replacement for item 6. Items 8 through 11 are not illustrated.	

1
G
E

1
G
E



1

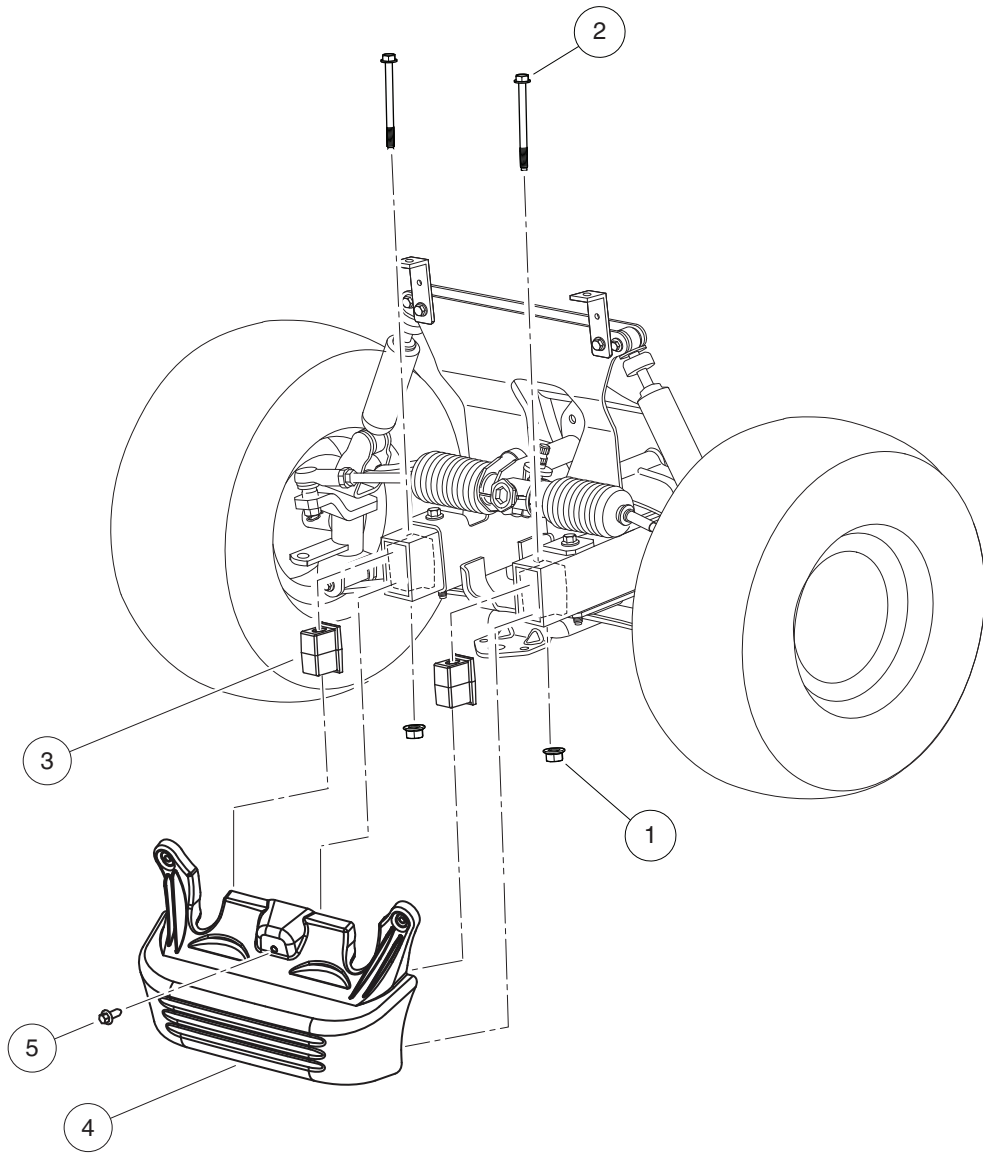
G-160299-000008

GRILL INSERTS

ITEM	PART NO.	DESCRIPTION	QTY
1	<u>47649254001</u>	1 2 3 4 Kit, Grill Insert	1

1
G
E

1
G
E



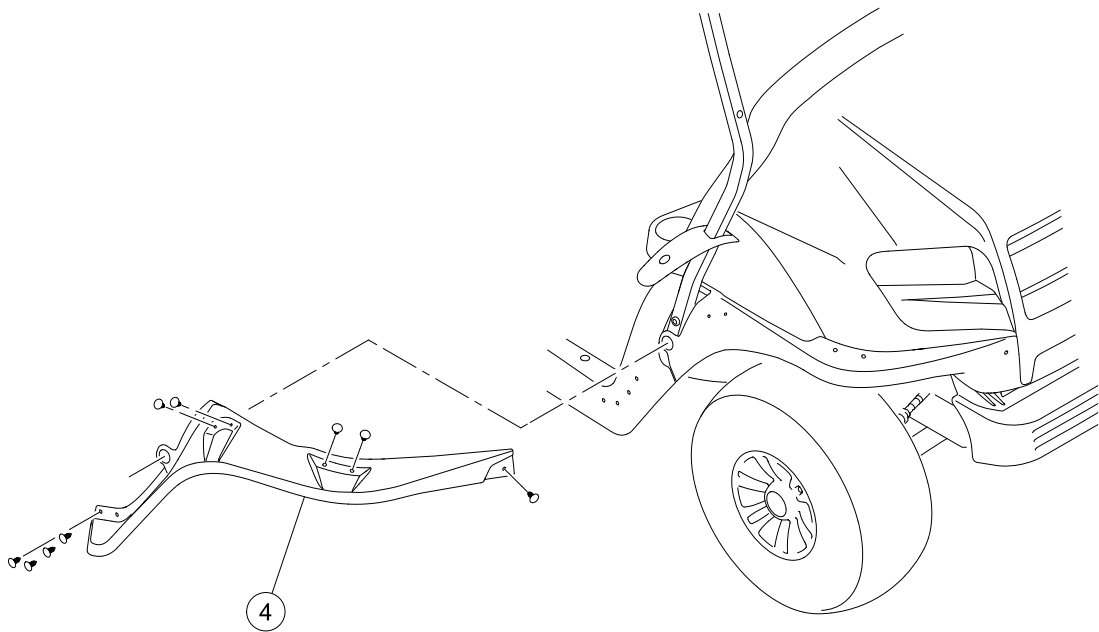
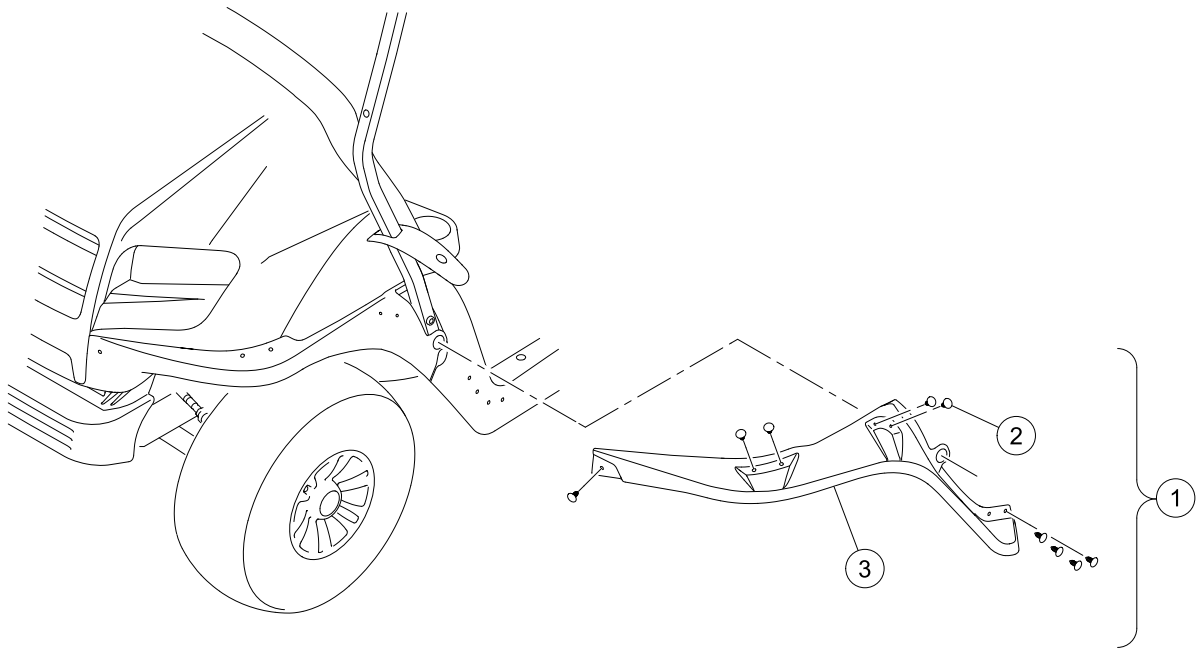
001299-001

FRONT BUMPER

ITEM	PART NO.	DESCRIPTION	QTY
		1 2 3 4	
1	<u>102298401</u>	Nut,m8,all Metal Lock	2
2	<u>102534201</u>	Bolt - Fl Hd, M8 X 95	2
3	<u>103325001</u>	Plug, Shock, Bumper	2
4	<u>103923601</u>	Bumper, Prec Fleet, W/light	1
5	47579669001	Screw, 3/8 Hex & Hex Washer Hd	1

1
G
E

1
G
E



G-140699-000006

FRONT FENDERS

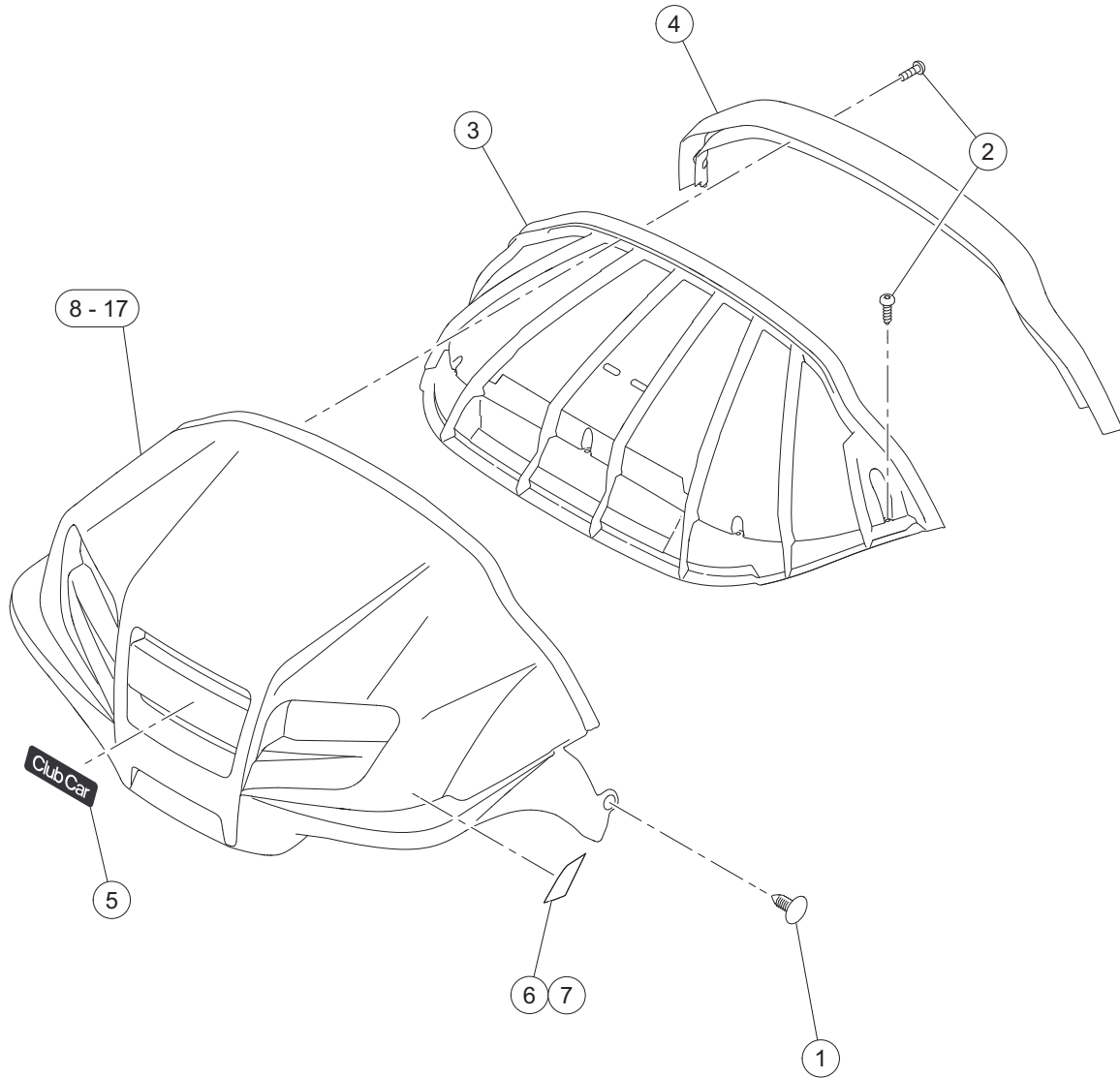
ITEM	PART NO.	DESCRIPTION	QTY
		1 2 3 4	
1	<u>47632116001</u>	Kit, Fenders, Front (includes items 2 through 4)	1
2	<u>1010434</u>	Barrel - Plastic	18
3	47628936001	Fender, Front, LH	1
4	47628936002	Fender, Front, RH	1

1

G

E

1
G
E



G-140299-000007

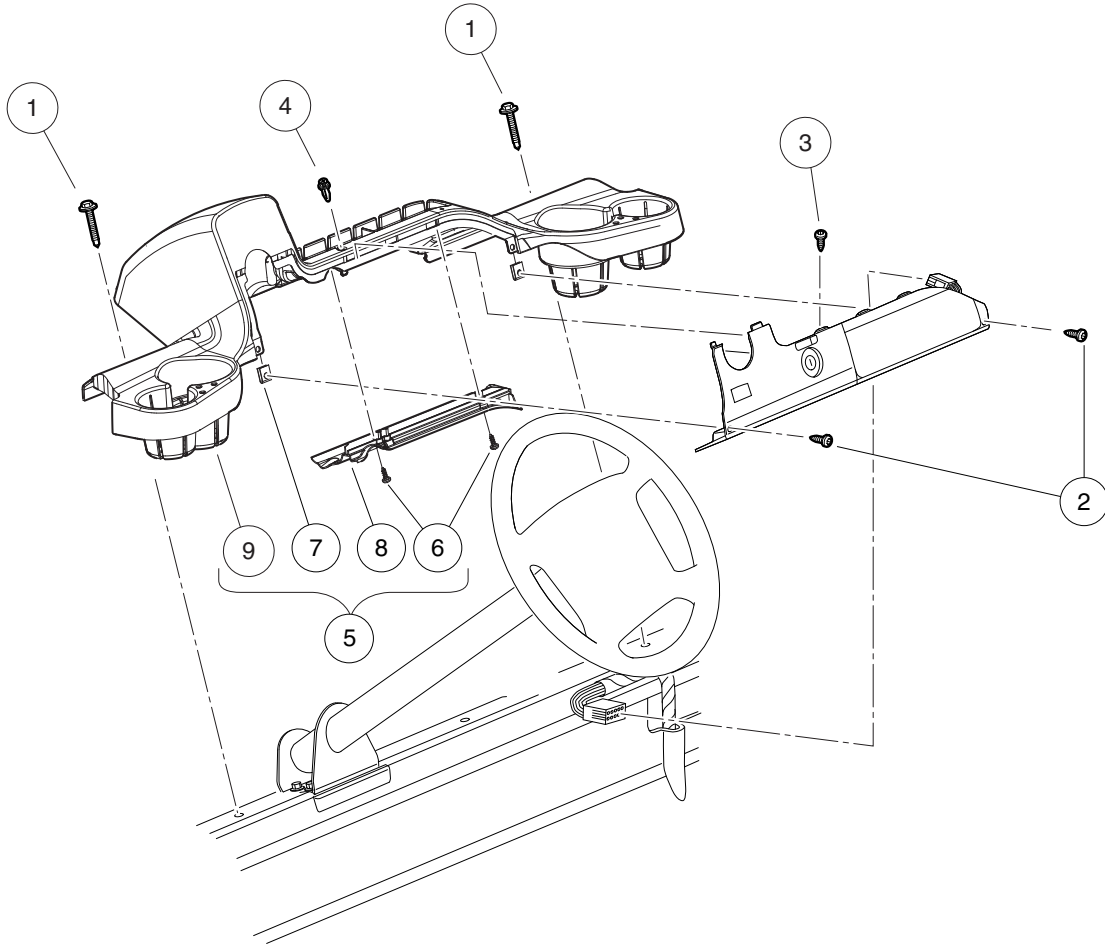
FRONT BODY

ITEM	PART NO.	DESCRIPTION	QTY
		1 2 3 4	
1	<u>1010434</u>	Barrel - Plastic	4
2	<u>102296020</u>	Screw, Torx Pan Hd Pt, M6 X 20	9
3	<u>47593000001</u>	Brow	1
4	<u>102502501</u>	Brow Cap	1
5	<u>102883602</u>	Decal, Nameplate, Csmr	1
6	<u>47583296001</u>	Reflector, Front, Csmr, Driver-side	1
7	<u>47583296002</u>	Reflector, Front, Csmr, Passenger-side	1
8	<u>47627633002</u>	Panel Frt, Met Prl Blue	1
9	<u>47627633003</u>	Panel Frt, Met Green	1
10	<u>47627633004</u>	Panel Frt, Met Black	1
11	<u>47627633005</u>	Panel Frt, Met Platinum	1
12	<u>47627633006</u>	Panel Frt, Cdy Apple Red	1
13	<u>47627633011</u>	Panel Frt, Met Glacier	1
14	<u>47627633058</u>	Panel Frt, Met Beige, Sp	1
15	<u>47627633064</u>	Panel Frt, Met Ocn Tl, Sp	1
16	<u>47627633068</u>	Panel Frt, Mdnght Silver, Sp	1
17	<u>47627633070</u>	Panel Frt, Blue Oynx, Sp	1
		<p>Note: For current or additional color options, contact your local Club Car dealer or distributor.</p>	

1

G

E



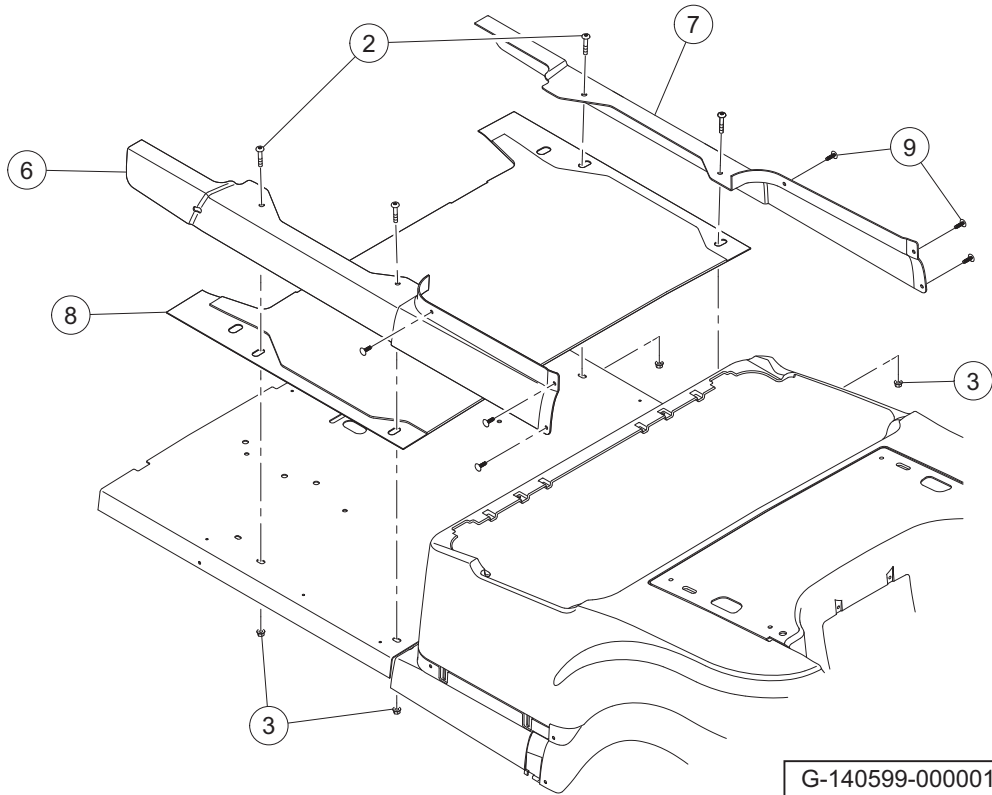
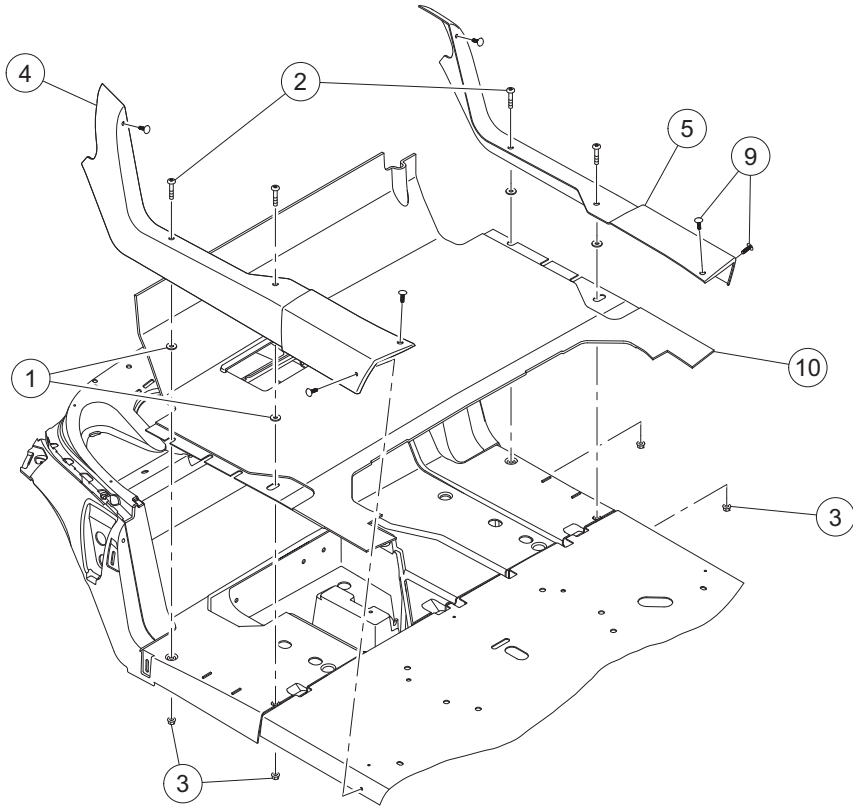
000438-003

DASH

ITEM	PART NO.	DESCRIPTION	QTY
		1 2 3 4	
1	<u>102292356</u>	Screw-1/4-20x56 Hwh Self Drill	2
2	<u>102296819</u>	Screw-M6 x 19	2
3	<u>102557201</u>	Screw, #6-20 Type Abx1.00 Pan	1
4	<u>102915601</u>	Plastic Rivet - Tuflock	1
5	<u>103402701</u>	Dash Assembly (includes items 6 through 9)	1
6	N/A	Screw-torx Pan Hd Pt,m6 X 16	2
7	<u>102297001</u>	U-nut, 1/4" Type Ab	2
8	N/A	Drain Channel - Dash	1
9	N/A	Dash	1

1
G
E

1
G
E



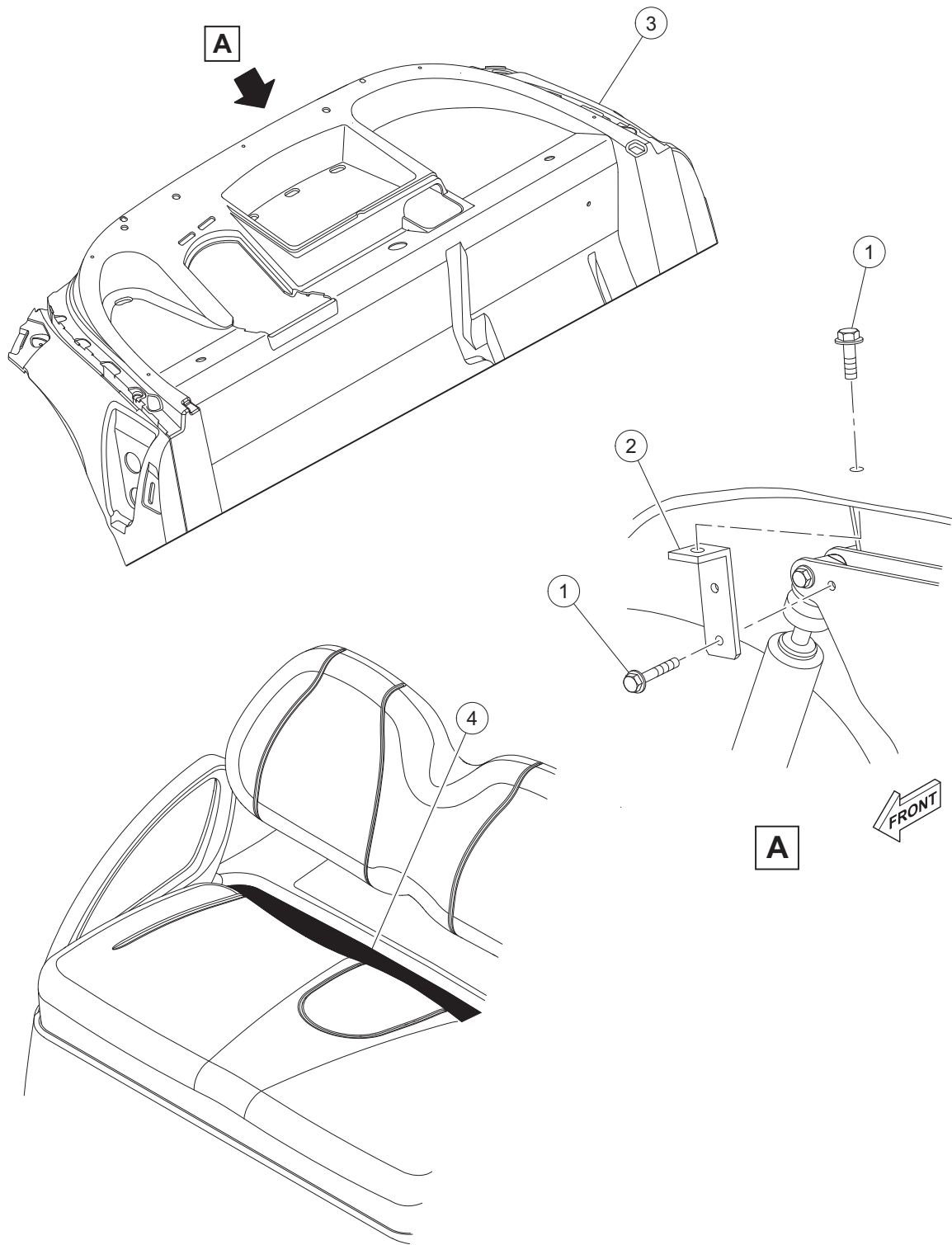
G-140599-000001

FLOOR MATS AND ROCKER PANELS

ITEM	PART NO.	DESCRIPTION	QTY
		1 2 3 4	
1	<u>1011697</u>	Washer, 5/16 Flat	4
2	<u>105078401</u>	Scrw, 5/16-18 X 1.75, Tr Tx Hd	8
3	47568675001	Nut,5/16-18 Hx Flg Zn Nyloc	8
4	47628960001	Panel, Rocker, Front, Left	1
5	47628960002	Panel, Rocker, Front, Right	1
6	47628961001	Panel, Rocker, Rear, Left	1
7	47628961002	Panel, Rocker, Rear, Right	1
8	47630163001	Floormat, Stretch, Rear	1
9	47630615001	Clip, Push, Tree, 25mm	1
10	47634190001	Floormat, Stretch, Front	1

1
G
E

1
G
E



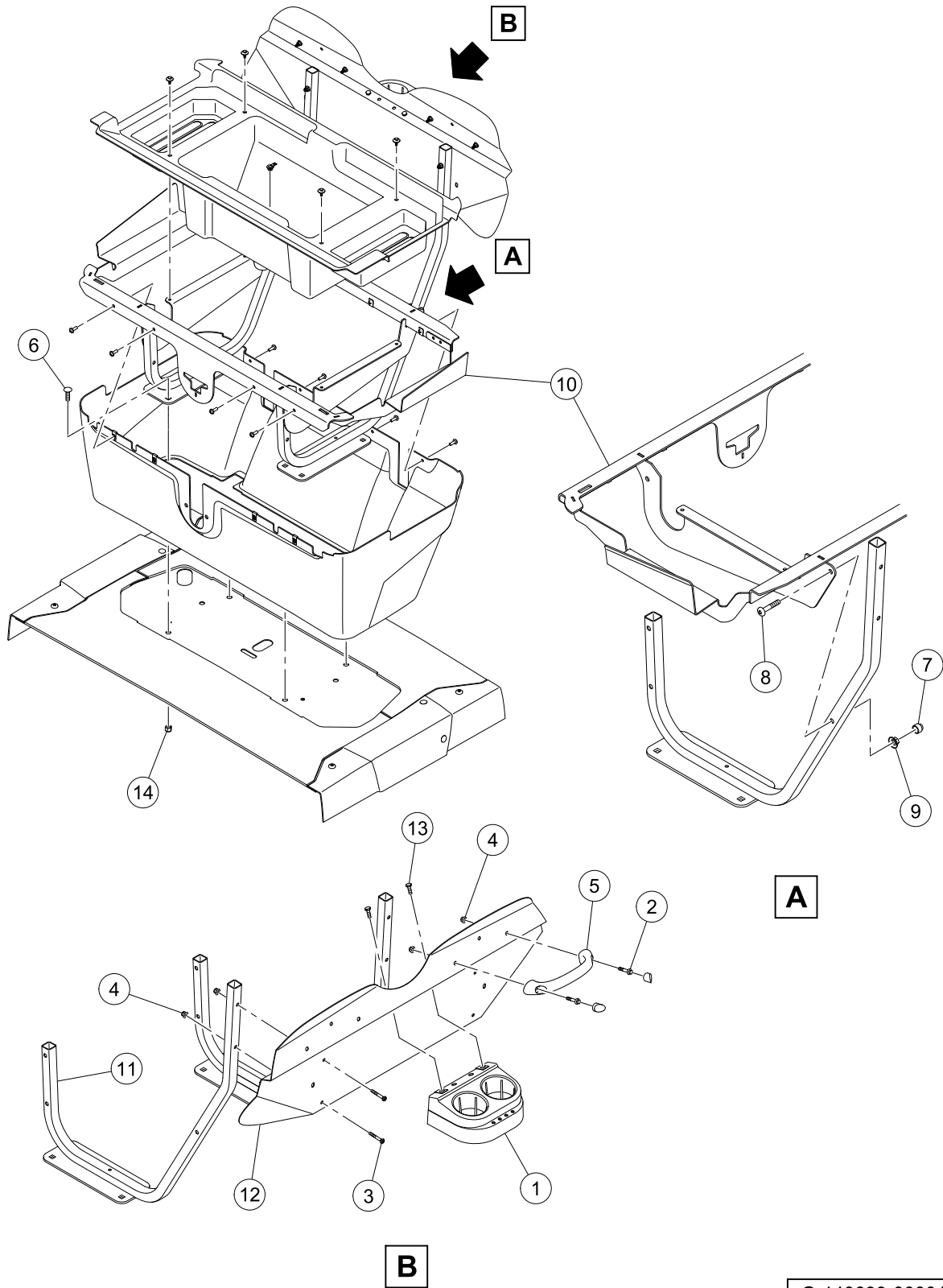
G-140599-000003

UNDERBODY AND INSULATION

ITEM	PART NO.	DESCRIPTION	QTY
		1 2 3 4	
1	<u>102298720</u>	Screw, M8-1.25x20, Taptite	4
2	<u>102521901</u>	Bracket-clamshell	2
3	103635205	Underbody, Front, Perforated	1
4	47652014001	Insulation, Rear Underbody	1
<p>Note: The front underbody is a special order item available upon request. It will require trimming for use on the Onward vehicle.</p>			



1
G
E



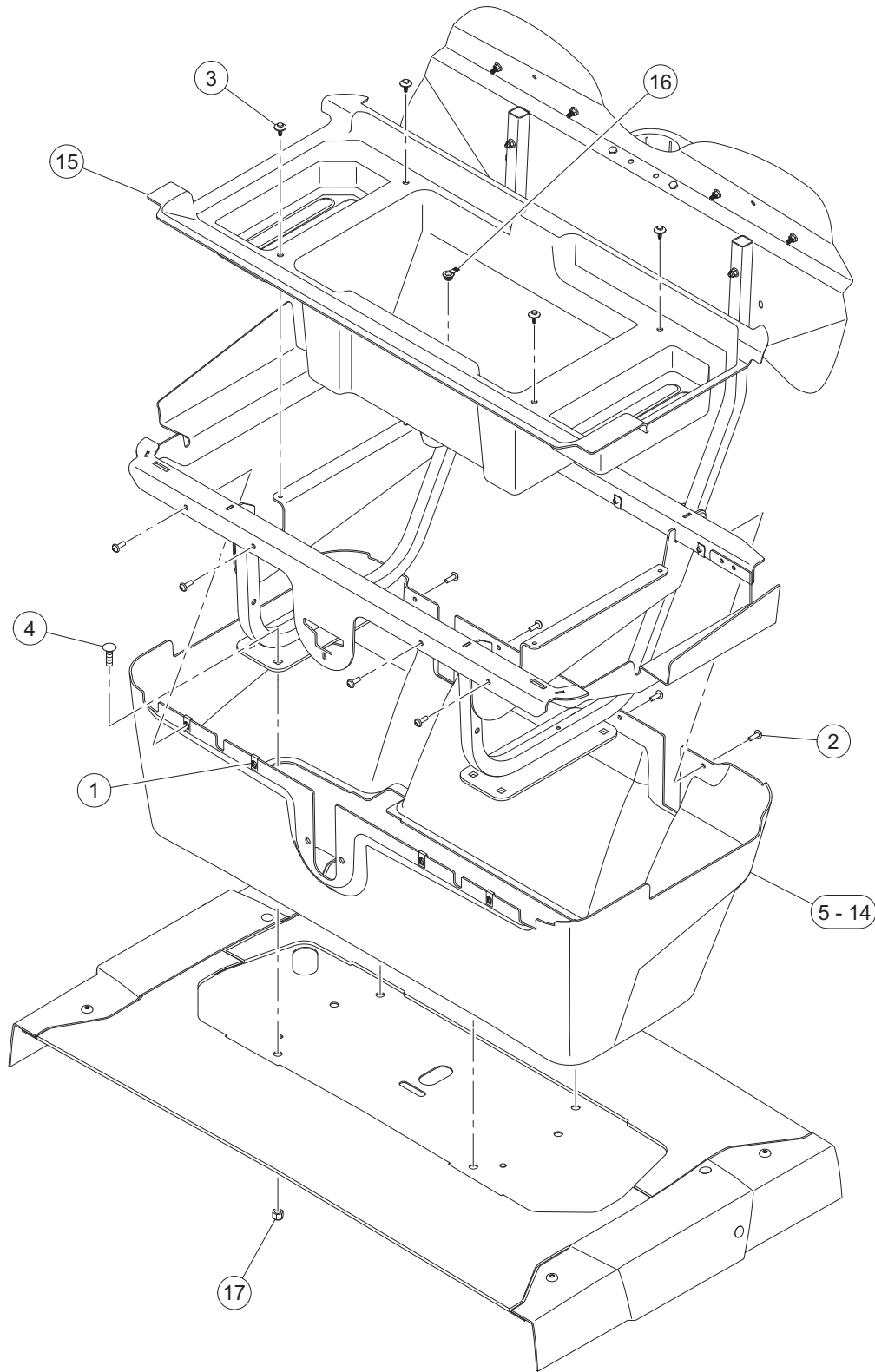
G-140699-000013

FRONT SEAT FRAME

ITEM	PART NO.	DESCRIPTION	QTY
		1 2 3 4	
1	<u>1016811</u>	Holder, Dual Cup	1
2	<u>102541425</u>	Bolt, M6x1.0x25, Hex Flhd, Blk-l	4
3	<u>102541445</u>	Bolt-m6x1.0x45 Hex Flhd,blk	4
4	<u>102621501</u>	Nut, Flange, M6 X 1.0, Nylon	8
5	<u>103367101</u>	Hand Hold, Canopy, Plastic	2
6	<u>103539001</u>	3/8-16 X 1.25 Carr Blt Gr5 Zn	4
7	<u>103976001</u>	Cap, Dome, Black, 5/16 Hex	2
8	<u>105078401</u>	Scrw, 5/16-18 X 1.75, Tr Tx Hd	4
9	47568675001	Nut,5/16-18 Hx Flg Zn Nyloc	4
10	47630406001	Wldmnt, Cen Seat Support	1
11	47630705001	Wldmnt, St Frm, Stretch	2
12	47631021001	Brkt, Closeout, Seat	1
13	<u>7847</u>	Screw, 1/4-20 X 0.75 Hex-Head Cap	2
14	<u>8754</u>	Locknut, 3/8-16 Hex	4

1
G
E

1
G
E



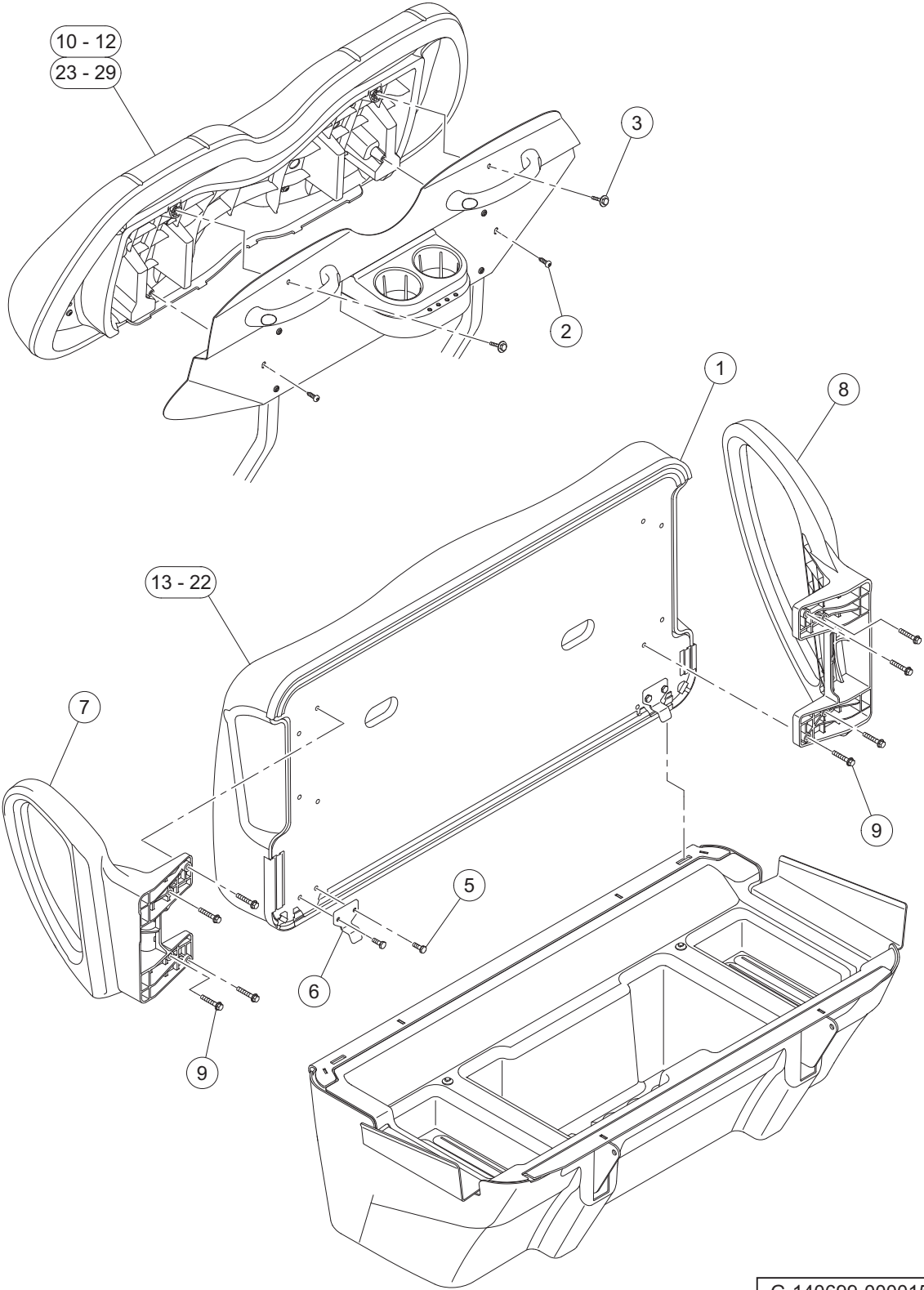
G-140699-000028

FRONT SEAT AND BUCKET

ITEM	PART NO.	DESCRIPTION	QTY
		1 2 3 4	
1	<u>102296601</u>	U-Nut, M6-1.0, Prevailing Torque	8
2	<u>102296920</u>	Screw, M6, Torx Button Head, Sems	8
3	<u>102967901</u>	Rivet, Removable, Tuflok 1/4"	4
4	<u>103539001</u>	3/8-16 X 1.25 Carr Blt Gr5 Zn	4
5	<u>47629238206</u>	Bty Pnl, Cen, Met Blk, Sp	1
6	<u>47629238207</u>	Bty Pnl, Cen, Met Cdy A Red,sp	1
7	<u>47629238208</u>	Bty Pnl, Cen, Met Plat, Sp	1
8	<u>47629238209</u>	Bty Pnl, Cen, Met Prl Blu, Sp	1
9	<u>47629238211</u>	Bty Pnl, Cen, Met Wht, Sp	1
10	<u>47629238212</u>	Bty Pnl, Cen, Met Ocn Tl, Sp	1
11	<u>47629238214</u>	Bty Pnl, Cen, Met Jade Grn, Sp	1
12	<u>47629238215</u>	Bty Pnl, Cen, Met Beige, Sp	1
13	<u>47629238227</u>	Bty Pnl,cen,mdnght Silver,sp	1
14	<u>47629238229</u>	Bty Pnl,cen,blue Oynx,sp	1
15	<u>47630817001</u>	Storage, Center Body	1
16	<u>47638809001</u>	Asm, Plug, Drain, Storage	1
17	<u>8754</u>	Locknut, 3/8-16 Hex	4
Note: For current or additional color options, contact your local Club Car dealer or distributor.			

1
G
E

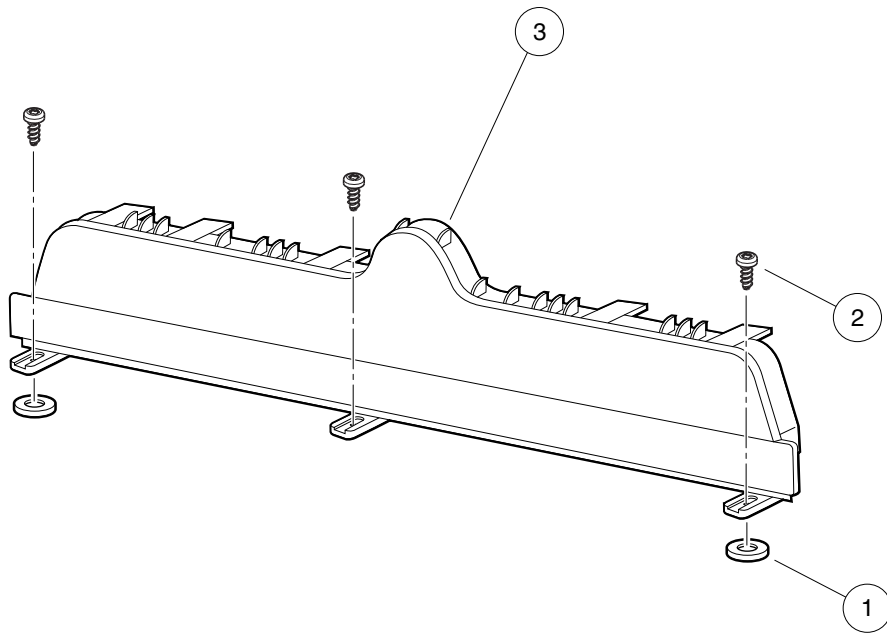
1
G
E



G-140699-000015

FRONT SEAT BACK AND BOTTOM

ITEM	PART NO.	DESCRIPTION	QTY	1
		1 2 3 4		
1	<u>101998501</u>	Gasket, Seat	1	G
2	<u>102296020</u>	Screw-torx Pan Head Pt, M6x20	2	E
3	<u>102296530</u>	Screw - M6 X 1.0 X 30 Sems	2	
4	<u>103833901</u>	Kit, Seat Bottom (includes items 5 through 9)	1	
5	<u>101954301</u>	Screw, 1/4-20 X 0.75 Hex-Head Cap	4	
6	<u>103832901</u>	Hinge, Seat Bottom	2	
7	<u>103833601</u>	Hip Restraint, Drv	1	
8	<u>103833701</u>	Hip Restraint, Pas	1	
9	<u>103833801</u>	1/4-20 X 1.5 Hex Flg Patch	8	
10	<u>103853121</u>	Asm, Seat Back, Beige, Service Replacement	1	
11	<u>103853122</u>	Asm, Seat Back, White, Service Replacement	1	
12	<u>103853125</u>	Asm, Seat Back, Black, Service Replacement	1	
13	<u>104023421</u>	Seat Bottom Asm, Beige, Service Replacement	1	
14	<u>104023422</u>	Seat Bottom Asm, White, Service Replacement	1	
15	<u>104023425</u>	Seat Bottom Asm, Black, Service Replacement	1	
16	<u>105223321</u>	Seat Bottom Asm, Premium, Light Beige, Service Replacement	1	
17	<u>105223322</u>	Seat Bottom Asm, Premium, Camello, Service Replacement	1	
18	<u>105223323</u>	Seat Bottom Asm, Premium, Off-White, Service Replacement	1	
19	<u>105223325</u>	Seat Bottom Asm, Premium, Camello/Off-White, Service Replacement	1	
20	<u>105223327</u>	Seat Bottom Asm, Premium, Black, Service Replacement	1	
21	<u>105223328</u>	Seat Bottom Asm, Premium, Black/Gray, Service Replacement	1	
22	<u>105223329</u>	Seat Bottom Asm, Premium, Gray, Service Replacement	1	
23	<u>105223421</u>	Asm, Seat Back, Premium, Lt. Beige, Service Replacement	1	
24	<u>105223422</u>	Asm, Seat Back, Premium, Camello, Service Replacement	1	
25	<u>105223423</u>	Asm, Seat Back, Premium, Off-White, Service Replacement	1	
26	<u>105223425</u>	Asm, Seat Back, Premium, Camello/Off-White, Service Replacement	1	
27	<u>105223427</u>	Asm, Seat Back, Premium, Black, Service Replacement	1	
28	<u>105223428</u>	Asm, Seat Back, Premium, Black/Gray, Service Replacement	1	
29	<u>105223429</u>	Sp,asm,prem Seat Back,gray	1	
		<p>Note: Item 1 is supplied with all seat bottom assemblies and can be procured individually. Item 4 is not illustrated. The details of item 4 are shown. For current or additional color options, contact your local Club Car dealer or distributor.</p>		

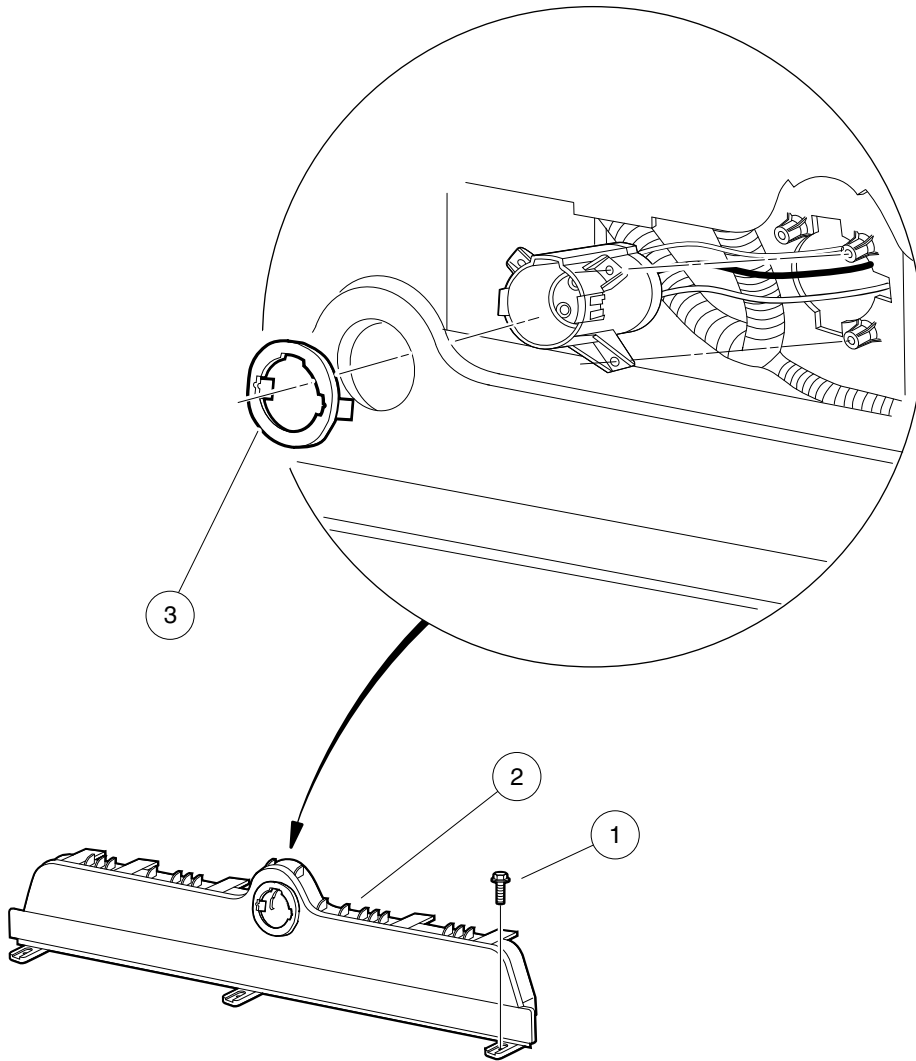


001059-001

KICK PLATE – GASOLINE VEHICLE

ITEM	PART NO.	DESCRIPTION	QTY
		1 2 3 4	
1	1012571	Washer, 5/16 Extra Thick Flat	2
2	<u>102298020</u>	Screw, K80x20, Torx Pn Hd Pt	3
3	<u>105005402</u>	Plate, Kick, Black	1





000500-003

KICK PLATE – ELECTRIC VEHICLE

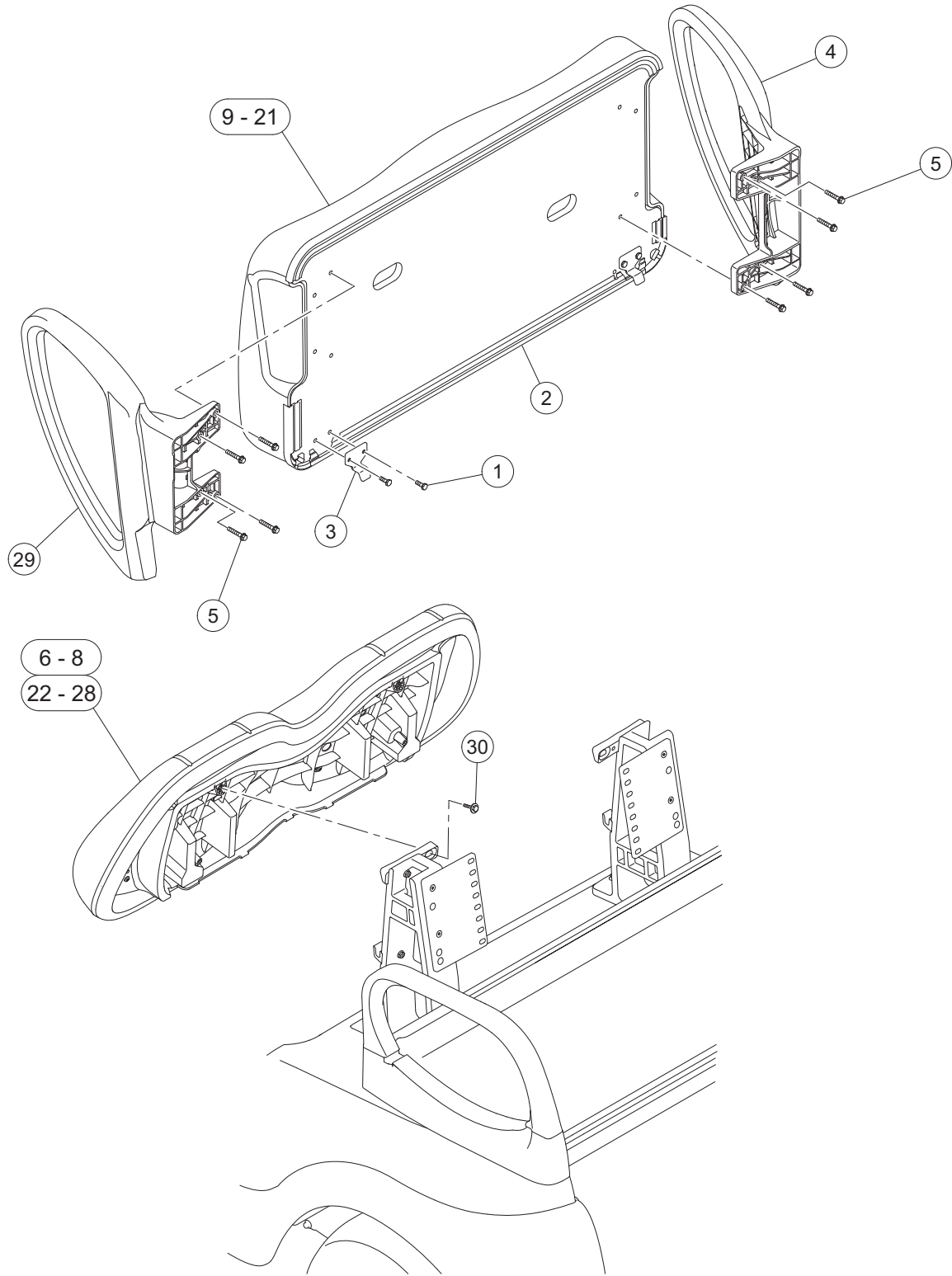
ITEM	PART NO.	DESCRIPTION	QTY
		1 2 3 4	
1	102298030	Screw, K80x30, Torx Pn Hd Pt	3
2	<u>102508202</u>	Plate - Electric Kick Blk	1
3	<u>102516901</u>	Socket Trim	1

1

G

E

1
G
E

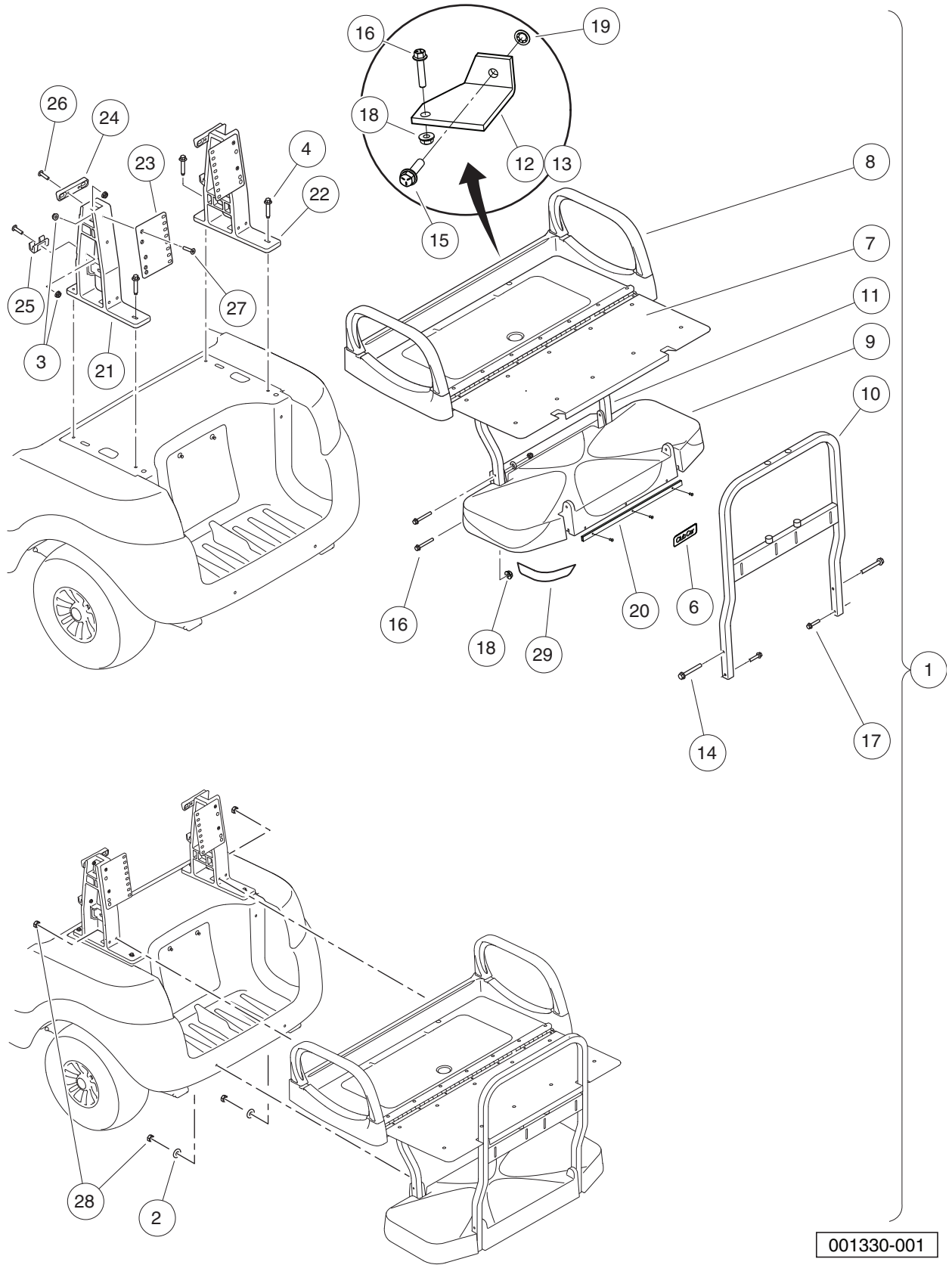


G-140699-000016

REAR SEATS – FORWARD FACING

ITEM	PART NO.	DESCRIPTION	QTY	
		1 2 3 4		1
1	<u>101954301</u>	Screw, 1/4-20 X 0.75 Hex-Head Cap	4	G
2	<u>101998501</u>	Gasket, Seat	1	E
3	<u>103832901</u>	Hinge, Seat Bottom	2	
4	<u>103833701</u>	Hip Restraint, Pas	1	
5	<u>103833801</u>	1/4-20 X 1.5 Hex Flg Patch	8	
6	<u>103853121</u>	Asm, Seat Back, Beige, Service Replacement	1	
7	<u>103853122</u>	Asm, Seat Back, White, Service Replacement	1	
8	<u>103853125</u>	Asm, Seat Back, Black, Service Replacement	1	
9	<u>104023421</u>	Seat Bottom Asm, Beige, Service Replacement	1	
10	<u>104023421</u>	Seat Bottom Asm, Beige, Service Replacement	1	
11	<u>104023422</u>	Seat Bottom Asm, White, Service Replacement	1	
12	<u>104023422</u>	Seat Bottom Asm, White, Service Replacement	1	
13	<u>104023425</u>	Seat Bottom Asm, Black, Service Replacement	1	
14	<u>104023425</u>	Seat Bottom Asm, Black, Service Replacement	1	
15	<u>105223321</u>	Seat Bottom Asm, Premium, Light Beige, Service Replacement	1	
16	<u>105223322</u>	Seat Bottom Asm, Premium, Camello, Service Replacement	1	
17	<u>105223323</u>	Seat Bottom Asm, Premium, Off-White, Service Replacement	1	
18	<u>105223325</u>	Seat Bottom Asm, Premium, Camello/Off-White, Service Replacement	1	
19	<u>105223327</u>	Seat Bottom Asm, Premium, Black, Service Replacement	1	
20	<u>105223328</u>	Seat Bottom Asm, Premium, Black/Gray, Service Replacement	1	
21	<u>105223329</u>	Seat Bottom Asm, Premium, Gray, Service Replacement	1	
22	<u>105223421</u>	Asm, Seat Back, Premium, Lt. Beige, Service Replacement	1	
23	<u>105223422</u>	Asm, Seat Back, Premium, Camello, Service Replacement	1	
24	<u>105223423</u>	Asm, Seat Back, Premium, Off-White, Service Replacement	1	
25	<u>105223425</u>	Asm, Seat Back, Premium, Camello/Off-White, Service Replacement	1	
26	<u>105223427</u>	Asm, Seat Back, Premium, Black, Service Replacement	1	
27	<u>105223428</u>	Asm, Seat Back, Premium, Black/Gray, Service Replacement	1	
28	<u>105223429</u>	Sp,asm,prem Seat Back,gray	1	
29	<u>105282001</u>	Restraint, Hip, Driver Rear	1	
30	<u>47563306001</u>	Screw, M6x1.0x30, Sems, Lp	4	
		<p>Note: Item 2 is supplied with all seat bottom assemblies and can be procured individually. For current or additional color options, contact your local Club Car dealer or distributor.</p>		

1
G
E



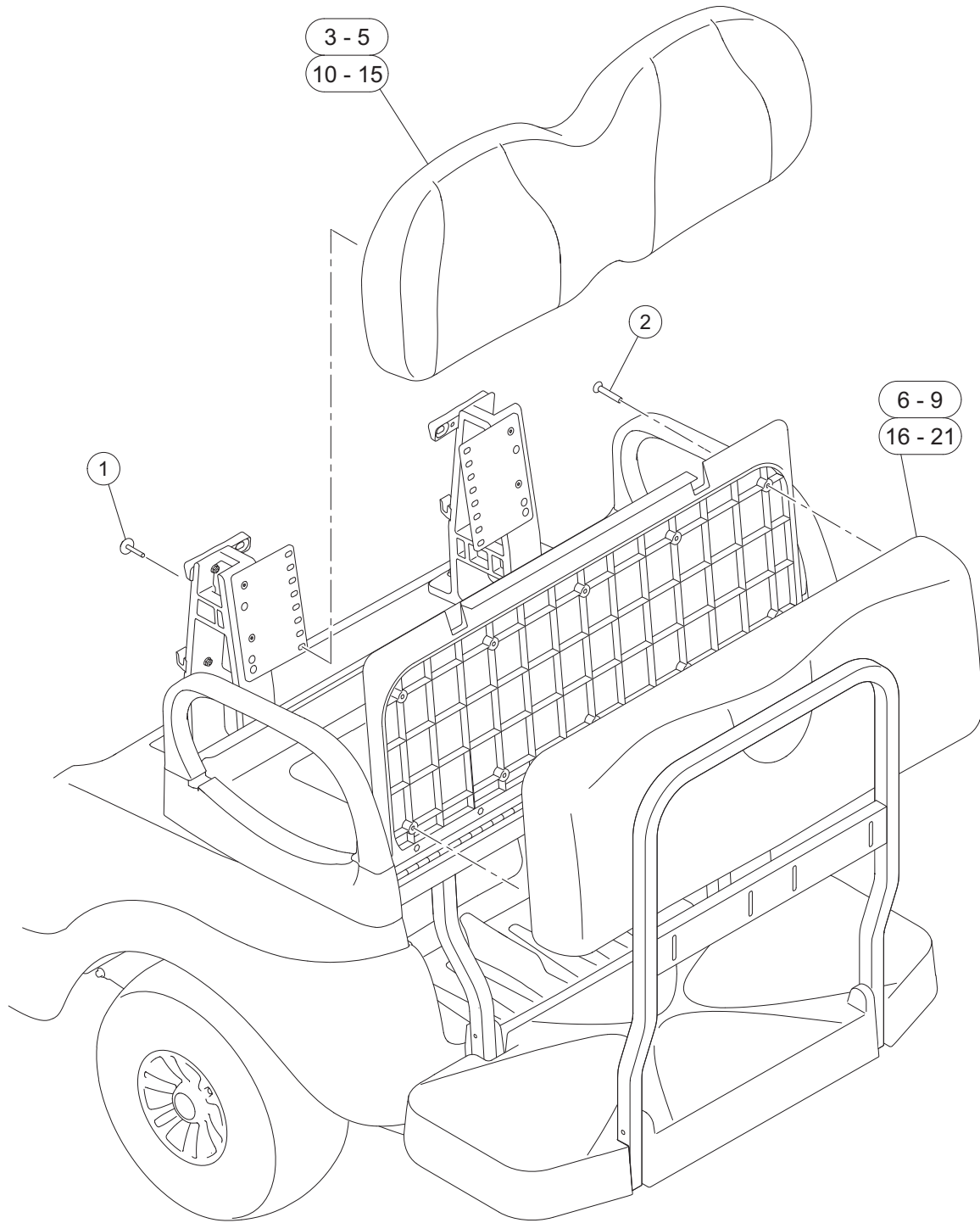
001330-001

REAR-FACING SEAT FRAME AND FOOT DECK

ITEM	PART NO.	DESCRIPTION	QTY
		1 2 3 4	
1	<u>47592811001</u>	Kit, Folddown, Seatback, 4-Passenger (includes items 2 through 29)	1
2	<u>1011578</u>	Washer, 5/16 Type B Flat	2
3	<u>101835601</u>	Locknut, 1/4-20 Hex Whiz	8
4	<u>102298240</u>	Bolt, Flange Head, M8-1.25 X 40	4
5	N/A	Asm, Fold Down Seat, Csmr, MX5 (includes items 6 through 20)	1
6	<u>102278802</u>	Decal, Club Car, Silver	1
7	<u>47564782001</u>	Assy, Seat Base, Dmd, Mx5	1
8	<u>47564783001</u>	Arm Rest, Mx5	2
9	<u>47564784001</u>	Assy, Foot Rest, Mx5	1
10	<u>47564785001</u>	Grab Bar, Rear, Mx5	1
11	<u>47564786001</u>	Support, Bumper Mount, MX5	1
12	<u>47564787001</u>	Bracket, Seat Base Mount, Driver-side, MX5	1
13	<u>47564787002</u>	Bracket, Seat Base Mount, Passenger-side, MX5	1
14	<u>47568672001</u>	Bolt, 5/16-18x2.5 Hx Flg Zn G8	4
15	<u>47568673001</u>	Bolt, 5/16-18x1.25 Hx Flg Zn G5	2
16	<u>47568674001</u>	Bolt, 1/4-20x2.0 Hx Flg Zn G5	6
17	<u>47568674002</u>	Bolt, 1/4-20x1.25 Hx Flg Zn G5	4
18	<u>47568676001</u>	Nut, 1/4-20 Hx Flg Zn Nyloc	10
19	<u>47568677001</u>	Nut, 5/16, Push, Ps	4
20	<u>47581051001</u>	Stiffener, Foot Rest, Mx5	1
21	<u>47563300001</u>	Support, Seat Back, Driver-side, MX5, Csmr	1
22	<u>47563300002</u>	Support, Seat Back, Passenger-side, MX5, Csmr	1
23	<u>47563301001</u>	Bracket, Seat Back, Rear, Csmr	2
24	<u>47563302001</u>	Brkt, St Bk, Frnt, Top, Csmr	2
25	<u>47563304001</u>	Screw, Trshd, 1/4-20x1.00, Lp	4
26	<u>47563305001</u>	Screw, Flthd, 1/4-20x1.25, Lp	4
27	<u>47568675001</u>	Nut, 5/16-18 Hx Flg Zn Nyloc	4
28	<u>47578327001</u>	Reflector, Reflex, Red, Mx5	2
29	<u>47624766001</u>	Bracket, Seat Back, Front, Btm	2

1
G
E

1
G
E



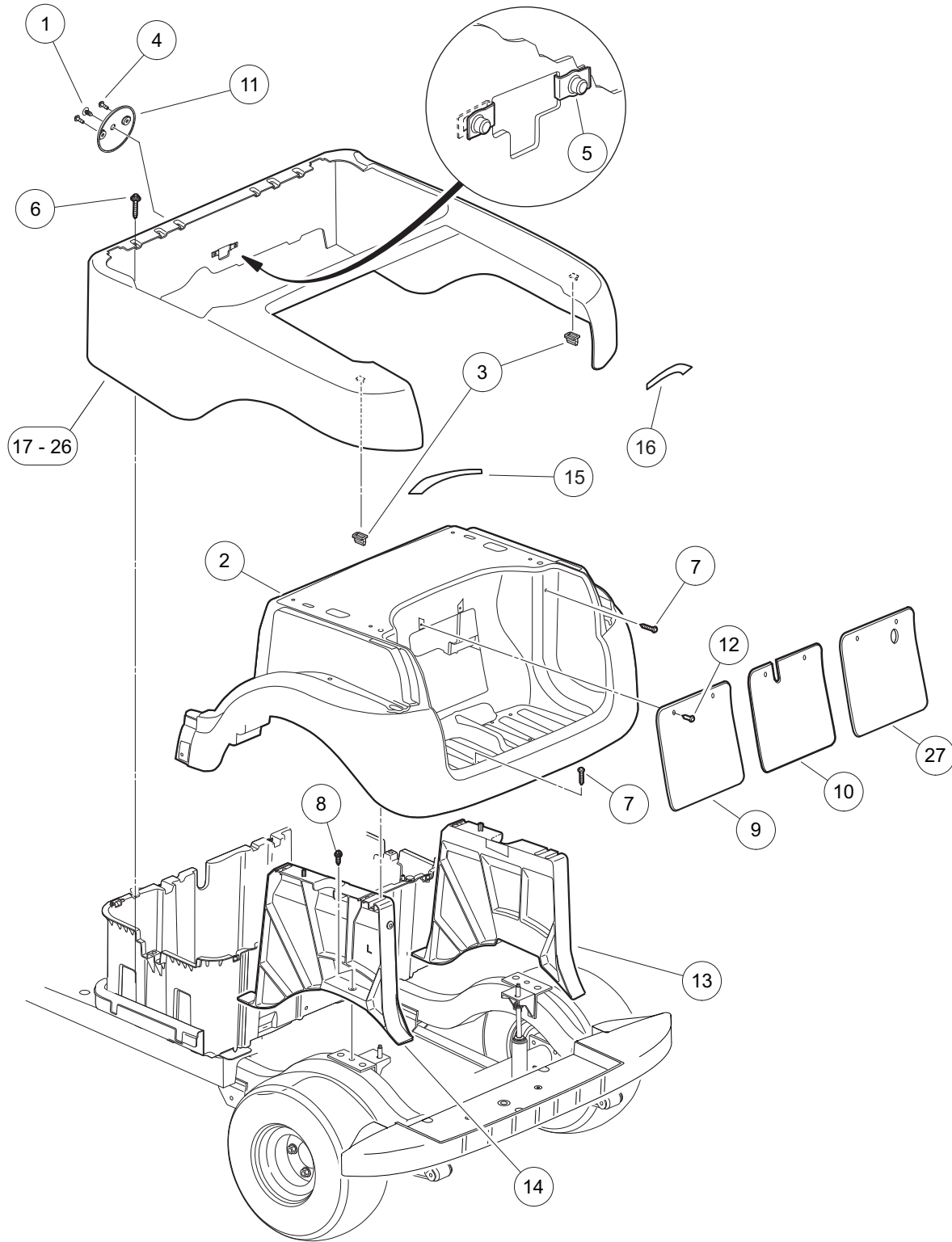
G-140699-000017

REAR SEATS – REAR FACING

ITEM	PART NO.	DESCRIPTION	QTY
		1 2 3 4	
1	<u>47563306001</u>	Screw, M6x1.0x30, Sems, Lp	6
2	<u>47563307001</u>	Screw, Flthd, 1/4-20x1.50, Ss	10
3	<u>47564886021</u>	Asm, Seat Back, Rear, Beige, Service Replacement	1
4	<u>47564886022</u>	Asm, Seat Back, Rear, White, Service Replacement	1
5	<u>47564886025</u>	Asm, Seat Back, Rear, Black, Service Replacement	1
6	<u>47564887021</u>	Asm, Seat Bottom, Rear, Beige, Service Replacement	1
7	<u>47564887022</u>	Asm, Seat Bottom, Rear, White, Service Replacement	1
8	<u>47564887024</u>	Asm, Seat Bottom, Rear, Gray, Service Replacement	1
9	<u>47564887025</u>	Asm, Seat Bottom, Rear, Black, Service Replacement	1
10	<u>47564888021</u>	Asm, Seat Back, Rear, Lt. Beige, Service Replacement	1
11	<u>47564888022</u>	Asm, Seat Back, Rear, Camello, Service Replacement	1
12	<u>47564888023</u>	Asm, Seat Back, Rear, Off-White, Service Replacement	1
13	<u>47564888025</u>	Asm, Seat Back, Rear, Camello/Off-White, Service Replacement	1
14	<u>47564888027</u>	Asm, Seat Back, Rear, Black, Service Replacement	1
15	<u>47564888028</u>	Asm, Seat Back, Rear, Black/Gray, Service Replacement	1
16	<u>47564889021</u>	Asm, Seat Bottom, Rear, Lt. Beige, Service Replacement	1
17	<u>47564889022</u>	Asm, Seat Bottom, Rear, Camello, Service Replacement	1
18	<u>47564889023</u>	Asm, Seat Bottom, Rear, Off-White, Service Replacement	1
19	<u>47564889025</u>	Asm, Seat Bottom, Rear, Camello/Off-White, Service Replacement	1
20	<u>47564889027</u>	Asm, Seat Bottom, Rear, Black, Service Replacement	1
21	<u>47564889028</u>	Asm, Seat Bottom, Rear, Black/Gray, Service Replacement	1
		<p>Note: For current or additional color options, contact your local Club Car dealer or distributor.</p>	

1
G
E

1
G
E



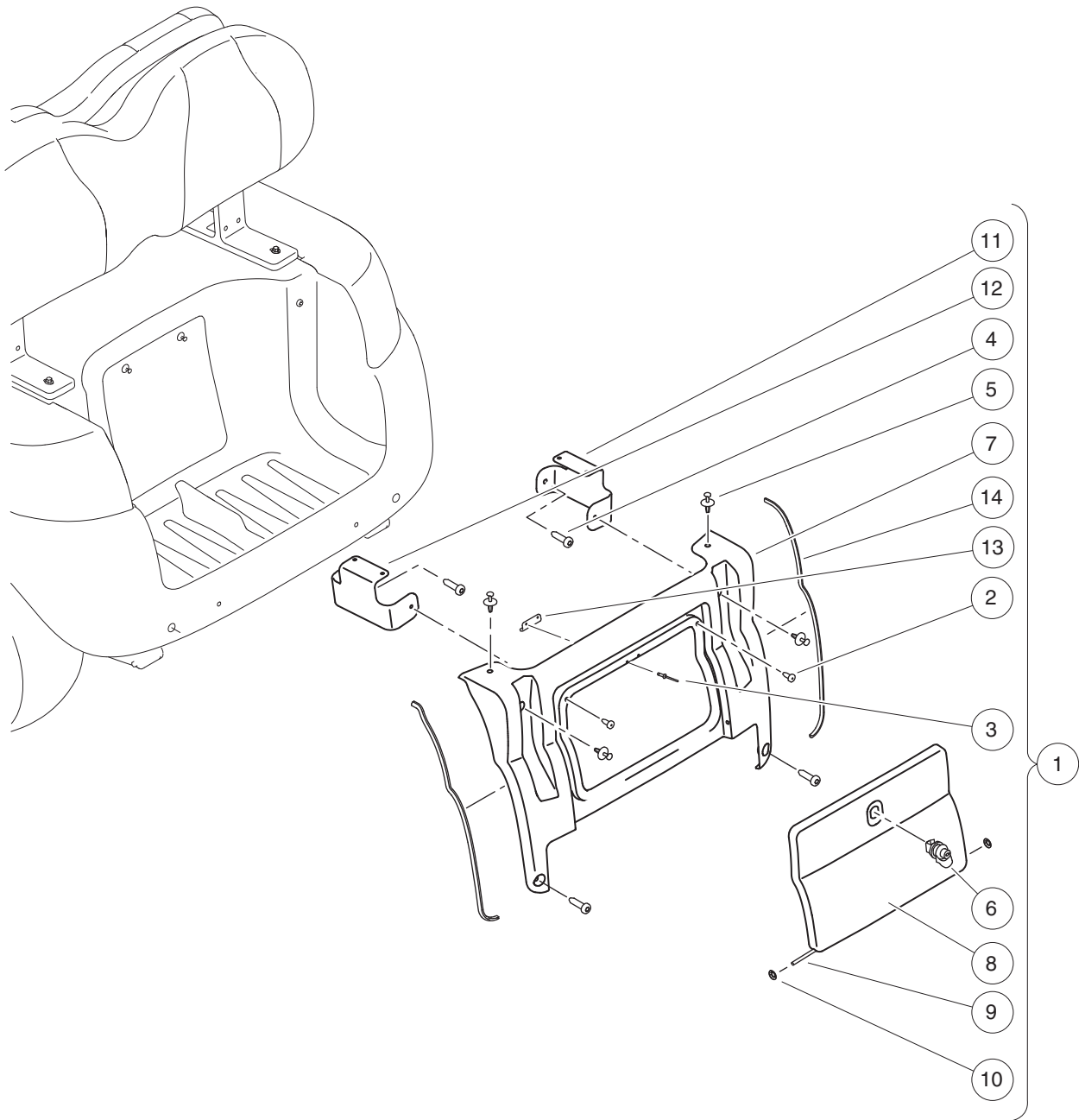
000436-027

REAR BODY

ITEM	PART NO.	DESCRIPTION	QTY
		1 2 3 4	
1	<u>102251801</u>	Clip, Christmas Tree	1
2	<u>102279106</u>	Underbody, Rear, Common	1
3	<u>102292701</u>	Clip-body-trim	2
4	<u>102296201</u>	M6-1.0, SCR, MACHINE, PN HD	2
5	<u>102296601</u>	U-Nut, M6-1.0, Prevailing Torque	2
6	<u>102297230</u>	Screw, M6, Torx, Interlock Thread	4
7	<u>102298030</u>	Screw, K80x30, Torx Pn Hd Pt	4
8	<u>102298716</u>	M8-1.25x16 Taptite	2
9	<u>102501402</u>	Panel, Access, Black	1
10	<u>102501403</u>	Panel, Access, Black, with Punched Hole	1
11	<u>102512001</u>	Bezel, FNR, Gas	1
12	<u>102967901</u>	Rivet, Removable, Tuflok 1/4"	2
13	<u>103812901</u>	Asm, Rear Underbody Support, Passenger-side	1
14	<u>103813001</u>	Asm, Rear Underbody Support, Driver-side	1
15	<u>47583297001</u>	Reflector, Rear, Csmr, Driver-side	1
16	<u>47583297002</u>	Reflector, Rear, Csmr, Passenger-side	1
17	<u>47589919301</u>	Pnl, Bty, Rr, Mt Glacier, Sp	1
18	<u>47589919302</u>	Pnl, Bty, Rr, Mt Platinum, Sp	1
19	<u>47589919303</u>	Pnl, Bty, Rr, Mt Cndy Apl, Sp	1
20	<u>47589919304</u>	Pnl, Bty, Rr, Mt Green, Sp	1
21	<u>47589919306</u>	Pnl, Bty, Rr, Mt Black, Sp	1
22	<u>47589919308</u>	Pnl, Bty, Rr, Mt Prl Blue, Sp	1
23	<u>47589919311</u>	Pnl, Bty, Rr, Mt Beige, Sp	1
24	<u>47589919320</u>	Pnl, Bty, Rr, Met Ocn TI, Sp	1
25	<u>47589919324</u>	Pnl, Bty, Rr, Mdnght Silver,sp	1
26	<u>47589919326</u>	Pnl,bty,rr,blue Oynx,sp	1
27	<u>SVP915201</u>	Panel-access-lite Hole Cut Out	1
		Note: For current or additional color options, contact your local Club Car dealer or distributor.	

1
G
E

1
G
E



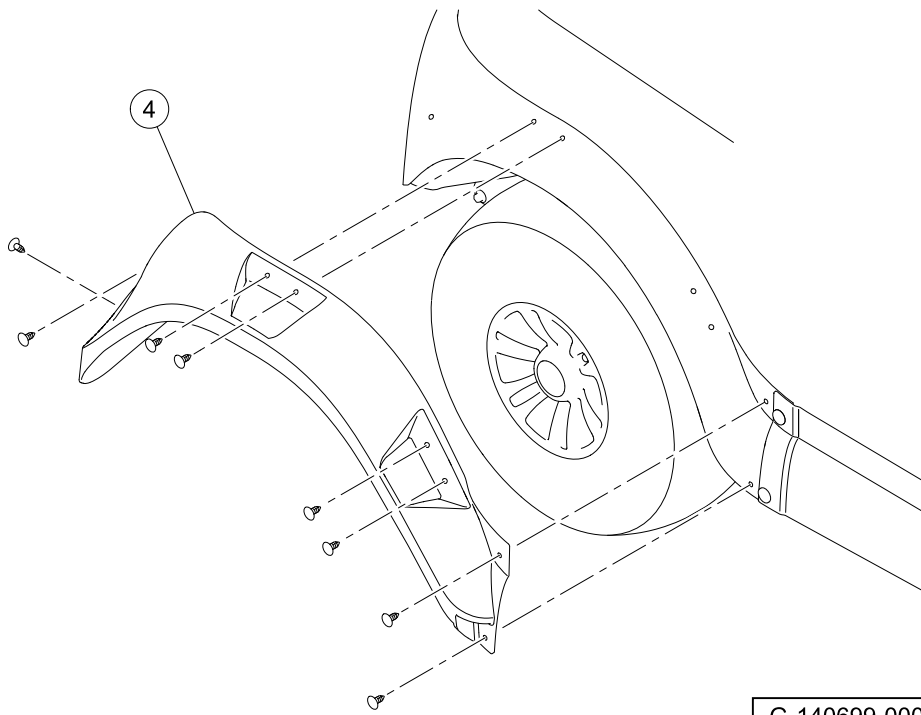
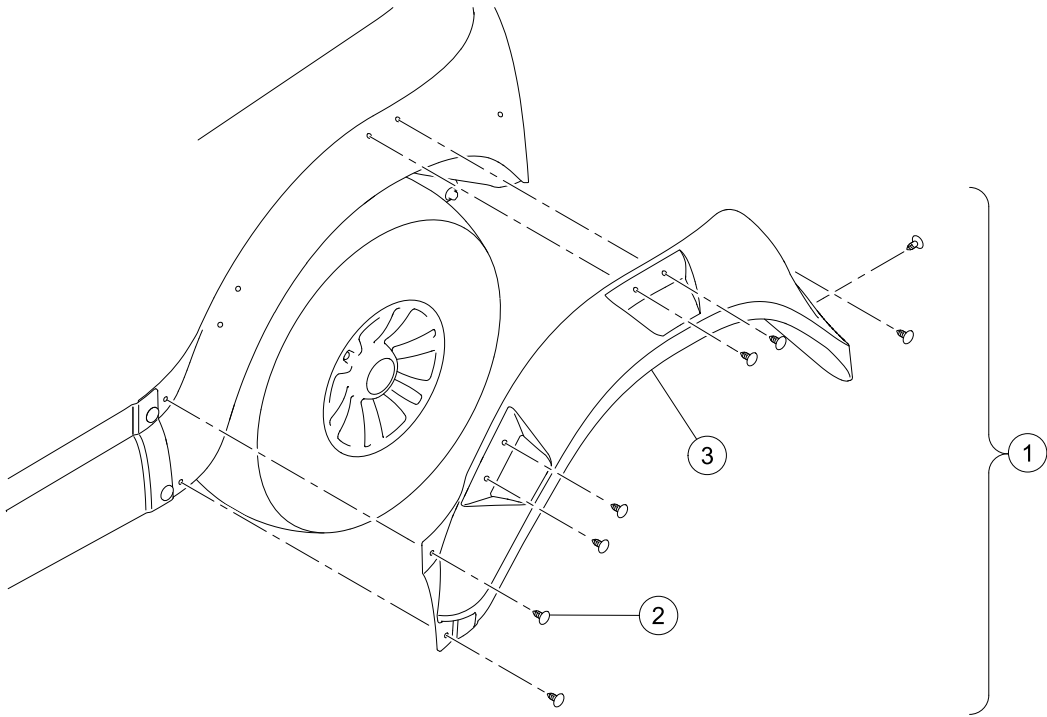
001327-001

REAR VALANCE

ITEM	PART NO.	DESCRIPTION	QTY
		1 2 3 4	
1	<u>47579068001</u>	Kit, Rear Valance (includes items 2 through 14)	1
2	<u>1010436</u>	Bumper, Rubber	2
3	<u>1015727</u>	Rivet, 1/8	2
4	102298030	Screw, K80x30, Torx Pn Hd Pt	2
5	<u>102967901</u>	Rivet, Removable, Tuflok 1/4"	4
6	<u>103182702</u>	Latch, Push Close W/ Key	1
7	<u>47579059001</u>	Body, Rear Valance	1
8	<u>47579060001</u>	Door, Rear Valance	1
9	47579061001	Hinge Rod, Rear Valance	1
10	47579062001	Push Nut, Smooth Shaft, 1/4	2
11	N/A	Bracket, Rear Valance, Driver-Side	1
12	N/A	Bracket, Rear Valance, Passenger-Side	1
13	47579065001	Keeper, Latch, Rear Valance	1
14	47579066001	Edge Trim, Rear Valance	2

1
G
E

1
G
E



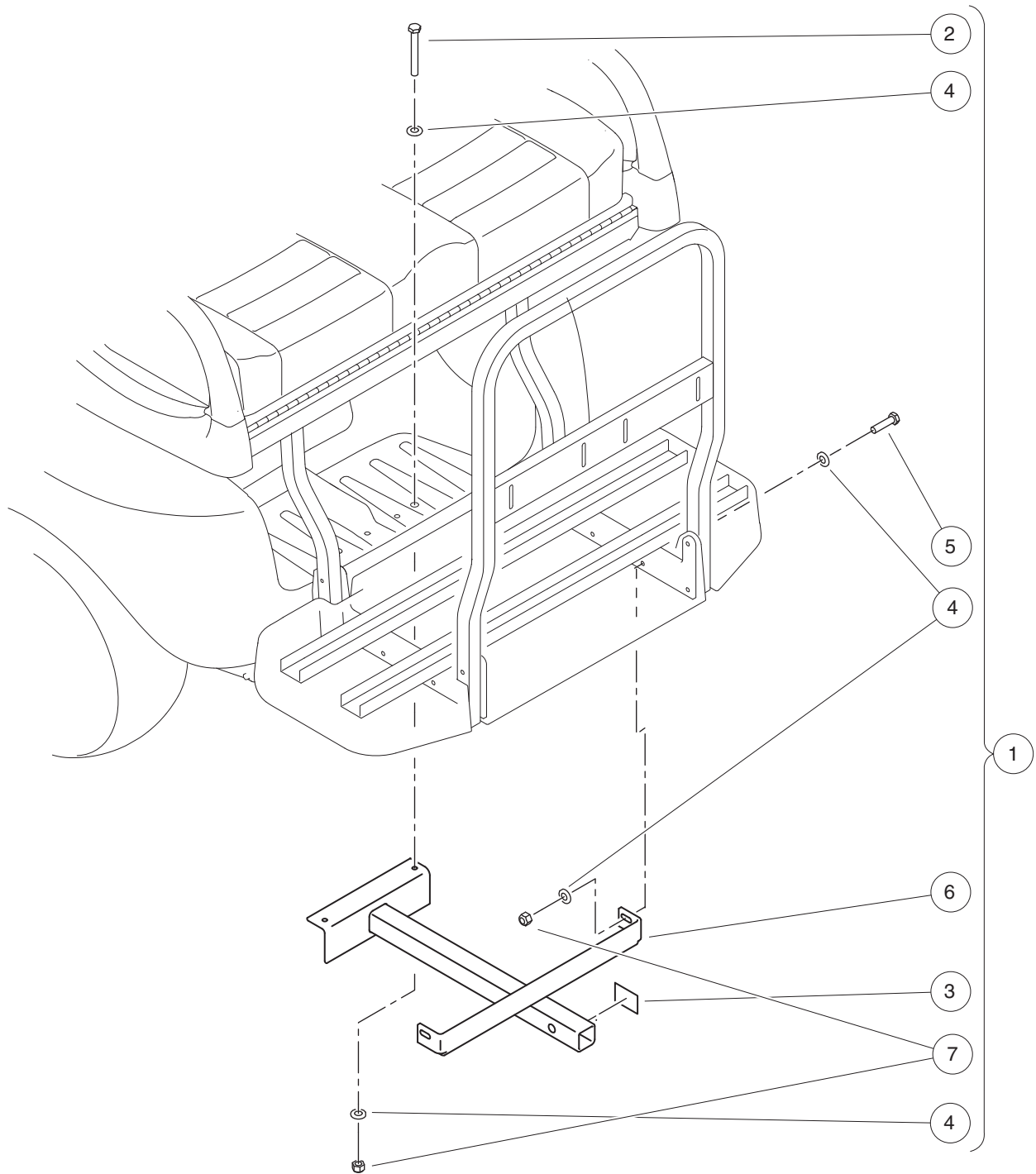
G-140699-000005

REAR FENDERS

ITEM	PART NO.	DESCRIPTION	QTY
		1 2 3 4	
1	47554725001	Kit, Fenders, Rear, CSMR (includes items 2 through 4)	1
2	<u>1010434</u>	Barrel - Plastic	16
3	47555159001	Fender, Rear, Csmr, Driver-side	1
4	47555159002	Fender, Rear, Csmr, Passenger-side	1

1
G
E

1
G
E



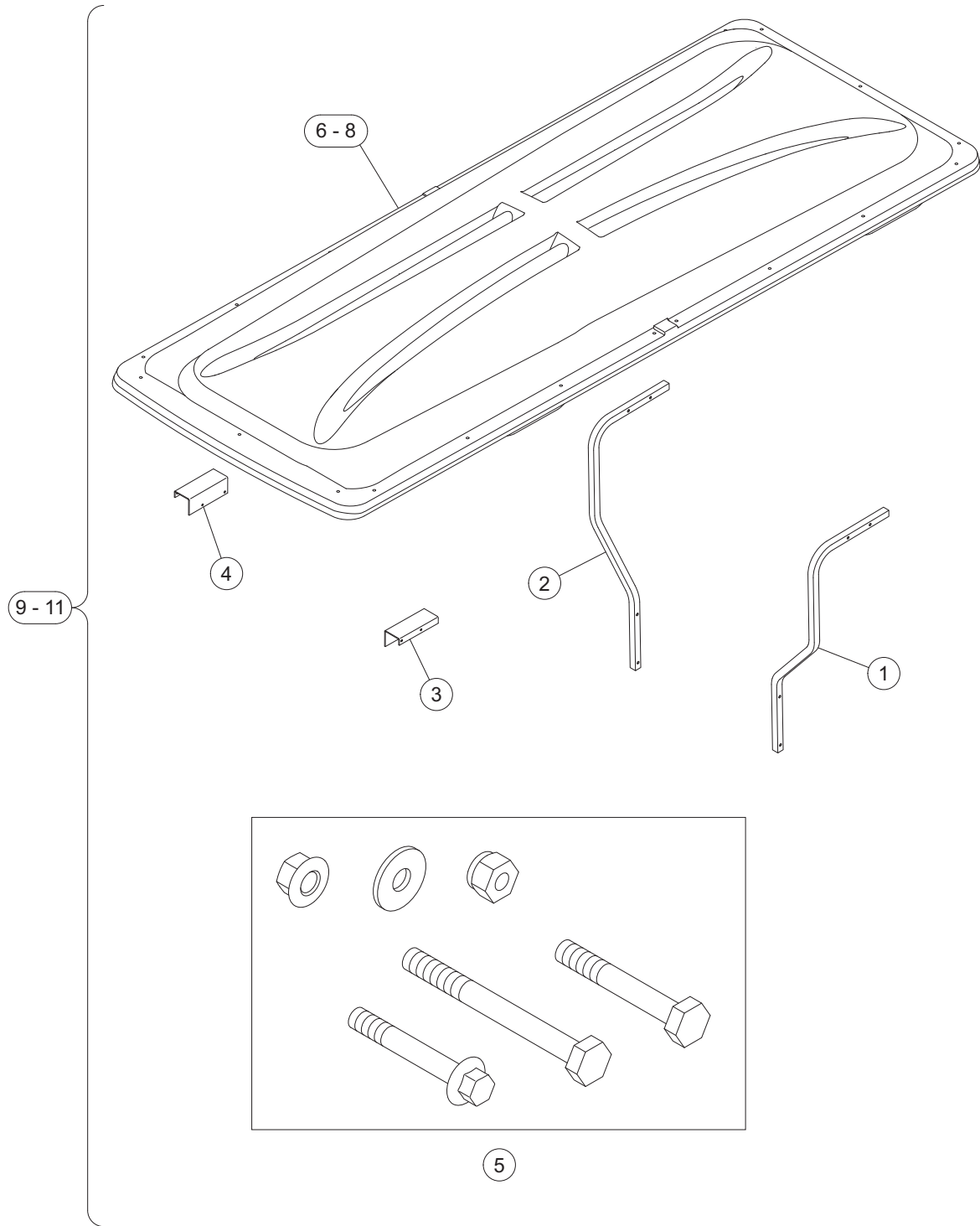
001328-001

RECEIVER HITCH

ITEM	PART NO.	DESCRIPTION	QTY
		1 2 3 4	
1	<u>47578437001</u>	Kit, Receiver Hitch, Csmr (includes items 2 through 7)	1
2	<u>1010921</u>	Screw, 5/16-18 X 2.50 Hex Cap	2
3	<u>1011553</u>	Decal, Trailer Hitch	1
4	<u>1011697</u>	Washer, 5/16 Flat	8
5	1218	Screw, 5/16-18 X 1.25 Hex-Head Cap	2
6	47575464001	Asm Receiver Hitch Weldment	1
7	<u>7473</u>	Locknut, 5/16-18 Nylon Insert	4

1
G
E

1
G
E



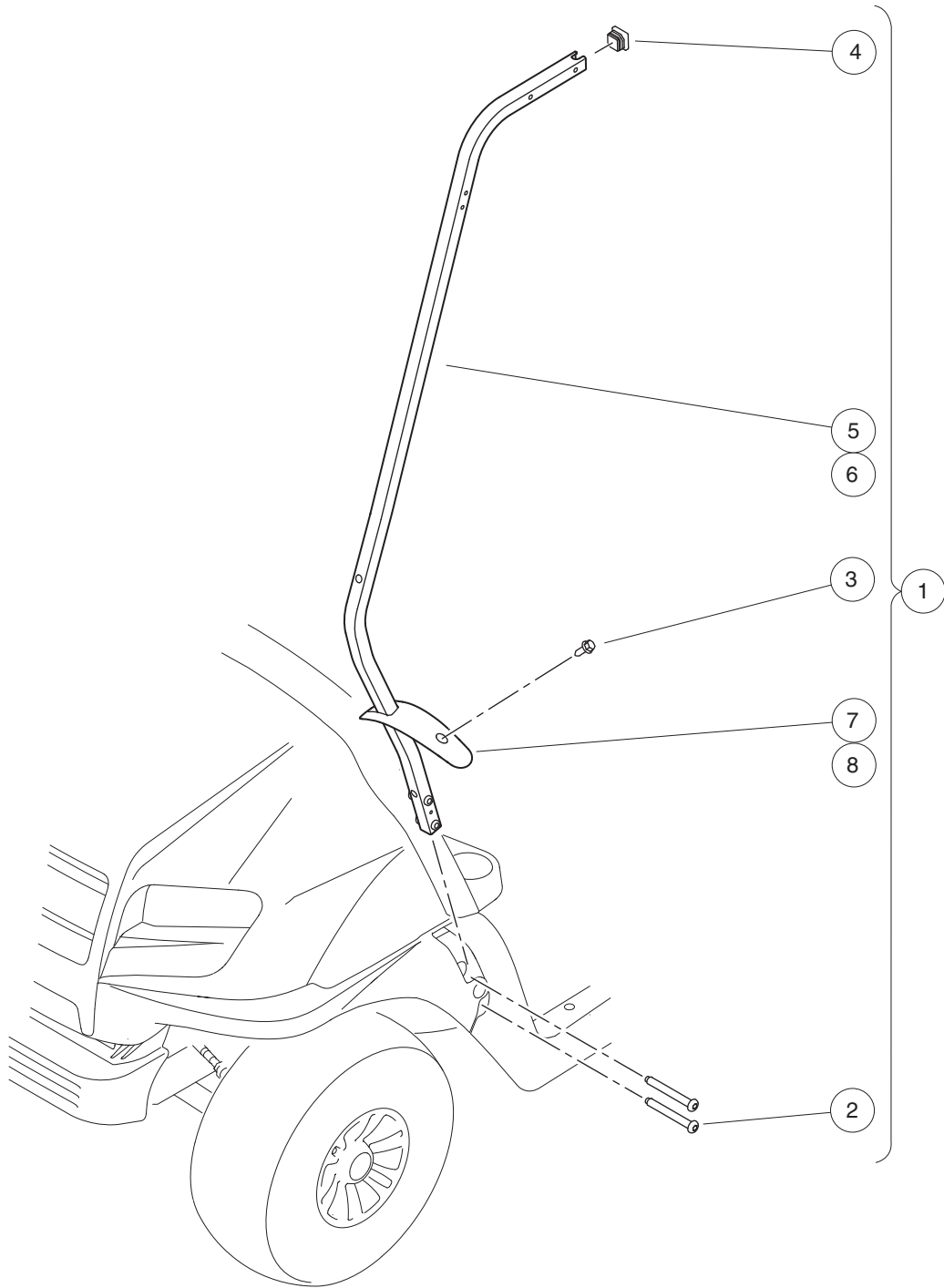
G-140799-000007

CANOPY KITS AND REAR STRUTS

ITEM	PART NO.	DESCRIPTION	QTY
		1 2 3 4	
1	N/A	Strut, Canopy, Phantom Ds	1
2	N/A	Strut, Canopy, Phantom Ps	1
3	<u>47582821001</u>	Bracket, Canopy, Phantom Ds	1
4	<u>47582821002</u>	Bracket, Canopy, Phantom Ps	1
5	47583112002	Kit, Hardware, Canopy, Long	1
6	47629681001	Top, Canopy, Long, Blk	1
7	47629681002	Top, Canopy, Long, Wht	1
8	47629681003	Top, Canopy, Long, Beige	1
9	<u>47638715001</u>	Kit, Canopy, Long, Blk	1
10	47638715002	Kit, Canopy, Long, Wht	1
11	47638715003	Kit, Canopy, Long, Beige	1
		<p>Note: Items 9, 10 and 11 are not illustrated. If ordered, the canopy kit assembly will be supplied with all applicable detail parts.</p>	

1
G
E

1
G
E



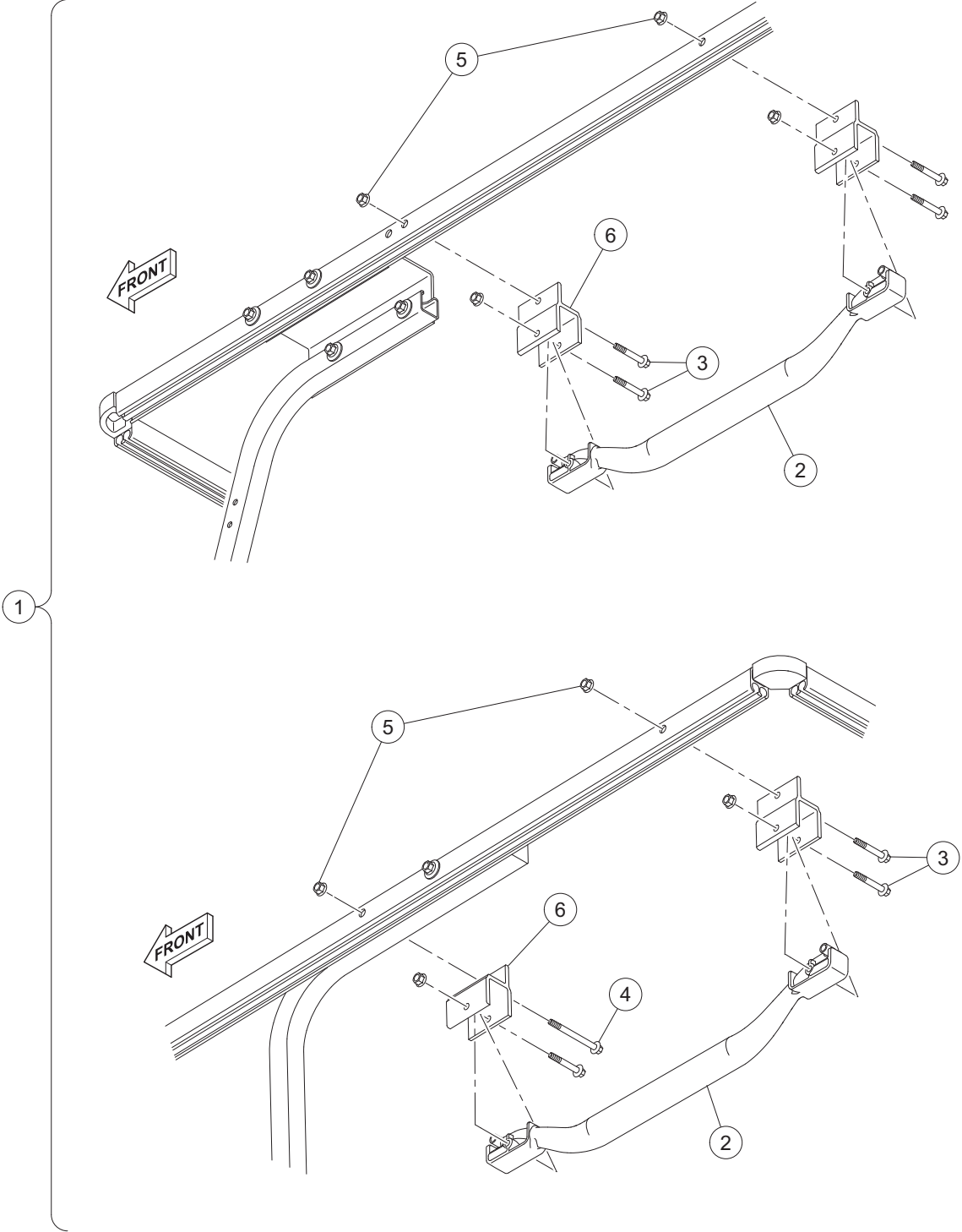
001397-002

FRONT STRUT KIT

ITEM	PART NO.	DESCRIPTION	QTY
		1 2 3 4	
1	<u>47592812003</u>	Kit, Front Struts, Onward (includes items 2 through 8)	1
2	<u>102299065</u>	M8-1.25 X 65 Tx Bttn Hd Bolt	4
3	<u>102544201</u>	Screw, M6 Hex	2
4	<u>102581201</u>	Plug, Square - 25.4 mm	2
5	<u>103750001</u>	Strut, Canopy Front, Passenger-side	1
6	<u>103750101</u>	Strut, Canopy Front, Driver-side	1
7	<u>47631793001</u>	Cover, Canopy Support, LH	1
8	<u>47631793002</u>	Cover, Canopy Support, RH	1

1
G
E

1
G
E

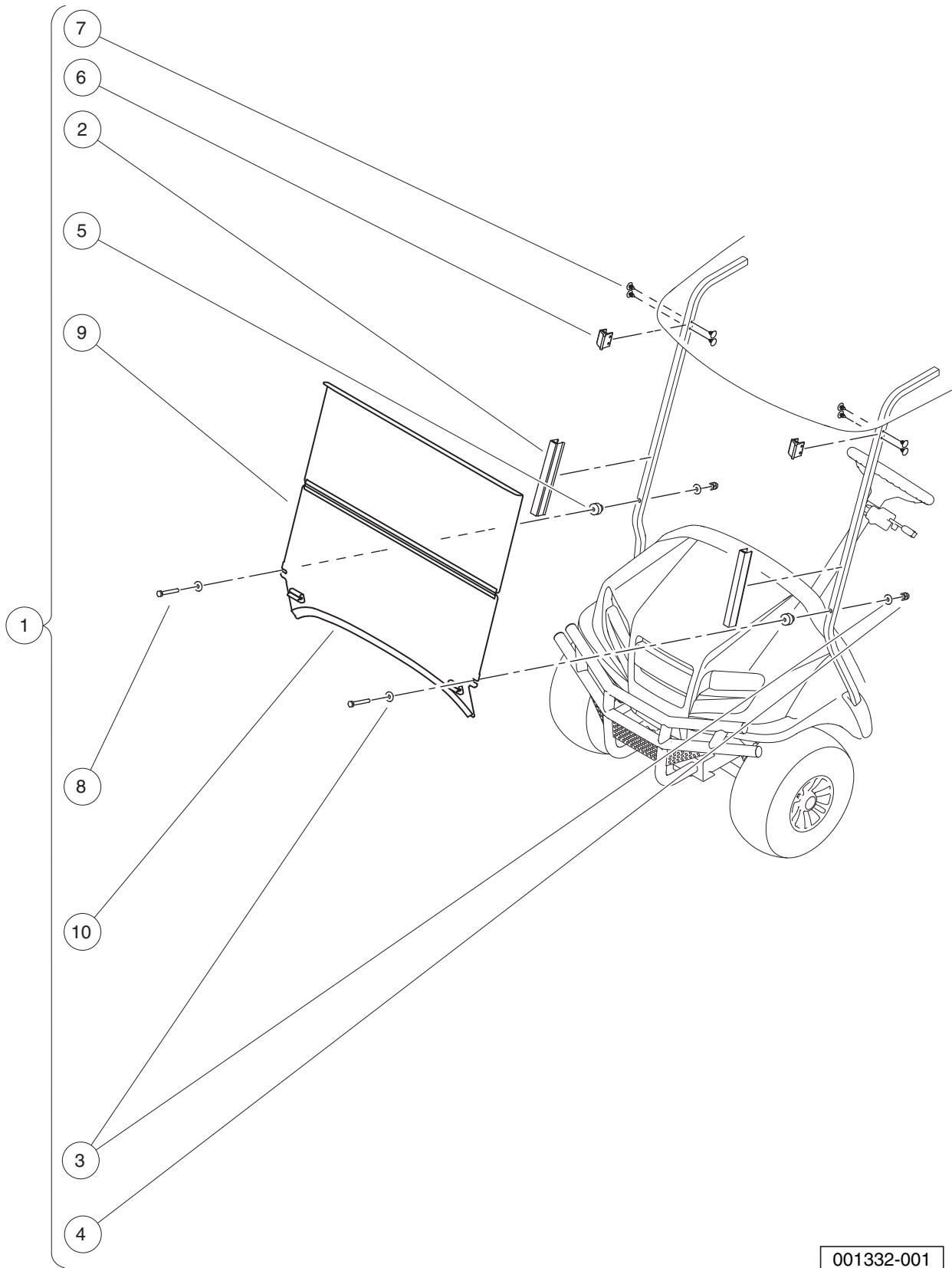


G-140799-000006

GRAB HANDLE KITS

ITEM	PART NO.	DESCRIPTION	QTY
		1 2 3 4	
1	<u>47634205001</u>	Kit, Grab Handles (includes items 2 through 6)	1
2	<u>102511603</u>	Handle-canopy (black)	2
3	<u>102541440</u>	Bolt-m6x1.0x40 Hex Flhd, Blk	8
4	<u>102541465</u>	Bolt, M 6 X 1.0 X 65 Hex, Flange, Head, Black	2
5	<u>102541501</u>	Nut-m6x1.0 Fl Mtl Lock,blk	8
6	47634203001	Bracket, Grab Handle	4
7	47634205002	Kit, Grab Handle (includes items 8 through 11)	1
8	<u>102511603</u>	Handle-canopy (black)	1
9	<u>102541440</u>	Bolt-m6x1.0x40 Hex Flhd, Blk	4
10	<u>102541501</u>	Nut-m6x1.0 Fl Mtl Lock,blk	4
11	47634203001	Bracket, Grab Handle	2
<p style="text-align: center;">Note: Items 7 through 11 are not illustrated.</p>			





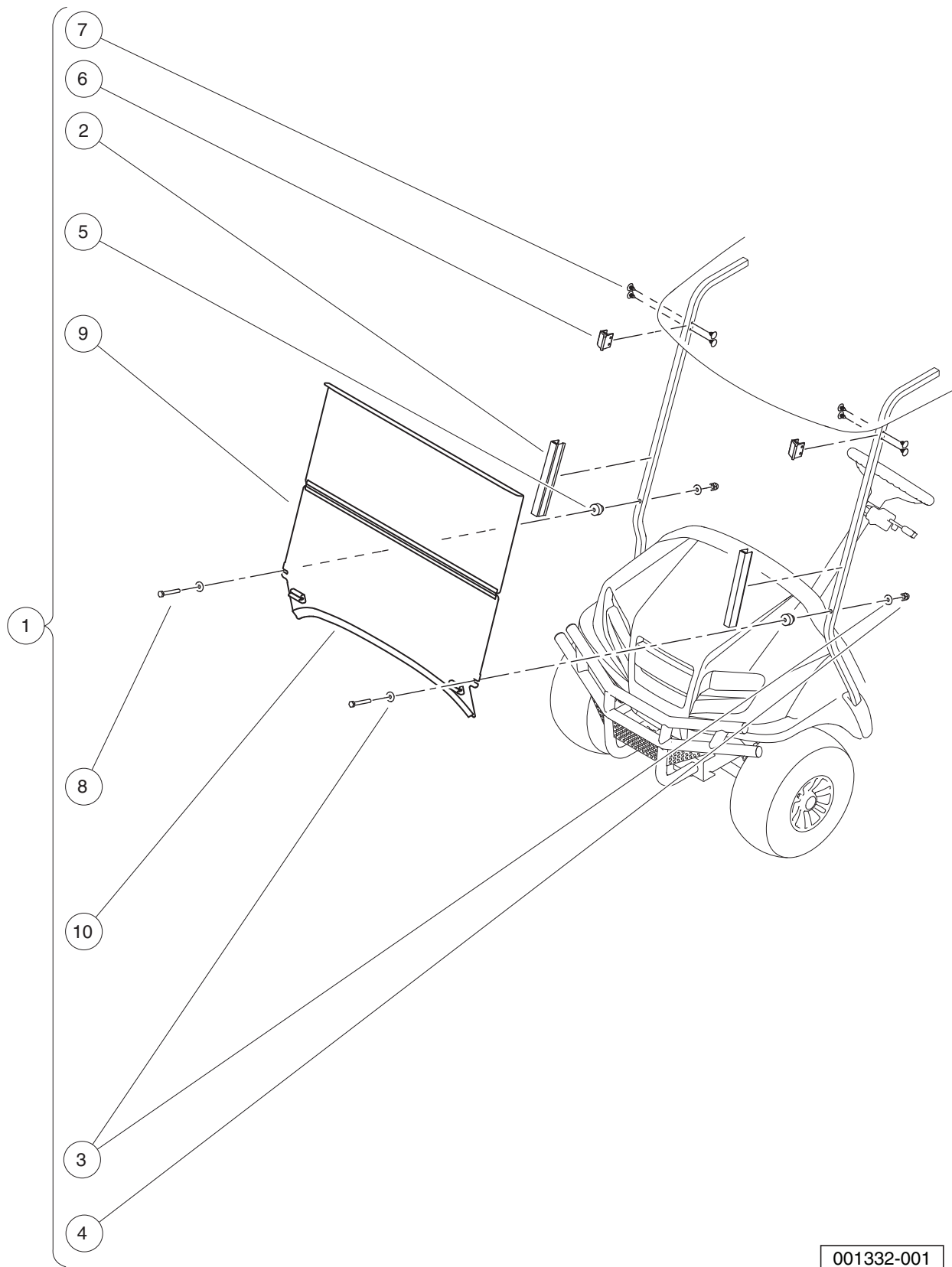
001332-001

HINGED WINDSHIELD, CLEAR

ITEM	PART NO.	DESCRIPTION	QTY
		1 2 3 4	
1	<u>47576798001</u>	Kit, Std Hinged W/s, Csmr (includes items 2 through 9)	1
2	<u>102163001</u>	Windshield Channel	2
3	<u>102296301</u>	Washer, M6x18x1.6 Flat	4
4	<u>102582401</u>	Cap Nut M6, Sp	2
5	<u>102947601</u>	Grommet, Windshield	2
6	<u>103677101</u>	W/s, Rubber, Clip Retainer	2
7	<u>103754901</u>	Fastener, Barrel - .610 X .25	8
8	<u>105289701</u>	M6x1.0x48 Hex Hd Bolt-blk	2
9	47576797001	Asm Hinged/windshield Consumer (includes item 10)	1
10	47576796001	Bulb Seal, Windshield	1

1
G
E

1
G
E



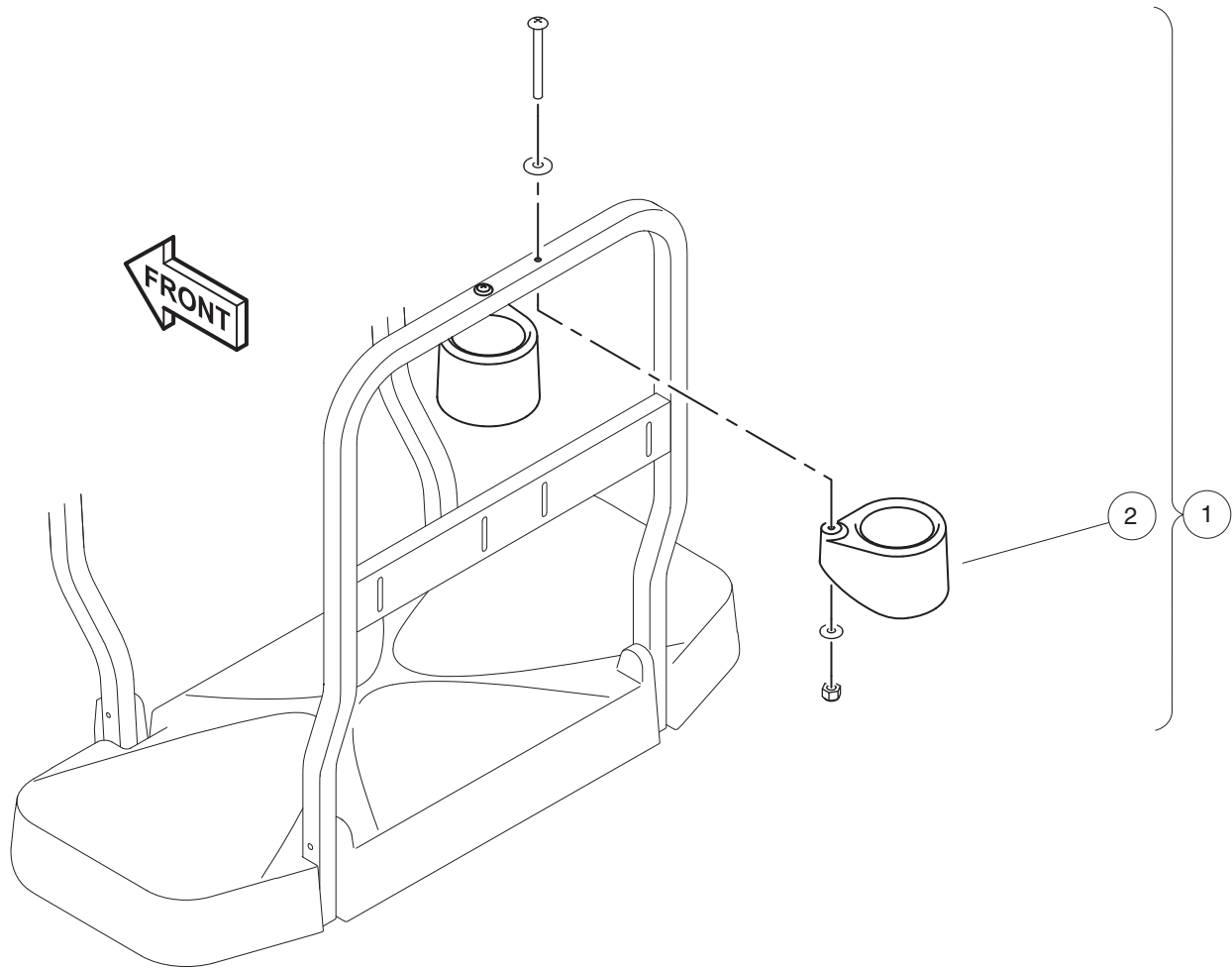
001332-001

HINGED WINDSHIELD, TINTED

ITEM	PART NO.	DESCRIPTION	QTY
		1 2 3 4	
1	<u>47579760001</u>	Kit, Hinged W/s Tinted, Cnsmr (includes items 2 through 9)	1
2	<u>102163001</u>	Windshield Channel	2
3	<u>102296301</u>	Washer, M6x18x1.6 Flat	4
4	<u>102582401</u>	Cap Nut M6, Sp	2
5	<u>102947601</u>	Grommet, Windshield	2
6	<u>103677101</u>	W/s, Rubber, Clip Retainer	2
7	<u>103754901</u>	Fastener, Barrel - .610 X .25	8
8	<u>105289701</u>	M6x1.0x48 Hex Hd Bolt-blk	2
9	47579759001	Asm Hinged/ws Tinted Cnsmr (includes item 10)	1
10	47576796001	Bulb Seal, Windshield	1

1
G
E

1
G
E



001333-001

BEVERAGE HOLDER

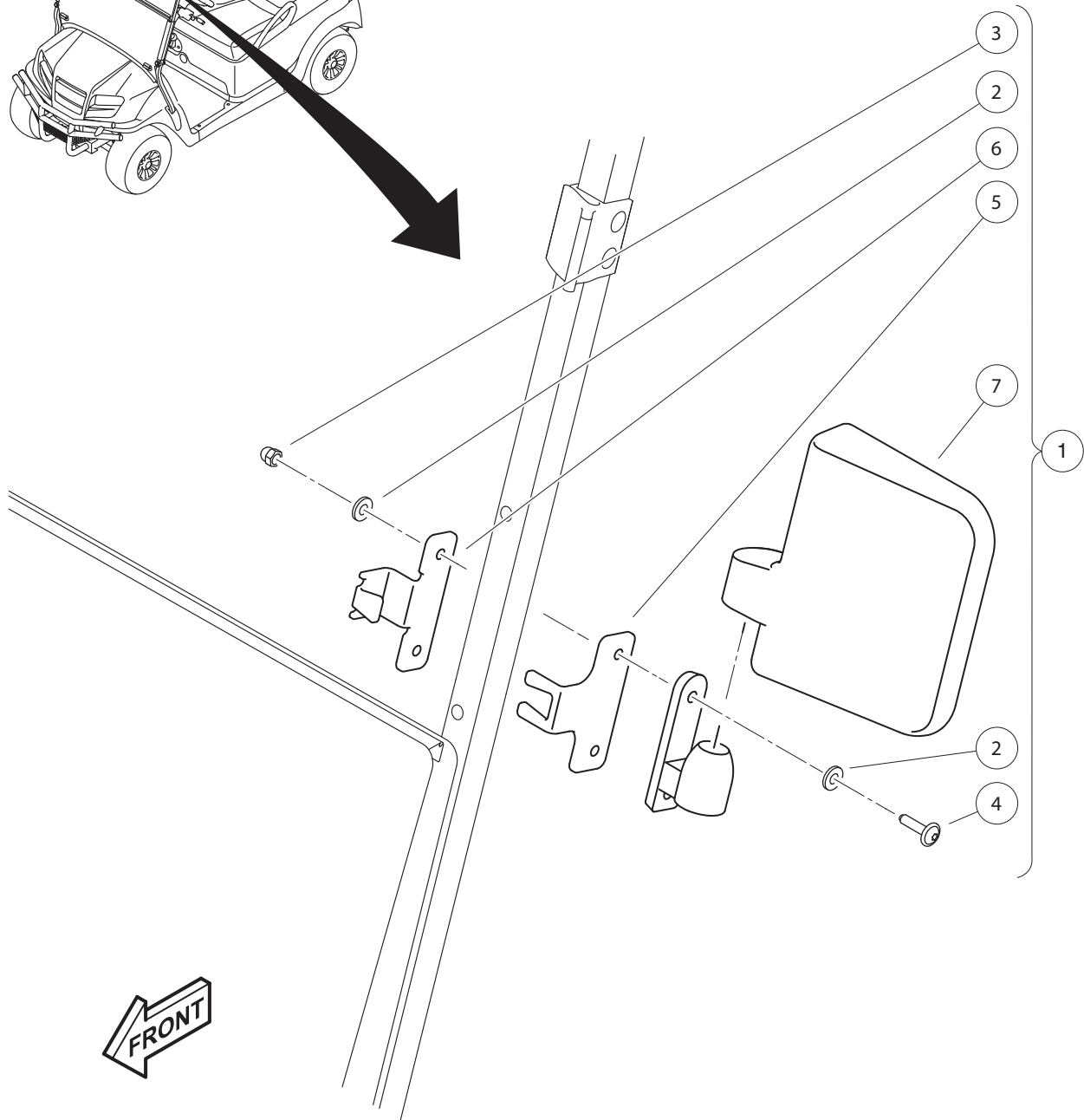
ITEM	PART NO.	DESCRIPTION	QTY
		1 2 3 4	
1	<u>47579985001</u>	Kit, Holder, Beverage, Mx5 (includes item 2)	1
2	47582270001	Assy, Holder, Beverage, Mx5	2

1

G

E

1
G
E



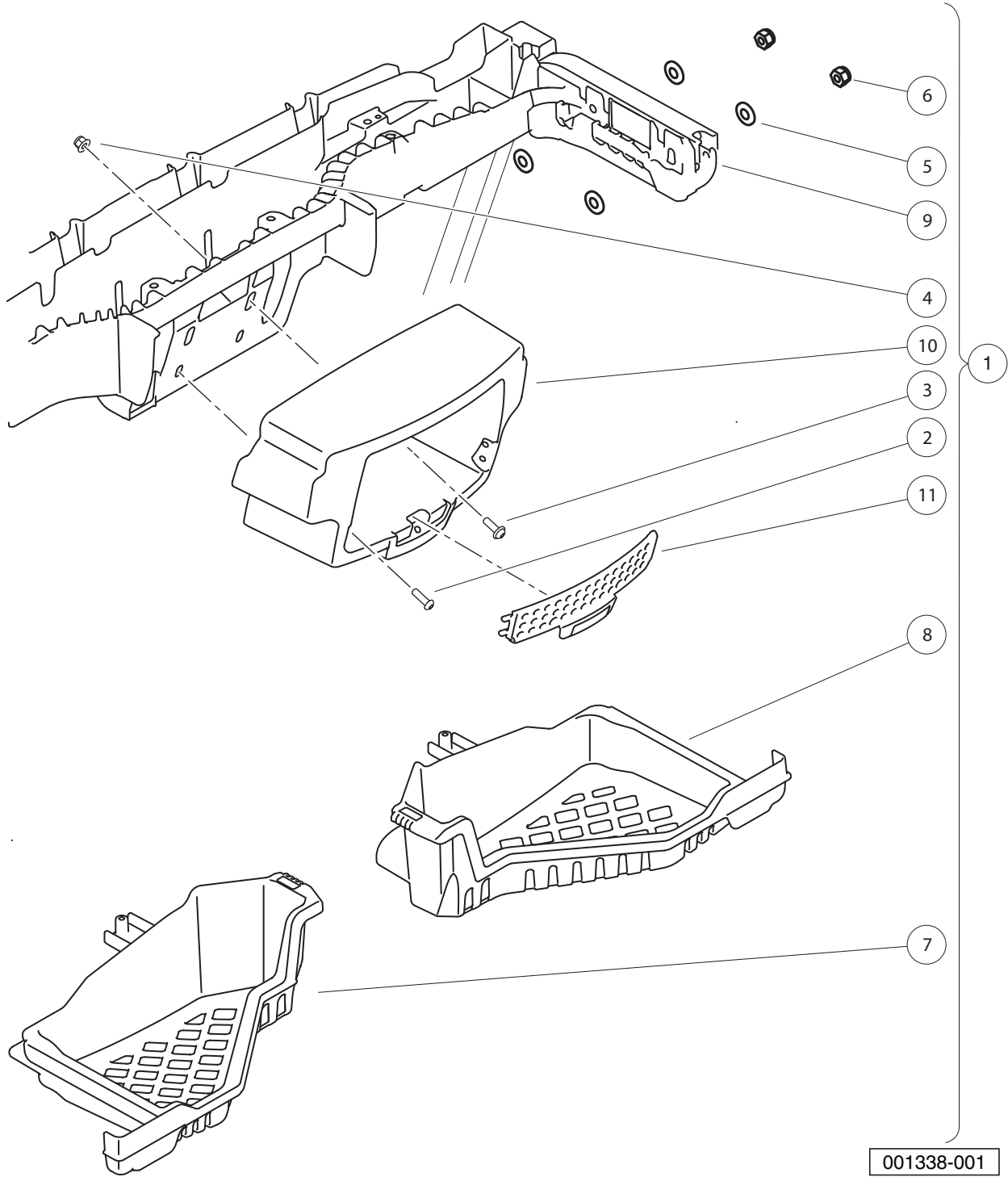
001336-001

MIRRORS, SIDE

ITEM	PART NO.	DESCRIPTION	QTY
		1 2 3 4	
1	<u>47577558001</u>	Kit, Side Mirrors, Csmr (includes items 2 through 7)	1
2	<u>102296301</u>	Washer, M6x18x1.6 Flat	8
3	<u>102582401</u>	Cap Nut M6, Sp	4
4	<u>47577554001</u>	Screw, M6, Torx T30 Recess	4
5	<u>47577555001</u>	Mirror Bracket, Mnt, Outer	2
6	<u>47577556001</u>	Mirror Bracket, Mnt, Inner	2
7	<u>47577557001</u>	Asm Side Mirrors, Res	1

1
G
E

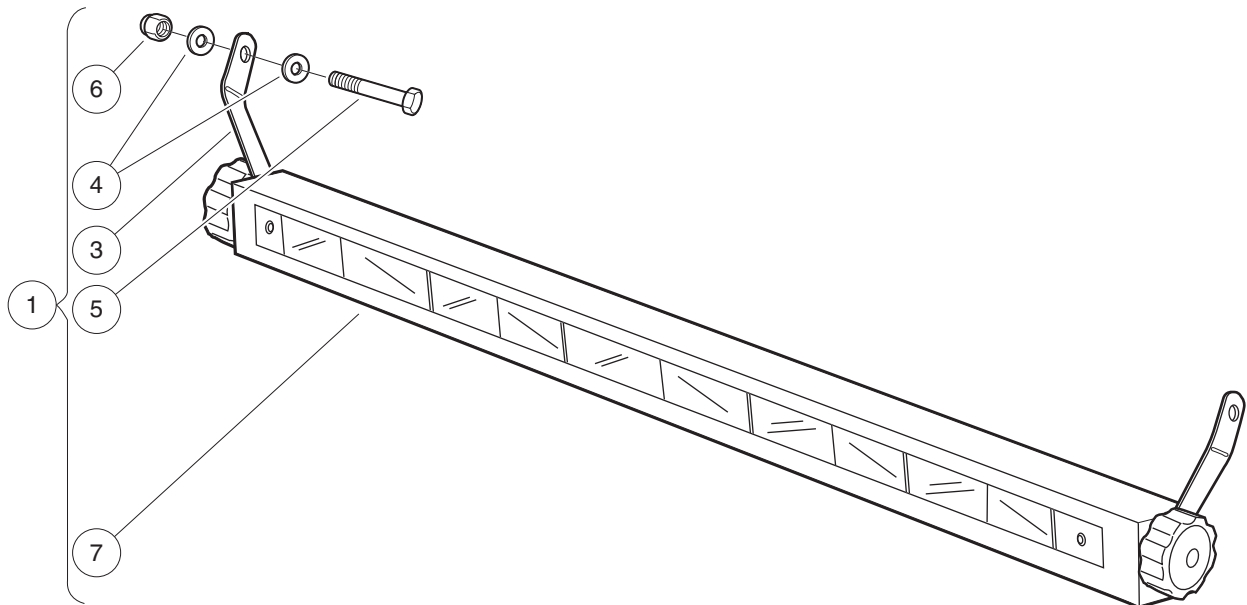
1
G
E



OVERHEAD STORAGE

ITEM	PART NO.	DESCRIPTION	QTY
		1 2 3 4	
1	<u>47582822001</u>	Kit, Ovh Storage System (includes items 2 through 11)	1
2	<u>102296150</u>	Bolt - M6x1.0x50 Hex Flng Hd	4
3	<u>102296920</u>	Screw, M6, Torx Button Head, Sems	2
4	<u>102621501</u>	Nut, Flange, M6 X 1.0, Nylon	2
5	<u>103196001</u>	Washer, Conical Spring, Canopy	8
6	<u>103200301</u>	Nut, M6 x 1.00	4
7	<u>47559264001</u>	Basket, Overhead, Driver-side	1
8	<u>47559264002</u>	Basket, Overhead, Passenger-side	1
9	<u>47559265002</u>	Support, Display Unit, Bt	1
10	<u>47581131001</u>	Storage Unit, Center, Csmr	1
11	<u>47581132001</u>	Closeout, Plastic, Perforated	1

1
G
E



000720-005

MIRROR, 5-PANEL

ITEM	PART NO.	DESCRIPTION	QTY
		1 2 3 4	
1	<u>AM15028001</u>	Kit, Mirror 5 Panel, Csmr Pack (includes item 2)	1
2	<u>105288901</u>	Mirror Kit, Wink (includes items 3 through 7)	1
3	<u>105313801</u>	Brkt, Mirror, 5 Panel, Mtg	2
4	<u>332</u>	Washer, 1/4 Type A Narrow Flat	8
5	<u>7311</u>	Screw, 1/4-20 X 2.00 Hex-Head Cap	2
6	<u>8233</u>	Locknut, 1/4-20, Nylon Insert	2
7	<u>AM10092</u>	ICS 5-Panel Mirror	1
		Note: Item 2 is not illustrated.	

1
G
E

1

G

E

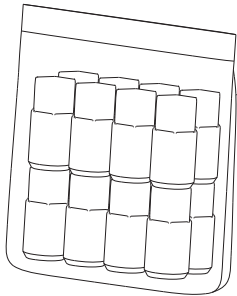
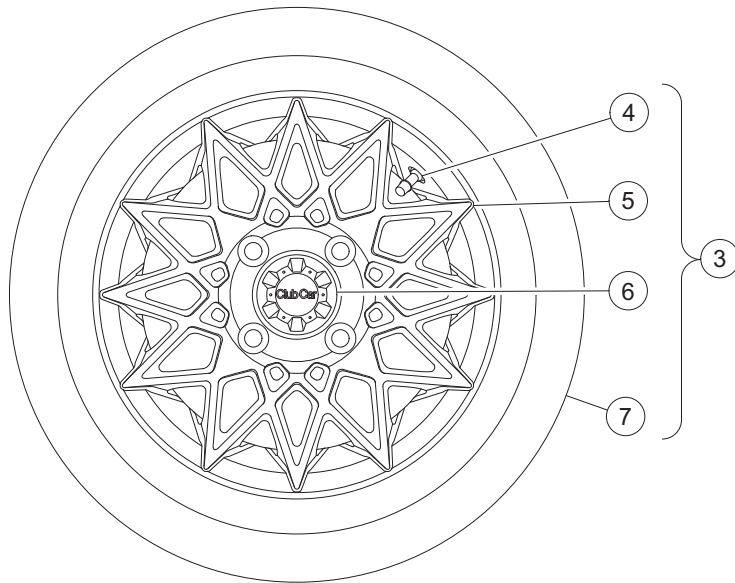
WHEELS AND TIRES

2

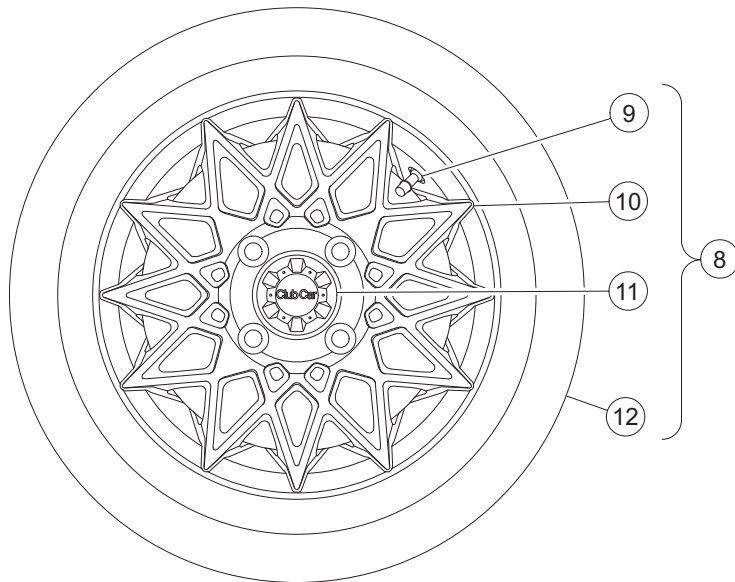
E

2

E



1 2



G-090099-000013

WHEEL AND TIRE ASSEMBLIES – 12 INCH

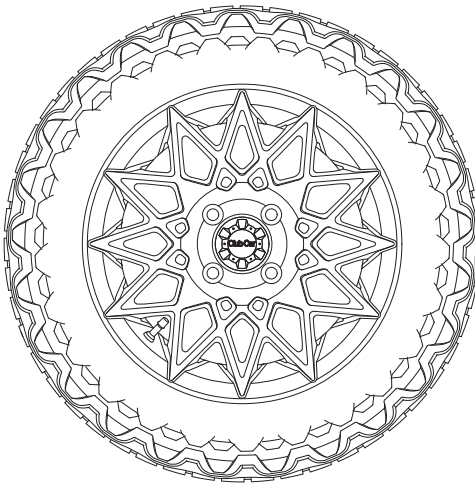
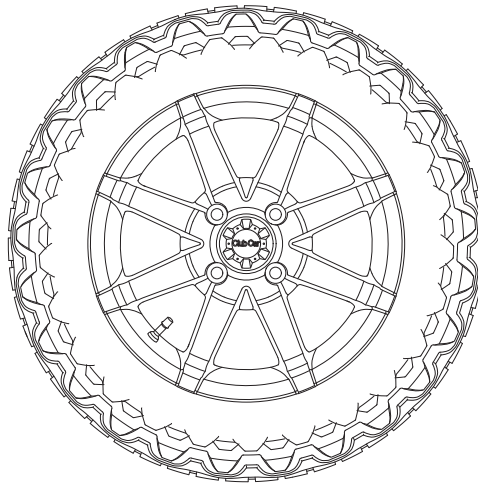
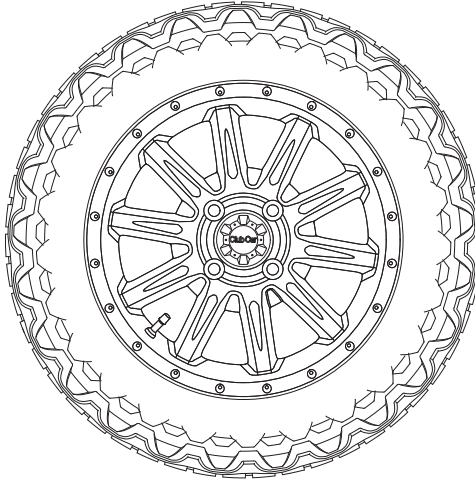
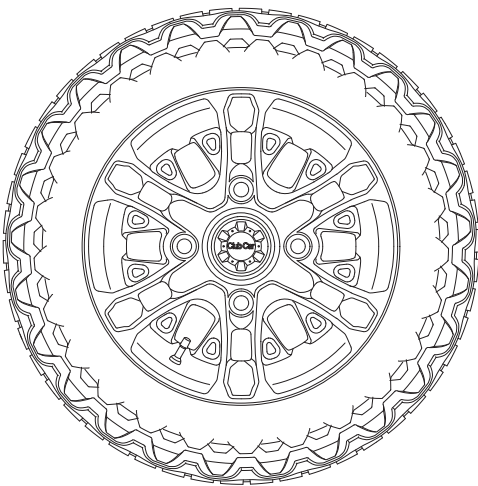
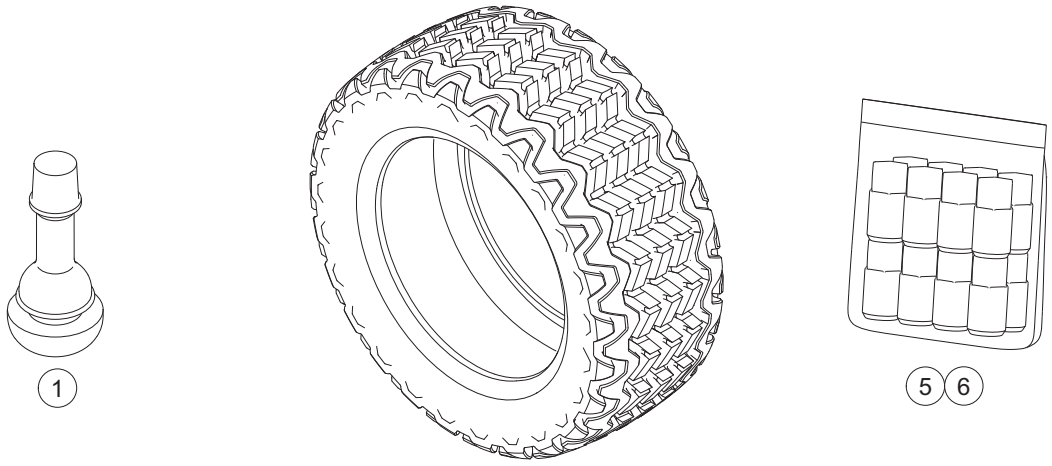
ITEM	PART NO.	DESCRIPTION	QTY
		1 2 3 4	
1	47590808001	Kit, Lugnut, Csmr (includes item 2)	1
2	<u>47562951001</u>	Nut, Lug, 17x1/2-20, Chrome	16
3	47678899001	Asm, 205/40-r12 Sb,athena,gbms (includes items 4 through 7)	A/R
4	<u>103832401</u>	Valve Stem With Cap, Chrome	1
5	47678898001	Wheel, Athena, 12", Gls Blk Ms (includes item 6)	1
6	47625132002	Cap, Cntr, Gloss Blk, Club Car	1
7	47678900001	Tire, Kruizer, 205/40-r12	1
8	47678899010	Asm, 205/40-r12 Sb,athena,ch (includes items 9 through 12)	A/R
9	<u>103832401</u>	Valve Stem With Cap, Chrome	1
10	47678898010	Wheel, Athena, 12", Brt Chrome (includes item 11)	1
11	47625132001	Cap, Cntr, Chrome, Club Car	1
12	47678900001	Tire, Kruizer, 205/40-r12	1
<p>Note: For additional wheel and tire options that may be available, please contact your local Club Car dealer or distributor.</p>			

2

E

2

E



G-090099-000014

WHEEL AND TIRE ASSEMBLIES – 14 INCH

ITEM	PART NO.	DESCRIPTION	QTY
		1 2 3 4	
1	<u>103832401</u>	Valve Stem With Cap, Chrome	1
2	<u>47561635001</u>	Tire, 23x10-14 Kraken	1
3	<u>47562947002</u>	Asm, 23x10-14 Kraken, Mercury 14" Matte Black	4
4	<u>47562947004</u>	Asm, 23x10-14 Krkn, Mer,gb,cc	4
5	<u>47590808001</u>	Kit, Lugnut, Csmr (includes item 6)	1
6	<u>47562951001</u>	Nut, Lug, 17x1/2-20, Chrome	16
7	<u>47641038001</u>	Asm, 23x10-14 Krkn, Zeus,gb,cc	4
8	<u>47641039003</u>	Asm,23x10-14 Krkn,aerion,bc,cc	4
9	<u>47659723010</u>	Asm, 23x10-14 Krkn,athena,ch	4
<p>Note: For additional wheel and tire options that may be available, please contact your local Club Car dealer or distributor.</p>			

2

E

2

E

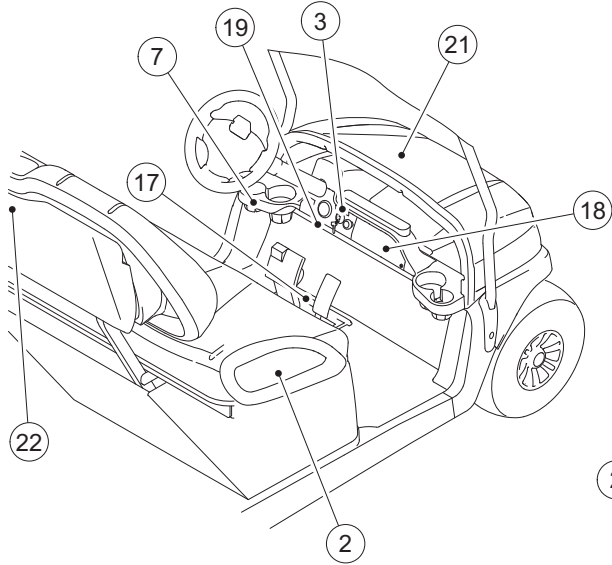
DECALS

3

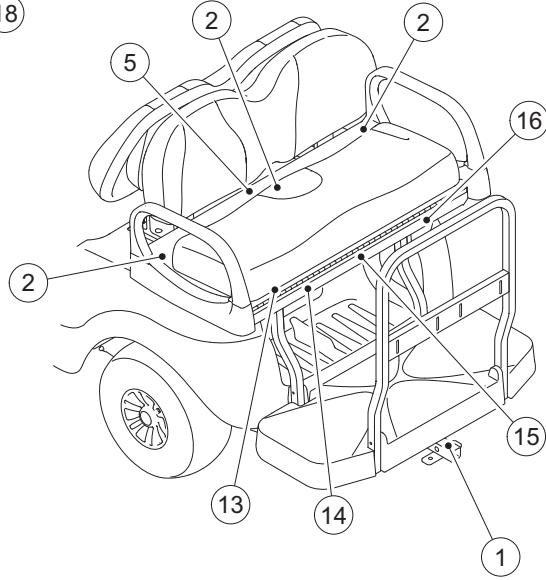
G

E

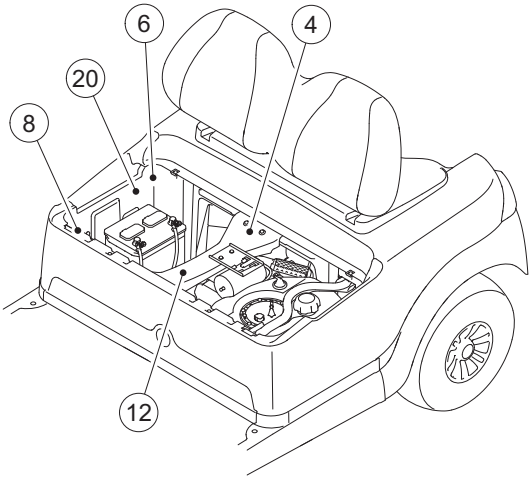
3
G
E



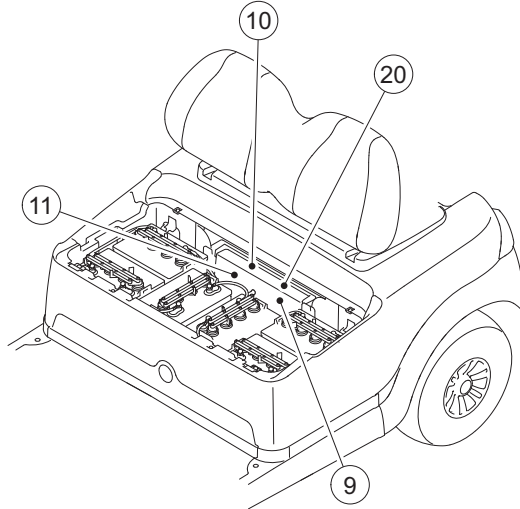
A



B



C



D

G-160199-000001

DECALS

ITEM	PART NO.	DESCRIPTION	QTY
		1 2 3 4	
1	<u>1011553</u>	Decal, Trailer Hitch	1
2	<u>101609401</u>	Decal, Crush Area Warning	5
3	<u>101825101</u>	Decal, Off/On	1
4	<u>101960501</u>	Decal, Rotating Parts/Hot Manifold	1
5	<u>101972001</u>	Decal, D.s. Box Bed Warning (for vehicles with bed box option)	1
6	<u>102517901</u>	Decal, Warning - Frame Ground	1
7	<u>102555901</u>	Decal, Private Speed	1
8	<u>103205501</u>	Decal, Maintenance/Operate Switch	1
9	<u>103384601</u>	Decal-water Exposure	1
10	<u>103384701</u>	Decal-warning, Short	1
11	<u>103384801</u>	Decal, Warning, RUN/TOW	1
12	<u>105067501</u>	Decal, Warn - Gas/gov	1
13	105070501	Decal, Gas, Rotating Parts/Hot Muffler	1
14	105267301	Decal, Warn, Fld L	1
15	105267401	Decal, Warn, Fld M	1
16	105267501	Decal, Warn, Fld R	1
17	47561033001	Decal, Warning, Speed	1
18	47574958001	Decal, Warning	1
19	47586040001	Decal, Warn	1
20	47586191001	Decal, Compliance, Mirrors	1
21	47592393001	Decal, Warn, Windshield	1
22	47638920001	Decal, Warning, Fall Out	1
		<p>Note: Views A and B are for all vehicles. View C is for gasoline vehicles only. View D is for electric vehicles only.</p>	

3

G

E

3

G

E

LIGHTS, CONTROLS AND INDICATORS

4

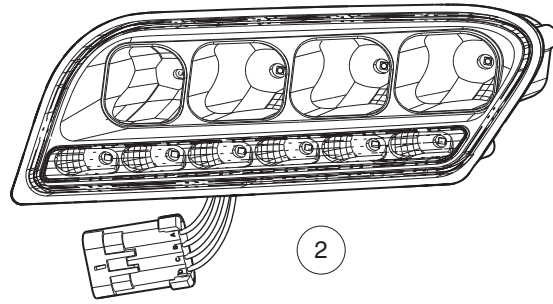
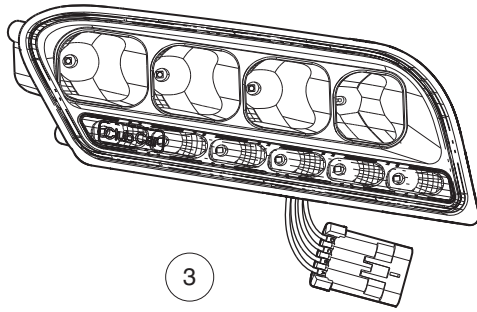
G

E

4
G
E



1



001341-001

HEADLIGHTS – ONWARD

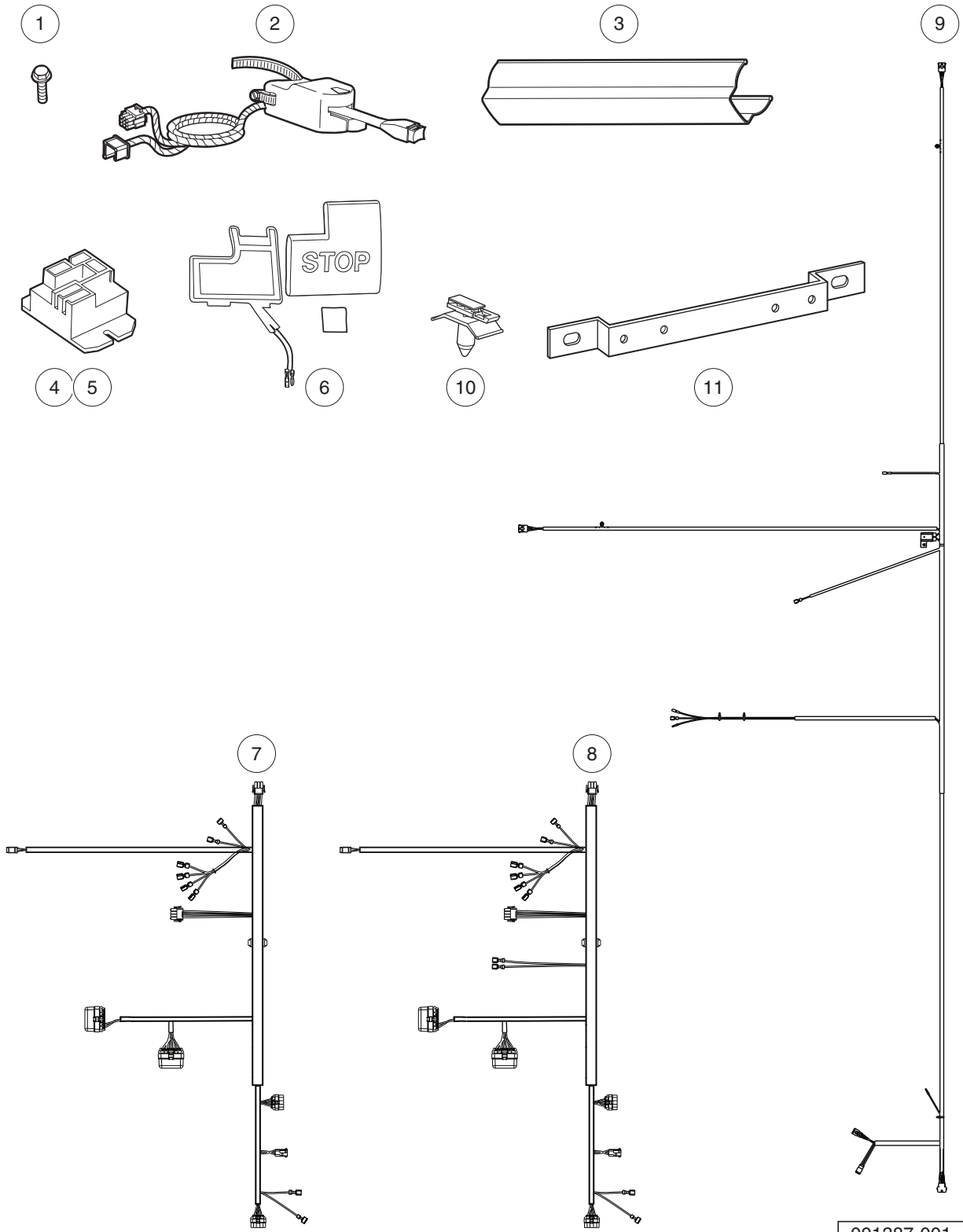
ITEM	PART NO.	DESCRIPTION	QTY
		1 2 3 4	
1	<u>102296020</u>	Screw-torx Pan Head Pt, M6x20	8
2	<u>47565234007</u>	Asm, Headlight, Led, Lh, Sp	1
3	<u>47565234008</u>	Asm, Headlight, Led, Rh, Sp	1

4

G

E

4
G
E



LIGHTING SYSTEM COMPONENTS

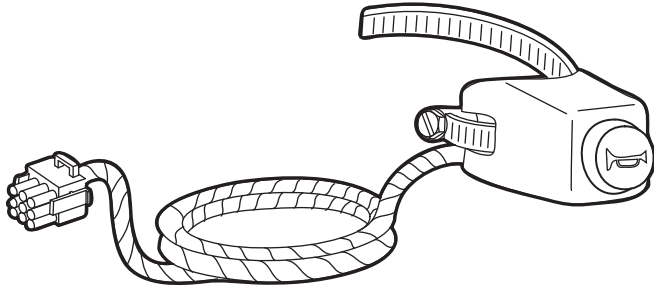
ITEM	PART NO.	DESCRIPTION	QTY
		1 2 3 4	
1	<u>102298720</u>	Screw, M8-1.25x20, Taptite	3
2	<u>102517501</u>	Turn Signal Asm	1
3	<u>102529201</u>	Wire Cover, Steering Column	1
4	<u>103414901</u>	Kit, Relay, 48v 30a W/instr (includes item 5)	1
5	<u>103397901</u>	Relay, Spst No, 48v 30a, Pmt	1
6	<u>103597101</u>	Kit, Brake Light Switch	1
7	<u>47562746001</u>	Harness, Wire, Instrument Panel for Lights, Ele	1
8	<u>47562747001</u>	Harness, Wire, Instrument Panel for Lights, Gas	1
9	<u>47574837001</u>	Harness, Lighting	1
10	N/A	Clip, Mount, Conn	2
11	<u>47580172001</u>	Bracket, Mount, Fuse	1

4
G
E

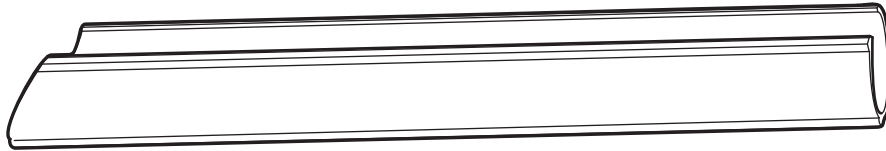
4

G

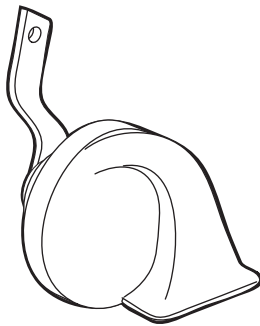
E



1



2



3

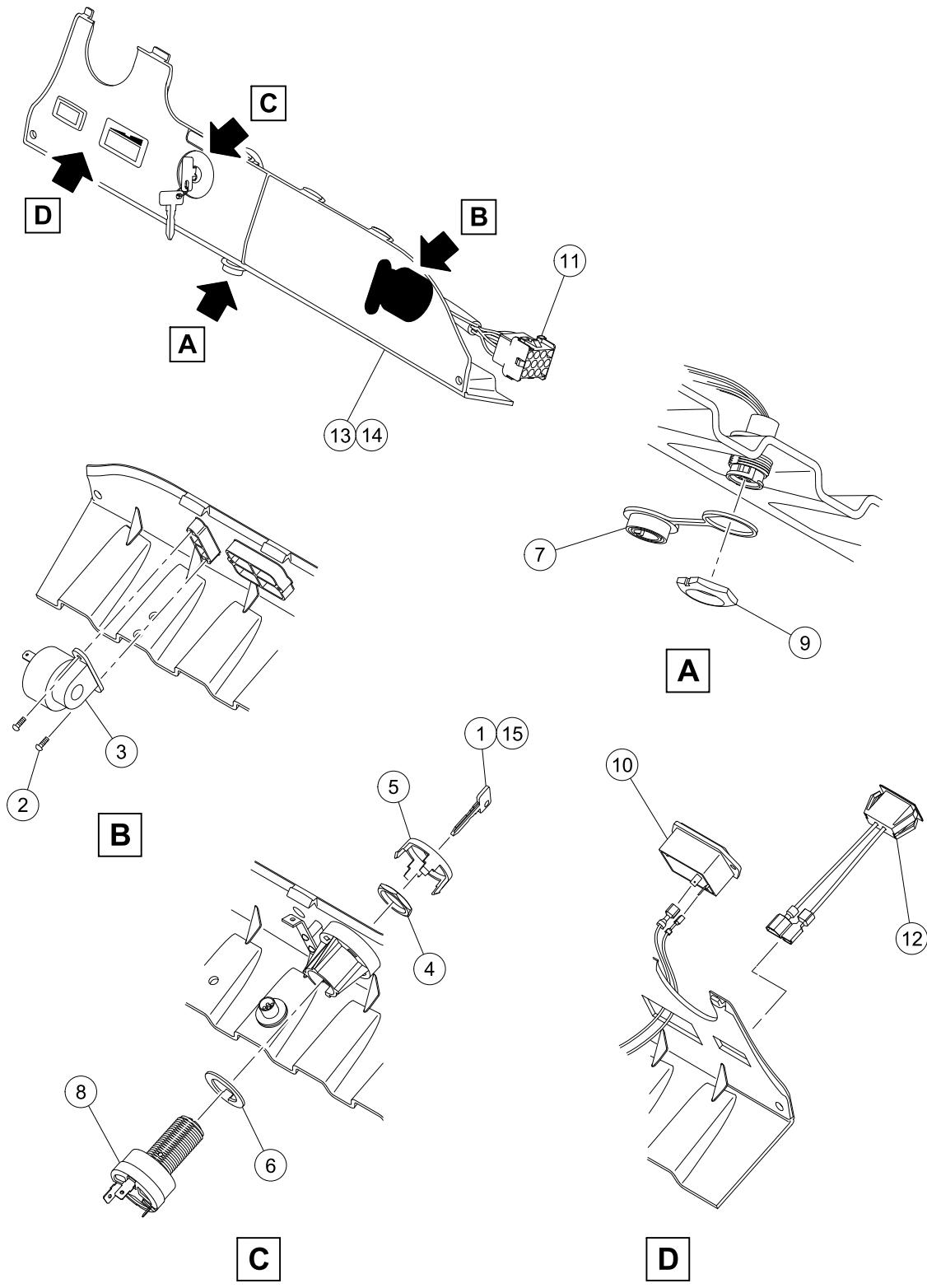
001343-001

HORN

ITEM	PART NO.	DESCRIPTION	QTY
1	102517601	1 2 3 4 Subasm, Horn Button Harness	1
2	<u>102529201</u>	Wire Cover, Steering Column	1
3	<u>102535401</u>	Horn	1

4
G
E

4
G
E



G-130599-000005

INSTRUMENT PANEL – ELECTRIC VEHICLE WITH ERIC CHARGER

ITEM	PART NO.	DESCRIPTION	QTY
		1 2 3 4	
1	<u>1012505</u>	Keys (set of 2)	1
2	<u>1016849</u>	Screw, #4-24 X 0.33, Pan-Head, Machine	2
3	<u>1016851</u>	Multi-Purpose Buzzer (9-48 VDC)	1
4	<u>101830701</u>	Nut, Key Switch	1
5	<u>101834502</u>	Cap, Black Key Switch	1
6	<u>101851101</u>	Washer, Key Switch	1
7	<u>102196901</u>	Dust Cap	1
8	<u>102508601</u>	Key Switch, Electric	1
9	<u>102572401</u>	Nut, Diagnostic Port	1
10	<u>103200701</u>	Battery Condition Indicator - 48V	1
11	<u>103991501</u>	Harness, Wire, Instrument Panel, w/Hi-Freq	1
12	<u>105152301</u>	Indicator, Charger, Dash, Cap	1
13	47613414003	Instrument Panel (Punched Headlight)	1
14	47613414009	Instrument Panel (Headlight Switch and Battery Condition Indicator)	1
15	<u>AM10079</u>	Bulk Std Keys (50) *	1
		* Note: Must order in multiples of 50.	

4
G
E

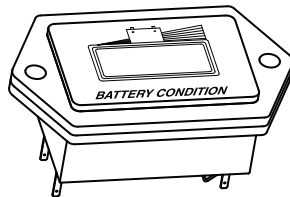
4

G

E



1



2

001388-001

BATTERY CHARGE INDICATOR

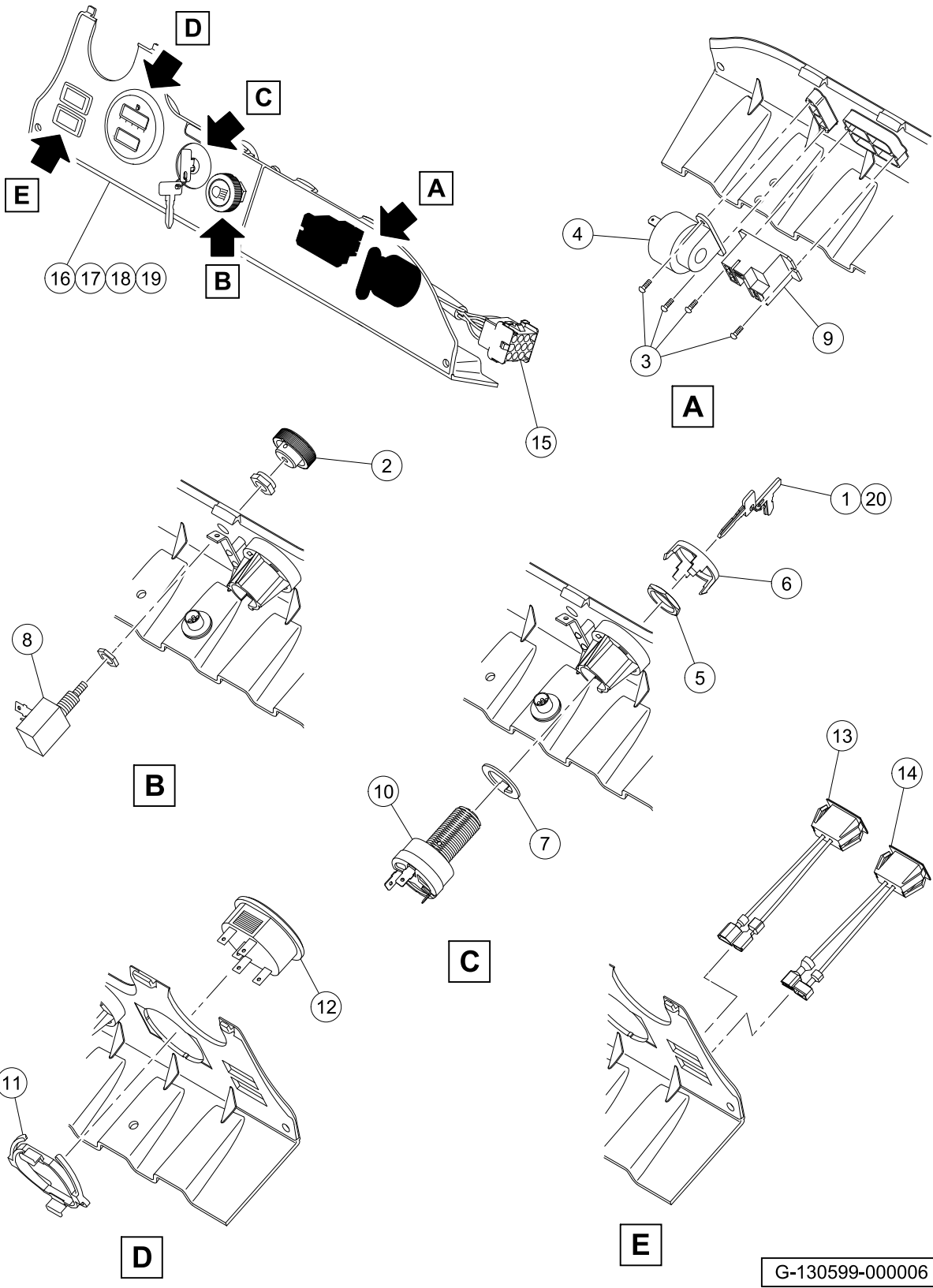
ITEM	PART NO.	DESCRIPTION	QTY
1	<u>101814701</u>	1 2 3 4 Retainer, Push-On	2
2	<u>103200701</u>	Battery Condition Indicator - 48V	1

4

G

E

4
G
E

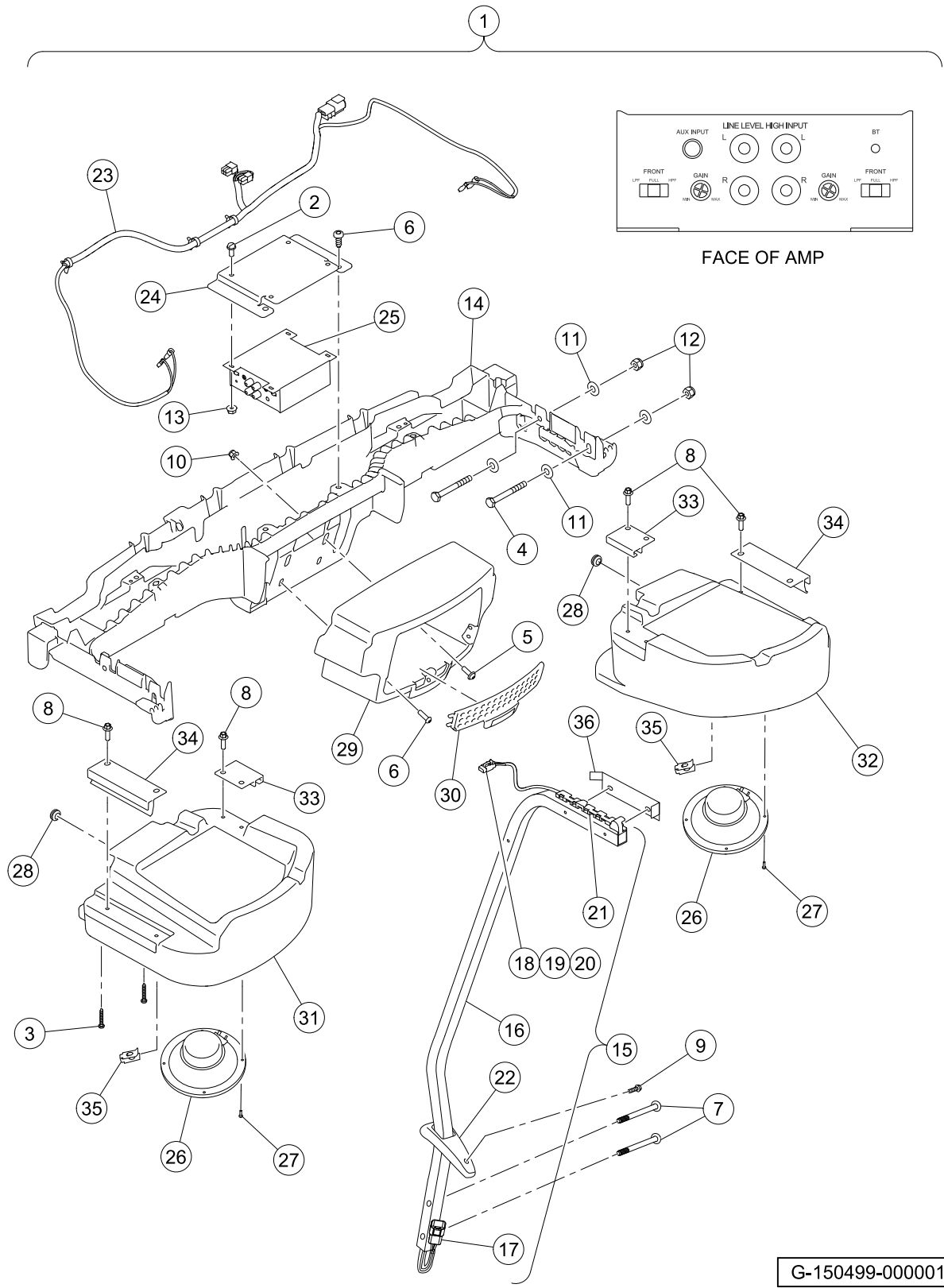


G-130599-000006

INSTRUMENT PANEL – ECH440 GAS VEHICLE

ITEM	PART NO.	DESCRIPTION	QTY
		1 2 3 4	
1	<u>1012505</u>	Keys (set of 2)	1
2	<u>1013857</u>	Knob, Light Switch	1
3	<u>1016849</u>	Screw, #4-24 X 0.33, Pan-Head, Machine	4
4	<u>1016851</u>	Multi-Purpose Buzzer (9-48 VDC)	1
5	<u>101830701</u>	Nut, Key Switch	1
6	<u>101834502</u>	Cap, Black Key Switch	1
7	<u>101851101</u>	Washer, Key Switch	1
8	<u>102051901</u>	Switch, Light	1
9	<u>102199001</u>	Relay, 12-Volt	1
10	<u>102515101</u>	Key Switch, Gas	1
11	<u>103348201</u>	Clip, Meter, Round	1
12	<u>103348602</u>	Gauge, Fuel-hour,sep Gnd, Ds	1
13	<u>105037101</u>	Light, Oil (LED)	1
14	47598441001	Light, Dash, Led, Mil	1
15	47612537001	Harness, Ip, Gas, Prec, Com	1
16	47613414002	Panel, Punched, Mil Light	1
17	47613414005	Panel, Punched, Mil Hdlt	1
18	47613414006	Panel, Punched, Mil Fuel	1
19	47613414007	Panel, Punched, Mil Hdlt Fuel	1
20	<u>AM10079</u>	Bulk Std Keys (50) *	1
		* Note: Must order in multiples of 50.	

4
G
E



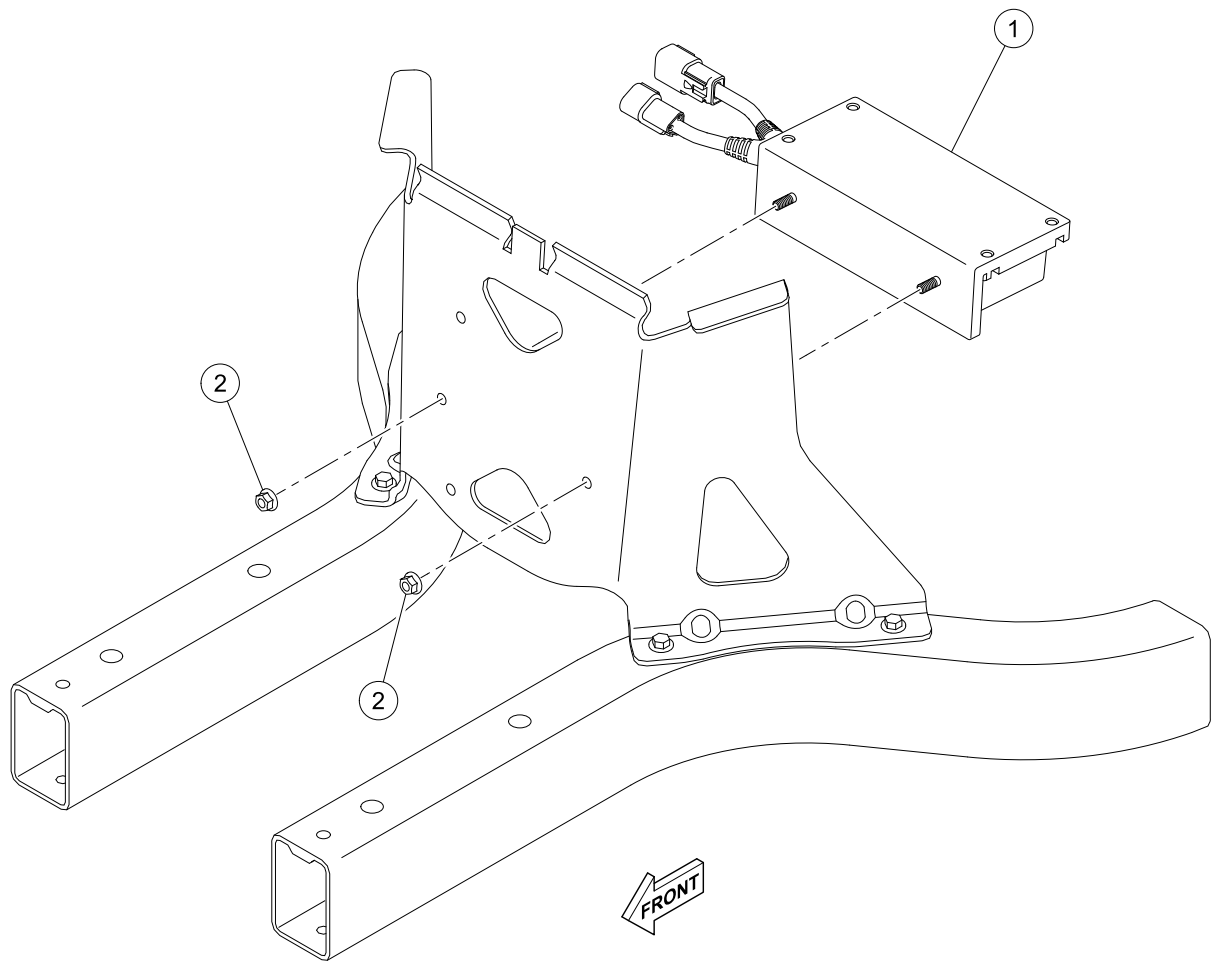
G-150499-000001

BLUETOOTH SOUND SYSTEM

ITEM	PART NO.	DESCRIPTION	QTY
		1 2 3 4	
1	<u>47581430001</u>	Kit, Bt Sound System (includes items 2 through 36)	1
2	<u>1011017</u>	Screw, #8-32 X 0.375	4
3	<u>102296040</u>	Screw, Torx Pan Hd Pt, M6 X 40	4
4	<u>102296150</u>	Bolt - M6x1.0x50 Hex Flng Hd	4
5	<u>102296920</u>	Screw, M6, Torx Button Head, Sems	2
6	<u>102298020</u>	Screw, K80x20, Torx Pn Hd Pt	4
7	<u>102299065</u>	M8-1.25 X 65 Tx Bttm Hd Bolt	2
8	<u>102541401</u>	Bolt-m6x1.0x20 Hex Flhd Blk-l	8
9	<u>102544201</u>	Screw, M6 Hex	1
10	<u>102621501</u>	Nut, Flange, M6 X 1.0, Nylon	2
11	<u>103196001</u>	Washer, Conical Spring, Canopy	8
12	<u>103200301</u>	Nut, M6 x 1.00	4
13	<u>105190701</u>	Nut, Flanged, #8-32, Serrated	4
14	<u>47559265002</u>	Support, Display Unit, Bt	1
15	<u>47561477002</u>	Asm, Strut, Visage,onward, R.h (includes items 16 through 22)	1
16	<u>103750001</u>	Strut, Canopy Front, Passenger-side	1
17	N/A	Brkt, Tree-stud Mount, Dt/dtm	1
18	N/A	Conn, Plug, Dtm, 3 Pin, Blk	1
19	N/A	Lock, Wedge, Dtm, Plug	1
20	<u>47554736001</u>	Harness, Visage, Strut, G/e	1
21	<u>47559268001</u>	Retainer, Wire Harness	1
22	<u>47631793002</u>	Cover, Canopy Support, RH	1
23	<u>47562748001</u>	Harness, Sound Mil200bt, Csmr	1
24	<u>47581126001</u>	Bracket, Amp, Mil200bt	1
25	<u>47581127001</u>	Amp, Bluetooth, Mil200bt	1
26	<u>47581128001</u>	Speaker, 5.25", Blk	1
27	<u>47581129001</u>	Screw, 6-32 X 5/8 Torx Ph Blk	8
28	<u>47581130001</u>	Grommet, Sbr, .38 Id	2
29	<u>47581131001</u>	Storage Unit, Center, Csmr	1
30	<u>47581132001</u>	Closeout, Plastic, Perforated	1
31	<u>47581133001</u>	Enclosure, Speaker, Ds, 2p	1
32	<u>47581133002</u>	Enclosure, Speaker, Ps, 2p	1
33	<u>47581134001</u>	Extrusion, Alum, Spkr Outer	2
34	<u>47581135001</u>	Extrusion, Alum, Spkr Inner	2
35	<u>47584406001</u>	U-nut, 6-32	8
36	<u>47589609001</u>	Cover, Strut, Bt Sound	1

4
G
E

4
G
E



G-130299-000001

DC/DC CONVERTER – ELECTRIC VEHICLE

ITEM	PART NO.	DESCRIPTION	QTY
1	<u>47594727001</u>	1 2 3 4 Converter, Dc/dc	1
2	<u>96704176</u>	Nut, Flanged, M6 X 1, Serrated	2

4

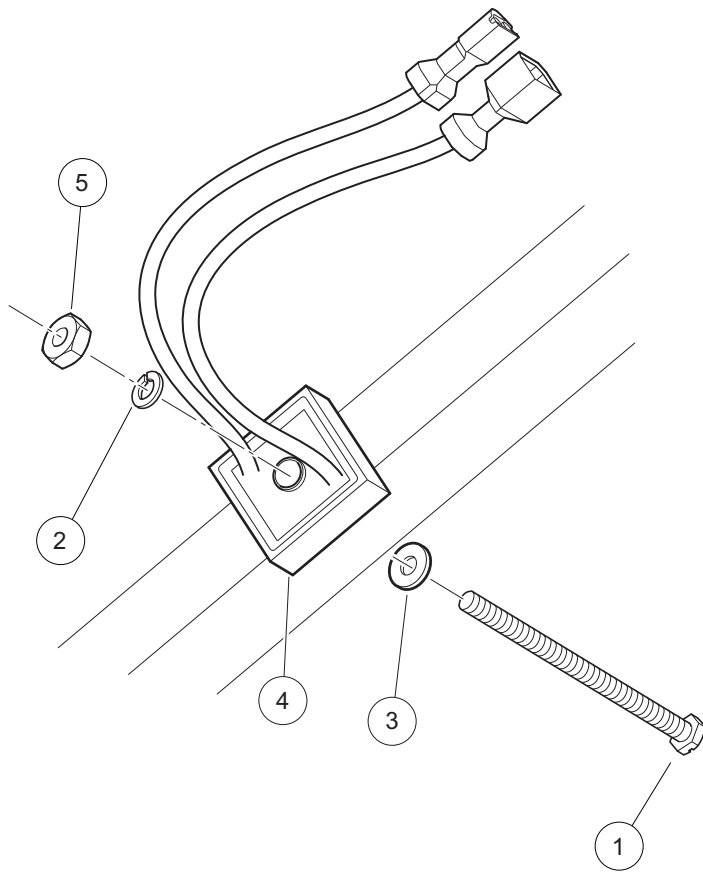
G

E

4

G

E



001365-002

VOLTAGE LIMITER – GASOLINE VEHICLE

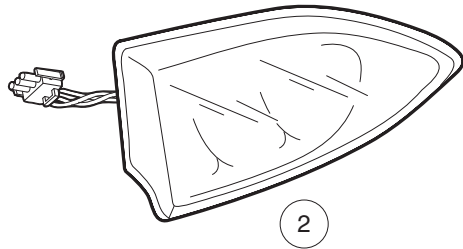
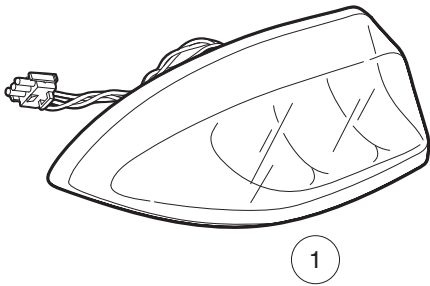
ITEM	PART NO.	DESCRIPTION	QTY
		1 2 3 4	
1	<u>1010909</u>	Screw, #10-32 X 1.25 Rd Hd Mch	1
2	<u>1016</u>	Lockwasher, #10 Split	1
3	<u>183</u>	Washer, #10, Type A, Flat	1
4	<u>47604303001</u>	Voltage Limiter, Gas	1
5	<u>7893</u>	Nut, #10-32 Hex	1

4
G
E

4

G

E



001340-001

TAILLIGHTS

ITEM	PART NO.	DESCRIPTION	QTY
1	<u>47643352001</u>	1 2 3 4 Assembly, Taillight, LH	1
2	<u>47643352002</u>	Assembly, Taillight, RH	1

4
G
E

4

G

E

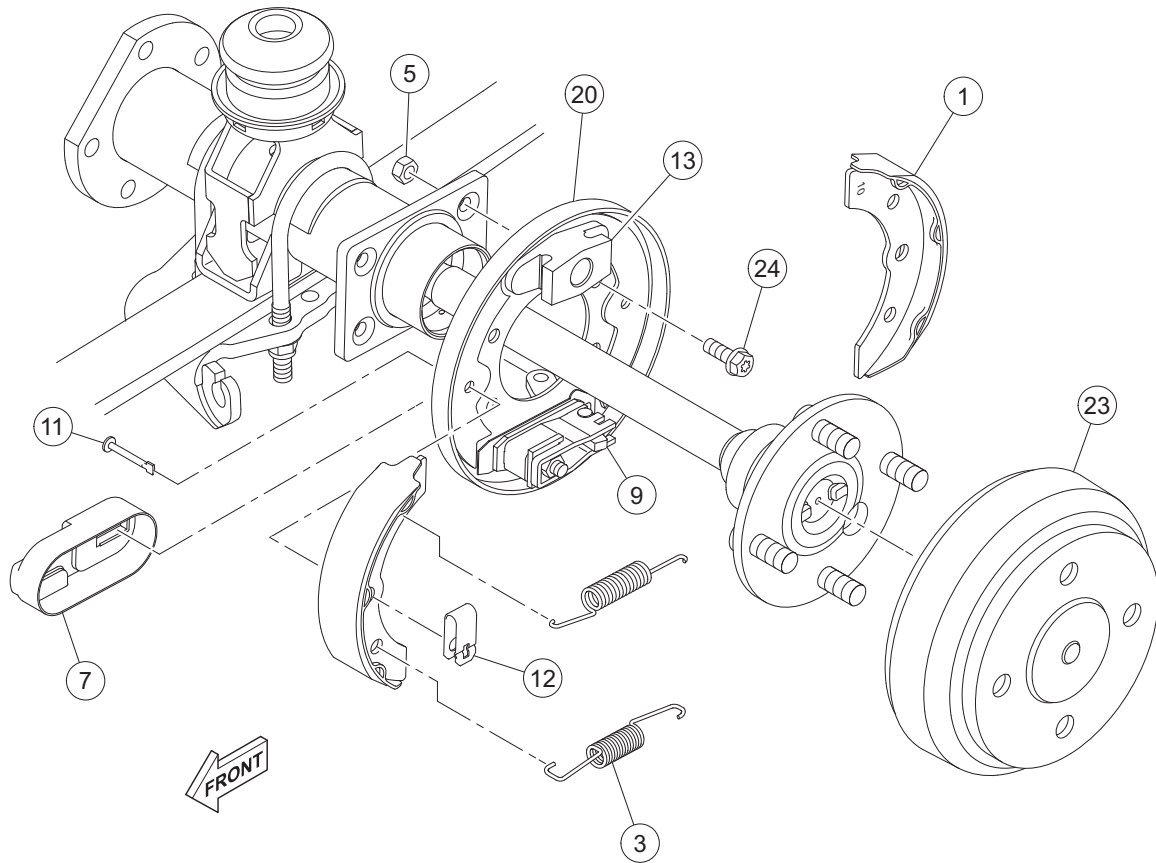
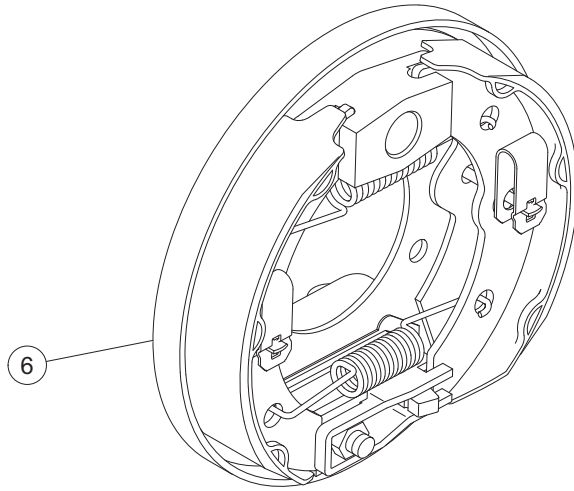
BRAKES AND PEDAL GROUP ASSEMBLIES

5

G

E

5
G
E



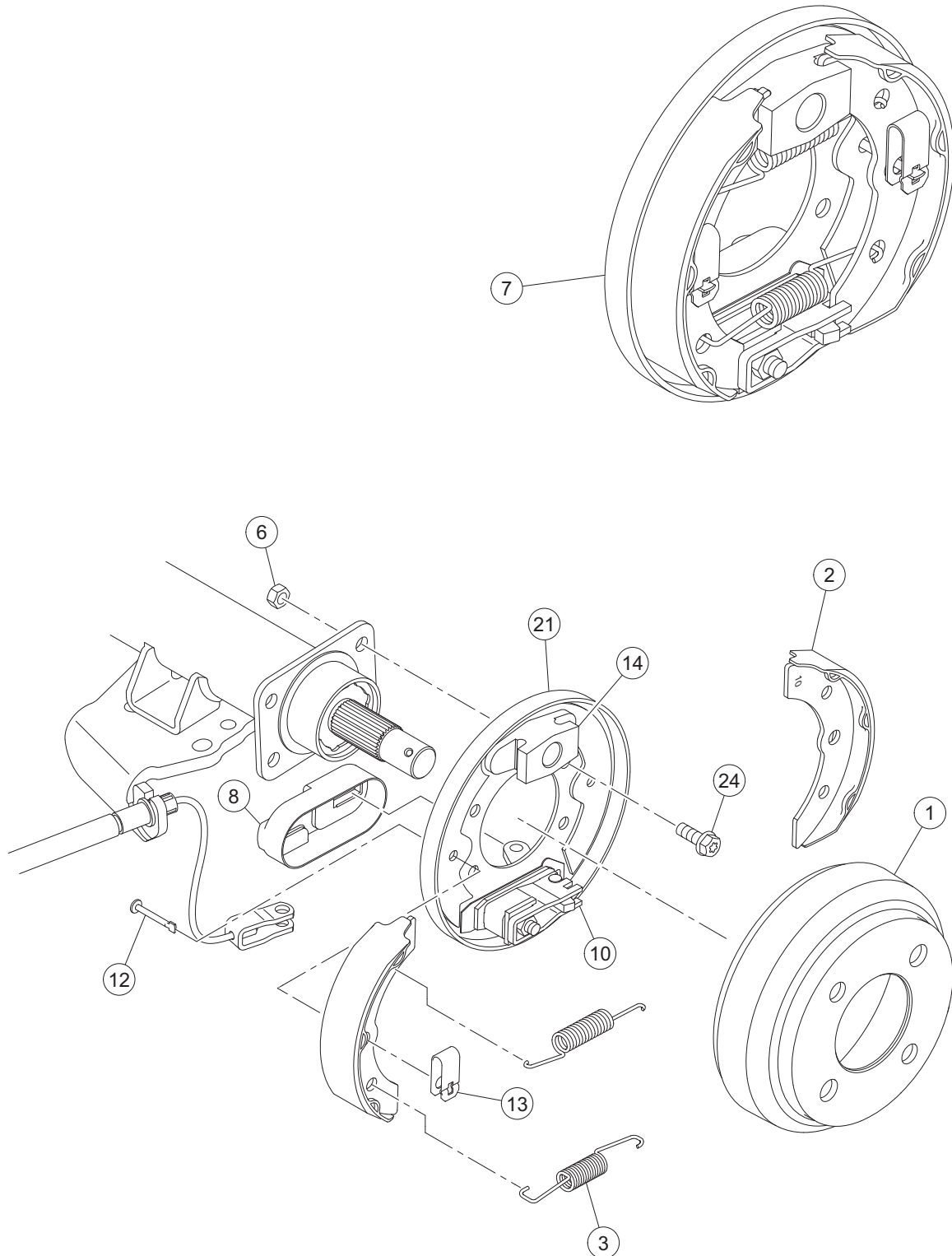
G-080199-000002

REAR BRAKES, MANUAL ADJUST, ELECTRIC VEHICLE

ITEM	PART NO.	DESCRIPTION	QTY
		1 2 3 4	
1	<u>101146302</u>	Kit, Non-Asbestos Brake Shoe (includes item 2)	1
2	101880701	Shoe Brake Manual Adj (Available in Kit, Non-Asbestos Brake Shoe)	4
3	<u>1011464</u>	Package, Brake Spring (includes item 4)	1
4	1011314	Brake Spring	4
5	<u>1013924</u>	Nut, 5/16-24, Hex Head Cone	8
6	<u>1016557</u>	Cluster, Brake, Driver-Side (includes items 7 through 22)	1
7	<u>1010850</u>	Dust Cover	1
8	1011314	Brake Spring	2
9	<u>1011465</u>	Kit, Brake Actuator	1
10	<u>1011466</u>	Kit, Shoe Retainer (includes items 11 and 12)	1
11	N/A	Pin	2
12	N/A	Shoe Clamp Spring	2
13	<u>1011467</u>	Kit, Anchor Body (includes items 14 through 19)	1
14	<u>1011114</u>	Nut, M6-1.00 Hex	2
15	1011298	Anchor Piston	2
16	N/A	Adjustment Bolt	1
17	N/A	Anchor Body Component	1
18	<u>1011303</u>	Adjustment Bolt Cap	1
19	<u>451</u>	Lockwasher, 1/4 Split	2
20	1011494	Backing Plate, Left-Hand	1
21	101880701	Shoe Brake Manual Adj (Available in Kit, Non-Asbestos Brake Shoe)	2
22	102860501	Arm, Brake Lever	1
23	<u>101791101</u>	Drum without Center Hole, Brake	2
24	<u>103229601</u>	Bolt, Brake Cluster Mnt, Hyd	8
<p>Note: Passenger side cluster p/n 1016573 is not illustrated. Some kit details are not shown. When detail parts are needed it is recommended to procure the necessary kits which are applicable to each cluster.</p>			

5
G
E

5
G
E



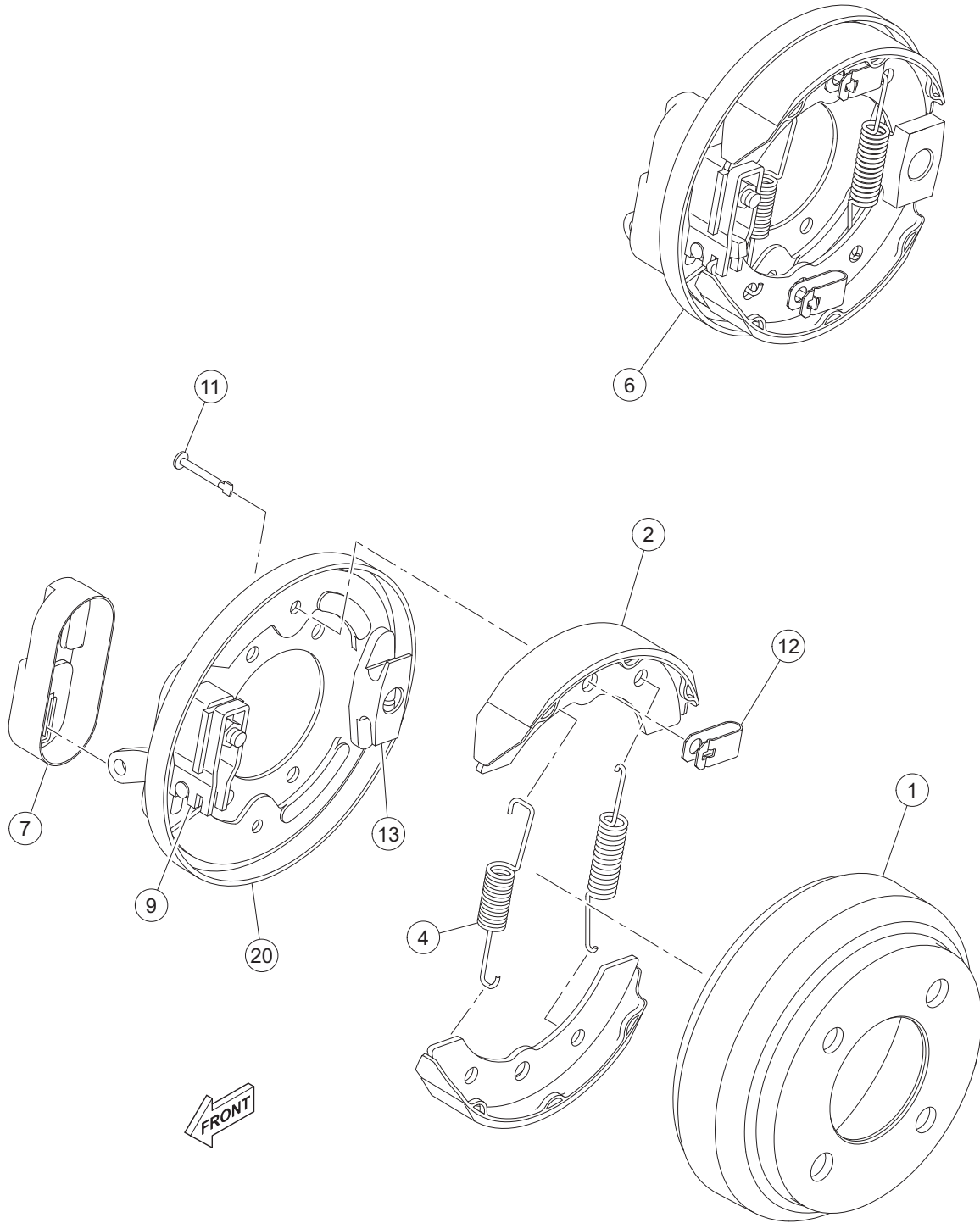
G-080199-000003

REAR BRAKES, MANUAL ADJUST, GASOLINE VEHICLE

ITEM	PART NO.	DESCRIPTION	QTY
		1 2 3 4	
1	<u>1011137</u>	Drum, Brake	2
2	<u>101146302</u>	Kit, Non-Asbestos Brake Shoe (includes item 3)	1
3	101880701	Shoe Brake Manual Adj (Available in Kit, Non-Asbestos Brake Shoe)	4
4	<u>1011464</u>	Package, Brake Spring (includes item 5)	1
5	1011314	Brake Spring	4
6	<u>1013924</u>	Nut, 5/16-24, Hex Head Cone	8
7	<u>1016557</u>	Cluster, Brake, Driver-Side (includes items 8 through 23)	1
8	<u>1010850</u>	Dust Cover	1
9	1011314	Brake Spring	2
10	<u>1011465</u>	Kit, Brake Actuator	1
11	<u>1011466</u>	Kit, Shoe Retainer (includes items 12 and 13)	1
12	N/A	Pin	2
13	N/A	Shoe Clamp Spring	2
14	<u>1011467</u>	Kit, Anchor Body (includes items 15 through 20)	1
15	<u>1011114</u>	Nut, M6-1.00 Hex	2
16	1011298	Anchor Piston	2
17	N/A	Adjustment Bolt	1
18	N/A	Anchor Body Component	1
19	<u>1011303</u>	Adjustment Bolt Cap	1
20	<u>451</u>	Lockwasher, 1/4 Split	2
21	1011494	Backing Plate, Left-Hand	1
22	101880701	Shoe Brake Manual Adj (Available in Kit, Non-Asbestos Brake Shoe)	2
23	102860501	Arm, Brake Lever	1
24	<u>103229601</u>	Bolt, Brake Cluster Mnt, Hyd	8
<p>Note: Passenger side cluster p/n 1016573 is not illustrated. Some kit details are not shown. When detail parts are needed it is recommended to procure the necessary kits which are applicable to each cluster.</p>			

5
G
E

5
G
E

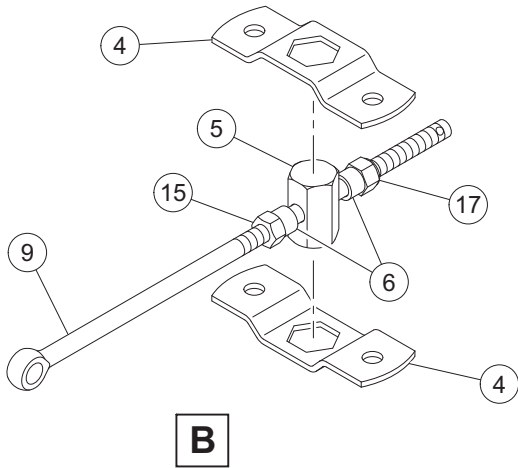
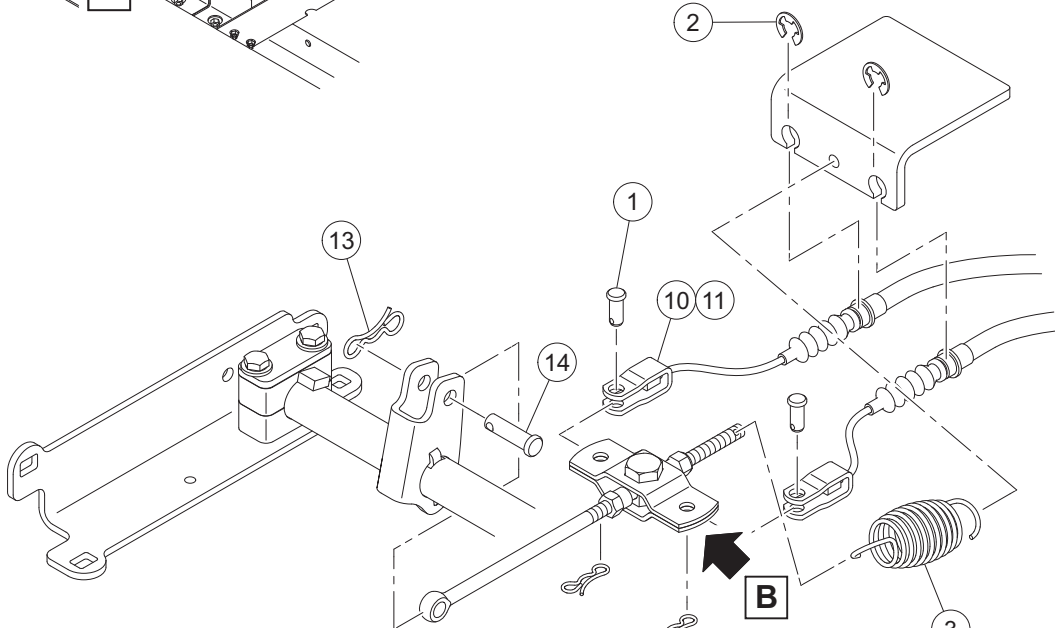
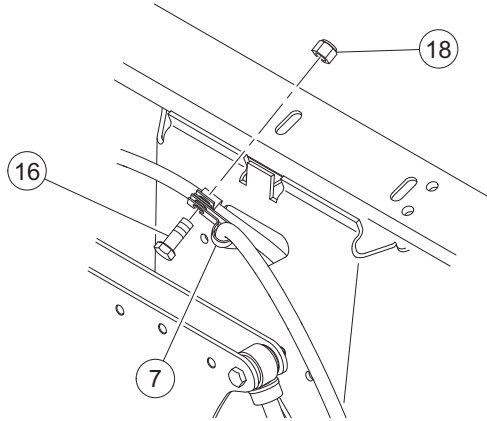
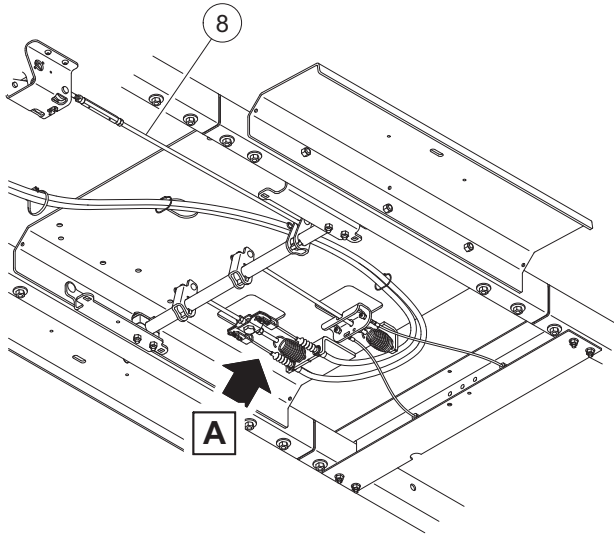


G-080199-000001

FRONT BRAKES, MANUAL ADJUST

ITEM	PART NO.	DESCRIPTION	QTY	
		1 2 3 4		5
1	<u>1011137</u>	Drum, Brake	2	G
2	<u>101146302</u>	Kit, Non-Asbestos Brake Shoe (includes item 3)	1	E
3	101880701	Shoe Brake Manual Adj (Available in Kit, Non-Asbestos Brake Shoe)	4	
4	<u>1011464</u>	Package, Brake Spring (includes item 5)	1	
5	1011314	Brake Spring	4	
6	<u>1016557</u>	Cluster, Brake, Driver-Side (includes items 7 through 22)	1	
7	<u>1010850</u>	Dust Cover	1	
8	1011314	Brake Spring	2	
9	<u>1011465</u>	Kit, Brake Actuator	1	
10	<u>1011466</u>	Kit, Shoe Retainer (includes items 11 and 12)	1	
11	N/A	Pin	2	
12	N/A	Shoe Clamp Spring	2	
13	<u>1011467</u>	Kit, Anchor Body (includes items 14 through 19)	1	
14	<u>1011114</u>	Nut, M6-1.00 Hex	2	
15	1011298	Anchor Piston	2	
16	N/A	Adjustment Bolt	1	
17	N/A	Anchor Body Component	1	
18	<u>1011303</u>	Adjustment Bolt Cap	1	
19	<u>451</u>	Lockwasher, 1/4 Split	2	
20	1011494	Backing Plate, Left-Hand	1	
21	101880701	Shoe Brake Manual Adj (Available in Kit, Non-Asbestos Brake Shoe)	2	
22	102860501	Arm, Brake Lever	1	
<p>Note: Passenger side cluster p/n 1016573 is not illustrated. Some kit details are not shown. When detail parts are needed it is recommended to procure the necessary kits which are applicable to each cluster.</p>				

5
G
E



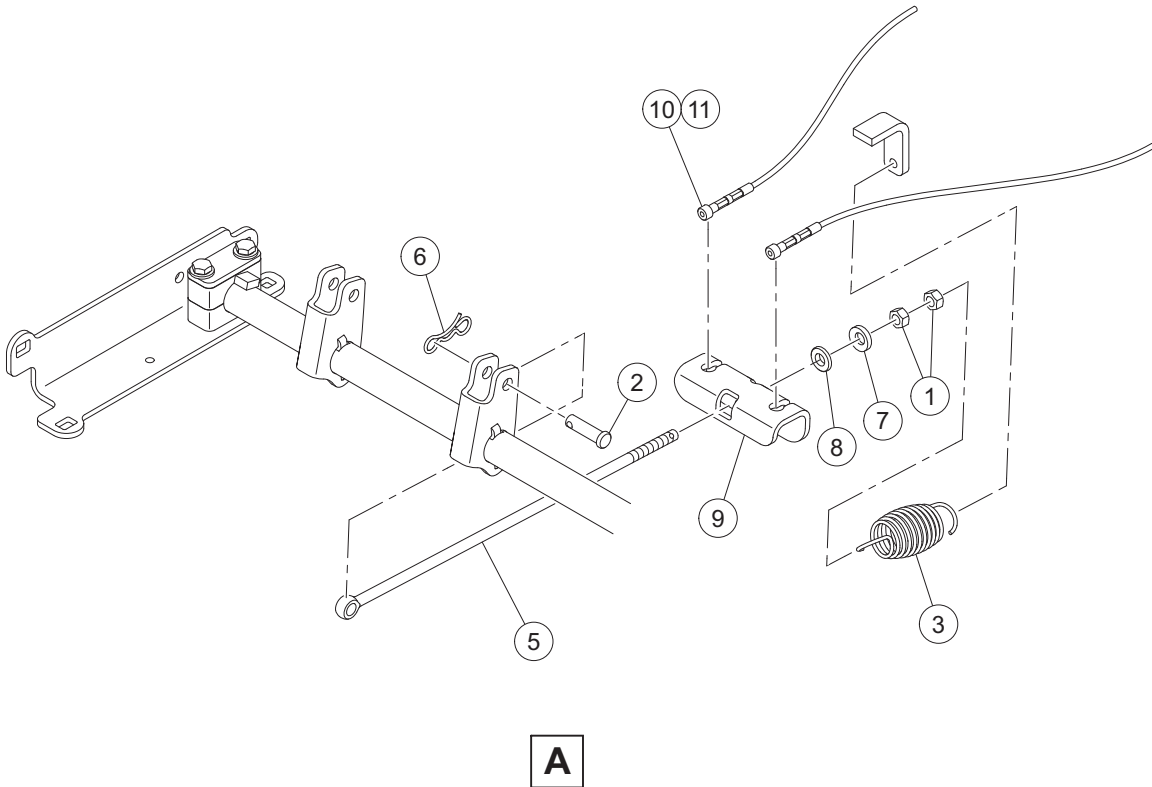
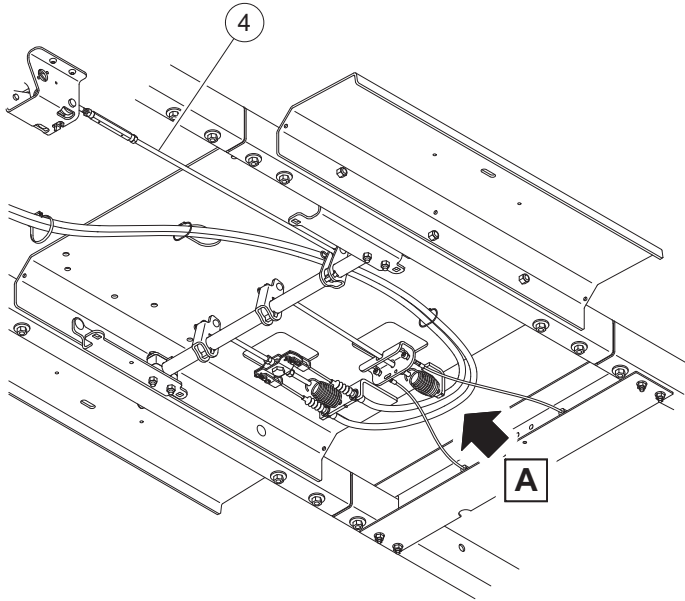
G-080199-000007

FRONT BRAKE CABLES AND EQUALIZER BRACKET

ITEM	PART NO.	DESCRIPTION	QTY
		1 2 3 4	
1	<u>1010829</u>	Pin, Clevis, 5/16 X 3/4	2
2	<u>1011779</u>	E-Clip, 1/2	2
3	<u>1013531</u>	Spring, Brake Return	1
4	1016318	Equalizer Half	2
5	1016320	Equalizer, Pivot Limiter	1
6	<u>101865301</u>	Spacer	2
7	<u>101935301</u>	Clamp, Brake Cable	2
8	101953102	Rod, Equalizer, 20.91 inch	1
9	<u>101953106</u>	Rod, Equalizer, 9.75"	1
10	101953403	Asm, Brake Cable, Lifted	2
11	101953404	Asm, Brake Cable, Non-lifted	2
12	<u>102292801</u>	Pin, Bow Tie Locking - .072	2
13	<u>102323101</u>	Pin, Bow Tie Locking	1
14	<u>102323201</u>	Pin, 3/8 X 1-5/16 Clevis	1
15	<u>1242</u>	Nut, 5/16-18 Hex	1
16	320	Screw, 3/8-16 X 1.00 Hex-Head Cap	1
17	<u>7473</u>	Locknut, 5/16-18 Nylon Insert	1
18	<u>8754</u>	Locknut, 3/8-16 Hex	1
Note: Item 10 is for lifted vehicles only. Item 11 is for non-lifted vehicles only.			

5
G
E

5
G
E



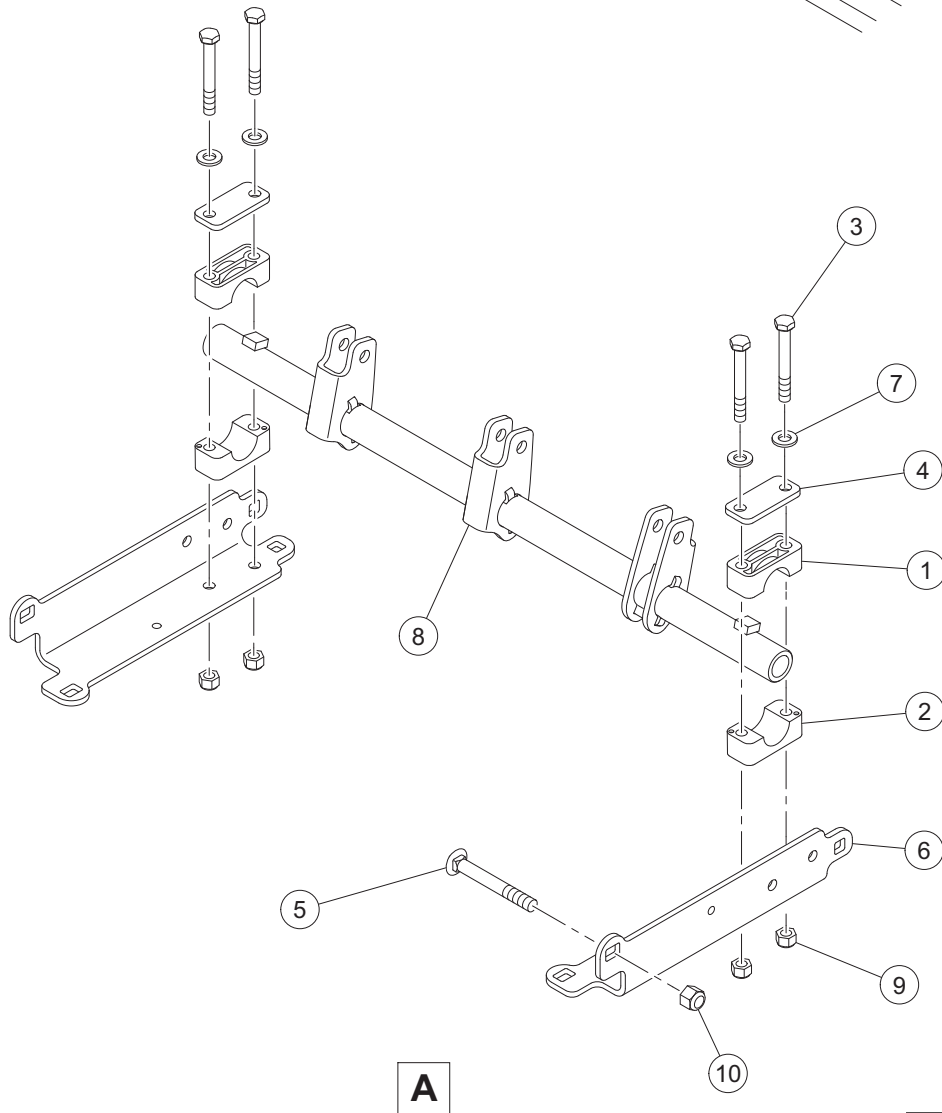
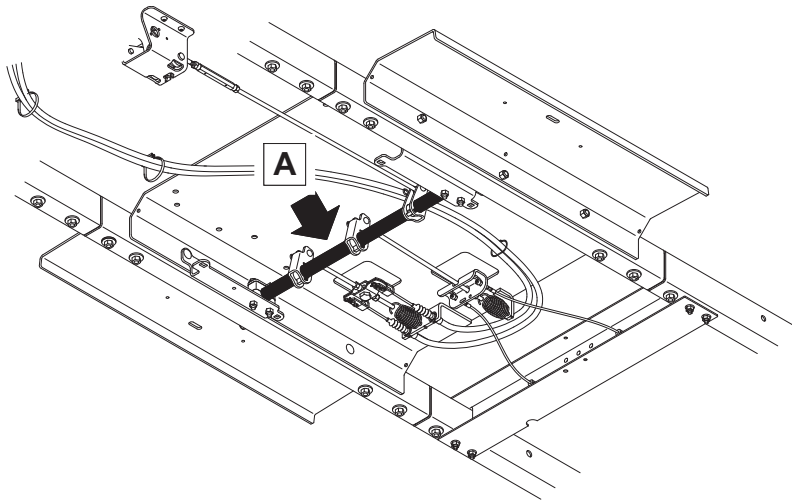
G-080199-000008

REAR BRAKE CABLES AND EQUALIZER BRACKET

ITEM	PART NO.	DESCRIPTION	QTY
		1 2 3 4	
1	<u>1010521</u>	Nut, 5/16-24 Hex	2
2	<u>1010829</u>	Pin, Clevis, 5/16 X 3/4	1
3	<u>1013531</u>	Spring, Brake Return	1
4	101953102	Rod, Equalizer, 20.91 inch	1
5	<u>101953105</u>	Rod, Equalizer, 13.30"	1
6	<u>102292801</u>	Pin, Bow Tie Locking - .072	1
7	<u>102551901</u>	Washer, 5/16, Self Comp, Cup	1
8	<u>102552001</u>	Washer, 5/16, Self Comp, Cone	1
9	<u>103535001</u>	Bracket, Equalizer	1
10	47644995002	Cable, Brake, Rear, Lh	2
11	47664816002	Cable, Brake, Rear, NI, Lh	2
Note: Item 10 is for lifted vehicles only. Item 11 is for non-lifted vehicles only.			

5
G
E

5
G
E



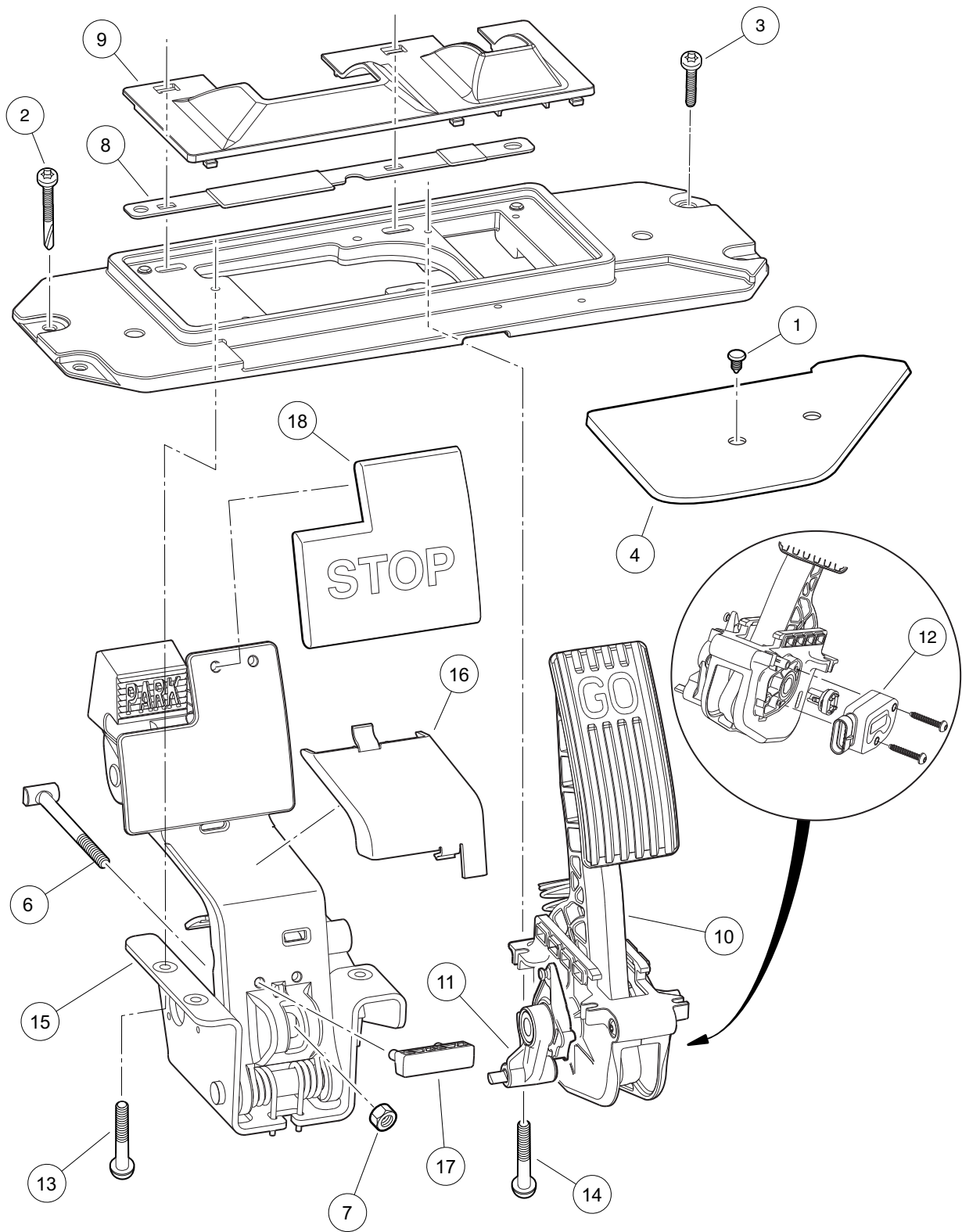
G-080199-000006

BELLCRANK ASSEMBLY

ITEM	PART NO.	DESCRIPTION	QTY
		1 2 3 4	
1	1010811	Mount-brake (b)	2
2	1010812	Mount - Brake (a)	2
3	<u>1010921</u>	Screw, 5/16-18 X 2.50 Hex Cap	4
4	101976301	Plate, Retainer	2
5	<u>102950402</u>	Bolt, 3/8-16 X 3, Carriage Blk	4
6	105116702	Brkt, Bellcrank Mtg, Str	2
7	<u>1241</u>	Washer, 5/16 Type A Flat	4
8	47640362002	Bellcrank Assy, 4wb, Typ B	1
9	<u>7473</u>	Locknut, 5/16-18 Nylon Insert	4
10	<u>8754</u>	Locknut, 3/8-16 Hex	4

5
G
E

5
G
E



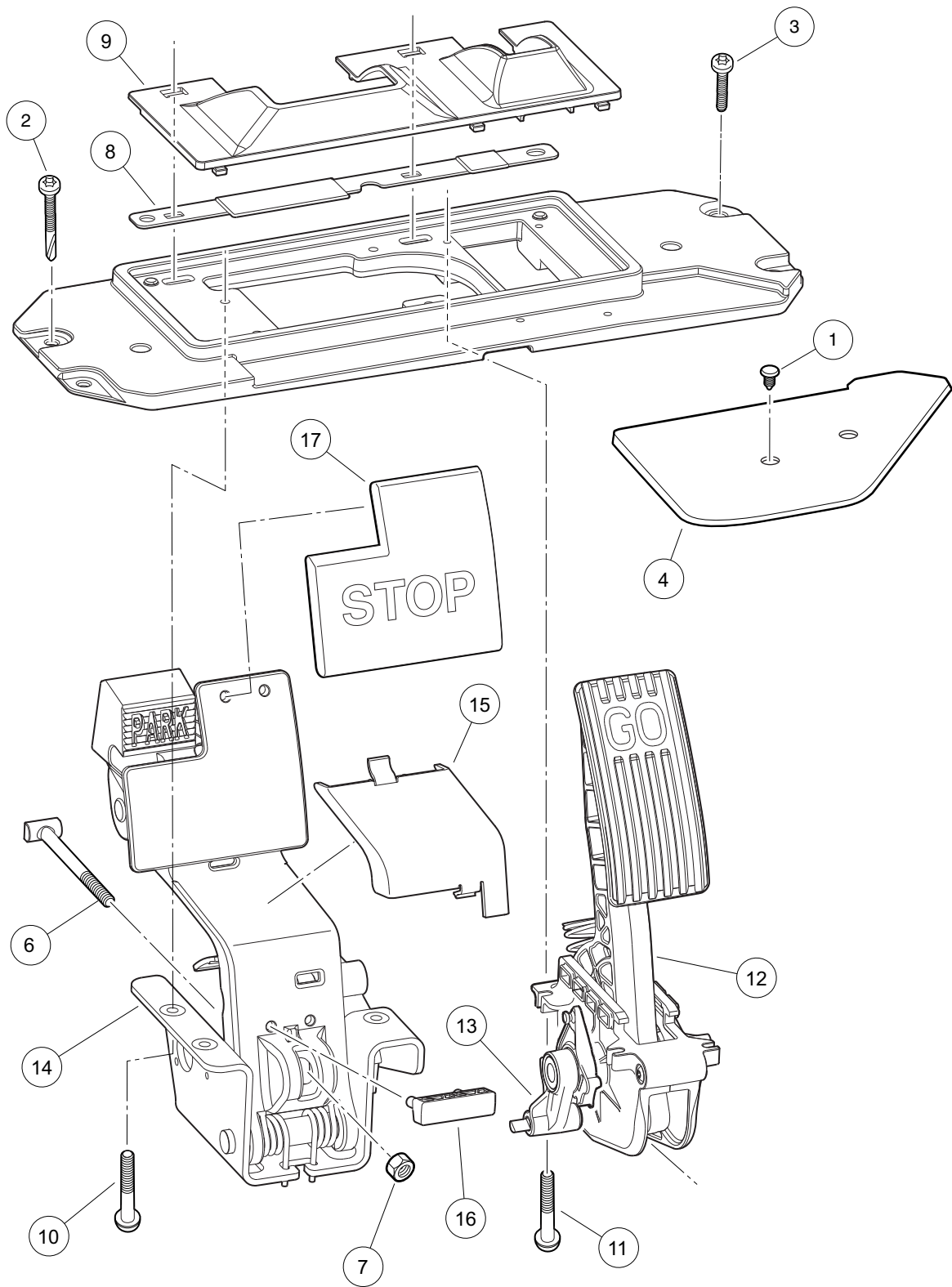
000487-015

PEDAL GROUP WITH SENSOR – GASOLINE VEHICLE

ITEM	PART NO.	DESCRIPTION	QTY
		1 2 3 4	
1	<u>1010434</u>	Barrel - Plastic	1
2	<u>102292201</u>	Screw-1/4-20x2.20 Tx Pn Hd Sd	2
3	<u>102298030</u>	Screw, K80x30, Torx Pn Hd Pt	2
4	<u>102500801</u>	Plate - Floor Cover	1
5	<u>103974815</u>	Asm, Pedal Set, Anodized, Service, Gas Vehicle (includes items 6 through 15)	1
6	<u>102559401</u>	Rod, Brake	1
7	<u>102559701</u>	Nut, Brake Rod	1
8	<u>102594801</u>	Shield, Debris Aux	1
9	<u>102594901</u>	Shield, Debris Primary	1
10	<u>102595502</u>	Asm, Accel. Pedal/Throttle, Anodized, Gas Vehicle (includes items 11 and 12)	1
11	<u>103777601</u>	Asm, Park Brake Release, Anodized	1
12	N/A	Throttle Sensor	1
13	<u>102595901</u>	Screw, M6x1.0x17 Ph, Taptite	4
14	<u>102596001</u>	Screw, M5x0.8x18 Ph, Taptite	4
15	<u>103974901</u>	Asm, Brake Pedal, Anodized (includes items 16 through 18)	1
16	<u>102595201</u>	Cover, Brake	1
17	<u>102595301</u>	Upstop, Brake	1
18	<u>102595401</u>	Pad, Brake	1
		Note: Item 5 is not illustrated as a complete assembly. All detail parts are identified in the illustration.	

5
G
E

5
G
E



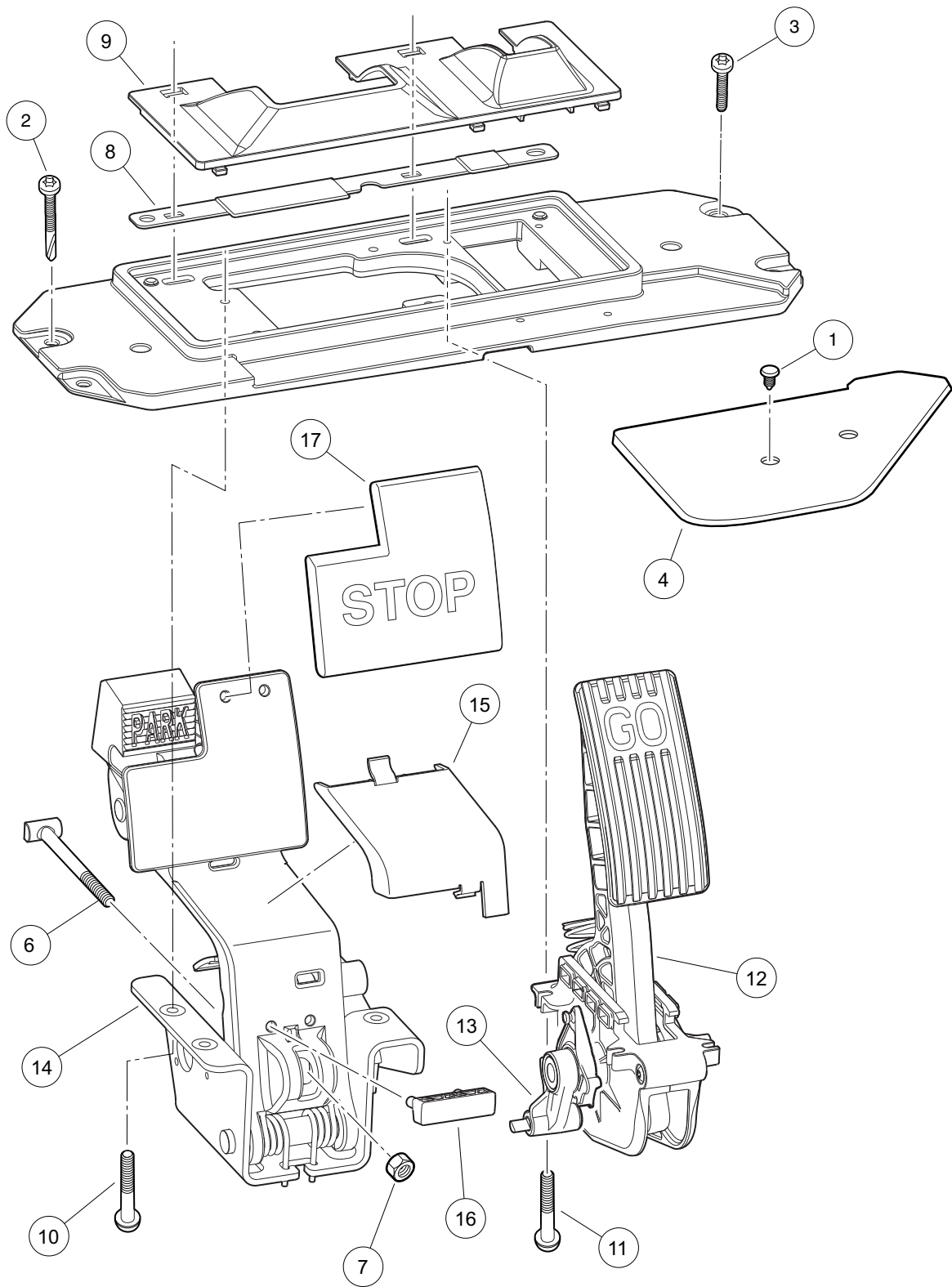
000487-018

PEDAL GROUP W/O SENSOR, GASOLINE VEHICLE

ITEM	PART NO.	DESCRIPTION	QTY
		1 2 3 4	
1	<u>1010434</u>	Barrel - Plastic	1
2	<u>102292201</u>	Screw-1/4-20x2.20 Tx Pn Hd Sd	2
3	<u>102298030</u>	Screw, K80x30, Torx Pn Hd Pt	2
4	<u>102500801</u>	Plate - Floor Cover	1
5	<u>103974821</u>	Asm, Pedal, Anodized, Field Service, Gas or Elec (includes items 6 through 14)	1
6	<u>102559401</u>	Rod, Brake	1
7	<u>102559701</u>	Nut, Brake Rod	1
8	<u>102594801</u>	Shield, Debris Aux	1
9	<u>102594901</u>	Shield, Debris Primary	1
10	<u>102595901</u>	Screw, M6x1.0x17 Ph, Taptite	4
11	<u>102596001</u>	Screw, M5x0.8x18 Ph, Taptite	4
12	<u>102596301</u>	Pedal, Accelerator, Anodized (includes item 13)	1
13	<u>103777601</u>	Asm, Park Brake Release, Anodized	1
14	<u>103974901</u>	Asm, Brake Pedal, Anodized (includes items 15 through 17)	1
15	<u>102595201</u>	Cover, Brake	1
16	<u>102595301</u>	Upstop, Brake	1
17	<u>102595401</u>	Pad, Brake	1
<p>Note: Pedal Assembly (item 5) has no sensor and is common to both gas and electric vehicles. Item 5 is not illustrated as a complete assembly. All applicable details are illustrated.</p>			

5
G
E

5
G
E



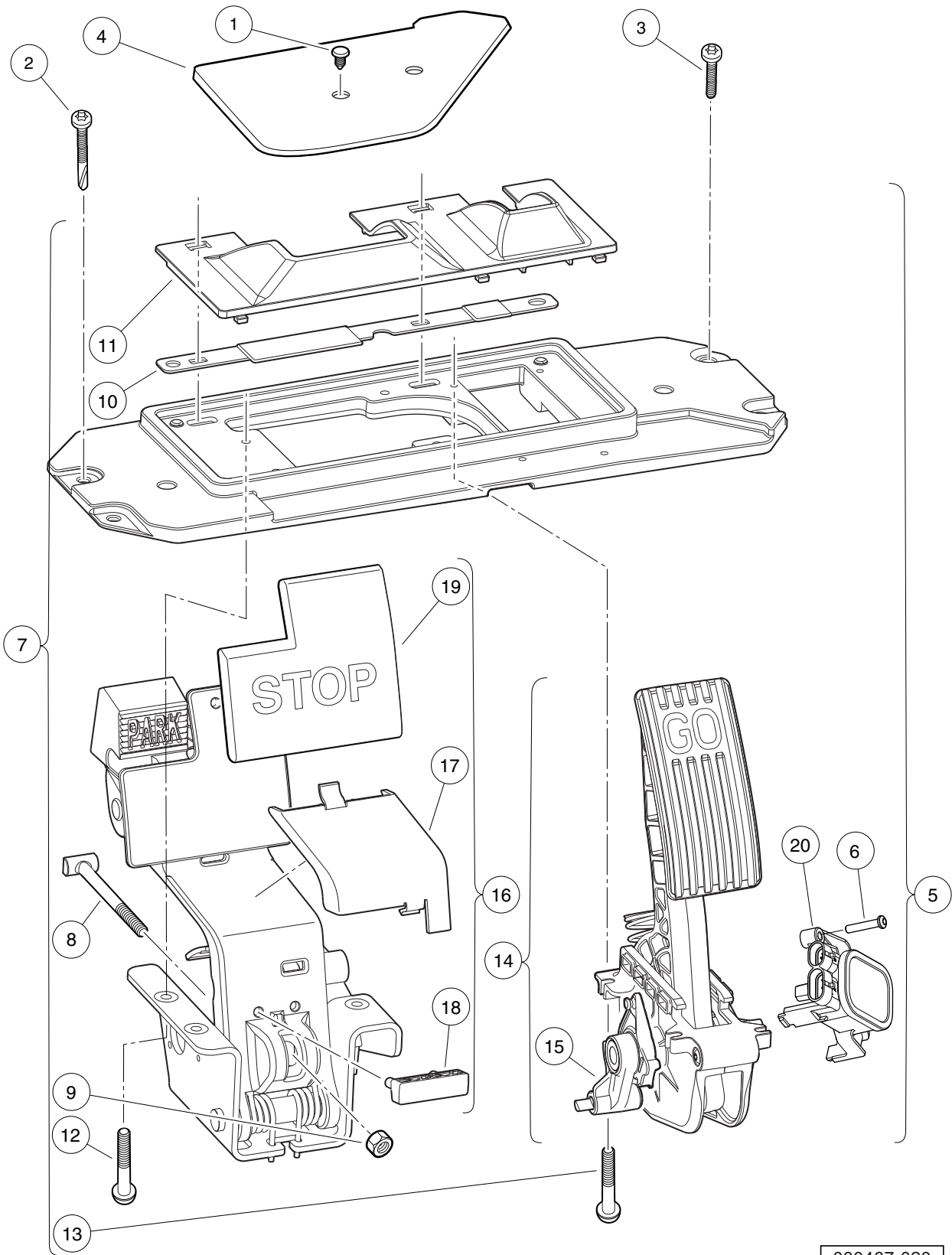
000487-016

PEDAL GROUP W/O MCOR – ELECTRIC VEHICLE

ITEM	PART NO.	DESCRIPTION	QTY
		1 2 3 4	
1	<u>1010434</u>	Barrel - Plastic	1
2	<u>102292201</u>	Screw-1/4-20x2.20 Tx Pn Hd Sd	2
3	<u>102298030</u>	Screw, K80x30, Torx Pn Hd Pt	2
4	<u>102500801</u>	Plate - Floor Cover	1
5	<u>103974821</u>	Asm, Pedal, Anodized, Field Service, Gas or Elec (includes items 6 through 14)	1
6	<u>102559401</u>	Rod, Brake	1
7	<u>102559701</u>	Nut, Brake Rod	1
8	<u>102594801</u>	Shield, Debris Aux	1
9	<u>102594901</u>	Shield, Debris Primary	1
10	<u>102595901</u>	Screw, M6x1.0x17 Ph, Taptite	4
11	<u>102596001</u>	Screw, M5x0.8x18 Ph, Taptite	4
12	<u>102596301</u>	Pedal, Accelerator, Anodized (includes item 13)	1
13	<u>103777601</u>	Asm, Park Brake Release, Anodized	1
14	<u>103974901</u>	Asm, Brake Pedal, Anodized (includes items 15 through 17)	1
15	<u>102595201</u>	Cover, Brake	1
16	<u>102595301</u>	Upstop, Brake	1
17	<u>102595401</u>	Pad, Brake	1
<p>Note: Pedal Assembly (item 5) has no MCOR and is common to both gas and electric vehicles. Item 5 is not illustrated as a complete assembly. All applicable details are illustrated.</p>			

5
G
E

5
G
E



000487-020

PEDAL GROUP WITH MCOR – ELECTRIC VEHICLE

ITEM	PART NO.	DESCRIPTION	QTY
		1 2 3 4	
1	<u>1010434</u>	Barrel - Plastic	1
2	<u>102292201</u>	Screw-1/4-20x2.20 Tx Pn Hd Sd	2
3	<u>102298030</u>	Screw, K80x30, Torx Pn Hd Pt	2
4	<u>102500801</u>	Plate - Floor Cover	1
5	<u>103874111</u>	Asm, Pedal Set, No Switch, w/MCOR, Service (includes items 6 through 20)	1
6	<u>103943401</u>	Screw, Pan, #10 X 1.00 Hi-lo	1
7	<u>103975011</u>	Asm, Pedal Set, No Switch, Service (includes items 8 through 16)	1
8	<u>102559401</u>	Rod, Brake	1
9	<u>102559701</u>	Nut, Brake Rod	1
10	<u>102594801</u>	Shield, Debris Aux	1
11	<u>102594901</u>	Shield, Debris Primary	1
12	<u>102595901</u>	Screw, M6x1.0x17 Ph, Taptite	4
13	<u>102596001</u>	Screw, M5x0.8x18 Ph, Taptite	4
14	<u>102596301</u>	Pedal, Accelerator, Anodized (includes item 15)	1
15	<u>103777601</u>	Asm, Park Brake Release, Anodized	1
16	<u>103974901</u>	Asm, Brake Pedal, Anodized (includes items 17 through 19)	1
17	<u>102595201</u>	Cover, Brake	1
18	<u>102595301</u>	Upstop, Brake	1
19	<u>102595401</u>	Pad, Brake	1
20	<u>105116301</u>	MCOR4, Type 16 Switch	1
		Note: See the Electrical System Section for more MCOR information.	

5
G
E

5

G

E

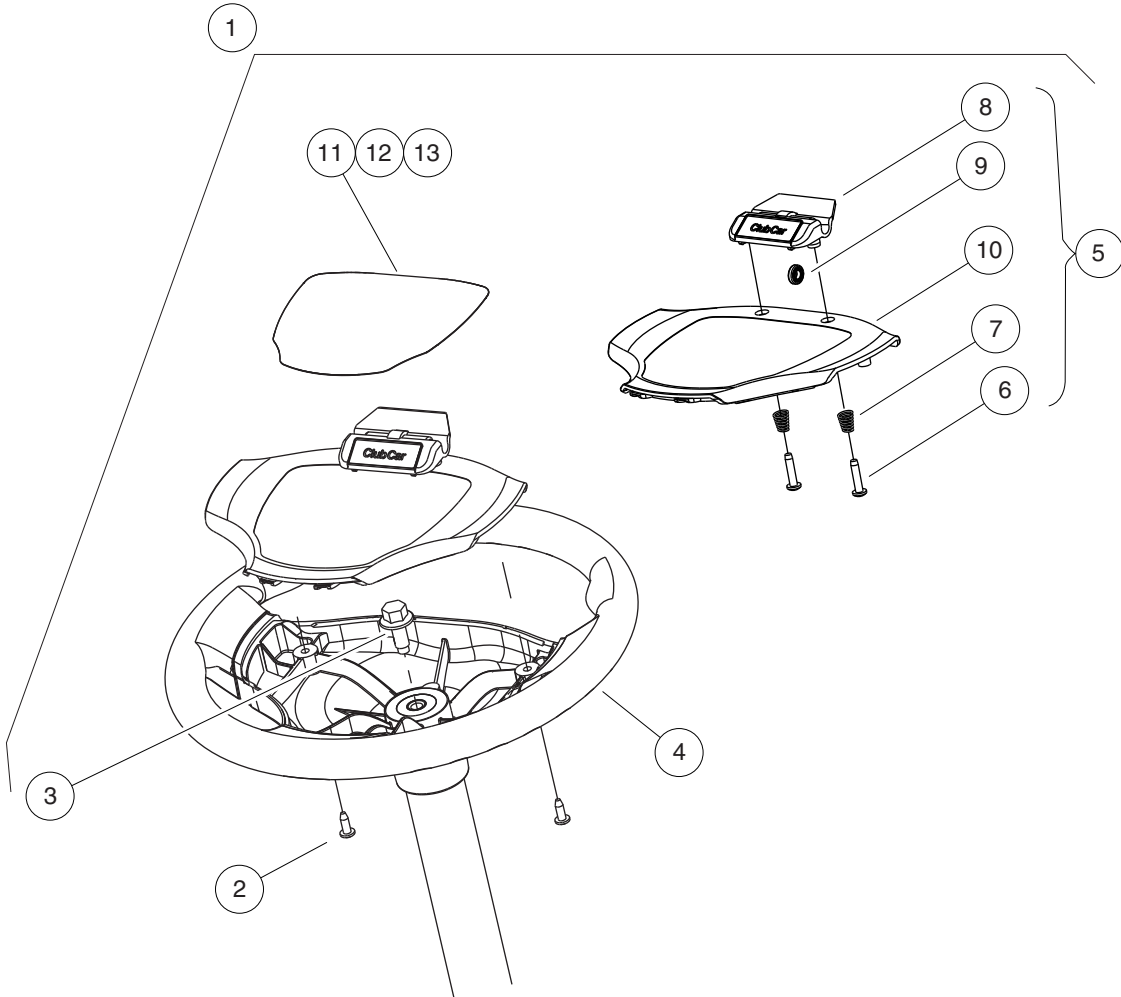
STEERING, FRONT AND REAR SUSPENSION – NON-LIFTED

6

G

E

6
G
E



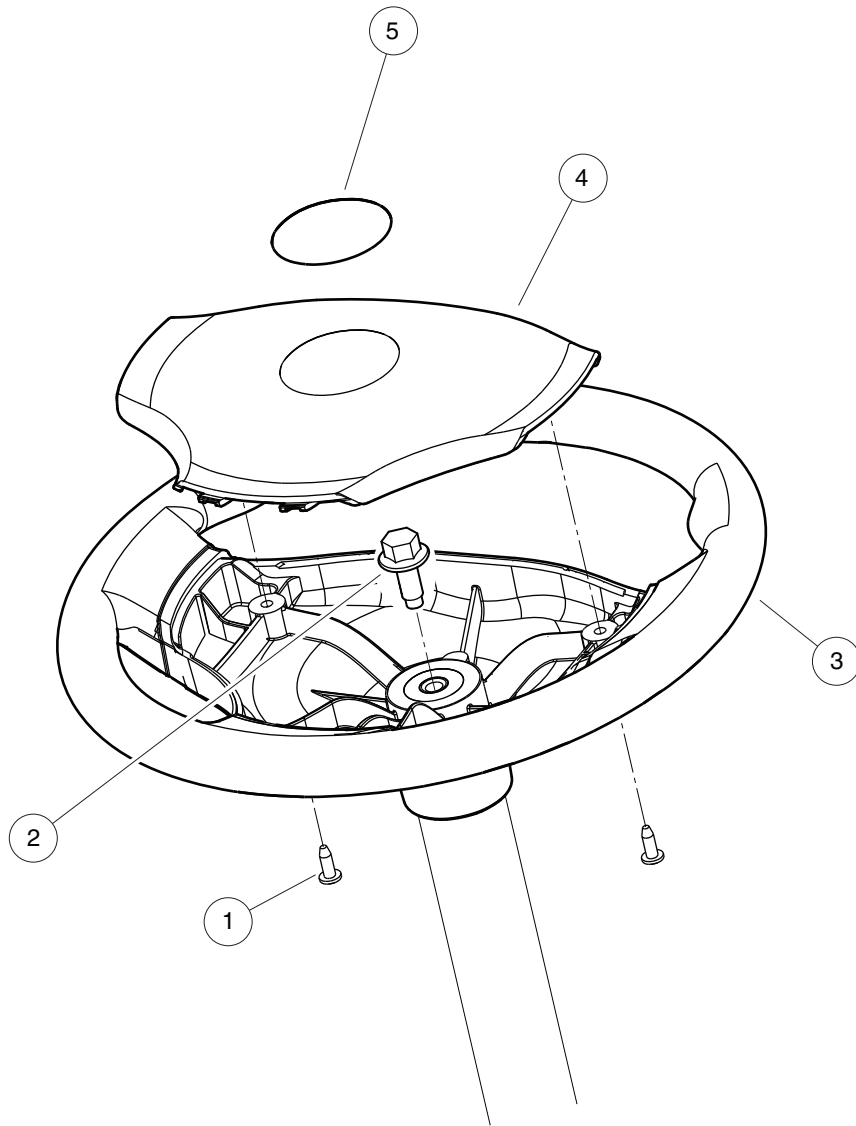
000470-002

STEERING WHEEL, COMFORT GRIP WITH CLIP

ITEM	PART NO.	DESCRIPTION	QTY
		1 2 3 4	
1	<u>103796701</u>	Kit, Hex, Steering Wheel (includes items 2 through 13)	1
2	<u>101850301</u>	Screw, #12-16 X 0.50 Washer-Head Hi-Lo	2
3	<u>102290120</u>	Bolt, M10 X 20 Hex Washer Hd	1
4	<u>103724503</u>	Steering Wheel, Soft Grip, Hex	1
5	<u>103724901</u>	Asm, Scorecard, Clip (includes items 6 through 10)	1
6	<u>1012565</u>	Screw, #12 Phillips Round Head	2
7	<u>1012566</u>	Tapered Compression Spring	2
8	<u>1016154</u>	Clip, Scorecard	1
9	<u>1016214</u>	Pencil Grip	1
10	<u>103724601</u>	Cover, Steering Wheel, Clip	1
11	<u>103783001</u>	Decal, Op Instr, Ele	1
12	<u>103783002</u>	Decal, Op Instr, Gas Ps	1
13	<u>103783003</u>	Decal, Op Instr, Gas Ks	1
<p>Note: Refer to the Decal section of this manual or to the applicable Operator Manual for this vehicle to make sure which Operating Instructions Decal applies.</p>			

6
G
E

6
G
E



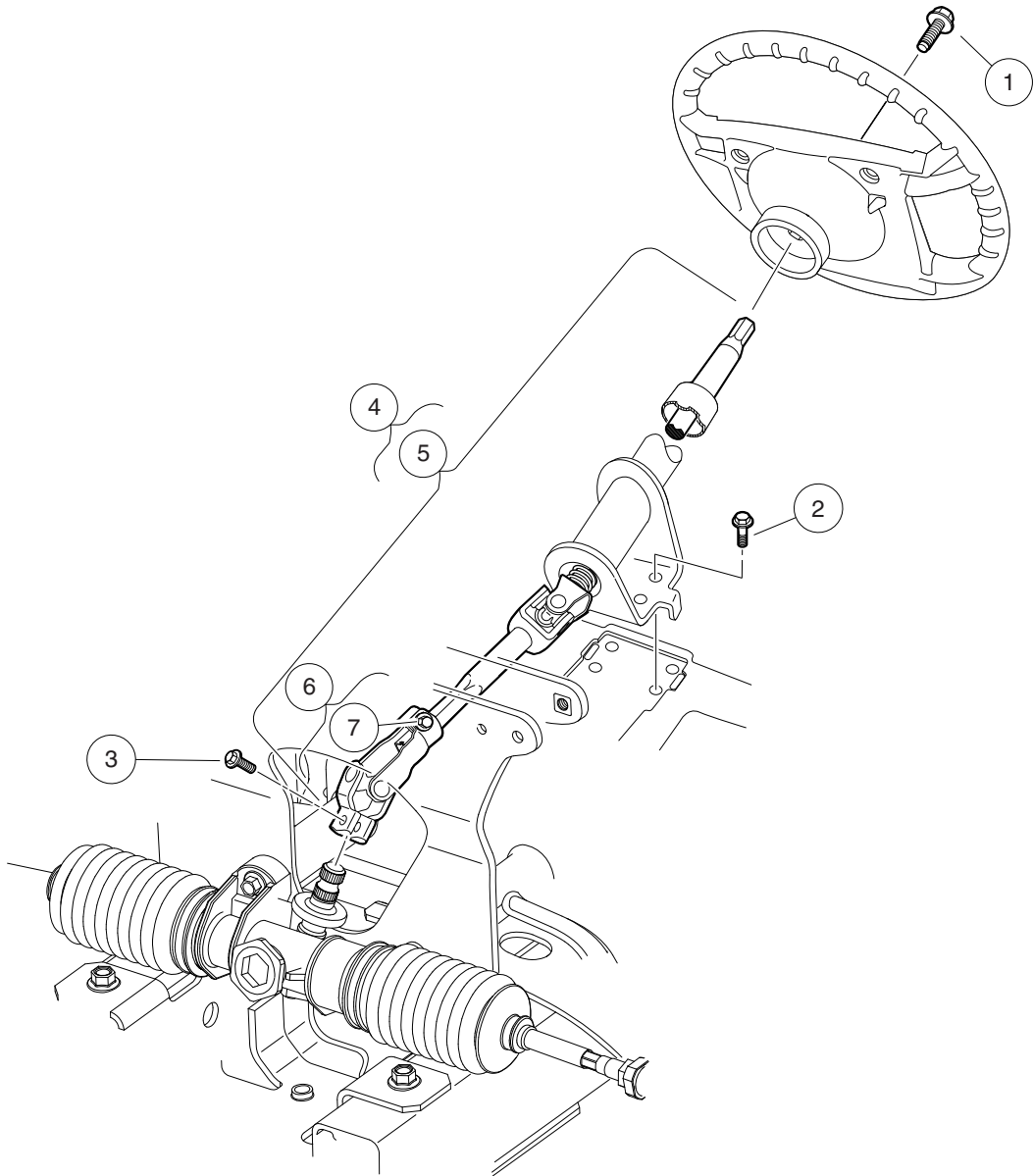
001389-001

STEERING WHEEL, COMFORT GRIP WITH LOGO

ITEM	PART NO.	DESCRIPTION	QTY
		1 2 3 4	
1	<u>101850301</u>	Screw, #12-16 X 0.50 Washer-Head Hi-Lo	2
2	<u>102290120</u>	Bolt, M10 X 20 Hex Washer Hd	1
3	<u>103724503</u>	Steering Wheel, Soft Grip, Hex	1
4	<u>103724602</u>	Cover, Steering Wheel, Generic	1
5	<u>103829401</u>	Logo, Cci, Steer Wheel	1

6
G
E

6
G
E

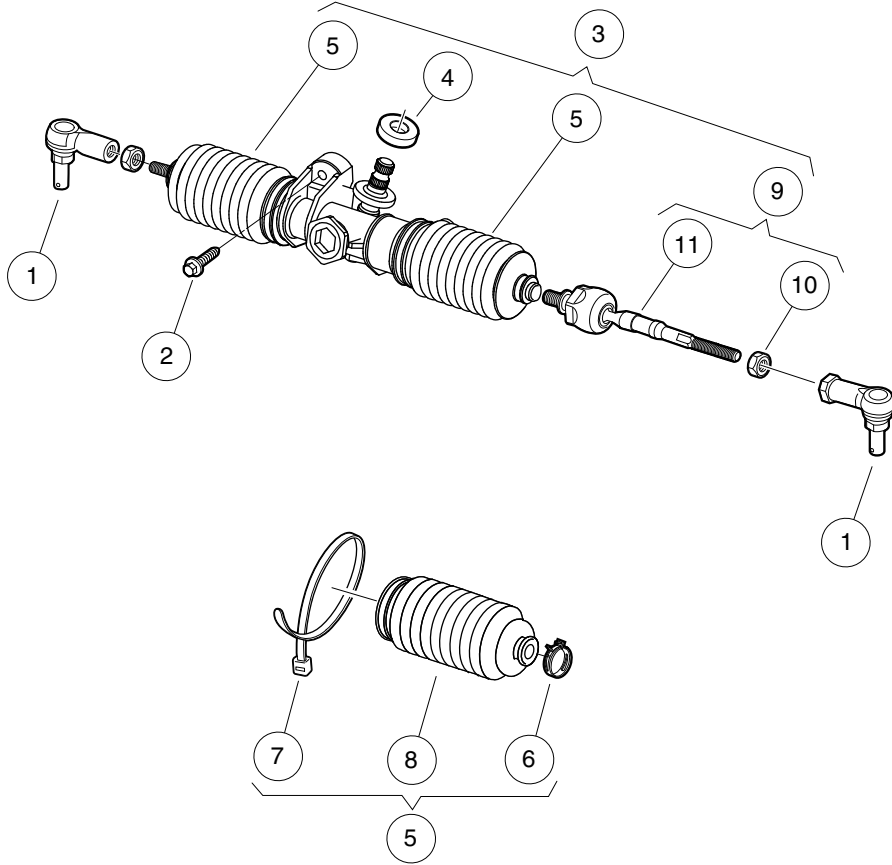


000469-007

STEERING COLUMN

ITEM	PART NO.	DESCRIPTION	QTY
		1 2 3 4	
1	102290120	Bolt, M10 X 20 Hex Washer Hd	1
2	<u>102298116</u>	Bolt, Flanged Head, M8 X 16.0	4
3	<u>102298130</u>	Bolt, Flange Head, M8 X 30.0	1
4	<u>105049001</u>	Kit, Inner Steering Clmn (includes item 5)	1
5	105068601	Asm, Column, Inner (includes item 6)	1
6	<u>103810201</u>	Kit, Lower Yoke, Wanda (includes item 7)	1
7	<u>102298130</u>	Bolt, Flange Head, M8 X 30.0	1

6
G
E



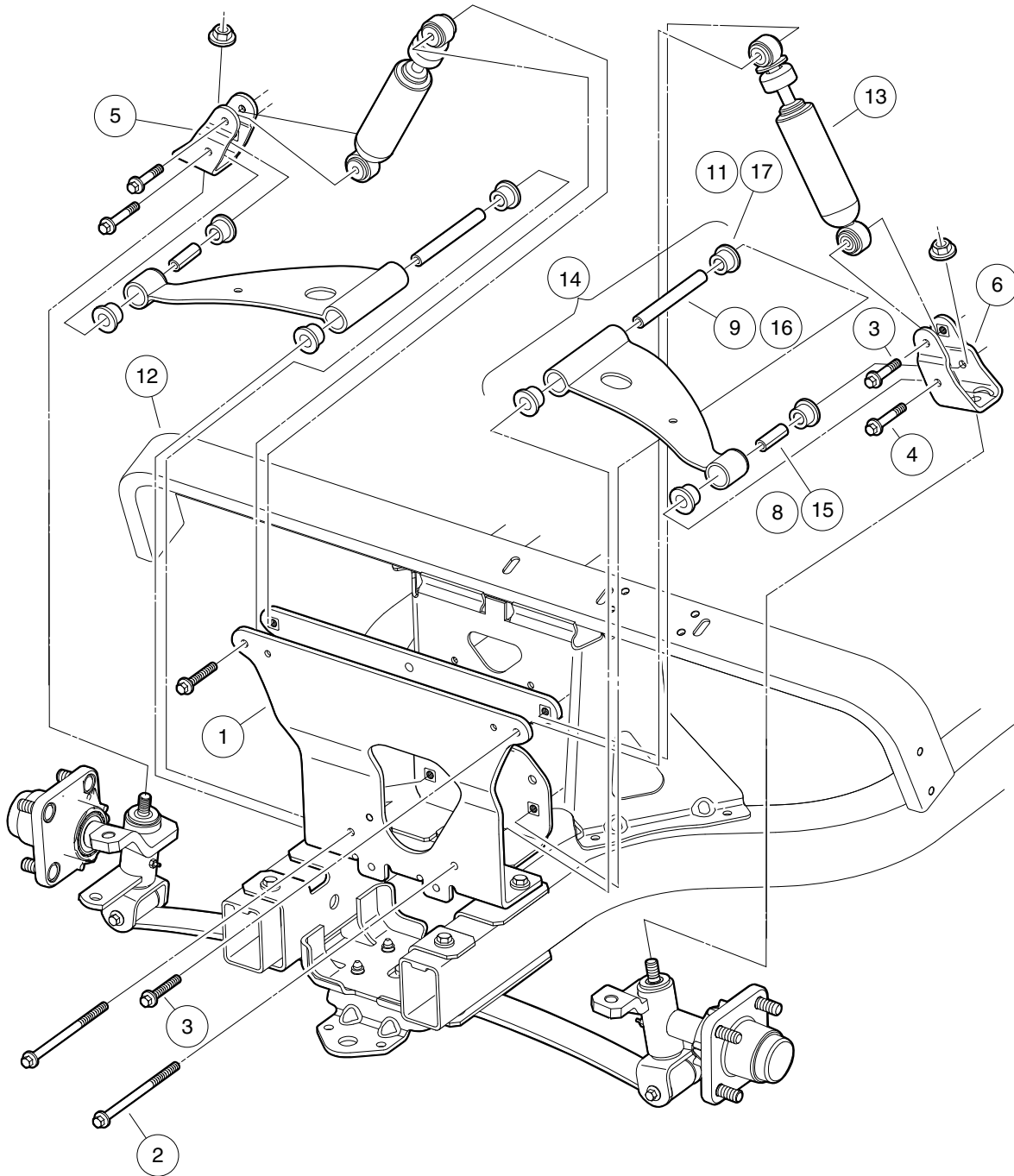
000476-005

STEERING GEAR ASSEMBLY

ITEM	PART NO.	DESCRIPTION	QTY
		1 2 3 4	
1	<u>102022601</u>	End, Tie Rod M12 X 1.25 Rh	2
2	<u>102289001</u>	Screw, M8X1.25X30, Hex	3
3	<u>103679701</u>	Asm, Rack & Pinion (includes items 4 through 9)	1
4	<u>102565201</u>	Seal, Dust, Steering Pinion	1
5	<u>103826201</u>	Bellow Kit, Steering-sona (includes items 6 through 8)	2
6	<u>102566001</u>	Clip, Steering	1
7	<u>8990</u>	Tie Wrap, 8" Nylon	1
8	N/A	Bellows	1
9	<u>103826301</u>	Kit, IBJ (Inner Ball Joint), Steering-sona (includes items 10 and 11)	2
10	1013042	Nut, 12mm Hex	1
11	N/A	Inner Ball Joint	1

6
G
E

6
G
E



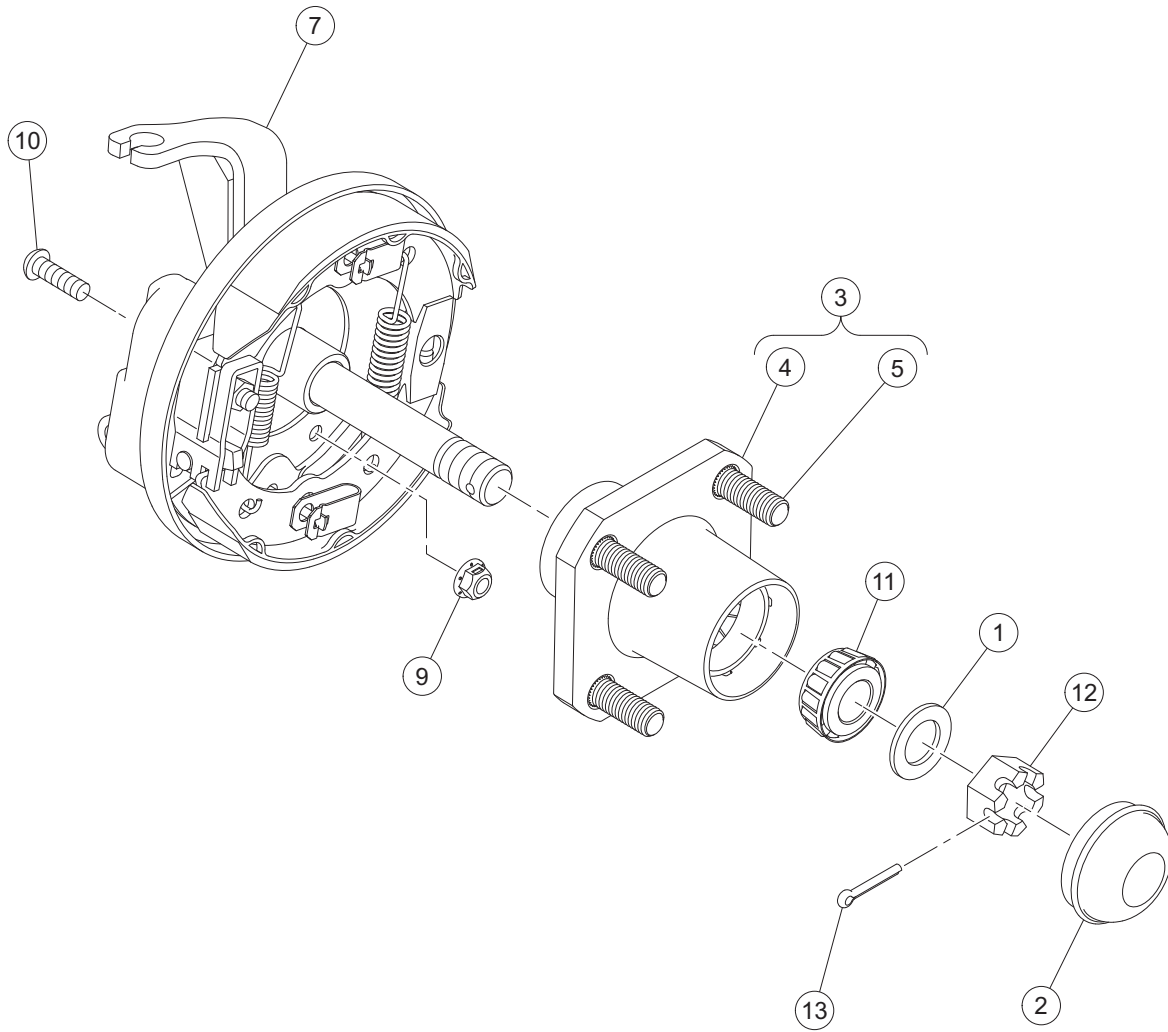
000445-005

FRONT SUSPENSION, UPPER

ITEM	PART NO.	DESCRIPTION	QTY
		1 2 3 4	
1	<u>102287101</u>	Assembly - Front Structure	1
2	<u>102288901</u>	Bolt, Hex, M8x1.25 X 135	2
3	<u>102289401</u>	Screw- Hex Cap, M8 X 1.25 X 45	4
4	<u>102289501</u>	Screw- Hex Cap, M8 X 1.25 X 70	2
5	<u>102289601</u>	Upper Clevis Assembly, Passenger-side	1
6	<u>102289701</u>	Upper Clevis Assembly, Driver-side	1
7	<u>102289901</u>	Kit, Susp, Bushing Joints (includes items 8 through 11)	1
8	<u>102287601</u>	Sleeve - Rolled, Outer	2
9	<u>102287701</u>	Sleeve - Rolled, Inner	2
10	<u>102288101</u>	Sleeve - Rolled, Spring	2
11	<u>102956201</u>	Bushing, Urethane, Short	12
12	<u>102505701</u>	Assembly, Dash Support	1
13	<u>102588601</u>	Shock Absorber Front	2
14	<u>103388501</u>	Asm, 3 Piece A-arm, Bushings (includes items 15 through 17)	2
15	<u>102287601</u>	Sleeve - Rolled, Outer	1
16	<u>102287701</u>	Sleeve - Rolled, Inner	1
17	<u>102956201</u>	Bushing, Urethane, Short	4
		Note: Item 7 (not shown) includes bushings and sleeves for control arms and front suspension leaf spring. See lower suspension page for illustration of item 10 (not shown).	

6
G
E

6
G
E



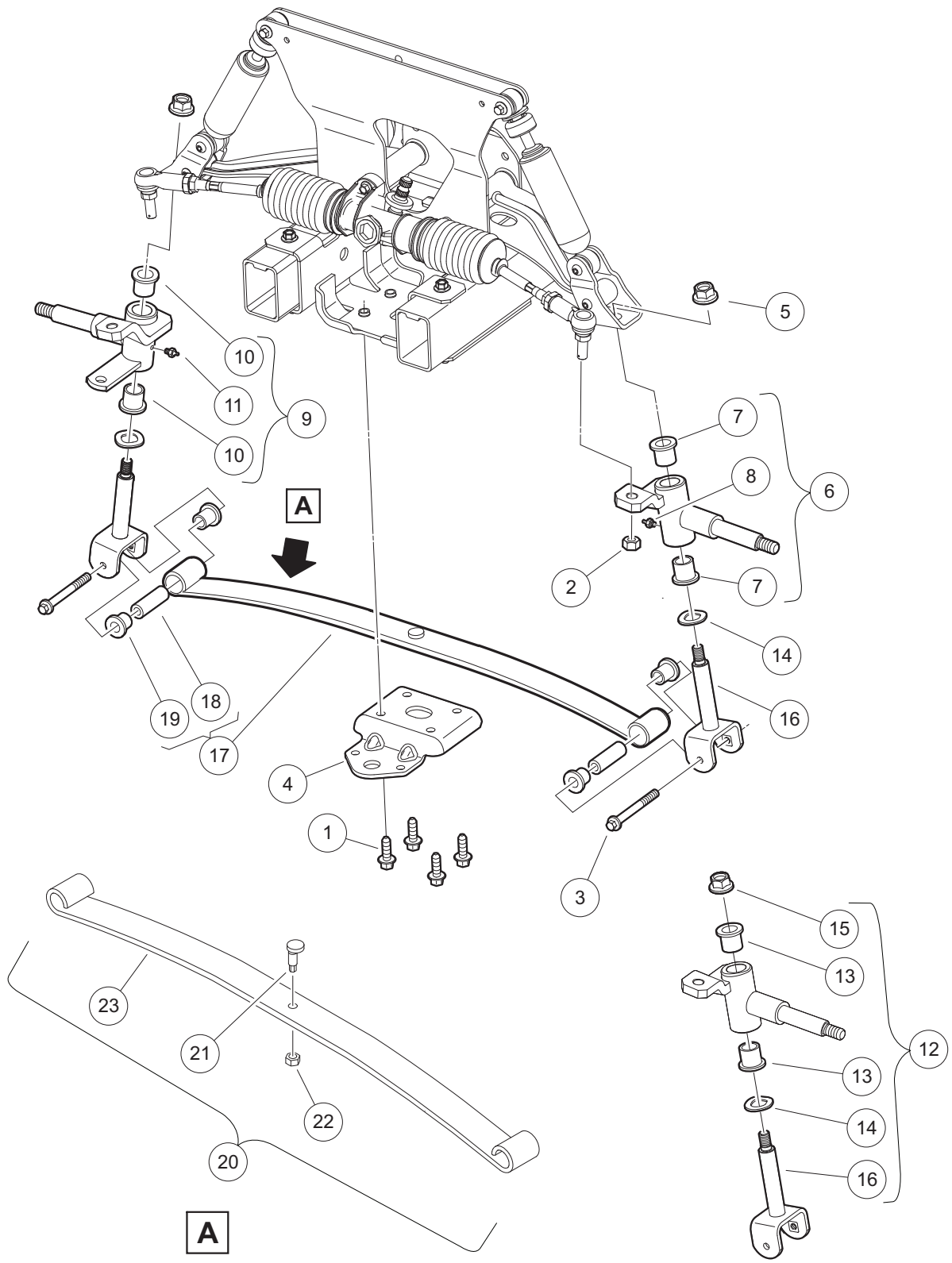
G-080199-000004

FRONT HUB ASSEMBLY

ITEM	PART NO.	DESCRIPTION	QTY
		1 2 3 4	
1	<u>1010005</u>	Washer, 3/4 Flat	1
2	<u>1011887</u>	Dust Cover	1
3	N/A	Hub (includes items 4 through 6)	1
4	N/A	Front Hub	1
5	<u>103477901</u>	Lug Stud, 1/2-20 Unf, 4037	4
6	7308	Race, Front Hub Bearing	2
7	47629232001	Spindle Asm, Non-lifted 4wb Lh	1
8	47630085001	Spindle Asm, Non-lifted 4wb Rh	1
9	47656866001	Locknut, Hex Flange 5/16"-24	4
10	47661387001	Bhcs, 5/16"-24 X 1" Torx Plus	4
11	7274	Bearing, Front Hub Wheel	1
12	<u>7840</u>	Nut, 3/4-16 Hex Slotted	1
13	<u>7910</u>	Pin, 5/32 X 1.00 Cotter	1
		Note: Item 5 is not illustrated. Opposite of driver side item 4.	

6
G
E

6
G
E



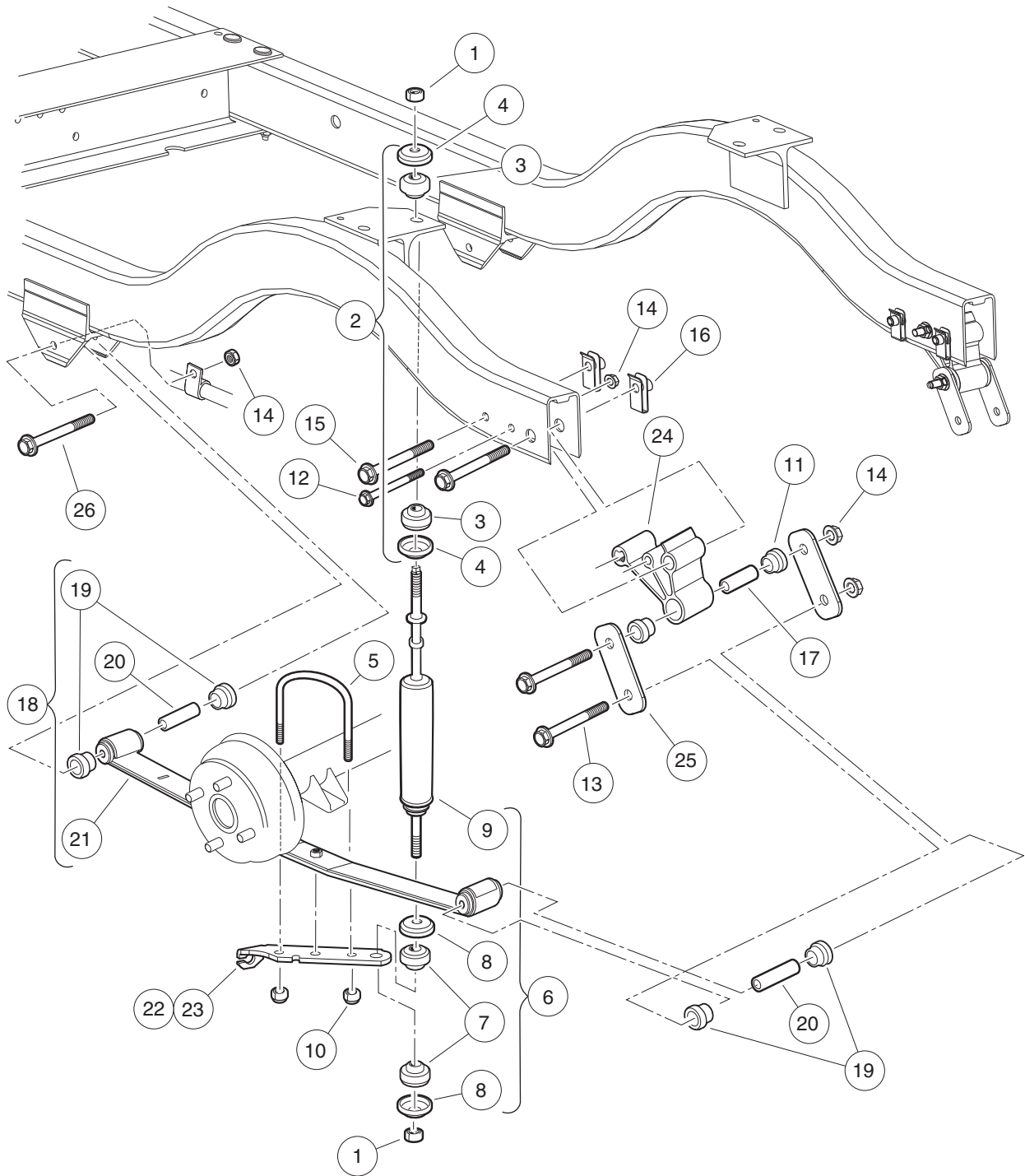
000477-010

FRONT SUSPENSION, LOWER

ITEM	PART NO.	DESCRIPTION	QTY
		1 2 3 4	
1	<u>102289101</u>	Screw-m10x1.5, Trilob, Hex Fl	4
2	<u>102289201</u>	Nut - Hex Locking, M12 X 1.25	2
3	<u>102289501</u>	Screw- Hex Cap, M8 X 1.25 X 70	2
4	<u>102289801</u>	Clamp - Leaf Spring	1
5	<u>102878201</u>	Nut, Lock,m12,washer,conical	2
6	<u>103638701</u>	Asm, Spindle, with Bushings, Driver-side (includes items 7 and 8)	1
7	<u>102288201</u>	Bushing - Flanged	2
8	N/A	Fitting, Grease, Knuckle Spindle Asym	1
9	<u>103638702</u>	Asm, Spindle, with Bushings, Passenger-side (includes items 10 and 11)	1
10	<u>102288201</u>	Bushing - Flanged	2
11	N/A	Fitting, Grease, Knuckle Spindle Asym	1
12	<u>103638801</u>	Kit, King Pin Joints (includes items 13 through 16)	1
13	<u>102288201</u>	Bushing - Flanged	4
14	<u>102288401</u>	Wave Washer - Kingpin	2
15	<u>102878201</u>	Nut, Lock,m12,washer,conical	2
16	<u>103638601</u>	Asm, King Pin, M12	2
17	47678804001	Asm, Hd Front Spring W/bushing (includes items 18 through 20)	1
18	<u>102288101</u>	Sleeve - Rolled, Spring	2
19	<u>102956201</u>	Bushing, Urethane, Short	2
20	47678803001	Asm, Hd Spring, Front Non-lift (includes items 21 through 23)	1
21	102288701	Eccentric Bolt	1
22	102288801	Nut-hex, 3/8-16	1
23	47641418001	Hd Spring, Front Non-lift Susp	1
		Note: Item 17 contains items 18 through 23.	

6
G
E

6
G
E



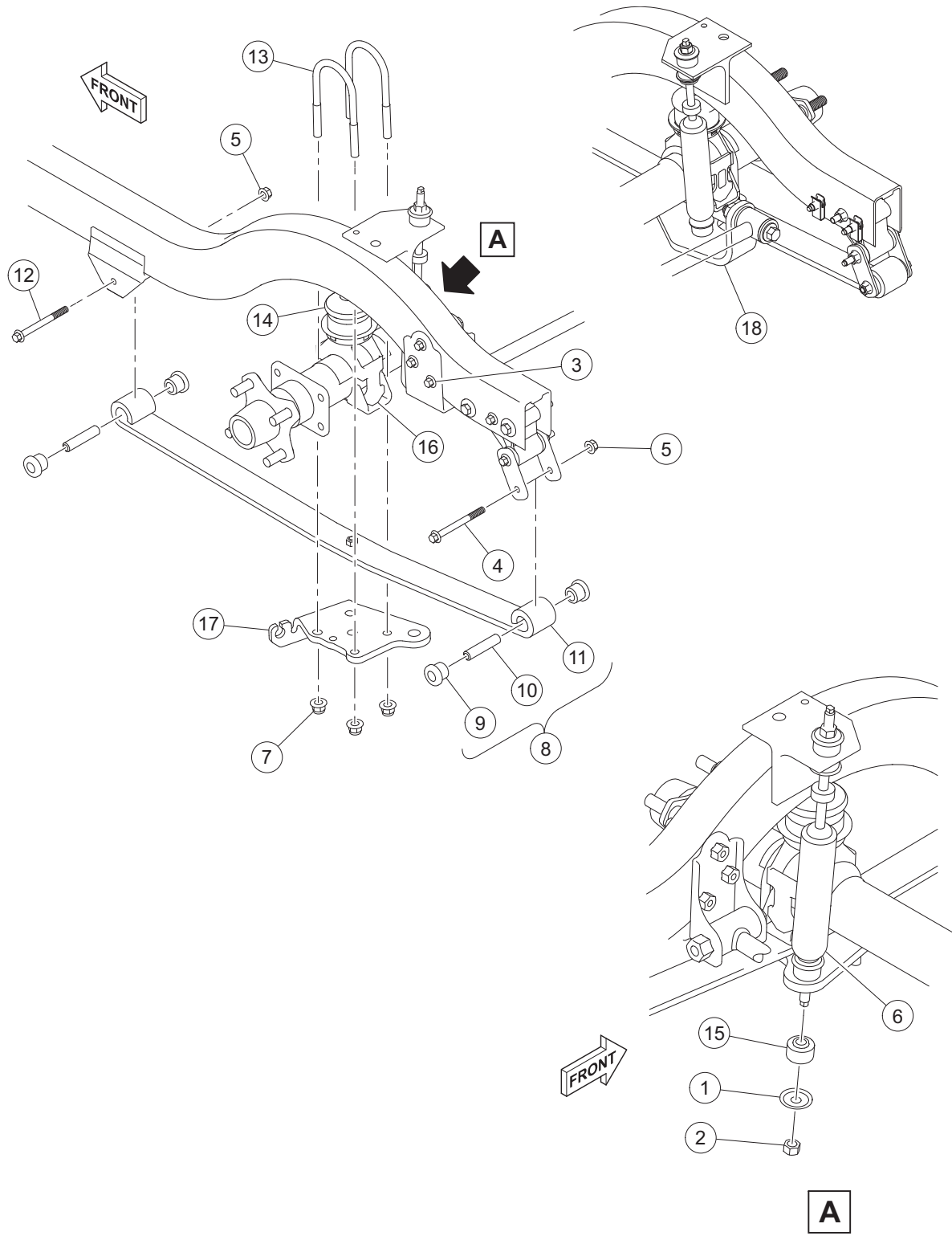
000446-005

REAR SUSPENSION, ELECTRIC VEHICLE

ITEM	PART NO.	DESCRIPTION	QTY
		1 2 3 4	
1	<u>1010145</u>	Nut, 3/8-24 Hex	4
2	<u>1011415</u>	Kit, Shock Absorber Cushion (includes items 3 and 4)	2
3	N/A	Retainer, Shock Absorber Cushion	2
4	<u>47579096001</u>	Isolator, Shock Damper	2
5	<u>1012180</u>	U-Bolt	2
6	<u>1013164</u>	Shock Absorber Kit (includes items 7 through 9)	1
7	N/A	Cushion, Shock Absorber	8
8	N/A	Retainer, Shock Absorber Cushion	8
9	<u>102588501</u>	Shock Absorber, Rear	2
10	<u>1014555</u>	Locknut, 7/16-14 Nylon Hex	4
11	<u>1015583</u>	Bushing, Urethane	4
12	<u>102298170</u>	Bolt - Flange Hd, M8 X 70.0	2
13	<u>102298175</u>	Bolt - Flange Hd, M8 X 75.0	2
14	<u>102298401</u>	Nut,m8,all Metal Lock	8
15	<u>102298580</u>	M8-1.25 X 80 Sems	4
16	<u>102298601</u>	J-clip - M8 X 1.25	4
17	<u>102506401</u>	Sleeve - Spring Eye Mounts	2
18	<u>103742304</u>	Asm, Rear Leaf Spring, Std (includes items 19 through 21)	2
19	<u>101558302</u>	Bushing, Urethane, Soft	4
20	<u>102506401</u>	Sleeve - Spring Eye Mounts	2
21	N/A	Leaf Spring, Rear, Std	1
22	<u>103921601</u>	Bracket, Shock Mounting, Drv	1
23	<u>103921602</u>	Bracket, Shock Mounting, Pas	1
24	<u>103964901</u>	Spacer, Rail, Shackle	2
25	<u>103965001</u>	Brkt, Shackle, Rear	4
26	<u>105188185</u>	Bolt, M8 X 85mm, 10.9 Grade	4

6
G
E

6
G
E



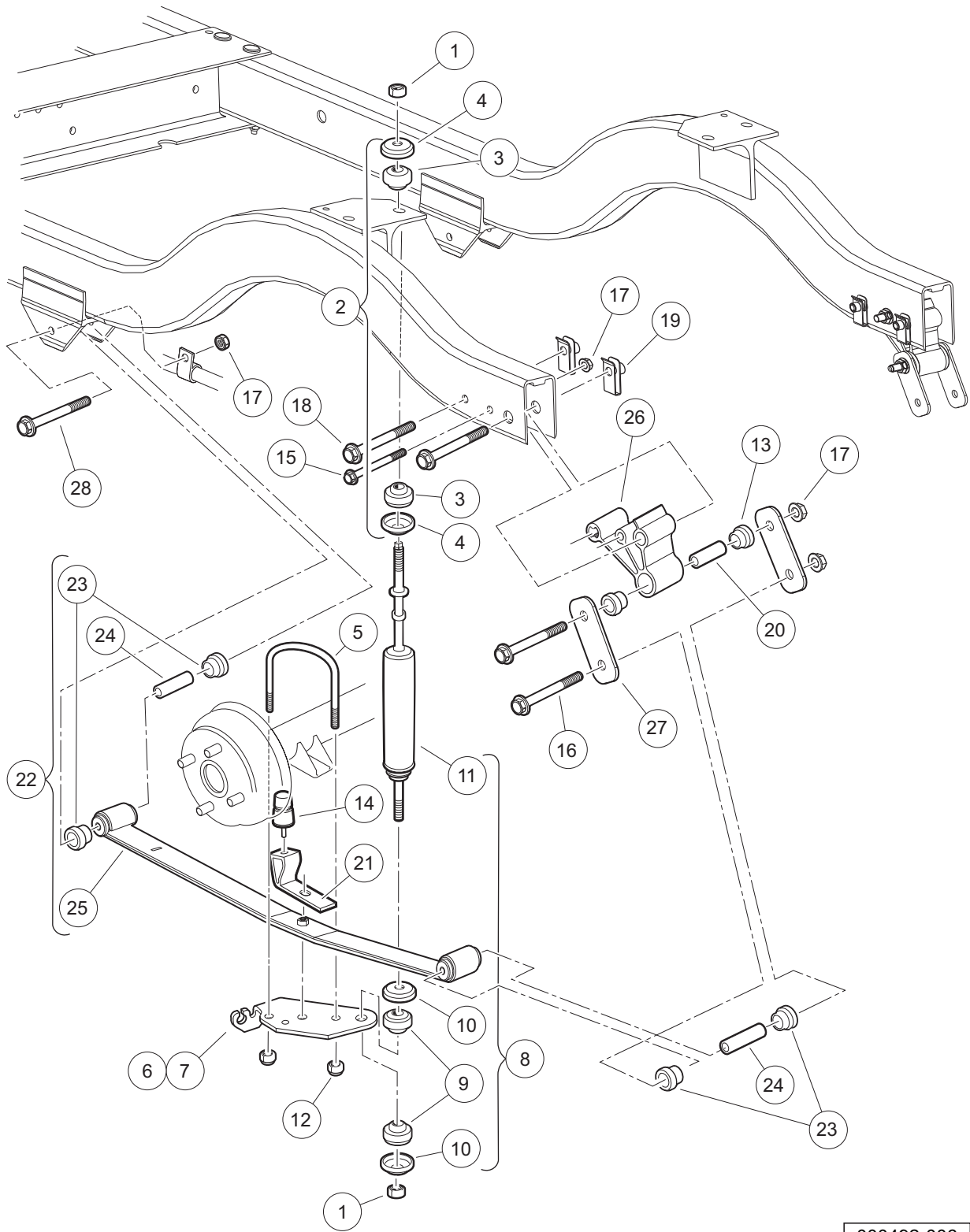
G-030199-000004

REAR SUSPENSION, GASOLINE VEHICLE

ITEM	PART NO.	DESCRIPTION	QTY
		1 2 3 4	
1	N/A	Retainer, Shock Absorber Cushion	8
2	<u>1010145</u>	Nut, 3/8-24 Hex	4
3	<u>102298170</u>	Bolt - Flange Hd, M8 X 70.0	3
4	<u>102298175</u>	Bolt - Flange Hd, M8 X 75.0	2
5	<u>102298401</u>	Nut,m8,all Metal Lock	4
6	<u>102588501</u>	Shock Absorber, Rear	2
7	<u>102670701</u>	Nut, Flange, M10 X 1.5 Nylon	8
8	103742307	Asm, Rear Leaf Spring, HD (includes items 9 through 11)	2
9	<u>101558302</u>	Bushing, Urethane, Soft	4
10	<u>102506401</u>	Sleeve - Spring Eye Mounts	2
11	103742207	Leaf Spring, Rear, HD	1
12	<u>105188185</u>	Bolt, M8 X 85mm, 10.9 Grade	2
13	<u>105188701</u>	U-bolt, M10x1.5x58	4
14	<u>47576196001</u>	Bumper, Jounce, D-255828	2
15	<u>47579096001</u>	Isolator, Shock Damper	8
16	47583666001	Bracket, Perch, Bumper, Jounce	2
17	47599907001	Bkt, U-bolt, 3-1, Lh	1
18	47599908001	Bkt, U-bolt, 4-1, Rh	1

6
G
E

6
G
E



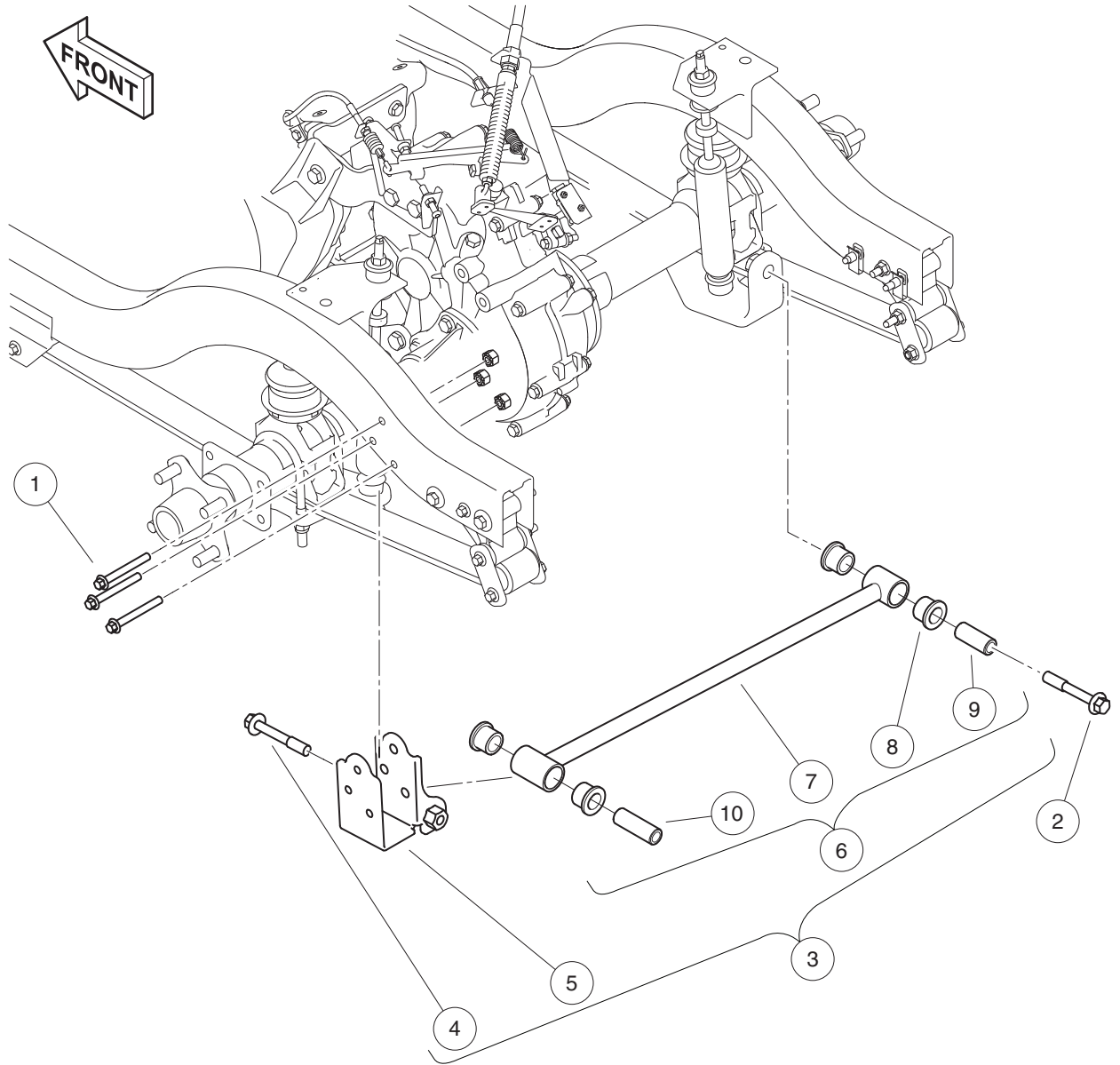
000492-006

REAR SUSPENSION, ELECTRIC, HD

ITEM	PART NO.	DESCRIPTION	QTY
		1 2 3 4	
1	<u>1010145</u>	Nut, 3/8-24 Hex	4
2	<u>1011415</u>	Kit, Shock Absorber Cushion (includes items 3 and 4)	2
3	N/A	Retainer, Shock Absorber Cushion	2
4	<u>47579096001</u>	Isolator, Shock Damper	2
5	<u>1012180</u>	U-Bolt	2
6	<u>1012181</u>	Bracket, Shock Mounting, Right (Passenger)	1
7	<u>1012182</u>	Bracket, Shock Mounting, Left (Driver)	1
8	<u>1013164</u>	Shock Absorber Kit (includes items 9 through 11)	1
9	N/A	Cushion, Shock Absorber	8
10	N/A	Retainer, Shock Absorber Cushion	8
11	<u>102588501</u>	Shock Absorber, Rear	2
12	<u>1014555</u>	Locknut, 7/16-14 Nylon Hex	4
13	<u>1015583</u>	Bushing, Urethane	4
14	<u>1017235</u>	Bumper, Jounce	2
15	<u>102298170</u>	Bolt - Flange Hd, M8 X 70.0	2
16	<u>102298175</u>	Bolt - Flange Hd, M8 X 75.0	2
17	<u>102298401</u>	Nut,m8,all Metal Lock	8
18	<u>102298580</u>	M8-1.25 X 80 Sems	4
19	<u>102298601</u>	J-clip - M8 X 1.25	4
20	<u>102506401</u>	Sleeve - Spring Eye Mounts	2
21	<u>102534801</u>	Jounce Bumper Bracket	2
22	<u>103742306</u>	Asm, Rear Leaf Spring (includes items 23 through 25)	2
23	<u>101558302</u>	Bushing, Urethane, Soft	4
24	<u>102506401</u>	Sleeve - Spring Eye Mounts	2
25	N/A	Leaf Spring, Rear	1
26	<u>103964901</u>	Spacer, Rail, Shackle	2
27	<u>103965001</u>	Brkt, Shackle, Rear	4
28	<u>105188185</u>	Bolt, M8 X 85mm, 10.9 Grade	4

6
G
E

6
G
E



001392-001

PANHARD ROD

ITEM	PART NO.	DESCRIPTION	QTY
		1 2 3 4	
1	<u>102298170</u>	Bolt - Flange Hd, M8 X 70.0	3
2	<u>103146501</u>	Bolt, Flg, M12 X 1.75 X 80	1
3	47577865001	Assy, Panhard and Frame Rail Bracket (includes items 4 through 6)	1
4	<u>103146501</u>	Bolt, Flg, M12 X 1.75 X 80	1
5	47576649001	Bkt, Frame Rail, Panhard	1
6	47577864001	Asm, Rod, Panhard (includes items 7 through 10)	1
7	47576650001	Assy, Weldment, Panhard	1
8	47576651001	Bushing, Slip, 3390000-160802	4
9	47576652001	Sleeve, Bushing, Panhard, Short	1
10	47576652002	Sleeve, Bushing, Panhard, Long	1

6
G
E

6

G

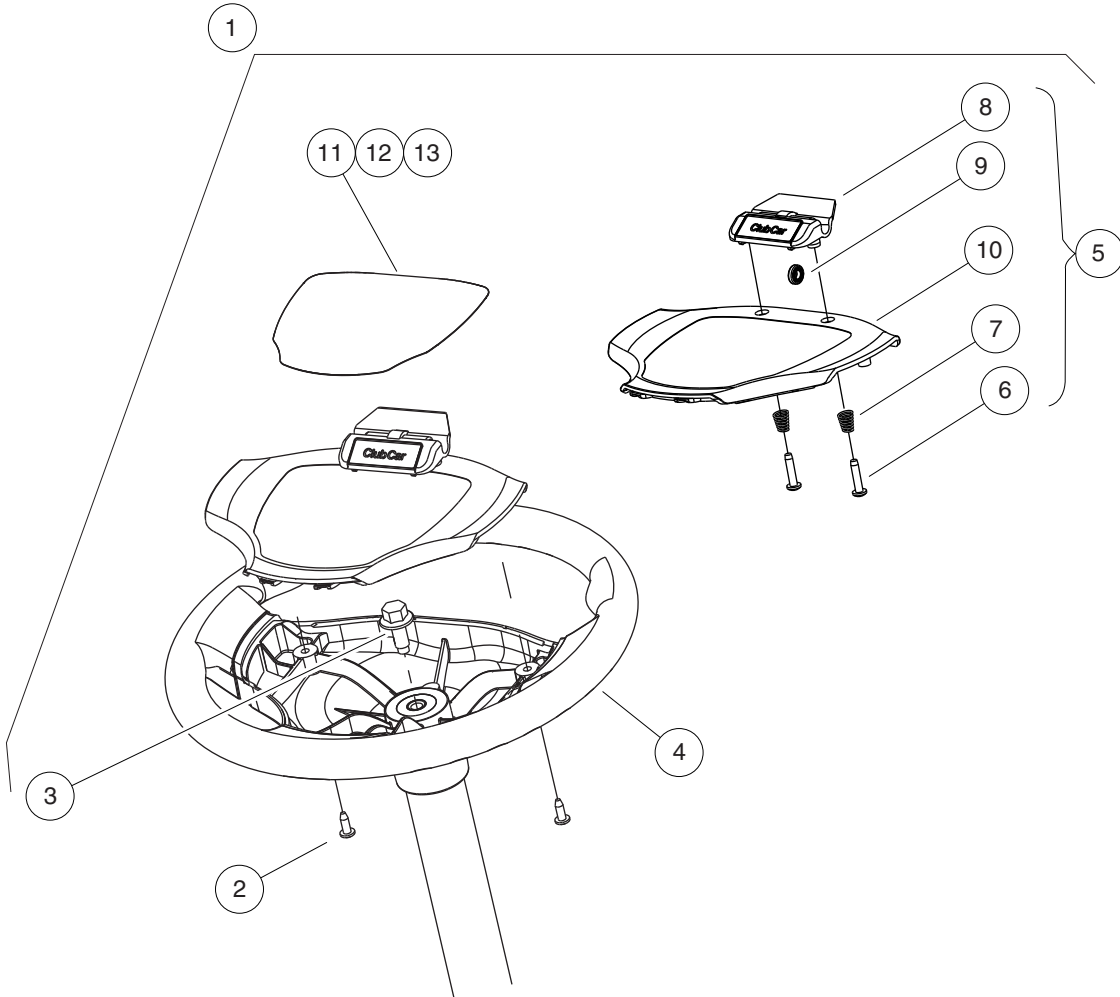
E

STEERING, FRONT AND REAR SUSPENSION – LIFTED

7

G

E

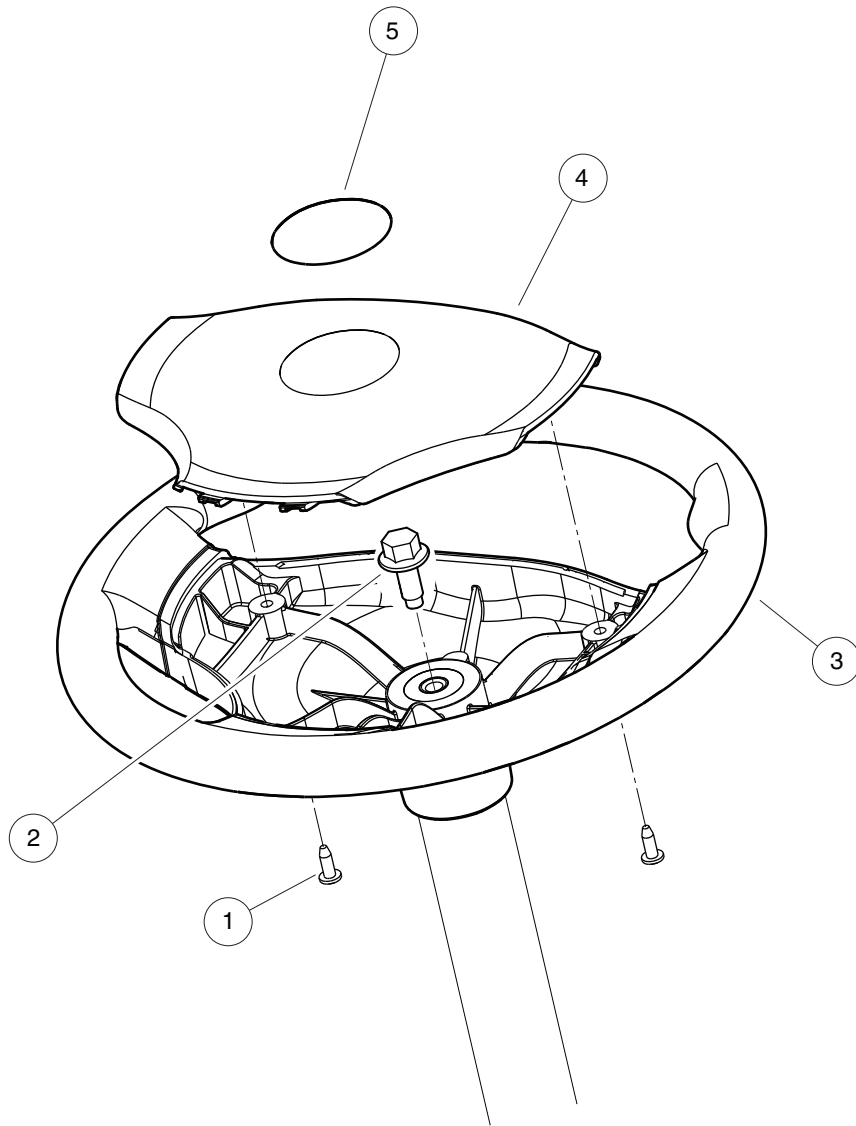


000470-002

STEERING WHEEL, COMFORT GRIP WITH CLIP

ITEM	PART NO.	DESCRIPTION	QTY
		1 2 3 4	
1	<u>103796701</u>	Kit, Hex, Steering Wheel (includes items 2 through 13)	1
2	<u>101850301</u>	Screw, #12-16 X 0.50 Washer-Head Hi-Lo	2
3	<u>102290120</u>	Bolt, M10 X 20 Hex Washer Hd	1
4	<u>103724503</u>	Steering Wheel, Soft Grip, Hex	1
5	<u>103724901</u>	Asm, Scorecard, Clip (includes items 6 through 10)	1
6	<u>1012565</u>	Screw, #12 Phillips Round Head	2
7	<u>1012566</u>	Tapered Compression Spring	2
8	<u>1016154</u>	Clip, Scorecard	1
9	<u>1016214</u>	Pencil Grip	1
10	<u>103724601</u>	Cover, Steering Wheel, Clip	1
11	<u>103783001</u>	Decal, Op Instr, Ele	1
12	<u>103783002</u>	Decal, Op Instr, Gas Ps	1
13	<u>103783003</u>	Decal, Op Instr, Gas Ks	1
<p style="margin-left: 40px;">Note: Refer to the Decal section of this manual or to the applicable Operator Manual for this vehicle to make sure which Operating Instructions Decal applies.</p>			

7
G
E

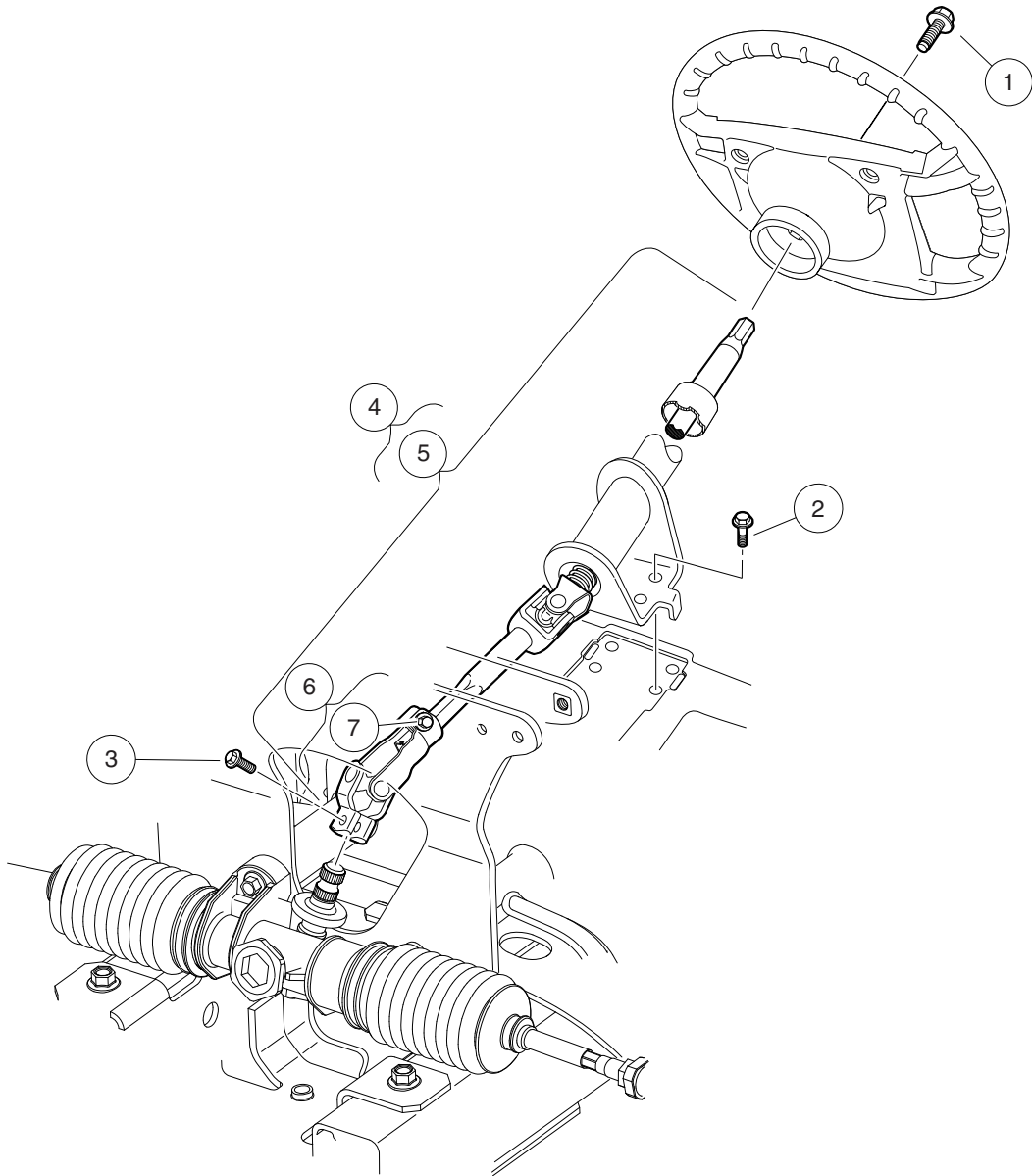


001389-001

STEERING WHEEL, COMFORT GRIP WITH LOGO

ITEM	PART NO.	DESCRIPTION	QTY
		1 2 3 4	
1	<u>101850301</u>	Screw, #12-16 X 0.50 Washer-Head Hi-Lo	2
2	<u>102290120</u>	Bolt, M10 X 20 Hex Washer Hd	1
3	<u>103724503</u>	Steering Wheel, Soft Grip, Hex	1
4	<u>103724602</u>	Cover, Steering Wheel, Generic	1
5	<u>103829401</u>	Logo, Cci, Steer Wheel	1

7
G
E

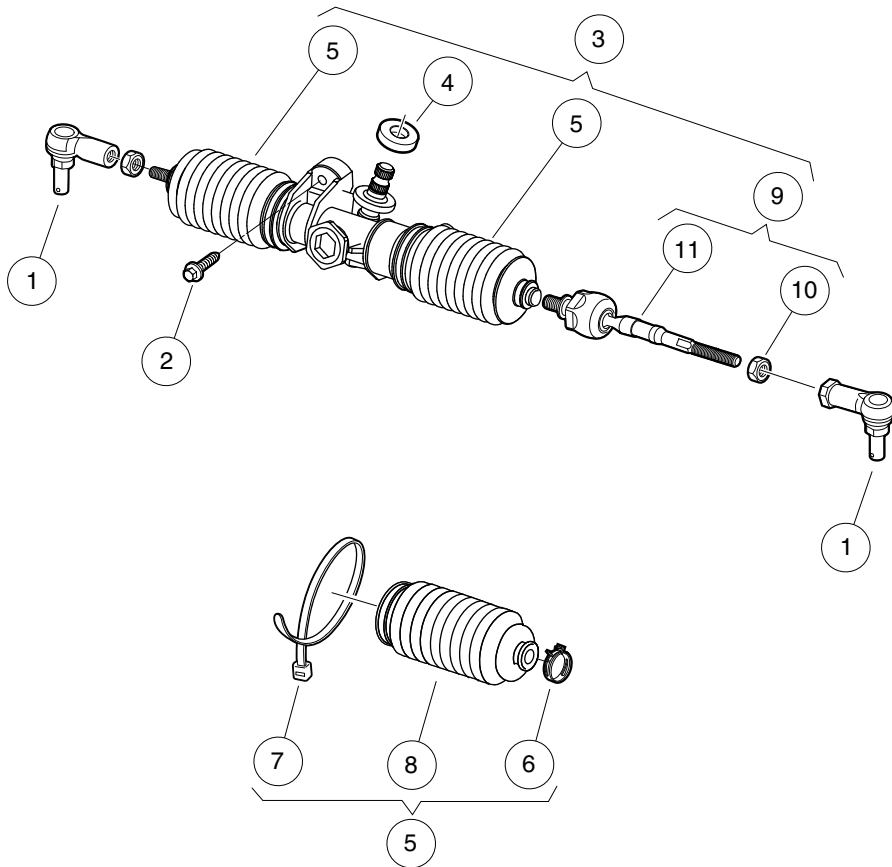


000469-007

STEERING COLUMN

ITEM	PART NO.	DESCRIPTION	QTY
		1 2 3 4	
1	102290120	Bolt, M10 X 20 Hex Washer Hd	1
2	<u>102298116</u>	Bolt, Flanged Head, M8 X 16.0	4
3	<u>102298130</u>	Bolt, Flange Head, M8 X 30.0	1
4	<u>105049001</u>	Kit, Inner Steering Clmn (includes item 5)	1
5	105068601	Asm, Column, Inner (includes item 6)	1
6	<u>103810201</u>	Kit, Lower Yoke, Wanda (includes item 7)	1
7	<u>102298130</u>	Bolt, Flange Head, M8 X 30.0	1

7
G
E



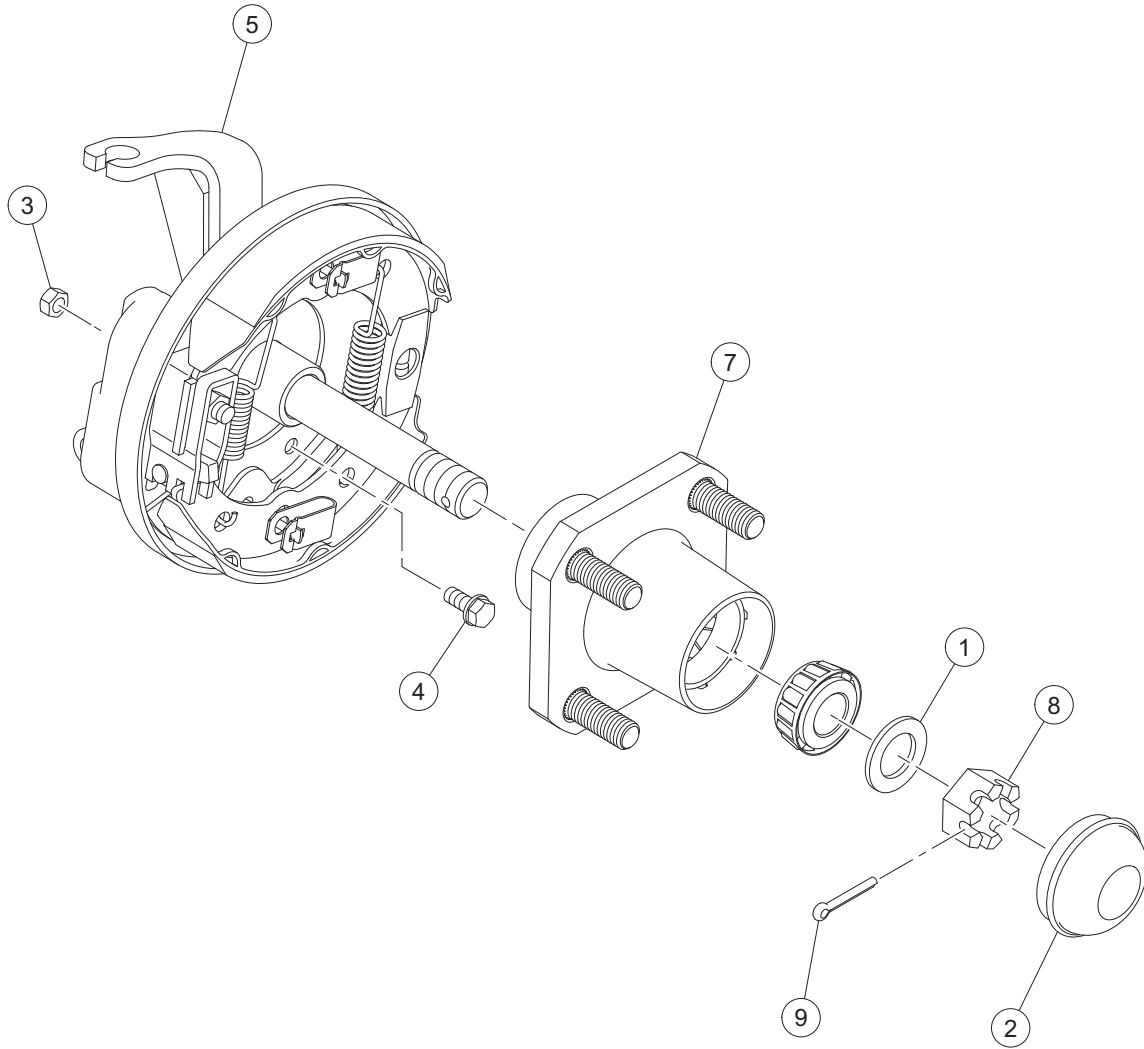
000476-005

STEERING GEAR ASSEMBLY

ITEM	PART NO.	DESCRIPTION	QTY
		1 2 3 4	
1	<u>102022601</u>	End, Tie Rod M12 X 1.25 Rh	2
2	<u>102289001</u>	Screw, M8X1.25X30, Hex	3
3	<u>103679701</u>	Asm, Rack & Pinion (includes items 4 through 9)	1
4	<u>102565201</u>	Seal, Dust, Steering Pinion	1
5	<u>103826201</u>	Bellow Kit, Steering-sona (includes items 6 through 8)	2
6	<u>102566001</u>	Clip, Steering	1
7	<u>8990</u>	Tie Wrap, 8" Nylon	1
8	N/A	Bellows	1
9	<u>103826301</u>	Kit, IBJ (Inner Ball Joint), Steering-sona (includes items 10 and 11)	2
10	1013042	Nut, 12mm Hex	1
11	N/A	Inner Ball Joint	1

7
G
E

7
G
E



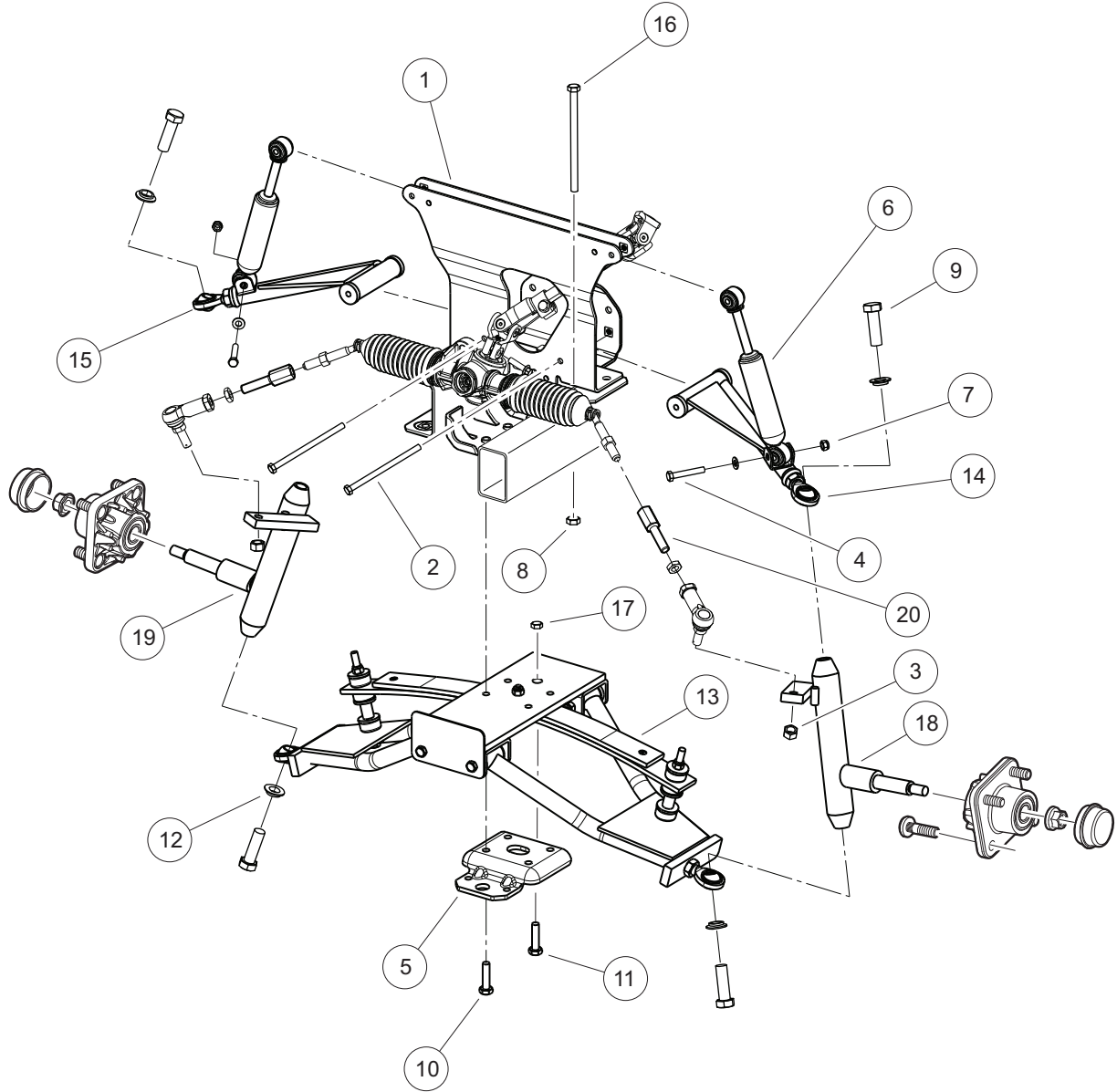
G-080199-000005

FRONT HUB ASSEMBLY – LIFTED

ITEM	PART NO.	DESCRIPTION	QTY
		1 2 3 4	
1	<u>1010005</u>	Washer, 3/4 Flat	1
2	<u>1011887</u>	Dust Cover	1
3	<u>1013924</u>	Nut, 5/16-24, Hex Head Cone	4
4	<u>47542195001</u>	Bolt, Brake Cluster Mnt	4
5	47628963001	Spindle Asm, Lifted 4wb Lh	1
6	47628963002	Spindle Asm, Lifted 4wb Rh	1
7	47663561001	Asm, Hub, Heavy Duty	1
8	<u>7840</u>	Nut, 3/4-16 Hex Slotted	1
9	<u>7910</u>	Pin, 5/32 X 1.00 Cotter	1
Note: Item 6 is not illustrated. Opposite of driver side item 5.			

7
G
E

7
G
E



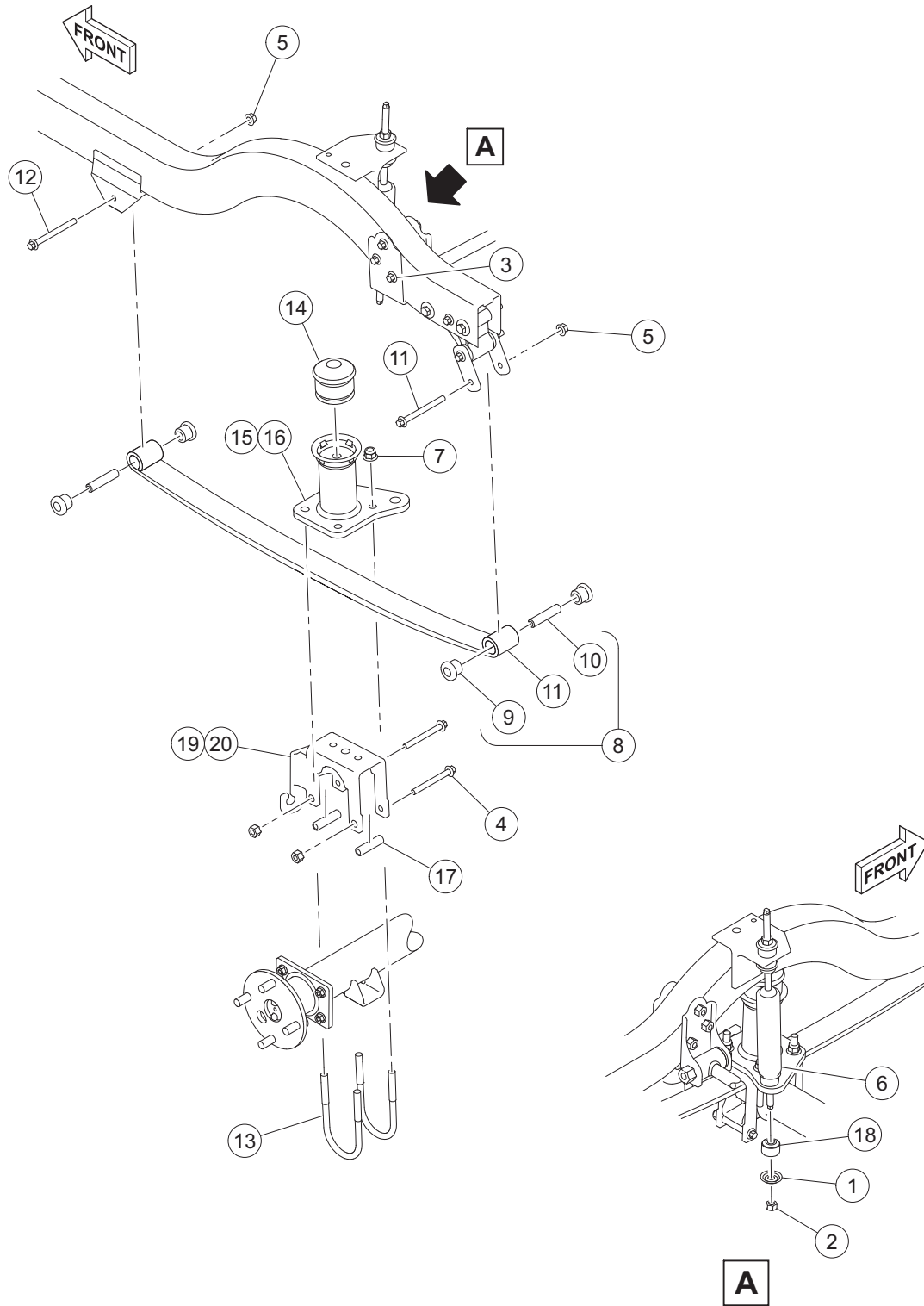
001390-002

FRONT SUSPENSION, LIFTED

ITEM	PART NO.	DESCRIPTION	QTY
		1 2 3 4	
1	<u>102287101</u>	Assembly - Front Structure	1
2	<u>102288901</u>	Bolt, Hex, M8x1.25 X 135	2
3	<u>102289201</u>	Nut - Hex Locking, M12 X 1.25	2
4	<u>102289401</u>	Screw- Hex Cap, M8 X 1.25 X 45	4
5	<u>102289801</u>	Clamp - Leaf Spring	1
6	<u>102588601</u>	Shock Absorber Front	2
7	<u>102617201</u>	Nut, Flanged, M10 X 1.5, Mechanically Deformed	4
8	102618601	Lock Nut, Flange, M8 X 1.25 Nylon	2
9	<u>47566405001</u>	Screw, Hex 5/8"-18 X 2" Gr5 Zn	4
10	<u>47566411001</u>	Screw, Hhf M10-1.5 X 50 Trilob	4
11	47650176001	Washer, High Misalignment 5/8"	4
12	47655713001	Asm, Lower A-arm, Hd Susp	1
13	47657816001	Asm, Upper A-arm, Hd Susp, Lh	1
14	47657817001	Asm, Upper A-arm, Hd Susp, Rh	1
15	47663334001	Bolt, Flag 3/8 -16 X 1.5	1
16	47669843001	Screw, M10x1.5x110 Hex Flg	4
17	8754	Locknut, 3/8-16 Hex	1
18	<u>AM1289701</u>	Spindle, Driver-side	1
19	<u>AM1289801</u>	Spindle, Passenger-side	1
20	<u>AM1290201</u>	Tie Rod Extension	2
Note: Item 6 contains items 7 through 13. Detail items not shown for clarity.			

7
G
E

7
G
E



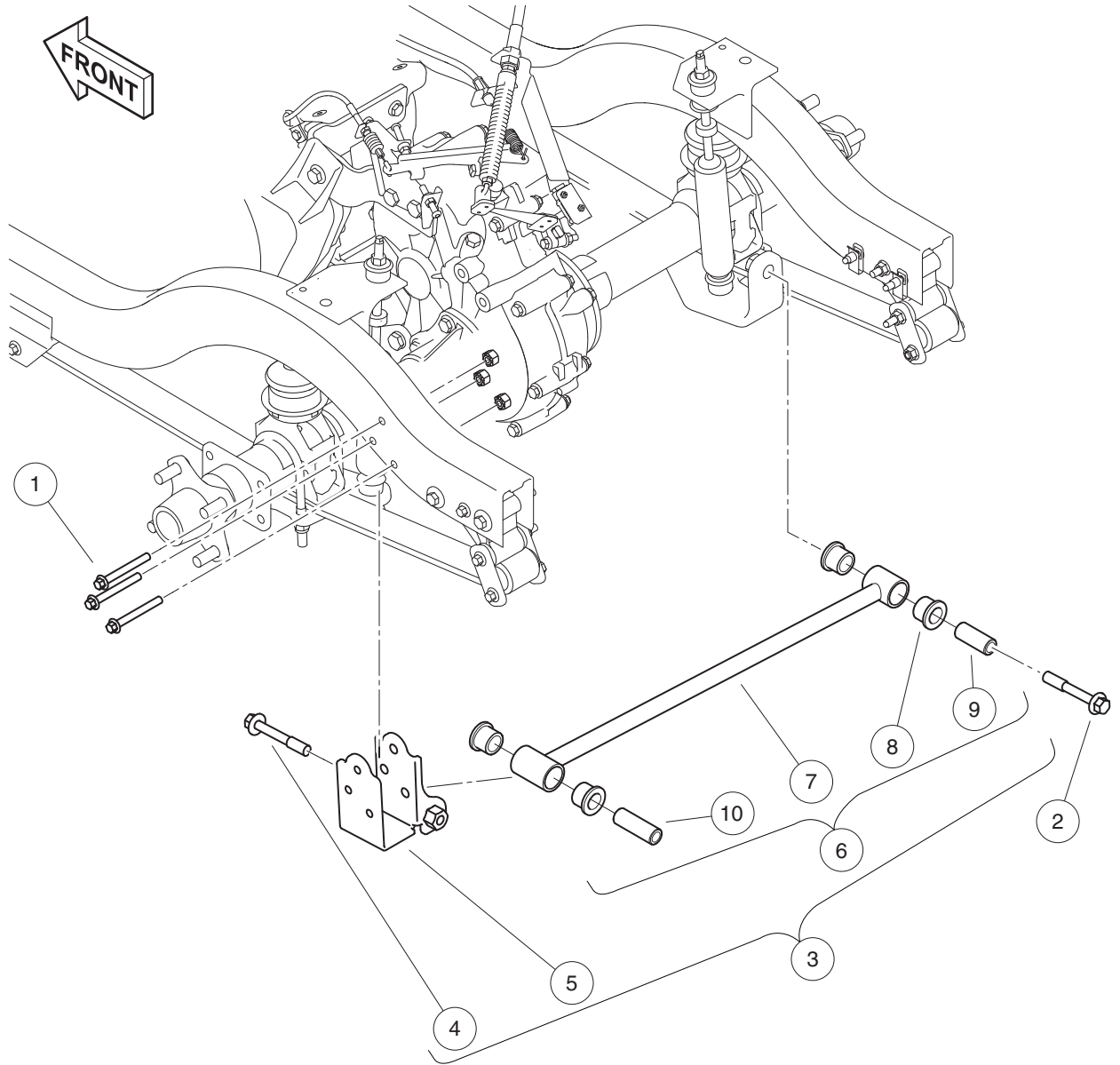
G-030199-000005

REAR SUSPENSION, LIFTED

ITEM	PART NO.	DESCRIPTION	QTY
		1 2 3 4	
1	N/A	Retainer, Shock Absorber Cushion	8
2	<u>1010145</u>	Nut, 3/8-24 Hex	4
3	<u>102298170</u>	Bolt - Flange Hd, M8 X 70.0	3
4	<u>102298175</u>	Bolt - Flange Hd, M8 X 75.0	4
5	<u>102298401</u>	Nut,m8,all Metal Lock	4
6	<u>102588501</u>	Shock Absorber, Rear	2
7	<u>102670701</u>	Nut, Flange, M10 X 1.5 Nylon	8
8	103742307	Asm, Rear Leaf Spring, HD (includes items 9 through 11)	2
9	<u>101558302</u>	Bushing, Urethane, Soft	4
10	<u>102506401</u>	Sleeve - Spring Eye Mounts	2
11	103742207	Leaf Spring, Rear, HD	1
12	<u>105188185</u>	Bolt, M8 X 85mm, 10.9 Grade	4
13	<u>105188701</u>	U-bolt, M10x1.5x58	4
14	<u>47576196001</u>	Bumper, Jounce, D-255828	2
15	<u>47576197001</u>	Bracket, Bumper, Jounce, Driver-side	1
16	<u>47576198001</u>	Bracket, Bumper, Jounce, Passenger-side	1
17	47576648001	Sleeve, Perch, Spring	4
18	<u>47579096001</u>	Isolator, Shock Damper	8
19	<u>47603899001</u>	Brkt, Perch, Spring, Lh	1
20	<u>47603900001</u>	Brkt, Perch, Spring, Rh	1

7
G
E

7
G
E



001392-001

PANHARD ROD

ITEM	PART NO.	DESCRIPTION	QTY
		1 2 3 4	
1	<u>102298170</u>	Bolt - Flange Hd, M8 X 70.0	3
2	<u>103146501</u>	Bolt, Flg, M12 X 1.75 X 80	1
3	47577865001	Assy, Panhard and Frame Rail Bracket (includes items 4 through 6)	1
4	<u>103146501</u>	Bolt, Flg, M12 X 1.75 X 80	1
5	47576649001	Bkt, Frame Rail, Panhard	1
6	47577864001	Asm, Rod, Panhard (includes items 7 through 10)	1
7	47576650001	Assy, Weldment, Panhard	1
8	47576651001	Bushing, Slip, 3390000-160802	4
9	47576652001	Sleeve, Bushing, Panhard, Short	1
10	47576652002	Sleeve, Bushing, Panhard, Long	1

7
G
E

7

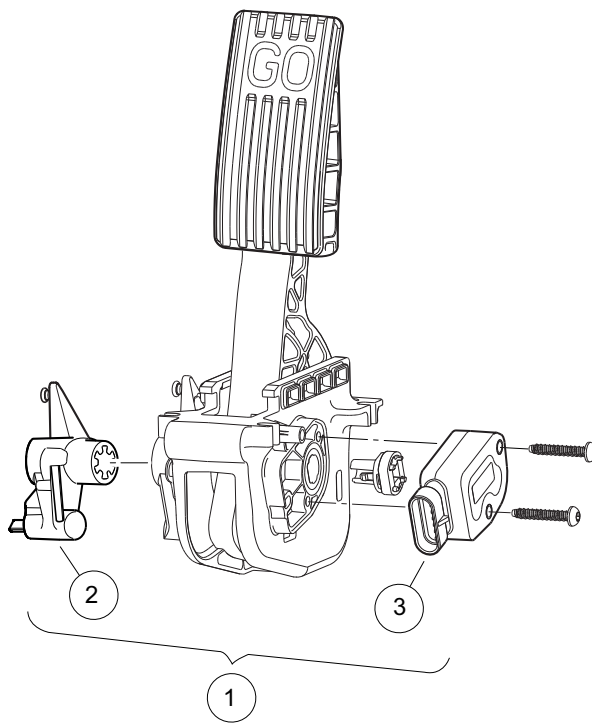
G

E

ELECTRICAL SYSTEM – GASOLINE

8

G



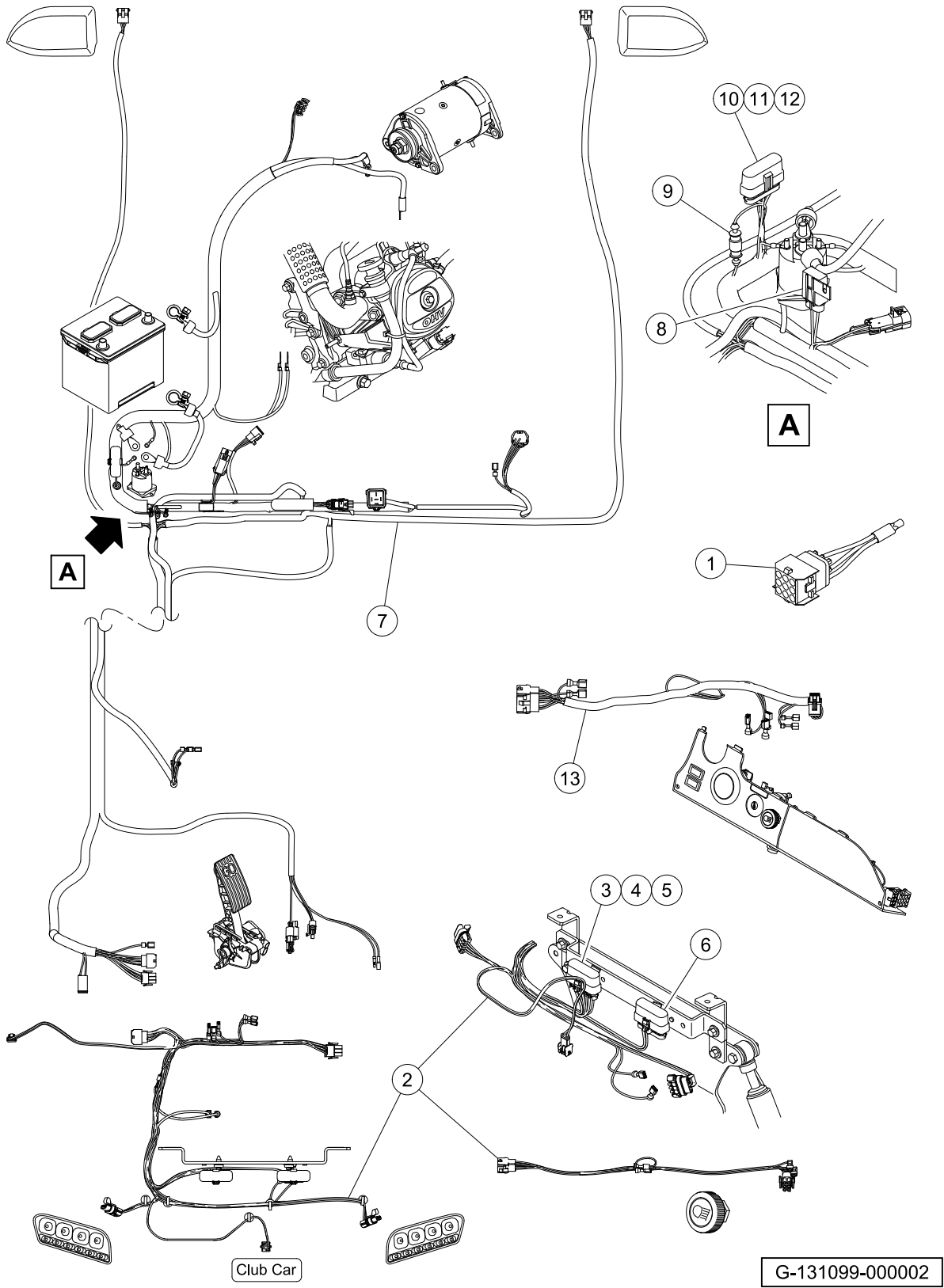
000487-012

ACCELERATOR PEDAL ASSEMBLY W/SENSOR – EFI

ITEM	PART NO.	DESCRIPTION	QTY
		1 2 3 4	
1	<u>102595502</u>	Asm, Accel. Pedal/Throttle, Anodized, Gas Vehicle (includes items 2 and 3)	1
2	<u>103777601</u>	Asm, Park Brake Release, Anodized	1
3	N/A	Throttle Sensor	1
<p>Note: For a complete Pedal Group, see section 5, Brakes and Pedal Group Assemblies.</p>			

8

G

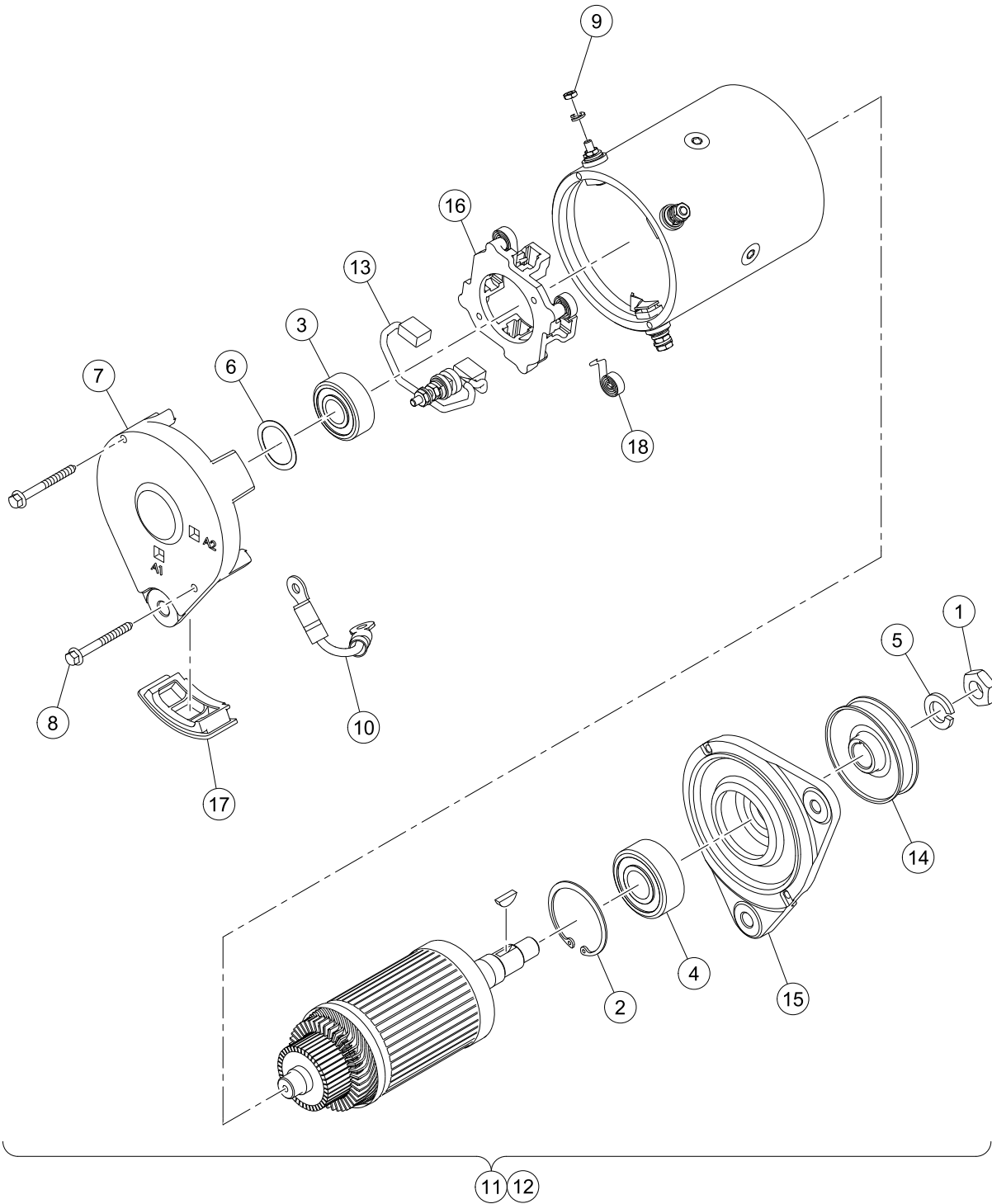


G-131099-00002

WIRING HARNESSES AND FUSES

ITEM	PART NO.	DESCRIPTION	QTY
		1 2 3 4	
1	<u>105130201</u>	Jumper, Horn, Asm	A/R
2	<u>47562747002</u>	Harness, Ip Lt, Jrny-csmr, Gas (includes items 3 through 6)	1
3	<u>105114802</u>	Fuse, Mini, Atm, 3 Amp	1
4	<u>105114803</u>	Fuse, Mini, Atm, 4 Amp	1
5	<u>105114805</u>	Fuse, Mini, Atm, 7.5 Amp	1
6	<u>105114806</u>	Fuse, Mini, Atm, 10 Amp	1
7	<u>47612535002</u>	Harness, Main, Gas, Ltff, Str (includes items 8 through 12)	1
8	<u>1012295</u>	Fuse, 10-Amp	1
9	<u>103924801</u>	Fuse, Glass, 2-Amp	1
10	<u>105081501</u>	Fuse, ATM, 5-Amp	1
11	<u>105081601</u>	Fuse, ATM, 10-Amp	1
12	<u>105114808</u>	Fuse, Mini, Atm, 20 Amp	1
13	<u>47612537001</u>	Harness, Ip, Gas, Prec, Com	1
		Note: Reference the engine ignition section for information on the ECU wiring harness.	

8
G

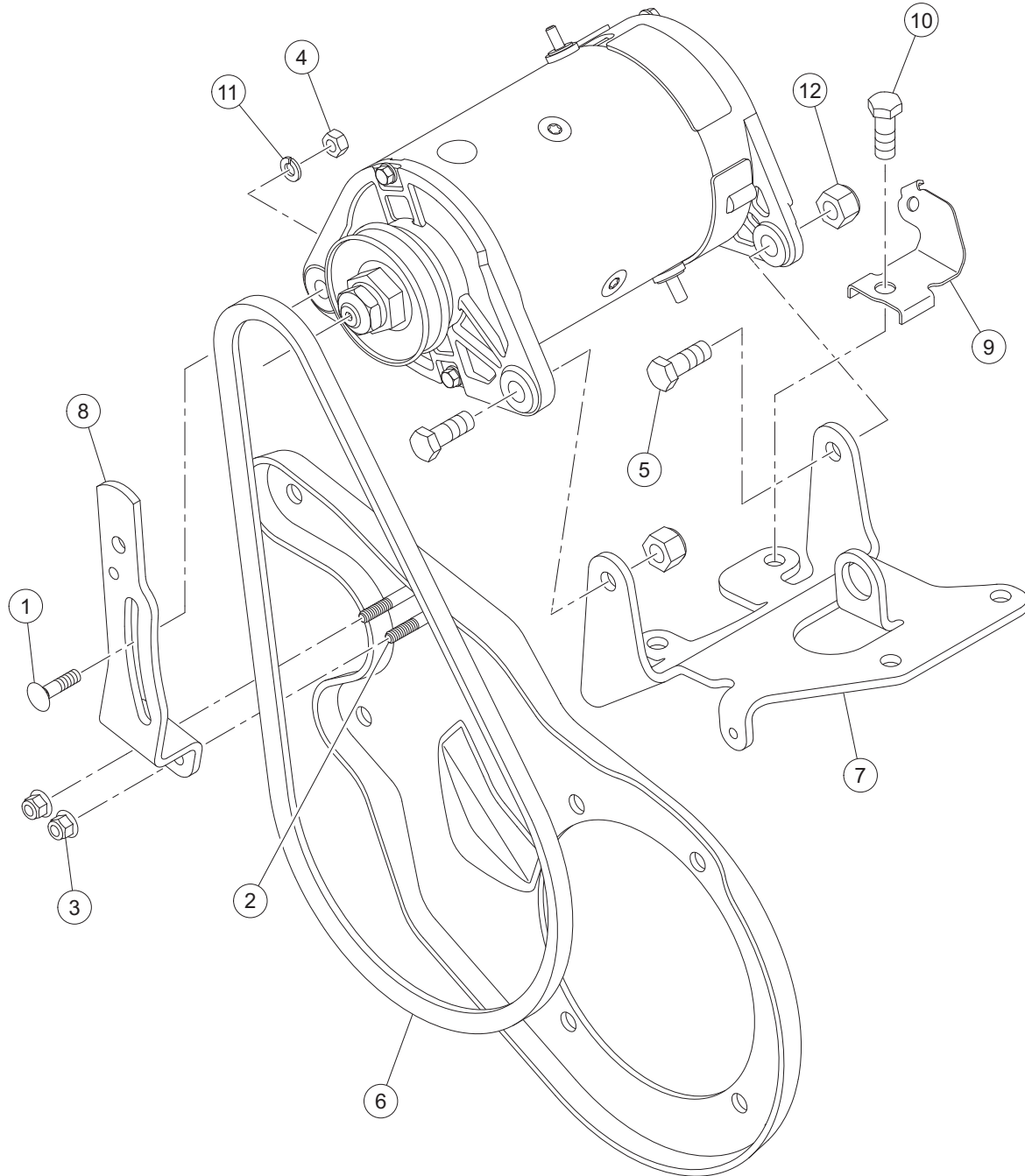


G-130199-000001

STARTER/GENERATOR, KEY AND PEDAL START – EFI

ITEM	PART NO.	DESCRIPTION	QTY
		1 2 3 4	
1	<u>102838701</u>	Nut, Hex, M14x2, S/G	1
2	<u>102838801</u>	Retainer, Front, S/G	1
3	<u>102838901</u>	Bearing, Ball, Rear, S-g	1
4	<u>102839001</u>	Bearing, Ball, Front, S-g	1
5	<u>102839301</u>	Washer, Lock M14x2, S-g	1
6	<u>102841101</u>	Washer, Wave, S-g	1
7	<u>103347601</u>	Head, Comm End, S-g	1
8	<u>103347701</u>	Set, Fast, Ceh Deh, S-g	1
9	<u>103347801</u>	Set, Term Hardware, S/G	1
10	<u>105161701</u>	Wire, 4-Ga, Green, Starter/Generator	1
11	<u>47559475001</u>	Starter Generator, Ps	1
12	<u>47559475002</u>	Starter Generator, Ks	1
13	<u>47583000001</u>	Set, Brush Term, S-g	1
14	<u>47583790001</u>	Pulley, Starter-generator	1
15	<u>47583791001</u>	Head, Drive End, S-g	1
16	<u>47583794001</u>	Kit, Brush And Brush Holder	1
17	<u>47584178001</u>	Kit, Cover, Brush Insp, S-g	1
18	<u>47584179001</u>	Kit, Spring Brush, S-g	1

8
G



G-130199-00002

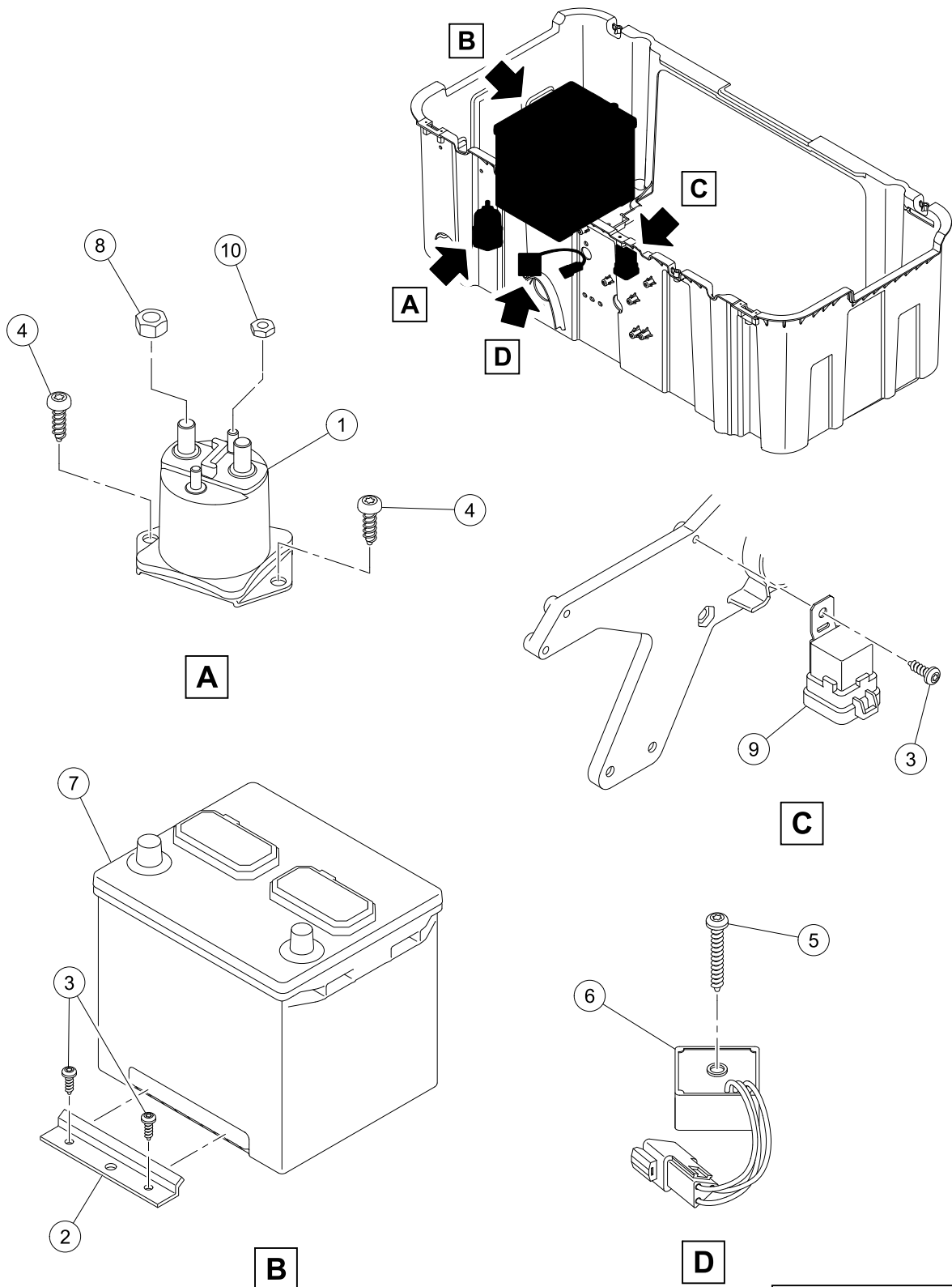
STARTER/GENERATOR MOUNTING – ECH440

ITEM	PART NO.	DESCRIPTION	QTY
		1 2 3 4	
1	<u>1015932</u>	Bolt, Carriage, 5/16-18	1
2	<u>102541401</u>	Bolt-m6x1.0x20 Hex Flhd Blk-I	2
3	<u>102621501</u>	Nut, Flange, M6 X 1.0, Nylon	2
4	<u>1242</u>	Nut, 5/16-18 Hex	1
5	<u>1624</u>	Screw, 3/8-16 X 1.50, Hex-Head Cap	2
6	47539338002	Belt, Sg, Ech440, #5a	1
7	47611868001	Bracket, Mounting, S/g	1
8	47611869001	Bracket, Tensioner, S/g	1
9	47611870001	Bracket, Mtg, Gov Cable Clip	1
10	47617345001	Screw, M8-1.25x20, Hex Hd Flg	4
11	<u>7174</u>	Lockwasher, 5/16 Split	1
12	<u>8754</u>	Locknut, 3/8-16 Hex	2

8

G

8
G



G-130799-000002

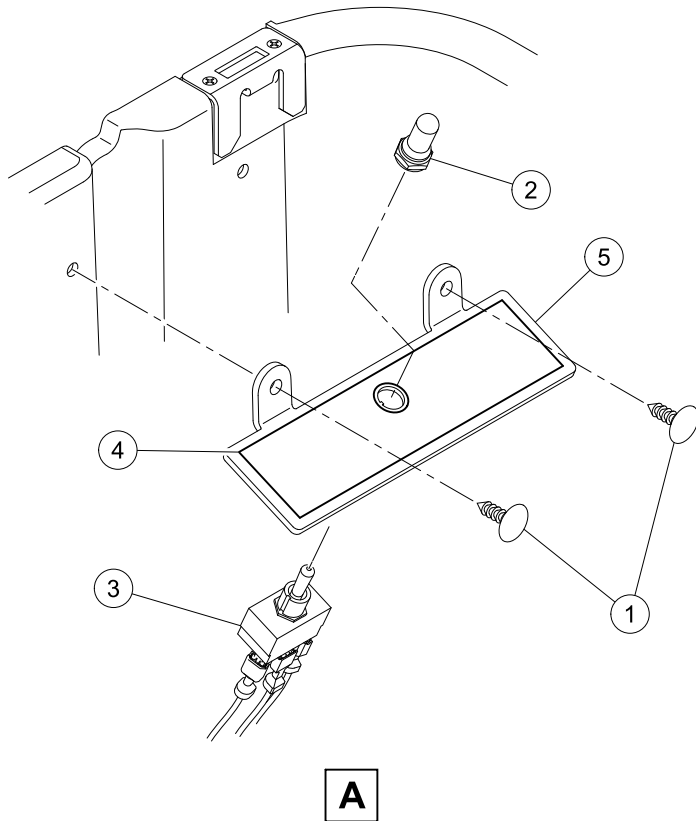
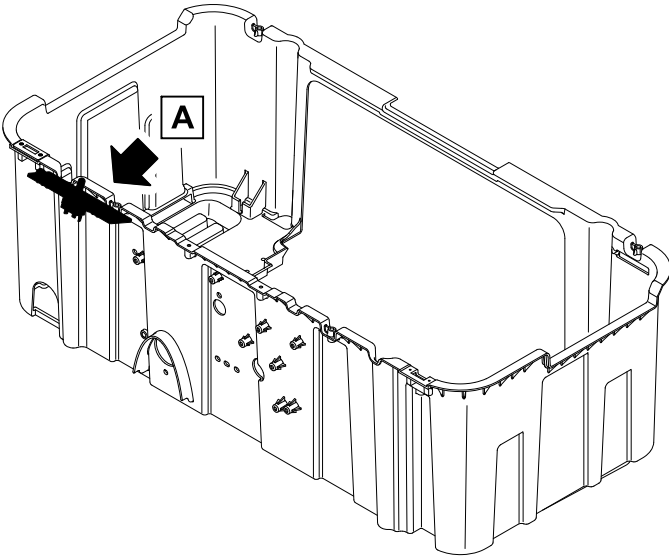
BATTERY, SOLENOID, VOLTAGE REGULATOR, RELAY – EFI

ITEM	PART NO.	DESCRIPTION	QTY
		1 2 3 4	
1	<u>1013609</u>	Solenoid, 12-Volt	1
2	<u>101898001</u>	Clamp, Battery	1
3	N/A	Screw-torx Pan Hd Pt,m6 X 16	1
4	<u>102296020</u>	Screw, Torx Pan Hd Pt, M6 X 20	4
5	<u>102296040</u>	Screw, Torx Pan Hd Pt, M6 X 40	1
6	<u>102803301</u>	Asm, Voltage Regulator	1
7	105237399	Battery, Start, 12v, G 26, Sp	1
8	<u>1242</u>	Nut, 5/16-18 Hex	2
9	<u>47623281001</u>	Relay, Mini 630 Spdt,40a/30a	1
10	<u>7893</u>	Nut, #10-32 Hex	2

8

G

8
G



G-130499-000004

MAINTENANCE/OPERATE SWITCH

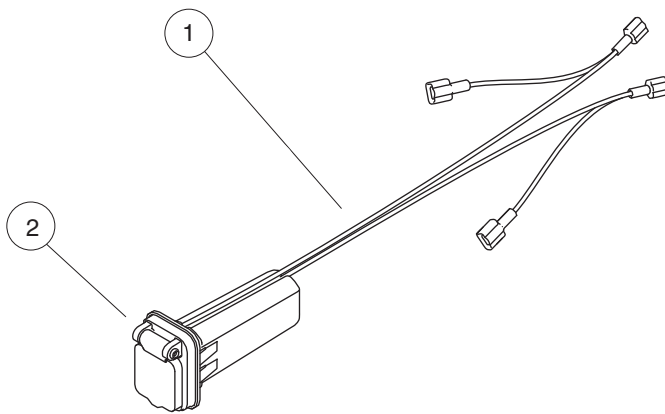
ITEM	PART NO.	DESCRIPTION	QTY
		1 2 3 4	
1	<u>1010434</u>	Barrel - Plastic	2
2	<u>101908401</u>	Boot, Switch	1
3	<u>103198401</u>	Switch, Toggle, SPDT	1
4	<u>103205501</u>	Decal, Maintenance/Operate Switch	1
5	47645493001	Bracket, Run and Maintenance Switch	1

8

G

8

G



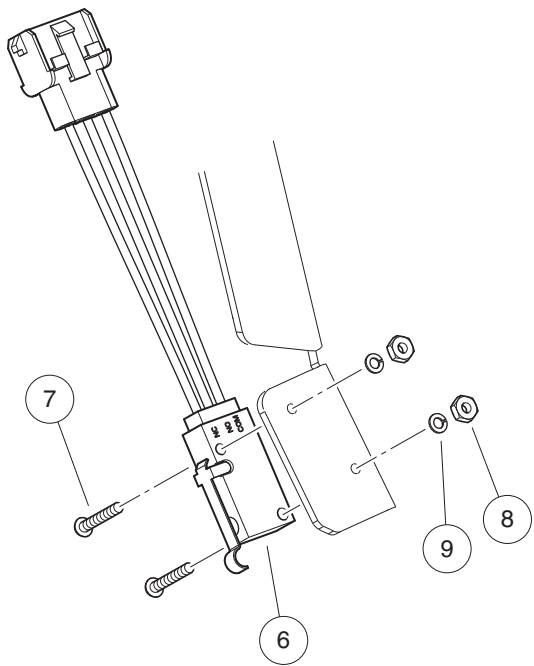
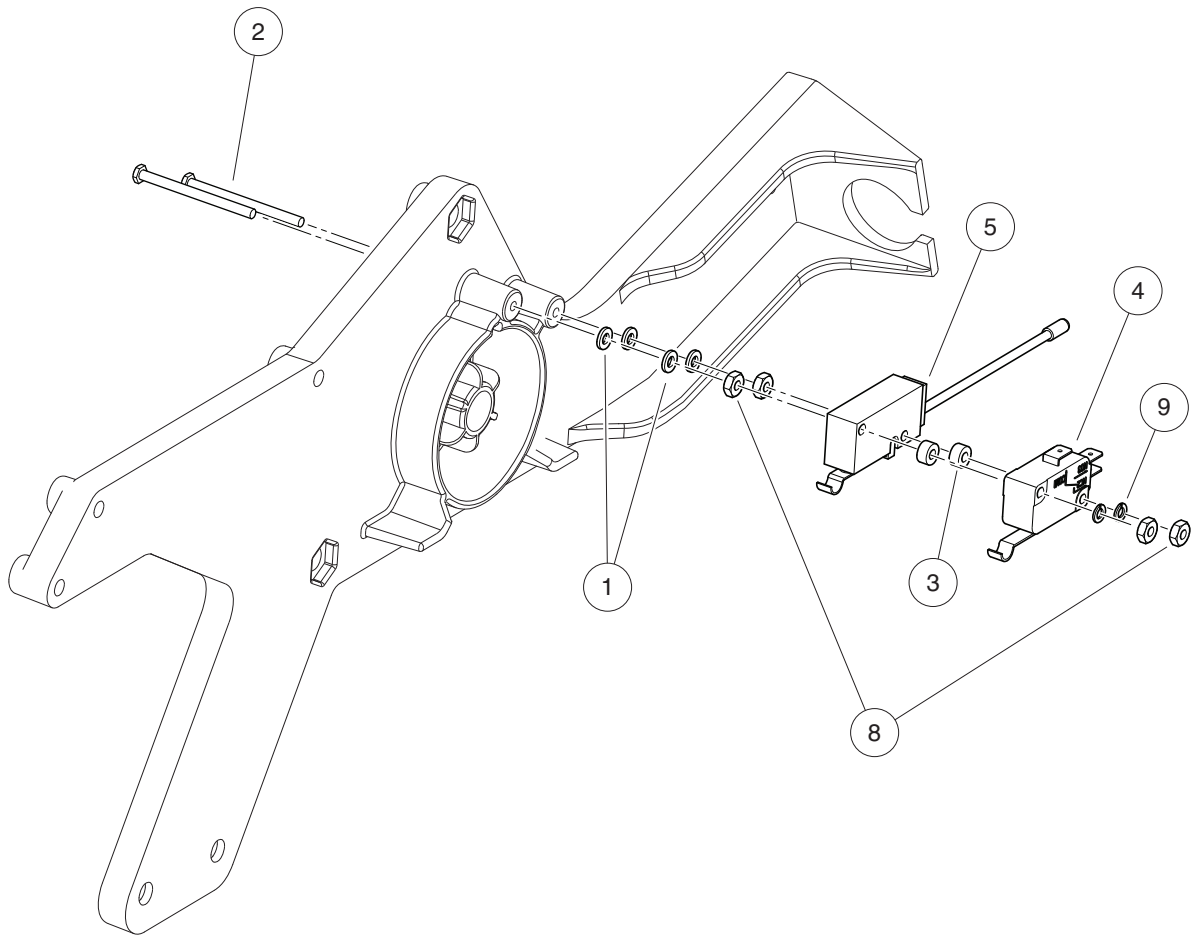
001286-002

USB PORT KIT FOR GAS VEHICLES

ITEM	PART NO.	DESCRIPTION	QTY
1	47604229001	1 2 3 4 Kit, Usb, Gas (includes item 2)	1
2	47587715001	Usb, 12v	1

8
G

8
G



001013-001

FORWARD/REVERSE SHIFTER SWITCHES – EFI

ITEM	PART NO.	DESCRIPTION	QTY
		1 2 3 4	
1	1012431	Washer, #4 Flat	4
2	<u>1012594</u>	Screw, #4-40 Machine	2
3	<u>1014727</u>	Washer, Flat, #4, Nylon	2
4	<u>1014807</u>	Switch, Limit	1
5	<u>101979101</u>	Switch, Limit, Assembly, Sealed	1
6	<u>105102601</u>	Switch, Limit, Sealed, with 3-Wire Lead	1
7	<u>8056</u>	Screw, #4-40 X 0.75 Round-Head Machine	2
8	<u>8057</u>	Nut, #4-40 Hex Machine	6
9	<u>8058</u>	Lockwasher, #4 Split	4
Note: Item 5 is located on the shifter. Item 6 is located on the transaxle.			

8

G

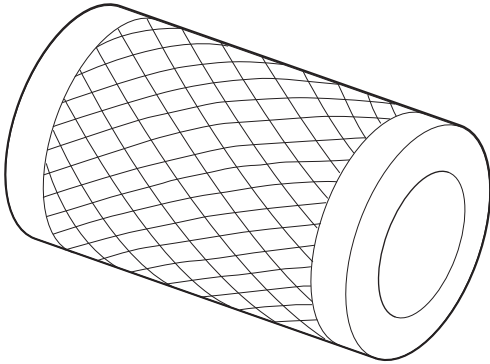
8

G

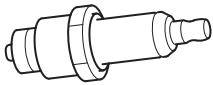
ENGINE (KOHLER ECH440)

9

G



1



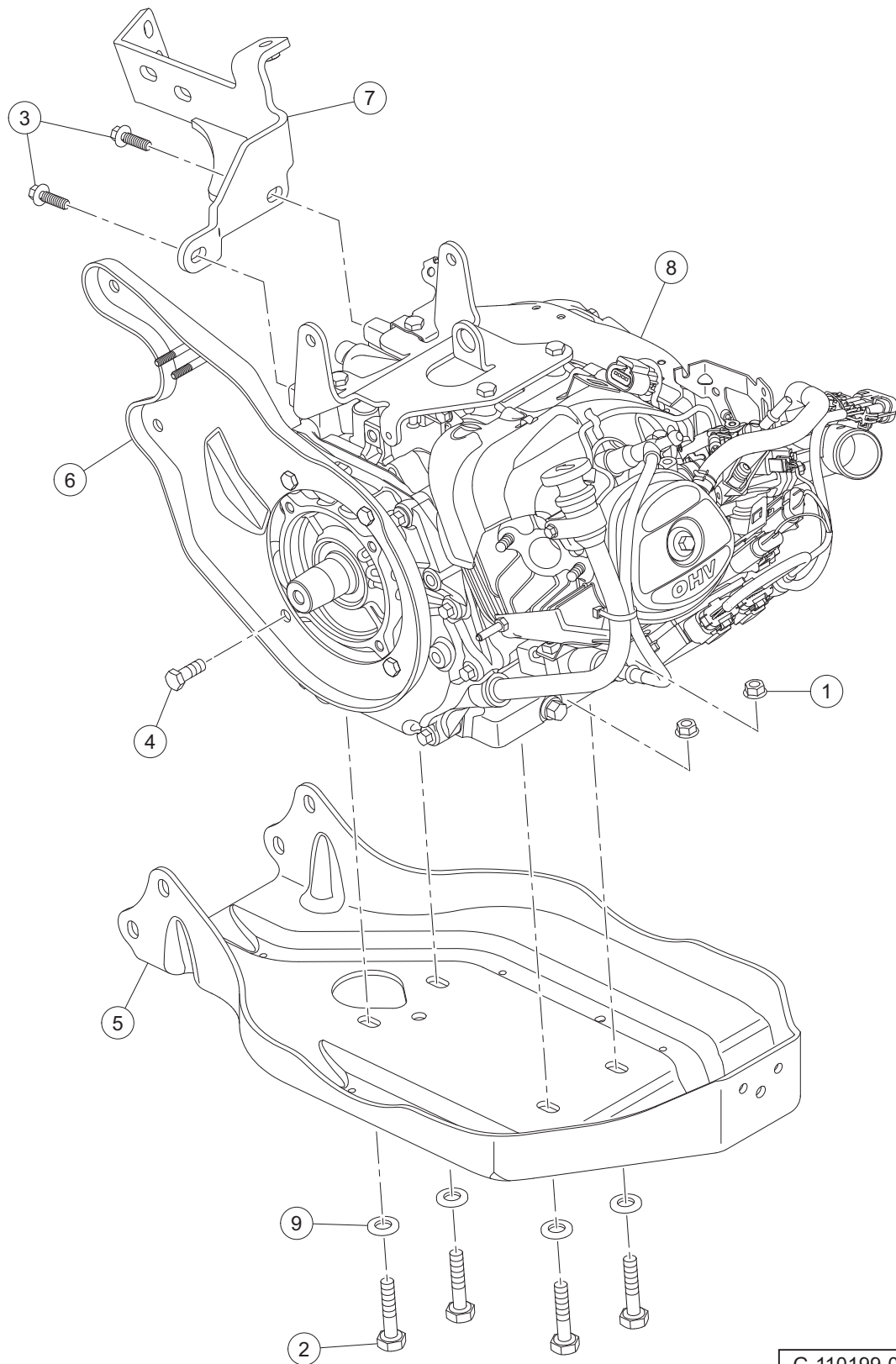
2

000992-003

TUNE-UP PARTS

ITEM	PART NO.	DESCRIPTION	QTY
1	<u>102558201</u>	1 2 3 4 Air Filter, 4 Inch	1
2	<u>47640281001</u>	Plug, Spark, Kohler	1

9
G



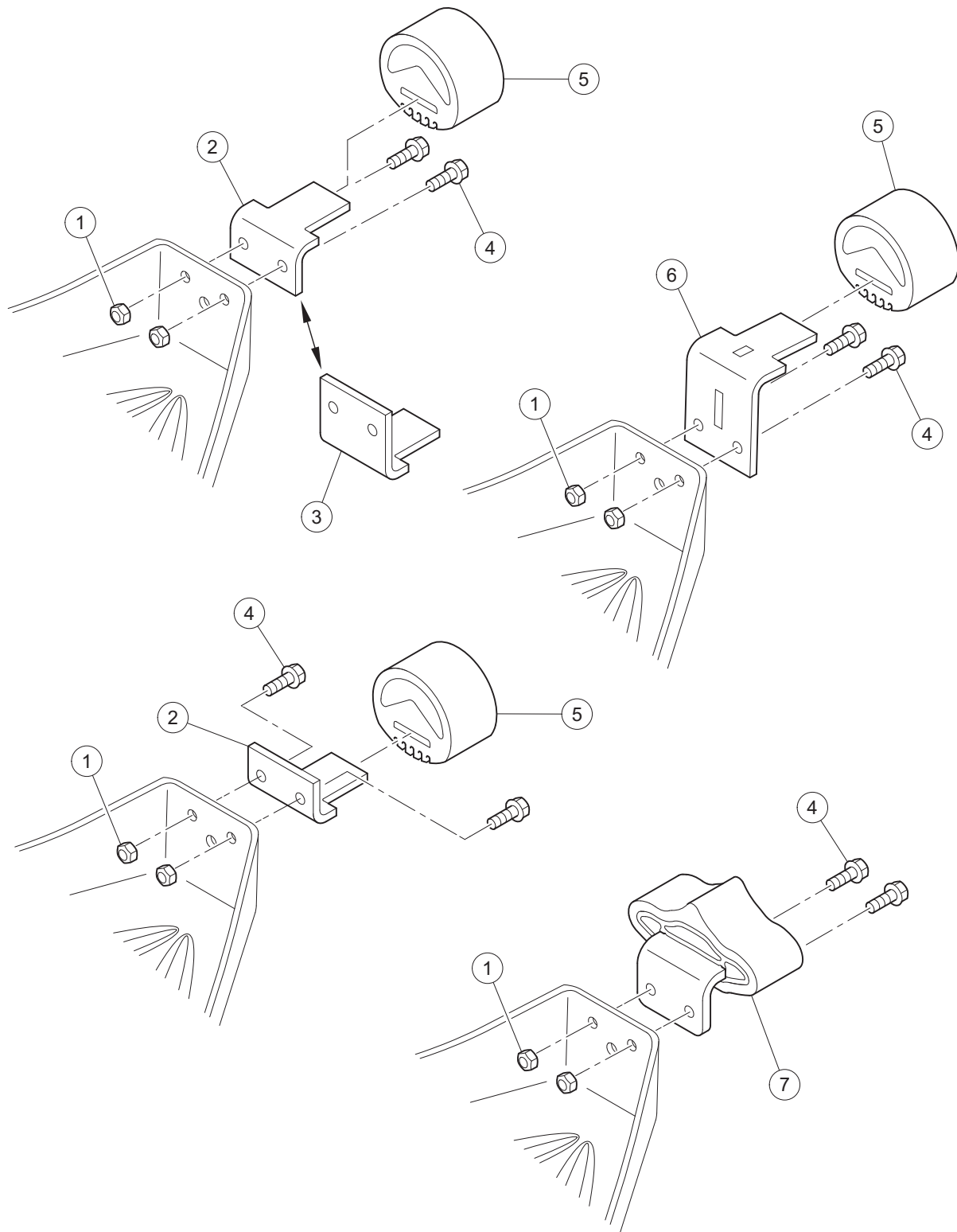
G-110199-000004

ENGINE AND ENGINE MOUNTING

ITEM	PART NO.	DESCRIPTION	QTY
		1 2 3 4	
1	<u>102617201</u>	Nut, Flanged, M10 X 1.5, Mechanically Deformed	4
2	<u>102732401</u>	Bolt, M10 X 45, Zn-Ni (Black)	4
3	<u>103262201</u>	Bolt Flg Blk, M8 X 25, Loctite	2
4	<u>103508101</u>	Bolt, 3/8-16 X .75 Lock Patch	4
5	47611483001	Plate, Mtg, Engine/axle, Pan	1
6	47611484001	Plate, Mtg, Engine/axle, Cvt	1
7	47611648001	Weldment, Mtg, Exhaust	1
8	47695923001	Engine, Gas, Kohler Ech440	1
9	<u>96741046</u>	Washer, M10, Hard	4

9

G



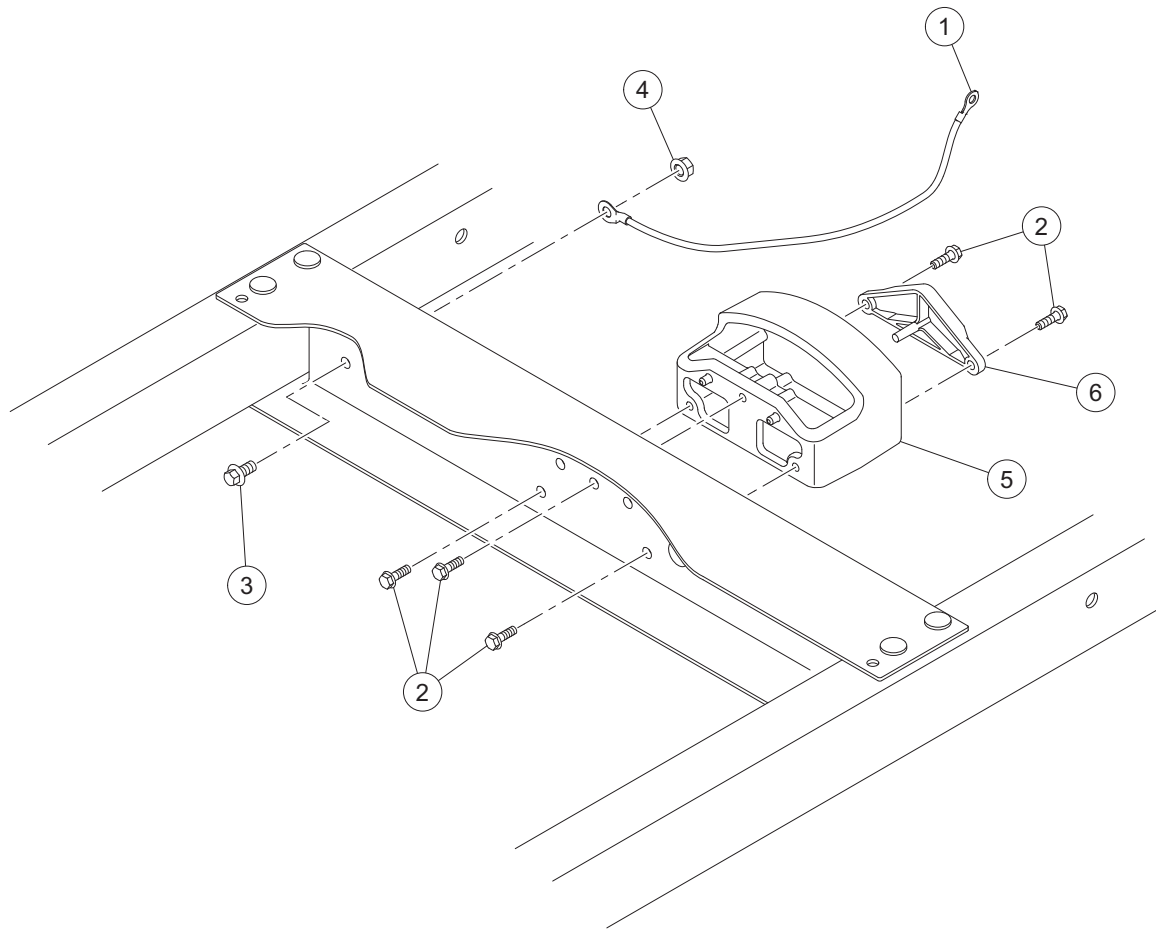
G-010299-000001

ENGINE PAN AND SNUBBER MOUNTING

ITEM	PART NO.	DESCRIPTION	QTY
		1 2 3 4	
1	<u>1013924</u>	Nut, 5/16-24, Hex Head Cone	2
2	<u>101834601</u>	Bracket, Snubber	1
3	<u>101834602</u>	Bracket, Snubber, Tall	1
4	<u>101884801</u>	Screw, 5/16-24 X 0.875, Grade-8	2
5	<u>102540301</u>	Snubber, Inner Frame	1
6	47564890001	Bracket, Snubber, Csmr, Lifted	1
7	47587701001	Asm, Dual Snubber (includes items 8 and 9)	1
8	47583795001	Bracket, Dual Snubber	1
9	47584184001	Snubber, Dual	1
		Note: Items 8 and 9 are not illustrated.	

9

G



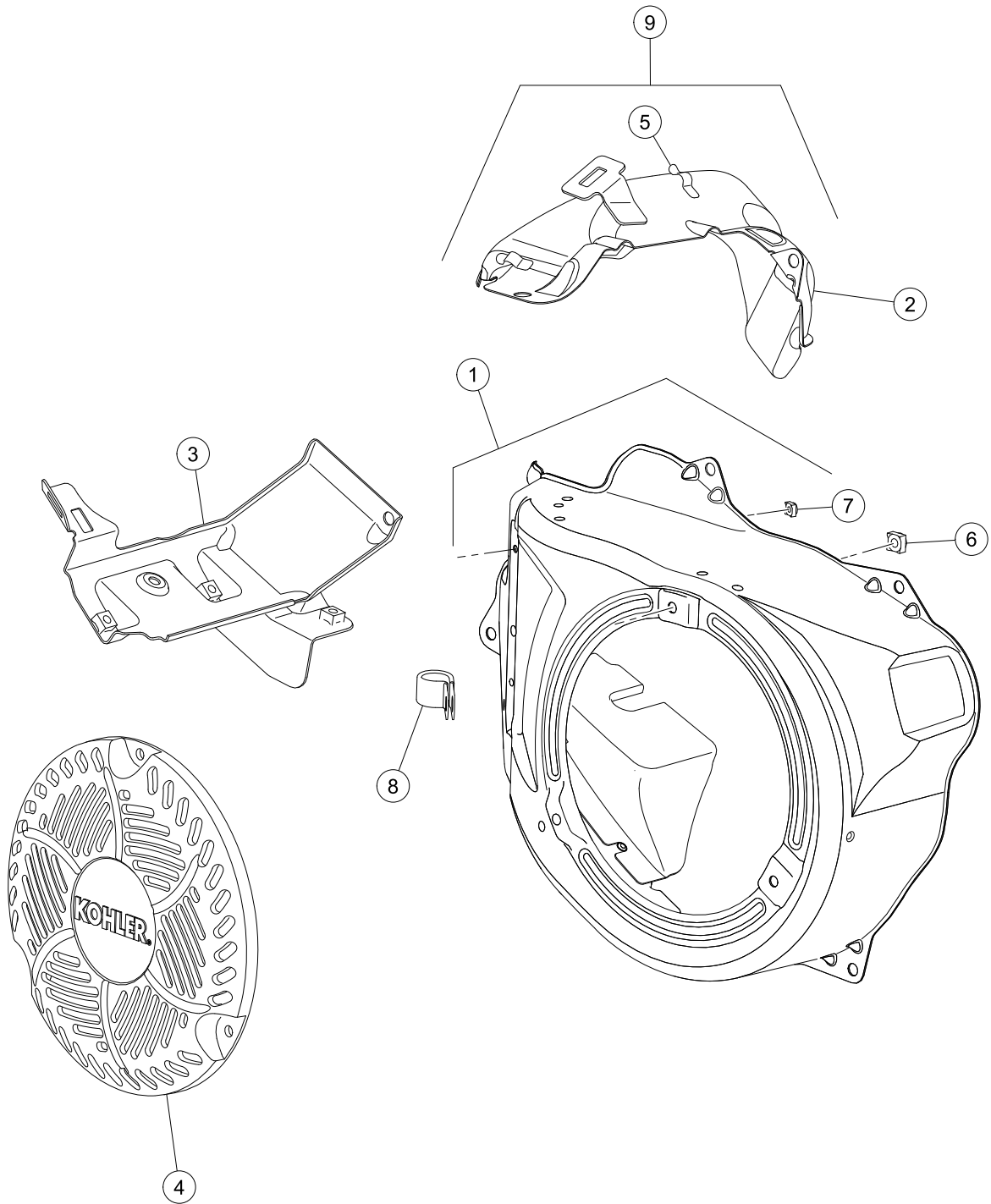
G-010299-000002

SNUBBER HOUSING AND GROUND WIRE

ITEM	PART NO.	DESCRIPTION	QTY
		1 2 3 4	
1	<u>1015332</u>	Wire, Ground, #10, Uninsulated	1
2	<u>102296720</u>	Screw, M6 X 20 Tt Hx Fl Hd	5
3	<u>102298116</u>	Bolt, Flanged Head, M8 X 16.0	1
4	<u>102298401</u>	Nut, M8, All Metal Lock	1
5	<u>102512501</u>	Housing, Snubber	1
6	47666603001	Spacer, Snubber, Lt	1

9

G



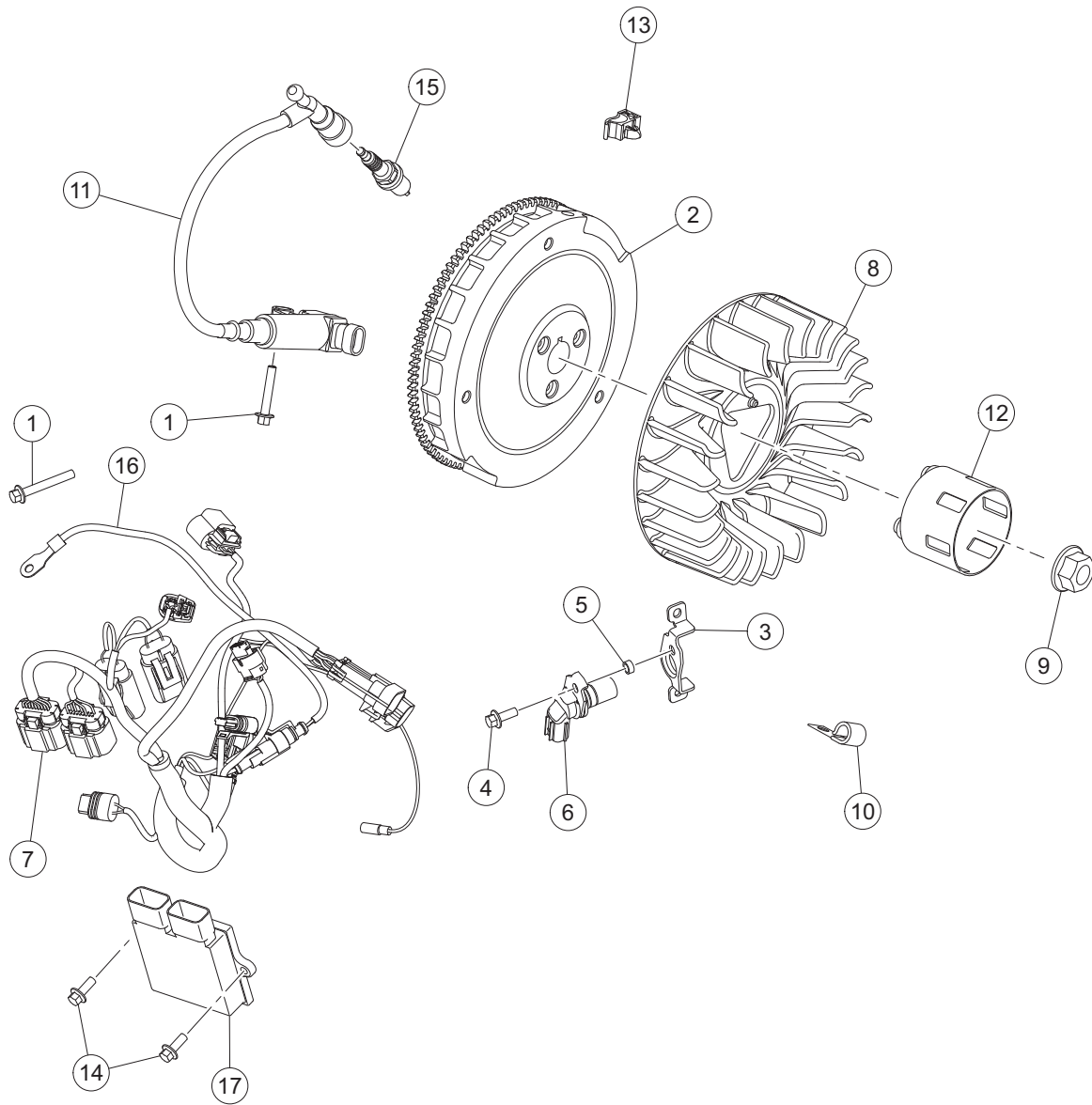
G-040899-000001

BLOWER HOUSING AND HEAT SHIELD – ECH440

ITEM	PART NO.	DESCRIPTION	QTY
		1 2 3 4	
1	<u>47629844001</u>	Kit, Blower Housing, Kohler	1
2	<u>47629845001</u>	Shield, Upper Heater, Kohler	1
3	<u>47629846001</u>	Shield Assembly, Cylinder, Koh	1
4	<u>47629847001</u>	Screen, Blower Housing, Kohler	1
5	<u>47629848001</u>	Clip, Wire, Kohler	2
6	<u>47629851001</u>	Nut, Blower Housing (cky), Koh	1
7	<u>47629853001</u>	Nut, Blower Housing (cky), Koh	1
8	<u>47629855001</u>	Clamp, Insulator, Kohler	1
9	<u>47629856001</u>	Assembly, Heat Shield, Kohler	1

9

G



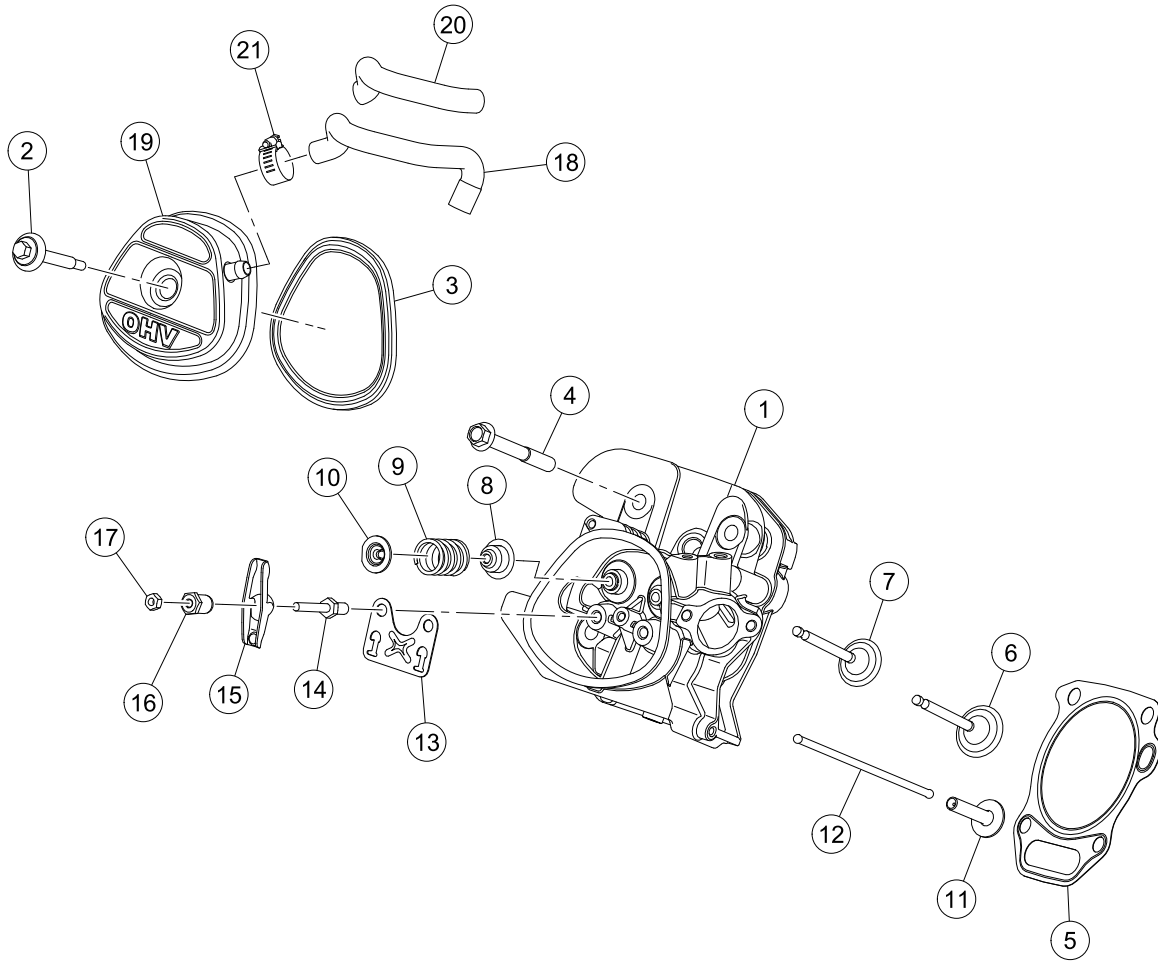
G-040799-000004

IGNITION COMPONENTS AND FLYWHEEL – ECH440

ITEM	PART NO.	DESCRIPTION	QTY
		1 2 3 4	
1	47629702001	Screw, Hex Flange (m6), Kohler	3
2	47629702001	Screw, Hex Flange (m6), Kohler	1
3	47629826001	Flywheel Assy, Electric Start	1
4	47629828001	Bracket, Crank Sensor, Kohler	1
5	47629831001	Screw, Hex Flange, Kohler	1
6	47629832001	Spacer, Kohler	1
7	47629833001	Sensor, Speed, Kohler	1
8	47629834001	Harness, Wiring Assy, Kohler	1
9	47629835001	Fan, Flywheel, Kohler	1
10	47629836001	Nut, Flywheel, Kohler	1
11	47629837001	Clip, Cable, Kohler	1
12	47629838001	Coil, Ignition-efi, Kohler	1
13	47629841001	Cup, Starter Drive, Kohler	1
14	47629843001	Clip, Wiring Harness, Kohler	1
15	47640021001	Screw, M6x16, Kohler	2
16	47640281001	Plug, Spark, Kohler	1
17	47650647001	Sensor, Temperature	1
18	47676897001	Module, ECU, Kohler	1

9

G



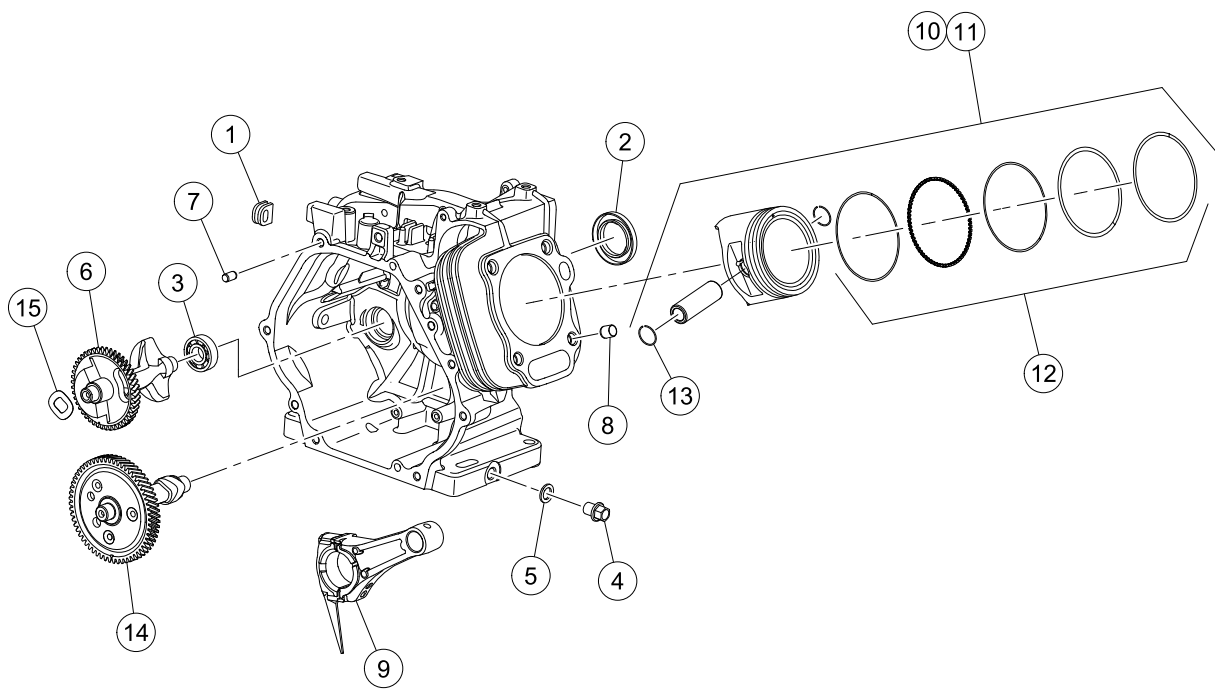
G-040599-000001

CYLINDER HEAD AND VALVE – ECH440

ITEM	PART NO.	DESCRIPTION	QTY
		1 2 3 4	
1	<u>47629711001</u>	Assembly, Cylinder Head, Kohle	1
2	<u>47629714001</u>	Screw, Valve Cover Seal Assy,	1
3	<u>47629716001</u>	Gasket, Valve Cover, Kohler	1
4	<u>47629717001</u>	Screw, Hex Flange Cylinder Hea	4
5	<u>47629718001</u>	Kit, Head Gasket, Kohler	1
6	<u>47629719001</u>	Valve, Intake, Kohler	1
7	<u>47629720001</u>	Valve, Exhaust, Kohler	1
8	<u>47629722001</u>	Seal, Valve Stem, Kohler	2
9	<u>47629723001</u>	Spring, Valve, Kohler	2
10	<u>47629724001</u>	Retainer, Valve Spring, Kohler	2
11	<u>47629725001</u>	Lifter, Valve, Kohler	2
12	<u>47629726001</u>	Rod, Push, Kohler	2
13	<u>47629727001</u>	Plate, Pushrod Guide, Kohler	1
14	<u>47629728001</u>	Stud, Rocker, Kohler	2
15	<u>47629729001</u>	Arm, Rocker, Kohler	2
16	<u>47629730001</u>	Pivot, Rocker Arm, Kohler	2
17	<u>47629768001</u>	Nut, Hex Jam, Kohler	2
18	<u>47629822001</u>	Hose, Breather, Kohler	1
19	<u>47629823001</u>	Valve Cover Assembly, Kohler	1
20	<u>47629824001</u>	Sleeve, Anti Abrasion, Kohler	1
21	<u>47629825001</u>	Clamp, Hose, Kohler	1

9

G



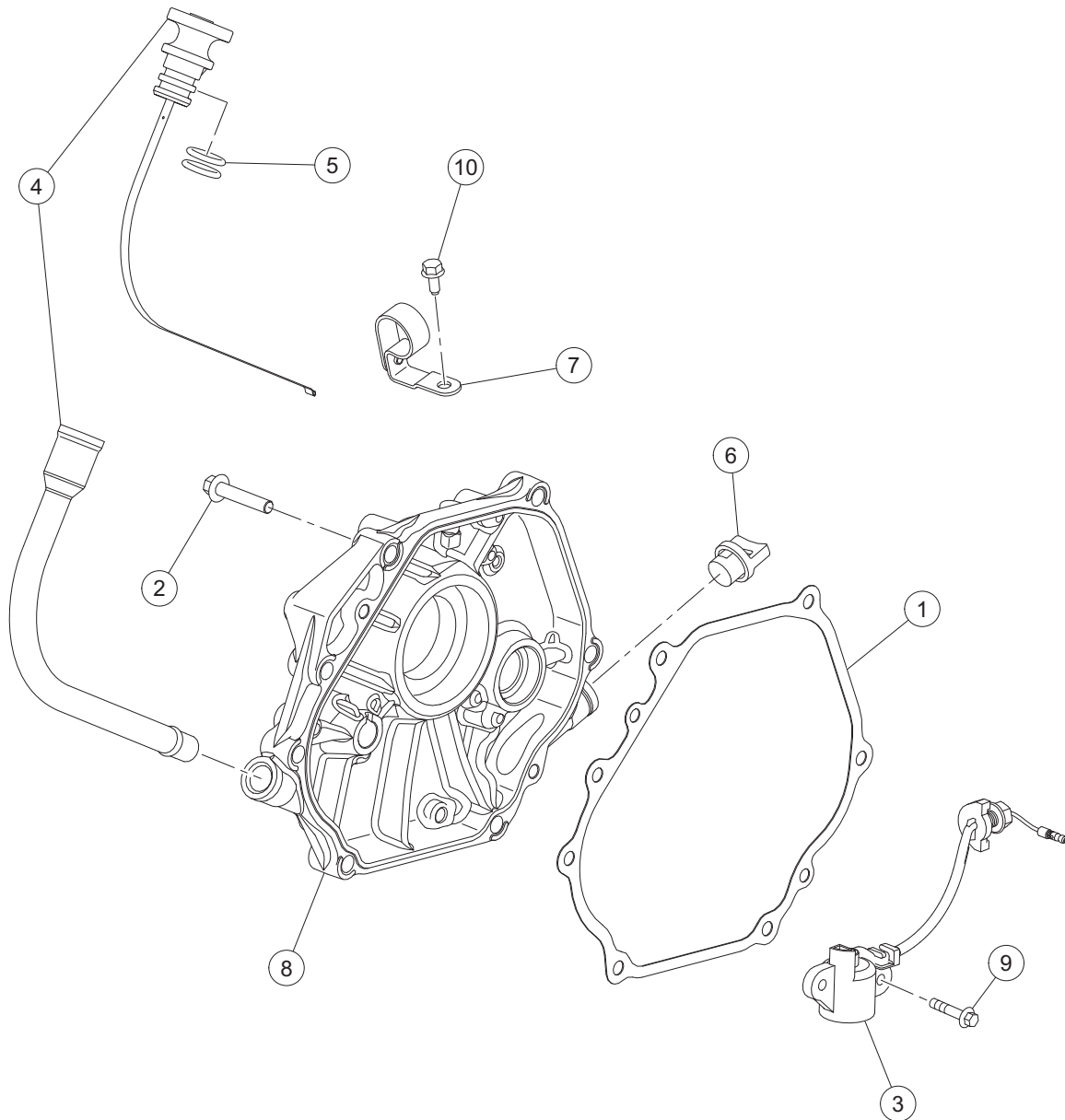
G-040399-000001

CRANKCASE AND PISTON – ECH440

ITEM	PART NO.	DESCRIPTION	QTY
		1 2 3 4	
1	<u>47629677001</u>	Grommet, Crankcase,kohler	1
2	<u>47629680001</u>	Seal, Crankcase, Kohler	2
3	<u>47629682001</u>	Bearing, Balancing Shaft, Kohl	2
4	<u>47629685001</u>	Kit, Drain Plug, Kohler	2
5	<u>47629686001</u>	Washer, Drain Plug, Kohler	2
6	<u>47629687001</u>	Shaft, Balance, Kohler	1
7	<u>47629688001</u>	Pin, Dowel, Kohler	2
8	<u>47629689001</u>	Pin, Dowel Cylinder Head, Kohl	2
9	<u>47629690001</u>	Rod, Connecting Assembly,kohle	1
10	<u>47629691001</u>	Kit, Piston Wing Set (std), Ko	1
11	<u>47629693001</u>	Kit, Piston (0.25 O.s.), Kohle	1
12	<u>47629694001</u>	Ring Set, Kohler	2
13	<u>47629696001</u>	Retainer, Piston, Kohler	2
14	<u>47629697001</u>	Camshaft Assembly, Kohler	1
15	<u>47629698001</u>	Spring, Wave, Kohler	1

9

G



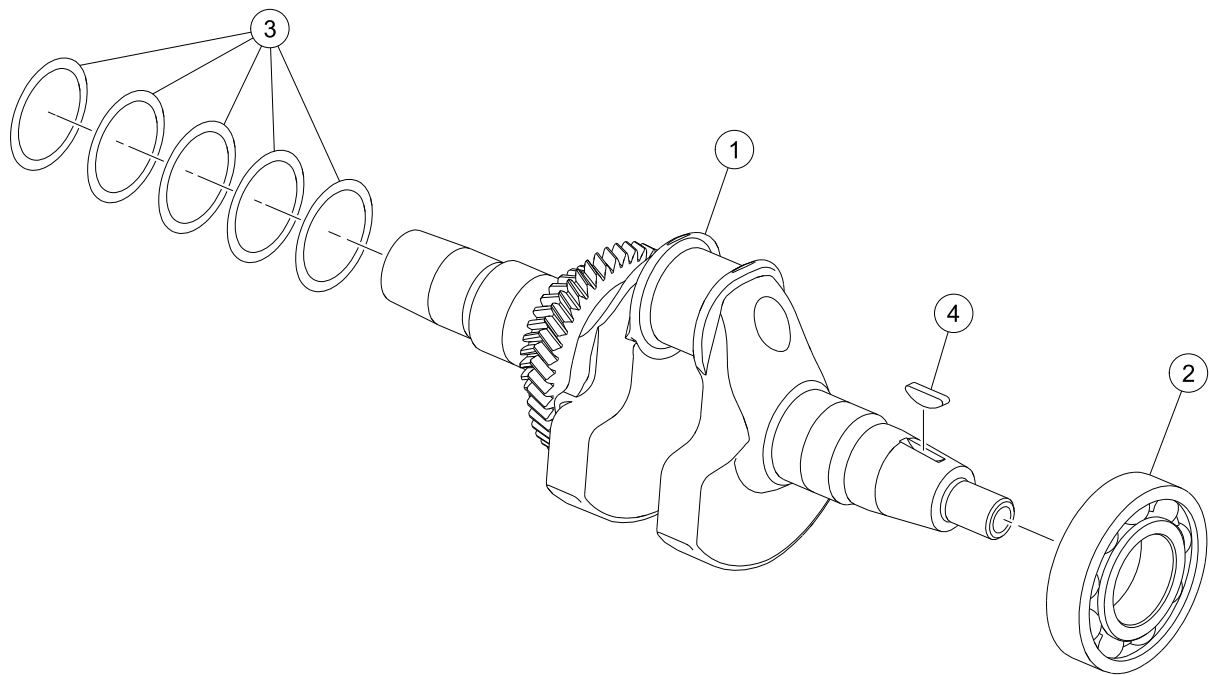
G-040699-000002

OIL SENSOR AND LUBRICATION – ECH440

ITEM	PART NO.	DESCRIPTION	QTY
		1 2 3 4	
1	<u>47629699001</u>	Gasket, Closure Plate, Kohler	1
2	<u>47629700001</u>	Screw, Closure Plate, Kohler	7
3	<u>47629701001</u>	Switch, Oil Sensor Assembly, K	1
4	<u>47629703001</u>	Dipstick, Assembly, Kohler	1
5	<u>47629705001</u>	O-ring, Dipstick Cap, Kohler	2
6	<u>47629707001</u>	Cap Assy, Oil Fill, Kohler	1
7	<u>47629709001</u>	Bracket, Dipstick Tub, Kohler	1
8	<u>47640020001</u>	Plate, Closure, Kohler	1
9	<u>47640021001</u>	Screw, M6x16, Kohler	2
10	<u>47640022001</u>	Screw, M5 X8, Kohler	1

9

G



G-040299-000001

CRANKSHAFT – ECH440

ITEM	PART NO.	DESCRIPTION	QTY
		1 2 3 4	
1	<u>47629583001</u>	Crankshaft Assembly, Kohler	1
2	<u>47629585001</u>	Bearing, Crankshaft, Kohler	2
3	<u>47629588001</u>	Kit, Shims, Kohler	5
4	<u>47629589001</u>	Key, Flywheel, Kohler	1

9

G

9

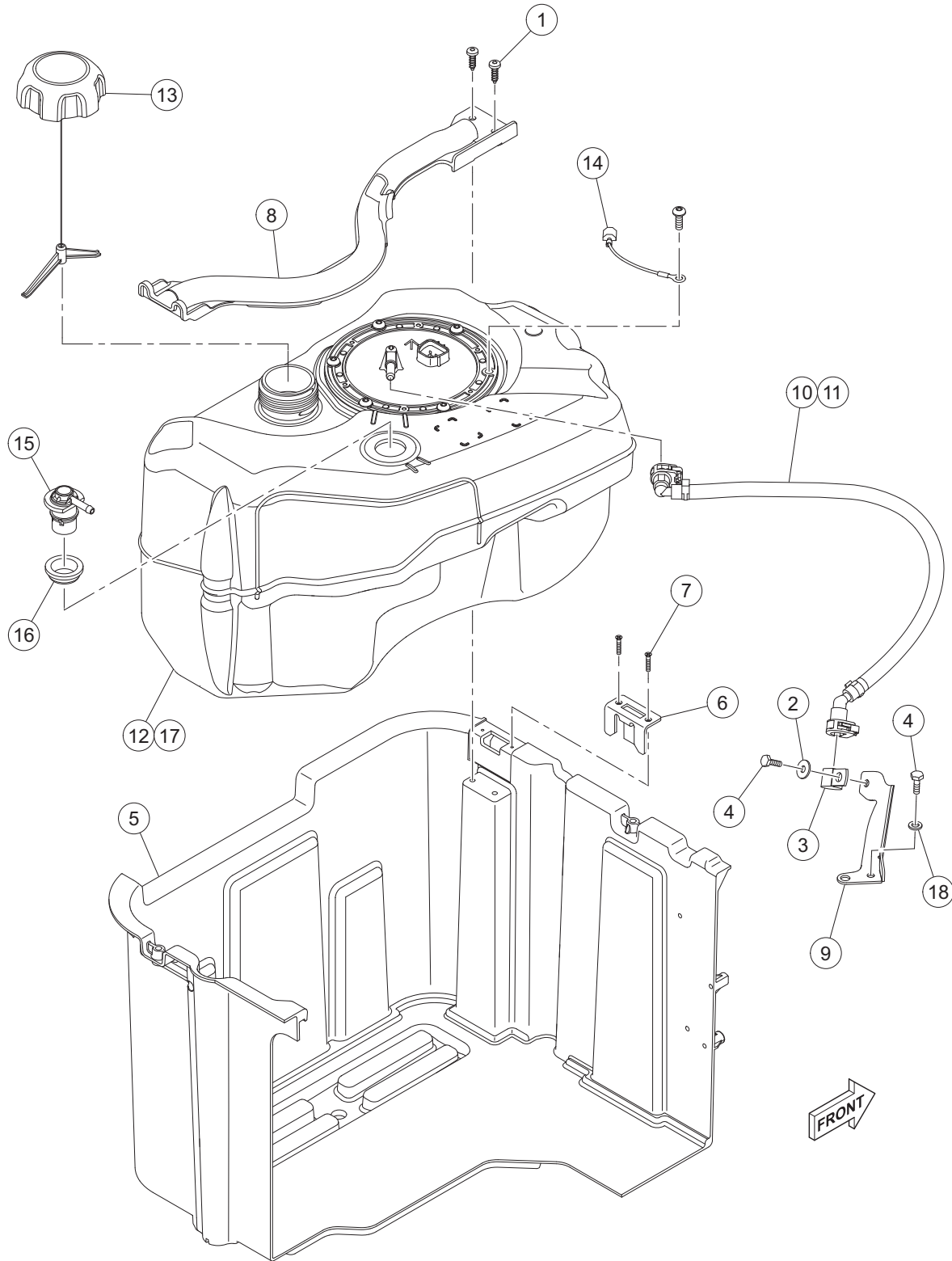
G

FUEL SYSTEM – EFI

10

G

10
G

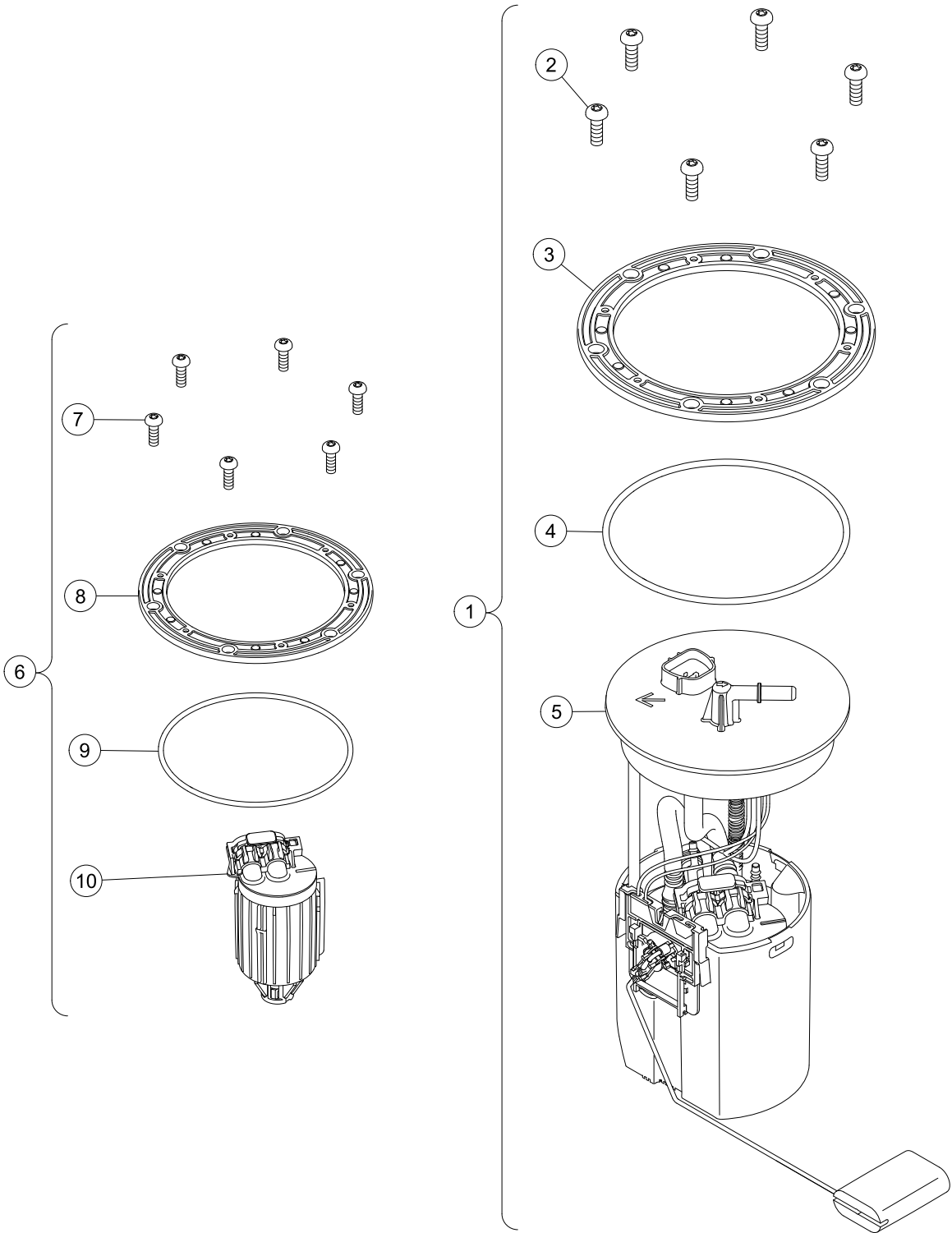


G-100499-000001

FUEL TANKS

10
G

ITEM	PART NO.	DESCRIPTION	QTY
		1 2 3 4	
1	<u>102296020</u>	Screw-torx Pan Head Pt, M6x20	2
2	<u>102296301</u>	Washer, M6x18x1.6 Flat	1
3	<u>102410604</u>	P-clamp, Insulated, 0.625 Inch	1
4	<u>102490301</u>	Bolt, M6 X 1 X 16, Loctite	1
5	<u>47610134002</u>	Bucket, Gas Vehicle, Glf, Csmr (includes items 6 and 7)	1
6	<u>103470701</u>	Bracket, Bucket Hinge	2
7	N/A	Screw, #6 X .75, Cs Ss, Hi-lo	4
8	<u>47610135001</u>	Retainer, Tank	1
9	<u>47643624002</u>	Bracket, Fuel Line	1
10	<u>47674563001</u>	Asm, Fuel Line, Glf, Csmr	1
11	<u>47674563002</u>	Asm, Fuel Line, Glf, Csmr, Lft	1
12	<u>47684368001</u>	Asm, Tank, Fuel, Su 50psi (includes items 13 through 16)	1
13	<u>103372101</u>	Cap, Fuel Tank, Gas, Ratchet	1
14	<u>105143301</u>	Wire, Ground, Fuel Tank	1
15	<u>47611876001</u>	Vent Rov, Fuel Tank, Precedent	1
16	<u>47611877001</u>	Grommet, Fuel Tank, Vent	1
17	<u>47684368002</u>	Asm, Tank, Fuel Nsu,50psi	1
18	<u>96705199</u>	Washer, M6	1
<p>Note: Items 13 through 16 apply to items 12 and 17.</p>			



G-100699-000001

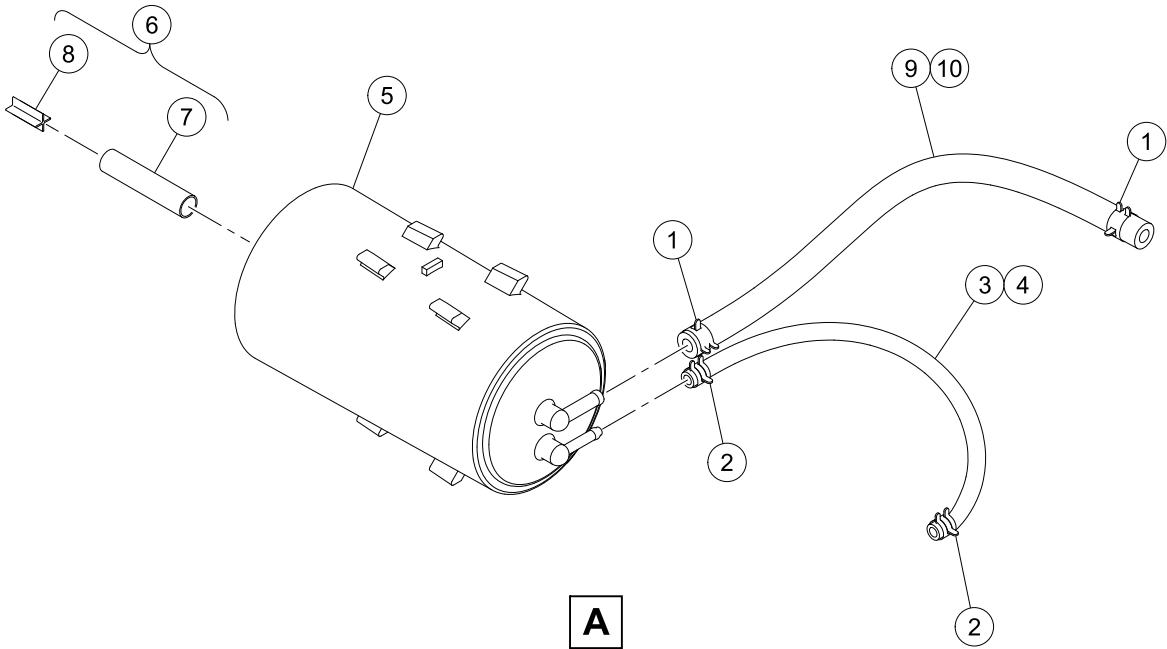
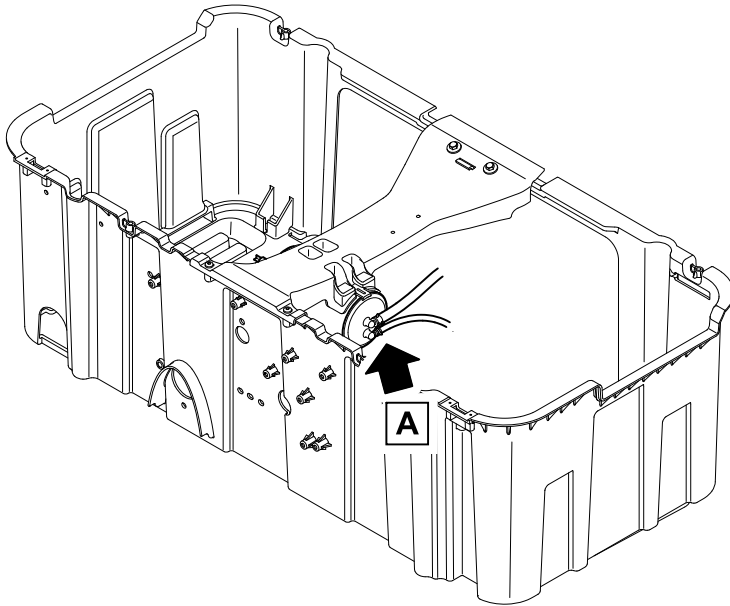
FUEL PUMP AND FUEL FILTER KITS

ITEM	PART NO.	DESCRIPTION	QTY
		1 2 3 4	
1	<u>47622330001</u>	Kit, Fuel Pump Module, 50 Psi (includes items 2 through 5)	1
2	<u>102025801</u>	Screw, 1/4-20 X .75 Torx Pn Hd	6
3	<u>105043801</u>	Fuel Module, Hold Down Ring	1
4	<u>105043901</u>	O-Ring, Fuel Module	1
5	N/A	Fuel Pump Module Su 50psi	1
6	<u>47623339001</u>	Kit, Fuel Filter, 50 Psi (includes items 7 through 10)	1
7	<u>102025801</u>	Screw, 1/4-20 X .75 Torx Pn Hd	6
8	<u>105043801</u>	Fuel Module, Hold Down Ring	1
9	<u>105043901</u>	O-Ring, Fuel Module	1
10	N/A	Fuel Filter, 50psi	1
<p style="margin-left: 40px;">Note: Fuel pump kits are supplied with a sending unit for all field replacement kits.</p>			

10

G

10
G



G-100399-00002

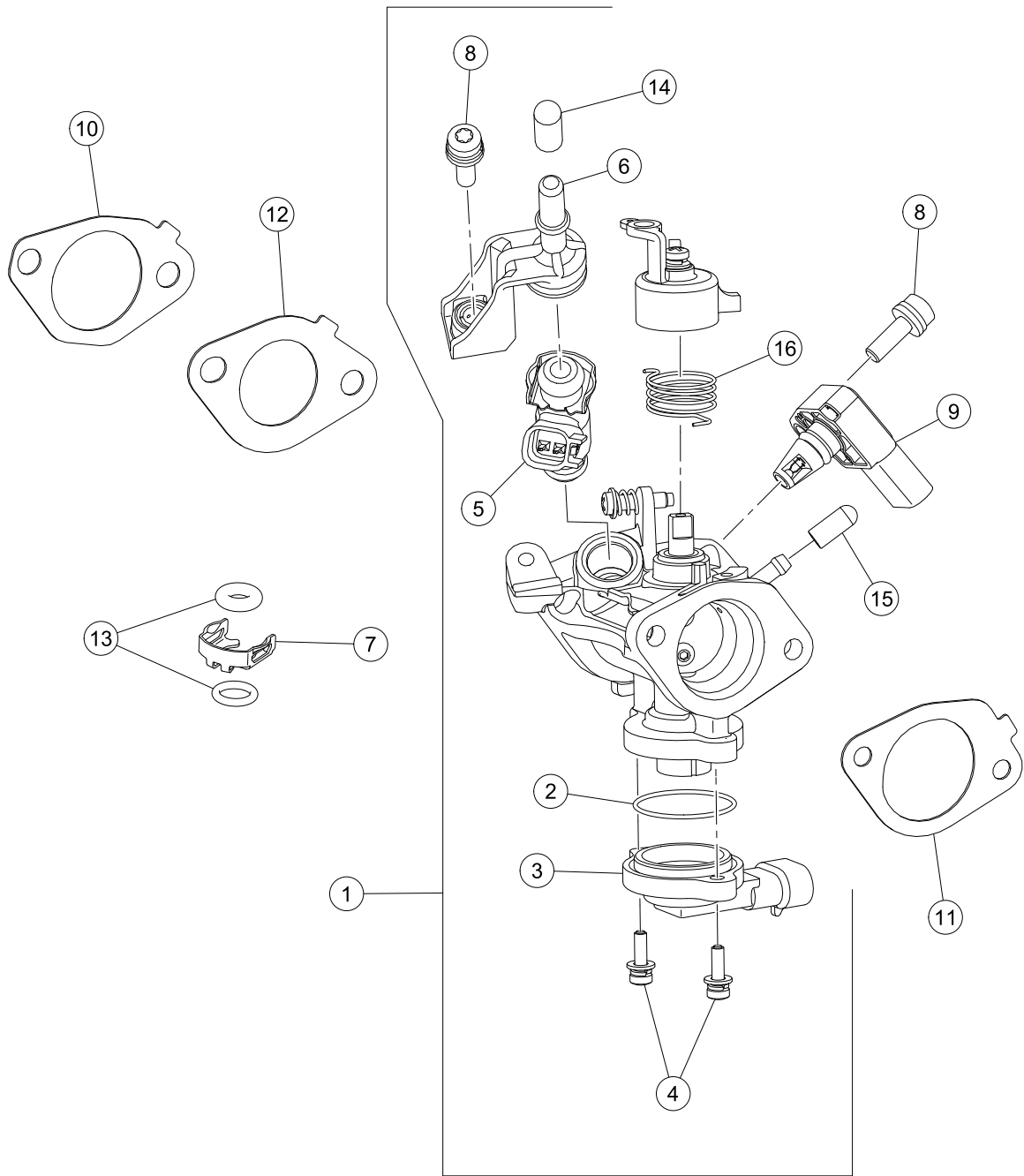
CARBON CANISTER – EFI

ITEM	PART NO.	DESCRIPTION	QTY
		1 2 3 4	
1	<u>1012649</u>	Clamp, 0.460 Red Hose	2
2	<u>1013746</u>	Clamp, 0.301 ID Hose	2
3	101587711	Hose, Fuel, Vent, 11.5" Long	1
4	101587712	Hose, Fuel, Vent, 12.5" Long	1
5	<u>103372401</u>	Canister, Carbon	1
6	<u>103756401</u>	Asm, Vent Line, Carbon Canister (includes items 7 and 8)	1
7	N/A	Hose, Vent, 5/16 I.D., Bulk	1
8	N/A	Vent, Barb, 5/16 I.D. Hose	1
9	103896607	Hose, Vent, 1/4 Id, 11.5 In (includes item 10)	1
10	<u>47560464001</u>	Hose, Fuel 1/4saej1737 Bulk	A/R
Note: Bulk hose material for items 3 (non-lifted only) and 4 (lifted only) can be ordered using part number 1015137.			

10

G

10
G

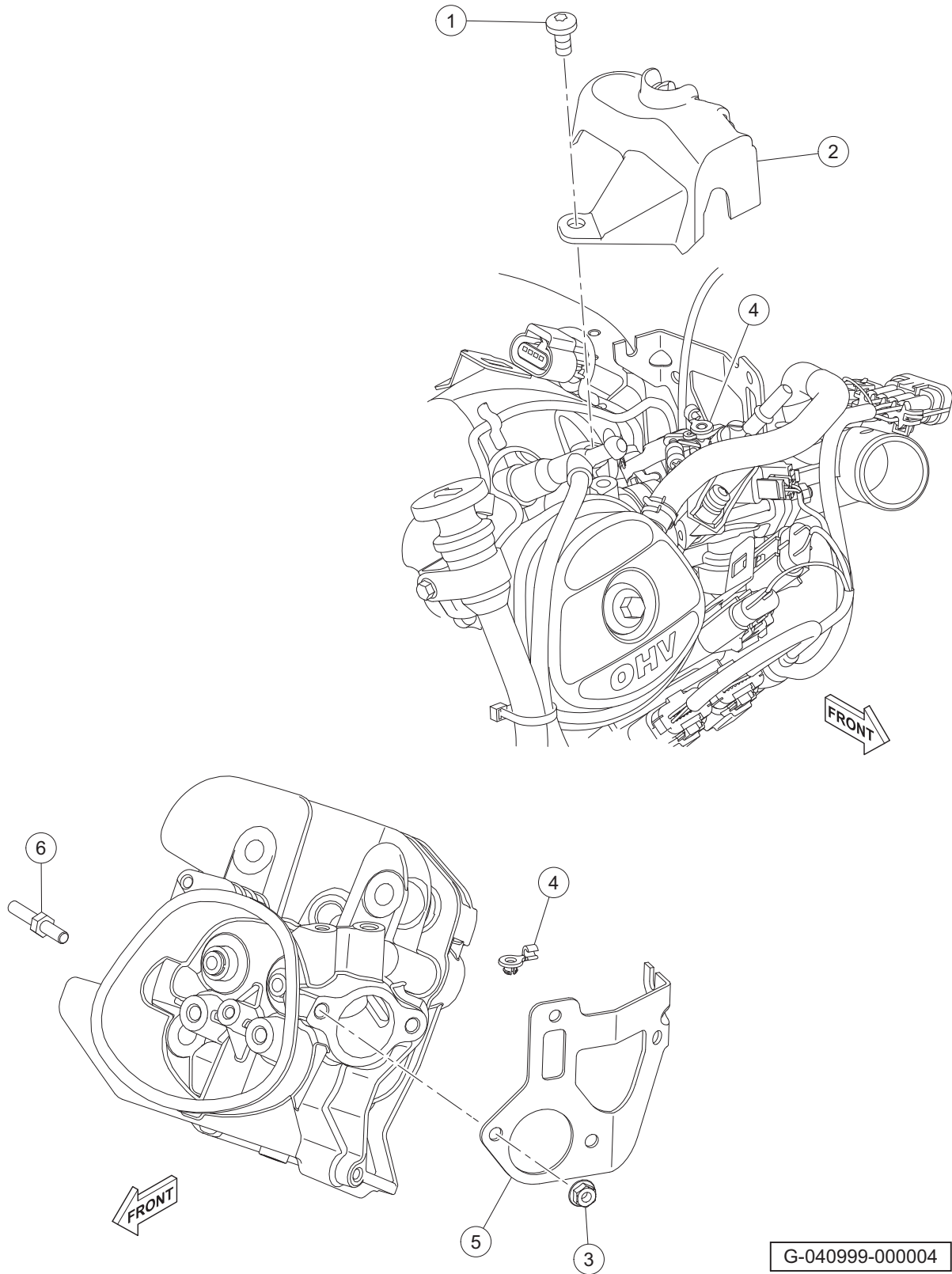


G-100199-000001

THROTTLE BODY AND MOUNTING

ITEM	PART NO.	DESCRIPTION	QTY
		1 2 3 4	
1	<u>47629857001</u>	Throttle Body, Assembly, Kohler	1
2	<u>47629858001</u>	O-ring, Kohler	1
3	<u>47629859001</u>	Kit, Tps, Kohler	1
4	<u>47629860001</u>	Screw, Hexalobular, M4 X 0.7 X	2
5	<u>47629861001</u>	Injector, Fuel, Kohler	1
6	<u>47629862001</u>	Cap, Fuel Inector, Kohler	1
7	<u>47629864001</u>	Clip, Retainer, Kohler	1
8	<u>47629865001</u>	Screw, Hexalobular, M6 X 1 Sem	2
9	<u>47629866001</u>	Sensor, T-map, Kohler	1
10	<u>47629867001</u>	Kit, Gasket Intake, Kohler	1
11	<u>47629868001</u>	Gasket, Throttle Body, Kohler	1
12	<u>47629869001</u>	Gasket, Insulator To T-body, K	1
13	<u>47629870001</u>	Kit, Fuel Injector O-ring, Koh	1
14	<u>47629871001</u>	Cap, Masking, Kohler	1
15	<u>47629872001</u>	Cap, Masking, Kohler	1
16	<u>47629874001</u>	Spring, Return, Kohler	1

10
G

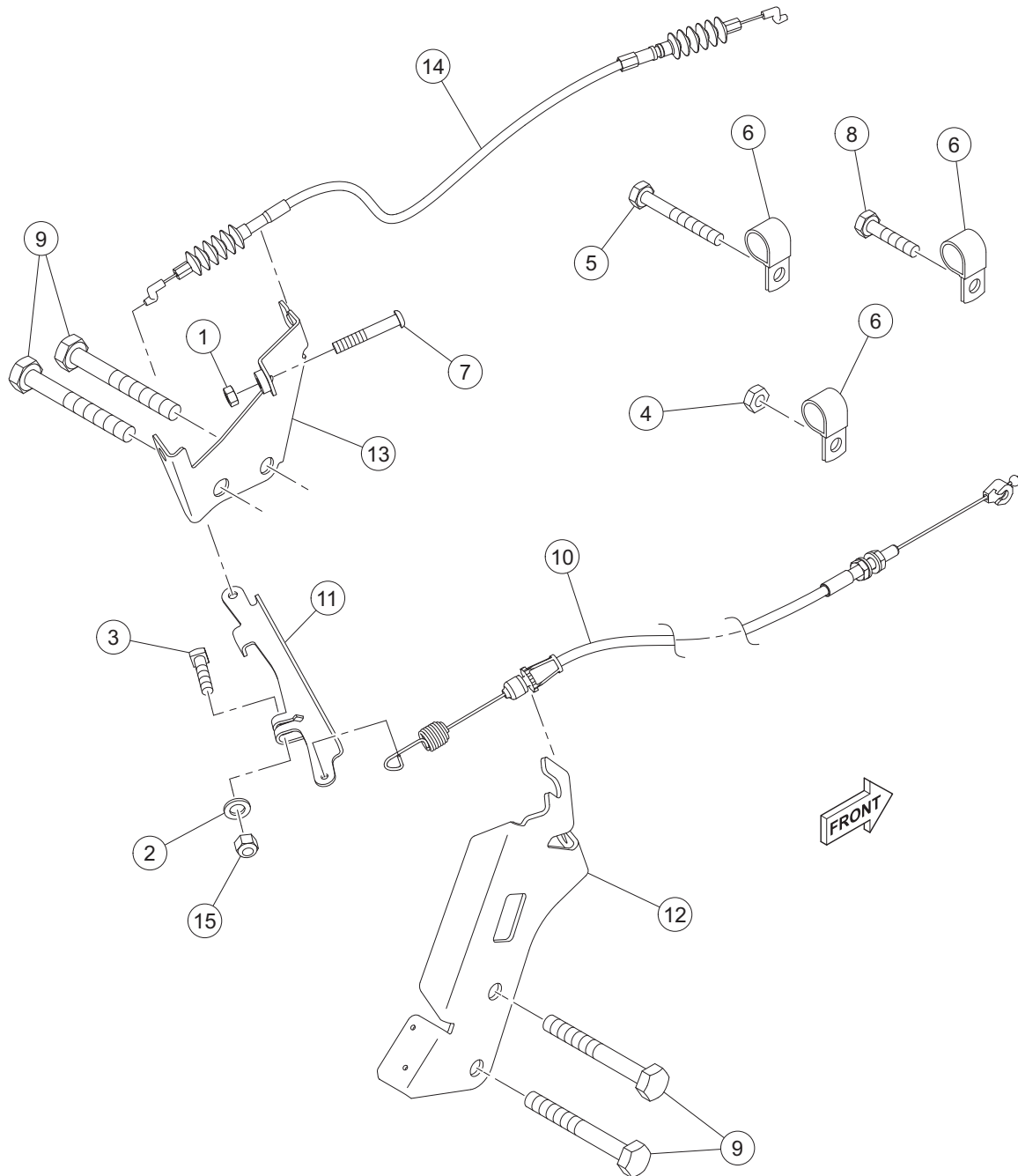


GOVERNOR BRACKET AND COVER – EFI

ITEM	PART NO.	DESCRIPTION	QTY
		1 2 3 4	
1	<u>102298116</u>	Bolt, Flanged Head, M8 X 16.0	1
2	<u>47612352001</u>	Cover, Governor, Ech 440	1
3	<u>47629875001</u>	Nut, Hex Flange Lock (m6), Koh	2
4	<u>47629876001</u>	Bushing, Linkage Retainer, Koh	1
5	<u>47629877001</u>	Bracket, Governor, Kohler	1
6	<u>47629878001</u>	Stud, Ground, Kohler	1

10
G

10
G



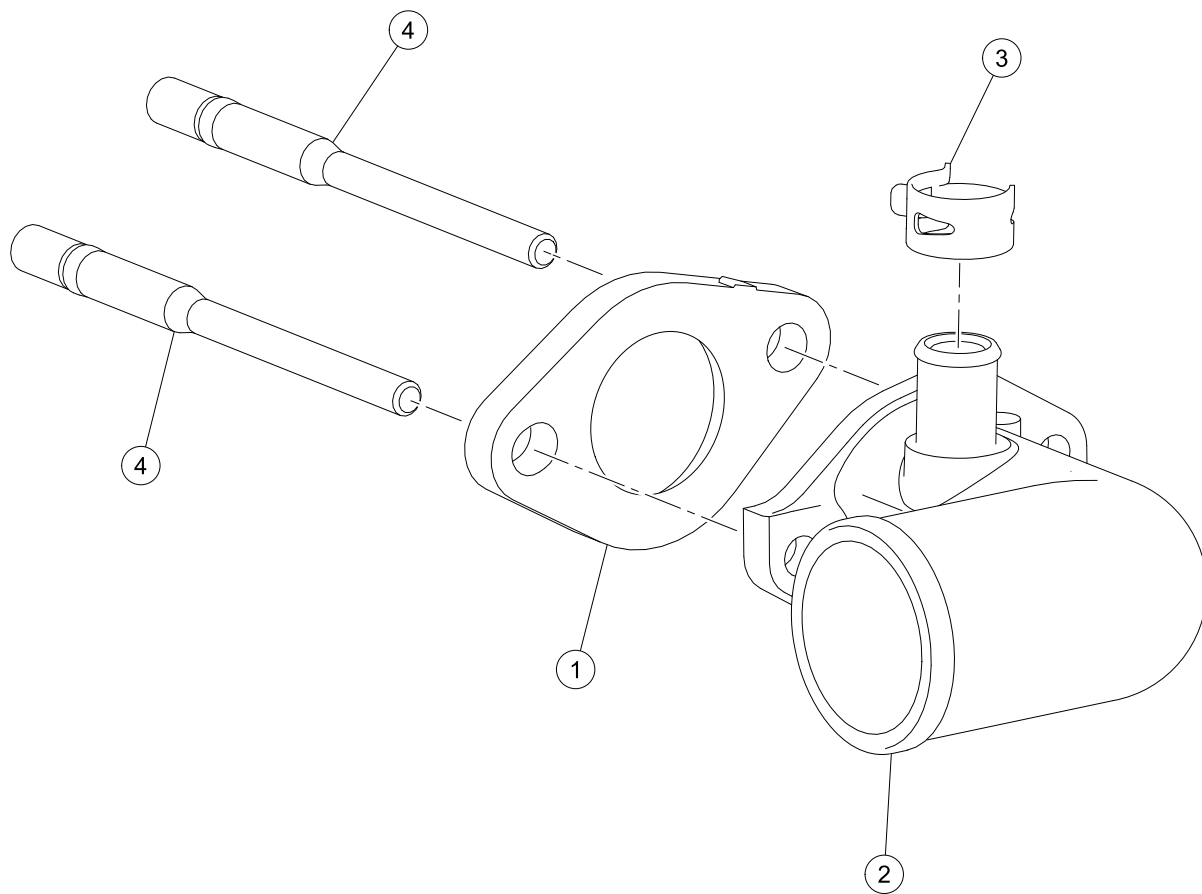
G-100599-000002

GOVERNOR AND ACCELERATOR CABLES – EFI

ITEM	PART NO.	DESCRIPTION	QTY
		1 2 3 4	
1	<u>1011114</u>	Nut, M6-1.00 Hex	2
2	<u>1014007</u>	Washer, 1/4, Flat	1
3	<u>101886101</u>	Screw, 1/4-20 X 1.00, Square-Head	1
4	<u>101887601</u>	Locknut, M6-1.00 Nylon Insert	1
5	<u>102296716</u>	Screw, M6 X 16 Tt Hx Fl Hd	1
6	<u>102410604</u>	P-clamp, Insulated, 0.625 Inch	3
7	<u>102476401</u>	Bolt, Stop, Pedal	1
8	<u>102490301</u>	Bolt, M6 X 1 X 16, Loctite	1
9	<u>102498201</u>	Bolt, M10 X 1.25 X 25, Loctite	2
10	103982004	Cable, Acc, Prec Stretch	1
11	<u>104023501</u>	Arm, Governor, ED65	1
12	<u>105135101</u>	Bracket, Cable, FNR/Accelerator, ED65	1
13	<u>105144401</u>	Weldment, Governor Bracket	1
14	<u>47601355001</u>	Cable, Governor, Z Fit 90 Fit	1
15	<u>8233</u>	Locknut, 1/4-20, Nylon Insert	1

10

G



G-040999-000003

AIR INTAKE ELBOW – EFI

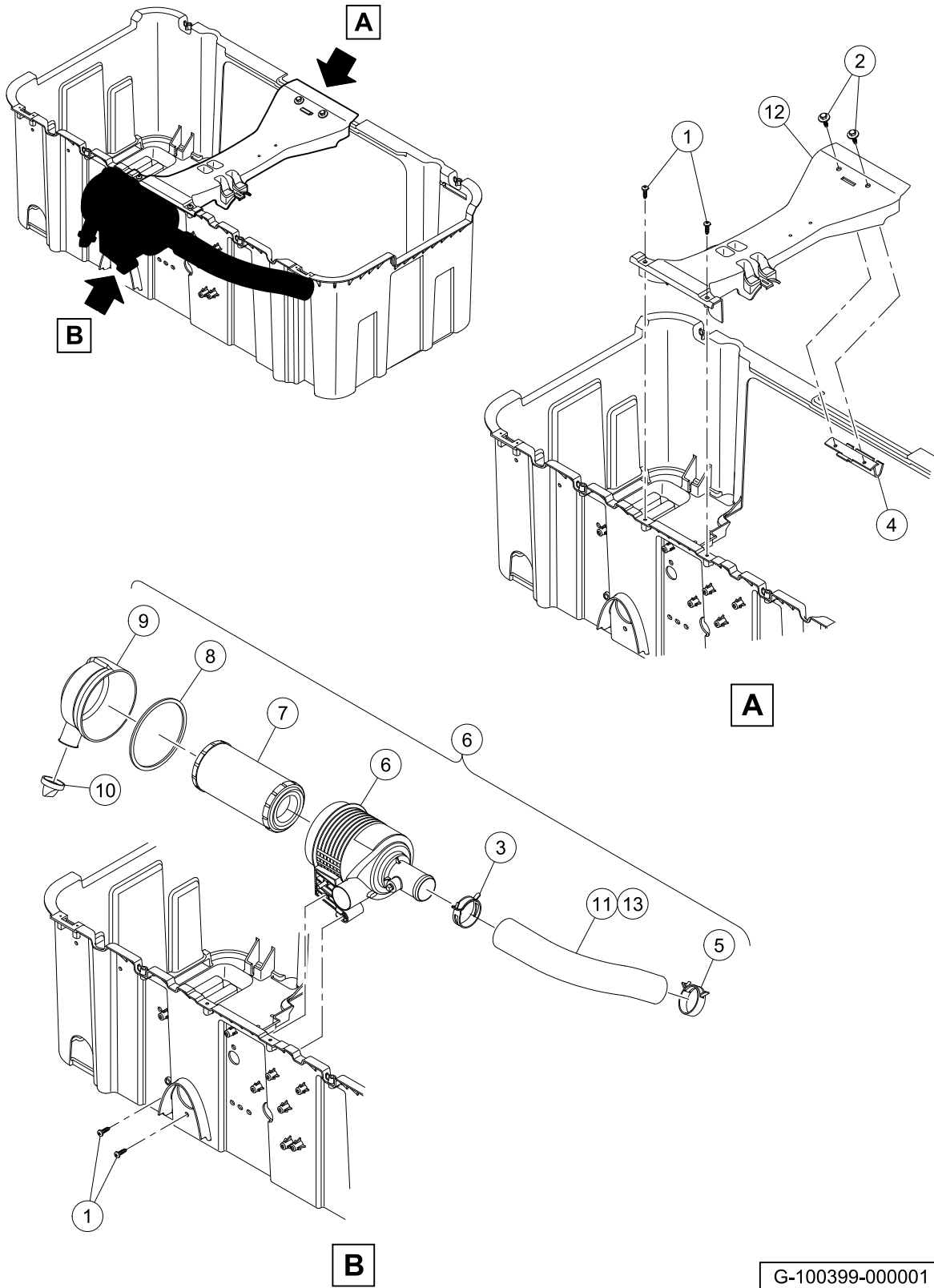
ITEM	PART NO.	DESCRIPTION	QTY
		1 2 3 4	
1	<u>47629879001</u>	Insulator Throttle Body, Kohler	1
2	<u>47629880001</u>	Elbow, Air Inlet, Kohler	1
3	<u>47629881001</u>	Clamp, Breather Hose, Kohler	1
4	<u>47629882001</u>	Stud, Intake, Kohler	2

10

G

10

G



G-100399-000001

AIR FILTER SYSTEM AND INTAKE HOSE – EFI

ITEM	PART NO.	DESCRIPTION	QTY
		1 2 3 4	
1	<u>102296020</u>	Screw-torx Pan Head Pt, M6x20	4
2	<u>102297125</u>	Screw, M6-1.0x25.4, Thread-Forming, SEMS	2
3	<u>102411209</u>	Clamp, Hose, Ctb 55mm Dia.	1
4	<u>102521401</u>	Support, Gas Bucket Brace	1
5	<u>102558301</u>	Clamp, Air Intake	1
6	<u>105009001</u>	Air Cleaner, with EFI (includes items 7 through 10)	1
7	<u>102558201</u>	Air Filter, 4 Inch	1
8	<u>102558501</u>	Gasket, Air Intake	1
9	<u>102558601</u>	Asm, Cover, Air Intake	1
10	<u>102558701</u>	Evac Valve, Air Intake	1
11	47560765001	Hose, Intake, Lift, Csmr	1
12	47610136001	Brace, Gas Fuel Bucket	1
13	47615815001	Hose, Intake, Extr, 327 Lg	1
Note: Item 11 is for lifted vehicles only. Item 13 is for non-lifted vehicles only.			

10

G

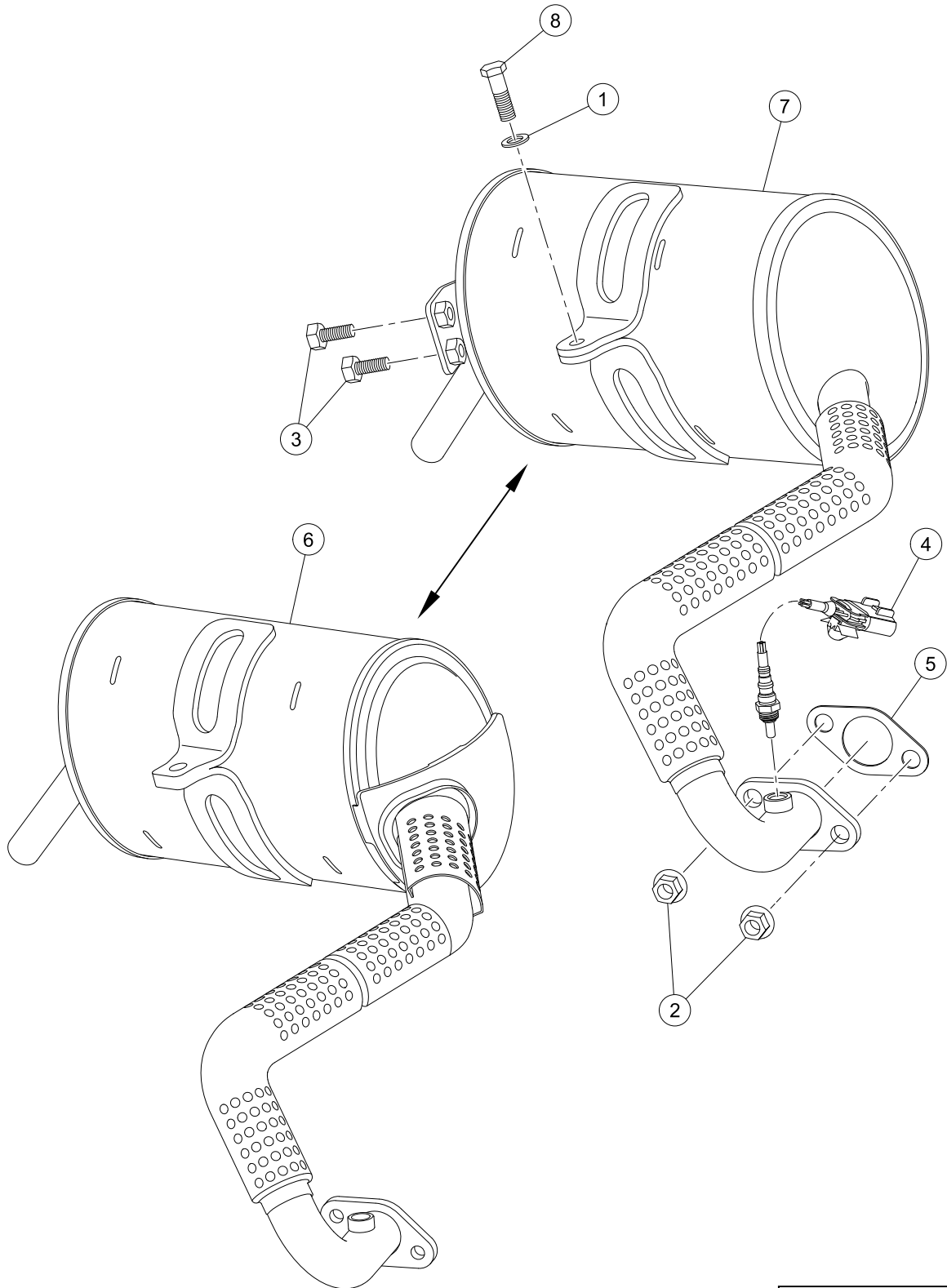
10

G

EXHAUST SYSTEMS – ECH440

11

G



G-110199-000003

EXHAUST SYSTEMS

ITEM	PART NO.	DESCRIPTION	QTY
		1 2 3 4	
1	<u>1011697</u>	Washer, 5/16 Flat	1
2	<u>102298401</u>	Nut, M8, All Metal Lock	2
3	<u>102922701</u>	Bolt, Flanged Head, M8x1.25x20 Lock Patch	2
4	<u>47611209001</u>	Asm, Sensor, Oxygen, Heated	1
5	<u>47611210001</u>	Gasket, Exhaust, Grpht, Ech440	1
6	<u>47649808001</u>	Exhaust, LTFF, ECH440	1
7	<u>47649808002</u>	Exhaust, Utility, ECH440	1
8	<u>96705587</u>	Bolt, M8 X 1.25 X 30	1

11
G

11

G

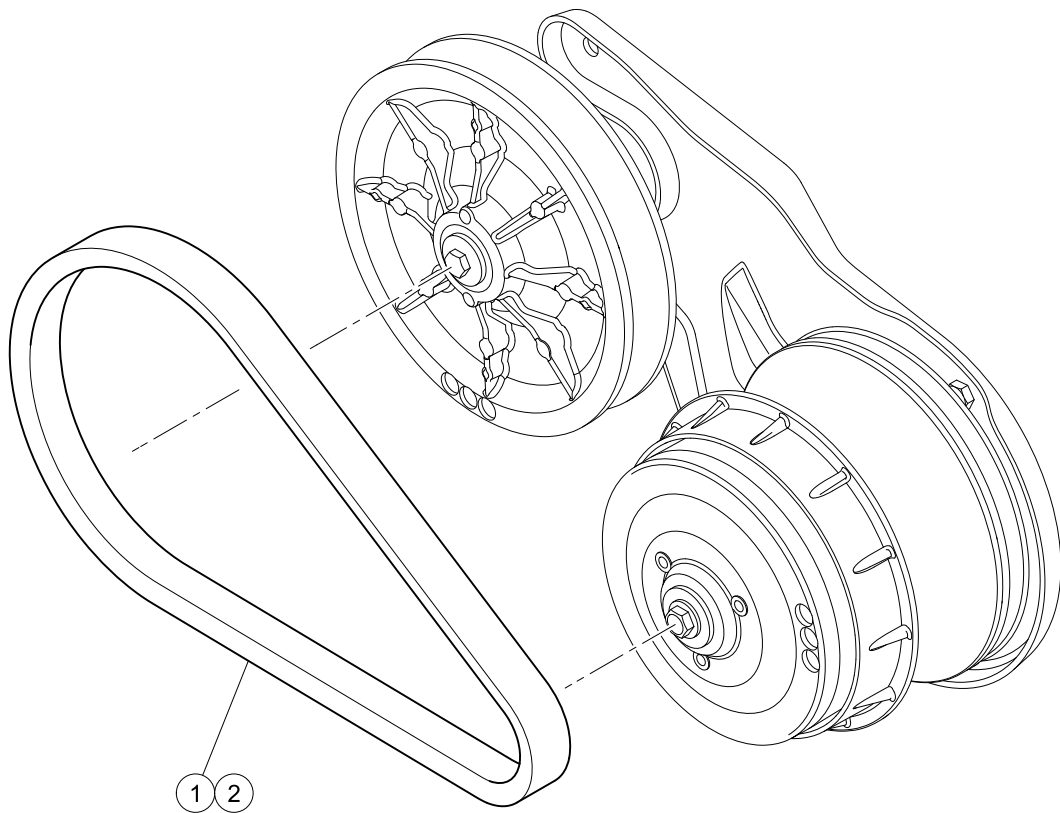
DRIVE BELT AND CLUTCHES – EFI GASOLINE VEHICLES

12

G

12

G

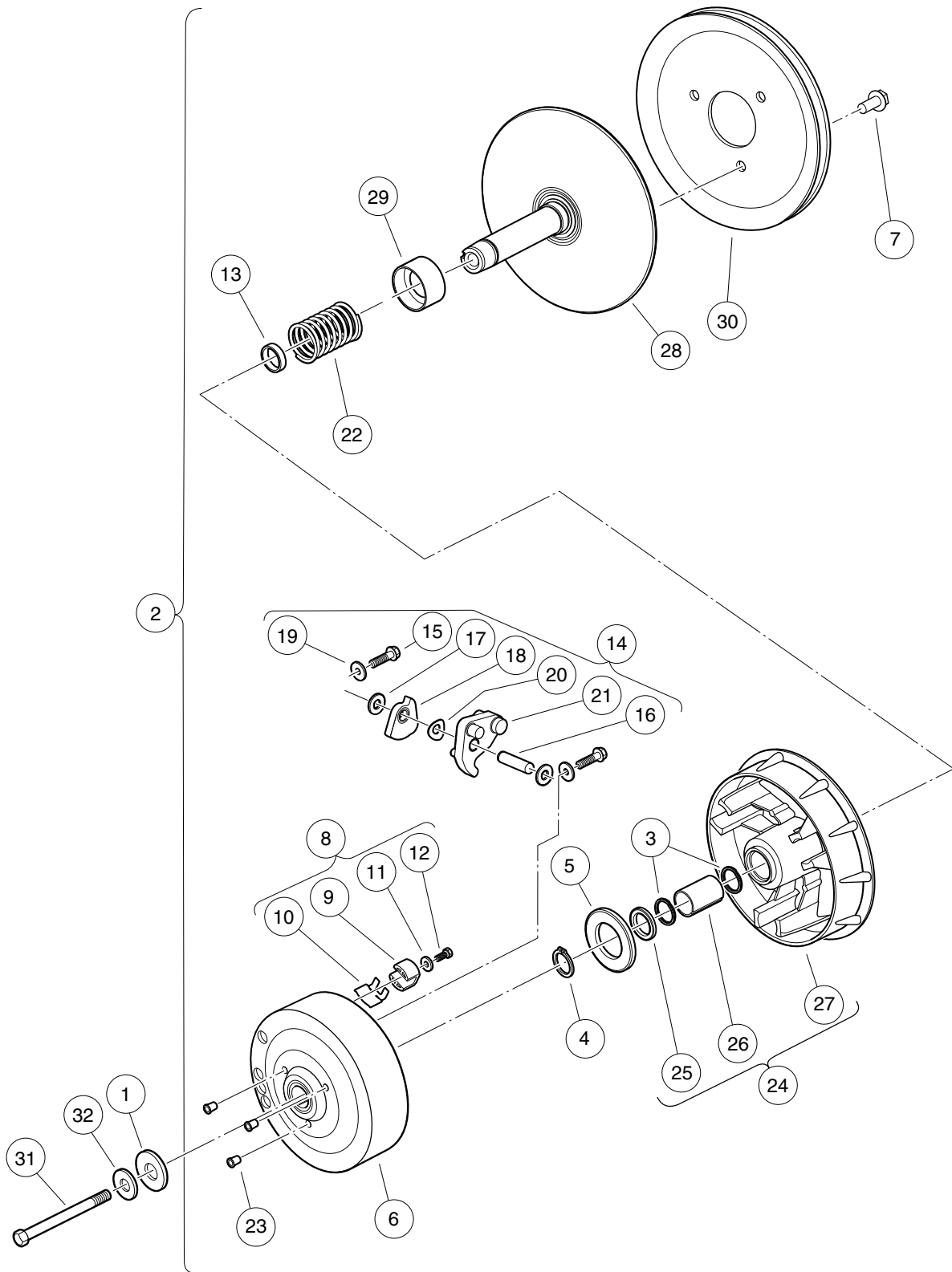


G-060099-000001

DRIVE BELTS – EFI

ITEM	PART NO.	DESCRIPTION	QTY
1	<u>103974102</u>	1 2 3 4 Belt, Drive, Key-Start	1
2	<u>105245801</u>	Belt, Drive, Pedal-Start	1

12
G

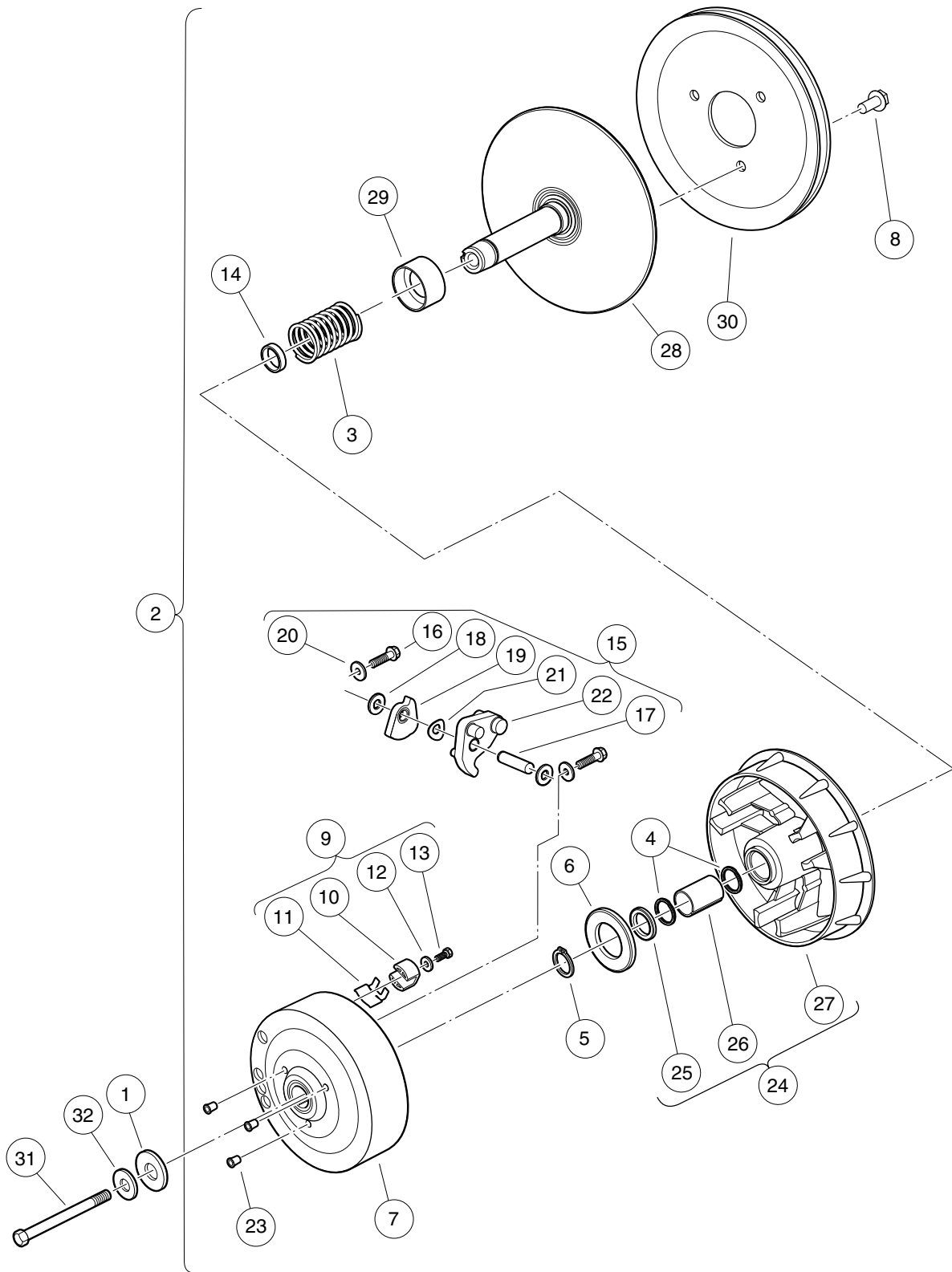


000958-002

DRIVE CLUTCH – KEY-START VEHICLES

ITEM	PART NO.	DESCRIPTION	QTY
		1 2 3 4	
1	<u>102491501</u>	Washer, Hard, M10	1
2	<u>103973902</u>	Clutch, Drive, Key-Start (includes items 3 through 30)	1
3	<u>1014056</u>	Ring, Spiral Backup	2
4	<u>1014057</u>	Ring, 0.810" Internal Retaining	1
5	<u>1014058</u>	Thrust Washer	1
6	<u>1014059</u>	Drive Hub Assy, Drive Clutch	1
7	<u>1014288</u>	Screw, 5/16-18 X 0.75, Thread-Forming	3
8	<u>1014453</u>	Kit, Drive Clutch Button (includes items 9 through 12)	1
9	<u>1014062</u>	Driver, Drive Clutch	3
10	<u>1014287</u>	Spring, Drive Button	3
11	<u>183</u>	Washer, #10, Type A, Flat	3
12	<u>8450</u>	Screw, #10-24 X 0.50, Hex-Head	3
13	<u>1016289</u>	Spacer, Fixed Face Shaft	1
14	<u>1016801</u>	Kit, Drive Clutch Weight (includes items 15 through 21)	1
15	<u>1014063</u>	Screw, 1/4-20 X 1.00, Hex Head	6
16	N/A	Pin, Dowel, 0.3752 x 1.50	3
17	<u>1014065</u>	Washer, Flat, 0.38" ID, Delrin	6
18	N/A	Clutch Weight, Secondary	3
19	N/A	Washer	6
20	<u>1016201</u>	Washer, Wave	3
21	N/A	Weight, Primary	3
22	<u>1016901</u>	Spring, Drive Clutch	1
23	N/A	Cap Plug	3
24	<u>103974201</u>	Asm, Sheave, Moveable, Drive, Wr (includes items 25 through 27)	1
25	<u>1014055</u>	Retainer	1
26	N/A	Bushing, Split, Drive Clutch	1
27	N/A	Sheave, Moveable, Drive, Wr	1
28	<u>103974401</u>	Sheave, Fixed, Drive, Wr	1
29	<u>103984601</u>	Spacer, Idler, Drive	1
30	<u>105096101</u>	Pulley, 7.3 Inch Effective Dia	1
31	<u>103976101</u>	Screw, 3/8-24x5.75, Patch	1
32	<u>334</u>	Washer, 3/8, Type A, Flat	1

12
G



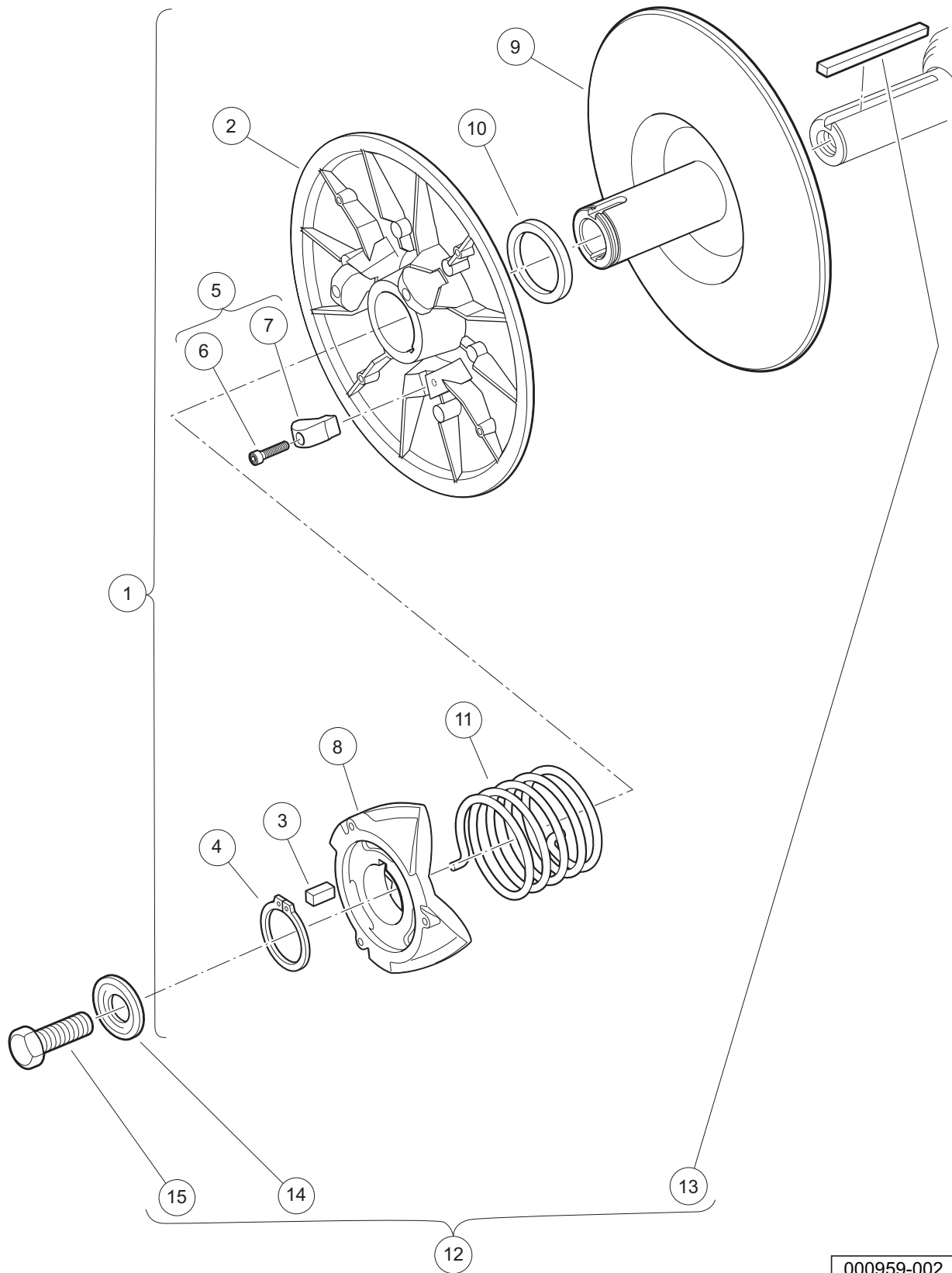
000958-001

DRIVE CLUTCH – PEDAL-START VEHICLES

ITEM	PART NO.	DESCRIPTION	QTY
		1 2 3 4	
1	<u>102491501</u>	Washer, Hard, M10	1
2	<u>103973901</u>	Clutch, Drive, Pedal-Start (includes items 3 through 30)	1
3	<u>1014051</u>	Spring, Drive Clutch	1
4	<u>1014056</u>	Ring, Spiral Backup	2
5	<u>1014057</u>	Ring, 0.810" Internal Retaining	1
6	<u>1014058</u>	Thrust Washer	1
7	<u>1014059</u>	Drive Hub Assy, Drive Clutch	1
8	<u>1014288</u>	Screw, 5/16-18 X 0.75, Thread-Forming	3
9	<u>1014453</u>	Kit, Drive Clutch Button (includes items 10 through 13)	1
10	<u>1014062</u>	Driver, Drive Clutch	3
11	<u>1014287</u>	Spring, Drive Button	3
12	<u>183</u>	Washer, #10, Type A, Flat	3
13	<u>8450</u>	Screw, #10-24 X 0.50, Hex-Head	3
14	<u>1016289</u>	Spacer, Fixed Face Shaft	1
15	<u>1016801</u>	Kit, Drive Clutch Weight (includes items 16 through 22)	1
16	<u>1014063</u>	Screw, 1/4-20 X 1.00, Hex Head	6
17	N/A	Pin, Dowel, 0.3752 x 1.50	3
18	<u>1014065</u>	Washer, Flat, 0.38" ID, Delrin	6
19	N/A	Clutch Weight, Secondary	3
20	N/A	Washer	6
21	<u>1016201</u>	Washer, Wave	3
22	N/A	Weight, Primary	3
23	N/A	Cap Plug	3
24	<u>103974201</u>	Asm, Sheave, Moveable, Drive, Wr (includes items 25 through 27)	1
25	<u>1014055</u>	Retainer	1
26	N/A	Bushing, Split, Drive Clutch	1
27	N/A	Sheave, Moveable, Drive, Wr	1
28	<u>103974401</u>	Sheave, Fixed, Drive, Wr	1
29	<u>103984601</u>	Spacer, Idler, Drive	1
30	<u>105096101</u>	Pulley, 7.3 Inch Effective Dia	1
31	<u>103976101</u>	Screw, 3/8-24x5.75, Patch	1
32	<u>334</u>	Washer, 3/8, Type A, Flat	1

12
G

12
G



000959-002

DRIVEN CLUTCH – KEY START AND PEDAL START

ITEM	PART NO.	DESCRIPTION	QTY
		1 2 3 4	
1	47601767001	Asm, Clutch, Driven, Ccw, Blk (includes items 2 through 11)	1
2	<u>1014072</u>	Movable-Face Assembly with Bushing	1
3	<u>1014078</u>	Key, Driven Clutch	1
4	<u>1014080</u>	Ring, Retaining	1
5	<u>1014454</u>	Kit, Driven Clutch Button (includes items 6 and 7)	1
6	<u>1012836</u>	Screw, #8-32 X 3/4, Socket-Head Cap	3
7	N/A	Button, Drive	3
8	<u>1017686</u>	Cam, Driven Clutch	1
9	<u>103975301</u>	Sheave, Fixed, Driven, Wr	1
10	<u>104025101</u>	Washer, Acetal, Driven Clutch	1
11	47600218001	Spring, Drvn Clutch, Ccw, Blk	1
12	<u>AM10419</u>	Kit, Clutch Repair (includes items 13 through 15)	1
13	<u>101833401</u>	Key, 3/16 Sq X 1.50"	1
14	<u>102155801</u>	Washer, Driven Clutch	1
15	<u>102242101</u>	Screw, 5/16-18 X 3/4 Hex-Head with Patch	1

12

G

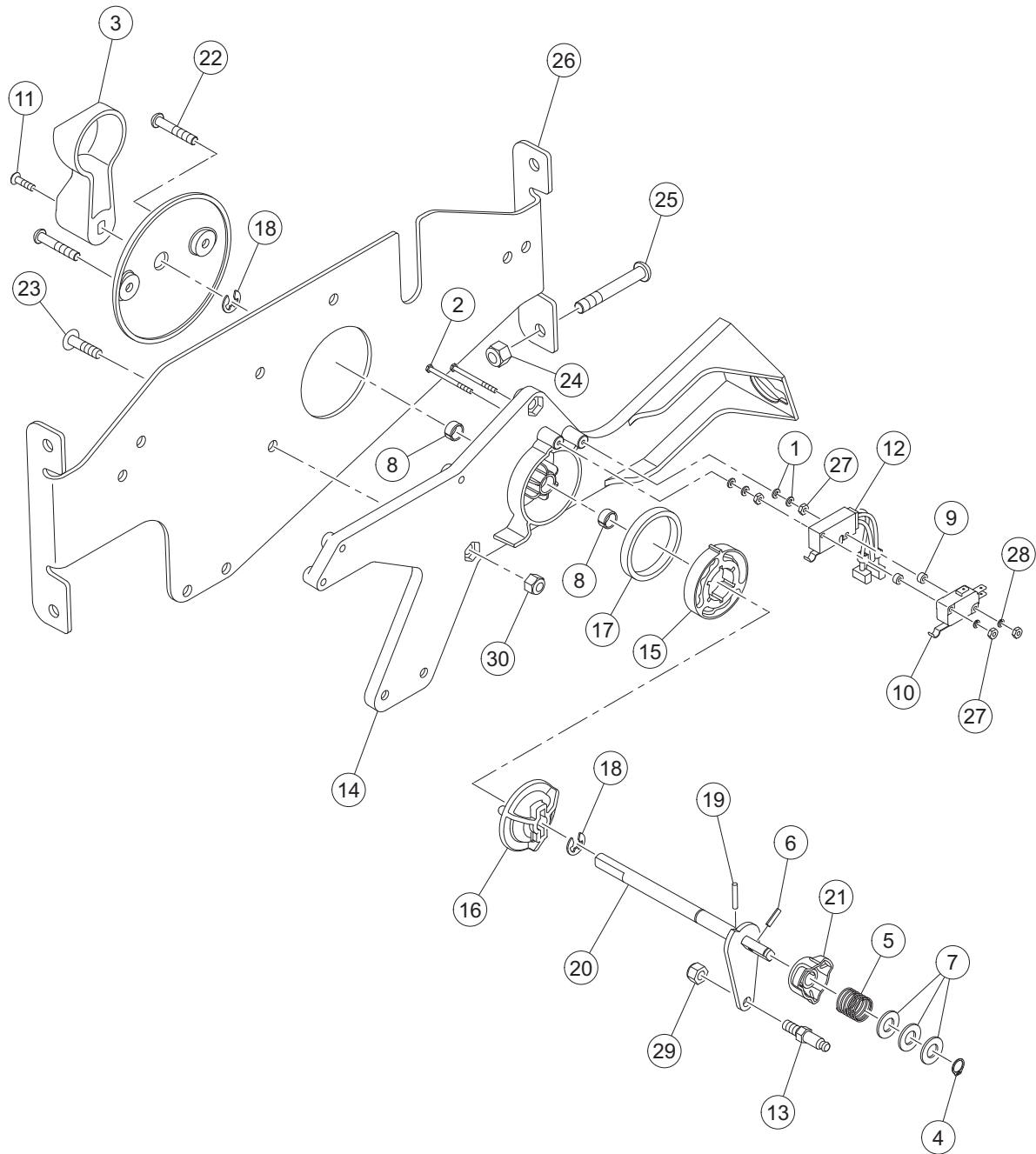
12

G

TRANSAXLE, FUJI ED65

13

G



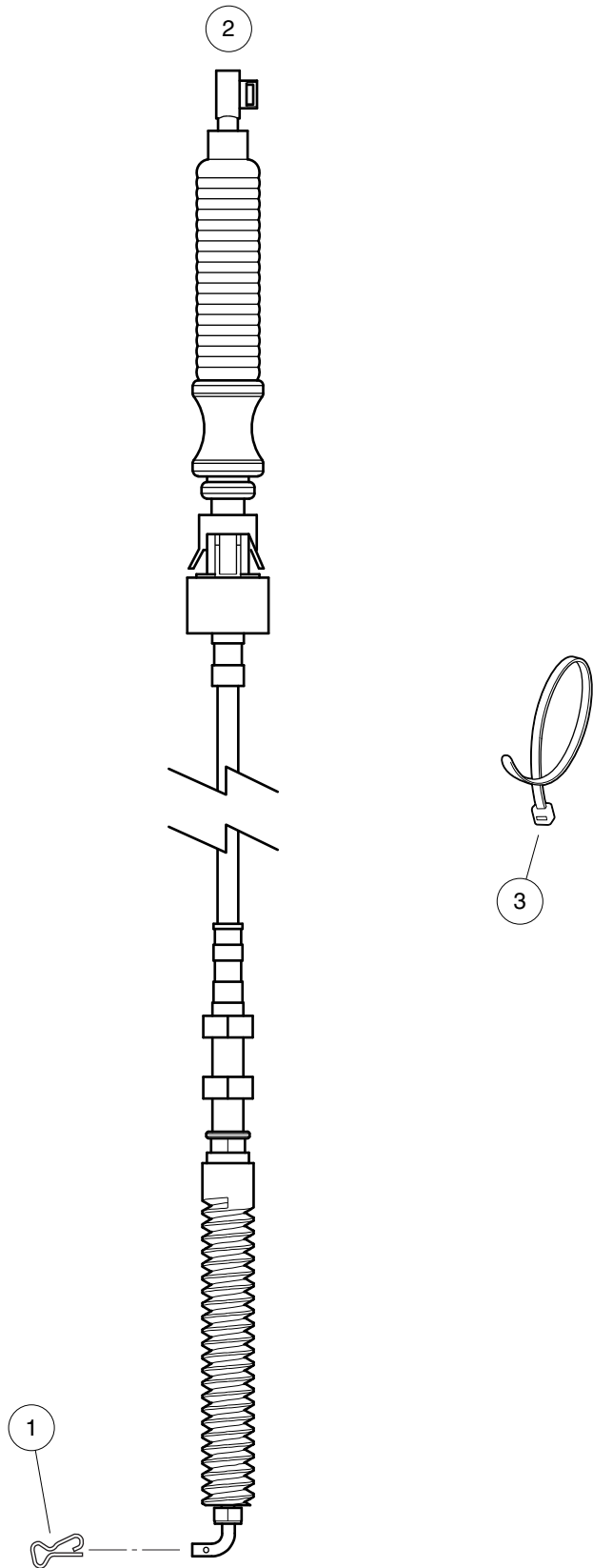
G-070299-000002

FORWARD/REVERSE SHIFTER ASSEMBLY – EFI

ITEM	PART NO.	DESCRIPTION	QTY
		1 2 3 4	
1	1012431	Washer, #4 Flat	4
2	<u>1012594</u>	Screw, #4-40 Machine	2
3	<u>1012987</u>	Handle, FNR	1
4	<u>1013589</u>	Ring, Retaining, 0.338" Internal	1
5	<u>1013590</u>	Spring, FNR Cam	1
6	<u>1013591</u>	Pin, Roll, 1/8 X 1/2	1
7	<u>1014065</u>	Washer, Flat, 0.38" ID, Delrin	3
8	<u>1014145</u>	Bushing, Secondary Weight, Split	2
9	<u>1014727</u>	Washer, Flat, #4, Nylon	2
10	<u>1014807</u>	Switch, Limit	1
11	<u>1015064</u>	Screw, #8-32 X 0.63 Machine	1
12	<u>101979101</u>	Switch, Limit, Assembly, Sealed	1
13	<u>102526201</u>	Stud, Thread, 1/4-28	1
14	<u>105037501</u>	Housing, Gas FNR Body Shift	1
15	<u>105037601</u>	Cam, FNR Detent, 45 Degree	1
16	<u>105037701</u>	Follower, FNR Detent	1
17	<u>105038501</u>	Spring, Wave, Gas FNR Shifter	1
18	<u>105039801</u>	E-Clip, External, 8mm Groove	2
19	<u>105040401</u>	Pin, Round, 0.125 Dia x 0.625	1
20	<u>105041101</u>	Weldment, Shaft, Fnr	1
21	<u>105074101</u>	Cam, Neutral Lockout	1
22	105193002	Screw, 6 Lobe, M6 X 35, Black	2
23	47563304001	Screw, Trshd, 1/4-20x1.00, Lp	3
24	47568675001	Nut, 5/16-18 Hx Flg Zn Nyloc	2
25	47582922001	Scrw, 5/16-18 X 2.125, Tr Hd	2
26	47630396001	Brkt, Shifter Mech, Prec	1
27	<u>8057</u>	Nut, #4-40 Hex Machine	4
28	<u>8058</u>	Lockwasher, #4 Split	2
29	<u>8233</u>	Locknut, 1/4-20, Nylon Insert	3
30	<u>8717</u>	Locknut, Nylon Insert, 1/4-28	1
Note: If complete shifter assembly is needed order p/n 105040601.			

13

G



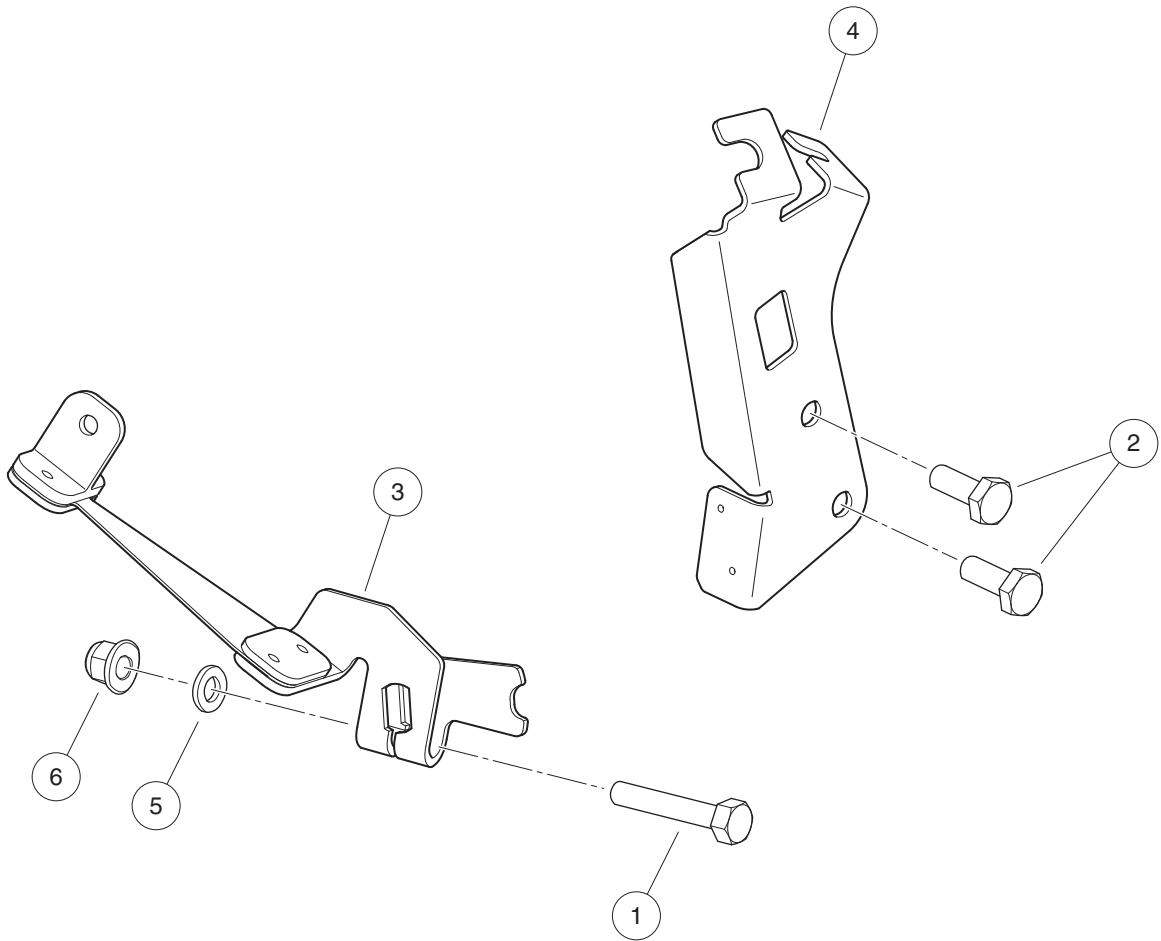
000988-001

SHIFTER CABLE

ITEM	PART NO.	DESCRIPTION	QTY
1	<u>103886601</u>	1 2 3 4 Clip, Bowtie	1
2	<u>105038808</u>	Cable, Shifter, 850	1
3	<u>8990</u>	Tie Wrap, 8" Nylon	A/R

13
G

13
G



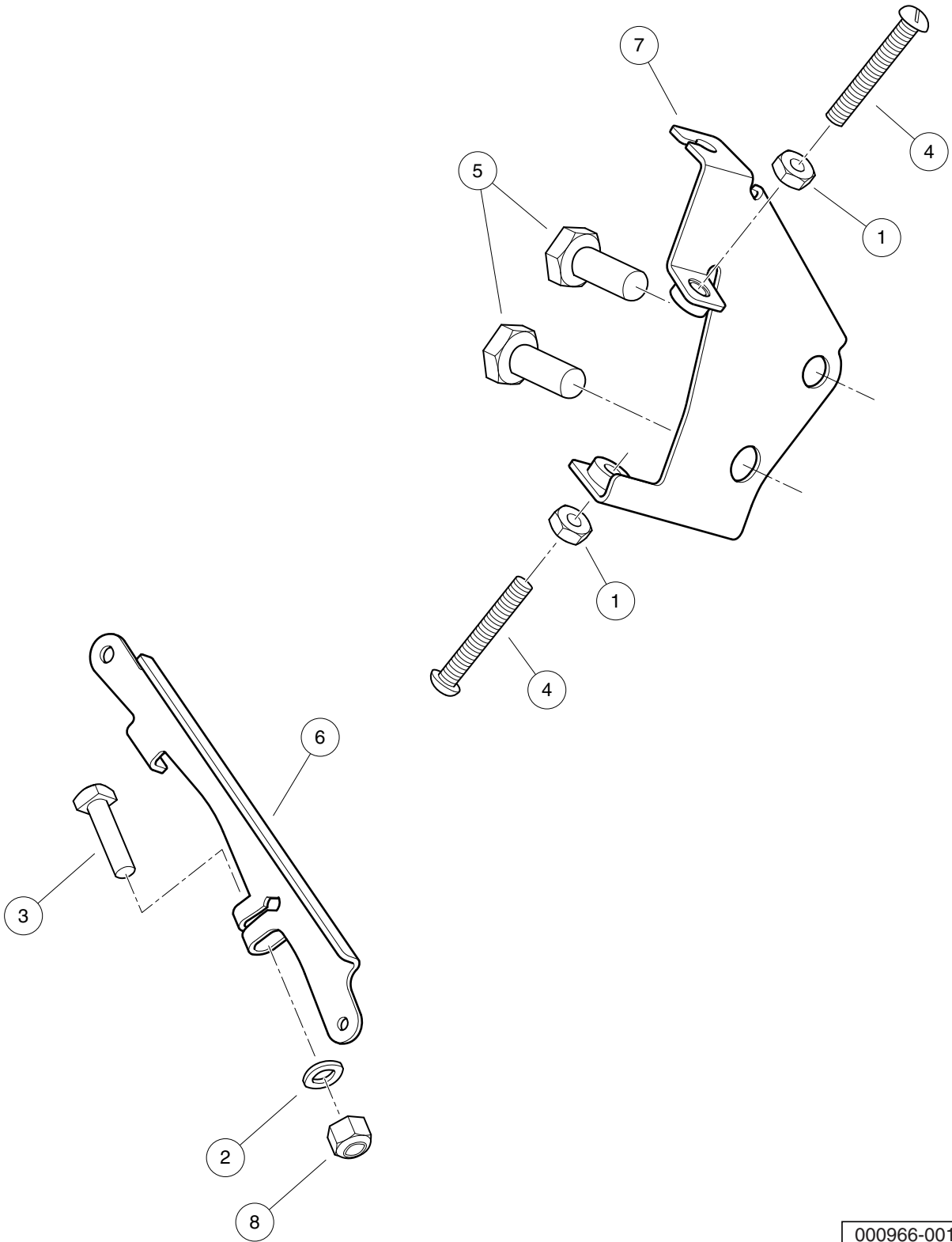
000965-003

SHIFT LEVER AND BRACKET – PEDAL-START ENGINES

ITEM	PART NO.	DESCRIPTION	QTY
		1 2 3 4	
1	<u>101862001</u>	Screw, 1/4-20 X 1.500 Flange	1
2	<u>102498201</u>	Bolt, M10 X 1.25 X 25, Loctite	2
3	<u>105040901</u>	Lever, Shift, Flex, Transaxle, Pedal-Start	1
4	<u>105135101</u>	Bracket, Cable, FNR/Accelerator, ED65	1
5	<u>332</u>	Washer, 1/4 Type A Narrow Flat	1
6	<u>8233</u>	Locknut, 1/4-20, Nylon Insert	1

13

G



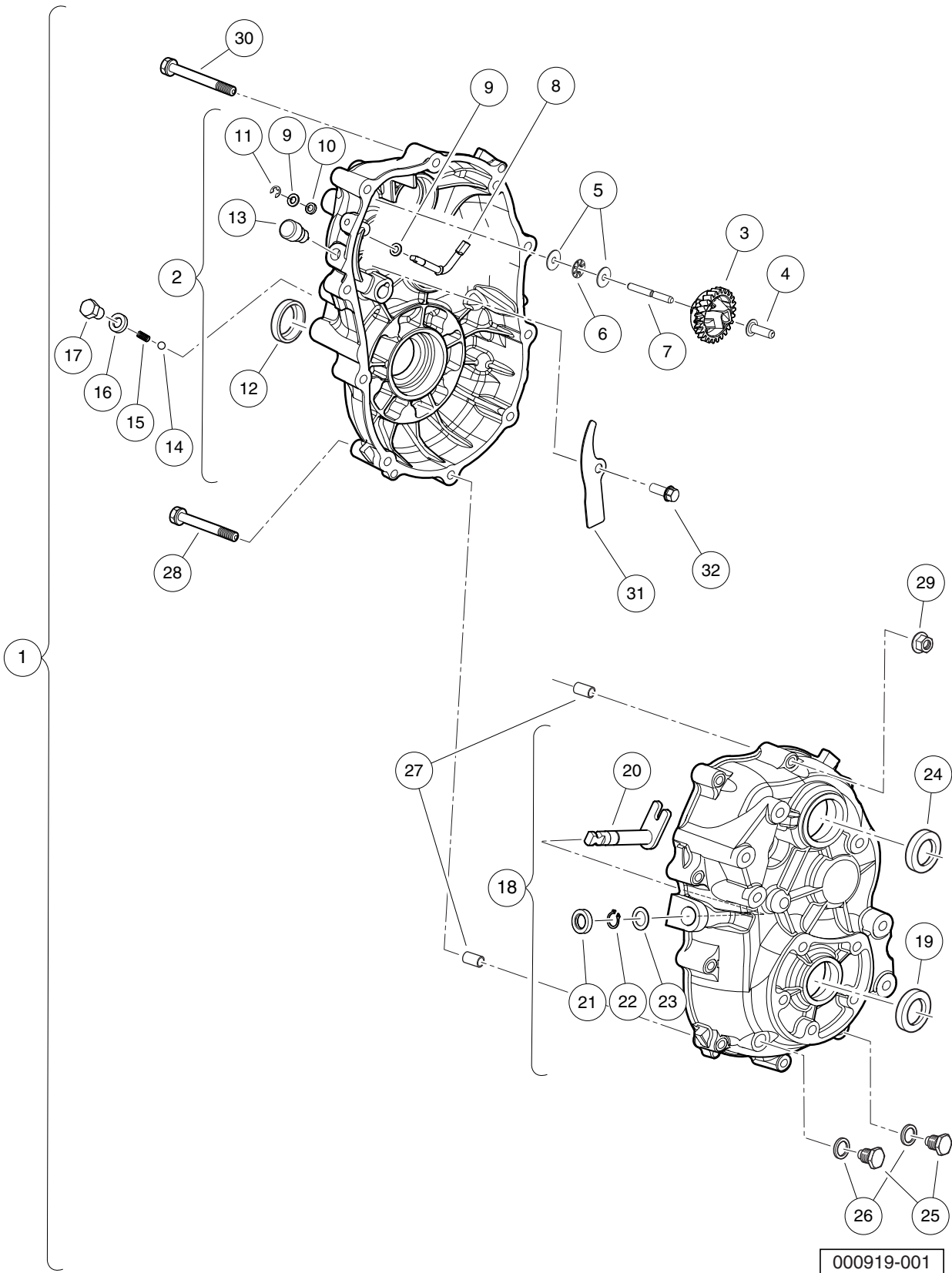
000966-001

GOVERNOR ARM AND BRACKETS

ITEM	PART NO.	DESCRIPTION	QTY
		1 2 3 4	
1	<u>1011114</u>	Nut, M6-1.00 Hex	2
2	<u>1014007</u>	Washer, 1/4, Flat	1
3	<u>101886101</u>	Screw, 1/4-20 X 1.00, Square-Head	1
4	<u>102476401</u>	Bolt, Stop, Pedal	2
5	<u>102498201</u>	Bolt, M10 X 1.25 X 25, Loctite	2
6	<u>104023501</u>	Arm, Governor, ED65	1
7	<u>105144401</u>	Weldment, Governor Bracket	1
8	<u>8233</u>	Locknut, 1/4-20, Nylon Insert	1

13

G



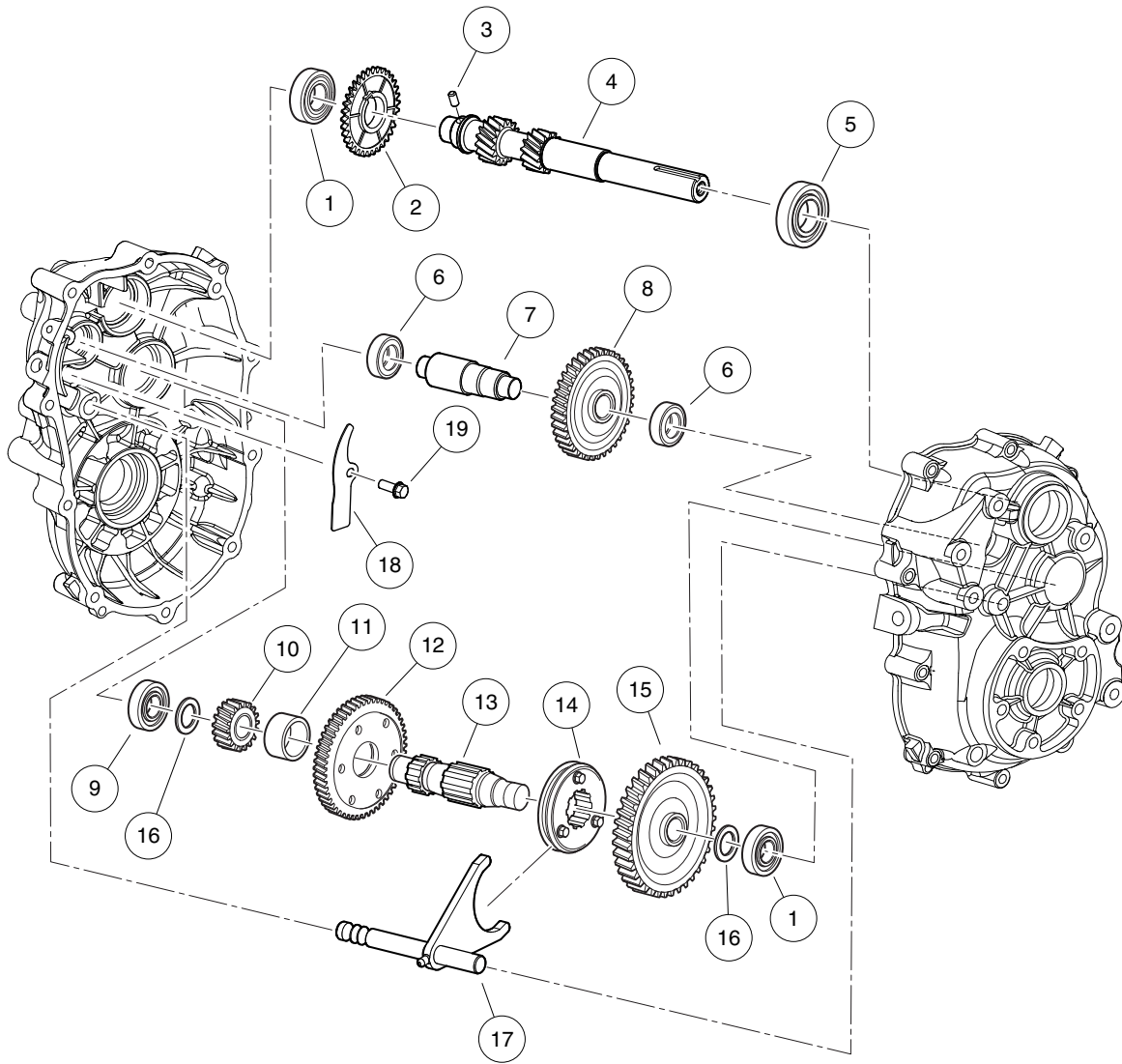
000919-001

TRANSAXLE (ED65), OPEN – PAGE 1 OF 3

ITEM	PART NO.	DESCRIPTION	QTY
		1 2 3 4	
1	<u>103879701</u>	Transaxle, ED65, Open Differential (includes items 2 through 32)	1
2	<u>105025001</u>	Case, Transaxle, Left, Complete, ED65 (includes items 3 through 13)	1
3	<u>105025101</u>	Gear, Governor, Complete, ED65	1
4	<u>105025201</u>	Sleeve, Governor, ED65	1
5	<u>105025301</u>	Washer, ED65	2
6	<u>105025401</u>	Bearing, Thrust, ED65	1
7	<u>105025501</u>	Shaft, Governor Gear, ED65	1
8	<u>105025601</u>	Shaft, Governor, ED65	1
9	<u>105025701</u>	Washer, 6mm, ED65	2
10	<u>105025801</u>	Seal, Oil, 6x10x2.5, ED65	1
11	<u>105025901</u>	Retaining Ring, E5, ED65	1
12	<u>105026001</u>	Seal, Oil, 24x40x9, ED65	1
13	<u>105027101</u>	Vent, Breather, ED65	1
14	<u>105026101</u>	Ball, Steel, ED65	1
15	<u>105026201</u>	Spring, ED65	1
16	<u>105026301</u>	Gasket, 10, ED65	1
17	<u>105026401</u>	Bolt, M10-1.25x12mm Lg, ED65	1
18	<u>105026501</u>	Case, Transaxle, Right, Complete, ED65 (includes items 19 through 24)	1
19	<u>105026001</u>	Seal, Oil, 24x40x9, ED65	1
20	<u>105026601</u>	Shaft, Select, ED65	1
21	<u>105026701</u>	Seal, Oil, 13x22x5, ED65	1
22	<u>105026801</u>	Snap Ring, 13mm, ED65	1
23	<u>105026901</u>	Spacer, 13x1, ED65	1
24	<u>105027001</u>	Seal, Oil, 25x45x7, ED65	1
25	<u>105027201</u>	Plug, Oil Drain, ED65	2
26	<u>105027301</u>	Gasket, 14, ED65	2
27	<u>105028301</u>	Pin, Guide, ED65	2
28	<u>105028501</u>	Bolt, Flange, M8-1.25x65mm, ED65	1
29	<u>105030001</u>	Nut, Flange, M8-1.25, ED65	10
30	<u>105030701</u>	Bolt, Flanged, M8-1.25x80mm, ED65	9
31	<u>105234801</u>	Plate, Ed65 Splash	1
32	<u>105234901</u>	Bolt, M6-1 X 12mm Lg, Ed65	1
Note: Fuji transaxle component listings span three pages. To identify your transaxle, locate the serial number decal on the axle tube.			

13

G



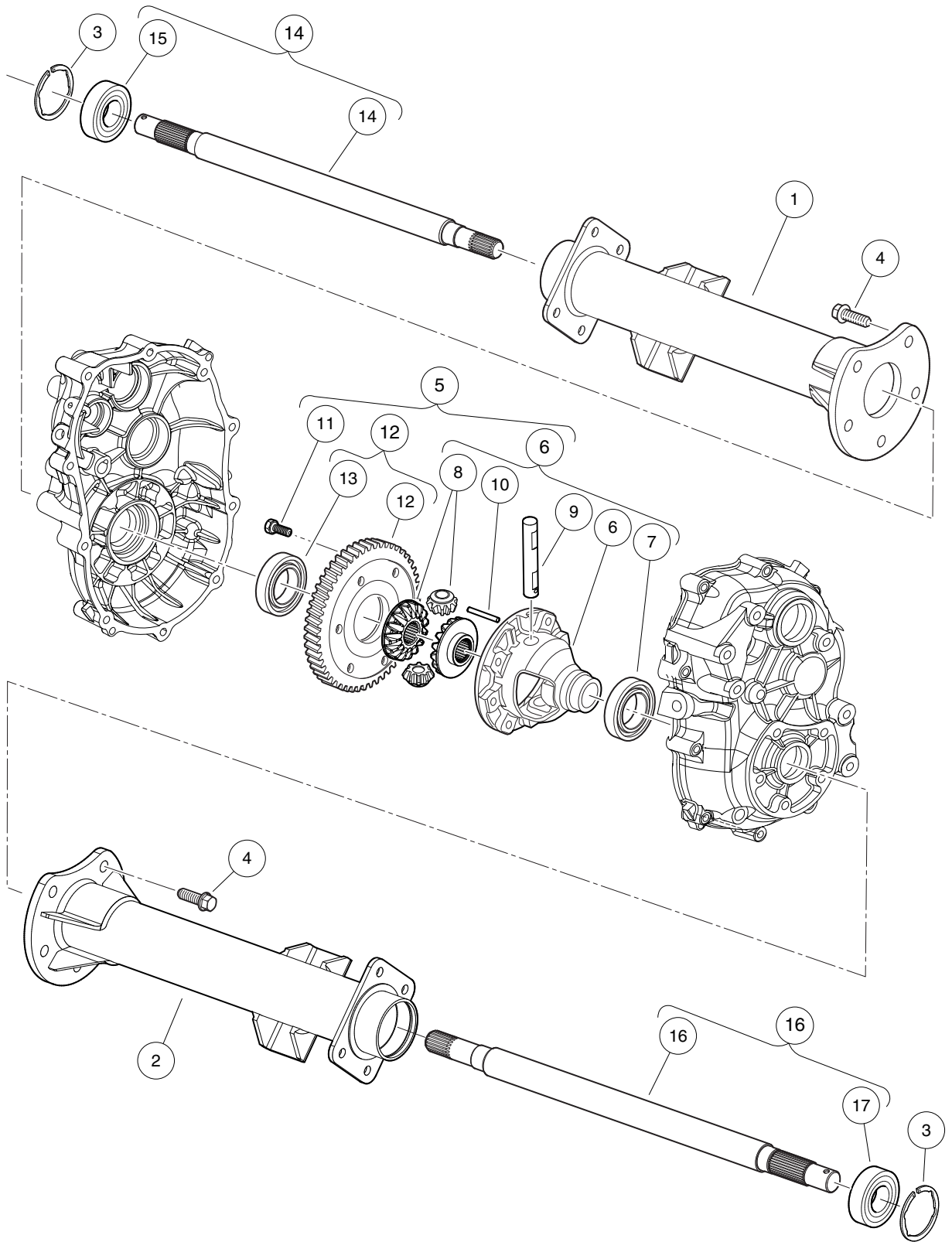
000919-007

TRANSAXLE (ED65), LIMITED SLIP AND OPEN – PAGE 2 OF 3

ITEM	PART NO.	DESCRIPTION	QTY
		1 2 3 4	
1	<u>105027401</u>	Bearing, Ball (6204)	2
2	<u>105027501</u>	Gear, Governor, 34 Tooth, ED65	1
3	<u>105027601</u>	Pin, 6x12 Long, ED65	1
4	105027701	Shaft, Input, ED65	1
5	105027801	Bearing, Ball (6205 seal)	1
6	<u>105027901</u>	Bearing, Ball (6202)	2
7	105028001	Shaft, Counter, ED65	1
8	105028201	Gear, 34 Tooth, ED65	1
9	<u>105028401</u>	Bearing, Ball (6304)	1
10	105028601	Gear, 17 Tooth, ED65	1
11	<u>105028701</u>	Collar, 24 x 12, ED65	1
12	<u>105028801</u>	Gear, 52 Tooth, ED65	1
13	105028901	Shaft, Center, ED65	1
14	<u>105029001</u>	Clutch, Pin, ED65	1
15	105029101	Gear, 62 Tooth, ED65	1
16	<u>105029201</u>	Spacer, 20x2, ED65	2
17	<u>105030901</u>	Shaft, Shift, ED65	1
18	105234801	Plate, Ed65 Splash	1
19	105234901	Bolt, M6-1 X 12mm Lg, Ed65	1
Note: To identify your transaxle, locate the serial number decal on the axle tube.			

13

G



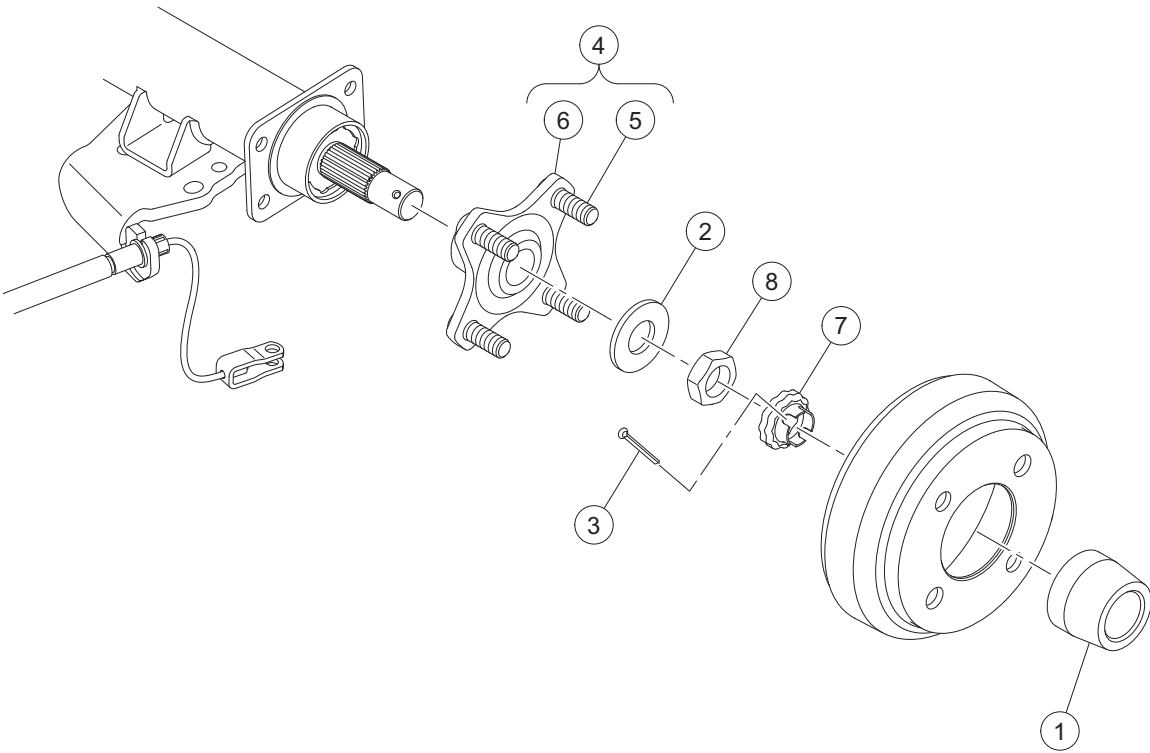
000919-004

TRANSAXLE (ED65), OPEN – PAGE 3 OF 3

ITEM	PART NO.	DESCRIPTION	QTY
		1 2 3 4	
1	105030401	Axle Tube, Driver-Side, ED65	1
2	105030501	Axle Tube, Passenger-Side, ED65	1
3	<u>105030601</u>	Snap Ring, 52mm, ED65	2
4	<u>105030801</u>	Bolt, Flange, M10-1.25x25, ED65	10
5	<u>105031001</u>	Differential, Open, ED65 (includes items 6 through 12)	1
6	<u>105029301</u>	Case, Differential, Complete, ED65 (includes items 7 through 10)	1
7	<u>105028101</u>	Bearing, Ball (6006)	1
8	105029401	Gear Set, Differential, ED65	1
9	<u>105029601</u>	Shaft, Differential, ED65	1
10	<u>105029701</u>	Pin, 4x40 Long, ED65	1
11	<u>105029501</u>	Bolt, M10-1.25x26mm Lg, ED65	6
12	<u>105029901</u>	Gear, 60 Tooth, Complete, ED65 (includes item 13)	1
13	<u>105029801</u>	Bearing, Ball (6007)	1
14	<u>105066001</u>	Axle Shaft, Driver-Side, Complete, ED65 (includes item 15)	1
15	<u>105030301</u>	Bearing, Ball (6205DD)	1
16	<u>105066101</u>	Axle Shaft, Passenger-Side, Complete, ED65 (includes item 17)	1
17	<u>105030301</u>	Bearing, Ball (6205DD)	1
		Note: To identify your transaxle, locate the serial number decal on the axle tube.	

13

G



G-070199-000003

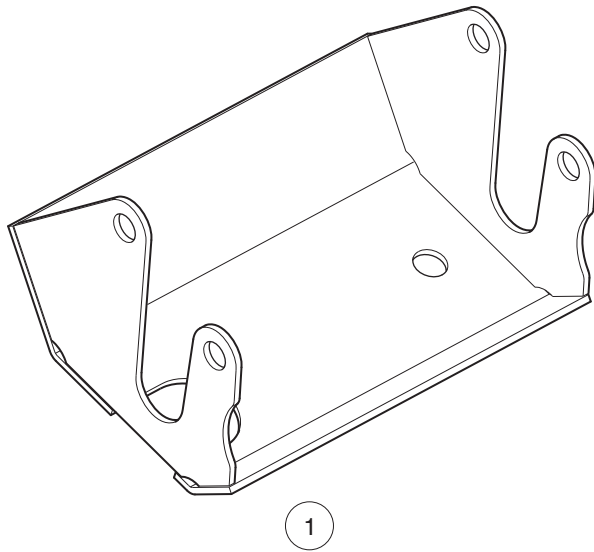
HUB, REAR

ITEM	PART NO.	DESCRIPTION	QTY
		1 2 3 4	
1	102274101	Center Cap, Rubber	2
2	<u>102617801</u>	Washer, Hard, M22	2
3	<u>103989501</u>	Pin, Cotter, 9/64 X 1.75"	2
4	<u>103995001</u>	Asm, Hub, Machined (includes items 5 and 6)	2
5	<u>103951501</u>	Lug Stud, 1/2-20 UNF, SAE J1102	4
6	<u>103979301</u>	Hub, Machined	1
7	<u>104021701</u>	Retaining Ring, Hex Nut, M22	2
8	<u>104027101</u>	Nut, Hex, M22x1.5, Thin	2

13
G

13

G



001436-001

DIFFERENTIAL GUARD, ED65 – GASOLINE VEHICLE

ITEM	PART NO.	DESCRIPTION	QTY
1	47662588001	1 2 3 4 Guard, Differential	1

13

G

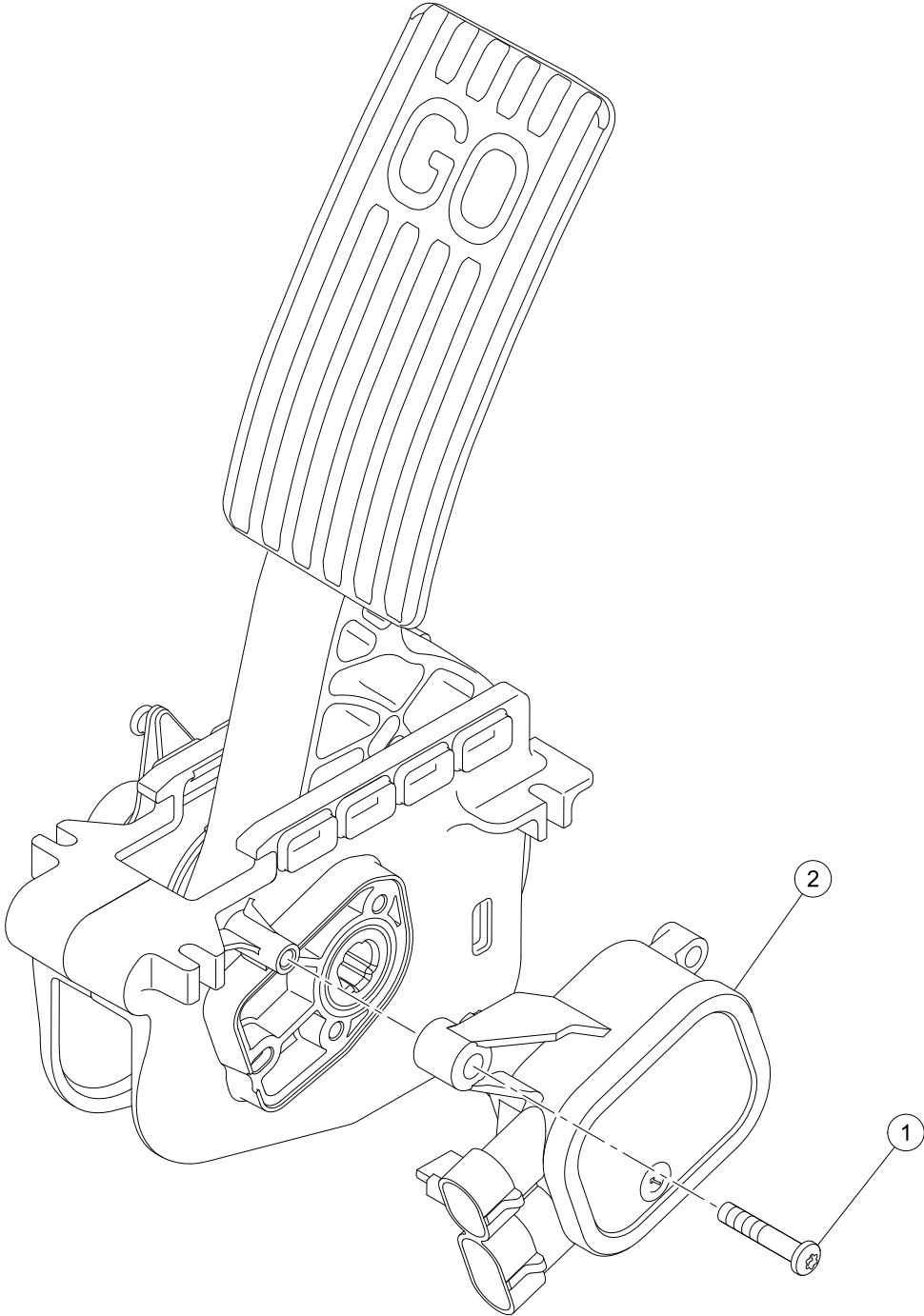
13

G

ELECTRICAL SYSTEM – ELECTRIC VEHICLES

14

E



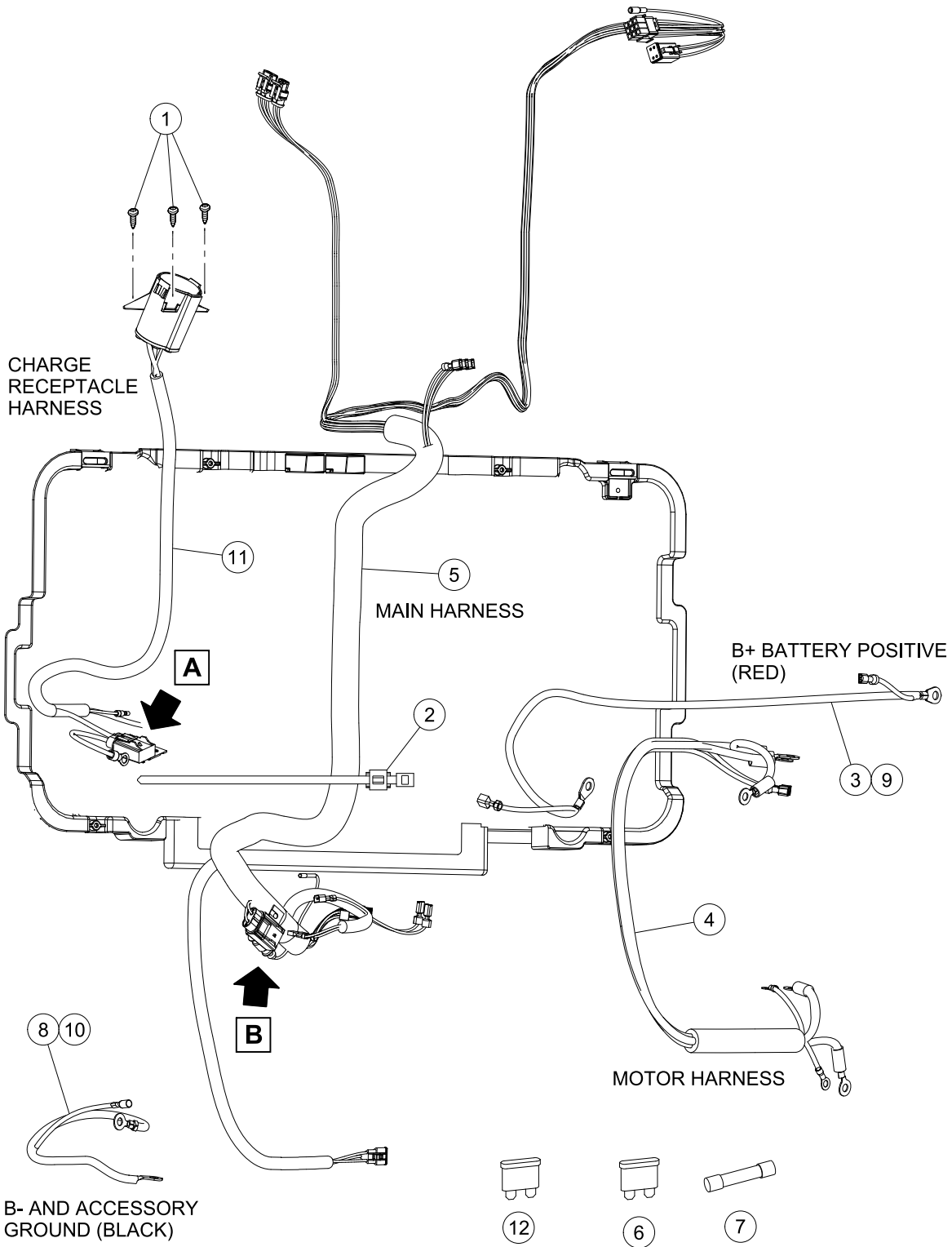
G-131199-000003

MOTOR CONTROLLER OUTPUT REGULATOR (MCOR)

ITEM	PART NO.	DESCRIPTION	QTY
		1 2 3 4	
1	<u>103943401</u>	Screw, Pan, #10 X 1.00 Hi-lo	1
2	<u>105116301</u>	MCOR4, Type 16 Switch	1

14

E



A

B

A

B

G-130499-000007

WIRING AND FUSES – LIFTED AND NON-LIFTED

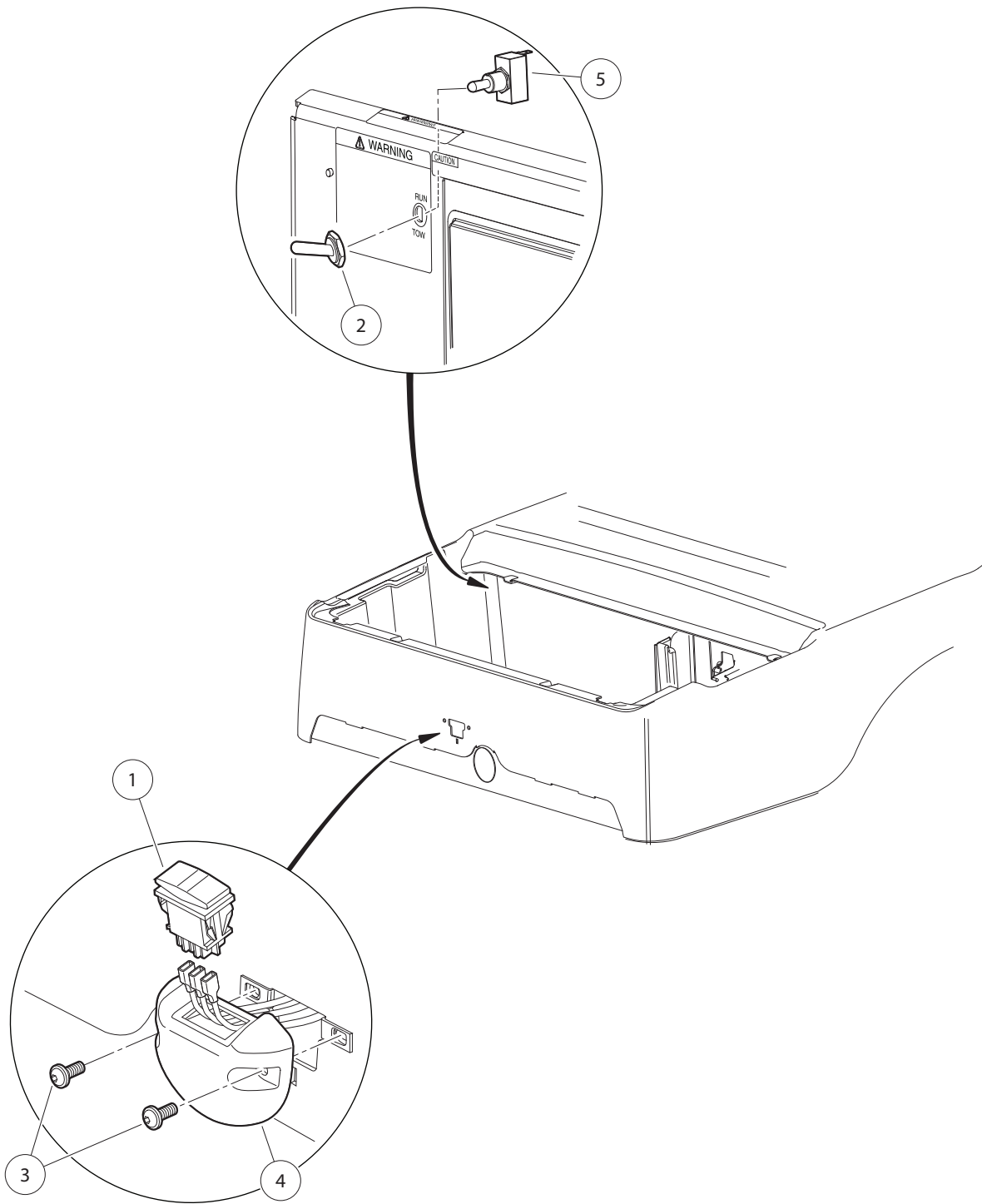
ITEM	PART NO.	DESCRIPTION	QTY
		1 2 3 4	
1	<u>101832001</u>	Screw, #7-19 X 0.625 Phillips Pan-Head Tap	3
2	<u>102554901</u>	Clip, Edge, with Wire Tie	1
3	<u>103375402</u>	Asm, Wire, Battery Positive, B+, Short, 6 Awg	1
4	<u>103508902</u>	Asm, Harness, Motor, 4 Ga, 1/4	1
5	<u>104023201</u>	Harness, Main, Excel w/Hi-Freq, Mcor3 (includes items 6 and 7)	1
6	<u>102538601</u>	15 Amp Fuse	1
7	<u>103924801</u>	Fuse, Glass, 2-Amp	1
8	<u>104024001</u>	Asm, Wire, Battery Negative, B-, w/ Accy Ground, 6 Awg	1
9	<u>105065601</u>	Asm, Ev Batt Pos 4 Awg	1
10	<u>105065701</u>	Wire, B- W/acc Gnd 4 Awg	1
11	<u>105137401</u>	Harness, Wire, Charger Receptacle (for Yellow DC Cord) (includes item 12)	1
12	<u>102492301</u>	Fuse, 30-Amp	1
		Note: Items 3 and 8 apply to non-lifted vehicles only. Items 9 and 10 apply to lifted vehicles only.	

14

E

14

E



000462-004

FORWARD/REVERSE SWITCH AND TOW/RUN SWITCH

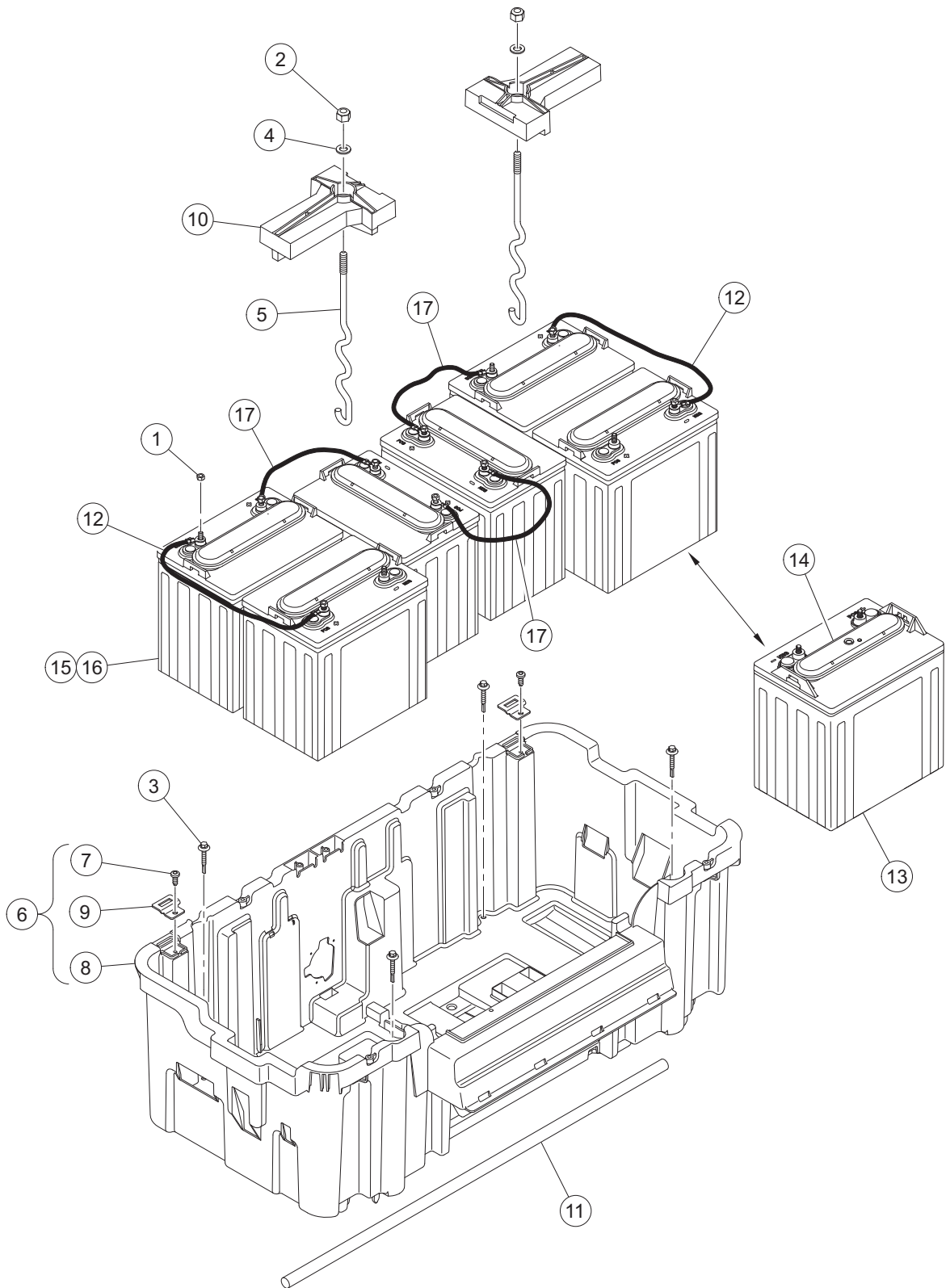
ITEM	PART NO.	DESCRIPTION	QTY
		1 2 3 4	
1	<u>101856001</u>	Switch, Rocker, Double-Pole	1
2	<u>101908401</u>	Boot, Switch	1
3	<u>102296920</u>	Screw, M6, Torx Button Head, Sems	2
4	<u>102508401</u>	Housing, FNR Electric	1
5	<u>102511101</u>	Switch, Tow/Run	1

14

E

14

E



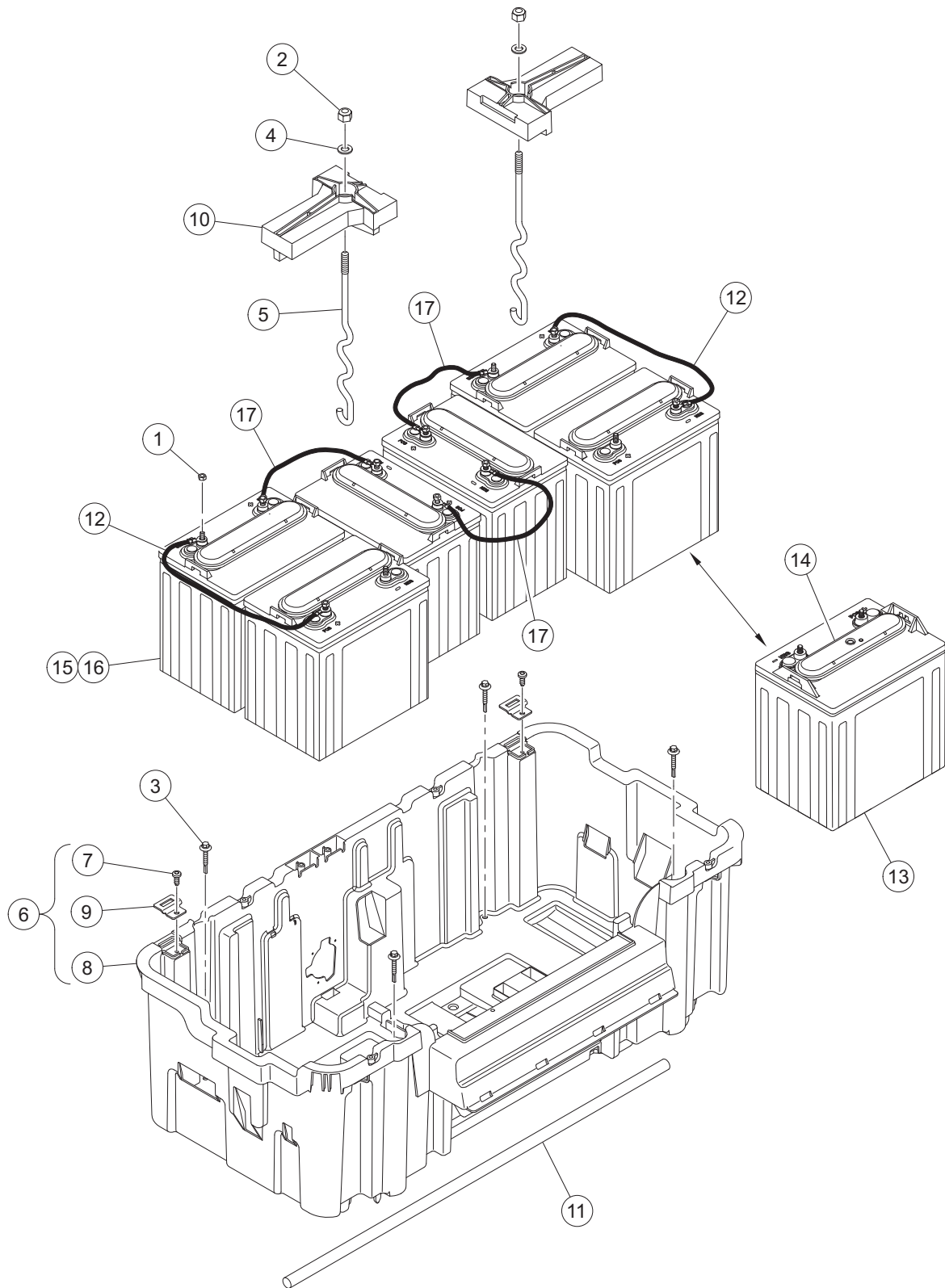
G-130799-00014

BATTERIES AND BATTERY BUCKET, PD+ 8-VOLT, NON-LIFTED

ITEM	PART NO.	DESCRIPTION	QTY
		1 2 3 4	
1	<u>1014304</u>	Nut, 5/16-18 Stainless-Steel Hex	12
2	<u>1014555</u>	Locknut, 7/16-14 Nylon Hex	2
3	<u>102292356</u>	Screw-1/4-20x56 Hwh Self Drill	4
4	<u>102491501</u>	Washer, Hard, M10	2
5	<u>103357701</u>	Bolt, Battery, "s" Hold-down	2
6	103368403	Asm, Bucket, Batt, Elec (includes items 7 through 9)	1
7	<u>102298020</u>	Screw, K80x20, Torx Pn Hd Pt	2
8	103350802	Bucket, Batt, Elec	1
9	<u>103368301</u>	Hinge - Nested	2
10	<u>103374801</u>	Hold Down, Battery	2
11	103375301	Tube, Cross, Battery Rod	1
12	<u>103647403</u>	Wire Asm #6 Blk, 17"	2
13	103971798	Battery,8v Trojan T875,spws,sp (includes item 14)	6
14	47689303001	Cap,hydrolink,trojan,8v,svc	1
15	<u>103971799</u>	Battery,8v Trojan T875, Wet,sp	6
16	<u>103971899</u>	Battery,8v Trojan T890, Wet,sp	6
17	47677931001	Wire, Blk, 6 Ga, 10.50"	3

14

E



G-130799-000014

BATTERIES AND BATTERY BUCKET, PD+ 8-VOLT – LIFTED

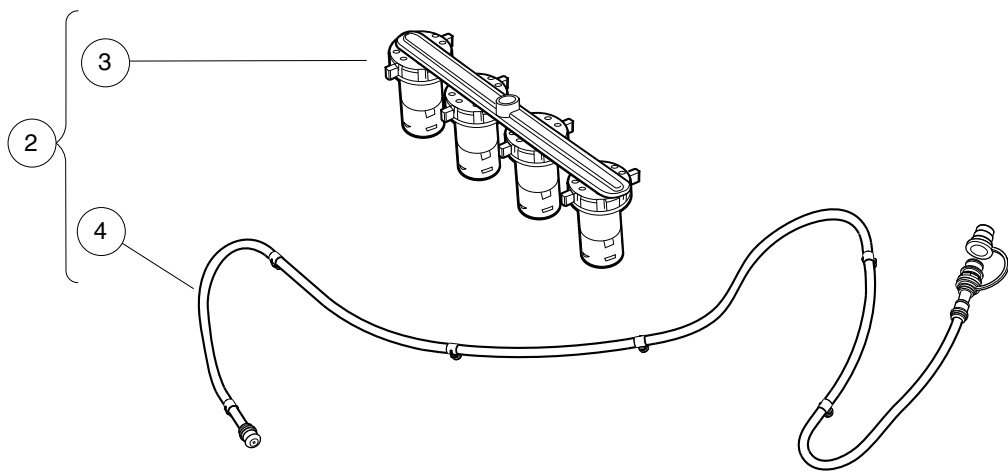
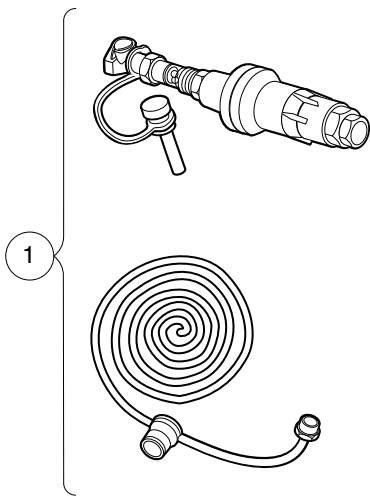
ITEM	PART NO.	DESCRIPTION	QTY
		1 2 3 4	
1	<u>1014304</u>	Nut, 5/16-18 Stainless-Steel Hex	12
2	<u>1014555</u>	Locknut, 7/16-14 Nylon Hex	2
3	<u>102292356</u>	Screw-1/4-20x56 Hwh Self Drill	4
4	<u>102491501</u>	Washer, Hard, M10	2
5	<u>103357701</u>	Bolt, Battery, "s" Hold-down	2
6	<u>103368403</u>	Asm, Bucket, Batt, Elec (includes items 7 through 9)	1
7	<u>102298020</u>	Screw, K80x20, Torx Pn Hd Pt	2
8	<u>103350802</u>	Bucket, Batt, Elec	1
9	<u>103368301</u>	Hinge - Nested	2
10	<u>103374801</u>	Hold Down, Battery	2
11	<u>103375301</u>	Tube, Cross, Battery Rod	1
12	<u>103508501</u>	Asm, Wire #4 Blk, 13 In	2
13	<u>103971798</u>	Battery,8v Trojan T875,spws,sp (includes item 14)	6
14	47689303001	Cap,hydrolink,trojan,8v,svc	1
15	<u>103971799</u>	Battery,8v Trojan T875, Wet,sp	6
16	<u>103971899</u>	Battery,8v Trojan T890, Wet,sp	6
17	47677930001	Wire, Blk, 4 Ga, 10.50"	3

14

E

14

E



000731-009

SINGLE POINT WATERING SYSTEM, 8V

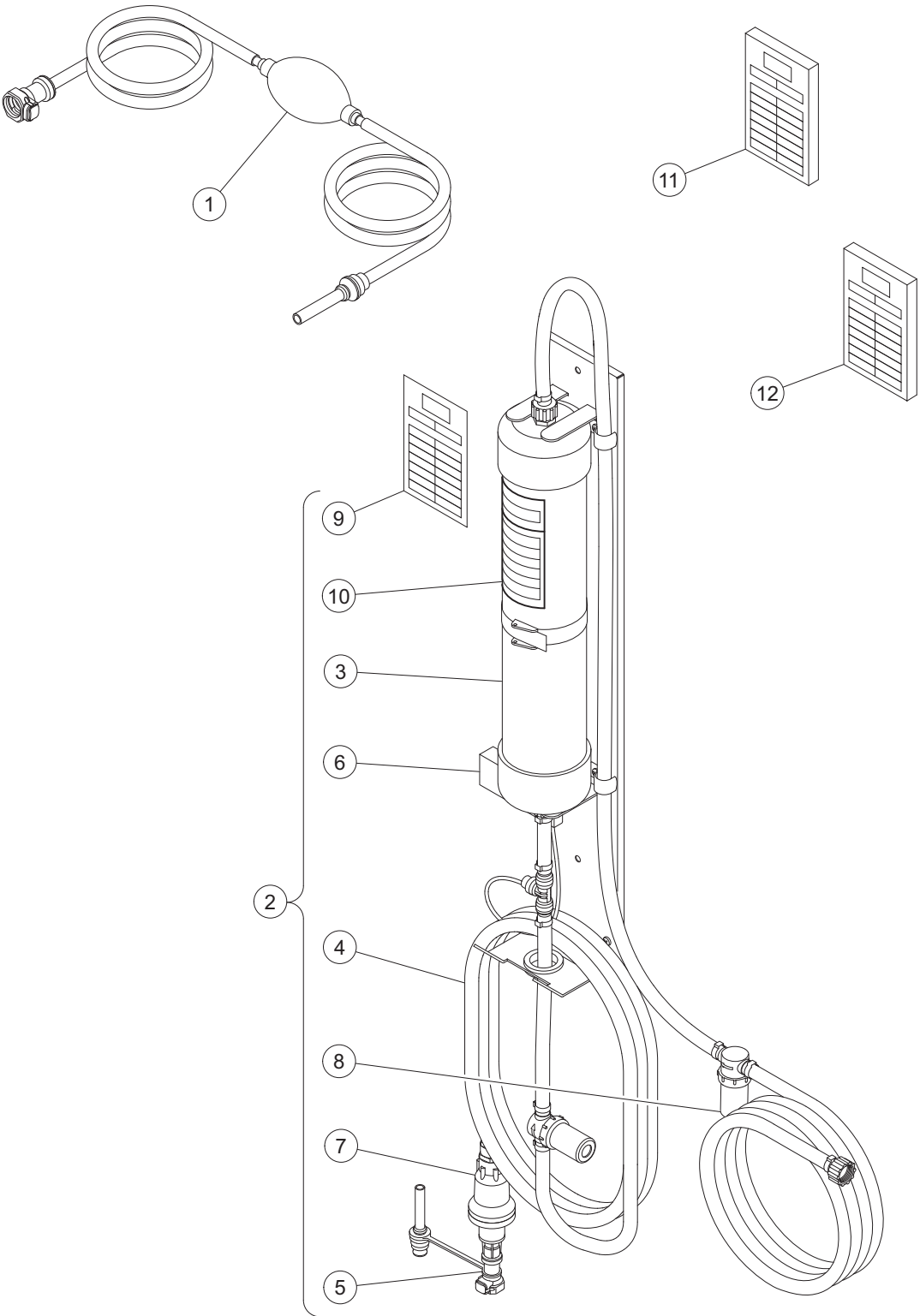
ITEM	PART NO.	DESCRIPTION	QTY
		1 2 3 4	
1	<u>102958001</u>	Kit Regulated Hose Sply Spws	1
2	<u>103395505</u>	Kit, Spws, 8 Volt (includes items 3 and 4)	1
3	<u>103510602</u>	Spws, Manifold Asm, 8v Non-Trojan	6
4	<u>103774701</u>	Spws, Hose 8v	1

14

E

14

E



002523-003

HAND PUMP AND DEIONIZER (BATTERY-POWERED QUALITY LIGHT)

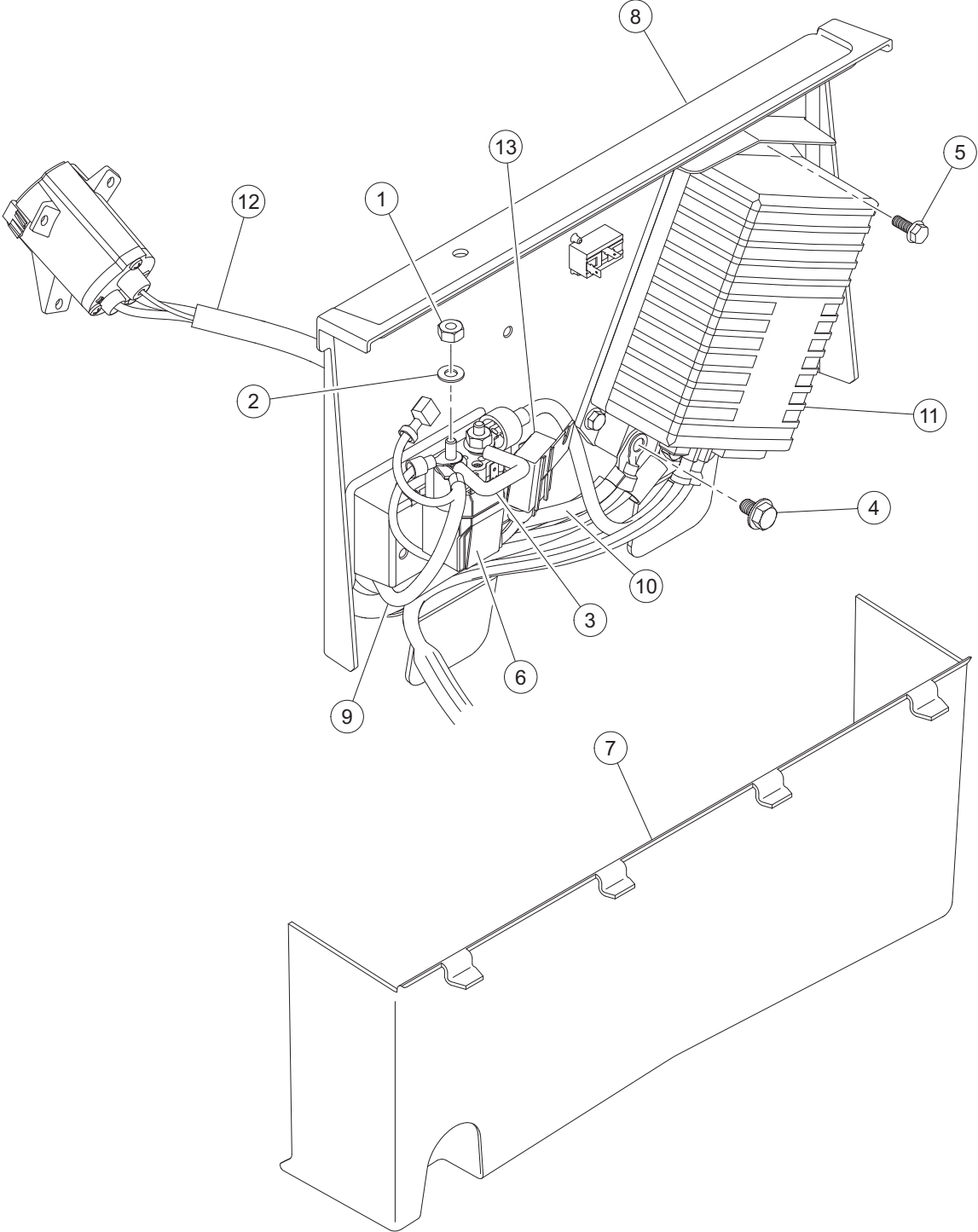
ITEM	PART NO.	DESCRIPTION	QTY
		1 2 3 4	
1	<u>104006101</u>	Kit, Hand Pump, Spws	1
2	<u>105166801</u>	Deionizer, w/Battery-Powered Water Quality Light (includes items 3 through 10)	1
3	<u>104005901</u>	Cartridge, Deionizer	1
4	<u>105166901</u>	Hose,outlet,deionizer	1
5	<u>105167001</u>	Flow Ind, W/coupler, Deionizer	1
6	<u>105167101</u>	Light, Quality, Battery-Powered, w/T-Fitting	1
7	<u>105168501</u>	Regulator, Pressure, Deionizer	1
8	<u>105168601</u>	Strainer, In-line, Deionizer	1
9	<u>AM1300001</u>	Decal, Filter Log, Blue	1
10	<u>AM1300201</u>	Decal, Inspect Log, Yellow	1
11	AM1300101	Decal, Filter Log, Blue, Pack of 100	A/R
12	AM1300301	Decal, Inspect Log, Yellow, Pack of 100	A/R

14

E

14

E



G-130499-000009

CONTROLLER, SOLENOID AND WIRING

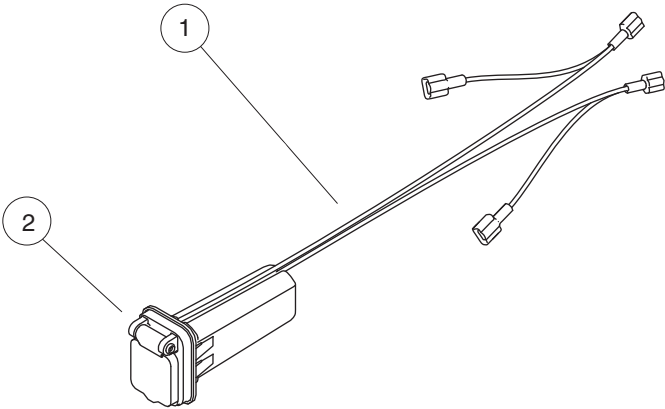
ITEM	PART NO.	DESCRIPTION	QTY
		1 2 3 4	
1	<u>1012528</u>	Nut, M8-1.25 Hex	2
2	<u>1013734</u>	Lockwasher, 8mm Split	2
3	<u>1014947</u>	Resistor Assembly	1
4	<u>102240501</u>	Bolt, Controller, Terminal	3
5	<u>102296716</u>	Screw, M6 X 16 Tt Hx Fl Hd	3
6	<u>102774701</u>	Solenoid, 48v	1
7	<u>103367901</u>	Shield - Controller	1
8	<u>105005001</u>	Component Mounting Plate	1
9	<u>105065601</u>	Asm, Ev Batt Pos 4 Awg	1
10	<u>105065701</u>	Wire, B- W/acc Gnd 4 Awg	1
11	105069001	Controller White 350a	1
12	<u>105137401</u>	Harness, Wire, Charger Receptacle (for Yellow DC Cord)	1
13	<u>102492301</u>	Fuse, 30-Amp	1
		Note: Replacement solenoid may vary in appearance from the original.	

14

E

14

E



001286-002

USB PORT KIT FOR ELECTRIC VEHICLES

ITEM	PART NO.	DESCRIPTION	QTY
		1 2 3 4	
1	<u>47604230001</u>	Kit, USB, 48v (includes item 2)	1
2	<u>47560030001</u>	USB Port	1

14

E

14

E

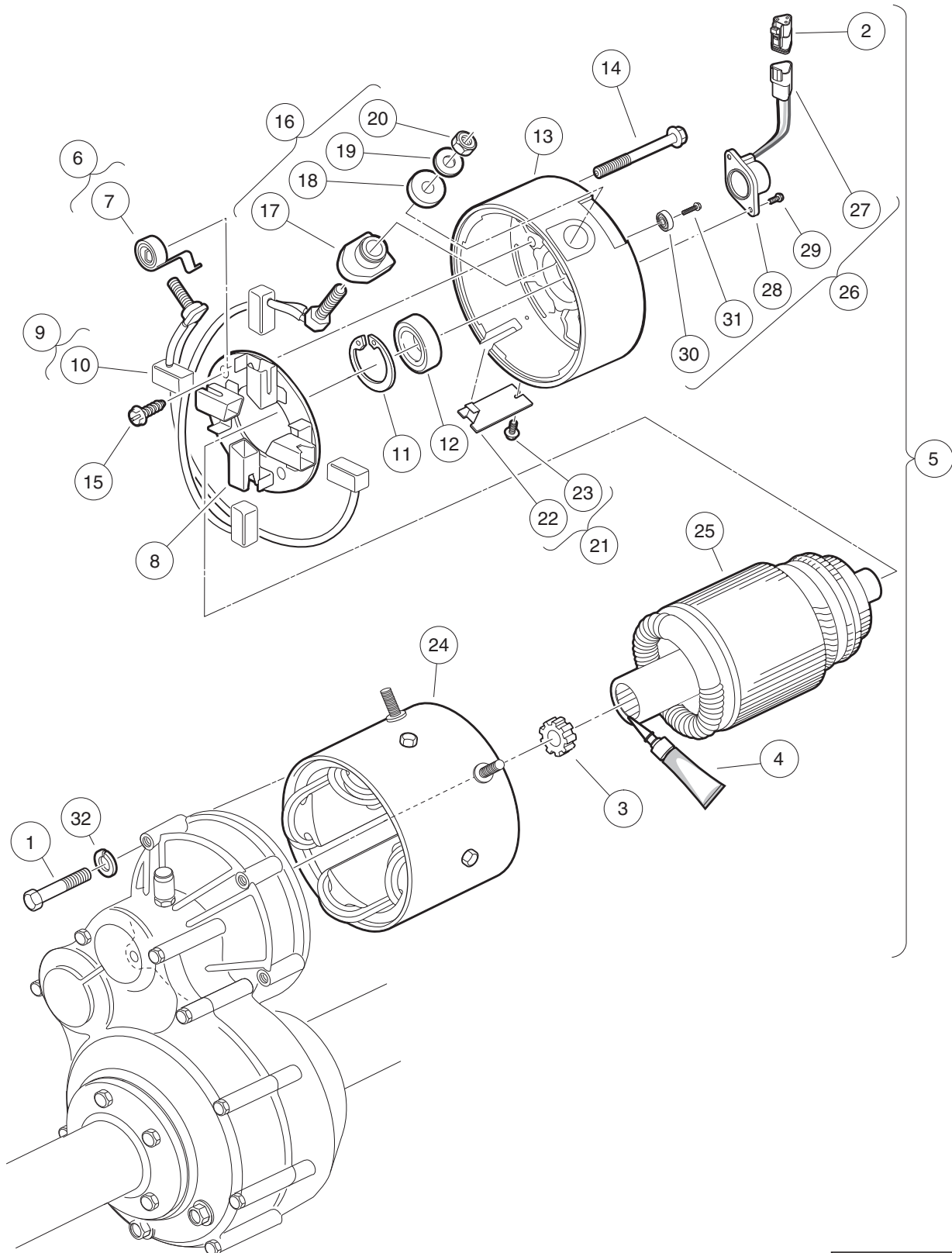
ELECTRIC MOTOR

6

E

6

E



000185-002

MOTOR (MODEL EJ8-4001A) – ELECTRIC VEHICLE

ITEM	PART NO.	DESCRIPTION	QTY
		1 2 3 4	
1	1014201	Screw, 1/4-20 X 2.25 Hex Cap	3
2	<u>101920101</u>	Kit, 3-Pin Wedge Lock	1
3	<u>102235201</u>	Bumper, Drive Unit	1
4	<u>102243403</u>	Lubricant, Moly-Teflon (Single-Use Tube)	1
5	<u>103572501</u>	IQ Electric Motor, 48-VDC 3.3 hp (includes items 6 through 26)	1
6	<u>102186001</u>	Spring Kit, Motor Brush (includes item 7)	1
7	N/A	Spring, Brush, S-g	4
8	<u>102186101</u>	Brush Box Assembly	1
9	<u>102186201</u>	Brush Kit, Motor (includes item 10)	1
10	N/A	Assembly, Brush and Terminal	2
11	N/A	Ring, 2.24" Internal Retaining	1
12	<u>102186401</u>	Bearing, Ball	1
13	<u>102186701</u>	End Cap, Motor	1
14	N/A	Screw, 1/4-20 X 2.25 Hex-Head Washer	2
15	<u>102186901</u>	Screw, #8-32 X .5 Hex-Head	2
16	<u>102187101</u>	Hardware Kit, Motor Terminal (includes items 17 through 20)	2
17	N/A	Insulator	2
18	N/A	Washer, Nylon Flat	2
19	N/A	Washer, Flat, 5/16 Steel	2
20	N/A	Nut, Brass Hex, 5/16 - 18	2
21	<u>102187201</u>	Plate Kit, Motor Cover (includes items 22 and 23)	1
22	N/A	Assembly, Cover Plate	1
23	N/A	Screw, #8-32 x 0.375, Taptite Thread	1
24	<u>102704701</u>	Frame and Field Assembly	1
25	<u>102704801</u>	Armature Assembly	1
26	<u>102704901</u>	Kit, Speed Sensor (includes items 27 through 31)	1
27	<u>101942301</u>	Kit, 3-Pin Wedge Lock	1
28	N/A	Sensor, Motor Speed, ADC	1
29	N/A	Screw, #8-32, Taptite Thread	2
30	N/A	Magnet, ADC Motor	1
31	N/A	Screw, 1/4-20 x 0.5	1
32	<u>451</u>	Lockwasher, 1/4 Split	3
<p>Note: The F1 and F2 terminal posts on the EJ8-4001A motor have 1/4 - 20</p>			

6

E

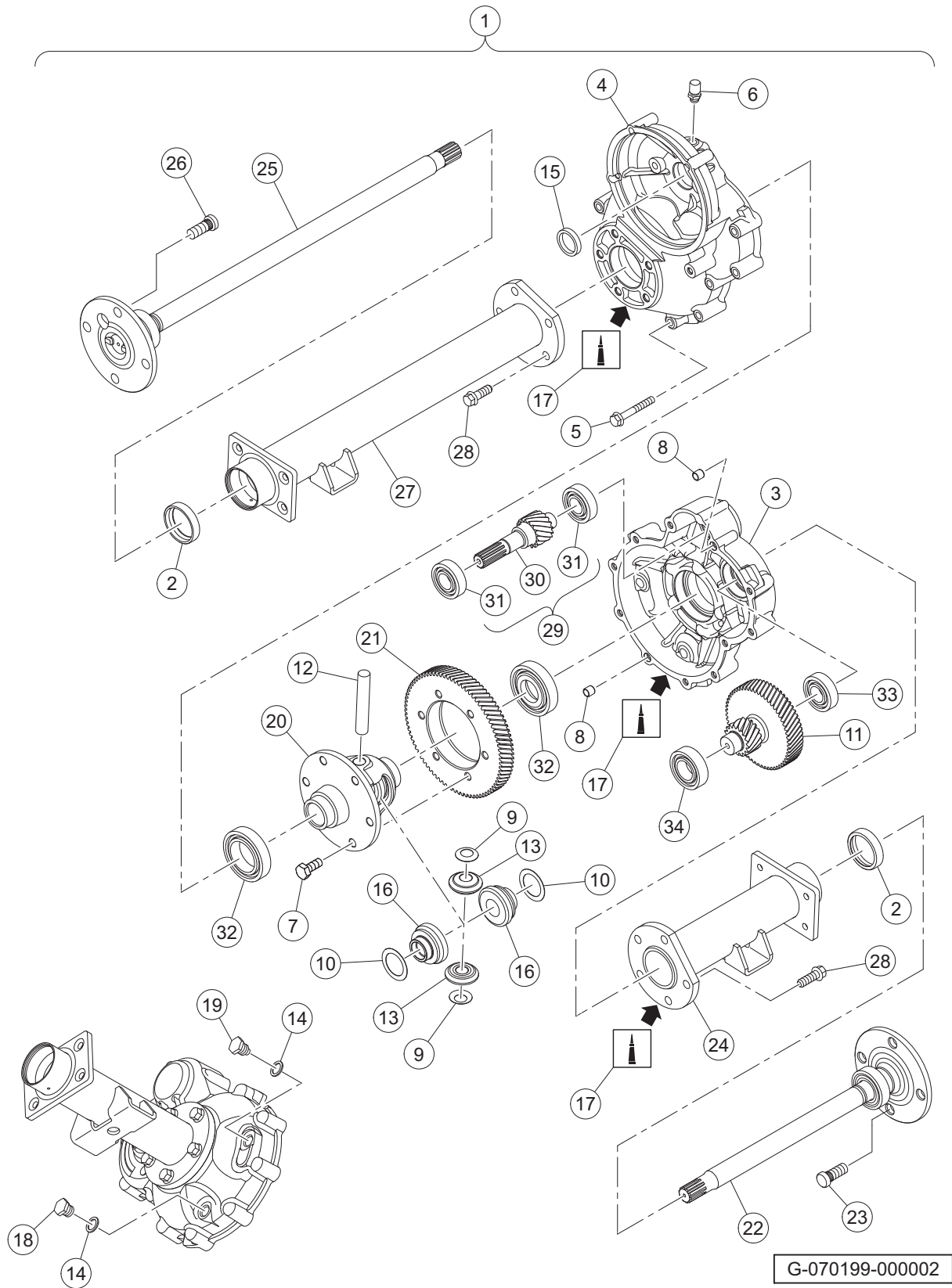
6

E

TRANSAXLE – ELECTRIC VEHICLES

16

E



TRANSAXLE – ELECTRIC VEHICLES

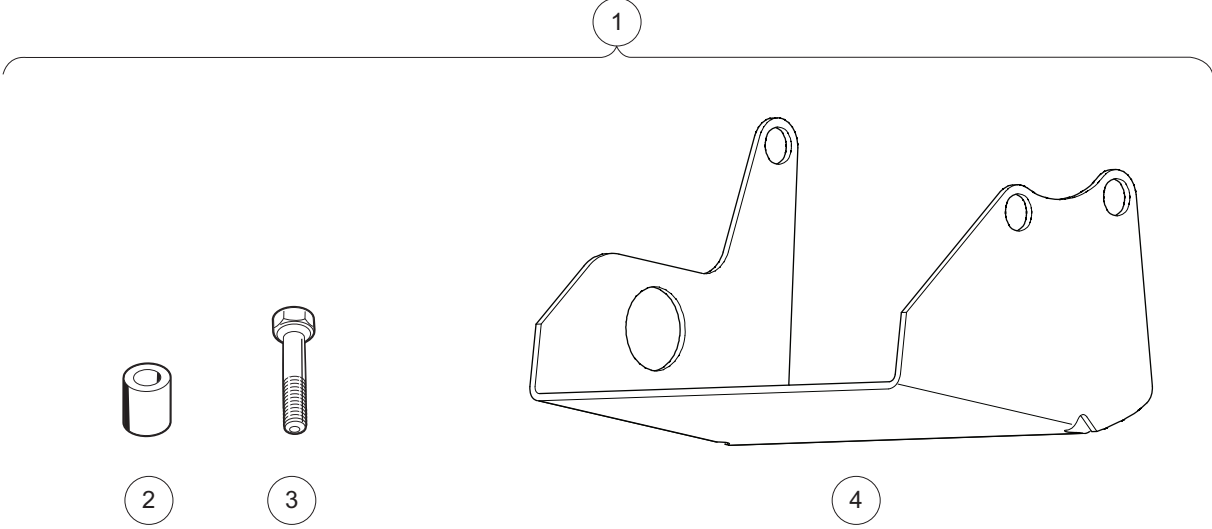
ITEM	PART NO.	DESCRIPTION	QTY
		1 2 3 4	
1	<u>102771701</u>	Transaxle, Electric (includes items 2 through 34)	1
2	<u>1013794</u>	Axle Shaft Oil Seal	2
3	<u>101895401</u>	Gear Case, Driver-Side	1
4	<u>101895501</u>	Gear Case, Passenger-Side	1
5	<u>101897001</u>	Screw, M8-1.25 X 60mm Hex-Head	11
6	<u>101897201</u>	Breather	1
7	<u>101897401</u>	Screw, M10-1.25 X 25mm	6
8	<u>101897601</u>	Pin, 11mm OD X 8.5mm ID X 10mm	2
9	<u>101903601</u>	Washer, Thrust	2
10	<u>101903701</u>	Washer, Thrust	2
11	<u>101906901</u>	Intermediate Shaft Assembly	1
12	<u>101922101</u>	Pin, 15.99mm X 88.7mm Dowel	1
13	<u>101923001</u>	Gear, Differential Idler	2
14	<u>101923201</u>	Gasket	2
15	<u>101923501</u>	Seal, Lip	1
16	<u>101923901</u>	Gear, Differential	2
17	<u>101928701</u>	Liquid Gasket (Transaxle case)	1
18	<u>101972101</u>	Plug, M14-1.5 X 12mm Magnetic	1
19	<u>101972201</u>	Plug, M14-1.5 X 12mm Hex	1
20	<u>102356601</u>	Housing, Differential, 6 Bolt	6
21	<u>102356801</u>	Gear, Differential Output, 6-Bolt	6
22	<u>102886301</u>	Axle Assembly, Driver-Side (includes item 23)	1
23	<u>101922201</u>	Lug Stud	4
24	<u>102886401</u>	Tube, Axle, Driver-Side	1
25	<u>102886501</u>	Axle Assembly, Passenger-Side (includes item 26)	1
26	<u>101922201</u>	Lug Stud	4
27	<u>102886601</u>	Tube, Axle, Passenger-Side	1
28	<u>102902801</u>	Screw, M10 X 30	10
29	<u>103582801</u>	Asm, E Trans Shaft/bearing (includes items 30 and 31)	1
30	N/A	Shaft, Input	1
31	<u>7335</u>	Bearing	2
32	<u>7330</u>	Inner Axle Tube Bearing	2
33	<u>7335</u>	Bearing	1
34	<u>7336</u>	Bearing	1
Note: Item 34 bearing OD is 2.047 inches (52 mm). Item 33 bearing OD is 1.850 inches (47 mm).			

16

E

16

E



000365-002

DIFFERENTIAL GUARD – ELECTRIC VEHICLES

ITEM	PART NO.	DESCRIPTION	QTY
		1 2 3 4	
1	<u>101611402</u>	Kit, Differential Guard, Elec Vehicles (includes items 2 through 4)	1
2	<u>101914001</u>	Spacer, Steel	2
3	<u>101936101</u>	Screw, M10-1.50 X 60mm Hex Cap	2
4	<u>101978601</u>	Guard, Differential, Electric Vehicle Transaxle	1

16

E

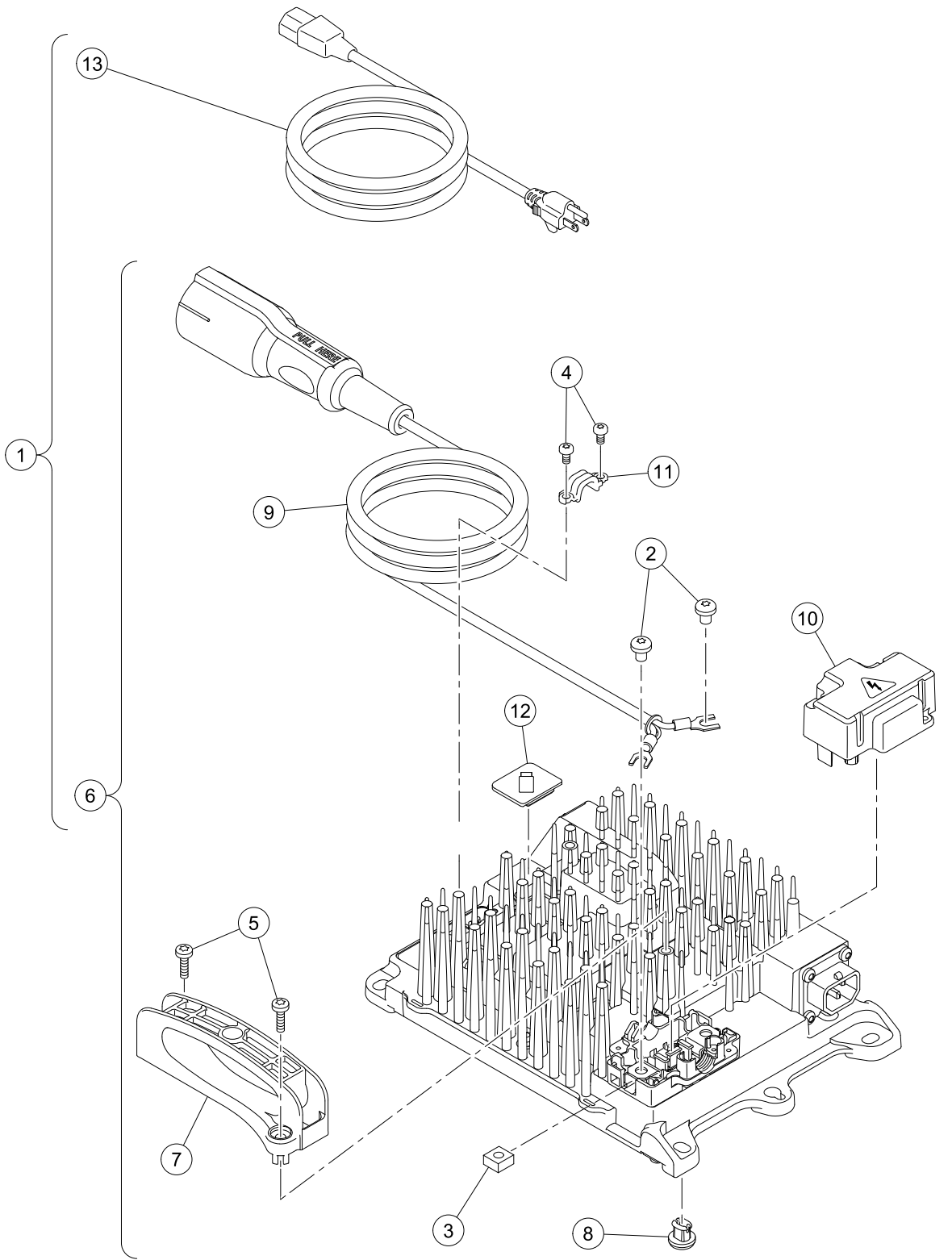
16

E

BATTERY CHARGERS – HIGH-FREQUENCY

17

E



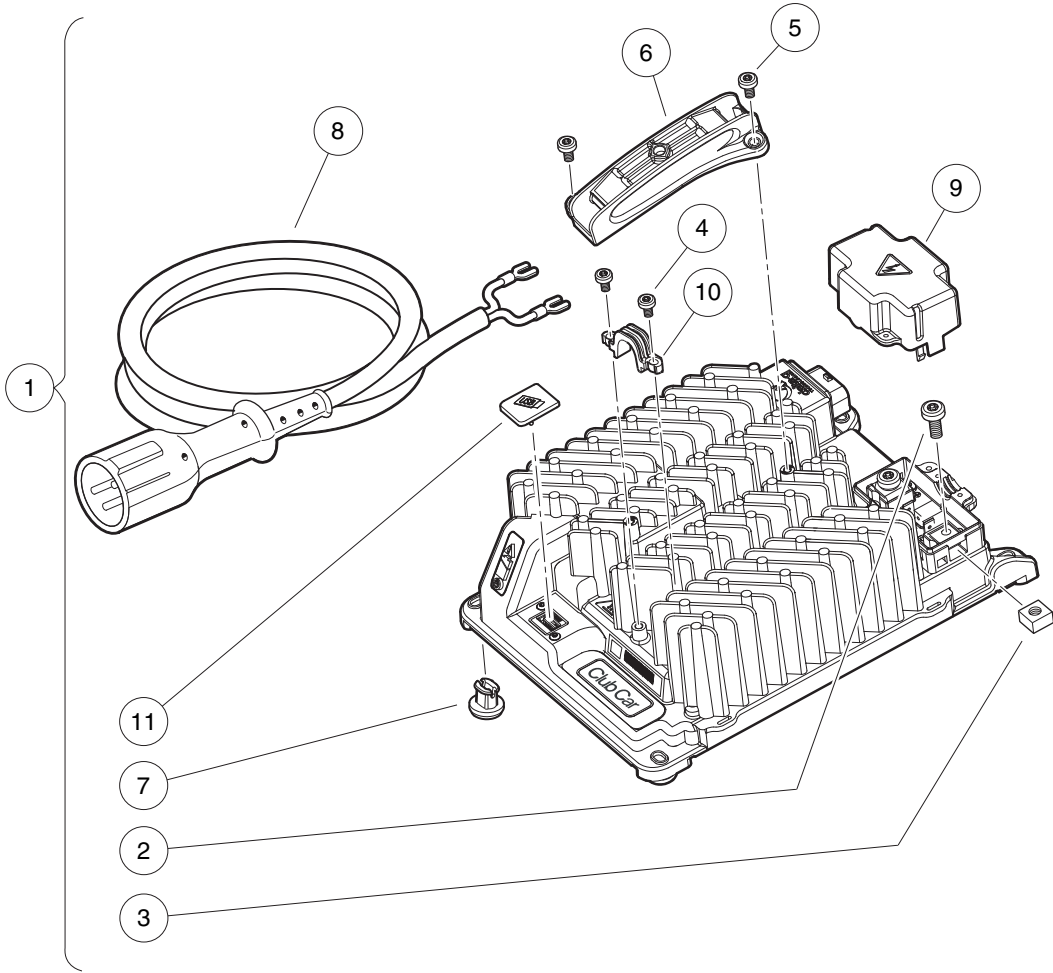
G-130899-000011

JCI BATTERY CHARGER, HIGH-FREQUENCY – U.S./CANADA

ITEM	PART NO.	DESCRIPTION	QTY
		1 2 3 4	
1	<u>105095201</u>	Charger, High-Freq, Service, 9ft Yel DC, 6ft AC, US/Canada (includes items 2 through 12)	1
2	<u>104024501</u>	Screw, M6, Torx Head	2
3	<u>104024601</u>	Nut, M6, Square, Captured	2
4	<u>104028901</u>	Screw, M4 X .70, Pan Hd, Torx	2
5	<u>104029001</u>	Screw, M5 X .80, Pan Hd, Torx	2
6	<u>104029601</u>	Charger, Asm, High-Freq, 9ft (2.74 m) Yellow DC Cord	1
7	<u>105003601</u>	Handle, Charger, High-Freq	1
8	<u>105003701</u>	Foot, Charger, High-Freq	4
9	<u>105070101</u>	Cord, DC, Yellow, 9ft (2.74 m)	1
10	<u>105092301</u>	Cover, DC Terminal Block, High-Freq Charger	1
11	<u>105093101</u>	Strain Relief, High-Freq, External, Charger	1
12	<u>105123801</u>	Cover, USB	1
13	47606837002	Cord, Ac, lec320, 6Us'	1
		Note: This charger includes both an AC cord and DC cord. For additional cord lengths that may be used with this charger, see the Battery Charger Cords page.	

17

E



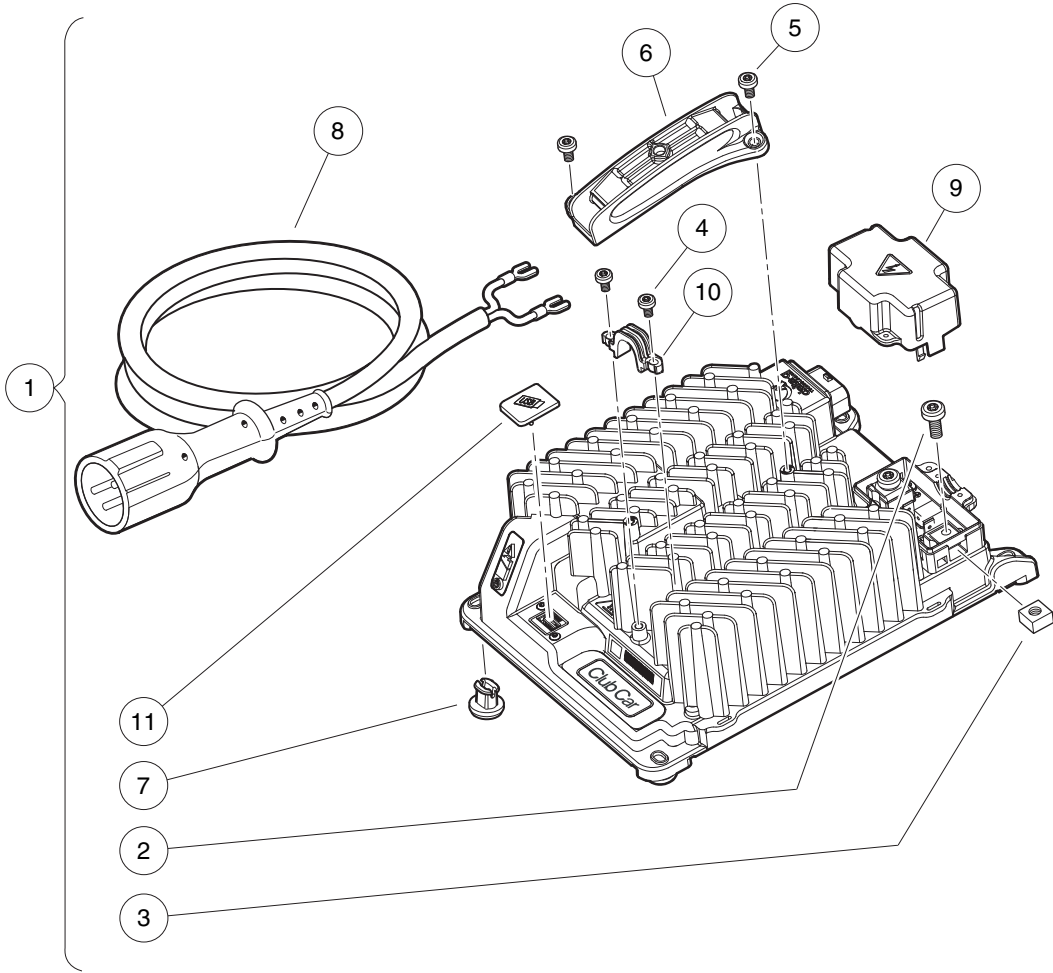
000610-003

BATTERY CHARGER, HIGH-FREQ., 2.74 M DC CORD – GLOBAL

ITEM	PART NO.	DESCRIPTION	QTY
		1 2 3 4	
1	<u>104029601</u>	Charger, Asm, High-Freq, 9ft (2.74 m) Yellow DC Cord (includes items 2 through 11)	1
2	<u>104024501</u>	Screw, M6, Torx Head	2
3	<u>104024601</u>	Nut, M6, Square, Captured	2
4	<u>104028901</u>	Screw, M4 X .70, Pan Hd, Torx	2
5	<u>104029001</u>	Screw, M5 X .80, Pan Hd, Torx	2
6	<u>105003601</u>	Handle, Charger, High-Freq	1
7	<u>105003701</u>	Foot, Charger, High-Freq	4
8	<u>105070101</u>	Cord, DC, Yellow, 9ft (2.74 m)	1
9	<u>105092301</u>	Cover, DC Terminal Block, High-Freq Charger	1
10	<u>105093101</u>	Strain Relief, High-Freq, External, Charger	1
11	<u>105123801</u>	Cover, USB	1
<p>Note: This charger does not include the AC cord. To complete the charger, choose the appropriate type and length of AC cord found on the Battery Charger Cords page.</p>			

17

E



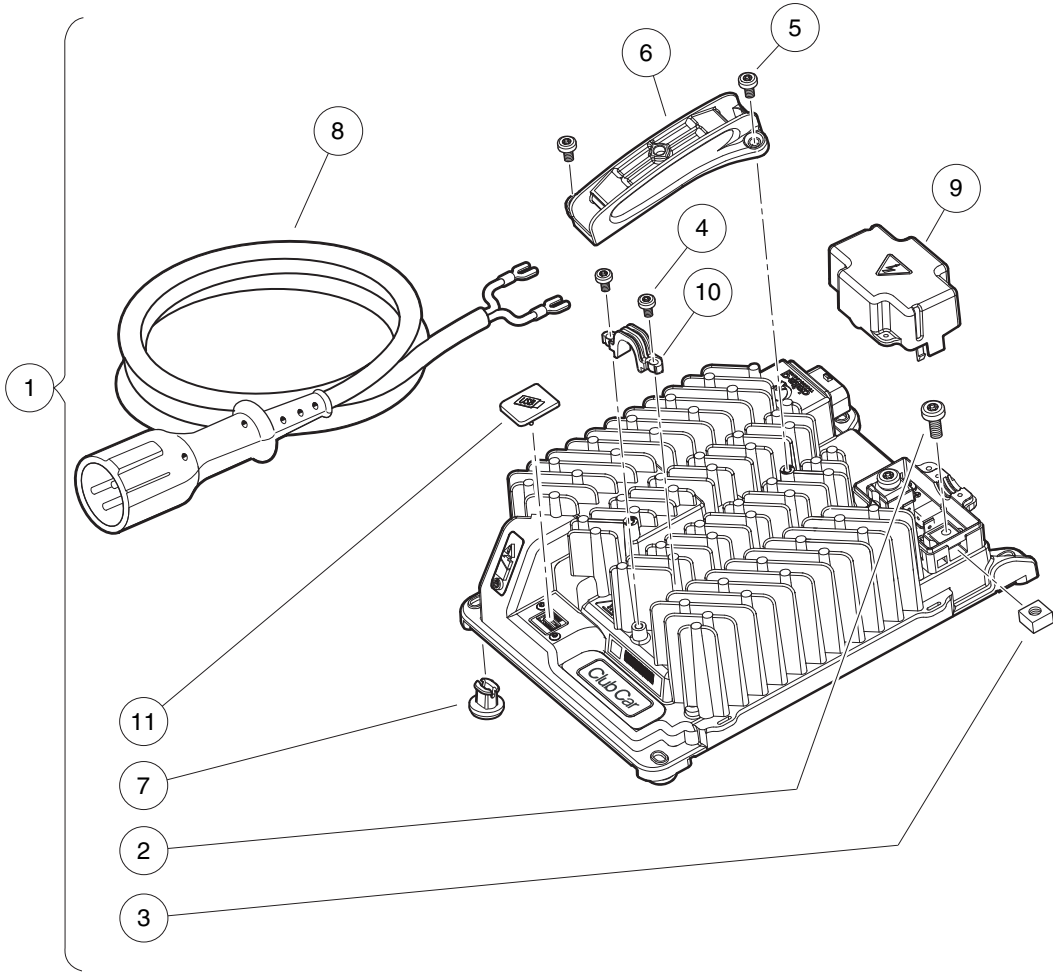
000610-003

BATTERY CHARGER, HIGH-FREQ., 3.66 M DC CORD – GLOBAL

ITEM	PART NO.	DESCRIPTION	QTY
		1 2 3 4	
1	<u>104029602</u>	Charger, Asm, High-Freq, 12ft (3.66 m) Yellow DC Cord (includes items 2 through 11) ..	1
2	<u>104024501</u>	Screw, M6, Torx Head	2
3	<u>104024601</u>	Nut, M6, Square, Captured	2
4	<u>104028901</u>	Screw, M4 X .70, Pan Hd, Torx	2
5	<u>104029001</u>	Screw, M5 X .80, Pan Hd, Torx	2
6	<u>105003601</u>	Handle, Charger, High-Freq	1
7	<u>105003701</u>	Foot, Charger, High-Freq	4
8	<u>105070102</u>	Cord, DC, Yellow, 12ft (3.66 m)	1
9	<u>105092301</u>	Cover, DC Terminal Block, High-Freq Charger	1
10	<u>105093101</u>	Strain Relief, High-Freq, External, Charger	1
11	<u>105123801</u>	Cover, USB	1
		Note: This charger does not include the AC cord. To complete the charger, choose the appropriate type and length of AC cord found on the Battery Charger Cords page.	

17

E



000610-003

BATTERY CHARGER, HIGH-FREQ., 6.1 M DC CORD – GLOBAL

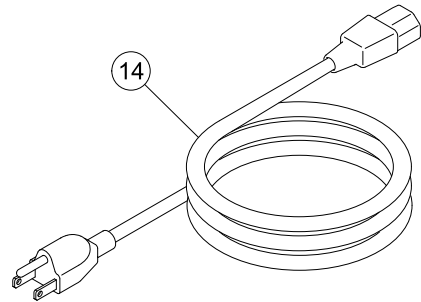
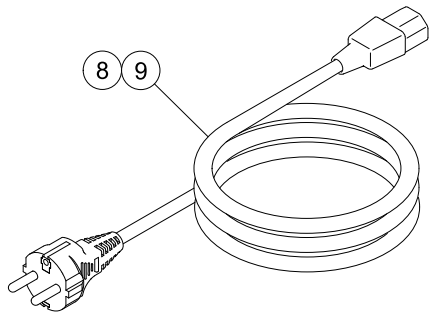
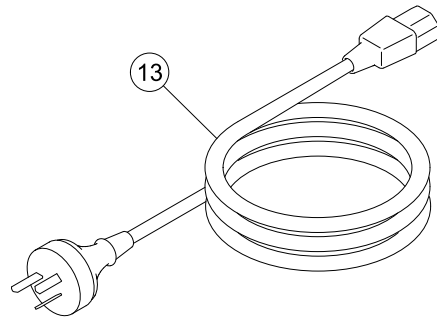
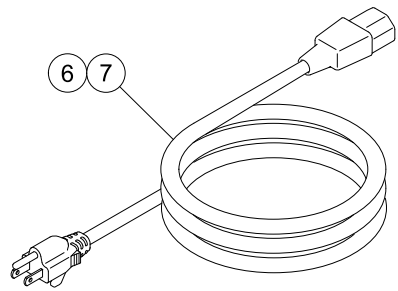
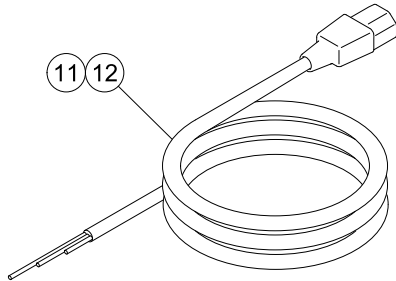
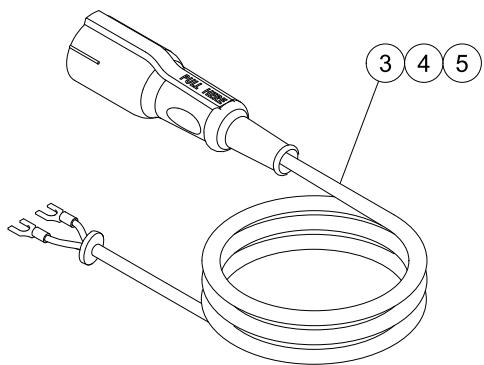
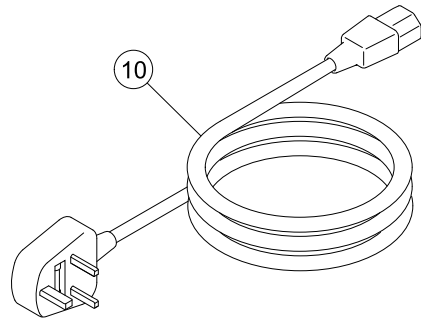
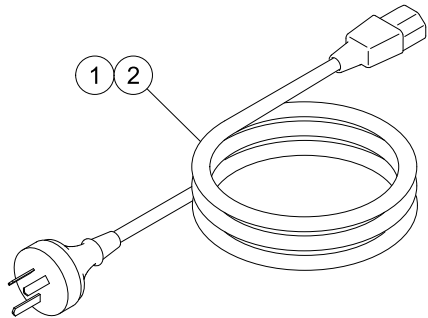
ITEM	PART NO.	DESCRIPTION	QTY
		1 2 3 4	
1	<u>104029603</u>	Charger, Asm, High-Freq, 20ft (6.1 m) Yellow DC Cord (includes items 2 through 11)	1
2	<u>104024501</u>	Screw, M6, Torx Head	2
3	<u>104024601</u>	Nut, M6, Square, Captured	2
4	<u>104028901</u>	Screw, M4 X .70, Pan Hd, Torx	2
5	<u>104029001</u>	Screw, M5 X .80, Pan Hd, Torx	2
6	<u>105003601</u>	Handle, Charger, High-Freq	1
7	<u>105003701</u>	Foot, Charger, High-Freq	4
8	<u>105070103</u>	Cord, DC, Yellow, 20ft (6.1 m)	1
9	<u>105092301</u>	Cover, DC Terminal Block, High-Freq Charger	1
10	<u>105093101</u>	Strain Relief, High-Freq, External, Charger	1
11	<u>105123801</u>	Cover, USB	1
		 Note: This charger does not include the AC cord. To complete the charger, choose the appropriate type and length of AC cord found on the Battery Charger Cords page.	

17

E

17

E



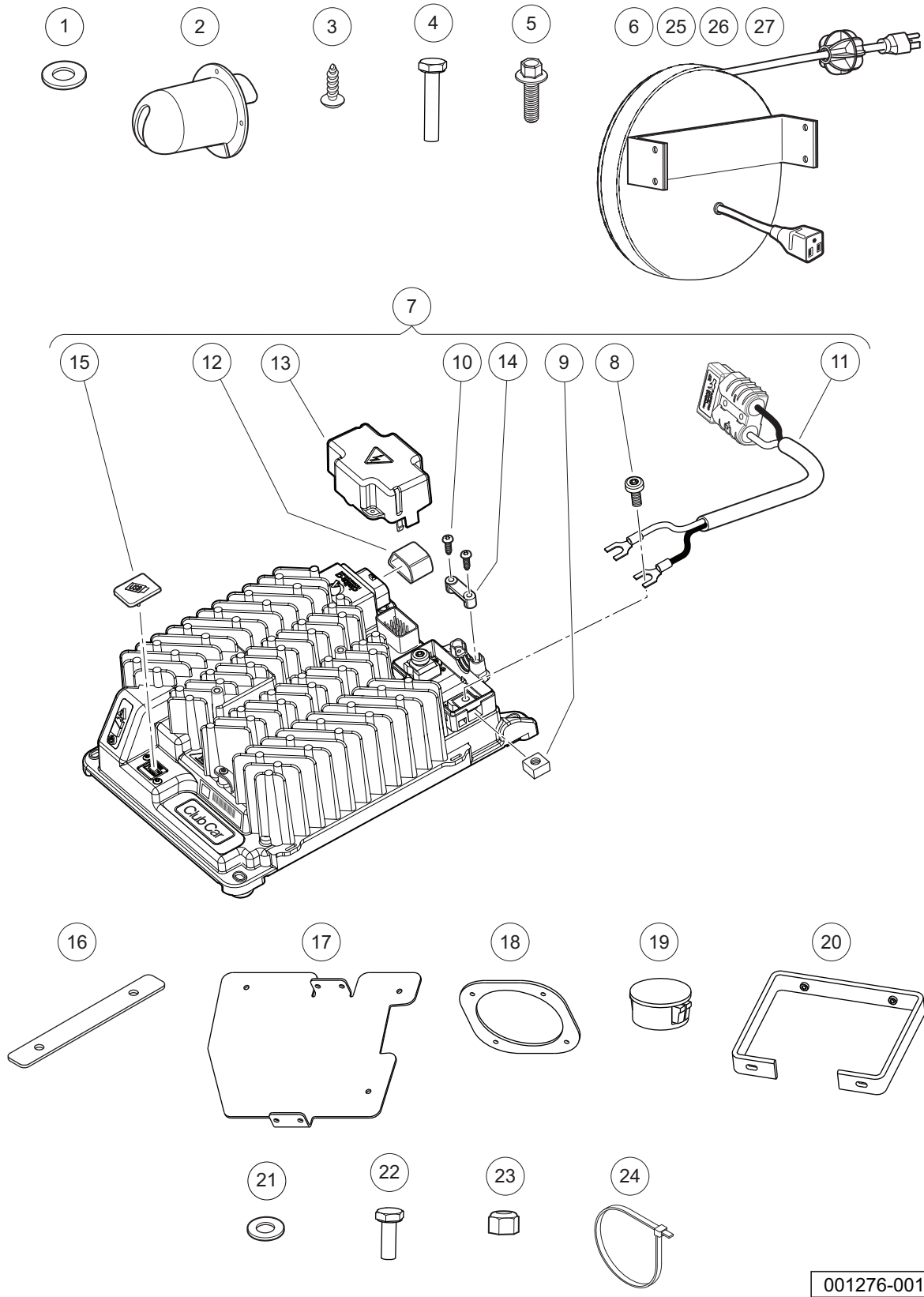
G-130899-000012

CORDS – BATTERY CHARGER, HIGH-FREQUENCY

ITEM	PART NO.	DESCRIPTION	QTY
		1 2 3 4	
1	105068201	Cord, AC, lec320, 6ft (1.83 m), China	A/R
2	105068202	Cord, AC, lec320, 9ft (2.74 m), China	A/R
3	<u>105070101</u>	Cord, DC, Yellow, 9ft (2.74 m)	A/R
4	<u>105070102</u>	Cord, DC, Yellow, 12ft (3.66 m)	A/R
5	<u>105070103</u>	Cord, DC, Yellow, 20ft (6.1 m)	A/R
6	47606837001	Cord, Ac, lec320, 9Us'	A/R
7	47606837002	Cord, Ac, lec320, 6Us'	A/R
8	<u>47612314001</u>	Cord, Ac, lec320, 6, Eu'	A/R
9	<u>47612314002</u>	Cord, Ac, lec320, 9, Eu'	A/R
10	47612315002	Cord, Ac, lec320, 9, Gb'	A/R
11	47612316001	Cord, Ac, lec320, 6, Non-term'	A/R
12	47612316002	Cord, Ac, lec320, 9, Non-term'	A/R
13	47612317002	Cord, Ac, lec320, 9, Australi'	A/R
14	47612318002	Cord, ac, lec320, 9, Japan'	A/R

17

E



001276-001

BATTERY CHARGER, HIGH-FREQUENCY – ONBOARD

ITEM	PART NO.	DESCRIPTION	QTY
		1 2 3 4	
1	<u>1014306</u>	Washer, 1/4" Type B Flat	3
2	<u>1016673</u>	Housing, Cord Reel	1
3	<u>101832001</u>	Screw, #7-19 X 0.625 Phillips Pan-Head Tap	4
4	<u>101861901</u>	Screw, 1/4-20 X 1.125 Hex Cap	4
5	<u>102541401</u>	Bolt-m6x1.0x20 Hex Flhd Blk-I	4
6	<u>103872701</u>	Cord Reel, Hf Charger	1
7	<u>105083001</u>	Charger, Asm, High-Freq, Onboard (includes items 8 through 15)	1
8	<u>104024501</u>	Screw, M6, Torx Head	2
9	<u>104024601</u>	Nut, M6, Square, Captured	2
10	<u>104029301</u>	Screw, M3x1.5, Plastic Tapping	2
11	<u>105084401</u>	Cord, DC, Onboard	1
12	<u>105086801</u>	Sleeve, lec 320 C14	1
13	<u>105092301</u>	Cover, DC Terminal Block, High-Freq Charger	1
14	<u>105094101</u>	Strain Relief, DC Block, High-Freq, Onboard, Charger	1
15	<u>105123801</u>	Cover, USB	1
16	<u>105299001</u>	Plate, Charger, Mtg, Ubdy	2
17	<u>105299101</u>	Plate, Cord Reel, Mtg, Unbody	1
18	<u>105299601</u>	Plate, Backing, Charge Port	1
19	<u>105300801</u>	Plug, Push In, 61/64" Diameter	1
20	<u>105315201</u>	Asm, Bracket, Obc Eric Mount	2
21	<u>332</u>	Washer, 1/4 Type A Narrow Flat	8
22	<u>7847</u>	Screw, 1/4-20 X 0.75 Hex-Head Cap	7
23	<u>8233</u>	Locknut, 1/4-20, Nylon Insert	4
24	<u>8990</u>	Tie Wrap, 8" Nylon	1
25	<u>SVP738601</u>	Cord Reel Retract 3ft 14ga Uk	1
26	<u>SVP738701</u>	Cord Reel Retract 3ft 14ga Eu	1
27	<u>SVP738801</u>	Cord Reel Retract 3ft 14ga Aus	1

17

E

17

E

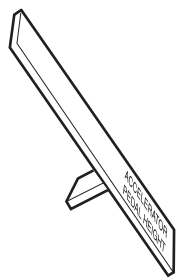
MAINTENANCE AND SERVICE TOOLS

18

G

E

18
G
E



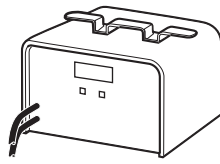
1



2



3



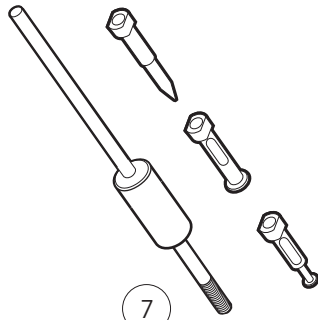
4



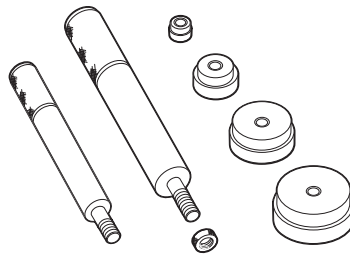
5



6



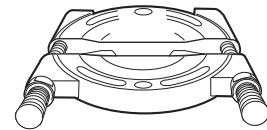
7



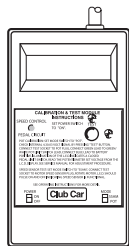
8



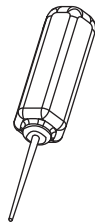
9



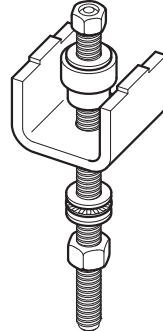
10



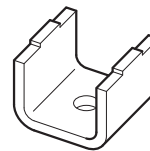
11



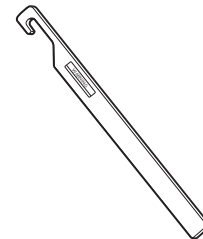
12



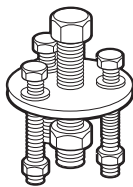
13



14



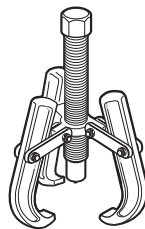
15



16



17



18



19

001060-003

MAINTENANCE AND SERVICE TOOLS

ITEM	PART NO.	DESCRIPTION	QTY GAS	QTY ELEC
		<p>1 2 3 4</p> <p>The following tool list includes all tools available from Club Car for maintenance and service procedures for gasoline and electric golf and utility vehicles. Be sure to carefully examine the tool list for applicability to your vehicle before ordering.</p>		
1	<u>101871001</u>	Accelerator Pedal Adjustment Tool (Utility Vehicles).....	1	1
2	<u>101813202</u>	Adhesive, Guide Ring, 3-Gram Tube		1
3	<u>101641202</u>	Arbor	1	
4	<u>101831901</u>	Battery Discharge Machine, 36/48 Volt		1
5	<u>1014305</u>	Battery Terminal Protector Spray	1	1
6	1011767	Battery Thermometer	1	1
7	<u>1016417</u>	Bearing and Oil Seal Remover Assembly	1	1
8	<u>1016416</u>	Bearing Driver Set	1	1
9	<u>1012811</u>	Bearing Puller	1	1
10	<u>1012812</u>	Bearing Puller Wedge Attachment	1	1
11	<u>101887101</u>	Calibration Test Module		1
12	<u>102562401</u>	Charger Bezel Tool		1
		Clutch Tools (items 13 - 19)	1	
13	47568549001	Driven Clutch Tool	1	
14	47568246001	Plate, Cam Press (supplied with item 13).....	1	
15	<u>105072501</u>	Drive Clutch Holder Tool Assembly	1	
16	<u>1014497</u>	Drive Clutch Hub Puller	1	
17	<u>1014496</u>	Drive Clutch Puller	1	
18	<u>1014508</u>	Driven Clutch Cam Puller	1	
19	<u>1014507</u>	Driven Clutch Puller Plug	1	
		<p>Please refer to the maintenance and service manual for proper tool application.</p>		

18

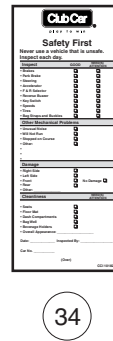
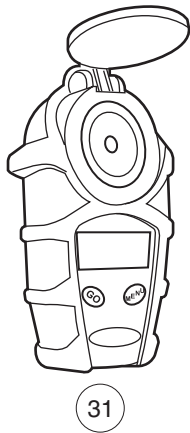
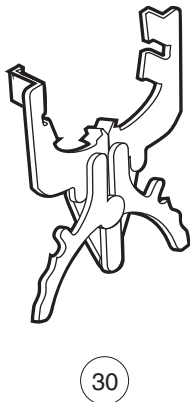
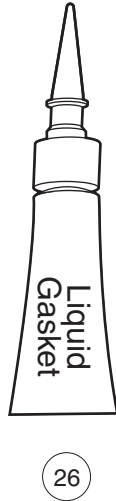
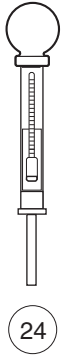
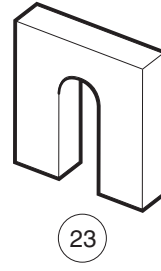
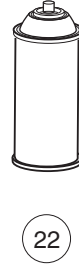
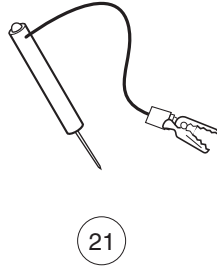
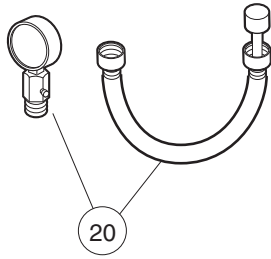
G

E

18

G

E



001061-003

MAINTENANCE AND SERVICE TOOLS, CONTINUED

ITEM	PART NO.	DESCRIPTION	QTY GAS	QTY ELEC
		1 2 3 4		
20	101641002	Compression Gauge and Adapter	1	
21	1011273	Continuity Tester	1	1
22	<u>1012151</u>	Dry Moly Lubricant	1	1
23	<u>1016418</u>	Gear Yoke	1	1
24	<u>1011478</u>	Hydrometer	1	1
25	<u>1013593</u>	Internal Retaining Ring Pliers	1	1
26	<u>101928701</u>	Liquid Gasket (transaxle case)	1	1
27	<u>102243402</u>	Moly-Teflon Lubricant (4-oz. (113-gram) tube)		1
28	<u>102587201</u>	Paint Pen, Touch-Up, Underbody ,Black	1	1
29	<u>1016414</u>	Piston Ring Compressor Kit	1	
30	<u>1016415</u>	Piston Ring Pliers	1	
31	<u>AM1285701</u>	Refractometer	1	1
32	<u>1012549</u>	Retaining Ring Pliers, 45 External	1	1
33	<u>1012560</u>	Retaining Ring Pliers, 90 Internal	1	1
34	<u>101823101</u>	Safety First Card (50 per pack)	1	1
35	<u>1012809</u>	Seal Puller	1	1
		Please refer to the maintenance and service manual for proper tool application.		

18

G

E

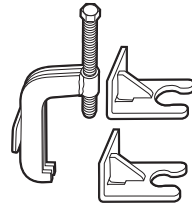
18
G
E



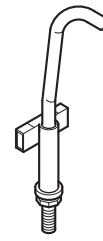
36



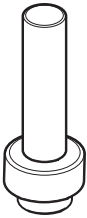
37



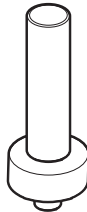
38



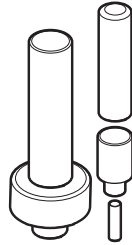
39



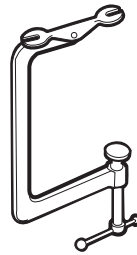
40



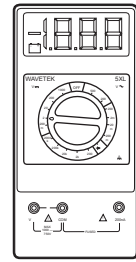
41



42



43



44



45



46



47

001062-002

MAINTENANCE AND SERVICE TOOLS, CONTINUED

ITEM	PART NO.	DESCRIPTION	QTY GAS	QTY ELEC	
		1 2 3 4			18
36	<u>1014264</u>	Steering Column Bearing Press Tool	1	1	G
37	<u>1014259</u>	Steering Column Retaining Ring Tool	1	1	E
38	102061201	Steering Wheel Puller Tool	1	1	
39	<u>102570401</u>	Tool, Tensioning, Starter Generator	1		
40	<u>1014162</u>	Transaxle Axle Seal Tool		1	
41	1014161	Transaxle Pinion Seal Tool		1	
42	<u>1014115</u>	Transmission Tool Kit		1	
43	<u>101641101</u>	Valve Spring Compressor	1		
44	1011480	Volt Ohm Meter	1	1	
45	<u>47631025001</u>	Kit, EFI Diagnostics	1		
46	<u>47631026001</u>	Kit, Bluetooth EFI Diagnostics	1		
47	<u>47631075001</u>	Kit, EFI Tool	1		
<p>Please refer to the maintenance and service manual for proper tool application.</p>					

INDEX

Part Number and Page

AM10079	4-9, 4-13	1010909	4-19	1013924	5-3, 5-5, 7-11, 9-7
AM10092	1-61	1010921	1-43, 5-13	1014007	10-13, 13-9
AM10419	12-9	1011017	4-15	1014051	12-7
AM1289701	7-13	1011114	5-3, 5-5, 5-7, 10-13, 13-9	1014055	12-5, 12-7
AM1289801	7-13	1011137	5-5, 5-7	1014056	12-5, 12-7
AM1290201	7-13	1011273	18-5	1014057	12-5, 12-7
AM1300001	14-15	1011298	5-3, 5-5, 5-7	1014058	12-5, 12-7
AM1300101	14-15	1011303	5-3, 5-5, 5-7	1014059	12-5, 12-7
AM1300201	14-15	1011314	5-3, 5-5, 5-7	1014062	12-5, 12-7
AM1300301	14-15	1011415	6-17, 6-21	1014063	12-5, 12-7
AM15028001	1-61	101146302	5-3, 5-5, 5-7	1014065	12-5, 12-7, 13-3
SVP738601	17-13	1011464	5-3, 5-5, 5-7	1014072	12-9
SVP738701	17-13	1011465	5-3, 5-5, 5-7	1014078	12-9
SVP738801	17-13	1011466	5-3, 5-5, 5-7	1014080	12-9
SVP915201	1-37	1011467	5-3, 5-5, 5-7	1014115	18-7
183	4-19, 12-5, 12-7	1011478	18-5	1014145	13-3
320	5-9	1011480	18-7	1014161	18-7
332	1-61, 13-7, 17-13	1011494	5-3, 5-5, 5-7	1014162	18-7
334	12-5, 12-7	1011553	1-43, 3-3	1014259	18-7
451	5-3, 5-5, 5-7	1011578	1-33	1014264	18-7
1016	4-19	1011697	1-17, 1-43, 11-3	1014287	12-5, 12-7
1218	1-43	1011767	18-3	1014288	12-5, 12-7
1241	5-13	1011779	5-9	1014304	14-9, 14-11
1242	5-9, 8-9, 8-11	1011887	6-13, 7-11	1014305	18-3
1624	8-9	1012151	18-5	1014306	17-13
7174	8-9	1012180	6-17, 6-21	1014453	12-5, 12-7
7274	6-13	1012181	6-21	1014454	12-9
7308	6-13	1012182	6-21	1014496	18-3
7311	1-61	1012295	8-5	1014497	18-3
7330	16-3	1012431	8-17, 13-3	1014507	18-3
7335	16-3	1012505	4-9, 4-13	1014508	18-3
7336	16-3	1012528	14-17	1014555	6-17, 6-21, 14-9, 14-11
7473	1-43, 5-9, 5-13	1012549	18-5	1014727	8-17, 13-3
7840	6-13, 7-11	1012560	18-5	1014807	8-17, 13-3
7847	1-21, 17-13	1012565	6-3, 7-3	1014947	14-17
7893	4-19, 8-11	1012566	6-3, 7-3	1015064	13-3
7910	6-13, 7-11	1012571	1-27	1015332	9-9
8056	8-17	1012594	8-17, 13-3	1015524	18-3
8057	8-17, 13-3	1012649	10-7	1015583	6-17, 6-21
8058	8-17, 13-3	1012809	18-5	101558302	6-17, 6-19, 6-21, 7-15
8233	1-61, 10-13, 13-3, 13-7, 13-9, 17-13	1012811	18-3	1015727	1-39
8450	12-5, 12-7	1012812	18-3	101587711	10-7
8717	13-3	1012836	12-9	101587712	10-7
8754	1-3, 1-21, 1-23, 5-9, 5-13, 7-13, 8-9	1012987	13-3	1015932	8-9
8990	6-9, 7-9, 13-5, 17-13	1013042	6-9, 7-9	101609401	3-3
1010005	6-13, 7-11	1013164	6-17, 6-21	101611402	16-5
1010145	6-17, 6-19, 6-21, 7-15	1013531	5-9, 5-11	1016154	6-3, 7-3
1010434	1-11, 1-13, 1-41, 5-15, 5-17, 5-19, 5-21, 8-13	1013589	13-3	1016201	12-5, 12-7
1010436	1-39	1013590	13-3	1016214	6-3, 7-3
1010521	5-11	1013591	13-3	1016289	12-5, 12-7
1010811	5-13	1013593	18-5	1016318	5-9
1010812	5-13	1013609	8-11	1016320	5-9
1010829	5-9, 5-11	1013734	14-17	101641002	18-5
1010850	5-3, 5-5, 5-7	1013746	10-7	101641101	18-7
		1013794	16-3	101641202	18-3
		1013857	4-13	1016414	18-5

INDEX

1016415	18-5	101923901	16-3	102292801	5-9, 5-11
1016416	18-3	101928701	16-3, 18-5	102296020	1-13, 1-25, 4-3, 8-11, 10-3, 10-17
1016417	18-3	101935301	5-9	102296040	4-15, 8-11
1016418	18-5	101936101	16-5	102296150	1-59, 4-15
1016557	5-3, 5-5, 5-7	101953102	5-9, 5-11	102296201	1-37
1016673	17-13	101953105	5-11	102296301	1-51, 1-53, 1-57, 10-3
1016801	12-5, 12-7	101953106	5-9	102296530	1-25
1016811	1-21	101953403	5-9	102296601	1-23, 1-37
1016849	4-9, 4-13	101953404	5-9	102296716	10-13, 14-17
1016851	4-9, 4-13	101954301	1-25, 1-31	102296720	9-9
1016901	12-5	101960501	3-3	102296819	1-15
1017235	6-21	101972001	3-3	102296920	1-23, 1-59, 4-15, 14-7
1017686	12-9	101972101	16-3	102297001	1-15
101791101	5-3	101972201	16-3	102297125	10-17
101808401	18-3	101976301	5-13	102297230	1-37
101813202	18-3	101978601	16-5	102298020	1-27, 4-15, 14-9, 14-11
101814701	4-11	101979101	8-17, 13-3	102298030	1-29, 1-37, 1-39, 5-15, 5-17, 5-19, 5-21
101823101	18-5	101998501	1-25, 1-31	102298116	6-7, 7-7, 9-9, 10-11
101825101	3-3	102022601	6-9, 7-9	102298130	6-7, 7-7
101830701	4-9, 4-13	102025801	10-5	102298170	6-17, 6-19, 6-21, 6-23, 7-15, 7-17
101831901	18-3	102051901	4-13	102298175	6-17, 6-19, 6-21, 7-15
101832001	14-5, 17-13	102061201	18-7	102298240	1-33
101833401	12-9	102155801	12-9	102298401	1-5, 1-9, 6-17, 6-19, 6-21, 7-15, 9-9, 11-3
101834502	4-9, 4-13	102163001	1-51, 1-53	102298580	1-3, 6-17, 6-21
101834601	9-7	102196901	4-9	102298601	1-3, 6-17, 6-21
101834602	9-7	102199001	4-13	102298716	1-37
101835601	1-33	102240501	14-17	102298720	1-5, 1-19, 4-5
101850301	6-3, 6-5, 7-3, 7-5	102242101	12-9	102299065	1-47, 4-15
101851101	4-9, 4-13	102243402	18-5	102323101	5-9
101856001	14-7	102251801	1-37	102323201	5-9
101861901	17-13	102274101	13-17	102356601	16-3
101862001	13-7	102278802	1-33	102356801	16-3
101865301	5-9	102279106	1-37	102410604	10-3, 10-13
101871001	18-3	102287101	6-11, 7-13	102411209	10-17
101880701	5-3, 5-5, 5-7	102287601	6-11	102476401	10-13, 13-9
101884801	9-7	102287701	6-11	102490301	10-3, 10-13
101886101	10-13, 13-9	102288101	6-11, 6-15	102491501	12-5, 12-7, 14-9, 14-11
101887101	18-3	102288201	6-15	102492301	14-5, 14-17
101887601	10-13	102288401	6-15	102498201	10-13, 13-7, 13-9
101895401	16-3	102288701	6-15	102500801	5-15, 5-17, 5-19, 5-21
101895501	16-3	102288801	6-15	102501402	1-37
101897001	16-3	102288901	6-11, 7-13	102501403	1-37
101897201	16-3	102289001	6-9, 7-9	102501501	1-13
101897401	16-3	102289101	6-15	102502501	1-13
101897601	16-3	102289201	6-15, 7-13	102505701	1-3, 6-11
101898001	8-11	102289401	6-11, 7-13	102506401	6-17, 6-19, 6-21, 7-15
101903601	16-3	102289501	6-11, 6-15	102508202	1-29
101903701	16-3	102289601	6-11	102508401	14-7
101906901	16-3	102289701	6-11	102508601	4-9
101908401	8-13, 14-7	102289801	6-15, 7-13	102511101	14-7
101914001	16-5	102289901	6-11	102511603	1-49
101922101	16-3	102290120	6-3, 6-5, 6-7, 7-3, 7-5, 7-7	102512001	1-37
101922201	16-3	102292101	1-3	102512501	9-9
101923001	16-3	102292201	5-15, 5-17, 5-19, 5-21	102515101	4-13
101923201	16-3	102292356	1-15, 14-9, 14-11		
101923501	16-3	102292701	1-37		

INDEX

102516901	1-29	102732401	9-5	103397901	4-5
102517501	4-5	102771701	16-3	103402701	1-15
102517601	4-7	102774701	14-17	103414901	4-5
102517901	3-3	102803301	8-11	103470701	10-3
102521401	10-17	102838701	8-7	103477901	6-13
102521901	1-19	102838801	8-7	103508101	9-5
102526201	13-3	102838901	8-7	103508501	14-11
102529201	4-5, 4-7	102839001	8-7	103508902	14-5
102534201	1-5, 1-9	102839301	8-7	103510602	14-13
102534801	6-21	102841101	8-7	103535001	5-11
102535401	4-7	102860501	5-3, 5-5, 5-7	103539001	1-21, 1-23
102538601	14-5	102878201	6-15	103582801	16-3
102540301	9-7	102883602	1-13	103597101	4-5
102541401	4-15, 8-9, 17-13	102886301	16-3	103635205	1-19
102541425	1-21	102886401	16-3	103638601	6-15
102541440	1-49	102886501	16-3	103638701	6-15
102541445	1-21	102886601	16-3	103638702	6-15
102541465	1-49	102902801	16-3	103638801	6-15
102541501	1-49	102915601	1-15	103638901	1-3
102544201	1-47, 4-15	102922701	11-3	103647403	14-9
102551901	5-11	102947601	1-51, 1-53	103677101	1-51, 1-53
102552001	5-11	102950402	1-3, 5-13	103679701	6-9, 7-9
102554901	14-5	102956201	6-11, 6-15	103724503	6-3, 6-5, 7-3, 7-5
102555901	3-3	102958001	14-13	103724601	6-3, 7-3
102557201	1-15	102967901	1-23, 1-37, 1-39	103724602	6-5, 7-5
102558201	9-3, 10-17	103146501	6-23, 7-17	103724901	6-3, 7-3
102558301	10-17	103182702	1-39	103742207	6-19, 7-15
102558501	10-17	103196001	1-59, 4-15	103742304	6-17
102558601	10-17	103198401	8-13	103742306	6-21
102558701	10-17	103200301	1-59, 4-15	103742307	6-19, 7-15
102559401	5-15, 5-17, 5-19, 5-21	103200701	4-9, 4-11	103750001	1-47, 4-15
102559701	5-15, 5-17, 5-19, 5-21	103205501	3-3, 8-13	103750101	1-47
102562401	18-3	103229601	5-3, 5-5	103754901	1-51, 1-53
102565201	6-9, 7-9	103262201	9-5	103756401	10-7
102566001	6-9, 7-9	103325001	1-9	103774701	14-13
102570401	18-7	103347601	8-7	103777601	5-15, 5-17, 5-19, 5-21, 8-3
102572401	4-9	103347701	8-7	103783001	6-3, 7-3
102581201	1-47	103347801	8-7	103783002	6-3, 7-3
102582401	1-51, 1-53, 1-57	103348201	4-13	103783003	6-3, 7-3
102587201	18-5	103348602	4-13	103796701	6-3, 7-3
102588501	6-17, 6-19, 6-21, 7-15	103350802	14-9, 14-11	103810201	6-7, 7-7
102588601	6-11, 7-13	103357701	14-9, 14-11	103812901	1-37
102594801	5-15, 5-17, 5-19, 5-21	103367101	1-21	103813001	1-37
102594901	5-15, 5-17, 5-19, 5-21	103367901	14-17	103826201	6-9, 7-9
102595201	5-15, 5-17, 5-19, 5-21	103368301	14-9, 14-11	103826301	6-9, 7-9
102595301	5-15, 5-17, 5-19, 5-21	103368403	14-9, 14-11	103829401	6-5, 7-5
102595401	5-15, 5-17, 5-19, 5-21	103372101	10-3	103832401	2-3, 2-5
102595502	5-15, 8-3	103372401	10-7	103832901	1-25, 1-31
102595901	5-15, 5-17, 5-19, 5-21	103374801	14-9, 14-11	103833601	1-25
102596001	5-15, 5-17, 5-19, 5-21	103375301	14-9, 14-11	103833701	1-25, 1-31
102596301	5-17, 5-19, 5-21	103375402	14-5	103833801	1-25, 1-31
102617201	7-13, 9-5	103384601	3-3	103833901	1-25
102617801	13-17	103384701	3-3	103853121	1-25, 1-31
102618601	7-13	103384801	3-3	103853122	1-25, 1-31
102621501	1-21, 1-59, 4-15, 8-9	103388501	6-11	103853125	1-25, 1-31
102670701	6-19, 7-15	103395505	14-13	103872701	17-13

INDEX

103874111	5-21	105005402	1-27	105030601	13-15
103879701	13-11	105009001	10-17	105030701	13-11
103886601	13-5	105025001	13-11	105030801	13-15
103896607	10-7	105025101	13-11	105030901	13-13
103921601	6-17	105025201	13-11	105031001	13-15
103921602	6-17	105025301	13-11	105037101	4-13
103923601	1-9	105025401	13-11	105037501	13-3
103924801	8-5, 14-5	105025501	13-11	105037601	13-3
103926603	1-3	105025601	13-11	105037701	13-3
103943401	5-21, 14-3	105025701	13-11	105038501	13-3
103951501	13-17	105025801	13-11	105038808	13-5
103964901	6-17, 6-21	105025901	13-11	105039801	13-3
103965001	6-17, 6-21	105026001	13-11	105040401	13-3
103971798	14-9, 14-11	105026101	13-11	105040901	13-7
103971799	14-9, 14-11	105026201	13-11	105041101	13-3
103971899	14-9, 14-11	105026301	13-11	105043801	10-5
103973901	12-7	105026401	13-11	105043901	10-5
103973902	12-5	105026501	13-11	105049001	6-7, 7-7
103974102	12-3	105026601	13-11	105065601	14-5, 14-17
103974201	12-5, 12-7	105026701	13-11	105065701	14-5, 14-17
103974401	12-5, 12-7	105026801	13-11	105066001	13-15
103974815	5-15	105026901	13-11	105066101	13-15
103974821	5-17, 5-19	105027001	13-11	105067501	3-3
103974901	5-15, 5-17, 5-19, 5-21	105027101	13-11	105068201	17-11
103975011	5-21	105027201	13-11	105068202	17-11
103975301	12-9	105027301	13-11	105068601	6-7, 7-7
103976001	1-21	105027401	13-13	105069001	14-17
103976101	12-5, 12-7	105027501	13-13	105070101	17-3, 17-5, 17-11
103979301	13-17	105027601	13-13	105070102	17-7, 17-11
103982004	10-13	105027701	13-13	105070103	17-9, 17-11
103984601	12-5, 12-7	105027801	13-13	105070501	3-3
103989501	13-17	105027901	13-13	105074101	13-3
103991501	4-9	105028001	13-13	105078401	1-17, 1-21
103995001	13-17	105028101	13-15	105081501	8-5
104005901	14-15	105028201	13-13	105081601	8-5
104006101	14-15	105028301	13-11	105083001	17-13
104021701	13-17	105028401	13-13	105084401	17-13
104023201	14-5	105028501	13-11	105086801	17-13
104023421	1-25, 1-31	105028601	13-13	105092301	17-3, 17-5, 17-7, 17-9, 17-13
104023422	1-25, 1-31	105028701	13-13	105093101	17-3, 17-5, 17-7, 17-9
104023425	1-25, 1-31	105028801	13-13	105094101	17-13
104023501	10-13, 13-9	105028901	13-13	105095201	17-3
104024001	14-5	105029001	13-13	105096101	12-5, 12-7
104024501	17-3, 17-5, 17-7, 17-9, 17-13	105029101	13-13	105102601	8-17
104024601	17-3, 17-5, 17-7, 17-9, 17-13	105029201	13-13	105114802	8-5
104025101	12-9	105029301	13-15	105114803	8-5
104027101	13-17	105029401	13-15	105114805	8-5
104028901	17-3, 17-5, 17-7, 17-9	105029501	13-15	105114806	8-5
104029001	17-3, 17-5, 17-7, 17-9	105029601	13-15	105114808	8-5
104029301	17-13	105029701	13-15	105116301	5-21, 14-3
104029601	17-3, 17-5	105029801	13-15	105116702	5-13
104029602	17-7	105029901	13-15	105123801	17-3, 17-5, 17-7, 17-9, 17-13
104029603	17-9	105030001	13-11	105130201	8-5
105003601	17-3, 17-5, 17-7, 17-9	105030301	13-15	105135101	10-13, 13-7
105003701	17-3, 17-5, 17-7, 17-9	105030401	13-15	105137401	14-5, 14-17
105005001	14-17	105030501	13-15	105143301	10-3

INDEX

105144401	10-13, 13-9	47560464001	10-7	47568676001	1-33
105152301	4-9	47560765001	10-17	47568677001	1-33
105161701	8-7	47561033001	3-3	47574837001	4-5
105166801	14-15	47561477002	4-15	47574958001	3-3
105166901	14-15	47561635001	2-5	47575464001	1-43
105167001	14-15	47562746001	4-5	47576196001	6-19, 7-15
105167101	14-15	47562747001	4-5	47576197001	7-15
105168501	14-15	47562747002	8-5	47576198001	7-15
105168601	14-15	47562748001	4-15	47576648001	7-15
105188185	6-17, 6-19, 6-21, 7-15	47562947002	2-5	47576649001	6-23, 7-17
105188701	6-19, 7-15	47562947004	2-5	47576650001	6-23, 7-17
105190701	4-15	47562951001	2-3, 2-5	47576651001	6-23, 7-17
105193002	13-3	47563300001	1-33	47576652001	6-23, 7-17
105223321	1-25, 1-31	47563300002	1-33	47576652002	6-23, 7-17
105223322	1-25, 1-31	47563301001	1-33	47576796001	1-51, 1-53
105223323	1-25, 1-31	47563302001	1-33	47576797001	1-51
105223325	1-25, 1-31	47563304001	1-33, 13-3	47576798001	1-51
105223327	1-25, 1-31	47563305001	1-33	47577554001	1-57
105223328	1-25, 1-31	47563306001	1-31, 1-35	47577555001	1-57
105223329	1-25, 1-31	47563307001	1-35	47577556001	1-57
105223421	1-25, 1-31	47564782001	1-33	47577557001	1-57
105223422	1-25, 1-31	47564783001	1-33	47577558001	1-57
105223423	1-25, 1-31	47564784001	1-33	47577561001	1-5
105223425	1-25, 1-31	47564785001	1-33	47577561002	1-5
105223427	1-25, 1-31	47564786001	1-33	47577864001	6-23, 7-17
105223428	1-25, 1-31	47564787001	1-33	47577865001	6-23, 7-17
105223429	1-25, 1-31	47564787002	1-33	47578016001	1-5
105234801	13-11, 13-13	47564886021	1-35	47578327001	1-33
105234901	13-11, 13-13	47564886022	1-35	47578437001	1-43
105237399	8-11	47564886025	1-35	47578438001	1-5
105245801	12-3	47564887021	1-35	47579059001	1-39
105267301	3-3	47564887022	1-35	47579060001	1-39
105267401	3-3	47564887024	1-35	47579061001	1-39
105267501	3-3	47564887025	1-35	47579062001	1-39
105282001	1-31	47564888021	1-35	47579065001	1-39
105288901	1-61	47564888022	1-35	47579066001	1-39
105289701	1-51, 1-53	47564888023	1-35	47579068001	1-39
105299001	17-13	47564888025	1-35	47579096001	6-17, 6-19, 6-21, 7-15
105299101	17-13	47564888027	1-35	47579669001	1-9
105299601	17-13	47564888028	1-35	47579759001	1-53
105300801	17-13	47564889021	1-35	47579760001	1-53
105313801	1-61	47564889022	1-35	47579985001	1-55
105315201	17-13	47564889023	1-35	47580172001	4-5
47539338002	8-9	47564889025	1-35	47581051001	1-33
47542195001	7-11	47564889027	1-35	47581126001	4-15
47554725001	1-41	47564889028	1-35	47581127001	4-15
47554736001	4-15	47564890001	9-7	47581128001	4-15
47555159001	1-41	47565234007	4-3	47581129001	4-15
47555159002	1-41	47565234008	4-3	47581130001	4-15
47559264001	1-59	47566405001	7-13	47581131001	1-59, 4-15
47559264002	1-59	47566411001	7-13	47581132001	1-59, 4-15
47559265002	1-59, 4-15	47568672001	1-33	47581133001	4-15
47559268001	4-15	47568673001	1-33	47581133002	4-15
47559475001	8-7	47568674001	1-33	47581134001	4-15
47559475002	8-7	47568674002	1-33	47581135001	4-15
47560030001	14-19	47568675001	1-17, 1-21, 1-33, 13-3	47581430001	4-15

INDEX

47582270001	1-55	47611209001	11-3	47629238209	1-23
47582821001	1-45	47611210001	11-3	47629238211	1-23
47582821002	1-45	47611483001	9-5	47629238212	1-23
47582822001	1-59	47611484001	9-5	47629238214	1-23
47582922001	13-3	47611648001	9-5	47629238215	1-23
47583000001	8-7	47611868001	8-9	47629238227	1-23
47583112002	1-45	47611869001	8-9	47629238229	1-23
47583296001	1-13	47611870001	8-9	47629583001	9-21
47583296002	1-13	47611876001	10-3	47629585001	9-21
47583297001	1-37	47611877001	10-3	47629588001	9-21
47583297002	1-37	47612314001	17-11	47629589001	9-21
47583666001	6-19	47612314002	17-11	47629677001	9-17
47583790001	8-7	47612315002	17-11	47629680001	9-17
47583791001	8-7	47612316001	17-11	47629681001	1-45
47583794001	8-7	47612316002	17-11	47629681002	1-45
47583795001	9-7	47612317002	17-11	47629681003	1-45
47584178001	8-7	47612318002	17-11	47629682001	9-17
47584179001	8-7	47612352001	10-11	47629685001	9-17
47584184001	9-7	47612535002	8-5	47629686001	9-17
47584406001	4-15	47612537001	4-13, 8-5	47629687001	9-17
47586040001	3-3	47613414002	4-13	47629688001	9-17
47586191001	3-3	47613414003	4-9	47629689001	9-17
47587701001	9-7	47613414005	4-13	47629690001	9-17
47587715001	8-15	47613414006	4-13	47629691001	9-17
47589609001	4-15	47613414007	4-13	47629693001	9-17
47589919301	1-37	47613414009	4-9	47629694001	9-17
47589919302	1-37	47615815001	10-17	47629696001	9-17
47589919303	1-37	47617345001	8-9	47629697001	9-17
47589919304	1-37	47622330001	10-5	47629698001	9-17
47589919306	1-37	47623281001	8-11	47629699001	9-19
47589919308	1-37	47623339001	10-5	47629700001	9-19
47589919311	1-37	47624766001	1-33	47629701001	9-19
47589919320	1-37	47625132001	2-3	47629702001	9-13
47589919324	1-37	47625132002	2-3	47629703001	9-19
47589919326	1-37	47627633002	1-13	47629705001	9-19
47590808001	2-3, 2-5	47627633003	1-13	47629707001	9-19
47592393001	3-3	47627633004	1-13	47629709001	9-19
47592811001	1-33	47627633005	1-13	47629711001	9-15
47592812003	1-47	47627633006	1-13	47629714001	9-15
47594727001	4-17	47627633011	1-13	47629716001	9-15
47598441001	4-13	47627633058	1-13	47629717001	9-15
47599907001	6-19	47627633064	1-13	47629718001	9-15
47599908001	6-19	47627633068	1-13	47629719001	9-15
47600218001	12-9	47627633070	1-13	47629720001	9-15
47601355001	10-13	47628936001	1-11	47629722001	9-15
47601767001	12-9	47628936002	1-11	47629723001	9-15
47603899001	7-15	47628960001	1-17	47629724001	9-15
47603900001	7-15	47628960002	1-17	47629725001	9-15
47604229001	8-15	47628961001	1-17	47629726001	9-15
47604230001	14-19	47628961002	1-17	47629727001	9-15
47604303001	4-19	47628963001	7-11	47629728001	9-15
47606837001	17-11	47628963002	7-11	47629729001	9-15
47606837002	17-3, 17-11	47629232001	6-13	47629730001	9-15
47610134002	10-3	47629238206	1-23	47629768001	9-15
47610135001	10-3	47629238207	1-23	47629822001	9-15
47610136001	10-17	47629238208	1-23	47629823001	9-15

INDEX

47629824001	9-15	47631021001	1-21	47678899010	2-3
47629825001	9-15	47631793001	1-47	47678900001	2-3
47629826001	9-13	47631793002	1-47, 4-15	47684368001	10-3
47629828001	9-13	47632116001	1-11	47684368002	10-3
47629831001	9-13	47632499002	1-3	47689303001	14-9, 14-11
47629832001	9-13	47634190001	1-17	47695923001	9-5
47629833001	9-13	47634203001	1-49	96704176	4-17
47629834001	9-13	47634205001	1-49	96705199	10-3
47629835001	9-13	47634205002	1-49	96705587	11-3
47629836001	9-13	47636151001	1-5	96741046	9-5
47629837001	9-13	47638715001	1-45		
47629838001	9-13	47638715002	1-45	A	
47629841001	9-13	47638715003	1-45	A-arm, three-piece	6-11
47629843001	9-13	47638809001	1-23	absorber, front shock	6-11, 7-13
47629844001	9-11	47638920001	3-3	absorber, rear shock	6-17, 6-19, 6-21, 7-15
47629845001	9-11	47640020001	9-19	AC cord	17-11
47629846001	9-11	47640021001	9-13, 9-19	accelerator pedal	5-15, 5-17, 5-19, 5-21, 8-3
47629847001	9-11	47640022001	9-19	accelerator pedal adjustment tool	18-3
47629848001	9-11	47640281001	9-3, 9-13	access panel	1-37
47629851001	9-11	47640362002	5-13	adhesive, guide ring	18-3
47629853001	9-11	47641038001	2-5	air cleaner assembly	10-17
47629855001	9-11	47641039003	2-5	air filter	9-3, 10-17
47629856001	9-11	47641418001	6-15	air filter canister evacuation valve	10-17
47629857001	10-9	47643352001	4-21	air intake cover	10-17
47629858001	10-9	47643352002	4-21	air intake hose	10-17
47629859001	10-9	47643624002	10-3	AM1285701	18-5
47629860001	10-9	47644995002	5-11	anchor body	5-3, 5-5, 5-7
47629861001	10-9	47645493001	8-13	anchor body kit	5-3, 5-5, 5-7
47629862001	10-9	47649254001	1-7	anchor, piston	5-3, 5-5, 5-7
47629864001	10-9	47649808001	11-3	arbor	18-3
47629865001	10-9	47649808002	11-3	arm	
47629866001	10-9	47650176001	7-13	governor	10-13, 13-9
47629867001	10-9	47650647001	9-13	armrest	1-25
47629868001	10-9	47652014001	1-19	assembly	
47629869001	10-9	47655713001	7-13	drive hub	12-5, 12-7
47629870001	10-9	47656866001	6-13	fuel cap	10-3
47629871001	10-9	47657816001	7-13	moveable-face	12-5, 12-7, 12-9
47629872001	10-9	47657817001	7-13	secondary clutch weight	12-5, 12-7
47629874001	10-9	47659723010	2-5	axle	16-3
47629875001	10-11	47661387001	6-13	axle guard	16-5
47629876001	10-11	47662588001	13-19	axle shaft	13-15
47629877001	10-11	47663334001	7-13	axle shaft oil seal	16-3
47629878001	10-11	47663561001	7-11	axle tube	13-15, 16-3
47629879001	10-15	47664816002	5-11		
47629880001	10-15	47666603001	9-9	B	
47629881001	10-15	47669843001	7-13	backing plate, brake	5-3, 5-5, 5-7
47629882001	10-15	47674563001	10-3	backrest	1-35
47630083001	1-3	47674563002	10-3	backrest, beige	1-25, 1-31
47630085001	6-13	47676897001	9-13	backrest, black	1-25, 1-31
47630087001	1-3	47677930001	14-11	backrest, white	1-25, 1-31
47630163001	1-17	47677931001	14-9	ball bearing	8-7, 13-13, 13-15
47630396001	13-3	47678803001	6-15	ball joint, inner	6-9, 7-9
47630406001	1-21	47678804001	6-15	barrel, plastic	1-11, 1-13, 1-41, 5-15, 5-17, 5-19, 5-21, 8-13
47630615001	1-17	47678898001	2-3	basket	1-59
47630705001	1-21	47678898010	2-3	battery charger	17-3, 17-5, 17-7, 17-9, 17-13
47630817001	1-23	47678899001	2-3		

INDEX

- battery clamp 8-11
- battery condition indicator, 48-volt 4-9, 4-11
- battery cross rod tube 14-9, 14-11
- battery discharge machine 18-3
- battery hold-down 14-9, 14-11
- battery terminal protector spray 18-3
- battery thermometer 18-3
- battery, 12-volt, top-post 8-11
- bearing 16-3
 - ball 8-7, 13-13, 13-15
 - front wheel hub 6-13
 - inner axle tube 16-3
 - thrust 13-11
- bearing and oil seal remover 18-3
- bearing driver set 18-3
- bearing puller 18-3
- bearing puller wedge 18-3
- bellows, steering 6-9, 7-9
- belt, drive 12-3
- beverage holder 1-21
- bezel, FNR 1-37
- body kick plate 1-27
- body kick plate (ele) 1-29
- body, anchor 5-3, 5-5, 5-7
- bolt
 - battery, "S" hold-down 14-9, 14-11
- boot, switch 8-13, 14-7
- bottom, seat 1-35
- Bracket 8-13
- bracket
 - accel.cable 10-13, 13-7
 - clamshell 1-19
 - equalizer 5-11
 - FNR cable 10-13, 13-7
 - governor 10-13, 13-9
 - jounce bumper 6-21, 7-15
 - shock mounting, drv 6-17, 6-21
 - shock mounting, pas 6-17, 6-21
 - snubber 9-7
- Bracket, Fuel 10-3
- Bracket, Seat Back, Front, Top, CSMR 1-33
- brake actuator kit 5-3, 5-5, 5-7
- brake backing plate 5-3, 5-5, 5-7
- brake cluster 5-3, 5-5, 5-7
- brake drum 5-3, 5-5, 5-7
- brake lever arm 5-3, 5-5, 5-7
- brake mount 5-13
- brake pedal 5-15, 5-17, 5-19, 5-21
- brake return spring 5-9, 5-11
- brake rod 5-15, 5-17, 5-19, 5-21
- brake shoe 5-3, 5-5, 5-7
- brake spring 5-3, 5-5, 5-7
- breather 13-11, 16-3
- brow 1-13
- brow cap 1-13
- bumper
 - jounce 6-19, 6-21, 7-15
 - rubber 1-39
- Bumper, Shock Plug 1-9
- bushing 6-11, 6-15, 6-23, 7-17, 12-5, 12-7, 13-3
 - urethane 6-17, 6-19, 6-21, 7-15
- button, drive 12-9
- buzzer, reverse 4-9, 4-13
- C**
- cable
 - FNR shifter 13-5
- calibration test module 18-3
- cam
 - driven clutch 12-9
- cam, neutral lockout 13-3
- canister, carbon, fuel tank 10-7
- canopy
 - hand hold 1-21
- canopy strut, front, lh 1-47
- canopy strut, front, rh 1-47, 4-15
- cap
 - dust 4-9
 - fuel, gas, ratchet 10-3
 - key switch 4-9, 4-13
 - rubber 13-17
- carbon canister 10-7
- card, safety first 18-5
- case
 - gear 16-3
 - transaxle 13-11
- center shaft 13-13
- charger bezel tool 18-3
- charger receptacle 14-5, 14-17
- charger, battery, Hi-Freq 17-3, 17-5, 17-7, 17-9, 17-13
- clamp
 - battery 8-11
 - hose 10-7, 10-17
 - leaf spring 6-15, 7-13
 - p- (fuel filter) 10-3, 10-13
- clamshell bracket 1-19
- clip 4-5
 - body trim 1-37
 - meter 4-13
- clip, score card 6-3, 7-3
- cluster, brake 5-3, 5-5, 5-7
- clutch
 - pin 13-13
- clutch cam installation tool 18-3
- clutch repair kit 12-9
- clutch tool kit 18-3
- clutch weight 12-5, 12-7
- clutch, drive 12-5, 12-7
- collar 13-13
- comfort grip steering wheel 6-3, 7-3
- comfort grip steering wheel kit 6-3, 7-3
- component mounting plate 14-17
- compression gauge 18-5
- compressor, piston ring 18-5
- compressor, valve spring 18-7
- continuity tester 18-5
- controller shield 14-17
- cord reel 17-13
- cord set, DC 17-3, 17-5, 17-7, 17-9, 17-11
- cord, AC 17-11
- cord, DC 17-13
- counter shaft 13-13
- cover
 - air intake 10-17
 - DC terminal block 17-3, 17-5, 17-7, 17-9, 17-13
 - dust 5-3, 5-5, 5-7, 6-13, 7-11
 - USB 17-3, 17-5, 17-7, 17-9, 17-13
- Cover, Canopy Support 1-47, 4-15
- cover, steering column 4-5, 4-7
- cup holder 1-21
- cushion, shock absorber 6-17, 6-19, 6-21, 7-15
- D**
- dash 1-15
- dash support assembly 1-3, 6-11
- DC cord 17-13
- DC cord set 17-3, 17-5, 17-7, 17-9, 17-11
- decals 3-3
 - box bed warning 3-3
 - crush area warning 3-3
 - filter log 14-15
 - frame ground warning 3-3
 - inspect log 14-15
 - maintenance/operate switch 3-3, 8-13
 - on/off 3-3
 - operating instructions 6-3, 7-3
 - private speed mode 3-3
 - rotating parts 3-3
 - Run/Tow warning 3-3
 - trailer hitch 1-43, 3-3
 - warning 3-3
 - warning, Run/Tow 3-3
 - water exposure 3-3
- deionizer 14-15
 - cartridge 14-15
- differential 13-15
 - open 13-15
- differential drive unit 16-3
- differential gear 16-3
- differential gear set 13-15
- differential guard 16-5
- differential housing 16-3
- differential shaft 13-15
- drain channel 1-15
- drain plug 13-11
- drive belt 12-3

INDEX

drive button 12-9
drive clutch 12-5, 12-7
drive clutch button 12-5, 12-7
drive clutch holder tool 18-3
drive clutch hub puller 18-3
drive clutch puller 18-3
drive clutch spring 12-5, 12-7
drive clutch weight 12-5, 12-7
drive hub 12-5, 12-7
drive unit guard 16-5
driven clutch button 12-9
driven clutch cam 12-9
driven clutch cam puller 18-3
driven clutch puller plug 18-3
driver, drive clutch 12-5, 12-7
drum, brake 5-3, 5-5, 5-7
dry moly lubricant 18-5
dual snubber 9-7
dust cap 4-9
dust cover 5-3, 5-5, 5-7, 6-13, 7-11
dust seal 6-9, 7-9

E

E-clip 5-9
end, tie rod 6-9, 7-9
engine
 air cleaner 10-17
 air filter 9-3, 10-17
 air intake hose 10-17
equalizer 5-11
equalizer pivot 5-9
equalizer rod 5-9, 5-11
Exhaust 11-3

F

face, moveable 12-9
Fender 1-11
fender
 rear 1-41
Fender, Front 1-11
filter
 air 9-3, 10-17
floor cover plate 5-15, 5-17, 5-19, 5-21
FNR bezel 1-37
FNR handle 13-3
FNR housing 14-7
FNR shift lever 13-7
FNR shifter base 13-3
FNR shifter cable 13-5
fold down seat 1-33
front suspension structure 6-11, 7-13
Fuel Module, Hold-Down Ring 10-5
fuse
 10-amp 8-5
 15-amp 14-5

 2-amp 8-5, 14-5
 30-amp 14-5, 14-17
 5-amp 8-5
fuse, mini, 7.5A 8-5
fuse, mini, 10A 8-5

G

gas pedal assembly, anodized 5-17, 5-19
gas pedal assembly, anodized triac 5-15
gasket 13-11
 air intake 10-17
 liquid 16-3, 18-5
 plug 16-3
 seat 1-25, 1-31
gauge, compression 18-5
gear
 17 tooth 13-13
 34 tooth 13-13
 52 tooth 13-13
 60 tooth 13-15
 62 tooth 13-13
 differential 16-3
 differential idler 16-3
 differential output 16-3
 governor 13-11
 governor, 34 tooth 13-13
 set, differential 13-15
gear yoke 18-5
gearcase 16-3
governor arm 10-13, 13-9
governor gear shaft 13-11
governor shaft 13-11
grip, pencil 6-3, 7-3
guard, differential 16-5
guide pin 13-11
guide ring adhesive 18-3

H

hand hold, canopy 1-21
handle, FNR 13-3
harness
 instrument panel lighting 4-5
 Visage strut 4-15
harness, instrument panel 4-9
harness, wire 4-7, 14-5
hinge 14-9, 14-11
 seat bottom 1-25, 1-31
hinge, seat bottom 1-25, 1-31
hip restraint 1-25
hold-down, battery 14-9, 14-11
holder, cup 1-21
horn 4-7
hose
 air intake 10-17
 SPWS 14-13

 vent 10-7
Hose, Intake 10-17
housing
 differential 16-3
hub 6-13, 13-17
hydrometer 18-5

I

idler gear, differential 16-3
indicator, charger 4-9
inner ball joint 6-9, 7-9
inner frame snubber 9-7
input shaft 13-13, 16-3
instrument panel harness 4-9
Insulation 1-19
intake cover 10-17
intermediate shaft 16-3
internal retaining ring pliers 18-5
isolator, shock damper 6-17, 6-19, 6-21, 7-15

J

J-clip 1-3, 6-17, 6-21
jounce bumper 6-19, 6-21, 7-15
jounce bumper bracket 6-21, 7-15

K

key
 driven clutch 12-9
 On/Off 4-9, 4-13
 square 12-9
key switch 4-9, 4-13
key switch cap 4-9, 4-13
kick plate 1-27
kick plate (ele) 1-29
king pin 6-15
Kit 1-5
kit
 anchor body 5-3, 5-5, 5-7
 ball joint, inner 6-9, 7-9
 bellows, steering, sona 6-9, 7-9
 brake actuator 5-3, 5-5, 5-7
 brake shoe 5-3, 5-5, 5-7
 brake shoe retainer 5-3, 5-5, 5-7
 clutch repair 12-9
 comfort grip steering wheel 6-3, 7-3
 drive clutch button 12-5, 12-7
 drive clutch weight 12-5, 12-7
 driven clutch button 12-9
 fenders, rear 1-41
 hand pump, SPWS 14-15
 relay, 48V 4-5
 seat bottom 1-25
 shock absorber 6-17, 6-21
 shock absorber cushion 6-17, 6-21
 shoe retainer 5-3, 5-5, 5-7

INDEX

Kit, Fenders 1-11
Kit, Grill 1-7
knob, light switch 4-13

L

leaf spring, rear 6-17, 6-19, 6-21, 7-15
lever
 transaxle shift 13-7
light
 oil 4-13
 water quality 14-15
light switch 4-13
light switch knob 4-13
limit switch 8-17, 13-3
liquid gasket 16-3, 18-5
low oil warning light 4-13
lubricant, dry moly 18-5
lubricant, moly-teflon 18-5
lug nut 2-3, 2-5
lug stud 13-17, 16-3

M

MCOR 5-21, 14-3
meter clip 4-13
meter, volt ohm 18-7
mirror 1-61
module
 calibration test 18-3
Module, ECU 9-13
moly-teflon lubricant 18-5
mounting plate, component 14-17
moveable-face 12-5, 12-7, 12-9

N

neutral lockout cam 13-3
nut
 push 1-39

O

oil seal 13-11
oil warning light, low 4-13
O-Ring, Fuel Module 10-5

P

paint, underbody (black) 18-5
panel
 access 1-37
panhard 6-23, 7-17
park brake release, anod 5-15, 5-17, 5-19, 5-21, 8-3
p-clamp (fuel filter) 10-3, 10-13
pedal assembly, gas, anodized 5-17, 5-19
pedal assembly, gas, anodized triac 5-15
pedal, accelerator 5-15, 5-17, 5-19, 5-21, 8-3
pedal, brake 5-15, 5-17, 5-19, 5-21

pencil grip 6-3, 7-3
pin
 bow tie locking 5-9, 5-11
 clevis 5-9, 5-11
 differential 13-15
 guide 13-11
 input shaft 13-13
 king 6-15
piston anchor 5-3, 5-5, 5-7
piston ring compressor 18-5
piston ring pliers 18-5
plate
 component mounting 14-17
 floor cover 5-15, 5-17, 5-19, 5-21
 kick 1-27
 kick(ele) 1-29
Plate, Closure, Kohler 9-19
pliers
 internal retaining ring 18-5
 piston ring 18-5
 retaining ring 18-5
plug
 drain 13-11
 driven clutch puller 18-3
protector spray, battery terminal 18-3
puller
 bearing 18-3
 drive clutch 18-3
 drive clutch hub 18-3
 driven clutch cam 18-3
 seal 18-5
push nut 1-39

R

race, front hub bearing 6-13
rack and pinion 6-9, 7-9
rear fenders 1-41
receptacle 14-5, 14-17
reel cord 17-13
reflector 1-13, 1-33, 1-37
refractometer 18-5
regulator, voltage 8-11
relay 4-5
relay, 12-volt 4-13
relay, 48V 4-5
release, anod park brake 5-15, 5-17, 5-19, 5-21, 8-3
remover, bearing and oil seal 18-3
resistor assembly 14-17
Restraint, Hip, 4Fun, Driver 1-31
retainer
 brake shoe 5-3, 5-5, 5-7
 shock absorber cushion 6-17, 6-19, 6-21, 7-15
retaining ring pliers 18-5
reverse buzzer 4-9, 4-13

ring
 retaining 12-5, 12-7, 12-9, 13-3, 13-11, 13-17
 spiral backup 12-5, 12-7
Rivet, Removable 1-23, 1-37, 1-39
rock guard 16-5
rocker switch 14-7
rod
 brake 5-15, 5-17, 5-19, 5-21
 equalizer 5-9, 5-11
rubber bumper 1-39

S

safety first card 18-5
score card clip 6-3, 7-3
score card plate 6-3, 7-3
Screw 7-13
seal
 dust 6-9, 7-9
 lip 16-3
 oil 13-11, 16-3
seal puller 18-5
seal, bulb 1-51, 1-53
sealant 16-3
seat back 1-35
seat back, beige 1-25, 1-31
seat back, black 1-25, 1-31
seat back, white 1-25, 1-31
seat bottom 1-35
seat bottom kit 1-25
seat gasket 1-25, 1-31
seat hinge 1-25, 1-31
select shaft 13-11
Sensor, Temperature 9-13
shaft
 axle 13-15
 center 13-13
 counter 13-13
 differential 13-15
 governor 13-11
 governor gear 13-11
 input 13-13, 16-3
 intermediate 16-3
 select 13-11
 shift 13-13
shield, controller 14-17
shield, debris aux 5-15, 5-17, 5-19, 5-21
shield, debris primary 5-15, 5-17, 5-19, 5-21
shift lever 13-7
shift shaft 13-13
shock absorber (front) 6-11, 7-13
shock absorber (rear) 6-17, 6-19, 6-21, 7-15
shock absorber cushion 6-17, 6-19, 6-21, 7-15
shock absorber cushion retainer 6-17, 6-19, 6-21, 7-15
shock damper isolator 6-17, 6-19, 6-21, 7-15

INDEX

shock mounting bracket, drv 6-17, 6-21
shock mounting bracket, pas 6-17, 6-21
shoe retainer kit 5-3, 5-5, 5-7
shoe, brake 5-3, 5-5, 5-7
sleeve 6-11, 6-15, 6-17, 6-19, 6-21, 6-23, 7-15,
7-17, 13-11
snubber bracket 9-7
snubber housing 9-9
snubber, dual 9-7
snubber, inner frame 9-7
solenoid 14-17
solenoid, 12-volt 8-11
spacer 13-11, 13-13
spindle 6-15, 7-13
spiral backup ring 12-5, 12-7
spray, battery terminal protector 18-3
spring 13-11
 brake 5-3, 5-5, 5-7
 brake return 5-9, 5-11
 compression 6-3, 7-3
 drive button 12-5, 12-7
 drive clutch 12-5, 12-7
 forward/reverse cam 13-3
spring, leaf, rear 6-17, 6-19, 7-15
spring, leaf, rear, 4-pass 6-21
SPWS hose 14-13
steering column bearing press tool 18-7
steering column cover 4-5, 4-7
steering column retaining ring tool 18-7
steering wheel 6-3, 6-5, 7-3, 7-5
steering wheel (comfort grip) kit 6-3, 7-3
steering wheel puller tool 18-7
strut, front canopy, lh 1-47
strut, front canopy, rh 1-47, 4-15
stud
 lug 13-17, 16-3
suspension, front structure 6-11, 7-13
switch
 key 4-9, 4-13
 light 4-13
 limit 8-17, 13-3
 rocker 14-7
 Tow/Run 14-7
 turn signal 4-5
switch rubber boot 8-13, 14-7
switch, toggle 8-13

T

12-volt solenoid 8-11
Taillight 4-21
tester, continuity 18-5
thermometer, battery 18-3
three-piece A-arm 6-11
throttle, gas, Gen2, triac, sensor 5-15, 8-3
throttle, Gen2, no sensor 5-17, 5-19, 5-21
tie rod end 6-9, 7-9

tie rod extension 7-13
tie wrap 6-9, 7-9, 13-5, 17-13
tire 2-5
toggle switch 8-13
tool
 accelerator pedal adjustment 18-3
 belt tensioning, starter/generator 18-7
 charger bezel 18-3
 clutch cam installation 18-3
 drive clutch holder 18-3
 steering column bearing press 18-7
 steering column retaining ring 18-7
 steering wheel puller 18-7
 transaxle axle seal 18-7
 transaxle pinion seal 18-7
 transmission 18-7

tool kit, clutch 18-3
touch-up paint 18-5
Tow/Run switch 14-7
transaxle (Electric Vehicle) 16-3
transaxle axle seal tool 18-7
transaxle guard 16-5
transaxle pinion seal tool 18-7
transaxle, open-diff (Gas Vehicle) 13-11
transmission tool 18-7
trunk 1-39

tube
 axle 13-15, 16-3
 battery cross rod 14-9, 14-11
Tuflok 1-23, 1-37, 1-39
turn signal switch 4-5

U

U-bolt 6-17, 6-19, 6-21, 7-15
urethane bushing 6-17, 6-19, 6-21, 7-15
USB
 cover 17-3, 17-5, 17-7, 17-9, 17-13
 port 14-19
USB cover 17-3, 17-5, 17-7, 17-9, 17-13
USB port 14-19

V

valance 1-39
valve spring compressor 18-7
vent
 transaxle 13-11
vent, barb 10-7
volt ohm meter 18-7
voltage regulator 8-11

W

warning light, low oil 4-13
water quality light 14-15
wedge, bearing puller 18-3
weight

clutch 12-5, 12-7
 secondary clutch 12-5, 12-7
weldment
 governor bracket 10-13, 13-9
wheel 2-5
 steering 6-3, 6-5, 7-3, 7-5
windshield channel 1-51, 1-53
wire
 green, starter/generator 8-7
 ground, fuel tank 10-3
wire harness 4-7
wire harness, Excel w/Hi-Freq, MCOR3 14-5
wrap, tie 6-9, 7-9, 13-5, 17-13

Y

yoke, gear 18-5



Club Car, Inc.
P.O. Box 204658
Augusta, GA 30917-4658
USA

Web www.clubcar.com
Phone 1.706.863.3000
1.800.ClubCar
Int'l +1 706.863.3000
Fax 1.706.863.5808