



2022 Villager 2 Villager 4 and V4L Illustrated Parts List



**Gasoline Vehicle with Kohler ECH440 Engine
Electric Vehicle with ERIC Charger**

Manual Number 86753090127
Edition Code_A

USING THE ILLUSTRATED PARTS LIST

⚠ WARNING

- **This manual is to be used only for identification and ordering of service parts. Be sure to read and use the maintenance and service manual before attempting any vehicle repairs.**

The manual is divided into sections. Note that there are two or three flags on the outside edge of each page. The first flag contains the section number of which that page is a part. The other flag (or flags) contains the letter E or G, signifying that the page pertains to electric or gasoline vehicles.

Use the Table of Contents to find the sections and pages that contain the parts and assemblies you seek. The Table of Contents lists section numbers, and under them, the individual page titles and numbers to be found in that section. The index can be used to find specific parts and assemblies. The index is divided into numerical and alphabetical listings with the page numbers in italic text.

There is a two-page spread for each individual page title in the Table of Contents. On the left-hand page is an illustration showing the parts in their relative positions; the parts are each tagged with an item number in a balloon. The right-hand page is the parts list page, and gives the page title at the top, then the item numbers (corresponding to the numbers on the illustration), part descriptions, and quantity of parts used. Some item numbers have more than one part number because several configurations of a component are represented together on one spread.

Note that a part description may be indented. This indentation corresponds to a parts assembly level indicated by the numbers 1, 2, 3, and 4 at the top left corner of the parts description area of the parts list page. A part that is indented to *level 2* is a component of the *level 1* part (assembly) that it is listed under. A *level 3* part is a component of the *level 2* part that it is listed under, and a *level 4* part is a component of the *level 3* part preceding it. In each case, the part quantity given for a level 2, 3, or 4 part is *the quantity used per next higher level assembly of which it is a component*. A part that is not indented is a *level 1* part. This means that the quantity given is the quantity used per the portion of the vehicle illustrated on that particular spread.



P. O. Box 204658
Augusta, Georgia 30917-4658 USA
Telephone 706-863-3000
Service Parts Fax 706-855-7413
www.clubcar.com

HOW TO ORDER PARTS

Replacement parts and accessories can be obtained from our network of authorized dealers and distributors. You can obtain the name and phone number of your closest authorized Club Car dealer or distributor by visiting our web site at www.clubcardealer.com, by calling our toll-free Service Parts and Technical Assistance hotline at (800) 872-2246 or (706) 863-3000, extension 3887, or by scanning this Quick Response (QR) code to be taken to the Club Car dealer locator. **Refer to Figure 1.** Download a QR code reader such as RedLaser or Barcode Scanner to your cell phone or tablet.



Figure 1 Dealer Locator QR Code

CUSTOMER SATISFACTION SURVEY

Let your voice be heard!

Please take time to participate in the Technical Publications satisfaction survey. Obtaining feedback from our customers is important to the department's continuous improvement process. The online survey takes less than five minutes and responses will help the department to examine current performance as well as identify areas for future improvement.

Our top priority is to provide timely, accurate, and user friendly manuals.

The online satisfaction survey can be found at: <http://bit.ly/1w9uFMh>



Figure 2 Survey QR Code

NOTE: *This illustrated parts list represents the most current information at the time of publication. Club Car, LLC is continually working to further improve its vehicles and other products. These improvements may affect the parts used to service the vehicle. Any modification and/or significant change in specifications will be forwarded to all Club Car and Carryall distributors/dealers and will, when applicable, appear in future editions of this illustrated parts list.*

Club Car, LLC reserves the right to change specifications and designs at any time without notice and without the obligation of making changes to units previously sold.

Copyright © 2021 Club Car, LLC
Club Car, Precedent, Villager 2 and Surlyn
are registered trademarks of Club Car,
LLC This manual effective July 1, 2021.

2022 Villager 2 Villager 4 and V4L IPL

CONTENTS

SECTION 1 – BODY AND TRIM

Frame	1-3
Front Bumper	1-5
Front Body	1-7
Underbody Covers (Vehicle Without Canopy)	1-9
Dash	1-11
Floor Mat, Retainers, and Front Underbody	1-13
Kick Plate – Gasoline Vehicle	1-15
Kick Plate – Electric Vehicle	1-17
Seat Bottom with Hip Restraints	1-19
Backrest and Structural Accessory Module (SAM)	1-21
Rear Body	1-23
Canopy – White	1-25
Canopy – Beige	1-27
Canopy – Black	1-29
Canopy Struts	1-31
Visage Canopy Struts and Console	1-33
Four-Passenger Canopy with Rear Struts – Black	1-35
Four-Passenger Canopy with Rear Struts – White	1-37
Four-Passenger Canopy with Rear Struts – Beige	1-39
Front Strut Kit, Four-Passenger Canopy	1-41
Lifted Rear Seat, Frame and Foot Deck	1-43
Lifted Rear Seat	1-45
Non-Lifted Rear Seat, Frame and Footdeck – Fixed	1-47
Non-Lifted Rear Fold-Down Seat, Frame and Footdeck	1-49

SECTION 2 – WHEELS AND TIRES

Wheels and Tires – Non-Lifted	2-3
Wheels and Tires – Lifted	2-5

SECTION 3 – DECALS

Decals	3-3
--------------	-----

SECTION 4 – LIGHTS, CONTROLS AND INDICATORS

Headlights, Horn and Taillights – Precedent	4-3
Instrument Panel – Electric Vehicle with ERIC Charger	4-5
Instrument Panel – ECH440 Gas Vehicle	4-7
DC/DC Converter – Electric Vehicle	4-9

CONTENTS

Voltage Limiter – Gasoline Vehicle	4-11
Wiring and Switch – Visage	4-13

SECTION 5 – BRAKES AND PEDAL GROUP ASSEMBLIES

Rear Brakes, Self-Adjusting	5-3
Rear Brakes, Self-Adjusting – Gasoline Vehicles	5-5
Brake Cables and Equalizer Bracket	5-7
Pedal Group with Sensor – Gasoline Vehicle	5-9
Pedal Group w/o Sensor, Gasoline Vehicle	5-11
Pedal Group w/o MCOR – Electric Vehicle	5-13
Pedal Group with MCOR – Electric Vehicle	5-15

SECTION 6 – STEERING, FRONT AND REAR SUSPENSION

Steering Wheel	6-3
Steering Column	6-5
Steering Gear Assembly	6-7
Front Suspension, Upper	6-9
Front Suspension, Lower	6-11
Rear Suspension, Gasoline Vehicle	6-13
Rear Suspension, Electric Vehicle	6-15
Rear Suspension, Gasoline 4-Passenger – Consumer	6-17
Panhard Rod	6-19

SECTION 7 – STEERING, FRONT AND REAR SUSPENSION – LIFTED

Steering Wheel, Comfort Grip with Clip	7-3
Steering Wheel, Comfort Grip with Logo	7-5
Steering Column	7-7
Steering Gear Assembly	7-9
Front Suspension, Lifted	7-11
Rear Suspension, Lifted	7-13
Panhard Rod	7-15

SECTION 8 – ELECTRICAL SYSTEM – GASOLINE EFI

Accelerator Pedal w/Sensor and Stop Module	8-3
Wiring Harnesses and Fuses	8-5
Starter/Generator, Key and Pedal Start – EFI	8-7
Starter/Generator Mounting – ECH440	8-9
Battery, Solenoid, Voltage Regulator, Relay – EFI	8-11

CONTENTS

Maintenance/Operate Switch	8-13
USB Port Kit for Gas Vehicles	8-15
Forward/Reverse Shifter Switches – EFI	8-17

SECTION 9 – ENGINE (KOHLER ECH440)

Tune-Up Parts	9-3
Engine and Engine Mounting	9-5
Engine Pan and Snubber Mounting	9-7
Snubber Housing and Ground Wire	9-9
Blower Housing and Heat Shield – ECH440	9-11
Ignition Components and Flywheel – ECH440	9-13
Cylinder Head and Valve – ECH440	9-15
Crankcase and Piston – ECH440	9-17
Oil Sensor and Lubrication – ECH440	9-19
Crankshaft – ECH440	9-21

SECTION 10 – FUEL SYSTEM – EFI

Fuel Tanks	10-3
Fuel Pump and Fuel Filter Kits	10-5
Carbon Canister – EFI	10-7
Throttle Body and Mounting	10-9
Governor Bracket and Cover – EFI	10-11
Governor and Accelerator Cables – EFI	10-13
Air Intake Elbow – EFI	10-15
Air Filter System and Intake Hose – EFI	10-17

SECTION 11 – EXHAUST SYSTEMS – ECH440

Exhaust Systems	11-3
-----------------------	------

SECTION 12 – DRIVE BELT AND CLUTCHES – EFI GASOLINE VEHICLES

Drive Belts – EFI	12-3
Drive Clutch – Key-Start Vehicles	12-5
Drive Clutch – Pedal-Start Vehicles	12-7
Driven Clutch – Key Start and Pedal Start	12-9

SECTION 13 – TRANSAXLE, FUJI ED65

Forward/Reverse Shifter Assembly – EFI	13-3
Shifter Cable	13-5

CONTENTS

Shift Lever and Bracket – Pedal-Start Engines	13-7
Governor Arm and Brackets	13-9
Transaxle (ED65), Open – Page 1 of 3	13-11
Transaxle (ED65), Limited Slip and Open – Page 2 of 3	13-13
Transaxle (ED65), Open – Page 3 of 3	13-15
Hub, Rear	13-17
Differential Guard, ED65 – Gasoline Vehicle	13-19

SECTION 14 – ELECTRICAL SYSTEM – EXCEL WITH HIGH FREQUENCY CHARGERS

Motor Controller Output Regulator (MCOR)	14-3
Wiring and Fuses	14-5
Forward/Reverse Switch and Tow/Run Switch	14-7
Batteries and Battery Bucket, Non-Lifted	14-9
Batteries and Battery Bucket, Lifted	14-11
Single Point Watering System, 8V	14-13
Hand Pump and Deionizer (Battery-Powered Quality Light)	14-15
Controller, Solenoid and Wiring	14-17
USB Port Kit for Electric Vehicles	14-19
Ferrite Beads, CE	14-21

SECTION 15 – ELECTRIC MOTOR

Motor (Model EJ8-4001A) – Electric Vehicle	15-3
--	------

SECTION 16 – TRANSAXLE – ELECTRIC VEHICLES

Transaxle – Electric Vehicles	16-3
Differential Guard – Electric Vehicles	16-5

SECTION 17 – BATTERY CHARGERS – HIGH-FREQUENCY

JCI Battery Charger, High-Frequency – U.S./Canada	17-3
Trojan Battery Charger, High-Frequency – U.S./Canada	17-5
Battery Charger, High-Freq., 2.74 m DC Cord – Global	17-7
Battery Charger, High-Freq., 3.66 m DC Cord – Global	17-9
Battery Charger, High-Freq., 6.1 m DC Cord – Global	17-11
Cords – Battery Charger, High-Frequency	17-13
JCI Battery Charger, High-Frequency – Onboard – Fixed Rear Seat	17-15
Trojan Battery Charger, High-Frequency – Onboard – Fixed Rear Seat	17-17
JCI Battery Charger, High-Frequency – Onboard (Fold-Down Rear Facing Seat)	17-19
Trojan Battery Charger, High-Frequency – Onboard (Fold-Down Rear Facing Seat)	17-21

CONTENTS

SECTION 18 – MAINTENANCE AND SERVICE TOOLS

Maintenance and Service Tools	18-3
Maintenance and Service Tools, Continued	18-5
Maintenance and Service Tools, Continued	18-7
Maintenance and Service Tools, Continued	18-9
Maintenance and Service Tools, Continued	18-11

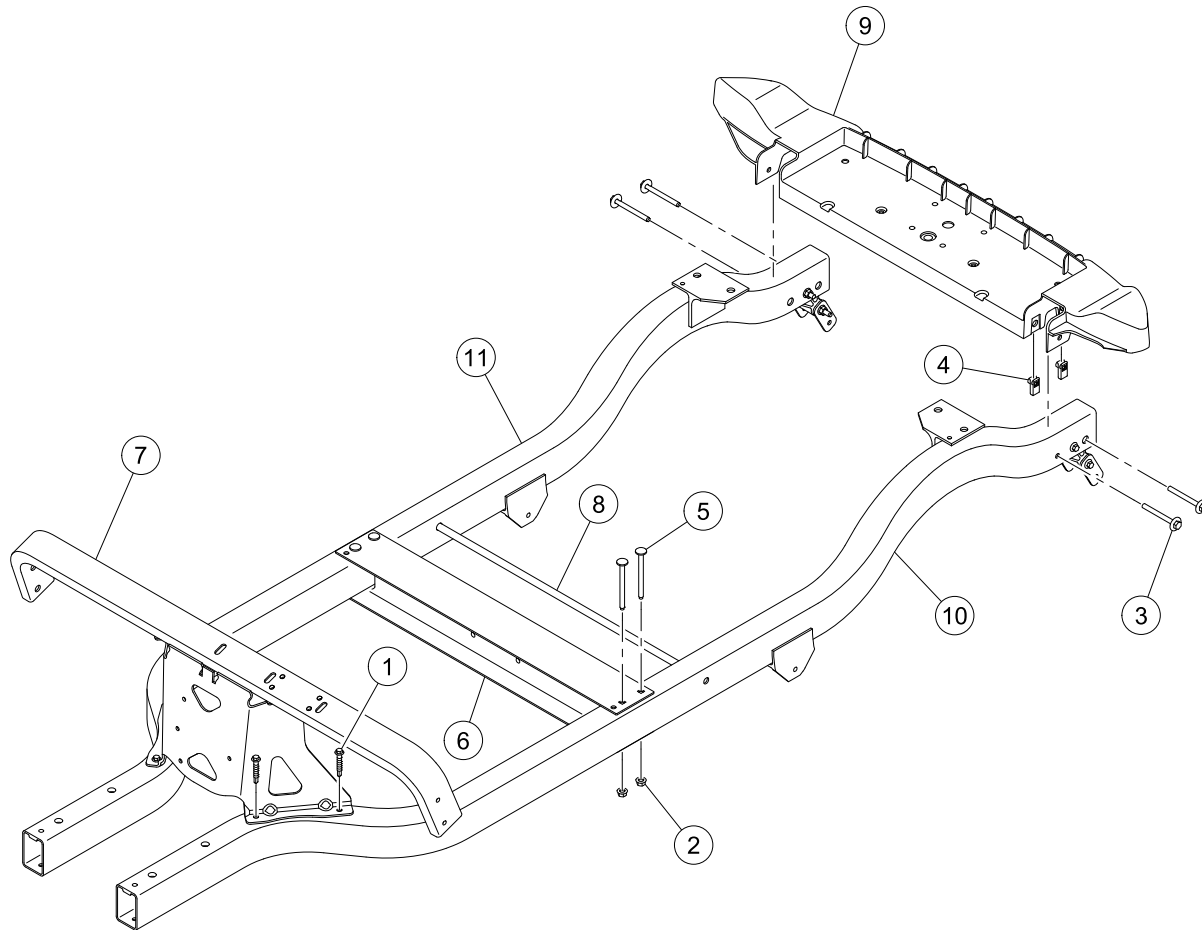
SECTION i – INDEX

BODY AND TRIM

1

G

E

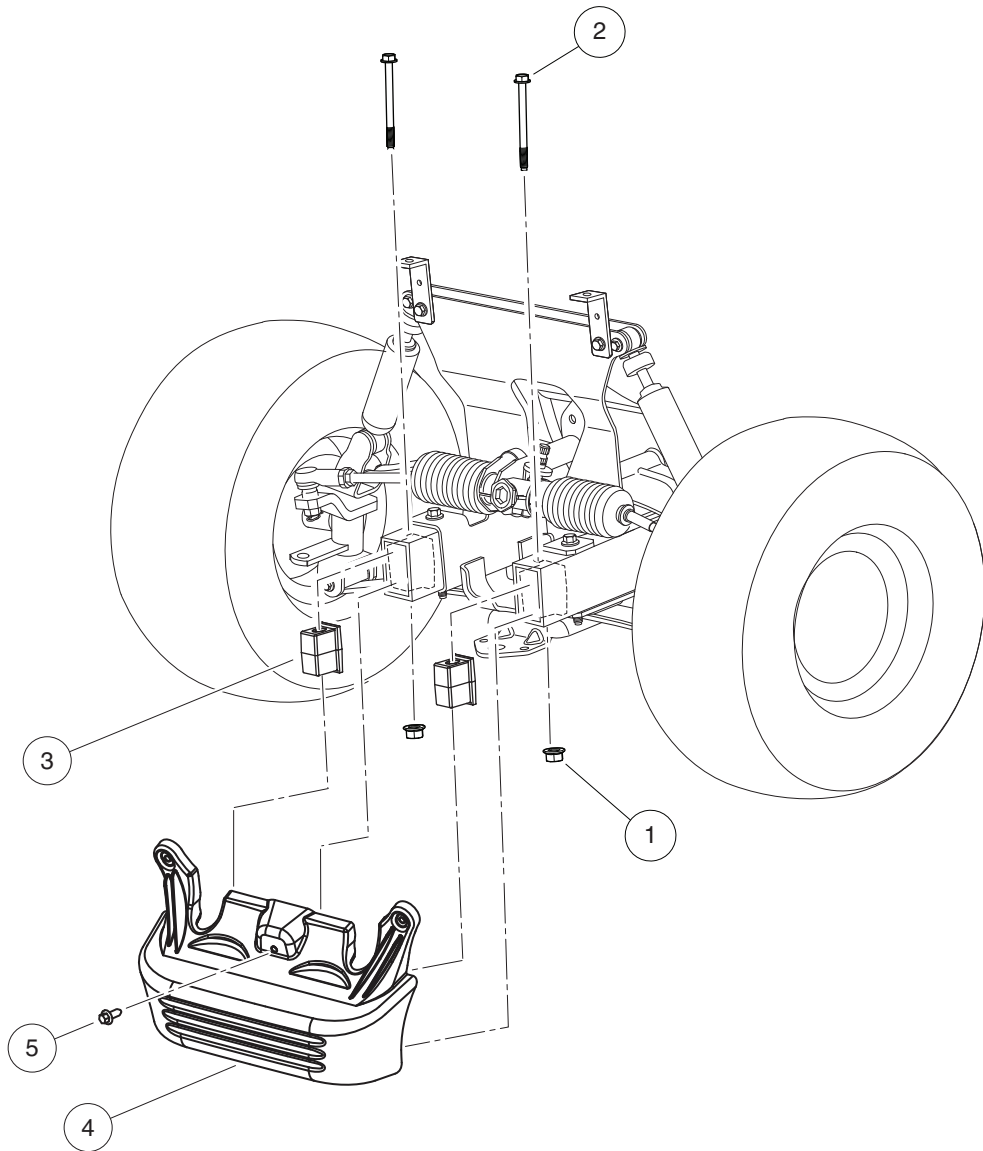


G-010099-000004

FRAME

ITEM	PART NO.	DESCRIPTION	QTY
		1 2 3 4	
1	<u>102292101</u>	Screw-5/16 X 1.5 Tek	4
2	<u>102298401</u>	Nut,m8,all Metal Lock	4
3	<u>102298580</u>	M8-1.25 X 80 Sems	4
4	<u>102298601</u>	J-clip - M8 X 1.25	4
5	<u>102298995</u>	Bolt, Wafer Head, M8-1.25x95	4
6	<u>102505401</u>	Xmbr-middle	1
7	<u>102505701</u>	Assembly, Dash Support	1
8	<u>103638901</u>	Rod, .5 Od X 26.26	1
9	<u>103926603</u>	Rear Cross Member, Csmr, Sp	1
10	<u>103990503</u>	Weldment, Frame, Csmr, Driver-side	1
11	<u>103990601</u>	Weldment, Frame, Passenger-side	1
		Note: Item 8 applies to electric vehicles only.	

1
G
E



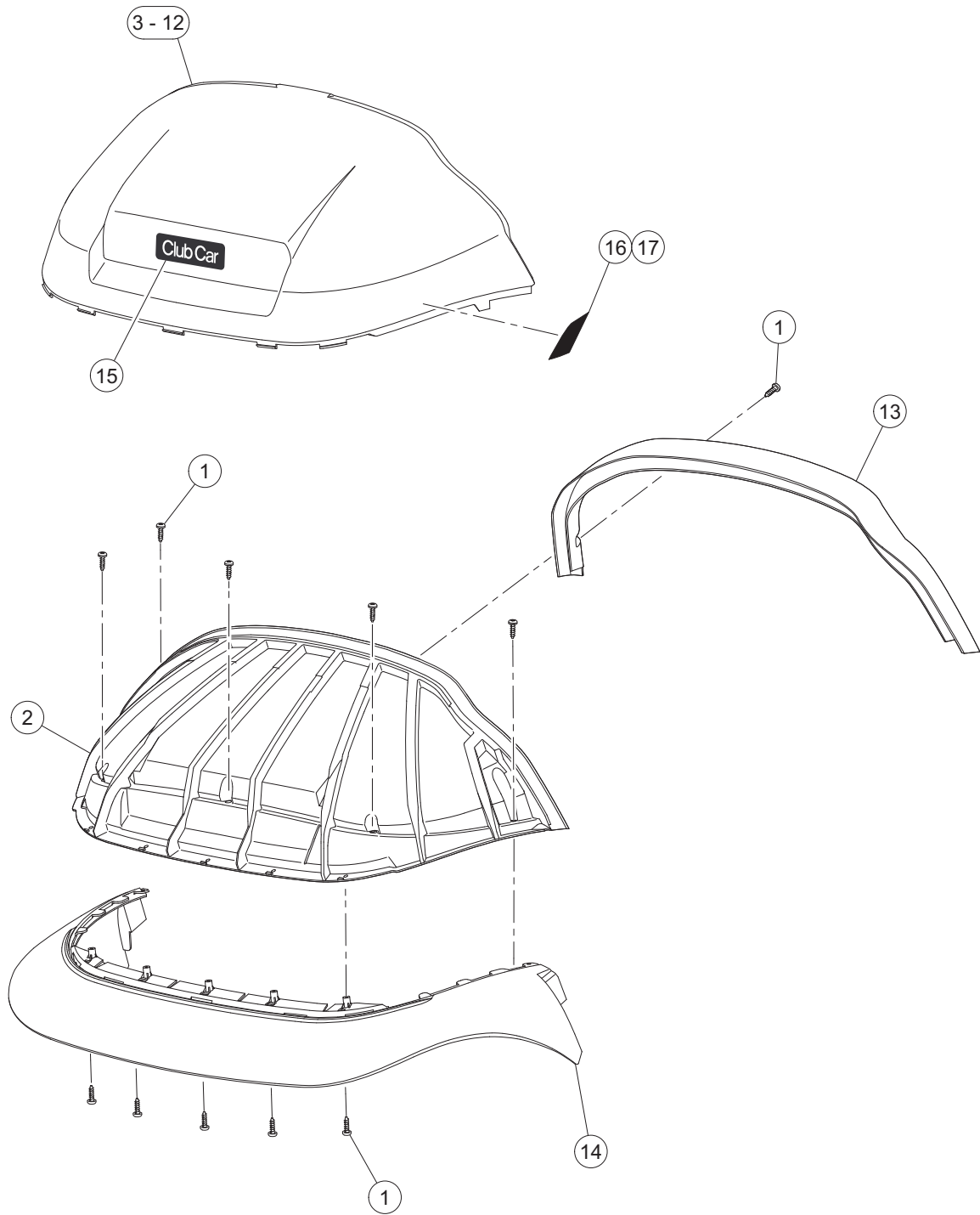
001299-001

FRONT BUMPER

ITEM	PART NO.	DESCRIPTION	QTY
		1 2 3 4	
1	<u>102298401</u>	Nut,m8,all Metal Lock	2
2	<u>102534201</u>	Bolt - Fl Hd, M8 X 95	2
3	<u>103325001</u>	Plug, Shock, Bumper	2
4	<u>103923601</u>	Bumper, Prec Fleet, W/light	1
5	<u>47579669001</u>	Screw, 3/8 Hex & Hex Washer Hd	1

1
G
E

1
G
E

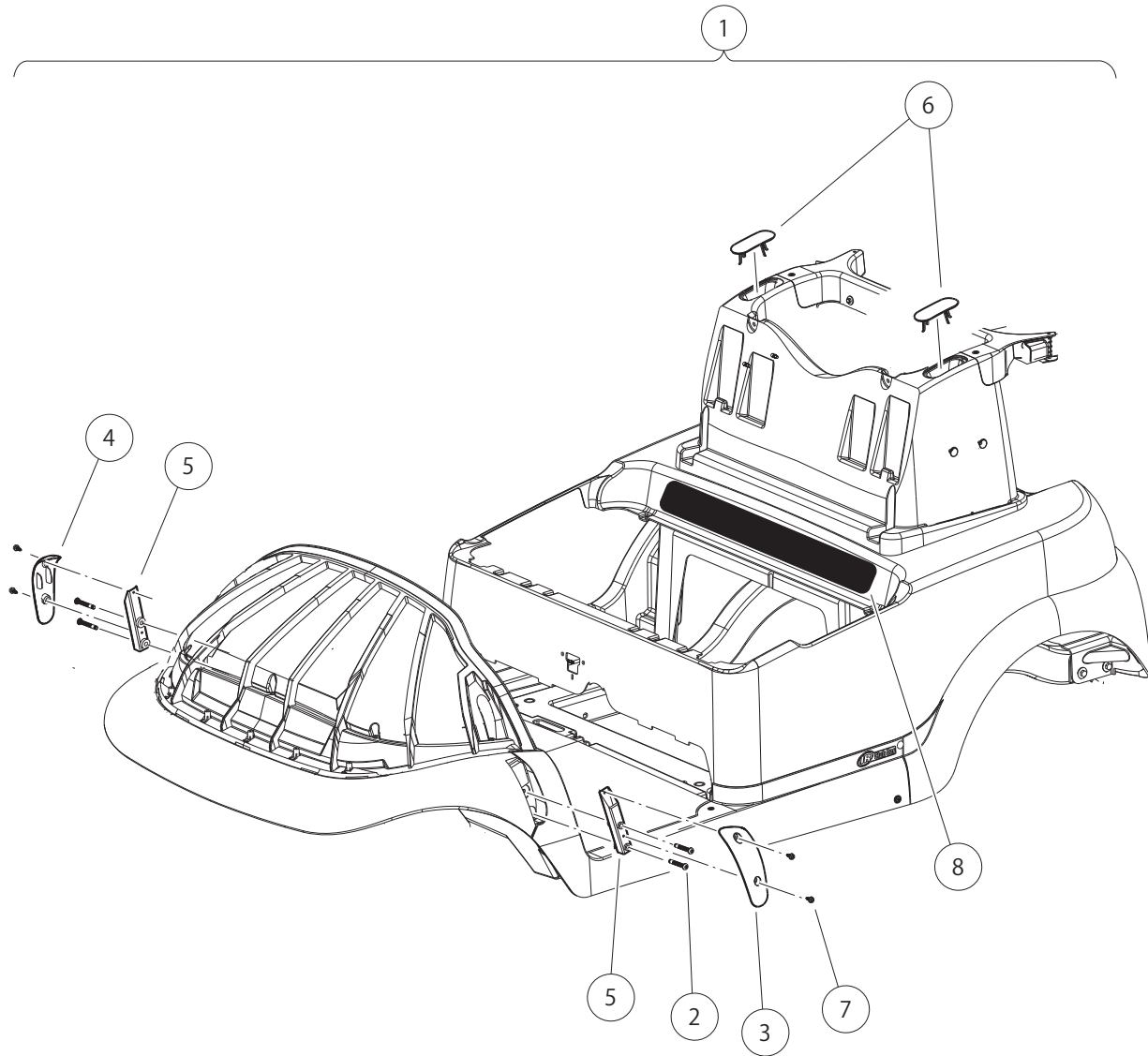


G-140299-000008

FRONT BODY

ITEM	PART NO.	DESCRIPTION	QTY
		1 2 3 4	
1	<u>102296020</u>	Screw, Torx Pan Hd Pt, M6 X 20	14
2	<u>102501501</u>	Brow	1
3	102502401	Panel, Beauty Front, White	1
4	<u>102502409</u>	Panel, Beauty Front, Black	1
5	<u>102502415</u>	Panel-beauty Front, Sapphire	1
6	<u>102502416</u>	Panel-beauty Front, Platinum	1
7	<u>102502419</u>	Panel-beauty Front, Sangria	1
8	<u>102502451</u>	Panel Front, Metallic Platinum	1
9	<u>102502452</u>	Panel Front, Candy Apple Red	1
10	<u>102502453</u>	Panel Front, Metallic Sapphire	1
11	102502458	Panel Front, Metallic Black	1
12	102502461	Panel Front, Metallic Glacier	1
13	102502501	Brow Cap	1
14	<u>102534404</u>	Fascia, Blk	1
15	<u>102883602</u>	Decal, Nameplate, Csmr	1
16	47583296001	Reflector, Front, Csmr, Driver-side	1
17	47583296002	Reflector, Front, Csmr, Passenger-side	1
<p>Note: For current or additional color options contact your local Club Car dealer or distributor.</p>			



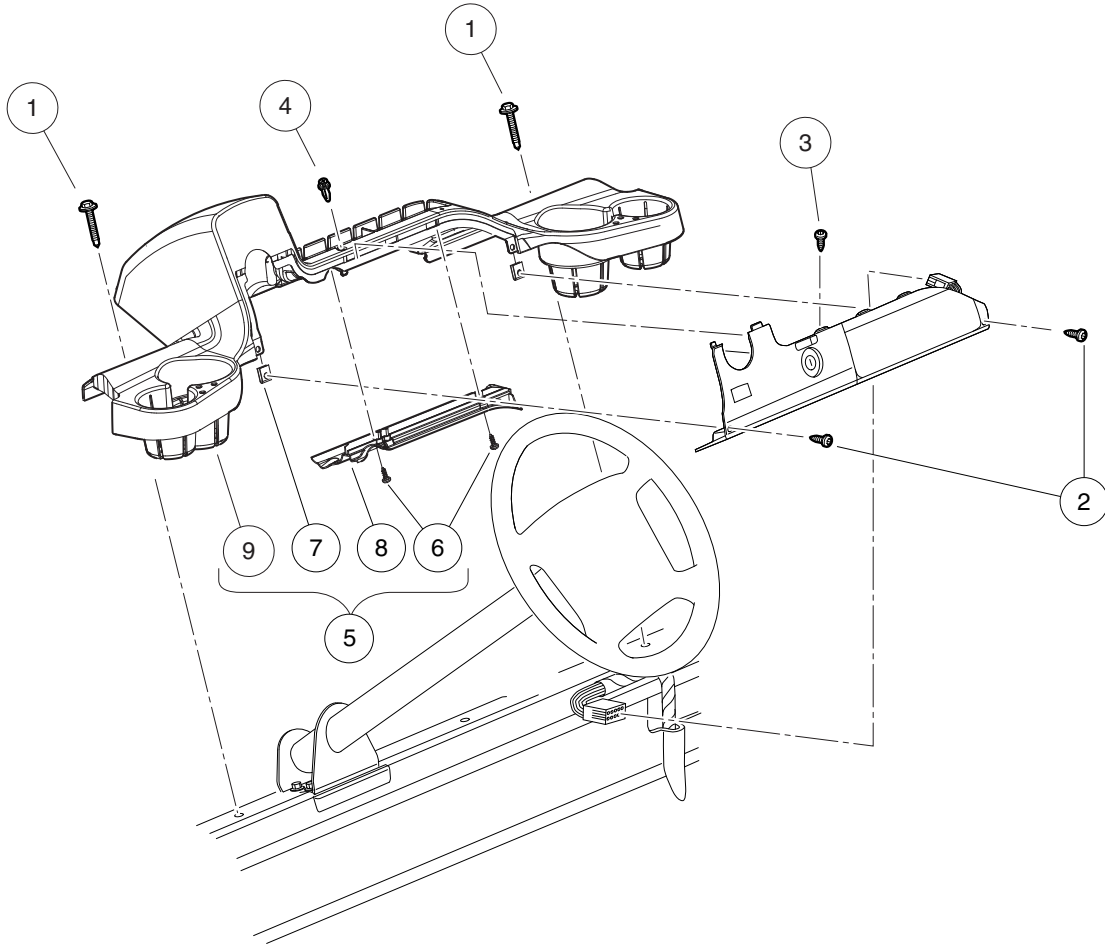


000730-007

UNDERBODY COVERS (VEHICLE WITHOUT CANOPY)

ITEM	PART NO.	DESCRIPTION	QTY
		1 2 3 4	
1	<u>102543902</u>	Kit, Underbody Cover, Black (includes items 2 through 7)	1
2	<u>102299065</u>	M8-1.25 X 65 Tx Bttn Hd Bolt	4
3	<u>102400202</u>	Cover, Lh Non-canopy, Blk	1
4	<u>102400302</u>	Cover, Rh Non-canopy, Blk	1
5	N/A	Support, Strut Cover	2
6	N/A	SAM Cap	2
7	<u>102544201</u>	Screw, M6 Hex	4
8	47652014001	Insulation, Rear Underbody	1
<p style="margin-left: 40px;">Note: Underbody insulation item 8 is not part of the underbody kit. Order separately.</p>			

1
G
E



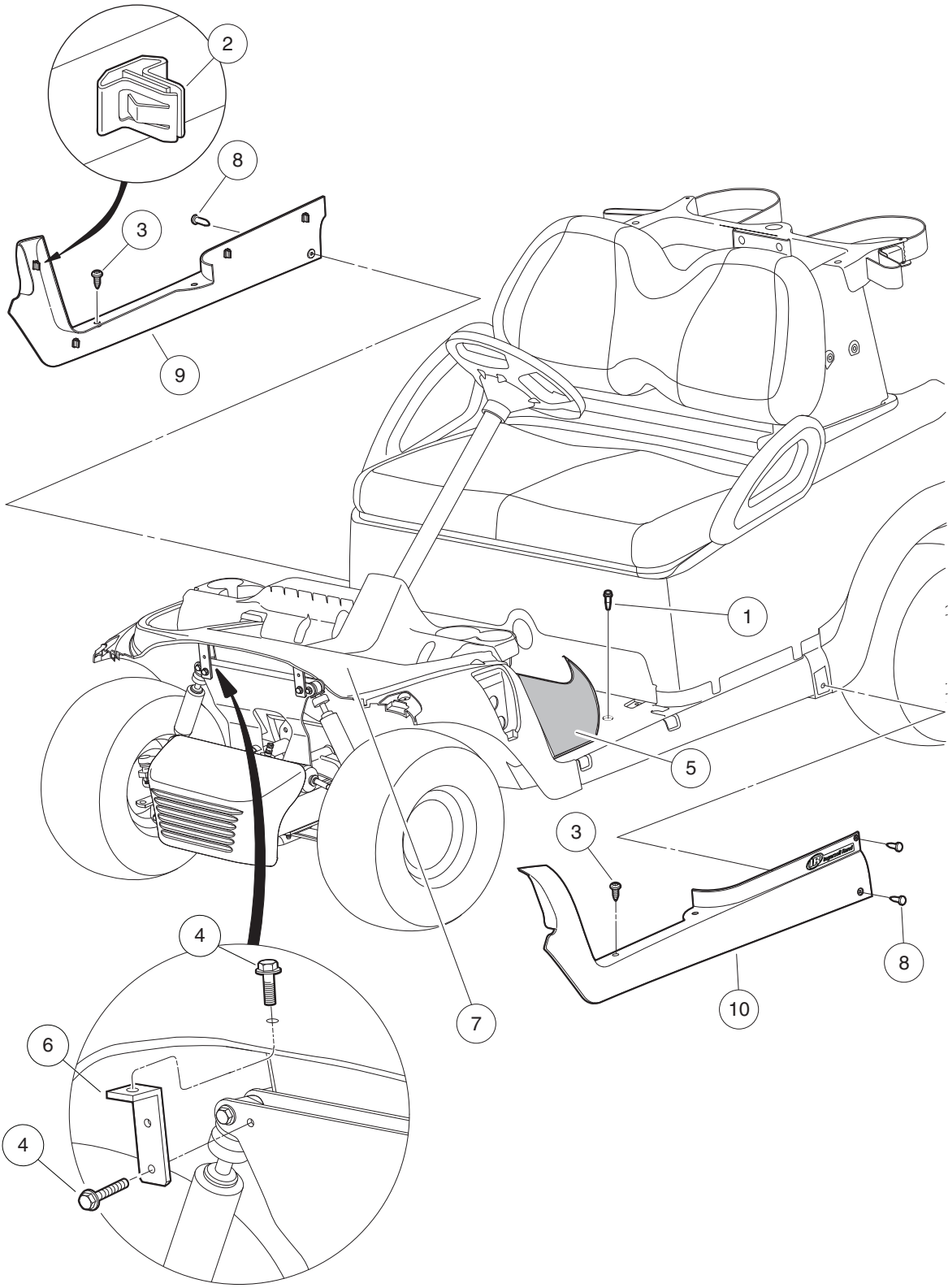
000438-003

DASH

ITEM	PART NO.	DESCRIPTION	QTY
		1 2 3 4	
1	<u>102292356</u>	Screw-1/4-20x56 Hwh Self Drill	2
2	<u>102296819</u>	Screw-M6 x 19	2
3	<u>102557201</u>	Screw, #6-20 Type Abx1.00 Pan	1
4	<u>102915601</u>	Plastic Rivet - Tuflock	1
5	<u>103402701</u>	Dash Assembly (includes items 6 through 9)	1
6	N/A	Screw-torx Pan Hd Pt,m6 X 16	2
7	<u>102297001</u>	U-nut, 1/4" Type Ab	2
8	N/A	Drain Channel - Dash	1
9	N/A	Dash	1

1
G
E

1
G
E

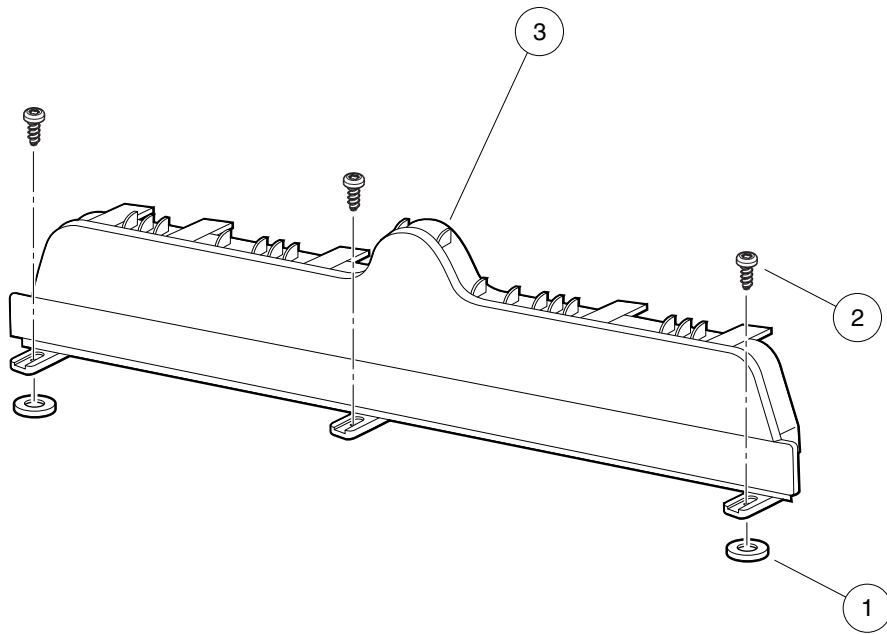


000497-007

FLOOR MAT, RETAINERS, AND FRONT UNDERBODY

ITEM	PART NO.	DESCRIPTION	QTY
		1 2 3 4	
1	<u>102292356</u>	Screw-1/4-20x56 Hwh Self Drill	3
2	<u>102292701</u>	Clip-body-trim	8
3	<u>102298020</u>	Screw, K80x20, Torx Pn Hd Pt	4
4	<u>102298716</u>	M8-1.25x16 Taptite	4
5	<u>102504802</u>	Floormat	1
6	<u>102521901</u>	Bracket-clamshell	2
7	<u>103635201</u>	Underbody, Front, One Piece	1
8	<u>105291501</u>	Rivet, Plastic Tuflok, 8mm	4
9	<u>105314001</u>	Floormat Retainer, Passenger-side, Black	1
10	<u>105314101</u>	Floormat Retainer, Driver-side, Black	1
Note: Item 7 is a special order item available upon request.			

1
G
E



001059-001

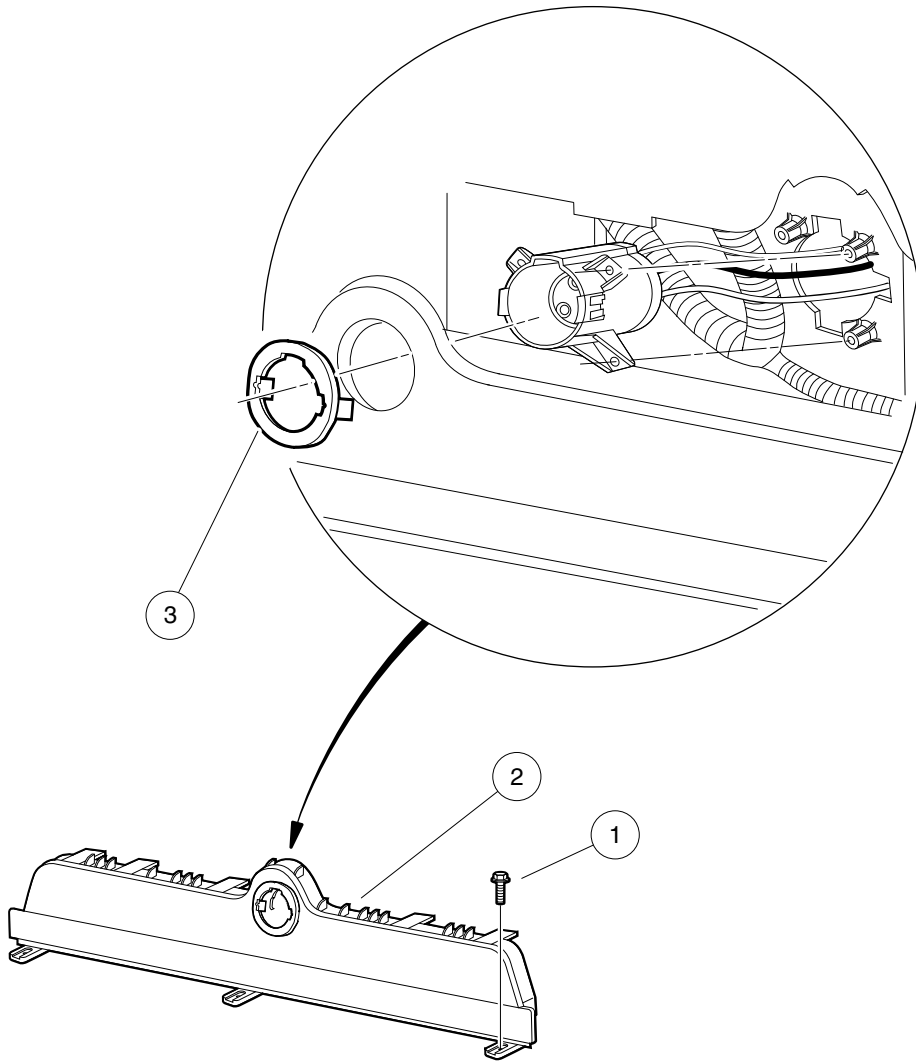
KICK PLATE – GASOLINE VEHICLE

ITEM	PART NO.	DESCRIPTION	QTY
		1 2 3 4	
1	1012571	Washer, 5/16 Extra Thick Flat	2
2	<u>102298020</u>	Screw, K80x20, Torx Pn Hd Pt	3
3	<u>105005402</u>	Plate, Kick, Black	1

1

G

E



000500-003

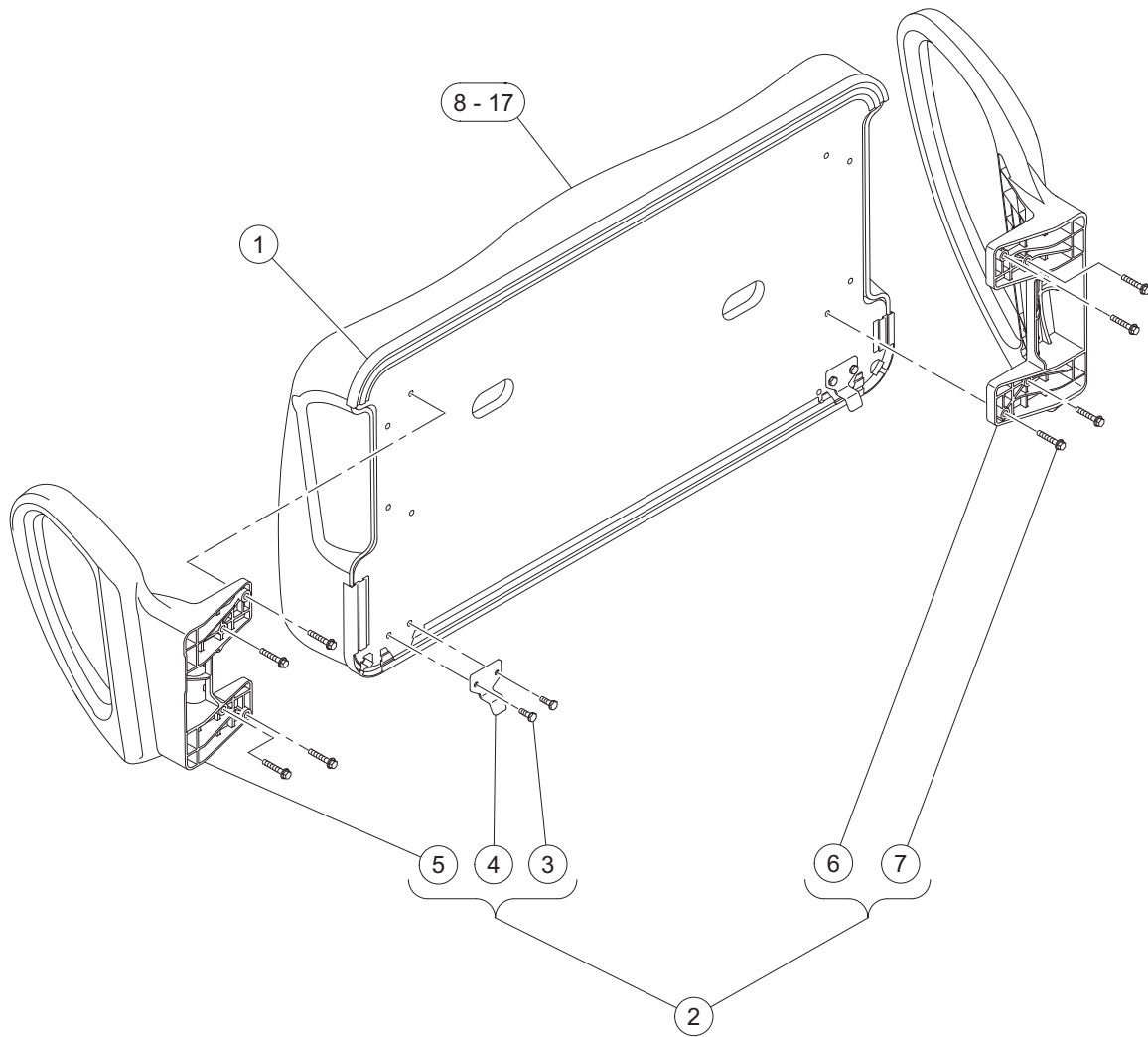
KICK PLATE – ELECTRIC VEHICLE

ITEM	PART NO.	DESCRIPTION	QTY
		1 2 3 4	
1	102298030	Screw, K80x30, Torx Pn Hd Pt	3
2	<u>102508202</u>	Plate - Electric Kick Blk	1
3	<u>102516901</u>	Socket Trim	1

1

G

E

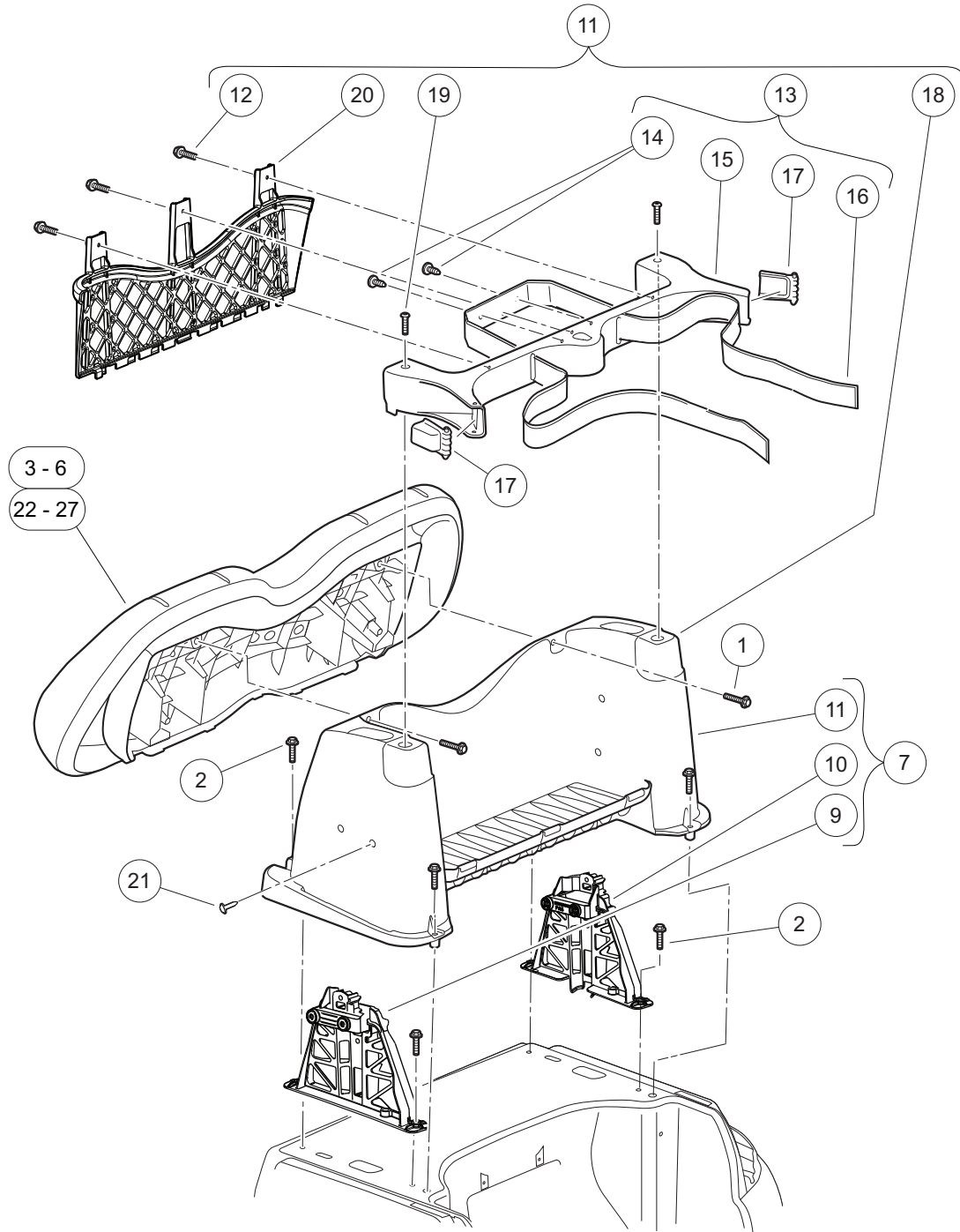


G-140699-000029

SEAT BOTTOM WITH HIP RESTRAINTS

ITEM	PART NO.	DESCRIPTION	QTY
		1 2 3 4	
1	<u>101998501</u>	Gasket, Seat	1
2	<u>103833901</u>	Kit, Seat Bottom (includes items 3 through 7)	1
3	<u>101954301</u>	Screw, 1/4-20 X 0.75 Hex-Head Cap	4
4	<u>103832901</u>	Hinge, Seat Bottom	2
5	<u>103833601</u>	Hip Restraint, Drv	1
6	<u>103833701</u>	Hip Restraint, Pas	1
7	<u>103833801</u>	1/4-20 X 1.5 Hex Flg Patch	8
8	<u>104023421</u>	Seat Bottom Asm, Beige, Service Replacement	1
9	<u>104023422</u>	Seat Bottom Asm, White, Service Replacement	1
10	<u>104023424</u>	Seat Bottom Asm, Gray, Service Replacement	1
11	<u>104023425</u>	Seat Bottom Asm, Black, Service Replacement	1
12	<u>105223321</u>	Seat Bottom Asm, Premium, Light Beige, Service Replacement	1
13	<u>105223322</u>	Seat Bottom Asm, Premium, Camello, Service Replacement	1
14	<u>105223323</u>	Seat Bottom Asm, Premium, Off-White, Service Replacement	1
15	<u>105223327</u>	Seat Bottom Asm, Premium, Black, Service Replacement	1
16	<u>105223328</u>	Seat Bottom Asm, Premium, Black/Gray, Service Replacement	1
17	<u>105223329</u>	Seat Bottom Asm, Premium, Gray, Service Replacement	1
		<p>Note: Item 1 is supplied with all seat bottom assemblies and may be procured seperately. For current or additional seat color options contact your local Club Car dealer or distributor.</p>	

1
G
E



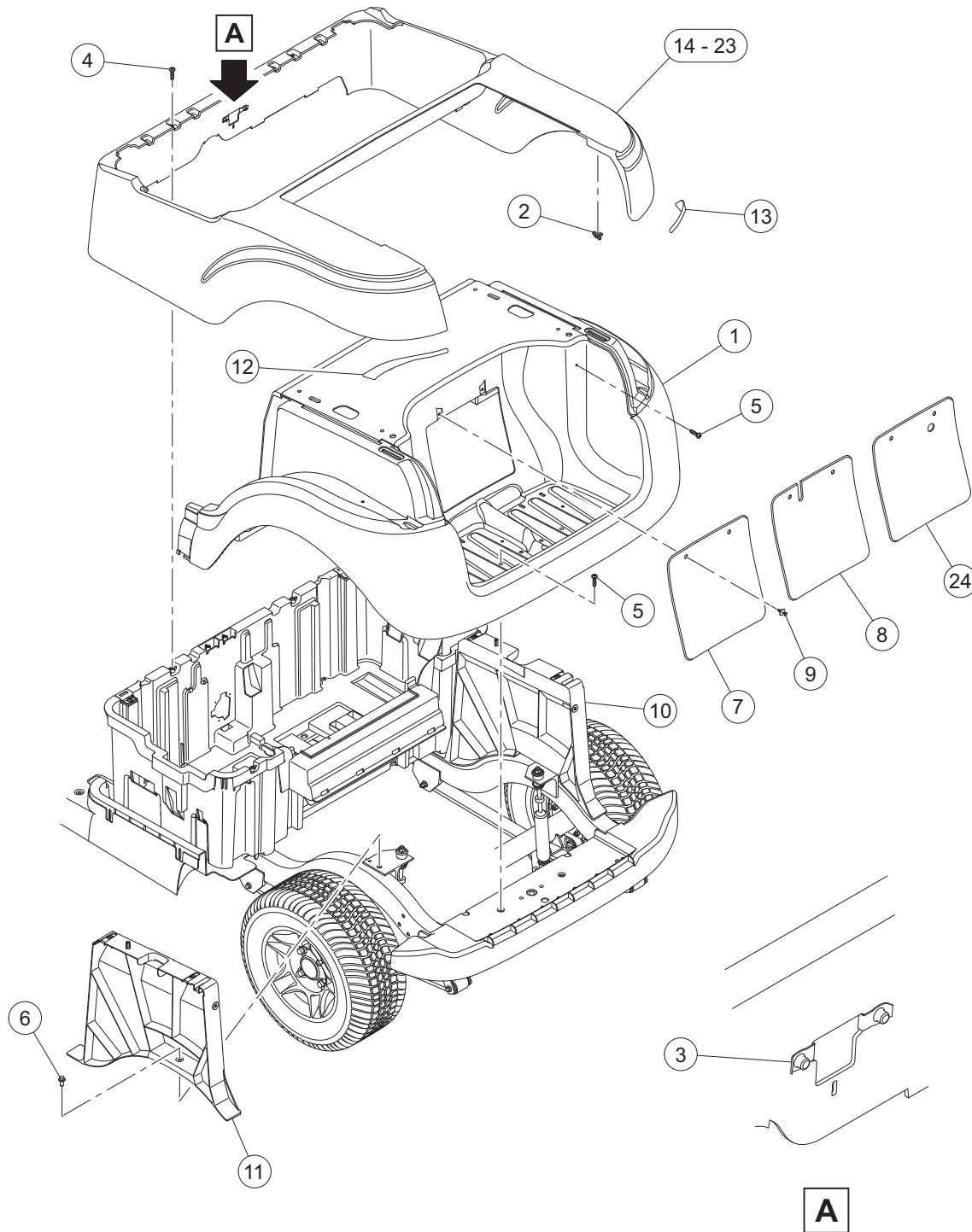
000435-018

BACKREST AND STRUCTURAL ACCESSORY MODULE (SAM)

ITEM	PART NO.	DESCRIPTION	QTY
		1 2 3 4	
1	<u>102296530</u>	Screw - M6 X 1.0 X 30 Sems	2
2	<u>102298250</u>	Bolt-flange Hd, M8 X 50.0	6
3	<u>103853121</u>	Asm, Seat Back, Beige, Service Replacement	1
4	<u>103853122</u>	Asm, Seat Back, White, Service Replacement	1
5	<u>103853124</u>	Asm, Seat Back, Gray, Service Replacement	1
6	<u>103853125</u>	Asm, Seat Back, Black, Service Replacement	1
7	<u>103952901</u>	Kit, S.A.M. Assembly (includes items 8 through 11)	1
8	<u>102297230</u>	Screw, M6, Torx, Interlock Thread	4
9	<u>103929301</u>	Support- Canopy, Drv	1
10	<u>103929302</u>	Support- Canopy, Pass	1
11	N/A	Asm, S.A.M. (includes items 12 through 20)	1
12	<u>102297230</u>	Screw, M6, Torx, Interlock Thread	3
13	<u>102504001</u>	Asm, Bag Hoop (includes items 14 through 17)	1
14	<u>1010434</u>	Barrel - Plastic	2
15	<u>102504201</u>	Hoop-bag	1
16	<u>102504301</u>	Strap, Bag	1
17	<u>102517001</u>	Buckle-bag Strap	2
18	N/A	Structural Accessory Module (S.A.M.)	1
19	<u>103327601</u>	Screw, 5/16, Torx, Bosscrew	2
20	<u>103699401</u>	Panel, S.A.M., Prec	1
21	<u>103978801</u>	Barrel-push 6mm	4
22	<u>105223421</u>	Asm, Seat Back, Premium, Lt. Beige, Service Replacement	1
23	<u>105223422</u>	Asm, Seat Back, Premium, Camello, Service Replacement	1
24	<u>105223423</u>	Asm, Seat Back, Premium, Off-White, Service Replacement	1
25	<u>105223427</u>	Asm, Seat Back, Premium, Black, Service Replacement	1
26	<u>105223428</u>	Asm, Seat Back, Premium, Black/Gray, Service Replacement	1
27	<u>105223429</u>	Sp,asm,prem Seat Back,gray	1
<p>Note: For current or additional seat color options contact your local Club Car dealer or distributor. Screws (item 8) not shown. These are four new screws to replace those used to attach accessory mounting brackets to SAM (item 18).</p>			



1
G
E

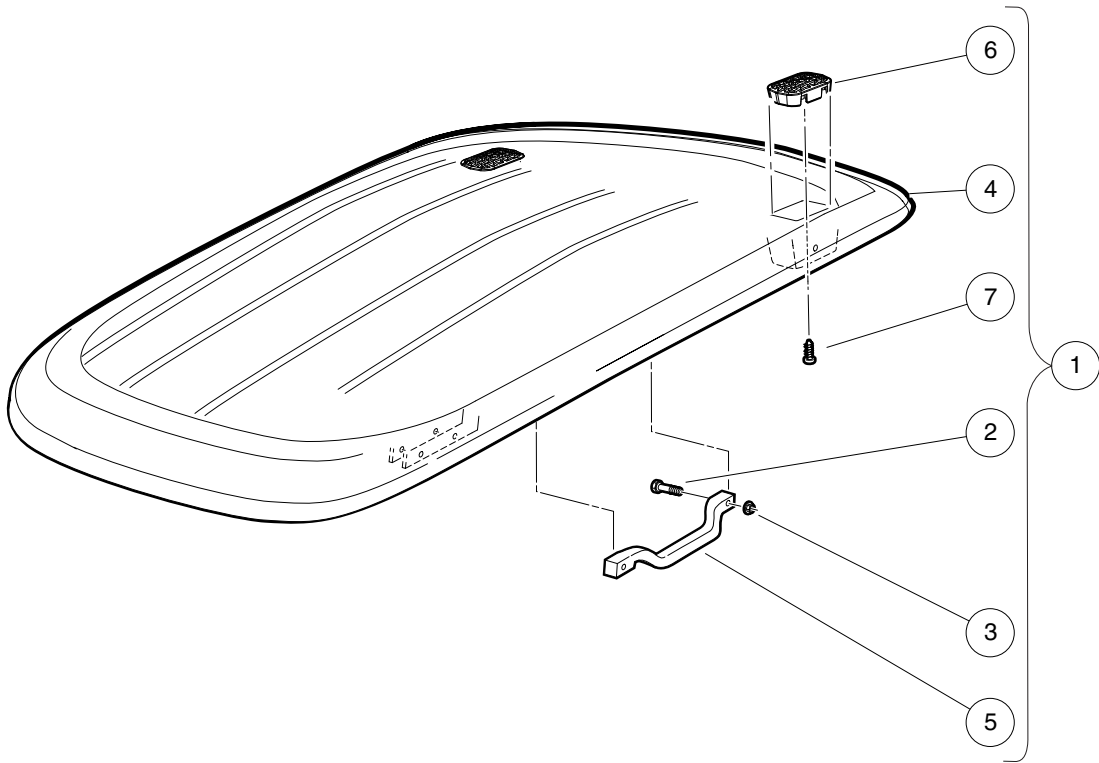


G-140299-000009

REAR BODY

ITEM	PART NO.	DESCRIPTION	QTY
		1 2 3 4	
1	102279106	Underbody, Rear, Common	1
2	<u>102292701</u>	Clip-body-trim	2
3	<u>102296601</u>	U-Nut, M6-1.0, Prevailing Torque	2
4	<u>102297230</u>	Screw, M6, Torx, Interlock Thread	4
5	102298030	Screw, K80x30, Torx Pn Hd Pt	4
6	102298716	M8-1.25x16 Taptite	2
7	<u>102501402</u>	Panel, Access, Black	1
8	<u>102501403</u>	Panel, Access, Black, with Punched Hole	1
9	<u>102967901</u>	Rivet, Removable, Tuflok 1/4"	2
10	<u>103812901</u>	Asm, Rear Underbody Support, Passenger-side	1
11	<u>103813001</u>	Asm, Rear Underbody Support, Driver-side	1
12	47583297001	Reflector, Rear, Csmr, Driver-side	1
13	47583297002	Reflector, Rear, Csmr, Passenger-side	1
14	<u>47589919201</u>	Pnl, Bty, Rr, White, Sp	1
15	<u>47589919203</u>	Pnl, Bty, Rr, Platinum, Sp	1
16	<u>47589919204</u>	Pnl, Bty, Rr, Sangria, Sp	1
17	<u>47589919207</u>	Pnl, Bty, Rr, Sapphire, Sp	1
18	<u>47589919208</u>	Pnl, Bty, Rr, Black, Sp	1
19	<u>47589919301</u>	Pnl, Bty, Rr, Mt Glacier, Sp	1
20	<u>47589919302</u>	Pnl, Bty, Rr, Mt Platinum, Sp	1
21	<u>47589919303</u>	Pnl, Bty, Rr, Mt Cndy Apl, Sp	1
22	<u>47589919305</u>	Pnl, Bty, Rr, Mt Sapphire, Sp	1
23	<u>47589919306</u>	Pnl, Bty, Rr, Mt Black, Sp	1
24	<u>SVP915201</u>	Panel-access-lite Hole Cut Out	1
		Note: For current or additional color options contact your local Club Car dealer or distributor.	

1
G
E

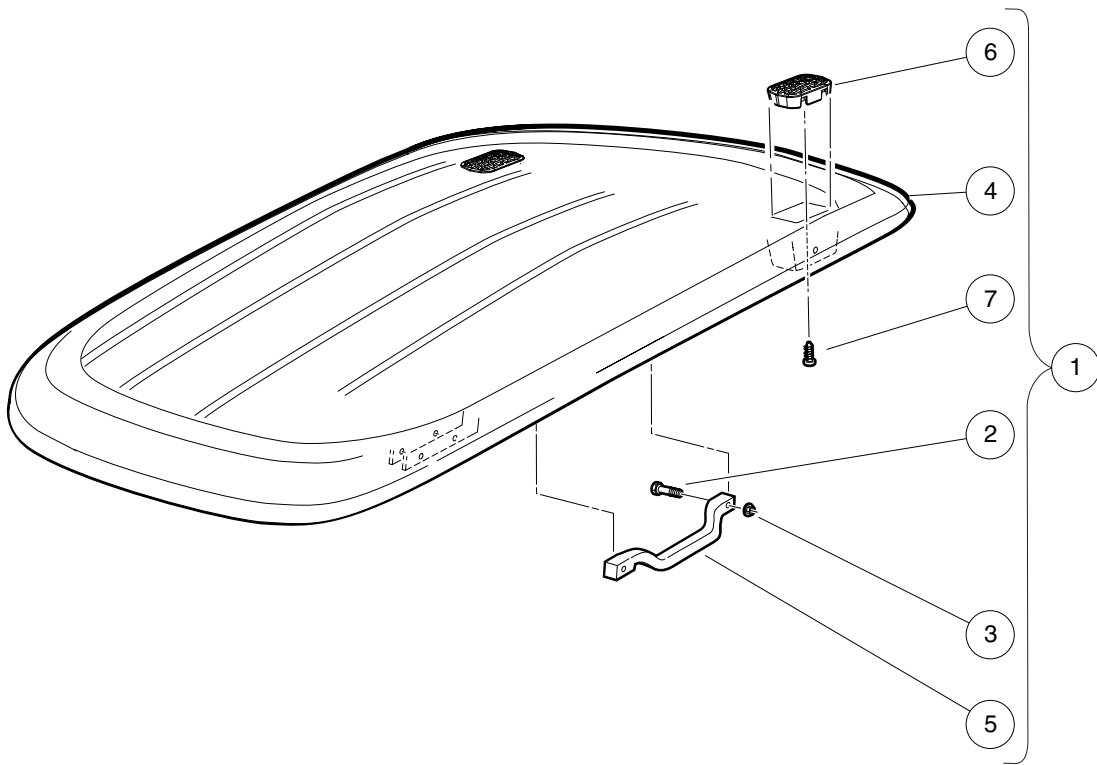


000439-009

CANOPY – WHITE

ITEM	PART NO.	DESCRIPTION	QTY
		1 2 3 4	
1	<u>104008001</u>	Asm, Canopy W/handles, White (includes items 2 through 7)	1
2	<u>102296140</u>	Bolt, Flanged Head, M6x1.0x40	4
3	<u>102296401</u>	Nut, M6x1.0, Flange, Metal Lock	4
4	<u>102508901</u>	Canopy-white	1
5	<u>102511601</u>	Handle, Canopy (White)	2
6	<u>103205101</u>	Cover, Drain, Canopy	2
7	<u>103210101</u>	Screw, #8 X.75, Torx, Tapping	2

1
G
E

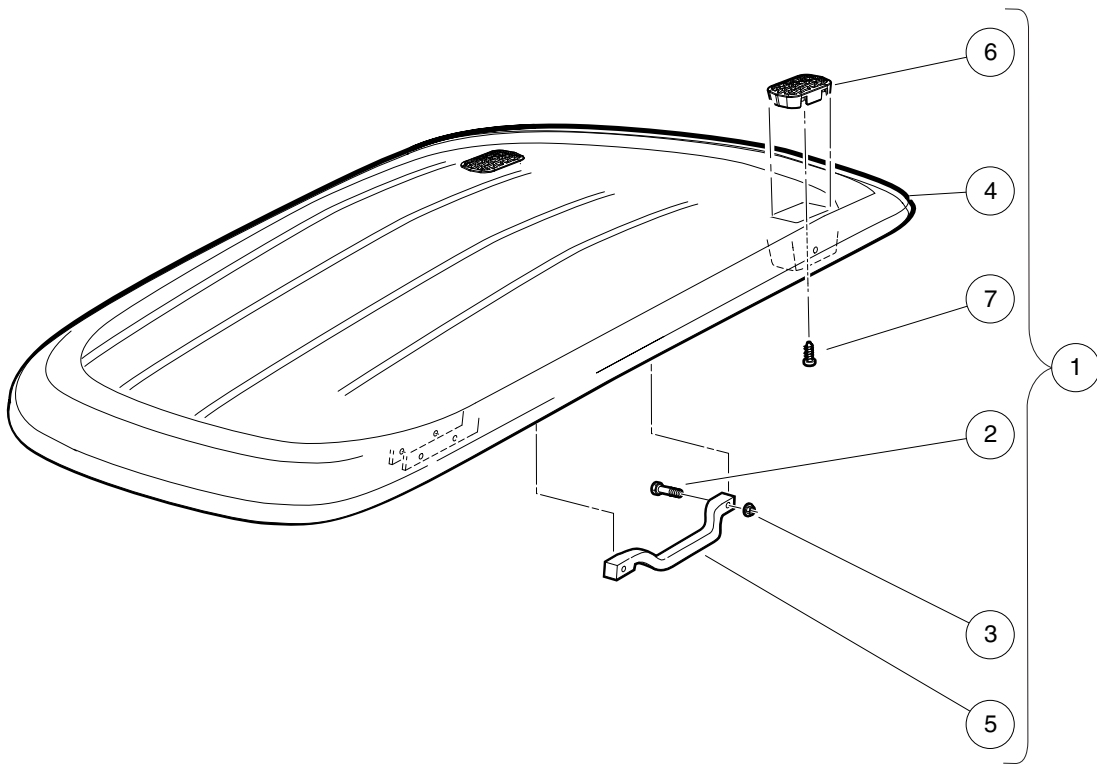


000439-009

CANOPY – BEIGE

ITEM	PART NO.	DESCRIPTION	QTY
		1 2 3 4	
1	<u>104008002</u>	Asm, Canopy W/handles, Beige (includes items 2 through 7)	1
2	<u>102296140</u>	Bolt, Flanged Head, M6x1.0x40	4
3	<u>102296401</u>	Nut, M6x1.0, Flange, Metal Lock	4
4	<u>102508902</u>	Canopy-beige	1
5	<u>102511602</u>	Handle, Canopy (Beige)	2
6	<u>103205101</u>	Cover, Drain, Canopy	2
7	<u>103210101</u>	Screw, #8 X.75, Torx, Tapping	2

1
G
E



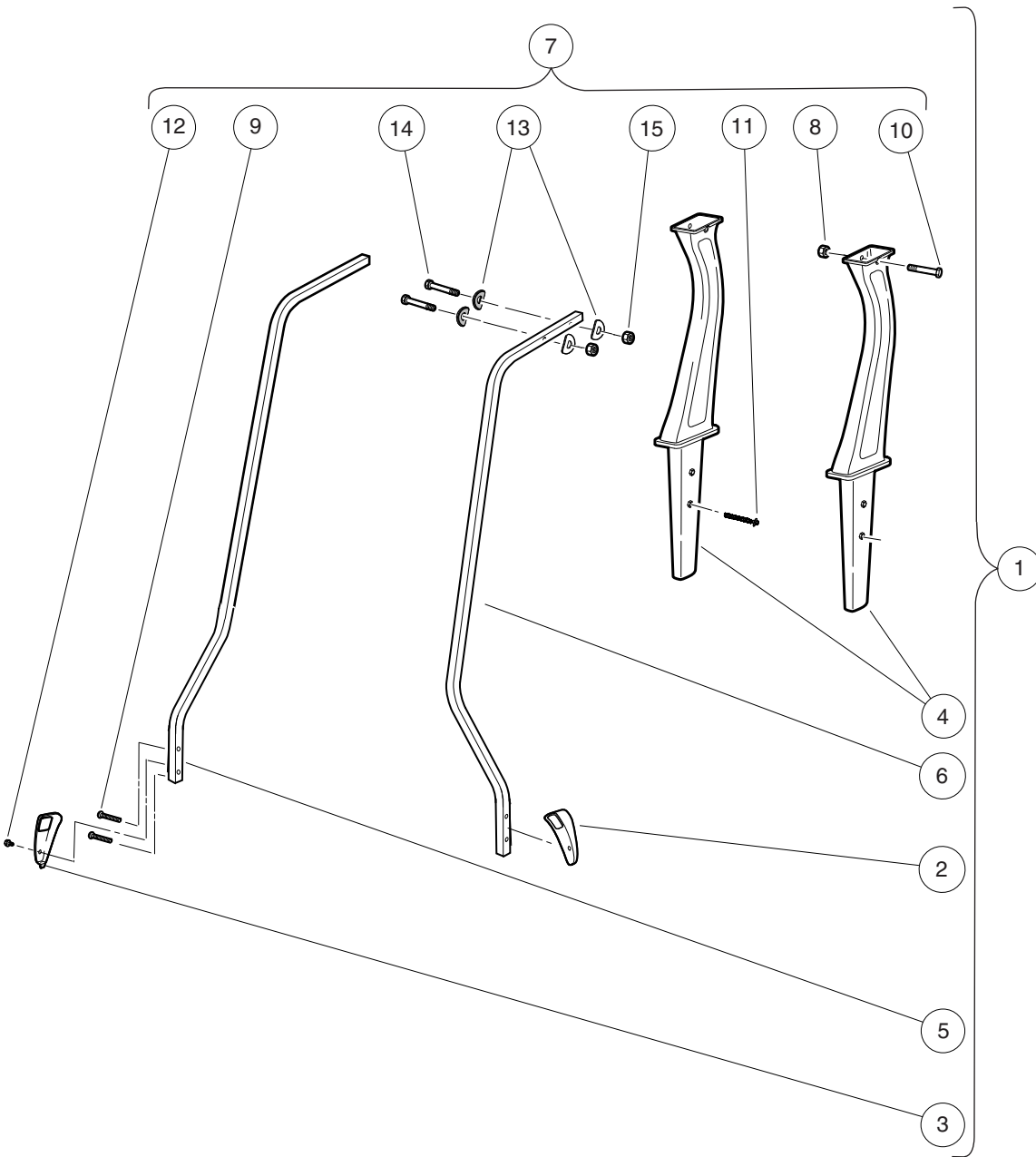
000439-009

CANOPY – BLACK

ITEM	PART NO.	DESCRIPTION	QTY
		1 2 3 4	
1	<u>104008003</u>	Asm, Canopy W/handles, Black (includes items 2 through 7)	1
2	<u>102296140</u>	Bolt, Flanged Head, M6x1.0x40	4
3	<u>102296401</u>	Nut, M6x1.0, Flange, Metal Lock	4
4	<u>102508903</u>	Canopy-black	1
5	<u>102511603</u>	Handle-canopy (black)	2
6	<u>103205101</u>	Cover, Drain, Canopy	2
7	<u>103210101</u>	Screw, #8 X.75, Torx, Tapping	2

1
G
E

1
G
E



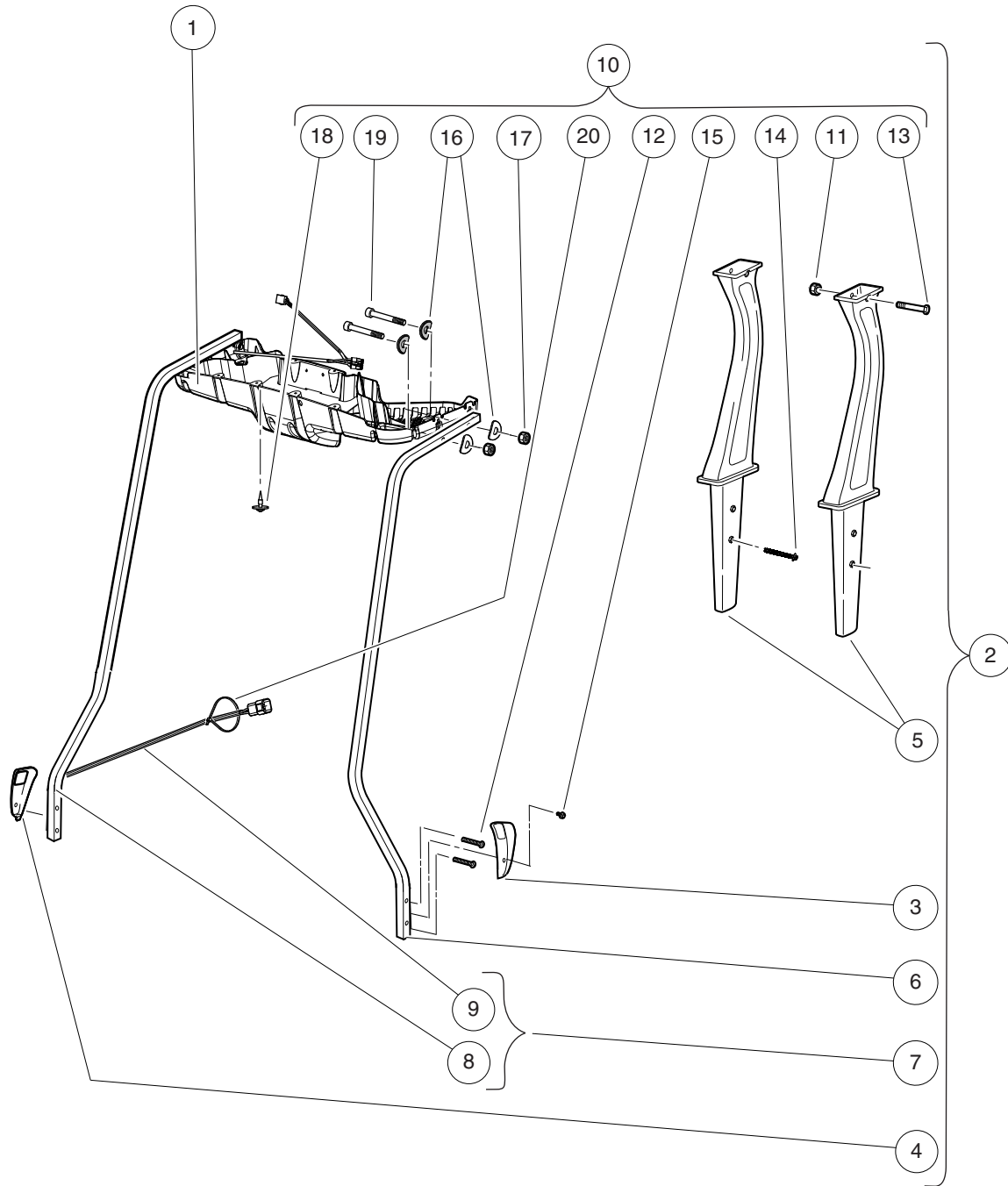
000439-010

CANOPY STRUTS

ITEM	PART NO.	DESCRIPTION	QTY
		1 2 3 4	
1	<u>104008901</u>	Kit, Sp, Struts, Std (includes items 2 through 7)	1
2	<u>102400002</u>	Cover, Canopy Support, Driver-side, Black	1
3	<u>102400102</u>	Cover, Canopy Support, Passenger-side, Black	1
4	<u>102513501</u>	Asm-rear Canopy Support	2
5	<u>103750001</u>	Strut, Canopy Front, Passenger-side	1
6	<u>103750101</u>	Strut, Canopy Front, Driver-side	1
7	<u>104008501</u>	Kit, Hardware, Canopy, Std (includes items 8 through 15)	1
8	<u>102298401</u>	Nut,m8,all Metal Lock	2
9	<u>102299065</u>	M8-1.25 X 65 Tx Bttm Hd Bolt	4
10	<u>102299360</u>	Screw, M8-1.25 X 60, Sems, Tx	2
11	<u>102299601</u>	Screw, Pt, K80x70 Hex Flg Hd	2
12	<u>102544201</u>	Screw, M6 Hex	2
13	<u>103196001</u>	Washer, Conical Spring, Canopy	8
14	<u>103199301</u>	Bolt - M6 X 1 X 45 Hh Grey	4
15	<u>103200301</u>	Nut, M6 x 1.00	4

1
G
E

1
G
E



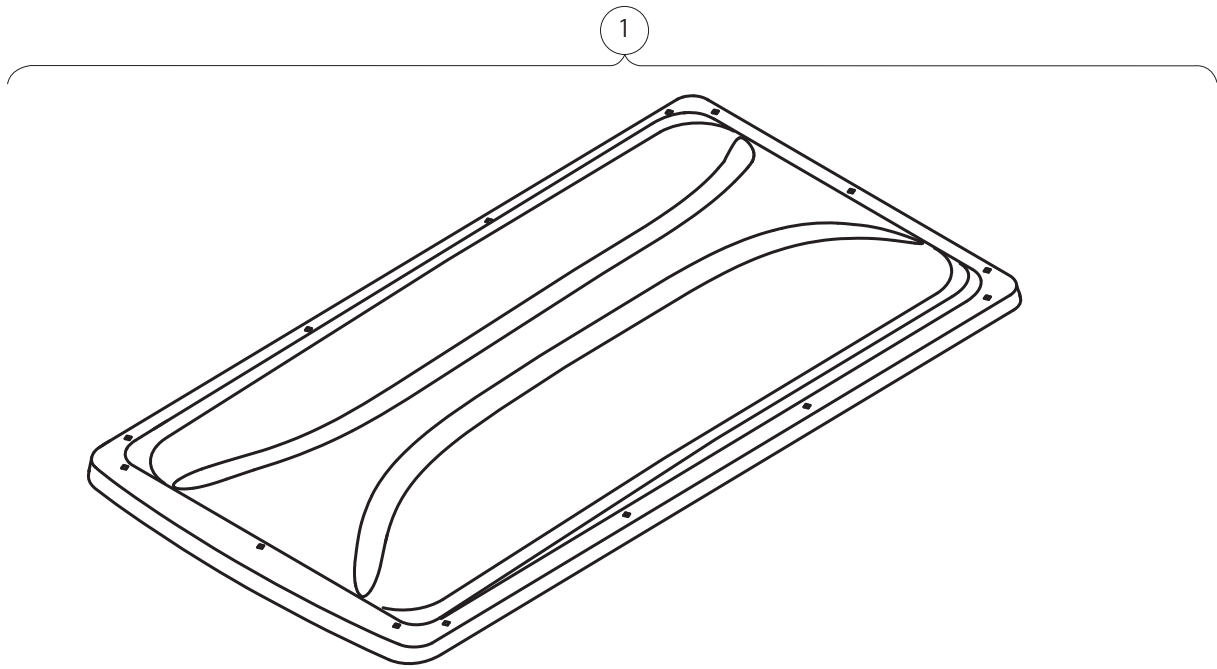
000439-011

VISAGE CANOPY STRUTS AND CONSOLE

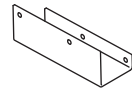
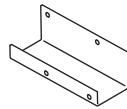
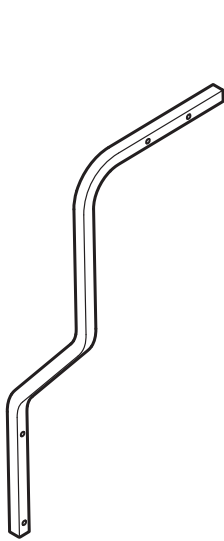
ITEM	PART NO.	DESCRIPTION	QTY
		1 2 3 4	
1	<u>103725601</u>	Support, Guardian Canopy Mt	1
2	<u>104008902</u>	Kit, Sp, Struts, Prec, Vis (includes items 3 through 10)	1
3	<u>102400002</u>	Cover, Canopy Support, Driver-side, Black	1
4	<u>102400102</u>	Cover, Canopy Support, Passenger-side, Black	1
5	<u>102513501</u>	Asm-rear Canopy Support	2
6	<u>103750101</u>	Strut, Canopy Front, Driver-side	1
7	<u>103775201</u>	Asm, Strut, Canopy Front, Passenger-side, V2 (includes items 8 and 9)	1
8	<u>103750001</u>	Strut, Canopy Front, Passenger-side	1
9	<u>103775601</u>	Harness, Canopy Mount, V2	1
10	<u>104008502</u>	Kit, Hardware, Canopy, Vis (includes items 11 through 20)	1
11	<u>102298401</u>	Nut,m8,all Metal Lock	2
12	<u>102299065</u>	M8-1.25 X 65 Tx Bttm Hd Bolt	4
13	<u>102299360</u>	Screw, M8-1.25 X 60, Sems, Tx	2
14	<u>102299601</u>	Screw, Pt, K80x70 Hex Flg Hd	2
15	<u>102544201</u>	Screw, M6 Hex	2
16	<u>103196001</u>	Washer, Conical Spring, Canopy	4
17	<u>103200301</u>	Nut, M6 x 1.00	4
18	<u>103774801</u>	Screw, Pt, Washer Head, 4x16	6
19	<u>103881201</u>	Socket Head Cap Screw, M6 X 50mm, Magni-Coated	4
20	<u>8990</u>	Tie Wrap, 8" Nylon	1

1
G
E

1
G
E



2

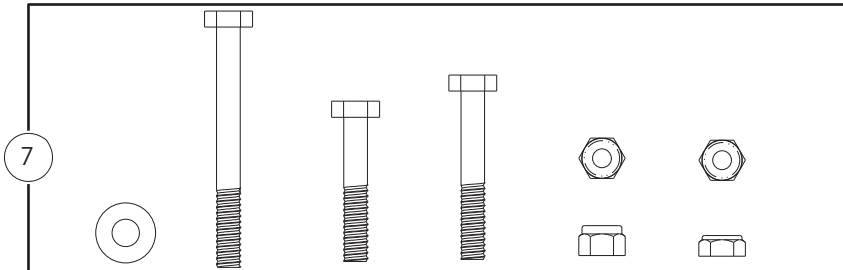


3

4

5

6



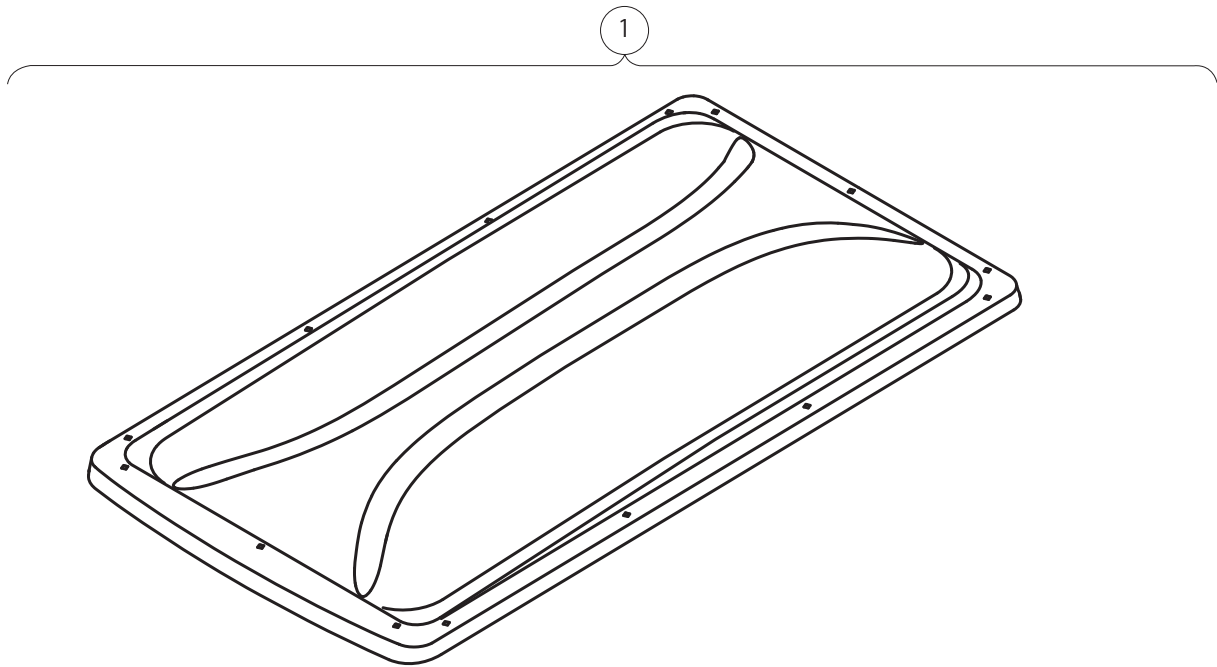
001329-001

FOUR-PASSENGER CANOPY WITH REAR STRUTS – BLACK

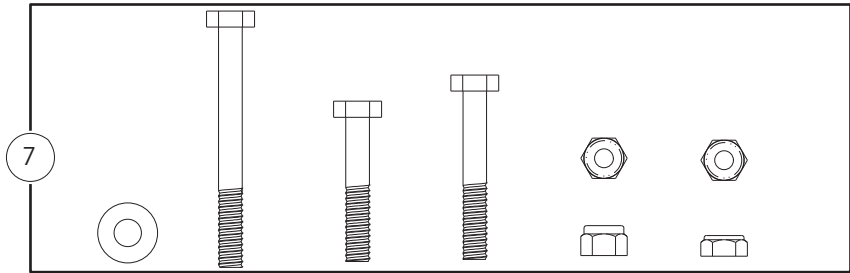
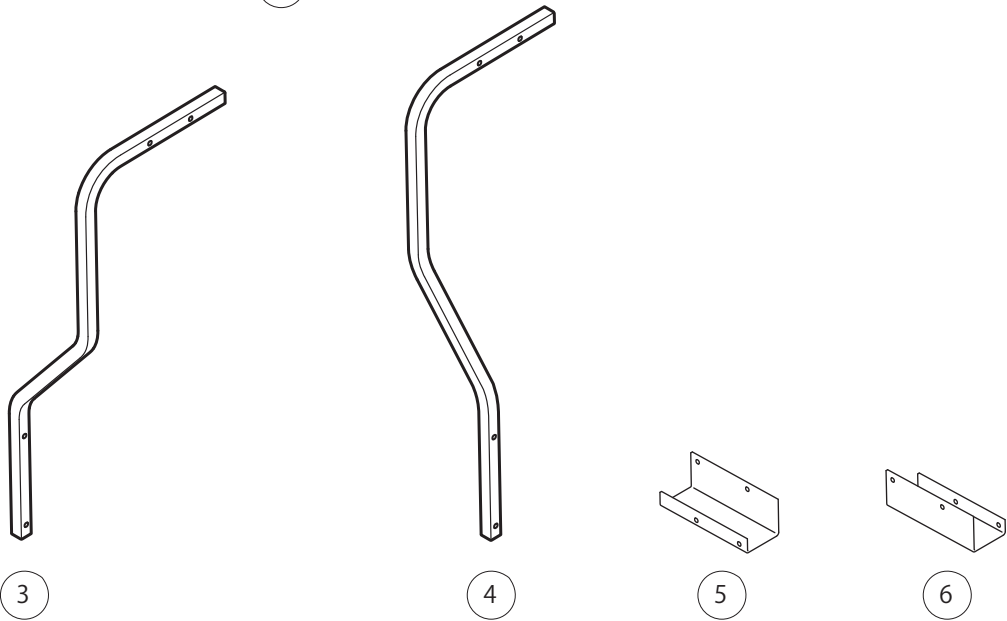
ITEM	PART NO.	DESCRIPTION	QTY
		1 2 3 4	
1	<u>47570464001</u>	Kit, Canopy, Phantom, Blk (includes items 2 through 7)	1
2	N/A	Top, Canopy, Phantom Blk	1
3	N/A	Strut, Canopy, Phantom Ds	1
4	N/A	Strut, Canopy, Phantom Ps	1
5	<u>47582821001</u>	Bracket, Canopy, Phantom Ds	1
6	<u>47582821002</u>	Bracket, Canopy, Phantom Ps	1
7	<u>47583112001</u>	Kit, Hardware, Canopy Phantom	1

1
G
E

1
G
E



2



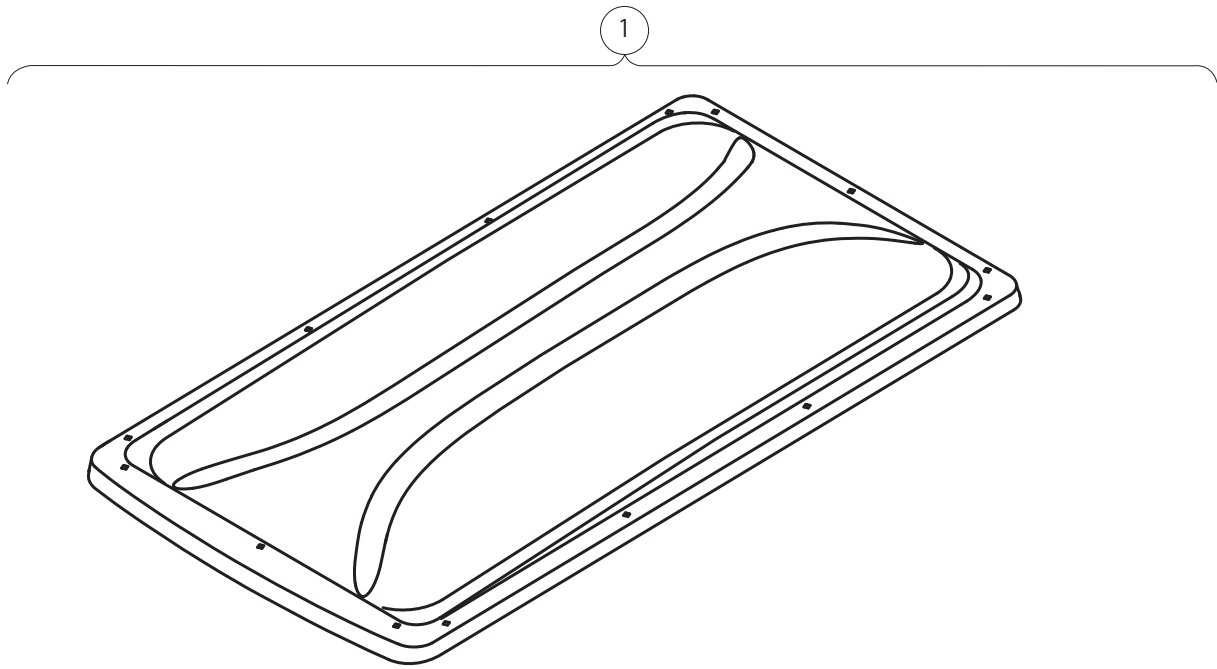
001329-001

FOUR-PASSENGER CANOPY WITH REAR STRUTS – WHITE

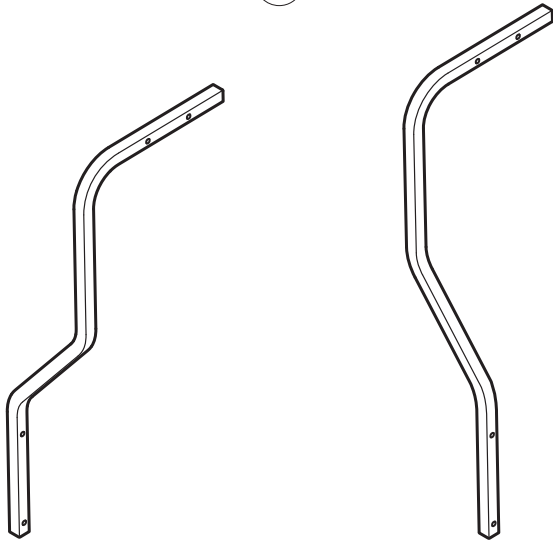
ITEM	PART NO.	DESCRIPTION	QTY
		1 2 3 4	
1	<u>47570464002</u>	Kit, Canopy, Phantom, Wht (includes items 2 through 7)	1
2	N/A	Top, Canopy, Phantom Wht	1
3	N/A	Strut, Canopy, Phantom Ds	1
4	N/A	Strut, Canopy, Phantom Ps	1
5	<u>47582821001</u>	Bracket, Canopy, Phantom Ds	1
6	<u>47582821002</u>	Bracket, Canopy, Phantom Ps	1
7	<u>47583112001</u>	Kit, Hardware, Canopy Phantom	1

1
G
E

1
G
E

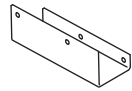
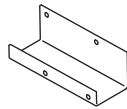


2



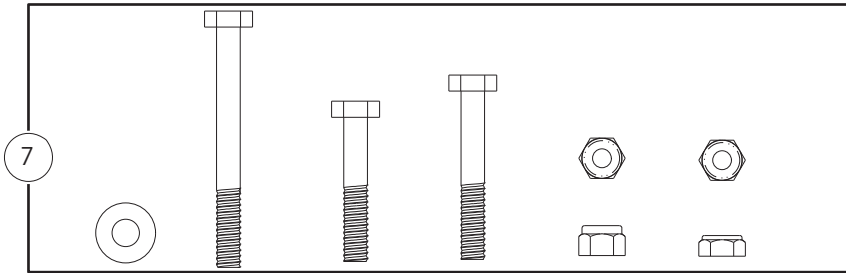
3

4



5

6



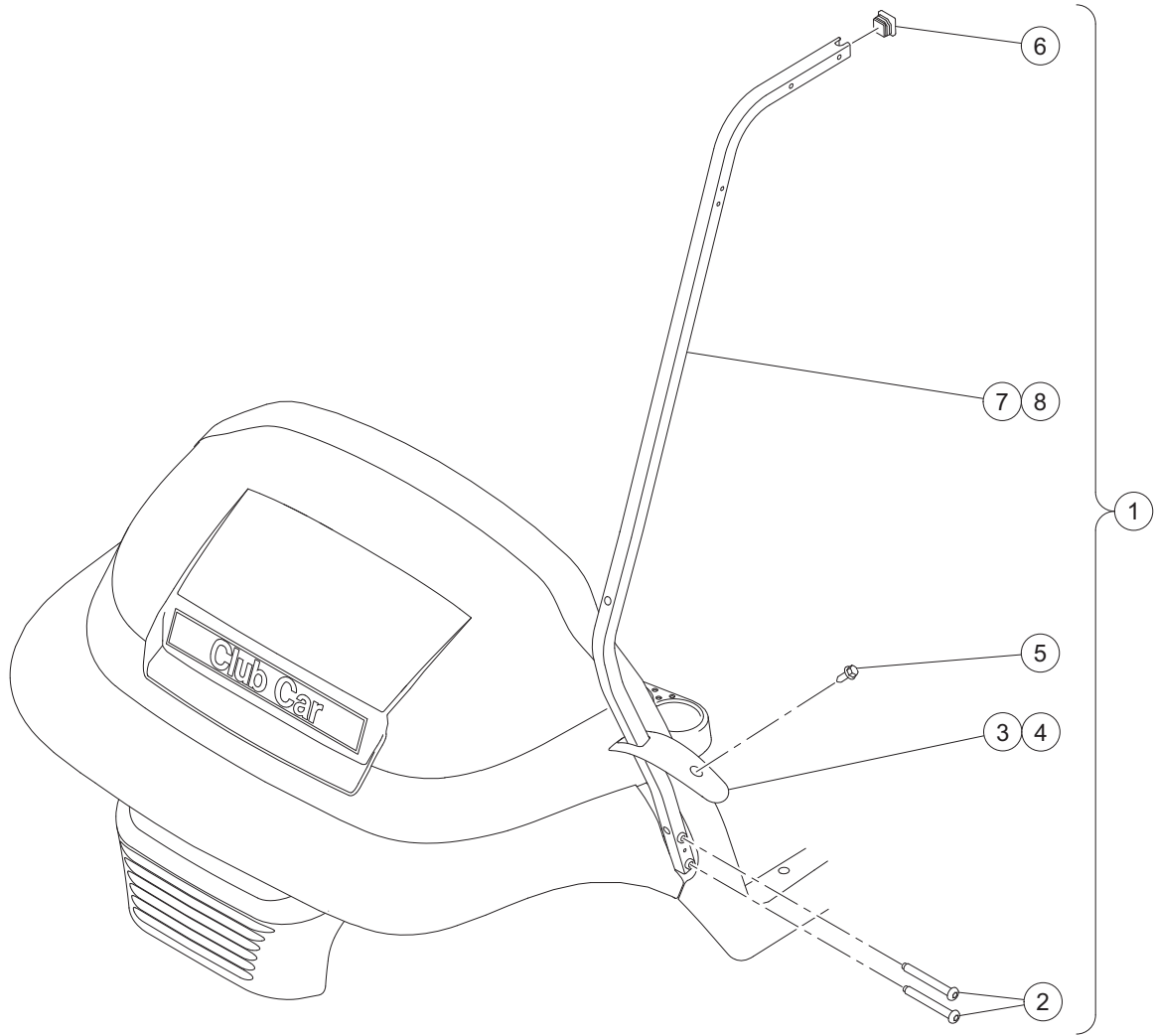
7

001329-001

FOUR-PASSENGER CANOPY WITH REAR STRUTS – BEIGE

ITEM	PART NO.	DESCRIPTION	QTY
		1 2 3 4	
1	<u>47570464003</u>	Kit, Canopy, Phantom, Beige (includes items 2 through 7)	1
2	N/A	Top, Canopy, Phantom Beige	1
3	N/A	Strut, Canopy, Phantom Ds	1
4	N/A	Strut, Canopy, Phantom Ps	1
5	<u>47582821001</u>	Bracket, Canopy, Phantom Ds	1
6	<u>47582821002</u>	Bracket, Canopy, Phantom Ps	1
7	<u>47583112001</u>	Kit, Hardware, Canopy Phantom	1

1
G
E

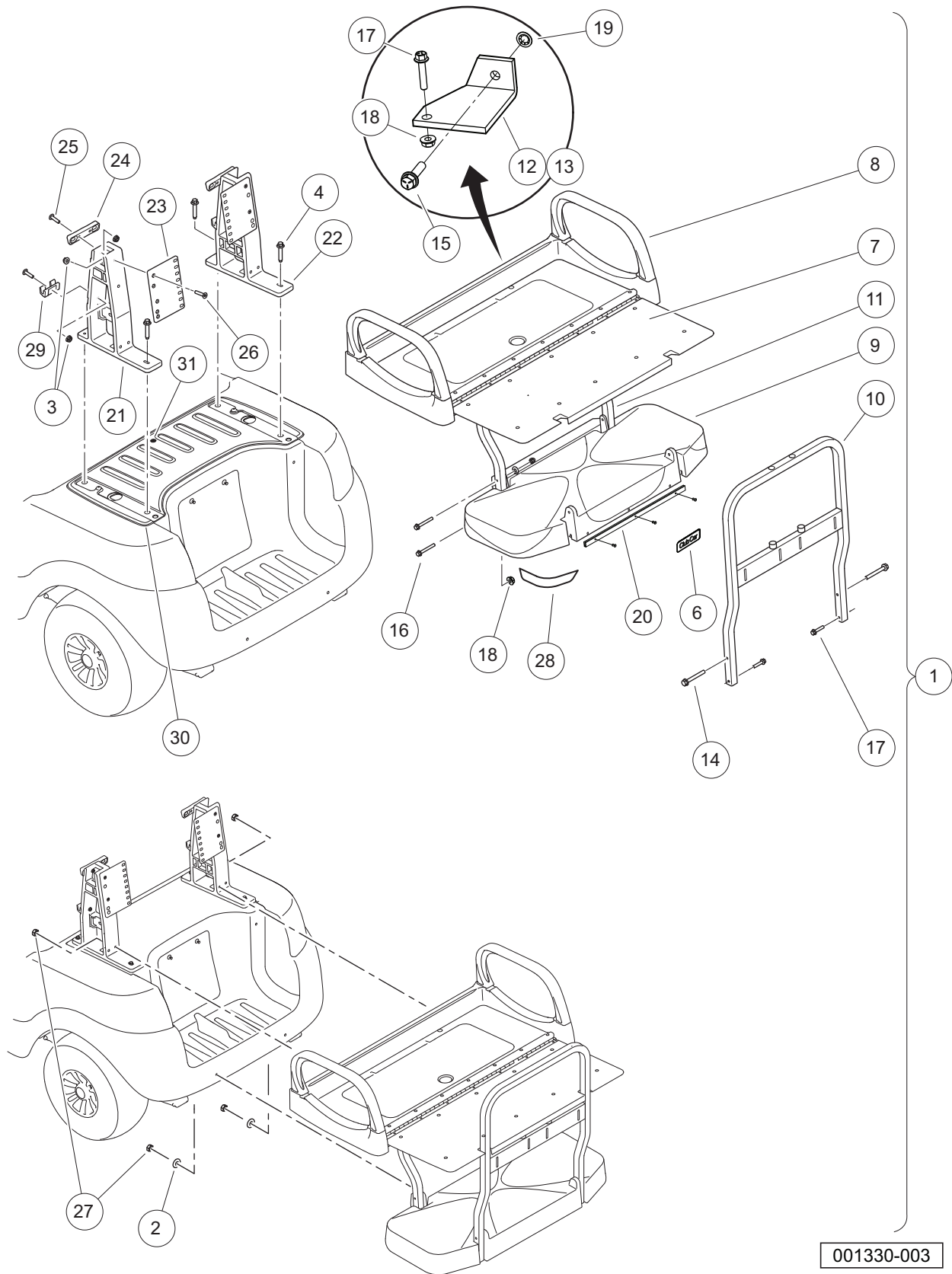


G-140799-000009

FRONT STRUT KIT, FOUR-PASSENGER CANOPY

ITEM	PART NO.	DESCRIPTION	QTY
		1 2 3 4	
1	<u>47592812001</u>	Kit, Front Struts, Onward, 4Pass (includes items 2 through 8)	1
2	<u>102299065</u>	M8-1.25 X 65 Tx Bttn Hd Bolt	4
3	<u>102400002</u>	Cover, Canopy Support, Driver-side, Black	1
4	<u>102400102</u>	Cover, Canopy Support, Passenger-side, Black	1
5	<u>102544201</u>	Screw, M6 Hex	2
6	<u>102581201</u>	Plug, Square - 25.4 mm	2
7	<u>103750001</u>	Strut, Canopy Front, Passenger-side	1
8	<u>103750101</u>	Strut, Canopy Front, Driver-side	1

1
G
E

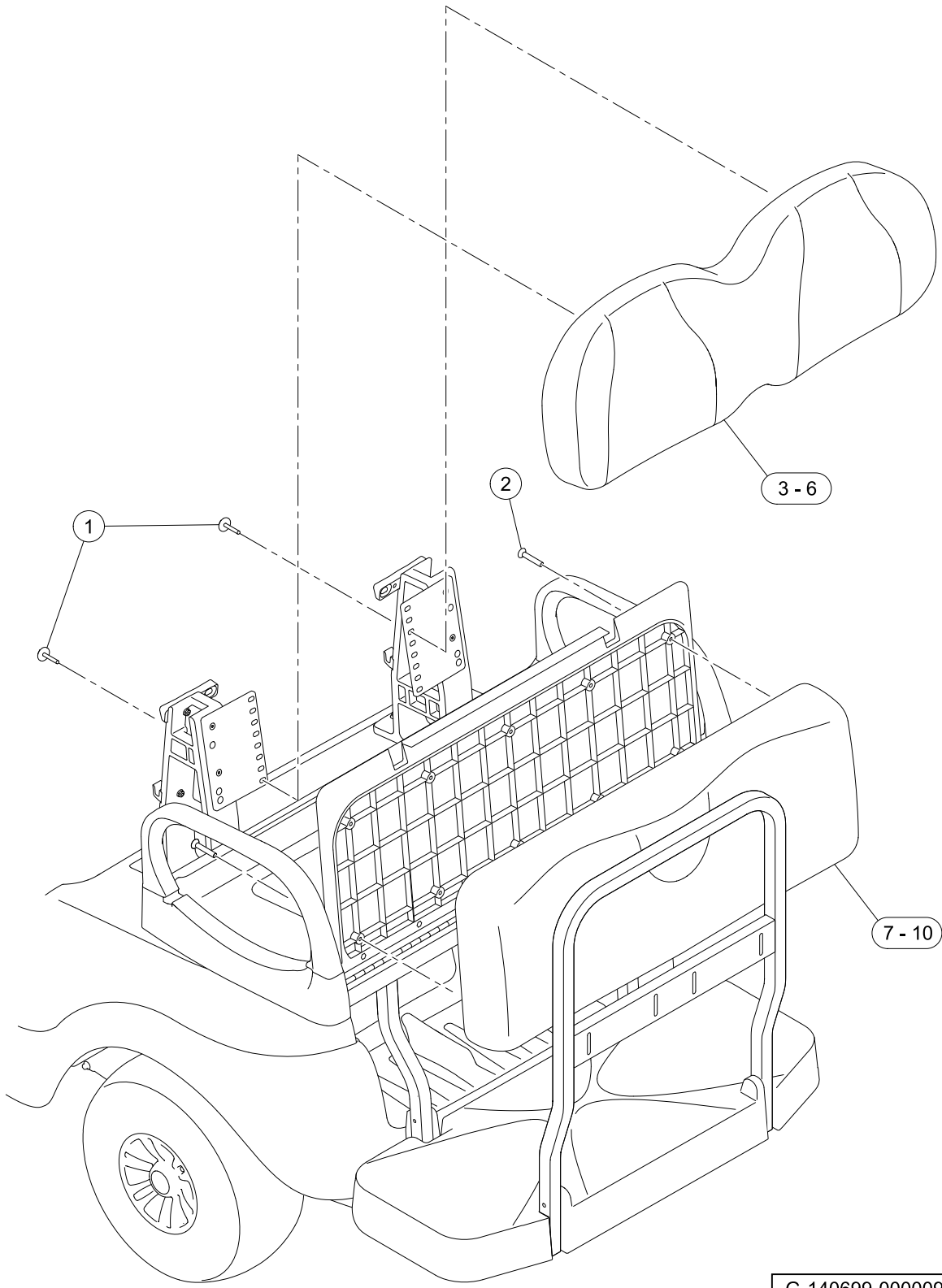


001330-003

LIFTED REAR SEAT, FRAME AND FOOT DECK

ITEM	PART NO.	DESCRIPTION	QTY
		1 2 3 4	
1	<u>47592811001</u>	Kit, Folddown, Seatback, 4-Passenger (includes items 2 through 29)	1
2	<u>1011578</u>	Washer, 5/16 Type B Flat	2
3	<u>101835601</u>	Locknut, 1/4-20 Hex Whiz	8
4	<u>102298240</u>	Bolt, Flange Head, M8-1.25 X 40	4
5	N/A	Asm, Fold Down Seat, Csmr, MX5 (includes items 6 through 20)	1
6	<u>102278802</u>	Decal, Club Car, Silver	1
7	<u>47564782001</u>	Assy, Seat Base, Dmd, Mx5	1
8	<u>47564783001</u>	Arm Rest, Mx5	2
9	<u>47564784001</u>	Assy, Foot Rest, Mx5	1
10	<u>47564785001</u>	Grab Bar, Rear, Mx5	1
11	<u>47564786001</u>	Support, Bumper Mount, MX5	1
12	<u>47564787001</u>	Bracket, Seat Base Mount, Driver-side, MX5	1
13	<u>47564787002</u>	Bracket, Seat Base Mount, Passenger-side, MX5	1
14	<u>47568672001</u>	Bolt, 5/16-18x2.5 Hx Flg Zn G8	4
15	<u>47568673001</u>	Bolt, 5/16-18x1.25 Hx Flg Zn G5	2
16	<u>47568674001</u>	Bolt, 1/4-20x2.0 Hx Flg Zn G5	6
17	<u>47568674002</u>	Bolt, 1/4-20x1.25 Hx Flg Zn G5	4
18	<u>47568676001</u>	Nut, 1/4-20 Hx Flg Zn Nyloc	10
19	<u>47568677001</u>	Nut, 5/16, Push, Ps	4
20	<u>47581051001</u>	Stiffener, Foot Rest, Mx5	1
21	<u>47563300001</u>	Support, Seat Back, Driver-side, MX5, Csmr	1
22	<u>47563300002</u>	Support, Seat Back, Passenger-side, MX5, Csmr	1
23	<u>47563301001</u>	Bracket, Seat Back, Rear, Csmr	2
24	<u>47563302001</u>	Brkt, St Bk, Frnt, Top, Csmr	2
25	<u>47563304001</u>	Screw, Trshd, 1/4-20x1.00, Lp	4
26	<u>47563305001</u>	Screw, Flthd, 1/4-20x1.25, Lp	4
27	<u>47568675001</u>	Nut, 5/16-18 Hx Flg Zn Nyloc	4
28	<u>47578327001</u>	Reflector, Reflex, Red, Mx5	2
29	<u>47624766001</u>	Bracket, Seat Back, Front, Btm	2
30	<u>47653531001</u>	Cover, Underbody, 4-6 Pass (includes item 31)	1
31	<u>1010434</u>	Barrel - Plastic	1
		Note: Item 5 is not illustrated.	

1
G
E



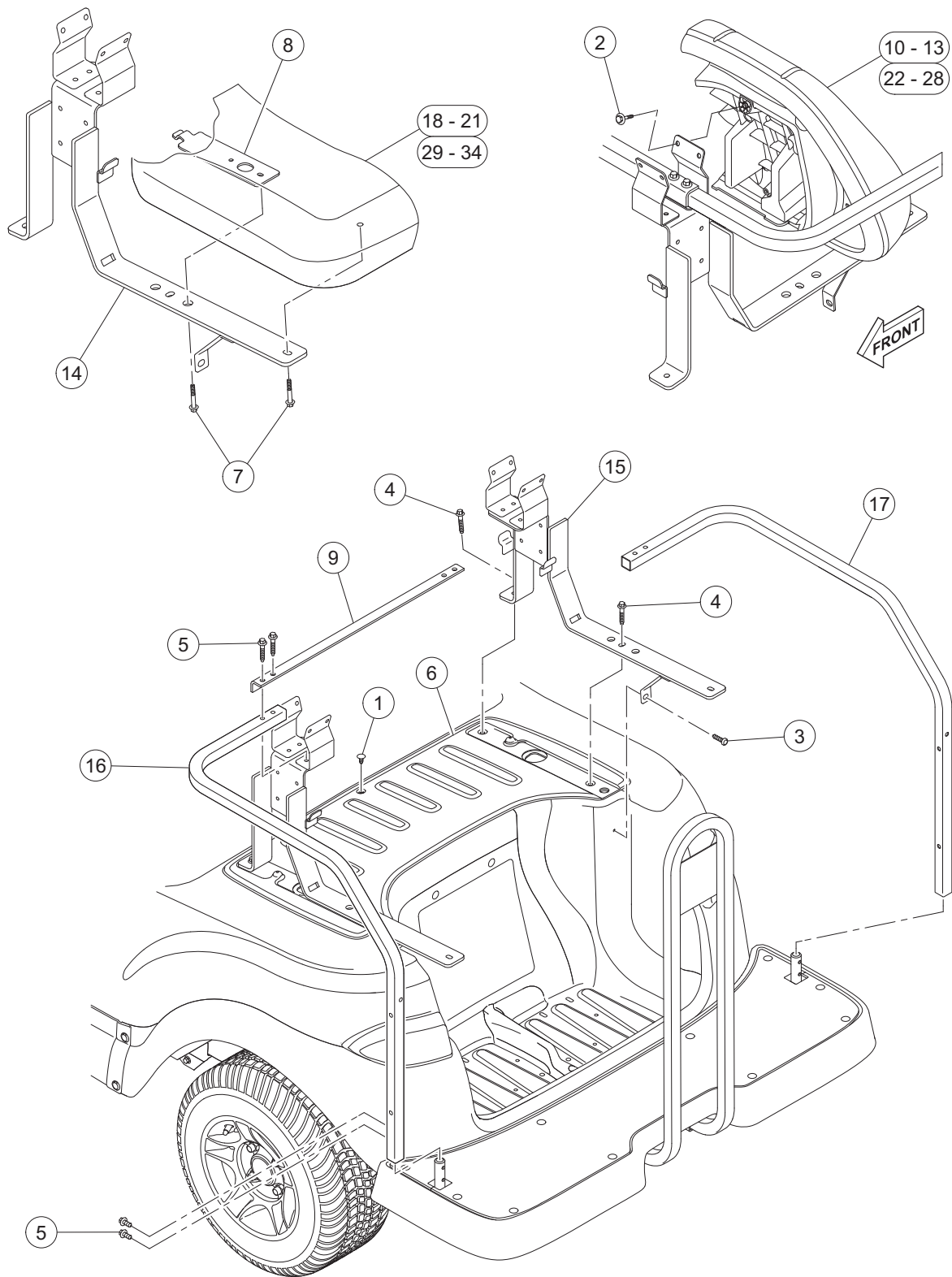
G-140699-000009

LIFTED REAR SEAT

ITEM	PART NO.	DESCRIPTION	QTY
		1 2 3 4	
1	<u>47563306001</u>	Screw, M6x1.0x30, Sems, Lp	4
2	<u>47563307001</u>	Screw, Flthd, 1/4-20x1.50, Ss	10
3	<u>47564886021</u>	Asm, Seat Back, Rear, Beige, Service Replacement	1
4	<u>47564886022</u>	Asm, Seat Back, Rear, White, Service Replacement	1
5	<u>47564886024</u>	Asm, Seat Back, Rear, Gray, Service Replacement	1
6	<u>47564886025</u>	Asm, Seat Back, Rear, Black, Service Replacement	1
7	<u>47564887021</u>	Asm, Seat Bottom, Rear, Beige, Service Replacement	1
8	<u>47564887022</u>	Asm, Seat Bottom, Rear, White, Service Replacement	1
9	<u>47564887024</u>	Asm, Seat Bottom, Rear, Gray, Service Replacement	1
10	<u>47564887025</u>	Asm, Seat Bottom, Rear, Black, Service Replacement	1
		Note: For current or additional seat color options contact your local Club Car dealer or distributor.	

1
G
E

1
G
E



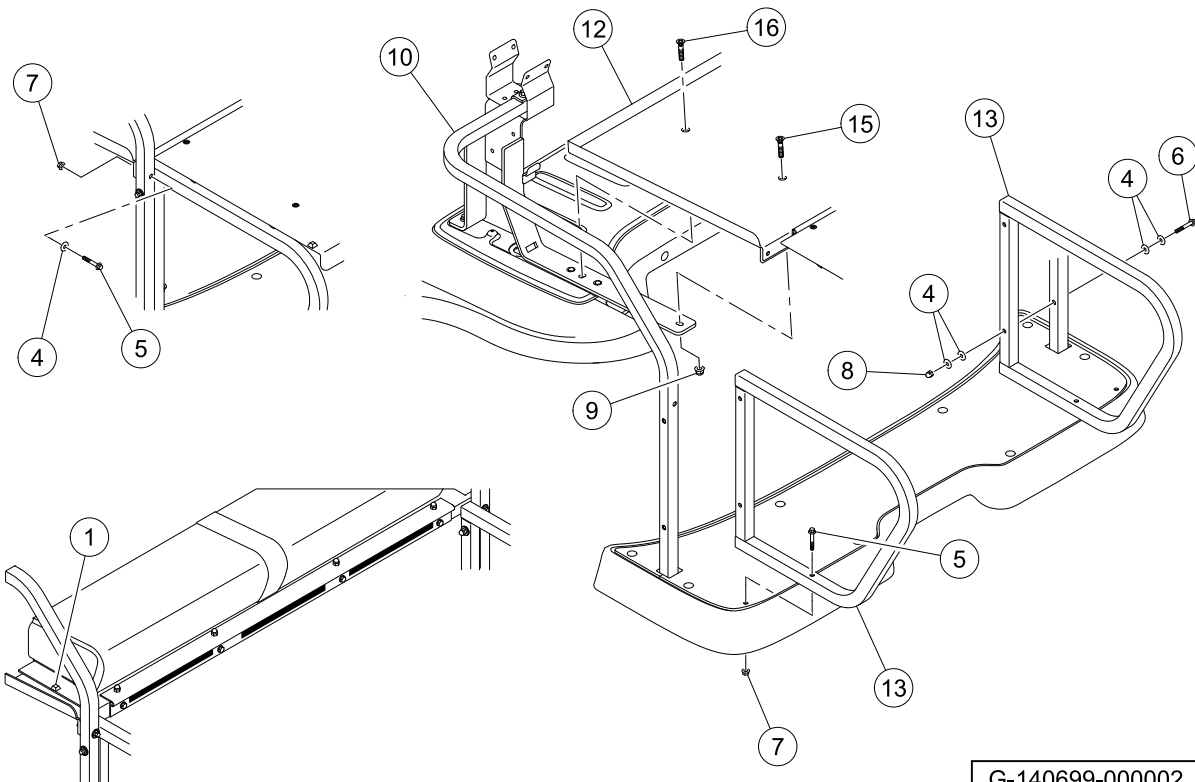
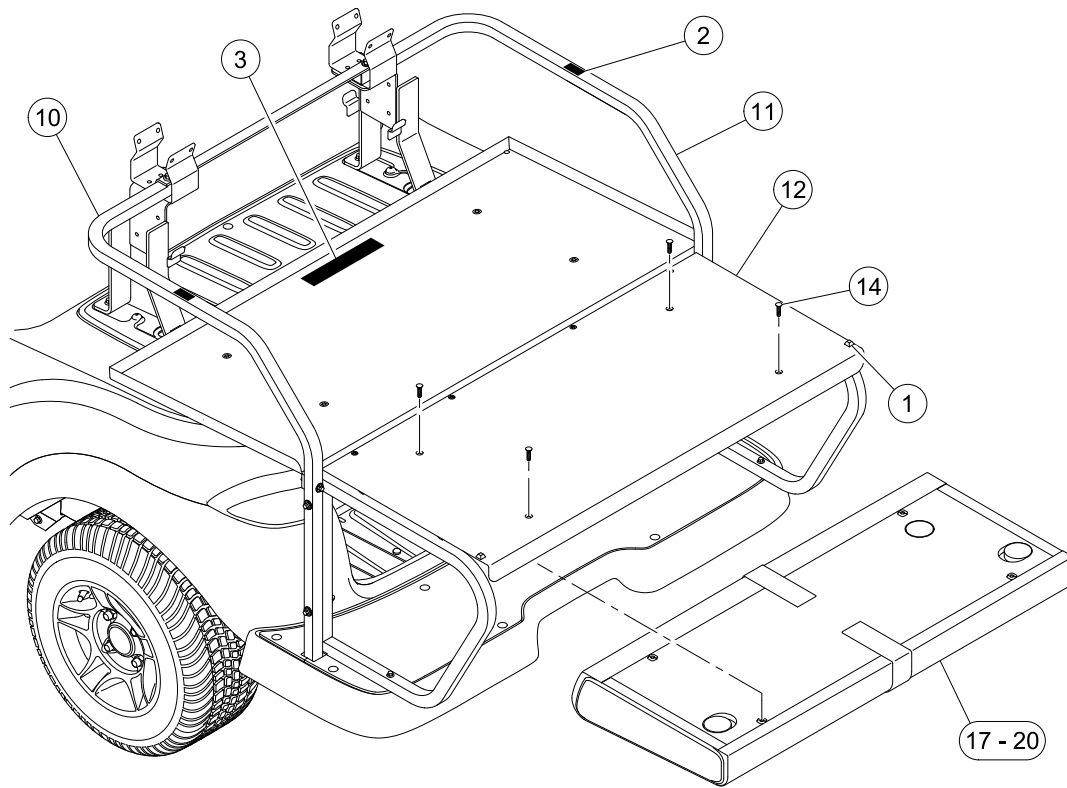
G-140699-00001

NON-LIFTED REAR SEAT, FRAME AND FOOTDECK – FIXED

ITEM	PART NO.	DESCRIPTION	QTY
		1 2 3 4	
1	<u>1010434</u>	Barrel - Plastic	10
2	<u>102296530</u>	Screw - M6 X 1.0 X 30 Sems	4
3	<u>102298030</u>	Screw, K80x30, Torx Pn Hd Pt	2
4	<u>102298240</u>	Bolt, Flange Head, M8-1.25 X 40	1
5	<u>102298745</u>	M8-1.25x45 Taptite	10
6	<u>102531502</u>	Cover- 4 Pass W/canopy	1
7	<u>102541425</u>	Bolt, M6x1.0x25, Hex Flhd, Blk-l	4
8	<u>102573101</u>	Bracket, 4-pass Lower Seat	2
9	<u>103653001</u>	Angle, Strut, Tie	1
10	<u>103853121</u>	Asm, Seat Back, Beige, Service Replacement	1
11	<u>103853122</u>	Asm, Seat Back, White, Service Replacement	1
12	<u>103853124</u>	Asm, Seat Back, Gray, Service Replacement	1
13	<u>103853125</u>	Asm, Seat Back, Black, Service Replacement	1
14	<u>103866801</u>	Weldment, Sprt, 4pass, Drv	1
15	<u>103866802</u>	Weldment, Sprt, 4pass	1
16	<u>103866901</u>	Restraint-lh 4pass Hip	1
17	<u>103866902</u>	Restraint-rh 4pass Hip	1
18	<u>105101221</u>	Service, Beige, 4pass Rear Btm	1
19	<u>105101222</u>	Service, White, 4pass Rear Btm	1
20	<u>105101224</u>	Service, Gray, 4pass Rear Btm	1
21	<u>105101225</u>	Service, Black, 4pass Rear Btm	1
22	<u>47564888021</u>	Asm, Seat Back, Rear, Lt. Beige, Service Replacement	1
23	<u>47564888022</u>	Asm, Seat Back, Rear, Camello, Service Replacement	1
24	<u>47564888023</u>	Asm, Seat Back, Rear, Off-White, Service Replacement	1
25	<u>47564888024</u>	Asm, Seat Back, Rear, Camello/Lt. Beige, Service Replacement	1
26	<u>47564888025</u>	Asm, Seat Back, Rear, Camello/Off-White, Service Replacement	1
27	<u>47564888026</u>	Asm, Seat Back, Rear, Lt. Beige/Off-White, Service Replacement	1
28	<u>47564888027</u>	Asm, Seat Back, Rear, Black, Service Replacement	1
29	<u>47564888028</u>	Asm, Seat Back, Rear, Black/Gray, Service Replacement	1
30	<u>47564888029</u>	Asm,bk,rr,gray,srvc,prem	1
31	<u>47564888029</u>	Asm,bk,rr,gray,srvc,prem	1
32	<u>47564889021</u>	Asm, Seat Bottom, Rear, Lt. Beige, Service Replacement	1
33	<u>47564889022</u>	Asm, Seat Bottom, Rear, Camello, Service Replacement	1
34	<u>47564889023</u>	Asm, Seat Bottom, Rear, Off-White, Service Replacement	1
35	<u>47564889024</u>	Asm, Seat Bottom, Rear, Camello/Lt. Beige, Service Replacement	1
36	<u>47564889025</u>	Asm, Seat Bottom, Rear, Camello/Off-White, Service Replacement	1
37	<u>47564889026</u>	Asm, Seat Bottom, Rear, Lt. Beige/Off-White, Service Replacement	1
38	<u>47564889027</u>	Asm, Seat Bottom, Rear, Black, Service Replacement	1
39	<u>47564889028</u>	Asm, Seat Bottom, Rear, Black/Gray, Service Replacement	1

1
G
E

1
G
E



G-140699-000002

NON-LIFTED REAR FOLD-DOWN SEAT, FRAME AND FOOTDECK

ITEM	PART NO.	DESCRIPTION	QTY
		1 2 3 4	
1	<u>1011897</u>	Bumper, Protective	6
2	<u>101609401</u>	Decal, Crush Area Warning	2
3	<u>101972001</u>	Decal, D.s. Box Bed Warning (for vehicles with bed box option)	1
4	<u>102296301</u>	Washer, M6x18x1.6 Flat	18
5	<u>102541445</u>	Bolt-m6x1.0x45 Hex Flhd,blk	4
6	<u>102541465</u>	Bolt, M 6 X 1.0 X 65 Hex, Flange, Head, Black	4
7	<u>102541501</u>	Nut-m6x1.0 Fl Mtl Lock,blk	4
8	<u>102582401</u>	Cap Nut M6, Sp	4
9	<u>102618601</u>	Lock Nut, Flange, M8 X 1.25 Nylon	2
10	<u>103866903</u>	Restraint-lh 4pass Fold Down	1
11	<u>103866904</u>	Restraint-rh 4pass Fold Down	1
12	<u>105268501</u>	Asm, Hinge, Fold Down	1
13	<u>105300101</u>	Asm, Side Frame	2
14	<u>105307901</u>	Screw, Mach, Fthd,ss, 1/4-20x1	4
15	<u>105308425</u>	Screw, Fthd, Ss, M8x1.25x25	2
16	<u>105308440</u>	Screw, Fthd, Ss, M8x1.25x40	2
17	<u>105310201</u>	Asm, Bottom, Flip Seat, Beige	A/R
18	<u>105310202</u>	Asm, Bottom, Flip Seat, White	A/R
19	<u>105310203</u>	Asm, Bottom, Flip Seat, Gray	A/R
20	<u>105310204</u>	Asm, Bottom, Flip Seat, Black	A/R

1
G
E

1

G

E

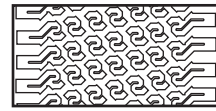
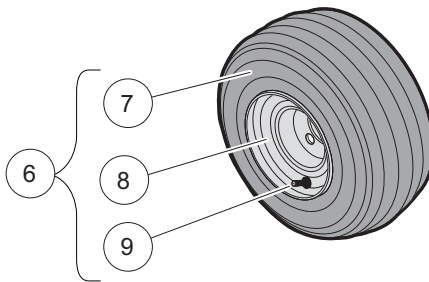
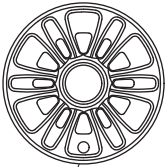
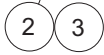
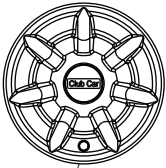
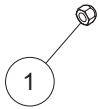
WHEELS AND TIRES

2

G

E

2
G
E



EXTRA TRACTION
Kenda®

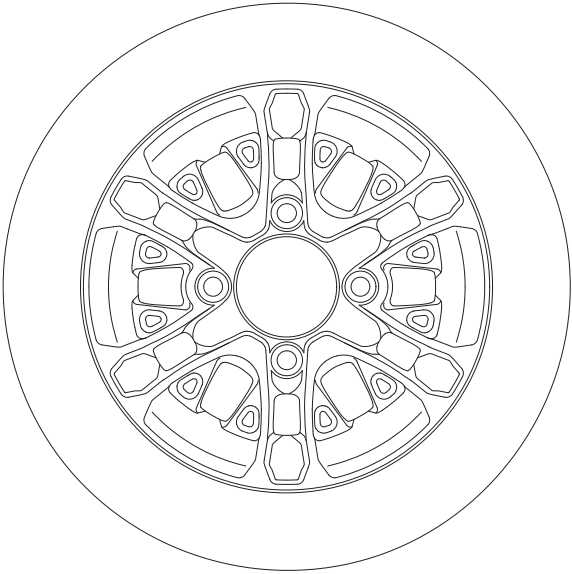
001398-001

WHEELS AND TIRES – NON-LIFTED

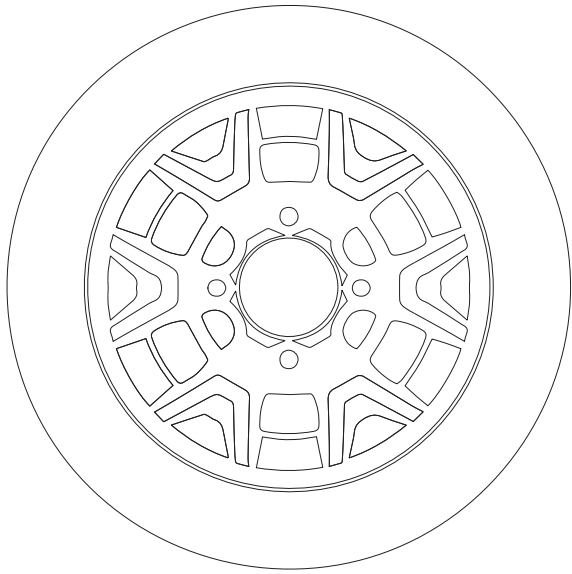
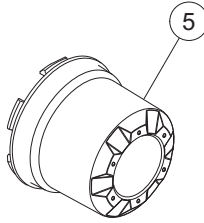
ITEM	PART NO.	DESCRIPTION	QTY
		1 2 3 4	
1	<u>1010984</u>	.500-20 Unf Lug Nut	16
2	<u>102559901</u>	Hub Cap Kit (includes item 3)	1
3	<u>103694501</u>	Hub Cap, 7 Prong	4
4	<u>102559902</u>	Kit, Wheel Cover, 12 Spk (includes item 5)	1
5	<u>105142401</u>	Wheel Cover, 12 Spk, 8", Slvr	4
6	<u>103951002</u>	Assembly, Silver Wheel Kenda, X/t 6ply (includes items 7 through 9)	4
7	<u>102569302</u>	Tire, Kenda, 18x8.5-8, 6-ply Xtr	1
8	<u>103459104</u>	Wheel Rim, 8"x7", Silver, Std	1
9	<u>7310</u>	Valve Stem, Black Plastic	1
<p>Note: For current or additional wheel and tire assemblies contact your local Club Car dealer or distributor. You may also reference the wheel and tire matrix on the Club Car website.</p>			

2
G
E

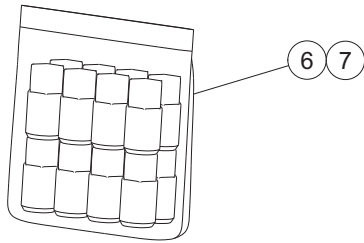
2
G
E



1 3



2 4



G-090099-000009

WHEELS AND TIRES – LIFTED

ITEM	PART NO.	DESCRIPTION	QTY
		1 2 3 4	
1	47561648004	Asm, 23x10-12 Krkn, Mer,gb,cc	4
2	47561649004	Asm, 23x10-12 Krkn, Atl,gb,cc	4
3	47562947004	Asm, 23x10-14 Krkn, Mer,gb,cc	4
4	47562948004	Asm, 23x10-14 Krkn, Atl,gb,cc	4
5	47562949001	Cap, Center, Chrome	4
6	47590808001	Kit, Lugnut, Csmr (includes item 7)	1
7	47562951001	Nut, Lug, 17x1/2-20, Chrome	16
<p>Note: For current or additional wheel and tire assemblies contact your local Club Car dealer or distributor. You may also reference the wheel and tire matrix on the Club Car website.</p>			

2
G
E

2

G

E

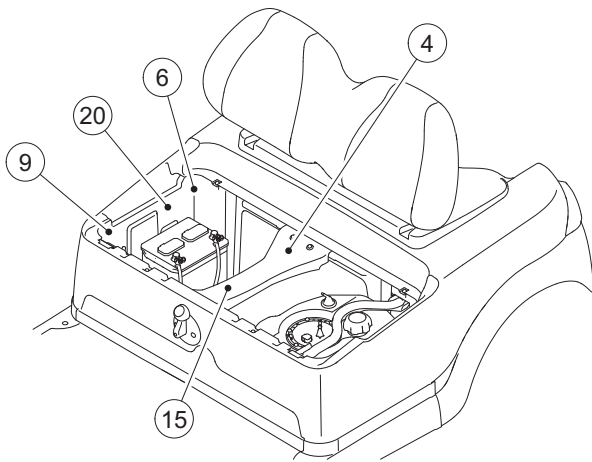
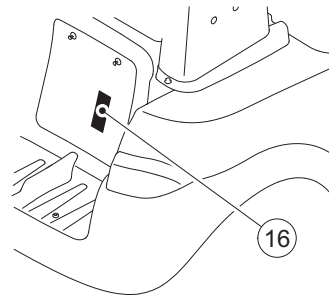
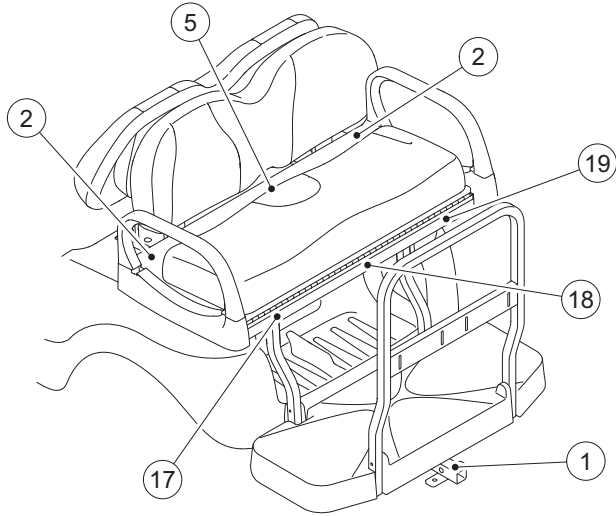
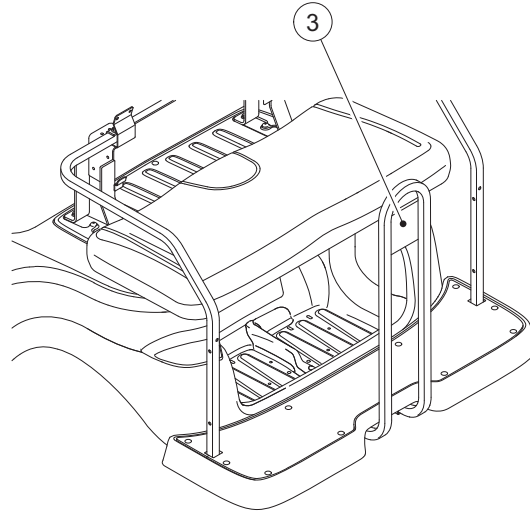
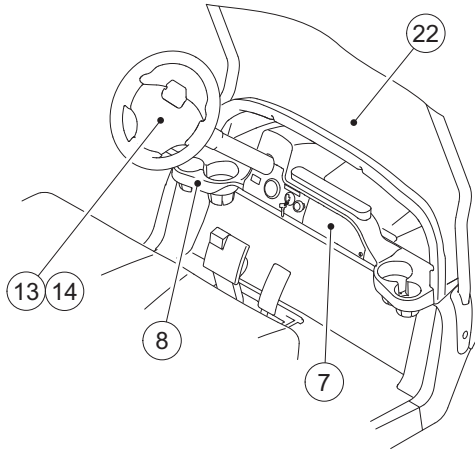
DECALS

3

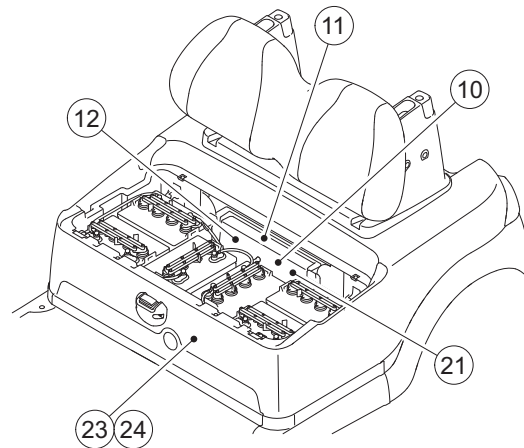
G

E

3
G
E



A



B

G-160199-000011

DECALS

ITEM	PART NO.	DESCRIPTION	QTY
		1 2 3 4	
1	101155301	Decal, Trailer Hitch Weight	A/R
2	101609401	Decal, Crush Area Warning	A/R
3	101705701	Decal, Warning	A/R
4	101960501	Decal, Rotating Parts/Hot Manifold	A/R
5	101972001	Decal, D.s. Box Bed Warning (for vehicles with bed box option)	A/R
6	102517901	Decal, Warning - Frame Ground	A/R
7	102519301	Decal, Warning, Rollover	A/R
8	102555901	Decal, Private Speed	A/R
9	103205501	Decal, Maintenance/Operate Switch	A/R
10	103384601	Decal-water Exposure	A/R
11	103384701	Decal-warning, Short	A/R
12	103384801	Decal, Warning, RUN/TOW	A/R
13	103783001	Decal, Op Instr, Ele	A/R
14	103783002	Decal, Op Instr, Gas Ps	A/R
15	105067501	Decal, Warn - Gas/gov	A/R
16	105070501	Decal, Gas, Rotating Parts/Hot Muffler	A/R
17	105267301	Decal, Warn, Fld L	A/R
18	105267401	Decal, Warn, Fld M	A/R
19	105267501	Decal, Warn, Fld R	A/R
20	47586040001	Decal, Warn	A/R
21	47586191001	Decal, Compliance, Mirrors	A/R
22	47592393001	Decal, Warn, Windshield	A/R
23	47655585001	Decal, Charger Cord, JCI Batteries	A/R
24	47655585002	Decal, Charger Cord, Trojan T875 Batteries	A/R
<p>Note: Detail A is for gas cars only. Detail B is for electric cars only.</p>			

3
G
E

3

G

E

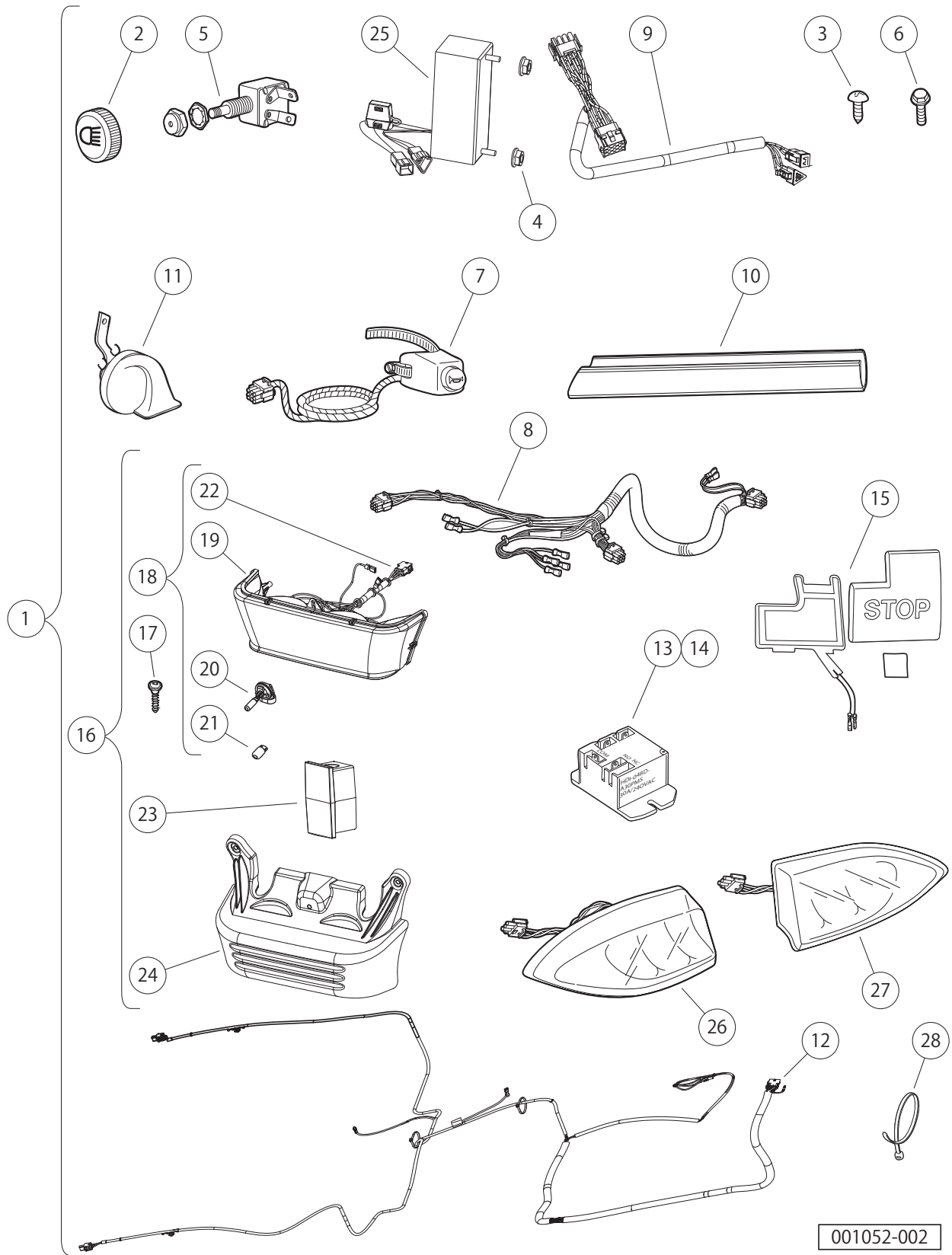
LIGHTS, CONTROLS AND INDICATORS

4

G

E

4
G
E



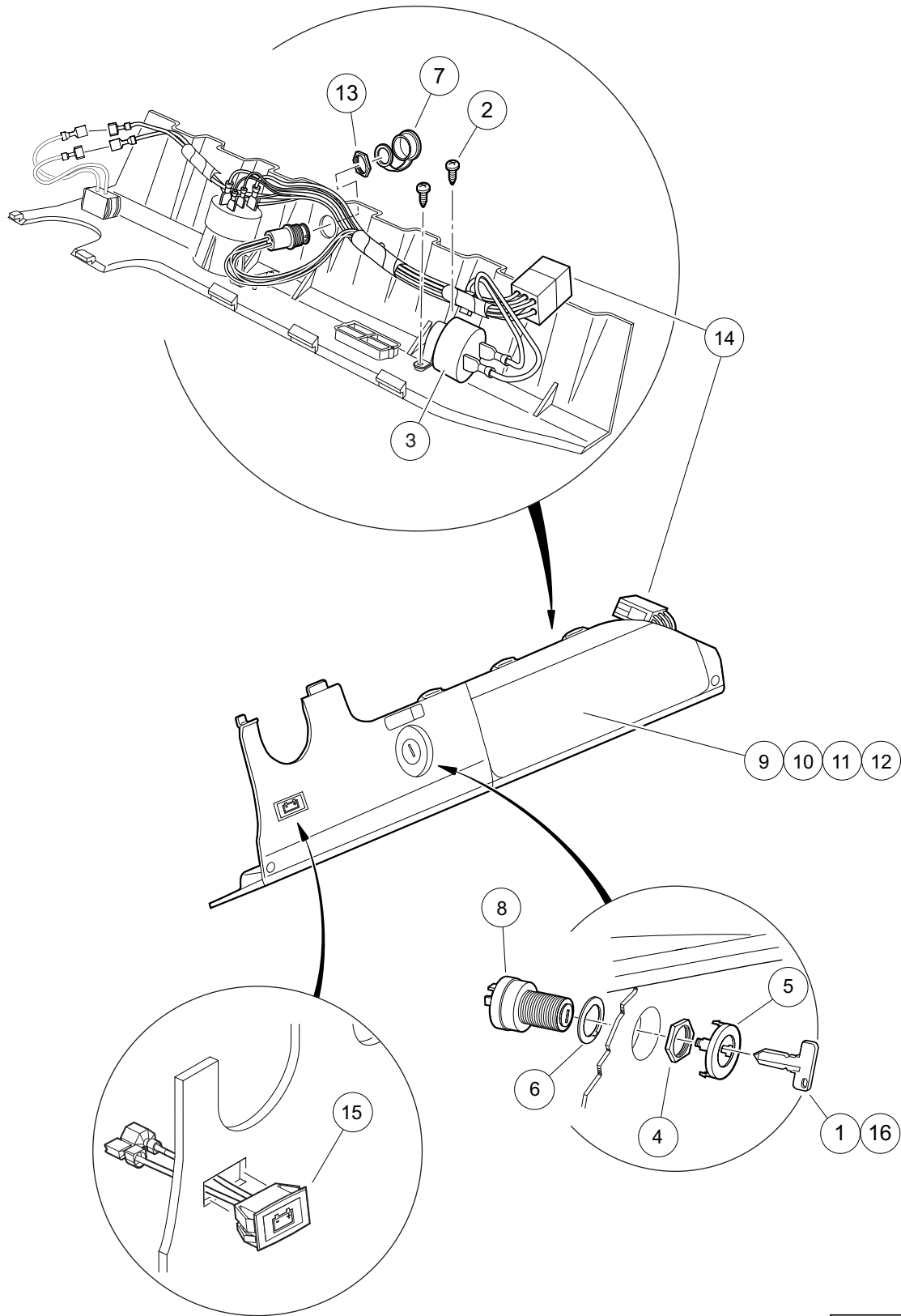
001052-002

HEADLIGHTS, HORN AND TAILLIGHTS – PRECEDENT

ITEM	PART NO.	DESCRIPTION	QTY
		1 2 3 4	
1	<u>105142501</u>	Kit, Std Lights, Prec, Hfc (includes items 2 through 28)	1
2	<u>1013857</u>	Knob, Light Switch	1
3	<u>1016849</u>	Screw, #4-24 X 0.33, Pan-Head, Machine	2
4	<u>101835601</u>	Locknut, 1/4-20 Hex Whiz	2
5	<u>102051901</u>	Switch, Light	1
6	<u>102298720</u>	Screw, M8-1.25x20, Taptite	1
7	<u>102517601</u>	Subasm, Horn Button Harness	1
8	<u>102527801</u>	Ip Lighting Harness, Elec	1
9	<u>102528101</u>	Dc-dc Convert Harness, Prec	1
10	<u>102529201</u>	Wire Cover, Steering Column	1
11	<u>102535401</u>	Horn	1
12	<u>103375901</u>	Prec Light Harn Restyle	1
13	<u>103414901</u>	Kit, Relay, 48v 30a W/instr (includes item 14)	1
14	<u>103397901</u>	Relay, Spst No, 48v 30a, Pmt	1
15	<u>103597101</u>	Kit, Brake Light Switch	1
16	<u>103933902</u>	Kit, Bumper W/light (includes items 17 through 24)	1
17	<u>102296020</u>	Screw-torx Pan Head Pt, M6x20	3
18	<u>102544301</u>	Headlight Asm, Prec (includes items 19 through 22)	1
19	<u>102528701</u>	Headlight, Lens/reflector	1
20	<u>102535101</u>	Bulb, Headlight, 37.5 W	2
21	<u>102535201</u>	Front Turn Signal Bulb	2
22	<u>102535301</u>	Headlight, Harness, Prec	1
23	<u>103325001</u>	Plug, Shock, Bumper	2
24	<u>103923601</u>	Bumper, Prec Fleet, W/light	1
25	<u>47594727001</u>	Converter, Dc/dc	1
26	<u>47643352001</u>	Assembly, Taillight, LH	1
27	<u>47643352002</u>	Assembly, Taillight, RH	1
28	<u>8990</u>	Tie Wrap, 8" Nylon	4
29	<u>105142502</u>	Kit, Std Lights, Prec, Hfc, Ce	1
		Note: For European (CE) vehicles, order item 29 (not illustrated) kit p/n <u>105142502</u> . Details 2 through 28 are applicable to both kits.	

4
G
E

4
G
E



000490-004

INSTRUMENT PANEL – ELECTRIC VEHICLE WITH ERIC CHARGER

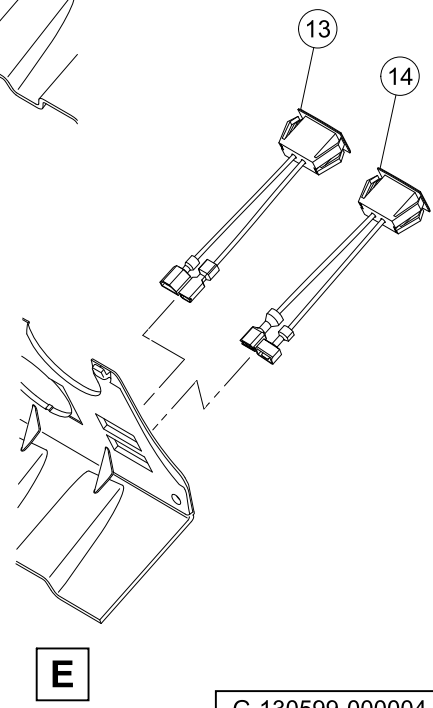
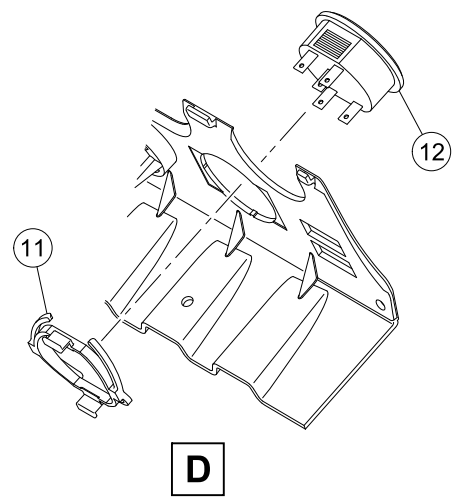
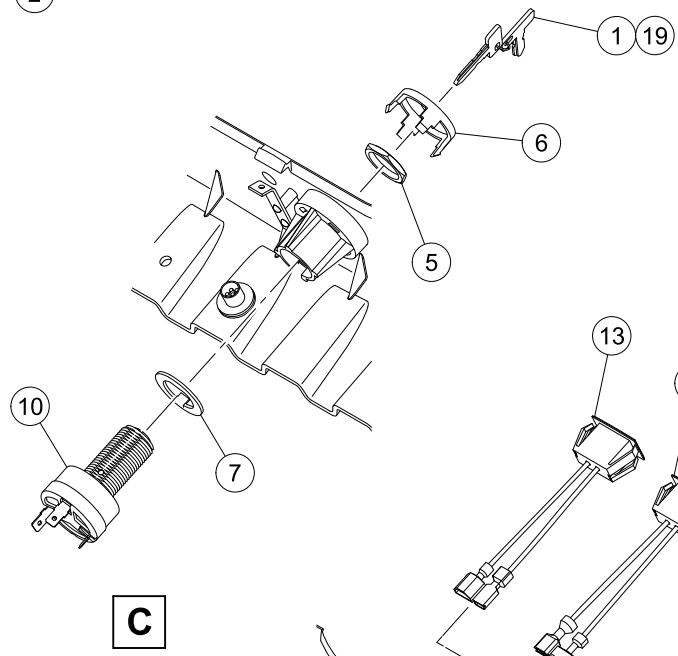
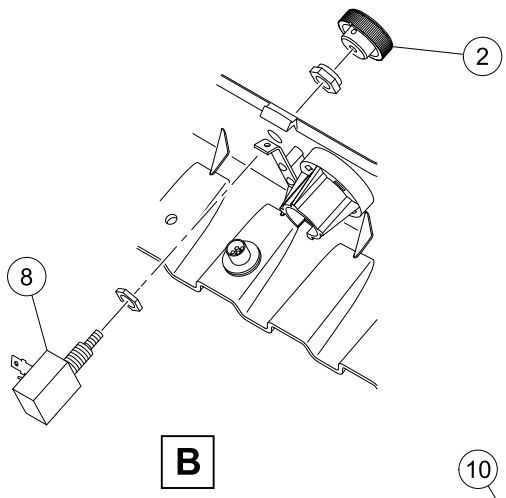
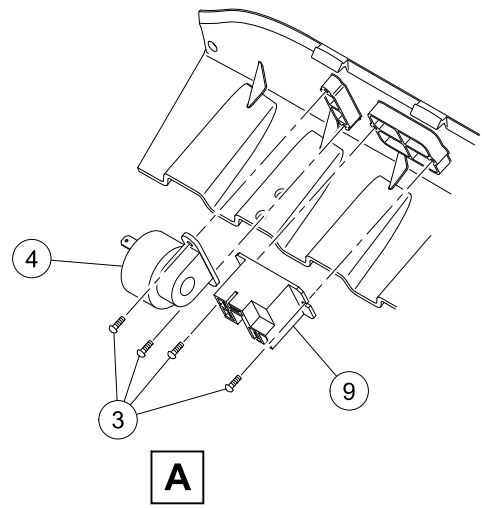
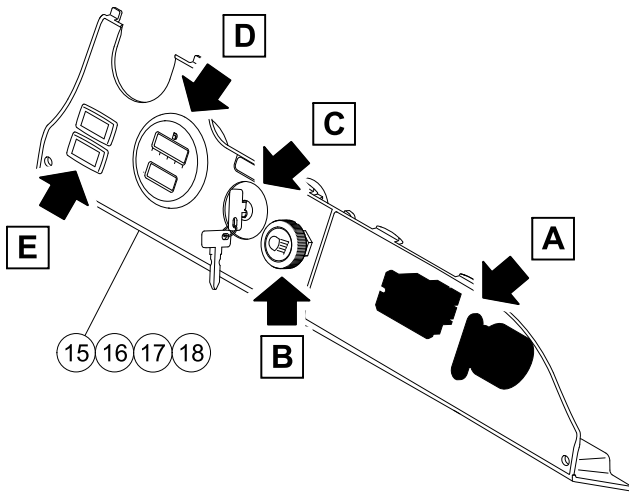
ITEM	PART NO.	DESCRIPTION	QTY
		1 2 3 4	
1	<u>1012505</u>	Keys (set of 2)	1
2	<u>1016849</u>	Screw, #4-24 X 0.33, Pan-Head, Machine	2
3	<u>1016851</u>	Multi-Purpose Buzzer (9-48 VDC)	1
4	<u>101830701</u>	Nut, Key Switch	1
5	<u>101834502</u>	Cap, Black Key Switch	1
6	<u>101851101</u>	Washer, Key Switch	1
7	<u>102196901</u>	Dust Cap	1
8	<u>102508601</u>	Key Switch, Electric	1
9	<u>102522901</u>	Instrument Panel (standard)	1
10	<u>102536601</u>	Instrument Panel (with Hole for Headlight Switch)	1
11	<u>102536603</u>	Instrument Panel (with Hole for Battery Condition Indicator)	1
12	<u>102536605</u>	Instrument Panel (with Hole for Headlight Switch and Battery Condition Indicator)	1
13	<u>102572401</u>	Nut, Diagnostic Port	1
14	<u>103991501</u>	Harness, Wire, Instrument Panel, w/Hi-Freq	1
15	<u>105152301</u>	Indicator, Charger, Dash, Cap	1
16	<u>AM10079</u>	Bulk Std Keys (50) *	1
		* Note: Must order in multiples of 50.	

4
G
E

4

G

E



G-130599-000004

INSTRUMENT PANEL – ECH440 GAS VEHICLE

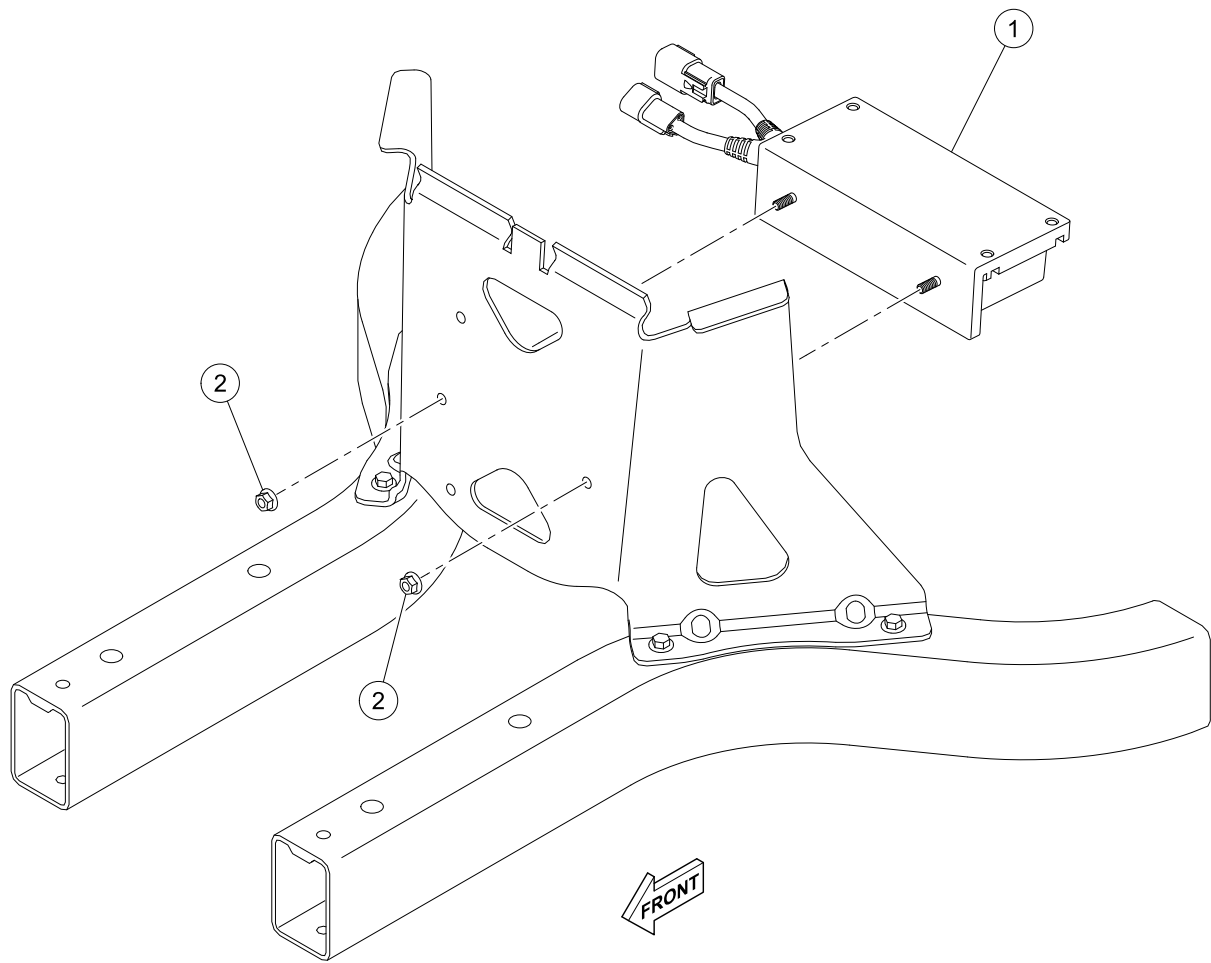
ITEM	PART NO.	DESCRIPTION	QTY
		1 2 3 4	
1	<u>1012505</u>	Keys (set of 2)	1
2	<u>1013857</u>	Knob, Light Switch	1
3	<u>1016849</u>	Screw, #4-24 X 0.33, Pan-Head, Machine	4
4	<u>1016851</u>	Multi-Purpose Buzzer (9-48 VDC)	1
5	<u>101830701</u>	Nut, Key Switch	1
6	<u>101834502</u>	Cap, Black Key Switch	1
7	<u>101851101</u>	Washer, Key Switch	1
8	<u>102051901</u>	Switch, Light	1
9	<u>102199001</u>	Relay, 12-Volt	1
10	<u>102515101</u>	Key Switch, Gas	1
11	<u>103348201</u>	Clip, Meter, Round	1
12	<u>103348602</u>	Gauge, Fuel-hour,sep Gnd, Ds	1
13	<u>105037101</u>	Light, Oil (LED)	1
14	47598441001	Light, Dash, Led, Mil	1
15	47613414002	Panel, Punched, Mil Light	1
16	47613414005	Panel, Punched, Mil Hdlt	1
17	47613414006	Panel, Punched, Mil Fuel	1
18	47613414007	Panel, Punched, Mil Hdlt Fuel	1
19	<u>AM10079</u>	Bulk Std Keys (50) *	1
		* Note: Must order in multiples of 50.	

4
G
E

4

G

E



G-130299-000001

DC/DC CONVERTER – ELECTRIC VEHICLE

ITEM	PART NO.	DESCRIPTION	QTY
1	<u>47594727001</u>	1 2 3 4 Converter, Dc/dc	1
2	<u>96704176</u>	Nut, Flanged, M6 X 1, Serrated	2

4

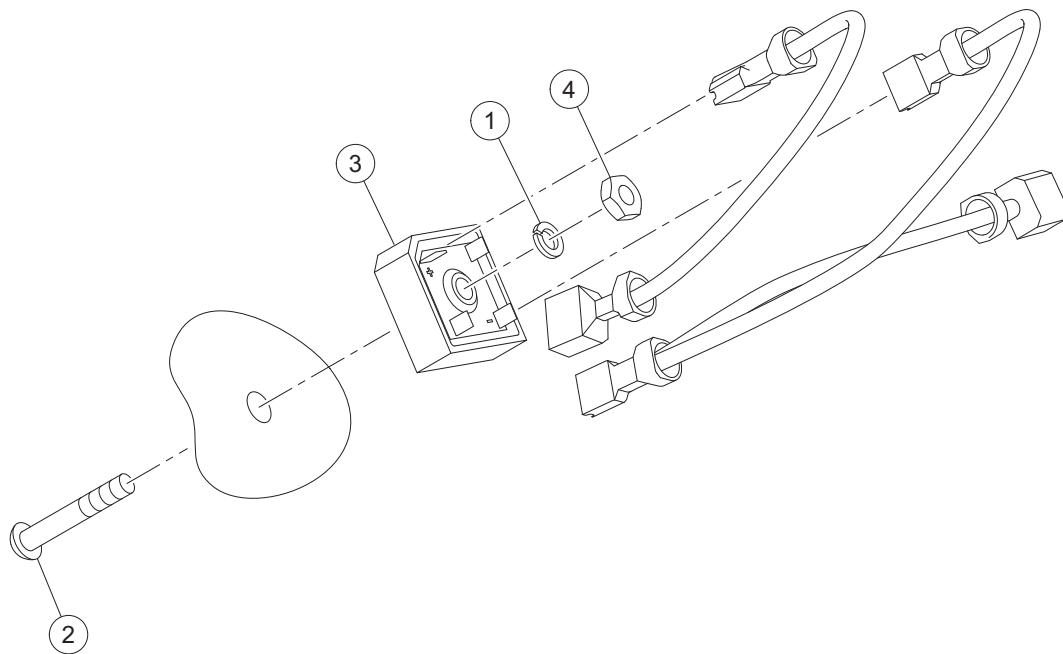
G

E

4

G

E



001365-003

VOLTAGE LIMITER – GASOLINE VEHICLE

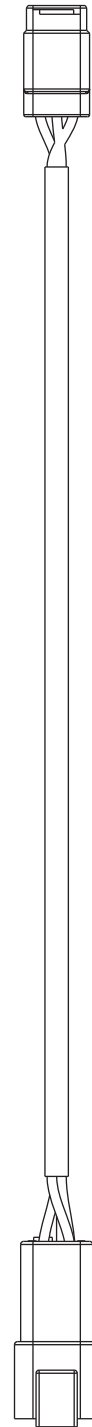
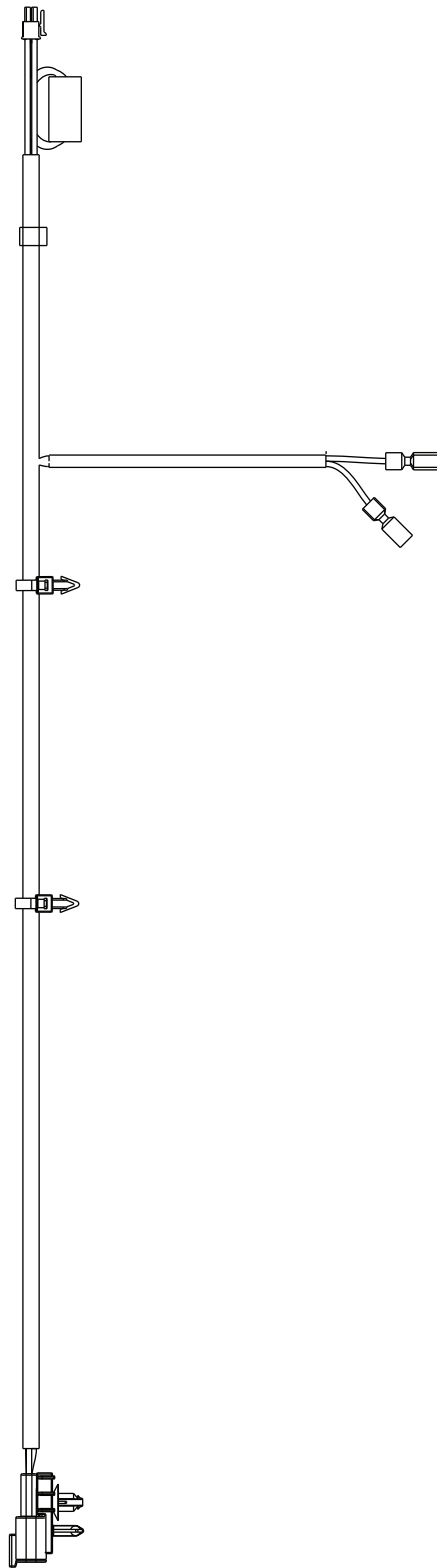
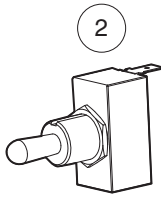
ITEM	PART NO.	DESCRIPTION	QTY
		1 2 3 4	
1	<u>1016</u>	Lockwasher, #10 Split	1
2	<u>103821301</u>	Screw, Panhead #10-32 X 1.75	1
3	<u>47604303001</u>	Voltage Limiter, Gas	1
4	<u>7893</u>	Nut, #10-32 Hex	1

4

G

E

4
G
E



001439-001

WIRING AND SWITCH – VISAGE

ITEM	PART NO.	DESCRIPTION	QTY
		1 2 3 4	
1	<u>101908401</u>	Boot, Switch	1
2	<u>102511101</u>	Switch, Tow	1
3	<u>47554735001</u>	Harness, Visage, Console, Gas	1
4	<u>47554736001</u>	Harness, Visage, Strut, G/e	1
5	<u>47555612001</u>	Harness, Visage, Console, Elec	1
6	<u>47557751001</u>	Harness, Interface, Visage	1
7	<u>47614711001</u>	Harness, Visage, Ext, Stretch	A/R
<p>Note: Item 7 is not illustrated. It only applies to the stretch vehicle platforms.</p>			

4

G

E

4

G

E

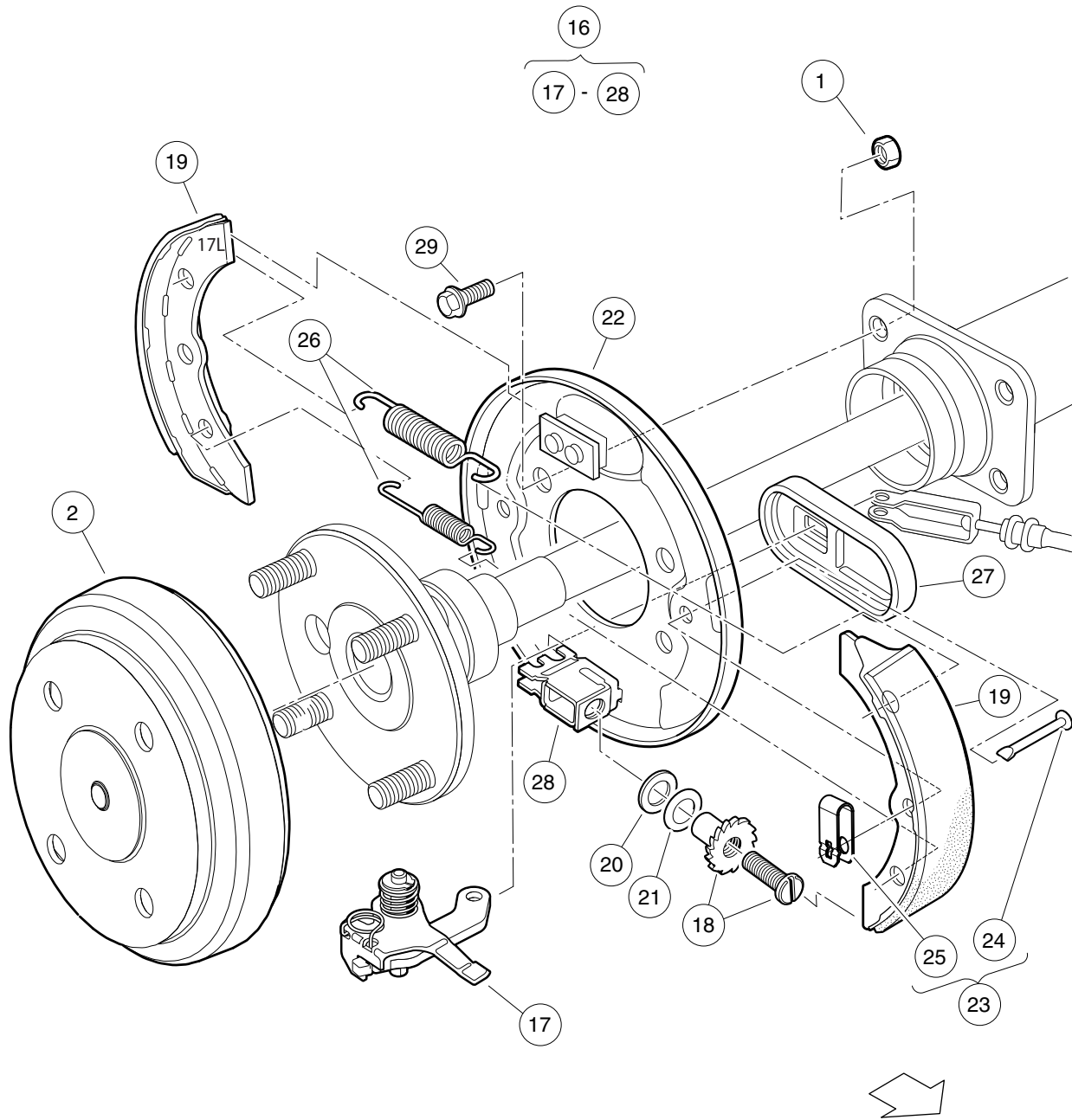
BRAKES AND PEDAL GROUP ASSEMBLIES

5

G

E

5
G
E



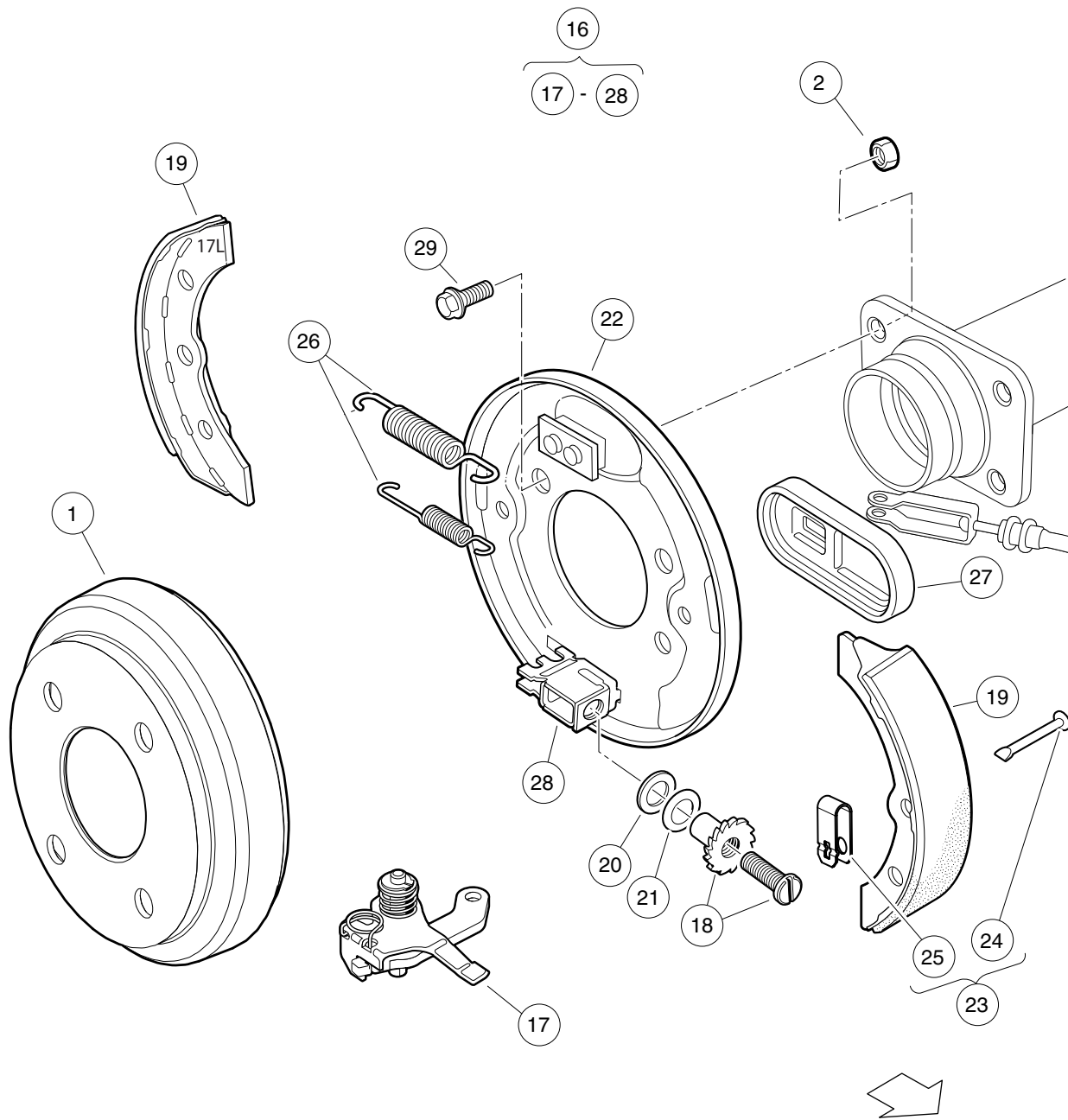
000186-006

REAR BRAKES, SELF-ADJUSTING

ITEM	PART NO.	DESCRIPTION	QTY
		1 2 3 4	
1	<u>1013924</u>	Nut, 5/16-24, Hex Head Cone	8
2	<u>101791101</u>	Drum without Center Hole, Brake	2
3	<u>103380201</u>	Asm, Brake Cluster, Mech, Drvr (includes items 4 through 15)	1
4	<u>101815502</u>	Lever Assembly, Self-Adjusting Brake, Left	1
5	<u>101816502</u>	Adjusting Mechanism, Self-Adjusting Brake, Left	1
6	<u>101823201</u>	Package, Brake Shoe, Self-Adjusting	1
7	<u>101823801</u>	Plate, Washer, Brake, Self-Adjusting	1
8	<u>101823901</u>	Washer, Brake, Self-Adjusting	1
9	<u>103483102</u>	Backing Plate, Driver-side	1
10	<u>103483201</u>	Kit, Shoe Retainer (includes items 11 and 12)	1
11	N/A	Pin	2
12	N/A	Spring, Shoe, Clamp	2
13	<u>103483401</u>	Package Brake Spring Self Adj	1
14	<u>103483601</u>	Cover, Dust	1
15	<u>103483701</u>	Brake Block	1
16	<u>103380202</u>	Asm, Brake Cluster, Mech, Pass (includes items 17 through 28)	1
17	<u>101815501</u>	Lever Assembly, Self-Adjusting Brake, Right (Passenger)	1
18	<u>101816501</u>	Adj Mechanism, S.A. Brakes, Right (Passenger)	1
19	<u>101823201</u>	Package, Brake Shoe, Self-Adjusting	1
20	<u>101823801</u>	Plate, Washer, Brake, Self-Adjusting	1
21	<u>101823901</u>	Washer, Brake, Self-Adjusting	1
22	<u>103483101</u>	Backing Plate, Passenger-side	1
23	<u>103483201</u>	Kit, Shoe Retainer (includes items 24 and 25)	1
24	N/A	Pin	2
25	N/A	Spring, Shoe, Clamp	2
26	<u>103483401</u>	Package Brake Spring Self Adj	1
27	<u>103483601</u>	Cover, Dust	1
28	<u>103483701</u>	Brake Block	1
29	<u>47542195001</u>	Bolt, Brake Cluster Mnt	8
		Note: Driver-side brake cluster items are not illustrated. Components have a similar appearance to passenger-side brake cluster.	

5
G
E

5
G
E



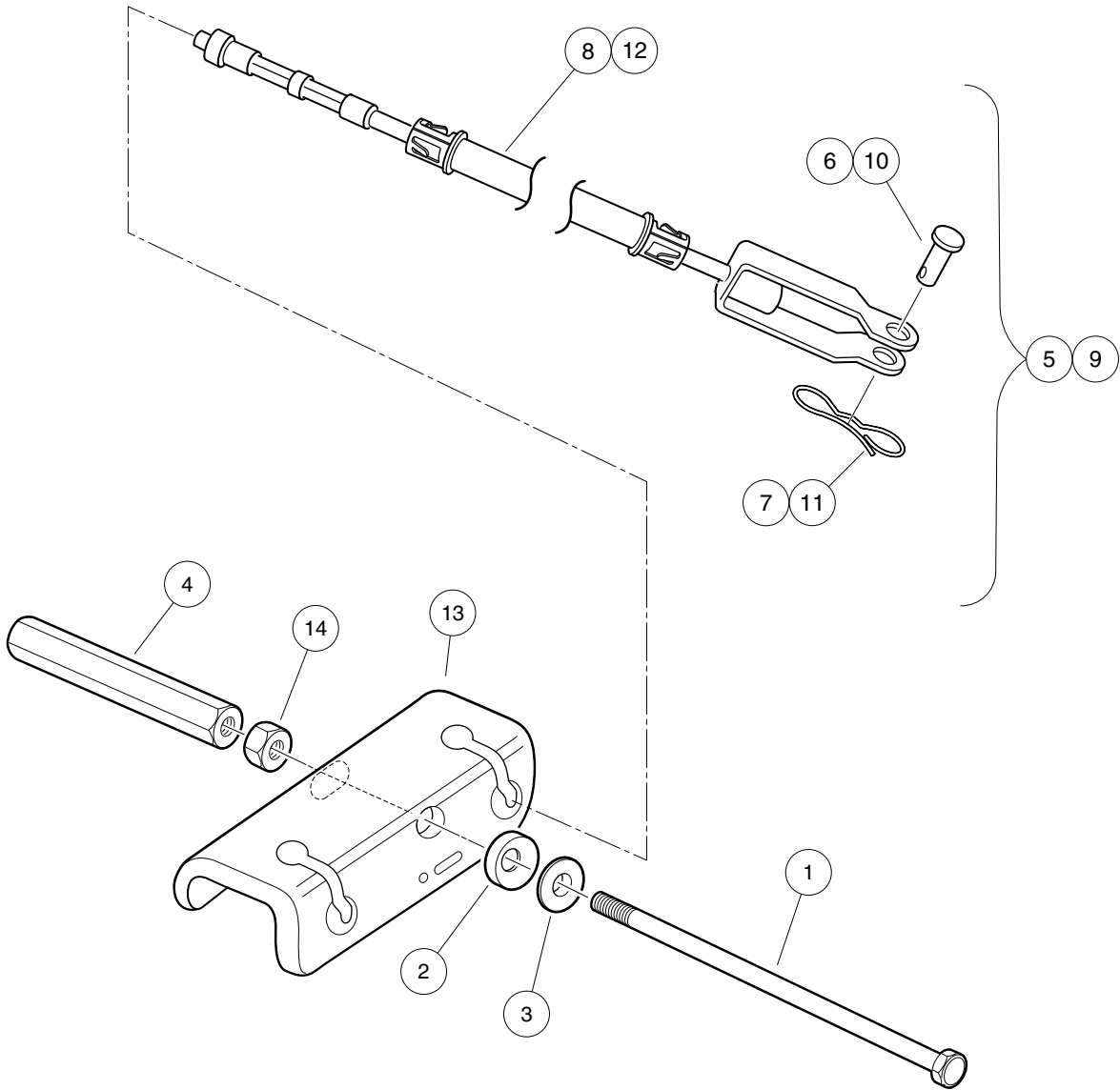
000186-007

REAR BRAKES, SELF-ADJUSTING – GASOLINE VEHICLES

ITEM	PART NO.	DESCRIPTION	QTY
		1 2 3 4	
1	<u>1011137</u>	Drum, Brake	2
2	<u>1013924</u>	Nut, 5/16-24, Hex Head Cone	8
3	<u>103380201</u>	Asm, Brake Cluster, Mech, Drvr (includes items 4 through 15)	1
4	<u>101815502</u>	Lever Assembly, Self-Adjusting Brake, Left	1
5	<u>101816502</u>	Adjusting Mechanism, Self-Adjusting Brake, Left	1
6	<u>101823201</u>	Package, Brake Shoe, Self-Adjusting	1
7	<u>101823801</u>	Plate, Washer, Brake, Self-Adjusting	1
8	<u>101823901</u>	Washer, Brake, Self-Adjusting	1
9	<u>103483102</u>	Backing Plate, Driver-side	1
10	<u>103483201</u>	Kit, Shoe Retainer (includes items 11 and 12)	1
11	N/A	Pin	2
12	N/A	Spring, Shoe, Clamp	2
13	<u>103483401</u>	Package Brake Spring Self Adj	1
14	<u>103483601</u>	Cover, Dust	1
15	<u>103483701</u>	Brake Block	1
16	<u>103380202</u>	Asm, Brake Cluster, Mech, Pass (includes items 17 through 28)	1
17	<u>101815501</u>	Lever Assembly, Self-Adjusting Brake, Right (Passenger)	1
18	<u>101816501</u>	Adj Mechanism, S.A. Brakes, Right (Passenger)	1
19	<u>101823201</u>	Package, Brake Shoe, Self-Adjusting	1
20	<u>101823801</u>	Plate, Washer, Brake, Self-Adjusting	1
21	<u>101823901</u>	Washer, Brake, Self-Adjusting	1
22	<u>103483101</u>	Backing Plate, Passenger-side	1
23	<u>103483201</u>	Kit, Shoe Retainer (includes items 24 and 25)	1
24	N/A	Pin	2
25	N/A	Spring, Shoe, Clamp	2
26	<u>103483401</u>	Package Brake Spring Self Adj	1
27	<u>103483601</u>	Cover, Dust	1
28	<u>103483701</u>	Brake Block	1
29	<u>47542195001</u>	Bolt, Brake Cluster Mnt	8
		Note: Driver-side brake cluster not shown. Components have a similar appearance to passenger-side brake cluster components.	

5
G
E

5
G
E



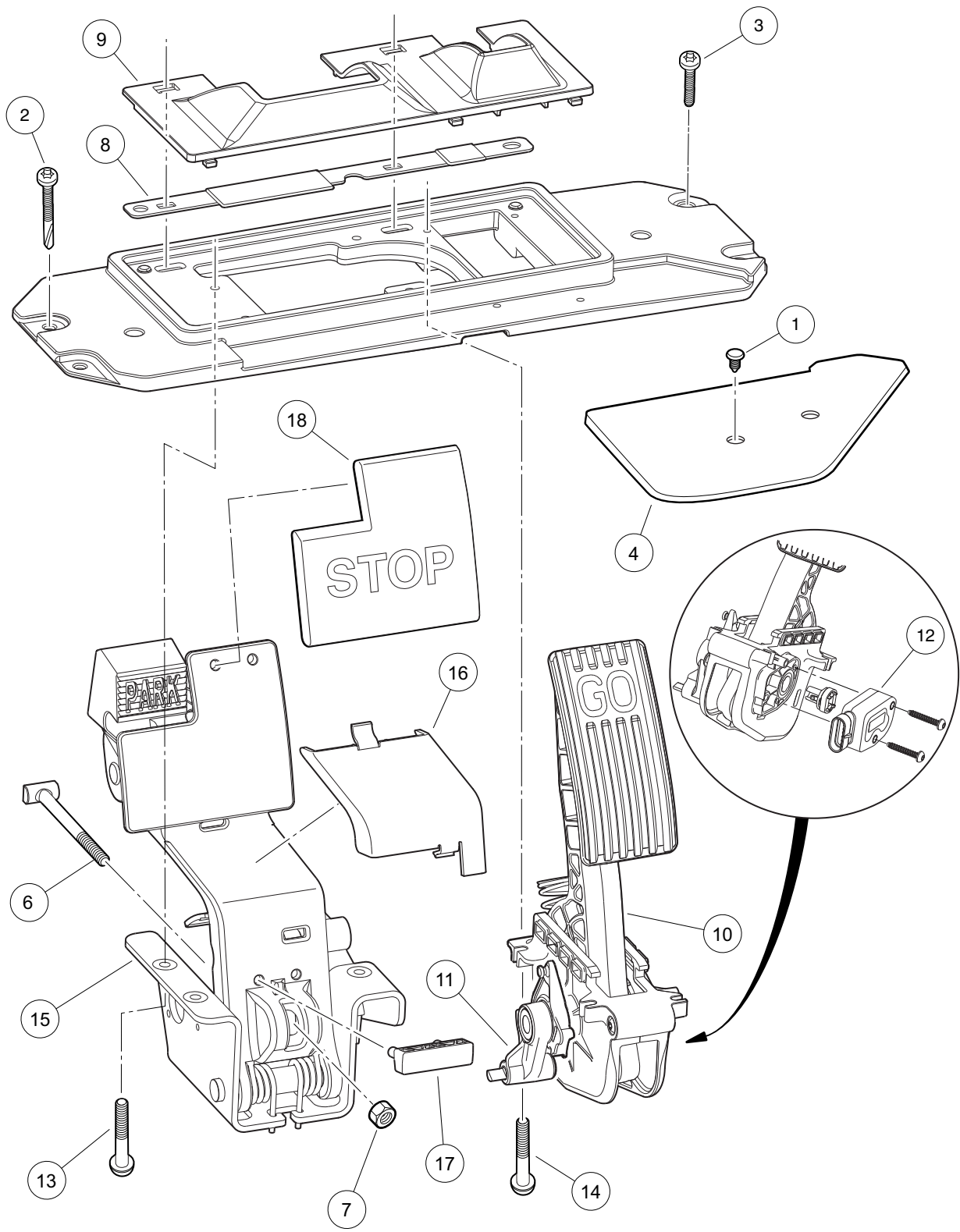
000467-006

BRAKE CABLES AND EQUALIZER BRACKET

ITEM	PART NO.	DESCRIPTION	QTY
		1 2 3 4	
1	<u>102297901</u>	Bolt, 5/16-18 X 7.375, Hex	1
2	<u>102551901</u>	Washer, 5/16, Self Comp, Cup	1
3	<u>102552001</u>	Washer, 5/16, Self Comp, Cone	1
4	<u>102594301</u>	Nut, 5/16-18, Hex Adjusting -l	1
5	<u>103528701</u>	Kit, Brake Cable, Passenger-side (includes items 6 through 8)	1
6	<u>1010829</u>	Pin, Clevis, 5/16 X 3/4	1
7	<u>102292801</u>	Pin, Bow Tie Locking - .072	1
8	<u>103528501</u>	Cable, Brake, Right	1
9	<u>103528702</u>	Kit, Brake Cable, Driver-side (includes items 10 through 12)	1
10	<u>1010829</u>	Pin, Clevis, 5/16 X 3/4	1
11	<u>102292801</u>	Pin, Bow Tie Locking - .072	1
12	<u>103528601</u>	Cable, Brake, Left	1
13	<u>103535001</u>	Bracket, Equalizer	1
14	<u>1242</u>	Nut, 5/16-18 Hex	1

5
G
E

5
G
E



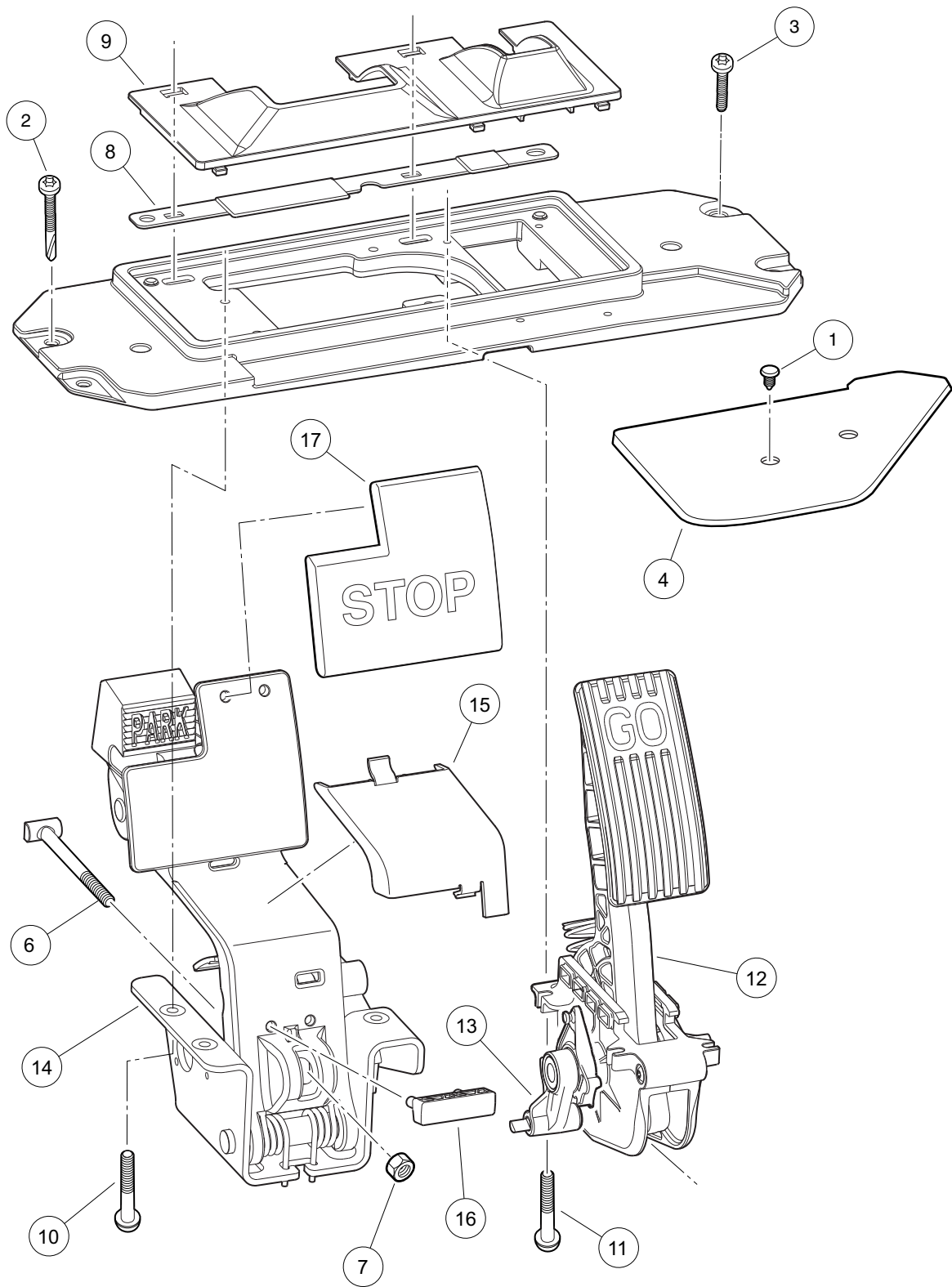
000487-015

PEDAL GROUP WITH SENSOR – GASOLINE VEHICLE

ITEM	PART NO.	DESCRIPTION	QTY
		1 2 3 4	
1	<u>1010434</u>	Barrel - Plastic	1
2	<u>102292201</u>	Screw-1/4-20x2.20 Tx Pn Hd Sd	2
3	<u>102298030</u>	Screw, K80x30, Torx Pn Hd Pt	2
4	<u>102500801</u>	Plate - Floor Cover	1
5	<u>103974815</u>	Asm, Pedal Set, Anodized, Service, Gas Vehicle (includes items 6 through 15)	1
6	<u>102559401</u>	Rod, Brake	1
7	<u>102559701</u>	Nut, Brake Rod	1
8	<u>102594801</u>	Shield, Debris Aux	1
9	<u>102594901</u>	Shield, Debris Primary	1
10	<u>102595502</u>	Asm, Accel. Pedal/Throttle, Anodized, Gas Vehicle (includes items 11 and 12)	1
11	<u>103777601</u>	Asm, Park Brake Release, Anodized	1
12	N/A	Throttle Sensor	1
13	<u>102595901</u>	Screw, M6x1.0x17 Ph, Taptite	4
14	<u>102596001</u>	Screw, M5x0.8x18 Ph, Taptite	4
15	<u>103974901</u>	Asm, Brake Pedal, Anodized (includes items 16 through 18)	1
16	<u>102595201</u>	Cover, Brake	1
17	<u>102595301</u>	Upstop, Brake	1
18	<u>102595401</u>	Pad, Brake	1
		Note: Item 5 is not illustrated as a complete assembly. All detail parts are identified in the illustration.	

5
G
E

5
G
E



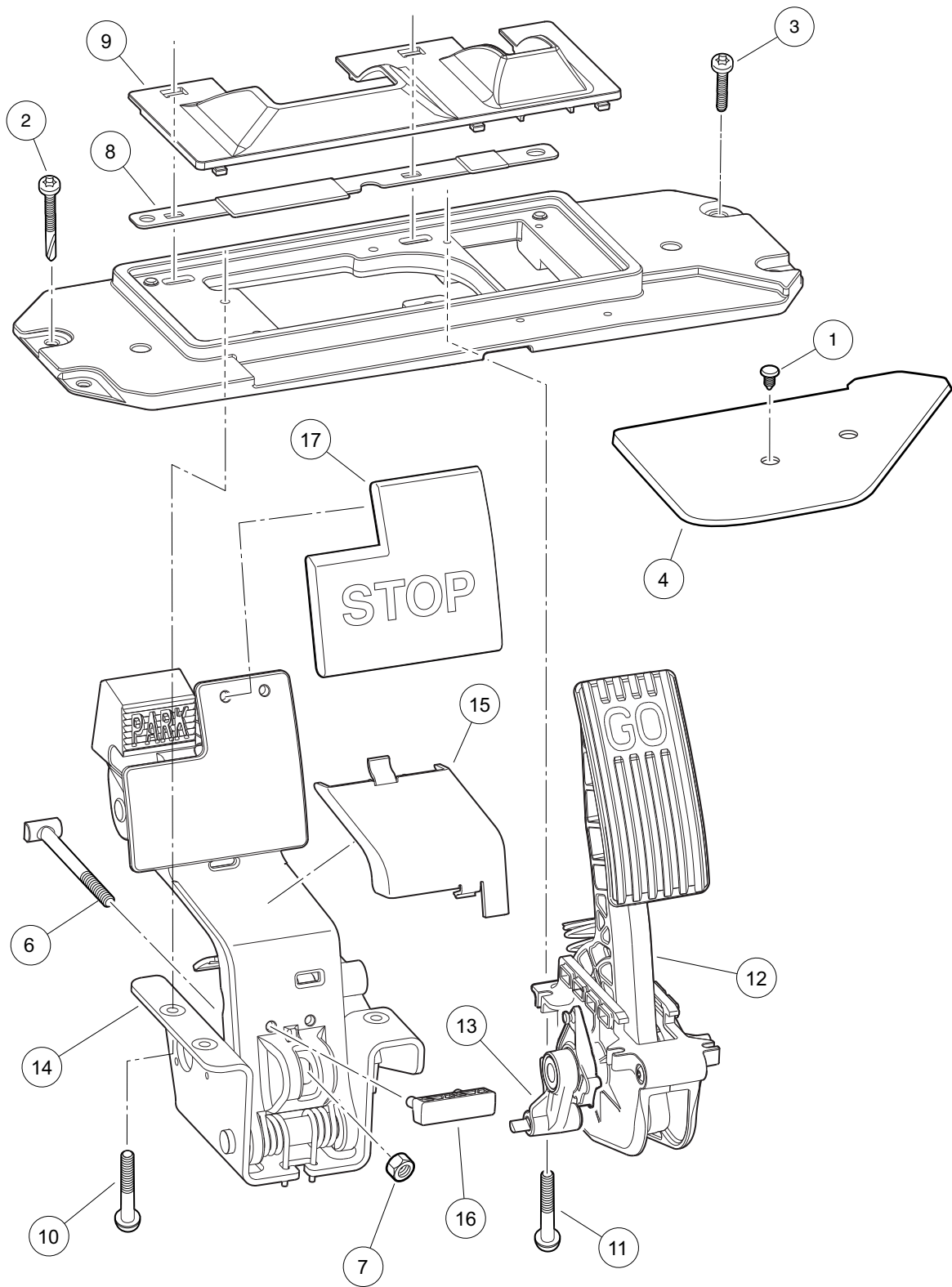
000487-018

PEDAL GROUP W/O SENSOR, GASOLINE VEHICLE

ITEM	PART NO.	DESCRIPTION	QTY
		1 2 3 4	
1	<u>1010434</u>	Barrel - Plastic	1
2	<u>102292201</u>	Screw-1/4-20x2.20 Tx Pn Hd Sd	2
3	<u>102298030</u>	Screw, K80x30, Torx Pn Hd Pt	2
4	<u>102500801</u>	Plate - Floor Cover	1
5	<u>103974821</u>	Asm, Pedal, Anodized, Field Service, Gas or Elec (includes items 6 through 14)	1
6	<u>102559401</u>	Rod, Brake	1
7	<u>102559701</u>	Nut, Brake Rod	1
8	<u>102594801</u>	Shield, Debris Aux	1
9	<u>102594901</u>	Shield, Debris Primary	1
10	<u>102595901</u>	Screw, M6x1.0x17 Ph, Taptite	4
11	<u>102596001</u>	Screw, M5x0.8x18 Ph, Taptite	4
12	<u>102596301</u>	Pedal, Accelerator, Anodized (includes item 13)	1
13	<u>103777601</u>	Asm, Park Brake Release, Anodized	1
14	<u>103974901</u>	Asm, Brake Pedal, Anodized (includes items 15 through 17)	1
15	<u>102595201</u>	Cover, Brake	1
16	<u>102595301</u>	Upstop, Brake	1
17	<u>102595401</u>	Pad, Brake	1
<p>Note: Pedal Assembly (item 5) has no sensor and is common to both gas and electric vehicles. Item 5 is not illustrated as a complete assembly. All applicable details are illustrated.</p>			

5
G
E

5
G
E



000487-016

PEDAL GROUP W/O MCOR – ELECTRIC VEHICLE

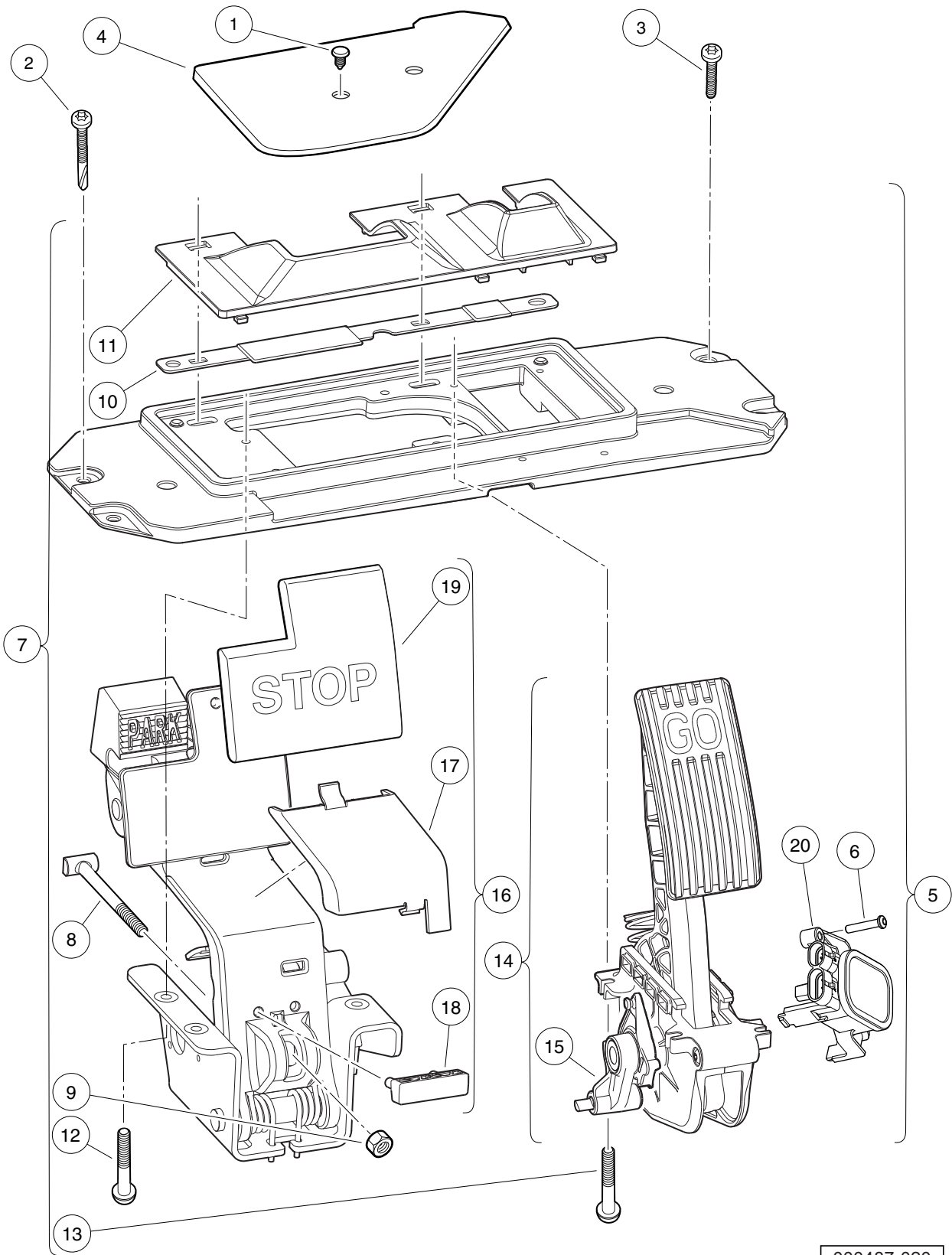
ITEM	PART NO.	DESCRIPTION	QTY
		1 2 3 4	
1	<u>1010434</u>	Barrel - Plastic	1
2	<u>102292201</u>	Screw-1/4-20x2.20 Tx Pn Hd Sd	2
3	<u>102298030</u>	Screw, K80x30, Torx Pn Hd Pt	2
4	<u>102500801</u>	Plate - Floor Cover	1
5	<u>103974821</u>	Asm, Pedal, Anodized, Field Service, Gas or Elec (includes items 6 through 14)	1
6	<u>102559401</u>	Rod, Brake	1
7	<u>102559701</u>	Nut, Brake Rod	1
8	<u>102594801</u>	Shield, Debris Aux	1
9	<u>102594901</u>	Shield, Debris Primary	1
10	<u>102595901</u>	Screw, M6x1.0x17 Ph, Taptite	4
11	<u>102596001</u>	Screw, M5x0.8x18 Ph, Taptite	4
12	<u>102596301</u>	Pedal, Accelerator, Anodized (includes item 13)	1
13	<u>103777601</u>	Asm, Park Brake Release, Anodized	1
14	<u>103974901</u>	Asm, Brake Pedal, Anodized (includes items 15 through 17)	1
15	<u>102595201</u>	Cover, Brake	1
16	<u>102595301</u>	Upstop, Brake	1
17	<u>102595401</u>	Pad, Brake	1
<p>Note: Pedal Assembly (item 5) has no MCOR and is common to both gas and electric vehicles. Item 5 is not illustrated as a complete assembly. All applicable details are illustrated.</p>			

5

G

E

5
G
E



000487-020

PEDAL GROUP WITH MCOR – ELECTRIC VEHICLE

ITEM	PART NO.	DESCRIPTION	QTY
		1 2 3 4	
1	<u>1010434</u>	Barrel - Plastic	1
2	<u>102292201</u>	Screw-1/4-20x2.20 Tx Pn Hd Sd	2
3	<u>102298030</u>	Screw, K80x30, Torx Pn Hd Pt	2
4	<u>102500801</u>	Plate - Floor Cover	1
5	<u>103874111</u>	Asm, Pedal Set, No Switch, w/MCOR, Service (includes items 6 through 20)	1
6	<u>103943401</u>	Screw, Pan, #10 X 1.00 Hi-lo	1
7	<u>103975011</u>	Asm, Pedal Set, No Switch, Service (includes items 8 through 16)	1
8	<u>102559401</u>	Rod, Brake	1
9	<u>102559701</u>	Nut, Brake Rod	1
10	<u>102594801</u>	Shield, Debris Aux	1
11	<u>102594901</u>	Shield, Debris Primary	1
12	<u>102595901</u>	Screw, M6x1.0x17 Ph, Taptite	4
13	<u>102596001</u>	Screw, M5x0.8x18 Ph, Taptite	4
14	<u>102596301</u>	Pedal, Accelerator, Anodized (includes item 15)	1
15	<u>103777601</u>	Asm, Park Brake Release, Anodized	1
16	<u>103974901</u>	Asm, Brake Pedal, Anodized (includes items 17 through 19)	1
17	<u>102595201</u>	Cover, Brake	1
18	<u>102595301</u>	Upstop, Brake	1
19	<u>102595401</u>	Pad, Brake	1
20	<u>105116301</u>	MCOR4, Type 16 Switch	1
Note: See the Electrical System Section for more MCOR information.			

5
G
E

5

G

E

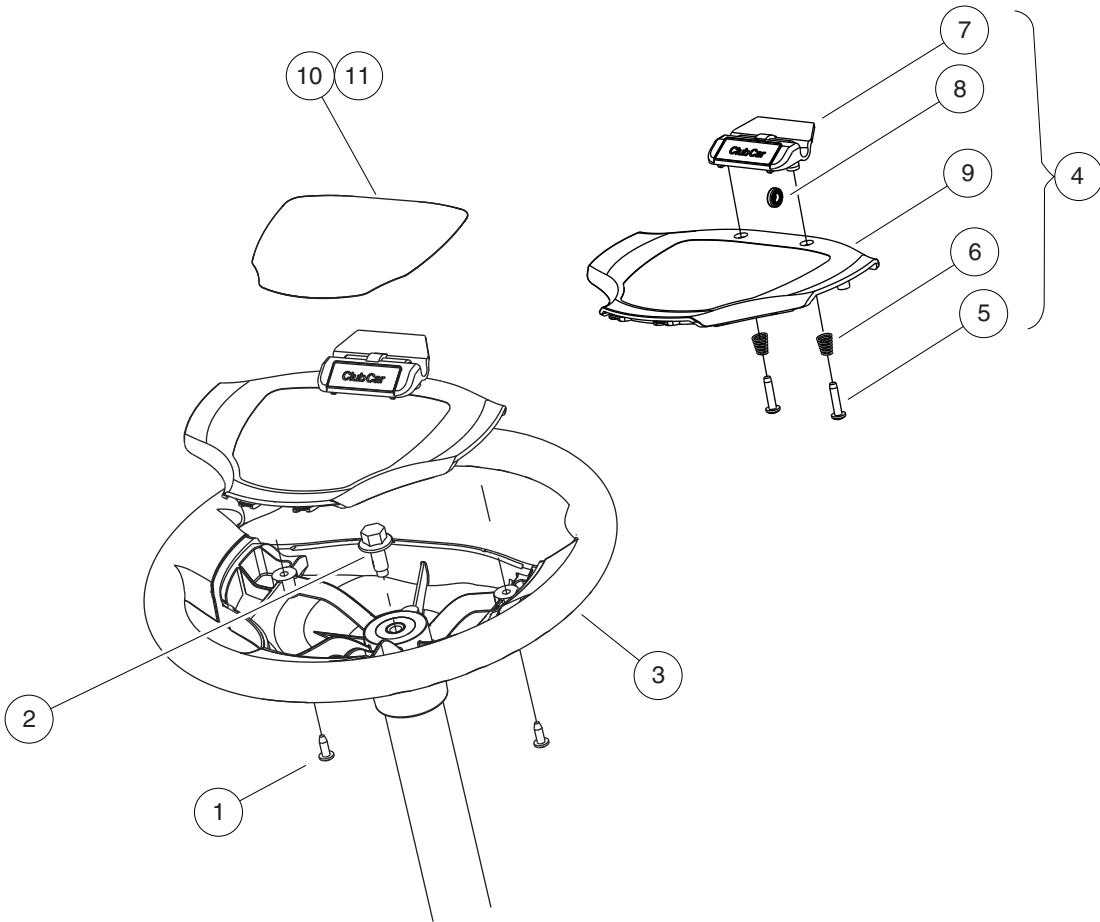
STEERING, FRONT AND REAR SUSPENSION

6

G

E

6
G
E

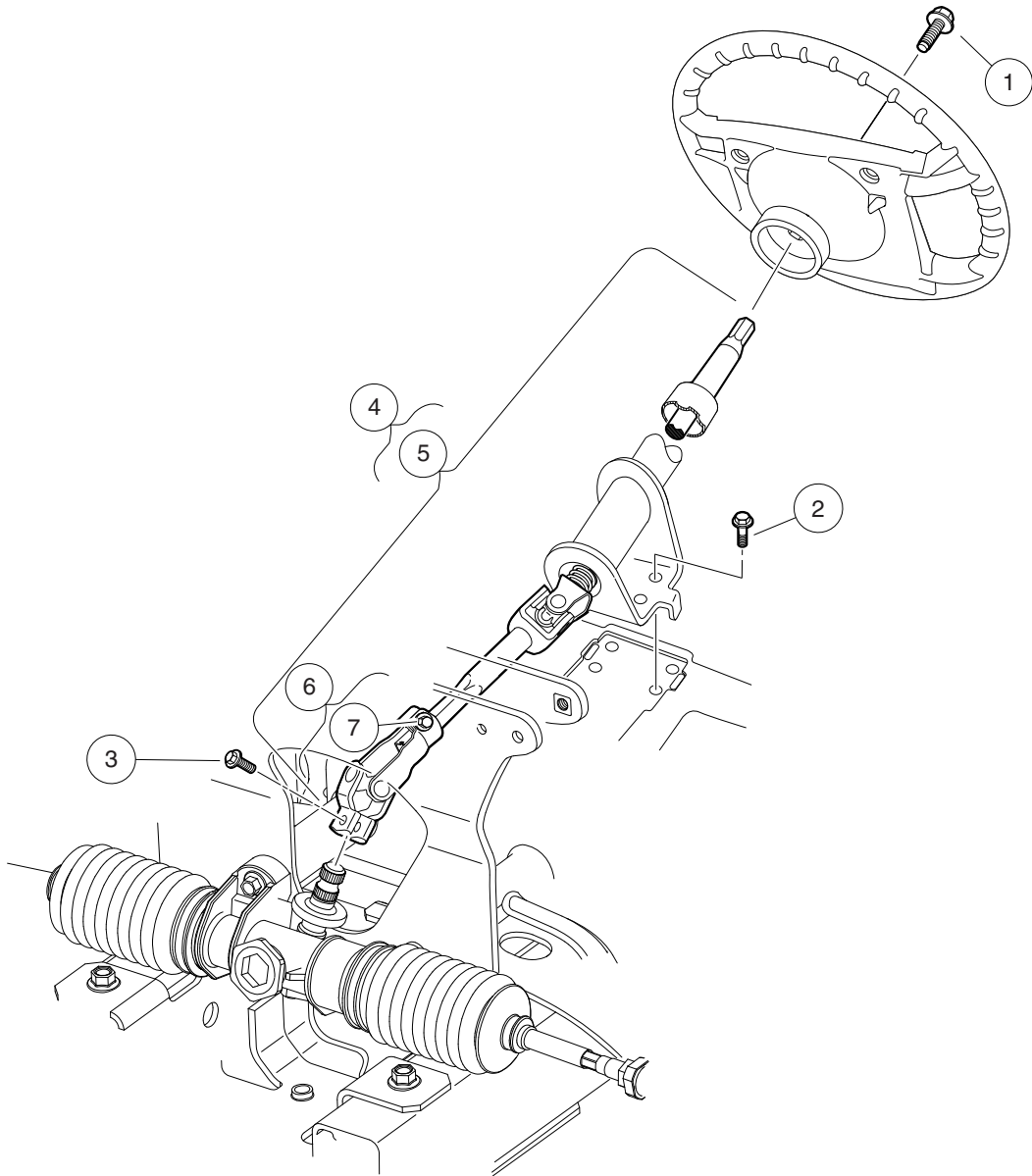


000470-005

STEERING WHEEL

ITEM	PART NO.	DESCRIPTION	QTY
		1 2 3 4	
1	<u>101850301</u>	Screw, #12-16 X 0.50 Washer-Head Hi-Lo	2
2	<u>102290120</u>	Bolt, M10 X 20 Hex Washer Hd	1
3	<u>103724501</u>	Steering Wheel, Hex	1
4	<u>103724901</u>	Asm, Scorecard, Clip (includes items 5 through 9)	1
5	<u>1012565</u>	Screw, #12 Phillips Round Head	2
6	<u>1012566</u>	Tapered Compression Spring	2
7	<u>1016154</u>	Clip, Scorecard	1
8	<u>1016214</u>	Pencil Grip	1
9	<u>103724601</u>	Cover, Steering Wheel, Clip	1
10	<u>103783001</u>	Decal, Op Instr, Ele	1
11	<u>103783002</u>	Decal, Op Instr, Gas Ps	1

6
G
E

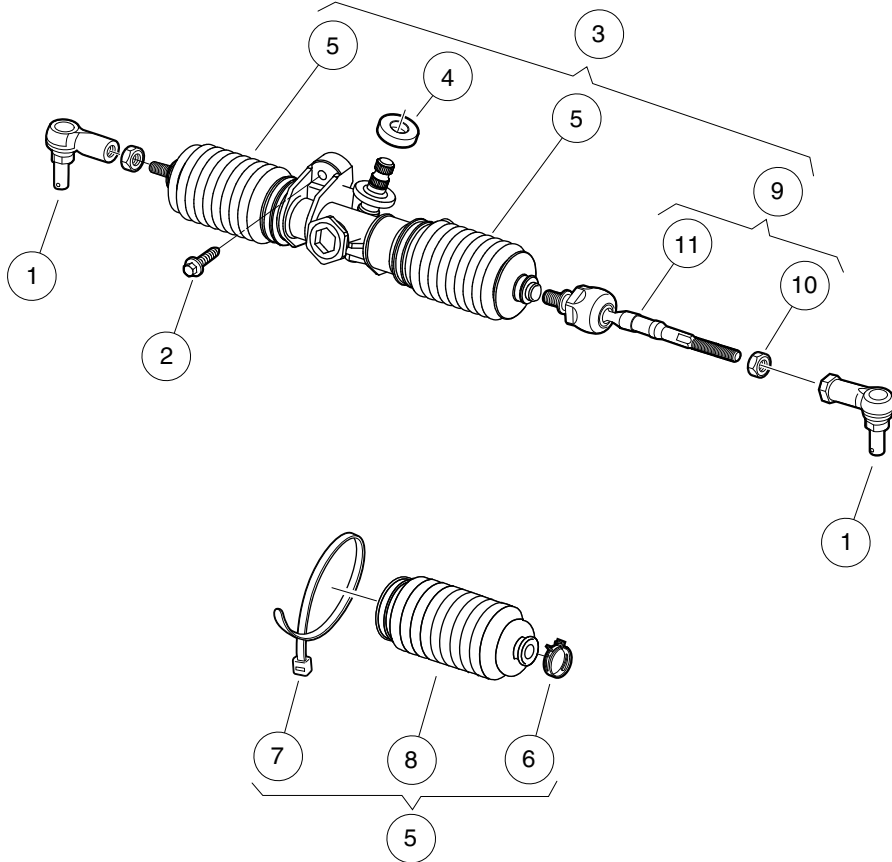


000469-007

STEERING COLUMN

ITEM	PART NO.	DESCRIPTION	QTY
		1 2 3 4	
1	102290120	Bolt, M10 X 20 Hex Washer Hd	1
2	<u>102298116</u>	Bolt, Flanged Head, M8 X 16.0	4
3	<u>102298130</u>	Bolt, Flange Head, M8 X 30.0	1
4	<u>105049001</u>	Kit, Inner Steering Clmn (includes item 5)	1
5	105068601	Asm, Column, Inner (includes item 6)	1
6	<u>103810201</u>	Kit, Lower Yoke, Wanda (includes item 7)	1
7	<u>102298130</u>	Bolt, Flange Head, M8 X 30.0	1

6
G
E



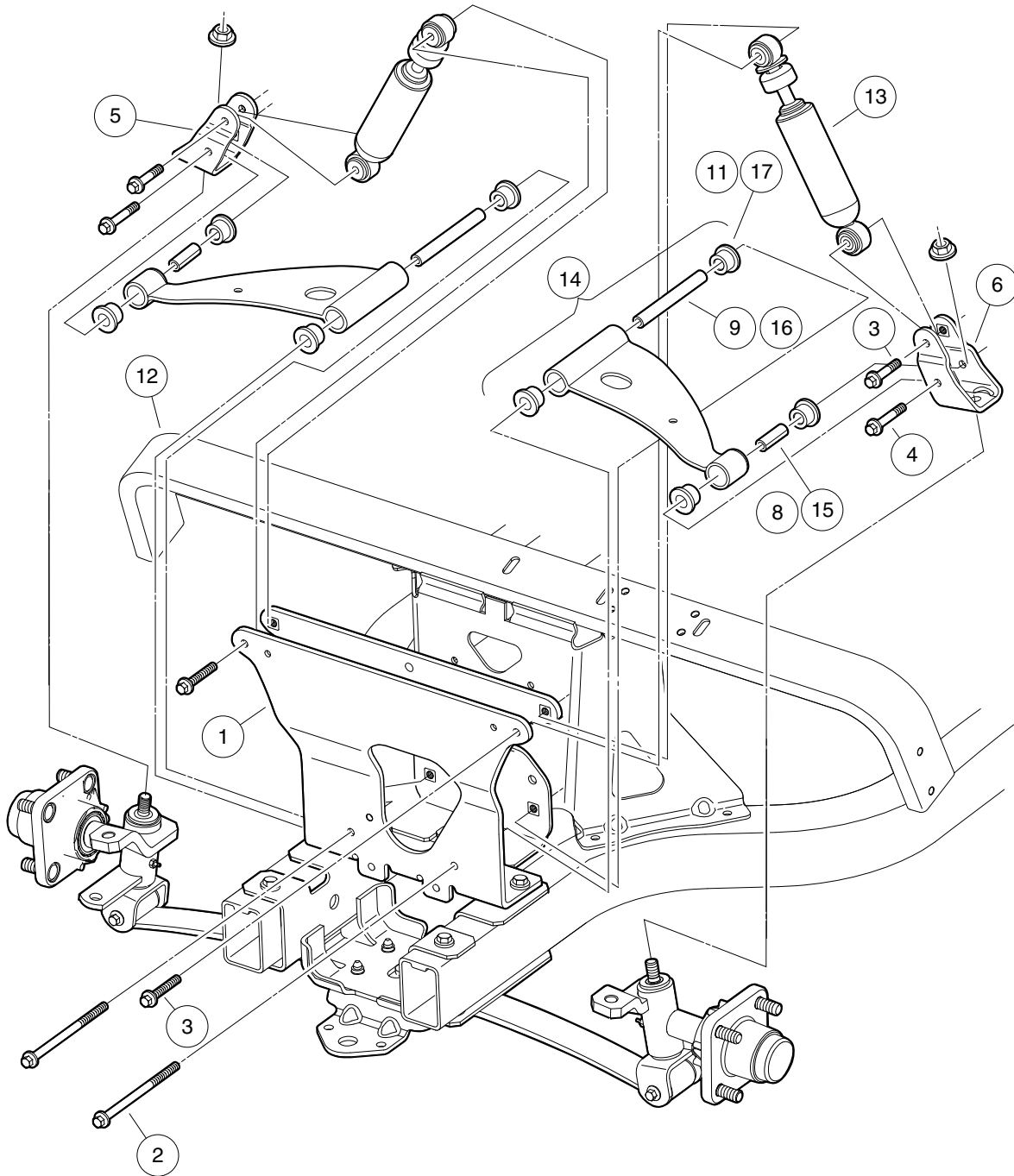
000476-005

STEERING GEAR ASSEMBLY

ITEM	PART NO.	DESCRIPTION	QTY
		1 2 3 4	
1	<u>102022601</u>	End, Tie Rod M12 X 1.25 Rh	2
2	<u>102289001</u>	Screw, M8X1.25X30, Hex	3
3	<u>103679701</u>	Asm, Rack & Pinion (includes items 4 through 9)	1
4	<u>102565201</u>	Seal, Dust, Steering Pinion	1
5	<u>103826201</u>	Bellow Kit, Steering-sona (includes items 6 through 8)	2
6	<u>102566001</u>	Clip, Steering	1
7	<u>8990</u>	Tie Wrap, 8" Nylon	1
8	N/A	Bellows	1
9	<u>103826301</u>	Kit, IBJ (Inner Ball Joint), Steering-sona (includes items 10 and 11)	2
10	1013042	Nut, 12mm Hex	1
11	N/A	Inner Ball Joint	1

6
G
E

6
G
E



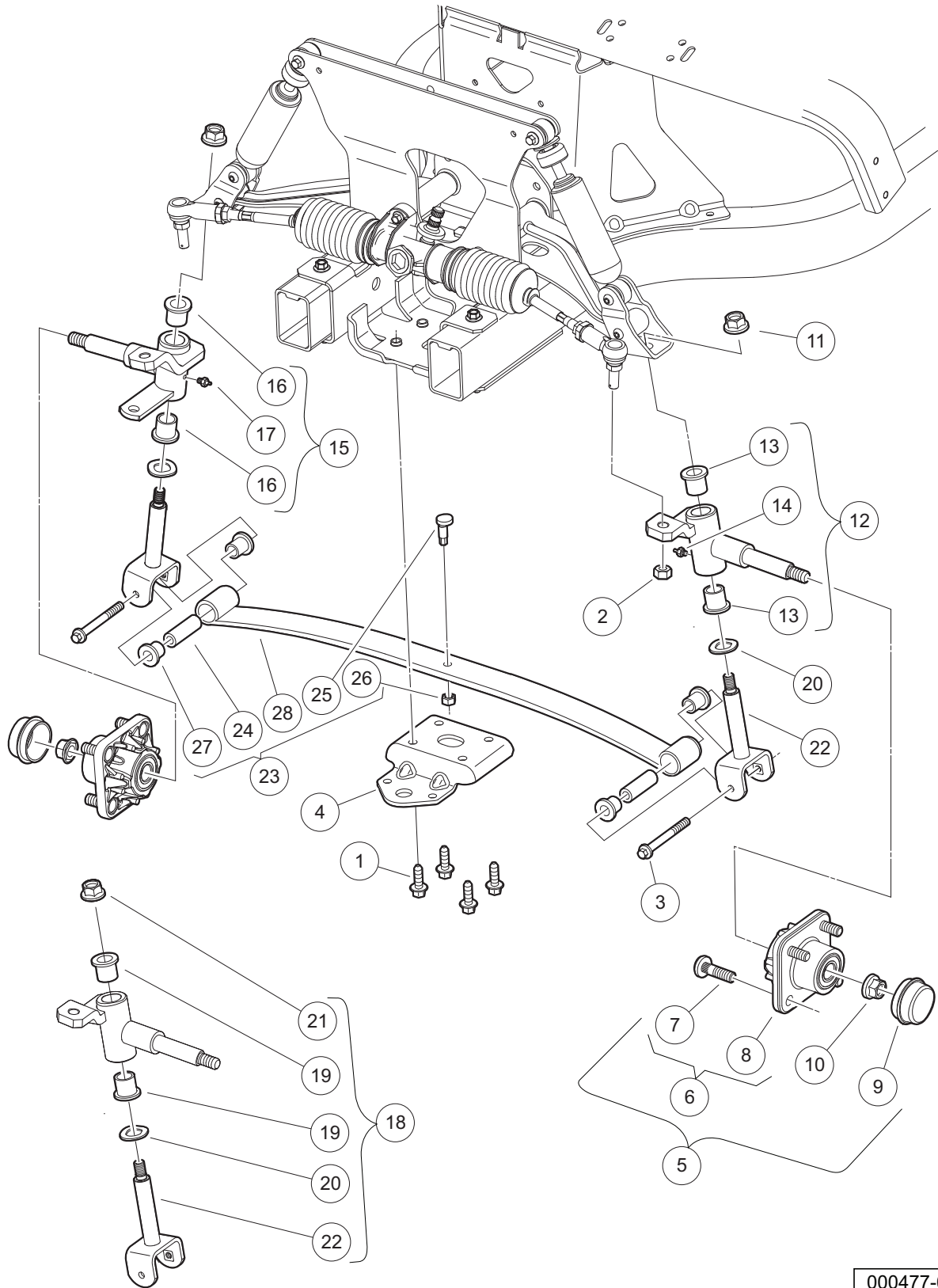
000445-005

FRONT SUSPENSION, UPPER

ITEM	PART NO.	DESCRIPTION	QTY
		1 2 3 4	
1	<u>102287101</u>	Assembly - Front Structure	1
2	<u>102288901</u>	Bolt, Hex, M8x1.25 X 135	2
3	<u>102289401</u>	Screw- Hex Cap, M8 X 1.25 X 45	4
4	<u>102289501</u>	Screw- Hex Cap, M8 X 1.25 X 70	2
5	<u>102289601</u>	Upper Clevis Assembly, Passenger-side	1
6	<u>102289701</u>	Upper Clevis Assembly, Driver-side	1
7	<u>102289901</u>	Kit, Susp, Bushing Joints (includes items 8 through 11)	1
8	<u>102287601</u>	Sleeve - Rolled, Outer	2
9	<u>102287701</u>	Sleeve - Rolled, Inner	2
10	<u>102288101</u>	Sleeve - Rolled, Spring	2
11	<u>102956201</u>	Bushing, Urethane, Short	12
12	<u>102505701</u>	Assembly, Dash Support	1
13	<u>102588601</u>	Shock Absorber Front	2
14	<u>103388501</u>	Asm, 3 Piece A-arm, Bushings (includes items 15 through 17)	2
15	<u>102287601</u>	Sleeve - Rolled, Outer	1
16	<u>102287701</u>	Sleeve - Rolled, Inner	1
17	<u>102956201</u>	Bushing, Urethane, Short	4
		Note: Item 7 (not shown) includes bushings and sleeves for control arms and front suspension leaf spring. See lower suspension page for illustration of item 10 (not shown).	

6
G
E

6
G
E



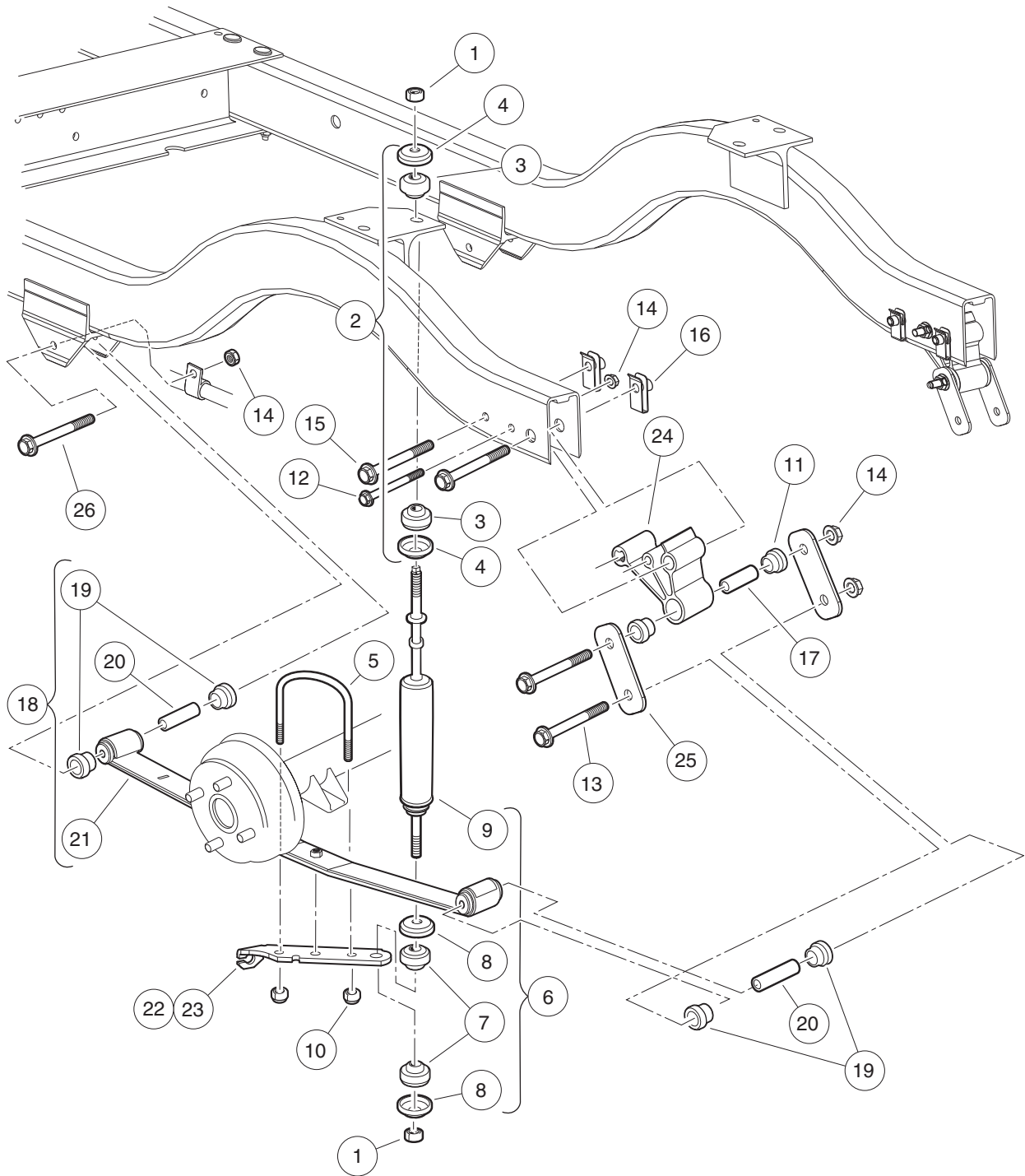
000477-009

FRONT SUSPENSION, LOWER

ITEM	PART NO.	DESCRIPTION	QTY
		1 2 3 4	
1	<u>102289101</u>	Screw-m10x1.5, Trilob, Hex Fl	4
2	<u>102289201</u>	Nut - Hex Locking, M12 X 1.25	2
3	<u>102289501</u>	Screw- Hex Cap, M8 X 1.25 X 70	2
4	<u>102289801</u>	Clamp - Leaf Spring	1
5	<u>102357701</u>	Replacement Kit, Front Hub (includes items 6 through 10)	1
6	N/A	Front Hub Assembly, Ball Bearing (includes items 7 and 8)	1
7	<u>102353401</u>	Lug Stud, 1/2-20 UNF, 4037 Stl	4
8	N/A	Hub, Front	1
9	<u>102353201</u>	Cap, Front Hub	1
10	<u>102353301</u>	Hex Nut, Locking Flange, M14x2	1
11	<u>102878201</u>	Nut, Lock,m12,washer,conical	2
12	<u>103638701</u>	Asm, Spindle, with Bushings, Driver-side (includes items 13 and 14)	1
13	<u>102288201</u>	Bushing - Flanged	2
14	N/A	Fitting, Grease, Knuckle Spindle Asym	1
15	<u>103638702</u>	Asm, Spindle, with Bushings, Passenger-side (includes items 16 and 17)	1
16	<u>102288201</u>	Bushing - Flanged	2
17	N/A	Fitting, Grease, Knuckle Spindle Asym	1
18	<u>103638801</u>	Kit, King Pin Joints (includes items 19 through 22)	1
19	<u>102288201</u>	Bushing - Flanged	4
20	<u>102288401</u>	Wave Washer - Kingpin	2
21	<u>102878201</u>	Nut, Lock,m12,washer,conical	2
22	<u>103638601</u>	Asm, King Pin, M12	2
23	<u>103935601</u>	Asm, Spring, Leaf, Front, 50.4 (includes items 24 through 28)	1
24	<u>102288101</u>	Sleeve - Rolled, Spring	2
25	102288701	Eccentric Bolt	1
26	102288801	Nut-hex, 3/8-16	1
27	<u>102956201</u>	Bushing, Urethane, Short	2
28	105187901	Spring, Leaf, Front, 50.4	1

6
G
E

6
G
E



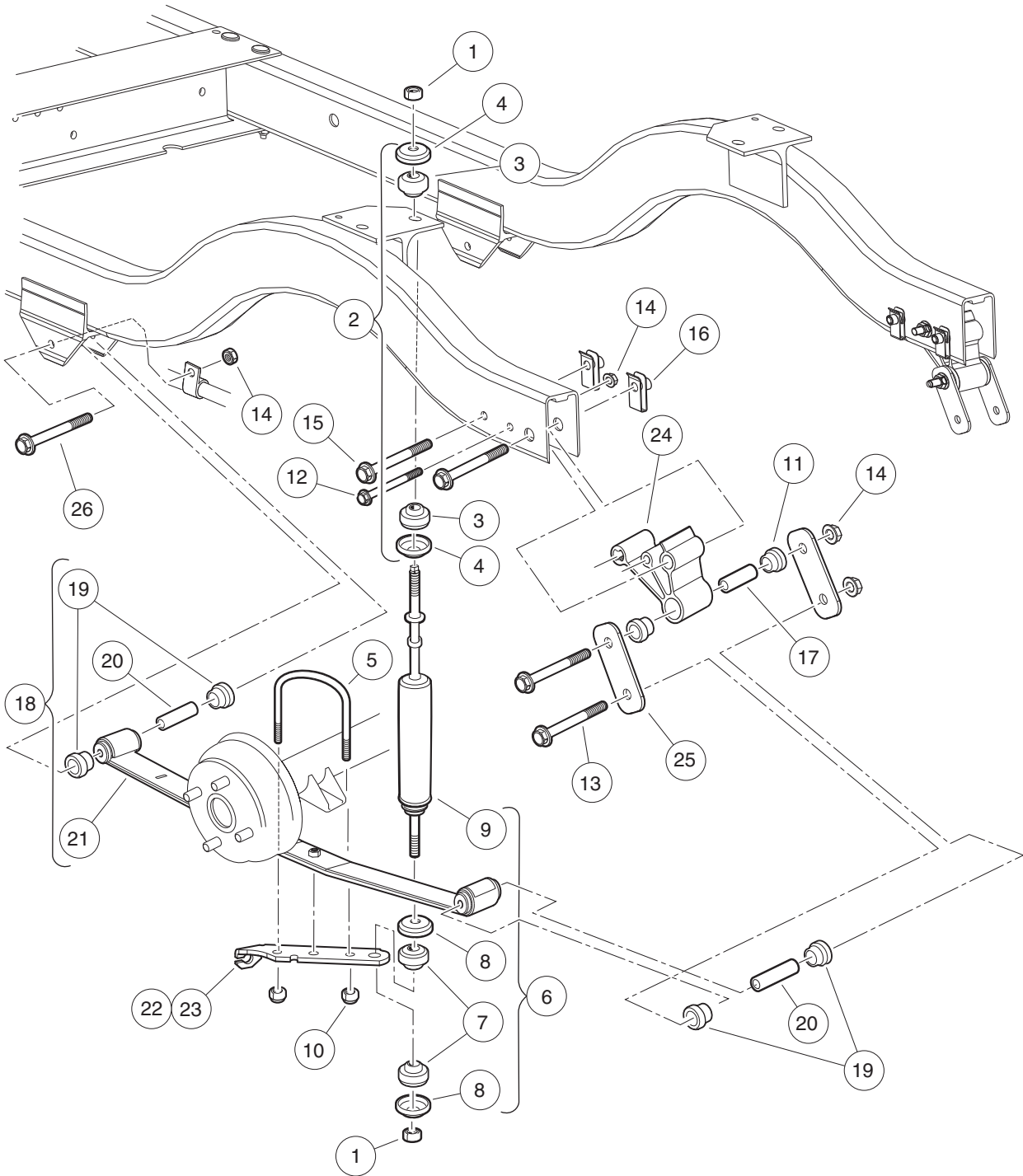
000446-005

REAR SUSPENSION, GASOLINE VEHICLE

ITEM	PART NO.	DESCRIPTION	QTY
		1 2 3 4	
1	<u>1010145</u>	Nut, 3/8-24 Hex	4
2	<u>1011415</u>	Kit, Shock Absorber Cushion (includes items 3 and 4)	2
3	N/A	Retainer, Shock Absorber Cushion	2
4	<u>47579096001</u>	Isolator, Shock Damper	2
5	<u>1012180</u>	U-Bolt	2
6	<u>1013164</u>	Shock Absorber Kit (includes items 7 through 9)	1
7	N/A	Cushion, Shock Absorber	8
8	N/A	Retainer, Shock Absorber Cushion	8
9	<u>102588501</u>	Shock Absorber, Rear	2
10	<u>1014555</u>	Locknut, 7/16-14 Nylon Hex	4
11	<u>1015583</u>	Bushing, Urethane	4
12	<u>102298170</u>	Bolt - Flange Hd, M8 X 70.0	2
13	<u>102298175</u>	Bolt - Flange Hd, M8 X 75.0	2
14	<u>102298401</u>	Nut,m8,all Metal Lock	8
15	<u>102298580</u>	M8-1.25 X 80 Sems	4
16	<u>102298601</u>	J-clip - M8 X 1.25	4
17	<u>102506401</u>	Sleeve - Spring Eye Mounts	2
18	<u>103742305</u>	Asm, Rear Leaf Spring, Light (includes items 19 through 21)	2
19	<u>101558302</u>	Bushing, Urethane, Soft	4
20	<u>102506401</u>	Sleeve - Spring Eye Mounts	2
21	N/A	Leaf Spring, Rear, Light	1
22	<u>103921601</u>	Bracket, Shock Mounting, Drv	1
23	<u>103921602</u>	Bracket, Shock Mounting, Pas	1
24	<u>103964901</u>	Spacer, Rail, Shackle	2
25	<u>103965001</u>	Brkt, Shackle, Rear	4
26	<u>105188185</u>	Bolt, M8 X 85mm, 10.9 Grade	4

6
G
E

6
G
E



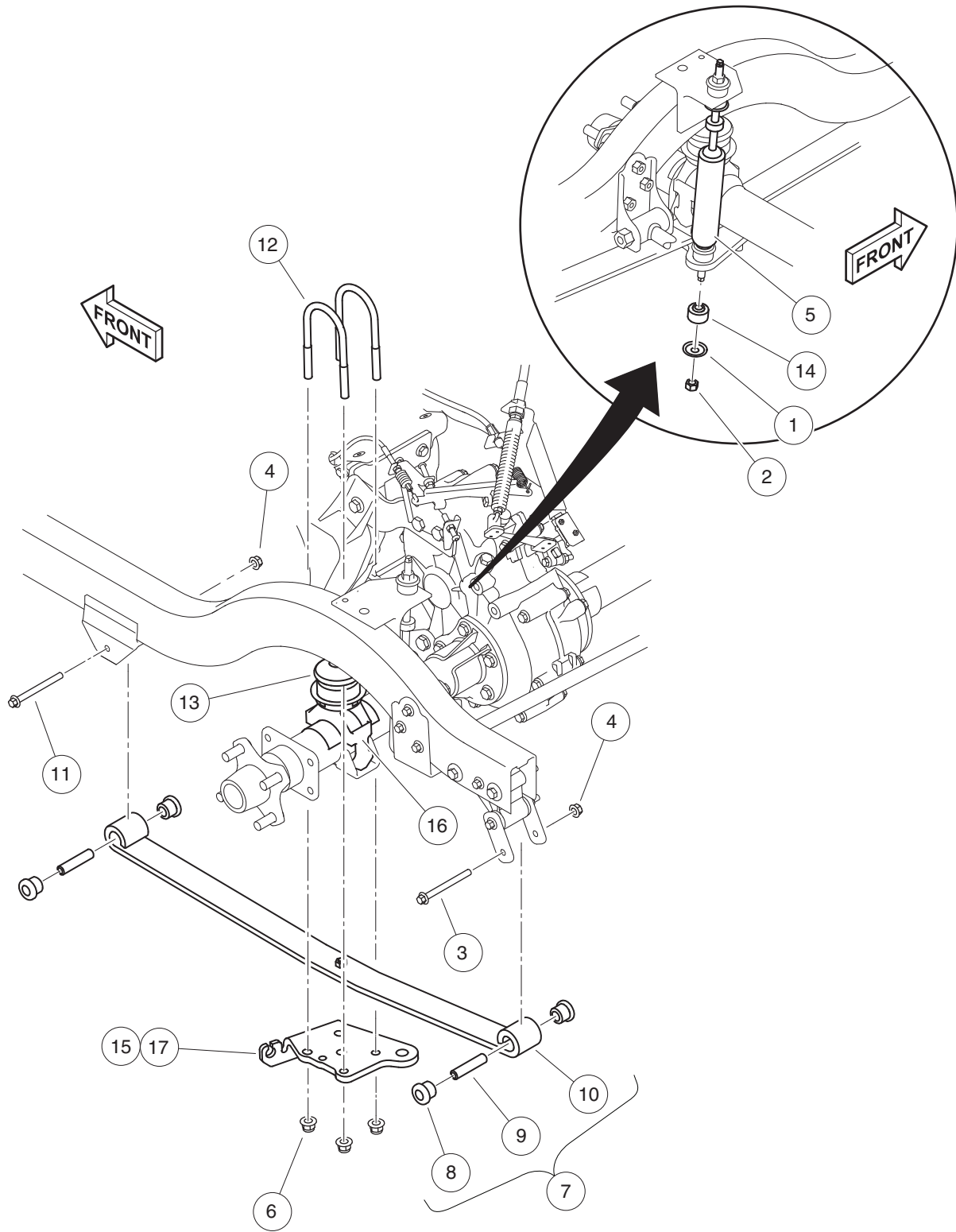
000446-005

REAR SUSPENSION, ELECTRIC VEHICLE

ITEM	PART NO.	DESCRIPTION	QTY
		1 2 3 4	
1	<u>1010145</u>	Nut, 3/8-24 Hex	4
2	<u>1011415</u>	Kit, Shock Absorber Cushion (includes items 3 and 4)	2
3	N/A	Retainer, Shock Absorber Cushion	2
4	<u>47579096001</u>	Isolator, Shock Damper	2
5	<u>1012180</u>	U-Bolt	2
6	<u>1013164</u>	Shock Absorber Kit (includes items 7 through 9)	1
7	N/A	Cushion, Shock Absorber	8
8	N/A	Retainer, Shock Absorber Cushion	8
9	<u>102588501</u>	Shock Absorber, Rear	2
10	<u>1014555</u>	Locknut, 7/16-14 Nylon Hex	4
11	<u>1015583</u>	Bushing, Urethane	4
12	<u>102298170</u>	Bolt - Flange Hd, M8 X 70.0	2
13	<u>102298175</u>	Bolt - Flange Hd, M8 X 75.0	2
14	<u>102298401</u>	Nut,m8,all Metal Lock	8
15	<u>102298580</u>	M8-1.25 X 80 Sems	4
16	<u>102298601</u>	J-clip - M8 X 1.25	4
17	<u>102506401</u>	Sleeve - Spring Eye Mounts	2
18	<u>103742304</u>	Asm, Rear Leaf Spring, Std (includes items 19 through 21)	2
19	<u>101558302</u>	Bushing, Urethane, Soft	4
20	<u>102506401</u>	Sleeve - Spring Eye Mounts	2
21	N/A	Leaf Spring, Rear, Std	1
22	<u>103921601</u>	Bracket, Shock Mounting, Drv	1
23	<u>103921602</u>	Bracket, Shock Mounting, Pas	1
24	<u>103964901</u>	Spacer, Rail, Shackle	2
25	<u>103965001</u>	Brkt, Shackle, Rear	4
26	<u>105188185</u>	Bolt, M8 X 85mm, 10.9 Grade	4

6
G
E

6
G
E



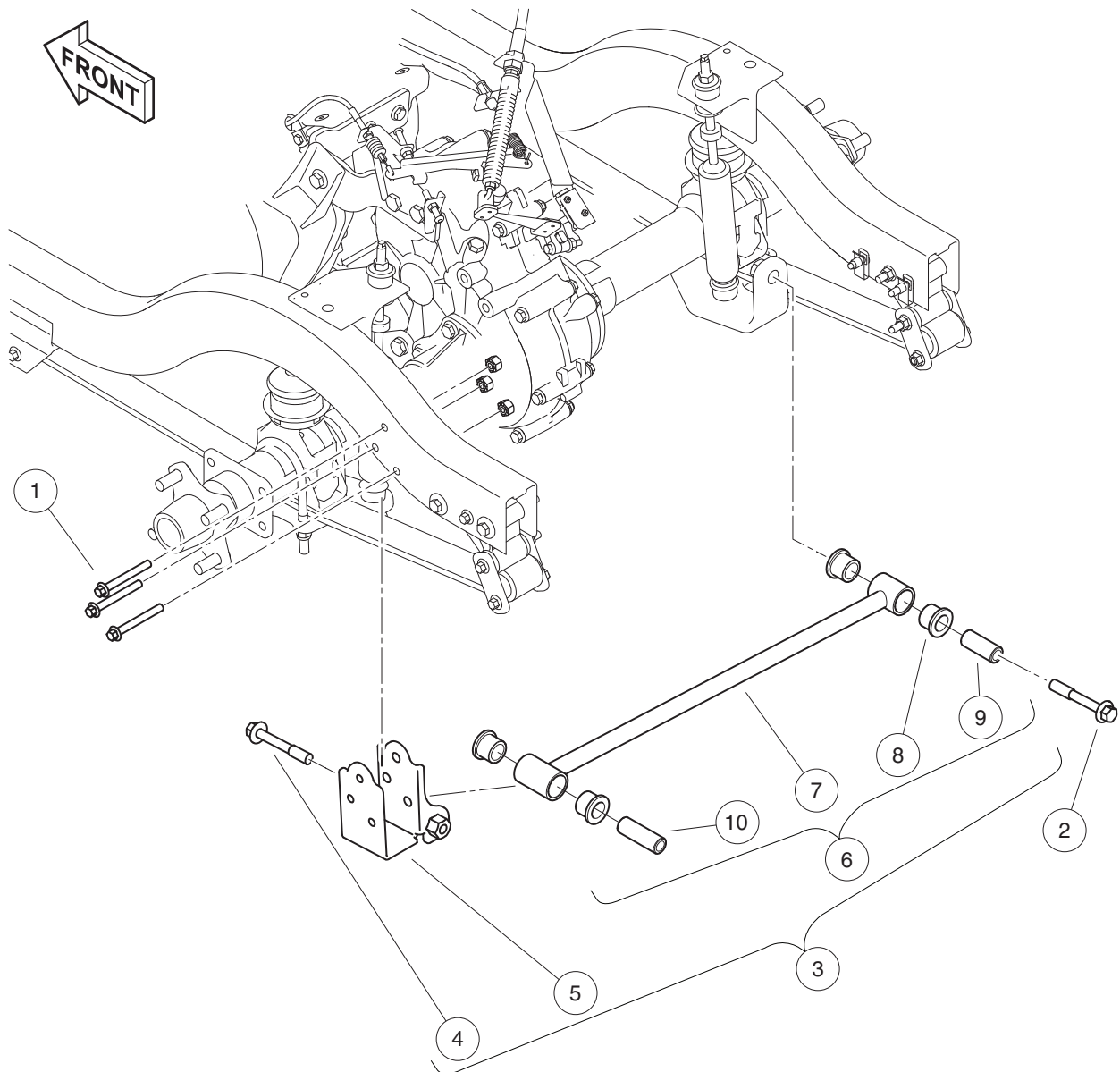
001396-001

REAR SUSPENSION, GASOLINE 4-PASSENGER – CONSUMER

ITEM	PART NO.	DESCRIPTION	QTY
		1 2 3 4	
1	N/A	Retainer, Shock Absorber Cushion	8
2	<u>1010145</u>	Nut, 3/8-24 Hex	4
3	<u>102298175</u>	Bolt - Flange Hd, M8 X 75.0	2
4	<u>102298401</u>	Nut,m8,all Metal Lock	4
5	<u>102588501</u>	Shock Absorber, Rear	2
6	<u>102670701</u>	Nut, Flange, M10 X 1.5 Nylon	8
7	<u>103742304</u>	Asm, Rear Leaf Spring, Std (includes items 8 through 10)	2
8	<u>101558302</u>	Bushing, Urethane, Soft	4
9	<u>102506401</u>	Sleeve - Spring Eye Mounts	2
10	N/A	Leaf Spring, Rear, Std	1
11	<u>105188185</u>	Bolt, M8 X 85mm, 10.9 Grade	2
12	<u>105188701</u>	U-bolt, M10x1.5x58	4
13	<u>47576196001</u>	Bumper, Jounce, D-255828	2
14	<u>47579096001</u>	Isolator, Shock Damper	8
15	47583665001	Bracket, U-bolt, with Panhard Mount, Passenger-side	1
16	47583666001	Bracket, Perch, Bumper, Jounce	2
17	47583912001	Bracket, U-bolt, Driver-side	1

6
G
E

6
G
E



001392-001

PANHARD ROD

ITEM	PART NO.	DESCRIPTION	QTY
		1 2 3 4	
1	<u>102298170</u>	Bolt - Flange Hd, M8 X 70.0	3
2	<u>103146501</u>	Bolt, Flg, M12 X 1.75 X 80	1
3	47577865001	Assy, Panhard and Frame Rail Bracket (includes items 4 through 6)	1
4	<u>103146501</u>	Bolt, Flg, M12 X 1.75 X 80	1
5	47576649001	Bkt, Frame Rail, Panhard	1
6	47577864001	Asm, Rod, Panhard (includes items 7 through 10)	1
7	47576650001	Assy, Weldment, Panhard	1
8	47576651001	Bushing, Slip, 3390000-160802	4
9	47576652001	Sleeve, Bushing, Panhard, Short	1
10	47576652002	Sleeve, Bushing, Panhard, Long	1

6
G
E

6

G

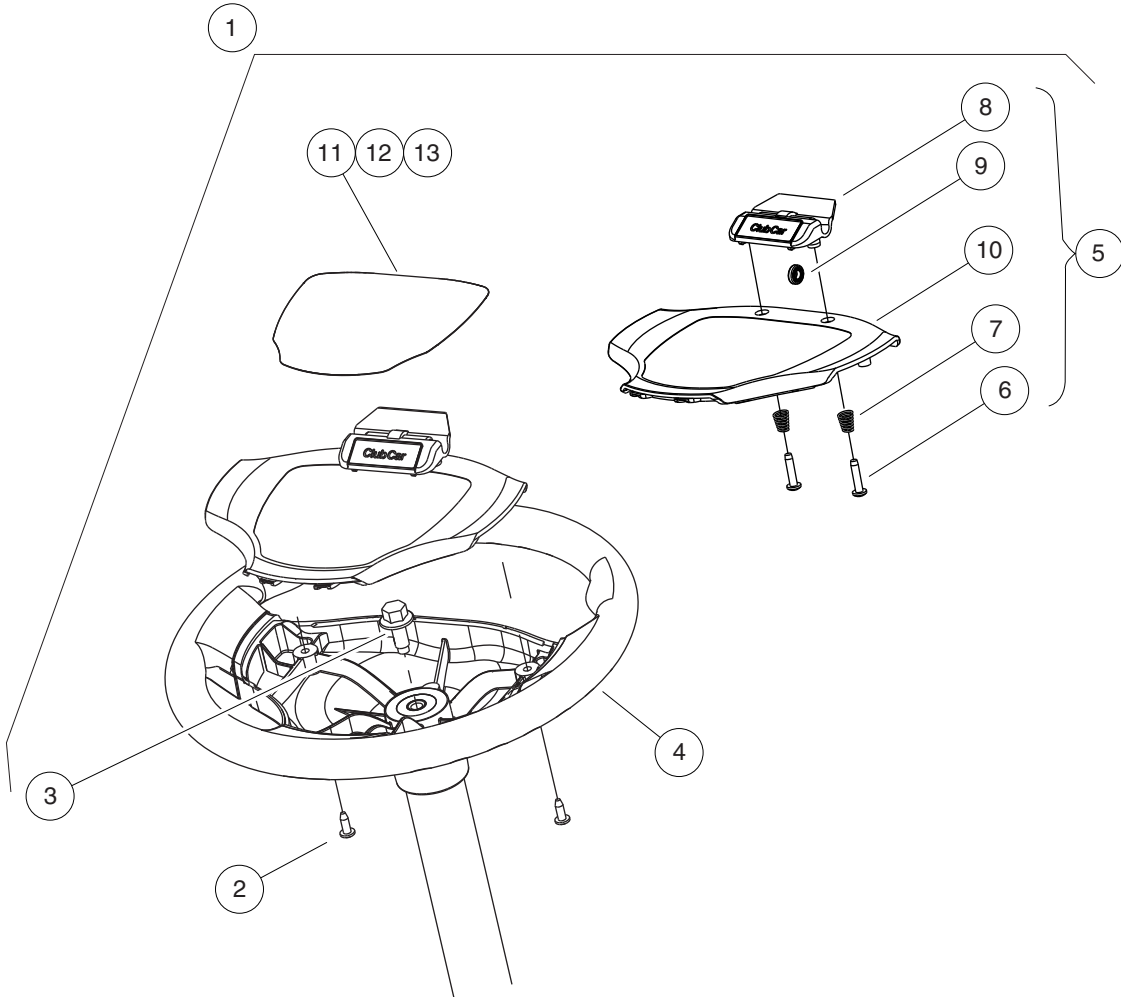
E

STEERING, FRONT AND REAR SUSPENSION – LIFTED

7

G

E

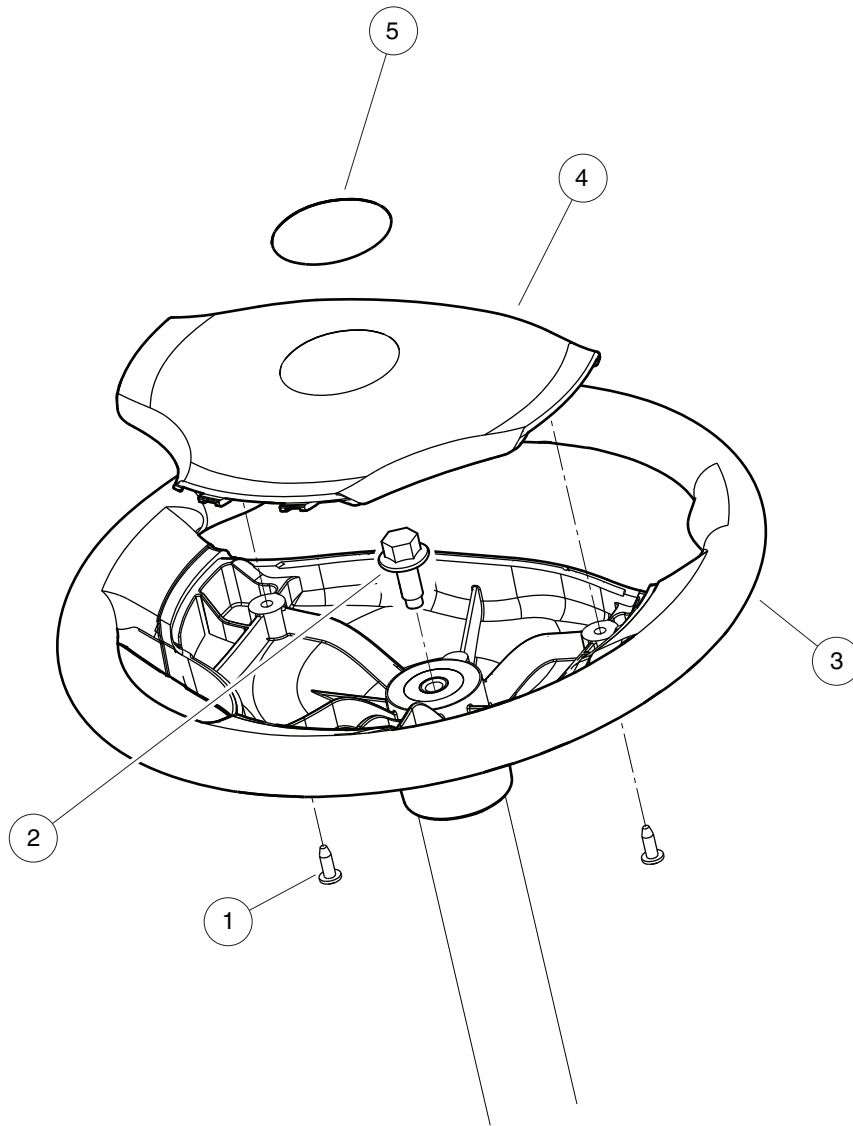


000470-002

STEERING WHEEL, COMFORT GRIP WITH CLIP

ITEM	PART NO.	DESCRIPTION	QTY
		1 2 3 4	
1	<u>103796701</u>	Kit, Hex, Steering Wheel (includes items 2 through 13)	1
2	<u>101850301</u>	Screw, #12-16 X 0.50 Washer-Head Hi-Lo	2
3	<u>102290120</u>	Bolt, M10 X 20 Hex Washer Hd	1
4	<u>103724503</u>	Steering Wheel, Soft Grip, Hex	1
5	<u>103724901</u>	Asm, Scorecard, Clip (includes items 6 through 10)	1
6	<u>1012565</u>	Screw, #12 Phillips Round Head	2
7	<u>1012566</u>	Tapered Compression Spring	2
8	<u>1016154</u>	Clip, Scorecard	1
9	<u>1016214</u>	Pencil Grip	1
10	<u>103724601</u>	Cover, Steering Wheel, Clip	1
11	<u>103783001</u>	Decal, Op Instr, Ele	1
12	<u>103783002</u>	Decal, Op Instr, Gas Ps	1
13	<u>103783003</u>	Decal, Op Instr, Gas Ks	1
<p>Note: Refer to the Decal section of this manual or to the applicable Operator Manual for this vehicle to make sure which Operating Instructions Decal applies.</p>			

7
G
E

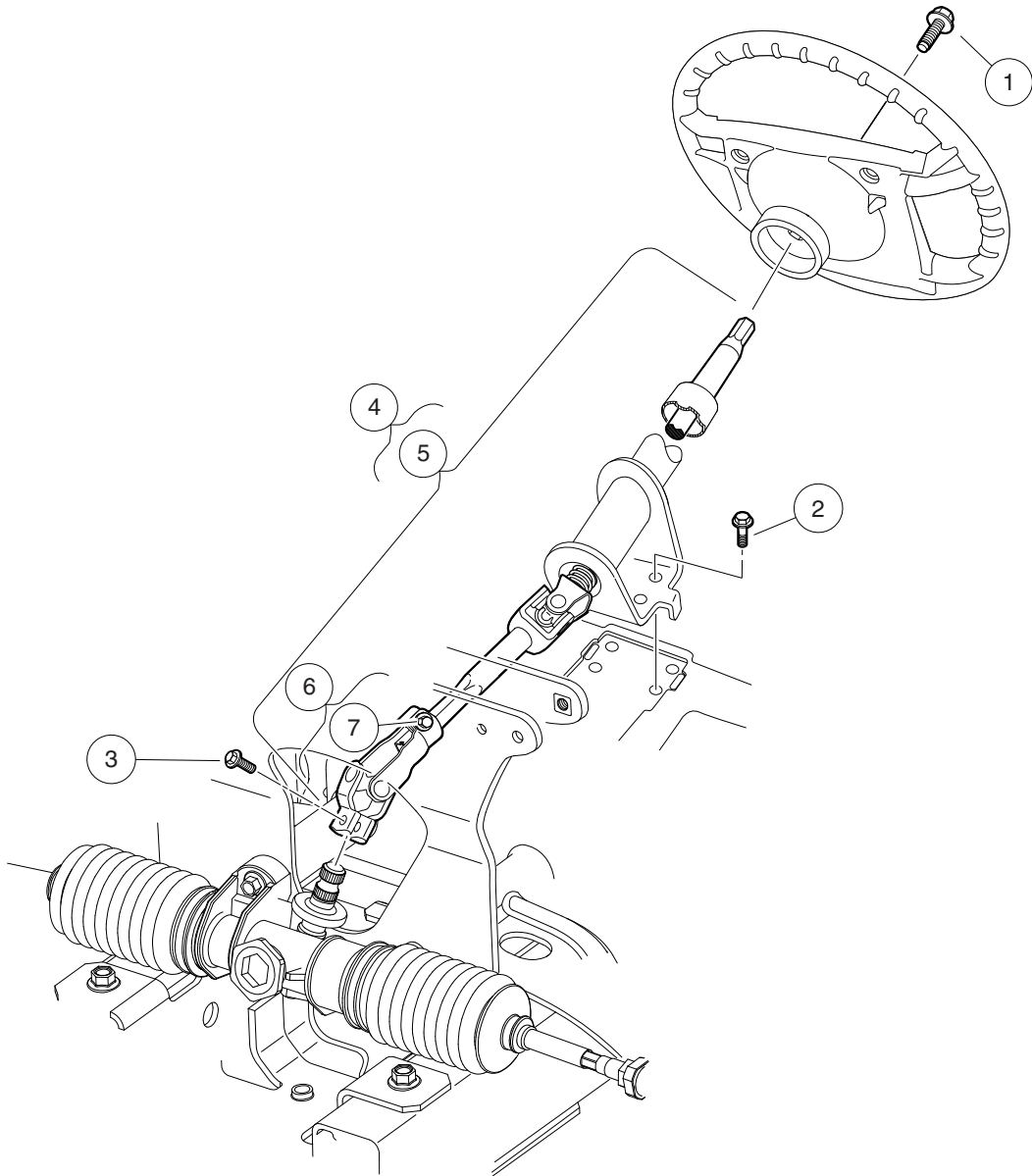


001389-001

STEERING WHEEL, COMFORT GRIP WITH LOGO

ITEM	PART NO.	DESCRIPTION	QTY
		1 2 3 4	
1	<u>101850301</u>	Screw, #12-16 X 0.50 Washer-Head Hi-Lo	2
2	<u>102290120</u>	Bolt, M10 X 20 Hex Washer Hd	1
3	<u>103724503</u>	Steering Wheel, Soft Grip, Hex	1
4	<u>103724602</u>	Cover, Steering Wheel, Generic	1
5	<u>103829401</u>	Logo, Cci, Steer Wheel	1

7
G
E

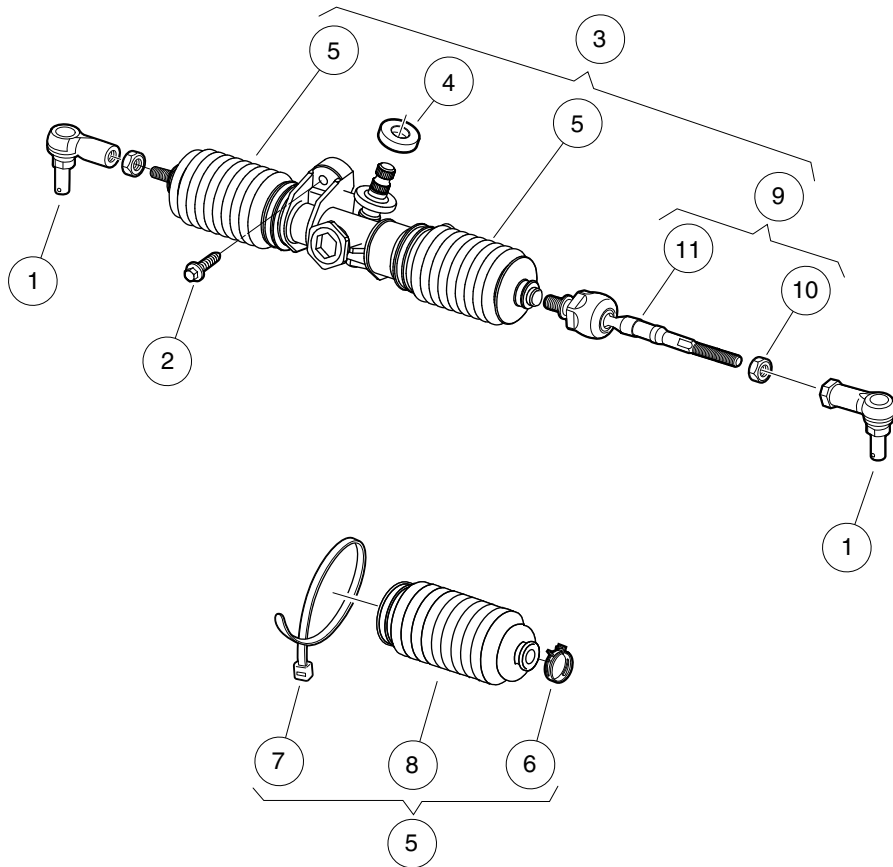


000469-007

STEERING COLUMN

ITEM	PART NO.	DESCRIPTION	QTY
		1 2 3 4	
1	102290120	Bolt, M10 X 20 Hex Washer Hd	1
2	<u>102298116</u>	Bolt, Flanged Head, M8 X 16.0	4
3	<u>102298130</u>	Bolt, Flange Head, M8 X 30.0	1
4	<u>105049001</u>	Kit, Inner Steering Clmn (includes item 5)	1
5	105068601	Asm, Column, Inner (includes item 6)	1
6	<u>103810201</u>	Kit, Lower Yoke, Wanda (includes item 7)	1
7	<u>102298130</u>	Bolt, Flange Head, M8 X 30.0	1

7
G
E



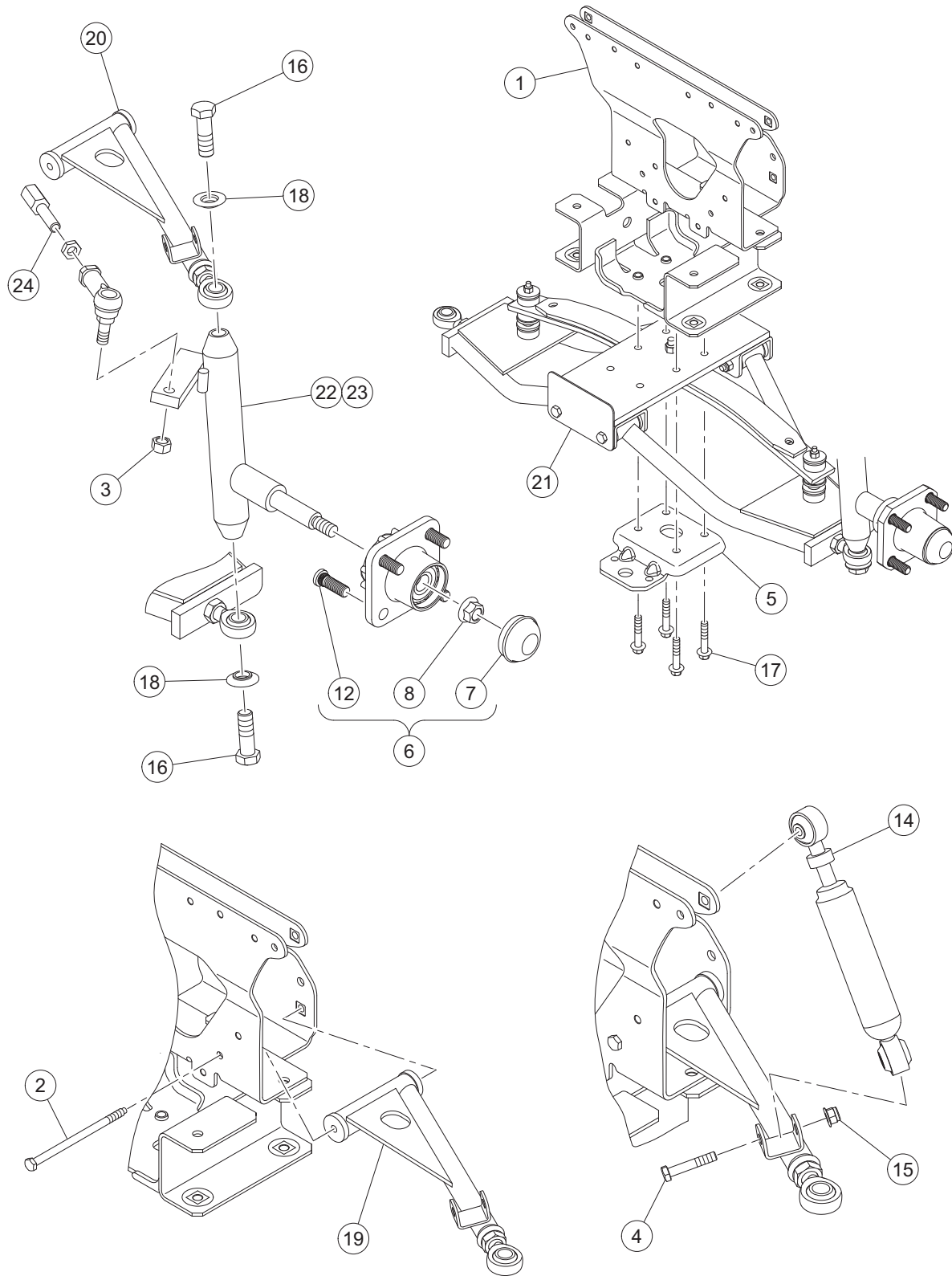
000476-005

STEERING GEAR ASSEMBLY

ITEM	PART NO.	DESCRIPTION	QTY
		1 2 3 4	
1	<u>102022601</u>	End, Tie Rod M12 X 1.25 Rh	2
2	<u>102289001</u>	Screw, M8X1.25X30, Hex	3
3	<u>103679701</u>	Asm, Rack & Pinion (includes items 4 through 9)	1
4	<u>102565201</u>	Seal, Dust, Steering Pinion	1
5	<u>103826201</u>	Bellow Kit, Steering-sona (includes items 6 through 8)	2
6	<u>102566001</u>	Clip, Steering	1
7	<u>8990</u>	Tie Wrap, 8" Nylon	1
8	N/A	Bellows	1
9	<u>103826301</u>	Kit, IBJ (Inner Ball Joint), Steering-sona (includes items 10 and 11)	2
10	1013042	Nut, 12mm Hex	1
11	N/A	Inner Ball Joint	1

7
G
E

7
G
E



G-020199-000003

FRONT SUSPENSION, LIFTED

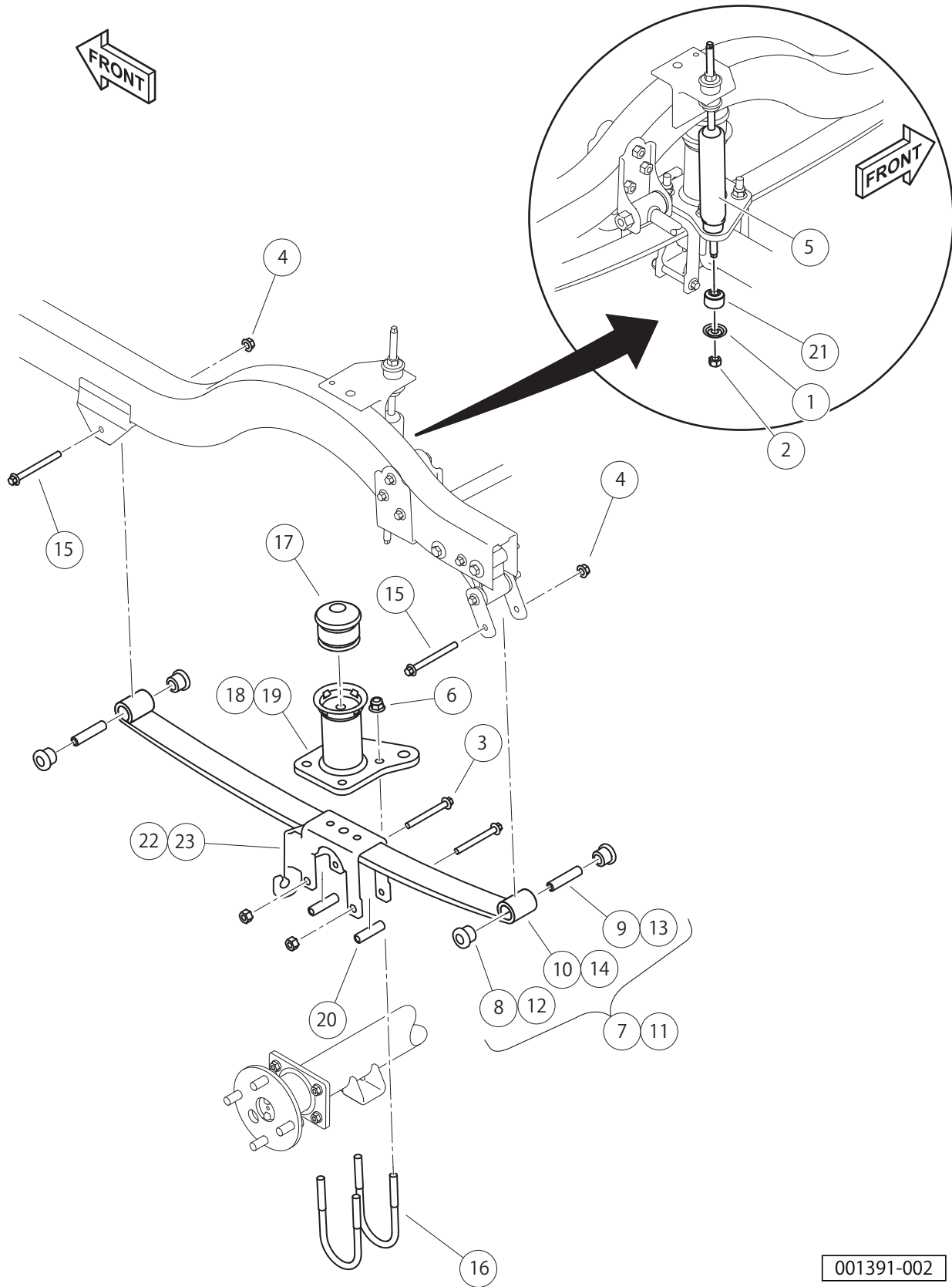
ITEM	PART NO.	DESCRIPTION	QTY
		1 2 3 4	
1	<u>102287101</u>	Assembly - Front Structure	1
2	<u>102288901</u>	Bolt, Hex, M8x1.25 X 135	2
3	<u>102289201</u>	Nut - Hex Locking, M12 X 1.25	2
4	<u>102289401</u>	Screw- Hex Cap, M8 X 1.25 X 45	4
5	<u>102289801</u>	Clamp - Leaf Spring	1
6	<u>102357701</u>	Replacement Kit, Front Hub (includes items 7 through 9)	2
7	<u>102353201</u>	Cap, Front Hub	1
8	<u>102353301</u>	Hex Nut, Locking Flange, M14x2	1
9	N/A	Asm, Front Hub, Bb, Long Stud (includes items 10 through 13)	1
10	N/A	Bearing, Ball, 6204	2
11	N/A	Spacer, Bearing, Front Hub, Pm	1
12	<u>103477901</u>	Lug Stud, 1/2-20 Unf, 4037	4
13	N/A	Front Hub, Ball Brg, Long Stud	1
14	<u>102588601</u>	Shock Absorber Front	2
15	102618601	Lock Nut, Flange, M8 X 1.25 Nylon	2
16	<u>47566405001</u>	Screw, Hex 5/8"-18 X 2" Gr5 Zn	4
17	<u>47566411001</u>	Screw, Hhf M10-1.5 X 50 Trilob	4
18	47650176001	Washer, High Misalignment 5/8"	4
19	47657816001	Asm, Upper A-arm, Hd Susp, Lh	1
20	47657817001	Asm, Upper A-arm, Hd Susp, Rh	1
21	47668395001	Asm, Base Lifted Frt Susp Lowr	1
22	<u>AM1289701</u>	Spindle, Driver-side	1
23	<u>AM1289801</u>	Spindle, Passenger-side	1
24	<u>AM1290201</u>	Tie Rod Extension	2
Note: Item 6 contains items 7 through 13. Detail items not shown for clarity.			

7

G

E

7
G
E



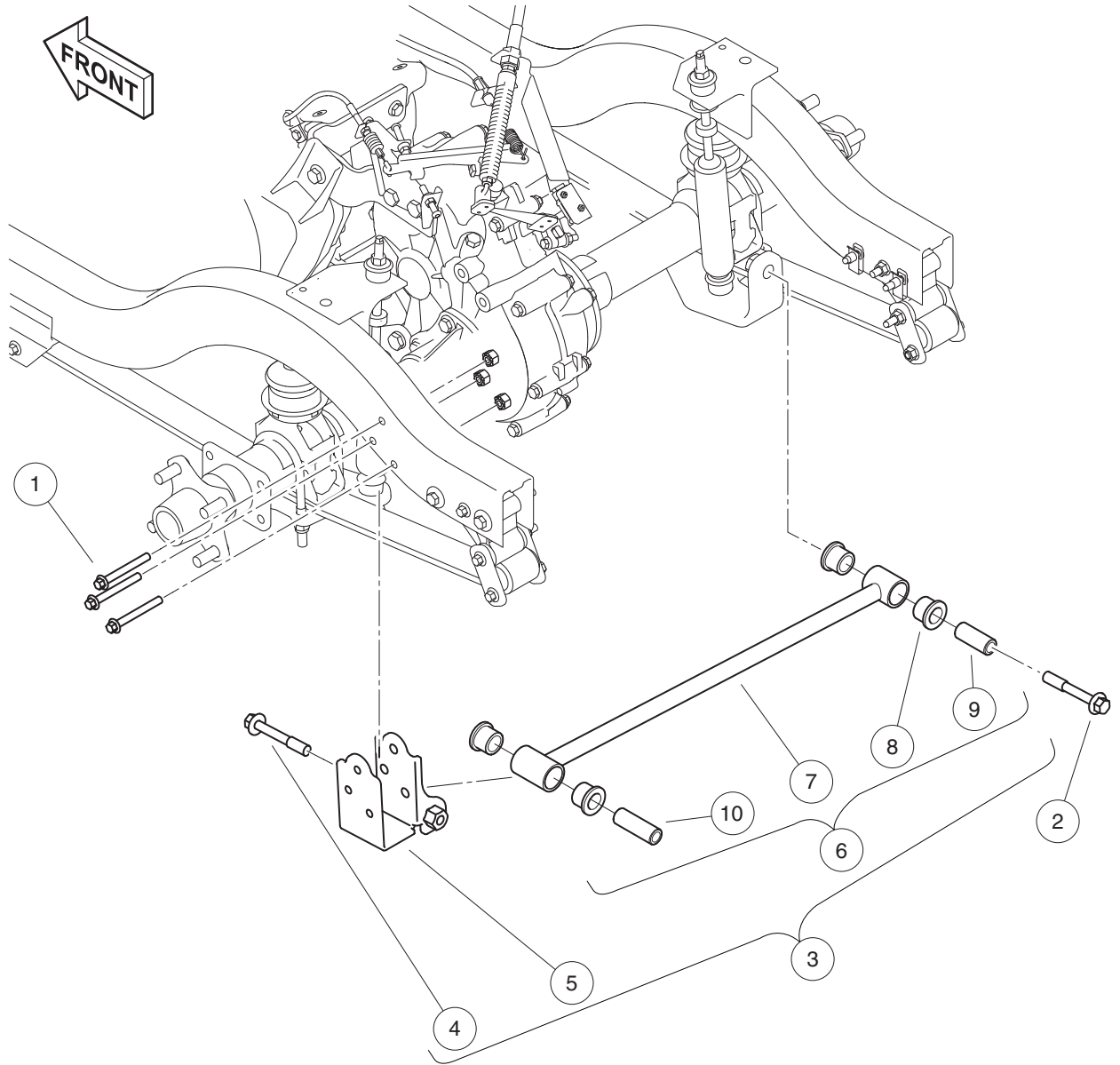
001391-002

REAR SUSPENSION, LIFTED

ITEM	PART NO.	DESCRIPTION	QTY
		1 2 3 4	
1	N/A	Retainer, Shock Absorber Cushion	8
2	<u>1010145</u>	Nut, 3/8-24 Hex	4
3	<u>102298175</u>	Bolt - Flange Hd, M8 X 75.0	4
4	<u>102298401</u>	Nut,m8,all Metal Lock	4
5	<u>102588501</u>	Shock Absorber, Rear	2
6	<u>102670701</u>	Nut, Flange, M10 X 1.5 Nylon	8
7	<u>103742304</u>	Asm, Rear Leaf Spring, Std (includes items 8 through 10)	2
8	<u>101558302</u>	Bushing, Urethane, Soft	4
9	<u>102506401</u>	Sleeve - Spring Eye Mounts	2
10	N/A	Leaf Spring, Rear, Std	1
11	<u>103742307</u>	Asm, Rear Leaf Spring, HD (includes items 12 through 14)	2
12	<u>101558302</u>	Bushing, Urethane, Soft	4
13	<u>102506401</u>	Sleeve - Spring Eye Mounts	2
14	<u>103742207</u>	Leaf Spring, Rear, HD	1
15	<u>105188185</u>	Bolt, M8 X 85mm, 10.9 Grade	4
16	<u>105188701</u>	U-bolt, M10x1.5x58	4
17	<u>47576196001</u>	Bumper, Jounce, D-255828	2
18	<u>47576197001</u>	Bracket, Bumper, Jounce, Driver-side	1
19	<u>47576198001</u>	Bracket, Bumper, Jounce, Passenger-side	1
20	<u>47576648001</u>	Sleeve, Perch, Spring	4
21	<u>47579096001</u>	Isolator, Shock Damper	8
22	<u>47603899001</u>	Brkt, Perch, Spring, Lh	1
23	<u>47603900001</u>	Brkt, Perch, Spring, Rh	1

7
G
E

7
G
E



001392-001

PANHARD ROD

ITEM	PART NO.	DESCRIPTION	QTY
		1 2 3 4	
1	<u>102298170</u>	Bolt - Flange Hd, M8 X 70.0	3
2	<u>103146501</u>	Bolt, Flg, M12 X 1.75 X 80	1
3	47577865001	Assy, Panhard and Frame Rail Bracket (includes items 4 through 6)	1
4	<u>103146501</u>	Bolt, Flg, M12 X 1.75 X 80	1
5	47576649001	Bkt, Frame Rail, Panhard	1
6	47577864001	Asm, Rod, Panhard (includes items 7 through 10)	1
7	47576650001	Assy, Weldment, Panhard	1
8	47576651001	Bushing, Slip, 3390000-160802	4
9	47576652001	Sleeve, Bushing, Panhard, Short	1
10	47576652002	Sleeve, Bushing, Panhard, Long	1

7
G
E

7

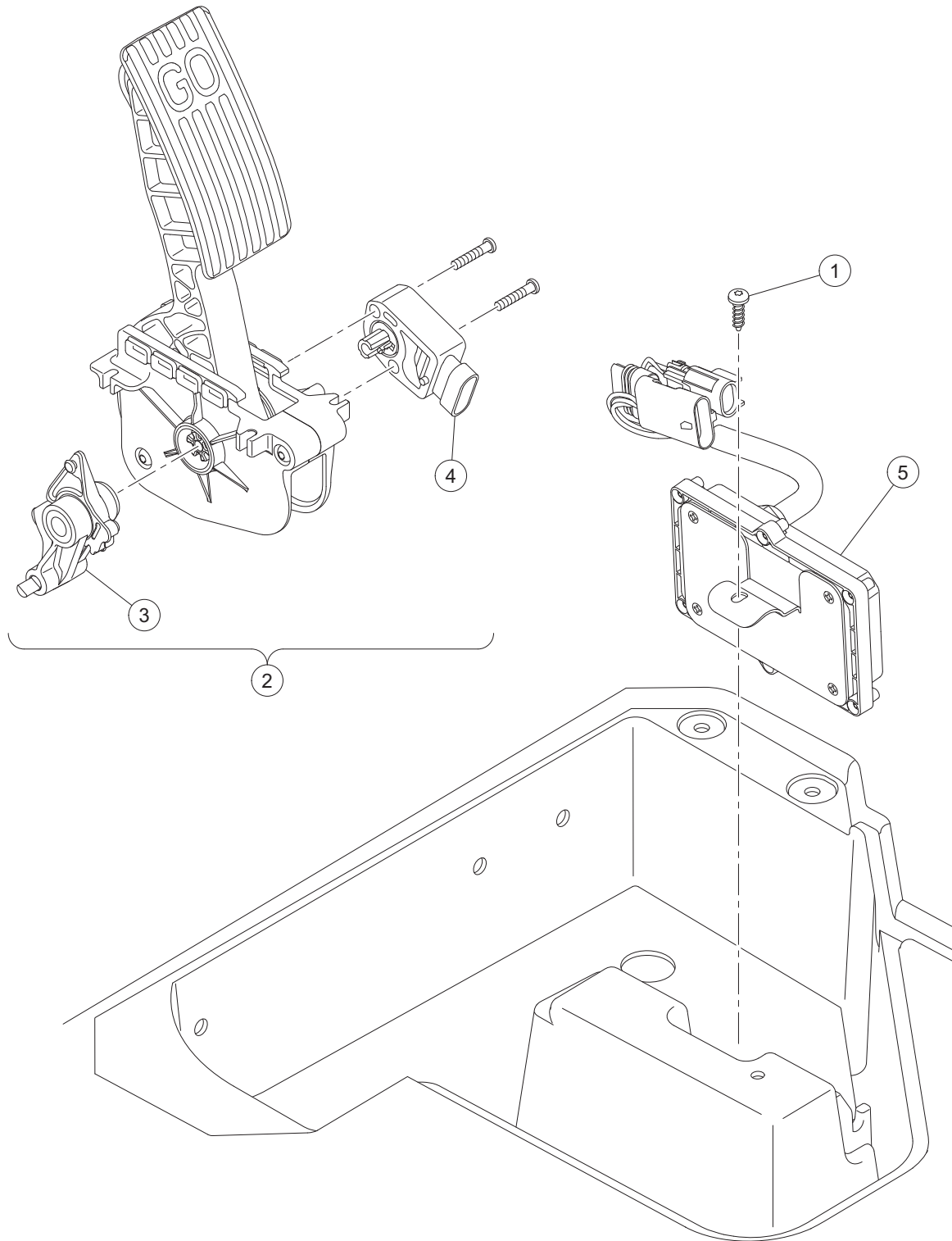
G

E

ELECTRICAL SYSTEM – GASOLINE EFI

8

G



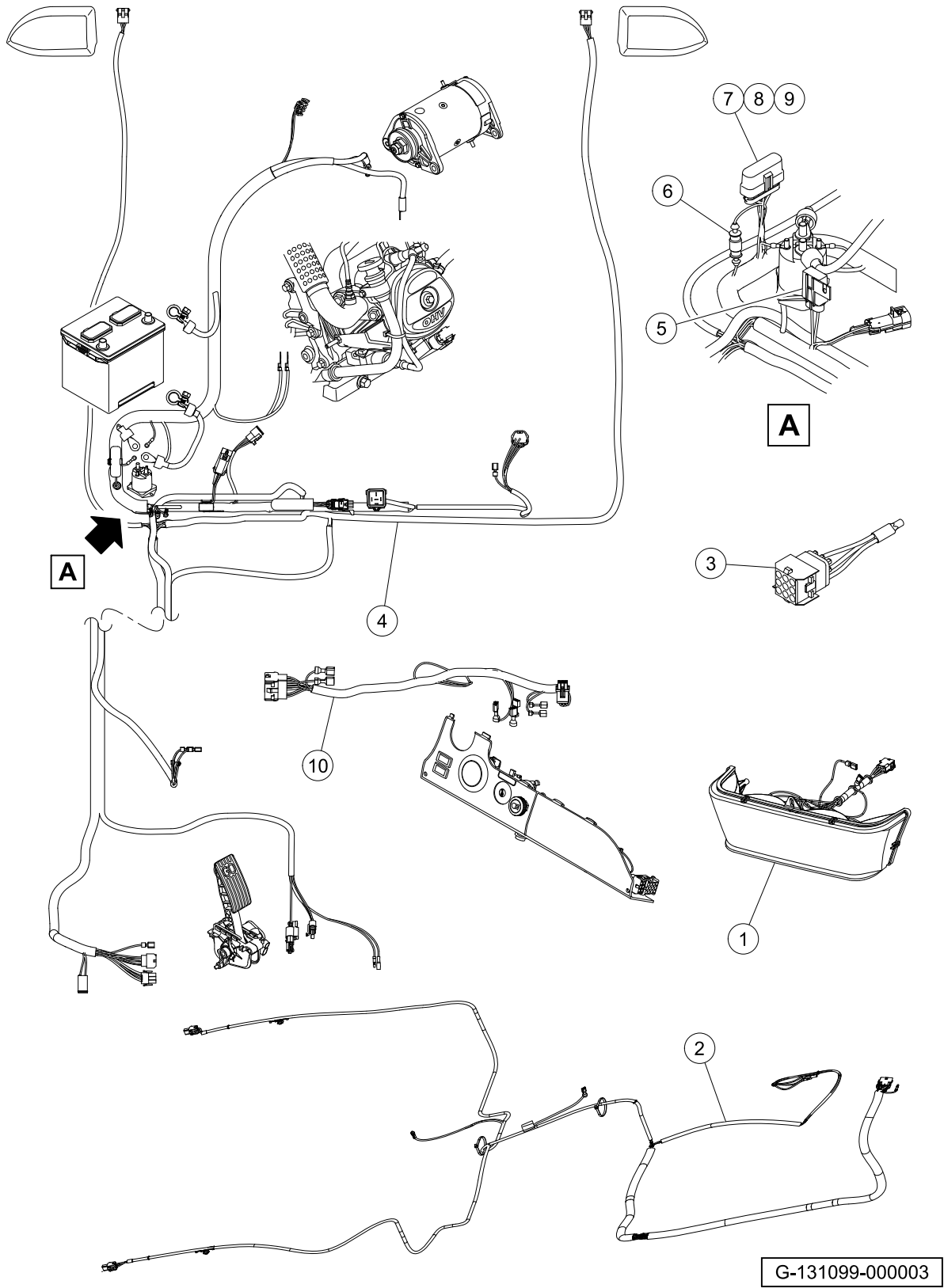
G-131199-000001

ACCELERATOR PEDAL W/SENSOR AND STOP MODULE

ITEM	PART NO.	DESCRIPTION	QTY
		1 2 3 4	
1	<u>102296020</u>	Screw-torx Pan Head Pt, M6x20	1
2	<u>102595502</u>	Asm, Accel. Pedal/Throttle, Anodized, Gas Vehicle (includes items 3 and 4)	1
3	<u>103777601</u>	Asm, Park Brake Release, Anodized	1
4	N/A	Throttle Sensor	1
5	47586323001	Module, Gas Car Stop	1
<p>Note: Item 5 is only for use in gasoline vehicles with Visage system installed. For a complete Pedal Group, see Section 5, Brakes and Pedal Group Assemblies.</p>			

8

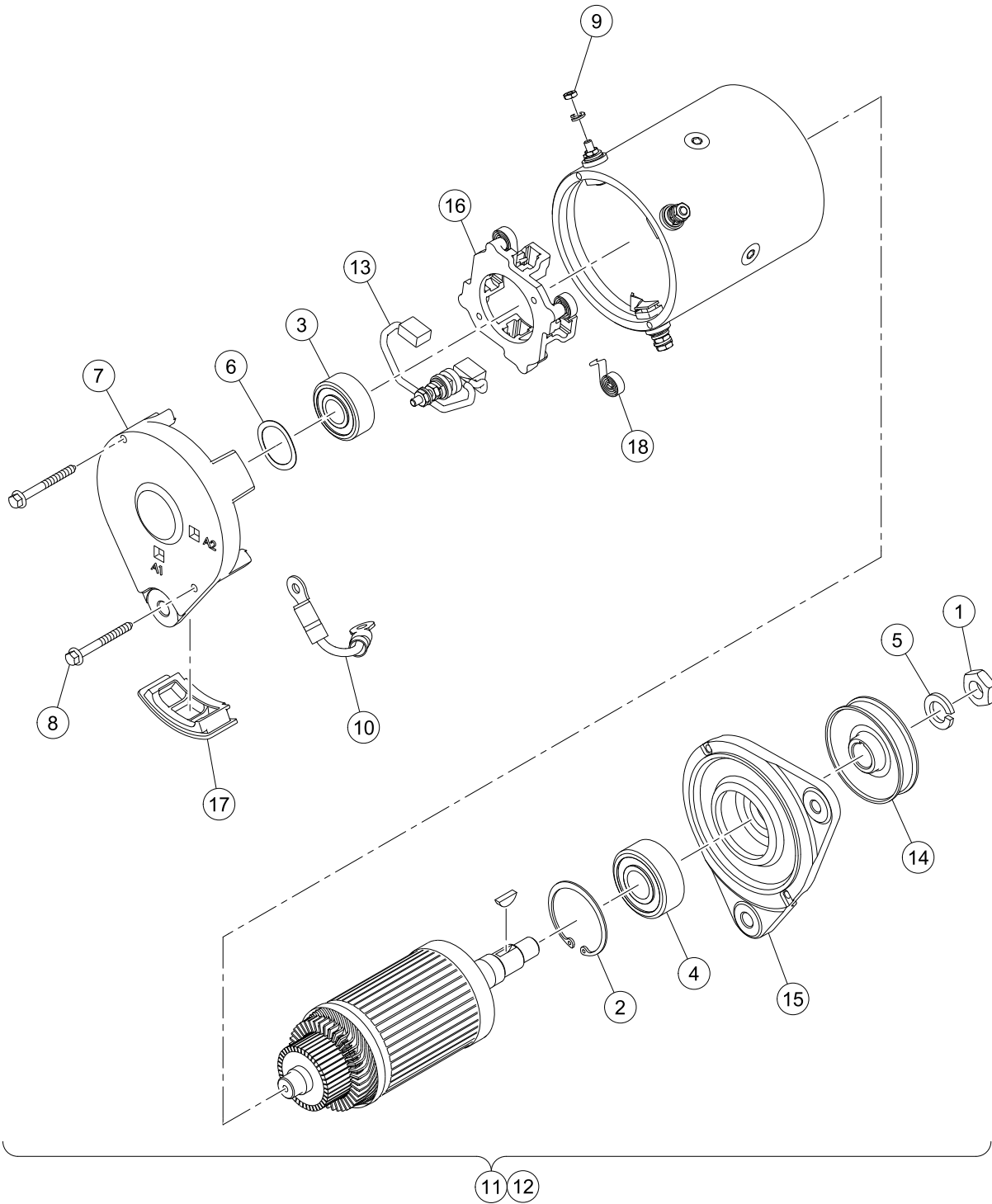
G



WIRING HARNESSES AND FUSES

ITEM	PART NO.	DESCRIPTION	QTY
		1 2 3 4	
1	<u>102535301</u>	Headlight, Harness, Prec	1
2	<u>103375901</u>	Prec Light Harn Restyle	1
3	<u>105130201</u>	Jumper, Horn, Asm	A/R
4	47612535001	Harness, Main, Gas, Prec, Ps (includes items 5 through 9)	1
5	<u>1012295</u>	Fuse, 10-Amp	1
6	<u>103924801</u>	Fuse, Glass, 2-Amp	1
7	105081501	Fuse, ATM, 5-Amp	1
8	105081601	Fuse, ATM, 10-Amp	1
9	<u>105114808</u>	Fuse, Mini, Atm, 20 Amp	1
10	47612537001	Harness, Ip, Gas, Prec, Com	1
		Note: See Section 9, engine ignition, for information on the ECU wiring harness.	

8
G

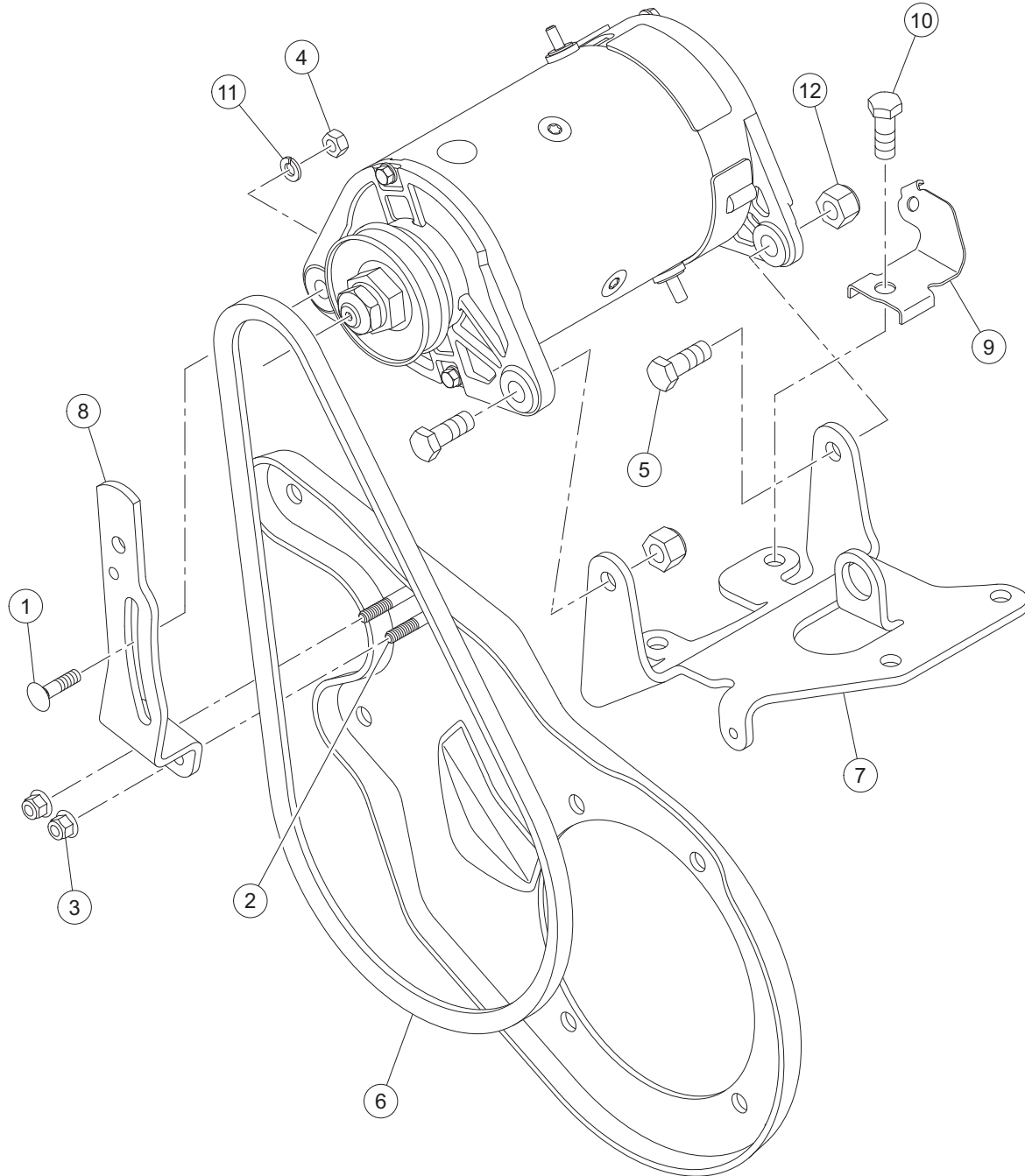


G-130199-000001

STARTER/GENERATOR, KEY AND PEDAL START – EFI

ITEM	PART NO.	DESCRIPTION	QTY
		1 2 3 4	
1	<u>102838701</u>	Nut, Hex, M14x2, S/G	1
2	<u>102838801</u>	Retainer, Front, S/G	1
3	<u>102838901</u>	Bearing, Ball, Rear, S-g	1
4	<u>102839001</u>	Bearing, Ball, Front, S-g	1
5	<u>102839301</u>	Washer, Lock M14x2, S-g	1
6	<u>102841101</u>	Washer, Wave, S-g	1
7	<u>103347601</u>	Head, Comm End, S-g	1
8	<u>103347701</u>	Set, Fast, Ceh Deh, S-g	1
9	<u>103347801</u>	Set, Term Hardware, S/G	1
10	<u>105161701</u>	Wire, 4-Ga, Green, Starter/Generator	1
11	<u>47559475001</u>	Starter Generator, Ps	1
12	<u>47559475002</u>	Starter Generator, Ks	1
13	<u>47583000001</u>	Set, Brush Term, S-g	1
14	<u>47583790001</u>	Pulley, Starter-generator	1
15	<u>47583791001</u>	Head, Drive End, S-g	1
16	<u>47583794001</u>	Kit, Brush And Brush Holder	1
17	<u>47584178001</u>	Kit, Cover, Brush Insp, S-g	1
18	<u>47584179001</u>	Kit, Spring Brush, S-g	1

8
G



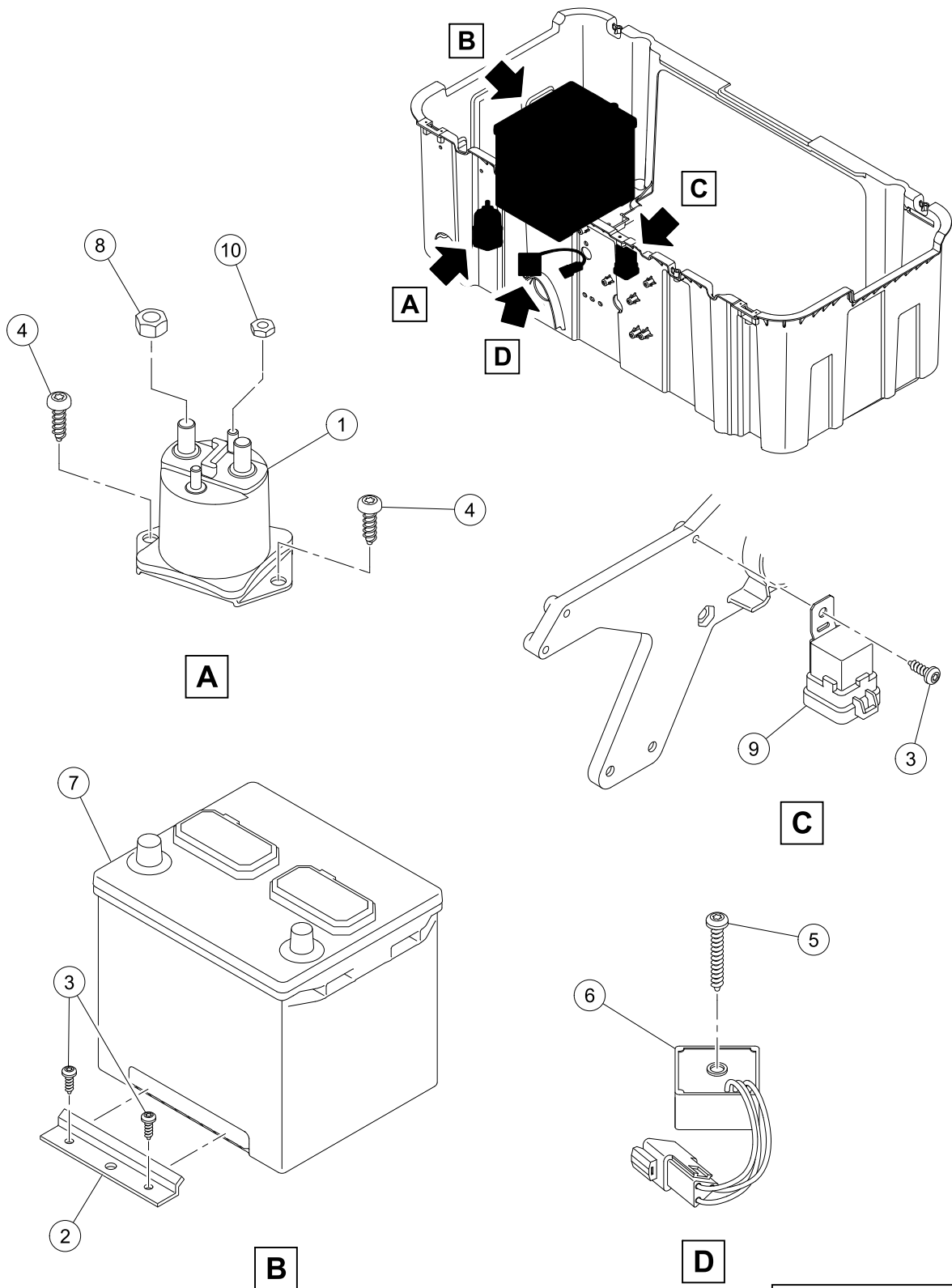
G-130199-000002

STARTER/GENERATOR MOUNTING – ECH440

ITEM	PART NO.	DESCRIPTION	QTY
		1 2 3 4	
1	<u>1015932</u>	Bolt, Carriage, 5/16-18	1
2	<u>102541401</u>	Bolt-m6x1.0x20 Hex Flhd Blk-I	2
3	<u>102621501</u>	Nut, Flange, M6 X 1.0, Nylon	2
4	<u>1242</u>	Nut, 5/16-18 Hex	1
5	<u>1624</u>	Screw, 3/8-16 X 1.50, Hex-Head Cap	2
6	47539338002	Belt, Sg, Ech440, #5a	1
7	47611868001	Bracket, Mounting, S/g	1
8	47611869001	Bracket, Tensioner, S/g	1
9	47611870001	Bracket, Mtg, Gov Cable Clip	1
10	47617345001	Screw, M8-1.25x20, Hex Hd Flg	4
11	<u>7174</u>	Lockwasher, 5/16 Split	1
12	<u>8754</u>	Locknut, 3/8-16 Hex	2

8

G



G-130799-000002

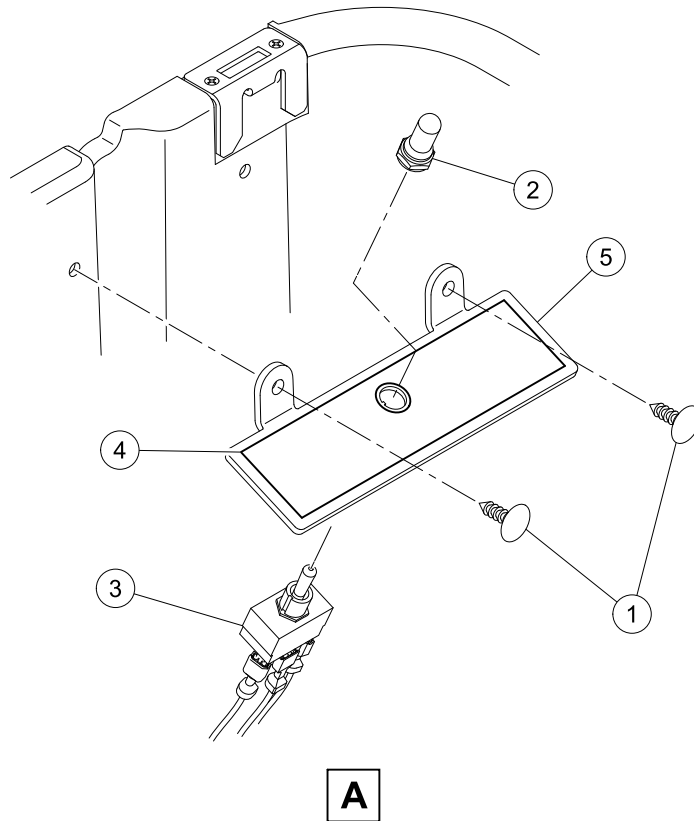
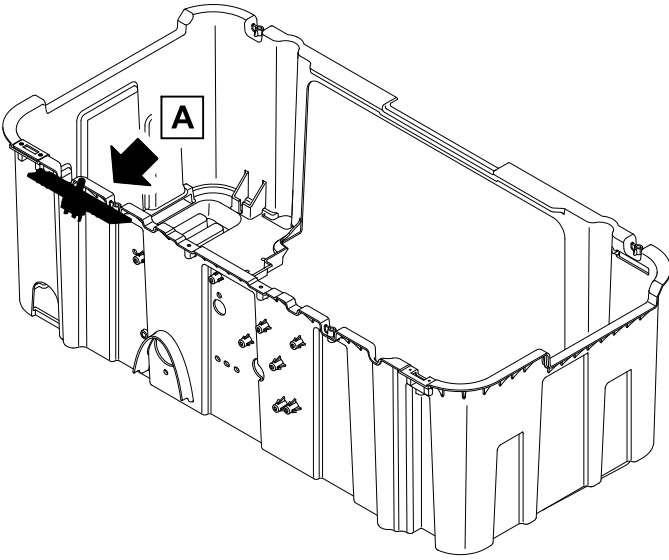
BATTERY, SOLENOID, VOLTAGE REGULATOR, RELAY – EFI

ITEM	PART NO.	DESCRIPTION	QTY
		1 2 3 4	
1	<u>1013609</u>	Solenoid, 12-Volt	1
2	<u>101898001</u>	Clamp, Battery	1
3	N/A	Screw-torx Pan Hd Pt,m6 X 16	1
4	<u>102296020</u>	Screw, Torx Pan Hd Pt, M6 X 20	4
5	<u>102296040</u>	Screw, Torx Pan Hd Pt, M6 X 40	1
6	<u>102803301</u>	Asm, Voltage Regulator	1
7	105237399	Battery, Start, 12v, G 26, Sp	1
8	<u>1242</u>	Nut, 5/16-18 Hex	2
9	<u>47623281001</u>	Relay, Mini 630 Spdt,40a/30a	1
10	<u>7893</u>	Nut, #10-32 Hex	2

8

G

8
G



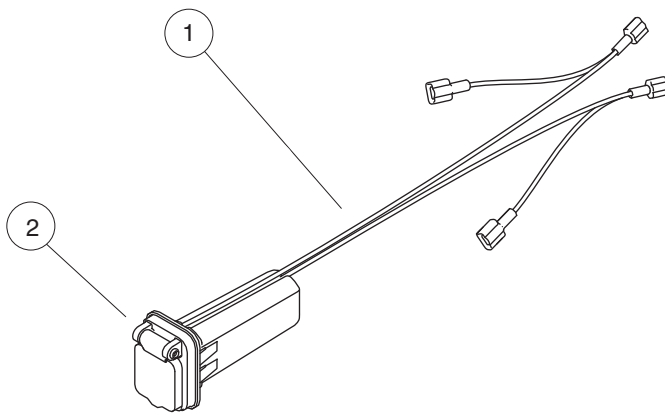
G-130499-000004

MAINTENANCE/OPERATE SWITCH

ITEM	PART NO.	DESCRIPTION	QTY
		1 2 3 4	
1	<u>1010434</u>	Barrel - Plastic	2
2	<u>101908401</u>	Boot, Switch	1
3	<u>103198401</u>	Switch, Toggle, SPDT	1
4	<u>103205501</u>	Decal, Maintenance/Operate Switch	1
5	47645493001	Bracket, Run and Maintenance Switch	1

8

G



001286-002

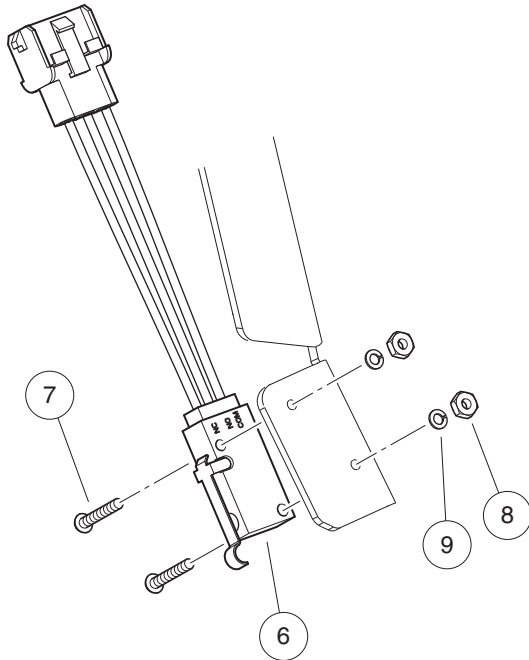
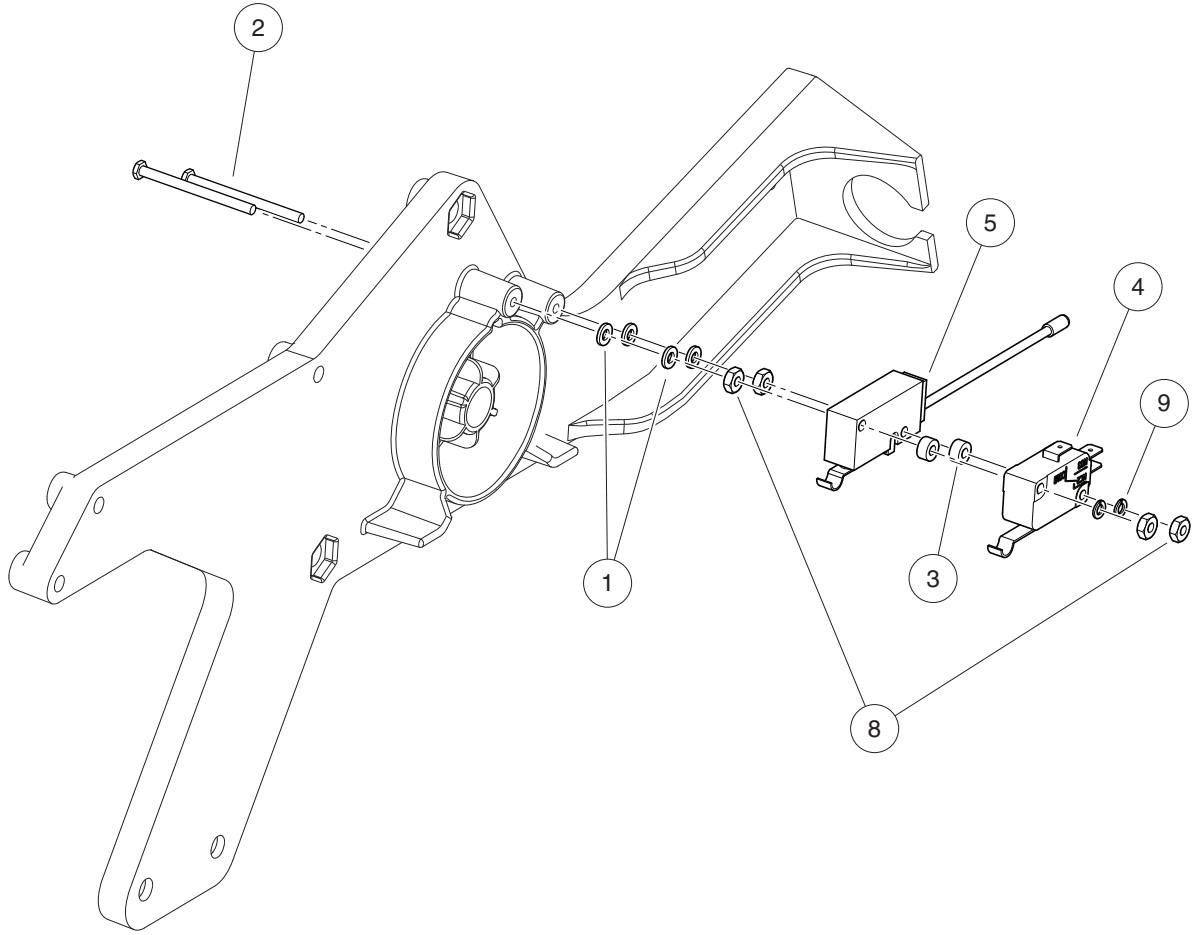
USB PORT KIT FOR GAS VEHICLES

ITEM	PART NO.	DESCRIPTION	QTY
1	47604229001	1 2 3 4 Kit, Usb, Gas (includes item 2)	1
2	47587715001	Usb, 12v	1

8

G

8
G



001013-001

FORWARD/REVERSE SHIFTER SWITCHES – EFI

ITEM	PART NO.	DESCRIPTION	QTY
		1 2 3 4	
1	1012431	Washer, #4 Flat	4
2	<u>1012594</u>	Screw, #4-40 Machine	2
3	<u>1014727</u>	Washer, Flat, #4, Nylon	2
4	<u>1014807</u>	Switch, Limit	1
5	<u>101979101</u>	Switch, Limit, Assembly, Sealed	1
6	<u>105102601</u>	Switch, Limit, Sealed, with 3-Wire Lead	1
7	<u>8056</u>	Screw, #4-40 X 0.75 Round-Head Machine	2
8	<u>8057</u>	Nut, #4-40 Hex Machine	6
9	<u>8058</u>	Lockwasher, #4 Split	4
<p>Note: Item 5 is located on the shifter. Item 6 is located on the transaxle.</p>			

8

G

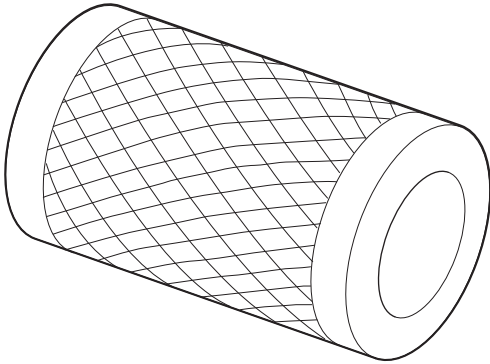
8

G

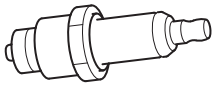
ENGINE (KOHLER ECH440)

9

G



1



2

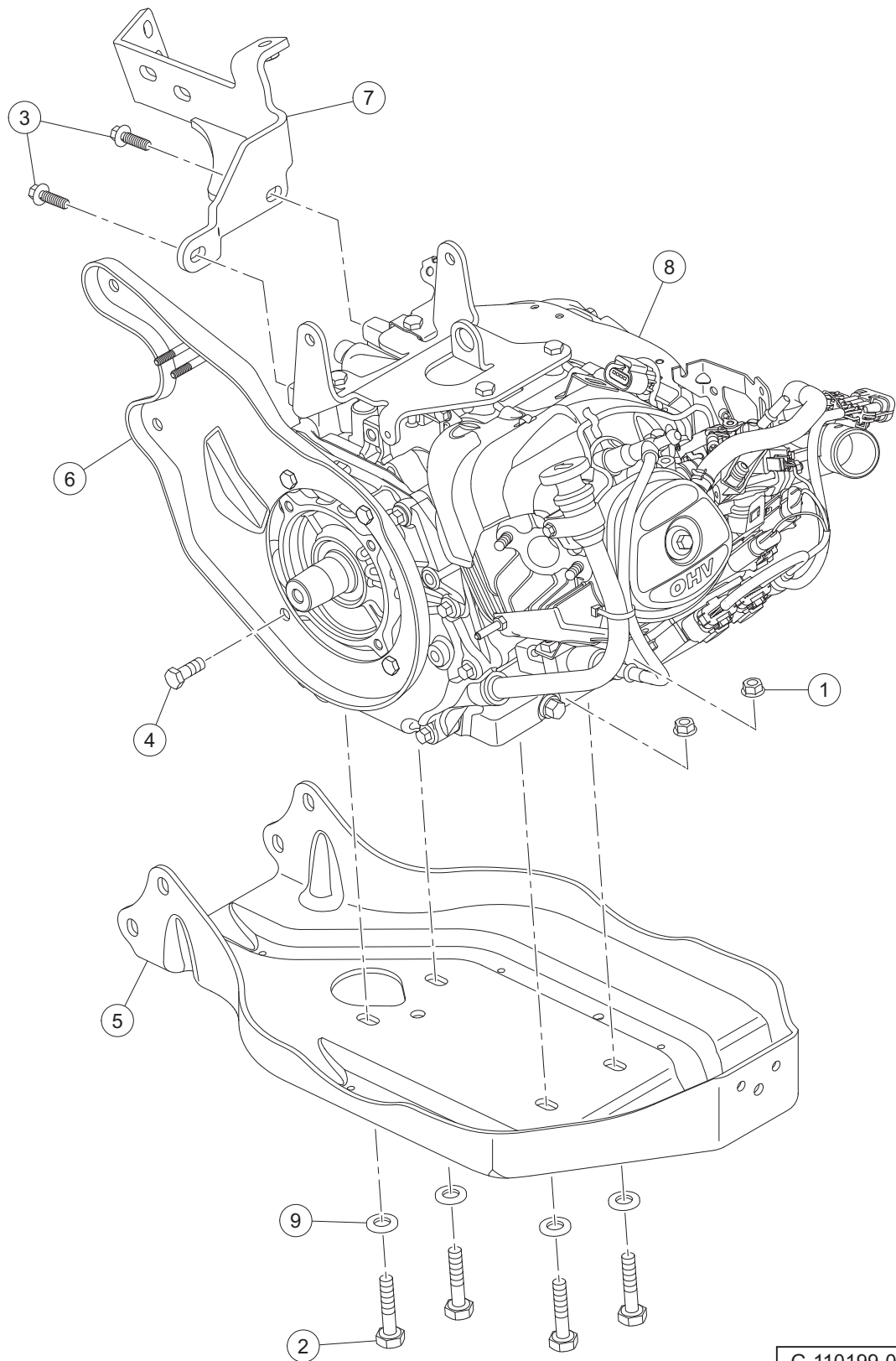
000992-003

TUNE-UP PARTS

ITEM	PART NO.	DESCRIPTION	QTY
1	<u>102558201</u>	1 2 3 4 Air Filter, 4 Inch	1
2	<u>47640281001</u>	Plug, Spark, Kohler	1

9
G

9
G



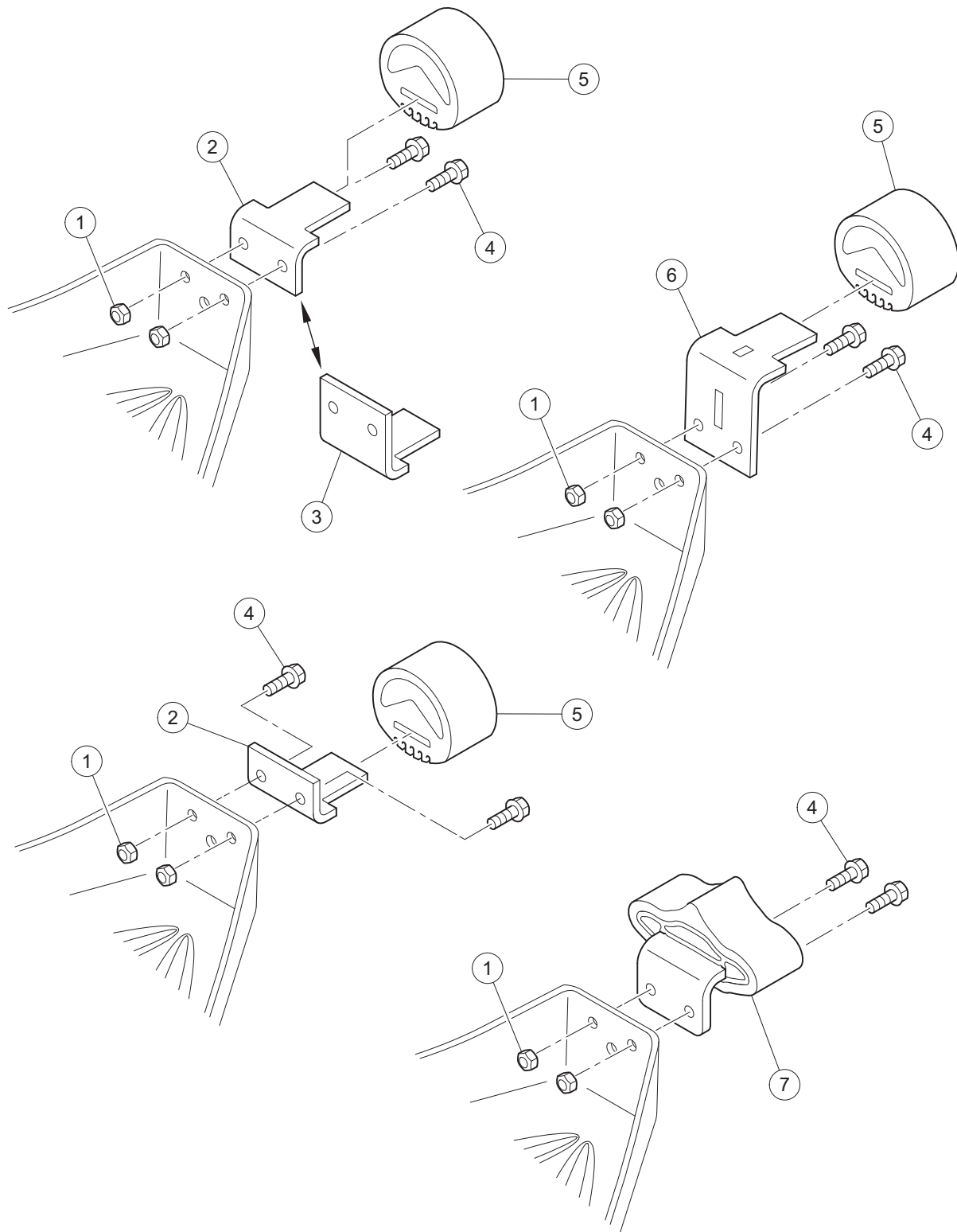
G-110199-000004

ENGINE AND ENGINE MOUNTING

ITEM	PART NO.	DESCRIPTION	QTY
		1 2 3 4	
1	<u>102617201</u>	Nut, Flanged, M10 X 1.5, Mechanically Deformed	4
2	<u>102732401</u>	Bolt, M10 X 45, Zn-Ni (Black)	4
3	<u>103262201</u>	Bolt Flg Blk, M8 X 25, Loctite	2
4	<u>103508101</u>	Bolt, 3/8-16 X .75 Lock Patch	4
5	47611483001	Plate, Mtg, Engine/axle, Pan	1
6	47611484001	Plate, Mtg, Engine/axle, Cvt	1
7	47611648001	Weldment, Mtg, Exhaust	1
8	47695923001	Engine, Gas, Kohler Ech440	1
9	<u>96741046</u>	Washer, M10, Hard	4

9

G



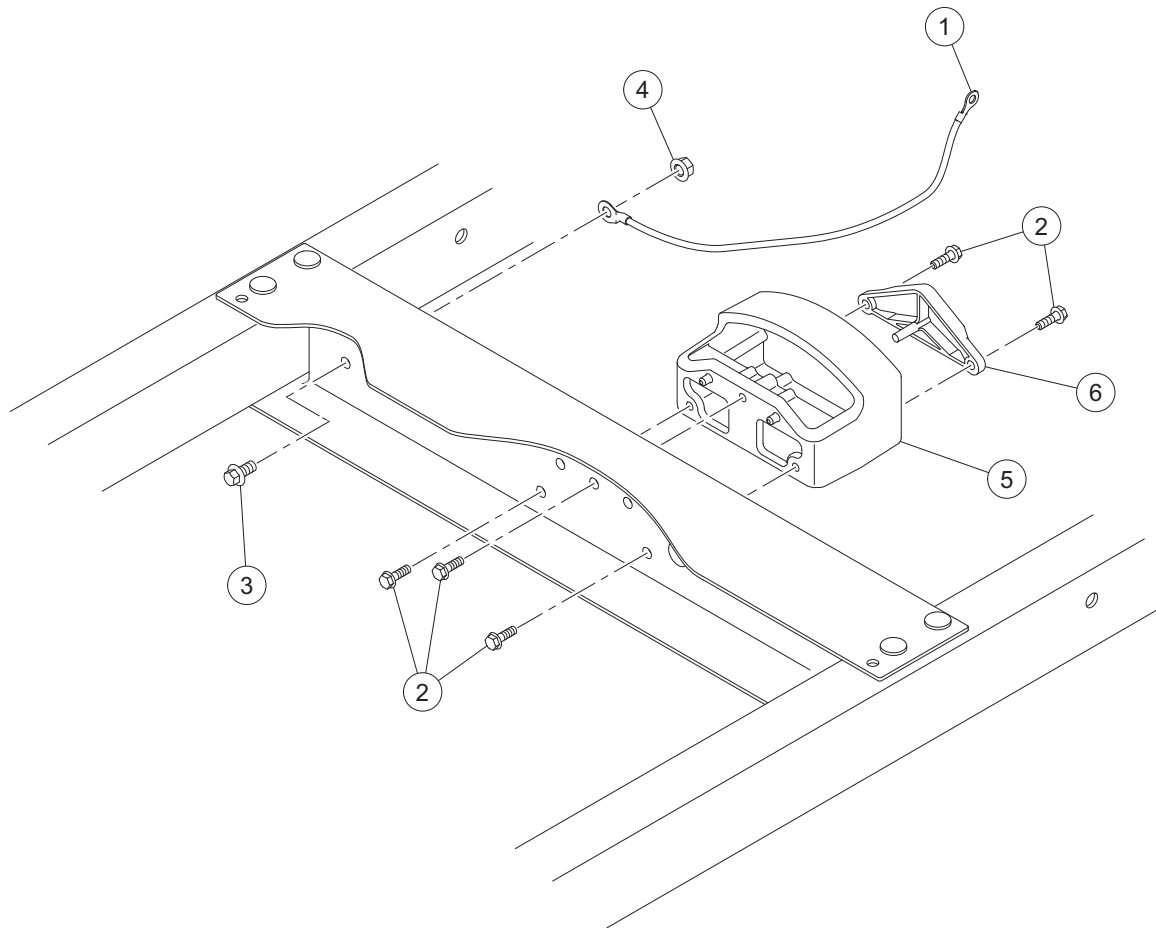
G-010299-000001

ENGINE PAN AND SNUBBER MOUNTING

ITEM	PART NO.	DESCRIPTION	QTY
		1 2 3 4	
1	<u>1013924</u>	Nut, 5/16-24, Hex Head Cone	2
2	<u>101834601</u>	Bracket, Snubber	1
3	<u>101834602</u>	Bracket, Snubber, Tall	1
4	<u>101884801</u>	Screw, 5/16-24 X 0.875, Grade-8	2
5	<u>102540301</u>	Snubber, Inner Frame	1
6	47564890001	Bracket, Snubber, Csmr, Lifted	1
7	47587701001	Asm, Dual Snubber (includes items 8 and 9)	1
8	47583795001	Bracket, Dual Snubber	1
9	47584184001	Snubber, Dual	1
<p style="margin-left: 40px;">Note: Items 8 and 9 are not illustrated.</p>			

9

G

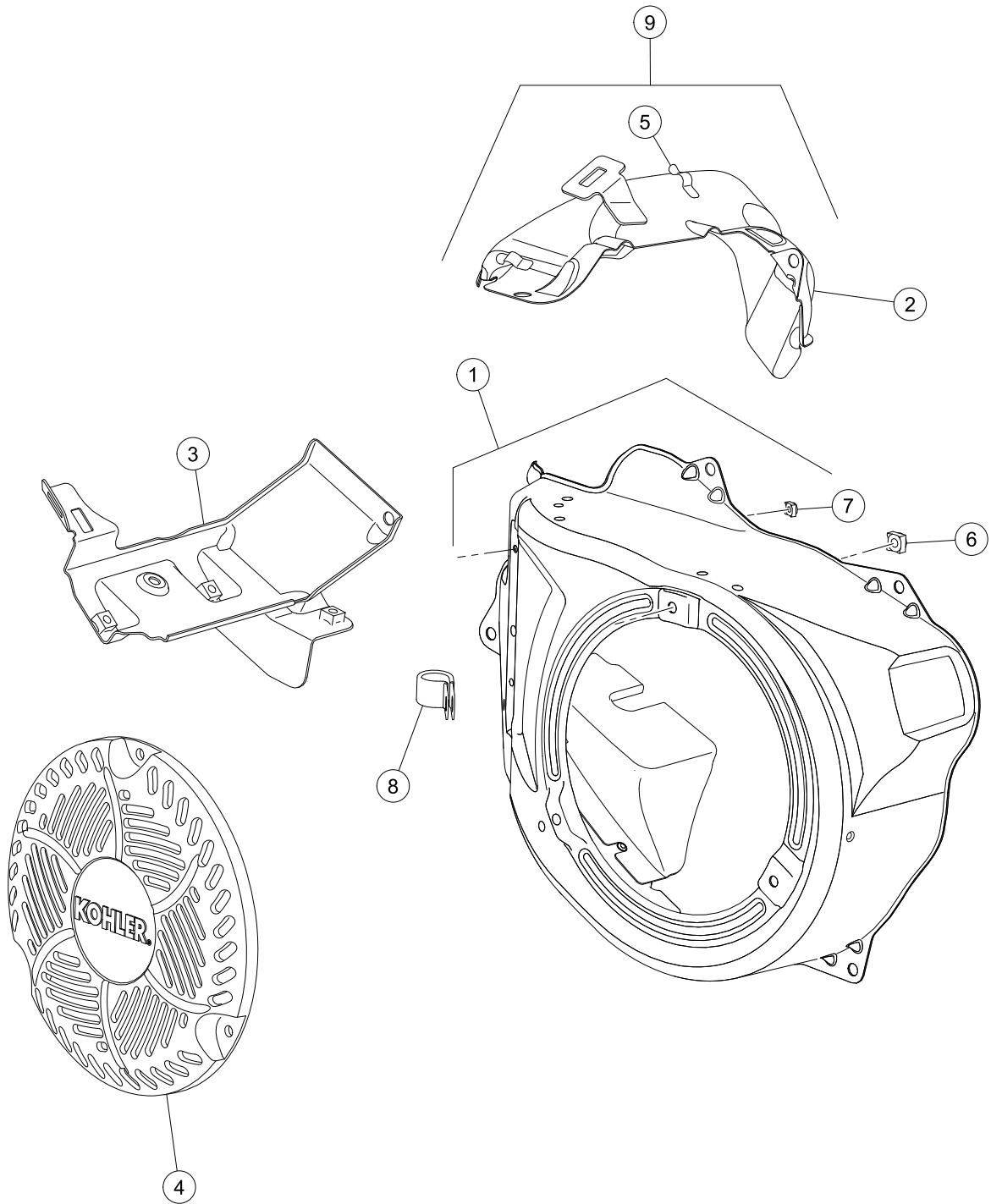


G-010299-000002

SNUBBER HOUSING AND GROUND WIRE

ITEM	PART NO.	DESCRIPTION	QTY
		1 2 3 4	
1	<u>1015332</u>	Wire, Ground, #10, Uninsulated	1
2	<u>102296720</u>	Screw, M6 X 20 Tt Hx Fl Hd	5
3	<u>102298116</u>	Bolt, Flanged Head, M8 X 16.0	1
4	<u>102298401</u>	Nut, M8, All Metal Lock	1
5	<u>102512501</u>	Housing, Snubber	1
6	47666603001	Spacer, Snubber, Lt	1

9
G



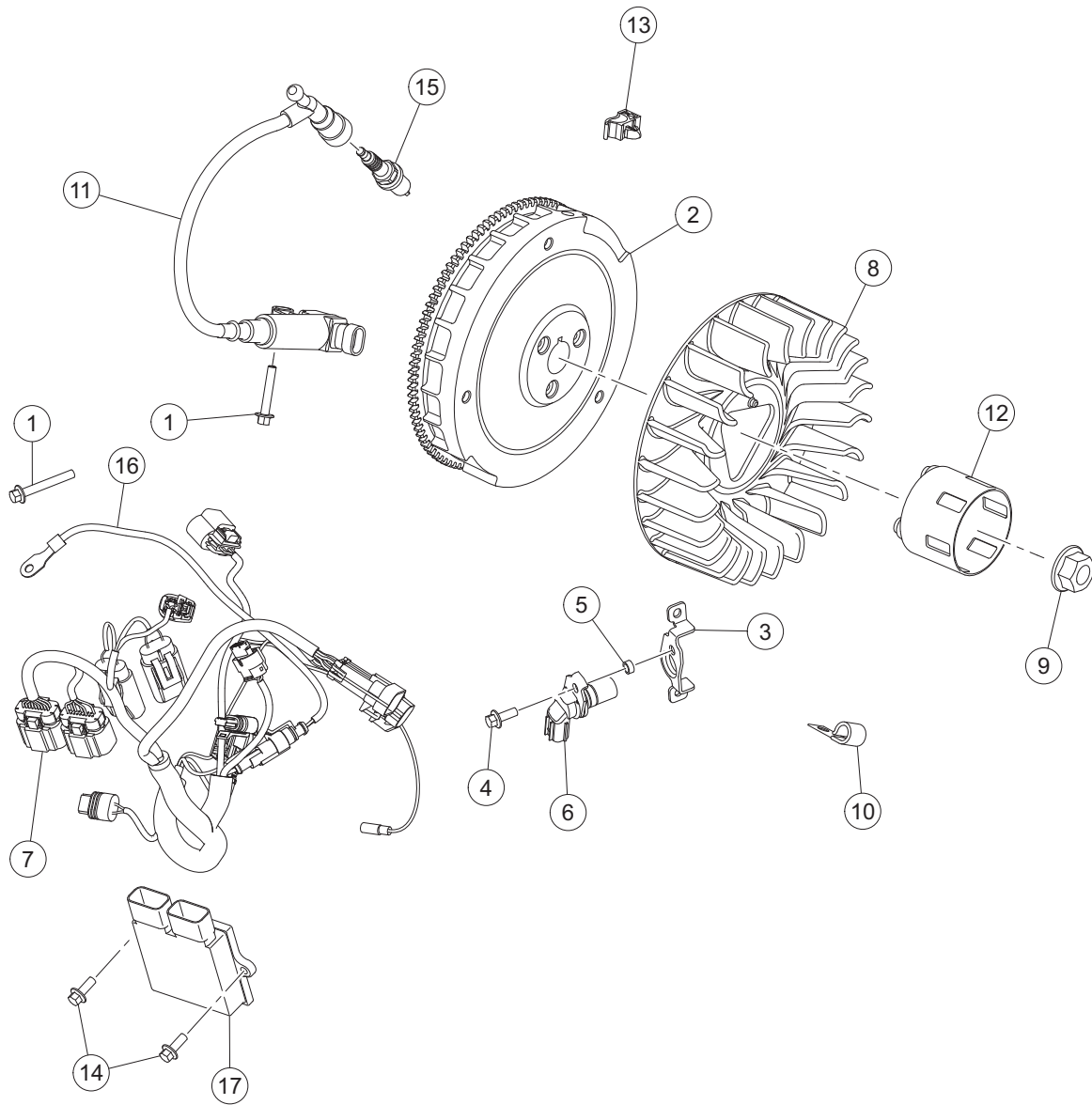
G-040899-000001

BLOWER HOUSING AND HEAT SHIELD – ECH440

ITEM	PART NO.	DESCRIPTION	QTY
		1 2 3 4	
1	<u>47629844001</u>	Kit, Blower Housing, Kohler	1
2	<u>47629845001</u>	Shield, Upper Heater, Kohler	1
3	<u>47629846001</u>	Shield Assembly, Cylinder, Koh	1
4	<u>47629847001</u>	Screen, Blower Housing, Kohler	1
5	<u>47629848001</u>	Clip, Wire, Kohler	2
6	<u>47629851001</u>	Nut, Blower Housing (cky), Koh	1
7	<u>47629853001</u>	Nut, Blower Housing (cky), Koh	1
8	<u>47629855001</u>	Clamp, Insulator, Kohler	1
9	<u>47629856001</u>	Assembly, Heat Shield, Kohler	1

9

G



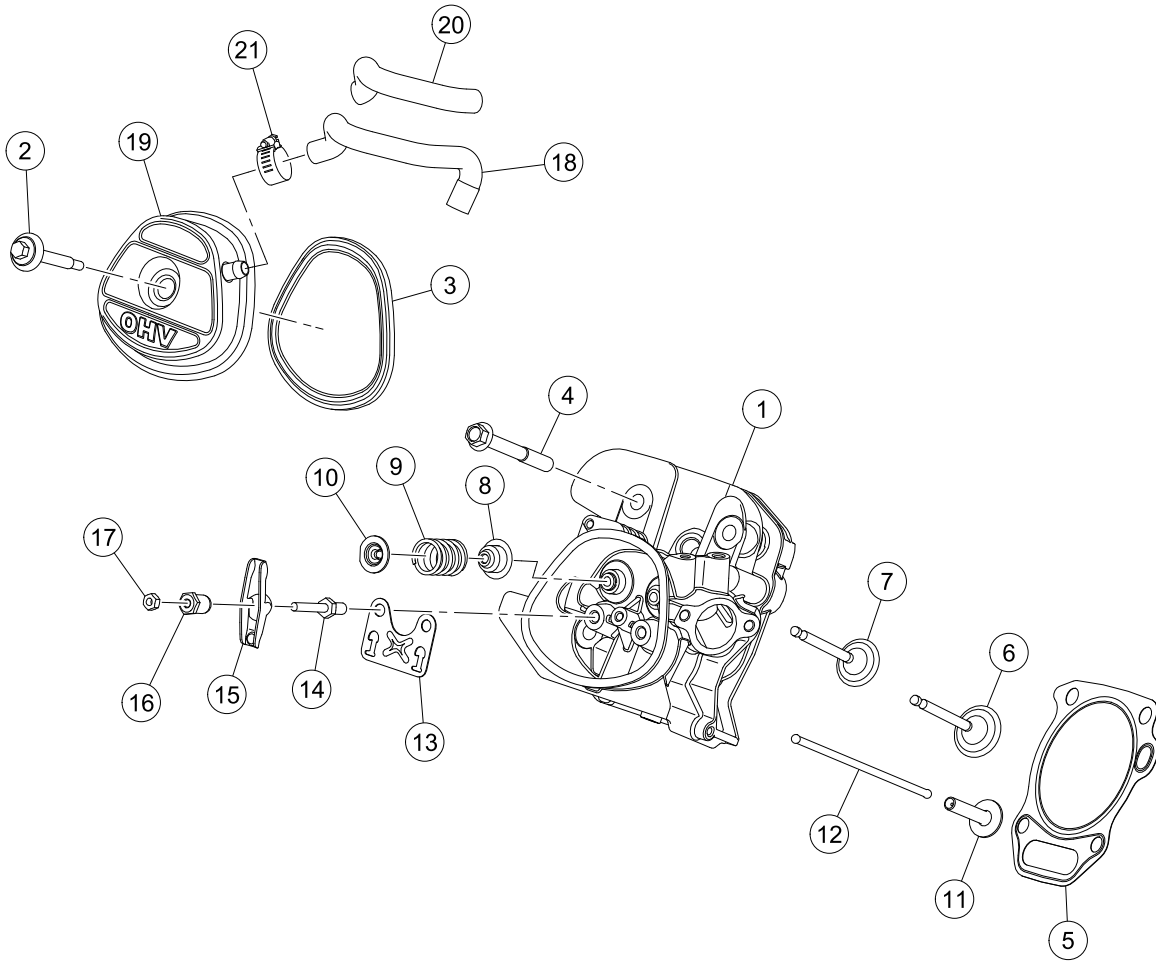
G-040799-000004

IGNITION COMPONENTS AND FLYWHEEL – ECH440

ITEM	PART NO.	DESCRIPTION	QTY
		1 2 3 4	
1	47629702001	Screw, Hex Flange (m6), Kohler	3
2	47629702001	Screw, Hex Flange (m6), Kohler	1
3	47629826001	Flywheel Assy, Electric Start	1
4	47629828001	Bracket, Crank Sensor, Kohler	1
5	47629831001	Screw, Hex Flange, Kohler	1
6	47629832001	Spacer, Kohler	1
7	47629833001	Sensor, Speed, Kohler	1
8	47629834001	Harness, Wiring Assy, Kohler	1
9	47629835001	Fan, Flywheel, Kohler	1
10	47629836001	Nut, Flywheel, Kohler	1
11	47629837001	Clip, Cable, Kohler	1
12	47629838001	Coil, Ignition-efi, Kohler	1
13	47629841001	Cup, Starter Drive, Kohler	1
14	47629843001	Clip, Wiring Harness, Kohler	1
15	47640021001	Screw, M6x16, Kohler	2
16	47640281001	Plug, Spark, Kohler	1
17	47650647001	Sensor, Temperature	1
18	47676897001	Module, ECU, Kohler	1

9

G



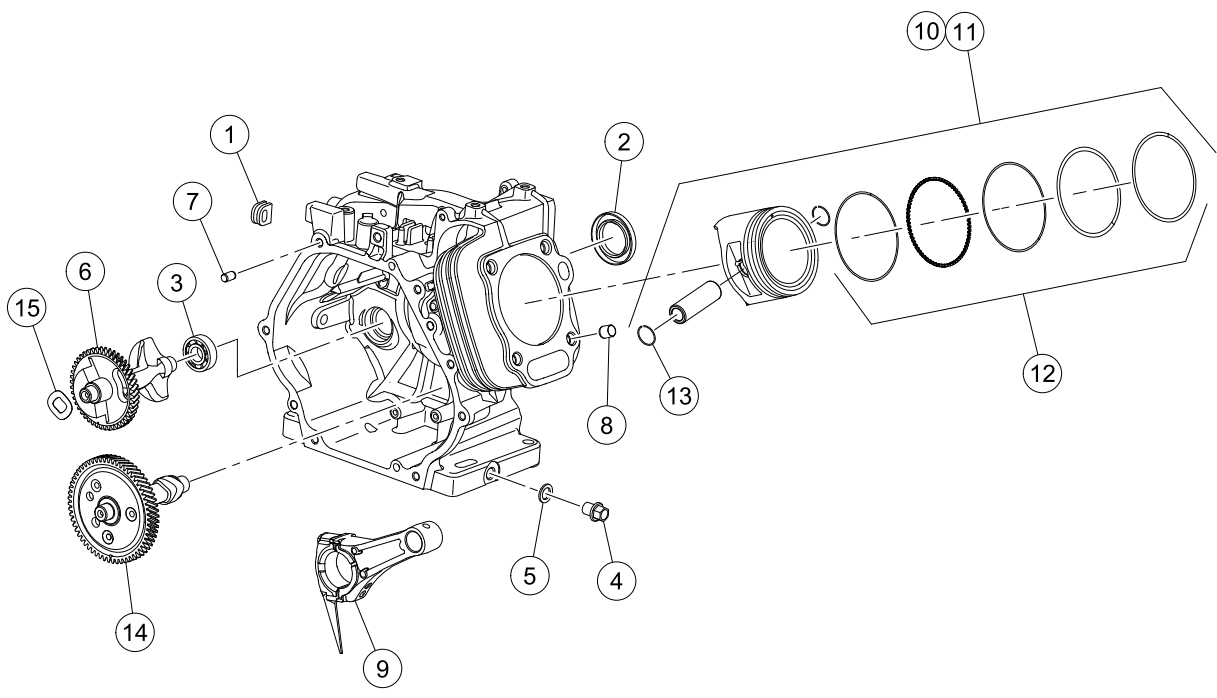
G-040599-000001

CYLINDER HEAD AND VALVE – ECH440

ITEM	PART NO.	DESCRIPTION	QTY
		1 2 3 4	
1	<u>47629711001</u>	Assembly, Cylinder Head, Kohle	1
2	<u>47629714001</u>	Screw, Valve Cover Seal Assy,	1
3	<u>47629716001</u>	Gasket, Valve Cover, Kohler	1
4	<u>47629717001</u>	Screw, Hex Flange Cylinder Hea	4
5	<u>47629718001</u>	Kit, Head Gasket, Kohler	1
6	<u>47629719001</u>	Valve, Intake, Kohler	1
7	<u>47629720001</u>	Valve, Exhaust, Kohler	1
8	<u>47629722001</u>	Seal, Valve Stem, Kohler	2
9	<u>47629723001</u>	Spring, Valve, Kohler	2
10	<u>47629724001</u>	Retainer, Valve Spring, Kohler	2
11	<u>47629725001</u>	Lifter, Valve, Kohler	2
12	<u>47629726001</u>	Rod, Push, Kohler	2
13	<u>47629727001</u>	Plate, Pushrod Guide, Kohler	1
14	<u>47629728001</u>	Stud, Rocker, Kohler	2
15	<u>47629729001</u>	Arm, Rocker, Kohler	2
16	<u>47629730001</u>	Pivot, Rocker Arm, Kohler	2
17	<u>47629768001</u>	Nut, Hex Jam, Kohler	2
18	<u>47629822001</u>	Hose, Breather, Kohler	1
19	<u>47629823001</u>	Valve Cover Assembly, Kohler	1
20	<u>47629824001</u>	Sleeve, Anti Abrasion, Kohler	1
21	<u>47629825001</u>	Clamp, Hose, Kohler	1

9

G



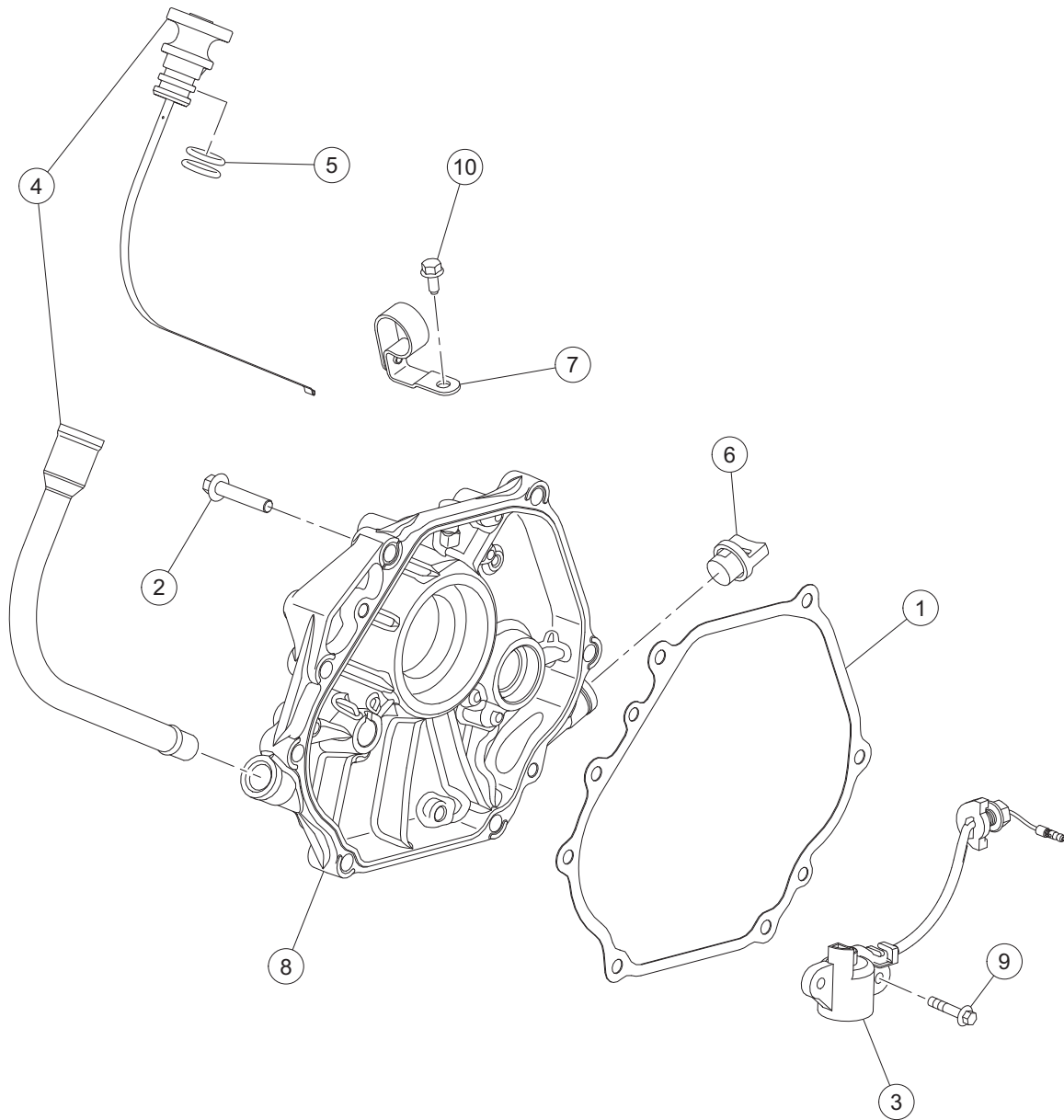
G-040399-000001

CRANKCASE AND PISTON – ECH440

ITEM	PART NO.	DESCRIPTION	QTY
		1 2 3 4	
1	<u>47629677001</u>	Grommet, Crankcase,kohler	1
2	<u>47629680001</u>	Seal, Crankcase, Kohler	2
3	<u>47629682001</u>	Bearing, Balancing Shaft, Kohl	2
4	<u>47629685001</u>	Kit, Drain Plug, Kohler	2
5	<u>47629686001</u>	Washer, Drain Plug, Kohler	2
6	<u>47629687001</u>	Shaft, Balance, Kohler	1
7	<u>47629688001</u>	Pin, Dowel, Kohler	2
8	<u>47629689001</u>	Pin, Dowel Cylinder Head, Kohl	2
9	<u>47629690001</u>	Rod, Connecting Assembly,kohle	1
10	<u>47629691001</u>	Kit, Piston Wing Set (std), Ko	1
11	<u>47629693001</u>	Kit, Piston (0.25 O.s.), Kohle	1
12	<u>47629694001</u>	Ring Set, Kohler	2
13	<u>47629696001</u>	Retainer, Piston, Kohler	2
14	<u>47629697001</u>	Camshaft Assembly, Kohler	1
15	<u>47629698001</u>	Spring, Wave, Kohler	1

9

G



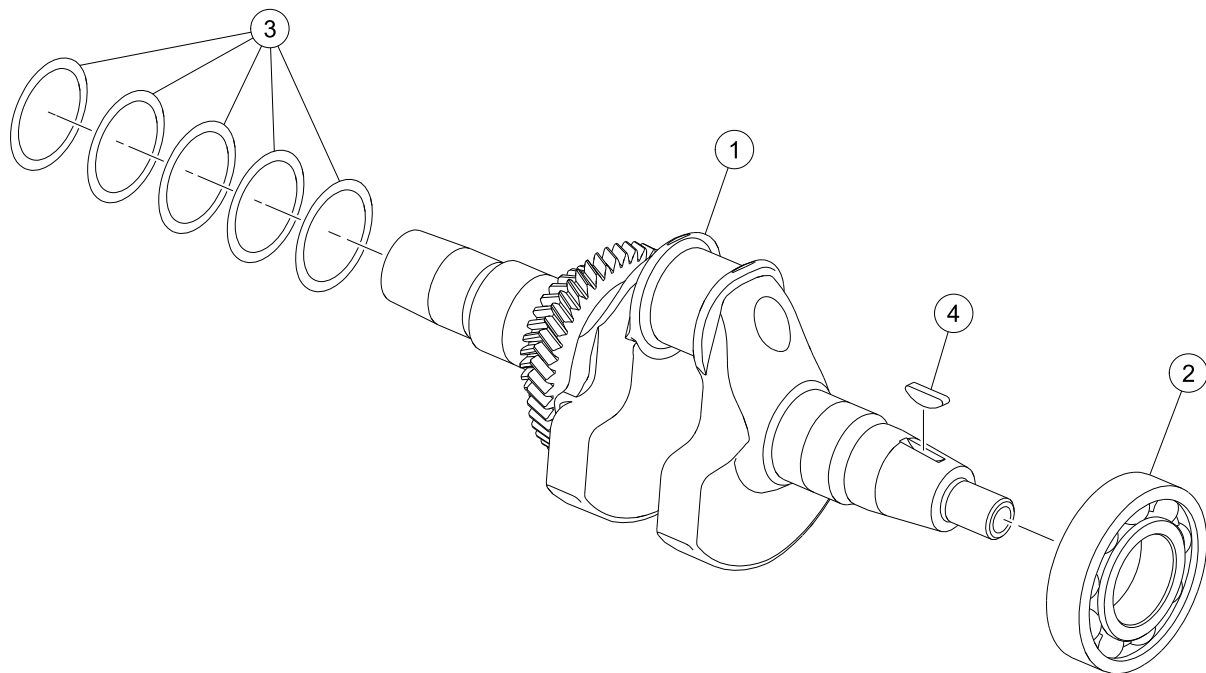
G-040699-000002

OIL SENSOR AND LUBRICATION – ECH440

ITEM	PART NO.	DESCRIPTION	QTY
		1 2 3 4	
1	<u>47629699001</u>	Gasket, Closure Plate, Kohler	1
2	<u>47629700001</u>	Screw, Closure Plate, Kohler	7
3	<u>47629701001</u>	Switch, Oil Sensor Assembly, K	1
4	<u>47629703001</u>	Dipstick, Assembly, Kohler	1
5	<u>47629705001</u>	O-ring, Dipstick Cap, Kohler	2
6	<u>47629707001</u>	Cap Assy, Oil Fill, Kohler	1
7	<u>47629709001</u>	Bracket, Dipstick Tub, Kohler	1
8	<u>47640020001</u>	Plate, Closure, Kohler	1
9	<u>47640021001</u>	Screw, M6x16, Kohler	2
10	<u>47640022001</u>	Screw, M5 X8, Kohler	1

9

G



G-040299-000001

CRANKSHAFT – ECH440

ITEM	PART NO.	DESCRIPTION	QTY
		1 2 3 4	
1	<u>47629583001</u>	Crankshaft Assembly, Kohler	1
2	<u>47629585001</u>	Bearing, Crankshaft, Kohler	2
3	<u>47629588001</u>	Kit, Shims, Kohler	5
4	<u>47629589001</u>	Key, Flywheel, Kohler	1

9

G

9

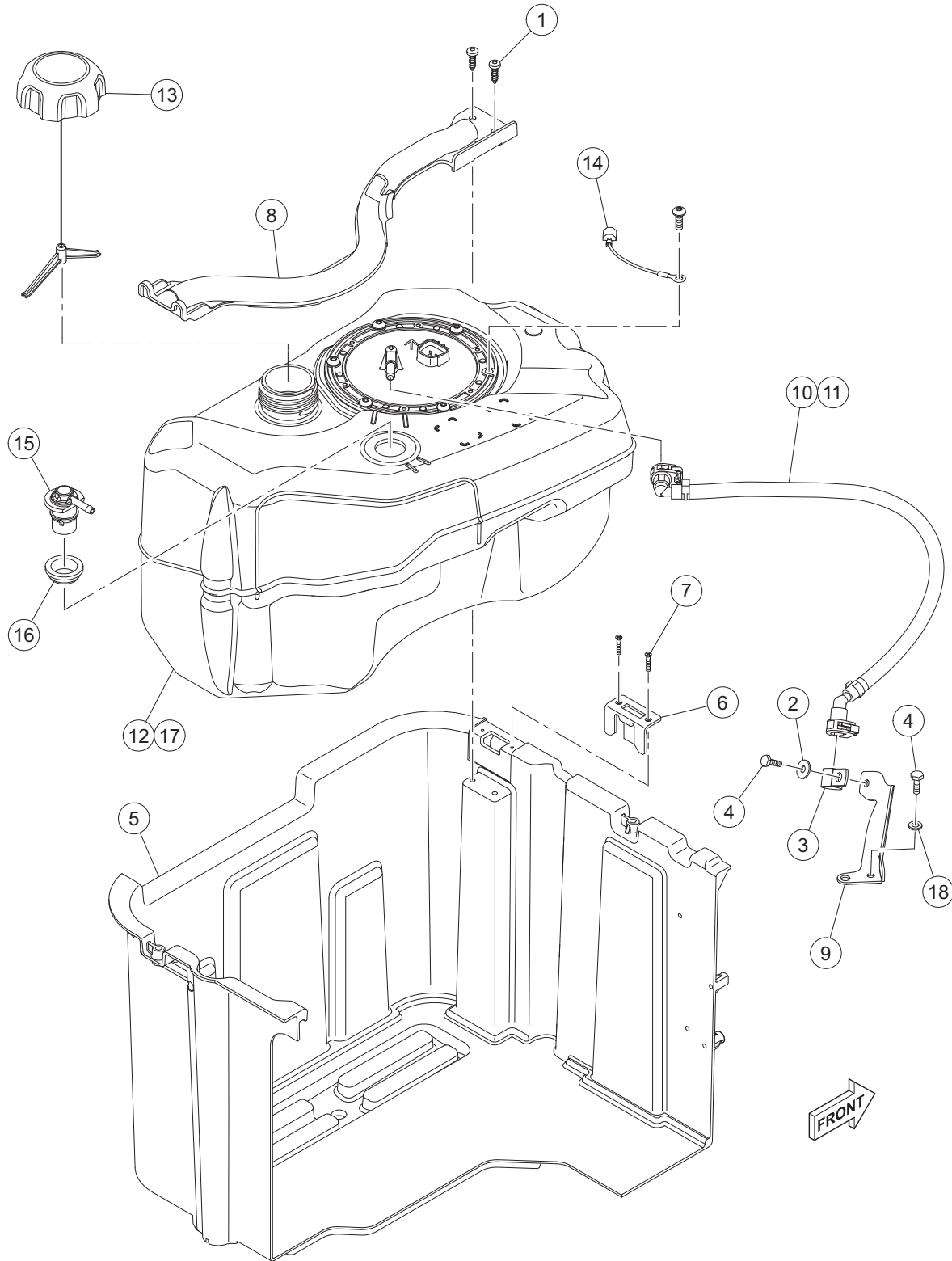
G

FUEL SYSTEM – EFI

10

G

10
G

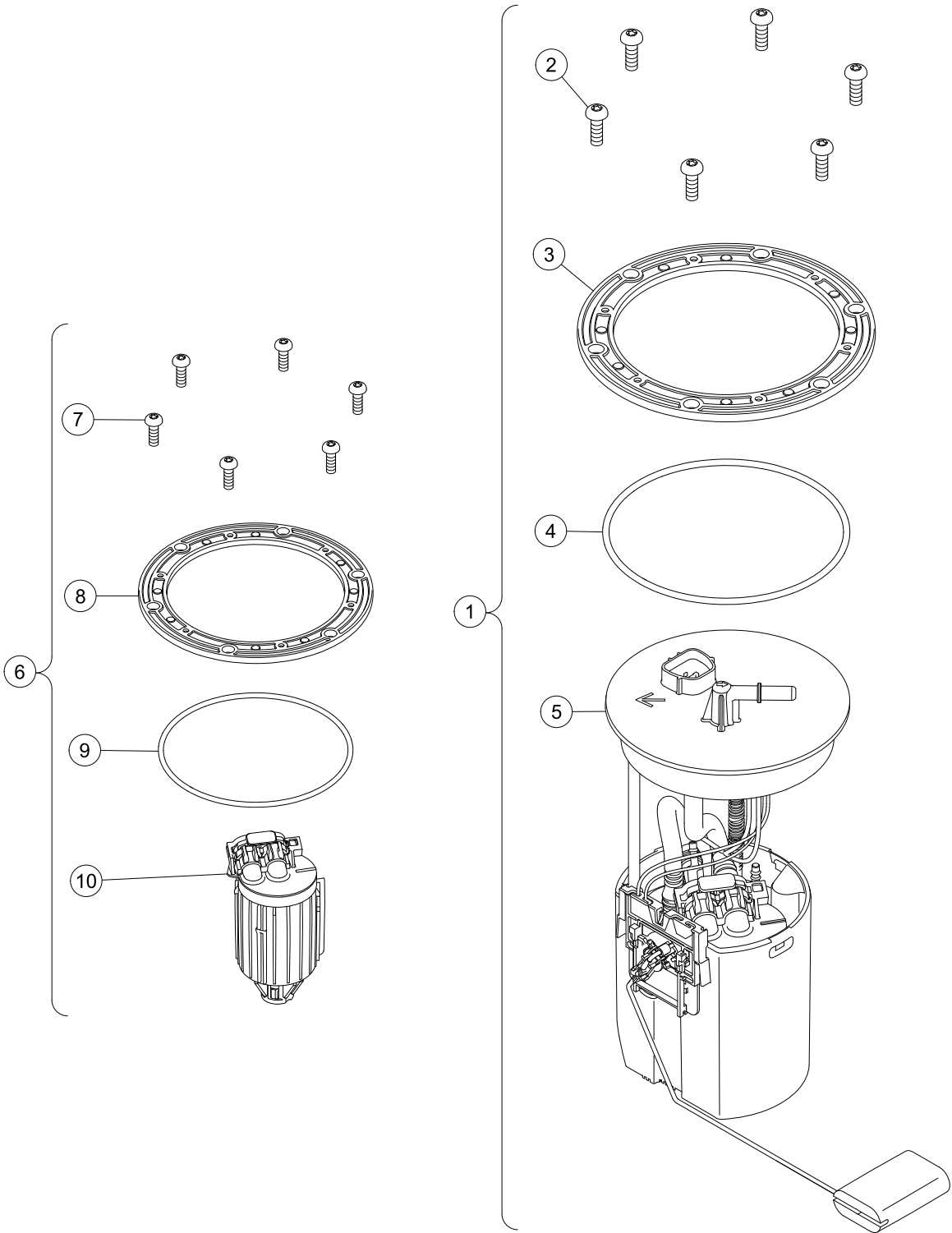


G-100499-000001

FUEL TANKS

10
G

ITEM	PART NO.	DESCRIPTION	QTY
		1 2 3 4	
1	<u>102296020</u>	Screw-torx Pan Head Pt, M6x20	2
2	<u>102296301</u>	Washer, M6x18x1.6 Flat	1
3	<u>102410604</u>	P-clamp, Insulated, 0.625 Inch	1
4	<u>102490301</u>	Bolt, M6 X 1 X 16, Loctite	1
5	<u>47610134002</u>	Bucket, Gas Vehicle, Glf, Csmr (includes items 6 and 7)	1
6	<u>103470701</u>	Bracket, Bucket Hinge	2
7	N/A	Screw, #6 X .75, Cs Ss, Hi-lo	4
8	<u>47610135001</u>	Retainer, Tank	1
9	<u>47643624002</u>	Bracket, Fuel Line	1
10	<u>47674563001</u>	Asm, Fuel Line, Glf, Csmr	1
11	<u>47674563002</u>	Asm, Fuel Line, Glf, Csmr, Lft	1
12	<u>47684368001</u>	Asm, Tank, Fuel, Su 50psi (includes items 13 through 16)	1
13	<u>103372101</u>	Cap, Fuel Tank, Gas, Ratchet	1
14	<u>105143301</u>	Wire, Ground, Fuel Tank	1
15	<u>47611876001</u>	Vent Rov, Fuel Tank, Precedent	1
16	<u>47611877001</u>	Grommet, Fuel Tank, Vent	1
17	<u>47684368002</u>	Asm, Tank, Fuel Nsu,50psi	1
18	<u>96705199</u>	Washer, M6	1
Note: Items 13 through 16 apply to items 12 and 17.			



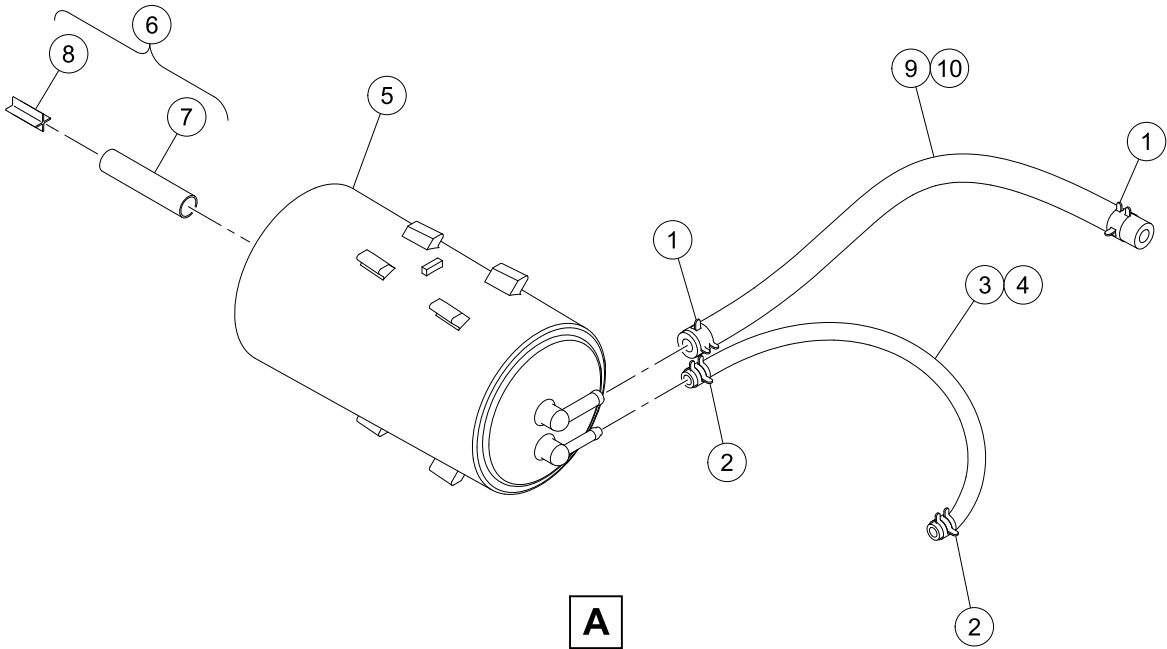
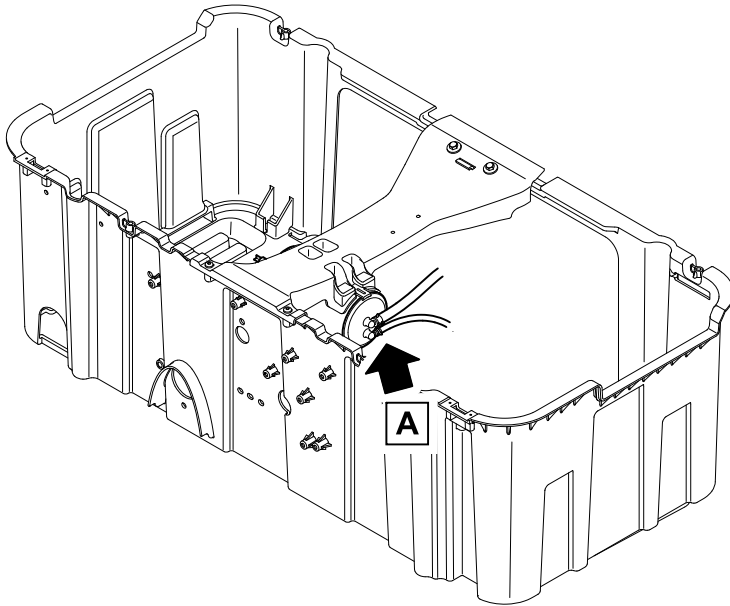
G-100699-000001

FUEL PUMP AND FUEL FILTER KITS

ITEM	PART NO.	DESCRIPTION	QTY
		1 2 3 4	
1	<u>47622330001</u>	Kit, Fuel Pump Module, 50 Psi (includes items 2 through 5)	1
2	<u>102025801</u>	Screw, 1/4-20 X .75 Torx Pn Hd	6
3	<u>105043801</u>	Fuel Module, Hold Down Ring	1
4	<u>105043901</u>	O-Ring, Fuel Module	1
5	N/A	Fuel Pump Module Su 50psi	1
6	<u>47623339001</u>	Kit, Fuel Filter, 50 Psi (includes items 7 through 10)	1
7	<u>102025801</u>	Screw, 1/4-20 X .75 Torx Pn Hd	6
8	<u>105043801</u>	Fuel Module, Hold Down Ring	1
9	<u>105043901</u>	O-Ring, Fuel Module	1
10	N/A	Fuel Filter, 50psi	1
		Note: Fuel pump kits are supplied with a sending unit for all field replacement kits.	

10
G

10
G



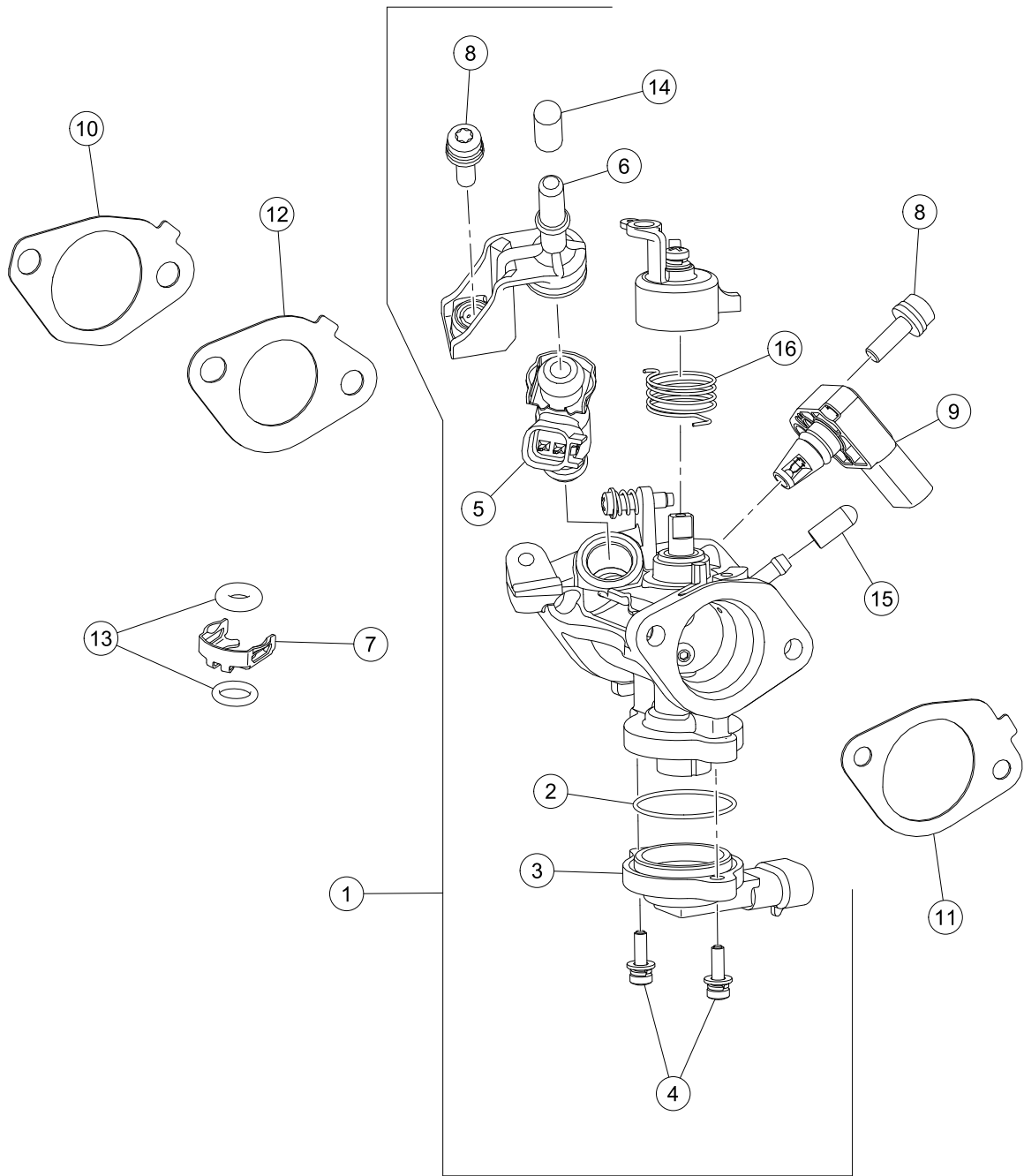
G-100399-00002

CARBON CANISTER – EFI

ITEM	PART NO.	DESCRIPTION	QTY
		1 2 3 4	
1	<u>1012649</u>	Clamp, 0.460 Red Hose	2
2	<u>1013746</u>	Clamp, 0.301 ID Hose	2
3	101587711	Hose, Fuel, Vent, 11.5" Long	1
4	101587712	Hose, Fuel, Vent, 12.5" Long	1
5	<u>103372401</u>	Canister, Carbon	1
6	<u>103756401</u>	Asm, Vent Line, Carbon Canister (includes items 7 and 8)	1
7	N/A	Hose, Vent, 5/16 I.D., Bulk	1
8	N/A	Vent, Barb, 5/16 I.D. Hose	1
9	103896607	Hose, Vent, 1/4 Id, 11.5 In (includes item 10)	1
10	<u>47560464001</u>	Hose, Fuel 1/4saej1737 Bulk	A/R
Note: Bulk hose material for items 3 (non-lifted only) and 4 (lifted only) can be ordered using part number 1015137.			

10

G

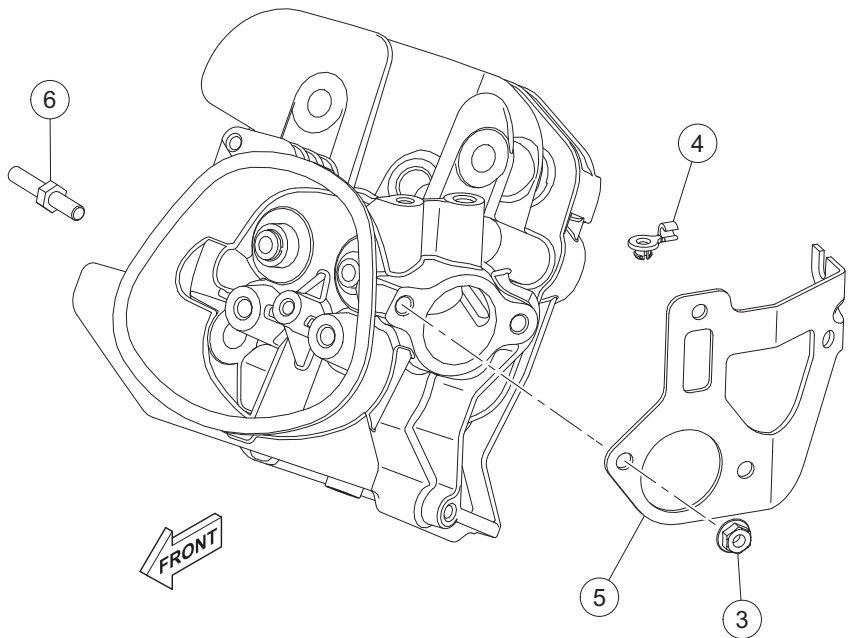
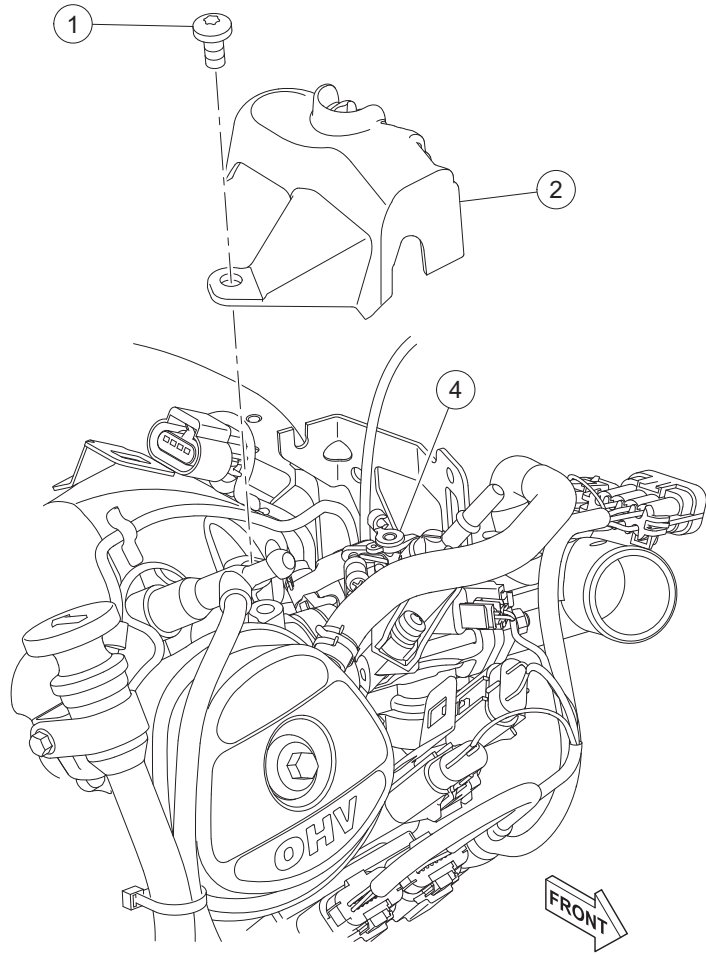


G-100199-000001

THROTTLE BODY AND MOUNTING

ITEM	PART NO.	DESCRIPTION	QTY
		1 2 3 4	
1	<u>47629857001</u>	Throttle Body, Assembly, Kohler	1
2	<u>47629858001</u>	O-ring, Kohler	1
3	<u>47629859001</u>	Kit, Tps, Kohler	1
4	<u>47629860001</u>	Screw, Hexalobular, M4 X 0.7 X	2
5	<u>47629861001</u>	Injector, Fuel, Kohler	1
6	<u>47629862001</u>	Cap, Fuel Inector, Kohler	1
7	<u>47629864001</u>	Clip, Retainer, Kohler	1
8	<u>47629865001</u>	Screw, Hexalobular, M6 X 1 Sem	2
9	<u>47629866001</u>	Sensor, T-map, Kohler	1
10	<u>47629867001</u>	Kit, Gasket Intake, Kohler	1
11	<u>47629868001</u>	Gasket, Throttle Body, Kohler	1
12	<u>47629869001</u>	Gasket, Insulator To T-body, K	1
13	<u>47629870001</u>	Kit, Fuel Injector O-ring, Koh	1
14	<u>47629871001</u>	Cap, Masking, Kohler	1
15	<u>47629872001</u>	Cap, Masking, Kohler	1
16	<u>47629874001</u>	Spring, Return, Kohler	1

10
G



G-040999-000004

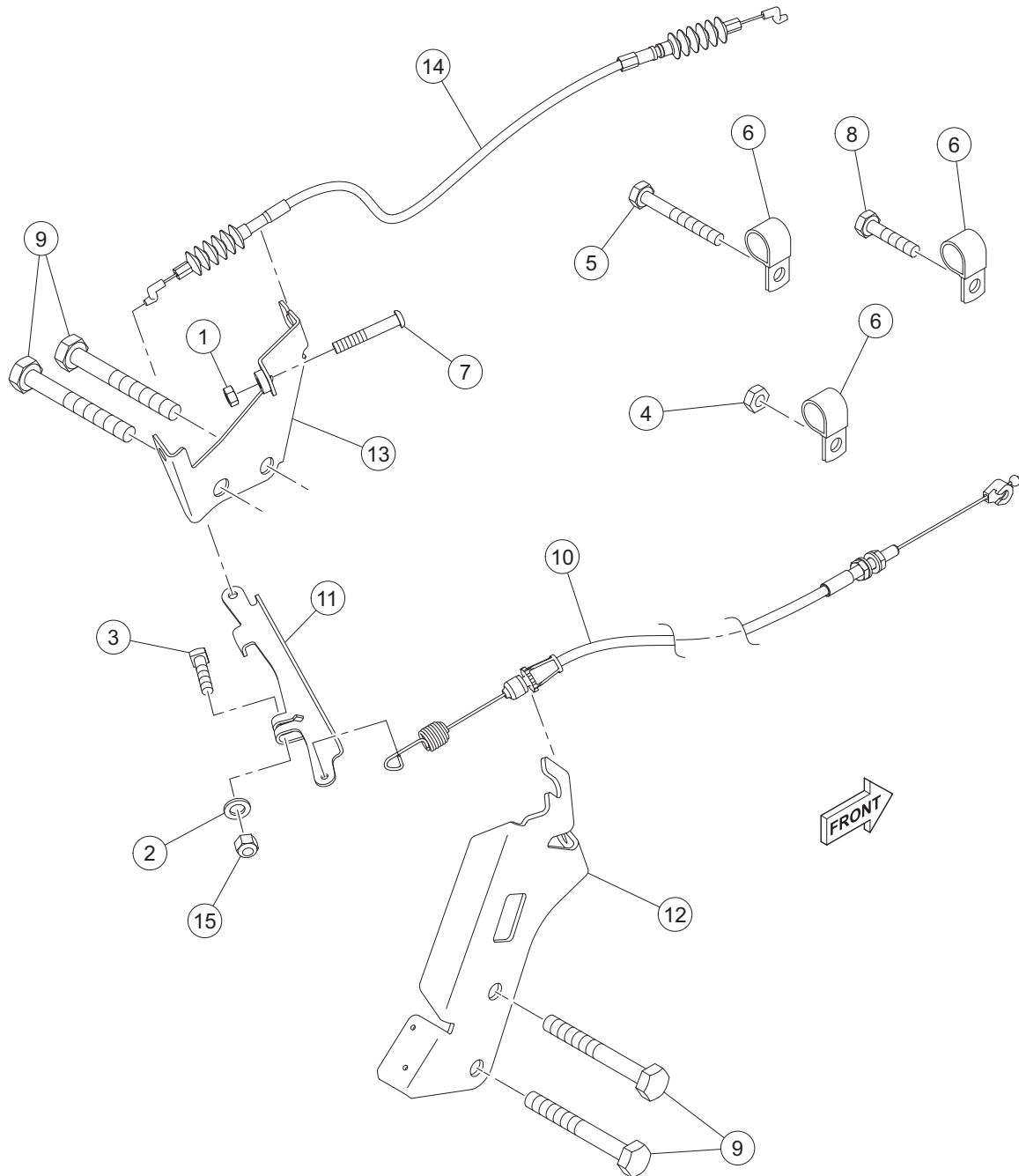
GOVERNOR BRACKET AND COVER – EFI

ITEM	PART NO.	DESCRIPTION	QTY
		1 2 3 4	
1	<u>102298116</u>	Bolt, Flanged Head, M8 X 16.0	1
2	<u>47612352001</u>	Cover, Governor, Ech 440	1
3	<u>47629875001</u>	Nut, Hex Flange Lock (m6), Koh	2
4	<u>47629876001</u>	Bushing, Linkage Retainer, Koh	1
5	<u>47629877001</u>	Bracket, Governor, Kohler	1
6	<u>47629878001</u>	Stud, Ground, Kohler	1

10

G

10
G



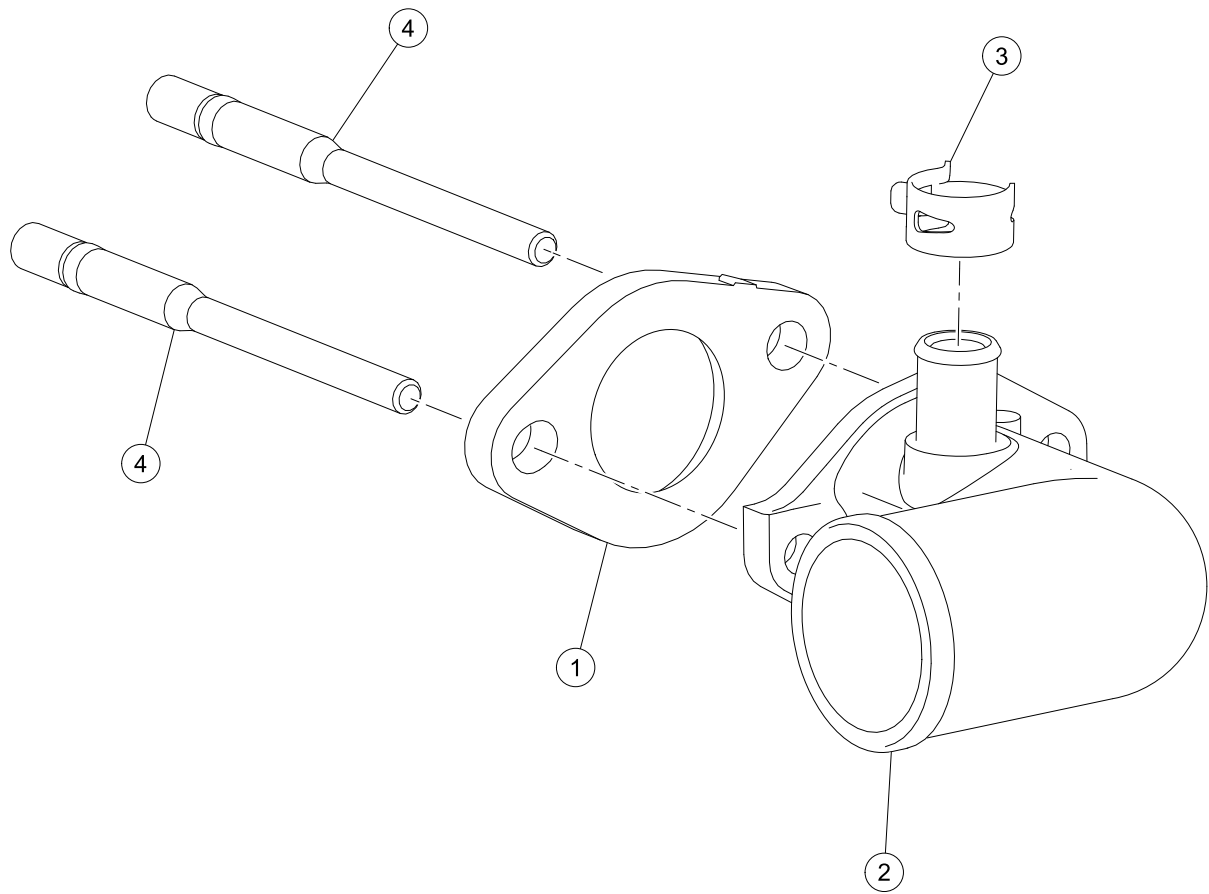
G-100599-000002

GOVERNOR AND ACCELERATOR CABLES – EFI

ITEM	PART NO.	DESCRIPTION	QTY
		1 2 3 4	
1	<u>1011114</u>	Nut, M6-1.00 Hex	2
2	<u>1014007</u>	Washer, 1/4, Flat	1
3	<u>101886101</u>	Screw, 1/4-20 X 1.00, Square-Head	1
4	<u>101887601</u>	Locknut, M6-1.00 Nylon Insert	1
5	<u>102296716</u>	Screw, M6 X 16 Tt Hx Fl Hd	1
6	<u>102410604</u>	P-clamp, Insulated, 0.625 Inch	3
7	<u>102476401</u>	Bolt, Stop, Pedal	1
8	<u>102490301</u>	Bolt, M6 X 1 X 16, Loctite	1
9	<u>102498201</u>	Bolt, M10 X 1.25 X 25, Loctite	2
10	<u>103978001</u>	Cable, Governor, EX40	1
11	<u>103982002</u>	Cable, Accelerator, High Speed	1
12	<u>104023501</u>	Arm, Governor, ED65	1
13	<u>105135101</u>	Bracket, Cable, FNR/Accelerator, ED65	1
14	<u>105144401</u>	Weldment, Governor Bracket	1
15	<u>47601355001</u>	Cable, Governor, Z Fit 90 Fit	1
16	<u>8233</u>	Locknut, 1/4-20, Nylon Insert	1

10

G



G-040999-000003

AIR INTAKE ELBOW – EFI

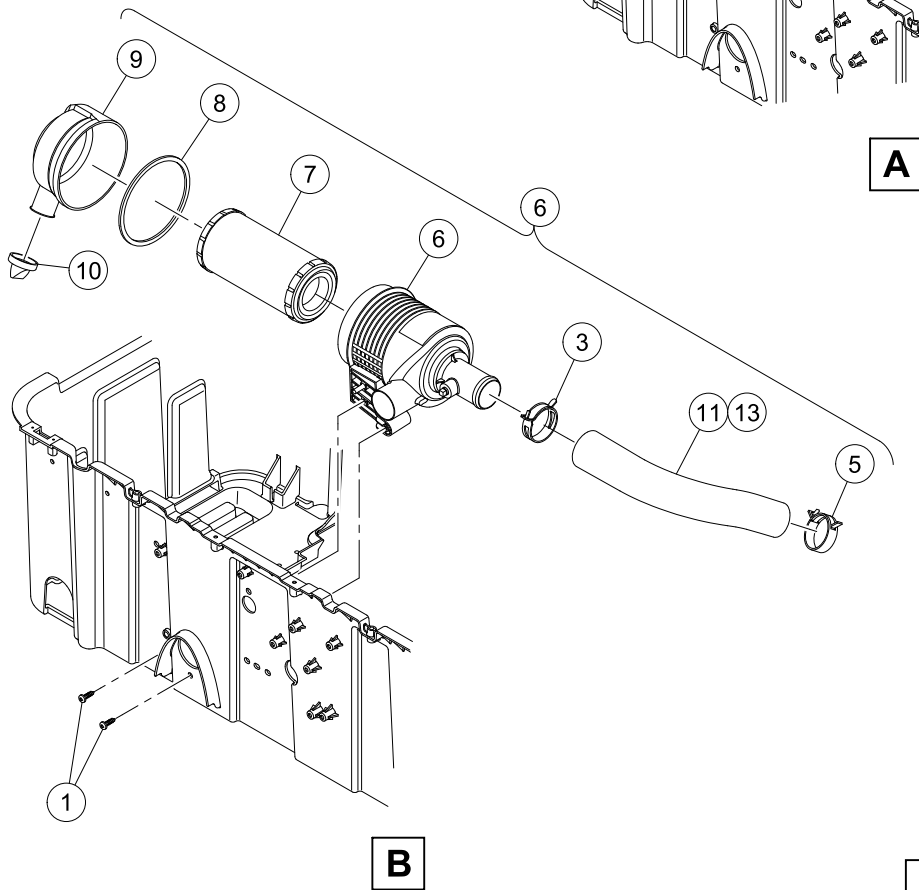
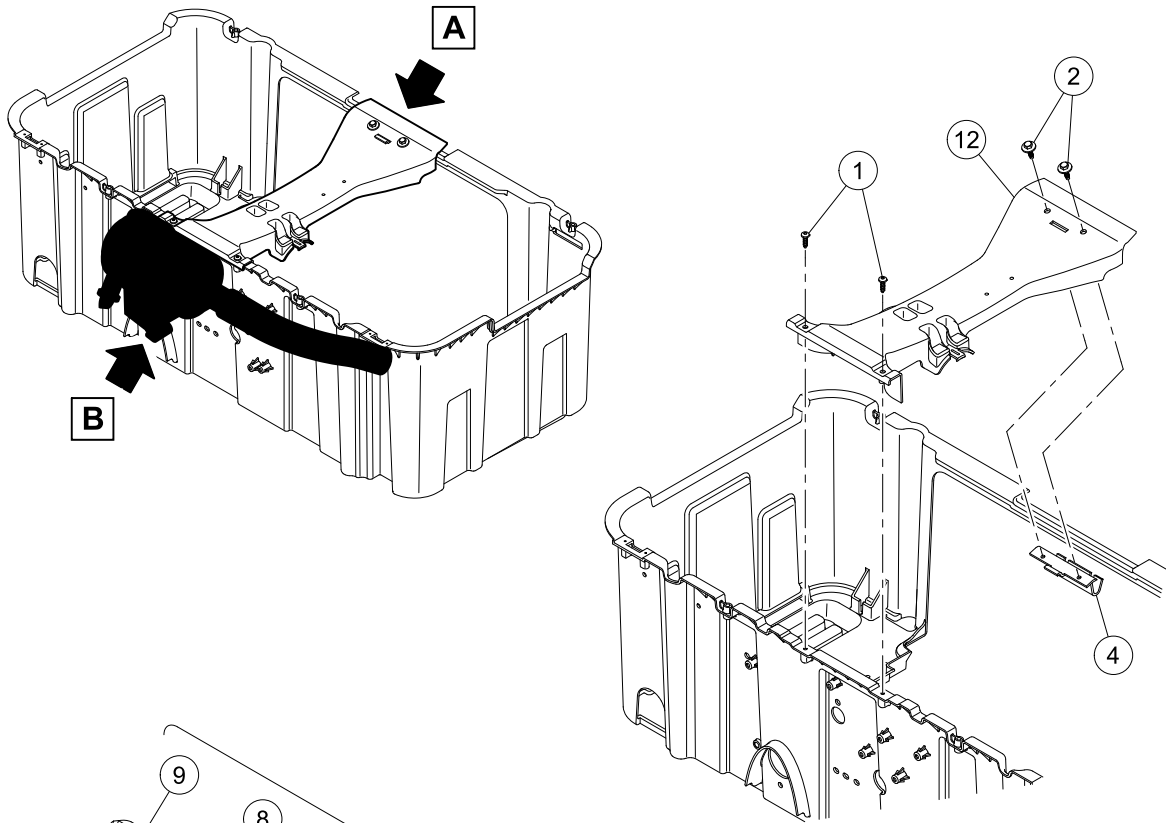
ITEM	PART NO.	DESCRIPTION	QTY
		1 2 3 4	
1	<u>47629879001</u>	Insulator Throttle Body, Kohler	1
2	<u>47629880001</u>	Elbow, Air Inlet, Kohler	1
3	<u>47629881001</u>	Clamp, Breather Hose, Kohler	1
4	<u>47629882001</u>	Stud, Intake, Kohler	2

10

G

10

G



G-100399-000001

AIR FILTER SYSTEM AND INTAKE HOSE – EFI

ITEM	PART NO.	DESCRIPTION	QTY
		1 2 3 4	
1	<u>102296020</u>	Screw-torx Pan Head Pt, M6x20	4
2	<u>102297125</u>	Screw, M6-1.0x25.4, Thread-Forming, SEMS	2
3	<u>102411209</u>	Clamp, Hose, Ctb 55mm Dia.	1
4	<u>102521401</u>	Support, Gas Bucket Brace	1
5	<u>102558301</u>	Clamp, Air Intake	1
6	<u>105009001</u>	Air Cleaner, with EFI (includes items 7 through 10)	1
7	<u>102558201</u>	Air Filter, 4 Inch	1
8	<u>102558501</u>	Gasket, Air Intake	1
9	<u>102558601</u>	Asm, Cover, Air Intake	1
10	<u>102558701</u>	Evac Valve, Air Intake	1
11	47560765001	Hose, Intake, Lift, Csmr	1
12	47610136001	Brace, Gas Fuel Bucket	1
13	47615815001	Hose, Intake, Extr, 327 Lg	1
		Note: Item 11 is for lifted vehicles only. Item 13 is for non-lifted vehicles only.	

10

G

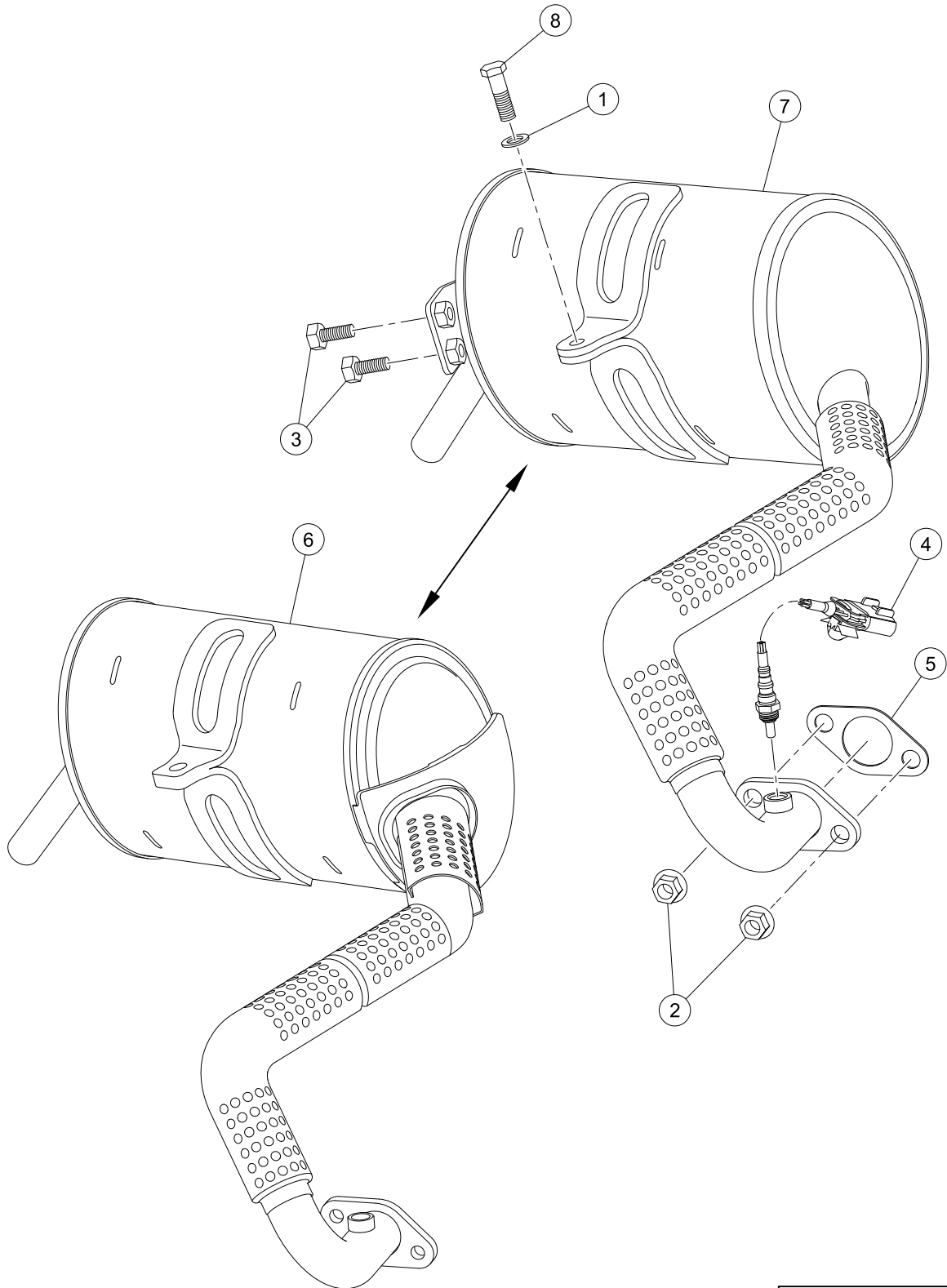
10

G

EXHAUST SYSTEMS – ECH440

11

G



G-110199-000003

EXHAUST SYSTEMS

ITEM	PART NO.	DESCRIPTION	QTY
		1 2 3 4	
1	<u>1011697</u>	Washer, 5/16 Flat	1
2	<u>102298401</u>	Nut, M8, All Metal Lock	2
3	<u>102922701</u>	Bolt, Flanged Head, M8x1.25x20 Lock Patch	2
4	<u>47611209001</u>	Asm, Sensor, Oxygen, Heated	1
5	<u>47611210001</u>	Gasket, Exhaust, Grpht, Ech440	1
6	<u>47649808001</u>	Exhaust, LTFF, ECH440	1
7	<u>47649808002</u>	Exhaust, Utility, ECH440	1
8	<u>96705587</u>	Bolt, M8 X 1.25 X 30	1

11
G

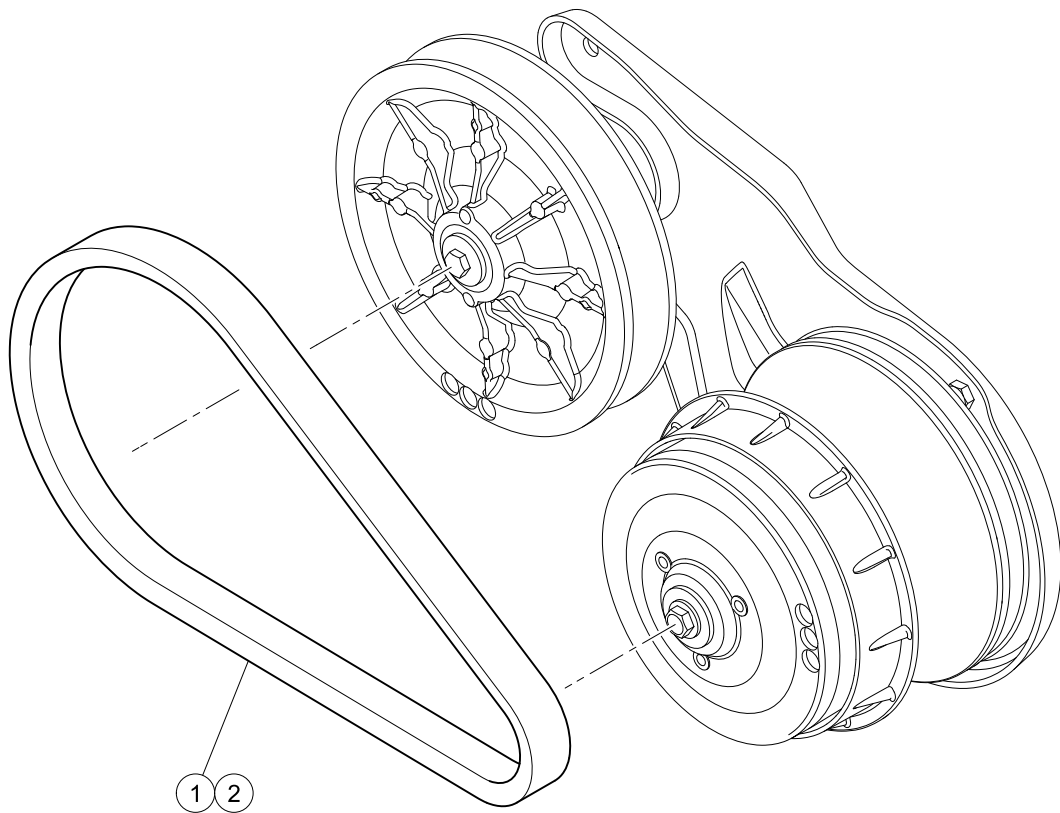
11

G

DRIVE BELT AND CLUTCHES – EFI GASOLINE VEHICLES

12

G

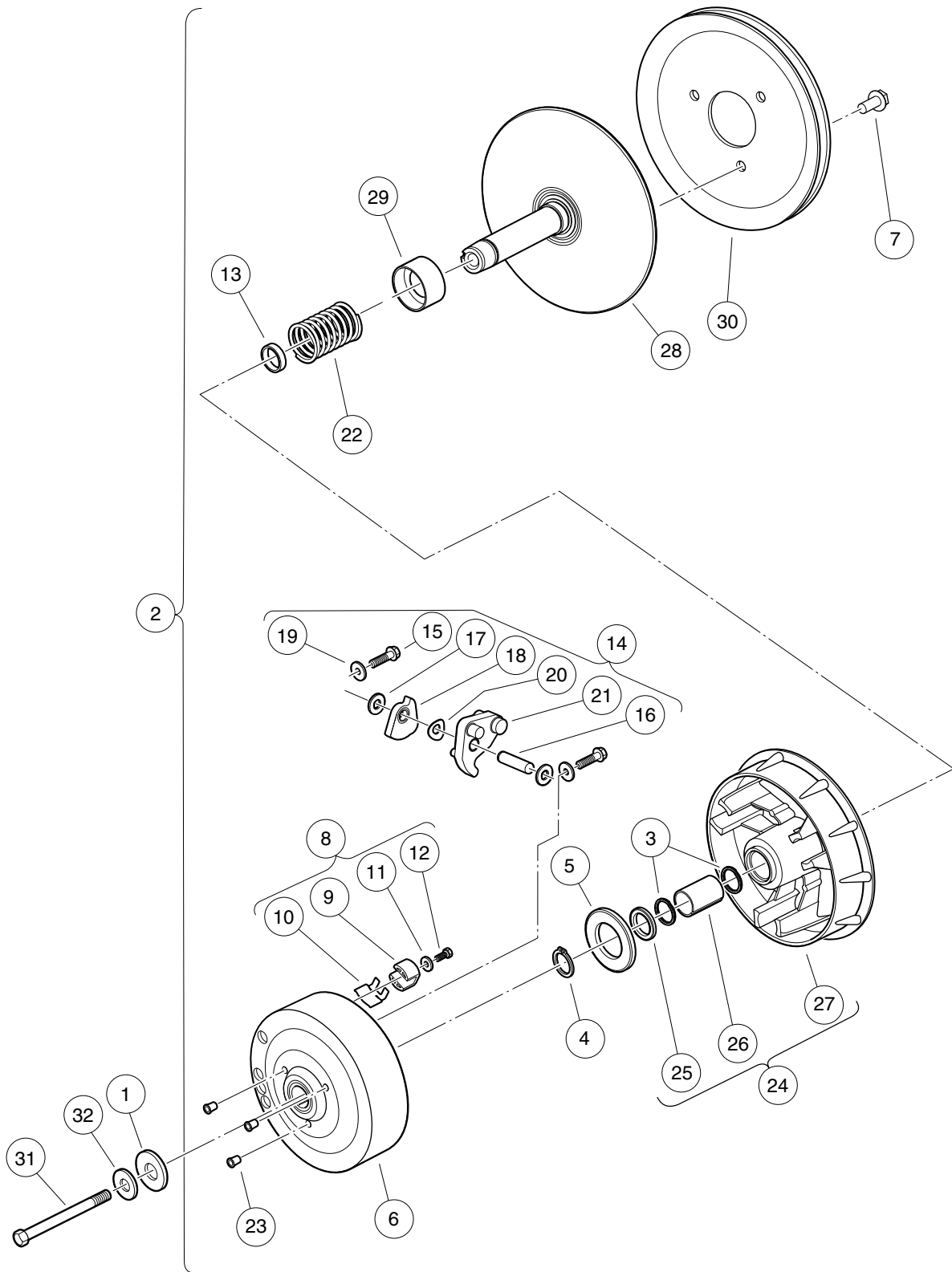


G-060099-000001

DRIVE BELTS – EFI

ITEM	PART NO.	DESCRIPTION	QTY
1	<u>103974102</u>	1 2 3 4 Belt, Drive, Key-Start	1
2	<u>105245801</u>	Belt, Drive, Pedal-Start	1

12
G



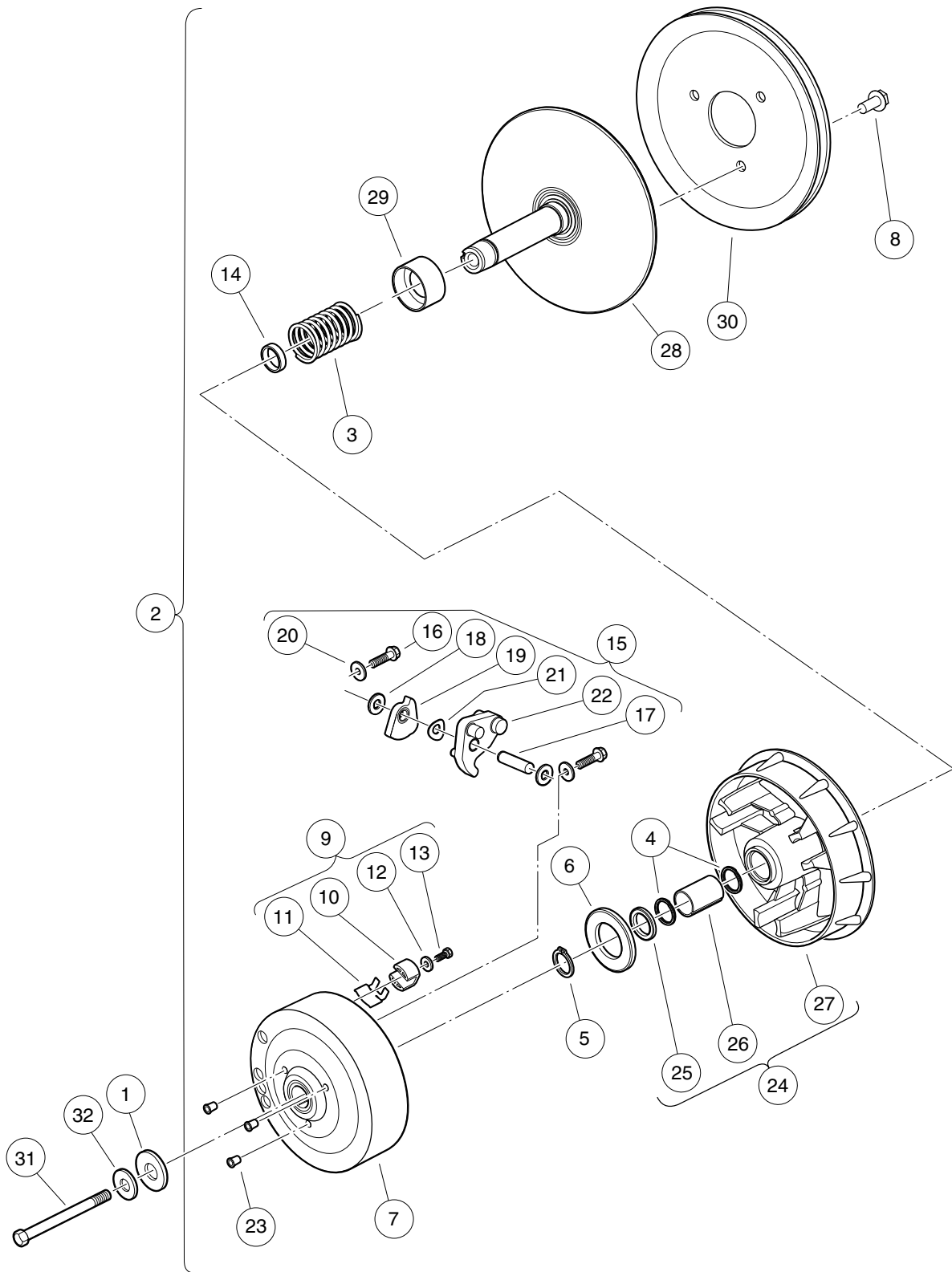
000958-002

DRIVE CLUTCH – KEY-START VEHICLES

ITEM	PART NO.	DESCRIPTION	QTY
		1 2 3 4	
1	<u>102491501</u>	Washer, Hard, M10	1
2	<u>103973902</u>	Clutch, Drive, Key-Start (includes items 3 through 30)	1
3	<u>1014056</u>	Ring, Spiral Backup	2
4	<u>1014057</u>	Ring, 0.810" Internal Retaining	1
5	<u>1014058</u>	Thrust Washer	1
6	<u>1014059</u>	Drive Hub Assy, Drive Clutch	1
7	<u>1014288</u>	Screw, 5/16-18 X 0.75, Thread-Forming	3
8	<u>1014453</u>	Kit, Drive Clutch Button (includes items 9 through 12)	1
9	<u>1014062</u>	Driver, Drive Clutch	3
10	<u>1014287</u>	Spring, Drive Button	3
11	<u>183</u>	Washer, #10, Type A, Flat	3
12	<u>8450</u>	Screw, #10-24 X 0.50, Hex-Head	3
13	<u>1016289</u>	Spacer, Fixed Face Shaft	1
14	<u>1016801</u>	Kit, Drive Clutch Weight (includes items 15 through 21)	1
15	<u>1014063</u>	Screw, 1/4-20 X 1.00, Hex Head	6
16	N/A	Pin, Dowel, 0.3752 x 1.50	3
17	<u>1014065</u>	Washer, Flat, 0.38" ID, Delrin	6
18	N/A	Clutch Weight, Secondary	3
19	N/A	Washer	6
20	<u>1016201</u>	Washer, Wave	3
21	N/A	Weight, Primary	3
22	<u>1016901</u>	Spring, Drive Clutch	1
23	N/A	Cap Plug	3
24	<u>103974201</u>	Asm, Sheave, Moveable, Drive, Wr (includes items 25 through 27)	1
25	<u>1014055</u>	Retainer	1
26	N/A	Bushing, Split, Drive Clutch	1
27	N/A	Sheave, Moveable, Drive, Wr	1
28	<u>103974401</u>	Sheave, Fixed, Drive, Wr	1
29	<u>103984601</u>	Spacer, Idler, Drive	1
30	<u>105096101</u>	Pulley, 7.3 Inch Effective Dia	1
31	<u>103976101</u>	Screw, 3/8-24x5.75, Patch	1
32	<u>334</u>	Washer, 3/8, Type A, Flat	1

12

G



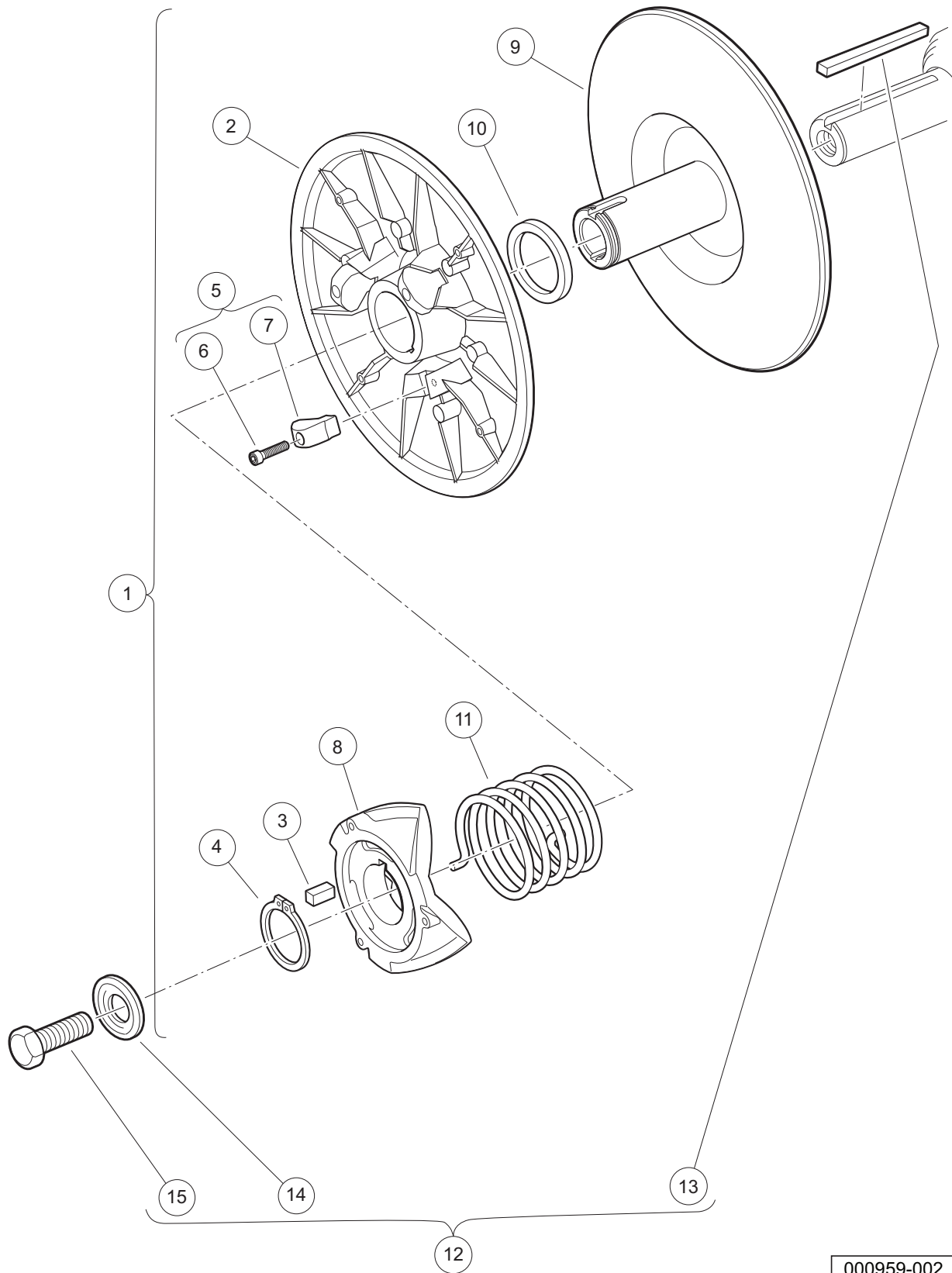
000958-001

DRIVE CLUTCH – PEDAL-START VEHICLES

ITEM	PART NO.	DESCRIPTION	QTY
		1 2 3 4	
1	<u>102491501</u>	Washer, Hard, M10	1
2	<u>103973901</u>	Clutch, Drive, Pedal-Start (includes items 3 through 30)	1
3	<u>1014051</u>	Spring, Drive Clutch	1
4	<u>1014056</u>	Ring, Spiral Backup	2
5	<u>1014057</u>	Ring, 0.810" Internal Retaining	1
6	<u>1014058</u>	Thrust Washer	1
7	<u>1014059</u>	Drive Hub Assy, Drive Clutch	1
8	<u>1014288</u>	Screw, 5/16-18 X 0.75, Thread-Forming	3
9	<u>1014453</u>	Kit, Drive Clutch Button (includes items 10 through 13)	1
10	<u>1014062</u>	Driver, Drive Clutch	3
11	<u>1014287</u>	Spring, Drive Button	3
12	<u>183</u>	Washer, #10, Type A, Flat	3
13	<u>8450</u>	Screw, #10-24 X 0.50, Hex-Head	3
14	<u>1016289</u>	Spacer, Fixed Face Shaft	1
15	<u>1016801</u>	Kit, Drive Clutch Weight (includes items 16 through 22)	1
16	<u>1014063</u>	Screw, 1/4-20 X 1.00, Hex Head	6
17	N/A	Pin, Dowel, 0.3752 x 1.50	3
18	<u>1014065</u>	Washer, Flat, 0.38" ID, Delrin	6
19	N/A	Clutch Weight, Secondary	3
20	N/A	Washer	6
21	<u>1016201</u>	Washer, Wave	3
22	N/A	Weight, Primary	3
23	N/A	Cap Plug	3
24	<u>103974201</u>	Asm, Sheave, Moveable, Drive, Wr (includes items 25 through 27)	1
25	<u>1014055</u>	Retainer	1
26	N/A	Bushing, Split, Drive Clutch	1
27	N/A	Sheave, Moveable, Drive, Wr	1
28	<u>103974401</u>	Sheave, Fixed, Drive, Wr	1
29	<u>103984601</u>	Spacer, Idler, Drive	1
30	<u>105096101</u>	Pulley, 7.3 Inch Effective Dia	1
31	<u>103976101</u>	Screw, 3/8-24x5.75, Patch	1
32	<u>334</u>	Washer, 3/8, Type A, Flat	1

12
G

12
G



000959-002

DRIVEN CLUTCH – KEY START AND PEDAL START

ITEM	PART NO.	DESCRIPTION	QTY
		1 2 3 4	
1	47601767001	Asm, Clutch, Driven, Ccw, Blk (includes items 2 through 11)	1
2	<u>1014072</u>	Movable-Face Assembly with Bushing	1
3	<u>1014078</u>	Key, Driven Clutch	1
4	<u>1014080</u>	Ring, Retaining	1
5	<u>1014454</u>	Kit, Driven Clutch Button (includes items 6 and 7)	1
6	<u>1012836</u>	Screw, #8-32 X 3/4, Socket-Head Cap	3
7	N/A	Button, Drive	3
8	<u>1017686</u>	Cam, Driven Clutch	1
9	<u>103975301</u>	Sheave, Fixed, Driven, Wr	1
10	<u>104025101</u>	Washer, Acetal, Driven Clutch	1
11	47600218001	Spring, Drvn Clutch, Ccw, Blk	1
12	<u>AM10419</u>	Kit, Clutch Repair (includes items 13 through 15)	1
13	<u>101833401</u>	Key, 3/16 Sq X 1.50"	1
14	<u>102155801</u>	Washer, Driven Clutch	1
15	<u>102242101</u>	Screw, 5/16-18 X 3/4 Hex-Head with Patch	1

12

G

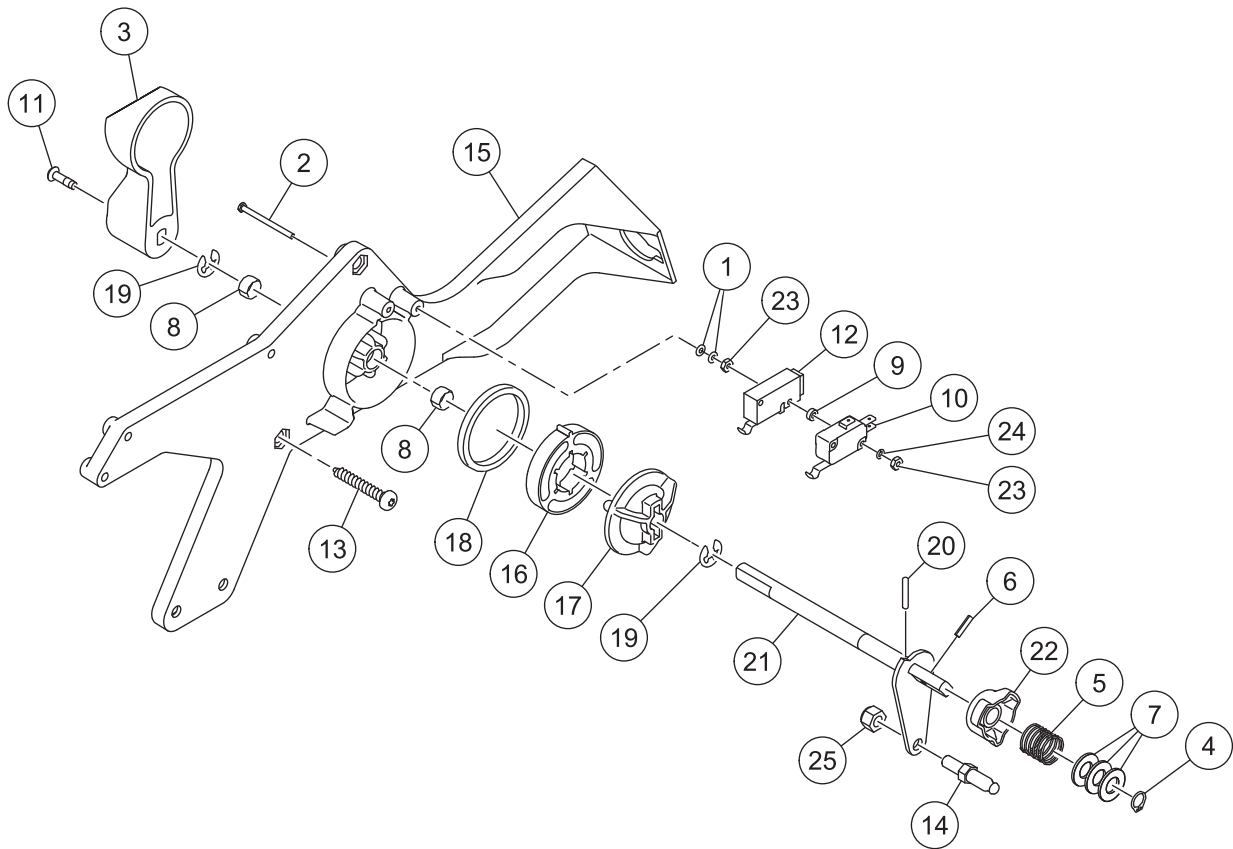
12

G

TRANSAXLE, FUJI ED65

13

G



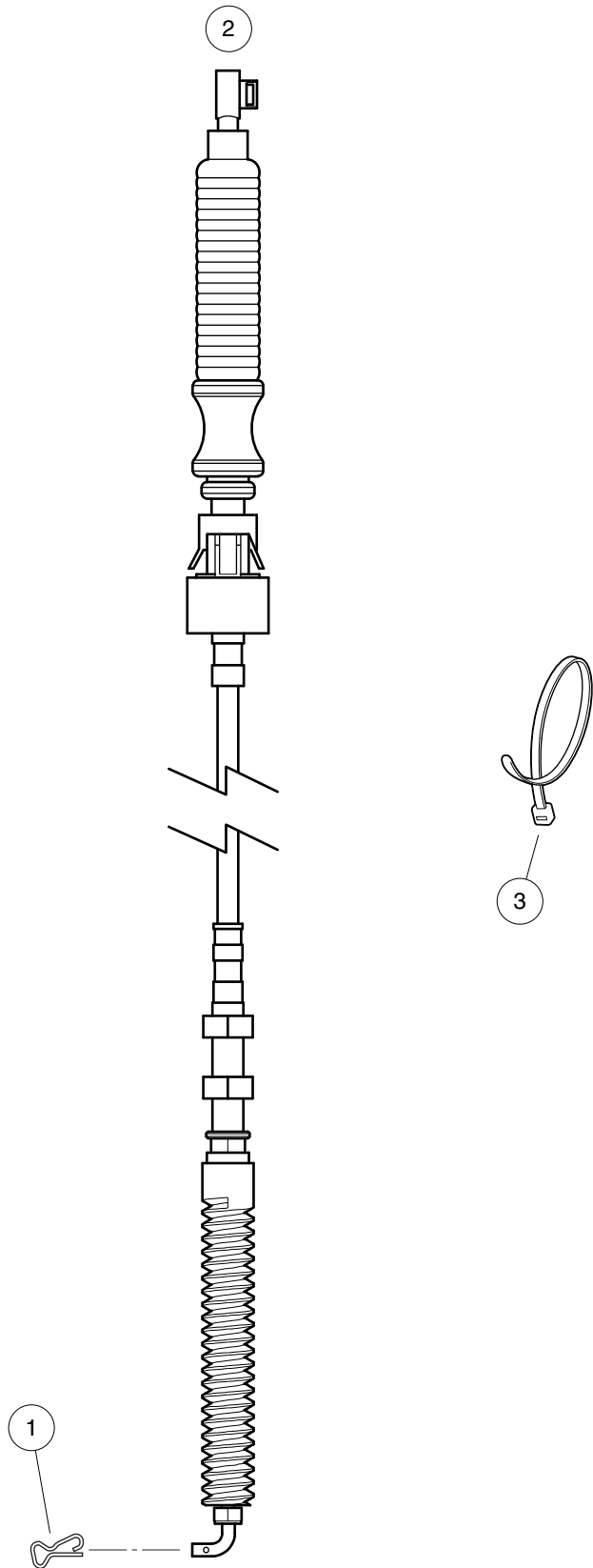
001063-003

FORWARD/REVERSE SHIFTER ASSEMBLY – EFI

ITEM	PART NO.	DESCRIPTION	QTY
		1 2 3 4	
1	<u>1012431</u>	Washer, #4 Flat	4
2	<u>1012594</u>	Screw, #4-40 Machine	2
3	<u>1012987</u>	Handle, FNR	1
4	<u>1013589</u>	Ring, Retaining, 0.338" Internal	1
5	<u>1013590</u>	Spring, FNR Cam	1
6	<u>1013591</u>	Pin, Roll, 1/8 X 1/2	1
7	<u>1014065</u>	Washer, Flat, 0.38" ID, Delrin	3
8	<u>1014145</u>	Bushing, Secondary Weight, Split	2
9	<u>1014727</u>	Washer, Flat, #4, Nylon	2
10	<u>1014807</u>	Switch, Limit	1
11	<u>1015064</u>	Screw, #8-32 X 0.63 Machine	1
12	<u>101979101</u>	Switch, Limit, Assembly, Sealed	1
13	<u>102296040</u>	Screw, Torx Pan Hd Pt, M6 X 40	3
14	<u>102526201</u>	Stud, Thread, 1/4-28	1
15	<u>105037501</u>	Housing, Gas FNR Body Shift	1
16	<u>105037601</u>	Cam, FNR Detent, 45 Degree	1
17	<u>105037701</u>	Follower, FNR Detent	1
18	<u>105038501</u>	Spring, Wave, Gas FNR Shifter	1
19	<u>105039801</u>	E-Clip, External, 8mm Groove	2
20	<u>105040401</u>	Pin, Round, 0.125 Dia x 0.625	1
21	<u>105041101</u>	Weldment, Shaft, Fnr	1
22	<u>105074101</u>	Cam, Neutral Lockout	1
23	<u>8057</u>	Nut, #4-40 Hex Machine	4
24	<u>8058</u>	Lockwasher, #4 Split	2
25	<u>8717</u>	Locknut, Nylon Insert, 1/4-28	1

13

G

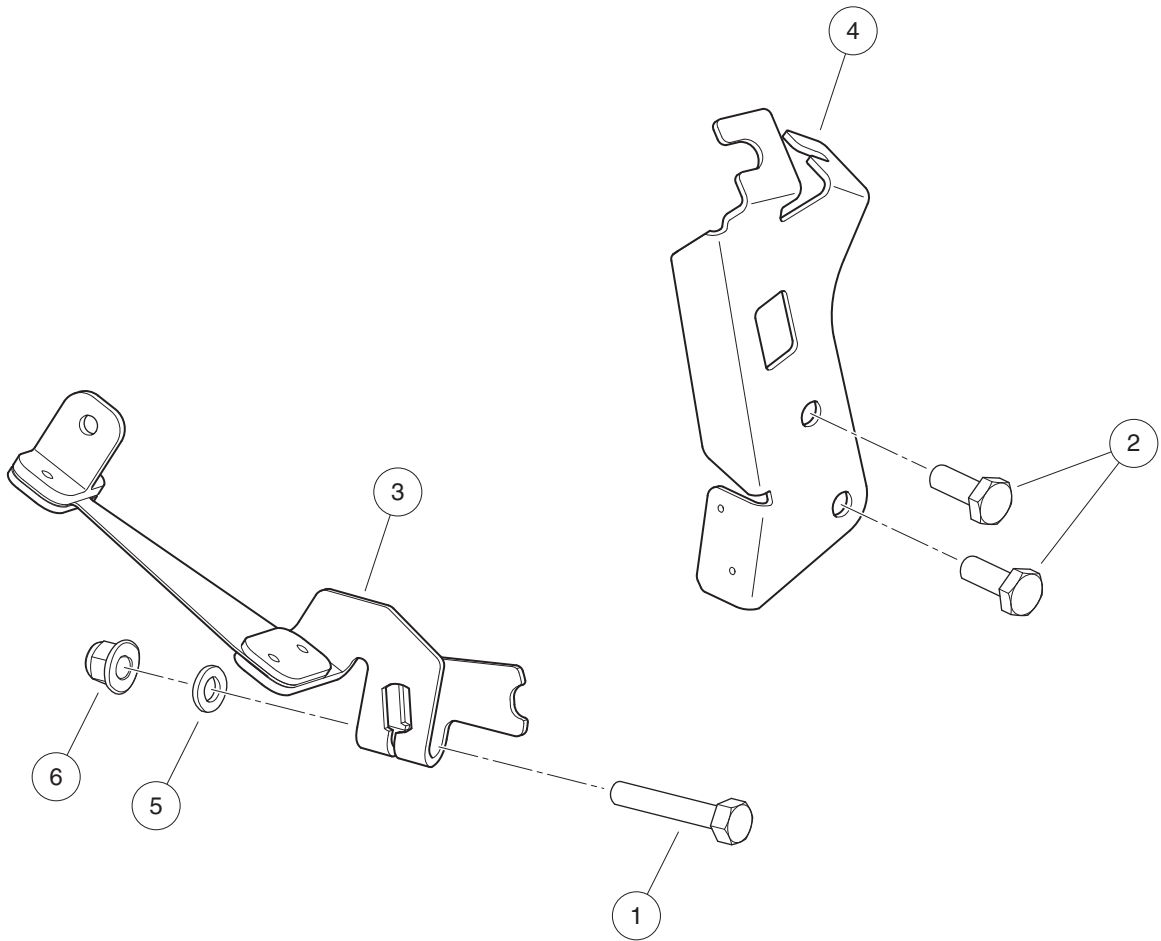


000988-001

SHIFTER CABLE

ITEM	PART NO.	DESCRIPTION	QTY
1	<u>103886601</u>	1 2 3 4 Clip, Bowtie	1
2	<u>105038801</u>	Cable, Shifter	1
3	<u>8990</u>	Tie Wrap, 8" Nylon	A/R

13
G



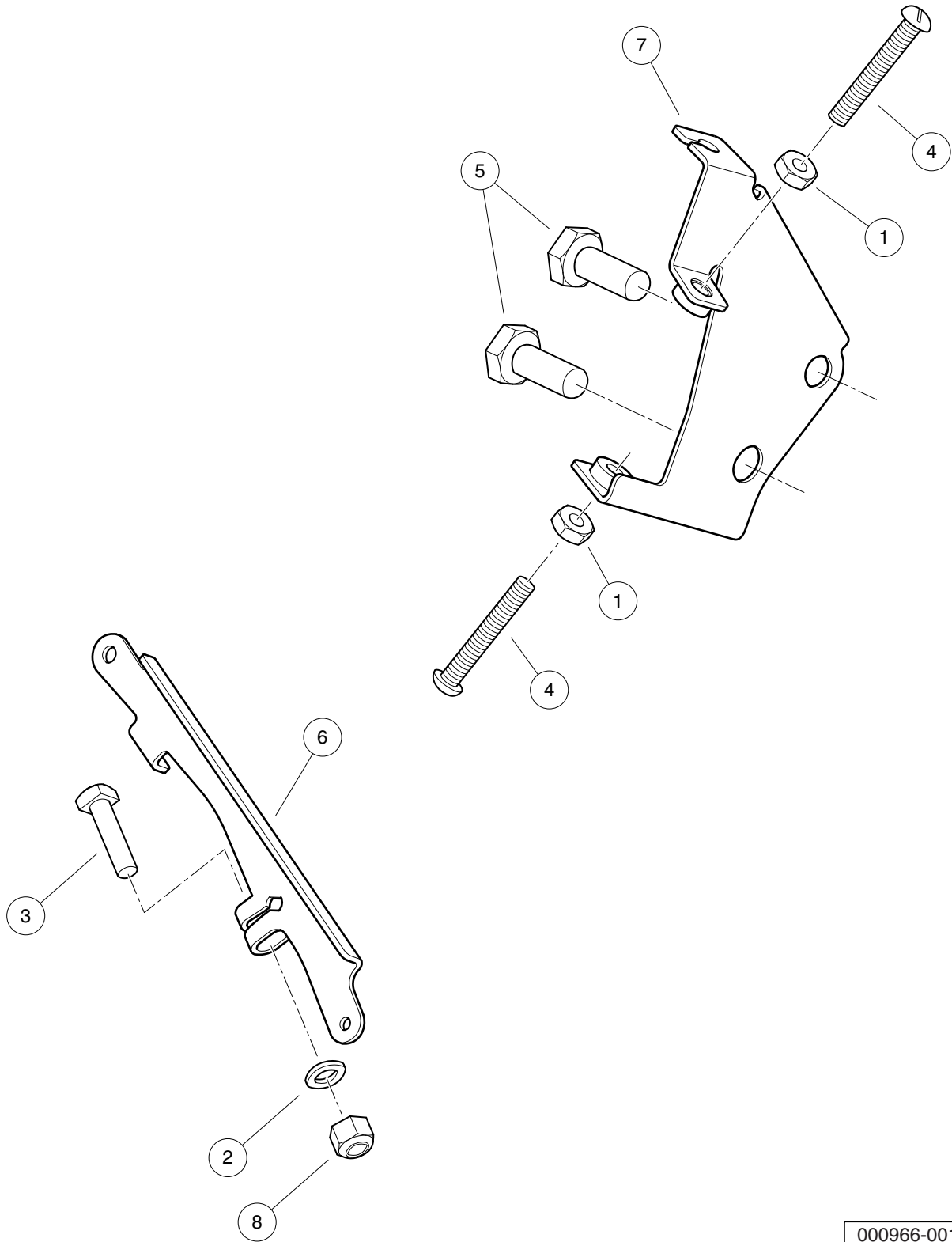
000965-003

SHIFT LEVER AND BRACKET – PEDAL-START ENGINES

ITEM	PART NO.	DESCRIPTION	QTY
		1 2 3 4	
1	<u>101862001</u>	Screw, 1/4-20 X 1.500 Flange	1
2	<u>102498201</u>	Bolt, M10 X 1.25 X 25, Loctite	2
3	<u>105040901</u>	Lever, Shift, Flex, Transaxle, Pedal-Start	1
4	<u>105135101</u>	Bracket, Cable, FNR/Accelerator, ED65	1
5	<u>332</u>	Washer, 1/4 Type A Narrow Flat	1
6	<u>8233</u>	Locknut, 1/4-20, Nylon Insert	1

13

G



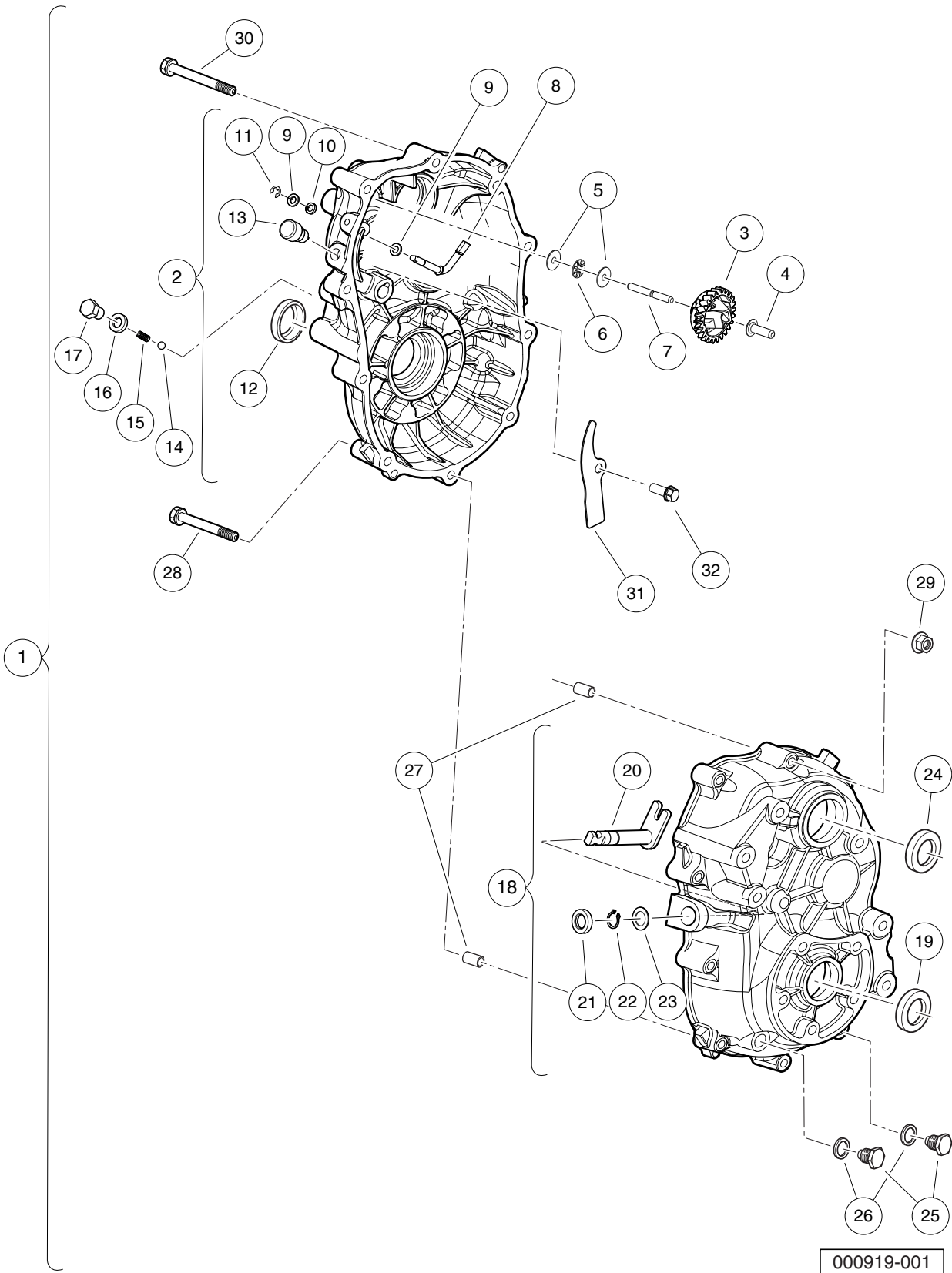
000966-001

GOVERNOR ARM AND BRACKETS

ITEM	PART NO.	DESCRIPTION	QTY
		1 2 3 4	
1	<u>1011114</u>	Nut, M6-1.00 Hex	2
2	<u>1014007</u>	Washer, 1/4, Flat	1
3	<u>101886101</u>	Screw, 1/4-20 X 1.00, Square-Head	1
4	<u>102476401</u>	Bolt, Stop, Pedal	2
5	<u>102498201</u>	Bolt, M10 X 1.25 X 25, Loctite	2
6	<u>104023501</u>	Arm, Governor, ED65	1
7	<u>105144401</u>	Weldment, Governor Bracket	1
8	<u>8233</u>	Locknut, 1/4-20, Nylon Insert	1

13

G

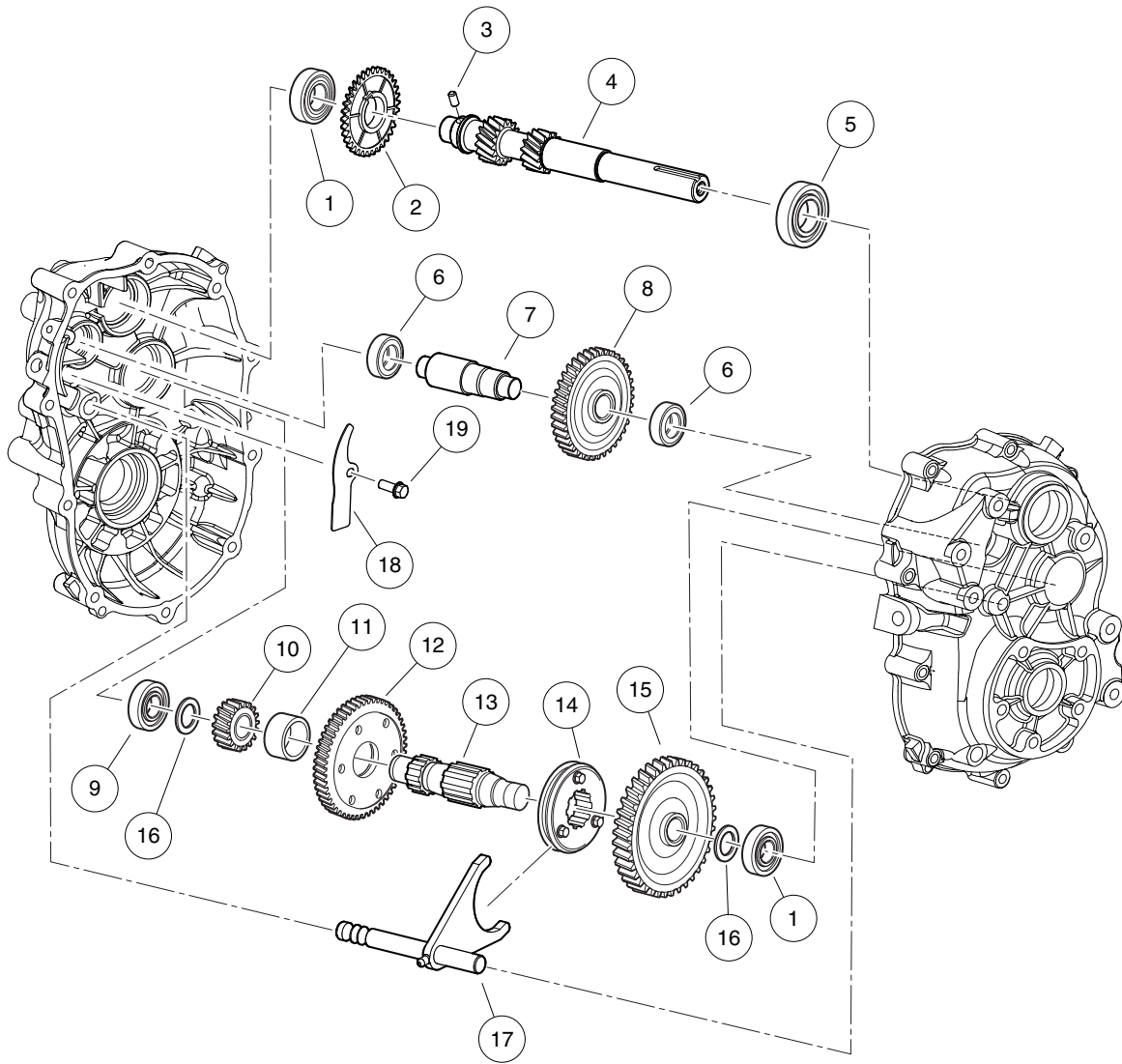


000919-001

TRANSAXLE (ED65), OPEN – PAGE 1 OF 3

ITEM	PART NO.	DESCRIPTION	QTY
		1 2 3 4	
1	<u>103879701</u>	Transaxle, ED65, Open Differential (includes items 2 through 32)	1
2	<u>105025001</u>	Case, Transaxle, Left, Complete, ED65 (includes items 3 through 13)	1
3	<u>105025101</u>	Gear, Governor, Complete, ED65	1
4	<u>105025201</u>	Sleeve, Governor, ED65	1
5	<u>105025301</u>	Washer, ED65	2
6	<u>105025401</u>	Bearing, Thrust, ED65	1
7	<u>105025501</u>	Shaft, Governor Gear, ED65	1
8	<u>105025601</u>	Shaft, Governor, ED65	1
9	<u>105025701</u>	Washer, 6mm, ED65	2
10	<u>105025801</u>	Seal, Oil, 6x10x2.5, ED65	1
11	<u>105025901</u>	Retaining Ring, E5, ED65	1
12	<u>105026001</u>	Seal, Oil, 24x40x9, ED65	1
13	<u>105027101</u>	Vent, Breather, ED65	1
14	<u>105026101</u>	Ball, Steel, ED65	1
15	<u>105026201</u>	Spring, ED65	1
16	<u>105026301</u>	Gasket, 10, ED65	1
17	<u>105026401</u>	Bolt, M10-1.25x12mm Lg, ED65	1
18	<u>105026501</u>	Case, Transaxle, Right, Complete, ED65 (includes items 19 through 24)	1
19	<u>105026001</u>	Seal, Oil, 24x40x9, ED65	1
20	<u>105026601</u>	Shaft, Select, ED65	1
21	<u>105026701</u>	Seal, Oil, 13x22x5, ED65	1
22	<u>105026801</u>	Snap Ring, 13mm, ED65	1
23	<u>105026901</u>	Spacer, 13x1, ED65	1
24	<u>105027001</u>	Seal, Oil, 25x45x7, ED65	1
25	<u>105027201</u>	Plug, Oil Drain, ED65	2
26	<u>105027301</u>	Gasket, 14, ED65	2
27	<u>105028301</u>	Pin, Guide, ED65	2
28	<u>105028501</u>	Bolt, Flange, M8-1.25x65mm, ED65	1
29	<u>105030001</u>	Nut, Flange, M8-1.25, ED65	10
30	<u>105030701</u>	Bolt, Flanged, M8-1.25x80mm, ED65	9
31	<u>105234801</u>	Plate, Ed65 Splash	1
32	<u>105234901</u>	Bolt, M6-1 X 12mm Lg, Ed65	1
		Note: Fuji transaxle component listings span three pages. To identify your transaxle, locate the serial number decal on the axle tube.	

13
G



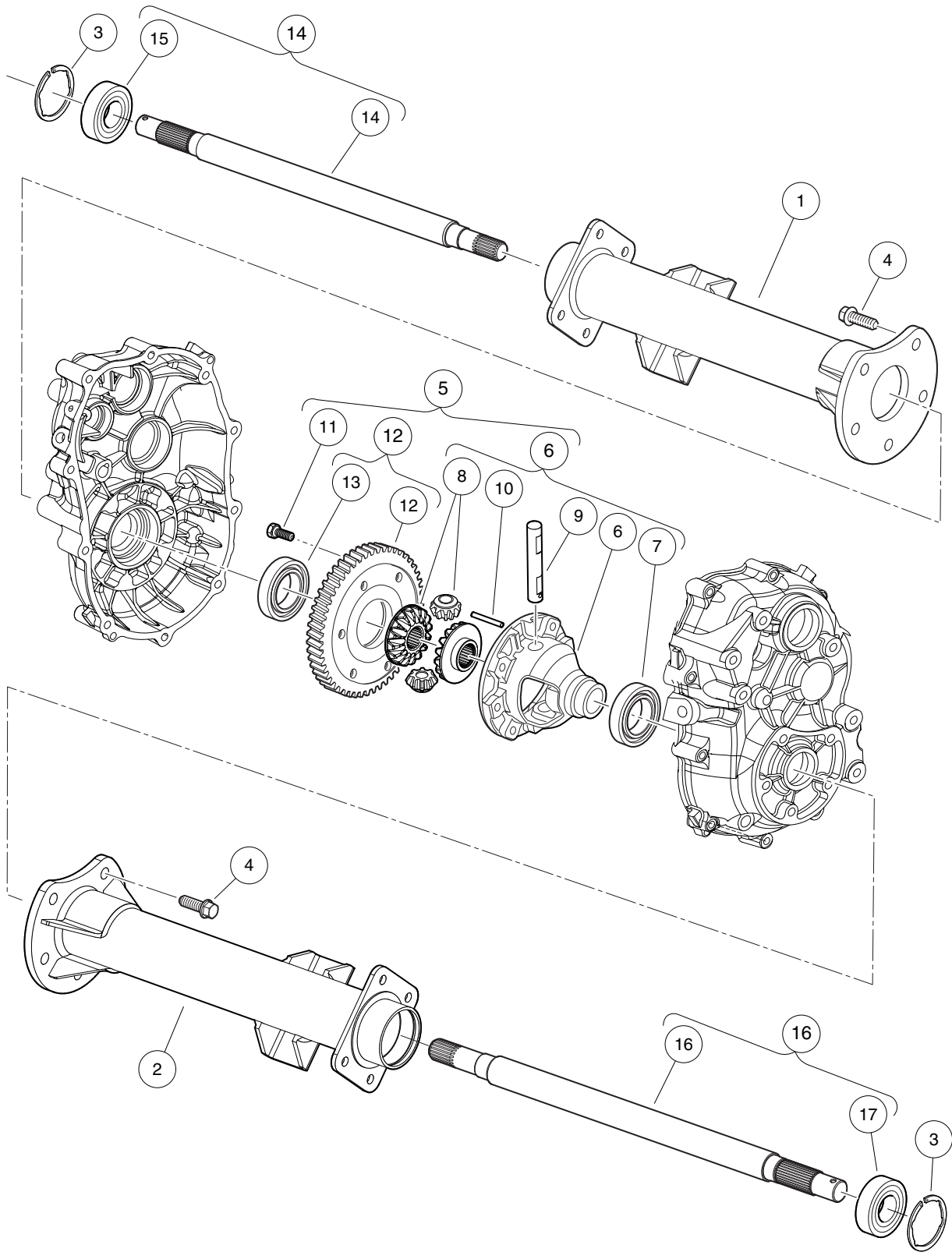
000919-007

TRANSAXLE (ED65), LIMITED SLIP AND OPEN – PAGE 2 OF 3

ITEM	PART NO.	DESCRIPTION	QTY
		1 2 3 4	
1	<u>105027401</u>	Bearing, Ball (6204)	2
2	<u>105027501</u>	Gear, Governor, 34 Tooth, ED65	1
3	<u>105027601</u>	Pin, 6x12 Long, ED65	1
4	105027701	Shaft, Input, ED65	1
5	105027801	Bearing, Ball (6205 seal)	1
6	<u>105027901</u>	Bearing, Ball (6202)	2
7	105028001	Shaft, Counter, ED65	1
8	105028201	Gear, 34 Tooth, ED65	1
9	<u>105028401</u>	Bearing, Ball (6304)	1
10	105028601	Gear, 17 Tooth, ED65	1
11	<u>105028701</u>	Collar, 24 x 12, ED65	1
12	<u>105028801</u>	Gear, 52 Tooth, ED65	1
13	105028901	Shaft, Center, ED65	1
14	<u>105029001</u>	Clutch, Pin, ED65	1
15	105029101	Gear, 62 Tooth, ED65	1
16	<u>105029201</u>	Spacer, 20x2, ED65	2
17	<u>105030901</u>	Shaft, Shift, ED65	1
18	105234801	Plate, Ed65 Splash	1
19	105234901	Bolt, M6-1 X 12mm Lg, Ed65	1
<p>Note: To identify your transaxle, locate the serial number decal on the axle tube.</p>			

13

G



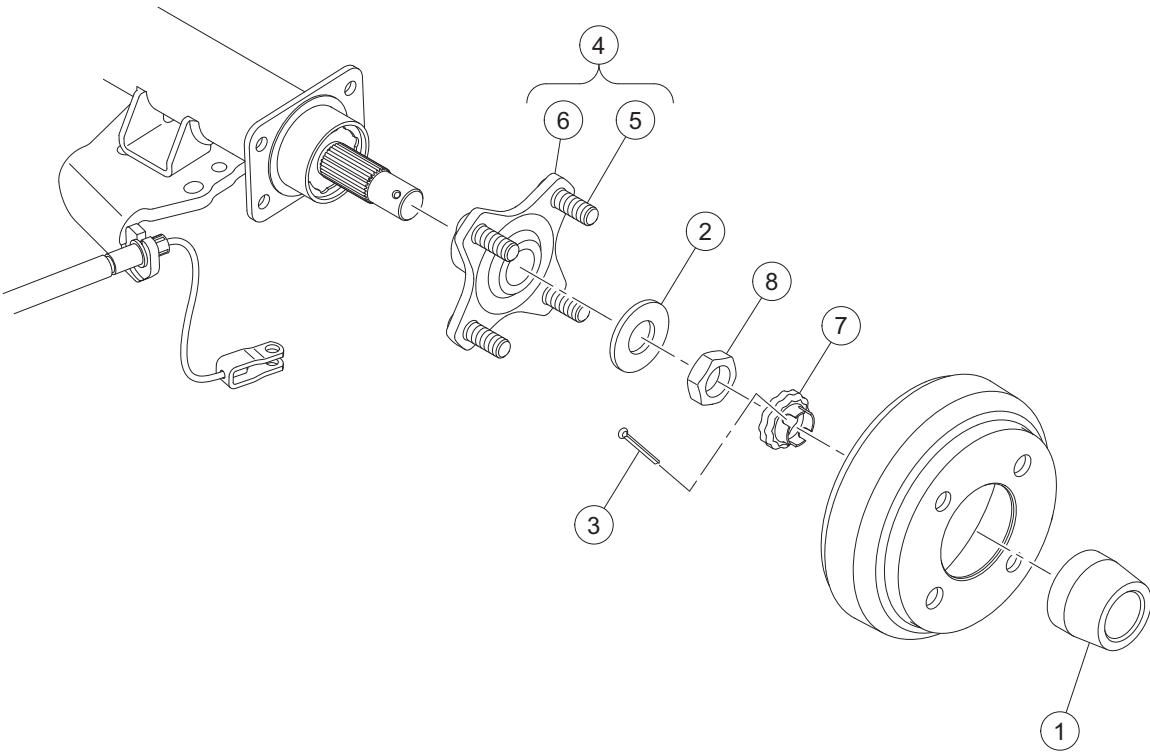
000919-004

TRANSAXLE (ED65), OPEN – PAGE 3 OF 3

ITEM	PART NO.	DESCRIPTION	QTY
		1 2 3 4	
1	105030401	Axle Tube, Driver-Side, ED65	1
2	105030501	Axle Tube, Passenger-Side, ED65	1
3	<u>105030601</u>	Snap Ring, 52mm, ED65	2
4	<u>105030801</u>	Bolt, Flange, M10-1.25x25, ED65	10
5	<u>105031001</u>	Differential, Open, ED65 (includes items 6 through 12)	1
6	<u>105029301</u>	Case, Differential, Complete, ED65 (includes items 7 through 10)	1
7	<u>105028101</u>	Bearing, Ball (6006)	1
8	105029401	Gear Set, Differential, ED65	1
9	<u>105029601</u>	Shaft, Differential, ED65	1
10	<u>105029701</u>	Pin, 4x40 Long, ED65	1
11	<u>105029501</u>	Bolt, M10-1.25x26mm Lg, ED65	6
12	105029901	Gear, 60 Tooth, Complete, ED65 (includes item 13)	1
13	<u>105029801</u>	Bearing, Ball (6007)	1
14	<u>105066001</u>	Axle Shaft, Driver-Side, Complete, ED65 (includes item 15)	1
15	<u>105030301</u>	Bearing, Ball (6205DD)	1
16	<u>105066101</u>	Axle Shaft, Passenger-Side, Complete, ED65 (includes item 17)	1
17	<u>105030301</u>	Bearing, Ball (6205DD)	1
		Note: To identify your transaxle, locate the serial number decal on the axle tube.	

13

G



G-070199-000003

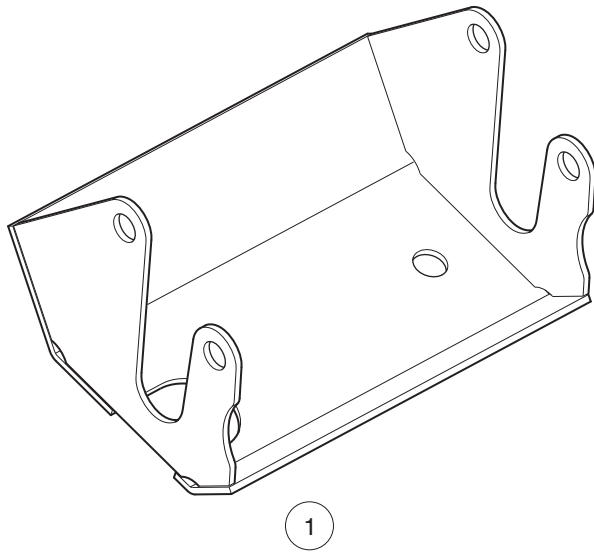
HUB, REAR

ITEM	PART NO.	DESCRIPTION	QTY
		1 2 3 4	
1	102274101	Center Cap, Rubber	2
2	<u>102617801</u>	Washer, Hard, M22	2
3	<u>103989501</u>	Pin, Cotter, 9/64 X 1.75"	2
4	<u>103995001</u>	Asm, Hub, Machined (includes items 5 and 6)	2
5	<u>103951501</u>	Lug Stud, 1/2-20 UNF, SAE J1102	4
6	<u>103979301</u>	Hub, Machined	1
7	<u>104021701</u>	Retaining Ring, Hex Nut, M22	2
8	<u>104027101</u>	Nut, Hex, M22x1.5, Thin	2

13
G

13

G



001436-001

DIFFERENTIAL GUARD, ED65 – GASOLINE VEHICLE

ITEM	PART NO.	DESCRIPTION	QTY
1	47662588001	1 2 3 4 Guard, Differential	1

13

G

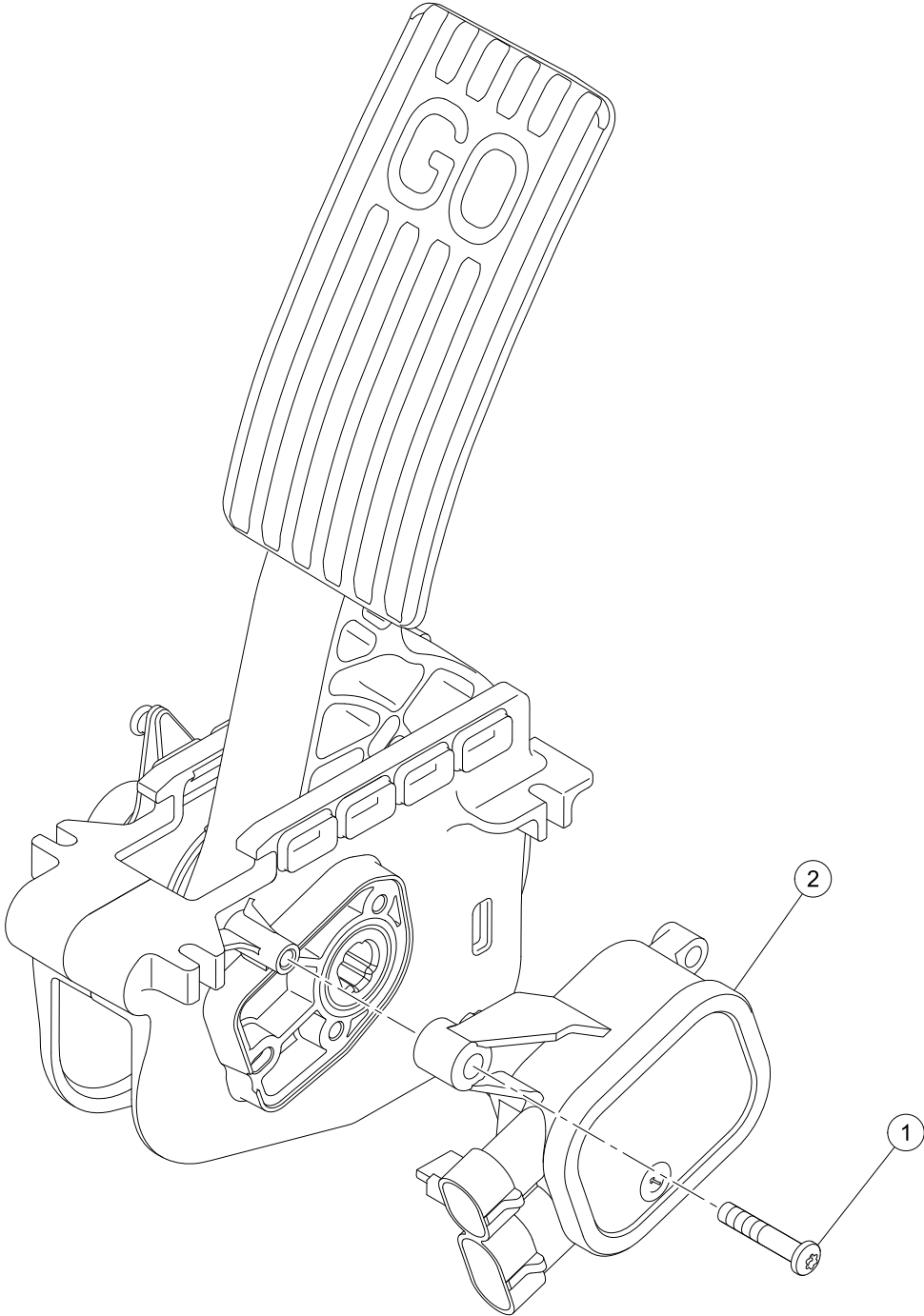
13

G

ELECTRICAL SYSTEM – EXCEL WITH HIGH FREQUENCY CHARGERS

14

E



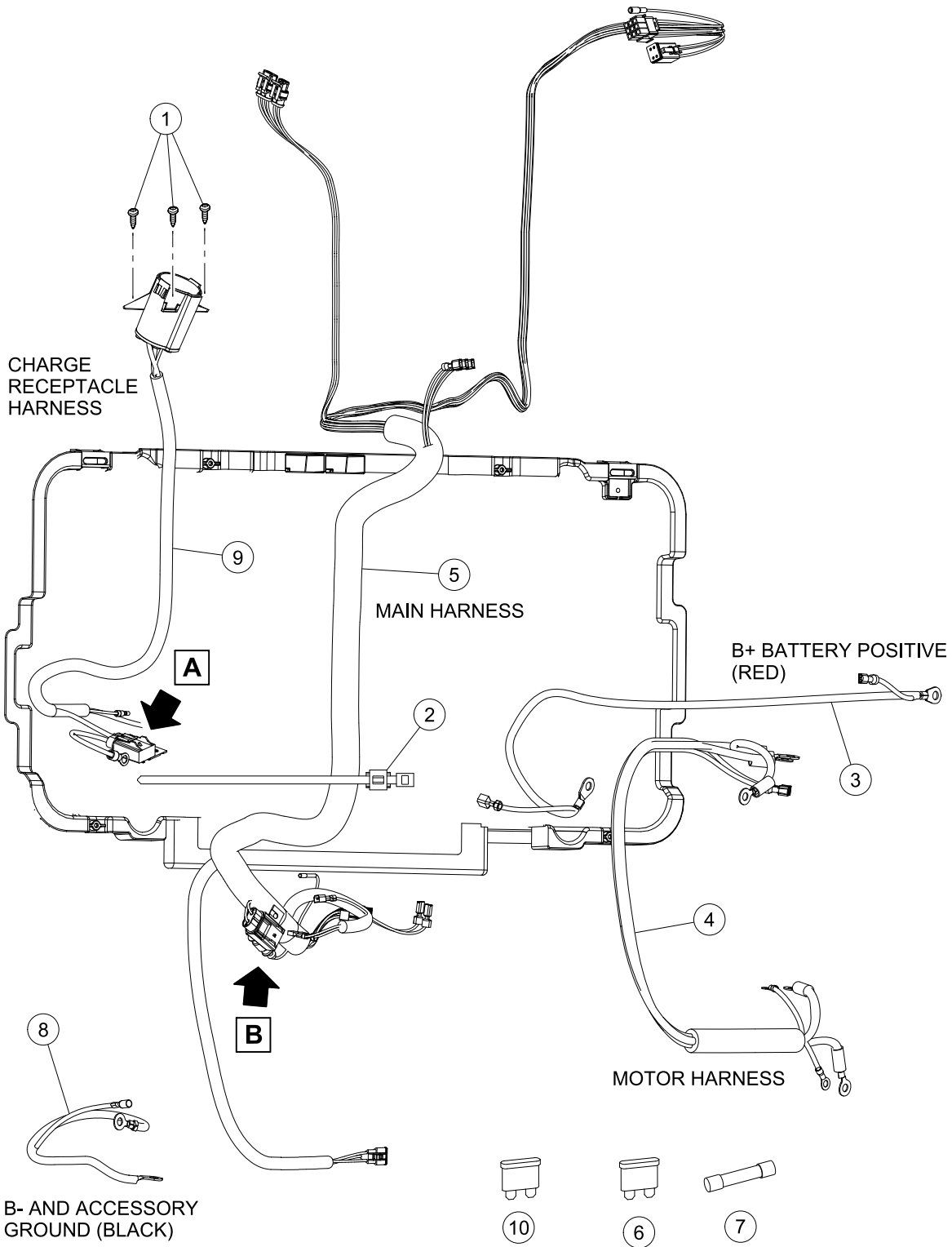
G-131199-000003

MOTOR CONTROLLER OUTPUT REGULATOR (MCOR)

ITEM	PART NO.	DESCRIPTION	QTY
1	<u>103943401</u>	1 2 3 4 Screw, Pan, #10 X 1.00 Hi-lo	1
2	<u>105116301</u>	MCOR4, Type 16 Switch	1

14

E



G-130499-000008

WIRING AND FUSES

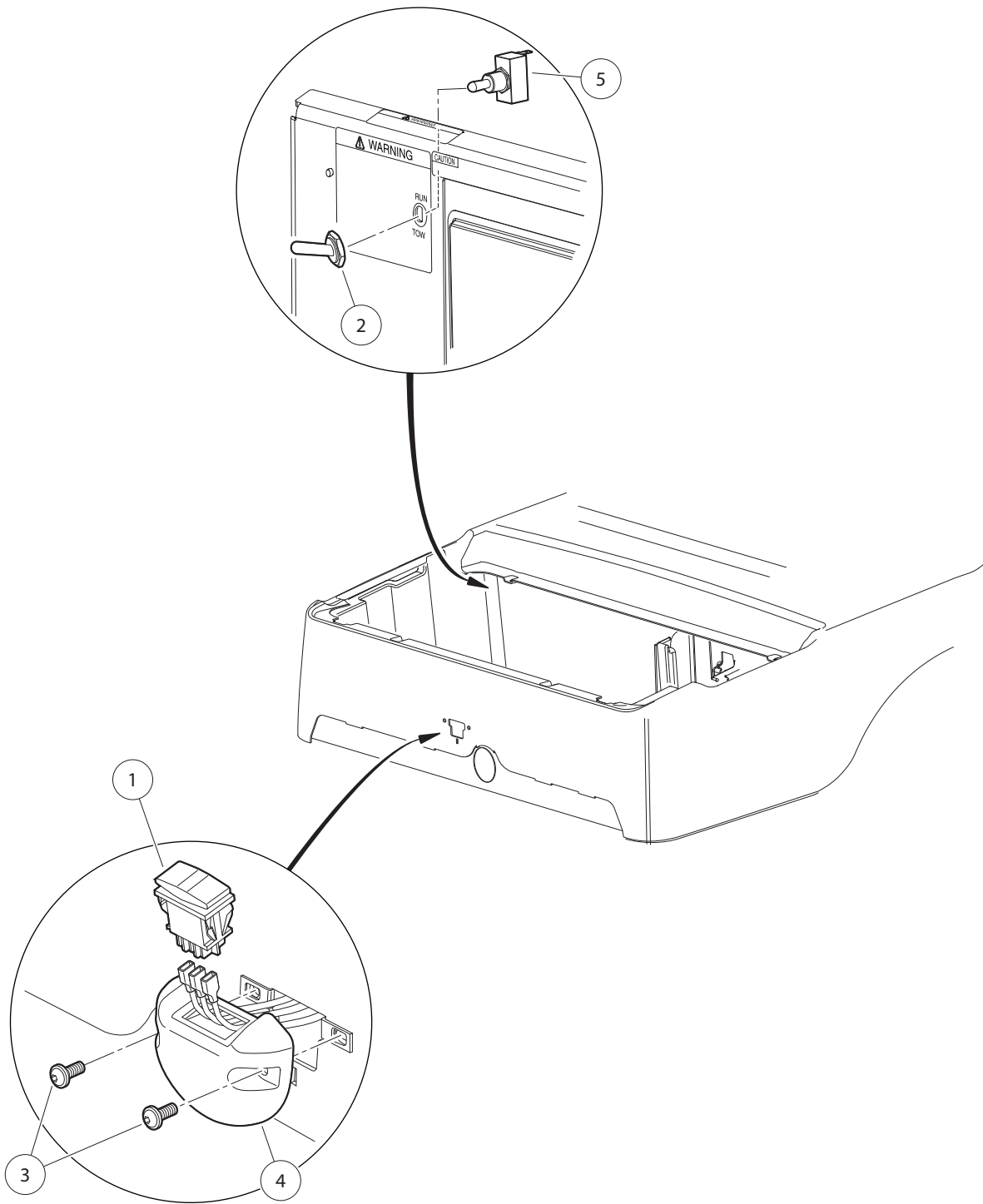
ITEM	PART NO.	DESCRIPTION	QTY
		1 2 3 4	
1	<u>101832001</u>	Screw, #7-19 X 0.625 Phillips Pan-Head Tap	3
2	<u>102554901</u>	Clip, Edge, with Wire Tie	1
3	<u>103375402</u>	Asm, Wire, Battery Positive, B+, Short, 6 Awg	1
4	<u>103375702</u>	Asm, Harness, Motor 1/4	1
5	<u>104023201</u>	Harness, Main, Excel w/Hi-Freq, Mcor3 (includes items 6 and 7)	1
6	<u>102538601</u>	15 Amp Fuse	1
7	<u>103924801</u>	Fuse, Glass, 2-Amp	1
8	<u>104024001</u>	Asm, Wire, Battery Negative, B-, w/ Accy Ground, 6 Awg	1
9	<u>105137401</u>	Harness, Wire, Charger Receptacle (for Yellow DC Cord) (includes item 10)	1
10	<u>102492301</u>	Fuse, 30-Amp	1

14

E

14

E



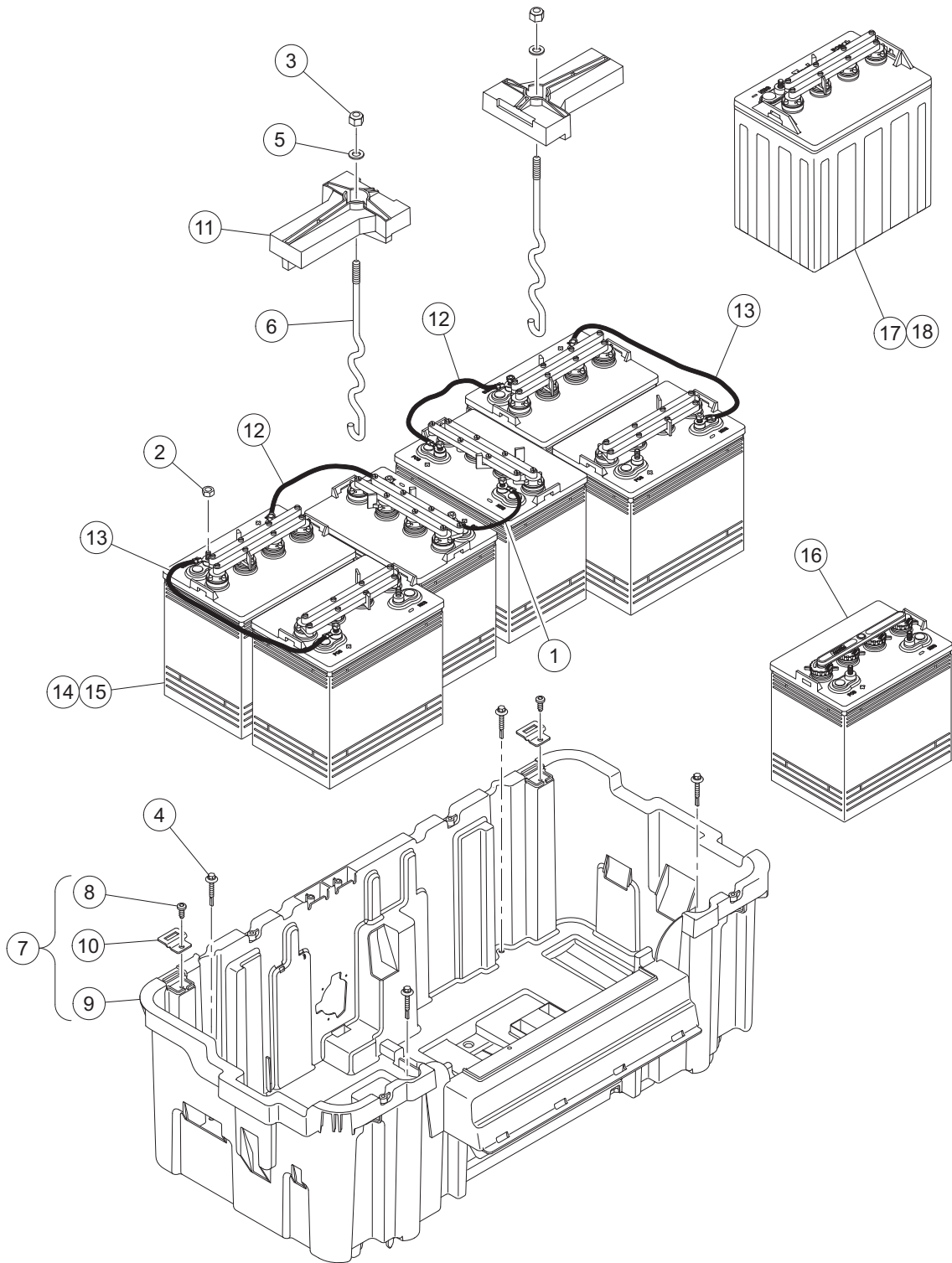
000462-004

FORWARD/REVERSE SWITCH AND TOW/RUN SWITCH

ITEM	PART NO.	DESCRIPTION	QTY
		1 2 3 4	
1	<u>101856001</u>	Switch, Rocker, Double-Pole	1
2	<u>101908401</u>	Boot, Switch	1
3	<u>102296920</u>	Screw, M6, Torx Button Head, Sems	2
4	<u>102508401</u>	Housing, FNR Electric	1
5	<u>102511101</u>	Switch, Tow/Run	1

14

E



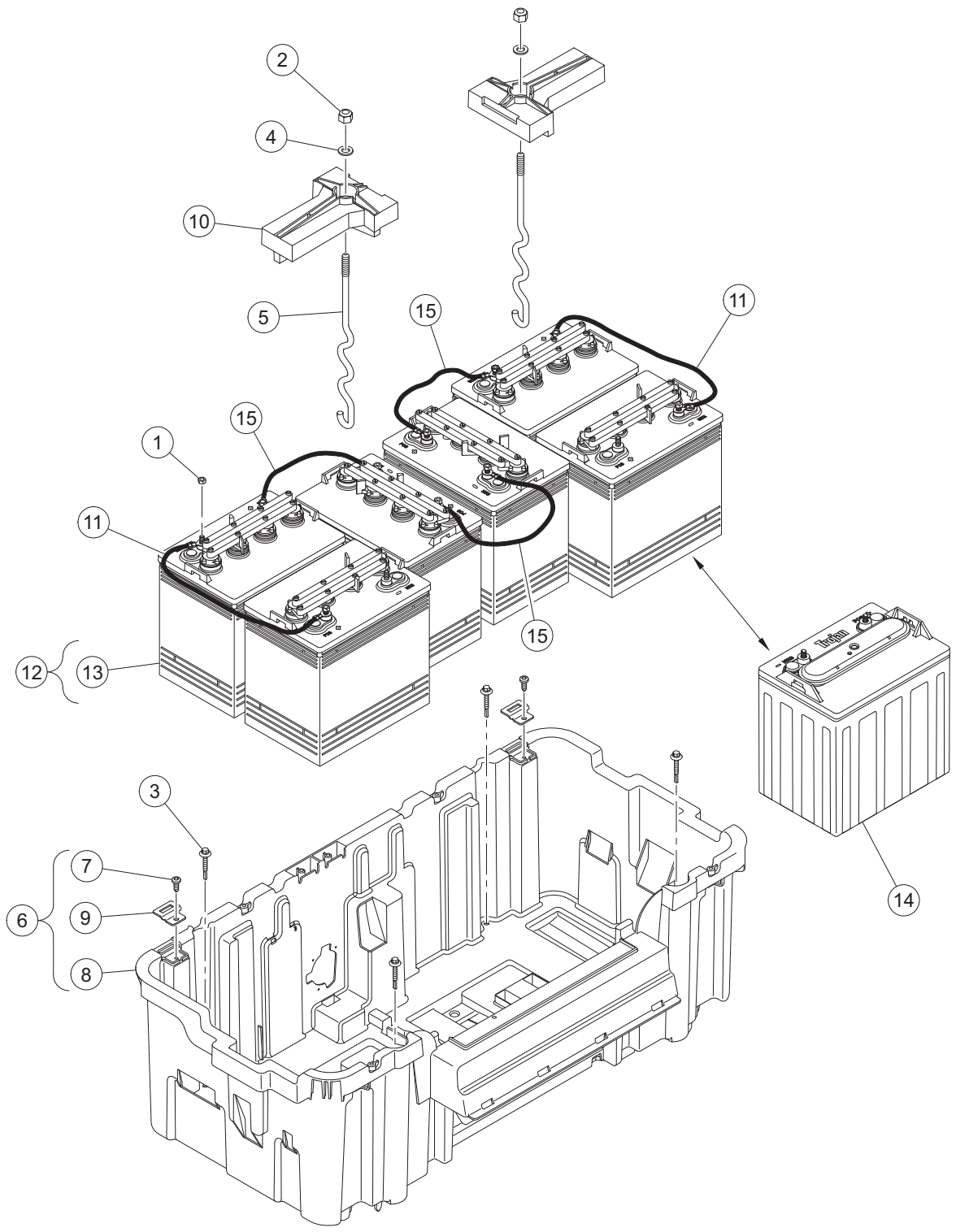
G-130799-000005

BATTERIES AND BATTERY BUCKET, NON-LIFTED

ITEM	PART NO.	DESCRIPTION	QTY
		1 2 3 4	
1	<u>1010958</u>	Asm, Wire, #6blk 8in	1
2	<u>1014304</u>	Nut, 5/16-18 Stainless-Steel Hex	12
3	<u>1014555</u>	Locknut, 7/16-14 Nylon Hex	2
4	<u>102292356</u>	Screw-1/4-20x56 Hwh Self Drill	4
5	<u>102491501</u>	Washer, Hard, M10	2
6	<u>103357701</u>	Bolt, Battery, "s" Hold-down	2
7	103368403	Asm, Bucket, Batt, Elec (includes items 8 through 10)	1
8	<u>102298020</u>	Screw, K80x20, Torx Pn Hd Pt	2
9	103350802	Bucket, Batt, Elec	1
10	<u>103368301</u>	Hinge - Nested	2
11	<u>103374801</u>	Hold Down, Battery	2
12	<u>103647402</u>	Wire Asm #6 Blk, 12"	2
13	<u>103647403</u>	Wire Asm #6 Blk, 17"	2
14	<u>103793001</u>	Battery, 8-Volt, JCI GC8 (includes item 15)	6
15	<u>103765601</u>	Cap, Spin, 8-Volt Battery	1
16	103793003	Battery, 8v, Gc8, Spws	6
17	103971798	Battery,8v Trojan T875,spws,sp (includes item 18)	6
18	47689303001	Cap,hydrolink,trojan,8v,svc	1
19	<u>103971799</u>	Battery,8v Trojan T875, Wet,sp	6
Note: Items 16 and 17 are for use with Single Point Watering System (SPWS)			

14

E



G-130799-000004

BATTERIES AND BATTERY BUCKET, LIFTED

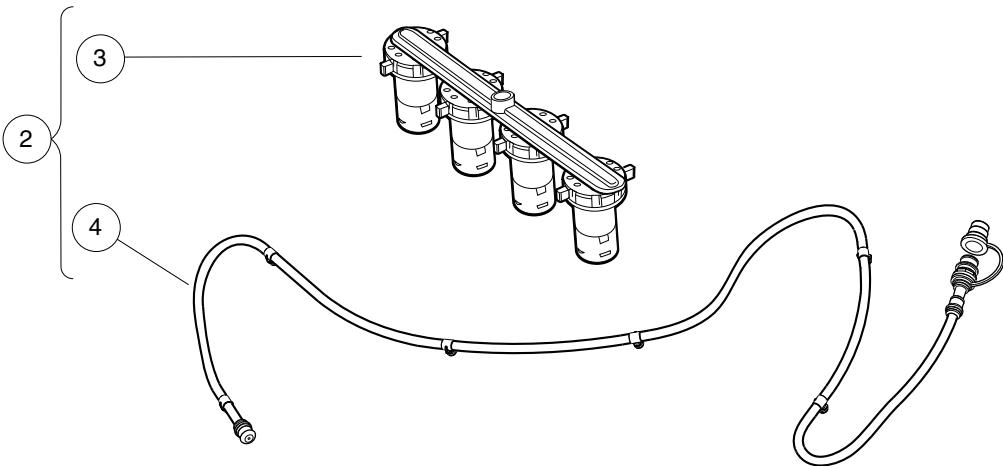
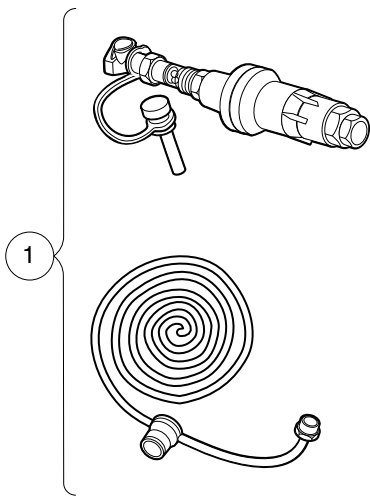
ITEM	PART NO.	DESCRIPTION	QTY
		1 2 3 4	
1	<u>1014304</u>	Nut, 5/16-18 Stainless-Steel Hex	12
2	<u>1014555</u>	Locknut, 7/16-14 Nylon Hex	2
3	<u>102292356</u>	Screw-1/4-20x56 Hwh Self Drill	4
4	<u>102491501</u>	Washer, Hard, M10	2
5	<u>103357701</u>	Bolt, Battery, "s" Hold-down	2
6	<u>103368403</u>	Asm, Bucket, Batt, Elec (includes items 7 through 9)	1
7	<u>102298020</u>	Screw, K80x20, Torx Pn Hd Pt	2
8	<u>103350802</u>	Bucket, Batt, Elec	1
9	<u>103368301</u>	Hinge - Nested	2
10	<u>103374801</u>	Hold Down, Battery	2
11	<u>103508501</u>	Asm, Wire #4 Blk, 13 In	2
12	<u>103971798</u>	Battery,8v Trojan T875,spws,sp (includes item 13)	6
13	47689303001	Cap,hydrolink,trojan,8v,svc	1
14	<u>103971799</u>	Battery,8v Trojan T875, Wet,sp	6
15	47677930001	Wire, Blk, 4 Ga, 10.50"	3
		<p>Note: Item 13 is for Single Point Watering Systems only. Item 14 is for non Single Point Watering Systems only.</p>	

14

E

14

E



000731-009

SINGLE POINT WATERING SYSTEM, 8V

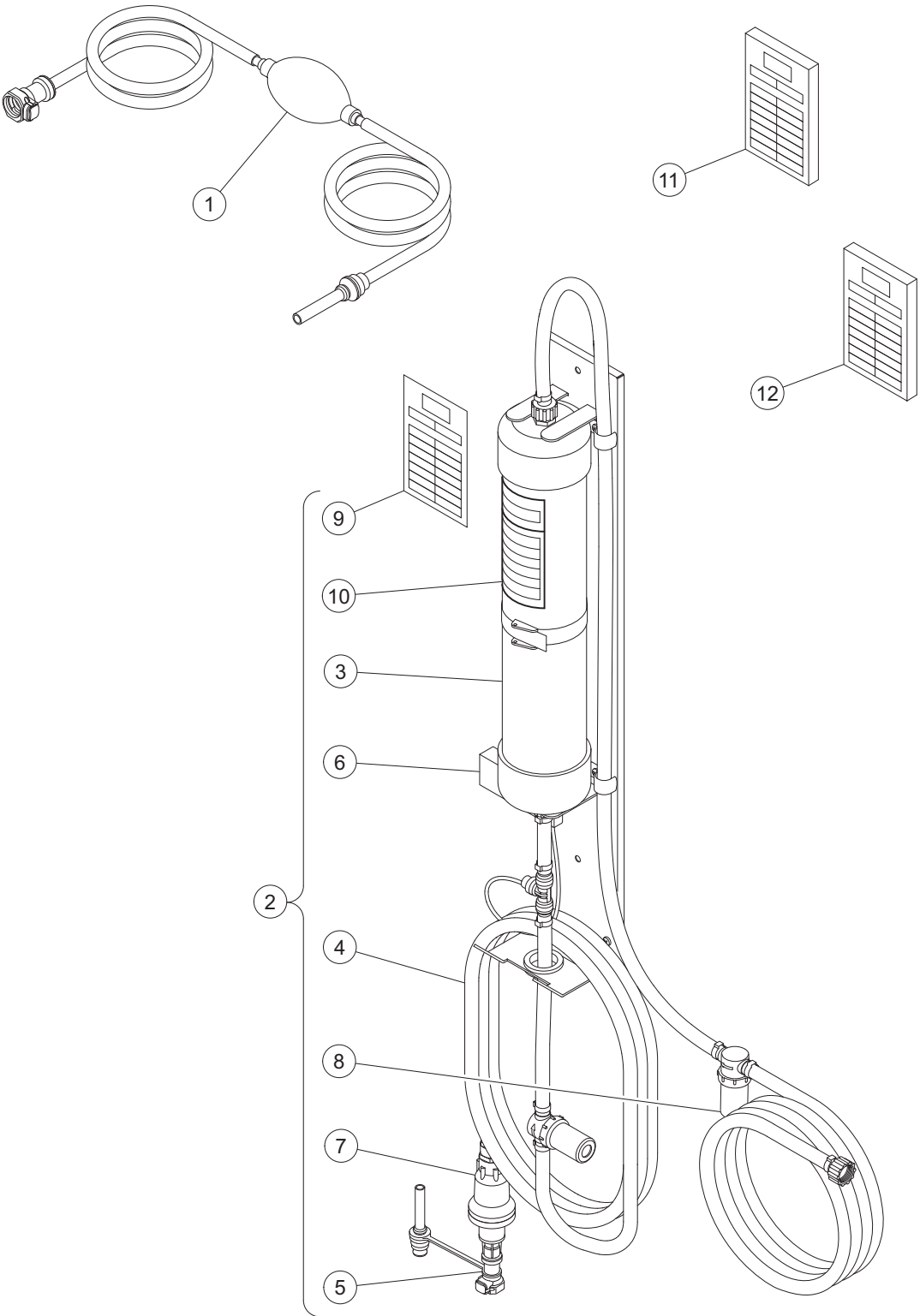
ITEM	PART NO.	DESCRIPTION	QTY
		1 2 3 4	
1	<u>102958001</u>	Kit Regulated Hose Sply Spws	1
2	<u>103395505</u>	Kit, Spws, 8 Volt (includes items 3 and 4)	1
3	<u>103510602</u>	Spws, Manifold Asm, 8v Non-Trojan	6
4	<u>103774701</u>	Spws, Hose 8v	1

14

E

14

E



002523-003

HAND PUMP AND DEIONIZER (BATTERY-POWERED QUALITY LIGHT)

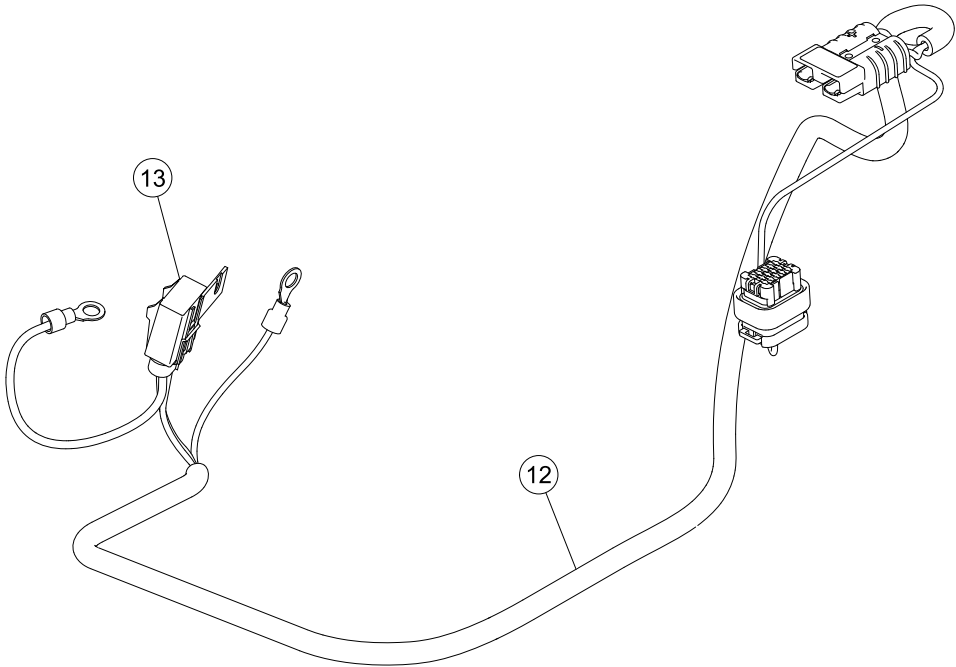
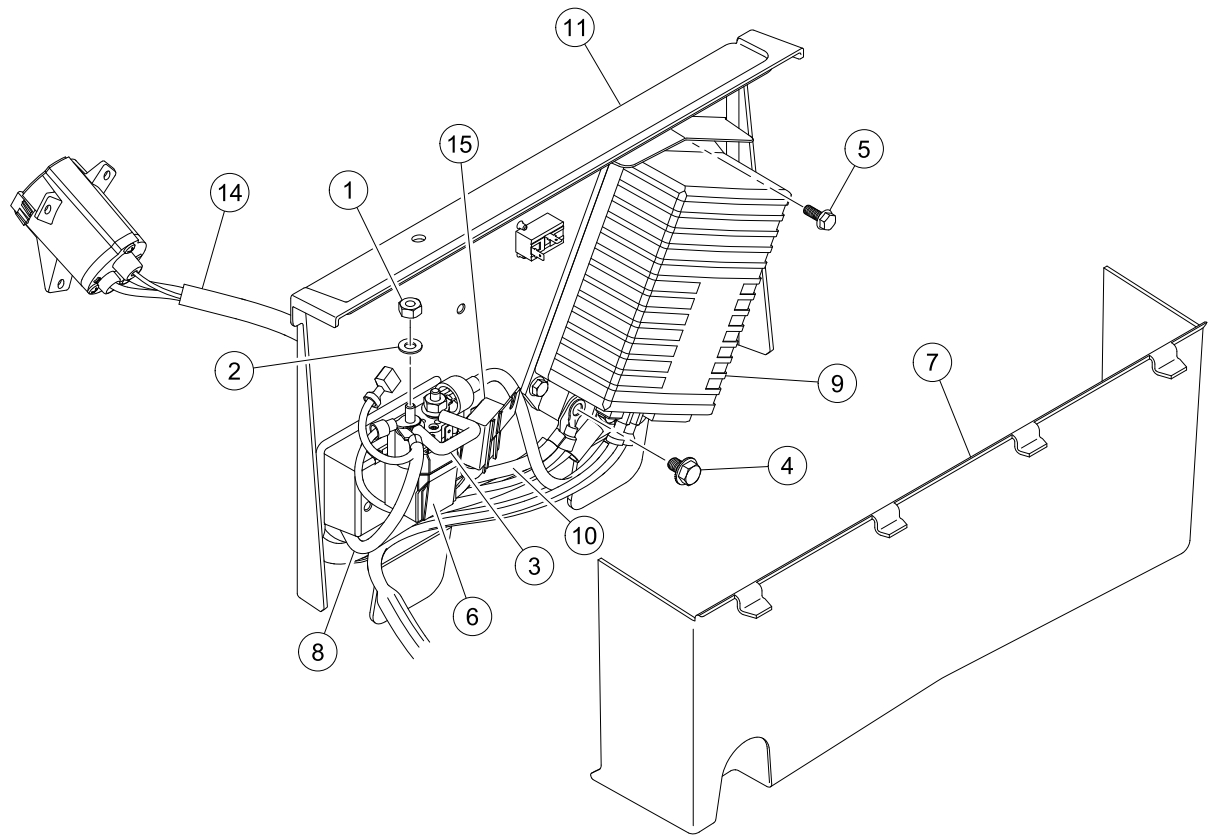
ITEM	PART NO.	DESCRIPTION	QTY
		1 2 3 4	
1	<u>104006101</u>	Kit, Hand Pump, Spws	1
2	<u>105166801</u>	Deionizer, w/Battery-Powered Water Quality Light (includes items 3 through 10)	1
3	<u>104005901</u>	Cartridge, Deionizer	1
4	<u>105166901</u>	Hose,outlet,deionizer	1
5	<u>105167001</u>	Flow Ind, W/coupler, Deionizer	1
6	<u>105167101</u>	Light, Quality, Battery-Powered, w/T-Fitting	1
7	<u>105168501</u>	Regulator, Pressure, Deionizer	1
8	<u>105168601</u>	Strainer, In-line, Deionizer	1
9	<u>AM1300001</u>	Decal, Filter Log, Blue	1
10	<u>AM1300201</u>	Decal, Inspect Log, Yellow	1
11	AM1300101	Decal, Filter Log, Blue, Pack of 100	A/R
12	AM1300301	Decal, Inspect Log, Yellow, Pack of 100	A/R

14

E

14

E



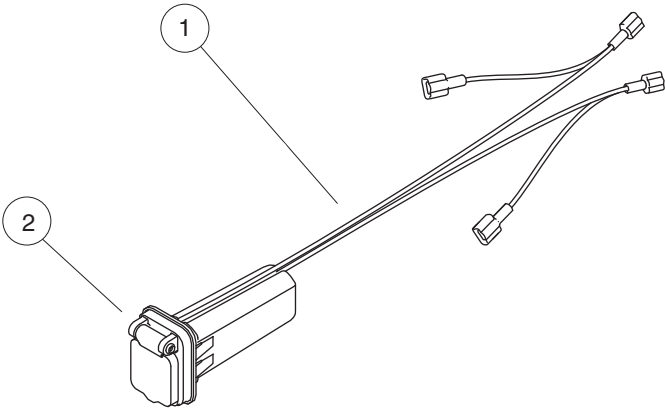
G-130499-000005

CONTROLLER, SOLENOID AND WIRING

ITEM	PART NO.	DESCRIPTION	QTY
		1 2 3 4	
1	<u>1012528</u>	Nut, M8-1.25 Hex	2
2	<u>1013734</u>	Lockwasher, 8mm Split	2
3	<u>1014947</u>	Resistor Assembly	1
4	<u>102240501</u>	Bolt, Controller, Terminal	3
5	<u>102296716</u>	Screw, M6 X 16 Tt Hx Fl Hd	3
6	<u>102865901</u>	Solenoid 48v Slot Mt No Diode	1
7	<u>103367901</u>	Shield - Controller	1
8	<u>103375402</u>	Asm, Wire, Battery Positive, B+, Short, 6 Awg	1
9	<u>103982301</u>	Controller, 1515, 250A, White	1
10	<u>104024001</u>	Asm, Wire, Battery Negative, B-, w/ Accy Ground, 6 Awg	1
11	<u>105005001</u>	Component Mounting Plate	1
12	<u>105084301</u>	Harness, Wire, High-Freq Onboard Charger, 4-Pass (includes item 13)	1
13	<u>102492301</u>	Fuse, 30-Amp	1
14	<u>105137401</u>	Harness, Wire, Charger Receptacle (for Yellow DC Cord) (includes item 15)	1
15	<u>102492301</u>	Fuse, 30-Amp	1
		Note: Item 12 is only applicable to four passenger vehicles with on-board chargers. Replacement solenoid may vary in appearance from the original.	

14

E



001286-002

USB PORT KIT FOR ELECTRIC VEHICLES

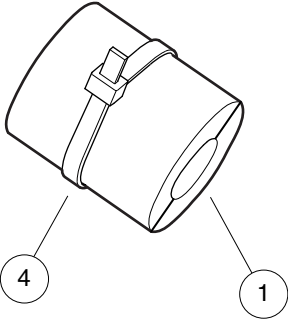
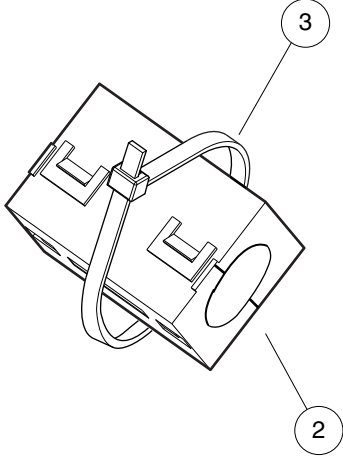
ITEM	PART NO.	DESCRIPTION	QTY
1	<u>47604230001</u>	1 2 3 4 Kit, USB, 48v (includes item 2)	1
2	<u>47560030001</u>	USB Port	1

14

E

14

E



001055-001

FERRITE BEADS, CE

ITEM	PART NO.	DESCRIPTION	QTY
		1 2 3 4	
1	<u>103449501</u>	Bead, Ferrite, Tdk	A/R
2	<u>103449601</u>	Bead, Ferrite, Fair-rite	A/R
3	<u>8639</u>	Tie Wrap, 11" Nylon	A/R
4	<u>8990</u>	Tie Wrap, 8" Nylon	A/R

14

E

14

E

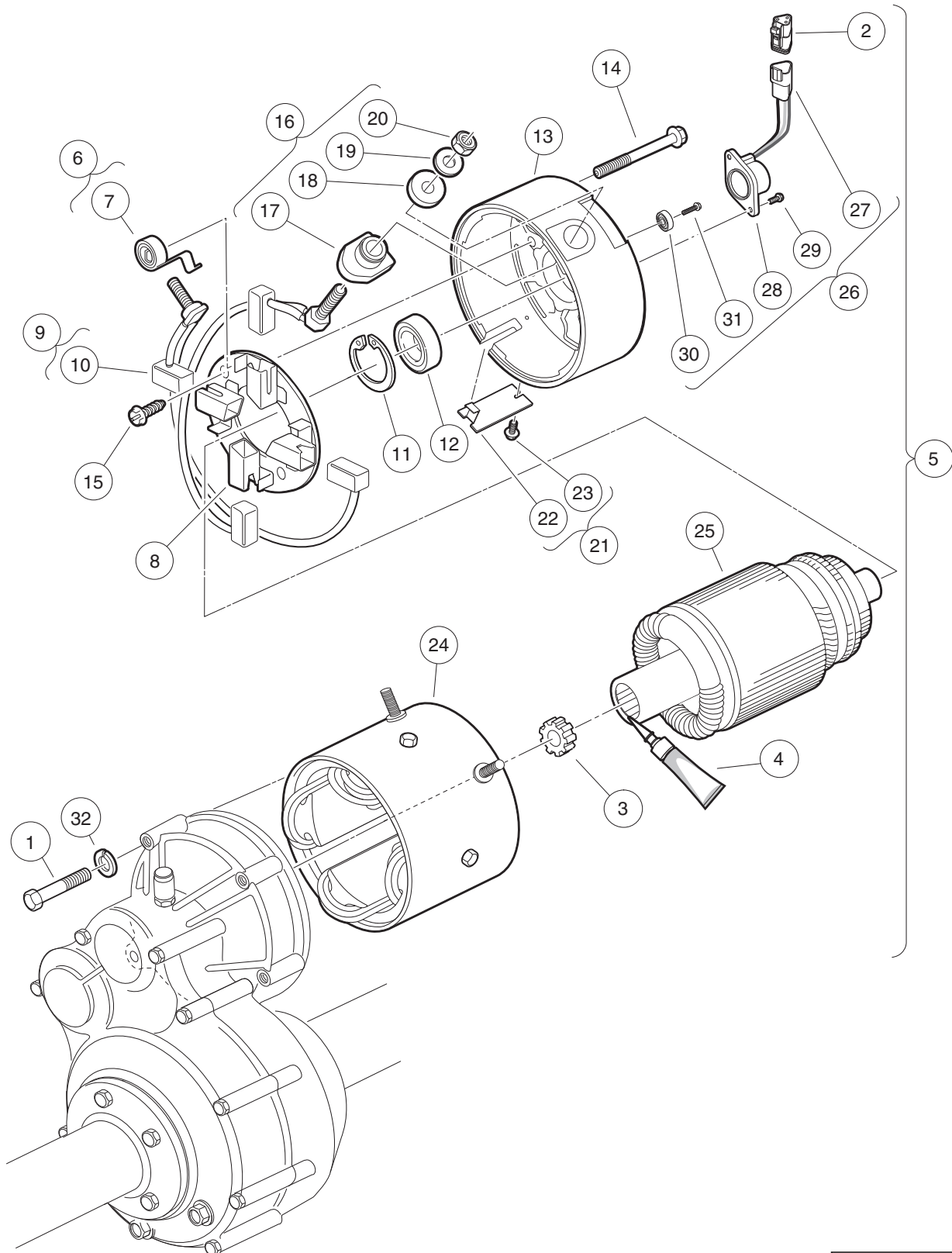
ELECTRIC MOTOR

15

E

15

E



000185-002

MOTOR (MODEL EJ8-4001A) – ELECTRIC VEHICLE

ITEM	PART NO.	DESCRIPTION	QTY
		1 2 3 4	
1	1014201	Screw, 1/4-20 X 2.25 Hex Cap	3
2	<u>101920101</u>	Kit, 3-Pin Wedge Lock	1
3	<u>102235201</u>	Bumper, Drive Unit	1
4	<u>102243403</u>	Lubricant, Moly-Teflon (Single-Use Tube)	1
5	<u>103572501</u>	IQ Electric Motor, 48-VDC 3.3 hp (includes items 6 through 26)	1
6	<u>102186001</u>	Spring Kit, Motor Brush (includes item 7)	1
7	N/A	Spring, Brush, S-g	4
8	<u>102186101</u>	Brush Box Assembly	1
9	<u>102186201</u>	Brush Kit, Motor (includes item 10)	1
10	N/A	Assembly, Brush and Terminal	2
11	N/A	Ring, 2.24" Internal Retaining	1
12	<u>102186401</u>	Bearing, Ball	1
13	<u>102186701</u>	End Cap, Motor	1
14	N/A	Screw, 1/4-20 X 2.25 Hex-Head Washer	2
15	<u>102186901</u>	Screw, #8-32 X .5 Hex-Head	2
16	<u>102187101</u>	Hardware Kit, Motor Terminal (includes items 17 through 20)	2
17	N/A	Insulator	2
18	N/A	Washer, Nylon Flat	2
19	N/A	Washer, Flat, 5/16 Steel	2
20	N/A	Nut, Brass Hex, 5/16 - 18	2
21	<u>102187201</u>	Plate Kit, Motor Cover (includes items 22 and 23)	1
22	N/A	Assembly, Cover Plate	1
23	N/A	Screw, #8-32 x 0.375, Taptite Thread	1
24	<u>102704701</u>	Frame and Field Assembly	1
25	<u>102704801</u>	Armature Assembly	1
26	<u>102704901</u>	Kit, Speed Sensor (includes items 27 through 31)	1
27	<u>101942301</u>	Kit, 3-Pin Wedge Lock	1
28	N/A	Sensor, Motor Speed, ADC	1
29	N/A	Screw, #8-32, Taptite Thread	2
30	N/A	Magnet, ADC Motor	1
31	N/A	Screw, 1/4-20 x 0.5	1
32	<u>451</u>	Lockwasher, 1/4 Split	3
Note: The F1 and F2 terminal posts on the EJ8-4001A motor have 1/4 - 20			

15

E

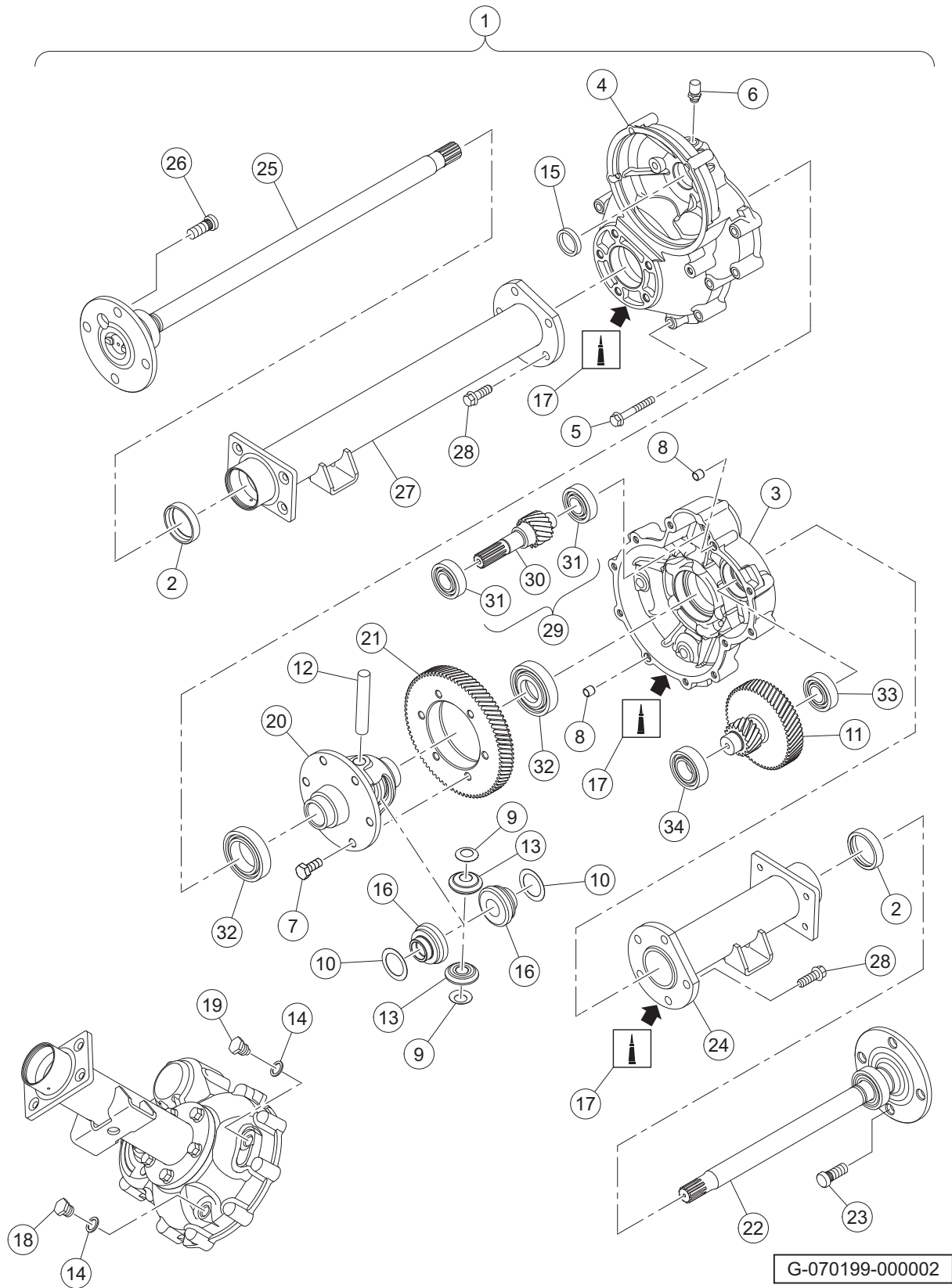
15

E

TRANSAXLE – ELECTRIC VEHICLES

16

E

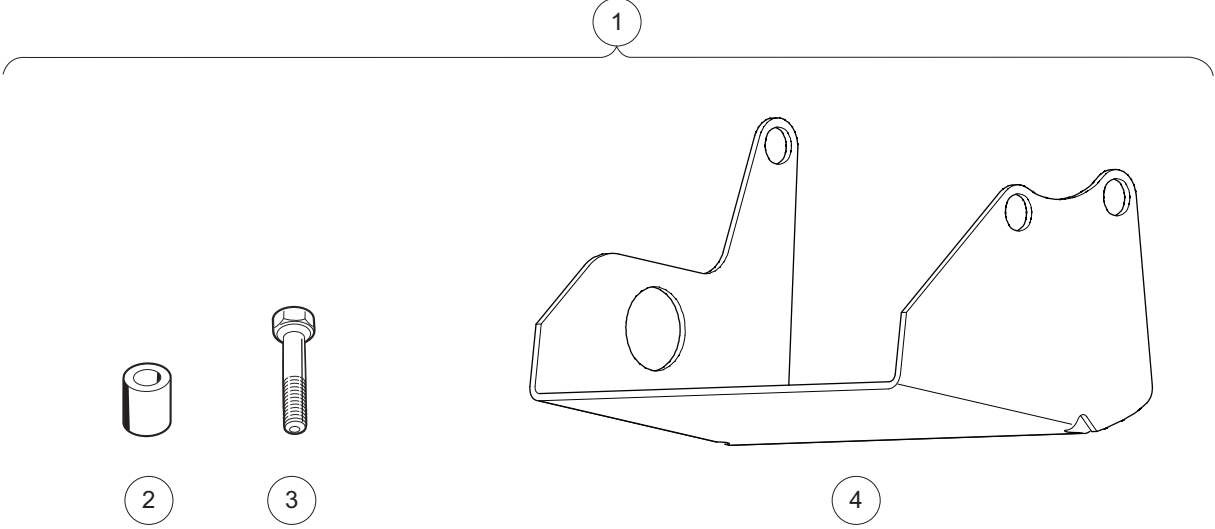


TRANSAXLE – ELECTRIC VEHICLES

16

E

ITEM	PART NO.	DESCRIPTION	QTY
		1 2 3 4	
1	<u>102771701</u>	Transaxle, Electric (includes items 2 through 34)	1
2	<u>1013794</u>	Axle Shaft Oil Seal	2
3	<u>101895401</u>	Gear Case, Driver-Side	1
4	<u>101895501</u>	Gear Case, Passenger-Side	1
5	<u>101897001</u>	Screw, M8-1.25 X 60mm Hex-Head	11
6	<u>101897201</u>	Breather	1
7	<u>101897401</u>	Screw, M10-1.25 X 25mm	6
8	<u>101897601</u>	Pin, 11mm OD X 8.5mm ID X 10mm	2
9	<u>101903601</u>	Washer, Thrust	2
10	<u>101903701</u>	Washer, Thrust	2
11	<u>101906901</u>	Intermediate Shaft Assembly	1
12	<u>101922101</u>	Pin, 15.99mm X 88.7mm Dowel	1
13	<u>101923001</u>	Gear, Differential Idler	2
14	<u>101923201</u>	Gasket	2
15	<u>101923501</u>	Seal, Lip	1
16	<u>101923901</u>	Gear, Differential	2
17	<u>101928701</u>	Liquid Gasket (Transaxle case)	1
18	<u>101972101</u>	Plug, M14-1.5 X 12mm Magnetic	1
19	<u>101972201</u>	Plug, M14-1.5 X 12mm Hex	1
20	<u>102356601</u>	Housing, Differential, 6 Bolt	6
21	<u>102356801</u>	Gear, Differential Output, 6-Bolt	6
22	<u>102886301</u>	Axle Assembly, Driver-Side (includes item 23)	1
23	<u>101922201</u>	Lug Stud	4
24	<u>102886401</u>	Tube, Axle, Driver-Side	1
25	<u>102886501</u>	Axle Assembly, Passenger-Side (includes item 26)	1
26	<u>101922201</u>	Lug Stud	4
27	<u>102886601</u>	Tube, Axle, Passenger-Side	1
28	<u>102902801</u>	Screw, M10 X 30	10
29	<u>103582801</u>	Asm, E Trans Shaft/bearing (includes items 30 and 31)	1
30	N/A	Shaft, Input	1
31	<u>7335</u>	Bearing	2
32	<u>7330</u>	Inner Axle Tube Bearing	2
33	<u>7335</u>	Bearing	1
34	<u>7336</u>	Bearing	1
Note: Item 34 bearing OD is 2.047 inches (52 mm). Item 33 bearing OD is 1.850 inches (47 mm).			



000365-002

DIFFERENTIAL GUARD – ELECTRIC VEHICLES

ITEM	PART NO.	DESCRIPTION	QTY
		1 2 3 4	
1	<u>101611402</u>	Kit, Differential Guard, Elec Vehicles (includes items 2 through 4)	1
2	<u>101914001</u>	Spacer, Steel	2
3	<u>101936101</u>	Screw, M10-1.50 X 60mm Hex Cap	2
4	<u>101978601</u>	Guard, Differential, Electric Vehicle Transaxle	1

16

E

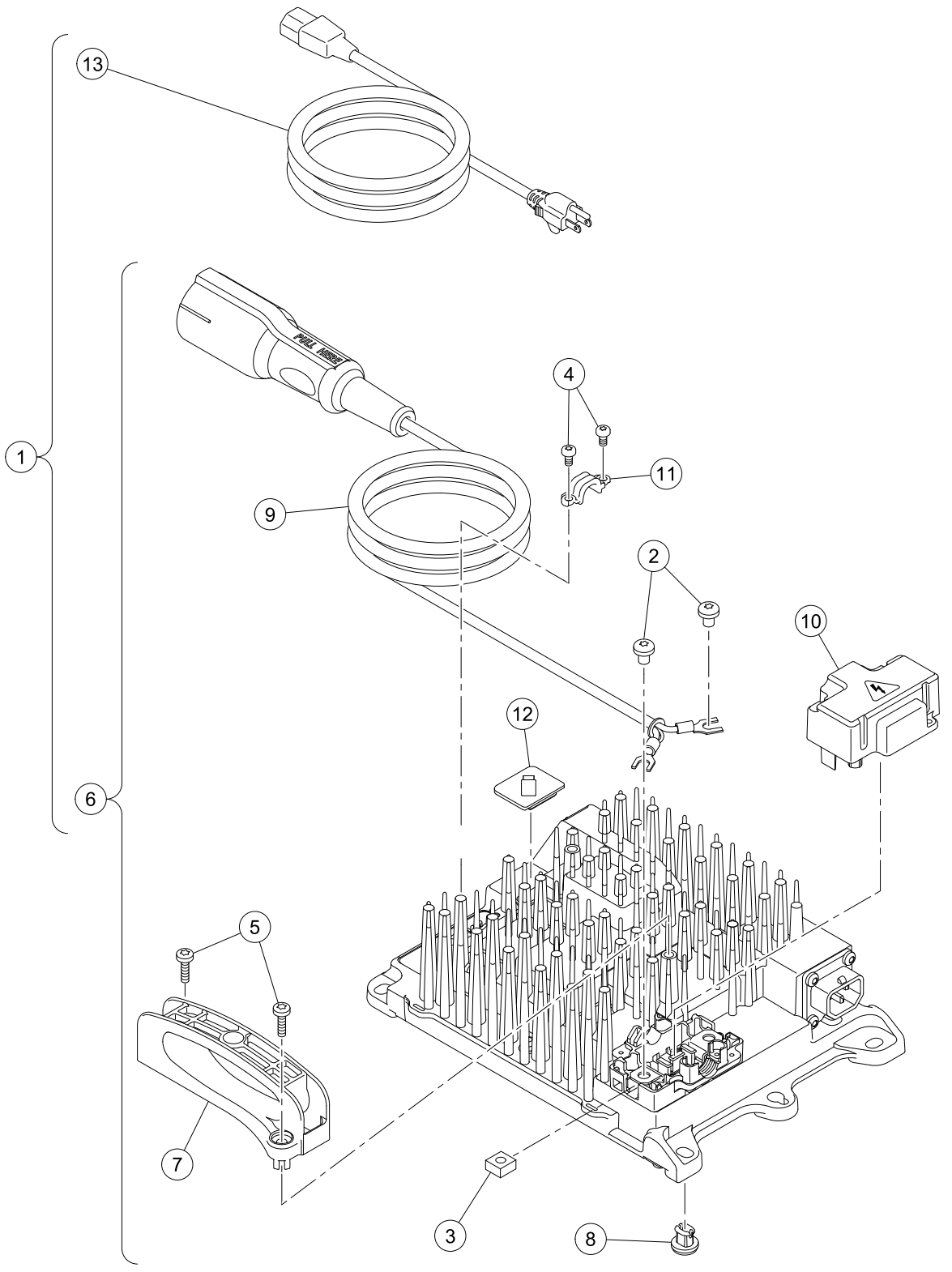
16

E

BATTERY CHARGERS – HIGH-FREQUENCY

17

E



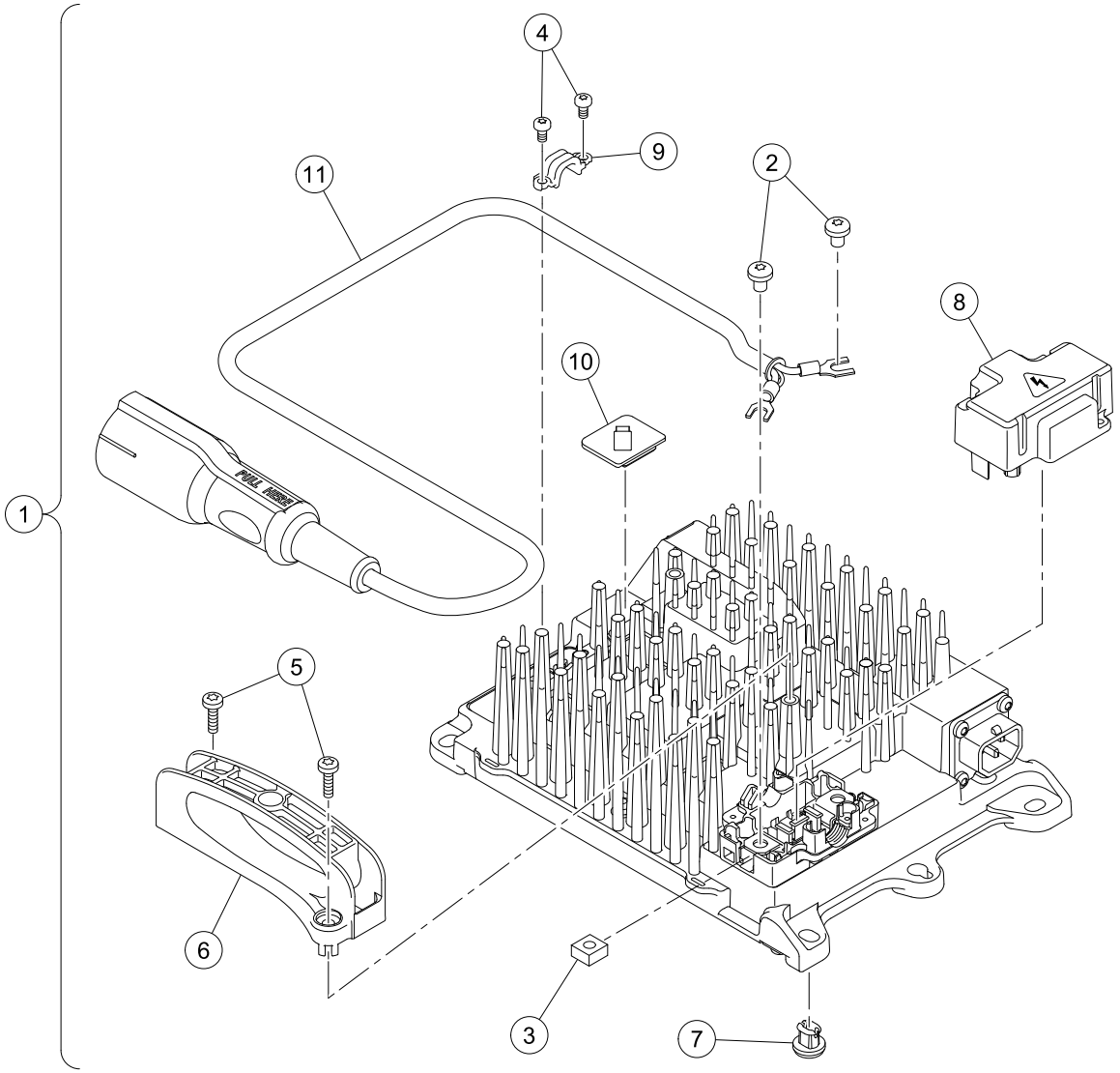
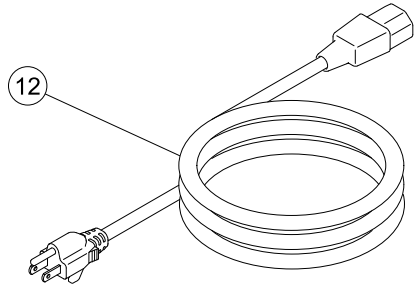
G-130899-000011

JCI BATTERY CHARGER, HIGH-FREQUENCY – U.S./CANADA

ITEM	PART NO.	DESCRIPTION	QTY
		1 2 3 4	
1	<u>105095201</u>	Charger, High-Freq, Service, 9ft Yel DC, 6ft AC, US/Canada (includes items 2 through 12)	1
2	<u>104024501</u>	Screw, M6, Torx Head	2
3	<u>104024601</u>	Nut, M6, Square, Captured	2
4	<u>104028901</u>	Screw, M4 X .70, Pan Hd, Torx	2
5	<u>104029001</u>	Screw, M5 X .80, Pan Hd, Torx	2
6	<u>104029601</u>	Charger, Asm, High-Freq, 9ft (2.74 m) Yellow DC Cord	1
7	<u>105003601</u>	Handle, Charger, High-Freq	1
8	<u>105003701</u>	Foot, Charger, High-Freq	4
9	<u>105070101</u>	Cord, DC, Yellow, 9ft (2.74 m)	1
10	<u>105092301</u>	Cover, DC Terminal Block, High-Freq Charger	1
11	<u>105093101</u>	Strain Relief, High-Freq, External, Charger	1
12	<u>105123801</u>	Cover, USB	1
13	47606837002	Cord, Ac, lec320, 6Us'	1
		<p>Note: This charger includes both an AC cord and DC cord. For additional cord lengths that may be used with this charger, see the Battery Charger Cords page.</p>	

17

E



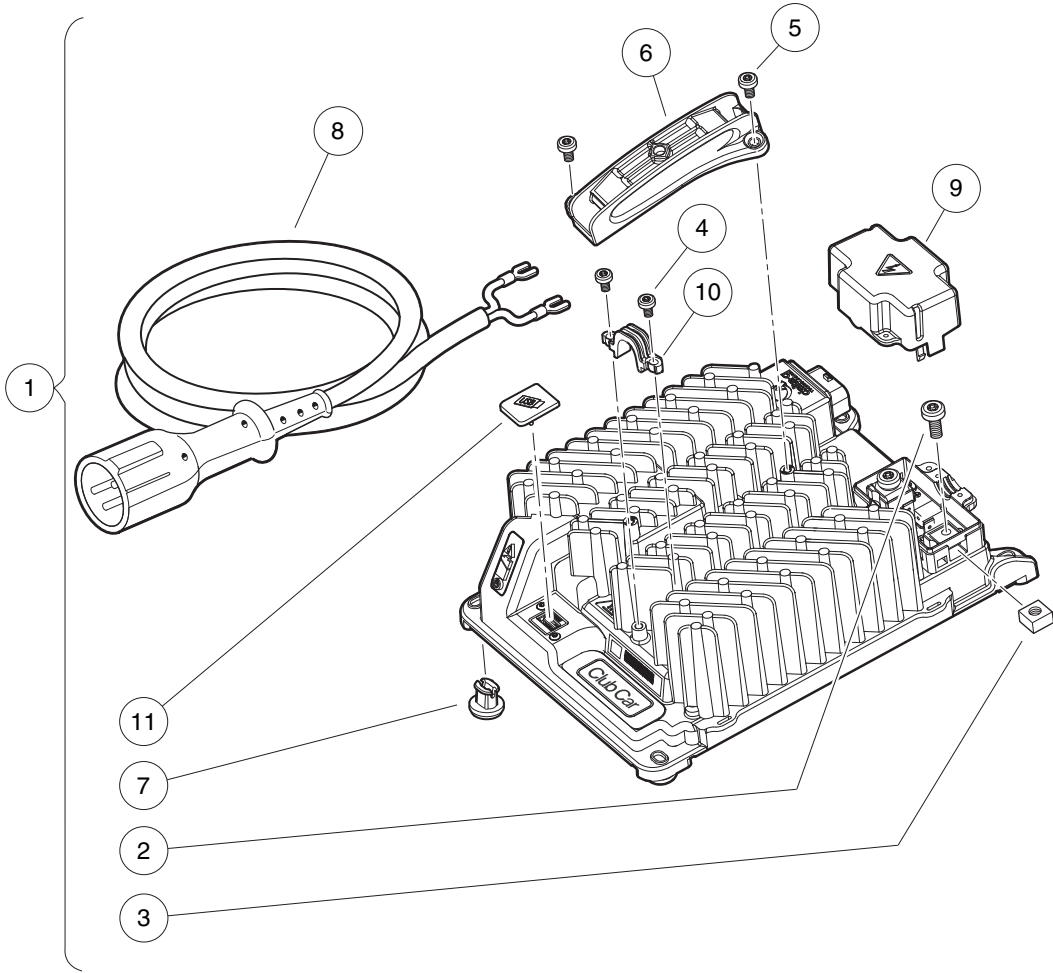
G-130899-000007

TROJAN BATTERY CHARGER, HIGH-FREQUENCY – U.S./CANADA

ITEM	PART NO.	DESCRIPTION	QTY
		1 2 3 4	
1	104029604	Charger, Asm, High-Freq, 9ft (2.74 m) DC Cord (includes items 2 through 11)	1
2	<u>104024501</u>	Screw, M6, Torx Head	2
3	<u>104024601</u>	Nut, M6, Square, Captured	2
4	<u>104028901</u>	Screw, M4 X .70, Pan Hd, Torx	2
5	<u>104029001</u>	Screw, M5 X .80, Pan Hd, Torx	2
6	<u>105003601</u>	Handle, Charger, High-Freq	1
7	<u>105003701</u>	Foot, Charger, High-Freq	4
8	<u>105092301</u>	Cover, DC Terminal Block, High-Freq Charger	1
9	<u>105093101</u>	Strain Relief, High-Freq, External, Charger	1
10	<u>105123801</u>	Cover, USB	1
11	47655301001	Harness, PWR, Charger, Blk, 9'	1
12	47606837002	Cord, Ac, lec320, 6Us'	1
<p>Note: This charger includes both an AC cord and DC cord. For additional cord lengths that may be used with this charger, see the Battery Charger Cords page.</p>			

17

E



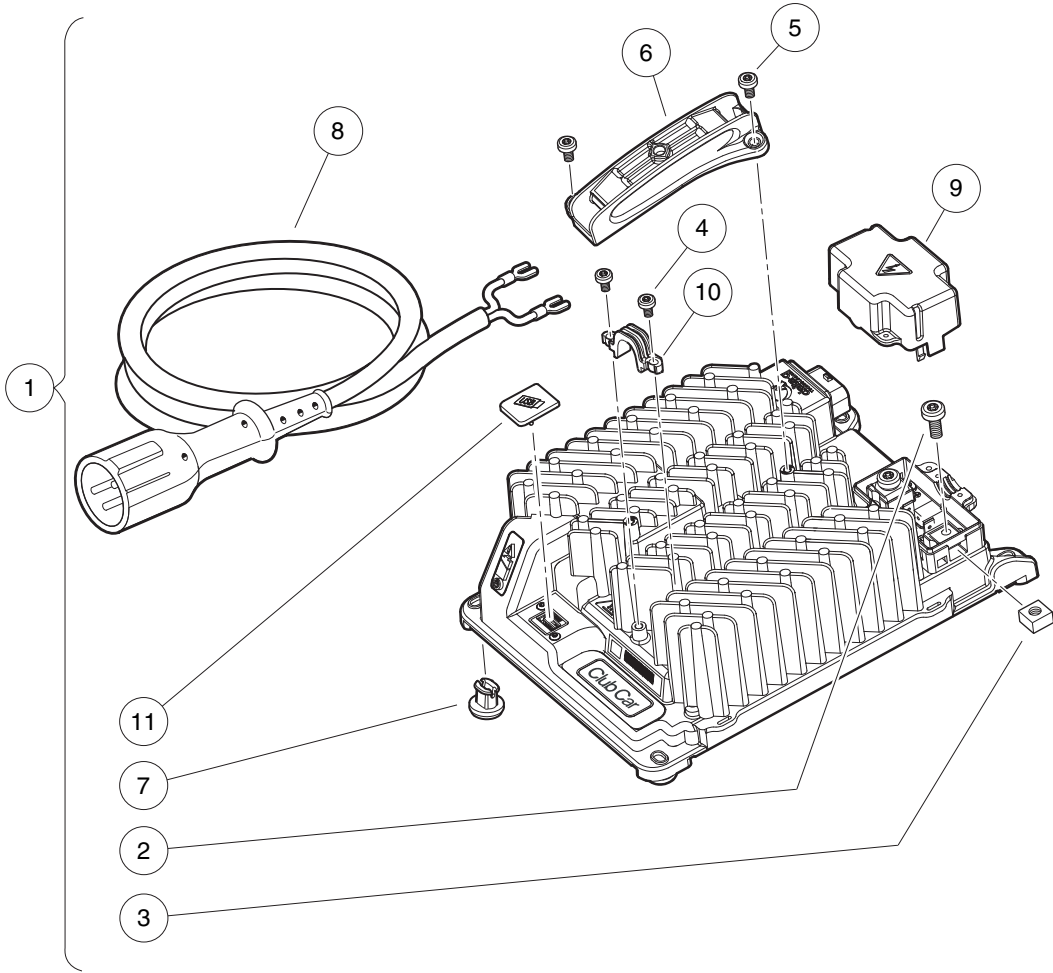
000610-003

BATTERY CHARGER, HIGH-FREQ., 2.74 M DC CORD – GLOBAL

ITEM	PART NO.	DESCRIPTION	QTY
		1 2 3 4	
1	<u>104029601</u>	Charger, Asm, High-Freq, 9ft (2.74 m) Yellow DC Cord (includes items 2 through 11)	1
2	<u>104024501</u>	Screw, M6, Torx Head	2
3	<u>104024601</u>	Nut, M6, Square, Captured	2
4	<u>104028901</u>	Screw, M4 X .70, Pan Hd, Torx	2
5	<u>104029001</u>	Screw, M5 X .80, Pan Hd, Torx	2
6	<u>105003601</u>	Handle, Charger, High-Freq	1
7	<u>105003701</u>	Foot, Charger, High-Freq	4
8	<u>105070101</u>	Cord, DC, Yellow, 9ft (2.74 m)	1
9	<u>105092301</u>	Cover, DC Terminal Block, High-Freq Charger	1
10	<u>105093101</u>	Strain Relief, High-Freq, External, Charger	1
11	<u>105123801</u>	Cover, USB	1
		Note: This charger does not include the AC cord. To complete the charger, choose the appropriate type and length of AC cord found on the Battery Charger Cords page.	

17

E



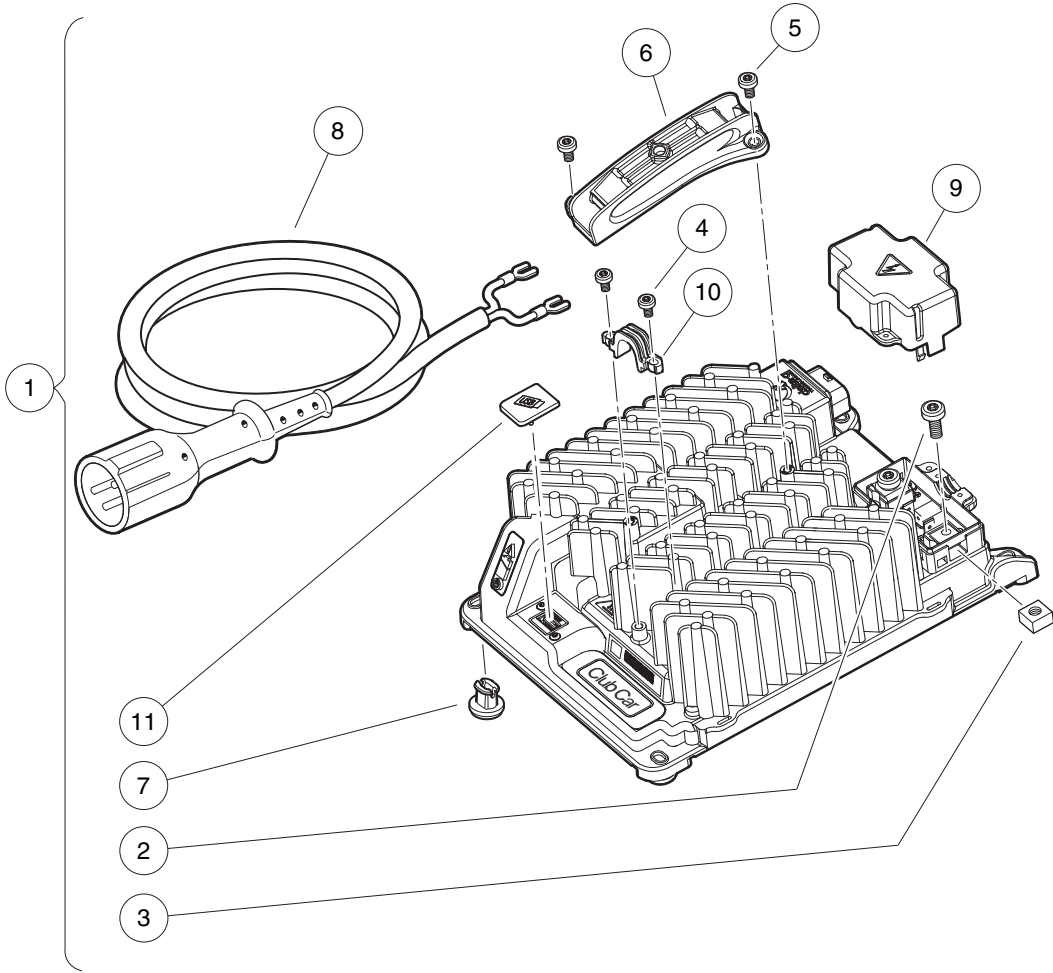
000610-003

BATTERY CHARGER, HIGH-FREQ., 3.66 M DC CORD – GLOBAL

ITEM	PART NO.	DESCRIPTION	QTY
		1 2 3 4	
1	<u>104029602</u>	Charger, Asm, High-Freq, 12ft (3.66 m) Yellow DC Cord (includes items 2 through 11) ..	1
2	<u>104024501</u>	Screw, M6, Torx Head	2
3	<u>104024601</u>	Nut, M6, Square, Captured	2
4	<u>104028901</u>	Screw, M4 X .70, Pan Hd, Torx	2
5	<u>104029001</u>	Screw, M5 X .80, Pan Hd, Torx	2
6	<u>105003601</u>	Handle, Charger, High-Freq	1
7	<u>105003701</u>	Foot, Charger, High-Freq	4
8	<u>105070102</u>	Cord, DC, Yellow, 12ft (3.66 m)	1
9	<u>105092301</u>	Cover, DC Terminal Block, High-Freq Charger	1
10	<u>105093101</u>	Strain Relief, High-Freq, External, Charger	1
11	<u>105123801</u>	Cover, USB	1
<p>Note: This charger does not include the AC cord. To complete the charger, choose the appropriate type and length of AC cord found on the Battery Charger Cords page.</p>			

17

E



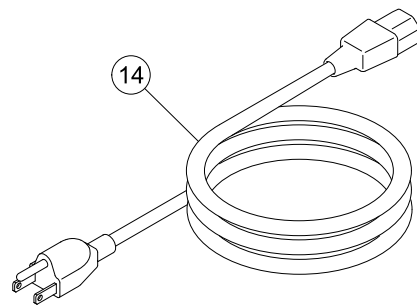
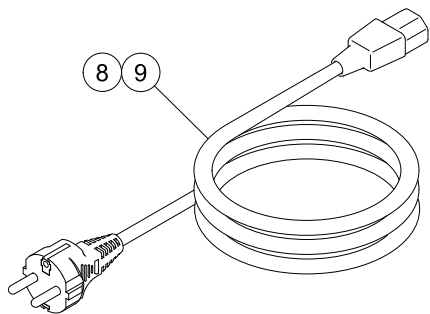
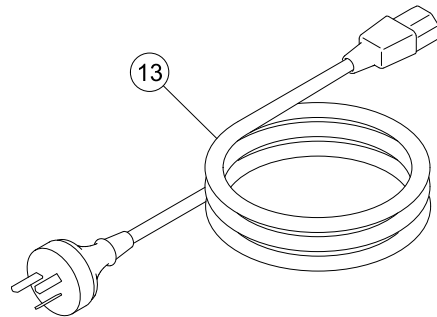
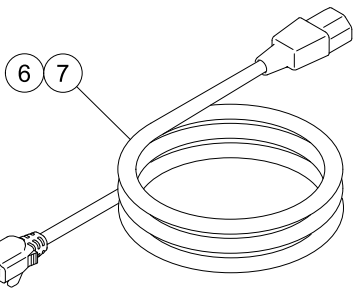
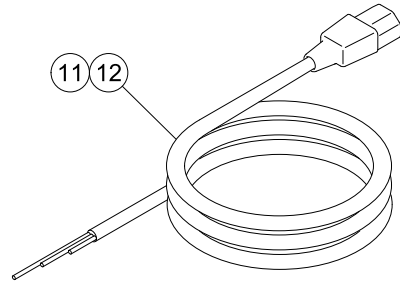
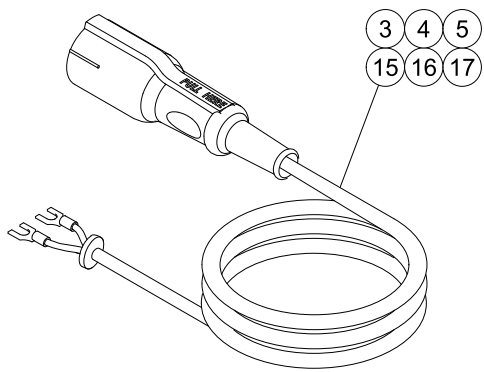
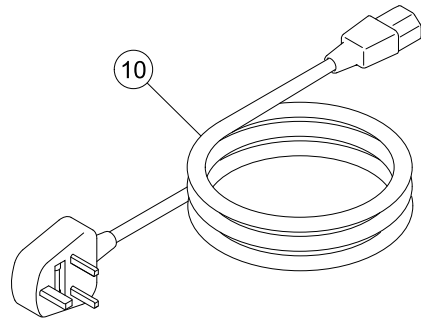
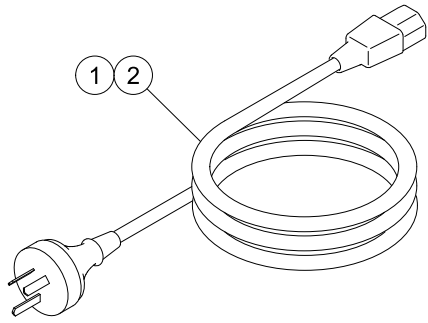
000610-003

BATTERY CHARGER, HIGH-FREQ., 6.1 M DC CORD – GLOBAL

ITEM	PART NO.	DESCRIPTION	QTY
		1 2 3 4	
1	<u>104029603</u>	Charger, Asm, High-Freq, 20ft (6.1 m) Yellow DC Cord (includes items 2 through 11)	1
2	<u>104024501</u>	Screw, M6, Torx Head	2
3	<u>104024601</u>	Nut, M6, Square, Captured	2
4	<u>104028901</u>	Screw, M4 X .70, Pan Hd, Torx	2
5	<u>104029001</u>	Screw, M5 X .80, Pan Hd, Torx	2
6	<u>105003601</u>	Handle, Charger, High-Freq	1
7	<u>105003701</u>	Foot, Charger, High-Freq	4
8	<u>105070103</u>	Cord, DC, Yellow, 20ft (6.1 m)	1
9	<u>105092301</u>	Cover, DC Terminal Block, High-Freq Charger	1
10	<u>105093101</u>	Strain Relief, High-Freq, External, Charger	1
11	<u>105123801</u>	Cover, USB	1
<p>Note: This charger does not include the AC cord. To complete the charger, choose the appropriate type and length of AC cord found on the Battery Charger Cords page.</p>			

17

E



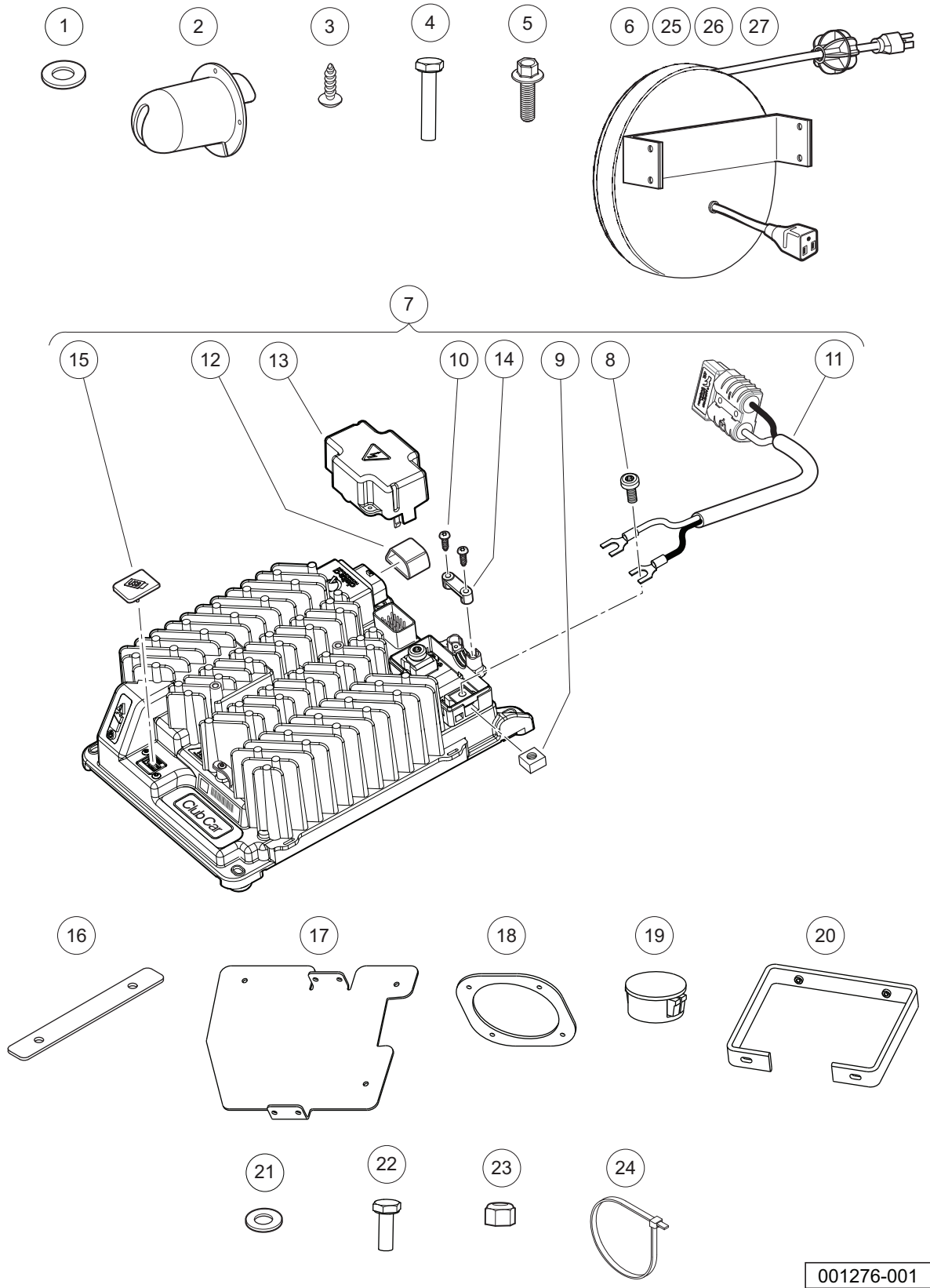
G-130899-000006

CORDS – BATTERY CHARGER, HIGH-FREQUENCY

ITEM	PART NO.	DESCRIPTION	QTY
		1 2 3 4	
1	105068201	Cord, AC, lec320, 6ft (1.83 m), China	A/R
2	105068202	Cord, AC, lec320, 9ft (2.74 m), China	A/R
3	<u>105070101</u>	Cord, DC, Yellow, 9ft (2.74 m)	A/R
4	<u>105070102</u>	Cord, DC, Yellow, 12ft (3.66 m)	A/R
5	<u>105070103</u>	Cord, DC, Yellow, 20ft (6.1 m)	A/R
6	47606837001	Cord, Ac, lec320, 9Us'	A/R
7	47606837002	Cord, Ac, lec320, 6Us'	A/R
8	<u>47612314001</u>	Cord, Ac, lec320, 6, Eu'	A/R
9	<u>47612314002</u>	Cord, Ac, lec320, 9, Eu'	A/R
10	47612315002	Cord, Ac, lec320, 9, Gb'	A/R
11	47612316001	Cord, Ac, lec320, 6, Non-term'	A/R
12	47612316002	Cord, Ac, lec320, 9, Non-term'	A/R
13	47612317002	Cord, Ac, lec320, 9, Australi'	A/R
14	47612318002	Cord, ac, lec320, 9, Japan'	A/R
15	47655301001	Harness, PWR, Charger, Blk, 9'	A/R
16	47655301002	Harness, PWR, Charger, Blk, 12'	A/R
17	47655301003	Harness, PWR, Charger, Blk, 20'	A/R
		<p>Note: Items 3, 4 and 5 are specific to JCI battery chargers. Items 15, 16 and 17 are specific to Trojan battery chargers.</p>	

17

E



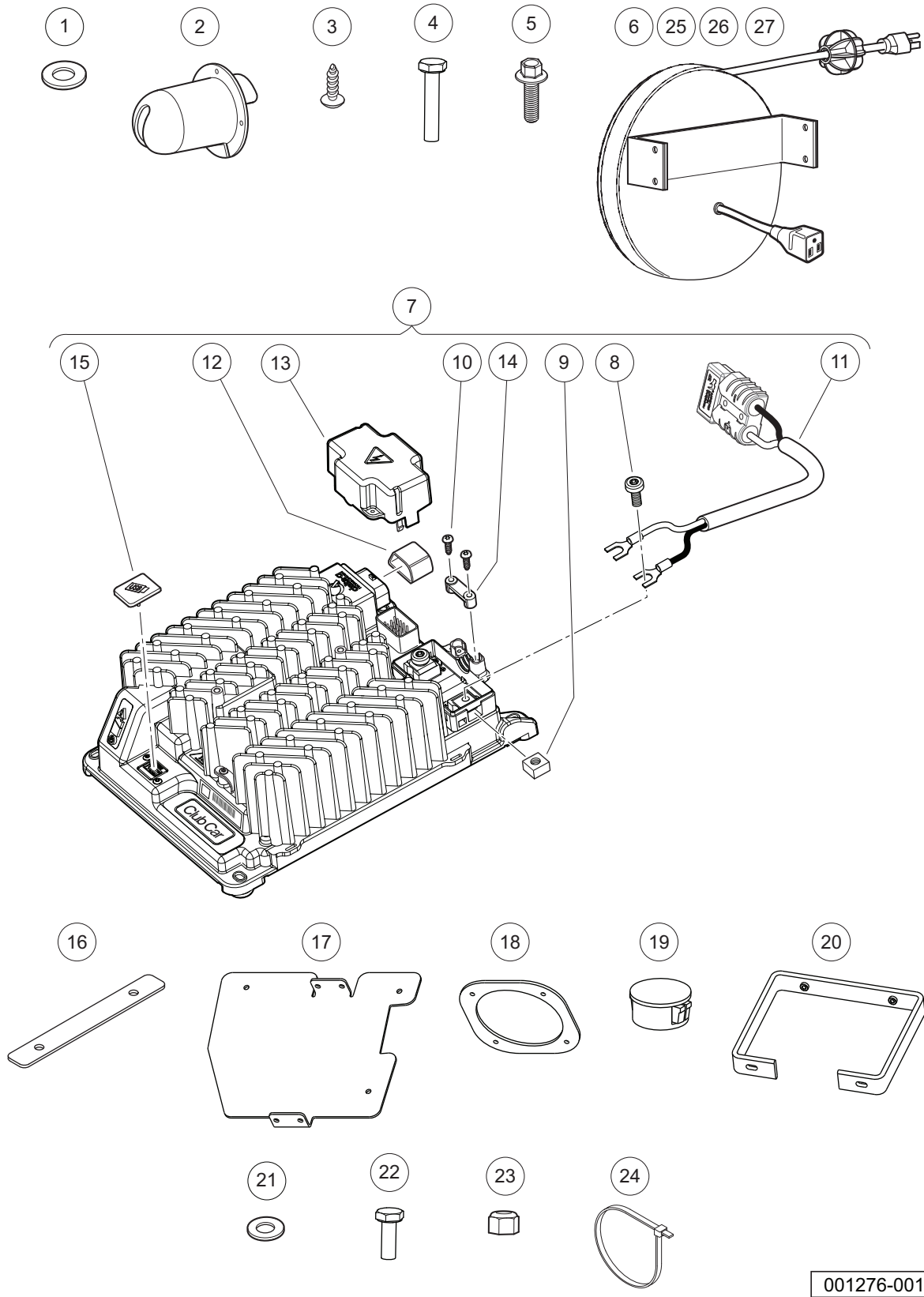
001276-001

JCI BATTERY CHARGER, HIGH-FREQUENCY – ONBOARD – FIXED REAR SEAT

ITEM	PART NO.	DESCRIPTION	QTY
		1 2 3 4	
1	<u>1014306</u>	Washer, 1/4" Type B Flat	3
2	<u>1016673</u>	Housing, Cord Reel	1
3	<u>101832001</u>	Screw, #7-19 X 0.625 Phillips Pan-Head Tap	4
4	<u>101861901</u>	Screw, 1/4-20 X 1.125 Hex Cap	4
5	<u>102541401</u>	Bolt-m6x1.0x20 Hex Flhd Blk-I	4
6	<u>103872701</u>	Cord Reel, Hf Charger	1
7	<u>105083001</u>	Charger, Asm, High-Freq, Onboard (includes items 8 through 15)	1
8	<u>104024501</u>	Screw, M6, Torx Head	2
9	<u>104024601</u>	Nut, M6, Square, Captured	2
10	<u>104029301</u>	Screw, M3x1.5, Plastic Tapping	2
11	<u>105084401</u>	Cord, DC, Onboard	1
12	<u>105086801</u>	Sleeve, lec 320 C14	1
13	<u>105092301</u>	Cover, DC Terminal Block, High-Freq Charger	1
14	<u>105094101</u>	Strain Relief, DC Block, High-Freq, Onboard, Charger	1
15	<u>105123801</u>	Cover, USB	1
16	<u>105299001</u>	Plate, Charger, Mtg, Ubdy	2
17	<u>105299101</u>	Plate, Cord Reel, Mtg, Unbody	1
18	<u>105299601</u>	Plate, Backing, Charge Port	1
19	<u>105300801</u>	Plug, Push In, 61/64" Diameter	1
20	<u>105315201</u>	Asm, Bracket, Obc Eric Mount	2
21	<u>332</u>	Washer, 1/4 Type A Narrow Flat	8
22	<u>7847</u>	Screw, 1/4-20 X 0.75 Hex-Head Cap	7
23	<u>8233</u>	Locknut, 1/4-20, Nylon Insert	4
24	<u>8990</u>	Tie Wrap, 8" Nylon	1
25	<u>SVP738601</u>	Cord Reel Retract 3ft 14ga Uk	1
26	<u>SVP738701</u>	Cord Reel Retract 3ft 14ga Eu	1
27	<u>SVP738801</u>	Cord Reel Retract 3ft 14ga Aus	1

17

E



001276-001

TROJAN BATTERY CHARGER, HIGH-FREQUENCY – ONBOARD – FIXED REAR SEAT

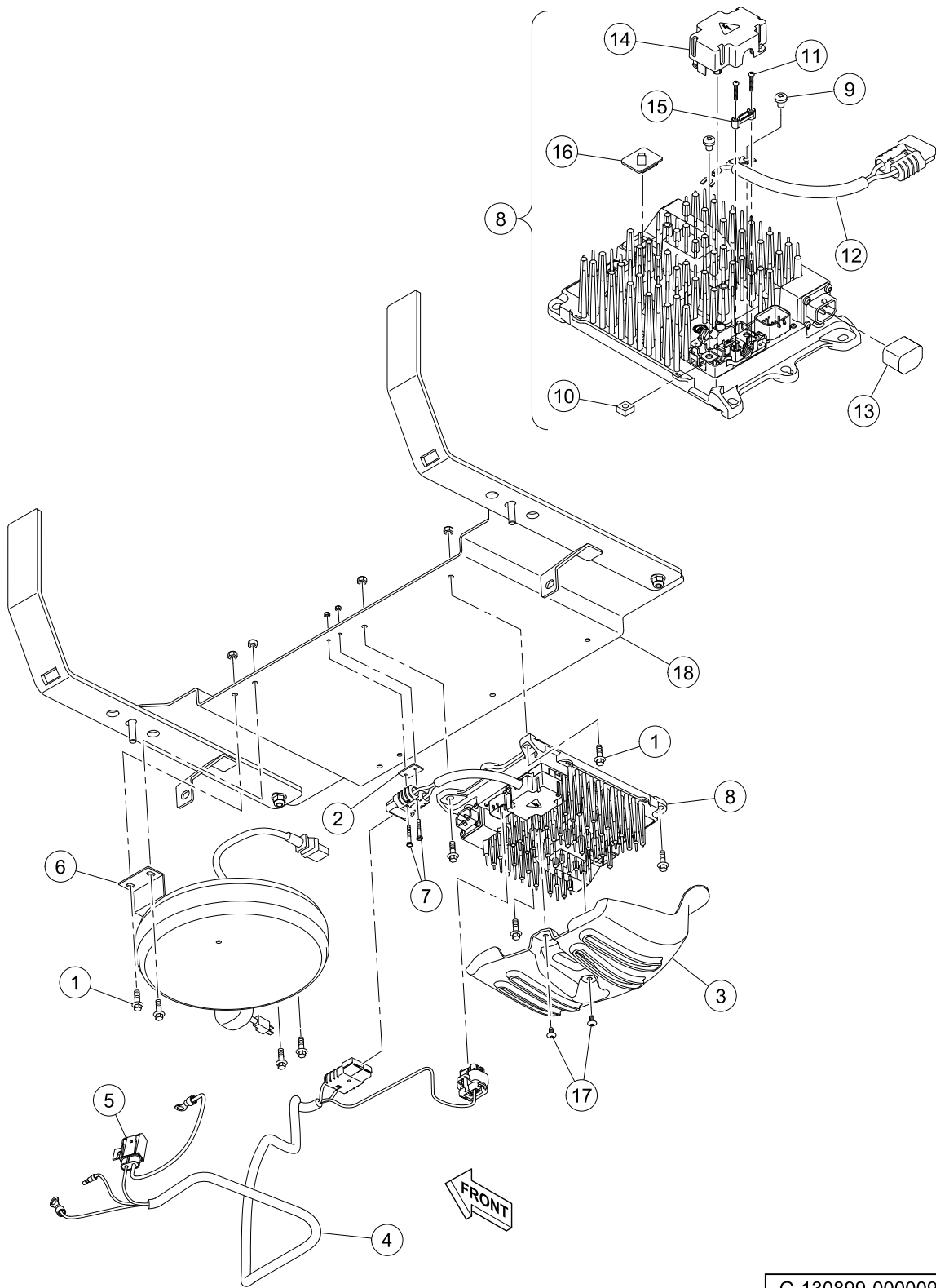
ITEM	PART NO.	DESCRIPTION	QTY
		1 2 3 4	
1	<u>1014306</u>	Washer, 1/4" Type B Flat	3
2	<u>1016673</u>	Housing, Cord Reel	1
3	<u>101832001</u>	Screw, #7-19 X 0.625 Phillips Pan-Head Tap	4
4	<u>103872701</u>	Cord Reel, Hf Charger	1
5	<u>105083002</u>	Charger Asm, Hf, Onboard, Trojan (includes items 6 through 13)	1
6	<u>104024501</u>	Screw, M6, Torx Head	2
7	<u>104024601</u>	Nut, M6, Square, Captured	2
8	<u>104029301</u>	Screw, M3x1.5, Plastic Tapping	2
9	<u>105084402</u>	Harness, Chgr, Pwr	1
10	<u>105086801</u>	Sleeve, lec 320 C14	1
11	<u>105092301</u>	Cover, DC Terminal Block, High-Freq Charger	1
12	<u>105094101</u>	Strain Relief, DC Block, High-Freq, Onboard, Charger	1
13	<u>105123801</u>	Cover, USB	1
14	<u>105299101</u>	Plate, Cord Reel, Mtg, Unbody	1
15	<u>105299601</u>	Plate, Backing, Charge Port	1
16	<u>105300801</u>	Plug, Push In, 61/64" Diameter	1
17	<u>105315201</u>	Asm, Bracket, Obc Eric Mount	2
18	<u>47563306001</u>	Screw, M6x1.0x30, Sems, Lp	4
19	<u>47568674002</u>	Bolt, 1/4-20x1.25 Hx Flg Zn G5	4
20	<u>47568676001</u>	Nut, 1/4-20 Hx Flg Zn Nyloc	4
21	<u>7847</u>	Screw, 1/4-20 X 0.75 Hex-Head Cap	7
22	<u>SVP738601</u>	Cord Reel Retract 3ft 14ga Uk	1
23	<u>SVP738701</u>	Cord Reel Retract 3ft 14ga Eu	1
24	<u>SVP738801</u>	Cord Reel Retract 3ft 14ga Aus	1

17

E

17

E



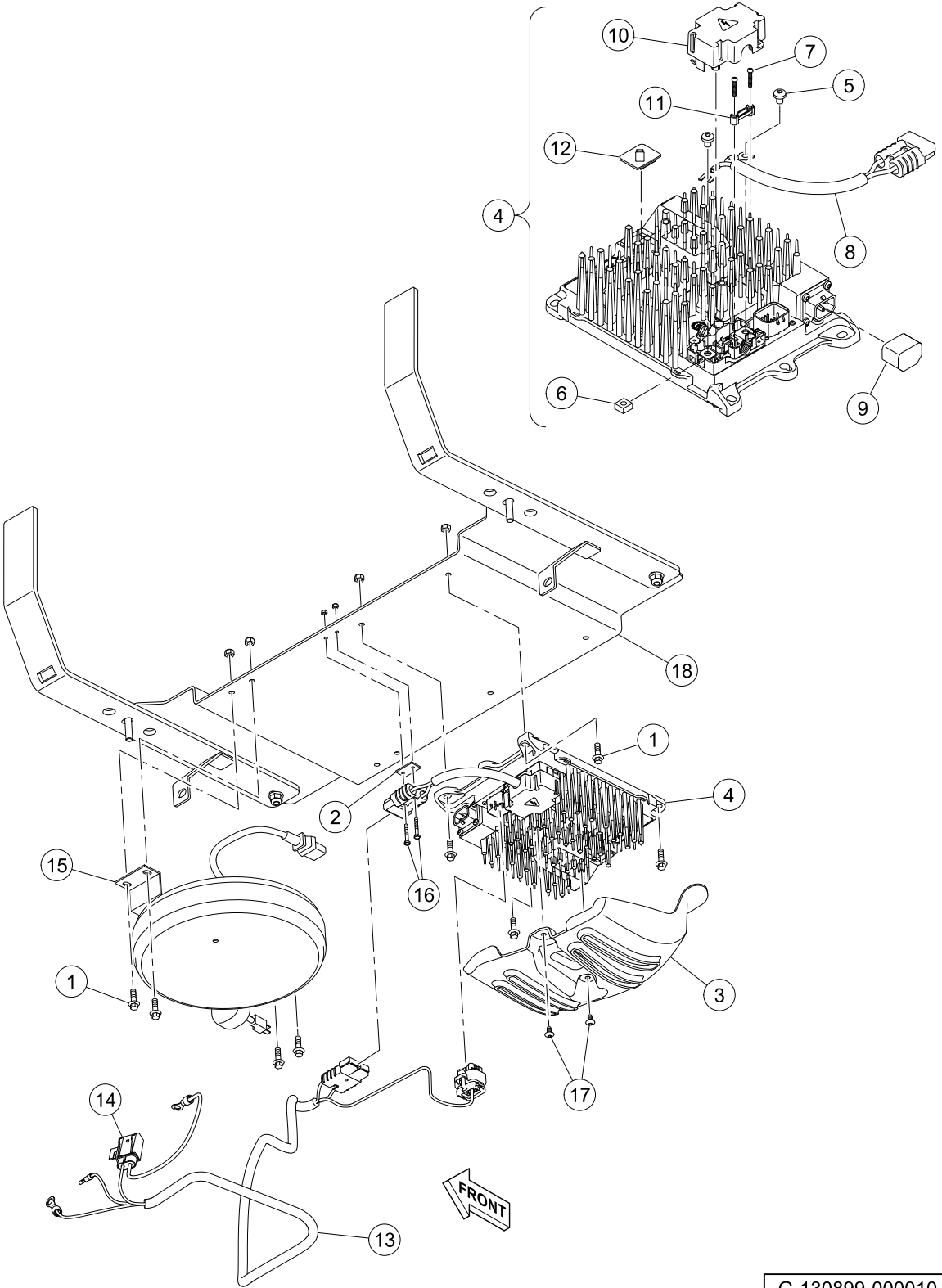
G-130899-000009

JCI BATTERY CHARGER, HIGH-FREQUENCY – ONBOARD (FOLD-DOWN REAR FACING SEAT)

ITEM	PART NO.	DESCRIPTION	QTY
		1 2 3 4	
1	<u>102541401</u>	Bolt-m6x1.0x20 Hex Flhd Blk-I	8
2	<u>105082601</u>	Insulation, Thermal	1
3	<u>105082801</u>	Shield, Charger, High-Freq	1
4	<u>105084301</u>	Harness, Wire, High-Freq Onboard Charger, 4-Pass (includes item 5)	1
5	<u>102492301</u>	Fuse, 30-Amp	1
6	<u>105084501</u>	Cord Reel, AC, Retractable, High-Freq Charger, Onboard	1
7	<u>105086901</u>	Screw, #6-20 Type Abx1.25 Pan	2
8	<u>105096202</u>	Charger, 650w High Freq, OB (includes items 9 through 16)	1
9	<u>104024501</u>	Screw, M6, Torx Head	2
10	<u>104024601</u>	Nut, M6, Square, Captured	2
11	<u>104029301</u>	Screw, M3x1.5, Plastic Tapping	2
12	<u>105084401</u>	Cord, DC, Onboard	1
13	<u>105086801</u>	Sleeve, lec 320 C14	1
14	<u>105092301</u>	Cover, DC Terminal Block, High-Freq Charger	1
15	<u>105094101</u>	Strain Relief, DC Block, High-Freq, Onboard, Charger	1
16	<u>105123801</u>	Cover, USB	1
17	<u>105101001</u>	Screw, M5-0.8x10, Torx, Trs	2
18	<u>105298501</u>	Bracket Adapter	1
		Note: Used on 4-passenger vehicle with fold-down rear-facing back seat only.	

17

E



G-130899-000010

TROJAN BATTERY CHARGER, HIGH-FREQUENCY – ONBOARD (FOLD-DOWN REAR FACING SEAT)

ITEM	PART NO.	DESCRIPTION	QTY
		1 2 3 4	
1	<u>102541401</u>	Bolt-m6x1.0x20 Hex Flhd Blk-I	8
2	<u>105082601</u>	Insulation, Thermal	1
3	<u>105082801</u>	Shield, Charger, High-Freq	1
4	105083002	Charger Asm, Hf, Onboard, Trojan (includes items 5 through 12)	1
5	<u>104024501</u>	Screw, M6, Torx Head	2
6	<u>104024601</u>	Nut, M6, Square, Captured	2
7	104029301	Screw, M3x1.5, Plastic Tapping	2
8	105084402	Harness, Chgr, Pwr	1
9	<u>105086801</u>	Sleeve, lec 320 C14	1
10	<u>105092301</u>	Cover, DC Terminal Block, High-Freq Charger	1
11	<u>105094101</u>	Strain Relief, DC Block, High-Freq, Onboard, Charger	1
12	<u>105123801</u>	Cover, USB	1
13	<u>105084301</u>	Harness, Wire, High-Freq Onboard Charger, 4-Pass (includes item 14)	1
14	<u>102492301</u>	Fuse, 30-Amp	1
15	<u>105084501</u>	Cord Reel, AC, Retractable, High-Freq Charger, Onboard	1
16	<u>105086901</u>	Screw, #6-20 Type Abx1.25 Pan	2
17	<u>105101001</u>	Screw, M5-0.8x10, Torx, Trs	2
18	105298501	Bracket Adapter	1
		Note: Item 13 used on 4-passenger vehicle with fold-down rear-facing back seat only.	

17

E

MAINTENANCE AND SERVICE TOOLS

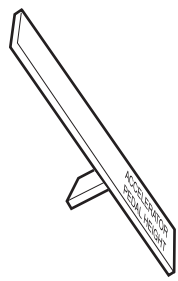
18

G

E

D

18
G
E
D



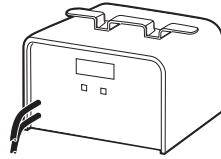
1



2



3



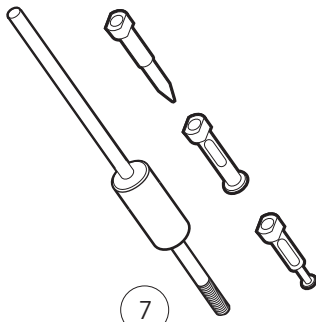
4



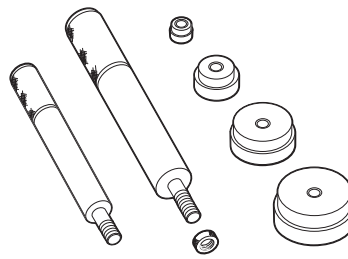
5



6



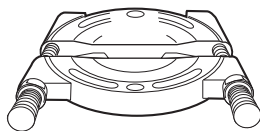
7



8



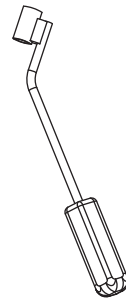
9



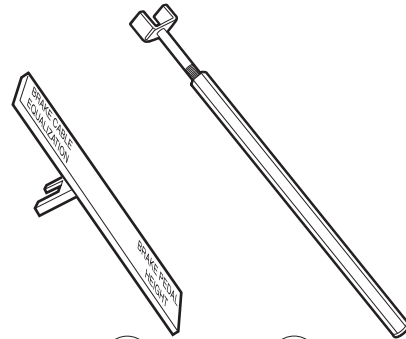
10



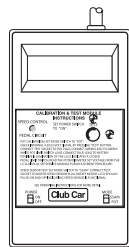
11



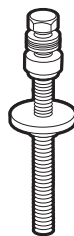
12



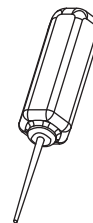
14 15
13



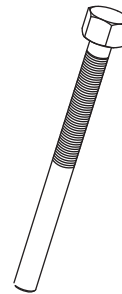
16



17



18



19

STF19-0001

MAINTENANCE AND SERVICE TOOLS

ITEM	PART NO.	DESCRIPTION	QTY DIESEL	QTY GAS	QTY ELEC
		<p style="text-align: center;">1 2 3 4</p> <p>The following tool list includes all tools available from Club Car for maintenance and service procedures for gasoline, electric, and/or diesel vehicles models. Be sure to carefully examine the tool list for applicability to your vehicle before ordering.</p>			
1	<u>101871001</u>	Accelerator Pedal Adjustment Tool		1	1
2	<u>101813202</u>	Adhesive, Guide Ring, 3-Gram Tube			1
3	<u>101641202</u>	Arbor		1	
4	<u>101831901</u>	Battery Discharge Machine, 36/48 Volt			1
5	<u>1014305</u>	Battery Terminal Protector Spray	1	1	1
6	1011767	Battery Thermometer	1	1	1
7	<u>1016417</u>	Bearing and Oil Seal Remover Assembly	1	1	1
8	<u>1016416</u>	Bearing Driver Set	1	1	1
9	<u>1012811</u>	Bearing Puller	1	1	1
10	<u>1012812</u>	Bearing Puller Wedge Attachment	1	1	1
11	1013582	Brake Adjustment Tool (used only on vehicles with manually adjusted mechanical brakes)		1	1
12	<u>102555501</u>	Brake Cable Release Tool	1	1	1
13	102249901	Brake Pedal Adjustment Tool Kit (used for the Carryall Electric Industrial Truck only) (includes items 14 and 15).....			1
14	****	Brake Pedal Adjustment Tool			1
15	****	Brake Pedal Tension Tool			1
16	<u>101887101</u>	Calibration Test Module			1
17	<u>101808401</u>	Cam Installation Tool		1	
18	<u>102562401</u>	Charger Bezel Tool			1
19	<u>102686101</u>	Clutch Removal Tool (for 4x4 vehicles)	1	1	
		Please refer to the maintenance and service manual for proper tool application.			
	****	Special order item available upon request			

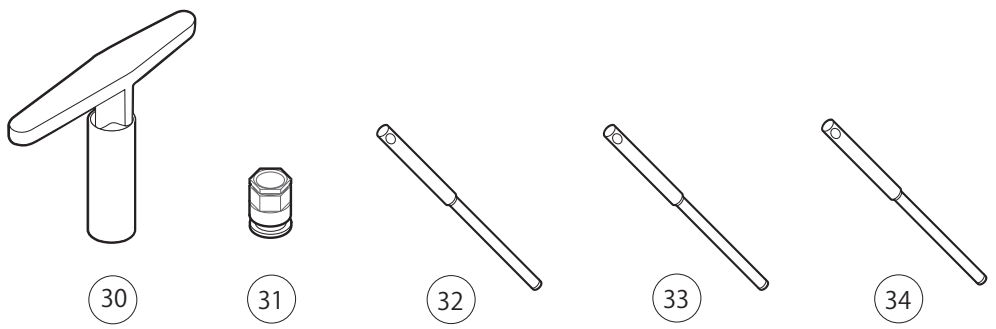
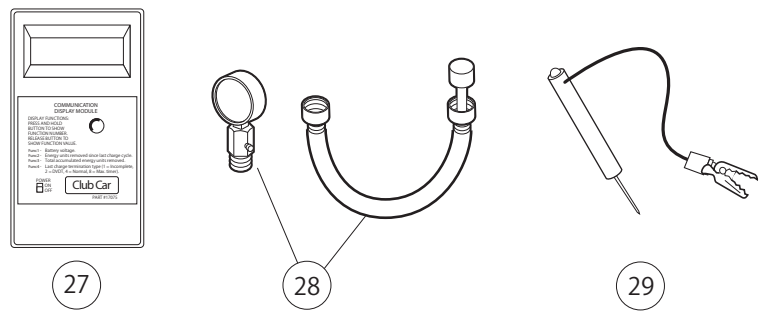
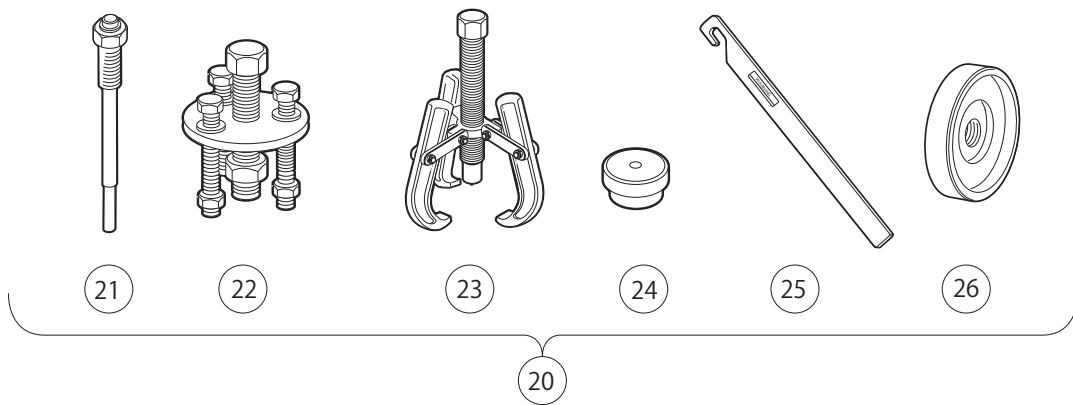
18

G

E

D

18
G
E
D



STF19-0002

MAINTENANCE AND SERVICE TOOLS, CONTINUED

ITEM	PART NO.	DESCRIPTION	QTY DIESEL	QTY GAS	QTY ELEC
		1 2 3 4			
20	<u>1014510</u>	Clutch Tools Kit (includes items 21 - 27)		1	
21	<u>1014496</u>	Drive Clutch Puller (Kohler and Kawasaki engines)		1	
22	<u>1014497</u>	Drive Clutch Hub Puller (Kohler and Kawasaki engines)		1	
23	<u>1014508</u>	Driven Clutch Cam Puller (Kohler and Kawasaki engines)		1	
24	<u>1014507</u>	Driven Clutch Puller Plug (Kohler and Kawasaki engines)		1	
25	<u>1015524</u>	Drive Clutch Holder Tool Assembly (for Kawasaki engines only)		1	
25	<u>105072501</u>	Drive Clutch Holder Tool Assembly (for Kohler engines only)		1	
26	<u>101809101</u>	Press Weldment (for Kawasaki engines only)		1	
27	101831801	Communication Display Module			1
28	101641002	Compression Gauge and Adapter		1	
29	1011273	Continuity Tester		1	1
30	<u>102774101</u>	Wrench, T, #505.....		1	
31	<u>102774101</u>	Adapter, T-Wrench.....		1	
32	<u>102774201</u>	Pilot, 6.6 MM		1	
33	<u>102774301</u>	Pilot, 6.62 MM.....		1	
34	<u>102774401</u>	Pilot, 6.65 MM.....		1	
		Please refer to the maintenance and service manual for proper tool application.			

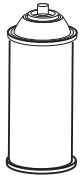
18

G

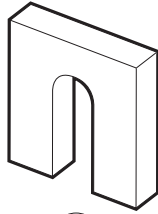
E

D

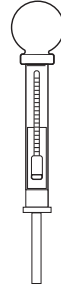
18
G
E
D



35



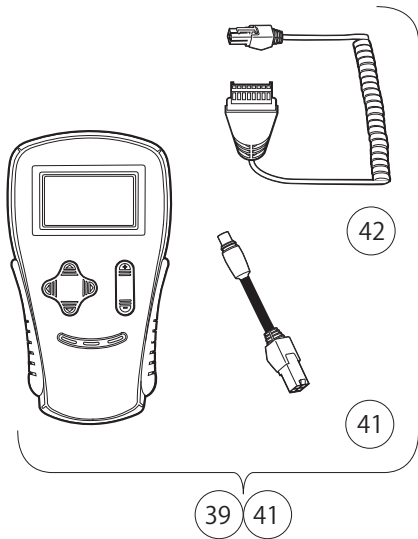
36



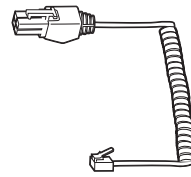
37



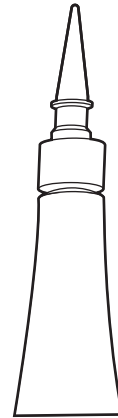
38



39 41



43



44



45



46 47



48

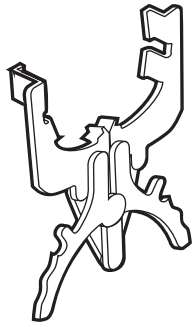
STF19-0003

MAINTENANCE AND SERVICE TOOLS, CONTINUED

ITEM	PART NO.	DESCRIPTION	QTY DIESEL	QTY GAS	QTY ELEC	18
		1 2 3 4				G
35	<u>1012151</u>	Dry Moly Lubricant	1	1	1	E
36	<u>1016418</u>	Gear Yoke	1	1	1	D
37	<u>1011478</u>	Hydrometer	1	1	1	
38	<u>1013593</u>	Internal Retaining Ring Pliers	1	1	1	
39	<u>102248803</u>	Kit, IQDM User Series 40602 (IQ System and IQ Plus vehicles) (includes items 41 and 42)			1	
40	<u>102248804</u>	Kit, IQDM Programmable OEM Series II (IQ System and IQ Plus vehicles) (includes items 41 and 42)			1	
41	<u>102251501</u>	Adaptor, Cable			1	
42	<u>102241502</u>	IQDM Series 2 Cable			1	
43	<u>102241501</u>	IQDM Series 1 Cable (replacement)			1	
44	<u>101928701</u>	Liquid Gasket (transaxle case)	1	1	1	
45	<u>102243402</u>	Moly-Teflon Lubricant (4-oz. (113-gram) tube)			1	
46	<u>101997201</u>	Paint, Touch-Up – Beige*		1	1	
46	<u>101997207</u>	Paint, Touch-Up – Black*		1	1	
46	<u>101997212</u>	Paint, Touch-Up – Burgundy*		1	1	
46	<u>101997211</u>	Paint, Touch-Up – Classic Blue (Navy)*		1	1	
46	<u>101997205</u>	Paint, Touch-Up – Dark Gray*	1	1	1	
46	<u>101997209</u>	Paint, Touch-Up – Dark Green*	1	1	1	
46	<u>101997204</u>	Paint, Touch-Up – Gray*	1	1	1	
46	<u>101997203</u>	Paint, Touch-Up – Red*	1	1	1	
46	<u>101997206</u>	Paint, Touch-Up – Royal Blue (Pacific Blue)*		1	1	
46	<u>101997202</u>	Paint, Touch-Up – White*	1	1	1	
47	<u>102562301</u>	Paint, Precedent Underbody – Gray		1	1	
48	<u>102587201</u>	Paint Pen, Touch-Up, Precedent Underbody – Black		1	1	
		Please refer to the maintenance and service manual for proper tool application.				
		* Item 47 is not for use on Surlyn [®] body material, which is used on Precedent vehicles.				



49



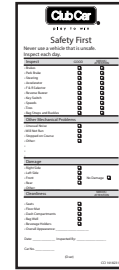
50



51



52



53



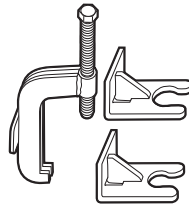
54



55



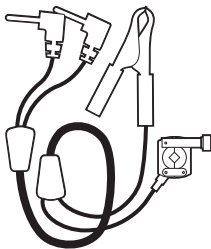
56



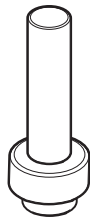
57



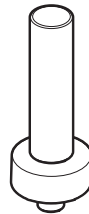
58



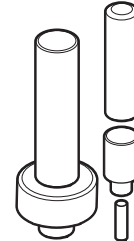
59



60



61



62

STF19-0004

MAINTENANCE AND SERVICE TOOLS, CONTINUED

ITEM	PART NO.	DESCRIPTION	QTY DIESEL	QTY GAS	QTY ELEC
		1 2 3 4			
49	<u>1016414</u>	Piston Ring Compressor Kit (FE290, FE350 and FE400 engines)		1	
50	<u>1016415</u>	Piston Ring Pliers (for Kawasaki Engines)		1	
51	<u>1012549</u>	Retaining Ring Pliers, 45° External	1	1	1
52	<u>1012560</u>	Retaining Ring Pliers, 90° Internal	1	1	1
53	<u>101823101</u>	Safety First Card (50 per pack)	1	1	1
54	<u>1012809</u>	Seal Puller	1	1	1
55	<u>1014264</u>	Steering Column Bearing Press Tool		1	1
56	<u>1014259</u>	Steering Column Retaining Ring Tool		1	1
57	102061201	Steering Wheel Puller Tool	1	1	1
58	<u>AM10753</u>	Tachometer (includes gasoline engine pick up lead only)	1	1	
59	<u>AM10771</u>	Tachometer Diesel Probe (for use with item 73)	1		
60	<u>1014162</u>	Transaxle Axle Seal Tool		1	
61	<u>1014161</u>	Transaxle Pinion Seal Tool		1	
62	<u>1014115</u>	Transmission Tool Kit		1	

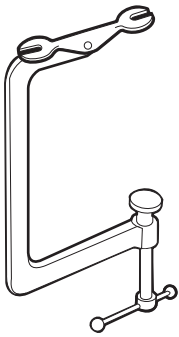
18

G

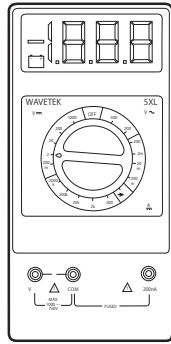
E

D

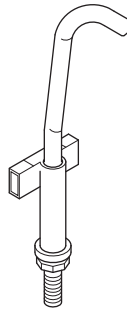
18
G
E
D



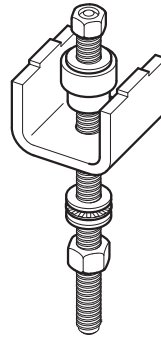
63



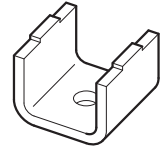
64



65



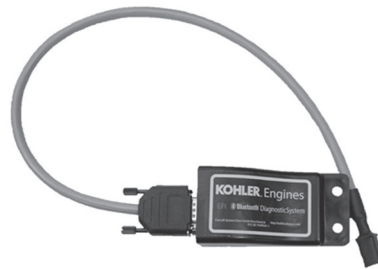
66



67



68



69



70

STF19-0005

MAINTENANCE AND SERVICE TOOLS, CONTINUED

ITEM	PART NO.	DESCRIPTION	QTY DIESEL	QTY GAS	QTY ELEC
		1 2 3 4			
63	<u>101641101</u>	Valve Spring Compressor		1	
64	1011480	Volt Ohm Meter	1	1	1
65	<u>102570401</u>	Tool, Tensioning, Starter Generator (For Precedent vehicles)		1	
		Kohler ECH440 Specific Items			
66	47568549001	Driven Clutch Tool		1	
67	47568246001	Plate, Cam Press (supplied with 47568549001)		1	
68	<u>47631025001</u>	Kit, EFI Diagnostics		1	
69	<u>47631026001</u>	Kit, Bluetooth EFI Diagnostics		1	
70	<u>47631075001</u>	Kit, EFI Tool		1	

18

G

E

D

INDEX

Part Number and Page

AM10753	18-9	1012151	18-7	1014453	12-5, 12-7
AM10771	18-9	1012180	6-13, 6-15	1014454	12-9
AM10079	4-5, 4-7	1012295	8-5	1014496	18-5
AM10419	12-9	1012431	8-17, 13-3	1014497	18-5
AM1289701	7-11	1012505	4-5, 4-7	1014507	18-5
AM1289801	7-11	1012528	14-17	1014508	18-5
AM1290201	7-11	1012549	18-9	1014510	18-5
AM1300001	14-15	1012560	18-9	1014555	6-13, 6-15, 14-9, 14-11
AM1300101	14-15	1012565	6-3, 7-3	1014727	8-17, 13-3
AM1300201	14-15	1012566	6-3, 7-3	1014807	8-17, 13-3
AM1300301	14-15	1012571	1-15	1014947	14-17
SVP738601	17-15, 17-17	1012594	8-17, 13-3	1015064	13-3
SVP738701	17-15, 17-17	1012649	10-7	1015332	9-9
SVP738801	17-15, 17-17	1012809	18-9	1015524	18-5
SVP915201	1-23	1012811	18-3	1015583	6-13, 6-15
183	12-5, 12-7	1012812	18-3	101558302	6-13, 6-15, 6-17, 7-13
332	13-7, 17-15	1012836	12-9	101587711	10-7
334	12-5, 12-7	1012987	13-3	101587712	10-7
451	15-3	1013042	6-7, 7-9	1015932	8-9
1016	4-11	1013164	6-13, 6-15	101609401	1-49, 3-3
1242	5-7, 8-9, 8-11	1013582	18-3	101611402	16-5
1624	8-9	1013589	13-3	1016154	6-3, 7-3
7174	8-9	1013590	13-3	1016201	12-5, 12-7
7310	2-3	1013591	13-3	1016214	6-3, 7-3
7330	16-3	1013593	18-7	1016289	12-5, 12-7
7335	16-3	1013609	8-11	101641002	18-5
7336	16-3	1013734	14-17	101641101	18-11
7847	17-15, 17-17	1013746	10-7	101641202	18-3
7893	4-11, 8-11	1013794	16-3	1016414	18-9
8056	8-17	1013857	4-3, 4-7	1016415	18-9
8057	8-17, 13-3	1013924	5-3, 5-5, 9-7	1016416	18-3
8058	8-17, 13-3	1014007	10-13, 13-9	1016417	18-3
8233	10-13, 13-7, 13-9, 17-15	1014051	12-7	1016418	18-7
8450	12-5, 12-7	1014055	12-5, 12-7	1016673	17-15, 17-17
8639	14-21	1014056	12-5, 12-7	1016801	12-5, 12-7
8717	13-3	1014057	12-5, 12-7	1016849	4-3, 4-5, 4-7
8754	8-9	1014058	12-5, 12-7	1016851	4-5, 4-7
8990	1-33, 4-3, 6-7, 7-9, 13-5, 14-21, 17-15	1014059	12-5, 12-7	1016901	12-5
1010145	6-13, 6-15, 6-17, 7-13	1014062	12-5, 12-7	101705701	3-3
1010434	1-21, 1-43, 1-47, 5-9, 5-11, 5-13, 5-15, 8-13	1014063	12-5, 12-7	1017686	12-9
1010829	5-7	1014065	12-5, 12-7, 13-3	101791101	5-3
1010958	14-9	1014072	12-9	101808401	18-3
1010984	2-3	1014078	12-9	101809101	18-5
1011114	10-13, 13-9	1014080	12-9	101813202	18-3
1011137	5-5	1014115	18-9	101815501	5-3, 5-5
1011273	18-5	1014145	13-3	101815502	5-3, 5-5
1011415	6-13, 6-15	1014161	18-9	101816501	5-3, 5-5
1011478	18-7	1014162	18-9	101816502	5-3, 5-5
1011480	18-11	1014201	15-3	101823101	18-9
101155301	3-3	1014259	18-9	101823201	5-3, 5-5
1011578	1-43	1014264	18-9	101823801	5-3, 5-5
1011697	11-3	1014287	12-5, 12-7	101823901	5-3, 5-5
1011767	18-3	1014288	12-5, 12-7	101830701	4-5, 4-7
1011897	1-49	1014304	14-9, 14-11	101831801	18-5
		1014305	18-3	101831901	18-3
		1014306	17-15, 17-17	101832001	14-5, 17-15, 17-17

INDEX

101833401	12-9	102051901	4-3, 4-7	102296601	1-23
101834502	4-5, 4-7	102061201	18-9	102296716	10-13, 14-17
101834601	9-7	102155801	12-9	102296720	9-9
101834602	9-7	102186001	15-3	102296819	1-11
101835601	1-43, 4-3	102186101	15-3	102296920	14-7
101850301	6-3, 7-3, 7-5	102186201	15-3	102297001	1-11
101851101	4-5, 4-7	102186401	15-3	102297125	10-17
101856001	14-7	102186701	15-3	102297230	1-21, 1-23
101861901	17-15	102186901	15-3	102297901	5-7
101862001	13-7	102187101	15-3	102298020	1-13, 1-15, 14-9, 14-11
101871001	18-3	102187201	15-3	102298030	1-17, 1-23, 1-47, 5-9, 5-11, 5-13, 5-15
101884801	9-7	102196901	4-5	102298116	6-5, 7-7, 9-9, 10-11
101886101	10-13, 13-9	102199001	4-7	102298130	6-5, 7-7
101887101	18-3	102235201	15-3	102298170	6-13, 6-15, 6-19, 7-15
101887601	10-13	102240501	14-17	102298175	6-13, 6-15, 6-17, 7-13
101895401	16-3	102241501	18-7	102298240	1-43, 1-47
101895501	16-3	102241502	18-7	102298250	1-21
101897001	16-3	102242101	12-9	102298401	1-3, 1-5, 1-31, 1-33, 6-13, 6-15, 6-17, 7-13, 9-9, 11-3
101897201	16-3	102243402	18-7	102298580	1-3, 6-13, 6-15
101897401	16-3	102243403	15-3	102298601	1-3, 6-13, 6-15
101897601	16-3	102248803	18-7	102298716	1-13, 1-23
101898001	8-11	102249901	18-3	102298720	4-3
101903601	16-3	102251501	18-7	102298745	1-47
101903701	16-3	102274101	13-17	102298995	1-3
101906901	16-3	102278802	1-43	102299065	1-9, 1-31, 1-33, 1-41
101908401	4-13, 8-13, 14-7	102279106	1-23	102299360	1-31, 1-33
101914001	16-5	102287101	6-9, 7-11	102299601	1-31, 1-33
101920101	15-3	102287601	6-9	102353201	6-11, 7-11
101922101	16-3	102287701	6-9	102353301	6-11, 7-11
101922201	16-3	102288101	6-9, 6-11	102353401	6-11
101923001	16-3	102288201	6-11	102356601	16-3
101923201	16-3	102288401	6-11	102356801	16-3
101923501	16-3	102288701	6-11	102357701	6-11, 7-11
101923901	16-3	102288801	6-11	102400002	1-31, 1-33, 1-41
101928701	16-3, 18-7	102288901	6-9, 7-11	102400102	1-31, 1-33, 1-41
101936101	16-5	102289001	6-7, 7-9	102400202	1-9
101942301	15-3	102289101	6-11	102400302	1-9
101954301	1-19	102289201	6-11, 7-11	102410604	10-3, 10-13
101960501	3-3	102289401	6-9, 7-11	102411209	10-17
101972001	1-49, 3-3, 18-7	102289501	6-9, 6-11	102476401	10-13, 13-9
101972002	18-7	102289601	6-9	102490301	10-3, 10-13
101972003	18-7	102289701	6-9	102491501	12-5, 12-7, 14-9, 14-11
101972004	18-7	102289801	6-11, 7-11	102492301	14-5, 14-17, 17-19, 17-21
101972005	18-7	102289901	6-9	102498201	10-13, 13-7, 13-9
101972006	18-7	102290120	6-3, 6-5, 7-3, 7-5, 7-7	102500801	5-9, 5-11, 5-13, 5-15
101972007	18-7	102292101	1-3	102501402	1-23
101972009	18-7	102292201	5-9, 5-11, 5-13, 5-15	102501403	1-23
101972011	18-7	102292356	1-11, 1-13, 14-9, 14-11	102501501	1-7
101972012	18-7	102292701	1-13, 1-23	102502401	1-7
101972101	16-3	102292801	5-7	102502409	1-7
101972201	16-3	102296020	1-7, 4-3, 8-3, 8-11, 10-3, 10-17	102502415	1-7
101978601	16-5	102296040	8-11, 13-3	102502416	1-7
101979101	8-17, 13-3	102296140	1-25, 1-27, 1-29	102502419	1-7
101998501	1-19	102296301	1-49, 10-3	102502451	1-7
102022601	6-7, 7-9	102296401	1-25, 1-27, 1-29		
102025801	10-5	102296530	1-21, 1-47		

INDEX

102502452	1-7	102544201	1-9, 1-31, 1-33, 1-41	102838801	8-7
102502453	1-7	102544301	4-3	102838901	8-7
102502458	1-7	102551901	5-7	102839001	8-7
102502461	1-7	102552001	5-7	102839301	8-7
102502501	1-7	102554901	14-5	102841101	8-7
102504001	1-21	102555501	18-3	102865901	14-17
102504201	1-21	102555901	3-3	102878201	6-11
102504301	1-21	102557201	1-11	102883602	1-7
102504802	1-13	102558201	9-3, 10-17	102886301	16-3
102505401	1-3	102558301	10-17	102886401	16-3
102505701	1-3, 6-9	102558501	10-17	102886501	16-3
102506401	6-13, 6-15, 6-17, 7-13	102558601	10-17	102886601	16-3
102508202	1-17	102558701	10-17	102902801	16-3
102508401	14-7	102559401	5-9, 5-11, 5-13, 5-15	102915601	1-11
102508601	4-5	102559701	5-9, 5-11, 5-13, 5-15	102922701	11-3
102508901	1-25	102559901	2-3	102956201	6-9, 6-11
102508902	1-27	102559902	2-3	102958001	14-13
102508903	1-29	102562401	18-3	102967901	1-23
102511101	4-13, 14-7	102565201	6-7, 7-9	103146501	6-19, 7-15
102511601	1-25	102566001	6-7, 7-9	103196001	1-31, 1-33
102511602	1-27	102569302	2-3	103198401	8-13
102511603	1-29	102570401	18-11	103199301	1-31
102512501	9-9	102572401	4-5	103200301	1-31, 1-33
102513501	1-31, 1-33	102573101	1-47	103205101	1-25, 1-27, 1-29
102515101	4-7	102581201	1-41	103205501	3-3, 8-13
102516901	1-17	102582401	1-49	103210101	1-25, 1-27, 1-29
102517001	1-21	102588501	6-13, 6-15, 6-17, 7-13	103262201	9-5
102517601	4-3	102588601	6-9, 7-11	103325001	1-5, 4-3
102517901	3-3	102594301	5-7	103327601	1-21
102519301	3-3	102594801	5-9, 5-11, 5-13, 5-15	103347601	8-7
102521401	10-17	102594901	5-9, 5-11, 5-13, 5-15	103347701	8-7
102521901	1-13	102595201	5-9, 5-11, 5-13, 5-15	103347801	8-7
102522901	4-5	102595301	5-9, 5-11, 5-13, 5-15	103348201	4-7
102526201	13-3	102595401	5-9, 5-11, 5-13, 5-15	103348602	4-7
102527801	4-3	102595502	5-9, 8-3	103350802	14-9, 14-11
102528101	4-3	102595901	5-9, 5-11, 5-13, 5-15	103357701	14-9, 14-11
102528701	4-3	102596001	5-9, 5-11, 5-13, 5-15	103367901	14-17
102529201	4-3	102596301	5-11, 5-13, 5-15	103368301	14-9, 14-11
102531502	1-47	102617201	9-5	103368403	14-9, 14-11
102534201	1-5	102617801	13-17	103372101	10-3
102534404	1-7	102618601	1-49, 7-11	103372401	10-7
102535101	4-3	102621501	8-9	103374801	14-9, 14-11
102535201	4-3	102670701	6-17, 7-13	103375402	14-5, 14-17
102535301	4-3, 8-5	102674201	18-5	103375702	14-5
102535401	4-3	102675001	18-5	103375901	4-3, 8-5
102536601	4-5	102675101	18-5	103380201	5-3, 5-5
102536603	4-5	102675201	18-5	103380202	5-3, 5-5
102536605	4-5	102675401	18-5	103384601	3-3
102538601	14-5	102686101	18-3	103384701	3-3
102540301	9-7	102704701	15-3	103384801	3-3
102541401	8-9, 17-15, 17-19, 17-21	102704801	15-3	103388501	6-9
102541425	1-47	102704901	15-3	103395505	14-13
102541445	1-49	102732401	9-5	103397901	4-3
102541465	1-49	102771701	16-3	103402701	1-11
102541501	1-49	102803301	8-11	103414901	4-3
102543902	1-9	102838701	8-7	103449501	14-21

INDEX

103449601	14-21	103793003	14-9	103975301	12-9
103459104	2-3	103796701	7-3	103976101	12-5, 12-7
103470701	10-3	103810201	6-5, 7-7	103978001	10-13
103477901	7-11	103812901	1-23	103978801	1-21
103483101	5-3, 5-5	103813001	1-23	103979301	13-17
103483102	5-3, 5-5	103821301	4-11	103982002	10-13
103483201	5-3, 5-5	103826201	6-7, 7-9	103982301	14-17
103483401	5-3, 5-5	103826301	6-7, 7-9	103984601	12-5, 12-7
103483601	5-3, 5-5	103829401	7-5	103989501	13-17
103483701	5-3, 5-5	103832901	1-19	103990503	1-3
103508101	9-5	103833601	1-19	103990601	1-3
103508501	14-11	103833701	1-19	103991501	4-5
103510602	14-13	103833801	1-19	103995001	13-17
103528501	5-7	103833901	1-19	104005901	14-15
103528601	5-7	103853121	1-21, 1-47	104006101	14-15
103528701	5-7	103853122	1-21, 1-47	104008001	1-25
103528702	5-7	103853124	1-21, 1-47	104008002	1-27
103535001	5-7	103853125	1-21, 1-47	104008003	1-29
103572501	15-3	103866801	1-47	104008501	1-31
103582801	16-3	103866802	1-47	104008502	1-33
103597101	4-3	103866901	1-47	104008901	1-31
103635201	1-13	103866902	1-47	104008902	1-33
103638601	6-11	103866903	1-49	104021701	13-17
103638701	6-11	103866904	1-49	104023201	14-5
103638702	6-11	103872701	17-15, 17-17	104023421	1-19
103638801	6-11	103874111	5-15	104023422	1-19
103638901	1-3	103879701	13-11	104023424	1-19
103647402	14-9	103881201	1-33	104023425	1-19
103647403	14-9	103886601	13-5	104023501	10-13, 13-9
103653001	1-47	103896607	10-7	104024001	14-5, 14-17
103679701	6-7, 7-9	103921601	6-13, 6-15	104024501	17-3, 17-5, 17-7, 17-9, 17-11, 17-15, 17-17, 17-19, 17-21
103694501	2-3	103921602	6-13, 6-15	104024601	17-3, 17-5, 17-7, 17-9, 17-11, 17-15, 17-17, 17-19, 17-21
103699401	1-21	103923601	1-5, 4-3	104025101	12-9
103724501	6-3	103924801	8-5, 14-5	104027101	13-17
103724503	7-3, 7-5	103926603	1-3	104028901	17-3, 17-5, 17-7, 17-9, 17-11
103724601	6-3, 7-3	103929301	1-21	104029001	17-3, 17-5, 17-7, 17-9, 17-11
103724602	7-5	103929302	1-21	104029301	17-15, 17-17, 17-19, 17-21
103724901	6-3, 7-3	103933902	4-3	104029601	17-3, 17-7
103725601	1-33	103935601	6-11	104029602	17-9
103742207	7-13	103943401	5-15, 14-3	104029603	17-11
103742304	6-15, 6-17, 7-13	103951002	2-3	104029604	17-5
103742305	6-13	103951501	13-17	105003601	17-3, 17-5, 17-7, 17-9, 17-11
103742307	7-13	103952901	1-21	105003701	17-3, 17-5, 17-7, 17-9, 17-11
103750001	1-31, 1-33, 1-41	103964901	6-13, 6-15	105005001	14-17
103750101	1-31, 1-33, 1-41	103965001	6-13, 6-15	105005402	1-15
103756401	10-7	103971798	14-9, 14-11	105009001	10-17
103765601	14-9	103971799	14-9, 14-11	105025001	13-11
103774701	14-13	103973901	12-7	105025101	13-11
103774801	1-33	103973902	12-5	105025201	13-11
103775201	1-33	103974102	12-3	105025301	13-11
103775601	1-33	103974201	12-5, 12-7	105025401	13-11
103777601	5-9, 5-11, 5-13, 5-15, 8-3	103974401	12-5, 12-7	105025501	13-11
103783001	3-3, 6-3, 7-3	103974815	5-9	105025601	13-11
103783002	3-3, 6-3, 7-3	103974821	5-11, 5-13	105025701	13-11
103783003	7-3	103974901	5-9, 5-11, 5-13, 5-15		
103793001	14-9	103975011	5-15		

INDEX

105025801	13-11	105038801	13-5	105152301	4-5
105025901	13-11	105039801	13-3	105161701	8-7
105026001	13-11	105040401	13-3	105166801	14-15
105026101	13-11	105040901	13-7	105166901	14-15
105026201	13-11	105041101	13-3	105167001	14-15
105026301	13-11	105043801	10-5	105167101	14-15
105026401	13-11	105043901	10-5	105168501	14-15
105026501	13-11	105049001	6-5, 7-7	105168601	14-15
105026601	13-11	105066001	13-15	105187901	6-11
105026701	13-11	105066101	13-15	105188185	6-13, 6-15, 6-17, 7-13
105026801	13-11	105067501	3-3	105188701	6-17, 7-13
105026901	13-11	105068201	17-13	105223321	1-19
105027001	13-11	105068202	17-13	105223322	1-19
105027101	13-11	105068601	6-5, 7-7	105223323	1-19
105027201	13-11	105070101	17-3, 17-7, 17-13	105223327	1-19
105027301	13-11	105070102	17-9, 17-13	105223328	1-19
105027401	13-13	105070103	17-11, 17-13	105223329	1-19
105027501	13-13	105070501	3-3	105223421	1-21
105027601	13-13	105074101	13-3	105223422	1-21
105027701	13-13	105081501	8-5	105223423	1-21
105027801	13-13	105081601	8-5	105223427	1-21
105027901	13-13	105082601	17-19, 17-21	105223428	1-21
105028001	13-13	105082801	17-19, 17-21	105223429	1-21
105028101	13-15	105083001	17-15	105234801	13-11, 13-13
105028201	13-13	105083002	17-17, 17-21	105234901	13-11, 13-13
105028301	13-11	105084301	14-17, 17-19, 17-21	105237399	8-11
105028401	13-13	105084401	17-15, 17-19	105245801	12-3
105028501	13-11	105084402	17-17, 17-21	105267301	3-3
105028601	13-13	105084501	17-19, 17-21	105267401	3-3
105028701	13-13	105086801	17-15, 17-17, 17-19, 17-21	105267501	3-3
105028801	13-13	105086901	17-19, 17-21	105268501	1-49
105028901	13-13	105092301	17-3, 17-5, 17-7, 17-9, 17-11, 17-15, 17-17, 17-19, 17-21	105291501	1-13
105029001	13-13	105093101	17-3, 17-5, 17-7, 17-9, 17-11	105298501	17-19, 17-21
105029101	13-13	105094101	17-15, 17-17, 17-19, 17-21	105299001	17-15
105029201	13-13	105095201	17-3	105299101	17-15, 17-17
105029301	13-15	105096101	12-5, 12-7	105299601	17-15, 17-17
105029401	13-15	105096201	17-19	105300101	1-49
105029501	13-15	105101001	17-19, 17-21	105300801	17-15, 17-17
105029601	13-15	105101221	1-47	105307901	1-49
105029701	13-15	105101222	1-47	105308425	1-49
105029801	13-15	105101224	1-47	105308440	1-49
105029901	13-15	105101225	1-47	105310201	1-49
105030001	13-11	105102601	8-17	105310202	1-49
105030301	13-15	105114808	8-5	105310203	1-49
105030401	13-15	105116301	5-15, 14-3	105310204	1-49
105030501	13-15	105123801	17-3, 17-5, 17-7, 17-9, 17-11, 17-15, 17-17, 17-19, 17-21	105314001	1-13
105030601	13-15	105130201	8-5	105314101	1-13
105030701	13-11	105135101	10-13, 13-7	105315201	17-15, 17-17
105030801	13-15	105137401	14-5, 14-17	47539338002	8-9
105030901	13-13	105142401	2-3	47542195001	5-3, 5-5
105031001	13-15	105142501	4-3	47554735001	4-13
105037101	4-7	105142502	4-3	47554736001	4-13
105037501	13-3	105143301	10-3	47555612001	4-13
105037601	13-3	105144401	10-13, 13-9	47557751001	4-13
105037701	13-3			47559475001	8-7
105038501	13-3			47559475002	8-7

INDEX

47560030001	14-19	47568675001	1-43	47592811001	1-43
47560464001	10-7	47568676001	1-43, 17-17	47592812001	1-41
47560765001	10-17	47568677001	1-43	47594727001	4-3, 4-9
47561648004	2-5	47570464001	1-35	47598441001	4-7
47561649004	2-5	47570464002	1-37	47600218001	12-9
47562947004	2-5	47570464003	1-39	47601355001	10-13
47562948004	2-5	47576196001	6-17, 7-13	47601767001	12-9
47562949001	2-5	47576197001	7-13	47603899001	7-13
47562951001	2-5	47576198001	7-13	47603900001	7-13
47563300001	1-43	47576648001	7-13	47604229001	8-15
47563300002	1-43	47576649001	6-19, 7-15	47604230001	14-19
47563301001	1-43	47576650001	6-19, 7-15	47604303001	4-11
47563302001	1-43	47576651001	6-19, 7-15	47606837001	17-13
47563304001	1-43	47576652001	6-19, 7-15	47606837002	17-3, 17-5, 17-13
47563305001	1-43	47576652002	6-19, 7-15	47610134002	10-3
47563306001	1-45, 17-17	47577864001	6-19, 7-15	47610135001	10-3
47563307001	1-45	47577865001	6-19, 7-15	47610136001	10-17
47564782001	1-43	47578327001	1-43	47611209001	11-3
47564783001	1-43	47579096001	6-13, 6-15, 6-17, 7-13	47611210001	11-3
47564784001	1-43	47579669001	1-5	47611483001	9-5
47564785001	1-43	47581051001	1-43	47611484001	9-5
47564786001	1-43	47582821001	1-35, 1-37, 1-39	47611648001	9-5
47564787001	1-43	47582821002	1-35, 1-37, 1-39	47611868001	8-9
47564787002	1-43	47583000001	8-7	47611869001	8-9
47564886021	1-45	47583112001	1-35, 1-37, 1-39	47611870001	8-9
47564886022	1-45	47583296001	1-7	47611876001	10-3
47564886024	1-45	47583296002	1-7	47611877001	10-3
47564886025	1-45	47583297001	1-23	47612314001	17-13
47564887021	1-45	47583297002	1-23	47612314002	17-13
47564887022	1-45	47583665001	6-17	47612315002	17-13
47564887024	1-45	47583666001	6-17	47612316001	17-13
47564887025	1-45	47583790001	8-7	47612316002	17-13
47564888021	1-47	47583791001	8-7	47612317002	17-13
47564888022	1-47	47583794001	8-7	47612318002	17-13
47564888023	1-47	47583795001	9-7	47612352001	10-11
47564888024	1-47	47583912001	6-17	47612535001	8-5
47564888025	1-47	47584178001	8-7	47612537001	8-5
47564888026	1-47	47584179001	8-7	47613414002	4-7
47564888027	1-47	47584184001	9-7	47613414005	4-7
47564888028	1-47	47586040001	3-3	47613414006	4-7
47564888029	1-47	47586191001	3-3	47613414007	4-7
47564889021	1-47	47586323001	8-3	47614711001	4-13
47564889022	1-47	47587701001	9-7	47615815001	10-17
47564889023	1-47	47587715001	8-15	47617345001	8-9
47564889024	1-47	47589919201	1-23	47622330001	10-5
47564889025	1-47	47589919203	1-23	47623281001	8-11
47564889026	1-47	47589919204	1-23	47623339001	10-5
47564889027	1-47	47589919207	1-23	47624766001	1-43
47564889028	1-47	47589919208	1-23	47629583001	9-21
47564890001	9-7	47589919301	1-23	47629585001	9-21
47566405001	7-11	47589919302	1-23	47629588001	9-21
47566411001	7-11	47589919303	1-23	47629589001	9-21
47568672001	1-43	47589919305	1-23	47629677001	9-17
47568673001	1-43	47589919306	1-23	47629680001	9-17
47568674001	1-43	47590808001	2-5	47629682001	9-17
47568674002	1-43, 17-17	47592393001	3-3	47629685001	9-17

INDEX

47629686001	9-17	47629848001	9-11	47677930001	14-11
47629687001	9-17	47629851001	9-11	47684368001	10-3
47629688001	9-17	47629853001	9-11	47684368002	10-3
47629689001	9-17	47629855001	9-11	47689303001	14-9, 14-11
47629690001	9-17	47629856001	9-11	47695923001	9-5
47629691001	9-17	47629857001	10-9	96704176	4-9
47629693001	9-17	47629858001	10-9	96705199	10-3
47629694001	9-17	47629859001	10-9	96705587	11-3
47629696001	9-17	47629860001	10-9	96741046	9-5
47629697001	9-17	47629861001	10-9		
47629698001	9-17	47629862001	10-9	A	
47629699001	9-19	47629864001	10-9	A-arm, three-piece	6-9
47629700001	9-19	47629865001	10-9	absorber, front shock	6-9, 7-11
47629701001	9-19	47629866001	10-9	absorber, rear shock	6-13, 6-15, 6-17, 7-13
47629702001	9-13	47629867001	10-9	AC cord	17-13
47629703001	9-19	47629868001	10-9	accelerator cable	10-13
47629705001	9-19	47629869001	10-9	accelerator pedal	5-9, 5-11, 5-13, 5-15, 8-3
47629707001	9-19	47629870001	10-9	accelerator pedal adjustment tool	18-3
47629709001	9-19	47629871001	10-9	access panel	1-23
47629711001	9-15	47629872001	10-9	adapter	
47629714001	9-15	47629874001	10-9	cable (IQDM)	18-7
47629716001	9-15	47629875001	10-11	adhesive, guide ring	18-3
47629717001	9-15	47629876001	10-11	air cleaner assembly	10-17
47629718001	9-15	47629877001	10-11	air filter	9-3, 10-17
47629719001	9-15	47629878001	10-11	air filter canister evacuation valve	10-17
47629720001	9-15	47629879001	10-15	air intake cover	10-17
47629722001	9-15	47629880001	10-15	air intake hose	10-17
47629723001	9-15	47629881001	10-15	arbor	18-3
47629724001	9-15	47629882001	10-15	arm	
47629725001	9-15	47640020001	9-19	governor	10-13, 13-9
47629726001	9-15	47640021001	9-13, 9-19	armature	15-3
47629727001	9-15	47640022001	9-19	armrest	1-19
47629728001	9-15	47640281001	9-3, 9-13	assembly	
47629729001	9-15	47643352001	4-3	brake lever	5-3, 5-5
47629730001	9-15	47643352002	4-3	drive hub	12-5, 12-7
47629768001	9-15	47643624002	10-3	frame and field (motor)	15-3
47629822001	9-15	47645493001	8-13	fuel cap	10-3
47629823001	9-15	47649808001	11-3	moveable-face	12-5, 12-7, 12-9
47629824001	9-15	47649808002	11-3	secondary clutch weight	12-5, 12-7
47629825001	9-15	47650176001	7-11	axle	16-3
47629826001	9-13	47650647001	9-13	axle guard	16-5
47629828001	9-13	47652014001	1-9	axle shaft	13-15
47629831001	9-13	47653531001	1-43	axle shaft oil seal	16-3
47629832001	9-13	47655301001	17-5, 17-13	axle tube	13-15, 16-3
47629833001	9-13	47655301002	17-13		
47629834001	9-13	47655301003	17-13	B	
47629835001	9-13	47655585001	3-3	backing plate, brake	5-3, 5-5
47629836001	9-13	47655585002	3-3	backrest	1-45
47629837001	9-13	47657816001	7-11	backrest, beige	1-21, 1-47
47629838001	9-13	47657817001	7-11	backrest, black	1-21, 1-47
47629841001	9-13	47662588001	13-19	backrest, gray	1-21, 1-47
47629843001	9-13	47666603001	9-9	backrest, white	1-21, 1-47
47629844001	9-11	47668395001	7-11	bag hoop	1-21
47629845001	9-11	47674563001	10-3	bag strap	1-21
47629846001	9-11	47674563002	10-3	bag strap buckle	1-21
47629847001	9-11	47676897001	9-13		

INDEX

- ball bearing 8-7, 13-13, 13-15
 - ball joint, inner 6-7, 7-9
 - ball, bearing 7-11
 - barrel, plastic 1-21, 1-43, 1-47, 5-9, 5-11, 5-13, 5-15, 8-13
 - battery
 - 8-volt, GC8 14-9
 - battery charger 17-3, 17-5, 17-7, 17-9, 17-11, 17-15
 - battery charger wire harness
 - onboard 14-17, 17-19, 17-21
 - battery clamp 8-11
 - battery discharge machine 18-3
 - battery hold-down 14-9, 14-11
 - battery terminal protector spray 18-3
 - battery thermometer 18-3
 - battery, 12-volt, top-post 8-11
 - bead, ferrite 14-21
 - bearing 16-3
 - ball 7-11, 8-7, 13-13, 13-15
 - ball (motor) 15-3
 - inner axle tube 16-3
 - thrust 13-11
 - bearing and oil seal remover 18-3
 - bearing driver set 18-3
 - bearing puller 18-3
 - bearing puller wedge 18-3
 - beauty panel, front 1-7
 - bellows, steering 6-7, 7-9
 - belt, drive 12-3
 - body
 - front 1-7
 - under 1-13
 - body kick plate 1-15
 - body kick plate (ele) 1-17
 - bolt
 - battery, "S" hold-down 14-9, 14-11
 - boot, switch 4-13, 8-13, 14-7
 - bottom, seat 1-45
 - Bracket 8-13
 - bracket
 - accel.cable 10-13, 13-7
 - canopy support 1-31, 1-33
 - clamshell 1-13
 - equalizer 5-7
 - FNR cable 10-13, 13-7
 - governor 10-13, 13-9
 - jounce bumper 7-13
 - seat support 1-47
 - shock mounting, drv 6-13, 6-15
 - shock mounting, pas 6-13, 6-15
 - snubber 9-7
 - Bracket, Fuel 10-3
 - Bracket, Seat Back, Front, Top, CSMR 1-43
 - brake adjusting mechanism 5-3, 5-5
 - brake adjustment tool 18-3
 - brake backing plate 5-3, 5-5
 - brake cable 5-7
 - brake cable release tool 18-3
 - brake cluster 5-3, 5-5
 - brake drum 5-3, 5-5
 - brake lever 5-3, 5-5
 - brake pedal 5-9, 5-11, 5-13, 5-15
 - brake pedal adjustment tool 18-3
 - brake pedal tension tool 18-3
 - brake rod 5-9, 5-11, 5-13, 5-15
 - brake self-adjusting mechanism 5-3, 5-5
 - brake shoe 5-3, 5-5
 - brake spring 5-3, 5-5
 - breather 13-11, 16-3
 - brow 1-7
 - brow cap 1-7
 - brush 15-3
 - brush box assembly 15-3
 - brush rigging 15-3
 - brush spring 15-3
 - buckle, bag strap 1-21
 - bulb, headlight 4-3
 - bulb, turn signal 4-3
 - bumper 1-49
 - drive unit (motor) 15-3
 - jounce 6-17, 7-13
 - Bumper, Shock Plug 1-5, 4-3
 - bushing 6-9, 6-11, 6-19, 7-15, 12-5, 12-7, 13-3
 - urethane 6-13, 6-15, 6-17, 7-13
 - button, drive 12-9
 - buzzer, reverse 4-5, 4-7
- ## C
- cable
 - accelerator 10-13
 - brake 5-7
 - FNR shifter 13-5
 - governor 10-13
 - IQDM 18-7
 - calibration test module 18-3
 - cam
 - driven clutch 12-9
 - cam installation tool 18-3
 - cam, neutral lockout 13-3
 - canister, carbon, fuel tank 10-7
 - canopy 1-25, 1-27, 1-35, 1-39
 - canopy drain cover 1-25, 1-27, 1-29
 - canopy handle 1-25, 1-27
 - canopy strut, front, lh 1-31, 1-33, 1-41
 - canopy strut, front, rh 1-31, 1-33, 1-41
 - canopy support 1-31, 1-33
 - canopy support bracket, drv 1-21
 - canopy support bracket, pas 1-21
 - canopy support cover, drv 1-9, 1-31, 1-33, 1-41
 - canopy support cover, pas 1-9, 1-31, 1-33, 1-41
 - cap
 - center 2-5
 - dust 4-5
 - front hub 6-11, 7-11
 - fuel, gas, ratchet 10-3
 - key switch 4-5, 4-7
 - rubber 13-17
 - cap, hub, 7 prong 2-3
 - cap, SAM 1-9
 - carbon canister 10-7
 - card, safety first 18-9
 - case
 - gear 16-3
 - transaxle 13-11
 - CE mark ferrite bead, Fair-rite 14-21
 - CE mark ferrite bead, TDK 14-21
 - center cap 2-5
 - center shaft 13-13
 - charger bezel tool 18-3
 - charger receptacle 14-5, 14-17
 - charger, battery, Hi-Freq 17-3, 17-5, 17-7, 17-9, 17-11, 17-15
 - clamp
 - battery 8-11
 - hose 10-7, 10-17
 - leaf spring 6-11, 7-11
 - p- (fuel filter) 10-3, 10-13
 - clamshell bracket 1-13
 - clip
 - body trim 1-13, 1-23
 - meter 4-7
 - clip, score card 6-3, 7-3
 - cluster, brake 5-3, 5-5
 - clutch
 - pin 13-13
 - clutch removal tool 18-3
 - clutch repair kit 12-9
 - clutch tool kit 18-5
 - clutch weight 12-5, 12-7
 - clutch, drive 12-5, 12-7
 - collar 13-13
 - comfort grip steering wheel 7-3
 - comfort grip steering wheel kit 7-3
 - communication display module 18-5
 - component mounting plate 14-17
 - compression gauge 18-5
 - compressor, piston ring 18-9
 - compressor, valve spring 18-11
 - continuity tester 18-5
 - controller shield 14-17
 - controller, motor speed
 - Excel w/Hi-Freq 14-17
 - cord reel 17-15, 17-17, 17-19, 17-21
 - cord set, DC 17-3, 17-7, 17-9, 17-11, 17-13
 - cord, AC 17-13
 - cord, DC 17-15, 17-19
 - counter shaft 13-13

INDEX

cover

- air intake 10-17
 - canopy drain 1-25, 1-27, 1-29
 - DC terminal block 17-3, 17-5, 17-7, 17-9, 17-11, 17-15, 17-17, 17-19, 17-21
 - dust 5-3, 5-5
 - support, canopy, drv 1-9, 1-31, 1-33, 1-41
 - support, canopy, pas 1-9, 1-31, 1-33, 1-41
 - USB 17-3, 17-5, 17-7, 17-9, 17-11, 17-15, 17-17, 17-19, 17-21
- cover plate 15-3
- cover, steering column 4-3
- cushion, shock absorber 6-13, 6-15, 6-17, 7-13
- cutter, valve seat 18-5

D

- dash 1-11
- dash support assembly 1-3, 6-9
- DC cord 17-15, 17-19
- DC cord set 17-3, 17-7, 17-9, 17-11, 17-13
- decal 3-3
 - box bed warning 1-49, 3-3
 - crush area warning 1-49, 3-3
 - filter log 14-15
 - four-passenger warning 3-3
 - frame ground warning 3-3
 - inspect log 14-15
 - maintenance/operate switch 3-3, 8-13
 - operating instructions 3-3, 6-3, 7-3
 - private speed mode 3-3
 - rollover warning 3-3
 - rotating parts 3-3
 - Run/Tow warning 3-3
 - warning 3-3
 - warning, Run/Tow 3-3
 - water exposure 3-3

- Decal, Batteries, Charger 3-3
- Decal, Batteries, Trojan, Cord 3-3
- deionizer 14-15
 - cartridge 14-15
- diesel tachometer probe 18-9
- differential 13-15
 - open 13-15
- differential drive unit 16-3
- differential gear 16-3
- differential gear set 13-15
- differential guard 16-5
- differential housing 16-3
- differential shaft 13-15
- drain channel 1-11
- drain plug 13-11
- drive belt 12-3
- drive button 12-9
- drive clutch 12-5, 12-7
- drive clutch button 12-5, 12-7
- drive clutch holder tool 18-5

- drive clutch hub puller 18-5
- drive clutch puller 18-5
- drive clutch spring 12-5, 12-7
- drive clutch weight 12-5, 12-7
- drive hub 12-5, 12-7
- drive unit bumper 15-3
- drive unit guard 16-5
- driven clutch button 12-9
- driven clutch cam 12-9
- driven clutch cam puller 18-5
- driven clutch puller plug 18-5
- driver, drive clutch 12-5, 12-7
- drum, brake 5-3, 5-5
- dry moly lubricant 18-7
- dual snubber 9-7
- dust cap 4-5
- dust cover 5-3, 5-5
- dust seal 6-7, 7-9

E

- end cap, motor 15-3
- end, tie rod 6-7, 7-9
- engine
 - air cleaner 10-17
 - air filter 9-3, 10-17
 - air intake hose 10-17
- equalizer 5-7
- Exhaust 11-3

F

- face, moveable 12-9
- fascia 1-7
- ferrite bead (CE), Fair-rite 14-21
- ferrite bead (CE), TDK 14-21
- filter
 - air 9-3, 10-17
- floor cover plate 5-9, 5-11, 5-13, 5-15
- floormat 1-13
- FNR handle 13-3
- FNR housing 14-7
- FNR shift lever 13-7
- FNR shifter base 13-3
- FNR shifter cable 13-5
- fold down seat 1-43
- frame and field assembly (motor) 15-3
- front body beauty panel 1-7
- front hub 6-11
- front suspension structure 6-9, 7-11
- Fuel Module, Hold-Down Ring 10-5
- fuse
 - 10-amp 8-5
 - 15-amp 14-5
 - 2-amp 8-5, 14-5
 - 30-amp 14-5, 14-17, 17-19, 17-21
 - 5-amp 8-5

G

- gas pedal assembly, anodized 5-11, 5-13
 - gas pedal assembly, anodized triac 5-9
 - gasket 13-11
 - air intake 10-17
 - liquid 16-3, 18-7
 - plug 16-3
 - seat 1-19
 - gauge, compression 18-5
 - gear
 - 17 tooth 13-13
 - 34 tooth 13-13
 - 52 tooth 13-13
 - 60 tooth 13-15
 - 62 tooth 13-13
 - differential 16-3
 - differential idler 16-3
 - differential output 16-3
 - governor 13-11
 - governor, 34 tooth 13-13
 - set, differential 13-15
 - gear yoke 18-7
 - gearcase 16-3
 - governor arm 10-13, 13-9
 - governor cable 10-13
 - governor gear shaft 13-11
 - governor shaft 13-11
 - grip, pencil 6-3, 7-3
 - guard, differential 16-5
 - guide pin 13-11
 - guide ring adhesive 18-3
- ## H
- handle, canopy 1-27
 - handle, FNR 13-3
 - Harness 17-5, 17-13
 - harness
 - Visage strut 4-13
 - Harness, Chgr 17-17, 17-21
 - harness, instrument panel 4-3, 4-5
 - Harness, Visage, Extension 4-13
 - harness, wire 4-3, 8-5, 14-5
 - harness, wire, onboard battery charger 14-17, 17-19, 17-21
 - headlamp 4-3
 - headlight bulb 4-3
 - hinge 14-9, 14-11
 - seat bottom 1-19
 - hinge, seat bottom 1-19
 - hip restraint 1-19
 - hip restraint, 4 pass 1-47
 - hold-down, battery 14-9, 14-11
 - hoop, bag 1-21
 - horn 4-3
 - hose

INDEX

air intake 10-17
 SPWS 14-13
 vent 10-7
Hose, Intake 10-17
housing
 3-pin 15-3
 differential 16-3
hub 6-11, 7-11, 13-17
hub cap 2-3, 6-11, 7-11
hub cap, 7 prong 2-3
hub, front 6-11
hydrometer 18-7

I

idler gear, differential 16-3
indicator, charger 4-5
inner ball joint 6-7, 7-9
inner frame snubber 9-7
input shaft 13-13, 16-3
instrument panel 4-5
instrument panel harness 4-3, 4-5
Insulation 1-9
intake cover 10-17
intermediate shaft 16-3
internal retaining ring pliers 18-7
IQ display module (IQDM) 18-7
isolator, shock damper 6-13, 6-15, 6-17, 7-13

J

J-clip 1-3, 6-13, 6-15
jounce bumper 6-17, 7-13
jounce bumper bracket 7-13

K

key
 driven clutch 12-9
 On/Off 4-5, 4-7
 square 12-9
key switch 4-5, 4-7
key switch cap 4-5, 4-7
kick plate 1-15
kick plate (ele) 1-17
king pin 6-11
kit
 3-pin housing 15-3
 ball joint, inner 6-7, 7-9
 bellows, steering, sona 6-7, 7-9
 brake cable 5-7
 brake pedal adjustment tool 18-3
 brake shoe retainer 5-3, 5-5
 canopy hardware 1-35, 1-37, 1-39
 clutch repair 12-9
 comfort grip steering wheel 7-3
 drive clutch button 12-5, 12-7
 drive clutch weight 12-5, 12-7

driven clutch button 12-9
front hub replacement 6-11, 7-11
hand pump, SPWS 14-15
hub cap 2-3
IQ display module (IQDM) 18-7
motor brush 15-3
motor brush spring 15-3
motor cover plate 15-3
motor speed sensor 15-3
motor terminal hardware 15-3
relay, 48V 4-3
SAM assembly 1-21
seat bottom 1-19
shock absorber 6-13, 6-15
shock absorber cushion 6-13, 6-15
shoe retainer 5-3, 5-5
underbody cover 1-9

Kit, Front Struts 1-41
knob, light switch 4-3, 4-7

L

leaf spring, rear 6-13, 6-15, 6-17, 7-13
lever
 transaxle shift 13-7
light
 oil 4-7
 water quality 14-15
light switch 4-3, 4-7
light switch knob 4-3, 4-7
limit switch 8-17, 13-3
liquid gasket 16-3, 18-7
low oil warning light 4-7
lubricant, dry moly 18-7
lubricant, moly-teflon 15-3, 18-7
lug nut 2-3, 2-5
lug stud 6-11, 13-17, 16-3

M

magnet, speed sensor 15-3
mat, floor 1-13
MCOR 5-15, 14-3
mechanism, brake adjusting 5-3, 5-5
meter clip 4-7
meter, volt ohm 18-11
module
 calibration test 18-3
 communication display 18-5
Module, ECU 9-13
moly-teflon lubricant 18-7
motor
 48-volt IQ 15-3
 motor brush kit 15-3
 motor brush spring kit 15-3
 motor bumper 15-3
 motor end cap 15-3

motor magnet, speed sensor 15-3
motor speed controller
 Excel w/Hi-Freq 14-17
motor speed sensor 15-3
motor speed sensor kit 15-3
motor terminal hardware kit 15-3
motor wire harness 14-5
mounting plate, component 14-17
moveable-face 12-5, 12-7, 12-9

N

neutral lockout cam 13-3
nut, lug 2-3

O

oil seal 13-11
oil warning light, low 4-7
O-Ring, Fuel Module 10-5

P

paint, touch-up 18-7
panel
 access 1-23
 front body beauty 1-7
 SAM 1-21
panhard 6-19, 7-15
park brake release, anod 5-9, 5-11, 5-13, 5-15, 8-3
p-clamp (fuel filter) 10-3, 10-13
pedal assembly, gas, anodized 5-11, 5-13
pedal assembly, gas, anodized triac 5-9
pedal, accelerator 5-9, 5-11, 5-13, 5-15, 8-3
pedal, brake 5-9, 5-11, 5-13, 5-15
pencil grip 6-3, 7-3
pin
 bow tie locking 5-7
 clevis 5-7
 differential 13-15
 guide 13-11
 input shaft 13-13
 king 6-11
piston ring compressor 18-9
piston ring pliers 18-9
plate
 backing (brake) 5-3, 5-5
 component mounting 14-17
 cover 15-3
 floor cover 5-9, 5-11, 5-13, 5-15
 kick 1-15
 kick(ele) 1-17
Plate, Closure, Kohler 9-19
pliers
 internal retaining ring 18-7
 piston ring 18-9
 retaining ring 18-9

INDEX

- plug
 - drain 13-11
 - driven clutch puller 18-5
- press weldment 18-5
- protector spray, battery terminal 18-3
- puller
 - bearing 18-3
 - clutch 18-3
 - drive clutch 18-5
 - drive clutch hub 18-5
 - driven clutch cam 18-5
 - seal 18-9
- R**
- rack and pinion 6-7, 7-9
- rear underbody support 1-21
- receptacle 14-5, 14-17
- reel cord 17-15, 17-17, 17-19, 17-21
- reflector 1-7, 1-23, 1-43
- regulator, voltage 8-11
- relay 4-3
- relay, 12-volt 4-7
- relay, 48V 4-3
- release, anod park brake 5-9, 5-11, 5-13, 5-15, 8-3
- remover, bearing and oil seal 18-3
- resistor assembly 14-17
- restraint, hip, 4 pass 1-47
- retainer
 - brake shoe 5-3, 5-5
 - shock absorber cushion 6-13, 6-15, 6-17, 7-13
- retaining ring pliers 18-9
- reverse buzzer 4-5, 4-7
- rim (wheel) 2-3
- ring
 - retaining 12-5, 12-7, 12-9, 13-3, 13-11, 13-17
 - spiral backup 12-5, 12-7
- Rivet, Removable 1-23
- rock guard 16-5
- rocker switch 14-7
- rod
 - brake 5-9, 5-11, 5-13, 5-15
- S**
- safety first card 18-9
- SAM (structural accessory module) 1-21
- SAM assembly kit 1-21
- SAM cap 1-9
- SAM panel 1-21
- score card clip 6-3, 7-3
- score card plate 6-3, 7-3
- seal
 - dust 6-7, 7-9
 - lip 16-3
 - oil 13-11, 16-3
- seal puller 18-9
- sealant 16-3
- seat back 1-45
- seat back, beige 1-21, 1-47
- seat back, black 1-21, 1-47
- seat back, gray 1-21, 1-47
- seat back, white 1-21, 1-47
- seat bottom 1-45
- seat bottom kit 1-19
- seat bracket 1-47
- seat gasket 1-19
- seat hinge 1-19
- seat support bracket 1-47
- seat support weldment 1-47
- select shaft 13-11
- sensor, motor speed 15-3
- Sensor, Temperature 9-13
- shaft
 - axle 13-15
 - center 13-13
 - counter 13-13
 - differential 13-15
 - governor 13-11
 - governor gear 13-11
 - input 13-13, 16-3
 - intermediate 16-3
 - select 13-11
 - shift 13-13
- shield, charger 17-19, 17-21
- shield, controller 14-17
- shield, debris aux 5-9, 5-11, 5-13, 5-15
- shield, debris primary 5-9, 5-11, 5-13, 5-15
- shift lever 13-7
- shift shaft 13-13
- shock absorber (front) 6-9, 7-11
- shock absorber (rear) 6-13, 6-15, 6-17, 7-13
- shock absorber cushion 6-13, 6-15, 6-17, 7-13
- shock absorber cushion retainer 6-13, 6-15, 6-17, 7-13
- shock damper isolator 6-13, 6-15, 6-17, 7-13
- shock mounting bracket, drv 6-13, 6-15
- shock mounting bracket, pas 6-13, 6-15
- shoe retainer kit 5-3, 5-5
- shoe, brake 5-3, 5-5
- sleeve 6-9, 6-11, 6-13, 6-15, 6-17, 6-19, 7-13, 7-15, 13-11
- snubber bracket 9-7
- snubber housing 9-9
- snubber, dual 9-7
- snubber, inner frame 9-7
- solenoid, 12-volt 8-11
- spacer 13-11, 13-13
- speed controller
 - Excel w/Hi-Freq 14-17
- speed sensor 15-3
- speed sensor magnet 15-3
- speed sensor, motor 15-3
- spindle 6-11, 7-11
- spiral backup ring 12-5, 12-7
- spray, battery terminal protector 18-3
- spring 13-11
 - brake 5-3, 5-5
 - brush 15-3
 - compression 6-3, 7-3
 - drive button 12-5, 12-7
 - drive clutch 12-5, 12-7
 - forward/reverse cam 13-3
- spring, leaf, rear 6-13, 6-15, 6-17, 7-13
- SPWS hose 14-13
- steering column bearing press tool 18-9
- steering column cover 4-3
- steering column retaining ring tool 18-9
- steering wheel 6-3, 7-3, 7-5
- steering wheel (comfort grip) kit 7-3
- steering wheel puller tool 18-9
- stem, valve 2-3
- strap, bag 1-21
- strut, angle, tie 1-47
- strut, front canopy, lh 1-31, 1-33, 1-41
- strut, front canopy, rh 1-31, 1-33, 1-41
- stud
 - lug 6-11, 13-17, 16-3
- support, canopy 1-31, 1-33
- support, underbody, rear 1-21
- suspension, front structure 6-9, 7-11
- switch
 - key 4-5, 4-7
 - light 4-3, 4-7
 - limit 8-17, 13-3
 - rocker 14-7
 - Tow/Run 4-13, 14-7
- switch rubber boot 4-13, 8-13, 14-7
- switch, toggle 8-13
- T**
- 12-volt solenoid 8-11
- tachometer 18-9
- tachometer probe, diesel 18-9
- Taillight 4-3
- tester, continuity 18-5
- thermometer, battery 18-3
- three-piece A-arm 6-9
- throttle, gas, Gen2, triac, sensor 5-9, 8-3
- throttle, Gen2, no sensor 5-11, 5-13, 5-15
- tie rod end 6-7, 7-9
- tie rod extension 7-11
- tie wrap 1-33, 4-3, 6-7, 7-9, 13-5, 14-21, 17-15
- tire 2-3
- toggle switch 8-13
- tool
 - accelerator pedal adjustment 18-3

INDEX

- belt tensioning, starter/generator 18-11
- brake adjustment 18-3
- brake cable release 18-3
- brake pedal adjustment 18-3
- brake pedal tension 18-3
- cam installation 18-3
- charger bezel 18-3
- cT-wrench 18-5
- drive clutch holder 18-5
- steering column bearing press 18-9
- steering column retaining ring 18-9
- steering wheel puller 18-9
- transaxle axle seal 18-9
- transaxle pinion seal 18-9
- transmission 18-9
- tool kit, clutch 18-5
- touch-up paint 18-7
- Tow/Run switch 4-13, 14-7
- transaxle (Electric Vehicle) 16-3
- transaxle axle seal tool 18-9
- transaxle guard 16-5
- transaxle pinion seal tool 18-9
- transaxle, open-diff (Gas Vehicle) 13-11
- transmission tool 18-9
- tube
 - axle 13-15, 16-3
- Tuflok 1-23
- turn signal bulb 4-3
- T-wrench tool 18-5

U

- U-bolt 6-13, 6-15, 6-17, 7-13
- underbody 1-13
- underbody cover kit 1-9
- underbody support, rear 1-21
- urethane bushing 6-13, 6-15, 6-17, 7-13
- USB
 - cover 17-3, 17-5, 17-7, 17-9, 17-11, 17-15, 17-17, 17-19, 17-21
 - port 14-19
- USB cover 17-3, 17-5, 17-7, 17-9, 17-11, 17-15, 17-17, 17-19, 17-21
- USB port 14-19

V

- valve seat cutter 18-5
- valve spring compressor 18-11
- valve stem 2-3
- vent
 - transaxle 13-11
- vent, barb 10-7
- volt ohm meter 18-11
- voltage regulator 8-11

W

- warning light, low oil 4-7
- water quality light 14-15
- wedge, bearing puller 18-3
- weight
 - clutch 12-5, 12-7
 - secondary clutch 12-5, 12-7
- weldment
 - governor bracket 10-13, 13-9
 - press 18-5
- wheel 2-3
 - center cap 2-5
 - steering 6-3, 7-3, 7-5
- wire
 - green, starter/generator 8-7
 - ground, fuel tank 10-3
- wire harness 4-3, 8-5, 14-5
- wire harness, Excel w/Hi-Freq, MCOR3 14-5
- wire harness, onboard battery charger 14-17, 17-19, 17-21
- wrap, tie 1-33, 4-3, 6-7, 7-9, 13-5, 14-21, 17-15

Y

- yoke, gear 18-7



Club Car, Inc.
P.O. Box 204658
Augusta, GA 30917-4658
USA

Web www.clubcar.com
Phone 1.706.863.3000
1.800.ClubCar
Int'l +1 706.863.3000
Fax 1.706.863.5808