



# 2022 Villager 6 and 8 Illustrated Parts List



**Gasoline and Electric Vehicles  
Serial Prefixes AO, BI, BO, CI**

Manual Number 86753090149  
Edition Code A



# USING THE ILLUSTRATED PARTS LIST

---

## **⚠ WARNING**

- **This manual is to be used only for identification and ordering of service parts. Be sure to read and use the maintenance and service manual before attempting any vehicle repairs.**

The manual is divided into sections. Note that there are two flags on the outside edge of each page. The first flag contains the section number of which that page is a part. The other flag (or flags) contains the letter E or G, signifying that the page pertains to the electric or gasoline vehicles only.

Use the Table of Contents to find the sections and pages that contain the parts and assemblies you seek. The Table of Contents lists section numbers, and under them, the individual page titles and numbers to be found in that section. The index can be used to find specific parts and assemblies. The index is divided into numerical and alphabetical listings with the page numbers in italic text.

There is a two-page spread for each individual page title in the Table of Contents. On the left-hand page is an illustration showing the parts in their relative positions; the parts are each tagged with an item number in a balloon. The right-hand page is the parts list page, and gives the page title at the top, then the item numbers (corresponding to the numbers on the illustration), part descriptions, and quantity of parts used.

Note that a part description may be indented. This indentation corresponds to a parts assembly level indicated by the numbers 1, 2, 3, and 4 at the top left corner of the parts description area of the parts list page. A part that is indented to *level 2* is a component of the *level 1* part (assembly) that it is listed under. A *level 3* part is a component of the *level 2* part that it is listed under, and a *level 4* part is a component of the *level 3* part preceding it. In each case, the part quantity given for a level 2, 3, or 4 part is *the quantity used per next higher level assembly of which it is a component*. A part that is not indented is a *level 1* part. This means that the quantity given is the quantity used per the portion of the vehicle illustrated on that particular spread.



**P. O. Box 204658**  
**Augusta, Georgia 30917-4658 USA**  
**Telephone 706-863-3000**  
**Service Parts Fax 706-855-7413**  
**[www.clubcar.com](http://www.clubcar.com)**

## HOW TO ORDER PARTS

Replacement parts and accessories can be obtained from our network of authorized dealers and distributors. You can obtain the name and phone number of your closest authorized Club Car dealer or distributor by visiting our web site at [www.clubcardealer.com](http://www.clubcardealer.com), by calling our toll-free Service Parts and Technical Assistance hotline at (800) 872-2246 or (706) 863-3000, extension 3887, or by scanning this Quick Response (QR) code to be taken to the Club Car dealer locator. **Refer to Figure 1.** Download a QR code reader such as RedLaser or Barcode Scanner to your cell phone or tablet.



Figure 1 Dealer Locator QR Code

## CUSTOMER SATISFACTION SURVEY

Let your voice be heard!

Please take time to participate in the Technical Publications satisfaction survey. Obtaining feedback from our customers is important to the department's continuous improvement process. The online survey takes less than five minutes and responses will help the department to examine current performance as well as identify areas for future improvement.

Our top priority is to provide timely, accurate, and user friendly manuals.

The online satisfaction survey can be found at: <http://bit.ly/1w9uFMh>



Figure 2 Survey QR Code

**NOTE:** *This illustrated parts list represents the most current information at the time of publication. Club Car, LLC is continually working to further improve its vehicles and other products. These improvements may affect the parts used to service the vehicle. Any modification and/or significant change in specifications will be forwarded to all Club Car and Carryall distributors/dealers and will, when applicable, appear in future editions of this illustrated parts list.*

*Club Car, LLC reserves the right to change specifications and designs at any time without notice and without the obligation of making changes to units previously sold.*

Copyright © 2021 Club Car, LLC.

Club Car is a registered trademark of Club Car, LLC.

This manual effective July 1, 2021.

2022 Villager 6 and 8 Gasoline and Electric Vehicles

# CONTENTS

---

## SECTION 1 – BODY AND TRIM

---

Front Cowl and Trim .....	1-3
Front Bumper .....	1-5
Cowl Hardware, Non-Canopy .....	1-7
Brush Guards .....	1-9
Front Fenders .....	1-11
Dash Boxes .....	1-13
Floormats .....	1-15
Cupholders .....	1-17
Wink Mirror .....	1-19
Side Mirrors .....	1-21
Front and Center Seat Backs and Bottoms .....	1-23
Seat Back Weldments .....	1-25
Windshield, Hinged .....	1-27
Windshield, Solid .....	1-29
Center Body, Villager 6 Gasoline Vehicle .....	1-31
Center Body, Villager 6 Electric Vehicle .....	1-33
Center Bodies, Villager 8 Gasoline Vehicles .....	1-35
Center Bodies, Villager 8 Electric Vehicles .....	1-37
Rear Forward-Facing Seat Backs and Bottoms .....	1-39
Rear Body, Villager 6 and Villager 8 .....	1-41
Inner Fenders .....	1-43
Heat Insulation, Foam – Gasoline Vehicle .....	1-45
Heat Shield, Gasoline Vehicles .....	1-47
Rear Access Door .....	1-49
Rear-Facing Fixed Seats .....	1-51
Rear-Facing Fold-Down Seats .....	1-53
Rear Fold-Down Seat Structure .....	1-55
Rear Fixed Seat, Arm and Foot Rest Structure .....	1-57
Canopy Struts, Front .....	1-59
Canopy Struts, Center .....	1-61
Canopy Struts, Rear Facing Seats .....	1-63
Canopy Kits, Villager 6 .....	1-65
Canopy Kits, Villager 8 .....	1-67
Grab Handles .....	1-69
Rain Enclosure Kits .....	1-71

---

## SECTION 2 – WHEELS AND TIRES

---

Wheels and Tires .....	2-3
------------------------	-----

Wheel Covers .....	2-5
--------------------	-----

### **SECTION 3 – DECALS**

---

Decals – Villager 6 Gas and Electric .....	3-3
Decals – Villager 6 Electric Vehicles Only .....	3-5
Decals – Villager 6 Gasoline Vehicles Only .....	3-7
Decals – Villager 8 Gas and Electric .....	3-9
Decals – Villager 8 Electric Vehicles .....	3-11
Decals – Villager 8 Gasoline Vehicles .....	3-13
Badging Decals – Villager .....	3-15
IQ Plus and EFI Decal .....	3-17
Decals – Side .....	3-19

### **SECTION 4 – LIGHTS, CONTROLS, AND INDICATORS**

---

Headlights .....	4-3
Lighting System Components – Gasoline Vehicles .....	4-5
Lighting System Components – Villager 6 Electric Vehicle .....	4-7
Lighting System Components – Villager 8 Electric Vehicle .....	4-9
Turn Signal Lever with Horn Button .....	4-11
Instrument Panel – Pedal Start – Gas .....	4-13
Instrument Panel – Pedal Start – Electric .....	4-15
Keys and Keyswitches, Pedal Start Gas Vehicle .....	4-17
Keys and Keyswitches, Electric Vehicle .....	4-19
DC/DC Converter, Electric Vehicle .....	4-21
Voltage Limiter, Gasoline Vehicle .....	4-23
USB Port – 12 Volt .....	4-25
Horn .....	4-27
Hour Meter .....	4-29
Multi-Purpose Buzzer .....	4-31
Tail Lights, Rear Fold-Down Seat .....	4-33
Tail Lights, Fixed Rear Seat .....	4-35

### **SECTION 5 – BRAKES, PEDALS, AND CABLES**

---

Brake Pedal Assembly .....	5-3
Accelerator Pedal Assembly – Electric Vehicles .....	5-5
Accelerator Pedal Assembly – Gasoline Vehicles .....	5-7
Accelerator Rod – Villager 6 Gas Vehicles .....	5-9
Accelerator Rod – Villager 8 Gas Vehicles .....	5-11
Front Brake Assembly – Vehicles with Four-Wheel Brakes .....	5-13

# CONTENTS

Front Brake Cables and Equalizer – Vehicles with Four-Wheel Brakes .....	5-15
Rear Brakes, Manually-Adjusted – Elec. Vehicles with 4-Wheel Brakes .....	5-17
Rear Brakes, Manually-Adjusted – Gas Vehicles with 4-Wheel Brakes .....	5-19
Rear Brake Cables and Equalizer – Villager 6 .....	5-21
Rear Brake Cables and Equalizer – Villager 8 .....	5-23

## SECTION 6 – STEERING AND SUSPENSIONS

Steering Gear Assembly (Wanda) – Maintenance-Free Ball Joint .....	6-3
Steering Column – Utility .....	6-5
Intermediate Steering Shaft (Wanda) .....	6-7
Steering Wheel .....	6-9
Steering Wheel with Clip .....	6-11
Front Spindles and Hubs – Vehicles with Four-Wheel Brakes and Maintenance-Free Ball Joints .....	6-13
Front Suspension, Upper – With Maintenance-Free Ball Joints .....	6-15
Front Suspension, Lower – Villager 6 with Maintenance-Free Ball Joints .....	6-17
Front Suspension, Lower – Villager 8 with Maintenance-Free Ball Joints .....	6-19
Rear Suspension – Gasoline Vehicle .....	6-21
Rear Suspension – Electric Vehicle .....	6-23
Stabilizer Bar – Gasoline Vehicle .....	6-25

## SECTION 7 – ELECTRICAL SYSTEM – EFI GASOLINE VEHICLES

Wiring, Fuse, and Diode – Pedal Start .....	7-3
Power Distribution Block, Pedal Start .....	7-5
Maintenance-Operate Switch .....	7-7
Starter/Generator, Pedal Start .....	7-9
Starter/Generator Mounting – ECH440 .....	7-11
Electrical Component Box, Pedal-Start .....	7-13
Forward/Reverse Shifter Switches, Pedal-Start .....	7-15
Battery – Gasoline Vehicles .....	7-17

## SECTION 8 – ENGINE (KOHLEER ECH440)

Tune-Up Parts .....	8-3
Engine and Engine Mounting .....	8-5
Engine Pan and Snubber Mounting .....	8-7
Blower Housing and Heat Shield – ECH440 .....	8-9
Ignition Components and Flywheel – ECH440 .....	8-11
Cylinder Head and Valve – ECH440 .....	8-13
Crankcase and Piston – ECH440 .....	8-15
Oil Sensor and Lubrication – ECH440 .....	8-17

# CONTENTS

Crankshaft – ECH440 .....	8-19
---------------------------	------

## **SECTION 9 – FUEL SYSTEM – EFI**

Fuel Tank with Pump, Top Fill – EFI .....	9-3
Carbon Canister – EFI .....	9-5
Throttle Body and Mounting .....	9-7
Governor Bracket and Cover – EFI .....	9-9
Governor and Accelerator Cables – EFI .....	9-11
Air Intake Elbow – EFI .....	9-13
Air Filter System and Intake Hose – EFI .....	9-15

## **SECTION 10 – EXHAUST SYSTEM – ECH440**

Exhaust System .....	10-3
----------------------	------

## **SECTION 11 – DRIVE BELT AND CLUTCHES – EFI GASOLINE VEHICLES**

Drive Belt .....	11-3
Drive Clutch – Pedal-Start Vehicles .....	11-5
Driven Clutch – Pedal Start .....	11-7

## **SECTION 12 – TRANSAXLE (FUJI ED65) – EFI GASOLINE VEHICLES**

Forward/Reverse Shifter .....	12-3
Shifter Cable – Villager 6 .....	12-5
Shifter Cable – Villager 8 .....	12-7
Governor Arm and Brackets – Utility Vehicles .....	12-9
Transaxle (ED65), Limited Slip – Page 1 of 3 .....	12-11
Transaxle (ED65), Open – Page 1 of 3 .....	12-13
Transaxle (ED65), Limited Slip and Open – Page 2 of 3 .....	12-15
Transaxle (ED65), Limited Slip – Page 3 of 3 .....	12-17
Transaxle (ED65), Open – Page 3 of 3 .....	12-19
Hub, Rear .....	12-21
Transaxle Guard .....	12-23

## **SECTION 13 – ELECTRICAL SYSTEM, ELECTRIC VEHICLES WITH HIGH-FREQUENCY CHARGER**

Motor Controller Output Regulator (MCOR) .....	13-3
Wiring – Villager 6 and Villager 8 Electric .....	13-5
Tow/Run Switch .....	13-7
Batteries, 6-Volt, Standard and Heavy Duty .....	13-9
Single Point Watering System (SPWS) .....	13-11



# CONTENTS

---

Hand Pump and Deionizer (Battery-Powered Quality Light) .....	13-13
Computer, Controller, and Solenoid .....	13-15
Ferrite Beads, CE .....	13-17

## **SECTION 14 – MOTOR (MODEL DA5-4006) – IQ PLUS**

---

Motor (Model DA5-4006) – IQ Plus .....	14-3
--	------

## **SECTION 15 – TRANSAXLE – ELECTRIC VEHICLES**

---

Transaxle – Electric Vehicles .....	15-3
Differential Guard – Electric Vehicles .....	15-5

## **SECTION 16 – BATTERY CHARGER – HIGH-FREQUENCY**

---

High-Frequency Battery Charger – Onboard .....	16-3
Cord Reels, Onboard – High-Frequency Charger .....	16-5
Housing, Cord Reel, On-Board Charger .....	16-7
Charger Mounting – Onboard .....	16-9

## **SECTION 17 – MAINTENANCE AND SERVICE TOOLS**

---

Maintenance and Service Tools .....	17-3
Maintenance and Service Tools, Continued .....	17-5
Maintenance and Service Tools, Continued .....	17-7
Maintenance and Service Tools, Continued .....	17-9
Maintenance and Service Tools, Continued .....	17-11

## **SECTION i – INDEX**

---



# BODY AND TRIM

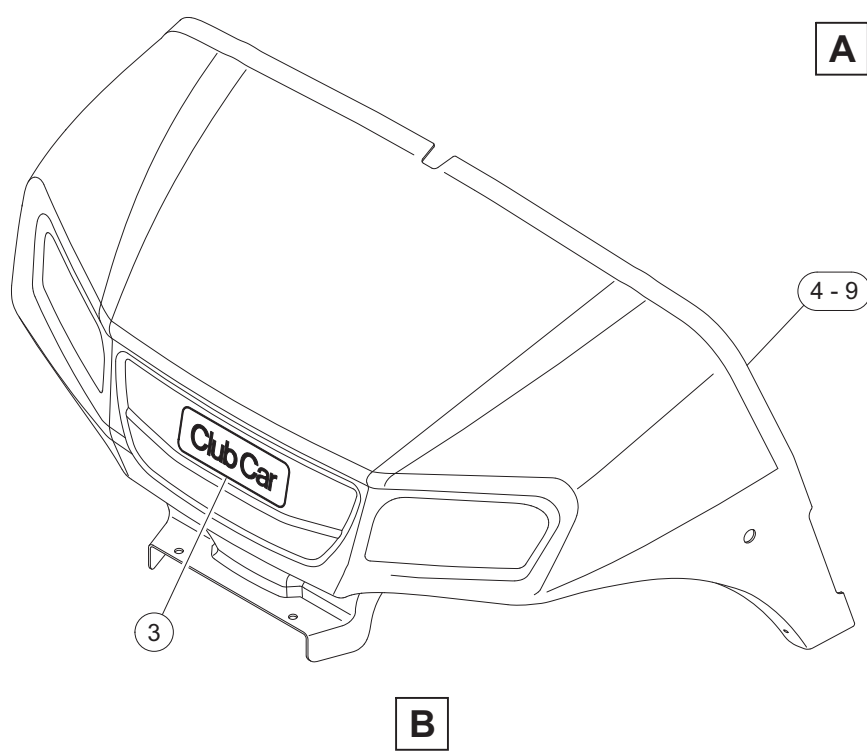
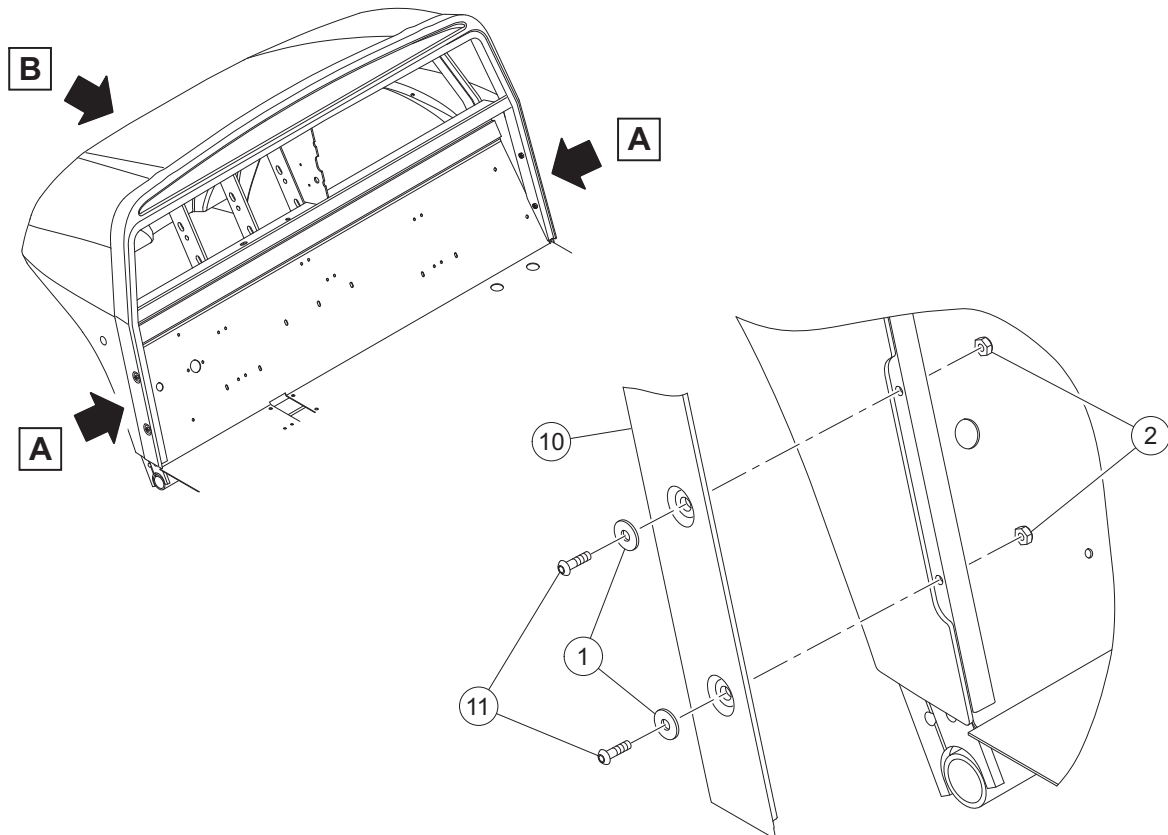
---

1

G

E

**1**  
**G**  
**E**



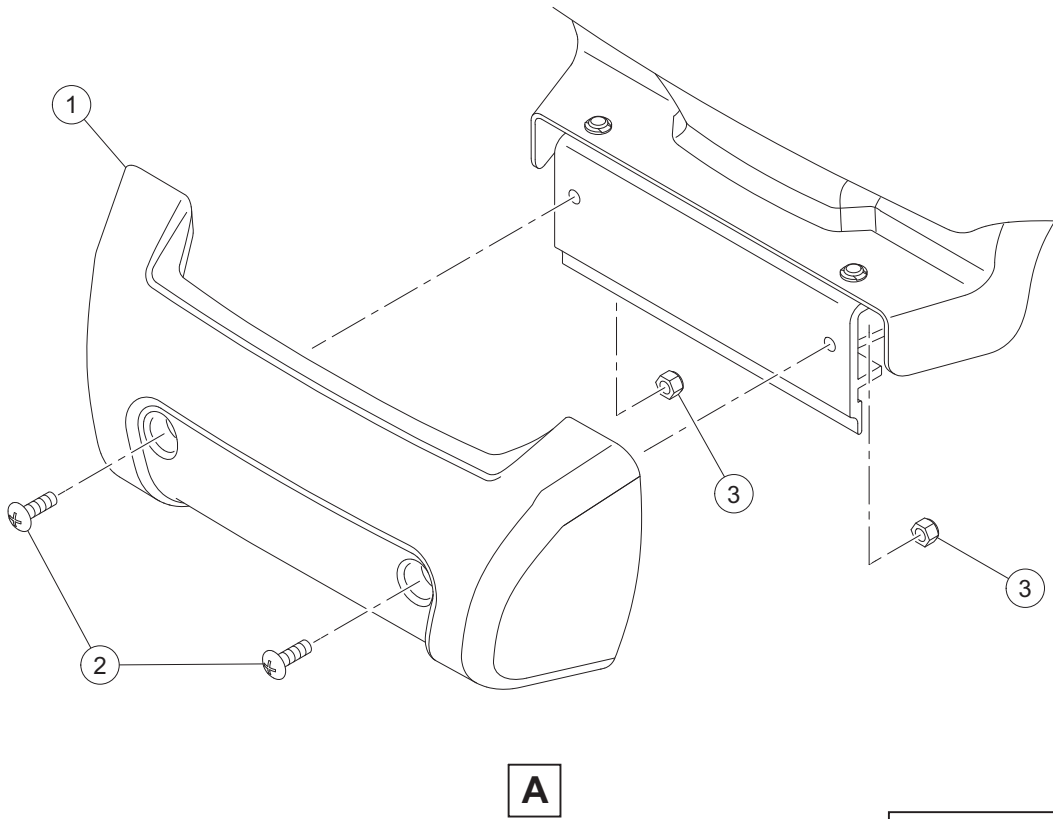
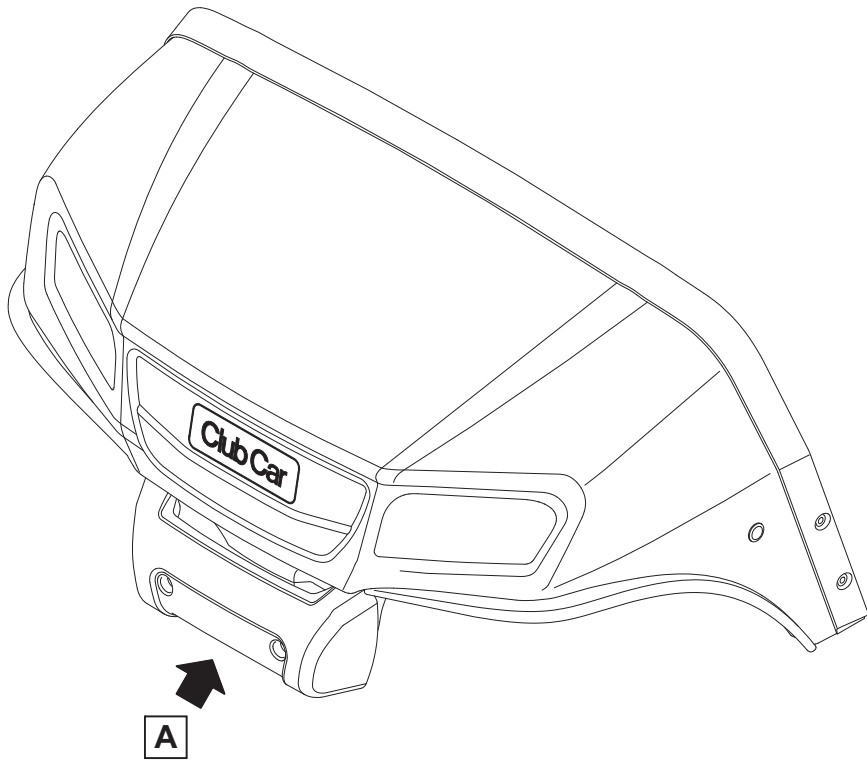
G-140299-000010

# FRONT COWL AND TRIM

ITEM	PART NO.	DESCRIPTION	QTY
		1 2 3 4	
1	<u>102296301</u>	Washer, M6x18x1.6 Flat .....	4
2	<u>105083801</u>	Nut, Nylon Lock, #10-24, Blk .....	4
3	<u>47605590001</u>	Decal, Logo, Cc, Gold .....	1
4	47678081001	Cowl, Abs, Beige .....	1
5	47678081002	Cowl, Abs, Black .....	1
6	47678081003	Cowl, Abs, Burgundy .....	1
7	47678081004	Cowl, Abs, Class Blue .....	1
8	47678081005	Cowl, Abs, Dk Green .....	1
9	47678081009	Cowl, Abs, White .....	1
10	47679173001	Trim, Cowl, Molded .....	1
11	47688707001	Bolt, 10-24 X 0.75", Bhcs, 6l .....	4

1  
G  
E

**1**  
**G**  
**E**



G-140199-000018

# FRONT BUMPER

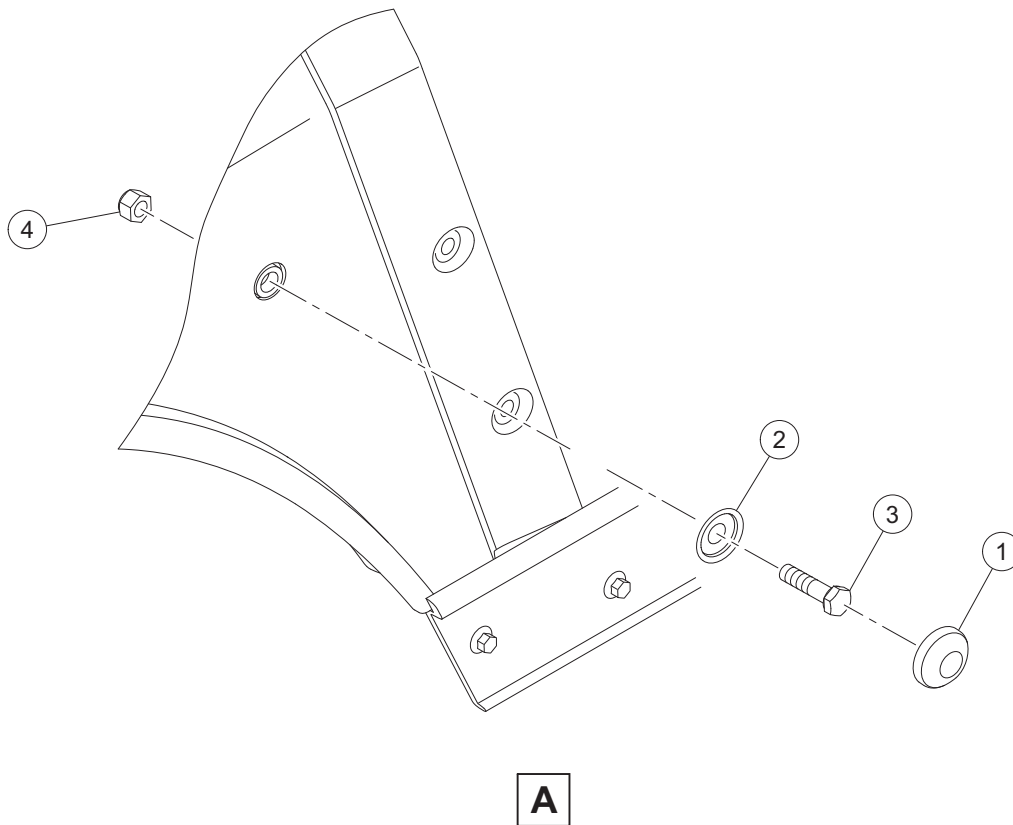
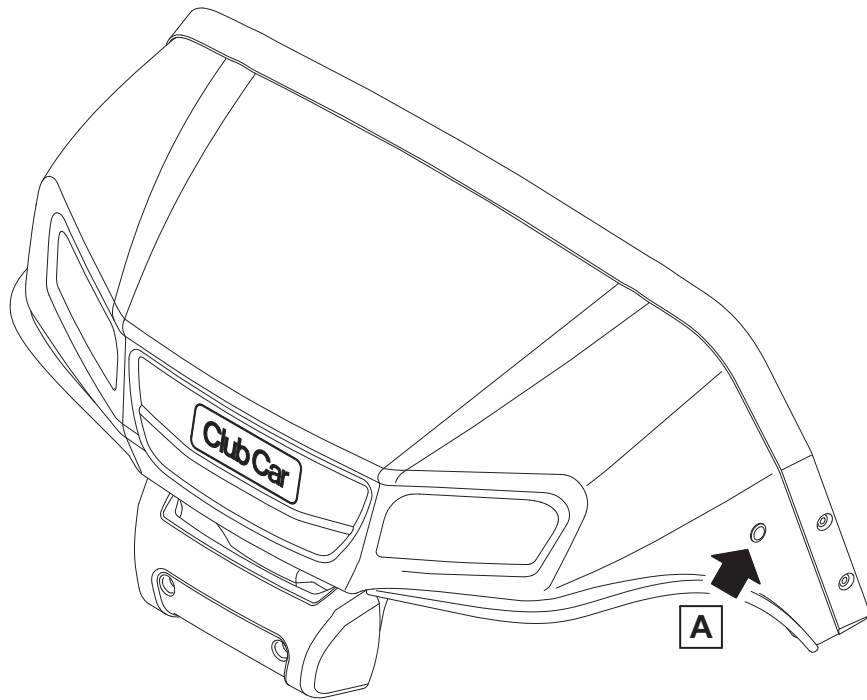
ITEM	PART NO.	DESCRIPTION	QTY
		1 2 3 4	
1	47668917001	Bumper, Front, Molded .....	1
2	<u>7251</u>	Screw, 5/16-18 x 1.0 Truss-Head .....	2
3	<u>7473</u>	Locknut, 5/16-18 Nylon Insert .....	2
<p>Note: Hardware on this page only pertains to vehicles without a canopy installed.</p>			

1

G

E

**1**  
**G**  
**E**



G-140299-000016

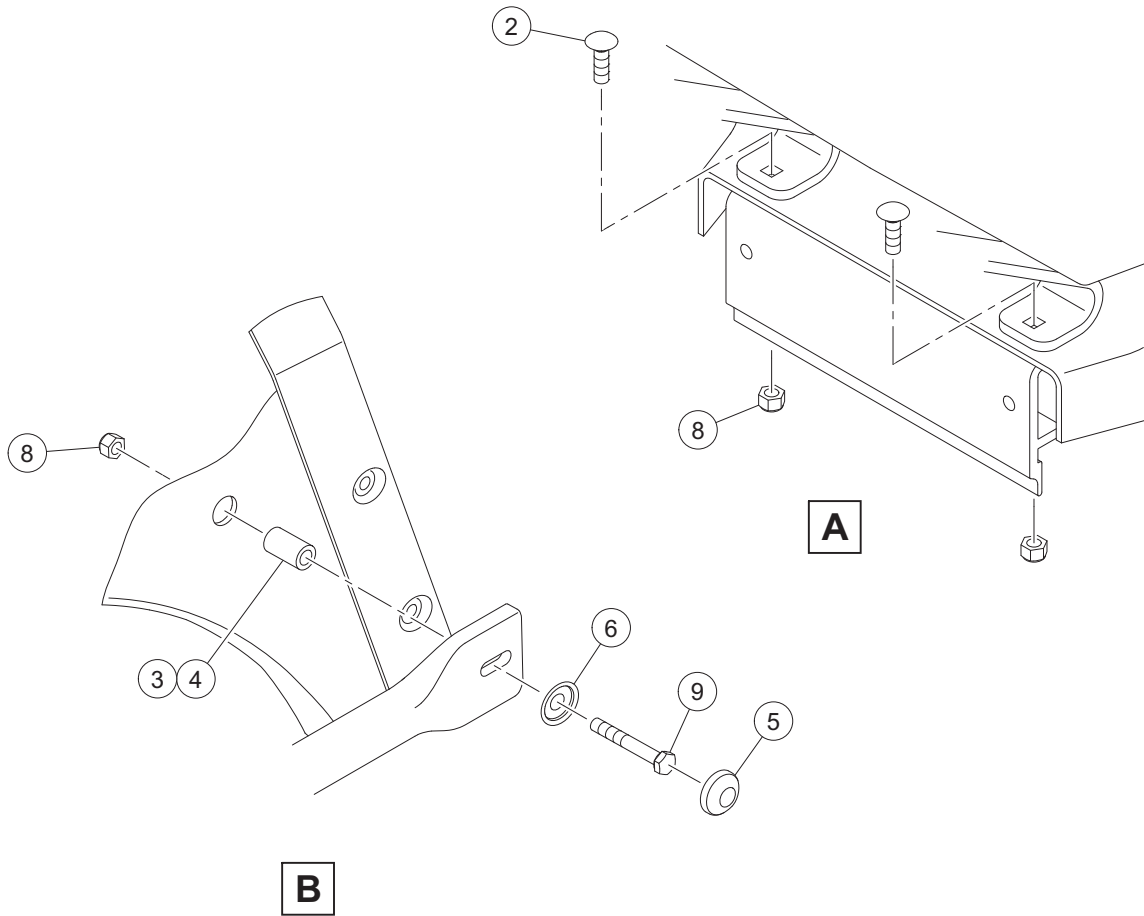
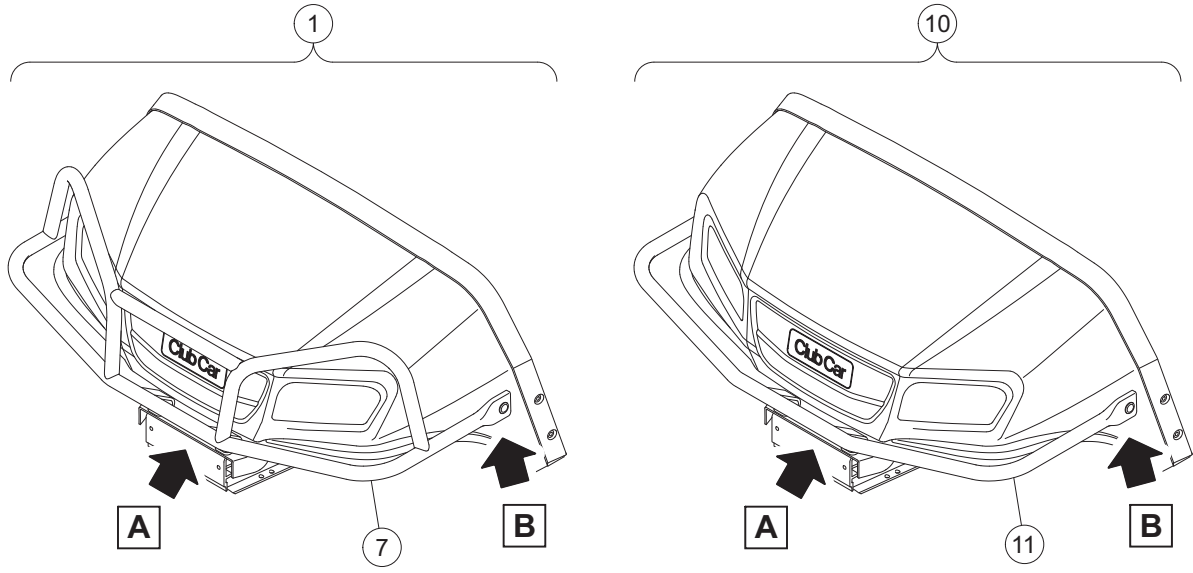


# COWL HARDWARE, NON-CANOPY

ITEM	PART NO.	DESCRIPTION	QTY
		1 2 3 4	
1	<u>105049201</u>	Cover, Bolt, Rh Series .....	2
2	<u>105049301</u>	Cover, Washer, Rhw Series .....	2
3	1218	Screw, 5/16-18 X 1.25 Hex-Head Cap .....	2
4	<u>7473</u>	Locknut, 5/16-18 Nylon Insert .....	2
<p>Note: Hardware on this page only pertains to vehicles without a canopy installed.</p>			

1  
G  
E

**1**  
**G**  
**E**



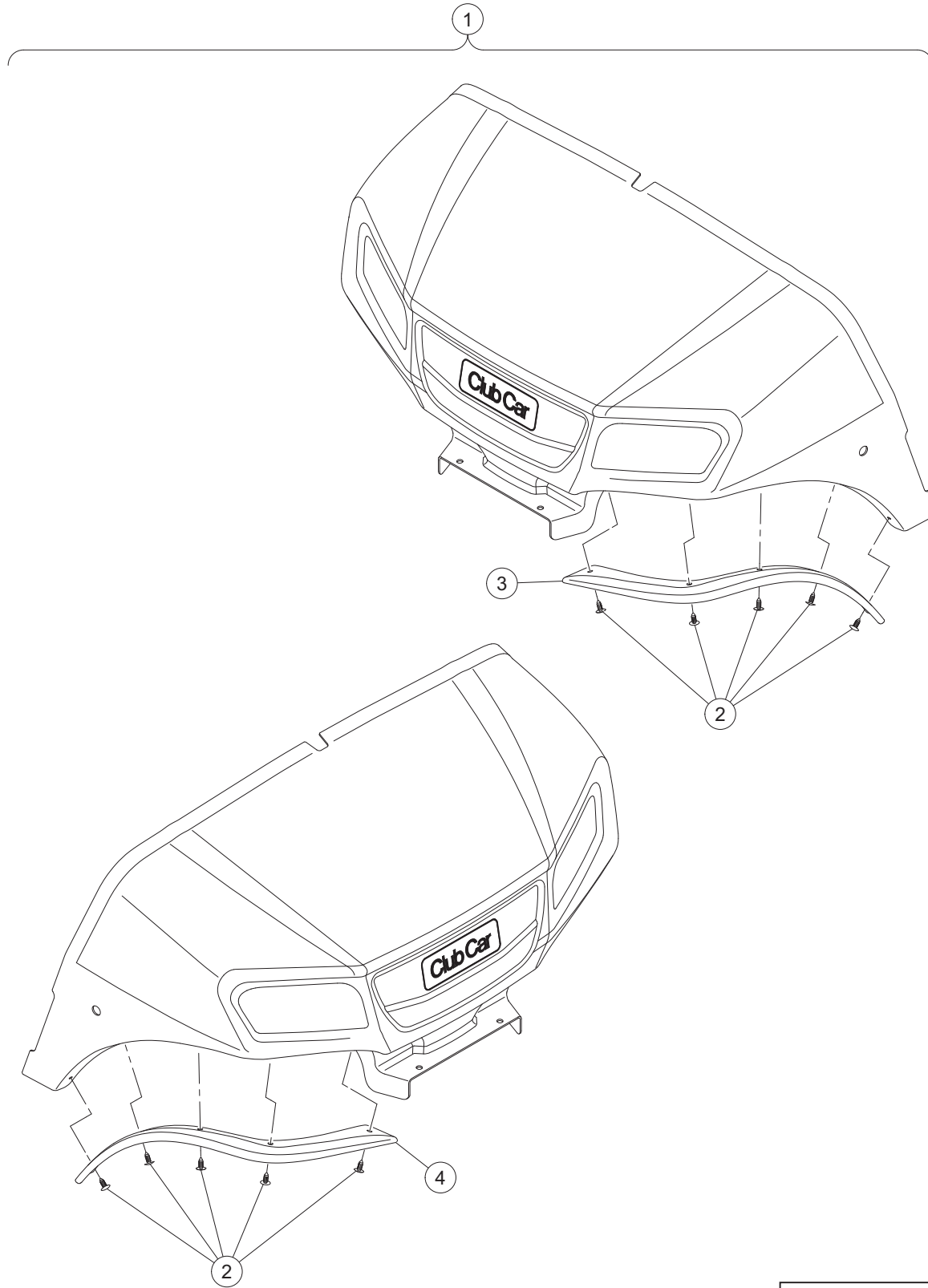
G-140199-000019

# BRUSH GUARDS

ITEM	PART NO.	DESCRIPTION	QTY
		1 2 3 4	
1	47688840006	Kit, Hd Bmpr, HI (includes items 2 through 9) .....	1
2	<u>1010435</u>	Bolt, Carriage, 5/16-18 X 1.00 .....	2
3	101560802	Tube Spacer Sm. Hydr. Cyl Blk .....	2
4	101560803	Tb Spcr Sm. Hyd Cyl, Blk, Shrt .....	2
5	<u>105049201</u>	Cover, Bolt, Rh Series .....	2
6	<u>105049301</u>	Cover, Washer, Rhw Series .....	2
7	47621444002	Weldment, Hd Bumper, Shrt, HI .....	1
8	<u>7473</u>	Locknut, 5/16-18 Nylon Insert .....	4
9	8916	Screw, 5/16-18 X 2.0 Hex Cap .....	2
10	47688840007	Kit, Hd Bmpr, Bar (includes item 11) .....	1
11	47621444001	Weldment, Hd Bumper, Shrt, Bar .....	1
<p>Note: Items 2 through 6 and items 8 and 9 are supplied with to both kits.            Item 3 only applies to vehicles without a canopy. Item 4 only applies to vehicles with a canopy.</p>			

1  
G  
E

**1**  
**G**  
**E**



G-140199-000017

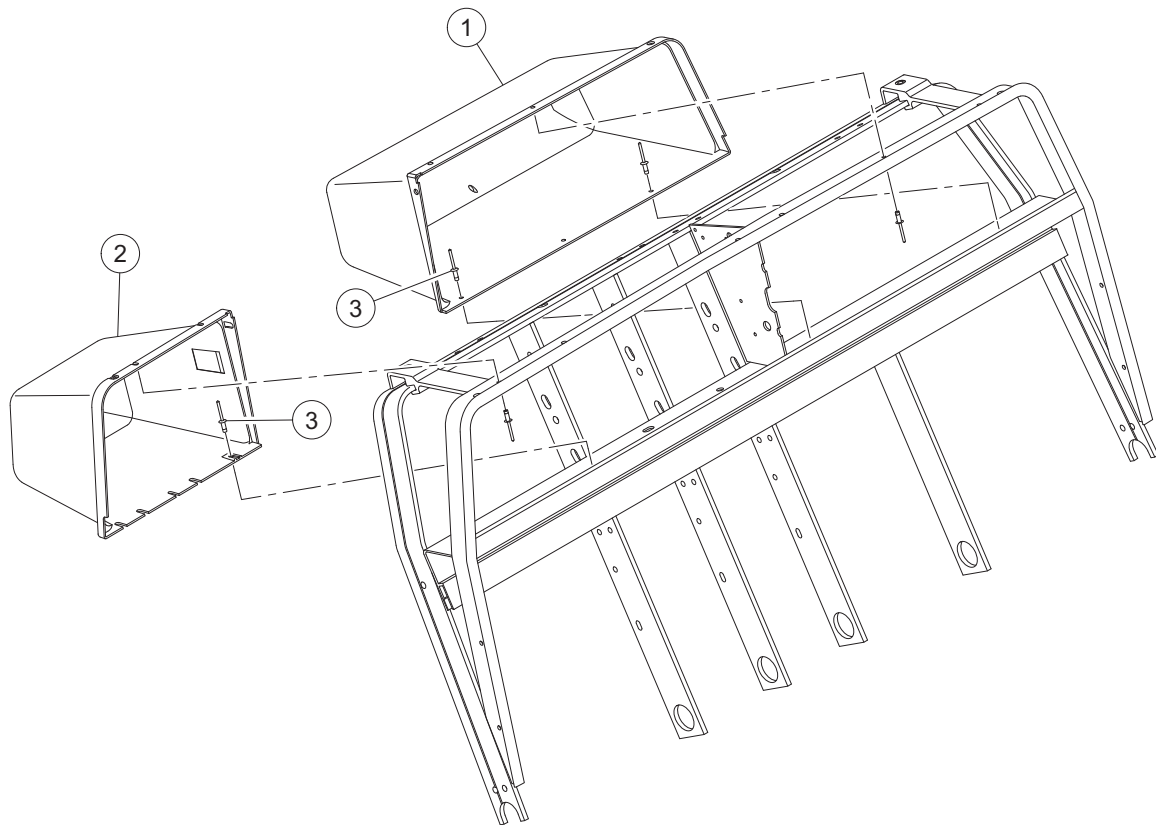
# FRONT FENDERS

ITEM	PART NO.	DESCRIPTION	QTY
		1 2 3 4	
1	47684095002	Kit, Fender, Front (includes items 2 through 4) .....	1
2	<u>1010434</u>	Barrel - Plastic .....	10
3	47668918001	Fender, Outer, Lh .....	1
4	47668918002	Fender, Outer, Rh .....	1

1

G

E



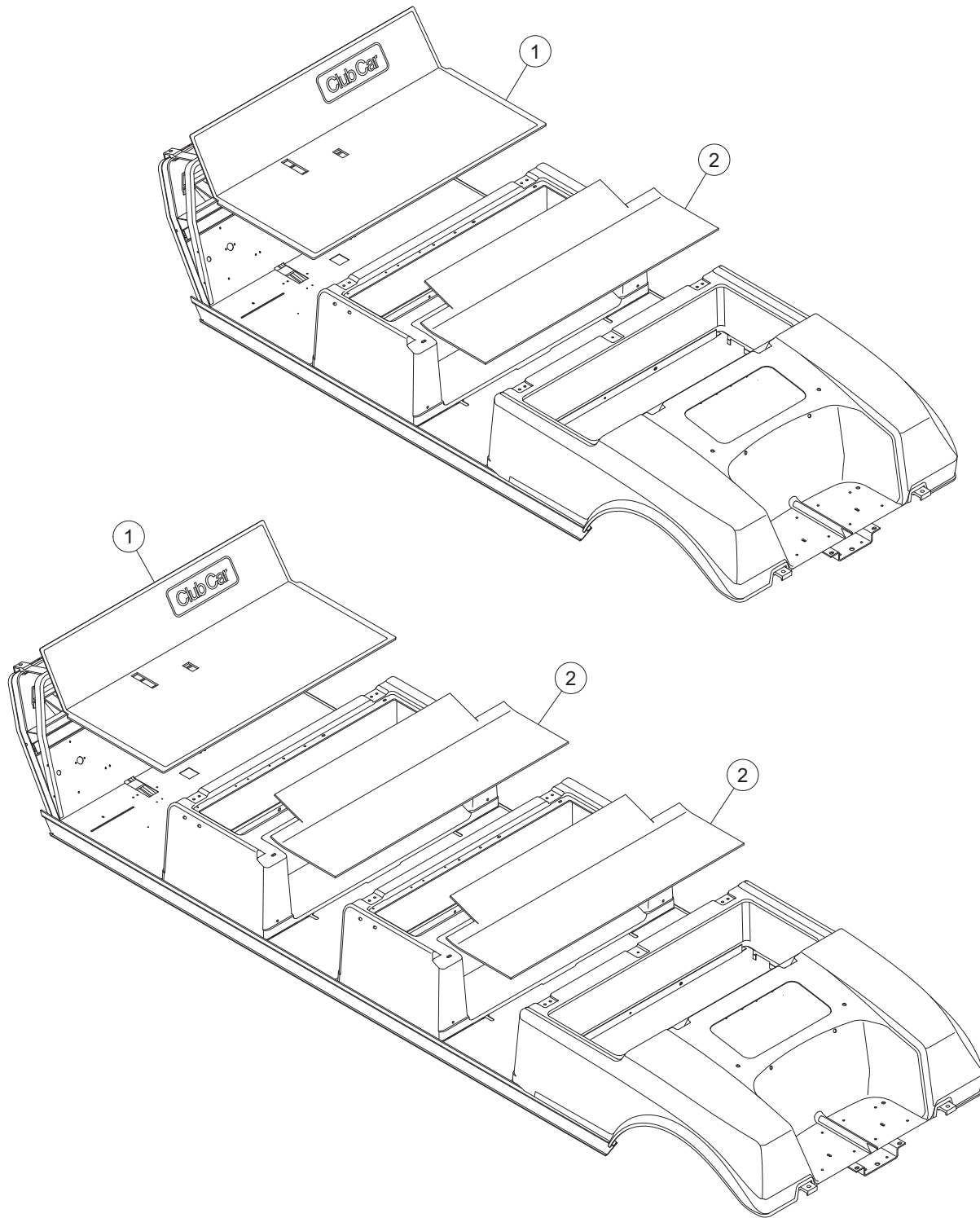
G-140499-000003

# DASH BOXES

ITEM	PART NO.	DESCRIPTION	QTY
1	<u>1013343</u>	1 2 3 4 Dash Component, Passenger-Side, Black .....	1
2	1013344	Dash Component, Driver-Side .....	1
3	<u>7973</u>	Rivet, 3/16 X .400 Blind .....	5

**1**  
**G**  
**E**

**1**  
**G**  
**E**



G-140599-000007



# FLOORMATS

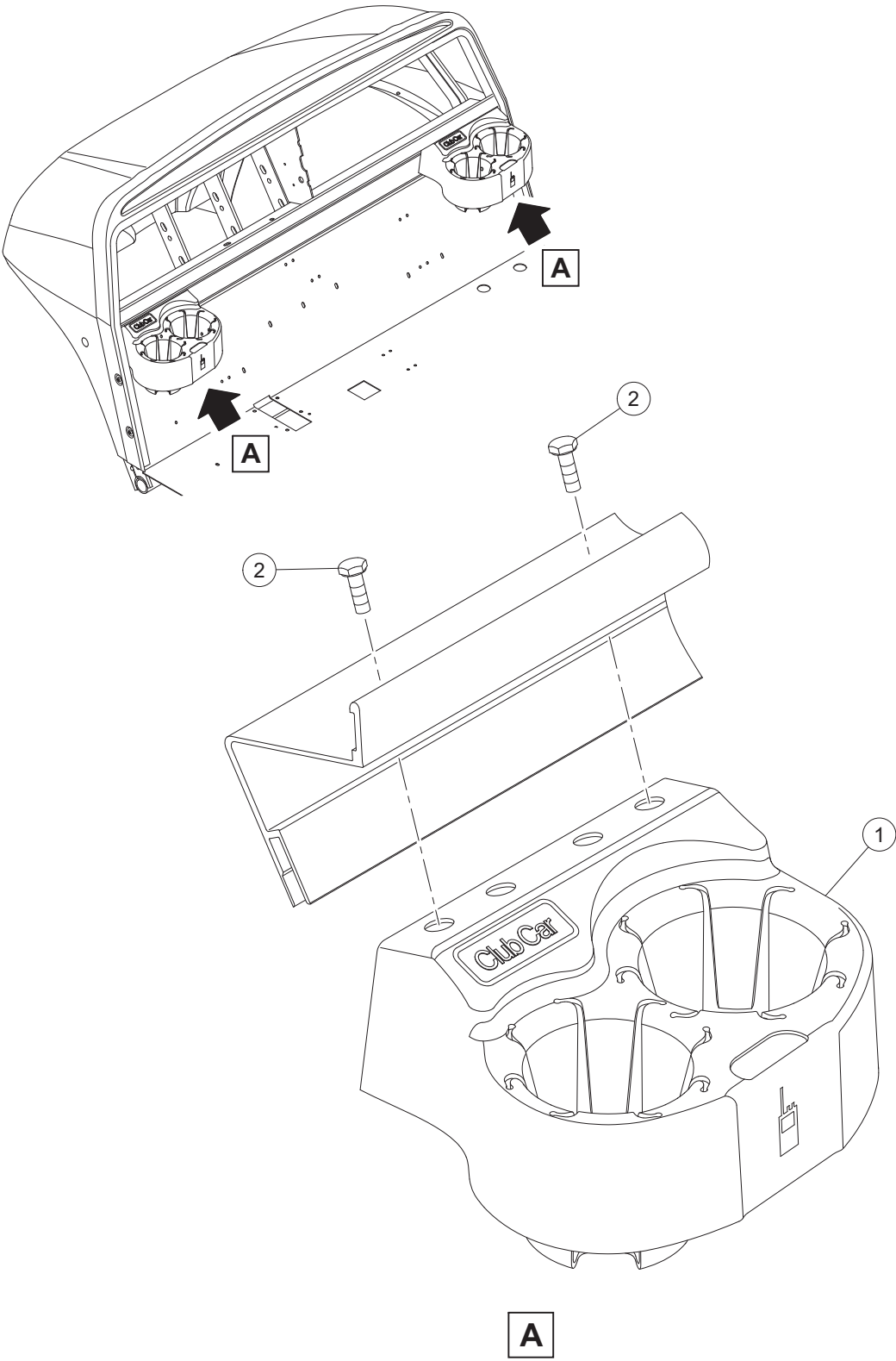
ITEM	PART NO.	DESCRIPTION	QTY
1	<u>101503202</u>	1 2 3 4 Floormat .....	1
2	103952201	Floor Mat, Ds/utl, Rear, Limo .....	A/R

**1**

**G**

**E**

**1**  
**G**  
**E**



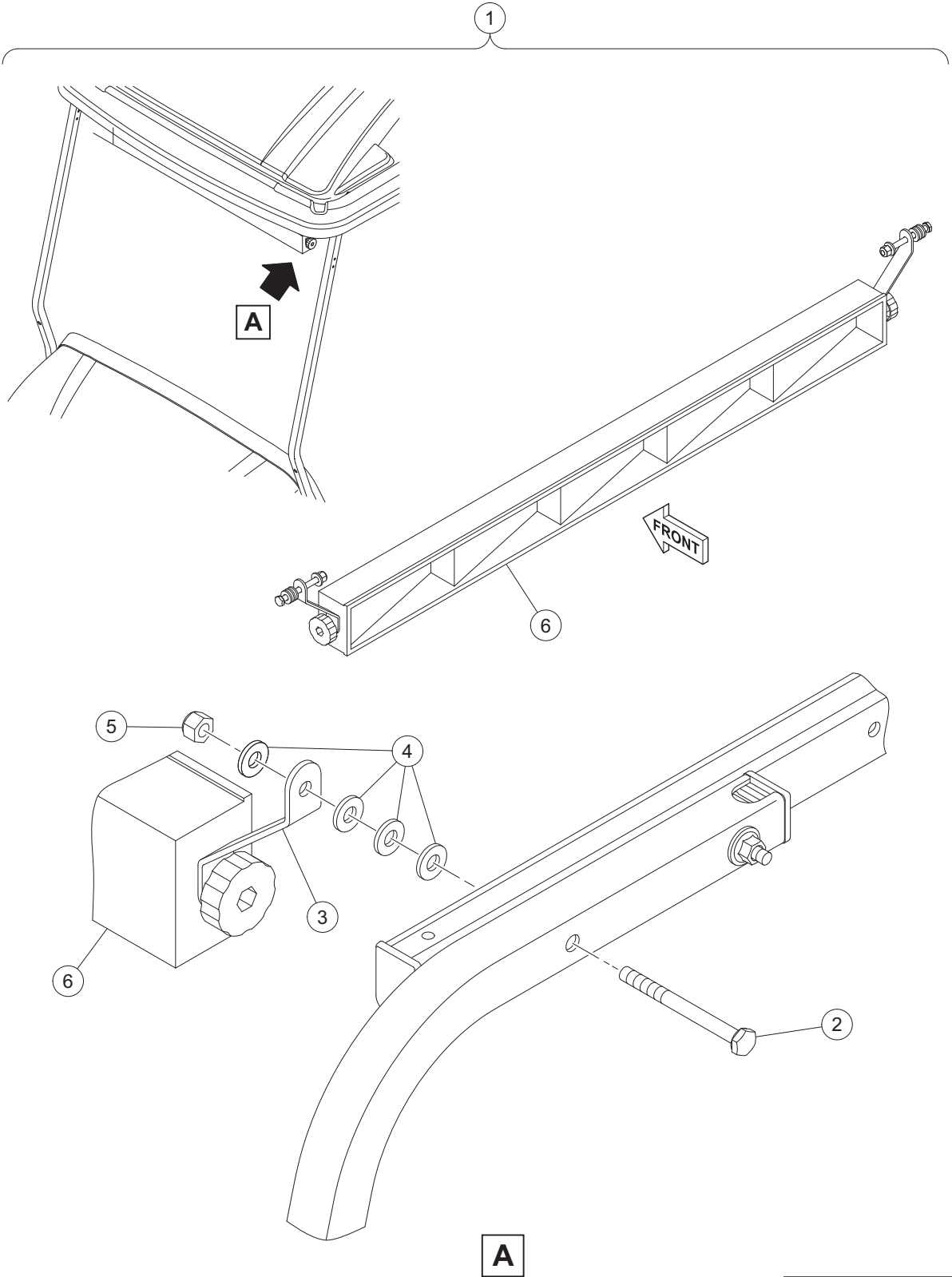
G-141199-000004

# CUPHOLDERS

ITEM	PART NO.	DESCRIPTION	QTY
1	<u>47621704001</u>	1 2 3 4 Cup Holder .....	2
2	7874	Bolt, 1/2-13 X 3.75 Hex Head .....	4

**1**  
**G**  
**E**

**1**  
**G**  
**E**



G-141199-000006

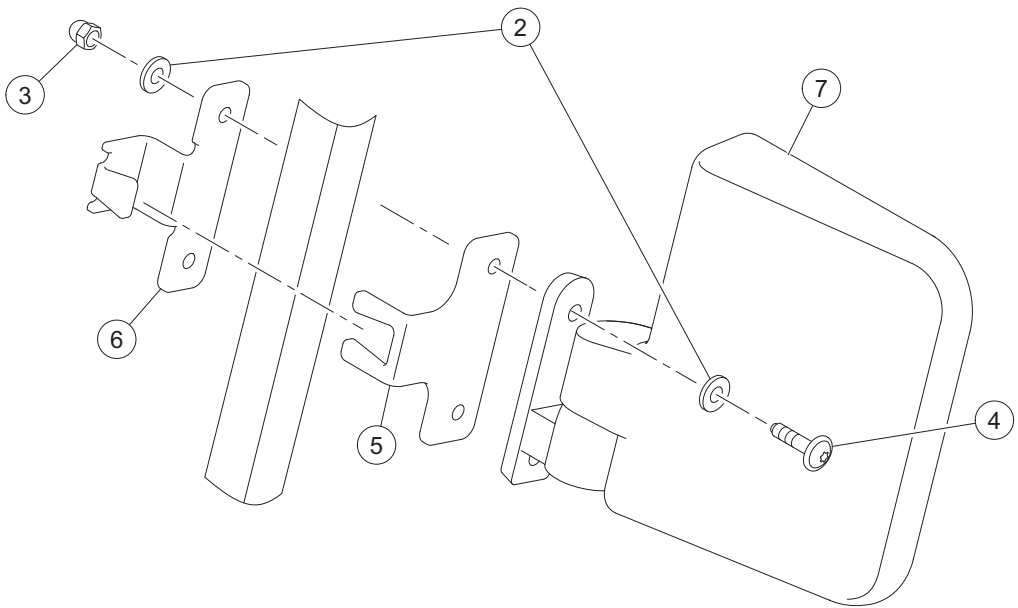
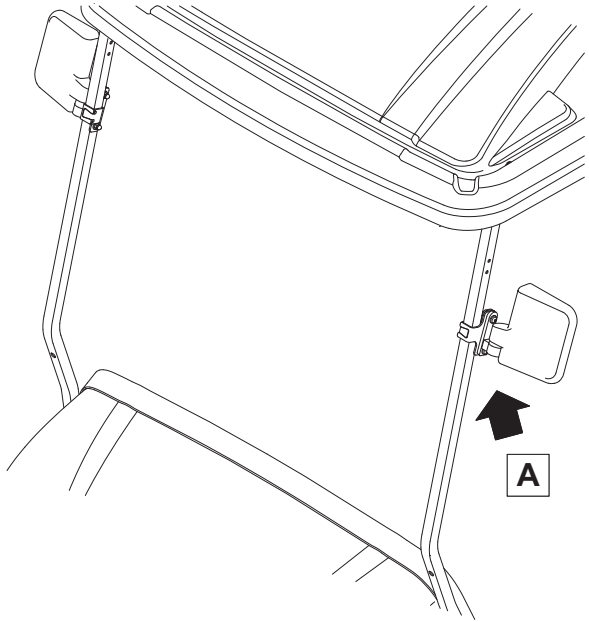
# WINK MIRROR

ITEM	PART NO.	DESCRIPTION	QTY
		<b>1 2 3 4</b>	
1	105288902	Kit, Mirror, Wink, Sb (includes items 2 through 6) .....	1
2	<u>1012159</u>	Bolt, 1/4-20 X 2.75 Hex-Head .....	2
3	105313802	Brkt, Mirror, 5 Panel, Mtg, Sb .....	2
4	<u>332</u>	Washer, 1/4 Type A Narrow Flat .....	8
5	<u>8233</u>	Locknut, 1/4-20, Nylon Insert .....	2
6	<u>AM10092</u>	ICS 5-Panel Mirror .....	1

1  
G  
E

**1**  
**G**  
**E**

1



**A**

G-141199-000005

# SIDE MIRRORS

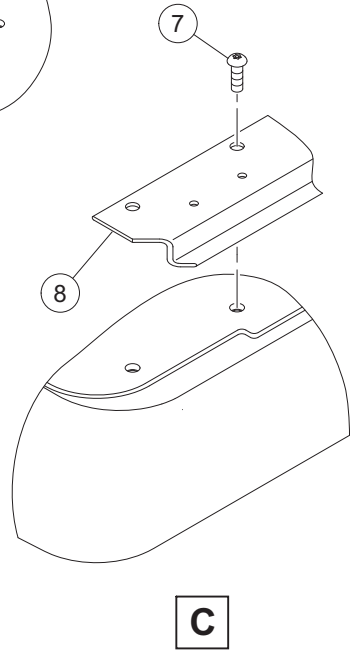
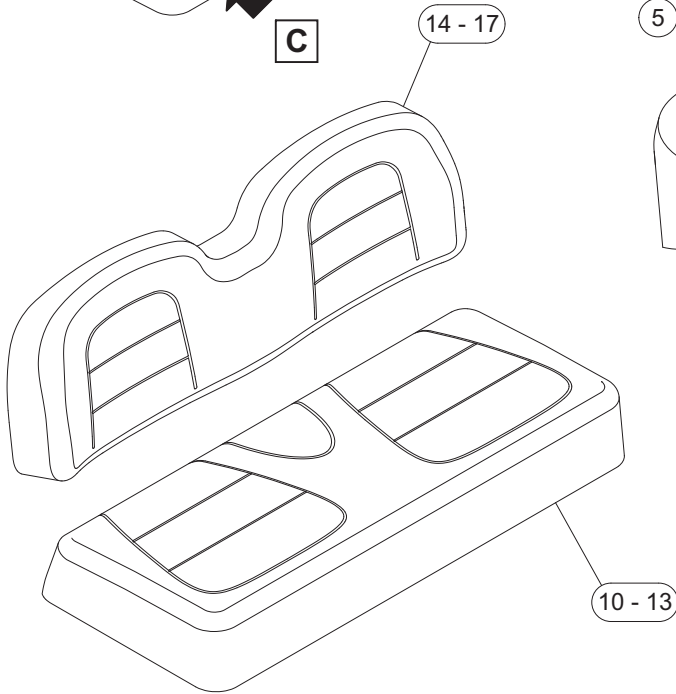
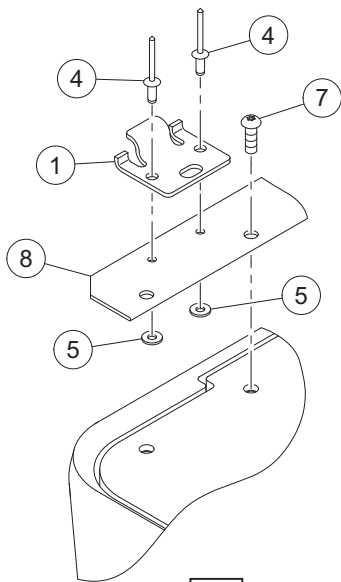
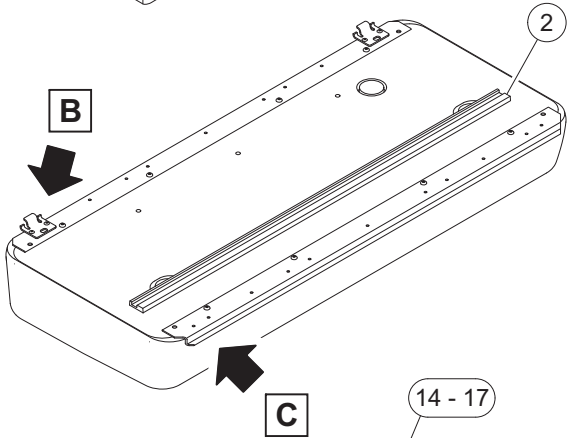
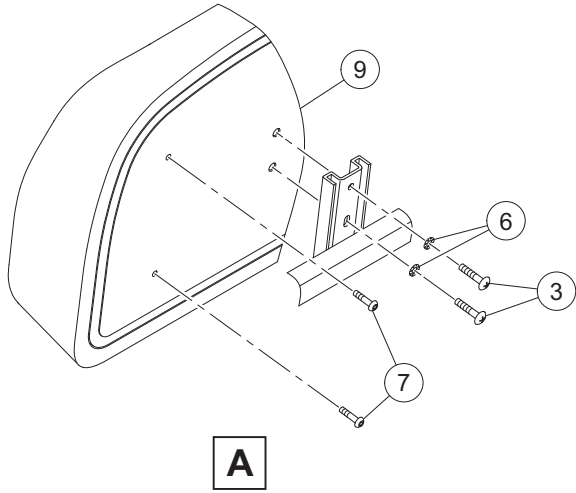
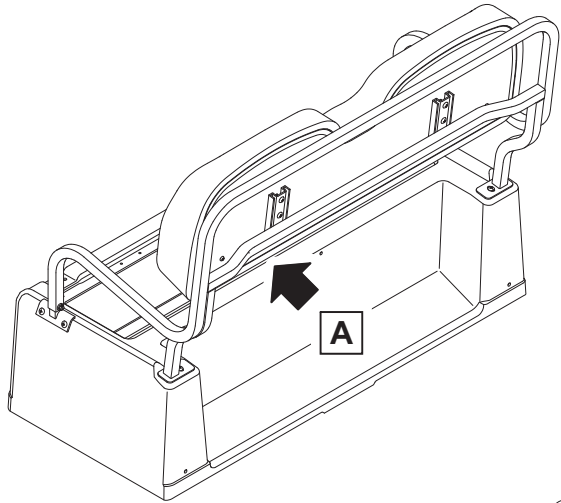
ITEM	PART NO.	DESCRIPTION	QTY
		1 2 3 4	
1	<u>47577558001</u>	Kit, Side Mirrors, Csmr (includes items 2 through 7) .....	1
2	<u>102296301</u>	Washer, M6x18x1.6 Flat .....	8
3	<u>102582401</u>	Cap Nut M6, Sp .....	4
4	<u>47577554001</u>	Screw, M6, Torx T30 Recess .....	4
5	<u>47577555001</u>	Mirror Bracket, Mnt, Outer .....	2
6	<u>47577556001</u>	Mirror Bracket, Mnt, Inner .....	2
7	<u>47577557001</u>	Asm Side Mirrors, Res .....	1
<p style="margin-left: 40px;">Note: Item 7 contains driver side and passenger side mirrors.</p>			

1

G

E

**1**  
**G**  
**E**



G-140699-000036

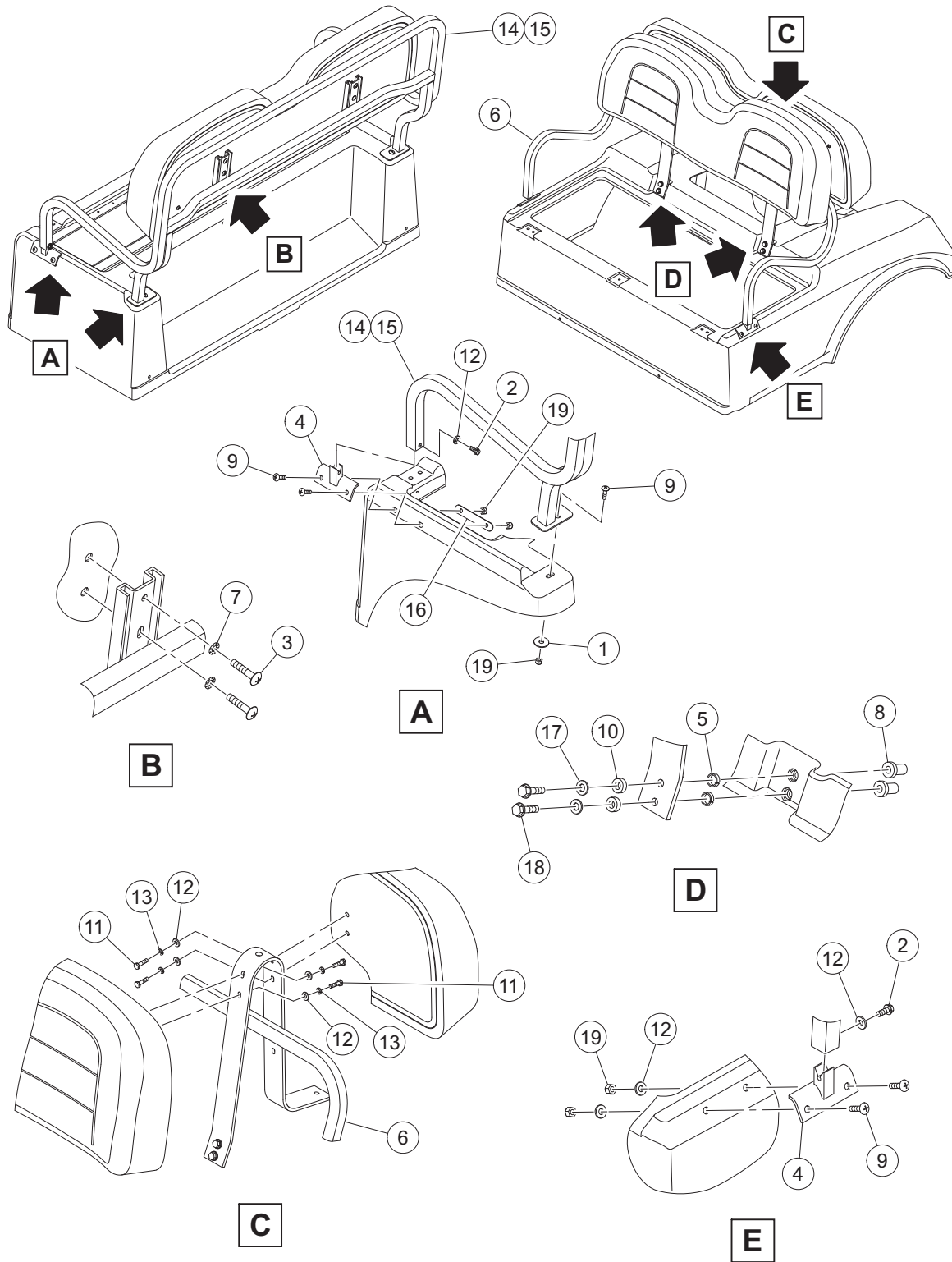


# FRONT AND CENTER SEAT BACKS AND BOTTOMS

ITEM	PART NO.	DESCRIPTION	QTY
		1 2 3 4	
1	<u>1011652</u>	Hinge Plate .....	2
2	<u>1013312</u>	Bumper, Seat, Long .....	1
3	<u>1015902</u>	Screw, 1/4-20 X 1.25 Truss-Head .....	4
4	<u>101880901</u>	Rivet, 3/16, Stainless-Steel, Pop .....	4
5	<u>101881701</u>	Washer, #8 Stainless-Steel Flat .....	4
6	<u>101946201</u>	Washer, Lock, 0.250 External-Tooth .....	4
7	<u>102907201</u>	Screw, Pin Torx, 1/4-20 X .750 .....	12
8	47617164001	Bracket, Seat Support .....	1
9	47676126001	Plate, Closeout, Seatback .....	1
10	47679248001	Asm, St Btm, Frnt-cnt, Wht .....	1
11	47679248002	Asm, St Btm, Frnt-cnt, Blk .....	1
12	47679248003	Asm, St Btm, Frnt-cnt, Gray .....	1
13	47679248004	Asm, St Btm, Frnt-cnt, Beige .....	1
14	47684686001	Asm, St-back And Clsout, Wht .....	1
15	47684686002	Asm, St-back And Clsout, Blk .....	1
16	47684686003	Asm, St-back And Clsout, Gray .....	1
17	47684686004	Asm, St-back And Clsout, Beige .....	1

**1**  
**G**  
**E**

**1**  
**G**  
**E**



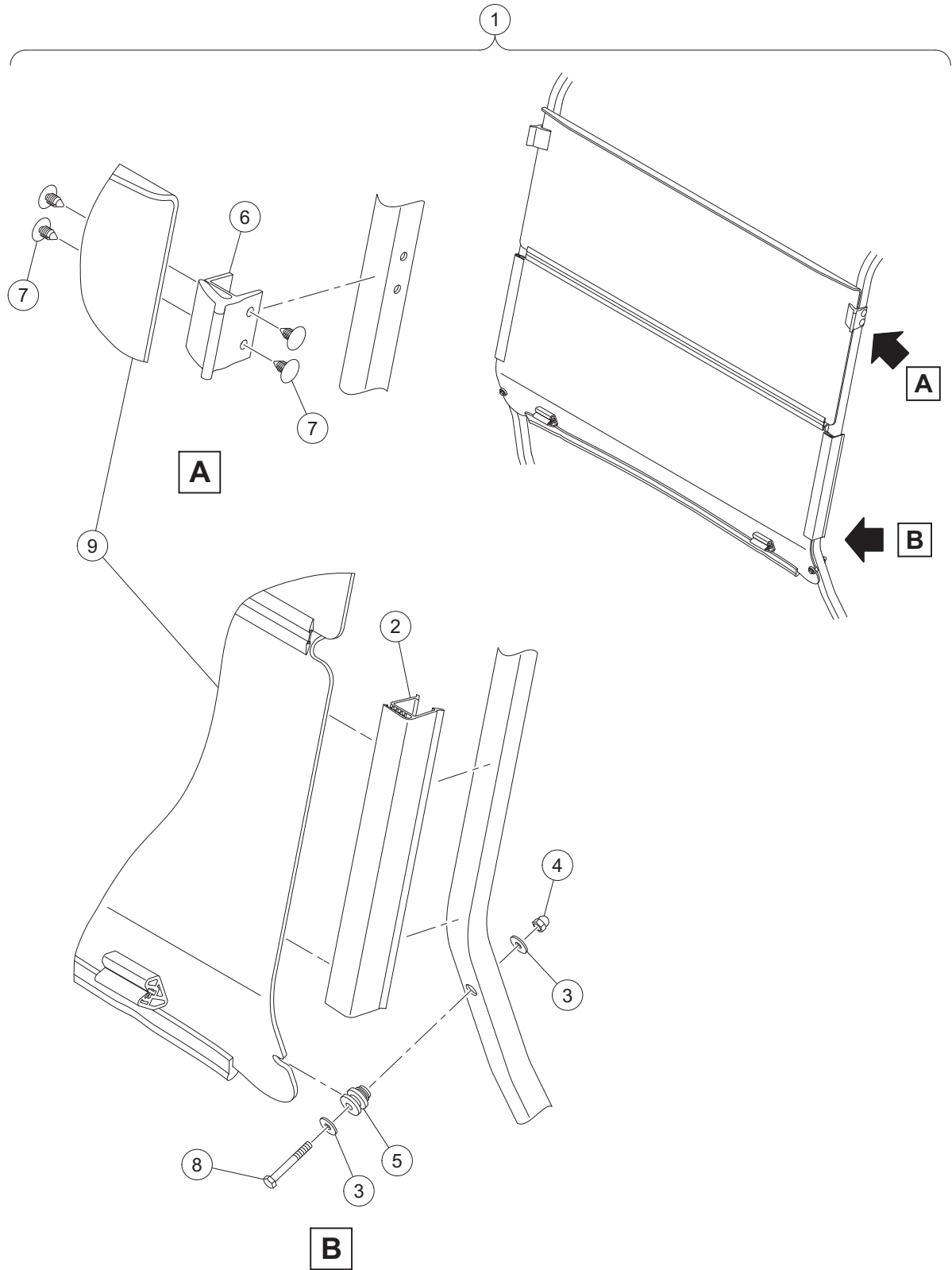
G-140699-000031

# SEAT BACK WELDMENTS

ITEM	PART NO.	DESCRIPTION	QTY
		1 2 3 4	
1	<u>1011578</u>	Washer, 5/16 Type B Flat .....	2
2	<u>1012285</u>	Screw, 1/4 X 0.625 Hex-Head .....	2
3	<u>1015902</u>	Screw, 1/4-20 X 1.25 Truss-Head .....	4
4	<u>1017310</u>	Armrest Mounting Weldment .....	2
5	1017774	Body Spacer .....	4
6	<u>101799201</u>	Armrest Weldment Rear .....	1
7	<u>101946201</u>	Washer, Lock, 0.250 External-Tooth .....	4
8	<u>102491701</u>	Well Nut 1/4-20 .....	1
9	<u>103487501</u>	Screw, 1/4-20 X 1.0, Black .....	1
10	105086102	Spacer, Rubber, 7.1i D-6.35 Thk .....	4
11	304	Screw, 1/4-20 X 1.0 Hex-Head Cap .....	8
12	<u>332</u>	Washer, 1/4 Type A Narrow Flat .....	2
13	<u>451</u>	Lockwasher, 1/4 Split .....	8
14	47683576001	Wldmnt, St Back, 1st Row, V6/8 .....	1
15	47683576002	Wldmnt, St Back, 2nd Row, V8 .....	1
16	47687867001	Washer, Backing Plate .....	2
17	47693544001	Washer, M6 Flat, Black .....	4
18	47711604001	Bolt, 1/4-20 X 2 Serrated Flg .....	4
19	<u>8233</u>	Locknut, 1/4-20, Nylon Insert .....	6
Note: Item 15 only applies to the Villager 8 vehicle center seats.			

1  
G  
E

**1**  
**G**  
**E**



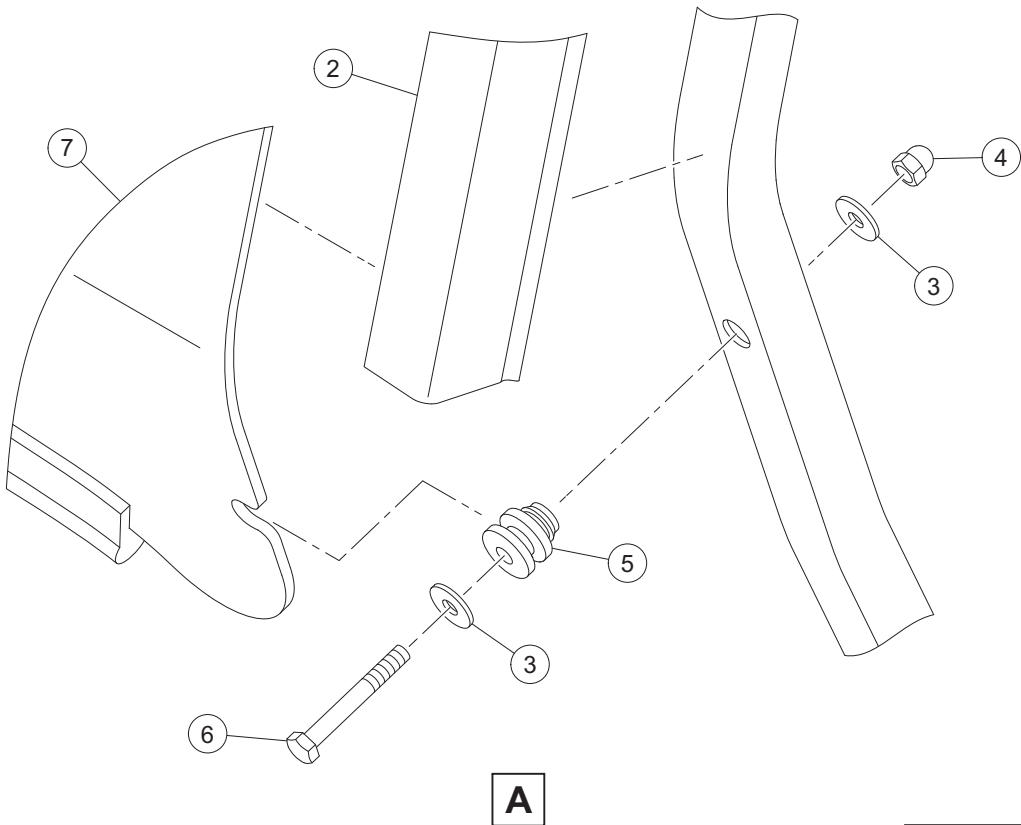
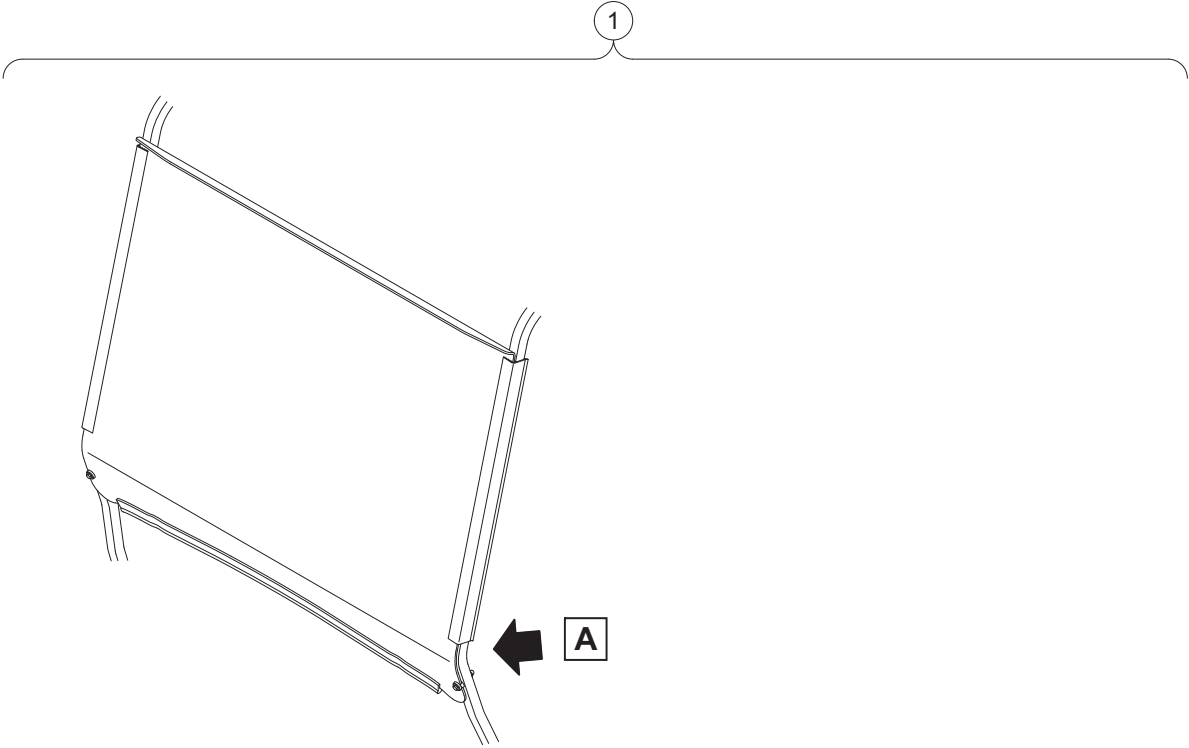
G-140899-000006

# WINDSHIELD, HINGED

ITEM	PART NO.	DESCRIPTION	QTY
		1 2 3 4	
1	47689469001	Kit, Windshield, Hinged (includes items 2 through 9) .....	1
2	<u>102163001</u>	Windshield Channel .....	2
3	<u>102296301</u>	Washer, M6x18x1.6 Flat .....	4
4	<u>102582401</u>	Cap Nut M6, Sp .....	2
5	<u>102947601</u>	Grommet, Windshield .....	2
6	<u>103677101</u>	W/s, Rubber, Clip Retainer .....	2
7	<u>103754901</u>	Fastener, Barrel - .610 X .25 .....	2
8	<u>105289701</u>	M6x1.0x48 Hex Hd Bolt-blk .....	2
9	47673203001	Windshield, Hinged .....	1

1  
G  
E

**1**  
**G**  
**E**



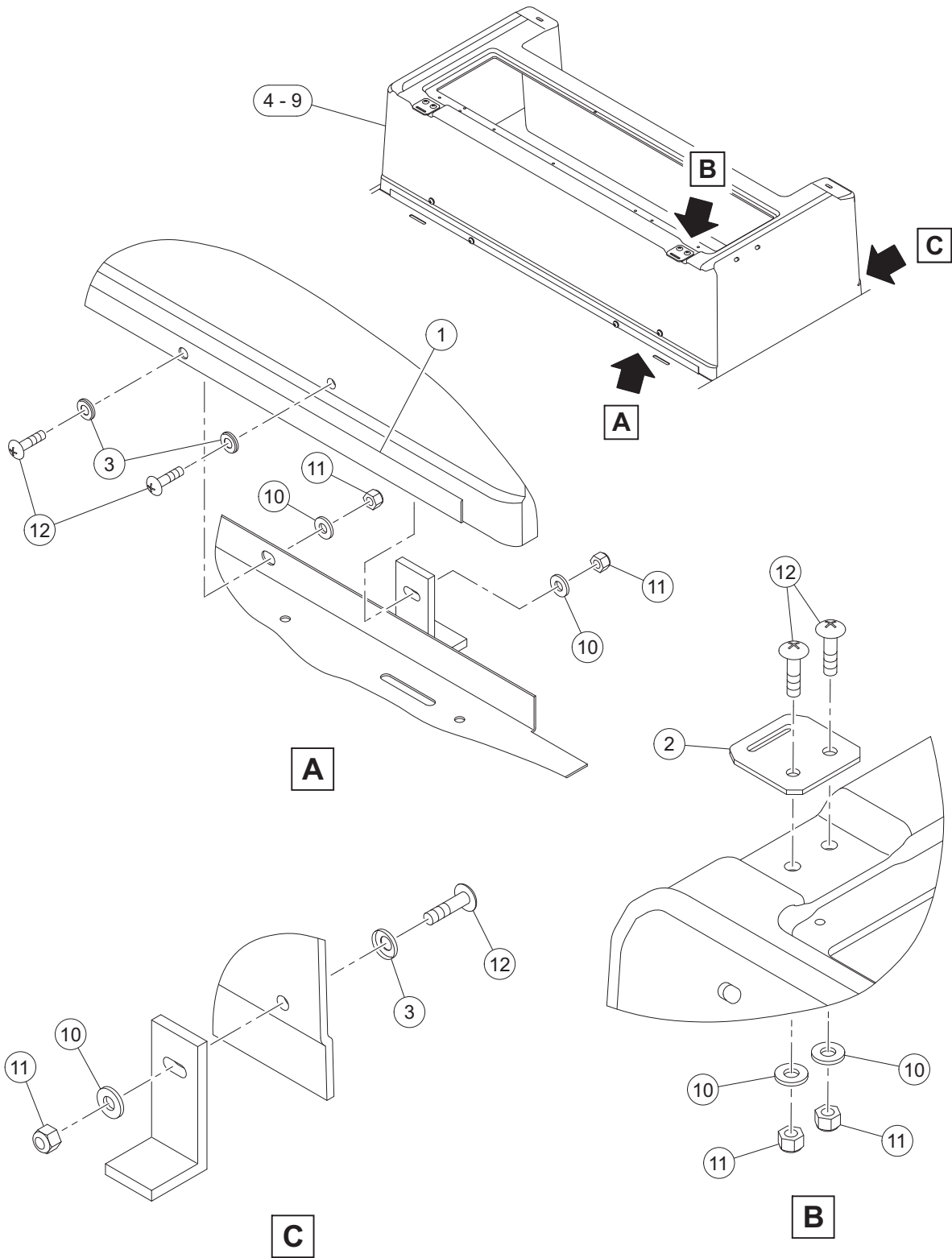
G-140899-000005

# WINDSHIELD, SOLID

ITEM	PART NO.	DESCRIPTION	QTY
		<b>1 2 3 4</b>	
1	47689468001	Kit, Windshield, Solid (includes items 2 through 7) .....	1
2	102163003	Windshield Channel, Long .....	2
3	<u>102296301</u>	Washer, M6x18x1.6 Flat .....	4
4	<u>102582401</u>	Cap Nut M6, Sp .....	2
5	<u>102947601</u>	Grommet, Windshield .....	2
6	<u>105289701</u>	M6x1.0x48 Hex Hd Bolt-blk .....	2
7	47673201001	Windshield, Solid .....	1

1  
G  
E

**1**  
**G**  
**E**



G-140299-000011

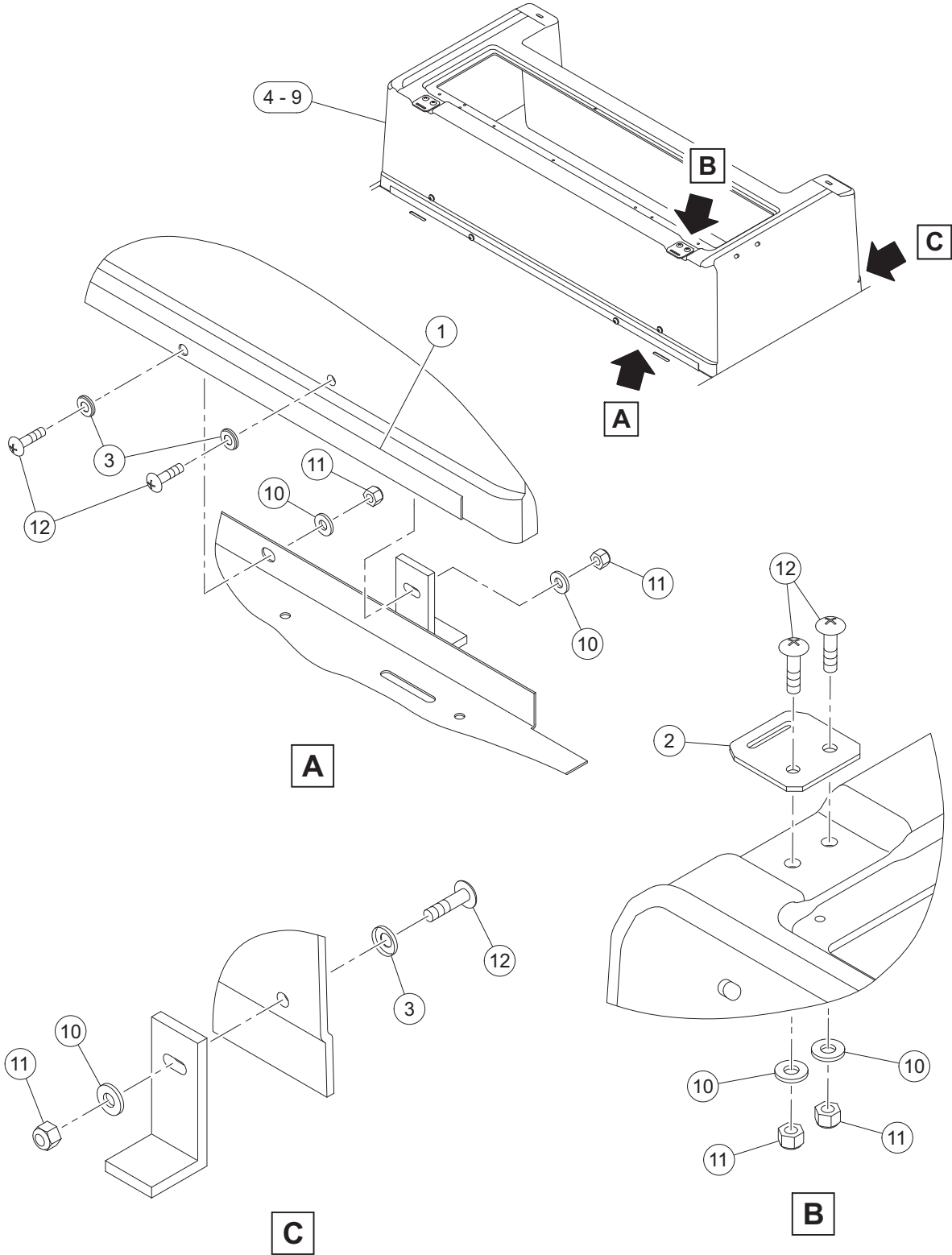


## CENTER BODY, VILLAGER 6 GASOLINE VEHICLE

ITEM	PART NO.	DESCRIPTION	QTY
		1 2 3 4	
1	<u>1010993</u>	Body Kick Plate .....	1
2	1012412	Body, Hinge Plate .....	2
3	<u>1012581</u>	Washer, 0.609-inch OD, Nylon Cup .....	6
4	105005301	Body, Center, Efi, Beige .....	1
5	105005302	Body, Center, Efi, Wht .....	1
6	105005309	Body, Center, Efi, Dk Green .....	1
7	105005310	Body, Center, Efi, Black .....	1
8	105005311	Body, Center, Efi, C/blu .....	1
9	105005312	Body, Center, Efi, Burgundy .....	1
10	<u>332</u>	Washer, 1/4 Type A Narrow Flat .....	10
11	<u>8233</u>	Locknut, 1/4-20, Nylon Insert .....	10
12	<u>8251</u>	Screw, 1/4-20 X 1.0 Truss-Head Machine .....	10

**1**  
**G**  
**E**

**1**  
**G**  
**E**



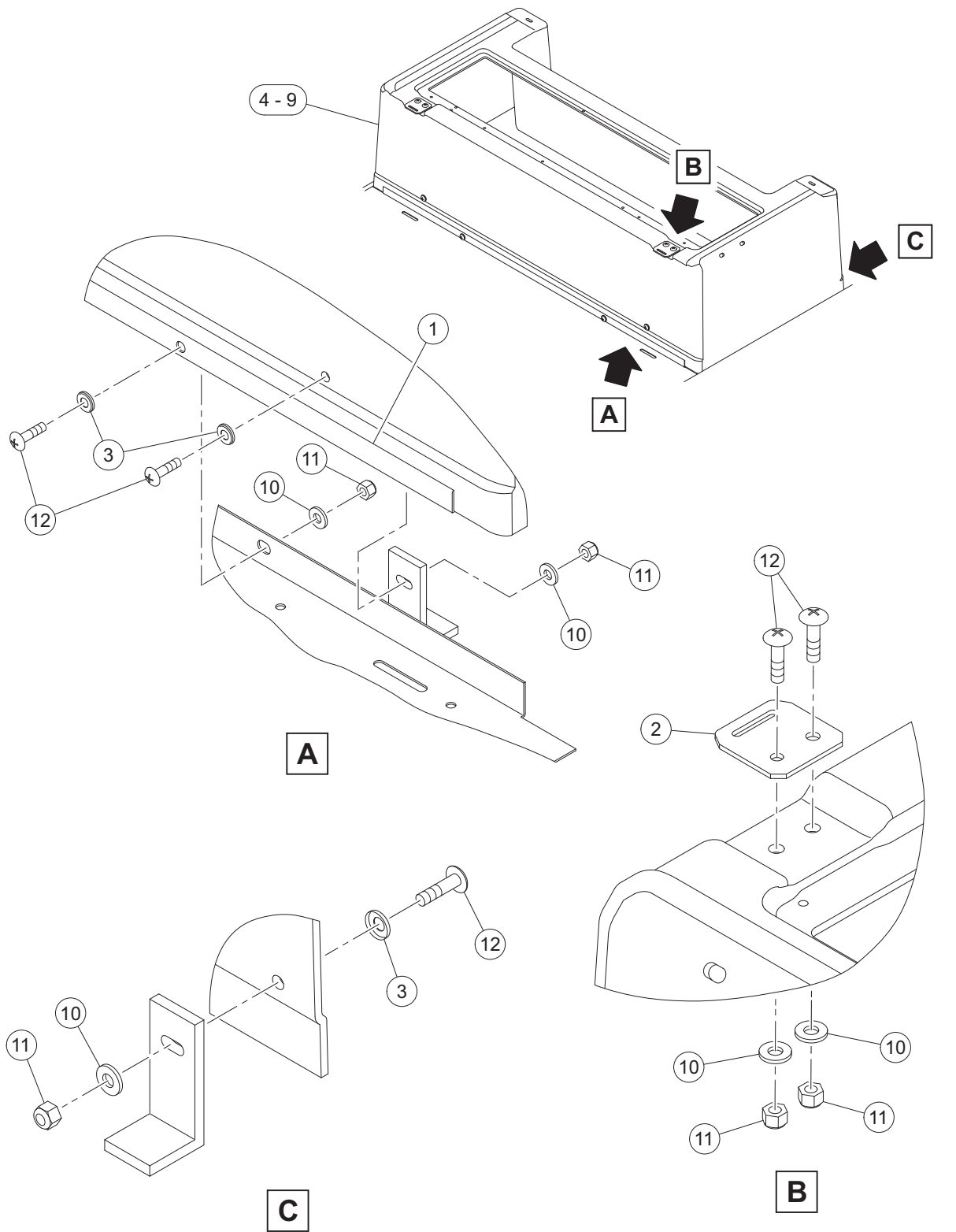
G-140299-000012

# CENTER BODY, VILLAGER 6 ELECTRIC VEHICLE

ITEM	PART NO.	DESCRIPTION	QTY
		1 2 3 4	
1	<u>1010993</u>	Body Kick Plate .....	1
2	<u>1012412</u>	Body, Hinge Plate .....	2
3	<u>1012581</u>	Washer, 0.609-inch OD, Nylon Cup .....	4
4	<u>103274001</u>	Body, Center, Elec, Beige .....	1
5	<u>103274002</u>	Body, Center, Elec, Wht .....	1
6	<u>103274009</u>	Body, Center, Elec, Dk Green .....	1
7	<u>103274010</u>	Body, Center, Elec, Black .....	1
8	<u>103274011</u>	Body, Center, Elec, C/blu .....	1
9	<u>103274012</u>	Body, Center, Elec, Burgundy .....	1
10	<u>332</u>	Washer, 1/4 Type A Narrow Flat .....	8
11	<u>8233</u>	Locknut, 1/4-20, Nylon Insert .....	8
12	<u>8251</u>	Screw, 1/4-20 X 1.0 Truss-Head Machine .....	8

**1**  
**G**  
**E**

**1**  
**G**  
**E**



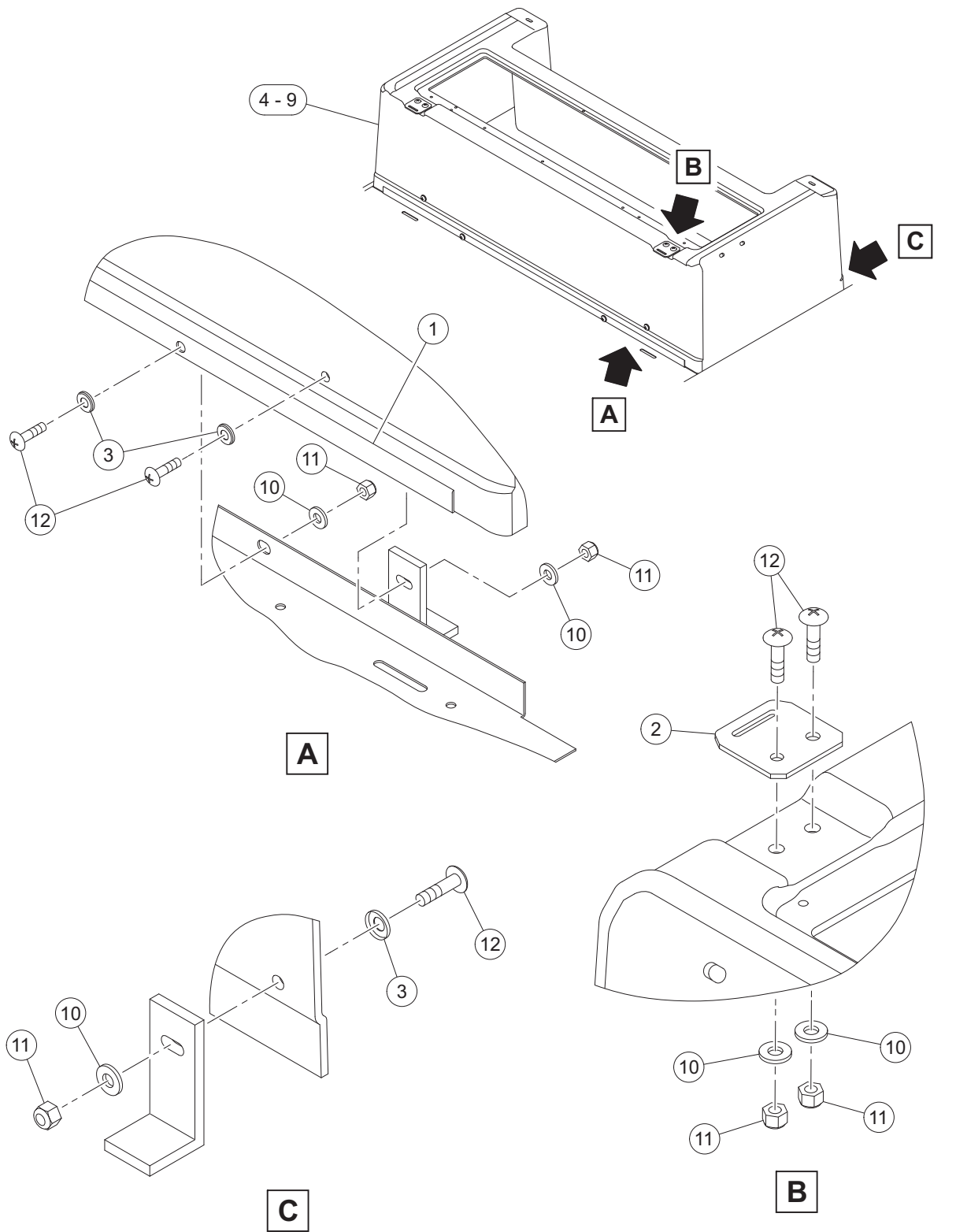
G-140299-000013

## CENTER BODIES, VILLAGER 8 GASOLINE VEHICLES

ITEM	PART NO.	DESCRIPTION	QTY
		1 2 3 4	
1	<u>1010993</u>	Body Kick Plate .....	1
2	1012412	Body, Hinge Plate .....	2
3	<u>1012581</u>	Washer, 0.609-inch OD, Nylon Cup .....	6
4	105005301	Body, Center, Efi, Beige .....	1
5	105005302	Body, Center, Efi, Wht .....	1
6	105005309	Body, Center, Efi, Dk Green .....	1
7	105005310	Body, Center, Efi, Black .....	1
8	105005311	Body, Center, Efi, C/blu .....	1
9	105005312	Body, Center, Efi, Burgundy .....	1
10	<u>332</u>	Washer, 1/4 Type A Narrow Flat .....	10
11	<u>8233</u>	Locknut, 1/4-20, Nylon Insert .....	10
12	<u>8251</u>	Screw, 1/4-20 X 1.0 Truss-Head Machine .....	10
<p>Note: Quantities listed are for one center body and the respective installation components.</p>			

1  
G  
E

**1**  
**G**  
**E**



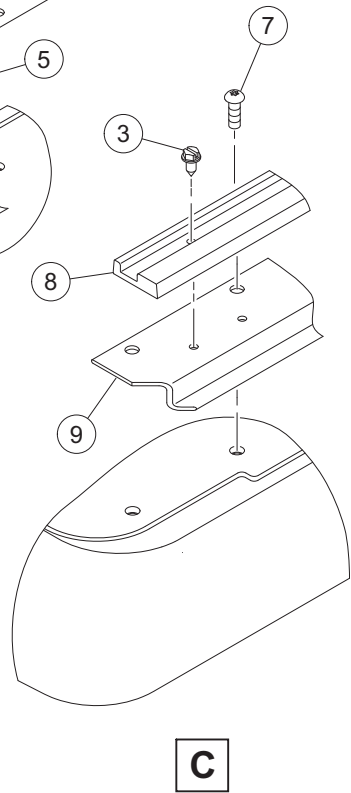
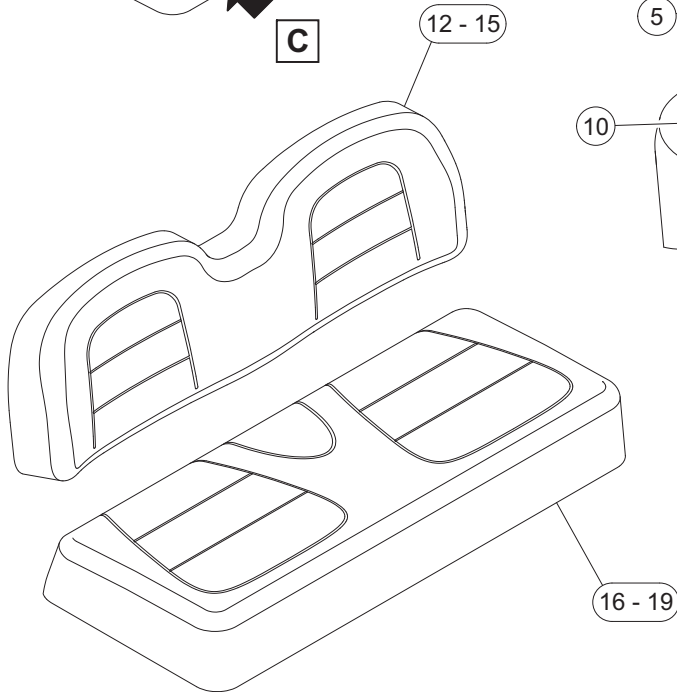
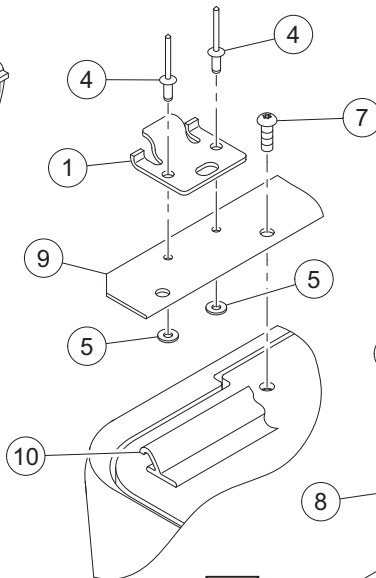
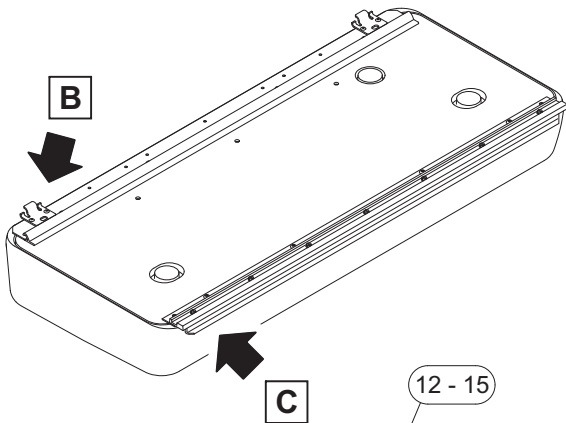
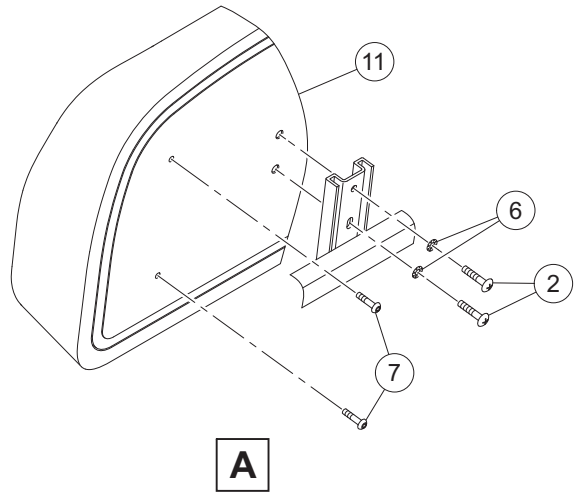
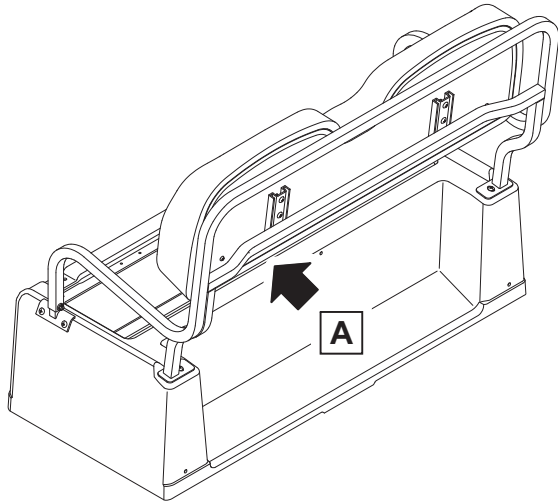
G-140299-000014

# CENTER BODIES, VILLAGER 8 ELECTRIC VEHICLES

ITEM	PART NO.	DESCRIPTION	QTY
		1 2 3 4	
1	<u>1010993</u>	Body Kick Plate .....	1
2	<u>1012412</u>	Body, Hinge Plate .....	2
3	<u>1012581</u>	Washer, 0.609-inch OD, Nylon Cup .....	6
4	<u>103274001</u>	Body, Center, Elec, Beige .....	1
5	<u>103274002</u>	Body, Center, Elec, Wht .....	1
6	<u>103274009</u>	Body, Center, Elec, Dk Green .....	1
7	<u>103274010</u>	Body, Center, Elec, Black .....	1
8	<u>103274011</u>	Body, Center, Elec, C/blu .....	1
9	<u>103274012</u>	Body, Center, Elec, Burgundy .....	1
10	<u>332</u>	Washer, 1/4 Type A Narrow Flat .....	10
11	<u>8233</u>	Locknut, 1/4-20, Nylon Insert .....	10
12	<u>8251</u>	Screw, 1/4-20 X 1.0 Truss-Head Machine .....	10
<p>Note: Quantities listed are for one center body and its respective installation components.</p>			

1  
G  
E

**1**  
**G**  
**E**



G-140699-000035

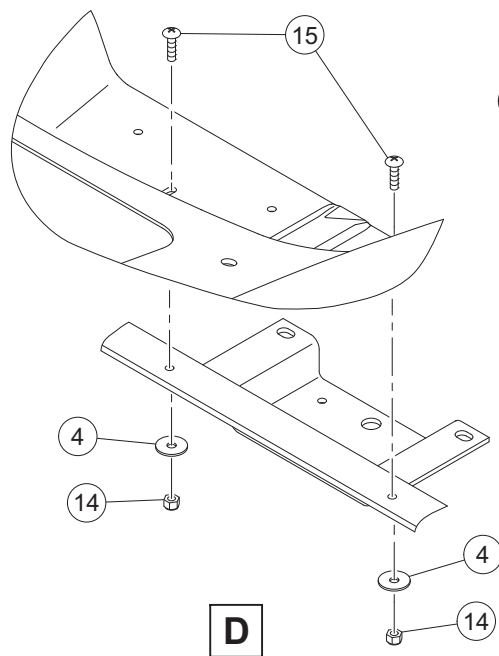
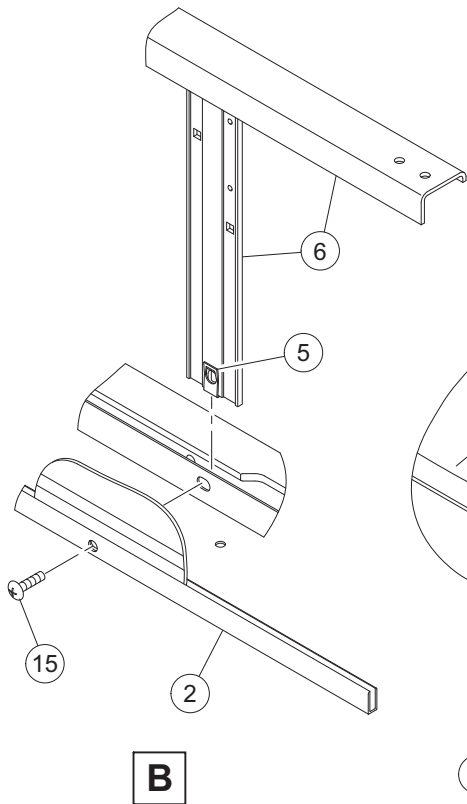
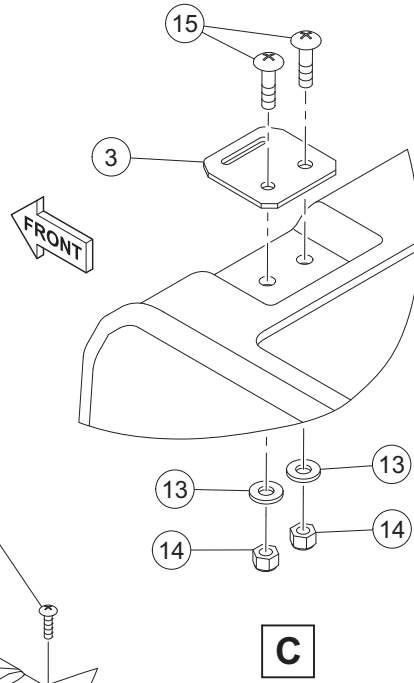
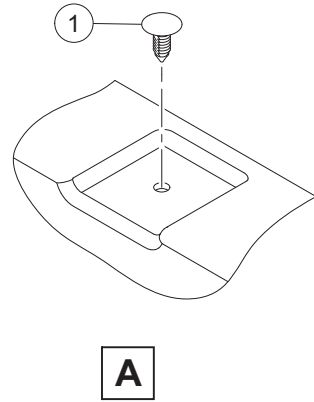
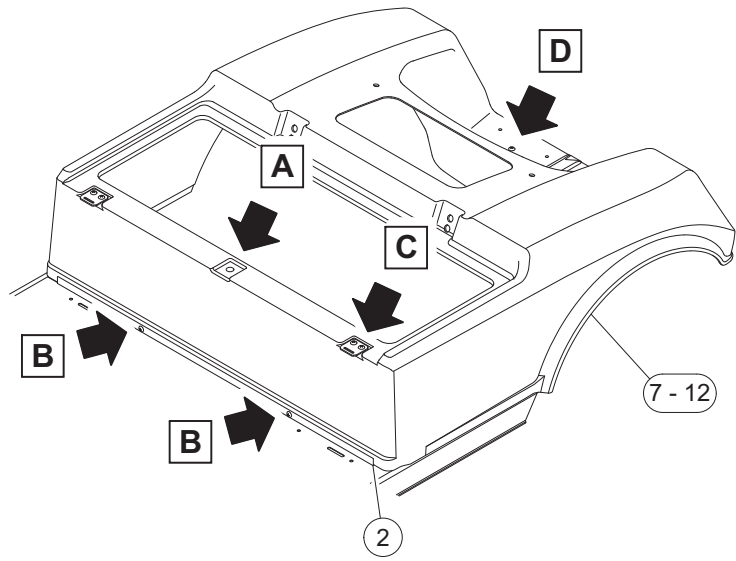


# REAR FORWARD-FACING SEAT BACKS AND BOTTOMS

ITEM	PART NO.	DESCRIPTION	QTY
		<b>1 2 3 4</b>	
1	<u>1011652</u>	Hinge Plate .....	2
2	<u>1015902</u>	Screw, 1/4-20 X 1.25 Truss-Head .....	4
3	<u>1017384</u>	Screw, #12 X .50 Hex, Washer-Head .....	7
4	<u>101880901</u>	Rivet, 3/16, Stainless-Steel, Pop .....	4
5	<u>101881701</u>	Washer, #8 Stainless-Steel Flat .....	4
6	<u>101946201</u>	Washer, Lock, 0.250 External-Tooth .....	4
7	<u>102907201</u>	Screw, Pin Torx, 1/4-20 X .750 .....	12
8	47617163001	Bumper, Seat, 38.75 In .....	1
9	47617164001	Bracket, Seat Support .....	2
10	47617298001	Gasket, Seat, 38.75 In .....	1
11	47676126001	Plate, Closeout, Seatback .....	1
12	47684686001	Asm, St-back And Clsout, Wht .....	1
13	47684686002	Asm, St-back And Clsout, Blk .....	1
14	47684686003	Asm, St-back And Clsout, Gray .....	1
15	47684686004	Asm, St-back And Clsout, Beige .....	1
16	47687749001	Asm, St Btm, Rear Ff, Wht .....	1
17	47687749002	Asm, St Btm, Rear Ff, Blk .....	1
18	47687749003	Asm, St Btm, Rear Ff, Gray .....	1
19	47687749004	Asm, St Btm, Rear Ff, Beige .....	1

**1**  
**G**  
**E**

**1**  
**G**  
**E**



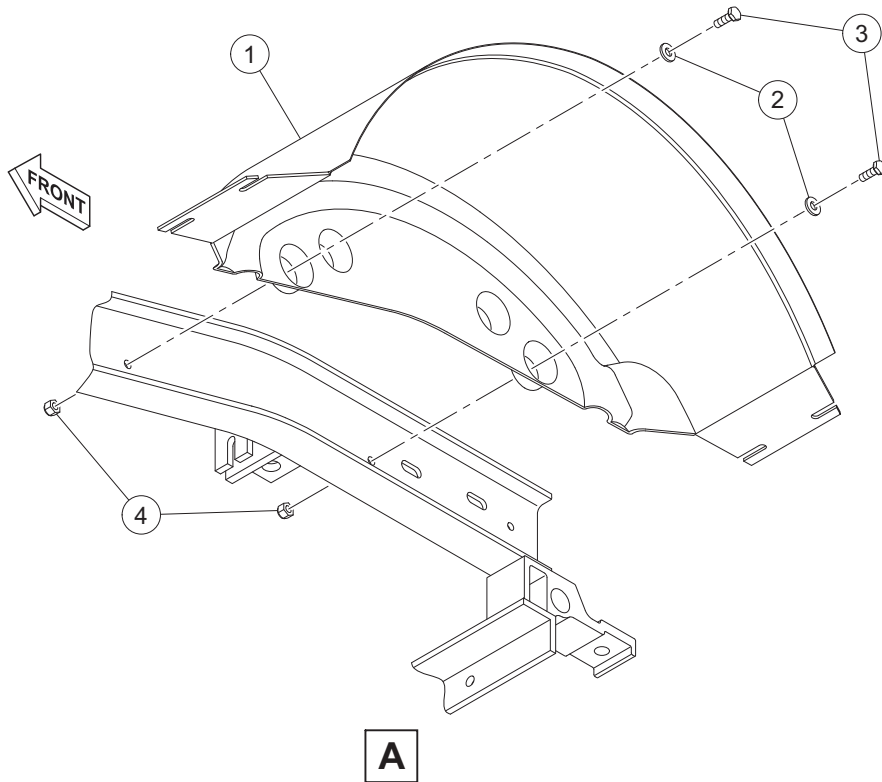
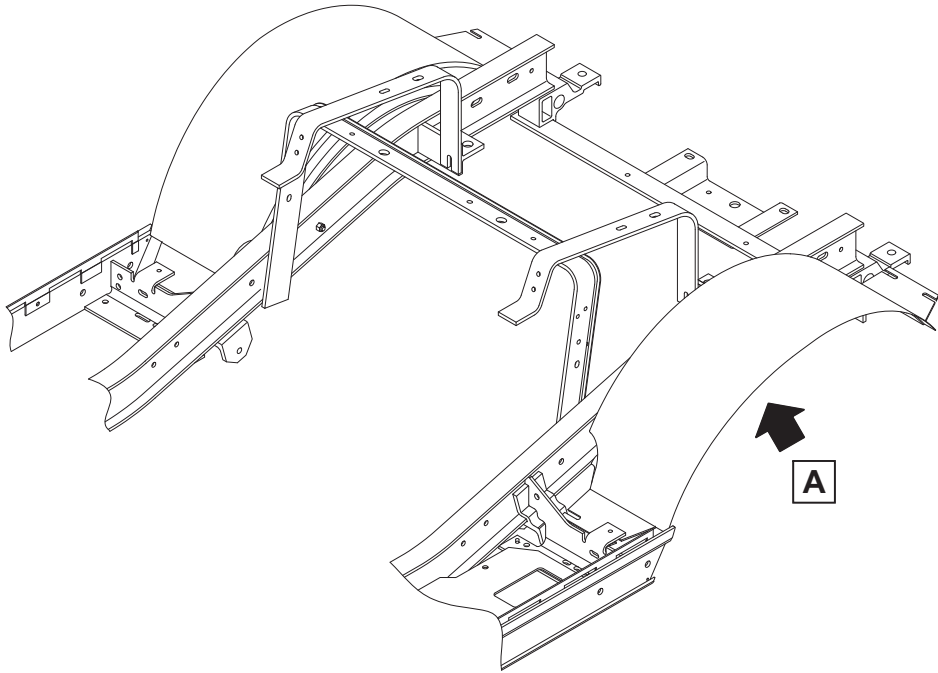
G-140299-000015

## REAR BODY, VILLAGER 6 AND VILLAGER 8

ITEM	PART NO.	DESCRIPTION	QTY
		1 2 3 4	
1	<u>1010434</u>	Barrel - Plastic .....	1
2	<u>1010993</u>	Body Kick Plate .....	1
3	<u>1012412</u>	Body, Hinge Plate .....	2
4	<u>1014306</u>	Washer, 1/4" Type B Flat .....	2
5	<u>1016952</u>	U-Nut, 1/4-20 .....	2
6	<u>1017141</u>	Body Support Weldment .....	1
7	<u>101728701</u>	Body, Beige, TPO, Rear .....	1
8	<u>101728702</u>	Body, White, TPO, Rear .....	1
9	<u>101728709</u>	Body, Dark Green, TPO, Rear .....	1
10	<u>101728710</u>	Body, Black, TPO, Rear .....	1
11	<u>101728711</u>	Body, Classic Blue, TPO, Rear .....	1
12	<u>101728712</u>	Body, Burgundy, TPO, Rear .....	1
13	<u>332</u>	Washer, 1/4 Type A Narrow Flat .....	4
14	<u>8233</u>	Locknut, 1/4-20, Nylon Insert .....	6
15	<u>8251</u>	Screw, 1/4-20 X 1.0 Truss-Head Machine .....	8

1  
G  
E

**1**  
**G**  
**E**



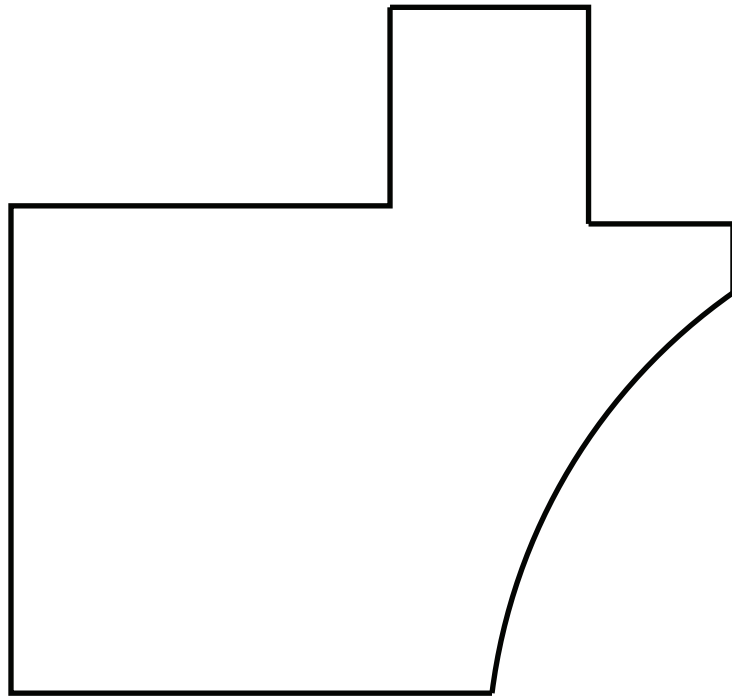
G-140199-000022

# INNER FENDERS

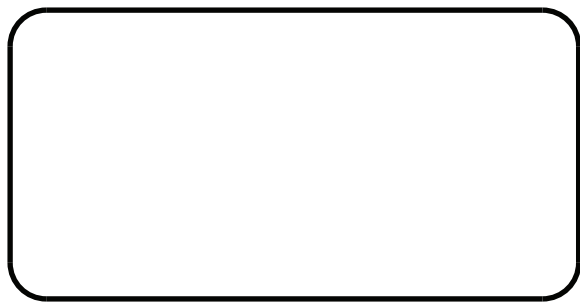
ITEM	PART NO.	DESCRIPTION	QTY
		1 2 3 4	
1	<u>105035801</u>	Fender, Inner, Ca .....	2
2	<u>332</u>	Washer, 1/4 Type A Narrow Flat .....	4
3	7874	Bolt, 1/2-13 X 3.75 Hex Head .....	4
4	<u>8233</u>	Locknut, 1/4-20, Nylon Insert .....	4

1  
G  
E

**1**  
**G**  
**E**



1



2



3

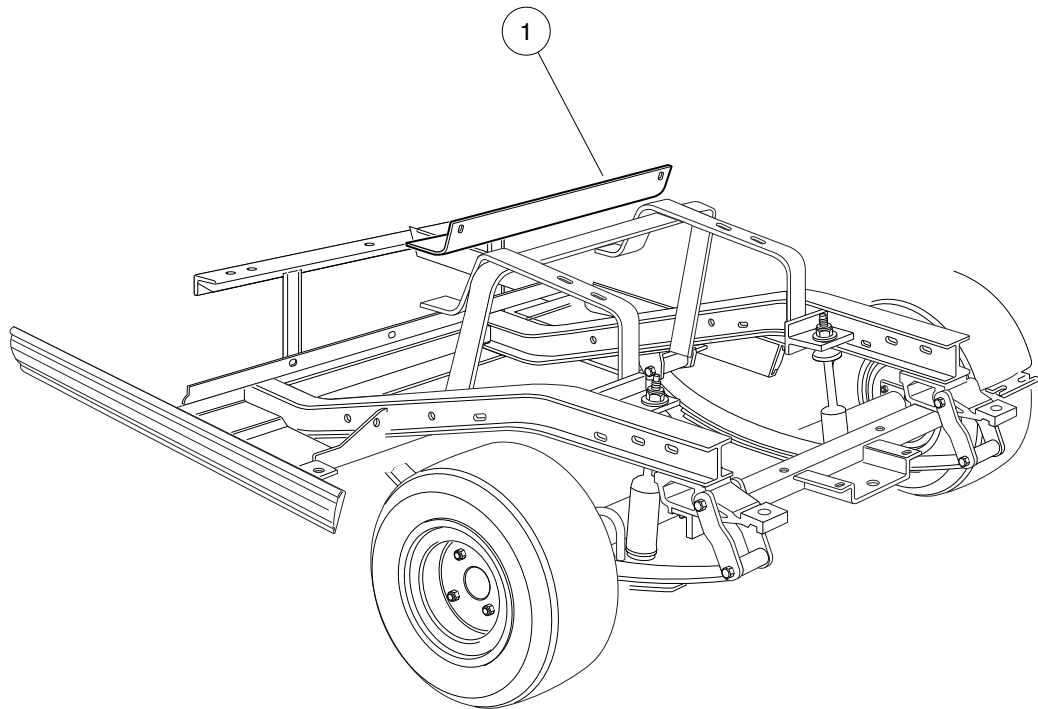
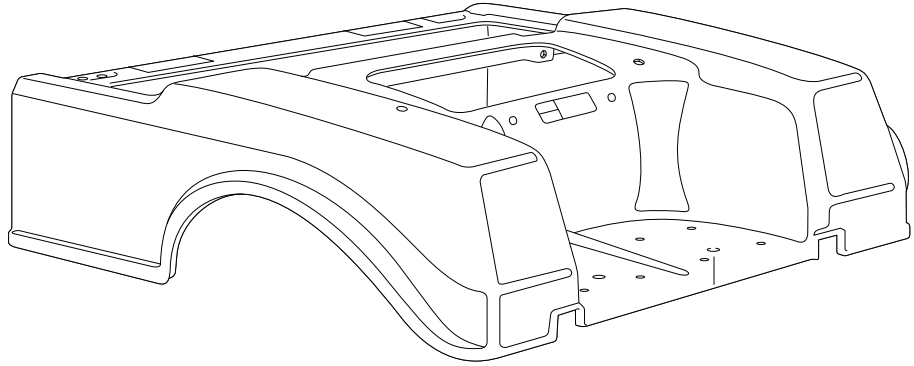
001603-001

# HEAT INSULATION, FOAM – GASOLINE VEHICLE

ITEM	PART NO.	DESCRIPTION	QTY
		1 2 3 4	
1	105280201	Foam, Poly, Alum, 1", Style A .....	1
2	105280202	Foam, Poly, Alum, 1", Style B .....	1
3	105280203	Foam, Poly, Alum, 1", Style C .....	1
		Note: Foil lining over foam.	

1  
G  
E

**1**  
**G**  
**E**



000392-001

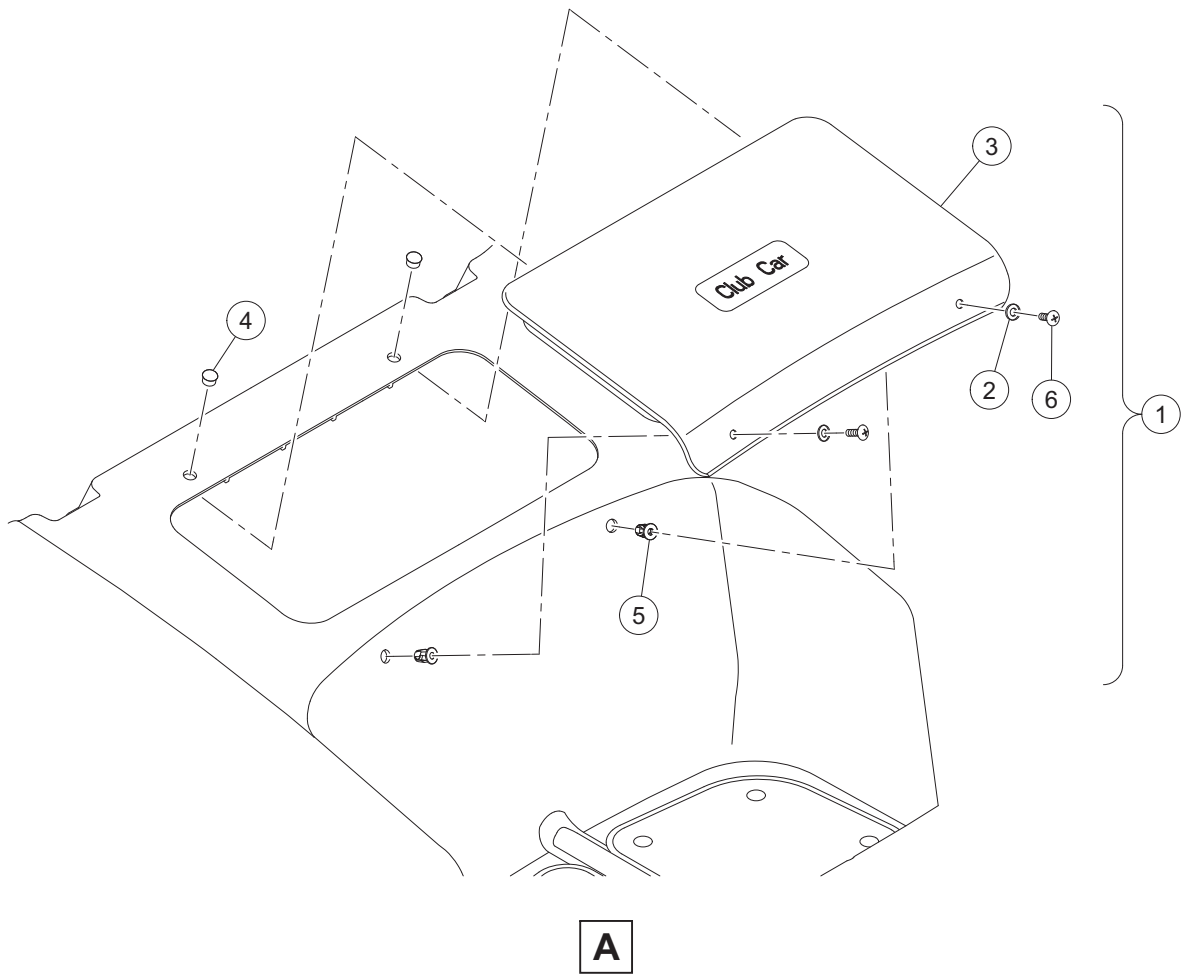
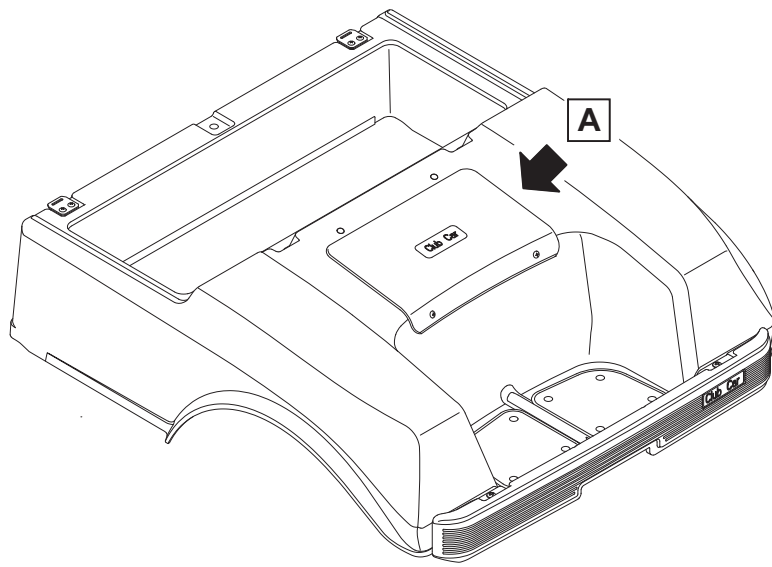


# HEAT SHIELD, GASOLINE VEHICLES

ITEM	PART NO.	DESCRIPTION	QTY
1	<u>101806901</u>	1 2 3 4 Shield, Heat .....	1

1  
G  
E

**1**  
**G**  
**E**



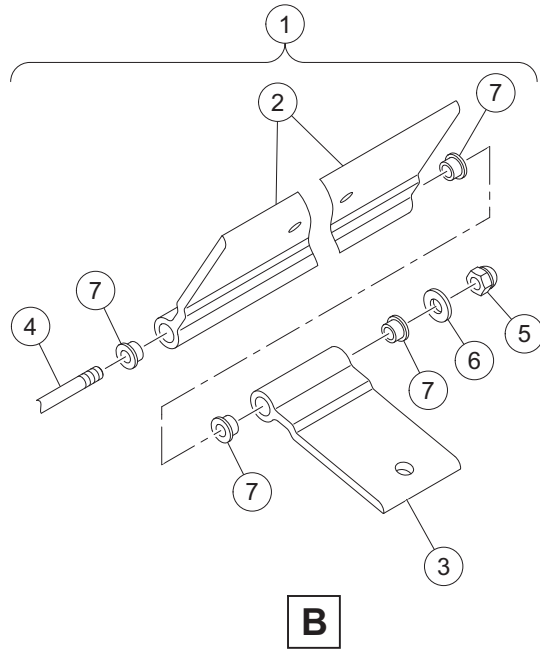
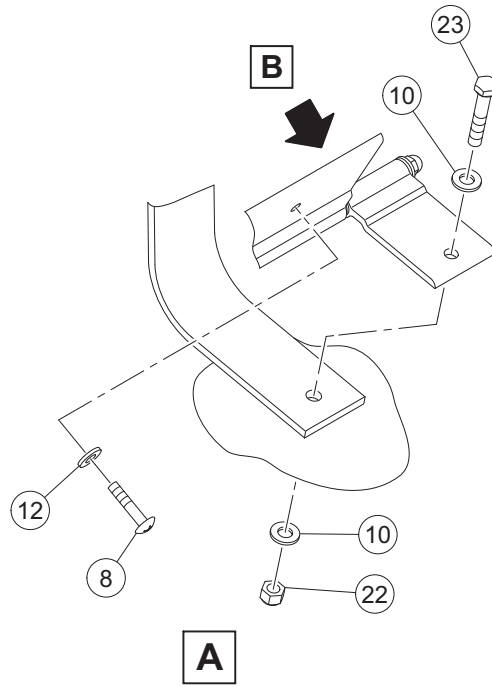
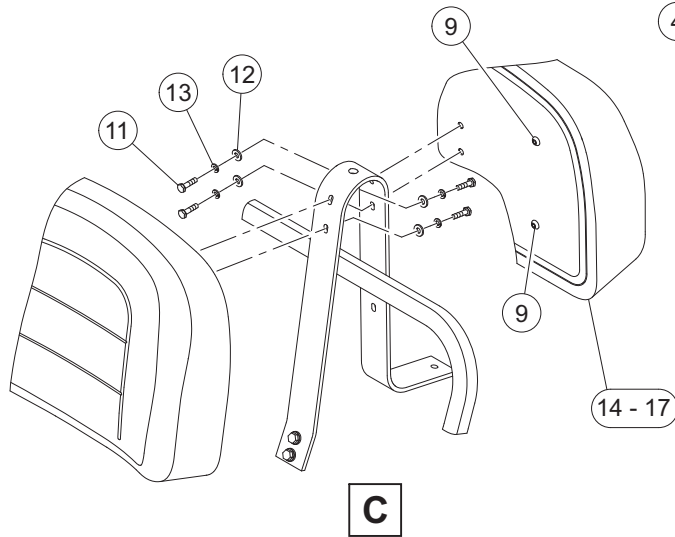
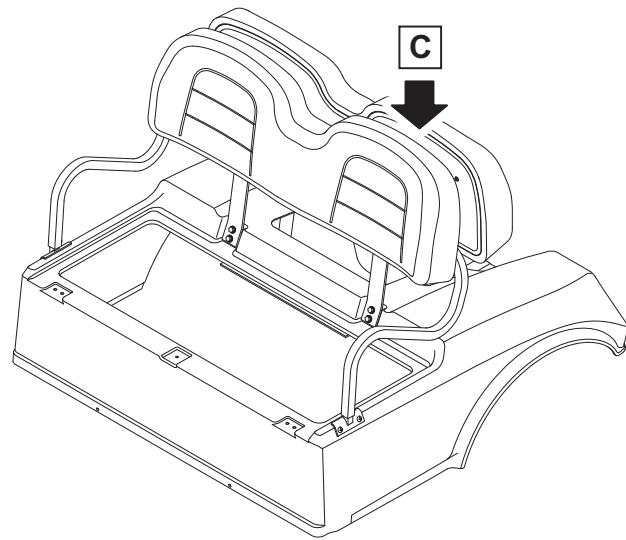
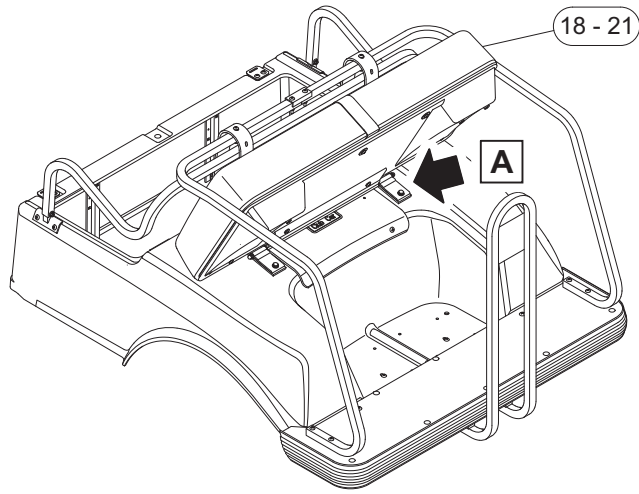
G-140299-000017

# REAR ACCESS DOOR

ITEM	PART NO.	DESCRIPTION	QTY
		<b>1 2 3 4</b>	
1	<u>1013218</u>	Kit, Access Door Black (includes items 2 through 6) .....	1
2	<u>1012581</u>	Washer, 0.609-inch OD, Nylon Cup .....	2
3	<u>1013032</u>	Molded Access Door Black .....	1
4	<u>1013216</u>	Plug, Button .....	2
5	<u>1015525</u>	Nut, 1/4-20 Blind .....	2
6	<u>8251</u>	Screw, 1/4-20 X 1.0 Truss-Head Machine .....	2

**1**  
**G**  
**E**

**1**  
**G**  
**E**



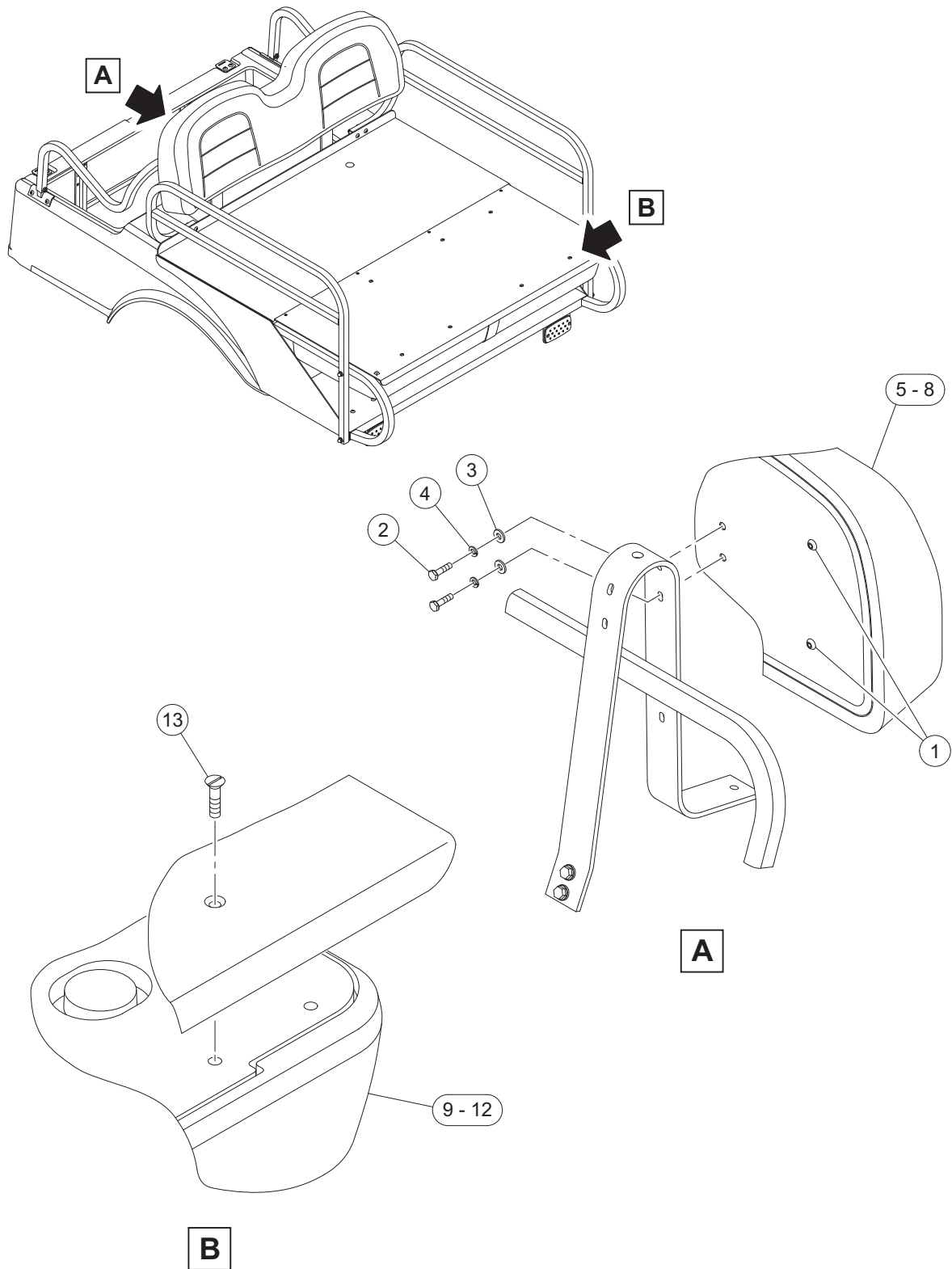
G-140699-000032

## REAR-FACING FIXED SEATS

ITEM	PART NO.	DESCRIPTION	QTY
		<b>1 2 3 4</b>	
1	1011219	Hinge Assembly 4 Passenger (includes items 2 through 7) .....	1
2	<u>1011220</u>	Hinge Long 4 Passenger .....	1
3	<u>1011221</u>	Hinge Short 4 Passenger .....	2
4	<u>1011222</u>	Pin, Hinge, Long, 4-Pass .....	1
5	<u>1015091</u>	Nut, 1/4-20 Stainless-Steel Center-Lock Cap .....	2
6	<u>332</u>	Washer, 1/4 Type A Narrow Flat .....	2
7	8028	Rotor Stop, FNR .....	6
8	<u>1015902</u>	Screw, 1/4-20 X 1.25 Truss-Head .....	2
9	<u>102907201</u>	Screw, Pin Torx, 1/4-20 X .750 .....	4
10	<u>1241</u>	Washer, 5/16 Type A Flat .....	4
11	304	Screw, 1/4-20 X 1.0 Hex-Head Cap .....	8
12	<u>332</u>	Washer, 1/4 Type A Narrow Flat .....	10
13	<u>451</u>	Lockwasher, 1/4 Split .....	8
14	47684686001	Asm, St-back And Clsout, Wht .....	1
15	47684686002	Asm, St-back And Clsout, Blk .....	1
16	47684686003	Asm, St-back And Clsout, Gray .....	1
17	47684686004	Asm, St-back And Clsout, Beige .....	1
18	47689069001	Asm, Seat Btm, Rear Fxd, Wht .....	1
19	47689069002	Asm, Seat Btm, Rear Fxd, Blk .....	1
20	47689069003	Asm, Seat Btm, Rear Fxd, Gray .....	1
21	47689069004	Asm, Seat Btm, Rear Fxd, Beige .....	1
22	<u>7473</u>	Locknut, 5/16-18 Nylon Insert .....	2
23	<u>8963</u>	Screw, 5/16-18 X 1.75 Hex-Head Cap .....	2

**1**  
**G**  
**E**

**1**  
**G**  
**E**



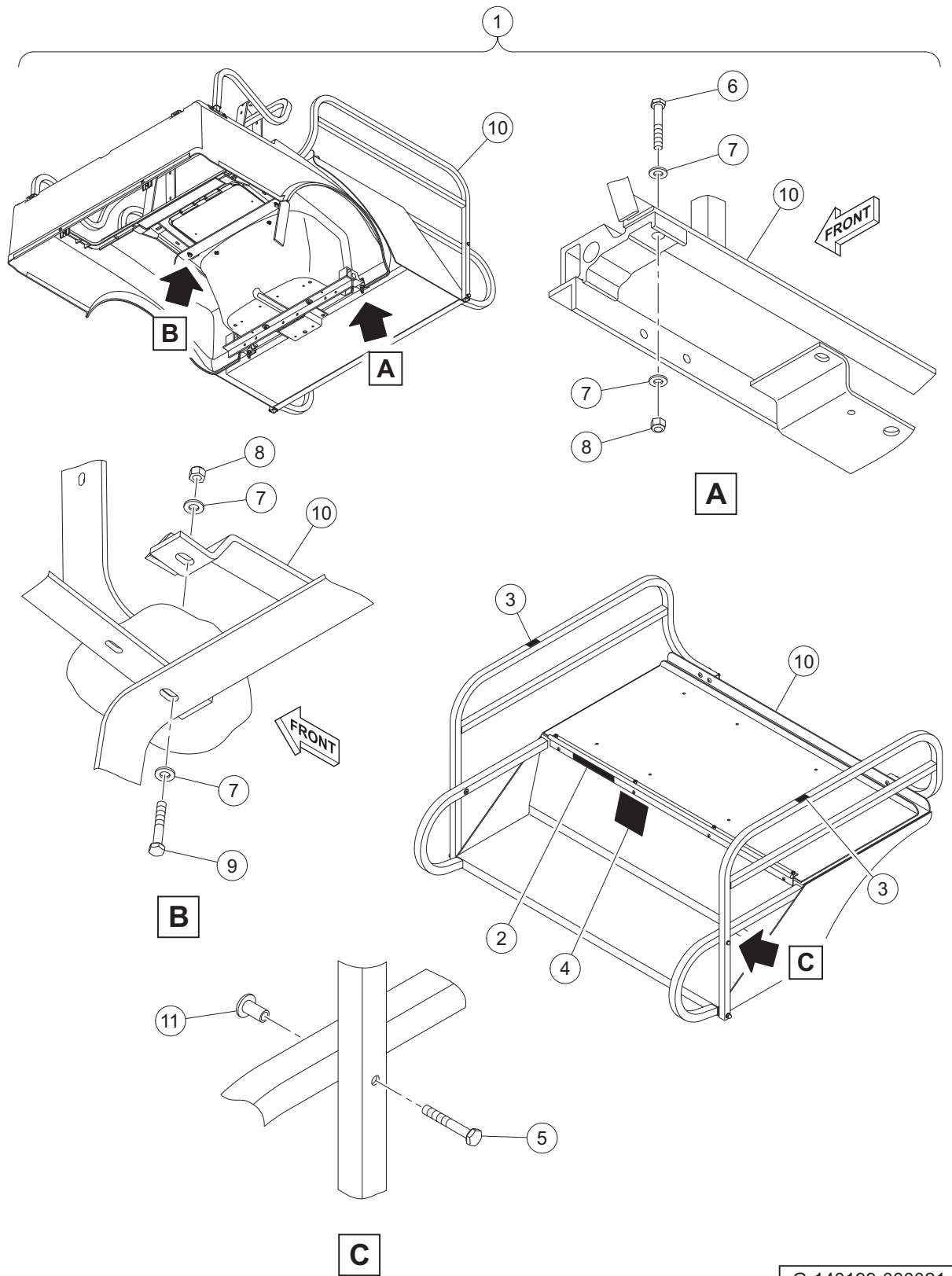
G-140699-000033

## REAR-FACING FOLD-DOWN SEATS

ITEM	PART NO.	DESCRIPTION	QTY
		1 2 3 4	
1	<u>102907201</u>	Screw, Pin Torx, 1/4-20 X .750 .....	4
2	304	Screw, 1/4-20 X 1.0 Hex-Head Cap .....	4
3	<u>332</u>	Washer, 1/4 Type A Narrow Flat .....	4
4	<u>451</u>	Lockwasher, 1/4 Split .....	4
5	47684686001	Asm, St-back And Clsout, Wht .....	1
6	47684686002	Asm, St-back And Clsout, Blk .....	1
7	47684686003	Asm, St-back And Clsout, Gray .....	1
8	47684686004	Asm, St-back And Clsout, Beige .....	1
9	47687760001	Asm, St Btm, Rear Rf, White .....	1
10	47687760002	Asm, St Btm, Rear Rf, Blk .....	1
11	47687760003	Asm, St Btm, Rear Rf, Gray .....	1
12	47687760004	Asm, St Btm, Rear Rf, Beige .....	1
13	<u>SVP387901</u>	1/4-20x1.00 Fl Hd Mach Scr Ss .....	8

1  
G  
E

**1**  
**G**  
**E**



G-140199-000021

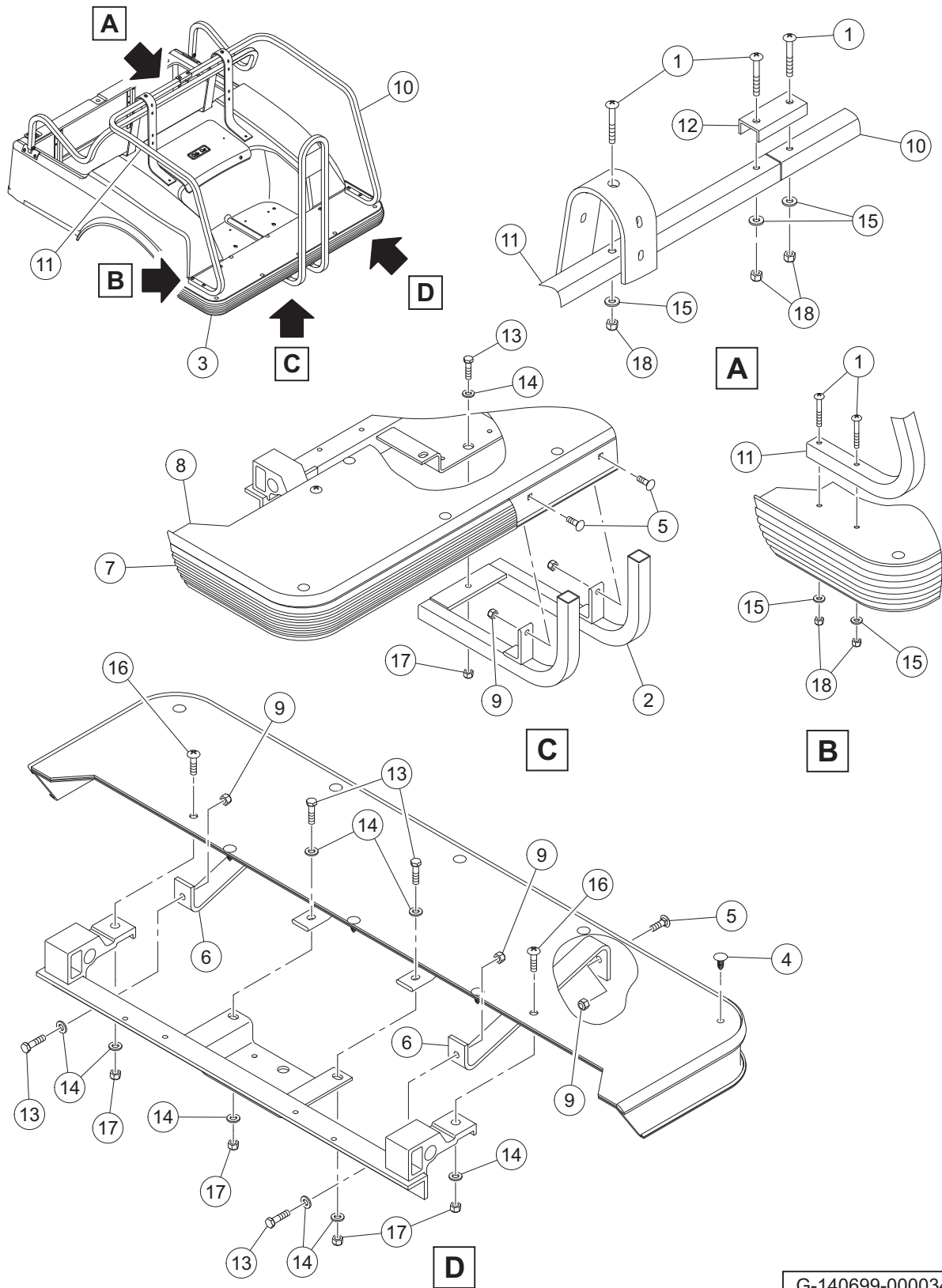


# REAR FOLD-DOWN SEAT STRUCTURE

ITEM	PART NO.	DESCRIPTION	QTY
		1 2 3 4	
1	<u>SVP401602</u>	Kit Folddown, White, V4,6,8, (includes items 2 through 11) .....	1
2	<u>101553901</u>	Decal, Bed Load Warning .....	1
3	<u>101609401</u>	Decal, Crush Area Warning .....	2
4	<u>101705701</u>	Decal, Warning .....	1
5	<u>102343601</u>	Screw, 1/4-20 X 1 3/4 Ss Hx Ca .....	2
6	1218	Screw, 5/16-18 X 1.25 Hex-Head Cap .....	2
7	<u>1241</u>	Washer, 5/16 Type A Flat .....	8
8	<u>7473</u>	Locknut, 5/16-18 Nylon Insert .....	4
9	8916	Screw, 5/16-18 X 2.0 Hex Cap .....	2
10	SVP110801	Fold Down Rear Seat, White Rv .....	1
11	SVP408701	Nut, Cap, 5mm Hxdr 1/4-20x17mm .....	2
12	<u>SVP401702</u>	Kit, Folddown, Beige, V4,6,8 (includes item 13) .....	1
13	<u>SVP110802</u>	Fold Down Rear Seat, Beige Rv .....	1
<p>Note: Items 12 and 13 are not illustrated. Items 2 through 9 and item 11 apply to both kits. If any kit structure color other than white or beige are required, please contact your local Club Car dealer or distributor for assistance.</p>			



**1**  
**G**  
**E**



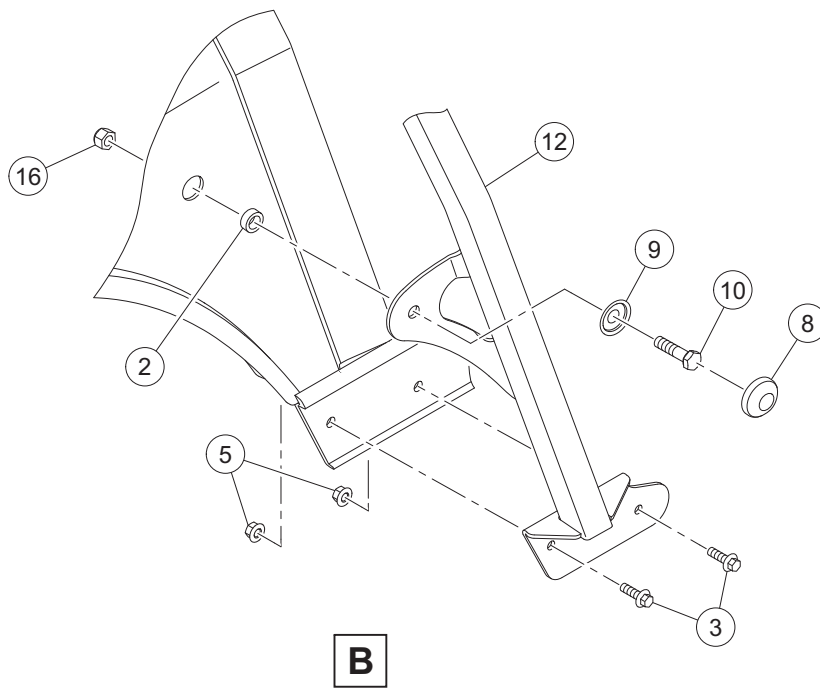
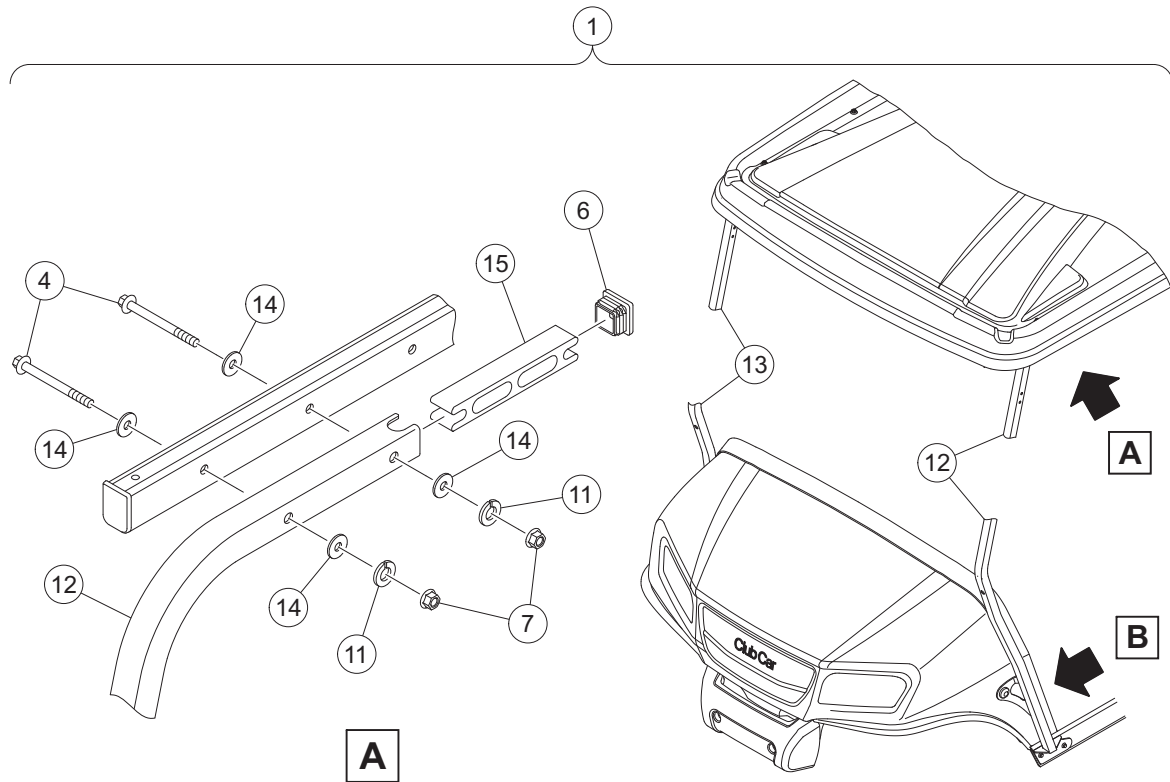
G-140699-000034

# REAR FIXED SEAT, ARM AND FOOT REST STRUCTURE

ITEM	PART NO.	DESCRIPTION	QTY
		1 2 3 4	
1	<u>1011988</u>	Screw, 1/4-20 X 2.00 Phillips Truss-Head .....	8
2	<u>1016842</u>	Rear Seat Handrail Weldment .....	1
3	<u>101841101</u>	Rear Foot Rest Asm (includes items 4 through 9) .....	1
4	<u>1010434</u>	Barrel - Plastic .....	8
5	<u>1010435</u>	Bolt, Carriage, 5/16-18 X 1.00 .....	4
6	<u>1016668</u>	Connecting Bar .....	2
7	<u>1016835</u>	Bumper, Side Trim .....	1
8	<u>101840901</u>	Foot Rest Mat .....	1
9	<u>7473</u>	Locknut, 5/16-18 Nylon Insert .....	2
10	<u>101841201</u>	Armrest, Seat, Rear, Right-Hand .....	1
11	<u>101841202</u>	Armrest, Seat, Rear, Left-Hand .....	1
12	<u>101841301</u>	Armrest Bracket .....	1
13	1218	Screw, 5/16-18 X 1.25 Hex-Head Cap .....	5
14	<u>1241</u>	Washer, 5/16 Type A Flat .....	9
15	<u>332</u>	Washer, 1/4 Type A Narrow Flat .....	8
16	<u>7410</u>	Screw, 5/16-18 X 1.25 Truss Hd .....	2
17	<u>7473</u>	Locknut, 5/16-18 Nylon Insert .....	9
18	<u>8233</u>	Locknut, 1/4-20, Nylon Insert .....	8

**1**  
**G**  
**E**

**1**  
**G**  
**E**



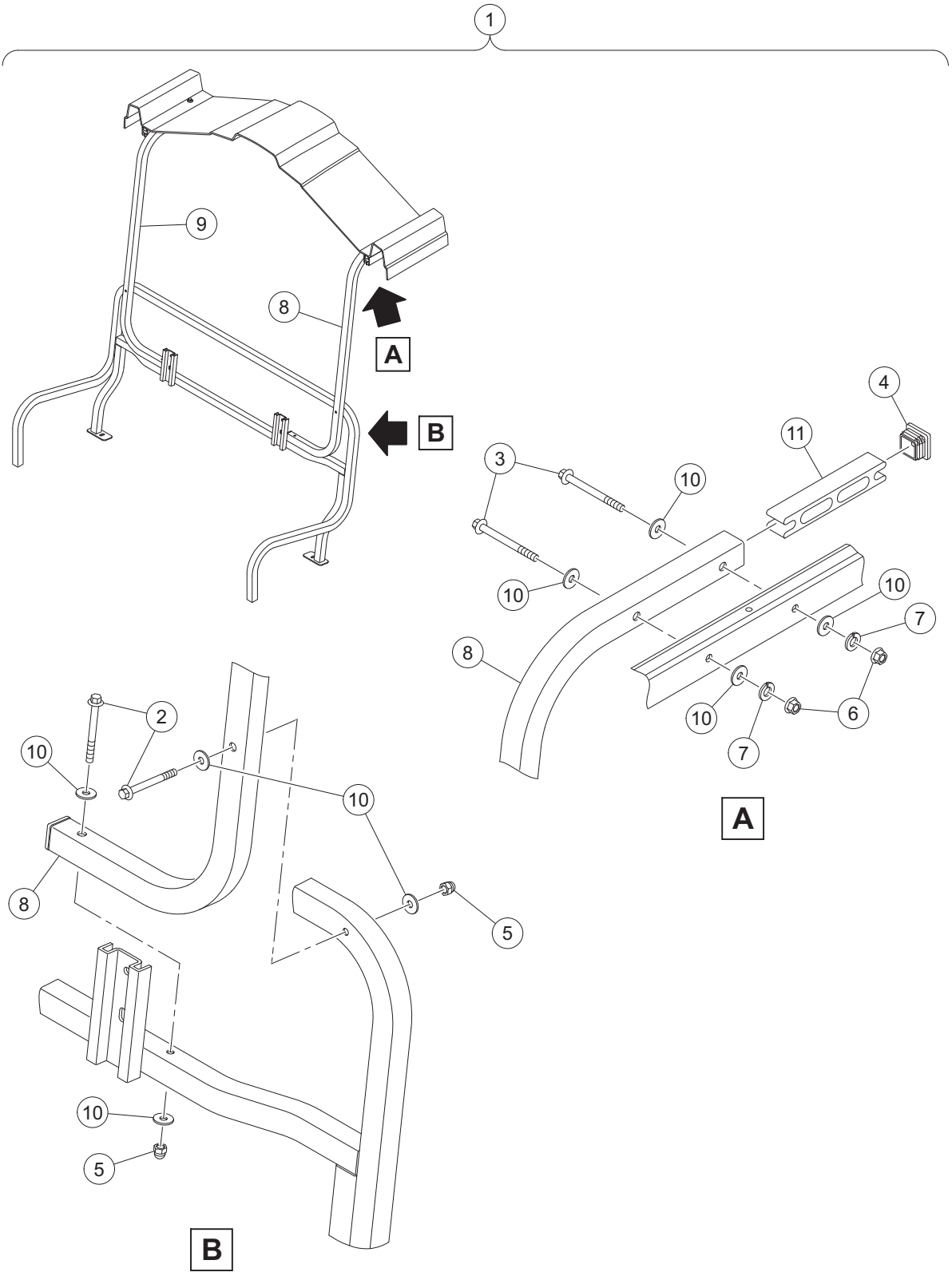
G-140799-000012

# CANOPY STRUTS, FRONT

ITEM	PART NO.	DESCRIPTION	QTY
		1 2 3 4	
1	47689517002	Kit, Canopy Struts, Front (includes items 2 through 16) .....	1
2	101560803	Tb Spcr Sm. Hyd Cyl, Blk, Shrt .....	2
3	<u>102541401</u>	Bolt-m6x1.0x20 Hex Flhd Blk-l .....	4
4	<u>102541470</u>	Bolt-m6x1.0x70 Hex Flhd, Blk-l .....	4
5	<u>102541501</u>	Nut-m6x1.0 Fl Mtl Lock,blk .....	4
6	<u>102581201</u>	Plug, Square - 25.4 mm .....	2
7	<u>102621501</u>	Nut, Flange, M6 X 1.0, Nylon .....	4
8	<u>105049201</u>	Cover, Bolt, Rh Series .....	2
9	<u>105049301</u>	Cover, Washer, Rhw Series .....	2
10	1218	Screw, 5/16-18 X 1.25 Hex-Head Cap .....	2
11	<u>451</u>	Lockwasher, 1/4 Split .....	4
12	47673197001	Strut, Canopy, Front, Lh .....	1
13	47673197002	Strut, Canopy, Front, Rh .....	1
14	47693544001	Washer, M6 Flat, Black .....	8
15	47702942002	Extrusion, Strut Insert .....	2
16	<u>7473</u>	Locknut, 5/16-18 Nylon Insert .....	2
Note: Kit contains hardware for vehicles with or without brushguards.			

1  
G  
E

**1**  
**G**  
**E**



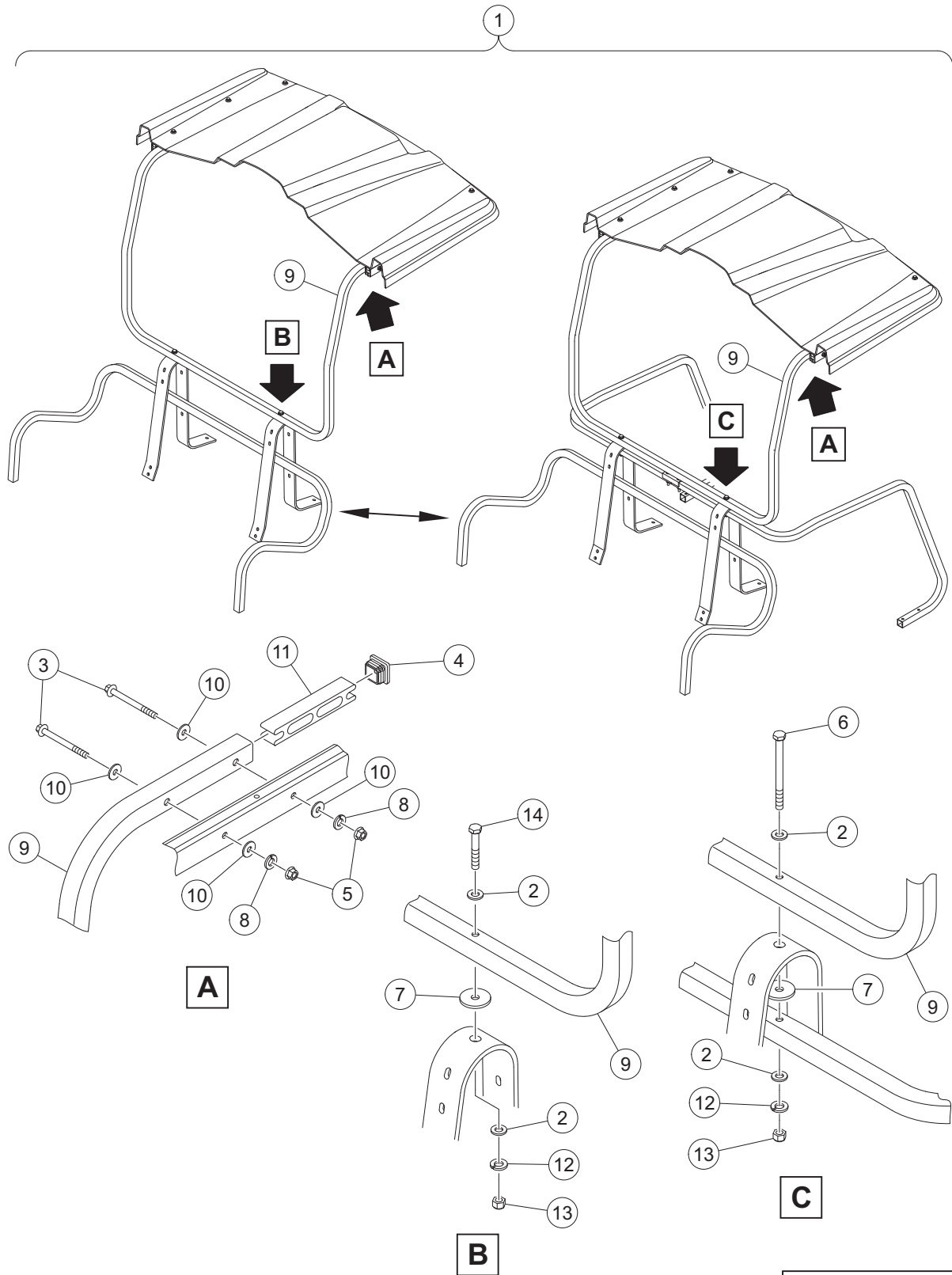
G-140799-000014

# CANOPY STRUTS, CENTER

ITEM	PART NO.	DESCRIPTION	QTY
		1 2 3 4	
1	47689519001	Kit, Canopy Struts, Center (includes items 2 through 11) .....	1
2	<u>102541465</u>	Bolt, M 6 X 1.0 X 65 Hex, Flange, Head, Black .....	4
3	<u>102541470</u>	Bolt-m6x1.0x70 Hex Flhd, Blk-l .....	4
4	<u>102581201</u>	Plug, Square - 25.4 mm .....	4
5	<u>102582401</u>	Cap Nut M6, Sp .....	4
6	<u>102621501</u>	Nut, Flange, M6 X 1.0, Nylon .....	4
7	<u>451</u>	Lockwasher, 1/4 Split .....	4
8	47678085001	Strut, Canopy, Center, Lh .....	1
9	47678085002	Strut, Canopy, Center, Rh .....	1
10	47693544001	Washer, M6 Flat, Black .....	16
11	47702942002	Extrusion, Strut Insert .....	2

1  
G  
E

**1**  
**G**  
**E**

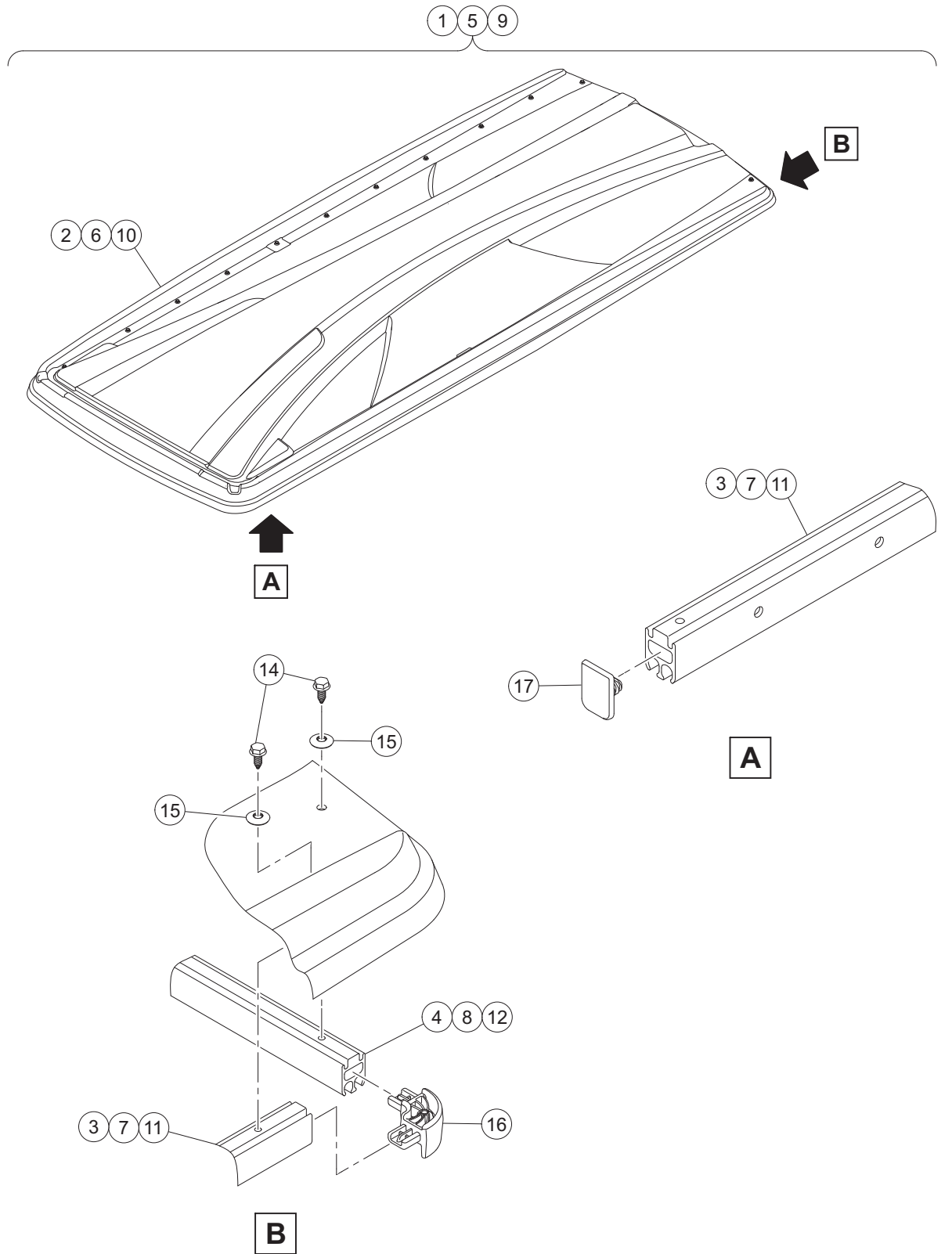




## CANOPY STRUTS, REAR FACING SEATS

ITEM	PART NO.	DESCRIPTION	QTY	
		1 2 3 4		<b>1</b>
1	47689522001	Kit, Canopy Strut, Rfs (includes items 2 through 14) .....	1	<b>G</b>
2	<u>1011697</u>	Washer, 5/16 Flat .....	4	<b>E</b>
3	<u>102541470</u>	Bolt-m6x1.0x70 Hex Flhd, Blk-l .....	4	
4	<u>102581201</u>	Plug, Square - 25.4 mm .....	2	
5	<u>102621501</u>	Nut, Flange, M6 X 1.0, Nylon .....	4	
6	103891801	Screw, 5/16-18 X 3.25 Hex Pch .....	2	
7	<u>105086101</u>	Spacer, Rubber,7.1i D-6.35 Thk .....	2	
8	<u>451</u>	Lockwasher, 1/4 Split .....	4	
9	47678084001	Strut, Canopy, Rear Seats .....	1	
10	47693544001	Washer, M6 Flat, Black .....	8	
11	47702942002	Extrusion, Strut Insert .....	2	
12	<u>7174</u>	Lockwasher, 5/16 Split .....	2	
13	<u>7473</u>	Locknut, 5/16-18 Nylon Insert .....	2	
14	<u>8935</u>	Screw, 5/16-18 X 2.25 Hex-Head Cap .....	2	
<p style="margin: 0;">Note: Detail view B is for rear fold-down seat strut installations. Detail view C is for rear fixed seat strut installations.</p>				

**1**  
**G**  
**E**



G-140799-000016

## CANOPY KITS, VILLAGER 6

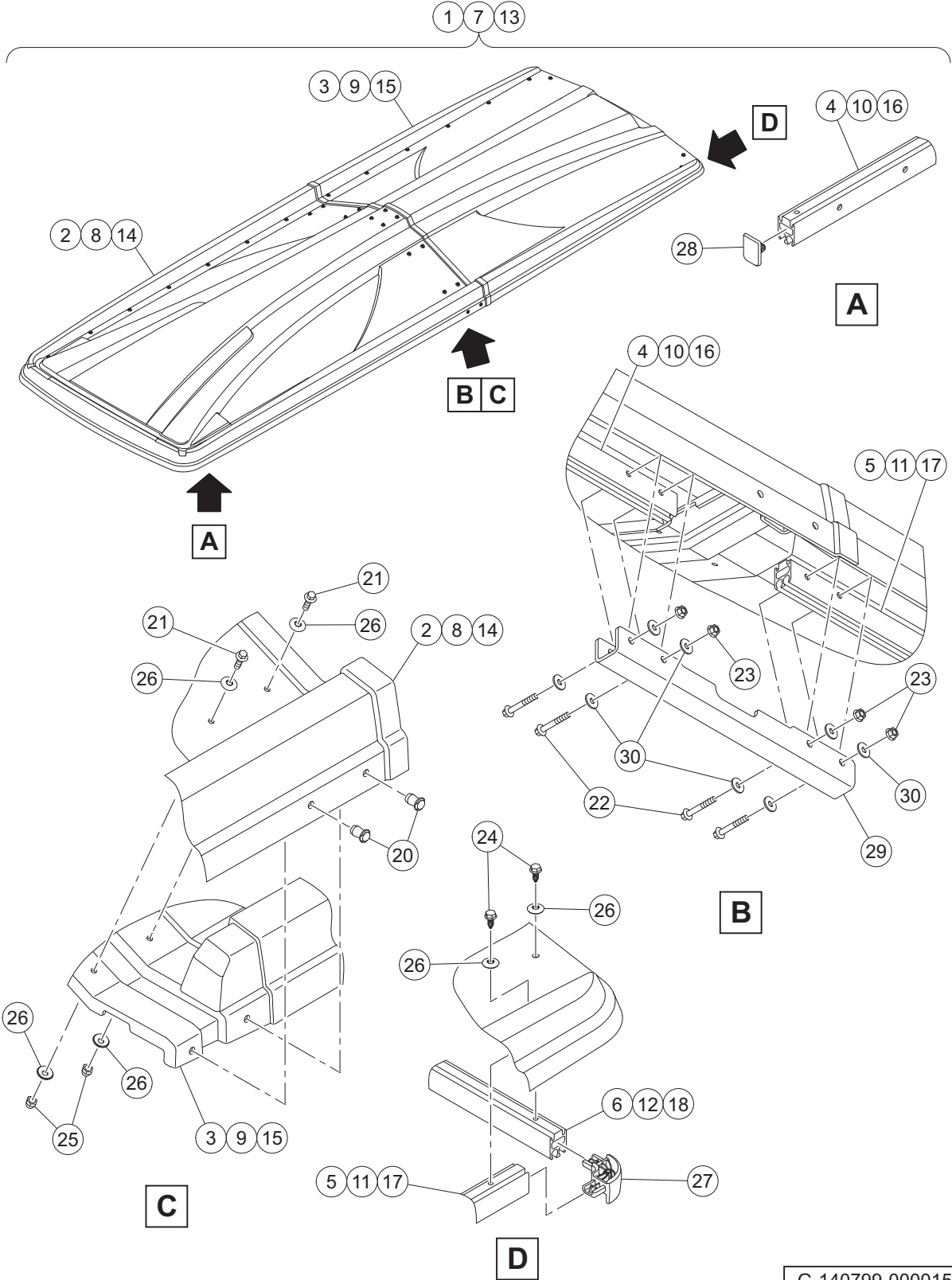
ITEM	PART NO.	DESCRIPTION	QTY
		<b>1 2 3 4</b>	
1	47677217001	Kit, Cnp, 6p, W/rails, Blk (includes items 2 through 4) .....	1
2	47675750001	Canopy, 6 Pass, Black .....	1
3	47683519001	Rail, Canopy, 6 Pass .....	2
4	47684172001	Rail, Canopy, Rear .....	1
5	47677217002	Kit, Cnp, 6p, W/rails, Bge (includes items 6 through 8) .....	1
6	47675750002	Canopy, 6 Pass, Beige .....	1
7	47683519001	Rail, Canopy, 6 Pass .....	2
8	47684172001	Rail, Canopy, Rear .....	1
9	47677217003	Kit, Cnp, 6p, W/rails, Wht (includes items 10 through 12) .....	1
10	47675750003	Canopy, 6 Pass, White .....	1
11	47683519001	Rail, Canopy, 6 Pass .....	2
12	47684172001	Rail, Canopy, Rear .....	1
13	47677217004	Kit, Hrdw, Canopy, 6p (includes items 14 through 17) .....	1
14	<u>102544201</u>	Screw, M6 Hex .....	24
15	<u>103196001</u>	Washer, Conical Spring, Canopy .....	24
16	47682597001	Corner Connector, Canopy .....	2
17	47682736001	Cap,canopy .....	2
Note: Item 13 is not illustrated. All details that are supplied with item 13 are included with and apply to all canopy kits.			

1

G

E

**1**  
**G**  
**E**



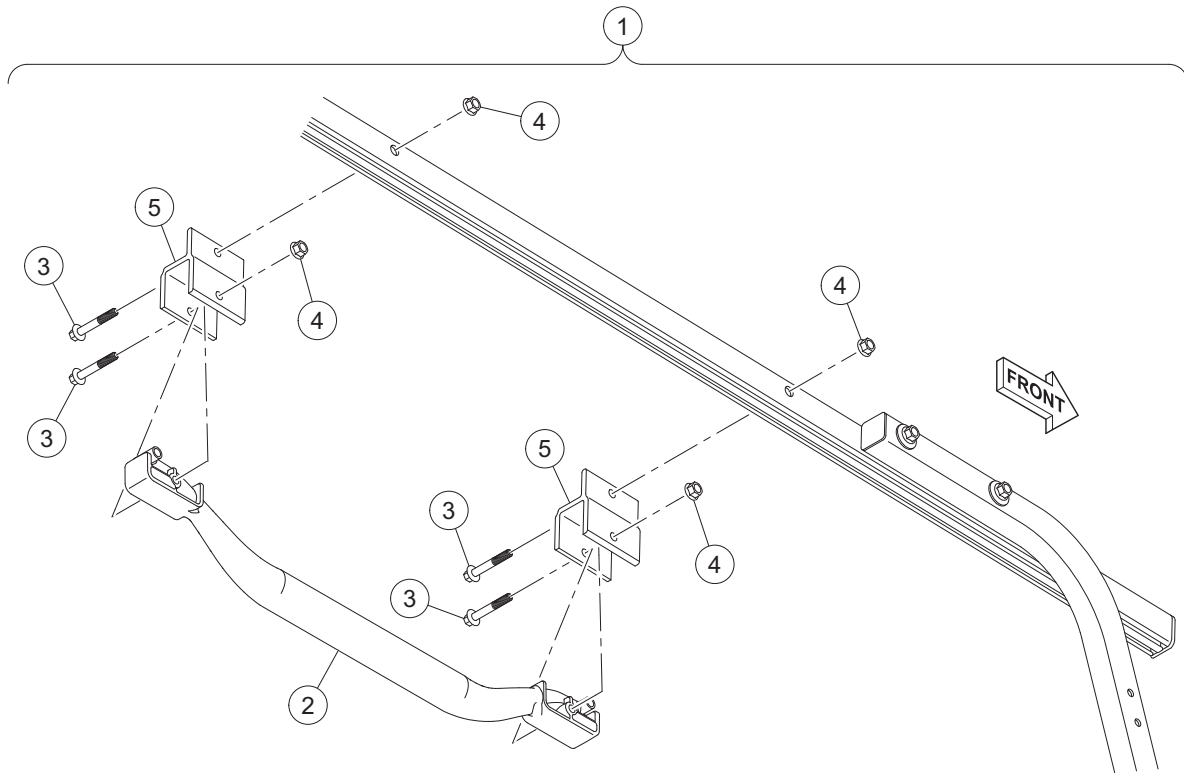
G-140799-000015

# CANOPY KITS, VILLAGER 8

ITEM	PART NO.	DESCRIPTION	QTY
		1 2 3 4	
1	47676132001	Kit, Canopy Black 8p, W/rail (includes items 2 through 6) .....	1
2	47676131001	Canopy, Front, 8p, Black .....	1
3	47678079001	Canopy, Rear, 8p, Black .....	1
4	47683274001	Rail, Canopy, Front, 8 Pass .....	2
5	47683274002	Rail, Canopy, Rear, 8 Pass .....	2
6	47684172001	Rail, Canopy, Rear .....	1
7	47676132002	Kit, Canopy Beige 8p, W/rail (includes items 8 through 12) .....	1
8	47676131002	Canopy, Front, 8p, Beige .....	1
9	47678079002	Canopy, Rear, 8p, Beige .....	1
10	47683274001	Rail, Canopy, Front, 8 Pass .....	2
11	47683274002	Rail, Canopy, Rear, 8 Pass .....	2
12	47684172001	Rail, Canopy, Rear .....	1
13	47676132003	Kit, Canopy White 8p, W/rail (includes items 14 through 18) .....	1
14	47676131003	Canopy, Front, 8p, White .....	1
15	47678079003	Canopy, Rear, 8p, White .....	1
16	47683274001	Rail, Canopy, Front, 8 Pass .....	2
17	47683274002	Rail, Canopy, Rear, 8 Pass .....	2
18	47684172001	Rail, Canopy, Rear .....	1
19	47676132004	Kit, Hrdw, Canopy, 8p (includes items 20 through 30) .....	1
20	<u>1016967</u>	Blind Rivet, Push Type .....	4
21	<u>102541401</u>	Bolt-m6x1.0x20 Hex Flhd Blk-l .....	12
22	<u>102541455</u>	Bolt-m6x1.0x55 Hex Flhd, Blk-l .....	8
23	<u>102541501</u>	Nut-m6x1.0 Fl Mtl Lock,blk .....	8
24	<u>102544201</u>	Screw, M6 Hex .....	30
25	<u>102582401</u>	Cap Nut M6, Sp .....	12
26	<u>103196001</u>	Washer, Conical Spring, Canopy .....	54
27	47682597001	Corner Connector, Canopy .....	2
28	47682736001	Cap,canopy .....	2
29	47682929001	Bracket, Canopy 8p .....	2
30	47693544001	Washer, M6 Flat, Black .....	16
		Note: Item 19 is not illustrated. All details that are supplied with item 19 are included with and apply to all canopy kits.	

1  
G  
E

**1**  
**G**  
**E**



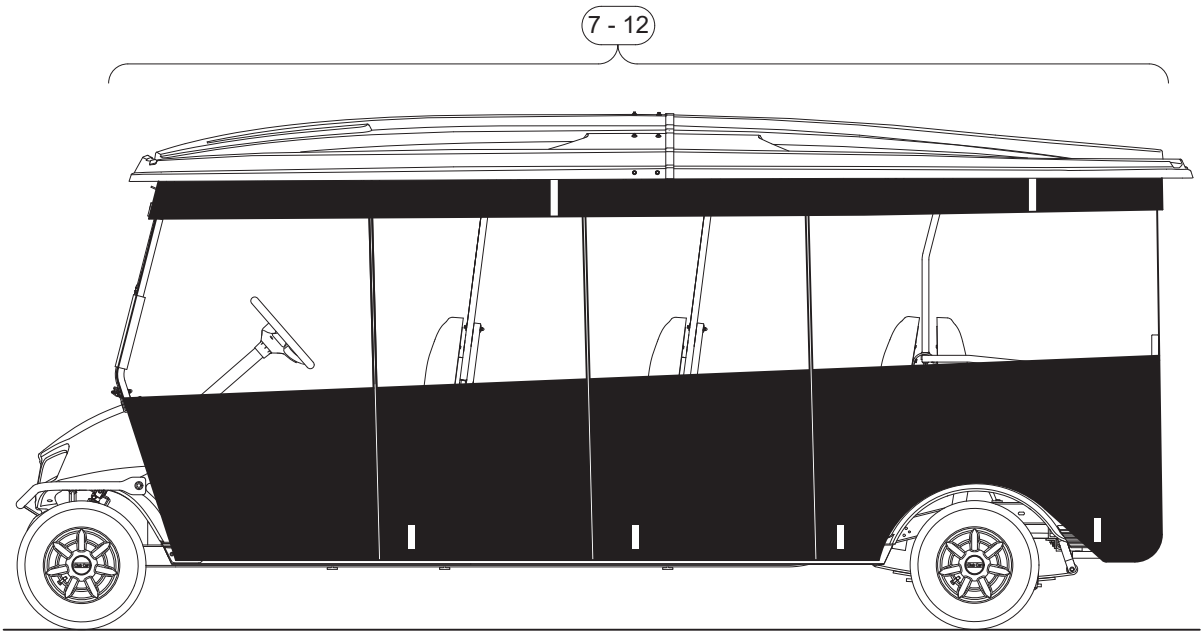
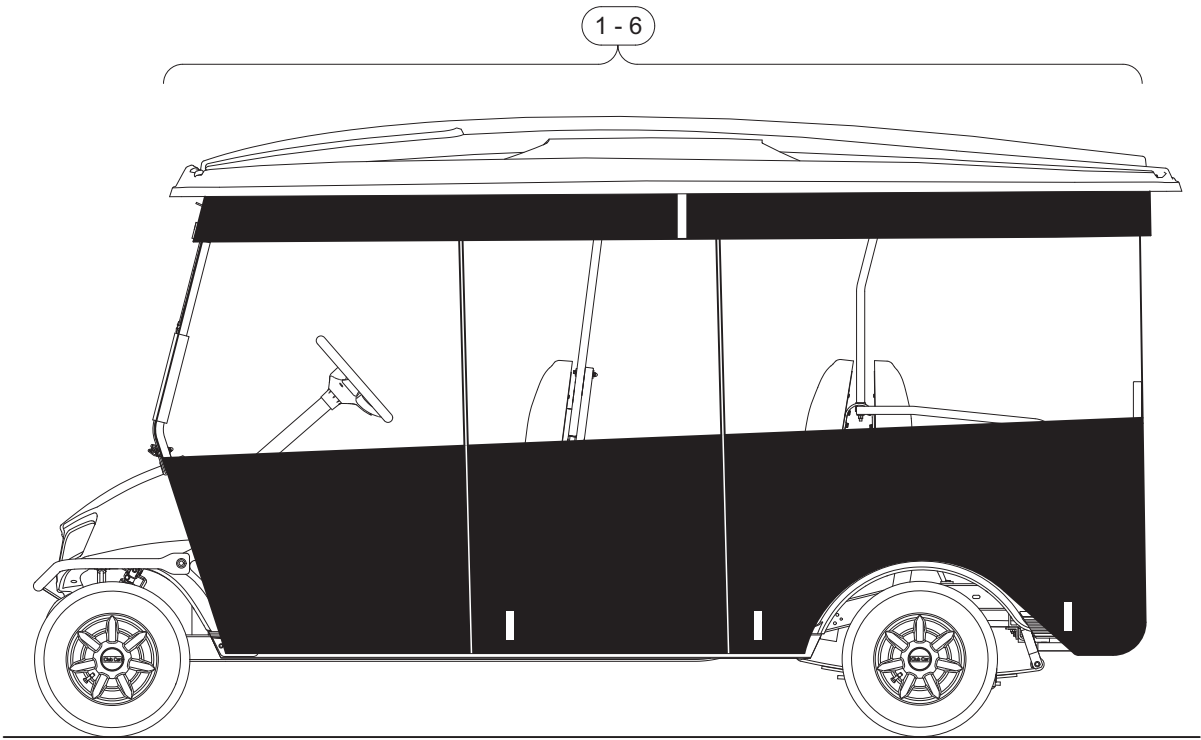
G-140799-000011

# GRAB HANDLES

ITEM	PART NO.	DESCRIPTION	QTY
		1 2 3 4	
1	47634205002	Kit, Grab Handle (includes items 2 through 5) .....	1
2	<u>102511603</u>	Handle-canopy (black) .....	1
3	<u>102541440</u>	Bolt-m6x1.0x40 Hex Flhd, Blk .....	4
4	<u>102541501</u>	Nut-m6x1.0 Fl Mtl Lock,blk .....	4
5	47634203001	Bracket, Grab Handle .....	2
		<p>Note: Single grab handle kit shown. For dual grab handle kits, order p/n 47634205001.</p>	



**1**  
**G**  
**E**



G-141099-000001



# RAIN ENCLOSURE KITS

ITEM	PART NO.	DESCRIPTION	QTY
		1 2 3 4	
1	47683840001	Kit, Enclsr White, 6p, Fixed .....	1
2	47683840002	Kit, Enclsr Beige, 6p, Fixed .....	1
3	47683840003	Kit, Enclsr Black, 6p, Fixed .....	1
4	47683840004	Kit, Enclsr White, 6p, Fldwn .....	1
5	47683840005	Kit, Enclsr Beige, 6p, Fldwn .....	1
6	47683840006	Kit, Enclsr Black, 6p, Fldwn .....	1
7	47709184001	Kit, Enclsr White, 8p, Fixed .....	1
8	47709184002	Kit, Enclsr Beige, 8p, Fixed .....	1
9	47709184003	Kit, Enclsr Black, 8p, Fixed .....	1
10	47709184004	Kit, Enclsr White, 8p, Fldwn .....	1
11	47709184005	Kit, Enclsr Beige, 8p, Fldwn .....	1
12	47709184006	Kit, Enclsr Black, 8p, Fldwn .....	1
		<p>Note: There are no detail parts available for any rain enclosure kits. Make sure to order correct kit based off fold-down seat, fixed seat, color and number of passenger vehicle applicable.</p>	

1  
G  
E

**1**

**G**

**E**

# WHEELS AND TIRES

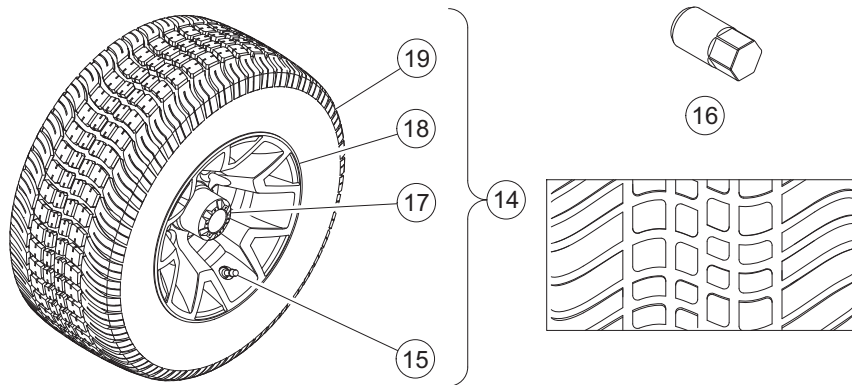
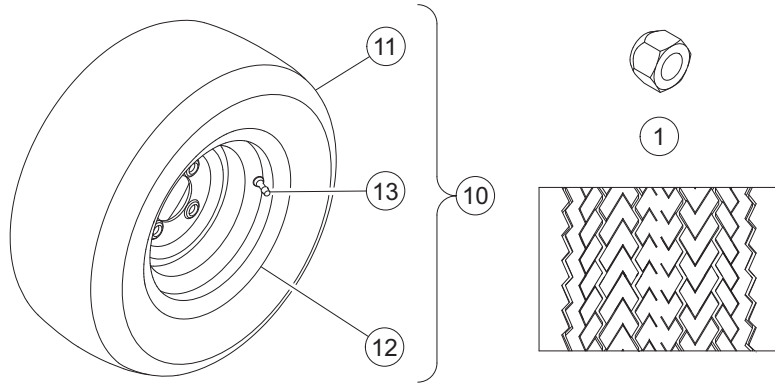
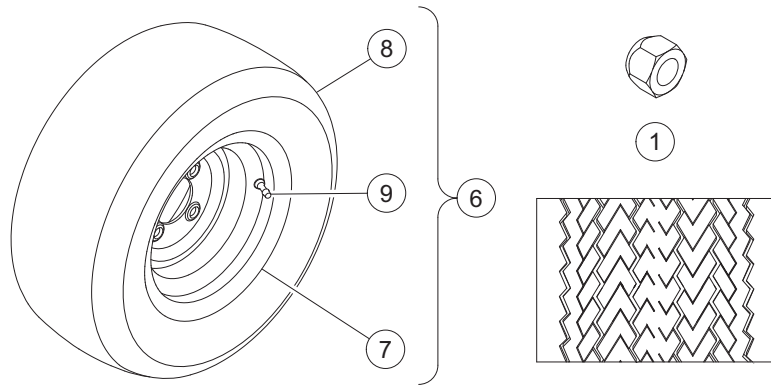
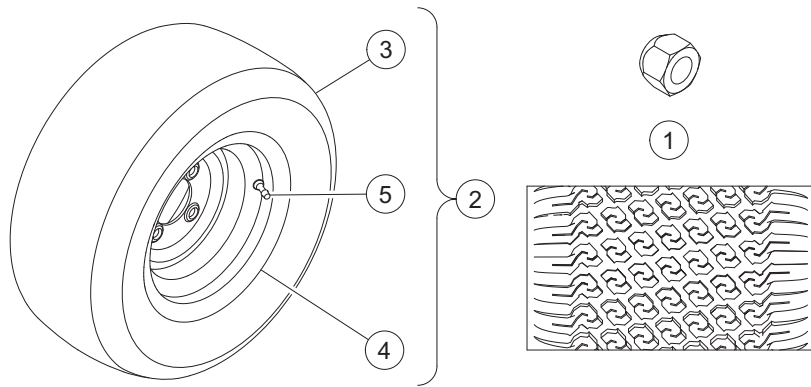
---

2

G

E

**2**  
**G**  
**E**



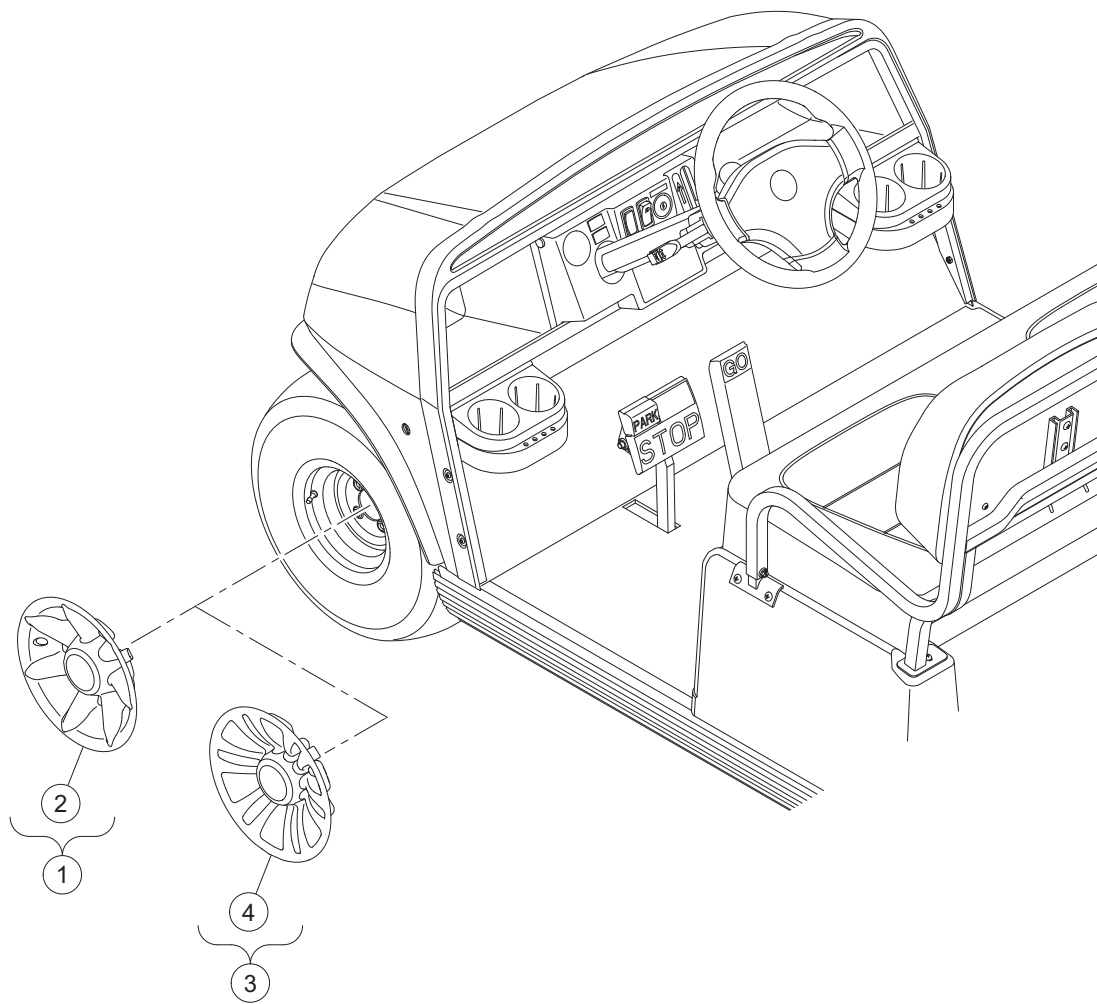
G-090099-000015

# WHEELS AND TIRES

ITEM	PART NO.	DESCRIPTION	QTY
		<b>1 2 3 4</b>	
1	<u>1010984</u>	.500-20 Unf Lug Nut .....	16
2	<u>103951002</u>	Assembly, Silver Wheel Kenda, X/t 6ply (includes items 3 through 5) .....	A/R
3	<u>102569302</u>	Tire, Kenda, 18x8.5-8, 6-ply Xtr .....	1
4	<u>103459104</u>	Wheel Rim, 8"x7", Silver, Std .....	1
5	<u>7310</u>	Valve Stem, Black Plastic .....	1
6	<u>103951003</u>	Asm,silver Whl Kenda, Hn1 6pl (includes items 7 through 9) .....	A/R
7	<u>103459104</u>	Wheel Rim, 8"x7", Silver, Std .....	1
8	<u>103658601</u>	Tire, Kenda Hn1, 6pl .....	1
9	<u>7310</u>	Valve Stem, Black Plastic .....	1
10	<u>103951004</u>	Asm,silver Whl Kenda,6.5" 6pl (includes items 11 through 13) .....	A/R
11	<u>103722901</u>	Tire, Kenda Hole-N-One, 18x6.5 - 8, Prem, 6-Ply .....	1
12	<u>103723003</u>	Wheel Rim, 8 X 5.375, Silver .....	1
13	<u>7310</u>	Valve Stem, Black Plastic .....	1
14	47685955003	Asm, 205/50r10 Sbr, Aii-zo, Gb (includes items 15 through 19) .....	A/R
15	<u>103832401</u>	Valve Stem With Cap, Chrome .....	1
16	<u>47562951001</u>	Nut, Lug, 17x1/2-20, Chrome .....	4
17	47625132001	Cap, Cntr, Chrome, Club Car .....	1
18	47640953001	Wheel, Atl li, 10", Gb, 0-ofst .....	1
19	47665433001	Tire, 205/50r10, Stl Belt Radl .....	1

2  
G  
E

**2**  
**G**  
**E**



G-090099-000016

# WHEEL COVERS

ITEM	PART NO.	DESCRIPTION	QTY
		1 2 3 4	
1	<u>102559901</u>	Hub Cap Kit (includes item 2) .....	1
2	<u>103694501</u>	Hub Cap, 7 Prong .....	4
3	<u>102559902</u>	Kit, Wheel Cover, 12 Spk (includes item 4) .....	1
4	<u>105142401</u>	Wheel Cover, 12 Spk, 8", Slvr .....	4

2

G

E

**2**

**G**

**E**



# DECALS

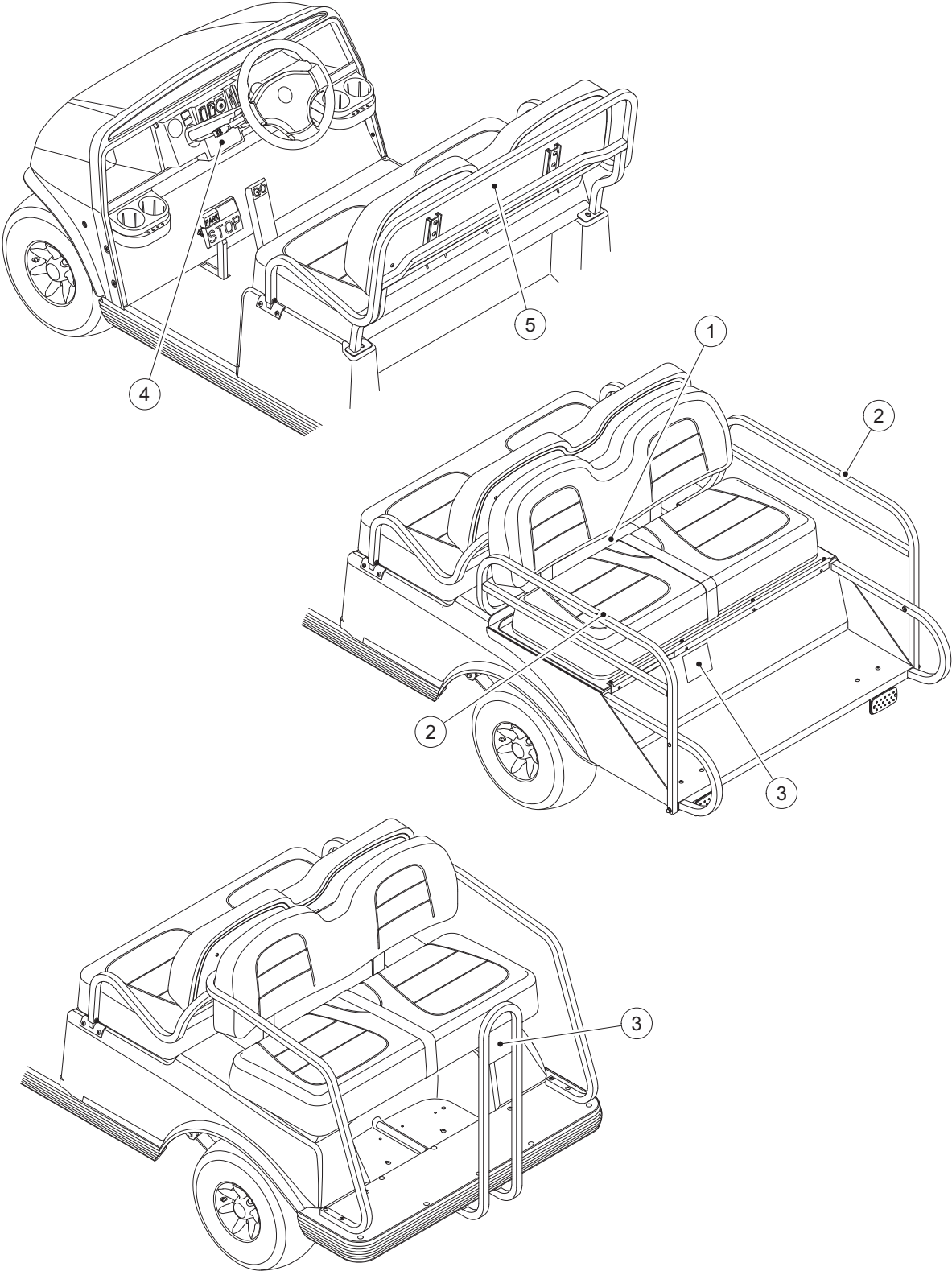
---

3

G

E

**3**  
**G**  
**E**



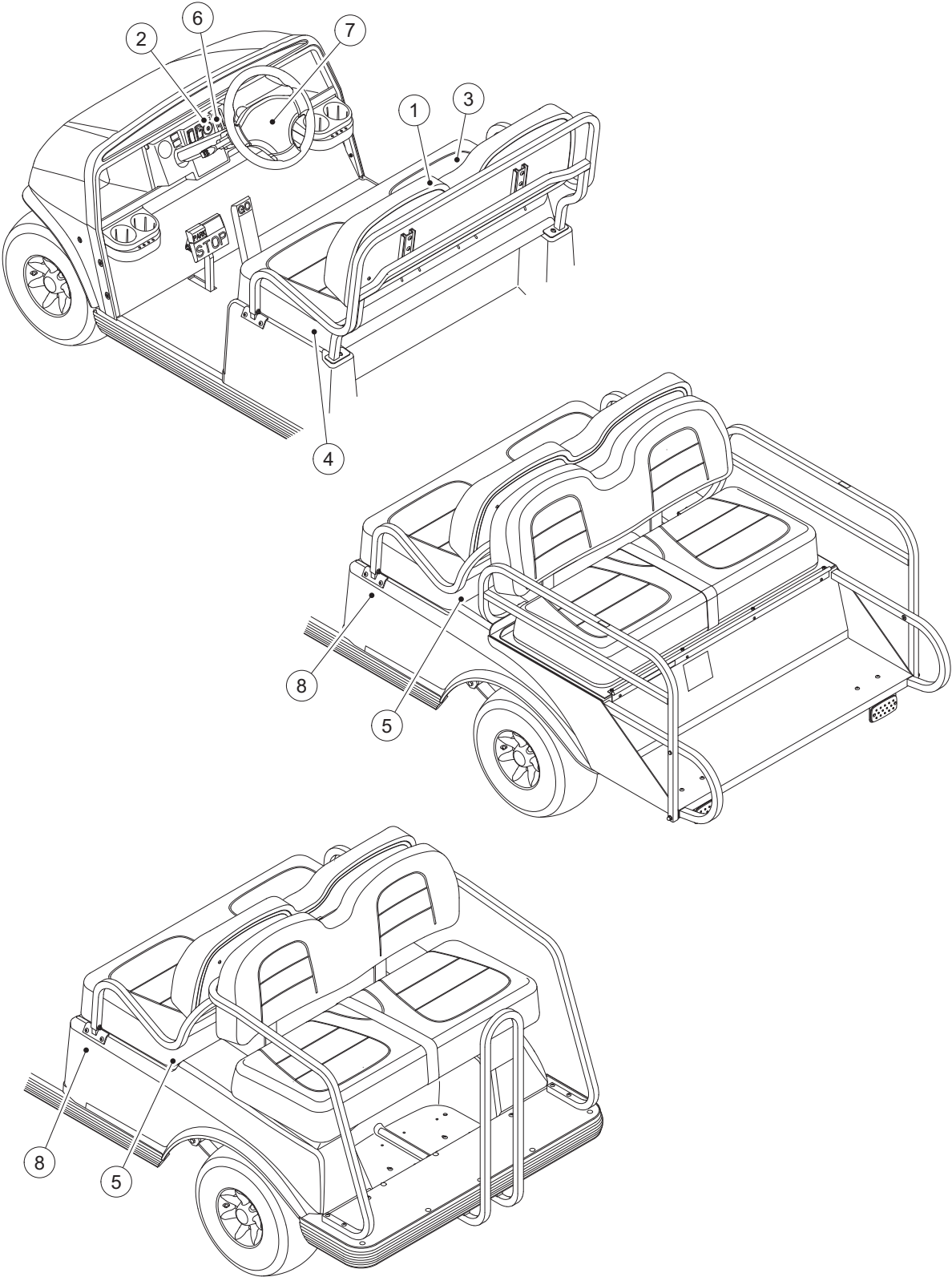
G-160199-000013

## DECALS – VILLAGER 6 GAS AND ELECTRIC

ITEM	PART NO.	DESCRIPTION	QTY
		1 2 3 4	
1	<u>101553901</u>	Decal, Bed Load Warning .....	1
2	<u>101609401</u>	Decal, Crush Area Warning .....	2
3	<u>101705701</u>	Decal, Warning .....	1
4	<u>103961601</u>	Decal, Warn, Rollover, Ds Utl .....	1
5	47638920001	Decal, Warning, Fall Out .....	1
<p>Note: Item 2 applies to hand rail decals on fold-down rear seat vehicles.</p>			

3  
G  
E

**3**  
**G**  
**E**



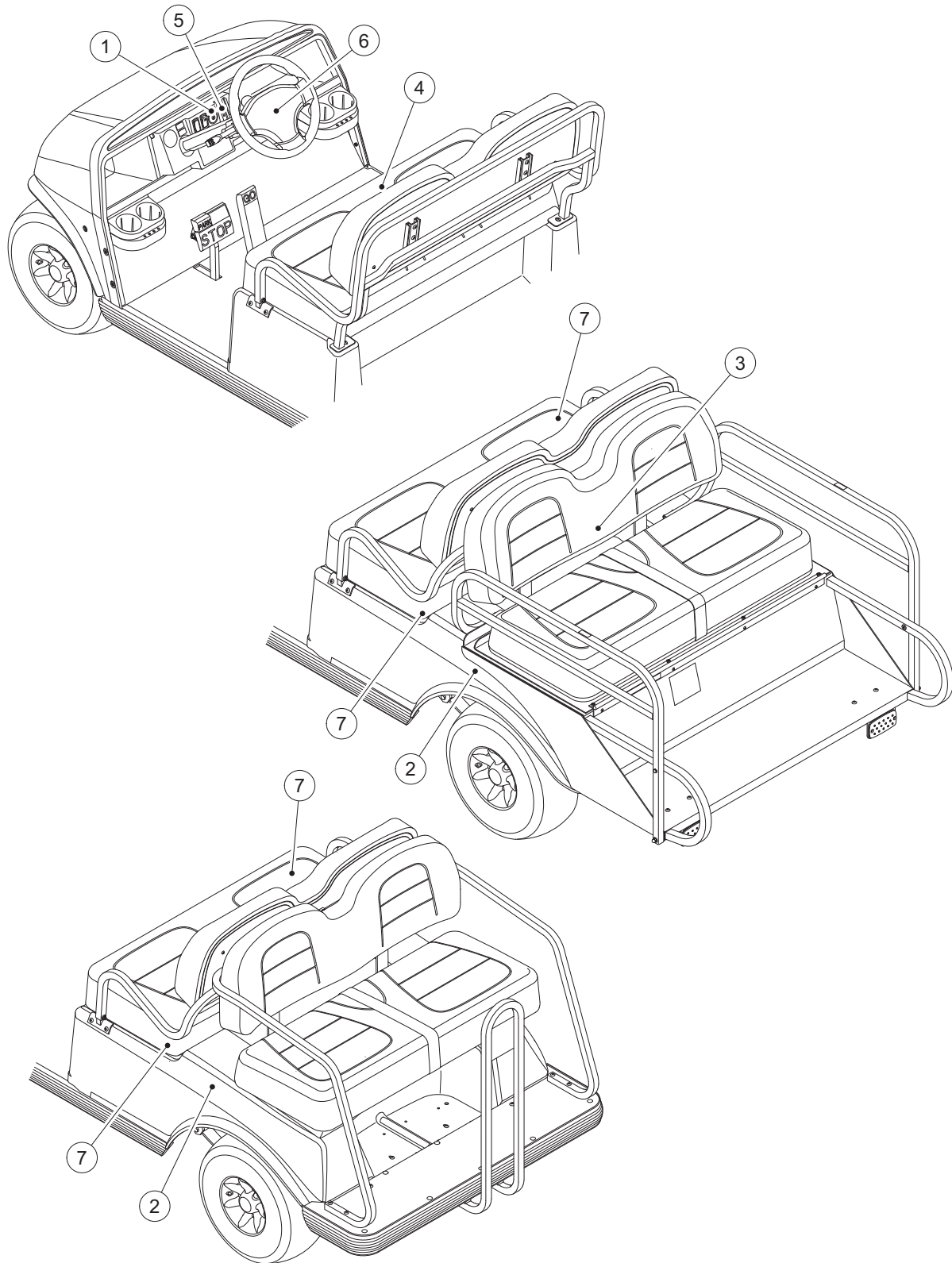
G-160199-000014

## DECALS – VILLAGER 6 ELECTRIC VEHICLES ONLY

ITEM	PART NO.	DESCRIPTION	QTY
		<b>1 2 3 4</b>	
1	<u>1013677</u>	Decal, Battery Danger .....	1
2	<u>101825101</u>	Decal, Off/On .....	1
3	<u>102518301</u>	Decal, Caution, Electrical Component Cover .....	1
4	<u>102845101</u>	Decal, Tow Switch .....	1
5	<u>102967601</u>	Decal, Warning, 4 Gauge Wire .....	1
6	<u>103210301</u>	Decal, Forward/Reverse, Electric .....	1
7	<u>103783001</u>	Decal, Op Instr, Ele .....	1
8	105124701	Decal, Caution, Not Use As Gnd .....	1

**3**  
**G**  
**E**

**3**  
**G**  
**E**



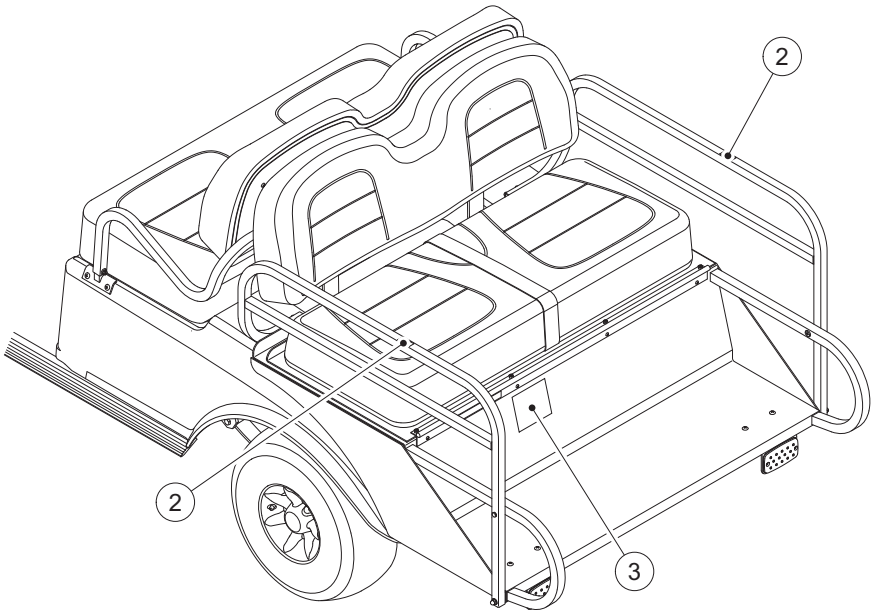
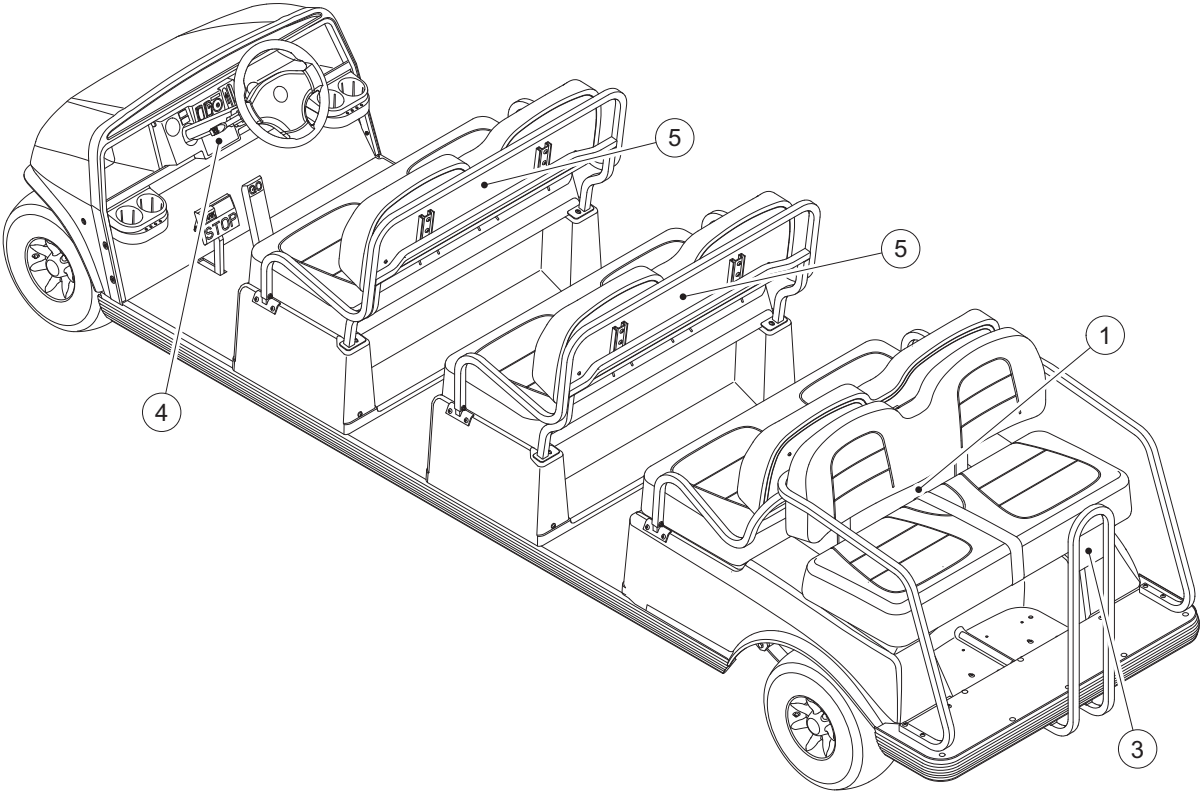
G-160199-000015

## DECALS – VILLAGER 6 GASOLINE VEHICLES ONLY

ITEM	PART NO.	DESCRIPTION	QTY
		1 2 3 4	
1	<u>101825101</u>	Decal, Off/On .....	1
2	<u>101915201</u>	Decal, Frame Ground and Governor Warning .....	1
3	<u>102458901</u>	Decal, Hot Surface Warning .....	1
4	<u>103205501</u>	Decal, Maintenance/Operate Switch .....	1
5	<u>103210201</u>	Decal, Forward/Reverse, Gas .....	1
6	<u>103783002</u>	Decal, Op Instr, Gas Ps .....	1
7	<u>105082301</u>	Decal, Warn, Gas Pressure .....	2

3  
G  
E

**3**  
**G**  
**E**



G-160199-000016

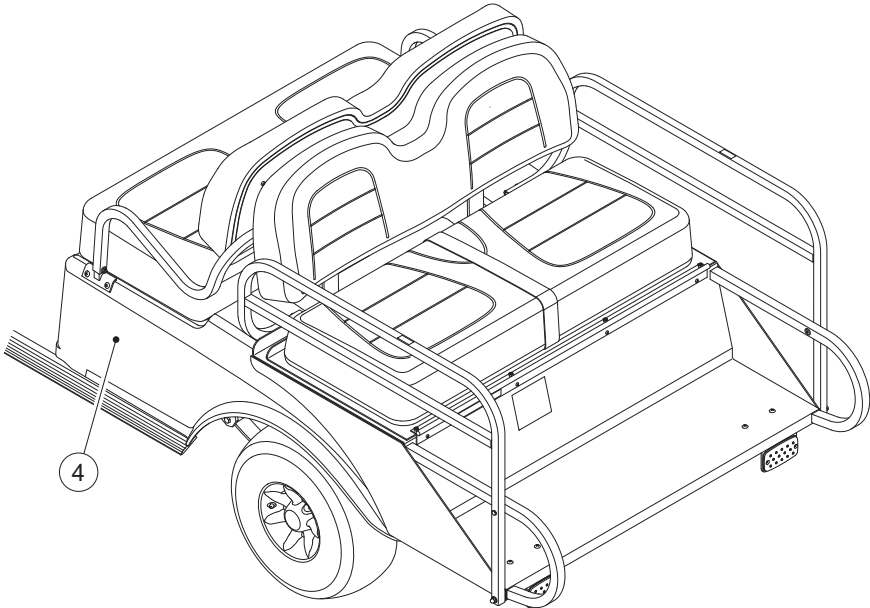
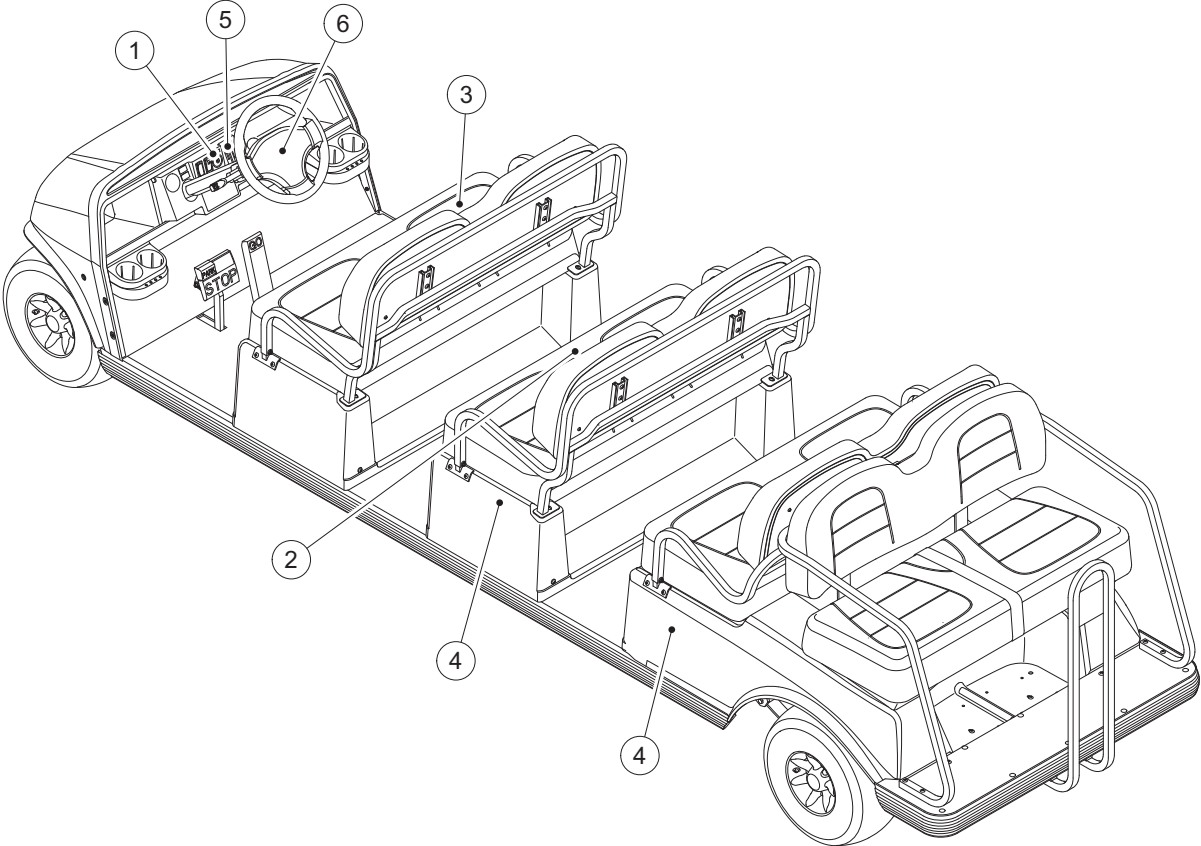


## DECALS – VILLAGER 8 GAS AND ELECTRIC

ITEM	PART NO.	DESCRIPTION	QTY
		1 2 3 4	
1	<u>101553901</u>	Decal, Bed Load Warning .....	1
2	<u>101609401</u>	Decal, Crush Area Warning .....	2
3	<u>101705701</u>	Decal, Warning .....	1
4	<u>103961601</u>	Decal, Warn, Rollover, Ds Utl .....	1
5	47638920001	Decal, Warning, Fall Out .....	2
		<p>Note: Item 2 applies to hand rail decals on fold-down rear seat vehicles.</p>	

3  
G  
E

**3**  
**G**  
**E**



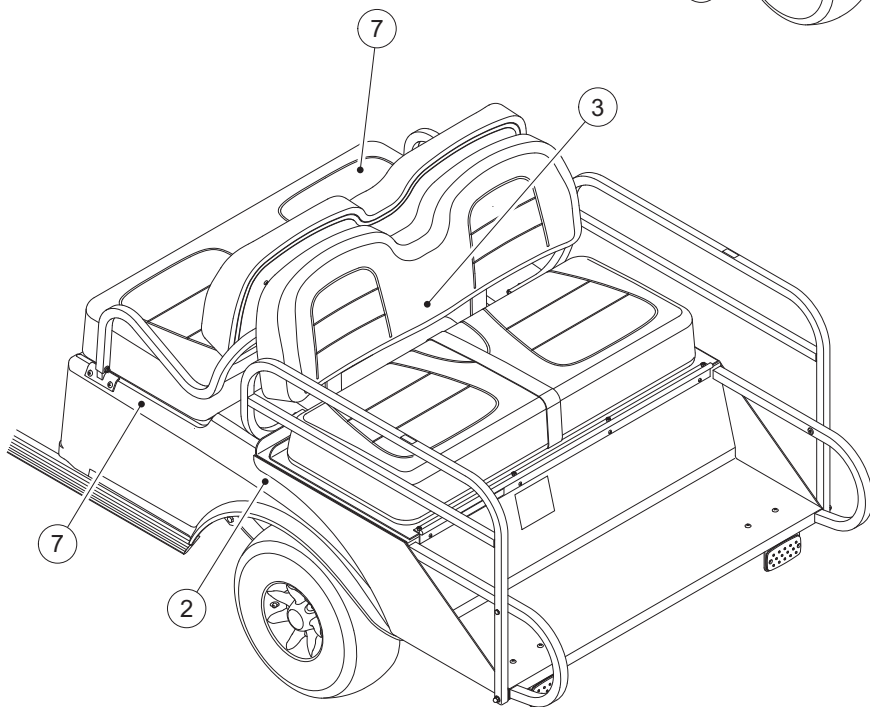
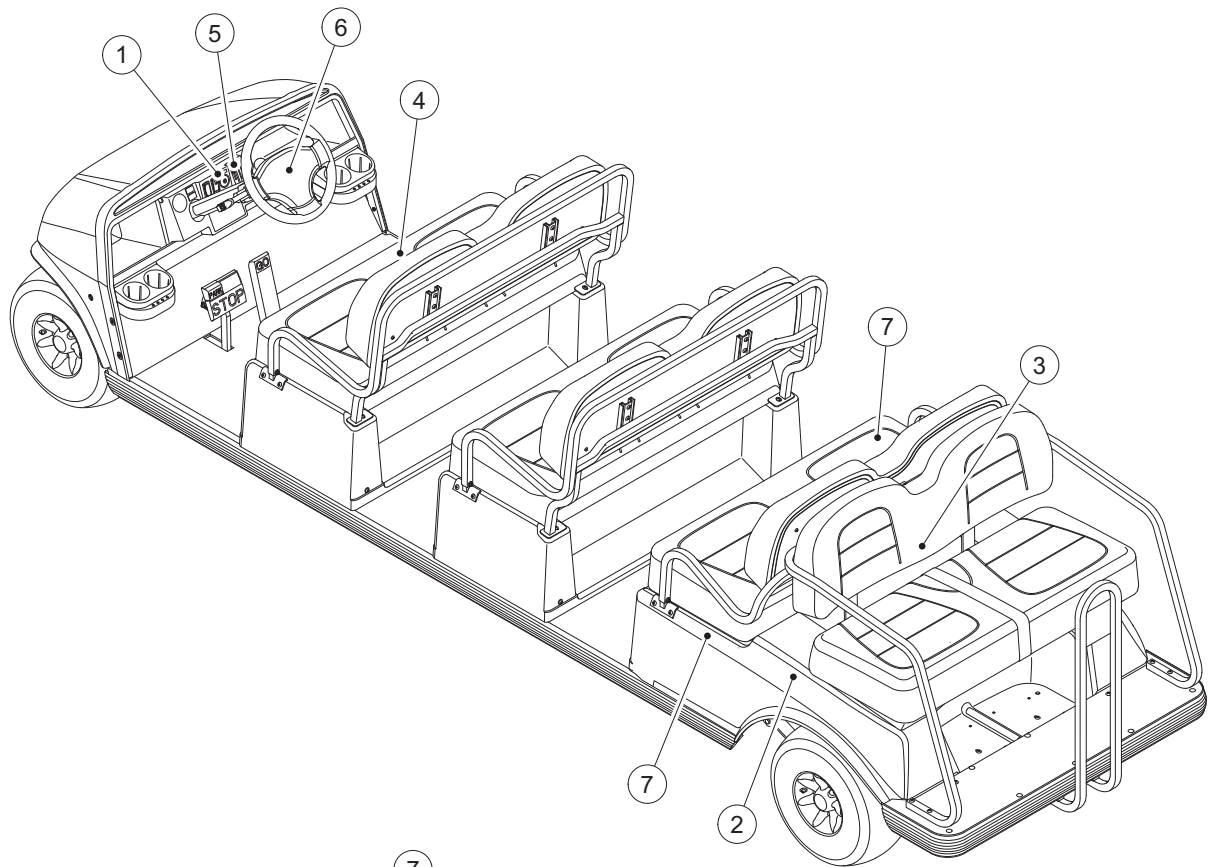
G-160199-000017

## DECALS – VILLAGER 8 ELECTRIC VEHICLES

ITEM	PART NO.	DESCRIPTION	QTY
		<b>1 2 3 4</b>	
1	<u>101825101</u>	Decal, Off/On .....	1
2	<u>102518301</u>	Decal, Caution, Electrical Component Cover .....	1
3	<u>102845101</u>	Decal, Tow Switch .....	1
4	<u>102967601</u>	Decal, Warning, 4 Gauge Wire .....	2
5	<u>103210301</u>	Decal, Forward/Reverse, Electric .....	1
6	<u>103783001</u>	Decal, Op Instr, Ele .....	1

3  
G  
E

**3**  
**G**  
**E**



G-160199-000018

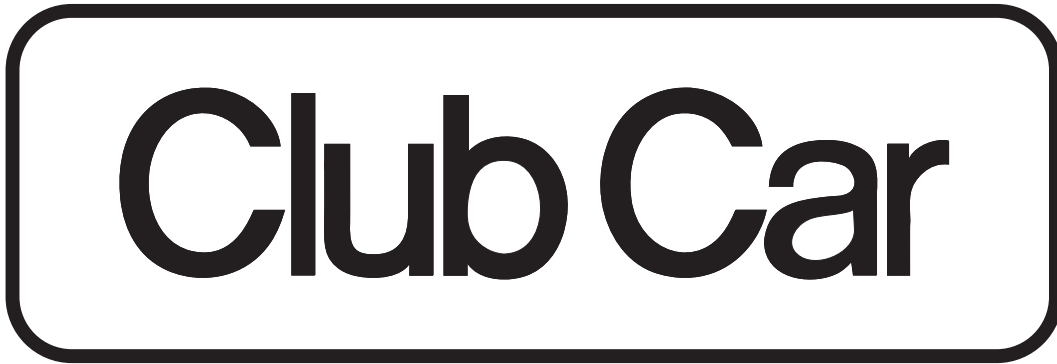
## DECALS – VILLAGER 8 GASOLINE VEHICLES

ITEM	PART NO.	DESCRIPTION	QTY
		1 2 3 4	
1	<u>101825102</u>	Decal, Off/On/Start .....	1
2	<u>101915201</u>	Decal, Frame Ground and Governor Warning .....	1
3	<u>102458901</u>	Decal, Hot Surface Warning .....	2
4	<u>103205501</u>	Decal, Maintenance/Operate Switch .....	1
5	<u>103210201</u>	Decal, Forward/Reverse, Gas .....	1
6	<u>103783003</u>	Decal, Op Instr, Gas Ks .....	1
7	<u>105082301</u>	Decal, Warn, Gas Pressure .....	2

3  
G  
E



①



②



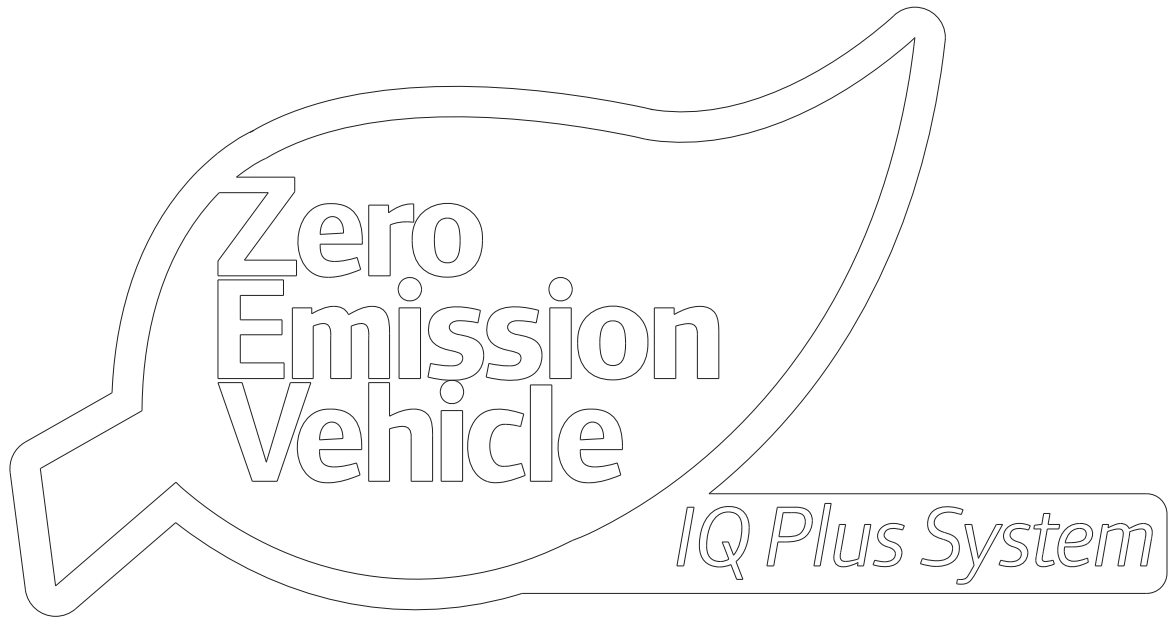
③

G-160299-000015

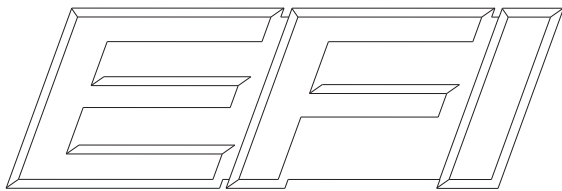
## BADGING DECALS – VILLAGER

ITEM	PART NO.	DESCRIPTION	QTY
		1 2 3 4	
1	<u>103234304</u>	Decal, Badge, Ir, Red .....	2
2	<u>47605590001</u>	Decal, Logo, Cc, Gold .....	1
3	<u>47684722001</u>	Decal, Villager Rf .....	2

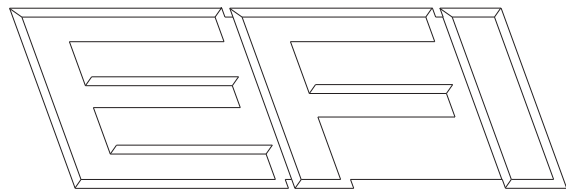
3  
G  
E



①



②



③

G-160299-000016



# IQ PLUS AND EFI DECAL

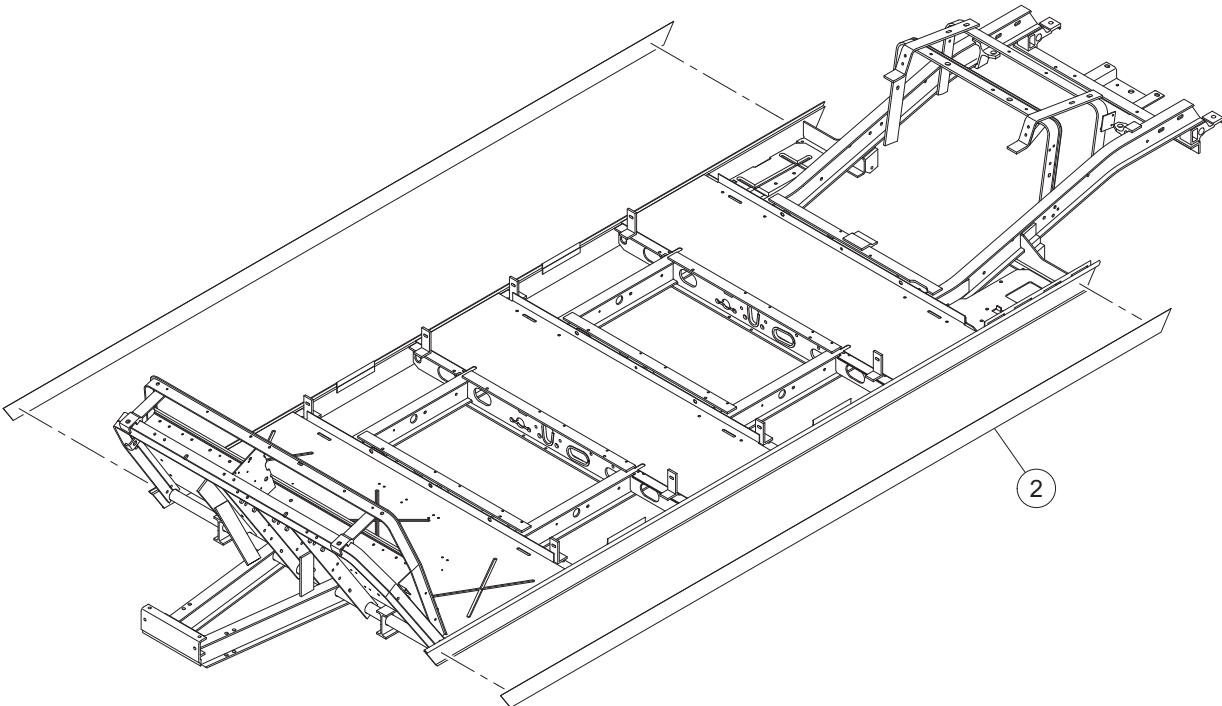
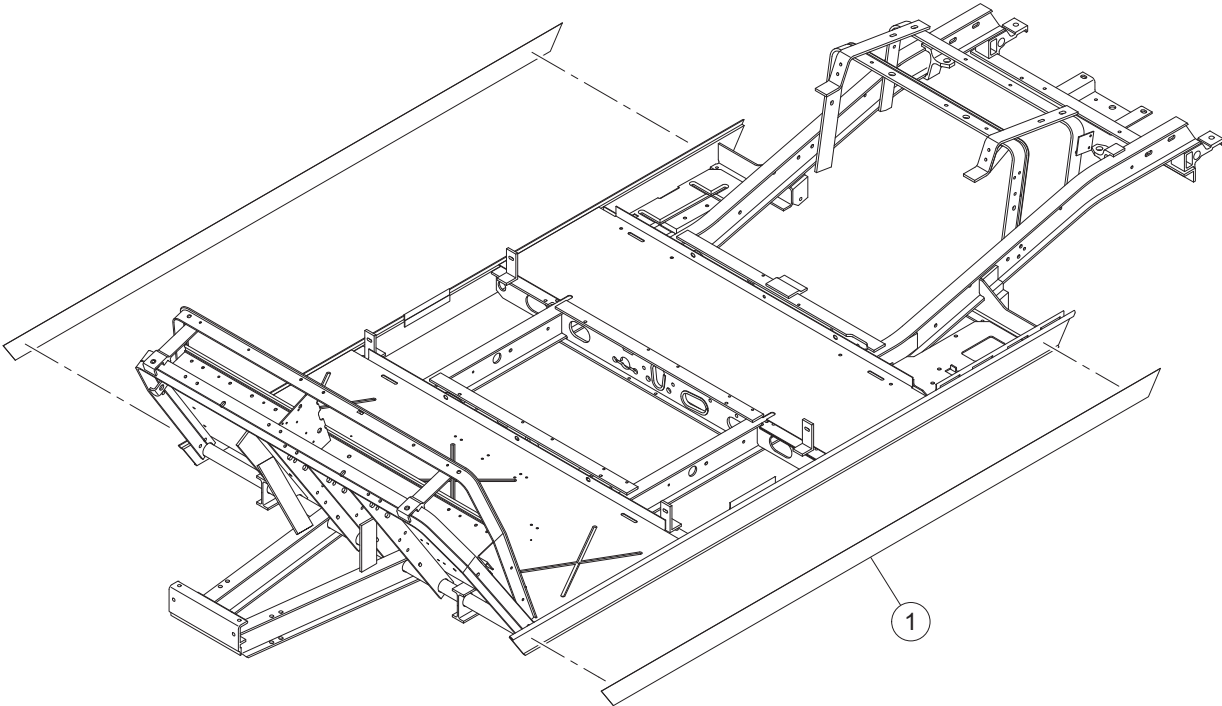
ITEM	PART NO.	DESCRIPTION	QTY
		1 2 3 4	
1	<u>103464801</u>	Decal, Iq Plus, Zev .....	2
2	<u>105153301</u>	Decal, Efi, Italic, Lh .....	1
3	<u>105153302</u>	Decal, Efi, Italic, Rh .....	1
<p style="margin-left: 40px;">Note: Item 1 applies to electric vehicles only. Items 2 and 3 apply to gasoline vehicles only.</p>			

3

G

E

**3**  
**G**  
**E**



G-160299-000017

## DECALS – SIDE

ITEM	PART NO.	DESCRIPTION	QTY
1	47652322001	1 2 3 4 Decal, Side Str, Short .....	2
2	47653915001	Decal, Side Str, Long .....	2
<p>Note: Item 1 applies to Villager 6 vehicles only. Item 2 applies to Villager 8 vehicles only.</p>			

3  
G  
E

**3**

**G**

**E**

# LIGHTS, CONTROLS, AND INDICATORS

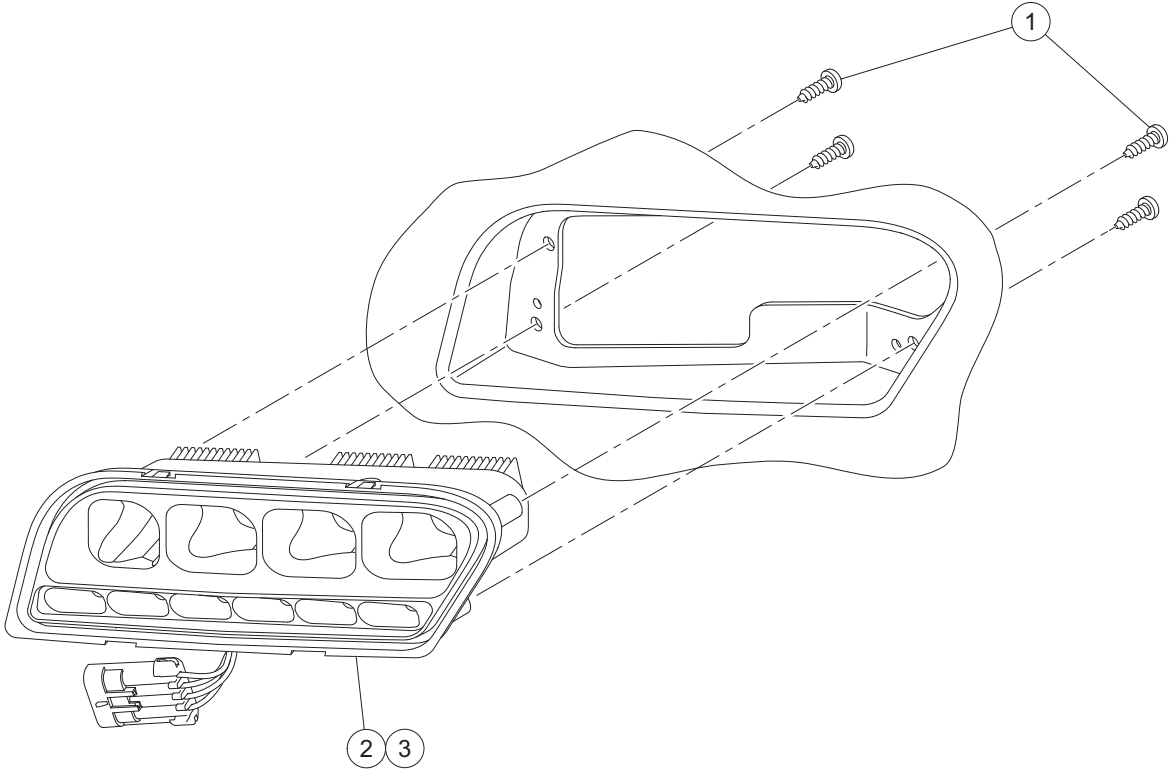
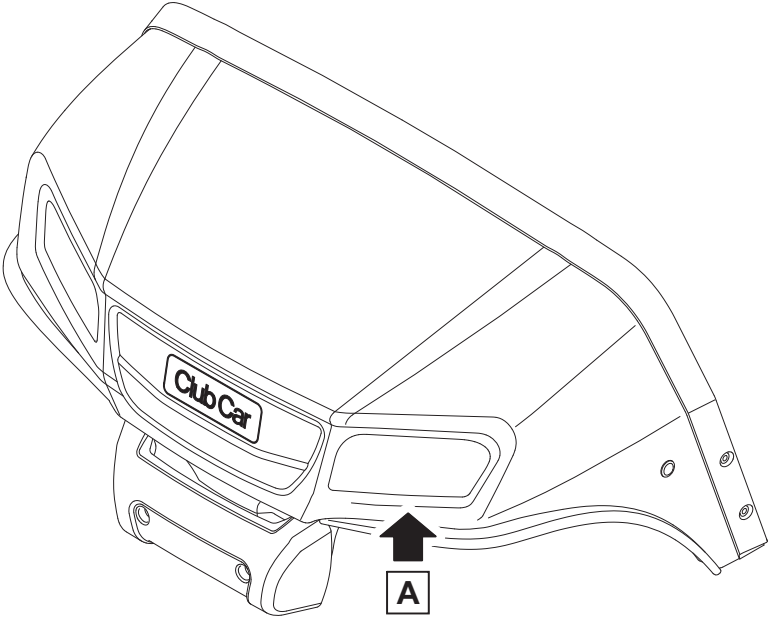
---

4

G

E

**4**  
**G**  
**E**



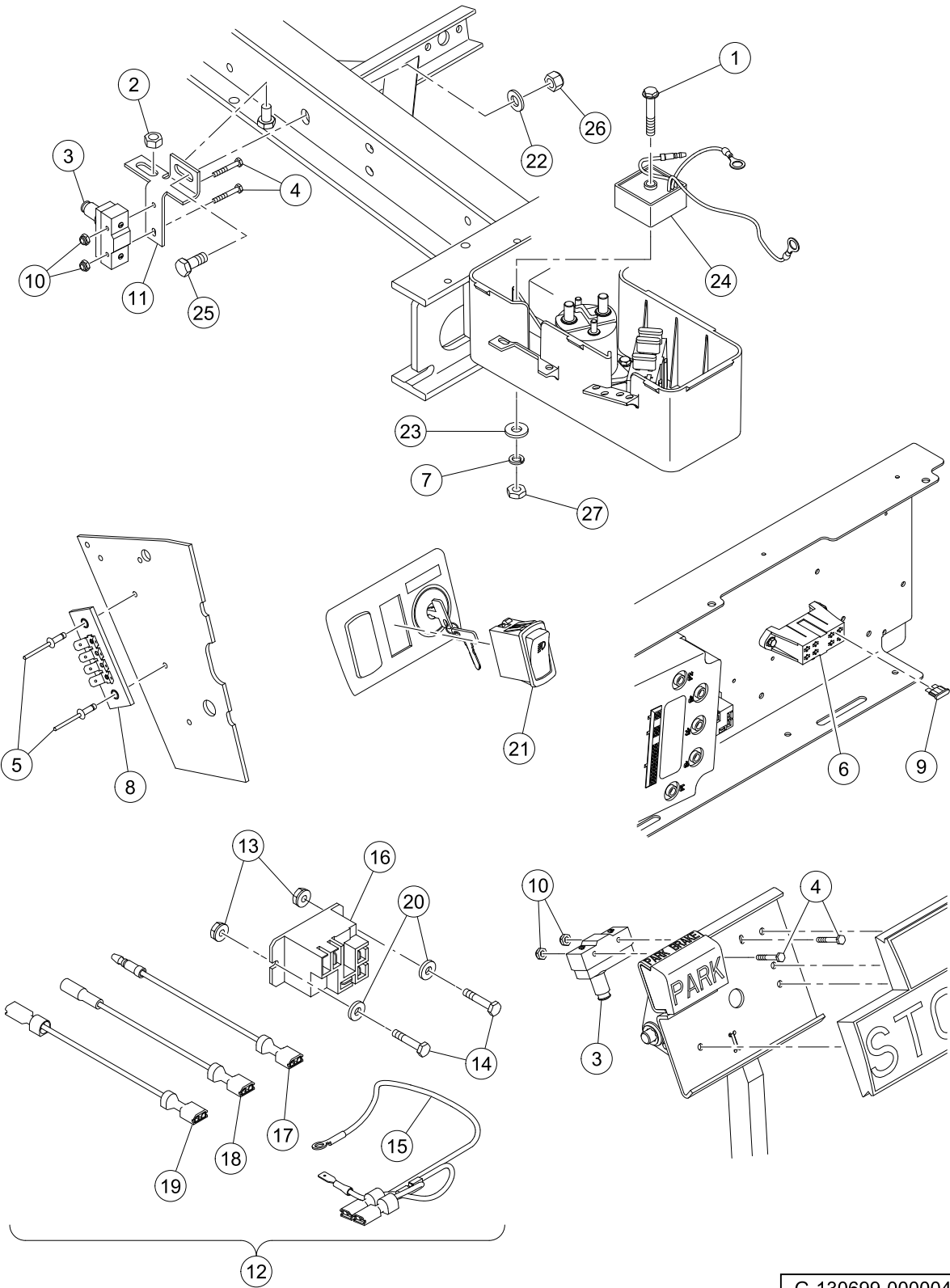
G-130699-000008

# HEADLIGHTS

ITEM	PART NO.	DESCRIPTION	QTY
1	<u>102296020</u>	1 2 3 4 Screw-torx Pan Head Pt, M6x20 .....	8
2	<u>47565234007</u>	Asm, Headlight, Led, Lh, Sp .....	1
3	<u>47565234008</u>	Asm, Headlight, Led, Rh, Sp .....	1

**4**  
**G**  
**E**

**4**  
**G**  
**E**



G-130699-000004

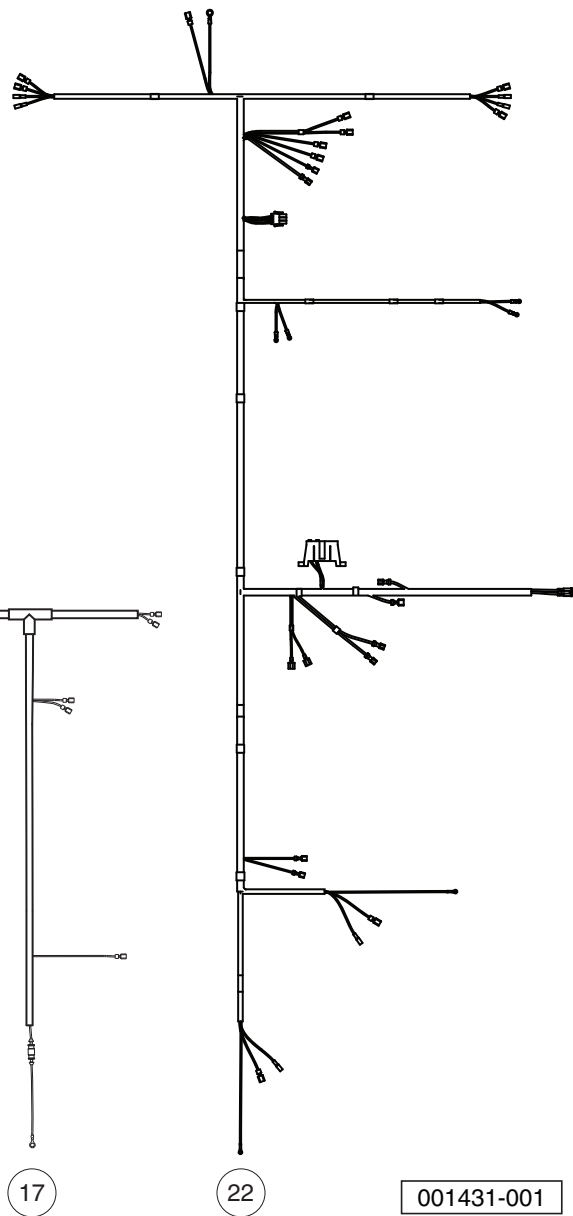
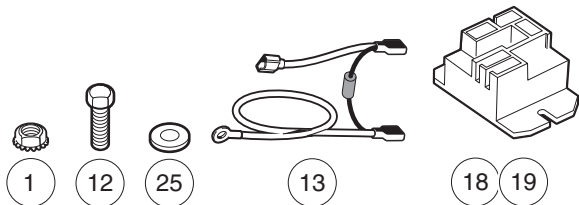
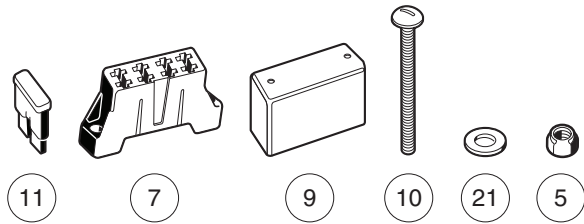
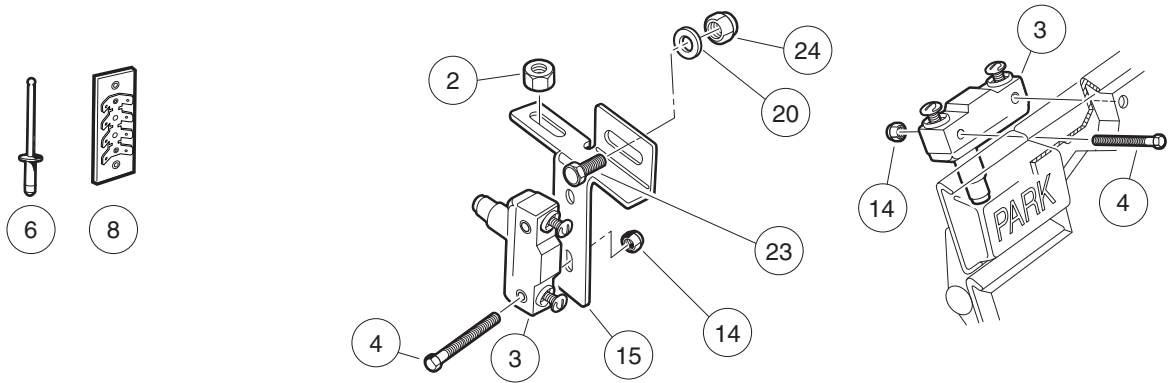


# LIGHTING SYSTEM COMPONENTS – GASOLINE VEHICLES

ITEM	PART NO.	DESCRIPTION	QTY
		1 2 3 4	
1	<u>1010909</u>	Screw, #10-32 X 1.25 Rd Hd Mch .....	1
2	<u>1011280</u>	Locknut, 5/16-18 .....	1
3	<u>1011439</u>	Switch, Limit .....	2
4	<u>1011557</u>	Screw, #6-32 X 1.00 Hex-Head Machine .....	4
5	<u>1013357</u>	Rivet, 5/32 Aluminum Pop .....	2
6	<u>1015741</u>	Fuse Block .....	1
7	<u>1016</u>	Lockwasher, #10 Split .....	1
8	<u>1016356</u>	Terminal Block with Insulator .....	1
9	<u>1016423</u>	Fuse, 20-Amp .....	3
10	<u>101932201</u>	Locknut, #6-32 Nylon .....	4
11	<u>101957101</u>	Bracket, Brake Light Switch .....	1
12	<u>102198701</u>	Brake Relay Kit - 12v (includes items 13 through 20) .....	1
13	<u>1011229</u>	Locknut, #6-32 Whiz .....	2
14	<u>1017853</u>	Screw, #6-32 X 0.75 Hex-Head Machine .....	2
15	<u>101914401</u>	Assembly, Voltage Suppressor .....	1
16	<u>102199001</u>	Relay, 12-Volt .....	1
17	<u>102199201</u>	Wire Asm #18 Brown .....	1
18	<u>102199301</u>	Wire Asm #18 Black .....	1
19	<u>102199401</u>	Wire Asm #18 Black .....	1
20	<u>7591</u>	Washer, #6, Flat .....	2
21	<u>102869401</u>	Switch, Rocker, Light .....	1
22	<u>1241</u>	Washer, 5/16 Type A Flat .....	1
23	<u>183</u>	Washer, #10, Type A, Flat .....	1
24	<u>47604303001</u>	Voltage Limiter, Gas .....	1
25	<u>7173</u>	Screw, 5/16-18 X 0.75, Hex-Head Cap .....	1
26	<u>7473</u>	Locknut, 5/16-18 Nylon Insert .....	1
27	<u>7893</u>	Nut, #10-32 Hex .....	1
<p>Note: The Villager 6 and 8 and TransPorter gasoline models have wiring for lights built into the main wire harness.</p>			

4  
G  
E

**4**  
**G**  
**E**



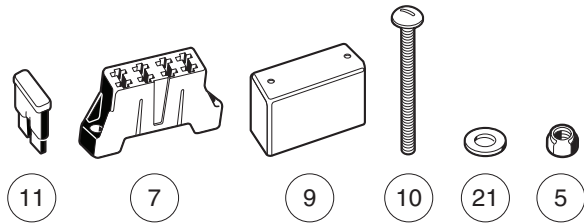
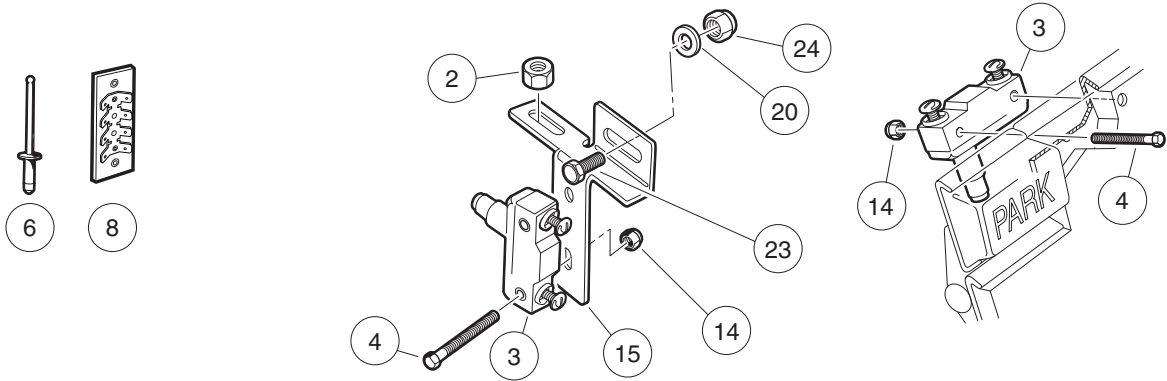
001431-001

# LIGHTING SYSTEM COMPONENTS – VILLAGER 6 ELECTRIC VEHICLE

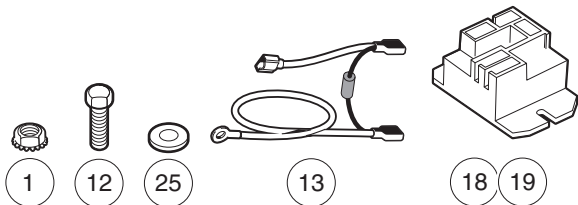
ITEM	PART NO.	DESCRIPTION	QTY
		1 2 3 4	
1	<u>1011229</u>	Locknut, #6-32 Whiz .....	2
2	<u>1011280</u>	Locknut, 5/16-18 .....	1
3	<u>1011439</u>	Switch, Limit .....	2
4	<u>1011557</u>	Screw, #6-32 X 1.00 Hex-Head Machine .....	4
5	<u>1012438</u>	Locknut, #10-24 Nylon Insert .....	2
6	<u>1013357</u>	Rivet, 5/32 Aluminum Pop .....	2
7	<u>1015741</u>	Fuse Block .....	1
8	<u>1016356</u>	Terminal Block with Insulator .....	1
9	<u>1016363</u>	Fuse Block Cover .....	1
10	<u>1016366</u>	Screw, #10-24 X 3.0 Pan-Head Machine .....	2
11	<u>1016423</u>	Fuse, 20-Amp .....	3
12	<u>1017853</u>	Screw, #6-32 X 0.75 Hex-Head Machine .....	2
13	<u>101914401</u>	Assembly, Voltage Suppressor .....	1
14	<u>101932201</u>	Locknut, #6-32 Nylon .....	4
15	<u>101957101</u>	Bracket, Brake Light Switch .....	1
16	<u>102869401</u>	Switch, Rocker, Light .....	1
17	<u>103255701</u>	Wire Harness, Headlights-Only, CA, Electric .....	1
18	<u>103414901</u>	Kit, Relay, 48v 30a W/instr (includes item 19) .....	1
19	<u>103397901</u>	Relay, Spst No, 48v 30a, Pmt .....	1
20	<u>1241</u>	Washer, 5/16 Type A Flat .....	1
21	<u>183</u>	Washer, #10, Type A, Flat .....	4
22	<u>47564908001</u>	Harness, Lighting, Vill6, Hfc .....	1
23	<u>7173</u>	Screw, 5/16-18 X 0.75, Hex-Head Cap .....	1
24	<u>7473</u>	Locknut, 5/16-18 Nylon Insert .....	1
25	<u>7591</u>	Washer, #6, Flat .....	2
		Note: Use item 17 for headlights only. Use item 22 for headlights and taillights.	

4  
G  
E

**4**  
**G**  
**E**



16



1

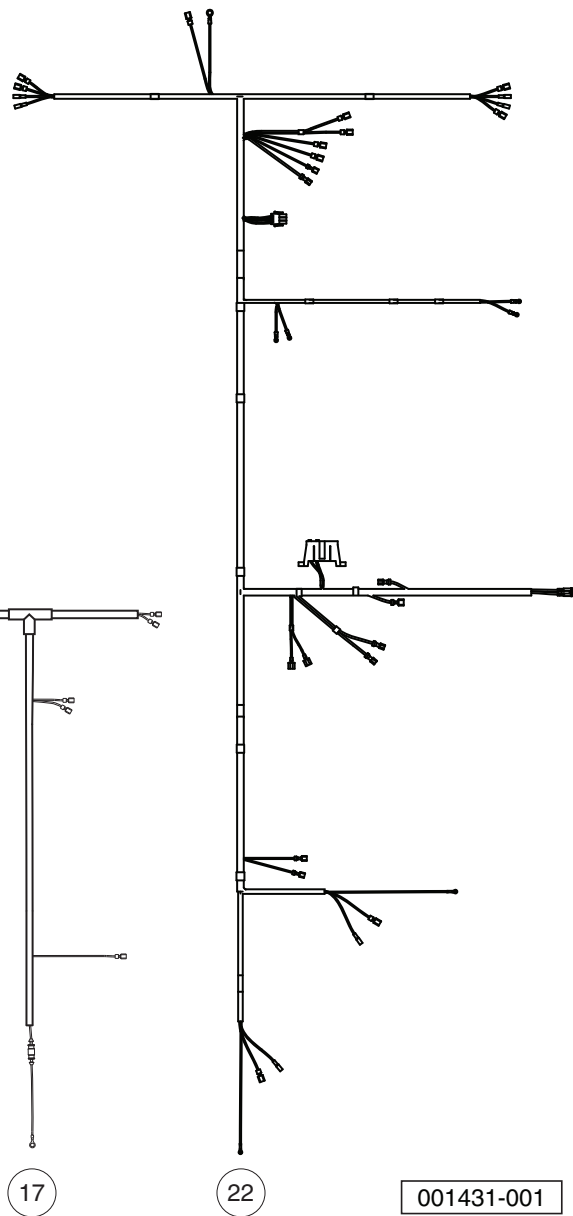
12

25

13

18

19



17

22

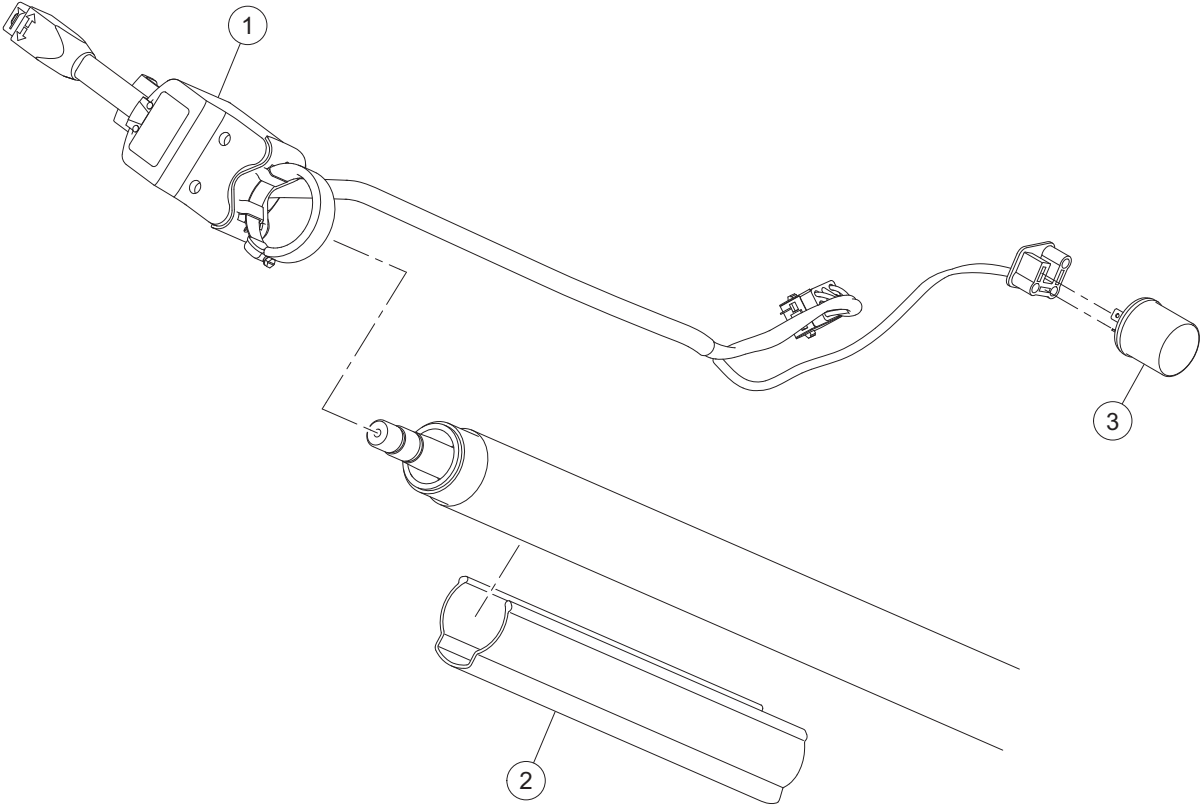
001431-001

# LIGHTING SYSTEM COMPONENTS – VILLAGER 8 ELECTRIC VEHICLE

ITEM	PART NO.	DESCRIPTION	QTY
		1 2 3 4	
1	<u>1011229</u>	Locknut, #6-32 Whiz .....	2
2	<u>1011280</u>	Locknut, 5/16-18 .....	1
3	<u>1011439</u>	Switch, Limit .....	2
4	<u>1011557</u>	Screw, #6-32 X 1.00 Hex-Head Machine .....	4
5	<u>1012438</u>	Locknut, #10-24 Nylon Insert .....	2
6	<u>1013357</u>	Rivet, 5/32 Aluminum Pop .....	2
7	<u>1015741</u>	Fuse Block .....	1
8	<u>1016356</u>	Terminal Block with Insulator .....	1
9	<u>1016363</u>	Fuse Block Cover .....	1
10	<u>1016366</u>	Screw, #10-24 X 3.0 Pan-Head Machine .....	2
11	<u>1016423</u>	Fuse, 20-Amp .....	3
12	<u>1017853</u>	Screw, #6-32 X 0.75 Hex-Head Machine .....	2
13	<u>101914401</u>	Assembly, Voltage Suppressor .....	1
14	<u>101932201</u>	Locknut, #6-32 Nylon .....	4
15	<u>101957101</u>	Bracket, Brake Light Switch .....	1
16	<u>102869401</u>	Switch, Rocker, Light .....	1
17	<u>103255701</u>	Wire Harness, Headlights-Only, CA, Electric .....	1
18	<u>103414901</u>	Kit, Relay, 48v 30a W/instr (includes item 19) .....	1
19	<u>103397901</u>	Relay, Spst No, 48v 30a, Pmt .....	1
20	<u>1241</u>	Washer, 5/16 Type A Flat .....	1
21	<u>183</u>	Washer, #10, Type A, Flat .....	4
22	<u>47564902001</u>	Harness, Lighting, Vill8, Hfc .....	1
23	<u>7173</u>	Screw, 5/16-18 X 0.75, Hex-Head Cap .....	1
24	<u>7473</u>	Locknut, 5/16-18 Nylon Insert .....	1
25	<u>7591</u>	Washer, #6, Flat .....	2
		Note: Use item 17 for headlights only. Use item 22 for headlights and taillights.	

4  
G  
E

**4**  
**G**  
**E**



G-130699-000010

# TURN SIGNAL LEVER WITH HORN BUTTON

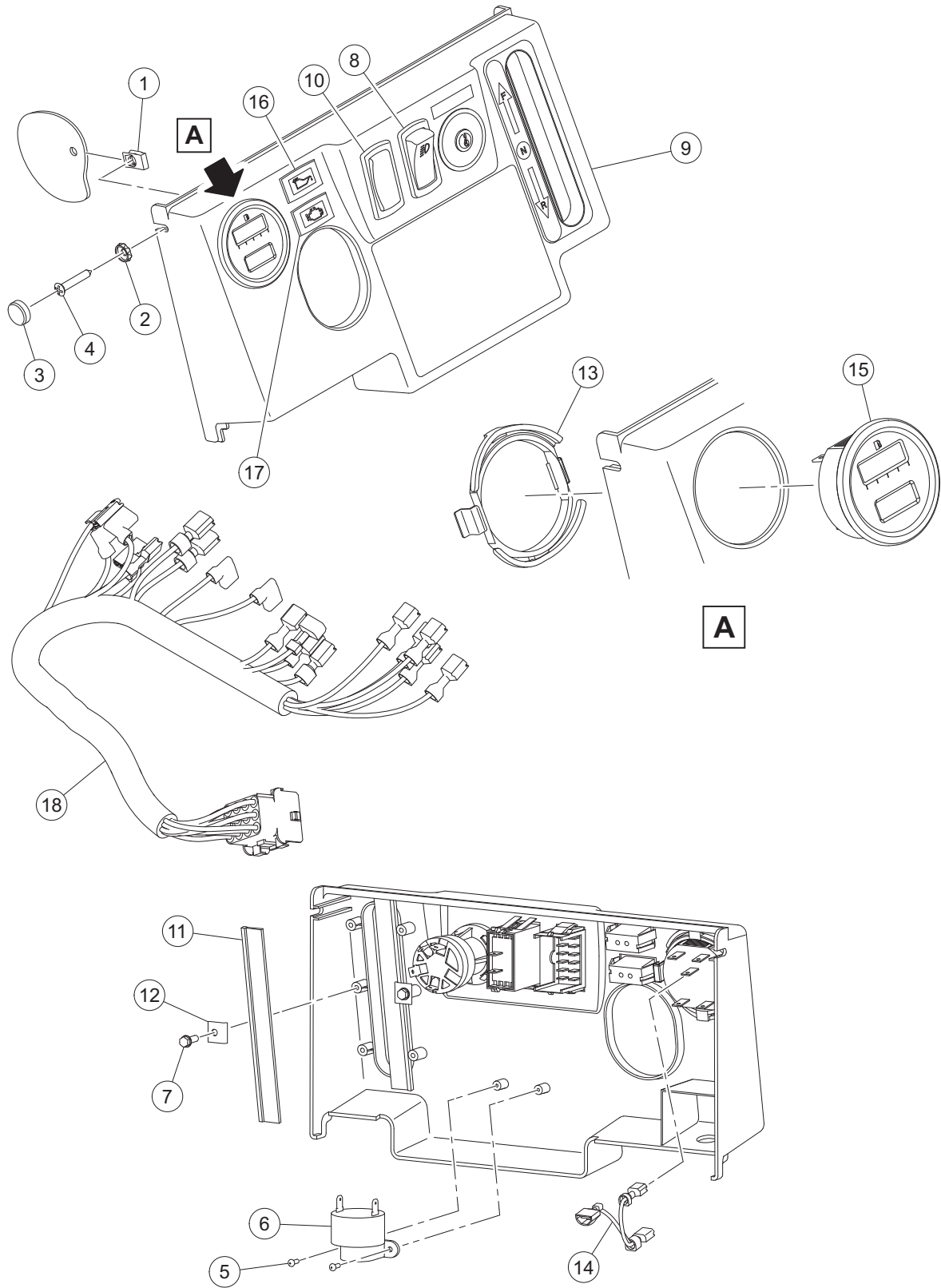
ITEM	PART NO.	DESCRIPTION	QTY
		1 2 3 4	
1	<u>102517501</u>	Turn Signal Asm .....	1
2	<u>102529203</u>	Wire Cover-steer Column 304 Mm .....	1
3	<u>102546401</u>	Flasher Unit, Prec .....	1

4

G

E

**4**  
**G**  
**E**



G-130599-00022

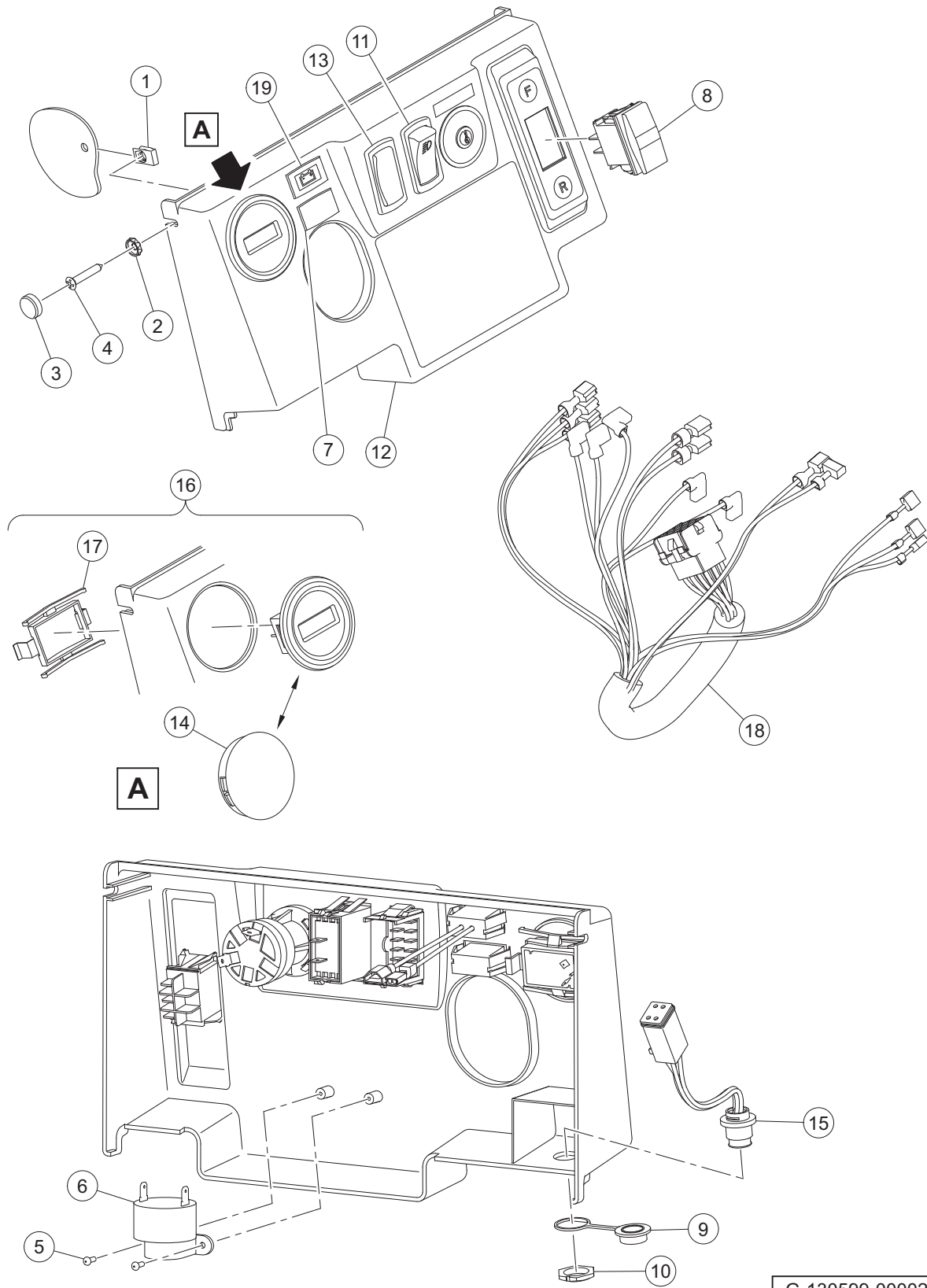


## INSTRUMENT PANEL – PEDAL START – GAS

ITEM	PART NO.	DESCRIPTION	QTY
		1 2 3 4	
1	<u>1011019</u>	Nut, Speed .....	2
2	<u>1011382</u>	Washer, #10 Pan-Head Screw .....	2
3	<u>1013494</u>	Cover, Screw Head .....	2
4	<u>1015528</u>	Screw, #10 x 1-1/4 Phillips Head .....	2
5	<u>1016849</u>	Screw, #4-24 X 0.33, Pan-Head, Machine .....	2
6	<u>1016851</u>	Multi-Purpose Buzzer (9-48 VDC) .....	1
7	<u>101804301</u>	Screw, #8 X 0.500, Hex-Head Hi-Lo .....	2
8	<u>102869401</u>	Switch, Rocker, Light .....	1
9	<u>102977003</u>	Panel, Dash, Center, Gas .....	1
10	<u>103180101</u>	Cover, Hole, Switch, Rocker .....	1
11	<u>103199001</u>	Brush, Closeout, FNR .....	2
12	<u>103199101</u>	Washer, Retaining, Brush, FNR .....	2
13	<u>103348201</u>	Clip, Meter, Round .....	1
14	<u>103348501</u>	Asm, Wire Meter, F-h Jumper .....	1
15	<u>103348602</u>	Gauge, Fuel-hour, sep Gnd, Ds .....	1
16	<u>105037101</u>	Light, Oil (LED) .....	1
17	47598441001	Light, Dash, Led, Mil .....	1
18	47674097001	Harness, Dash Box, Utl, Gas .....	1

**4**  
**G**  
**E**

**4**  
**G**  
**E**



G-130599-000021

## INSTRUMENT PANEL – PEDAL START – ELECTRIC

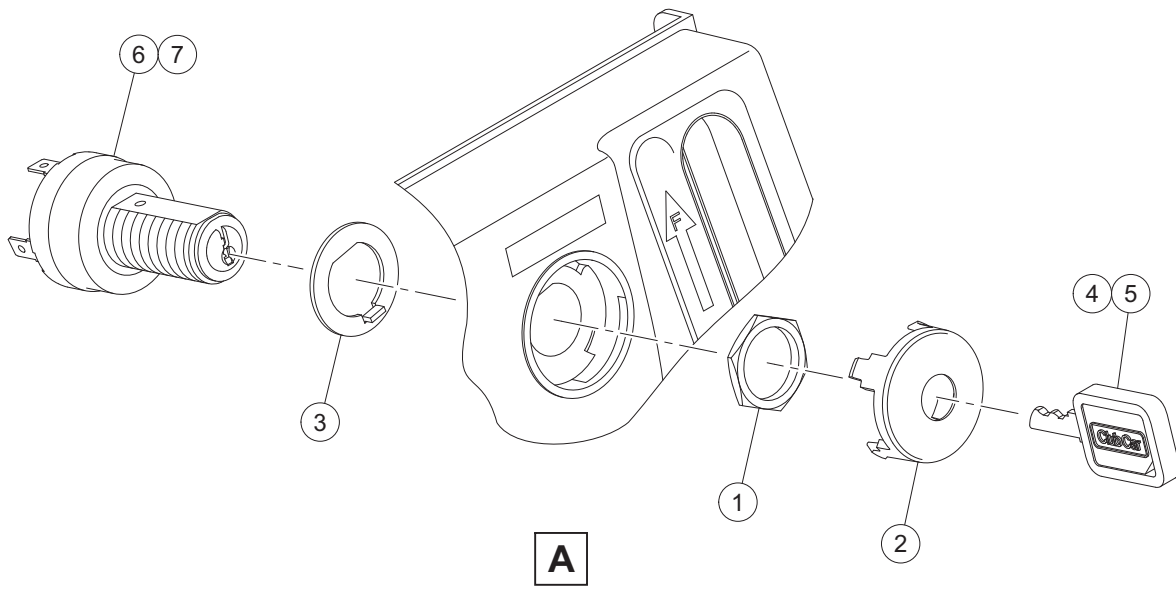
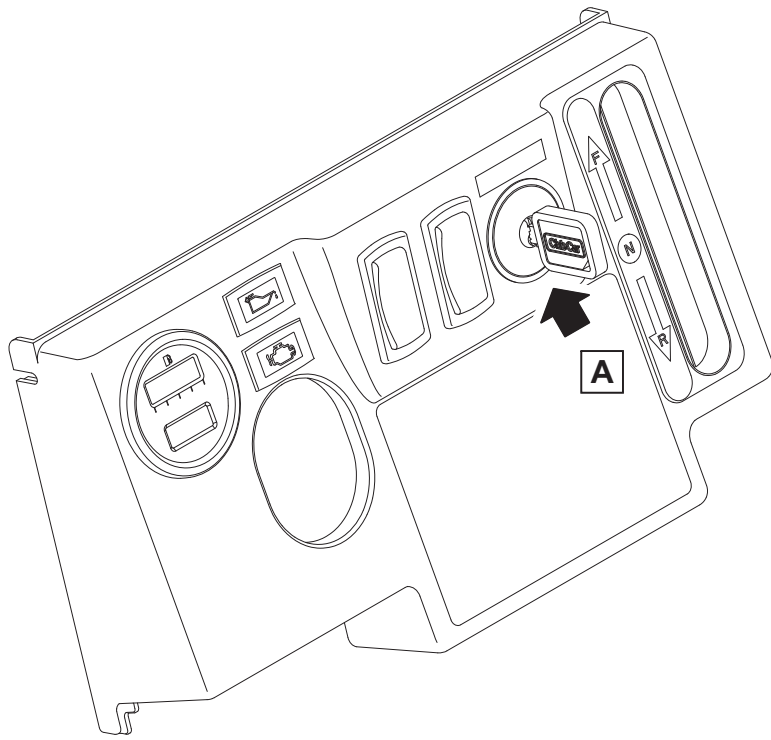
ITEM	PART NO.	DESCRIPTION	QTY
		1 2 3 4	
1	<u>1011019</u>	Nut, Speed .....	2
2	<u>1011382</u>	Washer, #10 Pan-Head Screw .....	2
3	<u>1013494</u>	Cover, Screw Head .....	2
4	<u>1015528</u>	Screw, #10 x 1-1/4 Phillips Head .....	2
5	<u>1016849</u>	Screw, #4-24 X 0.33, Pan-Head, Machine .....	2
6	<u>1016851</u>	Multi-Purpose Buzzer (9-48 VDC) .....	1
7	<u>101802601</u>	Plug, Hole .....	1
8	<u>101856002</u>	Switch, Rocker, Single-Pole .....	1
9	<u>102196901</u>	Dust Cap .....	1
10	<u>102572401</u>	Nut, Diagnostic Port .....	1
11	<u>102869401</u>	Switch, Rocker, Light .....	1
12	<u>102977004</u>	Panel, Dash, Center, Elec .....	1
13	<u>103180101</u>	Cover, Hole, Switch, Rocker .....	1
14	<u>103198301</u>	Plug, Hole, Round, 2.0 In .....	1
15	<u>103218601</u>	Harness, Diagnostic Port .....	1
16	<u>103354401</u>	Gauge, Battery Cond Ind, Rnd (includes item 17) .....	1
17	<u>103348202</u>	Clip, Bci, Round .....	1
18	<u>105082101</u>	Harness, Ip, Elec, Util .....	1
19	<u>105152301</u>	Indicator, Charger, Dash, Cap .....	1

4  
G  
E

**4**

**G**

**E**



G-130499-000018

## KEYS AND KEYSWITCHES, PEDAL START GAS VEHICLE

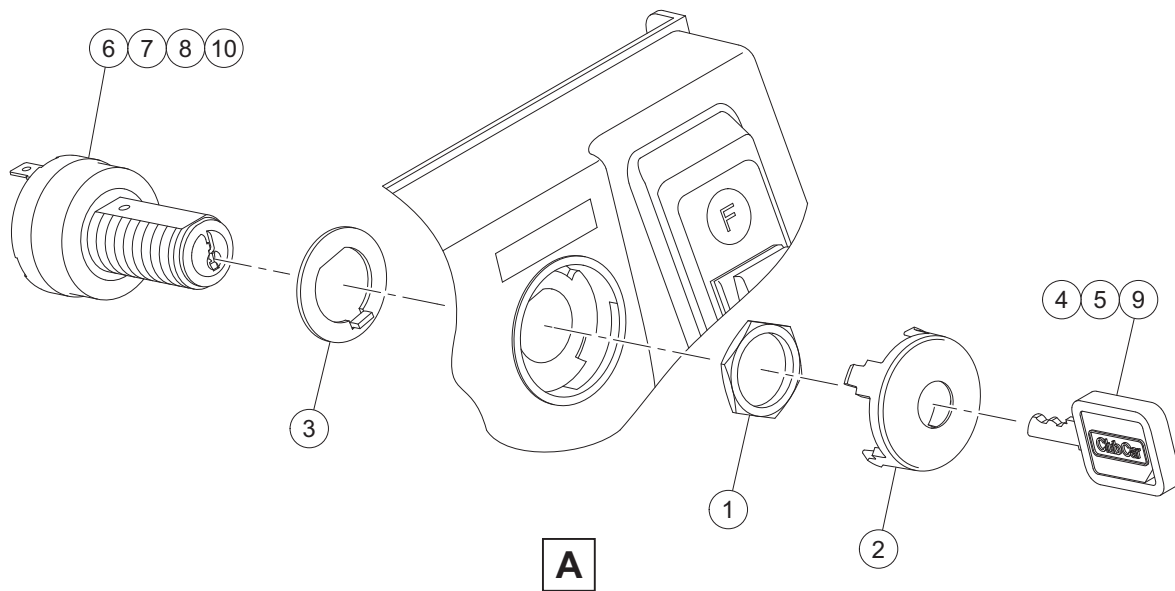
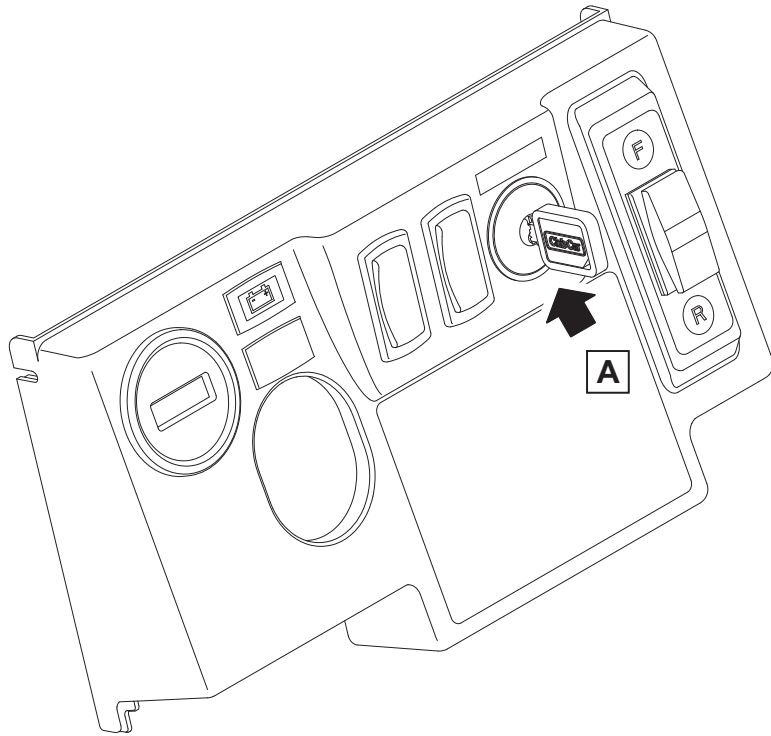
ITEM	PART NO.	DESCRIPTION	QTY
		1 2 3 4	
1	<u>101830701</u>	Nut, Key Switch .....	1
2	<u>101834502</u>	Cap, Black Key Switch .....	1
3	<u>101851101</u>	Washer, Key Switch .....	1
4	<u>105068002</u>	Key, Uncommon, Padded 1b .....	1
5	<u>105068003</u>	Key, Uncommon, Padded 1c .....	1
6	<u>105081802</u>	Keysw, Uncom, 4t, Off/on 1b, G .....	1
7	<u>105081803</u>	Keysw, Uncom, 4t, Off/on 1c, G .....	1
<p>Note: Item 4 is supplied with item 6. Item 5 is supplied with item 7.</p>			

4  
G  
E

**4**

**G**

**E**



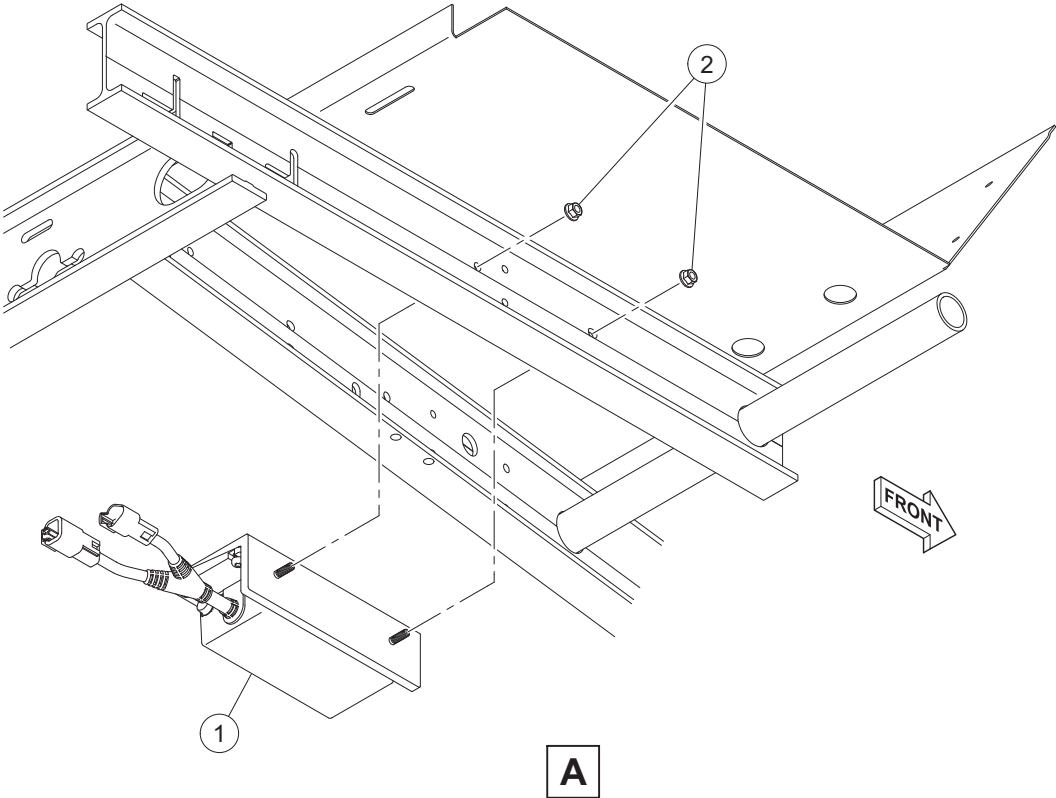
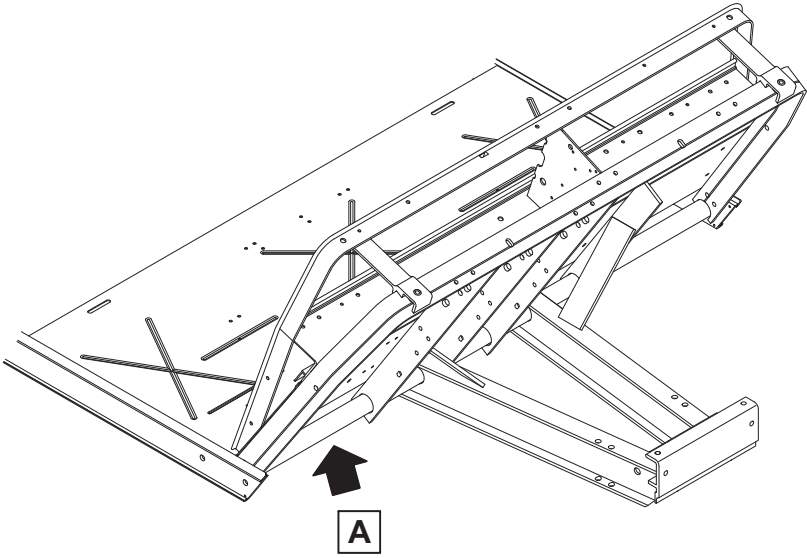
G-130499-000017

# KEYS AND KEYSWITCHES, ELECTRIC VEHICLE

ITEM	PART NO.	DESCRIPTION	QTY
		1 2 3 4	
1	<u>101830701</u>	Nut, Key Switch .....	1
2	<u>101834502</u>	Cap, Black Key Switch .....	1
3	<u>101851101</u>	Washer, Key Switch .....	1
4	<u>105068002</u>	Key, Uncommon, Padded 1b .....	1
5	<u>105068003</u>	Key, Uncommon, Padded 1c .....	1
6	<u>105081702</u>	Keysw, Uncom, 4t, Off/on 1b, E .....	1
7	<u>105081703</u>	Keysw, Uncom, 4t, Off/on 1c, E .....	1
8	<u>105082002</u>	Keysw, Uncom, 4t, Off/p2/p3 1b (includes item 9) .....	1
9	<u>105068002</u>	Key, Uncommon, Padded 1b .....	1
10	<u>105082003</u>	Keysw, Uncom, 4t, Off/p2/p3 1c .....	1
		<p>Note: Item 4 is supplied with items 6. Item 5 is supplied with items 7 and 10.                      Item 9 is supplied with item 8.</p>	

**4**  
**G**  
**E**

**4**  
**G**  
**E**



G-130299-000009



# DC/DC CONVERTER, ELECTRIC VEHICLE

ITEM	PART NO.	DESCRIPTION	QTY
1	<u>47594727001</u>	1 2 3 4 Converter, Dc/dc .....	1
2	<u>96704176</u>	Nut, Flanged, M6 X 1, Serrated .....	2

4

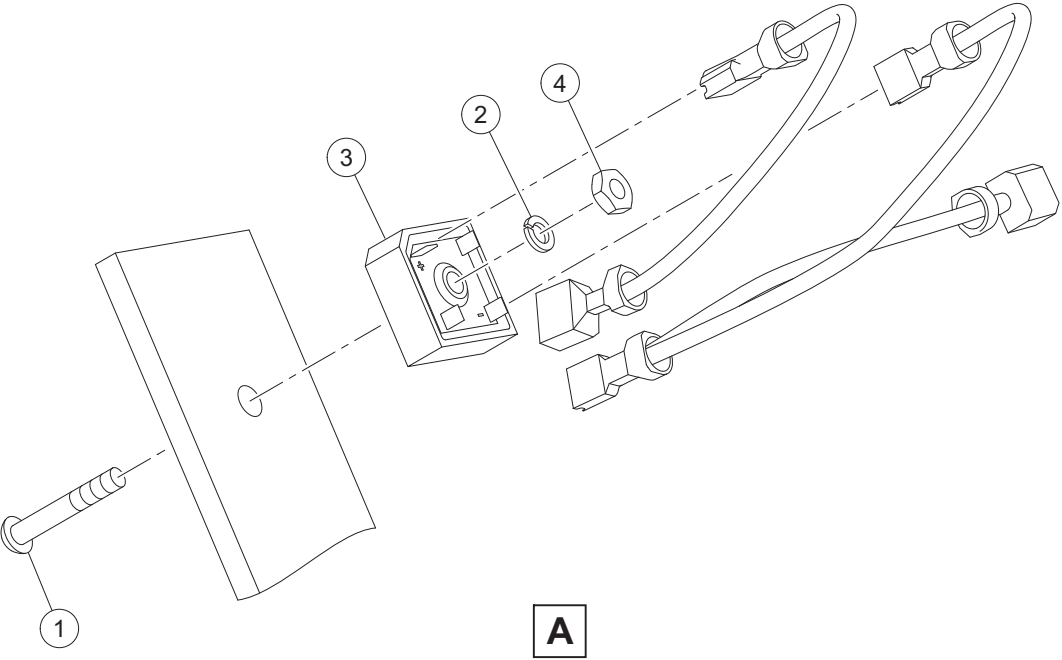
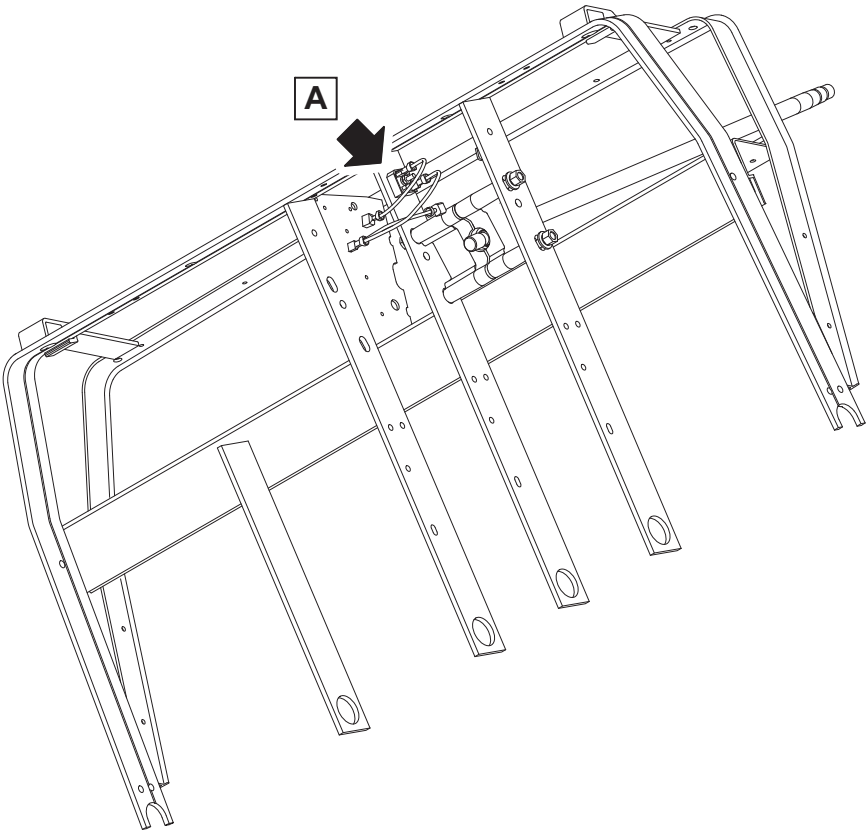
G

E

4

G

E



G-130299-000010

# VOLTAGE LIMITER, GASOLINE VEHICLE

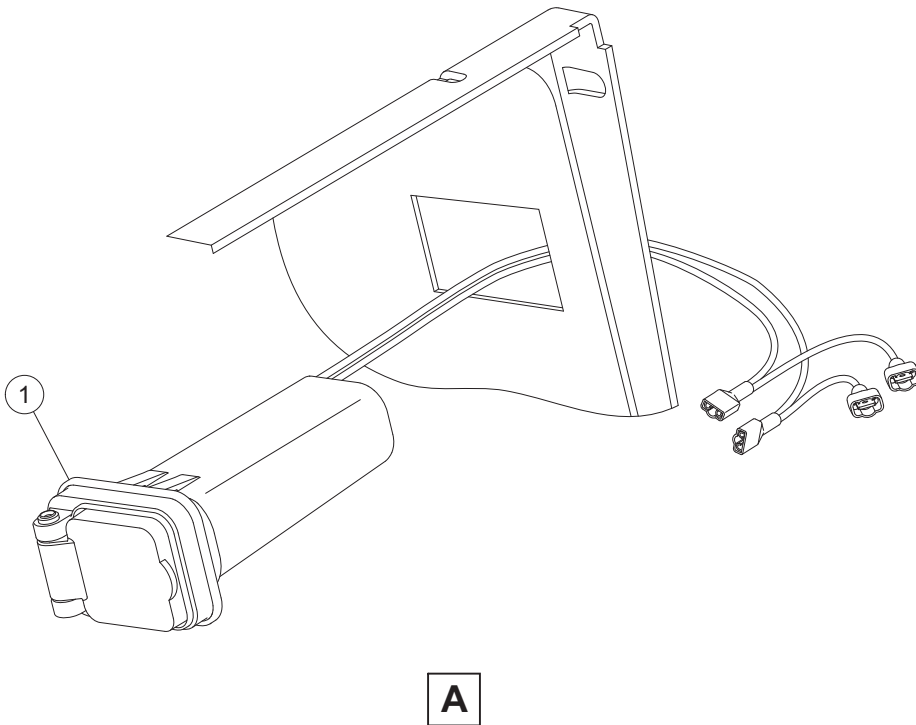
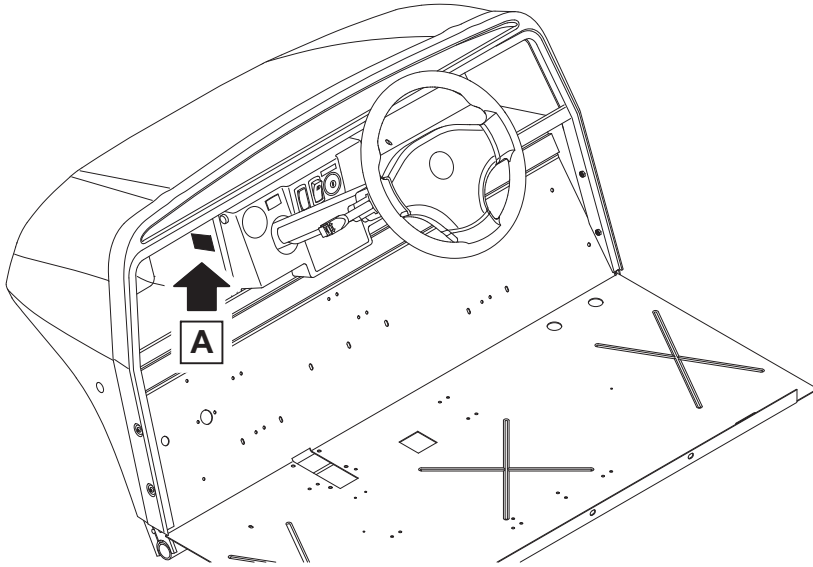
ITEM	PART NO.	DESCRIPTION	QTY
		1 2 3 4	
1	<u>1010909</u>	Screw, #10-32 X 1.25 Rd Hd Mch .....	1
2	<u>1016</u>	Lockwasher, #10 Split .....	1
3	<u>47604303001</u>	Voltage Limiter, Gas .....	1
4	<u>7893</u>	Nut, #10-32 Hex .....	1

4

G

E

**4**  
**G**  
**E**



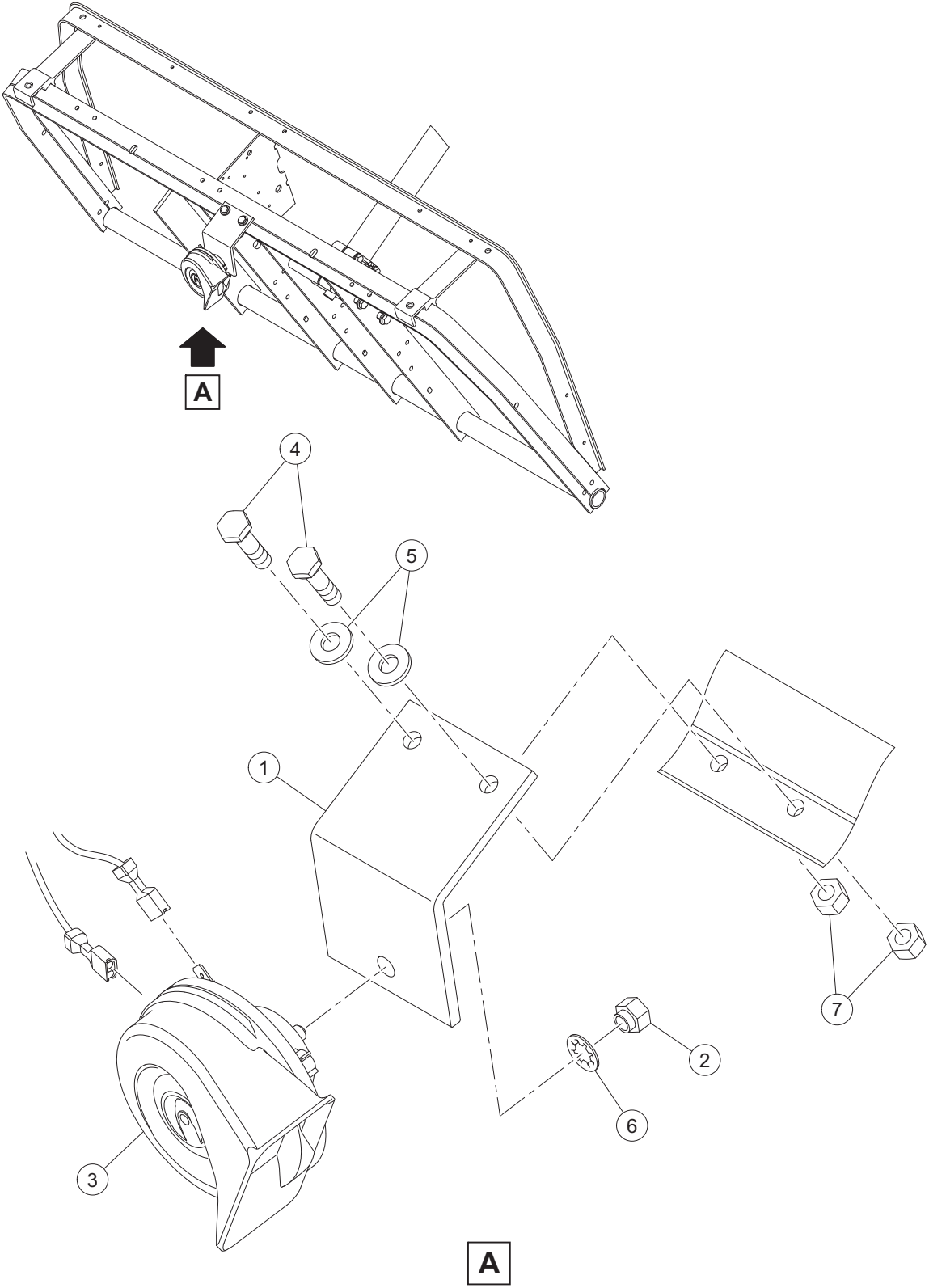
G-150299-000003

# USB PORT – 12 VOLT

ITEM	PART NO.	DESCRIPTION	QTY
1	47587715001	1 2 3 4 Usb, 12v .....	1

4  
G  
E

**4**  
**G**  
**E**



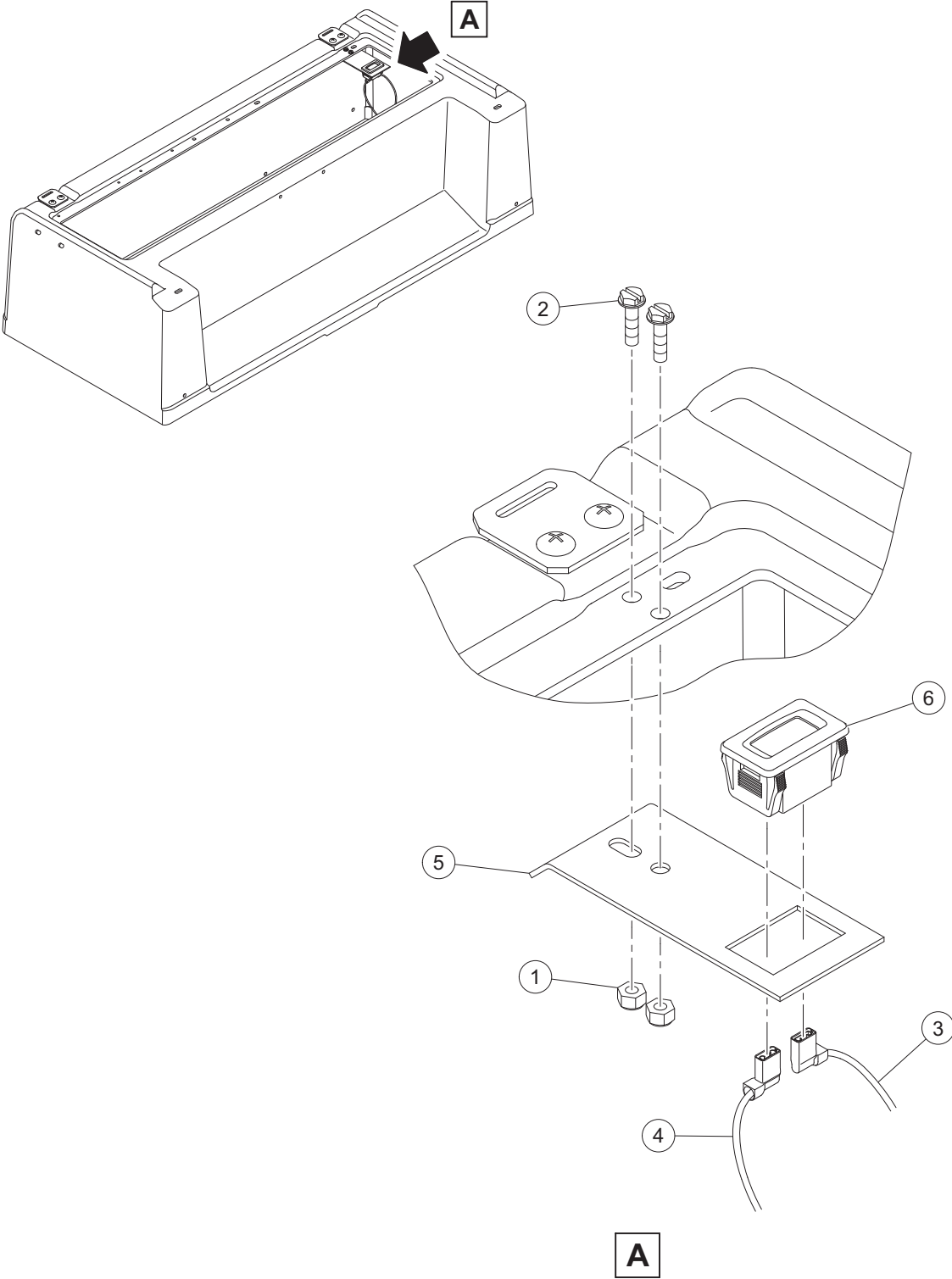
G-130599-000020

# HORN

ITEM	PART NO.	DESCRIPTION	QTY
		<b>1 2 3 4</b>	
1	<u>1011825</u>	Horn Bracket .....	1
2	<u>101955101</u>	Nut, M6 Hex .....	1
3	<u>103484301</u>	Horn, 12v, Gnd Isolated .....	1
4	304	Screw, 1/4-20 X 1.0 Hex-Head Cap .....	2
5	<u>332</u>	Washer, 1/4 Type A Narrow Flat .....	2
6	<u>7820</u>	Washer, 5/16 Internal-Tooth .....	1
7	<u>8233</u>	Locknut, 1/4-20, Nylon Insert .....	2

**4**  
**G**  
**E**

**4**  
**G**  
**E**



G-130499-000019



# HOUR METER

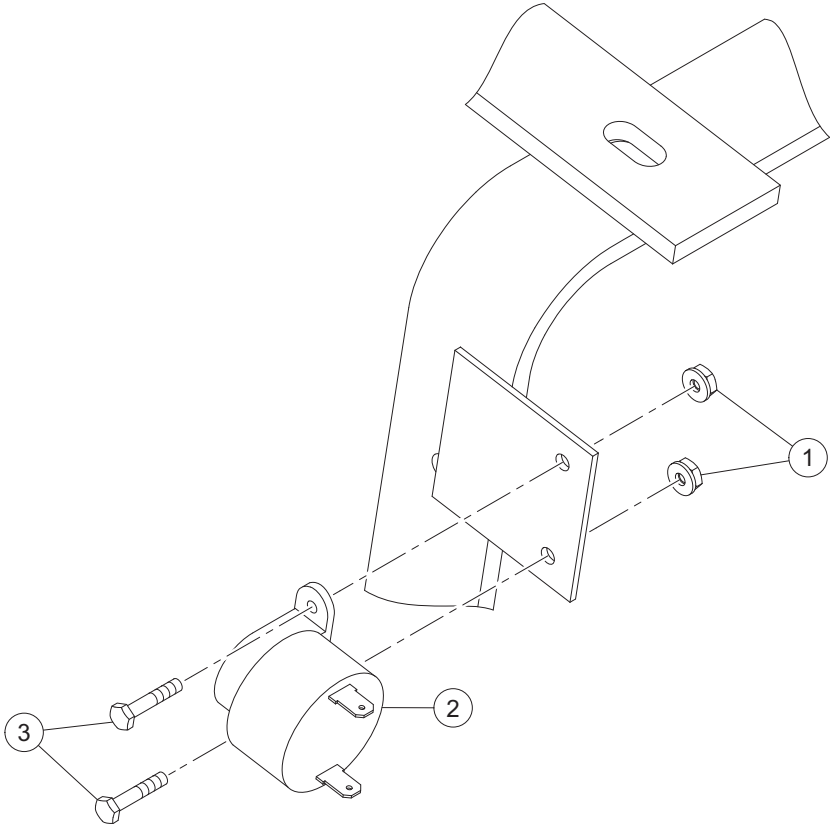
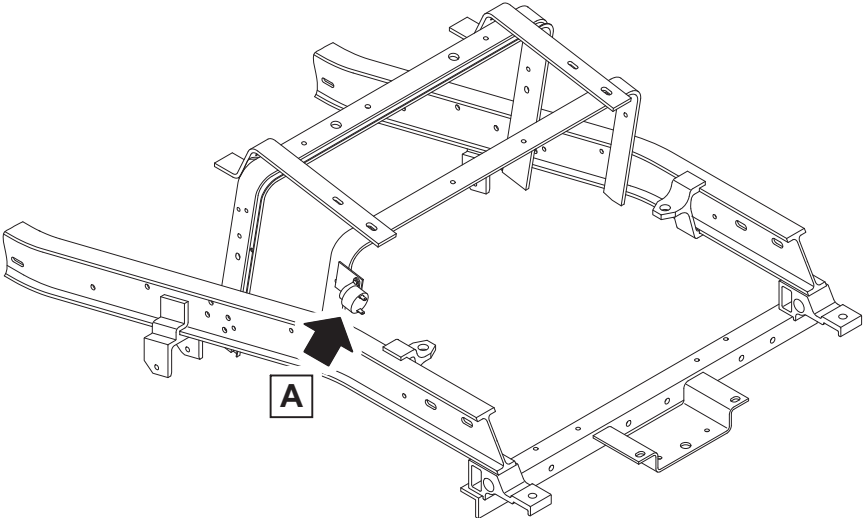
ITEM	PART NO.	DESCRIPTION	QTY
		<b>1 2 3 4</b>	
1	<u>1013061</u>	Locknut, #10-32 Nylon Insert .....	2
2	<u>1017082</u>	Screw, #10-32 X 0.75, Hex-Head Machine .....	2
3	<u>101997802</u>	Wire Assembly #18 Yellow .....	1
4	<u>101997902</u>	Wire Assembly #18 Red .....	1
5	<u>103510001</u>	Bracket, Hour Meter .....	1
6	<u>103510301</u>	Meter, Hour .....	1
<p>Note: For complete hour meter kit order p/n 1013579. The installation instructions that are supplied with the kit will specify which components are required for a specific vehicle model.</p>			

**4**  
**G**  
**E**

**4**

**G**

**E**



**A**

G-130599-000019

# MULTI-PURPOSE BUZZER

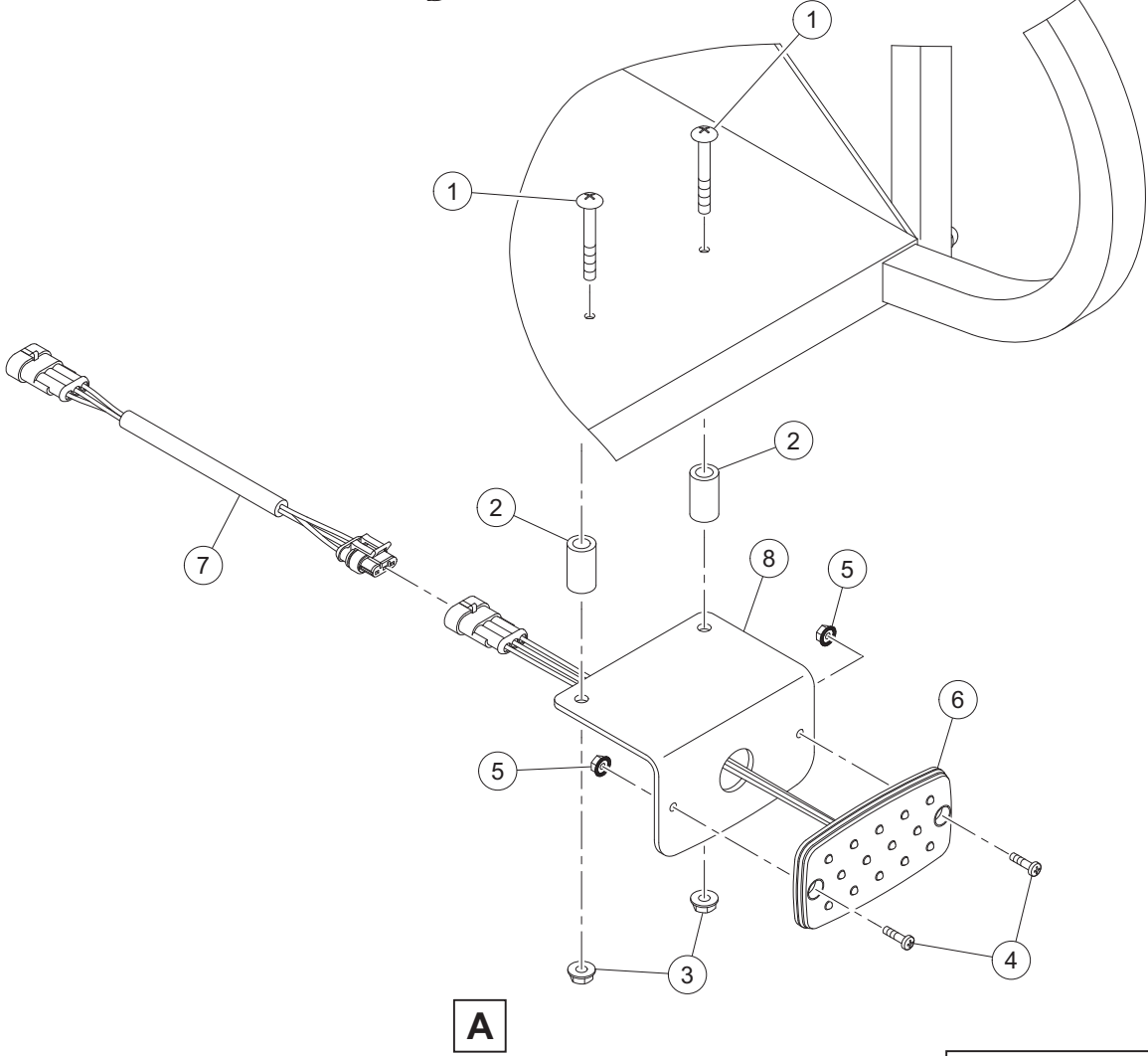
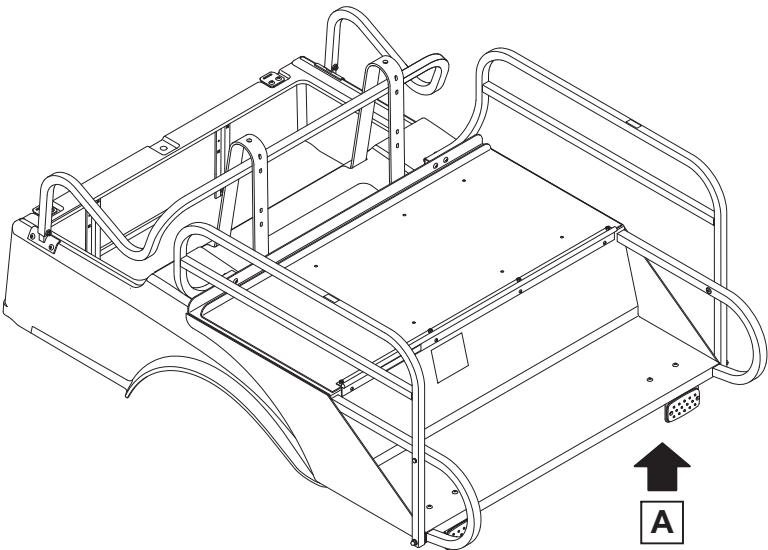
ITEM	PART NO.	DESCRIPTION	QTY
		1 2 3 4	
1	<u>1011229</u>	Locknut, #6-32 Whiz .....	2
2	<u>1016851</u>	Multi-Purpose Buzzer (9-48 VDC) .....	1
3	<u>1017853</u>	Screw, #6-32 X 0.75 Hex-Head Machine .....	2

**4**

**G**

**E**

**4**  
**G**  
**E**



G-130699-000007

## TAIL LIGHTS, REAR FOLD-DOWN SEAT

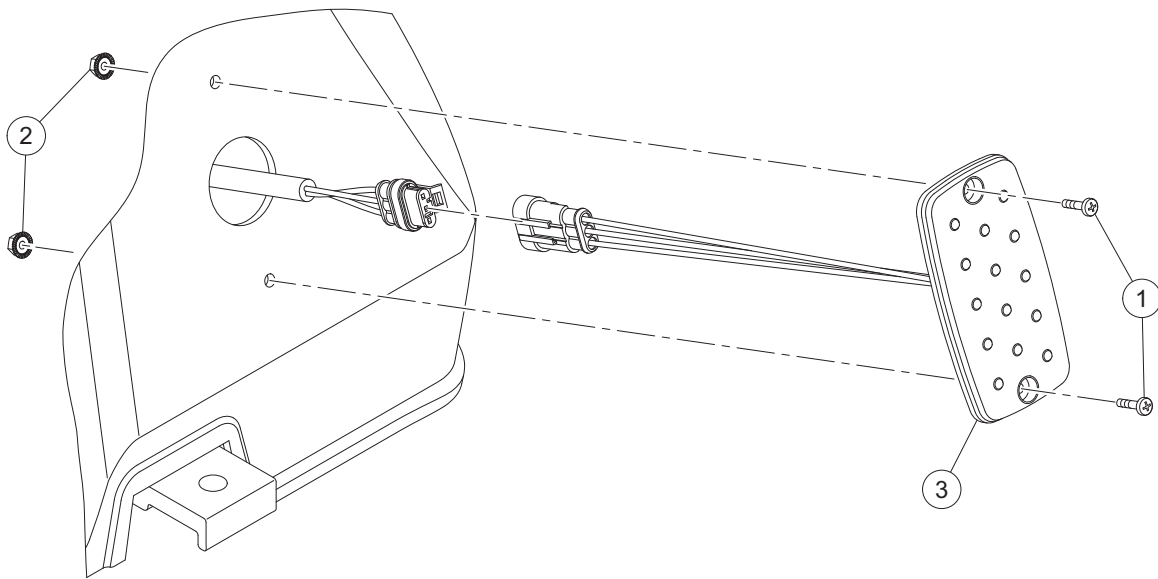
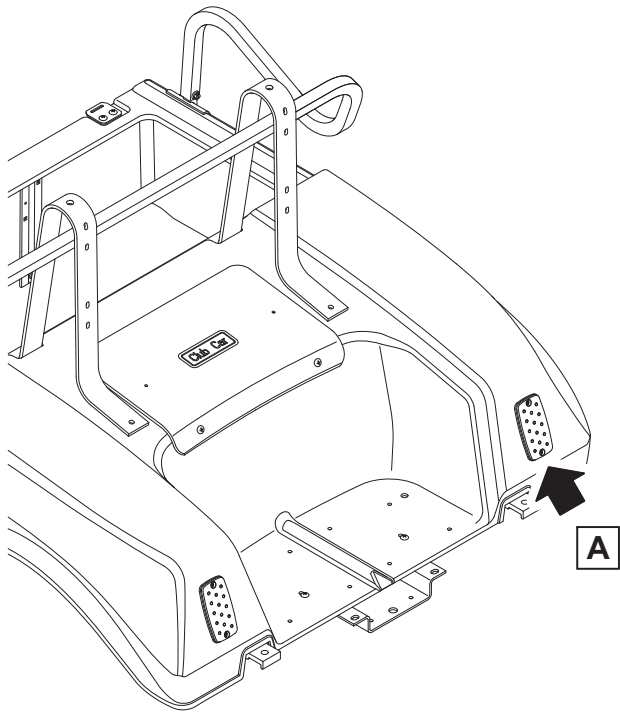
ITEM	PART NO.	DESCRIPTION	QTY
		1 2 3 4	
1	<u>1011988</u>	Screw, 1/4-20 X 2.00 Phillips Truss-Head .....	4
2	<u>1015608</u>	Tube Spacer, Hydraulic Cylinder .....	4
3	<u>101835601</u>	Locknut, 1/4-20 Hex Whiz .....	4
4	<u>105190601</u>	Screw, #8-32 X 0.625, Clr Znc .....	4
5	<u>105190701</u>	Nut, Flanged, #8-32, Serrated .....	4
6	47683400001	Lamp, Stop/trn/tail, W/ Cnctr .....	2
7	47684094001	Jumper, Extension, Tail Light .....	2
8	47695108001	Bracket, Taillight, Fold-Down .....	2

**4**  
**G**  
**E**

**4**

**G**

**E**



**A**

G-130699-00009

# TAIL LIGHTS, FIXED REAR SEAT

ITEM	PART NO.	DESCRIPTION	QTY
		1 2 3 4	
1	<u>105190601</u>	Screw, #8-32 X 0.625, Clr Znc .....	4
2	<u>105190701</u>	Nut, Flanged, #8-32, Serrated .....	4
3	47683400001	Lamp, Stop/trn/tail, W/ Cnctr .....	2

**4**

**G**

**E**

**4**

**G**

**E**



# **BRAKES, PEDALS, AND CABLES**

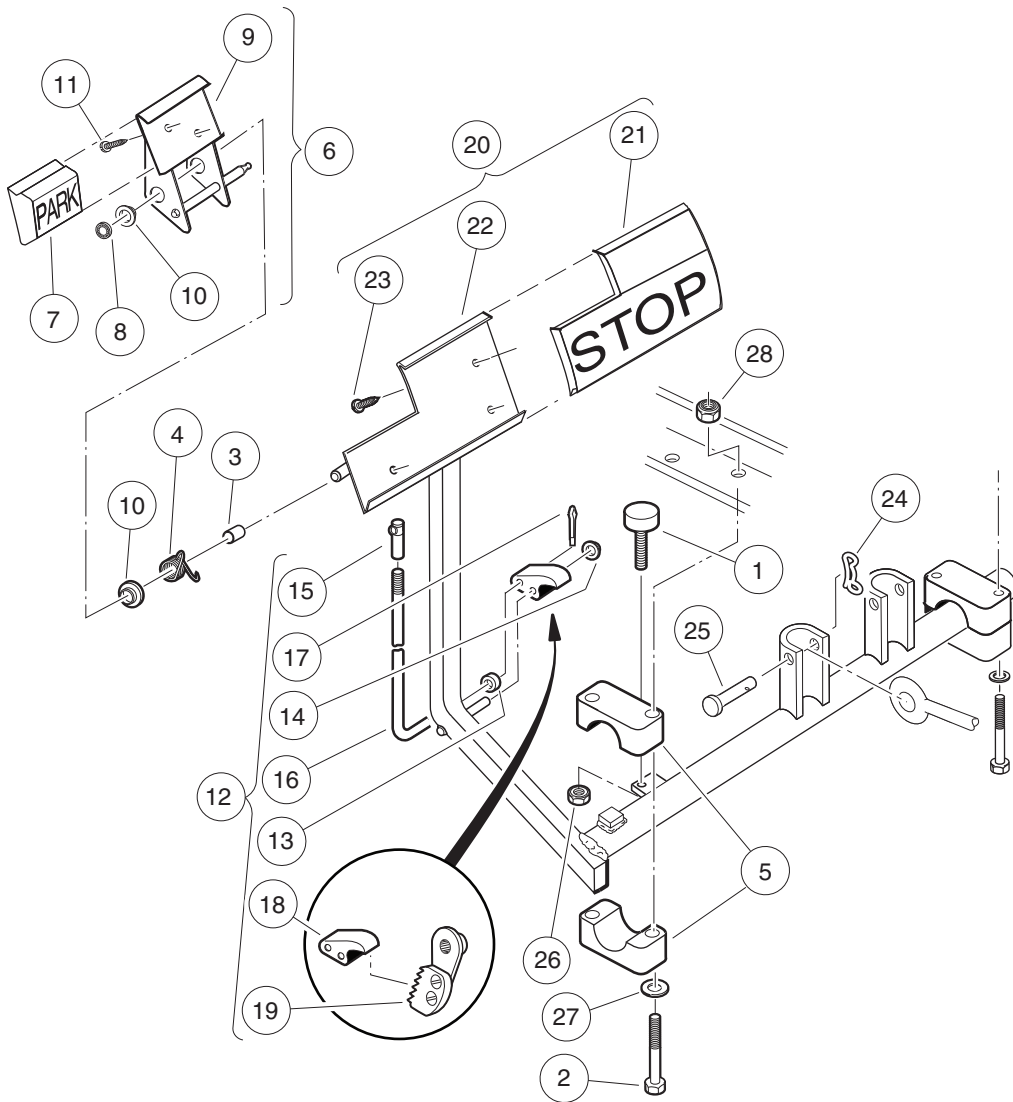
---

**5**

**G**

**E**

**5**  
**G**  
**E**

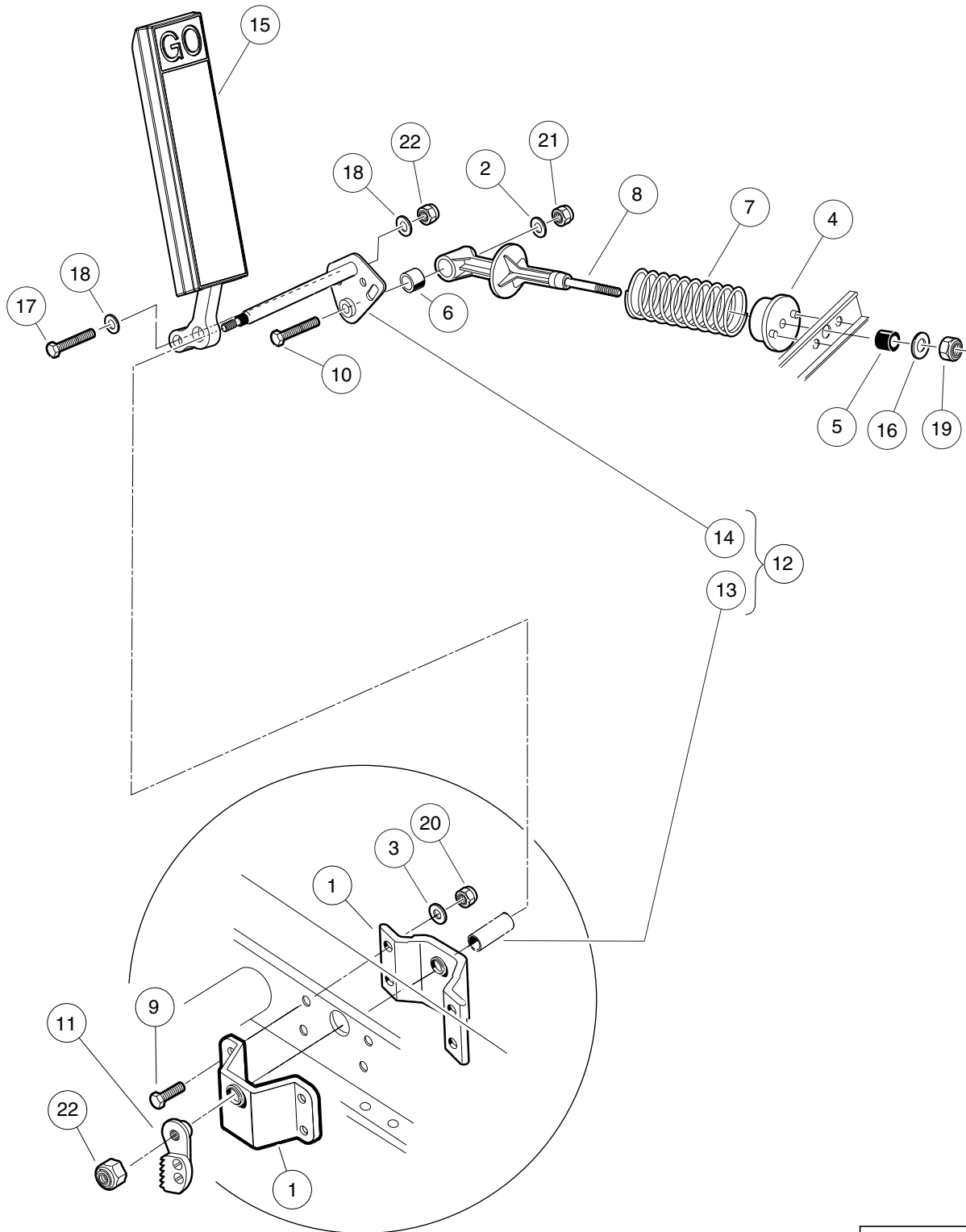


000187-001

# BRAKE PEDAL ASSEMBLY

ITEM	PART NO.	DESCRIPTION	QTY	
		<b>1 2 3 4</b>		<b>5</b>
1	<u>1010878</u>	Bumper, Rubber .....	1	<b>G</b>
2	<u>1010921</u>	Screw, 5/16-18 X 2.50 Hex Cap .....	4	<b>E</b>
3	<u>1010927</u>	Hill Brake Spacer .....	1	
4	<u>1010933</u>	Spring, Hill Brake Torsion .....	1	
5	<u>1011402</u>	Package, Brake Mounting Block .....	1	
6	<u>1011418</u>	Kit, Hill Brake Pedal (includes items 7 through 11) .....	1	
7	<u>1013870</u>	Pad, Hill Brake .....	1	
8	<u>1013876</u>	Pushnut, 3/8 .....	1	
9	N/A	Hill Brake Weld Assembly .....	1	
10	<u>1032</u>	Bushing, Nylon .....	2	
11	7716	Screw, #10-16 Type AB, Sheet Metal .....	2	
12	<u>101187702</u>	Kit, Hill Brake Latch (includes items 13 through 19) .....	1	
13	<u>1010805</u>	Sleeve, Hill Brake Rod .....	1	
14	<u>1010877</u>	Pushnut, 3/8 .....	1	
15	1010932	Ball Joint, 1/4-28 .....	1	
16	N/A	Rod, Hill Brake .....	1	
17	<u>1017029</u>	Pin, Cotter, 7/64 x 1/2 Stainless-Steel .....	1	
18	N/A	Pawl, Hill Brake .....	1	
19	101918501	Ratchet Assembly .....	1	
20	<u>101878201</u>	Brake Pedal Kit (includes items 21 through 23) .....	1	
21	<u>1013869</u>	Pad, Brake Pedal .....	1	
22	N/A	Weldment, Brake Pedal, 2wr Std .....	1	
23	7716	Screw, #10-16 Type AB, Sheet Metal .....	3	
24	<u>102323101</u>	Pin, Bow Tie Locking .....	1	
25	<u>102323201</u>	Pin, 3/8 X 1-5/16 Clevis .....	1	
26	<u>1028</u>	Nut, 1/4-20 Hex .....	1	
27	<u>1241</u>	Washer, 5/16 Type A Flat .....	4	
28	<u>7473</u>	Locknut, 5/16-18 Nylon Insert .....	4	

**5**  
**G**  
**E**



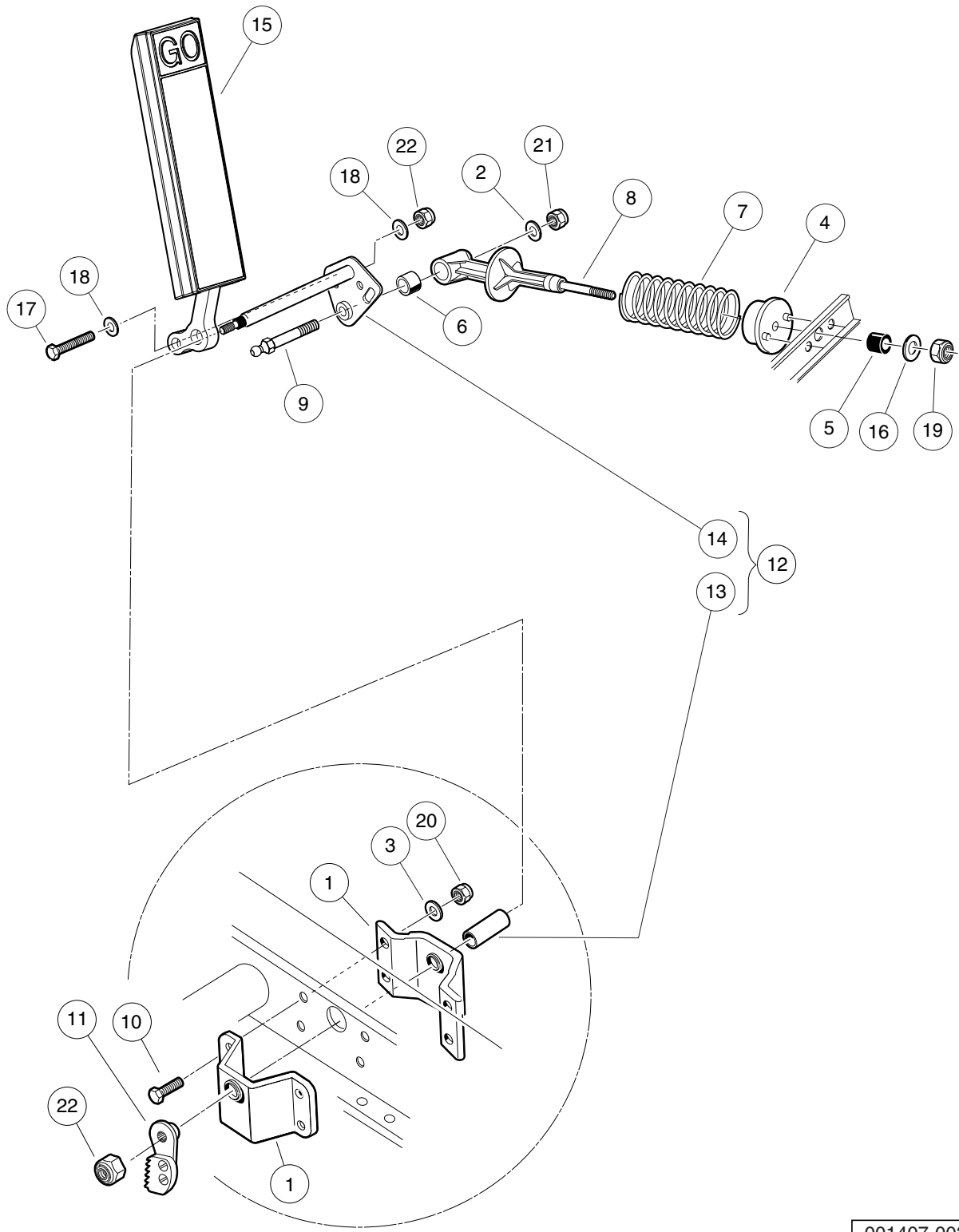
001406-001

# ACCELERATOR PEDAL ASSEMBLY – ELECTRIC VEHICLES

ITEM	PART NO.	DESCRIPTION	QTY
		1 2 3 4	
1	<u>1011694</u>	Accelerator Bracket and Bearing Assembly .....	2
2	<u>1011931</u>	Washer, 1/4 Flat .....	1
3	<u>1014007</u>	Washer, 1/4, Flat .....	4
4	<u>1017378</u>	Cup, Spring .....	1
5	<u>1017380</u>	Bumper, Spring Return .....	1
6	<u>1017424</u>	Bearing, Pivot Support .....	1
7	101796201	Spring, Accelerator Return .....	1
8	<u>101817401</u>	Retainer, Spring .....	1
9	<u>101861901</u>	Screw, 1/4-20 X 1.125 Hex Cap .....	4
10	<u>101862001</u>	Screw, 1/4-20 X 1.500 Flange .....	1
11	101918501	Ratchet Assembly .....	1
12	<u>102026001</u>	Kit, Accelerator Pivot Rod Assembly (includes items 13 and 14) .....	1
13	101919801	Spacer, Accelerator .....	1
14	<u>102158901</u>	Pivot Rod Weldment .....	1
15	<u>103865101</u>	Pedal, Accel, Insert .....	A/R
16	<u>1241</u>	Washer, 5/16 Type A Flat .....	1
17	<u>1624</u>	Screw, 3/8-16 X 1.50, Hex-Head Cap .....	1
18	<u>334</u>	Washer, 3/8, Type A, Flat .....	2
19	<u>7473</u>	Locknut, 5/16-18 Nylon Insert .....	1
20	<u>8233</u>	Locknut, 1/4-20, Nylon Insert .....	4
21	<u>8717</u>	Locknut, Nylon Insert, 1/4-28 .....	1
22	<u>8754</u>	Locknut, 3/8-16 Hex .....	2

5  
G  
E

**5**  
**G**  
**E**



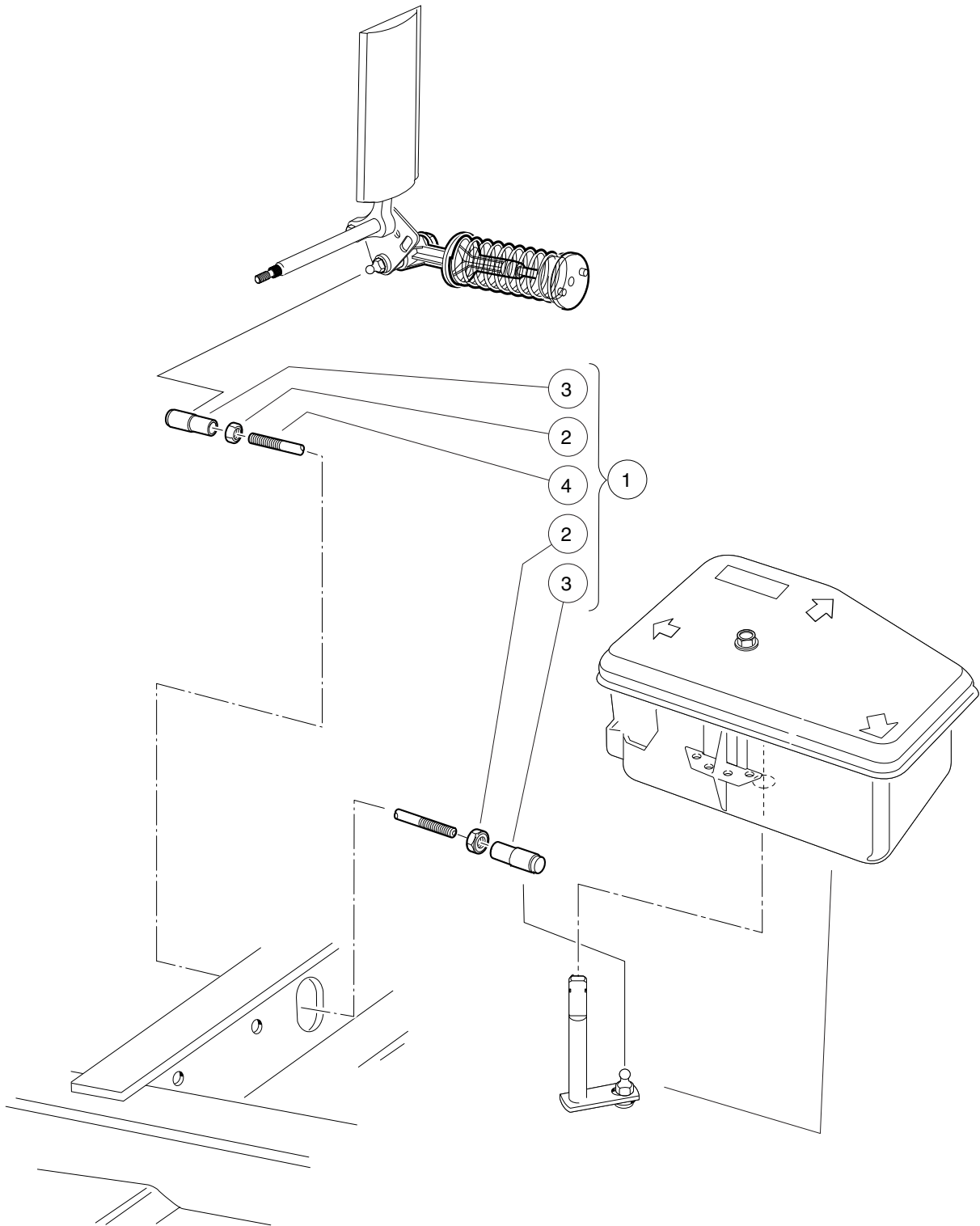
001407-003

# ACCELERATOR PEDAL ASSEMBLY – GASOLINE VEHICLES

ITEM	PART NO.	DESCRIPTION	QTY
		1 2 3 4	
1	<u>1011694</u>	Accelerator Bracket and Bearing Assembly .....	2
2	<u>1011931</u>	Washer, 1/4 Flat .....	1
3	<u>1014007</u>	Washer, 1/4, Flat .....	4
4	<u>1017378</u>	Cup, Spring .....	1
5	<u>1017380</u>	Bumper, Spring Return .....	1
6	<u>1017424</u>	Bearing, Pivot Support .....	1
7	101796201	Spring, Accelerator Return .....	1
8	<u>101817401</u>	Retainer, Spring .....	1
9	101818801	Stud, 1/4-28 X 1.35 Ball .....	1
10	<u>101861901</u>	Screw, 1/4-20 X 1.125 Hex Cap .....	4
11	101918501	Ratchet Assembly .....	1
12	<u>102026001</u>	Kit, Accelerator Pivot Rod Assembly (includes items 13 and 14) .....	1
13	101919801	Spacer, Accelerator .....	1
14	<u>102158901</u>	Pivot Rod Weldment .....	1
15	<u>103865101</u>	Pedal, Accel, Insert .....	1
16	<u>1241</u>	Washer, 5/16 Type A Flat .....	1
17	<u>1624</u>	Screw, 3/8-16 X 1.50, Hex-Head Cap .....	1
18	<u>334</u>	Washer, 3/8, Type A, Flat .....	2
19	<u>7473</u>	Locknut, 5/16-18 Nylon Insert .....	1
20	<u>8233</u>	Locknut, 1/4-20, Nylon Insert .....	4
21	<u>8717</u>	Locknut, Nylon Insert, 1/4-28 .....	1
22	<u>8754</u>	Locknut, 3/8-16 Hex .....	2

**5**  
**G**  
**E**

**5**  
**G**  
**E**



000362-001

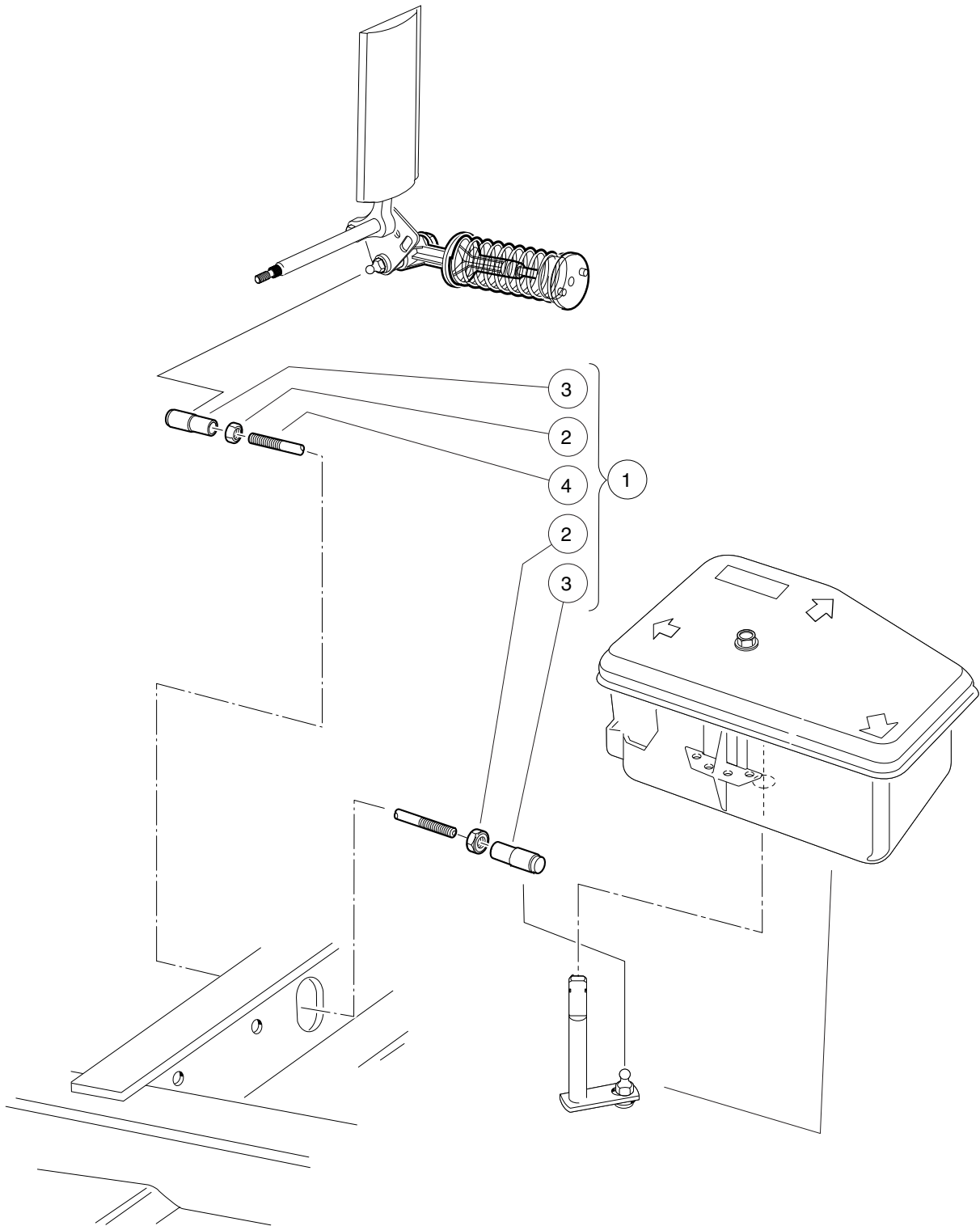


## ACCELERATOR ROD – VILLAGER 6 GAS VEHICLES

ITEM	PART NO.	DESCRIPTION	QTY
		1 2 3 4	
1	<u>101674702</u>	Rod, Accelerator (includes items 2 through 4) .....	1
2	<u>1011084</u>	Nut, 1/4-28 Hex Jam .....	2
3	<u>1011734</u>	Joint, Ball .....	2
4	N/A	Accelerator Rod Elec Stretch .....	1

5  
G  
E

**5**  
**G**  
**E**



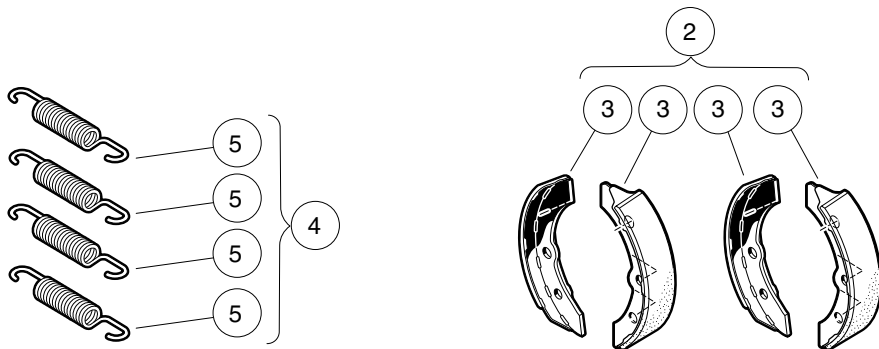
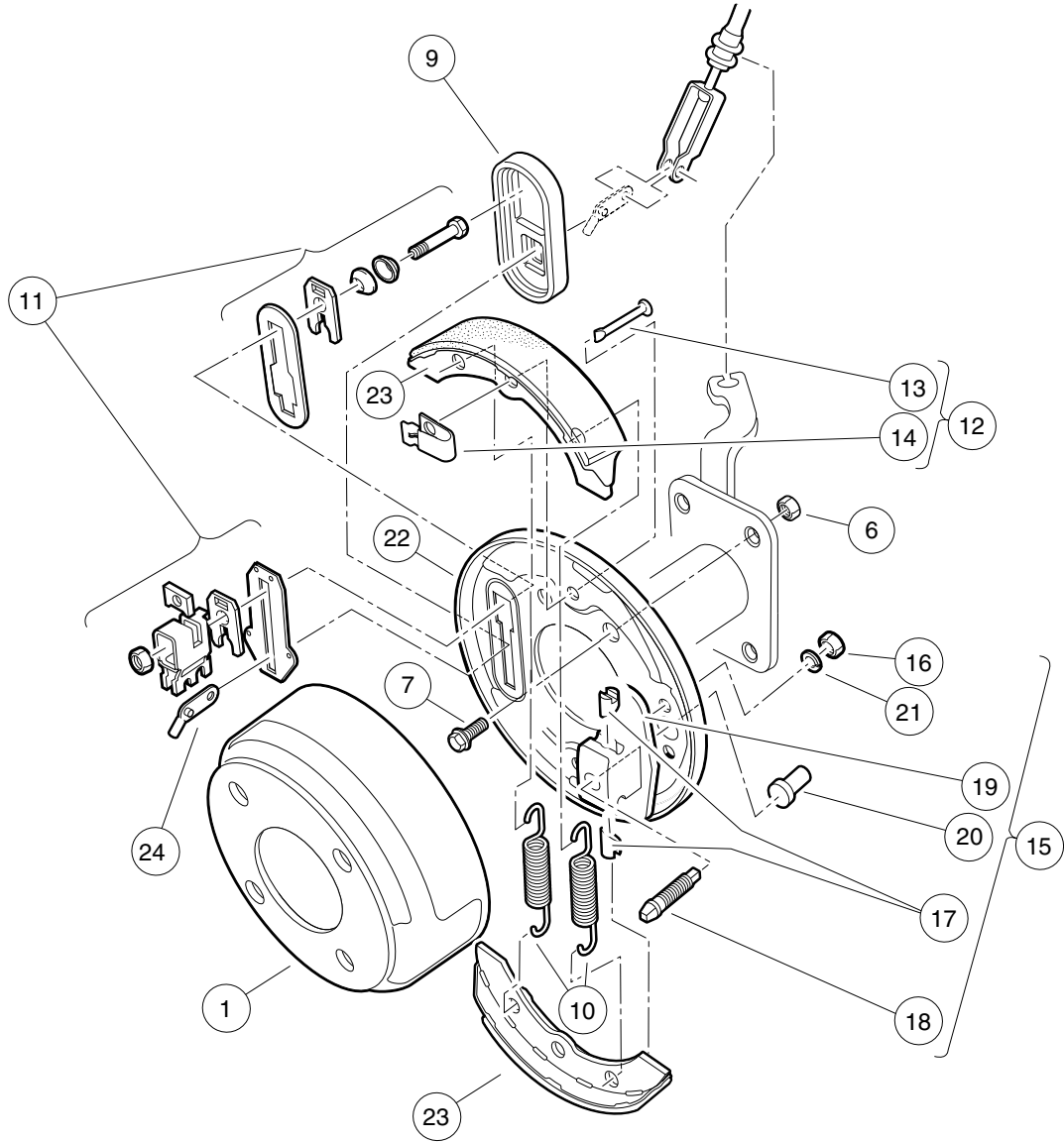
000362-001

## ACCELERATOR ROD – VILLAGER 8 GAS VEHICLES

ITEM	PART NO.	DESCRIPTION	QTY
		1 2 3 4	
1	<u>101674704</u>	Accelerator Rod Assembly, RV XL (includes items 2 through 4) .....	1
2	<u>1011084</u>	Nut, 1/4-28 Hex Jam .....	2
3	<u>1011734</u>	Joint, Ball .....	2
4	N/A	Accelerator Rod, RV XL .....	1

5  
G  
E

**5**  
**G**  
**E**



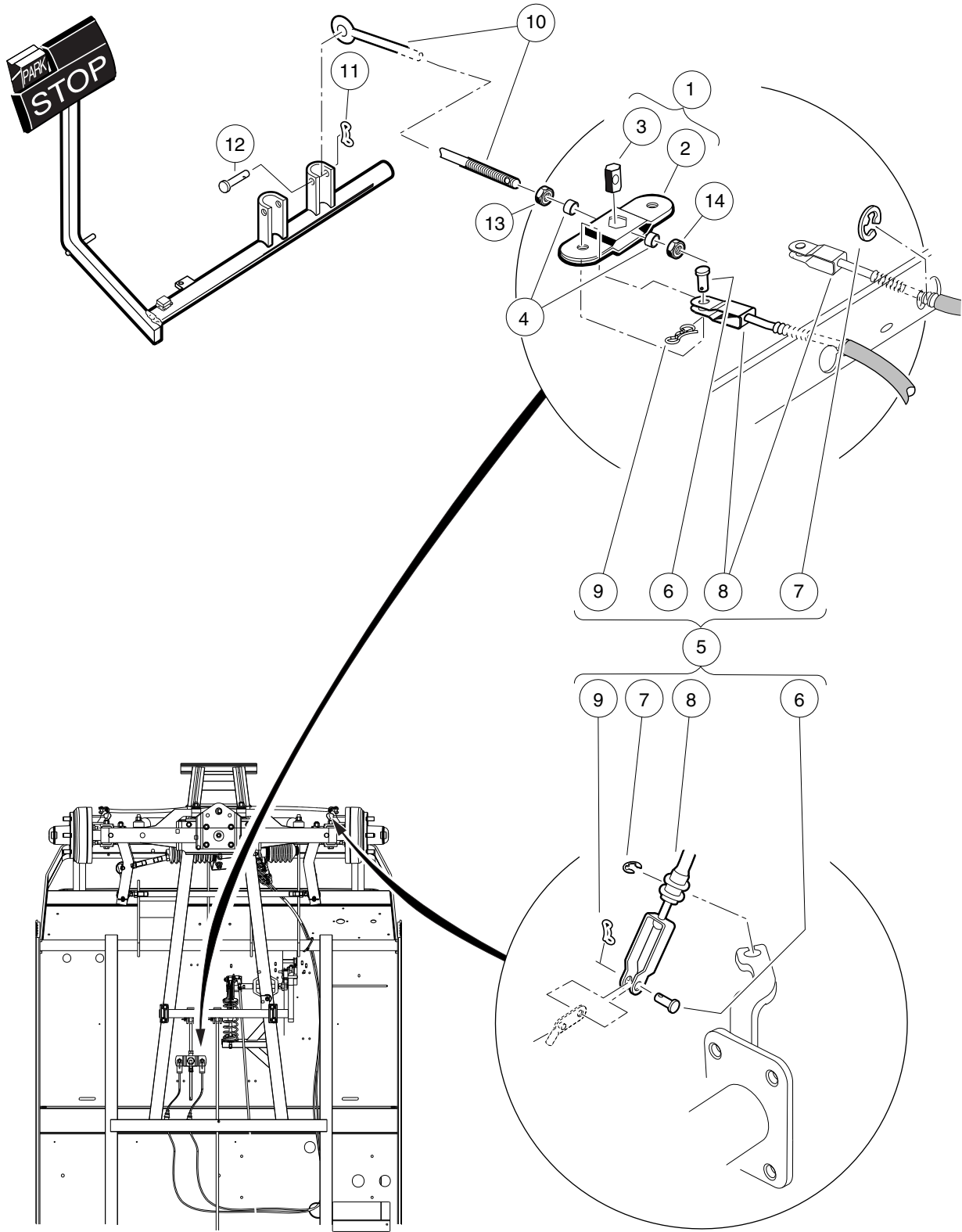
000298-001

# FRONT BRAKE ASSEMBLY – VEHICLES WITH FOUR-WHEEL BRAKES

ITEM	PART NO.	DESCRIPTION	QTY
		1 2 3 4	
1	<u>1011137</u>	Drum, Brake .....	2
2	<u>101146302</u>	Kit, Non-Asbestos Brake Shoe (includes item 3) .....	1
3	101880701	Shoe Brake Manual Adj (Available in Kit, Non-Asbestos Brake Shoe) .....	4
4	<u>1011464</u>	Package, Brake Spring (includes item 5) .....	1
5	1011314	Brake Spring .....	4
6	<u>1013924</u>	Nut, 5/16-24, Hex Head Cone .....	8
7	<u>1014153</u>	Bolt, Brake Cluster Mounting .....	8
8	<u>1016557</u>	Cluster, Brake, Driver-Side (includes items 9 through 24) .....	1
9	<u>1010850</u>	Dust Cover .....	1
10	1011314	Brake Spring .....	2
11	<u>1011465</u>	Kit, Brake Actuator .....	1
12	<u>1011466</u>	Kit, Shoe Retainer (includes items 13 and 14) .....	1
13	N/A	Pin .....	2
14	N/A	Shoe Clamp Spring .....	2
15	<u>1011467</u>	Kit, Anchor Body (includes items 16 through 21) .....	1
16	<u>1011114</u>	Nut, M6-1.00 Hex .....	2
17	1011298	Anchor Piston .....	2
18	N/A	Adjustment Bolt .....	1
19	N/A	Anchor Body Component .....	1
20	<u>1011303</u>	Adjustment Bolt Cap .....	1
21	<u>451</u>	Lockwasher, 1/4 Split .....	2
22	1011494	Backing Plate, Left-Hand .....	1
23	101880701	Shoe Brake Manual Adj (Available in Kit, Non-Asbestos Brake Shoe) .....	2
24	102860501	Arm, Brake Lever .....	1
25	<u>1016573</u>	Cluster, Brake, Passenger-Side (includes items 26 through 41) .....	1
26	<u>1010850</u>	Dust Cover .....	1
27	<u>1011154</u>	Backing Plate, Right-Hand .....	1
28	1011314	Brake Spring .....	2
29	<u>1011465</u>	Kit, Brake Actuator .....	1
30	<u>1011466</u>	Kit, Shoe Retainer (includes items 31 and 32) .....	1
31	N/A	Pin .....	2
32	N/A	Shoe Clamp Spring .....	2
33	<u>1011467</u>	Kit, Anchor Body (includes items 34 through 39) .....	1
34	<u>1011114</u>	Nut, M6-1.00 Hex .....	2
35	1011298	Anchor Piston .....	2
36	N/A	Adjustment Bolt .....	1
37	N/A	Anchor Body Component .....	1
38	<u>1011303</u>	Adjustment Bolt Cap .....	1
39	<u>451</u>	Lockwasher, 1/4 Split .....	2
40	101880701	Shoe Brake Manual Adj (Available in Kit, Non-Asbestos Brake Shoe) .....	2
41	102860501	Arm, Brake Lever .....	1
		Note: Passenger-side brake cluster not shown. Components have a similar appearance to driver-side brake cluster components.	

**5**  
**G**  
**E**

**5**  
**G**  
**E**



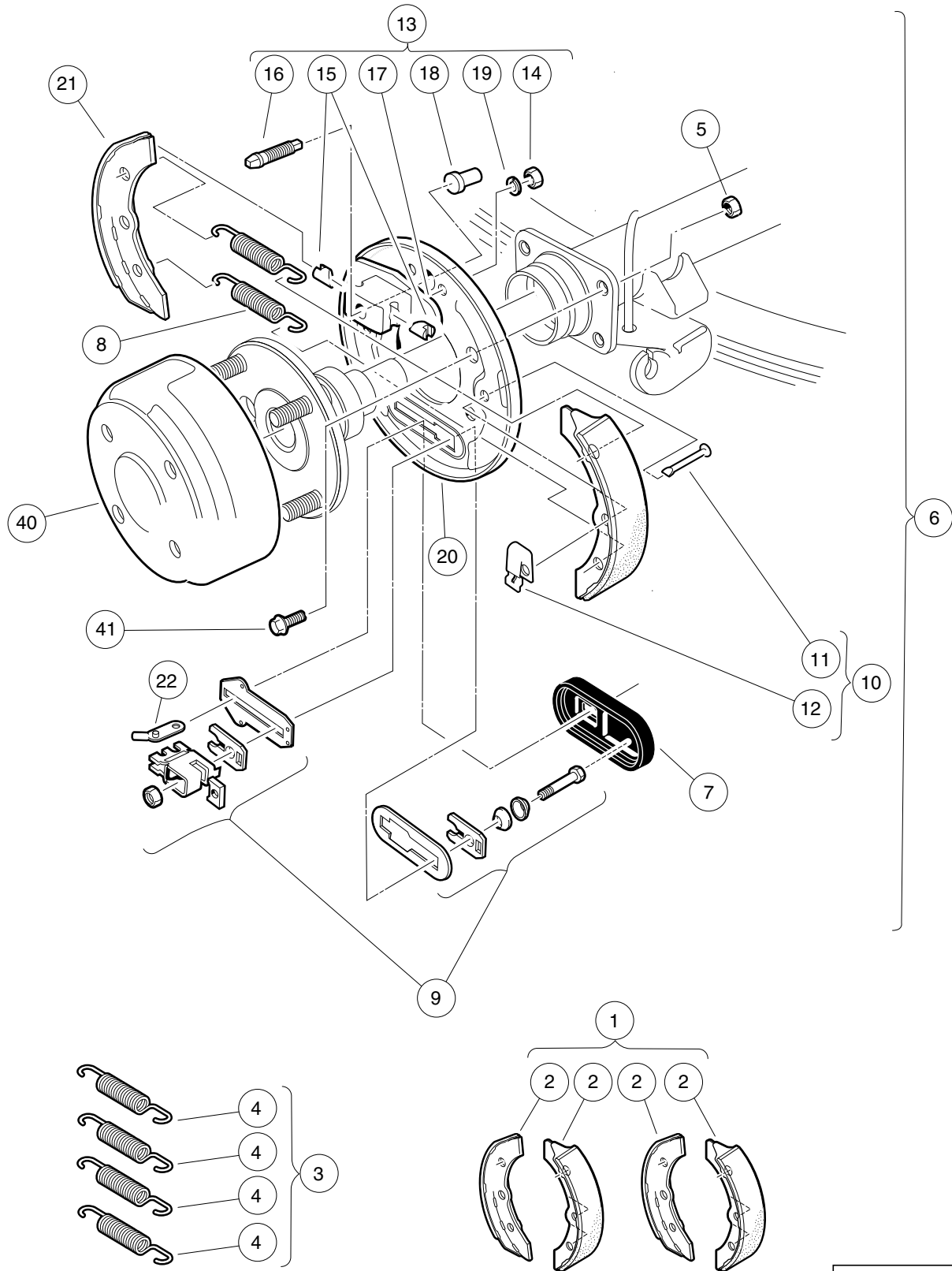
000294-001

# FRONT BRAKE CABLES AND EQUALIZER – VEHICLES WITH FOUR-WHEEL BRAKES

ITEM	PART NO.	DESCRIPTION	QTY
		<b>1 2 3 4</b>	
1	<u>1017211</u>	Kit, Equalizer and Pivot Limiter (includes items 2 and 3) .....	1
2	1016319	Equalizer Weld Assembly .....	2
3	1016320	Equalizer, Pivot Limiter .....	1
4	<u>101865301</u>	Spacer .....	2
5	<u>101874601</u>	Kit, Brake Cable (includes items 6 through 9) .....	1
6	<u>1010829</u>	Pin, Clevis, 5/16 X 3/4 .....	4
7	<u>1011779</u>	E-Clip, 1/2 .....	4
8	N/A	Brake Cable .....	2
9	<u>102292801</u>	Pin, Bow Tie Locking - .072 .....	4
10	<u>101953106</u>	Rod, Equalizer, 9.75" .....	1
11	<u>102323101</u>	Pin, Bow Tie Locking .....	1
12	<u>102323201</u>	Pin, 3/8 X 1-5/16 Clevis .....	1
13	<u>1242</u>	Nut, 5/16-18 Hex .....	1
14	<u>7473</u>	Locknut, 5/16-18 Nylon Insert .....	1

**5**  
**G**  
**E**

**5**  
**G**  
**E**



001403-003

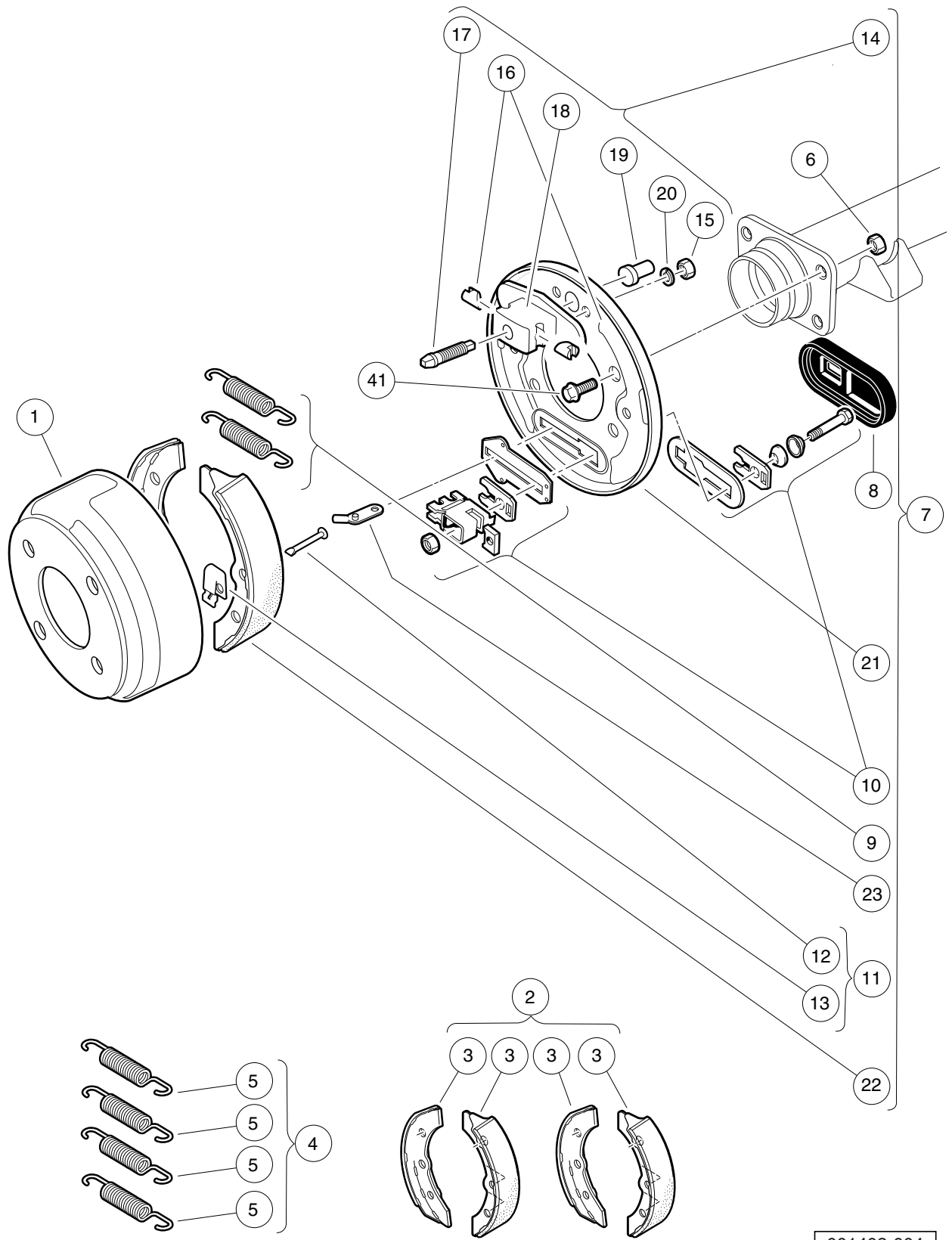


# REAR BRAKES, MANUALLY-ADJUSTED – ELEC. VEHICLES WITH 4-WHEEL BRAKES

ITEM	PART NO.	DESCRIPTION	QTY
		1 2 3 4	
1	<u>101146302</u>	Kit, Non-Asbestos Brake Shoe (includes item 2) .....	1
2	101880701	Shoe Brake Manual Adj (Available in Kit, Non-Asbestos Brake Shoe) .....	4
3	<u>1011464</u>	Package, Brake Spring (includes item 4) .....	1
4	1011314	Brake Spring .....	4
5	<u>1013924</u>	Nut, 5/16-24, Hex Head Cone .....	8
6	<u>1016557</u>	Cluster, Brake, Driver-Side (includes items 7 through 22) .....	1
7	<u>1010850</u>	Dust Cover .....	1
8	1011314	Brake Spring .....	2
9	<u>1011465</u>	Kit, Brake Actuator .....	1
10	<u>1011466</u>	Kit, Shoe Retainer (includes items 11 and 12) .....	1
11	N/A	Pin .....	2
12	N/A	Shoe Clamp Spring .....	2
13	<u>1011467</u>	Kit, Anchor Body (includes items 14 through 19) .....	1
14	<u>1011114</u>	Nut, M6-1.00 Hex .....	2
15	1011298	Anchor Piston .....	2
16	N/A	Adjustment Bolt .....	1
17	N/A	Anchor Body Component .....	1
18	<u>1011303</u>	Adjustment Bolt Cap .....	1
19	<u>451</u>	Lockwasher, 1/4 Split .....	2
20	1011494	Backing Plate, Left-Hand .....	1
21	101880701	Shoe Brake Manual Adj (Available in Kit, Non-Asbestos Brake Shoe) .....	2
22	102860501	Arm, Brake Lever .....	1
23	<u>1016573</u>	Cluster, Brake, Passenger-Side (includes items 24 through 39) .....	1
24	<u>1010850</u>	Dust Cover .....	1
25	<u>1011154</u>	Backing Plate, Right-Hand .....	1
26	1011314	Brake Spring .....	2
27	<u>1011465</u>	Kit, Brake Actuator .....	1
28	<u>1011466</u>	Kit, Shoe Retainer (includes items 29 and 30) .....	1
29	N/A	Pin .....	2
30	N/A	Shoe Clamp Spring .....	2
31	<u>1011467</u>	Kit, Anchor Body (includes items 32 through 37) .....	1
32	<u>1011114</u>	Nut, M6-1.00 Hex .....	2
33	1011298	Anchor Piston .....	2
34	N/A	Adjustment Bolt .....	1
35	N/A	Anchor Body Component .....	1
36	<u>1011303</u>	Adjustment Bolt Cap .....	1
37	<u>451</u>	Lockwasher, 1/4 Split .....	2
38	101880701	Shoe Brake Manual Adj (Available in Kit, Non-Asbestos Brake Shoe) .....	2
39	102860501	Arm, Brake Lever .....	1
40	<u>101791101</u>	Drum without Center Hole, Brake .....	2
41	<u>47542195001</u>	Bolt, Brake Cluster Mnt .....	8
		Note: Passenger-side brake cluster (items 24-40) not shown. Components have a similar appearance to driver-side brake cluster components.	

**5**  
**G**  
**E**

**5**  
**G**  
**E**

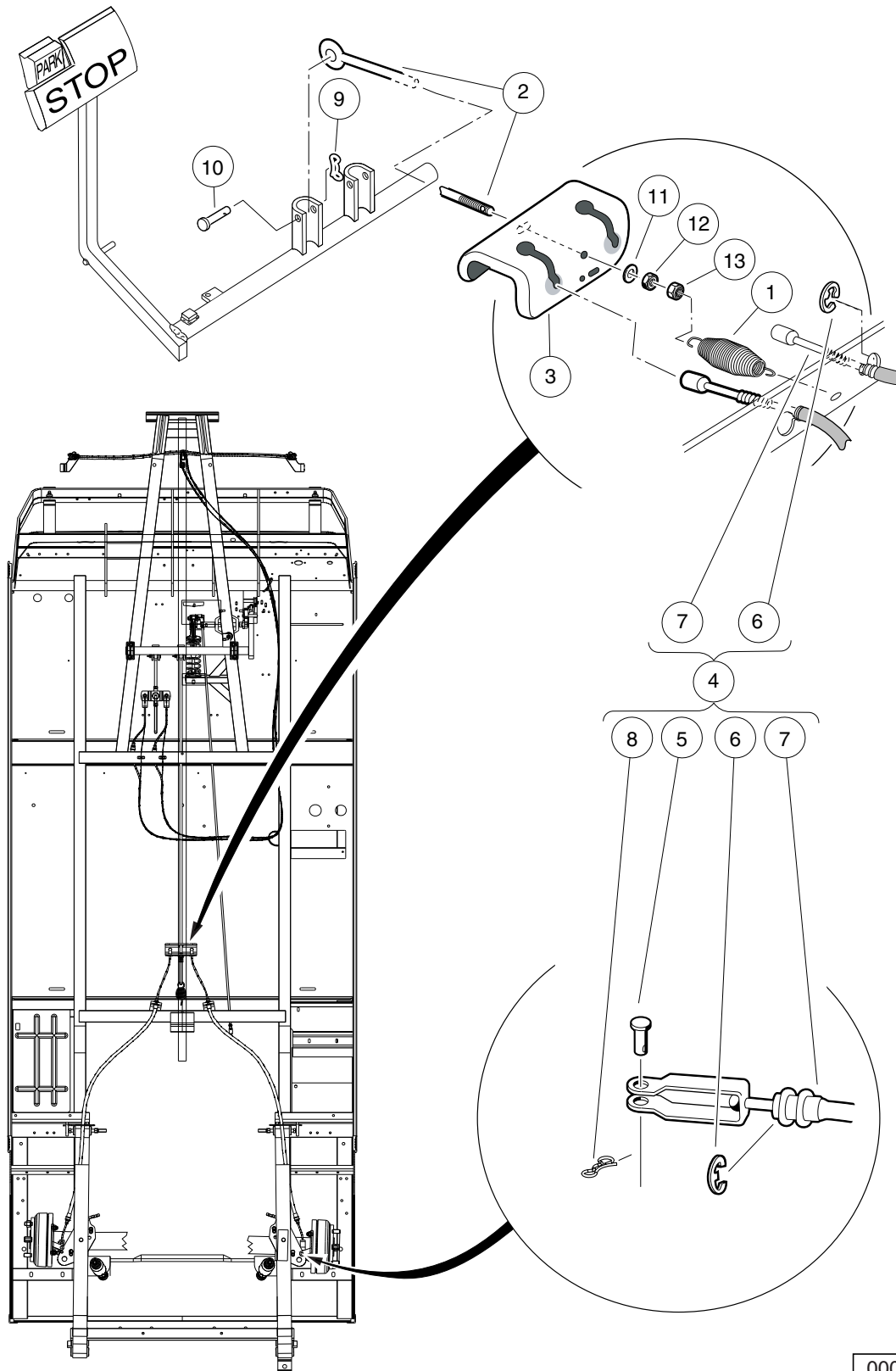


001403-004

# REAR BRAKES, MANUALLY-ADJUSTED – GAS VEHICLES WITH 4-WHEEL BRAKES

ITEM	PART NO.	DESCRIPTION	QTY	
		1 2 3 4		<b>5</b>
1	<u>1011137</u>	Drum, Brake .....	2	<b>G</b>
2	<u>101146302</u>	Kit, Non-Asbestos Brake Shoe (includes item 3) .....	1	<b>E</b>
3	101880701	Shoe Brake Manual Adj (Available in Kit, Non-Asbestos Brake Shoe) .....	4	
4	<u>1011464</u>	Package, Brake Spring (includes item 5) .....	1	
5	1011314	Brake Spring .....	4	
6	<u>1013924</u>	Nut, 5/16-24, Hex Head Cone .....	8	
7	<u>1016557</u>	Cluster, Brake, Driver-Side (includes items 8 through 23) .....	1	
8	<u>1010850</u>	Dust Cover .....	1	
9	1011314	Brake Spring .....	2	
10	<u>1011465</u>	Kit, Brake Actuator .....	1	
11	<u>1011466</u>	Kit, Shoe Retainer (includes items 12 and 13) .....	1	
12	N/A	Pin .....	2	
13	N/A	Shoe Clamp Spring .....	2	
14	<u>1011467</u>	Kit, Anchor Body (includes items 15 through 20) .....	1	
15	<u>1011114</u>	Nut, M6-1.00 Hex .....	2	
16	1011298	Anchor Piston .....	2	
17	N/A	Adjustment Bolt .....	1	
18	N/A	Anchor Body Component .....	1	
19	<u>1011303</u>	Adjustment Bolt Cap .....	1	
20	<u>451</u>	Lockwasher, 1/4 Split .....	2	
21	1011494	Backing Plate, Left-Hand .....	1	
22	101880701	Shoe Brake Manual Adj (Available in Kit, Non-Asbestos Brake Shoe) .....	2	
23	102860501	Arm, Brake Lever .....	1	
24	<u>1016573</u>	Cluster, Brake, Passenger-Side (includes items 25 through 40) .....	1	
25	<u>1010850</u>	Dust Cover .....	1	
26	<u>1011154</u>	Backing Plate, Right-Hand .....	1	
27	1011314	Brake Spring .....	2	
28	<u>1011465</u>	Kit, Brake Actuator .....	1	
29	<u>1011466</u>	Kit, Shoe Retainer (includes items 30 and 31) .....	1	
30	N/A	Pin .....	2	
31	N/A	Shoe Clamp Spring .....	2	
32	<u>1011467</u>	Kit, Anchor Body (includes items 33 through 38) .....	1	
33	<u>1011114</u>	Nut, M6-1.00 Hex .....	2	
34	1011298	Anchor Piston .....	2	
35	N/A	Adjustment Bolt .....	1	
36	N/A	Anchor Body Component .....	1	
37	<u>1011303</u>	Adjustment Bolt Cap .....	1	
38	<u>451</u>	Lockwasher, 1/4 Split .....	2	
39	101880701	Shoe Brake Manual Adj (Available in Kit, Non-Asbestos Brake Shoe) .....	2	
40	102860501	Arm, Brake Lever .....	1	
41	<u>47542195001</u>	Bolt, Brake Cluster Mnt .....	8	
		Note: Passenger-side brake cluster (items 25-41) not shown. Components have a similar appearance to driver-side brake cluster components.		

**5**  
**G**  
**E**



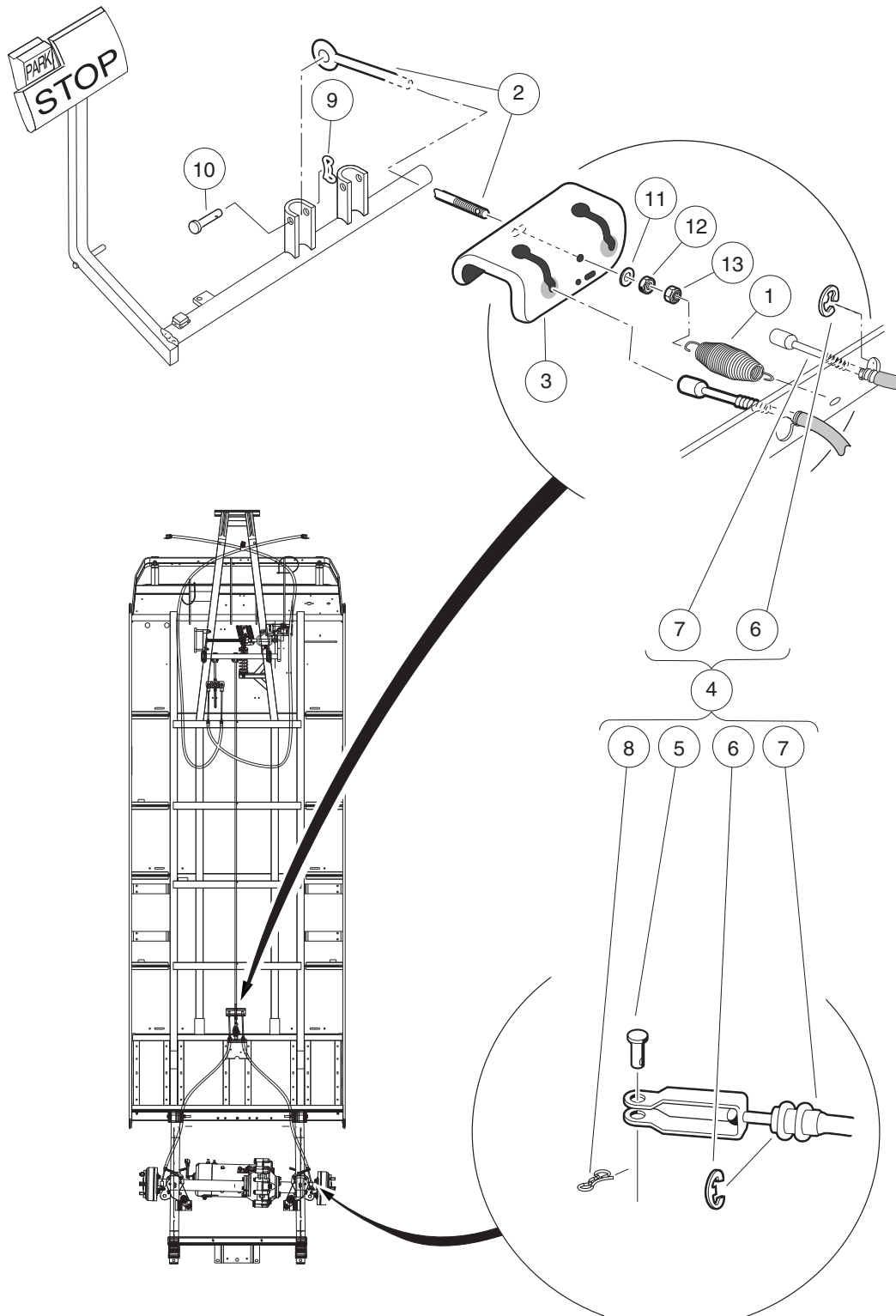
000296-004

## REAR BRAKE CABLES AND EQUALIZER – VILLAGER 6

ITEM	PART NO.	DESCRIPTION	QTY
		1 2 3 4	
1	<u>1013531</u>	Spring, Brake Return .....	1
2	101953103	Rod, Equalizer, 41.91" .....	1
3	<u>101990801</u>	Equalizer Bracket .....	1
4	<u>102166901</u>	Kit, Brake Cable Rear (includes items 5 through 8) .....	1
5	<u>1010829</u>	Pin, Clevis, 5/16 X 3/4 .....	2
6	<u>1011779</u>	E-Clip, 1/2 .....	4
7	102162601	Cable, Brake .....	2
8	<u>102292801</u>	Pin, Bow Tie Locking - .072 .....	2
9	<u>102323101</u>	Pin, Bow Tie Locking .....	1
10	<u>102323201</u>	Pin, 3/8 X 1-5/16 Clevis .....	1
11	<u>1241</u>	Washer, 5/16 Type A Flat .....	1
12	<u>1242</u>	Nut, 5/16-18 Hex .....	1
13	<u>7473</u>	Locknut, 5/16-18 Nylon Insert .....	1

5  
G  
E

**5**  
**G**  
**E**



000296-003

## REAR BRAKE CABLES AND EQUALIZER – VILLAGER 8

ITEM	PART NO.	DESCRIPTION	QTY
		1 2 3 4	
1	<u>1013531</u>	Spring, Brake Return .....	1
2	<u>101953104</u>	Rod, Equalizer .....	1
3	<u>101990801</u>	Equalizer Bracket .....	1
4	<u>102166901</u>	Kit, Brake Cable Rear (includes items 5 through 8) .....	1
5	<u>1010829</u>	Pin, Clevis, 5/16 X 3/4 .....	2
6	<u>1011779</u>	E-Clip, 1/2 .....	4
7	102162601	Cable, Brake .....	2
8	<u>102292801</u>	Pin, Bow Tie Locking - .072 .....	2
9	<u>102323101</u>	Pin, Bow Tie Locking .....	1
10	<u>102323201</u>	Pin, 3/8 X 1-5/16 Clevis .....	1
11	<u>1241</u>	Washer, 5/16 Type A Flat .....	1
12	<u>1242</u>	Nut, 5/16-18 Hex .....	1
13	<u>7473</u>	Locknut, 5/16-18 Nylon Insert .....	1

5  
G  
E

**5**

**G**

**E**



# STEERING AND SUSPENSIONS

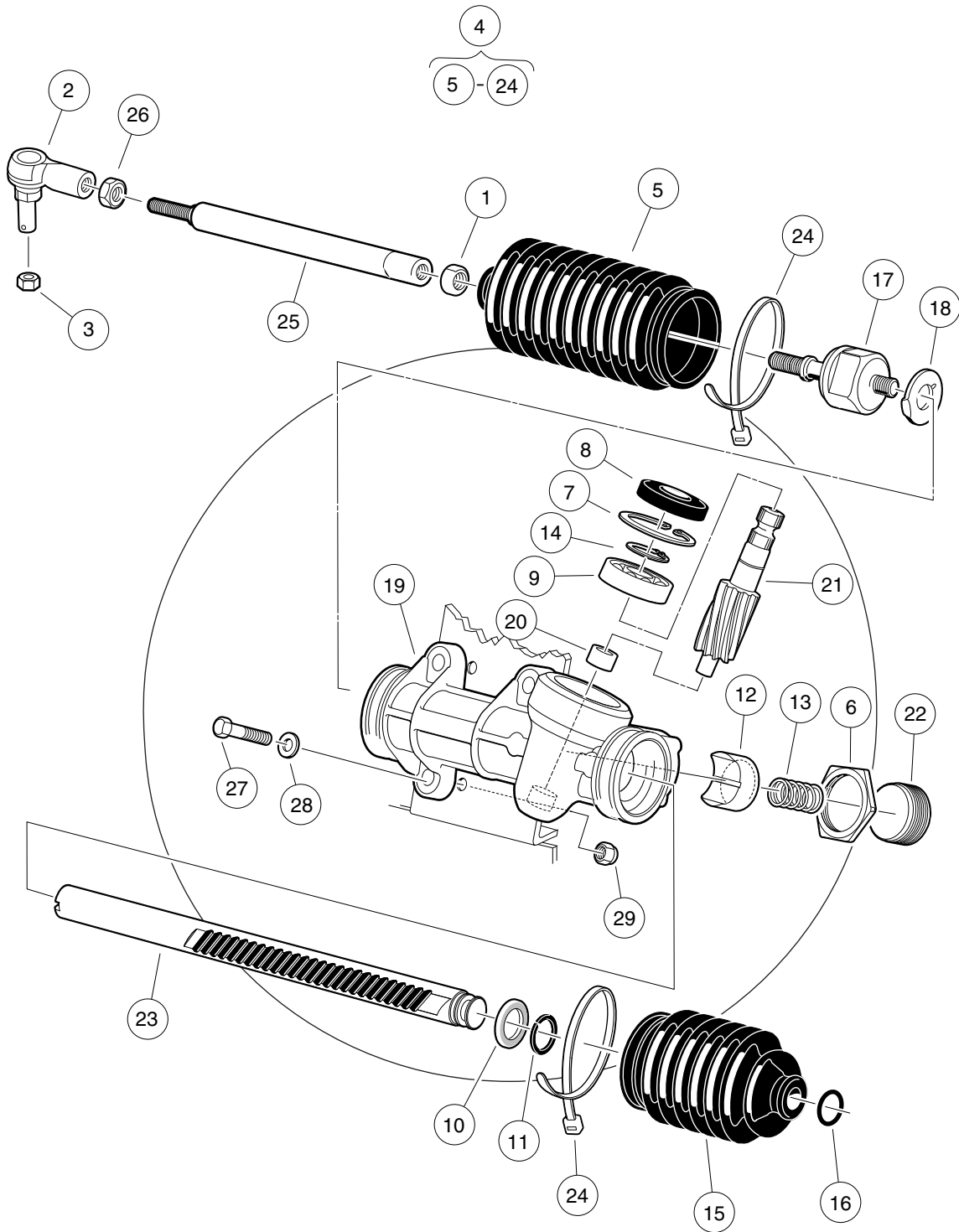
---

6

G

E

**6**  
**G**  
**E**



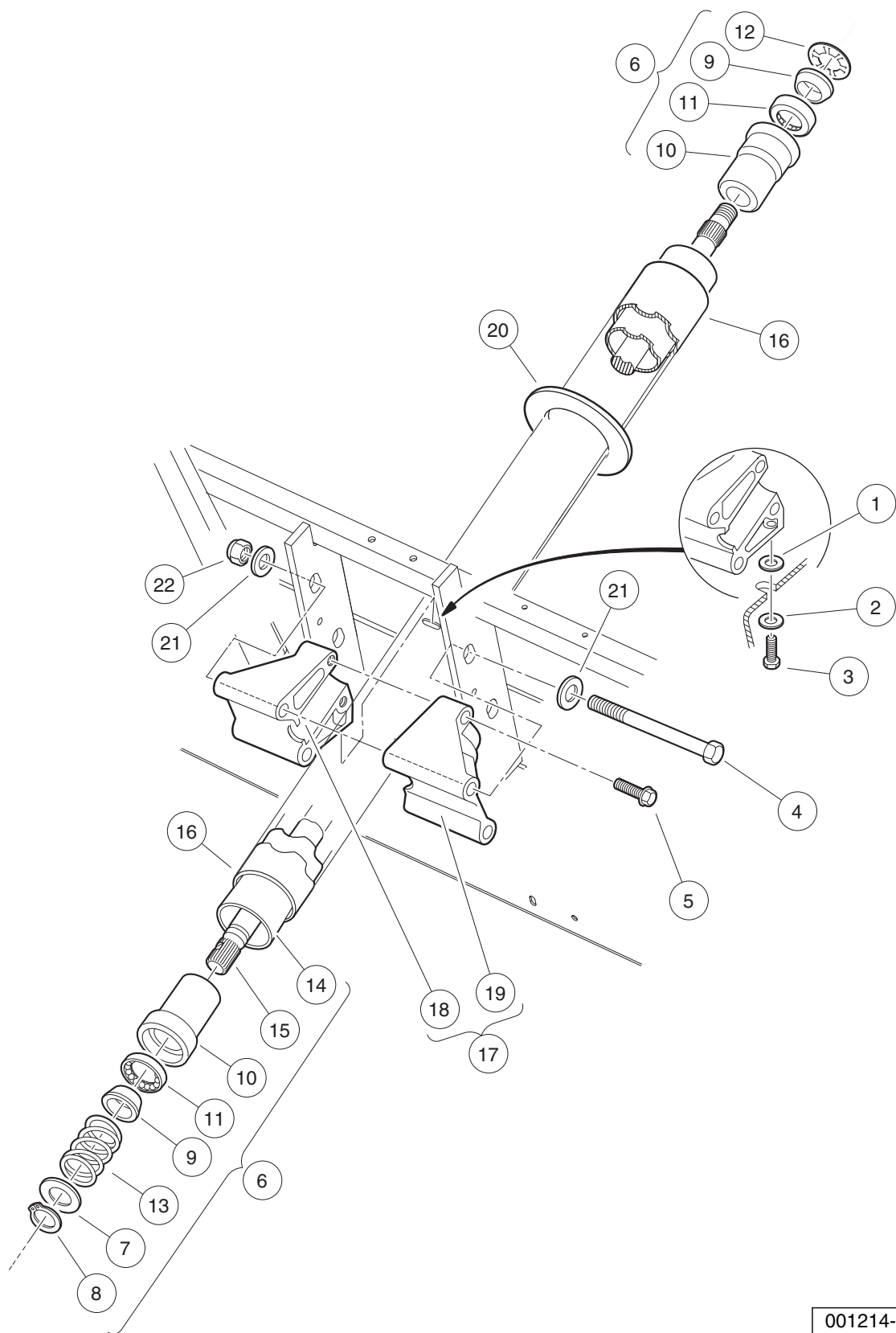
001500-002

# STEERING GEAR ASSEMBLY (WANDA) – MAINTENANCE-FREE BALL JOINT

ITEM	PART NO.	DESCRIPTION	QTY
		<b>1 2 3 4</b>	
1	1013042	Nut, 12mm Hex .....	1
2	<u>102022602</u>	End, Tie Rod, M12 X 1.25, Lh .....	1
3	<u>102289201</u>	Nut - Hex Locking, M12 X 1.25 .....	1
4	<u>103601501</u>	Asm, Steering Rack And Pinion (includes items 5 through 24) .....	1
5	<u>1013035</u>	Bellows, Long .....	1
6	<u>1013044</u>	Rack Screw Locknut .....	1
7	N/A	Snap Ring .....	1
8	<u>1013052</u>	Seal, Steering Pinion Dust .....	1
9	<u>101879401</u>	Bearing, Ball .....	1
10	<u>101879501</u>	Stop Washer .....	1
11	101879601	Stop Ring, C-Type .....	1
12	<u>101879701</u>	Support Yoke .....	1
13	<u>101879801</u>	Rack Guide Pressure Spring .....	1
14	<u>101879901</u>	Ring, Stop, C-Type .....	1
15	<u>101880001</u>	Bellows, Short .....	1
16	101880101	Dust Seal Retaining Ring .....	1
17	<u>101880201</u>	Inner Ball Joint Asm .....	1
18	101880301	Washer, Tab .....	1
19	N/A	Box, Steering Gear .....	1
20	N/A	Bearing, Lower Pinion .....	1
21	N/A	Pinion, Steering .....	1
22	N/A	Screw, Rack Guide .....	1
23	N/A	Rack, Steering .....	1
24	<u>8990</u>	Tie Wrap, 8" Nylon .....	2
25	<u>103653401</u>	Link, Drag, Male Thd .....	1
26	<u>103653501</u>	Nut, Jam, M12-1.25, Lh .....	1
27	<u>1624</u>	Screw, 3/8-16 X 1.50, Hex-Head Cap .....	3
28	<u>334</u>	Washer, 3/8, Type A, Flat .....	3
29	<u>8754</u>	Locknut, 3/8-16 Hex .....	3

**6**  
**G**  
**E**

**6**  
**G**  
**E**



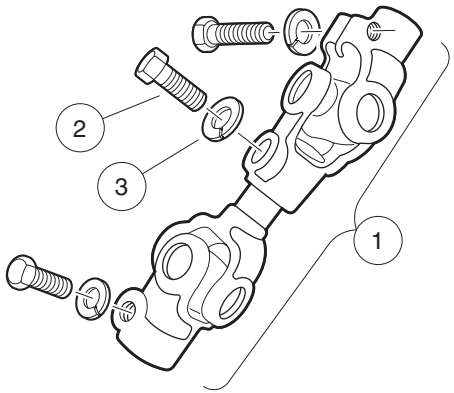
001214-001

## STEERING COLUMN – UTILITY

ITEM	PART NO.	DESCRIPTION	QTY
		<b>1 2 3 4</b>	
1	<u>1011578</u>	Washer, 5/16 Type B Flat .....	1
2	<u>1011697</u>	Washer, 5/16 Flat .....	1
3	<u>1014288</u>	Screw, 5/16-18 X 0.75, Thread-Forming .....	1
4	<u>1016183</u>	Screw, 3/8-16 X 7.00 Hex Cap .....	2
5	<u>1016269</u>	Screw, 5/16-18 Thrd Forming .....	2
6	<u>1017313</u>	Steering Shaft Assembly (includes items 7 through 15) .....	1
7	<u>1012604</u>	Washer, 0.675 ID X 1.19 OD .....	1
8	<u>1012605</u>	Ring, 0.579 Internal Retaining .....	1
9	1014125	Wedge, Molded .....	2
10	<u>1014126</u>	Seat, Plastic Bearing .....	2
11	<u>1014213</u>	Bearing, Ball .....	2
12	1014214	Ring, Retaining .....	1
13	<u>1014217</u>	Spring, Steering Shaft .....	1
14	<u>1017314</u>	Column, Aluminum Steering .....	1
15	<u>1017315</u>	Shaft Steering Column .....	1
16	<u>1017317</u>	Tube Cover, Steering Column .....	1
17	101984801	Kit, Steering Column Mounting Bracket (includes items 18 and 19) .....	1
18	N/A	Bracket, RH Steering Column Mount .....	1
19	N/A	Bracket, LH Steering column mount .....	1
20	<u>102278001</u>	Boot, Steering Column Round .....	1
21	<u>334</u>	Washer, 3/8, Type A, Flat .....	4
22	<u>8754</u>	Locknut, 3/8-16 Hex .....	2

**6**  
**G**  
**E**

**6**  
**G**  
**E**



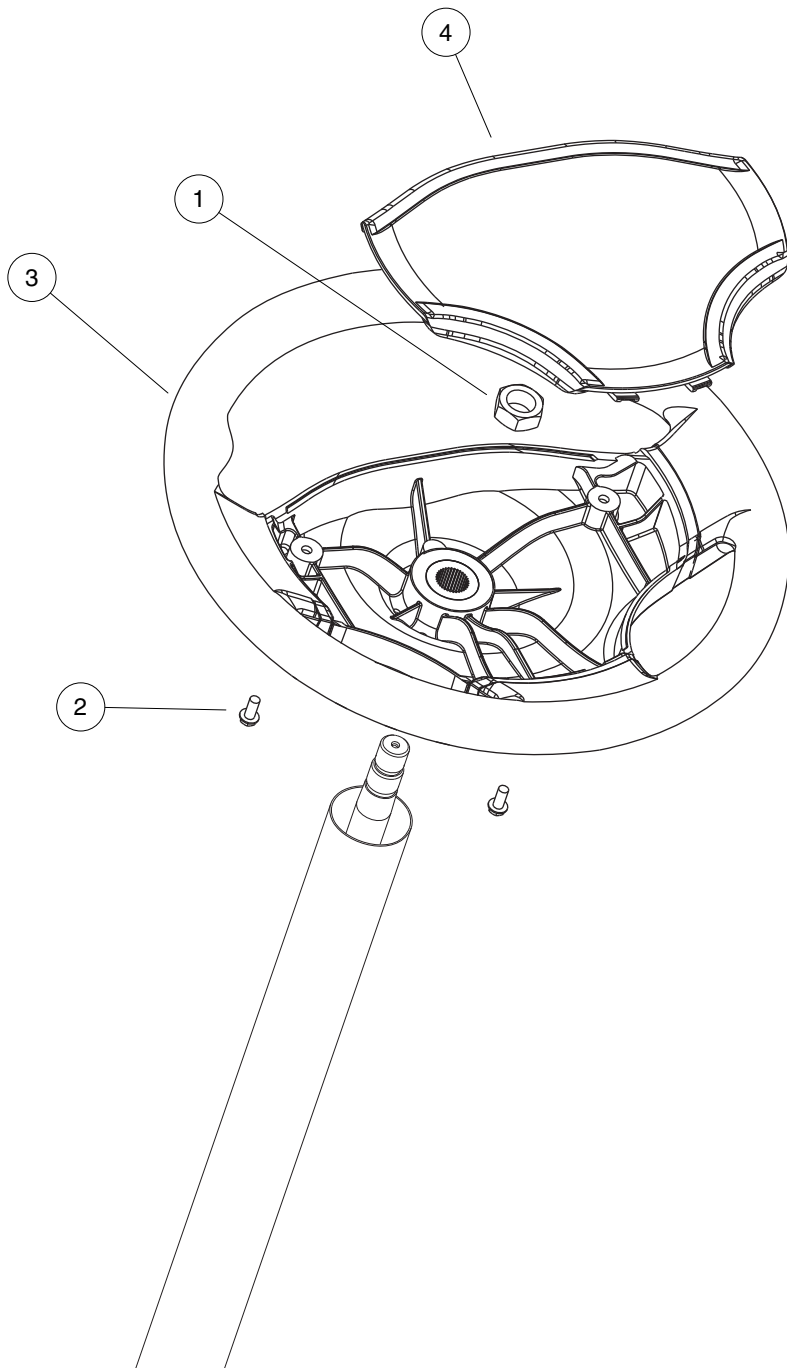
001217-001

## INTERMEDIATE STEERING SHAFT (WANDA)

ITEM	PART NO.	DESCRIPTION	QTY
		1 2 3 4	
1	<u>103601601</u>	Shaft, Intermediate Steering (includes items 2 and 3) .....	1
2	<u>1017226</u>	Bolt, Hex-Head, 8mm X 1.25 - 30 .....	3
3	<u>7174</u>	Lockwasher, 5/16 Split .....	3

6  
G  
E

**6**  
**G**  
**E**



000246-007

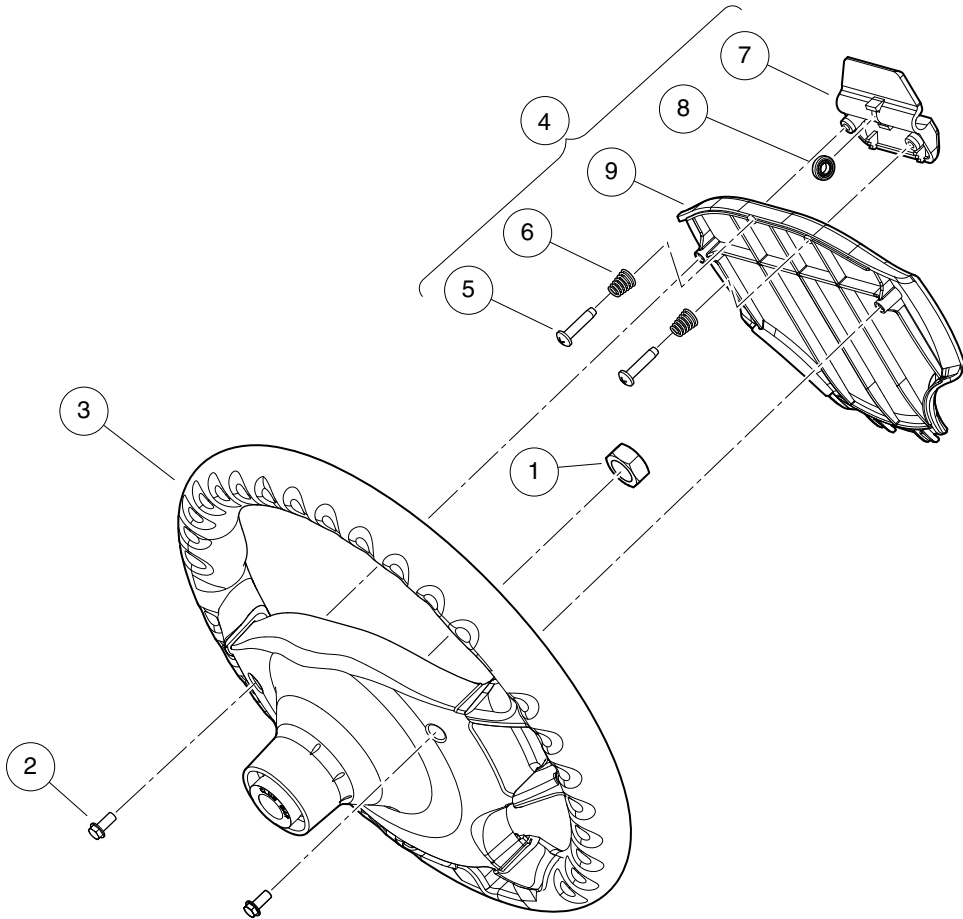
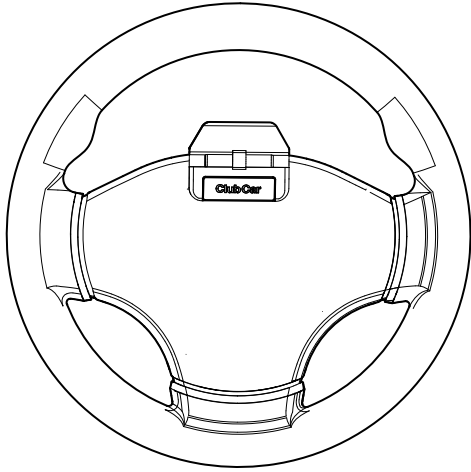


# STEERING WHEEL

ITEM	PART NO.	DESCRIPTION	QTY
		1 2 3 4	
1	<u>1017273</u>	Nut, 5/8-18 Nylon Insert Jam .....	1
2	<u>101850301</u>	Screw, #12-16 X 0.50 Washer-Head Hi-Lo .....	2
3	<u>103724502</u>	Wheel, Steering, Splined .....	1
4	<u>103724602</u>	Cover, Steering Wheel, Generic .....	1

6  
G  
E

**6**  
**G**  
**E**



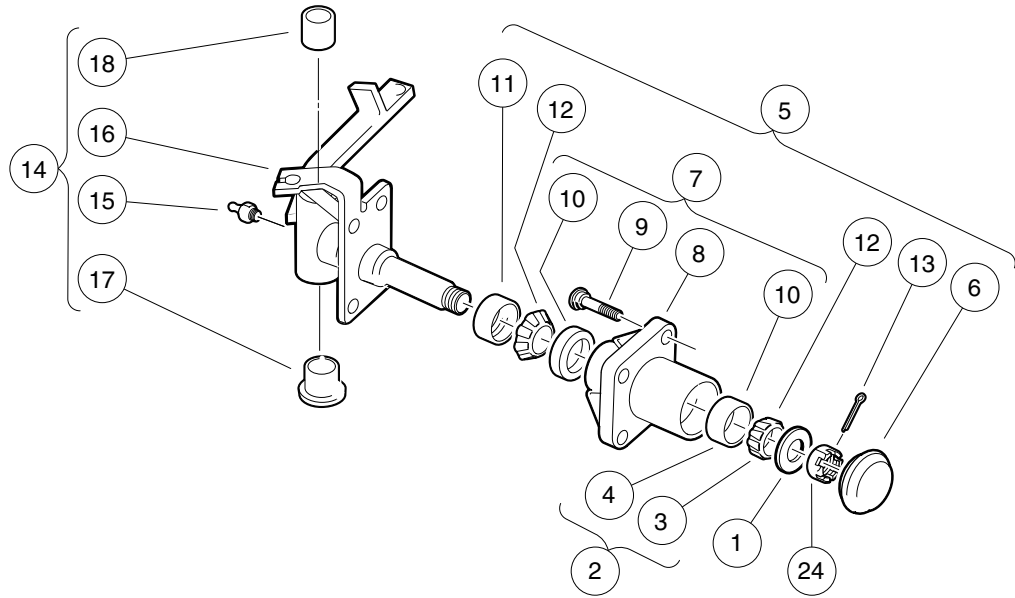
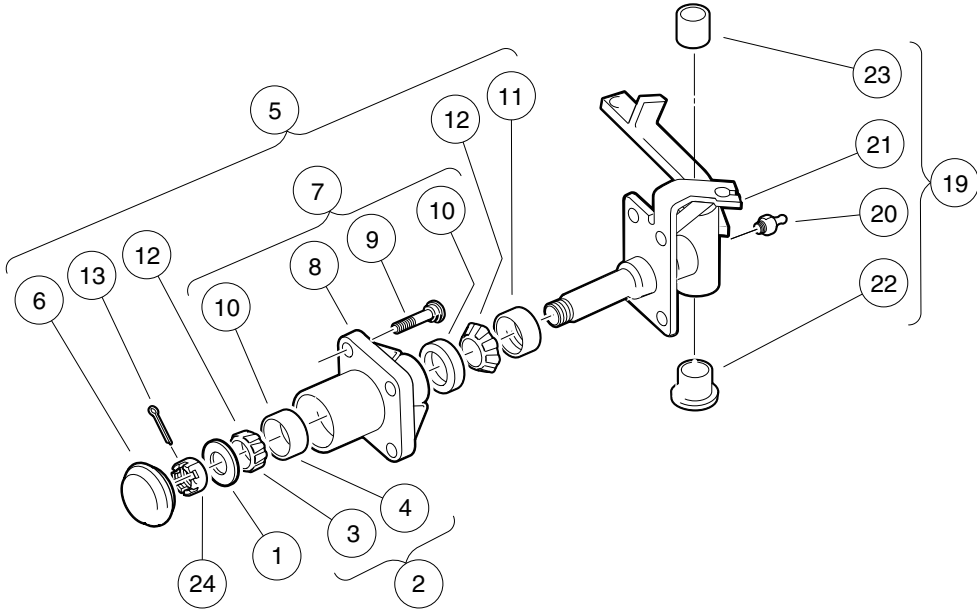
001504-001

# STEERING WHEEL WITH CLIP

ITEM	PART NO.	DESCRIPTION	QTY
		1 2 3 4	
1	<u>1017273</u>	Nut, 5/8-18 Nylon Insert Jam .....	1
2	<u>101850301</u>	Screw, #12-16 X 0.50 Washer-Head Hi-Lo .....	2
3	<u>103724502</u>	Wheel, Steering, Splined .....	1
4	<u>103724901</u>	Asm, Scorecard, Clip (includes items 5 through 9) .....	1
5	<u>1012565</u>	Screw, #12 Phillips Round Head .....	2
6	<u>1012566</u>	Tapered Compression Spring .....	2
7	1016154	Clip, Scorecard .....	1
8	<u>1016214</u>	Pencil Grip .....	1
9	103724601	Cover, Steering Wheel, Clip .....	1

6  
G  
E

**6**  
**G**  
**E**



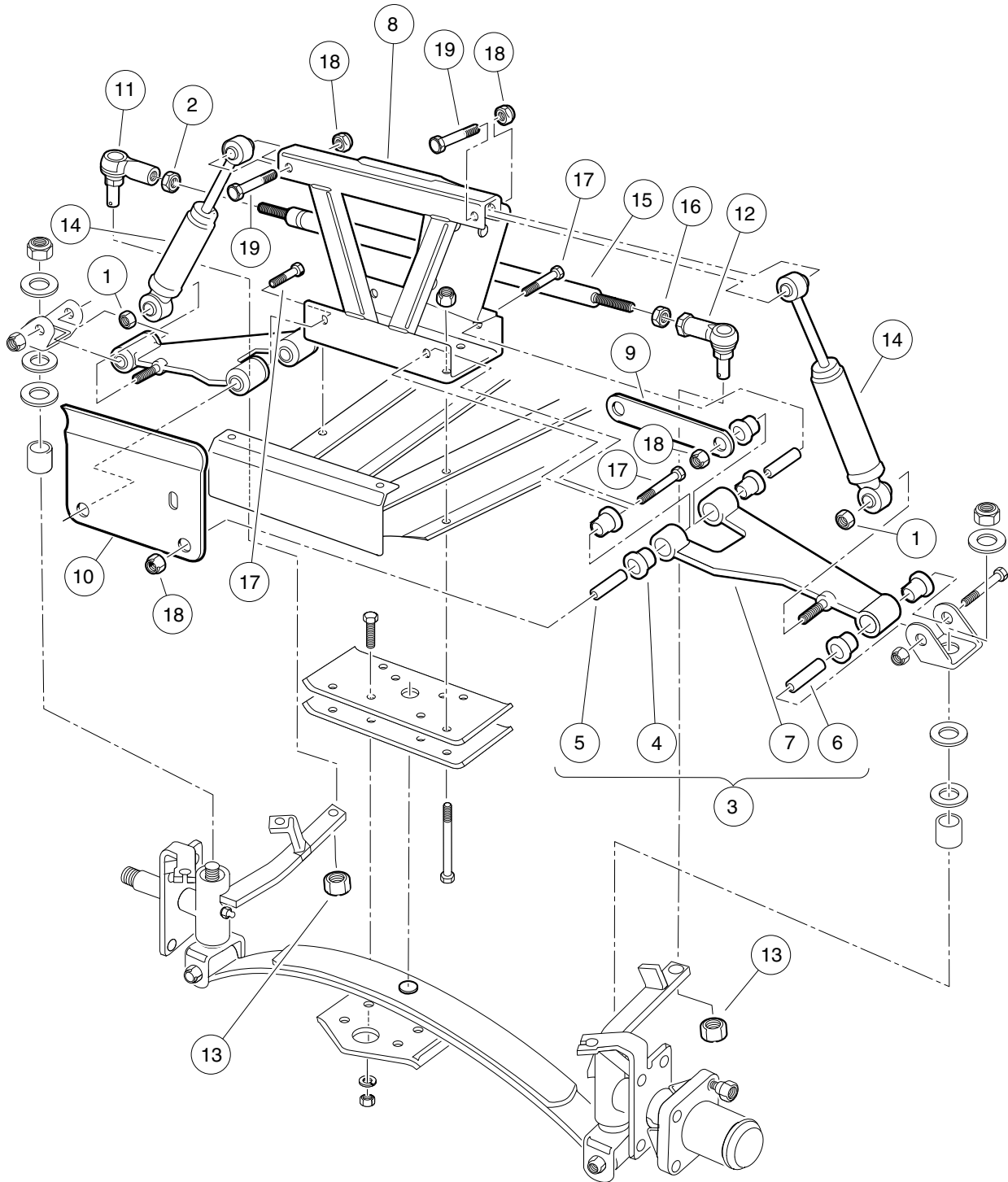
000310-002

# FRONT SPINDLES AND HUBS – VEHICLES WITH FOUR-WHEEL BRAKES AND MAINTENANCE-FREE BALL JOINTS

ITEM	PART NO.	DESCRIPTION	QTY
		<b>1 2 3 4</b>	
1	<u>1010005</u>	Washer, 3/4 Flat .....	2
2	<u>1011393</u>	Hub Bearing Package (includes items 3 and 4) .....	4
3	<u>7274</u>	Bearing, Front Hub Wheel .....	1
4	<u>7308</u>	Race, Front Hub Bearing .....	1
5	<u>1011892</u>	Hub Assembly (includes items 6 through 13) .....	2
6	<u>1011887</u>	Dust Cover .....	1
7	N/A	Hub (includes items 8 through 10) .....	1
8	N/A	Front Hub .....	1
9	<u>103477901</u>	Lug Stud, 1/2-20 Unf, 4037 .....	4
10	<u>7308</u>	Race, Front Hub Bearing .....	2
11	<u>1013135</u>	Seal, Double Lip .....	1
12	<u>7274</u>	Bearing, Front Hub Wheel .....	2
13	<u>7910</u>	Pin, 5/32 X 1.00 Cotter .....	1
14	<u>103717302</u>	Asm, Spindle, Lh, 4wb, Sp (includes items 15 through 18) .....	1
15	<u>1015597</u>	Fitting, 1/4-28 Thread-Forming Grease .....	1
16	N/A	Subasm, Spindle, Lh, 4wb .....	1
17	<u>7048</u>	Bushing, Flanged Bronze .....	1
18	<u>8067</u>	Bushing, Bronze Spindle .....	1
19	<u>103717402</u>	Asm, Spindle, Rh, 4wb, Sp (includes items 20 through 23) .....	1
20	<u>1015597</u>	Fitting, 1/4-28 Thread-Forming Grease .....	1
21	N/A	Subasm, Spindle, Rh, 4wb .....	1
22	<u>7048</u>	Bushing, Flanged Bronze .....	1
23	<u>8067</u>	Bushing, Bronze Spindle .....	1
24	<u>7840</u>	Nut, 3/4-16 Hex Slotted .....	2

**6**  
**G**  
**E**

**6**  
**G**  
**E**



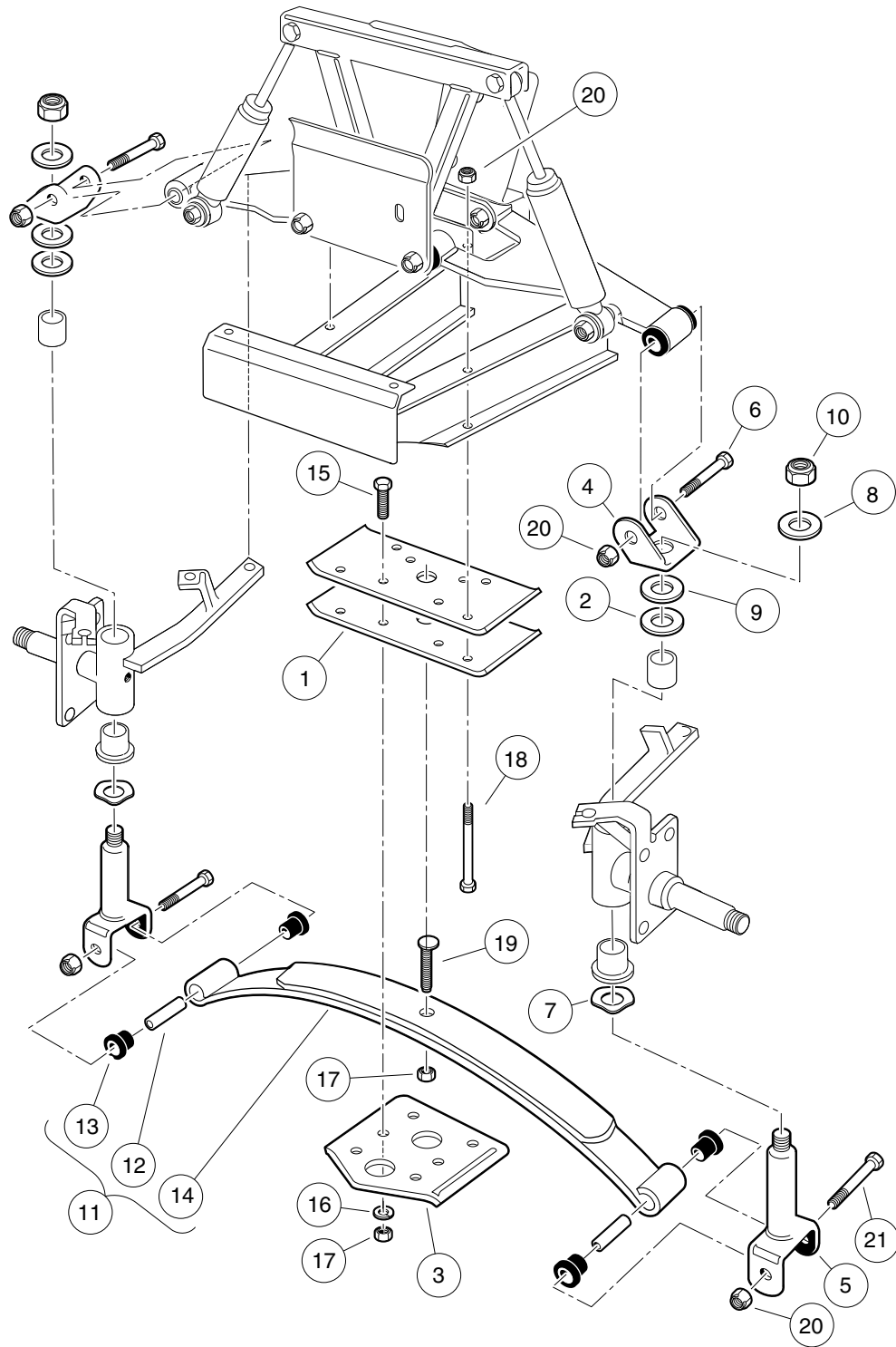
001265-001

# FRONT SUSPENSION, UPPER – WITH MAINTENANCE-FREE BALL JOINTS

ITEM	PART NO.	DESCRIPTION	QTY
		1 2 3 4	
1	<u>1010138</u>	Locknut, 3/8-16 Dimpled .....	2
2	<u>1013042</u>	Nut, 12mm Hex .....	1
3	<u>1016353</u>	Sub-Assembly, Delta A-Plate (includes items 4 through 7) .....	2
4	<u>1016346</u>	Bushing, Urethane .....	6
5	<u>1016349</u>	Sleeve, Delta Inner .....	2
6	<u>1016350</u>	Sleeve, Delta Outer .....	1
7	<u>1016351</u>	Delta A-Plate .....	1
8	<u>1016385</u>	Delta Shock and Gear Support Assembly .....	1
9	<u>1017266</u>	A-Plate Strap .....	1
10	<u>101955001</u>	Brake Cable Guide Bracket .....	1
11	<u>102022601</u>	End, Tie Rod M12 X 1.25 Rh .....	1
12	<u>102022602</u>	End, Tie Rod, M12 X 1.25, Lh .....	1
13	<u>102289201</u>	Nut - Hex Locking, M12 X 1.25 .....	3
14	<u>103351001</u>	Shock Absorber, Front, Common .....	2
15	<u>103354701</u>	Rod, Tie, Male Thd .....	1
16	<u>103653501</u>	Nut, Jam, M12-1.25, Lh .....	1
17	<u>2402</u>	Screw, 3/8-16 X 2.25 Hx Hd Cap .....	4
18	<u>8754</u>	Locknut, 3/8-16 Hex .....	13
19	<u>8861</u>	Bolt, 3/8-16 X 1.75 Hex .....	2

**6**  
**G**  
**E**

**6**  
**G**  
**E**



001266-001

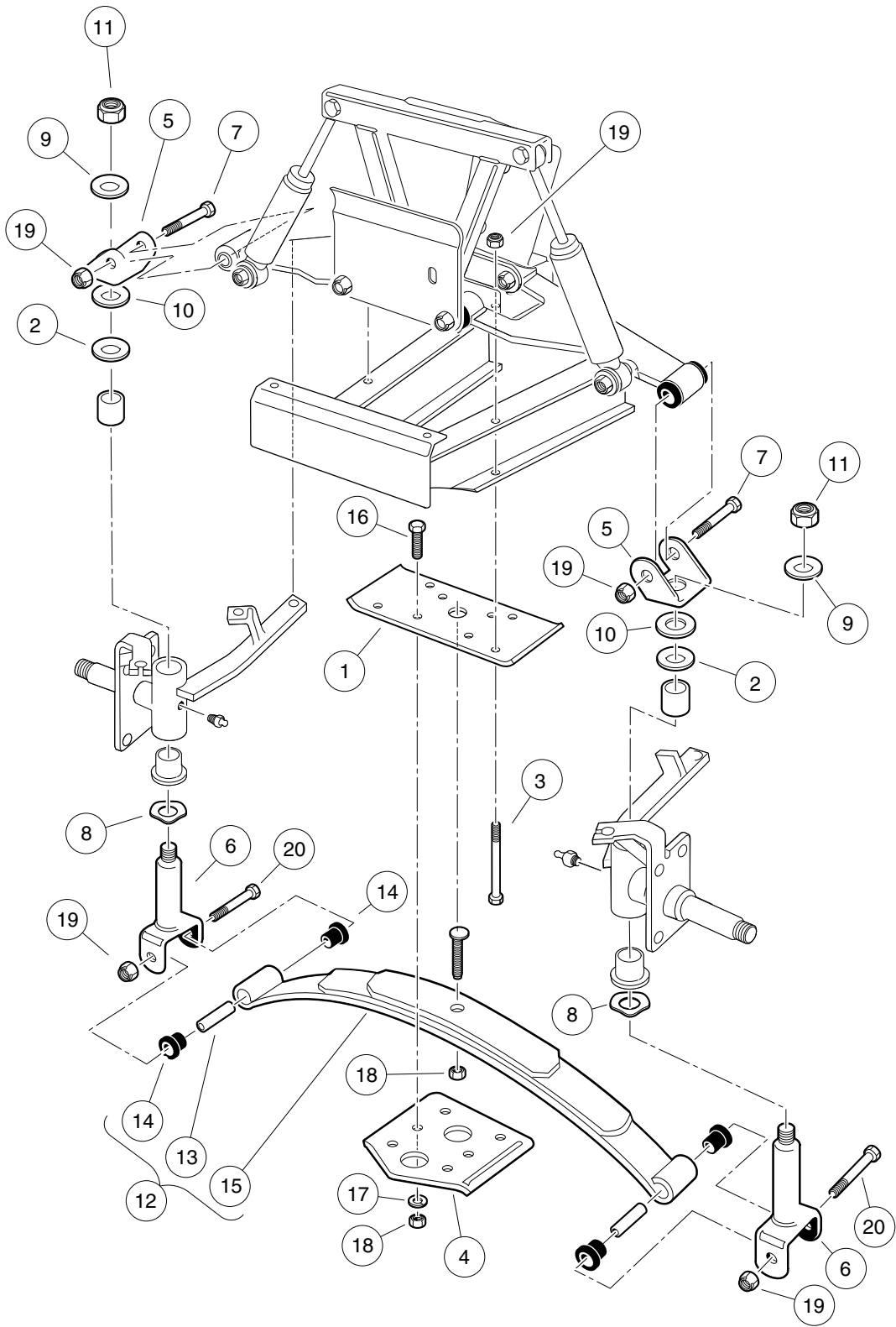


## FRONT SUSPENSION, LOWER – VILLAGER 6 WITH MAINTENANCE-FREE BALL JOINTS

ITEM	PART NO.	DESCRIPTION	QTY
		<b>1 2 3 4</b>	
1	<u>1010124</u>	Plate, Spring Mount .....	2
2	<u>1010150</u>	Bearing, Thrust .....	2
3	<u>1014276</u>	Plate, Front Spring Retainer .....	1
4	<u>1016384</u>	Clevis, Delta Upper .....	2
5	<u>1016386</u>	King Pin Assembly .....	2
6	<u>1016387</u>	Screw, 3/8-16 X 2.75 Hx Hd Cap .....	2
7	<u>1016389</u>	Washer, 1.125 Od Wave .....	2
8	<u>102564002</u>	Washer-1/2 Conical, Yellow .....	2
9	<u>102684501</u>	Washer, M12 Hard Regular .....	2
10	<u>102766301</u>	Nut, 1/2-20, Center Lock .....	2
11	<u>103628801</u>	Spring Asm, Front, 2 Leaf (includes items 12 through 14) .....	1
12	<u>1012303</u>	Bushing, Steel .....	2
13	<u>1015583</u>	Bushing, Urethane .....	4
14	<u>103502701</u>	Spring, Front, 2 Leaf .....	1
15	<u>2402</u>	Screw, 3/8-16 X 2.25 Hx Hd Cap .....	4
16	<u>357</u>	Lockwasher, 3/8 Split .....	4
17	<u>706</u>	Nut, Hex 3/8-16 .....	5
18	<u>7270</u>	Bolt, 3/8-16 X 4.50 Hex Head .....	4
19	<u>8745</u>	Screw, Eccentric Adjustment .....	1
20	<u>8754</u>	Locknut, 3/8-16 Hex .....	8
21	<u>8755</u>	Screw, 3/8-16 X 3.375 Hex Cap .....	2

**6**  
**G**  
**E**

**6**  
**G**  
**E**



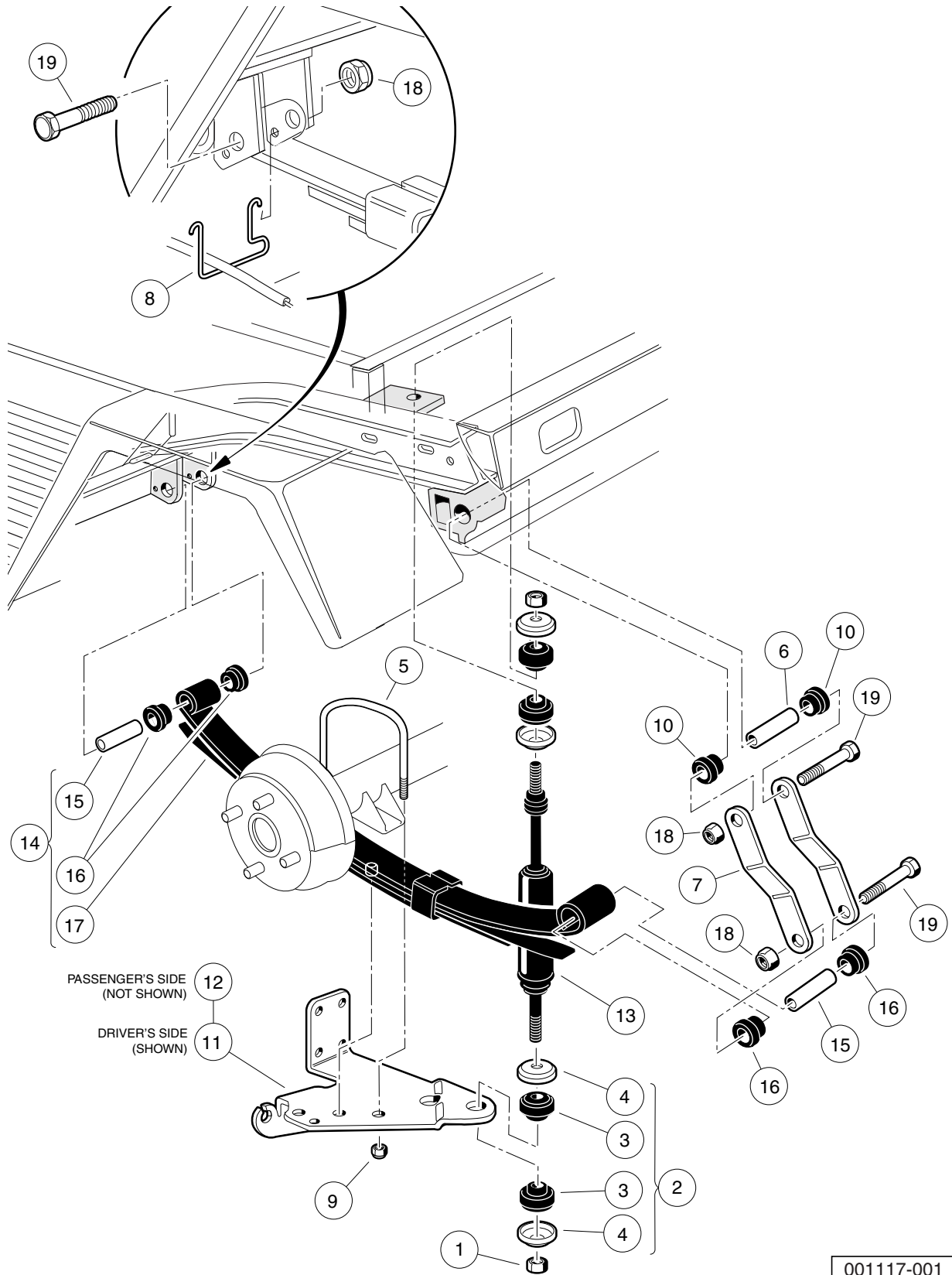
000313-005

## FRONT SUSPENSION, LOWER – VILLAGER 8 WITH MAINTENANCE-FREE BALL JOINTS

ITEM	PART NO.	DESCRIPTION	QTY
		<b>1 2 3 4</b>	
1	<u>1010124</u>	Plate, Spring Mount .....	1
2	<u>1010150</u>	Bearing, Thrust .....	2
3	<u>1010200</u>	Bolt, 3/8-16 X 4.25 Hex Head .....	4
4	<u>1014276</u>	Plate, Front Spring Retainer .....	1
5	<u>1016384</u>	Clevis, Delta Upper .....	2
6	<u>1016386</u>	King Pin Assembly .....	2
7	<u>1016387</u>	Screw, 3/8-16 X 2.75 Hx Hd Cap .....	2
8	<u>1016389</u>	Washer, 1.125 Od Wave .....	2
9	<u>102564002</u>	Washer-1/2 Conical, Yellow .....	2
10	<u>102684501</u>	Washer, M12 Hard Regular .....	2
11	<u>102766301</u>	Nut, 1/2-20, Center Lock .....	2
12	<u>103628901</u>	Spring Asm, Front, 3 Leaf (includes items 13 through 15) .....	1
13	<u>1012303</u>	Bushing, Steel .....	2
14	<u>1015583</u>	Bushing, Urethane .....	4
15	103502801	Spring, Front, 3 Leaf .....	1
16	<u>2402</u>	Screw, 3/8-16 X 2.25 Hx Hd Cap .....	4
17	<u>357</u>	Lockwasher, 3/8 Split .....	4
18	<u>706</u>	Nut, Hex 3/8-16 .....	5
19	<u>8754</u>	Locknut, 3/8-16 Hex .....	8
20	<u>8755</u>	Screw, 3/8-16 X 3.375 Hex Cap .....	2

**6**  
**G**  
**E**

**6**  
**G**  
**E**



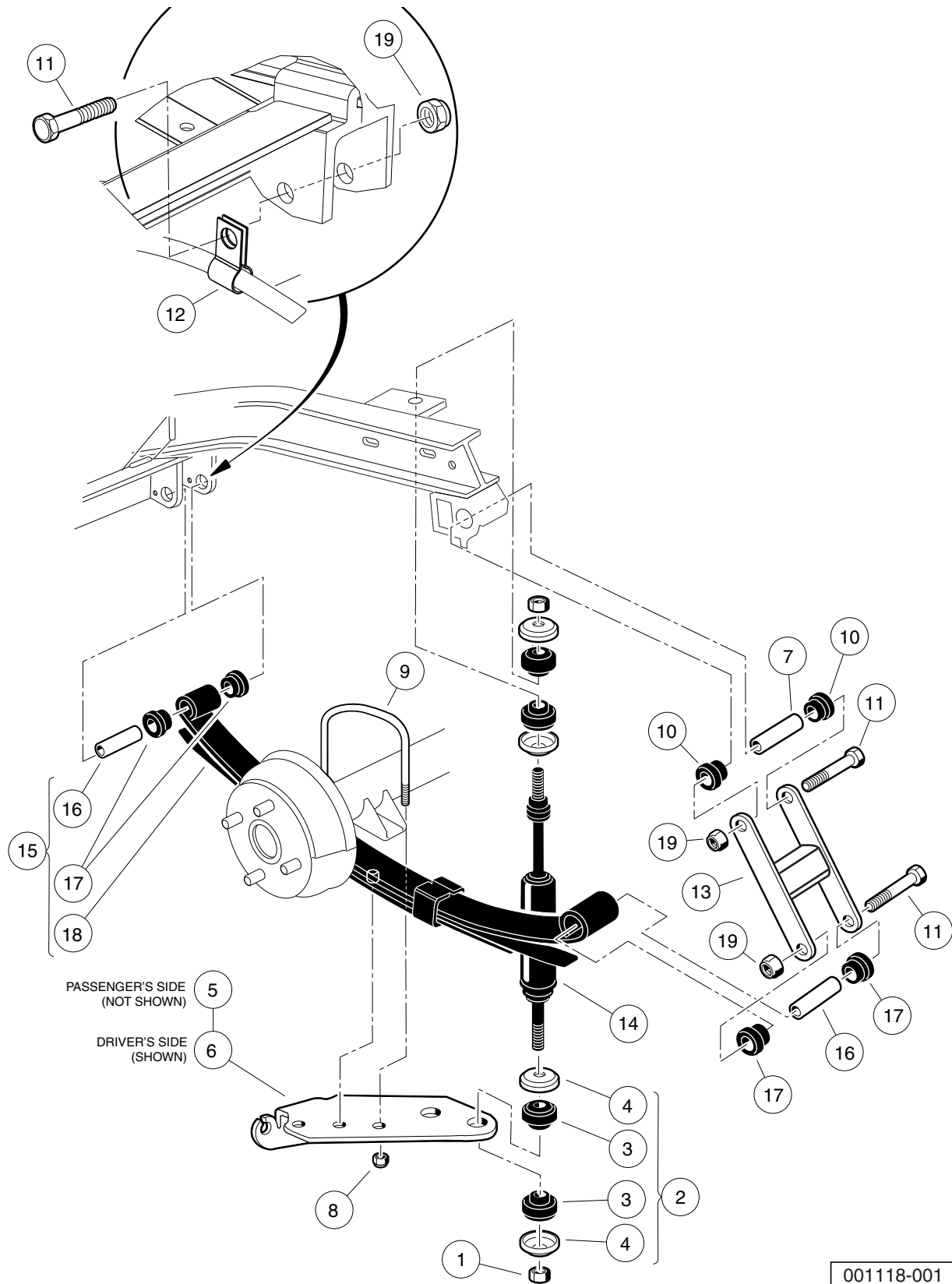
001117-001

## REAR SUSPENSION – GASOLINE VEHICLE

ITEM	PART NO.	DESCRIPTION	QTY
		1 2 3 4	
1	<u>1010145</u>	Nut, 3/8-24 Hex .....	4
2	<u>1011415</u>	Kit, Shock Absorber Cushion (includes items 3 and 4) .....	4
3	N/A	Retainer, Shock Absorber Cushion .....	2
4	<u>47579096001</u>	Isolator, Shock Damper .....	2
5	<u>1012180</u>	U-Bolt .....	2
6	<u>1012303</u>	Bushing, Steel .....	2
7	<u>1012304</u>	Shackle, Rear Spring .....	4
8	<u>1013207</u>	Hanger, Brake Cable .....	2
9	<u>1014555</u>	Locknut, 7/16-14 Nylon Hex .....	4
10	<u>101558302</u>	Bushing, Urethane, Soft .....	4
11	<u>101926501</u>	Bracket, Left-Hand .....	1
12	<u>101929401</u>	Bracket, Right .....	1
13	<u>103350901</u>	Shock Absorber, Rear, Utility .....	2
14	<u>103657301</u>	Asm-rear 3leaf Spring, 600 Lb (includes items 15 through 17) .....	2
15	<u>1012303</u>	Bushing, Steel .....	2
16	<u>101558302</u>	Bushing, Urethane, Soft .....	4
17	<u>102871801</u>	Rear Spring, 3leaf, 600 Lb/in .....	1
18	<u>8754</u>	Locknut, 3/8-16 Hex .....	6
19	<u>8755</u>	Screw, 3/8-16 X 3.375 Hex Cap .....	6
		Note: Only the driver-side rear suspension is shown. Parts for the passenger-side rear suspension are identical except for the leaf spring/shock mounting plate.	

6  
G  
E

**6**  
**G**  
**E**

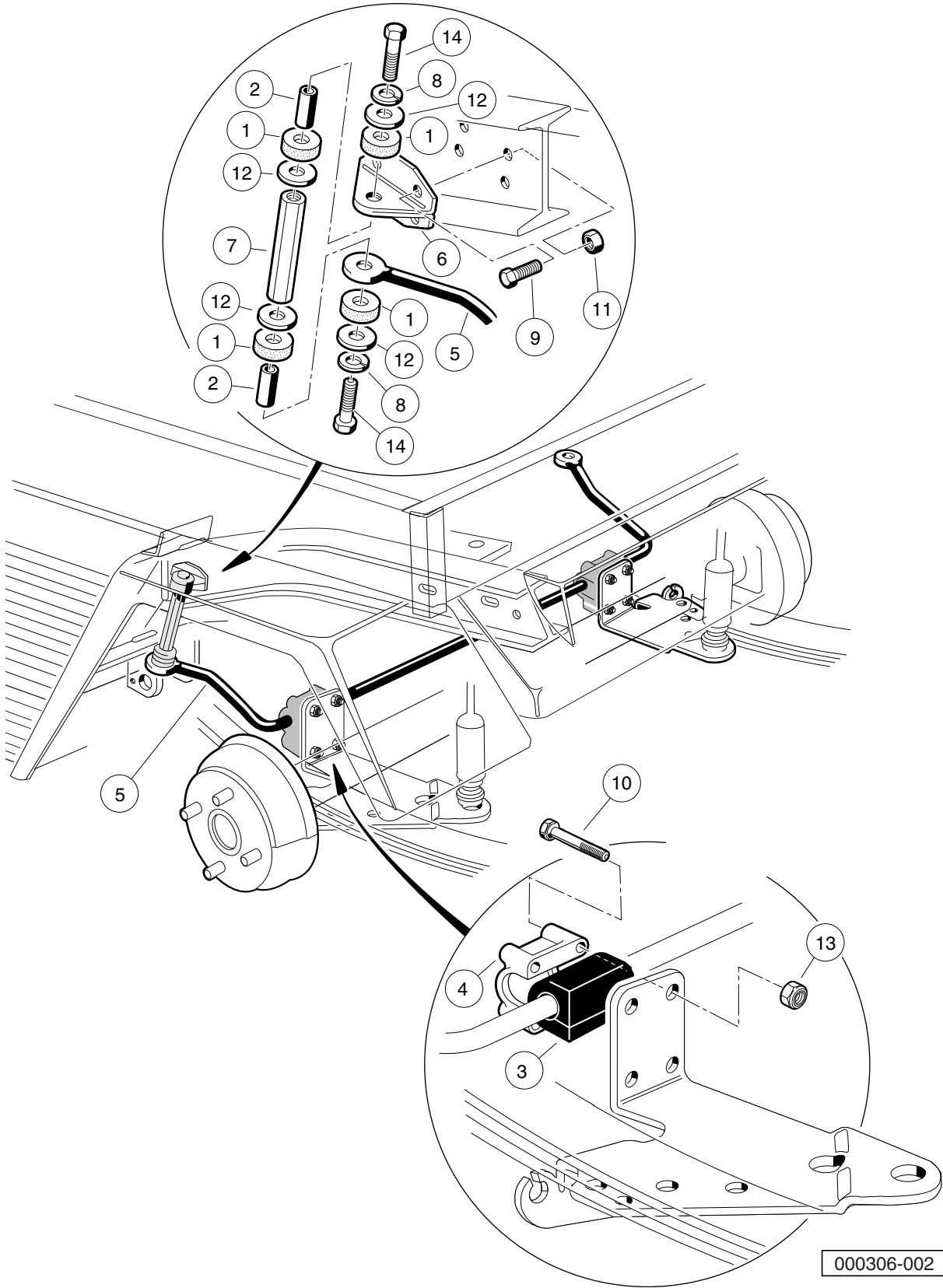


## REAR SUSPENSION – ELECTRIC VEHICLE

ITEM	PART NO.	DESCRIPTION	QTY
		1 2 3 4	
1	<u>1010145</u>	Nut, 3/8-24 Hex .....	4
2	<u>1011415</u>	Kit, Shock Absorber Cushion (includes items 3 and 4) .....	4
3	N/A	Retainer, Shock Absorber Cushion .....	2
4	<u>47579096001</u>	Isolator, Shock Damper .....	2
5	<u>1012181</u>	Bracket, Shock Mounting, Right (Passenger) .....	1
6	<u>1012182</u>	Bracket, Shock Mounting, Left (Driver) .....	1
7	<u>1012303</u>	Bushing, Steel .....	2
8	<u>1014555</u>	Locknut, 7/16-14 Nylon Hex .....	4
9	<u>1014902</u>	U-Bolt .....	2
10	<u>101558302</u>	Bushing, Urethane, Soft .....	4
11	<u>102066201</u>	Screw, 3/8-16 X 3.50 Hex Cap .....	6
12	<u>102891101</u>	Clamp, Cable, Brake, Sym .....	2
13	<u>102917101</u>	Weldment, Shackle .....	2
14	<u>103351101</u>	Shock, Absorber, Utility .....	2
15	<u>103657301</u>	Asm-rear 3leaf Spring, 600 Lb (includes items 16 through 18) .....	2
16	<u>1012303</u>	Bushing, Steel .....	2
17	<u>101558302</u>	Bushing, Urethane, Soft .....	4
18	<u>102871801</u>	Rear Spring, 3leaf, 600 Lb/in .....	1
19	<u>8754</u>	Locknut, 3/8-16 Hex .....	6
		<p>Note: Only the driver-side rear suspension is shown. Parts for the passenger-side rear suspension are identical except for the leaf spring/shock mounting plate.</p>	

**6**  
**G**  
**E**

**6**  
**G**  
**E**



000306-002



## STABILIZER BAR – GASOLINE VEHICLE

ITEM	PART NO.	DESCRIPTION	QTY
		1 2 3 4	
1	<u>1015453</u>	Compression Mount .....	8
2	<u>1015457</u>	Spacer, 0.720" .....	4
3	<u>1015613</u>	Bushing, Stabilizer Bar .....	2
4	<u>1015614</u>	Support, Bushing .....	2
5	<u>1015760</u>	Stabilizer Bar .....	1
6	<u>1016813</u>	Mounting Bracket, Stabilizer Bar .....	2
7	<u>1016814</u>	Link, Stabilizer Bar .....	2
8	<u>357</u>	Lockwasher, 3/8 Split .....	4
9	<u>7173</u>	Screw, 5/16-18 X 0.75, Hex-Head Cap .....	8
10	<u>7311</u>	Screw, 1/4-20 X 2.00 Hex-Head Cap .....	8
11	<u>7473</u>	Locknut, 5/16-18 Nylon Insert .....	8
12	<u>808</u>	Washer, 3/8 Type B Flat .....	8
13	<u>8233</u>	Locknut, 1/4-20, Nylon Insert .....	8
14	<u>8861</u>	Bolt, 3/8-16 X 1.75 Hex .....	4

6  
G  
E

**6**

**G**

**E**

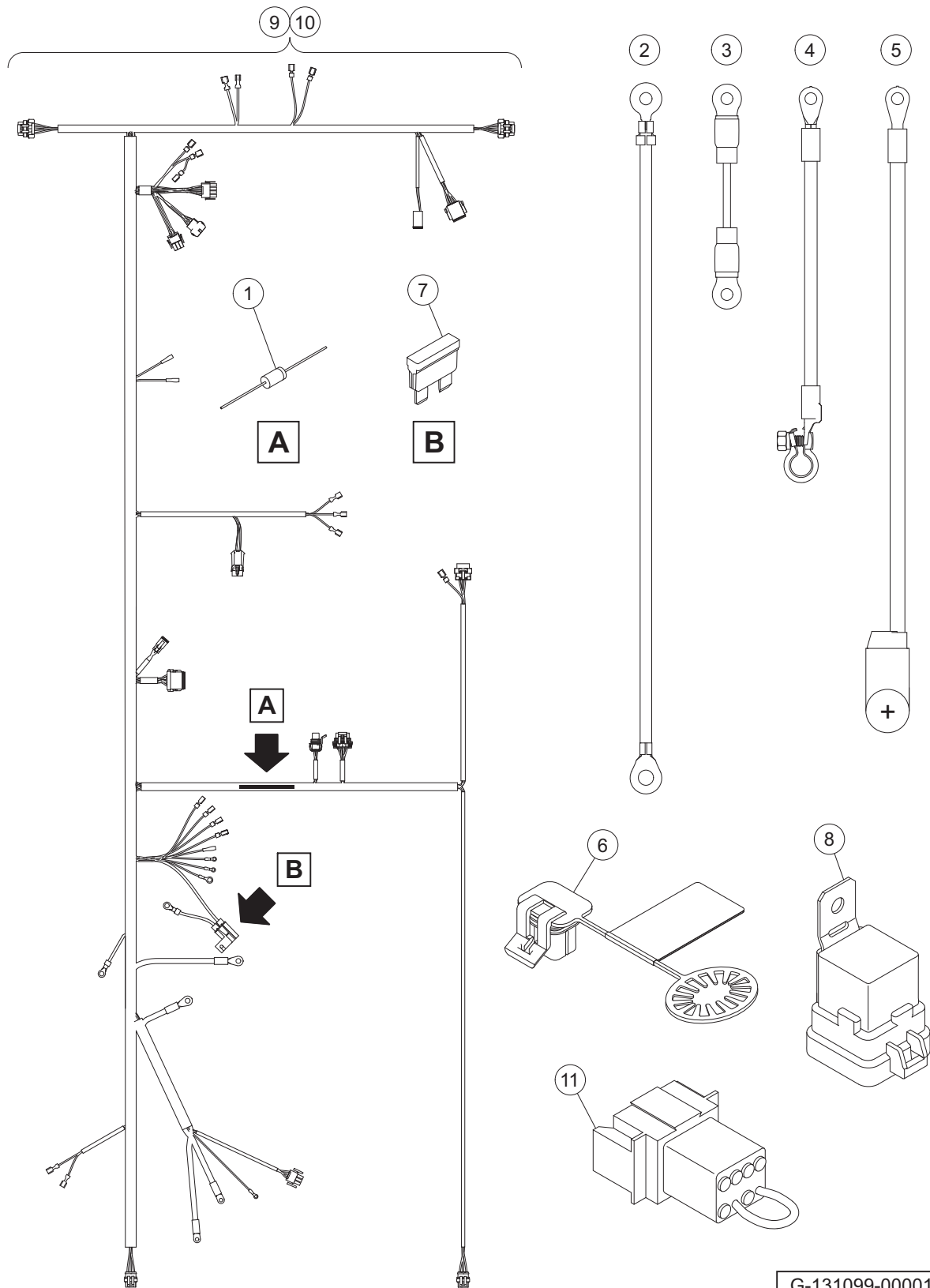
# ELECTRICAL SYSTEM – EFI GASOLINE VEHICLES

---

7

G

**7**  
**G**



G-131099-000016

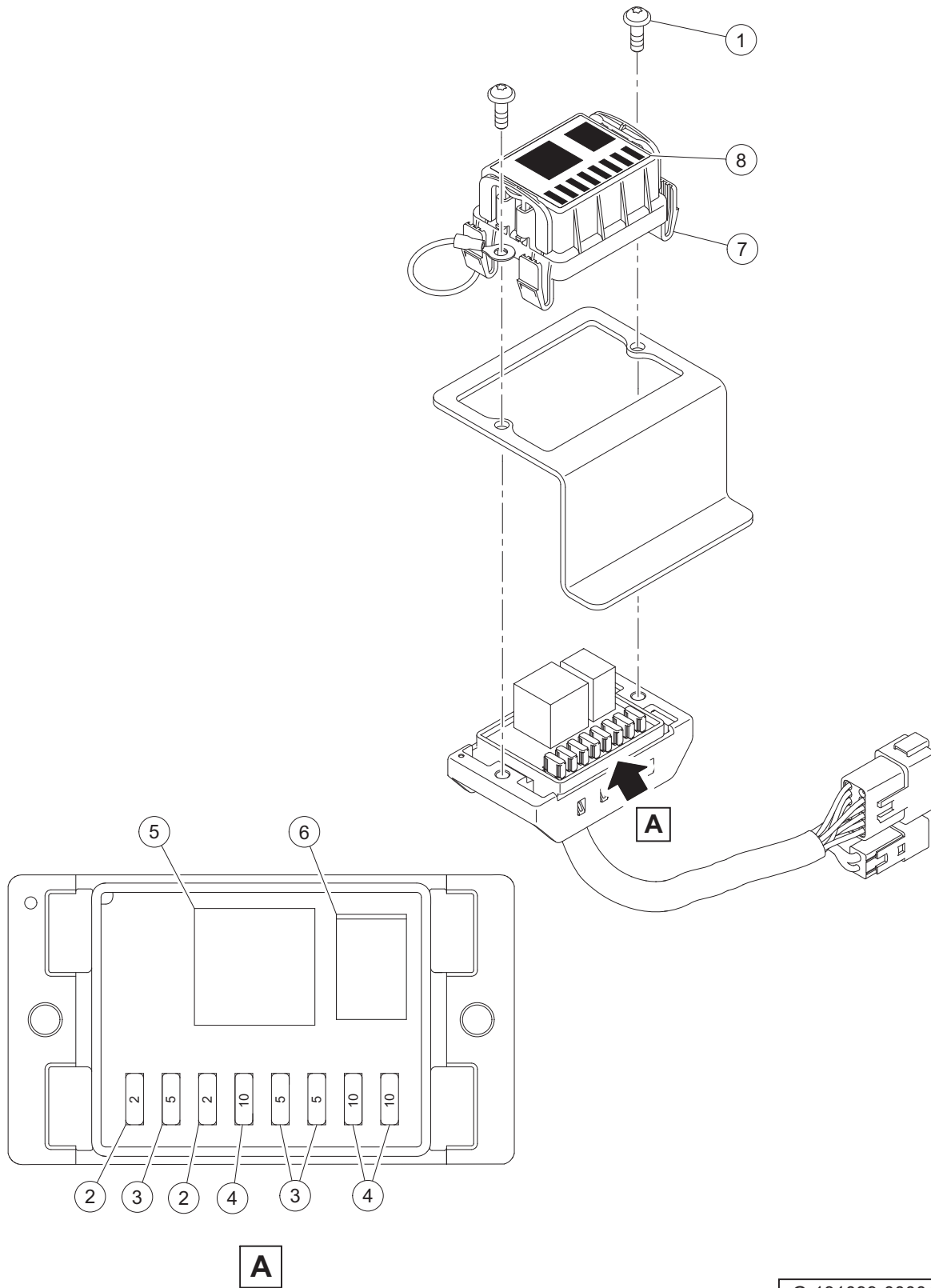
## WIRING, FUSE, AND DIODE – PEDAL START

ITEM	PART NO.	DESCRIPTION	QTY
		1 2 3 4	
1	<u>1014789</u>	Diode, General Purpose, 3.0-Amp .....	1
2	<u>1015332</u>	Wire, Ground, #10, Uninsulated .....	1
3	<u>105161701</u>	Wire, 4-Ga, Green, Starter/Generator .....	1
4	105256701	Wire Assy, 4ga, Battery, (top-post) B-, Gas .....	1
5	<u>105256801</u>	Wire Assy, 4ga, Battery, (top-post) B+, Gas .....	1
6	<u>47611208001</u>	Cap, Diagnostic Port .....	1
7	<u>47616157002</u>	Fuse, Ato, 80v, 30a .....	1
8	<u>47623281001</u>	Relay, Mini 630 Spdt,40a/30a .....	1
9	47674098001	Harn, Main, Gas, Sb, 6p, Ps .....	1
10	47674099001	Harn, Main, Gas, Sb, 8p, Ps .....	1
11	47687757001	Jumper, No Telemetry, Gas, Sb .....	1
		<p>Note: Item 9 is only for Villager 6 vehicles. Item 10 is only for Villager 8 vehicles. For ECU, see Engine Ignition Components section.</p>	

7

G

**7**  
**G**



G-131099-00014

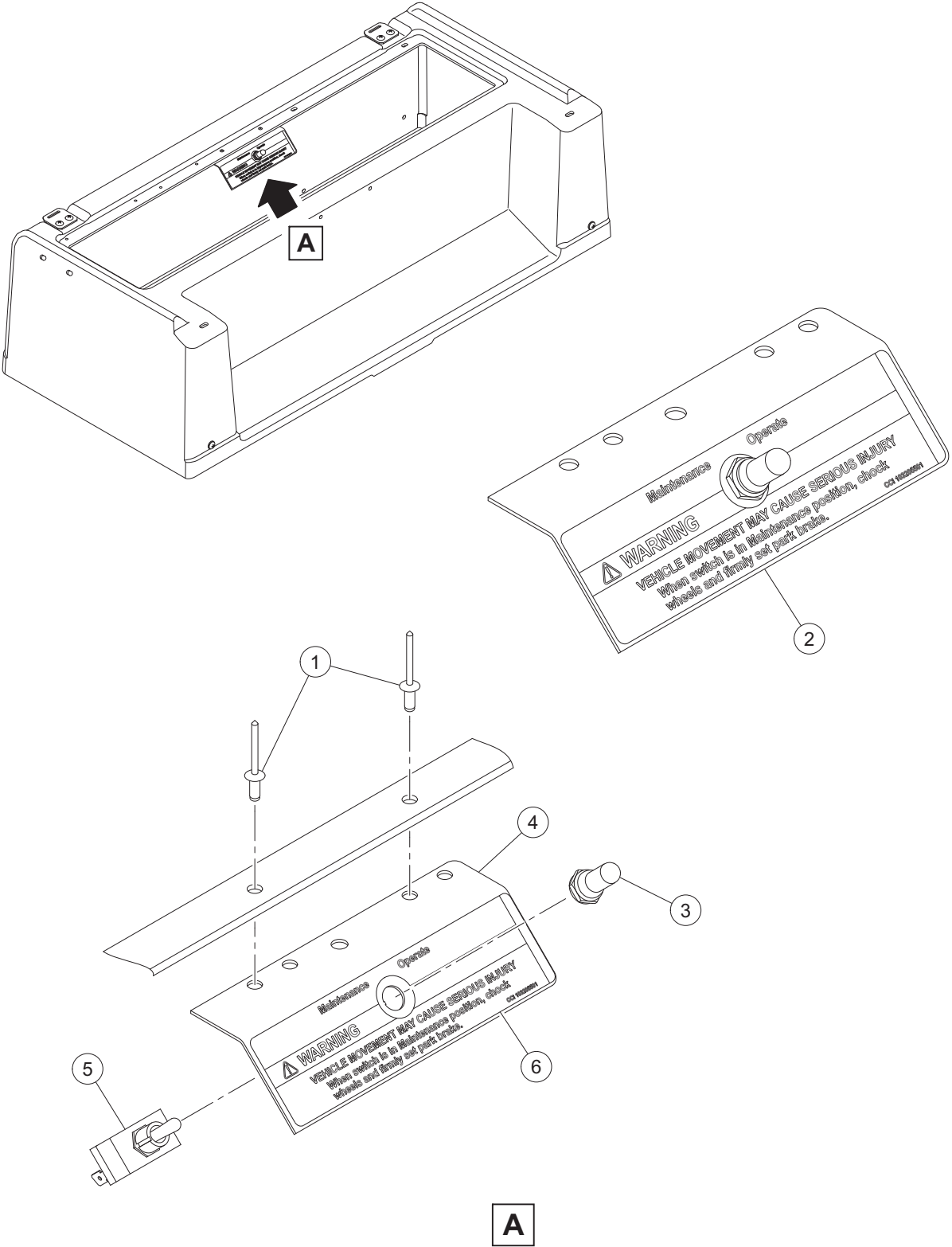
## POWER DISTRIBUTION BLOCK, PEDAL START

ITEM	PART NO.	DESCRIPTION	QTY
		1 2 3 4	
1	<u>102296920</u>	Screw, M6, Torx Button Head, Sems .....	2
2	<u>105114801</u>	Fuse, Mini, Atm, 2 Amp .....	2
3	<u>105114804</u>	Fuse, Mini, Atm, 5 Amp .....	3
4	<u>105114806</u>	Fuse, Mini, Atm, 10 Amp .....	3
5	<u>47616611003</u>	Relay, Mini 280 Spst, 50a .....	1
6	<u>47616611004</u>	Relay, Micro 280 Spst, 35a .....	1
7	47664079001	Cover, Fuse Block, 48 Way .....	1
8	47679252001	Decal, Fuse Block .....	1

7

G

**7**  
**G**



G-130499-000020

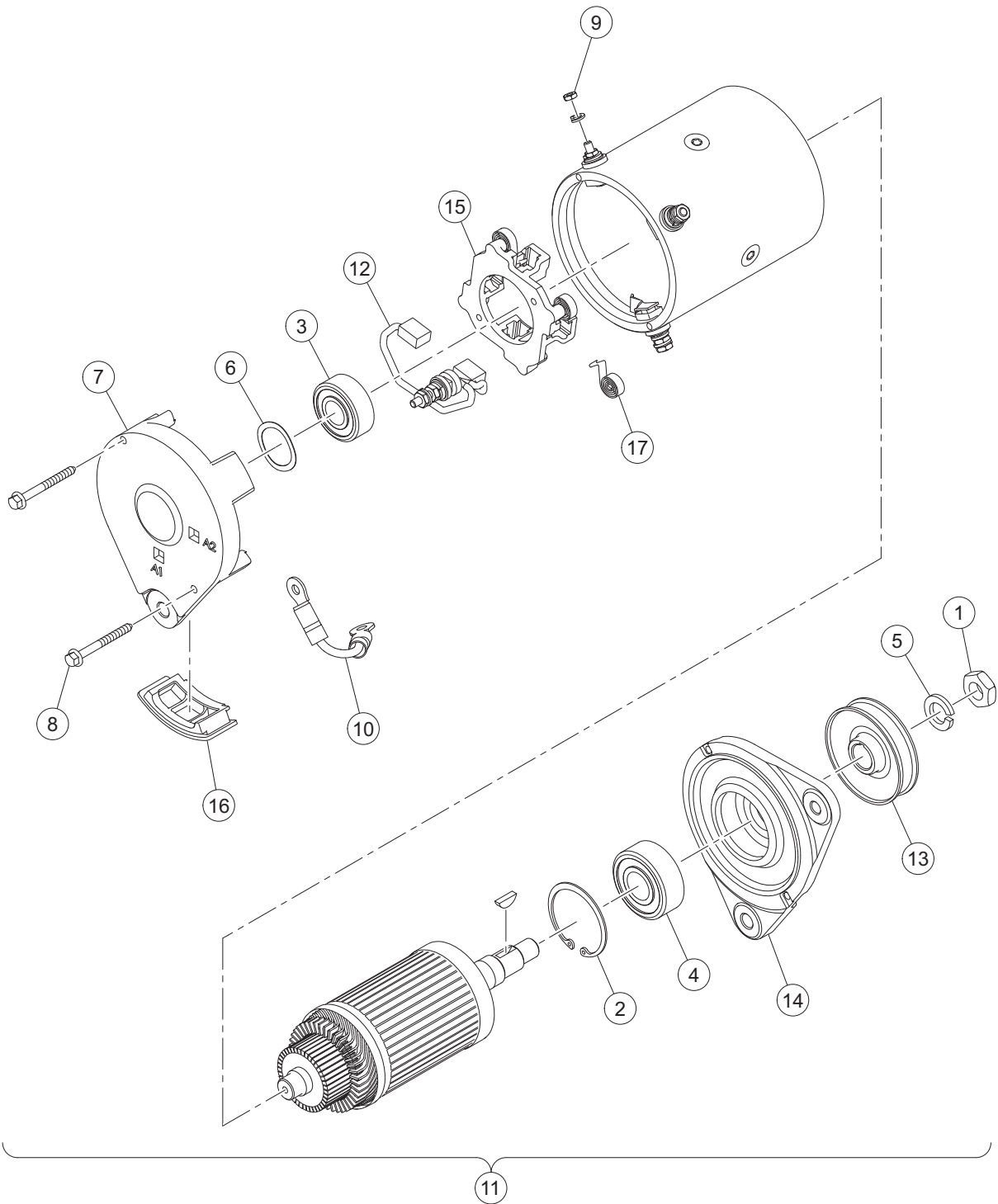


# MAINTENANCE-OPERATE SWITCH

ITEM	PART NO.	DESCRIPTION	QTY
		<b>1 2 3 4</b>	
1	<u>1010852</u>	Rivet, Bulb-tite Blind .....	2
2	N/A	Switch, Operation/Maintenance (includes items 3 through 6) .....	1
3	<u>101908401</u>	Boot, Switch .....	1
4	<u>101922501</u>	Bracket, Tow/Run Switch Mounting .....	1
5	<u>103198401</u>	Switch, Toggle, SPDT .....	1
6	<u>103205501</u>	Decal, Maintenance/Operate Switch .....	1

**7**  
**G**

**7**  
**G**



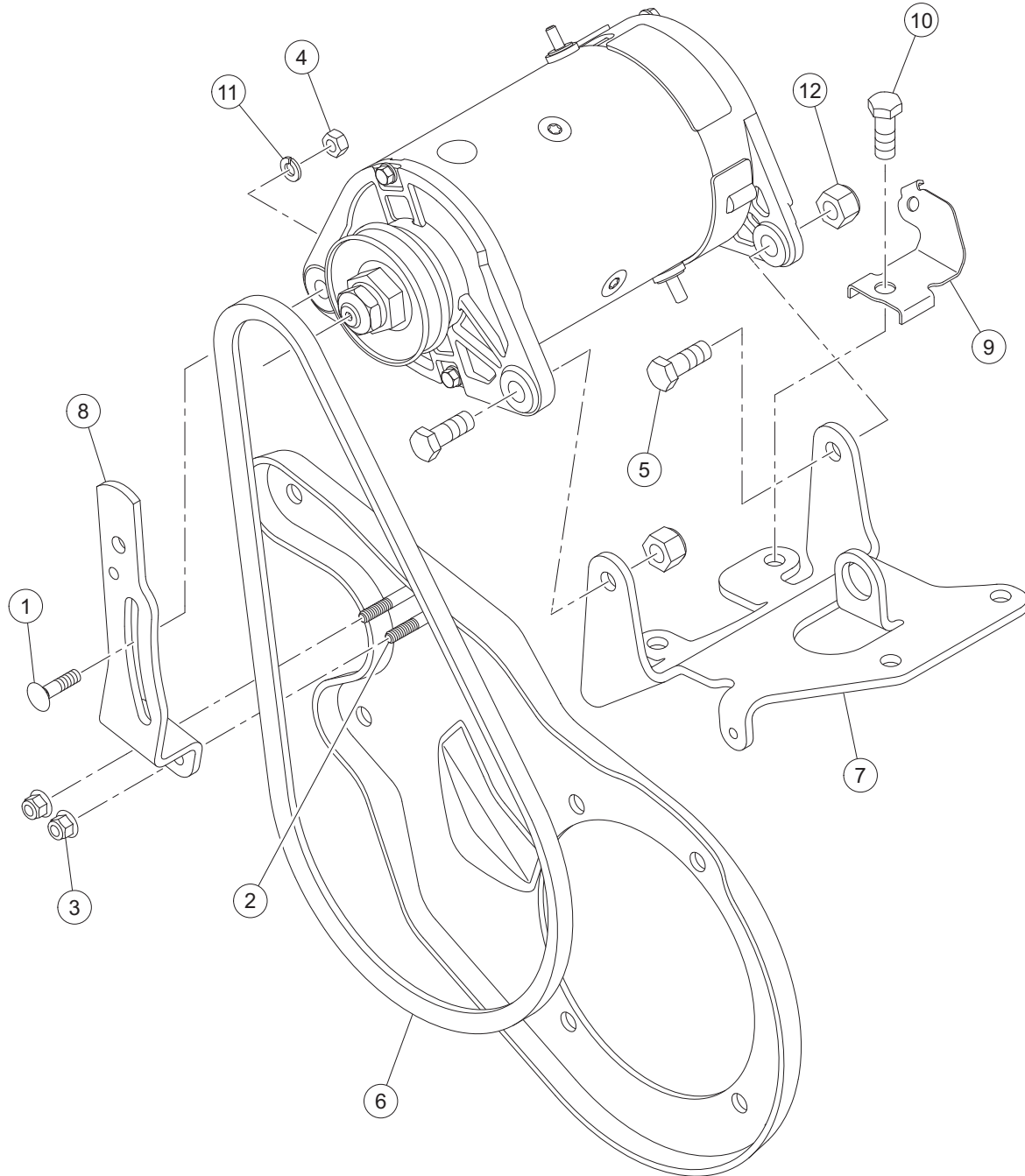
G-130199-000004

# STARTER/GENERATOR, PEDAL START

ITEM	PART NO.	DESCRIPTION	QTY
		<b>1 2 3 4</b>	
1	<u>102838701</u>	Nut, Hex, M14x2, S/G .....	1
2	<u>102838801</u>	Retainer, Front, S/G .....	1
3	<u>102838901</u>	Bearing, Ball, Rear, S-g .....	1
4	<u>102839001</u>	Bearing, Ball, Front, S-g .....	1
5	<u>102839301</u>	Washer, Lock M14x2, S-g .....	1
6	<u>102841101</u>	Washer, Wave, S-g .....	1
7	<u>103347601</u>	Head, Comm End, S-g .....	1
8	<u>103347701</u>	Set, Fast, Ceh Deh, S-g .....	1
9	<u>103347801</u>	Set, Term Hardware, S/G .....	1
10	<u>105161701</u>	Wire, 4-Ga, Green, Starter/Generator .....	1
11	<u>47559475001</u>	Starter Generator, Ps .....	1
12	<u>47583000001</u>	Set, Brush Term, S-g .....	1
13	<u>47583790001</u>	Pulley, Starter-generator .....	1
14	<u>47583791001</u>	Head, Drive End, S-g .....	1
15	<u>47583794001</u>	Kit, Brush And Brush Holder .....	1
16	<u>47584178001</u>	Kit, Cover, Brush Insp, S-g .....	1
17	<u>47584179001</u>	Kit, Spring Brush, S-g .....	1

**7**  
**G**

**7**  
**G**



G-130199-00002

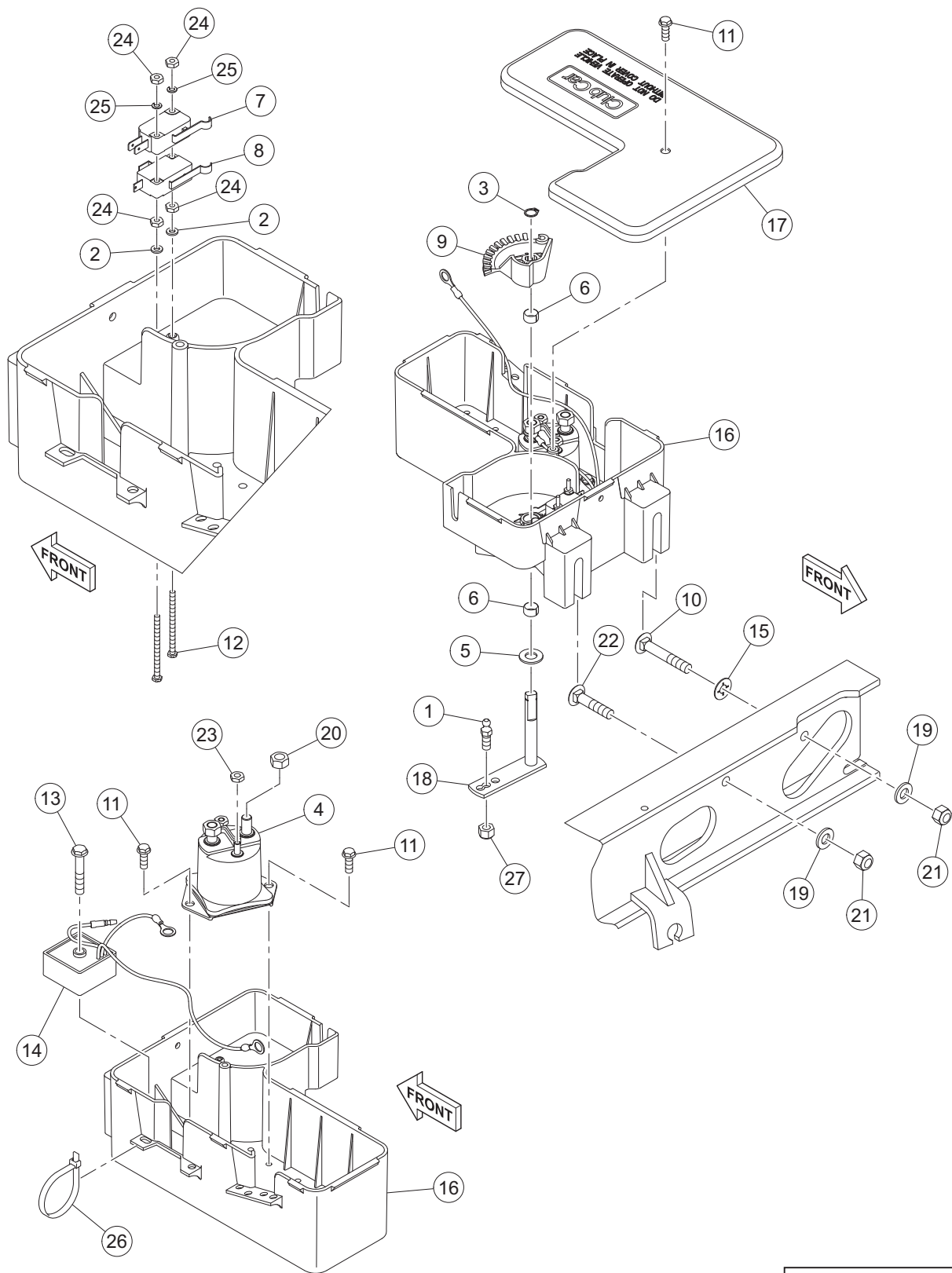
## STARTER/GENERATOR MOUNTING – ECH440

ITEM	PART NO.	DESCRIPTION	QTY
		1 2 3 4	
1	<u>1015932</u>	Bolt, Carriage, 5/16-18 .....	1
2	<u>102541401</u>	Bolt-m6x1.0x20 Hex Flhd Blk-I .....	2
3	<u>102621501</u>	Nut, Flange, M6 X 1.0, Nylon .....	2
4	<u>1242</u>	Nut, 5/16-18 Hex .....	1
5	<u>1624</u>	Screw, 3/8-16 X 1.50, Hex-Head Cap .....	2
6	47539338002	Belt, Sg, Ech440, #5a .....	1
7	47611868001	Bracket, Mounting, S/g .....	1
8	47611869001	Bracket, Tensioner, S/g .....	1
9	47611870001	Bracket, Mtg, Gov Cable Clip .....	1
10	47617345001	Screw, M8-1.25x20, Hex Hd Flg .....	4
11	<u>7174</u>	Lockwasher, 5/16 Split .....	1
12	<u>8754</u>	Locknut, 3/8-16 Hex .....	2

7

G

**7**  
**G**



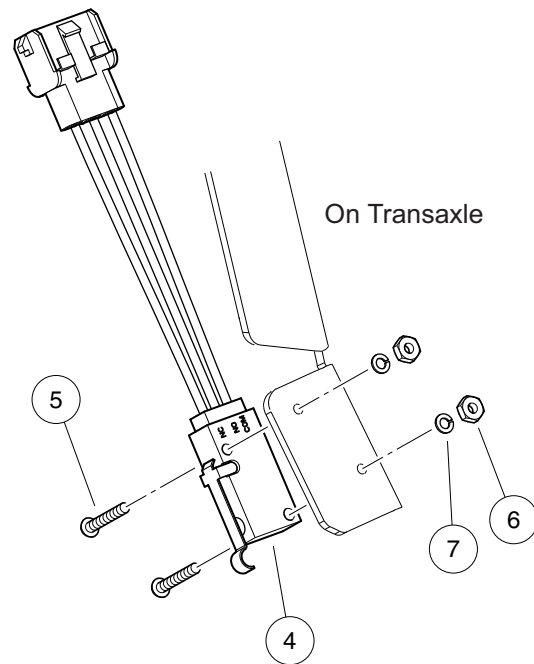
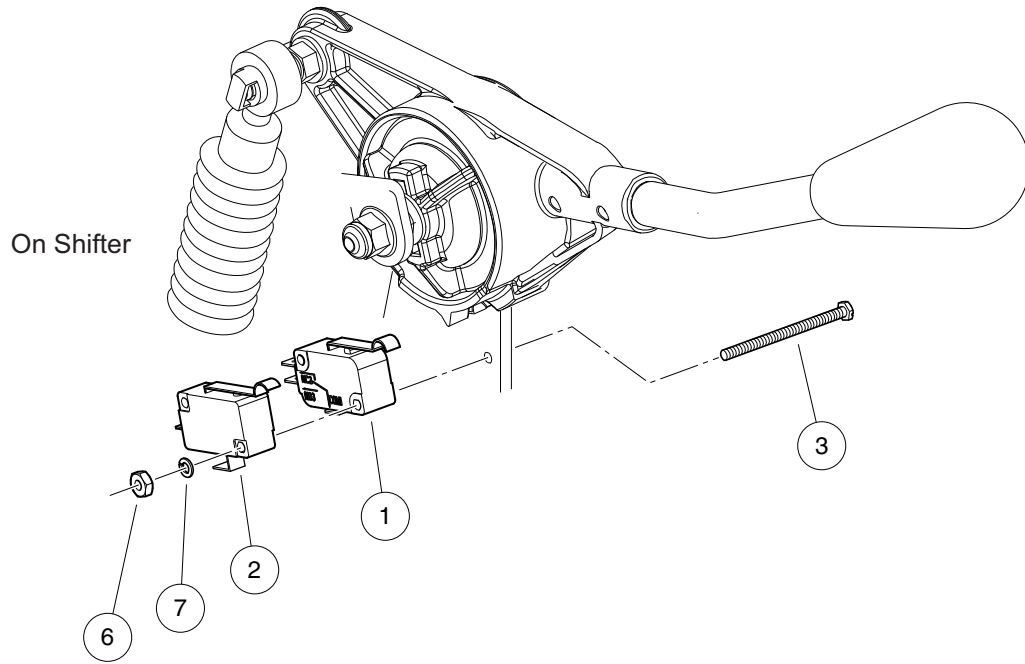
G-130499-00021

# ELECTRICAL COMPONENT BOX, PEDAL-START

ITEM	PART NO.	DESCRIPTION	QTY
		1 2 3 4	
1	<u>1010954</u>	Stud, Ball, 1/4-28 X 0.560 .....	1
2	<u>1012431</u>	Washer, #4 Flat .....	2
3	<u>1013589</u>	Ring, Retaining, 0.338" Internal .....	1
4	<u>1013609</u>	Solenoid, 12-Volt .....	1
5	<u>1014065</u>	Washer, Flat, 0.38" ID, Delrin .....	1
6	<u>1014145</u>	Bushing, Secondary Weight, Split .....	2
7	<u>1014807</u>	Switch, Limit .....	1
8	<u>1014808</u>	Switch, Limit .....	1
9	<u>1015373</u>	Cam, Electric Box .....	1
10	<u>1015405</u>	Bolt, Carriage, 5/16-18 X 2.0 .....	1
11	<u>1015752</u>	Screw, #12-16 X 0.625, Hi-Lo .....	3
12	<u>1015878</u>	Screw, #4-40 Hex Head Machine .....	2
13	<u>101856102</u>	Screw, 1/4-15 X 1.50, Hi-lo, Hex .....	1
14	<u>102711201</u>	Voltage Regulator .....	1
15	N/A	Washer, Nylon Retaining * .....	1
16	105000301	Box, Component, Electrical .....	1
17	<u>105000401</u>	Cover, Box, Component, Elec .....	1
18	<u>105037401</u>	Weldment, Bellcrank, Comp Box .....	1
19	<u>1241</u>	Washer, 5/16 Type A Flat .....	2
20	<u>1242</u>	Nut, 5/16-18 Hex .....	2
21	<u>7473</u>	Locknut, 5/16-18 Nylon Insert .....	2
22	<u>7818</u>	Bolt, Carriage, 5/16-18 X 1.5 .....	1
23	<u>7893</u>	Nut, #10-32 Hex .....	2
24	<u>8057</u>	Nut, #4-40 Hex Machine .....	4
25	<u>8058</u>	Lockwasher, #4 Split .....	2
26	<u>8639</u>	Tie Wrap, 11" Nylon .....	6
27	<u>8717</u>	Locknut, Nylon Insert, 1/4-28 .....	1
		* Note: Not used. Item is for shipping purposes only.	

**7**  
**G**

**7**  
**G**



001010-001



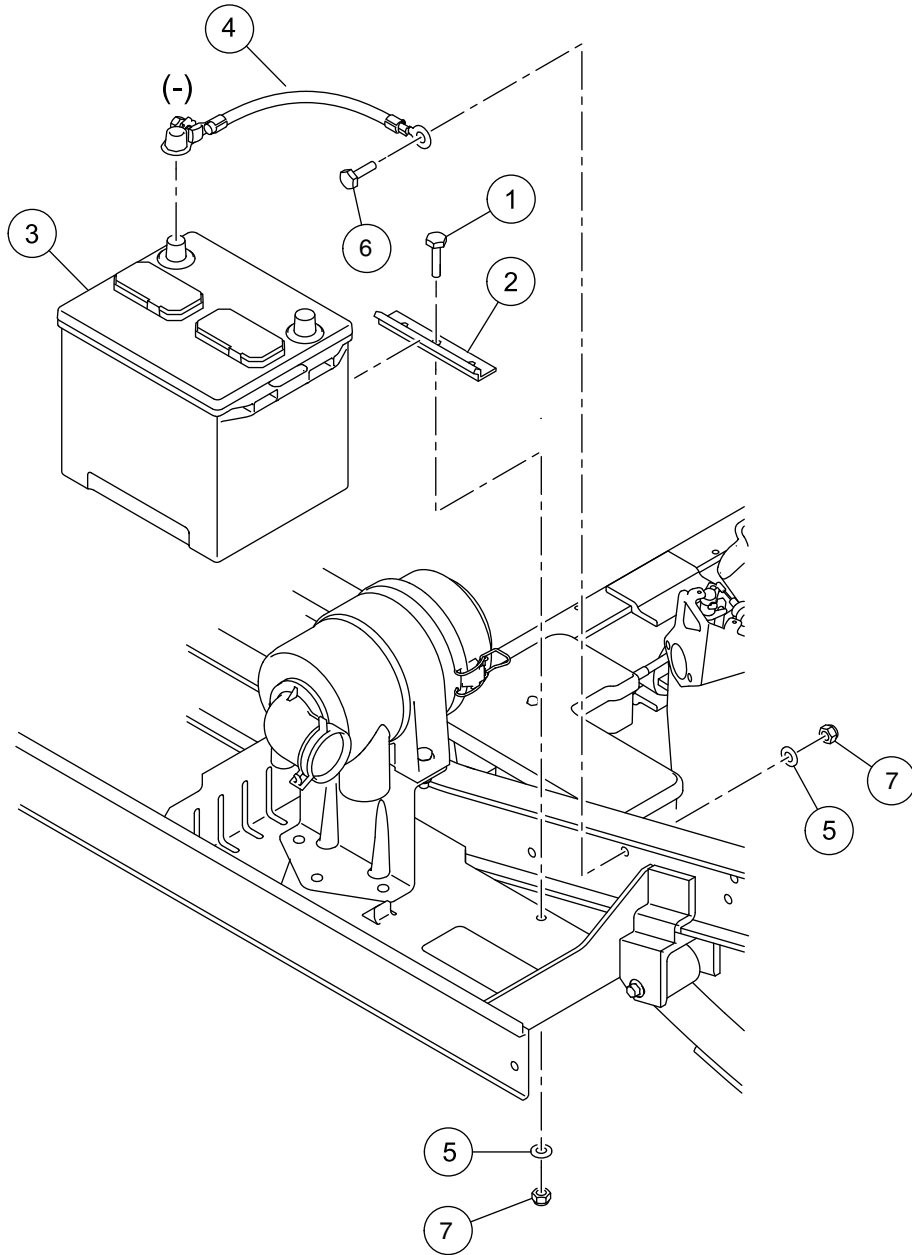
# FORWARD/REVERSE SHIFTER SWITCHES, PEDAL-START

ITEM	PART NO.	DESCRIPTION	QTY
		1 2 3 4	
1	<u>1014807</u>	Switch, Limit .....	1
2	<u>1014808</u>	Switch, Limit .....	1
3	<u>1015878</u>	Screw, #4-40 Hex Head Machine .....	2
4	<u>105102601</u>	Switch, Limit, Sealed, with 3-Wire Lead .....	1
5	<u>8056</u>	Screw, #4-40 X 0.75 Round-Head Machine .....	2
6	<u>8057</u>	Nut, #4-40 Hex Machine .....	4
7	<u>8058</u>	Lockwasher, #4 Split .....	4

**7**

**G**

**7**  
**G**



000250-001

## BATTERY – GASOLINE VEHICLES

ITEM	PART NO.	DESCRIPTION	QTY
		1 2 3 4	
1	<u>1010934</u>	Screw, 5/16-18 X 1.00 Hex Cap .....	1
2	<u>101898001</u>	Clamp, Battery .....	1
3	<u>105237399</u>	Battery, Start, 12v, G 26, Sp .....	1
4	<u>105256701</u>	Wire Assy, 4ga, Battery, (top-post) B-, Gas .....	1
5	<u>1241</u>	Washer, 5/16 Type A Flat .....	2
6	<u>7173</u>	Screw, 5/16-18 X 0.75, Hex-Head Cap .....	1
7	<u>7473</u>	Locknut, 5/16-18 Nylon Insert .....	2
<p>Note: For replacement of the terminal adapters reference kit p/n 105266401. The kit contains two terminal adapters.</p>			

7

G

7

G

# ENGINE (KOHLER ECH440)

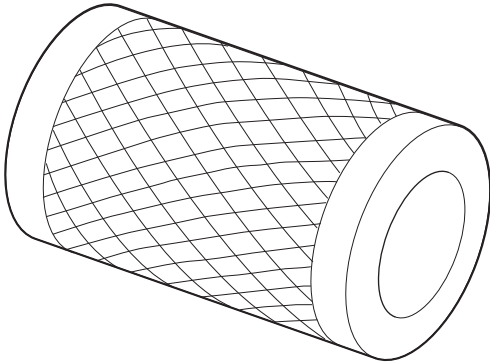
---

8

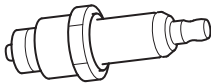
G

8

G



1



2

000992-003

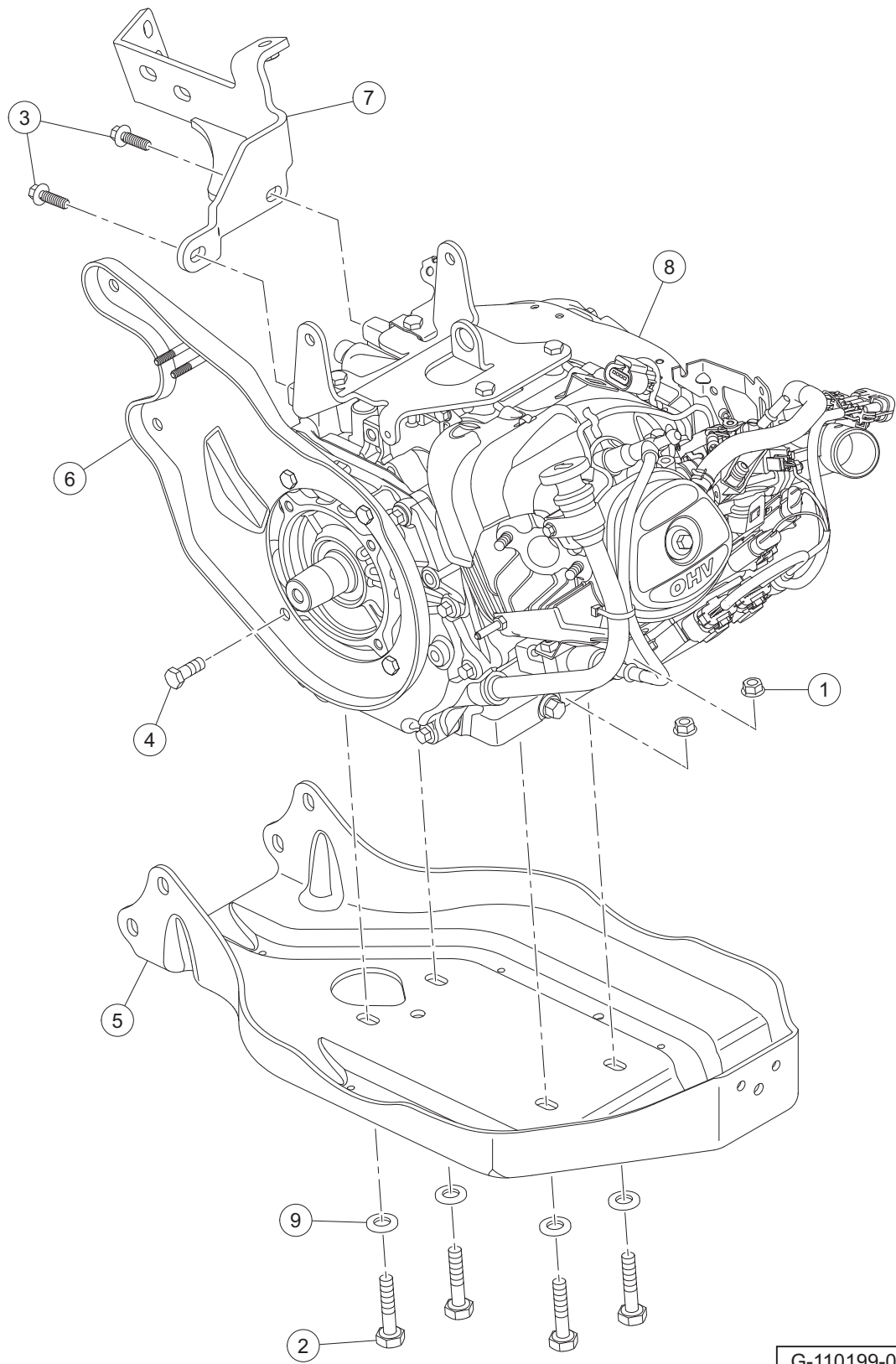
# TUNE-UP PARTS

ITEM	PART NO.	DESCRIPTION	QTY
1	<u>102558201</u>	1 2 3 4 Air Filter, 4 Inch .....	1
2	<u>47640281001</u>	Plug, Spark, Kohler .....	1

**8**  
**G**

8

G



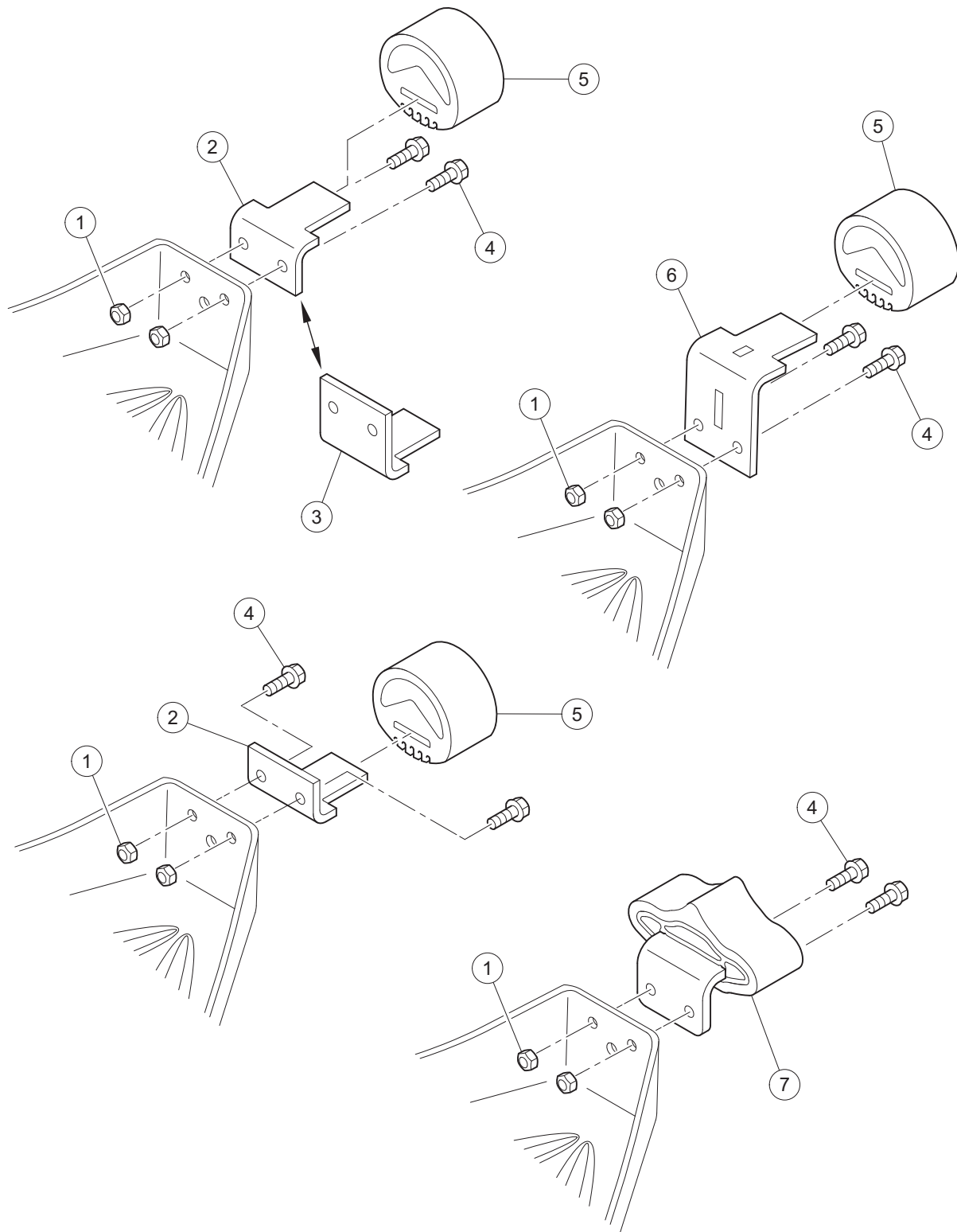
G-110199-000004



# ENGINE AND ENGINE MOUNTING

ITEM	PART NO.	DESCRIPTION	QTY
		1 2 3 4	
1	<u>102617201</u>	Nut, Flanged, M10 X 1.5, Mechanically Deformed .....	4
2	<u>102732401</u>	Bolt, M10 X 45, Zn-Ni (Black) .....	4
3	<u>103262201</u>	Bolt Flg Blk, M8 X 25, Loctite .....	2
4	<u>103508101</u>	Bolt, 3/8-16 X .75 Lock Patch .....	4
5	47611483001	Plate, Mtg, Engine/axle, Pan .....	1
6	47611484001	Plate, Mtg, Engine/axle, Cvt .....	1
7	47611648001	Weldment, Mtg, Exhaust .....	1
8	47695923001	Engine, Gas, Kohler Ech440 .....	1
9	<u>96741046</u>	Washer, M10, Hard .....	4

**8**  
**G**



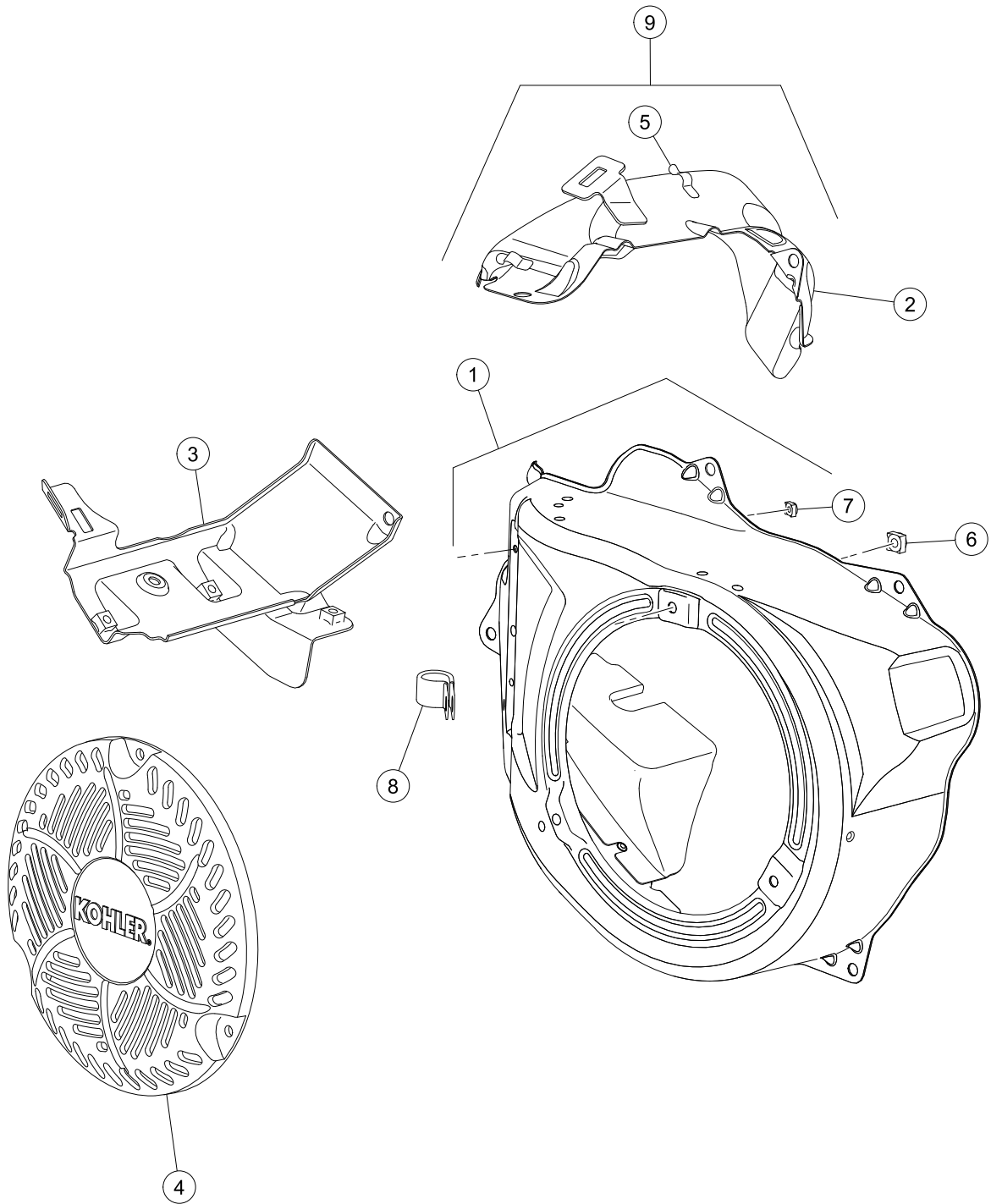
G-010299-000001

## ENGINE PAN AND SNUBBER MOUNTING

ITEM	PART NO.	DESCRIPTION	QTY
		1 2 3 4	
1	<u>1013924</u>	Nut, 5/16-24, Hex Head Cone .....	2
2	<u>101834601</u>	Bracket, Snubber .....	1
3	<u>101834602</u>	Bracket, Snubber, Tall .....	1
4	<u>101884801</u>	Screw, 5/16-24 X 0.875, Grade-8 .....	2
5	<u>102540301</u>	Snubber, Inner Frame .....	1
6	47564890001	Bracket, Snubber, Csmr, Lifted .....	1
7	47587701001	Asm, Dual Snubber (includes items 8 and 9) .....	1
8	47583795001	Bracket, Dual Snubber .....	1
9	47584184001	Snubber, Dual .....	1
<p style="margin-left: 40px;">Note: Items 8 and 9 are not illustrated.</p>			

8

G



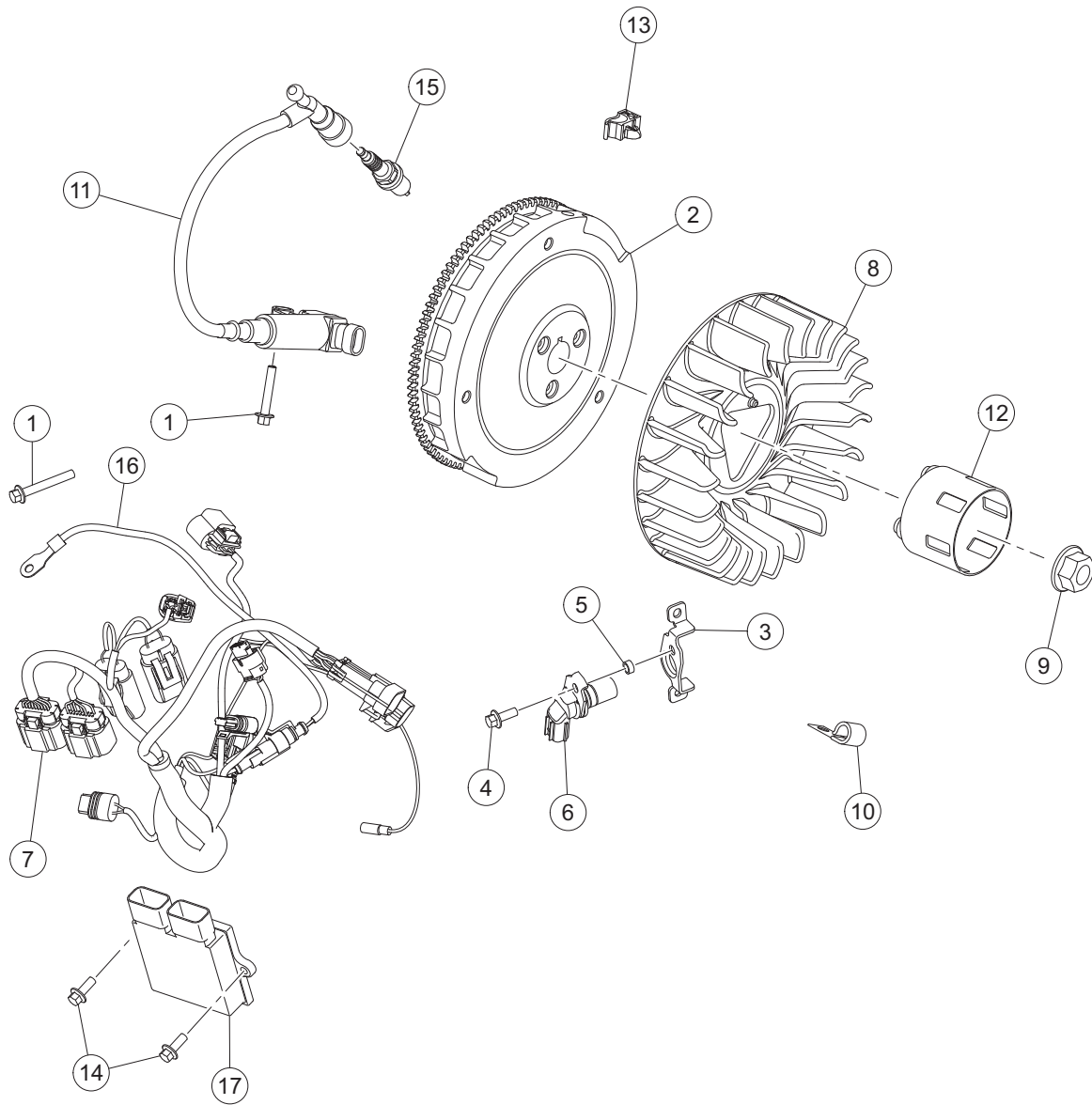
G-040899-000001

# BLOWER HOUSING AND HEAT SHIELD – ECH440

ITEM	PART NO.	DESCRIPTION	QTY
		1 2 3 4	
1	<u>47629844001</u>	Kit, Blower Housing, Kohler .....	1
2	<u>47629845001</u>	Shield, Upper Heater, Kohler .....	1
3	<u>47629846001</u>	Shield Assembly, Cylinder, Koh .....	1
4	<u>47629847001</u>	Screen, Blower Housing, Kohler .....	1
5	<u>47629848001</u>	Clip, Wire, Kohler .....	2
6	<u>47629851001</u>	Nut, Blower Housing (cky), Koh .....	1
7	<u>47629853001</u>	Nut, Blower Housing (cky), Koh .....	1
8	<u>47629855001</u>	Clamp, Insulator, Kohler .....	1
9	<u>47629856001</u>	Assembly, Heat Shield, Kohler .....	1

8

G



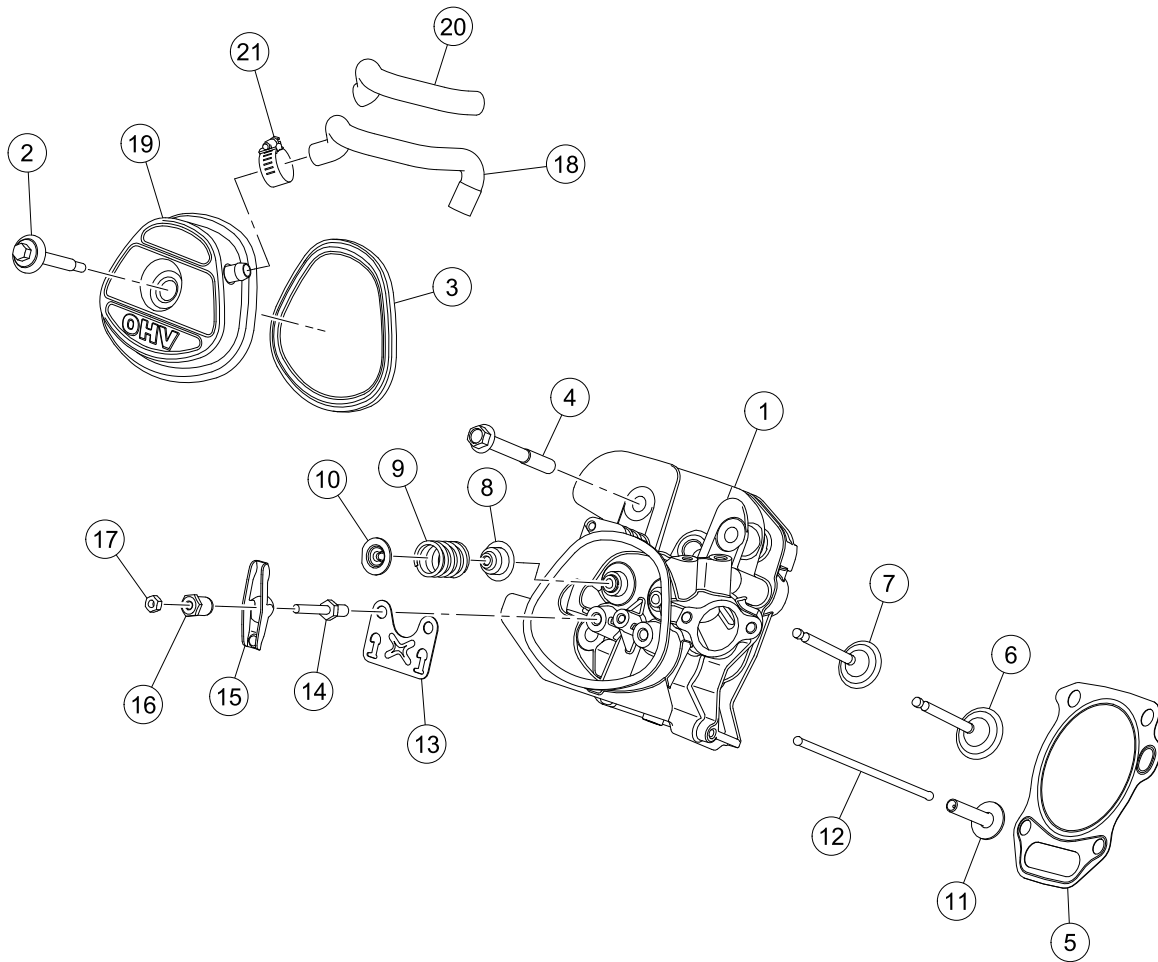
G-040799-000004

# IGNITION COMPONENTS AND FLYWHEEL – ECH440

ITEM	PART NO.	DESCRIPTION	QTY
		1 2 3 4	
1	47629702001	Screw, Hex Flange (m6), Kohler .....	3
2	47629702001	Screw, Hex Flange (m6), Kohler .....	1
3	47629826001	Flywheel Assy, Electric Start .....	1
4	47629828001	Bracket, Crank Sensor, Kohler .....	1
5	47629831001	Screw, Hex Flange, Kohler .....	1
6	47629832001	Spacer, Kohler .....	1
7	47629833001	Sensor, Speed, Kohler .....	1
8	47629834001	Harness, Wiring Assy, Kohler .....	1
9	47629835001	Fan, Flywheel, Kohler .....	1
10	47629836001	Nut, Flywheel, Kohler .....	1
11	47629837001	Clip, Cable, Kohler .....	1
12	47629838001	Coil, Ignition-efi, Kohler .....	1
13	47629841001	Cup, Starter Drive, Kohler .....	1
14	47629843001	Clip, Wiring Harness, Kohler .....	1
15	47640021001	Screw, M6x16, Kohler .....	2
16	47640281001	Plug, Spark, Kohler .....	1
17	47650647001	Sensor, Temperature .....	1
18	47676897001	Module, ECU, Kohler .....	1

**8**

**G**



G-040599-000001

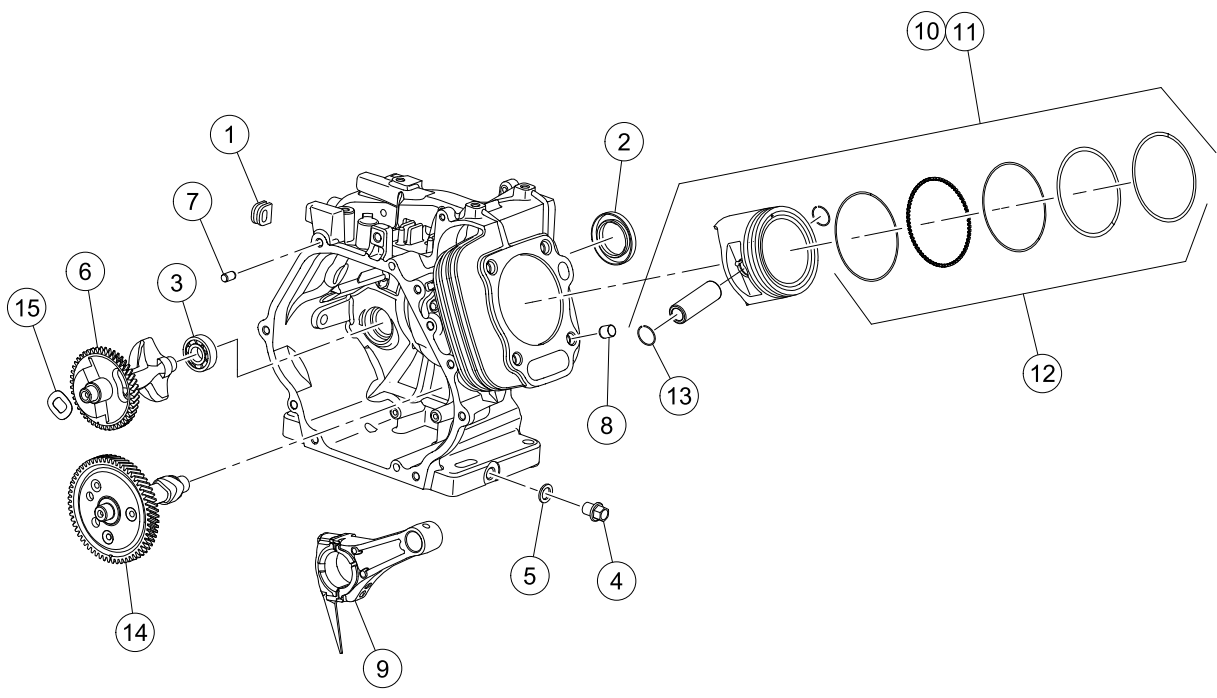


## CYLINDER HEAD AND VALVE – ECH440

ITEM	PART NO.	DESCRIPTION	QTY
		1 2 3 4	
1	<u>47629711001</u>	Assembly, Cylinder Head, Kohle .....	1
2	<u>47629714001</u>	Screw, Valve Cover Seal Assy, .....	1
3	<u>47629716001</u>	Gasket, Valve Cover, Kohler .....	1
4	<u>47629717001</u>	Screw, Hex Flange Cylinder Hea .....	4
5	<u>47629718001</u>	Kit, Head Gasket, Kohler .....	1
6	<u>47629719001</u>	Valve, Intake, Kohler .....	1
7	<u>47629720001</u>	Valve, Exhaust, Kohler .....	1
8	<u>47629722001</u>	Seal, Valve Stem, Kohler .....	2
9	<u>47629723001</u>	Spring, Valve, Kohler .....	2
10	<u>47629724001</u>	Retainer, Valve Spring, Kohler .....	2
11	<u>47629725001</u>	Lifter, Valve, Kohler .....	2
12	<u>47629726001</u>	Rod, Push, Kohler .....	2
13	<u>47629727001</u>	Plate, Pushrod Guide, Kohler .....	1
14	<u>47629728001</u>	Stud, Rocker, Kohler .....	2
15	<u>47629729001</u>	Arm, Rocker, Kohler .....	2
16	<u>47629730001</u>	Pivot, Rocker Arm, Kohler .....	2
17	<u>47629768001</u>	Nut, Hex Jam, Kohler .....	2
18	<u>47629822001</u>	Hose, Breather, Kohler .....	1
19	<u>47629823001</u>	Valve Cover Assembly, Kohler .....	1
20	<u>47629824001</u>	Sleeve, Anti Abrasion, Kohler .....	1
21	<u>47629825001</u>	Clamp, Hose, Kohler .....	1

**8**

**G**



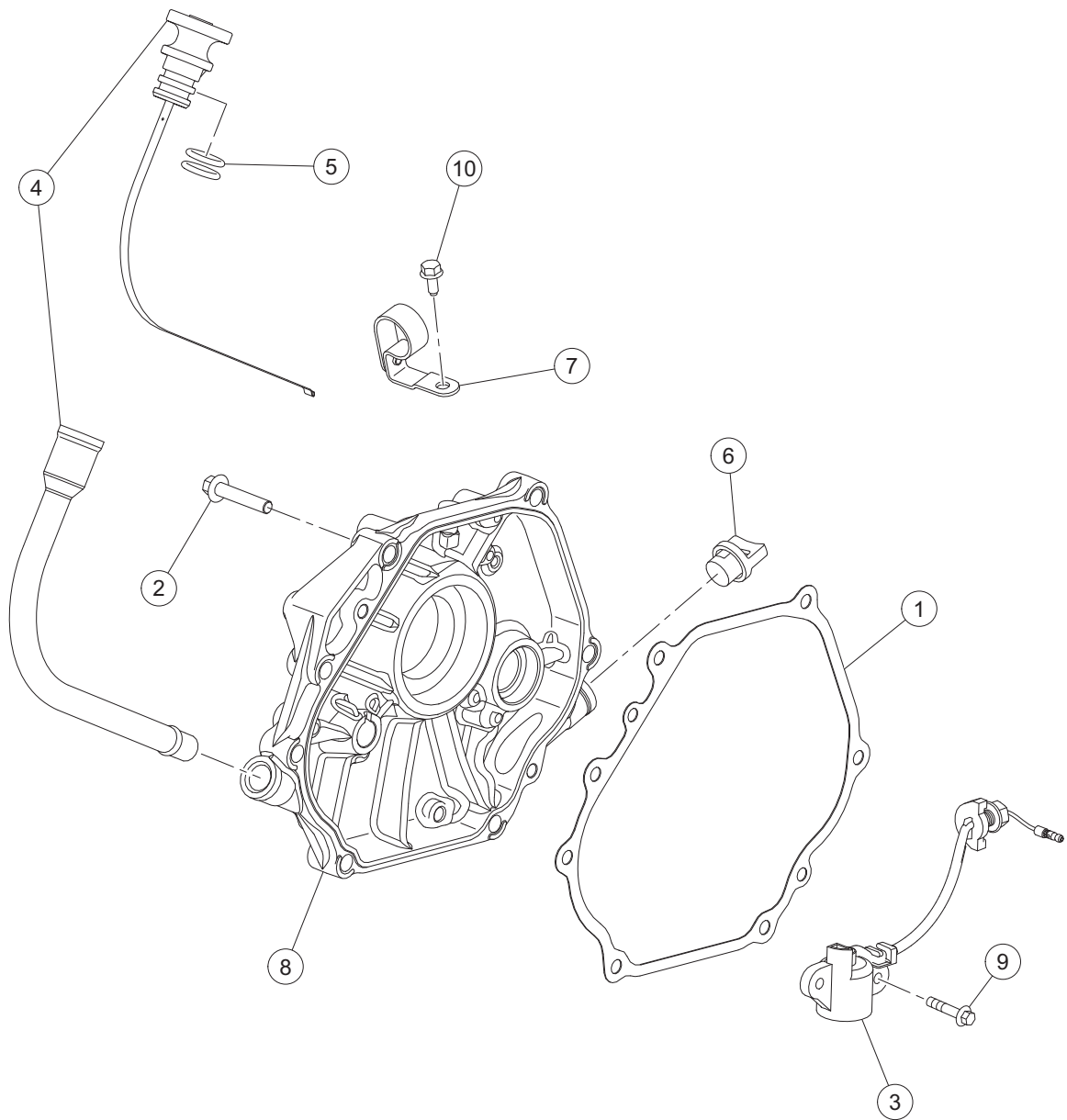
G-040399-000001

# CRANKCASE AND PISTON – ECH440

ITEM	PART NO.	DESCRIPTION	QTY
		1 2 3 4	
1	<u>47629677001</u>	Grommet, Crankcase,kohler .....	1
2	<u>47629680001</u>	Seal, Crankcase, Kohler .....	2
3	<u>47629682001</u>	Bearing, Balancing Shaft, Kohl .....	2
4	<u>47629685001</u>	Kit, Drain Plug, Kohler .....	2
5	<u>47629686001</u>	Washer, Drain Plug, Kohler .....	2
6	<u>47629687001</u>	Shaft, Balance, Kohler .....	1
7	<u>47629688001</u>	Pin, Dowel, Kohler .....	2
8	<u>47629689001</u>	Pin, Dowel Cylinder Head, Kohl .....	2
9	<u>47629690001</u>	Rod, Connecting Assembly,kohle .....	1
10	<u>47629691001</u>	Kit, Piston Wing Set (std), Ko .....	1
11	<u>47629693001</u>	Kit, Piston (0.25 O.s.), Kohle .....	1
12	<u>47629694001</u>	Ring Set, Kohler .....	2
13	<u>47629696001</u>	Retainer, Piston, Kohler .....	2
14	<u>47629697001</u>	Camshaft Assembly, Kohler .....	1
15	<u>47629698001</u>	Spring, Wave, Kohler .....	1

**8**

**G**

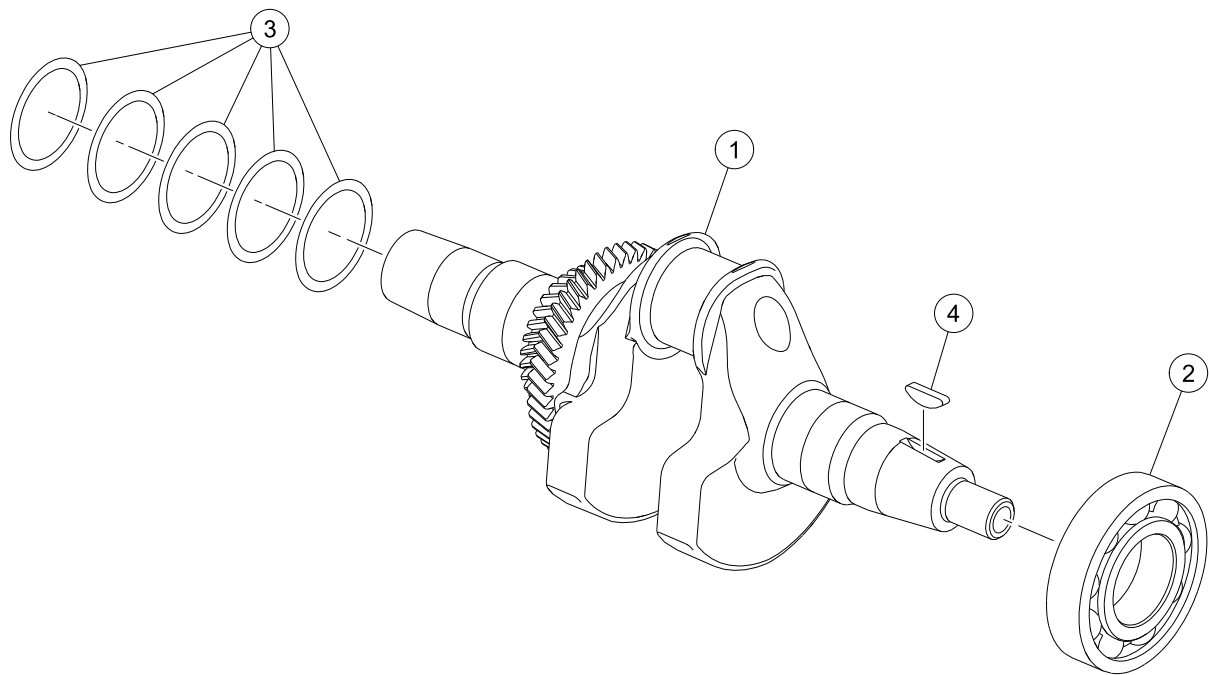


G-040699-000002

## OIL SENSOR AND LUBRICATION – ECH440

ITEM	PART NO.	DESCRIPTION	QTY
		1 2 3 4	
1	<u>47629699001</u>	Gasket, Closure Plate, Kohler .....	1
2	<u>47629700001</u>	Screw, Closure Plate, Kohler .....	7
3	<u>47629701001</u>	Switch, Oil Sensor Assembly, K .....	1
4	<u>47629703001</u>	Dipstick, Assembly, Kohler .....	1
5	<u>47629705001</u>	O-ring, Dipstick Cap, Kohler .....	2
6	<u>47629707001</u>	Cap Assy, Oil Fill, Kohler .....	1
7	<u>47629709001</u>	Bracket, Dipstick Tub, Kohler .....	1
8	<u>47640020001</u>	Plate, Closure, Kohler .....	1
9	<u>47640021001</u>	Screw, M6x16, Kohler .....	2
10	<u>47640022001</u>	Screw, M5 X8, Kohler .....	1

**8**  
**G**



G-040299-000001

# CRANKSHAFT – ECH440

ITEM	PART NO.	DESCRIPTION	QTY
		1 2 3 4	
1	<u>47629583001</u>	Crankshaft Assembly, Kohler .....	1
2	<u>47629585001</u>	Bearing, Crankshaft, Kohler .....	2
3	<u>47629588001</u>	Kit, Shims, Kohler .....	5
4	<u>47629589001</u>	Key, Flywheel, Kohler .....	1

8

G

8

G

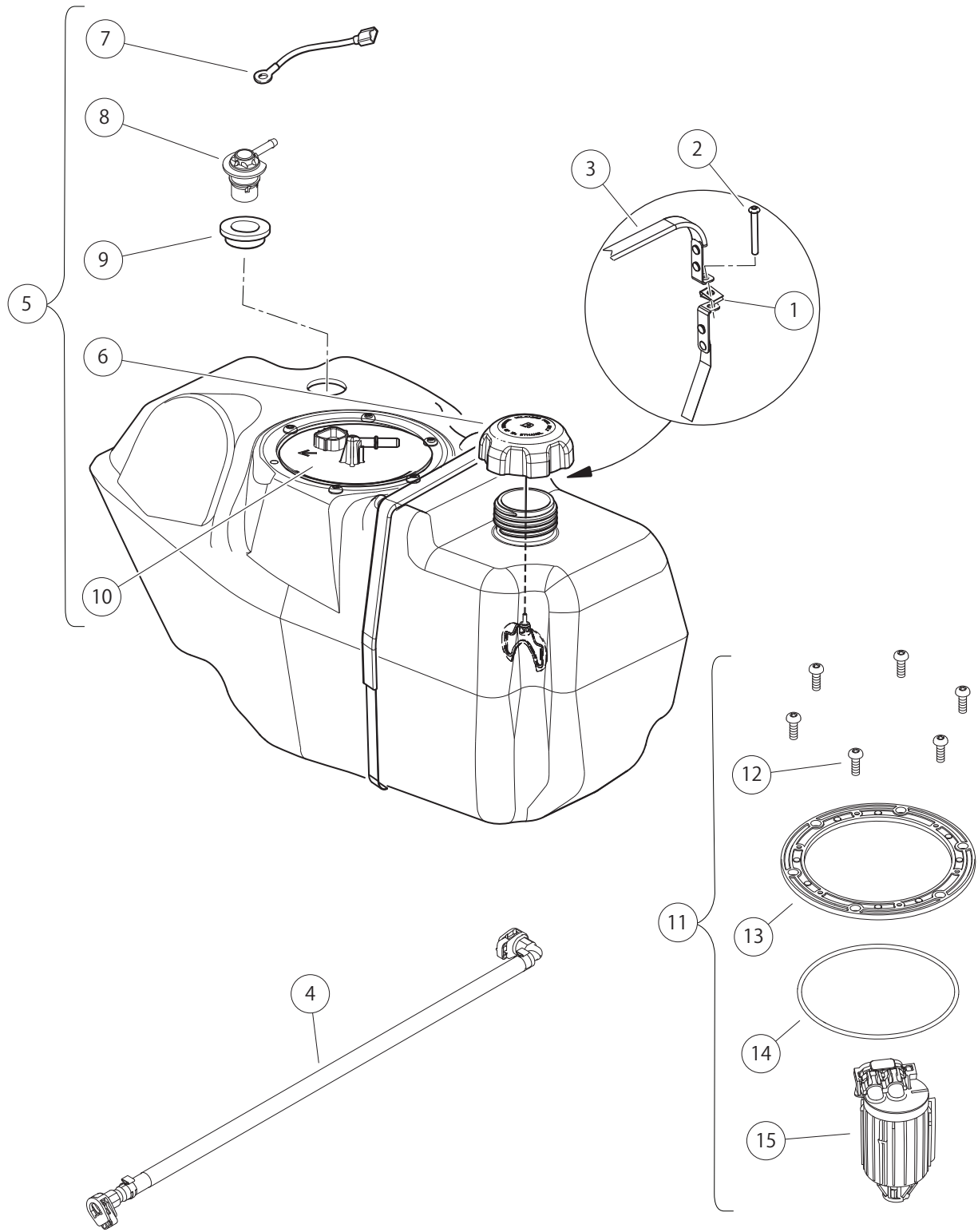


# FUEL SYSTEM – EFI

---

9

G



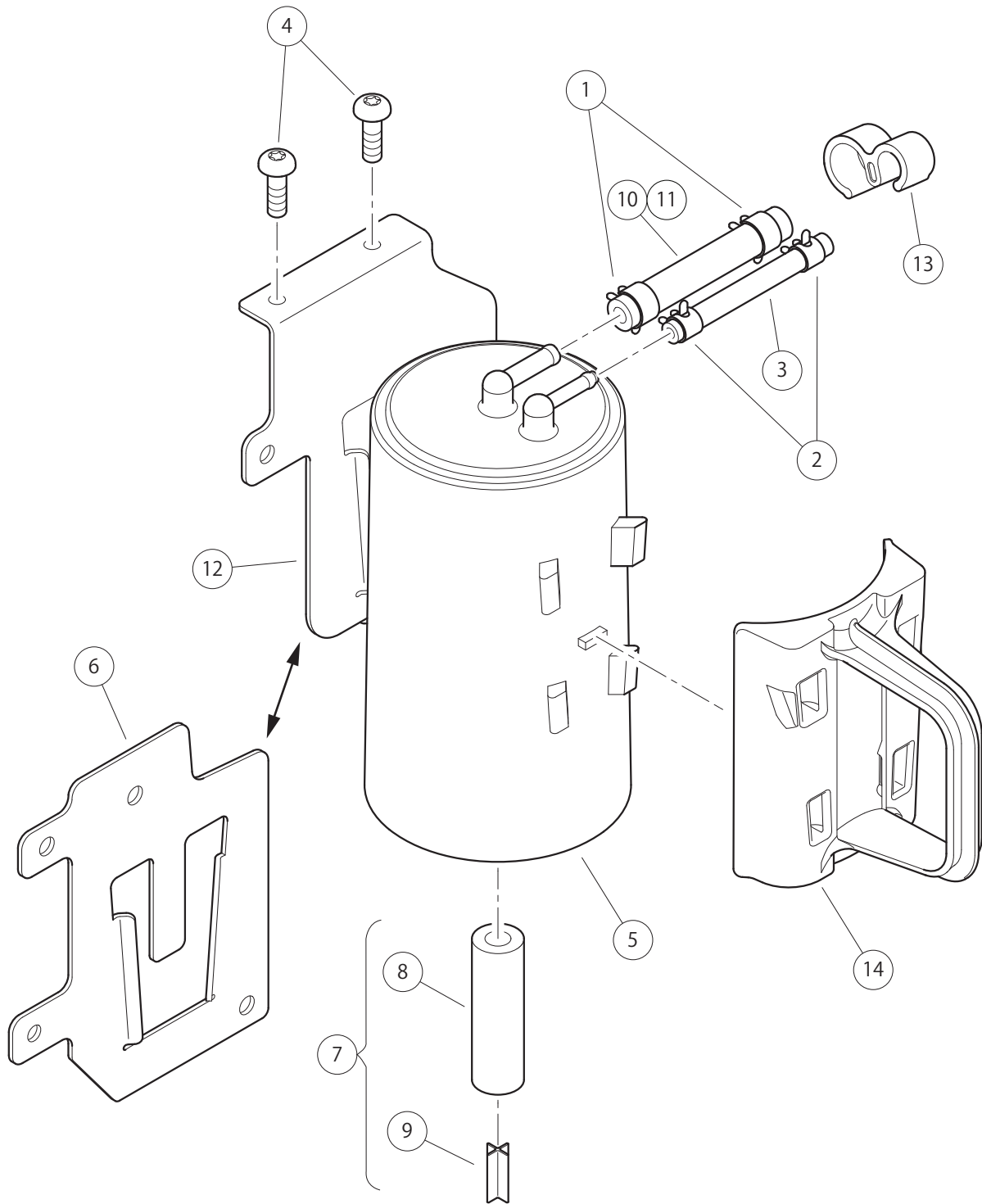
000975-006

## FUEL TANK WITH PUMP, TOP FILL – EFI

ITEM	PART NO.	DESCRIPTION	QTY
		1 2 3 4	
1	<u>1014116</u>	Nut, 1/4-20 Speed .....	1
2	<u>105194101</u>	1/4-20 X 2.5, Bhcs, 6-lobe .....	1
3	105245401	Strap, Tank, Utility .....	1
4	47606233003	Asm, Fuel Line, Util, Sb .....	1
5	47664038001	Asm, Tank, Fuel, Top, Su (includes items 6 through 11) .....	1
6	<u>103372101</u>	Cap, Fuel Tank, Gas, Ratchet .....	1
7	<u>105143301</u>	Wire, Ground, Fuel Tank .....	1
8	47611876001	Vent Rov, Fuel Tank, Precedent .....	1
9	47611877001	Grommet, Fuel Tank, Vent .....	1
10	N/A	Fuel Pump Module Su 50psi .....	1
11	<u>47623339001</u>	Kit, Fuel Filter, 50 Psi (includes items 12 through 15) .....	1
12	<u>102025801</u>	Screw, 1/4-20 X .75 Torx Pn Hd .....	6
13	<u>105043801</u>	Fuel Module, Hold Down Ring .....	1
14	<u>105043901</u>	O-Ring, Fuel Module .....	1
15	N/A	Fuel Filter, 50psi .....	1

9

G



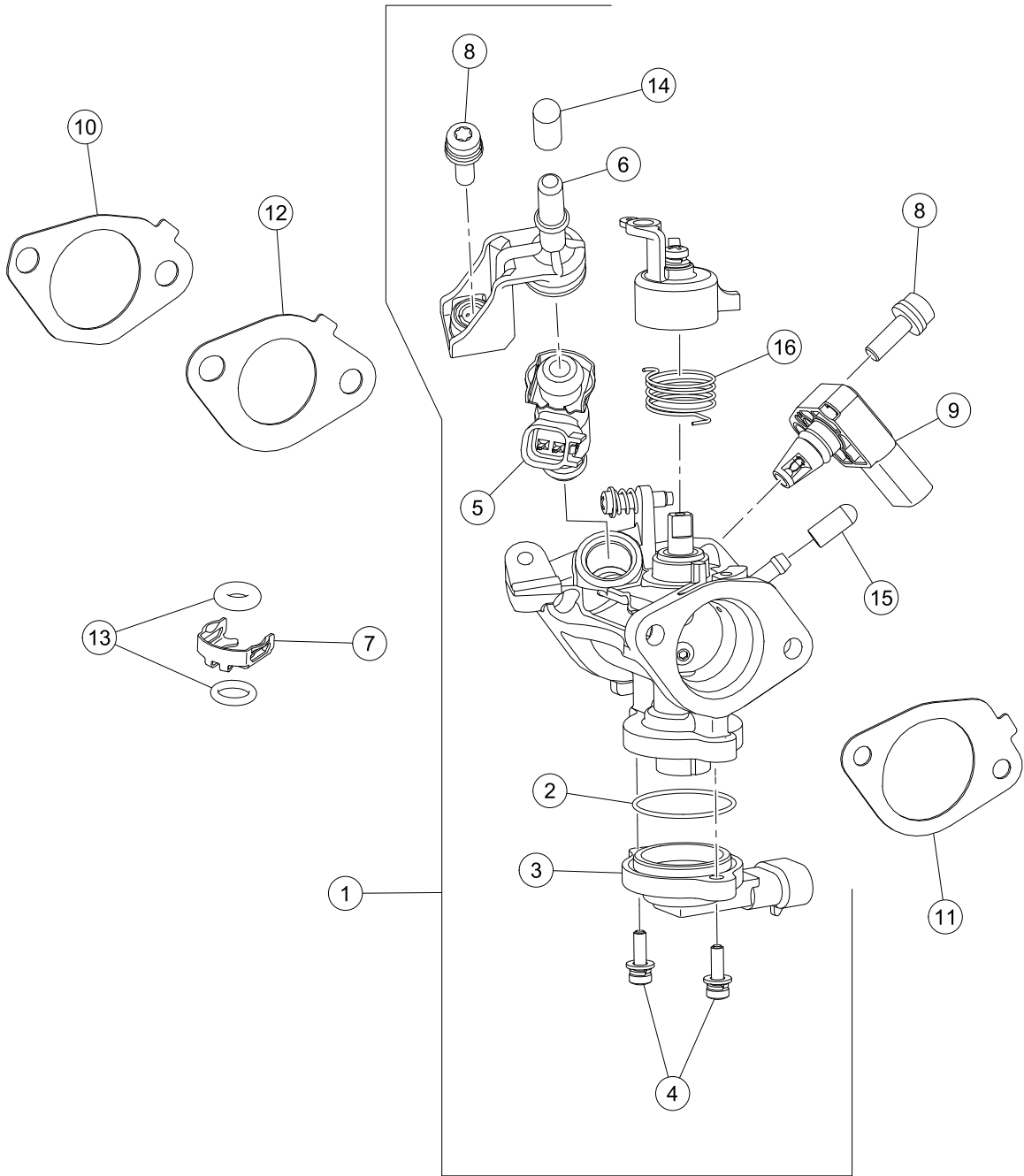
000980-014

## CARBON CANISTER – EFI

ITEM	PART NO.	DESCRIPTION	QTY
		1 2 3 4	
1	<u>1012649</u>	Clamp, 0.460 Red Hose .....	2
2	<u>1013746</u>	Clamp, 0.301 ID Hose .....	2
3	101587714	Hose, Fuel, Vent, 34" Long .....	1
4	<u>102025801</u>	Screw, 1/4-20 X .75 Torx Pn Hd .....	2
5	<u>103372401</u>	Canister, Carbon .....	1
6	<u>103452001</u>	Brkt, Mtg, Carbon Canister .....	1
7	<u>103756401</u>	Asm, Vent Line, Carbon Canister (includes items 8 and 9) .....	1
8	N/A	Hose, Vent, 5/16 I.D., Bulk .....	1
9	N/A	Vent, Barb, 5/16 I.D. Hose .....	1
10	103896604	Hose, Vent, 1/4 Id, 17 In (SWB and Utility) .....	1
11	103896605	Hose, Vent, 1/4 Id, 23.5 In .....	1
12	47606257001	Brkt, Mtg, Carbon Canister .....	1
13	47619701001	Clip, Purge Line, Util .....	2
14	47637087001	Bracket, fuel line routing .....	1
Note: Items 6 and 14 apply to short wheel base vehicles only. Item 12 applies to utility and long wheel base vehicles only.			

9

G



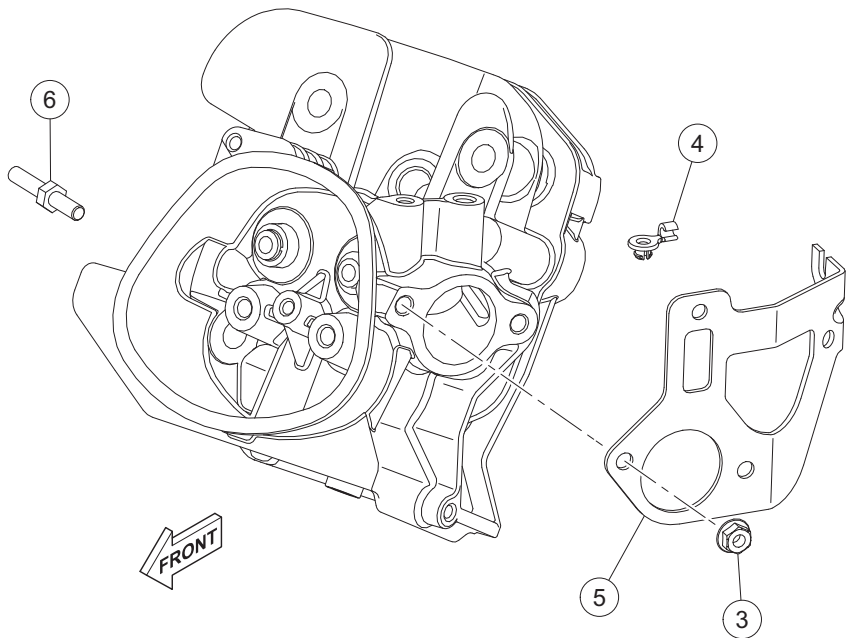
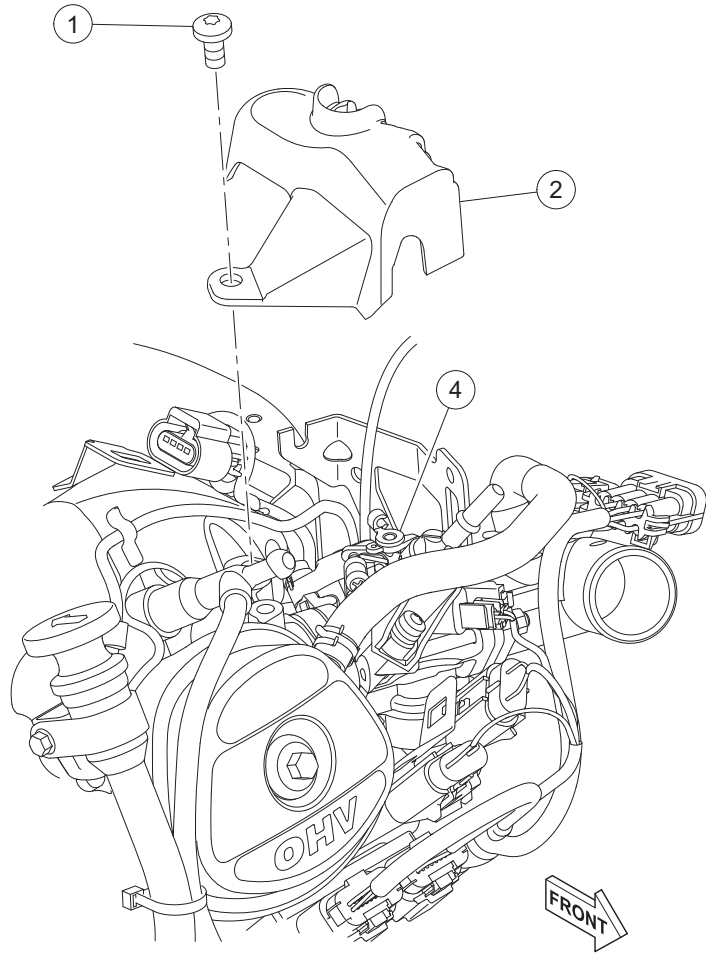
G-100199-000001

# THROTTLE BODY AND MOUNTING

ITEM	PART NO.	DESCRIPTION	QTY
		1 2 3 4	
1	<u>47629857001</u>	Throttle Body, Assembly, Kohler .....	1
2	<u>47629858001</u>	O-ring, Kohler .....	1
3	<u>47629859001</u>	Kit, Tps, Kohler .....	1
4	<u>47629860001</u>	Screw, Hexalobular, M4 X 0.7 X .....	2
5	<u>47629861001</u>	Injector, Fuel, Kohler .....	1
6	<u>47629862001</u>	Cap, Fuel Inector, Kohler .....	1
7	<u>47629864001</u>	Clip, Retainer, Kohler .....	1
8	<u>47629865001</u>	Screw, Hexalobular, M6 X 1 Sem .....	2
9	<u>47629866001</u>	Sensor, T-map, Kohler .....	1
10	<u>47629867001</u>	Kit, Gasket Intake, Kohler .....	1
11	<u>47629868001</u>	Gasket, Throttle Body, Kohler .....	1
12	<u>47629869001</u>	Gasket, Insulator To T-body, K .....	1
13	<u>47629870001</u>	Kit, Fuel Injector O-ring, Koh .....	1
14	<u>47629871001</u>	Cap, Masking, Kohler .....	1
15	<u>47629872001</u>	Cap, Masking, Kohler .....	1
16	<u>47629874001</u>	Spring, Return, Kohler .....	1

9

G



G-040999-000004

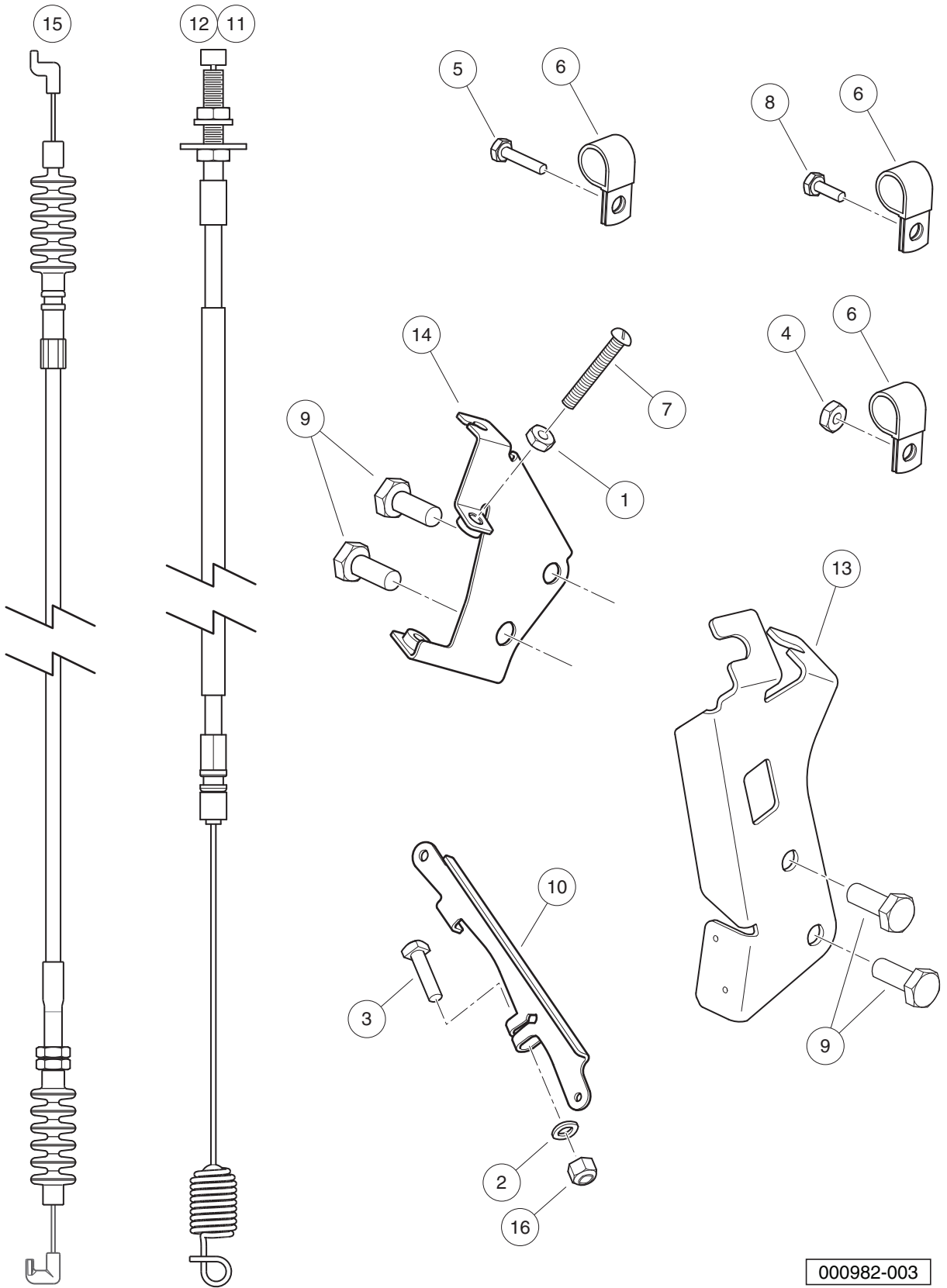


# GOVERNOR BRACKET AND COVER – EFI

ITEM	PART NO.	DESCRIPTION	QTY
		1 2 3 4	
1	<u>102298116</u>	Bolt, Flanged Head, M8 X 16.0 .....	1
2	<u>47612352001</u>	Cover, Governor, Ech 440 .....	1
3	<u>47629875001</u>	Nut, Hex Flange Lock (m6), Koh .....	2
4	<u>47629876001</u>	Bushing, Linkage Retainer, Koh .....	1
5	<u>47629877001</u>	Bracket, Governor, Kohler .....	1
6	<u>47629878001</u>	Stud, Ground, Kohler .....	1

9

G



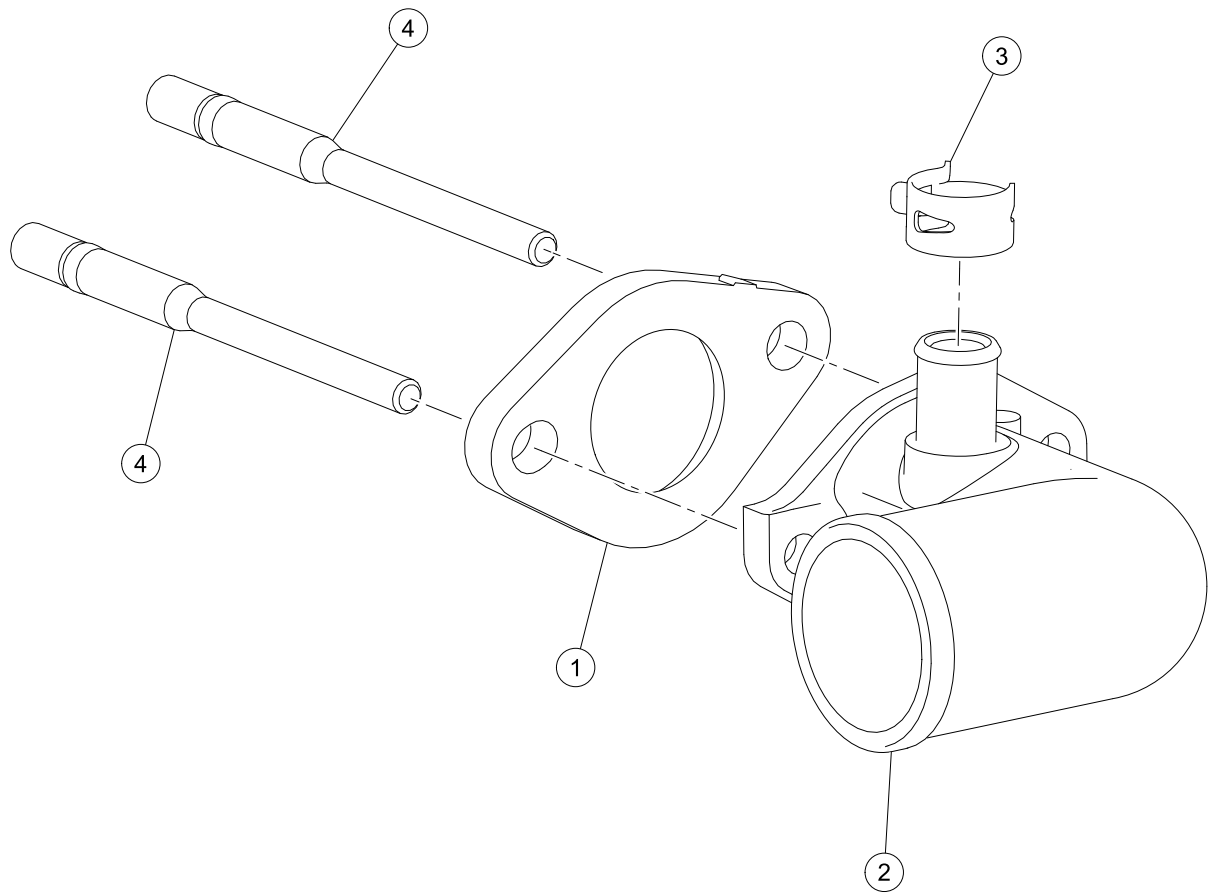
000982-003

## GOVERNOR AND ACCELERATOR CABLES – EFI

ITEM	PART NO.	DESCRIPTION	QTY
		1 2 3 4	
1	<u>1011114</u>	Nut, M6-1.00 Hex .....	2
2	<u>1014007</u>	Washer, 1/4, Flat .....	1
3	<u>101886101</u>	Screw, 1/4-20 X 1.00, Square-Head .....	1
4	<u>101887601</u>	Locknut, M6-1.00 Nylon Insert .....	1
5	<u>102296716</u>	Screw, M6 X 16 Tt Hx Fl Hd .....	1
6	<u>102410604</u>	P-clamp, Insulated, 0.625 Inch .....	3
7	<u>102476401</u>	Bolt, Stop, Pedal .....	1
8	<u>102490301</u>	Bolt, M6 X 1 X 16, Loctite .....	1
9	<u>102498201</u>	Bolt, M10 X 1.25 X 25, Loctite .....	2
10	<u>104023501</u>	Arm, Governor, ED65 .....	1
11	<u>105007402</u>	Cable, Accelerator, Utility, Low-Speed .....	1
12	<u>105007403</u>	Cable, Accelerator, Utility, Std-Speed .....	1
13	<u>105135101</u>	Bracket, Cable, FNR/Accelerator, ED65 .....	1
14	<u>105144401</u>	Weldment, Governor Bracket .....	1
15	<u>47601355001</u>	Cable, Governor, Z Fit 90 Fit .....	1
16	<u>8233</u>	Locknut, 1/4-20, Nylon Insert .....	1

9

G



G-040999-000003

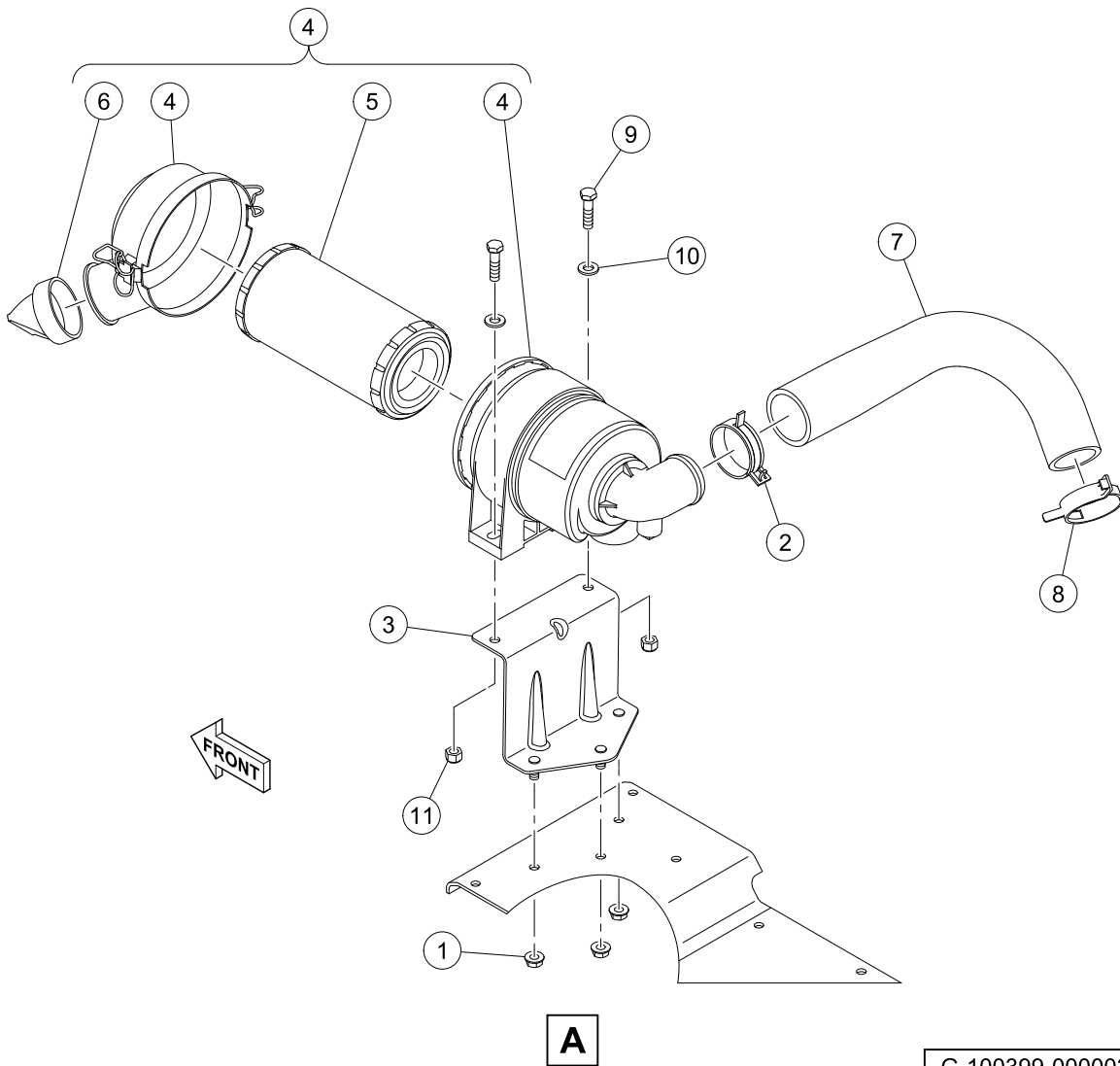
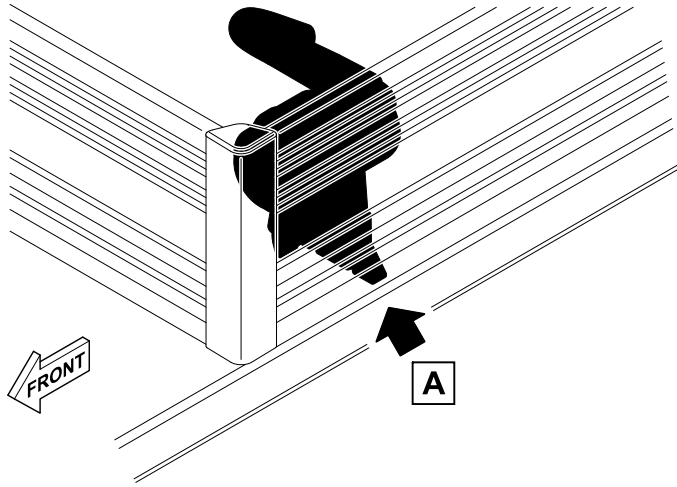
# AIR INTAKE ELBOW – EFI

ITEM	PART NO.	DESCRIPTION	QTY
		1 2 3 4	
1	<u>47629879001</u>	Insulator Throttle Body, Kohler .....	1
2	<u>47629880001</u>	Elbow, Air Inlet, Kohler .....	1
3	<u>47629881001</u>	Clamp, Breather Hose, Kohler .....	1
4	<u>47629882001</u>	Stud, Intake, Kohler .....	2

9

G

9  
G



G-100399-000003

## AIR FILTER SYSTEM AND INTAKE HOSE – EFI

ITEM	PART NO.	DESCRIPTION	QTY
		1 2 3 4	
1	<u>101963401</u>	Locknut, 5/16-18 Hex Flange .....	3
2	<u>102411209</u>	Clamp, Hose, Ctb 55mm Dia. ....	1
3	105003401	Asm, Bracket, Mtg, Air Cleaner .....	1
4	<u>105009101</u>	Air Cleaner, Utility with EFI (includes items 5 and 6) .....	1
5	<u>102558201</u>	Air Filter, 4 Inch .....	1
6	<u>102725501</u>	Valve, Evacuator, Filter Air .....	1
7	<u>105009401</u>	Hose, Air Intake, LWB Utility with EFI .....	1
8	<u>105088501</u>	Clamp, Ctb, 49mm Dia, W/clip .....	1
9	1218	Screw, 5/16-18 X 1.25 Hex-Head Cap .....	2
10	<u>1241</u>	Washer, 5/16 Type A Flat .....	2
11	<u>7473</u>	Locknut, 5/16-18 Nylon Insert .....	2

9

G

9

G

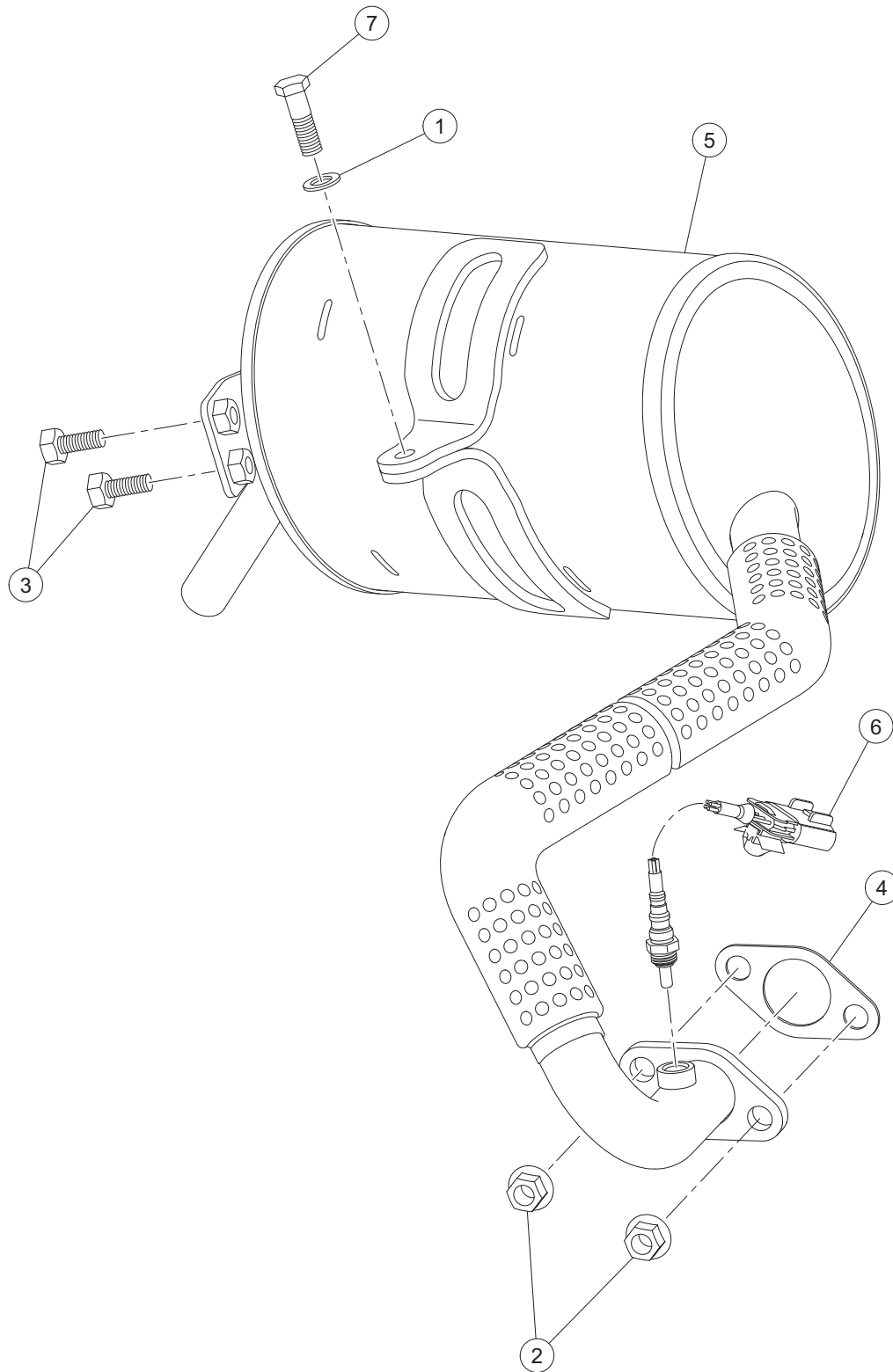


# EXHAUST SYSTEM – ECH440

---

10

G



G-110199-000001

# EXHAUST SYSTEM

ITEM	PART NO.	DESCRIPTION	QTY
		1 2 3 4	
1	<u>1011697</u>	Washer, 5/16 Flat .....	1
2	<u>102298401</u>	Nut, M8, All Metal Lock .....	2
3	<u>102922701</u>	Bolt, Flanged Head, M8x1.25x20 Lock Patch .....	2
4	<u>47611210001</u>	Gasket, Exhaust, Grpht, Ech440 .....	1
5	<u>47613047002</u>	Exhaust, Ech440, Utility .....	1
6	<u>47695676001</u>	Sensor, O2, Heated .....	1
7	<u>96705587</u>	Bolt, M8 X 1.25 X 30 .....	1

10

G

**10**

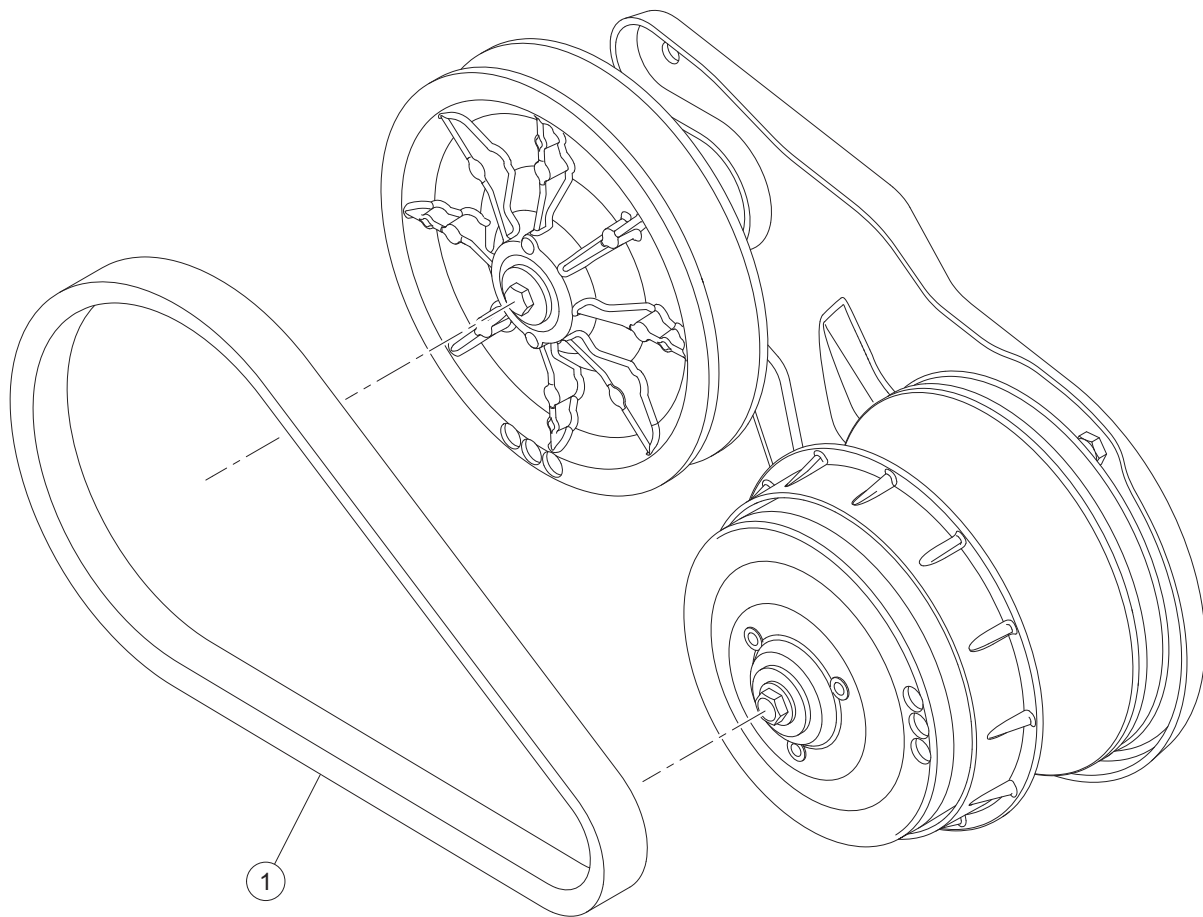
**G**

# DRIVE BELT AND CLUTCHES – EFI GASOLINE VEHICLES

---

11

G

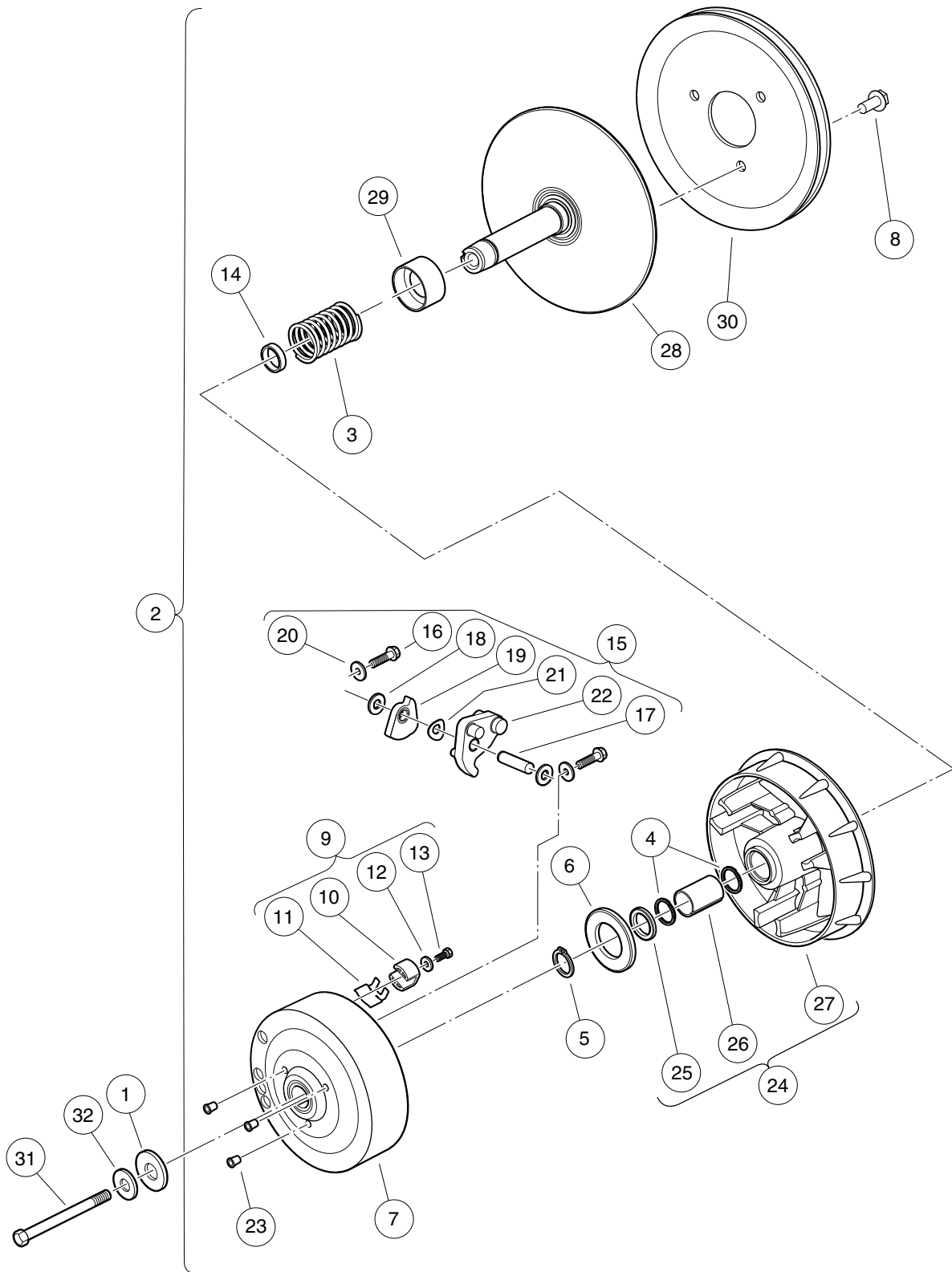


G-060099-000002

# DRIVE BELT

ITEM	PART NO.	DESCRIPTION	QTY
1	<u>105245801</u>	1 2 3 4 Belt, Drive, Pedal-Start .....	1

**11**  
**G**



000958-001

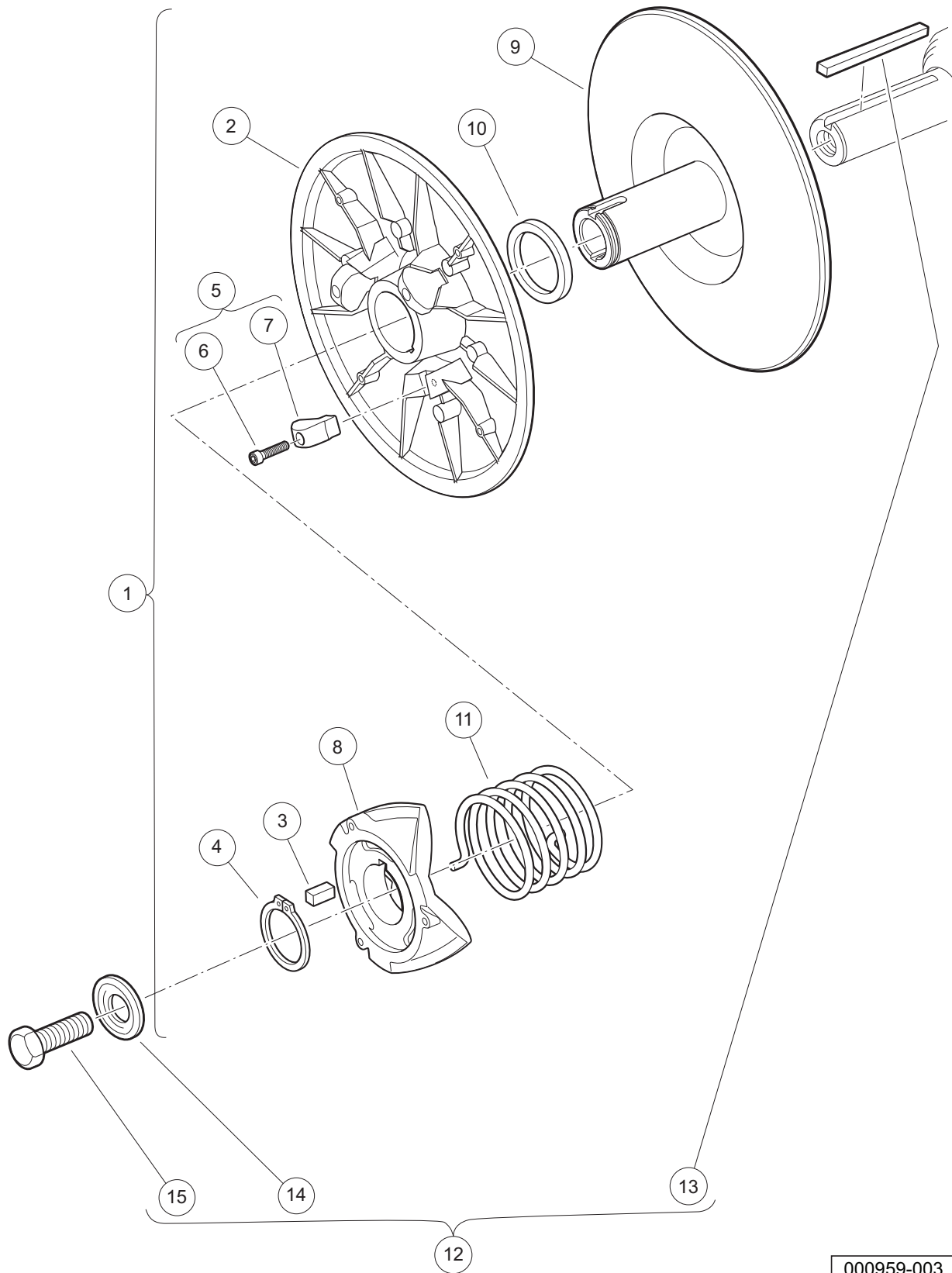


# DRIVE CLUTCH – PEDAL-START VEHICLES

ITEM	PART NO.	DESCRIPTION	QTY
		<b>1 2 3 4</b>	
1	<u>102491501</u>	Washer, Hard, M10 .....	1
2	<u>103973901</u>	Clutch, Drive, Pedal-Start (includes items 3 through 30) .....	1
3	<u>1014051</u>	Spring, Drive Clutch .....	1
4	<u>1014056</u>	Ring, Spiral Backup .....	2
5	<u>1014057</u>	Ring, 0.810" Internal Retaining .....	1
6	<u>1014058</u>	Thrust Washer .....	1
7	<u>1014059</u>	Drive Hub Assy, Drive Clutch .....	1
8	<u>1014288</u>	Screw, 5/16-18 X 0.75, Thread-Forming .....	3
9	<u>1014453</u>	Kit, Drive Clutch Button (includes items 10 through 13) .....	1
10	<u>1014062</u>	Driver, Drive Clutch .....	3
11	<u>1014287</u>	Spring, Drive Button .....	3
12	<u>183</u>	Washer, #10, Type A, Flat .....	3
13	<u>8450</u>	Screw, #10-24 X 0.50, Hex-Head .....	3
14	<u>1016289</u>	Spacer, Fixed Face Shaft .....	1
15	<u>1016801</u>	Kit, Drive Clutch Weight (includes items 16 through 22) .....	1
16	<u>1014063</u>	Screw, 1/4-20 X 1.00, Hex Head .....	6
17	N/A	Pin, Dowel, 0.3752 x 1.50 .....	3
18	<u>1014065</u>	Washer, Flat, 0.38" ID, Delrin .....	6
19	N/A	Clutch Weight, Secondary .....	3
20	N/A	Washer .....	6
21	<u>1016201</u>	Washer, Wave .....	3
22	N/A	Weight, Primary .....	3
23	N/A	Cap Plug .....	3
24	<u>103974201</u>	Asm, Sheave, Moveable, Drive, Wr (includes items 25 through 27) .....	1
25	<u>1014055</u>	Retainer .....	1
26	N/A	Bushing, Split, Drive Clutch .....	1
27	N/A	Sheave, Moveable, Drive, Wr .....	1
28	<u>103974401</u>	Sheave, Fixed, Drive, Wr .....	1
29	<u>103984601</u>	Spacer, Idler, Drive .....	1
30	<u>105096101</u>	Pulley, 7.3 Inch Effective Dia .....	1
31	<u>103976101</u>	Screw, 3/8-24x5.75, Patch .....	1
32	<u>334</u>	Washer, 3/8, Type A, Flat .....	1

11

G



000959-003

## DRIVEN CLUTCH – PEDAL START

ITEM	PART NO.	DESCRIPTION	QTY
		1 2 3 4	
1	47601767002	Asm, Clutch, Driven, Ccw, Red (includes items 2 through 11) .....	1
2	<u>1014072</u>	Movable-Face Assembly with Bushing .....	1
3	<u>1014078</u>	Key, Driven Clutch .....	1
4	<u>1014080</u>	Ring, Retaining .....	1
5	<u>1014454</u>	Kit, Driven Clutch Button (includes items 6 and 7) .....	1
6	<u>1012836</u>	Screw, #8-32 X 3/4, Socket-Head Cap .....	3
7	N/A	Button, Drive .....	3
8	<u>1017686</u>	Cam, Driven Clutch .....	1
9	<u>103975301</u>	Sheave, Fixed, Driven, Wr .....	1
10	<u>104025101</u>	Washer, Acetal, Driven Clutch .....	1
11	47601832001	Spring, Drvn Clutch, Ccw, Red .....	1
12	<u>AM10419</u>	Kit, Clutch Repair (includes items 13 through 15) .....	1
13	<u>101833401</u>	Key, 3/16 Sq X 1.50" .....	1
14	<u>102155801</u>	Washer, Driven Clutch .....	1
15	<u>102242101</u>	Screw, 5/16-18 X 3/4 Hex-Head with Patch .....	1

**11**  
**G**

11

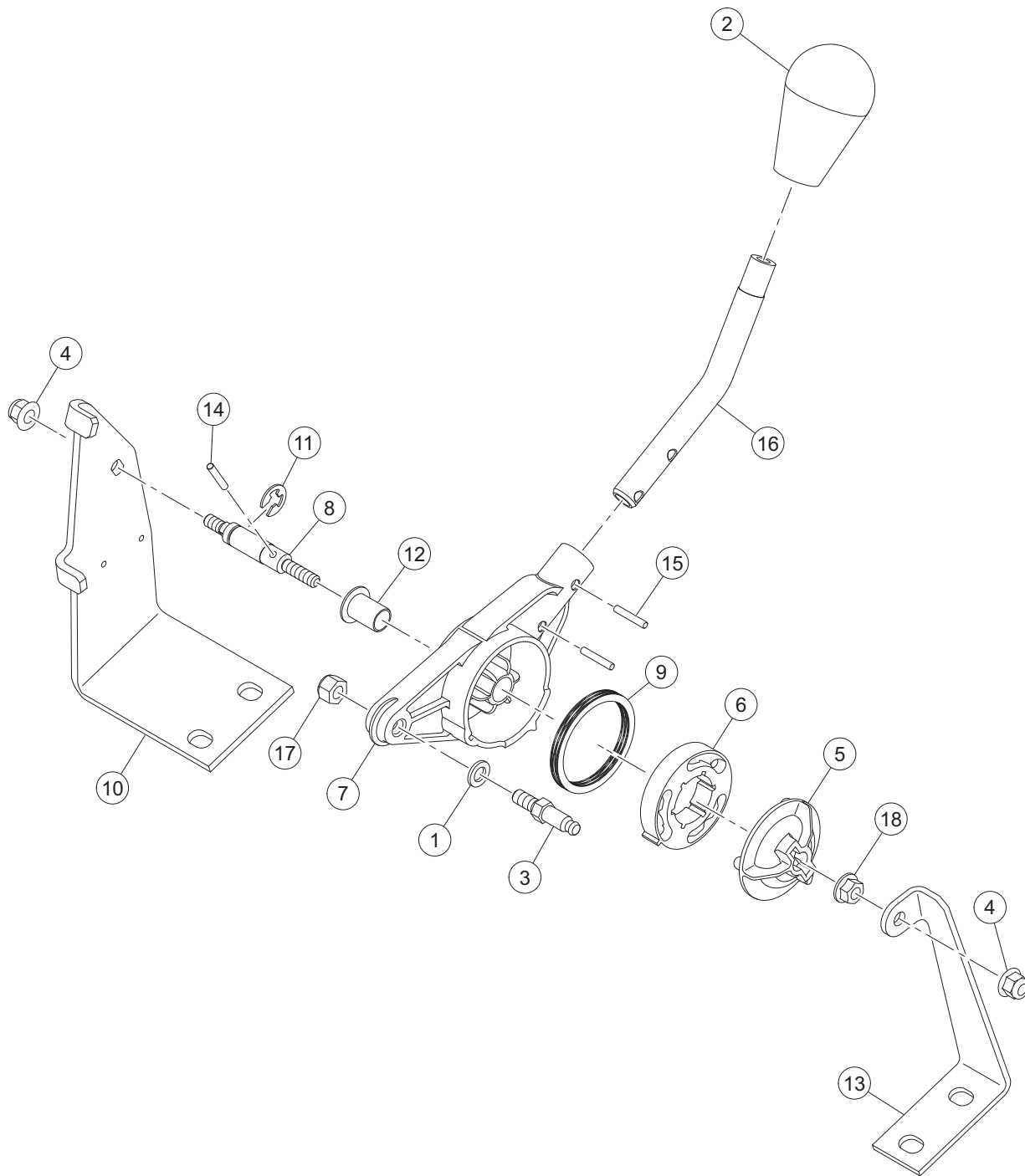
G

# TRANSAXLE (FUJI ED65) – EFI GASOLINE VEHICLES

---

12

G



G-070299-000004

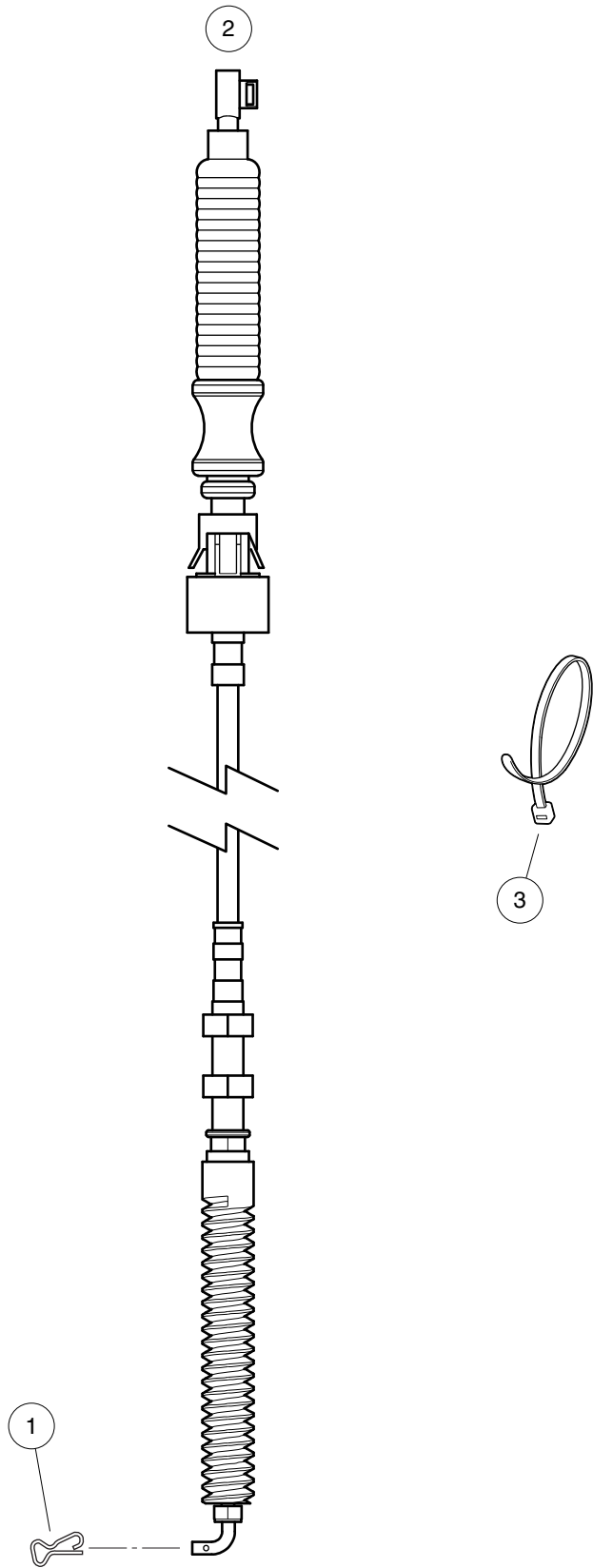
# FORWARD/REVERSE SHIFTER

ITEM	PART NO.	DESCRIPTION	QTY
		1 2 3 4	
1	<u>1014007</u>	Washer, 1/4, Flat .....	1
2	<u>102376001</u>	Knob, FNR, Shifter .....	1
3	<u>102526201</u>	Stud, Thread, 1/4-28 .....	1
4	<u>102621501</u>	Nut, Flange, M6 X 1.0, Nylon .....	2
5	<u>105037701</u>	Follower, FNR Detent .....	1
6	<u>105038001</u>	Cam, FNR Detent, Alternate .....	1
7	<u>105038101</u>	Housing, FNR, Gas, CA300-700 .....	1
8	<u>105038201</u>	Shaft, FNR, Dash .....	1
9	<u>105038501</u>	Spring, Wave, Gas FNR Shifter .....	1
10	<u>105039501</u>	Bracket, Shifter, Frame Mount .....	1
11	<u>105039801</u>	E-Clip, External, 8mm Groove .....	1
12	<u>105039901</u>	Bushing, Dash Shifter, Gas .....	1
13	<u>105040201</u>	Bracket, Shifter, Dash Brace .....	1
14	<u>105040401</u>	Pin, Round, 0.125 Dia x 0.625 .....	1
15	<u>105040402</u>	Pin, Grooved, 0.187 x 0.75 .....	2
16	<u>105060601</u>	Handle, Shift, EX40, Villager .....	1
17	<u>8717</u>	Locknut, Nylon Insert, 1/4-28 .....	1
18	<u>96704176</u>	Nut, Flanged, M6 X 1, Serrated .....	1
Note: For complete shifter assembly order p/n 105040702.			

12

G

12  
G



000988-001



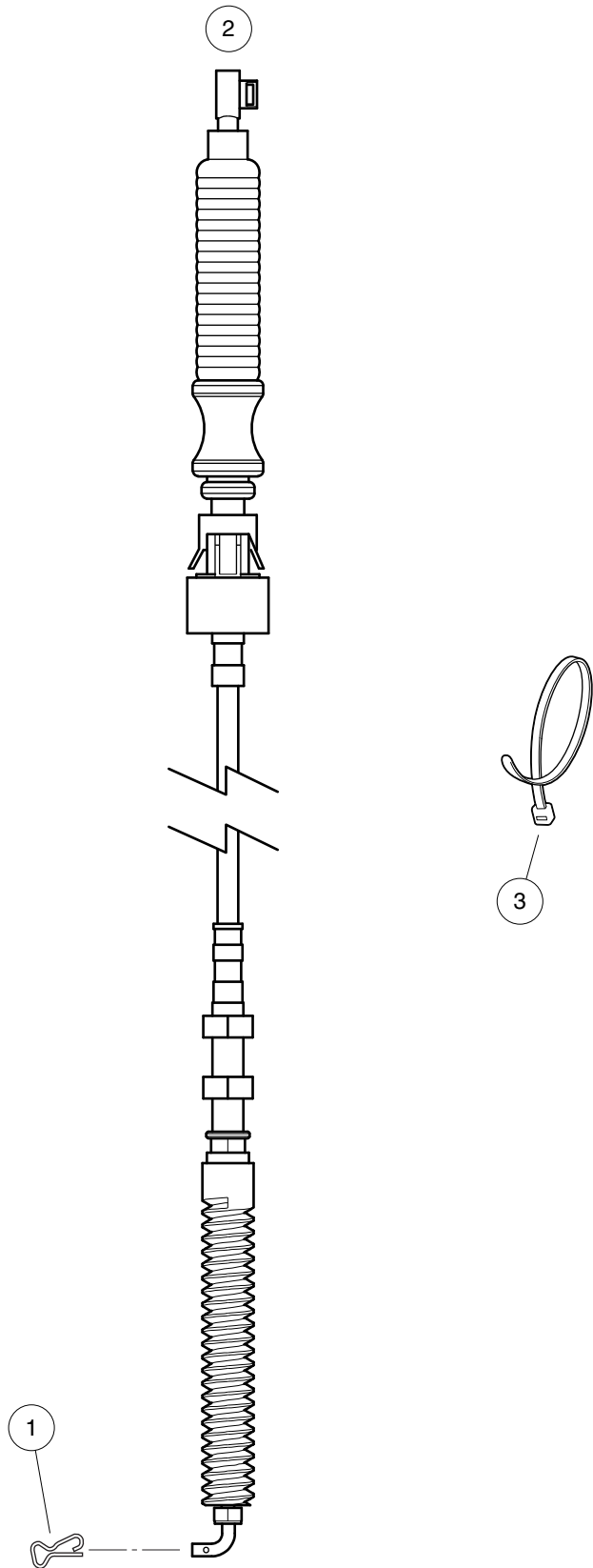
# SHIFTER CABLE – VILLAGER 6

ITEM	PART NO.	DESCRIPTION	QTY
		1 2 3 4	
1	<u>103886601</u>	Clip, Bowtie .....	1
2	<u>105038805</u>	Cable, Shifter, Villager 6/850 SE .....	1
3	<u>8990</u>	Tie Wrap, 8" Nylon .....	A/R

12

G

12  
G



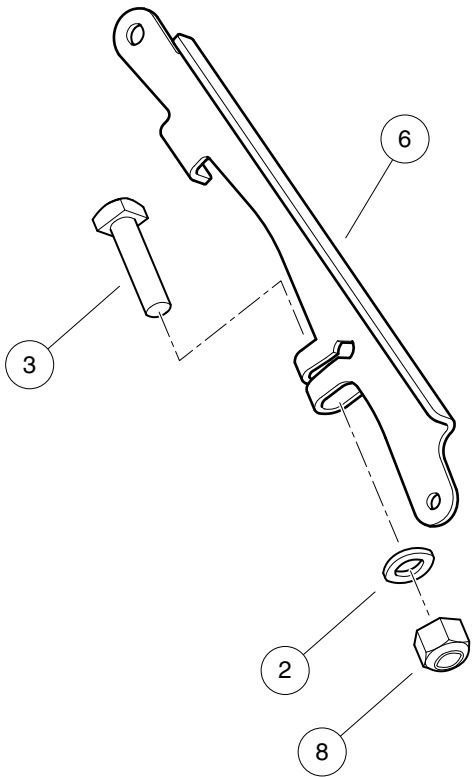
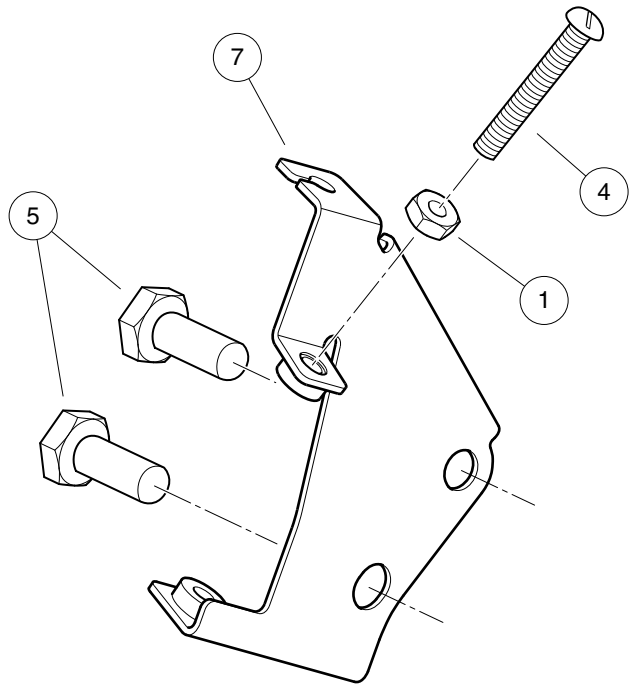
000988-001

# SHIFTER CABLE – VILLAGER 8

ITEM	PART NO.	DESCRIPTION	QTY
		1 2 3 4	
1	<u>103886601</u>	Clip, Bowtie .....	1
2	<u>105038806</u>	Cable, Shifter, Villager 8 .....	1
3	<u>8990</u>	Tie Wrap, 8" Nylon .....	A/R

12

G



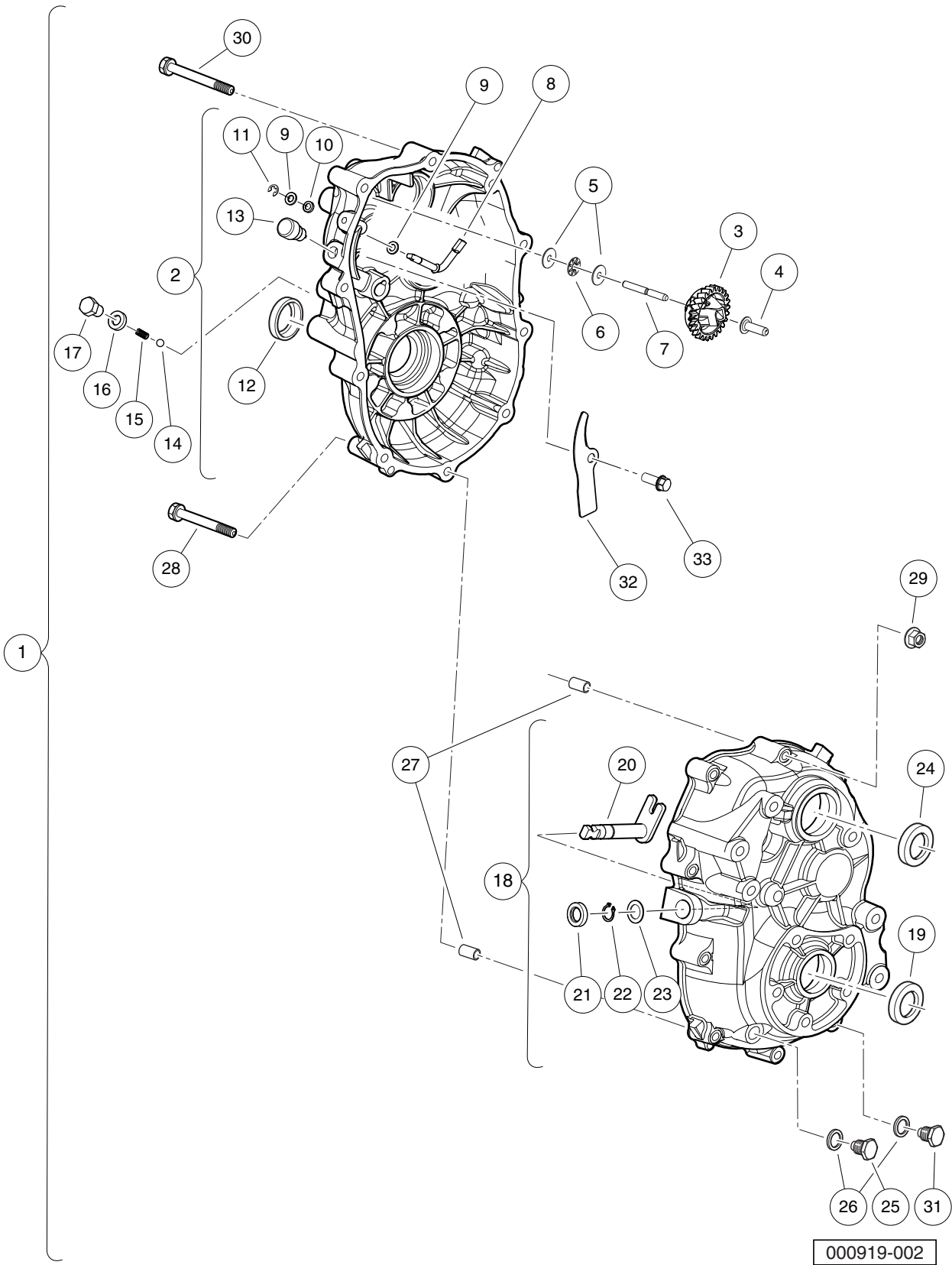
000966-002

## GOVERNOR ARM AND BRACKETS – UTILITY VEHICLES

ITEM	PART NO.	DESCRIPTION	QTY
		1 2 3 4	
1	<u>1011114</u>	Nut, M6-1.00 Hex .....	1
2	<u>1014007</u>	Washer, 1/4, Flat .....	1
3	<u>101886101</u>	Screw, 1/4-20 X 1.00, Square-Head .....	1
4	<u>102476401</u>	Bolt, Stop, Pedal .....	1
5	<u>102498201</u>	Bolt, M10 X 1.25 X 25, Loctite .....	2
6	<u>104023501</u>	Arm, Governor, ED65 .....	1
7	<u>105144401</u>	Weldment, Governor Bracket .....	1
8	<u>8233</u>	Locknut, 1/4-20, Nylon Insert .....	1

12

G



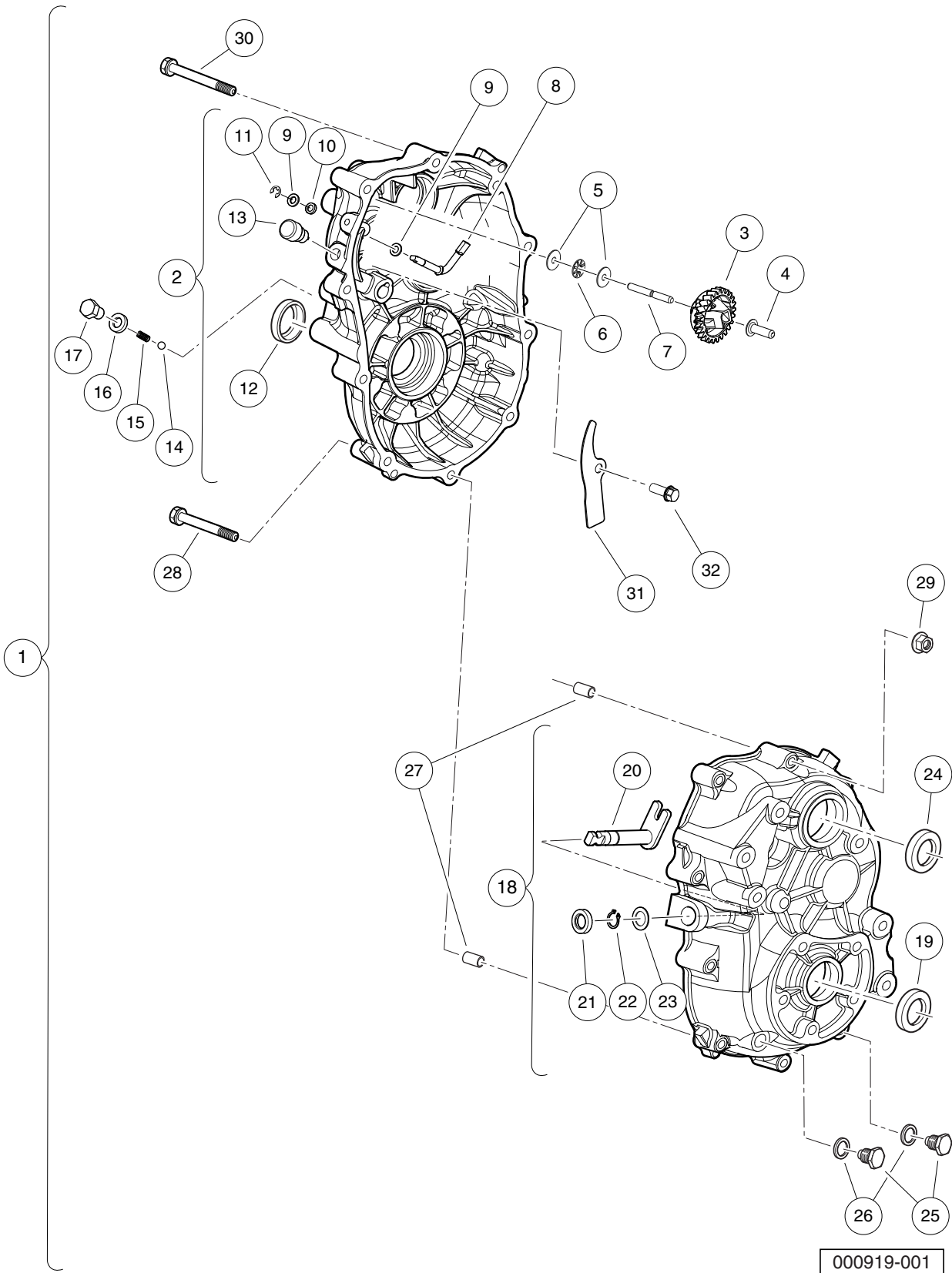
000919-002

## TRANSAXLE (ED65), LIMITED SLIP – PAGE 1 OF 3

ITEM	PART NO.	DESCRIPTION	QTY
		1 2 3 4	
1	<u>103879702</u>	Transaxle, ED65, Limited-Slip Differential (includes items 2 through 33) .....	1
2	<u>105025001</u>	Case, Transaxle, Left, Complete, ED65 (includes items 3 through 13) .....	1
3	<u>105025101</u>	Gear, Governor, Complete, ED65 .....	1
4	<u>105025201</u>	Sleeve, Governor, ED65 .....	1
5	<u>105025301</u>	Washer, ED65 .....	2
6	<u>105025401</u>	Bearing, Thrust, ED65 .....	1
7	<u>105025501</u>	Shaft, Governor Gear, ED65 .....	1
8	<u>105025601</u>	Shaft, Governor, ED65 .....	1
9	<u>105025701</u>	Washer, 6mm, ED65 .....	2
10	<u>105025801</u>	Seal, Oil, 6x10x2.5, ED65 .....	1
11	<u>105025901</u>	Retaining Ring, E5, ED65 .....	1
12	<u>105026001</u>	Seal, Oil, 24x40x9, ED65 .....	1
13	<u>105027101</u>	Vent, Breather, ED65 .....	1
14	<u>105026101</u>	Ball, Steel, ED65 .....	1
15	<u>105026201</u>	Spring, ED65 .....	1
16	<u>105026301</u>	Gasket, 10, ED65 .....	1
17	<u>105026401</u>	Bolt, M10-1.25x12mm Lg, ED65 .....	1
18	<u>105026501</u>	Case, Transaxle, Right, Complete, ED65 (includes items 19 through 24) .....	1
19	<u>105026001</u>	Seal, Oil, 24x40x9, ED65 .....	1
20	<u>105026601</u>	Shaft, Select, ED65 .....	1
21	<u>105026701</u>	Seal, Oil, 13x22x5, ED65 .....	1
22	<u>105026801</u>	Snap Ring, 13mm, ED65 .....	1
23	<u>105026901</u>	Spacer, 13x1, ED65 .....	1
24	<u>105027001</u>	Seal, Oil, 25x45x7, ED65 .....	1
25	<u>105027201</u>	Plug, Oil Drain, ED65 .....	1
26	<u>105027301</u>	Gasket, 14, ED65 .....	2
27	<u>105028301</u>	Pin, Guide, ED65 .....	2
28	<u>105028501</u>	Bolt, Flange, M8-1.25x65mm, ED65 .....	1
29	<u>105030001</u>	Nut, Flange, M8-1.25, ED65 .....	10
30	<u>105030701</u>	Bolt, Flanged, M8-1.25x80mm, ED65 .....	9
31	<u>105063501</u>	Plug, Oil Drain, Magnetic, ED65 .....	1
32	<u>105234801</u>	Plate, Ed65 Splash .....	1
33	<u>105234901</u>	Bolt, M6-1 X 12mm Lg, Ed65 .....	1
		Note: Fuji transaxle component listings span three pages. To identify your transaxle, locate the serial number decal on the axle tube.	

12

G



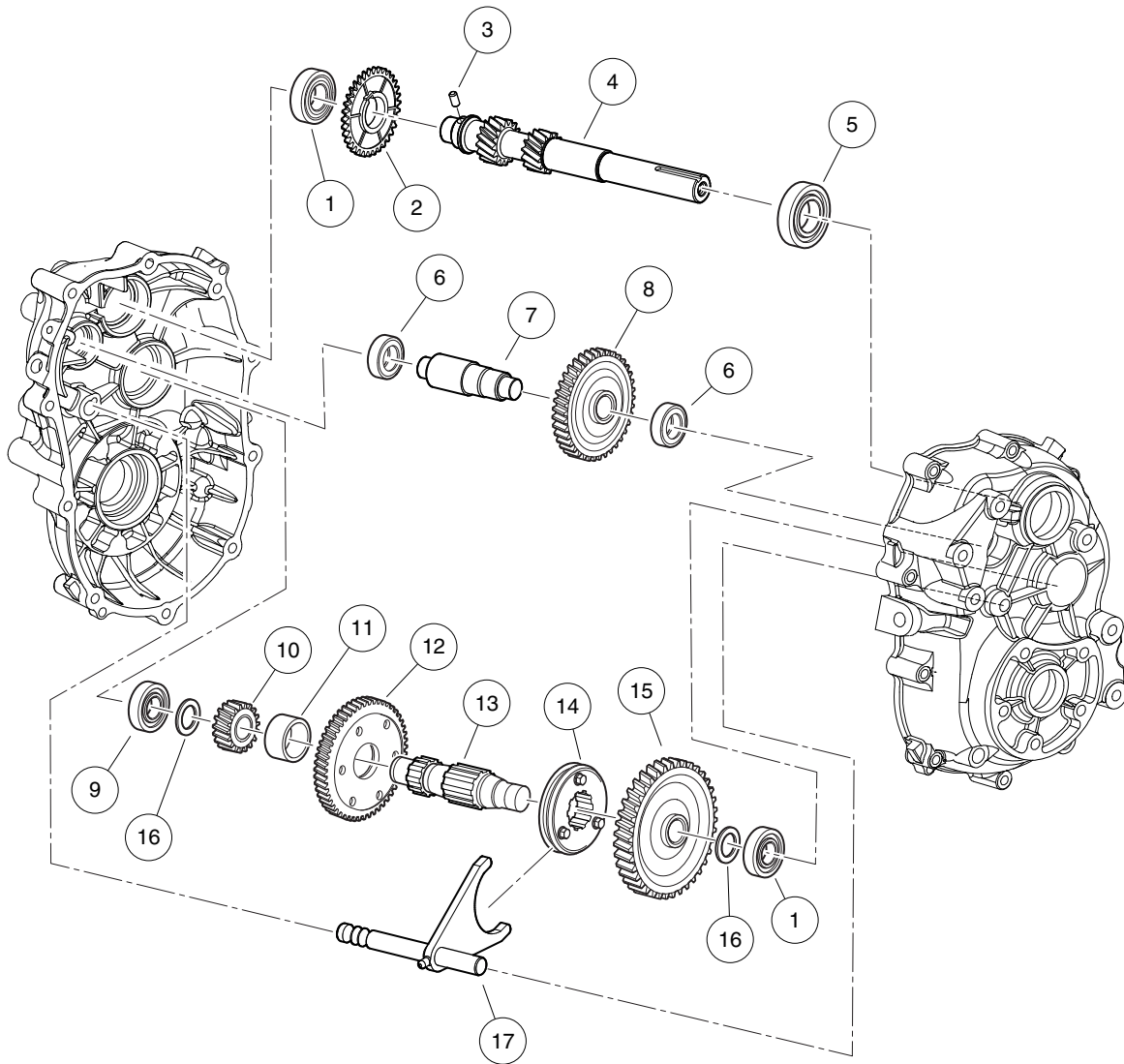


# TRANSAXLE (ED65), OPEN – PAGE 1 OF 3

ITEM	PART NO.	DESCRIPTION	QTY
		1 2 3 4	
1	<u>103879701</u>	Transaxle, ED65, Open Differential (includes items 2 through 32) .....	1
2	<u>105025001</u>	Case, Transaxle, Left, Complete, ED65 (includes items 3 through 13) .....	1
3	<u>105025101</u>	Gear, Governor, Complete, ED65 .....	1
4	<u>105025201</u>	Sleeve, Governor, ED65 .....	1
5	<u>105025301</u>	Washer, ED65 .....	2
6	<u>105025401</u>	Bearing, Thrust, ED65 .....	1
7	<u>105025501</u>	Shaft, Governor Gear, ED65 .....	1
8	<u>105025601</u>	Shaft, Governor, ED65 .....	1
9	<u>105025701</u>	Washer, 6mm, ED65 .....	2
10	<u>105025801</u>	Seal, Oil, 6x10x2.5, ED65 .....	1
11	<u>105025901</u>	Retaining Ring, E5, ED65 .....	1
12	<u>105026001</u>	Seal, Oil, 24x40x9, ED65 .....	1
13	<u>105027101</u>	Vent, Breather, ED65 .....	1
14	<u>105026101</u>	Ball, Steel, ED65 .....	1
15	<u>105026201</u>	Spring, ED65 .....	1
16	<u>105026301</u>	Gasket, 10, ED65 .....	1
17	<u>105026401</u>	Bolt, M10-1.25x12mm Lg, ED65 .....	1
18	<u>105026501</u>	Case, Transaxle, Right, Complete, ED65 (includes items 19 through 24) .....	1
19	<u>105026001</u>	Seal, Oil, 24x40x9, ED65 .....	1
20	<u>105026601</u>	Shaft, Select, ED65 .....	1
21	<u>105026701</u>	Seal, Oil, 13x22x5, ED65 .....	1
22	<u>105026801</u>	Snap Ring, 13mm, ED65 .....	1
23	<u>105026901</u>	Spacer, 13x1, ED65 .....	1
24	<u>105027001</u>	Seal, Oil, 25x45x7, ED65 .....	1
25	<u>105027201</u>	Plug, Oil Drain, ED65 .....	2
26	<u>105027301</u>	Gasket, 14, ED65 .....	2
27	<u>105028301</u>	Pin, Guide, ED65 .....	2
28	<u>105028501</u>	Bolt, Flange, M8-1.25x65mm, ED65 .....	1
29	<u>105030001</u>	Nut, Flange, M8-1.25, ED65 .....	10
30	<u>105030701</u>	Bolt, Flanged, M8-1.25x80mm, ED65 .....	9
31	<u>105234801</u>	Plate, Ed65 Splash .....	1
32	<u>105234901</u>	Bolt, M6-1 X 12mm Lg, Ed65 .....	1
Note: Fuji transaxle component listings span three pages. To identify your transaxle, locate the serial number decal on the axle tube.			

12

G



000919-003

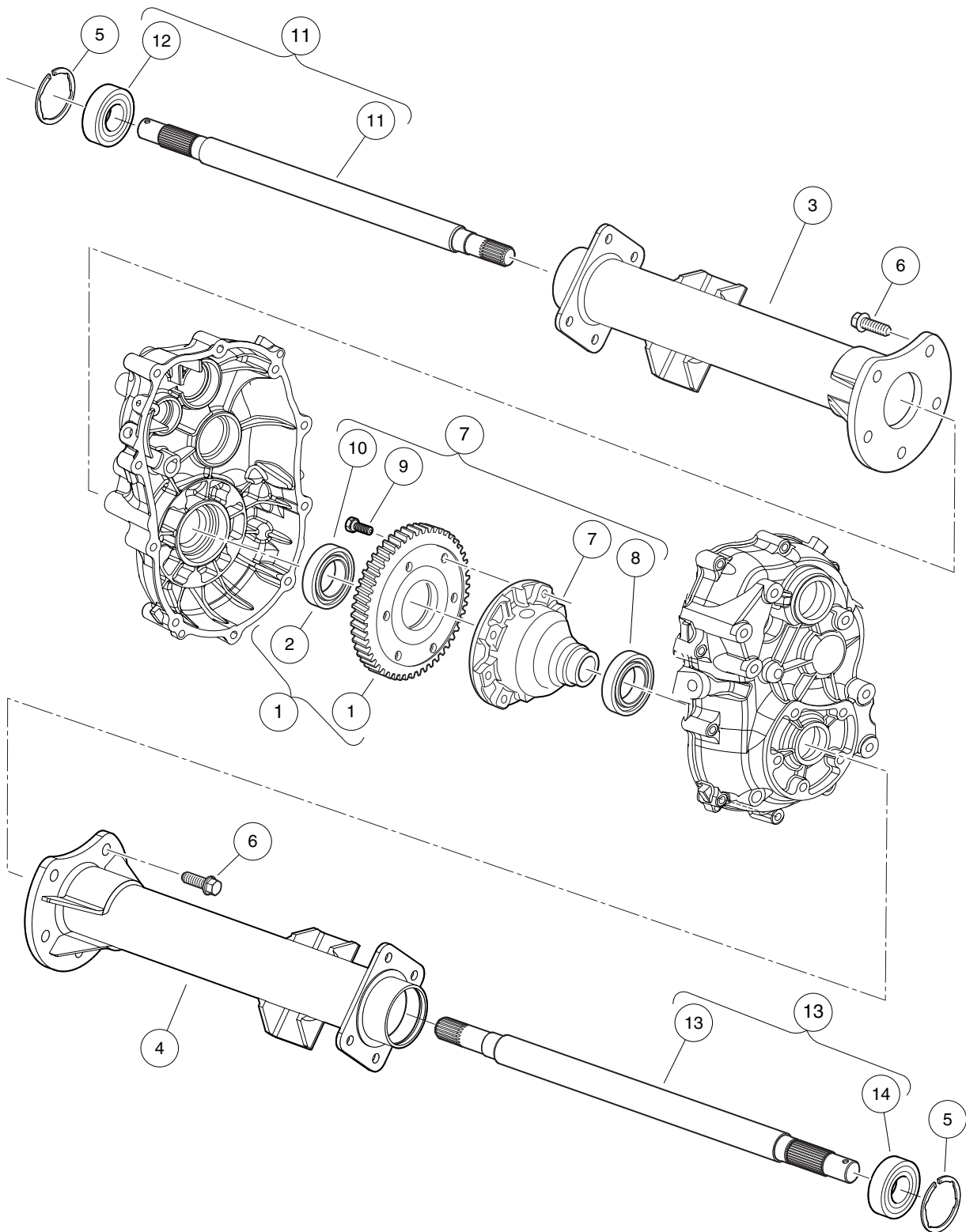
# TRANSAXLE (ED65), LIMITED SLIP AND OPEN – PAGE 2 OF 3

ITEM	PART NO.	DESCRIPTION	QTY
		1 2 3 4	
1	<u>105027401</u>	Bearing, Ball (6204) .....	2
2	<u>105027501</u>	Gear, Governor, 34 Tooth, ED65 .....	1
3	<u>105027601</u>	Pin, 6x12 Long, ED65 .....	1
4	<u>105027701</u>	Shaft, Input, ED65 .....	1
5	<u>105027801</u>	Bearing, Ball (6205 seal) .....	1
6	<u>105027901</u>	Bearing, Ball (6202) .....	2
7	<u>105028001</u>	Shaft, Counter, ED65 .....	1
8	<u>105028201</u>	Gear, 34 Tooth, ED65 .....	1
9	<u>105028401</u>	Bearing, Ball (6304) .....	1
10	<u>105028601</u>	Gear, 17 Tooth, ED65 .....	1
11	<u>105028701</u>	Collar, 24 x 12, ED65 .....	1
12	<u>105028801</u>	Gear, 52 Tooth, ED65 .....	1
13	<u>105028901</u>	Shaft, Center, ED65 .....	1
14	<u>105029001</u>	Clutch, Pin, ED65 .....	1
15	<u>105029101</u>	Gear, 62 Tooth, ED65 .....	1
16	<u>105029201</u>	Spacer, 20x2, ED65 .....	2
17	<u>105030901</u>	Shaft, Shift, ED65 .....	1
		<p>Note: To identify your transaxle, locate the serial number decal on the axle tube.</p>	

12

G

**12**  
**G**



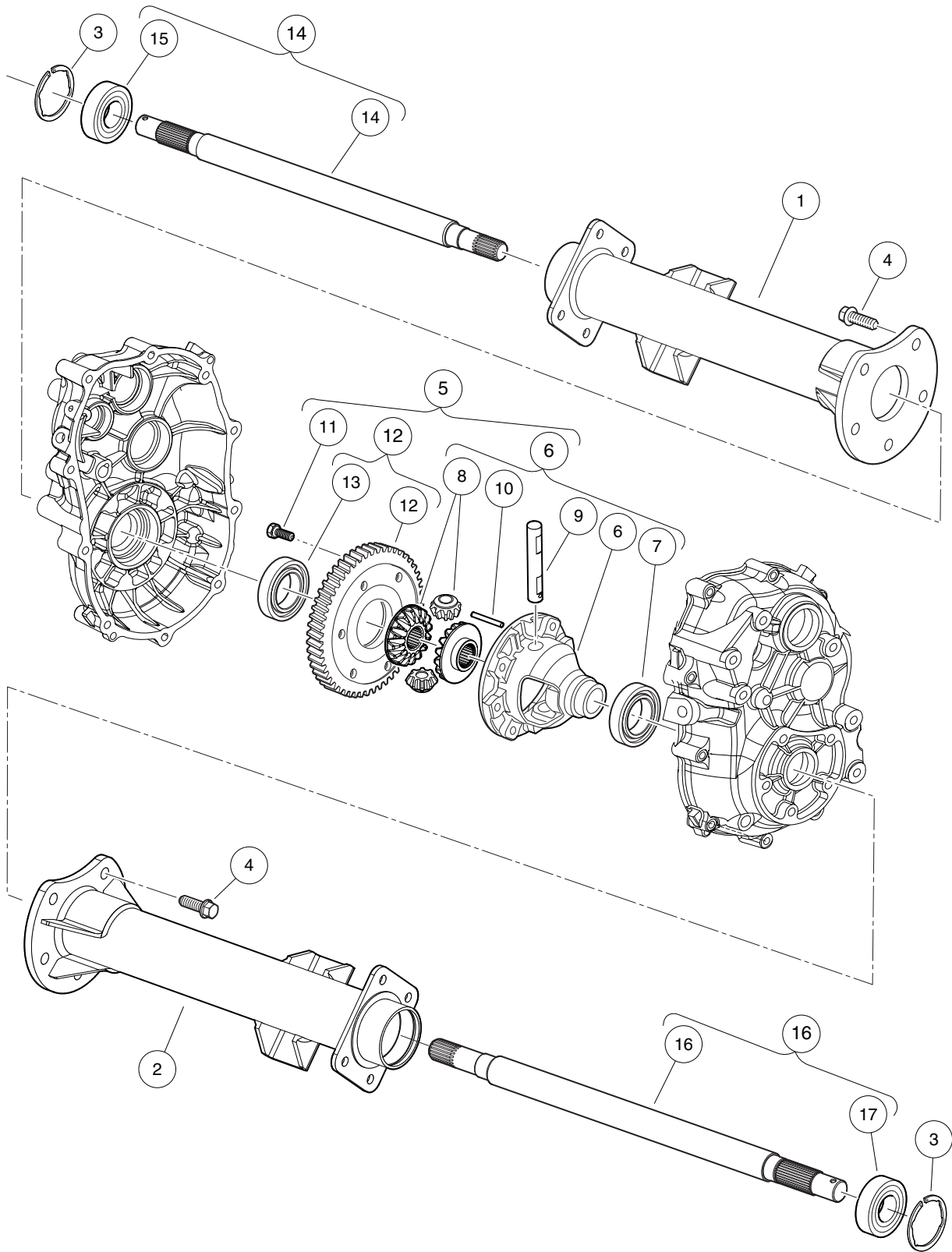
000919-005

## TRANSAXLE (ED65), LIMITED SLIP – PAGE 3 OF 3

ITEM	PART NO.	DESCRIPTION	QTY
		1 2 3 4	
1	105029901	Gear, 60 Tooth, Complete, ED65 (includes item 2) .....	1
2	<u>105029801</u>	Bearing, Ball (6007) .....	1
3	105030401	Axle Tube, Driver-Side, ED65 .....	1
4	105030501	Axle Tube, Passenger-Side, ED65 .....	1
5	<u>105030601</u>	Snap Ring, 52mm, ED65 .....	2
6	<u>105030801</u>	Bolt, Flange, M10-1.25x25, ED65 .....	10
7	<u>105063601</u>	Differential, Limited-Slip, ED65 (includes items 8 through 10) .....	1
8	<u>105028101</u>	Bearing, Ball (6006) .....	1
9	<u>105029501</u>	Bolt, M10-1.25x26mm Lg, ED65 .....	6
10	<u>105029801</u>	Bearing, Ball (6007) .....	1
11	<u>105066001</u>	Axle Shaft, Driver-Side, Complete, ED65 (includes item 12) .....	1
12	<u>105030301</u>	Bearing, Ball (6205DD) .....	1
13	<u>105066101</u>	Axle Shaft, Passenger-Side, Complete, ED65 (includes item 14) .....	1
14	<u>105030301</u>	Bearing, Ball (6205DD) .....	1
<p style="margin-left: 40px;">Note: To identify your transaxle, locate the serial number decal on the axle tube.</p>			

12

G



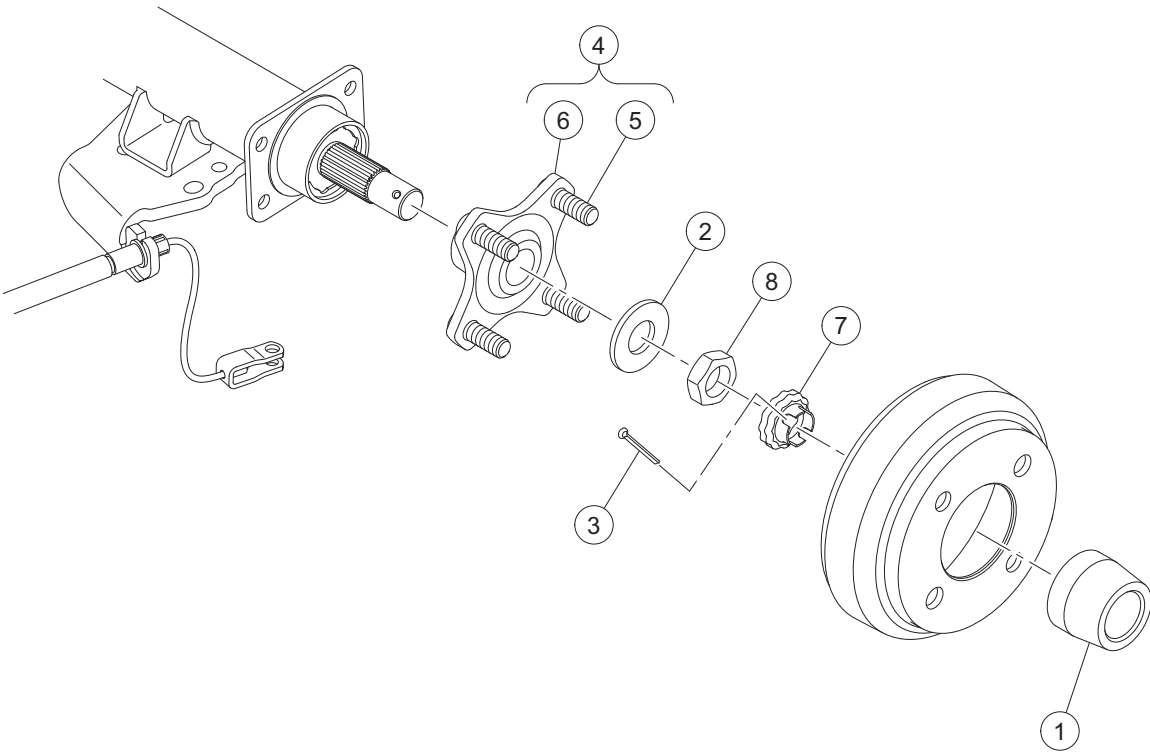
000919-004

## TRANSAXLE (ED65), OPEN – PAGE 3 OF 3

ITEM	PART NO.	DESCRIPTION	QTY
		<b>1 2 3 4</b>	
1	105030401	Axle Tube, Driver-Side, ED65 .....	1
2	105030501	Axle Tube, Passenger-Side, ED65 .....	1
3	<u>105030601</u>	Snap Ring, 52mm, ED65 .....	2
4	<u>105030801</u>	Bolt, Flange, M10-1.25x25, ED65 .....	10
5	<u>105031001</u>	Differential, Open, ED65 (includes items 6 through 12) .....	1
6	<u>105029301</u>	Case, Differential, Complete, ED65 (includes items 7 through 10) .....	1
7	<u>105028101</u>	Bearing, Ball (6006) .....	1
8	105029401	Gear Set, Differential, ED65 .....	1
9	<u>105029601</u>	Shaft, Differential, ED65 .....	1
10	<u>105029701</u>	Pin, 4x40 Long, ED65 .....	1
11	<u>105029501</u>	Bolt, M10-1.25x26mm Lg, ED65 .....	6
12	<u>105029901</u>	Gear, 60 Tooth, Complete, ED65 (includes item 13) .....	1
13	<u>105029801</u>	Bearing, Ball (6007) .....	1
14	<u>105066001</u>	Axle Shaft, Driver-Side, Complete, ED65 (includes item 15) .....	1
15	<u>105030301</u>	Bearing, Ball (6205DD) .....	1
16	<u>105066101</u>	Axle Shaft, Passenger-Side, Complete, ED65 (includes item 17) .....	1
17	<u>105030301</u>	Bearing, Ball (6205DD) .....	1
<p style="margin-left: 40px;">Note: To identify your transaxle, locate the serial number decal on the axle tube.</p>			

12

G



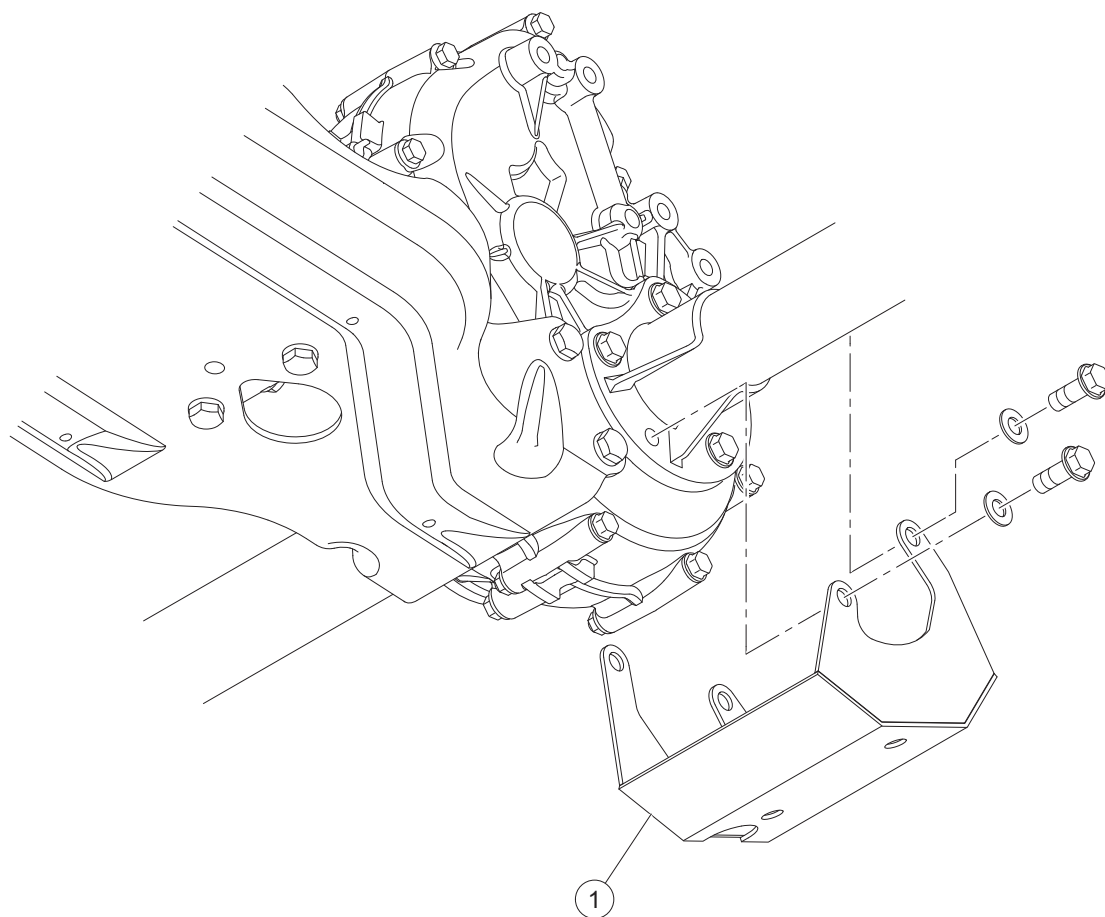
G-070199-000003



# HUB, REAR

ITEM	PART NO.	DESCRIPTION	QTY
		<b>1 2 3 4</b>	
1	102274101	Center Cap, Rubber .....	2
2	<u>102617801</u>	Washer, Hard, M22 .....	2
3	<u>103989501</u>	Pin, Cotter, 9/64 X 1.75" .....	2
4	103995002	Asm, Hub, Machined,sp,golf/utl (includes items 5 and 6) .....	2
5	<u>103951501</u>	Lug Stud, 1/2-20 UNF, SAE J1102 .....	4
6	103979302	Hub, Machined,sp,golf/utl .....	1
7	<u>104021701</u>	Retaining Ring, Hex Nut, M22 .....	2
8	<u>104027101</u>	Nut, Hex, M22x1.5, Thin .....	2

**12**  
**G**



G-070199-000005

# TRANSAXLE GUARD

ITEM	PART NO.	DESCRIPTION	QTY
1	47662588001	<p>1 2 3 4</p> <p>Guard, Differential .....</p> <p style="margin-top: 20px;">Note: Refer to the Maintenance and Service manuals for removal and installation instructions.</p>	1

12

G

12

G

# ELECTRICAL SYSTEM, ELECTRIC VEHICLES WITH HIGH-FREQUENCY

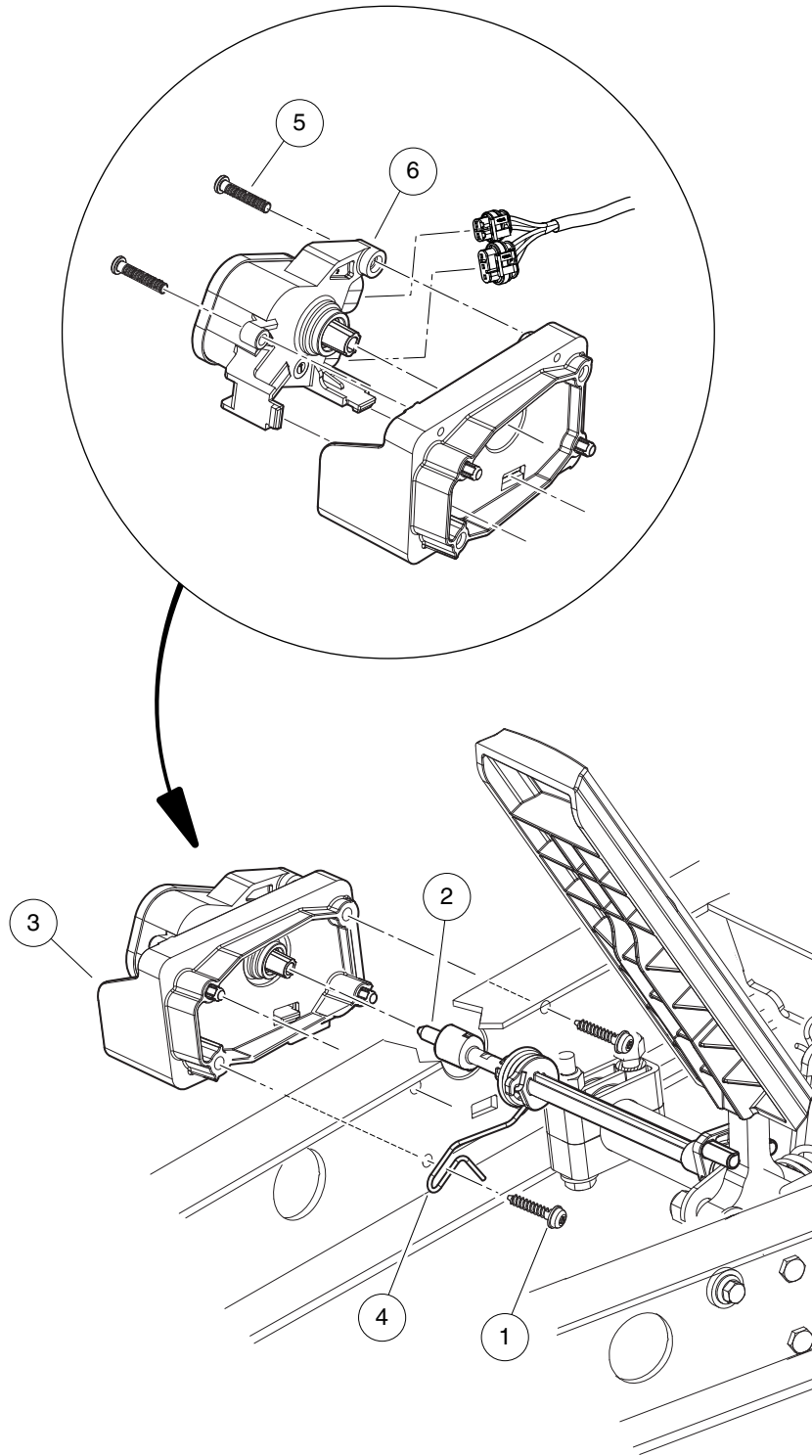
---

13

E

13

E



002522-001

# MOTOR CONTROLLER OUTPUT REGULATOR (MCOR)

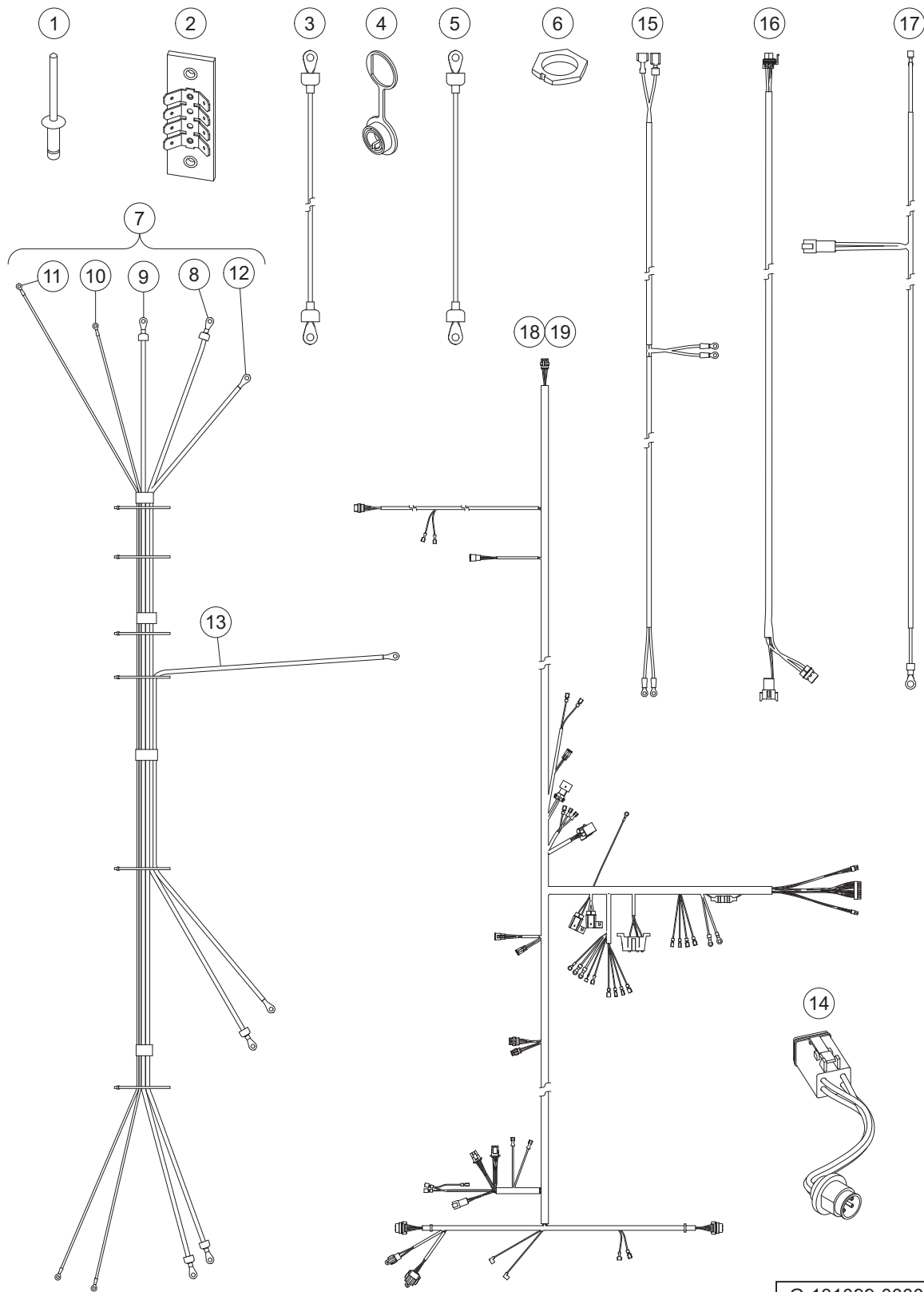
ITEM	PART NO.	DESCRIPTION	QTY
		1 2 3 4	
1	<u>102297230</u>	Screw, M6, Torx, Interlock Thread .....	2
2	<u>103902101</u>	Bar, Drive, Cast .....	1
3	<u>103902301</u>	Housing, Mcor .....	1
4	<u>103902401</u>	Spring, Torsion .....	1
5	<u>103943401</u>	Screw, Pan, #10 X 1.00 Hi-lo .....	2
6	<u>105116301</u>	MCOR4, Type 16 Switch .....	1

13

E

13

E



G-131099-00015



## WIRING – VILLAGER 6 AND VILLAGER 8 ELECTRIC

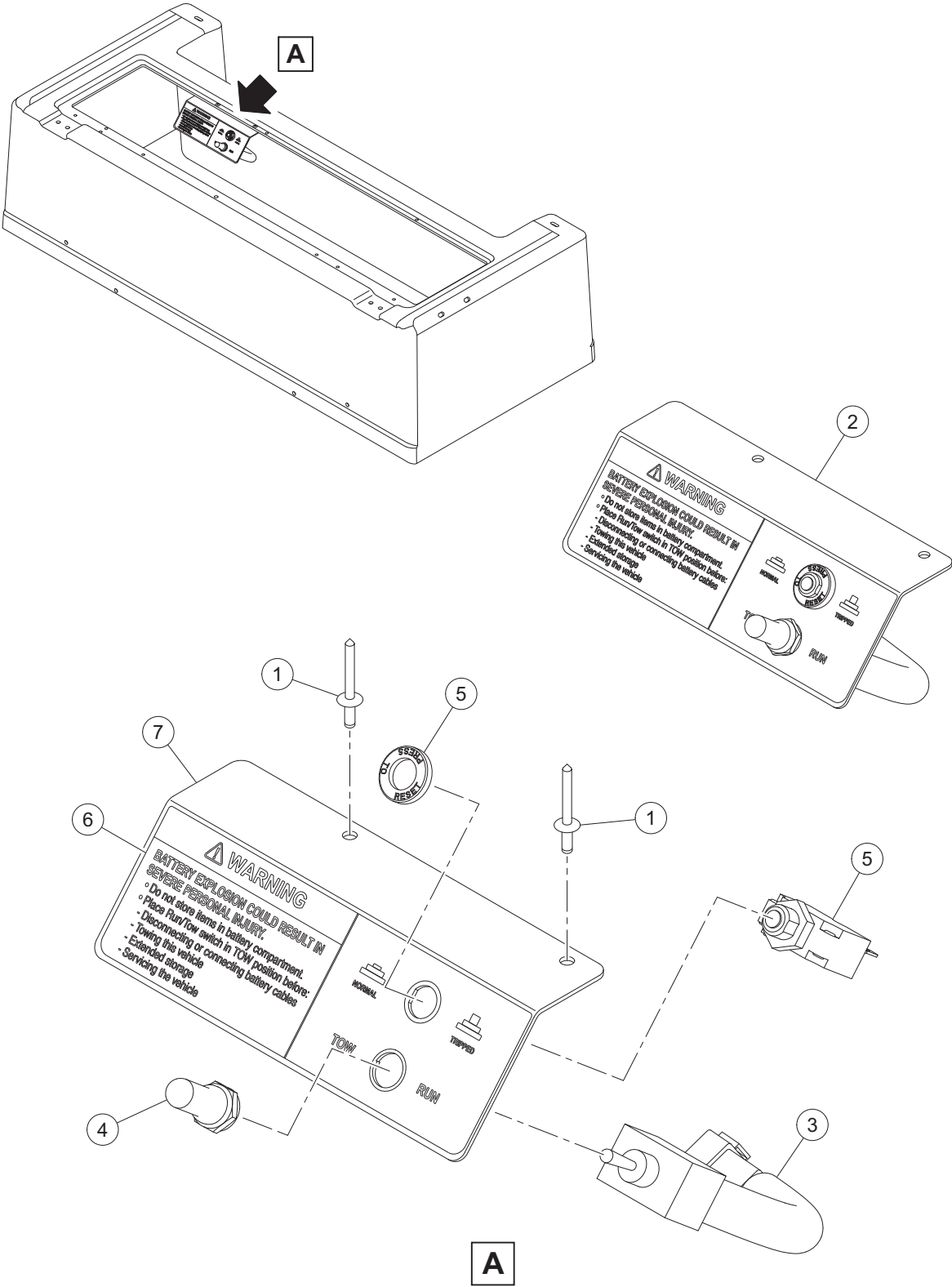
ITEM	PART NO.	DESCRIPTION	QTY
		1 2 3 4	
1	<u>1013357</u>	Rivet, 5/32 Aluminum Pop .....	2
2	<u>1016356</u>	Terminal Block with Insulator .....	1
3	102002805	Wire Asm, #4 Black, 53 In .....	1
4	<u>102196901</u>	Dust Cap .....	1
5	<u>102440901</u>	Wire Asm, #4 Yellow, 13" .....	1
6	<u>102572401</u>	Nut, Diagnostic Port .....	1
7	<u>102845501</u>	Harness, Power, Stretch IQ Plus (includes items 8 through 13) .....	1
8	N/A	Asm, #4 Grn Wire, 89" .....	1
9	N/A	Asm, #4 Wht Wire, 88.5" .....	1
10	N/A	Asm, #10 Org Wire, 89.5" .....	1
11	N/A	Asm, #10 Blu Wire, 95.5" .....	1
12	N/A	Asm, #4 Red Wire, 67.5" .....	1
13	N/A	Asm, #4 Blk Wire, 57.5" .....	1
14	<u>103218601</u>	Harness, Diagnostic Port .....	1
15	<u>105108401</u>	Harness, Brk, Pedal Switch Utl .....	1
16	47564903001	Harness, Charg, Ob, V6/8, Hfc .....	1
17	47564905001	Harness, Relay, Vill 6/8, Hfc .....	1
18	47674803001	Harness, Main , Ele, Sb, 6p .....	1
19	47674804001	Harness, Main, Ele, Sb, 8p .....	1
Note: Item 18 is for Villager 6 electric vehicles only. Item 19 is for Villager 8 electric vehicles only.			

13

E

13

E



G-130499-000022

# TOW/RUN SWITCH

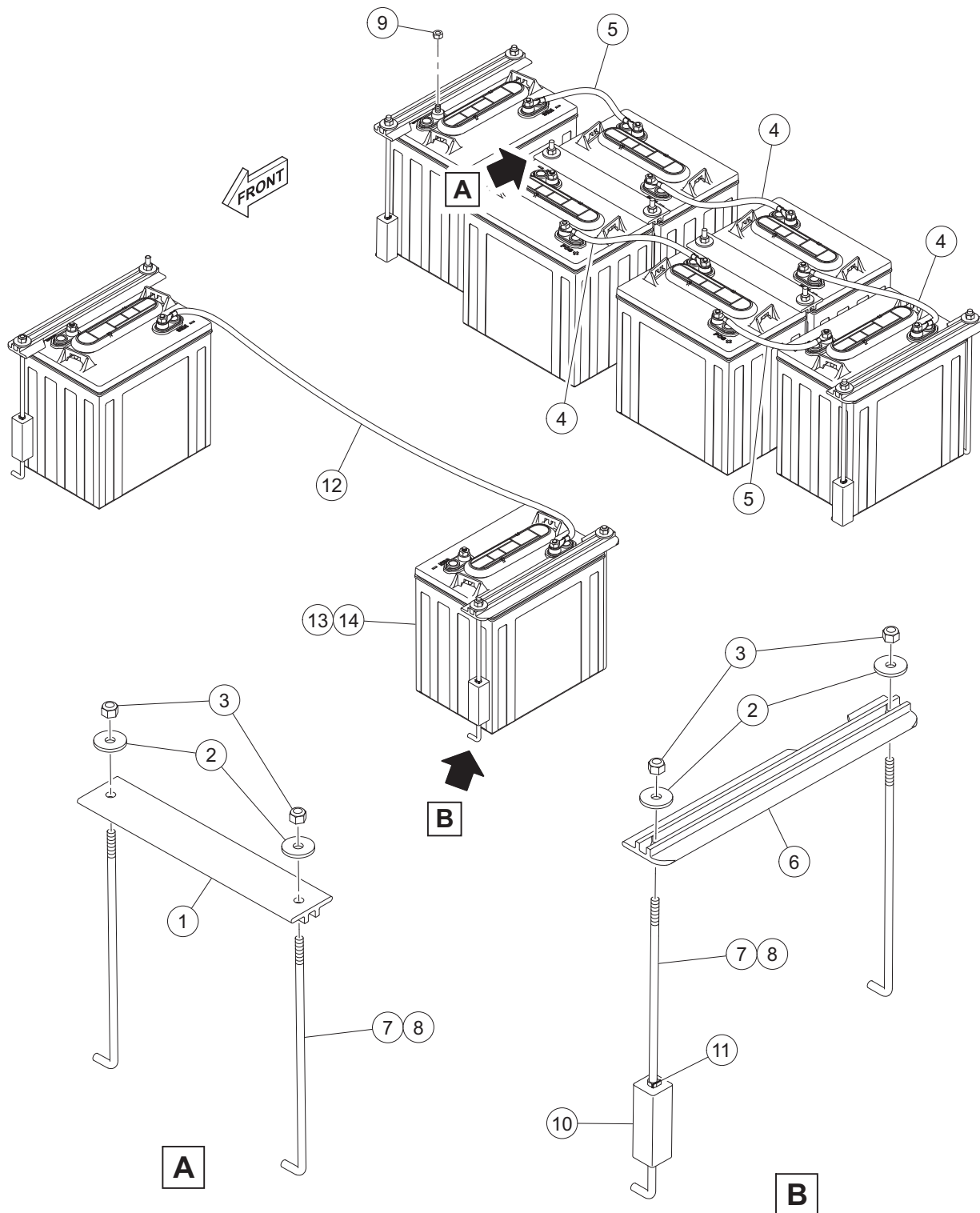
ITEM	PART NO.	DESCRIPTION	QTY
		<b>1 2 3 4</b>	
1	<u>1010852</u>	Rivet, Bulb-tite Blind .....	2
2	N/A	Tow/Run Switch Assembly (includes items 3 through 7) .....	1
3	<u>101908101</u>	Switch Assembly, Tow/Run .....	1
4	<u>101908401</u>	Boot, Switch .....	1
5	<u>102838101</u>	Circuit Breaker 250vac-50vdc .....	1
6	<u>102845101</u>	Decal, Tow Switch .....	1
7	<u>102915701</u>	Plate, Switch, Run Tow, Mode .....	1

**13**

**E**

13

E



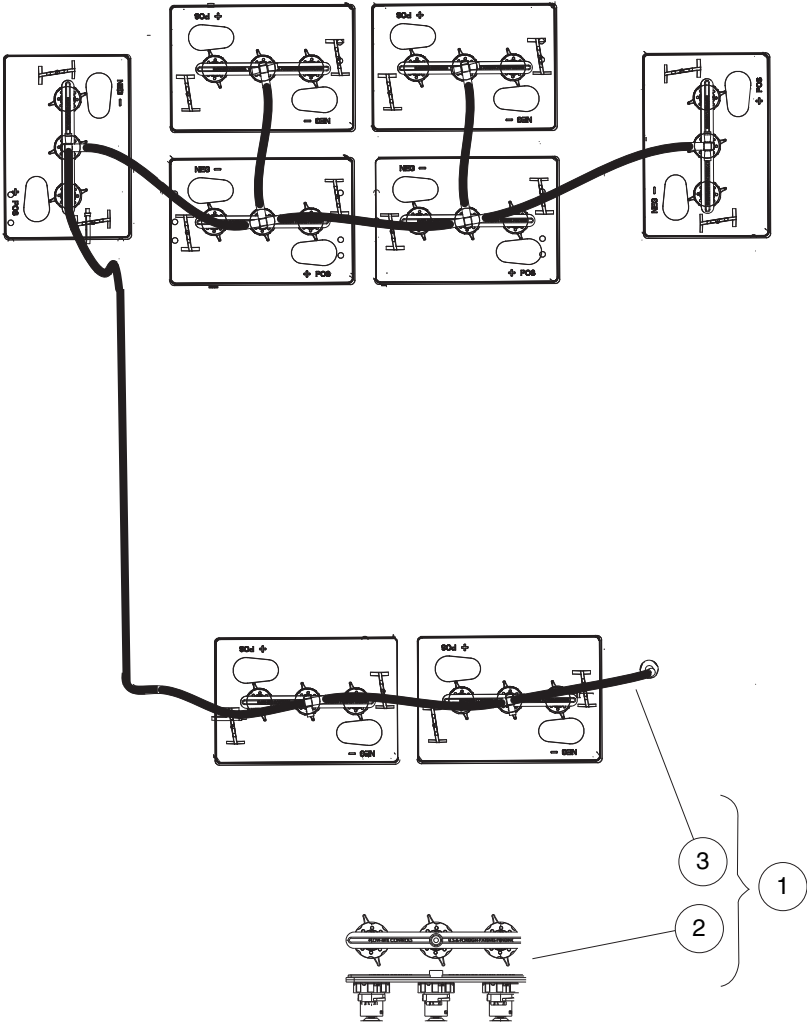
G-130799-000018

## BATTERIES, 6-VOLT, STANDARD AND HEAVY DUTY

ITEM	PART NO.	DESCRIPTION	QTY
		1 2 3 4	
1	<u>101090801</u>	Hold-Down, Battery .....	2
2	1012571	Washer, 5/16 Extra Thick Flat .....	12
3	1015072	Locknut, 5/16-18 Nylon Insert .....	12
4	<u>102002801</u>	Wire Assy, #4 Black .....	3
5	<u>102002901</u>	Wire Assy, #4 Black .....	2
6	<u>102766201</u>	Hold Down, Outside .....	4
7	<u>102845203</u>	Rod, Battery Hold Down 10.7" .....	12
8	<u>102845204</u>	Rod, Battery Hold Down 12" .....	12
9	<u>102873401</u>	5/16-18 Heavy Hex Nut .....	16
10	<u>102980801</u>	Extr, Plastic, 1 X 1 X 3 .....	4
11	<u>102980901</u>	Clamp, Hose, Nylon, .25 .....	4
12	<u>103198201</u>	Asm, #4 Blk Wire, 42" .....	1
13	<u>103969699</u>	Battery,6v Trojan T105, Wet,sp .....	8
14	<u>103969799</u>	Battery,6v Trojan T145, Wet,sp .....	8
<p>Note: Items 7 and 13 only apply to standard battery installations. Items 8 and 14 only apply to heavy duty battery installations. All other details apply to standard and heavy duty battery installations.</p>			

13

E



002525-001

# SINGLE POINT WATERING SYSTEM (SPWS)

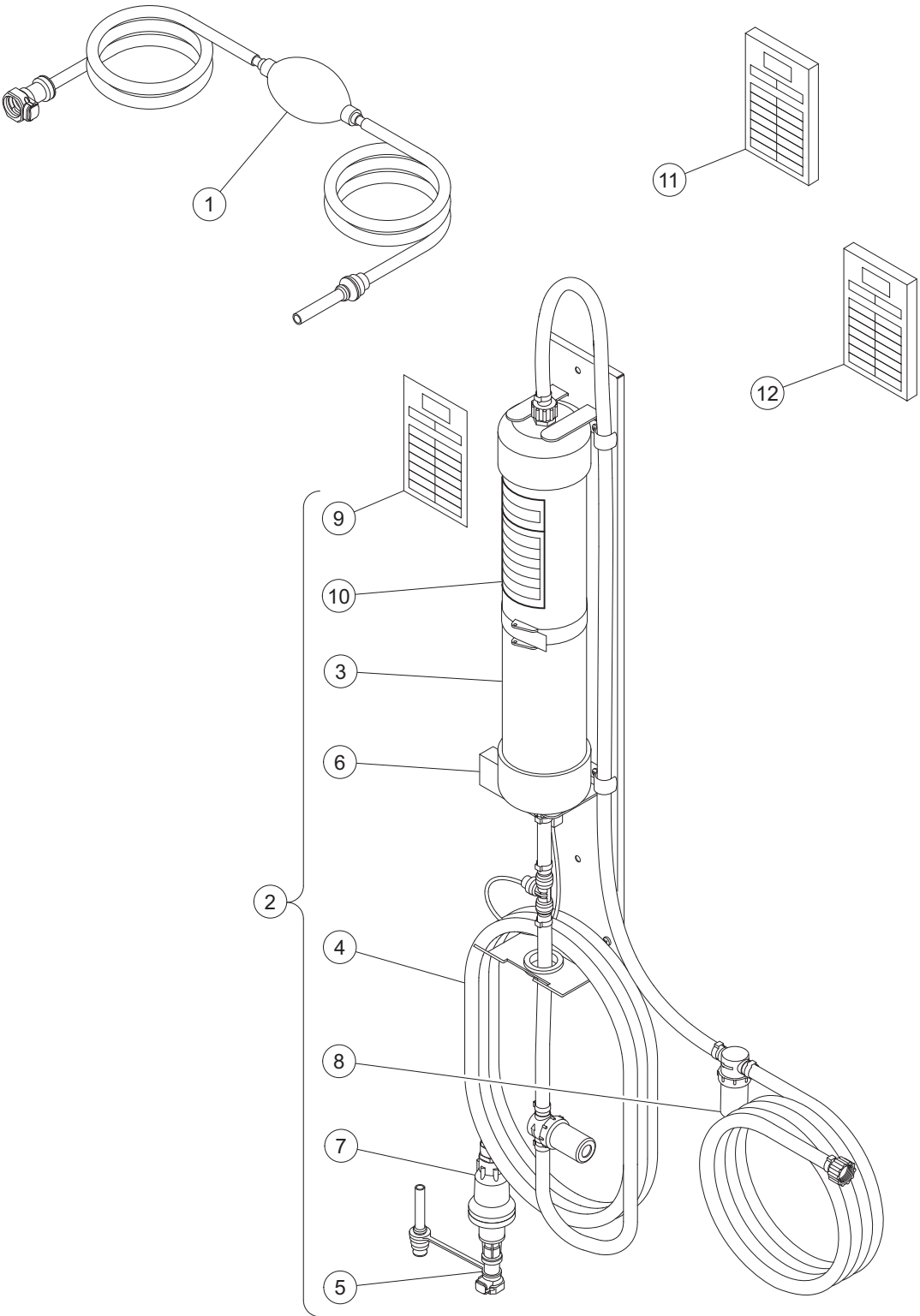
ITEM	PART NO.	DESCRIPTION	QTY
		1 2 3 4	
1	<u>103942902</u>	Kit, Spws, Villager 6, 8 (includes items 2 and 3) .....	1
2	<u>103510501</u>	Manifold, Lpr, 3 Vlve, Spw .....	8
3	103942101	Spws, Villager 6, 8 .....	1

13

E

13

E



002523-003



# HAND PUMP AND DEIONIZER (BATTERY-POWERED QUALITY LIGHT)

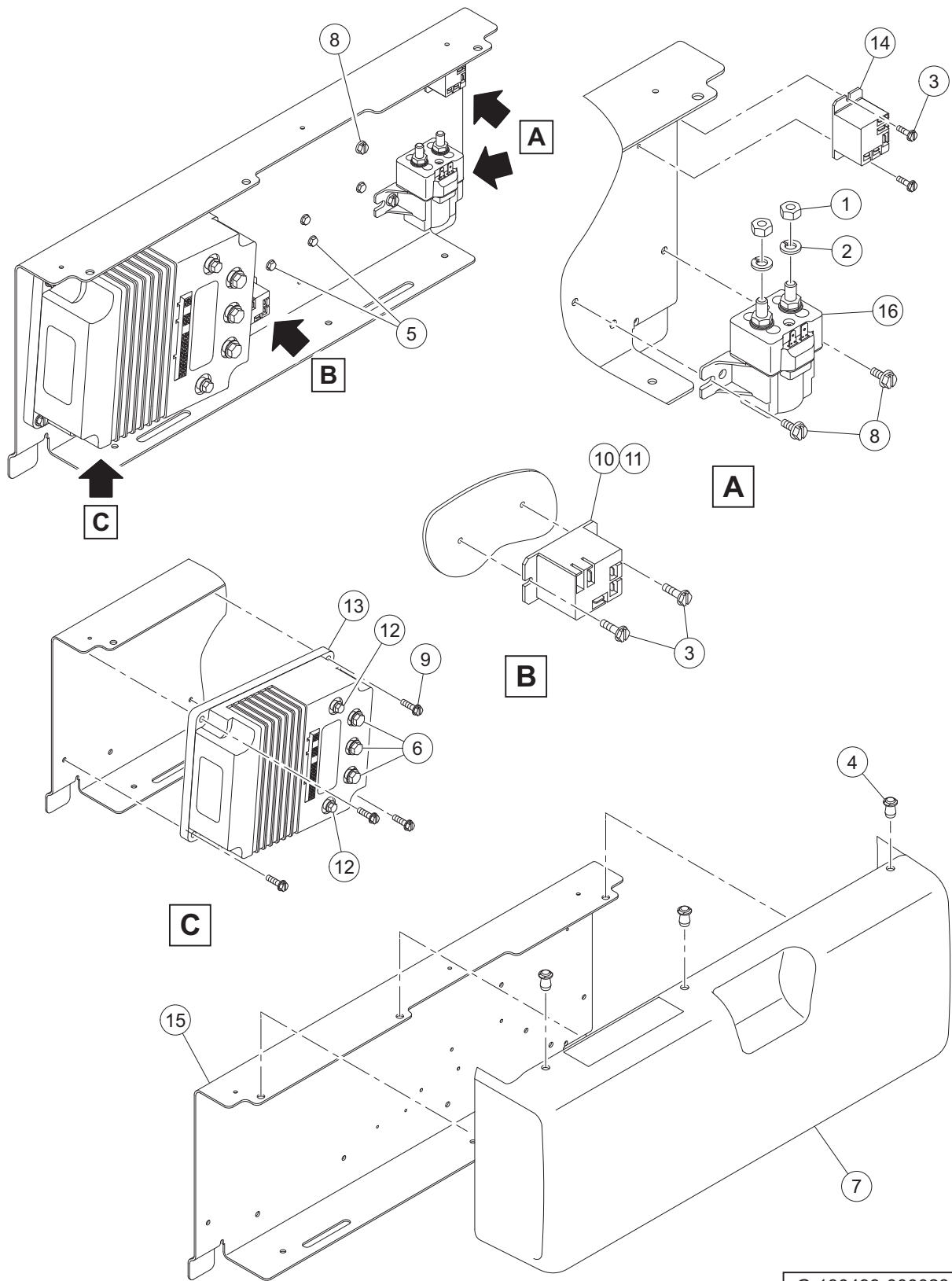
ITEM	PART NO.	DESCRIPTION	QTY
		<b>1 2 3 4</b>	
1	<u>104006101</u>	Kit, Hand Pump, Spws .....	1
2	<u>105166801</u>	Deionizer, w/Battery-Powered Water Quality Light (includes items 3 through 10) .....	1
3	<u>104005901</u>	Cartridge, Deionizer .....	1
4	<u>105166901</u>	Hose,outlet,deionizer .....	1
5	<u>105167001</u>	Flow Ind, W/coupler, Deionizer .....	1
6	<u>105167101</u>	Light, Quality, Battery-Powered, w/T-Fitting .....	1
7	<u>105168501</u>	Regulator, Pressure, Deionizer .....	1
8	<u>105168601</u>	Strainer, In-line, Deionizer .....	1
9	<u>AM1300001</u>	Decal, Filter Log, Blue .....	1
10	<u>AM1300201</u>	Decal, Inspect Log, Yellow .....	1
11	AM1300101	Decal, Filter Log, Blue, Pack of 100 .....	A/R
12	AM1300301	Decal, Inspect Log, Yellow, Pack of 100 .....	A/R

13

E

**13**

**E**



G-130499-00023

# COMPUTER, CONTROLLER, AND SOLENOID

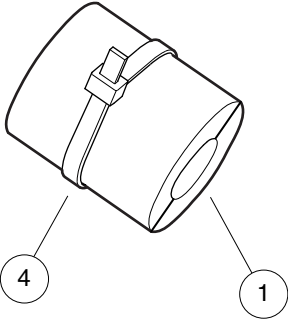
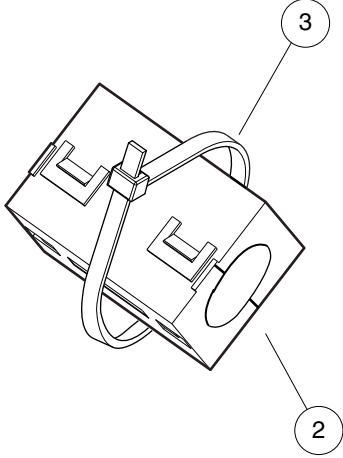
ITEM	PART NO.	DESCRIPTION	QTY
		1 2 3 4	
1	<u>1012528</u>	Nut, M8-1.25 Hex .....	2
2	<u>1013734</u>	Lockwasher, 8mm Split .....	2
3	<u>1015720</u>	Screw, #6-32 X 1/2 Hex Washer-Head .....	4
4	<u>1016967</u>	Blind Rivet, Push Type .....	3
5	<u>102238001</u>	#10-24 Taptite Screw .....	2
6	<u>102240501</u>	Bolt, Controller, Terminal .....	3
7	<u>102772402</u>	Cover, Electrical Component, Carryall 6 .....	1
8	<u>102817101</u>	Screw, 1/4-20 X .50 Hex Wsh Hd .....	4
9	<u>102817201</u>	Screw, 1/4-20 X .88 Hex Wsh Hd .....	4
10	<u>103414901</u>	Kit, Relay, 48v 30a W/instr (includes item 11) .....	1
11	<u>103397901</u>	Relay, Spst No, 48v 30a, Pmt .....	1
12	<u>105000501</u>	Screw, M6 X 1 X 12 Ser Hex Flg .....	2
13	<u>105075201</u>	Controller, 500 Amp, Hfc .....	1
14	<u>105112401</u>	Relay, Spdt Nc, 48v 30a, Pmt .....	1
15	<u>105147101</u>	Plate, Component, Frnt, No Obc .....	1
16	47696033001	Solenoid, 48v, 150a .....	1

13

E

13

E



001055-001

# FERRITE BEADS, CE

ITEM	PART NO.	DESCRIPTION	QTY
		<b>1 2 3 4</b>	
1	<u>103449501</u>	Bead, Ferrite, Tdk .....	A/R
2	<u>103449601</u>	Bead, Ferrite, Fair-rite .....	A/R
3	<u>8639</u>	Tie Wrap, 11" Nylon .....	A/R
4	<u>8990</u>	Tie Wrap, 8" Nylon .....	A/R

**13**

**E**

**13**

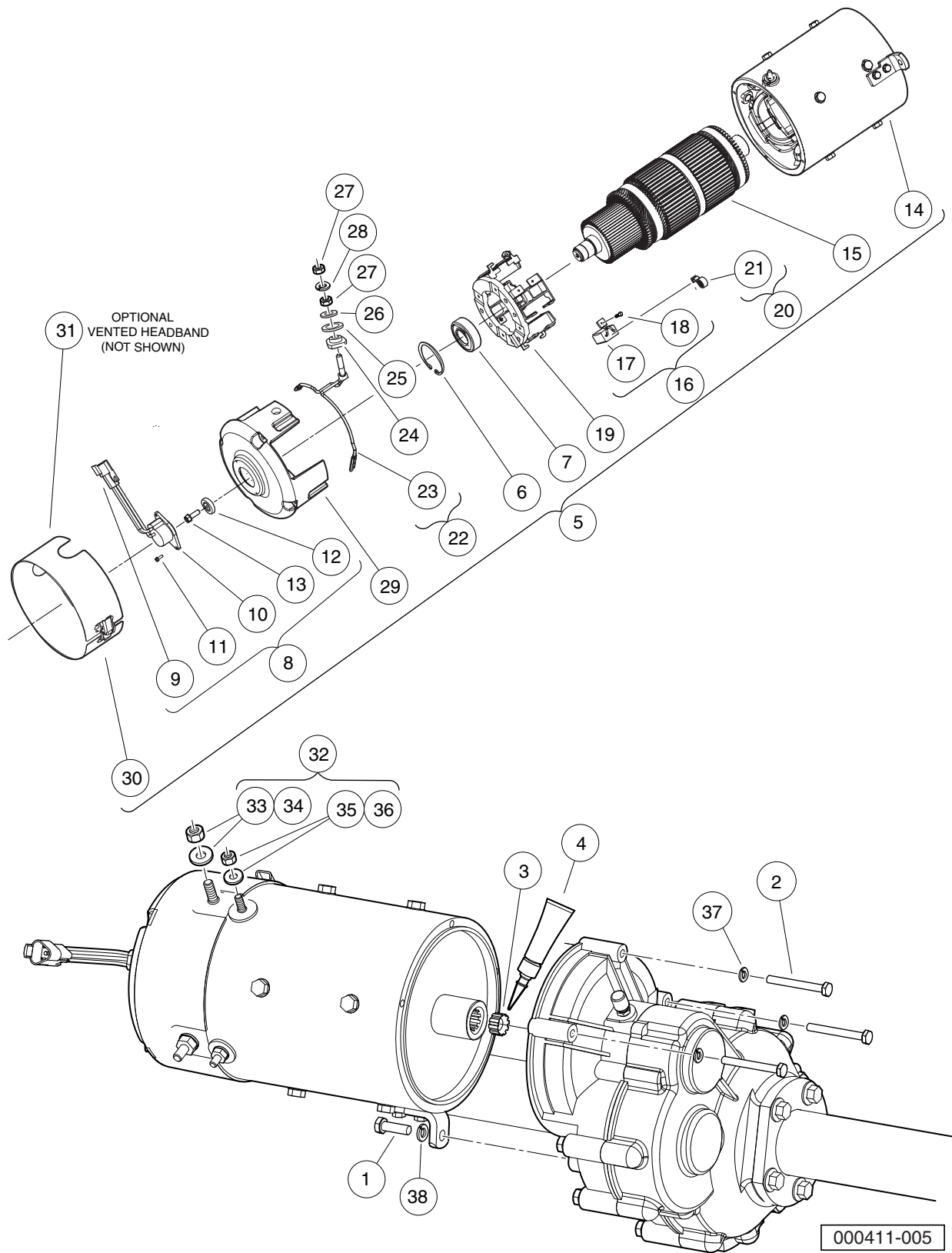
***E***

# MOTOR (MODEL DA5-4006) – IQ PLUS

---

14

E





# MOTOR (MODEL DA5-4006) – IQ PLUS

ITEM	PART NO.	DESCRIPTION	QTY
		<b>1 2 3 4</b>	
1	<u>1010934</u>	Screw, 5/16-18 X 1.00 Hex Cap .....	1
2	1014201	Screw, 1/4-20 X 2.25 Hex Cap .....	3
3	<u>102235201</u>	Bumper, Drive Unit .....	1
4	<u>102243403</u>	Lubricant, Moly-Teflon (Single-Use Tube) .....	1
5	<u>102775101</u>	IQ Plus Electric Motor, 48-VDC 3.7 hp (includes items 6 through 30) .....	1
6	N/A	Ring, 2.24" Internal Retaining .....	1
7	<u>102186401</u>	Bearing, Ball .....	1
8	<u>102704901</u>	Kit, Speed Sensor (includes items 9 through 13) .....	1
9	<u>101942301</u>	Kit, 3-Pin Wedge Lock .....	1
10	N/A	Sensor, Motor Speed, ADC .....	1
11	N/A	Screw, #8-32, Taptite Thread .....	2
12	N/A	Magnet, ADC Motor .....	1
13	N/A	Screw, 1/4-20 x 0.5 .....	1
14	N/A	Asm, Frame And Field, 3.7 Hp .....	1
15	N/A	Armature (Includes external hardware not shown) .....	1
16	<u>102938601</u>	Kit, Brush, 3.7 Hp (includes items 17 and 18) .....	1
17	N/A	Brush, Motor .....	8
18	N/A	Screw, Taptite .....	8
19	<u>102938701</u>	Asm, Brush Box, 3.7 Hp .....	1
20	<u>102938801</u>	Kit, Brush Spring, 3.7 Hp (includes item 21) .....	1
21	N/A	Brush Spring .....	8
22	<u>102938901</u>	Kit, Brush Lead Asm, 3.7 Hp (includes items 23 through 28) .....	1
23	N/A	Terminal and Lead Assembly .....	2
24	N/A	Insulator, Terminal .....	2
25	N/A	Washer, Insulating .....	2
26	N/A	Washer, Flat, 5/16, Brass/Bronze .....	2
27	N/A	Nut, 5/16, Steel .....	4
28	N/A	Lockwasher, 5/16, Steel .....	2
29	<u>102939001</u>	Commutator End Head, 3.7 Hp .....	1
30	<u>102939101</u>	Sealed Headband, 3.7 Hp .....	1
31	<u>102939102</u>	Vented Headband, 3.7 HP (optional - not shown) .....	1
32	<u>102951701</u>	Pkg, Terminal Hardware, 3.7hp (includes items 33 through 36) .....	1
33	N/A	Nut, 5/16, Steel .....	2
34	N/A	Lockwasher, 5/16, Steel .....	2
35	N/A	Nut, 1/4-20, Steel .....	2
36	N/A	Lockwasher, 1/4-20, Steel .....	2
37	<u>451</u>	Lockwasher, 1/4 Split .....	3
38	<u>7174</u>	Lockwasher, 5/16 Split .....	1

14

E

**14**

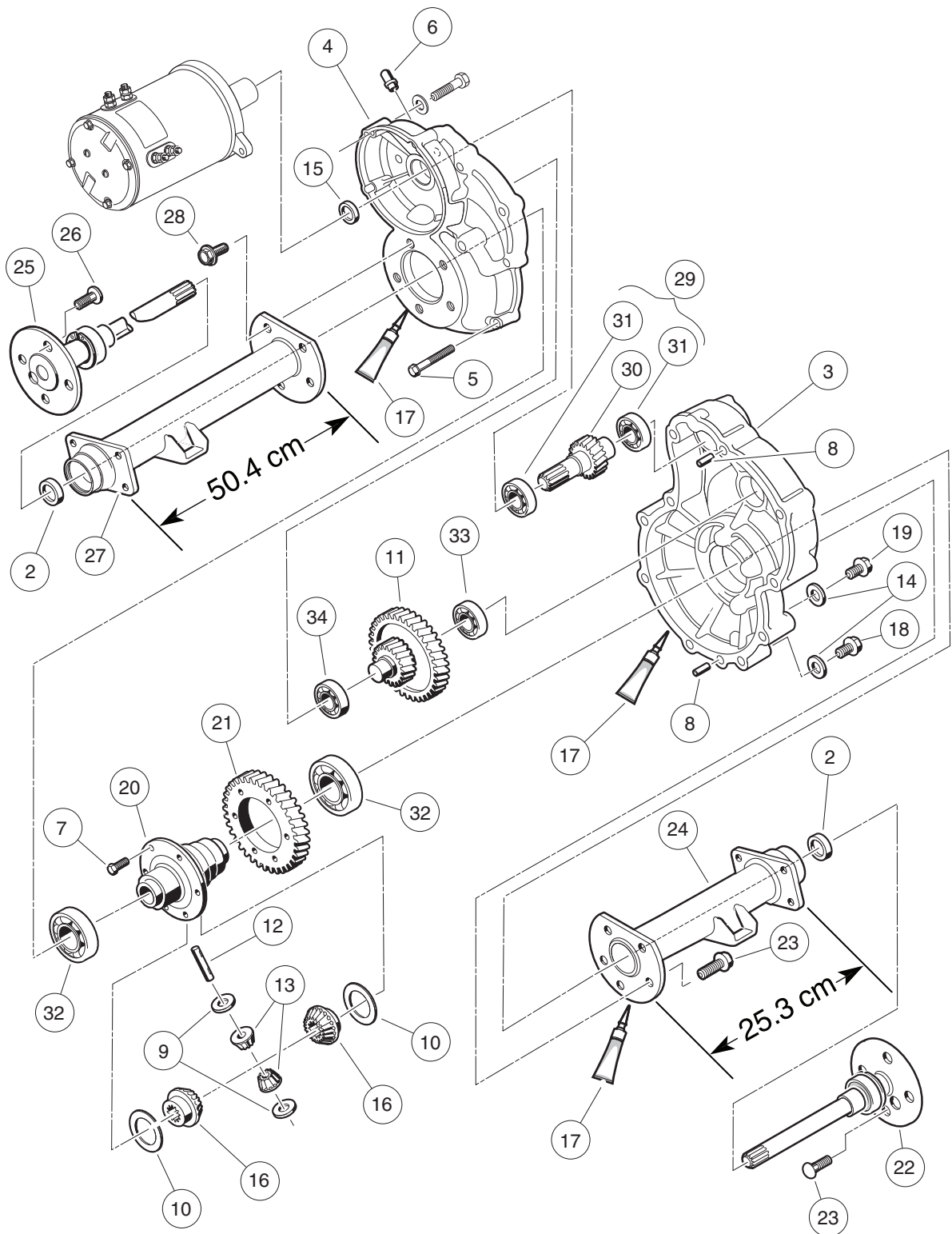
***E***

# TRANSAXLE – ELECTRIC VEHICLES

---

15

*E*



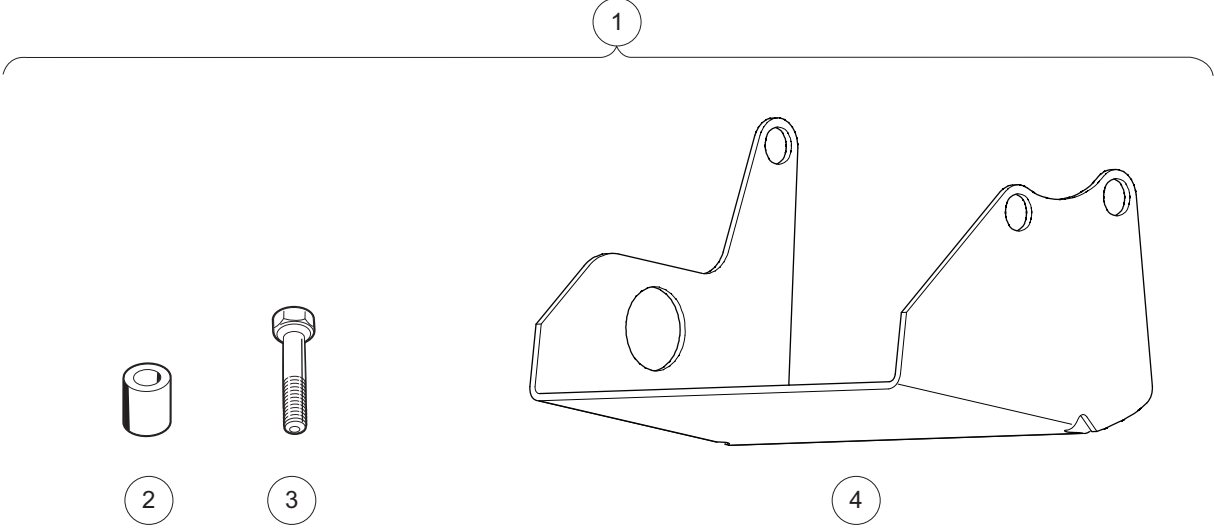
000223-005

# TRANSAXLE – ELECTRIC VEHICLES

ITEM	PART NO.	DESCRIPTION	QTY
		<b>1 2 3 4</b>	
1	<u>102771701</u>	Transaxle, Electric (includes items 2 through 34) .....	1
2	<u>1013794</u>	Axle Shaft Oil Seal .....	2
3	<u>101895401</u>	Gear Case, Driver-Side .....	1
4	<u>101895501</u>	Gear Case, Passenger-Side .....	1
5	<u>101897001</u>	Screw, M8-1.25 X 60mm Hex-Head .....	11
6	<u>101897201</u>	Breather .....	1
7	<u>101897401</u>	Screw, M10-1.25 X 25mm .....	6
8	<u>101897601</u>	Pin, 11mm OD X 8.5mm ID X 10mm .....	2
9	<u>101903601</u>	Washer, Thrust .....	2
10	<u>101903701</u>	Washer, Thrust .....	2
11	<u>101906901</u>	Intermediate Shaft Assembly .....	1
12	<u>101922101</u>	Pin, 15.99mm X 88.7mm Dowel .....	1
13	<u>101923001</u>	Gear, Differential Idler .....	2
14	<u>101923201</u>	Gasket .....	2
15	<u>101923501</u>	Seal, Lip .....	1
16	<u>101923901</u>	Gear, Differential .....	2
17	<u>101928701</u>	Liquid Gasket (Transaxle case) .....	1
18	<u>101972101</u>	Plug, M14-1.5 X 12mm Magnetic .....	1
19	<u>101972201</u>	Plug, M14-1.5 X 12mm Hex .....	1
20	<u>102356601</u>	Housing, Differential, 6 Bolt .....	6
21	<u>102356801</u>	Gear, Differential Output, 6-Bolt .....	6
22	<u>102886301</u>	Axle Assembly, Driver-Side (includes item 23) .....	1
23	<u>101922201</u>	Lug Stud .....	4
24	<u>102886401</u>	Tube, Axle, Driver-Side .....	1
25	<u>102886501</u>	Axle Assembly, Passenger-Side (includes item 26) .....	1
26	<u>101922201</u>	Lug Stud .....	4
27	<u>102886601</u>	Tube, Axle, Passenger-Side .....	1
28	<u>102902801</u>	Screw, M10 X 30 .....	10
29	<u>103582801</u>	Asm, E Trans Shaft/bearing (includes items 30 and 31) .....	1
30	N/A	Shaft, Input .....	1
31	<u>7335</u>	Bearing .....	2
32	<u>7330</u>	Inner Axle Tube Bearing .....	2
33	<u>7335</u>	Bearing .....	1
34	<u>7336</u>	Bearing .....	1

**15**

**E**



000365-002

## DIFFERENTIAL GUARD – ELECTRIC VEHICLES

ITEM	PART NO.	DESCRIPTION	QTY
		1 2 3 4	
1	<u>101611402</u>	Kit, Differential Guard, Elec Vehicles (includes items 2 through 4) .....	1
2	<u>101914001</u>	Spacer, Steel .....	2
3	<u>101936101</u>	Screw, M10-1.50 X 60mm Hex Cap .....	2
4	<u>101978601</u>	Guard, Differential, Electric Vehicle Transaxle .....	1

15

E

**15**

***E***

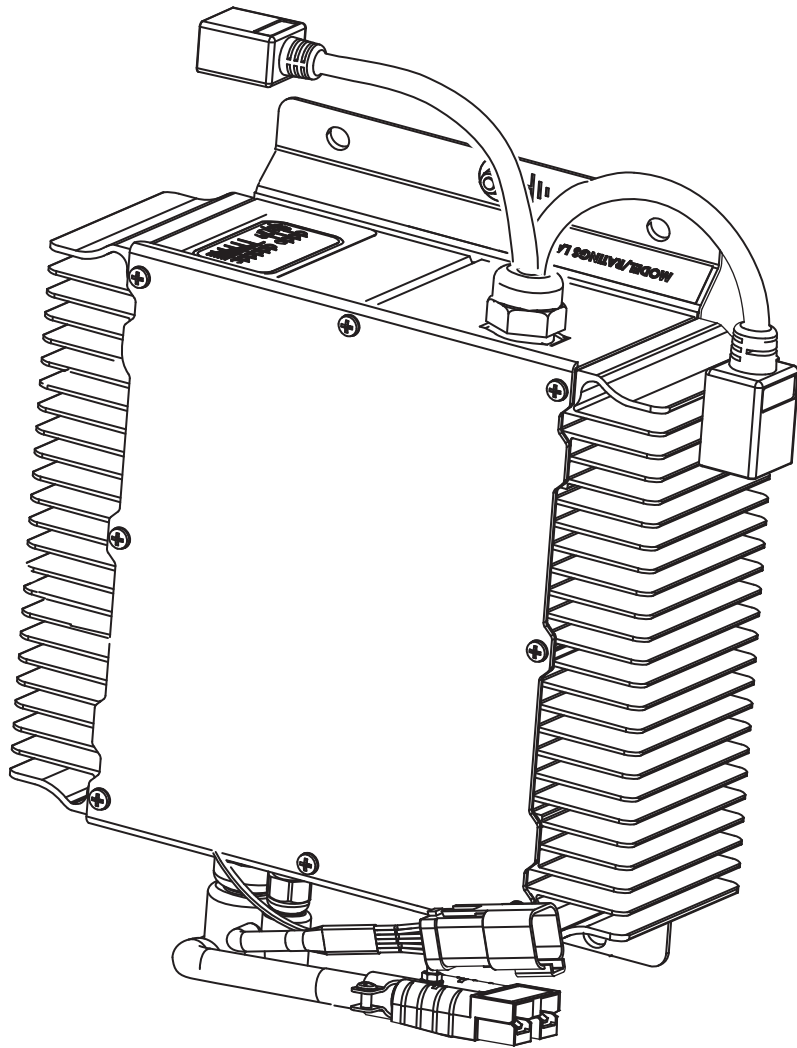


# BATTERY CHARGER – HIGH-FREQUENCY

---

16

E



1

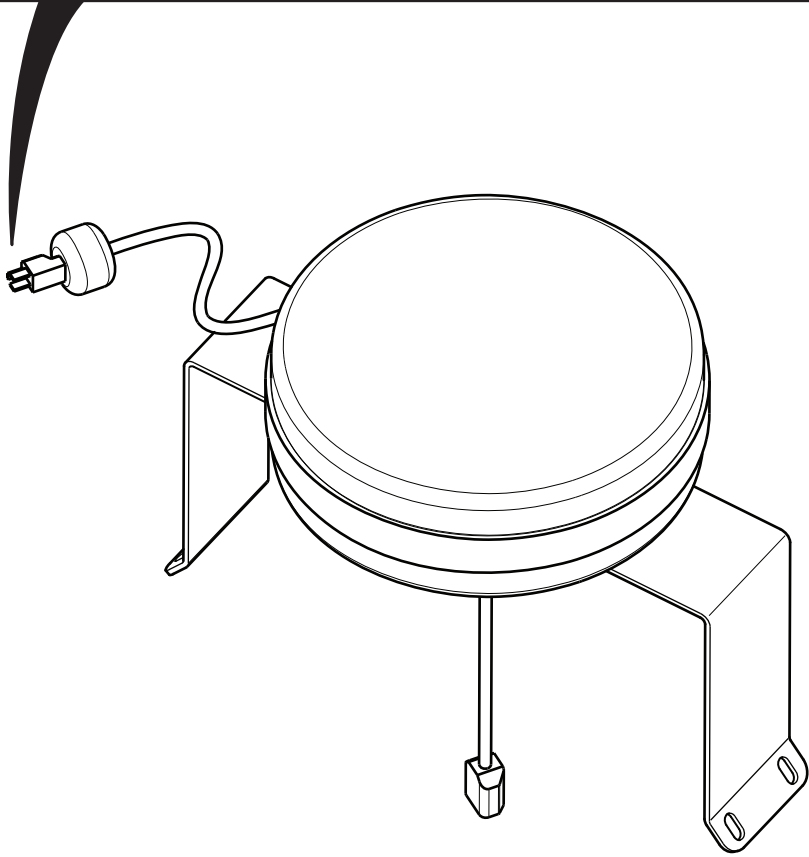
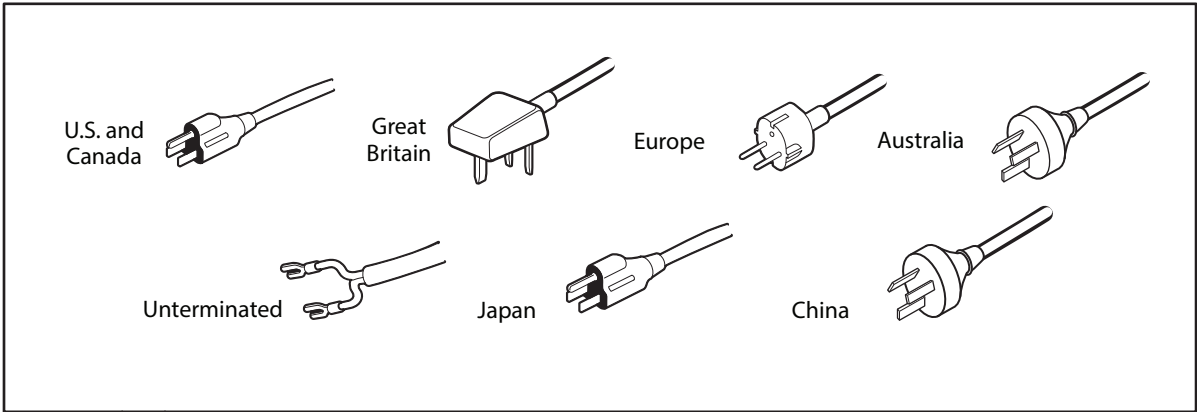
001428-001

# HIGH-FREQUENCY BATTERY CHARGER – ONBOARD

ITEM	PART NO.	DESCRIPTION	QTY
1	<u>105149401</u>	1 2 3 4 Chrg, Batt, Onboard, Quiq .....	1

16

E



- 1
- 2
- 3
- 4
- 5
- 6
- 7

001429-001

# CORD REELS, ONBOARD – HIGH-FREQUENCY CHARGER

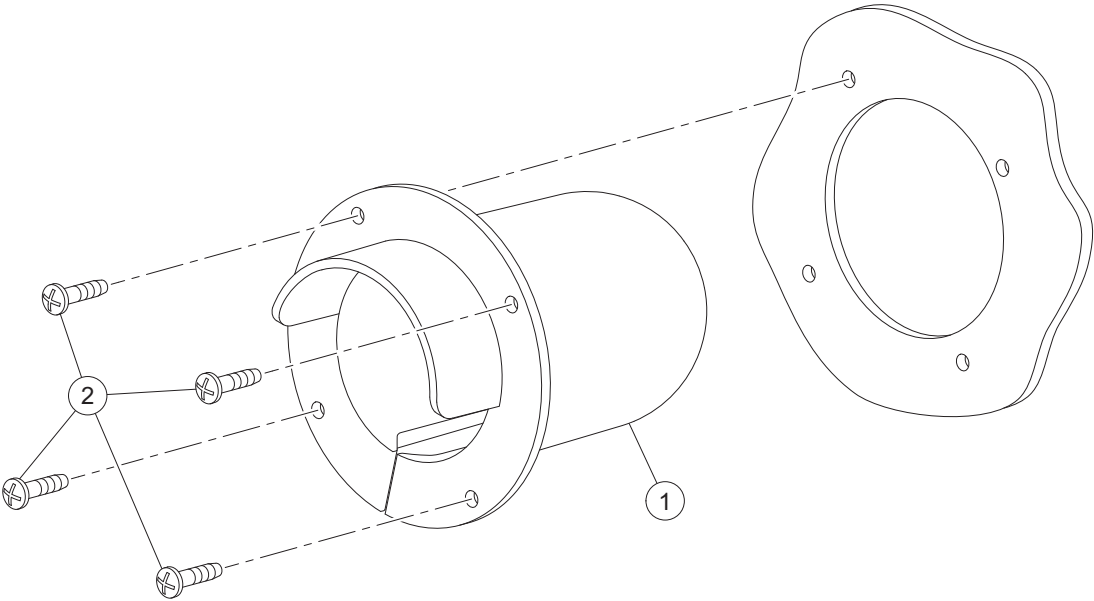
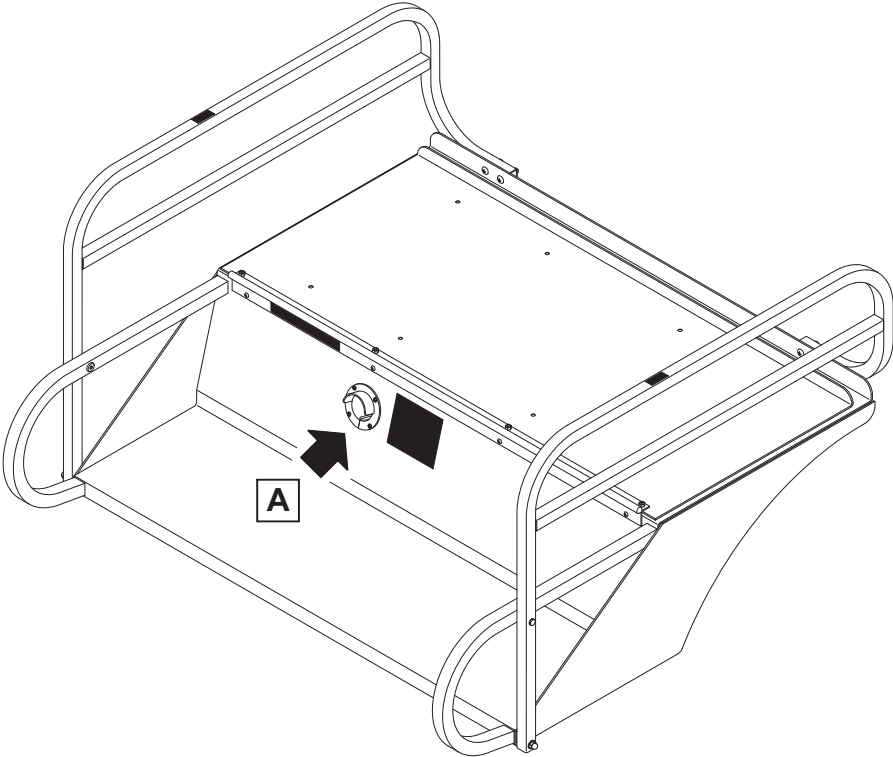
ITEM	PART NO.	DESCRIPTION	QTY
		1 2 3 4	
1	47579307001	Cord Reel, Retrct, V6/v8 .....	1
2	<u>47579307002</u>	Cord Reel,retrct,v6/v8, Uk .....	1
3	<u>47579307003</u>	Cord Reel,retrct,v6/v8, Eu .....	1
4	47579307004	Cord Reel,retrct,v6/v8, Au .....	1
5	47579307005	Cord Reel,retrct,v6/v8, Unterm .....	1
6	47579307006	Cord Reel,retrct,v6/v8, Japan .....	1
7	47579307007	Cord Reel,retrct,v6/v8, China .....	1

16

E

**16**

**E**



**A**

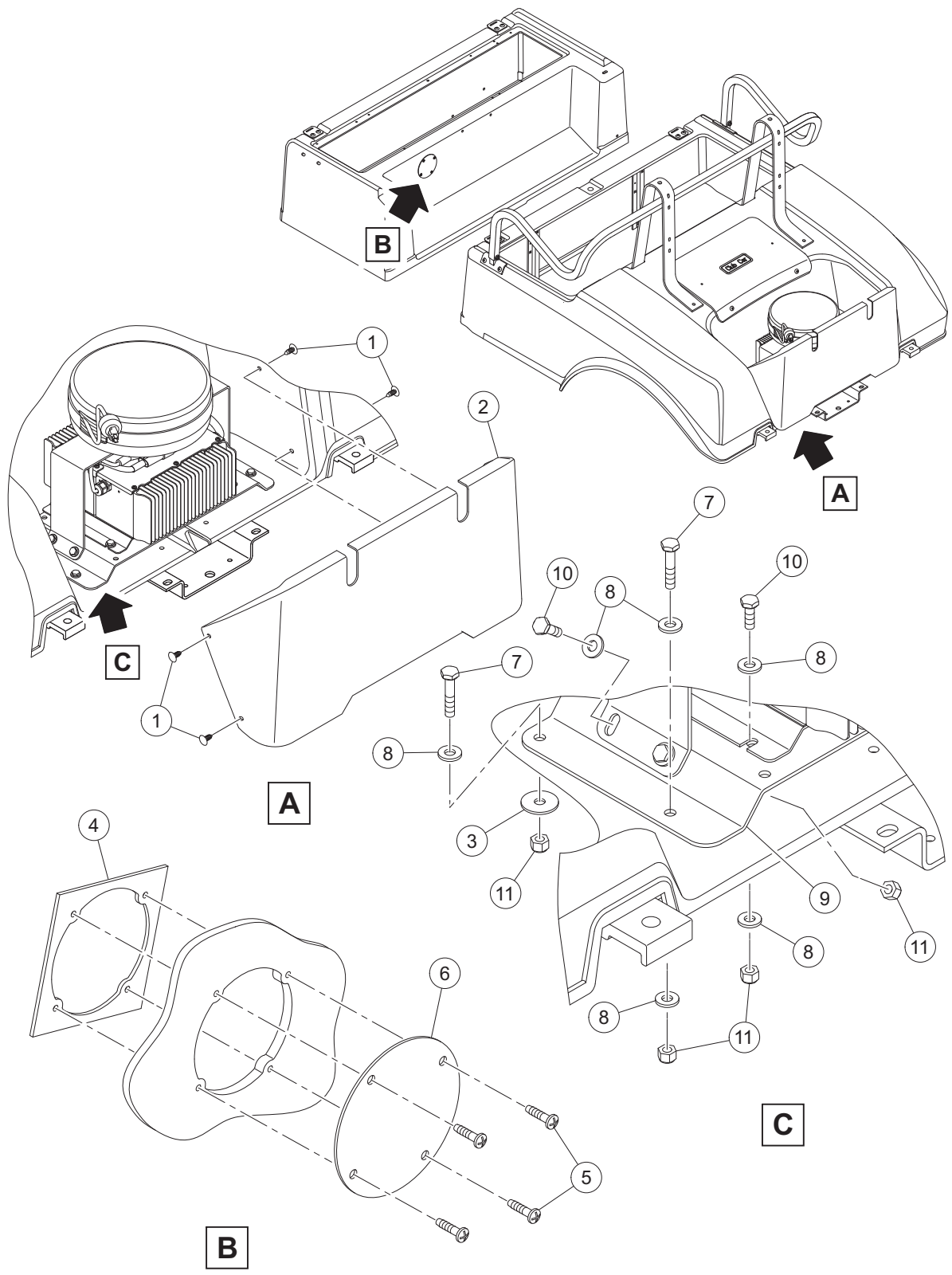
G-130899-000019

# HOUSING, CORD REEL, ON-BOARD CHARGER

ITEM	PART NO.	DESCRIPTION	QTY
1	<u>1016673</u>	1 2 3 4 Housing, Cord Reel .....	1
2	<u>101832001</u>	Screw, #7-19 X 0.625 Phillips Pan-Head Tap .....	4

16

E



G-130899-000018



## CHARGER MOUNTING – ONBOARD

ITEM	PART NO.	DESCRIPTION	QTY
		1 2 3 4	
1	<u>1010434</u>	Barrel - Plastic .....	4
2	1011348	Rear Panel 4 Passenger .....	1
3	<u>1014306</u>	Washer, 1/4" Type B Flat .....	4
4	<u>101801001</u>	Plate, Receptacle Backing .....	1
5	<u>101832001</u>	Screw, #7-19 X 0.625 Phillips Pan-Head Tap .....	4
6	<u>103218001</u>	Cover Plate, Receptacle .....	1
7	304	Screw, 1/4-20 X 1.0 Hex-Head Cap .....	4
8	<u>332</u>	Washer, 1/4 Type A Narrow Flat .....	14
9	47579306001	Brkt, Ob Charger, V6/v8 .....	1
10	<u>7847</u>	Screw, 1/4-20 X 0.75 Hex-Head Cap .....	8
11	<u>8233</u>	Locknut, 1/4-20, Nylon Insert .....	12

16

E

**16**

***E***

# MAINTENANCE AND SERVICE TOOLS

---

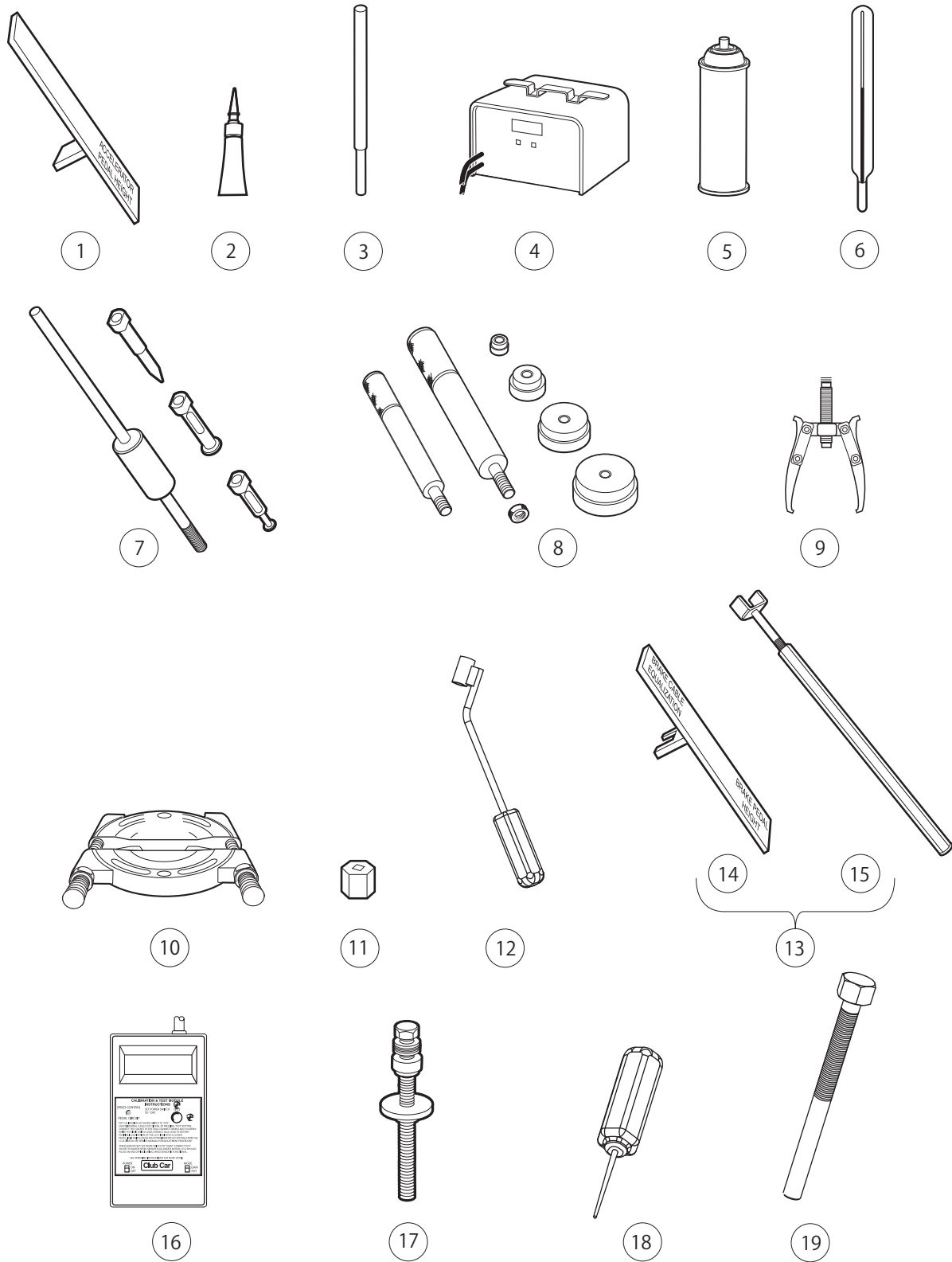
17

G

E

D

**17**  
**G**  
**E**  
**D**



STF19-0001

# MAINTENANCE AND SERVICE TOOLS

ITEM	PART NO.	DESCRIPTION	QTY DIESEL	QTY GAS	QTY ELEC
		<p style="text-align: center;">1 2 3 4</p> <p>The following tool list includes all tools available from Club Car for maintenance and service procedures for gasoline, electric, and/or diesel vehicles models. Be sure to carefully examine the tool list for applicability to your vehicle before ordering.</p>			
1	<u>101871001</u>	Accelerator Pedal Adjustment Tool .....		1	1
2	<u>101813202</u>	Adhesive, Guide Ring, 3-Gram Tube .....			1
3	<u>101641202</u>	Arbor .....		1	
4	<u>101831901</u>	Battery Discharge Machine, 36/48 Volt .....			1
5	<u>1014305</u>	Battery Terminal Protector Spray .....	1	1	1
6	<u>1011767</u>	Battery Thermometer .....	1	1	1
7	<u>1016417</u>	Bearing and Oil Seal Remover Assembly .....	1	1	1
8	<u>1016416</u>	Bearing Driver Set .....	1	1	1
9	<u>1012811</u>	Bearing Puller .....	1	1	1
10	<u>1012812</u>	Bearing Puller Wedge Attachment .....	1	1	1
11	<u>1013582</u>	Brake Adjustment Tool (used only on vehicles with manually adjusted mechanical brakes) .....			
12	<u>102555501</u>	Brake Cable Release Tool .....	1	1	1
13	<u>102249901</u>	Brake Pedal Adjustment Tool Kit (used for the Carryall Electric Industrial Truck only) (includes items 14 and 15).....			1
14	****	Brake Pedal Adjustment Tool .....			1
15	****	Brake Pedal Tension Tool .....			1
16	<u>101887101</u>	Calibration Test Module .....			1
17	<u>101808401</u>	Cam Installation Tool .....		1	
18	<u>102562401</u>	Charger Bezel Tool .....			1
19	<u>102686101</u>	Clutch Removal Tool (for 4x4 vehicles) .....	1	1	
		Please refer to the maintenance and service manual for proper tool application.			
	****	Special order item available upon request			

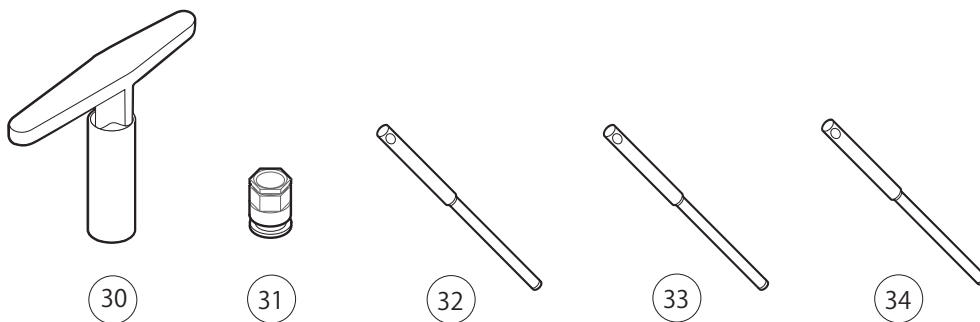
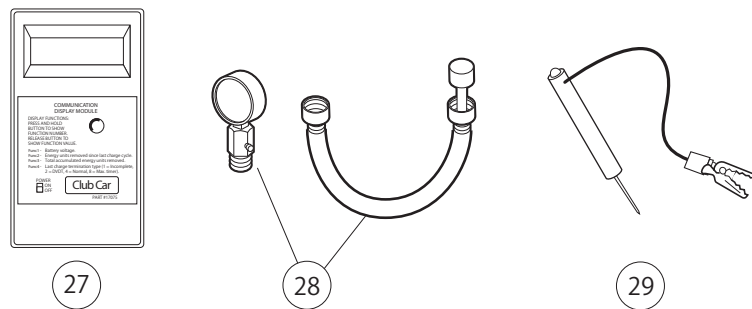
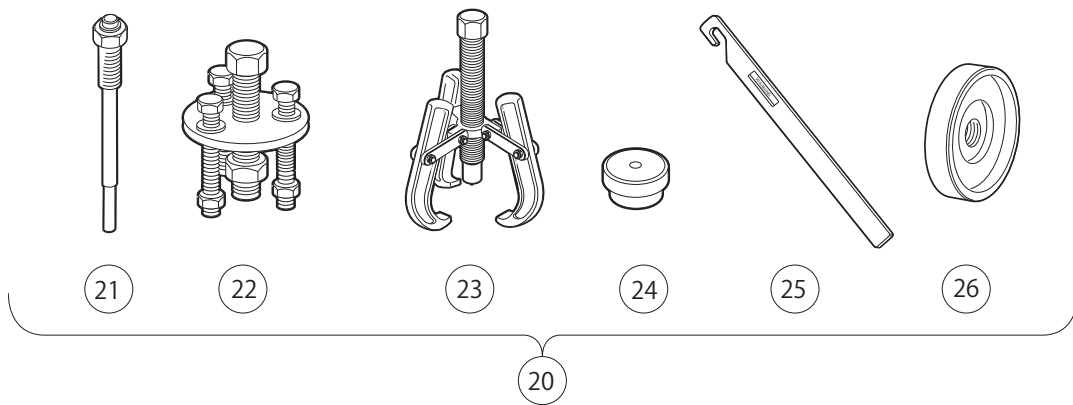
17

G

E

D

**17**  
**G**  
**E**  
**D**



STF19-0002

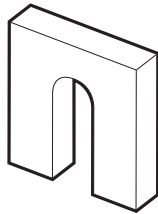
## MAINTENANCE AND SERVICE TOOLS, CONTINUED

ITEM	PART NO.	DESCRIPTION	QTY DIESEL	QTY GAS	QTY ELEC	<b>17</b>
		1 2 3 4				<b>G</b>
20	<u>1014510</u>	Clutch Tools Kit (includes items 21 - 27) .....		1		<b>E</b>
21	<u>1014496</u>	Drive Clutch Puller (Kohler and Kawasaki engines) .....		1		<b>D</b>
22	<u>1014497</u>	Drive Clutch Hub Puller (Kohler and Kawasaki engines) .....		1		
23	<u>1014508</u>	Driven Clutch Cam Puller (Kohler and Kawasaki engines) .....		1		
24	<u>1014507</u>	Driven Clutch Puller Plug (Kohler and Kawasaki engines) .....		1		
25	<u>1015524</u>	Drive Clutch Holder Tool Assembly (for Kawasaki engines only) .....		1		
25	<u>105072501</u>	Drive Clutch Holder Tool Assembly (for Kohler engines only) .....		1		
26	<u>101809101</u>	Press Weldment (for Kawasaki engines only) .....		1		
27	101831801	Communication Display Module .....			1	
28	101641002	Compression Gauge and Adapter .....		1		
29	1011273	Continuity Tester .....		1	1	
30	<u>102774101</u>	Wrench, T, #505.....		1		
31	<u>102774101</u>	Adapter, T-Wrench.....		1		
32	<u>102774201</u>	Pilot, 6.6 MM .....		1		
33	<u>102774301</u>	Pilot, 6.62 MM.....		1		
34	<u>102774401</u>	Pilot, 6.65 MM.....		1		
		Please refer to the maintenance and service manual for proper tool application.				

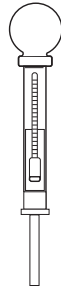
**17**  
**G**  
**E**  
**D**



35



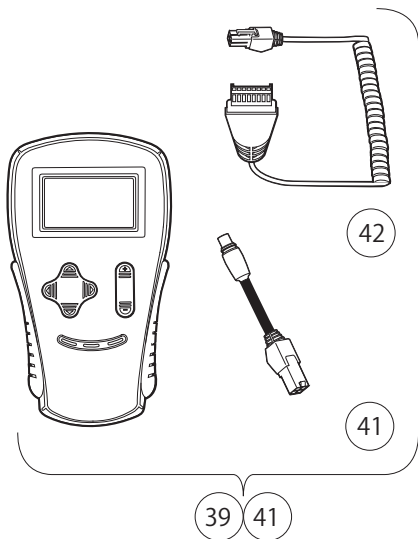
36



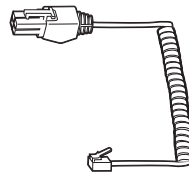
37



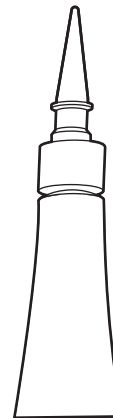
38



39 41



43



44



45



46 47



48

STF19-0003

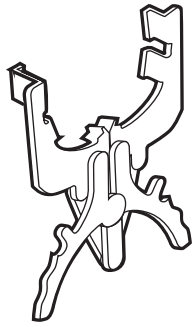


## MAINTENANCE AND SERVICE TOOLS, CONTINUED

ITEM	PART NO.	DESCRIPTION	QTY DIESEL	QTY GAS	QTY ELEC	<b>17</b>
		1 2 3 4				
35	<u>1012151</u>	Dry Moly Lubricant .....	1	1	1	<b>G</b>
36	<u>1016418</u>	Gear Yoke .....	1	1	1	<b>E</b>
37	<u>1011478</u>	Hydrometer .....	1	1	1	<b>D</b>
38	<u>1013593</u>	Internal Retaining Ring Pliers .....	1	1	1	
39	<u>102248803</u>	Kit, IQDM User Series 40602 (IQ System and IQ Plus vehicles) ..... (includes items 41 and 42)			1	
40	<u>102248804</u>	Kit, IQDM Programmable OEM Series II (IQ System and IQ Plus vehicles) (includes items 41 and 42)			1	
41	<u>102251501</u>	Adaptor, Cable .....			1	
42	<u>102241502</u>	IQDM Series 2 Cable .....			1	
43	<u>102241501</u>	IQDM Series 1 Cable (replacement) .....			1	
44	<u>101928701</u>	Liquid Gasket (transaxle case) .....	1	1	1	
45	<u>102243402</u>	Moly-Teflon Lubricant (4-oz. (113-gram) tube) .....			1	
46	<u>101997201</u>	Paint, Touch-Up – Beige* .....		1	1	
46	<u>101997207</u>	Paint, Touch-Up – Black* .....		1	1	
46	<u>101997212</u>	Paint, Touch-Up – Burgundy* .....		1	1	
46	<u>101997211</u>	Paint, Touch-Up – Classic Blue (Navy)* .....		1	1	
46	<u>101997205</u>	Paint, Touch-Up – Dark Gray* .....	1	1	1	
46	<u>101997209</u>	Paint, Touch-Up – Dark Green* .....	1	1	1	
46	<u>101997204</u>	Paint, Touch-Up – Gray* .....	1	1	1	
46	<u>101997203</u>	Paint, Touch-Up – Red* .....	1	1	1	
46	<u>101997206</u>	Paint, Touch-Up – Royal Blue (Pacific Blue)* .....		1	1	
46	<u>101997202</u>	Paint, Touch-Up – White* .....	1	1	1	
47	<u>102562301</u>	Paint, Precedent Underbody – Gray .....		1	1	
48	<u>102587201</u>	Paint Pen, Touch-Up, Precedent Underbody – Black .....		1	1	
		Please refer to the maintenance and service manual for proper tool application.				
		* Item 47 is not for use on Surlyn <sup>®</sup> body material, which is used on Precedent vehicles.				



49



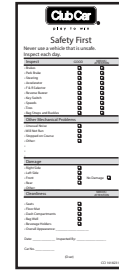
50



51



52



53



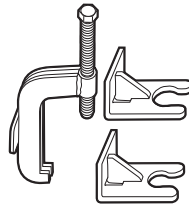
54



55



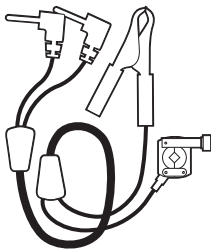
56



57



58



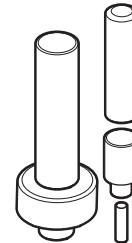
59



60



61



62

STF19-0004

## MAINTENANCE AND SERVICE TOOLS, CONTINUED

ITEM	PART NO.	DESCRIPTION	QTY DIESEL	QTY GAS	QTY ELEC
		1 2 3 4			
49	<u>1016414</u>	Piston Ring Compressor Kit (FE290, FE350 and FE400 engines) .....		1	
50	<u>1016415</u>	Piston Ring Pliers (for Kawasaki Engines) .....		1	
51	<u>1012549</u>	Retaining Ring Pliers, 45° External .....	1	1	1
52	<u>1012560</u>	Retaining Ring Pliers, 90° Internal .....	1	1	1
53	<u>101823101</u>	Safety First Card (50 per pack) .....	1	1	1
54	<u>1012809</u>	Seal Puller .....	1	1	1
55	<u>1014264</u>	Steering Column Bearing Press Tool .....		1	1
56	<u>1014259</u>	Steering Column Retaining Ring Tool .....		1	1
57	102061201	Steering Wheel Puller Tool .....	1	1	1
58	<u>AM10753</u>	Tachometer (includes gasoline engine pick up lead only) .....	1	1	
59	<u>AM10771</u>	Tachometer Diesel Probe (for use with item 73) .....	1		
60	<u>1014162</u>	Transaxle Axle Seal Tool .....		1	
61	<u>1014161</u>	Transaxle Pinion Seal Tool .....		1	
62	<u>1014115</u>	Transmission Tool Kit .....		1	

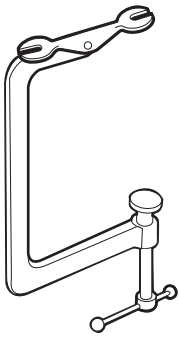
17

G

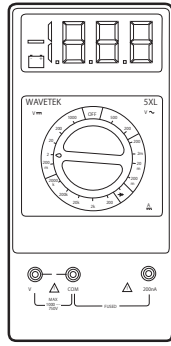
E

D

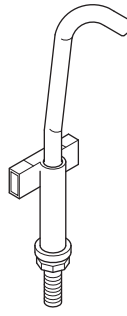
17  
G  
E  
D



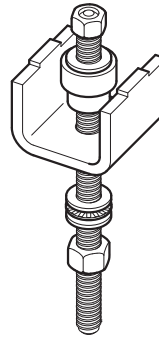
63



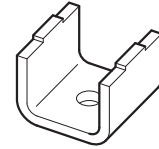
64



65



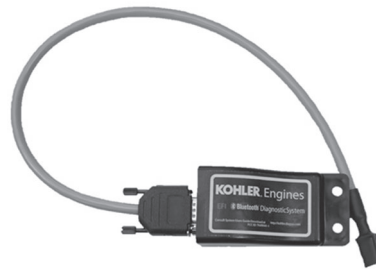
66



67



68



69



70

STF19-0005

# MAINTENANCE AND SERVICE TOOLS, CONTINUED

ITEM	PART NO.	DESCRIPTION	QTY DIESEL	QTY GAS	QTY ELEC
		<b>1 2 3 4</b>			
63	<u>101641101</u>	Valve Spring Compressor .....		1	
64	1011480	Volt Ohm Meter .....	1	1	1
65	<u>102570401</u>	Tool, Tensioning, Starter Generator (For Precedent vehicles) .....		1	
		Kohler ECH440 Specific Items .....			
66	47568549001	Driven Clutch Tool .....		1	
67	47568246001	Plate, Cam Press (supplied with 47568549001) .....		1	
68	<u>47631025001</u>	Kit, EFI Diagnostics .....		1	
69	<u>47631026001</u>	Kit, Bluetooth EFI Diagnostics .....		1	
70	<u>47631075001</u>	Kit, EFI Tool .....		1	

**17**  
**G**  
**E**  
**D**



# INDEX

## Part Number and Page

AM10753	17-9	7874	1-17, 1-43	1011221	1-51
AM10771	17-9	7893	4-5, 4-23, 7-13	1011222	1-51
AM10092	1-19	7910	6-13	1011229	4-5, 4-7, 4-9, 4-31
AM10419	11-7	7973	1-13	1011273	17-5
AM1300001	13-13	8028	1-51	1011280	4-5, 4-7, 4-9
AM1300101	13-13	8056	7-15	1011298	5-13, 5-17, 5-19
AM1300201	13-13	8057	7-13, 7-15	1011303	5-13, 5-17, 5-19
AM1300301	13-13	8058	7-13, 7-15	1011314	5-13, 5-17, 5-19
SVP110801	1-55	8067	6-13	1011348	16-9
SVP110802	1-55	8233	1-19, 1-25, 1-31, 1-33, 1-35, 1-37, 1-41, 1-43, 1-57, 4-27, 5-5, 5-7, 6-25, 9-11, 12-9, 16-9	1011382	4-13, 4-15
SVP387901	1-53	8251	1-31, 1-33, 1-35, 1-37, 1-41, 1-49	1011393	6-13
SVP401602	1-55	8450	11-5	1011402	5-3
SVP401702	1-55	8639	7-13, 13-17	1011415	6-21, 6-23
SVP408701	1-55	8717	5-5, 5-7, 7-13, 12-3	1011418	5-3
183	4-5, 4-7, 4-9, 11-5	8745	6-17	1011439	4-5, 4-7, 4-9
304	1-25, 1-51, 1-53, 4-27, 16-9	8754	5-5, 5-7, 6-3, 6-5, 6-15, 6-17, 6-19, 6-21, 6-23, 7-11	101146302	5-13, 5-17, 5-19
332	1-19, 1-25, 1-31, 1-33, 1-35, 1-37, 1-41, 1-43, 1-51, 1-53, 1-57, 4-27, 16-9	8755	6-17, 6-19, 6-21	1011464	5-13, 5-17, 5-19
334	5-5, 5-7, 6-3, 6-5, 11-5	8861	6-15, 6-25	1011465	5-13, 5-17, 5-19
357	6-17, 6-19, 6-25	8916	1-9, 1-55	1011466	5-13, 5-17, 5-19
451	1-25, 1-51, 1-53, 1-59, 1-61, 1-63, 5-13, 5-17, 5-19, 14-3	8935	1-63	1011467	5-13, 5-17, 5-19
706	6-17, 6-19	8963	1-51	1011478	17-7
808	6-25	8990	6-3, 12-5, 12-7, 13-17	1011480	17-11
1016	4-5, 4-23	1010005	6-13	1011494	5-13, 5-17, 5-19
1028	5-3	1010124	6-17, 6-19	1011557	4-5, 4-7, 4-9
1032	5-3	1010138	6-15	1011578	1-25, 6-5
1218	1-7, 1-55, 1-57, 1-59, 9-15	1010145	6-21, 6-23	1011652	1-23, 1-39
1241	1-51, 1-55, 1-57, 4-5, 4-7, 4-9, 5-3, 5-5, 5-7, 5-21, 5-23, 7-13, 7-17, 9-15	1010150	6-17, 6-19	1011694	5-5, 5-7
1242	5-15, 5-21, 5-23, 7-11, 7-13	1010200	6-19	1011697	1-63, 6-5, 10-3
1624	5-5, 5-7, 6-3, 7-11	1010434	1-11, 1-41, 1-57, 16-9	1011734	5-9, 5-11
2402	6-15, 6-17, 6-19	1010435	1-9, 1-57	1011767	17-3
7048	6-13	1010805	5-3	1011779	5-15, 5-21, 5-23
7173	4-5, 4-7, 4-9, 6-25, 7-17	1010829	5-15, 5-21, 5-23	1011825	4-27
7174	1-63, 6-7, 7-11, 14-3	1010850	5-13, 5-17, 5-19	101187702	5-3
7251	1-5	1010852	7-7, 13-7	1011887	6-13
7270	6-17	1010877	5-3	1011892	6-13
7274	6-13	1010878	5-3	1011931	5-5, 5-7
7308	6-13	101090801	13-9	1011988	1-57, 4-33
7310	2-3	1010909	4-5, 4-23	1012151	17-7
7311	6-25	1010921	5-3	1012159	1-19
7330	15-3	1010927	5-3	1012180	6-21
7335	15-3	1010932	5-3	1012181	6-23
7336	15-3	1010933	5-3	1012182	6-23
7410	1-57	1010934	7-17, 14-3	1012285	1-25
7473	1-5, 1-7, 1-9, 1-51, 1-55, 1-57, 1-59, 1-63, 4-5, 4-7, 4-9, 5-3, 5-5, 5-7, 5-15, 5-21, 5-23, 6-25, 7-13, 7-17, 9-15	1010954	7-13	1012303	6-17, 6-19, 6-21, 6-23
7591	4-5, 4-7, 4-9	1010984	2-3	1012304	6-21
7716	5-3	1010993	1-31, 1-33, 1-35, 1-37, 1-41	1012412	1-31, 1-33, 1-35, 1-37, 1-41
7818	7-13	1011019	4-13, 4-15	1012431	7-13
7820	4-27	1011084	5-9, 5-11	1012438	4-7, 4-9
7840	6-13	1011114	5-13, 5-17, 5-19, 9-11, 12-9	1012528	13-15
7847	16-9	1011137	5-13, 5-19	1012549	17-9
		1011154	5-13, 5-17, 5-19	1012560	17-9
		1011219	1-51	1012565	6-11
		1011220	1-51	1012566	6-11
				1012571	13-9
				1012581	1-31, 1-33, 1-35, 1-37, 1-49
				1012604	6-5

1012605	6-5	1014213	6-5	1016269	6-5
1012649	9-5	1014214	6-5	1016289	11-5
1012809	17-9	1014217	6-5	1016319	5-15
1012811	17-3	1014259	17-9	1016320	5-15
1012812	17-3	1014264	17-9	1016346	6-15
1012836	11-7	1014276	6-17, 6-19	1016349	6-15
1013032	1-49	1014287	11-5	1016350	6-15
1013035	6-3	1014288	6-5, 11-5	1016351	6-15
1013042	6-3, 6-15	1014305	17-3	1016353	6-15
1013044	6-3	1014306	1-41, 16-9	1016356	4-5, 4-7, 4-9, 13-5
1013052	6-3	1014453	11-5	1016363	4-7, 4-9
1013061	4-29	1014454	11-7	1016366	4-7, 4-9
1013135	6-13	1014496	17-5	1016384	6-17, 6-19
1013207	6-21	1014497	17-5	1016385	6-15
1013216	1-49	1014507	17-5	1016386	6-17, 6-19
1013218	1-49	1014508	17-5	1016387	6-17, 6-19
1013312	1-23	1014510	17-5	1016389	6-17, 6-19
1013343	1-13	1014555	6-21, 6-23	101641002	17-5
1013344	1-13	1014789	7-3	101641101	17-11
1013357	4-5, 4-7, 4-9, 13-5	1014807	7-13, 7-15	101641202	17-3
1013494	4-13, 4-15	1014808	7-13, 7-15	1016414	17-9
1013531	5-21, 5-23	1014902	6-23	1016415	17-9
1013582	17-3	101503202	1-15	1016416	17-3
1013589	7-13	1015072	13-9	1016417	17-3
1013593	17-7	1015091	1-51	1016418	17-7
1013609	7-13	1015332	7-3	1016423	4-5, 4-7, 4-9
1013677	3-5	1015373	7-13	1016557	5-13, 5-17, 5-19
1013734	13-15	1015405	7-13	1016573	5-13, 5-17, 5-19
1013746	9-5	1015453	6-25	1016668	1-57
1013794	15-3	1015457	6-25	1016673	16-7
1013869	5-3	1015524	17-5	101674702	5-9
1013870	5-3	1015525	1-49	101674704	5-11
1013876	5-3	1015528	4-13, 4-15	1016801	11-5
1013924	5-13, 5-17, 5-19, 8-7	101553901	1-55, 3-3, 3-9	1016813	6-25
1014007	5-5, 5-7, 9-11, 12-3, 12-9	1015583	6-17, 6-19	1016814	6-25
1014051	11-5	101558302	6-21, 6-23	1016835	1-57
1014055	11-5	1015597	6-13	1016842	1-57
1014056	11-5	1015608	4-33	1016849	4-13, 4-15
1014057	11-5	101560802	1-9	1016851	4-13, 4-15, 4-31
1014058	11-5	101560803	1-9, 1-59	1016952	1-41
1014059	11-5	1015613	6-25	1016967	1-67, 13-15
1014062	11-5	1015614	6-25	1017029	5-3
1014063	11-5	1015720	13-15	101705701	1-55, 3-3, 3-9
1014065	7-13, 11-5	1015741	4-5, 4-7, 4-9	1017082	4-29
1014072	11-7	1015752	7-13	1017141	1-41
1014078	11-7	1015760	6-25	1017211	5-15
1014080	11-7	101587714	9-5	1017226	6-7
1014115	17-9	1015878	7-13, 7-15	1017266	6-15
1014116	9-3	1015902	1-23, 1-25, 1-39, 1-51	1017273	6-9, 6-11
1014125	6-5	1015932	7-11	101728701	1-41
1014126	6-5	101609401	1-55, 3-3, 3-9	101728702	1-41
1014145	7-13	101611402	15-5	101728709	1-41
1014153	5-13	1016154	6-11	101728710	1-41
1014161	17-9	1016183	6-5	101728711	1-41
1014162	17-9	1016201	11-5	101728712	1-41
1014201	14-3	1016214	6-11	1017310	1-25



# INDEX

1017313	6-5	101880001	6-3	101972009	17-7
1017314	6-5	101880101	6-3	101972011	17-7
1017315	6-5	101880201	6-3	101972012	17-7
1017317	6-5	101880301	6-3	101972101	15-3
1017378	5-5, 5-7	101880701	5-13, 5-17, 5-19	101972201	15-3
1017380	5-5, 5-7	101880901	1-23, 1-39	101978601	15-5
1017384	1-39	101881701	1-23, 1-39	101984801	6-5
1017424	5-5, 5-7	101884801	8-7	101990801	5-21, 5-23
1017686	11-7	101886101	9-11, 12-9	101997802	4-29
1017774	1-25	101887101	17-3	101997902	4-29
1017853	4-5, 4-7, 4-9, 4-31	101887601	9-11	102002801	13-9
101791101	5-17	101895401	15-3	102002805	13-5
101796201	5-5, 5-7	101895501	15-3	102002901	13-9
101799201	1-25	101897001	15-3	102022601	6-15
101801001	16-9	101897201	15-3	102022602	6-3, 6-15
101802601	4-15	101897401	15-3	102025801	9-3, 9-5
101804301	4-13	101897601	15-3	102026001	5-5, 5-7
101806901	1-47	101898001	7-17	102061201	17-9
101808401	17-3	101903601	15-3	102066201	6-23
101809101	17-5	101903701	15-3	102155801	11-7
101813202	17-3	101906901	15-3	102158901	5-5, 5-7
101817401	5-5, 5-7	101908101	13-7	102162601	5-21, 5-23
101818801	5-7	101908401	7-7, 13-7	102163001	1-27
101823101	17-9	101914001	15-5	102163003	1-29
101825101	3-5, 3-7, 3-11	101914401	4-5, 4-7, 4-9	102166901	5-21, 5-23
101825102	3-13	101915201	3-7, 3-13	102186401	14-3
101830701	4-17, 4-19	101918501	5-3, 5-5, 5-7	102196901	4-15, 13-5
101831801	17-5	101919801	5-5, 5-7	102198701	4-5
101831901	17-3	101922101	15-3	102199001	4-5
101832001	16-7, 16-9	101922201	15-3	102199201	4-5
101833401	11-7	101922501	7-7	102199301	4-5
101834502	4-17, 4-19	101923001	15-3	102199401	4-5
101834601	8-7	101923201	15-3	102235201	14-3
101834602	8-7	101923501	15-3	102238001	13-15
101835601	4-33	101923901	15-3	102240501	13-15
101840901	1-57	101926501	6-21	102241501	17-7
101841101	1-57	101928701	15-3, 17-7	102241502	17-7
101841201	1-57	101929401	6-21	102242101	11-7
101841202	1-57	101932201	4-5, 4-7, 4-9	102243402	17-7
101841301	1-57	101936101	15-5	102243403	14-3
101850301	6-9, 6-11	101942301	14-3	102248803	17-7
101851101	4-17, 4-19	101946201	1-23, 1-25, 1-39	102249901	17-3
101856002	4-15	101953103	5-21	102251501	17-7
101856102	7-13	101953104	5-23	102274101	12-21
101861901	5-5, 5-7	101953106	5-15	102278001	6-5
101862001	5-5	101955001	6-15	102289201	6-3, 6-15
101865301	5-15	101955101	4-27	102292801	5-15, 5-21, 5-23
101871001	17-3	101957101	4-5, 4-7, 4-9	102296020	4-3
101874601	5-15	101963401	9-15	102296301	1-3, 1-21, 1-27, 1-29
101878201	5-3	101972001	17-7	102296716	9-11
101879401	6-3	101972002	17-7	102296920	7-5
101879501	6-3	101972003	17-7	102297230	13-3
101879601	6-3	101972004	17-7	102298116	9-9
101879701	6-3	101972005	17-7	102298401	10-3
101879801	6-3	101972006	17-7	102323101	5-3, 5-15, 5-21, 5-23
101879901	6-3	101972007	17-7	102323201	5-3, 5-15, 5-21, 5-23

# INDEX

102343601	1-55	102775101	14-3	103262201	8-5
102356601	15-3	102817101	13-15	103274001	1-33, 1-37
102356801	15-3	102817201	13-15	103274002	1-33, 1-37
102376001	12-3	102838101	13-7	103274009	1-33, 1-37
102410604	9-11	102838701	7-9	103274010	1-33, 1-37
102411209	9-15	102838801	7-9	103274011	1-33, 1-37
102440901	13-5	102838901	7-9	103274012	1-33, 1-37
102458901	3-7, 3-13	102839001	7-9	103347601	7-9
102476401	9-11, 12-9	102839301	7-9	103347701	7-9
102490301	9-11	102841101	7-9	103347801	7-9
102491501	11-5	102845101	3-5, 3-11, 13-7	103348201	4-13
102491701	1-25	102845203	13-9	103348202	4-15
102498201	9-11, 12-9	102845204	13-9	103348501	4-13
102511603	1-69	102845501	13-5	103348602	4-13
102517501	4-11	102860501	5-13, 5-17, 5-19	103350901	6-21
102518301	3-5, 3-11	102869401	4-5, 4-7, 4-9, 4-13, 4-15	103351001	6-15
102526201	12-3	102871801	6-21, 6-23	103351101	6-23
102529203	4-11	102873401	13-9	103354401	4-15
102540301	8-7	102886301	15-3	103354701	6-15
102541401	1-59, 1-67, 7-11	102886401	15-3	103372101	9-3
102541440	1-69	102886501	15-3	103372401	9-5
102541455	1-67	102886601	15-3	103397901	4-7, 4-9, 13-15
102541465	1-61	102891101	6-23	103414901	4-7, 4-9, 13-15
102541470	1-59, 1-61, 1-63	102902801	15-3	103449501	13-17
102541501	1-59, 1-67, 1-69	102907201	1-23, 1-39, 1-51, 1-53	103449601	13-17
102544201	1-65, 1-67	102915701	13-7	103452001	9-5
102546401	4-11	102917101	6-23	103459104	2-3
102555501	17-3	102922701	10-3	103464801	3-17
102558201	8-3, 9-15	102938601	14-3	103477901	6-13
102559901	2-5	102938701	14-3	103484301	4-27
102559902	2-5	102938801	14-3	103487501	1-25
102562401	17-3	102938901	14-3	103502701	6-17
102564002	6-17, 6-19	102939001	14-3	103502801	6-19
102569302	2-3	102939101	14-3	103508101	8-5
102570401	17-11	102939102	14-3	103510001	4-29
102572401	4-15, 13-5	102947601	1-27, 1-29	103510301	4-29
102581201	1-59, 1-61, 1-63	102951701	14-3	103510501	13-11
102582401	1-21, 1-27, 1-29, 1-61, 1-67	102967601	3-5, 3-11	103582801	15-3
102617201	8-5	102977003	4-13	103601501	6-3
102617801	12-21	102977004	4-15	103601601	6-7
102621501	1-59, 1-61, 1-63, 7-11, 12-3	102980801	13-9	103628801	6-17
102674201	17-5	102980901	13-9	103628901	6-19
102675001	17-5	103180101	4-13, 4-15	103653401	6-3
102675101	17-5	103196001	1-65, 1-67	103653501	6-3, 6-15
102675201	17-5	103198201	13-9	103657301	6-21, 6-23
102675401	17-5	103198301	4-15	103658601	2-3
102684501	6-17, 6-19	103198401	7-7	103677101	1-27
102686101	17-3	103199001	4-13	103694501	2-5
102704901	14-3	103199101	4-13	103717302	6-13
102711201	7-13	103205501	3-7, 3-13, 7-7	103717402	6-13
102725501	9-15	103210201	3-7, 3-13	103722901	2-3
102732401	8-5	103210301	3-5, 3-11	103723003	2-3
102766201	13-9	103218001	16-9	103724502	6-9, 6-11
102766301	6-17, 6-19	103218601	4-15, 13-5	103724601	6-11
102771701	15-3	103234304	3-15	103724602	6-9
102772402	13-15	103255701	4-7, 4-9	103724901	6-11

# INDEX

103754901	1-27	105025001	12-11, 12-13	105030801	12-17, 12-19
103756401	9-5	105025101	12-11, 12-13	105030901	12-15
103783001	3-5, 3-11	105025201	12-11, 12-13	105031001	12-19
103783002	3-7	105025301	12-11, 12-13	105035801	1-43
103783003	3-13	105025401	12-11, 12-13	105037101	4-13
103832401	2-3	105025501	12-11, 12-13	105037401	7-13
103865101	5-5, 5-7	105025601	12-11, 12-13	105037701	12-3
103879701	12-13	105025701	12-11, 12-13	105038001	12-3
103879702	12-11	105025801	12-11, 12-13	105038101	12-3
103886601	12-5, 12-7	105025901	12-11, 12-13	105038201	12-3
103891801	1-63	105026001	12-11, 12-13	105038501	12-3
103896604	9-5	105026101	12-11, 12-13	105038805	12-5
103896605	9-5	105026201	12-11, 12-13	105038806	12-7
103902101	13-3	105026301	12-11, 12-13	105039501	12-3
103902301	13-3	105026401	12-11, 12-13	105039801	12-3
103902401	13-3	105026501	12-11, 12-13	105039901	12-3
103942101	13-11	105026601	12-11, 12-13	105040201	12-3
103942902	13-11	105026701	12-11, 12-13	105040401	12-3
103943401	13-3	105026801	12-11, 12-13	105040402	12-3
103951002	2-3	105026901	12-11, 12-13	105043801	9-3
103951003	2-3	105027001	12-11, 12-13	105043901	9-3
103951004	2-3	105027101	12-11, 12-13	105049201	1-7, 1-9, 1-59
103951501	12-21	105027201	12-11, 12-13	105049301	1-7, 1-9, 1-59
103952201	1-15	105027301	12-11, 12-13	105060601	12-3
103961601	3-3, 3-9	105027401	12-15	105063501	12-11
103969699	13-9	105027501	12-15	105063601	12-17
103969799	13-9	105027601	12-15	105066001	12-17, 12-19
103973901	11-5	105027701	12-15	105066101	12-17, 12-19
103974201	11-5	105027801	12-15	105068002	4-17, 4-19
103974401	11-5	105027901	12-15	105068003	4-17, 4-19
103975301	11-7	105028001	12-15	105075201	13-15
103976101	11-5	105028101	12-17, 12-19	105081702	4-19
103979302	12-21	105028201	12-15	105081703	4-19
103984601	11-5	105028301	12-11, 12-13	105081802	4-17
103989501	12-21	105028401	12-15	105081803	4-17
103995002	12-21	105028501	12-11, 12-13	105082002	4-19
104005901	13-13	105028601	12-15	105082003	4-19
104006101	13-13	105028701	12-15	105082101	4-15
104021701	12-21	105028801	12-15	105082301	3-7, 3-13
104023501	9-11, 12-9	105028901	12-15	105083801	1-3
104025101	11-7	105029001	12-15	105086101	1-63
104027101	12-21	105029101	12-15	105086102	1-25
105000301	7-13	105029201	12-15	105088501	9-15
105000401	7-13	105029301	12-19	105096101	11-5
105000501	13-15	105029401	12-19	105102601	7-15
105003401	9-15	105029501	12-17, 12-19	105108401	13-5
105005301	1-31, 1-35	105029601	12-19	105112401	13-15
105005302	1-31, 1-35	105029701	12-19	105114801	7-5
105005309	1-31, 1-35	105029801	12-17, 12-19	105114804	7-5
105005310	1-31, 1-35	105029901	12-17, 12-19	105114806	7-5
105005311	1-31, 1-35	105030001	12-11, 12-13	105116301	13-3
105005312	1-31, 1-35	105030301	12-17, 12-19	105124701	3-5
105007402	9-11	105030401	12-17, 12-19	105135101	9-11
105007403	9-11	105030501	12-17, 12-19	105142401	2-5
105009101	9-15	105030601	12-17, 12-19	105143301	9-3
105009401	9-15	105030701	12-11, 12-13	105144401	9-11, 12-9

# INDEX

105147101	13-15	47583794001	7-9	47629693001	8-15
105149401	16-3	47583795001	8-7	47629694001	8-15
105152301	4-15	47584178001	7-9	47629696001	8-15
105153301	3-17	47584179001	7-9	47629697001	8-15
105153302	3-17	47584184001	8-7	47629698001	8-15
105161701	7-3, 7-9	47587701001	8-7	47629699001	8-17
105166801	13-13	47587715001	4-25	47629700001	8-17
105166901	13-13	47594727001	4-21	47629701001	8-17
105167001	13-13	47598441001	4-13	47629702001	8-11
105167101	13-13	47601355001	9-11	47629703001	8-17
105168501	13-13	47601767002	11-7	47629705001	8-17
105168601	13-13	47601832001	11-7	47629707001	8-17
105190601	4-33, 4-35	47604303001	4-5, 4-23	47629709001	8-17
105190701	4-33, 4-35	47605590001	1-3, 3-15	47629711001	8-13
105194101	9-3	47606233003	9-3	47629714001	8-13
105234801	12-11, 12-13	47606257001	9-5	47629716001	8-13
105234901	12-11, 12-13	47611208001	7-3	47629717001	8-13
105237399	7-17	47611210001	10-3	47629718001	8-13
105245401	9-3	47611483001	8-5	47629719001	8-13
105245801	11-3	47611484001	8-5	47629720001	8-13
105256701	7-3, 7-17	47611648001	8-5	47629722001	8-13
105256801	7-3	47611868001	7-11	47629723001	8-13
105280201	1-45	47611869001	7-11	47629724001	8-13
105280202	1-45	47611870001	7-11	47629725001	8-13
105280203	1-45	47611876001	9-3	47629726001	8-13
105288902	1-19	47611877001	9-3	47629727001	8-13
105289701	1-27, 1-29	47612352001	9-9	47629728001	8-13
105313802	1-19	47613047002	10-3	47629729001	8-13
47539338002	7-11	47616157002	7-3	47629730001	8-13
47542195001	5-17, 5-19	47616611003	7-5	47629768001	8-13
47559475001	7-9	47616611004	7-5	47629822001	8-13
47562951001	2-3	47617163001	1-39	47629823001	8-13
47564890001	8-7	47617164001	1-23, 1-39	47629824001	8-13
47564902001	4-9	47617298001	1-39	47629825001	8-13
47564903001	13-5	47617345001	7-11	47629826001	8-11
47564905001	13-5	47619701001	9-5	47629828001	8-11
47564908001	4-7	47621444001	1-9	47629831001	8-11
47565234007	4-3	47621444002	1-9	47629832001	8-11
47565234008	4-3	47621704001	1-17	47629833001	8-11
47577554001	1-21	47623281001	7-3	47629834001	8-11
47577555001	1-21	47623339001	9-3	47629835001	8-11
47577556001	1-21	47625132001	2-3	47629836001	8-11
47577557001	1-21	47629583001	8-19	47629837001	8-11
47577558001	1-21	47629585001	8-19	47629838001	8-11
47579096001	6-21, 6-23	47629588001	8-19	47629841001	8-11
47579306001	16-9	47629589001	8-19	47629843001	8-11
47579307001	16-5	47629677001	8-15	47629844001	8-9
47579307002	16-5	47629680001	8-15	47629845001	8-9
47579307003	16-5	47629682001	8-15	47629846001	8-9
47579307004	16-5	47629685001	8-15	47629847001	8-9
47579307005	16-5	47629686001	8-15	47629848001	8-9
47579307006	16-5	47629687001	8-15	47629851001	8-9
47579307007	16-5	47629688001	8-15	47629853001	8-9
47583000001	7-9	47629689001	8-15	47629855001	8-9
47583790001	7-9	47629690001	8-15	47629856001	8-9
47583791001	7-9	47629691001	8-15	47629857001	9-7

# INDEX

47629858001	9-7	47676131002	1-67	47687749004	1-39
47629859001	9-7	47676131003	1-67	47687757001	7-3
47629860001	9-7	47676132001	1-67	47687760001	1-53
47629861001	9-7	47676132002	1-67	47687760002	1-53
47629862001	9-7	47676132003	1-67	47687760003	1-53
47629864001	9-7	47676132004	1-67	47687760004	1-53
47629865001	9-7	47676897001	8-11	47687867001	1-25
47629866001	9-7	47677217001	1-65	47688707001	1-3
47629867001	9-7	47677217002	1-65	47688840006	1-9
47629868001	9-7	47677217003	1-65	47688840007	1-9
47629869001	9-7	47677217004	1-65	47689069001	1-51
47629870001	9-7	47678079001	1-67	47689069002	1-51
47629871001	9-7	47678079002	1-67	47689069003	1-51
47629872001	9-7	47678079003	1-67	47689069004	1-51
47629874001	9-7	47678081001	1-3	47689468001	1-29
47629875001	9-9	47678081002	1-3	47689469001	1-27
47629876001	9-9	47678081003	1-3	47689517002	1-59
47629877001	9-9	47678081004	1-3	47689519001	1-61
47629878001	9-9	47678081005	1-3	47689522001	1-63
47629879001	9-13	47678081009	1-3	47693544001	1-25, 1-59, 1-61, 1-63, 1-67
47629880001	9-13	47678084001	1-63	47695108001	4-33
47629881001	9-13	47678085001	1-61	47695676001	10-3
47629882001	9-13	47678085002	1-61	47695923001	8-5
47634203001	1-69	47679173001	1-3	47696033001	13-15
47634205002	1-69	47679248001	1-23	47702942002	1-59, 1-61, 1-63
47637087001	9-5	47679248002	1-23	47709184001	1-71
47638920001	3-3, 3-9	47679248003	1-23	47709184002	1-71
47640020001	8-17	47679248004	1-23	47709184003	1-71
47640021001	8-11, 8-17	47679252001	7-5	47709184004	1-71
47640022001	8-17	47682597001	1-65, 1-67	47709184005	1-71
47640281001	8-3, 8-11	47682736001	1-65, 1-67	47709184006	1-71
47640953001	2-3	47682929001	1-67	47711604001	1-25
47650647001	8-11	47683274001	1-67	96704176	4-21, 12-3
47652322001	3-19	47683274002	1-67	96705587	10-3
47653915001	3-19	47683400001	4-33, 4-35	96741046	8-5
47662588001	12-23	47683519001	1-65		
47664038001	9-3	47683576001	1-25	<b>A</b>	
47664079001	7-5	47683576002	1-25	accelerator bracket and bearing assembly	5-5, 5-7
47665433001	2-3	47683840001	1-71	accelerator cable	9-11
47668917001	1-5	47683840002	1-71	accelerator pedal adjustment tool	17-3
47668918001	1-11	47683840003	1-71	accelerator pivot rod	5-5, 5-7
47668918002	1-11	47683840004	1-71	accelerator return spring	5-5, 5-7
47673197001	1-59	47683840005	1-71	accelerator rod	5-9, 5-11
47673197002	1-59	47683840006	1-71	access door	1-49
47673201001	1-29	47684094001	4-33	adapter	
47673203001	1-27	47684095002	1-11	cable (IQDM)	17-7
47674097001	4-13	47684172001	1-65, 1-67	adhesive, guide ring	17-3
47674098001	7-3	47684686001	1-23, 1-39, 1-51, 1-53	air cleaner assembly	9-15
47674099001	7-3	47684686002	1-23, 1-39, 1-51, 1-53	air filter	8-3, 9-15
47674803001	13-5	47684686003	1-23, 1-39, 1-51, 1-53	air filter evacuator	9-15
47674804001	13-5	47684686004	1-23, 1-39, 1-51, 1-53	air intake hose	9-15
47675750001	1-65	47684722001	3-15	anchor body	5-13, 5-17, 5-19
47675750002	1-65	47685955003	2-3	anchor body kit	5-13, 5-17, 5-19
47675750003	1-65	47687749001	1-39	anchor, piston	5-13, 5-17, 5-19
47676126001	1-23, 1-39	47687749002	1-39	anti-sway bar	6-25
47676131001	1-67	47687749003	1-39		

# INDEX

- A-plate strap 6-15
- A-plate, delta 6-15
- arbor 17-3
- arm
  - governor 9-11, 12-9
- armature 14-3
- armrest 1-25, 1-57
- assembly
  - accelerator bracket and bearing 5-5, 5-7
  - accelerator pivot rod 5-5, 5-7
  - bearing, steering shaft 6-5
  - delta A-plate 6-15
  - delta shock and gear support 6-15
  - drive hub 11-5
  - fuel cap 9-3
  - inner ball joint 6-3
  - kingpin 6-17, 6-19
  - moveable-face 11-5, 11-7
  - ratchet 5-3, 5-5, 5-7
  - secondary clutch weight 11-5
  - steering shaft 6-5
- axle 15-3
- axle guard 15-5
- axle shaft 12-17, 12-19
- axle shaft oil seal 15-3
- axle tube 12-17, 12-19, 15-3
- B**
  - backing plate, brake 5-13, 5-17, 5-19
  - ball bearing 7-9, 12-15, 12-17, 12-19
  - ball joint 5-3, 5-9, 5-11
  - ball stud 7-13
  - bar, stabilizer 6-25
  - barrel, plastic 1-11, 1-41, 1-57, 16-9
  - battery charger 16-3
  - battery clamp 7-17
  - battery condition indicator 4-15
  - battery discharge machine 17-3
  - battery hold-down 13-9
  - battery hold-down rod 13-9
  - battery terminal protector spray 17-3
  - battery thermometer 17-3
  - battery, 12-volt, top-post 7-17
  - battery, top-post, wire, 4ga, B+ 7-3
  - battery, top-post, wire, B- 4ga, 7-3, 7-17
  - bead, ferrite 13-17
  - bearing 15-3
    - ball 7-9, 12-15, 12-17, 12-19
    - ball (motor) 14-3
    - ball (steering pinion) 6-3
    - front wheel hub 6-13
    - hub 6-13
    - inner axle tube 15-3
    - lower pinion (steering) 6-3
    - pivot support 5-5, 5-7
    - steering shaft 6-5
      - thrust 6-17, 6-19, 12-11, 12-13
  - bearing and oil seal remover 17-3
  - bearing driver set 17-3
  - bearing puller 17-3
  - bearing puller wedge 17-3
  - bearing seat 6-5
  - bellows 6-3
  - belt, drive 11-3
  - block, brake-mounting 5-3
  - block, fuse 4-5, 4-7, 4-9
  - block, terminal 4-5, 4-7, 4-9, 13-5
  - body kick plate 1-31, 1-33, 1-35, 1-37, 1-41
  - body, anchor 5-13, 5-17, 5-19
  - body, rear 1-41
  - bolt, U- 6-23
  - boot, steering column 6-5
  - boot, switch 7-7, 13-7
  - box
    - steering gear 6-3
  - bracket 6-21
    - accel.cable 9-11
    - brake cable guide 6-15
    - brake light switch 4-5, 4-7, 4-9
    - carbon canister 9-5
    - FNR cable 9-11
    - governor 9-11, 12-9
    - horn 4-27
    - shock mounting, drv 6-23
    - shock mounting, pas 6-23
    - snubber 8-7
    - stabilizer bar mounting 6-25
    - steering column 6-5
    - steering column mounting 6-5
    - Tow/Run switch 7-7
  - bracket, hour meter 4-29
  - Bracket, Taillight 4-33
  - brake actuator kit 5-13, 5-17, 5-19
  - brake adjustment tool 17-3
  - brake backing plate 5-13, 5-17, 5-19
  - brake cable 5-15, 5-21, 5-23
  - brake cable equalizer 5-15, 5-21, 5-23
  - brake cable hanger 6-21
  - brake cable release tool 17-3
  - brake cluster 5-13, 5-17, 5-19
  - brake drum 5-13, 5-17, 5-19
  - brake lever arm 5-13, 5-17, 5-19
  - brake light switch bracket 4-5, 4-7, 4-9
  - brake mounting block 5-3
  - brake pedal 5-3
  - brake pedal adjustment tool 17-3
  - brake pedal pad 5-3
  - brake pedal tension tool 17-3
  - brake relay kit, 12-volt 4-5
  - brake return spring 5-21, 5-23
  - brake shoe 5-13, 5-17, 5-19
  - brake spring 5-13, 5-17, 5-19
  - breather 12-11, 12-13, 15-3
  - brush box assembly 14-3
  - brush kit, motor 14-3
  - brush rigging 14-3
  - brush spring 14-3
  - brush, motor 14-3
  - bumper
    - drive unit (motor) 14-3
    - rubber 5-3
    - seal, long 1-23
    - side trim 1-57
    - spring return 5-5, 5-7
  - bushing 7-13, 11-5, 12-3
  - bronze 6-13
  - nylon 5-3
  - spindle 6-13
  - stabilizer bar 6-25
  - steel 6-17, 6-19, 6-21, 6-23
  - urethane 6-15, 6-17, 6-19, 6-21, 6-23
- bushing support 6-25
- button, drive 11-7
- buzzer, reverse 4-13, 4-15, 4-31
- C**
  - cable
    - accelerator 9-11
    - brake 5-15, 5-21, 5-23
    - FNR shifter 12-5, 12-7
    - IQDM 17-7
  - calibration test module 17-3
  - cam
    - driven clutch 11-7
    - electrical component box 7-13
  - cam installation tool 17-3
  - canister, carbon, fuel tank 9-5
  - cap
    - dust 4-15, 13-5
    - fuel, gas, ratchet 9-3
    - key switch 4-17, 4-19
    - rubber 12-21
  - cap, hub, 7 prong 2-5
  - carbon canister 9-5
  - card, safety first 17-9
  - case
    - gear 15-3
    - transaxle 12-11, 12-13
  - CE mark ferrite bead, Fair-rite 13-17
  - CE mark ferrite bead, TDK 13-17
  - center shaft 12-15
  - charger bezel tool 17-3
  - charger, battery 16-3
  - circuit breaker 13-7
  - clamp
    - battery 7-17
    - hose 9-5, 9-15
    - p- (fuel filter) 9-11

# INDEX

clevis, upper delta 6-17, 6-19  
clip  
    meter 4-13  
clip, score card 6-11  
cluster, brake 5-13, 5-17, 5-19  
clutch  
    pin 12-15  
clutch removal tool 17-3  
clutch repair kit 11-7  
clutch tool kit 17-5  
clutch weight 11-5  
clutch, drive 11-5  
collar 12-15  
column, steering 6-5  
communication display module 17-5  
component mounting plate cover 13-15  
compression gauge 17-5  
compression mount 6-25  
compressor, piston ring 17-9  
compressor, valve spring 17-11  
connecting bar 1-57  
continuity tester 17-5  
controller, iq plus 500 amp 13-15  
cord reel 16-7  
counter shaft 12-15  
cover  
    dust 5-13, 5-17, 5-19, 6-13  
    fuse block 4-7, 4-9  
    rocker switch hole 4-13, 4-15  
    screw head 4-13, 4-15  
    steering column 6-5  
C-type stop ring 6-3  
cup, spring 5-5, 5-7  
cushion, shock absorber 6-21, 6-23  
cutter, valve seat 17-5

**D**

dash component 1-13  
decals  
    4-gauge wire warning 3-5, 3-11  
    battery danger 3-5  
    bed load warning 1-55, 3-3, 3-9  
    crush area warning 1-55, 3-3, 3-9  
    electrical cover safety 3-5, 3-11  
    filter log 13-13  
    FNR 3-5, 3-7, 3-11, 3-13  
    four-passenger warning 1-55, 3-3, 3-9  
    frame ground 3-7, 3-13  
    hot surface warning 3-7, 3-13  
    inspect log 13-13  
    key switch 3-13  
    maintenance/operate switch 3-7, 3-13, 7-7  
    on/off 3-5, 3-7, 3-11  
    operating instructions 3-5, 3-7, 3-11, 3-13  
    Tow/Run switch 3-5, 3-11, 13-7  
deionizer 13-13

cartridge 13-13  
delta A-plate 6-15  
delta A-plate sub-assembly 6-15  
delta shock and gear support 6-15  
diagnostic port 4-15, 13-5  
diesel tachometer probe 17-9  
differential 12-19  
    limited-slip 12-17  
    open 12-19  
differential drive unit 15-3  
differential gear 15-3  
differential gear set 12-19  
differential guard 15-5  
differential housing 15-3  
differential shaft 12-19  
diode 7-3  
door, access 1-49  
drain plug 12-11, 12-13  
drive belt 11-3  
drive button 11-7  
drive clutch 11-5  
drive clutch button 11-5  
drive clutch holder tool 17-5  
drive clutch hub puller 17-5  
drive clutch puller 17-5  
drive clutch spring 11-5  
drive clutch weight 11-5  
drive hub 11-5  
drive unit bumper 14-3  
drive unit guard 15-5  
driven clutch button 11-7  
driven clutch cam 11-7  
driven clutch cam puller 17-5  
driven clutch puller plug 17-5  
driver, drive clutch 11-5  
drum, brake 5-13, 5-17, 5-19  
dry moly lubricant 17-7  
dual snubber 8-7  
dust cap 4-15, 13-5  
dust cover 5-13, 5-17, 5-19, 6-13

**E**

eccentric adjustment screw 6-17  
E-clip 5-15, 5-21, 5-23  
end cap, motor 14-3  
end, tie rod 6-15  
engine  
    air cleaner 9-15  
    air filter 8-3, 9-15  
    air intake hose 9-15  
equalizer pivot 5-15  
equalizer rod 5-15, 5-21, 5-23  
equalizer, brake cable 5-15, 5-21, 5-23

**F**

face, moveable 11-7  
fender, inner 1-43  
ferrite bead (CE), Fair-rite 13-17  
ferrite bead (CE), TDK 13-17  
filter  
    air 8-3, 9-15  
fitting, thread-forming grease 6-13  
flasher, turn signal, 12-volt 4-11  
floor mat 1-15  
FNR closeout brush 4-13  
fnr shaft 12-3  
FNR shifter base 12-3  
FNR shifter cable 12-5, 12-7  
foot rest 1-57  
foot rest mat 1-57  
frame and field, motor 14-3  
front body support 1-41  
front spring retainer plate 6-17, 6-19  
Fuel Module, Hold-Down Ring 9-3  
fuse  
    20-amp 4-5, 4-7, 4-9  
fuse block 4-5, 4-7, 4-9  
fuse block cover 4-7, 4-9  
fuse, mini, 10A 7-5

**G**

gasket 12-11, 12-13  
    liquid 15-3, 17-7  
    plug 15-3  
gauge, battery condition 4-15  
gauge, compression 17-5  
gear  
    17 tooth 12-15  
    34 tooth 12-15  
    52 tooth 12-15  
    60 tooth 12-17, 12-19  
    62 tooth 12-15  
    differential 15-3  
    differential idler 15-3  
    differential output 15-3  
    governor 12-11, 12-13  
    governor, 34 tooth 12-15  
    set, differential 12-19  
gear yoke 17-7  
gearcase 15-3  
governor arm 9-11, 12-9  
governor gear shaft 12-11, 12-13  
governor shaft 12-11, 12-13  
grip, pencil 6-11  
guard, differential 15-5  
guide pin 12-11, 12-13  
guide ring adhesive 17-3

# INDEX

## H

handle 12-3  
handrail 1-57  
hanger, brake cable 6-21  
harness, headlight 4-7, 4-9  
harness, lighting 4-7, 4-9  
harness, wire 13-5  
harness, brake pedal switch 13-5  
headband, sealed, motor 14-3  
headband, vented, motor 14-3  
headlight wire harness 4-7, 4-9  
hill brake rod 5-3  
hill brake weld assembly 5-3  
hinge assembly 1-51  
hinge pin 1-51  
hinge plate 1-23, 1-31, 1-33, 1-35, 1-37, 1-39, 1-41  
hinge, long 1-51  
hold-down rod, battery 13-9  
hold-down, battery 13-9  
hole plug 4-15  
horn bracket 4-27  
hose  
    air intake 9-15  
    vent 9-5  
hour meter 4-29  
hour meter bracket 4-29  
housing  
    3-pin 14-3  
    differential 15-3  
hub 6-13  
hub bearing 6-13  
hub cap 2-5  
hub cap, 7 prong 2-5  
hydrometer 17-7

## I

idler gear, differential 15-3  
indicator, battery condition 4-15  
indicator, charger 4-15  
inner frame snubber 8-7  
input shaft 12-15, 15-3  
instrument panel wire harness, electric vehicle 4-15  
insulating washer 14-3  
insulator, motor terminal 14-3  
intermediate shaft 15-3  
internal retaining ring pliers 17-7  
IQ display module (IQDM) 17-7  
isolator, shock damper 6-21, 6-23

## J

joint  
    ball 5-3, 5-9, 5-11

## K

key  
    driven clutch 11-7  
    square 11-7  
key switch cap 4-17, 4-19  
kick plate, body 1-31, 1-33, 1-35, 1-37, 1-41  
kingpin 6-17, 6-19  
kit  
    3-pin housing 14-3  
    accelerator pivot rod 5-5, 5-7  
    anchor body 5-13, 5-17, 5-19  
    brake actuator 5-13, 5-17, 5-19  
    brake cable 5-15  
    brake pedal 5-3  
    brake pedal adjustment tool 17-3  
    brake relay 4-5  
    brake shoe 5-13, 5-17, 5-19  
    brake shoe retainer 5-13, 5-17, 5-19  
    clutch repair 11-7  
    drive clutch button 11-5  
    drive clutch weight 11-5  
    driven clutch button 11-7  
    equalizer, brake 5-15  
    hand pump, SPWS 13-13  
    hub cap 2-5  
    IQ display module (IQDM) 17-7  
    motor brush 14-3  
    motor brush lead assembly 14-3  
    motor brush spring 14-3  
    motor speed sensor 14-3  
    park brake latch 5-3  
    park brake pedal 5-3  
    relay, 48V 4-7, 4-9, 13-15  
    shock absorber cushion 6-21, 6-23  
    shoe retainer 5-13, 5-17, 5-19  
    steering column mounting bracket 6-5  
Kit, Windshield, Solid 1-29  
knob, forward/reverse 12-3

## L

latch, park brake 5-3  
leaf spring 6-21, 6-23  
light  
    oil 4-13  
    water quality 13-13  
lighting wire harness 4-7, 4-9  
limit switch 4-5, 4-7, 4-9, 7-13, 7-15  
link, stabilizer bar 6-25  
liquid gasket 15-3, 17-7  
low oil warning light 4-13  
lubricant, dry moly 17-7  
lubricant, moly-teflon 14-3, 17-7  
lug nut 2-3  
lug stud 12-21, 15-3

## M

magnet, speed sensor 14-3  
maintenance/operation switch 7-7  
mat, floor 1-15  
mat, foot rest 1-57  
MCOR 13-3  
meter clip 4-13  
meter, hour 4-29  
meter, volt ohm 17-11  
mirror 1-19  
module  
    calibration test 17-3  
    communication display 17-5  
Module, ECU 8-11  
moly-teflon lubricant 17-7  
motor  
    48-volt IQ Plus 14-3  
motor brush 14-3  
motor brush kit 14-3  
motor brush lead assembly kit 14-3  
motor brush spring 14-3  
motor bumper 14-3  
motor end cap 14-3  
motor frame and field 14-3  
motor headband, sealed 14-3  
motor headband, vented 14-3  
motor magnet, speed sensor 14-3  
motor speed sensor 14-3  
motor speed sensor kit 14-3  
motor terminal and lead assembly 14-3  
motor terminal insulator 14-3  
mount, compression 6-25  
mounting block, brake 5-3  
moveable-face 11-5, 11-7

## N

nut, lug 2-3

## O

oil seal 12-11, 12-13  
oil warning light, low 4-13  
operation/maintenance switch 7-7  
O-Ring, Fuel Module 9-3

## P

pad  
    brake pedal 5-3  
    park brake 5-3  
paint, touch-up 17-7  
panel, rear 16-9  
park brake latch 5-3  
park brake pedal 5-3  
park brake rod sleeve 5-3  
park brake spacer 5-3  
park brake torsion spring 5-3



# INDEX

pawl 5-3  
p-clamp (fuel filter) 9-11  
pedal, brake 5-3  
pedal, park brake 5-3  
pencil grip 6-11  
pin  
    bow tie locking 5-15, 5-21, 5-23  
    clevis 5-15, 5-21, 5-23  
    differential 12-19  
    guide 12-11, 12-13  
    input shaft 12-15  
pinion, steering 6-3  
piston anchor 5-13, 5-17, 5-19  
piston ring compressor 17-9  
piston ring pliers 17-9  
pivot support bearing 5-5, 5-7  
plate  
    body kick 1-31, 1-33, 1-35, 1-37, 1-41  
    front spring retainer 6-17, 6-19  
    hinge 1-23, 1-31, 1-33, 1-35, 1-37, 1-39, 1-41  
    receptacle backing 16-9  
    spring mounting 6-17, 6-19  
Plate, Closure, Kohler 8-17  
plate, Tow/Run switch 13-7  
pliers  
    internal retaining ring 17-7  
    piston ring 17-9  
    retaining ring 17-9  
plug  
    drain 12-11, 12-13  
    driven clutch puller 17-5  
    hole 4-15  
port, diagnostic 4-15, 13-5  
press weldment 17-5  
protector spray, battery terminal 17-3  
puller  
    bearing 17-3  
    clutch 17-3  
    drive clutch 17-5  
    drive clutch hub 17-5  
    driven clutch cam 17-5  
    seal 17-9

**R**

race, front hub bearing 6-13  
rack guide pressure spring 6-3  
rack, steering 6-3  
ratchet, park brake 5-3, 5-5, 5-7  
rear panel 16-9  
rear spring shackle 6-21  
receptacle backing plate 16-9  
reel cord 16-7  
regulator, voltage 7-13  
Relay 7-5  
relay 4-7, 4-9, 13-15

relay 48v 13-15  
relay, 12-volt 4-5  
relay, 48V 4-7, 4-9, 13-15  
relay, brake, kit, 12-volt 4-5  
remover, bearing and oil seal 17-3  
retainer  
    accelerator pedal spring 5-5, 5-7  
    brake shoe 5-13, 5-17, 5-19  
    shock absorber cushion 6-21, 6-23  
retaining ring 6-5  
retaining ring pliers 17-9  
return spring bumper 5-5, 5-7  
reverse buzzer 4-13, 4-15, 4-31  
rim (wheel) 2-3  
ring  
    C-type stop 6-3  
    retaining 6-5, 7-13, 11-5, 11-7, 12-11, 12-13, 12-21  
    snap 6-3  
    spiral backup 11-5  
rivet 7-7, 13-7  
rivet, blind push 1-67, 13-15  
rock guard 15-5  
rocker switch 4-15  
rocker switch (lights) 4-5, 4-7, 4-9, 4-13, 4-15  
rod  
    accelerator 5-9, 5-11  
    accelerator pivot 5-5, 5-7  
    battery hold-down 13-9  
    equalizer 5-15, 5-21, 5-23  
    hill brake 5-3

## S

safety first card 17-9  
score card clip 6-11  
score card plate 6-11  
screw, eccentric adjustment 6-17  
seal  
    lip 15-3  
    oil 12-11, 12-13, 15-3  
    steering pinion dust 6-3  
seal puller 17-9  
sealant 15-3  
seat, bearing 6-5  
seat, fold-down 1-55  
select shaft 12-11, 12-13  
sensor, motor speed 14-3  
Sensor, Temperature 8-11  
shackle weldment 6-23  
shackle, rear spring 6-21  
shaft  
    axle 12-17, 12-19  
    center 12-15  
    counter 12-15  
    differential 12-19  
    governor 12-11, 12-13  
    governor gear 12-11, 12-13  
    input 12-15, 15-3  
    intermediate 15-3  
    select 12-11, 12-13  
    shift 12-15  
    steering column 6-5  
shift shaft 12-3, 12-15  
shifter, base 12-3  
shock absorber 6-15, 6-21, 6-23  
shock absorber cushion 6-21, 6-23  
shock absorber cushion retainer 6-21, 6-23  
shock damper isolator 6-21, 6-23  
shock mounting bracket, drv 6-23  
shock mounting bracket, pas 6-23  
shoe retainer kit 5-13, 5-17, 5-19  
shoe, brake 5-13, 5-17, 5-19  
sleeve 12-11, 12-13  
    delta A-plate 6-15  
    park brake rod 5-3  
snap ring 6-3  
snubber bracket 8-7  
snubber, dual 8-7  
snubber, inner frame 8-7  
solenoid 13-15  
solenoid, 12-volt 7-13  
spacer 4-33, 12-11, 12-13, 12-15  
    accelerator pivot rod 5-5, 5-7  
    park brake 5-3  
speed sensor 14-3  
speed sensor magnet 14-3  
speed sensor, motor 14-3  
spindle assembly 6-13  
spiral backup ring 11-5  
spray, battery terminal protector 17-3  
spring 12-11, 12-13  
    accelerator return 5-5, 5-7  
    brake 5-13, 5-17, 5-19  
    brake return 5-21, 5-23  
    brush 14-3  
    compression 6-11  
    drive button 11-5  
    drive clutch 11-5  
    leaf 6-21, 6-23  
    park brake torsion 5-3  
    rack guide pressure 6-3  
    steering shaft compression 6-5  
spring cup 5-5, 5-7  
spring mounting plate 6-17, 6-19  
spring, motor brush 14-3  
SPWS manifold 13-11  
stabilizer bar 6-25  
stabilizer bar link 6-25  
stabilizer bar mounting bracket 6-25  
steel bushing 6-17, 6-19, 6-21, 6-23  
steering column 6-5  
steering column bearing press tool 17-9

# INDEX

steering column retaining ring tool 17-9  
steering gear box 6-3  
steering pinion 6-3  
steering pinion dust seal 6-3  
steering rack 6-3  
steering shaft assembly 6-5  
steering shaft compression spring 6-5  
steering wheel 6-9, 6-11  
steering wheel puller tool 17-9  
stem, valve 2-3  
strap, A-plate 6-15  
stud  
    lug 12-21, 15-3  
stud, ball 7-13  
support yoke (steering) 6-3  
support, bushing 6-25  
support, front body 1-41  
suppressor, voltage 4-5, 4-7, 4-9  
switch  
    light rocker 4-5, 4-7, 4-9, 4-13, 4-15  
    limit 4-5, 4-7, 4-9, 7-13, 7-15  
    rocker 4-15  
    Tow/Run 13-7  
    turn signal 4-11  
switch plate, Tow/Run 13-7  
switch rubber boot 7-7, 13-7  
switch, operation/maintenance 7-7  
switch, toggle 7-7

## T

12-volt solenoid 7-13  
tachometer 17-9  
tachometer probe, diesel 17-9  
terminal block 4-5, 4-7, 4-9, 13-5  
tester, continuity 17-5  
thermometer, battery 17-3  
thread-forming grease fitting 6-13  
thrust bearing 6-17, 6-19  
tie rod 6-15  
tie rod end 6-15  
tie wrap 6-3, 7-13, 12-5, 12-7, 13-17  
tire 2-3  
toggle switch 7-7  
tool  
    accelerator pedal adjustment 17-3  
    belt tensioning, starter/generator 17-11  
    brake adjustment 17-3  
    brake cable release 17-3  
    brake pedal adjustment 17-3  
    brake pedal tension 17-3  
    cam installation 17-3  
    charger bezel 17-3  
    cT-wrench 17-5  
    drive clutch holder 17-5  
    steering column bearing press 17-9  
    steering column retaining ring 17-9

steering wheel puller 17-9  
transaxle axle seal 17-9  
transaxle pinion seal 17-9  
transmission 17-9  
tool kit, clutch 17-5  
touch-up paint 17-7  
Tow/Run switch 13-7  
Tow/Run switch bracket 7-7  
Tow/Run switch plate 13-7  
transaxle (Electric Vehicle) 15-3  
transaxle axle seal tool 17-9  
transaxle guard 15-5  
transaxle pinion seal tool 17-9  
transaxle, limited-slip (Gas Vehicle) 12-11  
transaxle, open-diff (Gas Vehicle) 12-13  
transmission tool 17-9  
tube  
    axle 12-17, 12-19, 15-3  
turn signal switch 4-11  
T-wrench tool 17-5

## U

U-bolt 6-21, 6-23  
upper delta clevis 6-17, 6-19  
urethane bushing 6-15, 6-17, 6-19, 6-21, 6-23

## V

valve 9-15  
valve seat cutter 17-5  
valve spring compressor 17-11  
valve stem 2-3  
vent  
    transaxle 12-11, 12-13  
vent, barb 9-5  
volt ohm meter 17-11  
voltage regulator 7-13  
voltage suppressor 4-5, 4-7, 4-9

## W

warning light, low oil 4-13  
washer, insulating 14-3  
water quality light 13-13  
wedge, bearing puller 17-3  
weight  
    clutch 11-5  
    secondary clutch 11-5  
weldment  
    governor bracket 9-11, 12-9  
    press 17-5  
wheel 2-3  
    steering 6-9, 6-11  
windshield channel 1-27  
Windshield, Hinged 1-27  
Wire 13-5  
wire

green, starter/generator 7-3, 7-9  
ground, fuel tank 9-3  
wire harness 13-5  
wire harness, headlight 4-7, 4-9  
wire harness, lighting 4-7, 4-9  
wrap, tie 6-3, 7-13, 12-5, 12-7, 13-17

## Y

yoke, gear 17-7  
yoke, support (steering) 6-3













**Club Car, Inc.**  
P.O. Box 204658  
Augusta, GA 30917-4658  
USA

**Web** [www.clubcar.com](http://www.clubcar.com)  
**Phone** 1.706.863.3000  
1.800.ClubCar  
**Int'l** +1 706.863.3000  
**Fax** 1.706.863.5808