



**YAMAHA**

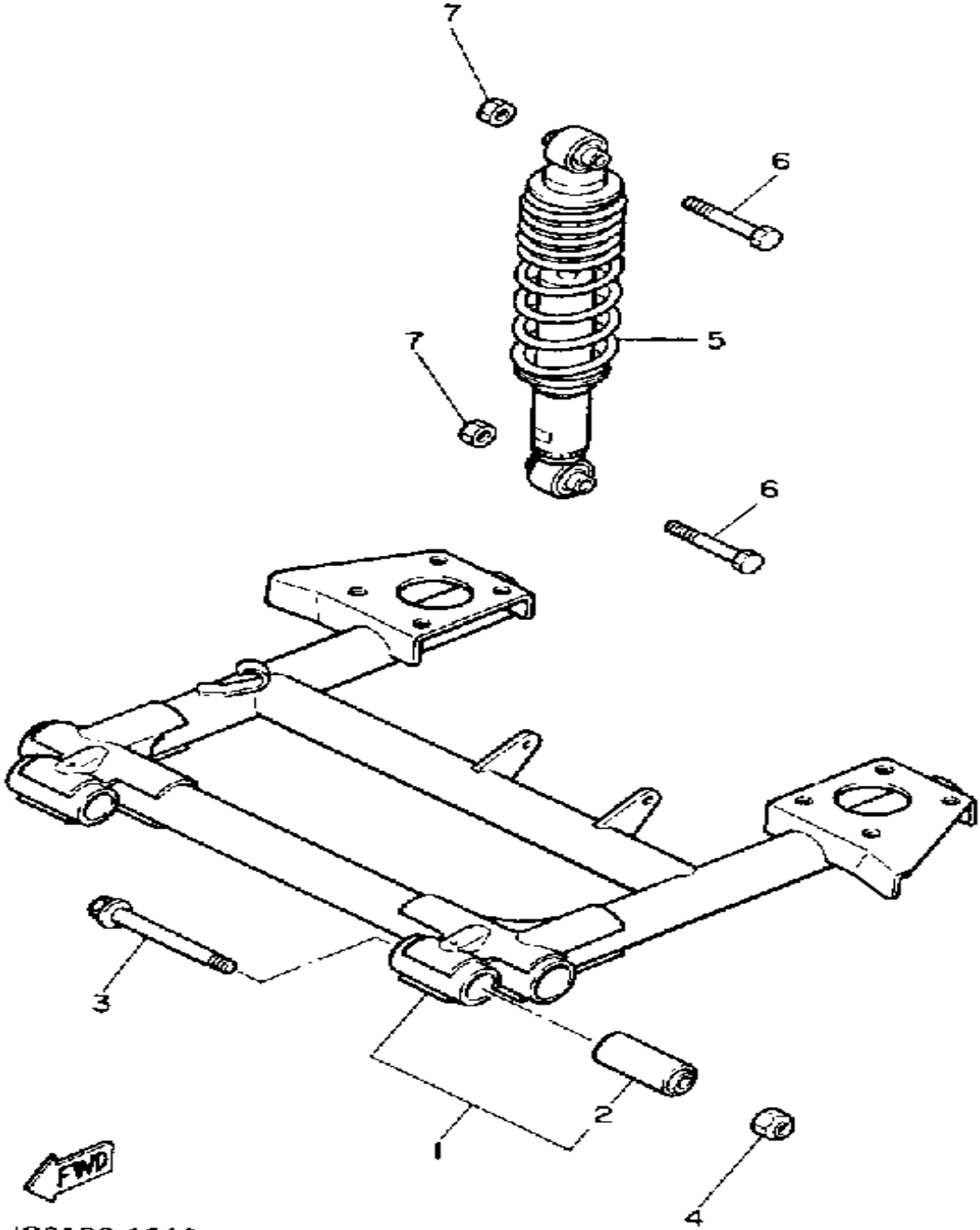
**GENUINE**

**PARTS CATALOGUE**

**GOLF CAR**

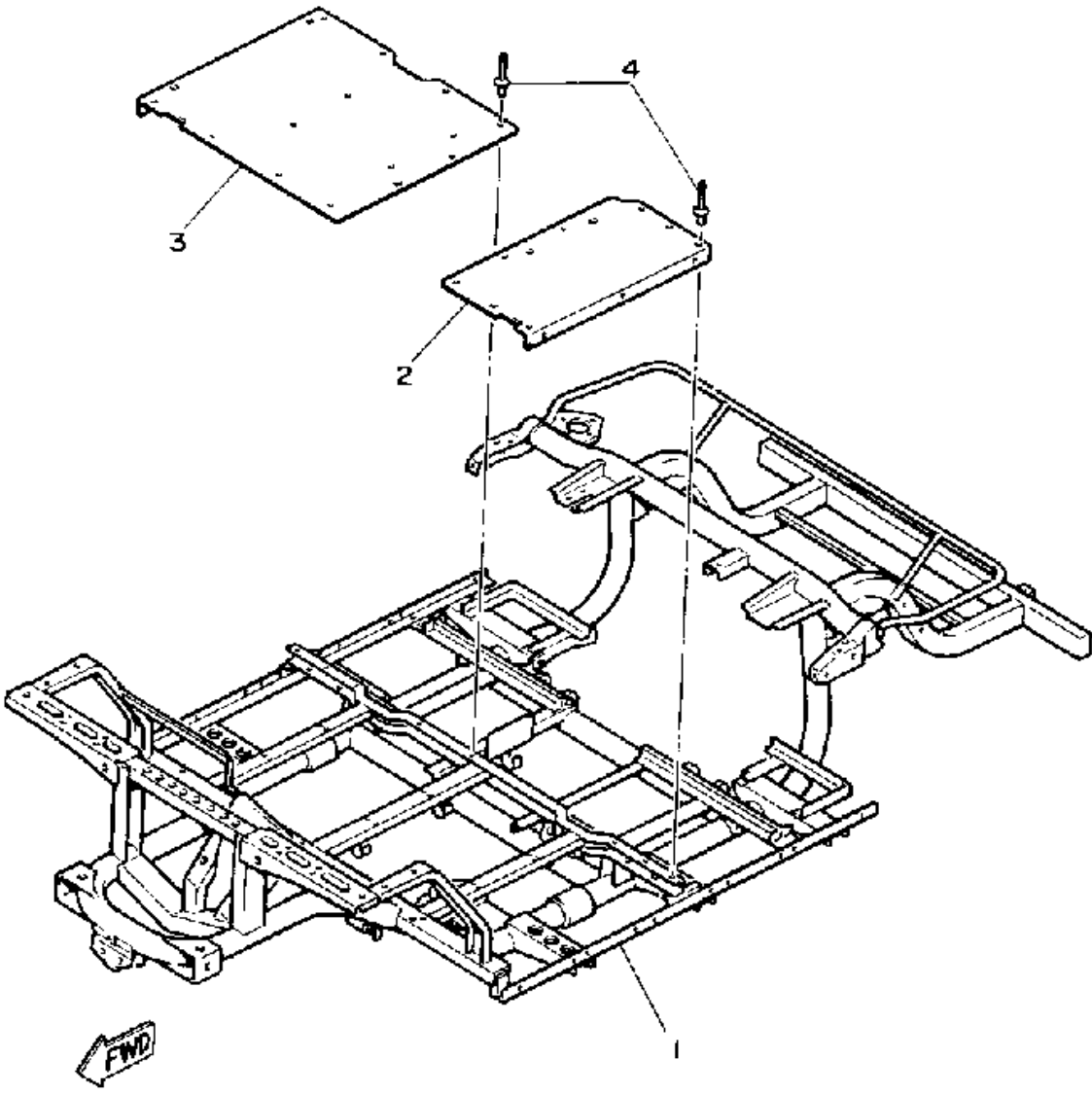
# REAR SHOCKS

Ref. No.	Part Number	Description	Qty	Remarks
1	J56-F2110-W0-00	REAR ARM COMP. (J56-F2110-00-00)	1	
2	J10-22123-00-00	. BUSH 1	2	
3	90105-10359-00	BOLT, WASHER BASED	2	
4	90185-10115-00	NUT, SELF-LOCKING	2	
5	JG6-F2210-00-00	SHOCK ABSORBER ASSEMBLY, REAR	2	
6	97012-10050-00	BOLT (97002-10050-00)	4	
7	95601-10100-00	NUT, U (95602-10100-00)	4	



JG6100-1010

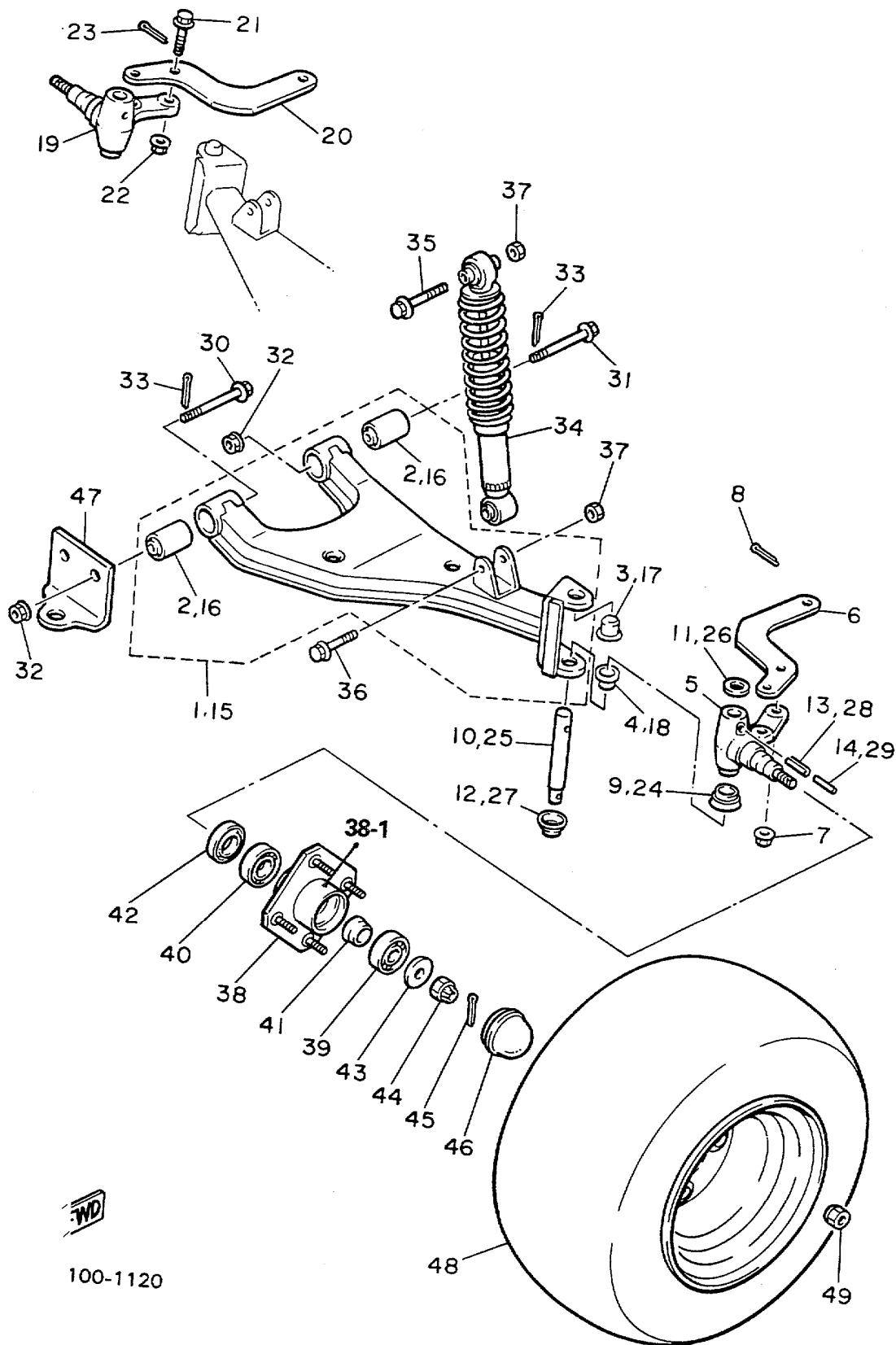
# FRAME



Ref. No.	Part Number	Description	Qty	Remarks
1	JG6-F2501-01-00	FRAME .....	1	
2	J55-F2571-00-00	PANEL 1 .....	1	
3	J55-F2572-00-00	PANEL 2 .....	1	
4	90267-40054-00	RIVET, BLIND .....	20	

JGE100-1020

# FRONT SUSPENSION - WHEEL

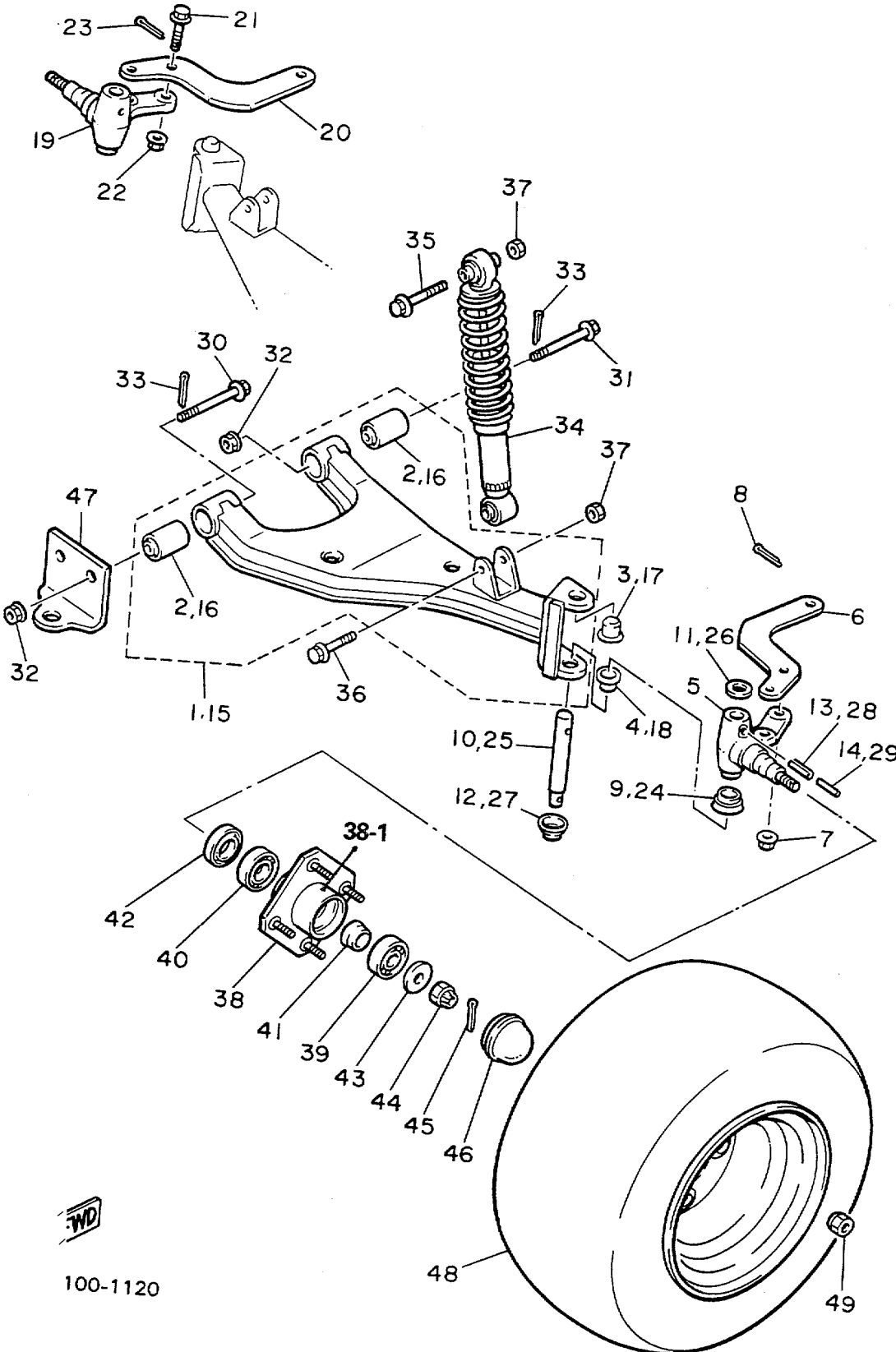


Ref. No.	Part Number	Description	Qty	Remarks
1	J55-F3570-00-00	FRONT LOWER ARM SUB-ASSEMBLY (L.H)	1	
2	J38-23526-00-00	. BUSH	2	
3	90338-17225-00	PLUG	1	
4	90386-15139-00	BUSH	1	
5	J38-23511-01-00	KNUCKLE, STEERING 1	1	
6	J38-23512-02-00	ARM, KNUCKLE 1	1	
7	90185-10115-00	NUT, SELF-LOCKING	2	
8	91401-25020-00	PIN, COTTER	2	
9	J38-23527-00-00	SEAL, DUST	1	
10	J55-F3516-00-00	KING PIN, STEERING KNUCKLE	1	YPAD
11	90201-156J2-00	WASHER, PLAIN	1	
12	J38-23528-00-00	SEAL, DUST	1	
13	91609-60028-00	PIN, SPRING	1	
14	91609-35028-00	PIN, SPRING	1	
15	J55-F3580-00-00	FRONT LOWER ARM SUB-ASSEMBLY (R.H)	1	
16	J38-23526-00-00	. BUSH	2	
17	90338-17225-00	PLUG	1	
18	90386-15139-00	BUSH	1	
19	J38-23521-01-00	KNUCKLE, STEERING 2	1	
20	J38-23512-02-00	ARM, KNUCKLE 1	1	
21	90105-10360-00	BOLT, FLANGE	2	
22	90185-10115-00	NUT, SELF-LOCKING	2	
23	91401-25020-00	PIN, COTTER	2	
24	J38-23527-00-00	SEAL, DUST	1	
25	J55-F3516-00-00	KING PIN, STEERING KNUCKLE	1	YPAD
26	90201-156J2-00	WASHER, PLAIN	1	

CONTINUED ON NEXT FRAME ►

100-1120

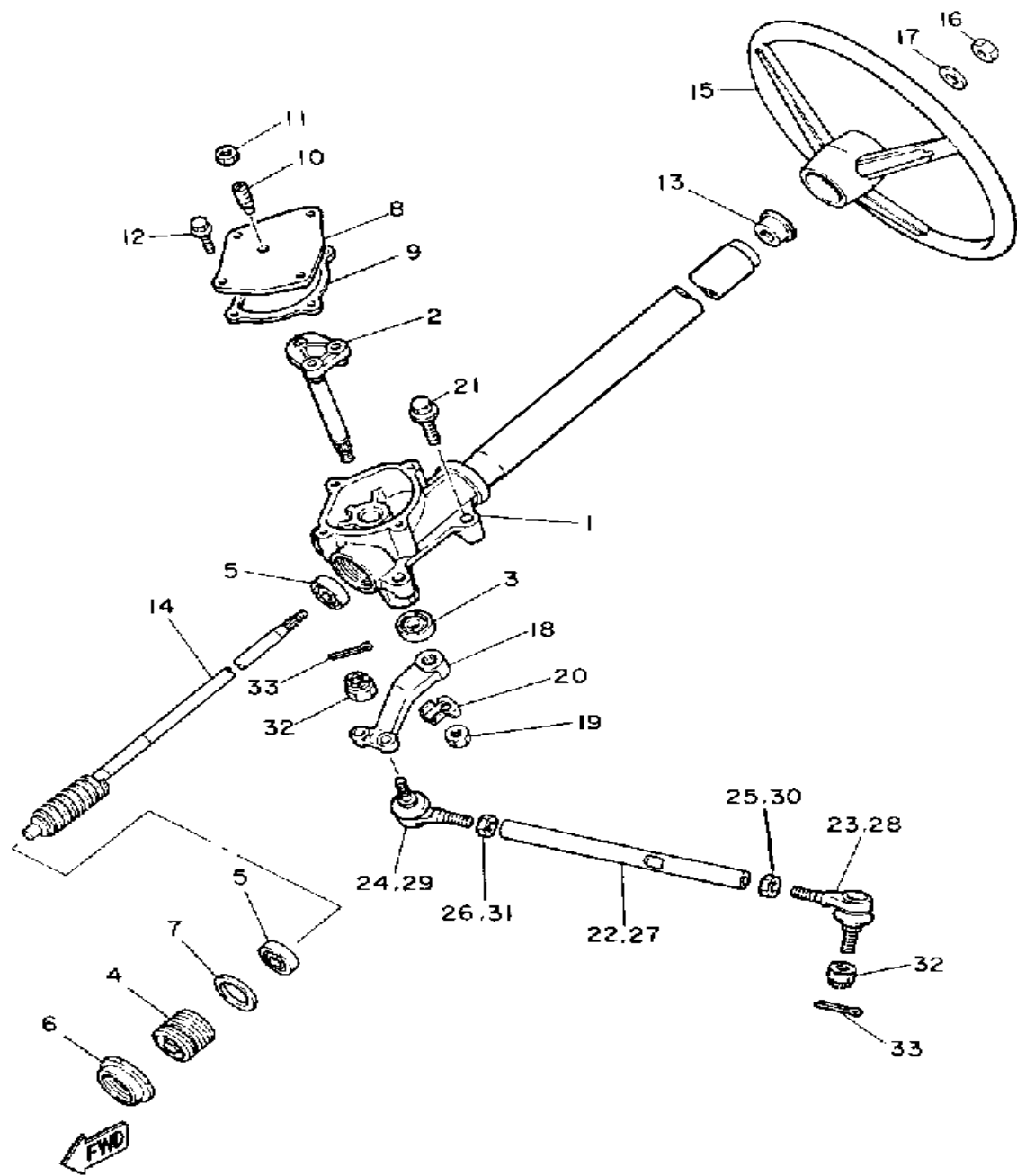
# FRONT SUSPENSION - WHEEL



Ref. No.	Part Number	Description	Qty	Remarks
27	J38-23528-00-00	SEAL, DUST .....	1	
28	91609-60028-00	PIN, SPRING .....	1	
29	91609-35028-00	PIN, SPRING .....	1	
30	90105-10357-00	BOLT, FLANGE .....	2	
31	90105-10357-00	BOLT, FLANGE .....	2	
32	90185-10115-00	NUT, SELF-LOCKING .....	4	
33	91401-25020-00	PIN, COTTER .....	4	
34	JG6-F3350-00-00	SHOCK ABSORBER ASSEMBLY .....	2	
35	97002-10065-00	BOLT .....	2	
36	97012-10050-00	BOLT (97002-10050-00) .....	2	
37	95601-10100-00	NUT, U (95602-10100-00) .....	4	
38	JG5-WF511-00-00	HUB .....	2	
39	93306-20437-00	BEARING .....	2	
40	93306-00511-00	BEARING .....	2	
41	90387-241M7-00	COLLAR .....	2	
42	93102-30083-00	SEAL, OIL .....	2	
43	90209-32271-00	WASHER .....	2	
44	95601-14100-00	NUT, U (95602-14100-00) .....	2	
45	91401-25020-00	PIN, COTTER .....	2	
46	J17-25118-00-00	COVER, HUB DUST .....	2	
47	ABA-JF287-00-00	BRACKET 1 ASSEMBLY .....	1	AP
48	J55-F5100-00-00	FRONT WHEEL ASSEMBLY ..	2	
49	90179-12262-00	NUT .....	8	
38-1	90114-12800-00	. BOLT, RIBBED NECK .....	8	

WD  
100-1120

# STEERING

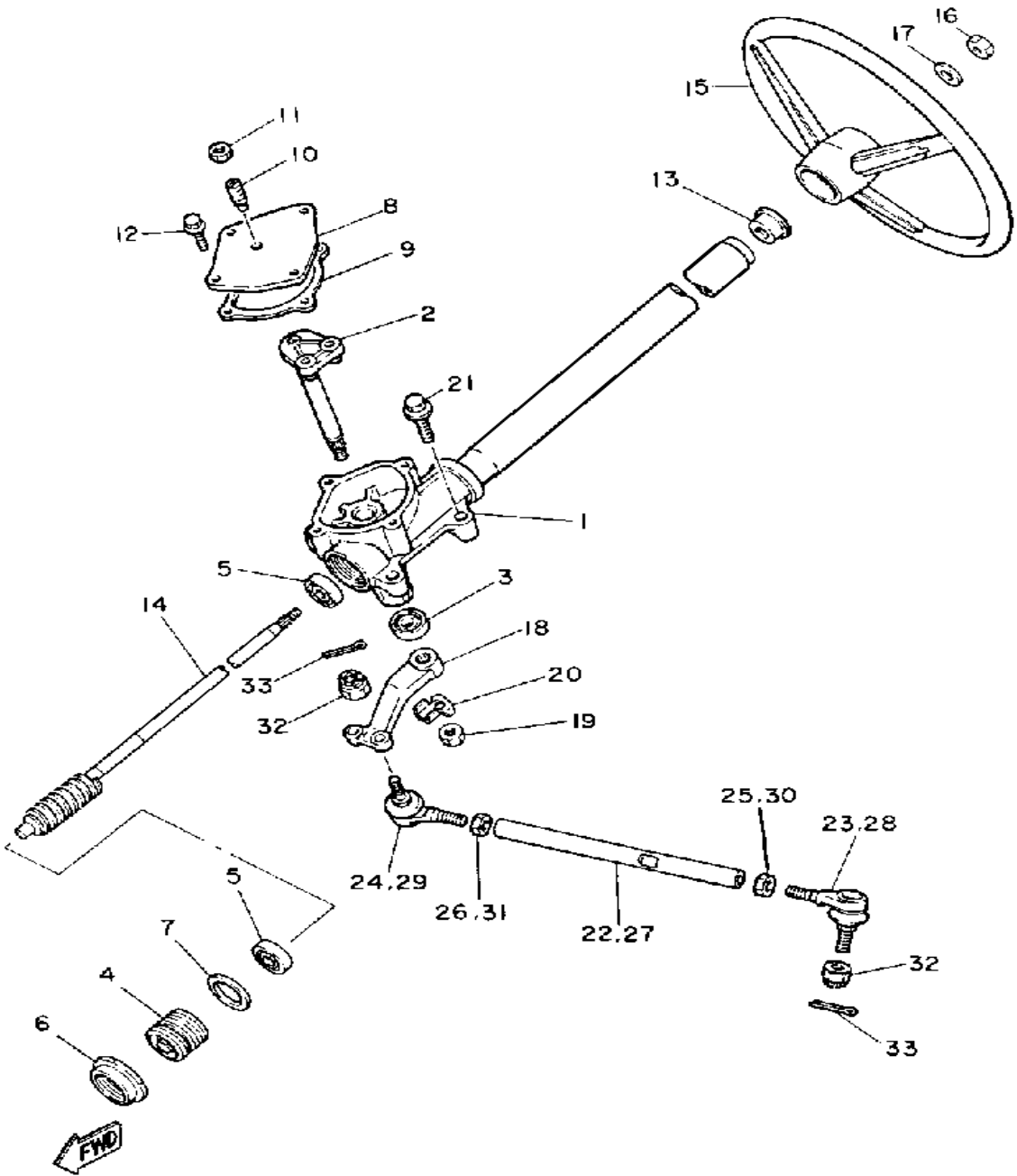


J41110-5040

Ref. No.	Part Number	Description	Qty	Remarks
1	JG5-F3811-00-00	COLUMN, STEERING	1	YPAD
2	J38-23816-00-00	ARM, PITMAN	1	
3	93102-22314-00	SEAL, OIL	1	
4	J55-F3876-00-00	BOLT	1	YPAD
5	93332-00010-00	BEARING	2	
6	J10-23877-00-00	NUT	1	
7	J10-23444-00-00	WASHER	1	
8	J55-23818-00-00	COVER, STEERING	1	
9	J38-23462-00-00	SEAL, STEERING (J38-23462-01-00)	1	
10	J10-23459-00-00	BOLT	1	
11	90170-08024-00	NUT, HEX.	1	
12	95811-06020-00	BOLT, FLANGE	4	
13	J38-23814-00-00	HOLDER, HANDLE UPPER	1	
14	J10-23840-00-00	STEERING SHAFT	1	
15	JF2-F3838-00-00	WHEEL, STEERING	1	YPAD
16	90185-12119-00	NUT, SELF-LOCKING	1	
17	92990-12200-00	WASHER, PLAIN	1	
18	J38-23826-01-00	ARM, IDLER	1	
19	95701-16300-00	NUT, FLANGE	1	
20	90215-16252-00	WASHER, TONGUE	1	
21	95811-10050-00	BOLT, FLANGE (95812-10050-00)	4	
22	J38-23831-02-00	ROD, TIE	1	
23	J38-23841-01-00	JOINT, UNIVERSAL 1	1	
24	J38-23845-01-00	JOINT, UNIVERSAL 2	1	
25	90170-12055-00	NUT	1	
26	90170-12054-00	NUT	1	
27	J38-23837-02-00	ROD, TIE 2	1	

CONTINUED ON NEXT FRAME ►

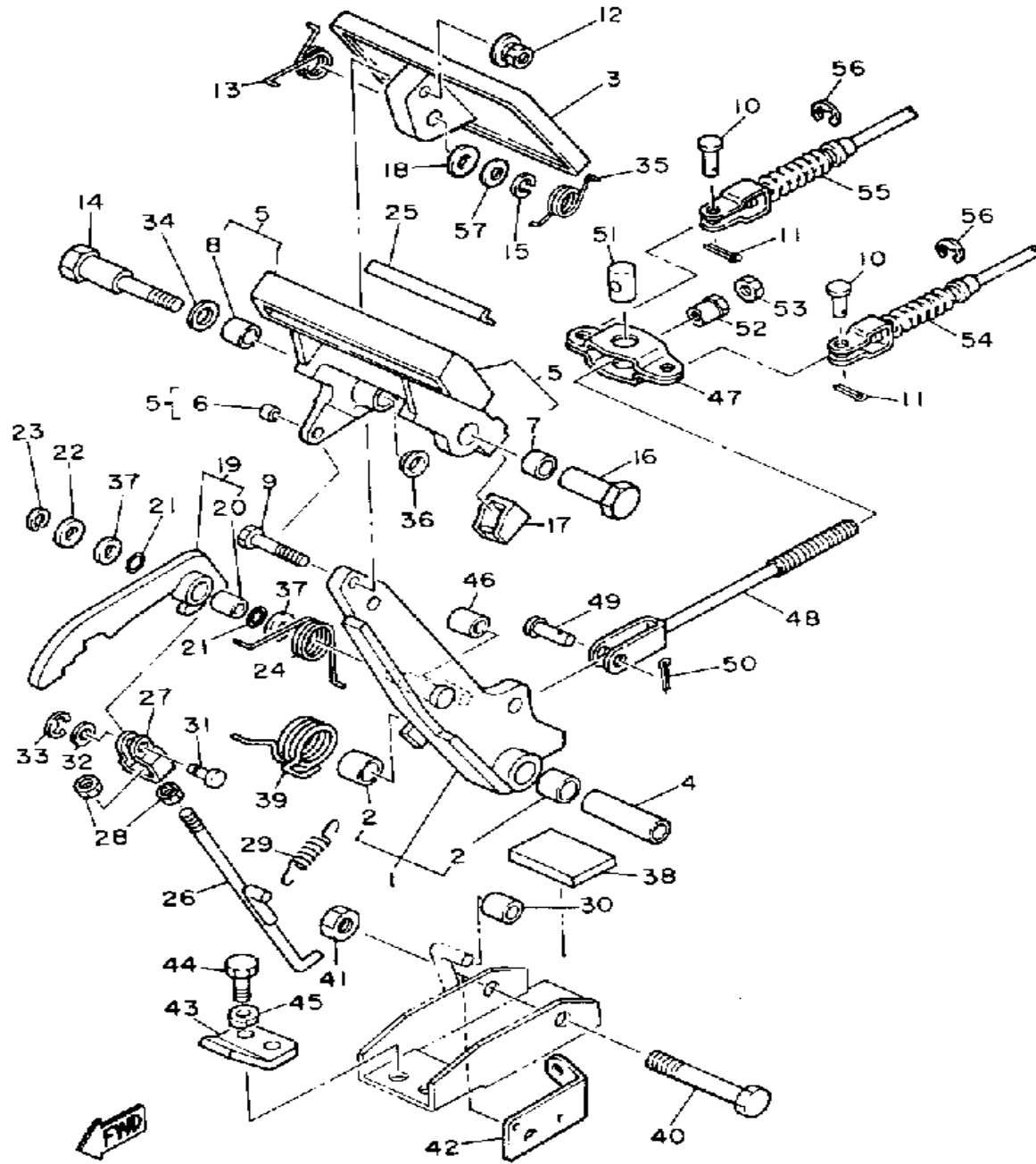
# STEERING



Ref. No.	Part Number	Description	Qty	Remarks
28	J38-23841-01-00	JOINT, UNIVERSAL 1	1	
29	J38-23845-01-00	JOINT, UNIVERSAL 2	1	
30	90170-12055-00	NUT	1	
31	90170-12054-00	NUT	1	
32	95601-10100-00	NUT, U (95602-10100-00)	4	
33	91401-25020-00	PIN, COTTER	4	
	G9E-PARTS-BO-AR	ASSEMBLY, HARDWARE	9	OPTIONAL PARTS

J41110-5040

# BRAKE



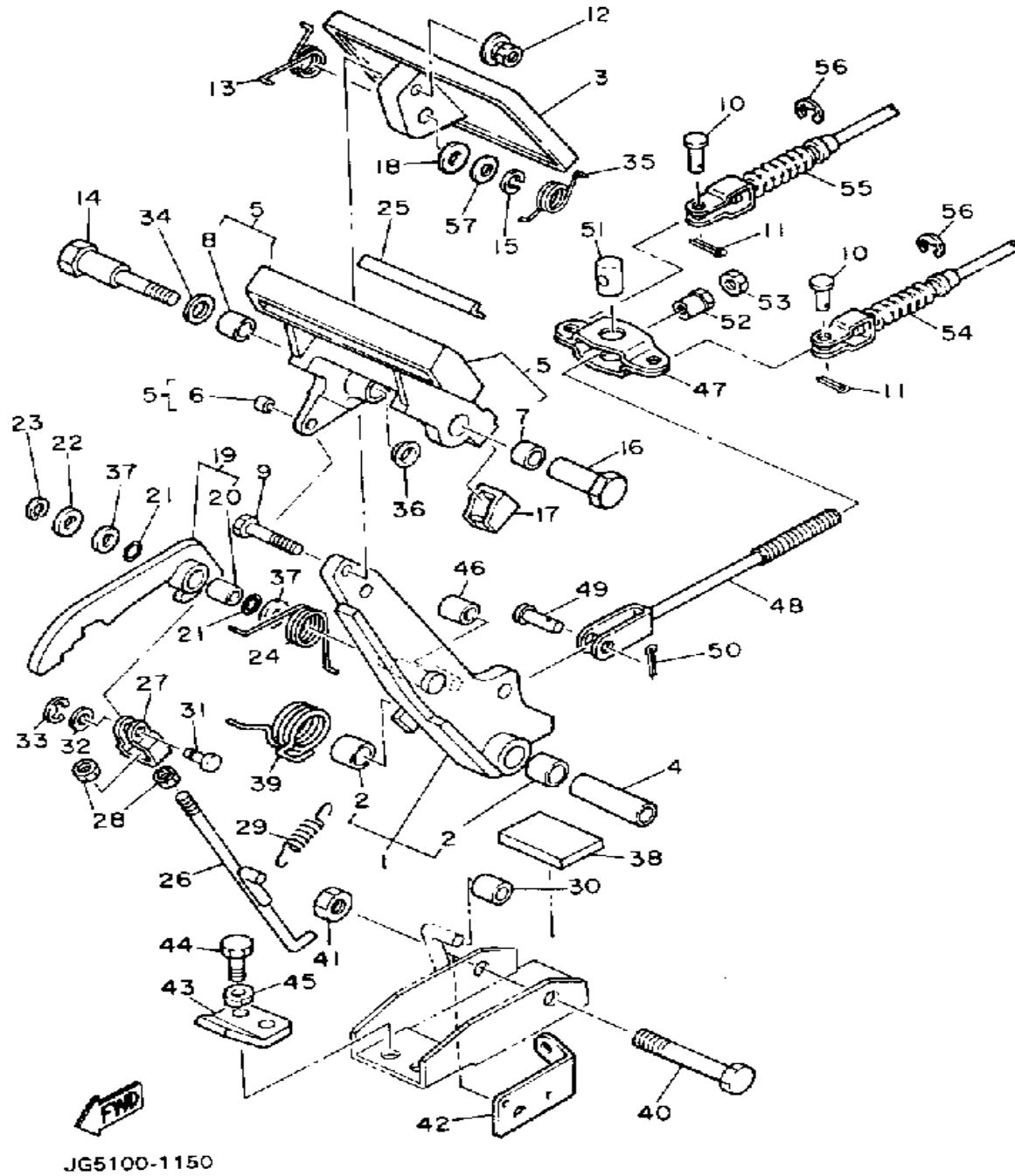
JG5100-1150

Ref. No.	Part Number	Description	Qty	Remarks
1	92990-10600-00	. WASHER, PLATE .....	1	
	99080-07600-00	. CIRCLIP (E) .....	1	
	99999-01757-00	BRAKE ARM CMLPT (J17-27250-01) .....	1	
2	90384-14080-00	. BUSH, BIMETAL .....	2	
3	J10-27211-00-00	PEDAL, BRAKE .....	1	
4	90387-107F8-00	COLLAR .....	1	
5	J17-25670-01-00	PARKING PEDAL COMP. ....	1	
6	90384-05163-00	. BUSH, BIMETAL .....	1	
7	90384-12164-00	. BUSH, BIMETAL .....	1	
8	90380-12051-00	. BUSH, SOLID .....	1	
9	90101-06555-00	BOLT, HEX. ....	1	
10	91701-08018-00	PIN .....	4	
11	91490-25020-00	PIN, COTTER .....	4	
12	90179-07564-00	NUT .....	1	
13	90508-23542-00	SPRING, TORSION .....	1	
14	90109-08669-00	BOLT .....	1	
15	92902-08100-00	WASHER, SPRING .....	1	
16	90179-08378-00	NUT .....	1	
17	J17-25679-01-00	DAMPER .....	2	
18	92990-08200-00	WASHER, PLAIN .....	1	
19	J17-W2561-00-00	SECTOR, PARKING BRAKE ..	1	
20	90384-10162-00	BUSH, BIMETAL .....	1	
21	J17-27221-00-00	SEAL, SHAFT .....	2	
22	92990-10600-00	WASHER, PLATE .....	1	
23	99080-07600-00	CIRCLIP (E) .....	1	
24	90508-14548-00	SPRING, TORSION .....	1	
25	J17-25672-01-00	PAD, PARKING .....	1	
26	J17-27231-02-00	ROD, BRAKE .....	1	

CONTINUED ON NEXT FRAME ►



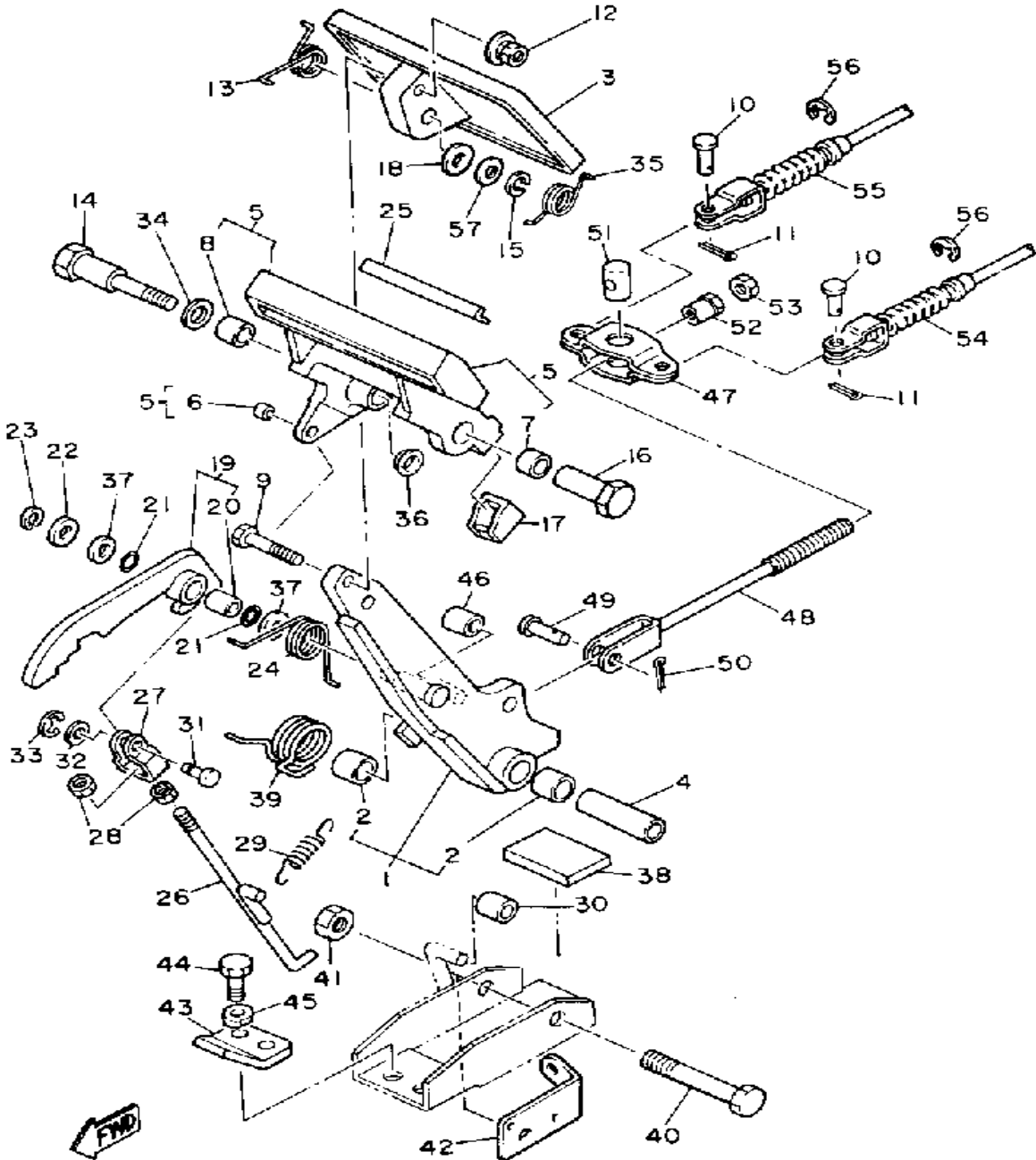
# BRAKE



Ref. No.	Part Number	Description	Qty	Remarks
27	J17-27232-00-00	END, ROD .....	1	
28	95380-06700-00	NUT .....	2	
29	90506-12277-00	SPRING, TENSION .....	1	
30	J17-25673-00-00	DAMPER, BRAKE .....	1	
31	J17-27228-00-00	PIN, LINK JOINT .....	1	
32	92901-05600-00	WASHER, PLATE .....	1	
33	99080-04600-00	CIRCLIP (E) .....	1	
34	90201-123F2-00	WASHER, PLAIN .....	1	
35	90508-26557-00	SPRING, TORSION .....	1	
36	90380-12105-00	BUSH, SOLID .....	1	
37	90201-104G8-00	WASHER, PLAIN .....	2	
38	J17-27245-00-00	PAD, BRAKE PEDAL .....	1	
39	90508-40543-00	SPRING, TORSION .....	1	
40	90101-10447-00	BOLT, HEX. ....	1	
41	95601-10100-00	NUT, U (95602-10100-00) .....	1	
42	J55-2252M-00-00	BRACKET, .....	1	
43	J17-27246-00-00	NAIL, BRAKE .....	1	
44	97313-08020-00	BOLT, HEXAGON .....	2	
45	92902-08100-00	WASHER, SPRING .....	2	
46	J17-25673-00-00	DAMPER, BRAKE .....	1	
47	J10-25681-00-00	EQUALIZER, BRAKE .....	1	
48	J20-25685-00-00	ROD .....	1	
49	91701-10022-00	PIN .....	1	
50	91490-30020-00	PIN, COTTER .....	1	
51	90249-14129-00	PIN .....	1	
52	90179-08261-00	NUT .....	1	
53	95303-08700-00	NUT .....	1	
54	J56-F6341-00-00	CABLE, BRAKE .....	1	YPAD
55	J56-F6351-00-00	CABLE, BRAKE .....	1	YPAD

CONTINUED ON NEXT FRAME ►

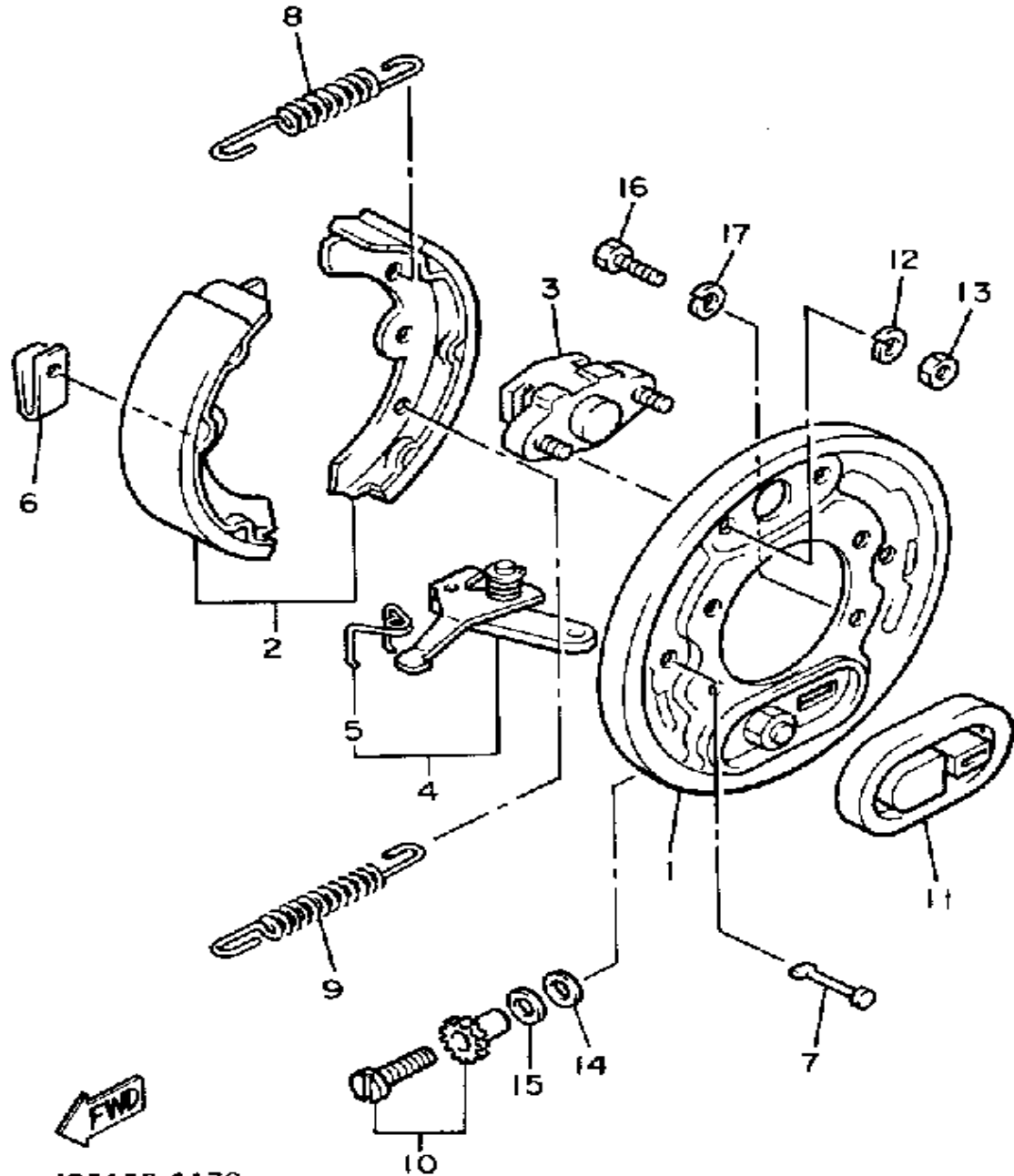
# BRAKE



Ref. No.	Part Number	Description	Qty	Remarks
56	99001-09600-00	CIRCLIP .....	4	
57	J55-27226-00-00	WASHER, LINK .....	1	

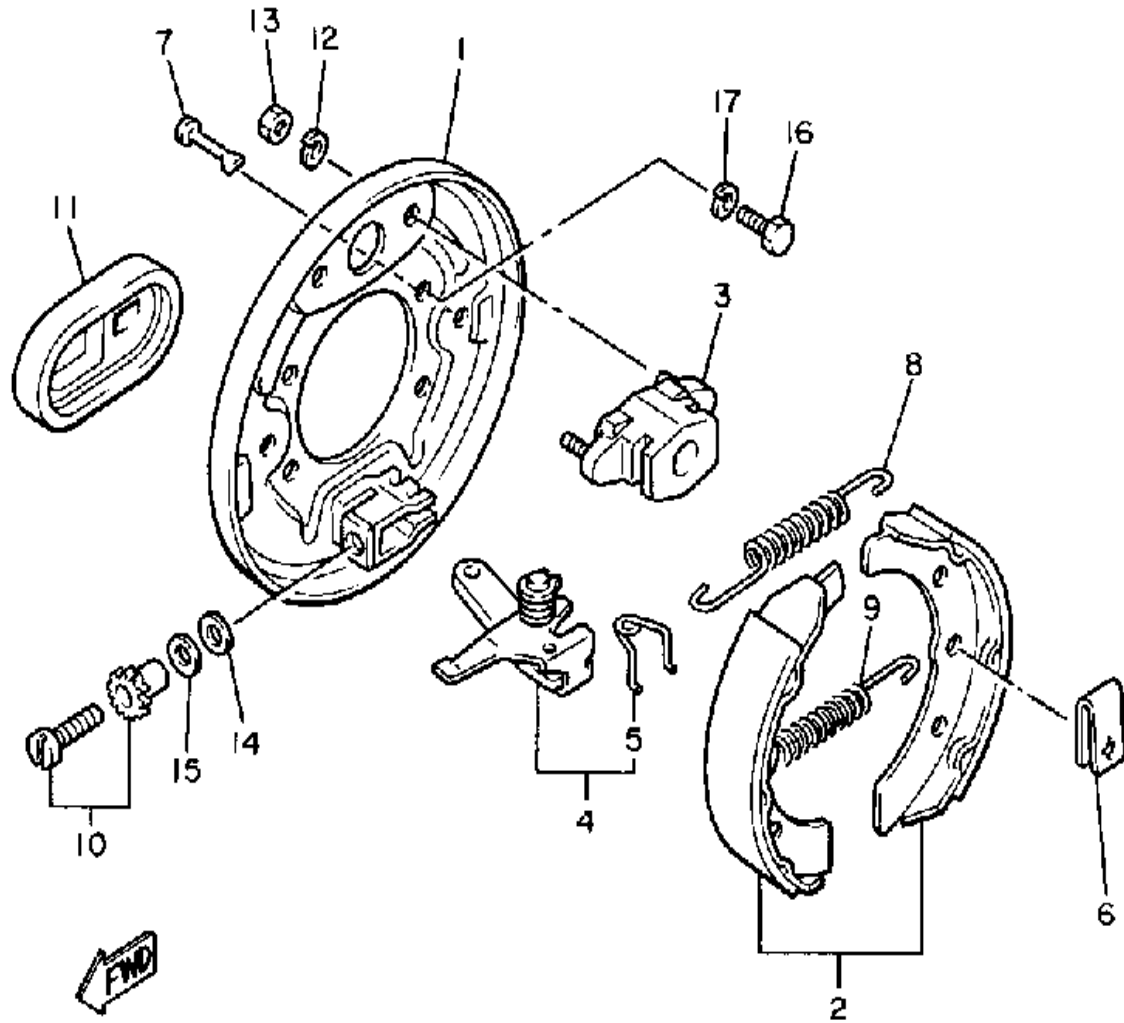
JG5100-1150

# BRAKE 2



Ref. No.	Part Number	Description	Qty	Remarks
1	J17-27208-00-00	BACKING PLATE SUB ASSEMBLY 1 (R.H)	1	
2	J55-W2536-00-00	. BRAKE SHOE SET	1	
3	J17-27206-00-00	. ANCHOR BODY COMP.	1	
4	J38-27204-00-00	. LEVER ASSEMBLY 1	1	
5	J55-25358-00-00	. SPRING LEVER	1	
6	J10-27281-00-00	SPRING, SHOE CLAMP	2	
7	J10-27282-00-00	PIN, SHOE HOLD DOWN	2	
8	90506-20281-00	SPRING, TENSION	1	
9	90506-26191-00	SPRING, TENSION	1	
10	J55-27270-00-00	ADJUSTER ASSEMBLY	1	
11	J10-27286-00-00	COVER, DUST	1	
12	92995-06100-00	WASHER, SPRING	2	
13	95380-06600-00	NUT	2	
14	90201-121H8-00	WASHER, PLATE	1	
15	90201-121H9-00	WASHER, PLATE	1	
16	97011-08016-00	BOLT	4	
17	92990-08100-00	WASHER	4	

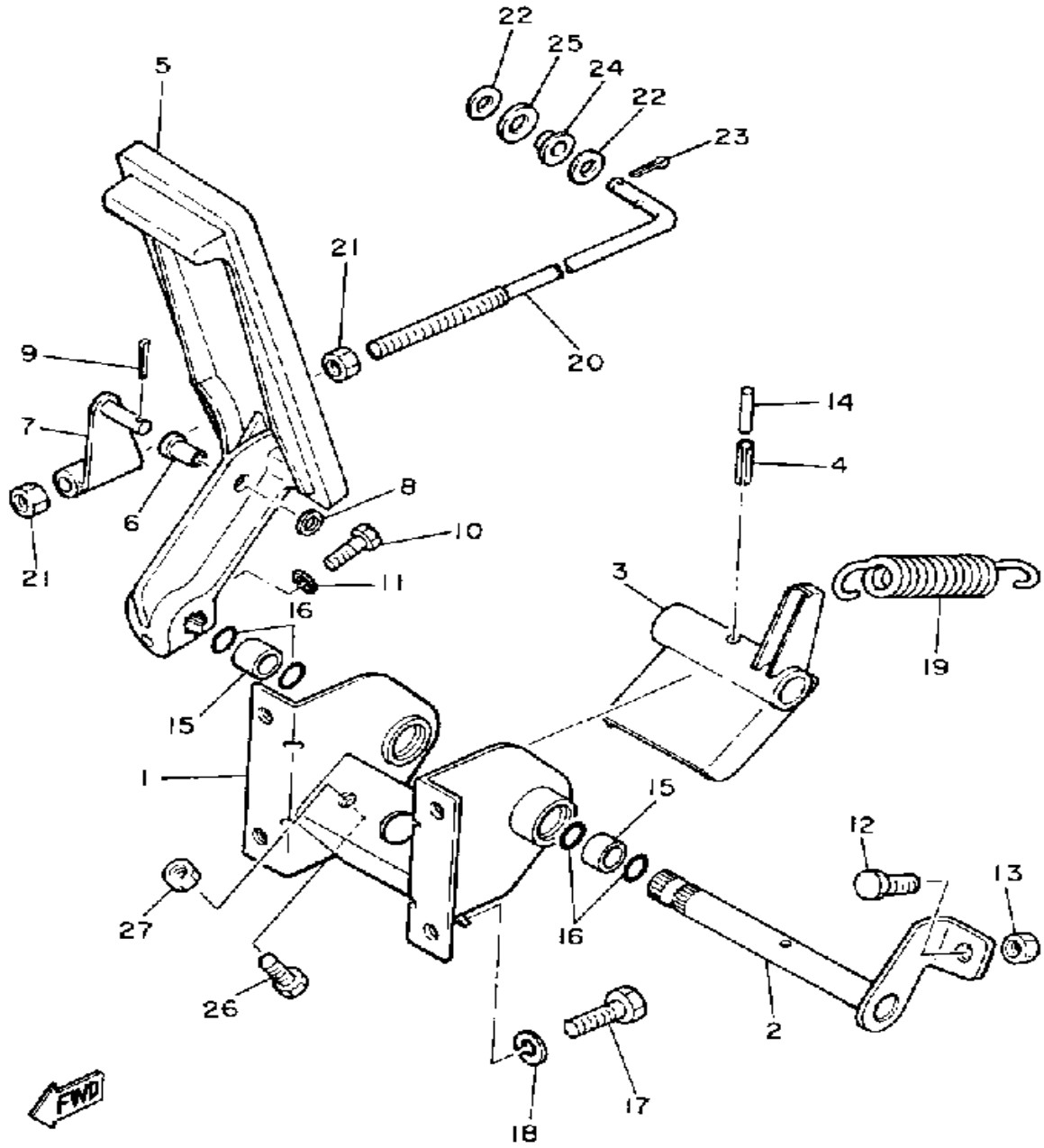
# BRAKE 3



JG5100-1160

Ref. No.	Part Number	Description	Qty	Remarks
1	J17-27209-00-00	BACKING PLATE SUB ASSEMBLY 2 (L.H)	1	
2	J55-W2536-00-00	. BRAKE SHOE SET	1	
3	J17-27206-00-00	. ANCHOR BODY COMP.	1	
4	J38-27205-00-00	. LEVER ASSEMBLY 2	1	
5	J55-25357-00-00	. SPRING, LEVER	1	
6	J10-27281-00-00	SPRING, SHOE CLAMP	2	
7	J10-27282-00-00	PIN, SHOE HOLD DOWN	2	
8	90506-20281-00	SPRING, TENSION	1	
9	90506-26191-00	SPRING, TENSION	1	
10	J55-27260-00-00	ADJUSTER ASSEMBLY	1	
11	J10-27286-00-00	COVER, DUST	1	
12	92995-06100-00	WASHER, SPRING	2	
13	95380-06600-00	NUT	2	
14	90201-121H8-00	WASHER, PLATE	1	
15	90201-121H9-00	WASHER, PLATE	1	
16	97011-08016-00	BOLT	4	
17	92990-08100-00	WASHER	4	

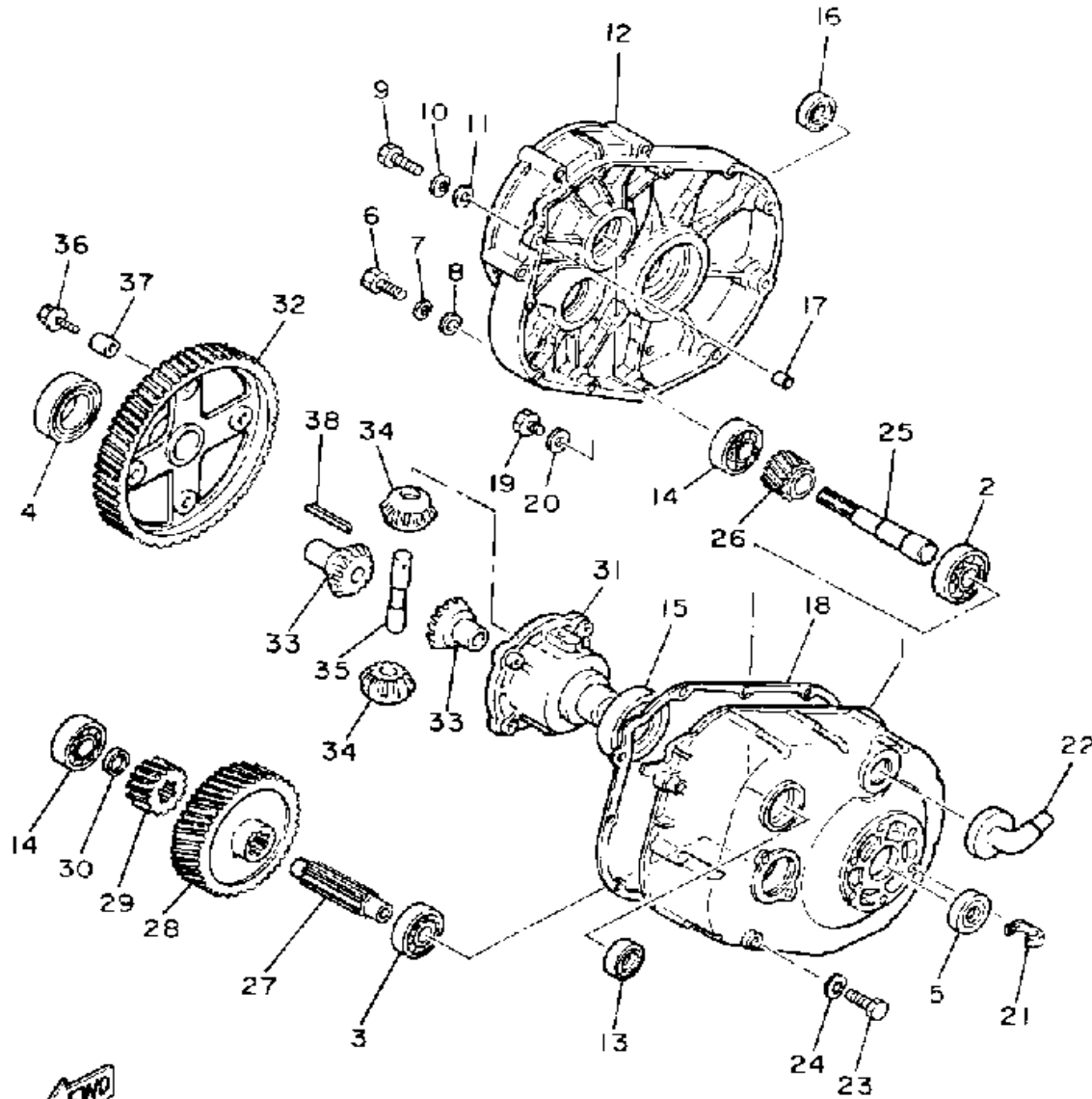
# ACCELERATOR



J41110-5070

Ref. No.	Part Number	Description	Qty	Remarks
1	J41-27874-00-00	BRACKET, ACCELERATOR	1	
		PEDAL .....	1	
2	J17-27853-00-00	SHAFT, PEDAL 1 .....	1	
3	J22-27872-00-00	ARM, ACCELERATOR .....	1	
4	91609-60028-00	PIN, SPRING .....	1	
5	JF3-27871-00-00	PEDAL, ACCELERATOR .....	1	
6	90381-06033-00	BUSH, SOLID .....	1	
7	J14-27815-00-00	LEVER, CRANK .....	1	
8	92990-06600-00	WASHER, PLATE .....	1	
9	91490-20015-00	PIN, COTTER .....	1	
10	97011-06025-00	BOLT (97001-06025) .....	1	
11	92995-06100-00	WASHER, SPRING .....	1	
12	90106-08040-00	BOLT, RD. HEX .....	1	
13	95303-08700-00	NUT .....	1	
14	91609-35028-00	PIN, SPRING .....	1	
15	90384-14080-00	BUSH, BIMETAL .....	2	
16	93210-14104-00	O-RING .....	4	
17	97011-06016-00	BOLT .....	4	
18	92995-06100-00	WASHER, SPRING .....	4	
19	90506-29283-00	SPRING, TENSION .....	1	
20	J14-27241-00-00	ROD, JOINT .....	1	
21	95303-08700-00	NUT .....	2	
22	90201-07077-00	WASHER, PLAT .....	2	
23	91401-25020-00	PIN, COTTER .....	1	
24	90386-07100-00	BUSH .....	1	
25	90202-10116-00	WASHER, PLATE .....	1	
26	97011-06025-00	BOLT (97001-06025) .....	1	
27	95380-06700-00	NUT .....	1	

# TRANSMISSION 1

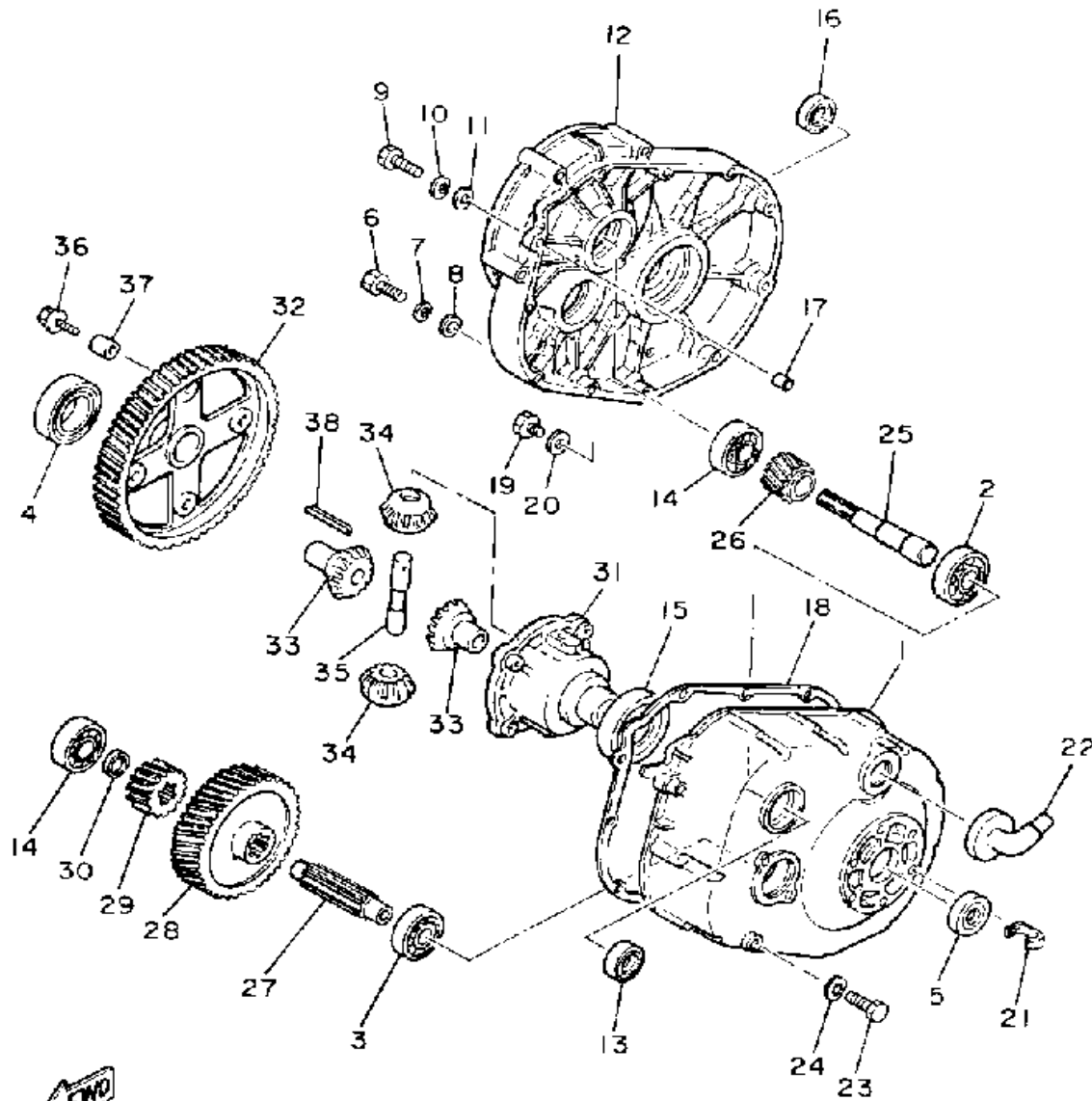


J41100-6080

Ref. No.	Part Number	Description	Qty	Remarks
1	J14-46311-00-00	CASE, TRANSMISSION 1	1	
2	93306-20541-00	BEARING (B6205)	1	
3	93306-20421-00	BEARING	1	
4	93306-00803-00	BEARING (B6008)	1	
5	93102-22189-00	OIL SEAL	1	
6	97021-08035-00	BOLT	9	
7	92990-08100-00	WASHER	9	
8	92901-08600-00	WASHER	9	
9	97021-08045-00	BOLT	2	
10	92990-08100-00	WASHER	2	
11	92901-08600-00	WASHER	2	
12	J14-46312-02-00	CASE, TRANSMISSION 2	1	
13	93102-20143-00	OIL SEAL	1	
14	93306-20421-00	BEARING	2	
15	93306-00803-00	BEARING (B6008)	1	
16	93102-22189-00	OIL SEAL	1	
17	99510-12016-00	PIN, DOWEL	2	
18	J10-46319-01-00	GASKET	1	
19	90340-14036-00	PLUG, STRAIGHT SCRW	2	
20	90430-14043-00	GASKET	2	
21	90465-06100-00	CLAMP	1	
22	835-47559-00-00	CAP 2	1	
23	97011-10020-00	BOLT	2	
24	92901-10100-00	WASHER, SPRING	2	
25	J14-46321-01-00	SHAFT, INPUT	1	
26	J56-46331-00-00	GEAR, INPUT 1	1	
27	J10-46351-00-00	SHAFT, COUNTER	1	
28	J56-46361-00-00	GEAR, COUNTER 1	1	
29	J17-46362-00-00	GEAR, COUNTER 2	1	

CONTINUED ON NEXT FRAME ➤

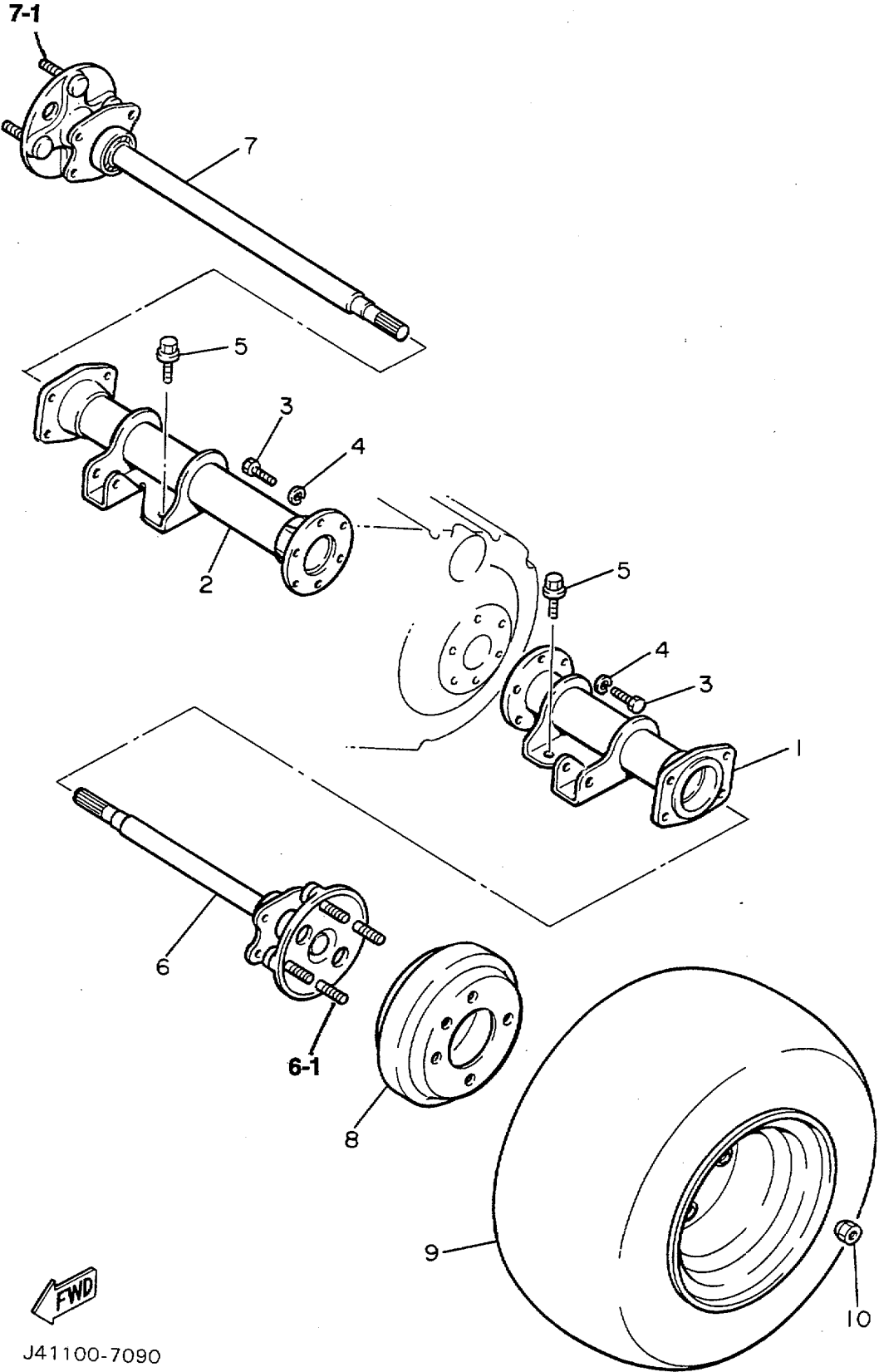
# TRANSMISSION 1



J41100-6080

Ref. No.	Part Number	Description	Qty	Remarks
30	90201-20272-00	WASHER, PLATE .....	1	
31	J38-46411-01-00	CASE, DIFFERENTIAL .....	1	
32	J41-46421-00-00	GEAR, RING .....	1	
33	J38-46414-00-00	GEAR, DIFFERENTIAL SIDE ..	2	
34	J38-46415-00-00	PINION, DIFFERENTIAL .....	2	
35	J38-46417-02-00	PIN, DIFFERENTIAL .....	1	
36	90105-08390-00	BOLT, WASHER BASED .....	4	
37	91812-16001-00	PIN, DOWEL .....	2	
38	91609-40040-00	PIN, SPRING .....	1	

# REAR AXLE - WHEEL



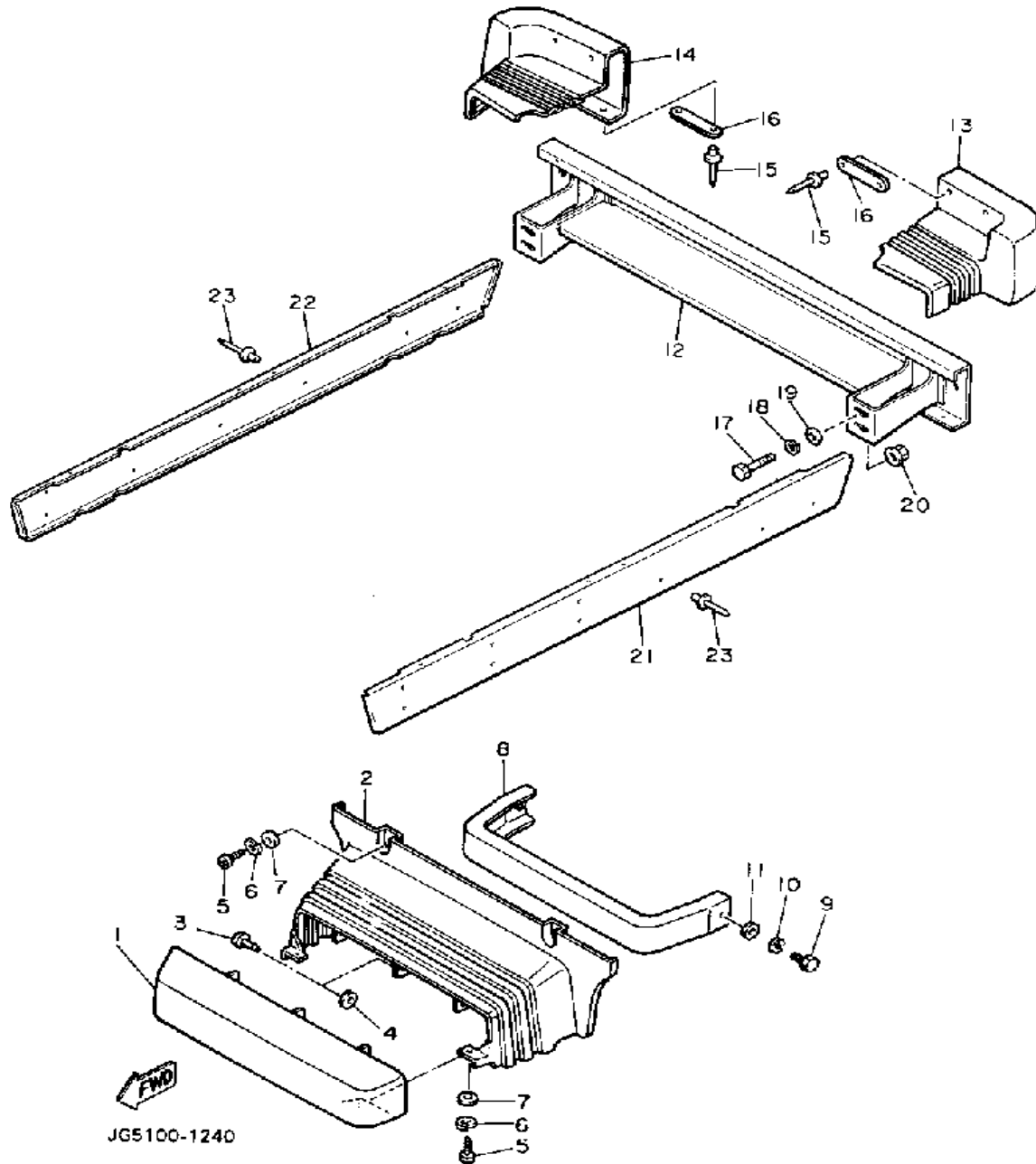
Ref. No.	Part Number	Description	Qty	Remarks
1	J41-46540-01-00	REAR AXLE HOUSING COMP.	1	
2	J41-46550-01-00	REAR AXLE HOUSING COMP. 2	1	
3	97011-08025-00	BOLT	12	
4	92990-08100-00	WASHER	12	
5	95811-10020-00	BOLT, FLANGE (95822-10020-00)	8	
6	J41-46510-00-00	REAR AXLE SHAFT COMP. ...	1	
7	J41-46520-00-00	REAR AXLE SHAFT COMP. 2	1	
8	J55-G6521-00-00	DRUM	2	YPAD
9	J55-F5100-00-00	FRONT WHEEL ASSEMBLY	2	
10	90179-12262-00	NUT	8	
6-1	90114-12004-00	. BOLT, RIBBED NECK	4	
7-1	90114-12004-00	. BOLT, RIBBED NECK	4	



J41100-7090

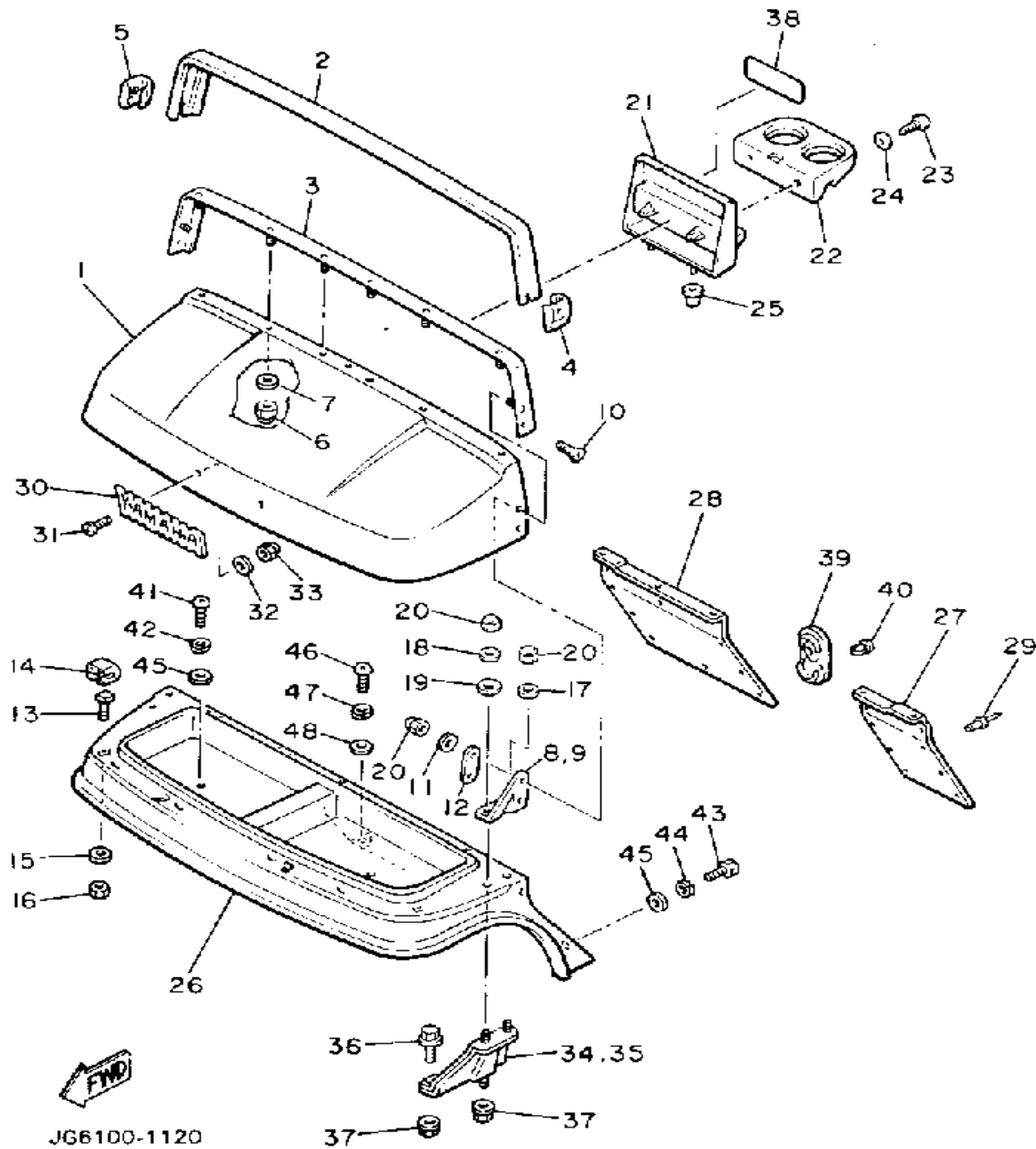


# BUMPER



Ref. No.	Part Number	Description	Qty	Remarks
1	J55-K8162-00-00	PAD, FRONT BUMPER	1	YPAD
2	J55-K8163-00-00	COVER, BUMPER	1	YPAD
3	90269-06028-00	RIVET	3	
4	90201-076J4-00	WASHER, PLATE	3	
5	98506-05020-00	SCREW, PAN HEAD	4	
6	92906-05100-00	WASHER, SPRING	4	
7	90201-05033-00	WASHER, PLATE	4	
8	J55-K7511-00-00	BUMPER, FRONT 1	1	YPAD
9	97011-08016-00	BOLT	2	
10	92990-08100-00	WASHER	2	
11	92990-08600-00	WASHER, PLATE	2	
12	JG5-K8107-00-00	BUMPER SUB-ASSEMBLY, REAR	1	YPAD
13	J55-K8167-00-00	BUMPER, RUBBER 1	1	YPAD
14	J55-K8168-00-00	BUMPER, RUBBER 2	1	YPAD
15	90267-40077-00	RIVET, BLIND	8	
16	J17-77525-00-00	WASHER 1	4	
17	97026-08050-00	BOLT	4	
18	92906-08100-00	WASHER, SPRING	4	
19	92906-08600-00	WASHER	4	
20	95706-08500-00	NUT, flange	4	
21	JG5-K8183-00-00	PLATE, SIDE SILL (L.H)	1	YPAD
22	JG5-K8184-00-00	PLATE, SIDE SILL (R.H)	1	YPAD
23	90267-48828-00	RIVET, BLIND	18	
	G9E-PARTS-BO-AR	ASSEMBLY, HARDWARE	9	

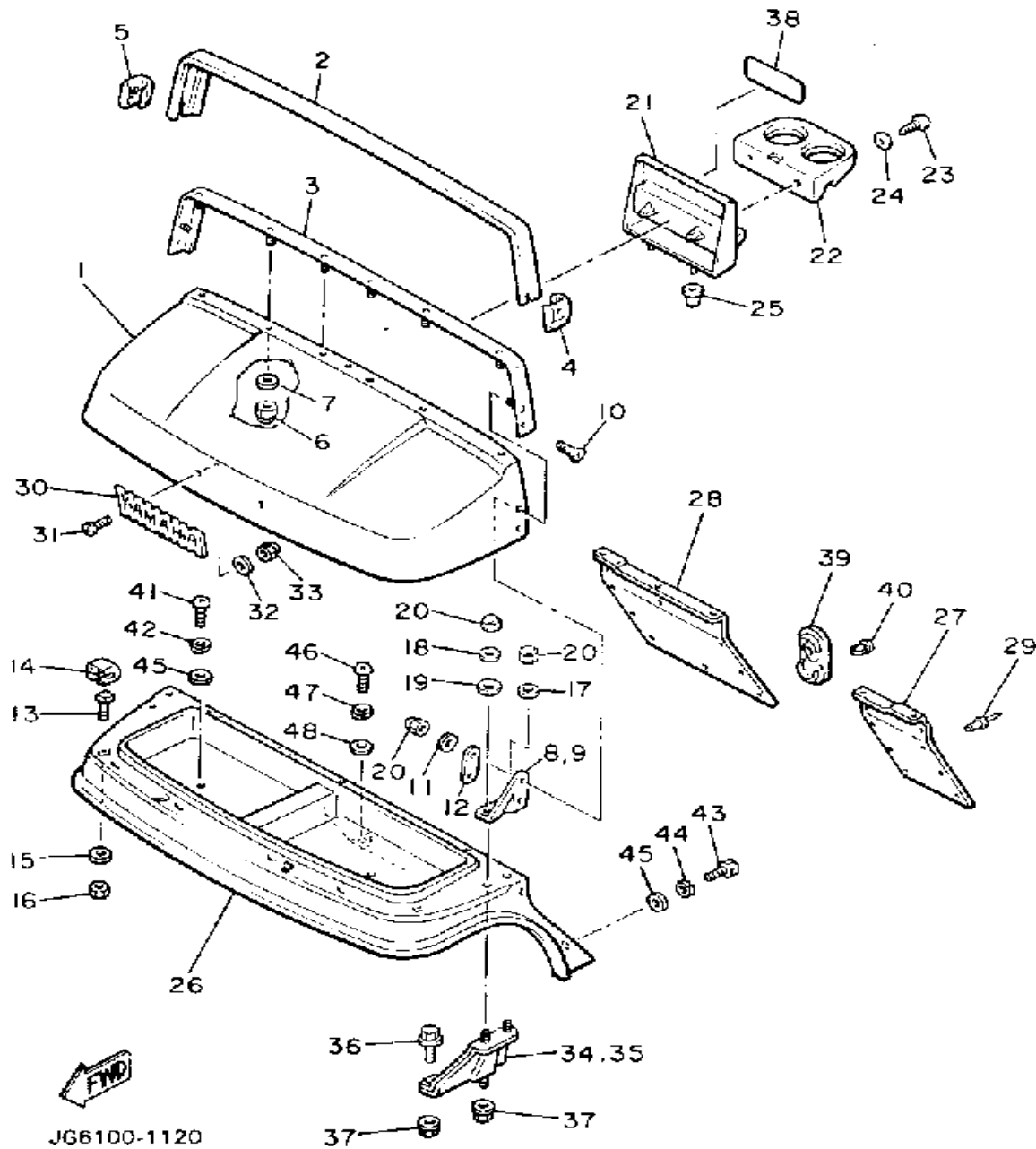
# BODY



Ref. No.	Part Number	Description	Qty	Remarks
1	J55-K8116-00-00	COWL, FRONT UPPER	1	YPAD
2	JG5-K811V-00-00	PROTECTOR 1	1	YPAD
3	JG5-K8261-01-00	PLATE, BODY PROTECT 1 (JG5-K8261-00-00)	1	YPAD
4	JG5-K818E-00-00	CAP, PROTECTOR END 1	1	YPAD
5	JG5-K818F-00-00	CAP, PROTECTOR END 2	1	YPAD
6	95601-06200-00	NUT, U FLANGE	6	
7	90201-06059-00	WASHER, PLATE	6	
8	JG5-K811E-00-00	STAY, UPPER COWL (LH)	1	
9	JG5-K811F-00-00	STAY, UPPER COWL (RH)	1	
10	90151-06803-00	SCREW, COUNTERSUNK	2	YPAD
11	92990-06200-00	WASHER	4	
12	JG5-K8117-00-00	PLATE 1	2	YPAD
13	J38-7811G-00-00	BOLT, COWL FITTING	4	
14	J38-7811H-00-00	RETAINER, COWL FITTING	4	
15	90201-065F3-00	WASHER, PLATE	4	
16	95601-06100-00	NUT, U	4	
17	90201-062G3-00	WASHER, PLATE	2	
18	92990-06200-00	WASHER	2	
19	90202-06172-00	WASHER, PLATE	2	
20	J55-K811B-00-00	NUT, CAP	8	YPAD
21	JG5-K835G-00-00	HOUSING, HOLDER	1	YPAD
22	JF2-K835E-00-00	HOLDER, BEVERAGE	1	YPAD
23	97702-60130-00	SCREW, TAPPING	2	
24	90201-060A3-00	WASHER, PLATE	2	
25	90480-12355-00	GROMMET	2	
26	JG5-K8115-00-00	COWL, FRONT	1	YPAD
27	JG5-K8231-00-00	MAT, MAIN FLOOR 1	1	YPAD
28	JG5-K8232-00-00	MAT, MAIN FLOOR 2	1	YPAD

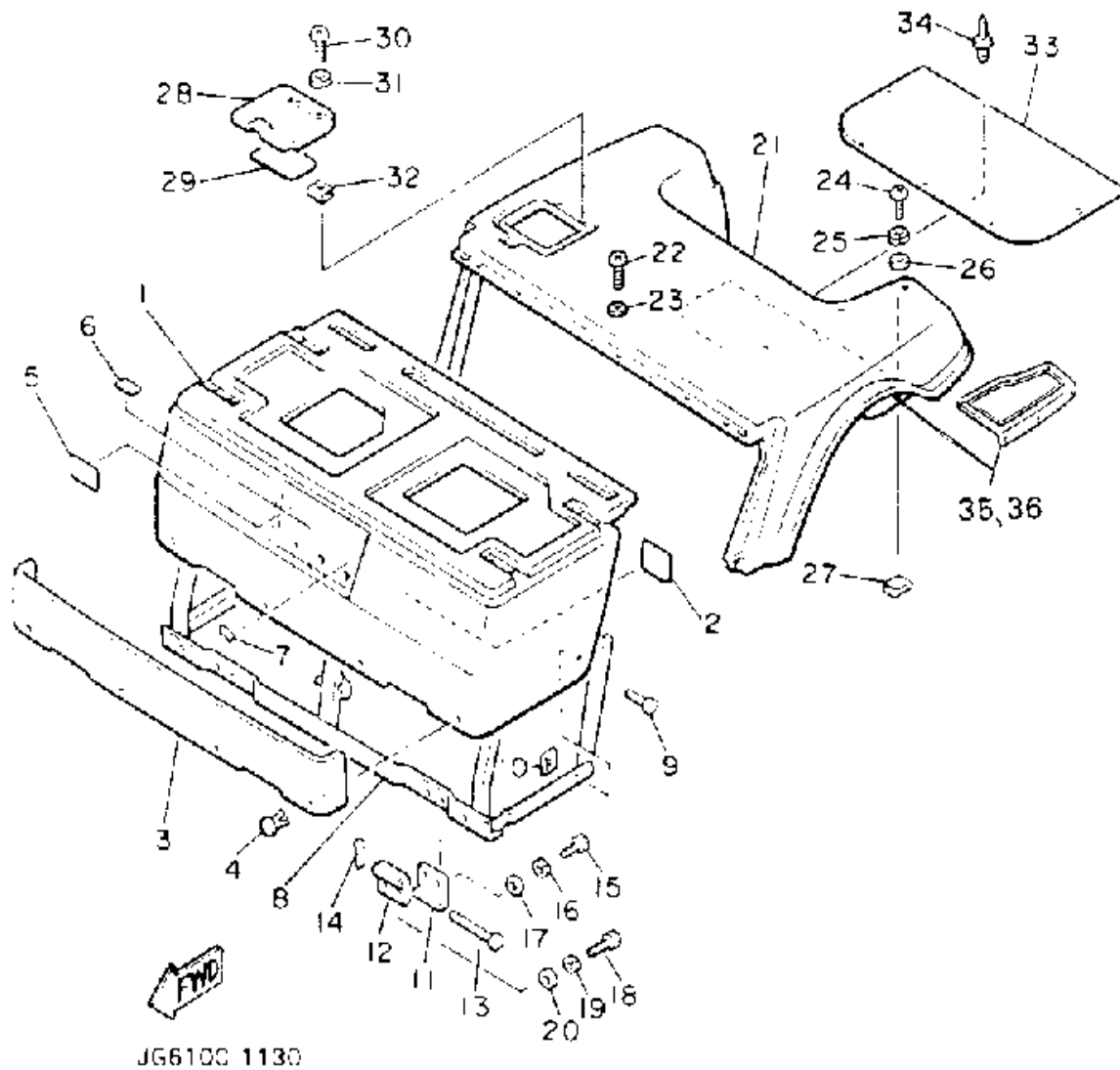
CONTINUED ON NEXT FRAME ►

# BODY



Ref. No.	Part Number	Description	Qty	Remarks
29	90267-63047-00	RIVET, BLIND	16	
30	J38-24161-00-00	EMBLEM 1	1	
31	90152-04015-00	SCREW, COUNTERSUNK	2	
32	92906-04200-00	WASHER, PLAIN	2	
33	95606-04100-00	NUT, U	2	
34	J38-7812E-01-00	SUPPORT, UPPER COWL (L.H)	1	
35	J38-7812F-01-00	SUPPORT, UPPER COWL (R.H)	1	
36	95811-08016-00	BOLT, FLANGE	2	
37	95701-08500-00	NUT, FLANGE	4	
38	J50-77768-00-00	LABEL, WARNING 2	1	UR
39	J38-78273-00-00	COVER, HOLE	1	
40	90269-11042-00	RIVET	2	
41	98580-06020-00	SCREW	2	
42	92995-06100-00	WASHER, SPRING	2	
43	97395-06020-00	BOLT, HEXAGON	2	
44	92995-06100-00	WASHER, SPRING	2	
45	90201-067M9-00	WASHER, PLATE	4	
46	98580-06020-00	SCREW	1	
47	92995-06100-00	WASHER, SPRING	1	
48	90201-06049-00	WASHER, PLATE	1	

# BODY 2

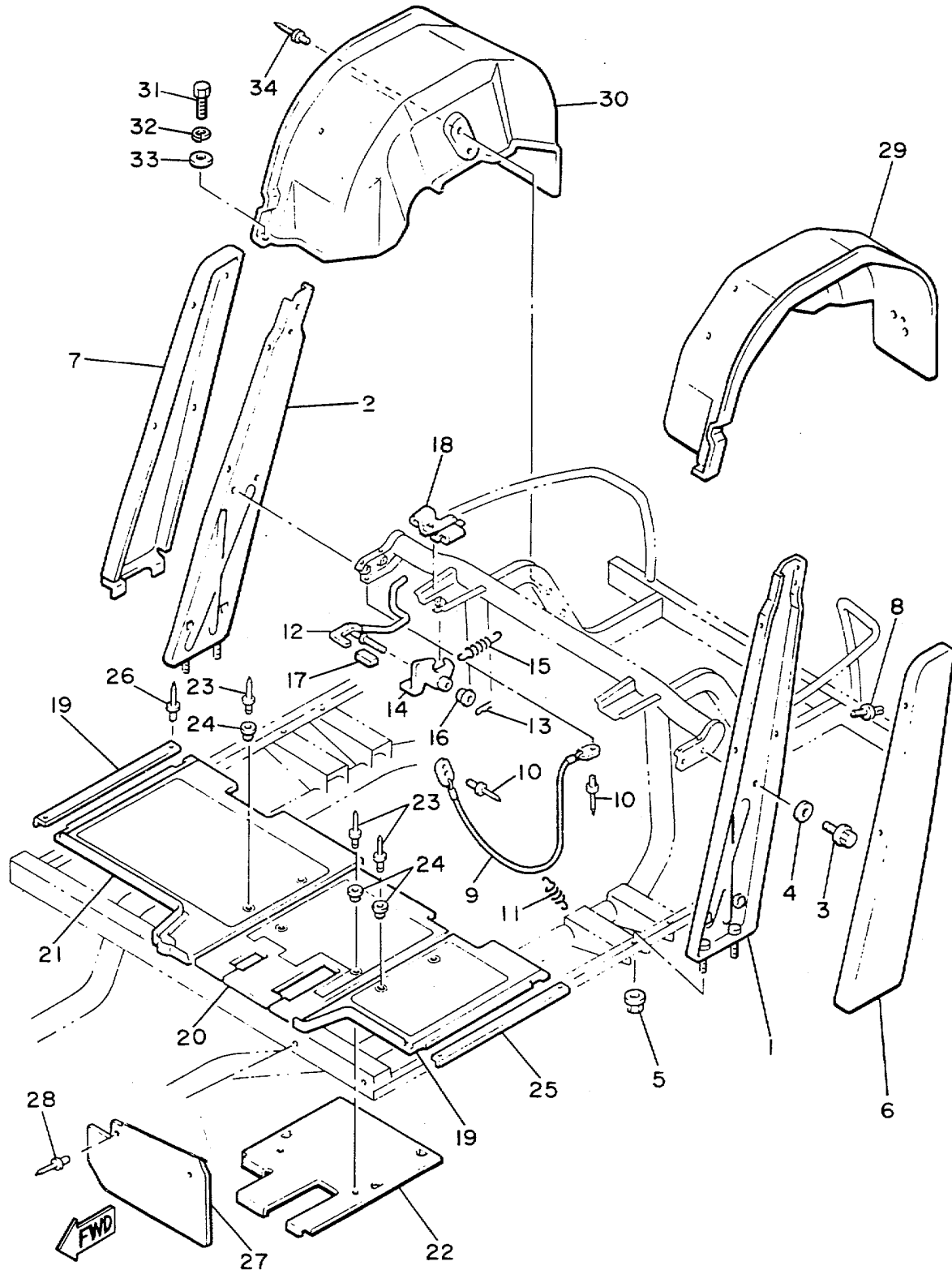


Ref. No.	Part Number	Description	Qty	Remarks
1	J55-K8141-00-00	PANEL, INTERMEDIATE BODY	1	
2	J22-77765-00-00	LABEL, WARNING 5	1	UR
3	JG5-K814N-00-00	PLATE, ORNAMENT	1	
4	90267-63047-00	RIVET, BLIND	4	
5	J41-77458-10-00	LABEL, WARNING (J41-77458-00-00)	1	UR
6	J38-77741-10-00	INDICATOR 1	1	UR
7	J38-77742-00-00	INDICATOR 2	1	
8	JG6-K8121-00-00	REINFORCEMENT 1	1	YPAD
9	90338-06169-00	PLUG	2	
10	90183-06011-00	NUT, SPRING	2	
11	J55-K8143-00-00	HINGE, INTERMEDIATE BODY 1	2	
12	J55-K8144-00-00	HINGE, INTERMEDIATE BODY 2	2	
13	91790-06125-00	PIN, CLEVIS	2	
14	91490-20015-00	PIN, COTTER	2	
15	97013-06012-00	BOLT	4	
16	92995-06100-00	WASHER, SPRING	4	
17	92990-06600-00	WASHER, PLATE	4	
18	97011-06020-00	BOLT	4	
	G9E-PARTS-BO-AR	ASSEMBLY, HARDWARE	9	
19	92995-06100-00	WASHER, SPRING	4	
20	92990-06600-00	WASHER, PLATE	4	
21	J55-K8142-00-00	PANEL, REAR BODY	1	YPAD
22	98902-06025-00	SCREW, BIND	3	
23	90201-06M08-00	WASHER, PLATE	2	
24	98580-06020-00	SCREW	2	
25	92995-06100-00	WASHER, SPRING	2	
26	90201-065F3-00	WASHER, PLATE	2	

CONTINUED ON NEXT FRAME ►



# BODY FITTING

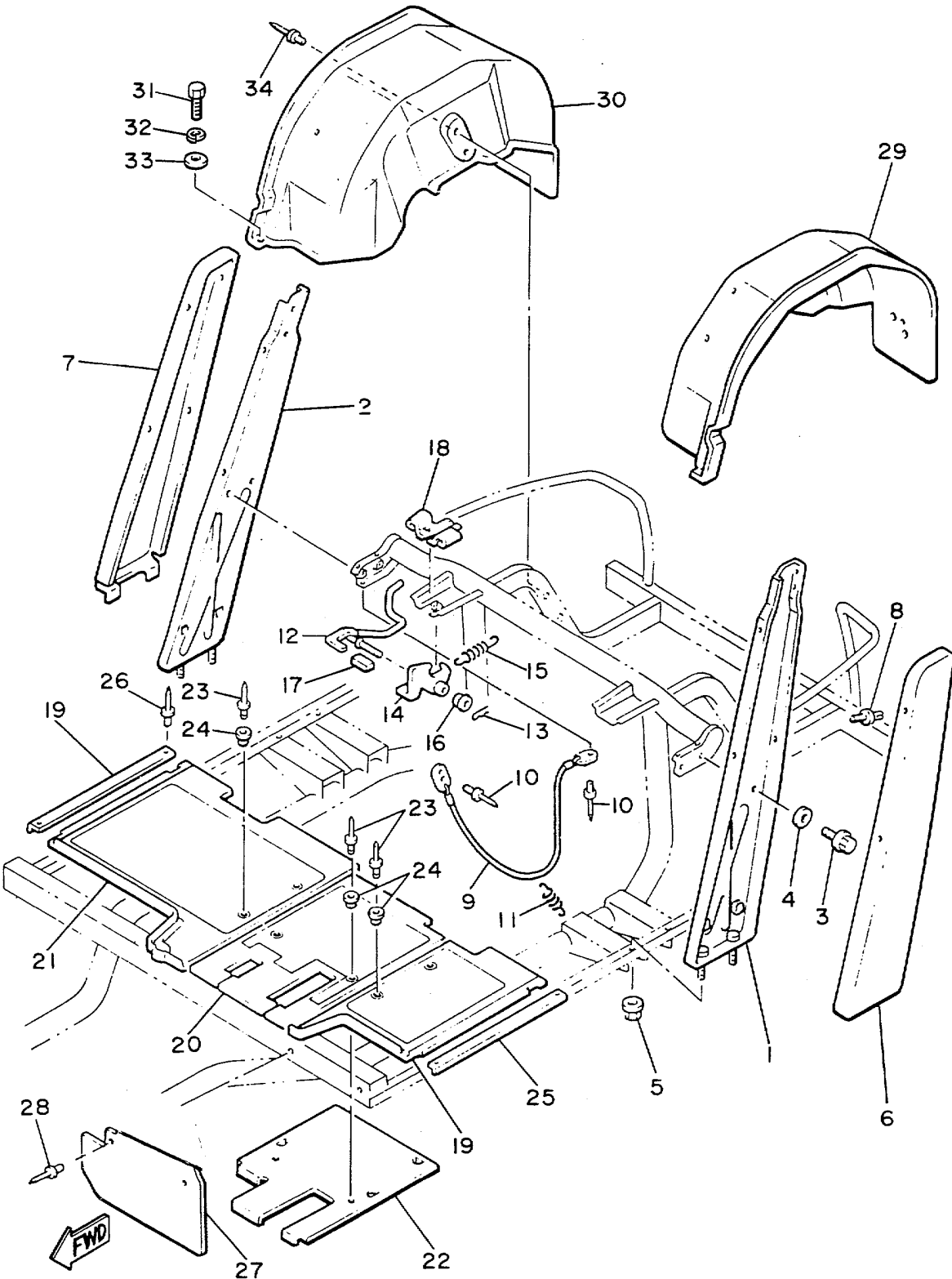


JG6100-1140

Ref. No.	Part Number	Description	Qty	Remarks
1	JG5-K813A-00-00	PILLAR, SIDE (L.H)	1	
2	JG5-K813E-00-00	PILLAR, SIDE (R.H)	1	
3	95811-08016-00	BOLT, FLANGE	4	
4	90201-08730-00	WASHER, PLATE	4	
5	95701-06500-00	NUT, FLANGE	4	
6	J55-K813F-00-00	COVER, SIDE PILLAR (L.H)	1	
7	J55-K813G-00-00	COVER, SIDE PILLAR (R.H)	1	
8	90267-63134-00	RIVET, BLIND	8	
9	J38-78229-00-00	WIRE, SEAT STOPPER	1	
10	90267-40087-00	RIVET, BLIND	2	
11	90507-08037-00	SPRING, TENSION	1	
12	J38-7814G-01-00	LEVER, BODY LOCK	1	
13	90468-18008-00	CLIP	1	
14	J38-7814H-01-00	HOOK, BODY LOCK	1	
15	90506-18374-00	SPRING, TENSION	1	
16	J38-7814L-01-00	BUSH, LEVER END	2	
17	J38-7815H-00-00	DAMPER, LOCK	1	
18	J38-78221-00-00	SHEET, BODY MOUNTING 1	2	
19	J55-K8233-00-00	MAT, MAIN FLOOR 3	1	
20	J55-K8234-00-00	MAT, MAIN FLOOR 4	1	
21	J55-K8235-00-00	SHEET, MAIN FLOOR	1	
22	J55-K8271-00-00	SERVICE LID, PEDAL	1	
23	90267-48086-00	RIVET, BLIND	6	
24	90387-062M9-00	COLLAR	6	
25	J38-78215-00-00	PLATE, SIDE TRIM	2	
26	90267-40115-00	RIVET, BLIND	4	
27	JG5-K8187-00-00	FLAP, FRONT FENDER	2	
28	90267-48101-00	RIVET, BLIND	4	
29	JG5-K8191-00-00	PANEL, REAR FENDER 1	1	

CONTINUED ON NEXT FRAME ►

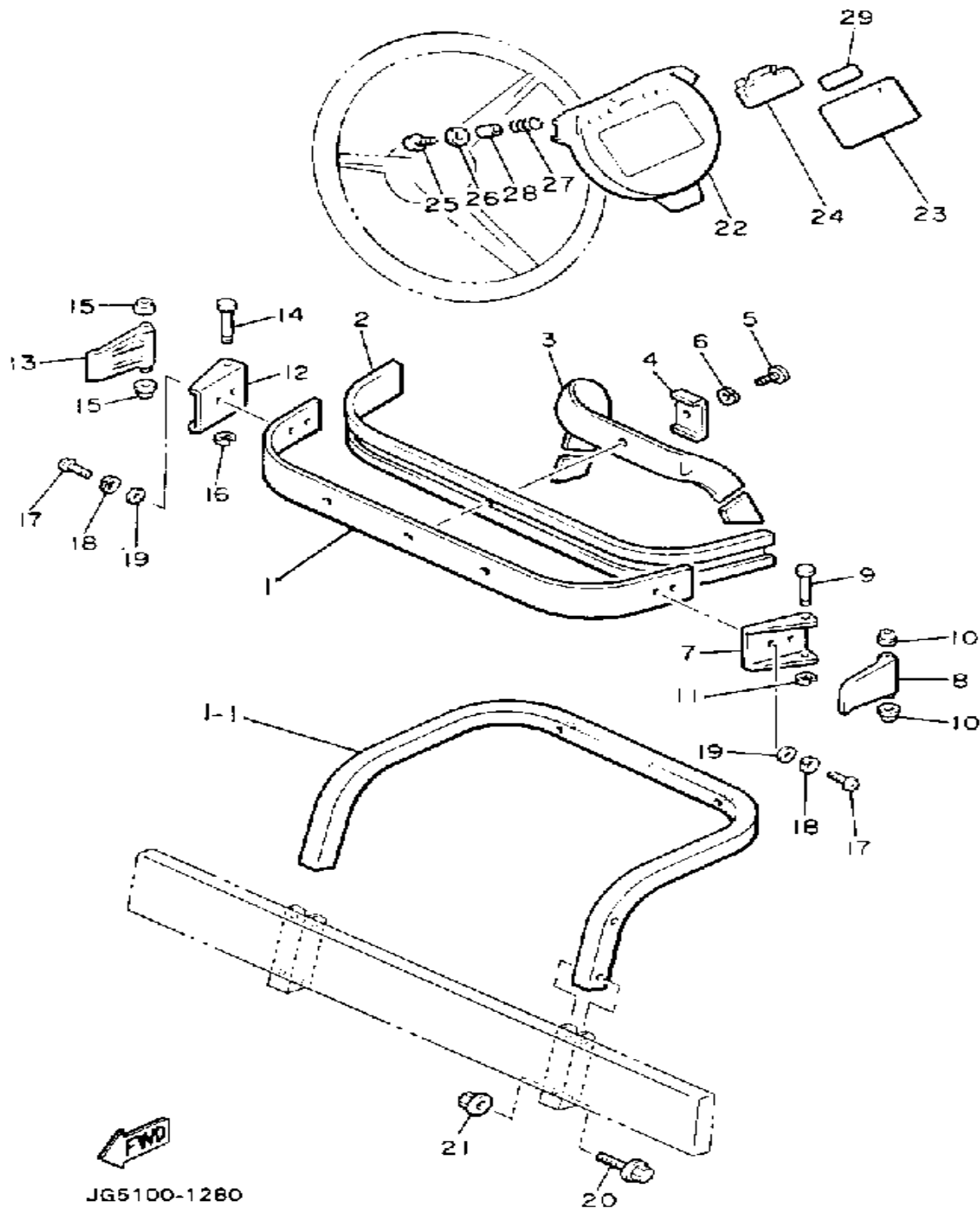
# BODY FITTING



JG6100-1140

Ref. No.	Part Number	Description	Qty	Remarks
30	J55-K8192-00-00	PANEL, REAR FENDER 2	1	
31	97016-06016-00	BOLT	2	
32	92906-06100-00	WASHER, SPRING	2	
33	92906-06600-00	WASHER	2	
34	90267-48101-00	RIVET, BLIND	6	
	G9E-PARTS-BO-AR	ASSEMBLY, HARDWARE		OPTIONAL PART

# CARRIER



JG5100-1280

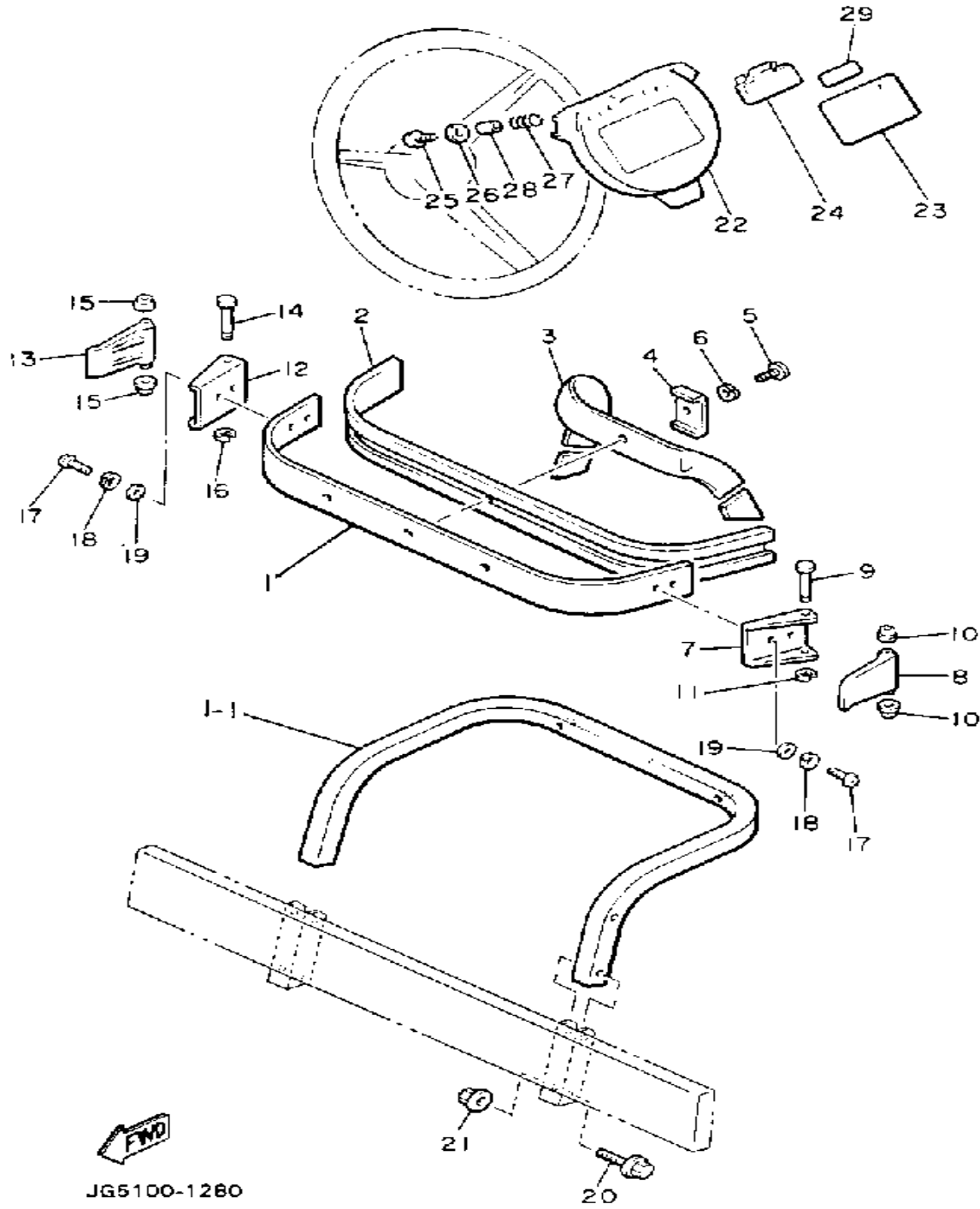
Ref. No.	Part Number	Description	Qty	Remarks
1	JG5-K8351-10-00	SUPPORT, BAG UPPER	1	YPAD
2	JF2-K8356-00-00	PAD, BAG SUPPORT	1	
3	J38-78355-00-00	BAND	1	
4	J38-78367-00-00	PLATE, ANCHOR	1	
5	98980-06016-00	SCREW, BINDING	1	
6	95380-06800-00	NUT	1	
7	J17-78157-01-00	BASE, LOCK	1	
8	J17-78368-01-00	LEVER, LOCK	1	
9	J17-78369-00-00	PIN, LEVER	1	
10	90386-06108-00	BUSH	2	
11	99080-05600-00	CIRCLIP	1	
12	J17-78157-01-00	BASE, LOCK	1	
13	J17-78368-01-00	LEVER, LOCK	1	
14	J17-78369-00-00	PIN, LEVER	1	
15	90386-06108-00	BUSH	2	
16	99080-05600-00	CIRCLIP	1	
17	98580-06010-00	SCREW, PAN HEAD (92503-06010)	4	
18	92995-06100-00	WASHER, SPRING	4	
19	92990-06200-00	WASHER	4	
20	95811-08040-00	BOLT, FLANGE	4	
21	95701-08500-00	NUT, FLANGE	4	
22	J55-K8357-00-00	HOLDER 1	1	
23	J50-77762-00-00	LABEL, WARNING 2	1	UR
24	J55-K8358-00-00	HOLDER 2	1	
25	97706-40525-00	SCREW, TAPPING	2	
26	90201-044H9-00	WASHER, PLAIN	2	
27	90387-046N7-00	COLLAR	2	
28	J51-77763-00-00	LABEL, WARNING 3	1	

CONTINUED ON NEXT FRAME ►

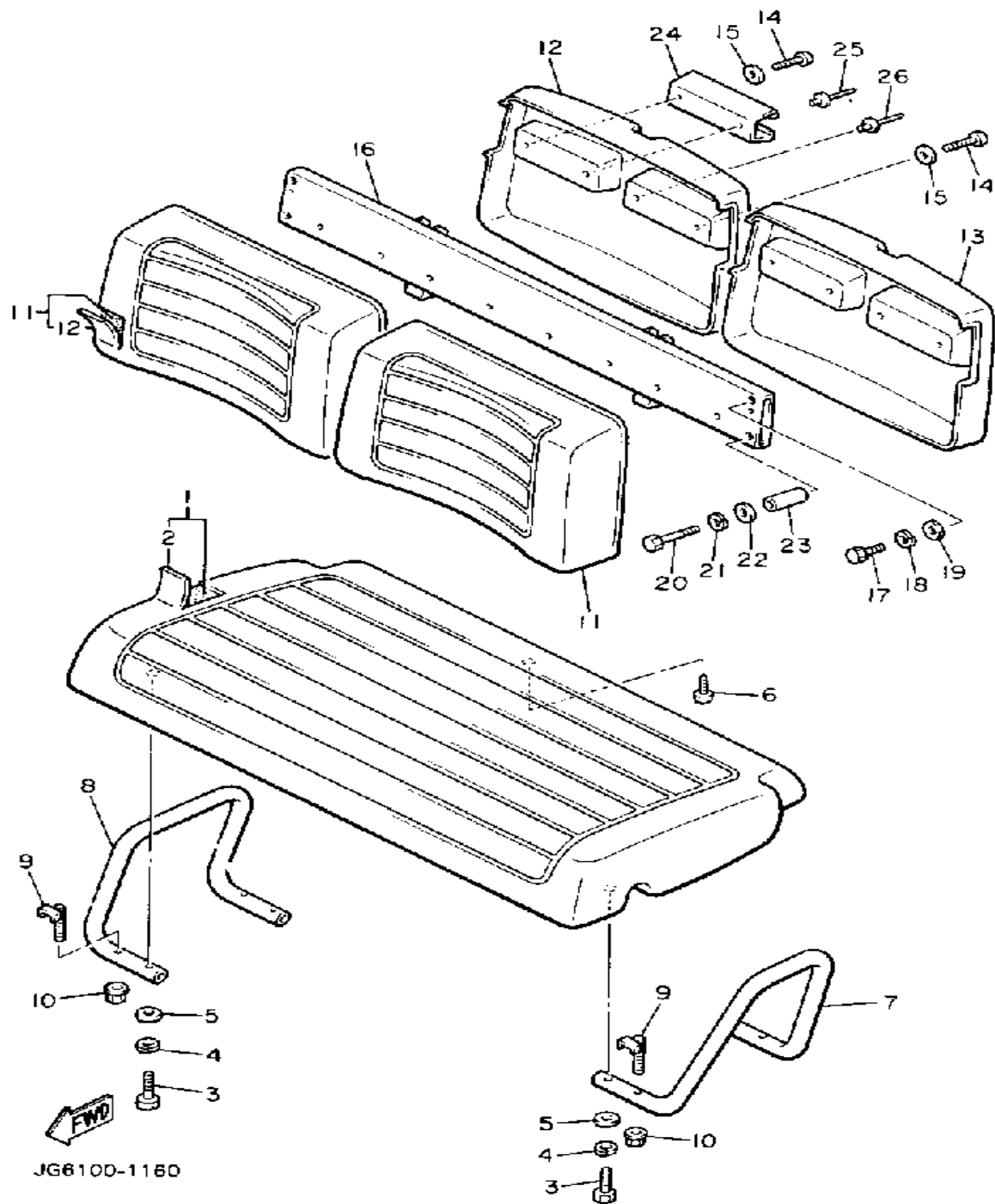


# CARRIER

Ref. No.	Part Number	Description	Qty	Remarks
1-1	JG5-K8352-00-00	SUPPORT, BAG LOWER	..... 1	

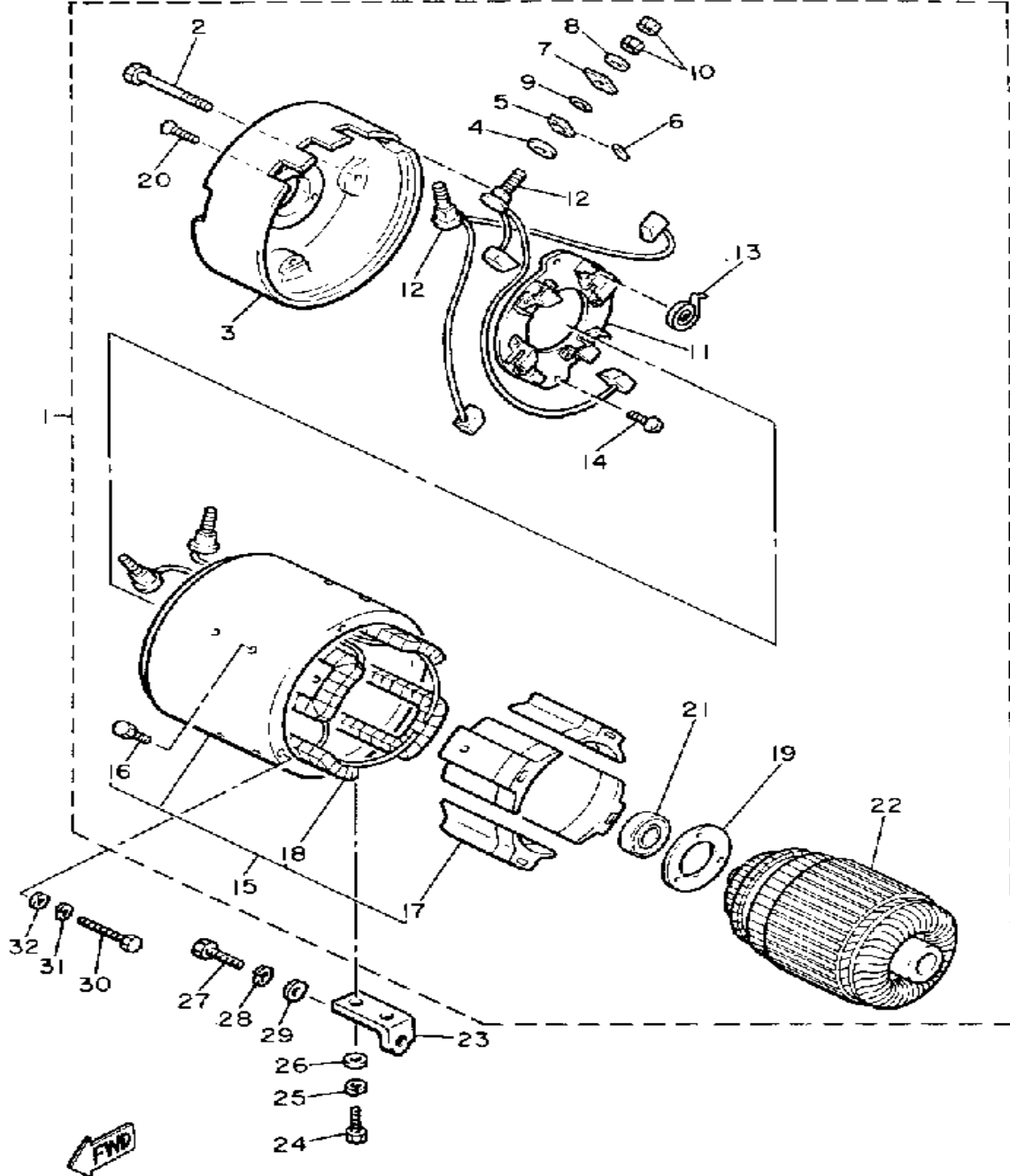


# SEAT



Ref. No.	Part Number	Description	Qty	Remarks
1	JG5-K8401-00-00	SEAT SUB-ASSEMBLY, CUSHION	1	YPAD
2	JG5-K8404-09-00	. COVER, SEAT	1	YPAD
3	97021-08065-00	BOLT	4	
4	92990-08100-00	WASHER	4	
5	92990-08600-00	WASHER, PLATE	4	
6	90149-059U1-00	SCREW, PANHEAD (97701-50516)	1	
7	J38-78361-00-00	ARM REST 1	1	
8	J38-78362-00-00	ARM REST 2	1	
9	J38-78384-00-00	BOLT	4	
10	95601-08200-00	NUT, U	4	
11	JG5-K8402-01-00	SEAT SUB ASSEMBLY, BACK	2	
12	JG5-K841G-09-00	. COVER, SUB-SEAT	1	
13	JG5-K8413-00-00	COVER, SEAT BACK	2	
14	98980-06045-00	SCREW, BIND	4	
15	90201-065F3-00	WASHER, PLATE	4	
16	JG5-K8423-01-00	SUPPORT, SEAT BACK	1	YPAD
17	97011-08016-00	BOLT	2	
18	92990-08100-00	WASHER	2	
19	92990-08600-00	WASHER, PLATE	2	
20	97022-08075-00	BOLT	2	
21	92902-08100-00	WASHER, SPRING	2	
22	92990-08600-00	WASHER, PLATE	2	
23	90387-103G9-00	COLLAR	2	
24	J55-K835A-00-00	HOLDER, BALL	2	
25	90267-63047-00	RIVET, BLIND	2	
26	90267-63134-00	RIVET, BLIND	2	
	G9E-PARTS-BO-AR	ASSEMBLY, HARDWARE	9	

# STARTING MOTOR

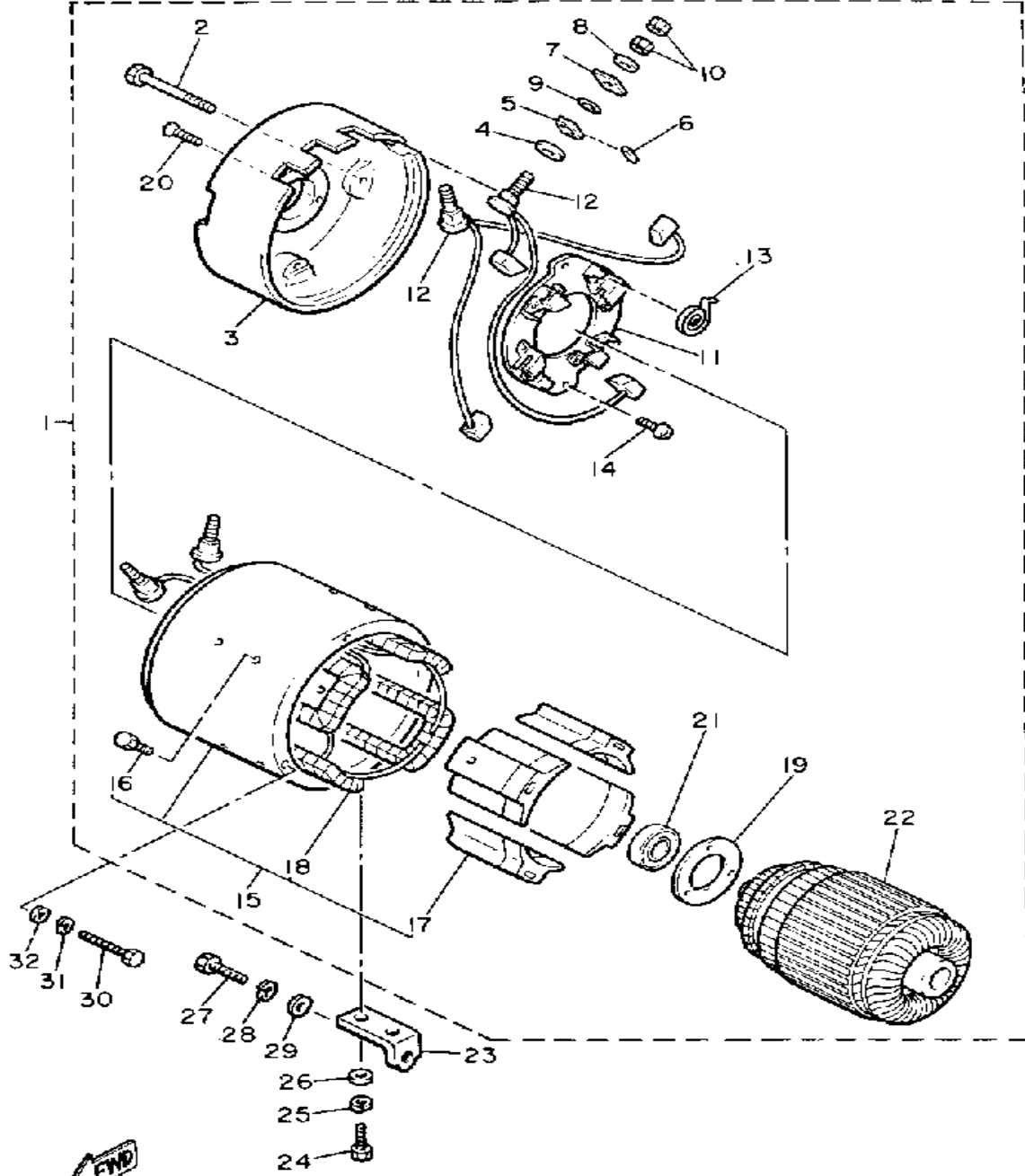


Ref. No.	Part Number	Description	Qty	Remarks
1	JG6-H1890-01-00	MOTOR ASSEMBLY (JG6-H1890-00-00)	1	
2	J56-H1828-00-00	. BOLT 2	2	
3	J56-H1822-00-00	. BRACKET, STRTG MTR MOTOR	1	
4	J56-H1824-00-00	. WASHER 2	4	
5	J56-H182G-00-00	. BUSH, TERMINAL	4	
6	J56-H1861-00-00	. GASKET	1	
7	J56-H1843-00-00	. WASHER 1	4	
8	J56-H1894-00-00	. WASHER, SPECIAL	4	
9	J56-H1847-00-00	. O'RING	4	
10	J56-H182A-00-00	. NUT	8	
11	J56-H1840-00-00	. BRUSH HOLDER ASSEMBLY ASS'Y	1	
12	J56-H1801-00-00	. BRUSH SET	2	
13	J56-H1813-00-00	. SPRING, BRUSH 1	4	
14	J56-H1848-00-00	. SCREW, BRUSH HOLDER	4	
15	N/A---	. UNAVAILABLE IN PRICE BOOK	1	
16	J56-H1826-00-00	. BOLT	8	
17	J56-H135G-00-00	. POLE PIECE	4	
18	J56-H1160-00-00	. FIELD COIL ASSEMBLY	1	
19	J56-H1856-00-00	. RETAINER	1	
20	J56-H1846-00-00	. SCREW	3	
21	J56-H1857-00-00	. RETAINER	1	
22	J56-H1850-00-00	. ARMATURE	1	
23	J14-81823-01-00	STAY, STARTING MTR (J14-81823-00)	1	
24	97011-06016-00	BOLT	3	
25	92990-06100-00	WASHER, SPRING	2	

JF3100-0160

CONTINUED ON NEXT FRAME ➤

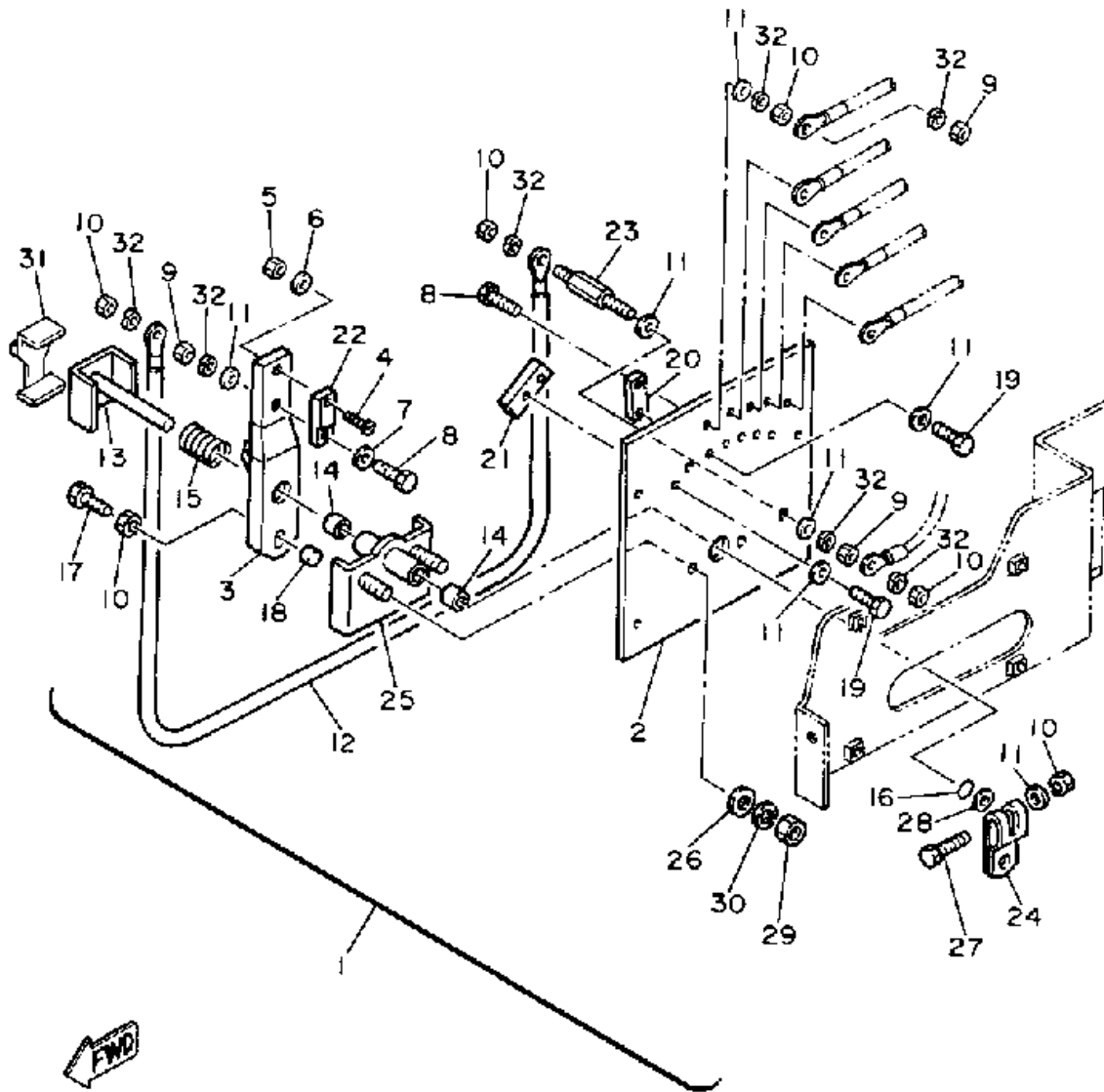
# STARTING MOTOR



Ref. No.	Part Number	Description	Qty	Remarks
26	92990-06600-00	WASHER, PLATE .....	2	
27	97011-08016-00	BOLT .....	1	
28	92990-08100-00	WASHER .....	1	
29	92990-08600-00	WASHER, PLATE .....	1	
30	97313-06055-00	BOLT, HEXAGON (97322-06055)	3	
31	92995-06100-00	WASHER, SPRING .....	3	
32	90201-06643-00	WASHER, PLATE .....	3	

JF3100-0160

# CONTROLLER 1

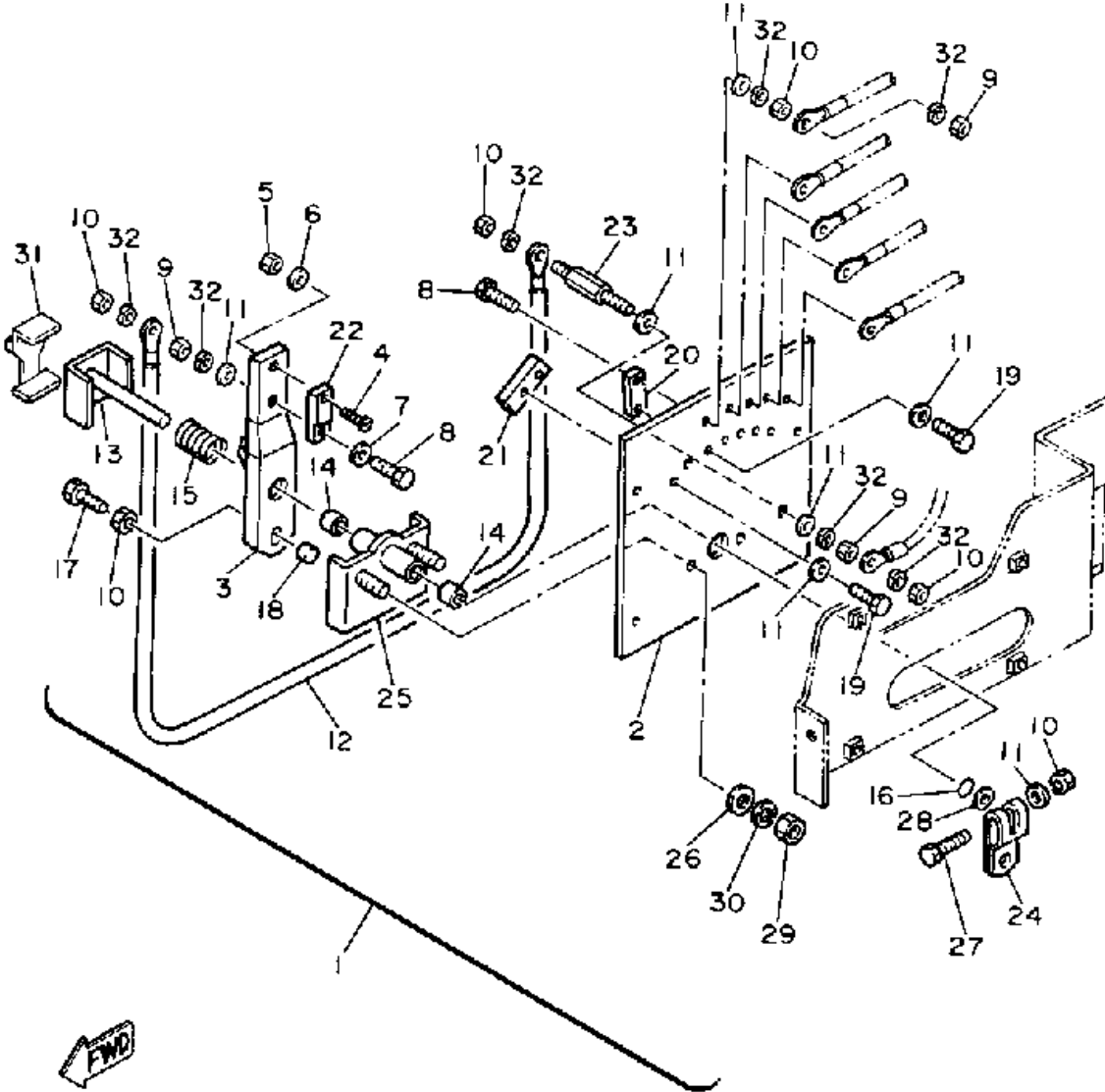


J46100-7220

Ref. No.	Part Number	Description	Qty	Remarks
1	J46-86140-00-00	CONTROLLER ASS'Y (J22-86140-00)	1	
2	J46-86142-00-00	. BASE, PLATE	1	
3	J22-86152-00-00	. ARM, MOVING	1	
4	98701-04016-00	. SCREW, FLAT HEAD (98702-04016)	1	
5	95301-04600-00	. NUT	1	
6	92902-04300-00	. WASHER, IN.TOOTH	1	
7	90201-063F3-00	. WASHER, PLATE	1	
8	90101-06469-00	. BOLT	7	
9	95320-06600-00	. NUT	7	
10	95380-06700-00	. NUT	10	
11	92995-06100-00	. WASHER, SPRING	16	
12	J22-86157-00-00	. WIRE, LEAD	1	
13	J14-86155-01-00	. SHAFT, CONTROLLER	1	
14	90380-10010-00	. BUSH, SOLID	2	
15	90501-16573-00	. SPRING, COMPRESSION	1	
16	93210-10166-00	. O-RING	1	
17	97011-06020-00	. BOLT	1	
18	90386-05111-00	. BUSH, SPEC'L NYLON	1	
19	97013-06012-00	. BOLT	7	
20	J14-86162-00-00	. CONTACT, STATE	5	
21	J14-82103-00-00	. TERMINAL 1	1	
22	J14-86153-00-00	. CONTACT, MOVING	1	
23	J22-82104-00-00	. TERMINAL 2	1	
24	J14-86144-01-00	. LEVER, CONTROLLER	1	
25	J14-86156-00-00	. HOLDER, SHAFT	1	
26	92990-06600-00	. WASHER, PLATE	2	
27	97021-06030-00	. BOLT	1	

CONTINUED ON NEXT FRAME ►

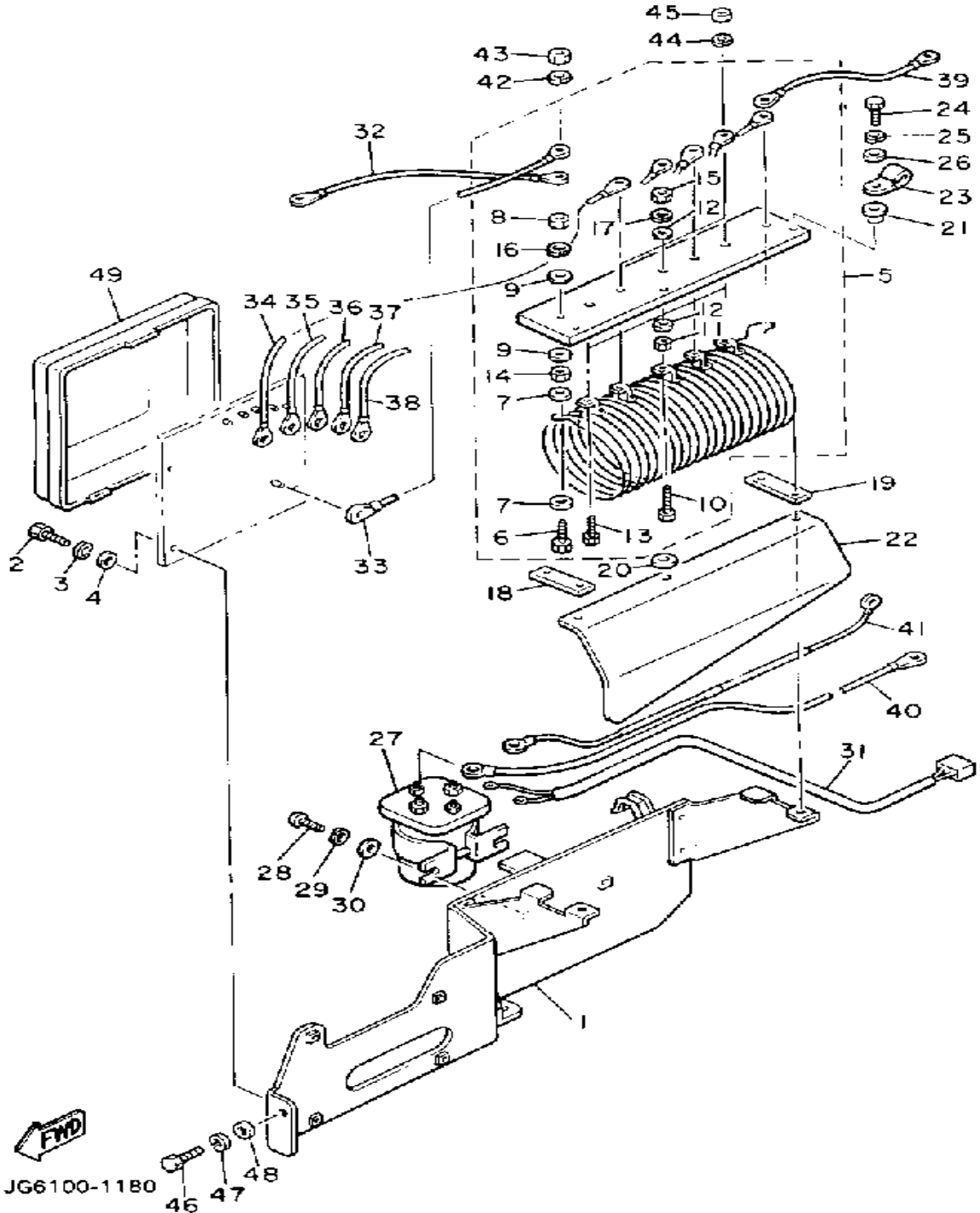
# CONTROLLER 1



Ref. No.	Part Number	Description	Qty	Remarks
28	92990-10200-00	. WASHER, PLAIN	1	
29	95333-08600-00	. NUT	2	
30	92990-08100-00	. WASHER	2	
31	J22-86158-00-00	. SPRING, COMPRESSION	1	
32	92995-06100-00	. WASHER, SPRING	15	

FWD  
J46100-7220

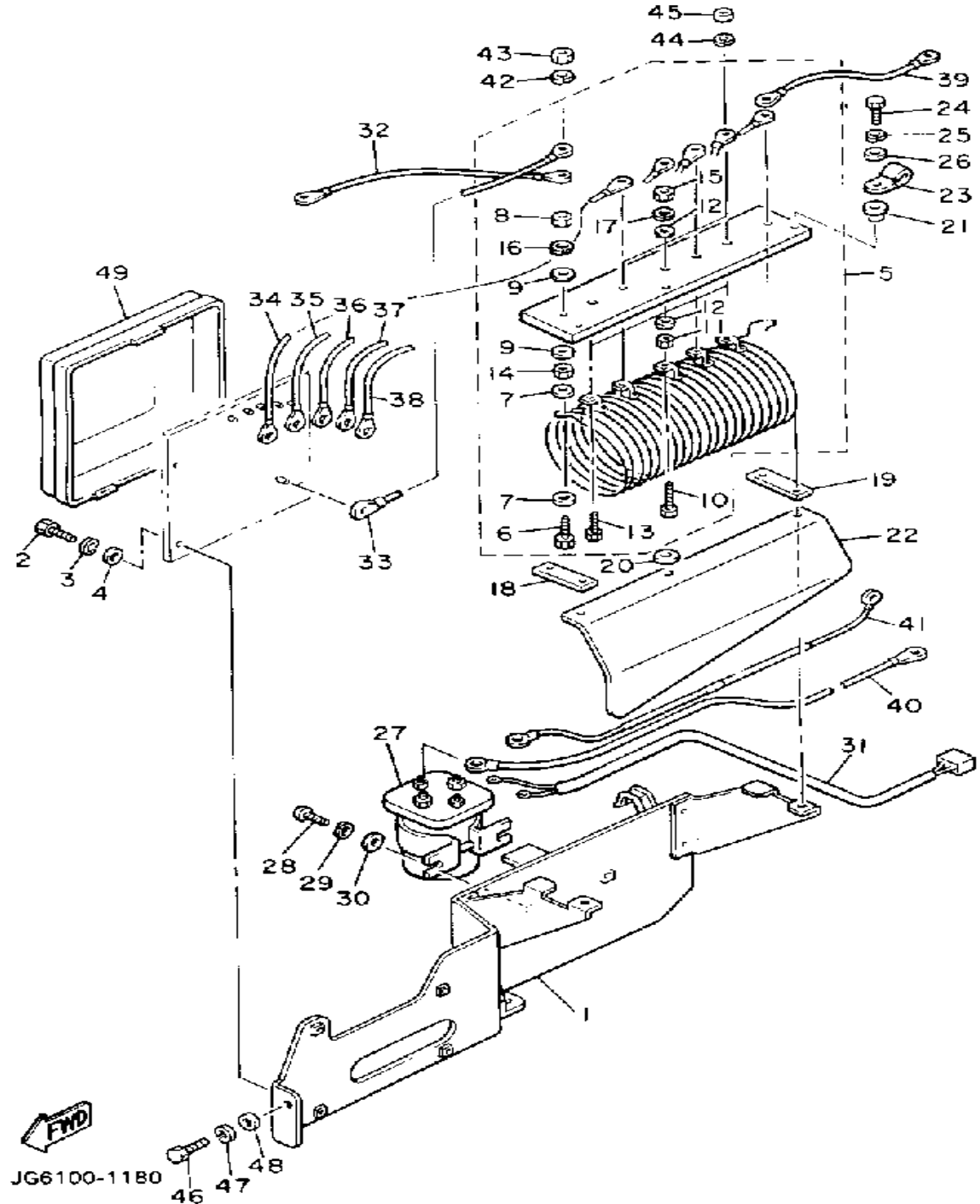
# CONTROLLER 2



Ref. No.	Part Number	Description	Qty	Remarks
1	JG6-86141-00-00	PLATE, CONTROLLER	1	
2	97011-06025-00	BOLT (97001-06025)	4	
3	92995-06100-00	WASHER, SPRING	4	
4	92990-06600-00	WASHER, PLATE	4	
5	J51-85370-00-00	RESISTOR ASSEMBLY	1	
6	90101-08470-00	. BOLT	2	
7	90201-083F1-00	. WASHER, PLATE	4	
8	95303-08700-00	. NUT	2	
9	92990-08600-00	. WASHER, PLATE	4	
10	95320-08700-00	. NUT	2	
11	90101-06469-00	. BOLT	4	
12	95380-06700-00	. NUT	6	
13	92990-06600-00	. WASHER, PLATE	10	
14	95320-06600-00	. NUT	4	
15	97011-06025-00	. BOLT (97001-06025)	1	
16	92990-08100-00	WASHER	2	
17	92995-06100-00	. WASHER, SPRING	5	
18	J46-8257L-00-00	PLATE, INSULATOR	1	
19	J46-8250X-00-00	PLATE, INSULATOR	1	
20	J46-8253F-00-00	INSULATOR 2	1	
21	J46-8253E-00-00	INSULATOR 1	3	
22	J14-85379-00-00	COVER, RESISTOR	1	
23	90465-08028-00	CLAMP	1	
24	97011-06025-00	BOLT (97001-06025)	3	
25	92995-06100-00	WASHER, SPRING	3	
26	92990-06600-00	WASHER, PLATE	3	
27	JF3-H1950-00-00	RELAY ASSEMBLY	1	
28	97011-06016-00	BOLT	2	
29	92995-06100-00	WASHER, SPRING	2	

CONTINUED ON NEXT FRAME ➤

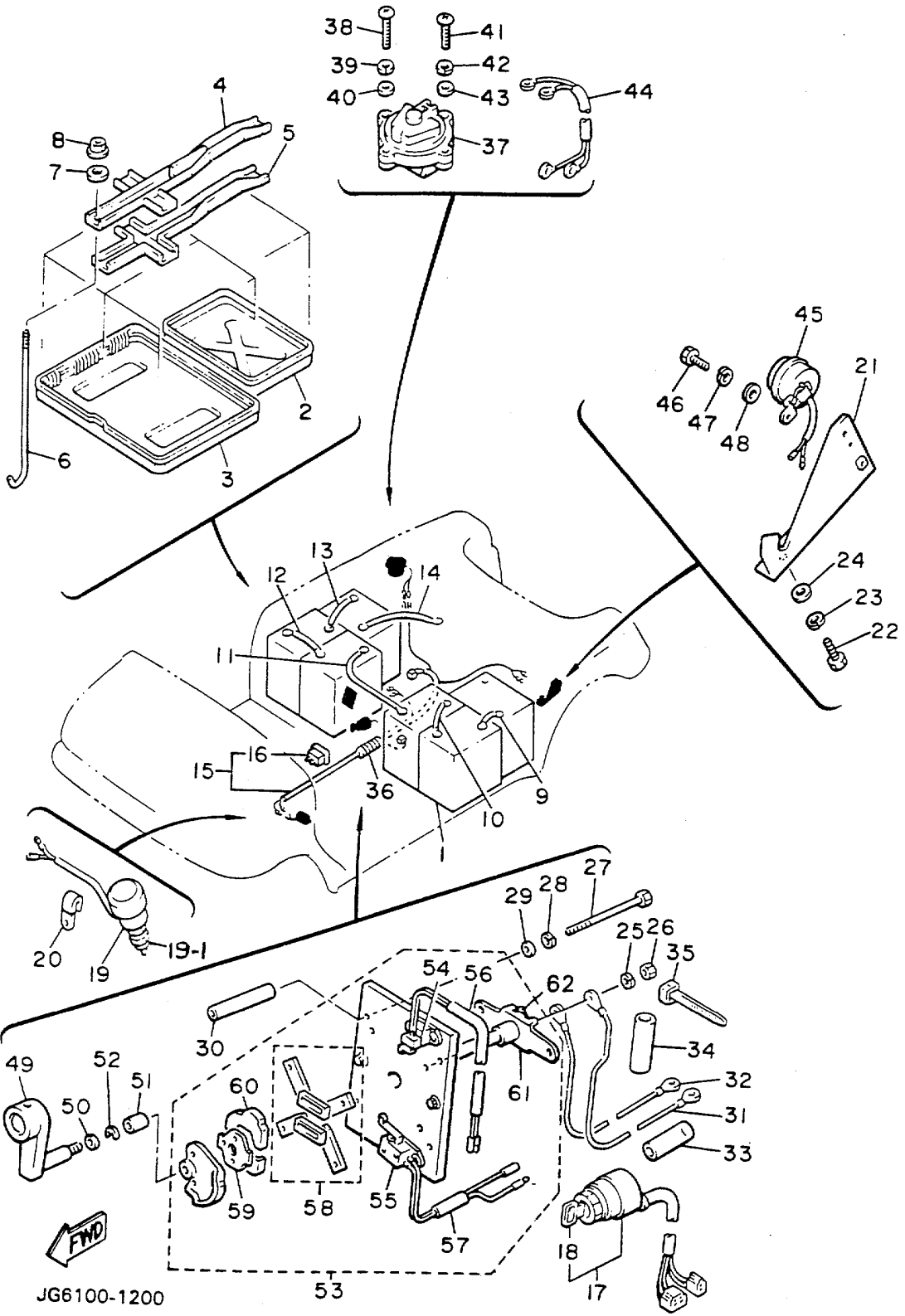
# CONTROLLER 2



Ref. No.	Part Number	Description	Qty	Remarks
30	92990-06600-00	WASHER, PLATE	2	
31	JF2-82105-00-00	WIRE HARNESS	1	
32	J41-86176-00-00	WIRE, LEAD	1	
33	J14-86175-00-00	WIRE, LEAD 5	1	
34	J14-86175-00-00	WIRE, LEAD 5	1	
35	J14-86175-00-00	WIRE, LEAD 5	1	
36	J14-86175-00-00	WIRE, LEAD 5	1	
37	J14-86175-00-00	WIRE, LEAD 5	1	
38	J14-86175-00-00	WIRE, LEAD 5	1	
39	J56-H2117-00-00	WIRE, LEAD	1	
40	JG6-H2117-00-00	WIRE, LEAD	1	
41	JG6-H2115-00-00	WIRE, PLUS LEAD	1	
42	92990-08100-00	WASHER	2	
43	95303-08700-00	NUT	2	
44	92995-06100-00	WASHER, SPRING	4	
45	95380-06700-00	NUT	4	
46	97011-08016-00	BOLT	2	
47	92990-08100-00	WASHER	2	
48	92990-08600-00	WASHER, PLATE	2	
49	J56-H6163-00-00	COVER, CONTROLLER	1	



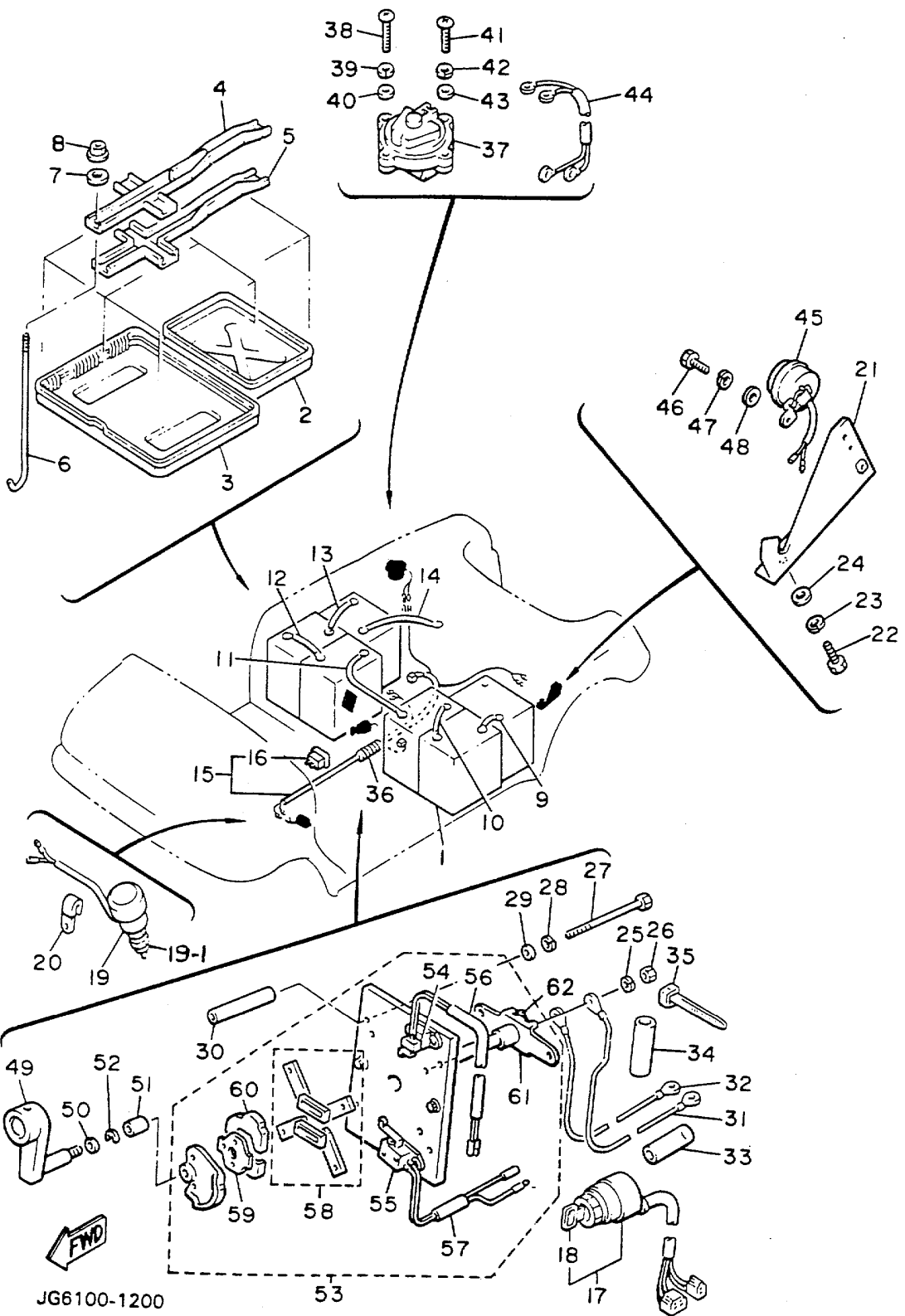
# ELECTRICAL 1



Ref. No.	Part Number	Description	Qty	Remarks
1	UNA-VAILA-BL-EI	0 0 .....		
2	J56-H2122-00-00	SEAT, BATTERY .....	2	
3	J56-H2123-00-00	SEAT, BATTERY .....	2	YPAD
4	J41-82136-01-00	PLATE, BATTERY FITTING ...	2	
5	J41-82121-00-00	PAD, BATTERY .....	2	
6	J14-82133-01-00	SCREW, FITTING .....	4	
7	90201-06067-00	WASHER, PLATE .....	4	
8	95701-06500-00	NUT, FLANGE .....	4	
9	J56-H2127-00-00	WIRE, LEAD 2 .....	1	YPAD
10	J56-H2117-00-00	WIRE, LEAD .....	1	YPAD
11	J56-H2149-00-00	WIRE, LEAD 3 .....	1	YPAD
12	J56-H2127-00-00	WIRE, LEAD 2 .....	1	YPAD
13	J56-H2117-00-00	WIRE, LEAD .....	1	YPAD
14	J56-H2116-00-00	WIRE, MINUS LEAD (J14-82116-00) .....	1	
15	JG6-82590-00-00	WIRE HARNESS ASSEMBLY ..	1	
16	42X-82151-00-00	. FUSE (10A-BL) .....	2	
17	J55-82510-00-00	MAIN SWITCH ASSEMBLY ...	1	
18	J17-82511-20-00	. KEY, MAIN SWITCH .....	1	
19	J41-82550-00-00	STOP SWITCH ASSEMBLY ...	1	
20	90465-06038-00	CLAMP .....	1	
21	JG5-H2153-00-00	STAY, FUSE HOLDER .....	1	
22	97011-06020-00	BOLT .....	2	
23	92990-06100-00	WASHER, SPRING .....	2	
24	92990-06600-00	WASHER, PLATE .....	2	
25	92990-06100-00	WASHER, SPRING .....	4	
26	95303-06600-00	NUT .....	4	
27	97001-06080-00	BOLT .....	4	
28	92990-06100-00	WASHER, SPRING .....	4	

CONTINUED ON NEXT FRAME ►

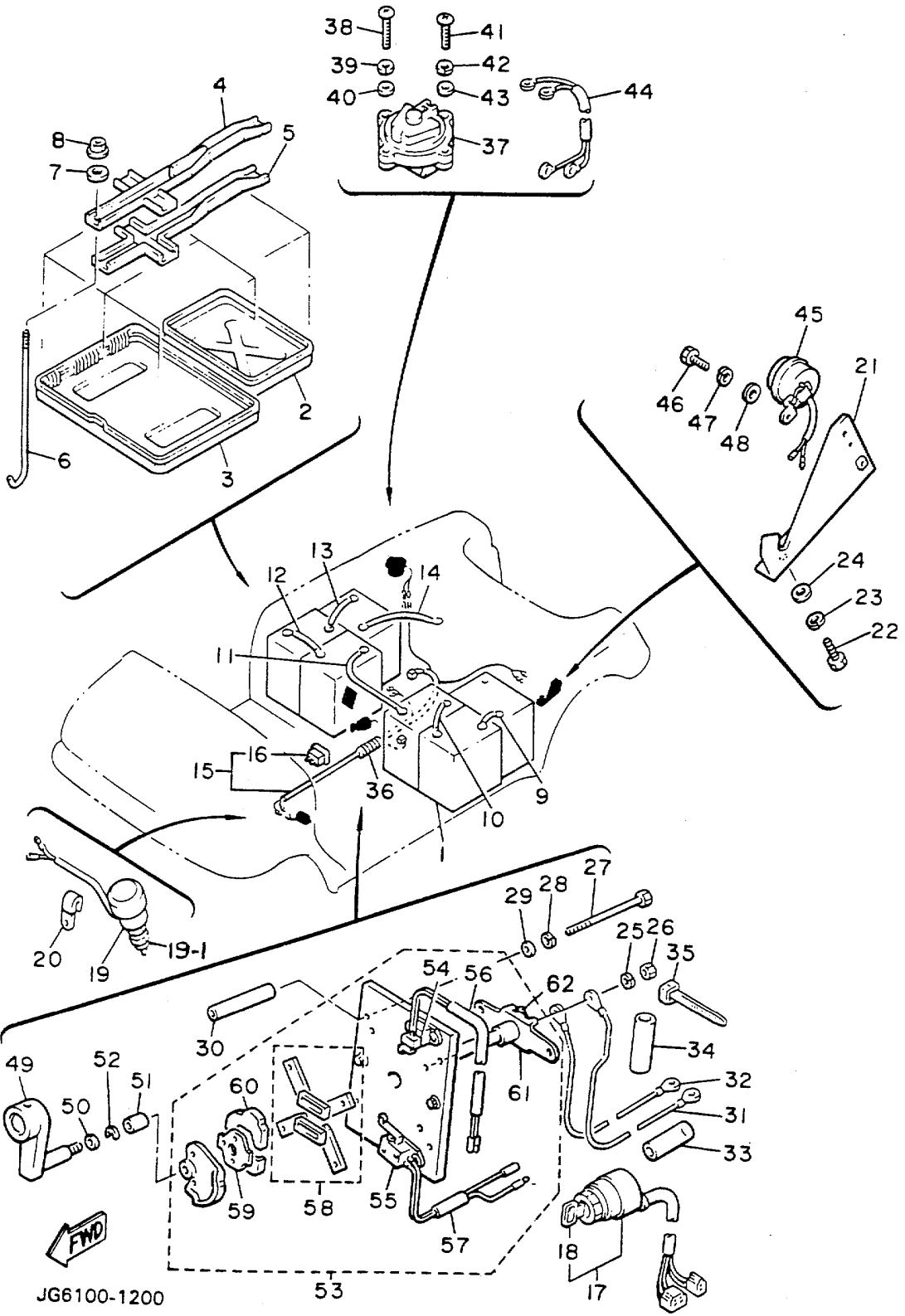
# ELECTRICAL 1



Ref. No.	Part Number	Description	Qty	Remarks
29	92990-06600-00	WASHER, PLATE	4	
30	90387-061M8-00	COLLAR	4	
31	J56-H2531-00-00	WIRE, LEAD	1	
32	J56-H2531-00-00	WIRE, LEAD	1	
33	J56-H7198-00-00	TUBE 2 (J22-87197-00)	1	
34	J56-H7197-00-00	TUBE 2	1	
35	90464-13073-00	CLAMP	1	
36	J56-H7196-00-00	TUBE 1	1	
37	J22-86181-00-00	RECEPTACLE	1	
38	98506-05035-00	SCREW, PAN HEAD	2	
39	92906-05100-00	WASHER, SPRING	2	
40	92906-05600-00	WASHER, PLATE	2	
41	98506-05016-00	SCREW, PAN HEAD	2	
42	92906-05100-00	WASHER, SPRING	2	
43	92906-05600-00	WASHER, PLATE	2	
44	J41-82542-00-00	WIRE, LEAD	1	
45	J14-83383-01-00	BUZZER	1	
46	97011-06016-00	BOLT	1	
47	92990-06100-00	WASHER, SPRING	1	
48	92990-06600-00	WASHER, PLATE	1	
49	J41-46381-00-00	KNOB, SHIFT	1	
50	90201-12474-00	WASHER, PLATE	1	
51	J41-46394-00-00	JOINT	1	
52	99001-08600-00	CIRCLIP	1	
53	J41-82917-01-00	SWITCH	1	
54	J41-82617-00-00	. SWITCH	1	
55	J41-82817-00-00	. MICRO SWITCH	1	
56	J41-8253R-00-00	. WIRE, LEAD 1	1	
57	J41-8253T-00-00	. WIRE, LEAD 2	1	

CONTINUED ON NEXT FRAME ➤

# ELECTRICAL 1



Ref. No.	Part Number	Description	Qty	Remarks
58	J41-8250H-09-00	. CONTACT PLATE COMP	1	
59	J41-82388-00-00	. PLATE	1	
60	J41-82915-00-00	. HOLDER 1	1	
61	J41-8250T-09-00	. PLATE ACTION COMP	1	
62	91609-40040-00	. PIN, SPRING	1	
	G9E-PARTS-BO-AR	ASSEMBLY, HARDWARE		
19-1	JF2-82532-00-00	. CAP, RUBBER		