



YAMAHA

GENUINE

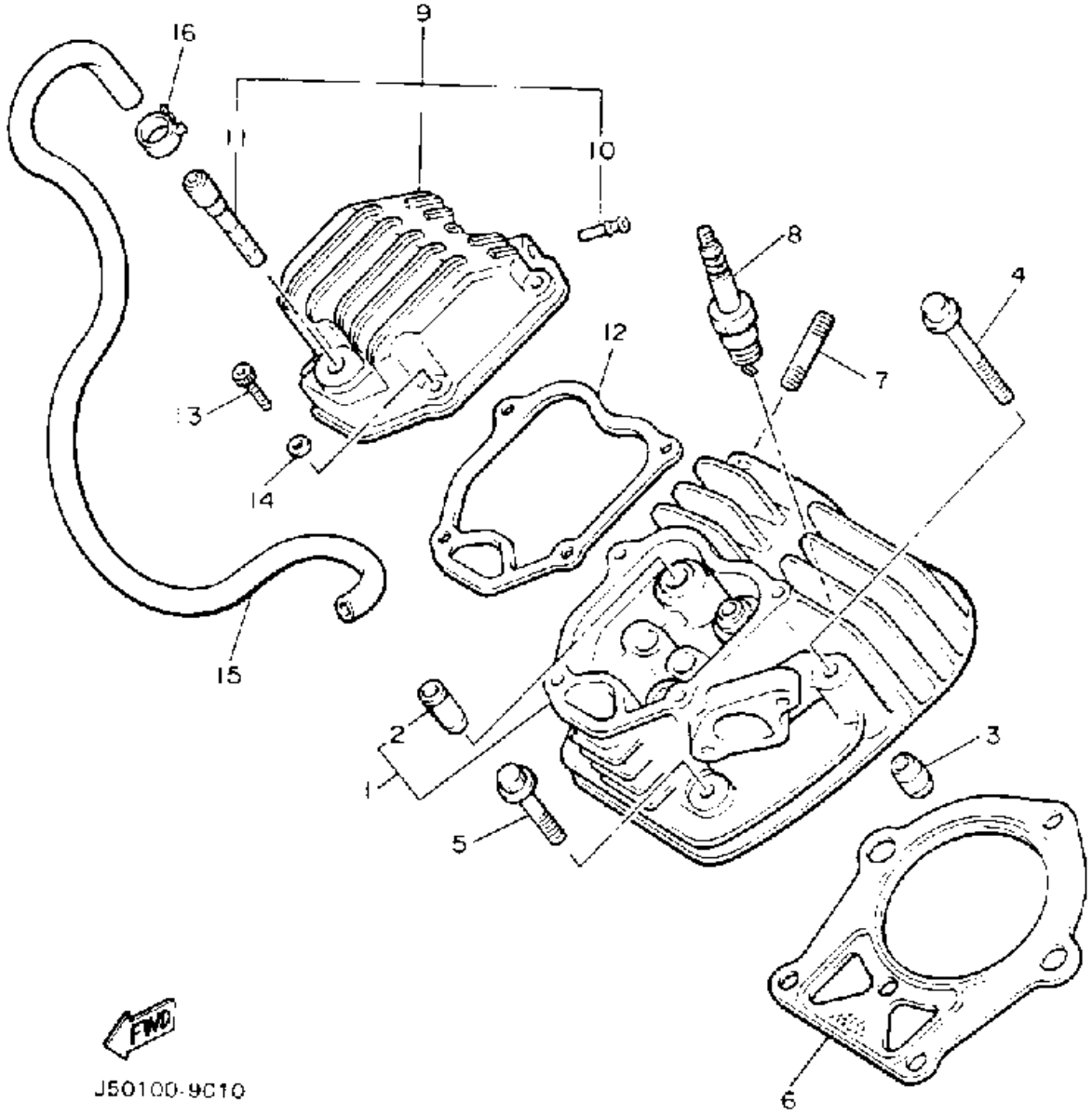
PARTS CATALOGUE

GOLF CAR

Click on the star for ordering pages



CYLINDER

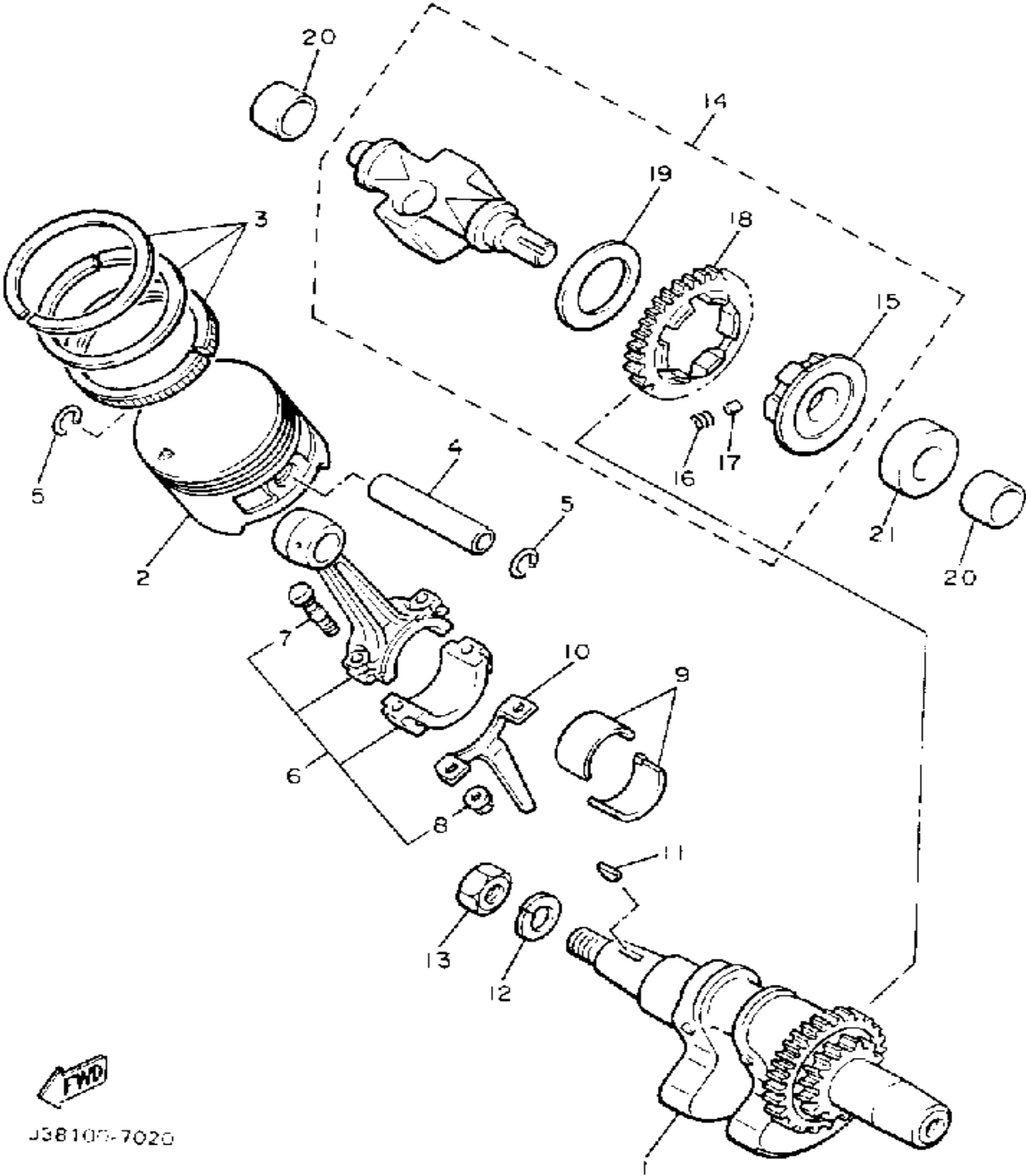


J50100-9C10

| Ref. No. | Part Number | Description | Qty | Remarks |
|----------|-----------------|-------------------------|-----|---------|
| 1 | J38-11102-00-00 | CYLINDER HEAD ASSEMBLY | 1 | |
| 2 | J38-11133-09-00 | . GUIDE, INTAKE VALVE | 2 | |
| 3 | 99510-12016-00 | PIN, DOWEL | 2 | |
| 4 | 95811-08070-00 | BOLT, FLANGE | 3 | |
| 5 | 95811-08045-00 | BOLT, FLANGE (JN5) | 3 | |
| 6 | J38-11181-00-00 | GASKET, CYLINDER HEAD 1 | 1 | |
| 7 | 95612-08618-00 | BOLT, STUD | 2 | |
| 8 | NGK-BR4ES-00-00 | PLUG, SPARK (NGK BR4ES) | 1 | |
| 9 | J38-11191-00-00 | COVER, CYLINDER HEAD 1 | 1 | |
| 10 | J38-11116-00-00 | . JOINT, BREATHER | 2 | |
| 11 | J38-24461-00-00 | . PIPE, JOINT | 1 | |
| 12 | J38-11193-01-00 | GASKET, HEAD COVER 1 | 1 | |
| 13 | 91316-06025-00 | BOLT | 4 | |
| 14 | 92990-06600-00 | WASHER, PLATE | 4 | |
| 15 | 90445-130F8-00 | HOSE | 1 | |
| 16 | 90467-12052-00 | CLIP | 2 | |



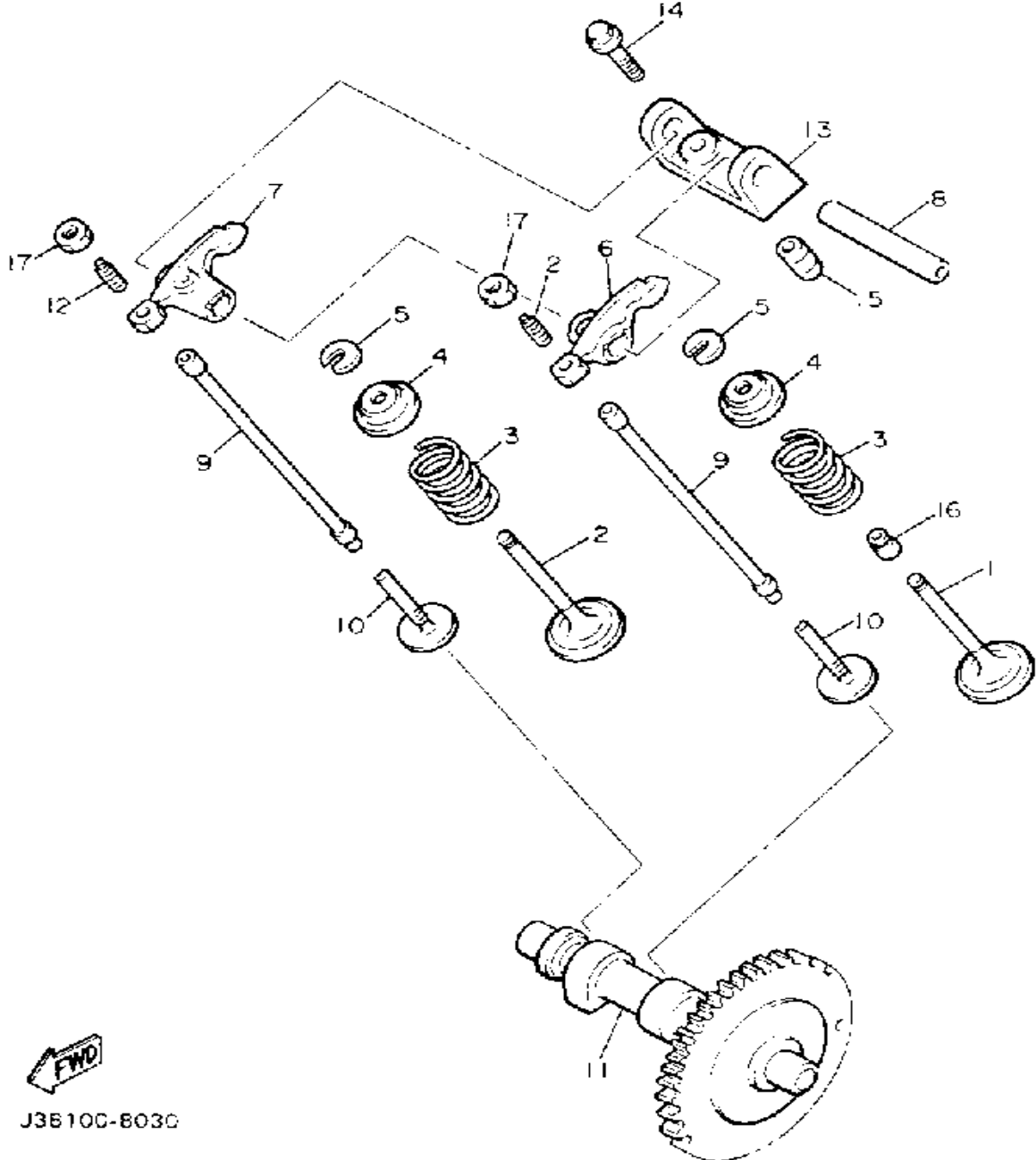
CRANKSHAFT-PISTON



| Ref. No. | Part Number | Description | Qty | Remarks |
|----------|-----------------|------------------------------|-----|----------|
| 1 | J38-11400-00-00 | CRANKSHAFT ASSEMBLY | 1 | |
| 2 | J38-11631-01-A0 | PISTON (STD) | 1 | |
| | J38-11635-01-00 | PISTON (0.25MM O/S) | 1 | AP |
| | J38-11636-01-00 | PISTON (0.50MM O/S) | 1 | AP |
| 3 | J38-11610-00-00 | PISTON RING SET (STD) | 1 | |
| | J38-11610-10-00 | PISTON RING SET (0.25MM O/S) | 1 | AP |
| | J38-11610-20-00 | PISTON RING SET (0.50MM O/S) | 1 | AP |
| 4 | 7A9-11633-00-00 | PIN, PISTON | 1 | |
| 5 | 93450-19047-00 | CIRCLIP | 2 | |
| 6 | J38-11650-00-00 | CONNECTING ROD ASSEMBLY | 1 | |
| 7 | J38-11654-00-00 | . BOLT, CONNECTING ROD | 2 | |
| 8 | 90179-08327-00 | . NUT | 2 | |
| 9 | J38-11656-00-00 | BEARING, CON-ROD | 2 | UR BROWN |
| | J38-11656-10-00 | BEARING, CON-ROD | 2 | UR BLACK |
| | J38-11656-20-00 | BEARING, CON-ROD | 2 | UR BLUE |
| 10 | J38-11657-00-00 | SPLASHER, OIL | 1 | |
| 11 | 90280-16053-00 | KEY, WOODRUFF | 1 | |
| 12 | 92901-16100-00 | WASHER, SPRING | 1 | |
| 13 | 90170-16182-00 | NUT | 1 | |
| 14 | J38-11500-00-00 | BALANCER ASSEMBLY | 1 | |
| 15 | J38-11496-00-00 | . BOSS, BUFFER | 1 | |
| 16 | 90501-21133-00 | . SPRING, COMPRESSION | 6 | |
| 17 | 93605-10090-00 | . PIN, DOWEL | 3 | |
| 18 | J38-11531-00-00 | . GEAR, BALANCE WT | 1 | |
| 19 | 90201-201G9-00 | . WASHER, PLATE | 1 | |
| 20 | 90387-155R3-00 | COLLAR | 2 | |
| 21 | 90387-152M7-00 | COLLAR | 1 | |



CAMSHAFT - VALVE



| Ref. No. | Part Number | Description | Qty | Remarks |
|----------|-----------------|---------------------------|-----|---------|
| 1 | J38-12111-01-00 | VALVE, INTAKE | 1 | |
| 2 | J38-12121-01-00 | VALVE, EXHAUST | 1 | |
| 3 | 90501-264A9-00 | SPRING, COMPRESSION | 2 | |
| 4 | J38-12117-01-00 | RETAINER, VALVE SPRING .. | 2 | |
| 5 | J38-12118-00-00 | COTTER, VALVE | 2 | |
| 6 | J38-12151-01-00 | ARM, VALVE ROCKER | 1 | |
| 7 | J38-12161-01-00 | ARM, VALVE ROCKER 2 | 1 | |
| 8 | J38-12156-00-00 | SHAFT, ROCKER 2 | 1 | |
| 9 | J38-12154-00-00 | ROD, VALVE PUSH | 2 | |
| 10 | J38-12153-00-00 | LIFTER, VALVE | 2 | |
| 11 | J38-12171-00-00 | CAMSHAFT 1 | 1 | |
| 12 | J38-12159-00-00 | SCREW, VALVE ADJUSTING .. | 2 | |
| 13 | J38-12152-00-00 | SUPPORT, ROCKER ARM | 1 | |
| 14 | 95811-06030-00 | BOLT, FLANGE | 2 | |
| 15 | 91810-09014-00 | PIN, DOWEL | 2 | |
| 16 | 5H0-12119-00-00 | SEAL, VALVE STEM | 1 | |
| 17 | 90170-06128-00 | NUT | 2 | |

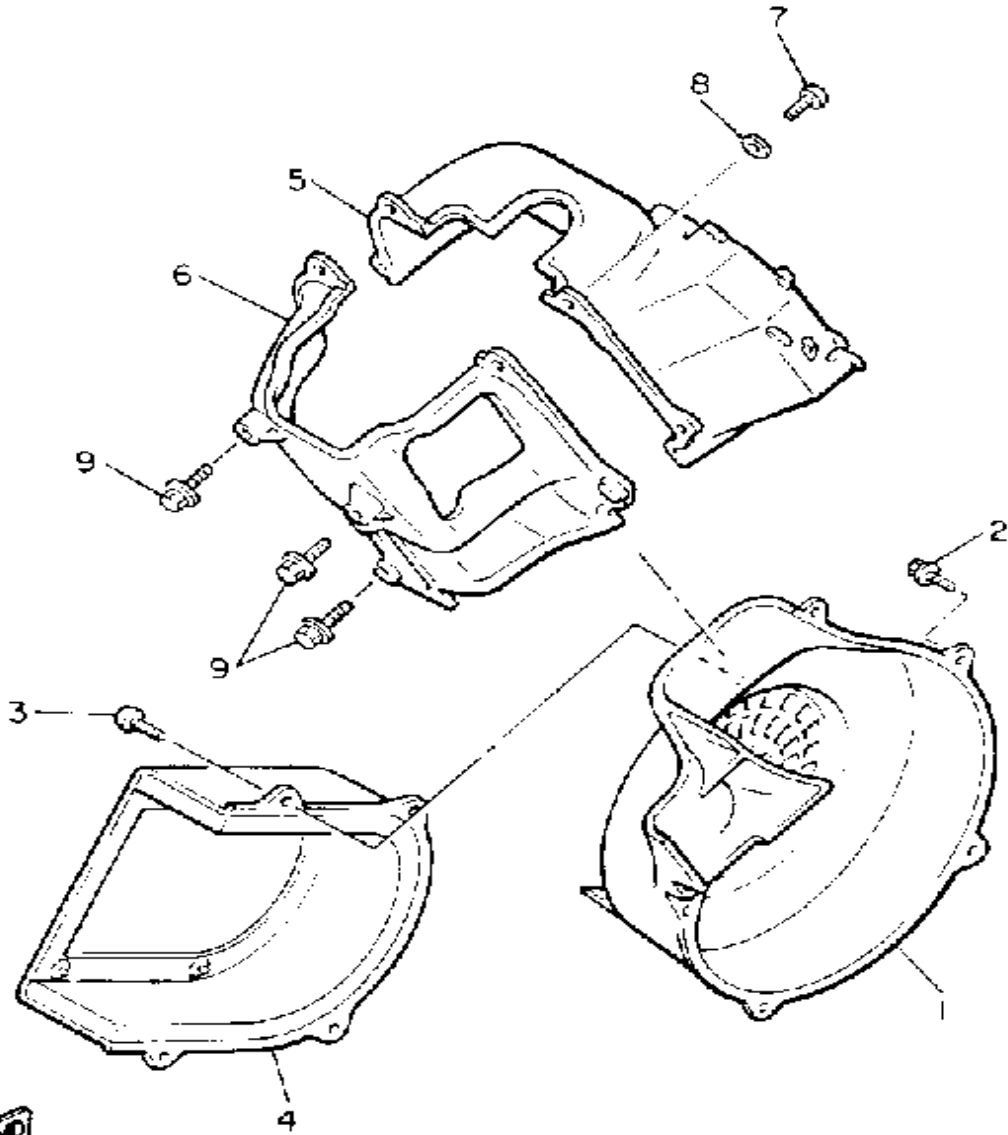


J3810C-803C



AIR SHROUD-FAN

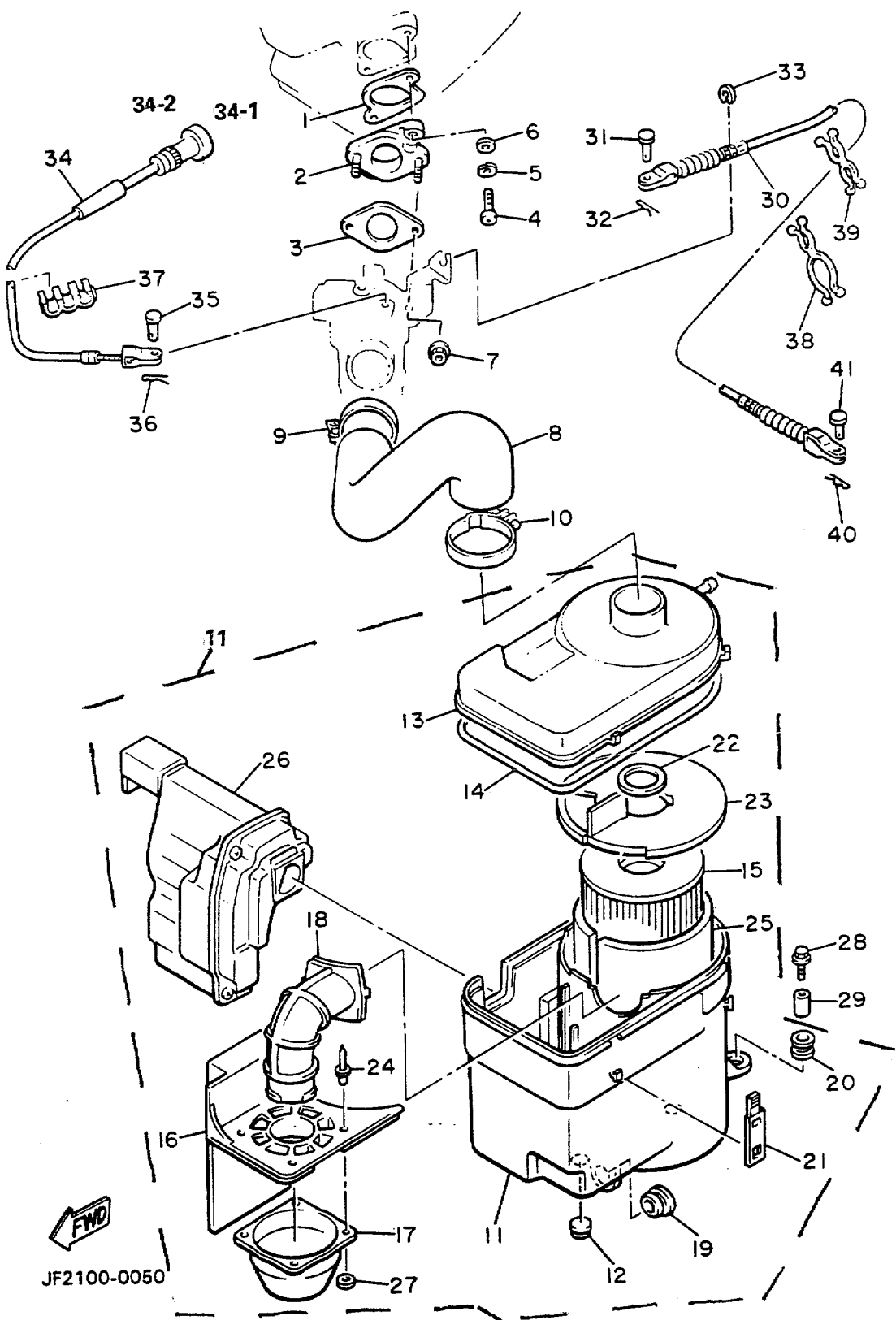
| Ref. No. | Part Number | Description | Qty | Remarks |
|----------|-----------------|--|-----|---------|
| 1 | J38-12621-01-00 | CASE, FAN | 1 | |
| 2 | 95811-06020-00 | BOLT, FLANGE | 5 | |
| 3 | 97780-60116-00 | SCREW, TAPPING | 4 | |
| 4 | J38-12640-00-00 | FAN CASE COVER COMP. ... | 1 | |
| 5 | J38-12651-01-00 | AIR SHROUD, CYLINDER 1 ... | 1 | |
| 6 | J38-12652-00-00 | AIR SHROUD, CYLINDER 2 ... | 1 | |
| 7 | 98502-06016-00 | SCREW, PAN HEAD (98501-06014-00) | 4 | |
| 8 | 92990-06600-00 | WASHER, PLATE | 4 | |
| 9 | 90109-06513-00 | BOLT | 4 | |



J50100-8040



AIR FILTER

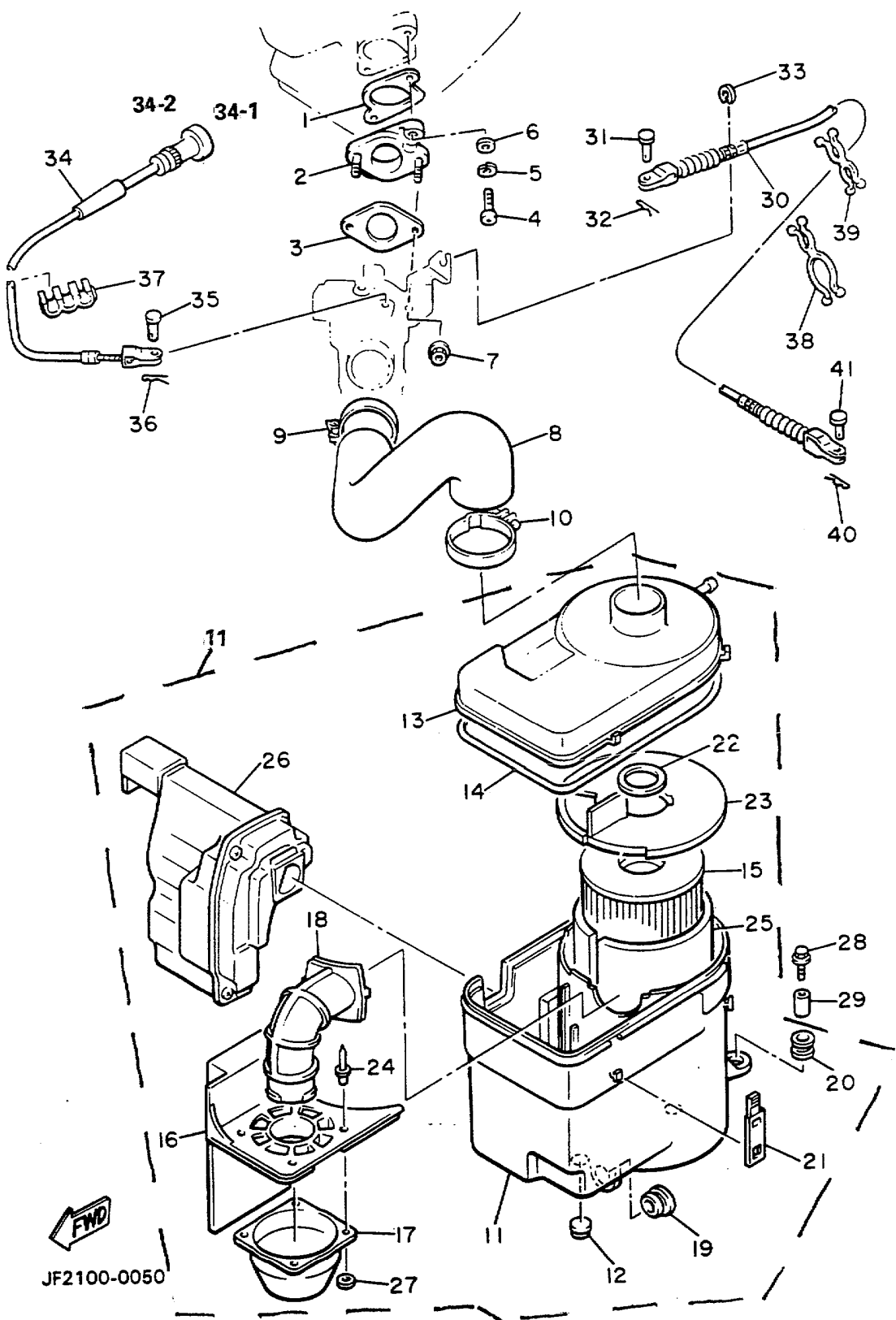


| Ref. No. | Part Number | Description | Qty | Remarks |
|----------|-----------------|--------------------------------------|-----|---------|
| 1 | J38-13556-00-00 | GASKET, MANIFOLD | 1 | |
| 2 | J38-13596-00-00 | JOINT, CARBURETOR 2 | 1 | |
| 3 | J38-13557-00-00 | GASKET | 1 | |
| 4 | 98501-06030-00 | SCREW, PAN HEAD (92501-06030-00) | 2 | |
| 5 | 92990-06100-00 | WASHER, SPRING | 2 | |
| 6 | 92990-06600-00 | WASHER, PLATE | 2 | |
| 7 | 95601-06200-00 | NUT, U FLANGE | 2 | |
| 8 | J38-14453-01-00 | JOINT, AIR CLEANER 1 | 1 | |
| 9 | 90460-43279-00 | CLAMP, HOSE | 1 | |
| 10 | 90460-53239-00 | CLAMP, HOSE | 1 | |
| 11 | J38-14410-00-00 | AIR CLEANER ASSEMBLY | 1 | |
| 12 | 90480-14100-00 | . GROMMET | 2 | |
| 13 | J38-14412-02-00 | . CAP, CLEANER CASE 1 | 1 | |
| 14 | J38-14452-00-00 | . SEAL | 1 | |
| 15 | J38-14450-00-00 | . ELEMENT ASSEMBLY, AIR CLEANER | 1 | |
| 16 | J38-14484-00-00 | . PLATE, CLEANER CASE FITTING | 1 | |
| 17 | J38-14479-00-00 | . FUNNEL | 1 | |
| 18 | J38-14419-00-00 | . PIPE | 1 | |
| 19 | 90480-18277-00 | . GROMMET | 1 | |
| 20 | 90480-13238-00 | . GROMMET | 2 | |
| 21 | J10-14436-00-00 | . HOOK | 4 | |
| 22 | J38-14416-00-00 | . GASKET, AIR CLEANER | 1 | |
| 23 | J38-1441F-00-00 | . PARTN, AIR CLNR CSAIR CLEANER CASE | 1 | |
| 24 | 90267-40073-00 | . RIVET, BLIND | 4 | |
| 25 | J10-14417-00-00 | . COVER 1 | 1 | |
| 26 | J38-1446A-00-00 | . SURGE TANK ASSEMBLY | 1 | |

CONTINUED ON NEXT FRAME ►



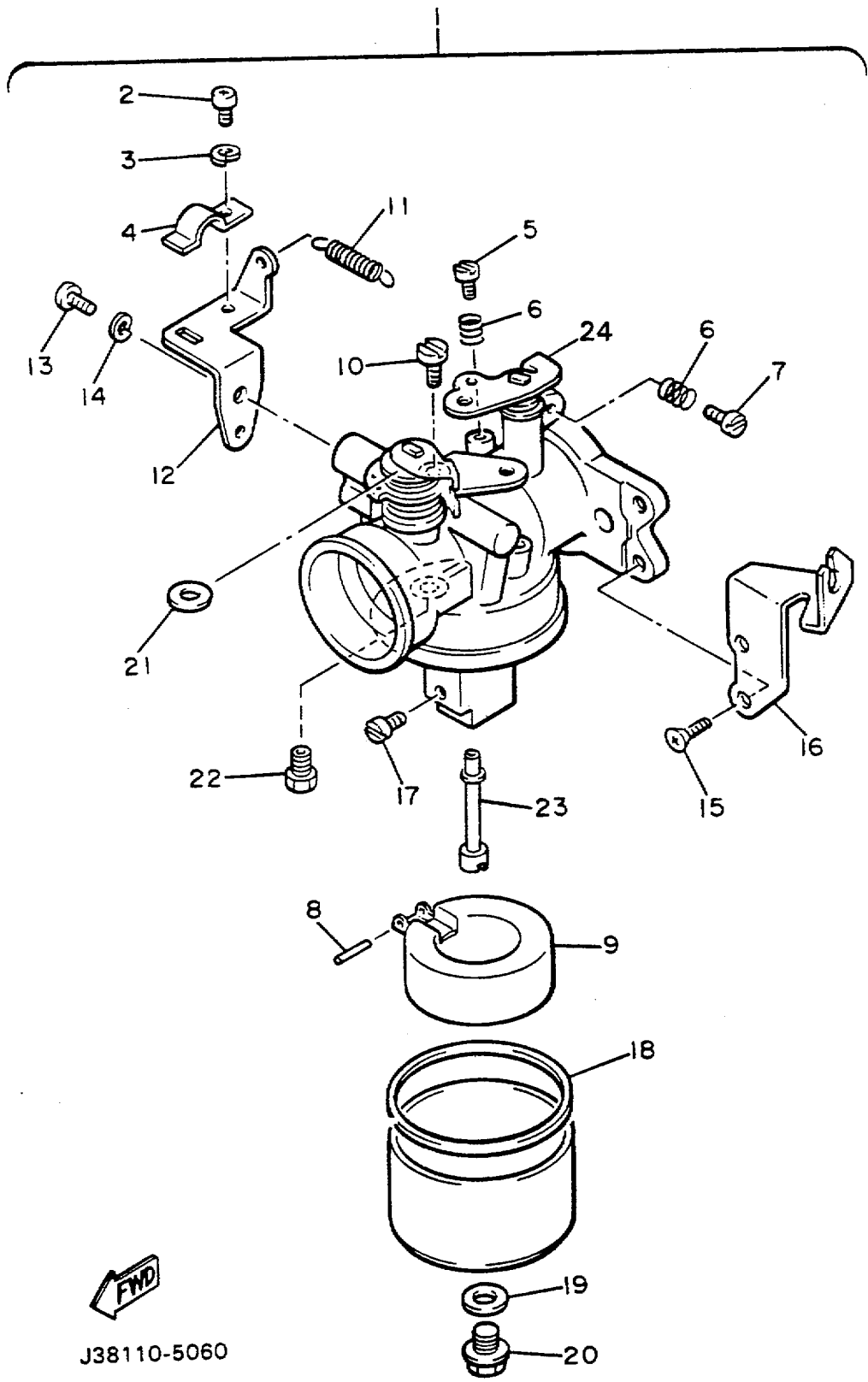
AIR FILTER



| Ref. No. | Part Number | Description | Qty | Remarks |
|----------|-----------------|-----------------------------|-----|---------|
| 27 | 90201-114E6-00 | . WASHER, PLATE | 4 | |
| 28 | 90119-06097-00 | BOLT, WITH WASHER | 2 | |
| 29 | 90387-07390-00 | COLLAR | 2 | |
| 30 | J38-26312-00-00 | CABLE, THROTTLE 2 | 1 | |
| 31 | 91701-05010-00 | PIN, CYLINDER. HEAD | 1 | |
| 32 | 90468-10050-00 | CLIP | 1 | |
| 33 | 99080-07600-00 | CIRCLIP (E) | 1 | |
| 34 | JF2-F6331-00-00 | CABLE, STARTER 1 | 1 | |
| 35 | 91701-05010-00 | PIN, CYLINDER. HEAD | 1 | |
| 36 | 90468-10050-00 | CLIP | 1 | |
| 37 | 90468-07179-00 | CLIP | 1 | |
| 38 | 90464-26114-00 | CLAMP | 1 | |
| 39 | 90464-16115-00 | CLAMP | 2 | |
| 40 | 90468-10050-00 | CLIP | 1 | |
| 41 | 91701-05010-00 | PIN, CYLINDER. HEAD | 1 | |
| 11-1 | J38-14411-00-00 | . CASE, AIR CLEANER 1 | 1 | |
| 34-1 | 1AE-26325-00-00 | . KNOB, CHOKE | 1 | |
| 34-2 | 90149-03132-00 | . SCREW, SPECIAL SHAPE ... | 1 | |



CARBURETOR



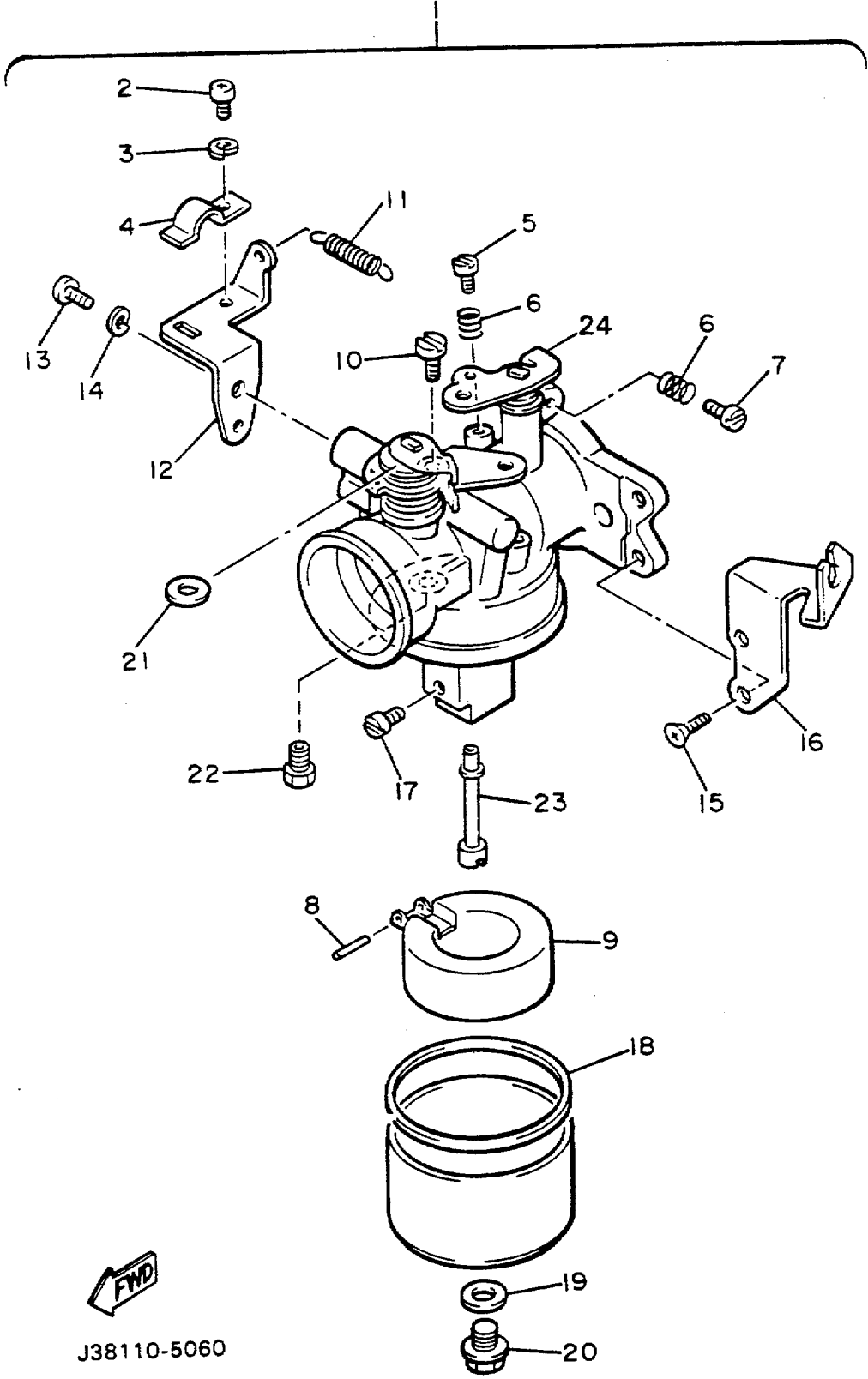
| Ref. No. | Part Number | Description | Qty | Remarks |
|----------|-----------------|---------------------------------|-----|-------------------|
| 1 | J38-14101-01-00 | CARBURETOR ASSEMBLY 1 | 1 | |
| 2 | 98580-05010-00 | . SCREW, PAN HEAD | 1 | |
| 3 | 92990-05100-00 | . WASHER, SPRING | 1 | |
| 4 | J38-14243-00-00 | . PLATE | 1 | |
| 5 | 75G-14211-00-00 | . SCREW, PILOT ADJUSTING | 1 | |
| 6 | 620-14212-00-00 | . SPRING, PILOT ADJUSTING | 2 | |
| 7 | J10-14122-00-00 | . SCREW, THROTTLE | 1 | |
| 8 | J38-14186-00-00 | . PIN, FLOAT | 1 | |
| 9 | J38-14185-00-00 | . FLOAT | 1 | |
| 10 | 620-14142-67-00 | . JET, PILOT (#67.5) | 1 | AP |
| | 620-14142-72-00 | . JET, PILOT (#72.5) | 1 | UR STD |
| 11 | J38-14133-00-00 | . SPRING, THROTTLE STOP | 1 | |
| 12 | J38-14581-00-00 | . BRACKET | 1 | |
| 13 | 98580-06010-00 | . SCREW, PAN HEAD (92503-06010) | 1 | |
| 14 | 92990-06100-00 | . WASHER, SPRING | 1 | |
| 15 | 98701-05008-00 | . SCREW, FLAT HEAD | 2 | |
| 16 | J38-14291-00-00 | . BRACKET 1 | 1 | |
| 17 | 3G2-1423E-41-00 | . JET, MAIN (#103.8) | 1 | AP FOR HIGH LANDS |
| | 3G2-1423E-42-00 | . JET, MAIN (#106.3) | 1 | UR STD |
| 18 | 796-14184-00-00 | . GASKET, FLOAT CHAMBER | 1 | |
| 19 | 127-14198-00-00 | . GASKET | 1 | |
| 20 | 7R1-14162-00-00 | . BOLT, HOLDING | 1 | |
| 21 | J10-14597-00-00 | . WASHER | 1 | |
| 22 | J38-14150-00-00 | . NEEDLE ASSEMBLY | 1 | |
| 23 | J38-14141-00-00 | . NOZZLE, MAIN | 1 | |
| 24 | J10-14131-00-00 | SPRING, THROTTLE | 1 | OPTIONAL PART |
| | J38-14202-09-00 | . THROTTLE LEVER COMP | 1 | |
| 34-2 | J10-14535-00-00 | . BUSHING, THROTTLE SHAFT | 1 | OPTIONAL PART |

CONTINUED ON NEXT FRAME ►

FWD
J38110-5060



CARBURETOR

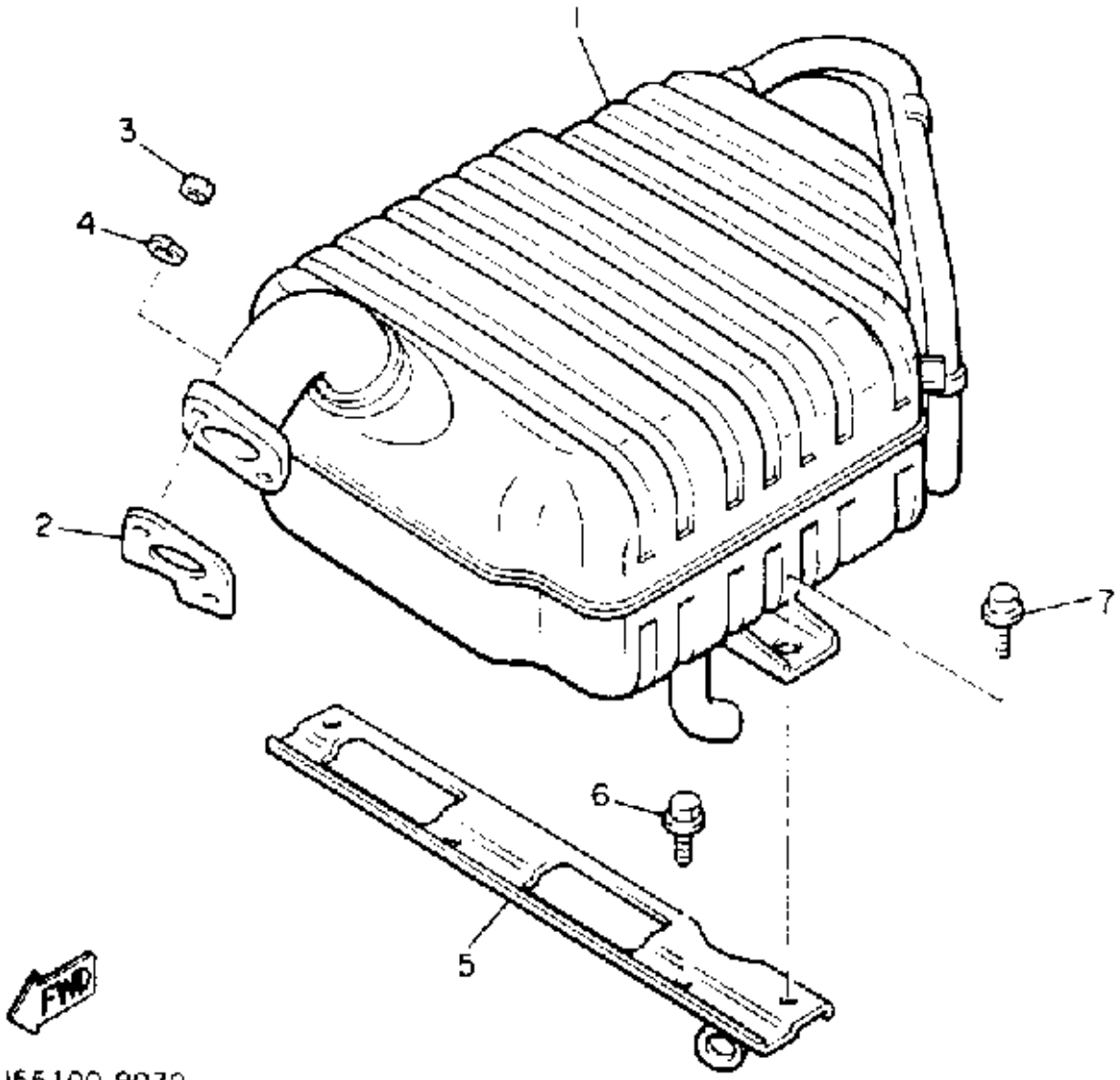


| Ref. No. | Part Number | Description | Qty | Remarks |
|----------|-----------------|----------------------------|-----|---------------|
| 34-2 | J10-14582-00-00 | . ARM, CHOKE | 1 | OPTIONAL PART |
| | J38-14218-00-00 | . SPRING, LOWER CHOKE ... | 1 | OPTIONAL PART |
| | J38-14589-00-00 | . SPRING, UPPER CHOKE | 1 | OPTIONAL PART |



EXHAUST

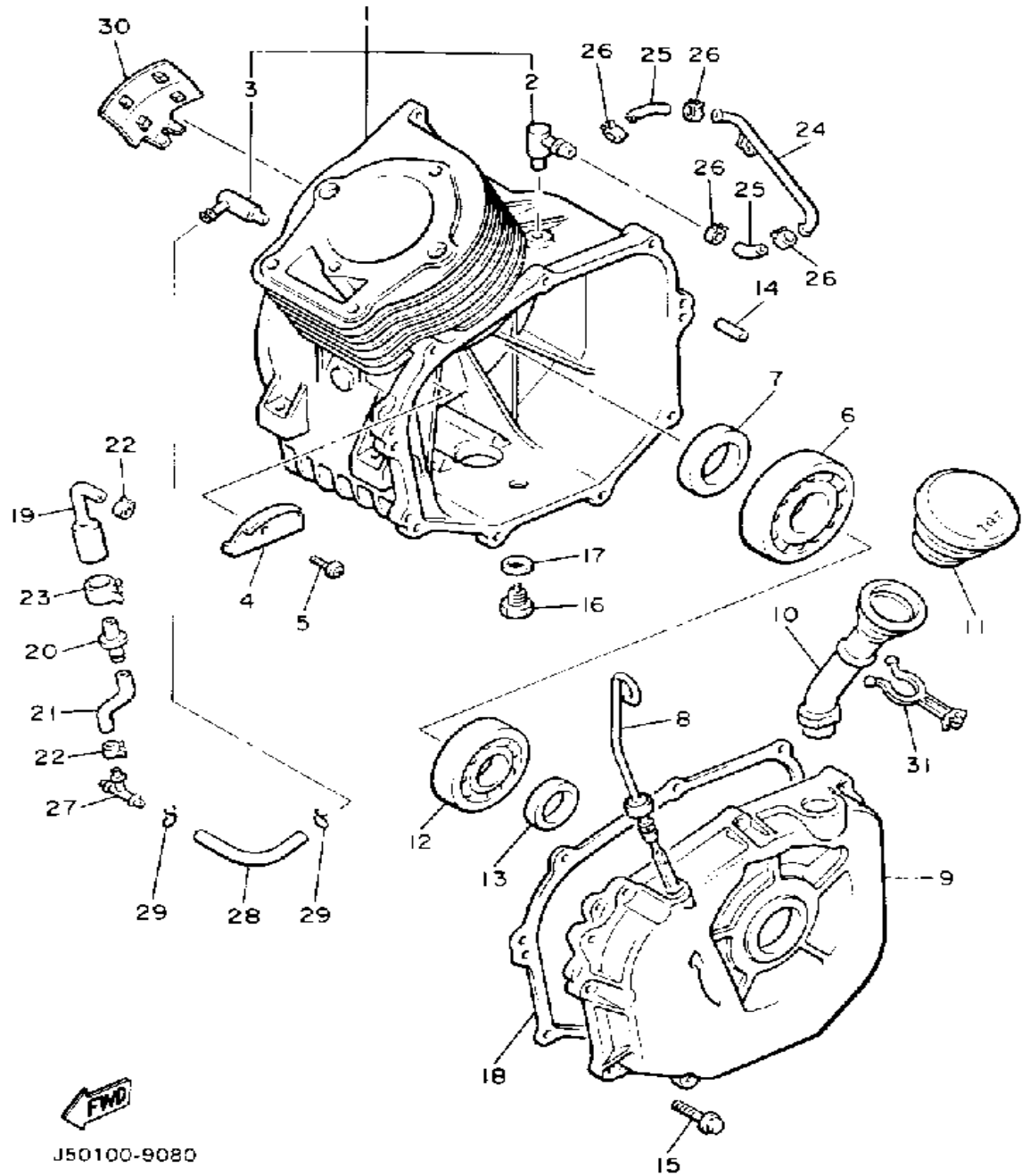
| Ref. No. | Part Number | Description | Qty | Remarks |
|----------|-----------------|----------------------|-----|--------------|
| 1 | J55-E4710-01-00 | MUFFLER ASSEMBLY 1 | 1 | J38-14710-01 |
| 2 | J38-14613-01-00 | GASKET, EXHAUST PIPE | 1 | |
| 3 | 95380-08600-00 | NUT | 2 | |
| 4 | 92990-08100-00 | WASHER | 2 | |
| 5 | J38-14771-00-00 | STAY, MUFFLER 1 | 1 | |
| 6 | 95026-10020-00 | BOLT, FLANGE | 2 | |
| 7 | 90119-08119-00 | BOLT, WITH WASHER | 2 | |



J55100-9070



CRANKCASE



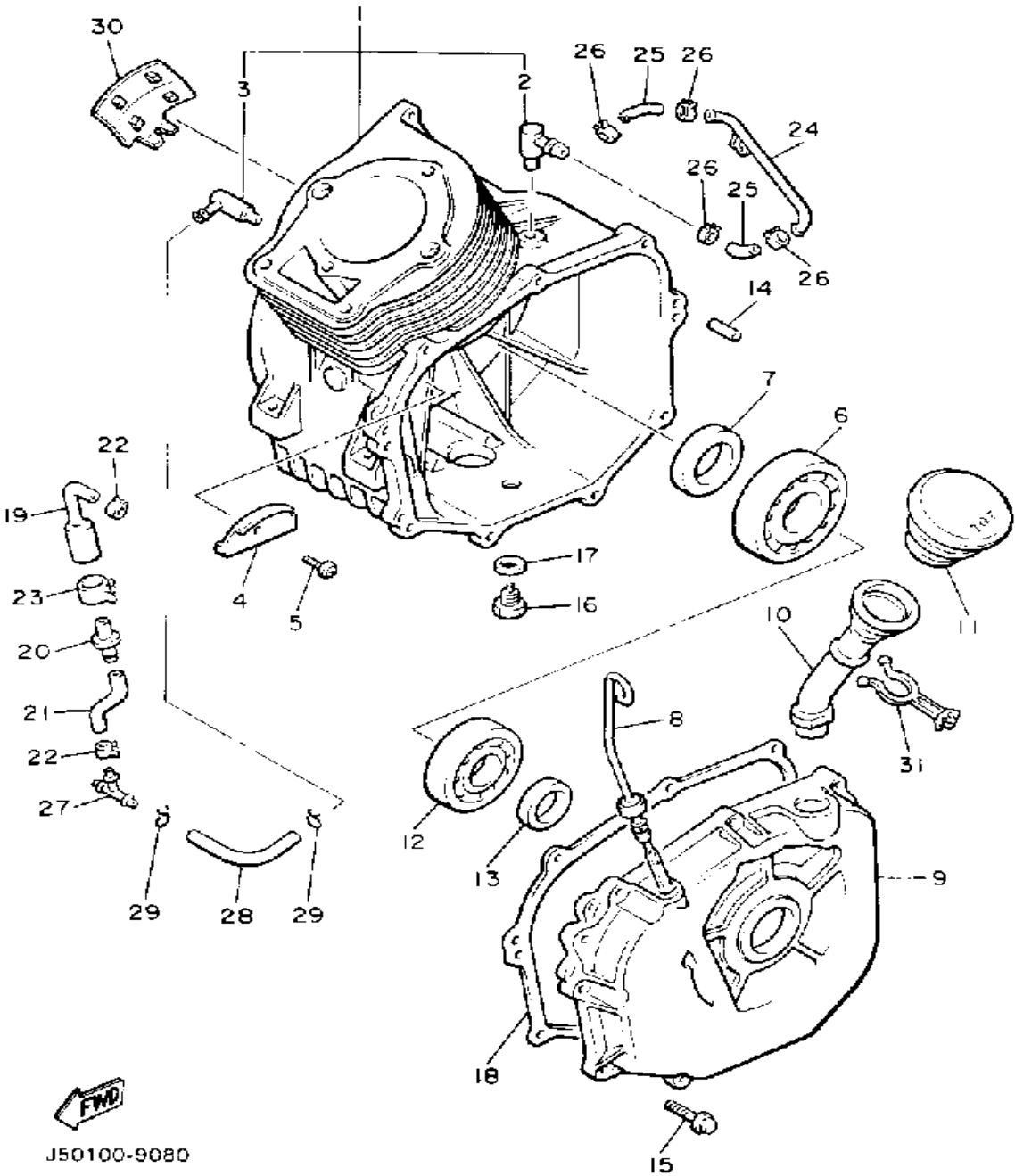
| Ref. No. | Part Number | Description | Qty | Remarks |
|----------|-----------------|-------------------------------------|-----|---------|
| 1 | J38-15100-02-00 | CRANKCASE ASSEMBLY | 1 | |
| 2 | J38-15148-00-00 | . NOZZLE 2 | 1 | |
| 3 | J38-15155-00-00 | . NOZZLE 3 | 1 | |
| 4 | J38-15123-00-00 | PLATE, BUFFLE 1 | 1 | |
| 5 | 90159-05117-00 | SCREW, w/washer | 1 | |
| 6 | 93306-30709-00 | BEARING | 1 | |
| 7 | 93102-35191-00 | OIL SEAL | 1 | |
| 8 | J38-15361-00-00 | GAUGE, LEVEL | 1 | |
| 9 | J38-15411-01-00 | COVER, CRANKCASE 1 | 1 | |
| 10 | J38-15112-00-00 | PIPE, OIL | 1 | |
| 11 | J38-15363-00-00 | PLUG, OIL | 1 | |
| 12 | 93306-30630-00 | BEARING | 1 | |
| 13 | 93102-30195-00 | OIL SEAL | 1 | |
| 14 | 93608-12063-00 | PIN, DOWEL | 2 | |
| 15 | 95811-08035-00 | BOLT, FLANGE (95821-08035) | 9 | |
| 16 | 97001-12020-00 | BOLT | 1 | |
| 17 | 812-11198-00-00 | GASKET | 1 | |
| 18 | J38-15451-00-00 | GASKET, CRCS COVERCRANKCASE COVER 1 | 1 | |
| 19 | J38-14388-00-00 | VALVE, VACUUM CONTROL | 1 | |
| 20 | J38-13115-00-00 | CONNECTOR, SUCTION PIPE | 1 | |
| 21 | 90445-113E4-00 | HOSE | 1 | |
| 22 | 90467-10008-00 | CLIP | 2 | |
| 23 | 90468-08104-00 | CLIP | 1 | |
| 24 | J38-13161-00-00 | PIPE, DELIVERY 1 | 1 | |
| 25 | 90445-110E6-00 | HOSE | 2 | |
| 26 | 90467-10008-00 | CLIP | 4 | |
| 27 | 807-24376-00-00 | PIPE, JOINT 1 | 1 | |
| 28 | 90445-09073-00 | HOSE | 1 | |

CONTINUED ON NEXT FRAME ➤



CRANKCASE

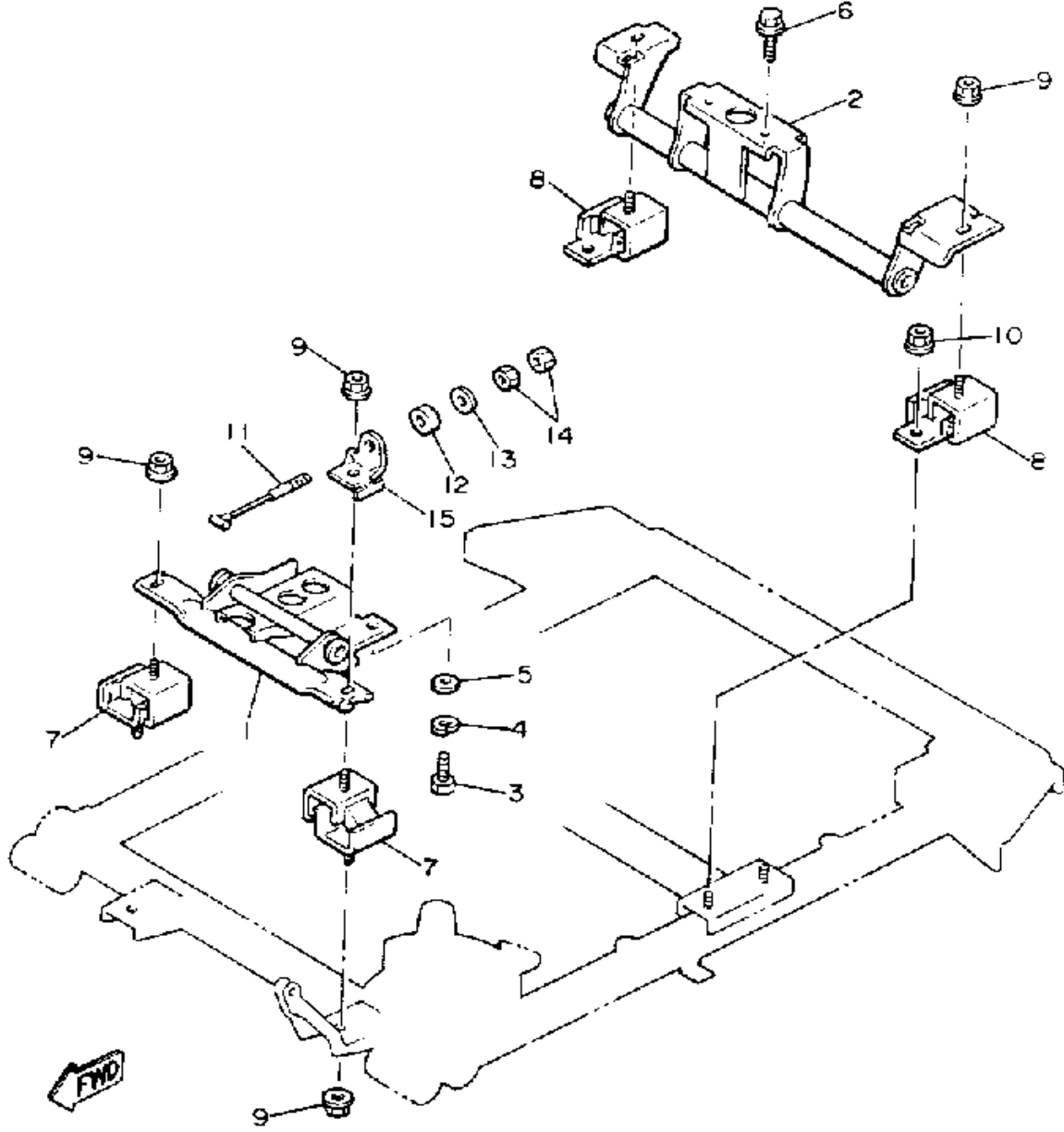
| Ref. No. | Part Number | Description | Qty | Remarks |
|----------|-----------------|------------------------|-----|---------|
| 29 | 90467-08017-00 | CLIP | 2 | |
| 30 | J38-11355-00-00 | SEAL, CYLINDER 1 | 1 | |
| 31 | 90464-15093-00 | CLAMP | 1 | |



J50100-9080



ENGINE BRACKET

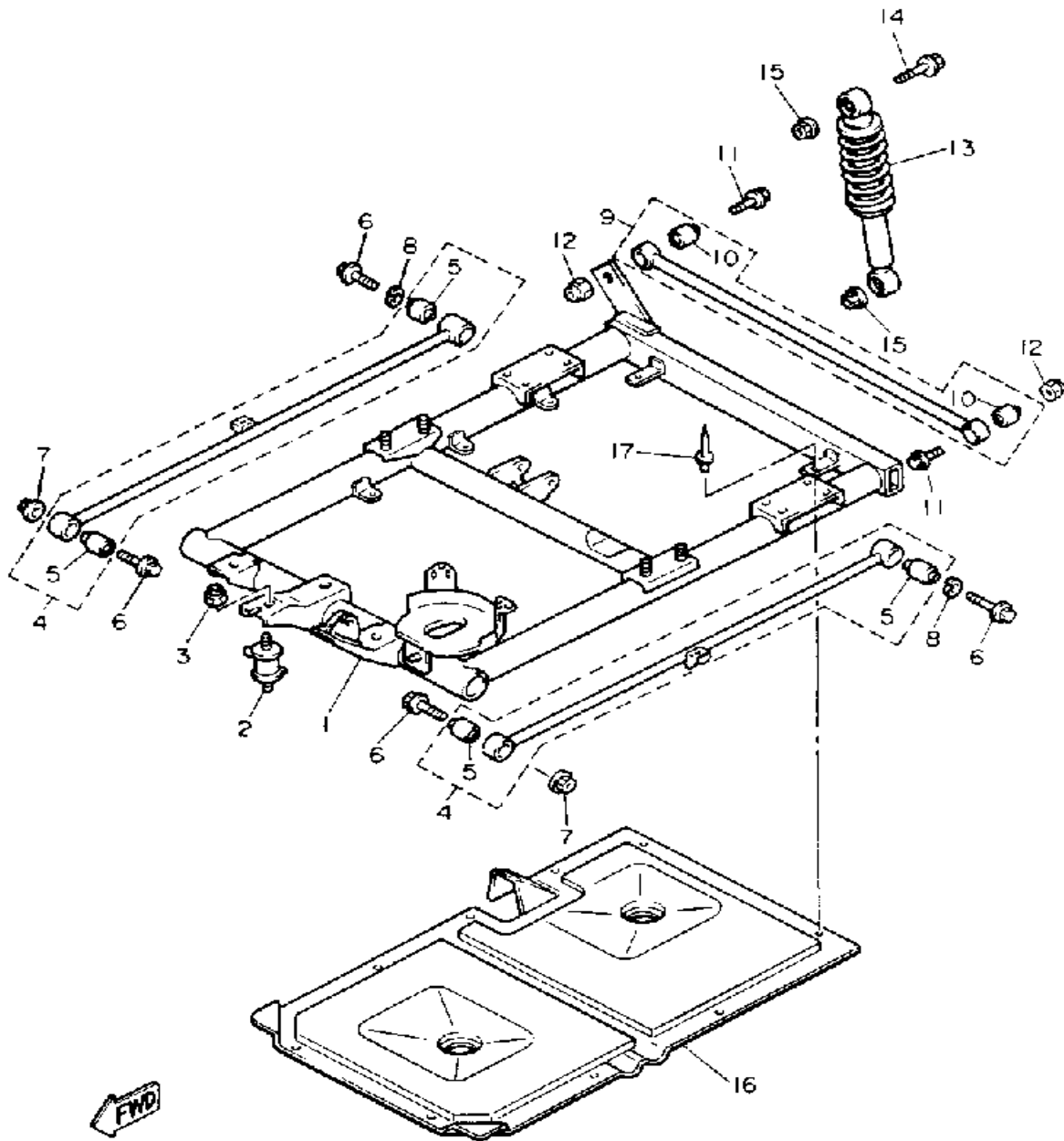


J38100-7090

| Ref. No. | Part Number | Description | Qty | Remarks |
|----------|-----------------|---------------------------|-----|--------------|
| 1 | J38-21411-02-00 | BRACKET, ENGINE 1 | 1 | |
| 2 | J55-F1419-00-00 | BRACKET, ENGINE 2 | 1 | J38-21419-02 |
| 3 | 97011-10025-00 | BOLT | 2 | |
| 4 | 92901-10100-00 | WASHER, SPRING | 2 | |
| 5 | 92990-10600-00 | WASHER, PLATE | 2 | |
| 6 | 95021-10040-00 | BOLT, FLANGE | 2 | |
| 7 | J38-21486-00-00 | DAMPER 2 | 2 | |
| 8 | J38-21488-00-00 | DAMPER | 2 | |
| 9 | 95701-10500-00 | NUT, FLANGE (95702-10500) | 6 | |
| 10 | 95701-08500-00 | NUT, FLANGE | 4 | |
| 11 | J31-2217J-01-00 | TENSIONER 1 | 1 | |
| 12 | J17-2214F-00-00 | DAMPER 1 | 1 | |
| 13 | 90201-06778-00 | WASHER, PLATE | 1 | |
| 14 | 95380-06600-00 | NUT | 2 | |
| 15 | J38-2141A-00-00 | BRACKET 1 | 1 | |



REAR SHOCKS-SUSPENSION

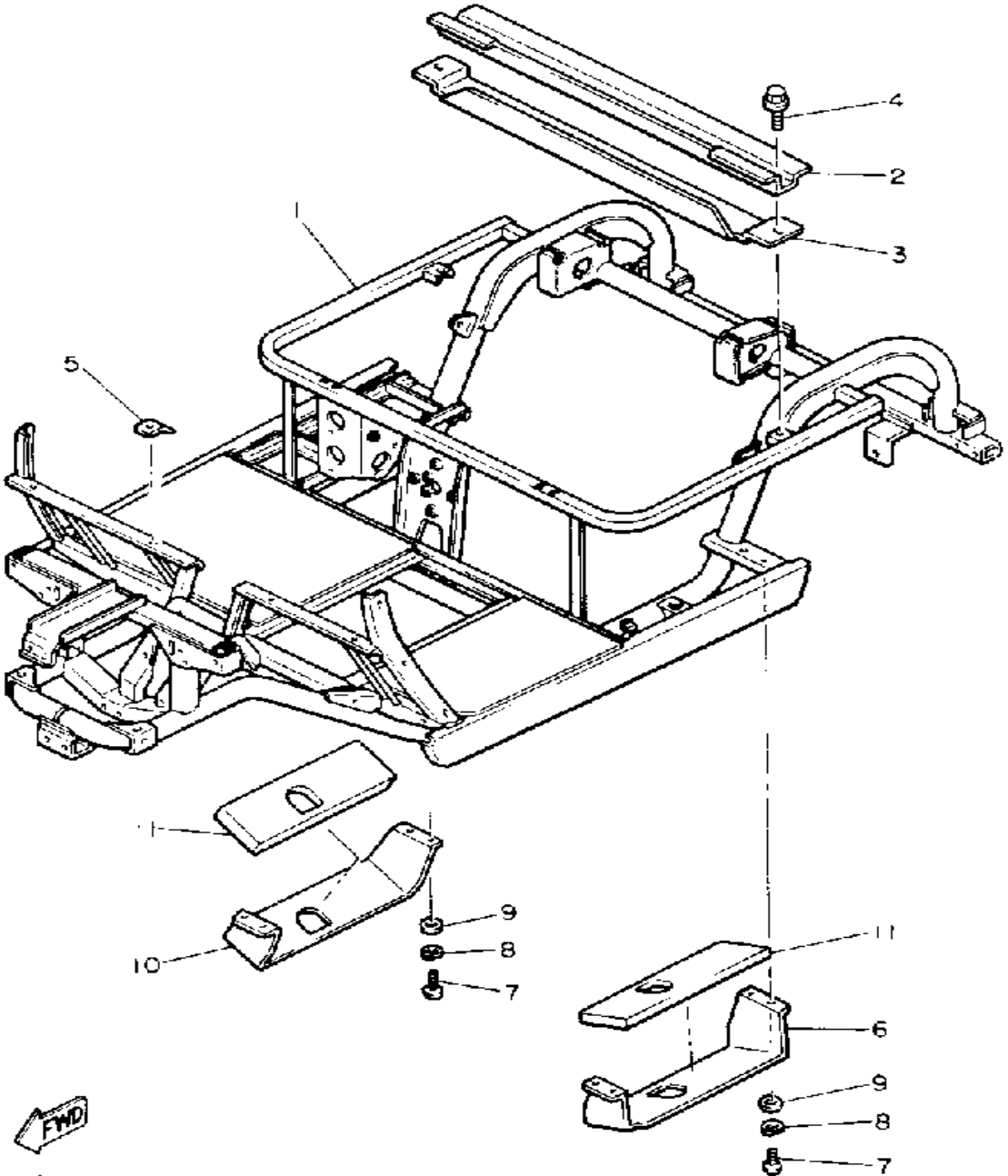


| Ref. No. | Part Number | Description | Qty | Remarks |
|----------|-----------------|-------------------------------------|-----|---------|
| 1 | JF2-F2110-00-00 | REAR ARM COMP. | 1 | |
| 2 | J50-22123-00-00 | BUSH 1 | 1 | |
| 3 | 90185-10115-00 | NUT, SELF-LOCKING | 2 | |
| 4 | J50-22171-00-00 | ARM, REAR 1 | 2 | |
| 5 | J50-22124-00-00 | . BUSH 2 | 2 | |
| 6 | 95812-12065-00 | BOLT, FLANGE | 4 | |
| 7 | 90185-12072-00 | NUT, SELF-LOCKING | 2 | |
| 8 | 92901-12100-00 | WASHER, SPRING | 2 | |
| 9 | JF2-22172-00-00 | ARM, REAR 2 | 1 | |
| 10 | J50-22124-00-00 | . BUSH 2 | 2 | |
| 11 | 95812-12065-00 | BOLT, FLANGE | 2 | |
| 12 | 90185-12072-00 | NUT, SELF-LOCKING | 2 | |
| 13 | JF2-22210-01-00 | SHOCK ABSORBER ASSEMBLY, REAR | 2 | |
| 14 | 95812-12065-00 | BOLT, FLANGE | 2 | |
| 15 | 90185-12072-00 | NUT, SELF-LOCKING | 4 | |
| 16 | J55-F2130-00-00 | ARM SUB COMP 1 | 1 | |
| 17 | 90267-40131-00 | RIVET, BLIND | 9 | |

JF2100-0100



FRAME



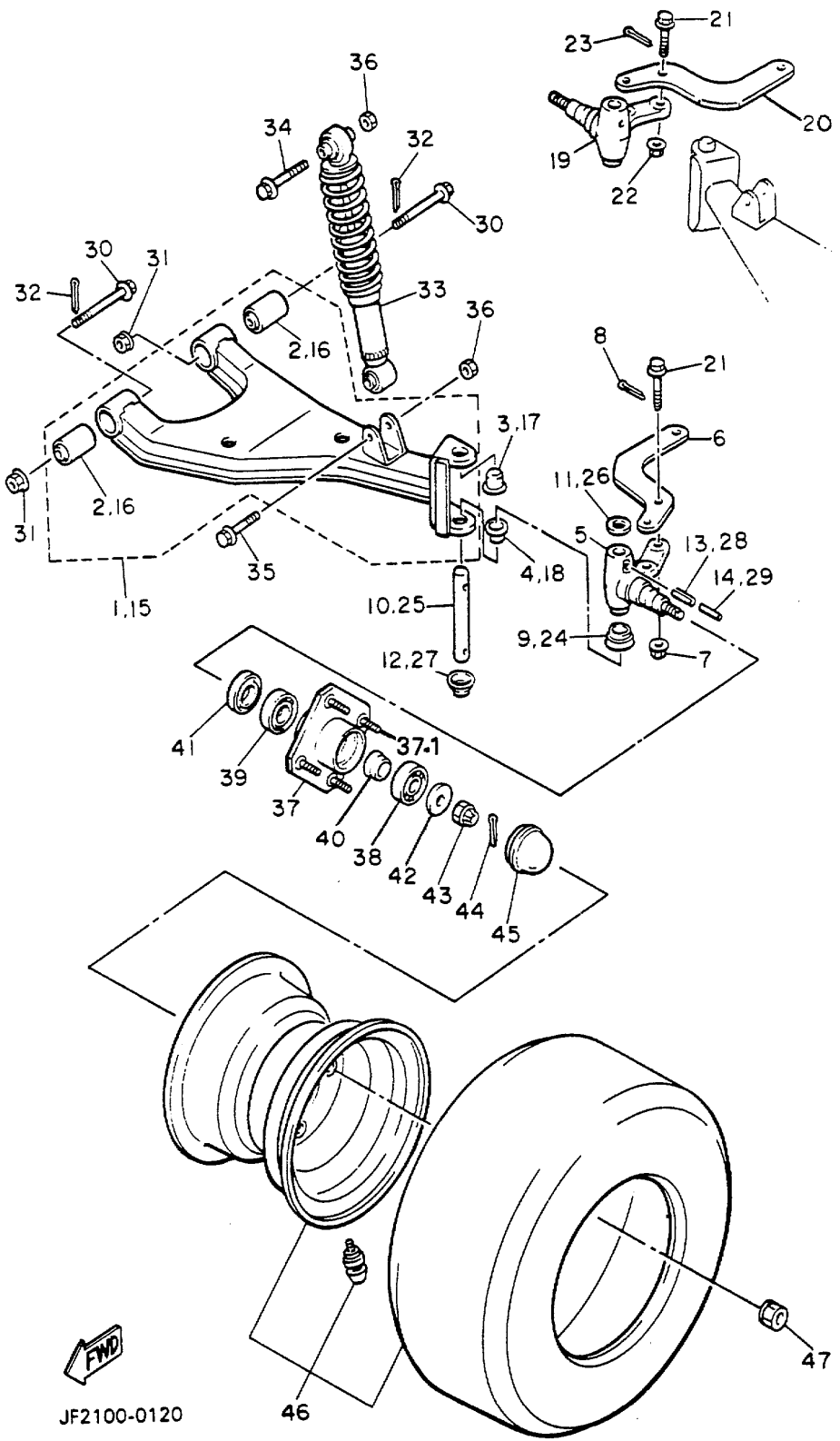
| Ref. No. | Part Number | Description | Qty | Remarks |
|----------|-----------------|---------------------------|-----|---------|
| 1 | JF2-F2501-10-00 | FRAME COMP. | 1 | |
| 2 | JF2-F254R-00-00 | SUPPORT, BODY MOUNTING . | 1 | |
| 3 | JF2-K8266-00-00 | PLATE, BODY PROTECT 6 ... | 1 | |
| 4 | 95811-08016-00 | BOLT, FLANGE | 2 | |
| 5 | JF2-7814A-00-00 | SEAL, BODY UPPER | 4 | |
| 6 | JF2-F2592-00-00 | PLATE 1 | 1 | |
| 7 | 98580-05012-00 | SCREW, PAN HEAD | 8 | |
| 8 | 92990-05100-00 | WASHER, SPRING | 8 | |
| 9 | 92901-05600-00 | WASHER, PLATE | 8 | |
| 10 | JF2-F2593-00-00 | PLATE 2 | 1 | |
| 11 | JF2-K825H-00-00 | PAD, SILENCER 4 | 2 | |



JF2100-0110



FRONT SUSPENSION-WHEEL

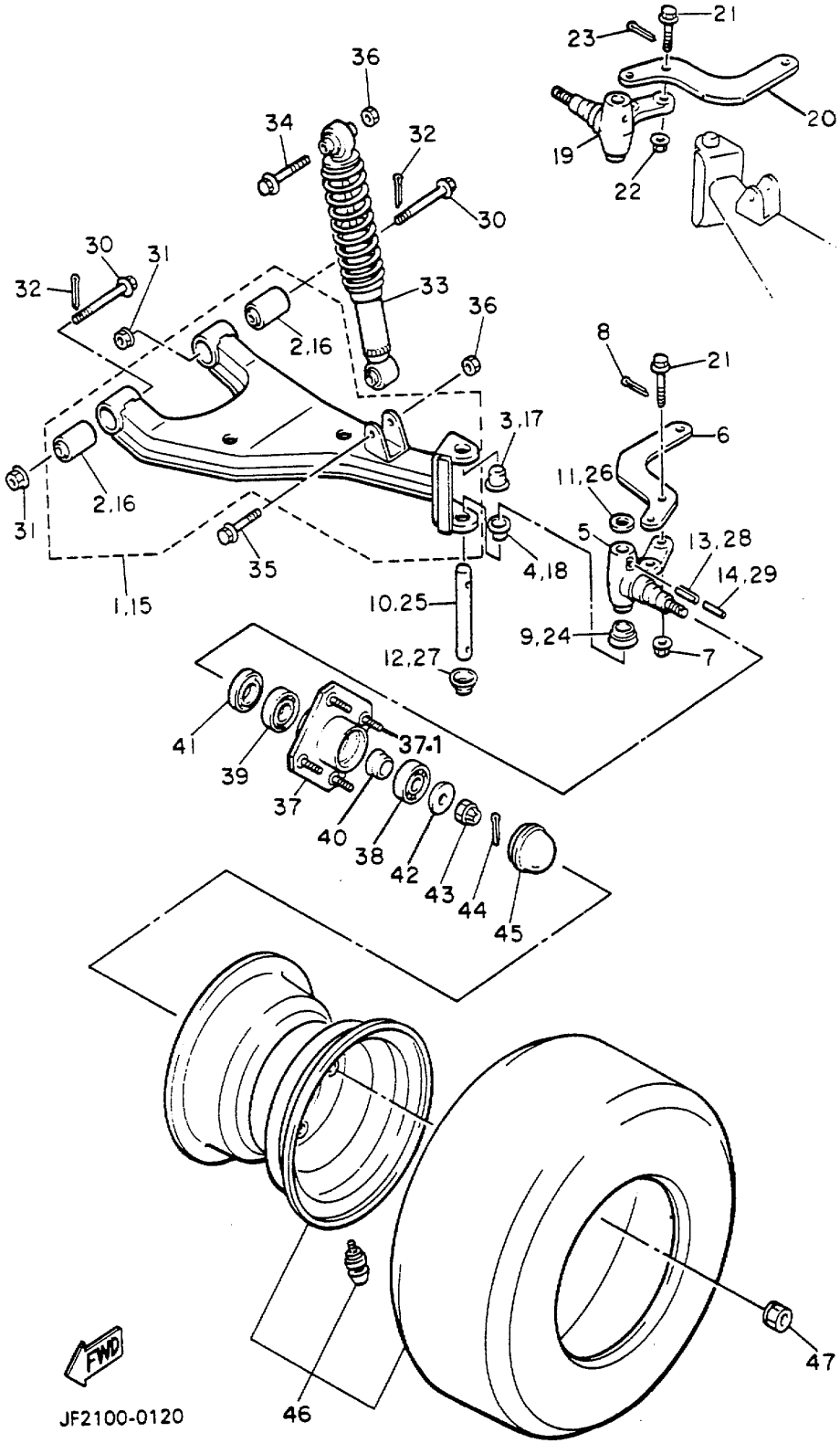


| Ref. No. | Part Number | Description | Qty | Remarks |
|----------|-----------------|-------------------------------|-----|--------------|
| 1 | JF2-F3570-00-00 | FRONT LOWER ARM COMP. (LEFT) | 1 | |
| 2 | J38-23526-00-00 | . BUSH | 2 | |
| 3 | 90338-17225-00 | PLUG | 1 | |
| 4 | 90386-15139-00 | BUSH | 1 | |
| 5 | J38-23511-01-00 | KNUCKLE, STEERING 1 | 1 | |
| 6 | J38-23512-02-00 | ARM, KNUCKLE 1 | 1 | |
| 7 | 90185-10115-00 | NUT, SELF-LOCKING | 2 | |
| 8 | 91401-25020-00 | PIN, COTTER | 2 | |
| 9 | J38-23527-00-00 | SEAL, DUST | 1 | |
| 10 | J38-23516-00-00 | PIN, STEERING KNUCKLE | 1 | J38-23516-00 |
| 11 | 90201-156J2-00 | WASHER, PLAIN | 1 | |
| 12 | J38-23528-00-00 | SEAL, DUST | 1 | |
| 13 | 91609-60028-00 | PIN, SPRING | 1 | |
| 14 | 91609-35028-00 | PIN, SPRING | 1 | |
| 15 | JF2-F3580-00-00 | FRONT LOWER ARM COMP. (RIGHT) | 1 | |
| 16 | J38-23526-00-00 | . BUSH | 2 | |
| 17 | 90338-17225-00 | PLUG | 1 | |
| 18 | 90386-15139-00 | BUSH | 1 | |
| 19 | J38-23521-01-00 | KNUCKLE, STEERING 2 | 1 | |
| 20 | J38-23512-02-00 | ARM, KNUCKLE 1 | 1 | |
| 21 | 90105-10360-00 | BOLT, FLANGE | 4 | |
| 22 | 90185-10115-00 | NUT, SELF-LOCKING | 2 | |
| 23 | 91401-25020-00 | PIN, COTTER | 2 | |
| 24 | J38-23527-00-00 | SEAL, DUST | 1 | |
| 25 | J38-23516-00-00 | PIN, STEERING KNUCKLE | 1 | J38-23516-00 |
| 26 | 90201-156J2-00 | WASHER, PLAIN | 1 | |
| 27 | J38-23528-00-00 | SEAL, DUST | 1 | |

CONTINUED ON NEXT FRAME ►



FRONT SUSPENSION-WHEEL

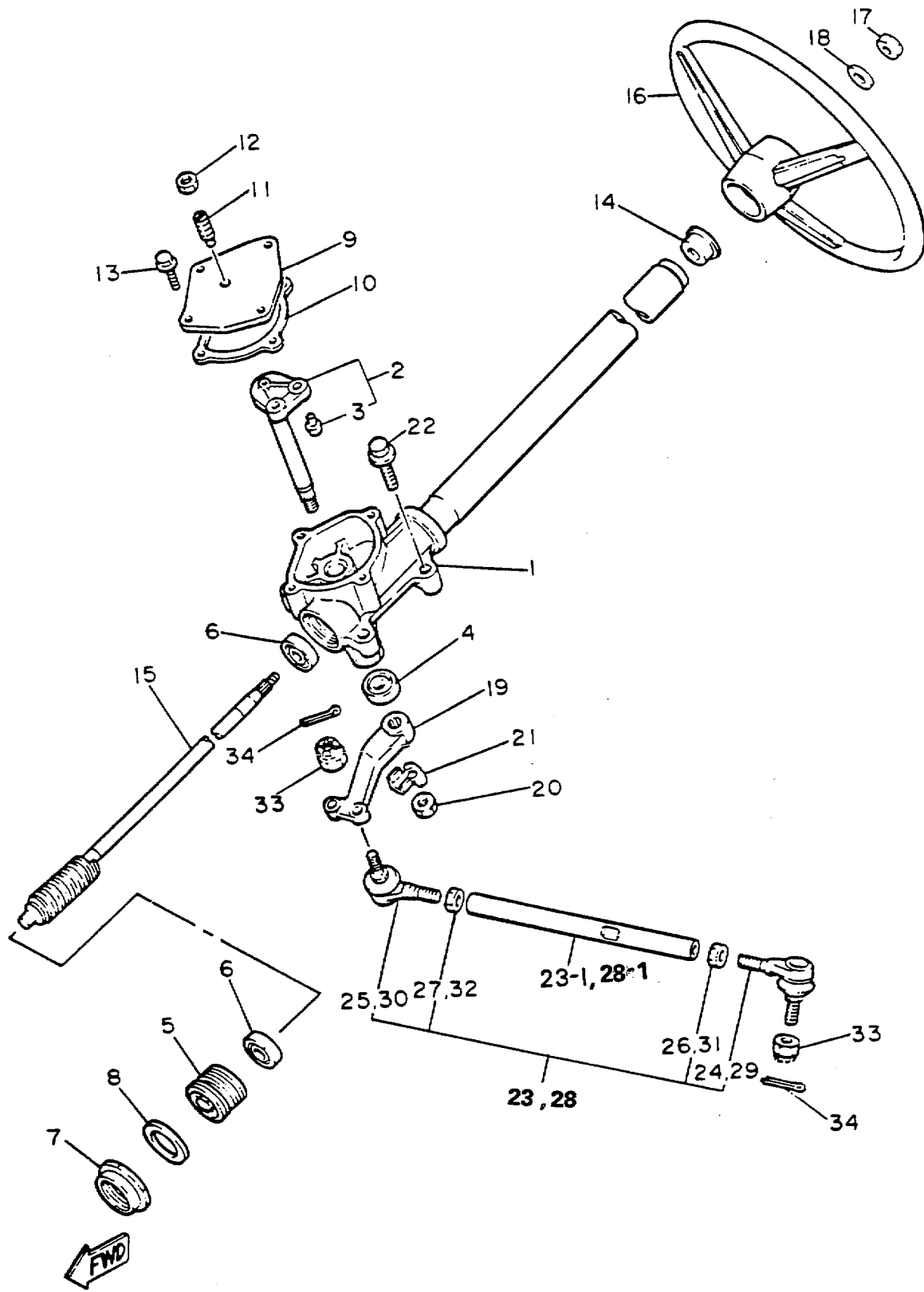


| Ref. No. | Part Number | Description | Qty | Remarks |
|----------|-----------------|-------------------------|-----|---------|
| 28 | 91609-60028-00 | PIN, SPRING | 1 | |
| 29 | 91609-35028-00 | PIN, SPRING | 1 | |
| 30 | 90105-10357-00 | BOLT, FLANGE | 4 | |
| 31 | 90185-10115-00 | NUT, SELF-LOCKING | 4 | |
| 32 | 91401-25020-00 | PIN, COTTER | 4 | |
| 33 | JF2-23350-00-00 | SHOCK ABSORBER ASSEMBLY | 2 | |
| 34 | 97002-10065-00 | BOLT | 2 | |
| 35 | 97012-10050-00 | BOLT (97002-10050-00) | 2 | |
| 36 | 95601-10100-00 | NUT, U (95602-10100-00) | 4 | |
| 37 | JG5-WF511-00-00 | HUB | 2 | |
| 38 | 93306-20437-00 | BEARING | 2 | |
| 39 | 93306-00511-00 | BEARING | 2 | |
| 40 | 90387-241M7-00 | COLLAR | 2 | |
| 41 | 93102-30083-00 | SEAL, OIL | 2 | |
| 42 | 90209-32271-00 | WASHER | 2 | |
| 43 | 95601-14100-00 | NUT, U (95602-14100-00) | 2 | |
| 44 | 91401-25020-00 | PIN, COTTER | 2 | |
| 45 | J17-25118-00-00 | COVER, HUB DUST | 2 | |
| 46 | JF2-F5100-00-00 | FRONT WHEEL ASSEMBLY- 8 | 2 | |
| 47 | 90179-12262-00 | NUT | 8 | |
| 37-1 | 90114-12800-00 | . BOLT, RIBBED NECK | 8 | |

JF2100-0120



STEERING



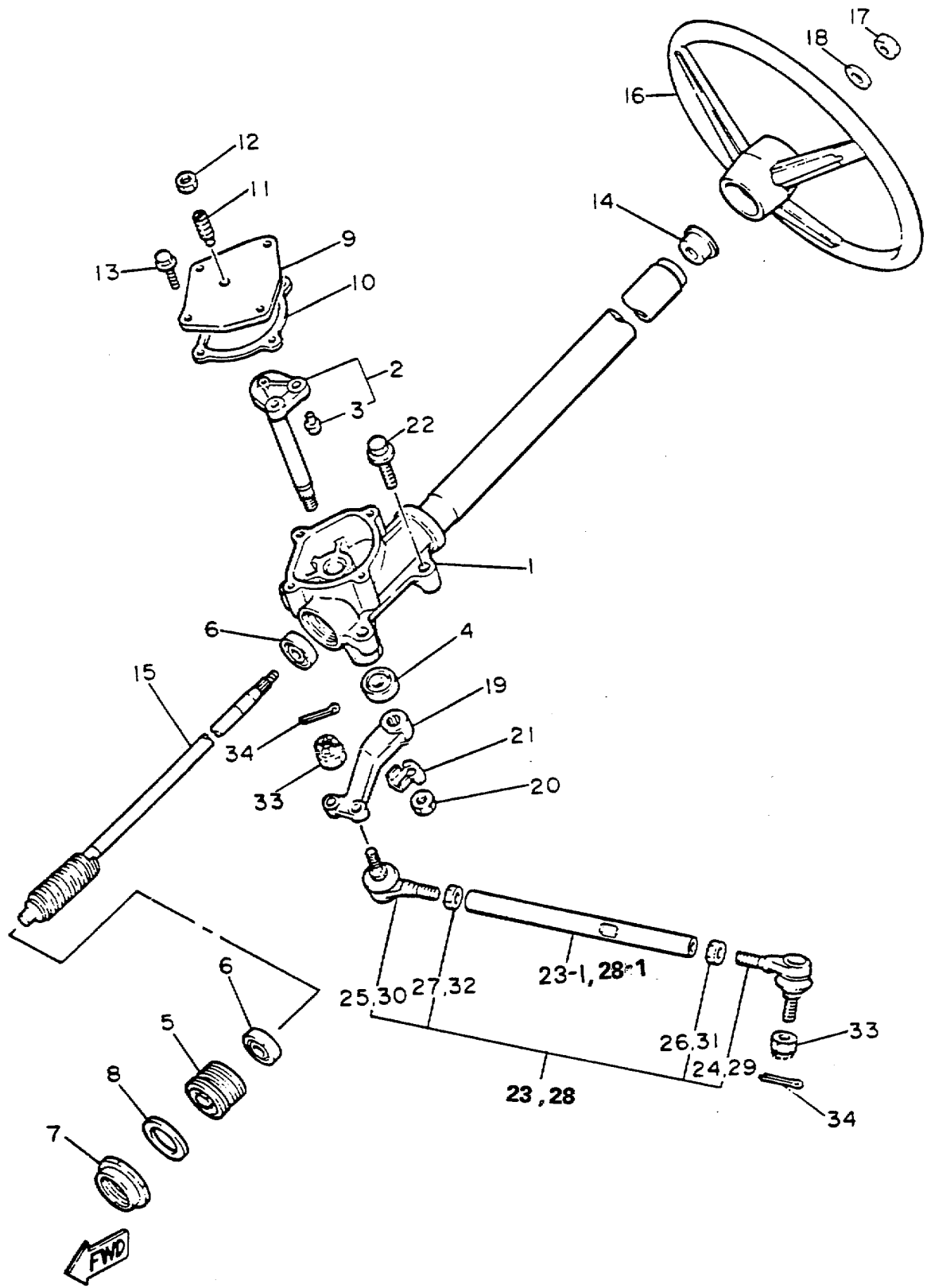
| Ref. No. | Part Number | Description | Qty | Remarks |
|----------|-----------------|-------------------------------------|-----|---------|
| 1 | JG5-F3811-00-00 | COLUMN, STEERING | 1 | |
| 2 | J38-23816-00-00 | ARM, PITMAN | 1 | |
| 3 | J38-23836-00-00 | . PIN, PITMAN | 2 | |
| 4 | 93102-22314-00 | SEAL, OIL | 1 | |
| 5 | J55-F3876-00-00 | BOLT | 1 | |
| 6 | 93332-00010-00 | BEARING | 2 | |
| 7 | J10-23877-00-00 | NUT | 1 | |
| 8 | J10-23444-00-00 | WASHER | 1 | |
| 9 | J55-23818-00-00 | COVER, STEERING | 1 | |
| 10 | J38-23462-00-00 | SEAL, STEERING (J38-23462-01-00) | 1 | |
| 11 | J10-23459-00-00 | BOLT | 1 | |
| 12 | 90170-08024-00 | NUT, HEX. | 1 | |
| 13 | 95811-06020-00 | BOLT, FLANGE | 4 | |
| 14 | J38-23814-00-00 | HOLDER, HANDLE UPPER | 1 | |
| 15 | J10-23840-00-00 | STEERING SHAFT | 1 | |
| 16 | JF2-F3838-00-00 | WHEEL, STEERING | 1 | |
| 17 | 90185-12119-00 | NUT, SELF-LOCKING | 1 | |
| 18 | 92990-12200-00 | WASHER, PLAIN | 1 | |
| 19 | J38-23826-01-00 | ARM, IDLER | 1 | |
| 20 | 95701-16300-00 | NUT, FLANGE | 1 | |
| 21 | 90215-16252-00 | WASHER, TONGUE | 1 | |
| 22 | 95812-10050-00 | BOLT, FLANGE | 4 | |
| 23 | JF2-F3830-00-00 | TIE ROD ASSEMBLY | 1 | |
| 24 | J38-23841-01-00 | . JOINT, UNIVERSAL 1 | 1 | |
| 25 | J38-23845-01-00 | . JOINT, UNIVERSAL 2 | 1 | |
| 26 | 90170-12055-00 | . NUT | 1 | |
| 27 | 90170-12054-00 | . NUT | 1 | |
| 28 | JF2-F3850-00-00 | TIE ROD ASSEMBLY | 1 | |

CONTINUED ON NEXT FRAME ►

JF2100-0130



STEERING

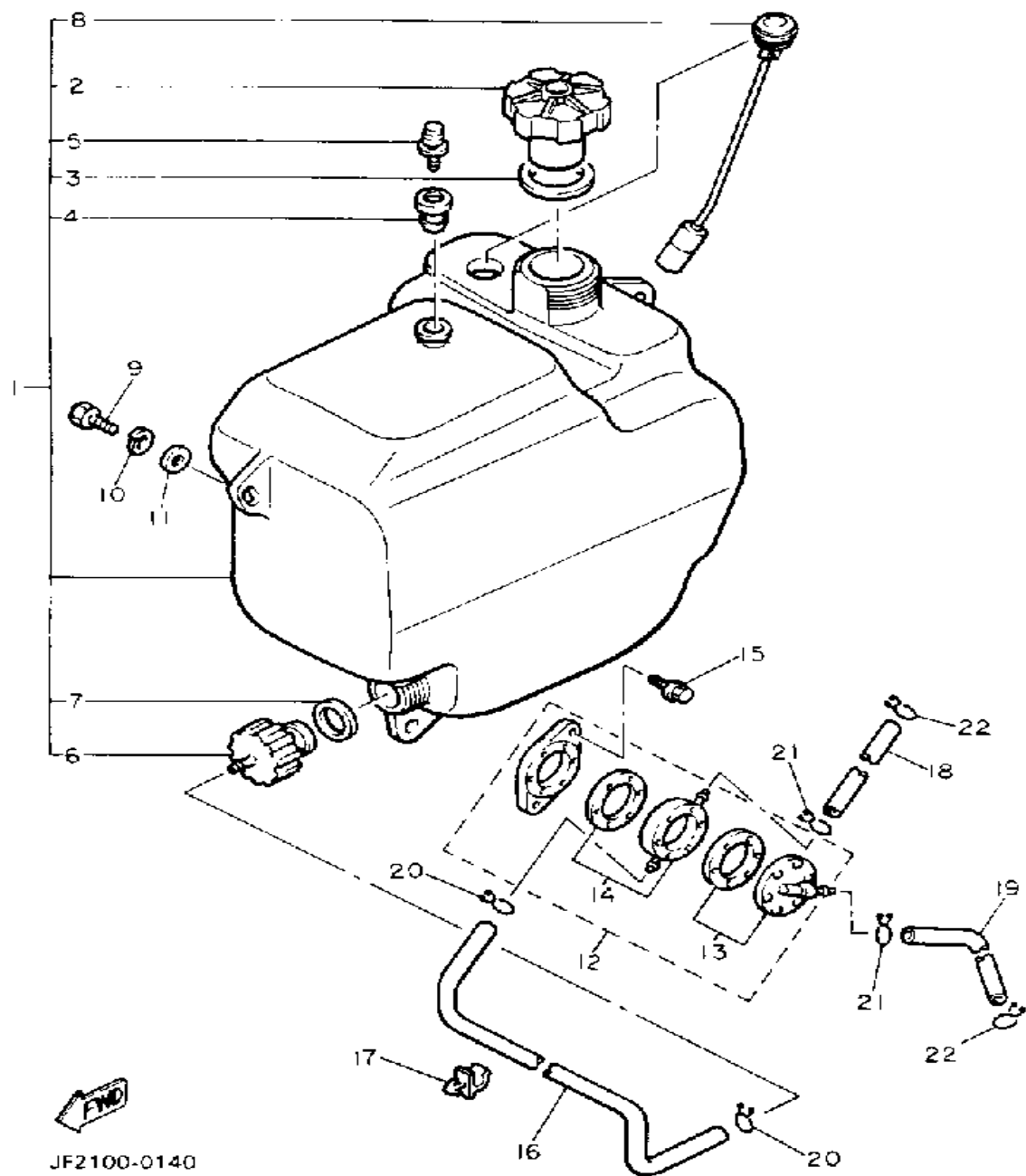


| Ref. No. | Part Number | Description | Qty | Remarks |
|----------|-----------------|---------------------------|-----|---------------|
| 29 | J38-23841-01-00 | . JOINT, UNIVERSAL 1 | 1 | |
| 30 | J38-23845-01-00 | . JOINT, UNIVERSAL 2 | 1 | |
| 31 | 90170-12055-00 | . NUT | 1 | |
| 32 | 90170-12054-00 | . NUT | 1 | |
| 33 | 95601-10100-00 | NUT, U (95602-10100-00) | 4 | |
| 34 | 91401-25020-00 | PIN, COTTER | 4 | |
| | G8A-PARTS-BO-AR | ASSEMBLY, HARDWARE (G8-A) | 8 | OPTIONAL PART |
| 23-1 | J38-23831-02-00 | . ROD, TIE | 1 | |
| 28-1 | J38-23837-02-00 | . ROD, TIE 2 | 1 | |

JF2100-0130



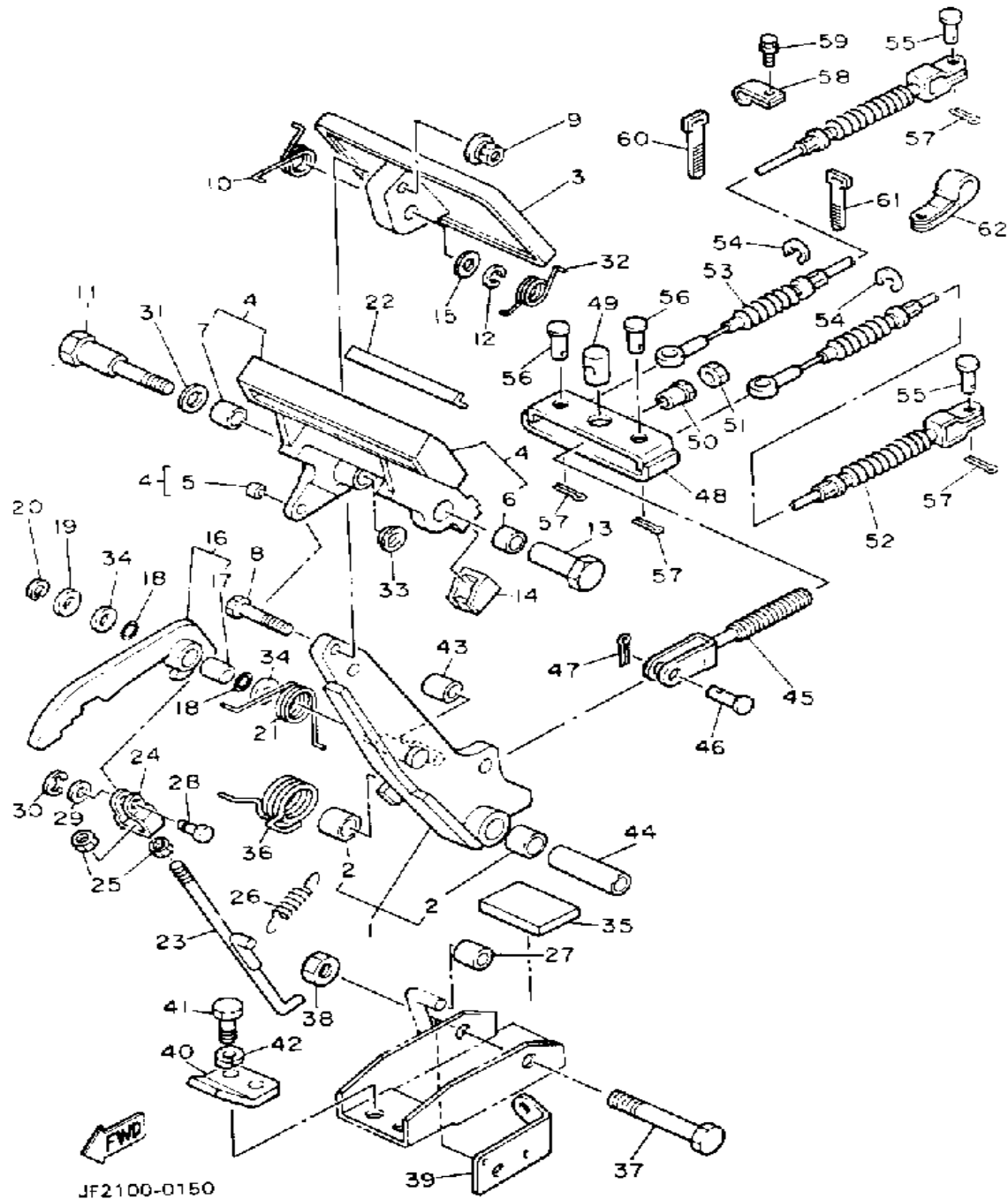
FUEL TANK



| Ref. No. | Part Number | Description | Qty | Remarks |
|----------|-----------------|-----------------------------------|-----|---------|
| 1 | JF2-F4110-00-00 | FUEL TANK COMP. | 1 | |
| 2 | J24-24620-01-00 | . BODY CAP ASSEMBLY | 1 | |
| 3 | J10-24612-00-00 | . GASKET, CAP | 1 | |
| 4 | JF2-21773-01-00 | . GROMMET | 1 | |
| 5 | J24-24460-01-00 | . RELEASE VALVE ASSEMBLY. | 1 | |
| 6 | 8R4-24560-00-00 | . FILTER ASSEMBLY. | 1 | |
| 7 | 8F3-24564-00-00 | . GASKET | 1 | |
| 8 | JF2-85710-00-00 | . FUEL LEVEL GAUGE ASSEMBLY | 1 | |
| 9 | 97313-08020-00 | BOLT, HEXAGON | 3 | |
| 10 | 92990-08100-00 | WASHER | 3 | |
| 11 | 90201-08748-00 | WASHER, PLATE | 3 | |
| 12 | JF2-24410-10-00 | FUEL PUMP ASSEMBLY | 1 | |
| 13 | J38-24452-18-00 | . COVER, FUEL PUMP | 1 | |
| 14 | 38W-W1391-01-00 | . FUEL PUMP SEAL SET | 1 | |
| 15 | 95811-06016-00 | BOLT, FLANGE (95822-06016) . | 2 | |
| 16 | JF2-24311-00-00 | PIPE, FUEL 1 | 1 | |
| 17 | 90464-11074-00 | CLAMP | 2 | |
| 18 | 90445-09304-00 | HOSE | 1 | |
| 19 | 90445-09085-00 | HOSE | 1 | |
| 20 | 90467-11009-00 | CLIP | 2 | |
| 21 | 90467-08017-00 | CLIP | 2 | |
| 22 | 90467-08017-00 | CLIP | 2 | |



BRAKE

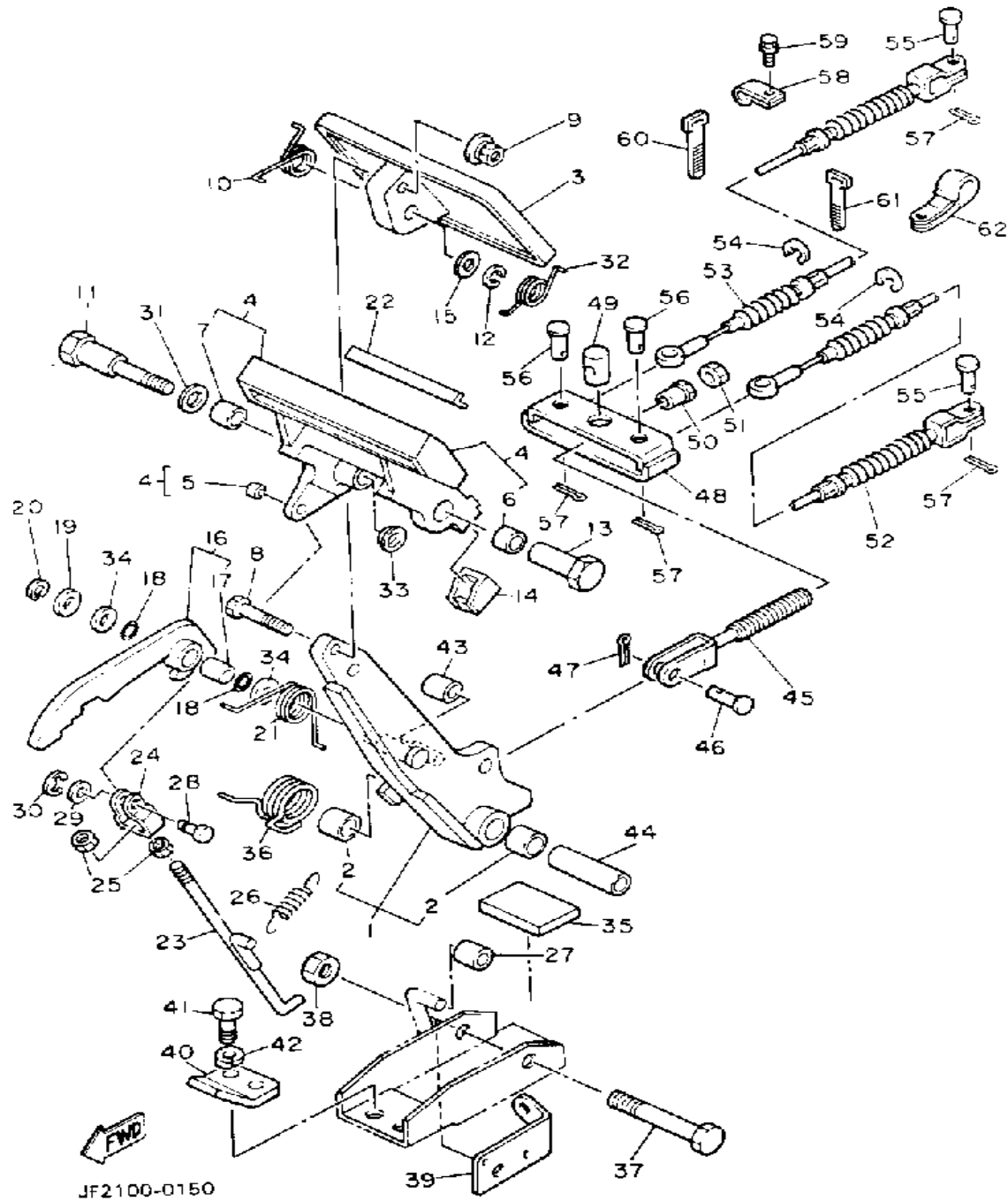


| Ref. No. | Part Number | Description | Qty | Remarks |
|----------|-----------------|-----------------------|-----|---------|
| 1 | J46-27250-01-00 | BRAKE ARM CMLPT | 1 | |
| 2 | 90384-14080-00 | . BUSH, BIMETAL | 2 | |
| 3 | J10-27211-00-00 | PEDAL, BRAKE | 1 | |
| 4 | J17-25670-01-00 | PARKING PEDAL COMP. | 1 | |
| 5 | 90384-05163-00 | . BUSH, BIMETAL | 1 | |
| 6 | 90384-12164-00 | . BUSH, BIMETAL | 1 | |
| 7 | 90380-12051-00 | . BUSH, SOLID | 1 | |
| 8 | 90101-06555-00 | BOLT, HEX. | 1 | |
| 9 | 90179-07564-00 | NUT | 1 | |
| 10 | 90508-23542-00 | SPRING, TORSION | 1 | |
| 11 | 90109-08669-00 | BOLT | 1 | |
| 12 | 92990-08100-00 | WASHER | 1 | |
| 13 | 90179-08378-00 | NUT | 1 | |
| 14 | J17-25679-01-00 | DAMPER | 2 | |
| 15 | 92990-08200-00 | WASHER, PLAIN | 1 | |
| 16 | J17-W2561-00-00 | SECTOR, PARKING BRAKE | 1 | |
| 17 | 90384-10162-00 | . BUSH, BIMETAL | 1 | |
| 18 | J17-27221-00-00 | SEAL, SHAFT | 2 | |
| 19 | 92990-10600-00 | WASHER, PLATE | 1 | |
| 20 | 99080-07600-00 | CIRCLIP (E) | 1 | |
| 21 | 90508-14548-00 | SPRING, TORSION | 1 | |
| 22 | J17-25672-01-00 | PAD, PARKING | 1 | |
| 23 | J17-27231-02-00 | ROD, BRAKE | 1 | |
| 24 | J17-27232-00-00 | END, ROD | 1 | |
| 25 | 95380-06700-00 | NUT | 2 | |
| 26 | 90506-12277-00 | SPRING, TENSION | 1 | |
| 27 | J17-25673-00-00 | DAMPER, BRAKE | 1 | |
| 28 | J17-27228-00-00 | PIN, LINK JOINT | 1 | |
| 29 | 92901-05600-00 | WASHER, PLATE | 1 | |

CONTINUED ON NEXT FRAME ➤



BRAKE

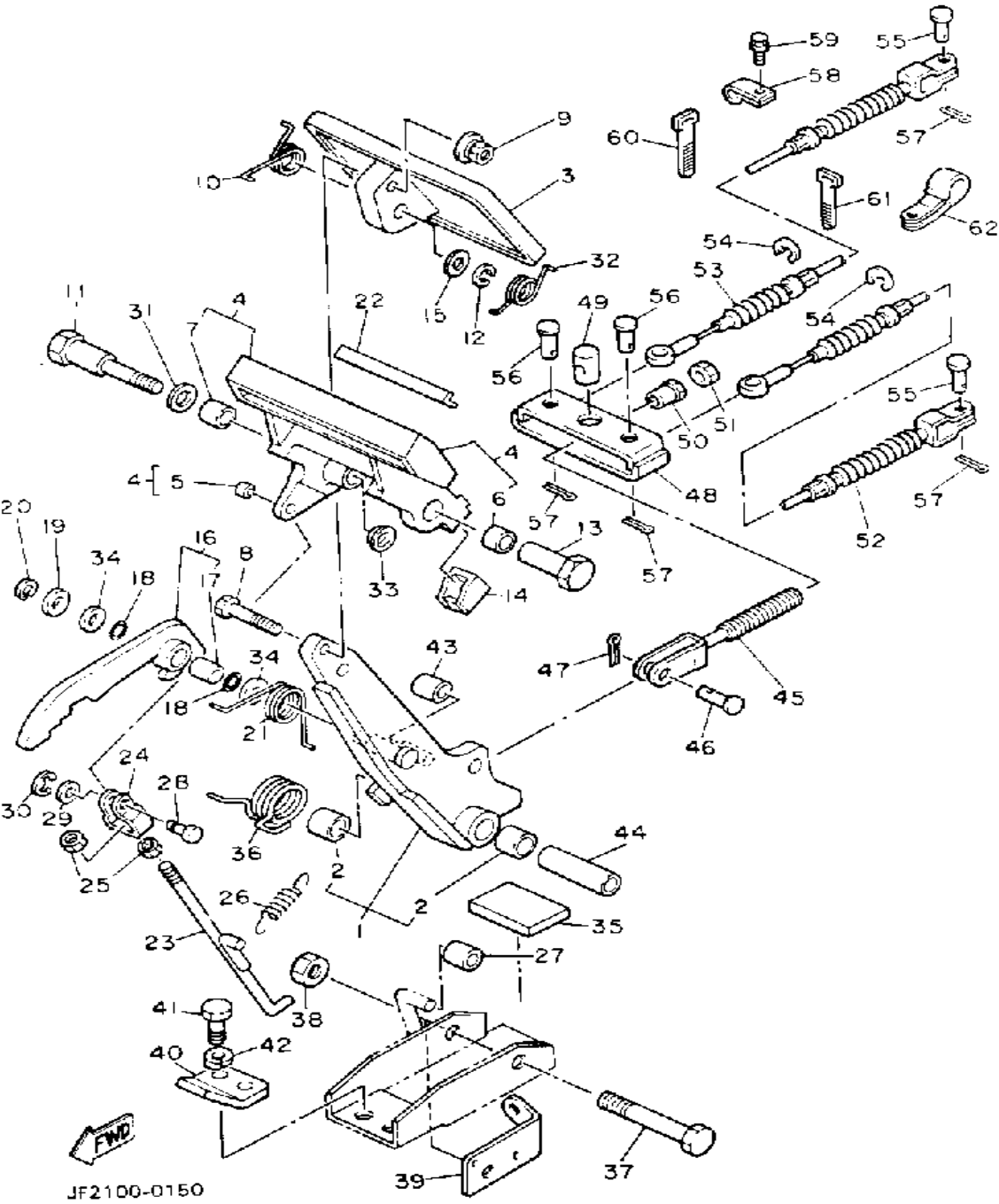


| Ref. No. | Part Number | Description | Qty | Remarks |
|----------|-----------------|-------------------------|-----|---------|
| 30 | 99080-04600-00 | CIRCLIP (E) | 1 | |
| 31 | 90201-123F2-00 | WASHER, PLAIN | 1 | |
| 32 | 90508-26557-00 | SPRING, TORSION | 1 | |
| 33 | 90380-12105-00 | BUSH, SOLID | 1 | |
| 34 | 90201-104G8-00 | WASHER, PLAIN | 2 | |
| 35 | J17-27245-00-00 | PAD, BRAKE PEDAL | 1 | |
| 36 | 90508-40543-00 | SPRING, TORSION | 1 | |
| 37 | 90101-10447-00 | BOLT, HEX. | 1 | |
| 38 | 95601-10100-00 | NUT, U (95602-10100-00) | 1 | |
| 39 | J55-2252M-00-00 | BRACKET, | 1 | |
| 40 | J17-27246-00-00 | NAIL, BRAKE | 1 | |
| 41 | 97313-08020-00 | BOLT, HEXAGON | 2 | |
| 42 | 92990-08100-00 | WASHER | 2 | |
| 43 | J17-25673-00-00 | DAMPER, BRAKE | 1 | |
| 44 | 90387-107F8-00 | COLLAR | 1 | |
| 45 | JF2-25685-00-00 | ROD | 1 | |
| 46 | 91701-10022-00 | PIN | 1 | |
| 47 | 91490-30020-00 | PIN, COTTER | 1 | |
| 48 | JF2-25681-00-00 | EQUALIZER, BRAKE | 1 | |
| 49 | 90249-14129-00 | PIN | 1 | |
| 50 | 90179-08261-00 | NUT | 1 | |
| 51 | 95303-08700-00 | NUT | 1 | |
| 52 | JF2-F6341-00-00 | CABLE, BRAKE | 1 | |
| 53 | JF2-F6351-00-00 | CABLE, BRAKE | 1 | |
| 54 | 99001-09600-00 | CIRCLIP | 4 | |
| 55 | 91701-08018-00 | PIN | 2 | |
| 56 | 91701-08026-00 | PIN | 2 | |
| 57 | 91490-25020-00 | PIN, COTTER | 4 | |
| 58 | 90461-12117-00 | CLAMP | 2 | |

CONTINUED ON NEXT FRAME ➤



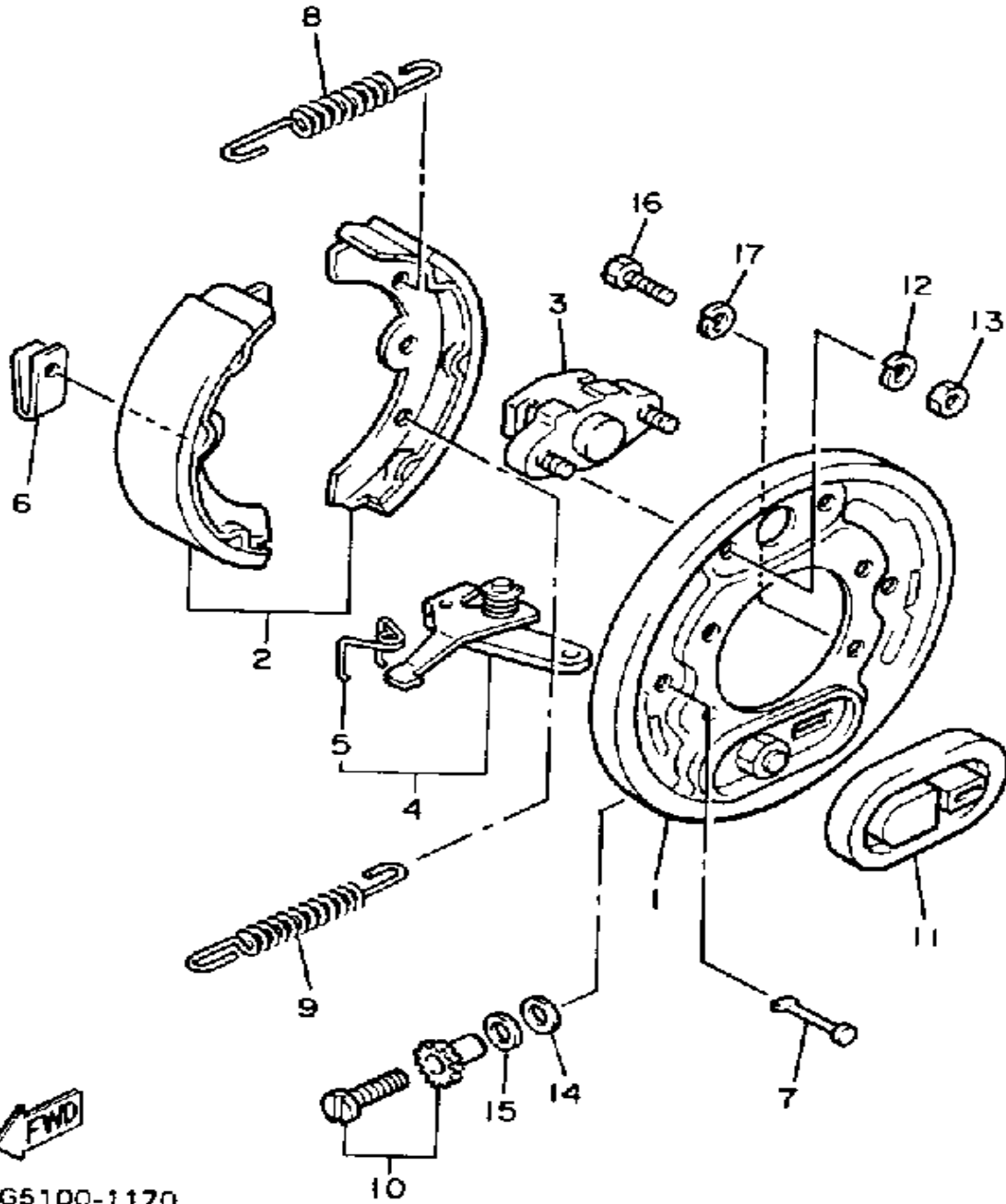
BRAKE



| Ref. No. | Part Number | Description | Qty | Remarks |
|----------|-----------------|-------------------------|-----|---------|
| 59 | 95811-06012-00 | BOLT, FLANGE | 2 | |
| 60 | 90465-13169-00 | CALMP | 1 | |
| 61 | 25G-83936-01-00 | BAND, SWITCH CORD | 1 | |
| 62 | 90461-08106-00 | CLAMP | 1 | |



BRAKE 2

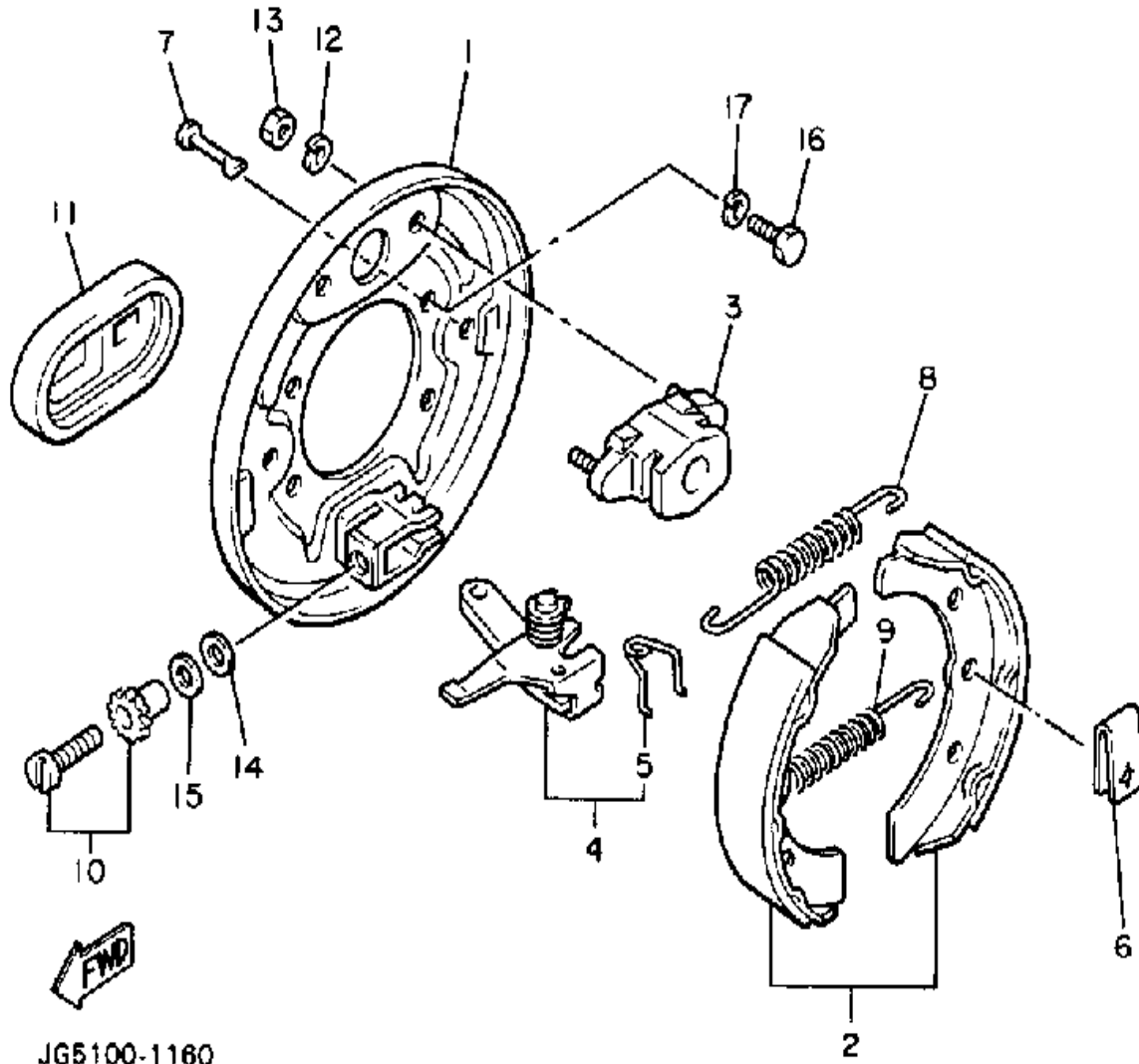


JG5100-1170

| Ref. No. | Part Number | Description | Qty | Remarks |
|----------|-----------------|------------------------------------|-----|---------|
| 1 | J17-27208-00-00 | BACKING PLATE SUB ASSEMBLY 1 (R.H) | 1 | |
| 2 | J55-W2536-00-00 | BRAKE SHOE SET | 1 | |
| 3 | J17-27206-00-00 | ANCHOR BODY COMP. | 1 | |
| 4 | J38-27204-00-00 | LEVER ASSEMBLY 1 | 1 | |
| 5 | J55-25358-00-00 | . SPRING LEVER | 1 | |
| 6 | J10-27281-00-00 | SPRING, SHOE CLAMP | 2 | |
| 7 | J10-27282-00-00 | PIN, SHOE HOLD DOWN | 2 | |
| 8 | 90506-20281-00 | SPRING, TENSION | 1 | |
| 9 | 90506-26191-00 | SPRING, TENSION | 1 | |
| 10 | J55-27270-00-00 | ADJUSTER ASSEMBLY | 1 | |
| 11 | J10-27286-00-00 | COVER, DUST | 1 | |
| 12 | 92995-06100-00 | WASHER, SPRING | 2 | |
| 13 | 95380-06600-00 | NUT | 2 | |
| 14 | 90201-121H8-00 | WASHER, PLATE | 1 | |
| 15 | 90201-121H9-00 | WASHER, PLATE | 1 | |
| 16 | 97011-08016-00 | BOLT | 4 | |
| 17 | 92990-08100-00 | WASHER | 4 | |



BRAKE 3

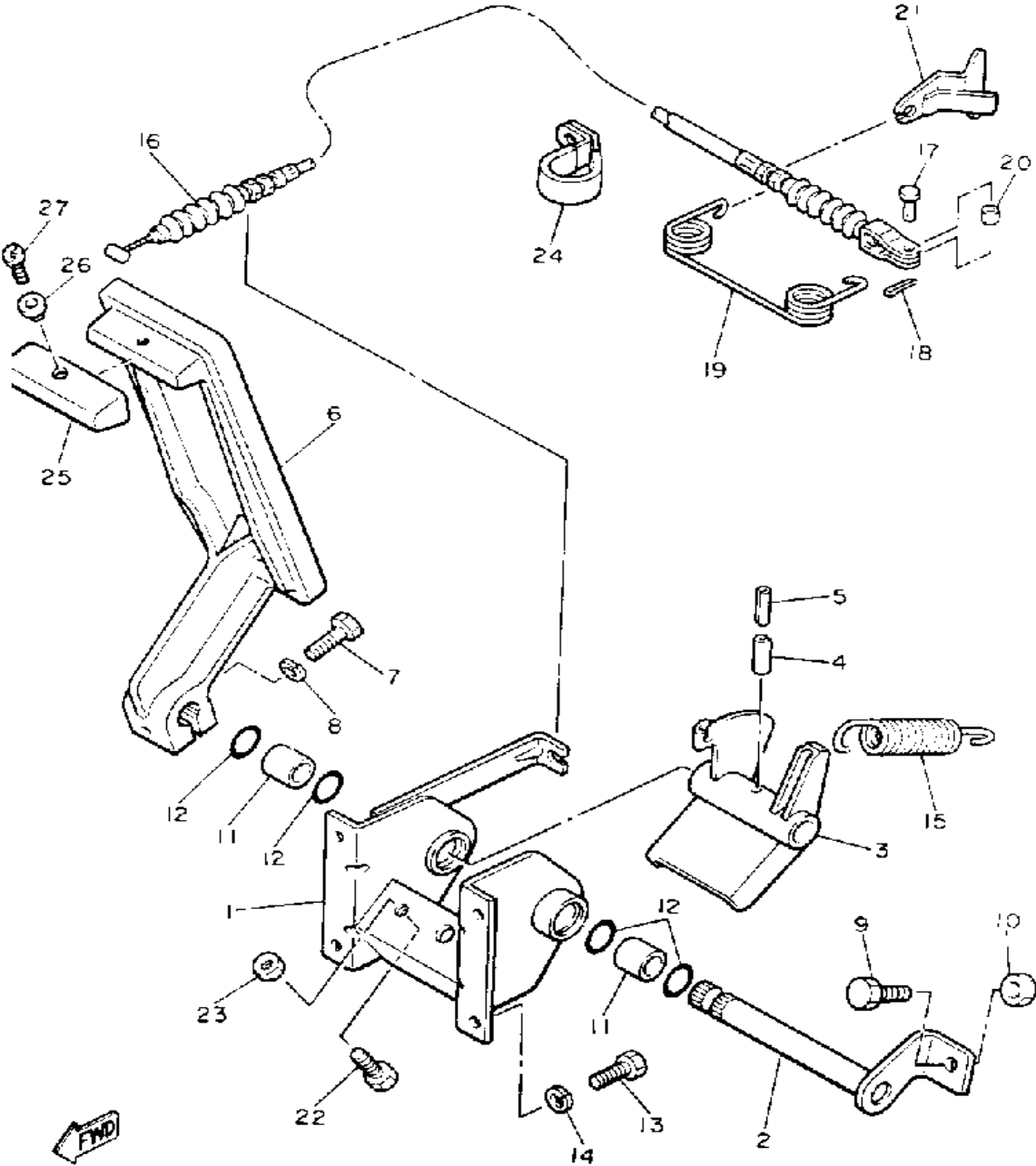


JG5100-1160

| Ref. No. | Part Number | Description | Qty | Remarks |
|----------|-----------------|------------------------------------|-----|---------|
| 1 | J17-27209-00-00 | BACKING PLATE SUB ASSEMBLY 2 (L.H) | 1 | |
| 2 | J55-W2536-00-00 | BRAKE SHOE SET | 1 | |
| 3 | J17-27206-00-00 | ANCHOR BODY COMP. | 1 | |
| 4 | J38-27205-00-00 | LEVER ASSEMBLY 2 | 1 | |
| 5 | J55-25357-00-00 | . SPRING, LEVER | 1 | |
| 6 | J10-27281-00-00 | SPRING, SHOE CLAMP | 2 | |
| 7 | J10-27282-00-00 | PIN, SHOE HOLD DOWN | 2 | |
| 8 | 90506-20281-00 | SPRING, TENSION | 1 | |
| 9 | 90506-26191-00 | SPRING, TENSION | 1 | |
| 10 | J55-27260-00-00 | ADJUSTER ASSEMBLY | 1 | |
| 11 | J10-27286-00-00 | COVER, DUST | 1 | |
| 12 | 92995-06100-00 | WASHER, SPRING | 2 | |
| 13 | 95380-06600-00 | NUT | 2 | |
| 14 | 90201-121H8-00 | WASHER, PLATE | 1 | |
| 15 | 90201-121H9-00 | WASHER, PLATE | 1 | |
| 16 | 97011-08016-00 | BOLT | 4 | |
| 17 | 92990-08100-00 | WASHER | 4 | |



ACCELERATOR

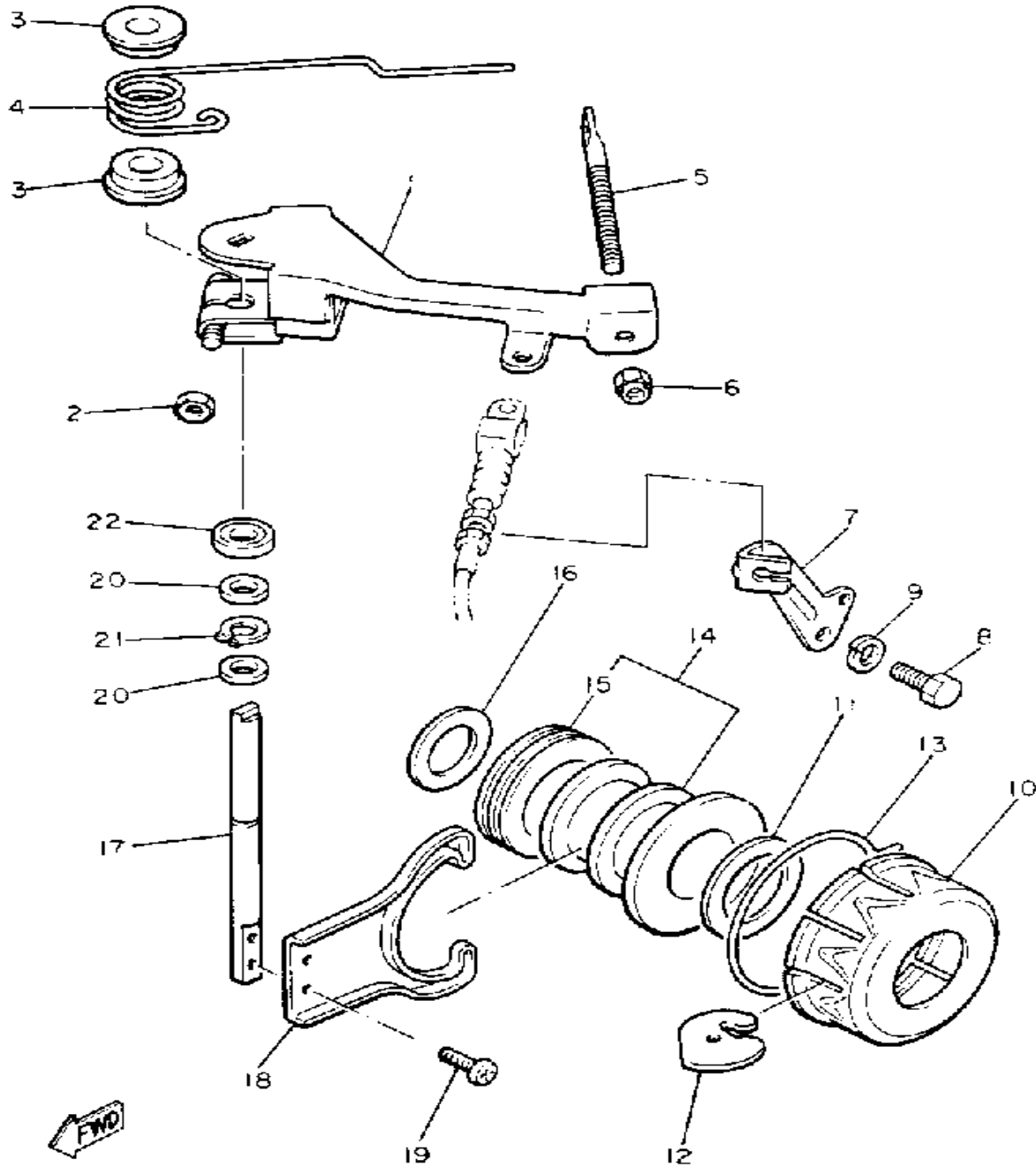


JF2100-0170

| Ref. No. | Part Number | Description | Qty | Remarks |
|----------|-----------------|----------------------------------|-----|---------|
| 1 | J38-27874-00-00 | BRACKET, ACCELERATOR PEDAL | 1 | |
| 2 | J17-27853-00-00 | SHAFT, PEDAL 1 | 1 | |
| 3 | J38-27872-00-00 | ARM, ACCELERATOR | 1 | |
| 4 | 91609-60028-00 | PIN, SPRING | 1 | |
| 5 | 91609-35028-00 | PIN, SPRING | 1 | |
| 6 | JF3-27871-00-00 | PEDAL, ACCELERATOR | 1 | |
| 7 | 97011-06025-00 | BOLT (97001-06025) | 1 | |
| 8 | 92995-06100-00 | WASHER, SPRING | 1 | |
| 9 | 90106-08040-00 | BOLT, RD. HEX | 1 | |
| 10 | 95303-08700-00 | NUT | 1 | |
| 11 | 90384-14080-00 | BUSH, BIMETAL | 2 | |
| 12 | 93210-14104-00 | O-RING | 4 | |
| 13 | 97011-06016-00 | BOLT | 4 | |
| 14 | 92995-06100-00 | WASHER, SPRING | 4 | |
| 15 | 90506-26282-00 | SPRING, TENSION | 1 | |
| 16 | JF2-F6311-01-00 | CABLE, THROTTLE 1 | 1 | |
| 17 | 91702-05012-00 | PIN | 1 | |
| 18 | 90468-10050-00 | CLIP | 1 | |
| 19 | 90508-16460-00 | SPRING, TORSION | 1 | |
| 20 | 90560-05001-00 | SPACER | 1 | |
| 21 | J38-27981-00-00 | BRACKET, THROTTLE | 1 | |
| 22 | 97011-06025-00 | BOLT (97001-06025) | 1 | |
| 23 | 95380-06700-00 | NUT | 1 | |
| 24 | 90465-08334-00 | CLAMP | 1 | |
| 25 | JF2-27854-00-00 | COVER, PEDAL | 1 | |
| 26 | 90387-050X4-00 | COLLAR | 1 | |
| 27 | 98906-05012-00 | SCREW, BIND | 1 | |



GOVERNOR

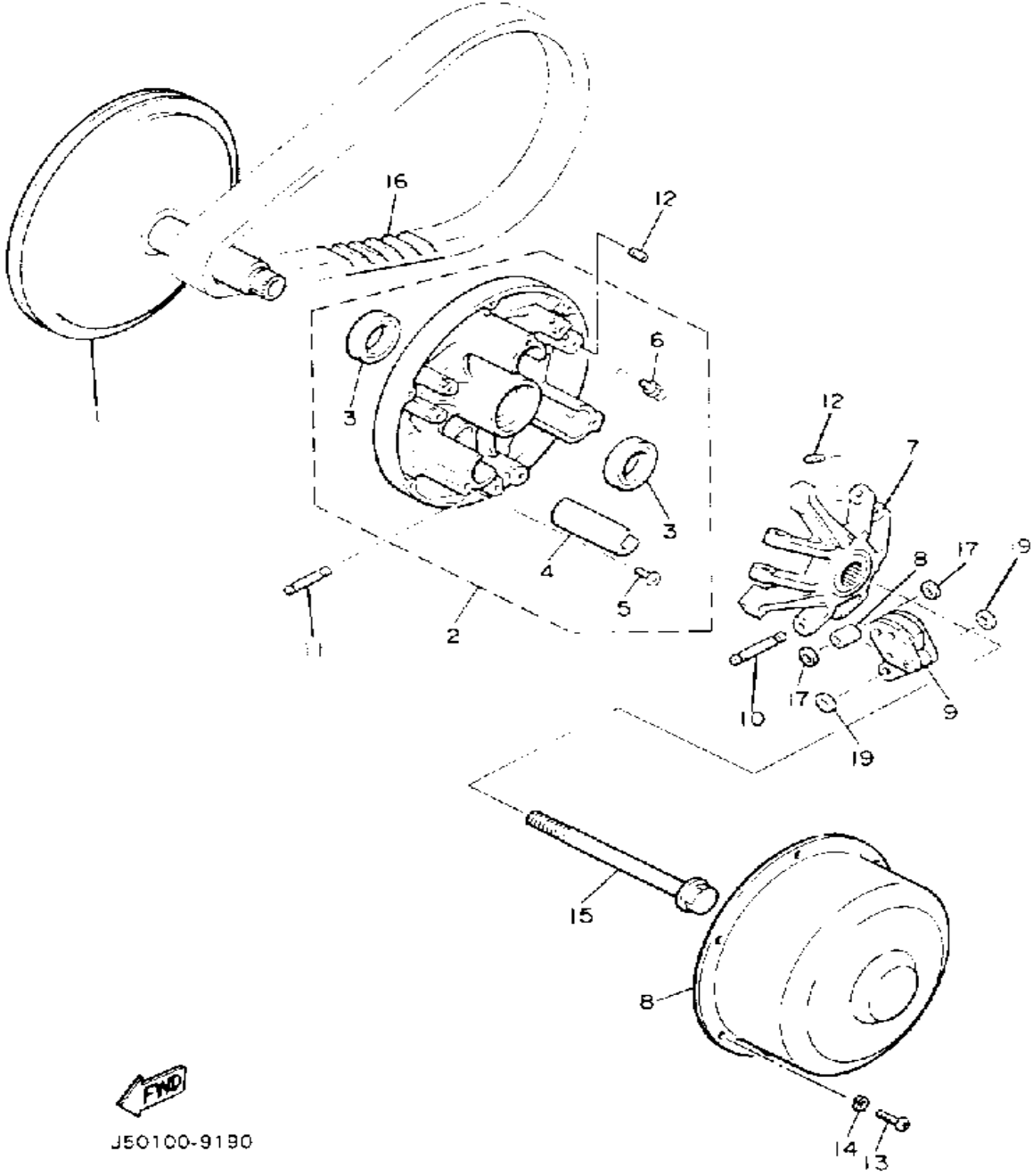


JF2100-0180

| Ref. No. | Part Number | Description | Qty | Remarks |
|----------|-----------------|-------------------|-----|---------|
| 1 | J38-27951-00-00 | LEVER, SPEED | 1 | |
| 2 | 95380-06600-00 | NUT | 1 | |
| 3 | 90386-08141-00 | BUSH | 2 | |
| 4 | 90508-40678-00 | SPRING, TORSION | 1 | |
| 5 | J38-27959-00-00 | SCREW, ADJUSTING | 1 | |
| 6 | 95701-06300-00 | NUT, NYLON | 1 | |
| 7 | J38-27982-00-00 | BRACKET, WIRE | 1 | |
| 8 | 97011-08016-00 | BOLT | 1 | |
| 9 | 92990-08100-00 | WASHER | 1 | |
| 10 | J10-27912-00-00 | RETAINER | 1 | |
| 11 | 90387-21690-00 | COLLAR | 1 | |
| 12 | J10-27913-00-00 | WEIGHT | 12 | |
| 13 | J10-27911-00-00 | HOLDER | 1 | |
| 14 | J10-27927-00-00 | LIFTER | 1 | |
| 15 | 93342-22502-00 | . BEARING, THRUST | 1 | |
| 16 | 90201-20275-00 | WASHER, PLATE | 1 | |
| 17 | J38-27921-00-00 | SHAFT, GOVERNOR | 1 | |
| 18 | J10-27922-00-00 | FORK, GOVERNOR | 1 | |
| 19 | 90157-04092-00 | SCREW, PAN HEAD | 2 | |
| 20 | 90202-08110-00 | WASHER, PLATE | 2 | |
| 21 | 99009-06600-00 | CIRCLIP | 1 | |
| 22 | 93109-08050-00 | OIL SEAL | 1 | |



PRIMARY SHEAVE

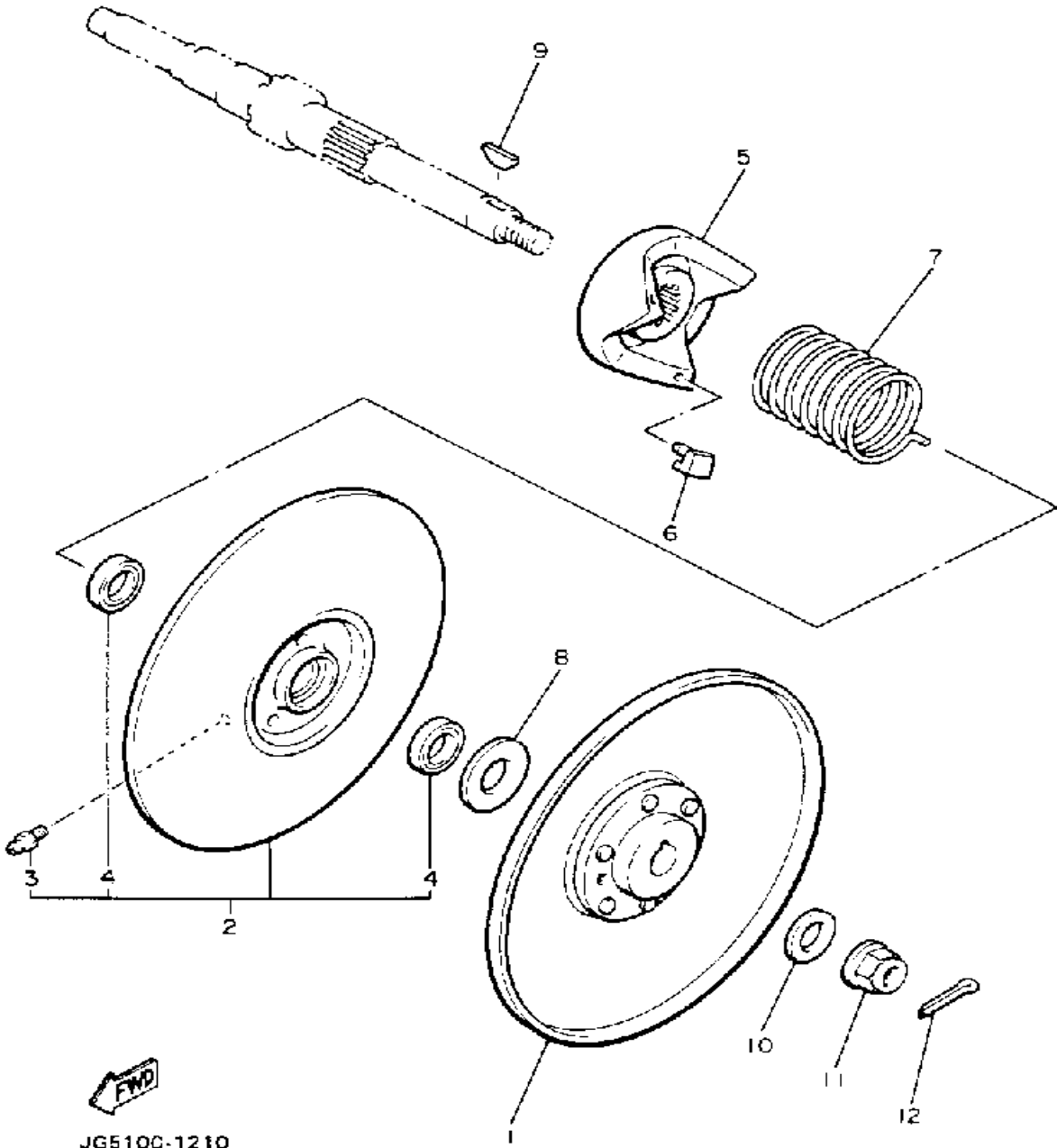


| Ref. No. | Part Number | Description | Qty | Remarks |
|----------|-----------------|------------------------------|-----|--------------|
| 1 | J38-46210-00-00 | PRIMARY FIXED | 1 | |
| 2 | J38-46220-00-00 | PRIMARY SLIDING SHEAVE COMP. | 1 | |
| 3 | 93102-28348-00 | . OIL SEAL | 2 | |
| 4 | J38-46253-00-00 | . SLIDER | 3 | |
| 5 | 98901-05008-00 | . SCREW, BIND | 3 | |
| 6 | 93700-06M03-00 | . NIPPLE, GREASE | 1 | |
| 7 | J38-46251-00-00 | SPIDER | 1 | |
| 8 | J38-46231-00-00 | CAP | 1 | |
| 9 | J38-46205-01-00 | WEIGHT LINK ASSEMBLY | 3 | |
| 10 | J38-46236-00-00 | PIN, WEIGHT | 3 | |
| 11 | J38-46237-00-00 | PIN, WEIGHT 2 | 3 | |
| 12 | 90113-04050-00 | BOLT, SET | 12 | |
| 13 | 98580-05010-00 | SCREW, PAN HEAD | 6 | |
| 14 | 92990-05100-00 | WASHER, SPRING | 6 | |
| 15 | J38-46249-00-00 | BOLT | 1 | |
| 16 | J55-G6241-00-00 | BELT | 1 | J38-46241-00 |
| 17 | 90202-07164-00 | WASHER, PLATE | 6 | |
| 18 | 90387-076U6-00 | COLLAR | 3 | |
| 19 | 90202-07186-00 | WASHER, PLATE | 6 | |

FWD
J50100-9190



SECONDARY SHEAVE

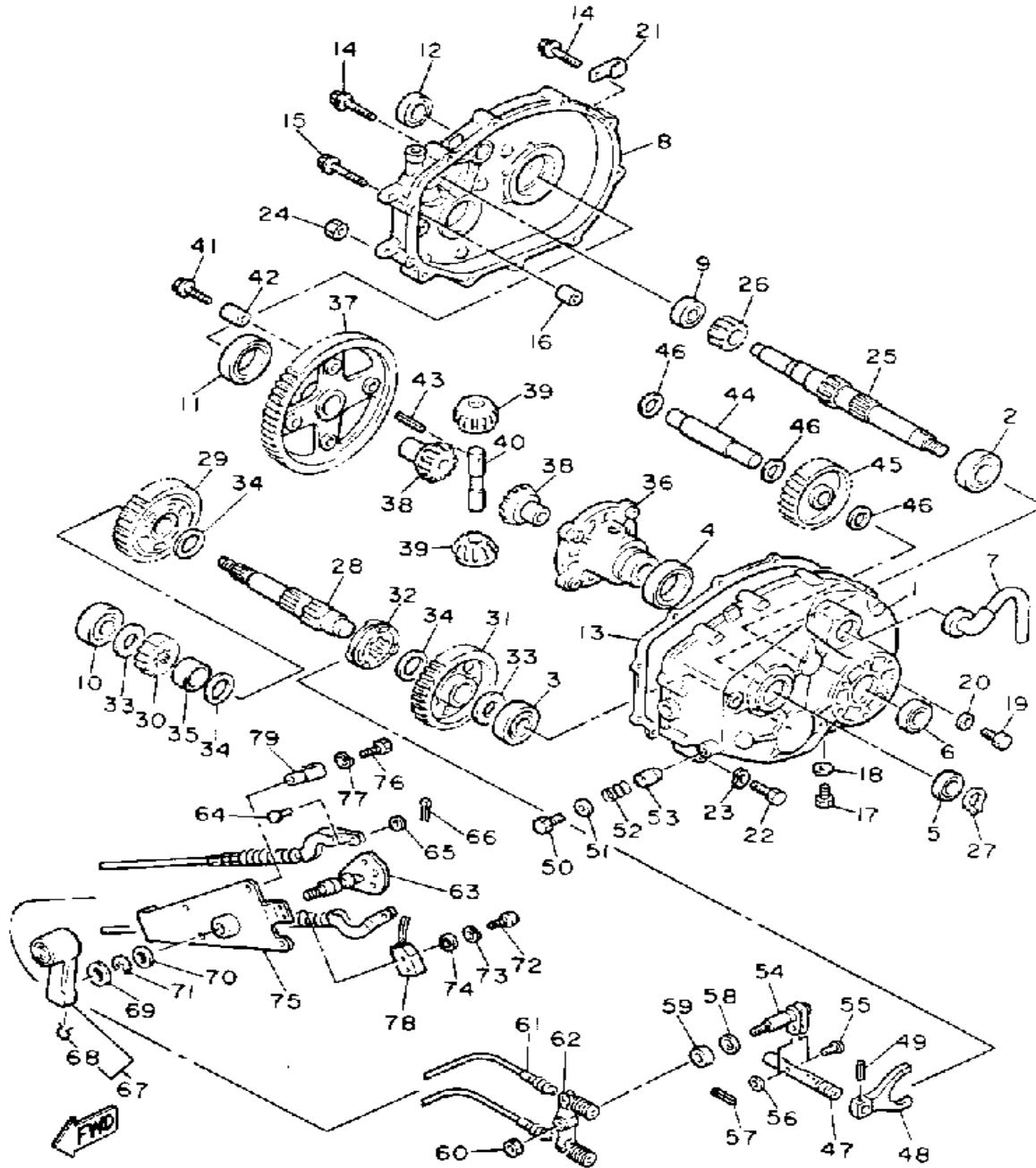


| Ref. No. | Part Number | Description | Qty | Remarks |
|----------|-----------------|-------------------------------------|-----|---------|
| 1 | J55-G6260-00-00 | SECONDARY FIXED SHEAVE COMP. | 1 | |
| 2 | J55-G6270-02-00 | SECONDARY SLIDING SHEAVE COMP. | 1 | |
| 3 | 93700-06M03-00 | . NIPPLE, GREASE | 1 | |
| 4 | 93102-20309-00 | . SEAL, OIL | 2 | |
| 5 | J38-46284-00-00 | SEAT, SEC SPRING | 1 | |
| 6 | 801-17688-10-00 | SHOE, RAMP | 3 | |
| 7 | 90508-45679-00 | SPRING, TORSION | 1 | |
| 8 | 90202-20130-00 | WASHER, PLAIN | 1 | |
| 9 | 90280-05022-00 | KEY, WOODRUFF | 1 | |
| 10 | 90201-12588-00 | WASHER, PLATE | 1 | |
| 11 | 95601-12200-00 | NUT, SELF-LOCKING | 1 | |
| 12 | 91401-25030-00 | PIN, COTTER | 1 | |

JG510C-1210



TRANSMISSION 1



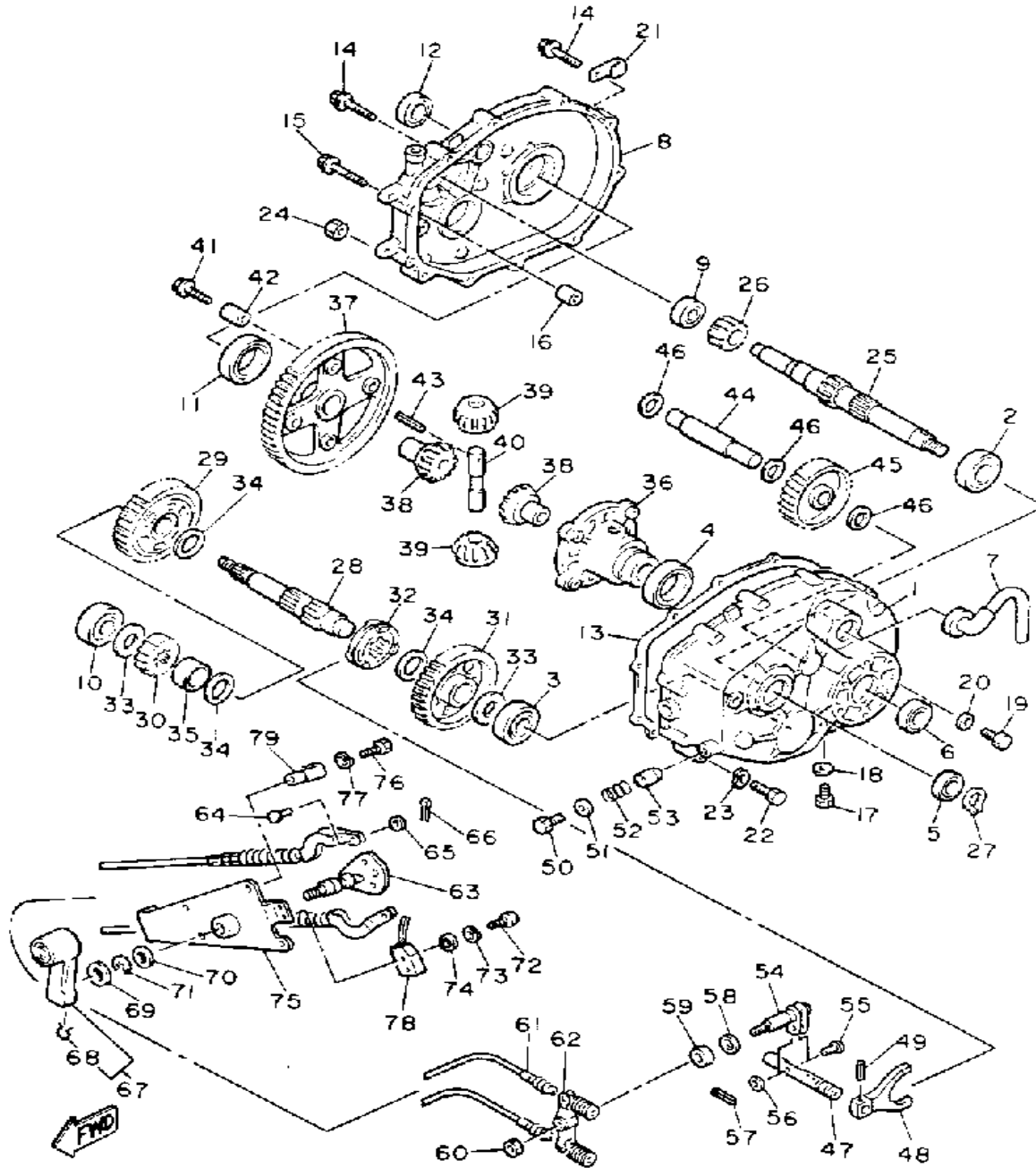
JF2100-0210

| Ref. No. | Part Number | Description | Qty | Remarks |
|----------|-----------------|----------------------------|-----|---------|
| 1 | J38-46311-00-00 | CASE, TRANSMISSION 1 | 1 | |
| 2 | 93306-20541-00 | BEARING (B6205) | 1 | |
| 3 | 93306-20421-00 | BEARING | 1 | |
| 4 | 93306-00803-00 | BEARING (B6008) | 1 | |
| 5 | 93102-25017-00 | OIL SEAL | 1 | |
| 6 | 93102-22189-00 | OIL SEAL | 1 | |
| 7 | 835-47559-00-00 | CAP 2 | 1 | |
| 8 | J38-46312-00-00 | CASE, TRANS 2 | 1 | |
| 9 | 93306-20324-00 | BEARING | 1 | |
| 10 | 93306-20421-00 | BEARING | 1 | |
| 11 | 93306-00803-00 | BEARING (B6008) | 1 | |
| 12 | 93102-22189-00 | OIL SEAL | 1 | |
| 13 | J38-46319-01-00 | GASKET | 1 | |
| 14 | 95811-08040-00 | BOLT, FLANGE | 7 | |
| 15 | 95811-08050-00 | BOLT, FLANGE (95812-08050) | 2 | |
| 16 | 99510-12016-00 | PIN, DOWEL | 2 | |
| 17 | 90340-14036-00 | PLUG, STRAIGHT SCRW | 1 | |
| 18 | 90430-14043-00 | GASKET | 1 | |
| 19 | 90101-08344-00 | BOLT | 1 | |
| 20 | 90201-08087-00 | WASHER, PLATE | 1 | |
| 21 | 90465-06100-00 | CLAMP | 1 | |
| 22 | 97022-08075-00 | BOLT | 1 | |
| 23 | 92990-08100-00 | WASHER | 1 | |
| 24 | 95333-08600-00 | NUT | 1 | |
| 25 | J38-46321-02-00 | SHAFT, INPUT | 1 | |
| 26 | J38-46331-01-00 | GEAR, INPUT 1 | 1 | |
| 27 | 93410-25017-00 | CIRCLIP | 1 | |
| 28 | J38-46351-00-00 | SHAFT, COUNTER | 1 | |
| 29 | J38-46361-01-00 | GEAR, COUNTER 1 | 1 | |

CONTINUED ON NEXT FRAME ►



TRANSMISSION 1



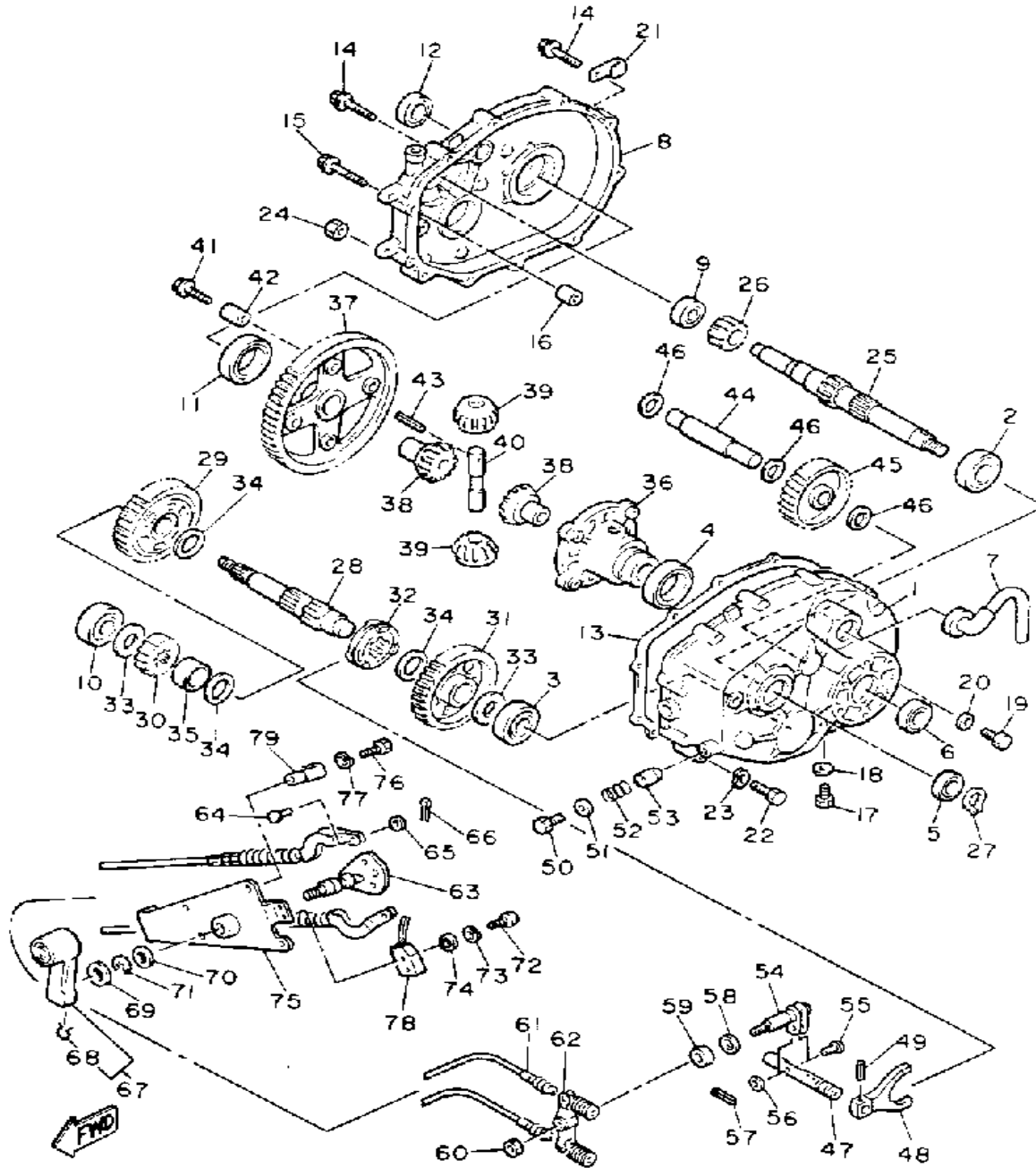
JF2100-0210

| Ref. No. | Part Number | Description | Qty | Remarks |
|----------|-----------------|-------------------------|-----|---------|
| 30 | J38-46362-00-00 | GEAR, COUNTER 2 | 1 | |
| 31 | J38-46363-00-00 | GEAR, REVERSE | 1 | |
| 32 | J38-4636A-00-00 | DOG, CLUTCH | 1 | |
| 33 | 90201-204K8-00 | WASHER, PLATE | 2 | |
| 34 | 90201-257J2-00 | WASHER, PLATE | 3 | |
| 35 | 90387-252M8-00 | COLLAR | 1 | |
| 36 | J38-46411-01-00 | CASE, DIFFERENTIAL | 1 | |
| 37 | J38-46421-01-00 | GEAR, RING | 1 | |
| 38 | J38-46414-00-00 | GEAR, DIFFERENTIAL SIDE | 2 | |
| 39 | J38-46415-00-00 | PINION, DIFFERENTIAL | 1 | |
| 40 | J38-46417-02-00 | PIN, DIFFERENTIAL | 1 | |
| 41 | 90105-08390-00 | BOLT, WASHER BASED | 4 | |
| 42 | 91812-16001-00 | PIN, DOWEL | 2 | |
| 43 | 91609-40040-00 | PIN, SPRING | 1 | |
| 44 | J38-46348-00-00 | SHAFT 2 | 1 | |
| 45 | J38-46356-00-00 | GEAR, IDLER | 1 | |
| 46 | 90201-17713-00 | WASHER, PLATE | 3 | |
| 47 | J38-4633A-00-00 | BAR, SHIFT FORK GUIDE | 1 | |
| 48 | J38-46338-00-00 | FORK, SHIFT | 1 | |
| 49 | 91609-40020-00 | PIN, SPRING | 1 | |
| 50 | 90101-08344-00 | BOLT | 1 | |
| 51 | 90201-08087-00 | WASHER, PLATE | 1 | |
| 52 | 90501-10060-00 | SPRING, COMPRESSION | 1 | |
| 53 | 90249-07215-00 | PIN | 1 | |
| 54 | J38-46384-00-00 | LEVER, SHIFT 3 | 1 | |
| 55 | 91701-06022-00 | PIN, CLEVIS | 1 | |
| 56 | 92990-06200-00 | WASHER | 1 | |
| 57 | 91490-20020-00 | PIN, COTTER | 1 | |
| 58 | 90201-12166-00 | WASHER, PLATE | 1 | |

CONTINUED ON NEXT FRAME ►



TRANSMISSION 1

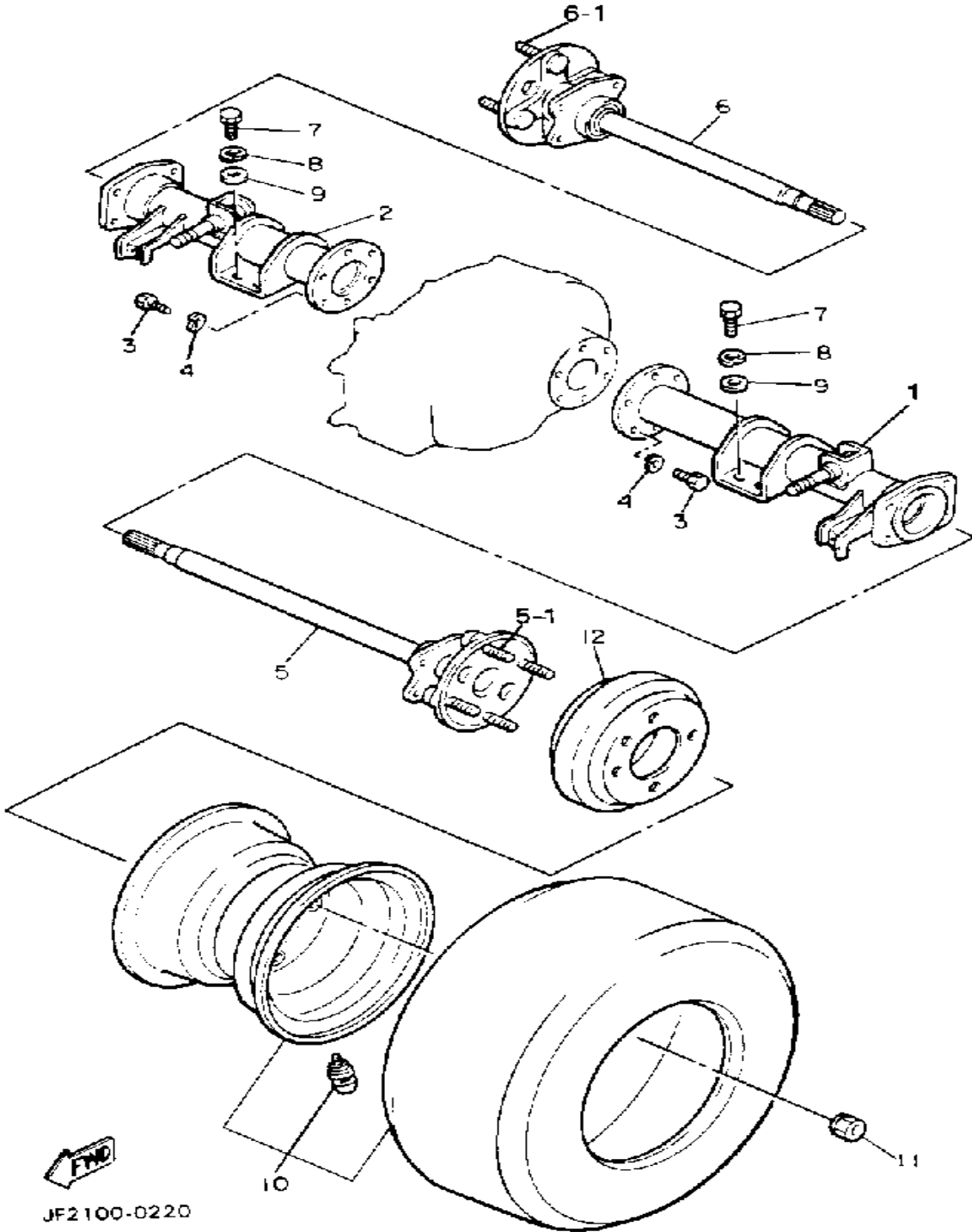


JF2100-0210

| Ref. No. | Part Number | Description | Qty | Remarks |
|----------|-----------------|---------------------------|-----|--------------|
| 59 | 93102-12224-00 | OIL SEAL | 1 | |
| 60 | 95611-08100-00 | NUT, U | 1 | |
| 61 | J55-G6371-00-00 | SHIFT WIRE | 2 | J38-46371-01 |
| 62 | J55-G6383-00-00 | LEVER, SHIFT | 1 | J38-46383-00 |
| 63 | JF2-46382-00-00 | LEVER, SHIFT | 1 | |
| 64 | 91702-06014-00 | PIN | 2 | |
| 65 | 92990-06600-00 | WASHER, PLATE | 2 | |
| 66 | 91490-20020-00 | PIN, COTTER | 2 | |
| 67 | JF2-46370-00-00 | SHIFT ASSEMBLY | 1 | |
| 68 | JF2-46376-00-00 | . SPRING | 1 | |
| 69 | 90201-201L9-00 | WASHER, PLAIN | 1 | |
| 70 | 90201-19551-00 | WASHER, PLAIN | 1 | |
| 71 | 99009-19400-00 | CIRCLIP | 1 | |
| 72 | 97802-04016-00 | SCREW, PAN HEAD | 2 | |
| 73 | 92901-04100-00 | WASHER, SPRING | 2 | |
| 74 | 92901-04600-00 | WASHER, PLATE | 2 | |
| 75 | JF2-46372-00-00 | BRACKET, SHIFT WIRE | 1 | |
| 76 | 97011-06016-00 | BOLT | 4 | |
| 77 | 92995-06100-00 | WASHER, SPRING | 4 | |
| 78 | J50-82617-00-00 | SWITCH | 1 | |
| 79 | 90465-06038-00 | CLAMP | 1 | |



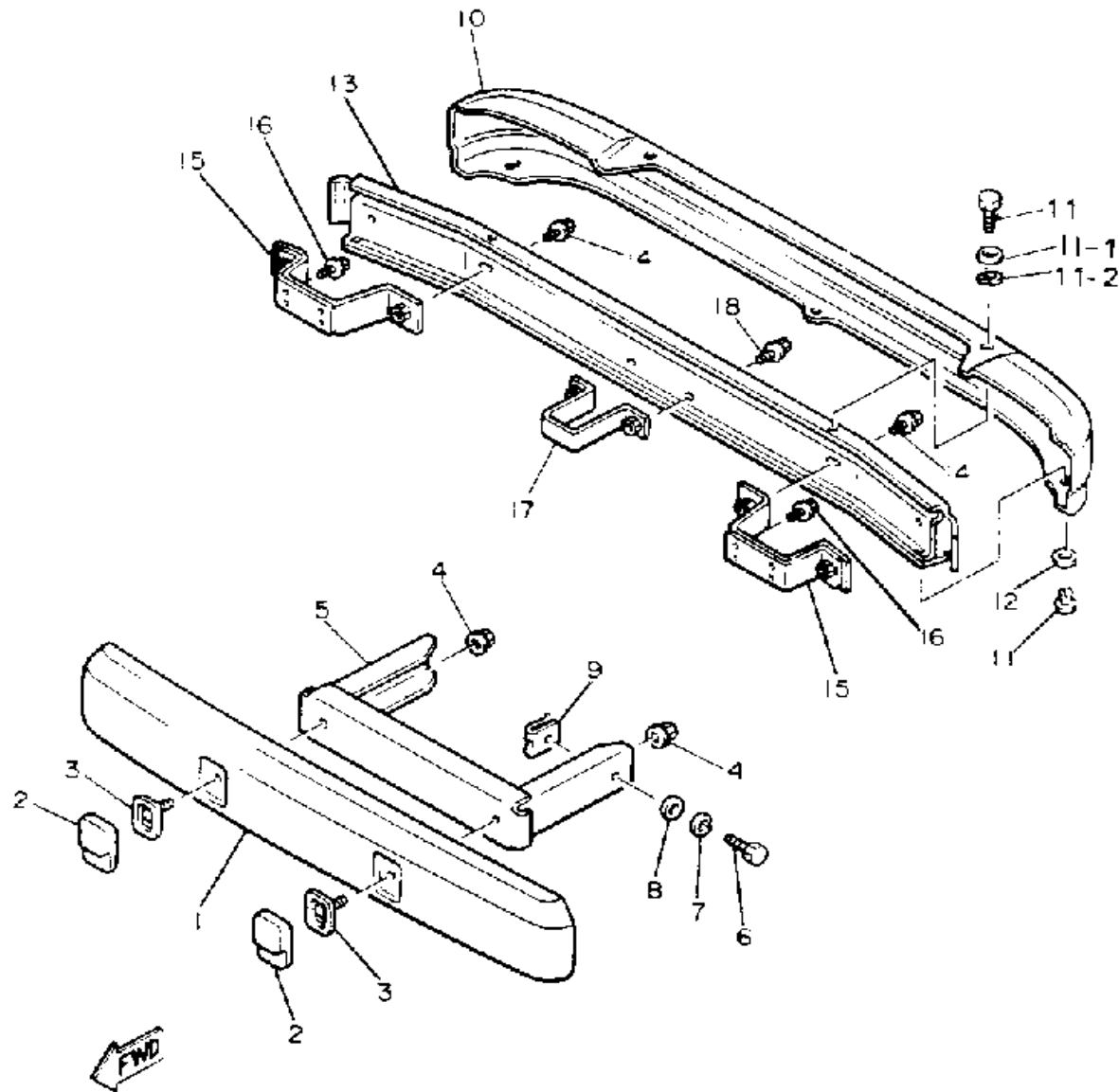
REAR AXLE-WHEEL



| Ref. No. | Part Number | Description | Qty | Remarks |
|----------|-----------------|----------------------------|-----|--------------|
| 1 | JF2-46540-00-00 | R.AXLE HOUSING 1 | 1 | |
| 2 | JF2-46550-00-00 | R.AXLE HOUSING 2COMP. 2 .. | 1 | |
| 3 | 97011-08025-00 | BOLT | 12 | |
| 4 | 92990-08100-00 | WASHER | 12 | |
| 5 | JF2-46510-00-00 | REAR AXLE SHAFT COMP. ... | 1 | |
| 6 | JF2-46520-00-00 | REAR AXLE SHAFT COMP. 2 . | 1 | |
| 7 | 97011-10020-00 | BOLT | 8 | |
| 8 | 92901-10100-00 | WASHER, SPRING | 8 | |
| 9 | 92990-10600-00 | WASHER, PLATE | 8 | |
| 10 | JF2-F5100-00-00 | FRONT WHEEL ASSEMBLY- 8 | 2 | |
| 11 | 90179-12262-00 | NUT | 8 | |
| 12 | J55-G6521-00-00 | DRUM | 2 | J17-46521-00 |
| 5-1 | 90114-12004-00 | . BOLT, RIBBED NECK | 4 | |
| 6-1 | 90114-12004-00 | . BOLT, RIBBED NECK | 4 | |



BUMPER

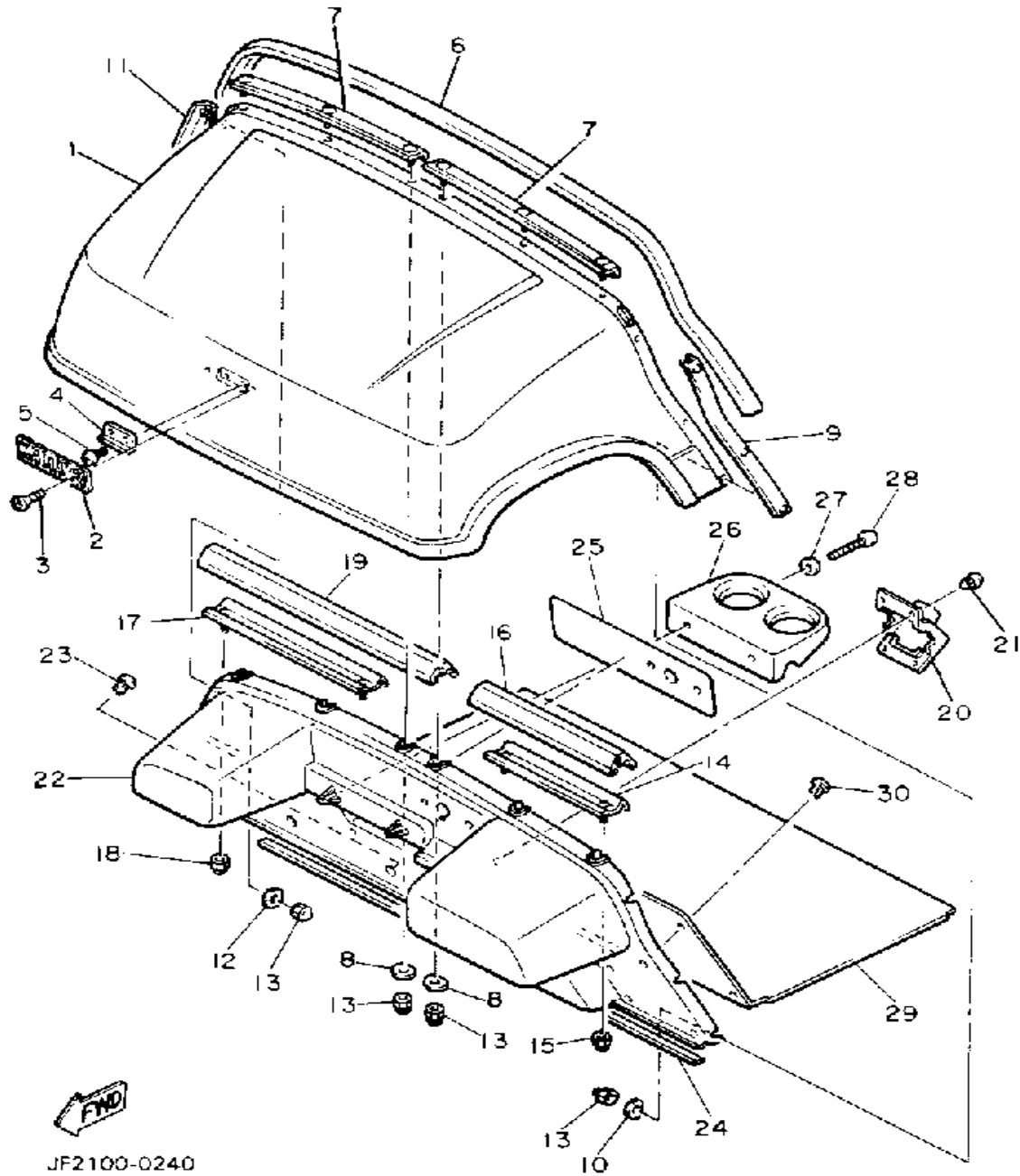


JF2100-0230

| Ref. No. | Part Number | Description | Qty | Remarks |
|----------|-----------------|---------------------------|-----|---------------|
| 1 | JF2-K8163-01-00 | COVER, BUMPER | 1 | |
| 2 | JF2-77517-00-00 | CAP | 2 | |
| 3 | JF2-77527-00-00 | PLATE, BACK UP | 2 | |
| 4 | 95706-08500-00 | NUT, flange | 2 | |
| 5 | JF2-K7511-00-00 | BUMPER, FRONT 1 | 1 | |
| 6 | 97313-08020-00 | BOLT, HEXAGON | 2 | |
| 7 | 92990-08100-00 | WASHER | 2 | |
| 8 | 92990-08600-00 | WASHER, PLATE | 2 | |
| 9 | JF2-77528-00-00 | NUT | 2 | |
| 10 | JF2-K817U-00-00 | COVER, REAR BUMPER | 1 | |
| 11 | 97706-50516-00 | SCREW, TAPPING | 5 | |
| 12 | 90201-063J2-00 | WASHER, PLATE | 2 | |
| 13 | JF2-K8107-00-00 | BUMPER SUB-ASSEMBLY, REAR | 1 | |
| 14 | 95816-08016-00 | BOLT, FLANGE | 4 | |
| 15 | JF2-K8174-00-00 | STAY, REAR BUMPER | 2 | |
| 16 | 95816-08016-00 | BOLT, FLANGE | 6 | |
| 17 | JF2-K7521-00-00 | STOPPER, 1 | 1 | |
| 18 | 95816-08016-00 | BOLT, FLANGE | 2 | |
| | G8A-PARTS-BO-AR | ASSEMBLY, HARDWARE (G8-A) | 8 | OPTIONAL PART |
| 11-1 | 90201-05033-00 | WASHER, PLATE | 5 | |
| 11-2 | 90183-05042-00 | NUT, SPRING | 5 | |



BODY



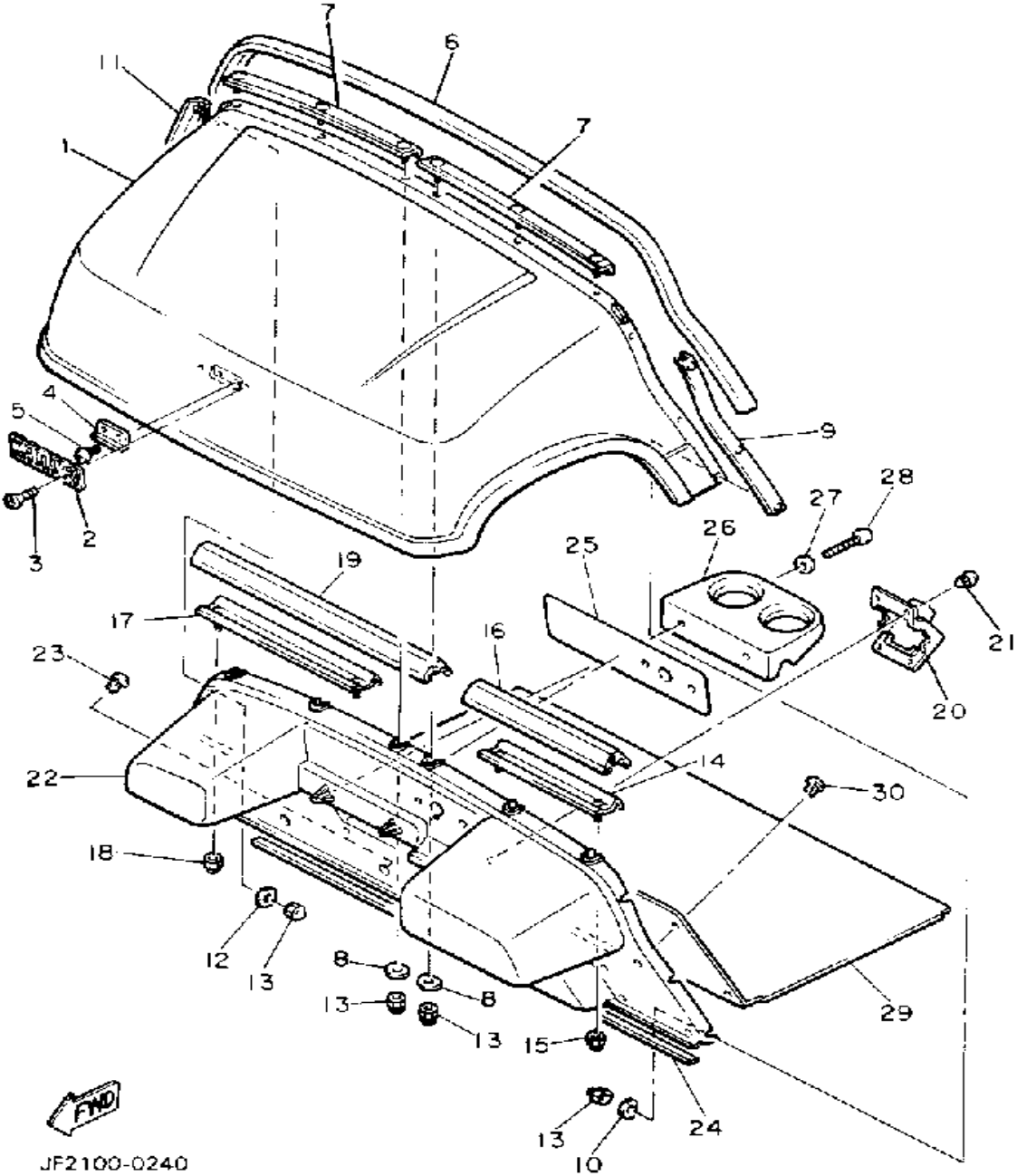
JF2100-0240

| Ref. No. | Part Number | Description | Qty | Remarks |
|----------|-----------------|---------------------------|-----|---------|
| 1 | JF2-K8115-00-00 | COWL, FRONT | 1 | |
| 2 | J38-24161-00-00 | EMBLEM 1 | 1 | |
| 3 | 90162-04002-00 | SCREW, OVAL C | 2 | |
| 4 | JF2-K811G-00-00 | BOLT, COWL FITTING | 1 | |
| 5 | 98980-06016-00 | SCREW, BINDING | 2 | |
| 6 | JF2-K811V-00-00 | PROTECTOR, | 1 | |
| 7 | JF2-K8261-00-00 | PLATE, BODY PROTECTOR .. | 2 | |
| 8 | JF2-78117-00-00 | PLATE 1 | 6 | |
| 9 | JF2-K8262-00-00 | PLATE, BODY PROTECTOR .. | 1 | |
| 10 | JF2-78117-00-00 | PLATE 1 | 3 | |
| 11 | JF2-K8263-00-00 | PLATE, BODY PROTECTOR .. | 1 | |
| 12 | JF2-78117-00-00 | PLATE 1 | 3 | |
| 13 | 90176-06069-00 | NUT, CROWN | 12 | |
| 14 | JF2-K8264-00-00 | PLATE, BODY PROTECTOR .. | 1 | |
| 15 | 95601-06100-00 | NUT, U | 2 | |
| 16 | JF2-K811W-00-00 | PROTECTOR 2 | 1 | |
| 17 | JF2-K8265-00-00 | PLATE, BODY PROTECTOR 5 . | 1 | |
| 18 | 95601-06100-00 | NUT, U | 2 | |
| 19 | JF2-7811X-00-00 | PROTECTOR 3 | 1 | |
| 20 | JF2-78273-00-00 | COVER, HOLE | 1 | |
| 21 | 90269-11042-00 | RIVET | 4 | |
| 22 | JF2-K8114-00-00 | PANEL, FRONT | 1 | |
| 23 | 90269-08069-00 | RIVET | 3 | |
| 24 | JF2-7815G-00-00 | SEAL, FRONT STORAGE | 1 | |
| 25 | JF2-77768-01-00 | LABEL, WARNING | 1 | |
| 26 | JF2-K835E-00-00 | HOLDER, BEVERAGE | 1 | |
| 27 | 90201-060A3-00 | WASHER, PLATE | 2 | |
| 28 | 97702-60130-00 | SCREW, TAPPING | 2 | |
| 29 | JF2-K8233-00-00 | MAT, MAIN FLOOR 3 | 1 | |

CONTINUED ON NEXT FRAME ➤



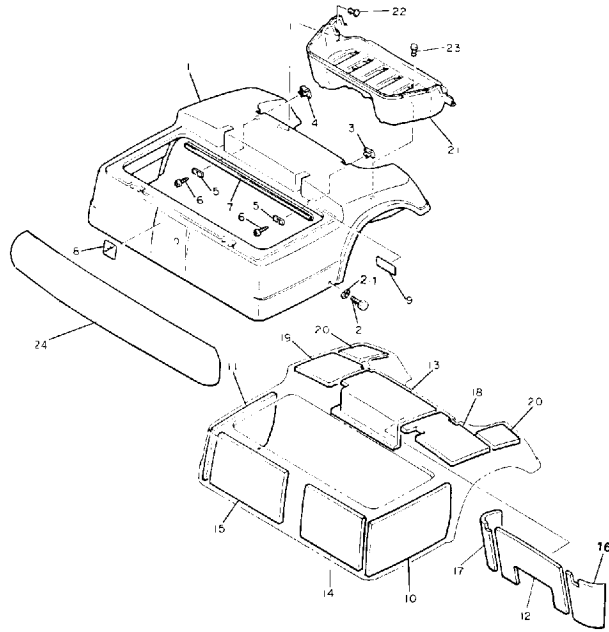
BODY



| Ref. No. | Part Number | Description | Qty | Remarks |
|----------|-----------------|--------------------|-----|--------------------------|
| 30 | 90267-63047-00 | RIVET, BLIND | 11 | |
| | PNT-90000-K0-91 | PAINT | | PALE ALMONDOPTIONAL PART |



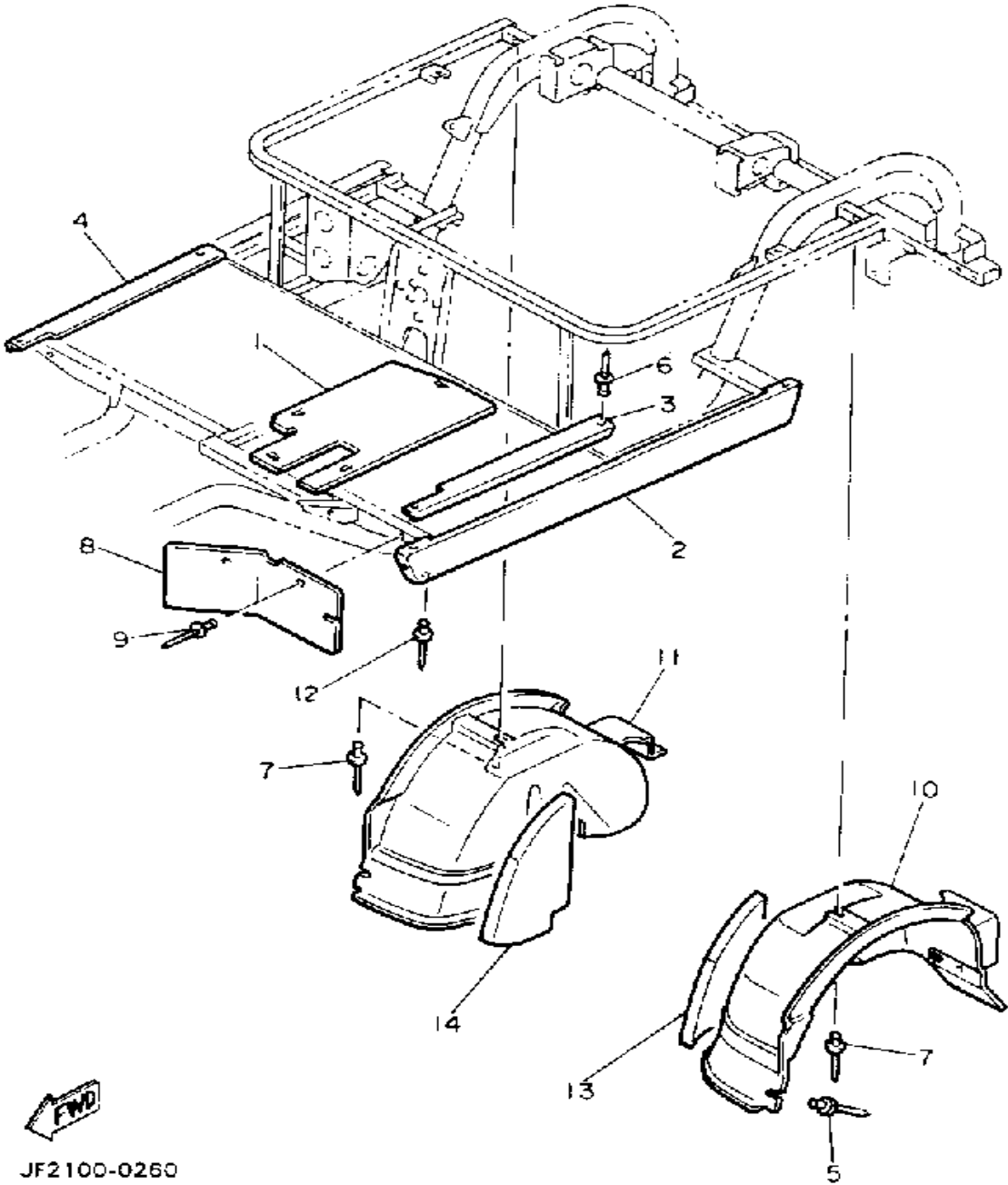
BODY 2



| Ref. No. | Part Number | Description | Qty | Remarks |
|----------|-----------------|---------------------------------|-----|--------------------------|
| 1 | JF2-K8142-01-00 | PANEL, REAR BODY | 1 | |
| 2 | 90110-06078-00 | BOLT, HEXAGON SOCKET ... | 2 | |
| 3 | JF2-K8283-00-00 | COVER, 3 | 1 | |
| 4 | JF2-K8284-00-00 | COVER, 4 | 1 | |
| 5 | JF2-78118-00-00 | PLATE 2 | 2 | |
| 6 | 97780-60116-00 | SCREW, TAPPING | 2 | |
| 7 | JF2-7836A-00-00 | PROTECTOR 2 | 1 | |
| 8 | JF2-77741-00-00 | INDICATOR 1 | 1 | |
| 9 | JF2-77764-00-00 | LABEL, WARNING 4 | 1 | |
| 10 | JF2-K8251-00-00 | PAD, SILENCER 1 | 1 | |
| 11 | JF2-K8252-00-00 | PAD, SILENCER 2 | 1 | |
| 12 | JF2-K8254-10-00 | PAD, SILENCER 4 | 1 | |
| 13 | JF2-K8255-00-00 | PAD, SILENCER 5 | 1 | |
| 14 | JF2-K8256-00-00 | PAD, SILENCER 6 | 1 | |
| 15 | JF2-K8257-00-00 | PAD, SILENCER 7 | 1 | |
| 16 | JF2-K8258-10-00 | PAD, SILENCER 8 | 1 | |
| 17 | JF2-K8259-10-00 | PAD, SILENCER 9 | 1 | |
| 18 | JF2-K825A-00-00 | PAD, SILENCER 0 | 1 | |
| 19 | JF2-K825E-00-00 | PAD, SILENCER 1 | 1 | |
| 20 | JF2-K825L-00-00 | PAD, SILENCER 7 | 2 | |
| 21 | JF2-K8237-00-00 | COVER, REAR FLOOR | 1 | |
| 22 | 90269-08069-00 | RIVET | 7 | |
| 23 | 90267-63047-00 | RIVET, BLIND | 2 | |
| 24 | G8A-PARTS-BO-AR | ASSEMBLY, HARDWARE (G8-A) | 8 | OPTIONAL PART |
| | JF2-K814N-00-00 | PLATE, ORNAMENT | 1 | |
| | PNT-90000-K0-91 | PAINT | 8 | PALE ALMONDOPTIONAL PART |
| 2-1 | 90183-06028-00 | NUT, SPRING | 2 | |



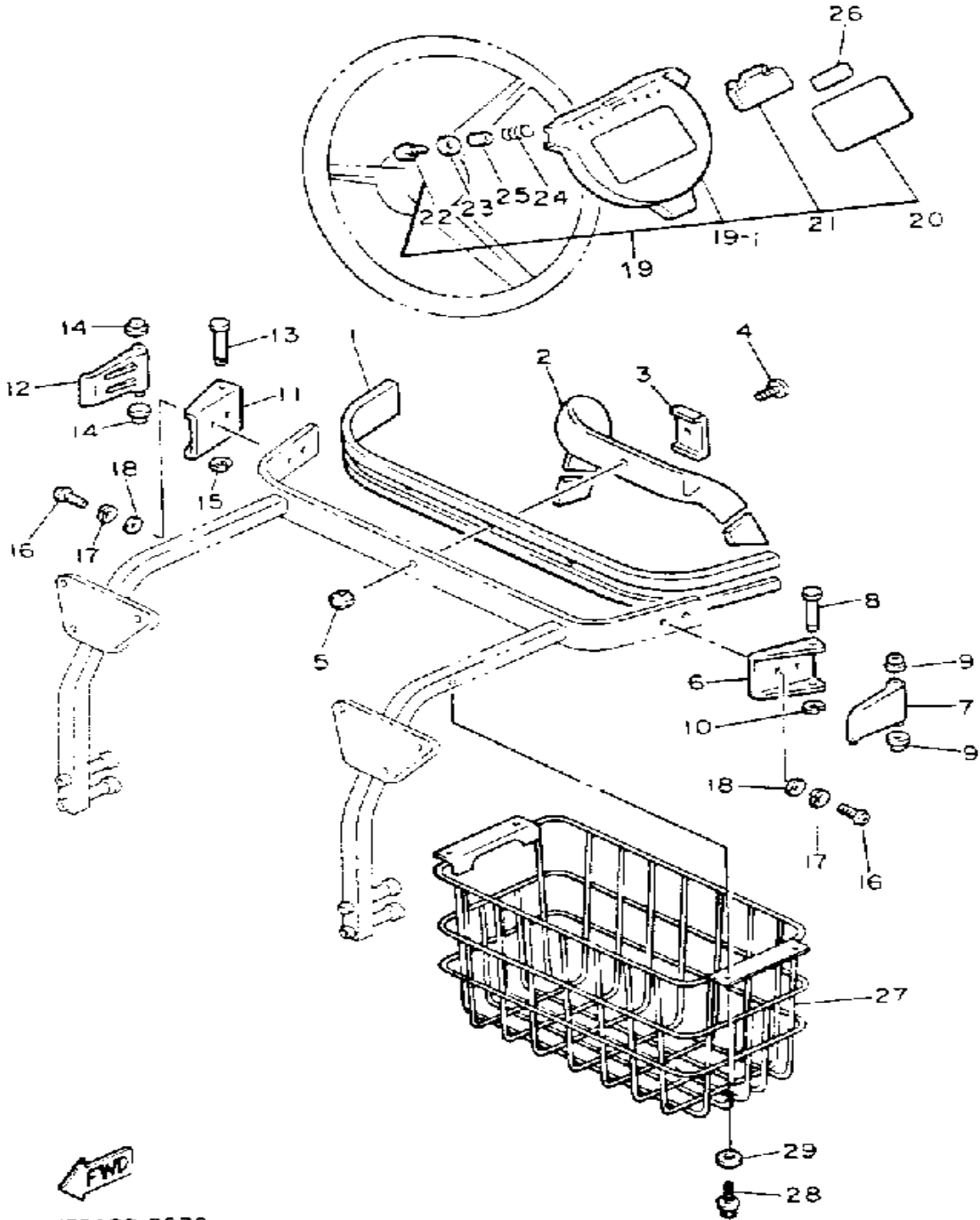
BODY FITTING



| Ref. No. | Part Number | Description | Qty | Remarks |
|----------|-----------------|--------------------------|-----|---------|
| 1 | JF2-K8271-00-00 | SERVICE LID, PEDAL | 1 | |
| 2 | JF2-K818A-00-00 | PROTECTOR, SIDE | 2 | |
| 3 | JF2-K8215-00-00 | PLATE, SIDE TRIM | 1 | |
| 4 | JF2-K821F-00-00 | PLATE, SIDE TRIM | 1 | |
| 5 | 90267-48086-00 | RIVET, BLIND | 4 | |
| 6 | 90267-48154-00 | RIVET, BLIND | 6 | |
| 7 | 90267-48086-00 | RIVET, BLIND | 6 | |
| 8 | JF2-K8187-00-00 | FLAP, FRONT FENDER (L.H) | 2 | |
| 9 | 90267-48101-00 | RIVET, BLIND | 4 | |
| 10 | JF2-K8191-00-00 | PANEL, REAR FENDER | 1 | |
| 11 | JF2-K8192-00-00 | PANEL, REAR FENDER | 1 | |
| 12 | 90267-48101-00 | RIVET, BLIND | 6 | |
| 13 | JF2-K825F-00-00 | PAD, SILENCER 2 | 1 | |
| 14 | JF2-K825G-00-00 | PAD, SILENCER 3 | 1 | |



CARREIR



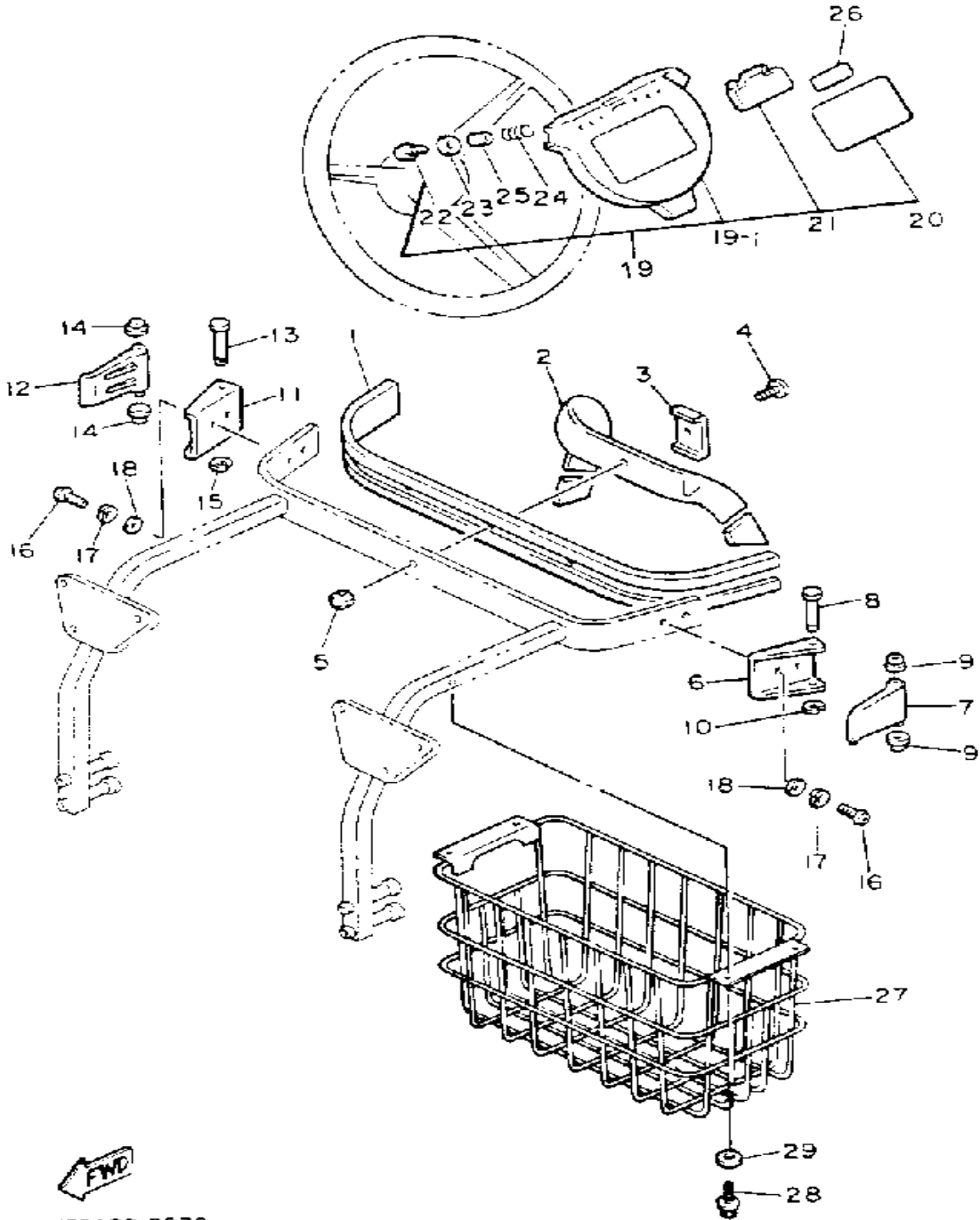
JF2100-D270

| Ref. No. | Part Number | Description | Qty | Remarks |
|----------|-----------------|--|-----|--------------|
| 1 | JF2-K8356-00-00 | PAD, BAG SUPPORT | 1 | |
| 2 | JF2-K8355-00-00 | BAND | 1 | |
| 3 | J38-78367-00-00 | PLATE, ANCHOR | 1 | |
| 4 | 98980-06016-00 | SCREW, BINDING | 1 | |
| 5 | 95380-06800-00 | NUT | 1 | |
| 6 | J17-78157-01-00 | BASE, LOCK | 1 | |
| 7 | J17-78368-01-00 | LEVER, LOCK | 1 | |
| 8 | J17-78369-00-00 | PIN, LEVER | 1 | |
| 9 | 90386-06108-00 | BUSH | 2 | |
| 10 | 99080-05600-00 | CIRCLIP | 1 | |
| 11 | J17-78157-01-00 | BASE, LOCK | 1 | |
| 12 | J17-78368-01-00 | LEVER, LOCK | 1 | |
| 13 | J17-78369-00-00 | PIN, LEVER | 1 | |
| 14 | 90386-06108-00 | BUSH | 2 | |
| 15 | 99080-05600-00 | CIRCLIP | 1 | |
| 16 | 98580-06010-00 | SCREW, PAN HEAD (92503-06010) | 4 | |
| 17 | 92995-06100-00 | WASHER, SPRING | 4 | |
| 18 | 92990-06200-00 | WASHER | 4 | |
| 19 | JF2-K8370-00-00 | HOLDER ASSEMBLY | 1 | |
| 20 | J50-77762-00-00 | . LABEL, WARNING 2 | 1 | |
| 21 | J55-K8358-00-00 | . HOLDER 2 | 1 | J38-78358-01 |
| 22 | 97706-40525-00 | . SCREW, TAPPING | 2 | |
| 23 | 90201-044A2-00 | . WASHER, PLATE | 2 | |
| 24 | 90502-10013-00 | . SPRING, CONICAL | 2 | |
| 25 | 90387-046N7-00 | . COLLAR | 2 | |
| 26 | J51-77763-00-00 | . LABEL, WARNING 3 | 1 | |
| 27 | JF2-K8340-02-00 | LUGGAGE RACK ASSEMBLY., REAR | 1 | |

CONTINUED ON NEXT FRAME ►



CARREIR

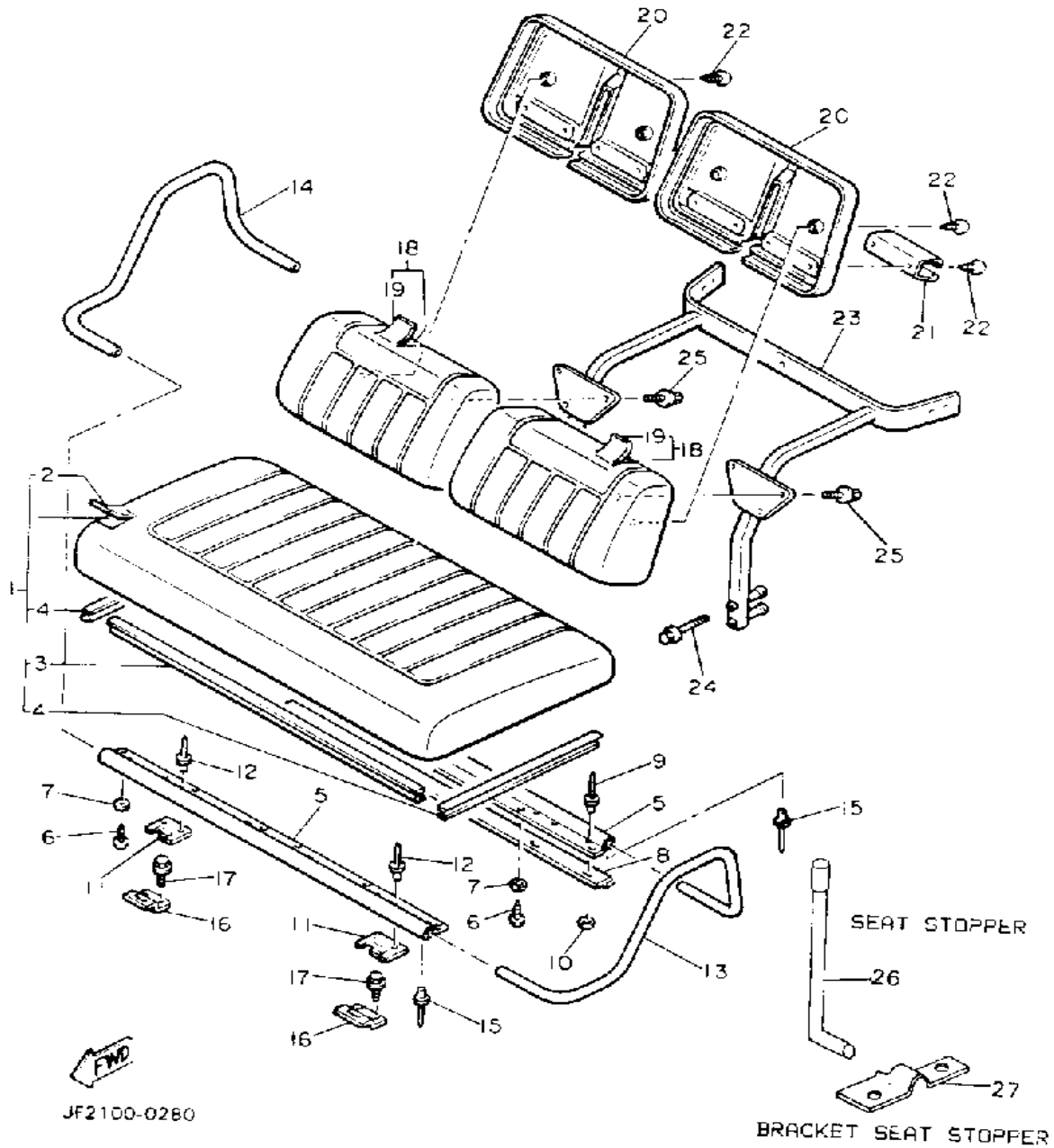


| Ref. No. | Part Number | Description | Qty | Remarks |
|----------|-----------------|---------------|-----|--------------|
| 28 | 95805-08016-00 | BOLT, FLANGE | 4 | |
| 29 | 90201-08103-00 | WASHER, PLAIN | 4 | |
| 19-1 | J55-K8357-00-00 | . HOLDER 1 | 1 | J38-78357-00 |

FWD
JF2100-D270



SEAT



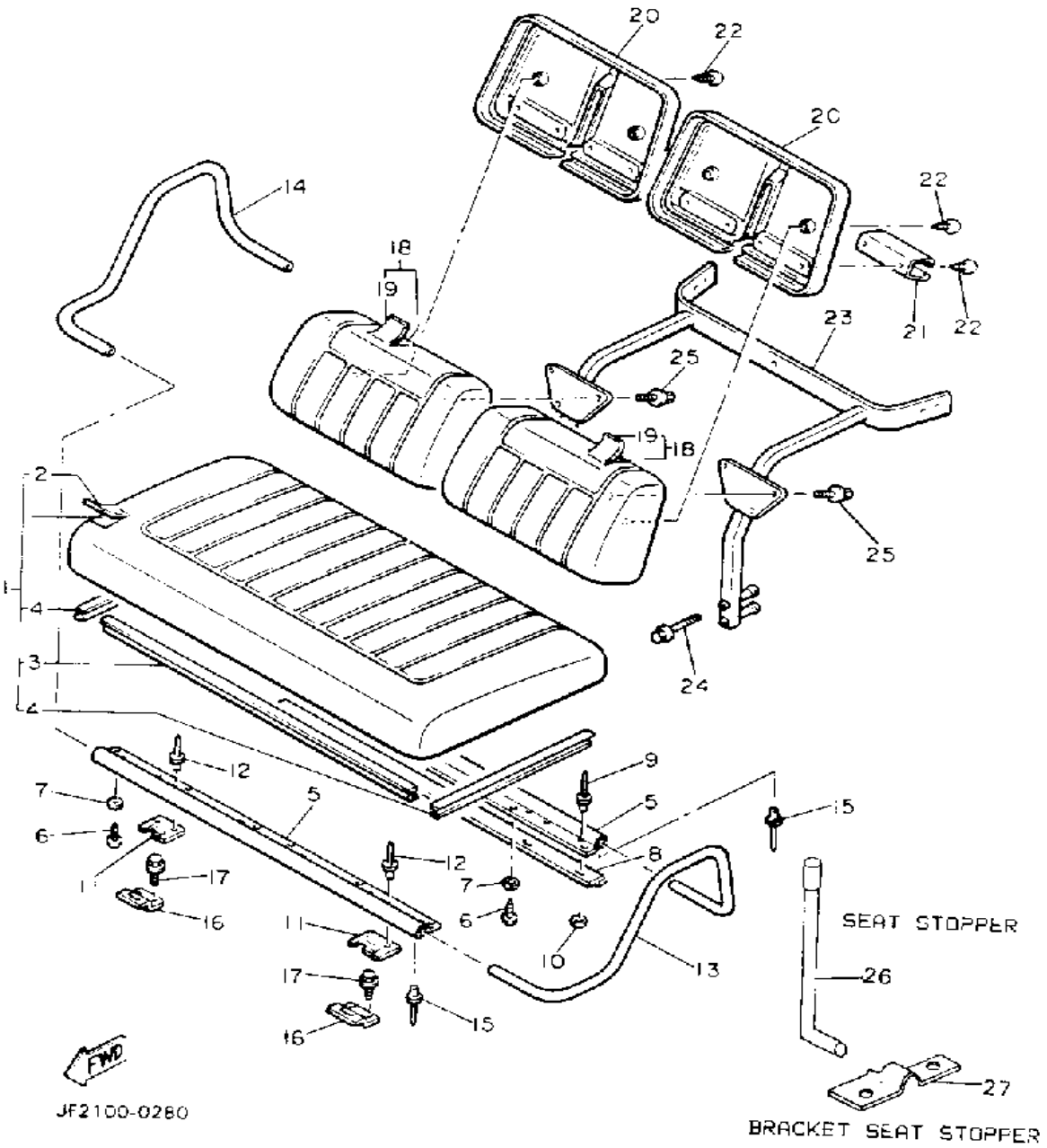
| Ref. No. | Part Number | Description | Qty | Remarks |
|----------|-----------------|----------------------------|-----|--------------|
| 1 | JF2-K8401-01-00 | SEAT SUB-ASSEMBLY, CUSHION | 1 | |
| 2 | JF2-K8404-09-00 | . COVER, SEAT | 1 | |
| 3 | JF2-K8425-01-00 | . SEAL, SEAT | 1 | |
| 4 | JF2-K842A-01-00 | . SEAL, SEAT 2 | 2 | |
| 5 | JF2-K8121-01-00 | REINFORCEMENT 1 | 2 | |
| 6 | 97780-60125-00 | SCREW, TAPPING | 12 | |
| 7 | 90201-06M02-00 | WASHER, PLATE | 12 | |
| 8 | JF2-K842E-01-00 | SEAL, SEAT 3 | 1 | |
| 9 | 90267-48086-00 | RIVET, BLIND | 6 | |
| 10 | 90201-04325-00 | WASHER, PLATE | 6 | |
| 11 | JF2-K8426-00-00 | HINGE, SEAT 1 | 2 | |
| 12 | 90267-48084-00 | RIVET, BLIND | 4 | |
| 13 | JF2-K8361-01-00 | ARM REST 1 | 1 | |
| 14 | G8A-PARTS-BO-AR | ASSEMBLY, HARDWARE (G8-A) | 8 | |
| | JF2-K8362-01-00 | ARM REST 2 | 1 | |
| 15 | 90267-48084-00 | RIVET, BLIND | 8 | |
| 16 | JF2-K8427-00-00 | HINGE, SEAT FEMALE | 2 | |
| 17 | 95805-06020-00 | BOLT, FLANGE | 4 | |
| 18 | JF2-K8402-01-00 | SEAT SUB ASSEMBLY, BACK | 2 | |
| 19 | JF2-K841G-09-00 | . COVER, SEAT BACK 2 | 1 | |
| 20 | JF2-K8413-00-00 | COVER, SEAT BACK | 2 | |
| 21 | J55-K835A-00-00 | HOLDER, BALL | 2 | J38-7835A-01 |
| 22 | 97780-60325-00 | SCREW, TAPPING | 12 | |
| 23 | JF2-K8423-03-00 | SUPPORT, SEAT BACK | 1 | |
| 24 | 95815-08075-00 | BOLT, FLANGE | 4 | |
| 25 | 95805-06020-00 | BOLT, FLANGE | 6 | |
| 26 | JF2-K8421-00-00 | SUPPORT, SEAT | 1 | |

CONTINUED ON NEXT FRAME ►

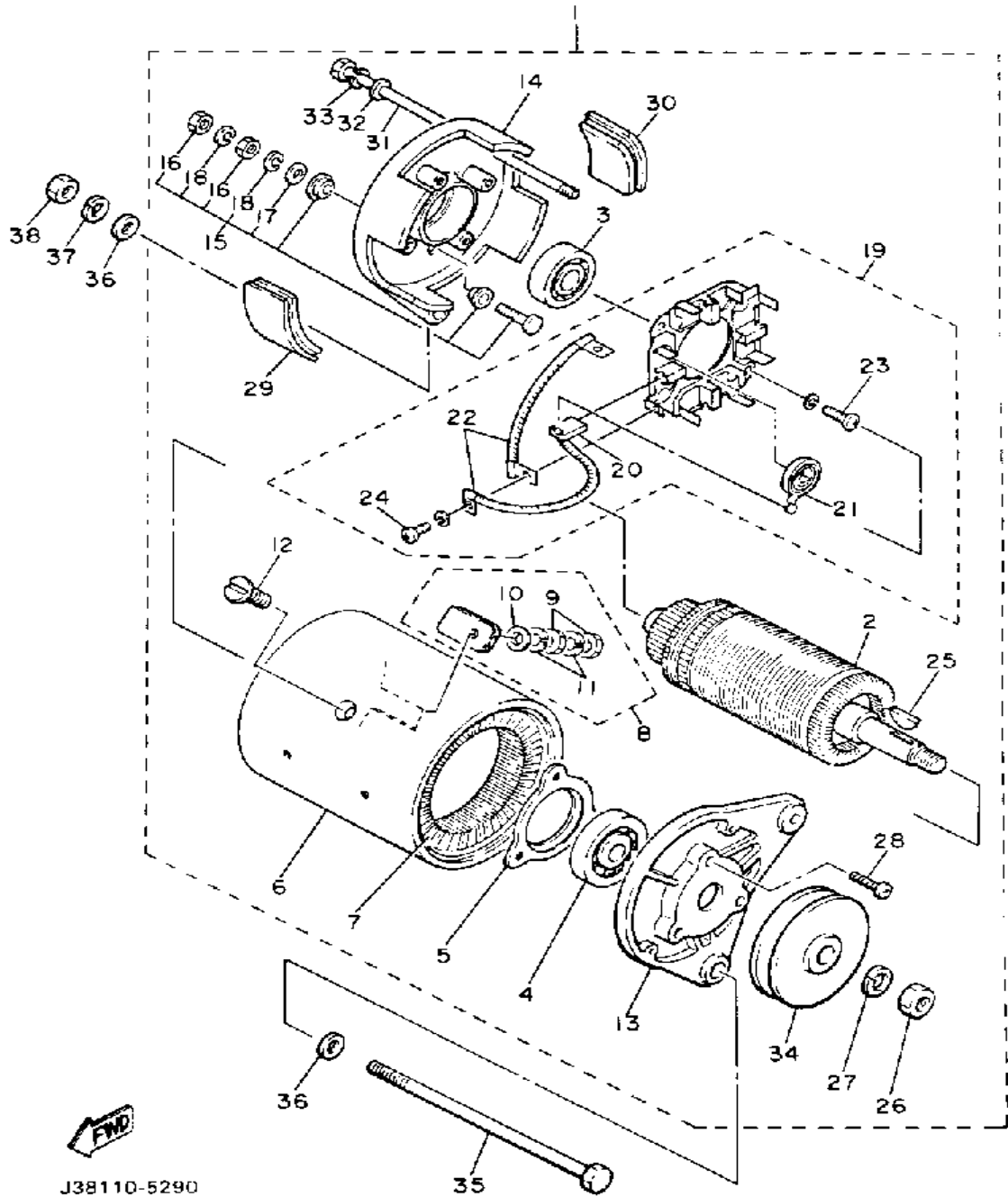


SEAT

| Ref. No. | Part Number | Description | Qty | Remarks |
|----------|-----------------|-----------------------|-----|---------|
| 27 | JF2-K8422-00-00 | BRACKET, SEAT SUPPORT | 1 | |



STARTING MOTOR



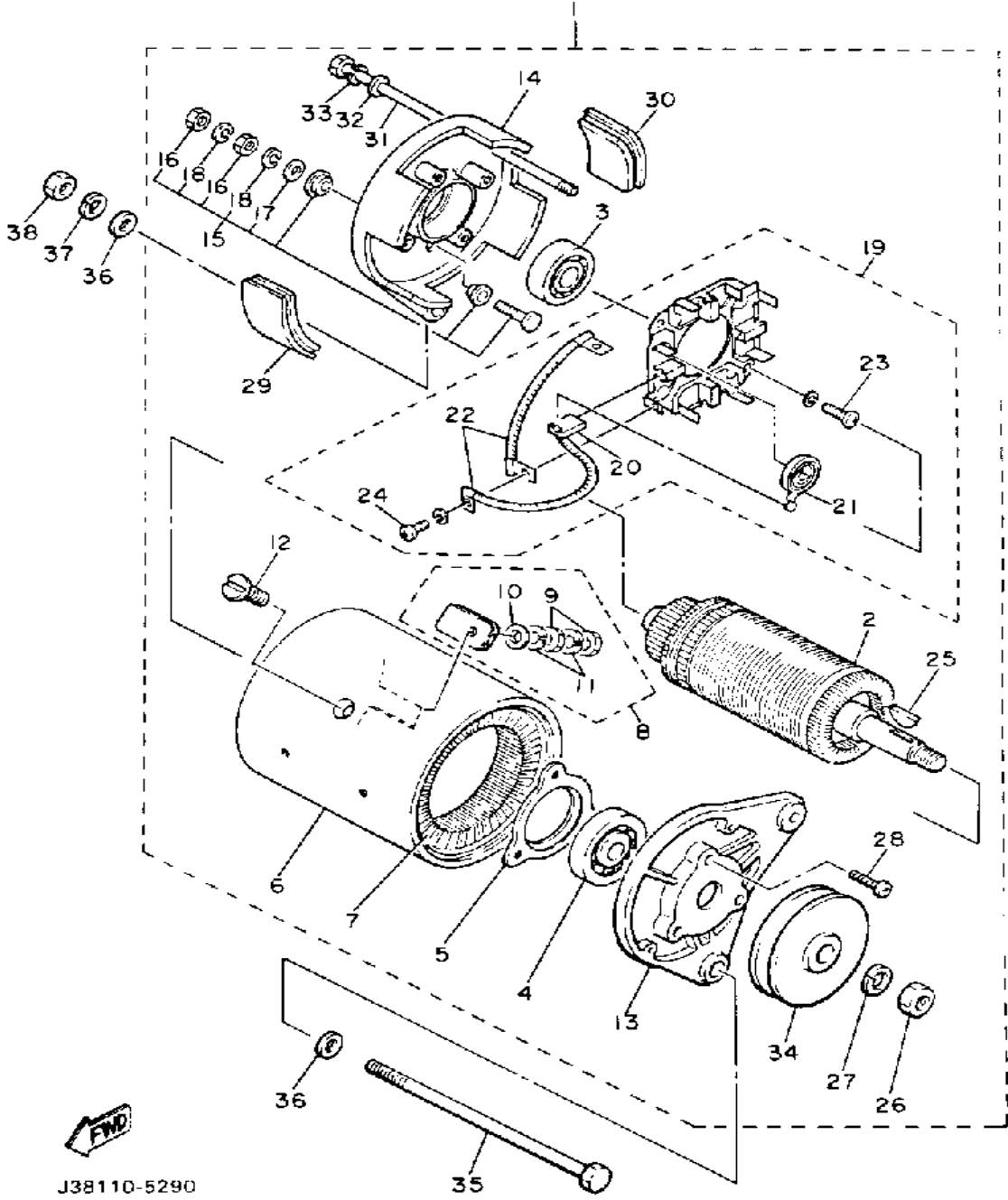
J38110-5290

| Ref. No. | Part Number | Description | Qty | Remarks |
|----------|-----------------|--|-----|---------|
| 1 | J38-81100-11-00 | STARTER GENERATOR ASSEMBLY (JF2-H1100-00-00) | 1 | |
| 2 | J10-81150-10-00 | . ARMATURE ASSEMBLY | 1 | |
| 3 | J10-81157-10-00 | . BEARING 1 (6202 SD) | 1 | |
| 4 | J10-81158-10-00 | . BEARING 2 (6203 SD) | 1 | |
| 5 | J10-81159-10-00 | . HOLDER, BEARING | 1 | |
| 6 | J38-81110-10-00 | . STATOR ASSEMBLY | 1 | |
| 7 | J38-81160-10-00 | . FIELD COIL ASSEMBLY | 1 | |
| 8 | J10-81148-10-00 | . SCREW | 2 | |
| 9 | 95380-06600-00 | .. NUT | 4 | |
| 10 | 92990-06600-00 | .. WASHER, PLATE | 2 | |
| 11 | 92995-06100-00 | .. WASHER, SPRING | 4 | |
| 12 | J10-81146-10-00 | . SCREW | 4 | |
| 13 | J38-81165-10-00 | . BRACKET, STARTER GENERATOR | 1 | |
| 14 | J10-81166-10-00 | . BRACKET, STARTER GENERATOR | 1 | |
| 15 | J10-81147-10-00 | . SCREW | 2 | |
| 16 | 95380-06600-00 | .. NUT | 4 | |
| 17 | 92990-06600-00 | .. WASHER, PLATE | 2 | |
| 18 | 92995-06100-00 | .. WASHER, SPRING | 4 | |
| 19 | JF2-81119-00-00 | . BRUSH HOLDER ASSEMBLY | 1 | |
| 20 | JF2-81111-00-00 | .. BRUSH | 4 | |
| 21 | J38-81113-10-00 | .. SPRING, BRUSH | 4 | |
| 22 | J10-81115-10-00 | .. WIRE, LEAD | 2 | |
| 23 | 98580-05016-00 | .. SCREW, PAN HEAD | 2 | |
| 24 | 98580-04010-00 | .. SCREW, PAN HEAD | 4 | |
| 25 | J38-81163-10-00 | . KEY | 1 | |
| 26 | 95312-14600-00 | . NUT | 1 | |
| 27 | 92901-14100-00 | . WASHER, SPRING | 1 | |

CONTINUED ON NEXT FRAME ►



STARTING MOTOR

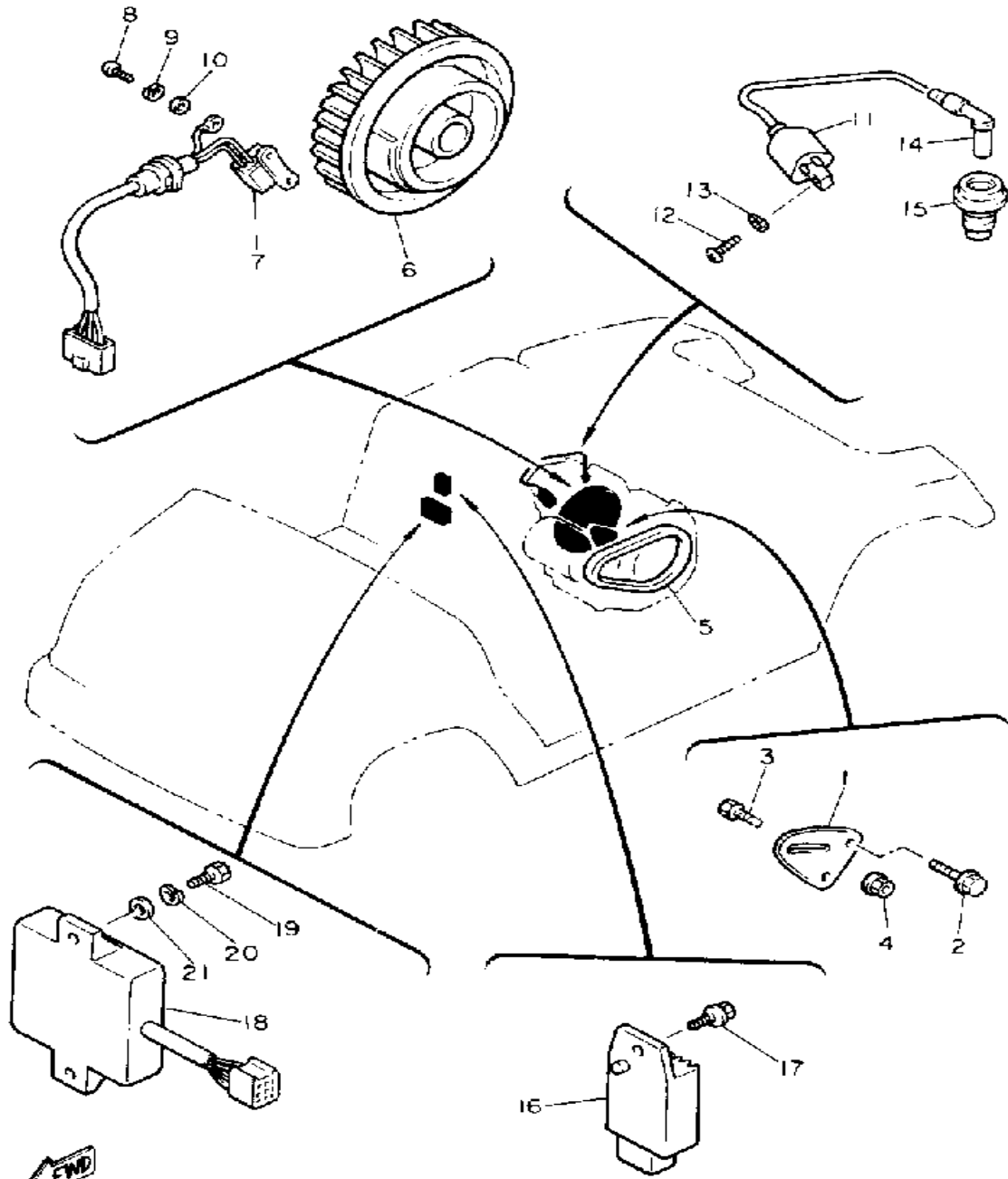


| Ref. No. | Part Number | Description | Qty | Remarks |
|----------|-----------------|-------------------|-----|---------|
| 28 | 98501-05018-00 | . SCREW, PAN HEAD | 3 | |
| 29 | J10-81129-10-00 | . COVER, BRUSH | 3 | |
| 30 | J10-81129-10-00 | . COVER, BRUSH | 1 | |
| 31 | J10-81145-10-00 | . SCREW | 2 | |
| 32 | 92990-06600-00 | . WASHER, PLATE | 2 | |
| 33 | 92995-06100-00 | . WASHER, SPRING | 2 | |
| 34 | J38-81161-10-00 | . PULLEY | 1 | |
| 35 | 90101-12545-00 | BOLT | 1 | |
| 36 | 92990-12600-00 | WASHER, PLATE | 2 | |
| 37 | 92901-12100-00 | WASHER, SPRING | 1 | |
| 38 | 95303-12600-00 | NUT | 1 | |

J38110-5290



ELECTRICAL1

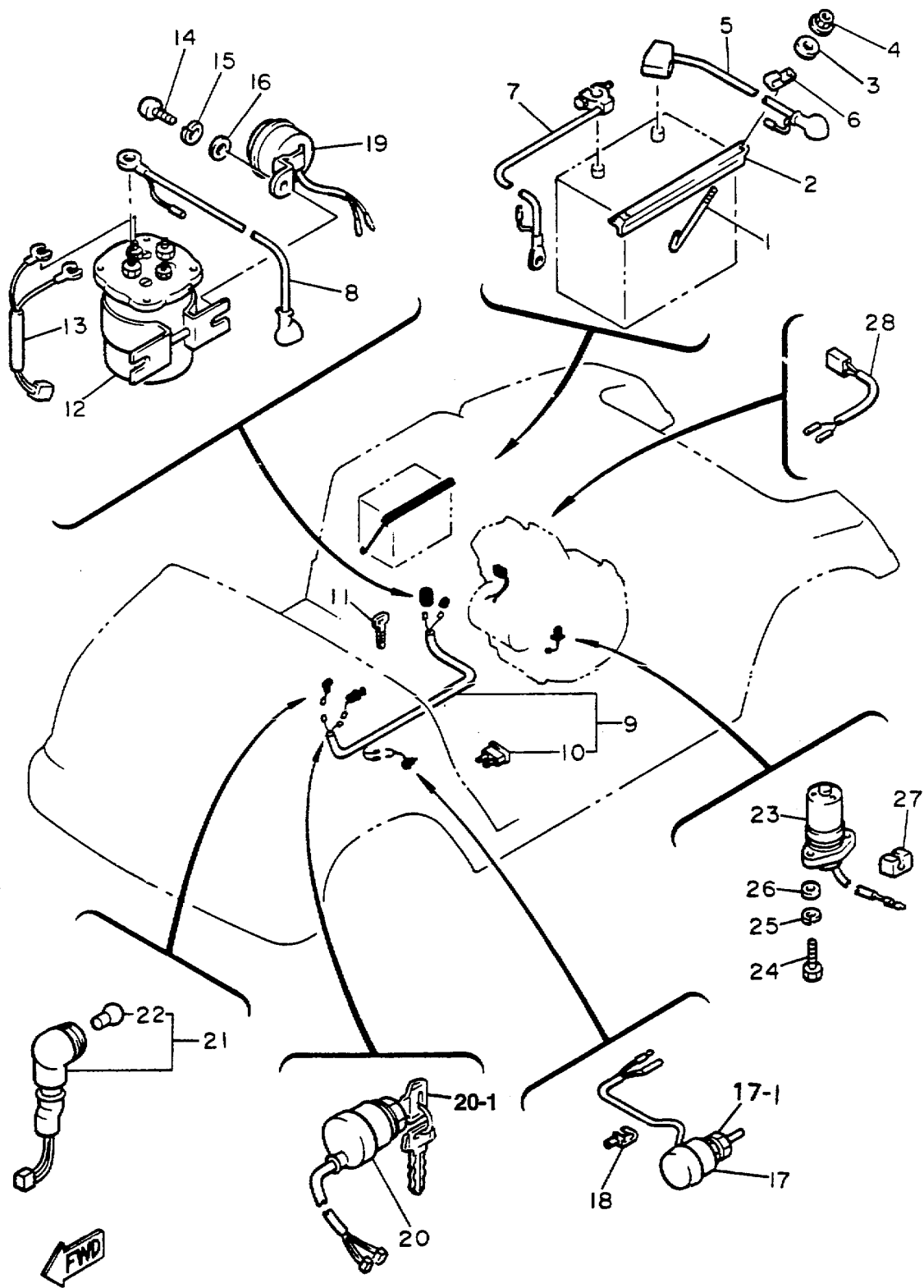


JF2100-0300

| Ref. No. | Part Number | Description | Qty | Remarks |
|----------|-----------------|-----------------------------------|-----|--------------|
| 1 | J38-81170-00-00 | TENSIONER ASSEMBLY | 1 | |
| 2 | 95821-08025-00 | BOLT, FLANGE | 2 | |
| 3 | 90109-087A5-00 | BOLT | 1 | |
| 4 | 95701-08500-00 | NUT, FLANGE | 1 | |
| 5 | J55-H1173-00-00 | BELT | 1 | J38-81173-00 |
| 6 | JF2-81350-00-00 | ROTOR ASSEMBLY | 1 | |
| 7 | JF2-85580-00-00 | COIL, PULSER | 1 | |
| 8 | 98580-05016-00 | SCREW, PAN HEAD | 2 | |
| 9 | 92990-05100-00 | WASHER, SPRING | 2 | |
| 10 | 92901-05600-00 | WASHER, PLATE | 2 | |
| 11 | JF2-82310-00-00 | IGNITION COIL ASSEMBLY | 1 | |
| 12 | 98511-05020-00 | SCREW, PAN HEAD | 2 | |
| 13 | 92990-05100-00 | WASHER, SPRING | 2 | |
| 14 | 8K1-82370-20-00 | PLUG CAP ASSEMBLY (WITH RESISTOR) | 1 | |
| 15 | J38-82372-00-00 | SEAL, plug cap | 1 | |
| 16 | JF2-81910-00-00 | VOLTAGE REGULATOR ASSEMBLY | 1 | |
| 17 | 95811-06016-00 | BOLT, FLANGE (95822-06016) | 1 | |
| 18 | JF2-82305-00-00 | IGNITOR UNIT ASSEMBLY | 1 | |
| 19 | 97011-06020-00 | BOLT | 2 | |
| 20 | 92995-06100-00 | WASHER, SPRING | 2 | |
| 21 | 92990-06600-00 | WASHER, PLATE | 2 | |



ELECTRICAL 2

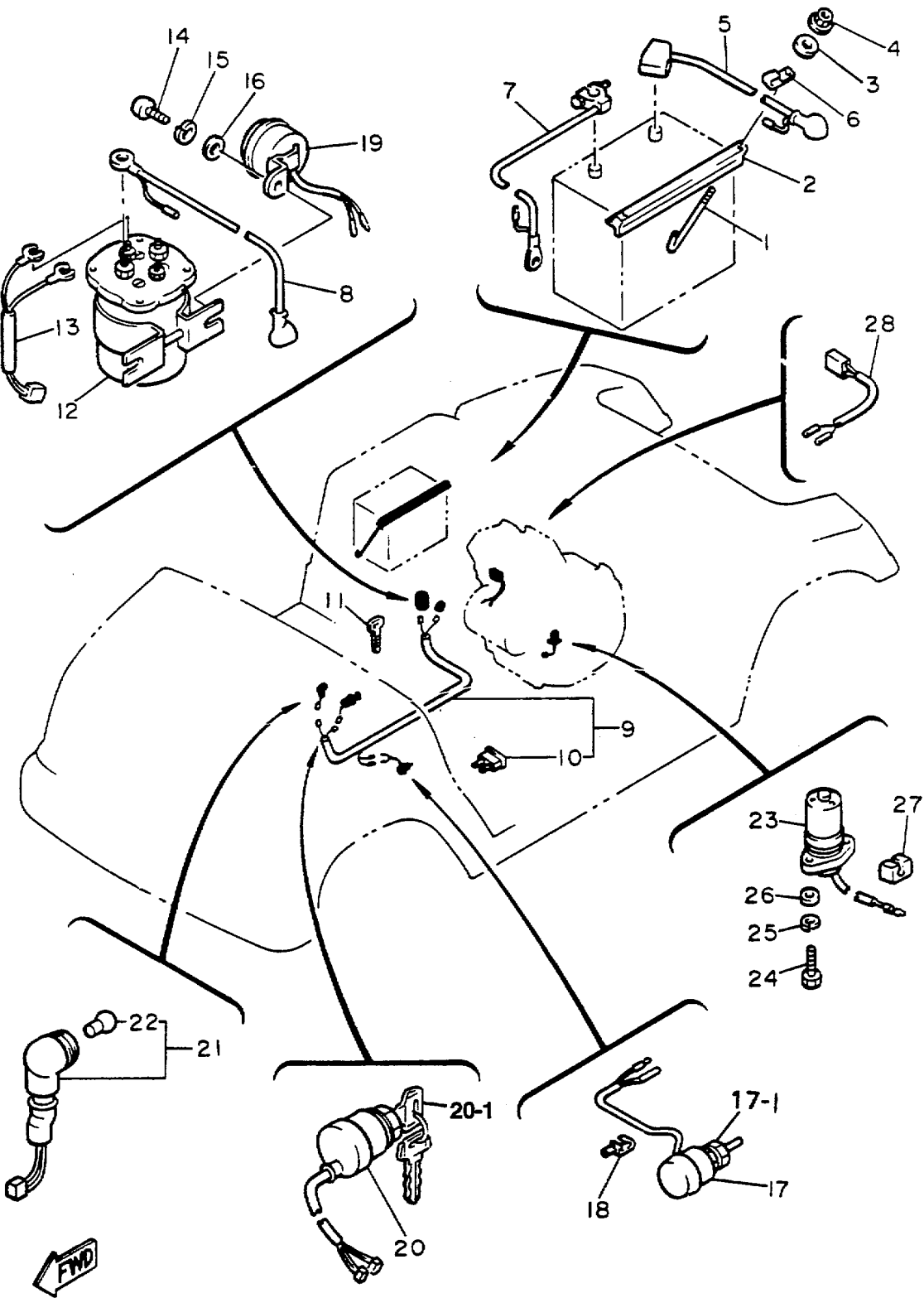


| Ref. No. | Part Number | Description | Qty | Remarks |
|----------|-----------------|---|-----|---------------|
| 1 | J17-82133-00-00 | SCREW, FITTING | 2 | |
| 2 | J55-H2136-00-00 | PLATE, BATTERY | 1 | J17-82136-00 |
| 3 | 92990-06200-00 | WASHER | 2 | |
| 4 | 95701-06500-00 | NUT, FLANGE | 2 | |
| 5 | JF2-H2115-00-00 | WIRE, PLUS LEAD | 1 | |
| 6 | 90465-08028-00 | CLAMP | 1 | |
| 7 | JF2-H2116-00-00 | WIRE, MINUS LEAD | 1 | |
| 8 | JF2-H2117-00-00 | WIRE, LEAD | 1 | |
| 9 | JF2-82590-00-00 | WIRE HARNESS ASSEMBLY .. | 1 | |
| 10 | 42X-82151-00-00 | . FUSE (10A-BL) | 2 | |
| 11 | 90464-23041-00 | CLAMP | 1 | |
| 12 | JF2-H1950-00-00 | RELAY ASSEMBLY. | 1 | |
| 13 | JF2-82105-00-00 | WIRE HARNESS | 1 | |
| 14 | 98502-06016-00 | SCREW, PAN HEAD (98501-06014-00) | 2 | |
| 15 | 92990-06100-00 | WASHER, SPRING | 2 | |
| 16 | 92990-06600-00 | WASHER, PLATE | 2 | |
| 17 | J41-82550-00-00 | STOP SWITCH ASSEMBLY ... | 1 | |
| 18 | 90465-06038-00 | CLAMP | 1 | |
| 19 | J10-83383-02-00 | BUZZER | 1 | |
| 20 | J55-82510-00-00 | MAIN SWITCH ASSEMBLY ... | 1 | |
| 21 | JF2-83530-00-00 | PILOT LIGHT ASSEMBLY | 1 | |
| 22 | 123-83516-21-00 | . BULB (12V-3.4W) | 1 | |
| 23 | JF2-85720-00-00 | OIL LEVEL GAUGE ASSEMBLY | 1 | |
| 24 | 97011-06020-00 | BOLT | 2 | |
| 25 | 92990-06100-00 | WASHER, SPRING | 2 | |
| 26 | 92990-06600-00 | WASHER, PLATE | 2 | |
| 27 | J38-82598-00-00 | GROMMET | 1 | |
| 28 | G8A-PARTS-BO-AR | ASSEMBLY, HARDWARE (G8-A) | 8 | OPTIONAL PART |

CONTINUED ON NEXT FRAME ►



ELECTRICAL 2



| Ref. No. | Part Number | Description | Qty | Remarks |
|----------|-----------------|-----------------------|-----|---------|
| 28 | JF2-82318-00-00 | WIRE, SUB-LEAD | 1 | |
| 5-1 | 90108-06420-00 | . BOLT, BATTERY CABLE | 1 | |
| 5-2 | 92801-06000-00 | . NUT, BATTERY CABLE | 1 | |
| 7-1 | 90108-06420-00 | . BOLT, BATTERY CABLE | 1 | |
| 7-2 | 92801-06000-00 | . NUT, BATTERY CABLE | 1 | |
| 17-1 | JF2-82532-00-00 | . CAP, RUBBER | 1 | |
| 20-1 | J17-82511-20-00 | . KEY, MAIN SWITCH | 1 | |

