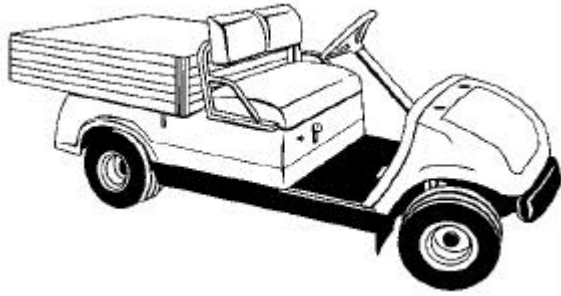


# YAMAHA



## PARTS CATALOG

**1997 G11AR**

**1998 G11AS**

**1999 G11AT**

**2000 G11AU**

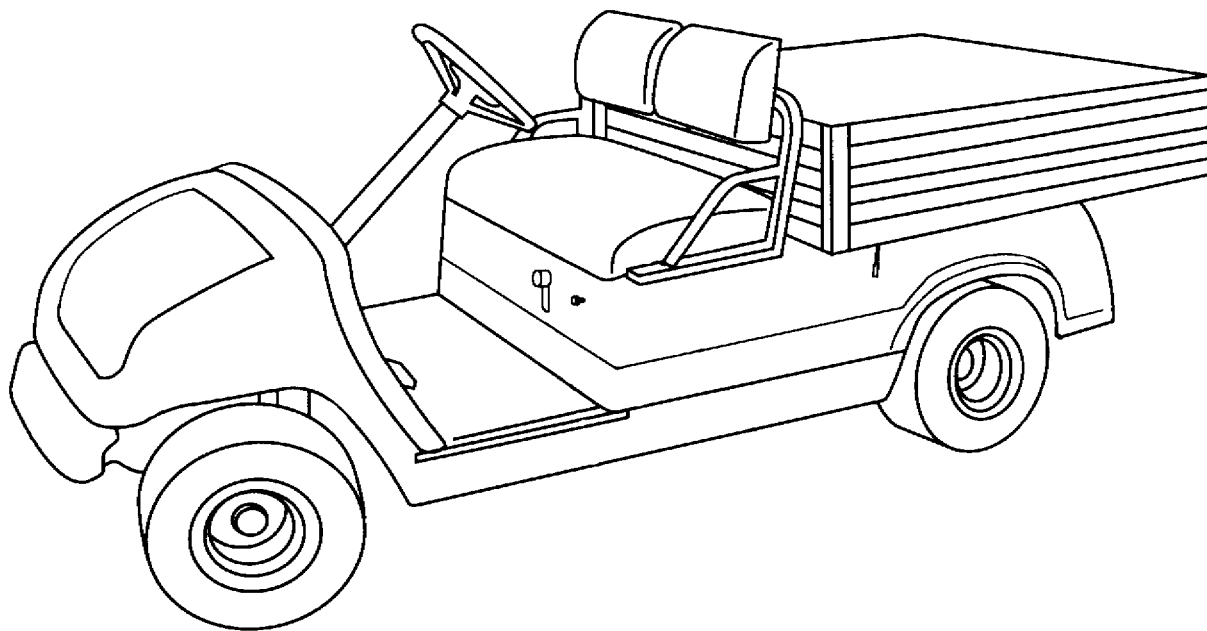
**2001 G11AW**

(JR31) U.S.A., CANADA, EUROPE, OTHERS

---

MARCH 2000

10JR3-100E4



## FOREWARD

This Parts Catalogue is related to the parts for the model(s) shown in the frame below. When you are ordering replacement parts, please refer to this Parts Catalogue and quote both part numbers and part names correctly.

G11A (JR31)

1. Modifications or additions which have been made after issue of the Parts Catalogue will be announced in the Yamaha Parts News. it is advisable that you make necessary corrections to the Parts Catalogue according to the Yamaha Parts News.

2. Abbreviations  
The following abbreviations are used in this Parts Catalogue.

- "UR"            Use specified part number.
- "UN"            Use as many as needed.
- "AP"            Alternate parts.
- "LM"            Local Made (Parts need to be ordered locally)
- "F#"            Frame Number (Applicable machine number)

3. Parts, which are to be supplied in an assembly, are listed with a dot (.) in front of the part name as shown below.

EXAMPLE  
   CARBURETOR ASSY  
   .JET, PILOT  
   .NOZZLE, MAIN

4. Number of component for assembly  
 The numeral appearing to the right of each component part indicates the quantity of parts for each assembly unit.

EXAMPLE

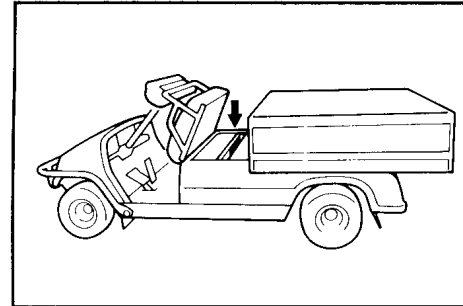
| PART NO.     | DESCRIPTION              | Q'TY | REMARKS |
|--------------|--------------------------|------|---------|
| 2F5-83310-60 | FRONT FLASHER LIGHT ASSY | 2    |         |
| 115-83311-60 | .BULB (6V-18W)           | 1    |         |

5. Applicable colors of graphics are represented in the "REMARKS" as shown below.

| PART NO.        | DESCRIPTION         | Q'TY | REMARKS   |
|-----------------|---------------------|------|-----------|
| 2N4-24110-00-X5 | FUEL TANK COMP.     | 1    | MAXIM RED |
| 3J1-24240-10    | .GRAPHIC, FUEL TANK | 1    | for MXR   |

6. Applicable Serial No. and Color Code

|                                |   |
|--------------------------------|---|
| ① Frame Serial No. JR3-000101  | ~ |
| ② Engine Serial No. JR3-000101 | ~ |



|                                |   |
|--------------------------------|---|
| ① Frame Serial No. JR3-300101  | ~ |
| ② Engine Serial No. JR3-300101 | ~ |



7. Note that the illustrations are for reference in finding parts numbers, not to be used for assembling. When assembling, please use the applicable service manual.

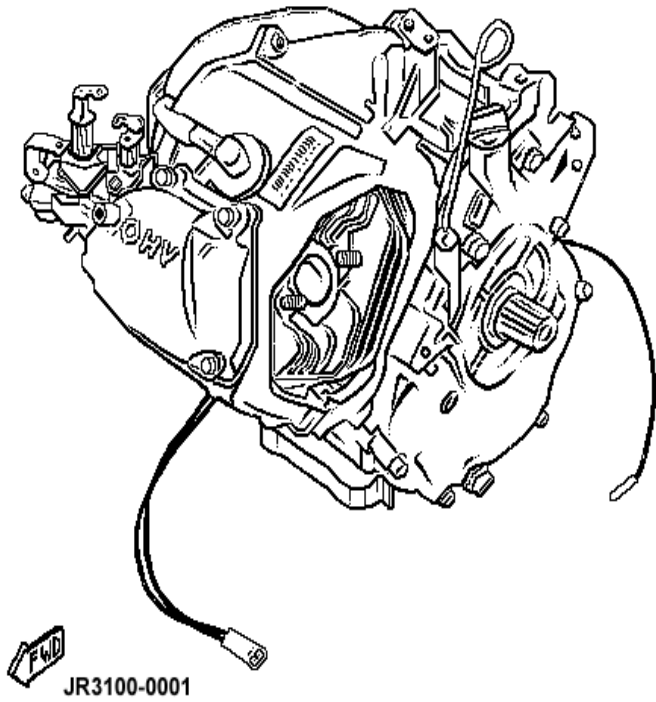
8. The asterisk (\*) before a reference number indicates modification items after the first edition.

## CONTENTS

| ENGINE                   | PAGE    |                         | PAGE    |
|--------------------------|---------|-------------------------|---------|
| Engine Assembly          | 5       | Transmission            | 31 ~ 33 |
| Cylinder Head            | 6       | Rear Axle Mount / Wheel | 34      |
| Crankshaft / Piston      | 7       | Shifter / Cables        | 35      |
| Camshaft / Valve         | 8       | Bumper                  | 36      |
| Air Shroud / Fan         | 9       | Body (Front)            | 37 ~ 38 |
| Intake                   | 10      | Body 2 (Rear)           | 39 ~ 40 |
| Carburetor               | 11      | Body Fitting            | 41      |
| Exhaust                  | 12      | Carrier                 | 42 ~ 43 |
| Crankcase                | 13      | Seat                    | 44      |
|                          |         | Starter Generator       | 45 ~ 46 |
|                          |         | Electrical 1            | 47      |
|                          |         | Electrical 2            | 48 ~ 49 |
|                          |         |                         |         |
| CHASSIS                  |         |                         |         |
| Engine Mount             | 14      |                         |         |
| Rear Arm / Suspension    | 15      |                         |         |
| Frame                    | 16      |                         |         |
| Front Suspension / Wheel | 17 ~ 18 |                         |         |
| Steering                 | 19 ~ 20 |                         |         |
| Fuel Tank                | 21      |                         |         |
| Brake                    | 22 ~ 24 |                         |         |
| Brake 2                  | 25      |                         |         |
| Brake 3                  | 26      |                         |         |
| Accelerator              | 27      |                         |         |
| Governor                 | 28      |                         |         |
| Primary Clutch           | 29      |                         |         |
| Secondary Sheave         | 30      |                         |         |

FIG. 1 ENGINE ASSEMBLY

| REF NO. | PART NUMBER     | DESCRIPTION     | QTY | REMARKS |
|---------|-----------------|-----------------|-----|---------|
| 1       | JR3-19001-00-00 | ENGINE ASSEMBLY | 1   |         |



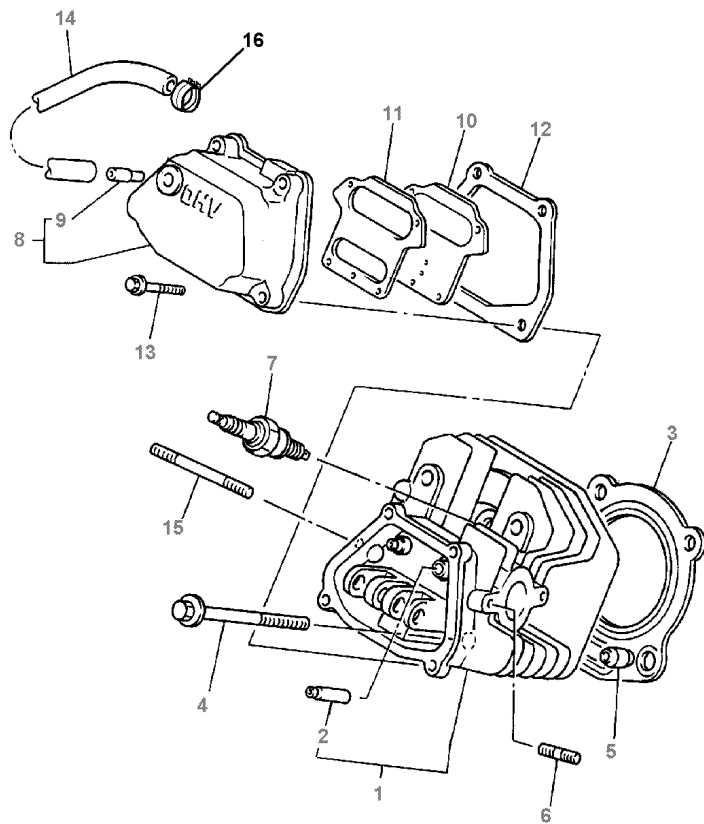


FIG. 2 CYLINDER HEAD

| REF NO. | PART NUMBER     | DESCRIPTION           | QTY | REMARKS     |
|---------|-----------------|-----------------------|-----|-------------|
| 1       | JN6-11102-00-00 | HEAD, CYLINDER        | 1   |             |
| 2       | JN6-11133-10-00 | .GUIDE, VALVE         | 2   |             |
| 3       | JN6-11181-00-00 | GASKET, CYLINDER HEAD | 1   |             |
| 4       | 95817-10070-00  | BOLT, FLANGE          | 4   |             |
| 5       | 99530-14016-00  | PIN, DOWEL A          | 2   |             |
| 6       | 95617-08618-00  | BOLT, STUD            | 2   |             |
| 7       | NGK-BPR2E-S0-00 | PLUG, SPARK           | 1   | STD, U.S.   |
|         | 94702-00348     | PLUG, SPARK           | 1   | STD, EUROPE |
|         | NGK-BPR4E-S0-00 | PLUG, SPARK           | 1   | AP, U.S.    |
|         | 94702-00343     | PLUG, SPARK           | 1   | AP, EUROPE  |
| 8       | JN6-11191-01-00 | COVER, CYLINDER       | 1   |             |
| 9       | JN6-11116-00-00 | .JOINT, BREATHER      | 1   |             |
| 10      | JN6-11168-00-00 | COVER, BREATHER       | 1   |             |
| 11      | JN6-11169-00-00 | GASKET, BREATHER      | 1   |             |
| 12      | JN6-11193-00-00 | GASKET, HEAD COVER    | 1   |             |
| 13      | 95817-06030-00  | BOLT, FLANGE          | 4   |             |
| 14      | JN6-E1166-00-00 | PIPE, BREATHER        | 1   |             |
| 15      | 95617-08710-00  | BOLT, STUD            | 2   |             |
| 16      | 90467-13847-00  | CLAMP                 | 2   |             |

 JN7010-6011

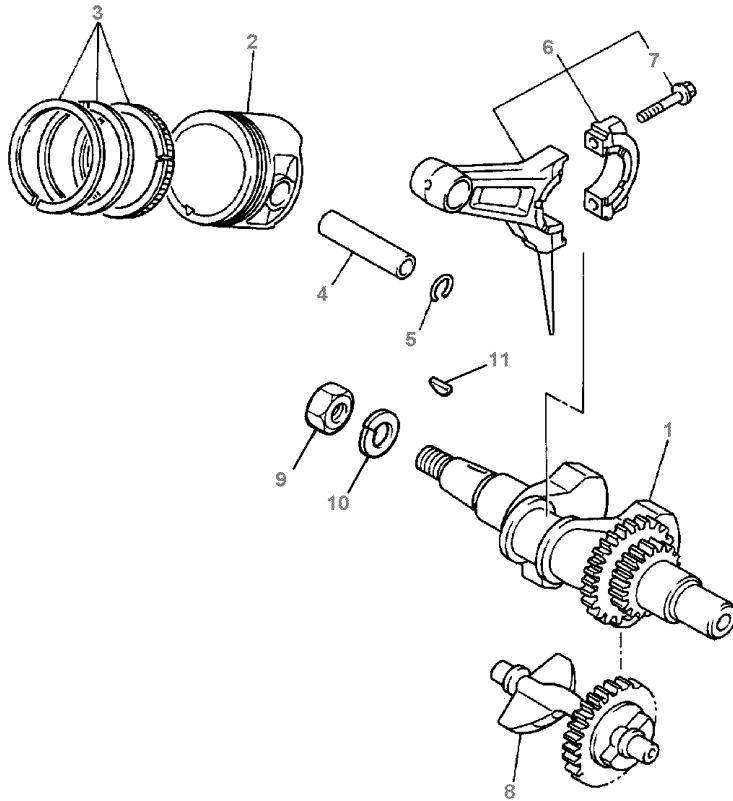
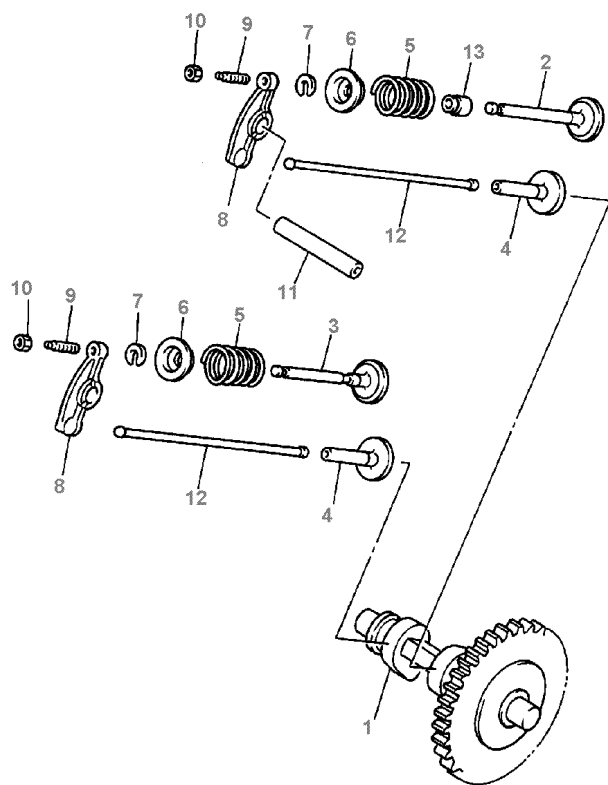


FIG. 3 CRANKSHAFT / PISTON

| REF NO. | PART NUMBER     | DESCRIPTION                   | QTY | REMARKS |
|---------|-----------------|-------------------------------|-----|---------|
| 1       | JN6-11400-00-00 | CRANK ASSY.                   | 1   |         |
| 2       | JN6-11631-00-A0 | PISTON, (STD)                 | 1   | STD     |
|         | JN6-11635-00-00 | PISTON, (0.25mm O/S)          | 1   | AP      |
|         | JN6-11636-00-00 | PISTON (0.50mm O/S)           | 1   | AP      |
| 3       | JN6-11610-00-00 | PISTON RING SET, STD.         | 1   | STD     |
|         | JN6-11610-10-00 | PISTON RING SET, (0.25mm O/S) | 1   | AP      |
|         | JN6-11610-20-00 | PISTON RING SET, (0.50mm O/S) | 1   | AP      |
| 4       | 447-11633-00-00 | PIN, PISTON                   | 1   |         |
| 5       | 93450-21053-00  | CIRCLIP                       | 2   |         |
| 6       | JN6-11650-00-00 | CONNECTING ROD ASSY           | 1   |         |
| 7       | JN6-11654-00-00 | .BOLT, CONNECTING ROD         | 2   |         |
| 8       | JN6-11454-00-00 | WEIGHT, 1                     | 1   |         |
| 9       | 95317-18600-00  | NUT, HEX.                     | 1   |         |
| 10      | 90201-18620-00  | WASHER, PLAIN                 | 1   |         |
| 11      | 90280-04052-00  | KEY, WOODRUFF                 | 1   |         |

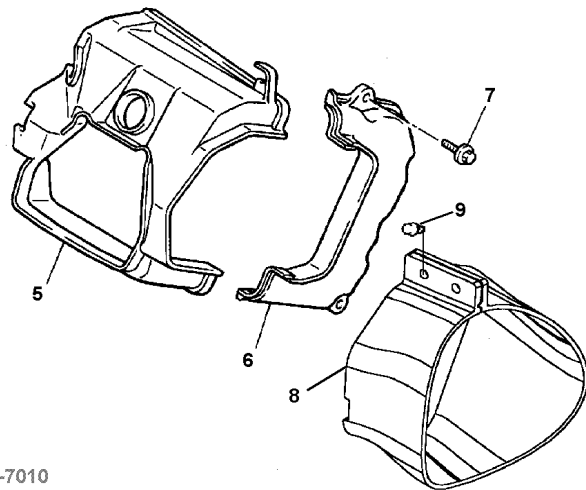
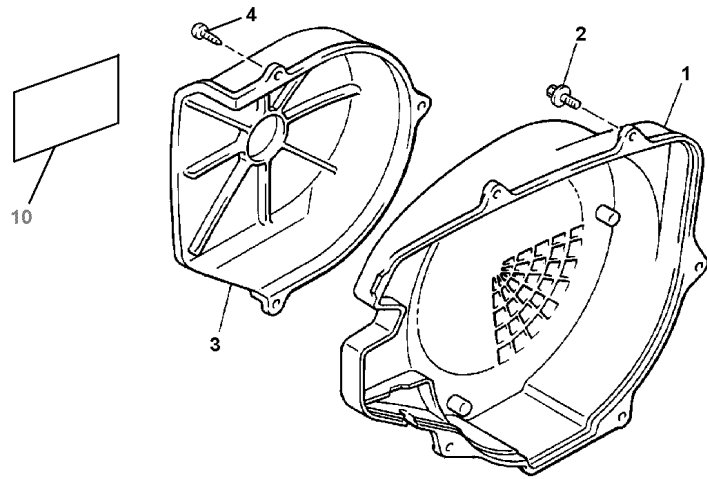
FIG. 4 CAMSHAFT / VALVE



| REF NO. | PART NUMBER     | DESCRIPTION            | QTY | REMARKS |
|---------|-----------------|------------------------|-----|---------|
| 1       | JN6-12171-00-00 | SHAFT, CAM 1           | 1   |         |
| 2       | JN6-12111-01-00 | VALVE, INTAKE          | 1   |         |
| 3       | JN6-12121-00-00 | VALVE, EXHAUST         | 1   |         |
| 4       | JN6-12153-00-00 | LIFTER, VALVE          | 2   |         |
| 5       | 90501-264A9-00  | SPRING, COMPRESSION    | 2   |         |
| 6       | J38-12117-01-00 | RETAINER, VALVE SPRING | 2   |         |
| 7       | J38-12118-00-00 | LOCK, VALVE SPRING     | 2   |         |
| 8       | JN6-12151-00-00 | ARM, VALVE ROCKER      | 2   |         |
| 9       | 22F-12159-00-00 | SCREW, VALVE           | 2   |         |
| 10      | 90170-05302-00  | NUT, HEX.              | 2   |         |
| 11      | J38-12156-00-00 | SHAFT, ROCKER          | 1   |         |
| 12      | JN6-12154-00-00 | ROD, VALVE PUSH        | 2   |         |
| 13      | 5H0-12119-00-00 | SEAL, VALVE STEM       | 1   |         |

 JN7010-6030

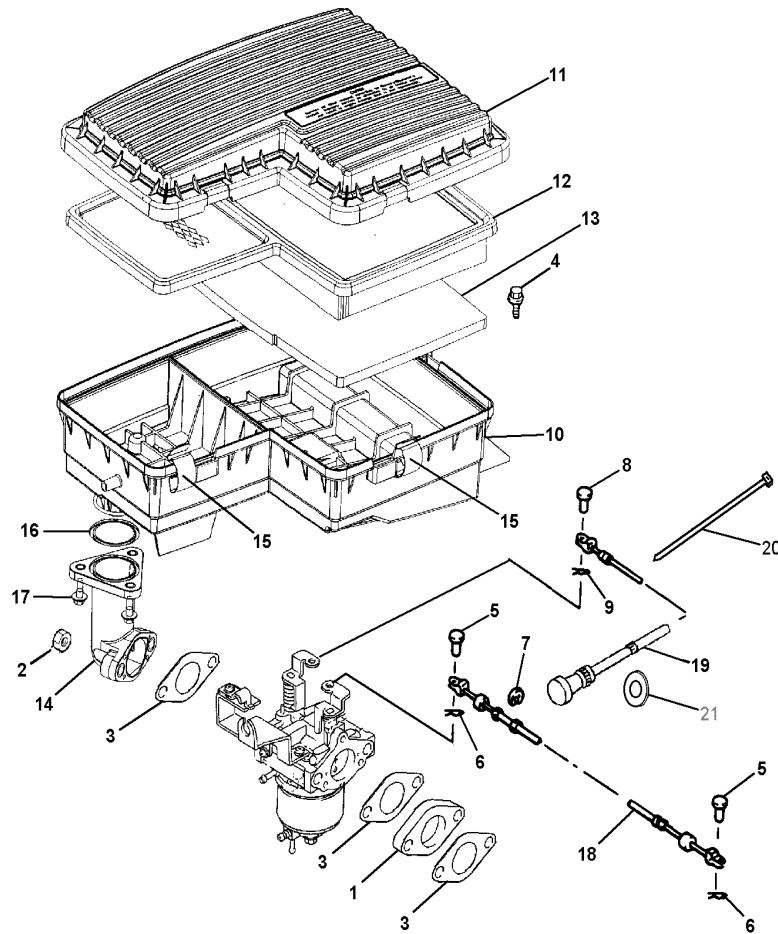




JR3100-7010

FIG. 5 AIR SHROUD / FAN

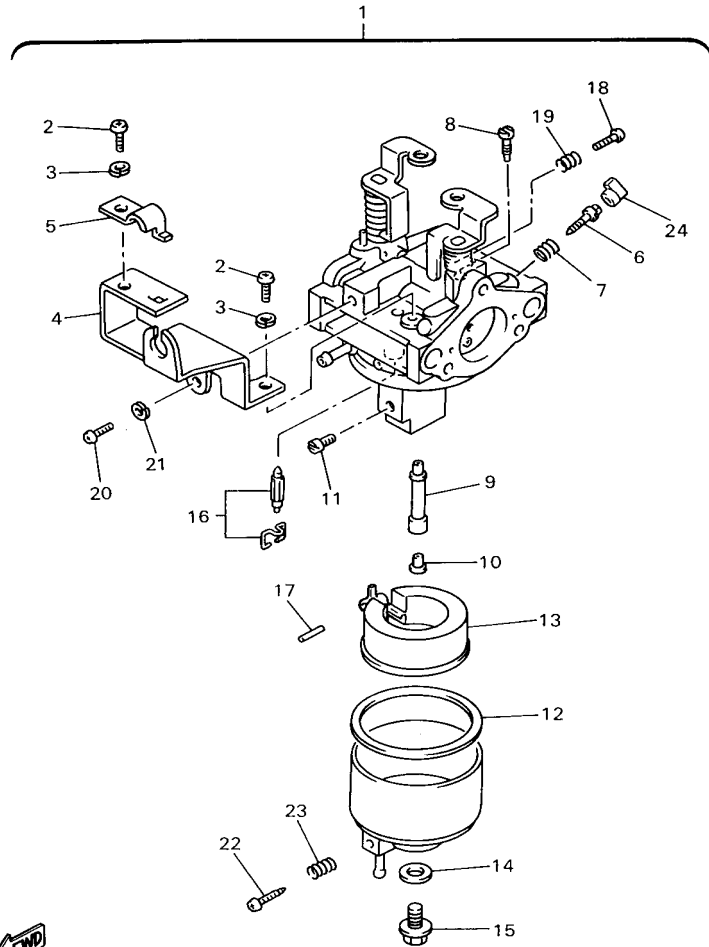
| REF NO. | PART NUMBER     | DESCRIPTION            | QTY | REMARKS        |
|---------|-----------------|------------------------|-----|----------------|
| 1       | JN6-12621-00-00 | CASE, FAN 1            | 1   |                |
| 2       | 95817-06020-00  | BOLT, FLANGE           | 5   |                |
| 3       | JN6-12616-00-00 | COVER, FAN CASE        | 1   |                |
| 4       | 97707-60520-00  | SCREW, PAN HEAD        | 3   |                |
| 5       | JN6-12651-00-00 | AIR SHROUD, CYLINDER 1 | 1   |                |
| 6       | JN6-12652-00-00 | AIR SHROUD, CYLINDER 2 | 1   |                |
| 7       | 95817-06020-00  | BOLT, FLANGE           | 2   |                |
| 8       | JN6-E2691-00-00 | DUCT, 1                | 1   |                |
| 9       | 90269-08813-00  | RIVET                  | 2   |                |
| 10      | JR3-2179V-03-00 | PLATE, EPA / CALIF.    | 1   | UR, U.S. MODEL |



 JR3100-7110

FIG. 6 INTAKE

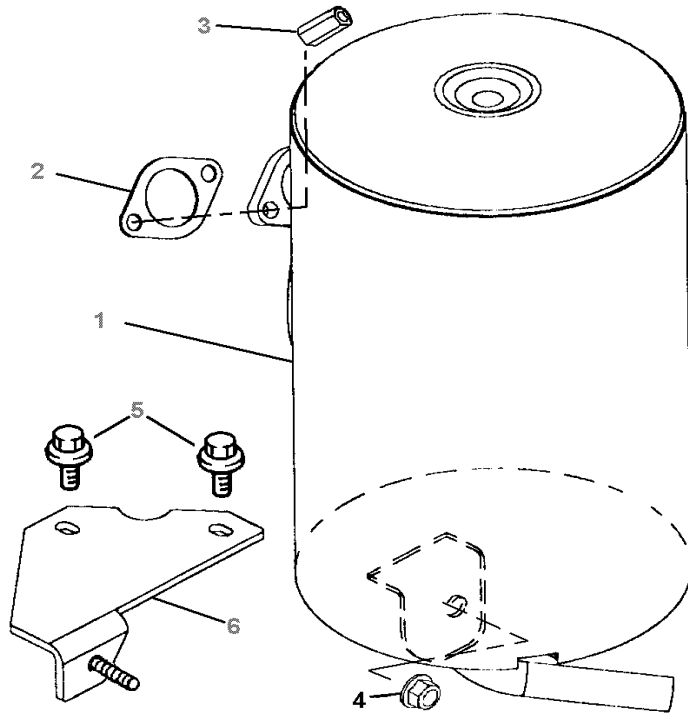
| REF NO. | PART NUMBER     | DESCRIPTION             | QTY | REMARKS |
|---------|-----------------|-------------------------|-----|---------|
| 1       | JN6-13595-00-00 | JOINT                   | 1   |         |
| 2       | 95707-08500-00  | NUT, FLANGE             | 2   |         |
| 3       | JN6-13567-00-00 | GASKET                  | 3   |         |
| 4       | 90119-06920-00  | BOLT, HEX HEAD W/WASHER | 2   |         |
| 5       | 91790-05010-00  | PIN, CYL. HEAD          | 2   |         |
| 6       | 90468-10050-00  | CLIP                    | 2   |         |
| 7       | 99080-07600-00  | CIRCLIP (E)             | 1   |         |
| 8       | 91790-05010-00  | PIN, CYL. HEAD          | 1   |         |
| 9       | 90468-10050-00  | CLIP                    | 1   |         |
| 10      | JN6-E4411-02-00 | CASE, AIR FILTER        | 1   |         |
| 11      | JN6-E4412-01-00 | CAP, CASE 1             | 1   |         |
| 12      | JN6-E4450-01-00 | ELEMENT ASSY.           | 1   |         |
| 13      | JN6-E445E-00-00 | FILTER, 1               | 1   |         |
| 14      | JN6-E3586-01-00 | JOINT, CARBURETOR       | 1   |         |
| 15      | JN6-E4424-00-00 | CLIP, CAP FIT           | 5   |         |
| 16      | 93210-398D6-00  | O-RING                  | 1   |         |
| 17      | 90105-06862-00  | BOLT, FLANGE            | 3   |         |
| 18      | JN6-F6312-01-00 | WIRE, THROTTLE          | 1   |         |
| 19      | JN6-F6331-00-00 | WIRE, STARTER           | 1   |         |
| 20      | 90464-31827-00  | CLAMP                   | 1   |         |
| 21      | 90201-118N2-00  | WASHER, PLAIN           | 1   |         |



JR2010-7060

FIG. 7 CARBURETOR

| REF NO. | PART NUMBER     | DESCRIPTION              | QTY | REMARKS            |
|---------|-----------------|--------------------------|-----|--------------------|
| 1       | JN6-14101-14-00 | CARBURETOR ASSY.         | 1   | UR, F# JR3-100701~ |
| 2       | 98507-05100-00  | .SCREW, PAN HEAD         | 2   |                    |
| 3       | 92990-05100-00  | .WASHER                  | 2   |                    |
| 4       | JN6-14291-00-00 | .BRACKET 1               | 1   |                    |
| 5       | J10-14227-00-00 | .WASHER                  | 1   |                    |
| 6       | 7LV-14211-00-00 | .SCREW, PILOT ADJUSTING  | 1   |                    |
| 7       | 73A-14212-00-00 | .SPRING, PILOT ADJUSTING | 1   |                    |
| 8       | 620-1414J-24-00 | .JET, PILOT              | 1   | (#61.3)            |
| 9       | JN6-1495H-3B-00 | .NOZZLE, MAIN            | 1   |                    |
| 10      | 73A-1414G-00-00 | .PIPE, MAIN BLEED        | 1   |                    |
| 11      | 3G2-1423E-33-00 | .JET, MAIN               | 1   | (#83.8)            |
| 12      | 796-14184-00-00 | .GASKET, FLOAT CHAMBER   | 1   |                    |
| 13      | JN6-14185-00-00 | .FLOAT                   | 1   |                    |
| 14      | 127-14198-00-00 | .GASKET                  | 1   |                    |
| 15      | 7R1-14162-00-00 | .BOLT, HOLDING           | 1   |                    |
| 16      | JN5-14150-00-00 | .NEEDLE ASSY             | 1   |                    |
| 17      | 22F-14186-00-00 | .PIN, FLOAT              | 1   |                    |
| 18      | 1WG-14922-00-00 | .SCREW, THROTTLE         | 1   |                    |
| 19      | 73A-14212-10-00 | .SPRING                  | 1   |                    |
| 20      | 98507-04010-00  | .SCREW, PAN HEAD         | 1   |                    |
| 21      | 92990-05100-00  | .WASHER                  | 1   |                    |
| 22      | 7E1-14191-00-00 | .PLUG, DRAIN             | 1   |                    |
| 23      | 73A-14212-00-00 | .SPRING                  | 1   |                    |
| 24      | 7LV-14118-00-00 | .CAP                     | 1   |                    |
|         | 1K7-14197-01-00 | .VENT HOSE               | 1   | F# JR3-100701~     |



 JN6100-6021

FIG. 8 EXHAUST

| REF NO. | PART NUMBER     | DESCRIPTION             | QTY | REMARKS |
|---------|-----------------|-------------------------|-----|---------|
| 1       | JN6-E4710-00-00 | MUFFLER ASSEMBLY        | 1   |         |
| 2       | 7KY-14613-01-00 | GASKET, EXHAUST 1       | 1   |         |
| 3       | 90179-08879-00  | NUT                     | 2   |         |
| 4       | 90185-08841-00  | NUT, U-FLANGE           | 1   |         |
| 5       | 90119-08825-00  | BOLT, HEX HEAD W/WASHER | 2   |         |
| 6       | JN6-F1435-10-00 | BRACKET, MUFFLER        | 1   |         |

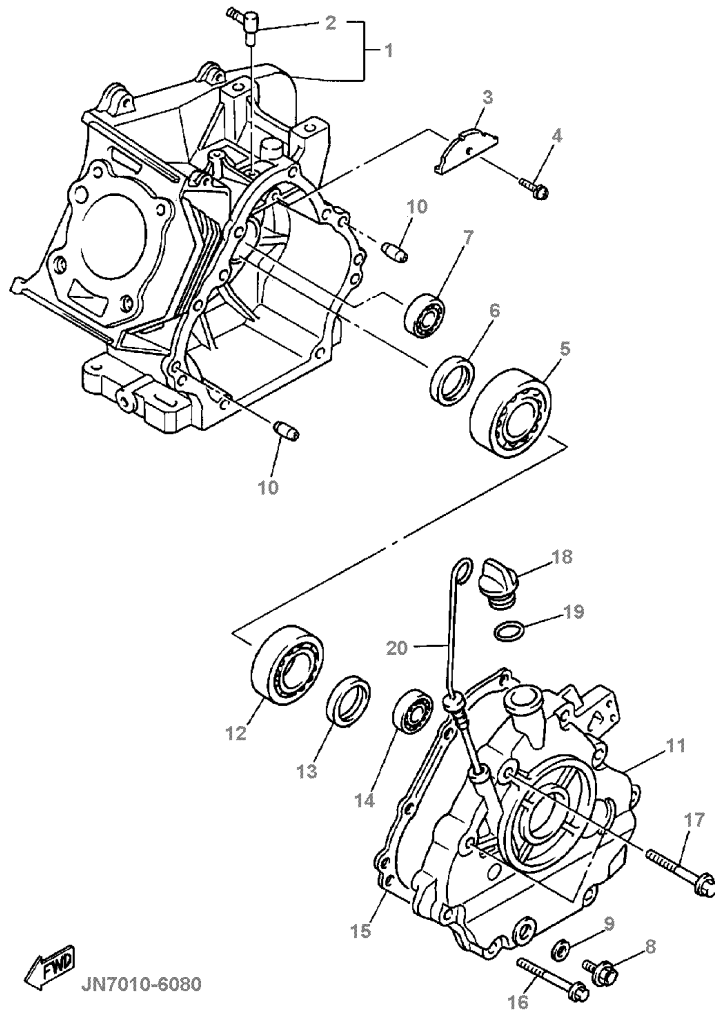
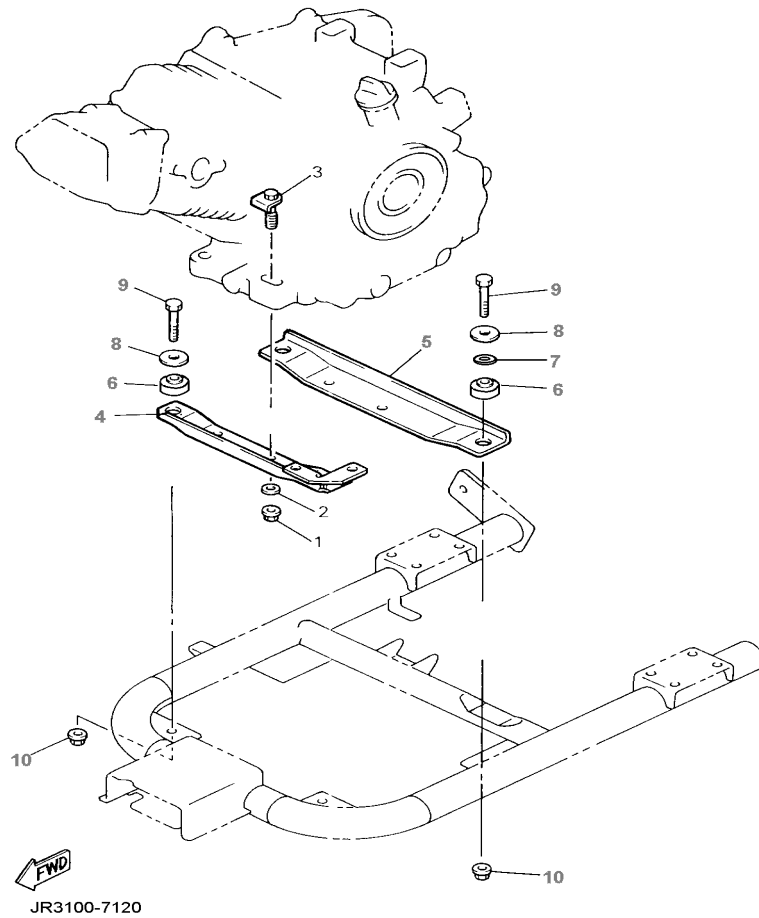


FIG. 9 CRANKCASE

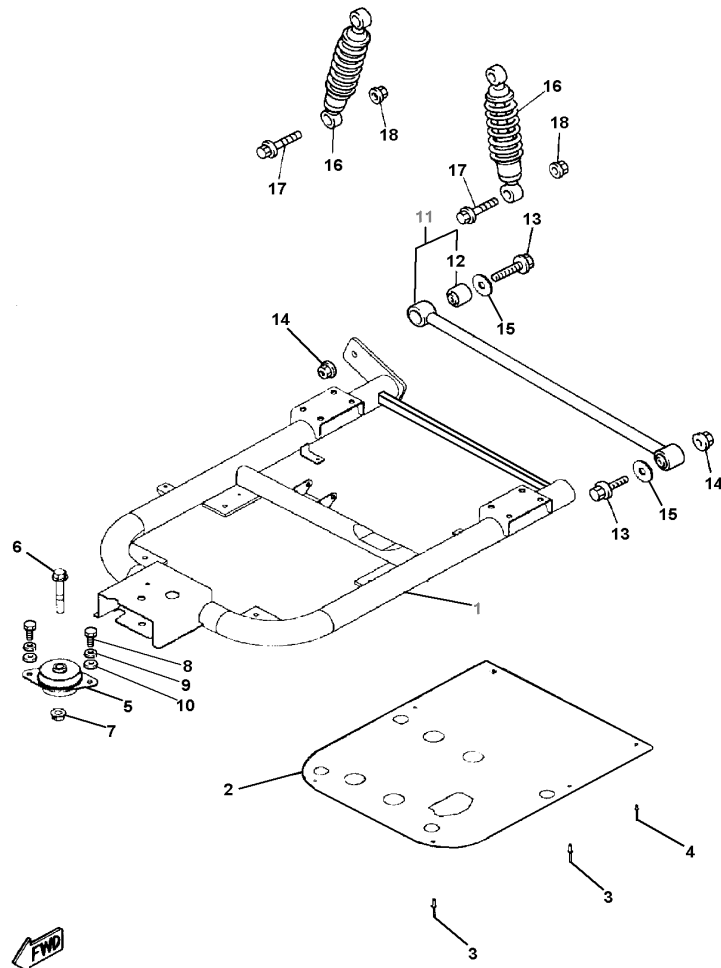
| REF NO. | PART NUMBER     | DESCRIPTION       | QTY | REMARKS |
|---------|-----------------|-------------------|-----|---------|
| 1       | JN6-15100-02-00 | CRANKCASE ASSY    | 1   |         |
| 2       | JN6-15155-00-00 | .NOZZLE, 3        | 1   |         |
| 3       | JN6-15123-00-00 | PLATE, BAFFLE     | 1   |         |
| 4       | 90159-06107-00  | SCREW, W/WASHER   | 1   |         |
| 5       | 93306-30709-00  | BEARING           | 1   |         |
| 6       | 93102-35191-00  | SEAL, OIL         | 1   |         |
| 7       | 93306-20211-00  | BEARING           | 1   |         |
| 8       | 90340-12097-00  | PLUG, STRAIGHT    | 1   |         |
| 9       | 812-11198-00-00 | GASKET            | 1   |         |
| 10      | 91808-16023-00  | PIN, DOWEL A      | 2   |         |
| 11      | JN6-15411-00-00 | COVER, CRANKCASE  | 1   |         |
| 12      | 93306-20716-00  | BEARING           | 1   |         |
| 13      | 93102-35191-00  | SEAL, OIL         | 1   |         |
| 14      | 93306-20211-00  | BEARING           | 1   |         |
| 15      | JN6-15451-02-00 | GASKET, CRANKCASE | 1   |         |
| 16      | 95817-08045-00  | BOLT, FLANGE      | 6   |         |
| 17      | 95817-10050-00  | BOLT, FLANGE      | 2   |         |
| 18      | 796-15363-01-00 | PLUG, OIL         | 1   |         |
| 19      | 93210-22344-00  | O-RING            | 1   |         |
| 20      | J38-15361-00-00 | GAUGE, LEVEL      | 1   |         |

FIG. 10 ENGINE MOUNT



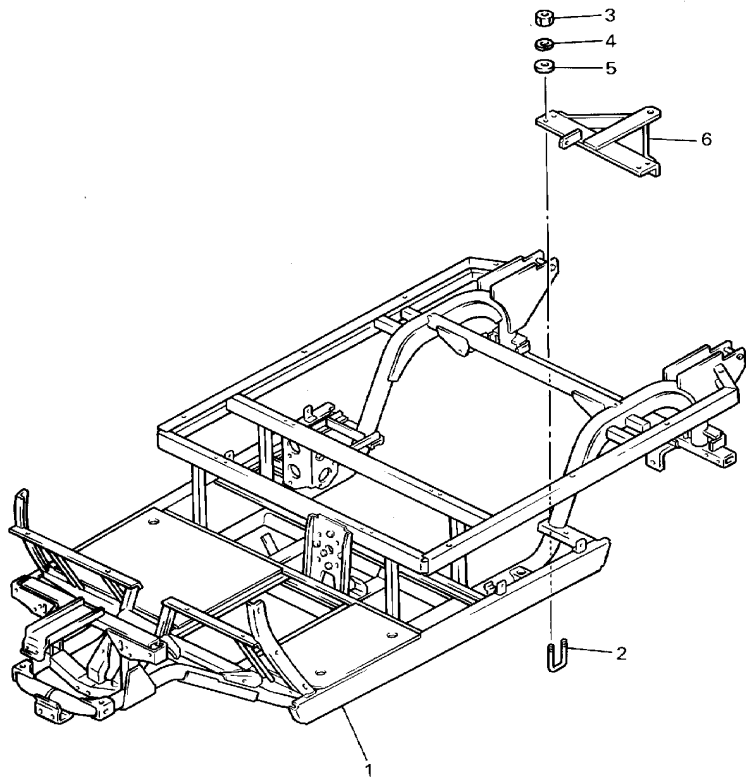
| REF NO. | PART NUMBER     | DESCRIPTION       | QTY | REMARKS |
|---------|-----------------|-------------------|-----|---------|
| 1       | 95607-10200-00  | NUT, U-FLANGE     | 4   |         |
| 2       | 92907-10200-00  | WASHER, PLAIN     | 4   |         |
| 3       | JN6-F1481-00-00 | BOLT, ENGINE      | 4   |         |
| 4       | JN6-F1411-00-00 | BRACKET, ENGINE 1 | 1   |         |
| 5       | JN6-F1419-02-00 | BRACKET, ENGINE 2 | 1   |         |
| 6       | JR3-F1459-00-00 | SPACER            | 4   |         |
| 7       | 92990-82000-00  | WASHER, PLAIN     | 2   |         |
| 8       | 90201-088K6-00  | WASHER, PLAIN     | 4   |         |
| 9       | 90101-08880-00  | BOLT, HEX         | 4   |         |
| 10      | 90179-08885-00  | NUT, U-FLANGE     | 4   |         |

FIG. 11 REAR ARM / SUSPENSION



JR3100-7020

| REF NO. | PART NUMBER     | DESCRIPTION           | QTY | REMARKS |
|---------|-----------------|-----------------------|-----|---------|
| 1       | JN6-F2110-01-00 | REAR ARM COMP.        | 1   |         |
| 2       | JN6-F2128-01-00 | COVER, 1              | 1   |         |
| 3       | 90267-48850-00  | RIVET, BLIND          | 4   |         |
| 4       | 90267-40851-00  | RIVET, BLIND          | 2   |         |
| 5       | JN6-F2123-01-00 | BUSHING, 1            | 1   |         |
| 6       | 90105-13864-00  | BOLT, FLANGE          | 1   |         |
| 7       | 90179-13878-00  | NUT                   | 1   |         |
| 8       | 97017-10020-00  | BOLT, HEX. HEAD       | 2   |         |
| 9       | 92907-10100-00  | WASHER, LOCK          | 2   |         |
| 10      | 92907-10600-00  | WASHER, PLAIN         | 2   |         |
| 11      | JN6-F217G-00-00 | ROD, CONNECTING ASSY. | 1   |         |
| 12      | JN6-F2124-00-00 | .BUSHING, 2           | 2   |         |
| 13      | 95817-12065-00  | BOLT, FLANGE          | 2   |         |
| 14      | 95617-12200-00  | NUT, U-FLANGE         | 2   |         |
| 15      | 90201-12426-00  | WASHER, PLAIN         | 2   |         |
| 16      | JJ3-F2210-00-00 | SHOCK ABSORBER        | 2   |         |
| 17      | 95807-10055-00  | BOLT, FLANGE          | 4   |         |
| 18      | 95607-10200-00  | NUT, U-FLANGE         | 4   |         |



JJ3110-6110

FIG. 12 FRAME

| REF NO. | PART NUMBER     | DESCRIPTION    | QTY | REMARKS |
|---------|-----------------|----------------|-----|---------|
| 1       | JR3-F2501-00-00 | FRAME COMP.    | 1   |         |
| 2       | 90109-10862-00  | BOLT           | 2   |         |
| 3       | 90170-10847-00  | NUT, HEX       | 4   |         |
| 4       | 92907-10100-00  | WASHER, SPRING | 4   |         |
| 5       | 92907-10200-00  | WASHER, PLAIN  | 4   |         |
| 6       | JJ3-F722B-02-00 | BAR, TOW       | 1   |         |



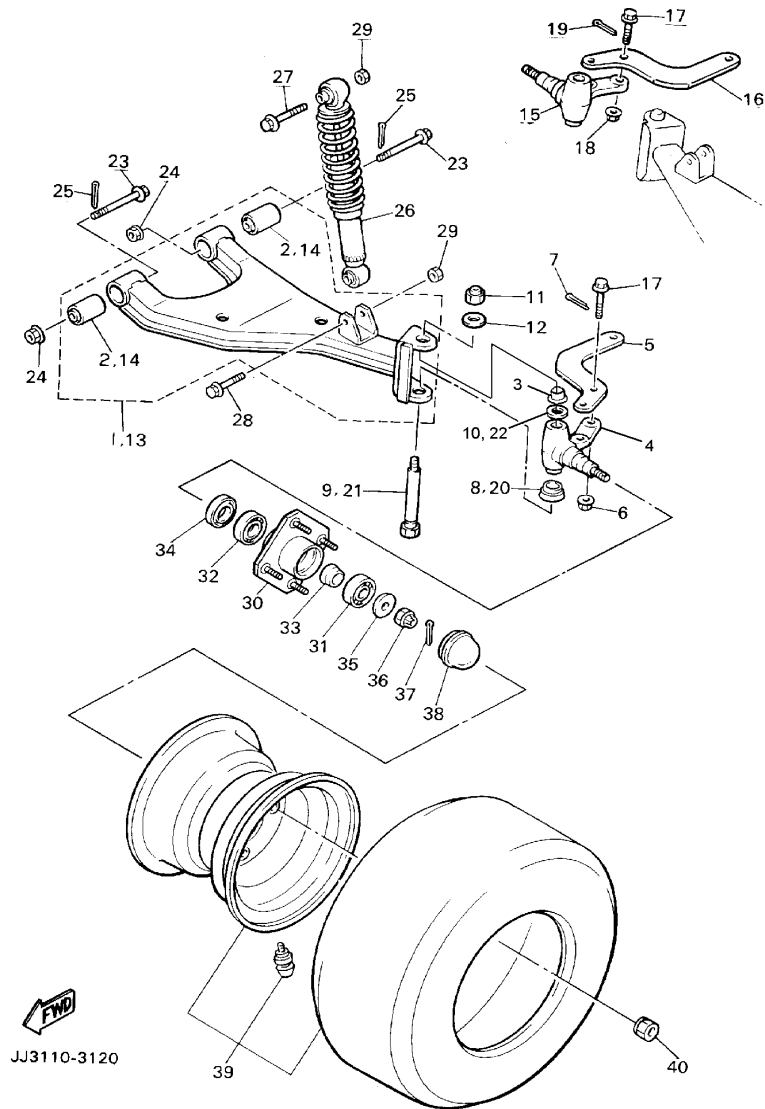
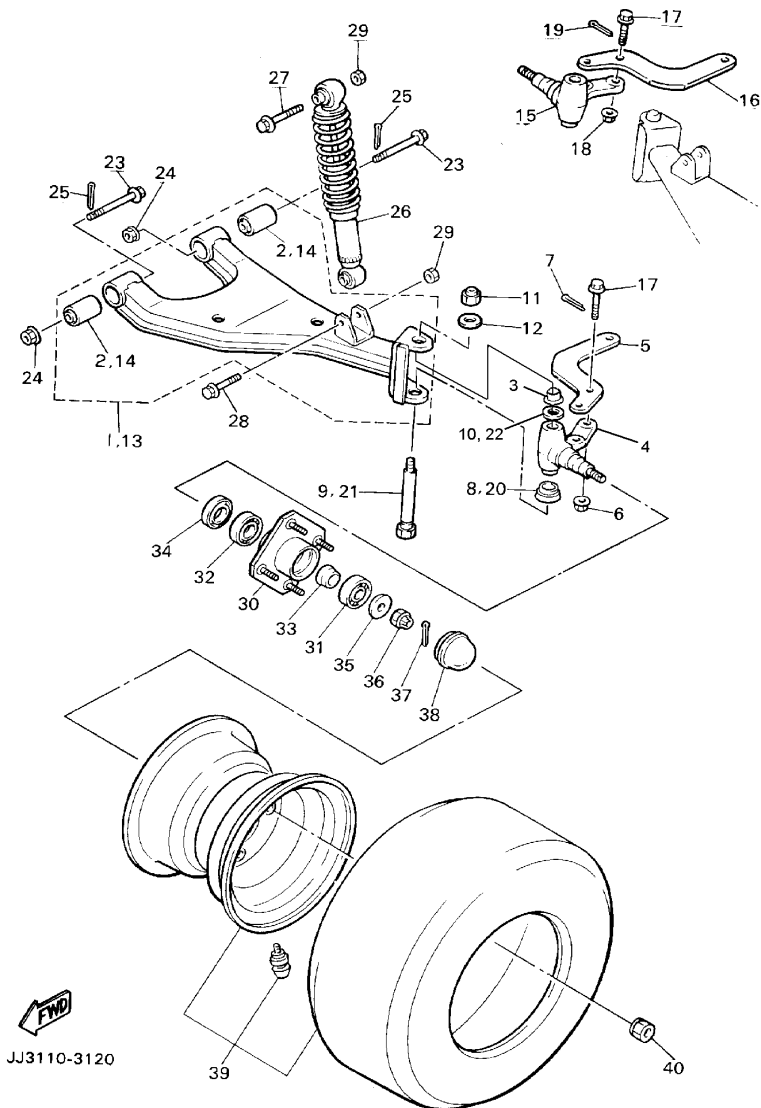


FIG. 13 FRONT SUSPENSION / WHEEL

| REF NO. | PART NUMBER     | DESCRIPTION             | QTY | REMARKS               |
|---------|-----------------|-------------------------|-----|-----------------------|
| 1       | JR3-F3570-10-00 | FRONT LOWER ARM, LEFT   | 1   |                       |
| 2       | JN6-F3526-00-00 | .BUSHING, ARM           | 2   |                       |
| 3       | 90384-15825-00  | BUSH, BIMETAL           | 2   | UR,<br>F# JR3-100701~ |
| 4       | JR3-F3501-00-00 | KNUCKLE, STEERING LEFT  | 1   |                       |
| 5       | JN3-F3512-00-00 | ARM, KNUCKLE            | 1   |                       |
| 6       | 95617-10200-00  | NUT, U-FLANGE           | 2   |                       |
| 7       | 91490-25020-00  | PIN, SPLIT              | 2   |                       |
| 8       | J38-23527-00-00 | SEAL, DUST 1            | 1   |                       |
| 9       | JJ3-F3516-00-00 | PIN, STEERING KNUCKLE   | 1   |                       |
| 10      | 90201-156J2-00  | WASHER, PLAIN           | 1   |                       |
| 11      | 95607-12200-00  | NUT, U-FLANGE           | 2   |                       |
| 12      | 92907-12300-00  | WASHER                  | 2   |                       |
| 13      | JR3-F3580-00-00 | FRONT LOWER ARM, RIGHT  | 1   |                       |
| 14      | JN6-F3526-00-00 | .BUSHING, ARM           | 2   |                       |
| 15      | JR3-F3502-00-00 | KNUCKLE, STEERING RIGHT | 1   |                       |
| 16      | JN3-F3512-00-00 | ARM, KNUCKLE            | 1   |                       |
| 17      | 90105-10360-00  | BOLT, FLANGE            | 4   |                       |
| 18      | 95607-10200-00  | NUT, U-FLANGE           | 2   |                       |
| 19      | 91490-25020-00  | PIN, SPLIT              | 2   |                       |
| 20      | J38-23527-00-00 | SEAL, DUST 1            | 1   |                       |
| 21      | JJ3-F3516-00-00 | PIN, STEERING KNUCKLE   | 1   |                       |
| 22      | 90201-156J2-00  | WASHER, PLAIN           | 1   |                       |
| 23      | 90105-10357-00  | BOLT, FLANGE            | 4   |                       |
| 24      | 95607-10200-00  | NUT, SELF-LOCKING       | 4   |                       |
| 25      | 91401-25020-00  | PIN, SPLIT              | 4   |                       |
| 26      | JJ3-F3350-00-00 | SHOCK ABSORBER ASSY     | 2   |                       |
| 27      | 97007-10065-00  | BOLT                    | 2   |                       |

FIG. 13 FRONT SUSPENSION / WHEEL



JJ3110-3120

| REF NO. | PART NUMBER     | DESCRIPTION     | QTY | REMARKS |
|---------|-----------------|-----------------|-----|---------|
| 28      | 97017-10050-00  | BOLT            | 2   |         |
| 29      | 95617-10100-00  | NUT, U          | 4   |         |
| 30      | JG5-WF511-00-00 | HUB             | 2   |         |
| 31      | 93306-204X0-00  | BEARING         | 2   |         |
| 32      | 93306-005Y3-00  | BEARING         | 2   |         |
| 33      | 90387-241M7-00  | COLLAR          | 2   |         |
| 34      | 93102-30083-00  | SEAL, OIL       | 2   |         |
| 35      | 90209-32271-00  | WASHER          | 2   |         |
| 36      | 95607-14100-00  | NUT, U          | 2   |         |
| 37      | 91490-25020-00  | PIN, SPLIT      | 2   |         |
| 38      | JN6-F5118-00-00 | COVER, HUB DUST | 2   |         |
| 39      | JN6-F5100-11-00 | FR. WHEEL ASSY  | 2   |         |
| 40      | 90179-12262-00  | NUT             | 8   |         |

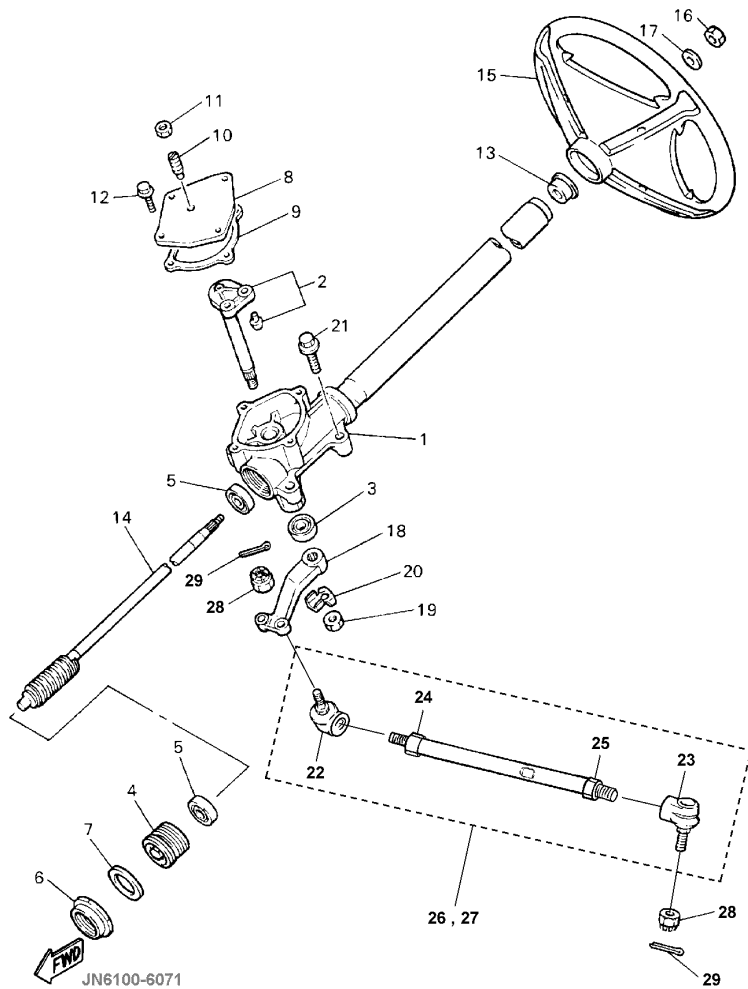


FIG. 14 STEERING

| REF NO. | PART NUMBER     | DESCRIPTION         | QTY | REMARKS |
|---------|-----------------|---------------------|-----|---------|
| 1       | JG5-F3811-00-00 | COLUMN, STEERING    | 1   |         |
| 2       | J38-23816-00-00 | ARM, PITMAN         | 1   |         |
| 3       | 93102-22314-00  | SEAL, OIL           | 1   |         |
| 4       | J55-F3876-00-00 | BOLT                | 1   |         |
| 5       | 93332-000Y2-00  | BEARING             | 2   |         |
| 6       | J10-23877-00-00 | NUT                 | 1   |         |
| 7       | J10-23444-00-00 | WASHER              | 1   |         |
| 8       | JN3-F3818-00-00 | COVER, STEERING     | 1   |         |
| 9       | J38-23462-01-00 | SEAL, STEERING      | 1   |         |
| 10      | J10-23459-00-00 | BOLT                | 1   |         |
| 11      | 90170-08024-00  | NUT, HEX.           | 1   |         |
| 12      | 95817-06020-00  | BOLT, FLANGE        | 4   |         |
| 13      | JN3-F3814-00-00 | HOLDER, HANDLE      | 1   |         |
| 14      | J10-23840-00-00 | STEERING SHAFT      | 1   |         |
| 15      | JN3-F3838-00-00 | WHEEL, STEERING     | 1   |         |
| 16      | 95617-12100-00  | NUT, SELF-LOCKING   | 1   |         |
| 17      | 92907-12200-00  | WASHER, PLAIN       | 1   |         |
| 18      | J38-23826-01-00 | ARM, IDLER          | 1   |         |
| 19      | 95707-16300-00  | NUT, NYLON          | 1   |         |
| 20      | 90215-16252-00  | WASHER, TONGUE      | 1   |         |
| 21      | 90105-100A4-00  | BOLT, FLANGE        | 4   |         |
| 22      | JN6-F3845-00-00 | UNIVERSAL JOINT     | 2   |         |
| 23      | JN6-F3841-00-00 | UNIVERSAL JOINT     | 2   |         |
| 24      | 95607-10200-00  | NUT, (RH THREAD)    | 2   |         |
| 25      | 90170-12054-00  | NUT, (LH THREAD)    | 2   |         |
| 26      | JN3-F3850-11-00 | TIE ROD ASSY, RIGHT | 1   |         |
| 27      | JN3-F3830-11-00 | TIE ROD ASSY, LEFT  | 1   |         |

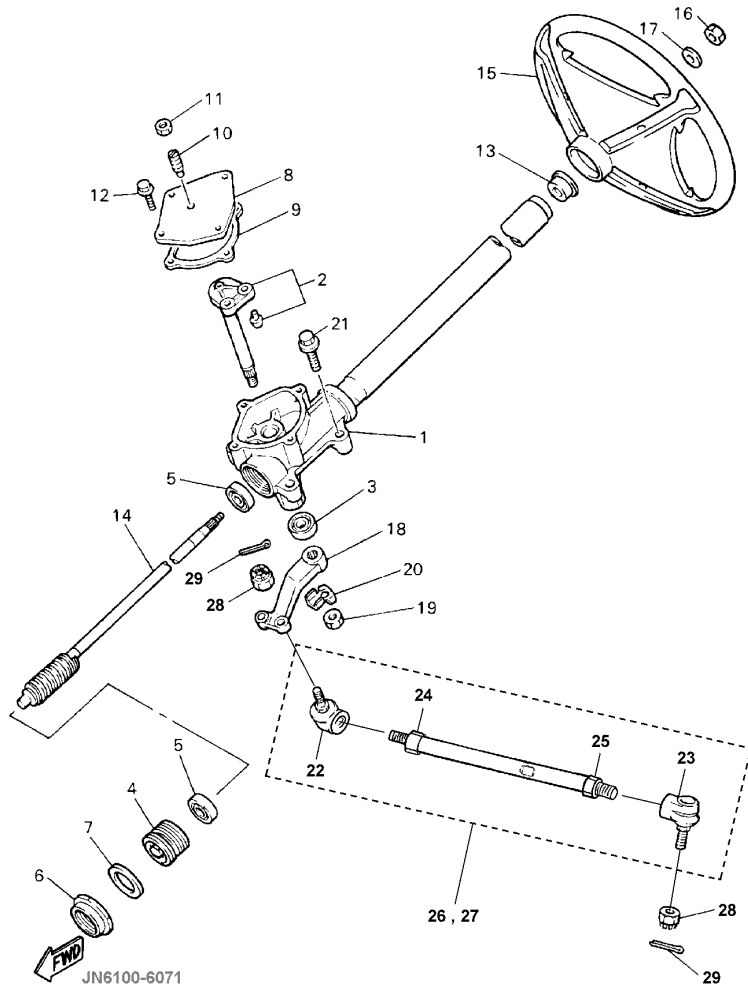


FIG. 14 STEERING

| REF NO. | PART NUMBER    | DESCRIPTION   | QTY | REMARKS |
|---------|----------------|---------------|-----|---------|
| 28      | 95607-10200-00 | NUT, U-FLANGE | 4   |         |
| 29      | 91490-25020-00 | PIN, SPLIT    | 4   |         |

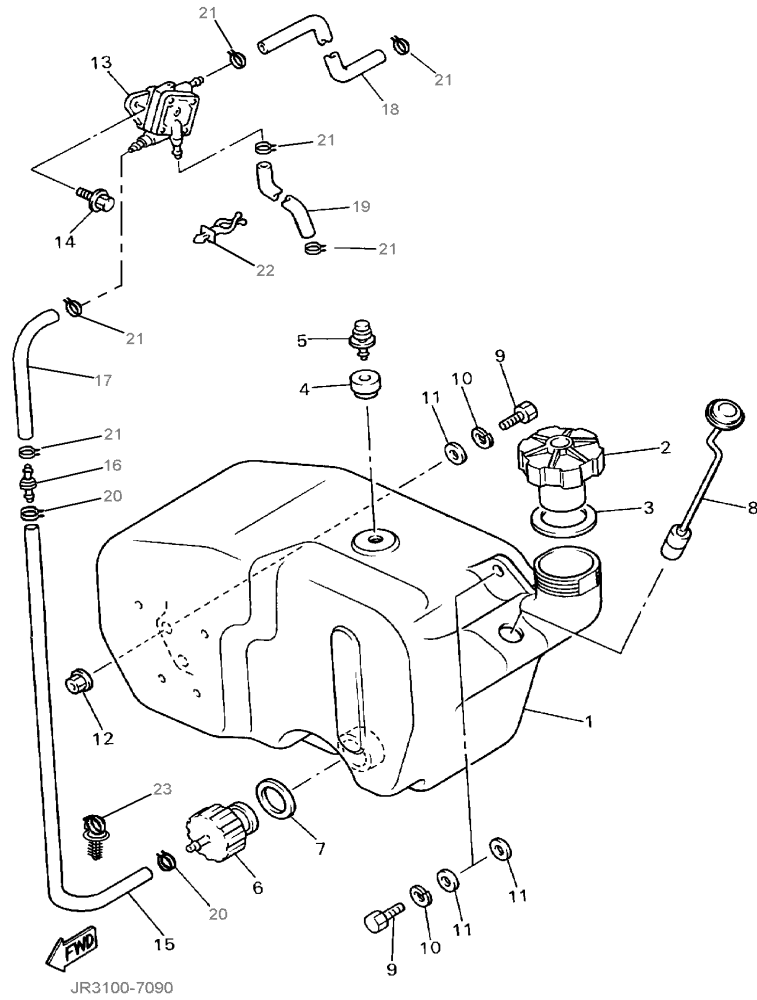


FIG. 15 FUEL TANK

| REF NO. | PART NUMBER     | DESCRIPTION            | QTY | REMARKS |
|---------|-----------------|------------------------|-----|---------|
| 1       | J55-F4111-11-00 | TANK, FUEL             | 1   |         |
| 2       | J24-24620-01-00 | BODY CAP ASSY          | 1   |         |
| 3       | J10-24612-00-00 | GASKET, CAP            | 1   |         |
| 4       | J10-21773-00-00 | GROMMET                | 1   |         |
| 5       | J24-24460-01-00 | RELEASE VALVE ASSY.    | 1   |         |
| 6       | 8R4-24560-00-00 | FILTER ASSY.           | 1   |         |
| 7       | 8F3-24564-00-00 | GASKET                 | 1   |         |
| 8       | J38-85710-02-00 | FUEL LEVEL GAUGE ASSY. | 1   |         |
| 9       | 97007-08025-00  | BOLT                   | 3   |         |
| 10      | 92907-08100-00  | WASHER, SPRING         | 3   |         |
| 11      | 90201-086A3-00  | WASHER, PLATE          | 4   |         |
| 12      | 95617-08200-00  | NUT, SELF-LOCKING      | 2   |         |
| 13      | JN6-F4410-00-00 | FUEL PUMP ASSY.        | 1   |         |
| 14      | 95817-06016-00  | BOLT, FLANGE           | 2   |         |
| 15      | JR3-F4312-00-00 | PIPE 2                 | 1   |         |
| 16      | JR3-F4461-00-00 | PIPE, JOINT            | 1   |         |
| 17      | JN6-F4311-00-00 | PIPE, FUEL             | 1   |         |
| 18      | JN6-F4313-00-00 | PIPE 3                 | 1   |         |
| 19      | JR3-F4314-00-00 | PIPE 4                 | 1   |         |
| 20      | 90467-12845-00  | CLIP                   | 2   |         |
| 21      | 90467-10846-00  | CLIP                   | 6   |         |
| 22      | 90464-11816-00  | CLAMP                  | 1   |         |
| 23      | 90464-12830-00  | CLAMP                  | 1   |         |

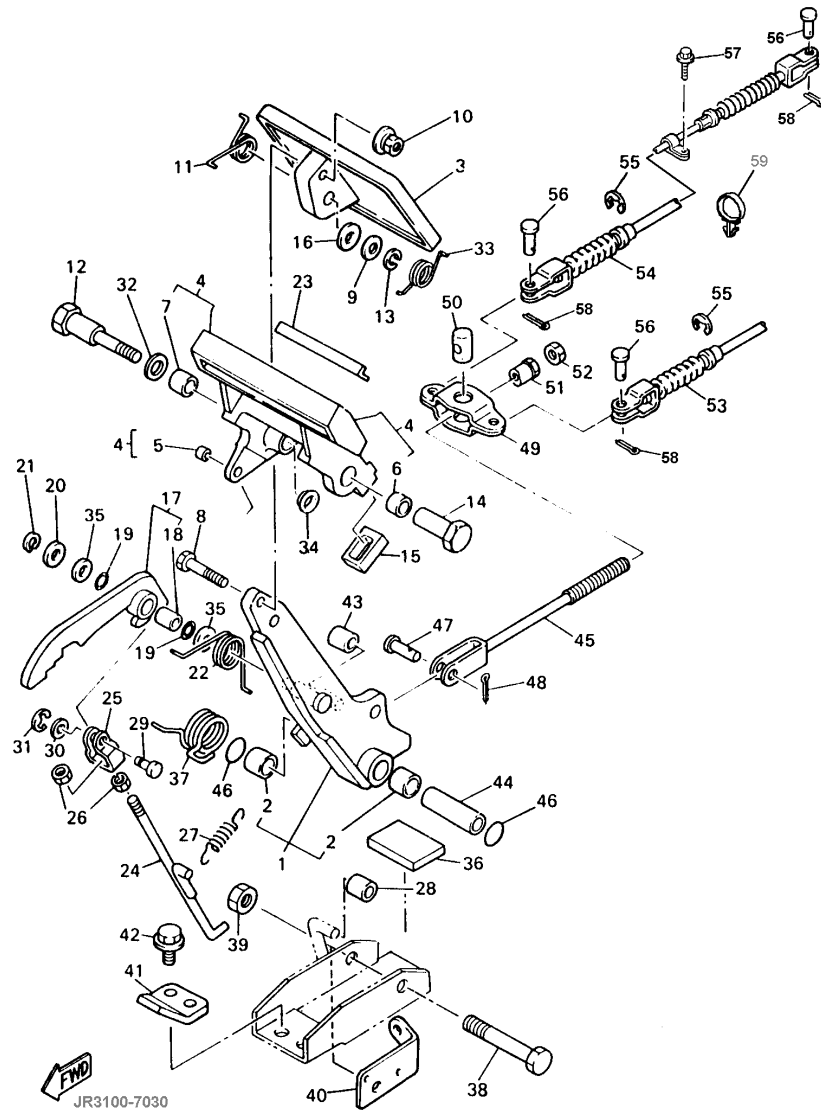


FIG. 16 BRAKE

| REF NO. | PART NUMBER     | DESCRIPTION           | QTY | REMARKS |
|---------|-----------------|-----------------------|-----|---------|
| 1       | J46-27250-03-00 | BRAKE ARM COMP        | 1   |         |
| 2       | 90384-14080-00  | .BUSH, BIMETAL FORMED | 2   |         |
| 3       | J10-27211-00-00 | PEDAL, BRAKE          | 1   |         |
| 4       | J17-25670-01-00 | PARKING PEDAL COMP.   | 1   |         |
| 5       | 90384-05163-00  | .BUSH, BIMETAL        | 1   |         |
| 6       | 90384-12164-00  | .BUSH, BIMETAL        | 1   |         |
| 7       | 90380-12051-00  | .BUSH, SOLID          | 1   |         |
| 8       | 90101-06555-00  | BOLT, HEX.            | 1   |         |
| 9       | J55-27226-00-00 | WASHER, LINK          | 1   |         |
| 10      | 90179-06387-00  | NUT                   | 1   |         |
| 11      | 90508-23542-00  | SPRING,TORSION        | 1   |         |
| 12      | 90109-08669-00  | BOLT                  | 1   |         |
| 13      | 92907-08100-00  | WASHER, SPRING        | 1   |         |
| 14      | 90179-08378-00  | NUT                   | 1   |         |
| 15      | J17-25679-01-00 | DAMPER                | 2   |         |
| 16      | 92907-08200-00  | WASHER, PLAIN         | 1   |         |
| 17      | J17-W2561-02-00 | SECTOR, PARKING BRAKE | 1   |         |
| 18      | 90384-10162-00  | .BUSH, BIMETAL        | 1   |         |
| 19      | J17-27221-00-00 | SEAL, SHAFT           | 2   |         |
| 20      | 92907-10600-00  | WASHER, PLAIN         | 1   |         |
| 21      | 99080-07600-00  | CIRCLIP (E)           | 1   |         |
| 22      | 90508-14548-00  | SPRING, TORSION       | 1   |         |
| 23      | J17-25672-01-00 | PAD, PARKING          | 1   |         |
| 24      | J17-27231-03-00 | ROD, BRAKE            | 1   |         |
| 25      | J17-27232-00-00 | END, ROD 1            | 1   |         |
| 26      | 95317-06700-00  | NUT, HEX.             | 2   |         |
| 27      | 90506-08526-00  | SPRING,TENSION        | 1   |         |

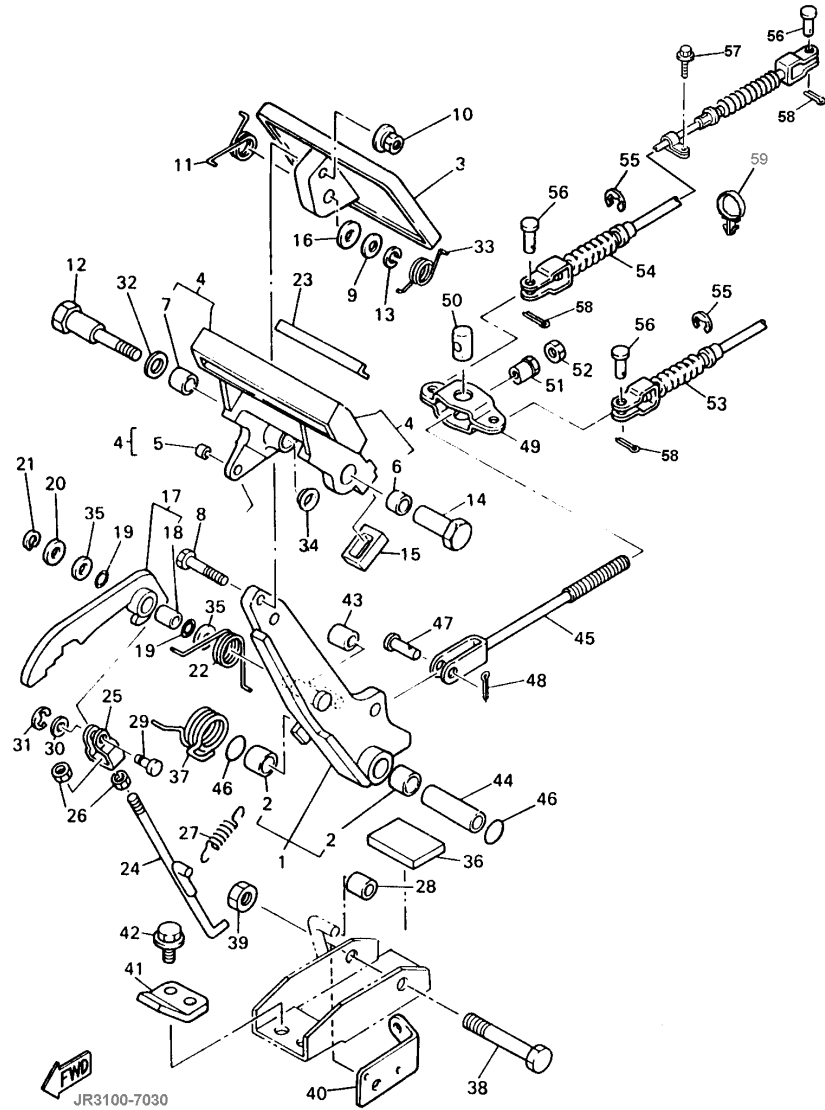


FIG. 16 BRAKE

| REF NO. | PART NUMBER     | DESCRIPTION      | QTY | REMARKS |
|---------|-----------------|------------------|-----|---------|
| 28      | J17-25673-00-00 | DAMPER, BRAKE    | 1   |         |
| 29      | J17-27228-00-00 | PIN, LINK JOINT  | 1   |         |
| 30      | 92907-05600-00  | WASHER, PLAIN    | 1   |         |
| 31      | 99080-04600-00  | CIRCLIP (E)      | 1   |         |
| 32      | 90201-123F2-00  | WASHER, PLAIN    | 1   |         |
| 33      | 90508-26557-00  | SPRING, TORSION  | 1   |         |
| 34      | 90380-12105-00  | BUSH, SOLID      | 1   |         |
| 35      | 90201-104G8-00  | WASHER, PLAIN    | 2   |         |
| 36      | JN3-F7245-00-00 | PAD, BRAKE PEDAL | 1   |         |
| 37      | 90508-405A9-00  | SPRING, TORSION  | 1   |         |
| 38      | 90101-10447-00  | BOLT, HEX.       | 1   |         |
| 39      | 95617-10200-00  | NUT, U-FLANGE    | 1   |         |
| 40      | J55-2252M-00-00 | BRACKET, 3       | 1   |         |
| 41      | J17-27246-00-00 | NAIL, BRAKE      | 1   |         |
| 42      | 95807-08020-00  | BOLT, FLANGE     | 2   |         |
| 43      | J17-25673-00-00 | DAMPER, BRAKE    | 1   |         |
| 44      | 90387-107F8-00  | COLLAR           | 1   |         |
| 45      | J20-25685-00-00 | ROD              | 1   |         |
| 46      | 93210-132A8-00  | O-RING           | 2   |         |
| 47      | 91701-10022-00  | PIN              | 1   |         |
| 48      | 91490-30020-00  | PIN, SPLIT       | 1   |         |
| 49      | J10-25681-00-00 | EQUALIZER, BRAKE | 1   |         |
| 50      | 90249-14129-00  | PIN              | 1   |         |
| 51      | 90179-08261-00  | NUT              | 1   |         |
| 52      | 95317-08700-00  | NUT, HEX.        | 1   |         |
| 53      | JJ3-F6341-01-00 | WIRE, BRAKE 1    | 1   |         |
| 54      | JJ3-F6351-02-00 | WIRE, BRAKE 2    | 1   |         |

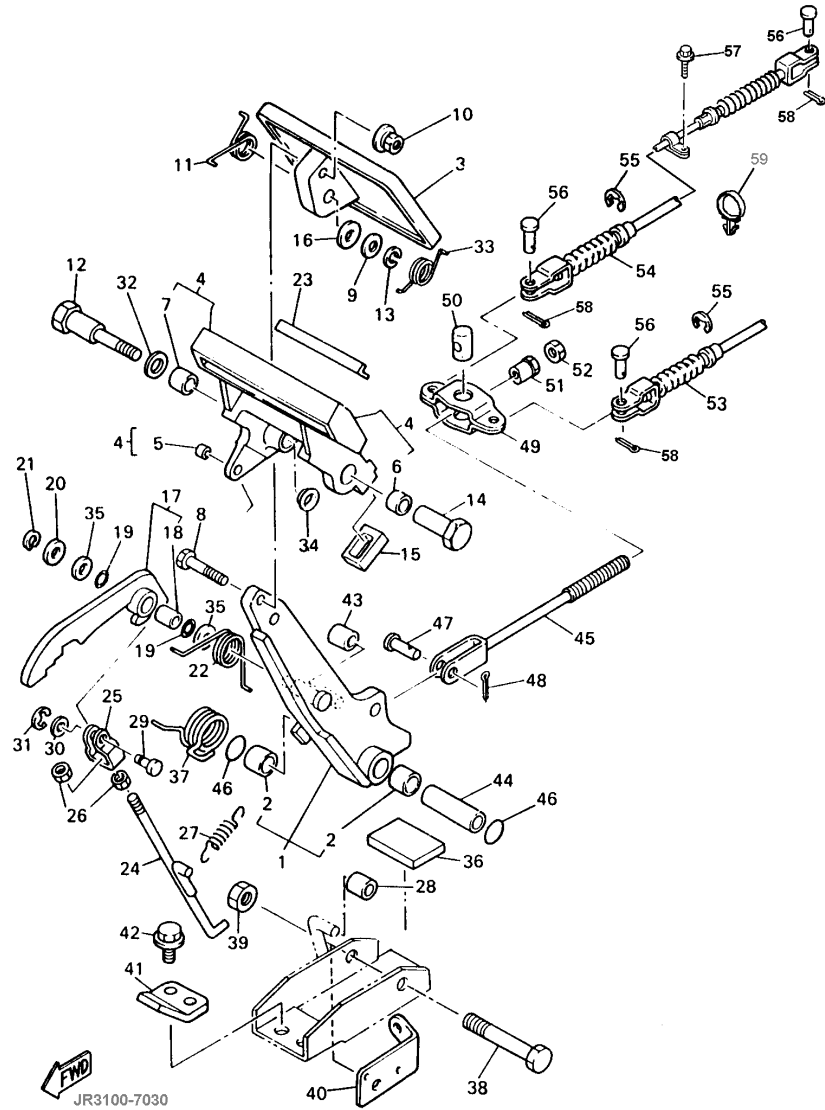
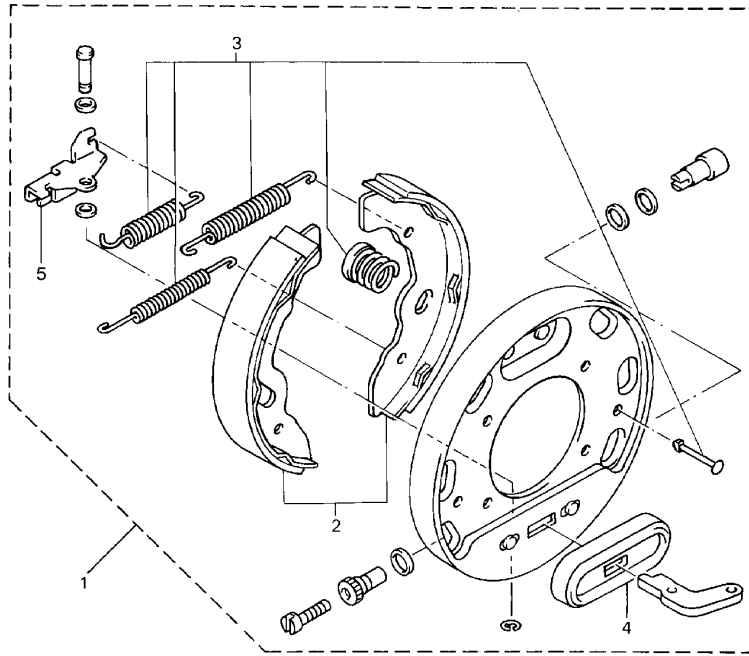


FIG. 16 BRAKE

| REF NO. | PART NUMBER    | DESCRIPTION  | QTY | REMARKS |
|---------|----------------|--------------|-----|---------|
| 55      | 99001-09600-00 | CIRCLIP (E)  | 4   |         |
| 56      | 91701-08018-00 | PIN          | 4   |         |
| 57      | 95817-06016-00 | BOLT, FLANGE | 2   |         |
| 58      | 91490-25020-00 | PIN,SPLIT    | 4   |         |
| 59      | 90464-19815-00 | CLAMP        | 1   |         |



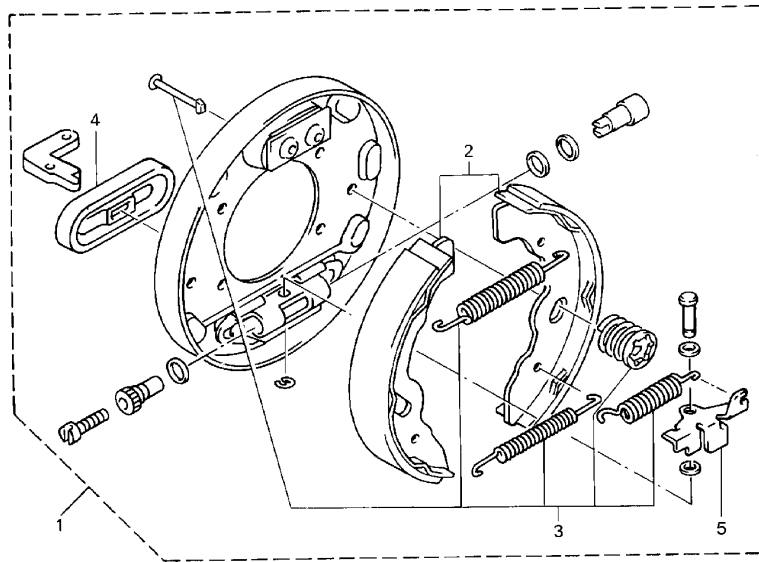
FIG. 17 BRAKE 2



| REF NO. | PART NUMBER     | DESCRIPTION          | QTY | REMARKS                |
|---------|-----------------|----------------------|-----|------------------------|
| 1       | JN6-F7280-00-00 | BACKING PLATE, (RH)  | 1   | (FOR RIGHT WHEEL ONLY) |
| 2       | JN3-F5340-00-00 | .SHOE, BRAKE SET     | 1   | (FOR ONE WHEEL)        |
| 3       | JG5-F819G-00-00 | .REPAIR PARTS KIT    | 1   |                        |
| 4       | JG5-F7286-00-00 | .COVER, DUST         | 1   |                        |
| 5       | JN6-F722F-00-00 | .LEVER ADJUSTER (RH) | 1   |                        |

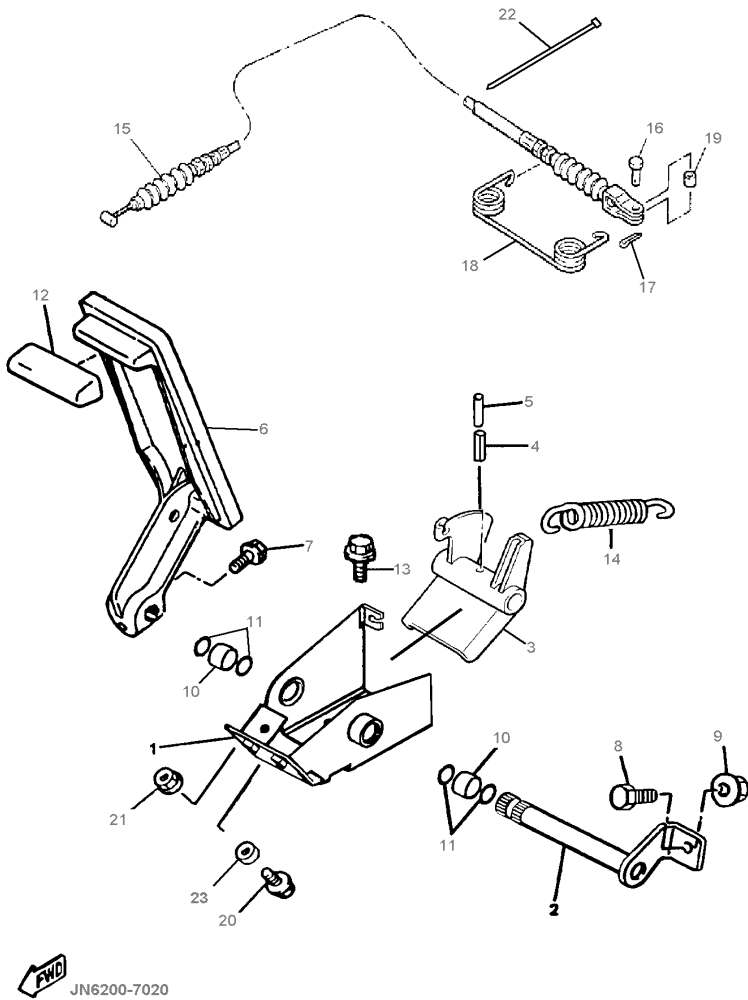
 JN4100-5061

FIG. 18 BRAKE 3



| REF NO. | PART NUMBER     | DESCRIPTION          | QTY | REMARKS               |
|---------|-----------------|----------------------|-----|-----------------------|
| 1       | JN6-F7290-00-00 | BACKING PLATE, (LH)  | 1   | (FOR LEFT WHEEL ONLY) |
| 2       | JN3-F5330-00-00 | .SHOE, BRAKE SET     | 1   | (FOR ONE WHEEL)       |
| 3       | JG5-F819G-00-00 | .REPAIR PARTS KIT    | 1   |                       |
| 4       | JG5-F7286-00-00 | .COVER, DUST         | 1   |                       |
| 5       | JN6-F722E-00-00 | .LEVER ADJUSTER (LH) | 1   |                       |

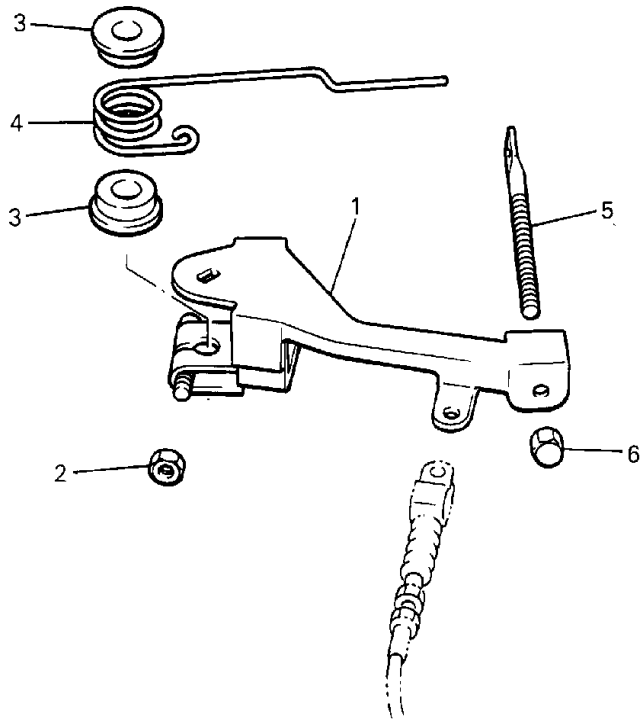




**FWD**  
JN6200-7020

FIG. 19 ACCELERATOR

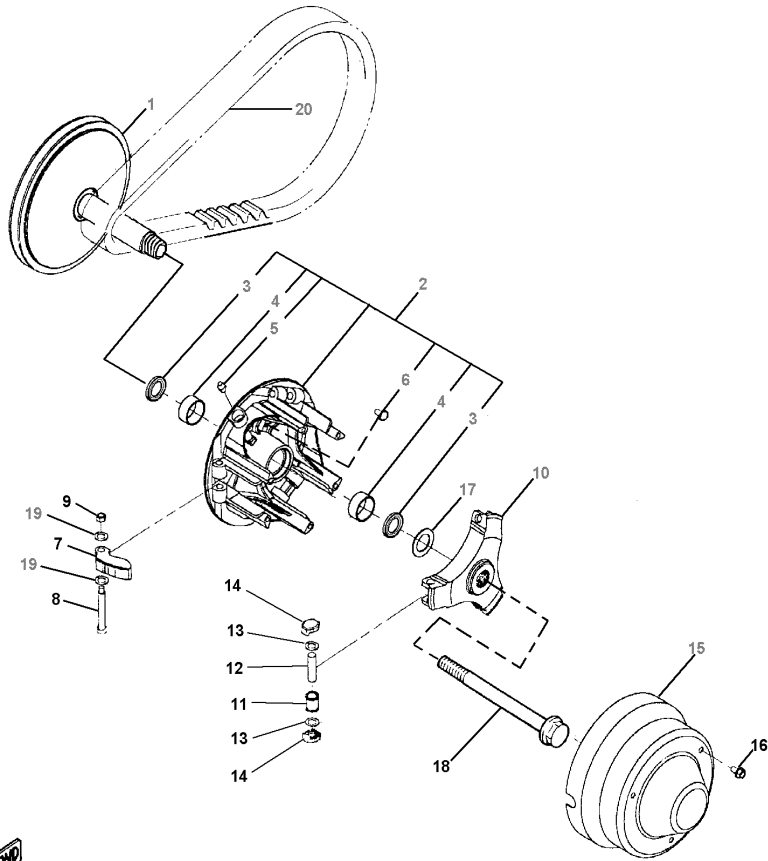
| REF NO. | PART NUMBER     | DESCRIPTION        | QTY | REMARKS |
|---------|-----------------|--------------------|-----|---------|
| 1       | JN6-F7874-01-00 | BRACKET, PEDAL     | 1   |         |
| 2       | J17-27853-01-00 | SHAFT, PEDAL       | 1   |         |
| 3       | J38-27872-00-00 | ARM, ACCELERATOR   | 1   |         |
| 4       | 91609-60028-00  | PIN, SPRING        | 1   |         |
| 5       | 91609-35028-00  | PIN, SPRING        | 1   |         |
| 6       | JF3-27871-01-00 | PEDAL, ACCELERATOR | 1   |         |
| 7       | 95817-06025-00  | BOLT, FLANGE       | 1   |         |
| 8       | 90106-08040-00  | BOLT, RD. HEX      | 1   |         |
| 9       | 95707-08500-00  | NUT, FLANGE        | 1   |         |
| 10      | 90384-14080-00  | BUSH, BIMETAL      | 2   |         |
| 11      | 93210-14104-00  | O-RING             | 4   |         |
| 12      | JN3-F7854-00-00 | COVER, PEDAL       | 1   |         |
| 13      | 95817-08016-00  | BOLT, HEX. H       | 3   |         |
| 14      | 90506-26282-00  | SPRING, TENSION    | 1   |         |
| 15      | JJ3-F6311-00-00 | WIRE, THROTTLE     | 1   |         |
| 16      | 91790-05012-00  | PIN                | 1   |         |
| 17      | 90468-10050-00  | CLIP               | 1   |         |
| 18      | 90508-16460-00  | SPRING, TORSION    | 1   |         |
| 19      | 90560-05001-00  | SPACER             | 1   |         |
| 20      | 95817-06025-00  | BOLT, FLANGE       | 1   |         |
| 21      | 95707-06500-00  | NUT, FLANGE        | 1   |         |
| 22      | 90601-200U1-00  | BAND               | 1   |         |
| 23      | 90387-068T4-00  | COLLAR             | 1   |         |



JN6100-6131

FIG. 20 GOVERNOR

| REF NO. | PART NUMBER     | DESCRIPTION      | QTY | REMARKS |
|---------|-----------------|------------------|-----|---------|
| 1       | J38-27951-00-00 | LEVER, SPEED     | 1   |         |
| 2       | 95317-06600-00  | NUT, HEX.        | 1   |         |
| 3       | 90386-08141-00  | BUSH             | 2   |         |
| 4       | 90508-40678-00  | SPRING, TORSION  | 1   |         |
| 5       | J38-27959-00-00 | SCREW, ADJUSTING | 1   |         |
| 6       | 95607-06200-00  | NUT, U-FLANGE    | 1   |         |
| 7       | JN3-G6555-00-00 | BRACKET 2        | 1   |         |
| 8       | 90105-08859-00  | BOLT, FLANGE     | 1   |         |



 JN6100-6140

FIG. 21 PRIMARY CLUTCH

| REF NO. | PART NUMBER     | DESCRIPTION             | QTY | REMARKS      |
|---------|-----------------|-------------------------|-----|--------------|
|         | JN6-G6201-00-00 | PRIMARY CLUTCH ASSEMBLY | 1   | SEE NOTE "A" |
| 1       | JN6-G6210-00-00 | PRIMARY FIXED SHEAVE    | 1   |              |
| 2       | JN6-G6220-00-00 | PRIMARY SLIDING SHEAVE  | 1   |              |
| 3       | 93101-28831-00  | .SEAL, OIL              | 2   |              |
| 4       | 90384-27823-00  | .BUSH, BIMETAL          | 2   |              |
| 5       | 93700-06810-00  | .NIPPLE, GREASE         | 1   |              |
| 6       | 90338-04840-00  | .PLUG                   | 3   |              |
| 7       | JN6-G6232-00-00 | WEIGHT, 1               | 3   |              |
| 8       | 90109-06860-00  | BOLT                    | 3   |              |
| 9       | 90185-06834-00  | NUT, SELF-LOCKING       | 3   |              |
| 10      | JN6-G6251-00-00 | SPIDER                  | 1   |              |
| 11      | JN6-G6258-01-00 | COLLAR, ROLLER          | 3   |              |
| 12      | 93610-358A3-00  | PIN, DOWEL              | 3   |              |
| 13      | 90201-098J1-00  | WASHER, PLAIN           | 6   |              |
| 14      | JN6-G6253-00-00 | SLIDER                  | 6   |              |
| 15      | JN6-G6231-00-00 | CAP                     | 1   |              |
| 16      | 90105-06861-00  | BOLT, FLANGE            | 3   |              |
| 17      | 90201-228K5-00  | WASHER, PLAIN           | 1   |              |
| 18      | JN6-G6249-00-00 | BOLT                    | 1   |              |
| 19      | JN6-G621F-00-00 | SHIM, THRUST            | 6   |              |
| 20      | J55-G6241-00-00 | BELT                    | 1   |              |

NOTE "A": Assembly includes all parts except REF. Numbers 15, 16, 18 and 20 (the cap, 3 flange bolts for cap, the main bolt for the Primary Clutch assembly and the Belt).

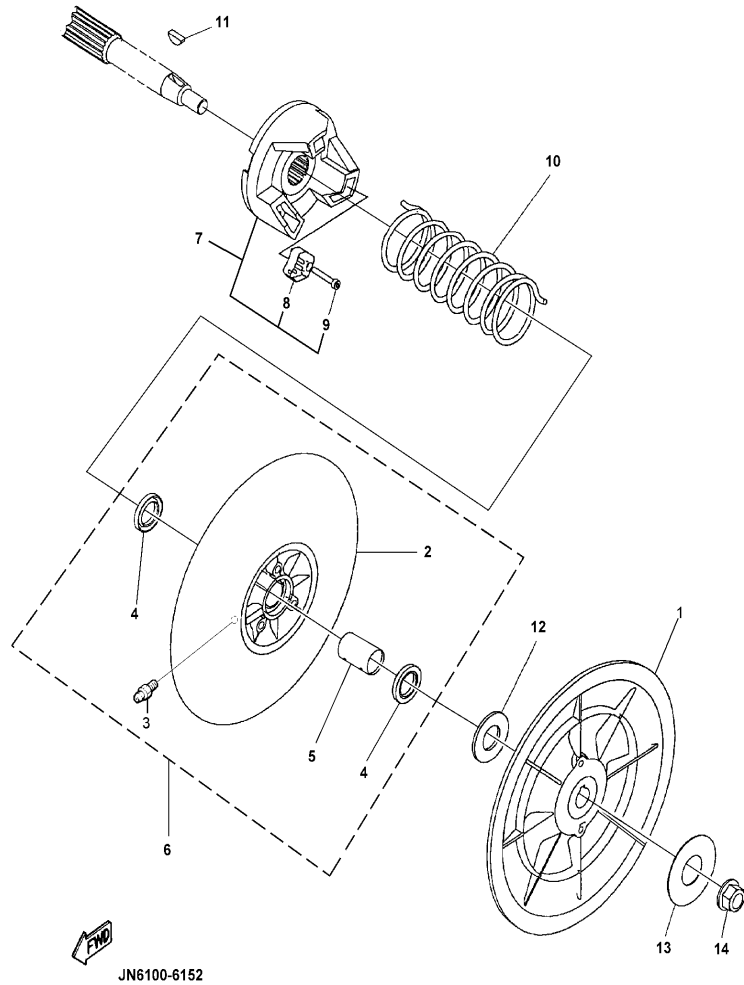
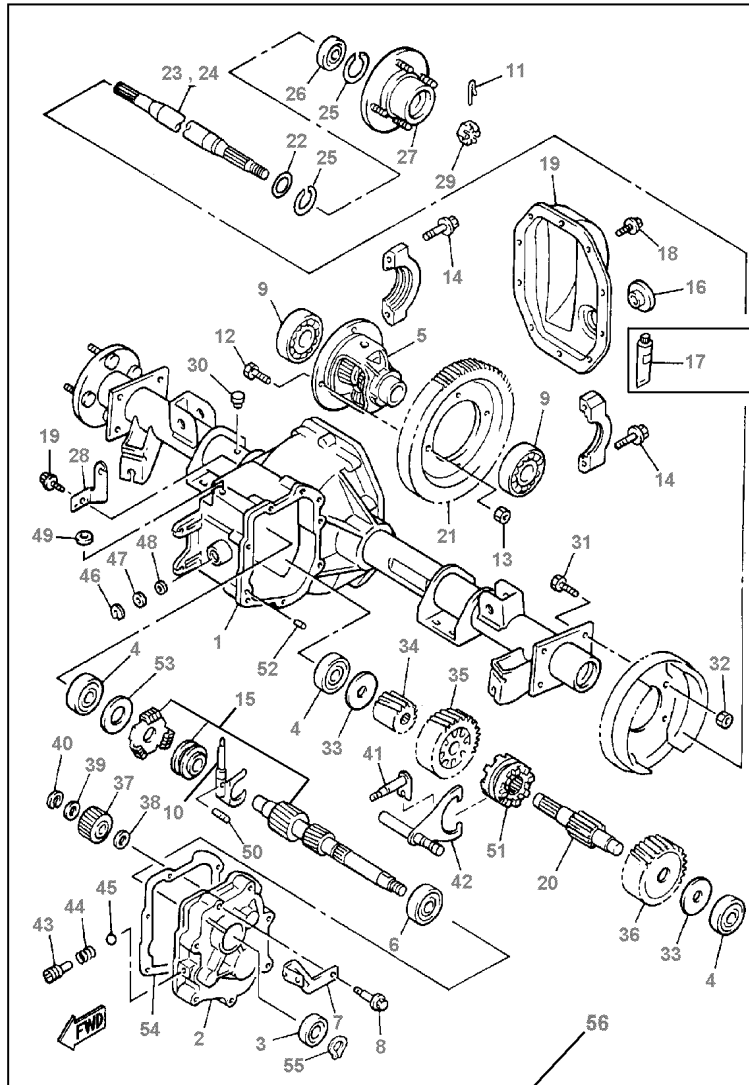


FIG. 22 SECONDARY SHEAVE

| REF NO. | PART NUMBER     | DESCRIPTION                  | QTY | REMARKS       |
|---------|-----------------|------------------------------|-----|---------------|
| 1       | JN6-G6260-00-00 | SECONDARY FIXED SHEAVE       | 1   |               |
| 2       | JN6-G6271-02-00 | SECONDARY SLIDING SHEAVE     | 1   |               |
| 3       | 93700-06809-00  | .NIPPLE, GREASE              | 1   |               |
| 4       | 93109-20069-00  | .SEAL, OIL                   | 2   |               |
| 5       | 90384-20143-00  | BUSHING                      | 1   |               |
| 6       | JN6-G6270-01-KT | SECONDARY SLIDING SHEAVE KIT | 1   | SEE NOTE "A"  |
| 7       | JN6-G6280-00-00 | SECONDARY SPRING SEAT        | 1   |               |
| 8       | JN6-E7688-00-00 | .SHOE, RAMP                  | 3   |               |
| 9       | 90110-04834-00  | .BOLT, HEX. SOCKET           | 3   |               |
| 10      | 90508-45844-00  | SPRING, TORSION              | 1   | L=100.5mm±1.5 |
| 11      | 90202-20130-00  | WASHER, PLAIN                | 1   |               |
| 12      | 90280-05022-00  | KEY, WOODRUFF                | 1   |               |
| 13      | 90201-12588-00  | WASHER, PLAIN                | 1   |               |
| 14      | 95617-12200-00  | NUT, U-FLANGE                | 1   |               |

NOTE "A": Secondary sheave kit includes oil seals, bushing, and grease nipple.

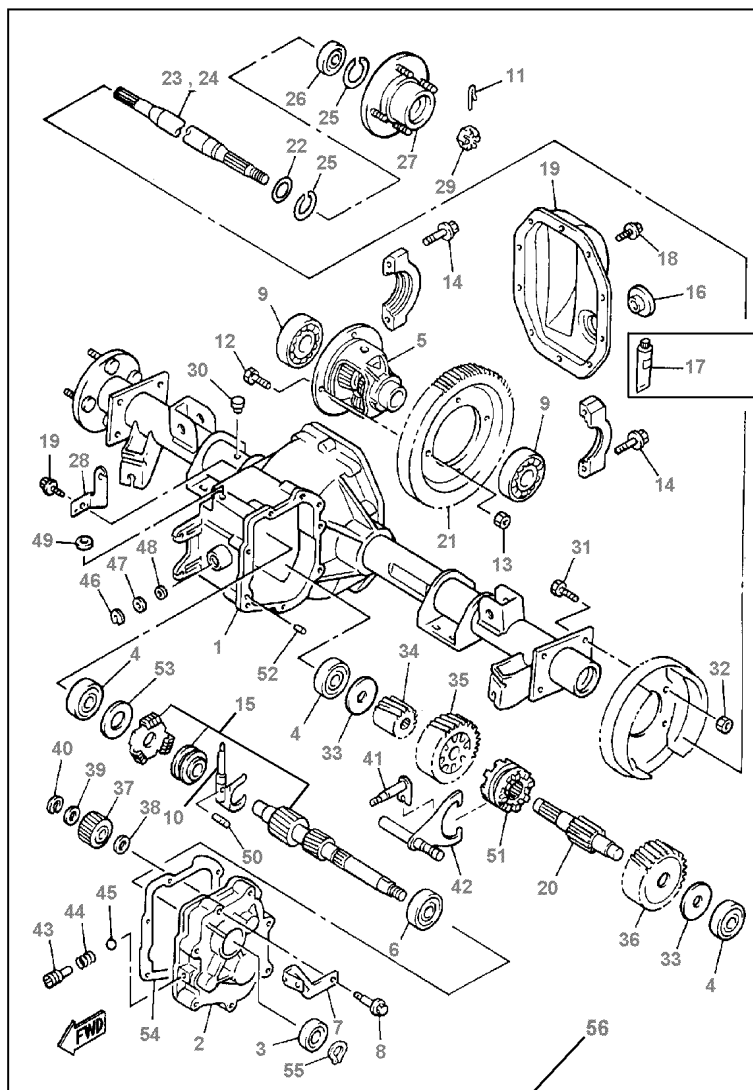


JR2010-6222

FIG. 23 TRANSMISSION 1

| REF NO. | PART NUMBER     | DESCRIPTION         | QTY | REMARKS |
|---------|-----------------|---------------------|-----|---------|
| 1       | JR3-G6290-00-00 | CASE ASSY           | 1   |         |
| 2       | JN3-G6313-00-00 | COVER, TRANSMISSION | 1   |         |
| 3       | 93102-25868-00  | SEAL, OIL           | 1   |         |
| 4       | 93306-303Y6-00  | BEARING             | 3   |         |
| 5       | JN6-G6410-00-00 | DIFFERENTIAL ASSY.  | 1   |         |
| 6       | 93306-005Y4-00  | BEARING             | 1   |         |
| 7       | JN6-G6555-00-00 | BRACKET, 2          | 1   |         |
| 8       | 90105-08859-00  | BOLT, FLANGE        | 7   |         |
| 9       | 93306-007Y0-00  | BEARING             | 2   |         |
| 10      | JN3-G633E-00-00 | BAR, 1              | 1   |         |
| 11      | 91490-25030-00  | PIN, SPLIT          | 2   |         |
| 12      | 90101-10854-00  | BOLT, HEX.          | 4   |         |
| 13      | 90170-10840-00  | NUT, HEX.           | 4   |         |
| 14      | 90105-10840-00  | BOLT, FLANGE        | 4   |         |
| 15      | JR3-G6320-00-00 | SHAFT, INPUT ASSY.  | 1   |         |
| 16      | JN3-G6432-00-00 | STOPPER             | 1   |         |
| 17      | ACC-QUICK-GS-KT | SEALANT             | 1   |         |
| 18      | 90101-08856-00  | BOLT, HEX.          | 11  |         |
| 19      | JN3-G6314-00-00 | COVER, TRANSMISSION | 1   |         |
| 20      | JN3-G633G-00-00 | SHAFT               | 1   |         |
| 21      | JN3-G6355-00-00 | GEAR, PRIMARY       | 1   |         |
| 22      | 93101-31836-00  | SEAL, OIL           | 2   |         |
| 23      | JR3-G6511-00-00 | SHAFT, RR. AXLE     | 1   |         |
| 24      | JR3-G6512-00-00 | SHAFT, RR. AXLE     | 1   |         |
| 25      | 93420-52806-00  | CIRCLIP             | 4   |         |
| 26      | 93306-205X2-00  | BEARING             | 2   |         |
| 27      | JR3-G6514-00-00 | HUB, RR. AXLE       | 2   |         |

FIG. 23 TRANSMISSION 1

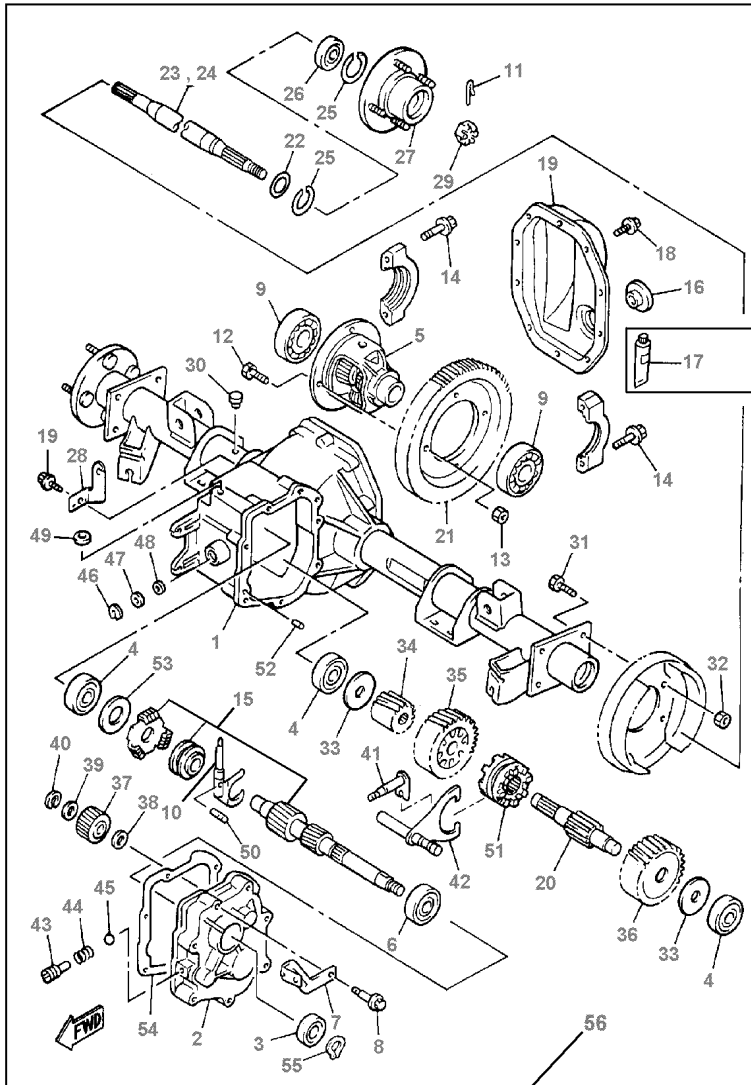


JR2010-6222

| REF NO. | PART NUMBER     | DESCRIPTION         | QTY | REMARKS          |
|---------|-----------------|---------------------|-----|------------------|
| 28      | JN3-G6556-00-00 | BRACKET, 3          | 1   |                  |
| 29      | 90185-19842-00  | NUT, SELF-LOCKING   | 2   |                  |
| 30      | JH7-G5619-00-00 | CAP                 | 1   |                  |
| 31      | 90101-08855-00  | BOLT, HEX.          | 8   |                  |
| 32      | 90170-08841-00  | NUT, HEX.           | 8   |                  |
| 33      | 90201-178H8-00  | WASHER, PLAIN       | 2   |                  |
| 34      | JN3-G6316-00-00 | GEAR, PINION        | 1   |                  |
| 35      | JR3-G6326-00-00 | GEAR, WHEEL 1       | 1   |                  |
| 36      | JN3-G6327-00-00 | GEAR, WHEEL 2       | 1   |                  |
| 37      | JN3-G6356-00-00 | GEAR, IDLER         | 1   |                  |
| 38      | 90201-208H9-00  | WASHER, PLAIN       | 1   |                  |
| 39      | 90201-208J0-00  | WASHER, PLAIN       | 1   |                  |
| 40      | 93440-20813-00  | CIRCLIP             | 1   |                  |
| 41      | JN3-G638A-00-00 | BAR, SHIFT 1        | 1   |                  |
| 42      | JN6-G638E-00-00 | BAR, SHIFT 2        | 1   |                  |
| 43      | 90113-08803-00  | BOLT, SET           | 1   |                  |
| 44      | 90501-10852-00  | SPRING, COMPRESSION | 1   |                  |
| 45      | 93500-06826-00  | BALL                | 1   |                  |
| 46      | 93410-12822-00  | CIRCLIP             | 1   |                  |
| 47      | 90202-12807-00  | WASHER, PLAIN       | 1   |                  |
| 48      | 93104-11829-00  | SEAL, OIL           | 1   |                  |
| 49      | 93109-10820-00  | SEAL, OIL           | 1   |                  |
| 50      | JN3-G6249-00-00 | BOLT                | 1   |                  |
| 51      | JN3-G6153-00-00 | COLLAR, GUIDE       | 1   |                  |
| 52      | 93606-10842-00  | PIN, DOWEL          | 2   |                  |
| 53      | JN3-G6344-00-00 | SHIM                | 1   | 0.76mm (0.030in) |
|         | JN3-G6344-10-00 | SHIM                | 1   | 0.90mm (0.035in) |



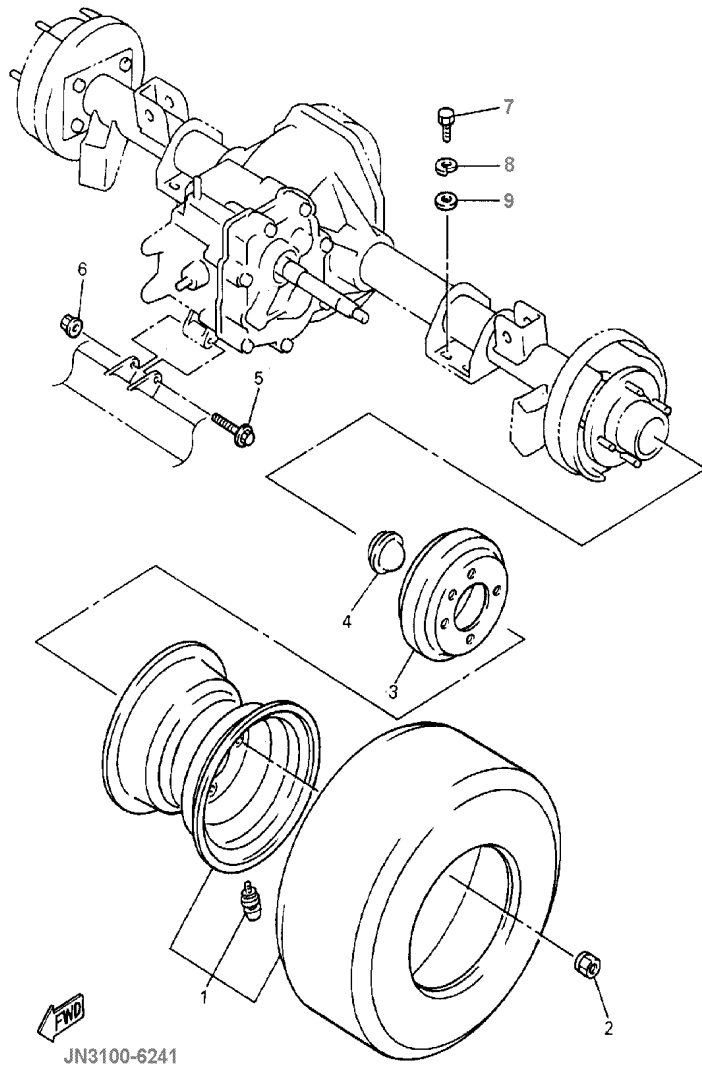
FIG. 23 TRANSMISSION 1



JR2010-6222

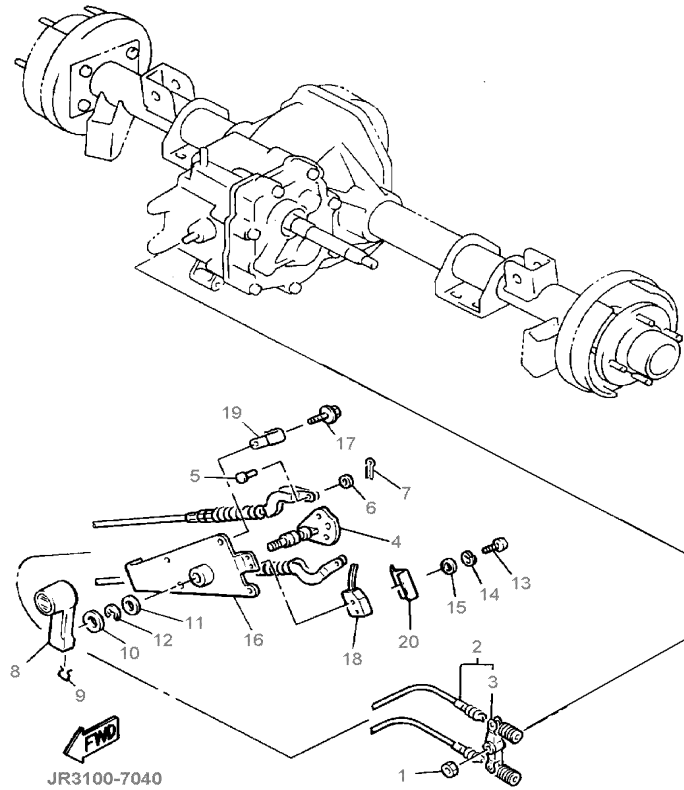
| REF NO. | PART NUMBER     | DESCRIPTION        | QTY | REMARKS          |
|---------|-----------------|--------------------|-----|------------------|
|         | JN3-G6344-20-00 | SHIM               | 1   | 1.0mm (0.040in)  |
|         | JN3-G6344-30-00 | SHIM               | 1   | 1.14mm (0.045in) |
|         | JN3-G6344-40-00 | SHIM               | 1   | 1.27mm (0.050in) |
|         | JN3-G6344-50-00 | SHIM               | 1   | 1.39mm (0.055in) |
|         | JN3-G6344-60-00 | SHIM               | 1   | 1.52mm (0.060in) |
|         | JN3-G6344-70-00 | SHIM               | 1   | 1.65mm (0.065in) |
|         | JN3-G6344-80-00 | SHIM               | 1   | 0.38mm (0.015in) |
| 54      | JN3-G6319-00-00 | GASKET             | 1   |                  |
| 55      | 93410-25017-00  | CIRCLIP            | 1   |                  |
| 56      | JR3-G6300-01-00 | TRANSAXLE ASSEMBLY | 1   |                  |

FIG. 24 REAR AXLE MOUNT / WHEEL



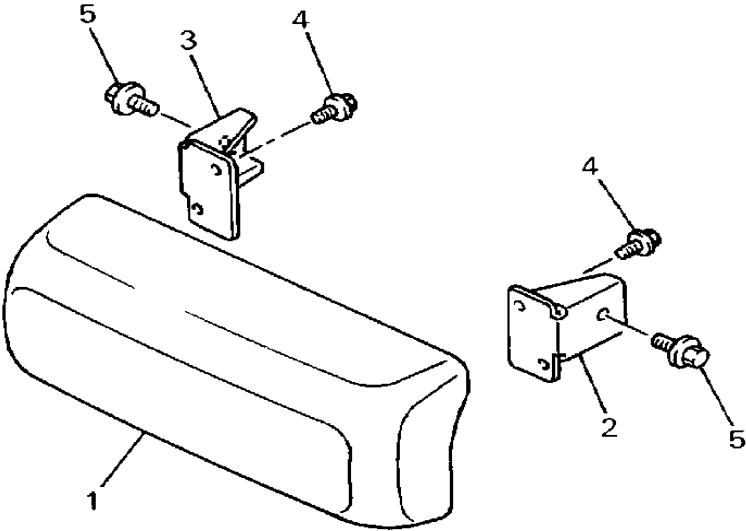
| REF NO. | PART NUMBER     | DESCRIPTION     | QTY | REMARKS |
|---------|-----------------|-----------------|-----|---------|
| 1       | JR3-F5300-00-00 | WHEEL ASSY.     | 2   |         |
| 2       | 90179-12262-00  | NUT             | 8   |         |
| 3       | J55-G6521-00-00 | DRUM            | 2   |         |
| 4       | JN6-F5118-00-00 | COVER, HUB DUST | 2   |         |
| 5       | 95817-08075-00  | BOLT, FLANGE    | 1   |         |
| 6       | 95707-08500-00  | NUT, FLANGE     | 1   |         |
| 7       | 97017-10020-00  | BOLT            | 8   |         |
| 8       | 92907-10100-00  | WASHER, LOCK    | 8   |         |
| 9       | 90201-102G9-00  | WASHER          | 8   |         |

FIG. 25 SHIFTER / CABLES



| REF NO. | PART NUMBER      | DESCRIPTION     | QTY | REMARKS |
|---------|------------------|-----------------|-----|---------|
| 1       | 95617-08100-00   | NUT, U          | 1   |         |
| 2       | JJ3-G8330-010-00 | CABLE, SHIFT    | 2   |         |
| 3       | J55-G6383-00-00  | .LEVER, SHIFT 2 | 1   |         |
| 4       | JF2-46382-00-00  | LEVER, SHIFT 1  | 1   |         |
| 5       | 91702-06014-00   | PIN             | 2   |         |
| 6       | 92907-06600-00   | WASHER, PLAIN   | 2   |         |
| 7       | 91490-20025-00   | PIN, SPLIT      | 2   |         |
| 8       | JN3-G6381-00-00  | KNOB, SHIFT     | 1   |         |
| 9       | JN3-G6376-00-00  | SPRING SET      | 1   |         |
| 10      | 90201-201L9-00   | WASHER, PLAIN   | 1   |         |
| 11      | 90201-19551-00   | WASHER, PLAIN   | 1   |         |
| 12      | 99009-19400-00   | CIRCLIP (S)     | 1   |         |
| 13      | 98507-04016-00   | SCREW, PANHEAD  | 2   |         |
| 14      | 92907-04100-00   | WASHER, LOCK    | 2   |         |
| 15      | 92907-04600-00   | WASHER          | 2   |         |
| 16      | JN3-G6372-00-00  | BRACKET, SHIFT  | 1   |         |
| 17      | 95817-06016-00   | BOLT, FLANGE    | 4   |         |
| 18      | JN3-82617-00-00  | SWITCH          | 1   |         |
| 19      | 90465-06038-00   | CLAMP           | 1   |         |
| 20      | JJ3-G6394-00-00  | JOINT           | 1   |         |

FIG. 26 BUMPER



| REF NO. | PART NUMBER     | DESCRIPTION        | QTY | REMARKS |
|---------|-----------------|--------------------|-----|---------|
| 1       | JN3-K7510-02-00 | FRONT BUMPER COMP. | 1   |         |
| 2       | JN3-K8164-00-00 | STAY, FR. BUMPER   | 1   |         |
| 3       | JN3-K8165-00-00 | STAY, FR. BUMPER   | 1   |         |
| 4       | 95817-06016-00  | BOLT, FLANGE       | 4   |         |
| 5       | 95817-08016-00  | BOLT, FLANGE       | 2   |         |

 JR3100-7050

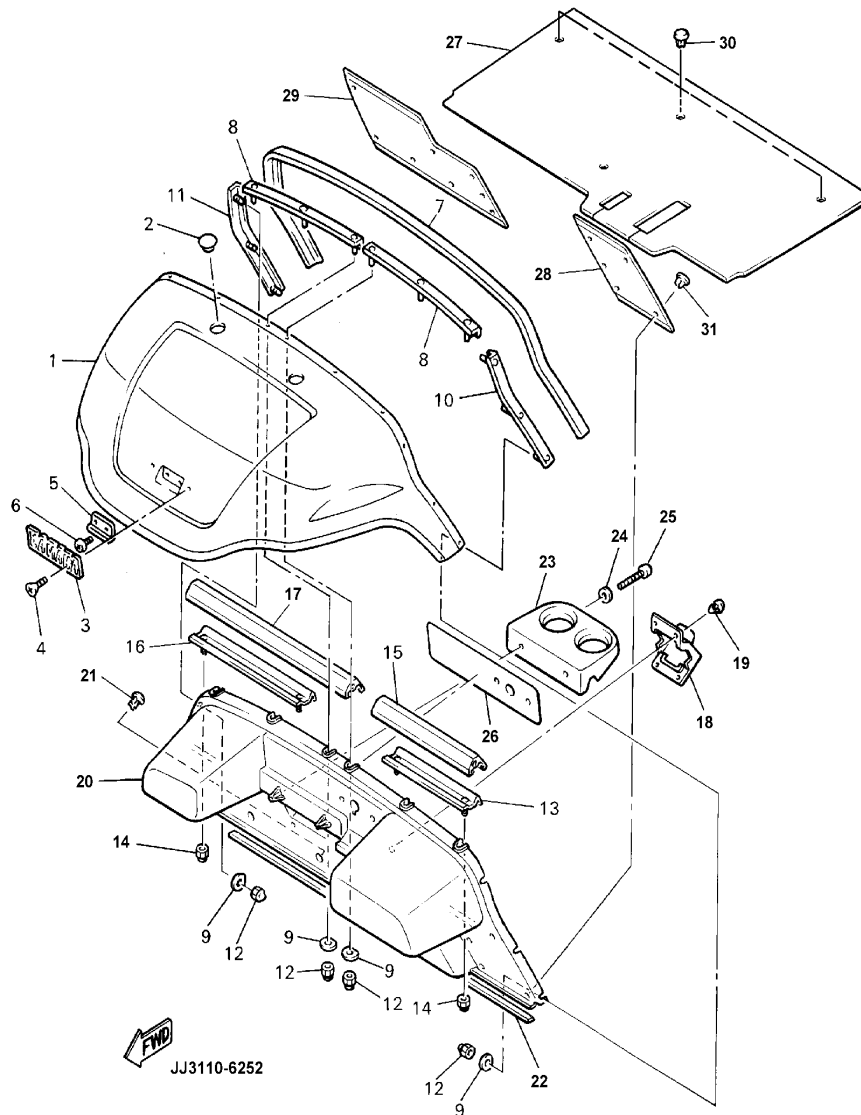
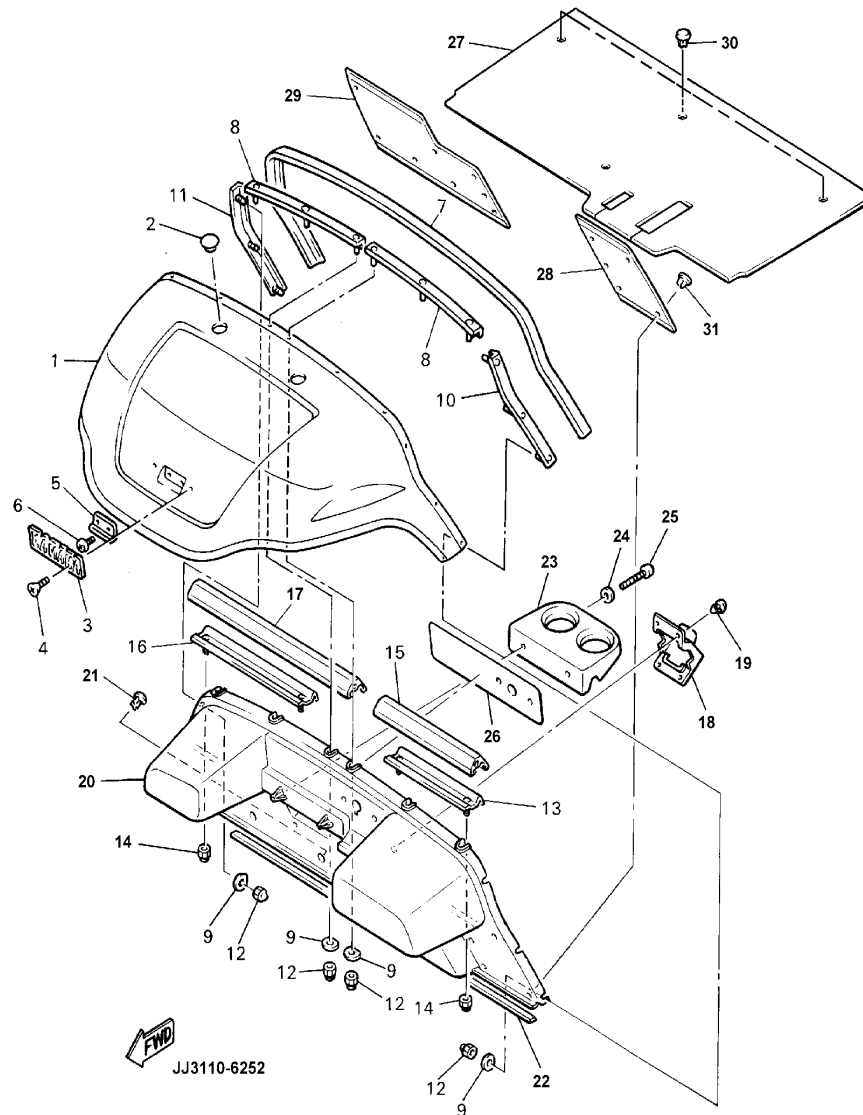


FIG. 27 BODY

| REF NO. | PART NUMBER     | DESCRIPTION           | QTY | REMARKS      |
|---------|-----------------|-----------------------|-----|--------------|
| 1       | JN3-K8115-20-00 | COWL, FRONT           | 1   | GRAY         |
| 2       | JN3-K818E-00-00 | CAP, PROTECTOR        | 2   |              |
| 3       | JN6-F4161-00-00 | EMBLEM, 1             | 1   |              |
| 4       | 90162-04002-00  | SCREW, OVAL C         | 2   |              |
| 5       | JF2-K811G-00-00 | BOLT, COWL FITTING    | 1   |              |
| 6       | 98980-06016-00  | SCREW, BINDING        | 2   |              |
| 7       | JF2-K811V-00-00 | PROTECTOR, 1          | 1   |              |
| 8       | JF2-K8261-02-00 | PLATE, BODY PROTECTOR | 2   |              |
| 9       | JN3-K8117-00-00 | PLATE, 1              | 12  |              |
| 10      | JF2-K8262-01-00 | PLATE, BODY PROTECTOR | 1   |              |
| 11      | JF2-K8263-01-00 | PLATE, BODY PROTECTOR | 1   |              |
| 12      | 90185-06836-00  | NUT, SELF-LOCKING     | 12  |              |
| 13      | JF2-K8264-00-00 | PLATE, BODY PROTECTOR | 1   |              |
| 14      | 95607-06200-00  | NUT, U-FLANGE         | 24  |              |
| 15      | JF2-K811W-00-00 | PROTECTOR 2           | 1   |              |
| 16      | JF2-K8265-00-00 | PLATE, BODY PROTECTOR | 1   |              |
| 17      | JF2-K811X-00-00 | PROTECTOR 3           | 1   |              |
| 18      | JF2-78273-00-00 | COVER, HOLE 1         | 1   |              |
| 19      | 90269-11042-00  | RIVET                 | 4   |              |
| 20      | JF2-K8114-02-00 | PANEL, FRONT          | 1   | SEE NOTE "A" |
| 21      | 90269-08069-00  | RIVET                 | 3   |              |
| 22      | JN3-K815G-00-00 | SEAL, FRONT STORAGE   | 1   |              |
| 23      | JF2-K835E-00-00 | HOLDER, BEVERAGE      | 1   |              |
| 24      | 90201-060A3-00  | WASHER, PLATE         | 2   |              |
| 25      | 97707-60130-00  | SCREW, TAPPING        | 2   |              |
| 26      | JJ3-K7761-00-00 | LABEL, WARNING 1      | 1   | SEE NOTE "A" |

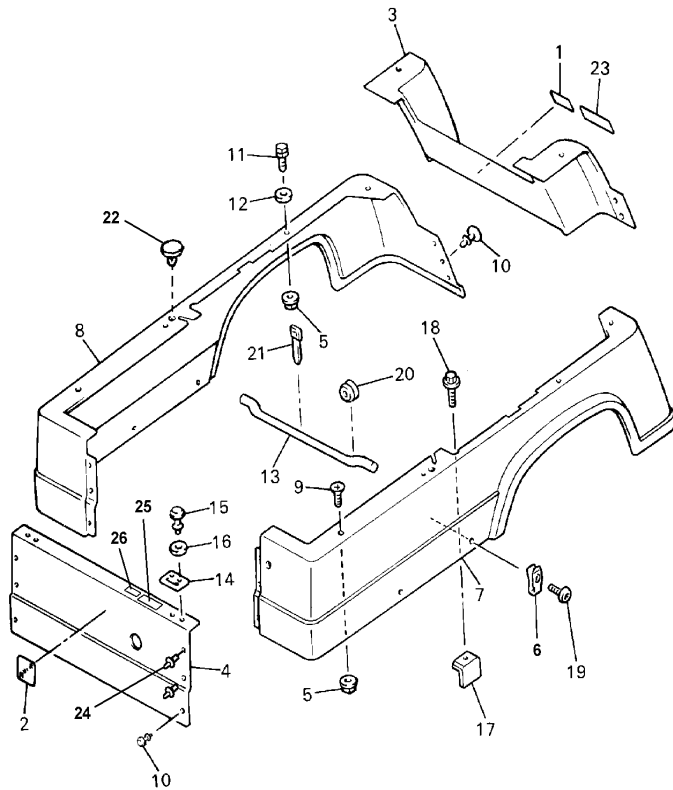
NOTE "A": When replacing "Panel Front JF2-K8114-02-00" you should also replace "Label Warning 1 JJ3-K7761-00-00".

FIG. 27 BODY



| REF NO. | PART NUMBER     | DESCRIPTION       | QTY | REMARKS |
|---------|-----------------|-------------------|-----|---------|
| 27      | JN6-K8233-00-00 | MAT, MAIN FLOOR 3 | 1   |         |
| 28      | JN6-K8231-00-00 | MAT, MAIN FLOOR 1 | 1   |         |
| 29      | JN6-K8232-00-00 | MAT, MAIN FLOOR 2 | 1   |         |
| 30      | 90269-08813-00  | RIVET             | 4   |         |
| 31      | 90267-63047-00  | RIVET, BLIND      | 9   |         |

FIG. 28 BODY 2



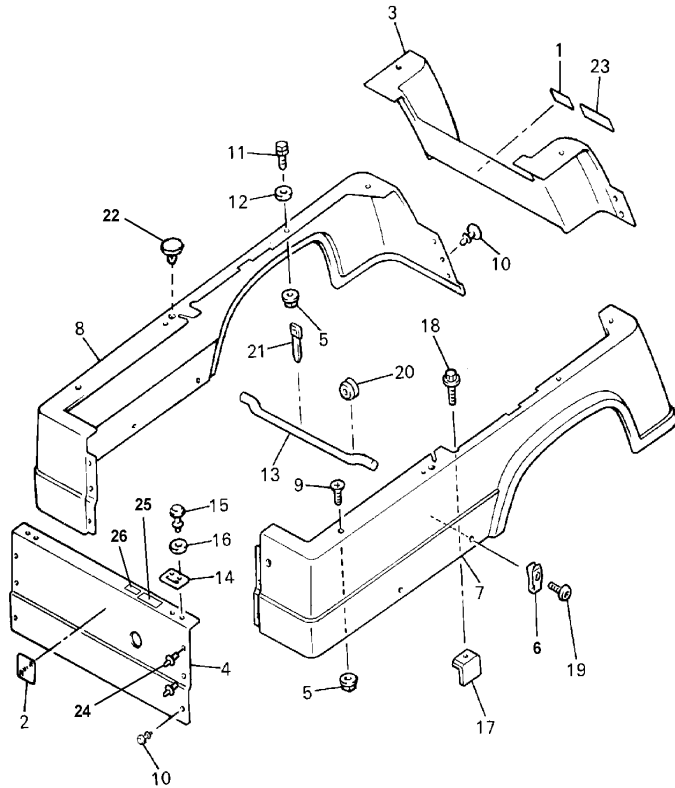
JJ3110-6262

| REF NO. | PART NUMBER     | DESCRIPTION               | QTY | REMARKS      |
|---------|-----------------|---------------------------|-----|--------------|
| 1       | JJ3-K7765-00-00 | LABEL, WARNING 5          | 1   | SEE NOTE "A" |
| 2       | JN3-K7741-00-00 | INDICATOR 1               | 1   | SEE NOTE "B" |
| 3       | JJ3-K8142-11-00 | PANEL, REAR BODY          | 1   | SEE NOTE "A" |
| 4       | JJ3-K8141-10-00 | PANEL, INTERMEDIATE BODY  | 1   | SEE NOTE "B" |
| 5       | 90183-06810-00  | NUT, SPRING               | 10  |              |
| 6       | 90183-06811-00  | NUT, SPRING               | 4   |              |
| 7       | JJ3-K8111-12-00 | PANEL, BODY SHELL         | 1   |              |
| 8       | JJ3-K8112-12-00 | PANEL, BODY SHELL         | 1   |              |
| 9       | 90151-06040-00  | SCREW, COUNTERSUNK        | 2   |              |
| 10      | 90267-62841-00  | RIVET, BLIND              | 6   |              |
| 11      | 90119-06929-00  | BOLT, WITH WASHER         | 8   |              |
| 12      | 90201-065F3-00  | WASHER, PLATE             | 8   |              |
| 13      | JJ3-K8226-00-00 | ROD, SEAT STOPPER         | 1   |              |
| 14      | JJ3-K8427-01-00 | HINGE, SEAT 2             | 2   |              |
| 15      | 90267-64834-00  | RIVET, BLIND              | 4   |              |
| 16      | 90201-08681-00  | WASHER, PLATE             | 4   |              |
| 17      | JJ3-K814H-00-00 | HOOK, BODY LOCK           | 2   |              |
| 18      | 90119-08903-00  | BOLT, WITH WASHER         | 2   |              |
| 19      | 90110-06200-00  | BOLT, HEXAGON SOCKET HEAD | 4   |              |
| 20      | 90480-13018-00  | GROMMET                   | 1   |              |
| 21      | 90464-10814-00  | CLAMP                     | 1   |              |
| 22      | JJ3-K8167-01-00 | BUMPER, RUBBER 1          | 2   |              |
| 23      | JJ3-K7768-00-00 | LABEL, WARNING 8          | 1   | SEE NOTE "A" |

NOTE "A": When replacing "Panel Rear Body JJ3-K8142-11-00" you must also replace "Label Warning 5 JJ3-K7765-00-00", and "Label Warning 8 JJ3-K7768-00-00".

NOTE "B": When replacing "Panel Intermediate Body JJ3-K8141-10-00" you must also replace "Indicator 1 JN3-K7741-00-00".

FIG. 28 BODY 2

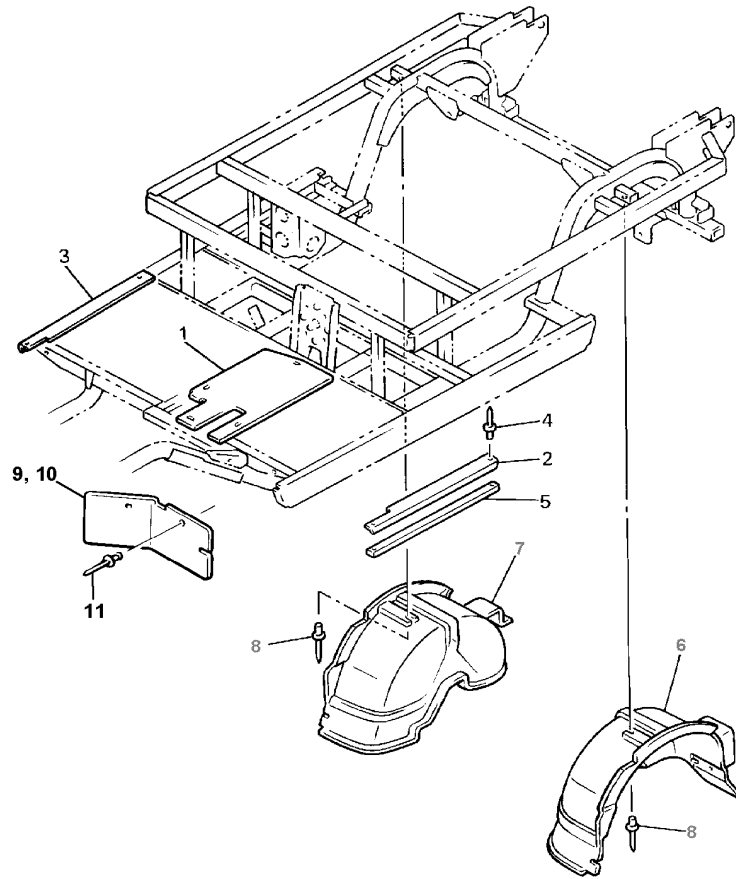


| REF NO. | PART NUMBER     | DESCRIPTION  | QTY | REMARKS                      |
|---------|-----------------|--------------|-----|------------------------------|
| 24      | 90267-36853-00  | RIVET, BLIND | 4   |                              |
| 25      | JR3-F4236-00-00 | MARK 2       | 1   | UR, F# JR3-100500~JR3-101000 |
|         | JR3-F4236-10-00 | MARK 2       | 1   | UR, F# JR3-200101~JR3-201000 |
| 25      | JR3-F4236-00-00 | MARK 2       | 1   | UR, F# JR3-100500~JR3-101000 |
|         | JR3-F4236-10-00 | MARK 2       | 1   | UR, F# JR3-200101~JR3-201000 |
|         | JR3-F4236-20-00 | MARK 2       | 1   | UR, F# JR3-300101~           |
| 26      | JR3-F4236-10-00 | MARK 5       | 1   | UR, F# JR3-200101~JR3-201000 |

 JJ3110-6262



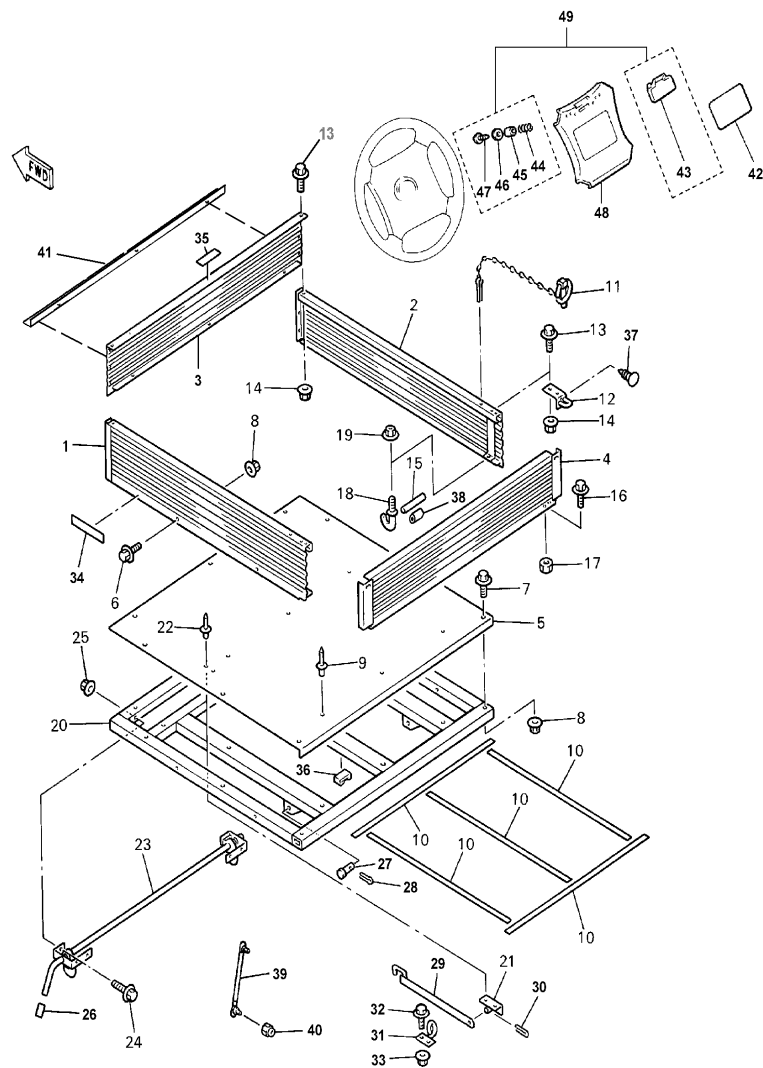
FIG. 29 BODY FITTING



| REF NO. | PART NUMBER     | DESCRIPTION              | QTY | REMARKS        |
|---------|-----------------|--------------------------|-----|----------------|
| 1       | JN6-K8271-00-00 | SERVICE LID              | 1   |                |
| 2       | JF2-K8215-10-00 | PLATE, SIDE TRIM         | 1   |                |
| 3       | JF2-K821F-10-00 | PLATE, SIDE TRIM         | 1   |                |
| 4       | 90267-48154-00  | RIVET, BLIND             | 4   |                |
| 5       | JJ3-K8124-00-00 | REINFORCEMENT 4          | 2   |                |
| 6       | JJ3-K8191-00-00 | PANEL, REAR FENDER 1     | 1   |                |
| 7       | JJ3-K8192-00-00 | PANEL, REAR FENDER 2     | 1   |                |
| 8       | 90267-48101-00  | RIVET, BLIND             | 6   |                |
| 8       | JF2-K8187-00-00 | FLAP, FRONT FENDER LEFT  | 1   | F# JR3-100101~ |
| 9       | JF2-K8189-00-00 | FLAP, FRONT FENDER RIGHT | 1   | F# JR3-100101~ |
| 10      | 90267-48831-00  | RIVET, BLIND             | 4   | F# JR3-100101~ |



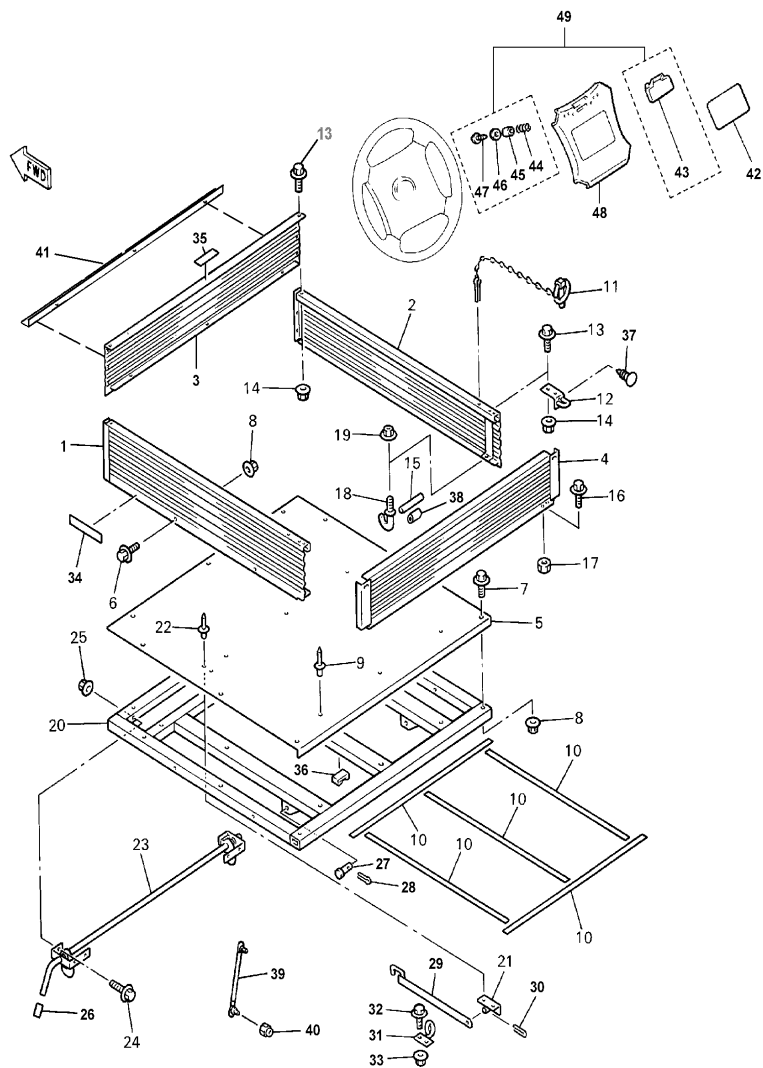
JR3100-7060



JJ3110-6284

FIG. 30 CARRIER

| REF NO. | PART NUMBER     | DESCRIPTION            | QTY | REMARKS        |
|---------|-----------------|------------------------|-----|----------------|
| 1       | JJ3-K810F-00-00 | SIDE PANEL COMP. (LH)  | 1   | SEE NOTE "A"   |
| 2       | JJ3-K810G-00-00 | SIDE PANEL COMP. (RH)  | 1   |                |
| 3       | JJ3-K7782-00-00 | PANEL, DASH 2          | 1   | SEE NOTE "B"   |
| 4       | JJ3-K810N-00-00 | REAR STORAGE LID COMP. | 1   |                |
| 5       | JJ3-K8117-00-00 | PLATE 1                | 1   |                |
| 6       | 90119-08038-00  | BOLT, WITH WASHER      | 19  |                |
| 7       | 90119-08925-00  | BOLT, WITH WASHER      | 2   |                |
| 8       | 95617-08200-00  | NUT, SELF-LOCKING      | 21  |                |
| 9       | 90267-64844-00  | RIVET, BLIND           | 6   |                |
| 10      | JJ3-K821A-00-00 | PAD, BODY MOUNTING 1   | 5   |                |
| 11      | JR3-K8156-00-00 | STOPPER, LOCK          | 2   | F# JR3-100950~ |
| 12      | JJ3-K8317-00-00 | RING, HOOK             | 2   |                |
| 13      | 90119-06908-00  | BOLT, WITH WASHER      | 6   |                |
| 14      | 95607-06200-00  | NUT, SELF-LOCKING      | 6   |                |
| 15      | JJ3-K8384-00-00 | BOLT                   | 2   |                |
| 16      | 97017-06020-00  | BOLT                   | 4   |                |
| 17      | 95380-06700-00  | NUT                    | 4   |                |
| 18      | JJ3-K8385-00-00 | BOLT 2                 | 2   |                |
| 19      | 95617-08200-00  | NUT, SELF-LOCKING      | 2   |                |
| 20      | JJ3-K818N-00-00 | BED, BOX               | 1   |                |
| 21      | JJ3-K8376-00-00 | SUPPORT 2              | 1   |                |
| 22      | 90267-64844-00  | RIVET, BLIND           | 2   |                |
| 23      | JJ3-K8380-03-00 | LOCK ASSY              | 1   |                |
| 24      | 958107-08020-00 | BOLT, FLANGE           | 6   |                |
| 25      | 95617-08200-00  | NUT, SELF-LOCKING      | 6   |                |
| 26      | JJ3-K818M-00-00 | CAP, PROTECTOR END 4   | 1   |                |
| 27      | 90240-13808-00  | PIN, CLEVIS            | 2   |                |



JJ3110-6284

FIG. 30 CARRIER

| REF NO. | PART NUMBER     | DESCRIPTION            | QTY | REMARKS        |
|---------|-----------------|------------------------|-----|----------------|
| 28      | 91490-30030-00  | PIN, COTTER            | 2   |                |
| 29      | JJ3-K8158-01-00 | ROD, INSPECTION LID    | 1   |                |
| 30      | 91490-20025-00  | PIN, COTTER            | 1   |                |
| 31      | JJ3-K8369-00-00 | PIN, LEVER             | 1   |                |
| 32      | 90119-06908-00  | BOLT, WITH WASHER      | 2   |                |
| 33      | 95607-06200-00  | NUT, SELF-LOCKING      | 2   |                |
| 34      | JJ3-K7764-01-00 | LABEL, WARNING 4       | 1   | SEE NOTE "A"   |
| 35      | JJ3-K7766-01-00 | LABEL, WARNING 6       | 1   | SEE NOTE "B"   |
| 36      | JJ3-K815H-00-00 | DAMPER, LOCK           | 1   |                |
| 37      | 90338-05830-00  | PLUG                   | 4   |                |
| 38      | JR3-K8316-00-00 | DAMPER                 | 2   |                |
| 39      | JJ3-K7588-00-00 | DAMPER 1               | 1   |                |
| 40      | 95617-08200-00  | NUT, SELF-LOCKING      | 2   |                |
| 41      | JR3-K8323-00-00 | BRACKET, 1             | 1   | F# JR3-100501~ |
| 42      | JN3-K7762-01-00 | LABEL, WARNING 2       | 1   | SEE NOTE "C"   |
| 43      | JN6-K8358-00-00 | HOLDER 2               | 1   |                |
| 44      | 90502-10013-00  | SPRING, CONICAL        | 2   |                |
| 45      | 90387-046N7-00  | COLLAR                 | 2   |                |
| 46      | 90201-044H9-00  | WASHER, PLAIN          | 2   |                |
| 47      | 97707-40625-00  | SCREW, PAN HEAD        | 2   |                |
| 48      | JN3-K8357-00-00 | HOLDER 1               | 1   | SEE NOTE "C"   |
| 49      | JN6-K8358-00-KT | INFORMATION HOLDER KIT | 1   | SEE NOTE "D"   |

NOTE "A": When replacing "Side Panel Comp (LH) JJ3-K810F-00-00" you must also replace "Label Warning 4 JJ3-K7764-01-00".

NOTE "B": When replacing "Panel Dash 2 JJ3-K7782-00-00" you must also replace "Label Warning 6 JJ3-K7766-01-00".

NOTE "C": When replacing "Holder 1 JN3-K8357-00-00" you must also replace "Label Warning 2 JN3-K7762-01-00".

NOTE "D": Includes 43, 44, 45, 46, 47

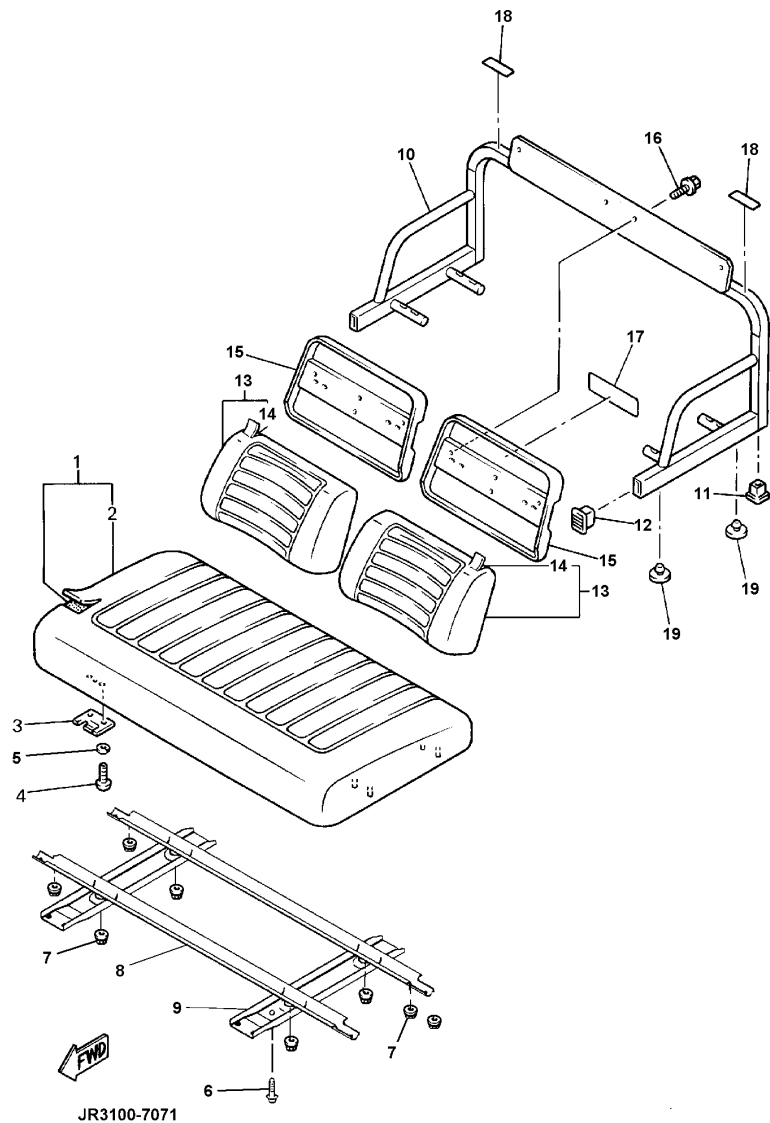


FIG. 31 SEAT

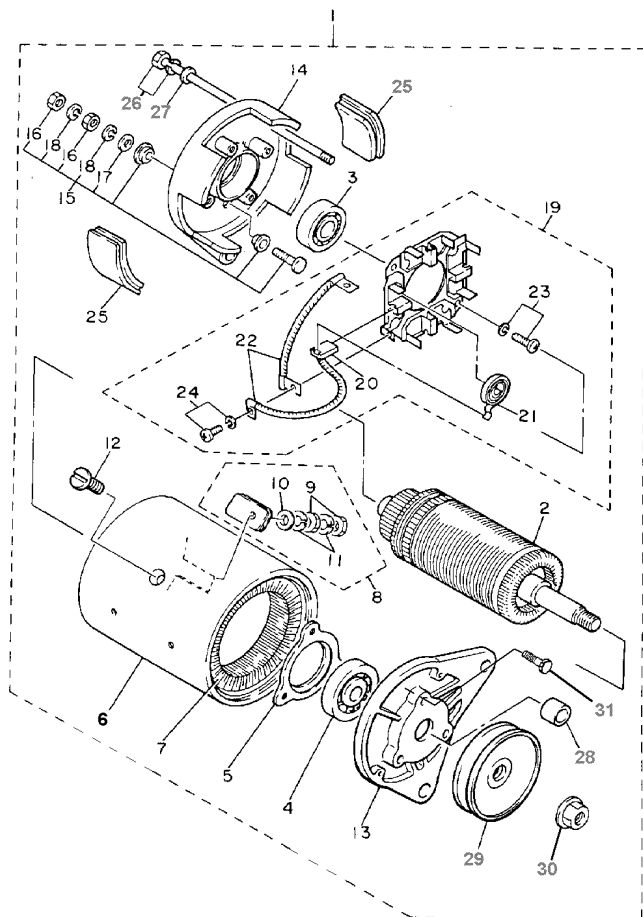
| REF NO. | PART NUMBER     | DESCRIPTION          | QTY | REMARKS                            |
|---------|-----------------|----------------------|-----|------------------------------------|
| 1       | JN6-K8401-10-00 | CUSHION SEAT         | 1   | UR, F# JR3-300101~                 |
| 2       | JN6-K8404-09-00 | .COVER, SEAT         | 1   |                                    |
|         | JN6-K8404-10-00 | .COVER, SEAT         | 1   | UR, F# JR3-300101~                 |
| 3       | JN3-K8426-01-00 | HINGE, SEAT MALE     | 2   | UR, F# JR3-100500~                 |
| 4       | 97095-05012-00  | BOLT, HEX            | 4   | F# ~JR3-100499                     |
|         | 90111-06810-00  | BOLT, BUTTON         | 4   | F# JR3-100500~                     |
| 5       | 92990-05100-00  | WASHER, LOCK         | 4   | F# ~JR3-100499                     |
|         | 90204-06870-00  | WASHER, LOCK         | 4   | F# JR3-100500~                     |
| 6       | 90167-04815-00  | SCREW, PAN HEAD      | 4   |                                    |
| 7       | 90185-08839-00  | NUT, SELF-LOCKING    | 12  |                                    |
| 8       | JN6-K8121-00-00 | REINFORCEMENT 1      | 2   |                                    |
| 9       | JN6-K8122-01-00 | REINFORCEMENT 2      | 2   | UR, SEE NOTE "A"<br>F# JR3-100500~ |
| 10      | JJ3-K8420-20-00 | SEAT ASSY 2          | 1   | SEE NOTE "B"                       |
| 11      | JJ3-K818E-00-00 | CAP, PROTECTOR END 1 | 2   |                                    |
| 12      | JJ3-K8139-00-00 | CAP, END             | 2   |                                    |
| 13      | JR3-K8402-00-00 | SEAT SUB ASSY, BACK  | 2   |                                    |
| 14      | JR3-K841G-09-00 | .COVER, SEAT BACK 2  | 2   |                                    |
| 15      | JJ3-K8413-00-00 | COVER, SEAT BACK     | 2   | SEE NOTE "C"                       |
| 16      | 90119-06915-00  | BOLT, WITH WASHER    | 4   |                                    |
| 17      | JJ3-K7762-00-00 | LABEL, WARNING 2     | 1   | SEE NOTE "C"                       |
| 18      | JJ3-K7763-00-00 | LABEL, WARNING 3     | 2   | SEE NOTE "B"                       |
| 19      | JJ3-K8433-00-00 | DAMPER, SEAT SUPPORT | 4   |                                    |

NOTE "A": For early units up to and including F# JR3-100499, you must also use REF Numbers 3 (JN3-K8426-01-00, Hinge, Seat Male ), 4 (90111-06810-00, Bolt Button ) and 5 (90204-06870-00, Washer, Lock).

NOTE "B": When replacing "Seat Assy 2 JJ3-K8420-20-00" you must also replace "Label Warning 3 JJ3-K7763-00-00".

NOTE "C": When replacing the LS "Cover Seat Back JJ3-K8413-00-00" you must also replace "Label Warning 2 JJ3-K7762-00-00".

FIG. 32 STARTER GENERATOR



| REF NO. | PART NUMBER     | DESCRIPTION                   | QTY | REMARKS |
|---------|-----------------|-------------------------------|-----|---------|
| 1       | JN6-H1100-01-00 | STARTER GENERATOR             | 1   |         |
| 2       | JN3-H1150-00-00 | .ARMATURE ASSY                | 1   |         |
| 3       | 93306-20226-00  | .BEARING 1 (6202 SD)          | 1   |         |
| 4       | J10-81158-10-00 | .BEARING 2 (6203 SD)          | 1   |         |
| 5       | J10-81159-10-00 | .HOLDER, BEARING              | 1   |         |
| 6       | JN6-H1110-10-00 | .STATOR ASSY                  | 1   |         |
| 7       | JN6-H1160-10-00 | .FIELD COIL ASSY              | 1   |         |
| 8       | J10-81148-10-00 | .SCREW 4                      | 2   |         |
| 9       | 95380-06600-00  | .NUT                          | 4   |         |
| 10      | 92990-06600-00  | .WASHER, WAVE                 | 2   |         |
| 11      | 92995-06100-00  | .WASHER, WAVE                 | 4   |         |
| 12      | J10-81146-10-00 | .SCREW 2                      | 4   |         |
| 13      | J38-81165-10-00 | .BRACKET, STARTER GENERATOR 1 | 1   |         |
| 14      | J10-81166-10-00 | .BRACKET, STARTER GENERATOR 2 | 1   |         |
| 15      | J10-81147-10-00 | .SCREW 3                      | 2   |         |
| 16      | 95380-06600-00  | .NUT                          | 4   |         |
| 17      | 92990-06600-00  | .WASHER, WAVE                 | 2   |         |
| 18      | 92995-06100-00  | .WASHER, WAVE                 | 4   |         |
| 19      | JF2-81119-00-00 | .BRUSH HOLDER ASSY            | 1   |         |
| 20      | JF2-81111-00-00 | .BRUSH                        | 4   |         |
| 21      | J38-81113-10-00 | .SPRING, BRUSH                | 4   |         |
| 22      | J10-81115-10-00 | .WIRE, LEAD                   | 2   |         |
| 23      | 98507-05016-00  | .SCREW, PAN HEAD              | 2   |         |
| 24      | 98580-04010-00  | .SCREW, PAN HEAD              | 4   |         |
| 25      | J10-81129-10-00 | .COVER, BRUSH                 | 4   |         |
| 26      | J10-81145-10-00 | .SCREW 1                      | 2   |         |
| 27      | 92990-06600-00  | .WASHER, PLAIN                | 2   |         |



JN6100-6231

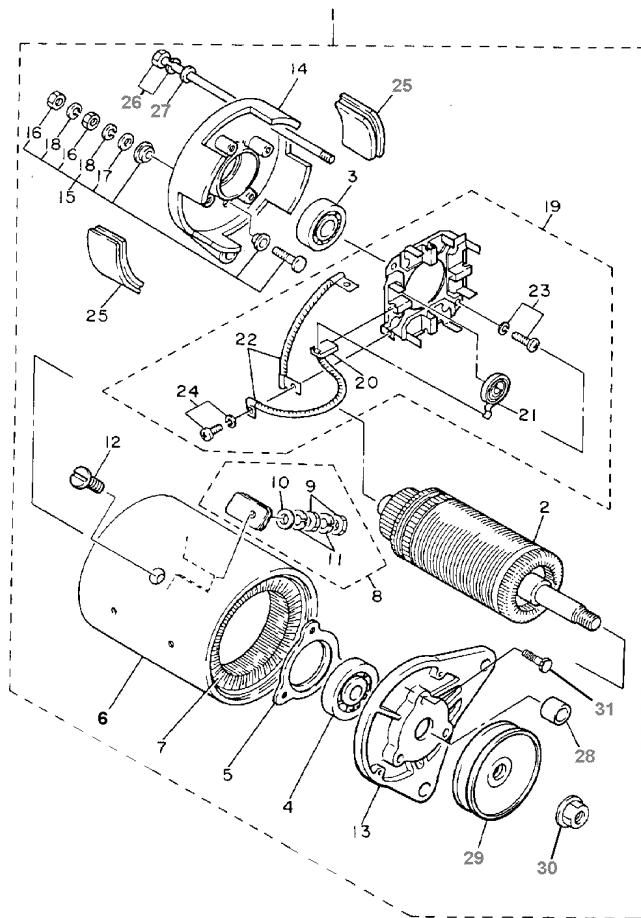
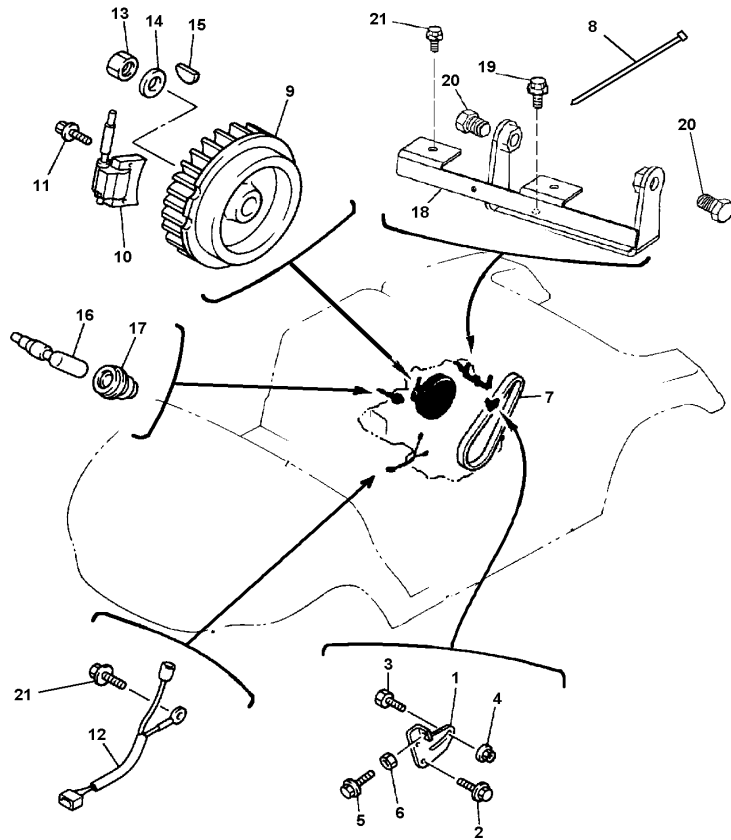


FIG. 32 STARTER GENERATOR

| REF NO. | PART NUMBER     | DESCRIPTION  | QTY | REMARKS |
|---------|-----------------|--------------|-----|---------|
| 28      | JN3-H1661-00-00 | .SPACER      | 1   |         |
| 29      | JN3-H1161-00-00 | .PULLEY      | 2   |         |
| 30      | 90179-16889-00  | .NUT, FLANGE | 1   |         |
| 31      | 98507-05018-00  | .SCREW       | 3   |         |



JN6100-6231



 JR3100-7100

FIG. 33 ELECTRICAL 1

| REF NO. | PART NUMBER     | DESCRIPTION                | QTY | REMARKS |
|---------|-----------------|----------------------------|-----|---------|
| 1       | JN6-H1170-00-00 | TENSIONER ASSY.            | 1   |         |
| 2       | 95817-08020-00  | BOLT, FLANGE               | 2   |         |
| 3       | 90109-087A5-00  | BOLT                       | 1   |         |
| 4       | 95707-08500-00  | NUT, FLANGE                | 1   |         |
| 5       | 90107-06035-00  | BOLT, HEX.                 | 1   |         |
| 6       | 95317-06600-00  | NUT, HEX.                  | 1   |         |
| 7       | JN6-H1173-00-00 | BELT                       | 1   |         |
| 8       | 90464-09823-00  | CLAMP                      | 1   |         |
| 9       | JN6-85650-00-00 | ROTOR ASSY.                | 1   |         |
| 10      | JN6-85640-00-00 | T.C.I. UNIT                | 1   |         |
| 11      | 95817-06025-00  | BOLT, FLANGE               | 2   |         |
| 12      | JN6-82318-00-00 | WIRE, SUB-LEAD             | 1   |         |
| 13      | 95307-18600-00  | NUT, HEX.                  | 1   |         |
| 14      | 90201-18620-00  | WASHER, PLAIN              | 1   |         |
| 15      | 90280-04052-00  | KEY, WOODRUFF              | 1   |         |
| 16      | 85G-82370-20-00 | PLUG CAP ASSY              | 1   |         |
| 17      | JE8-82372-00-00 | SEAL, PLUG CAP             | 1   |         |
| 18      | JN6-H1171-00-00 | BRACKET, STARTER GENERATOR | 1   |         |
| 19      | 95817-08020-00  | BOLT, FLANGE               | 2   |         |
| 20      | 95817-12025-00  | BOLT, FLANGE               | 2   |         |
| 21      | 95817-06016-00  | BOLT, FLANGE               | 3   |         |

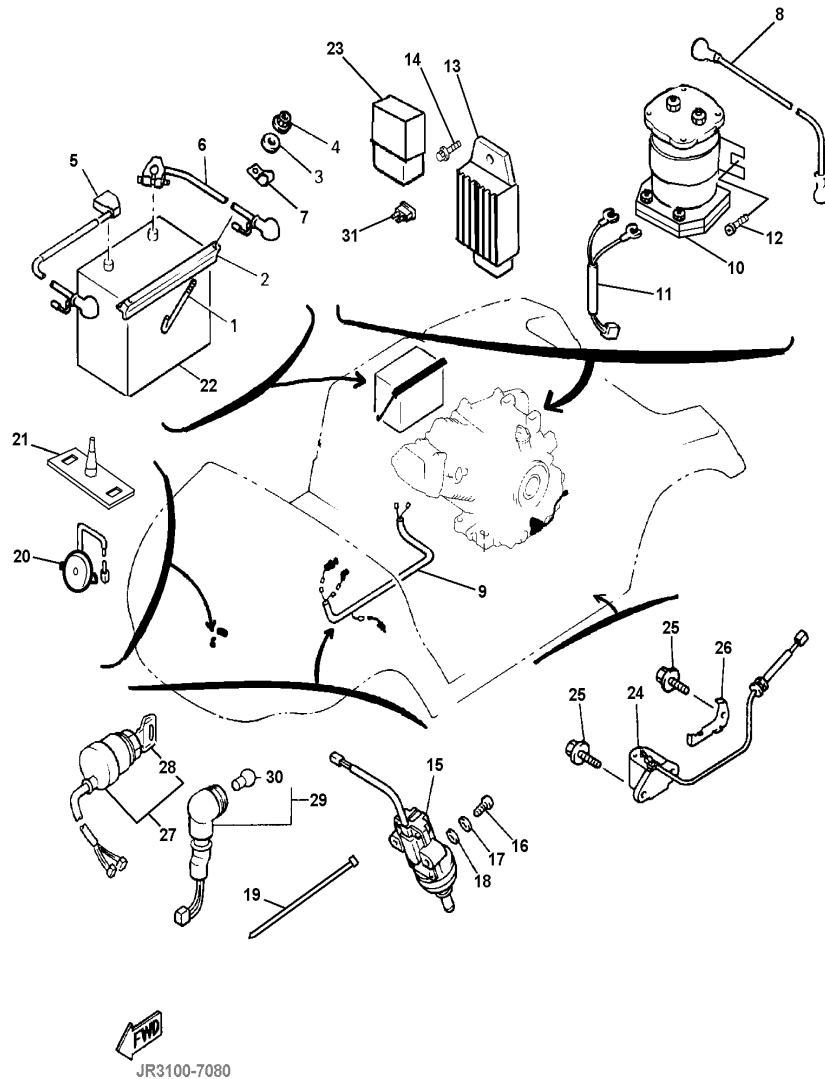
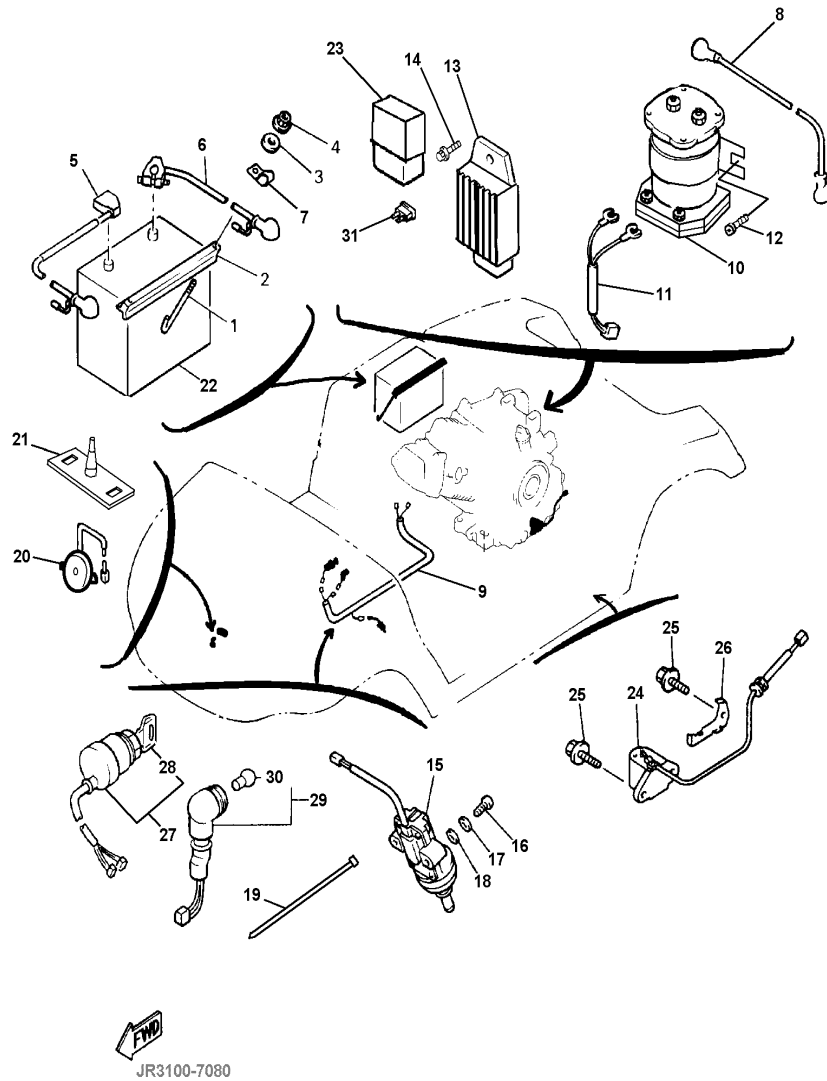


FIG. 34 ELECTRICAL 2

| REF NO. | PART NUMBER     | DESCRIPTION              | QTY | REMARKS   |
|---------|-----------------|--------------------------|-----|-----------|
| 1       | JN3-H2133-00-00 | SCREW, FITTING           | 2   |           |
| 2       | J55-H2136-00-00 | PLATE, BATTERY           | 1   |           |
| 3       | 92907-06200-00  | WASHER, PLAIN            | 2   |           |
| 4       | 95707-06500-00  | NUT, FLANGE              | 2   |           |
| 5       | JR3-H2115-00-00 | WIRE, PLUS LEAD          | 1   |           |
| 6       | JR3-H2116-00-00 | WIRE, MINUS LEAD         | 1   |           |
| 7       | 90461-08031-00  | CLAMP                    | 2   |           |
| 8       | JR3-H2117-00-00 | WIRE, LEAD               | 1   |           |
| 9       | JR3-H2590-00-00 | WIRE HARNESS             | 1   | WITH FUSE |
| 10      | JR3-H1950-00-00 | RELAY ASSY.              | 1   |           |
| 11      | JN6-H2105-00-00 | HARNESS, WIRE            | 1   |           |
| 12      | 90163-06005-00  | SCREW, HEX. T            | 2   |           |
| 13      | JF2-81910-01-00 | VOLTAGE REGULATOR        | 1   |           |
| 14      | 95817-06016-00  | BOLT, FLANGE             | 1   |           |
| 15      | JF7-82817-20-00 | SWITCH, ACCELERATOR STOP | 1   |           |
| 16      | 98507-05025-00  | SCREW, PAN HEAD          | 2   |           |
| 17      | 92907-05100-00  | WASHER, LOCK             | 2   |           |
| 18      | 92907-05600-00  | WASHER, PLATE            | 2   |           |
| 19      | 90464-31827-00  | CLAMP                    | 6   |           |
| 20      | JR1-H3383-01-00 | BUZZER                   | 1   |           |
| 21      | JN6-H3386-00-00 | STAY, BUZZER             | 1   |           |
| 22      | *               | BATTERY ASSY.            | 1   | LM        |
| 23      | 4U8-81950-02-00 | RELAY ASSY.              | 1   |           |
| 24      | JN6-85720-12-00 | OIL LEVEL GAUGE          | 1   |           |
| 25      | 95817-06012-00  | BOLT, FLANGE             | 4   |           |
| 26      | JN6-85724-00-00 | CLAMP, OIL LEVEL         | 1   |           |
| 27      | JN8-82510-01-00 | MAIN SWITCH              | 1   |           |



FIG. 34 ELECTRICAL 2



| REF NO. | PART NUMBER     | DESCRIPTION       | QTY | REMARKS |
|---------|-----------------|-------------------|-----|---------|
| 28      | J44-82511-00-YY | .KEY, MAIN SWITCH | 1   |         |
| 29      | JN6-83530-00-00 | PILOT LAMP A      | 1   |         |
| 30      | 123-83516-21-XX | .BULB, (12V-3.4W) | 1   |         |
| 31      | 42X-82151-00-00 | FUSE (10A-BLADE)  | 1   |         |