

PARTS CATALOG



2005
G22-AB (JU02) U.S.A.



THIS CATALOG COVERS SERIAL NUMBER JU0-209201 AND ABOVE

CONTENTS

ACCELERATOR	C2
AIR SHROUD & FAN	A9
BODY	C12
BODY 2	D1-2
BODY FITTING	D3
BRAKE	B10-11
BRAKE 2	B12
BRAKE 3	C1
BUMPER	C11
CAMSHAFT & VALVE	A8
CARBURETOR	A11
CARRIER	D4
CRANKCASE	B1
CRANKSHAFT & PISTON	A7
CYLINDER HEAD	A6
ELECTRICAL 1	D8
ELECTRICAL 2	D9-10
ENGINE ASSEMBLY	A5
ENGINE BRACKET	B2
EXHAUST	A12
FRAME	B4
FRONT SUSPENSION & WHEEL	B5-6
FUEL TANK	B9
GOVERNOR	C3
INTAKE	A10
OPTIONAL LIGHT KIT	E1-2
OPTIONAL SUN ROOF	D12
OPTIONAL WINDSHIELD	D11
PRIMARY SHEAVE	C4
REAR ARM & SUSPENSION	B3
REAR AXLE MOUNT & WHEEL	C9
SEAT	D5
SECONDARY SHEAVE	C5
SHIFTER & CABLES	C10
STARTING MOTOR	D6-7
STEERING	B7-8
TRANSMISSION 1	C6-8

FOREWORD

This Parts Catalog is related to the parts for the model(s) on the cover page. When you are ordering replacement parts, please refer to this Parts Catalog and quote both part numbers and part names correctly.

1. Modifications or additions which have been made after the issue of the Parts Catalog will be announced in the Parts News. It is advisable that you make the necessary corrections to the Parts Catalog according to the Parts News.

2. Abbreviations
The following abbreviations are used in this Parts catalog.

"UR" Use specified parts number.
"UN" Use as many as needed.
"AP" Locally made (Parts need to be ordered locally)
"F#" Frame No. (Applicable machine No.)

3. The number of components for assembly
* Parts which are to be supplied in an assembly, are listed with a dor(>) in front of the part name as shown below.
* The numeral appearing to the right of each component part indicates the quantity of parts for each assembly unit.

PART NO.	DESCRIPTION	QTY	REMARKS
2F5-83310-60-00	FRONT FLASHER LIGHT ASSY	2	
115-83311-60-00	.BULB (6V-18W)	1	

4. Applicable colors of graphics are represented in the "REMARKS" as shown below.

PART NO.	DESCRIPTION	QTY	REMARKS
2N4-24110-00-X5	FUEL TANK COMP.	2	MXR
3J1-24240-10-00	.GRAPHIC, FUEL TANK	1	FOR MXR

5. Note that the illustrations for reference in finding parts numbers are not to be used for assembling. When assembling, please use the applicable service manual.

6. The asterisk (*) before a reference number indicates modified items after the first edition.

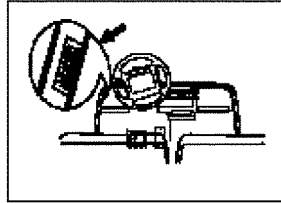
CONTENTS

ACCELERATOR	C2
AIR SHROUD & FAN	A9
BODY	C12
BODY 2	D1-2
BODY FITTING	D3
BRAKE	B10-11
BRAKE 2	B12
BRAKE 3	C1
BUMPER	C11
CAMSHAFT & VALVE	A8
CARBURETOR	A11
CARRIER	D4
CRANKCASE	B1
CRANKSHAFT & PISTON	A7
CYLINDER HEAD	A6
ELECTRICAL 1	D8
ELECTRICAL 2	D9-10
ENGINE ASSEMBLY	A5
ENGINE BRACKET	B2
EXHAUST	A12
FRAME	B4
FRONT SUSPENSION & WHEEL	B5-6
FUEL TANK	B9
GOVERNOR	C3
INTAKE	A10
OPTIONAL LIGHT KIT	E1-2
OPTIONAL SUN ROOF	D12
OPTIONAL WINDSHIELD	D11
PRIMARY SHEAVE	C4
REAR ARM & SUSPENSION	B3
REAR AXLE MOUNT & WHEEL SEAT	C9
SECONDARY SHEAVE	D5
SHIFTER & CABLES	C5
STARTING MOTOR	C10
STEERING	D6-7
TRANSMISSION 1	B7-8
	C6-8

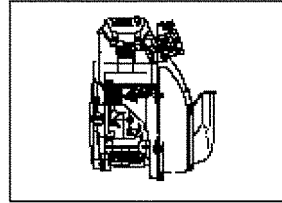
FOREWORD

7. Applicable Serial No.

Frame Serial No.



Engine Serial No.



8. Applicable Color Code (The (*) mark shows Model color.)

Abbreviation	Color Marketing Name	Color Code
DPBMT(*)	BRIGHT BLUE METALLIC	0978
DRMG(*)	CANDY APPLE RED METALLIC	0811
HTR(*)	BURGUNDY	00EY
VDGS1(*)	HUNTER GREEN	0614
VPYS2(*)	IVORY	0500

9. Applicable Starting Serial No.

Frame Serial No.

Serial No.	Name	Model Code
JU0-209201	G22-AB	JU02

CONTENTS

ACCELERATOR	C2
AIR SHROUD & FAN	A9
BODY	C12
BODY 2	D1-2
BODY FITTING	D3
BRAKE	B10-11
BRAKE 2	B12
BRAKE 3	C1
BUMPER	C11
CAMSHAFT & VALVE	A8
CARBURETOR	A11
CARRIER	D4
CRANKCASE	B1
CRANKSHAFT & PISTON	A7
CYLINDER HEAD	A6
ELECTRICAL 1	D8
ELECTRICAL 2	D9-10
ENGINE ASSEMBLY	A5
ENGINE BRACKET	B2
EXHAUST	A12
FRAME	B4
FRONT SUSPENSION & WHEEL	B5-6
FUEL TANK	B9
GOVERNOR	C3
INTAKE	A10
OPTIONAL LIGHT KIT	E1-2
OPTIONAL SUN ROOF	D12
OPTIONAL WINDSHIELD	D11
PRIMARY SHEAVE	C4
REAR ARM & SUSPENSION	B3
REAR AXLE MOUNT & WHEEL	C9
SEAT	D5
SECONDARY SHEAVE	C5
SHIFTER & CABLES	C10
STARTING MOTOR	D6-7
STEERING	B7-8
TRANSMISSION 1	C6-8

CONTENTS

ACCELERATOR	C2
AIR SHROUD & FAN	A9
BODY	C12
BODY 2	D1-2
BODY FITTING	D3
BRAKE	B10-11
BRAKE 2	B12
BRAKE 3	C1
BUMPER	C11
CAMSHAFT & VALVE	A8
CARBURETOR	A11
CARRIER	D4
CRANKCASE	B1
CRANKSHAFT & PISTON	A7
CYLINDER HEAD	A6
ELECTRICAL 1	D8
ELECTRICAL 2	D9-10
ENGINE ASSEMBLY	A5
ENGINE BRACKET	B2
EXHAUST	A12
FRAME	B4
FRONT SUSPENSION & WHEEL	B5-6
FUEL TANK	B9
GOVERNOR	C3
INTAKE	A10
OPTIONAL LIGHT KIT	E1-2
OPTIONAL SUN ROOF	D12
OPTIONAL WINDSHIELD	D11
PRIMARY SHEAVE	C4
REAR ARM & SUSPENSION	B3
REAR AXLE MOUNT & WHEEL	C9
SEAT	D5
SECONDARY SHEAVE	C5
SHIFTER & CABLES	C10
STARTING MOTOR	D6-7
STEERING	B7-8
TRANSMISSION 1	C6-8

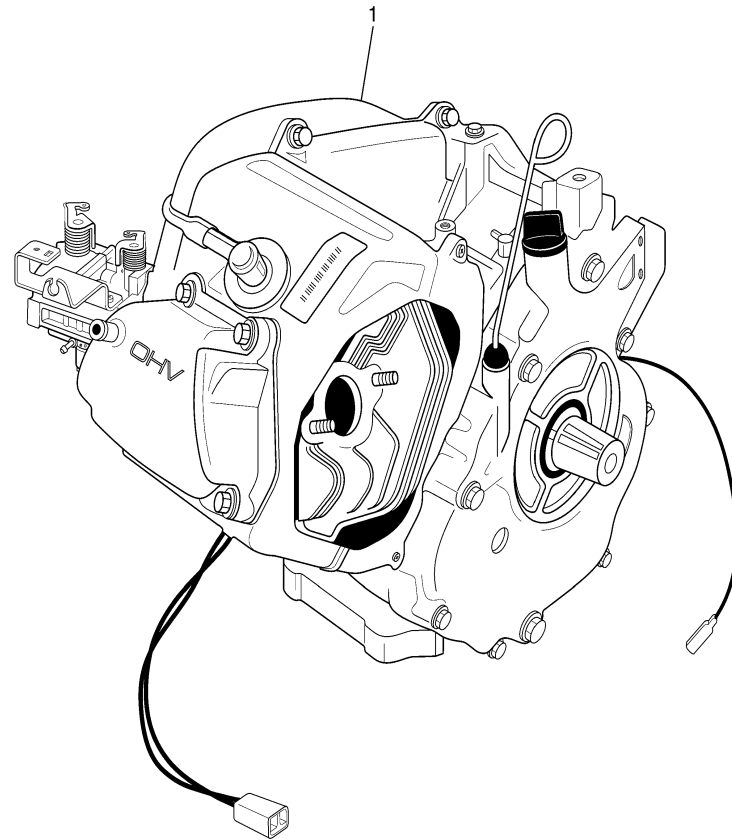
G22-AB
PARTS CATALOG
©2005 by Yamaha Motor Co., Ltd.
1st Edition, January 2005
All rights reserved
any reprinting or unauthorized use
without the written permission of
Yamaha Motor Co., Ltd.
is expressly prohibited.
Printed in the U.S.A.

ENGINE ASSEMBLY

Ref. No.	Part Number	Description	Qty	Remarks
1	JR6-19001-00-00	ENGINE ASSEMBLY	1	

CONTENTS

ACCELERATOR	C2
AIR SHROUD & FAN	A9
BODY	C12
BODY 2	D1-2
BODY FITTING	D3
BRAKE	B10-11
BRAKE 2	B12
BRAKE 3	C1
BUMPER	C11
CAMSHAFT & VALVE	A8
CARBURETOR	A11
CARRIER	D4
CRANKCASE	B1
CRANKSHAFT & PISTON	A7
CYLINDER HEAD	A6
ELECTRICAL 1	D8
ELECTRICAL 2	D9-10
ENGINE ASSEMBLY	A5
ENGINE BRACKET	B2
EXHAUST	A12
FRAME	B4
FRONT SUSPENSION & WHEEL	B5-6
FUEL TANK	B9
GOVERNOR	C3
INTAKE	A10
OPTIONAL LIGHT KIT	E1-2
OPTIONAL SUN ROOF	D12
OPTIONAL WINDSHIELD	D11
PRIMARY SHEAVE	C4
REAR ARM & SUSPENSION	B3
REAR AXLE MOUNT & WHEEL	C9
SEAT	D5
SECONDARY SHEAVE	C5
SHIFTER & CABLES	C10
STARTING MOTOR	D6-7
STEERING	B7-8
TRANSMISSION 1	C6-8



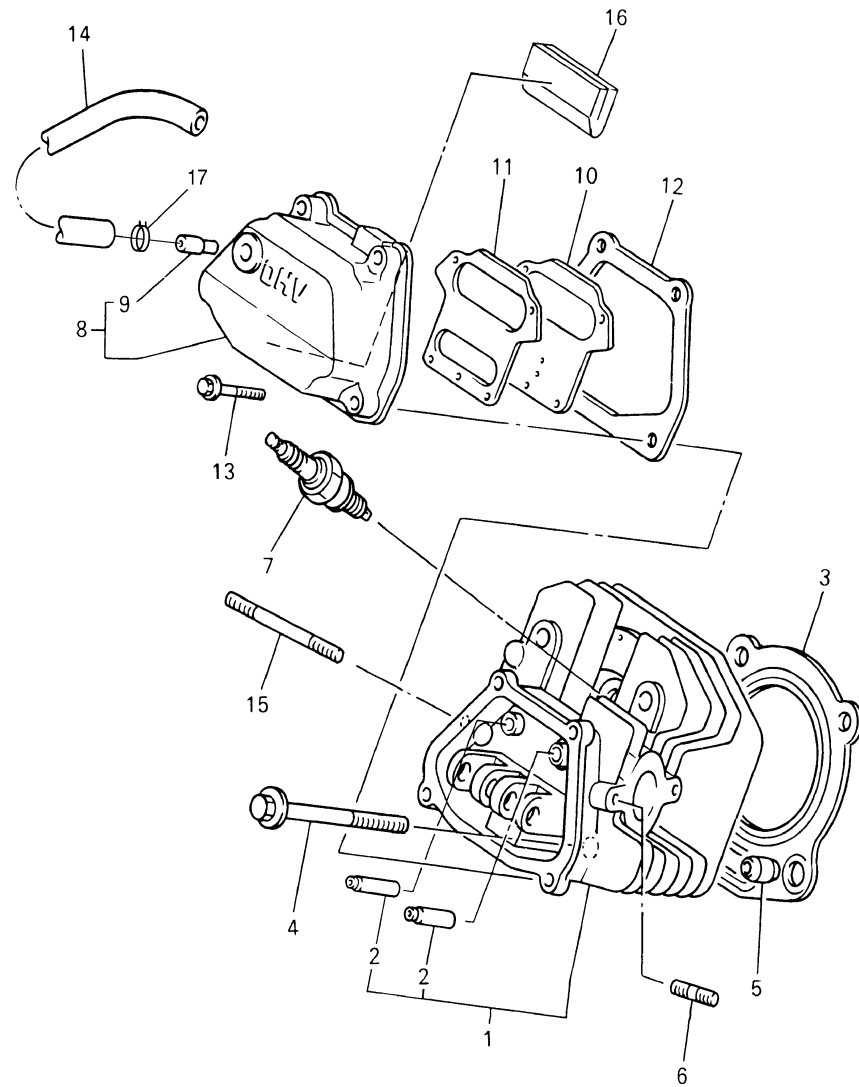
JW41110-C010

CYLINDER HEAD

Ref. No.	Part Number	Description	Qty	Remarks
1	JT0-11111-00-00	HEAD, CYLINDER 1	1	
2	JN6-11133-10-00	. GUIDE, VALVE 1	2	
3	JT0-11181-00-00	GASKET, CYLINDER HEAD 1 .	1	
4	95817-10070-00	BOLT, FLANGE	4	
5	99530-14016-00	PIN, DOWEL	2	
6	95627-08618-00	BOLT, STUD	2	
7	94702-00343-00	PLUG, SPARK (NGK BP4ES) ..	1	AP
	94702-00348-00	PLUG, SPARK (NGK-BPR2ES)	1	STD
8	JN6-11191-01-00	COVER, CYLINDER HEAD 1 ..	1	
9	JN6-11116-00-00	. JOINT, BREATHER	1	
10	JN6-11168-00-00	COVER, BREATHER	1	
11	JN6-11169-00-00	GASKET, BREATHER COVER .	1	
12	JN6-11193-00-00	GASKET, HEAD COVER 1	1	
13	95827-06030-00	BOLT, FLANGE	4	
14	JN6-E1166-00-00	PIPE, BREATHER 1	1	
15	95607-08710-00	BOLT, STUD	2	
16	JR7-11163-00-00	ELEMENT	1	
17	90467-13847-00	CLIP	2	

CONTENTS

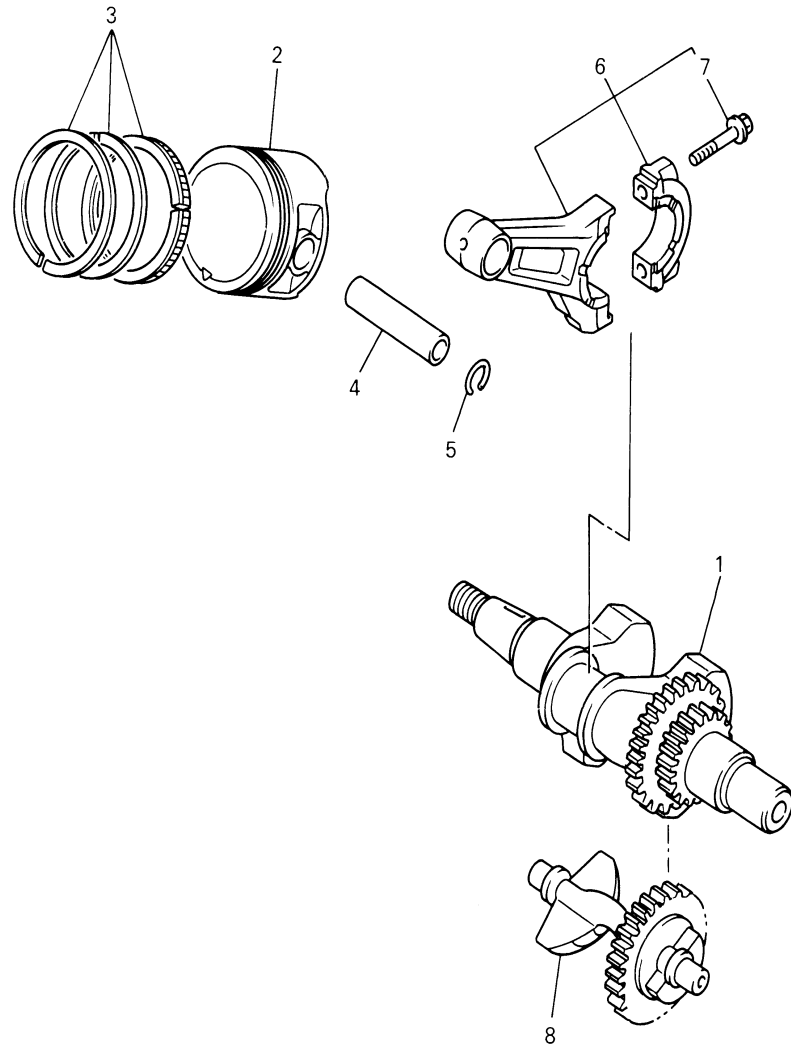
ACCELERATOR	C2
AIR SHROUD & FAN	A9
BODY	C12
BODY 2	D1-2
BODY FITTING	D3
BRAKE	B10-11
BRAKE 2	B12
BRAKE 3	C1
BUMPER	C11
CAMSHAFT & VALVE	A8
CARBURETOR	A11
CARRIER	D4
CRANKCASE	B1
CRANKSHAFT & PISTON	A7
CYLINDER HEAD	A6
ELECTRICAL 1	D8
ELECTRICAL 2	D9-10
ENGINE ASSEMBLY	A5
ENGINE BRACKET	B2
EXHAUST	A12
FRAME	B4
FRONT SUSPENSION & WHEEL	B5-6
FUEL TANK	B9
GOVERNOR	C3
INTAKE	A10
OPTIONAL LIGHT KIT	E1-2
OPTIONAL SUN ROOF	D12
OPTIONAL WINDSHIELD	D11
PRIMARY SHEAVE	C4
REAR ARM & SUSPENSION	B3
REAR AXLE MOUNT & WHEEL	C9
SEAT	D5
SECONDARY SHEAVE	C5
SHIFTER & CABLES	C10
STARTING MOTOR	D6-7
STEERING	B7-8
TRANSMISSION 1	C6-8



JT01010-0011

CRANKSHAFT & PISTON

Ref. No.	Part Number	Description	Qty	Remarks
1	JN6-11400-00-00	CRANKSHAFT ASSY	1	
2	JR7-11631-00-A0	PISTON (STD)	1	
	JR7-11635-00-00	PISTON (0.25MM O/S)	1	AP
	JR7-11636-00-00	PISTON (0.50MM O/S)	1	AP
3	JR7-11610-00-00	PISTON RING SET (STD)	1	
	JR7-11610-10-00	PISTON RING SET (0.25MM O/S)	1	AP
	JR7-11610-20-00	PISTON RING SET (0.50MM O/S)	1	AP
4	583-11633-00-00	PIN, PISTON	1	
5	93450-21053-00	CIRCLIP	2	
6	JN6-11650-00-00	CONNECTING ROD ASSY	1	
7	JN6-11654-00-00	. BOLT, CONNECTING ROD ..	2	
8	JN6-11454-00-00	WEIGHT 1	1	



CONTENTS

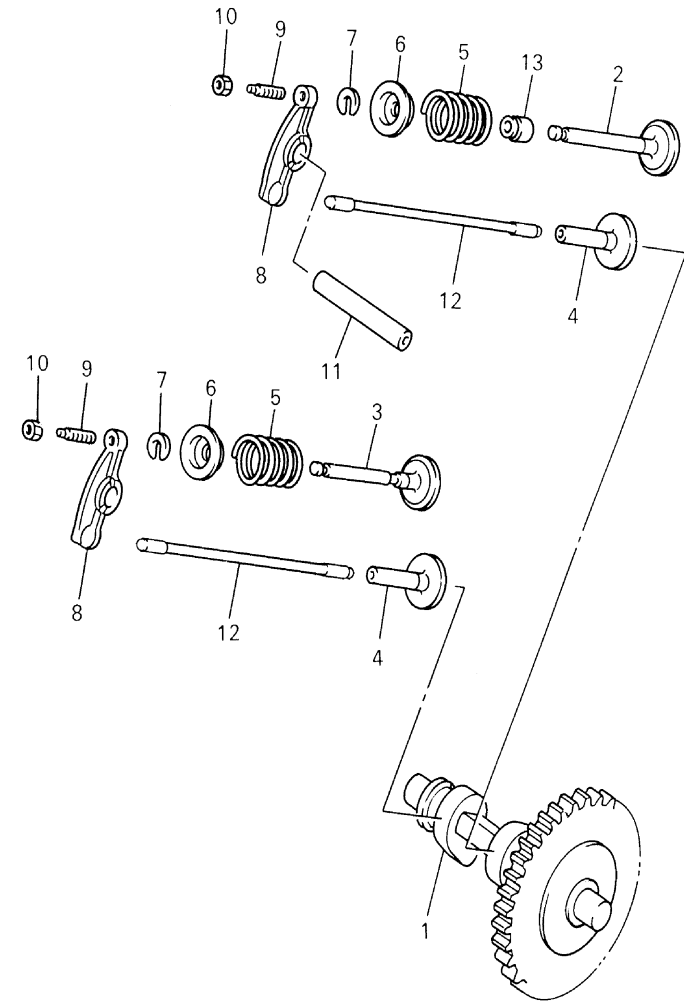
ACCELERATOR	C2
AIR SHROUD & FAN	A9
BODY	C12
BODY 2	D1-2
BODY FITTING	D3
BRAKE	B10-11
BRAKE 2	B12
BRAKE 3	C1
BUMPER	C11
CAMSHAFT & VALVE	A8
CARBURETOR	A11
CARRIER	D4
CRANKCASE	B1
CRANKSHAFT & PISTON	A7
CYLINDER HEAD	A6
ELECTRICAL 1	D8
ELECTRICAL 2	D9-10
ENGINE ASSEMBLY	A5
ENGINE BRACKET	B2
EXHAUST	A12
FRAME	B4
FRONT SUSPENSION & WHEEL	B5-6
FUEL TANK	B9
GOVERNOR	C3
INTAKE	A10
OPTIONAL LIGHT KIT	E1-2
OPTIONAL SUN ROOF	D12
OPTIONAL WINDSHIELD	D11
PRIMARY SHEAVE	C4
REAR ARM & SUSPENSION	B3
REAR AXLE MOUNT & WHEEL	C9
SEAT	D5
SECONDARY SHEAVE	C5
SHIFTER & CABLES	C10
STARTING MOTOR	D6-7
STEERING	B7-8
TRANSMISSION 1	C6-8



JN7010-6020

CAMSHAFT & VALVE

Ref. No.	Part Number	Description	Qty	Remarks
1	JR7-12170-00-00	CAMSHAFT ASSY 1	1	
2	JN6-12111-01-00	VALVE, INTAKE	1	
3	7RH-12121-00-00	VALVE, EXHAUST	1	
4	JN6-12153-00-00	LIFTER, VALVE	2	
5	90501-264A9-00	SPRING, COMPRESSION	2	
6	J38-12117-01-00	RETAINER, VALVE SPRING ..	2	
7	J38-12118-00-00	COTTER, VALVE	2	
8	JN6-12151-00-00	ARM, VALVE ROCKER	2	
9	22F-12159-00-00	SCREW, VALVE ADJUSTING ..	2	
10	90170-05302-00	NUT	2	
11	J38-12156-00-00	SHAFT, ROCKER 2	1	
12	JR7-12154-01-00	ROD, VALVE PUSH	2	
13	4G0-12119-00-00	SEAL, VALVE STEM	1	



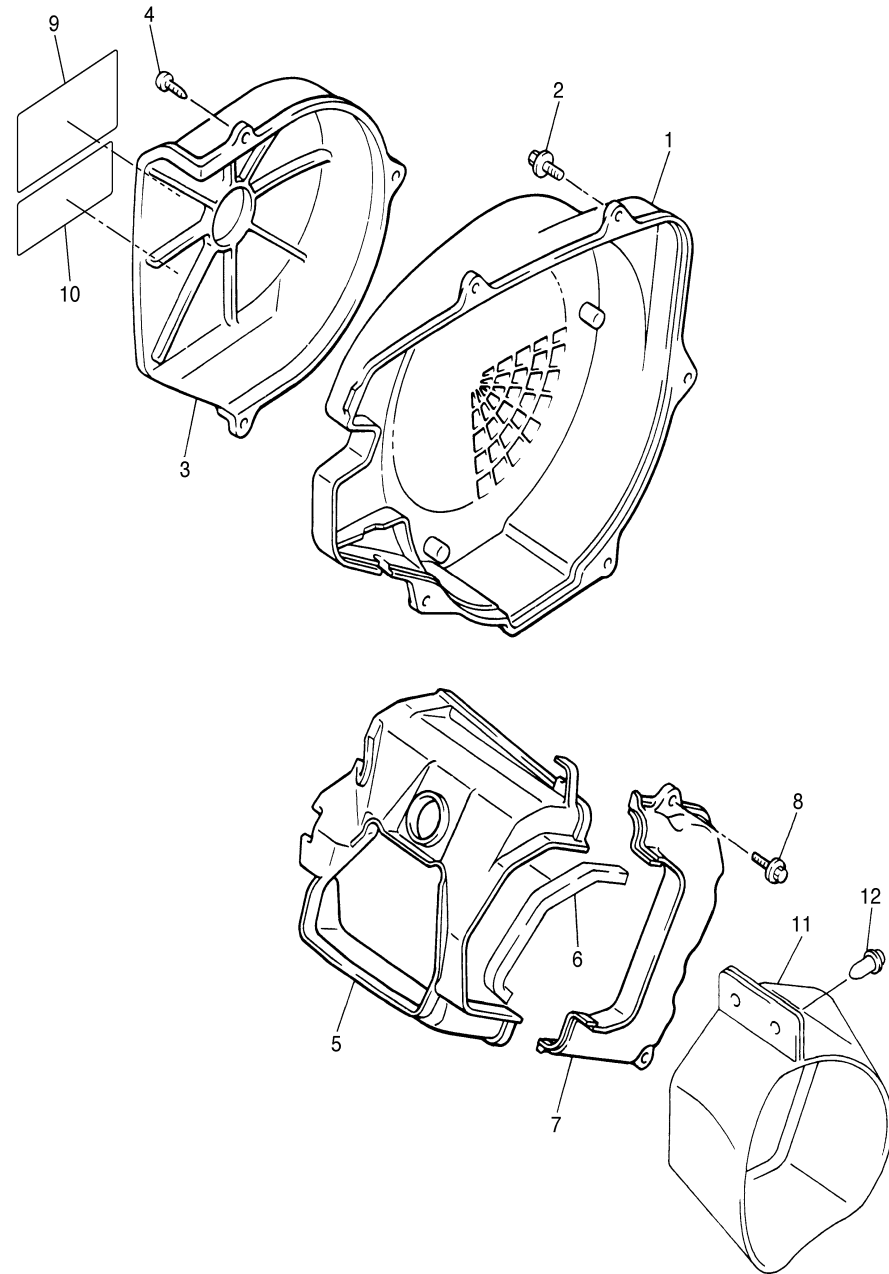
CONTENTS

ACCELERATOR	C2
AIR SHROUD & FAN	A9
BODY	C12
BODY 2	D1-2
BODY FITTING	D3
BRAKE	B10-11
BRAKE 2	B12
BRAKE 3	C1
BUMPER	C11
CAMSHAFT & VALVE	A8
CARBURETOR	A11
CARRIER	D4
CRANKCASE	B1
CRANKSHAFT & PISTON	A7
CYLINDER HEAD	A6
ELECTRICAL 1	D8
ELECTRICAL 2	D9-10
ENGINE ASSEMBLY	A5
ENGINE BRACKET	B2
EXHAUST	A12
FRAME	B4
FRONT SUSPENSION & WHEEL	B5-6
FUEL TANK	B9
GOVERNOR	C3
INTAKE	A10
OPTIONAL LIGHT KIT	E1-2
OPTIONAL SUN ROOF	D12
OPTIONAL WINDSHIELD	D11
PRIMARY SHEAVE	C4
REAR ARM & SUSPENSION	B3
REAR AXLE MOUNT & WHEEL	C9
SEAT	D5
SECONDARY SHEAVE	C5
SHIFTER & CABLES	C10
STARTING MOTOR	D6-7
STEERING	B7-8
TRANSMISSION 1	C6-8



JT01010-0030

AIR SHROUD & FAN



Ref. No.	Part Number	Description	Qty	Remarks
1	JN6-12621-02-00	CASE, FAN	1	
2	95807-06020-00	BOLT, FLANGE	5	
3	JN6-12616-00-00	COVER, FAN CASE	1	
4	97707-60520-00	SCREW, TAPPING	3	
5	JN6-12651-00-00	AIR SHROUD, CYLINDER 1 ...	1	
6	JR7-12658-00-00	DAMPER, AIR SHROUD 1	1	
7	JN6-12652-00-00	AIR SHROUD, CYLINDER 2 ...	1	
8	95807-06020-00	BOLT, FLANGE	2	
9	JR6-2179R-01-00	PLATE, EPA 2 (CALIFORNIA) .	1	
10	7UH-2111F-00-00	LABEL, EMISSION	1	
11	JN6-E2691-00-00	DUCT, 1	1	
12	90269-08813-00	RIVET	2	

CONTENTS

ACCELERATOR	C2
AIR SHROUD & FAN	A9
BODY	C12
BODY 2	D1-2
BODY FITTING	D3
BRAKE	B10-11
BRAKE 2	B12
BRAKE 3	C1
BUMPER	C11
CAMSHAFT & VALVE	A8
CARBURETOR	A11
CARRIER	D4
CRANKCASE	B1
CRANKSHAFT & PISTON	A7
CYLINDER HEAD	A6
ELECTRICAL 1	D8
ELECTRICAL 2	D9-10
ENGINE ASSEMBLY	A5
ENGINE BRACKET	B2
EXHAUST	A12
FRAME	B4
FRONT SUSPENSION & WHEEL	B5-6
FUEL TANK	B9
GOVERNOR	C3
INTAKE	A10
OPTIONAL LIGHT KIT	E1-2
OPTIONAL SUN ROOF	D12
OPTIONAL WINDSHIELD	D11
PRIMARY SHEAVE	C4
REAR ARM & SUSPENSION	B3
REAR AXLE MOUNT & WHEEL	C9
SEAT	D5
SECONDARY SHEAVE	C5
SHIFTER & CABLES	C10
STARTING MOTOR	D6-7
STEERING	B7-8
TRANSMISSION 1	C6-8



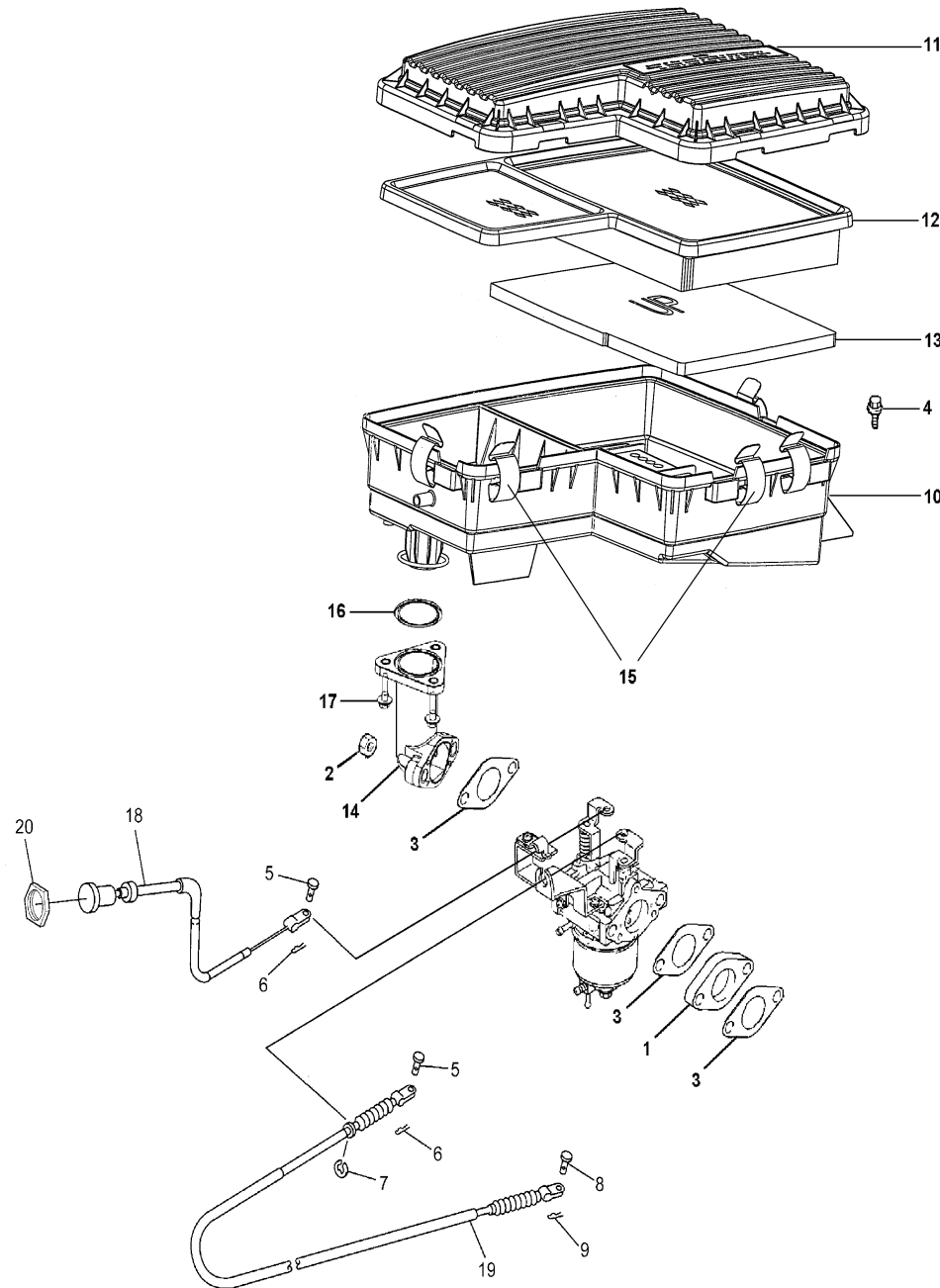
JW41110-C050

INTAKE

Ref. No.	Part Number	Description	Qty	Remarks
1	JN6-13595-00-00	JOINT	1	
2	95707-08500-00	NUT, FLANGE	2	
3	JN6-13567-00-00	GASKET	3	
4	90119-06838-00	BOLT, WITH WASHER	2	
5	91701-05010-00	PIN, CLEVIS	2	
6	90468-10049-00	CLIP	2	
7	99001-07600-00	CIRCLIP	1	
8	91701-05010-00	PIN, CLEVIS	1	
9	90468-10050-00	CLIP	1	
10	JU0-E4411-00-00	CASE, AIR CLEANER 1	1	FOR S/N 209201>
11	JU0-E4412-00-00	CAP, CLEANER CASE 1	1	FOR S/N 209201>
12	JU0-E4450-00-00	ELEMENT ASSY, AIR CLEANER	1	
13	JU0-E445E-00-00	FILTER 1	1	
14	JU0-E3586-00-00	JOINT, CARBURETOR 1	1	
15	JN6-E4424-00-00	CLIP, CAP FITTING	5	
16	93210-398D6-00	O-RING	1	
17	90105-06862-00	BOLT, FLANGE	3	
18	JN6-F6331-11-00	CABLE, STARTER 1	1	
19	JN6-F6312-01-00	CABLE, THROTTLE 2	1	
20	JN6-F6333-10-00	NUT	1	

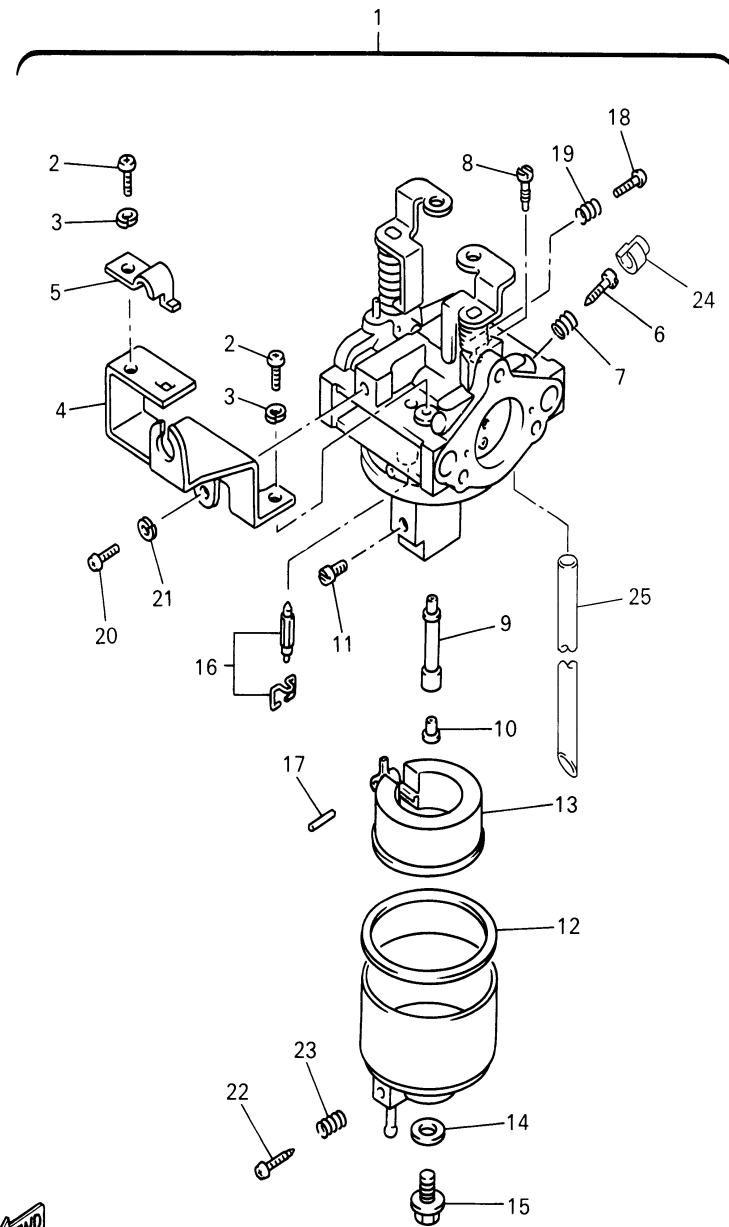
CONTENTS

ACCELERATOR	C2
AIR SHROUD & FAN	A9
BODY	C12
BODY 2	D1-2
BODY FITTING	D3
BRAKE	B10-11
BRAKE 2	B12
BRAKE 3	C1
BUMPER	C11
CAMSHAFT & VALVE	A8
CARBURETOR	A11
CARRIER	D4
CRANKCASE	B1
CRANKSHAFT & PISTON	A7
CYLINDER HEAD	A6
ELECTRICAL 1	D8
ELECTRICAL 2	D9-10
ENGINE ASSEMBLY	A5
ENGINE BRACKET	B2
EXHAUST	A12
FRAME	B4
FRONT SUSPENSION & WHEEL	B5-6
FUEL TANK	B9
GOVERNOR	C3
INTAKE	A10
OPTIONAL LIGHT KIT	E1-2
OPTIONAL SUN ROOF	D12
OPTIONAL WINDSHIELD	D11
PRIMARY SHEAVE	C4
REAR ARM & SUSPENSION	B3
REAR AXLE MOUNT & WHEEL	C9
SEAT	D5
SECONDARY SHEAVE	C5
SHIFTER & CABLES	C10
STARTING MOTOR	D6-7
STEERING	B7-8
TRANSMISSION 1	C6-8



 JU0100-5050

CARBURETOR



JR61100-1060

Ref. No.	Part Number	Description	Qty	Remarks
1	JR6-14101-00-00	CARBURETOR ASSY 1	1	
2	98507-05008-00	.SCREW, PAN HEAD	2	
3	92990-05100-00	.WASHER, SPRING	2	
4	JN6-14291-00-00	.BRACKET 1	1	
5	J10-14227-00-00	.PLATE	1	
6	7NJ-14211-00-00	.SCREW, PILOT ADJUSTING	1	
7	73A-14212-10-00	.SPRING	1	
8	732-14142-65-A0	.JET, PILOT (# 65)	1	
9	JN6-1495H-3B-00	.NOZZLE, MAIN	1	
10	73A-1414G-00-00	.PIPE, MAIN BREED	1	
11	3G2-1423A-67-00	.JET, MAIN (# 82.5)	1	AP
	3G2-1423A-68-A0	.JET, MAIN (# 87.5)	1	STD
	3G2-1423E-33-A0	.JET, MAIN (# 83.8)	1	AP
12	796-14184-00-00	.GASKET, FLOAT CHAMBER	1	
13	JN6-14185-00-00	.FLOAT	1	
14	127-14198-00-00	.GASKET	1	
15	7R1-14162-00-00	.BOLT, HOLDING	1	
16	JN5-14150-00-00	.NEEDLE ASSY (WITH CLIP)	1	
17	22F-14186-00-00	.PIN, FLOAT	1	
18	1WG-14922-00-00	.SCREW, THROTTLE	1	
19	73A-14212-10-00	.SPRING	1	
20	98507-04010-00	.SCREW, PAN HEAD	1	
21	92902-04100-00	.WASHER, SPRING	1	
22	7E1-14191-00-00	.PLUG, DRAIN	1	
23	73A-14212-00-00	.SPRING	1	
24	7LV-14118-00-00	.CAP	1	
25	1KT-14197-01-00	.PIPE	1	

CONTENTS

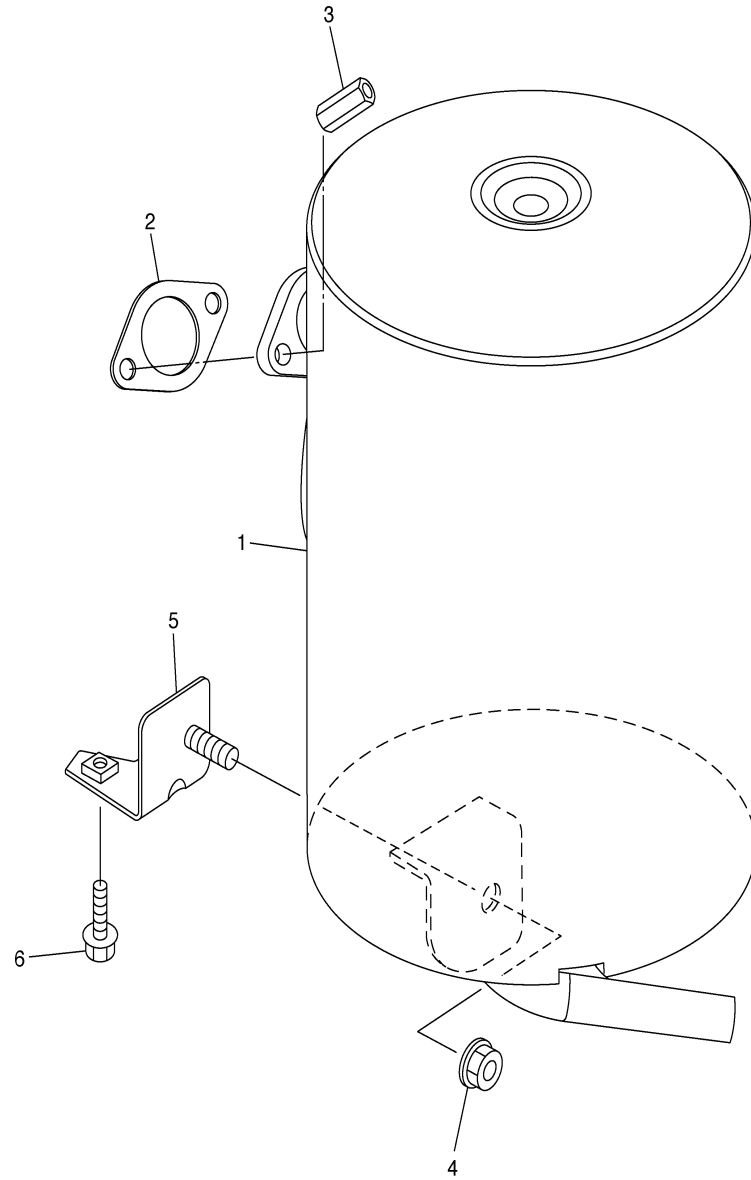
ACCELERATOR	C2
AIR SHROUD & FAN	A9
BODY	C12
BODY 2	D1-2
BODY FITTING	D3
BRAKE	B10-11
BRAKE 2	B12
BRAKE 3	C1
BUMPER	C11
CAMSHAFT & VALVE	A8
CARBURETOR	A11
CARRIER	D4
CRANKCASE	B1
CRANKSHAFT & PISTON	A7
CYLINDER HEAD	A6
ELECTRICAL 1	D8
ELECTRICAL 2	D9-10
ENGINE ASSEMBLY	A5
ENGINE BRACKET	B2
EXHAUST	A12
FRAME	B4
FRONT SUSPENSION & WHEEL	B5-6
FUEL TANK	B9
GOVERNOR	C3
INTAKE	A10
OPTIONAL LIGHT KIT	E1-2
OPTIONAL SUN ROOF	D12
OPTIONAL WINDSHIELD	D11
PRIMARY SHEAVE	C4
REAR ARM & SUSPENSION	B3
REAR AXLE MOUNT & WHEEL	C9
SEAT	D5
SECONDARY SHEAVE	C5
SHIFTER & CABLES	C10
STARTING MOTOR	D6-7
STEERING	B7-8
TRANSMISSION 1	C6-8

EXHAUST

Ref. No.	Part Number	Description	Qty	Remarks
1	JU0-E4710-10-00	MUFFLER ASSY 1	1	
2	7KY-14613-01-00	GASKET, EXHAUST 1	1	
3	90179-08879-00	NUT	2	
4	90185-08841-00	NUT, SELF-LOCKING	1	
5	JU0-F1436-00-00	BRKT., MUFF. 2	1	
6	90119-08825-00	BOLT, WITH WASHER	1	

CONTENTS

ACCELERATOR	C2
AIR SHROUD & FAN	A9
BODY	C12
BODY 2	D1-2
BODY FITTING	D3
BRAKE	B10-11
BRAKE 2	B12
BRAKE 3	C1
BUMPER	C11
CAMSHAFT & VALVE	A8
CARBURETOR	A11
CARRIER	D4
CRANKCASE	B1
CRANKSHAFT & PISTON	A7
CYLINDER HEAD	A6
ELECTRICAL 1	D8
ELECTRICAL 2	D9-10
ENGINE ASSEMBLY	A5
ENGINE BRACKET	B2
EXHAUST	A12
FRAME	B4
FRONT SUSPENSION & WHEEL	B5-6
FUEL TANK	B9
GOVERNOR	C3
INTAKE	A10
OPTIONAL LIGHT KIT	E1-2
OPTIONAL SUN ROOF	D12
OPTIONAL WINDSHIELD	D11
PRIMARY SHEAVE	C4
REAR ARM & SUSPENSION	B3
REAR AXLE MOUNT & WHEEL	C9
SEAT	D5
SECONDARY SHEAVE	C5
SHIFTER & CABLES	C10
STARTING MOTOR	D6-7
STEERING	B7-8
TRANSMISSION 1	C6-8



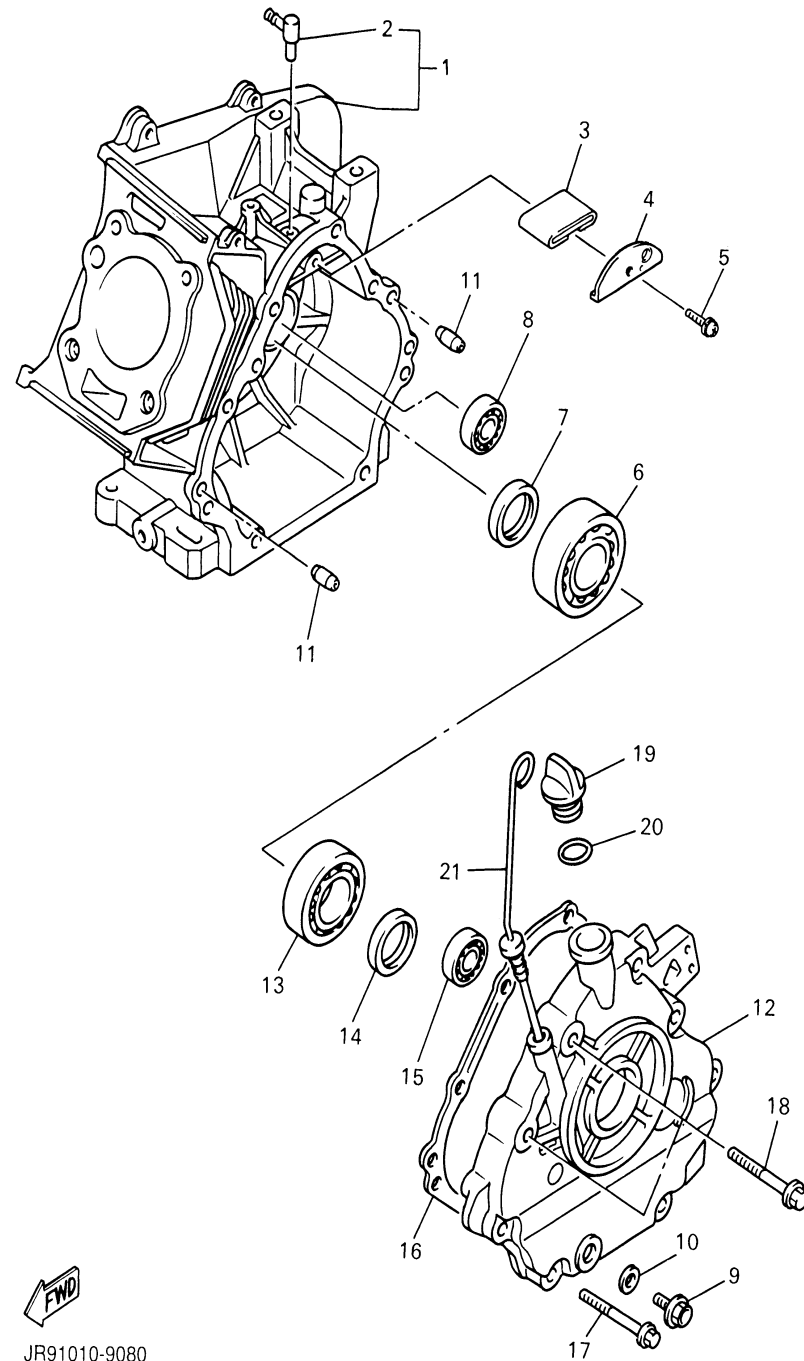
JU02100-D080

CRANKCASE

Ref. No.	Part Number	Description	Qty	Remarks
1	JR7-15100-00-00	CRANKCASE ASSY	1	
2	JN6-15155-00-00	. NOZZLE 3	1	
3	JR7-15407-00-00	ELEMENT 1	1	
4	JR7-15123-00-00	PLATE, BUFFLE 1	1	
5	90159-06107-00	SCREW, WITH WASHER	1	
6	93306-30709-00	BEARING	1	
7	93102-35014-00	OIL SEAL	1	
8	93306-20201-00	BEARING	1	
9	90340-12097-00	PLUG, STRAIGHT SCREW	1	
10	812-11198-00-00	GASKET	1	
11	99530-08016-00	PIN, DOWEL	2	
12	JN6-15411-01-00	COVER, CRANKCASE 1	1	
13	93306-20714-00	BEARING	1	
14	93102-35014-00	OIL SEAL	1	
15	93306-20201-00	BEARING	1	
16	JN6-15451-02-00	GASKET, CRANKCASE COVER 1	1	
17	95817-08045-00	BOLT, FLANGE	6	
18	95817-10050-00	BOLT, FLANGE	2	
19	796-15363-01-00	PLUG, OIL	1	
20	93210-22344-00	O-RING	1	
21	J38-15361-00-00	GAUGE, LEVEL	1	

CONTENTS

ACCELERATOR	C2
AIR SHROUD & FAN	A9
BODY	C12
BODY 2	D1-2
BODY FITTING	D3
BRAKE	B10-11
BRAKE 2	B12
BRAKE 3	C1
BUMPER	C11
CAMSHAFT & VALVE	A8
CARBURETOR	A11
CARRIER	D4
CRANKCASE	B1
CRANKSHAFT & PISTON	A7
CYLINDER HEAD	A6
ELECTRICAL 1	D8
ELECTRICAL 2	D9-10
ENGINE ASSEMBLY	A5
ENGINE BRACKET	B2
EXHAUST	A12
FRAME	B4
FRONT SUSPENSION & WHEEL	B5-6
FUEL TANK	B9
GOVERNOR	C3
INTAKE	A10
OPTIONAL LIGHT KIT	E1-2
OPTIONAL SUN ROOF	D12
OPTIONAL WINDSHIELD	D11
PRIMARY SHEAVE	C4
REAR ARM & SUSPENSION	B3
REAR AXLE MOUNT & WHEEL SEAT	C9
SEAT	D5
SECONDARY SHEAVE	C5
SHIFTER & CABLES	C10
STARTING MOTOR	D6-7
STEERING	B7-8
TRANSMISSION 1	C6-8



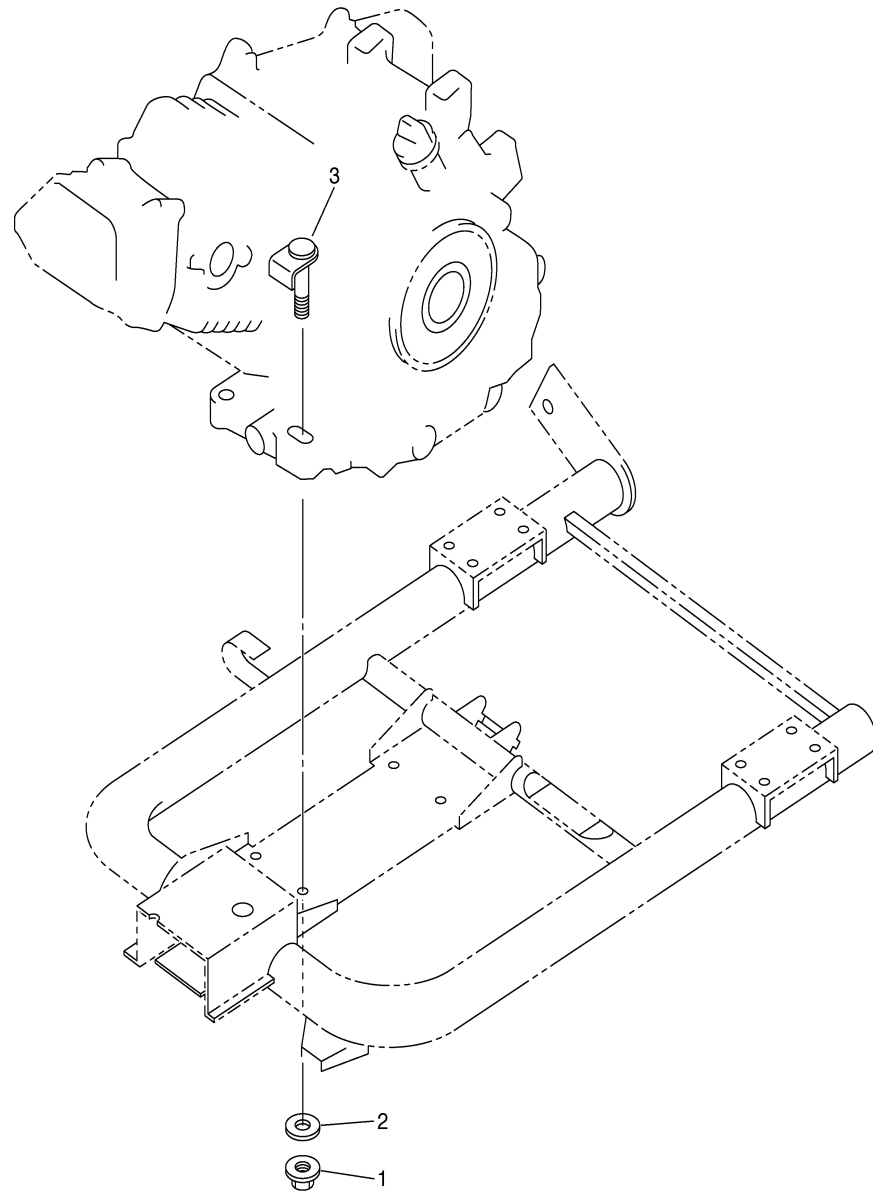
JR91010-9080

ENGINE BRACKET

Ref. No.	Part Number	Description	Qty	Remarks
1	9560P-10200-00	NUT, FLANGE	4	
2	9290P-10200-00	WASHER	4	
3	JT0-21481-00-00	BOLT, ENGINE MOUNTING 1 .	4	

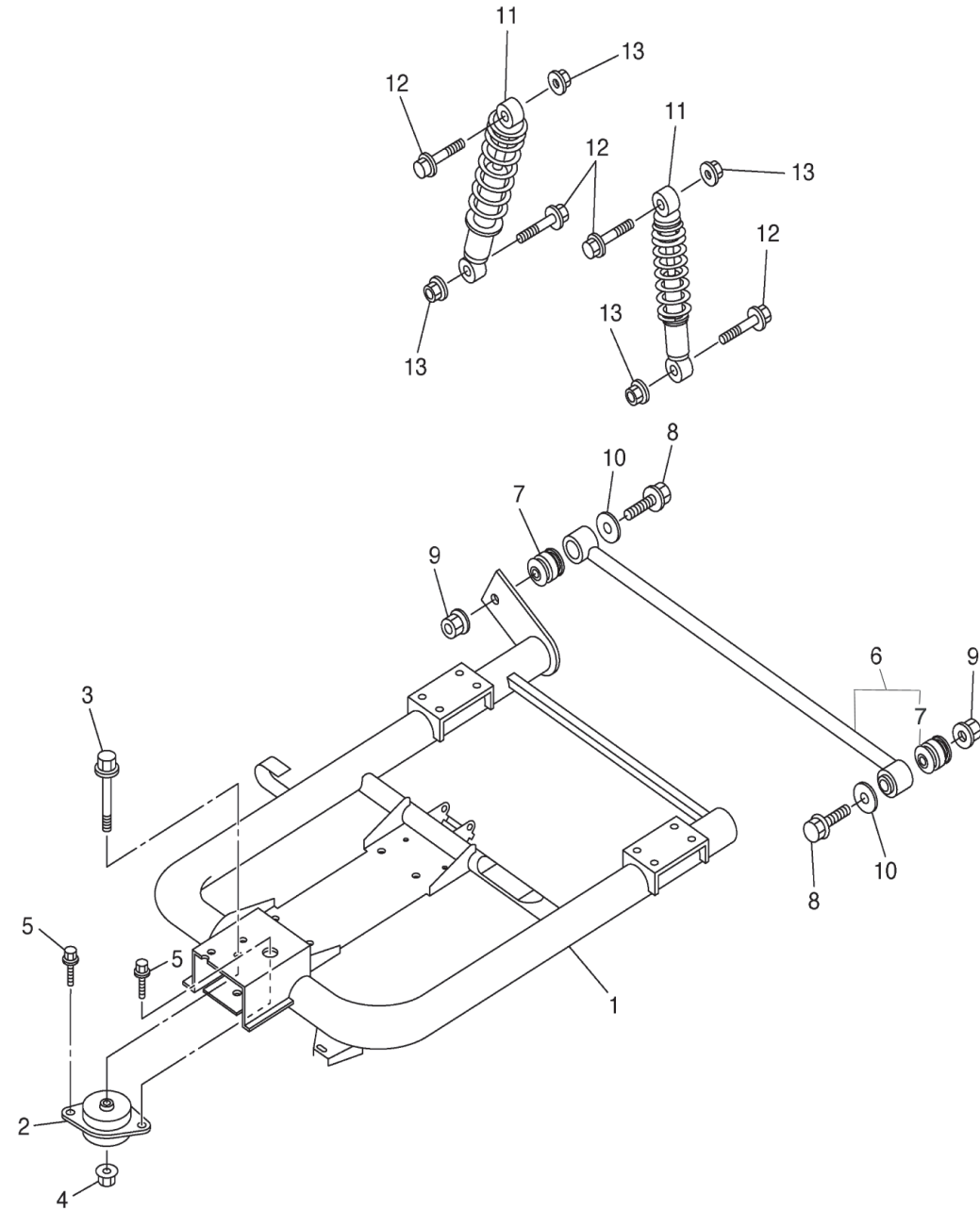
CONTENTS

ACCELERATOR	C2
AIR SHROUD & FAN	A9
BODY	C12
BODY 2	D1-2
BODY FITTING	D3
BRAKE	B10-11
BRAKE 2	B12
BRAKE 3	C1
BUMPER	C11
CAMSHAFT & VALVE	A8
CARBURETOR	A11
CARRIER	D4
CRANKCASE	B1
CRANKSHAFT & PISTON	A7
CYLINDER HEAD	A6
ELECTRICAL 1	D8
ELECTRICAL 2	D9-10
ENGINE ASSEMBLY	A5
ENGINE BRACKET	B2
EXHAUST	A12
FRAME	B4
FRONT SUSPENSION & WHEEL	B5-6
FUEL TANK	B9
GOVERNOR	C3
INTAKE	A10
OPTIONAL LIGHT KIT	E1-2
OPTIONAL SUN ROOF	D12
OPTIONAL WINDSHIELD	D11
PRIMARY SHEAVE	C4
REAR ARM & SUSPENSION	B3
REAR AXLE MOUNT & WHEEL	C9
SEAT	D5
SECONDARY SHEAVE	C5
SHIFTER & CABLES	C10
STARTING MOTOR	D6-7
STEERING	B7-8
TRANSMISSION 1	C6-8



JU02100-D100

REAR ARM & SUSPENSION



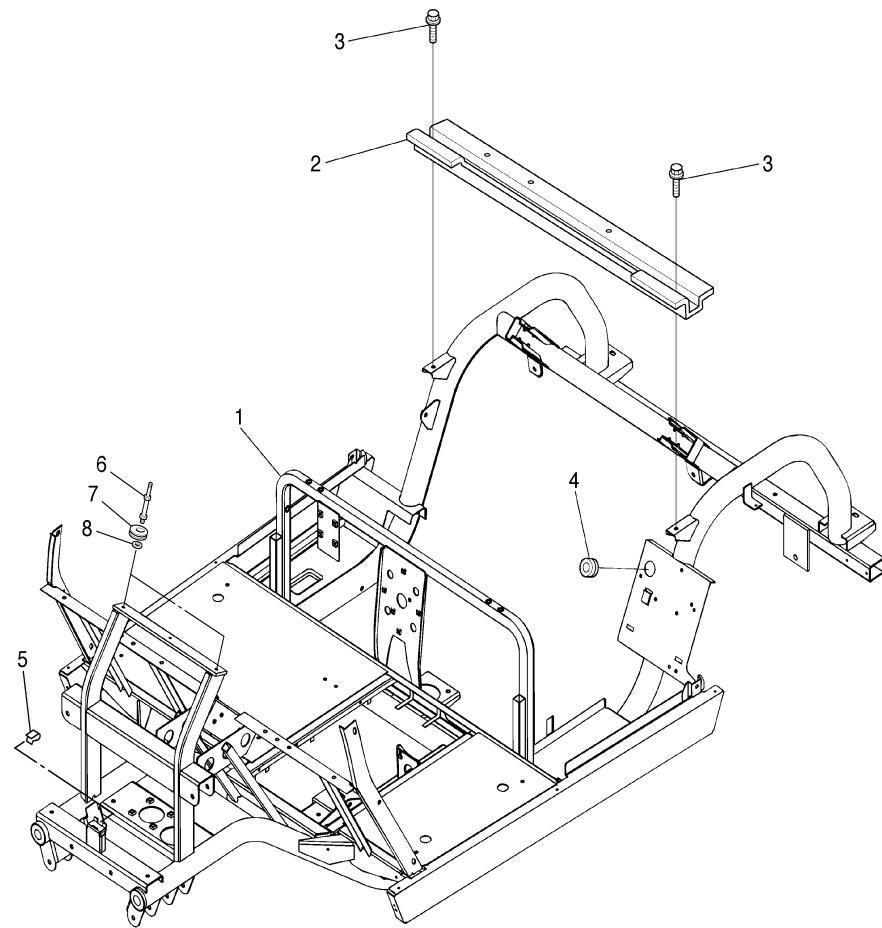
JU02100-D110

Ref. No.	Part Number	Description	Qty	Remarks
1	JU0-F2110-10-00	REAR ARM COMP.	1	
2	JN6-F2123-10-00	BUSH 1	1	
3	90105-13864-00	BOLT, FLANGE	1	
4	90179-13878-00	NUT	1	
5	9751P-10620-00	BOLT, WITH WASHER	2	
6	JN6-F2172-00-00	ROD, CONNECTING 2	1	
7	JN6-F2124-10-00	. BUSH 2	2	
8	9581P-12065-00	BOLT, FLANGE	2	
9	9560P-12200-00	NUT, FLANGE	2	
10	90201-128S4-00	WASHER, PLATE	2	
11	JN4-F2210-00-00	SHOCK ABSORBER ASSY, REAR	2	
12	95807-10055-00	BOLT, FLANGE	4	
13	95607-10200-00	NUT, U FLANGE	4	

CONTENTS

ACCELERATOR	C2
AIR SHROUD & FAN	A9
ALTERNATE FOR LIGHT KIT	E1-2
ALTERNATE FOR SUN ROOF	D12
ALTERNATE FOR WINDSHIELD	D11
BODY	C12
BODY 2	D1-2
BODY FITTING	D3
BRAKE	B10-11
BRAKE 2	B12
BRAKE 3	C1
BUMPER	C11
CAMSHAFT & VALVE	A8
CARBURETOR	A11
CARRIER	D4
CRANKCASE	B1
CRANKSHAFT & PISTON	A7
CYLINDER HEAD	A6
ELECTRICAL 1	D8
ELECTRICAL 2	D9-10
ENGINE ASSEMBLY	A5
ENGINE BRACKET	B2
EXHAUST	A12
FRAME	B4
FRONT SUSPENSION & WHEEL	B5-6
FUEL TANK	B9
GOVERNOR	C3
INTAKE	A10
PRIMARY SHEAVE	C4
REAR ARM & SUSPENSION	B3
REAR AXLE MOUNT & WHEEL	C9
SEAT	D5
SECONDARY SHEAVE	C5
SHIFTER & CABLES	C10
STARTING MOTOR	D6-7
STEERING	B7-8
TRANSMISSION 1	C6-8

FRAME



Ref. No.	Part Number	Description	Qty	Remarks
1	JU0-F2501-00-00	FRAME COMP.	1	
2	JU0-F254R-00-00	SUPPORT, BODY MOUNTING .	1	
3	95807-08016-00	BOLT, FLANGE	2	
4	90480-25856-00	GROMMET	1	
5	JU0-F2567-00-00	SUPPORT 1	1	
6	JU0-K834A-00-00	REINF., HOLDER	2	FOR SUN ROOF
7	JN3-K832F-00-00	GROMMET, ROOF SUPPORT .	2	FOR SUN ROOF
8	90201-11800-00	WASHER, PLATE	2	FOR SUN ROOF

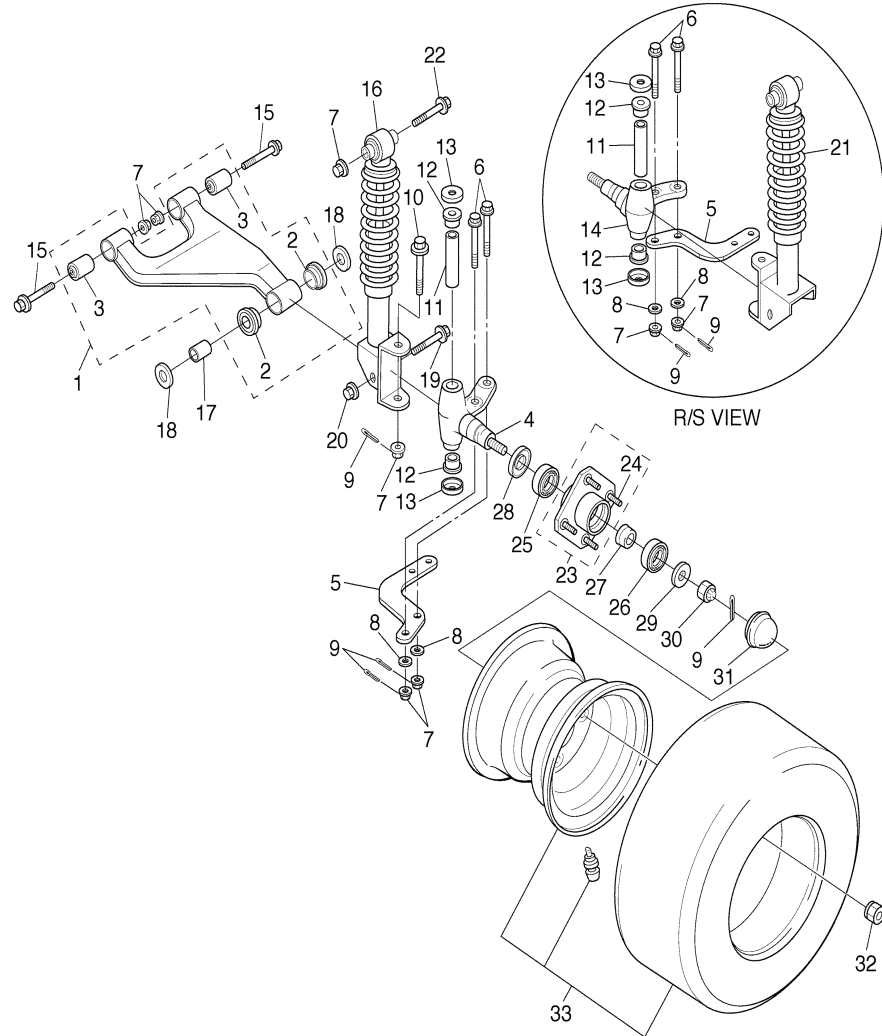
CONTENTS

ACCELERATOR	C2
AIR SHROUD & FAN	A9
BODY	C12
BODY 2	D1-2
BODY FITTING	D3
BRAKE	B10-11
BRAKE 2	B12
BRAKE 3	C1
BUMPER	C11
CAMSHAFT & VALVE	A8
CARBURETOR	A11
CARRIER	D4
CRANKCASE	B1
CRANKSHAFT & PISTON	A7
CYLINDER HEAD	A6
ELECTRICAL 1	D8
ELECTRICAL 2	D9-10
ENGINE ASSEMBLY	A5
ENGINE BRACKET	B2
EXHAUST	A12
FRAME	B4
FRONT SUSPENSION & WHEEL	B5-6
FUEL TANK	B9
GOVERNOR	C3
INTAKE	A10
OPTIONAL LIGHT KIT	E1-2
OPTIONAL SUN ROOF	D12
OPTIONAL WINDSHIELD	D11
PRIMARY SHEAVE	C4
REAR ARM & SUSPENSION	B3
REAR AXLE MOUNT & WHEEL	C9
SEAT	D5
SECONDARY SHEAVE	C5
SHIFTER & CABLES	C10
STARTING MOTOR	D6-7
STEERING	B7-8
TRANSMISSION 1	C6-8



JU02100-D120

FRONT SUSPENSION & WHEEL



Ref. No.	Part Number	Description	Qty	Remarks
1	JU0-F3570-20-00	FRONT LOWER ARM COMP. . .	2	
2	90381-18001-00	. BUSH, SOLID	2	
3	2HR-23526-00-00	. BUSH	2	
4	JU0-F3511-00-00	KNUCKLE, STEERING 1	1	
5	JU0-F3512-01-00	ARM, KNUCKLE 1	2	
6	90105-10728-00	BOLT, FLANGE	4	
7	95607-10200-00	NUT, U FLANGE	12	
8	90201-108P8-00	WASHER, PLATE	4	
9	91401-25020-00	PIN, COTTER	8	
10	90105-10064-00	BOLT, FLANGE	2	
11	2NL-23448-00-00	SPACER	2	
12	90381-17067-00	BUSH, SOLID	4	
13	2NL-23517-00-00	COVER, THRUST 1	4	
14	JU0-F3521-00-00	KNUCKLE, STEERING 2	1	
15	90105-10890-00	BOLT, FLANGE	4	
16	JU0-F3350-20-00	SHOCK ABSORBER ASSY . . .	1	
17	90387-12016-00	COLLAR	2	
18	401-22128-01-00	COVER, THRUST 1	4	
19	95817-12080-00	BOLT, FLANGE	2	
20	9561P-12100-00	NUT	2	
21	JU0-F3390-20-00	SHOCK ABSORBER ASSY 2 . .	1	
22	95807-10065-00	BOLT, FLANGE	2	
23	JG5-WF511-10-00	HUB, FRONT	2	
24	90114-12800-00	. BOLT, SERRATION	4	
25	93306-204X0-00	BEARING	2	
26	93306-005Y3-00	BEARING	2	
27	90387-241M7-00	COLLAR	2	
28	93102-30083-00	OIL SEAL	2	
29	90209-32832-00	WASHER	2	
30	95607-14100-00	NUT, U	2	

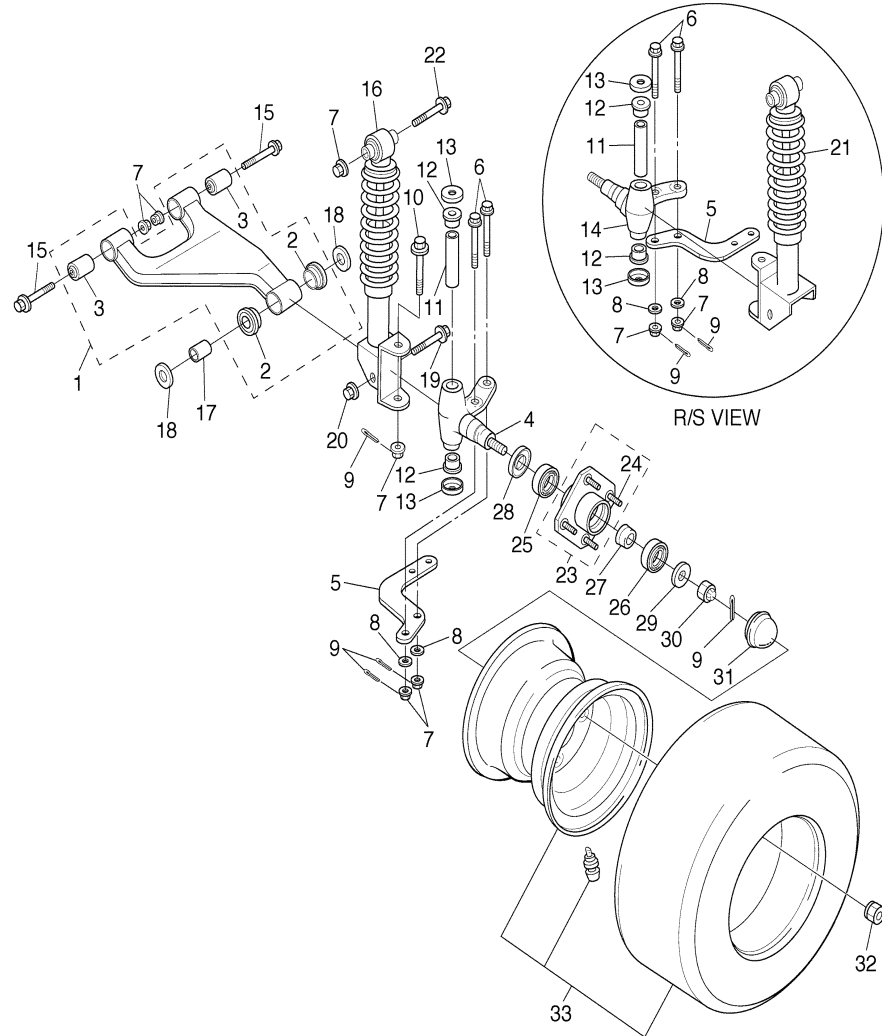
CONTENTS

ACCELERATOR	C2
AIR SHROUD & FAN	A9
BODY	C12
BODY 2	D1-2
BODY FITTING	D3
BRAKE	B10-11
BRAKE 2	B12
BRAKE 3	C1
BUMPER	C11
CAMSHAFT & VALVE	A8
CARBURETOR	A11
CARRIER	D4
CRANKCASE	B1
CRANKSHAFT & PISTON	A7
CYLINDER HEAD	A6
ELECTRICAL 1	D8
ELECTRICAL 2	D9-10
ENGINE ASSEMBLY	A5
ENGINE BRACKET	B2
EXHAUST	A12
FRAME	B4
FRONT SUSPENSION & WHEEL	B5-6
FUEL TANK	B9
GOVERNOR	C3
INTAKE	A10
OPTIONAL LIGHT KIT	E1-2
OPTIONAL SUN ROOF	D12
OPTIONAL WINDSHIELD	D11
PRIMARY SHEAVE	C4
REAR ARM & SUSPENSION	B3
REAR AXLE MOUNT & WHEEL	C9
SEAT	D5
SECONDARY SHEAVE	C5
SHIFTER & CABLES	C10
STARTING MOTOR	D6-7
STEERING	B7-8
TRANSMISSION 1	C6-8

CONTINUED ON NEXT FRAME ►



FRONT SUSPENSION & WHEEL



Ref. No.	Part Number	Description	Qty	Remarks
31	JN6-F5118-00-00	COVER, HUB DUST	2	
32	90179-12262-00	NUT	8	
33	JN6-F5100-11-00	WHEEL ASSY (18X8.5-8 4PLY)	2	UR KENDA
	JU0-F5100-00-00	WHEEL ASSY (18X8.5-8 4PR)	2	UR MAXXIS PRORIDE

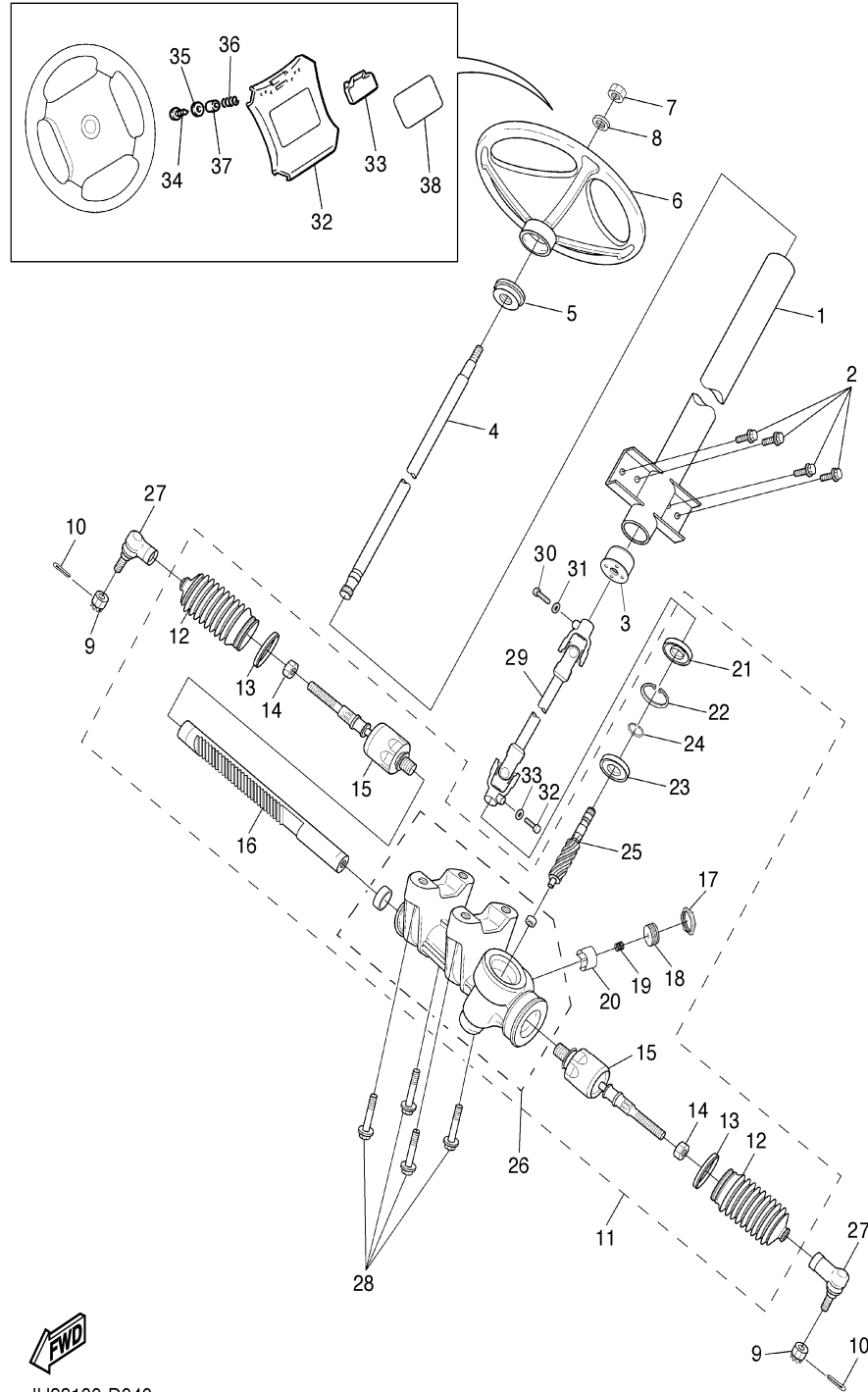
CONTENTS

ACCELERATOR	C2
AIR SHROUD & FAN	A9
BODY	C12
BODY 2	D1-2
BODY FITTING	D3
BRAKE	B10-11
BRAKE 2	B12
BRAKE 3	C1
BUMPER	C11
CAMSHAFT & VALVE	A8
CARBURETOR	A11
CARRIER	D4
CRANKCASE	B1
CRANKSHAFT & PISTON	A7
CYLINDER HEAD	A6
ELECTRICAL 1	D8
ELECTRICAL 2	D9-10
ENGINE ASSEMBLY	A5
ENGINE BRACKET	B2
EXHAUST	A12
FRAME	B4
FRONT SUSPENSION & WHEEL	B5-6
FUEL TANK	B9
GOVERNOR	C3
INTAKE	A10
OPTIONAL LIGHT KIT	E1-2
OPTIONAL SUN ROOF	D12
OPTIONAL WINDSHIELD	D11
PRIMARY SHEAVE	C4
REAR ARM & SUSPENSION	B3
REAR AXLE MOUNT & WHEEL	C9
SEAT	D5
SECONDARY SHEAVE	C5
SHIFTER & CABLES	C10
STARTING MOTOR	D6-7
STEERING	B7-8
TRANSMISSION 1	C6-8



JT73010-C120

STEERING



Ref. No.	Part Number	Description	Qty	Remarks
1	JU0-F3811-00-00	COLUMN, STEERING	1	
2	9581P-08016-00	BOLT, FLANGE	4	
3	JU0-F3857-00-00	HOLDER	1	
4	JU0-F3828-00-00	ROD, STEERING	1	
5	JN3-F3814-00-00	HOLDER, HANDLE UPPER	1	
6	JN3-F3838-00-00	WHEEL, STEERING	1	
7	90185-12061-00	NUT, SELF-LOCKING	1	
8	9290P-12200-00	WASHER	1	
9	95607-12200-00	NUT, SELF-LOCKING	2	
10	91401-25020-00	PIN, COTTER	2	
11	JU0-F3400-00-00	STEERING ASSY	1	
12	JU0-F3848-00-00	. BOOT	2	
13	JU0-F1338-00-00	. CLAMP	2	
14	JU0-F3833-00-00	. NUT 1	2	
15	JU0-F3837-00-00	. ROD, TIE 2	2	
16	JU0-F387E-00-00	. GEAR, RACK	1	
17	JU0-F3834-00-00	. NUT 2	1	
18	JU0-F387G-00-00	. COVER, ADJUST	1	
19	JU0-F387K-00-00	. SPRING, PRESSURE	1	
20	JU0-F387F-00-00	. PAD, PRESSURE	1	
21	JU0-F3844-00-00	. SEAL	1	
22	JU0-F387J-00-00	. RING, STOPPER	1	
23	JU0-F339Y-00-00	. BEARING	1	
24	JU0-F3183-00-00	. CIRCLIP	1	
25	JU0-F387A-00-00	. GEAR, PINION	1	
26	JU0-F620A-00-00	. HOUSING, MAIN 1	1	
27	JU0-F3841-00-00	JOINT, UNIVERSAL 1	2	
28	90105-10810-00	BOLT, FLANGE	4	
29	JU0-F3822-00-00	JOINT 1	1	
30	97017-08030-00	BOLT	2	

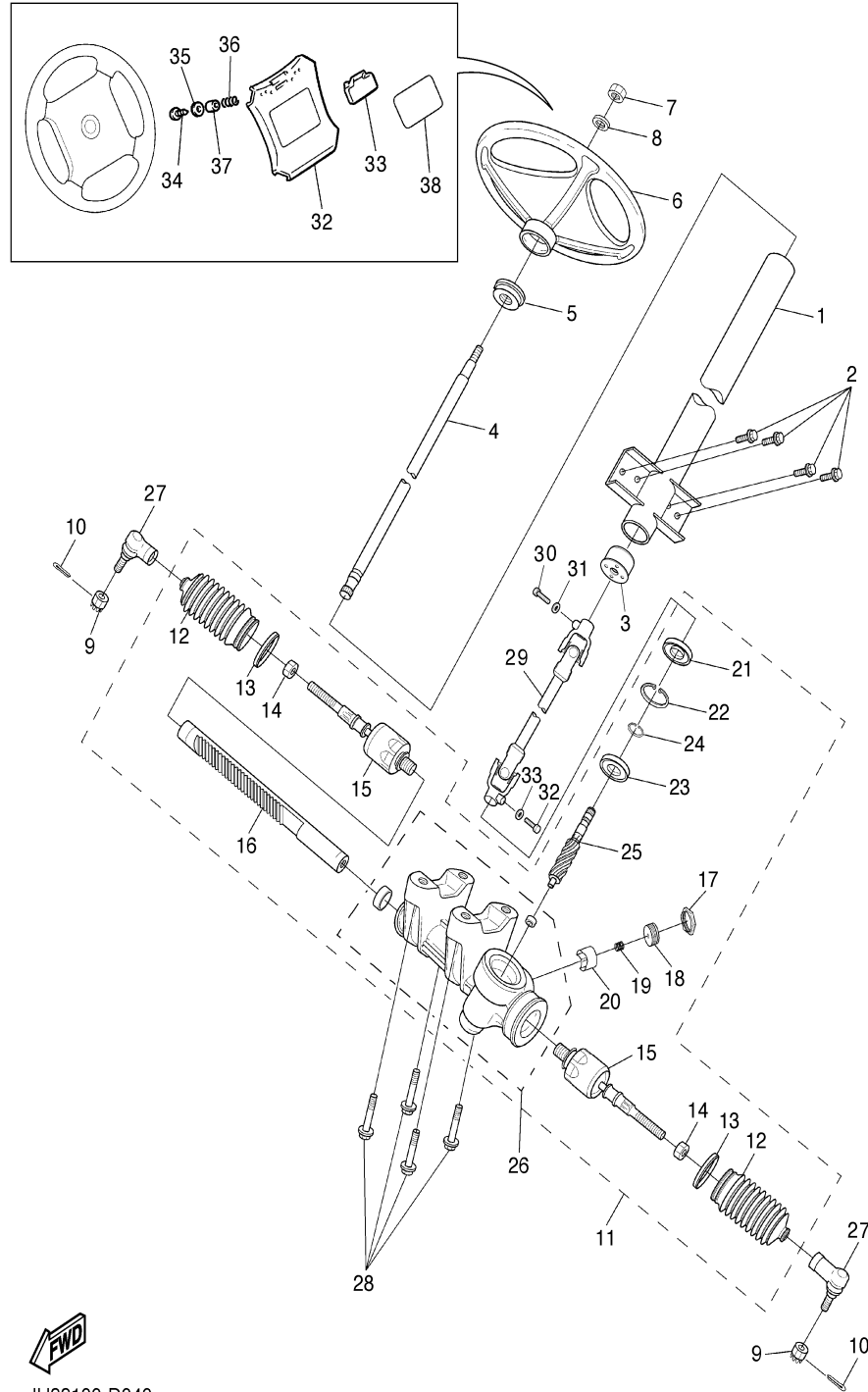
CONTENTS

ACCELERATOR	C2
AIR SHROUD & FAN	A9
BODY	C12
BODY 2	D1-2
BODY FITTING	D3
BRAKE	B10-11
BRAKE 2	B12
BRAKE 3	C1
BUMPER	C11
CAMSHAFT & VALVE	A8
CARBURETOR	A11
CARRIER	D4
CRANKCASE	B1
CRANKSHAFT & PISTON	A7
CYLINDER HEAD	A6
ELECTRICAL 1	D8
ELECTRICAL 2	D9-10
ENGINE ASSEMBLY	A5
ENGINE BRACKET	B2
EXHAUST	A12
FRAME	B4
FRONT SUSPENSION & WHEEL	B5-6
FUEL TANK	B9
GOVERNOR	C3
INTAKE	A10
OPTIONAL LIGHT KIT	E1-2
OPTIONAL SUN ROOF	D12
OPTIONAL WINDSHIELD	D11
PRIMARY SHEAVE	C4
REAR ARM & SUSPENSION	B3
REAR AXLE MOUNT & WHEEL	C9
SEAT	D5
SECONDARY SHEAVE	C5
SHIFTER & CABLES	C10
STARTING MOTOR	D6-7
STEERING	B7-8
TRANSMISSION 1	C6-8

CONTINUED ON NEXT FRAME ►



STEERING



Ref. No.	Part Number	Description	Qty	Remarks
31	92907-08600-00	WASHER, PLATE	2	
32	JN3-K8357-00-00	HOLDER 1	1	
33	JN6-K8358-01-00	HOLDER 2	1	
34	97707-40525-00	SCREW, TAPPING	2	
35	90201-048R5-00	WASHER, PLATE	2	
36	90502-10013-00	SPRING, CONICAL	2	
37	90387-046N7-00	COLLAR	2	
38	JU0-K7762-00-00	LABEL, WARNING 2 (E)	1	

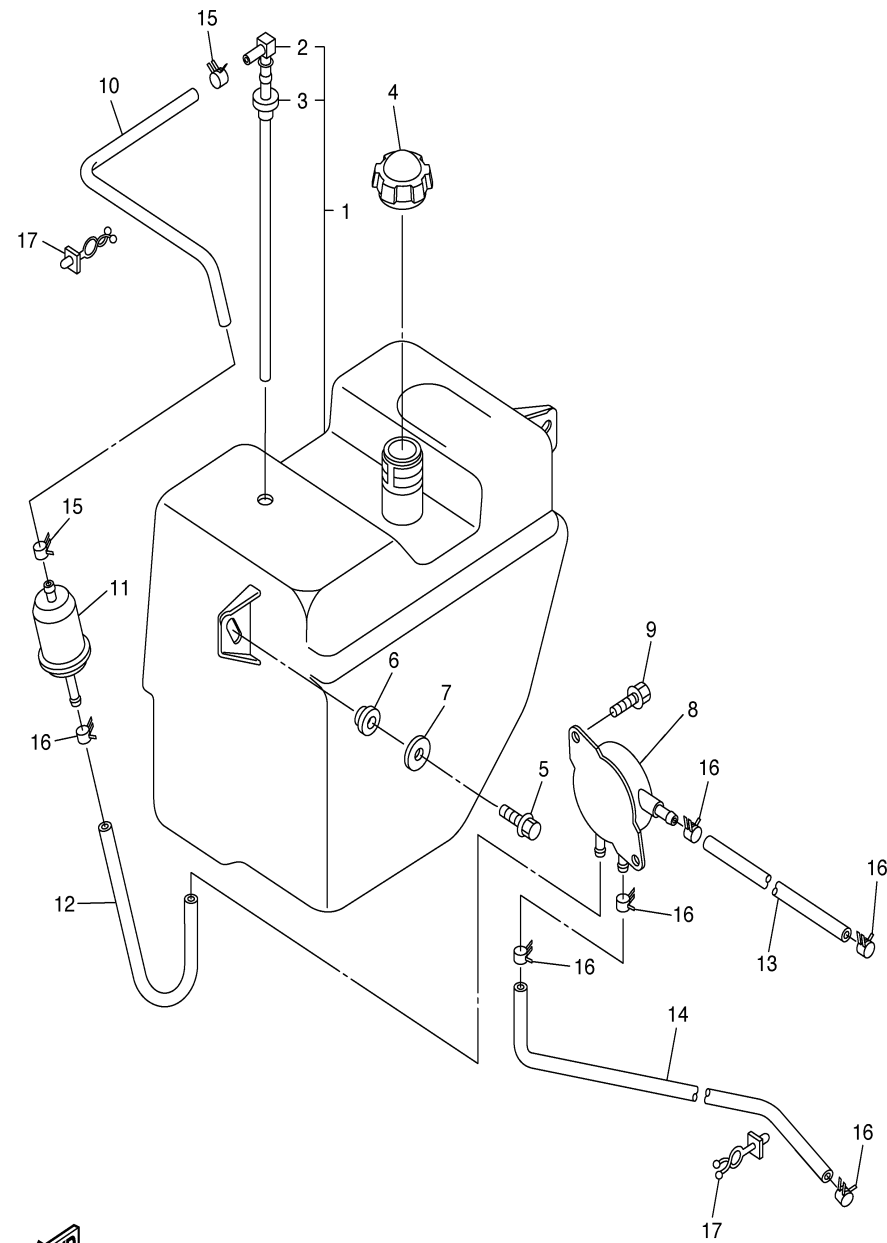
CONTENTS

ACCELERATOR	C2
AIR SHROUD & FAN	A9
BODY	C12
BODY 2	D1-2
BODY FITTING	D3
BRAKE	B10-11
BRAKE 2	B12
BRAKE 3	C1
BUMPER	C11
CAMSHAFT & VALVE	A8
CARBURETOR	A11
CARRIER	D4
CRANKCASE	B1
CRANKSHAFT & PISTON	A7
CYLINDER HEAD	A6
ELECTRICAL 1	D8
ELECTRICAL 2	D9-10
ENGINE ASSEMBLY	A5
ENGINE BRACKET	B2
EXHAUST	A12
FRAME	B4
FRONT SUSPENSION & WHEEL	B5-6
FUEL TANK	B9
GOVERNOR	C3
INTAKE	A10
OPTIONAL LIGHT KIT	E1-2
OPTIONAL SUN ROOF	D12
OPTIONAL WINDSHIELD	D11
PRIMARY SHEAVE	C4
REAR ARM & SUSPENSION	B3
REAR AXLE MOUNT & WHEEL	C9
SEAT	D5
SECONDARY SHEAVE	C5
SHIFTER & CABLES	C10
STARTING MOTOR	D6-7
STEERING	B7-8
TRANSMISSION 1	C6-8



JU22100-D040

FUEL TANK



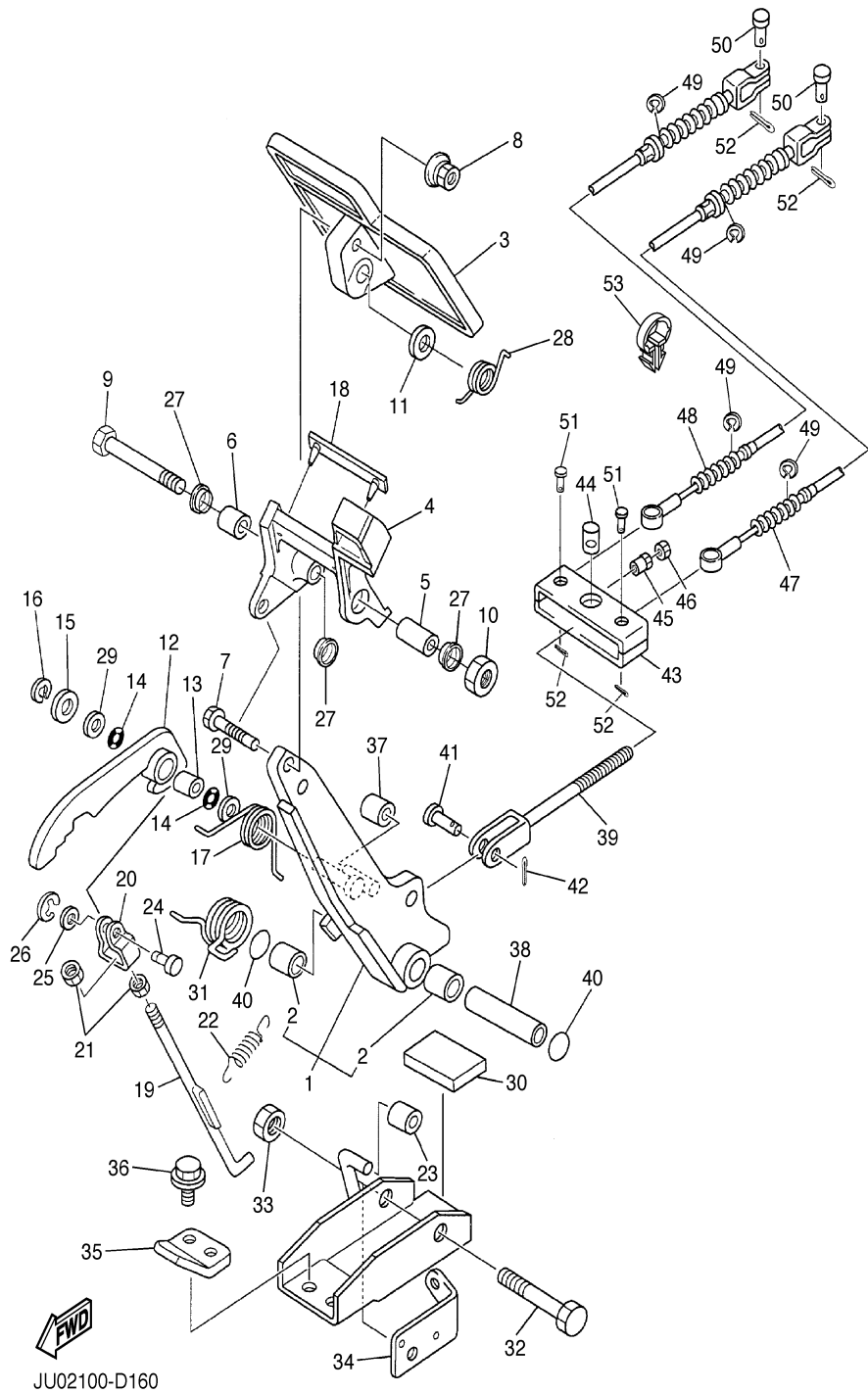
JU02100-D150

Ref. No.	Part Number	Description	Qty	Remarks
1	JU0-F4111-00-00	TANK, FUEL	1	
2	JU0-F4300-00-00	. FUEL PIPE JOINT	1	
3	JU5-F4375-00-00	. GROMMET	1	
4	JN6-F4610-00-00	CAP ASSY	1	
5	90105-08878-00	BOLT, FLANGE	2	
6	90560-08251-00	SPACER	2	
7	90201-088S2-00	WASHER, PLATE	2	
8	JN6-F4410-10-00	FUEL PUMP ASSY	1	
9	JN6-F3394-00-00	BOLT, SPECIAL	2	
10	JN6-F4312-20-00	PIPE 2	1	
11	JN6-F4560-00-00	FILTER ASSY	1	
12	JN6-F4311-20-00	PIPE, FUEL 1	1	
13	JN6-F4313-20-00	PIPE 3	1	
14	JN6-F4314-20-00	PIPE 4	1	
15	90467-12845-00	CLIP	2	
16	90467-10846-00	CLIP	6	
17	90464-11816-00	CLAMP	2	

CONTENTS

ACCELERATOR	C2
AIR SHROUD & FAN	A9
BODY	C12
BODY 2	D1-2
BODY FITTING	D3
BRAKE	B10-11
BRAKE 2	B12
BRAKE 3	C1
BUMPER	C11
CAMSHAFT & VALVE	A8
CARBURETOR	A11
CARRIER	D4
CRANKCASE	B1
CRANKSHAFT & PISTON	A7
CYLINDER HEAD	A6
ELECTRICAL 1	D8
ELECTRICAL 2	D9-10
ENGINE ASSEMBLY	A5
ENGINE BRACKET	B2
EXHAUST	A12
FRAME	B4
FRONT SUSPENSION & WHEEL	B5-6
FUEL TANK	B9
GOVERNOR	C3
INTAKE	A10
OPTIONAL LIGHT KIT	E1-2
OPTIONAL SUN ROOF	D12
OPTIONAL WINDSHIELD	D11
PRIMARY SHEAVE	C4
REAR ARM & SUSPENSION	B3
REAR AXLE MOUNT & WHEEL	C9
SEAT	D5
SECONDARY SHEAVE	C5
SHIFTER & CABLES	C10
STARTING MOTOR	D6-7
STEERING	B7-8
TRANSMISSION 1	C6-8

BRAKE



JU02100-D160

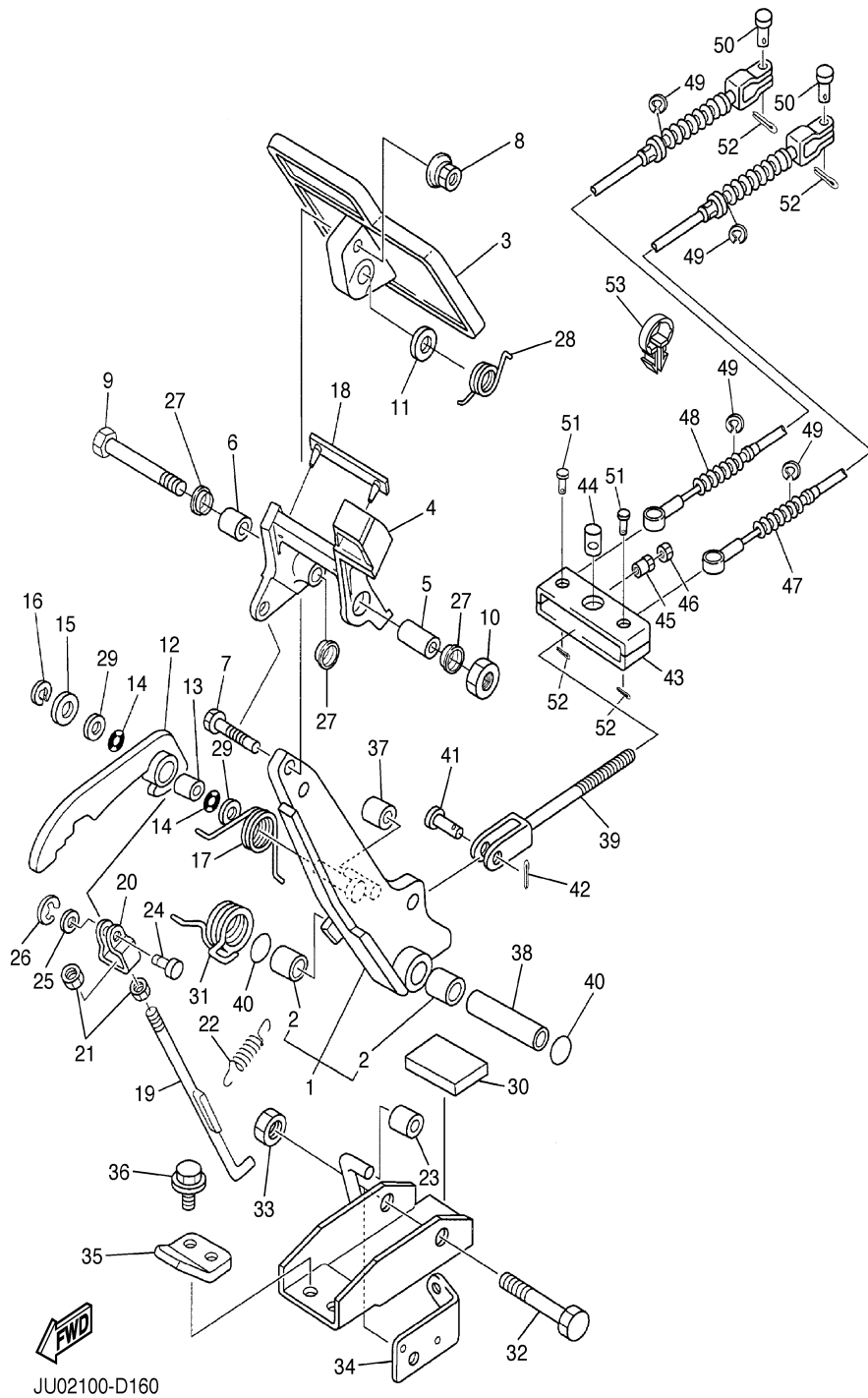
Ref. No.	Part Number	Description	Qty	Remarks
1	J46-27250-03-00	BRAKE ARM COMP.	1	
2	90384-14080-00	. BUSH, BIMETAL FORMED ...	2	
3	JU0-27211-01-00	PEDAL, BRAKE	1	
4	JU0-25671-00-00	PEDAL, PARKING BRAKE	1	
5	90387-08014-00	COLLAR	1	
6	90387-08013-00	COLLAR	1	
7	97027-06035-00	BOLT	1	
8	90179-07564-00	NUT	1	
9	97027-08100-00	BOLT	1	
10	95307-08600-00	NUT	1	
11	92907-08200-00	WASHER	1	
12	J17-25666-02-00	SECTOR, PARKING BRAKE ..	1	
13	90384-10162-00	BUSH, BIMETAL FORMED	1	
14	J17-27221-00-00	SEAL, SHAFT	2	
15	92907-10600-00	WASHER, PLATE	1	
16	99001-07600-00	CIRCLIP	1	
17	90508-14548-00	SPRING, TORSION	1	
18	J17-25672-01-00	PAD, PARKING PEDAL	1	
19	J17-27231-03-00	ROD, BRAKE	1	
20	J17-27232-00-00	END, ROD 2	1	
21	95307-06700-00	NUT	2	
22	90506-09001-00	SPRING, TENSION	1	
23	J17-25673-00-00	DAMPER, BRAKE	1	
24	J17-27228-00-00	PIN, JOINT	1	
25	92907-05600-00	WASHER, PLATE	1	
26	99002-04600-00	CIRCLIP	1	
27	90387-12009-00	COLLAR	3	
28	90508-32015-00	SPRING, TORSION	1	
29	90201-104G8-00	WASHER, PLATE	2	
30	JN3-F7245-00-00	PAD, BRAKE PEDAL	1	

CONTENTS

ACCELERATOR	C2
AIR SHROUD & FAN	A9
BODY	C12
BODY 2	D1-2
BODY FITTING	D3
BRAKE	B10-11
BRAKE 2	B12
BRAKE 3	C1
BUMPER	C11
CAMSHAFT & VALVE	A8
CARBURETOR	A11
CARRIER	D4
CRANKCASE	B1
CRANKSHAFT & PISTON	A7
CYLINDER HEAD	A6
ELECTRICAL 1	D8
ELECTRICAL 2	D9-10
ENGINE ASSEMBLY	A5
ENGINE BRACKET	B2
EXHAUST	A12
FRAME	B4
FRONT SUSPENSION & WHEEL	B5-6
FUEL TANK	B9
GOVERNOR	C3
INTAKE	A10
OPTIONAL LIGHT KIT	E1-2
OPTIONAL SUN ROOF	D12
OPTIONAL WINDSHIELD	D11
PRIMARY SHEAVE	C4
REAR ARM & SUSPENSION	B3
REAR AXLE MOUNT & WHEEL	C9
SEAT	D5
SECONDARY SHEAVE	C5
SHIFTER & CABLES	C10
STARTING MOTOR	D6-7
STEERING	B7-8
TRANSMISSION 1	C6-8

CONTINUED ON NEXT FRAME ►

BRAKE



JU02100-D160

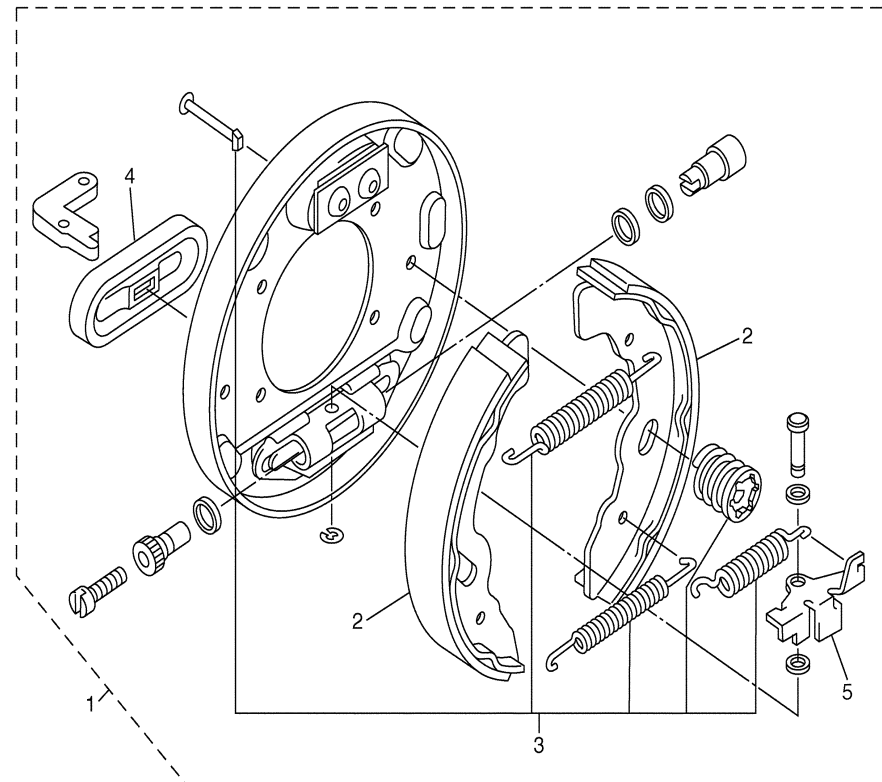
Ref. No.	Part Number	Description	Qty	Remarks
31	90508-40007-00	SPRING, TORSION	1	
32	90101-10884-00	BOLT	1	
33	95607-10200-00	NUT, U FLANGE	1	
34	J55-2252M-00-00	BRACKET, 3	1	
35	J17-27246-00-00	NAIL, BRAKE	1	
36	90105-08878-00	BOLT, FLANGE	2	
37	J17-25673-00-00	DAMPER, BRAKE	1	
38	90387-107F8-00	COLLAR	1	
39	JN6-F5685-00-00	ROD	1	
40	93210-132A8-00	O-RING	2	
41	91701-10022-00	PIN, CLEVIS	1	
42	91490-30015-00	PIN, COTTER	1	
43	JN6-F5681-00-00	EQUALIZER, BRAKE	1	
44	90249-14129-00	PIN	1	
45	90179-08894-00	NUT	1	
46	95307-08700-00	NUT	1	
47	JU0-F6341-00-00	CABLE, BRAKE	1	
48	JU0-F6351-00-00	CABLE, BRAKE	1	
49	99001-09600-00	CIRCLIP	4	
50	91701-08018-00	PIN, CLEVIS	2	
51	91701-08026-00	PIN, CLEVIS	2	
52	91490-25015-00	PIN, COTTER	4	
53	90464-19815-00	CLAMP	1	

CONTENTS

ACCELERATOR	C2
AIR SHROUD & FAN	A9
BODY	C12
BODY 2	D1-2
BODY FITTING	D3
BRAKE	B10-11
BRAKE 2	B12
BRAKE 3	C1
BUMPER	C11
CAMSHAFT & VALVE	A8
CARBURETOR	A11
CARRIER	D4
CRANKCASE	B1
CRANKSHAFT & PISTON	A7
CYLINDER HEAD	A6
ELECTRICAL 1	D8
ELECTRICAL 2	D9-10
ENGINE ASSEMBLY	A5
ENGINE BRACKET	B2
EXHAUST	A12
FRAME	B4
FRONT SUSPENSION & WHEEL	B5-6
FUEL TANK	B9
GOVERNOR	C3
INTAKE	A10
OPTIONAL LIGHT KIT	E1-2
OPTIONAL SUN ROOF	D12
OPTIONAL WINDSHIELD	D11
PRIMARY SHEAVE	C4
REAR ARM & SUSPENSION	B3
REAR AXLE MOUNT & WHEEL	C9
SEAT	D5
SECONDARY SHEAVE	C5
SHIFTER & CABLES	C10
STARTING MOTOR	D6-7
STEERING	B7-8
TRANSMISSION 1	C6-8

BRAKE 2

Ref. No.	Part Number	Description	Qty	Remarks
1	JN6-F7290-03-00	BACKING PLATE ASSY 2	1	(L.H)
2	JN6-F5331-01-00	. SHOE, BRAKE 2	1	1 EACH SIDE
3	JG5-F819G-00-00	. REPAIR PARTS KIT	1	
4	JN6-F7286-00-00	. COVER, DUST	1	
5	JN6-F722E-00-00	. LEVER, ADJUSTOR (LH)	1	



CONTENTS

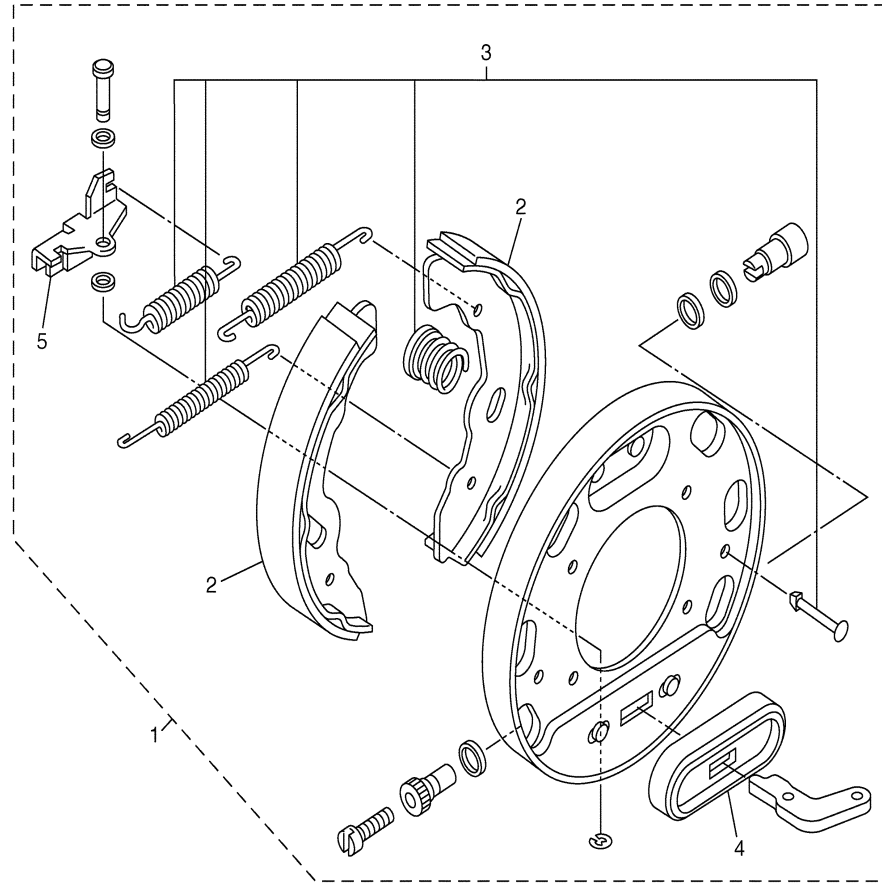
ACCELERATOR	C2
AIR SHROUD & FAN	A9
BODY	C12
BODY 2	D1-2
BODY FITTING	D3
BRAKE	B10-11
BRAKE 2	B12
BRAKE 3	C1
BUMPER	C11
CAMSHAFT & VALVE	A8
CARBURETOR	A11
CARRIER	D4
CRANKCASE	B1
CRANKSHAFT & PISTON	A7
CYLINDER HEAD	A6
ELECTRICAL 1	D8
ELECTRICAL 2	D9-10
ENGINE ASSEMBLY	A5
ENGINE BRACKET	B2
EXHAUST	A12
FRAME	B4
FRONT SUSPENSION & WHEEL	B5-6
FUEL TANK	B9
GOVERNOR	C3
INTAKE	A10
OPTIONAL LIGHT KIT	E1-2
OPTIONAL SUN ROOF	D12
OPTIONAL WINDSHIELD	D11
PRIMARY SHEAVE	C4
REAR ARM & SUSPENSION	B3
REAR AXLE MOUNT & WHEEL	C9
SEAT	D5
SECONDARY SHEAVE	C5
SHIFTER & CABLES	C10
STARTING MOTOR	D6-7
STEERING	B7-8
TRANSMISSION 1	C6-8



JT71010-B160

BRAKE 3

Ref. No.	Part Number	Description	Qty	Remarks
1	JN6-F7280-03-00	BACKING PLATE ASSY 1	1	(R.H)
2	JN6-F5331-01-00	. SHOE, BRAKE 2	1	1 EACH SIDE
3	JG5-F819G-00-00	. REPAIR PARTS KIT	1	
4	JN6-F7286-00-00	. COVER, DUST	1	
5	JN6-F722F-00-00	. LEVER, ADJUSTOR (RH)	1	



CONTENTS

ACCELERATOR	C2
AIR SHROUD & FAN	A9
BODY	C12
BODY 2	D1-2
BODY FITTING	D3
BRAKE	B10-11
BRAKE 2	B12
BRAKE 3	C1
BUMPER	C11
CAMSHAFT & VALVE	A8
CARBURETOR	A11
CARRIER	D4
CRANKCASE	B1
CRANKSHAFT & PISTON	A7
CYLINDER HEAD	A6
ELECTRICAL 1	D8
ELECTRICAL 2	D9-10
ENGINE ASSEMBLY	A5
ENGINE BRACKET	B2
EXHAUST	A12
FRAME	B4
FRONT SUSPENSION & WHEEL	B5-6
FUEL TANK	B9
GOVERNOR	C3
INTAKE	A10
OPTIONAL LIGHT KIT	E1-2
OPTIONAL SUN ROOF	D12
OPTIONAL WINDSHIELD	D11
PRIMARY SHEAVE	C4
REAR ARM & SUSPENSION	B3
REAR AXLE MOUNT & WHEEL	C9
SEAT	D5
SECONDARY SHEAVE	C5
SHIFTER & CABLES	C10
STARTING MOTOR	D6-7
STEERING	B7-8
TRANSMISSION 1	C6-8



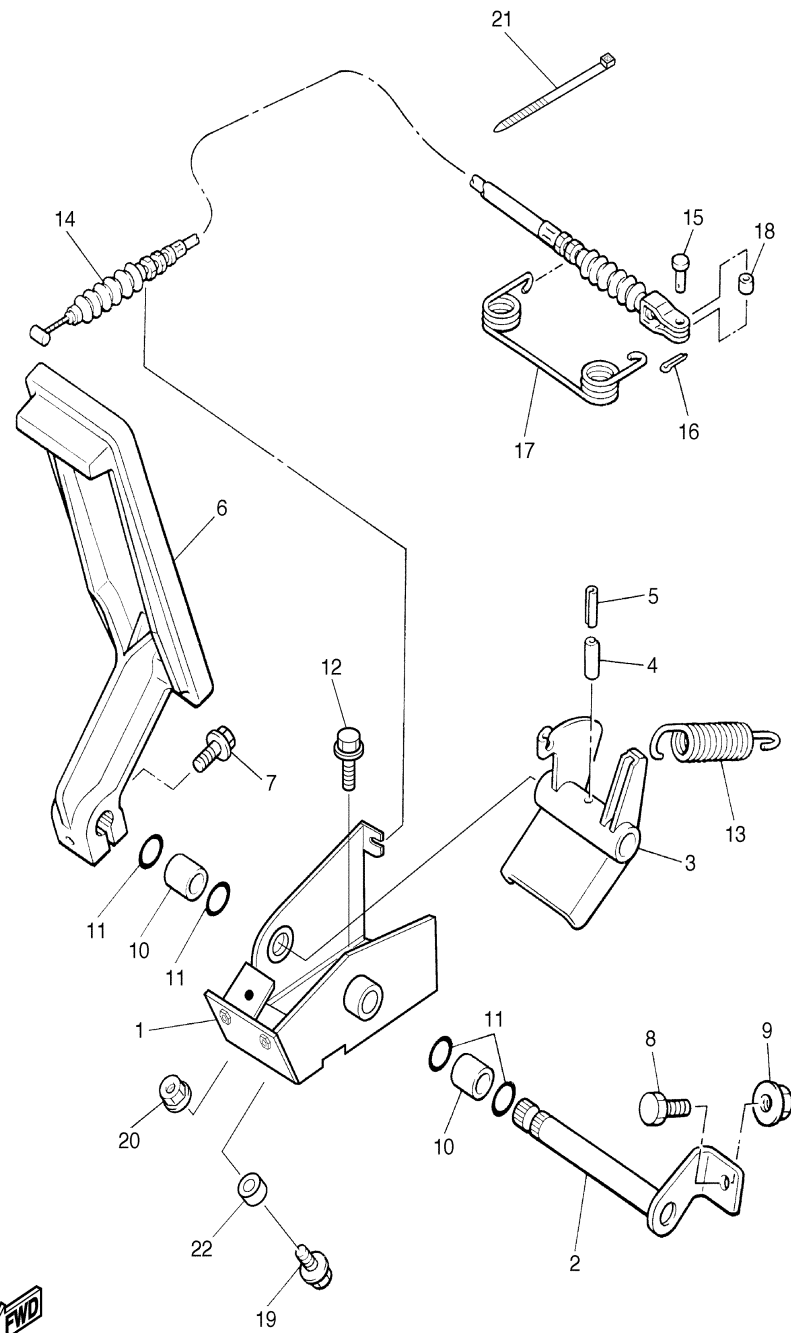
JT71010-B170

ACCELERATOR

Ref. No.	Part Number	Description	Qty	Remarks
1	JN6-F7874-01-00	BRACKET, ACCELERATOR PEDAL	1	
2	J17-27853-01-00	SHAFT, PEDAL 1	1	
3	J38-27872-00-00	ARM, ACCELERATOR PEDAL .	1	
4	91609-60028-00	PIN, SPRING	1	
5	91609-35028-00	PIN, SPRING	1	
6	J10-27871-01-00	PEDAL, ACCELERATOR	1	
7	95807-06025-00	BOLT, FLANGE	1	
8	90106-08806-00	BOLT	1	
9	95707-08500-00	NUT, FLANGE	1	
10	90384-14080-00	BUSH, BIMETAL FORMED	2	
11	93210-14104-00	O-RING	4	
12	90105-08878-00	BOLT, FLANGE	3	
13	90506-26282-00	SPRING, TENSION	1	
14	JN3-F6311-00-00	CABLE, THROTTLE 1	1	
15	91701-05012-00	PIN, CLEVIS	1	
16	90468-10049-00	CLIP	1	
17	90508-16460-00	SPRING, TORSION	1	
18	90560-05001-00	SPACER	1	
19	95807-06025-00	BOLT, FLANGE	1	
20	95707-06500-00	NUT, FLANGE	1	
21	90464-40825-00	CLAMP	2	
22	90387-068T4-00	COLLAR	1	

CONTENTS

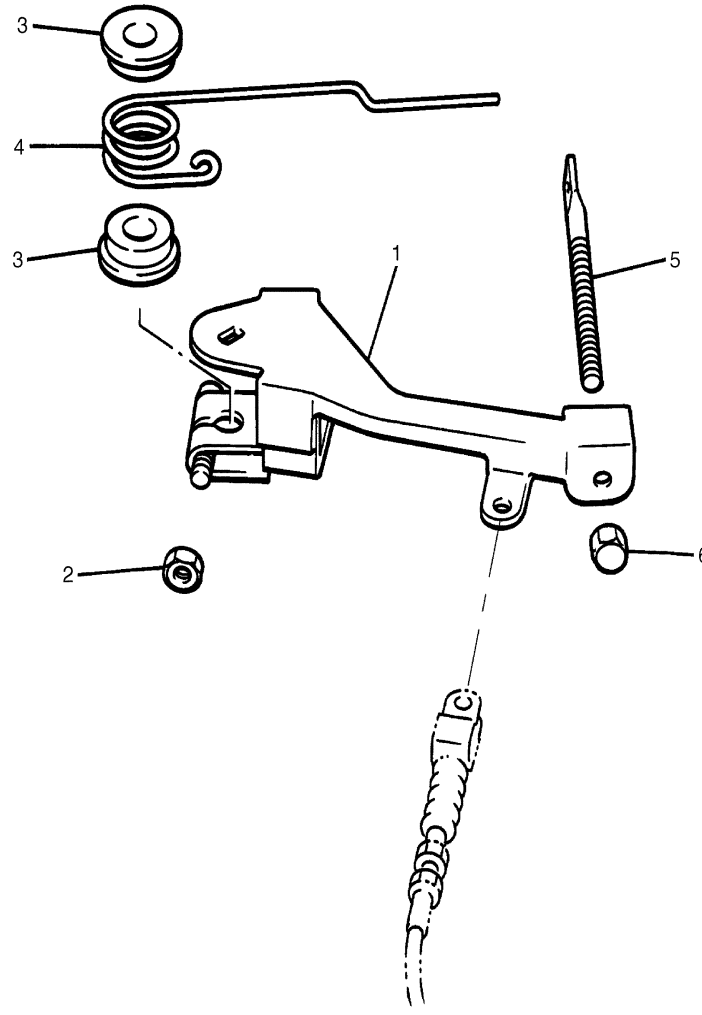
ACCELERATOR	C2
AIR SHROUD & FAN	A9
BODY	C12
BODY 2	D1-2
BODY FITTING	D3
BRAKE	B10-11
BRAKE 2	B12
BRAKE 3	C1
BUMPER	C11
CAMSHAFT & VALVE	A8
CARBURETOR	A11
CARRIER	D4
CRANKCASE	B1
CRANKSHAFT & PISTON	A7
CYLINDER HEAD	A6
ELECTRICAL 1	D8
ELECTRICAL 2	D9-10
ENGINE ASSEMBLY	A5
ENGINE BRACKET	B2
EXHAUST	A12
FRAME	B4
FRONT SUSPENSION & WHEEL	B5-6
FUEL TANK	B9
GOVERNOR	C3
INTAKE	A10
OPTIONAL LIGHT KIT	E1-2
OPTIONAL SUN ROOF	D12
OPTIONAL WINDSHIELD	D11
PRIMARY SHEAVE	C4
REAR ARM & SUSPENSION	B3
REAR AXLE MOUNT & WHEEL	C9
SEAT	D5
SECONDARY SHEAVE	C5
SHIFTER & CABLES	C10
STARTING MOTOR	D6-7
STEERING	B7-8
TRANSMISSION 1	C6-8



JT71010-B180

GOVERNOR

Ref. No.	Part Number	Description	Qty	Remarks
1	J38-27951-00-00	LEVER, SPEED LIMITER	1	
2	95307-06600-00	NUT	1	
3	90386-08141-00	BUSH	2	
4	90508-40678-00	SPRING, TORSION	1	
5	J38-27959-00-00	SCREW, ADJUSTING	1	
6	9560P-06200-00	NUT, FLANGE	1	



CONTENTS

ACCELERATOR	C2
AIR SHROUD & FAN	A9
BODY	C12
BODY 2	D1-2
BODY FITTING	D3
BRAKE	B10-11
BRAKE 2	B12
BRAKE 3	C1
BUMPER	C11
CAMSHAFT & VALVE	A8
CARBURETOR	A11
CARRIER	D4
CRANKCASE	B1
CRANKSHAFT & PISTON	A7
CYLINDER HEAD	A6
ELECTRICAL 1	D8
ELECTRICAL 2	D9-10
ENGINE ASSEMBLY	A5
ENGINE BRACKET	B2
EXHAUST	A12
FRAME	B4
FRONT SUSPENSION & WHEEL	B5-6
FUEL TANK	B9
GOVERNOR	C3
INTAKE	A10
OPTIONAL LIGHT KIT	E1-2
OPTIONAL SUN ROOF	D12
OPTIONAL WINDSHIELD	D11
PRIMARY SHEAVE	C4
REAR ARM & SUSPENSION	B3
REAR AXLE MOUNT & WHEEL	C9
SEAT	D5
SECONDARY SHEAVE	C5
SHIFTER & CABLES	C10
STARTING MOTOR	D6-7
STEERING	B7-8
TRANSMISSION 1	C6-8



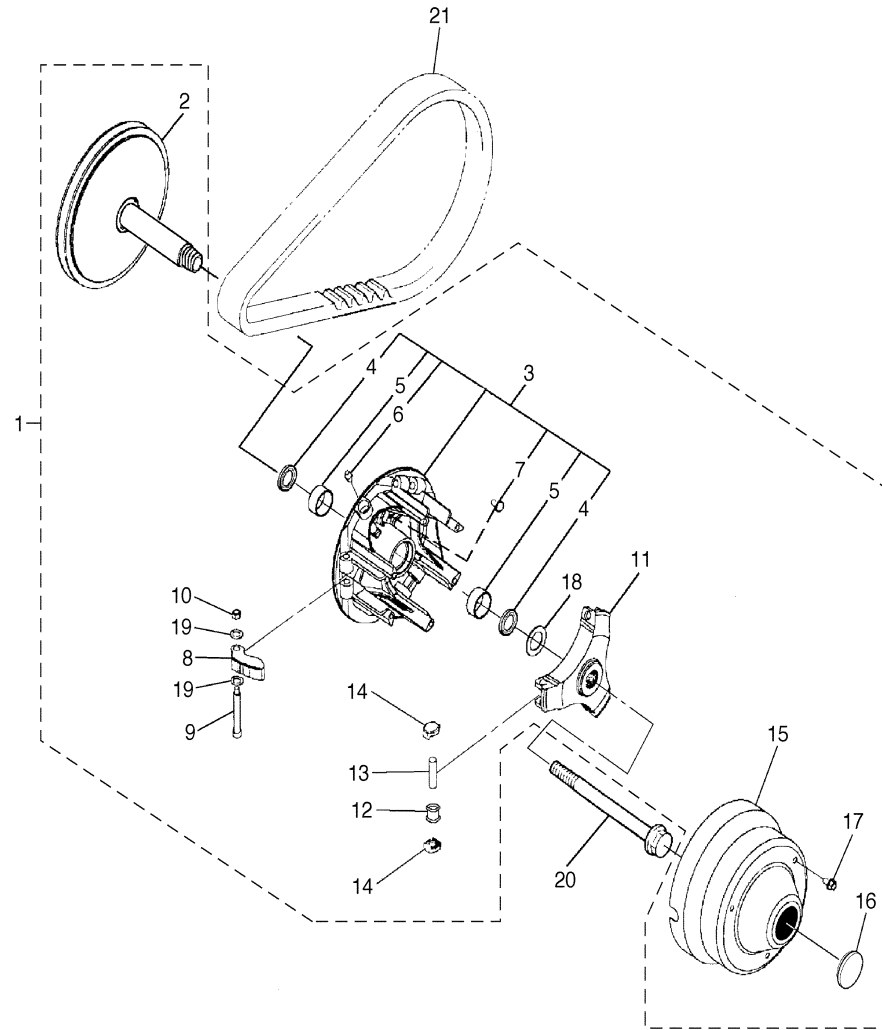
JT71010-B190

PRIMARY SHEAVE

Ref. No.	Part Number	Description	Qty	Remarks
1	JN6-G6201-04-00	PRIMARY FIXED SHEAVE ASSY	1	
2	JN6-G6210-00-00	. PRIMARY FIXED SHEAVE COMP.	1	
3	JN6-G6220-00-00	. PRIMARY SLIDING SHEAVE COMP.	1	
4	93101-28831-00	.. OIL SEAL	2	
5	90384-27823-00	.. BUSH, BIMETAL FORMED ..	2	
6	93700-06810-00	.. NIPPLE, GREASE	1	
7	90338-04840-00	.. PLUG	3	
8	JN6-G6232-01-00	. WEIGHT 1	3	
9	90109-06860-00	. BOLT	3	
10	90185-06834-00	. NUT, SELF-LOCKING	3	
11	JN6-G6251-01-00	. SPIDER	1	
12	JN6-G6258-02-00	. COLLAR, ROLLER	3	
13	93610-358A3-00	. PIN, DOWEL	3	
14	JN6-G6253-00-00	. SLIDER	6	
15	JU0-G6231-00-00	. CAP	1	
16	JU0-G6297-00-00	. COVER, DUST	1	
17	90105-06861-00	. BOLT, FLANGE	3	
18	90201-228K5-00	. WASHER, PLATE	1	
19	JN6-G621F-00-00	. SHIM, THRUST	6	
20	JN6-G6249-00-00	BOLT	1	
21	J55-G6241-00-00	V-BELT	1	

CONTENTS

ACCELERATOR	C2
AIR SHROUD & FAN	A9
BODY	C12
BODY 2	D1-2
BODY FITTING	D3
BRAKE	B10-11
BRAKE 2	B12
BRAKE 3	C1
BUMPER	C11
CAMSHAFT & VALVE	A8
CARBURETOR	A11
CARRIER	D4
CRANKCASE	B1
CRANKSHAFT & PISTON	A7
CYLINDER HEAD	A6
ELECTRICAL 1	D8
ELECTRICAL 2	D9-10
ENGINE ASSEMBLY	A5
ENGINE BRACKET	B2
EXHAUST	A12
FRAME	B4
FRONT SUSPENSION & WHEEL	B5-6
FUEL TANK	B9
GOVERNOR	C3
INTAKE	A10
OPTIONAL LIGHT KIT	E1-2
OPTIONAL SUN ROOF	D12
OPTIONAL WINDSHIELD	D11
PRIMARY SHEAVE	C4
REAR ARM & SUSPENSION	B3
REAR AXLE MOUNT & WHEEL	C9
SEAT	D5
SECONDARY SHEAVE	C5
SHIFTER & CABLES	C10
STARTING MOTOR	D6-7
STEERING	B7-8
TRANSMISSION 1	C6-8



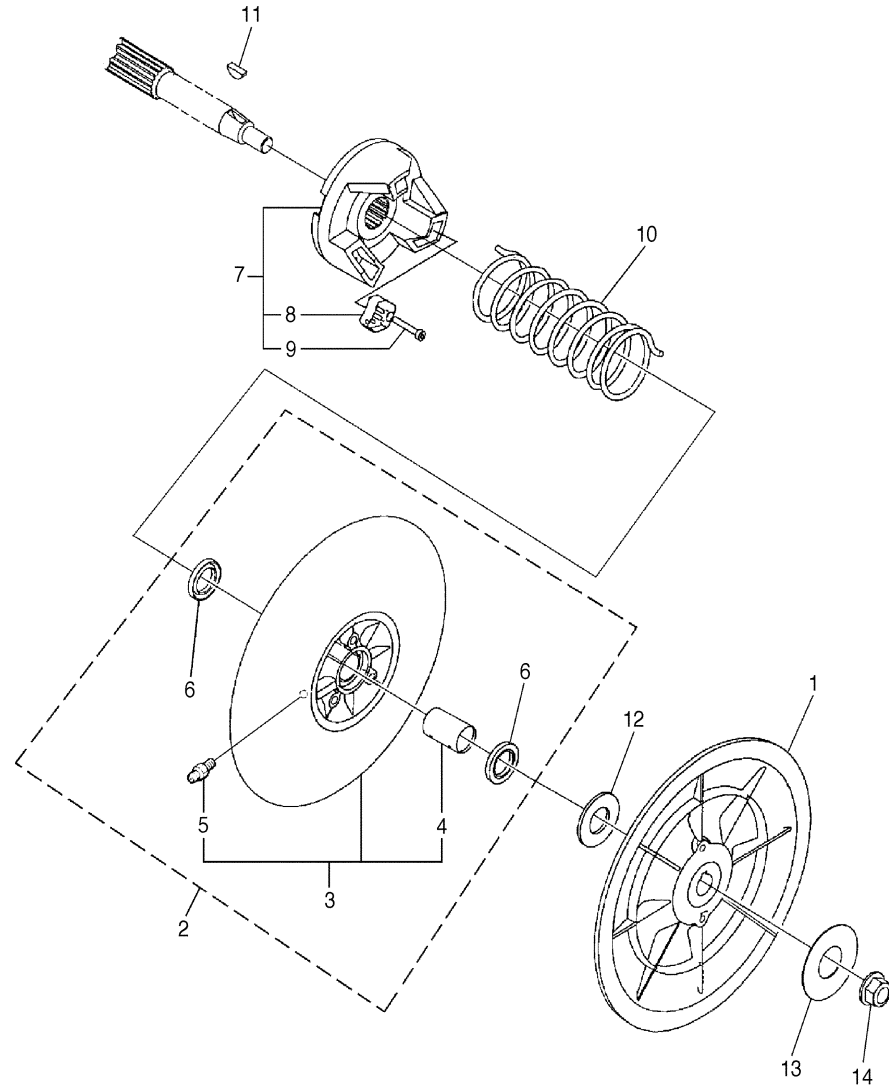
JT71010-B200

SECONDARY SHEAVE

Ref. No.	Part Number	Description	Qty	Remarks
1	JN6-G6260-00-00	SECONDARY FIXED SHEAVE COMP.	1	
2	JN6-G6270-01-KT	SECONDARY SLIDING SHEAVE COMP.	1	
3	JN6-G6271-02-00	. SECONDARY SLIDING SHEAVE	1	
4	90384-20824-00	.. BUSH, BIMETAL FORMED ..	1	
5	93700-06809-00	.. NIPPLE, GREASE	1	
6	93109-20069-00	. OIL SEAL	2	
7	JN6-G6280-00-00	SECONDARY SPRING SEAT COMP.	1	
8	JN6-E7688-00-00	. SHOE, RAMP	3	
9	90110-04834-00	. BOLT, HEXAGON SOCKET HEAD	3	
10	90508-45844-00	SPRING, TORSION	1	
11	90280-05022-00	KEY, WOODRUFF	1	
12	90202-20130-00	WASHER, PLATE	1	
13	90201-128S5-00	WASHER, PLATE	1	
14	95607-12200-00	NUT, SELF-LOCKING	1	

CONTENTS

ACCELERATOR	C2
AIR SHROUD & FAN	A9
BODY	C12
BODY 2	D1-2
BODY FITTING	D3
BRAKE	B10-11
BRAKE 2	B12
BRAKE 3	C1
BUMPER	C11
CAMSHAFT & VALVE	A8
CARBURETOR	A11
CARRIER	D4
CRANKCASE	B1
CRANKSHAFT & PISTON	A7
CYLINDER HEAD	A6
ELECTRICAL 1	D8
ELECTRICAL 2	D9-10
ENGINE ASSEMBLY	A5
ENGINE BRACKET	B2
EXHAUST	A12
FRAME	B4
FRONT SUSPENSION & WHEEL	B5-6
FUEL TANK	B9
GOVERNOR	C3
INTAKE	A10
OPTIONAL LIGHT KIT	E1-2
OPTIONAL SUN ROOF	D12
OPTIONAL WINDSHIELD	D11
PRIMARY SHEAVE	C4
REAR ARM & SUSPENSION	B3
REAR AXLE MOUNT & WHEEL SEAT	C9
SECONDARY SHEAVE	C5
SHIFTER & CABLES	C10
STARTING MOTOR	D6-7
STEERING	B7-8
TRANSMISSION 1	C6-8



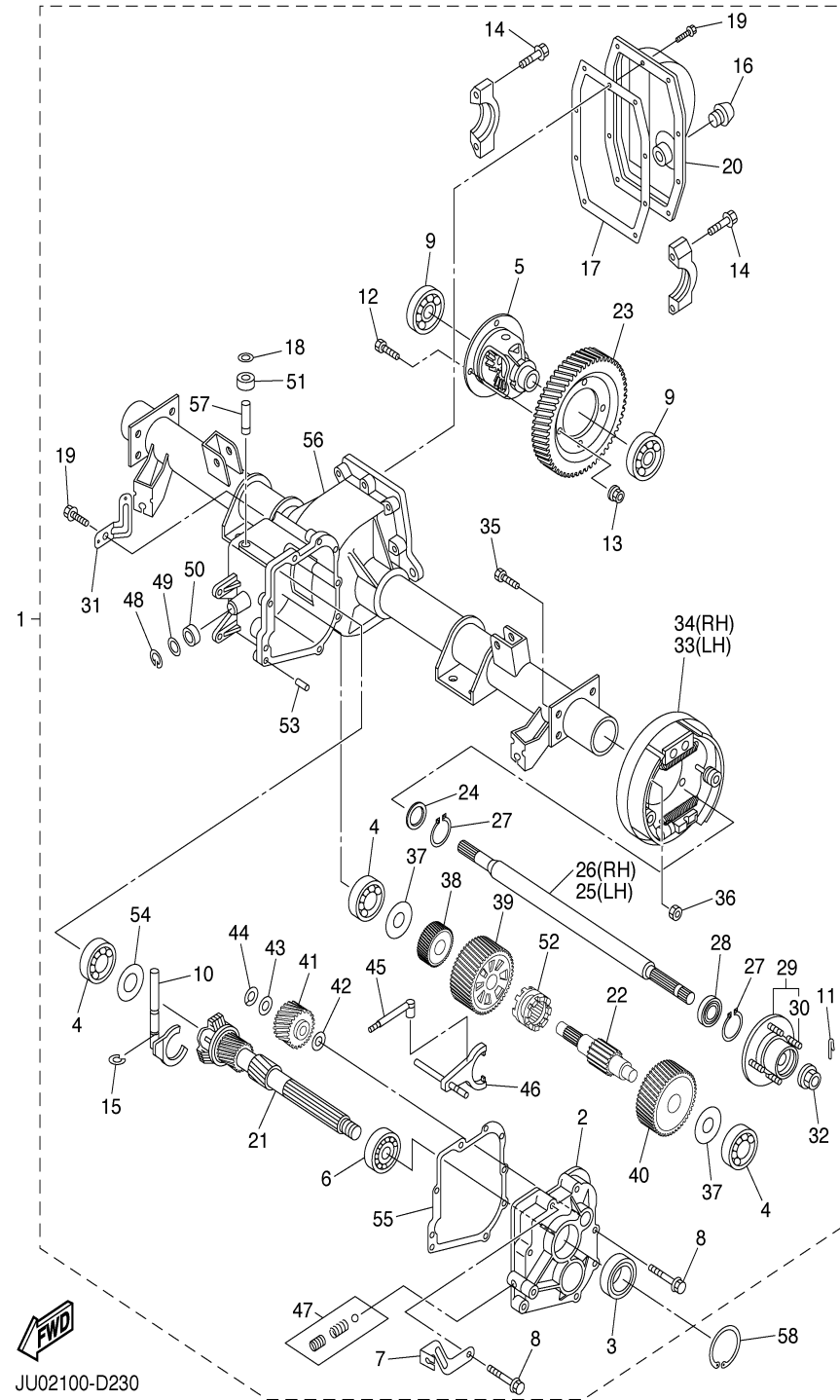
JT71010-B210

TRANSMISSION 1

Ref. No.	Part Number	Description	Qty	Remarks
1	JU0-G6300-10-00	TRANS AXLE ASSY	1	
2	JN3-G6313-00-00	. COVER, TRNSMISSION	1	
3	93102-25868-00	. OIL SEAL	1	
4	93306-303Y6-00	. BEARING	3	
5	JN6-G6410-00-00	. DIFFERENTIAL ASSY.	1	
6	93306-005Y4-00	. BEARING	1	
7	JN6-G6555-00-00	. BRACKET 2	1	
8	90105-08859-00	. BOLT, FLANGE	7	
9	93306-007Y0-00	. BEARING	2	
10	JN3-G633E-01-00	. BAR 1	1	
11	91490-25025-00	. PIN, COTTER	2	
12	90101-10854-00	. BOLT	4	
13	90170-10840-00	. NUT	4	
14	90105-10840-00	. BOLT, FLANGE	4	
15	JU0-F722H-00-00	. RETAINER	1	
16	JN3-G6432-00-00	. STOPPER	1	
17	JU0-G631A-00-00	. GASKET, CASE	1	
18	JU0-F723F-00-00	. WASHER, SPECIAL	1	
19	90101-08856-00	. BOLT	11	
20	JN3-G6314-00-00	. COVER, TRANSMISSION	1	
21	JN3-G6320-01-00	. INPUT SHAFT ASSY	1	
22	JN3-G633G-00-00	. SHAFT	1	
23	JN3-G6355-00-00	. GEAR, PRIMARY	1	
24	93101-24822-00	. OIL SEAL	2	
25	JN3-G6511-00-00	. SHAFT, REAR AXLE 1 (L.H)	1	
26	JN3-G6512-00-00	. SHAFT, REAR AXLE 2 (R.H)	1	
27	93420-44805-00	. CIRCLIP	4	
28	93306-004X5-00	. BEARING	2	
29	JN3-G6514-00-00	. HUB, REAR AXLE	2	
30	90114-12804-00	. . BOLT, SERRATION	4	

CONTENTS

ACCELERATOR	C2
AIR SHROUD & FAN	A9
BODY	C12
BODY 2	D1-2
BODY FITTING	D3
BRAKE	B10-11
BRAKE 2	B12
BRAKE 3	C1
BUMPER	C11
CAMSHAFT & VALVE	A8
CARBURETOR	A11
CARRIER	D4
CRANKCASE	B1
CRANKSHAFT & PISTON	A7
CYLINDER HEAD	A6
ELECTRICAL 1	D8
ELECTRICAL 2	D9-10
ENGINE ASSEMBLY	A5
ENGINE BRACKET	B2
EXHAUST	A12
FRAME	B4
FRONT SUSPENSION & WHEEL	B5-6
FUEL TANK	B9
GOVERNOR	C3
INTAKE	A10
OPTIONAL LIGHT KIT	E1-2
OPTIONAL SUN ROOF	D12
OPTIONAL WINDSHIELD	D11
PRIMARY SHEAVE	C4
REAR ARM & SUSPENSION	B3
REAR AXLE MOUNT & WHEEL	C9
SEAT	D5
SECONDARY SHEAVE	C5
SHIFTER & CABLES	C10
STARTING MOTOR	D6-7
STEERING	B7-8
TRANSMISSION 1	C6-8



JU02100-D230

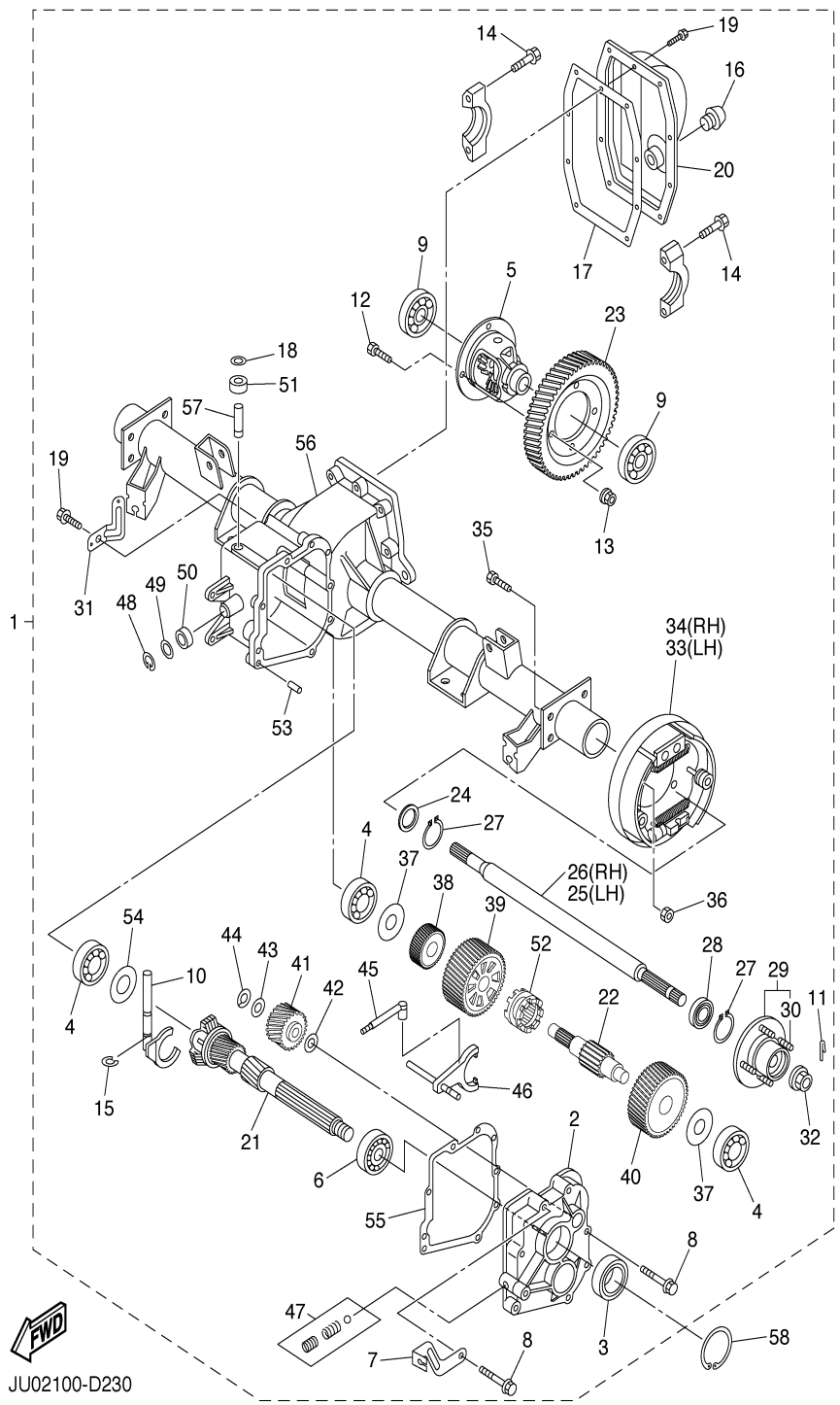
CONTINUED ON NEXT FRAME ►

TRANSMISSION 1

Ref. No.	Part Number	Description	Qty	Remarks
31	JN3-G6556-00-00	. BRACKET 3	1	
32	90185-16833-00	. NUT, SELF-LOCKING	2	
33	JN6-F7290-03-00	. BACKING PLATE ASSY 2	1	SEE BRAKE 2
34	JN6-F7280-03-00	. BACKING PLATE ASSY 1	1	SEE BRAKE 3
35	90101-08855-00	. BOLT	8	
36	90170-08841-00	. NUT	8	
37	90201-178H8-00	. WASHER, PLATE	2	
38	JN3-G6316-00-00	. GEAR, PINION 1	1	
39	JN3-G6326-00-00	. GEAR, WHEEL 1	1	
40	JN3-G6327-00-00	. GEAR, WHEEL 2	1	
41	JN3-G6356-00-00	. GEAR, IDLER	1	
42	90201-208H9-00	. WASHER, PLATE	1	
43	90201-208J0-00	. WASHER, PLATE	1	
44	93440-20813-00	. CIRCLIP	1	
45	JN3-G638A-00-00	. BAR, SHIFT 1	1	
46	JN6-G638E-00-00	. BAR, SHIFT 2	1	
47	JU0-G6376-00-00	. SPRING SET	1	
48	93410-12822-00	. CIRCLIP	1	
49	90202-12807-00	. WASHER, PLATE	1	
50	93104-11829-00	. OIL SEAL	1	
51	93109-10820-00	. OIL SEAL	1	
52	JN3-G6153-00-00	. COLLAR, GUIDE	1	
53	93606-10842-00	. PIN, DOWEL	2	
54	JN3-G6344-00-00	. SHIM, 0.76MM (0.030IN)	1	UR
	JN3-G6344-10-00	. SHIM, 0.90MM (0.035IN)	1	UR
	JN3-G6344-20-00	. SHIM, 1.00MM (0.040IN)	1	UR
	JN3-G6344-30-00	. SHIM, 1.14MM (0.045IN)	1	UR
	JN3-G6344-40-00	. SHIM, 1.27MM (0.050IN)	1	UR
	JN3-G6344-50-00	. SHIM, 1.39MM (0.055IN)	1	UR
	JN3-G6344-60-00	. SHIM, 1.52MM (0.060IN)	1	UR

CONTENTS

ACCELERATOR	C2
AIR SHROUD & FAN	A9
BODY	C12
BODY 2	D1-2
BODY FITTING	D3
BRAKE	B10-11
BRAKE 2	B12
BRAKE 3	C1
BUMPER	C11
CAMSHAFT & VALVE	A8
CARBURETOR	A11
CARRIER	D4
CRANKCASE	B1
CRANKSHAFT & PISTON	A7
CYLINDER HEAD	A6
ELECTRICAL 1	D8
ELECTRICAL 2	D9-10
ENGINE ASSEMBLY	A5
ENGINE BRACKET	B2
EXHAUST	A12
FRAME	B4
FRONT SUSPENSION & WHEEL	B5-6
FUEL TANK	B9
GOVERNOR	C3
INTAKE	A10
OPTIONAL LIGHT KIT	E1-2
OPTIONAL SUN ROOF	D12
OPTIONAL WINDSHIELD	D11
PRIMARY SHEAVE	C4
REAR ARM & SUSPENSION	B3
REAR AXLE MOUNT & WHEEL	C9
SEAT	D5
SECONDARY SHEAVE	C5
SHIFTER & CABLES	C10
STARTING MOTOR	D6-7
STEERING	B7-8
TRANSMISSION 1	C6-8



JU02100-D230

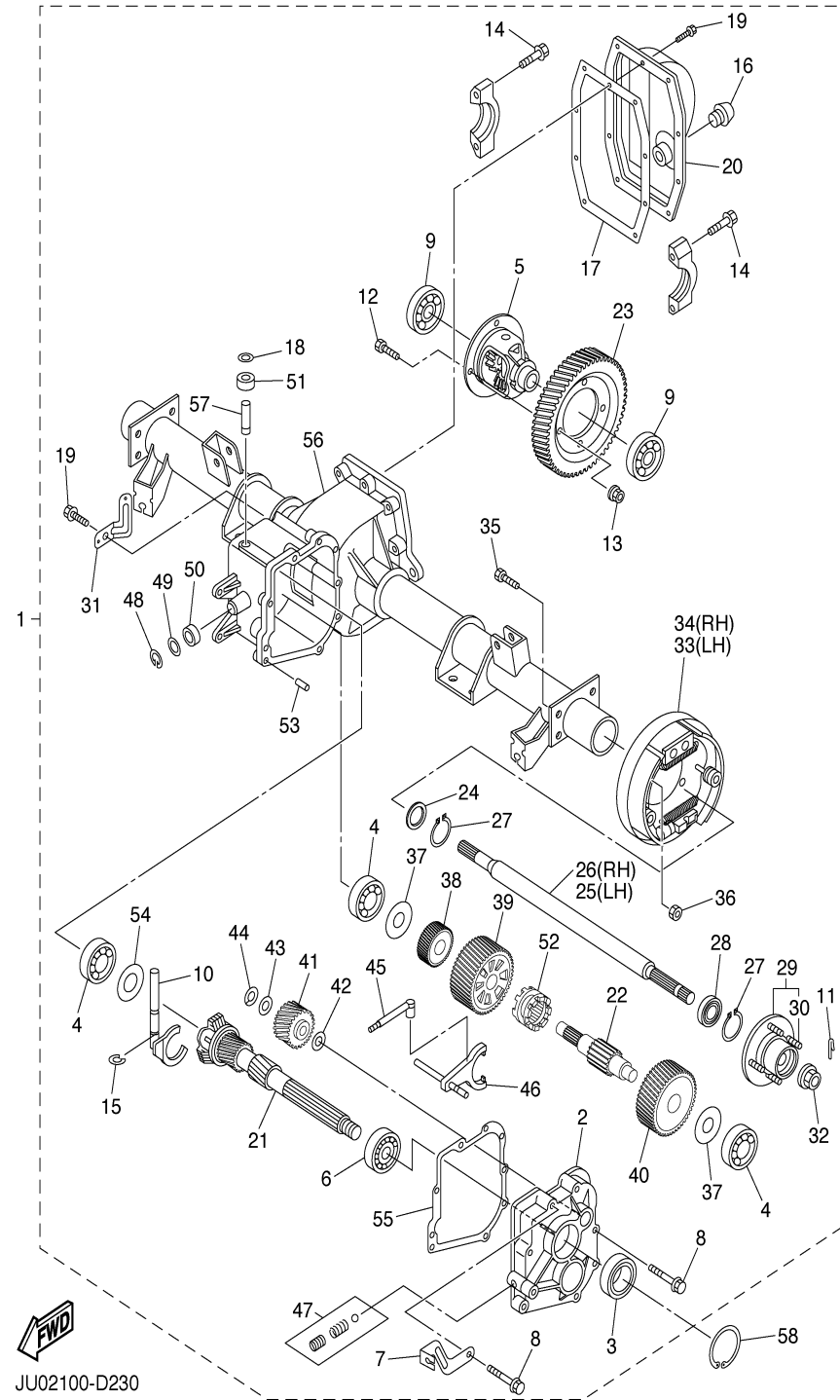
CONTINUED ON NEXT FRAME ►

TRANSMISSION 1

Ref. No.	Part Number	Description	Qty	Remarks
54	JN3-G6344-70-00	. SHIM, 1.65MM (0.065IN)	1	UR
	JN3-G6344-80-00	. SHIM, 0.38MM (0.015IN)	1	UR
	JN3-G6344-90-00	. SHIM, 1.78MM (0.070IN)	1	UR
	JN3-G6344-A0-00	. SHIM, 1.92MM (0.075IN)	1	UR
	JN3-G6344-B0-00	. SHIM, 2.03MM (0.080IN)	1	UR
	JN3-G6344-C0-00	. SHIM, 2.12MM (0.085IN)	1	UR
	JN3-G6344-D0-00	. SHIM, 2.29MM (0.090IN)	1	UR
55	JN3-G6319-00-00	. GASKET	1	
56	JU0-G6290-00-00	. CASE ASSY	1	
57	JU0-G6164-00-00	. BEARING 1	1	
58	93410-25017-00	CIRCLIP	1	

CONTENTS

ACCELERATOR	C2
AIR SHROUD & FAN	A9
BODY	C12
BODY 2	D1-2
BODY FITTING	D3
BRAKE	B10-11
BRAKE 2	B12
BRAKE 3	C1
BUMPER	C11
CAMSHAFT & VALVE	A8
CARBURETOR	A11
CARRIER	D4
CRANKCASE	B1
CRANKSHAFT & PISTON	A7
CYLINDER HEAD	A6
ELECTRICAL 1	D8
ELECTRICAL 2	D9-10
ENGINE ASSEMBLY	A5
ENGINE BRACKET	B2
EXHAUST	A12
FRAME	B4
FRONT SUSPENSION & WHEEL	B5-6
FUEL TANK	B9
GOVERNOR	C3
INTAKE	A10
OPTIONAL LIGHT KIT	E1-2
OPTIONAL SUN ROOF	D12
OPTIONAL WINDSHIELD	D11
PRIMARY SHEAVE	C4
REAR ARM & SUSPENSION	B3
REAR AXLE MOUNT & WHEEL	C9
SEAT	D5
SECONDARY SHEAVE	C5
SHIFTER & CABLES	C10
STARTING MOTOR	D6-7
STEERING	B7-8
TRANSMISSION 1	C6-8



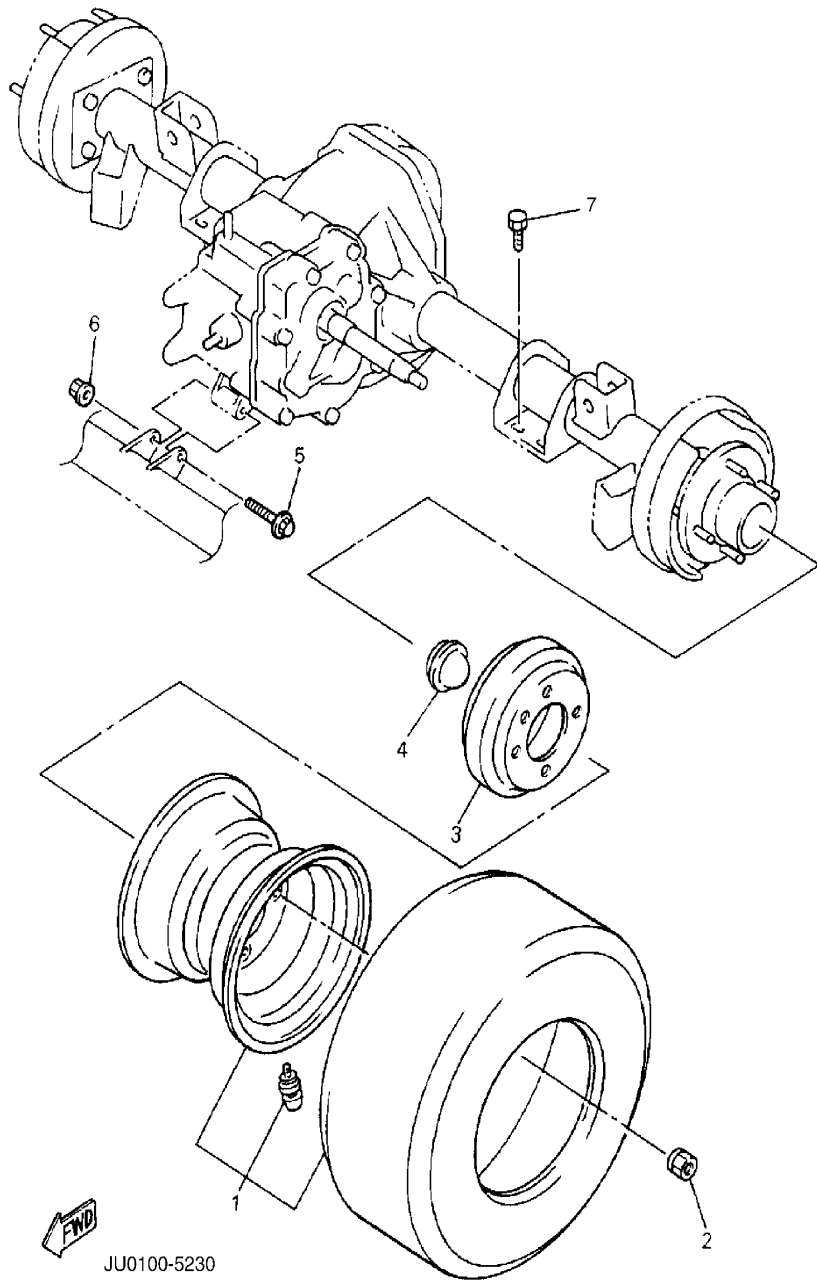
JU02100-D230

REAR AXLE MOUNT & WHEEL

Ref. No.	Part Number	Description	Qty	Remarks
1	JN6-F5100-11-00	WHEEL ASSY (18X8.5-8 4PLY)	2	UR KENDA
	JU0-F5100-00-00	WHEEL ASSY (18X8.5-8 4PR)	2	UR MAXXIS PRORIDE
2	90179-12262-00	NUT	8	
3	JU0-G6521-00-00	DRUM	2	
4	JN6-F5118-00-00	COVER, HUB DUST	2	
5	9581P-08075-00	BOLT, FLANGE	1	
6	95707-08500-00	NUT, FLANGE	1	
7	9751P-10620-00	BOLT, WITH WASHER	8	

CONTENTS

ACCELERATOR	C2
AIR SHROUD & FAN	A9
BODY	C12
BODY 2	D1-2
BODY FITTING	D3
BRAKE	B10-11
BRAKE 2	B12
BRAKE 3	C1
BUMPER	C11
CAMSHAFT & VALVE	A8
CARBURETOR	A11
CARRIER	D4
CRANKCASE	B1
CRANKSHAFT & PISTON	A7
CYLINDER HEAD	A6
ELECTRICAL 1	D8
ELECTRICAL 2	D9-10
ENGINE ASSEMBLY	A5
ENGINE BRACKET	B2
EXHAUST	A12
FRAME	B4
FRONT SUSPENSION & WHEEL	B5-6
FUEL TANK	B9
GOVERNOR	C3
INTAKE	A10
OPTIONAL LIGHT KIT	E1-2
OPTIONAL SUN ROOF	D12
OPTIONAL WINDSHIELD	D11
PRIMARY SHEAVE	C4
REAR ARM & SUSPENSION	B3
REAR AXLE MOUNT & WHEEL	C9
SEAT	D5
SECONDARY SHEAVE	C5
SHIFTER & CABLES	C10
STARTING MOTOR	D6-7
STEERING	B7-8
TRANSMISSION 1	C6-8

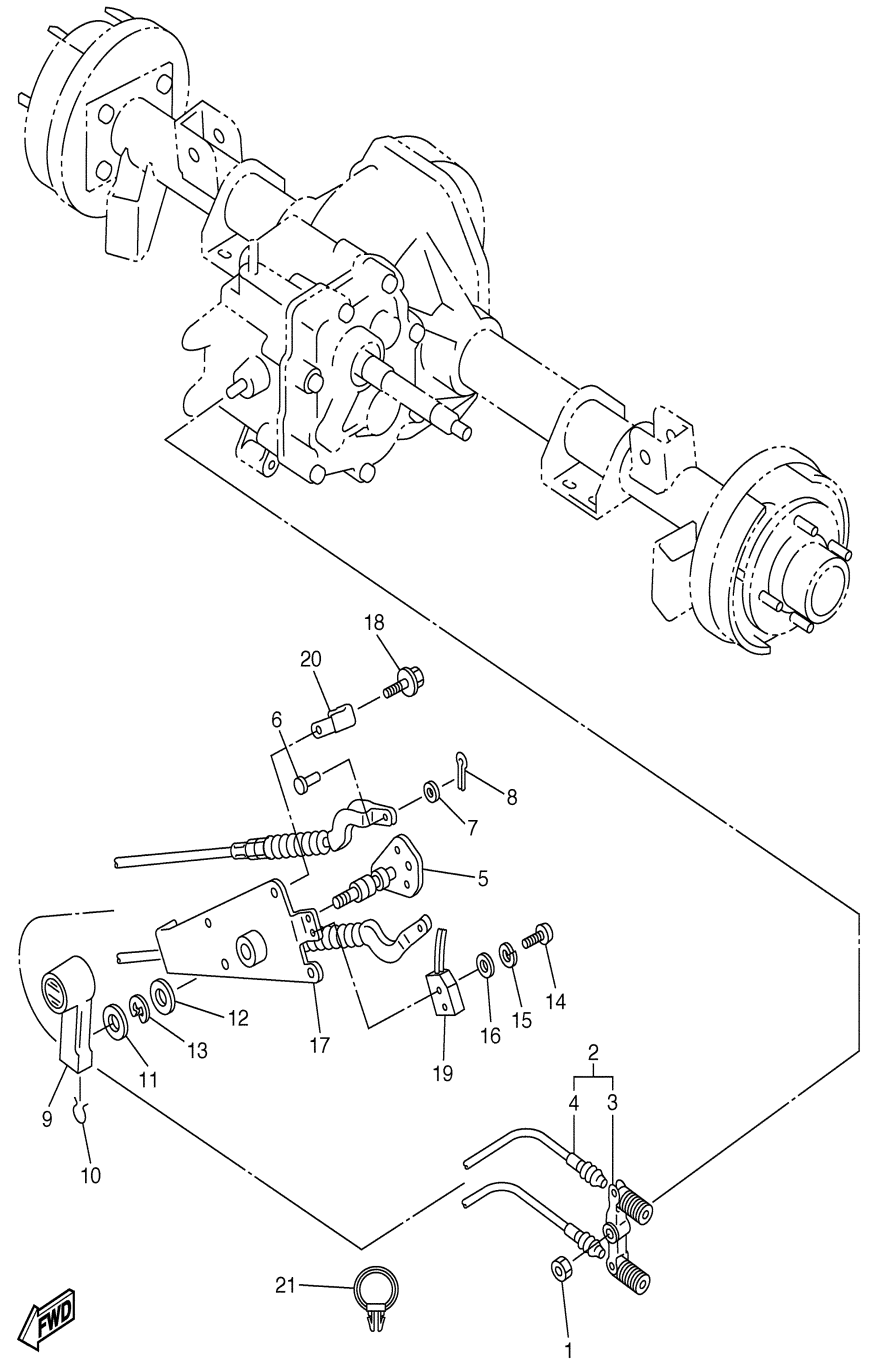


SHIFTER & CABLES

Ref. No.	Part Number	Description	Qty	Remarks
1	95607-08100-00	NUT, U	1	
2	JN3-G8330-00-00	CABLE END ASSY	1	
3	J55-G6383-00-00	. LEVER, SHIFT 2	1	
4	JN3-G6371-00-00	. WIRE, SHIFT	2	
5	JF2-46382-00-00	LEVER, SHIFT 1	1	
6	91701-06014-00	PIN, CLEVIS	2	
7	9290P-06600-00	WASHER	2	
8	91401-20012-00	PIN, COTTER	2	
9	JN3-G6381-00-00	KNOB, SHIFT	1	
10	JN3-G6376-00-00	SPRING SET	1	
11	90201-208S8-00	WASHER, PLATE	1	
12	90201-198S7-00	WASHER, PLATE	1	
13	99009-19400-00	CIRCLIP	1	
14	98507-04016-00	SCREW, PAN HEAD	2	
15	92907-04100-00	WASHER, SPRING	2	
16	92907-04600-00	WASHER	2	
17	JN3-G6372-00-00	BRACKET, SHIFT WIRE	1	
18	90105-06876-00	BOLT, FLANGE	4	
19	JN3-82617-01-00	SWITCH	1	
20	90465-06038-00	CLAMP	1	
21	90464-19815-00	CLAMP	1	

CONTENTS

ACCELERATOR	C2
AIR SHROUD & FAN	A9
BODY	C12
BODY 2	D1-2
BODY FITTING	D3
BRAKE	B10-11
BRAKE 2	B12
BRAKE 3	C1
BUMPER	C11
CAMSHAFT & VALVE	A8
CARBURETOR	A11
CARRIER	D4
CRANKCASE	B1
CRANKSHAFT & PISTON	A7
CYLINDER HEAD	A6
ELECTRICAL 1	D8
ELECTRICAL 2	D9-10
ENGINE ASSEMBLY	A5
ENGINE BRACKET	B2
EXHAUST	A12
FRAME	B4
FRONT SUSPENSION & WHEEL	B5-6
FUEL TANK	B9
GOVERNOR	C3
INTAKE	A10
OPTIONAL LIGHT KIT	E1-2
OPTIONAL SUN ROOF	D12
OPTIONAL WINDSHIELD	D11
PRIMARY SHEAVE	C4
REAR ARM & SUSPENSION	B3
REAR AXLE MOUNT & WHEEL	C9
SEAT	D5
SECONDARY SHEAVE	C5
SHIFTER & CABLES	C10
STARTING MOTOR	D6-7
STEERING	B7-8
TRANSMISSION 1	C6-8

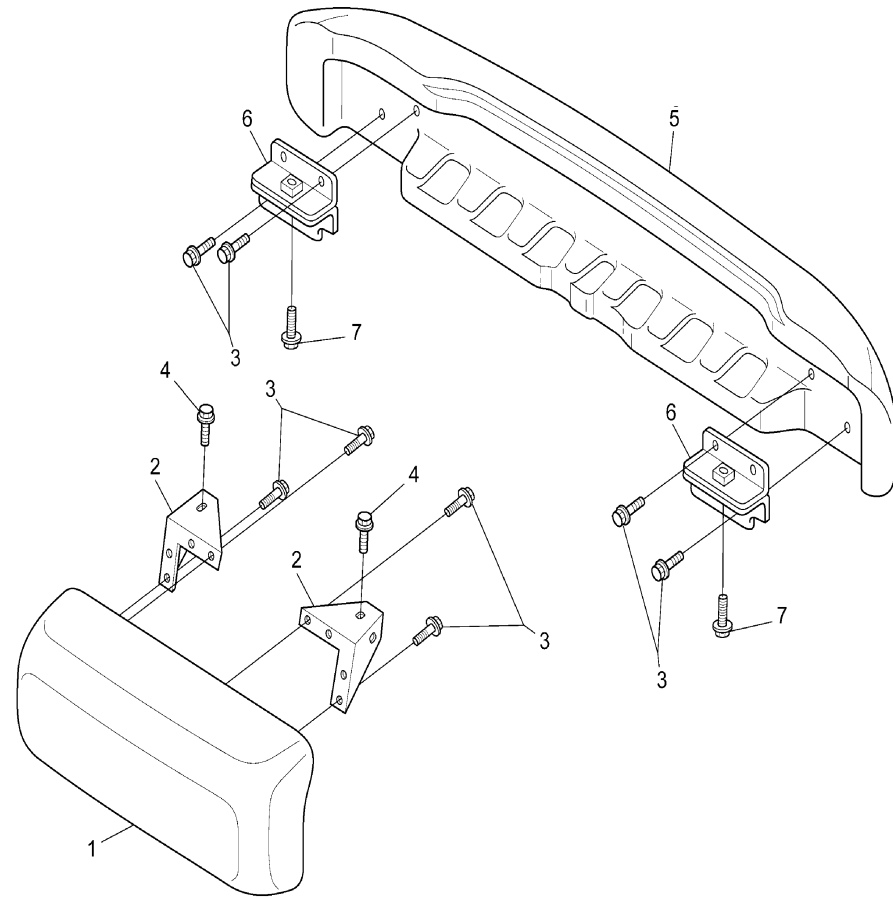


BUMPER

Ref. No.	Part Number	Description	Qty	Remarks
1	JN3-K7510-02-00	FRONT BUMPER COMP.	1	
2	JU0-K8164-00-00	STAY, FRONT BUMPER	2	
3	90105-06876-00	BOLT, FLANGE	8	
4	9581P-08012-00	BOLT, FLANGE	2	
5	JN6-K7540-00-00	REAR BUMPER COMP.	1	
6	JN3-K8174-00-00	STAY, REAR BUMPER	2	
7	90105-10881-00	BOLT, FLANGE	2	

CONTENTS

ACCELERATOR	C2
AIR SHROUD & FAN	A9
BODY	C12
BODY 2	D1-2
BODY FITTING	D3
BRAKE	B10-11
BRAKE 2	B12
BRAKE 3	C1
BUMPER	C11
CAMSHAFT & VALVE	A8
CARBURETOR	A11
CARRIER	D4
CRANKCASE	B1
CRANKSHAFT & PISTON	A7
CYLINDER HEAD	A6
ELECTRICAL 1	D8
ELECTRICAL 2	D9-10
ENGINE ASSEMBLY	A5
ENGINE BRACKET	B2
EXHAUST	A12
FRAME	B4
FRONT SUSPENSION & WHEEL	B5-6
FUEL TANK	B9
GOVERNOR	C3
INTAKE	A10
OPTIONAL LIGHT KIT	E1-2
OPTIONAL SUN ROOF	D12
OPTIONAL WINDSHIELD	D11
PRIMARY SHEAVE	C4
REAR ARM & SUSPENSION	B3
REAR AXLE MOUNT & WHEEL	C9
SEAT	D5
SECONDARY SHEAVE	C5
SHIFTER & CABLES	C10
STARTING MOTOR	D6-7
STEERING	B7-8
TRANSMISSION 1	C6-8



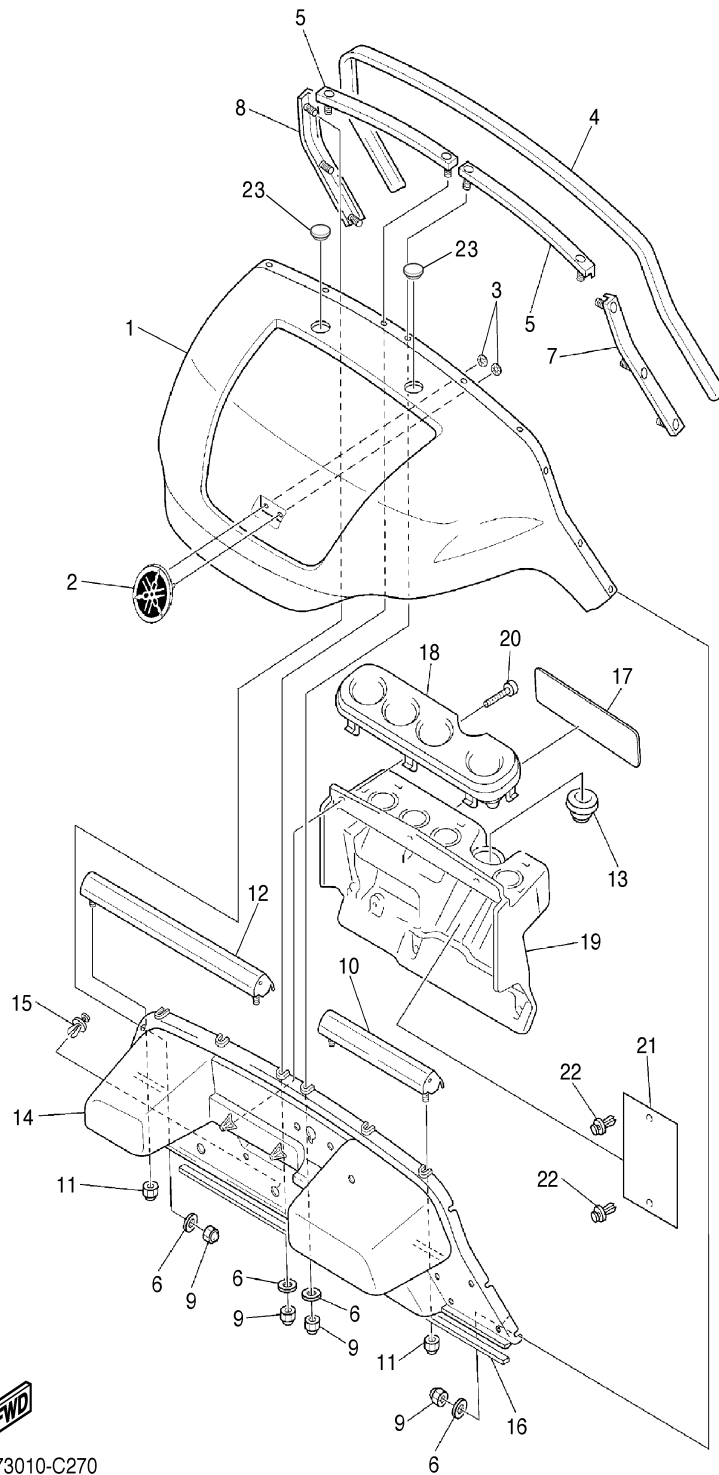
JU0100-5240

BODY

Ref. No.	Part Number	Description	Qty	Remarks
1	JU0-K8115-00-00	COWL, FRONT	1	IVORY
	JU0-K8115-30-00	COWL, FRONT	1	BURGUNDY
	JU0-K8115-50-00	COWL, FRONT	1	HUNTER GREEN
	JU0-K8115-60-00	COWL, FRONT	1	CANDY APPLE RED MET.
	JU0-K8115-80-00	COWL, FRONT	1	BRIGHT BLUE MET.
2	JU0-F4161-00-00	EMBLEM 1	1	
3	JU0-K7573-00-00	NUT, SPECIAL	2	
4	JF2-K811V-00-00	PROTECTOR 1	1	
5	JU0-K8261-00-00	PLATE, BODY PROTECT 1 ...	2	
6	90201-06829-00	WASHER, PLATE	10	
7	JF2-K8262-01-00	PLATE, BODY PROTECT 2 ...	1	
8	JF2-K8263-01-00	PLATE, BODY PRTOTECT 3 ..	1	
9	90185-06836-00	NUT, SELF-LOCKING	10	
10	JN6-K8264-00-00	PLATE, BODY PROTECT 4 ...	1	
11	9560P-06200-00	NUT, FLANGE	4	
12	JN6-K8265-00-00	PLATE, BODY PROTECT 5 ...	1	
13	JN3-K8273-00-00	COVER, HOLE	1	
14	JF2-K8114-03-00	PANEL, FRONT	1	
15	90269-08066-00	RIVET	3	
16	JN3-K815G-00-00	SEAL, FRONT STORAGE	1	
17	JN3-K7768-00-00	LABEL, WARNING 8 (E)	1	
18	JN6-K835E-00-00	HOLDER, BEVERAGE	1	
19	JN3-K835G-00-00	HOUSING, HOLDER	1	
20	9770P-60130-00	SCREW, TAPPING	6	
21	JN6-K8182-00-00	PLATE 2	1	
22	90267-63047-00	RIVET, BLIND	2	
23	JN3-K818E-00-00	CAP, PROTECTOR	2	W/O SUNTOP

CONTENTS

ACCELERATOR	C2
AIR SHROUD & FAN	A9
BODY	C12
BODY 2	D1-2
BODY FITTING	D3
BRAKE	B10-11
BRAKE 2	B12
BRAKE 3	C1
BUMPER	C11
CAMSHAFT & VALVE	A8
CARBURETOR	A11
CARRIER	D4
CRANKCASE	B1
CRANKSHAFT & PISTON	A7
CYLINDER HEAD	A6
ELECTRICAL 1	D8
ELECTRICAL 2	D9-10
ENGINE ASSEMBLY	A5
ENGINE BRACKET	B2
EXHAUST	A12
FRAME	B4
FRONT SUSPENSION & WHEEL	B5-6
FUEL TANK	B9
GOVERNOR	C3
INTAKE	A10
OPTIONAL LIGHT KIT	E1-2
OPTIONAL SUN ROOF	D12
OPTIONAL WINDSHIELD	D11
PRIMARY SHEAVE	C4
REAR ARM & SUSPENSION	B3
REAR AXLE MOUNT & WHEEL	C9
SEAT	D5
SECONDARY SHEAVE	C5
SHIFTER & CABLES	C10
STARTING MOTOR	D6-7
STEERING	B7-8
TRANSMISSION 1	C6-8



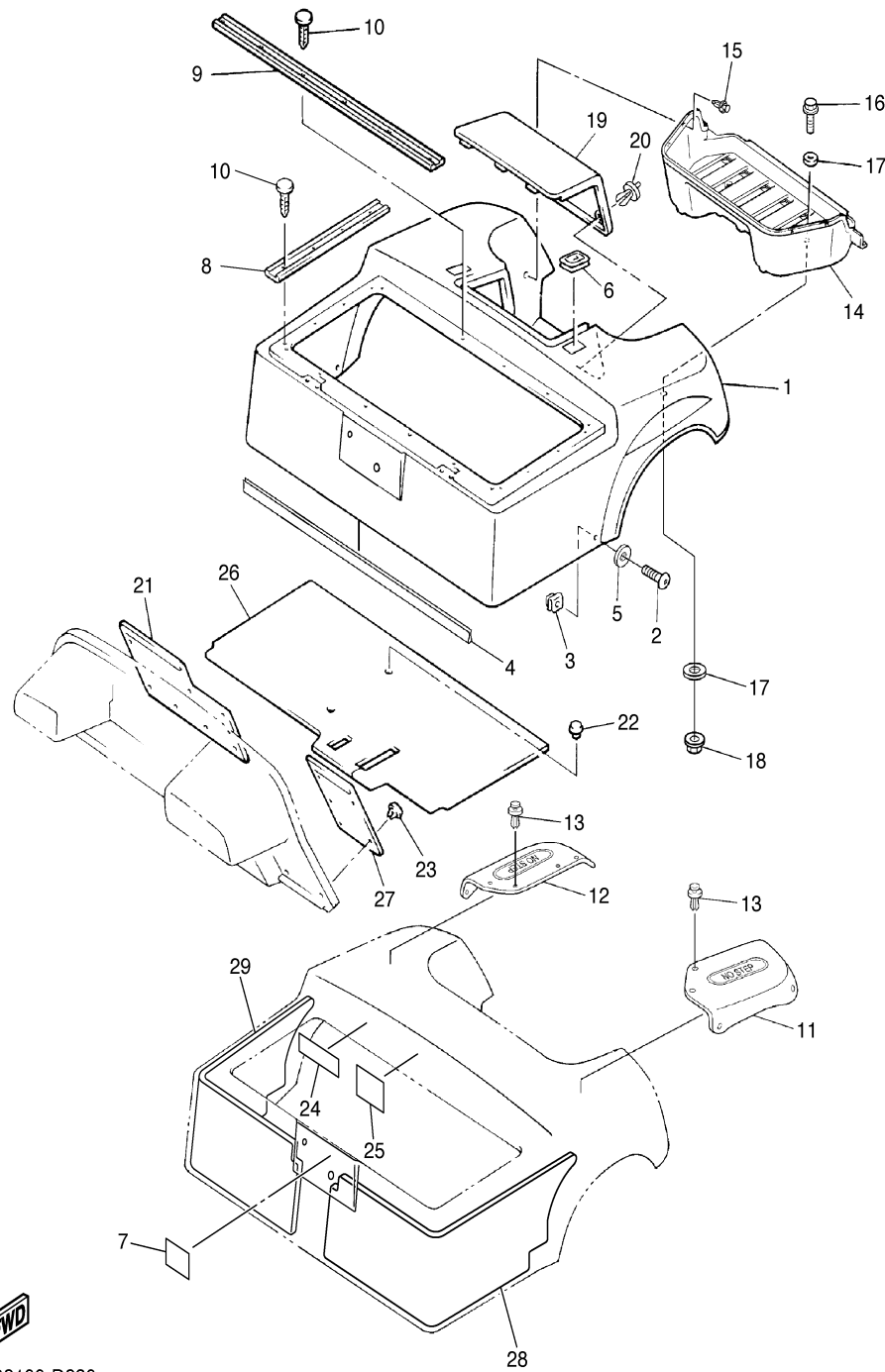
FWD
JT73010-C270

BODY 2

Ref. No.	Part Number	Description	Qty	Remarks
1	JN6-K8142-02-00	PANEL, REAR BODY	1	IVORY
	JN6-K8142-52-00	PANEL, REAR BODY	1	HUNTER GREEN
	JU0-K8142-32-00	PANEL, REAR BODY	1	BURGUNDY
	JU0-K8142-62-00	PANEL, REAR BODY	1	CANDY APPLE RED MET.
	JU0-K8142-82-00	PANEL, REAR BODY	1	BRIGHT BLUE MET.
2	90110-06837-00	BOLT, HEXAGON SOCKET HEAD	2	
3	90183-06811-00	NUT, SPRING	2	
4	JN6-K824E-00-00	TRIM, REAR BODY 1	1	
5	90201-068H0-00	WASHER, PLATE	2	
6	JN3-K8363-00-00	PROTECTOR	2	
7	JN3-K7741-00-00	INDICATOR 1	1	SEE NOTE
8	JN3-K8425-00-00	SEAL, SEAT	2	
9	JN3-K842A-00-00	SEAL, SEAT 2	1	
10	90338-05834-00	PLUG	20	
11	JN3-K8243-00-00	MAT, REAR BODY SIDE (LH) .	1	
12	JN3-K8244-00-00	MAT, REAR BODY SIDE (RH) .	1	
13	90269-07810-00	RIVET	10	
14	JF2-K8237-00-00	COVER, REAR FLOOR	1	
15	90269-08813-00	RIVET	7	
16	90101-06876-00	BOLT	2	
17	90201-068G7-00	WASHER, PLATE	4	
18	9572R-06300-00	NUT, NYLON	2	
19	JU0-K8151-00-00	PANEL, INSPECTION LID 1 ...	1	
20	90269-06804-00	RIVET	2	
21	JN6-K8232-01-00	MAT, MAIN FLOOR 2	1	
22	90269-08813-00	RIVET	4	
23	90267-63047-00	RIVET, BLIND	9	
24	JN3-K8297-10-00	PLATE, CAUTION 1	1	SEE NOTE
25	JN3-K8299-10-00	PLATE, CAUTION	1	SEE NOTE

CONTENTS

ACCELERATOR	C2
AIR SHROUD & FAN	A9
BODY	C12
BODY 2	D1-2
BODY FITTING	D3
BRAKE	B10-11
BRAKE 2	B12
BRAKE 3	C1
BUMPER	C11
CAMSHAFT & VALVE	A8
CARBURETOR	A11
CARRIER	D4
CRANKCASE	B1
CRANKSHAFT & PISTON	A7
CYLINDER HEAD	A6
ELECTRICAL 1	D8
ELECTRICAL 2	D9-10
ENGINE ASSEMBLY	A5
ENGINE BRACKET	B2
EXHAUST	A12
FRAME	B4
FRONT SUSPENSION & WHEEL	B5-6
FUEL TANK	B9
GOVERNOR	C3
INTAKE	A10
OPTIONAL LIGHT KIT	E1-2
OPTIONAL SUN ROOF	D12
OPTIONAL WINDSHIELD	D11
PRIMARY SHEAVE	C4
REAR ARM & SUSPENSION	B3
REAR AXLE MOUNT & WHEEL	C9
SEAT	D5
SECONDARY SHEAVE	C5
SHIFTER & CABLES	C10
STARTING MOTOR	D6-7
STEERING	B7-8
TRANSMISSION 1	C6-8



JU02100-D280

NOTE: WHEN REPLACING REAR BODY PANEL, REPLACE REF #S 7, 24 AND 25 AS WELL.

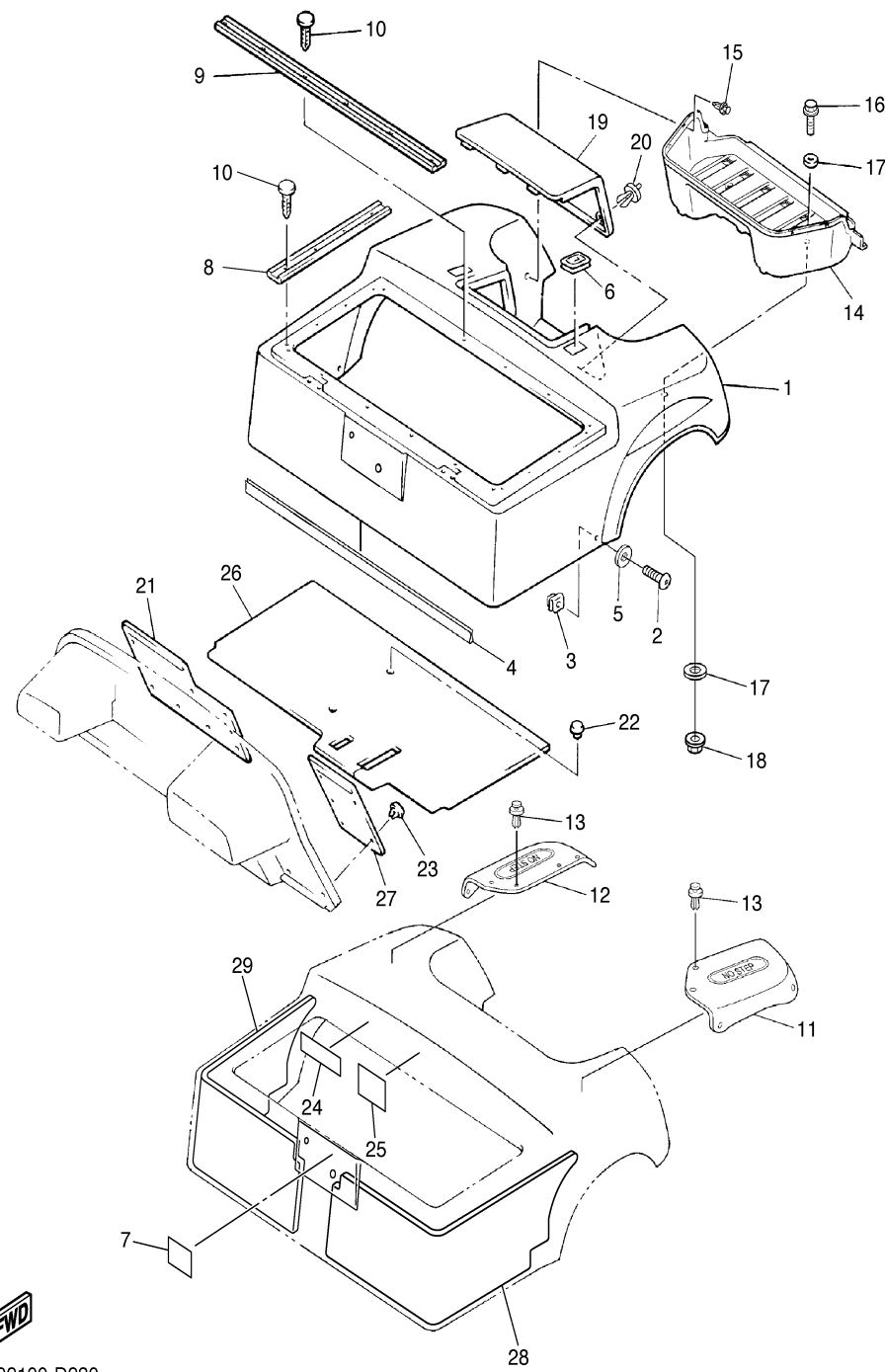
CONTINUED ON NEXT FRAME ►

BODY 2

Ref. No.	Part Number	Description	Qty	Remarks
26	JN6-K8233-01-00	MAT, MAIN FLOOR 3	1	
27	JN6-K8231-01-00	MAT, MAIN FLOOR 1	1	
28	JU0-K8251-00-00	PAD, SILENCER 1	1	
29	JU0-K8252-00-00	PAD, SILENCER 2	1	

CONTENTS

ACCELERATOR	C2
AIR SHROUD & FAN	A9
BODY	C12
BODY 2	D1-2
BODY FITTING	D3
BRAKE	B10-11
BRAKE 2	B12
BRAKE 3	C1
BUMPER	C11
CAMSHAFT & VALVE	A8
CARBURETOR	A11
CARRIER	D4
CRANKCASE	B1
CRANKSHAFT & PISTON	A7
CYLINDER HEAD	A6
ELECTRICAL 1	D8
ELECTRICAL 2	D9-10
ENGINE ASSEMBLY	A5
ENGINE BRACKET	B2
EXHAUST	A12
FRAME	B4
FRONT SUSPENSION & WHEEL	B5-6
FUEL TANK	B9
GOVERNOR	C3
INTAKE	A10
OPTIONAL LIGHT KIT	E1-2
OPTIONAL SUN ROOF	D12
OPTIONAL WINDSHIELD	D11
PRIMARY SHEAVE	C4
REAR ARM & SUSPENSION	B3
REAR AXLE MOUNT & WHEEL	C9
SEAT	D5
SECONDARY SHEAVE	C5
SHIFTER & CABLES	C10
STARTING MOTOR	D6-7
STEERING	B7-8
TRANSMISSION 1	C6-8

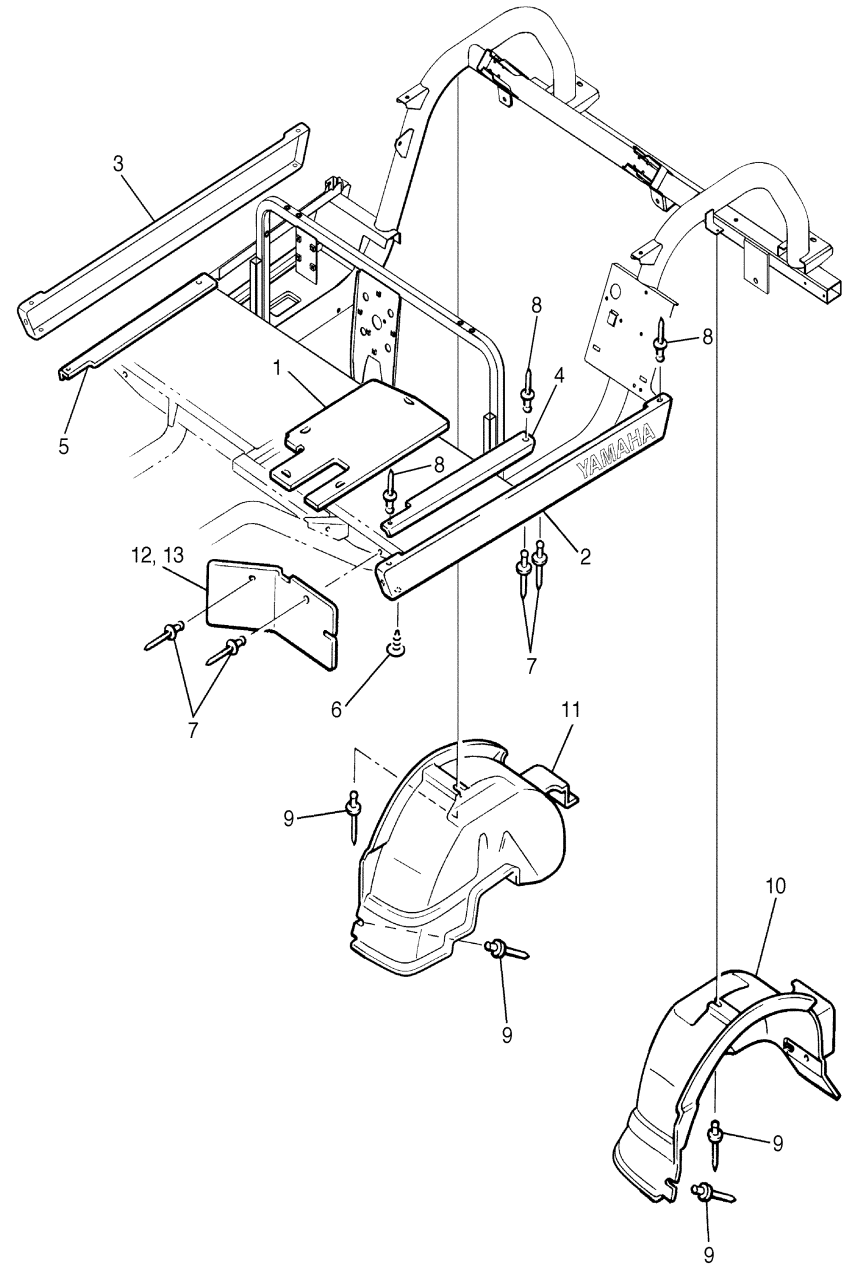


JU02100-D280

NOTE: WHEN REPLACING REAR BODY PANEL, REPLACE REF #S 7, 24 AND 25 AS WELL.

BODY FITTING

Ref. No.	Part Number	Description	Qty	Remarks
1	JN6-K8271-00-00	SERVICE LID, PEDAL	1	
2	JU0-K818A-00-00	PROTECTOR, SIDE PLATE 1 ..	1	
3	JU0-K818B-00-00	PROTECTOR, SIDE PLATE 2 ..	1	
4	JF2-K8215-10-00	PLATE, SIDE TRIM 1	1	
5	JF2-K821F-10-00	PLATE, SIDE TRIM 2	1	
6	90338-05829-00	PLUG	4	
7	90267-48831-00	RIVET, BLIND	8	
8	90267-48154-00	RIVET, BLIND	6	
9	90267-48086-00	RIVET, BLIND	4	
10	JF2-K8191-01-00	PANEL, REAR FENDER 1	1	
11	JF2-K8192-01-00	PANEL, REAR FENDER 2	1	
12	JF2-K8187-00-00	FLAP, FRONT FENDER (L.H) ..	1	
13	JF2-K8189-00-00	FLAP, FRONT FENDER (R.H) .	1	



CONTENTS

ACCELERATOR	C2
AIR SHROUD & FAN	A9
BODY	C12
BODY 2	D1-2
BODY FITTING	D3
BRAKE	B10-11
BRAKE 2	B12
BRAKE 3	C1
BUMPER	C11
CAMSHAFT & VALVE	A8
CARBURETOR	A11
CARRIER	D4
CRANKCASE	B1
CRANKSHAFT & PISTON	A7
CYLINDER HEAD	A6
ELECTRICAL 1	D8
ELECTRICAL 2	D9-10
ENGINE ASSEMBLY	A5
ENGINE BRACKET	B2
EXHAUST	A12
FRAME	B4
FRONT SUSPENSION & WHEEL	B5-6
FUEL TANK	B9
GOVERNOR	C3
INTAKE	A10
OPTIONAL LIGHT KIT	E1-2
OPTIONAL SUN ROOF	D12
OPTIONAL WINDSHIELD	D11
PRIMARY SHEAVE	C4
REAR ARM & SUSPENSION	B3
REAR AXLE MOUNT & WHEEL	C9
SEAT	D5
SECONDARY SHEAVE	C5
SHIFTER & CABLES	C10
STARTING MOTOR	D6-7
STEERING	B7-8
TRANSMISSION 1	C6-8



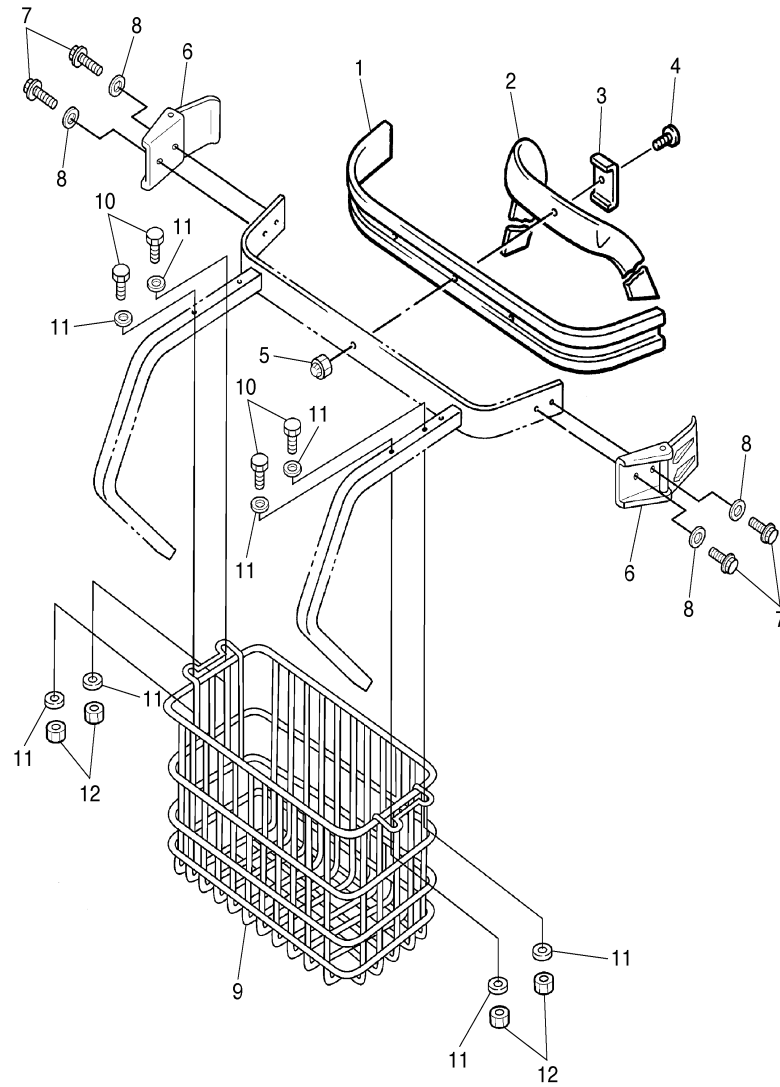
JW41110-C290

CARRIER

Ref. No.	Part Number	Description	Qty	Remarks
1	JF2-K8356-00-00	PAD, BAG SUPPORT	1	
2	JN6-K8355-00-00	BAND	1	
3	J38-78367-00-00	PLATE, ANCHOR	1	
4	90101-06865-00	BOLT	1	
5	90185-06836-00	NUT, SELF-LOCKING	1	
6	JN6-K8380-00-00	LOCK ASSY	2	
7	90159-06845-00	SCREW, WITH WASHER	4	
8	9299R-06200-00	WASHER	4	
9	JN6-K8340-00-00	LUGGAGE RACK ASSY., REAR	1	
10	90111-08803-00	BOLT	4	
11	90201-088R9-00	WASHER, PLATE	8	
12	90185-08832-00	NUT, SELF-LOCKING	4	

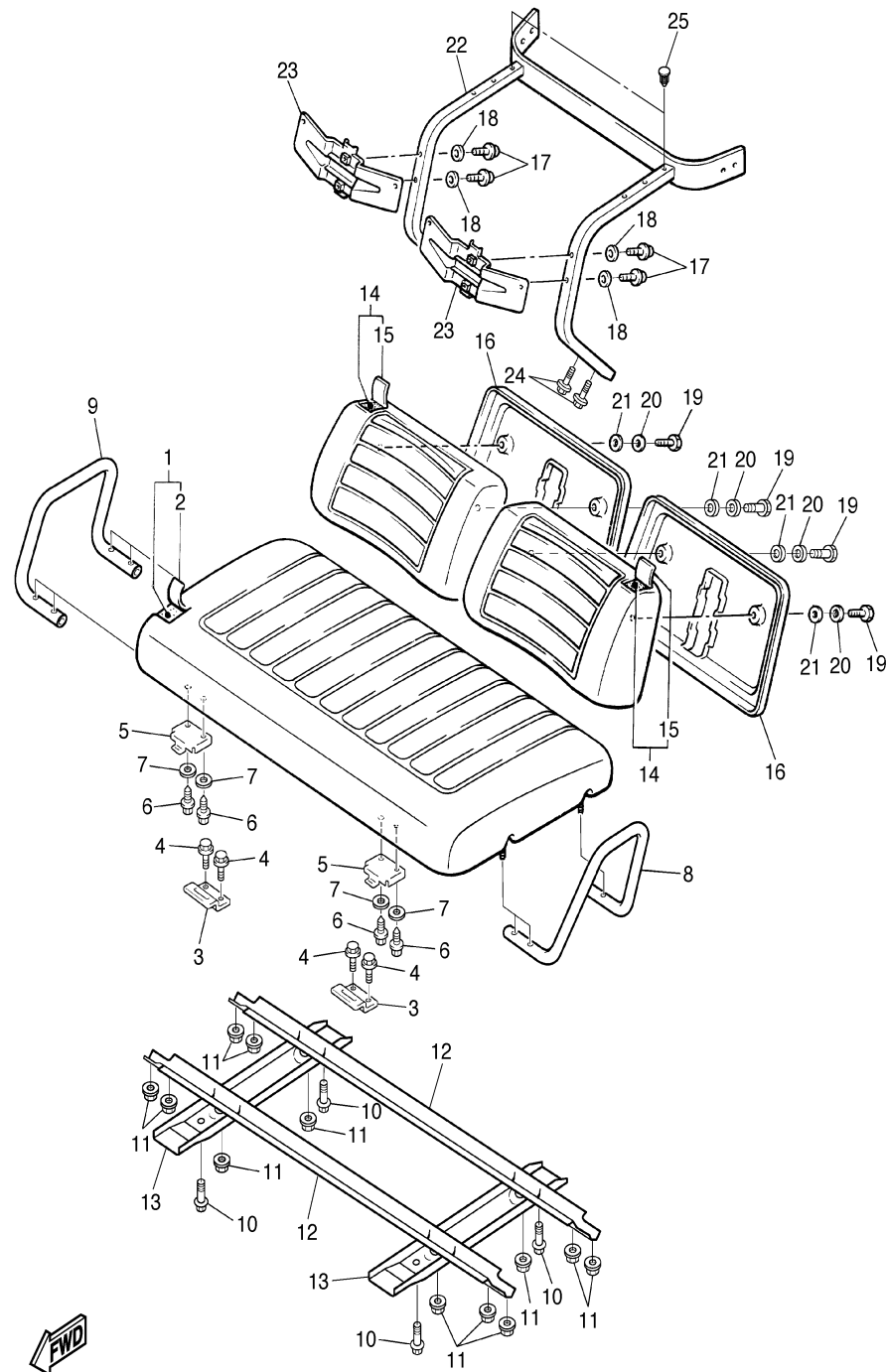
CONTENTS

ACCELERATOR	C2
AIR SHROUD & FAN	A9
BODY	C12
BODY 2	D1-2
BODY FITTING	D3
BRAKE	B10-11
BRAKE 2	B12
BRAKE 3	C1
BUMPER	C11
CAMSHAFT & VALVE	A8
CARBURETOR	A11
CARRIER	D4
CRANKCASE	B1
CRANKSHAFT & PISTON	A7
CYLINDER HEAD	A6
ELECTRICAL 1	D8
ELECTRICAL 2	D9-10
ENGINE ASSEMBLY	A5
ENGINE BRACKET	B2
EXHAUST	A12
FRAME	B4
FRONT SUSPENSION & WHEEL	B5-6
FUEL TANK	B9
GOVERNOR	C3
INTAKE	A10
OPTIONAL LIGHT KIT	E1-2
OPTIONAL SUN ROOF	D12
OPTIONAL WINDSHIELD	D11
PRIMARY SHEAVE	C4
REAR ARM & SUSPENSION	B3
REAR AXLE MOUNT & WHEEL	C9
SEAT	D5
SECONDARY SHEAVE	C5
SHIFTER & CABLES	C10
STARTING MOTOR	D6-7
STEERING	B7-8
TRANSMISSION 1	C6-8



JT73010-C310

SEAT



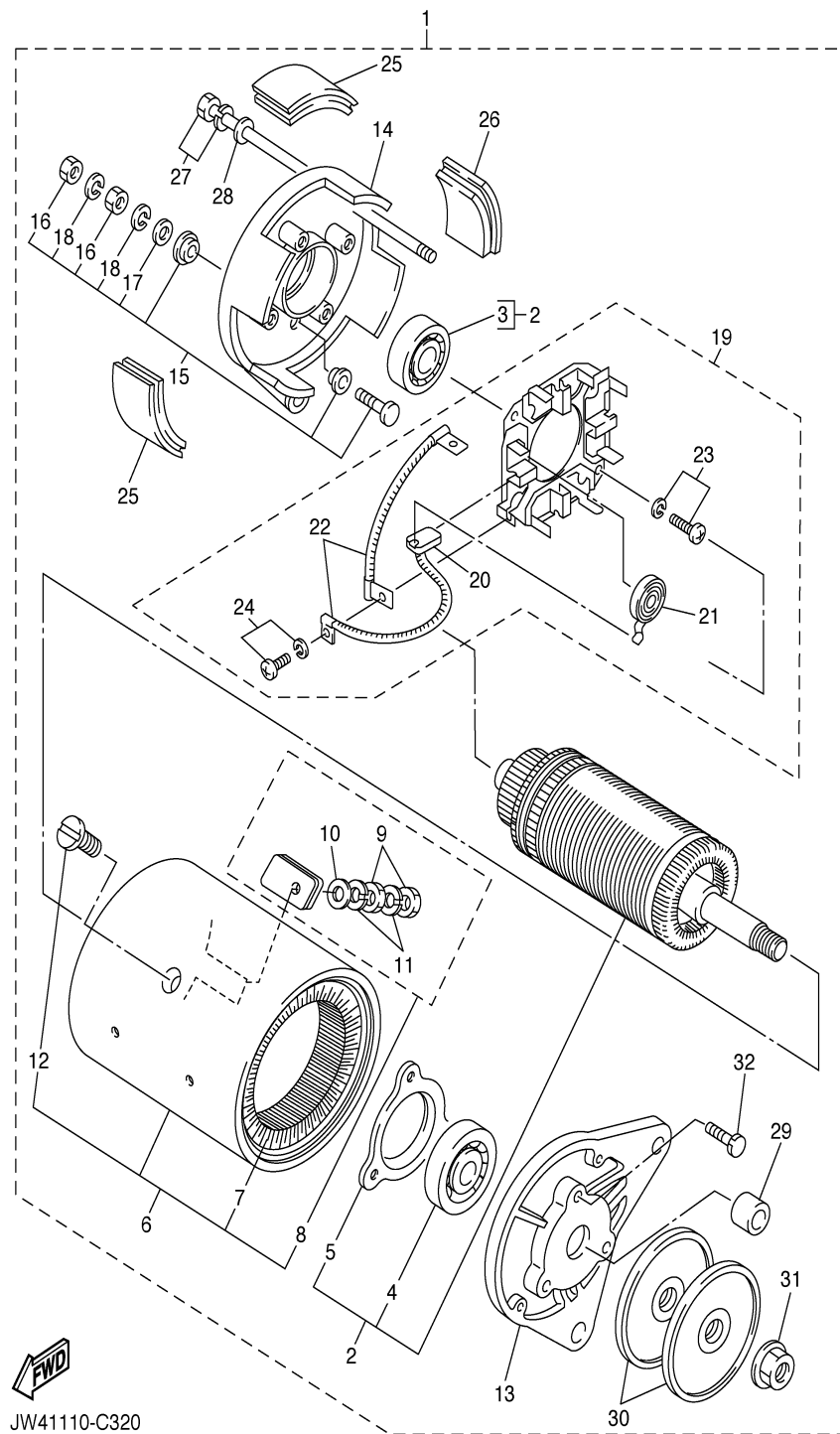
JT73010-C320

Ref. No.	Part Number	Description	Qty	Remarks
1	JN6-K8401-10-00	SEAT SUB-ASSY, CUSHION ..	1	UR IVORY WHITE
	JU0-K8401-00-00	SEAT SUB-ASSY, CUSHION ..	1	UR TAN
2	JN6-K8404-10-00	. COVER, SEAT	1	UR IVORY WHITE
	JU0-K8404-00-00	. COVER, SEAT	1	UR TAN
3	JF2-K8427-00-00	HINGE, SEAT 2	2	
4	90105-06903-00	BOLT, FLANGE	4	
5	JN3-K8426-01-00	HINGE, SEAT 1	2	
6	90111-06810-00	BOLT	4	
7	90204-06807-00	WASHER, SPRING	4	
8	JN6-K8361-00-00	ARM REST 1	1	
9	JU0-K8362-00-00	ARM REST 2	1	
10	90167-04815-00	SCREW, TAPPING	4	
11	9560P-08200-00	NUT	12	
12	JN6-K8121-00-00	REINFORCEMENT 1	2	
13	JN6-K8122-02-00	REINFORCEMENT 2	2	
14	JN3-K8402-00-00	SEAT SUB ASSY, BACK	2	UR IVORY WHITE
	JU0-K8402-00-00	SEAT SUB ASSY, BACK	2	UR TAN
15	JN3-K841G-09-00	. COVER, SEAT BACK 2	1	UR IVORY WHITE
	JU0-K841G-09-00	. COVER, SEAT BACK 2	1	UR TAN
16	JN3-K8413-00-00	COVER, SEAT BACK	2	
17	90119-08820-00	BOLT, WITH WASHER	4	
18	90201-098J4-00	WASHER, PLATE	4	
19	95880-06025-00	BOLT, FLANGE	4	
20	90201-068G0-00	WASHER, PLATE	4	
21	90201-068G6-00	WASHER, PLATE	4	
22	JU0-K8423-00-00	SUPPORT, SEAT BACK	1	
23	JN3-K842H-00-00	RETAINER, SEAT	2	
24	90105-08871-00	BOLT, FLANGE	4	
25	90338-09828-00	PLUG	2	

CONTENTS

ACCELERATOR	C2
AIR SHROUD & FAN	A9
BODY	C12
BODY 2	D1-2
BODY FITTING	D3
BRAKE	B10-11
BRAKE 2	B12
BRAKE 3	C1
BUMPER	C11
CAMSHAFT & VALVE	A8
CARBURETOR	A11
CARRIER	D4
CRANKCASE	B1
CRANKSHAFT & PISTON	A7
CYLINDER HEAD	A6
ELECTRICAL 1	D8
ELECTRICAL 2	D9-10
ENGINE ASSEMBLY	A5
ENGINE BRACKET	B2
EXHAUST	A12
FRAME	B4
FRONT SUSPENSION & WHEEL	B5-6
FUEL TANK	B9
GOVERNOR	C3
INTAKE	A10
OPTIONAL LIGHT KIT	E1-2
OPTIONAL SUN ROOF	D12
OPTIONAL WINDSHIELD	D11
PRIMARY SHEAVE	C4
REAR ARM & SUSPENSION	B3
REAR AXLE MOUNT & WHEEL	C9
SEAT	D5
SECONDARY SHEAVE	C5
SHIFTER & CABLES	C10
STARTING MOTOR	D6-7
STEERING	B7-8
TRANSMISSION 1	C6-8

STARTING MOTOR



FWD
JW41110-C320

Ref. No.	Part Number	Description	Qty	Remarks
1	JN6-H1100-03-00	STARTER GENERATOR ASSY	1	
2	JN3-H1150-00-00	. ARMATURE ASSY	1	
3	J10-H1157-10-00	.. BEARING 1 (6202 SD)	1	
4	J10-H1158-10-00	.. BEARING 2 (6203 SD)	1	
5	J10-H1159-10-00	.. HOLDER, BEARING	1	
6	JN6-H1110-10-00	. STATOR ASSY	1	
7	JN6-H1160-10-00	.. FIELD COIL ASSY	1	
8	J10-81148-10-00	.. SCREW SET 4	2	
9	9530N-06600-00	... NUT	2	
10	9290N-06600-00	... WASHER	1	
11	9290N-06100-00	... WASHER, SPRING	2	
12	J10-H1146-10-00	.. SCREW 2	4	
13	JN6-H1165-00-00	. BRACKET, STARTER GENERATOR 1	1	
14	J10-H1166-10-00	. BRACKET, STARTER GENERATOR 2	1	
15	J10-H1147-10-00	. SCREW 3	2	
16	9530N-06600-00	.. NUT	2	
17	9290N-06600-00	.. WASHER	1	
18	9290N-06100-00	.. WASHER, SPRING	2	
19	JN6-H1119-00-00	. BRUSH HOLDER ASSY	1	
20	JF2-H1111-00-00	.. BRUSH	4	
21	JN6-H1113-00-00	.. SPRING, BRUSH	4	
22	J10-H1115-10-00	.. WIRE, LEAD	2	
23	9850N-05016-00	.. SCREW, PAN HEAD	2	
24	9850N-04010-00	.. SCREW, PAN HEAD	4	
25	J10-H1129-10-00	. COVER, BRUSH	3	
26	J10-H1139-10-00	. COVER, BRUSH 2	1	
27	J10-81145-10-00	. SCREW 1	2	
28	9290N-06600-00	. WASHER	2	
29	JN3-H1661-00-00	. SPACER	1	

CONTENTS

ACCELERATOR	C2
AIR SHROUD & FAN	A9
BODY	C12
BODY 2	D1-2
BODY FITTING	D3
BRAKE	B10-11
BRAKE 2	B12
BRAKE 3	C1
BUMPER	C11
CAMSHAFT & VALVE	A8
CARBURETOR	A11
CARRIER	D4
CRANKCASE	B1
CRANKSHAFT & PISTON	A7
CYLINDER HEAD	A6
ELECTRICAL 1	D8
ELECTRICAL 2	D9-10
ENGINE ASSEMBLY	A5
ENGINE BRACKET	B2
EXHAUST	A12
FRAME	B4
FRONT SUSPENSION & WHEEL	B5-6
FUEL TANK	B9
GOVERNOR	C3
INTAKE	A10
OPTIONAL LIGHT KIT	E1-2
OPTIONAL SUN ROOF	D12
OPTIONAL WINDSHIELD	D11
PRIMARY SHEAVE	C4
REAR ARM & SUSPENSION	B3
REAR AXLE MOUNT & WHEEL	C9
SEAT	D5
SECONDARY SHEAVE	C5
SHIFTER & CABLES	C10
STARTING MOTOR	D6-7
STEERING	B7-8
TRANSMISSION 1	C6-8

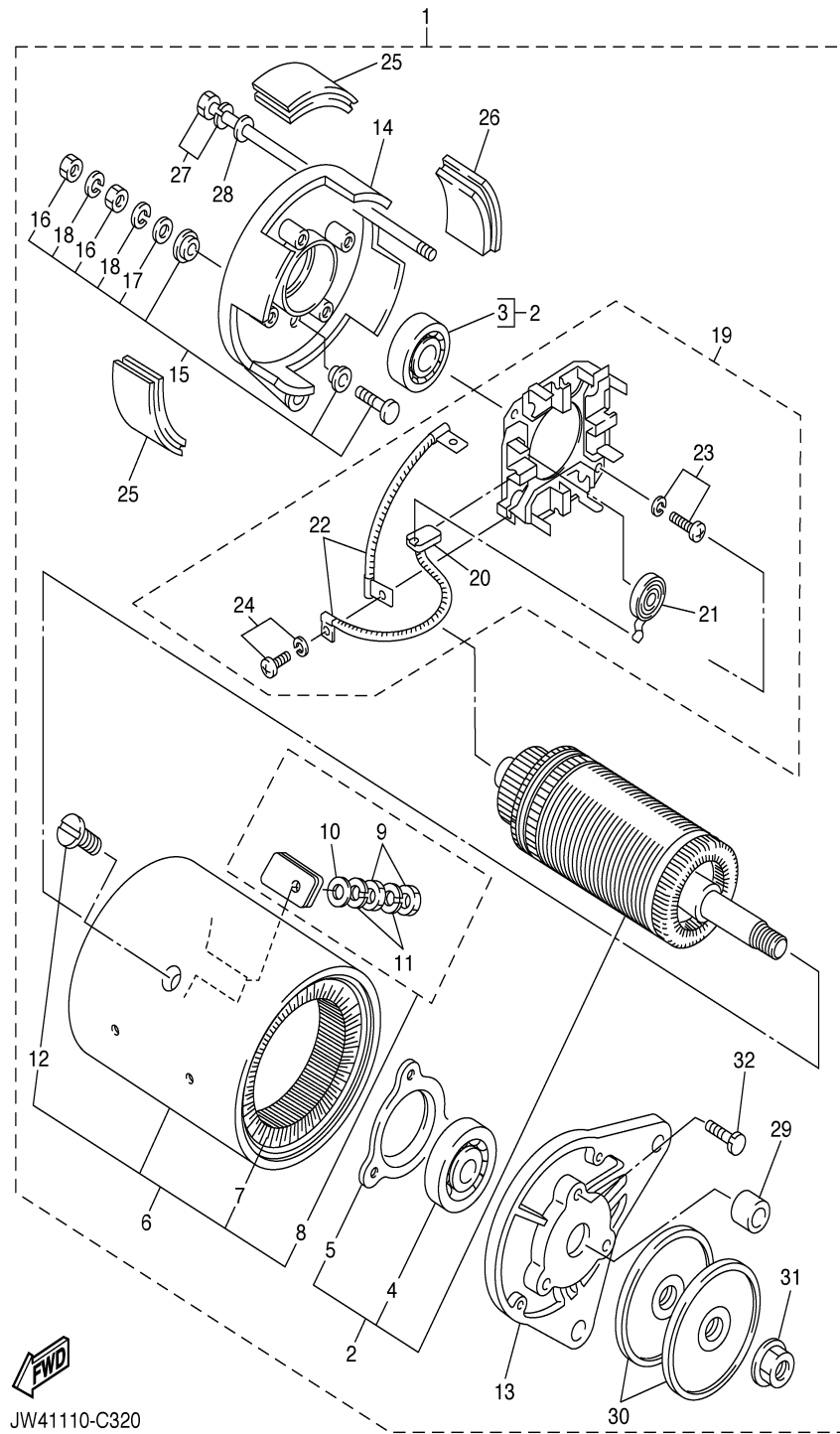
CONTINUED ON NEXT FRAME ►

STARTING MOTOR

Ref. No.	Part Number	Description	Qty	Remarks
30	JN6-H1161-00-00	. PULLEY	2	
31	90179-16889-00	. NUT	1	
32	9850N-05018-00	. SCREW, PAN HEAD	3	

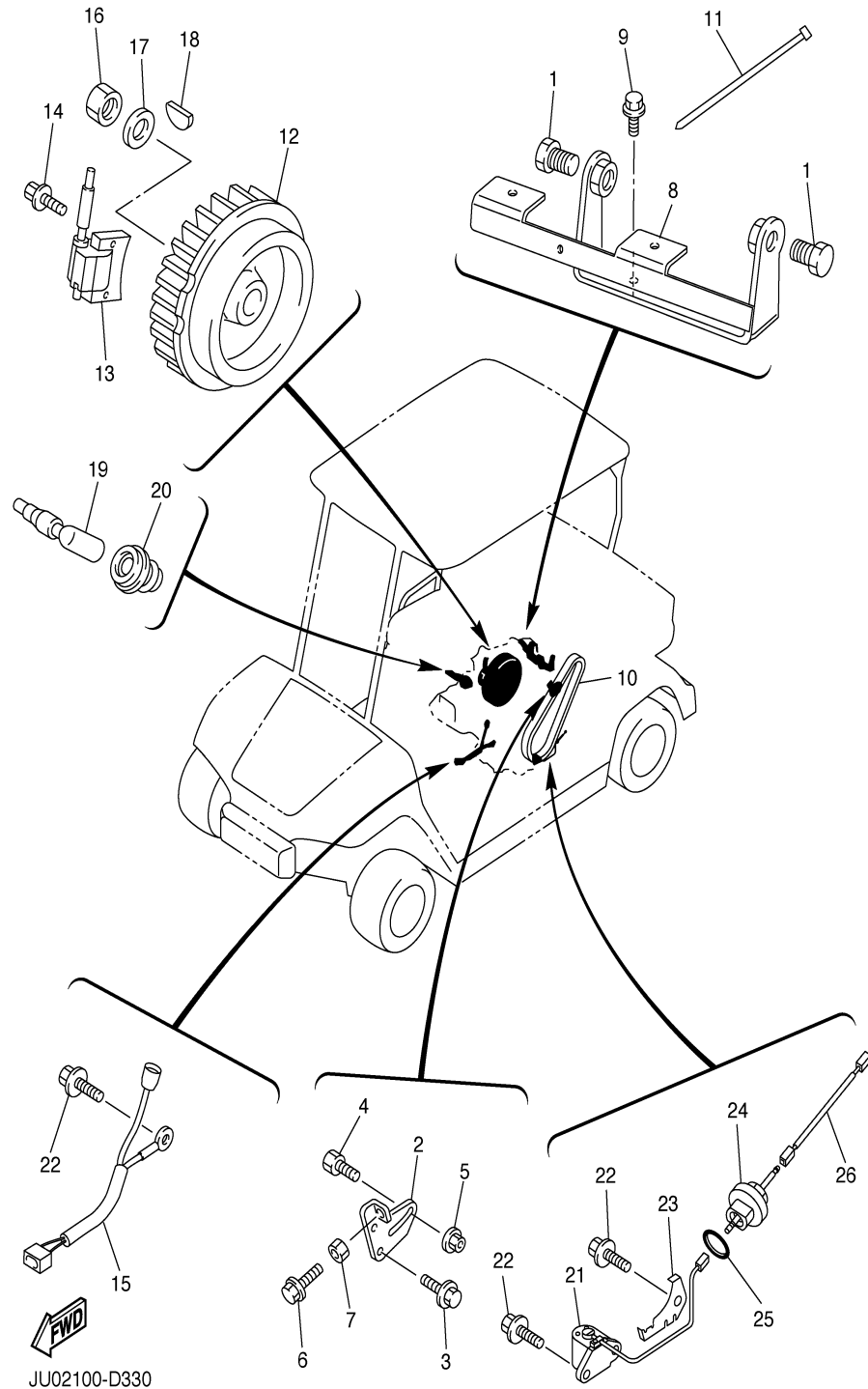
CONTENTS

ACCELERATOR	C2
AIR SHROUD & FAN	A9
BODY	C12
BODY 2	D1-2
BODY FITTING	D3
BRAKE	B10-11
BRAKE 2	B12
BRAKE 3	C1
BUMPER	C11
CAMSHAFT & VALVE	A8
CARBURETOR	A11
CARRIER	D4
CRANKCASE	B1
CRANKSHAFT & PISTON	A7
CYLINDER HEAD	A6
ELECTRICAL 1	D8
ELECTRICAL 2	D9-10
ENGINE ASSEMBLY	A5
ENGINE BRACKET	B2
EXHAUST	A12
FRAME	B4
FRONT SUSPENSION & WHEEL	B5-6
FUEL TANK	B9
GOVERNOR	C3
INTAKE	A10
OPTIONAL LIGHT KIT	E1-2
OPTIONAL SUN ROOF	D12
OPTIONAL WINDSHIELD	D11
PRIMARY SHEAVE	C4
REAR ARM & SUSPENSION	B3
REAR AXLE MOUNT & WHEEL	C9
SEAT	D5
SECONDARY SHEAVE	C5
SHIFTER & CABLES	C10
STARTING MOTOR	D6-7
STEERING	B7-8
TRANSMISSION 1	C6-8



JW41110-C320

ELECTRICAL 1



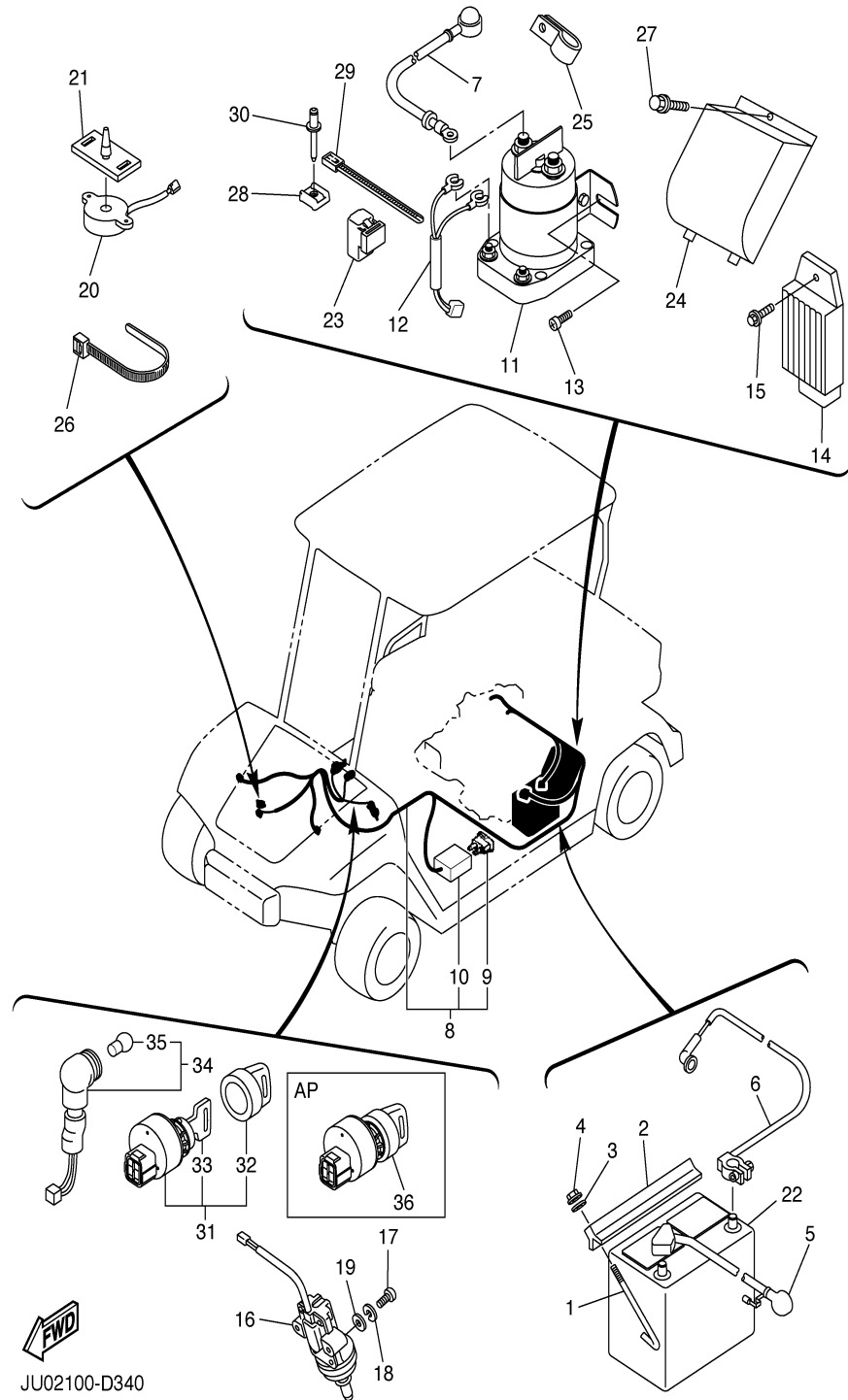
JU02100-D330

Ref. No.	Part Number	Description	Qty	Remarks
1	9581P-12025-00	BOLT, FLANGE	2	
2	JN6-H1170-00-00	TENSIONER ASSY	1	
3	9582P-08020-00	BOLT, FLANGE	2	
4	90109-08875-00	BOLT	1	
5	95707-08500-00	NUT, FLANGE	1	
6	90101-06478-00	BOLT	1	
7	95307-06600-00	NUT	1	
8	JN6-H1171-00-00	BRACKET, STARTER GENERATOR	1	
9	9582P-08020-00	BOLT, FLANGE	2	
10	JN6-H1173-00-00	BELT	1	
11	90464-09823-00	CLAMP	1	
12	JR7-85650-00-00	ROTOR ASSY	1	
13	JN6-85640-01-00	T.C.I. UNIT ASSY	1	
14	95827-06025-00	BOLT, FLANGE	2	
15	JN6-82318-00-00	WIRE, SUB-LEAD	1	
16	95307-18600-00	NUT	1	
17	90201-18620-00	WASHER, PLATE	1	
18	90280-04052-00	KEY, WOODRUFF	1	
19	JN6-82370-00-00	PLUG CAP ASSY	1	
20	JE8-82372-00-00	SEAL, PLUG CAP	1	
21	JT0-85720-00-00	OIL LEVEL GAUGE ASSY	1	
22	95827-06012-00	BOLT, FLANGE	4	
23	JT0-85724-00-00	CLAMP	1	
24	JT0-15362-00-00	PLUG, OIL LEVEL	1	
25	93210-15414-00	O-RING	1	
26	JT0-8231Y-00-00	WIRE, LEAD	1	

CONTENTS

ACCELERATOR	C2
AIR SHROUD & FAN	A9
BODY	C12
BODY 2	D1-2
BODY FITTING	D3
BRAKE	B10-11
BRAKE 2	B12
BRAKE 3	C1
BUMPER	C11
CAMSHAFT & VALVE	A8
CARBURETOR	A11
CARRIER	D4
CRANKCASE	B1
CRANKSHAFT & PISTON	A7
CYLINDER HEAD	A6
ELECTRICAL 1	D8
ELECTRICAL 2	D9-10
ENGINE ASSEMBLY	A5
ENGINE BRACKET	B2
EXHAUST	A12
FRAME	B4
FRONT SUSPENSION & WHEEL	B5-6
FUEL TANK	B9
GOVERNOR	C3
INTAKE	A10
OPTIONAL LIGHT KIT	E1-2
OPTIONAL SUN ROOF	D12
OPTIONAL WINDSHIELD	D11
PRIMARY SHEAVE	C4
REAR ARM & SUSPENSION	B3
REAR AXLE MOUNT & WHEEL SEAT	C9
SEAT	D5
SECONDARY SHEAVE	C5
SHIFTER & CABLES	C10
STARTING MOTOR	D6-7
STEERING	B7-8
TRANSMISSION 1	C6-8

ELECTRICAL 2



Ref. No.	Part Number	Description	Qty	Remarks
1	JN3-H2133-00-00	SCREW, FITTING	2	
2	J55-H2136-00-00	PLATE, BATTERY FITTING	1	
3	9290P-06200-00	WASHER	2	
4	95707-06500-00	NUT, FLANGE	2	
5	JN6-H2115-01-00	WIRE, PLUS LEAD	1	
6	JN6-H2116-01-00	WIRE, MINUS LEAD	1	
7	JN6-H2117-10-00	WIRE, LEAD	1	
8	JU0-H2590-00-00	WIRE HARNESS ASSY	1	
9	JN6-H2151-00-00	. FUSE (10 A)	1	
10	JR1-H2150-00-00	. FUSE HOLDER ASSY	1	
11	JR3-H1950-00-00	RELAY ASSY	1	
12	JN6-H2105-00-00	WIRE HARNESS	1	
13	90163-06005-00	SCREW, TAPPING	2	
14	JF2-81910-01-00	VOLTAGE REGULATOR ASSY	1	
15	90105-06876-00	BOLT, FLANGE	1	
16	JF7-82817-20-00	SWITCH	1	
17	98507-05025-00	SCREW, PAN HEAD	2	
18	92907-05100-00	WASHER, SPRING	2	
19	92907-05600-00	WASHER, PLATE	2	
20	JR1-H3383-01-00	BUZZER	1	
21	JN6-H3386-01-00	STAY, BUZZER	1	
22	JG5-H2110-01-00	BATTERY ASSY (GC-24, 12V)	1	OBTAIN LOCALLY
23	4U8-81950-02-00	RELAY ASSY	1	
24	JN6-H1942-00-00	COVER	1	
25	90461-16802-00	CLAMP	1	
26	90464-40825-00	CLAMP	4	
27	90105-06876-00	BOLT, FLANGE	2	
28	90207-05800-00	WASHER, FINISH	1	
29	90464-40825-00	CLAMP	3	
30	90267-489U9-00	RIVET, BLIND	1	

CONTENTS

ACCELERATOR	C2
AIR SHROUD & FAN	A9
BODY	C12
BODY 2	D1-2
BODY FITTING	D3
BRAKE	B10-11
BRAKE 2	B12
BRAKE 3	C1
BUMPER	C11
CAMSHAFT & VALVE	A8
CARBURETOR	A11
CARRIER	D4
CRANKCASE	B1
CRANKSHAFT & PISTON	A7
CYLINDER HEAD	A6
ELECTRICAL 1	D8
ELECTRICAL 2	D9-10
ENGINE ASSEMBLY	A5
ENGINE BRACKET	B2
EXHAUST	A12
FRAME	B4
FRONT SUSPENSION & WHEEL	B5-6
FUEL TANK	B9
GOVERNOR	C3
INTAKE	A10
OPTIONAL LIGHT KIT	E1-2
OPTIONAL SUN ROOF	D12
OPTIONAL WINDSHIELD	D11
PRIMARY SHEAVE	C4
REAR ARM & SUSPENSION	B3
REAR AXLE MOUNT & WHEEL	C9
SEAT	D5
SECONDARY SHEAVE	C5
SHIFTER & CABLES	C10
STARTING MOTOR	D6-7
STEERING	B7-8
TRANSMISSION 1	C6-8

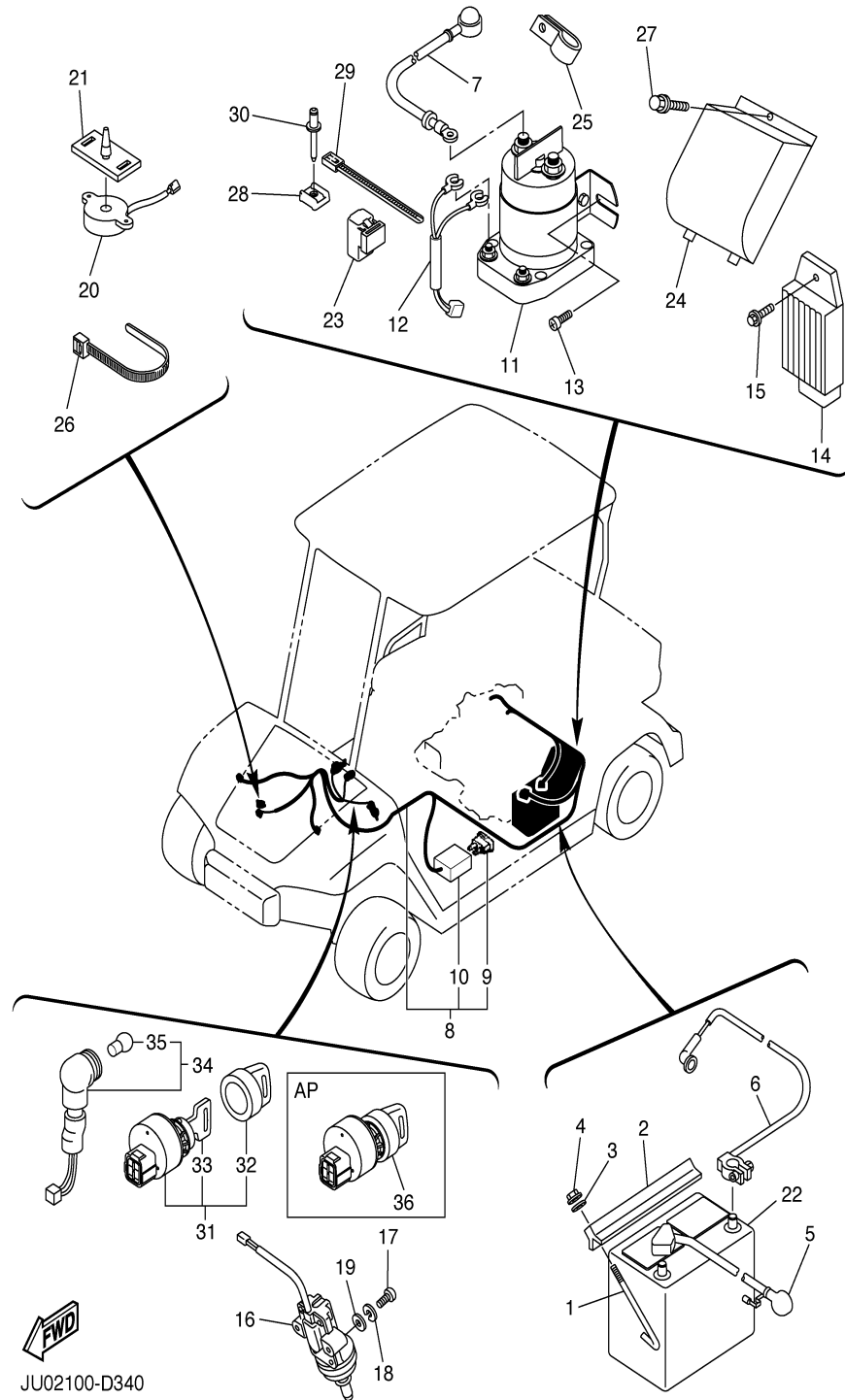
CONTINUED ON NEXT FRAME ►

ELECTRICAL 2

Ref. No.	Part Number	Description	Qty	Remarks
31	JU2-H2510-10-00	MAIN SWITCH ASSY	1	
32	5UG-H2579-00-00	. CAP, KEY	1	
33	JU2-H2511-00-00	. KEY, MAIN SWITCH	1	
34	JN6-83530-00-00	PILOT LIGHT ASSY	1	
35	123-83516-21-00	. BULB (12V-3.4W)	1	
36	JU2-H2510-20-00	MAIN SWITCH ASSY	1	AP RANDOM KEY

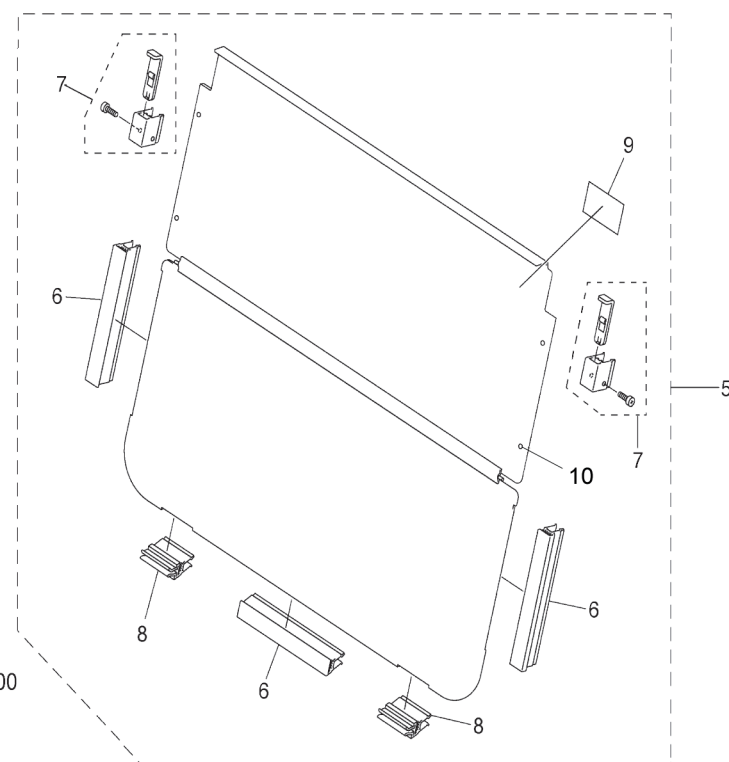
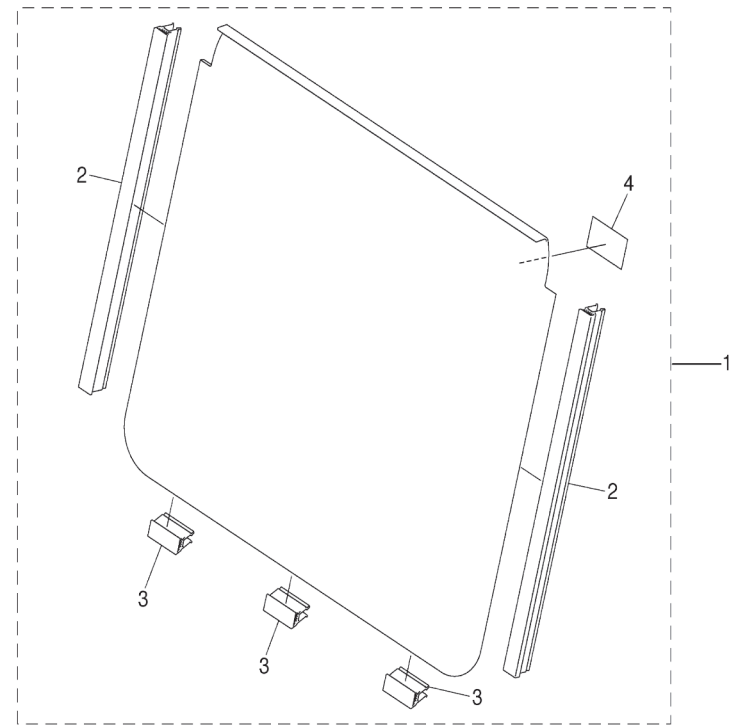
CONTENTS

ACCELERATOR	C2
AIR SHROUD & FAN	A9
BODY	C12
BODY 2	D1-2
BODY FITTING	D3
BRAKE	B10-11
BRAKE 2	B12
BRAKE 3	C1
BUMPER	C11
CAMSHAFT & VALVE	A8
CARBURETOR	A11
CARRIER	D4
CRANKCASE	B1
CRANKSHAFT & PISTON	A7
CYLINDER HEAD	A6
ELECTRICAL 1	D8
ELECTRICAL 2	D9-10
ENGINE ASSEMBLY	A5
ENGINE BRACKET	B2
EXHAUST	A12
FRAME	B4
FRONT SUSPENSION & WHEEL	B5-6
FUEL TANK	B9
GOVERNOR	C3
INTAKE	A10
OPTIONAL LIGHT KIT	E1-2
OPTIONAL SUN ROOF	D12
OPTIONAL WINDSHIELD	D11
PRIMARY SHEAVE	C4
REAR ARM & SUSPENSION	B3
REAR AXLE MOUNT & WHEEL	C9
SEAT	D5
SECONDARY SHEAVE	C5
SHIFTER & CABLES	C10
STARTING MOTOR	D6-7
STEERING	B7-8
TRANSMISSION 1	C6-8



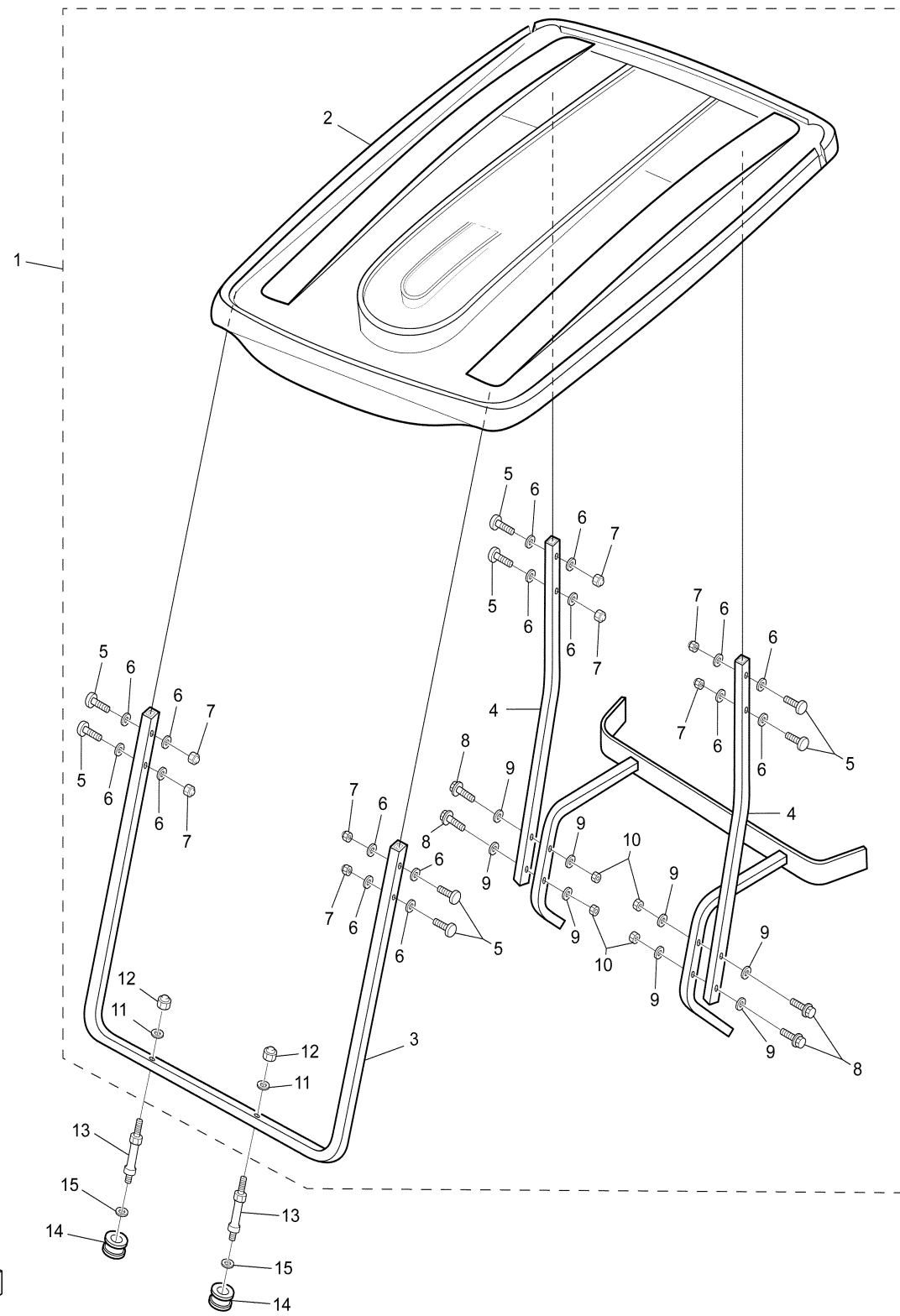
OPTIONAL WINDSHIELD

Ref. No.	Part Number	Description	Qty	Remarks
1	JU0-K7200-03-00	WINDSHIELD ASSY, SOLID (CLEAR)	1	UR AP
	JU0-K7200-13-00	WINDSHIELD ASSY, SOLID (TINTED)	1	UR AP
2	JU0-K838A-20-00	. RETAINER 1	2	
3	JU0-K838A-10-00	. RETAINER 1	3	
4	JU0-K7458-00-00	. LABEL, WARNING	1	
5	JU0-K7200-22-00	WINDSHIELD ASSY, HINGED (CLEAR)	1	UR AP
	JU0-K7200-32-00	WINDSHIELD ASSY, HINGED (SMOKE)	1	UR AP
6	JU0-K838B-00-00	. RETAINER 2	3	
7	GCA-WSUPP-ER-KT	. UPPER, LATCH 2	1	
8	JU0-K7222-01-00	. BRACKET, WINDSHIELD (R.H.)	2	
9	JU0-K7458-00-00	. LABEL, WARNING	1	
10	JN3-K7238-00-00	. DAMPER, WINDSHIELD	4	



FWD
JU22100-D200

OPTIONAL SUN ROOF



JU0100-5370

G22-AB

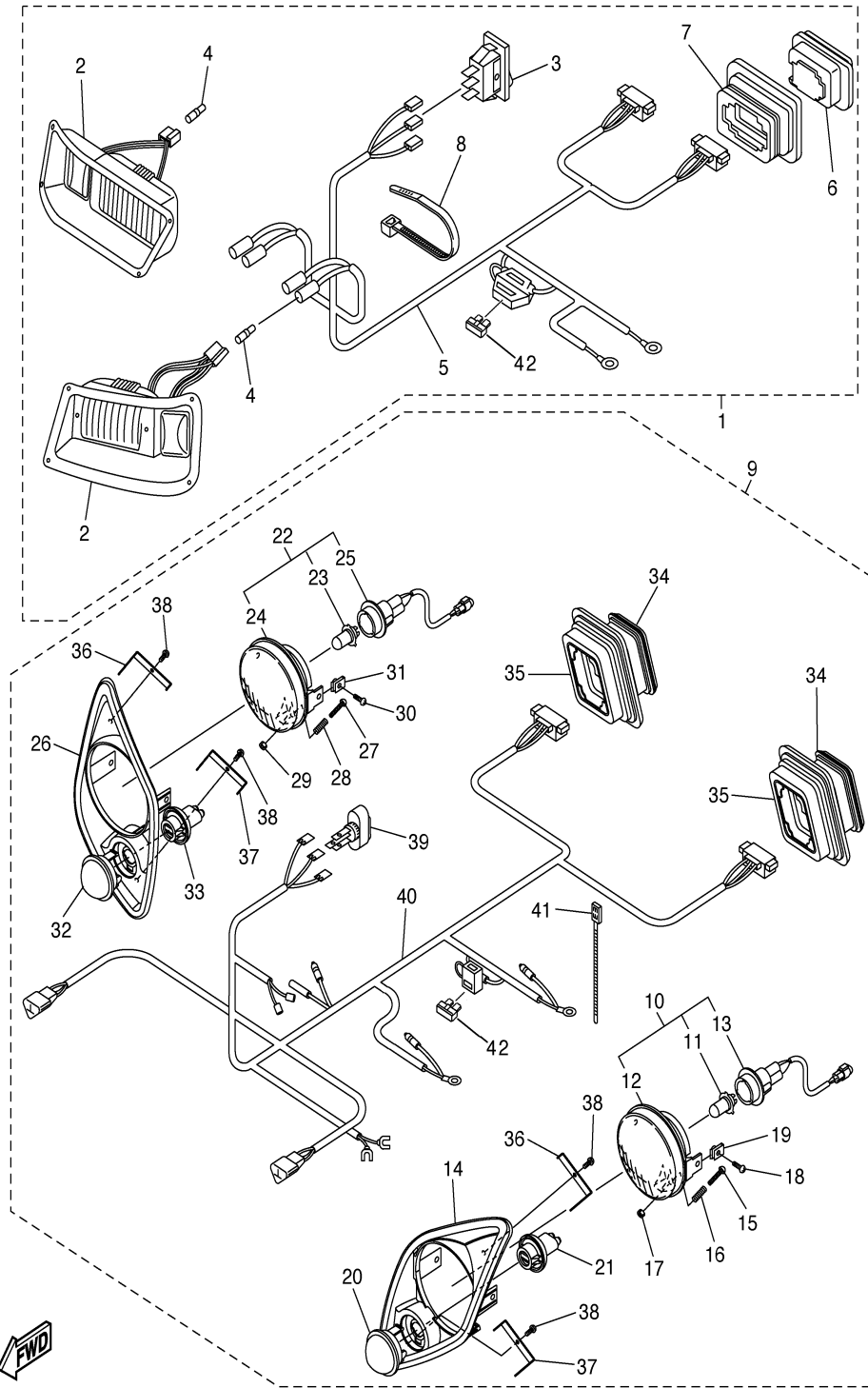
Ref. No.	Part Number	Description	Qty	Remarks
1	JU0-K8310-00-00	SUN ROOF ASSY	1	UR IVORY
	JU0-K8310-10-00	SUN ROOF ASSY	1	UR TAN
2	JU0-K8314-00-00	. COVER, SUN ROOF	1	UR IVORY
	JU0-K8314-10-00	. COVER, SUN ROOF	1	UR TAN
3	JU0-K8312-01-00	. SUPPORT, SUN ROOF 1	1	
4	JU0-K8313-01-00	. SUPPORT, SUN ROOF 2	2	
5	JU0-K8388-00-00	. BOLT, ROOF 1	8	
6	90201-088T2-00	. WASHER, PLATE	16	
7	JU0-K8398-00-00	. NUT, ROOF 1	8	
8	90101-22864-00	. BOLT	4	
9	90201-088J3-00	. WASHER, PLATE	8	
10	90185-12835-00	. NUT, SELF-LOCKING	4	
11	90201-098J4-00	. WASHER, PLATE	2	
12	90176-08801-00	. NUT, CROWN	2	
13	JU0-K834A-00-00	. REINF., HOLDER	2	FOR SUN ROOF
14	JN3-K832F-00-00	. GROMMET, ROOF SUPPORT	2	FOR SUN ROOF
15	90201-11800-00	. WASHER, PLATE	2	FOR SUN ROOF

CONTENTS

ACCELERATOR	C2
AIR SHROUD & FAN	A9
BODY	C12
BODY 2	D1-2
BODY FITTING	D3
BRAKE	B10-11
BRAKE 2	B12
BRAKE 3	C1
BUMPER	C11
CAMSHAFT & VALVE	A8
CARBURETOR	A11
CARRIER	D4
CRANKCASE	B1
CRANKSHAFT & PISTON	A7
CYLINDER HEAD	A6
ELECTRICAL 1	D8
ELECTRICAL 2	D9-10
ENGINE ASSEMBLY	A5
ENGINE BRACKET	B2
EXHAUST	A12
FRAME	B4
FRONT SUSPENSION & WHEEL	B5-6
FUEL TANK	B9
GOVERNOR	C3
INTAKE	A10
OPTIONAL LIGHT KIT	E1-2
OPTIONAL SUN ROOF	D12
OPTIONAL WINDSHIELD	D11
PRIMARY SHEAVE	C4
REAR ARM & SUSPENSION	B3
REAR AXLE MOUNT & WHEEL	C9
SEAT	D5
SECONDARY SHEAVE	C5
SHIFTER & CABLES	C10
STARTING MOTOR	D6-7
STEERING	B7-8
TRANSMISSION 1	C6-8

D12

OPTIONAL LIGHT KIT



JU02100-D370

G22-AB

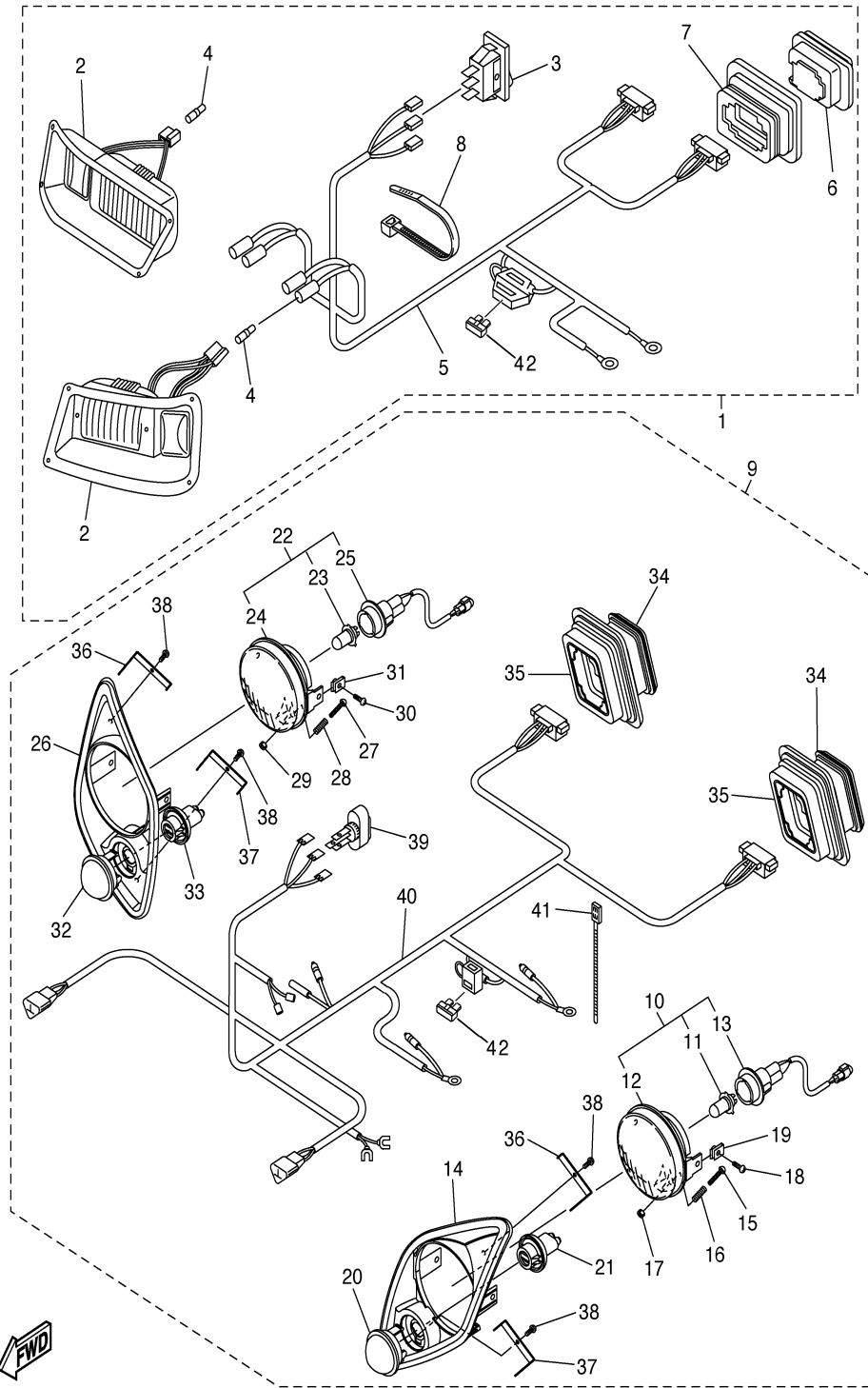
Ref. No.	Part Number	Description	Qty	Remarks
1	JN6-H430A-20-00	HEADLIGHT UNIT ASSY	1	UR
2	JN3-H4303-20-00	. HEADLIGHT UNIT ASSY	2	
3	JN3-H3976-20-00	. SWITCH, HANDLE 1	1	
4	9E212-10401-00	. TERMINAL	2	
5	JN6-H4159-00-00	. CORD, HEADLIGHT	1	
6	JU5-H4700-00-00	. TAILLIGHT ASSY	2	
7	JU5-H4718-00-00	. GROMMET	2	
8	90464-40800-00	. CLAMP	20	
9	JU0-H430A-00-00	HEADLIGHT UNIT ASSY	1	UR
10	5FU-H4300-00-00	. HEADLIGHT ASSY	1	
11	5FU-H4314-00-00	. . BULB, HEADLIGHT (12V-30/30W)	1	
12	5FU-H4320-00-00	. . LENS ASSY	1	
13	5FU-H4340-00-00	. . SOCKET CORD ASSY 1	1	
14	JU7-H411T-01-00	. HOLDER, 1	1	
15	98507-03540-00	. SCREW, PAN HEAD	1	
16	90501-10060-00	. SPRING, SCREW	1	
17	2GU-84334-00-00	. NUT, ADJUSTING	1	
18	90150-05802-00	. SCREW, ROUND HEAD	2	
19	90183-05008-00	. NUT, SPRING	2	
20	JU7-H5415-00-00	. MARK, SIGNAL LAMP	1	
21	JU7-H3547-00-00	. COVER, SOCKET	1	
22	5FU-H4300-00-00	. HEADLIGHT ASSY	1	
23	5FU-H4314-00-00	. . BULB, HEADLIGHT (12V-30/30W)	1	
24	5FU-H4320-00-00	. . LENS ASSY	1	
25	5FU-H4340-00-00	. . SOCKET CORD ASSY 1	1	
26	JU7-H411U-01-00	. HOLDER, 2	1	
27	98507-03540-00	. SCREW, PAN HEAD	1	
28	90501-10060-00	. SPRING, SCREW	1	
29	2GU-84334-00-00	. NUT, ADJUSTING	1	

CONTINUED ON NEXT FRAME ►

CONTENTS

ACCELERATOR	C2
AIR SHROUD & FAN	A9
BODY	C12
BODY 2	D1-2
BODY FITTING	D3
BRAKE	B10-11
BRAKE 2	B12
BRAKE 3	C1
BUMPER	C11
CAMSHAFT & VALVE	A8
CARBURETOR	A11
CARRIER	D4
CRANKCASE	B1
CRANKSHAFT & PISTON	A7
CYLINDER HEAD	A6
ELECTRICAL 1	D8
ELECTRICAL 2	D9-10
ENGINE ASSEMBLY	A5
ENGINE BRACKET	B2
EXHAUST	A12
FRAME	B4
FRONT SUSPENSION & WHEEL	B5-6
FUEL TANK	B9
GOVERNOR	C3
INTAKE	A10
OPTIONAL LIGHT KIT	E1-2
OPTIONAL SUN ROOF	D12
OPTIONAL WINDSHIELD	D11
PRIMARY SHEAVE	C4
REAR ARM & SUSPENSION	B3
REAR AXLE MOUNT & WHEEL SEAT	C9
SECONDARY SHEAVE	D5
SHIFTER & CABLES	C5
STARTING MOTOR	C10
STEERING	D6-7
TRANSMISSION 1	B7-8
	C6-8

OPTIONAL LIGHT KIT



JU02100-D370

Ref. No.	Part Number	Description	Qty	Remarks
30	90150-05802-00	. SCREW, ROUND HEAD	2	
31	90183-05008-00	. NUT, SPRING	2	
32	JU7-H5415-00-00	. MARK, SIGNAL LAMP	1	
33	JU7-H3547-00-00	. COVER, SOCKET	1	
34	JU5-H4700-00-00	. TAILLIGHT ASSY	2	
35	JU5-H4718-00-00	. GROMMET	2	
36	JU7-H4118-01-00	. STAY, HEADLIGHT 1	2	
37	JU7-H4119-01-00	. STAY, HEADLIGHT 2	2	
38	97707-40112-00	. SCREW, TAPPING	4	
39	JU0-H3976-00-00	. SWITCH, HANDLE 1	1	
40	JU0-H4159-00-00	. CORD, HEADLIGHT	1	
41	90464-14806-00	. CLAMP	20	
42	42X-82151-00-00	. FUSE, (10A-BL)	1	

CONTENTS

ACCELERATOR	C2
AIR SHROUD & FAN	A9
BODY	C12
BODY 2	D1-2
BODY FITTING	D3
BRAKE	B10-11
BRAKE 2	B12
BRAKE 3	C1
BUMPER	C11
CAMSHAFT & VALVE	A8
CARBURETOR	A11
CARRIER	D4
CRANKCASE	B1
CRANKSHAFT & PISTON	A7
CYLINDER HEAD	A6
ELECTRICAL 1	D8
ELECTRICAL 2	D9-10
ENGINE ASSEMBLY	A5
ENGINE BRACKET	B2
EXHAUST	A12
FRAME	B4
FRONT SUSPENSION & WHEEL	B5-6
FUEL TANK	B9
GOVERNOR	C3
INTAKE	A10
OPTIONAL LIGHT KIT	E1-2
OPTIONAL SUN ROOF	D12
OPTIONAL WINDSHIELD	D11
PRIMARY SHEAVE	C4
REAR ARM & SUSPENSION	B3
REAR AXLE MOUNT & WHEEL	C9
SEAT	D5
SECONDARY SHEAVE	C5
SHIFTER & CABLES	C10
STARTING MOTOR	D6-7
STEERING	B7-8
TRANSMISSION 1	C6-8