



PARTS CATALOGUE

YDRE3 (JW23) CANADA,EUROPE,OTHERS



1JJW2-100E1

()

YDRE3
PARTS CATALOGUE
©2009 by Yamaha Motor Co., Ltd.
1st edition, July 2009
All rights reserved.
Any reprinting or unauthorized use
without the written permission of
Yamaha Motor Co., Ltd.
is expressly prohibited.
Printed in Japan.

FOREWORD

This Parts Catalogue is related to the parts for the model(s) on the cover page. When you are ordering replacement parts, please refer to this Parts Catalogue and quote both part numbers and part names correctly.

1. Modifications or additions which have been made after the issue of the Parts Catalogue will be announced in the Parts News.

It is advisable that you make the necessary corrections to the Parts Catalogue according to the Parts News.

2. Abbreviations

The following abbreviations are used in this Parts Catalogue.

“UR” Use specified parts number.

“UN” Use as many as needed.

“AP” Alternate Parts

“LM” Locally Made (Parts need to be ordered locally)

“F#” Frame No. (Applicable machine No.)

“O/S” Over Size

3. The number of components for assembly

- Parts, which are to be supplied in an assembly, are listed with a dot (.) in front of the part name as shown below.
- The numeral appearing to the right of each component part indicates the quantity of parts for each assembly unit.

PART NO.	DESCRIPTION	Q'TY	REMARKS
2F5-83310-60	FRONT FLASHER LIGHT ASSY	2	
115-83311-60	.BULB (6V-18W)	1	

4. Applicable colours of graphics are represented in the “REMARKS” as shown below.

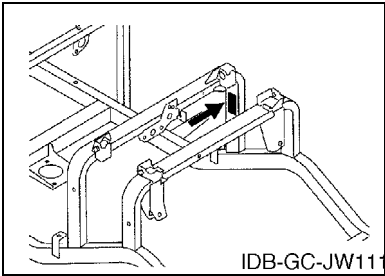
PART NO.	DESCRIPTION	Q'TY	REMARKS
2N4-24110-00-X5	FUEL TANK COMP.	2	MXR
3J1-24240-10	.GRAPHIC, FUEL TANK	1	FOR MXR

5. Note that the illustrations for reference in finding parts numbers are not to be used for assembling. When assembling, please use the applicable service manual.

6. The asterisk (*) before a reference number indicates modified items after the first edition.

FOREWORD

7. Applicable Serial No.
 Frame Serial No.



10. Applicable Starting Serial No.
 Frame Serial No.

Serial No.	Name Of Q'ty Column	Model Code
JW2-300101	JW23	JW23

8. Applicable Colour Code (The (*) mark shows Model colour.)

Abbreviation	Colour Name	Colour Code
BMG(*)	BLACK METALLIC G	1050
DPBMT(*)	DEEP PURPLISH BLUE METALLIC T	0978
HTR(*)	HEAT RED	00EY
LN YM8(*)	LIGHT GRAYISH YELLOW ME 8	1047
NBM7(*)	GRAYISH BLUE METALLIC 7	1046
VDGS1(*)	VERY DARK GREEN SOLID 1	0614
WS7(*)	WHITE SOLID 7	1045

9. Quantity Column Information

Column No.	Name Of Q'ty Column	Destination
1	JW23	CANADA,EUROPE,OTHERS

CONTENTS

BODY

REAR ARM & SUSPENSION	1
FRAME	2
FRONT SUSPENSION	3
STEERING	5
PEDAL ASSEMBLY	7
TRANSAXLE & BRAKE	9
WHEEL	11
BUMPER	12
BODY	13
BODY 2	15
BODY FITTING	16
CARRIER	17
SEAT	18

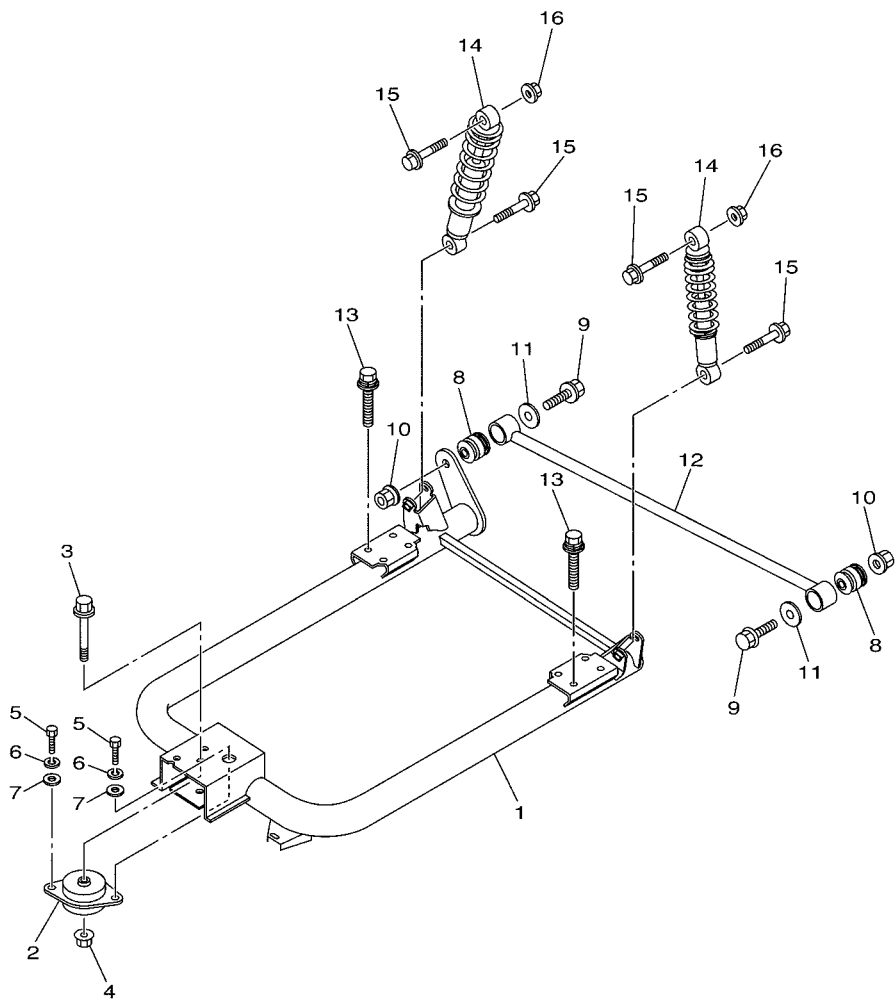
ELECTRICAL

ELECTRIC MOTOR	19
CONTROLLER 1	21
ELECTRICAL 1	22
BATTERY CHARGER	24
ALTERNATE FOR WINDSHIELD	25
ALTERNATE FOR SUN ROOF	26

INDEX

NUMERICAL INDEX	27
-----------------------	----

FIG. 1 REAR ARM & SUSPENSION



JW23110-J010

REF. NO.	PART NO.	DESCRIPTION	JW23				REMARKS
1	JW2-F2110-00	REAR ARM COMP.	1				
2	JN6-F2123-10	BUSH 1	1				
3	90105-13800	BOLT, FLANGE	1				
4	90179-13800	NUT	1				
5	97012-10020	BOLT	2				
6	92902-10100	WASHER, SPRING	2				
7	92902-10600	WASHER, PLATE	2				
8	JN6-F2124-10	BUSH 2	2				
9	95812-12065	BOLT, FLANGE	2				
10	95602-12200	NUT, SELF-LOCKING	2				
11	90201-128S4	WASHER, PLATE	2				
12	JW1-F217G-10	ROD, CONNECTING 2	1				
13	JW1-F2277-00	BOLT	8				
14	JW2-F2210-10	SHOCK ABSORBER ASSY, REAR	2				
15	95812-10055	BOLT, FLANGE	4				
16	95602-10200	NUT, U FLANGE	2				

FIG. 2 FRAME

REF. NO.	PART NO.	DESCRIPTION	JW23		REMARKS
1	JW2-F2501-10	FRAME COMP.	1		
2	JW2-F7411-10	FOOTREST 1	1		
3	JW1-F1738-00	BOLT	12		
4	JW2-F252M-00	BRACKET, 3	1		
5	90105-06831	BOLT, FLANGE	3		
6	JW1-F258G-02	BRACKET, DASH UPPER 1	1		
7	90105-06831	BOLT, FLANGE	4		
8	JW2-K8298-10	PLATE, CAUTION 2 (E,F)	1		UR
	JW2-K8298-20	PLATE, CAUTION 2 (G,S)	1		UR

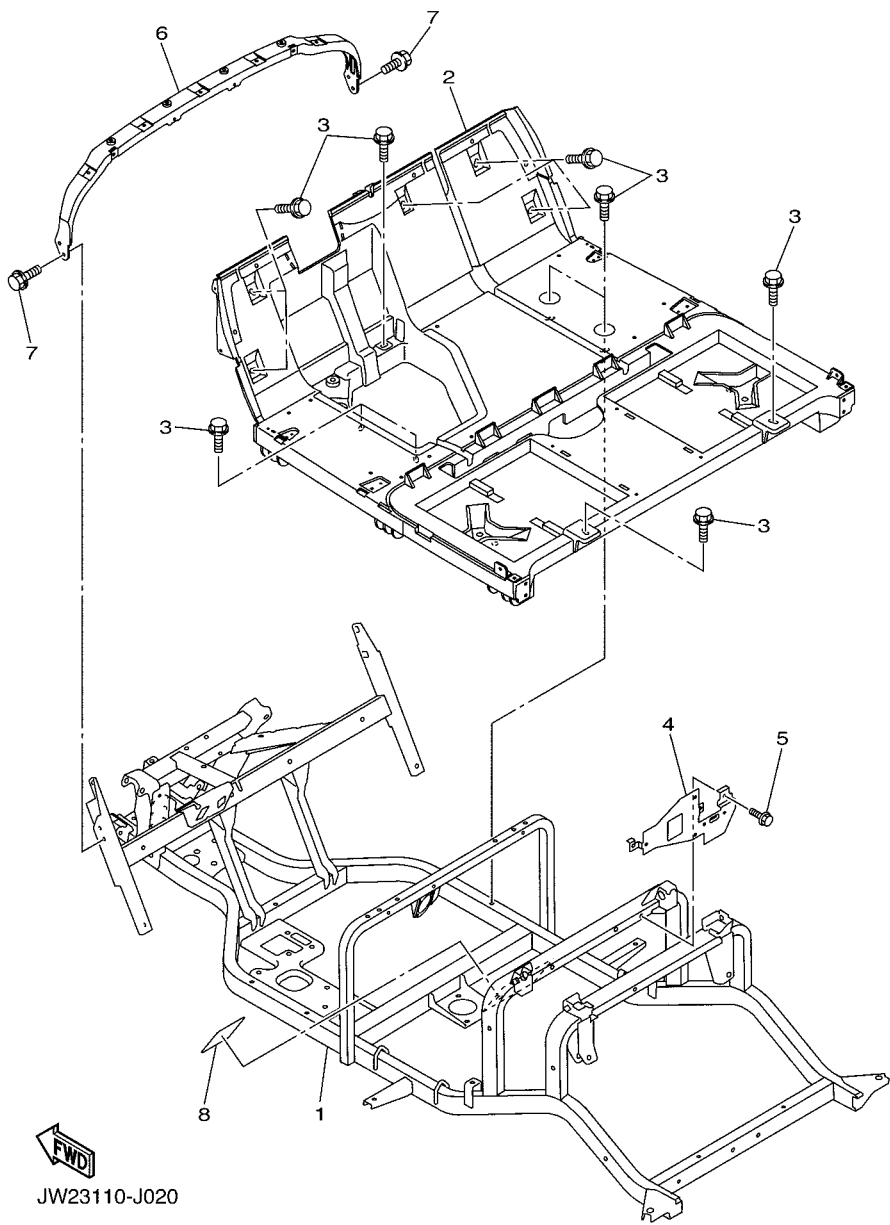
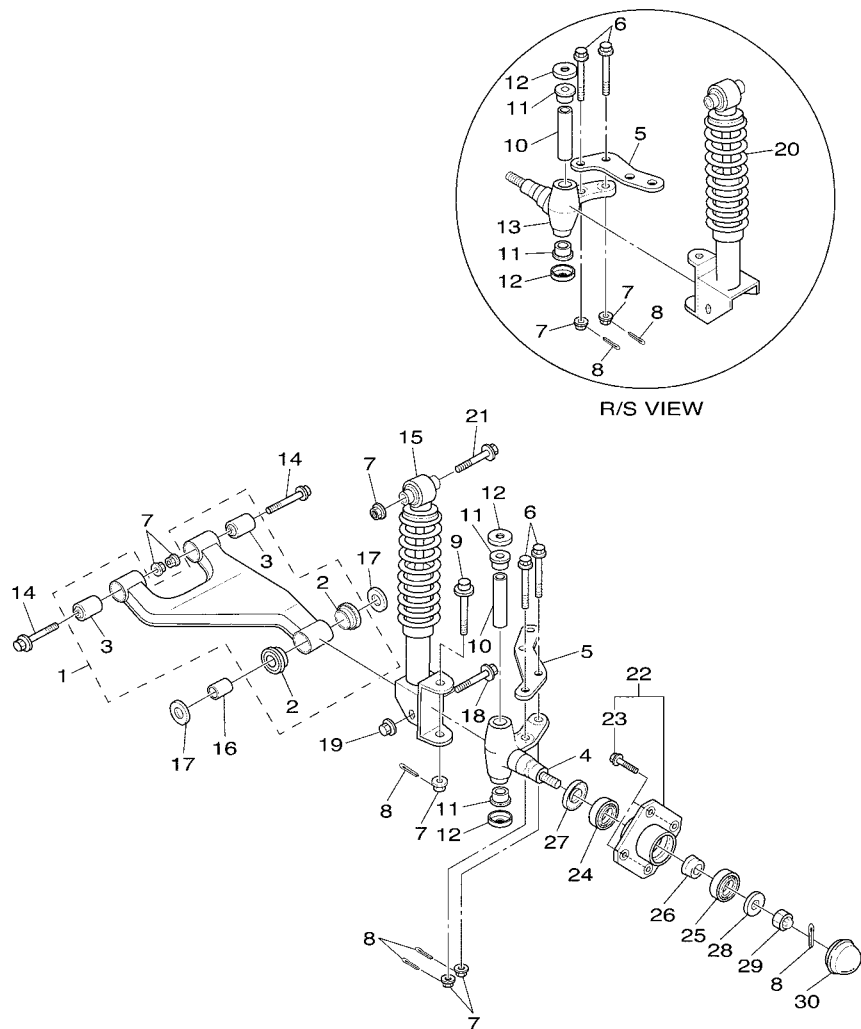


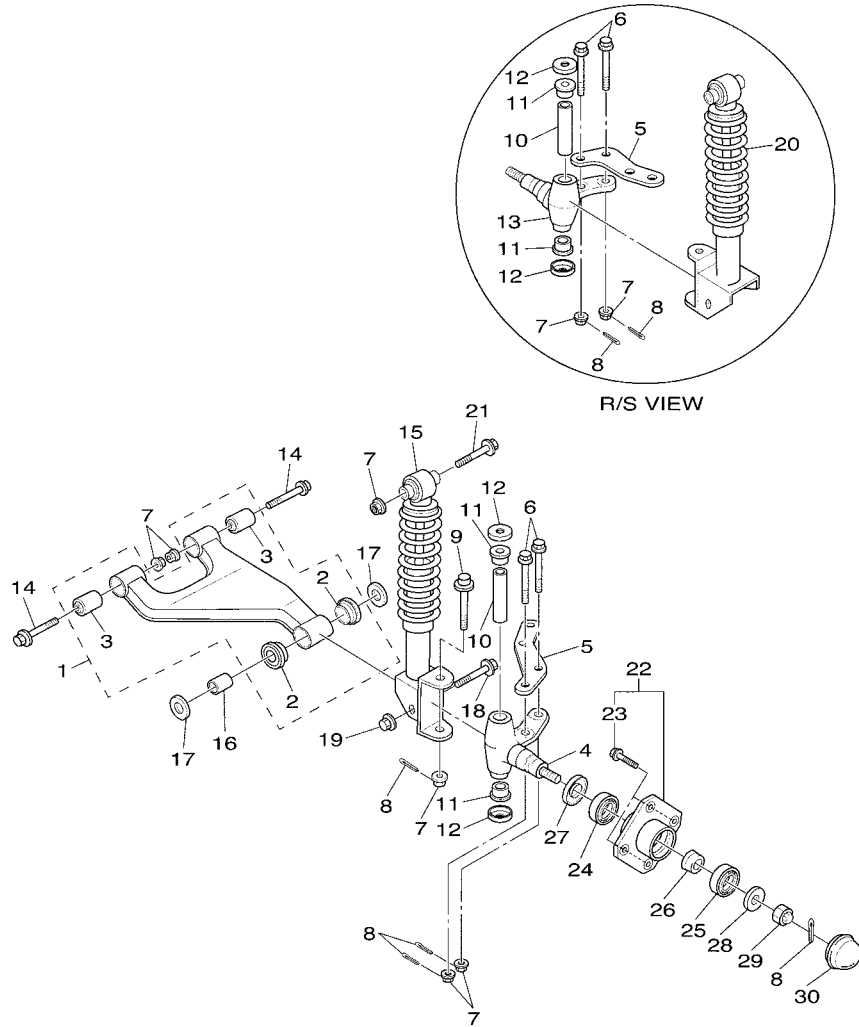
FIG. 3 FRONT SUSPENSION



JW15110-J130

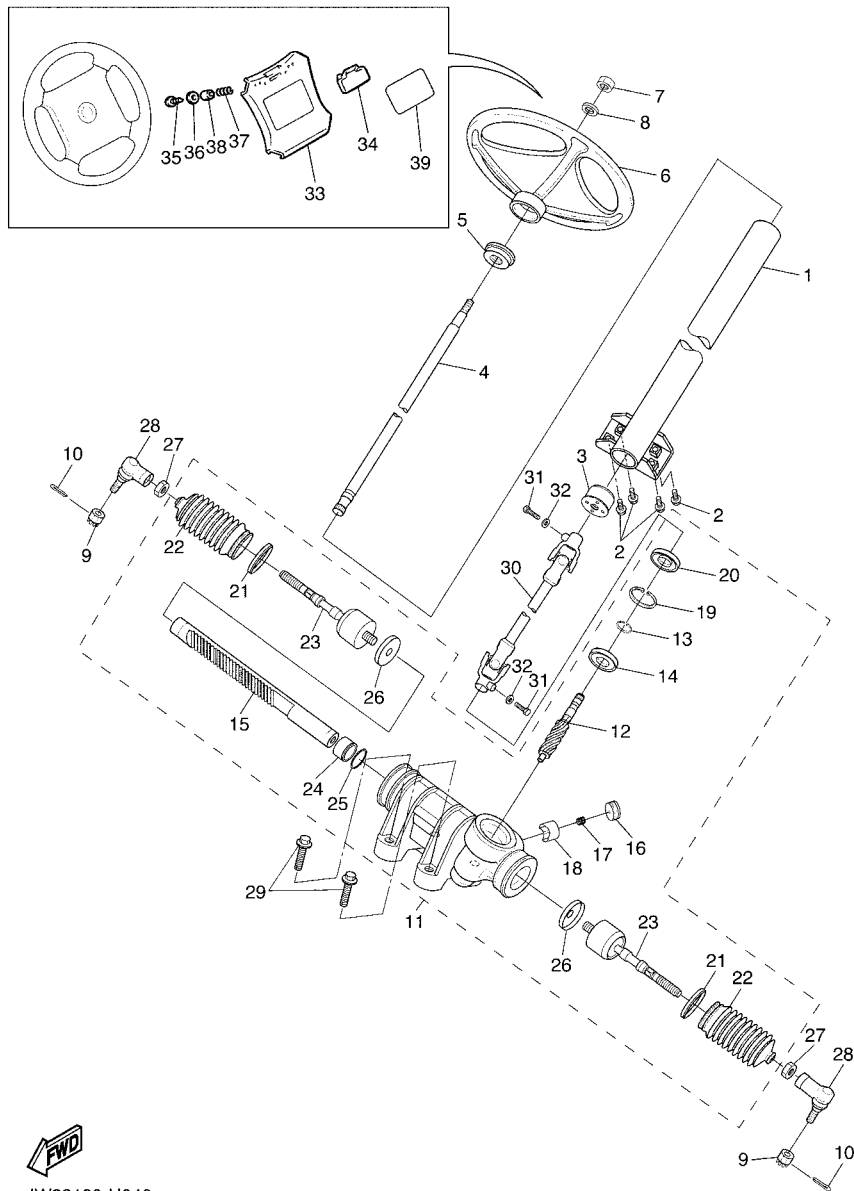
REF. NO.	PART NO.	DESCRIPTION	JW23				REMARKS
1	JU0-F3570-20	FRONT LOWER ARM COMP.	2				
2	90381-18001	.BUSH, SOLID	2				
3	2HR-23526-00	.BUSH	2				
4	JU0-F3511-01	KNUCKLE, STEERING 1	1				
5	JW1-F3512-00	ARM, KNUCKLE 1	2				
6	90105-10728	BOLT, FLANGE	4				
7	95602-10200	NUT, U FLANGE	12				
8	91402-25020	PIN, COTTER	8				
9	90105-10064	BOLT, FLANGE	2				
10	2NL-23448-00	SPACER	2				
11	90381-17067	BUSH, SOLID	4				
12	2NL-23517-00	COVER, THRUST 1	4				
13	JU0-F3521-01	KNUCKLE, STEERING 2	1				
14	90105-10267	BOLT, FLANGE	4				
15	JW2-F3350-00	SHOCK ABSORBER ASSY	1				
16	90387-12016	COLLAR	2				
17	401-22128-01	COVER, THRUST 1	4				
18	95812-12080	BOLT, FLANGE	2				
19	95612-12100	NUT, U	2				
20	JW2-F3390-00	SHOCK ABSORBER ASSY 2	1				
21	90105-10267	BOLT, FLANGE	2				
22	JG5-WF511-10	HUB, FRONT	2				
23	90114-12806	.BOLT, SERRATION	4				
24	93306-204X0	BEARING	2				
25	93306-005Y3	BEARING	2				
26	90387-241M7	COLLAR	2				
27	93102-30083	OIL SEAL	2				

FIG. 3 FRONT SUSPENSION



JW15110-J130

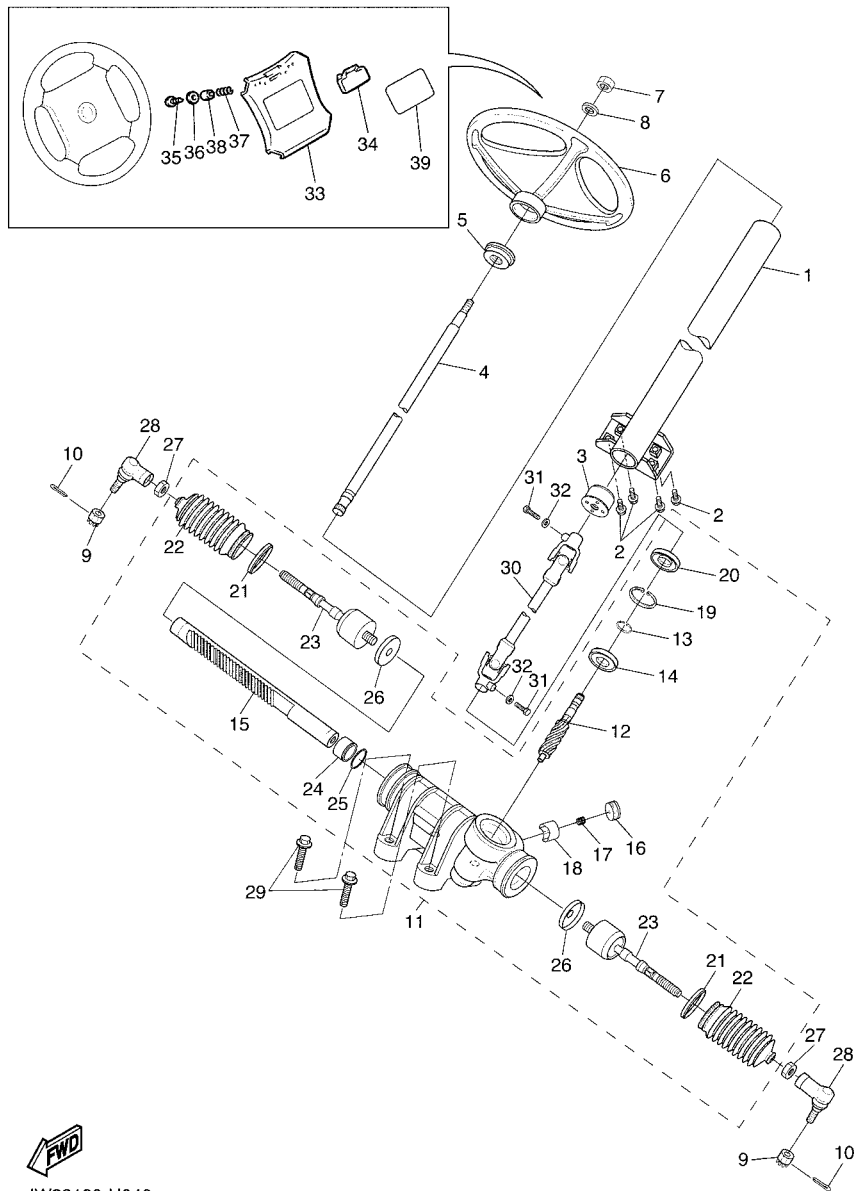
REF. NO.	PART NO.	DESCRIPTION	JW23				REMARKS
28	90208-14801	WASHER, CONICAL SPRING	2				
29	95602-14100	NUT, U	2				
30	JN6-F5118-01	COVER, HUB DUST	2				



JW22100-H040

FIG. 4 STEERING

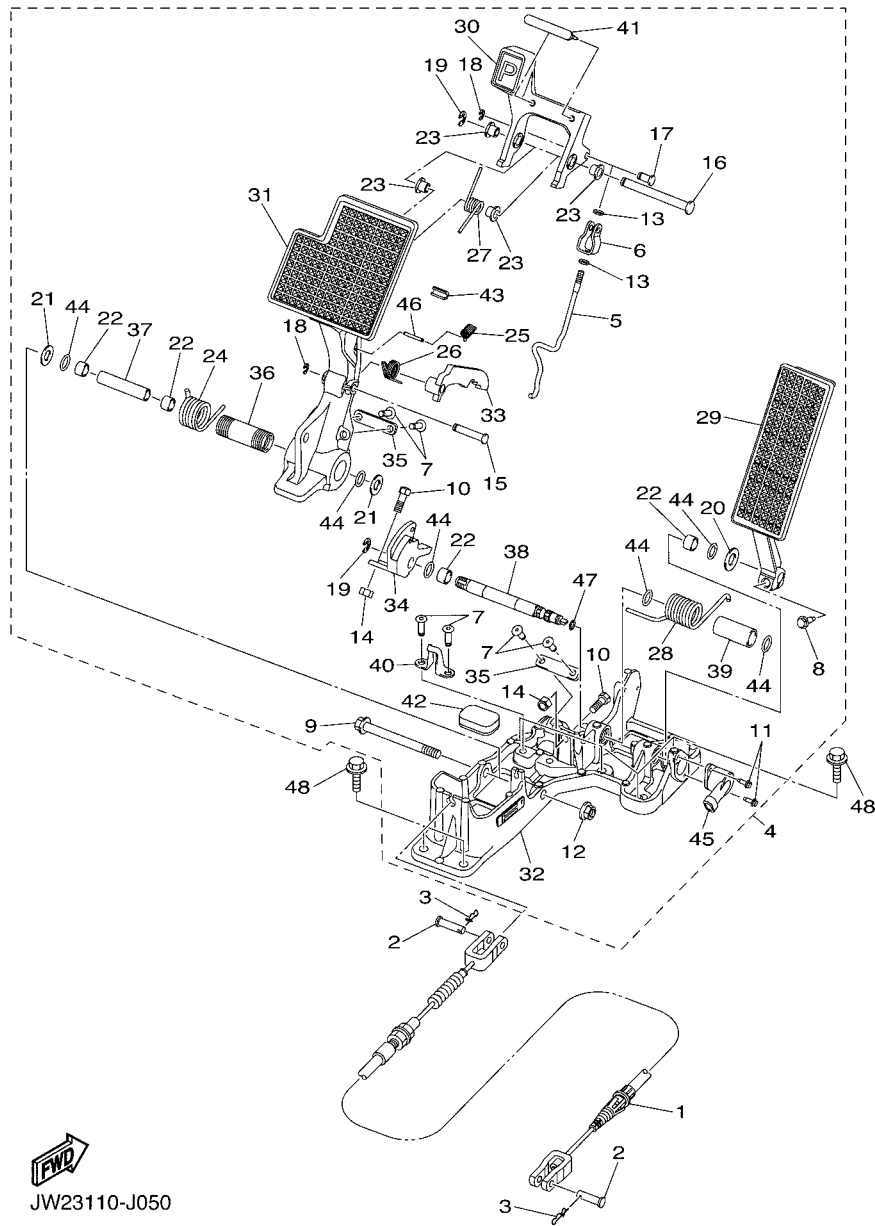
REF. NO.	PART NO.	DESCRIPTION	JW23				REMARKS
1	JW1-F3811-01	COLUMN, STEERING	1				
2	95812-08020	BOLT, FLANGE	4				
3	JU0-F3857-11	HOLDER	1				
4	JU0-F3828-00	ROD, STEERING	1				
5	JN3-F3814-01	HOLDER, HANDLE UPPER	1				
6	JN3-F3838-00	WHEEL, STEERING	1				
7	90185-12061	NUT, SELF-LOCKING	1				
8	92902-12200	WASHER	1				
9	95602-12200	NUT, SELF-LOCKING	2				
10	91402-25020	PIN, COTTER	2				
11	JW1-F3400-00	STEERING ASSY	1				
12	JW1-F387A-00	.GEAR, PINION	1				
13	JW1-F3183-00	.CIRCLIP	1				
14	JW1-F339Y-00	.BEARING	1				
15	JW1-F387E-00	.GEAR, RACK	1				
16	5UG-F387G-00	.COVER, ADJUST	1				
17	5UG-F387K-00	.SPRING, PRESSURE	1				
18	5UG-F387F-00	.PAD, PRESSURE	1				
19	5UG-F387J-00	.RING, STOPPER	1				
20	5UG-F3844-00	.SEAL	1				
21	5UG-F3489-00	.BAND	2				
22	5UG-F3527-00	.SEAL, DUST 1	2				
23	JW1-F3837-00	.ROD, TIE 2	2				
24	JW1-F467K-00	.BUSH, CAP	1				
25	JW1-F3866-00	.CIRCLIP	1				
26	JW1-F3894-00	.WASHER, LOCK 1	2				
27	1P0-F3833-00	NUT 1	2				



JW22100-H040

FIG. 4 STEERING

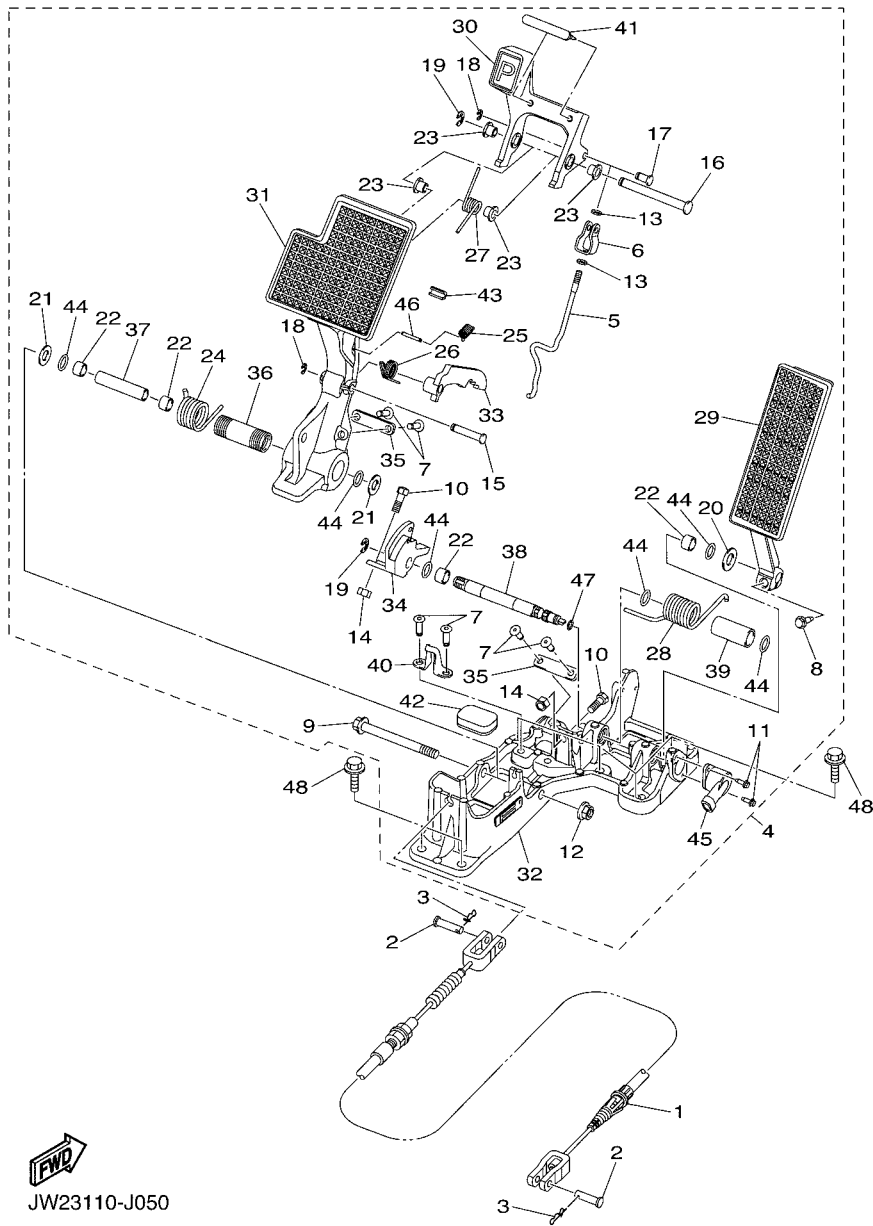
REF. NO.	PART NO.	DESCRIPTION	JW23				REMARKS
28	JU0-23841-10	JOINT, UNIVERSAL 1	2				
29	90105-10847	BOLT, FLANGE	4				
30	JW1-F3822-00	JOINT 1	1				
31	97012-08030	BOLT	2				
32	92902-08600	WASHER, PLATE	2				
33	JN3-K8357-00	HOLDER 1	1				
34	JN6-K8358-01	HOLDER 2	1				
35	97702-40525	SCREW, TAPPING	2				
36	90201-04810	WASHER, PLATE	2				
37	90502-10013	SPRING, CONICAL	2				
38	90387-046N7	COLLAR	2				
39	JU0-K7762-00	LABEL, WARNING 2 (E)	1				UR FOR CAN
	JU0-K7762-10	LABEL, WARNING 2 (E,F)	1				UR EXCEPT FOR CAN
	JU0-K7762-20	LABEL, WARNING 2 (G,S)	1				UR EXCEPT FOR CAN



JW23110-J050

FIG. 5 PEDAL ASSEMBLY

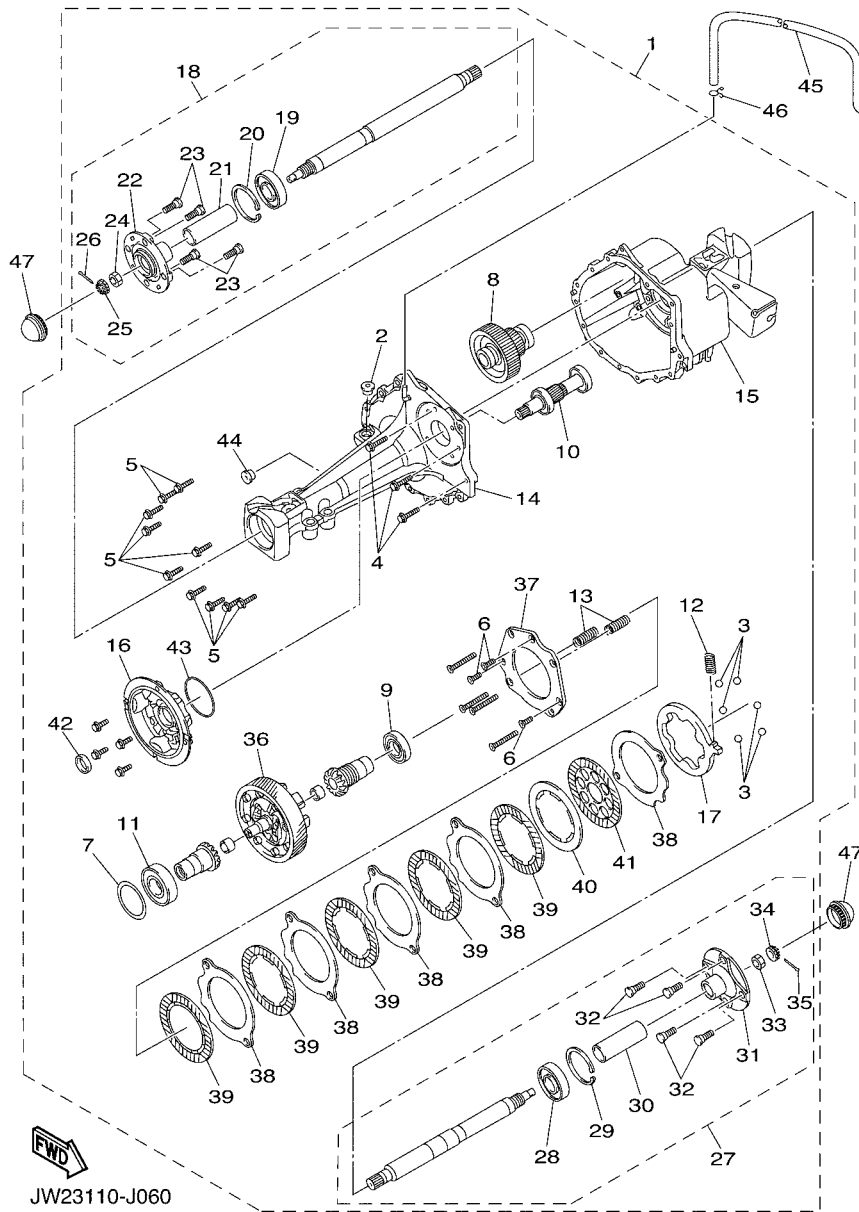
REF. NO.	PART NO.	DESCRIPTION	JW23				REMARKS
1	JW2-F6341-10	WIRE, BRAKE 1	1				
2	91701-10028	PIN	2				
3	90468-20196	CLIP	2				
4	JW2-F7850-10	PEDAL ASSY (L.H)	1				
5	JW1-F720G-00	.PUSH ROD ASSY	1				
6	JW1-F7232-00	.END, ROD 2	1				
7	JW1-F1128-00	.RIVET	6				
8	JW1-F7117-00	.BOLT, MAIN STAND	1				
9	JW1-F7217-00	.BOLT	1				
10	JW1-F7227-00	.BOLT, AJUSTING	2				
11	JW2-F7317-01	.BOLT	2				
12	JW1-F7218-00	.NUT	1				
13	JW1-F7855-00	.NUT, RING	2				
14	JW1-F7238-00	.NUT, ADJUSTING	2				
15	JW1-F5734-00	.PIN 1	1				
16	JW1-F5744-00	.PIN 2	1				
17	JW1-F5754-00	.PIN 3	1				
18	JW1-F5866-01	.CIRCLIP	2				
19	JW1-F6466-01	.RING, SNAP	2				
20	JW1-F723F-01	.WASHER, SPECIAL	1				
21	JW1-F723G-00	.WASHER, SPECIAL	2				
22	JW1-F582M-00	.BEARING	4				
23	JW1-F339Y-00	.BEARING	4				
24	JW1-F7825-00	.SPRING, RETURN	1				
25	JW1-F5659-00	.HOOK, SPRING 2	1				
26	JW1-F5658-00	.HOOK, SPRING 1	1				
27	JW1-F7216-00	.SPRING, RETURN	1				



JW23110-J050

FIG. 5 PEDAL ASSEMBLY

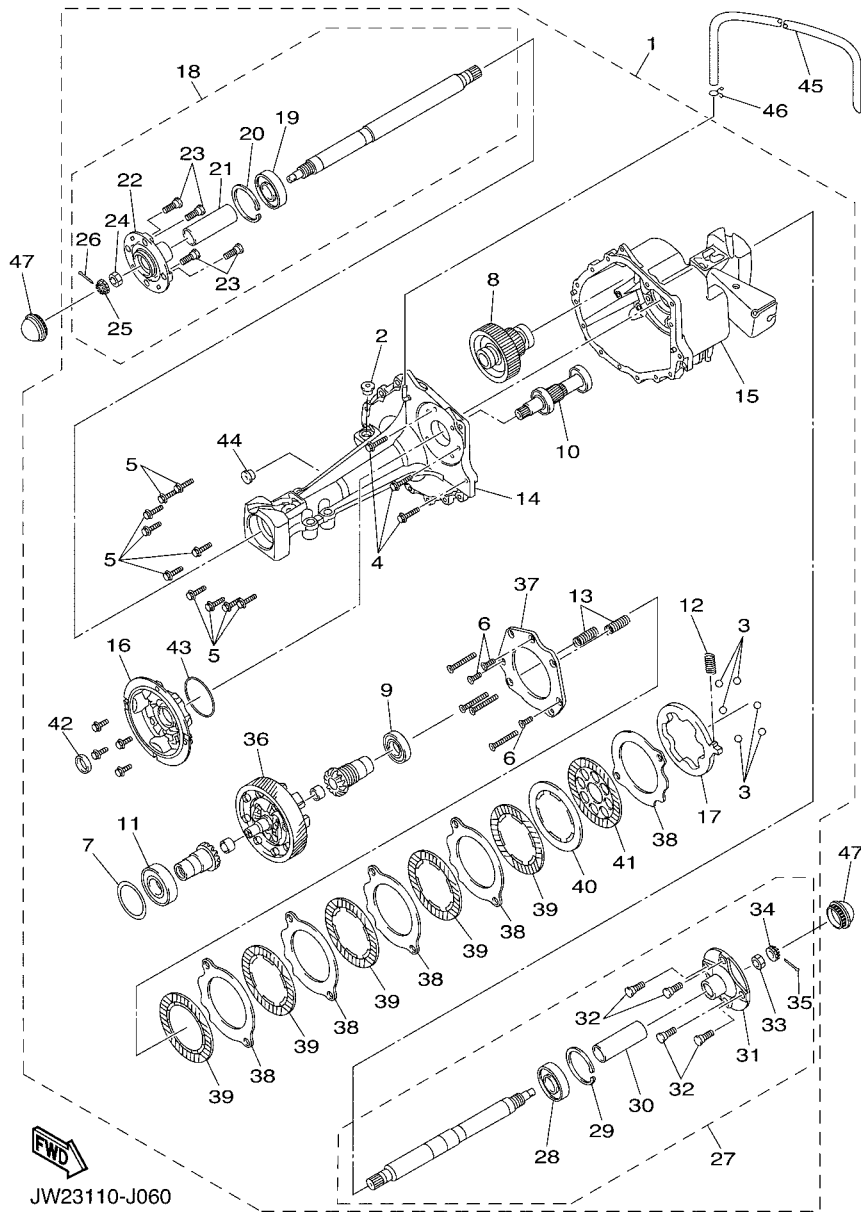
REF. NO.	PART NO.	DESCRIPTION	JW23				REMARKS
28	JW1-F5735-00	.SPRING, RETURN 1	1				
29	JW1-F7871-00	.PEDAL, ACCELERATOR	1				
30	JW1-F7252-00	.LEVER, BRAKE PEDAL	1				
31	JW1-F7211-01	.PEDAL, BRAKE	1				
32	JW1-F785A-10	.PEDAL SET	1				
33	JW1-F5666-00	.SECTOR, PARKING BRAKE	1				
34	JW1-F7249-00	.PEDAL, LOCK	1				
35	JW1-F7275-00	.PLATE	2				
36	JW1-F7243-00	.BOSS, BRAKE PEDAL	1				
37	JW1-F7213-00	.COLLAR	1				
38	JW1-F7853-00	.SHAFT, PEDAL 1	1				
39	JW1-F7814-00	.BUSH, PEDAL	1				
40	JW1-F7254-00	.HOOK	1				
41	JW1-F5672-00	.PAD, PARKING PEDAL	1				
42	JW1-F7257-10	.PAD, BRAKE	1				
43	JW1-F5673-00	.DAMPER, BRAKE	1				
44	JW1-F3147-01	.O-RING	6				
45	JW2-H5885-00	.THROTTLE SENSOR ASSY	1				
46	JW1-F5677-00	.PIN, HOLD 1	1				
47	JW1-F3188-00	.O-RING	1				
48	95812-08020	BOLT, FLANGE	6				



JW23110-J060

FIG. 6 TRANSAXLE & BRAKE

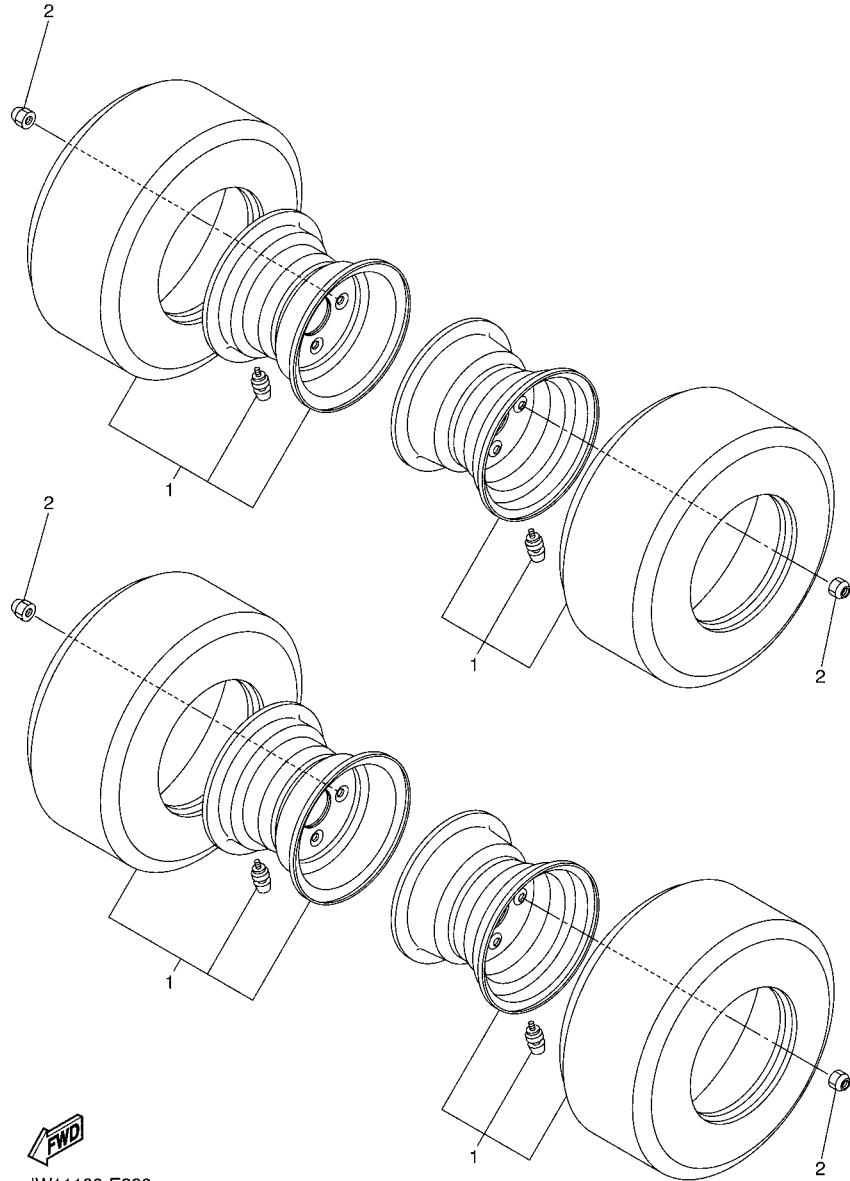
REF. NO.	PART NO.	DESCRIPTION	JW23				REMARKS
1	JW2-G6300-01	TRANS AXLE ASSY	1				
2	JW1-G6168-00	.PLUG, DRAIN 1	1				
3	JW1-F4684-00	.BALL	6				
4	JW2-G6159-00	.BOLT 3	4				
5	JW1-G4582-00	.BOLT, 2	10				
6	JW1-G4189-00	.SCREW	3				
7	JW2-G6117-00	.SHIM, RING GEAR	1				
8	JW2-G6348-01	.SHAFT 2	1				
9	JW2-G6164-00	.BEARING 1	1				
10	JW2-G6320-01	.INPUT SHAFT ASSY	1				
11	JW2-G6167-00	.BEARING 4	1				
12	JW2-G4116-00	.SPRING	1				
13	JW1-G4135-00	.SPRING	2				
14	JW2-G6540-00	.REAR AXLE HOUSING COMP.	1				
15	JW2-G6550-00	.REAR AXLE HOUSING COMP. 2	1				
16	JW2-G6544-00	.FLANGE 1	1				
17	JW2-F384K-00	.BALL, SEAT	1				
18	JW2-G6510-00	.REAR AXLE SHAFT COMP.	1				
19	JW1-F2176-00	..BEARING	1				
20	JW1-G4156-00	..RING, SNAP	1				
21	JW1-G6128-00	..SPACER, BEARING	1				
22	JW1-G6542-00	..HUB	1				
23	JW1-G4178-00	..BOLT, STUD	4				
24	JW1-G4583-00	..NUT	1				
25	JW1-G4127-00	..NUT, 1	1				
26	JW1-G633J-00	..PIN, COTTER	1				
27	JW2-G6520-00	.REAR AXLE SHAFT COMP. 2	1				



JW23110-J060

FIG. 6 TRANSAXLE & BRAKE

REF. NO.	PART NO.	DESCRIPTION	JW23				REMARKS
28	JW1-F2176-00	..BEARING	1				
29	JW1-G4156-00	..RING, SNAP	1				
30	JW1-G6128-00	..SPACER, BEARING	1				
31	JW1-G6542-00	..HUB	1				
32	JW1-G4178-00	..BOLT, STUD	4				
33	JW1-G4583-00	..NUT	1				
34	JW1-G4127-00	..NUT, 1	1				
35	JW1-G633J-00	..PIN, COTTER	1				
36	JW2-G6110-00	.RING GEAR COMP.	1				
37	JW2-G6114-00	.PLATE, COVER	1				
38	JW1-G633H-00	.PLATE 2	5				
39	JW1-G6336-00	.PLATE 1	5				
40	JW1-G4526-00	.PLATE	1				
41	JW1-G6345-00	.DISC, FRICTION	1				
42	JW2-G6163-00	.SEAL, OIL 1	1				
43	JW2-G6134-00	.O-RING 1	1				
44	JW1-G5148-00	.PLUG, DRAIN	1				
45	90445-11032	HOSE	1				
46	90467-10008	CLIP	1				
47	JN6-F5118-01	COVER, HUB DUST	2				

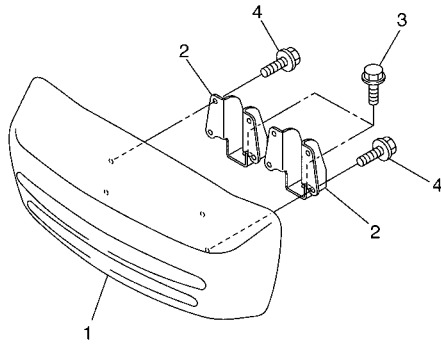
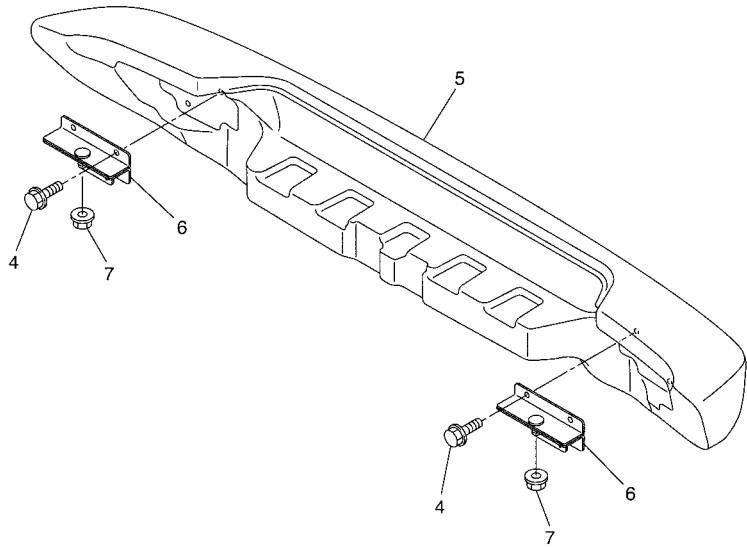


JW11100-E220

FIG. 7 WHEEL

REF. NO.	PART NO.	DESCRIPTION	JW23				REMARKS
1	JW1-F5100-00	WHEEL ASSY (18X8.50-8-4PR)	4				
2	90179-12262	NUT	16				

FIG. 8 BUMPER



JW11100-E230

REF. NO.	PART NO.	DESCRIPTION	JW23				REMARKS
1	JW1-K7510-00	FRONT BUMPER COMP.	1				
2	JW1-K8164-00	STAY, FRONT BUMPER (L.H)	2				
3	90105-088B0	BOLT, FLANGE	2				
4	95822-06012	BOLT, FLANGE	8				
5	JW1-K7540-00	REAR BUMPER COMP.	1				
6	JW1-K8174-00	STAY, REAR BUMPER	2				
7	95602-10200	NUT, U FLANGE	2				

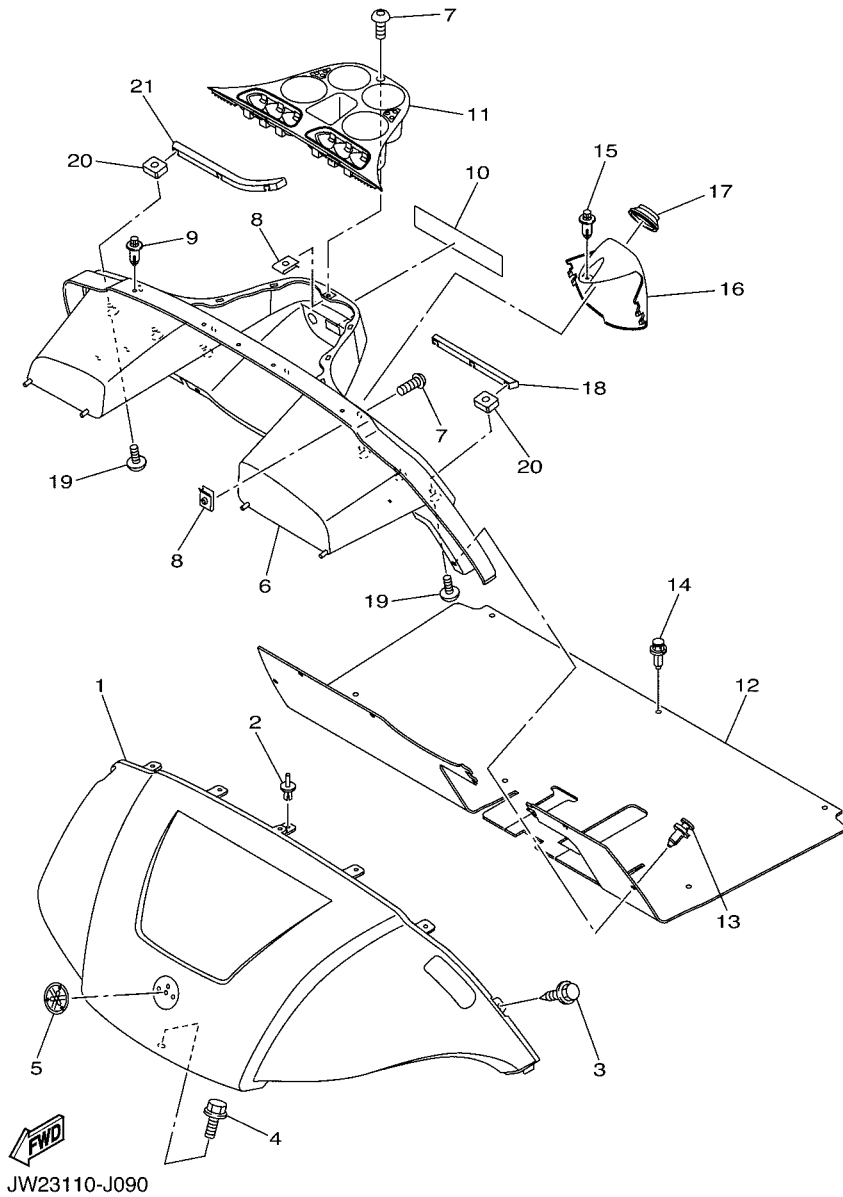


FIG. 9 BODY

REF. NO.	PART NO.	DESCRIPTION	JW23			REMARKS
1	JW1-K8115-01	COWL, FRONT	1			UR FOR WS7
	JW1-K8115-11	COWL, FRONT	1			UR FOR VDGS1
	JW1-K8115-21	COWL, FRONT	1			UR FOR HTR
	JW1-K8115-31	COWL, FRONT	1			UR FOR LNYM8
	JW1-K8115-41	COWL, FRONT	1			UR FOR NBM7
	JW1-K8115-51	COWL, FRONT	1			UR FOR BMG
	JW1-K8115-61	COWL, FRONT	1			UR FOR DPBMT
2	90267-63047	RIVET, BLIND	5			
3	JW1-F3396-00	SCREW, SPECIAL	2			
4	90105-06870	BOLT, FLANGE	1			
5	JW1-F4161-00	EMBLEM 1	1			
6	JW2-K8114-01	PANEL, FRONT	1			UR FOR CAN
	JW2-K8114-11	PANEL, FRONT	1			UR EXCEPT FOR CAN
7	90111-05805	BOLT, HEX. SOCKET BUTTON	5			
8	90183-05008	NUT, SPRING	5			
9	90269-07001	RIVET	5			
10	JW2-K7768-00	LABEL, WARNING (E)	1			UR FOR CAN
	JW2-K7768-10	LABEL, WARNING (E,F)	1			UR EXCEPT FOR CAN
	JW2-K7768-20	LABEL, WARNING (G,S)	1			UR EXCEPT FOR CAN
11	JW1-K835E-00	HOLDER, BEVERAGE	1			
12	JW1-K8233-10	MAT, MAIN FLOOR 3	1			
13	90269-09003	RIVET	5			
14	90269-09003	RIVET	6			
15	90269-06804	RIVET	1			
16	JW1-K8273-00	COVER, HOLE	1			
17	JW1-K8245-00	SEAL 1	1			
18	JW1-K8261-00	PLATE, BODY PROTECT 1	1			

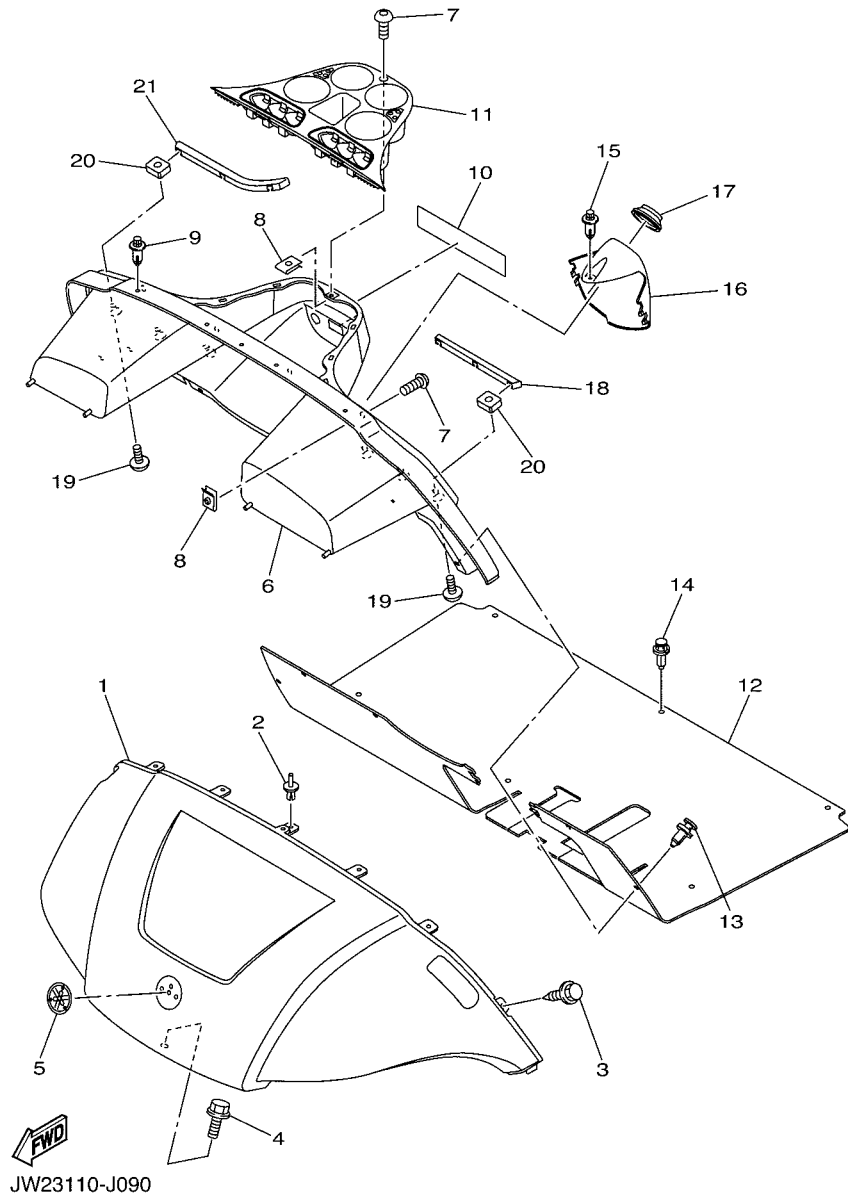
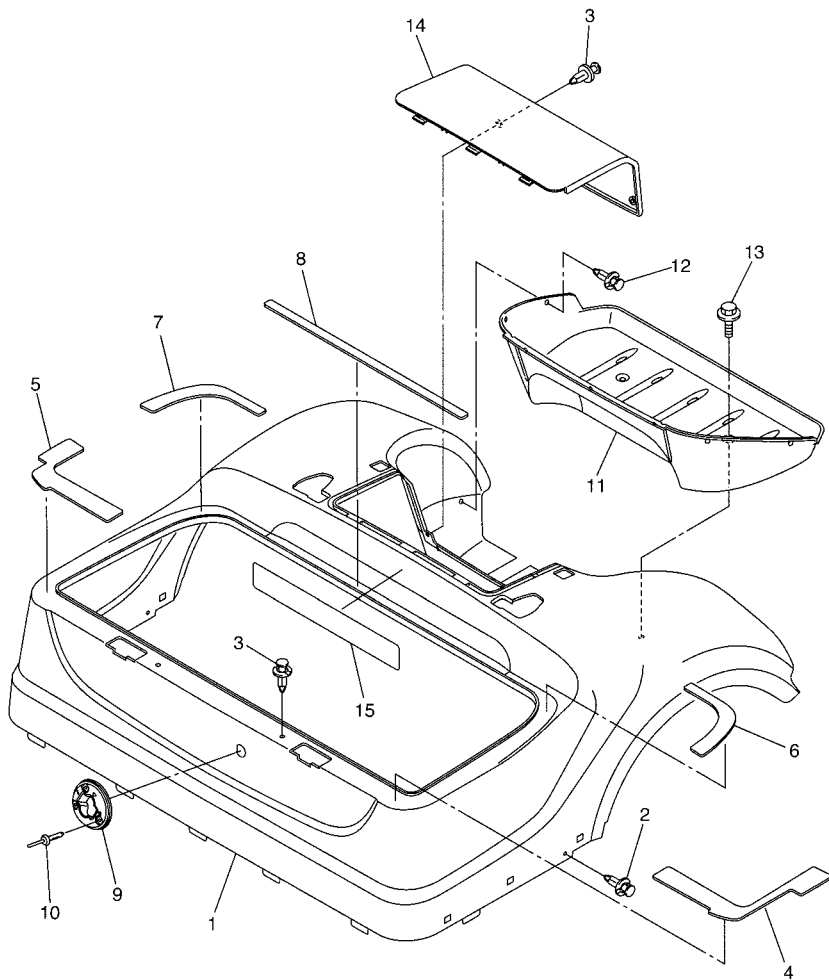


FIG. 9 BODY

REF. NO.	PART NO.	DESCRIPTION	JW23				REMARKS
19	90110-06007	BOLT, HEXAGON SOCKET HEAD	6				
20	90173-06001	NUT, SQUARE	6				
21	JW1-K8262-00	PLATE, BODY PROTECT 2	1				



FWD
JW22100-H100

FIG. 10 BODY 2

REF. NO.	PART NO.	DESCRIPTION	JW23				REMARKS
1	JW1-K8142-00	PANEL, REAR BODY	1				UR FOR WS7
	JW1-K8142-10	PANEL, REAR BODY	1				UR FOR VDGS1
	JW1-K8142-20	PANEL, REAR BODY	1				UR FOR HTR
	JW1-K8142-30	PANEL, REAR BODY	1				UR FOR LNYM8
	JW1-K8142-40	PANEL, REAR BODY	1				UR FOR NBM7
	JW1-K8142-50	PANEL, REAR BODY	1				UR FOR BMG
	JW1-K8142-60	PANEL, REAR BODY	1				UR FOR DPBMT
2	90269-06804	RIVET	2				
3	90269-08813	RIVET	4				
4	JW1-F2873-00	SEAL 1	1				
5	JW1-F2874-00	SEAL 2	1				
6	JW1-F2875-00	SEAL 3	1				
7	JW1-F2876-00	SEAL 4	1				
8	JW1-F2877-01	SEAL, 5	1				
9	JW2-K827A-01	GUIDE 1	1				UR FOR CAN
	JW2-K827A-10	GUIDE 1	1				UR EXCEPT FOR CAN
10	90267-60840	RIVET, BLIND	3				
11	JW1-K8237-00	COVER, REAR FLOOR	1				
12	90269-08813	RIVET	7				
13	JW1-K6179-01	BOLT, SPECIAL 1	2				
14	JW1-K8151-00	PANEL, INSPECTION LID 1	1				
15	JW2-K8297-01	PLATE, CAUTION 1 (E,F)	1				UR
	JW2-K8297-10	PLATE, CAUTION 1 (G,S)	1				UR

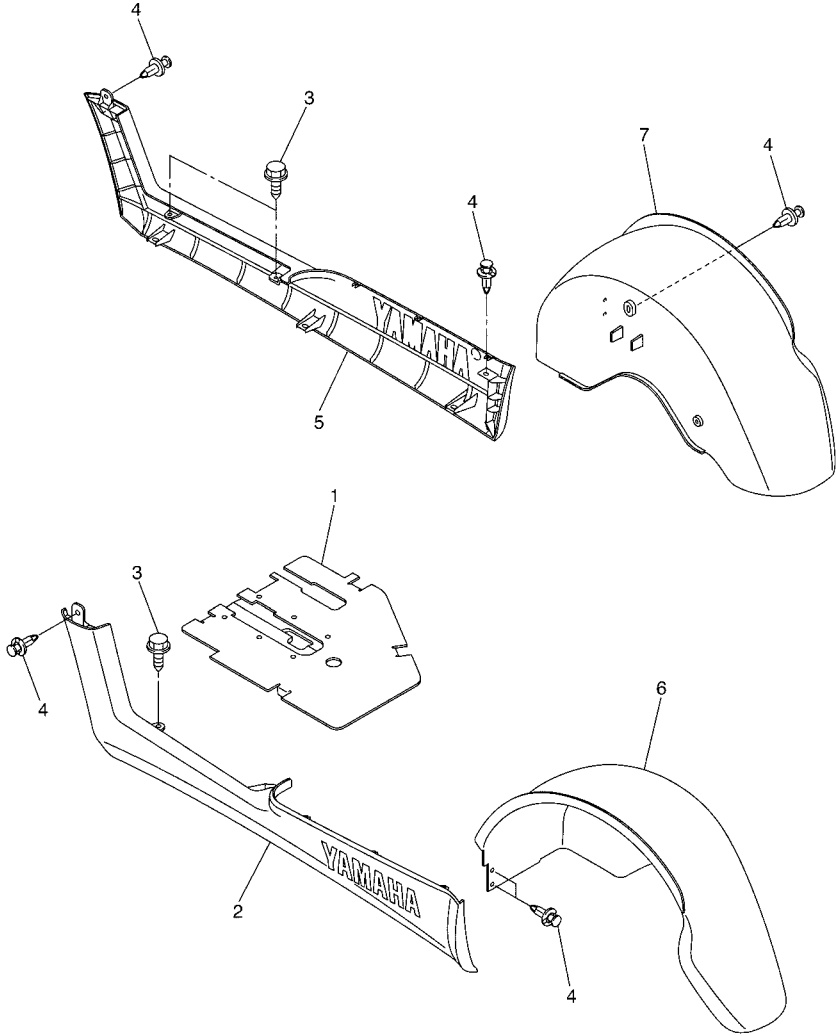


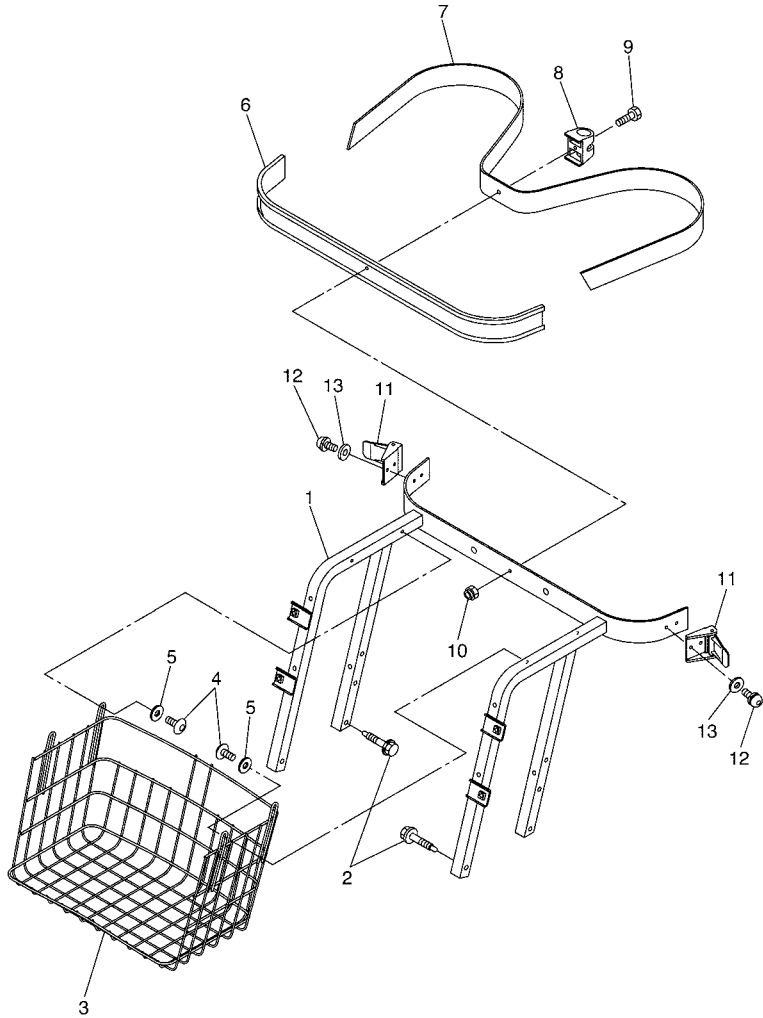
FIG. 11 BODY FITTING

REF. NO.	PART NO.	DESCRIPTION	JW23				REMARKS
1	JW1-K8270-00	LID ASSY	1				
2	JW1-K818A-00	PROTECTOR, SIDE PLATE	1				
3	JW1-F3396-00	SCREW, SPECIAL	4				
4	90269-06804	RIVET	12				
5	JW1-K818B-00	PROTECTOR, SIDE PLATE 2	1				
6	JW1-K8191-00	PANEL, REAR FENDER 1	1				
7	JW1-K8192-00	PANEL, REAR FENDER 2	1				



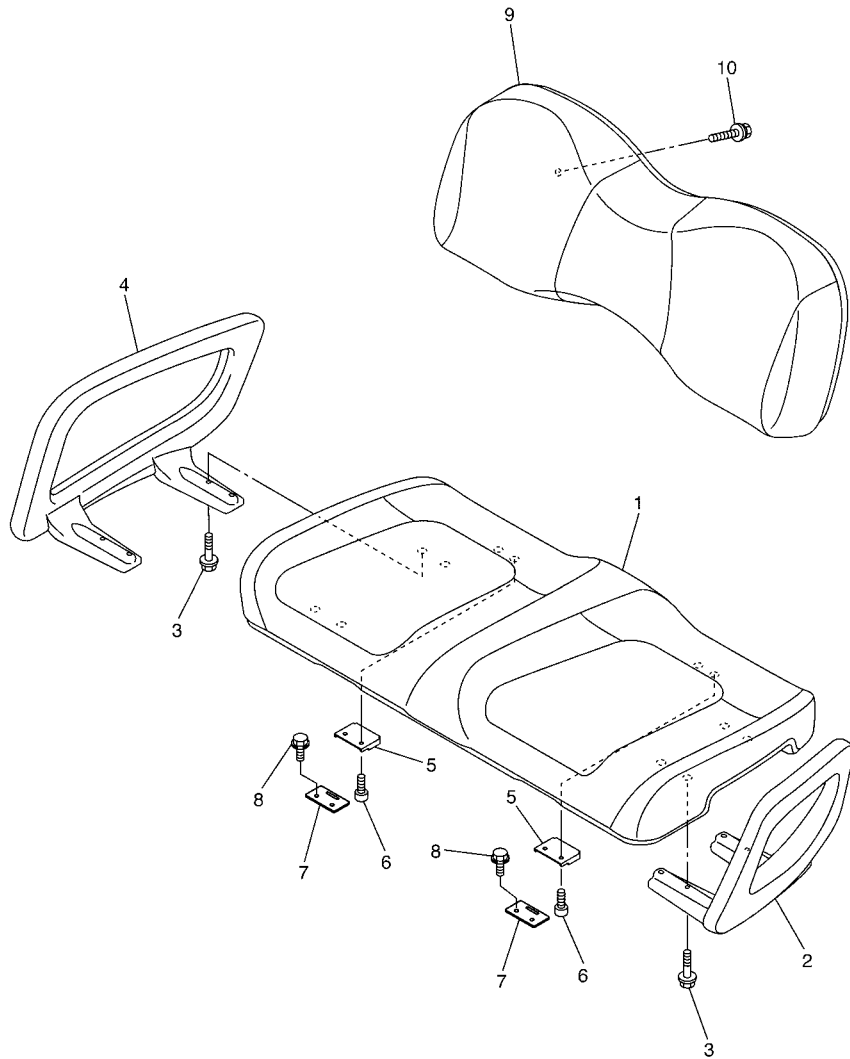
JW11100-E260

FIG. 12 CARRIER



JW11100-E270

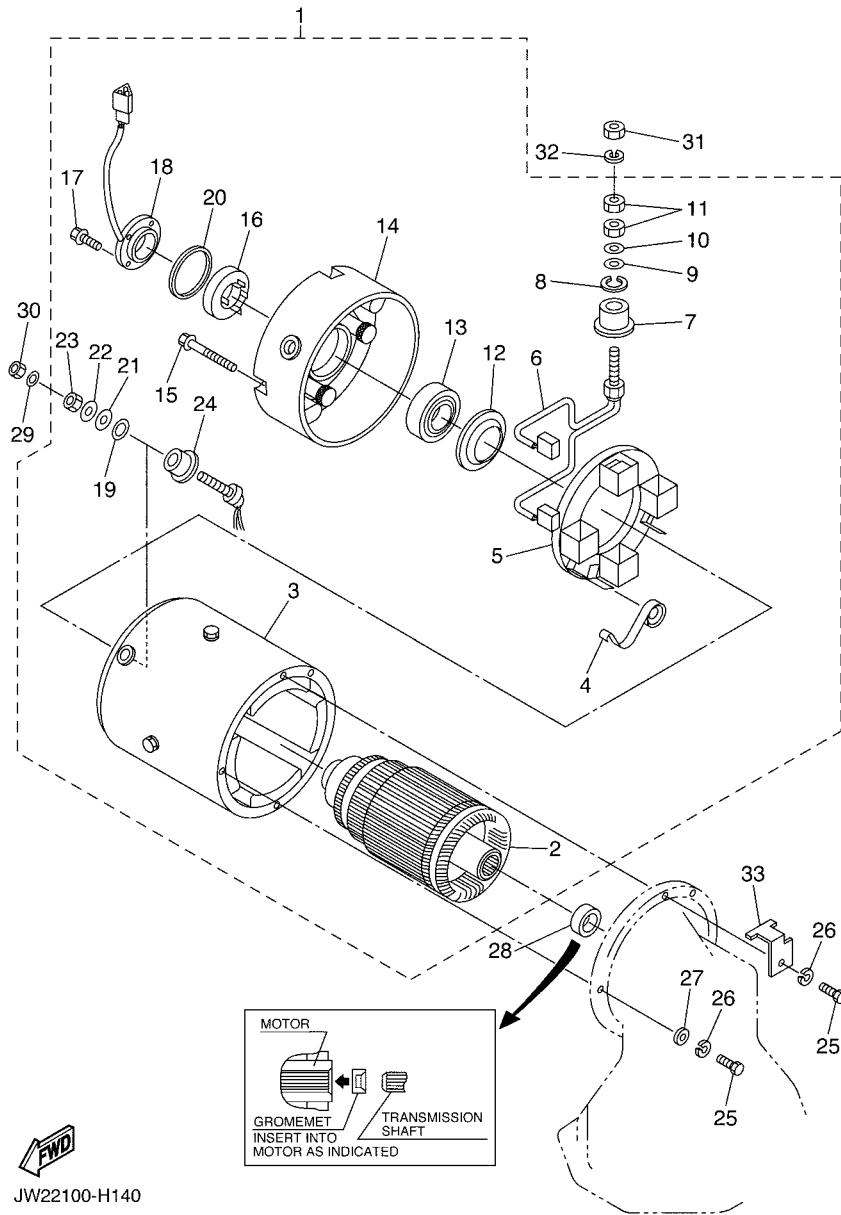
REF. NO.	PART NO.	DESCRIPTION	JW23				REMARKS
1	JW1-K8423-00	SUPPORT, SEAT BACK	1				
2	90109-08002	BOLT	4				
3	JW1-K8340-00	LUGGAGE RACK ASSY., REAR	1				
4	90110-06102	BOLT, HEXAGON SOCKET HEAD	4				
5	90201-068G7	WASHER, PLATE	4				
6	JF2-K8356-00	PAD, BAG SUPPORT	1				
7	JN6-K8355-20	BAND	1				
8	JW1-K834G-00	HOLDER, RAKE SAND	1				
9	9708R-06020	BOLT	1				
10	90185-06836	NUT, SELF-LOCKING	1				
11	JN6-K8380-00	LOCK ASSY	2				
12	90159-06845	SCREW, WITH WASHER	4				
13	9299R-06200	WASHER	4				



JW11100-E280

FIG. 13 SEAT

REF. NO.	PART NO.	DESCRIPTION	JW23				REMARKS
1	JW1-K8401-00	SEAT SUB-ASSY,CUSHION	1				
2	JW1-K8361-00	ARM REST 1	1				
3	90105-06042	BOLT, FLANGE	8				
4	JW1-K8362-00	ARM REST 2	1				
5	JW1-K8426-00	HINGE, SEAT 1	2				
6	90110-06125	BOLT, HEXAGON SOCKET HEAD	4				
7	JW1-K8427-00	HINGE, SEAT 2	2				
8	90163-06802	SCREW, TAPPING	4				
9	JW1-K8402-00	SEAT SUB ASSY, BACK	1				
10	90119-06808	BOLT, WITH WASHER	4				



JW22100-H140

FIG. 14 ELECTRIC MOTOR

REF. NO.	PART NO.	DESCRIPTION	JW23				REMARKS
1	JU2-H1890-21	MOTOR ASSY	1				
2	JU2-H1850-20	.ARMATURE ASSY	1				
3	JU2-H1160-20	.FIELD COIL ASSY	1				
4	JU2-H1617-20	.SPRING, BRUSH	4				
5	JU2-H1840-20	.BRUSH HOLDER ASSY	1				
6	JU2-H1801-20	.BRUSH SET	2				
7	JU2-H182G-20	.BUSH, TERMINAL	2				
8	JU2-H1843-20	.WASHER 1	2				
9	JU2-H1824-20	.WASHER 2	2				
10	JU2-H181L-20	.WASHER, PLAIN	2				
11	JU2-H182K-20	.NUT	4				
12	JU2-H1856-20	.RETAINER	1				
13	JU2-H185B-20	.BEARING 1	1				
14	JU2-H183J-20	.BRACKET, FRONT	1				
15	JU2-H1828-20	.BOLT 2	4				
16	JU2-H181K-20	.MAGNET	1				
17	JU2-H2113-20	.SCREW	4				
18	JU2-H1670-21	.PICK-UP ASSY	1				
19	JU2-H272L-20	.INSULATOR, 1	2				
20	JU2-H5722-20	.INSULATOR	1				
21	JU2-H2517-20	.WASHER, SPECIAL	2				
22	JU2-H332D-20	.WASHER, SPECIAL 2	2				
23	JU2-H191B-20	.NUT	4				
24	JU2-H182H-20	.BUSH, TERMINAL 2	2				
25	90101-069U0	BOLT	3				
26	90215-06811	WASHER, LOCK	3				
27	90201-068E2	WASHER, PLATE	2				

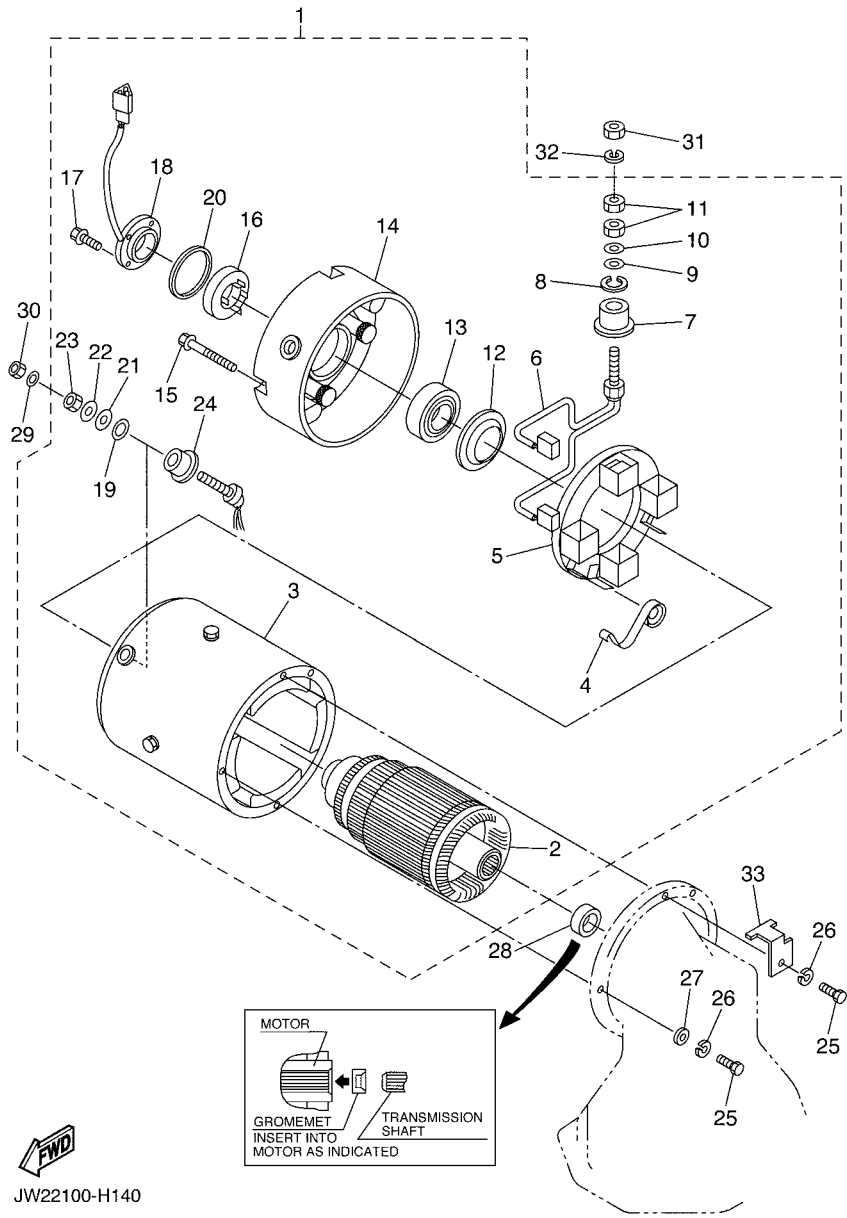
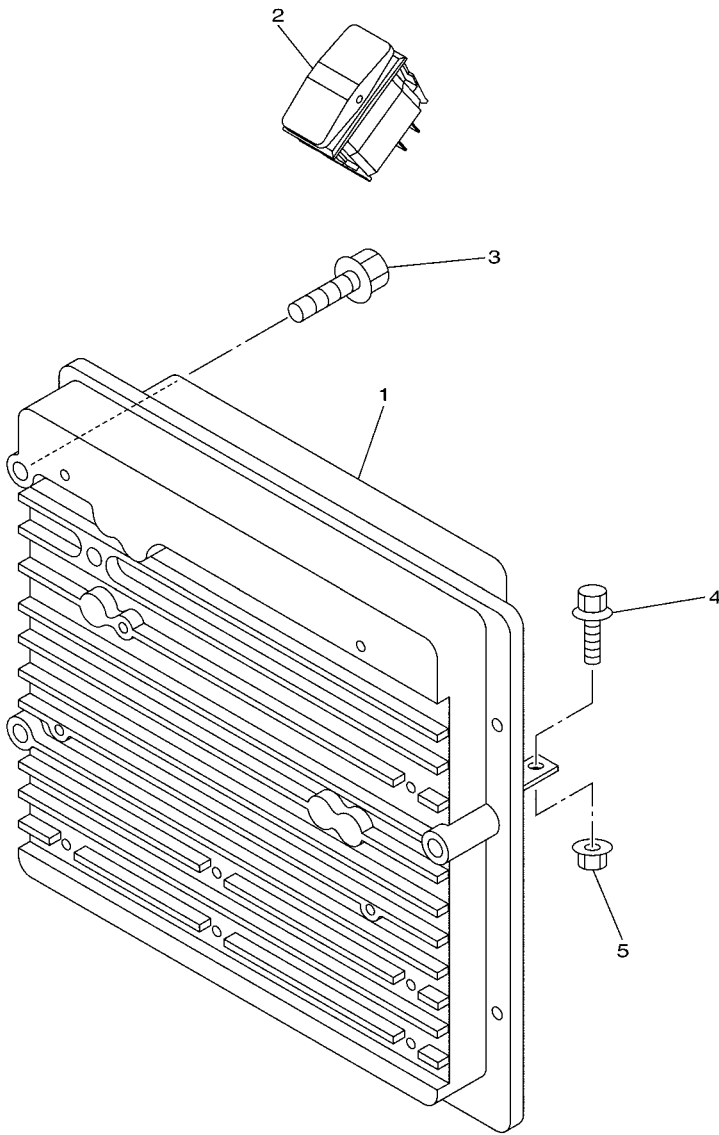


FIG. 14 ELECTRIC MOTOR

REF. NO.	PART NO.	DESCRIPTION	JW23				REMARKS
28	JH7-H1829-00	GROMMET	1				
29	JU2-H185A-20	WASHER, PLATE	2				
30	JU2-H182A-20	NUT	2				
31	JU2-H1872-20	NUT, SPECIAL	2				
32	JU2-H1835-20	WASHER	2				
33	JU2-H218E-01	RELIEF, STRAIN 1	1				

FIG. 15 CONTROLLER 1

REF. NO.	PART NO.	DESCRIPTION	JW23					REMARKS
1	JW2-H6510-01	MOTOR CONTROL UNIT ASSY	1					
2	JW2-H2727-00	SWITCH	1					
3	95822-06040	BOLT, FLANGE	3					
4	95822-06016	BOLT, FLANGE	3					
5	95602-06200	NUT, SELF-LOCKING	3					



JW23110-J150

FIG. 16 ELECTRICAL 1

REF. NO.	PART NO.	DESCRIPTION	JW23				REMARKS
1	JW2-H2136-00	PLATE, BATTERY FITTING	2				
2	JW2-H2133-00	SCREW, FITTING	4				
3	90201-08310	WASHER, PLATE	4				
4	95702-08500	NUT, FLANGE	4				
5	JW2-H2115-00	WIRE, PLUS LEAD	1				
6	JW2-H2127-00	WIRE, LEAD 2	2				
7	JW2-H2149-00	WIRE, LEAD 3	1				
8	JU2-H2917-00	SWITCH	1				
9	JU2-H2521-20	WIRE, LEAD	1				(F1)
10	JU2-H2531-20	WIRE, LEAD	1				(F2)
11	JU2-H6171-20	WIRE, LEAD 1	1				(A1)
12	JW2-H6172-00	WIRE, LEAD 2	1				(A2)
13	JU2-H7196-20	TUBE 1	1				
14	90464-25826	CLAMP	2				
15	JW2-H2590-00	WIRE HARNESS ASSY	1				UR FOR CAN
	JW2-H2590-10	WIRE HARNESS ASSY	1				UR EXCEPT FOR CAN
16	JR1-H2151-00	.FUSE (3A)	1				
17	JU6-H1950-00	RELAY ASSY	1				
18	90179-05807	.NUT	2				
19	90179-08824	.NUT	2				
20	JN6-H2105-00	WIRE HARNESS	1				
21	90163-06005	SCREW, TAPPING	2				
22	JR1-H3383-01	BUZZER	1				
23	JN6-H3386-01	STAY, BUZZER	1				
24	JW2-H6181-02	RECEPTACLE	1				
25	JW2-F8382-10	SCREW, SPECIAL	4				
26	JF7-82817-20	SWITCH	1				

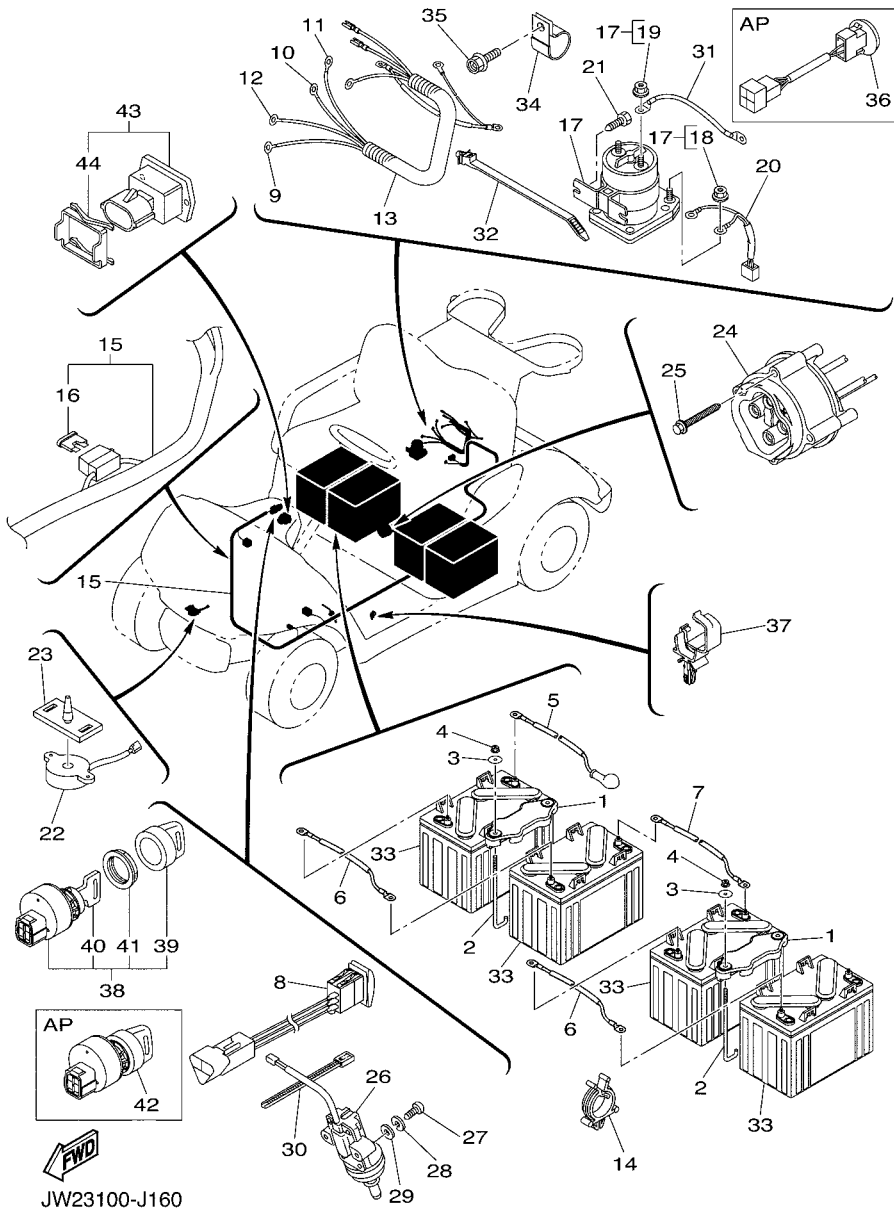
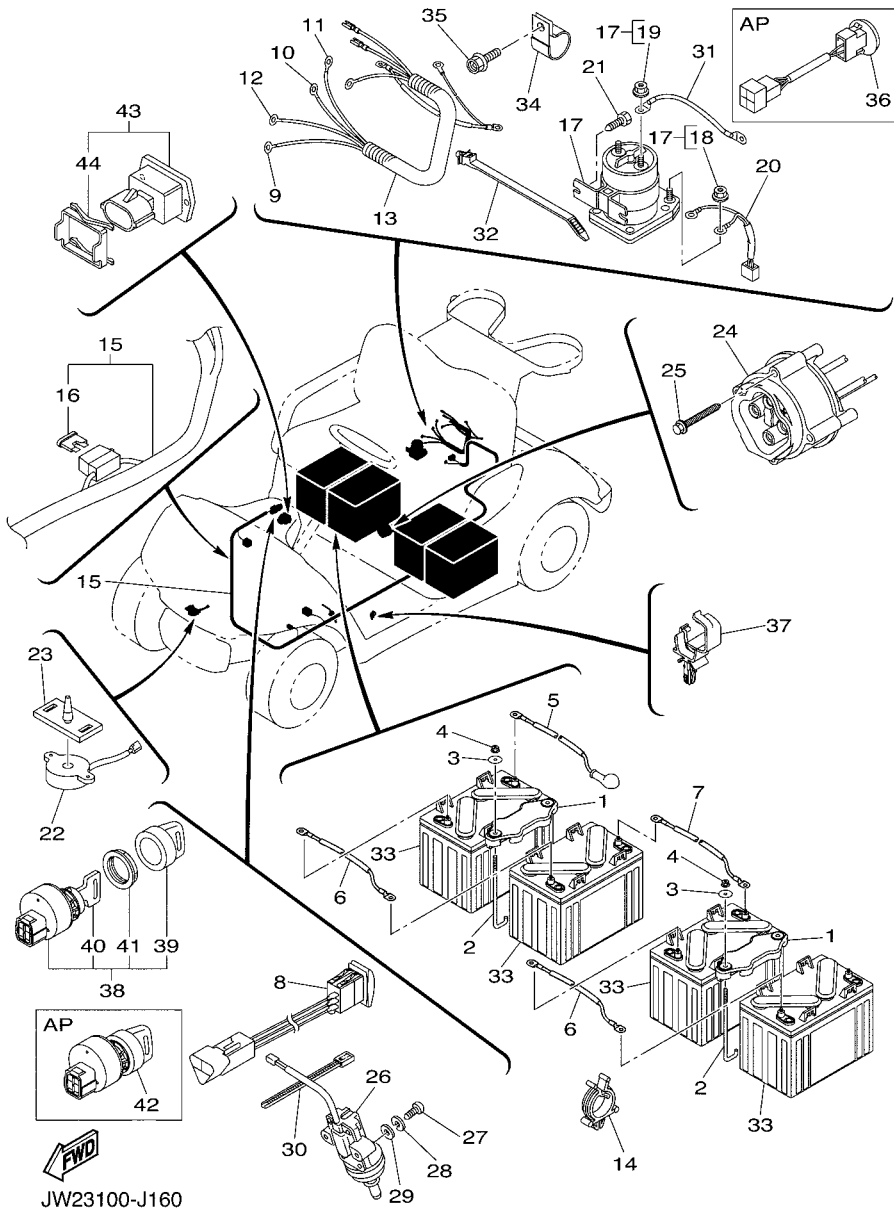
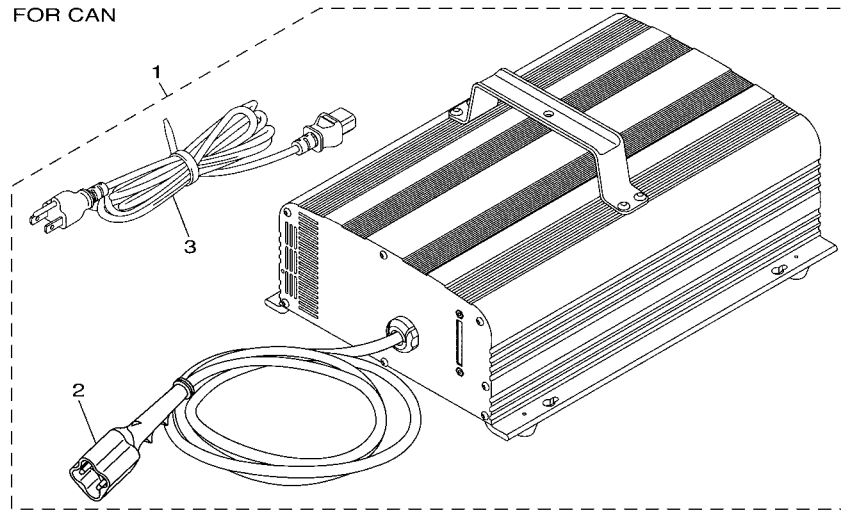


FIG. 16 ELECTRICAL 1

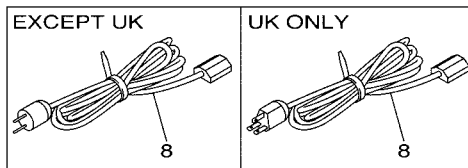
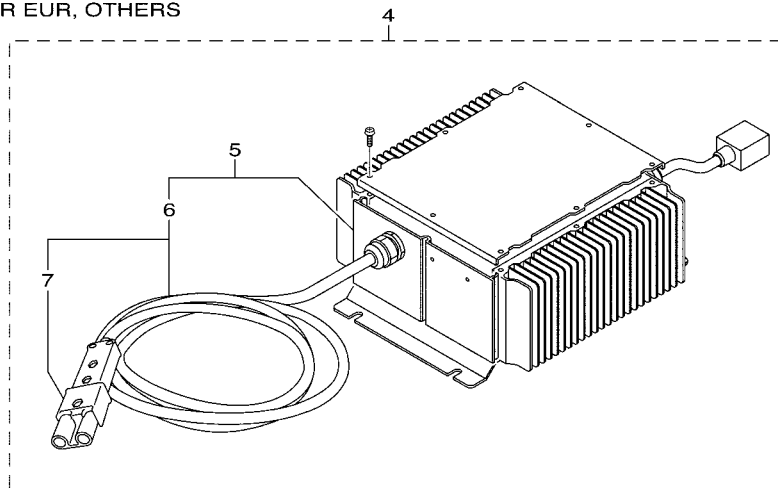
REF. NO.	PART NO.	DESCRIPTION	JW23				REMARKS
27	98502-05025	SCREW, PAN HEAD	2				
28	92902-05100	WASHER, SPRING	2				
29	92902-05600	WASHER, PLATE	2				
30	90464-40825	CLAMP	7				
31	JW2-H6527-00	WIRE 7	1				
32	90464-20005	CLAMP	7				
33	*	BATTERY ASSY (12 VOLT T-1275)	4				LM
34	90461-14108	CLAMP	1				
35	90105-08867	BOLT, FLANGE	1				
36	JU2-HA2F0-00	TRANSMITTER UNIT	1				AP
37	90464-20237	CLAMP	3				
38	JW1-H2510-00	MAIN SWITCH ASSY	1				STD
39	5UG-H2579-00	.CAP, KEY	1				
40	JU2-H2511-00	.KEY, MAIN SWITCH	2				
41	JU6-H2569-00	.NUT, MAIN SWITCH	1				
42	JU2-H2510-20	MAIN SWITCH ASSY	1				AP RANOMEKEY
43	JW2-H351B-00	GAUGE, BATTERY	1				EXCEPT FOR CAN
44	JW1-H1128-00	.CLAMP	1				EXCEPT FOR CAN



FOR CAN



FOR EUR, OTHERS

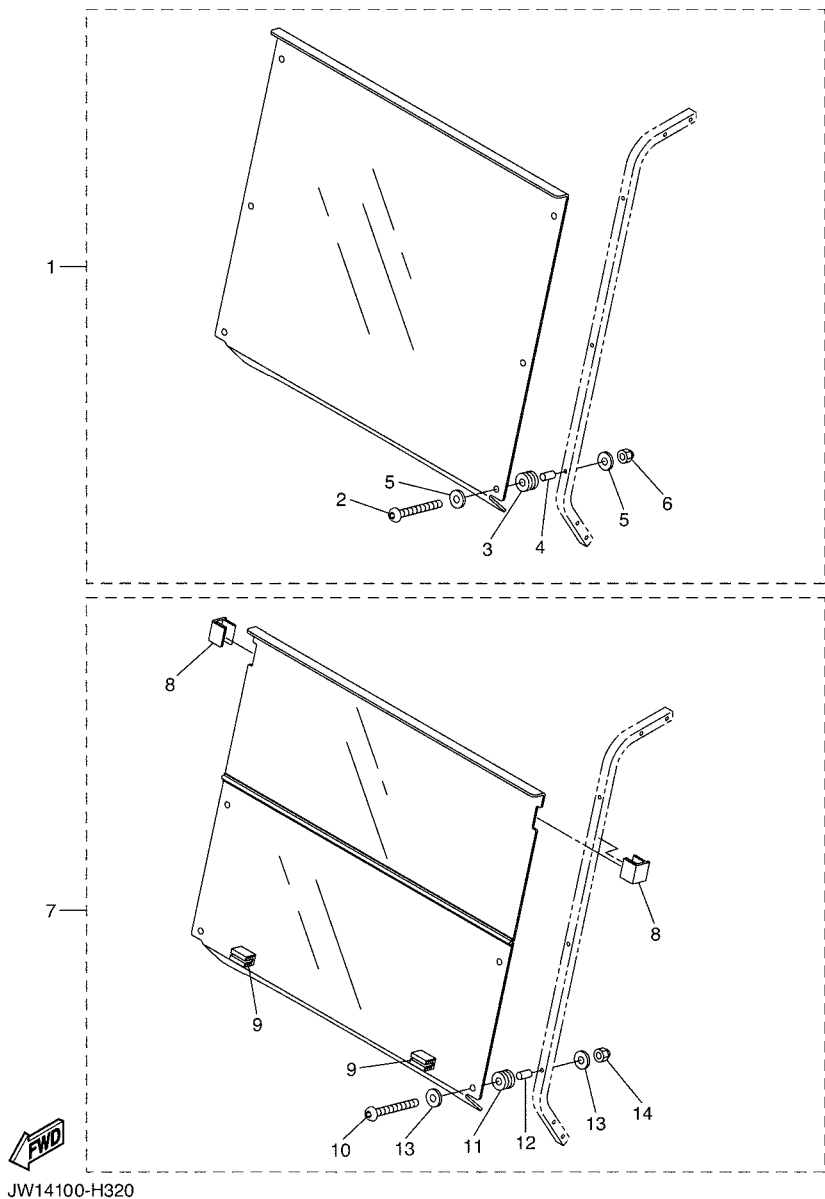


JW23100-J170

FIG. 17 BATTERY CHARGER

REF. NO.	PART NO.	DESCRIPTION	JW23			REMARKS
1	JW2-H2107-01	CHARGER, BATTERY	1			FOR CAN
2	JW2-H7234-01	.PLUG, D.C.RECEPTACLE	1			FOR CAN
3	JW2-H1962-00	.AC CORD, CHARGER	1			FOR CAN
4	JW2-H2107-10	CHARGER, BATTERY	1			EXCEPT FOR CAN
5	JW2-H7209-10	.CHARGE CORD ASSY	1			EXCEPT FOR CAN
6	JW2-H4312-10	..CORD ASSY	1			EXCEPT FOR CAN
7	JR1-H235A-00	...DC PLUG SET	1			EXCEPT FOR CAN
8	JU2-H1962-00	CORD COMP. (220V)	1			UR EUR,OTHERS
	JU2-H1962-10	CORD COMP. (240V)	1			UR UK ONLY

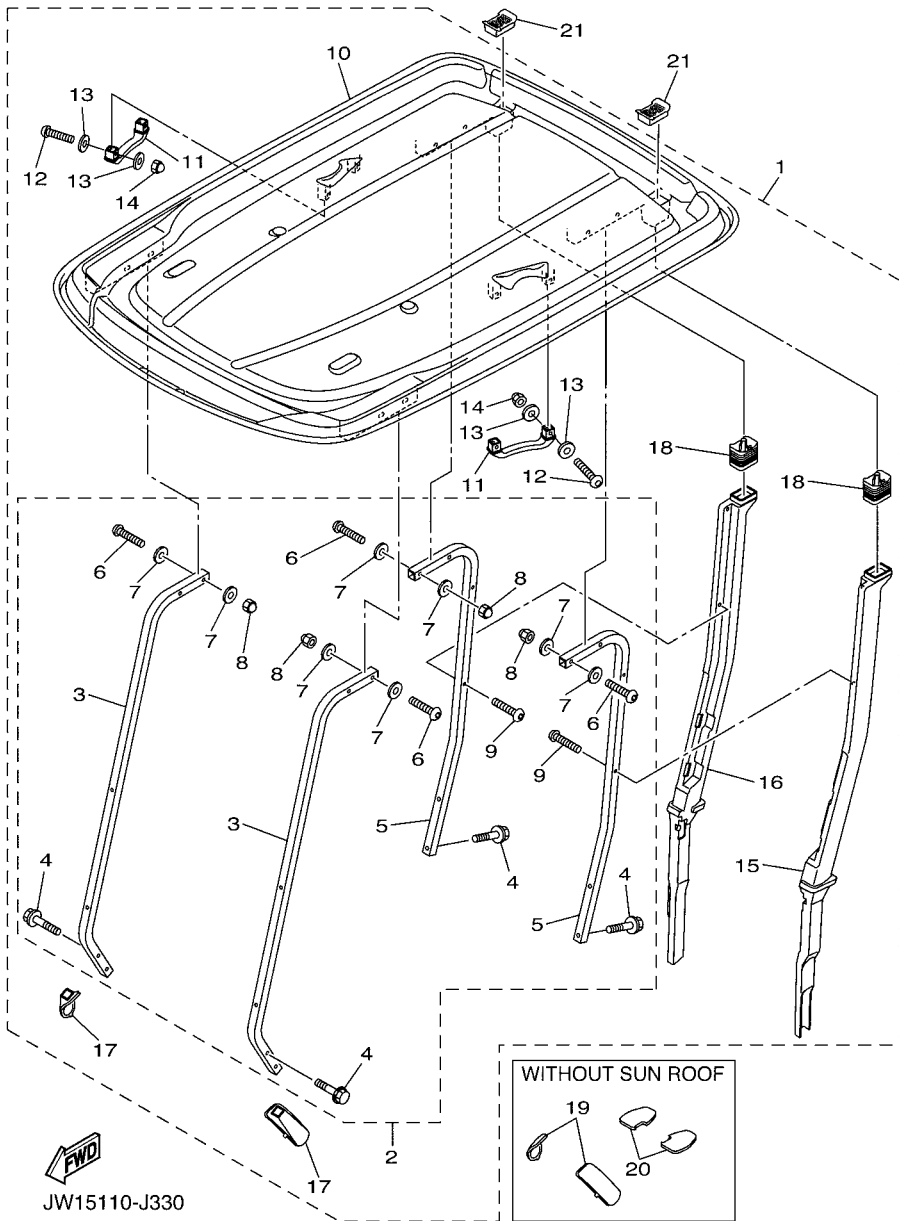
FIG. 18 ALTERNATE FOR WINDSHIELD



JW14100-H320

REF. NO.	PART NO.	DESCRIPTION	JW23				REMARKS
1	JW1-K7200-01	WINDSHIELD ASSY, SOLID (CLEAR)	1				UR AP
	JW1-K7200-11	WINDSHIELD ASSY, SOLID(SMOKE)	1				UR AP
2	JW1-K7212-00	.BOLT (L: 45MM)	6				UR
	JW1-K7481-00	.BOLT (L: 50MM)	6				UR
3	JW1-K7237-01	.GROMMET	6				
4	JW1-K7115-00	.COLLAR	6				
5	90201-068G7	.WASHER, PLATE	12				
6	JW1-K7217-00	.NUT, WIND SHIELD	6				
7	JW1-K7200-21	WINDSHIELD ASSY, HINGED(CLEAR)	1				UR AP
	JW1-K7200-31	WINDSHIELD ASSY, HINGED(SMOKE)	1				UR AP
8	JW1-K7173-00	.LEVER, LATCH 1	2				
9	JW1-K7222-00	.BRACKET, WINDSHIELD(R.H)	2				
10	JW1-K7212-00	.BOLT (L: 45MM)	4				UR
	JW1-K7481-00	.BOLT (L: 50MM)	4				UR
11	JW1-K7237-01	.GROMMET	4				
12	JW1-K7115-00	.COLLAR	4				
13	90201-068G7	.WASHER, PLATE	8				
14	JW1-K7217-00	.NUT, WIND SHIELD	4				

FIG. 19 ALTERNATE FOR SUN ROOF



REF. NO.	PART NO.	DESCRIPTION	JW23			REMARKS
1	JW1-K84A0-01	SUN TOP KIT	1			AP
2	JW1-K84A2-00	.HARDWARE KIT, SUN TOP	1			
3	JW1-K8312-00	..SUPPORT, SUN ROOF 1	2			
4	JW1-K8388-00	..BOLT, ROOF 1	8			
5	JW1-K8313-01	..SUPPORT, SUN ROOF 2	2			
6	JU0-K8388-00	..BOLT, ROOF 1	8			
7	JW1-F1549-00	..WASHER, FENDER MOLD	16			
8	JU0-K8398-00	..NUT, ROOF 1	8			
9	JW1-K7387-00	..SCREW	4			
10	JW1-K8314-10	.COVER, SUN ROOF	1			
11	JW1-K8214-00	.GRIP, HAND	2			
12	JU0-K8388-00	.BOLT, ROOF 1	4			
13	JW1-F1549-00	.WASHER, FENDER MOLD	8			
14	JU0-K8398-00	.NUT, ROOF 1	4			
15	JW1-F413G-00	.TUBE, DRAIN	1			
16	JW1-F413J-00	.TUBE, DRAIN 2	1			
17	JW1-K832F-01	.GROMMET, ROOF SUPPORT 1	2			
18	JW1-F414G-10	.SEAL	2			
19	JW1-K832H-00	GROMMET, ROOF SUPPORT 3	2			
20	JW1-K833H-00	GROMMET, ROOF SUPPORT 4	2			
21	JW1-K8482-00	CAP, END	2			

NUMERICAL INDEX

PART NO.	REF. NO.	PART NO.	REF. NO.	PART NO.	REF. NO.	PART NO.	REF. NO.	PART NO.	REF. NO.	PART NO.	REF. NO.
401-22128-01	3 - 17	JN3-F3838-00	4 - 6	JW1-F7249-00	5 - 34	JW2-G6510-00	6 - 18	JW1-H2510-00	16 - 38	JW1-K7540-00	8 - 5
2NL-23448-00	3 - 10	5UG-F3844-00	4 - 20	JW1-F7252-00	5 - 30	JW2-G6520-00	6 - 27	JU2-H2510-20	16 - 42	JU0-K7762-00	4 - 39
2NL-23517-00	3 - 12	JW2-F384K-00	6 - 17	JW1-F7254-00	5 - 40	JW2-G6540-00	6 - 14	JU2-H2511-00	16 - 40	JU0-K7762-10	4 - 39
2HR-23526-00	3 - 3	JU0-F3857-11	4 - 3	JW1-F7257-10	5 - 42	JW1-G6542-00	6 - 22	JU2-H2517-20	14 - 21	JU0-K7762-20	4 - 39
JU0-23841-10	4 - 28	JW1-F3866-00	4 - 25	JW1-F7275-00	5 - 35		6 - 31	JU2-H2521-20	16 - 9	JW2-K7768-00	9 - 10
JF7-82817-20	16 - 26	JW1-F387A-00	4 - 12	JW2-F7317-01	5 - 11	JW2-G6544-00	6 - 16	JU2-H2531-20	16 - 10	JW2-K7768-10	9 - 10
JW1-F1128-00	5 - 7	JW1-F387E-00	4 - 15	JW2-F7411-10	2 - 2	JW2-G6550-00	6 - 15	JU6-H2569-00	16 - 41	JW2-K7768-20	9 - 10
JW1-F1549-00	19 - 7	JW1-F387F-00	4 - 18	JW1-F7814-00	5 - 39	JW1-H1128-00	16 - 44	5UG-H2579-00	16 - 39	JW2-K8114-01	9 - 6
	19 - 13	5UG-F387G-00	4 - 16	JW1-F7825-00	5 - 24	JU2-H1160-20	14 - 3	JW2-H2590-00	16 - 15	JW2-K8114-11	9 - 6
JW1-F1738-00	2 - 3	5UG-F387J-00	4 - 19	JW2-F7850-10	5 - 4	JU2-H1617-20	14 - 4	JW2-H2590-10	16 - 15	JW1-K8115-01	9 - 1
JW2-F2110-00	1 - 1	5UG-F387K-00	4 - 17	JW1-F7853-00	5 - 38	JU2-H1670-21	14 - 18	JW2-H2727-00	15 - 2	JW1-K8115-11	9 - 1
JN6-F2123-10	1 - 2	JW1-F3894-00	4 - 26	JW1-F7855-00	5 - 13	JU2-H1801-20	14 - 6	JU2-H272L-20	14 - 19	JW1-K8115-21	9 - 1
JN6-F2124-10	1 - 8	JW1-F413G-00	19 - 15	JW1-F785A-10	5 - 32	JU2-H181K-20	14 - 16	JU2-H2917-00	16 - 8	JW1-K8115-31	9 - 1
JW1-F2176-00	6 - 19	JW1-F413J-00	19 - 16	JW1-F7871-00	5 - 29	JU2-H181L-20	14 - 10	JU2-H332D-20	14 - 22	JW1-K8115-41	9 - 1
	6 - 28	JW1-F414G-10	19 - 18	JW2-F8382-10	16 - 25	JU2-H1824-20	14 - 9	JR1-H3383-01	16 - 22	JW1-K8115-51	9 - 1
JW1-F217G-10	1 - 12	JW1-F4161-00	9 - 5	JW2-G4116-00	6 - 12	JU2-H1828-20	14 - 15	JN6-H3386-01	16 - 23	JW1-K8115-61	9 - 1
JW2-F2210-10	1 - 14	JW1-F467K-00	4 - 24	JW1-G4127-00	6 - 25	JU2-H1829-00	14 - 28	JW2-H351B-00	16 - 43	JW1-K8142-00	10 - 1
JW1-F2277-00	1 - 13	JW1-F4684-00	6 - 3		6 - 34	JU2-H182A-20	14 - 30	JW2-H4312-10	17 - 6	JW1-K8142-10	10 - 1
JW2-F2501-10	2 - 1	JW1-F5100-00	7 - 1	JW1-G4135-00	6 - 13	JU2-H182G-20	14 - 7	JU2-H5722-20	14 - 20	JW1-K8142-20	10 - 1
JW2-F252M-00	2 - 4	JN6-F5118-01	3 - 30	JW1-G4156-00	6 - 20	JU2-H182H-20	14 - 24	JW2-H5885-00	5 - 45	JW1-K8142-30	10 - 1
JW1-F258G-02	2 - 6		6 - 47		6 - 29	JU2-H182K-20	14 - 11	JU2-H6171-20	16 - 11	JW1-K8142-40	10 - 1
JW1-F2873-00	10 - 4	JW1-F5658-00	5 - 26	JW1-G4178-00	6 - 23	JU2-H1835-20	14 - 32	JW2-H6172-00	16 - 12	JW1-K8142-50	10 - 1
JW1-F2874-00	10 - 5	JW1-F5659-00	5 - 25		6 - 32	JU2-H183J-20	14 - 14	JW2-H6181-02	16 - 24	JW1-K8142-60	10 - 1
JW1-F2875-00	10 - 6	JW1-F5666-00	5 - 33	JW1-G4189-00	6 - 6	JU2-H1840-20	14 - 5	JW2-H6510-01	15 - 1	JW1-K8151-00	10 - 14
JW1-F2876-00	10 - 7	JW1-F5672-00	5 - 41	JW1-G4526-00	6 - 40	JU2-H1843-20	14 - 8	JW2-H6527-00	16 - 31	JW1-K8164-00	8 - 2
JW1-F2877-01	10 - 8	JW1-F5673-00	5 - 43	JW1-G4582-00	6 - 5	JU2-H1850-20	14 - 2	JU2-H7196-20	16 - 13	JW1-K8174-00	8 - 6
JW1-F3147-01	5 - 44	JW1-F5677-00	5 - 46	JW1-G4583-00	6 - 24	JU2-H1856-20	14 - 12	JW2-H7209-10	17 - 5	JW1-K818A-00	11 - 2
JW1-F3183-00	4 - 13	JW1-F5734-00	5 - 15		6 - 33	JU2-H185A-20	14 - 29	JW2-H7234-01	17 - 2	JW1-K818B-00	11 - 5
JW1-F3188-00	5 - 47	JW1-F5735-00	5 - 28	JW1-G5148-00	6 - 44	JU2-H185B-20	14 - 13	JU2-HA2F0-00	16 - 36	JW1-K8191-00	11 - 6
JW2-F3350-00	3 - 15	JW1-F5744-00	5 - 16	JW2-G6110-00	6 - 36	JU2-H1872-20	14 - 31	JW1-K6179-01	10 - 13	JW1-K8192-00	11 - 7
JW2-F3390-00	3 - 20	JW1-F5754-00	5 - 17	JW2-G6114-00	6 - 37	JU2-H1890-21	14 - 1	JW1-K7115-00	18 - 4	JW1-K8214-00	19 - 11
JW1-F3396-00	9 - 3	JW1-F582M-00	5 - 22	JW2-G6117-00	6 - 7	JU2-H191B-20	14 - 23		18 - 12	JW1-K8233-10	9 - 12
	11 - 3	JW1-F5866-01	5 - 18	JW1-G6128-00	6 - 21	JU6-H1950-00	16 - 17	JW1-K7173-00	18 - 8	JW1-K8237-00	10 - 11
JW1-F339Y-00	4 - 14	JW2-F6341-10	5 - 1		6 - 30	JU2-H1962-00	17 - 8	JW1-K7200-01	18 - 1	JW1-K8245-00	9 - 17
	5 - 23	JW1-F6466-01	5 - 19	JW2-G6134-00	6 - 43	JW2-H1962-00	17 - 3	JW1-K7200-11	18 - 1	JW1-K8261-00	9 - 18
JW1-F3400-00	4 - 11	JW1-F7117-00	5 - 8	JW2-G6159-00	6 - 4	JU2-H1962-10	17 - 8	JW1-K7200-21	18 - 7	JW1-K8262-00	9 - 21
5UG-F3489-00	4 - 21	JW1-F720G-00	5 - 5	JW2-G6163-00	6 - 42	JN6-H2105-00	16 - 20	JW1-K7200-31	18 - 7	JW1-K8270-00	11 - 1
JU0-F3511-01	3 - 4	JW1-F7211-01	5 - 31	JW2-G6164-00	6 - 9	JW2-H2107-01	17 - 1	JW1-K7212-00	18 - 2	JW1-K8273-00	9 - 16
JW1-F3512-00	3 - 5	JW1-F7213-00	5 - 37	JW2-G6167-00	6 - 11	JW2-H2107-10	17 - 4		18 - 10	JW2-K827A-01	10 - 9
JU0-F3521-01	3 - 13	JW1-F7216-00	5 - 27	JW1-G6168-00	6 - 2	JU2-H2113-20	14 - 17	JW1-K7217-00	18 - 6	JW2-K827A-10	10 - 9
5UG-F3527-00	4 - 22	JW1-F7217-00	5 - 9	JW2-G6300-01	6 - 1	JW2-H2115-00	16 - 5		18 - 14	JW2-K8297-01	10 - 15
JU0-F3570-20	3 - 1	JW1-F7218-00	5 - 12	JW2-G6320-01	6 - 10	JW2-H2127-00	16 - 6	JW1-K7222-00	18 - 9	JW2-K8297-10	10 - 15
JW1-F3811-01	4 - 1	JW1-F7227-00	5 - 10	JW1-G6336-00	6 - 39	JW2-H2133-00	16 - 2	JW1-K7237-01	18 - 3	JW2-K8298-10	2 - 8
JN3-F3814-01	4 - 5	JW1-F7232-00	5 - 6	JW1-G633H-00	6 - 38	JW2-H2136-00	16 - 1		18 - 11	JW2-K8298-20	2 - 8
JW1-F3822-00	4 - 30	JW1-F7238-00	5 - 14	JW1-G633J-00	6 - 26	JW2-H2149-00	16 - 7	JW1-K7387-00	19 - 9	JW1-K8312-00	19 - 3
JU0-F3828-00	4 - 4	JW1-F723F-01	5 - 20		6 - 35	JR1-H2151-00	16 - 16	JW1-K7481-00	18 - 2	JW1-K8313-01	19 - 5
1P0-F3833-00	4 - 27	JW1-F723G-00	5 - 21	JW1-G6345-00	6 - 41	JU2-H218E-01	14 - 33		18 - 10	JW1-K8314-10	19 - 10
JW1-F3837-00	4 - 23	JW1-F7243-00	5 - 36	JW2-G6348-01	6 - 8	JR1-H235A-00	17 - 7	JW1-K7510-00	8 - 1	JW1-K832F-01	19 - 17

NUMERICAL INDEX

PART NO.	REF. NO.	PART NO.	REF. NO.	PART NO.	REF. NO.	PART NO.	REF. NO.	PART NO.	REF. NO.	PART NO.	REF. NO.
JW1-K832H-00	19 - 19	90163-06802	13 - 8	92902-10100	1 - 6						
JW1-K833H-00	19 - 20	90173-06001	9 - 20	92902-10600	1 - 7						
JW1-K8340-00	12 - 3	90179-05807	16 - 18	92902-12200	4 - 8						
JW1-K834G-00	12 - 8	90179-08824	16 - 19	9299R-06200	12 - 13						
JN6-K8355-20	12 - 7	90179-12262	7 - 2	93102-30083	3 - 27						
JF2-K8356-00	12 - 6	90179-13800	1 - 4	93306-005Y3	3 - 25						
JN3-K8357-00	4 - 33	90183-05008	9 - 8	93306-204X0	3 - 24						
JN6-K8358-01	4 - 34	90185-06836	12 - 10	95602-06200	15 - 5						
JW1-K835E-00	9 - 11	90185-12061	4 - 7	95602-10200	1 - 16						
JW1-K8361-00	13 - 2	90201-04810	4 - 36		3 - 7						
JW1-K8362-00	13 - 4	90201-068E2	14 - 27		8 - 7						
JN6-K8380-00	12 - 11	90201-068G7	12 - 5	95602-12200	1 - 10						
JU0-K8388-00	19 - 6		18 - 5		4 - 9						
	19 - 12		18 - 13	95602-14100	3 - 29						
JW1-K8388-00	19 - 4	90201-08310	16 - 3	95612-12100	3 - 19						
JU0-K8398-00	19 - 8	90201-128S4	1 - 11	95702-08500	16 - 4						
	19 - 14	90208-14801	3 - 28	95812-08020	4 - 2						
JW1-K8401-00	13 - 1	90215-06811	14 - 26		5 - 48						
JW1-K8402-00	13 - 9	90267-60840	10 - 10	95812-10055	1 - 15						
JW1-K8423-00	12 - 1	90267-63047	9 - 2	95812-12065	1 - 9						
JW1-K8426-00	13 - 5	90269-06804	9 - 15	95812-12080	3 - 18						
JW1-K8427-00	13 - 7		10 - 2	95822-06012	8 - 4						
JW1-K8482-00	19 - 21		11 - 4	95822-06016	15 - 4						
JW1-K84A0-01	19 - 1	90269-07001	9 - 9	95822-06040	15 - 3						
JW1-K84A2-00	19 - 2	90269-08813	10 - 3	97012-08030	4 - 31						
JG5-WF511-10	3 - 22		10 - 12	97012-10020	1 - 5						
90101-069U0	14 - 25	90269-09003	9 - 13	9708R-06020	12 - 9						
90105-06042	13 - 3		9 - 14	97702-40525	4 - 35						
90105-06831	2 - 5	90381-17067	3 - 11	98502-05025	16 - 27						
	2 - 7	90381-18001	3 - 2								
90105-06870	9 - 4	90387-046N7	4 - 38								
90105-08867	16 - 35	90387-12016	3 - 16								
90105-088B0	8 - 3	90387-241M7	3 - 26								
90105-10064	3 - 9	90445-11032	6 - 45								
90105-10267	3 - 14	90461-14108	16 - 34								
	3 - 21	90464-20005	16 - 32								
90105-10728	3 - 6	90464-20237	16 - 37								
90105-10847	4 - 29	90464-25826	16 - 14								
90105-13800	1 - 3	90464-40825	16 - 30								
90109-08002	12 - 2	90467-10008	6 - 46								
90110-06007	9 - 19	90468-20196	5 - 3								
90110-06102	12 - 4	90502-10013	4 - 37								
90110-06125	13 - 6	91402-25020	3 - 8								
90111-05805	9 - 7		4 - 10								
90114-12806	3 - 23	91701-10028	5 - 2								
90119-06808	13 - 10	92902-05100	16 - 28								
90159-06845	12 - 12	92902-05600	16 - 29								
90163-06005	16 - 21	92902-08600	4 - 32								