



# PARTS CATALOGUE

## YDRAX (JW81) CANADA,EUROPE,OTHERS



2011-3-7

1KJW8-100E1

( )

NEWS No.	DATE	COMMENT
PE0-GC-110001	Mar.,7,2011	MOD: FIG.14 LIST MODIFICATION

YDRAX  
PARTS CATALOGUE  
©2010 by Yamaha Motor Co., Ltd.  
1st edition, July 2010  
All rights reserved.  
Any reprinting or unauthorized use  
without the written permission of  
Yamaha Motor Co., Ltd.  
is expressly prohibited.  
Printed in Japan.

# FOREWORD

This Parts Catalogue is related to the parts for the model(s) on the cover page. When you are ordering replacement parts, please refer to this Parts Catalogue and quote both part numbers and part names correctly.

1. Modifications or additions which have been made after the issue of the Parts Catalogue will be announced in the Parts News.

It is advisable that you make the necessary corrections to the Parts Catalogue according to the Parts News.

2. Abbreviations

The following abbreviations are used in this Parts Catalogue.

“UR” Use specified parts number.

“UN” Use as many as needed.

“AP” Alternate Parts

“LM” Locally Made (Parts need to be ordered locally)

“F#” Frame No. (Applicable machine No.)

“O/S” Over Size

3. The number of components for assembly

- Parts, which are to be supplied in an assembly, are listed with a dot (.) in front of the part name as shown below.
- The numeral appearing to the right of each component part indicates the quantity of parts for each assembly unit.

PART NO.	DESCRIPTION	Q'TY	REMARKS
2F5-83310-60	FRONT FLASHER LIGHT ASSY	2	
115-83311-60	.BULB (6V-18W)	1	

4. Applicable colours of graphics are represented in the “REMARKS” as shown below.

PART NO.	DESCRIPTION	Q'TY	REMARKS
2N4-24110-00-X5	FUEL TANK COMP.	2	MXR
3J1-24240-10	.GRAPHIC, FUEL TANK	1	FOR MXR

5. Note that the illustrations for reference in finding parts numbers are not to be used for assembling. When assembling, please use the applicable service manual.

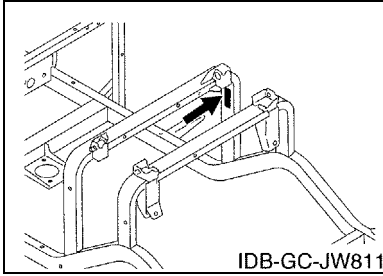
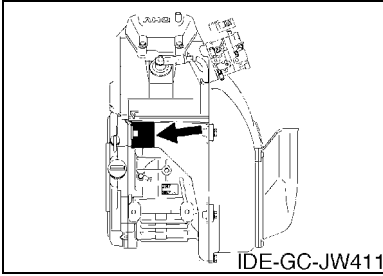
6. The asterisk (\*) before a reference number indicates modified items after the first edition.

# FOREWORD

7. Applicable Serial No.

Engine Serial No.

Frame Serial No.



10. Applicable Starting Serial No.

Frame Serial No.

Serial No.	Name Of Q'ty Column	Model Code
JW8-000101	JW81	JW81

8. Applicable Colour Code (The (\*) mark shows Model colour.)

Abbreviation	Colour Name	Colour Code
BMG(*)	BLACK METALLIC G	1050
DPBST(*)	DARK PURPLISH BLUE SOLID T	1220
HTR(*)	HEAT RED	00EY
LN YM8(*)	LIGHT GRAYISH YELLOW ME 8	1047
NBM7(*)	GRAYISH BLUE METALLIC 7	1046
VDGS1(*)	VERY DARK GREEN SOLID 1	0614
WS7(*)	WHITE SOLID 7	1045

9. Quantity Column Information

Column No.	Name Of Q'ty Column	Destination
1	JW81	CANADA,EUROPE,OTHERS

# CONTENTS

ENGINE 1 .....	1
----------------	---

## ENGINE

CYLINDER HEAD .....	2
CRANKSHAFT & PISTON .....	3
CAMSHAFT & VALVE .....	4
AIR SHROUD & FAN .....	5
INTAKE .....	6
CARBURETOR .....	7
EXHAUST .....	8
CRANKCASE .....	9

## BODY

ENGINE BRACKET .....	10
REAR ARM & SUSPENSION .....	11
FRAME .....	12
FRONT SUSPENSION .....	13
STEERING .....	15
FUEL TANK .....	17
PEDAL ASSEMBLY .....	18
GOVERNOR .....	20

## DRIVE

PRIMARY SHEAVE .....	21
SECONDARY SHEAVE .....	22
TRANSAXLE & BRAKE .....	23
SHIFTER & CABLES .....	25
WHEEL .....	26
BUMPER .....	27
BODY .....	28
BODY 2 .....	30
BODY FITTING .....	31
CARRIER .....	32
SEAT .....	33

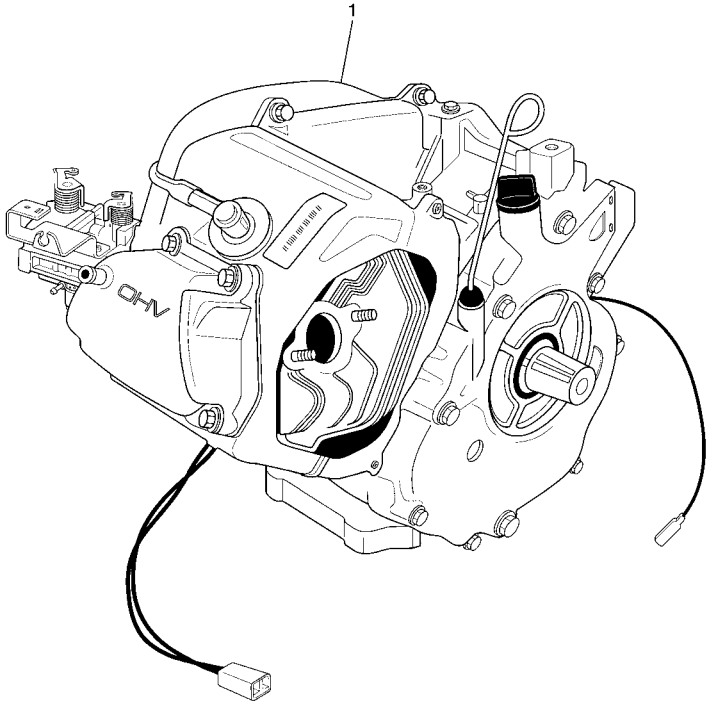
## ELECTRICAL

STARTING MOTOR .....	34
ELECTRICAL 1 .....	36
ELECTRICAL 2 .....	37
ALTERNATE FOR WINDSHIELD .....	39
ALTERNATE FOR SUN ROOF .....	40

## INDEX

NUMERICAL INDEX .....	41
-----------------------	----

FIG. 1 ENGINE 1



REF. NO.	PART NO.	DESCRIPTION	JW81				REMARKS
1	JR6-19001-00	ENGINE ASSEMBLY	1				

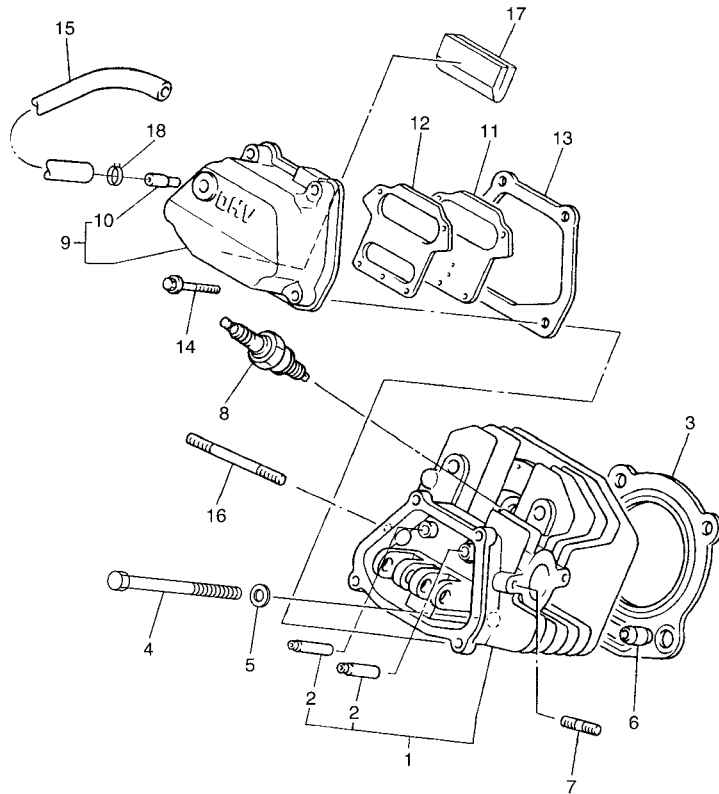
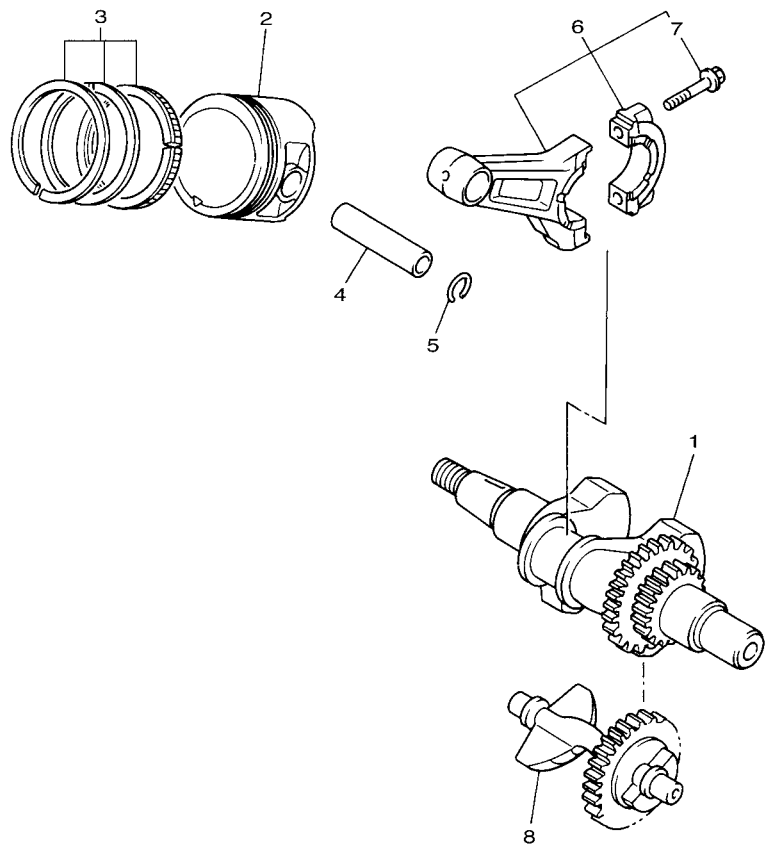


FIG. 2 CYLINDER HEAD

REF. NO.	PART NO.	DESCRIPTION	JW81				REMARKS
1	JT0-11111-00	HEAD, CYLINDER 1	1				
2	JN6-11133-10	.GUIDE, VALVE 1	2				
3	JT0-11181-00	GASKET, CYLINDER HEAD 1	1				
4	97012-10070	BOLT	4				
5	90201-10057	WASHER, PLATE	4				
6	99530-14016	PIN, DOWEL	2				
7	95622-08618	BOLT, STUD	2				
8	94702-00348	PLUG, SPARK (NGK-BPR2ES)	1				STD
	94702-00343	PLUG, SPARK (NGK BP4ES)	1				AP
9	JN6-11191-01	COVER, CYLINDER HEAD 1	1				
10	JN6-11116-00	.JOINT, BREATHER	1				
11	JN6-11168-00	COVER, BREATHER	1				
12	JN6-11169-00	GASKET, BREATHER COVER	1				
13	JN6-11193-00	GASKET, HEAD COVER 1	1				
14	95822-06030	BOLT, FLANGE	4				
15	JN6-E1166-00	PIPE, BREATHER 1	1				
16	95602-08710	BOLT, STUD	2				
17	JR7-11163-00	ELEMENT	1				
18	90467-13847	CLIP	2				



JW61100-H020



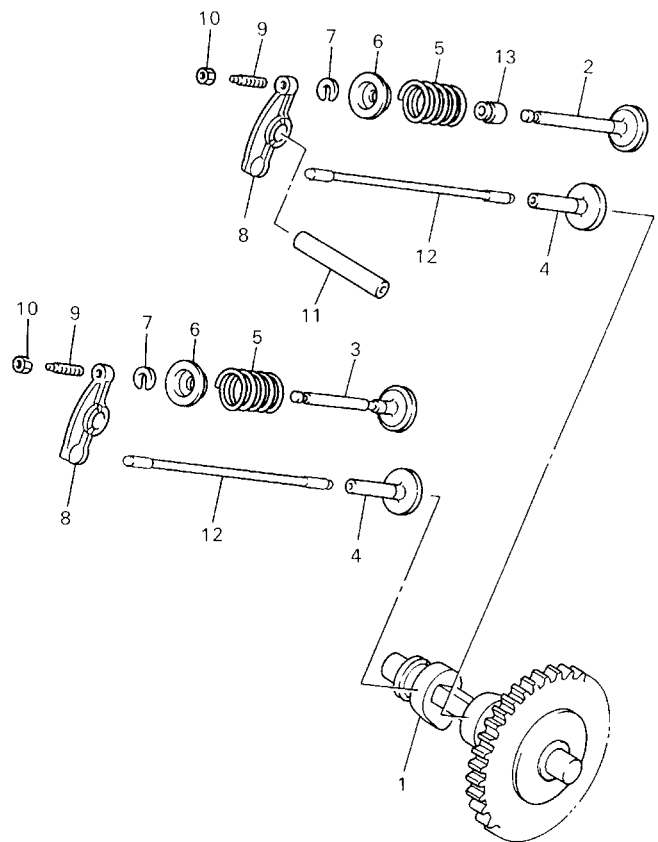
JN7010-6021


FIG. 3 CRANKSHAFT & PISTON

REF. NO.	PART NO.	DESCRIPTION	JW81				REMARKS
1	JN6-11400-00	CRANKSHAFT ASSY	1				
2	JR7-11631-00-A0	PISTON (STD)	1				
	JR7-11635-00	PISTON (0.25MM O/S)	1				AP
	JR7-11636-00	PISTON (0.50MM O/S)	1				AP
3	JR7-11610-00	PISTON RING SET (STD)	1				
	JR7-11610-10	PISTON RING SET (0.25MM O/S)	1				AP
	JR7-11610-20	PISTON RING SET (0.50MM O/S)	1				AP
4	583-11633-00	PIN, PISTON	1				
5	93450-21053	CIRCLIP	2				
6	JN6-11650-00	CONNECTING ROD ASSY	1				
7	JN6-11654-00	BOLT, CONNECTING ROD	2				
8	JN6-11454-00	WEIGHT 1	1				

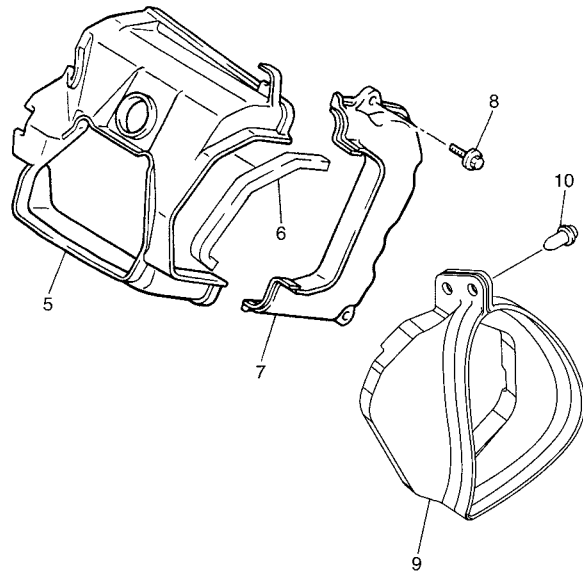
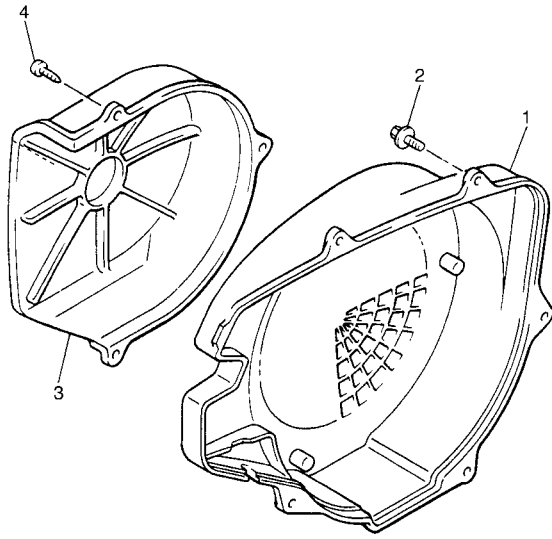


**FIG. 4 CAMSHAFT & VALVE**



  
JT01010-0030

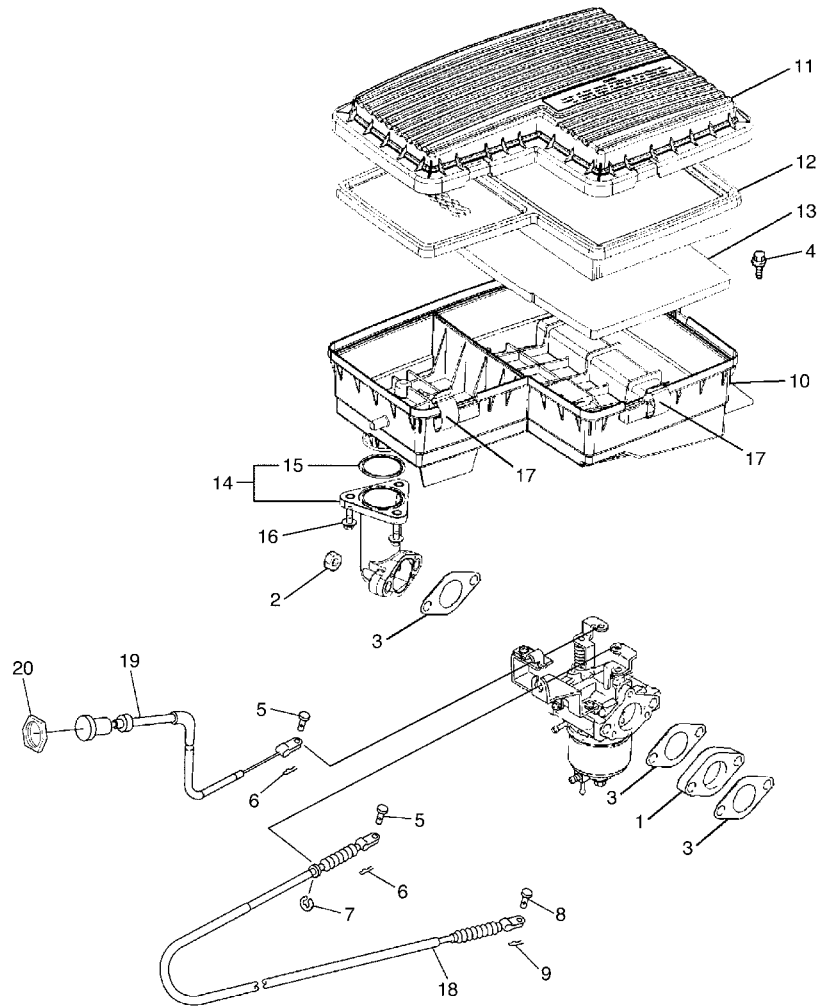
REF. NO.	PART NO.	DESCRIPTION	JW81				REMARKS
1	JR7-12170-00	CAMSHAFT ASSY 1	1				
2	JN6-12111-01	VALVE, INTAKE	1				
3	7RH-12121-00	VALVE, EXHAUST	1				
4	JN6-12153-00	LIFTER, VALVE	2				
5	90501-264A9	SPRING, COMPRESSION	2				
6	J38-12117-01	RETAINER, VALVE SPRING	2				
7	J38-12118-00	COTTER, VALVE	2				
8	JN6-12151-00	ARM, VALVE ROCKER	2				
9	22F-12159-00	SCREW, VALVE ADJUSTING	2				
10	90170-05302	NUT	2				
11	J38-12156-00	SHAFT, ROCKER 2	1				
12	JR7-12154-01	ROD, VALVE PUSH	2				
13	4G0-12119-00	SEAL, VALVE STEM	1				



**FWD**  
JY01010-F050

**FIG. 5 AIR SHROUD & FAN**

REF. NO.	PART NO.	DESCRIPTION	JW81				REMARKS
1	JN6-12621-02	CASE, FAN	1				
2	95802-06020	BOLT, FLANGE	4				
3	JN6-12616-00	COVER, FAN CASE	1				
4	97702-60520	SCREW, TAPPING	3				
5	JN6-12651-00	AIR SHROUD, CYLINDER 1	1				
6	JR7-12658-00	DAMPER, AIR SHROUD 1	1				
7	JN6-12652-00	AIR SHROUD, CYLINDER 2	1				
8	95802-06020	BOLT, FLANGE	2				
9	JW1-E2691-00	DUCT 1	1				
10	90269-08813	RIVET	2				



JW71100-H060

**FIG. 6 INTAKE**

REF. NO.	PART NO.	DESCRIPTION	JW81				REMARKS
1	JN6-13595-00	JOINT	1				
2	95702-08500	NUT, FLANGE	2				
3	JN6-13567-00	GASKET	3				
4	90119-06884	BOLT, WITH WASHER	2				
5	91702-05010	PIN, CLEVIS	2				
6	90468-10049	CLIP	2				
7	99001-07600	CIRCLIP	1				
8	91702-05010	PIN, CLEVIS	1				
9	90468-10049	CLIP	1				
10	JU0-E4411-00	CASE, AIR CLEANER 1	1				
11	JU0-E4412-00	CAP, CLEANER CASE 1	1				
12	JU0-E4450-00	ELEMENT ASSY, AIR CLEANER	1				
13	JU0-E445E-00	FILTER 1	1				
14	JU0-E3505-09	JOINT COMP.	1				
15	93210-398D6	.O-RING	1				
16	90105-06862	BOLT, FLANGE	3				
17	5UH-E4424-00	CLIP, CAP FITTING	5				
18	JW1-F6312-01	CABLE, THROTTLE 2	1				
19	JW1-F6331-00	CABLE, STARTER 1	1				
20	JU0-F6333-00	NUT	1				

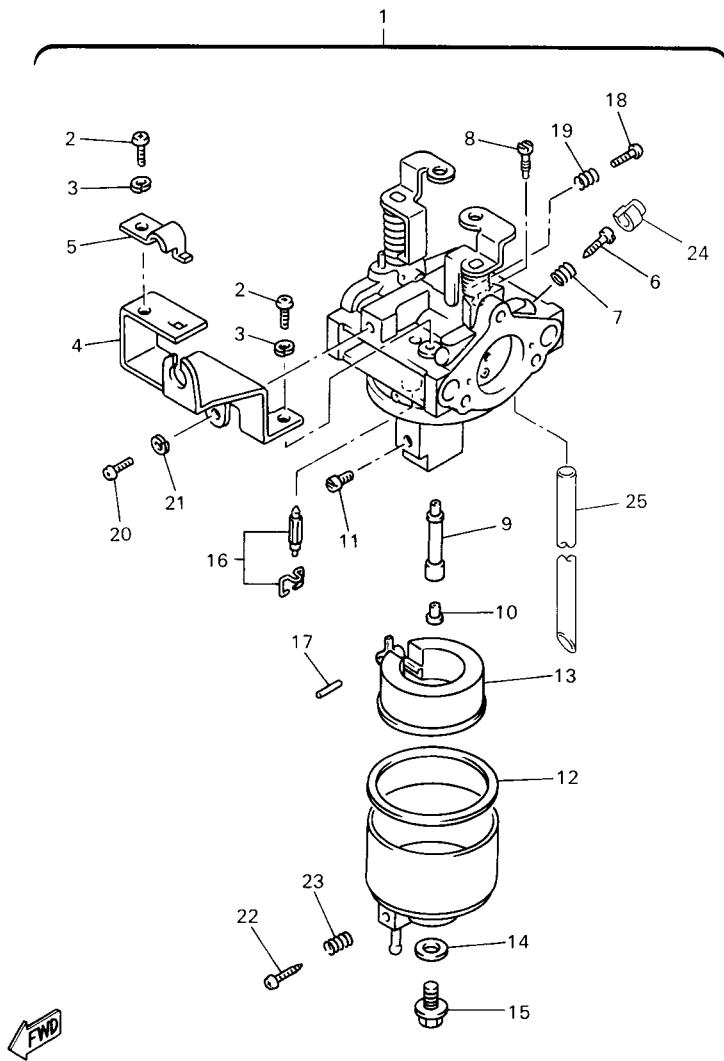
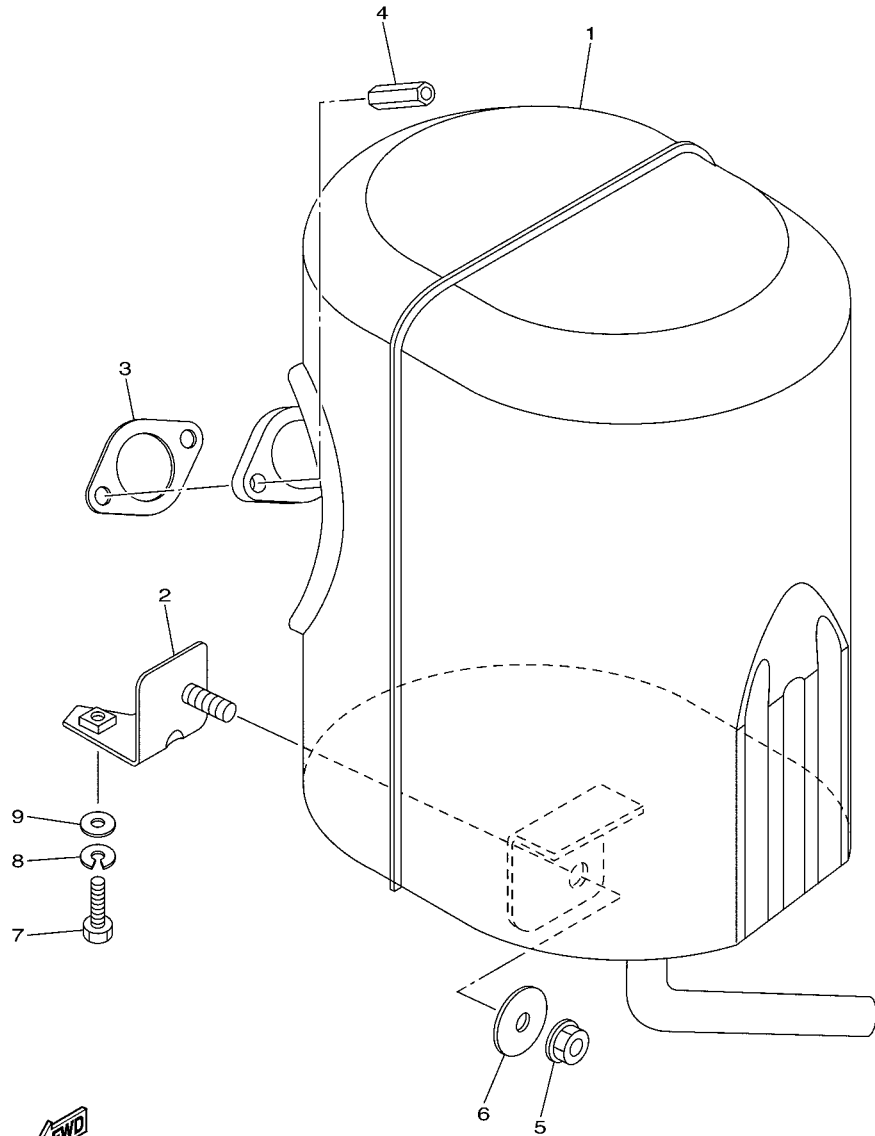


FIG. 7 CARBURETOR

REF. NO.	PART NO.	DESCRIPTION	JW81				REMARKS
1	JR6-14101-00	CARBURETOR ASSY 1	1				
2	98507-05008	.SCREW, PAN HEAD	2				
3	92990-05100	.WASHER, SPRING	2				
4	JN6-14291-00	.BRACKET 1	1				
5	J10-14227-00	.PLATE	1				
6	7NJ-14211-00	.SCREW, PILOT ADJUSTING	1				
7	73A-14212-10	.SPRING	1				
8	732-14142-65-A0	.JET, PILOT (# 65)	1				
9	JN6-1495H-3B	.NOZZLE, MAIN	1				
10	73A-1414G-00	.PIPE, MAIN BLEED	1				
11	3G2-1423A-68-A0	.JET, MAIN (# 87.5)	1				STD
	3G2-1423A-67	.JET, MAIN (# 82.5)	1				AP
	3G2-1423E-33-A0	.JET, MAIN (#83.8)	1				AP
12	796-14184-00	.GASKET, FLOAT CHAMBER	1				
13	JN6-14185-00	.FLOAT	1				
14	127-14198-00	.GASKET	1				
15	7R1-14162-00	.BOLT, HOLDING	1				
16	JN5-14150-00	.NEEDLE ASSY (WITH CLIP)	1				
17	22F-14186-00	.PIN, FLOAT	1				
18	1WG-14922-00	.SCREW, THROTTLE	1				
19	73A-14212-10	.SPRING	1				
20	98507-04010	.SCREW, PAN HEAD	1				
21	92902-04100	.WASHER, SPRING	1				
22	7E1-14191-00	.PLUG, DRAIN	1				
23	73A-14212-00	.SPRING	1				
24	7LV-14118-00	.CAP	1				
25	1KT-14197-01	.PIPE	1				



JW15110-J080

FIG. 8 EXHAUST

REF. NO.	PART NO.	DESCRIPTION	JW81				REMARKS
1	JW1-E4710-20	MUFFLER ASSY 1	1				
2	JU0-F1436-00	BRKT., MUFF. 2	1				
3	7KY-14613-01	GASKET, EXHAUST 1	1				
4	JW1-E4713-00	NUT, MUFFLER JOINT	2				
5	95602-08200	NUT, SELF-LOCKING	1				
6	90201-080E4	WASHER, PLATE	1				
7	97017-08025	BOLT	1				
8	92907-08100	WASHER, SPRING	1				
9	92990-08600	WASHER, PLATE	1				

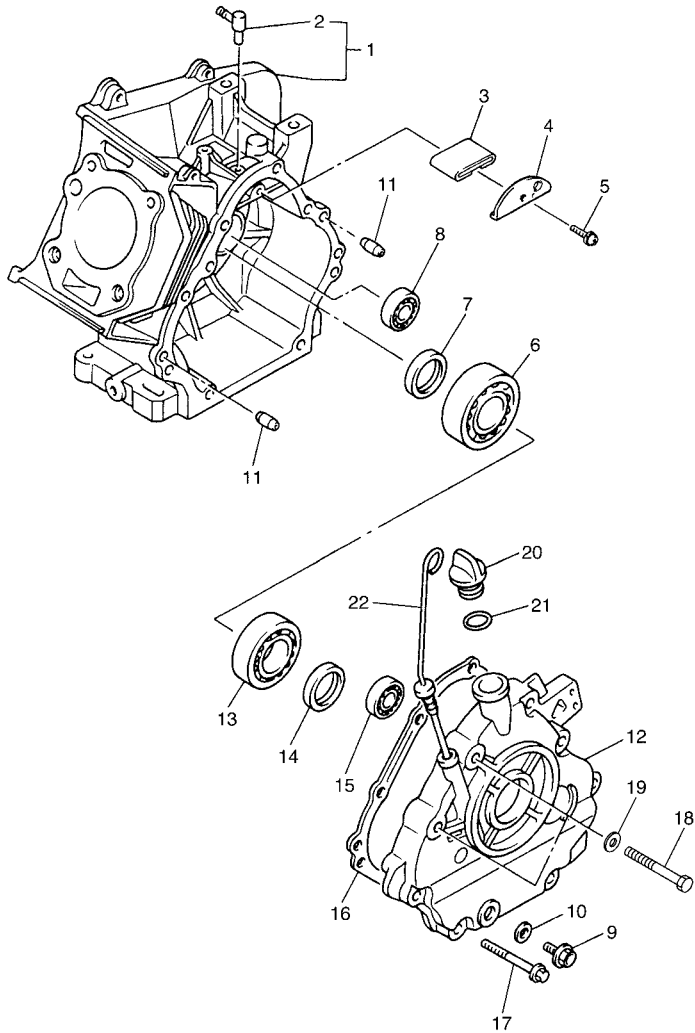
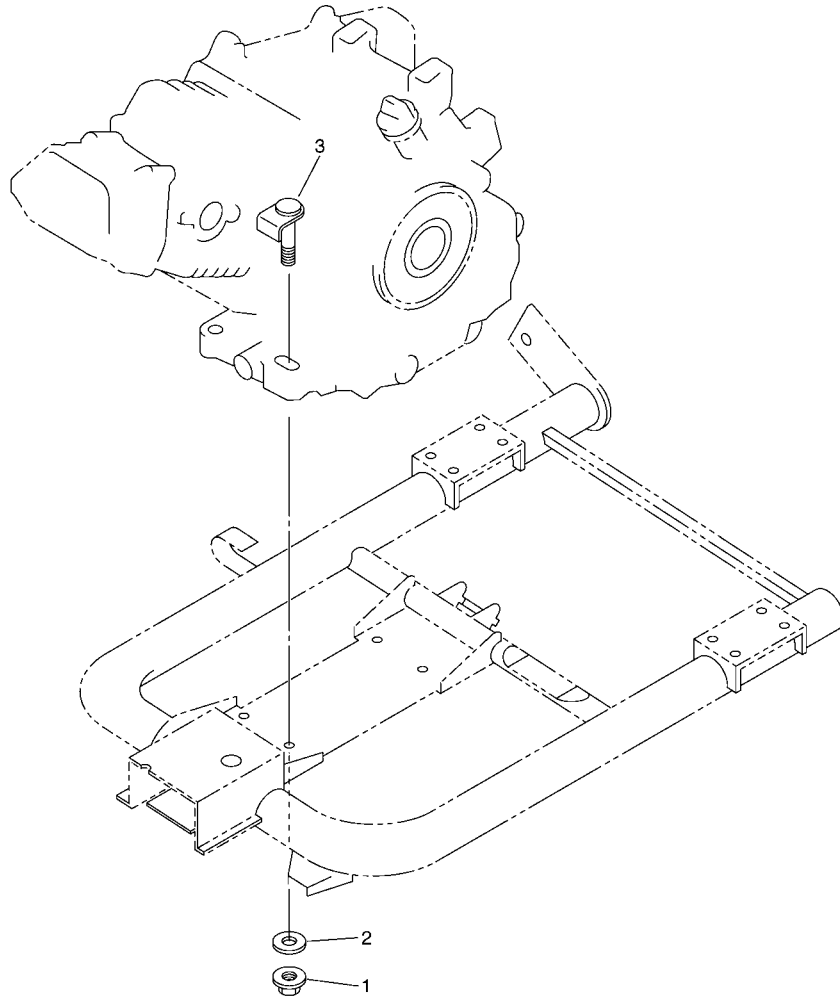


FIG. 9 CRANKCASE

REF. NO.	PART NO.	DESCRIPTION	JW81				REMARKS
1	JR7-15100-01	CRANKCASE ASSY	1				
2	JN6-15155-00	.NOZZLE 3	1				
3	JR7-15407-00	ELEMENT 1	1				
4	JR7-15123-00	PLATE, BAFFLE 1	1				
5	90159-06107	SCREW, WITH WASHER	1				
6	93306-30709	BEARING	1				
7	93102-35014	OIL SEAL	1				
8	93306-20201	BEARING	1				
9	90340-12097	PLUG, STRAIGHT SCREW	1				
10	812-11198-00	GASKET	1				
11	99530-08016	PIN, DOWEL	2				
12	JN6-15411-01	COVER, CRANKCASE 1	1				
13	93306-20714	BEARING	1				
14	93102-35014	OIL SEAL	1				
15	93306-20201	BEARING	1				
16	JY2-15451-00	GASKET, CRANKCASE COVER 1	1				
17	95812-08045	BOLT, FLANGE	6				
18	97012-10050	BOLT	2				
19	90201-10057	WASHER, PLATE	2				
20	796-15363-01	PLUG, OIL	1				
21	93210-22344	O-RING	1				
22	J38-15361-00	GAUGE, LEVEL	1				



JW61100-H090



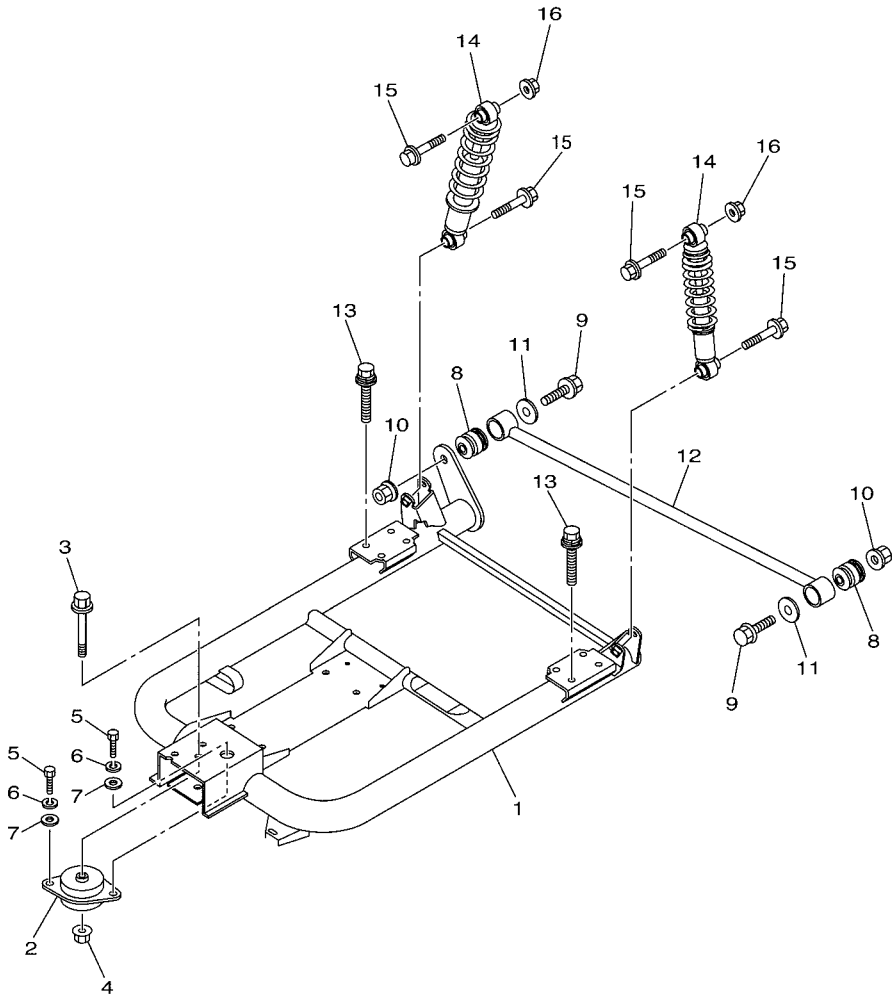
JU02100-D100

FIG. 10 ENGINE BRACKET

REF. NO.	PART NO.	DESCRIPTION	JW81				REMARKS
1	95602-10200	NUT, U FLANGE	4				
2	92902-10200	WASHER	4				
3	JT0-21481-00	BOLT, ENGINE MOUNTING 1	4				

**FIG. 11 REAR ARM & SUSPENSION**

REF. NO.	PART NO.	DESCRIPTION	JW81				REMARKS
1	JW1-F2110-10	REAR ARM COMP.	1				
2	JN6-F2123-10	BUSH 1	1				
3	90105-13800	BOLT, FLANGE	1				
4	90179-13800	NUT	1				
5	97017-10020	BOLT	2				
6	92990-10100	WASHER, SPRING	2				
7	92990-10600	WASHER, PLATE	2				
8	JN6-F2124-10	BUSH 2	2				
9	95812-12065	BOLT, FLANGE	2				
10	95602-12200	NUT, SELF-LOCKING	2				
11	90201-128S4	WASHER, PLATE	2				
12	JW1-F217G-10	ROD, CONNECTING 2	1				
13	JW1-F2277-00	BOLT	8				
14	JW1-F2210-10	SHOCK ABSORBER ASSY, REAR	2				
15	95812-10055	BOLT, FLANGE	4				
16	95602-10200	NUT, U FLANGE	2				

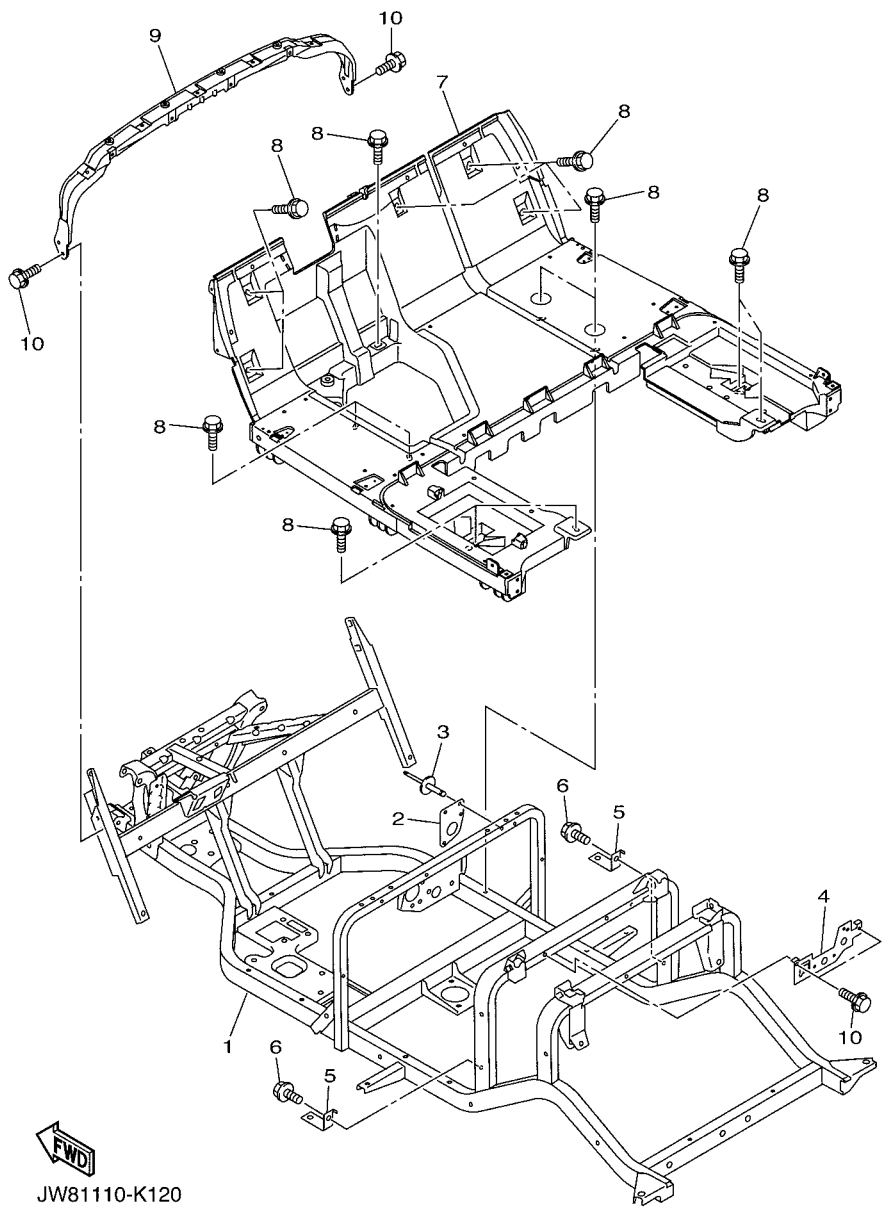


JW15110-J110



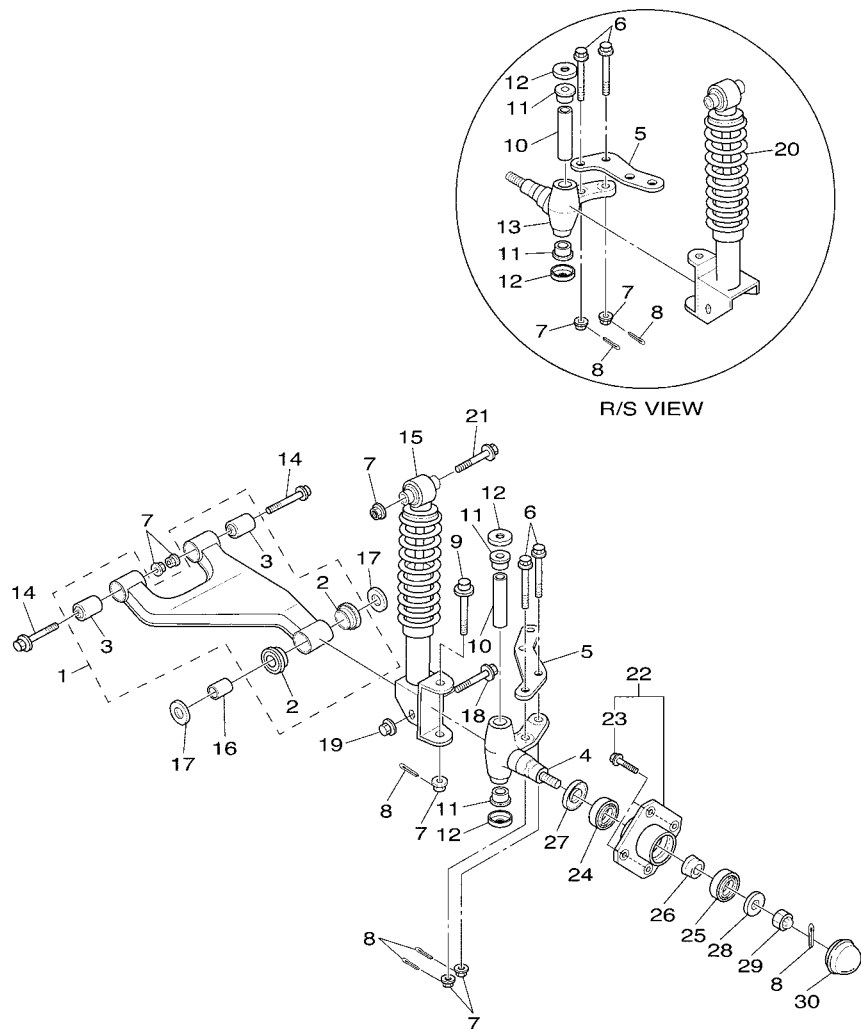
FIG. 12 FRAME

REF. NO.	PART NO.	DESCRIPTION	JW81			REMARKS
1	JW8-F2501-00	FRAME COMP.	1			
2	JW8-F4425-00	BRACKET, FUEL PUMP 1	1			
3	90267-48154	RIVET, BLIND	2			
4	JW8-F253B-00	STAY, RELAY	1			
5	JW8-F1153-00	BRACKET, REAR FOOTREST	2			
6	JW1-F1738-00	BOLT	2			
7	JW1-F7411-10	FOOTREST 1	1			
8	JW1-F1738-00	BOLT	14			
9	JW1-F258G-02	BRACKET, DASH UPPER 1	1			
10	90105-06831	BOLT, FLANGE	6			



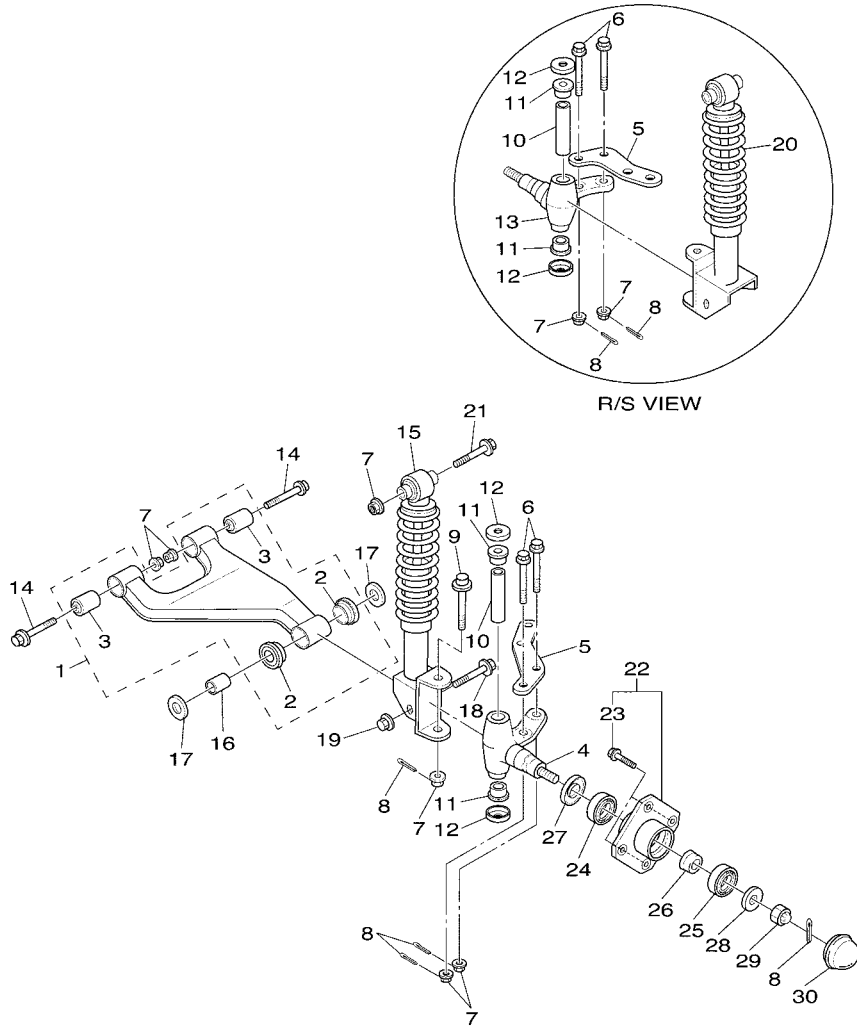
JW81110-K120

**FIG. 13 FRONT SUSPENSION**



JW15110-J130

REF. NO.	PART NO.	DESCRIPTION	JW81				REMARKS
1	JU0-F3570-20	FRONT LOWER ARM COMP.	2				
2	90381-18001	.BUSH, SOLID	2				
3	2HR-23526-00	.BUSH	2				
4	JU0-F3511-10	KNUCKLE, STEERING 1	1				
5	JW1-F3512-00	ARM, KNUCKLE 1	2				
6	90105-10728	BOLT, FLANGE	4				
7	95602-10200	NUT, U FLANGE	12				
8	91402-25020	PIN, COTTER	8				
9	90105-10064	BOLT, FLANGE	2				
10	2NL-23448-00	SPACER	2				
11	90381-17067	BUSH, SOLID	4				
12	2NL-23517-00	COVER, THRUST 1	4				
13	JU0-F3521-10	KNUCKLE, STEERING 2	1				
14	90105-10267	BOLT, FLANGE	4				
15	JW1-F3350-10	SHOCK ABSORBER ASSY	1				
16	90387-12016	COLLAR	2				
17	401-22128-01	COVER, THRUST 1	4				
18	95812-12080	BOLT, FLANGE	2				
19	95612-12100	NUT, U	2				
20	JW1-F3390-10	SHOCK ABSORBER ASSY 2	1				
21	90105-10267	BOLT, FLANGE	2				
22	JG5-WF511-10	HUB, FRONT	2				
23	90114-12806	.BOLT, SERRATION	4				
24	93306-204X0	BEARING	2				
25	93306-005Y3	BEARING	2				
26	90387-241M7	COLLAR	2				
27	93102-30083	OIL SEAL	2				



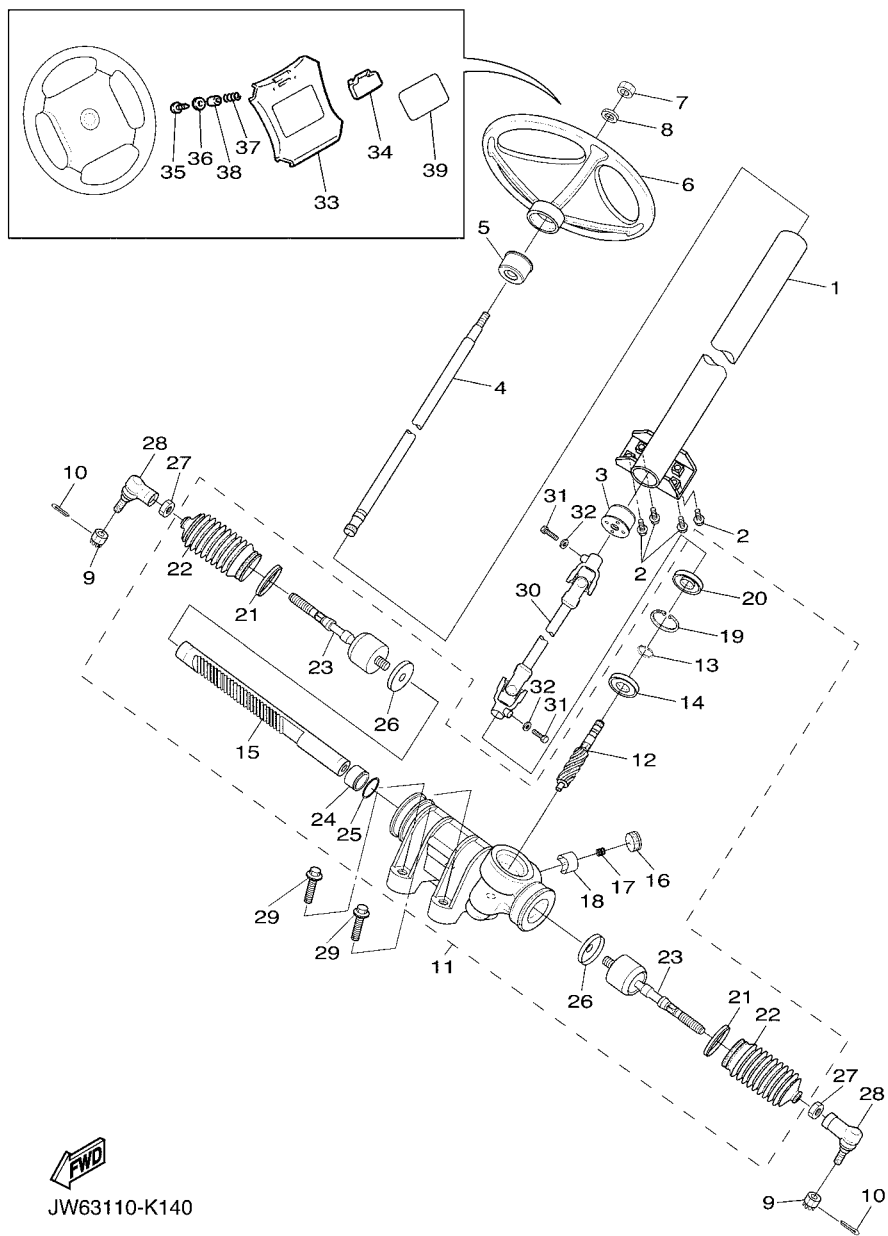
**FIG. 13 FRONT SUSPENSION**

REF. NO.	PART NO.	DESCRIPTION	JW81				REMARKS
28	90208-14801	WASHER, CONICAL SPRING	2				
29	95602-14100	NUT, U	2				
30	JN6-F5118-01	COVER, HUB DUST	2				
-----							
-----							
-----							
-----							
-----							
-----							
-----							
-----							
-----							
-----							



JW15110-J130

FIG. 14 STEERING

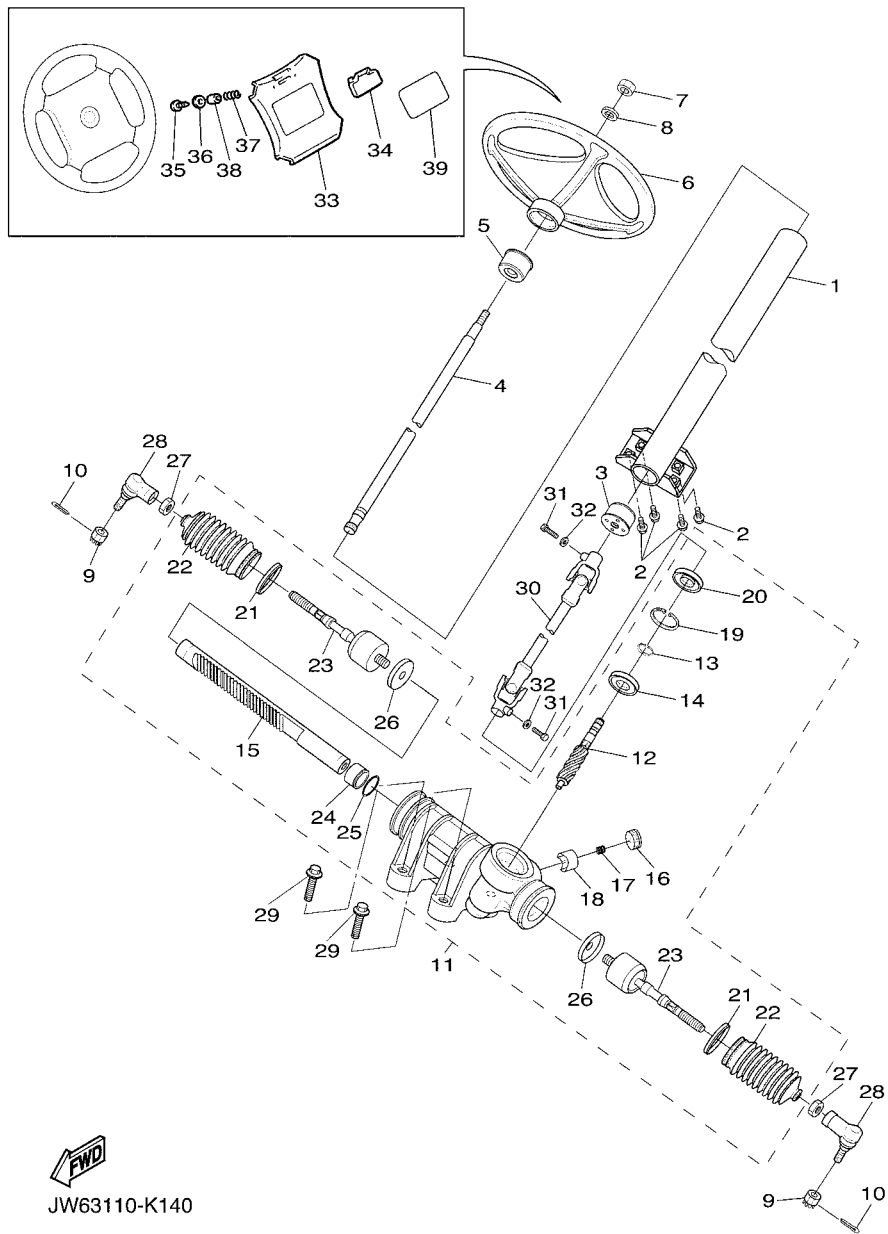


FWD

JW63110-K140

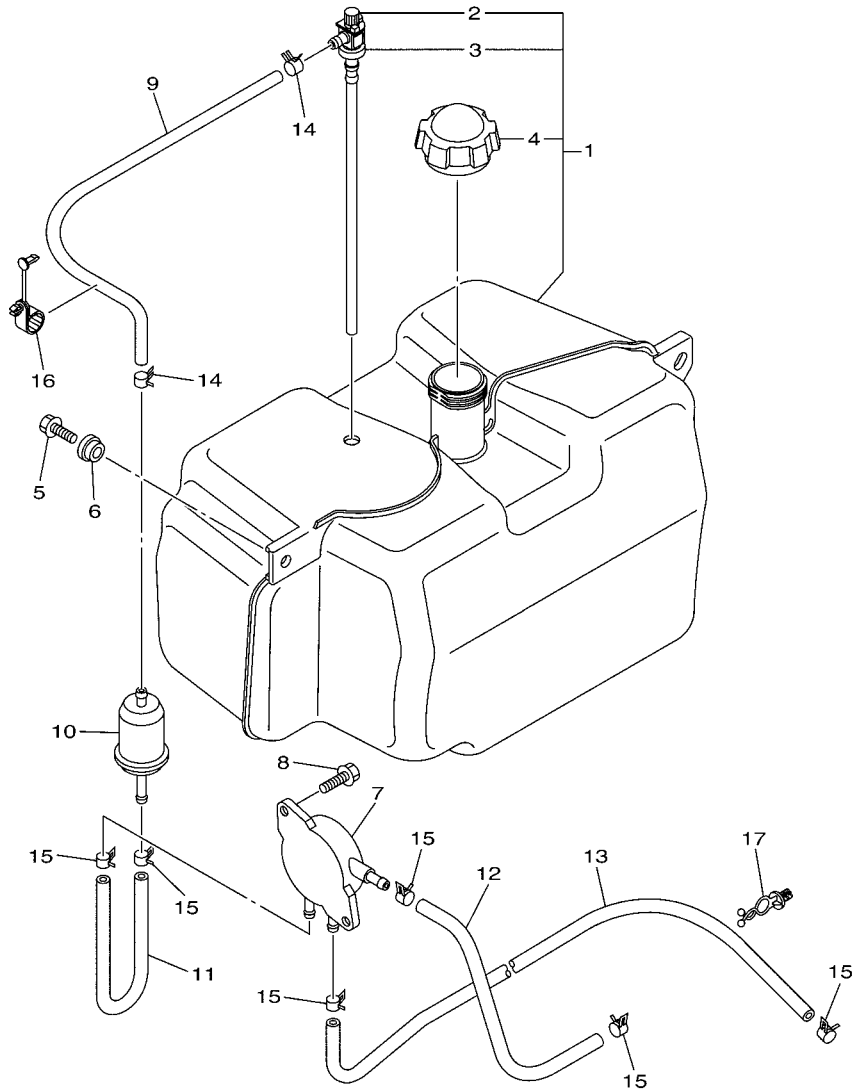
REF. NO.	PART NO.	DESCRIPTION	JW81				REMARKS
1	JW1-F3811-01	COLUMN, STEERING	1				
2	95812-08020	BOLT, FLANGE	4				
3	JU0-F3857-11	HOLDER	1				
4	JU0-F3828-10	ROD, STEERING	1				
5	JU0-F3857-11	HOLDER	1				
6	JN3-F3838-00	WHEEL, STEERING	1				
7	90185-12061	NUT, SELF-LOCKING	1				
8	92902-12200	WASHER	1				
9	95602-12200	NUT, SELF-LOCKING	2				
10	91402-25020	PIN, COTTER	2				
11	JW1-F3400-00	STEERING ASSY	1				
12	JW1-F387A-00	.GEAR, PINION	1				
13	JW1-F3183-00	.CIRCLIP	1				
14	JW1-F3812-00	.BEARING	1				
15	JW1-F387E-00	.GEAR, RACK	1				
16	5UG-F387G-00	.COVER, ADJUST	1				
17	5UG-F387K-00	.SPRING, PRESSURE	1				
18	5UG-F387F-00	.PAD, PRESSURE	1				
19	5UG-F387J-00	.RING, STOPPER	1				
20	5UG-F3844-00	.SEAL	1				
21	5UG-F3489-00	.BAND	2				
22	5UG-F3527-00	.SEAL, DUST 1	2				
23	JW1-F3837-00	.ROD, TIE 2	2				
24	JW1-F467K-00	.BUSH, CAP	1				
25	JW1-F3866-00	.CIRCLIP	1				
26	JW1-F3894-00	.WASHER, LOCK 1	2				
27	1P0-F3833-00	NUT 1	2				

FIG. 14 STEERING



**FWD**  
JW63110-K140

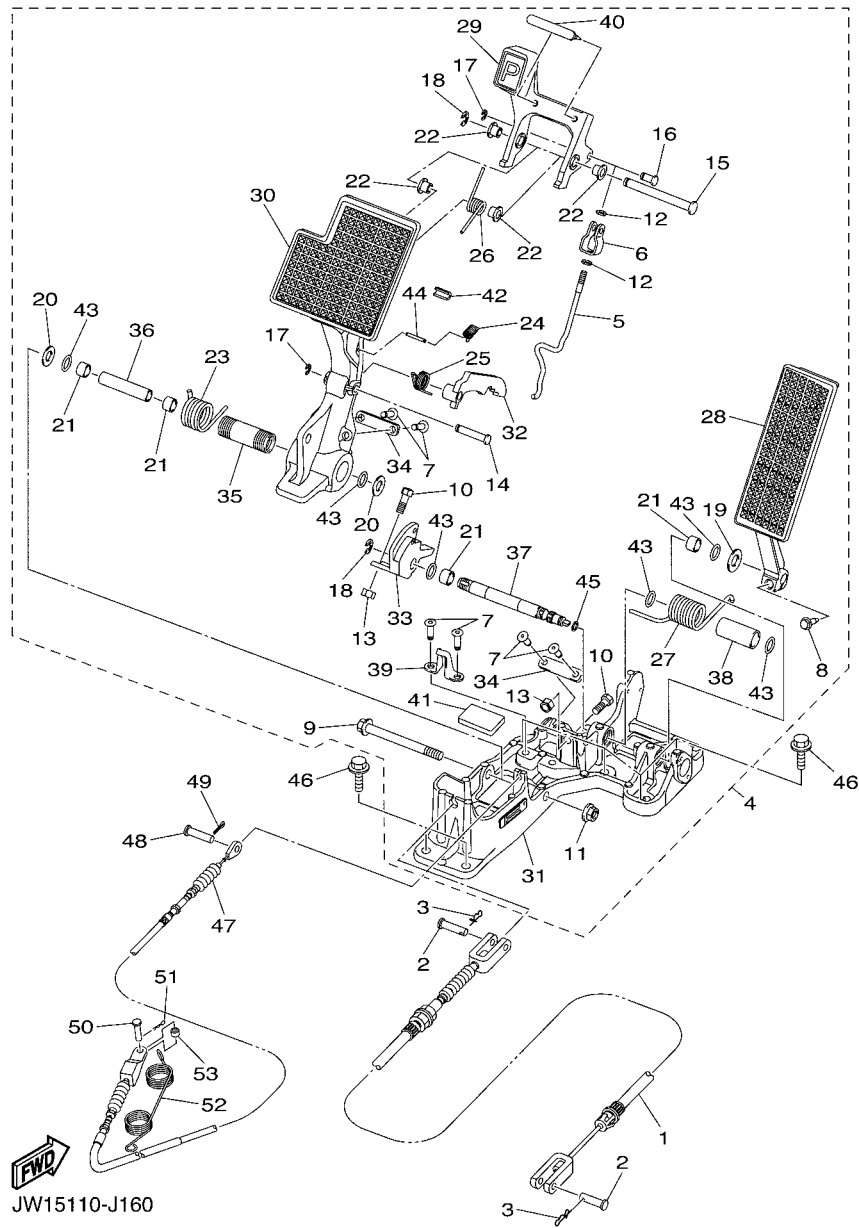
REF. NO.	PART NO.	DESCRIPTION	JW81				REMARKS
28	JU0-23841-10	JOINT, UNIVERSAL 1	2				
29	90105-10847	BOLT, FLANGE	4				
30	JW1-F3822-01	JOINT 1	1				
31	97012-08030	BOLT	2				
32	92902-08600	WASHER, PLATE	2				
33	JW8-K8357-00	HOLDER 1	1				
34	JN6-K8358-01	HOLDER 2	1				
35	97702-40525	SCREW, TAPPING	2				
36	90201-04810	WASHER, PLATE	2				
37	90502-10013	SPRING, CONICAL	2				
38	90387-046N7	COLLAR	2				
39	JU0-K7762-00	LABEL, WARNING 2 (E)	1				UR FOR CAN
	JU0-K7762-10	LABEL, WARNING 2 (E,F)	1				UR EXCEPT FOR CAN
	JU0-K7762-20	LABEL, WARNING 2 (G,S)	1				UR EXCEPT FOR CAN



JW63110-K150

FIG. 15 FUEL TANK

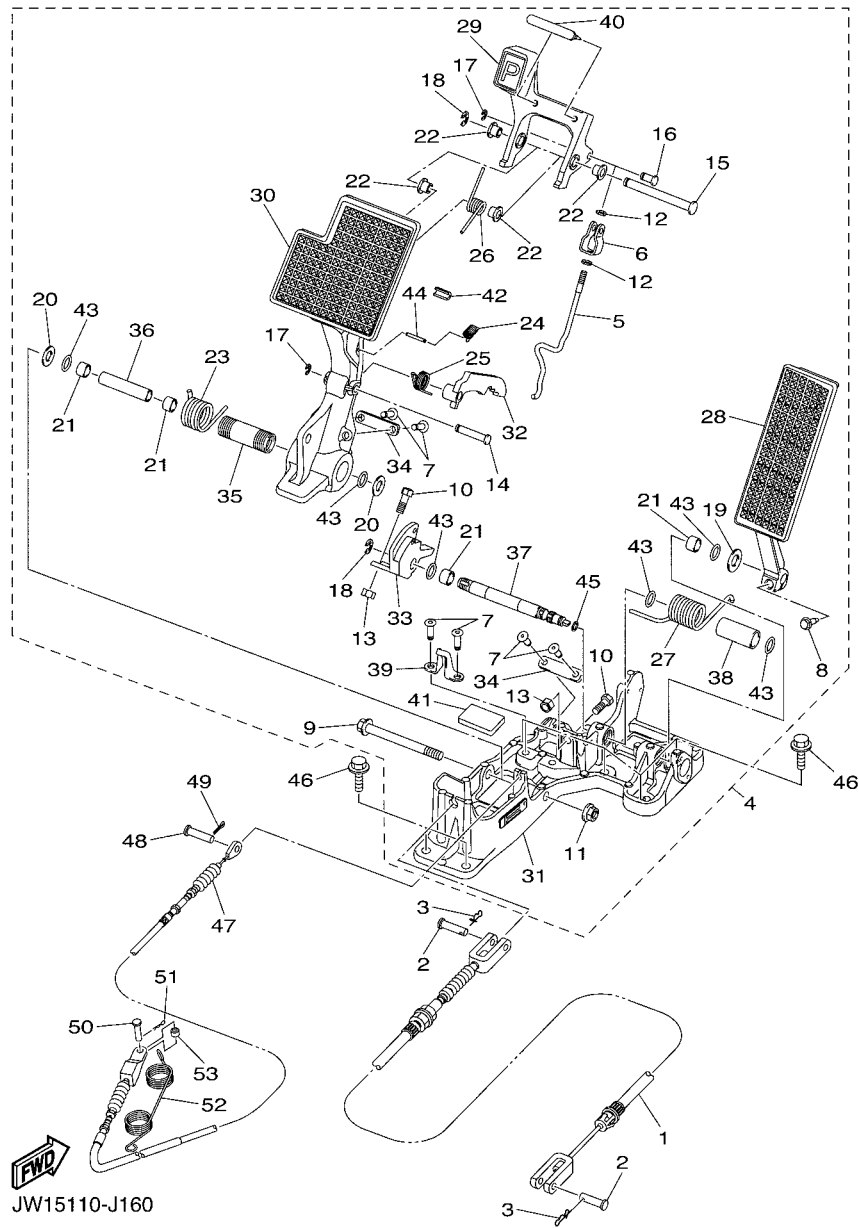
REF. NO.	PART NO.	DESCRIPTION	JW81				REMARKS
1	JW1-F4111-02	TANK, FUEL	1				
2	JW1-F4300-00	.FUEL PIPE JOINT	1				
3	JU5-F4375-00	.GROMMET	1				
4	JN6-F4610-00	.CAP ASSY	1				
5	JW1-F1738-00	BOLT	2				
6	90560-08251	SPACER	2				
7	JN6-F4410-11	FUEL PUMP ASSY	1				
8	JW1-F3394-00	BOLT, SPECIAL	2				
9	JW1-F4312-00	PIPE 2	1				
10	JN6-F4560-00	FILTER ASSY	1				
11	JW1-F4311-00	PIPE, FUEL 1	1				
12	JW1-F4313-01	PIPE 3	1				
13	JW1-F4314-00	PIPE 4	1				
14	90467-12845	CLIP	2				
15	90467-10846	CLIP	6				
16	JW7-F312H-00	CLAMP	1				
17	90464-12836	CLAMP	1				



JW15110-J160

FIG. 16 PEDAL ASSEMBLY

REF. NO.	PART NO.	DESCRIPTION	JW81				REMARKS
1	JW1-F6341-20	WIRE, BRAKE 1	1				
2	91701-10028	PIN	2				
3	90468-20196	CLIP	2				
4	JW1-F7850-11	PEDAL ASSY (L.H)	1				
5	JW1-F720G-00	.PUSH ROD ASSY	1				
6	JW1-F7232-00	.END, ROD 2	1				
7	JW1-F1128-00	.RIVET	6				
8	JW1-F7117-00	.BOLT, MAIN STAND	1				
9	JW1-F7217-00	.BOLT	1				
10	JW1-F7227-00	.BOLT, AJUSTING	2				
11	JW1-F7218-00	.NUT	1				
12	JW1-F7855-00	.NUT, RING	2				
13	JW1-F7238-00	.NUT, ADJUSTING	2				
14	JW1-F5734-00	.PIN 1	1				
15	JW1-F5744-00	.PIN 2	1				
16	JW1-F5754-00	.PIN 3	1				
17	JW1-F5866-01	.CIRCLIP	2				
18	JW1-F6466-01	.RING, SNAP	2				
19	JW1-F723F-02	.WASHER, SPECIAL	1				
20	JW1-F723G-00	.WASHER, SPECIAL	2				
21	JW1-F582M-01	.BEARING	4				
22	JW1-F339Y-00	.BEARING	4				
23	JW1-F7825-00	.SPRING, RETURN	1				
24	JW1-F5659-00	.HOOK, SPRING 2	1				
25	JW1-F5658-00	.HOOK, SPRING 1	1				
26	JW1-F7216-00	.SPRING, RETURN	1				
27	JW1-F5735-00	.SPRING, RETURN 1	1				



JW15110-J160

FIG. 16 PEDAL ASSEMBLY

REF. NO.	PART NO.	DESCRIPTION	JW81				REMARKS
28	JW1-F7871-00	.PEDAL, ACCELERATOR	1				
29	JW1-F7252-00	.LEVER, BRAKE PEDAL	1				
30	JW1-F7211-01	.PEDAL, BRAKE	1				
31	JW1-F785A-10	.PEDAL SET	1				
32	JW1-F5666-00	.SECTOR, PARKING BRAKE	1				
33	JW1-F7249-00	.PEDAL, LOCK	1				
34	JW1-F7275-01	.PLATE	2				
35	JW1-F7243-00	.BOSS, BRAKE PEDAL	1				
36	JW1-F7213-00	.COLLAR	1				
37	JW1-F7853-00	.SHAFT, PEDAL 1	1				
38	JW1-F7814-00	.BUSH, PEDAL	1				
39	JW1-F7254-00	.HOOK	1				
40	JW1-F5672-00	.PAD, PARKING PEDAL	1				
41	JW1-F7257-10	.PAD, BRAKE	1				
42	JW1-F5673-00	.DAMPER, BRAKE	1				
43	JW1-F3147-01	.O-RING	6				
44	JW1-F5677-00	.PIN, HOLD 1	1				
45	JW1-F3188-00	.O-RING	1				
46	95812-08020	BOLT, FLANGE	6				
47	JW1-F6311-00	CABLE, THROTTLE 1	1				
48	91701-06016	PIN	1				
49	91401-20015	PIN, COTTER	1				
50	91702-05014	PIN, CLEVIS	1				
51	90468-10049	CLIP	1				
52	90508-16460	SPRING, TORSION	1				
53	90560-05001	SPACER	1				



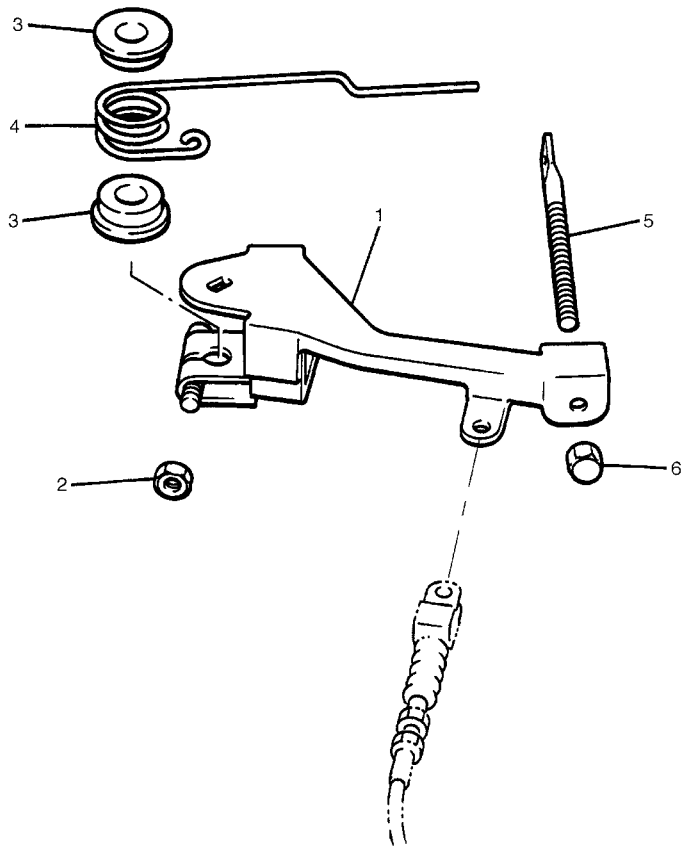


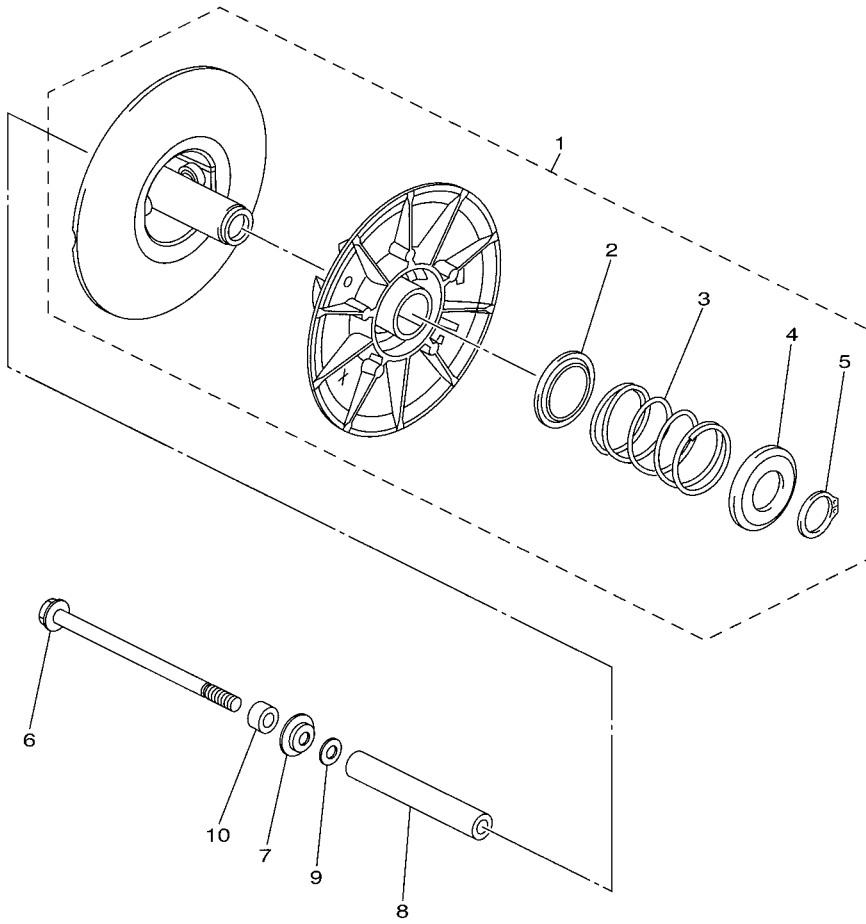
FIG. 17 GOVERNOR

REF. NO.	PART NO.	DESCRIPTION	JW81				REMARKS
1	J38-27951-00	LEVER, SPEED LIMITER	1				
2	95302-06600	NUT	1				
3	90386-08141	BUSH	2				
4	90508-40678	SPRING, TORSION	1				
5	J38-27959-00	SCREW, ADJUSTING	1				
6	95602-06200	NUT, SELF-LOCKING	1				



JT71010-B190



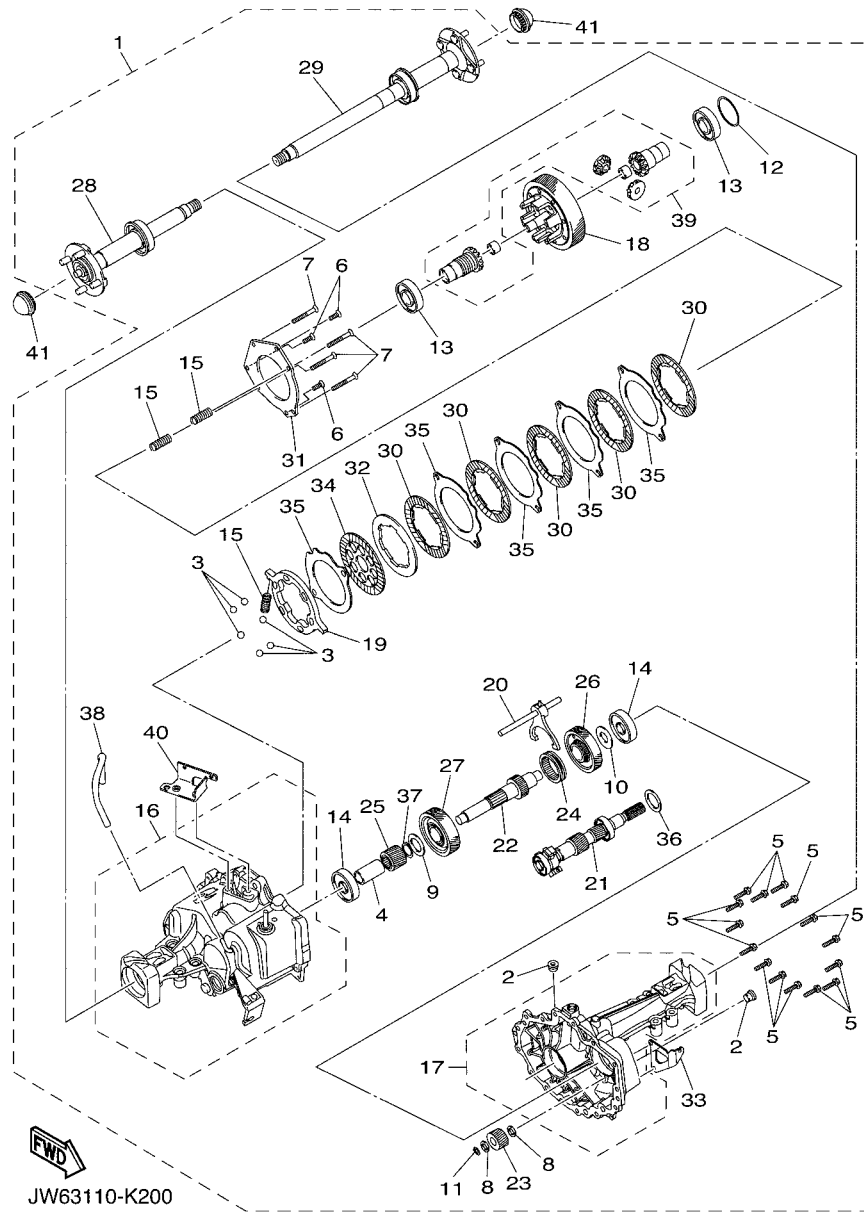


**FIG. 19 SECONDARY SHEAVE**

REF. NO.	PART NO.	DESCRIPTION	JW81				REMARKS
1	JW1-G6202-02	SECONDARY SHEAVE ASSY	1				
2	JW1-G6244-00	.SEAT, SPRING	1				
3	JW1-G6276-00	.SPRING, CLUTCH 2	1				
4	JW1-G6280-00	.SECONDARY SPRING SEAT COMP.	1				
5	JW1-F5415-00	.CIRCLIP	1				
6	90105-08007	BOLT, FLANGE	1				
7	90209-08018	WASHER	1				
8	JW1-G2758-01	COLLAR	1				
9	92902-08200	WASHER	1				
10	JW1-G2834-00	COLLAR	1				



JW63110-K190



**FIG. 20 TRANSAXLE & BRAKE**

REF. NO.	PART NO.	DESCRIPTION	JW81				REMARKS
1	JW1-G6300-01	TRANS AXLE ASSY	1				
2	JW1-G6168-00	.PLUG, DRAIN 1	2				
3	JW1-F4684-00	.BALL	6				
4	JW1-G4132-00	.BUSHING	1				
5	JW1-G4582-00	.BOLT, 2	15				
6	JW1-G4189-00	.SCREW	3				
7	JW1-G6158-00	.BOLT 2	4				
8	JW1-G4188-00	.WASHER	2				
9	JW1-G5677-00	.WASHER	1				
10	JW1-G5618-00	.WASHER, 1	1				
11	JW1-G6443-00	.RING, HOLDOUT	1				
12	JW1-G6117-00	.SHIM, RING GEAR	1				UN
13	JW1-G6164-00	.BEARING 1	2				
14	JW1-G6165-00	.BEARING 2	2				
15	JW1-G4135-00	.SPRING	3				
16	JW1-G6540-01	.REAR AXLE HOUSING COMP.	1				
17	JW1-G6550-01	.REAR AXLE HOUSING COMP. 2	1				
18	JW1-G6110-00	.RING GEAR COMP.	1				
19	JW1-F384K-00	.BALL, SEAT	1				
20	JW1-G4120-00	.HANDLE GEAR SHIFT ASSY	1				
21	JW1-G6320-00	.INPUT SHAFT ASSY	1				
22	JW1-G6348-00	.SHAFT 2	1				
23	JW1-G6356-00	.GEAR, IDLER	1				
24	JW1-G6328-00	.GEAR, WHEEL 3	1				
25	JW1-G6131-00	.GEAR, RING 2	1				
26	JW1-G6361-00	.GEAR, COUNTER 1	1				
27	JW1-G6362-00	.GEAR, COUNTER 2	1				

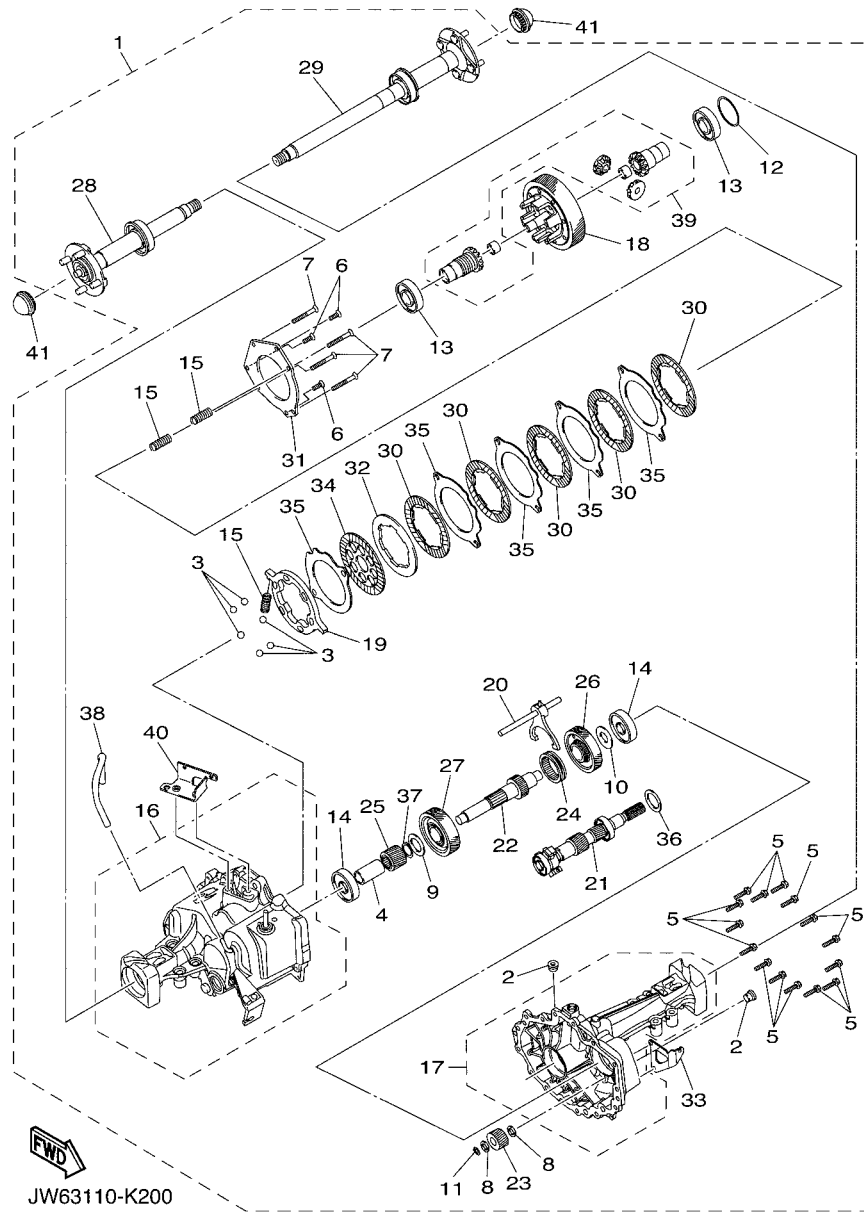
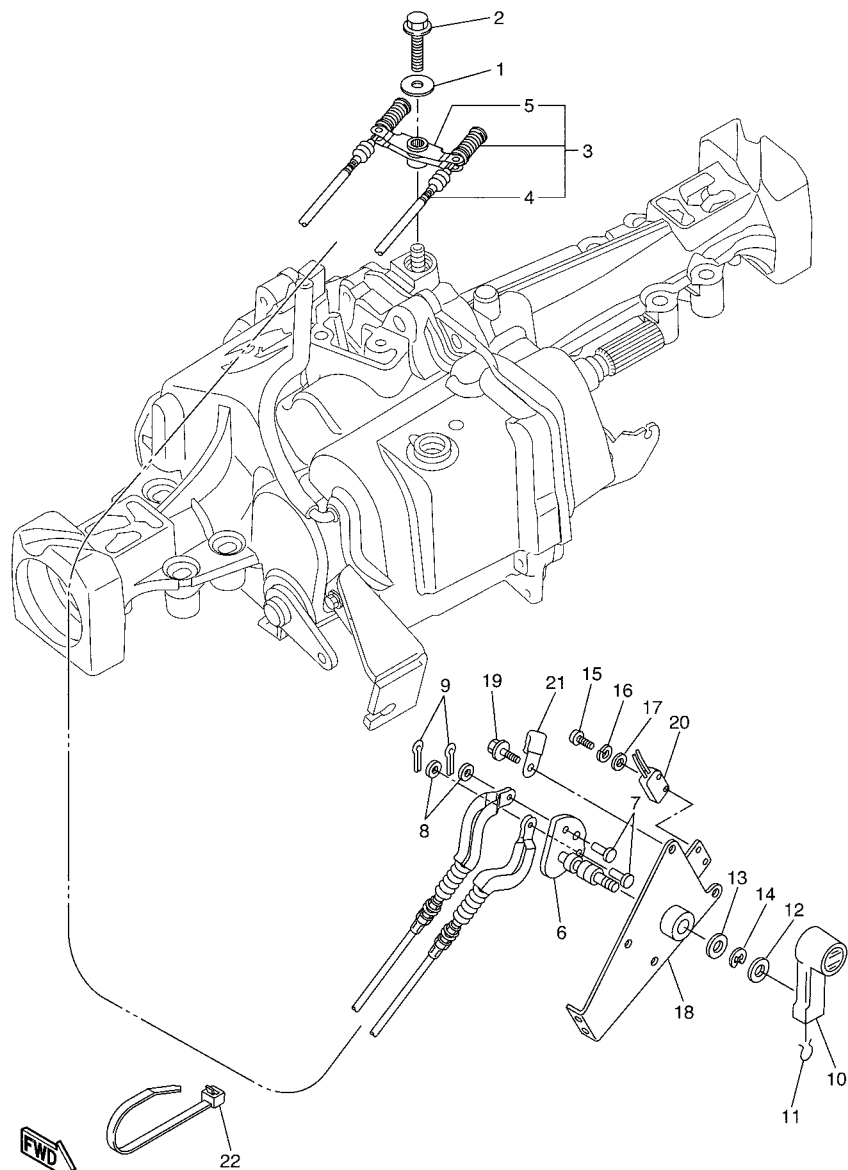


FIG. 20 TRANSAXLE & BRAKE

REF. NO.	PART NO.	DESCRIPTION	JW81				REMARKS
28	JW1-G6510-01	.REAR AXLE SHAFT COMP.	1				
29	JW1-G6520-01	.REAR AXLE SHAFT COMP. 2	1				
30	JW1-G6336-00	.PLATE 1	5				
31	JW1-G6114-00	.PLATE, COVER	1				
32	JW1-G4526-00	.PLATE	1				
33	JW1-G6554-00	.BRACKET 1	1				
34	JW1-G6345-00	.DISC, FRICTION	1				
35	JW1-G633H-00	.PLATE 2	5				
36	JW1-G6344-00	.SHIM	1				UN
37	JW1-G6854-00	.RING	1				
38	JW1-G6894-00	.HOSE	1				
39	JW1-G6410-20	.DIFFERENTIAL ASSY.	1				
40	JW1-G1661-00	.BRACKET 1	1				
41	JN6-F5118-01	COVER, HUB DUST	2				



JW61100-H210

FIG. 21 SHIFTER & CABLES

REF. NO.	PART NO.	DESCRIPTION	JW81				REMARKS
1	90201-05800	WASHER, PLATE	1				
2	90105-05005	BOLT, FLANGE	1				
3	JW1-G8330-01	CABLE END ASSY	1				
4	JW1-G6371-01	.WIRE, SHIFT	2				
5	JW1-G6383-01	.LEVER, SHIFT 2	1				
6	JW8-G6382-00	LEVER, SHIFT 1	1				
7	91701-06014	PIN	2				
8	92902-06600	WASHER, PLATE	2				
9	91401-20012	PIN, COTTER	2				
10	JN3-G6381-00	KNOB, SHIFT	1				
11	JN3-G6376-00	SPRING SET	1				
12	90201-208S8	WASHER, PLATE	1				
13	90201-198S7	WASHER, PLATE	1				
14	99009-19400	CIRCLIP	1				
15	98502-04016	SCREW, PAN HEAD	2				
16	92902-04100	WASHER, SPRING	2				
17	92902-04600	WASHER, PLATE	2				
18	JN3-G6372-00	BRACKET, SHIFT WIRE	1				
19	90105-06831	BOLT, FLANGE	3				
20	JN3-82617-01	SWITCH	1				
21	90465-06038	CLAMP	1				
22	90464-76800	CLAMP	1				







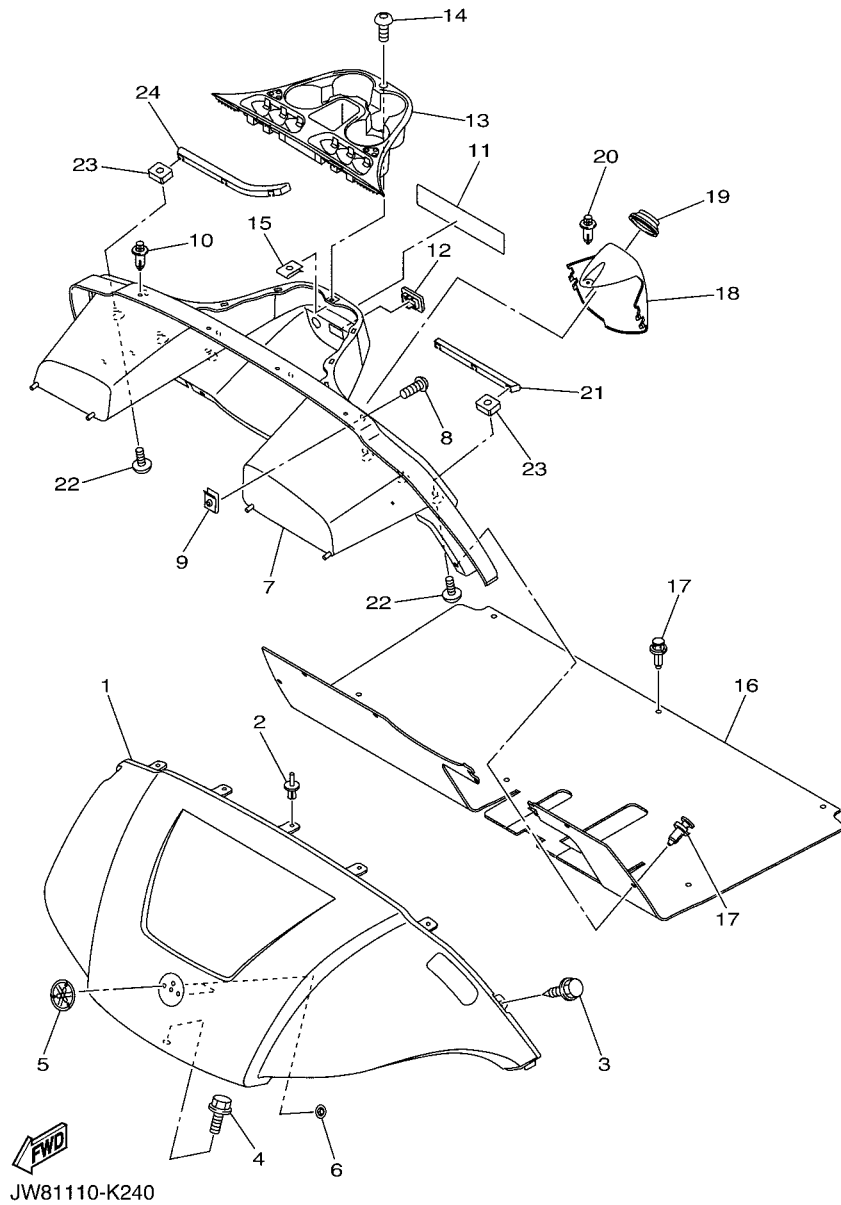
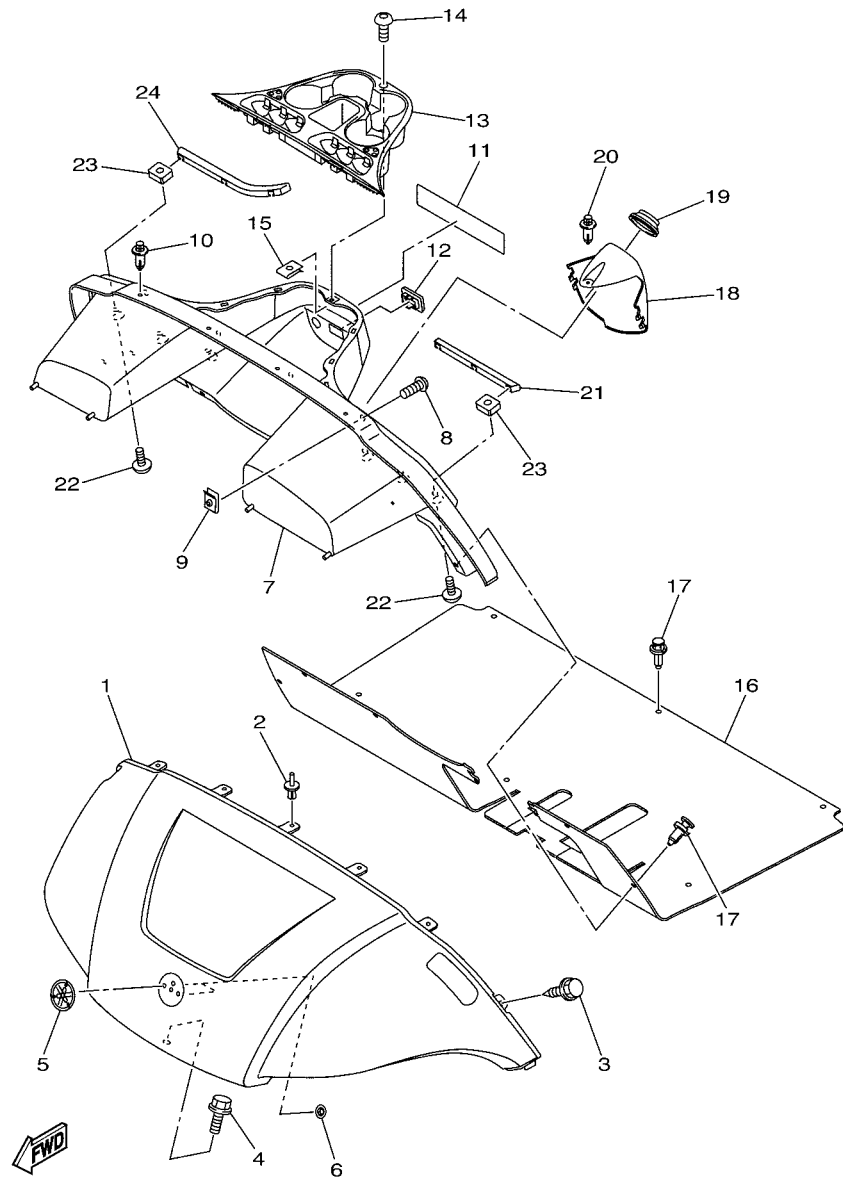


FIG. 24 BODY

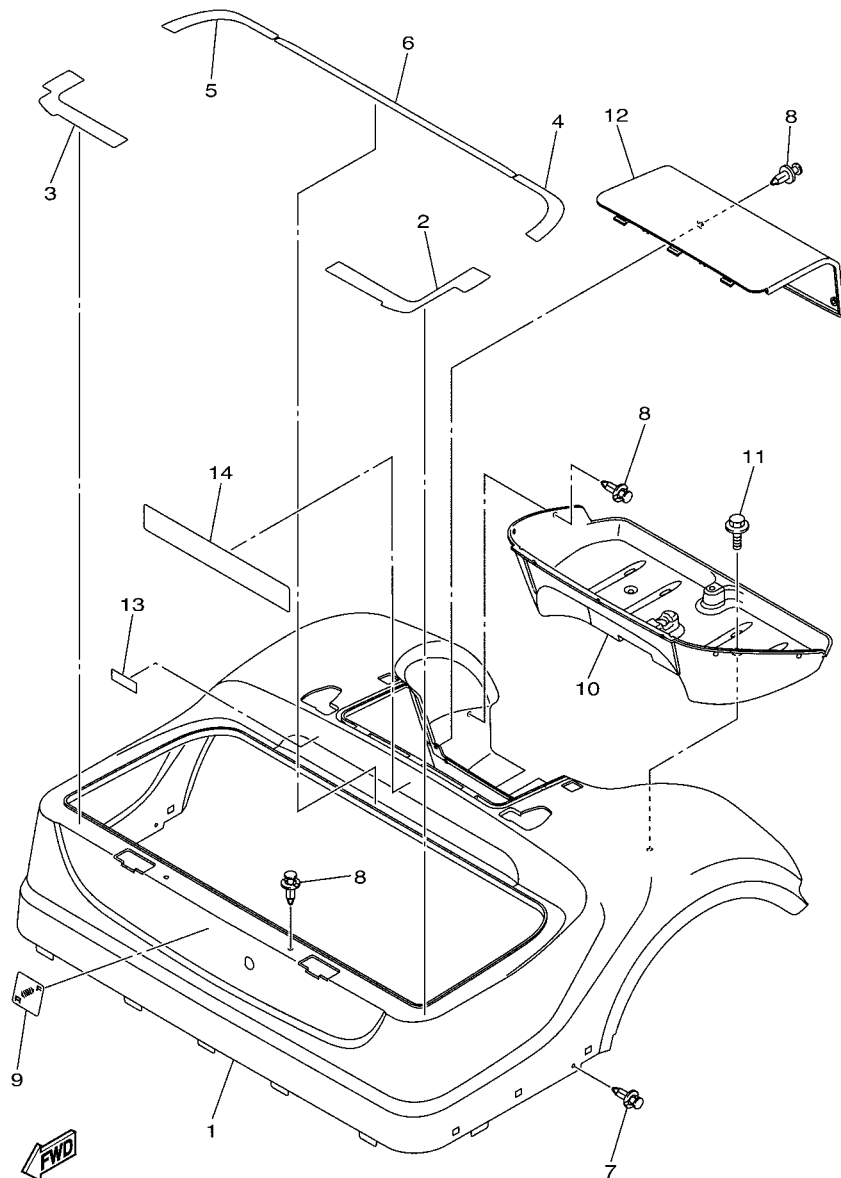
REF. NO.	PART NO.	DESCRIPTION	JW81			REMARKS
1	JW1-K8115-01	COWL, FRONT	1			UR FOR WS7
	JW1-K8115-11	COWL, FRONT	1			UR FOR VDGS1
	JW1-K8115-21	COWL, FRONT	1			UR FOR HTR
	JW1-K8115-31	COWL, FRONT	1			UR FOR LNYM8
	JW1-K8115-41	COWL, FRONT	1			UR FOR NBM7
	JW1-K8115-51	COWL, FRONT	1			UR FOR BMG
	JW1-K8115-80	COWL, FRONT	1			UR FOR DPBST
2	90267-63047	RIVET, BLIND	5			
3	JW1-F3396-00	SCREW, SPECIAL	2			
4	90105-06870	BOLT, FLANGE	1			
5	JW1-F4161-10	EMBLEM 1	1			
6	90183-06071	NUT, SPRING	2			
7	JW1-K8114-01	PANEL, FRONT	1			
8	90111-05805	BOLT,HEX. SOCKET BUTTON	4			
9	90183-05008	NUT, SPRING	4			
10	90269-07001	RIVET	5			
11	JW1-K7768-00	LABEL, WARNING (E)	1			UR FOR CAN
	JW1-K7768-10	LABEL, WARNING (E,F)	1			UR EXCEPT FOR CAN
	JW1-K7768-20	LABEL, WARNING (G,S)	1			UR EXCEPT FOR CAN
12	JW1-F312G-00	PLUG	1			
13	JW8-K835E-00	HOLDER, BEVERAGE	1			
14	90111-05805	BOLT,HEX. SOCKET BUTTON	1			
15	90183-05008	NUT, SPRING	1			
16	JW1-K8233-11	MAT, MAIN FLOOR 3	1			
17	90269-09003	RIVET	11			
18	JW1-K8273-00	COVER, HOLE	1			
19	JW1-K8245-00	SEAL 1	1			



JW81110-K240

FIG. 24 BODY

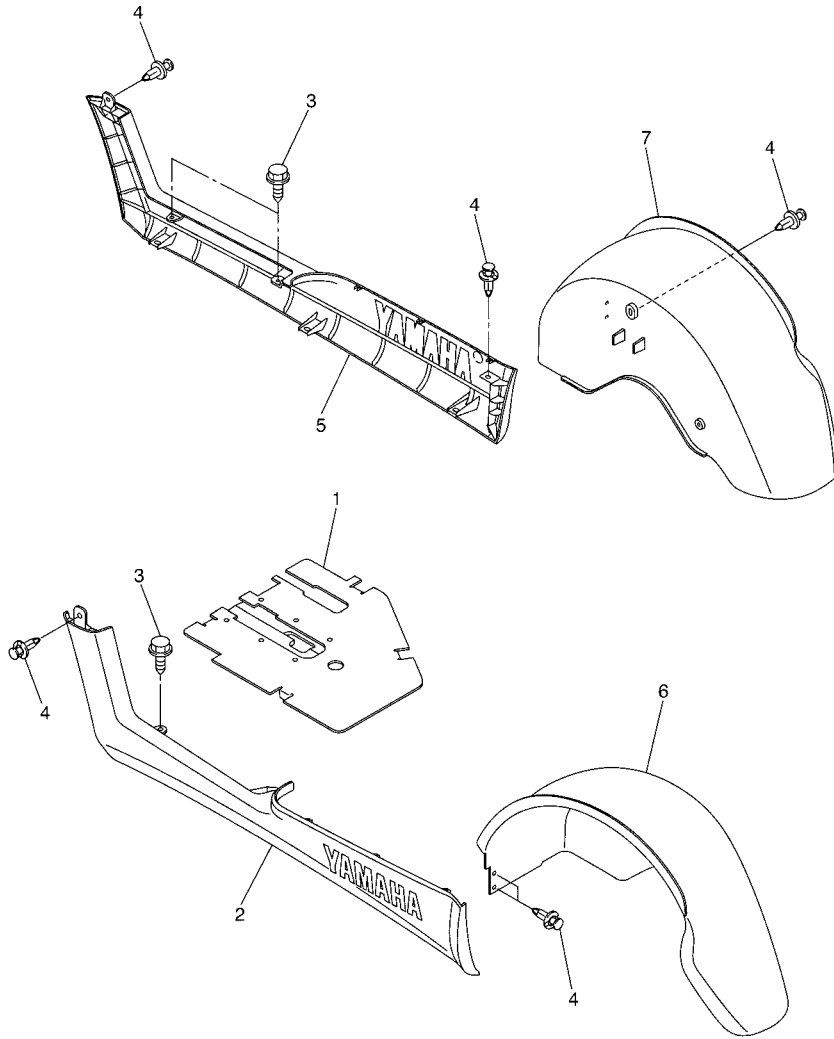
REF. NO.	PART NO.	DESCRIPTION	JW81				REMARKS
20	90269-06804	RIVET	1				
21	JW1-K8261-00	PLATE, BODY PROTECT 1	1				
22	90110-06007	BOLT, HEXAGON SOCKET HEAD	6				
23	90173-06001	NUT, SQUARE	6				
24	JW1-K8262-00	PLATE, BODY PROTECT 2	1				



JW13110-J250

FIG. 25 BODY 2

REF. NO.	PART NO.	DESCRIPTION	JW81			REMARKS
1	JW1-K8142-00	PANEL, REAR BODY	1			UR FOR WS7
	JW1-K8142-10	PANEL, REAR BODY	1			UR FOR VDGS1
	JW1-K8142-20	PANEL, REAR BODY	1			UR FOR HTR
	JW1-K8142-30	PANEL, REAR BODY	1			UR FOR LNYM8
	JW1-K8142-40	PANEL, REAR BODY	1			UR FOR NBM7
	JW1-K8142-50	PANEL, REAR BODY	1			UR FOR BMG
	JW1-K8142-80	PANEL, REAR BODY	1			UR FOR DPBST
2	JW1-F2873-10	SEAL 1	1			
3	JW1-F2874-10	SEAL 2	1			
4	JW1-F2875-10	SEAL 3	1			
5	JW1-F2876-10	SEAL 4	1			
6	JW1-F2877-10	SEAL, 5	1			
7	90269-06804	RIVET	2			
8	90269-08813	RIVET	11			
9	JW1-K7741-00	INDICATOR 1	1			
10	JW1-K8237-10	COVER, REAR FLOOR	1			
11	JW1-K6179-01	BOLT, SPECIAL 1	2			
12	JW1-K8151-00	PANEL, INSPECTION LID 1	1			
13	JN6-H2377-00	LABEL	1			
14	JW1-K8297-01	PLATE, CAUTION 1 (E,F)	1			UR
	JW1-K8297-10	PLATE, CAUTION 1 (G,S)	1			UR

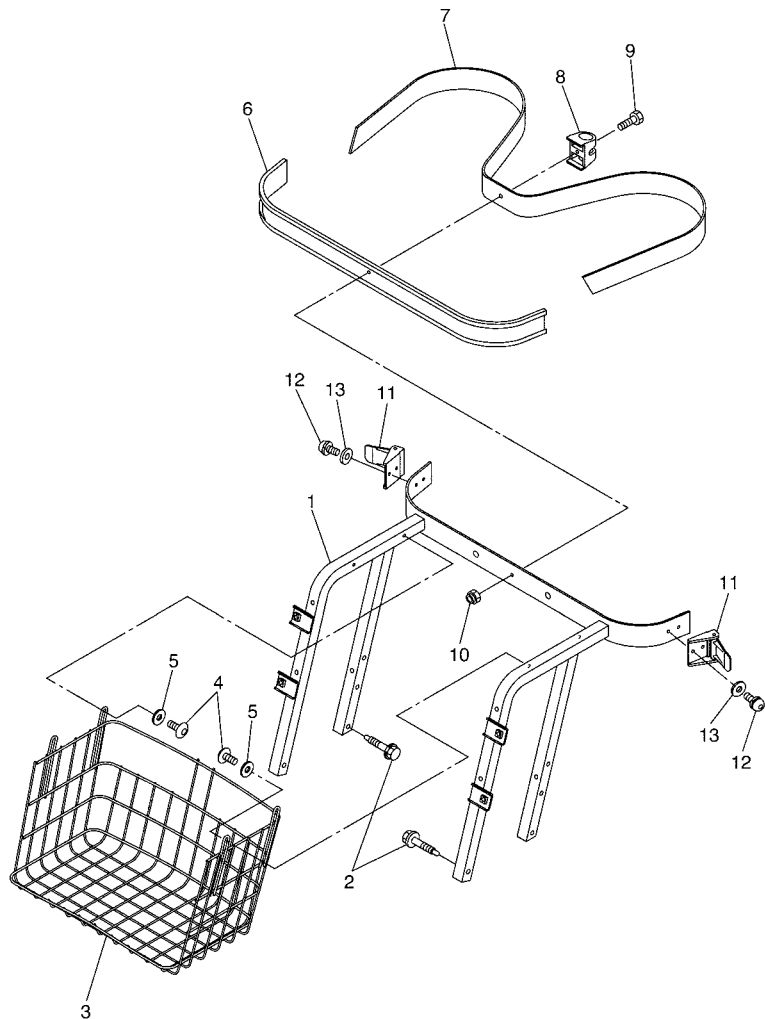


JW11100-E260

FIG. 26 BODY FITTING

REF. NO.	PART NO.	DESCRIPTION	JW81				REMARKS
1	JW1-K8270-00	LID ASSY	1				
2	JW1-K818A-00	PROTECTOR, SIDE PLATE	1				
3	JW1-F3396-00	SCREW, SPECIAL	4				
4	90269-06804	RIVET	12				
5	JW1-K818B-00	PROTECTOR, SIDE PLATE 2	1				
6	JW1-K8191-00	PANEL, REAR FENDER 1	1				
7	JW1-K8192-00	PANEL, REAR FENDER 2	1				

FIG. 27 CARRIER



REF. NO.	PART NO.	DESCRIPTION	JW81				REMARKS
1	JW1-K8423-10	SUPPORT, SEAT BACK	1				
2	90109-08002	BOLT	4				
3	JW1-K8340-00	LUGGAGE RACK ASSY., REAR	1				
4	90110-06102	BOLT, HEXAGON SOCKET HEAD	4				
5	90201-068G7	WASHER, PLATE	4				
6	JF2-K8356-00	PAD, BAG SUPPORT	1				
7	JN6-K8355-20	BAND	1				
8	JW1-K834G-00	HOLDER, RAKE SAND	1				
9	9708R-06020	BOLT	1				
10	90185-06836	NUT, SELF-LOCKING	1				
11	JN6-K8380-00	LOCK ASSY	2				
12	90159-06845	SCREW, WITH WASHER	4				
13	9299R-06200	WASHER	4				



JW11100-E270

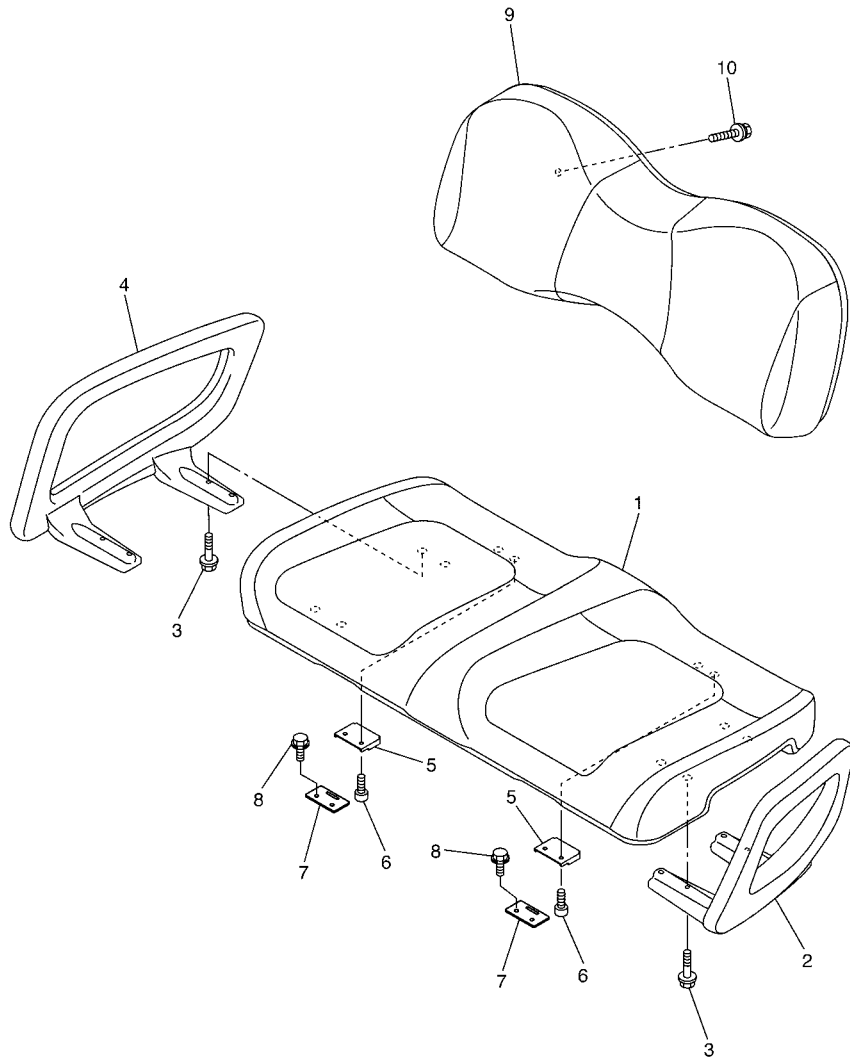
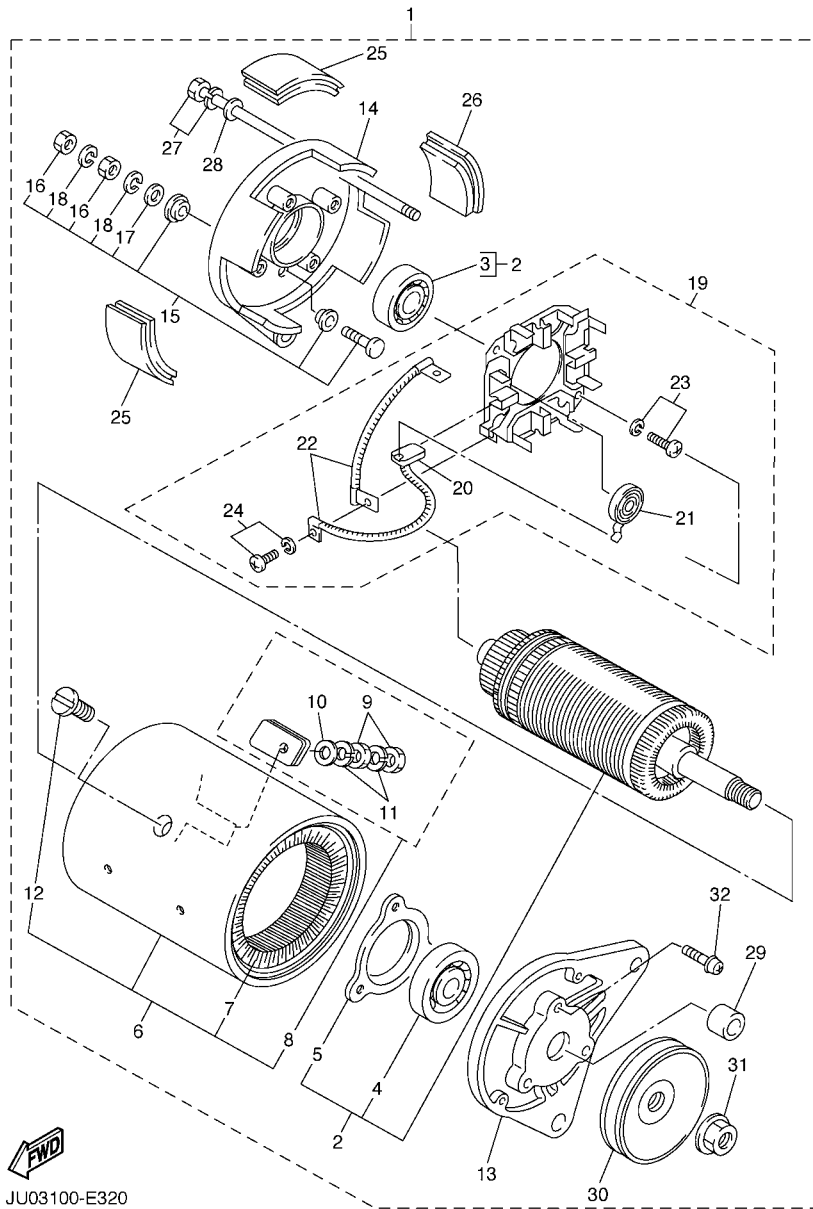


FIG. 28 SEAT

REF. NO.	PART NO.	DESCRIPTION	JW81				REMARKS
1	JW1-K8401-10	SEAT SUB-ASSY,CUSHION	1				
2	JW1-K8361-00	ARM REST 1	1				
3	90105-06042	BOLT, FLANGE	8				
4	JW1-K8362-00	ARM REST 2	1				
5	JW1-K8426-00	HINGE, SEAT 1	2				
6	90110-06125	BOLT, HEXAGON SOCKET HEAD	4				
7	JW1-K8427-00	HINGE, SEAT 2	2				
8	90163-06802	SCREW, TAPPING	4				
9	JW1-K8402-10	SEAT SUB ASSY, BACK	1				
10	90119-06808	BOLT, WITH WASHER	4				



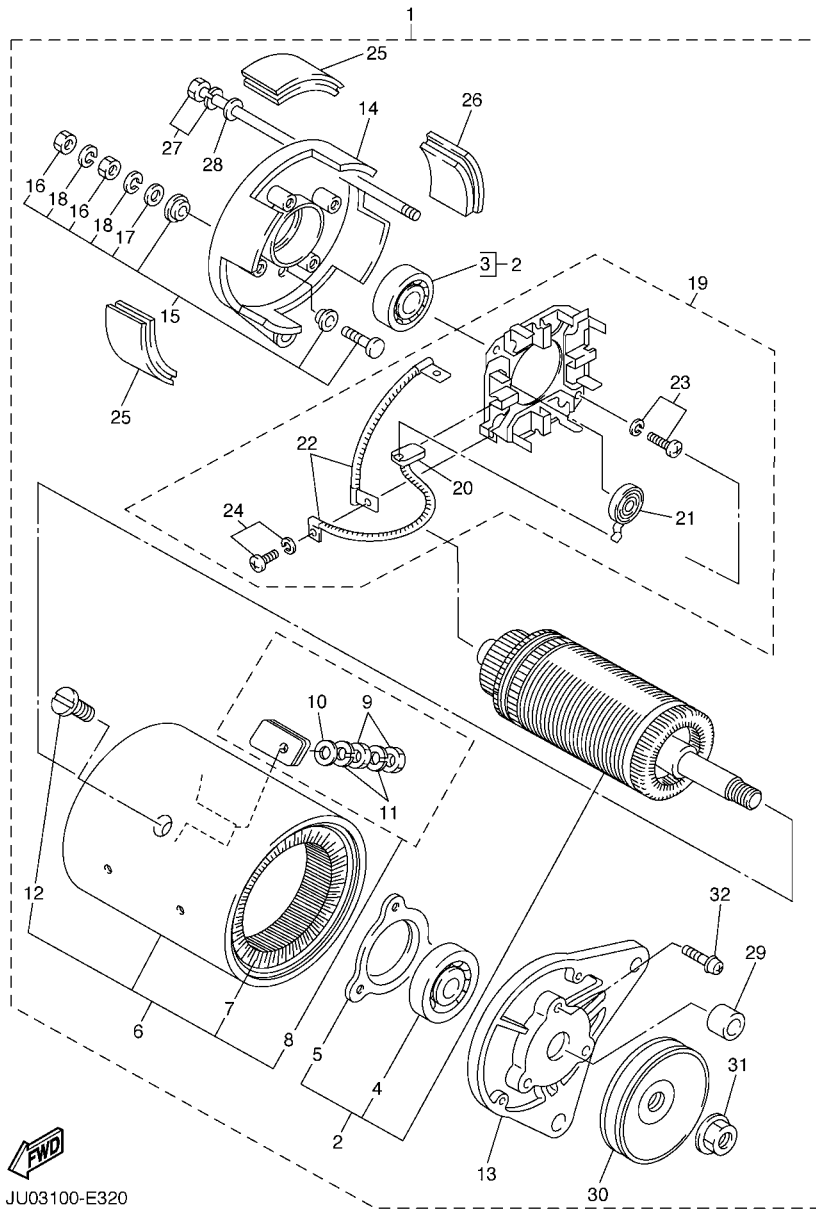
JW11100-E280



JU03100-E320

FIG. 29 STARTING MOTOR

REF. NO.	PART NO.	DESCRIPTION	JW8T				REMARKS
1	JN6-H1100-04	STARTER GENERATOR ASSY	1				
2	JN3-H1150-00	.ARMATURE ASSY	1				
3	J10-H1157-10	..BEARING 1	1				
4	J10-H1158-10	..BEARING 2	1				
5	J10-81159-10	..HOLDER, BEARING	1				
6	JN6-H1110-10	..STATOR ASSY	1				
7	JN6-H1160-10	..FIELD COIL ASSY	1				
8	J10-81148-10	..SCREW SET 4	2				
9	9530N-06600	...NUT,HEX	2				
10	9290N-06600	...WASHER	1				
11	92907-06100	...WASHER, SPRING	2				
12	J10-H1146-10	..SCREW 2	4				
13	JN6-H1165-00	.BRACKET, STARTER GENERATOR 1	1				
14	J10-H1166-10	.BRACKET, STARTER GENERATOR 2	1				
15	J10-81147-10	.SCREW SET 3	2				
16	9530N-06600	..NUT,HEX	2				
17	9290N-06600	..WASHER	1				
18	92907-06100	..WASHER, SPRING	2				
19	JN6-H1119-00	.BRUSH HOLDER ASSY	1				
20	JF2-H1111-00	..BRUSH	4				
21	JN6-H1113-00	..SPRING, BRUSH	4				
22	J10-H1115-10	..WIRE, LEAD	2				
23	9850N-05016	..SCREW, PAN HEAD	2				
24	9850N-04010	..SCREW, PAN HEAD	4				
25	J10-81129-10	.COVER, BRUSH	3				
26	J10-H1139-10	..COVER, BRUSH 2	1				
27	J10-H1145-10	.SCREW 1	2				



JU03100-E320

FIG. 29 STARTING MOTOR

REF. NO.	PART NO.	DESCRIPTION	JW81				REMARKS
28	9290N-06600	.WASHER	2				
29	JN3-H1661-00	.SPACER	1				
30	JN6-H1161-00	.PULLEY	1				
31	*	.NUT	1				LM
32	9850N-05018	.SCREW, PAN HEAD	3				



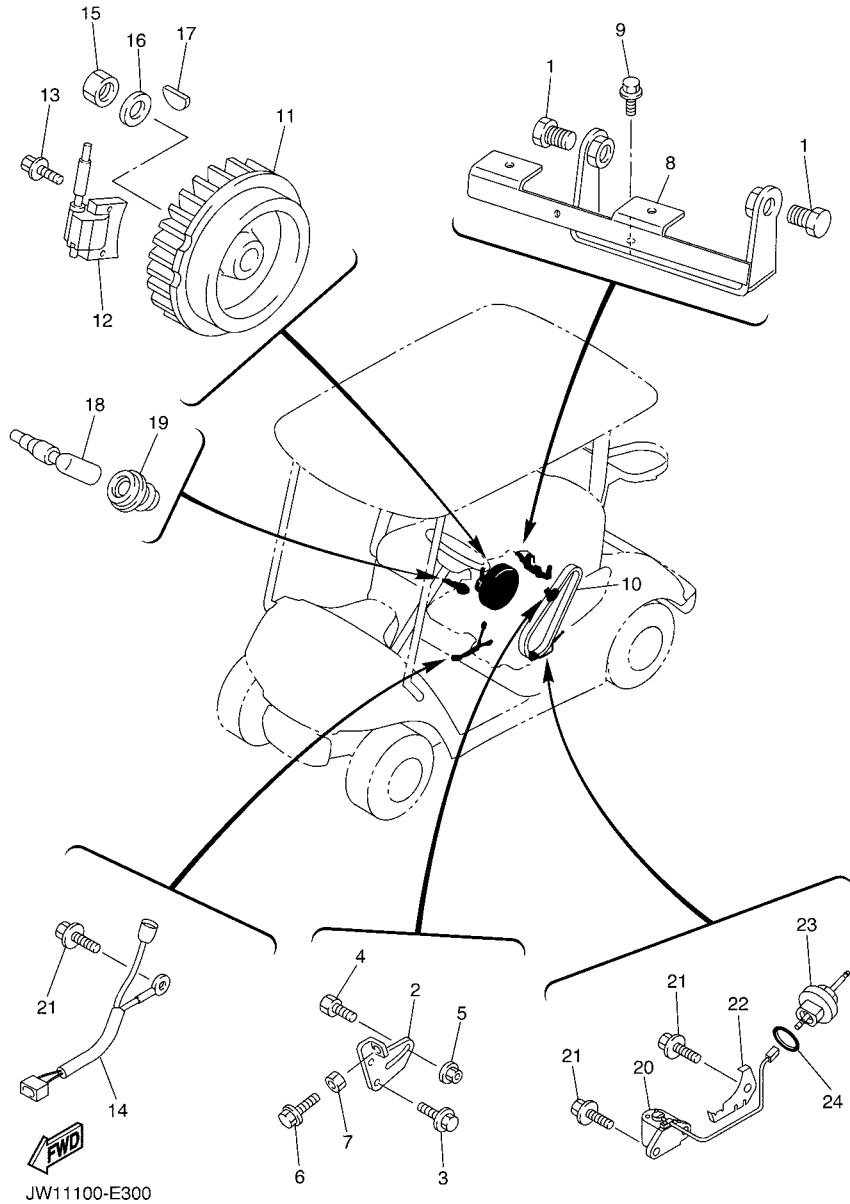


FIG. 30 ELECTRICAL 1

REF. NO.	PART NO.	DESCRIPTION	JW81				REMARKS
1	95812-12030	BOLT, FLANGE	2				
2	JW1-H1170-11	TENSIONER ASSY	1				
3	95822-08020	BOLT, FLANGE	2				
4	90109-08827	BOLT	1				
5	95702-08500	NUT, FLANGE	1				
6	90101-06478	BOLT	1				
7	95302-06600	NUT	1				
8	JN6-H1171-10	BRACKET, STARTER GENERATOR	1				
9	95822-08020	BOLT, FLANGE	2				
10	JW1-H1173-00	BELT	1				
11	JR7-85650-00	ROTOR ASSY	1				
12	JN6-85640-01	T.C.I. UNIT ASSY	1				
13	95822-06025	BOLT, FLANGE	2				
14	JN6-82318-00	WIRE, SUB-LEAD	1				
15	95302-18600	NUT	1				
16	90201-18620	WASHER, PLATE	1				
17	90280-04052	KEY, WOODRUFF	1				
18	JN6-82370-00	PLUG CAP ASSY	1				
19	JE8-82372-00	SEAL, PLUG CAP	1				
20	JT0-85720-00	OIL LEVEL GAUGE ASSY	1				
21	95822-06012	BOLT, FLANGE	4				
22	JT0-85724-00	CLAMP	1				
23	JT0-15362-00	PLUG, OIL LEVEL	1				
24	93210-15414	O-RING	1				

FIG. 31 ELECTRICAL 2

REF. NO.	PART NO.	DESCRIPTION	JW81				REMARKS
1	JW1-H2133-00	SCREW, FITTING	2				
2	J55-H2136-00	PLATE, BATTERY FITTING	1				
3	92902-06200	WASHER	2				
4	95702-06500	NUT, FLANGE	2				
5	JW1-H2115-01	WIRE, PLUS LEAD	1				
6	JW1-H2116-01	WIRE, MINUS LEAD	1				
7	JW1-H2117-00	WIRE, LEAD	1				
8	JW8-H2590-00	WIRE HARNESS ASSY	1				
9	42X-82151-00	.FUSE (10A-BL)	1				
10	JR1-H2150-00	.FUSE HOLDER ASSY	1				
11	JW1-H1950-00	RELAY ASSY	1				
12	90179-05807	.NUT	2				
13	90179-08824	.NUT	2				
14	JN6-H2105-00	WIRE HARNESS	1				
15	90105-06831	BOLT, FLANGE	2				
16	JF2-81910-10	VOLTAGE REGULATOR ASSY	1				
17	90105-06870	BOLT, FLANGE	1				
18	JF7-82817-20	SWITCH	1				
19	98502-05025	SCREW, PAN HEAD	2				
20	92902-05100	WASHER, SPRING	2				
21	92902-05600	WASHER, PLATE	2				
22	JR1-H3383-02	BUZZER	1				
23	JN6-H3386-01	STAY, BUZZER	1				
24	*	BATTERY ASSY (GC-24, 12V)	1				LM
25	4U8-81950-02	RELAY ASSY	1				
26	90464-20237	CLAMP	5				
27	90461-14108	CLAMP	1				

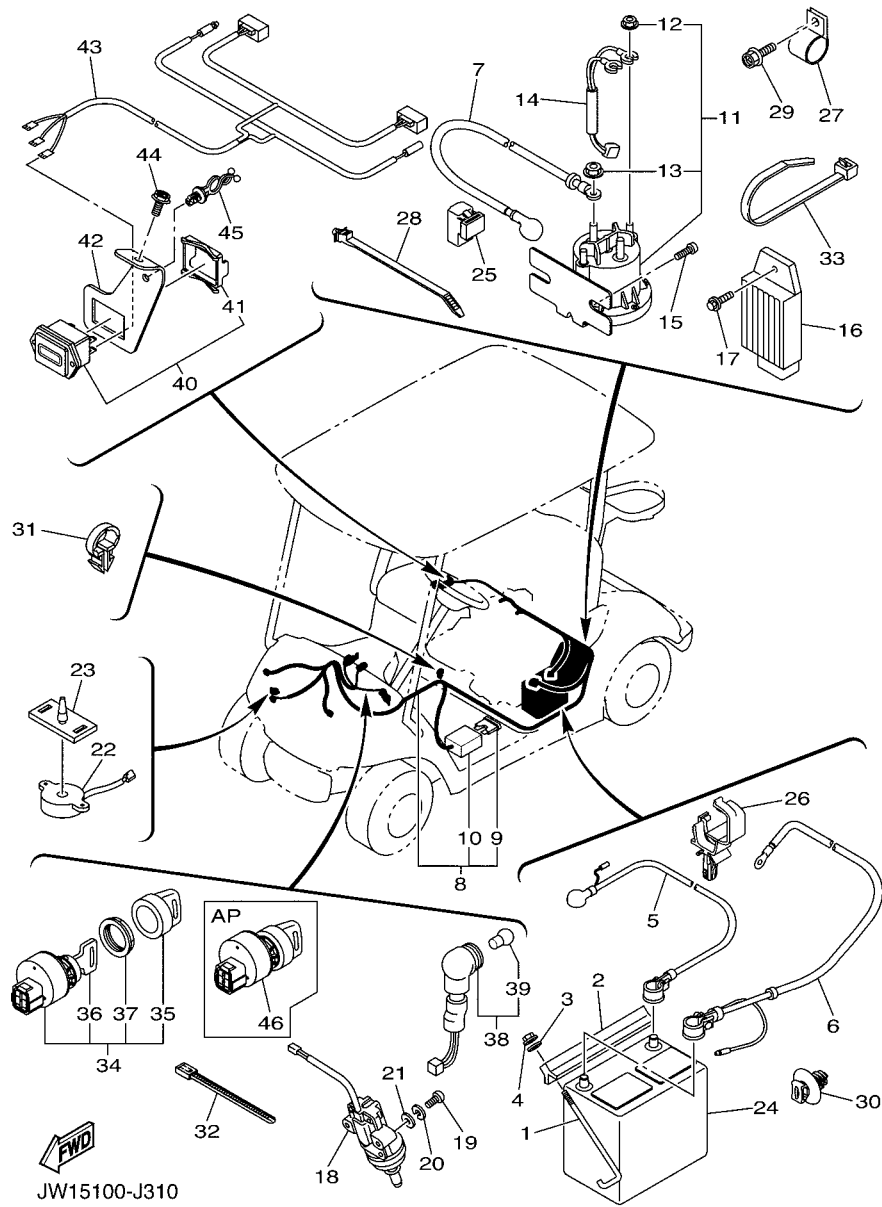


FIG. 31 ELECTRICAL 2

REF. NO.	PART NO.	DESCRIPTION	JW81				REMARKS
28	90464-09823	CLAMP	1				
29	90105-08867	BOLT, FLANGE	1				
30	5UG-F2465-10	HOLDER	2				
31	90464-19815	CLAMP	1				
32	90464-40825	CLAMP	3				
33	90464-76800	CLAMP	1				
34	JW1-H2510-00	MAIN SWITCH ASSY	1				STD
35	5UG-H2579-00	.CAP, KEY	1				
36	JU2-H2511-00	.KEY, MAIN SWITCH	2				
37	JU6-H2569-00	.NUT, MAIN SWITCH	1				
38	JN6-83530-00	PILOT LIGHT ASSY	1				
39	123-83516-21	.BULB (12V-3.4W)	1				
40	JN6-H351C-00	HOUR METER	1				EXCEPT FOR CAN
41	JW1-H1128-00	.CLAMP	1				EXCEPT FOR CAN
42	JW1-F4881-00	BRKT., METER	1				EXCEPT FOR CAN
43	JW1-H2386-00	EXTENSION, WIRE HARNESS	1				EXCEPT FOR CAN
44	90105-06831	BOLT, FLANGE	1				EXCEPT FOR CAN
45	90464-12836	CLAMP	1				EXCEPT FOR CAN
46	JU2-H2510-20	MAIN SWITCH ASSY	1				AP RANOMEKEY

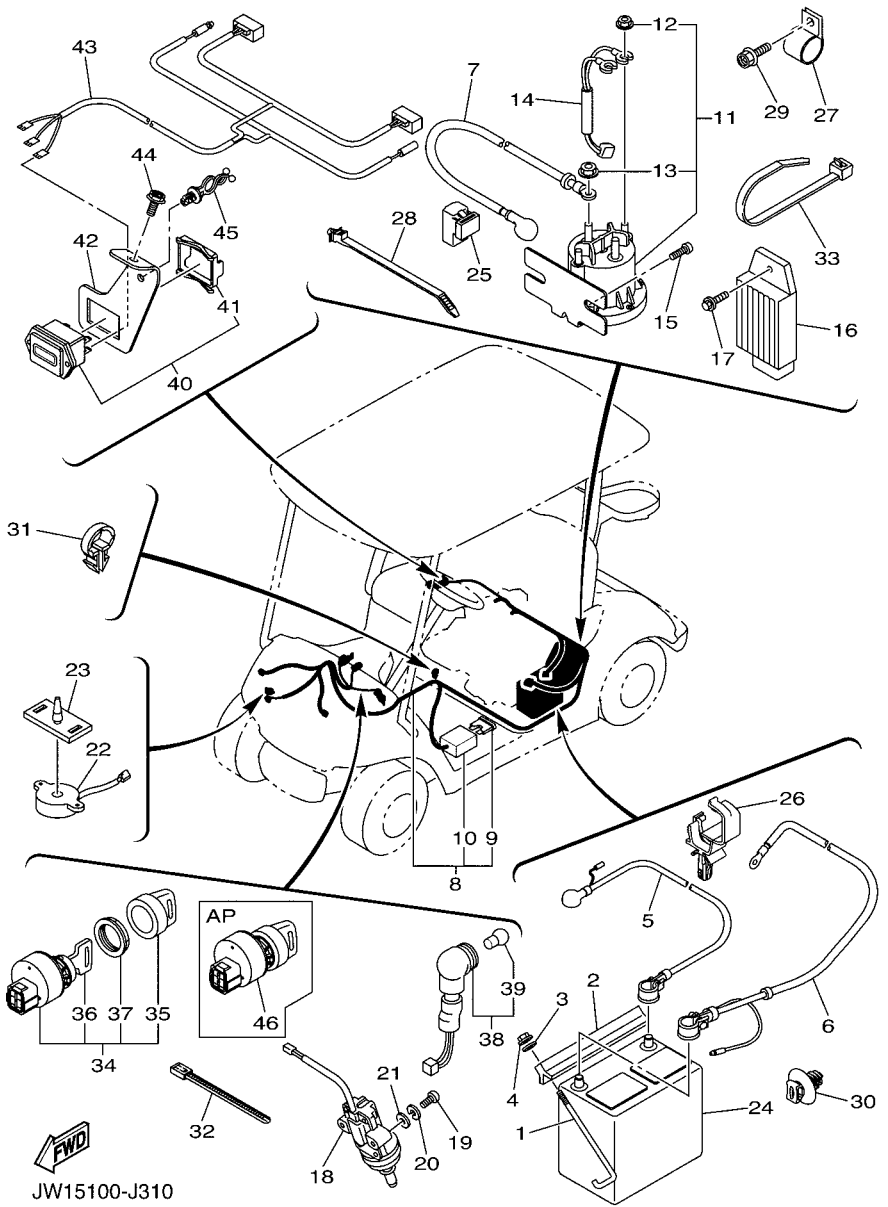
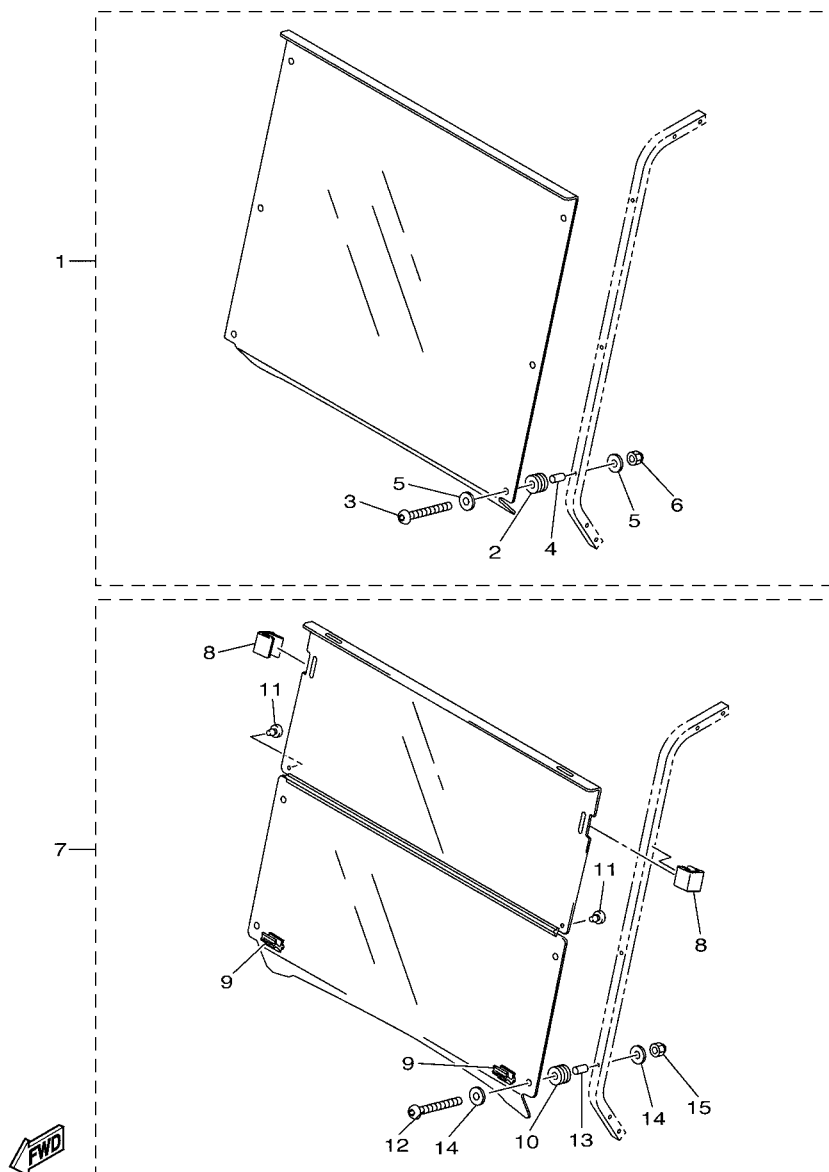


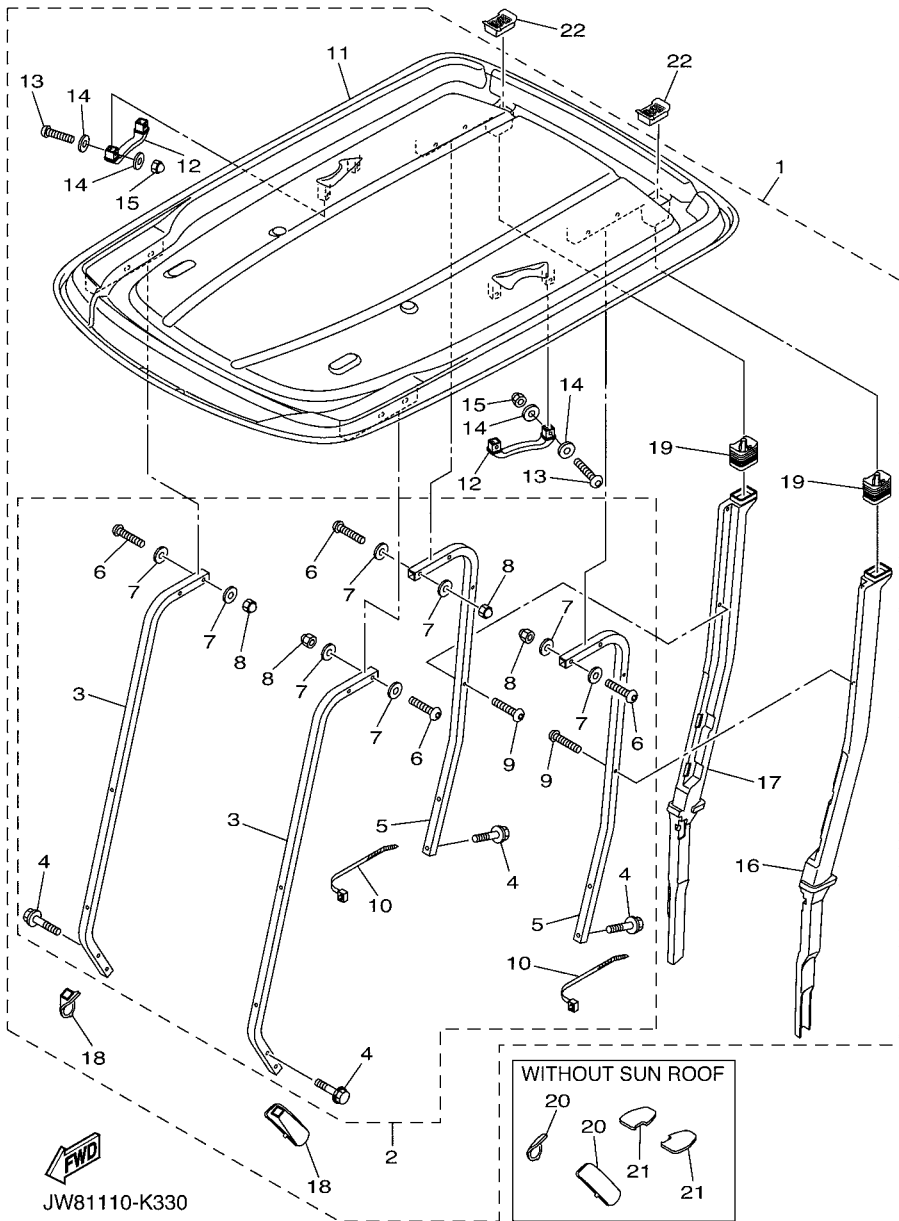
FIG. 32 ALTERNATE FOR WINDSHIELD



JW63110-K330

REF. NO.	PART NO.	DESCRIPTION	JW81				REMARKS
1	JW8-K7200-00	WINDSHIELD ASSY, SOLID(CLEAR)	1				UR AP
	JW8-K7200-10	WINDSHIELD ASSY, SOLID(SMOKE)	1				UR AP
2	JW8-K7237-00	.GROMMET	6				
3	JW1-K7212-00	.BOLT (L: 45MM)	6				UR
	JW1-K7481-00	.BOLT (L: 50MM)	6				UR
4	JW8-K7115-00	.COLLAR	6				
5	90201-068G7	.WASHER, PLATE	12				
6	JW1-K7217-00	.NUT, WIND SHIELD	6				
7	JW8-K7200-20	WINDSHIELD ASSY, HINGED(CLEAR)	1				UR AP
	JW8-K7200-30	WINDSHIELD ASSY, HINGED(SMOKE)	1				UR AP
8	JW8-K7173-00	.LEVER, LATCH 1	2				
9	JW8-K7222-00	.BRACKET, WINDSHIELD(R.H)	2				
10	JW8-K7237-00	.GROMMET	4				
11	JW8-K8167-00	.BUMPER, RUBBER 1	2				
12	JW1-K7212-00	.BOLT (L: 45MM)	4				UR
	JW1-K7481-00	.BOLT (L: 50MM)	4				UR
13	JW8-K7115-00	.COLLAR	4				
14	90201-068G7	.WASHER, PLATE	8				
15	JW1-K7217-00	.NUT, WIND SHIELD	4				

FIG. 33 ALTERNATE FOR SUN ROOF



REF. NO.	PART NO.	DESCRIPTION	JW81			REMARKS
1	JW1-K84A0-01	SUN TOP KIT	1			AP
2	JW1-K84A2-01	.HARDWARE KIT, SUN TOP	1			
3	JW1-K8312-00	..SUPPORT, SUN ROOF 1	2			
4	JW1-K8388-00	..BOLT, ROOF 1	8			
5	JW1-K8313-01	..SUPPORT, SUN ROOF 2	2			
6	JU0-K8388-00	..BOLT, ROOF 1	8			
7	JW1-F1549-01	..WASHER, FENDER MOLD	16			
8	JU0-K8398-00	..NUT, ROOF 1	8			
9	JW1-K7387-00	..SCREW	4			
10	90464-76800	..CLAMP	2			
11	JW1-K8314-10	.COVER, SUN ROOF	1			
12	JW1-K8214-00	.GRIP, HAND	2			
13	JU0-K8388-00	.BOLT, ROOF 1	4			
14	JW1-F1549-01	.WASHER, FENDER MOLD	8			
15	JU0-K8398-00	.NUT, ROOF 1	4			
16	JW1-F413G-00	.TUBE, DRAIN	1			
17	JW1-F413J-00	.TUBE, DRAIN 2	1			
18	JW1-K832F-10	.GROMMET, ROOF SUPPORT 1	2			
19	JW1-F414G-10	.SEAL	2			
20	JW1-K832H-00	GROMMET, ROOF SUPPORT 3	2			AP
21	JW1-K833H-00	GROMMET, ROOF SUPPORT 4	2			AP
22	JW1-K8482-00	CAP, END	2			AP

NUMERICAL INDEX

PART NO.	REF. NO.	PART NO.	REF. NO.	PART NO.	REF. NO.	PART NO.	REF. NO.	PART NO.	REF. NO.	PART NO.	REF. NO.
JT0-11111-00	2 - 1	7E1-14191-00	7 - 22	JR7-85650-00	30 - 11	JW1-F3400-00	14 - 11	JW1-F5659-00	16 - 24	JW1-G4132-00	20 - 4
JN6-11116-00	2 - 10	1KT-14197-01	7 - 25	JT0-85720-00	30 - 20	5UG-F3489-00	14 - 21	JW1-F5666-00	16 - 32	JW1-G4135-00	20 - 15
JN6-11133-10	2 - 2	127-14198-00	7 - 14	JT0-85724-00	30 - 22	JU0-F3511-10	13 - 4	JW1-F5672-00	16 - 40	JW1-G4188-00	20 - 8
JR7-11163-00	2 - 17	7NJ-14211-00	7 - 6	JN6-E1166-00	2 - 15	JW1-F3512-00	13 - 5	JW1-F5673-00	16 - 42	JW1-G4189-00	20 - 6
JN6-11168-00	2 - 11	73A-14212-00	7 - 23	JW1-E2691-00	5 - 9	JU0-F3521-10	13 - 13	JW1-F5677-00	16 - 44	JW1-G4526-00	20 - 32
JN6-11169-00	2 - 12	73A-14212-10	7 - 7	JU0-E3505-09	6 - 14	5UG-F3527-00	14 - 22	JW1-F5734-00	16 - 14	JW1-G4582-00	20 - 5
JT0-11181-00	2 - 3		7 - 19	JU0-E4411-00	6 - 10	JU0-F3570-20	13 - 1	JW1-F5735-00	16 - 27	JW1-G5618-00	20 - 10
JN6-11191-01	2 - 9	J10-14227-00	7 - 5	JU0-E4412-00	6 - 11	JW1-F3811-01	14 - 1	JW1-F5744-00	16 - 15	JW1-G5677-00	20 - 9
JN6-11193-00	2 - 13	3G2-1423A-67	7 - 11	5UH-E4424-00	6 - 17	JW1-F3822-01	14 - 30	JW1-F5754-00	16 - 16	JW1-G6110-00	20 - 18
812-11198-00	9 - 10	3G2-1423A-68-A0	7 - 11	JU0-E4450-00	6 - 12	JU0-F3828-10	14 - 4	JW1-F582M-01	16 - 21	JW1-G6114-00	20 - 31
JN6-11400-00	3 - 1	3G2-1423E-33-A0	7 - 11	JU0-E445E-00	6 - 13	1P0-F3833-00	14 - 27	JW1-F5866-01	16 - 17	JW1-G6117-00	20 - 12
JN6-11454-00	3 - 8	JN6-14291-00	7 - 4	JW1-E4710-20	8 - 1	JW1-F3837-00	14 - 23	JW1-F6311-00	16 - 47	JW1-G6131-00	20 - 25
JR7-11610-00	3 - 3	7KY-14613-01	8 - 3	JW1-E4713-00	8 - 4	JN3-F3838-00	14 - 6	JW1-F6312-01	6 - 18	JW1-G6158-00	20 - 7
JR7-11610-10	3 - 3	1WG-14922-00	7 - 18	JW1-F1128-00	16 - 7	5UG-F3844-00	14 - 20	JW1-F6331-00	6 - 19	JW1-G6164-00	20 - 13
JR7-11610-20	3 - 3	JN6-1495H-3B	7 - 9	JW8-F1153-00	12 - 5	JW1-F384K-00	20 - 19	JU0-F6333-00	6 - 20	JW1-G6165-00	20 - 14
JR7-11631-00-A0	3 - 2	JR7-15100-01	9 - 1	JU0-F1436-00	8 - 2	JU0-F3857-11	14 - 3	JW1-F6341-20	16 - 1	JW1-G6168-00	20 - 2
583-11633-00	3 - 4	JR7-15123-00	9 - 4	JW1-F1549-01	33 - 7			JW1-F6466-01	16 - 18	JW1-G6201-00	18 - 1
JR7-11635-00	3 - 2	JN6-15155-00	9 - 2		33 - 14	JW1-F3866-00	14 - 25	JW1-F7117-00	16 - 8	JW1-G6202-02	19 - 1
JR7-11636-00	3 - 2	J38-15361-00	9 - 22	JW1-F1738-00	12 - 6	JW1-F387A-00	14 - 12	JW1-F720G-00	16 - 5	JW1-G621E-00	18 - 4
JN6-11650-00	3 - 6	JT0-15362-00	30 - 23		12 - 8	JW1-F387E-00	14 - 15	JW1-F7211-01	16 - 30	JW1-G6232-00	18 - 3
JN6-11654-00	3 - 7	796-15363-01	9 - 20		15 - 5	5UG-F387F-00	14 - 18	JW1-F7213-00	16 - 36	JW1-G6241-10	18 - 7
JN6-12111-01	4 - 2	JR7-15407-00	9 - 3	JW1-F2110-10	11 - 1	5UG-F387G-00	14 - 16	JW1-F7216-00	16 - 26	JW1-G6244-00	19 - 2
J38-12117-01	4 - 6	JN6-15411-01	9 - 12	JN6-F2123-10	11 - 2	5UG-F387J-00	14 - 19	JW1-F7217-00	16 - 9	JW1-G6249-01	18 - 5
J38-12118-00	4 - 7	JY2-15451-00	9 - 16	JN6-F2124-10	11 - 8	5UG-F387K-00	14 - 17	JW1-F7218-00	16 - 11	JW1-G6256-00	18 - 2
4G0-12119-00	4 - 13	JR6-19001-00	1 - 1	JW1-F217G-10	11 - 12	JW1-F3894-00	14 - 26	JW1-F7227-00	16 - 10	JW1-G6276-00	19 - 3
7RH-12121-00	4 - 3	JT0-21481-00	10 - 3	JW1-F2210-10	11 - 14	JW1-F4111-02	15 - 1	JW1-F7232-00	16 - 6	JW1-G6280-00	19 - 4
JN6-12151-00	4 - 8	401-22128-01	13 - 17	JW1-F2277-00	11 - 13	JW1-F413G-00	33 - 16	JW1-F7238-00	16 - 13	JW1-G6300-01	20 - 1
JN6-12153-00	4 - 4	2NL-23448-00	13 - 10	5UG-F2465-10	31 - 30	JW1-F413J-00	33 - 17	JW1-F723F-02	16 - 19	JW1-G6320-00	20 - 21
JR7-12154-01	4 - 12	2NL-23517-00	13 - 12	JW8-F2501-00	12 - 1	JW1-F414G-10	33 - 19	JW1-F723G-00	16 - 20	JW1-G6328-00	20 - 24
J38-12156-00	4 - 11	2HR-23526-00	13 - 3	JW8-F253B-00	12 - 4	JW1-F4161-10	24 - 5	JW1-F7243-00	16 - 35	JW1-G6336-00	20 - 30
22F-12159-00	4 - 9	JU0-23841-10	14 - 28	JW1-F258G-02	12 - 9	JW1-F4300-00	15 - 2	JW1-F7249-00	16 - 33	JW1-G633H-00	20 - 35
JR7-12170-00	4 - 1	J38-27951-00	17 - 1	JW1-F2873-10	25 - 2	JW1-F4311-00	15 - 11	JW1-F7252-00	16 - 29	JW1-G6344-00	20 - 36
JN6-12616-00	5 - 3	J38-27959-00	17 - 5	JW1-F2874-10	25 - 3	JW1-F4312-00	15 - 9	JW1-F7254-00	16 - 39	JW1-G6345-00	20 - 34
JN6-12621-02	5 - 1	J10-81129-10	29 - 25	JW1-F2875-10	25 - 4	JW1-F4313-01	15 - 12	JW1-F7257-10	16 - 41	JW1-G6348-00	20 - 22
JN6-12651-00	5 - 5	J10-81147-10	29 - 15	JW1-F2876-10	25 - 5	JW1-F4314-00	15 - 13	JW1-F7275-01	16 - 34	JW1-G6356-00	20 - 23
JN6-12652-00	5 - 7	J10-81148-10	29 - 8	JW1-F2877-10	25 - 6	JU5-F4375-00	15 - 3	JW1-F7411-10	12 - 7	JW1-G6361-00	20 - 26
JR7-12658-00	5 - 6	J10-81159-10	29 - 5	JW1-F312G-00	24 - 12	JN6-F4410-11	15 - 7	JW1-F7814-00	16 - 38	JW1-G6362-00	20 - 27
JN6-13567-00	6 - 3	JF2-81910-10	31 - 16	JW7-F312H-00	15 - 16	JW8-F4425-00	12 - 2	JW1-F7825-00	16 - 23	JW1-G6371-01	21 - 4
JN6-13595-00	6 - 1	4U8-81950-02	31 - 25	JW1-F3147-01	16 - 43	JN6-F4560-00	15 - 10	JW1-F7850-11	16 - 4	JN3-G6372-00	21 - 18
JR6-14101-00	7 - 1	42X-82151-00	31 - 9	JW1-F3183-00	14 - 13	JN6-F4610-00	15 - 4	JW1-F7853-00	16 - 37	JN3-G6376-00	21 - 11
7LV-14118-00	7 - 24	JN6-82318-00	30 - 14	JW1-F3188-00	16 - 45	JW1-F467K-00	14 - 24	JW1-F7855-00	16 - 12	JN3-G6381-00	21 - 10
732-14142-65-A0	7 - 8	JN6-82370-00	30 - 18	JW1-F3350-10	13 - 15	JW1-F4684-00	20 - 3	JW1-F785A-10	16 - 31	JW8-G6382-00	21 - 6
73A-1414G-00	7 - 10	JE8-82372-00	30 - 19	JW1-F3390-10	13 - 20	JW1-F4881-00	31 - 42	JW1-F7871-00	16 - 28	JW1-G6383-01	21 - 5
JN5-14150-00	7 - 16	JN3-82617-01	21 - 20	JW1-F3394-00	15 - 8	JW1-F5100-01	22 - 1	JW1-G1661-00	20 - 40	JW1-G6410-20	20 - 39
7R1-14162-00	7 - 15	JF7-82817-20	31 - 18	JW1-F3396-00	24 - 3	JN6-F5118-01	13 - 30	JW1-G2548-00	18 - 6	JW1-G6443-00	20 - 11
796-14184-00	7 - 12	123-83516-21	31 - 39		26 - 3		20 - 41	JW1-G2758-01	19 - 8	JW1-G6510-01	20 - 28
JN6-14185-00	7 - 13	JN6-83530-00	31 - 38	JW1-F339Y-00	14 - 14	JW1-F5415-00	19 - 5	JW1-G2834-00	19 - 10	JW1-G6520-01	20 - 29
22F-14186-00	7 - 17	JN6-85640-01	30 - 12		16 - 22	JW1-F5658-00	16 - 25	JW1-G4120-00	20 - 20	JW1-G6540-01	20 - 16

NUMERICAL INDEX

PART NO.	REF. NO.	PART NO.	REF. NO.	PART NO.	REF. NO.	PART NO.	REF. NO.	PART NO.	REF. NO.	PART NO.	REF. NO.
JW1-G6550-01	20 - 17	JW8-K7173-00	32 - 8	JW1-K8233-11	24 - 16	90105-06870	31 - 17	90267-48154	12 - 3	91702-05010	6 - 5
JW1-G6554-00	20 - 33	JW8-K7200-00	32 - 1	JW1-K8237-10	25 - 10	90105-08007	19 - 6	90267-63047	24 - 2		6 - 8
JW1-G6854-00	20 - 37	JW8-K7200-10	32 - 1	JW1-K8245-00	24 - 19	90105-08867	31 - 29	90269-06804	24 - 20	91702-05014	16 - 50
JW1-G6894-00	20 - 38	JW8-K7200-20	32 - 7	JW1-K8261-00	24 - 21	90105-088B0	23 - 3		25 - 7	92902-04100	7 - 21
JW1-G8330-01	21 - 3	JW8-K7200-30	32 - 7	JW1-K8262-00	24 - 24	90105-10064	13 - 9		26 - 4		21 - 16
JN6-H1100-04	29 - 1	JW1-K7212-00	32 - 3	JW1-K8270-00	26 - 1	90105-10267	13 - 14	90269-07001	24 - 10	92902-04600	21 - 17
JN6-H1110-10	29 - 6		32 - 12	JW1-K8273-00	24 - 18		13 - 21	90269-08813	5 - 10	92902-05100	31 - 20
JF2-H1111-00	29 - 20	JW1-K7217-00	32 - 6	JW1-K8297-01	25 - 14	90105-10728	13 - 6		25 - 8	92902-05600	31 - 21
JN6-H1113-00	29 - 21		32 - 15	JW1-K8297-10	25 - 14	90105-10847	14 - 29	90269-09003	24 - 17	92902-06200	31 - 3
J10-H1115-10	29 - 22	JW8-K7222-00	32 - 9	JW1-K8312-00	33 - 3	90105-13800	11 - 3	90280-04052	30 - 17	92902-06600	21 - 8
JN6-H1119-00	29 - 19	JW8-K7237-00	32 - 2	JW1-K8313-01	33 - 5	90109-08002	27 - 2	90340-12097	9 - 9	92902-08200	19 - 9
JW1-H1128-00	31 - 41		32 - 10	JW1-K8314-10	33 - 11	90109-08827	30 - 4	90381-17067	13 - 11	92902-08600	14 - 32
J10-H1139-10	29 - 26	JW1-K7387-00	33 - 9	JW1-K832F-10	33 - 18	90110-06007	24 - 22	90381-18001	13 - 2	92902-10200	10 - 2
J10-H1145-10	29 - 27	JW1-K7481-00	32 - 3	JW1-K832H-00	33 - 20	90110-06102	27 - 4	90386-08141	17 - 3	92902-12200	14 - 8
J10-H1146-10	29 - 12		32 - 12	JW1-K833H-00	33 - 21	90110-06125	28 - 6	90387-046N7	14 - 38	92907-06100	29 - 11
JN3-H1150-00	29 - 2	JW1-K7510-00	23 - 1	JW1-K8340-00	27 - 3	90111-05805	24 - 8	90387-12016	13 - 16		29 - 18
J10-H1157-10	29 - 3	JW1-K7540-10	23 - 5	JW1-K834G-00	27 - 8		24 - 14	90387-241M7	13 - 26	92907-08100	8 - 8
J10-H1158-10	29 - 4	JW1-K7741-00	25 - 9	JN6-K8355-20	27 - 7	90114-12806	13 - 23	90461-14108	31 - 27	9290N-06600	29 - 10
JN6-H1160-10	29 - 7	JU0-K7762-00	14 - 39	JF2-K8356-00	27 - 6	90119-06808	28 - 10	90464-09823	31 - 28		29 - 17
JN6-H1161-00	29 - 30	JU0-K7762-10	14 - 39	JW8-K8357-00	14 - 33	90119-06884	6 - 4	90464-12836	15 - 17		29 - 28
JN6-H1165-00	29 - 13	JU0-K7762-20	14 - 39	JN6-K8358-01	14 - 34	90159-06107	9 - 5		31 - 45	92990-05100	7 - 3
J10-H1166-10	29 - 14	JW1-K7768-00	24 - 11	JW8-K835E-00	24 - 13	90159-06845	27 - 12	90464-19815	31 - 31	92990-08600	8 - 9
JW1-H1170-11	30 - 2	JW1-K7768-10	24 - 11	JW1-K8361-00	28 - 2	90163-06802	28 - 8	90464-20237	31 - 26	92990-10100	11 - 6
JN6-H1171-10	30 - 8	JW1-K7768-20	24 - 11	JW1-K8362-00	28 - 4	90170-05302	4 - 10	90464-40825	31 - 32	92990-10600	11 - 7
JW1-H1173-00	30 - 10	JW1-K8114-01	24 - 7	JN6-K8380-00	27 - 11	90173-06001	24 - 23	90464-76800	21 - 22	9299R-06200	27 - 13
JN3-H1661-00	29 - 29	JW1-K8115-01	24 - 1	JU0-K8388-00	33 - 6	90179-05807	31 - 12		31 - 33	93102-30083	13 - 27
JW1-H1950-00	31 - 11	JW1-K8115-11	24 - 1		33 - 13	90179-08824	31 - 13		33 - 10	93102-35014	9 - 7
JN6-H2105-00	31 - 14	JW1-K8115-21	24 - 1	JW1-K8388-00	33 - 4	90179-12262	22 - 2	90465-06038	21 - 21		9 - 14
JW1-H2115-01	31 - 5	JW1-K8115-31	24 - 1	JU0-K8398-00	33 - 8	90179-13800	11 - 4	90467-10846	15 - 15	93210-15414	30 - 24
JW1-H2116-01	31 - 6	JW1-K8115-41	24 - 1		33 - 15	90183-05008	24 - 9	90467-12845	15 - 14	93210-22344	9 - 21
JW1-H2117-00	31 - 7	JW1-K8115-51	24 - 1	JW1-K8401-10	28 - 1		24 - 15	90467-13847	2 - 18	93210-398D6	6 - 15
JW1-H2133-00	31 - 1	JW1-K8115-80	24 - 1	JW1-K8402-10	28 - 9	90183-06071	24 - 6	90468-10049	6 - 6	93306-005Y3	13 - 25
J55-H2136-00	31 - 2	JW1-K8142-00	25 - 1	JW1-K8423-10	27 - 1	90185-06836	27 - 10		6 - 9	93306-20201	9 - 8
JR1-H2150-00	31 - 10	JW1-K8142-10	25 - 1	JW1-K8426-00	28 - 5	90185-12061	14 - 7		16 - 51		9 - 15
JN6-H2377-00	25 - 13	JW1-K8142-20	25 - 1	JW1-K8427-00	28 - 7	90201-04810	14 - 36	90468-20196	16 - 3	93306-204X0	13 - 24
JW1-H2386-00	31 - 43	JW1-K8142-30	25 - 1	JW1-K8482-00	33 - 22	90201-05800	21 - 1	90501-264A9	4 - 5	93306-20714	9 - 13
JW1-H2510-00	31 - 34	JW1-K8142-40	25 - 1	JW1-K84A0-01	33 - 1	90201-068G7	27 - 5	90502-10013	14 - 37	93306-30709	9 - 6
JU2-H2510-20	31 - 46	JW1-K8142-50	25 - 1	JW1-K84A2-01	33 - 2		32 - 5	90508-16460	16 - 52	93450-21053	3 - 5
JU2-H2511-00	31 - 36	JW1-K8142-80	25 - 1	JG5-WF511-10	13 - 22		32 - 14	90508-40678	17 - 4	94702-00343	2 - 8
JU6-H2569-00	31 - 37	JW1-K8151-00	25 - 12	90101-06478	30 - 6	90201-080E4	8 - 6	90560-05001	16 - 53	94702-00348	2 - 8
5UG-H2579-00	31 - 35	JW1-K8164-00	23 - 2	90105-05005	21 - 2	90201-10057	2 - 5	90560-08251	15 - 6	95302-06600	17 - 2
JW8-H2590-00	31 - 8	JW8-K8167-00	32 - 11	90105-06042	28 - 3		9 - 19	91401-20012	21 - 9		30 - 7
JR1-H3383-02	31 - 22	JW1-K8174-00	23 - 6	90105-06831	12 - 10	90201-128S4	11 - 11	91401-20015	16 - 49	95302-18600	30 - 15
JN6-H3386-01	31 - 23	JW1-K818A-00	26 - 2		21 - 19	90201-18620	30 - 16	91402-25020	13 - 8	9530N-06600	29 - 9
JN6-H351C-00	31 - 40	JW1-K818B-00	26 - 5		31 - 15	90201-198S7	21 - 13		14 - 10		29 - 16
JW1-K6179-01	25 - 11	JW1-K8191-00	26 - 6		31 - 44	90201-208S8	21 - 12	91701-06014	21 - 7	95602-06200	17 - 6
JW8-K7115-00	32 - 4	JW1-K8192-00	26 - 7	90105-06862	6 - 16	90208-14801	13 - 28	91701-06016	16 - 48	95602-08200	8 - 5
	32 - 13	JW1-K8214-00	33 - 12	90105-06870	24 - 4	90209-08018	19 - 7	91701-10028	16 - 2	95602-08710	2 - 16

NUMERICAL INDEX

PART NO.	REF. NO.	PART NO.	REF. NO.	PART NO.	REF. NO.	PART NO.	REF. NO.	PART NO.	REF. NO.
95602-10200	10 - 1								
	11 - 16								
	13 - 7								
	23 - 7								
95602-12200	11 - 10								
	14 - 9								
95602-14100	13 - 29								
95612-12100	13 - 19								
95622-08618	2 - 7								
95702-06500	31 - 4								
95702-08500	6 - 2								
	30 - 5								
95802-06020	5 - 2								
	5 - 8								
95812-08020	14 - 2								
	16 - 46								
95812-08045	9 - 17								
95812-10055	11 - 15								
95812-12030	30 - 1								
95812-12065	11 - 9								
95812-12080	13 - 18								
95822-06012	23 - 4								
	23 - 8								
	30 - 21								
95822-06025	30 - 13								
95822-06030	2 - 14								
95822-08020	30 - 3								
	30 - 9								
97012-08030	14 - 31								
97012-10050	9 - 18								
97012-10070	2 - 4								
97017-08025	8 - 7								
97017-10020	11 - 5								
9708R-06020	27 - 9								
97702-40525	14 - 35								
97702-60520	5 - 4								
98502-04016	21 - 15								
98502-05025	31 - 19								
98507-04010	7 - 20								
98507-05008	7 - 2								
9850N-04010	29 - 24								
9850N-05016	29 - 23								
9850N-05018	29 - 32								
99001-07600	6 - 7								
99009-19400	21 - 14								
99530-08016	9 - 11								
99530-14016	2 - 6								