



PARTS CATALOGUE

YTF2EX5 (JW31) CANADA, EUROPE, OTHERS



1PJW3-100E1

()

YTF2EX5
PARTS CATALOGUE
©2014 by Yamaha Motor Co., Ltd.
1st edition, September 2014
All rights reserved.
Any reprinting or unauthorized use
without the written permission of
Yamaha Motor Co., Ltd.
is expressly prohibited.
Printed in Japan.

FOREWORD

This Parts Catalogue is related to the parts for the model(s) on the cover page. When you are ordering replacement parts, please refer to this Parts Catalogue and quote both part numbers and part names correctly.

1. Modifications or additions which have been made after the issue of the Parts Catalogue will be announced in the Parts News.

It is advisable that you make the necessary corrections to the Parts Catalogue according to the Parts News.

2. Abbreviations

The following abbreviations are used in this Parts Catalogue.

“UR” Use specified parts number.

“UN” Use as many as needed.

“AP” Alternate Parts

“LM” Locally Made (Parts need to be ordered locally)

“F#” Frame No. (Applicable machine No.)

“O/S” Over Size

3. The number of components for assembly

- Parts, which are to be supplied in an assembly, are listed with a dot (.) in front of the part name as shown below.
- The numeral appearing to the right of each component part indicates the quantity of parts for each assembly unit.

PART NO.	DESCRIPTION	Q'TY	REMARKS
2F5-83310-60	FRONT FLASHER LIGHT ASSY	2	
115-83311-60	.BULB (6V-18W)	1	

4. Applicable colours of graphics are represented in the “REMARKS” as shown below.

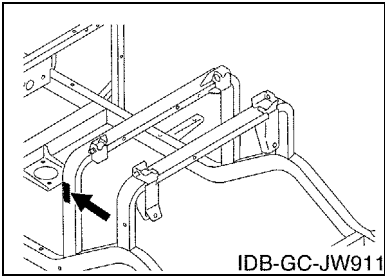
PART NO.	DESCRIPTION	Q'TY	REMARKS
2N4-24110-00-X5	FUEL TANK COMP.	2	MXR
3J1-24240-10	.GRAPHIC, FUEL TANK	1	FOR MXR

5. Note that the illustrations for reference in finding parts numbers are not to be used for assembling. When assembling, please use the applicable service manual.

6. The asterisk (*) before a reference number indicates modified items after the first edition.

FOREWORD

7. Applicable Serial No.
 Frame Serial No.



10. Applicable Starting Serial No.
 Frame Serial No.

Serial No.	Name Of Q'ty Column	Model Code
JW3-000101	JW31	JW31

8. Applicable Colour Code (The (*) mark shows Model colour.)

Abbreviation	Colour Name	Colour Code
VDGS1(*)	VERY DARK GREEN SOLID 1	0614

9. Quantity Column Information

Column No.	Name Of Q'ty Column	Destination
1	JW31	CANADA, EUROPE, OTHERS

CONTENTS

BODY

REAR ARM & SUSPENSION	1
FRAME	2
FRONT SUSPENSION & WHEEL	3
STEERING	5
PEDAL WIRE	7
PEDAL ASSEMBLY	8
BRAKE 1	11
BRAKE 2	13

DRIVE

TRANSAXLE	14
REAR AXLE & WHEEL	16
BUMPER	17
BODY	18
BODY 2	20
BODY FITTING	21
CARRIER	22
SEAT	24

ELECTRICAL

ELECTRIC MOTOR	25
HEAD & TAIL LIGHT	26
CONTROLLER 1	27
ELECTRICAL 1	28
BATTERY CHARGER	30
ALTERNATE FOR WINDSHIELD	31
ALTERNATE FOR SUN ROOF	32

INDEX

NUMERICAL INDEX	33
-----------------------	----

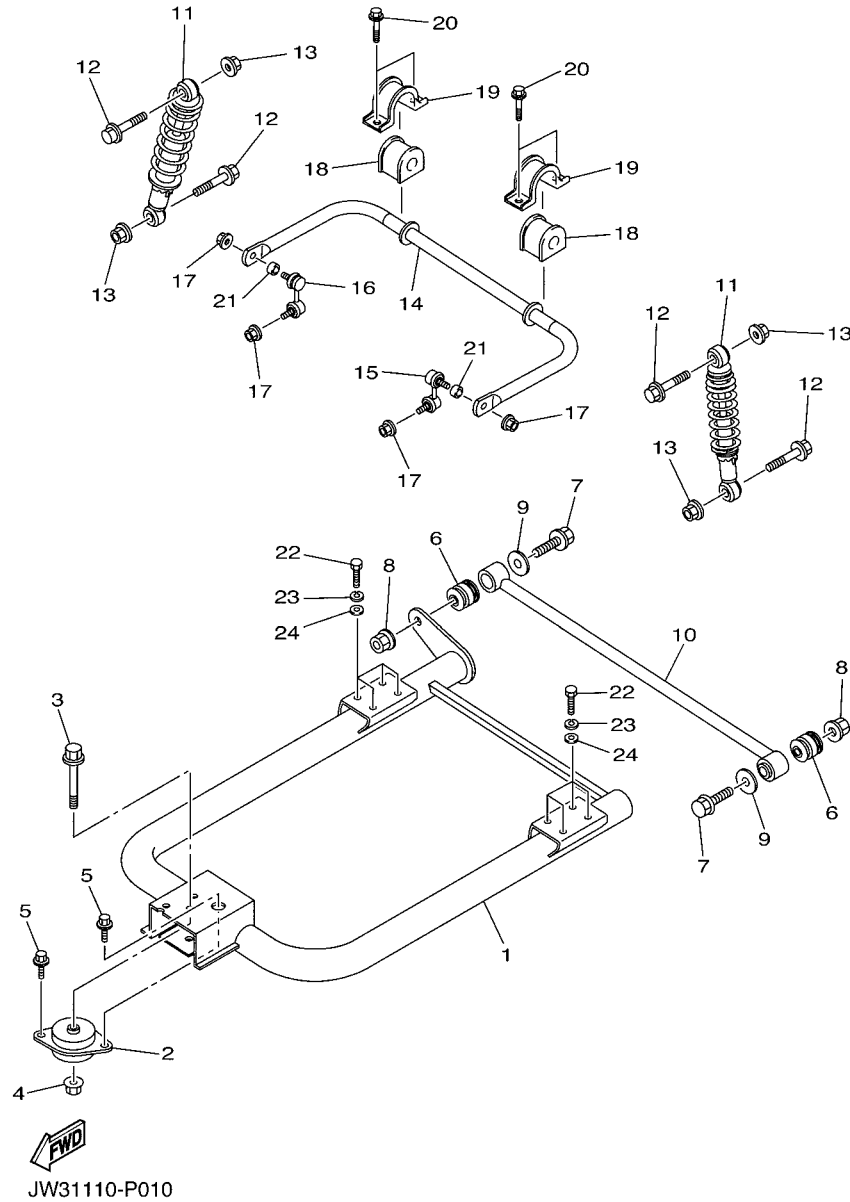
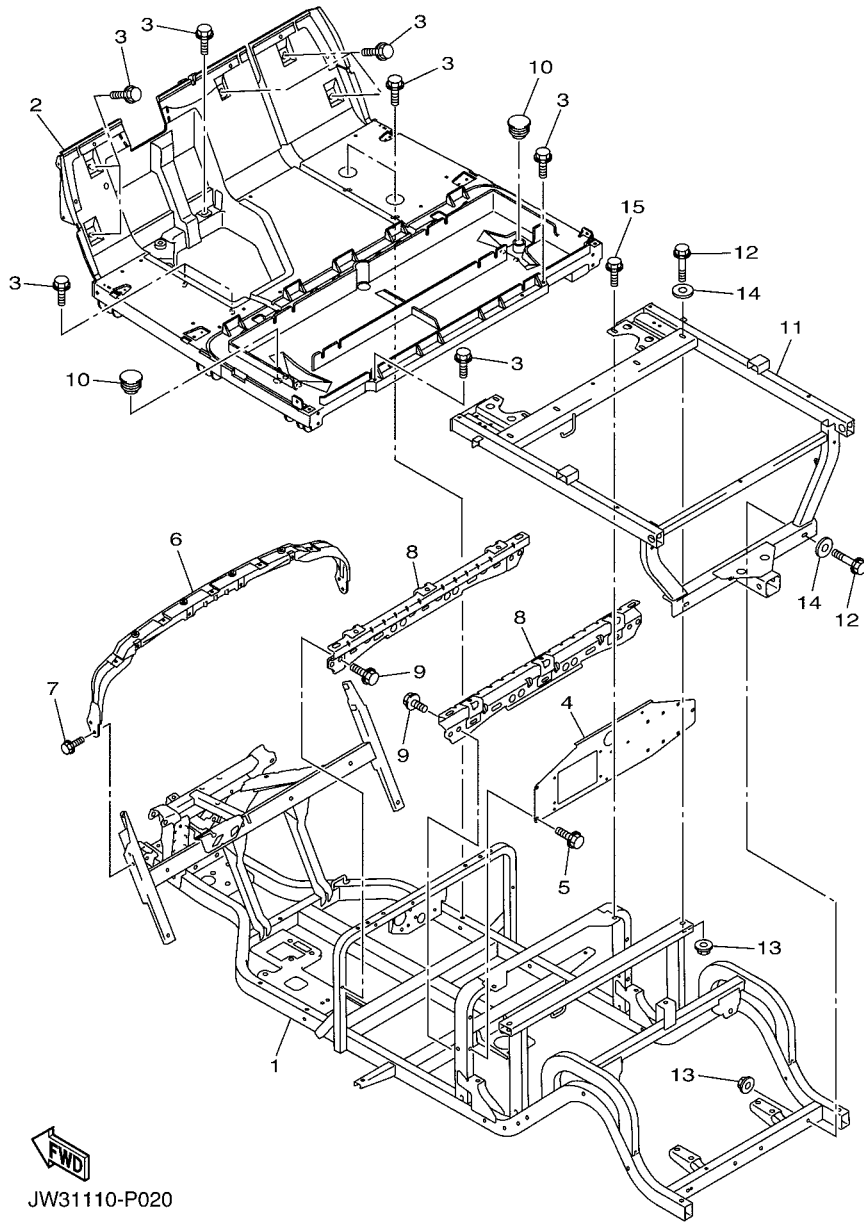


FIG. 1 REAR ARM & SUSPENSION

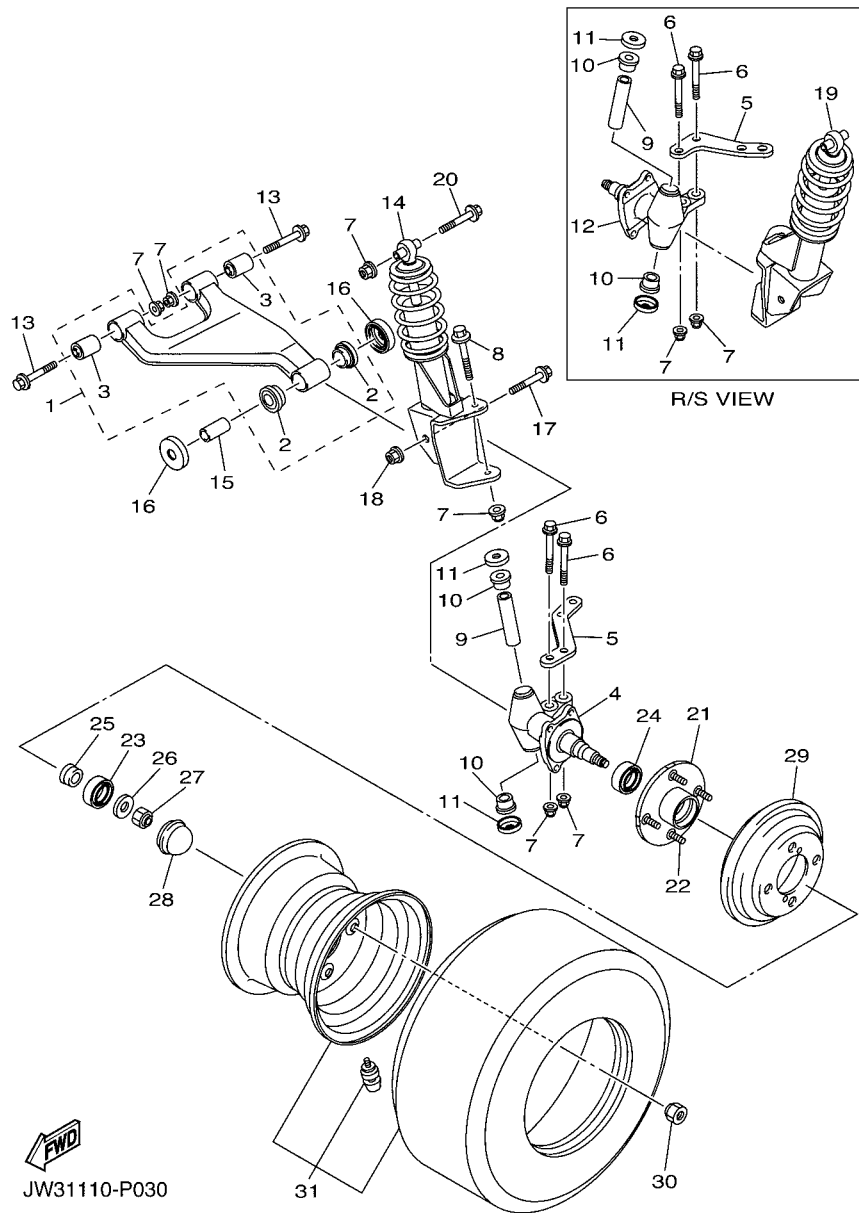
REF. NO.	PART NO.	DESCRIPTION	JW31				REMARKS
1	JW3-F2110-00	REAR ARM COMP.	1				
2	JN6-F2123-10	BUSH 1	1				
3	90105-13800	BOLT, FLANGE	1				
4	90179-13800	NUT	1				
5	90119-10044	BOLT, WITH WASHER	2				
6	JN6-F2124-10	BUSH 2	2				
7	95812-12065	BOLT, FLANGE	2				
8	95602-12200	NUT, SELF-LOCKING	2				
9	90201-128S4	WASHER, PLATE	2				
10	JW1-F217G-10	ROD, CONNECTING 2	1				
11	JW7-F2210-00	SHOCK ABSORBER ASSY, REAR	2				
12	95812-12055	BOLT, FLANGE	4				
13	90185-12002	NUT, SELF-LOCKING	4				
14	1D9-G7491-00	BAR, STABILIZER	1				
15	16B-2385L-10	JOINT, STABILIZER 1	1				
16	16B-2385M-10	JOINT, STABILIZER 2	1				
17	95602-10200	NUT, U FLANGE	4				
18	1D9-F386G-10	BUSH, STABILIZER FRONT	2				
19	1D9-F386H-01	COVER, STABILIZER FRONT	2				
20	95812-08012	BOLT, FLANGE	4				
21	JW7-F1459-00	SPACER	2				
22	97012-10020	BOLT	8				
23	92902-10100	WASHER, SPRING	8				
24	92902-10600	WASHER, PLATE	8				



JW31110-P020

FIG. 2 FRAME

REF. NO.	PART NO.	DESCRIPTION	JW31			REMARKS
1	JW3-F2501-00	FRAME COMP.	1			
2	JW3-F7411-00	FOOTREST 1	1			
3	JW1-F1738-00	BOLT	12			
4	JW3-F252M-00	BRACKET, 3	1			
5	JW1-F1738-00	BOLT	3			
6	JW1-F258G-02	BRACKET, DASH UPPER 1	1			
7	90105-06831	BOLT, FLANGE	4			
8	JW9-F2535-00	STAY, BATTERY 1	2			
9	JW1-F1738-00	BOLT	4			
10	JW9-F2417-00	PLUG	2			
11	JW3-F2504-00	RR. SUB-FRAME COMP.	1			
12	90105-088A7	BOLT, FLANGE	6			
13	95602-08200	NUT, SELF-LOCKING	6			
14	90201-08843	WASHER, PLATE	8			
15	90105-08171	BOLT, FLANGE	2			

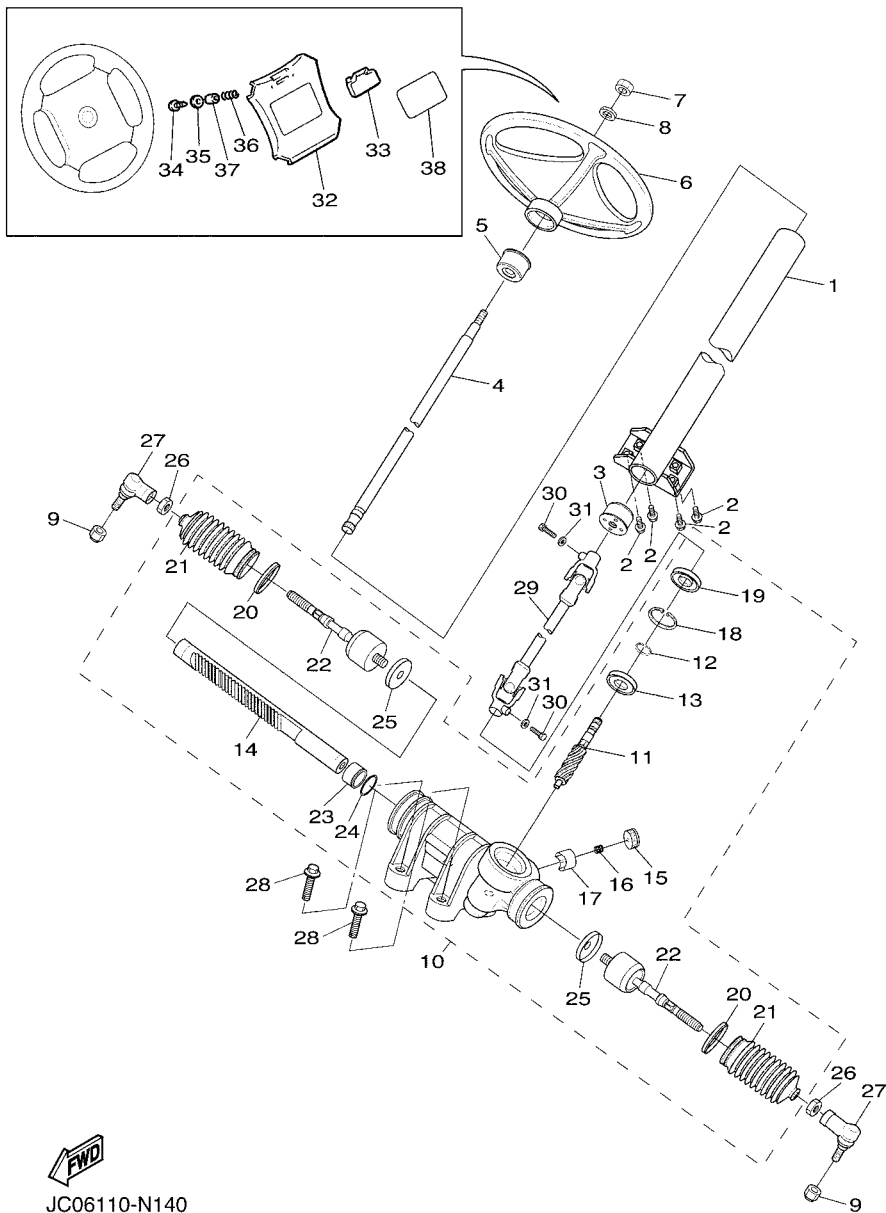


JW31110-P030

FIG. 3 FRONT SUSPENSION & WHEEL

REF. NO.	PART NO.	DESCRIPTION	JW31				REMARKS
1	JU0-F3570-20	FRONT LOWER ARM COMP.	2				
2	90381-18001	.BUSH, SOLID	2				
3	2HR-23526-00	.BUSH	2				
4	JW7-F3511-00	KNUCKLE, STEERING 1	1				
5	JW1-F3512-00	ARM, KNUCKLE 1	2				
6	90105-10373	BOLT, FLANGE	4				
7	95602-10200	NUT, U FLANGE	12				
8	90105-10219	BOLT, FLANGE	2				
9	2NL-23448-00	SPACER	2				
10	90381-17067	BUSH, SOLID	4				
11	2NL-23517-00	COVER, THRUST 1	4				
12	JW7-F3521-00	KNUCKLE, STEERING 2	1				
13	90105-10267	BOLT, FLANGE	4				
14	JW3-F3350-00	SHOCK ABSORBER ASSY	1				
15	90387-12016	COLLAR	2				
16	401-22128-01	COVER, THRUST 1	4				
17	95812-12080	BOLT, FLANGE	2				
18	95612-12100	NUT, U	2				
19	JW3-F3390-00	SHOCK ABSORBER ASSY 2	1				
20	90105-10267	BOLT, FLANGE	2				
21	JW3-F5110-00	HUB ASSY, FRONT	2				
22	90114-12805	BOLT, SERRATION	8				
23	93306-204X0	BEARING	2				
24	93306-005Y3	BEARING	2				
25	90387-241M7	COLLAR	2				
26	90208-14801	WASHER, CONICAL SPRING	2				
27	95602-14100	NUT, U	2				

FIG. 4 STEERING

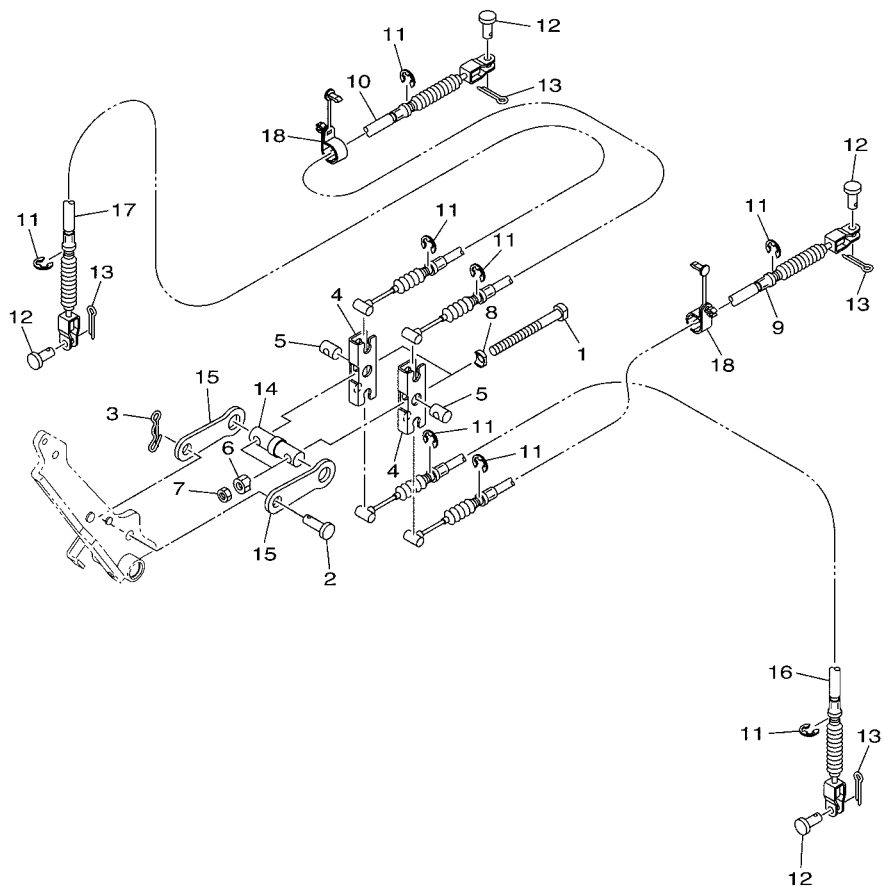


JC06110-N140

REF. NO.	PART NO.	DESCRIPTION	JW31				REMARKS
1	JW1-F3811-03	COLUMN, STEERING	1				
2	95812-08020	BOLT, FLANGE	4				
3	JU0-F3857-11	HOLDER	1				
4	JU0-F3828-10	ROD, STEERING	1				
5	JU0-F3857-11	HOLDER	1				
6	JN3-F3838-00	WHEEL, STEERING	1				
7	90185-12008	NUT, SELF-LOCKING	1				
8	92902-12200	WASHER	1				
9	95602-12200	NUT, SELF-LOCKING	2				
10	JW1-F3400-00	STEERING ASSY	1				
11	JW1-F387A-00	.GEAR,PINION	1				
12	JW1-F3183-00	.CIRCLIP	1				
13	JW1-F3812-00	.BEARING, STEERING	1				
14	JW1-F387E-00	.GEAR, RACK	1				
15	5UG-F387G-00	.COVER, ADJUST	1				
16	5UG-F387K-00	.SPRING, PRESSURE	1				
17	5UG-F387F-00	.PAD, PRESSURE	1				
18	5UG-F387J-00	.RING, STOPPER	1				
19	5UG-F3844-00	.SEAL	1				
20	5UG-F3489-00	.BAND	2				
21	5UG-F3527-00	.SEAL, DUST 1	2				
22	JW1-F3837-00	.ROD, TIE 2	2				
23	JW1-F467K-00	.BUSH, CAP	1				
24	JW1-F3866-00	.CIRCLIP	1				
25	JW1-F3894-00	.WASHER, LOCK 1	2				
26	1P0-F3833-00	NUT 1	2				
27	JW8-23841-01	JOINT, UNIVERSAL 1	2				

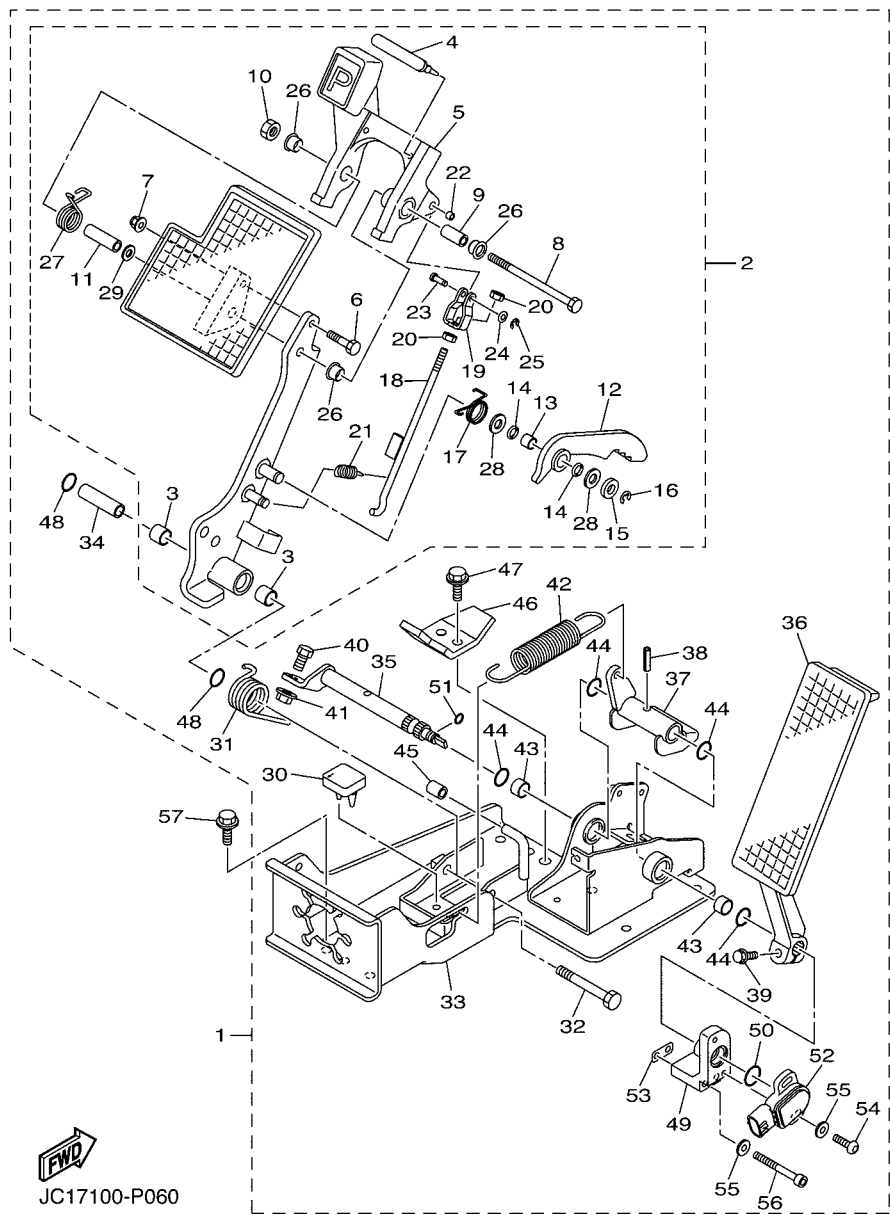
FIG. 5 PEDAL WIRE

REF. NO.	PART NO.	DESCRIPTION	JW31				REMARKS
1	JW7-27227-00	BOLT, AJUSTING	2				
2	91702-10022	PIN, CLEVIS	1				
3	90468-20196	CLIP	1				
4	JW7-F5681-00	EQUALIZER, BRAKE	2				
5	90249-14129	PIN	2				
6	JW7-27238-00	NUT, ADJUSTING	2				
7	95302-08700	NUT	2				
8	JW7-27213-00	COLLAR	2				
9	JW3-26341-00	WIRE, BRAKE 1	1				
10	JW7-26351-10	CABLE, BRAKE	1				
11	99002-09600	CLIP	8				
12	91702-08018	PIN, CLEVIS	4				
13	91490-25020	PIN. COTTER	4				
14	JW7-27229-00	PIN, JOINT	1				
15	JW7-27275-00	PLATE	2				
16	JW7-26361-10	CABLE, BRAKE	1				
17	JW7-26373-10	CABLE, BRAKE 4	1				
18	JW7-F312H-00	CLAMP	2				



JW31110-P050

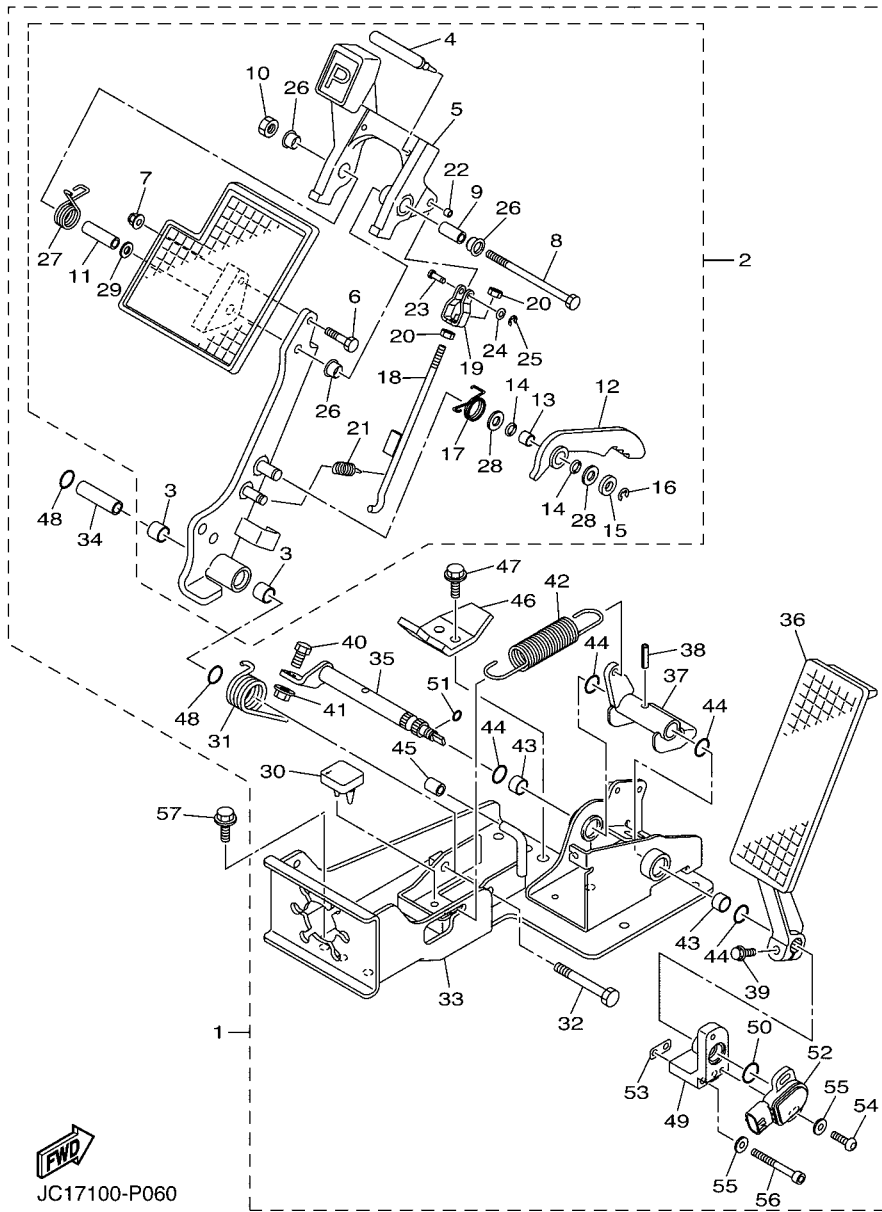
FIG. 6 PEDAL ASSEMBLY



JC17100-P060

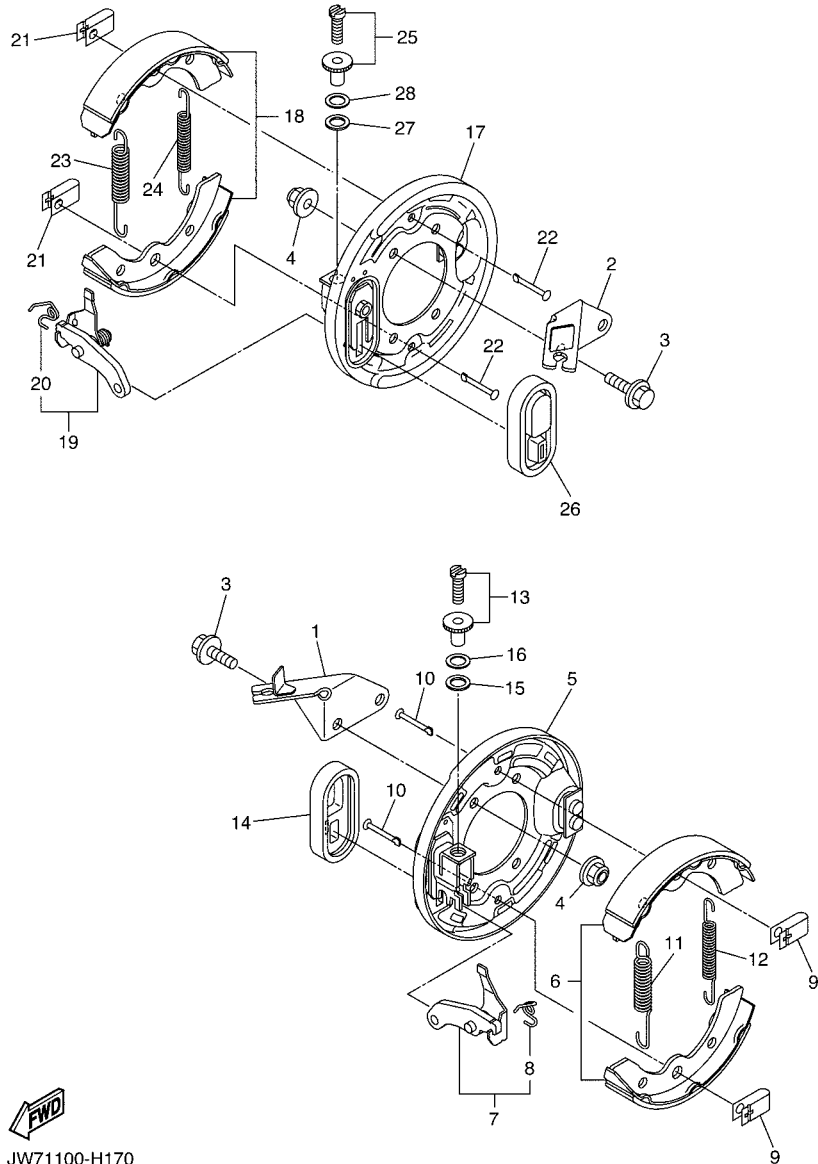
REF. NO.	PART NO.	DESCRIPTION	JW31				REMARKS
1	JW9-F7850-30	PEDAL ASSY (L.H)	1				
2	JW9-F7200-21	.PEDAL, BRAKE	1				
3	JW8-F7814-21	..BUSH, PEDAL	2				
4	JW9-F5672-00	..PAD, PARKING PEDAL	1				
5	JW9-F5671-00	..PEDAL, PARKING BRAKE	1				
6	JW8-F7117-00	..BOLT, MAIN STAND	1				
7	JW8-F8363-00	..NUT	1				
8	JW8-F7416-00	..BOLT, FOOTREST	1				
9	JW8-F639N-00	..COLLAR	1				
10	JW8-F7218-00	..NUT	1				
11	JW8-F7113-00	..COLLAR, MAIN STAND	1				
12	JW9-F5666-00	..SECTOR, PARKING BRAKE	1				
13	JW8-F7121-00	..BUSH	1				
14	JW9-F7221-00	..SEAL, SHAFT	2				
15	JW8-F7322-00	..WASHER	1				
16	JW8-F3183-00	..CIRCLIP	1				
17	JW8-F7426-01	..SPRING, RETURN	1				
18	JW9-F7231-10	..ROD, BRAKE	1				
19	JW9-F7232-00	..END, ROD 2	1				
20	JW8-F7318-00	..NUT	2				
21	JW8-F6314-00	..SPRING	1				
22	JW8-F639L-00	..BUSH 1	1				
23	JW9-F7228-00	..PIN, JOINT	1				
24	JW8-F8323-00	..WASHER, LEG SHIELD	1				
25	JW8-F5415-00	..CIRCLIP	1				
26	90386-12800	..BUSH	3				
27	JW8-F7825-01	..SPRING, RETURN	1				

FIG. 6 PEDAL ASSEMBLY



JC17100-P060

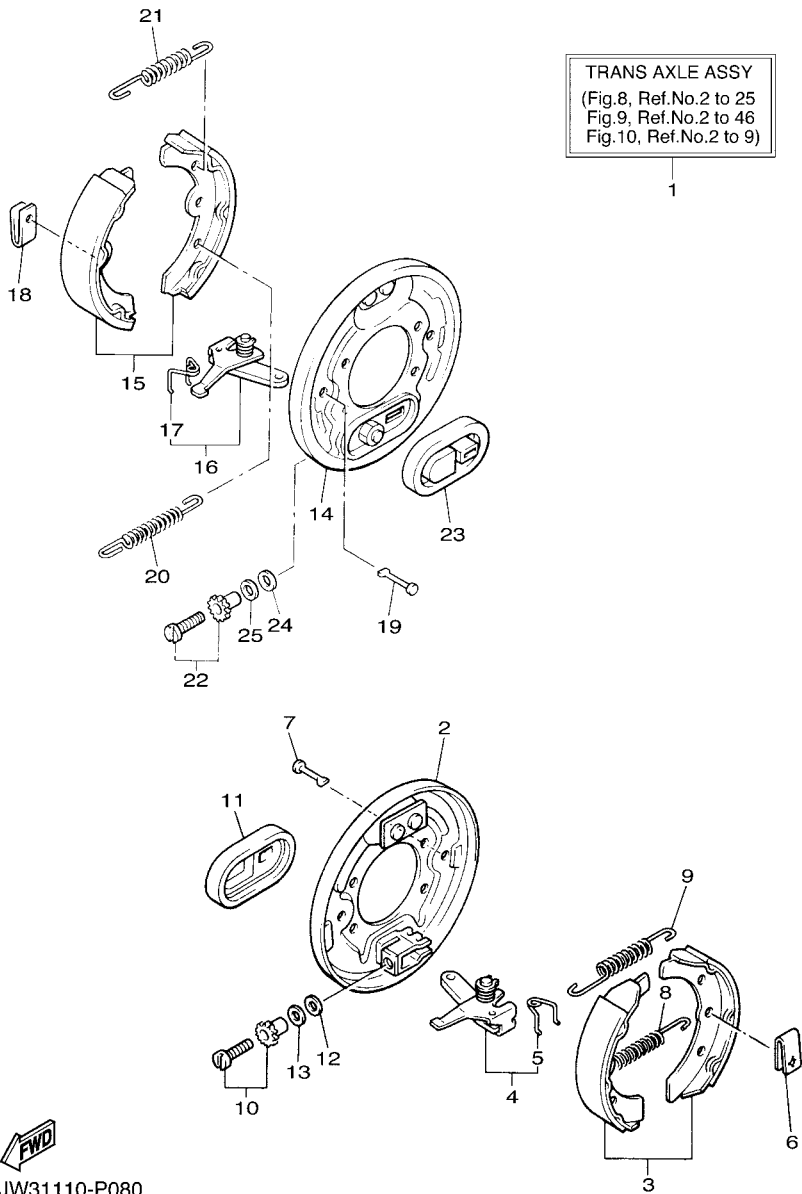
REF. NO.	PART NO.	DESCRIPTION	JW31				REMARKS
28	JW8-F7119-00	..WASHER	2				
29	JW8-F8319-00	..WASHER	1				
30	JW9-F7245-10	.PAD, BRAKE PEDAL	1				
31	JW8-F7316-01	.SPRING, SIDE STAND	1				
32	JW8-F7217-00	.BOLT	1				
33	JW9-F7445-30	.PLATE 1	1				
34	JW8-F7213-20	.COLLAR	1				
35	JW9-F7853-00	.SHAFT, PEDAL 1	1				
36	JW9-F7871-10	.PEDAL, ACCELERATOR	1				
37	JW9-F7872-20	.ARM, ACCELERATOR PEDAL	1				
38	JW8-F7438-00	.PIN, CLEVIS	1				
39	JW8-F7434-00	.BOLT	1				
40	JW8-F7317-00	.BOLT	1				
41	JW8-F7118-00	.NUT	1				
42	JW8-F815H-01	.SPRING	1				
43	JW8-F7814-21	.BUSH, PEDAL	2				
44	JW8-F4486-00	.O-RING	4				
45	JW9-F5673-00	.DAMPER, BRAKE	1				
46	JW9-F7246-20	.NAIL, BRAKE	1				
47	JW8-F8331-00	.BOLT, LEG SHIELD	2				
48	JW8-F4486-00	.O-RING	2				
49	JW9-F7263-00	.BRACKET 1	1				
50	JW9-F4648-20	.O-RING	1				
51	JW8-F41B8-00	.O-RING	1				
52	JW9-H5885-00	.THROTTLE SENSOR ASSY	1				
53	JW9-F5827-00	.SHIM, CALIPER	1				UR
	JW9-F5827-10	.SHIM, CALIPER	1				UR



JW71100-H170

FIG. 7 BRAKE 1

REF. NO.	PART NO.	DESCRIPTION	JW31				REMARKS
1	JW7-F7263-00	BRACKET 1	1				
2	JW7-F7264-00	BRACKET 2	1				
3	90105-08054	BOLT, FLANGE	8				
4	95602-08200	NUT, SELF-LOCKING	8				
5	JH2-27208-01	BACKING PLATE SUB ASSY 1	1				
6	JX4-W2536-00	BRAKE SHOE SET	1				
7	J38-27204-00	LEVER ASSY 1	1				
8	J55-25358-00	.SPRING, RETURN	1				
9	J10-27281-00	SPRING, SHOE CLAMP	2				
10	J10-27282-00	PIN, SHOE HOLD DOWN	2				
11	90506-20281	SPRING, TENSION	1				
12	90506-14001	SPRING, TENSION	1				
13	J55-27270-00	ADJUSTER ASSY	1				
14	J10-27286-00	COVER, DUST	1				
15	90201-121H8	WASHER, PLATE	1				
16	90201-121H9	WASHER, PLATE	1				
17	JH2-27209-01	BACKING PLATE SUB ASSY 2	1				
18	JX4-W2536-00	BRAKE SHOE SET	1				
19	J38-27205-00	LEVER ASSY 2	1				
20	J55-25357-00	.SPRING, LEVER RETURN	1				
21	J10-27281-00	SPRING, SHOE CLAMP	2				
22	J10-27282-00	PIN, SHOE HOLD DOWN	2				
23	90506-20281	SPRING, TENSION	1				
24	90506-14001	SPRING, TENSION	1				
25	J55-27260-00	ADJUSTER ASSY	1				
26	J10-27286-00	COVER, DUST	1				
27	90201-121H8	WASHER, PLATE	1				



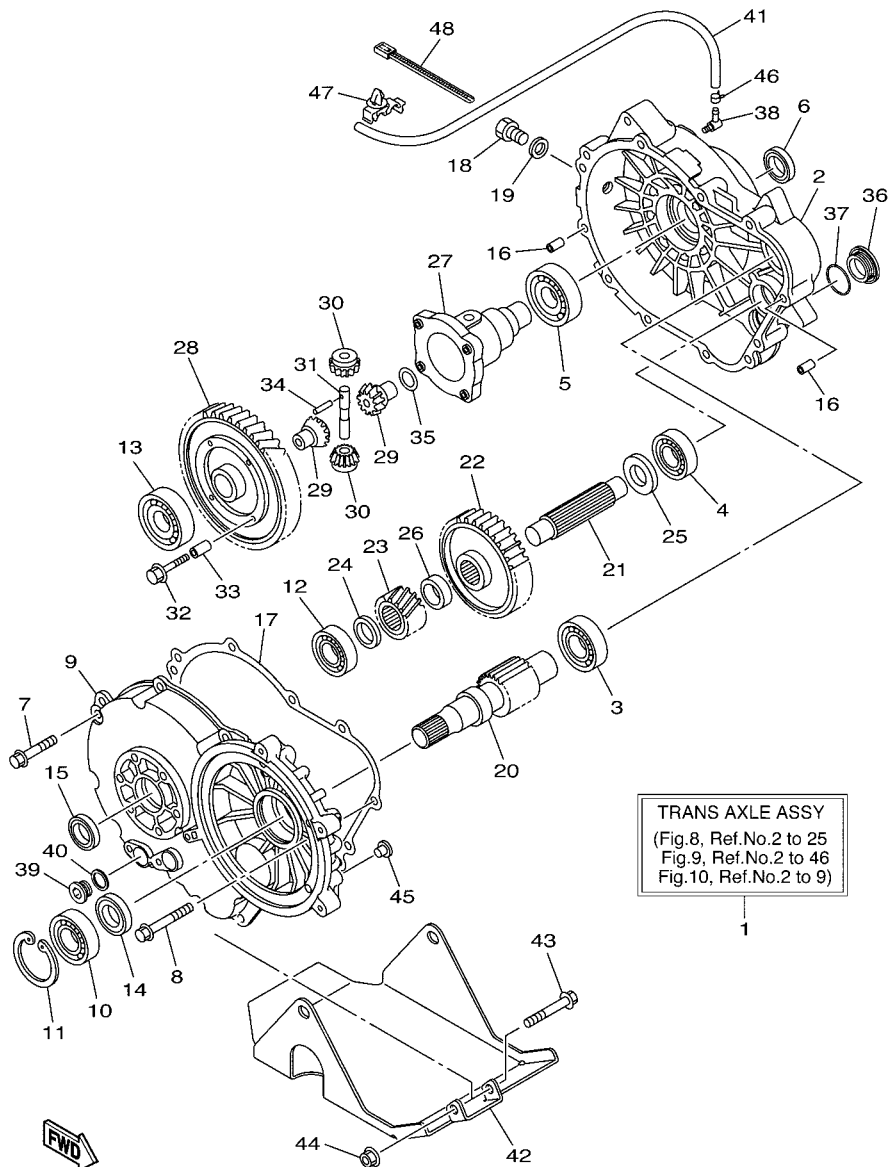
JW31110-P080

FIG. 8 BRAKE 2

REF. NO.	PART NO.	DESCRIPTION	JW31				REMARKS
1	JW3-46300-00	TRANS AXLE ASSY	1				
2	JH2-27208-01	BACKING PLATE SUB ASSY 1	1				
3	JX4-W2536-00	BRAKE SHOE SET	1				
4	J38-27204-00	LEVER ASSY 1	1				
5	J55-25358-00	.SPRING, RETURN	1				
6	J10-27281-00	SPRING, SHOE CLAMP	2				
7	J10-27282-00	PIN, SHOE HOLD DOWN	2				
8	90506-20281	SPRING, TENSION	1				
9	90506-14001	SPRING, TENSION	1				
10	J55-27270-00	ADJUSTER ASSY	1				
11	J10-27286-00	COVER, DUST	1				
12	90201-121H8	WASHER, PLATE	1				
13	90201-121H9	WASHER, PLATE	1				
14	JH2-27209-01	BACKING PLATE SUB ASSY 2	1				
15	JX4-W2536-00	BRAKE SHOE SET	1				
16	J38-27205-00	LEVER ASSY 2	1				
17	J55-25357-00	.SPRING, LEVER RETURN	1				
18	J10-27281-00	SPRING, SHOE CLAMP	2				
19	J10-27282-00	PIN, SHOE HOLD DOWN	2				
20	90506-20281	SPRING, TENSION	1				
21	90506-14001	SPRING, TENSION	1				
22	J55-27260-00	ADJUSTER ASSY	1				
23	J10-27286-00	COVER, DUST	1				
24	90201-121H8	WASHER, PLATE	1				
25	90201-121H9	WASHER, PLATE	1				

FIG. 9 TRANSAXLE

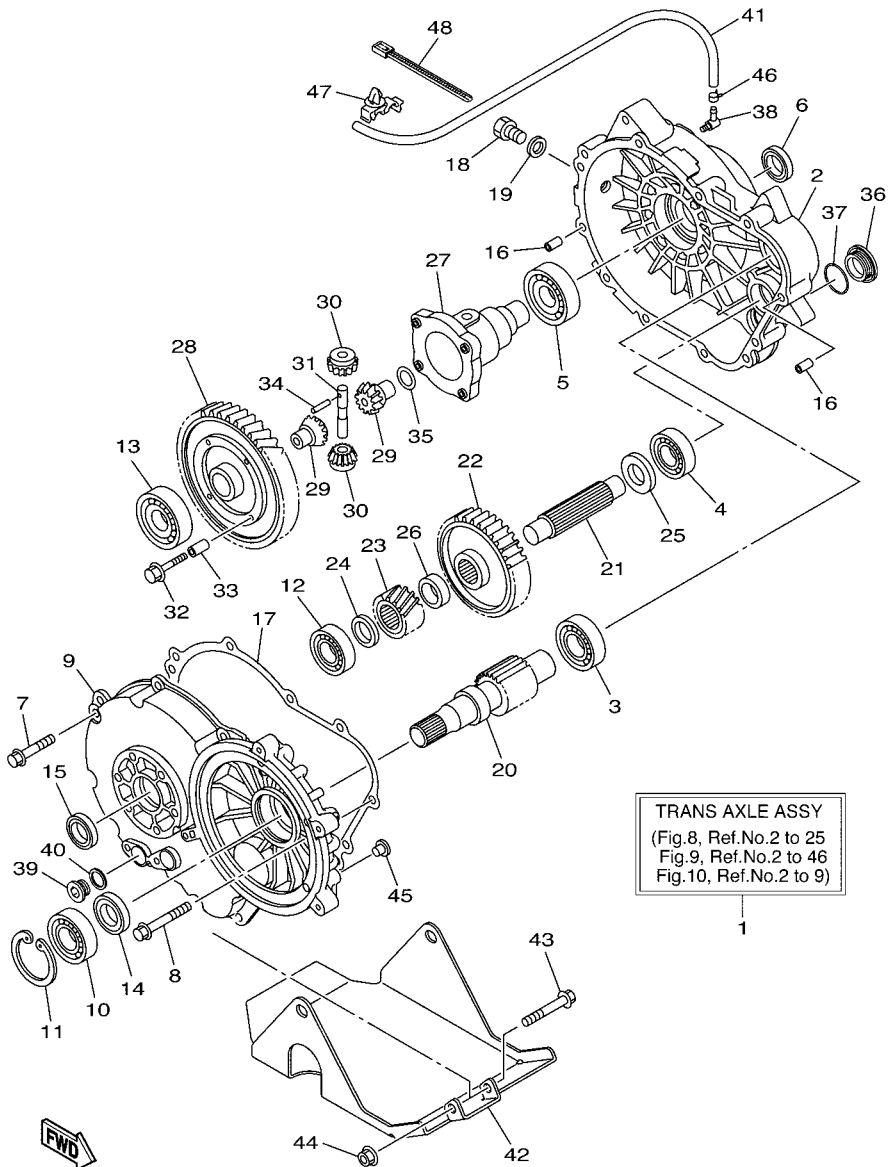
REF. NO.	PART NO.	DESCRIPTION	JW31				REMARKS
1	JW3-46300-00	TRANS AXLE ASSY	1				
2	JW3-46311-00	CASE, TRANSMISSION 1	1				
3	93306-20501	BEARING	1				
4	93306-20401	BEARING	1				
5	93306-00803	BEARING	1				
6	93102-25360	OIL SEAL	1				
7	95822-08040	BOLT, FLANGE	8				
8	95822-08050	BOLT, FLANGE	2				
9	JW3-46312-00	CASE, TRANSMISSION 2	1				
10	93306-205A7	BEARING	1				
11	99009-52500	CIRCLIP	1				
12	93306-20401	BEARING	1				
13	93306-00803	BEARING	1				
14	93102-32008	OIL SEAL	1				
15	93102-25360	OIL SEAL	1				
16	99530-12016	PIN, DOWEL	2				
17	JX3-46319-00	GASKET	1				
18	90340-14036	PLUG, STRAIGHT SCREW	1				
19	90430-14043	GASKET	1				
20	JX5-46321-01	SHAFT, INPUT	1				
21	JT2-46351-10	SHAFT, COUNTER	1				
22	JX5-46361-01	GEAR, COUNTER 1	1				
23	JT2-46362-00	GEAR, COUNTER 2	1				
24	90201-20032	WASHER, PLATE	1				
25	90201-20033	WASHER, PLATE	1				
26	90387-252M8	COLLAR	1				
27	JY2-46411-00	CASE, DIFFERENTIAL	1				



JW31110-P090

FIG. 9 TRANSAXLE

REF. NO.	PART NO.	DESCRIPTION	JW31				REMARKS
28	JX3-46421-00	GEAR, RING	1				
29	JJ3-46414-C0	GEAR, DIFFERENTIAL SIDE	2				
30	J38-46415-C0	PINION, DIFFERENTIAL	2				
31	J38-46417-02	PIN, DIFFERENTIAL	1				
32	90105-10347	BOLT, FLANGE	4				
33	99530-14016	PIN, DOWEL	2				
34	91609-40040	PIN, SPRING	1				
35	90201-29013	WASHER, PLATE	1				
36	90340-32005	PLUG, STRAIGHT SCREW	1				
37	93210-32172	O-RING	1				
38	4BR-14251-00	NIPPLE	1				
39	90340-18003	PLUG, STRAIGHT SCREW	1				
40	90430-18130	GASKET	1				
41	90445-10366	HOSE (L650)	1				
42	JW3-28343-00	GUARD, STONE	1				
43	95802-08055	BOLT, FLANGE	1				
44	95702-08500	NUT, FLANGE	1				
45	90338-09012	PLUG	3				
46	90467-09037	CLIP	1				
47	90464-10008	CLAMP	1				
48	90464-40825	CLAMP	1				



JW31110-P090

FIG. 12 BODY

REF. NO.	PART NO.	DESCRIPTION	JW31				REMARKS
1	JW7-K8115-20	COWL, FRONT	1				
2	90269-06800	RIVET	5				
3	JW1-F3396-01	SCREW, SPECIAL	2				
4	90105-06870	BOLT, FLANGE	1				
5	JW1-F4161-10	EMBLEM 1	1				
6	90183-06071	NUT, SPRING	2				
7	JW7-F1551-00	FENDER, OVER	1				
8	JW7-F1555-00	FENDER, OVER 2	1				
9	90179-05523	NUT	8				
10	98902-05020	SCREW, BIND	8				
11	JC0-K8114-00	PANEL, FRONT	1				
12	90111-05805	BOLT, HEX. SOCKET BUTTON	4				
13	90183-05008	NUT, SPRING	4				
14	90269-07001	RIVET	5				
15	JW6-K835E-00	HOLDER, BEVERAGE	1				
16	90111-05805	BOLT, HEX. SOCKET BUTTON	1				
17	90183-05008	NUT, SPRING	1				
18	JW3-K7768-00	LABEL, WARNING 8	1				(E) CAN
	JW3-K7768-10	LABEL, WARNING 8	1				(E,F) EXCEPT CAN
	JW3-K7768-20	LABEL, WARNING 8	1				(G,S) EXCEP CAN
19	JW7-K8233-10	MAT, MAIN FLOOR 3	1				
20	90269-09003	RIVET	5				
21	90269-09003	RIVET	5				
22	98902-08040	SCREW, BIND	1				
23	98902-08040	SCREW, BIND	1				
24	JW1-K8273-00	COVER, HOLE	1				
25	JW1-K8245-00	SEAL 1	1				

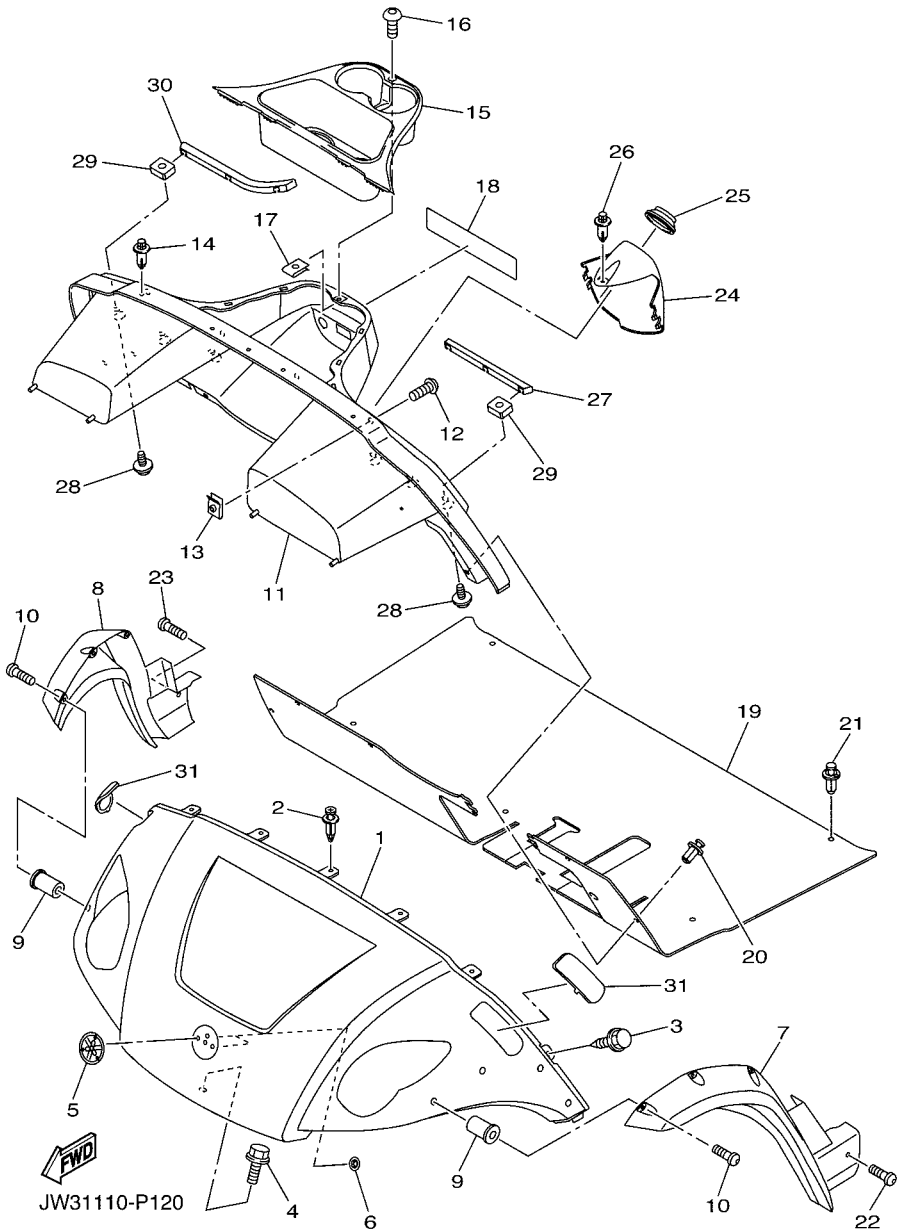


FIG. 12 BODY

REF. NO.	PART NO.	DESCRIPTION	JW31				REMARKS
26	90269-06804	RIVET	1				
27	JW1-K8261-00	PLATE, BODY PROTECT 1	1				
28	90119-06244	BOLT, WITH WASHER	6				
29	90173-06010	NUT, SQUARE	6				
30	JW1-K8262-00	PLATE, BODY PROTECT 2	1				
31	JW1-K832H-00	GROMMET, ROOF SUPPORT 3	2				
<hr/>							
<hr/>							
<hr/>							
<hr/>							
<hr/>							
<hr/>							
<hr/>							
<hr/>							
<hr/>							
<hr/>							

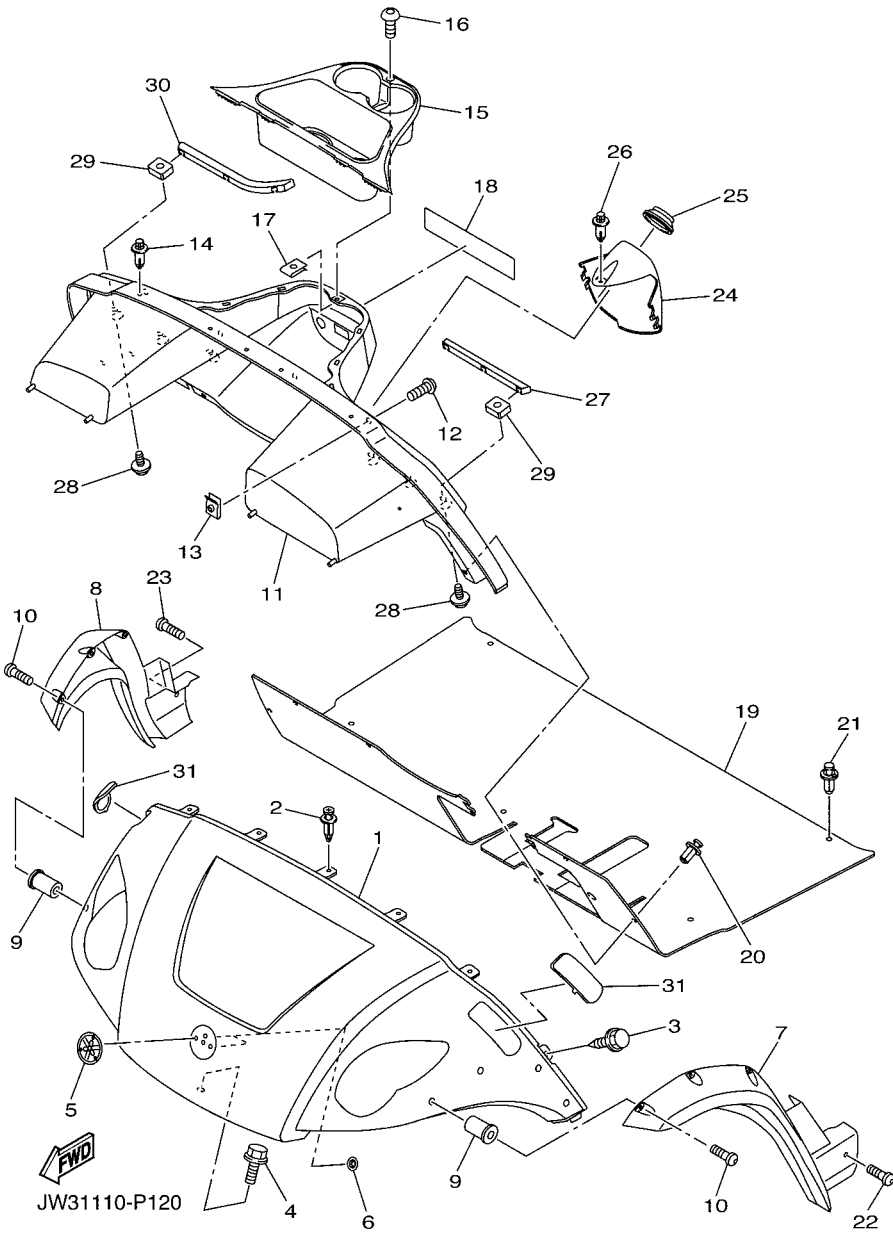
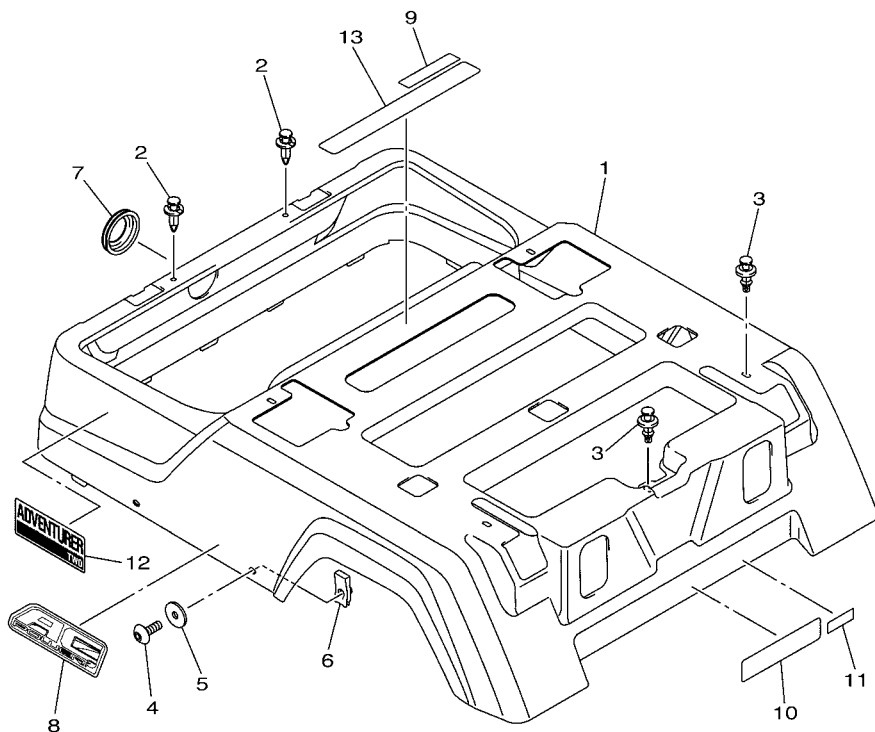


FIG. 13 BODY 2

REF. NO.	PART NO.	DESCRIPTION	JW31				REMARKS
1	JW3-K8142-00	PANEL, REAR BODY	1				
2	90269-08813	RIVET	2				
3	JW6-K7449-00	RIVET 1	5				
4	90111-06814	BOLT,HEX. SOCKET BUTTON	4				
5	90201-06086	WASHER, PLATE	4				
6	90183-06811	NUT, SPRING	4				
7	JW9-K827A-00	GUIDE 1	1				
8	JW3-F1781-00	EMBLEM 1	2				
9	JW9-K8298-10	PLATE, CAUTION 2	1				FOR CAN
	JW9-K8298-20	PLATE, CAUTION 2	1				EXCEPT FOR CAN
10	JW3-F1696-00	LABEL, CAUTION	1				(E) CAN
	JW3-F1696-10	LABEL, CAUTION	1				(E,F) EXCEPT CAN
	JW3-F1696-20	LABEL, CAUTION	1				(G,S) EXCEPT CAN
11	JW6-K7765-00	LABEL, WARNING 5	1				
12	JW7-F1781-00	EMBLEM 1	2				AP
13	JW3-K8297-00	PLATE, CAUTION 1	1				FOR CAN
	JW3-K8297-10	PLATE, CAUTION 1	1				EXCEPT FOR CAN



JW31110-P130

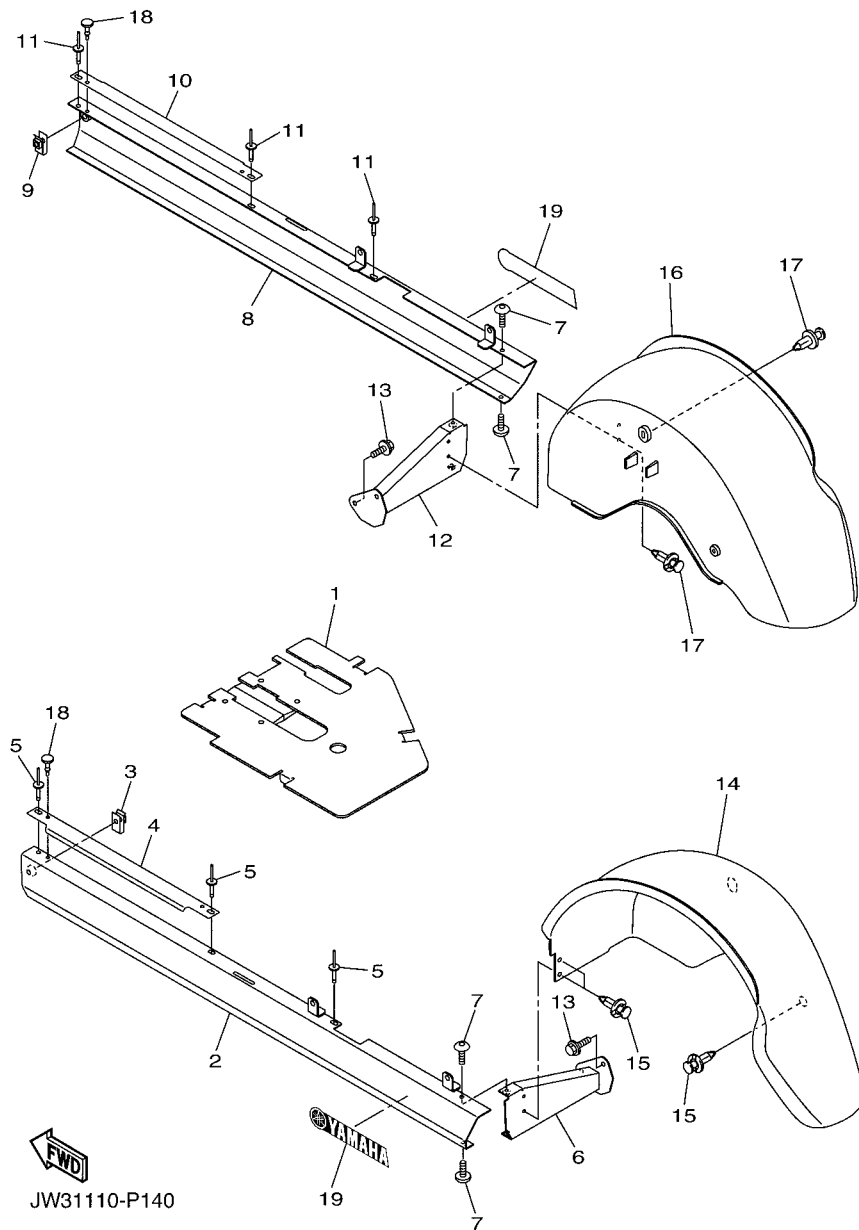
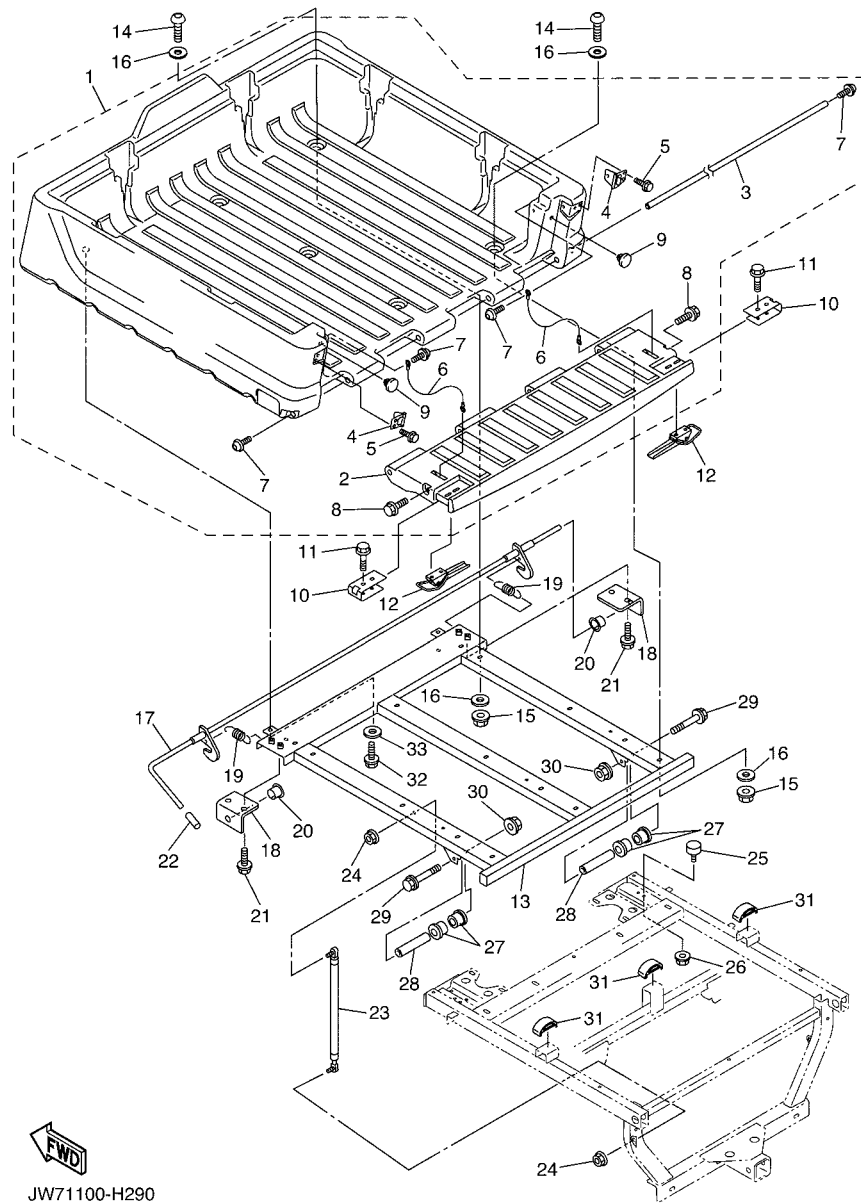


FIG. 14 BODY FITTING

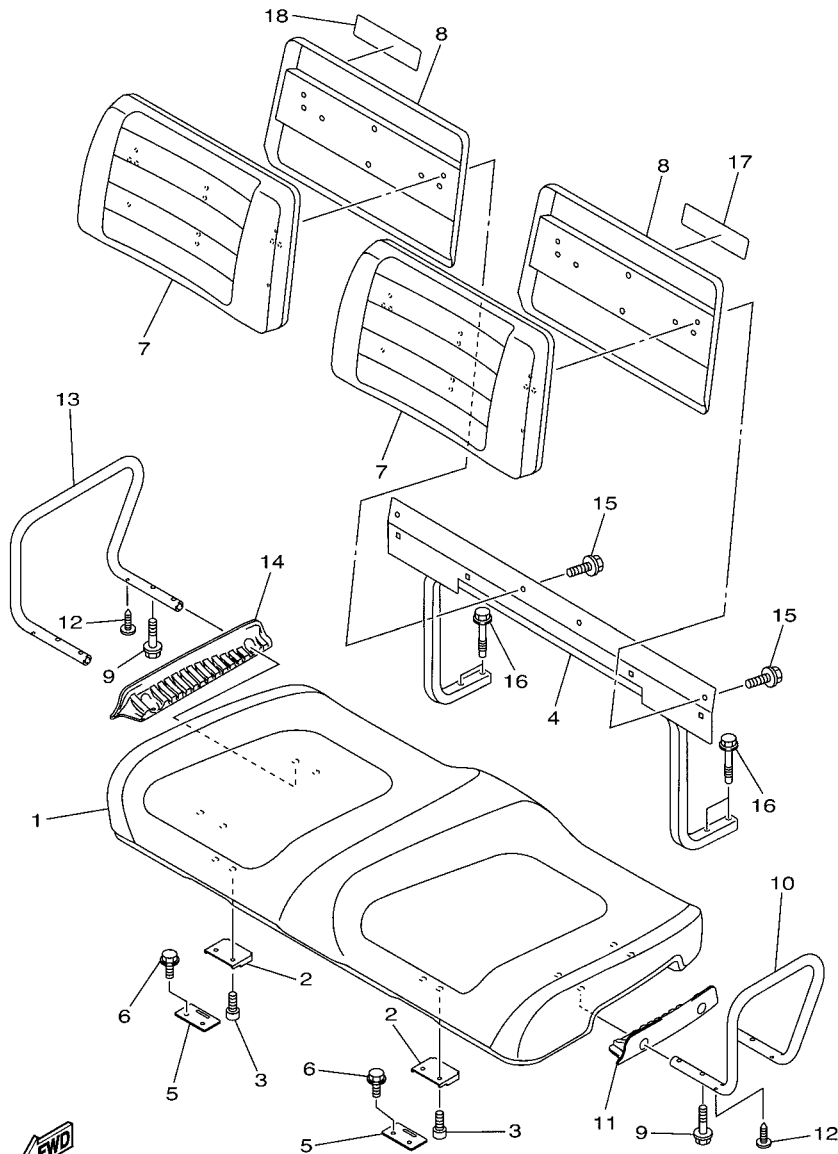
REF. NO.	PART NO.	DESCRIPTION	JW31				REMARKS
1	JW1-K8270-11	LID ASSY	1				
2	JW7-K818A-00	PROTECTOR, SIDE PLATE	1				
3	JW7-K811K-00	NUT, TRIM FITTING	1				
4	JW7-K8215-00	PLATE, SIDE TRIM	1				
5	JW7-K7329-00	RIVET	3				
6	JW7-K818E-00	CAP, PROTECTOR END 1	1				
7	90111-06814	BOLT, HEX. SOCKET BUTTON	4				
8	JW7-K818B-00	PROTECTOR, SIDE PLATE 2	1				
9	JW7-K811K-00	NUT, TRIM FITTING	1				
10	JW7-K8215-00	PLATE, SIDE TRIM	1				
11	JW7-K7329-00	RIVET	3				
12	JW7-K818F-00	CAP, PROTECTOR END 2	1				
13	90105-08867	BOLT, FLANGE	4				
14	JW1-K8191-00	PANEL, REAR FENDER 1	1				
15	90269-06804	RIVET	4				
16	JW1-K8192-00	PANEL, REAR FENDER 2	1				
17	90269-06804	RIVET	4				
18	JW1-K7449-00	RIVET 1	2				
19	F1X-U411C-10	EMBLEM, YAMAHA	2				



JW71100-H290

FIG. 15 CARRIER

REF. NO.	PART NO.	DESCRIPTION	JW31				REMARKS
1	JW7-K810M-00	REAR STORAGE BOX COMP.	1				
2	JU9-K819K-00	.SHELL, RR. STORAGE LID	1				
3	JU9-K8564-00	.PIN, HINGE	1				
4	JU9-K7172-00	.BODY, LATCH 2	2				
5	90119-06830	.BOLT, WITH WASHER	6				
6	JU9-K7195-00	.HOLDER, CABLE	2				
7	JU9-K6179-00	.BOLT, SPECIAL 1	4				
8	JU9-K6189-00	.BOLT, SPECIAL 2	2				
9	JU9-K7739-10	.DAMPER, LID	2				
10	JU9-K7171-00	BODY, LATCH 1	2				
11	JU9-K8384-00	BOLT	4				
12	5UG-F389E-00	LATCH	2				
13	JW7-K818N-00	BED, BOX	1				
14	90111-10800	BOLT,HEX. SOCKET BUTTON	7				
15	95602-10200	NUT, U FLANGE	7				
16	90201-10830	WASHER, PLATE	14				
17	JW6-K7180-00	LATCH ASSY	1				
18	JW6-K7185-00	PLATE 1	2				
19	90506-16451	SPRING, TENSION	2				
20	2P5-K7515-00	BUSH, RUBBER 1	2				
21	95822-08016	BOLT, FLANGE	4				
22	JJ3-K818M-00	CAP, PROTECTOR END 4	1				
23	5UG-F8415-00	DAMPER 1	2				
24	95602-08200	NUT, SELF-LOCKING	4				
25	JU5-K8167-11	BUMPER, RUBBER 1	2				
26	95602-08200	NUT, SELF-LOCKING	2				
27	JW6-F2123-00	BUSH 1	4				

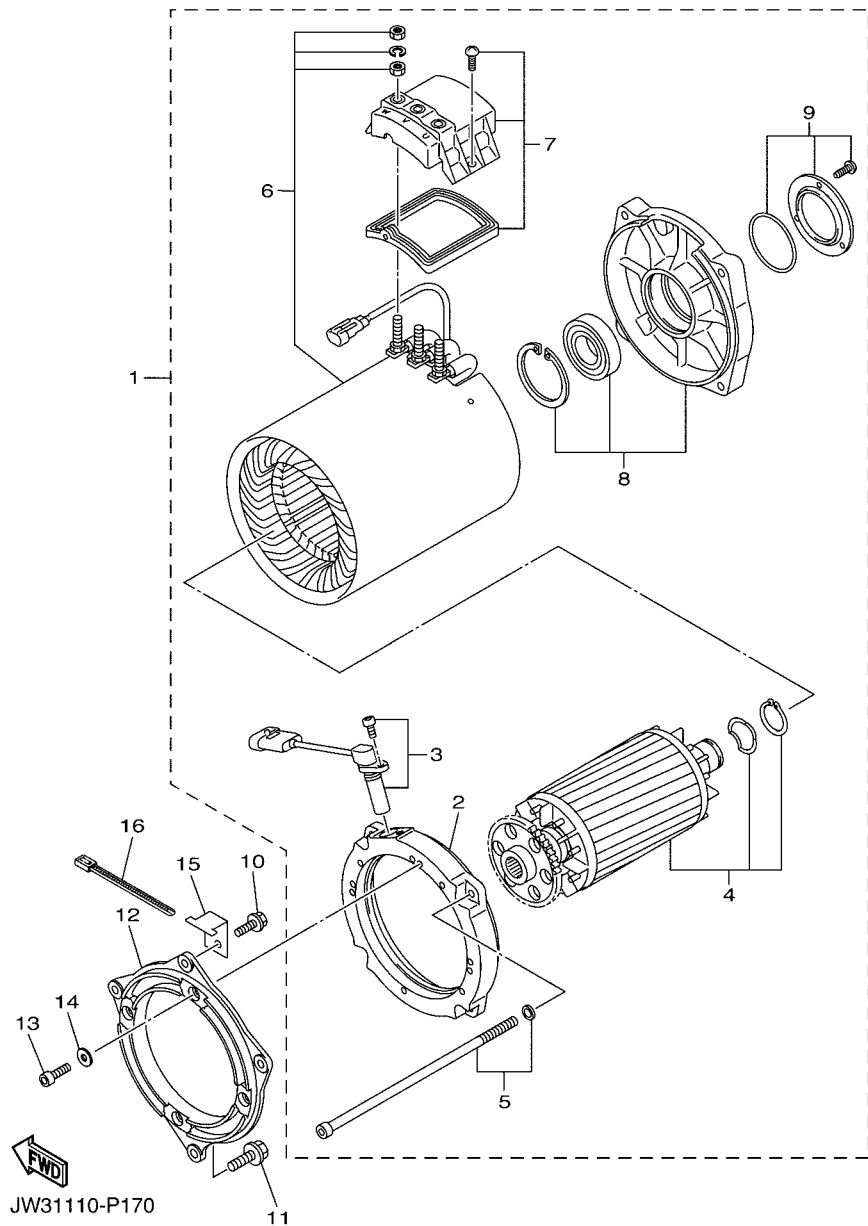


JW67110-N280

FIG. 16 SEAT

REF. NO.	PART NO.	DESCRIPTION	JW31				REMARKS
1	JW1-K8401-12	SEAT SUB-ASSY,CUSHION	1				
2	JW1-K8426-00	HINGE, SEAT 1	2				
3	90110-06125	BOLT, HEXAGON SOCKET HEAD	4				
4	JW6-K8423-00	SUPPORT, SEAT BACK	1				
5	JW1-K8427-00	HINGE, SEAT 2	2				
6	90163-06802	SCREW, TAPPING	4				
7	JW6-K8402-00	SEAT SUB ASSY, BACK	2				
8	JJ3-K8413-10	COVER, SEAT BACK	2				
9	90105-06129	BOLT, FLANGE	8				
10	JW6-K8361-00	ARM REST 1	1				
11	JW6-K7213-00	TRIM, UPPER	1				
12	JW6-K7329-00	RIVET	4				
13	JW6-K8362-00	ARM REST 2	1				
14	JW6-K7214-00	TRIM, LOWER	1				
15	90119-06837	BOLT, WITH WASHER	4				
16	90105-088A4	BOLT, FLANGE	4				
17	JW7-K7766-00	LABEL, WARNING 6	1				(E) CAN
	JW7-K7766-10	LABEL, WARNING 6	1				(E,F) EXCEPT CAN
	JW7-K7766-20	LABEL, WARNING 6	1				(G,S) EXCEPT CAN
18	JW6-K7767-01	LABEL, WARNING 7	1				(E) CAN
	JW6-K7767-10	LABEL, WARNING 7	1				(E,F) EXCEPT CAN
	JW6-K7767-20	LABEL, WARNING 7	1				(G,S) EXCEPT CAN

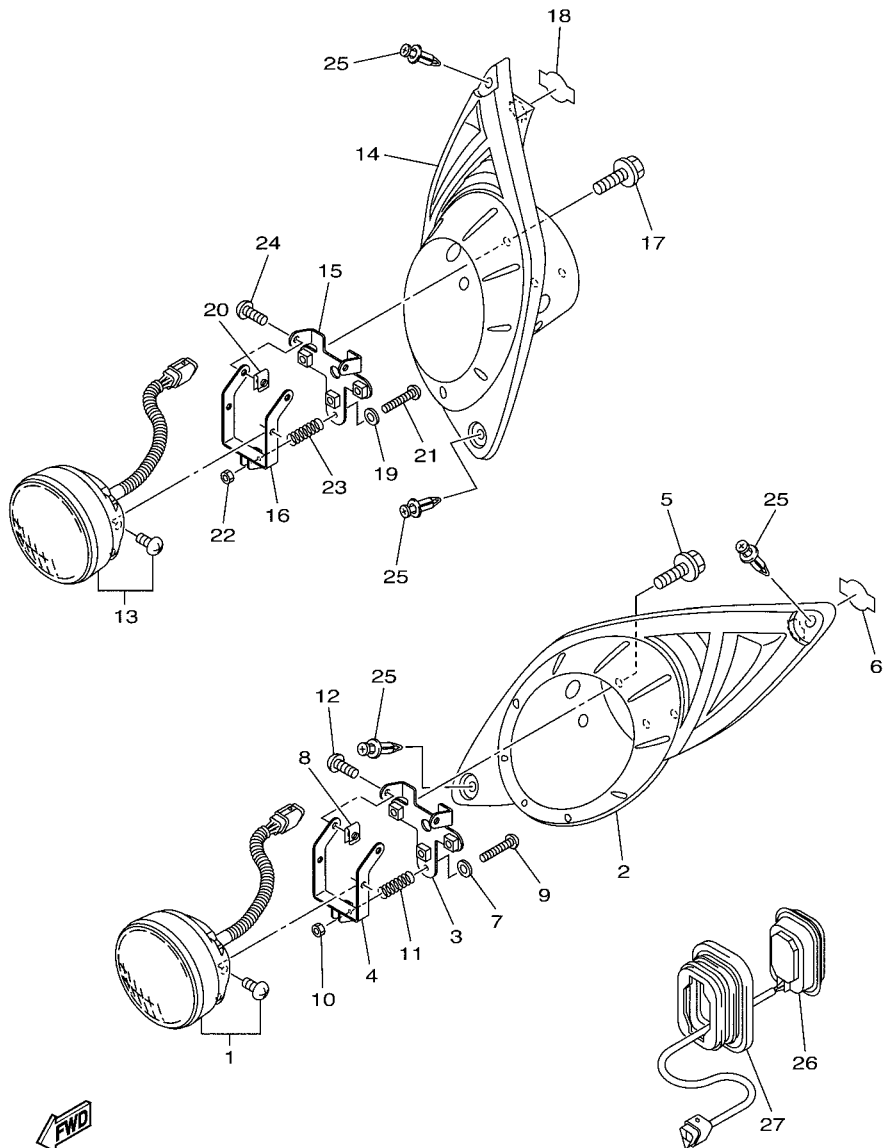
FIG. 17 ELECTRIC MOTOR



REF. NO.	PART NO.	DESCRIPTION	JW31				REMARKS
1	JW3-H1890-00	MOTOR ASSY	1				
2	JW3-H183J-00	.BRACKET, FRONT	1				
3	JW3-H3756-00	.SENSOR, UNIT	1				
4	JW3-H1155-00	.ARMATURE	1				
5	JW3-H2379-00	.SCREW, UNIT	1				
6	JW3-H1117-00	.STATOR	1				
7	JW3-H165G-00	.PLTE, TERMINAL	1				
8	JW3-H182J-00	.BRACKET COMPLETE	1				
9	JW3-H1869-00	.COVER, DUST	1				
10	95817-06020	BOLT, FLANGE	3				
11	95027-08020	BOLT, FLANGE	1				
12	JW3-81822-00	BRACKET, STARTING MOTOR	1				
13	91317-06025	BOLT	4				
14	90201-06034	WASHER, PLATE	4				
15	JU2-H218E-01	RELIEF, STRAIN 1	1				
16	90464-40825	CLAMP	2				

FIG. 18 HEAD & TAIL LIGHT

REF. NO.	PART NO.	DESCRIPTION	JW31				REMARKS
1	JW6-H4300-10	HEADLIGHT ASSY	1				HALOGEN (12V35W)
2	JC0-H4111-00	BODY, HEADLIGHT	1				
3	JW6-H4318-00	STAY, HEADLIGHT 1	1				
4	JW6-H4319-00	STAY, HEADLIGHT 2	1				
5	90119-06884	BOLT, WITH WASHER	3				
6	JU7-H3547-10	COVER, SOCKET	1				
7	90201-03008	WASHER, PLATE	1				
8	90183-050A6	NUT, SPRING	2				
9	JW6-H433E-01	SCREW, ADJUSTING	1				
10	2GU-84334-00	NUT, ADJUSTING	1				
11	2GU-84332-00	SPRING, SCREW	1				
12	98902-05016	SCREW, BIND	2				
13	JW6-H4300-10	HEADLIGHT ASSY	1				HALOGEN (12V35W)
14	JC0-H4311-00	BODY, HEADLIGHT	1				
15	JW6-H4318-00	STAY, HEADLIGHT 1	1				
16	JW6-H4319-00	STAY, HEADLIGHT 2	1				
17	90119-06884	BOLT, WITH WASHER	3				
18	JU7-H3547-10	COVER, SOCKET	1				
19	90201-03008	WASHER, PLATE	1				
20	90183-050A6	NUT, SPRING	2				
21	JW6-H433E-01	SCREW, ADJUSTING	1				
22	2GU-84334-00	NUT, ADJUSTING	1				
23	2GU-84332-00	SPRING, SCREW	1				
24	98902-05016	SCREW, BIND	2				
25	90269-06800	RIVET	4				
26	JU5-H4700-10	TAILLIGHT ASSY	2				
27	JU5-H4718-00	GROMMET	2				

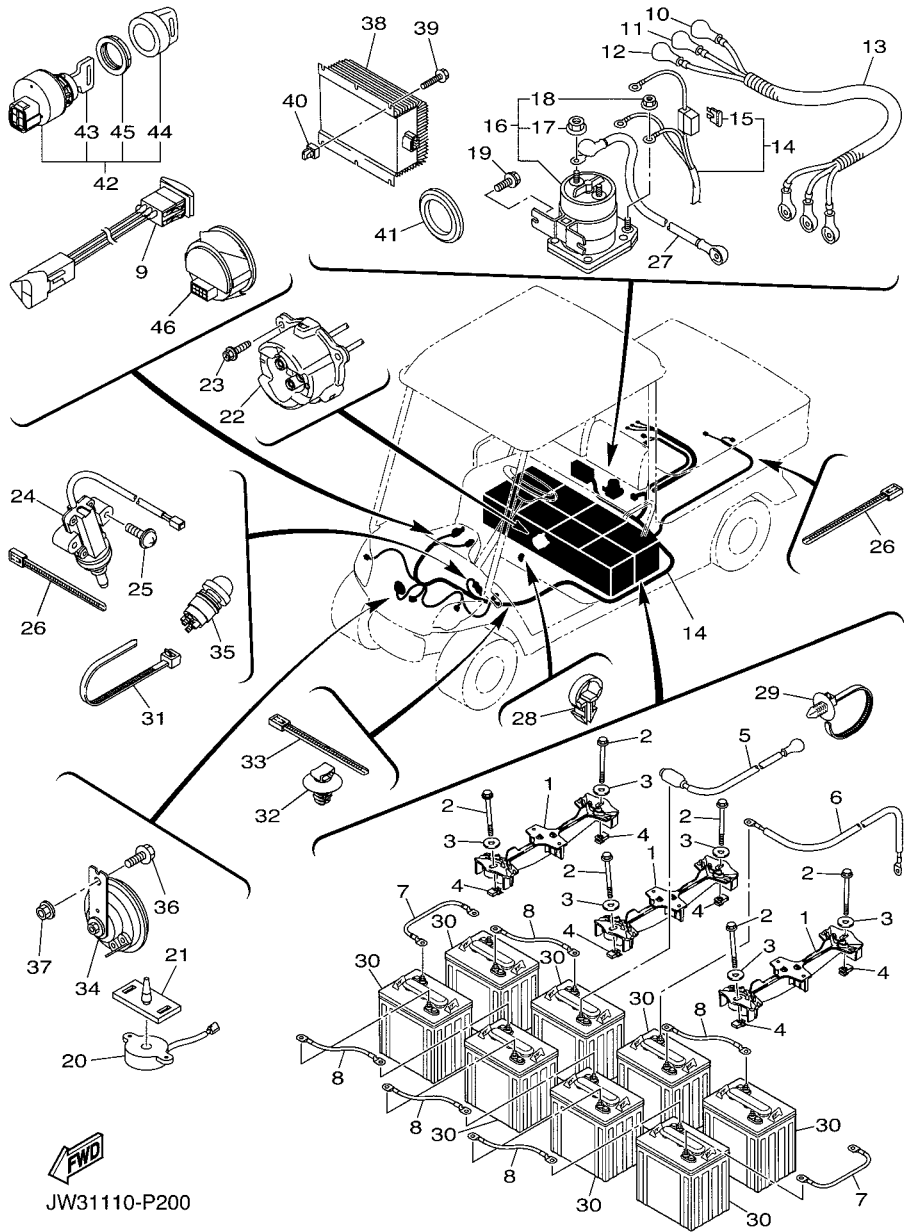


FWD

JP22110-N300

FIG. 20 ELECTRICAL 1

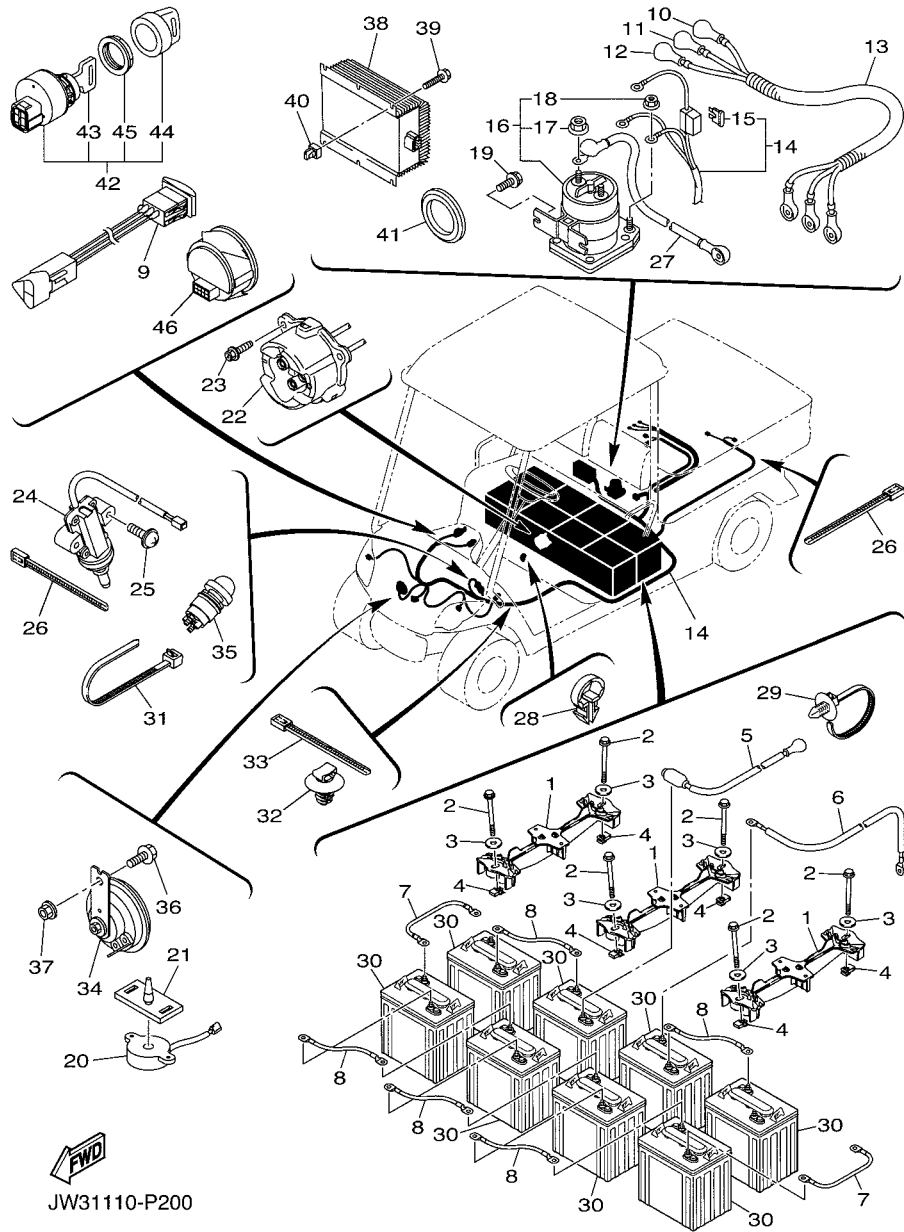
REF. NO.	PART NO.	DESCRIPTION	JW31				REMARKS
1	JW9-H2136-00	PLATE, BATTERY FITTING	3				
2	JW9-H1892-00	BOLT, SPECIAL	6				
3	90201-08310	WASHER, PLATE	6				
4	JW9-K811K-00	NUT, TRIM FITTING	6				
5	JW3-H2115-00	WIRE, PLUS LEAD	1				
6	JW3-H2116-00	WIRE, MINUS LEAD	1				
7	JW3-H2127-00	WIRE, LEAD 2	2				
8	JW3-H2149-00	WIRE, LEAD 3	5				
9	JU2-H2917-00	SWITCH	1				
10	JW3-H6171-00	WIRE, LEAD 1	1				(U)
11	JW3-H6172-00	WIRE, LEAD 2	1				(V)
12	JW3-H6173-00	WIRE, LEAD 3	1				(W)
13	JU2-H7196-20	TUBE 1	1				
14	JW3-H2590-00	WIRE HARNESS ASSY	1				
15	JN6-H2151-00	.FUSE (10 A)	1				
16	JU6-H1950-00	RELAY ASSY	1				
17	90179-08887	.NUT	2				
18	90179-05886	.NUT	2				
19	90105-06831	BOLT, FLANGE	2				
20	JR1-H3383-02	BUZZER	1				
21	JN6-H3386-01	STAY, BUZZER	1				
22	JW9-H6181-00	RECEPTACLE	1				
23	JW1-F3394-00	BOLT, SPECIAL	3				
24	JF7-82817-22	SWITCH	1				
25	97602-05225	SCREW, PAN HEAD WITH WASHER	2				
26	90464-40825	CLAMP	4				
27	JW3-H6527-00	WIRE 7	1				

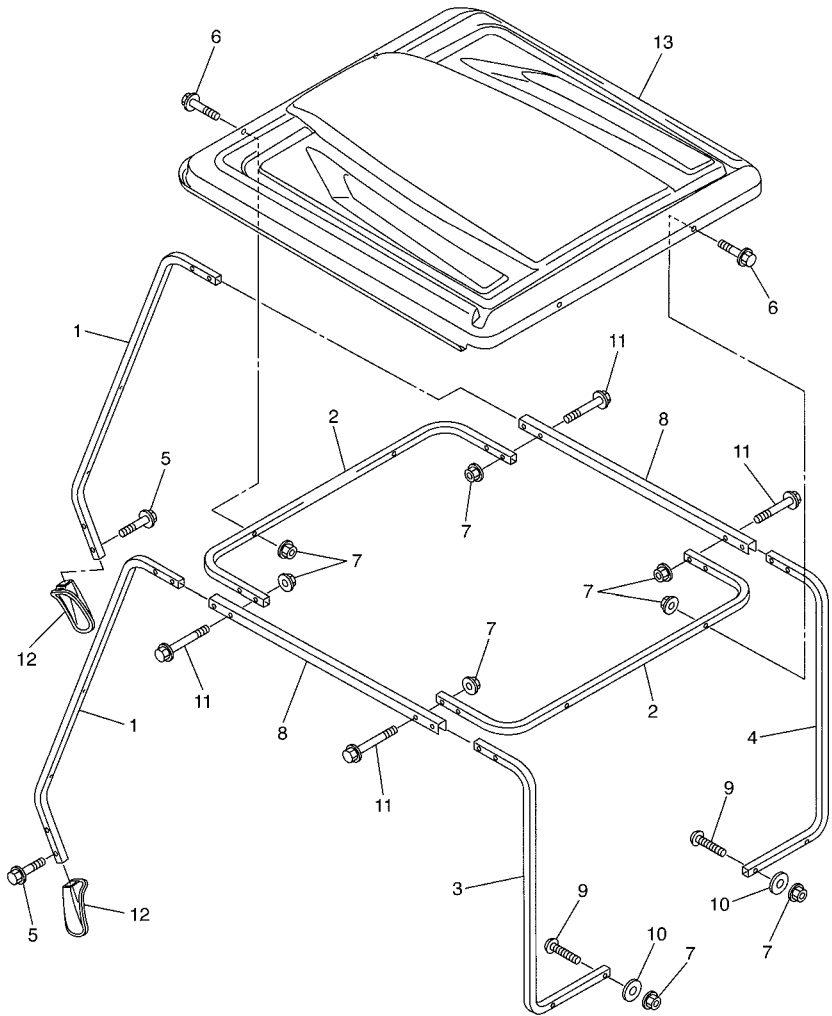


JW31110-P200

FIG. 20 ELECTRICAL 1

REF. NO.	PART NO.	DESCRIPTION	JW31				REMARKS
28	90464-19815	CLAMP	1				
29	90464-20005	CLAMP	11				
30	*	BATTERY ASSY	8				LM
31	90464-48800	CLAMP	2				
32	JW3-F2465-00	HOLDER	3				
33	90464-40825	CLAMP	3				
34	4LR-83371-11	HORN	1				
35	JR6-H270X-00	SWITCH	1				
36	95822-06016	BOLT, FLANGE	1				
37	95702-06500	NUT, FLANGE	1				
38	JU6-H1910-10	VOLTAGE REGULATOR ASSY	1				
39	JC1-H252V-00	SCREW, SPECIAL	6				
40	JC1-H397K-00	NUT, INSERT	6				
41	90480-48243	GROMMET	1				
42	JW6-H2510-00	MAIN SWITCH ASSY	1				
43	JU6-H2511-10	.KEY, MAIN SWITCH	2				
44	5UG-H2579-00	.CAP, KEY	1				
45	JU6-H2569-00	.NUT, MAIN SWITCH	1				
46	JC1-H351B-01	GAUGE, BATTERY	1				





JW61100-H341

FIG. 23 ALTERNATE FOR SUN ROOF

REF. NO.	PART NO.	DESCRIPTION	JW31				REMARKS
1	JW6-K8312-00	SUPPORT, SUN ROOF 1	2				
2	JW6-K8313-01	SUPPORT, SUN ROOF 2	2				
3	JW6-K831A-00	SUPPORT, ROOF 3	1				
4	JW6-K831E-00	SUPPORT, ROOF 4	1				
5	JW1-K8388-00	BOLT, ROOF 1	4				
6	JW1-K8388-00	BOLT, ROOF 1	4				
7	95602-08200	NUT, SELF-LOCKING	16				
8	JW6-K831F-00	SUPPORT, ROOF 5	2				
9	JW6-K8384-00	BOLT	4				
10	90201-08M54	WASHER, PLATE	4				
11	90105-088A8	BOLT, FLANGE	8				
12	JW1-K832F-10	GROMMET, ROOF SUPPORT 1	2				
13	JW6-K8314-00	COVER, SUN ROOF	1				

NUMERICAL INDEX

PART NO.	REF. NO.	PART NO.	REF. NO.	PART NO.	REF. NO.	PART NO.	REF. NO.	PART NO.	REF. NO.	PART NO.	REF. NO.
4BR-14251-00	9 - 38	JW3-46300-00	10 - 1	JW3-F2501-00	2 - 1	JW1-F5100-01	3 - 31	JW9-F7850-30	6 - 1	JU7-H3547-10	18 - 6
401-22128-01	3 - 16	JW3-46311-00	9 - 2	JW3-F2504-00	2 - 11	JW3-F5110-00	3 - 21	JW9-F7853-00	6 - 35		18 - 18
2NL-23448-00	3 - 9	JW3-46312-00	9 - 9	JW3-F252M-00	2 - 4	JN6-F5118-01	3 - 28	JW9-F7871-10	6 - 36	JW3-H3756-00	17 - 3
2NL-23517-00	3 - 11	JX3-46319-00	9 - 17	JW9-F2535-00	2 - 8	JW3-F5300-00	10 - 12	JW9-F7872-20	6 - 37	JC1-H397K-00	20 - 40
2HR-23526-00	3 - 3	JX5-46321-01	9 - 20	JW3-F258A-00	19 - 3	JW8-F5415-00	6 - 25	JW8-F815H-01	6 - 42	JC0-H4111-00	18 - 2
JW8-23841-01	4 - 27	JT2-46351-10	9 - 21	JW1-F258G-02	2 - 6	JW9-F5666-00	6 - 12	JW8-F8319-00	6 - 29	JW6-H4300-10	18 - 1
16B-2385L-10	1 - 15	JX5-46361-01	9 - 22	JW7-F312H-00	5 - 18	JW9-F5671-00	6 - 5	JW8-F8323-00	6 - 24		18 - 13
16B-2385M-10	1 - 16	JT2-46362-00	9 - 23	JW1-F3183-00	4 - 12	JW9-F5672-00	6 - 4	JW8-F8331-00	6 - 47	JC0-H4311-00	18 - 14
J55-25357-00	7 - 20	JY2-46411-00	9 - 27	JW8-F3183-00	6 - 16	JW9-F5673-00	6 - 45	JW8-F8363-00	6 - 7	JW6-H4318-00	18 - 3
	8 - 17	JJ3-46414-C0	9 - 29	JW3-F3350-00	3 - 14	JW7-F5681-00	5 - 4	5UG-F8415-00	15 - 23		18 - 15
J55-25358-00	7 - 8	J38-46415-C0	9 - 30	JW3-F3390-00	3 - 19	JW9-F5827-00	6 - 53	JW3-G6521-00	3 - 29	JW6-H4319-00	18 - 4
	8 - 5	J38-46417-02	9 - 31	JW1-F3394-00	20 - 23	JW9-F5827-10	6 - 53		10 - 10		18 - 16
JW3-26341-00	5 - 9	JX3-46421-00	9 - 28	JW1-F3396-01	12 - 3	JW8-F6314-00	6 - 21	1D9-G7491-00	1 - 14	JW6-H433E-01	18 - 9
JW7-26351-10	5 - 10	JW3-46510-00	10 - 4	JW1-F3400-00	4 - 10	JW9-F632G-00	6 - 54	JW3-H1117-00	17 - 6		18 - 21
JW7-26361-10	5 - 16	JW3-46520-00	10 - 6	5UG-F3489-00	4 - 20	JW8-F639L-00	6 - 22	JW3-H1155-00	17 - 4	JU5-H4700-10	18 - 26
JW7-26373-10	5 - 17	JW3-46540-00	10 - 2	JW7-F3511-00	3 - 4	JW8-F639N-00	6 - 9	JW3-H165G-00	17 - 7	JU5-H4718-00	18 - 27
J38-27204-00	7 - 7	JW3-46550-00	10 - 3	JW1-F3512-00	3 - 5	JW8-F7113-00	6 - 11	JW3-H182J-00	17 - 8	JW9-H5885-00	6 - 52
	8 - 4	JW3-81822-00	17 - 12	JW7-F3521-00	3 - 12	JW8-F7117-00	6 - 6	JW3-H183J-00	17 - 2	JW3-H6171-00	20 - 10
J38-27205-00	7 - 19	JW9-81962-00	21 - 3	5UG-F3527-00	4 - 21	JW8-F7118-00	6 - 41	JW3-H1869-00	17 - 9	JW3-H6172-00	20 - 11
	8 - 16	JW9-82107-10	21 - 1	JU0-F3570-20	3 - 1	JW8-F7119-00	6 - 28	JW3-H1890-00	17 - 1	JW3-H6173-00	20 - 12
JH2-27208-01	7 - 5	JW9-82174-00	21 - 2	JW1-F3811-03	4 - 1	JW8-F7121-00	6 - 13	JW9-H1892-00	20 - 2	JW9-H6181-00	20 - 22
	8 - 2	JF7-82817-22	20 - 24	JW1-F3812-00	4 - 13	JW9-F7200-21	6 - 2	JU6-H1910-10	20 - 38	JW3-H6527-00	20 - 27
JH2-27209-01	7 - 17	4LR-83371-11	20 - 34	JW1-F3822-01	4 - 29	JW8-F7213-20	6 - 34	JU6-H1950-00	20 - 16	JU2-H7196-20	20 - 13
	8 - 14	2GU-84332-00	18 - 11	JU0-F3828-10	4 - 4	JW8-F7217-00	6 - 32	JU2-H1962-00	21 - 6	GCA-JW821-00	22 - 2
JW7-27213-00	5 - 8		18 - 23	1P0-F3833-00	4 - 26	JW8-F7218-00	6 - 10	JU2-H1962-10	21 - 6	GCA-JW822-01	22 - 7
JW7-27227-00	5 - 1	2GU-84334-00	18 - 10	JW1-F3837-00	4 - 22	JW9-F7221-00	6 - 14	JU2-H1962-20	21 - 6	JU9-K6179-00	15 - 7
JW7-27229-00	5 - 14		18 - 22	JN3-F3838-00	4 - 6	JW9-F7228-00	6 - 23	JW2-H2107-13	21 - 4	JU9-K6189-00	15 - 8
JW7-27238-00	5 - 6	JW3-86510-00	19 - 1	5UG-F3844-00	4 - 19	JW9-F7231-10	6 - 18	JW3-H2115-00	20 - 5	JU9-K7171-00	15 - 10
J55-27260-00	7 - 25	JW7-F1459-00	1 - 21	JU0-F3857-11	4 - 3	JW9-F7232-00	6 - 19	JW3-H2116-00	20 - 6	JU9-K7172-00	15 - 4
	8 - 22	JW7-F1551-00	12 - 7		4 - 5	JW9-F7245-10	6 - 30	JW3-H2127-00	20 - 7	JW8-K7173-00	22 - 4
J55-27270-00	7 - 13	JW7-F1555-00	12 - 8	JW1-F3866-00	4 - 24	JW9-F7246-20	6 - 46	JW9-H2136-00	20 - 1	JW6-K7180-00	15 - 17
	8 - 10	JW6-F1633-00	15 - 28	1D9-F386G-10	1 - 18	JW7-F7263-00	7 - 1	JW3-H2149-00	20 - 8	JW6-K7185-00	15 - 18
JW7-27275-00	5 - 15	JW3-F1696-00	13 - 10	1D9-F386H-01	1 - 19	JW9-F7263-00	6 - 49	JN6-H2151-00	20 - 15	JU9-K7195-00	15 - 6
J10-27281-00	7 - 9	JW3-F1696-10	13 - 10	JW1-F387A-00	4 - 11	JW7-F7264-00	7 - 2	JU2-H218E-01	17 - 15	JW8-K7200-00	22 - 1
	7 - 21	JW3-F1696-20	13 - 10	JW1-F387E-00	4 - 14	JW8-F7316-01	6 - 31	JR1-H235A-00	21 - 5	JW8-K7200-10	22 - 1
	8 - 6	JW1-F1738-00	2 - 3	5UG-F387F-00	4 - 17	JW8-F7317-00	6 - 40	JW3-H2379-00	17 - 5	JW8-K7200-21	22 - 3
	8 - 18		2 - 5	5UG-F387G-00	4 - 15	JW8-F7318-00	6 - 20	JW6-H2510-00	20 - 42	JW8-K7200-31	22 - 3
J10-27282-00	7 - 10		2 - 9	5UG-F387J-00	4 - 18	JW8-F7322-00	6 - 15	JU6-H2511-10	20 - 43	JW6-K7213-00	16 - 11
	7 - 22	JW3-F1781-00	13 - 8	5UG-F387K-00	4 - 16	JW3-F7411-00	2 - 2	JC1-H252V-00	20 - 39	JW6-K7214-00	16 - 14
	8 - 7	JW7-F1781-00	13 - 12	JW1-F3894-00	4 - 25	JW8-F7416-00	6 - 8	JU6-H2569-00	20 - 45	JW8-K7222-10	22 - 5
	8 - 19	JW3-F2110-00	1 - 1	5UG-F389E-00	15 - 12	JW8-F7426-01	6 - 17	5UG-H2579-00	20 - 44	JW6-K7329-00	16 - 12
J10-27286-00	7 - 14	JW6-F2123-00	15 - 27	JW1-F4161-10	12 - 5	JW8-F7434-00	6 - 39	JW3-H2590-00	20 - 14	JW7-K7329-00	14 - 5
	7 - 26	JN6-F2123-10	1 - 2	JW8-F41B8-00	6 - 51	JW8-F7435-00	6 - 56	JR6-H270X-00	20 - 35		14 - 11
	8 - 11	JN6-F2124-10	1 - 6	JW8-F4486-00	6 - 44	JW8-F7438-00	6 - 38	JW2-H2727-00	19 - 2	JW1-K7449-00	14 - 18
	8 - 23	JW1-F217G-10	1 - 10		6 - 48	JW9-F7445-30	6 - 33	JU2-H2917-00	20 - 9	JW6-K7449-00	13 - 3
JW3-28343-00	9 - 42	JW7-F2210-00	1 - 11	JW8-F4619-01	19 - 4	JW1-H3383-02	6 - 3	JR1-H3383-02	20 - 20	JW1-K7510-01	11 - 1
JW3-46300-00	8 - 1	JW9-F2417-00	2 - 10	JW9-F4648-20	6 - 50	JN6-H3386-01	6 - 43	JW3-H3386-01	20 - 21	2P5-K7515-00	15 - 20
	9 - 1	JW3-F2465-00	20 - 32	JW1-F467K-00	4 - 23	JW8-F7825-01	6 - 27	JC1-H351B-01	20 - 46	JU9-K7739-10	15 - 9

NUMERICAL INDEX

PART NO.	REF. NO.	PART NO.	REF. NO.	PART NO.	REF. NO.	PART NO.	REF. NO.	PART NO.	REF. NO.	PART NO.	REF. NO.
JW8-K7762-00	4 - 38	JW6-K8314-00	23 - 13	90111-05805	12 - 16	90201-128S4	1 - 9	90506-20281	8 - 8	95812-12080	3 - 17
JW8-K7762-11	4 - 38	JW6-K831A-00	23 - 3	90111-06814	13 - 4	90201-20032	9 - 24		8 - 20	95817-06020	17 - 10
JW8-K7762-21	4 - 38	JW6-K831E-00	23 - 4		14 - 7	90201-20033	9 - 25	91317-06025	17 - 13	95822-06012	11 - 4
JW6-K7765-00	13 - 11	JW6-K831F-00	23 - 8	90111-10800	15 - 14	90201-29013	9 - 35	91490-25020	5 - 13	95822-06016	20 - 36
JW7-K7766-00	16 - 17	JW1-K832F-10	23 - 12	90114-12004	10 - 5	90208-14801	3 - 26	91609-40040	9 - 34	95822-08016	15 - 21
JW7-K7766-10	16 - 17	JW1-K832H-00	12 - 31		10 - 7	90249-14129	5 - 5	91702-08018	5 - 12	95822-08020	15 - 32
JW7-K7766-20	16 - 17	JW8-K8357-00	4 - 32	90114-12805	3 - 22	90269-06800	12 - 2	91702-10022	5 - 2	95822-08040	9 - 7
JW6-K7767-01	16 - 18	JN6-K8358-01	4 - 33	90119-06244	12 - 28		18 - 25	92902-08600	4 - 31	95822-08050	9 - 8
JW6-K7767-10	16 - 18	JW6-K835E-00	12 - 15	90119-06830	15 - 5	90269-06804	12 - 26	92902-10100	1 - 23	97012-08030	4 - 30
JW6-K7767-20	16 - 18	JW6-K8361-00	16 - 10	90119-06837	16 - 15		14 - 15	92902-10600	1 - 24	97012-10020	1 - 22
JW3-K7768-00	12 - 18	JW6-K8362-00	16 - 13	90119-06884	18 - 5		14 - 17	92902-12200	4 - 8	97507-06525	19 - 6
JW3-K7768-10	12 - 18	JU9-K8384-00	15 - 11		18 - 17	90269-07001	12 - 14	93102-25360	9 - 6	97527-08516	19 - 5
JW3-K7768-20	12 - 18	JW6-K8384-00	23 - 9	90119-10044	1 - 5	90269-08813	13 - 2		9 - 15	97602-05225	20 - 25
JW7-K810M-00	15 - 1	JW1-K8388-00	23 - 5	90163-06802	16 - 6	90269-09003	12 - 20	93102-32008	9 - 14	97702-40525	4 - 34
JC0-K8114-00	12 - 11		23 - 6	90173-06010	12 - 29		12 - 21	93210-32172	9 - 37	98902-05016	18 - 12
JW7-K8115-20	12 - 1	JW1-K8401-12	16 - 1	90179-05523	12 - 9	90338-09012	9 - 45	93306-005Y3	3 - 24		18 - 24
JW7-K811K-00	14 - 3	JW6-K8402-00	16 - 7	90179-05886	20 - 18	90340-14036	9 - 18	93306-00803	9 - 5	98902-05020	12 - 10
	14 - 9	JJ3-K8413-10	16 - 8	90179-08887	20 - 17	90340-18003	9 - 39		9 - 13	98902-08040	12 - 22
JW9-K811K-00	20 - 4	JW6-K8423-00	16 - 4	90179-12262	3 - 30	90340-32005	9 - 36	93306-20401	9 - 4		12 - 23
JW3-K8142-00	13 - 1	JW1-K8426-00	16 - 2		10 - 11	90381-17067	3 - 10		9 - 12	99002-09600	5 - 11
JJ3-K815H-01	15 - 31	JW1-K8427-00	16 - 5	90179-13800	1 - 4	90381-18001	3 - 2	93306-204X0	3 - 23	99009-52500	9 - 11
JW1-K8164-00	11 - 2	JU9-K8564-00	15 - 3	90183-05008	12 - 13	90386-12800	6 - 26	93306-20501	9 - 3	99530-12016	9 - 16
JW8-K8167-00	22 - 6	F1X-U411C-10	14 - 19		12 - 17	90387-046N7	4 - 37	93306-205A7	9 - 10	99530-14016	9 - 33
JU5-K8167-11	15 - 25	JX4-W2536-00	7 - 6	90183-050A6	18 - 8	90387-12016	3 - 15	95027-08020	17 - 11		
JW7-K818A-00	14 - 2		7 - 18		18 - 20	90387-241M7	3 - 25	95302-08700	5 - 7		
JW7-K818B-00	14 - 8		8 - 3	90183-06071	12 - 6	90387-252M8	9 - 26	95602-08200	2 - 13		
JW7-K818E-00	14 - 6		8 - 15	90183-06811	13 - 6	90430-14043	9 - 19		7 - 4		
JW7-K818F-00	14 - 12	90105-06129	16 - 9	90185-12002	1 - 13	90430-18130	9 - 40		15 - 24		
JJ3-K818M-00	15 - 22	90105-06831	2 - 7	90185-12008	4 - 7	90445-10366	9 - 41		15 - 26		
JW7-K818N-00	15 - 13		20 - 19	90201-03008	18 - 7	90464-10008	9 - 47		15 - 30		
JW1-K8191-00	14 - 14	90105-06870	12 - 4		18 - 19	90464-19815	20 - 28		23 - 7		
JW1-K8192-00	14 - 16	90105-08054	7 - 3	90201-04810	4 - 35	90464-20005	20 - 29	95602-10200	1 - 17		
JU9-K819K-00	15 - 2	90105-08171	2 - 15	90201-05824	6 - 55	90464-40825	9 - 48		3 - 7		
JW7-K8215-00	14 - 4	90105-082A0	10 - 9	90201-06034	17 - 14		17 - 16		15 - 15		
	14 - 10	90105-08867	14 - 13	90201-06086	13 - 5		20 - 26	95602-12200	1 - 8		
JW7-K8233-10	12 - 19	90105-088A4	16 - 16	90201-08053	15 - 33		20 - 33		4 - 9		
JW1-K8245-00	12 - 25	90105-088A7	2 - 12	90201-08310	20 - 3	90464-48800	20 - 31	95602-14100	3 - 27		
JW1-K8261-00	12 - 27	90105-088A8	23 - 11	90201-08843	2 - 14	90467-09037	9 - 46	95612-12100	3 - 18		
JW1-K8262-00	12 - 30	90105-088B0	11 - 3	90201-08M54	23 - 10	90468-20196	5 - 3	95702-06500	20 - 37		
JW1-K8270-11	14 - 1	90105-10219	3 - 8	90201-10830	15 - 16	90480-48243	20 - 41	95702-08500	9 - 44		
JW1-K8273-00	12 - 24	90105-10267	3 - 13	90201-121H8	7 - 15	90502-10013	4 - 36	95802-08055	9 - 43		
JW9-K827A-00	13 - 7		3 - 20		7 - 27	90506-14001	7 - 12	95812-08012	1 - 20		
JW3-K8297-00	13 - 13	90105-10347	9 - 32		8 - 12		7 - 24	95812-08020	4 - 2		
JW3-K8297-10	13 - 13	90105-10373	3 - 6		8 - 24		8 - 9		6 - 57		
JW9-K8298-10	13 - 9	90105-10847	4 - 28	90201-121H9	7 - 16		8 - 21	95812-08070	15 - 29		
JW9-K8298-20	13 - 9	90105-13800	1 - 3		7 - 28	90506-16451	15 - 19	95812-10030	10 - 8		
JW6-K8312-00	23 - 1	90110-06125	16 - 3		8 - 13	90506-20281	7 - 11	95812-12055	1 - 12		
JW6-K8313-01	23 - 2	90111-05805	12 - 12		8 - 25		7 - 23	95812-12065	1 - 7		