



# PARTS CATALOGUE

## YDREX6 (JW97) CANADA, EUROPE, OTHERS

---



1RJW9-100E1

( )

YDREX6  
PARTS CATALOGUE  
©2015 by Yamaha Motor Co., Ltd.  
1st edition, June 2015  
All rights reserved.  
Any reprinting or unauthorized use  
without the written permission of  
Yamaha Motor Co., Ltd.  
is expressly prohibited.  
Printed in Japan.

# FOREWORD

This Parts Catalogue is related to the parts for the model(s) on the cover page. When you are ordering replacement parts, please refer to this Parts Catalogue and quote both part numbers and part names correctly.

1. Modifications or additions which have been made after the issue of the Parts Catalogue will be announced in the Parts News.

It is advisable that you make the necessary corrections to the Parts Catalogue according to the Parts News.

2. Abbreviations

The following abbreviations are used in this Parts Catalogue.

“UR” Use specified parts number.

“UN” Use as many as needed.

“AP” Alternate Parts

“LM” Locally Made (Parts need to be ordered locally)

“F#” Frame No. (Applicable machine No.)

“O/S” Over Size

3. The number of components for assembly

- Parts, which are to be supplied in an assembly, are listed with a dot (.) in front of the part name as shown below.
- The numeral appearing to the right of each component part indicates the quantity of parts for each assembly unit.

PART NO.	DESCRIPTION	Q'TY	REMARKS
2F5-83310-60	FRONT FLASHER LIGHT ASSY	2	
115-83311-60	.BULB (6V-18W)	1	

4. Applicable colours of graphics are represented in the “REMARKS” as shown below.

PART NO.	DESCRIPTION	Q'TY	REMARKS
2N4-24110-00-X5	FUEL TANK COMP.	2	MXR
3J1-24240-10	.GRAPHIC, FUEL TANK	1	FOR MXR

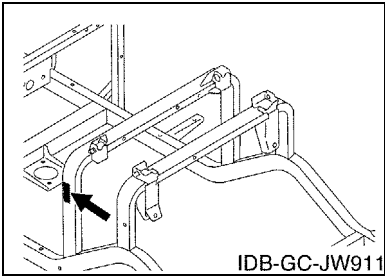
5. Note that the illustrations for reference in finding parts numbers are not to be used for assembling. When assembling, please use the applicable service manual.

6. The asterisk (\*) before a reference number indicates modified items after the first edition.

# FOREWORD

7. Applicable Serial No.

Frame Serial No.



10. Applicable Starting Serial No.

Frame Serial No.

Serial No.	Name Of Q'ty Column	Model Code
JW9-600101	JW97	JW97

8. Applicable Colour Code (The (\*) mark shows Model colour.)

Abbreviation	Colour Name	Colour Code
DPBST(*)	DARK PURPLISH BLUE SOLID T	1220
HTR(*)	HEAT RED	00EY
LNMP(*)	LIGHT GRAY METALLIC P	0925
LN YM8(*)	LIGHT GRAYISH YELLOW ME 8	1047
NYS4(*)	GRAYISH YELLOW SOLID 4	1459
VDGS1(*)	VERY DARK GREEN SOLID 1	0614
WS7(*)	WHITE SOLID 7	1045

9. Quantity Column Information

Column No.	Name Of Q'ty Column	Destination
1	JW97	CANADA, EUROPE, OTHERS

# CONTENTS

## BODY

REAR ARM & SUSPENSION .....	1
FRAME .....	2
FRONT SUSPENSION .....	3
STEERING .....	5
PEDAL WIRE .....	7
PEDAL ASSEMBLY .....	8
BRAKE .....	11

## DRIVE

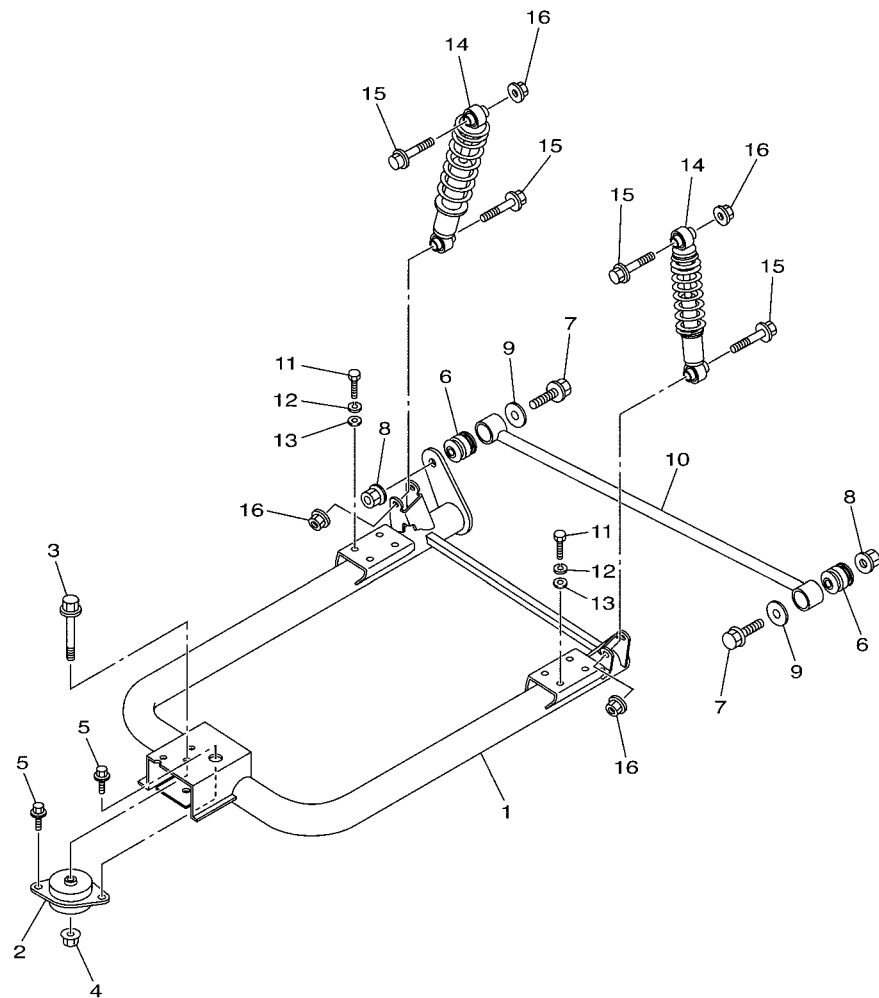
TRANSAXLE .....	12
WHEEL .....	14
BUMPER .....	15
BODY .....	16
BODY 2 .....	18
BODY FITTING .....	19
CARRIER .....	20
SEAT .....	21

## ELECTRICAL

ELECTRIC MOTOR .....	22
CONTROLLER 1 .....	24
ELECTRICAL 1 .....	25
BATTERY CHARGER .....	27
ALTERNATE FOR WINDSHIELD .....	28
ALTERNATE FOR SUN ROOF .....	29

## INDEX

NUMERICAL INDEX .....	30
-----------------------	----



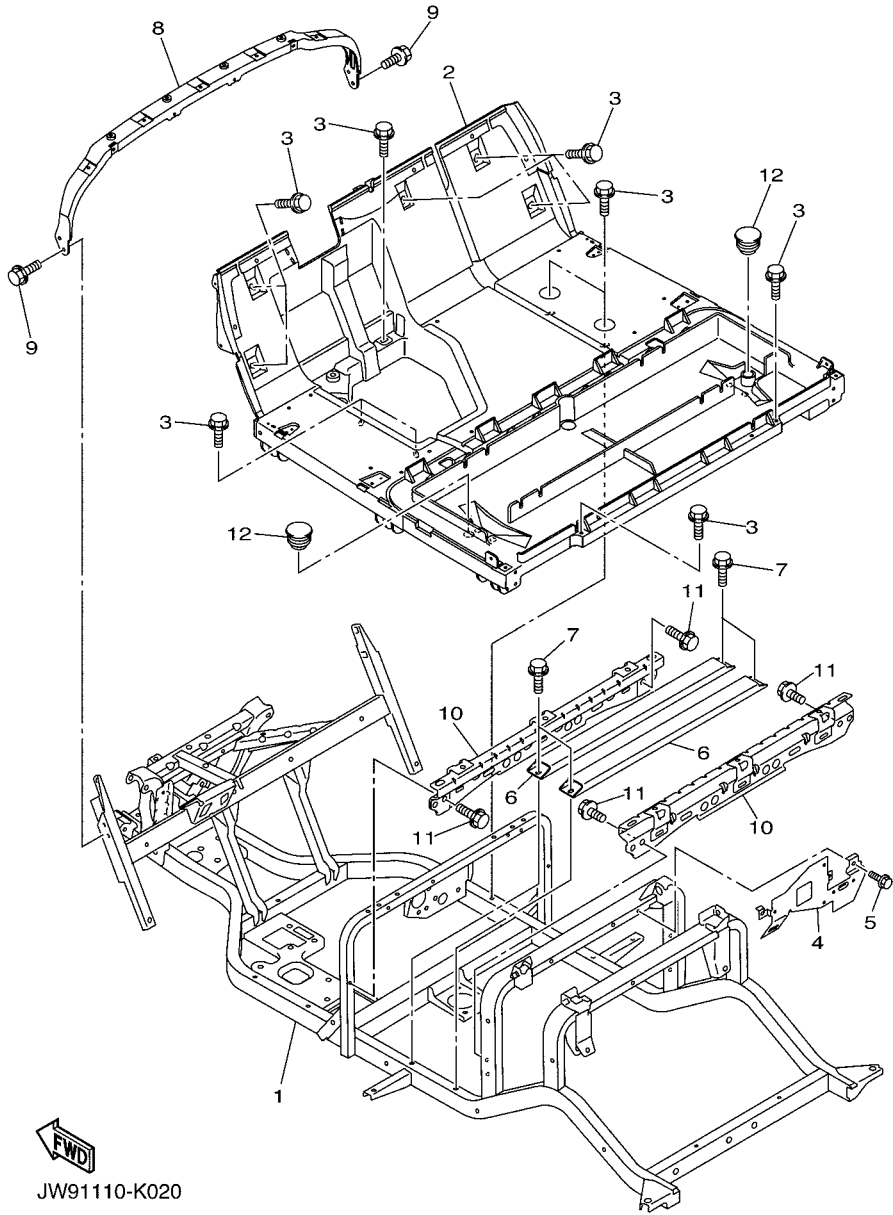
JW97110-R010

**FIG. 1 REAR ARM & SUSPENSION**

REF. NO.	PART NO.	DESCRIPTION	JW97				REMARKS
1	JW9-F2110-20	REAR ARM COMP.	1				
2	JN6-F2123-10	BUSH 1	1				
3	90105-13800	BOLT, FLANGE	1				
4	90179-13800	NUT	1				
5	90119-10044	BOLT, WITH WASHER	2				
6	JN6-F2124-10	BUSH 2	2				
7	95812-12065	BOLT, FLANGE	2				
8	95602-12200	NUT, SELF-LOCKING	2				
9	90201-128S4	WASHER, PLATE	2				
10	JW1-F217G-10	ROD, CONNECTING 2	1				
11	97012-10020	BOLT	8				
12	92902-10100	WASHER, SPRING	8				
13	92902-10600	WASHER, PLATE	8				
14	JW2-F2210-10	SHOCK ABSORBER ASSY, REAR	2				
15	95812-10055	BOLT, FLANGE	4				
16	95602-10200	NUT, U FLANGE	4				

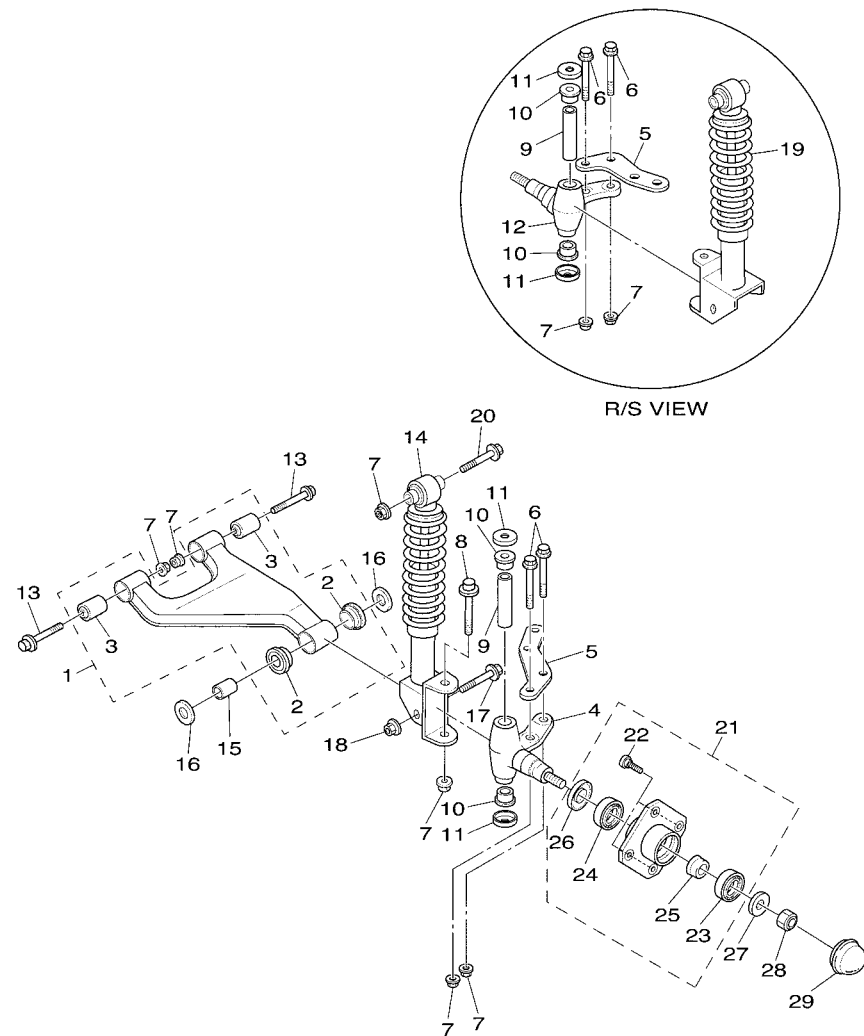
**FIG. 2 FRAME**

REF. NO.	PART NO.	DESCRIPTION	JW97				REMARKS
1	JW8-F2501-01	FRAME COMP.	1				
2	JW9-F7411-01	FOOTREST 1	1				
3	JW1-F1738-00	BOLT	12				
4	JW9-F252M-00	BRACKET, 3	1				
5	90105-06831	BOLT, FLANGE	3				
6	JW9-F2198-10	MEMBER, CROSS	2				
7	JW1-F1738-00	BOLT	4				
8	JW1-F258G-02	BRACKET, DASH UPPER 1	1				
9	90105-06831	BOLT, FLANGE	4				
10	JW9-F2535-00	STAY, BATTERY 1	2				
11	JW1-F1738-00	BOLT	4				
12	JW9-F2417-00	PLUG	2				



FWD  
JW91110-K020

**FIG. 3 FRONT SUSPENSION**



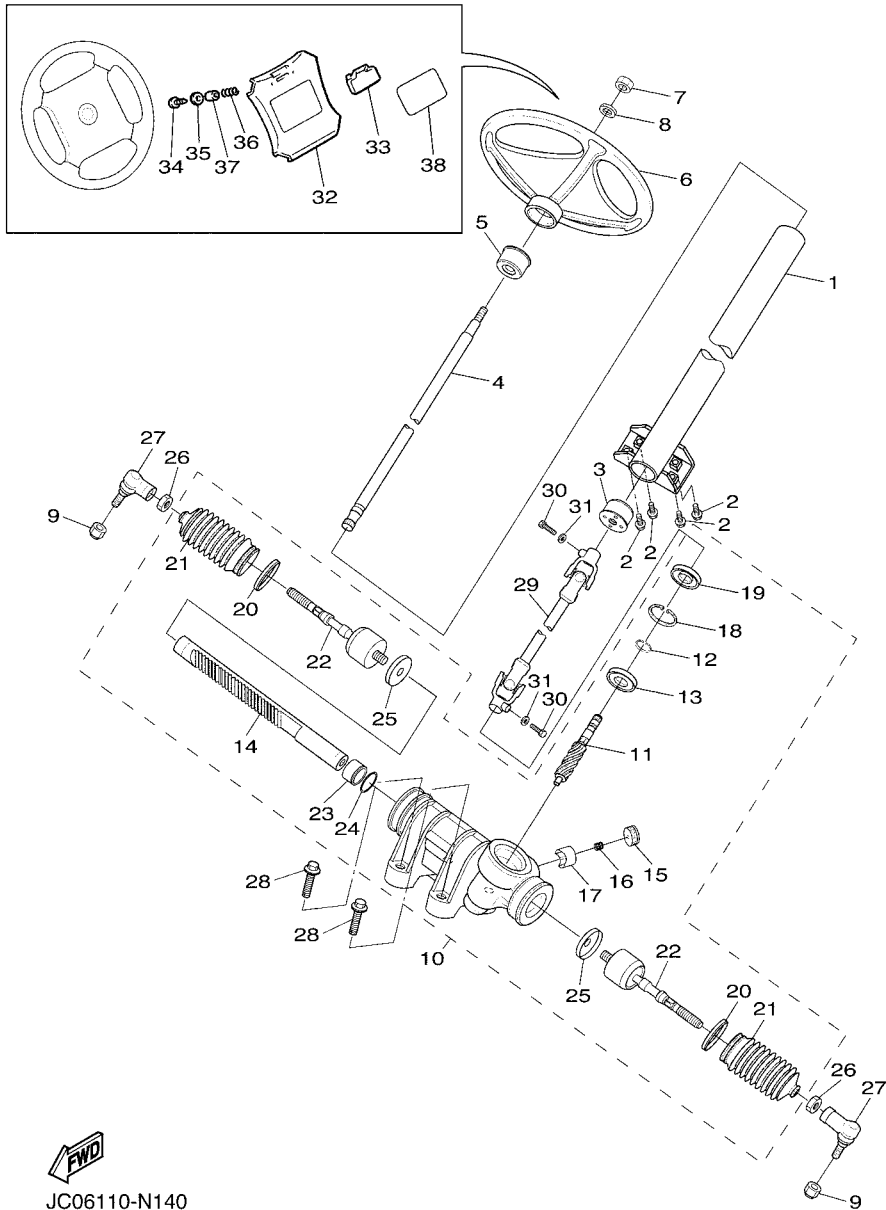
JW69110-R130

REF. NO.	PART NO.	DESCRIPTION	JW67				REMARKS
1	JU0-F3570-20	FRONT LOWER ARM COMP.	2				
2	90381-18001	.BUSH, SOLID	2				
3	2HR-23526-00	.BUSH	2				
4	JU0-F3511-10	KNUCKLE, STEERING 1	1				
5	JW1-F3512-00	ARM, KNUCKLE 1	2				
6	90105-10373	BOLT, FLANGE	4				
7	95602-10200	NUT, U FLANGE	12				
8	90105-10219	BOLT, FLANGE	2				
9	2NL-23448-00	SPACER	2				
10	90381-17067	BUSH, SOLID	4				
11	2NL-23517-00	COVER, THRUST 1	4				
12	JU0-F3521-10	KNUCKLE, STEERING 2	1				
13	90105-10267	BOLT, FLANGE	4				
14	JW2-F3350-00	SHOCK ABSORBER ASSY	1				
15	90387-12016	COLLAR	2				
16	401-22128-01	COVER, THRUST 1	4				
17	95812-12080	BOLT, FLANGE	2				
18	95612-12100	NUT, U	2				
19	JW2-F3390-00	SHOCK ABSORBER ASSY 2	1				
20	90105-10267	BOLT, FLANGE	2				
21	JW8-F5103-00	HUB BEARING UNIT ASSY	2				
22	90114-12806	.BOLT, SERRATION	4				
23	93306-204X0	.BEARING	1				
24	93306-005Y3	.BEARING	1				
25	90387-241M7	.COLLAR	1				
26	93102-30083	.OIL SEAL	1				
27	90208-14801	WASHER, CONICAL SPRING	2				





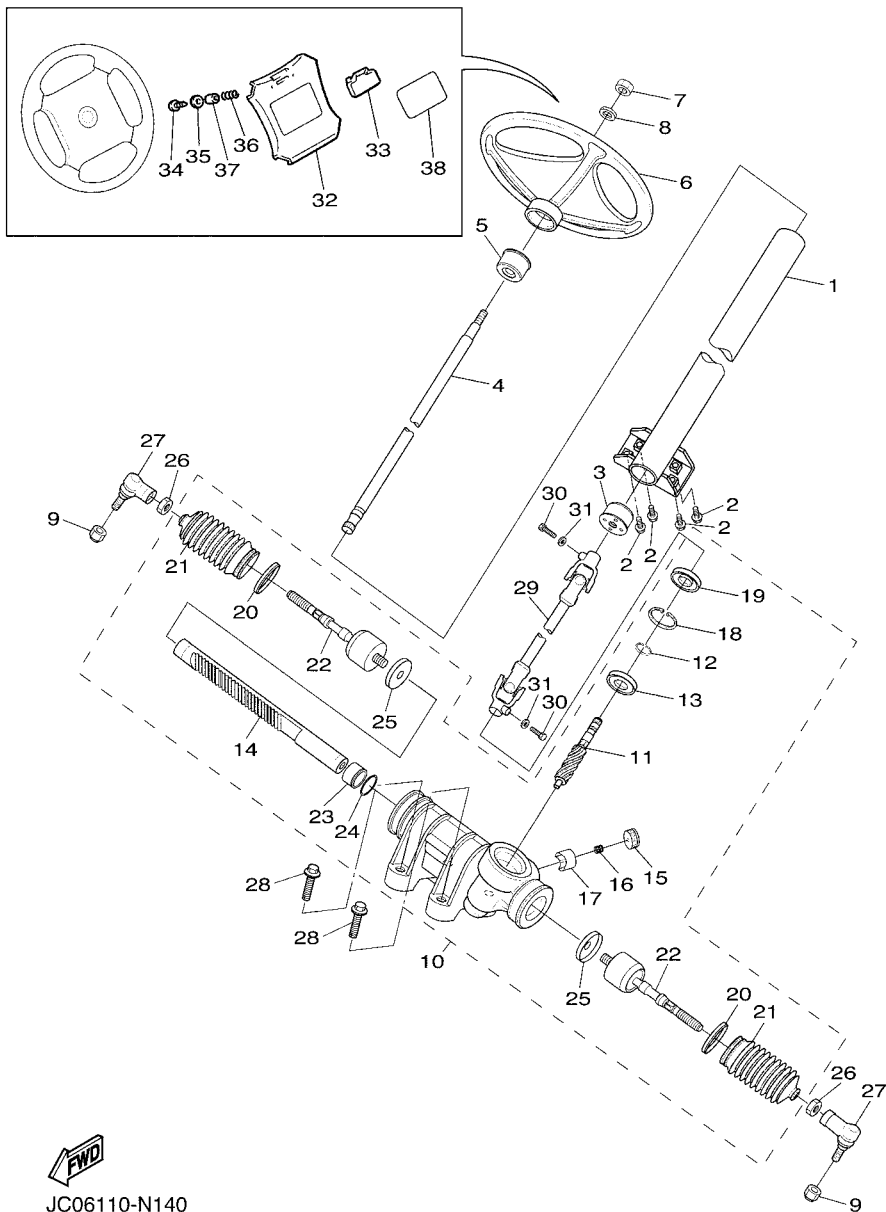
FIG. 4 STEERING



JC06110-N140

REF. NO.	PART NO.	DESCRIPTION	JW97				REMARKS
1	JW1-F3811-03	COLUMN, STEERING	1				
2	95812-08020	BOLT, FLANGE	4				
3	JU0-F3857-11	HOLDER	1				
4	JU0-F3828-10	ROD, STEERING	1				
5	JU0-F3857-11	HOLDER	1				
6	JN3-F3838-00	WHEEL, STEERING	1				
7	90185-12008	NUT, SELF-LOCKING	1				
8	92902-12200	WASHER	1				
9	95602-12200	NUT, SELF-LOCKING	2				
10	JW1-F3400-00	STEERING ASSY	1				
11	JW1-F387A-00	.GEAR, PINION	1				
12	JW1-F3183-00	.CIRCLIP	1				
13	JW1-F3812-00	.BEARING, STEERING	1				
14	JW1-F387E-00	.GEAR, RACK	1				
15	5UG-F387G-00	.COVER, ADJUST	1				
16	5UG-F387K-00	.SPRING, PRESSURE	1				
17	5UG-F387F-00	.PAD, PRESSURE	1				
18	5UG-F387J-00	.RING, STOPPER	1				
19	5UG-F3844-00	.SEAL	1				
20	5UG-F3489-00	.BAND	2				
21	5UG-F3527-00	.SEAL, DUST 1	2				
22	JW1-F3837-00	.ROD, TIE 2	2				
23	JW1-F467K-00	.BUSH, CAP	1				
24	JW1-F3866-00	.CIRCLIP	1				
25	JW1-F3894-00	.WASHER, LOCK 1	2				
26	1P0-F3833-00	NUT 1	2				
27	JW8-23841-01	JOINT, UNIVERSAL 1	2				

FIG. 4 STEERING

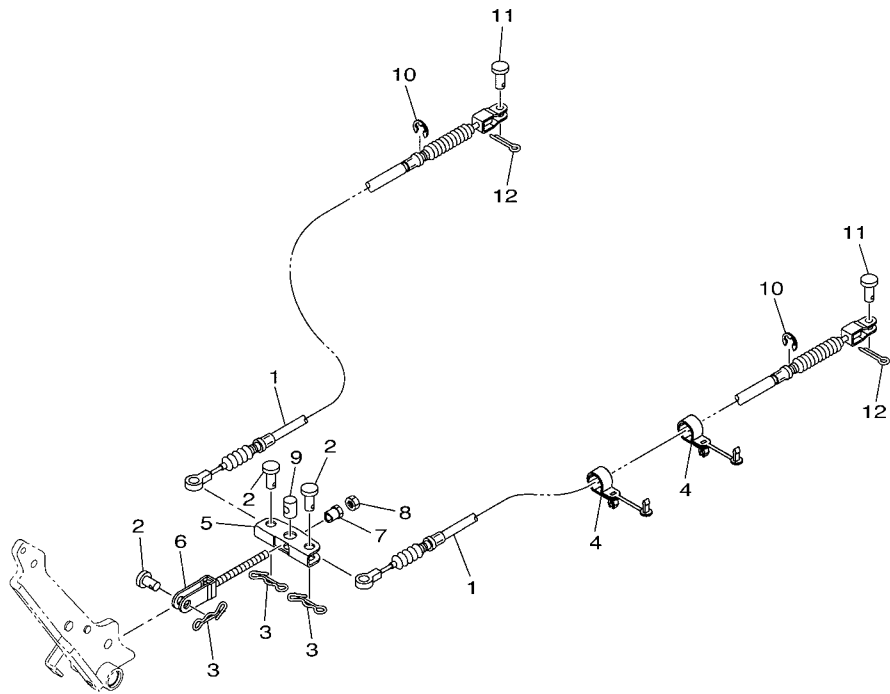


JC06110-N140

REF. NO.	PART NO.	DESCRIPTION	JW97				REMARKS
28	90105-10847	BOLT, FLANGE	4				
29	JW1-F3822-01	JOINT 1	1				
30	97012-08030	BOLT	2				
31	92902-08600	WASHER, PLATE	2				
32	JW8-K8357-00	HOLDER 1	1				
33	JN6-K8358-01	HOLDER 2	1				
34	97702-40525	SCREW, TAPPING	2				
35	90201-04810	WASHER, PLATE	2				
36	90502-10013	SPRING, CONICAL	2				
37	90387-046N7	COLLAR	2				
38	JW8-K7762-00	LABEL, WARNING 2	1				CAN,JPN
	JW8-K7762-11	LABEL, WARNING 2 (E, F)	1				EXC. CAN,JPN
	JW8-K7762-21	LABEL, WARNING 2 (G, S)	1				EXC. CAN,JPN

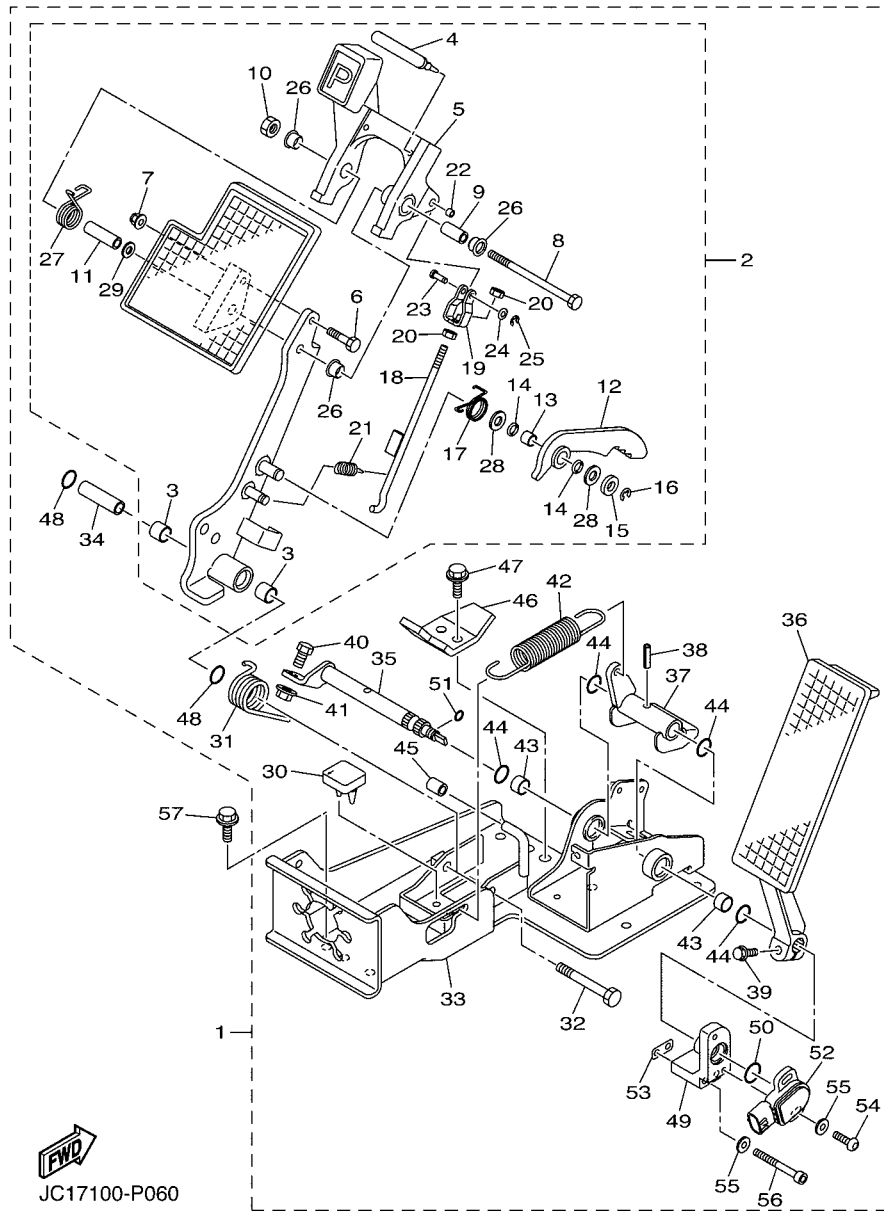
FIG. 5 PEDAL WIRE

REF. NO.	PART NO.	DESCRIPTION	JW97				REMARKS
1	JW9-F6351-10	CABLE, BRAKE	2				
2	91702-10026	PIN, CLEVIS	3				
3	90468-20196	CLIP	3				
4	JW7-F312H-00	CLAMP	4				
5	JW8-F5681-10	EQUALIZER, BRAKE	1				
6	JN6-F5685-01	ROD	1				
7	90179-08822	NUT	1				
8	95307-08700	NUT	1				
9	90249-14129	PIN	1				
10	99001-09600	CIRCLIP	2				
11	91702-08018	PIN, CLEVIS	2				
12	91490-25015	PIN, COTTER	2				



JW97110-R050

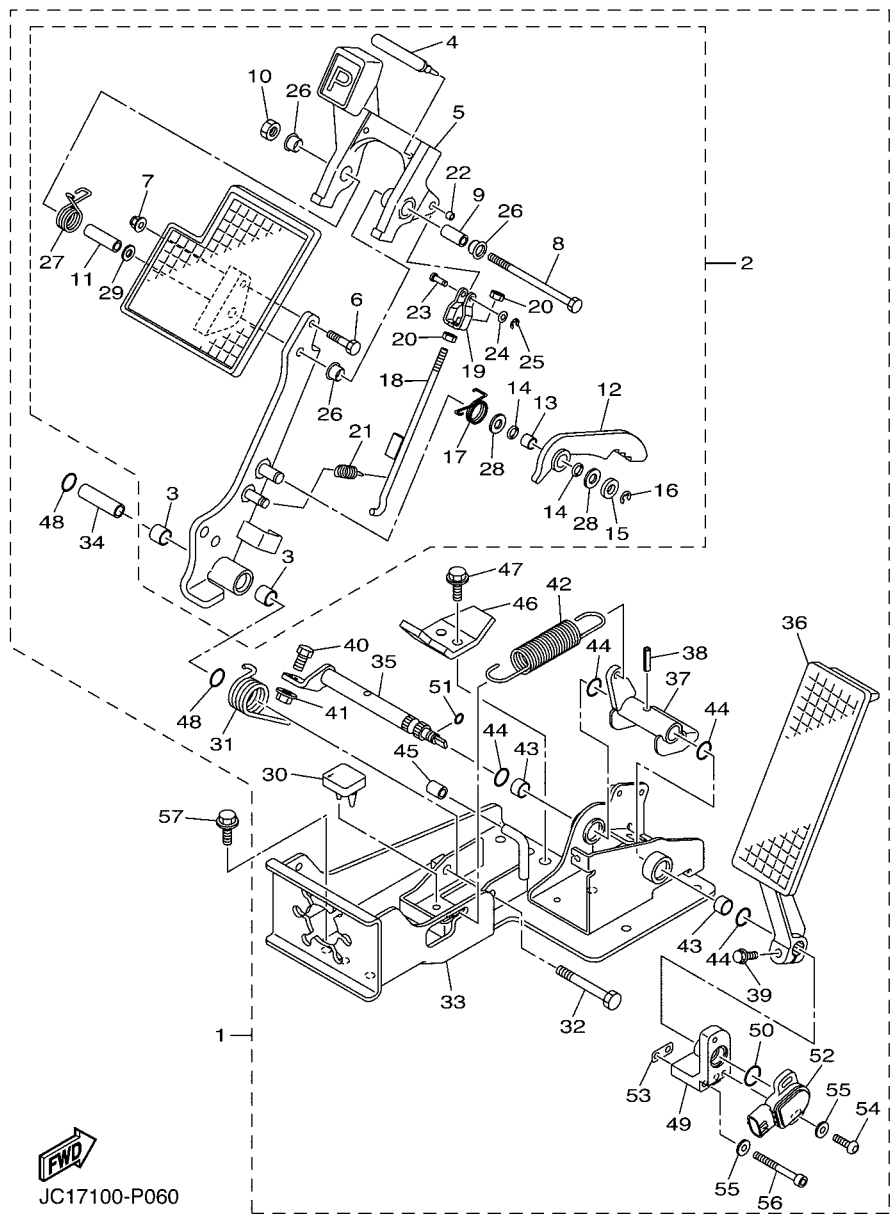
FIG. 6 PEDAL ASSEMBLY



JC17100-P060

REF. NO.	PART NO.	DESCRIPTION	JW97				REMARKS
1	JW9-F7850-31	PEDAL ASSY (L.H)	1				
2	JW9-F7200-21	.PEDAL, BRAKE	1				
3	JW8-F7814-21	..BUSH, PEDAL	2				
4	JW9-F5672-00	..PAD, PARKING PEDAL	1				
5	JW9-F5671-00	..PEDAL, PARKING BRAKE	1				
6	JW8-F7117-00	..BOLT, MAIN STAND	1				
7	JW8-F8363-00	..NUT	1				
8	JW8-F7416-00	..BOLT, FOOTREST	1				
9	JW8-F639N-00	..COLLAR	1				
10	JW8-F7218-00	..NUT	1				
11	JW8-F7113-00	..COLLAR, MAIN STAND	1				
12	JW9-F5666-00	..SECTOR, PARKING BRAKE	1				
13	JW8-F7121-00	..BUSH	1				
14	JW9-F7221-00	..SEAL, SHAFT	2				
15	JW8-F7322-00	..WASHER	1				
16	JW8-F3183-00	..CIRCLIP	1				
17	JW8-F7426-01	..SPRING, RETURN	1				
18	JW9-F7231-10	..ROD, BRAKE	1				
19	JW9-F7232-00	..END, ROD 2	1				
20	JW8-F7318-00	..NUT	2				
21	JW8-F6314-00	..SPRING	1				
22	JW8-F639L-00	..BUSH 1	1				
23	JW9-F7228-00	..PIN, JOINT	1				
24	JW8-F8323-00	..WASHER, LEG SHIELD	1				
25	JW8-F5415-00	..CIRCLIP	1				
26	90386-12800	..BUSH	3				
27	JW8-F7825-01	..SPRING, RETURN	1				

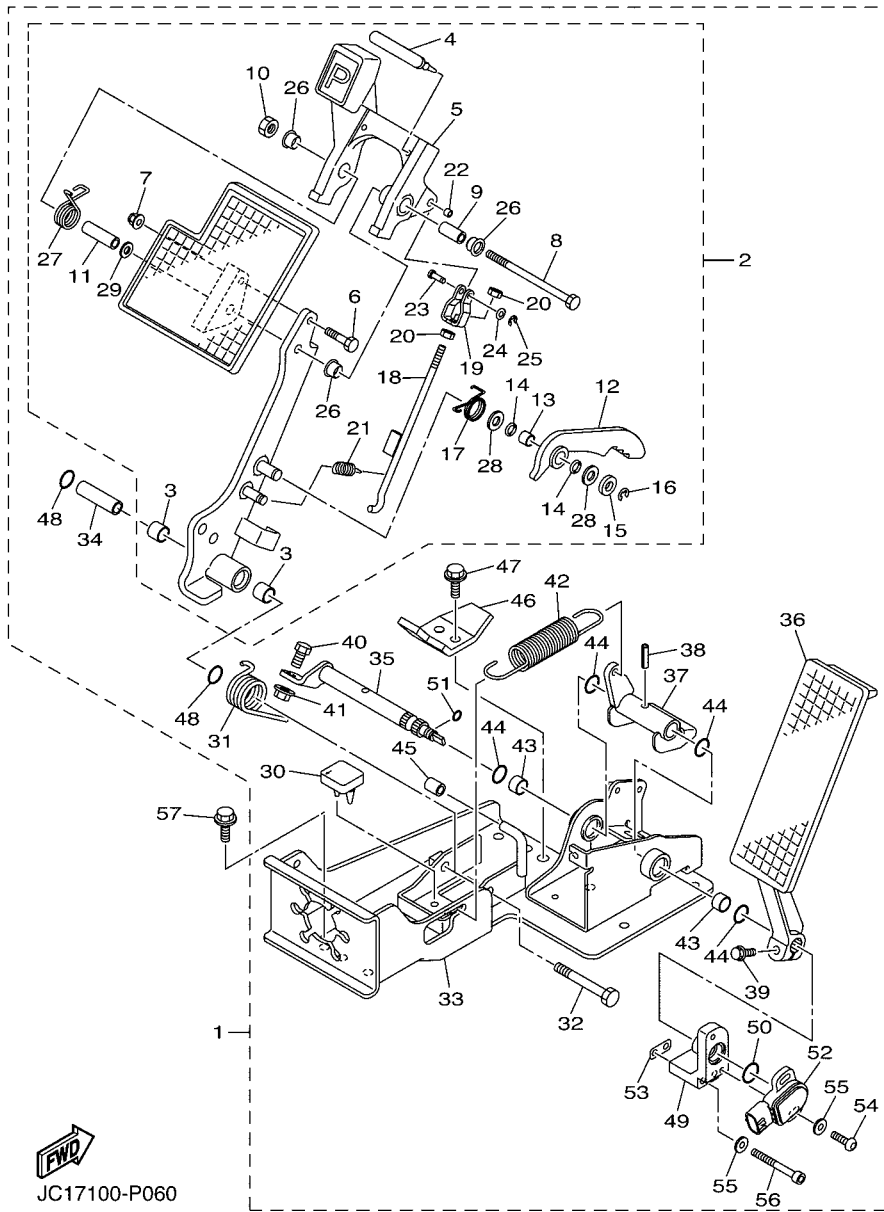
FIG. 6 PEDAL ASSEMBLY



JC17100-P060

REF. NO.	PART NO.	DESCRIPTION	JW97				REMARKS
28	JW8-F7119-00	..WASHER	2				
29	JW8-F8319-00	..WASHER	1				
30	JW9-F7245-10	.PAD, BRAKE PEDAL	1				
31	JW8-F7316-01	.SPRING, SIDE STAND	1				
32	JW8-F7217-00	.BOLT	1				
33	JW9-F7445-31	.PLATE 1	1				
34	JW8-F7213-20	.COLLAR	1				
35	JW9-F7853-00	.SHAFT, PEDAL 1	1				
36	JW9-F7871-10	.PEDAL, ACCELERATOR	1				
37	JW9-F7872-20	.ARM, ACCELERATOR PEDAL	1				
38	JW8-F7438-00	.PIN, CLEVIS	1				
39	JW8-F7434-00	.BOLT	1				
40	JW8-F7317-00	.BOLT	1				
41	JW8-F7118-00	.NUT	1				
42	JW8-F815H-01	.SPRING	1				
43	JW8-F7814-21	.BUSH, PEDAL	2				
44	JW8-F4486-00	.O-RING	4				
45	JW9-F5673-00	.DAMPER, BRAKE	1				
46	JW9-F7246-20	.NAIL, BRAKE	1				
47	JW8-F8331-00	.BOLT, LEG SHIELD	2				
48	JW8-F4486-00	.O-RING	2				
49	JW9-F7263-00	.BRACKET 1	1				
50	JW9-F4648-20	.O-RING	1				
51	JW8-F41B8-00	.O-RING	1				
52	JW9-H5885-00	.THROTTLE SENSOR ASSY	1				
53	JW9-F5827-00	.SHIM, CALIPER	1				UR
	JW9-F5827-10	.SHIM, CALIPER	1				UR

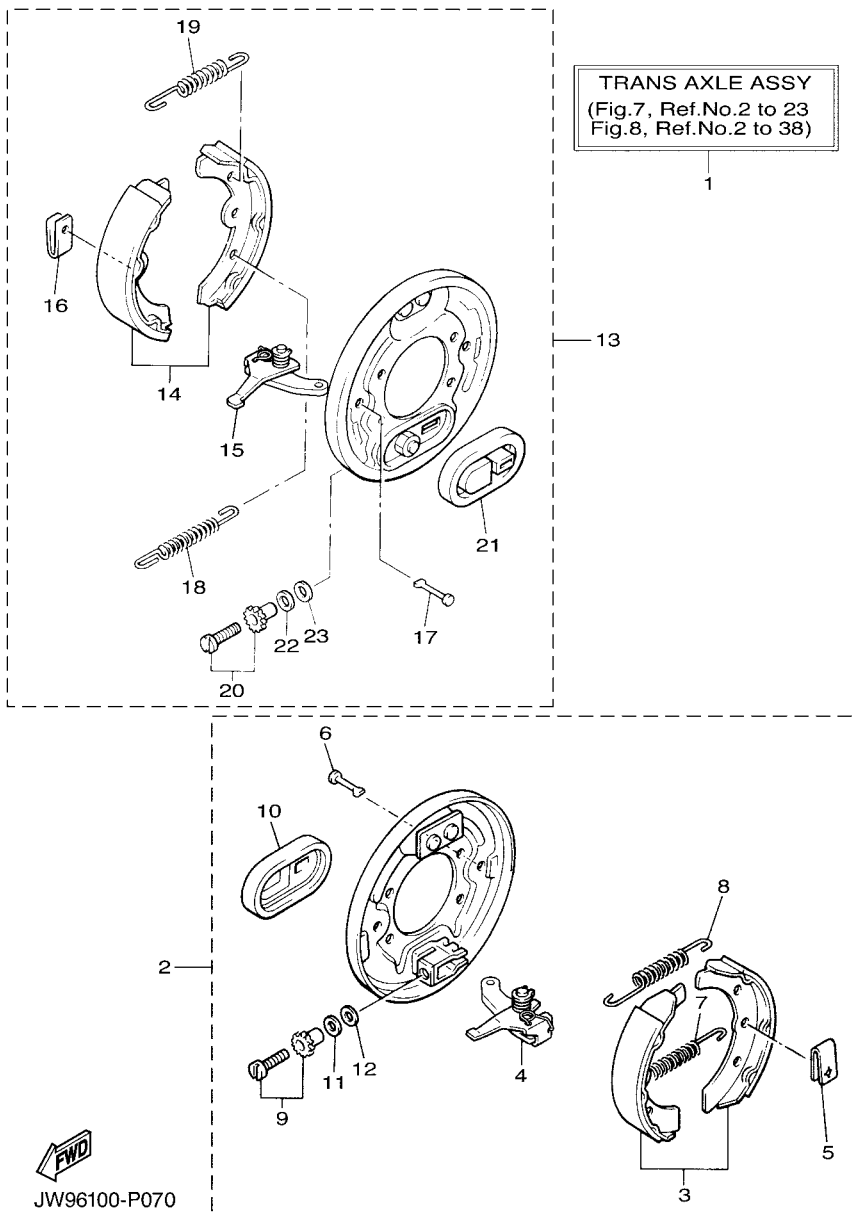
**FIG. 6 PEDAL ASSEMBLY**



JC17100-P060

REF. NO.	PART NO.	DESCRIPTION	JW97				REMARKS
54	JW9-F632G-00	.SCREW	2				
55	90201-05824	.WASHER, PLATE	4				
56	JW8-F7435-00	.BOLT	2				
57	95812-08020	BOLT, FLANGE	6				

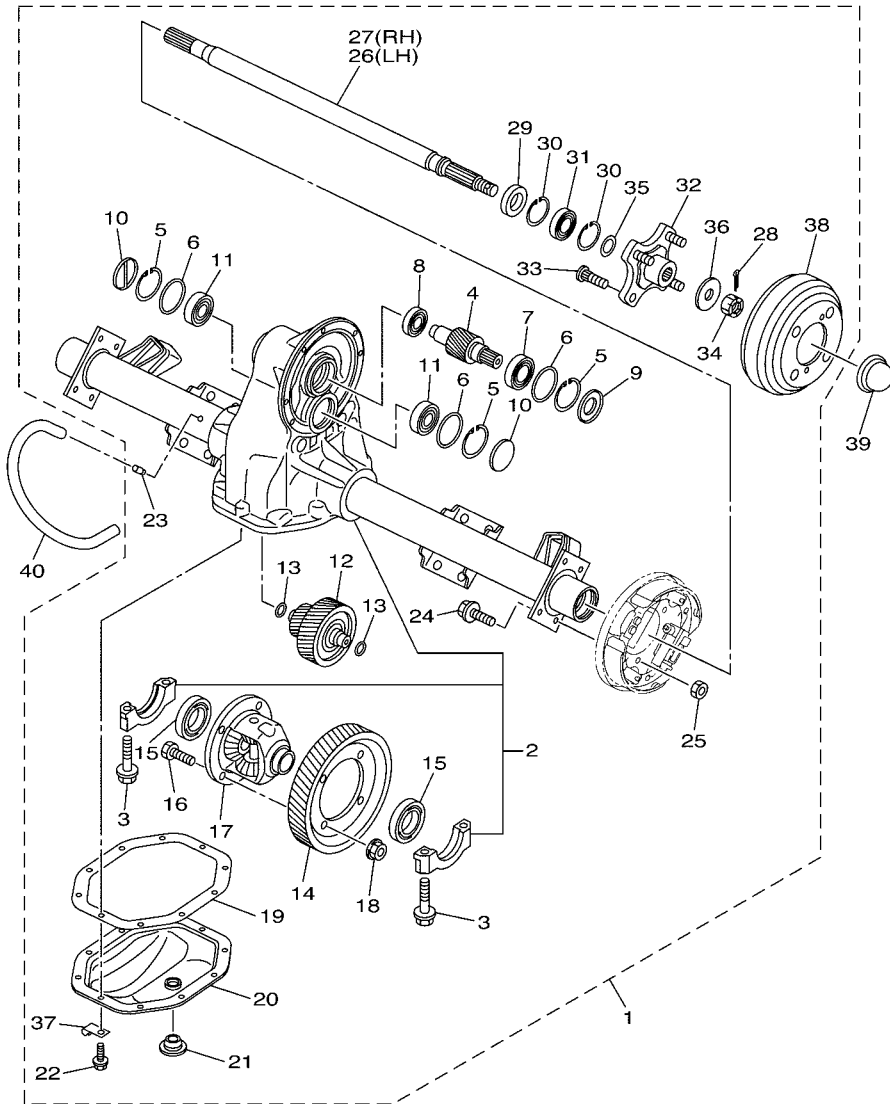
FIG. 7 BRAKE



REF. NO.	PART NO.	DESCRIPTION	JW97				REMARKS
1	JW9-G6300-10	TRANS AXLE ASSY	1				
2	JW8-F7290-00	..BACKING PLATE ASSY 2	1				
3	JN9-W2536-00	..BRAKE SHOE SET	1				
4	J38-27205-00	..LEVER ASSY 2	1				
5	JW8-F7281-00	..SPRING, SHOE CLAMP	2				
6	J10-27282-00	..PIN, SHOE HOLD DOWN	2				
7	90506-20281	..SPRING, TENSION	1				
8	90506-14001	..SPRING, TENSION	1				
9	J55-27260-00	..ADJUSTER ASSY	1				
10	JW8-F7286-00	..COVER, DUST	1				
11	90201-121H9	..WASHER, PLATE	1				
12	90201-121H8	..WASHER, PLATE	1				
13	JW8-F7280-00	..BACKING PLATE ASSY 1	1				
14	JN9-W2536-00	..BRAKE SHOE SET	1				
15	J38-27204-00	..LEVER ASSY 1	1				
16	JW8-F7281-00	..SPRING, SHOE CLAMP	2				
17	J10-27282-00	..PIN, SHOE HOLD DOWN	2				
18	90506-20281	..SPRING, TENSION	1				
19	90506-14001	..SPRING, TENSION	1				
20	J55-27270-00	..ADJUSTER ASSY	1				
21	JW8-F7286-00	..COVER, DUST	1				
22	90201-121H9	..WASHER, PLATE	1				
23	90201-121H8	..WASHER, PLATE	1				



FIG. 8 TRANSAXLE

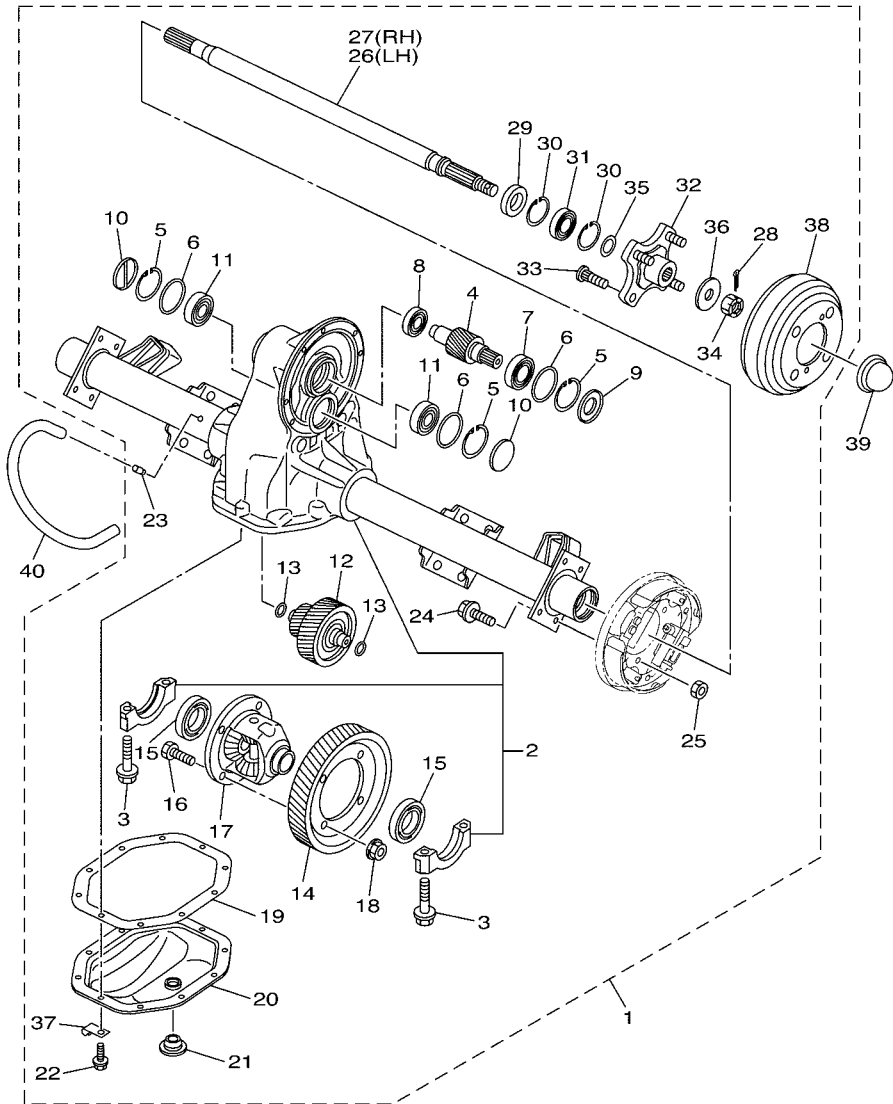


JV37010-P080

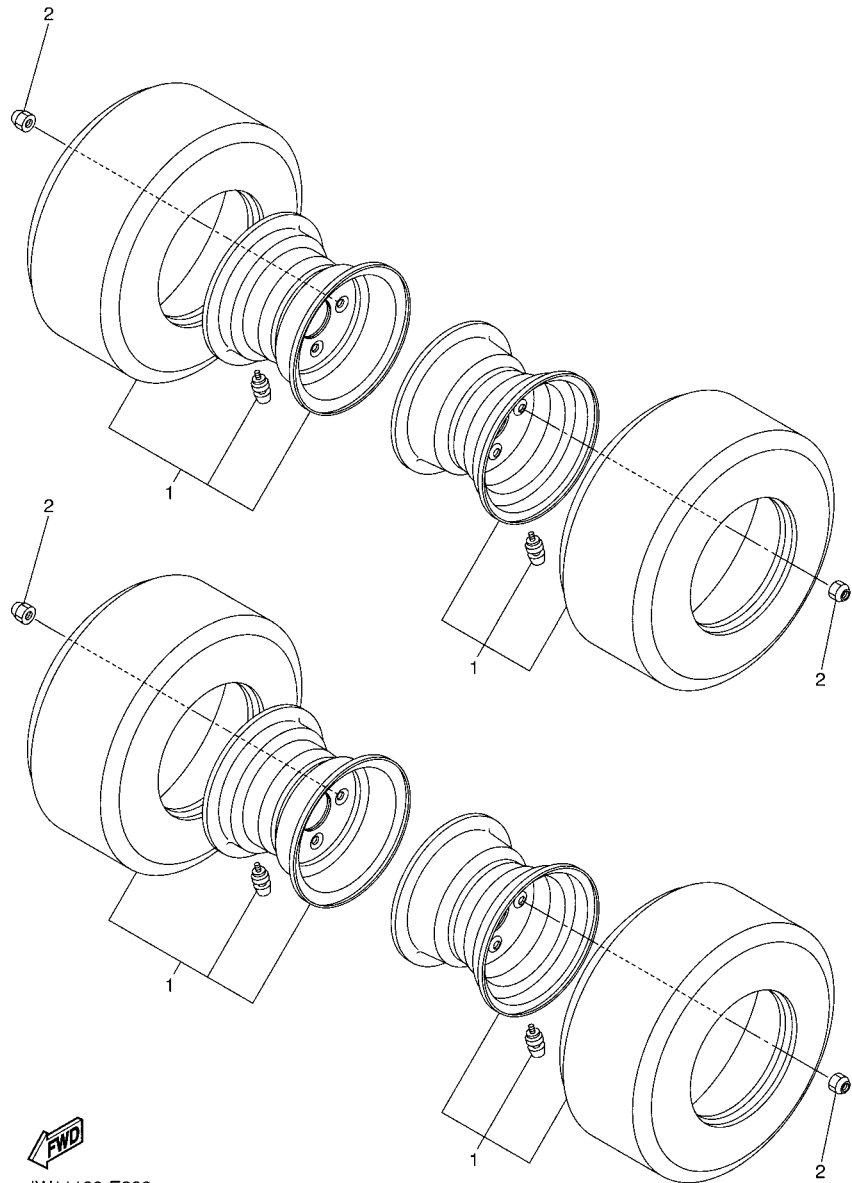
REF. NO.	PART NO.	DESCRIPTION	JW97				REMARKS
1	JW9-G6300-10	TRANS AXLE ASSY	1				
2	JW9-G6290-10	.CASE ASSY	1				
3	90105-10840	.BOLT, FLANGE	4				
4	JW9-G6321-00	.SHAFT, INPUT	1				
5	93420-50804	.CIRCLIP	3				
6	93210-478B8	.O-RING	3				
7	93306-005Y1	.BEARING	1				
8	93306-203X1	.BEARING	1				
9	JW9-G6136-00	.SEAL 1	1				
10	JH7-G3396-01	.PLUG, BLIND	2				
11	93306-303Y6	.BEARING	2				
12	JW9-G6350-00	.COUNTER GEAR ASSY	1				
13	93210-148B9	.O-RING	2				
14	JW9-G6421-00	.GEAR, RING	1				
15	93306-007Y0	.BEARING	2				
16	90101-10854	.BOLT	4				
17	JW9-G6410-00	.DIFFERENTIAL ASSY.	1				
18	90170-10840	.NUT	4				
19	JW9-G631A-00	.GSKT., CASE	1				
20	JW9-G6312-00	.CASE, TRANSMISSION 2	1				
21	JN3-G6432-00	.STOPPER	1				
22	90101-08856	.BOLT	10				
23	JW8-G5378-00	.NIPPLE, HOSE	1				
24	90101-08855	.BOLT	8				
25	90170-08841	.NUT	8				
26	JR1-G6511-00	.SHAFT, REAR AXLE 1 (L.H)	1				
27	JR1-G6512-00	.SHAFT, REAR AXLE 2 (R.H)	1				

FIG. 8 TRANSAXLE

REF. NO.	PART NO.	DESCRIPTION	JW97				REMARKS
28	91490-30030	.PIN. COTTER	2				
29	93101-24822	.OIL SEAL	2				
30	93420-44805	.CIRCLIP	4				
31	93306-00440	.BEARING	2				
32	JW8-G6514-00	.HUB, REAR AXLE	2				
33	JW8-G4178-00	.BOLT, STUD	8				
34	JW8-G5244-00	.NUT	2				
35	JW8-G2535-00	.WASHER, THRUST	2				
36	JW8-G2536-00	.WASHER, THRUST 2	2				
37	JW8-G2756-00	.STAY, CLAMP	1				
38	JW8-G6521-00	.DRUM	2				
39	JW8-F5118-00	COVER, HUB DUST	2				
40	JW8-G2541-00	PIPE 1	1				



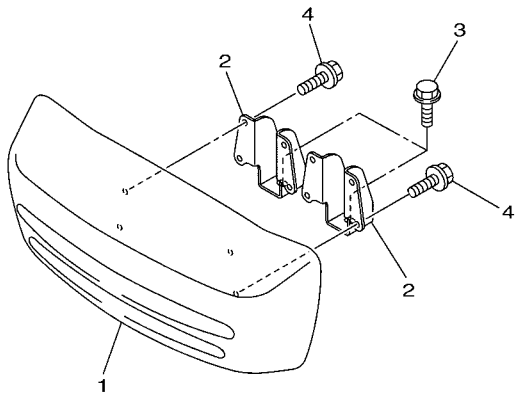
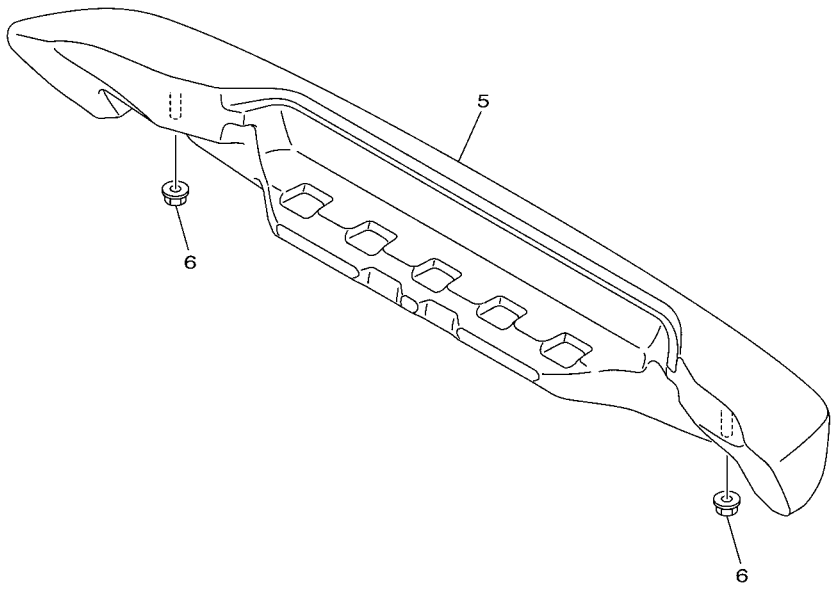
JV37010-P080



JW11100-E220

**FIG. 9 WHEEL**

REF. NO.	PART NO.	DESCRIPTION	JW97				REMARKS
1	JW1-F5100-01	WHEEL ASSY (18X8.50-8-4PLY)	4				
2	90179-12262	NUT	16				
-----							
-----							
-----							
-----							
-----							



**FWD**  
JC06110-N230

**FIG. 10 BUMPER**

REF. NO.	PART NO.	DESCRIPTION	JW97				REMARKS
1	JW1-K7510-01	FRONT BUMPER COMP.	1				
2	JW1-K8164-00	STAY, FRONT BUMPER (L.H)	2				
3	90105-088B0	BOLT, FLANGE	2				
4	95822-06012	BOLT, FLANGE	4				
5	JW8-K7540-00	REAR BUMPER COMP.	1				
6	95602-10200	NUT, U FLANGE	2				

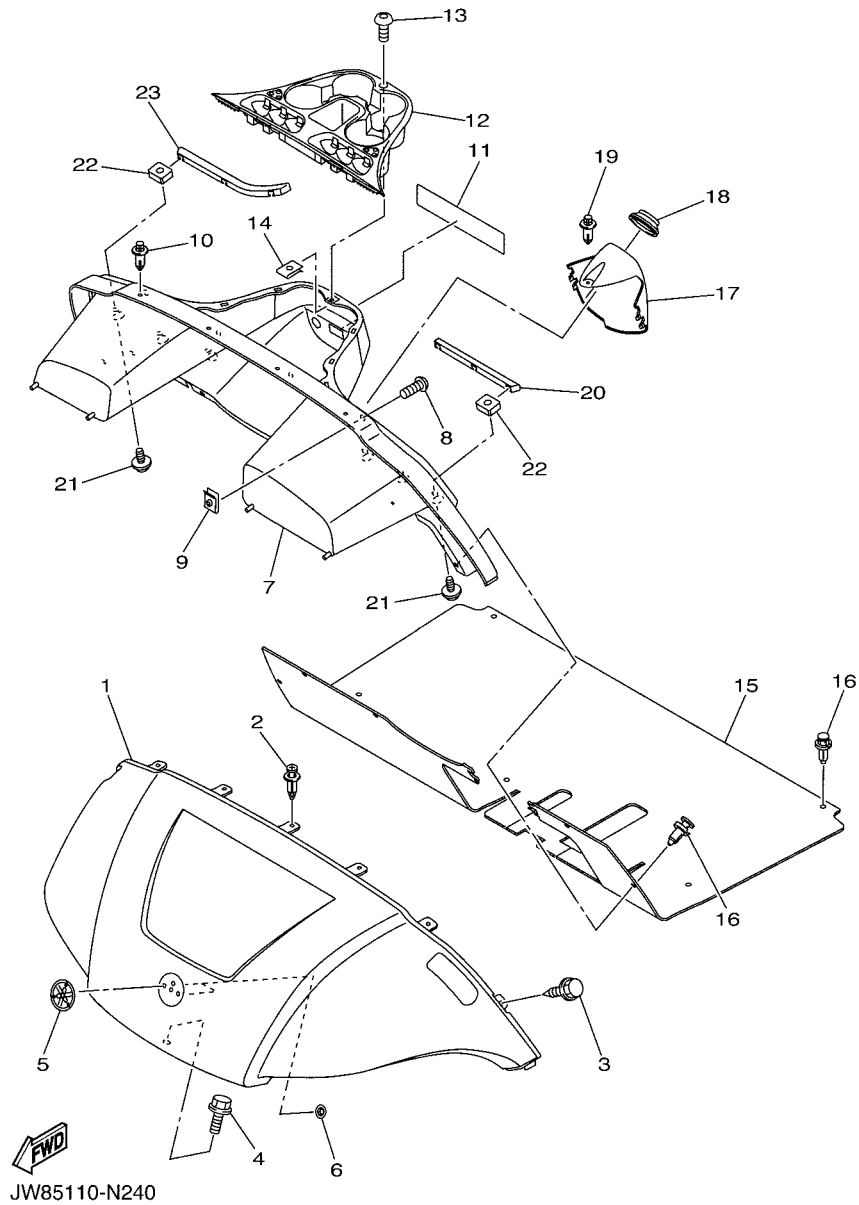
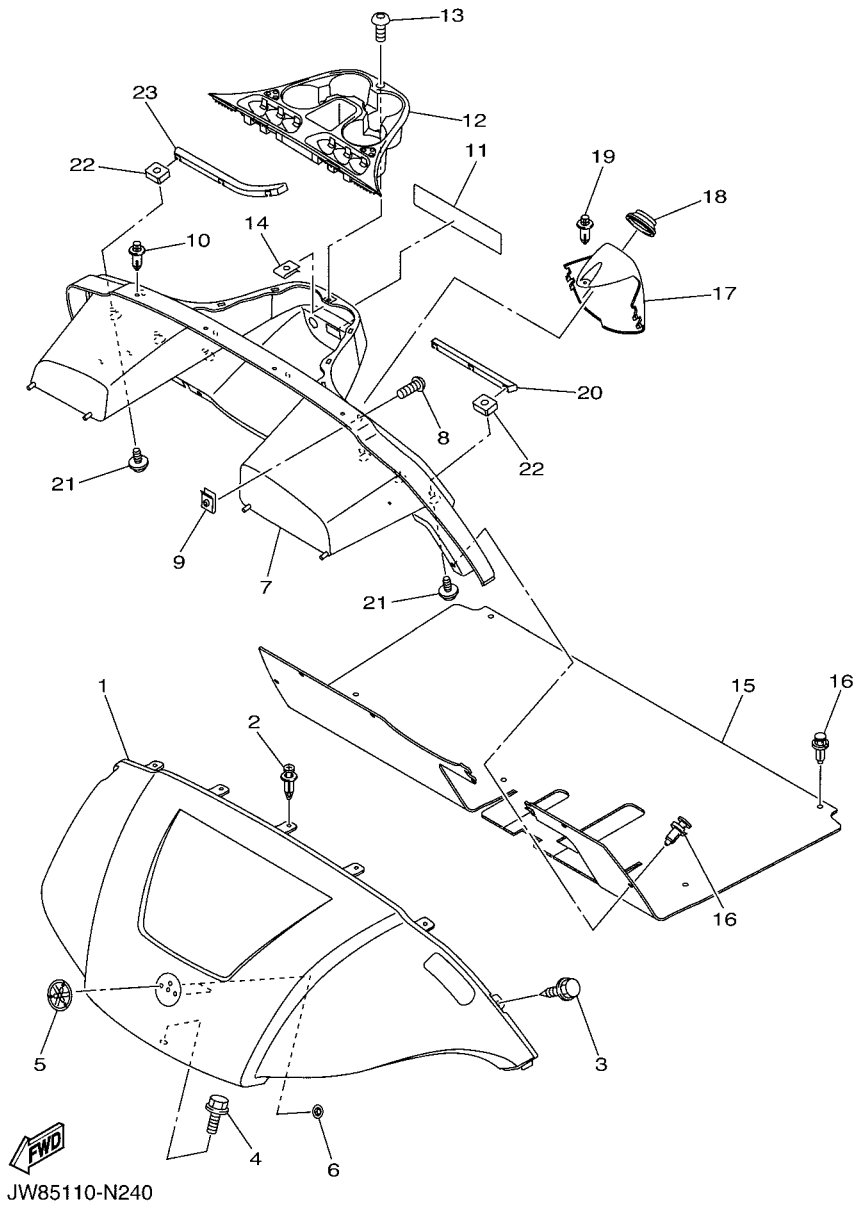


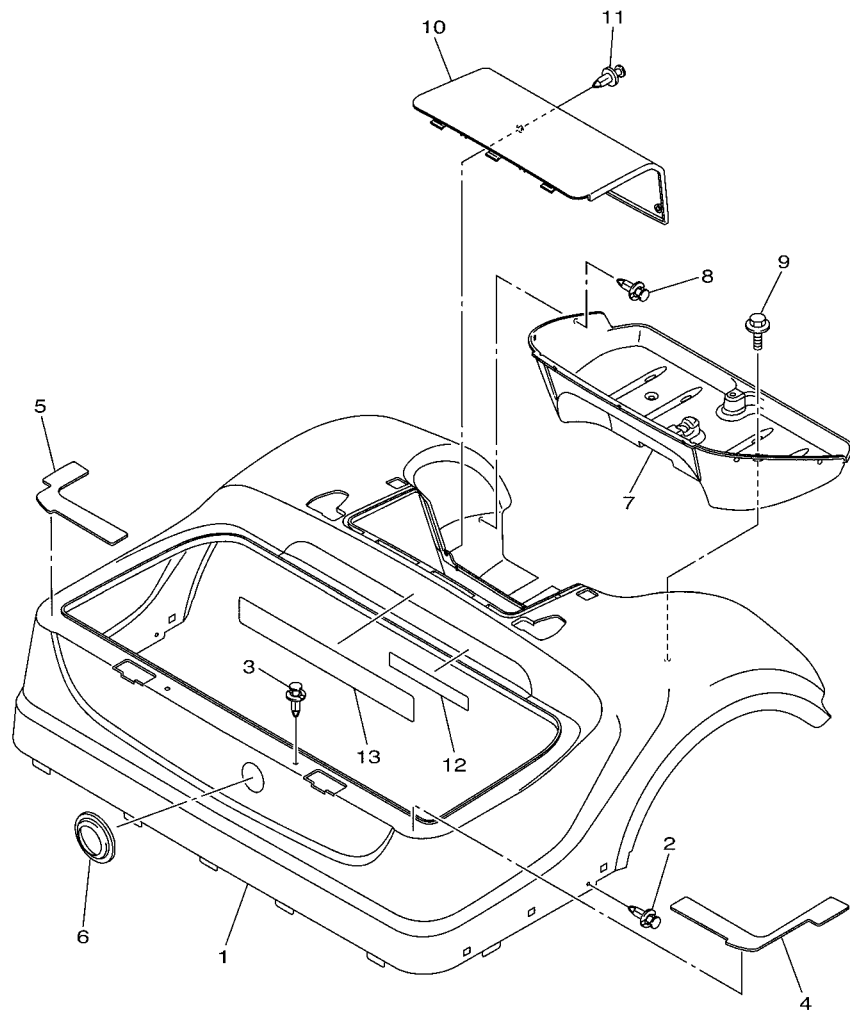
FIG. 11 BODY

REF. NO.	PART NO.	DESCRIPTION	JW97			REMARKS
1	JW1-K8115-01	COWL, FRONT	1			UR FOR WS7
	JW1-K8115-11	COWL, FRONT	1			UR FOR VDGS1
	JW1-K8115-21	COWL, FRONT	1			UR FOR HTR
	JW1-K8115-31	COWL, FRONT	1			UR FOR LNYM8
	JW1-K8115-90	COWL, FRONT	1			UR FOR LNMP
	JW1-K8115-80	COWL, FRONT	1			UR FOR DPBST
	JW1-K8115-W0	COWL, FRONT	1			UR FOR NYS4
2	90269-06800	RIVET	5			
3	JW1-F3396-01	SCREW, SPECIAL	2			
4	90105-06870	BOLT, FLANGE	1			
5	JW1-F4161-10	EMBLEM 1	1			
6	90183-06071	NUT, SPRING	2			
7	JW2-K8114-02	PANEL, FRONT	1			UR FOR CAN
	JW2-K8114-12	PANEL, FRONT	1			UR EXCEPT CAN
8	90111-05805	BOLT,HEX. SOCKET BUTTON	4			
9	90183-05008	NUT, SPRING	4			
10	90269-07001	RIVET	5			
11	JW9-K7768-30	LABEL, WARNING 8	1			(E)CAN,JPN
	JW9-K7768-40	LABEL, WARNING 8	1			(E,F)EXC. CAN,JPN
	JW9-K7768-50	LABEL, WARNING 8	1			(G,S)EXC. CAN,JPN
12	JW8-K835E-00	HOLDER, BEVERAGE	1			
13	90111-05805	BOLT,HEX. SOCKET BUTTON	1			
14	90183-05008	NUT, SPRING	1			
15	JW1-K8233-30	MAT, MAIN FLOOR 3	1			
16	90269-09003	RIVET	10			
17	JW1-K8273-00	COVER, HOLE	1			
18	JW1-K8245-00	SEAL 1	1			



**FIG. 11 BODY**

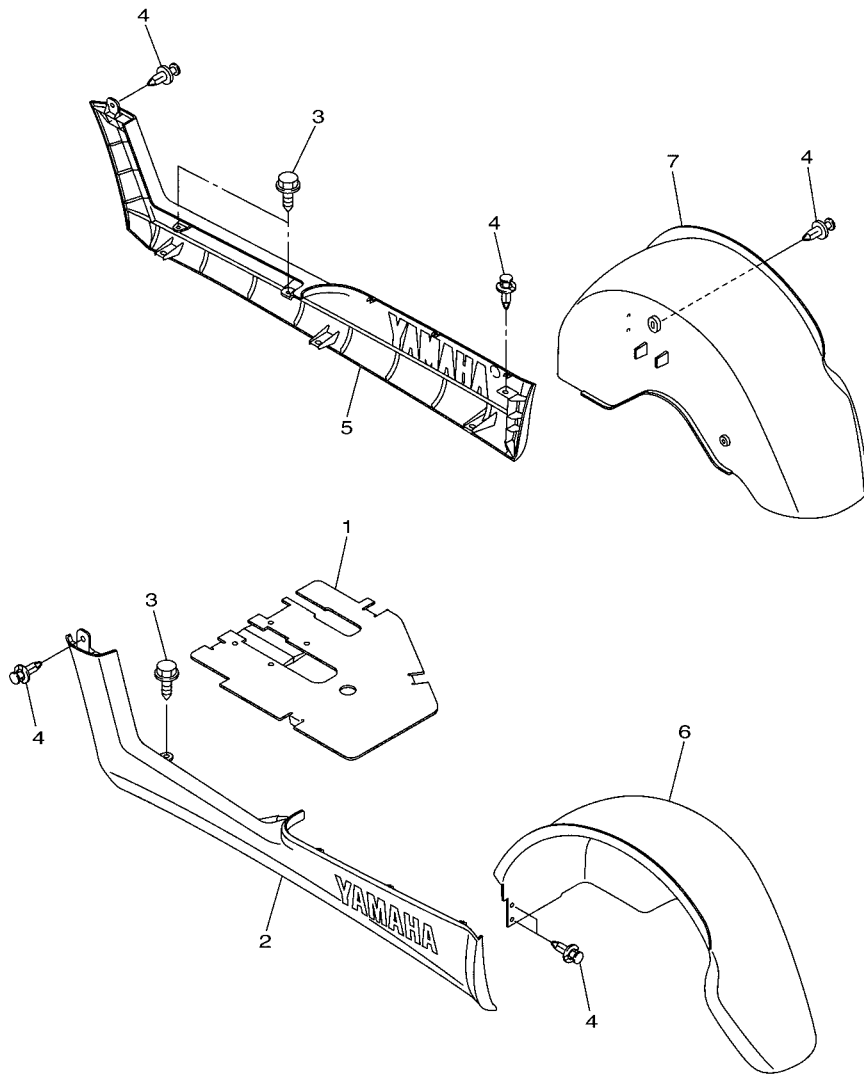
REF. NO.	PART NO.	DESCRIPTION	JW97			REMARKS
19	90269-06804	RIVET	1			
20	JW1-K8261-00	PLATE, BODY PROTECT 1	1			
21	90119-06244	BOLT, WITH WASHER	6			
22	90173-06010	NUT, SQUARE	6			
23	JW1-K8262-00	PLATE, BODY PROTECT 2	1			
-----						
-----						
-----						
-----						
-----						
-----						
-----						
-----						
-----						
-----						



JW95110-N100

FIG. 12 BODY 2

REF. NO.	PART NO.	DESCRIPTION	JW97		REMARKS
1	JW1-K8142-00	PANEL, REAR BODY	1		UR FOR WS7
	JW1-K8142-10	PANEL, REAR BODY	1		UR FOR VDGS1
	JW1-K8142-20	PANEL, REAR BODY	1		UR FOR HTR
	JW1-K8142-30	PANEL, REAR BODY	1		UR FOR LNYM8
	JW1-K8142-90	PANEL, REAR BODY	1		UR FOR LNMP
	JW1-K8142-80	PANEL, REAR BODY	1		UR FOR DPBST
	JW1-K8142-W0	PANEL, REAR BODY	1		UR FOR NYS4
2	90269-06804	RIVET	2		
3	90269-08813	RIVET	2		
4	JW1-F2873-10	SEAL 1	1		
5	JW1-F2874-10	SEAL 2	1		
6	JW9-K827A-00	GUIDE 1	1		
7	JW1-K8237-10	COVER, REAR FLOOR	1		
8	90269-08813	RIVET	7		
9	JW1-K6179-01	BOLT, SPECIAL 1	2		
10	JW1-K8151-00	PANEL, INSPECTION LID 1	1		
11	90269-08813	RIVET	2		
12	JW9-K8298-10	PLATE, CAUTION 2	1		UR FOR CAN,JPN
	JW9-K8298-20	PLATE, CAUTION 2	1		UR EXCEPT CAN,JPN
13	JW9-K8297-00	PLATE, CAUTION 1	1		UR FOR CAN,JPN
	JW9-K8297-10	PLATE, CAUTION 1	1		UR EXCEPT CAN,JPN



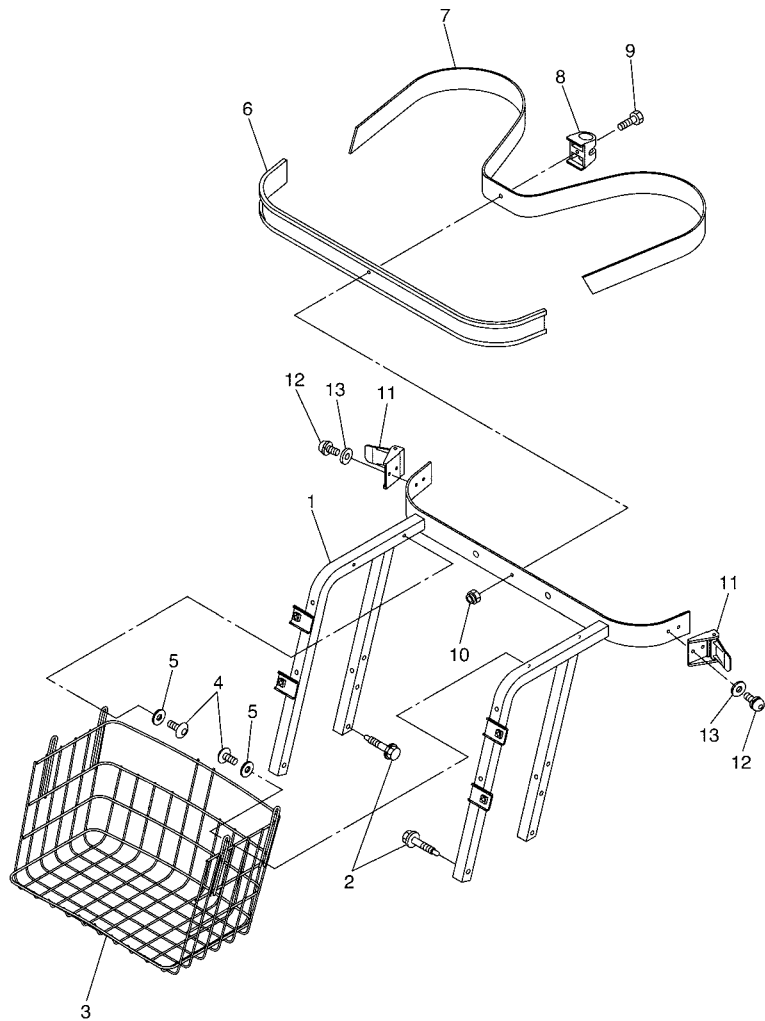
JC23100-P280

FIG. 13 BODY FITTING

REF. NO.	PART NO.	DESCRIPTION	JW97				REMARKS
1	JW1-K8270-11	LID ASSY	1				
2	JW1-K818A-00	PROTECTOR, SIDE PLATE	1				
3	JW1-F3396-01	SCREW, SPECIAL	4				
4	90269-06804	RIVET	12				
5	JW1-K818B-00	PROTECTOR, SIDE PLATE 2	1				
6	JW1-K8191-00	PANEL, REAR FENDER 1	1				
7	JW1-K8192-00	PANEL, REAR FENDER 2	1				



FIG. 14 CARRIER



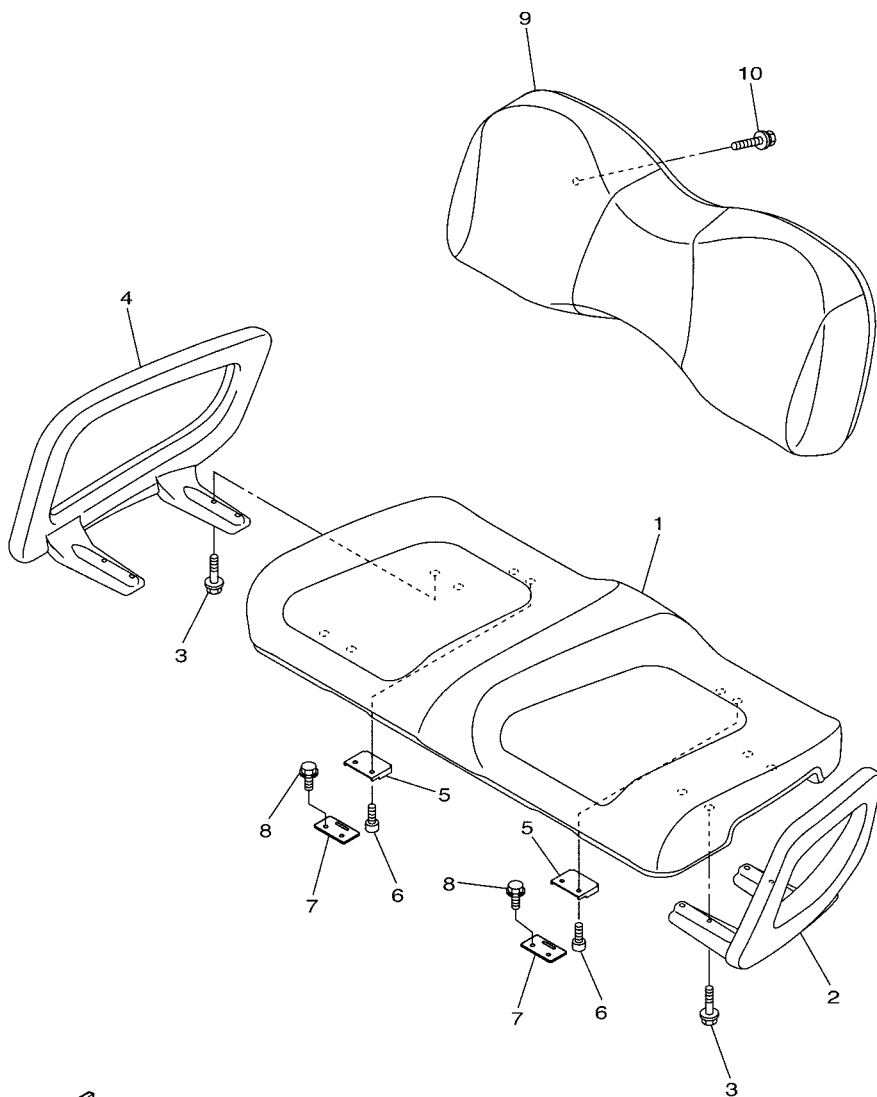
REF. NO.	PART NO.	DESCRIPTION	JW97				REMARKS
1	JW1-K8423-10	SUPPORT, SEAT BACK	1				
2	90109-08002	BOLT	4				
3	JW1-K8340-00	LUGGAGE RACK ASSY., REAR	1				
4	90110-06102	BOLT, HEXAGON SOCKET HEAD	4				
5	90201-068G7	WASHER, PLATE	4				
6	JF2-K8356-00	PAD, BAG SUPPORT	1				
7	JN6-K8355-20	BAND	1				
8	JW1-K834G-00	HOLDER, RAKE SAND	1				
9	9708R-06020	BOLT	1				
10	90185-06836	NUT, SELF-LOCKING	1				
11	JN6-K8380-00	LOCK ASSY	2				
12	90159-06845	SCREW, WITH WASHER	4				
13	9299R-06200	WASHER	4				



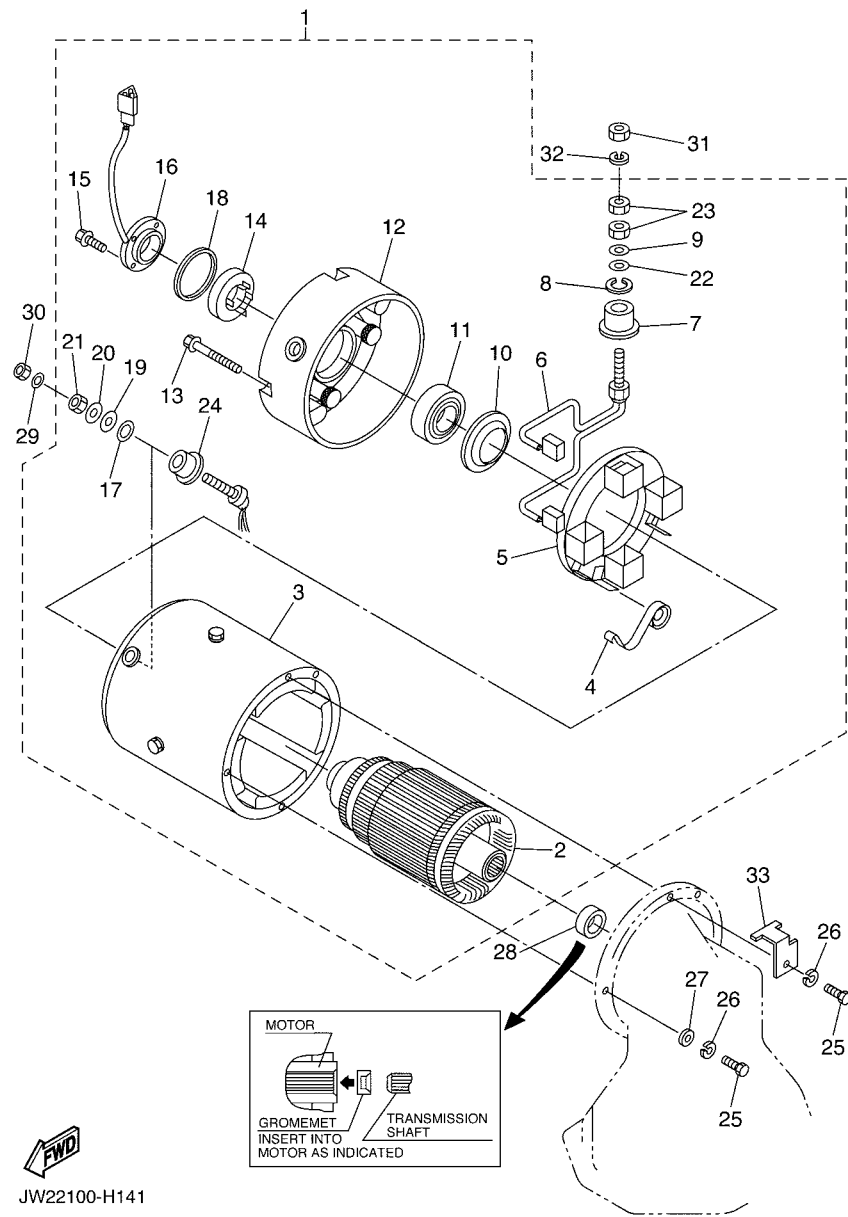
JW11100-E270

FIG. 15 SEAT

REF. NO.	PART NO.	DESCRIPTION	JW97				REMARKS
1	JW1-K8401-12	SEAT SUB-ASSY,CUSHION	1				
2	JW1-K8361-00	ARM REST 1	1				
3	90105-06129	BOLT, FLANGE	8				
4	JW1-K8362-00	ARM REST 2	1				
5	JW1-K8426-00	HINGE, SEAT 1	2				
6	90110-06125	BOLT, HEXAGON SOCKET HEAD	4				
7	JW1-K8427-00	HINGE, SEAT 2	2				
8	90163-06802	SCREW, TAPPING	4				
9	JW1-K8402-10	SEAT SUB ASSY, BACK	1				
10	90119-06808	BOLT, WITH WASHER	4				



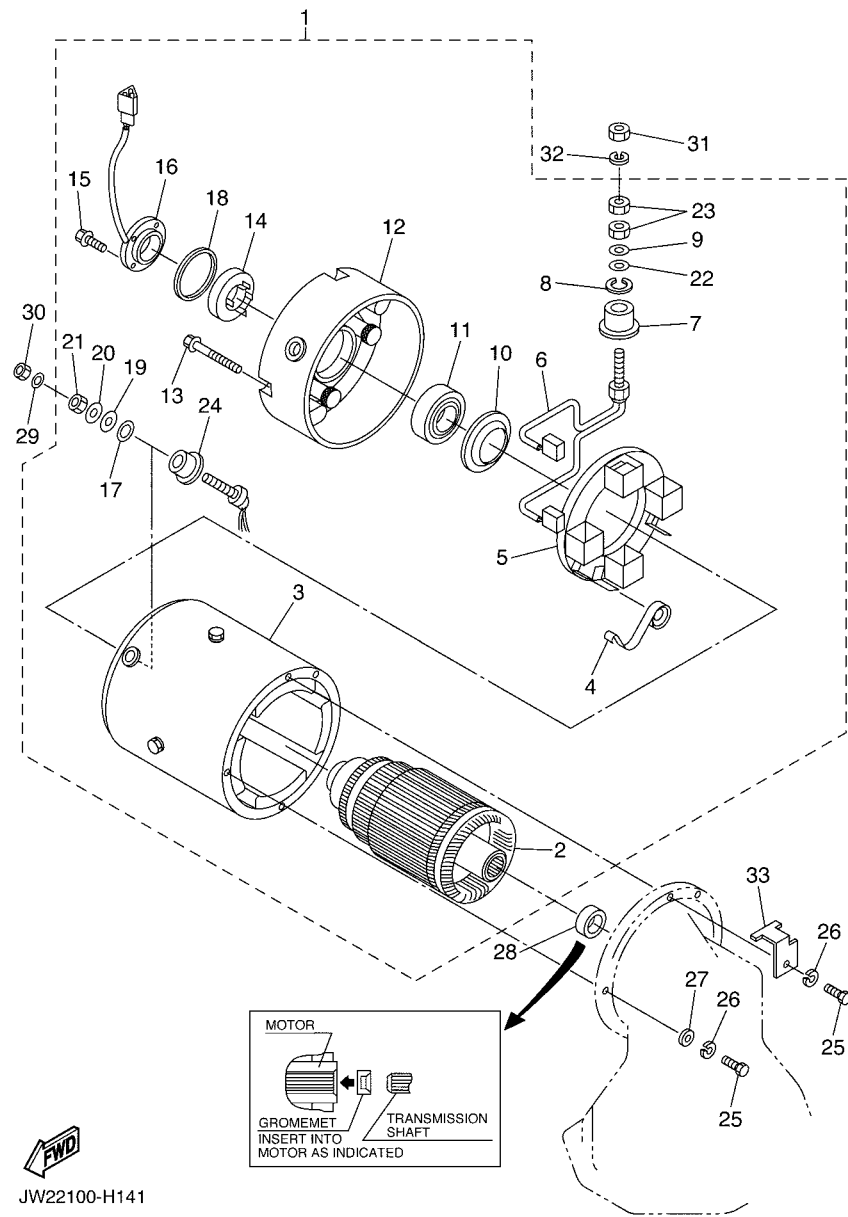
JC21110-M300



JW22100-H141

FIG. 16 ELECTRIC MOTOR

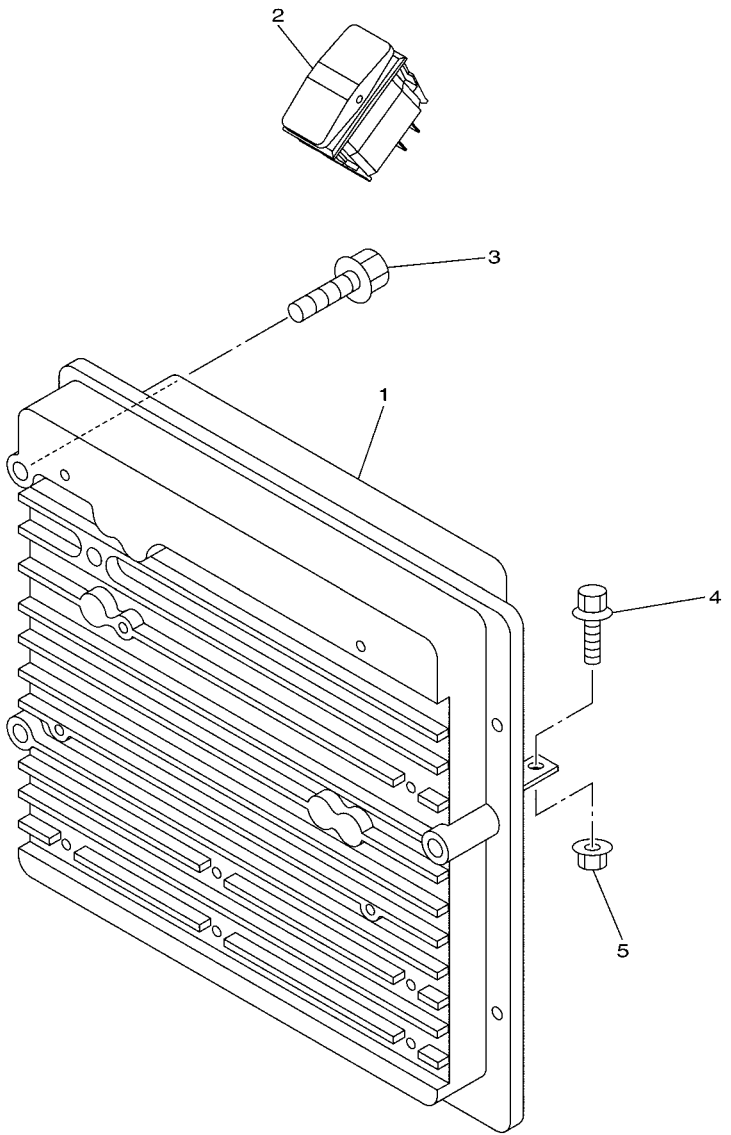
REF. NO.	PART NO.	DESCRIPTION	JW97				REMARKS
1	JU2-H1890-22	MOTOR ASSY	1				
2	JU2-H1850-20	.ARMATURE ASSY	1				
3	JU2-H1160-20	.FIELD COIL ASSY	1				
4	JU2-H1617-20	.SPRING, BRUSH	4				
5	JU2-H1840-20	.BRUSH HOLDER ASSY	1				
6	JU2-H1801-20	.BRUSH SET	2				
7	JU2-H182G-20	.BUSH, TERMINAL	2				
8	JU2-H1843-20	.WASHER 1	2				
9	JU2-H181L-20	.WASHER, PLAIN	2				
10	JU2-H1856-20	.RETAINER	1				
11	JU2-H185B-20	.BEARING 1	1				
12	JU2-H183J-20	.BRACKET, FRONT	1				
13	JU2-H1828-20	.SCREW 2	4				
14	JU2-H181K-20	.MAGNET	1				
15	JU2-H2113-20	.SCREW	4				
16	JU2-H1670-22	.PICK-UP ASSY	1				
17	JU2-H272L-20	.INSULATOR, 1	2				
18	JU2-H5722-20	.INSULATOR	1				
19	JU2-H2517-20	.WASHER, SPECIAL	2				
20	JU2-H332D-20	.WASHER, SPECIAL 2	2				
21	JU2-H191B-20	.NUT	4				
22	JU2-H1824-20	.WASHER 2	2				
23	JU2-H182K-20	.NUT	4				
24	JU2-H182H-20	.BUSH, TERMINAL 2	2				
25	90101-069U0	BOLT	3				
26	90215-06811	WASHER, LOCK	3				
27	90201-068E2	WASHER, PLATE	2				



JW22100-H141

FIG. 16 ELECTRIC MOTOR

REF. NO.	PART NO.	DESCRIPTION	JW97				REMARKS
28	JW9-H1829-00	GROMMET	1				
29	JU2-H185A-20	WASHER, PLATE	2				
30	JU2-H182A-20	NUT	2				
31	JU2-H1872-20	NUT, SPECIAL	2				
32	JU2-H1835-20	WASHER	2				
33	JU2-H218E-01	RELIEF, STRAIN 1	1				



FWD  
JW23110-J150

FIG. 17 CONTROLLER 1

REF. NO.	PART NO.	DESCRIPTION	JW97				REMARKS
1	JW2-H6510-20	MOTOR CONTROL UNIT ASSY	1				
2	JW2-H2727-00	SWITCH	1				
3	JW9-H1674-00	BOLT	3				
4	95817-06016	BOLT, FLANGE	3				
5	95604-06200	NUT, U FLANGE	3				
-----							
-----							
-----							
-----							
-----							
-----							
-----							
-----							

FIG. 18 ELECTRICAL 1

REF. NO.	PART NO.	DESCRIPTION	JW97				REMARKS
1	JW9-H2136-00	PLATE, BATTERY FITTING	3				
2	JW9-H1892-00	BOLT, SPECIAL	6				
3	90201-08310	WASHER, PLATE	6				
4	JW9-K811K-00	NUT, TRIM FITTING	6				
5	JW9-H2115-20	WIRE, PLUS LEAD	1				
6	JW9-H2127-00	WIRE, LEAD 2	3				
7	JW9-H2149-00	WIRE, LEAD 3	2				
8	JU2-H2917-00	SWITCH	1				
9	JU2-H2521-20	WIRE, LEAD	1				(F1)
10	JU2-H2531-20	WIRE, LEAD	1				(F2)
11	JU2-H6171-20	WIRE, LEAD 1	1				(A1)
12	JW9-H6172-00	WIRE, LEAD 2	1				(A2)
13	JU2-H7196-20	TUBE 1	1				
14	90464-25826	CLAMP	2				
15	JW9-H2590-40	WIRE HARNESS ASSY	1				UR FOR CAN
15	JW9-H2590-70	WIRE HARNESS ASSY	1				UR EXCEPT FOR CAN
16	JR1-H2151-00	.FUSE (3A)	1				
17	JW9-H1950-20	RELAY ASSY	1				
18	90179-08887	.NUT	2				
19	90179-05886	.NUT	2				
20	JW9-85371-00	RESISTOR COMP.	1				
21	90105-06831	BOLT, FLANGE	2				
22	JR1-H3383-02	BUZZER	1				
23	JN6-H3386-01	STAY, BUZZER	1				
24	JW9-H6181-00	RECEPTACLE	1				
25	JW1-F3394-00	BOLT, SPECIAL	3				
26	JF7-82817-22	SWITCH	1				

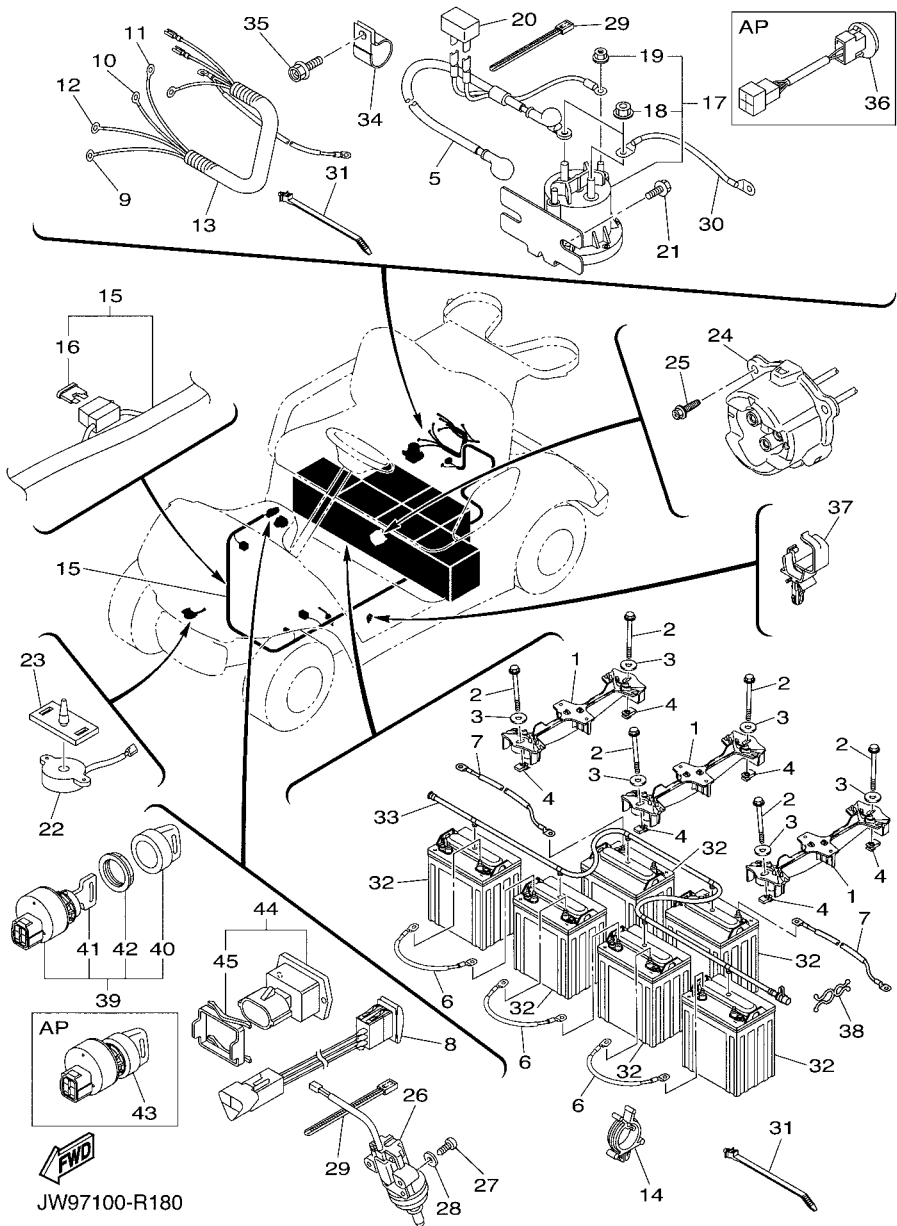
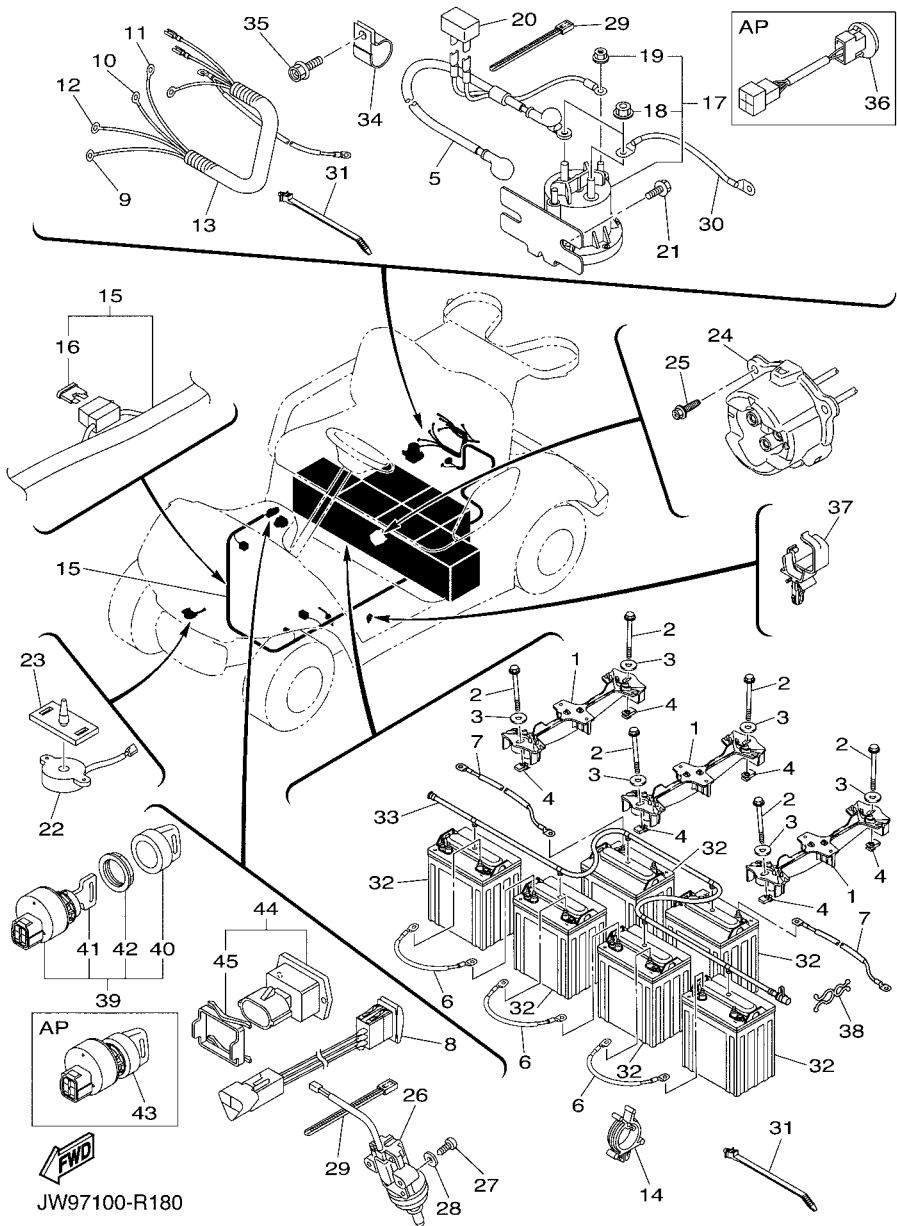


FIG. 18 ELECTRICAL 1



REF. NO.	PART NO.	DESCRIPTION	JW97		REMARKS
27	98502-05025	SCREW, PAN HEAD	2		
28	92902-05600	WASHER, PLATE	2		
29	90464-40825	CLAMP	4		
30	JW2-H6527-00	WIRE 7	1		
31	90464-20005	CLAMP	9		
32	*	BATTERY ASSY	6		LM
33	JW9-H210G-00	BATTERY WATERING SYSTEM ASSY.	1		
34	90461-14108	CLAMP	1		
35	90105-08867	BOLT, FLANGE	1		
36	JU2-HA2F0-00	TRANSMITTER UNIT	1		AP
37	90464-20237	CLAMP	3		
38	90464-14134	CLAMP	1		
39	JW1-H2510-00	MAIN SWITCH ASSY	1		STD
40	5UG-H2579-00	.CAP, KEY	1		
41	JU2-H2511-00	.KEY, MAIN SWITCH	2		
42	JU6-H2569-00	.NUT, MAIN SWITCH	1		
43	JU2-H2510-20	MAIN SWITCH ASSY	1		AP RANOMEKEY
44	JW2-H351B-00	GAUGE, BATTERY	1		EXCEPT FOR CAN
45	JW1-H1128-00	.CLAMP	1		EXCEPT FOR CAN

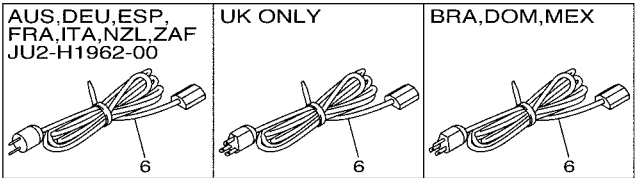
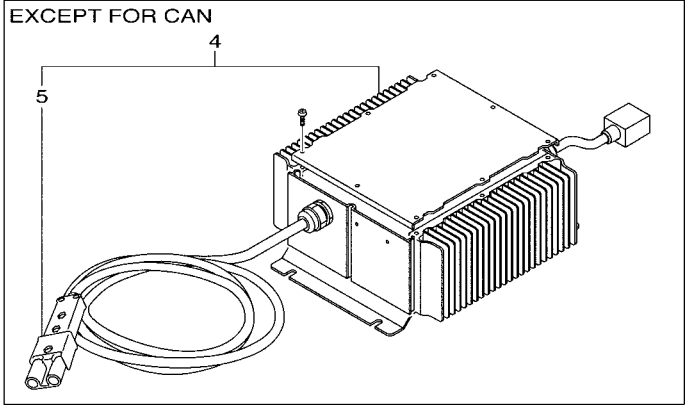
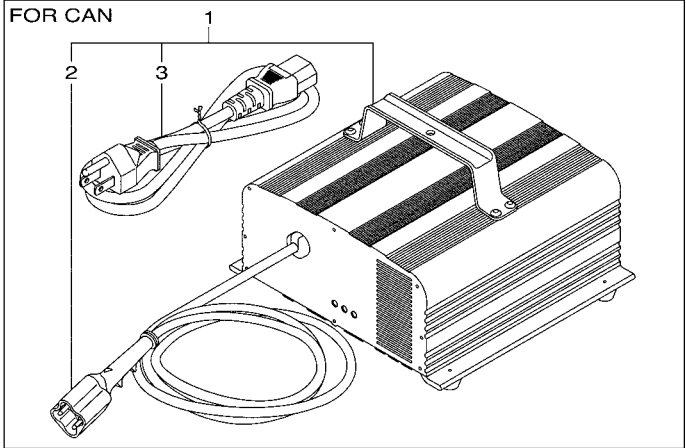


FIG. 19 BATTERY CHARGER

REF. NO.	PART NO.	DESCRIPTION	JW97			REMARKS
1	JW9-82107-02	CHARGER, BATTERY	1			FOR CAN
2	JW9-82174-00	.DC CORD ASSY	1			FOR CAN
3	JW9-81962-00	.AC CORD COMP.	1			FOR CAN
4	JW2-H2107-13	CHARGER, BATTERY	1			EXCEPT FOR CAN
5	JR1-H235A-00	.DC PLUG SET	1			EXCEPT FOR CAN
6	JU2-H1962-00	CORD COMP. (220V)	1			UR
	JU2-H1962-10	CORD COMP. (240V)	1			UR UK
	JU2-H1962-20	CORD COMP. (100V)	1			UR BRA,DOM,MEX
<hr/>						
<hr/>						
<hr/>						
<hr/>						
<hr/>						
<hr/>						
<hr/>						
<hr/>						
<hr/>						
<hr/>						
<hr/>						
<hr/>						


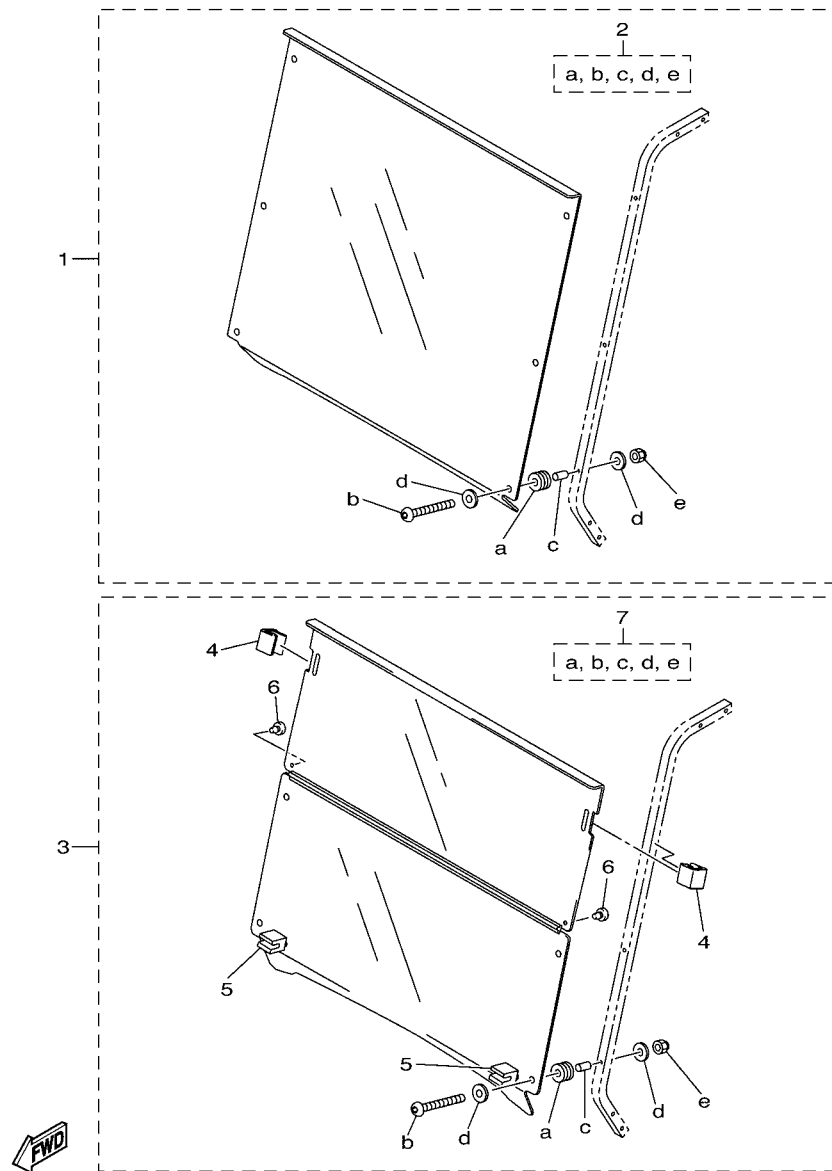
 JW95100-N170



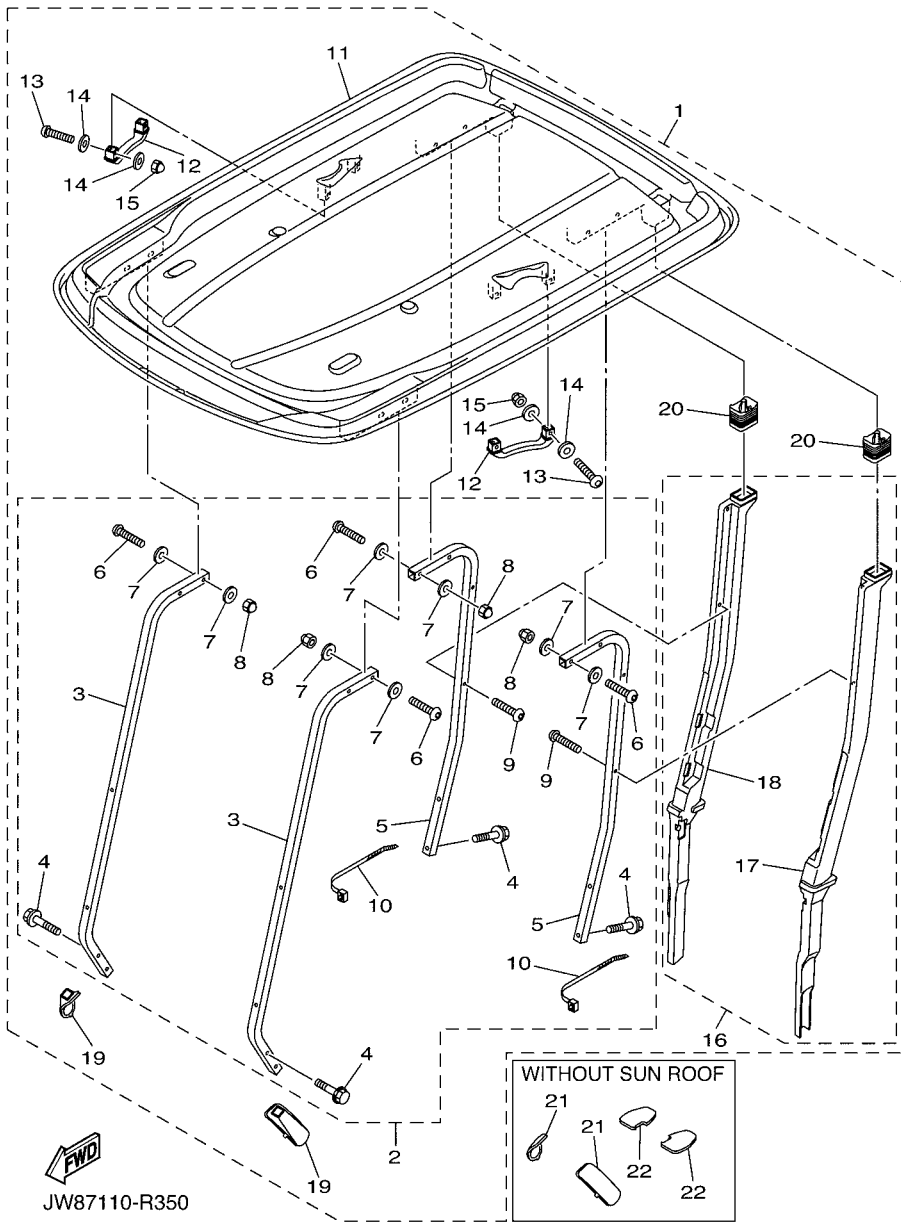
FIG. 20 ALTERNATE FOR WINDSHIELD



JW96100-P200

REF. NO.	PART NO.	DESCRIPTION	JW97			REMARKS
1	JW8-K7200-00	WINDSHIELD ASSY, SOLID(CLEAR)	1			UR AP
	JW8-K7200-10	WINDSHIELD ASSY, SOLID(SMOKE)	1			UR AP
2	GCA-JW121-00	.HARDWARE KIT	1			
3	JW8-K7200-21	WINDSHIELD ASSY, HINGED(CLEAR)	1			UR AP
	JW8-K7200-31	WINDSHIELD ASSY, HINGED(SMOKE)	1			UR AP
4	JW8-K7173-00	.LEVER, LATCH 1	2			
5	JW8-K7222-10	.BRACKET, WINDSHIELD(R.H)	2			
6	JW8-K8167-00	.BUMPER, RUBBER 1	2			
7	GCA-JW122-00	.HARDWARE KIT	1			

FIG. 21 ALTERNATE FOR SUN ROOF



FWD  
JW87110-R350

REF. NO.	PART NO.	DESCRIPTION	JW97			REMARKS
1	JW1-K84A0-01	SUN TOP KIT	1			UR AP TAN
	JW1-K84A0-20	SUN TOP KIT	1			UR AP BLACK
2	JW1-K84A2-01	.HARDWARE KIT, SUN TOP	1			
3	JW1-K8312-00	..SUPPORT, SUN ROOF 1	2			
4	JW1-K8388-00	..BOLT, ROOF 1	8			
5	JW1-K8313-01	..SUPPORT, SUN ROOF 2	2			
6	JU0-K8388-00	..BOLT, ROOF 1	8			
7	JW1-F1549-01	..WASHER, FENDER MOLD	16			
8	JU0-K8398-00	..NUT, ROOF 1	8			
9	JW1-K7387-00	..SCREW	4			
10	90464-76800	..CLAMP	2			
11	JW1-K8314-10	.COVER, SUN ROOF	1			UR TAN
	JW1-K8314-20	.COVER, SUN ROOF	1			UR BLACK
12	JW1-K8214-00	.GRIP, HAND	2			
13	JU0-K8388-00	.BOLT, ROOF 1	4			
14	JW1-F1549-01	..WASHER, FENDER MOLD	8			
15	JU0-K8398-00	.NUT, ROOF 1	4			
16	JW1-F417A-00	.DRAIN TUBE ASSY	1			
17	JW1-F413G-00	..TUBE, DRAIN	1			
18	JW1-F413J-00	..TUBE, DRAIN 2	1			
19	JW1-K832F-10	.GROMMET, ROOF SUPPORT 1	2			
20	JW1-F414G-10	.SEAL	2			
21	JW1-K832H-00	GROMMET, ROOF SUPPORT 3	2			AP
22	JW1-K833H-00	GROMMET, ROOF SUPPORT 4	2			AP

NUMERICAL INDEX

PART NO.	REF. NO.	PART NO.	REF. NO.	PART NO.	REF. NO.	PART NO.	REF. NO.	PART NO.	REF. NO.	PART NO.	REF. NO.
401-22128-01	3 - 16	JU0-F3570-20	3 - 1	JW8-F7117-00	6 - 6	JH7-G3396-01	8 - 10	JU2-H1962-10	19 - 6	JW1-K7510-01	10 - 1
2NL-23448-00	3 - 9	JW1-F3811-03	4 - 1	JW8-F7118-00	6 - 41	JW8-G4178-00	8 - 33	JU2-H1962-20	19 - 6	JW8-K7540-00	10 - 5
2NL-23517-00	3 - 11	JW1-F3812-00	4 - 13	JW8-F7119-00	6 - 28	JW8-G5244-00	8 - 34	JW2-H2107-13	19 - 4	JW8-K7762-00	4 - 38
2HR-23526-00	3 - 3	JW1-F3822-01	4 - 29	JW8-F7121-00	6 - 13	JW8-G5378-00	8 - 23	JW9-H210G-00	18 - 33	JW8-K7762-11	4 - 38
JW8-23841-01	4 - 27	JU0-F3828-10	4 - 4	JW9-F7200-21	6 - 2	JW9-G6136-00	8 - 9	JU2-H2113-20	16 - 15	JW8-K7762-21	4 - 38
J38-27204-00	7 - 15	1P0-F3833-00	4 - 26	JW8-F7213-20	6 - 34	JW9-G6290-10	8 - 2	JW9-H2115-20	18 - 5	JW9-K7768-30	11 - 11
J38-27205-00	7 - 4	JW1-F3837-00	4 - 22	JW8-F7217-00	6 - 32	JW9-G6300-10	7 - 1	JW9-H2127-00	18 - 6	JW9-K7768-40	11 - 11
J55-27260-00	7 - 9	JN3-F3838-00	4 - 6	JW8-F7218-00	6 - 10			JW9-H2136-00	18 - 1	JW9-K7768-50	11 - 11
J55-27270-00	7 - 20	5UG-F3844-00	4 - 19	JW9-F7221-00	6 - 14	JW9-G6312-00	8 - 20	JW9-H2149-00	18 - 7	JW2-K8114-02	11 - 7
J10-27282-00	7 - 6	JU0-F3857-11	4 - 3	JW9-F7228-00	6 - 23	JW9-G631A-00	8 - 19	JR1-H2151-00	18 - 16	JW2-K8114-12	11 - 7
	7 - 17		4 - 5	JW9-F7231-10	6 - 18	JW9-G6321-00	8 - 4	JU2-H218E-01	16 - 33	JW1-K8115-01	11 - 1
JW9-81962-00	19 - 3	JW1-F3866-00	4 - 24	JW9-F7232-00	6 - 19	JW9-G6350-00	8 - 12	JR1-H235A-00	19 - 5	JW1-K8115-11	11 - 1
JW9-82107-02	19 - 1	JW1-F387A-00	4 - 11	JW9-F7245-10	6 - 30	JW9-G6410-00	8 - 17	JW1-H2510-00	18 - 39	JW1-K8115-21	11 - 1
JW9-82174-00	19 - 2	JW1-F387E-00	4 - 14	JW9-F7246-20	6 - 46	JW9-G6421-00	8 - 14	JU2-H2510-20	18 - 43	JW1-K8115-31	11 - 1
JF7-82817-22	18 - 26	5UG-F387F-00	4 - 17	JW9-F7263-00	6 - 49	JN3-G6432-00	8 - 21	JU2-H2511-00	18 - 41	JW1-K8115-80	11 - 1
JW9-85371-00	18 - 20	5UG-F387G-00	4 - 15	JW8-F7280-00	7 - 13	JR1-G6511-00	8 - 26	JU2-H2517-20	16 - 19	JW1-K8115-90	11 - 1
JW1-F1549-01	21 - 7	5UG-F387J-00	4 - 18	JW8-F7281-00	7 - 5	JR1-G6512-00	8 - 27	JU2-H2521-20	18 - 9	JW1-K8115-W0	11 - 1
	21 - 14	5UG-F387K-00	4 - 16		7 - 16	JW8-G6514-00	8 - 32	JU2-H2531-20	18 - 10	JW9-K811K-00	18 - 4
JW1-F1738-00	2 - 3	JW1-F3894-00	4 - 25	JW8-F7286-00	7 - 10	JW8-G6521-00	8 - 38	JU6-H2569-00	18 - 42	JW1-K8142-00	12 - 1
	2 - 7	JW1-F413G-00	21 - 17		7 - 21	JW1-H1128-00	18 - 45	5UG-H2579-00	18 - 40	JW1-K8142-10	12 - 1
	2 - 11	JW1-F413J-00	21 - 18	JW8-F7290-00	7 - 2	JU2-H1160-20	16 - 3	JW9-H2590-40	18 - 15	JW1-K8142-20	12 - 1
JW9-F2110-20	1 - 1	JW1-F414G-10	21 - 20	JW8-F7316-01	6 - 31	JU2-H1617-20	16 - 4	JW9-H2590-70	18 - 15	JW1-K8142-30	12 - 1
JN6-F2123-10	1 - 2	JW1-F4161-10	11 - 5	JW8-F7317-00	6 - 40	JU2-H1670-22	16 - 16	JW2-H2727-00	17 - 2	JW1-K8142-80	12 - 1
JN6-F2124-10	1 - 6	JW1-F417A-00	21 - 16	JW8-F7318-00	6 - 20	JW9-H1674-00	17 - 3	JU2-H272L-20	16 - 17	JW1-K8142-90	12 - 1
JW1-F217G-10	1 - 10	JW8-F41B8-00	6 - 51	JW8-F7322-00	6 - 15	JU2-H1801-20	16 - 6	JU2-H2917-00	18 - 8	JW1-K8142-W0	12 - 1
JW9-F2198-10	2 - 6	JW8-F4486-00	6 - 44	JW9-F7411-01	2 - 2	JU2-H181K-20	16 - 14	JU2-H332D-20	16 - 20	JW1-K8151-00	12 - 10
JW2-F2210-10	1 - 14		6 - 48	JW8-F7416-00	6 - 8	JU2-H181L-20	16 - 9	JR1-H3383-02	18 - 22	JW1-K8164-00	10 - 2
JW9-F2417-00	2 - 12	JW9-F4648-20	6 - 50	JW8-F7426-01	6 - 17	JU2-H1824-20	16 - 22	JN6-H3386-01	18 - 23	JW8-K8167-00	20 - 6
JW8-F2501-01	2 - 1	JW1-F467K-00	4 - 23	JW8-F7434-00	6 - 39	JU2-H1828-20	16 - 13	JW2-H351B-00	18 - 44	JW1-K818A-00	13 - 2
JW9-F252M-00	2 - 4	JW1-F5100-01	9 - 1	JW8-F7435-00	6 - 56	JW9-H1829-00	16 - 28	JU2-H5722-20	16 - 18	JW1-K818B-00	13 - 5
JW9-F2535-00	2 - 10	JW8-F5103-00	3 - 21	JW8-F7438-00	6 - 38	JU2-H182A-20	16 - 30	JW9-H5885-00	6 - 52	JW1-K8191-00	13 - 6
JW1-F258G-02	2 - 8	JW8-F5118-00	8 - 39	JW9-F7445-31	6 - 33	JU2-H182G-20	16 - 7	JU2-H6171-20	18 - 11	JW1-K8192-00	13 - 7
JW1-F2873-10	12 - 4	JN6-F5118-01	3 - 29	JW8-F7814-21	6 - 3	JU2-H182H-20	16 - 24	JW9-H6172-00	18 - 12	JW1-K8214-00	21 - 12
JW1-F2874-10	12 - 5	JW8-F5415-00	6 - 25		6 - 43	JU2-H182K-20	16 - 23	JW9-H6181-00	18 - 24	JW1-K8233-30	11 - 15
JW7-F312H-00	5 - 4	JW9-F5666-00	6 - 12	JW8-F7825-01	6 - 27	JU2-H1835-20	16 - 32	JW2-H6510-20	17 - 1	JW1-K8237-10	12 - 7
JW1-F3183-00	4 - 12	JW9-F5671-00	6 - 5	JW9-F7850-31	6 - 1	JU2-H183J-20	16 - 12	JW2-H6527-00	18 - 30	JW1-K8245-00	11 - 18
JW8-F3183-00	6 - 16	JW9-F5672-00	6 - 4	JW9-F7853-00	6 - 35	JU2-H1840-20	16 - 5	JU2-H7196-20	18 - 13	JW1-K8261-00	11 - 20
JW2-F3350-00	3 - 14	JW9-F5673-00	6 - 45	JW9-F7871-10	6 - 36	JU2-H1843-20	16 - 8	JU2-HA2F0-00	18 - 36	JW1-K8262-00	11 - 23
JW2-F3390-00	3 - 19	JW8-F5681-10	5 - 5	JW9-F7872-20	6 - 37	JU2-H1850-20	16 - 2	GCA-JW121-00	20 - 2	JW1-K8270-11	13 - 1
JW1-F3394-00	18 - 25	JN6-F5685-01	5 - 6	JW8-F815H-01	6 - 42	JU2-H1856-20	16 - 10	GCA-JW122-00	20 - 7	JW1-K8273-00	11 - 17
JW1-F3396-01	11 - 3	JW9-F5827-00	6 - 53	JW8-F8319-00	6 - 29	JU2-H185A-20	16 - 29	JW1-K6179-01	12 - 9	JW9-K8274-00	12 - 6
	13 - 3	JW9-F5827-10	6 - 53	JW8-F8323-00	6 - 24	JU2-H185B-20	16 - 11	JW8-K7173-00	20 - 4	JW9-K8297-00	12 - 13
JW1-F3400-00	4 - 10	JW8-F6314-00	6 - 21	JW8-F8331-00	6 - 47	JU2-H1872-20	16 - 31	JW8-K7200-00	20 - 1	JW9-K8297-10	12 - 13
5UG-F3489-00	4 - 20	JW9-F632G-00	6 - 54	JW8-F8363-00	6 - 7	JU2-H1890-22	16 - 1	JW8-K7200-10	20 - 1	JW9-K8298-10	12 - 12
JU0-F3511-10	3 - 4	JW9-F6351-10	5 - 1	JW8-G2535-00	8 - 35	JW9-H1892-00	18 - 2	JW8-K7200-21	20 - 3	JW9-K8298-20	12 - 12
JW1-F3512-00	3 - 5	JW8-F639L-00	6 - 22	JW8-G2536-00	8 - 36	JU2-H191B-20	16 - 21	JW8-K7200-31	20 - 3	JW1-K8312-00	21 - 3
JU0-F3521-10	3 - 12	JW8-F639N-00	6 - 9	JW8-G2541-00	8 - 40	JW9-H1950-20	18 - 17	JW8-K7222-10	20 - 5	JW1-K8313-01	21 - 5
5UG-F3527-00	4 - 21	JW8-F7113-00	6 - 11	JW8-G2756-00	8 - 37	JU2-H1962-00	19 - 6	JW1-K7387-00	21 - 9	JW1-K8314-10	21 - 11

NUMERICAL INDEX

PART NO.	REF. NO.	PART NO.	REF. NO.	PART NO.	REF. NO.	PART NO.	REF. NO.	PART NO.	REF. NO.	PART NO.	REF. NO.
JW1-K8314-20	21 - 11	90110-06102	14 - 4	90387-046N7	4 - 37	95812-08020	4 - 2				
JW1-K832F-10	21 - 19	90110-06125	15 - 6	90387-12016	3 - 15		6 - 57				
JW1-K832H-00	21 - 21	90111-05805	11 - 8	90387-241M7	3 - 25	95812-10055	1 - 15				
JW1-K833H-00	21 - 22		11 - 13	90461-14108	18 - 34	95812-12065	1 - 7				
JW1-K8340-00	14 - 3	90114-12806	3 - 22	90464-14134	18 - 38	95812-12080	3 - 17				
JW1-K834G-00	14 - 8	90119-06244	11 - 21	90464-20005	18 - 31	95817-06016	17 - 4				
JN6-K8355-20	14 - 7	90119-06808	15 - 10	90464-20237	18 - 37	95822-06012	10 - 4				
JF2-K8356-00	14 - 6	90119-10044	1 - 5	90464-25826	18 - 14	97012-08030	4 - 30				
JW8-K8357-00	4 - 32	90159-06845	14 - 12	90464-40825	18 - 29	97012-10020	1 - 11				
JN6-K8358-01	4 - 33	90163-06802	15 - 8	90464-76800	21 - 10	9708R-06020	14 - 9				
JW8-K835E-00	11 - 12	90170-08841	8 - 25	90468-20196	5 - 3	97702-40525	4 - 34				
JW1-K8361-00	15 - 2	90170-10840	8 - 18	90502-10013	4 - 36	98502-05025	18 - 27				
JW1-K8362-00	15 - 4	90173-06010	11 - 22	90506-14001	7 - 8	99001-09600	5 - 10				
JN6-K8380-00	14 - 11	90179-05886	18 - 19		7 - 19						
JU0-K8388-00	21 - 6	90179-08822	5 - 7	90506-20281	7 - 7						
	21 - 13	90179-08887	18 - 18		7 - 18						
JW1-K8388-00	21 - 4	90179-12262	9 - 2	91490-25015	5 - 12						
JU0-K8398-00	21 - 8	90179-13800	1 - 4	91490-30030	8 - 28						
	21 - 15	90183-05008	11 - 9	91702-08018	5 - 11						
JW1-K8401-12	15 - 1		11 - 14	91702-10026	5 - 2						
JW1-K8402-10	15 - 9	90183-06071	11 - 6	92902-05600	18 - 28						
JW1-K8423-10	14 - 1	90185-06836	14 - 10	92902-08600	4 - 31						
JW1-K8426-00	15 - 5	90185-12008	4 - 7	92902-10100	1 - 12						
JW1-K8427-00	15 - 7	90201-04810	4 - 35	92902-10600	1 - 13						
JW1-K84A0-01	21 - 1	90201-05824	6 - 55	92902-12200	4 - 8						
JW1-K84A0-20	21 - 1	90201-068E2	16 - 27	9299R-06200	14 - 13						
JW1-K84A2-01	21 - 2	90201-068G7	14 - 5	93101-24822	8 - 29						
JN9-W2536-00	7 - 3	90201-08310	18 - 3	93102-30083	3 - 26						
	7 - 14	90201-121H8	7 - 12	93210-148B9	8 - 13						
90101-069U0	16 - 25		7 - 23	93210-478B8	8 - 6						
90101-08855	8 - 24	90201-121H9	7 - 11	93306-00440	8 - 31						
90101-08856	8 - 22		7 - 22	93306-005Y1	8 - 7						
90101-10854	8 - 16	90201-128S4	1 - 9	93306-005Y3	3 - 24						
90105-06129	15 - 3	90208-14801	3 - 27	93306-007Y0	8 - 15						
90105-06831	2 - 5	90215-06811	16 - 26	93306-203X1	8 - 8						
	2 - 9	90249-14129	5 - 9	93306-204X0	3 - 23						
	18 - 21	90269-06800	11 - 2	93306-303Y6	8 - 11						
90105-06870	11 - 4	90269-06804	11 - 19	93420-44805	8 - 30						
90105-08867	18 - 35		12 - 2	93420-50804	8 - 5						
90105-088B0	10 - 3		13 - 4	95307-08700	5 - 8						
90105-10219	3 - 8	90269-07001	11 - 10	95602-10200	1 - 16						
90105-10267	3 - 13	90269-08813	12 - 3		3 - 7						
	3 - 20		12 - 8		10 - 6						
90105-10373	3 - 6		12 - 11	95602-12200	1 - 8						
90105-10840	8 - 3	90269-09003	11 - 16		4 - 9						
90105-10847	4 - 28	90381-17067	3 - 10	95602-14100	3 - 28						
90105-13800	1 - 3	90381-18001	3 - 2	95604-06200	17 - 5						
90109-08002	14 - 2	90386-12800	6 - 26	95612-12100	3 - 18						