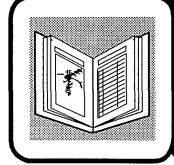


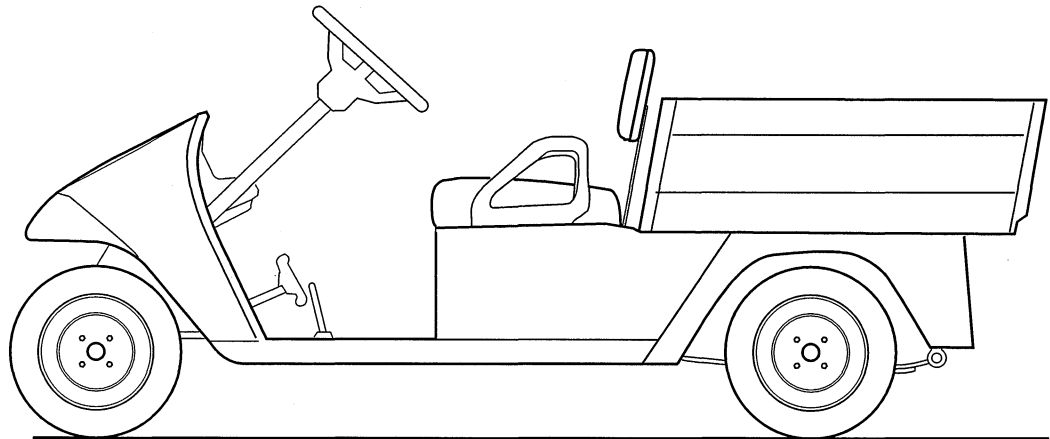
28493-G01



a **TEXTRON** Company



SERVICE PARTS MANUAL



GASOLINE POWERED UTILITY VEHICLE (1200 SERIES)

MODEL YEAR: 1998

REVISED: 4/99

SERVICE PARTS MANUAL



**GASOLINE POWERED
UTILITY VEHICLE**

SERVICE PARTS DEPARTMENT INSIDE USA PHONE 1-800-227-7029 FAX 1-800-752-6175

OUTSIDE USA PHONE 010-1-706-798-4311 FAX 010-1-706-771-4601

E-Z-GO DIVISION OF TEXTRON, INC., P.O. BOX 388, AUGUSTA, GEORGIA 30903-0388



LIMITED WARRANTY

WARRANTY

TO OBTAIN A COPY OF THE LIMITED WARRANTY THAT IS APPLICABLE TO YOUR VEHICLE, CALL OR WRITE YOUR LOCAL DISTRIBUTOR, BRANCH OR THE E-Z-GO WARRANTY DEPARTMENT.

THE USE OF NON E-Z-GO PARTS AND HARDWARE MAY VOID YOUR WARRANTY.

TAMPERING WITH OR ADJUSTING OF GOVERNOR TO PERMIT THE VEHICLE TO OPERATE AT ABOVE FACTORY SETTING OF 12 - 15 MPH WILL VOID YOUR VEHICLE WARRANTY

GENERAL INDEX

SECTIONS Page No.

How to use the **E-Z-GO** Service Manual vii

Illustration Page No.

ACCELERATOR

- Accelerator Pedal BoxA-1
- Accelerator PedalA-2
- Choke Cable, Accelerator Linkage, GovernorA-3

AIR FILTER

- Air Cleaner Box, Air Filter, PCV HoseB-1

BODY

- Front Shield, Cowl, Instrument Panel, Floorpans C-1
- Seat Frame, Splash Panels C-2
- Floormat, Seat Wrap, Side Panels, Rocker Panels C-3
- Seat Filler Panels, Rear Fenders, Rear Panel, Front Bumper C-4
- Ash Tray, Ball Hitch, "C" Hitch C-5

BRAKES

- Brake Pedal (with lights) D-1
- Brake Pedal (without lights) D-2
- Brake Linkage D-3
- Wheel Brake D-4

CABS AND VAN BOX

- CabE-1
- Cab Mounting Brackets, Windshield Wiper, Pivot Mounting SpacerE-2
- Doors, Strobe LightE-3
- Worklights, Defroster/Cooling Fan, Switch PanelE-4
- Ball Cage CabE-5
- Van BoxE-8

CARBURETOR

- CarburetorF-1

CLUTCH

- Drive Clutch, Belts, Driven Clutch G-1

DIRECTION SELECTOR

- Direction Selector H-1



GENERAL INDEX

ELECTRICAL SYSTEM

- Battery, Solenoid, Starter/Generator..... J-1
- Electrical Plate J-2
- Horn, Fuse Block J-3
- Headlight, Taillights J-4
- Ignition Switch, Indicator Light/Fuel Gauge, Turn Signal Assembly J-5
- Hour Meter..... J-6
- Strut-Mounted Strobe and Work Lights..... J-7

ENGINE AND MUFFLER

- Engine, Oil Filter, Spark Plugs, Muffler, Spark Arrestor K-1

ENGINE AND STARTER MOUNTING

- Front Mount, Rear Mount, Starter/Generator..... L-1

FRONT SUSPENSION

- Front Axle, Spindle, Wheel Hub, Shock Absorber..... M-1

FUEL SYSTEM

- Fuel Tank, Fuel Gauge, Fuel Filter, Fuel Pump N-1

REAR AXLE

- Axle Shafts, Seals, Bearing P-1

REAR SUSPENSION

- Spring, Shock Absorber..... Q-1

SEATING

- Seat Bottom, Seat Back, Hip Restraint R-1

STARTER/GENERATOR

- Armature, Coil, Brushes S-1

STEERING

- Steering Box, Steering Shaft/Column/Wheel, Tie Rods..... T-1

TRUCKBEDS

- Manual Dump Bed, Bed Decals, Pivot Mounting U-1
- Tilt Latch, Bed Prop U-2
- Bed Liner, Ramp U-3
- Electric Dump Bed, Bed Decals, Pivot Mounting U-9
- Electric Circuit Breaker, Toggle Switch, Actuator, Battery Connection U-10
- Bed Liner, Ramp U-11
- Flat Bed, Bed Decals, Pivot Mounting U-17
- Tilt Latch, Bed Prop U-18
- Cargo Bed..... U-19
- Refresher Cooler Unit U-23

GENERAL INDEX

WEATHER PROTECTION

- Sun Top V-1
- Inside Rear View Mirror, Windshield V-2
- Round, Side-Mounted Rear View Mirrors V-3
- 3 Sided Soft Enclosure V-4

WHEELS AND TIRES

- Tire and Wheel Assembly, Wheel Rim, Valve Stem, Hub Caps W-1
- Hub Caps W-2

SPECIALTY PRODUCTS

Special Tools, Performance Products, Paint.....Appendix - A

ACCESSORIES

Accessory List.....Appendix - B



HOW TO USE THE E-Z-GO SERVICE PARTS MANUAL

This manual is divided into several sections:

- GENERAL INFORMATION
- ILLUSTRATED PARTS BREAKDOWN
- APPENDIX

The first section, GENERAL INFORMATION, contains the following information:

- WARRANTY INFORMATION
- GENERAL INDEX
- HOW TO USE THE E-Z-GO SERVICE PARTS MANUAL

The second section, ILLUSTRATED PARTS BREAKDOWN, contains illustrations and parts lists for all systems of your vehicle.

The third section, APPENDIX, contains a listing of SPECIALTY PRODUCTS and ACCESSORIES.

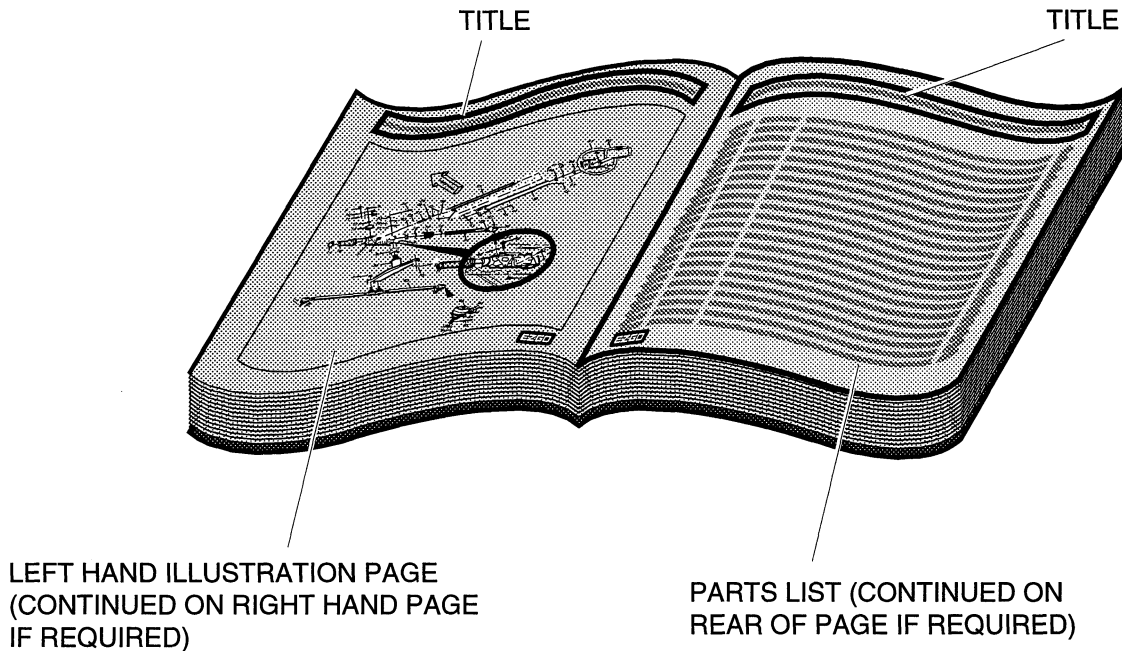
USE OF THE MANUAL

To use this manual, consult the GENERAL INDEX to locate the information or illustration required.

Introduction of some revisions varies due to supply of components; therefore, it is possible that various combinations of components may be found that are not directly reflected by each illustration. Consult the illustration that best suits your situation and then contact the Service Parts Department. It is important that the serial number of your vehicle and its model number be supplied to Service Parts when ordering any replacement components.

Locate the serial number plate (see Body located in the ILLUSTRATED PARTS BREAKDOWN section of this manual for its location) and note the complete number shown on the plate.

HOW TO USE THE E-Z-GO SERVICE PARTS MANUAL



1. WHEN THE PART NUMBER IS NOT KNOWN

- Determine the function and application of the part required. Turn to the General Index and select the most appropriate title.
- Turn to the page number indicated and locate the desired part on the illustration.
- From the illustration, obtain the item number assigned to the desired part. Refer to the accompanying description for specific information regarding the part.

2. IF YOU KNOW THE PART NUMBER

- Locate the part number or description in the appropriate column on the parts list page.

NOTE: It is suggested that you confirm that the part selected is correct by verifying it with the pictorial representation on the illustrated page.

Should an asterisk (*) appear in the part number column on the parts list page, read upwards until a part number is found. The part number is the lowest assembly sold by E-Z-GO and the asterisk (*) indicates that the part depicted is not available for sale by E-Z-GO.

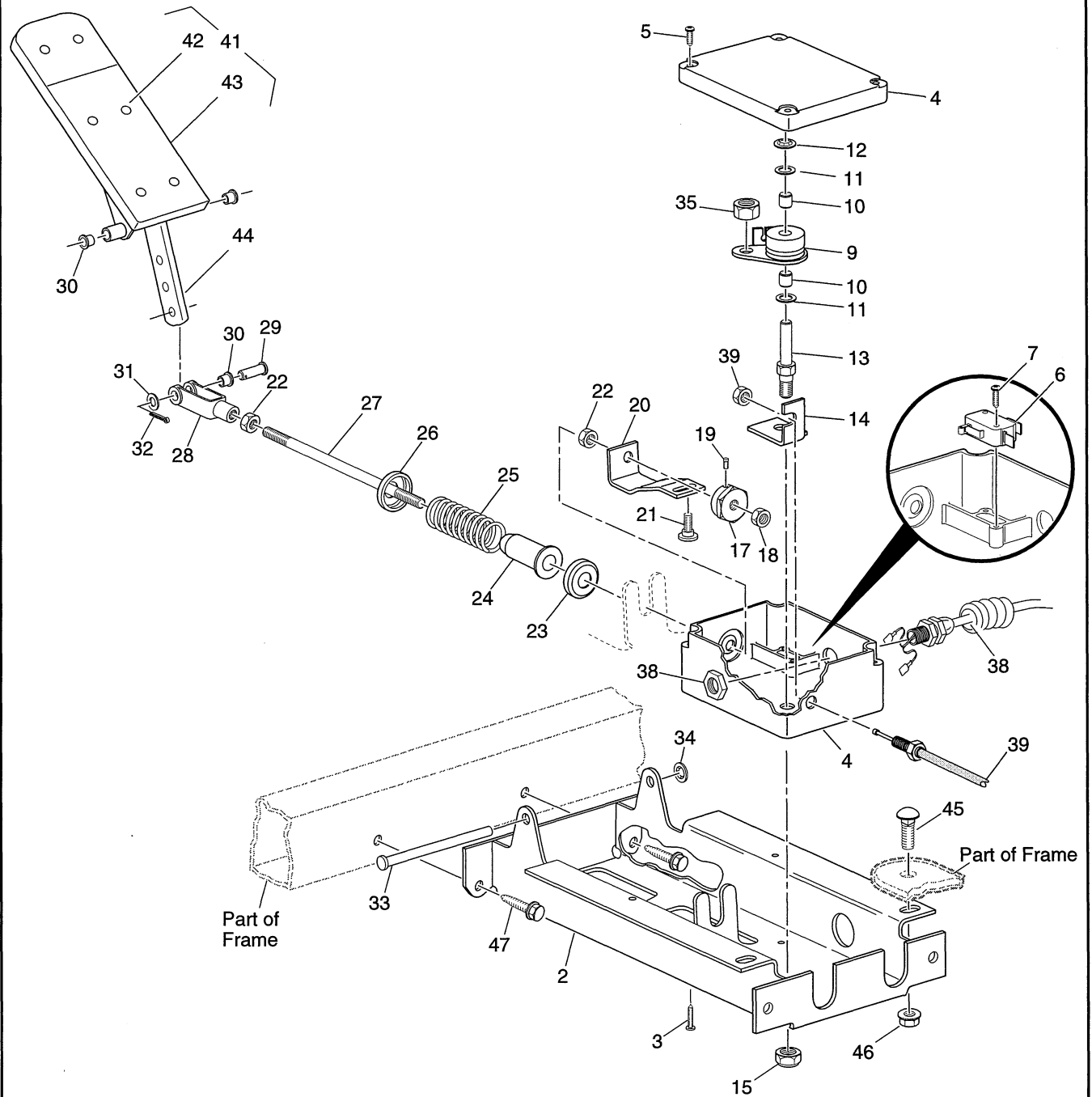
NOTE: Descriptions are indented under the assembly that they are used on. That assembly is, in turn listed under the assembly that it is used on. This process is repeated until the highest final assembly is reached.

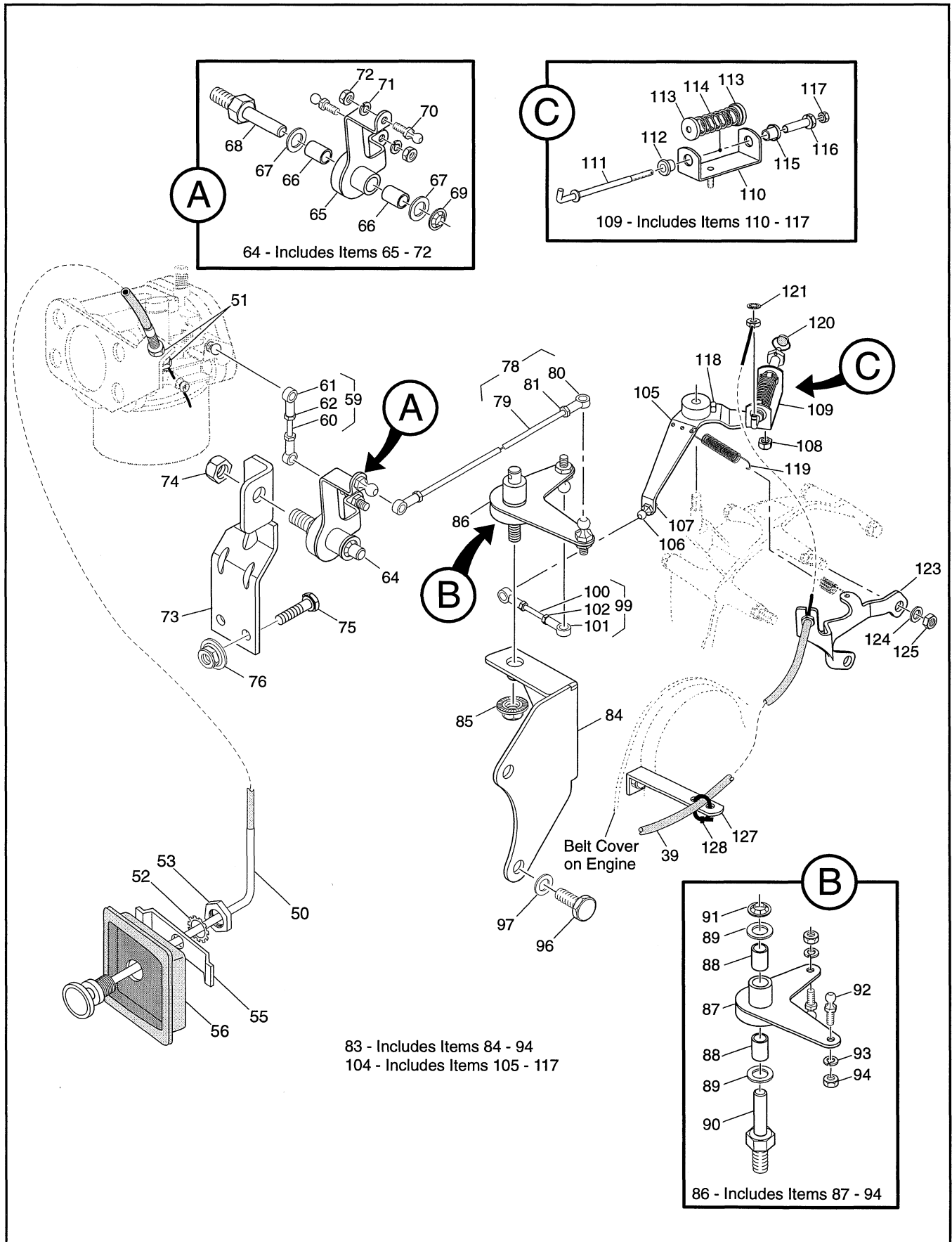
To facilitate the maintenance and repair of the vehicle, a Technician's Repair and Service Manual is available from the E-Z-GO Service Parts Department.



ILLUSTRATED PARTS BREAKDOWN

1 - Includes Items 2 - 44
40 - Includes items 41 - 44





ACCELERATOR

Gasoline Vehicle

When ordering parts, please specify the model and serial number of the product.

* Indicates a component that is not available as an individual part.

G** Indicates consult Customer Service Department for additional information.

ITEM	PART NO.	1 2 3 4 5	DESCRIPTION	QTY.
1	72062-G01		PEDAL BOX ASSEMBLY (INCLUDES ITEMS 2 - 44)	1
2	70116-G01		ACCELERATOR PEDAL BRACKET.....	1
3	00684-G6		SCREW, #8 - 32 X 3/4" LG.	4
4	25853-G02		PEDAL BOX AND COVER	1
5	00684-G6		SCREW, #8 - 32 X 3/4" LG.	4
6	25861-G01		MICRO SWITCH.....	1
7	00982-G01		SCREW, #4 - 14 X 5/8" LG	2
8				
9	72066-G01		CONTROL ARM	1
10	23860-G1		BEARING.....	2
11	24621-G1		NYLON WASHER, 5/16".....	2
12	12064-G1		PUSH NUT, 5/16".....	1
13	25768-G01		PIVOT ROD	1
14	72199-G01		PIVOT BRACKET	1
15	14390-G1		LOCK NUT, 3/8 - 24	1
16				
17	72198-G03		MICRO SWITCH CAM.....	1
18	00550-G4		LOCK NUT, 5/16 - 24	3
19	00487-G3		SETSCREW, 1/4 - 20 X 3/8" LG.	1
20	72074-G01		CONTROL ARM LINK	1
21	72225-G01		SHOULDER BOLT, #10 - 24 X 11/16" LG.....	1
22	00532-G4		LOCKNUT, 5/16 - 24	2
23	17677-G1		SPRING RETAINER	1
24	17979-G1		ACCELERATOR ROD BUSHING.....	1
25	73046-G01		COMPRESSION SPRING	1
26	17677-G2		SPRING RETAINER	1
27	72072-G01		ACCELERATOR ROD	1
28	10385-G4		CLEVIS YOKE (ADJUSTABLE).....	1
29	10386-G3		CLEVIS PIN, 5/16" X 1" LG	1
30	17838-G1		NYLON BUSHING	3

When ordering parts, please specify the model and serial number of the product.

* Indicates a component that is not available as an individual part.

G** Indicates consult Customer Service Department for additional information.

ITEM	PART NO.	1 2 3 4 5	DESCRIPTION	QTY.
31	17255-G1		TEFLON WASHER, 5/16"	1
32	10387-G3		COTTER PIN, 3/32" X 3/4" LG	1
33	70134-G01		PEDAL PIVOT PIN	1
34	00986-G01		PUSH NUT, 9/32"	1
35	14390-G10		LOCK NUT, #10 - 24.....	1
36	12730-G1		WHEEL BEARING GREASE (NOT ILLUSTRATED).....	A/R
37				
38	72201-G01		WIRE HARNESS (PEDAL BOX)	1
39	72065-G02		ACCELERATOR CABLE	1
40	25799-G01		ACCELERATOR PEDAL ASSEMBLY (INCLUDES ITEMS 41 - 44)	1
41	27844-G01		ACCELERATOR PEDAL PAD KIT (INCLUDES ITEMS 42 - 43)	1
42	15766-G1		OVAL RIVET, 3/16" X 3/8" LG.	6
43	27512-G01		ACCELERATOR PADAL PAD	1
44	*		ACCELERATOR PEDAL.....	1
45	00827-G8		CARRIAGE BOLT, 1/4-20 X 1" LG	2
46	11027-G2		LOCK NUT, 1/4-20	2
47	00715-G2		BOLT, 5/16 - 18 X 13/16" LG.....	2
48				
49				
50	72401-G02		CHOKE CONTROL ASSEMBLY (INCLUDES ITEM 51).....	1
51	00544-G4		JAM NUT, 5/16 - 24	2
52	00568-G4		LOCK WASHER, 9/16"	1
53	00545-G4		NUT, 9/16-18	1
54				
55	72155-G01		RETAINER	1
56	72154-G01		CHOKE CABLE ADAPTER.....	1
57				
58				
59	25737-G01		CARBURETOR LINKAGE ROD (INCLUDES ITEMS 60 - 62).....	1
60	25737-G01		ADJUSTING ROD (SHORT)	1

When ordering parts, please specify the model and serial number of the product.

* Indicates a component that is not available as an individual part.

G** Indicates consult Customer Service Department for additional information.

ITEM	PART NO.	1	2	3	4	5	DESCRIPTION	QTY.
61	24465-G1						BALL JOINT SOCKET	2
62	00526-G4						NUT, #10 - 32.....	2
63								
64	25760-G01						CARBURETOR LINKAGE BELLCRANK (INCLUDES ITEMS 65 - 72).....	1
65	25759-G01						CARBURETOR PIVOT	1
66	23860-G1						BEARING.....	2
67	24621-G1						NYLON WASHER, 5/16".....	2
68	25768-G01						PIVOT ROD	1
69	12064-G1						PUSH NUT, 5/16"	1
70	24479-G1						BALL JOINT BALL.....	2
71	00565-G5						LOCK WASHER, #10	2
72	00526-G4						NUT, #10 - 32.....	2
73	72197-G01						PIVOT BRACKET.....	1
74	14390-G1						LOCK NUT, 3/8 - 24	1
75	00414-G8						BOLT, 1/4 - 20 X 1" LG.....	2
76	14390-G4						LOCK NUT, 1/4 - 20	2
77								
78	72254-G01						THROTTLE LINKAGE ROD ASSEMBLY (INCLUDES ITEMS 79 - 81).....	1
79	72255-G01						ADJUSTING ROD (LONG)	1
80	24465-G1						BALL JOINT SOCKET	2
81	00526-G4						NUT, #10 - 32.....	2
82								
83	25702-G01						GOVERNOR PIVOT BRACKET ASSEMBLY (INCLUDES ITEMS 84 - 94).....	1
84	25655-G01						BELLCRANK BRACKET.....	1
85	14390-G1						LOCK NUT, 3/8 - 24	1
86	25763-G01						GOVERNOR PIVOT ASSEMBLY (INCLUDES ITEMS 87 - 94)	1
87	25762-G01						GOVERNOR PIVOT.....	1
88	23860-G1						BEARING	2
89	24621-G1						NYLON WASHER, 5/16"	2
90	25768-G01						PIVOT ROD.....	1

When ordering parts, please specify the model and serial number of the product.

* Indicates a component that is not available as an individual part.

G** Indicates consult Customer Service Department for additional information.

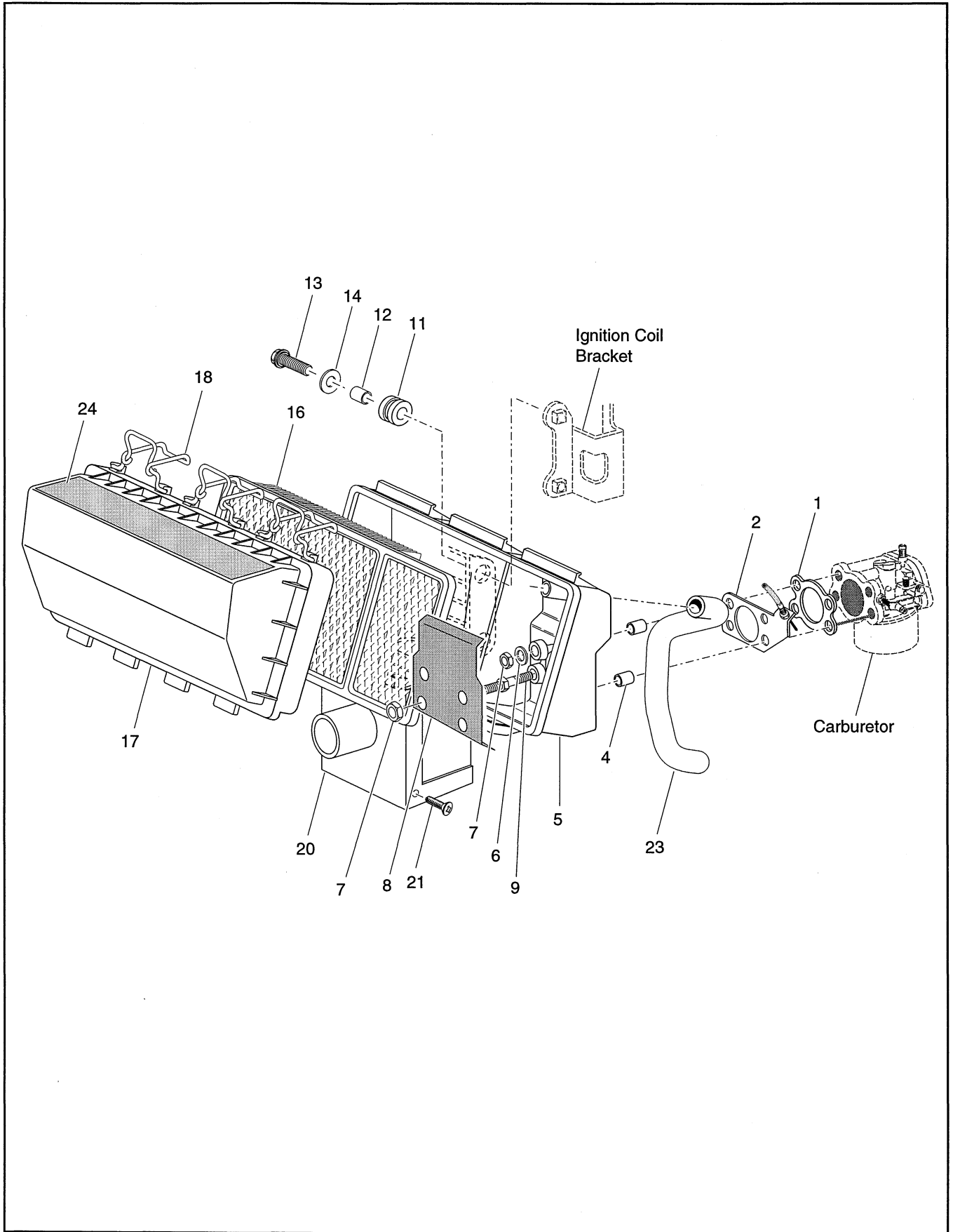
ITEM	PART NO.	1 2 3 4 5	DESCRIPTION	QTY.
91	12064-G1		PUSH NUT, 5/16"	1
92	24479-G1		BALL JOINT BALL	2
93	00565-G5		LOCK WASHER, #10.....	2
94	00526-G4		NUT, #10 - 32	2
95				
96	00276-G6		BOLT, 5/16 - 24 X 3/4" LG	2
97	00565-G8		LOCK WASHER, 5/16"	2
98				
99	25737-G03		GOVERNOR LINKAGE ROD (INCLUDES ITEMS 100 - 102).....	1
100	23722-G1		ADJUSTING ROD	1
101	24465-G1		BALL JOINT SOCKET	2
102	00526-G4		NUT, #10 - 32.....	2
103				
104	25690-G01		GOVERNOR BELLCRANK ASSEMBLY (INCLUDES ITEMS 105 - 117)	1
105	25765-G01		GOVERNOR BELLCRANK	1
106	24479-G1		BALL JOINT BALL.....	1
107	00734-G5		LOCK NUT, #10 - 32.....	1
108	14390-G4		LOCK NUT, 1/4 - 20.....	1
109	22751-G2		GOVERNOR BRACKET ASSEMBLY (INCLUDES ITEMS 110 - 117)	1
110	22752-G1		GOVERNOR BRACKET	1
111	25274-G1		GOVERNOR ROD	1
112	22754-G1		BUSHING.....	1
113	25661-G01		CUP WASHER.....	2
114	23578-G1		COMPRESSION SPRING	1
115	22754-G2		BUSHING.....	1
116	23859-G1		GOVERNOR ADJUSTER	1
117	00526-G4		NUT, #10-32	1
118	00491-G4		SETSCREW, 1/4 - 20 X 1/2" LG	2
119	25738-G01		SPRING	1
120	25286-G1		SAFETY SEAL, 3/8".....	1

When ordering parts, please specify the model and serial number of the product.

* Indicates a component that is not available as an individual part.

G** Indicates consult Customer Service Department for additional information.

ITEM	PART NO.	1 2 3 4 5	DESCRIPTION	QTY.
121	12064-G3		PUSH NUT, 3/16"	1
122				
123	25653-G01		ACCELERATOR CABLE BRACKET	1
124	26826-G01		LOCK WASHER, 8MM	2
125	26827-G01		NUT, M8 X 1.25MM	2
126				
127	72055-G01		ACCELERATOR CABLE BRACKET	1
128	17618-G1		WIRE TIE	7

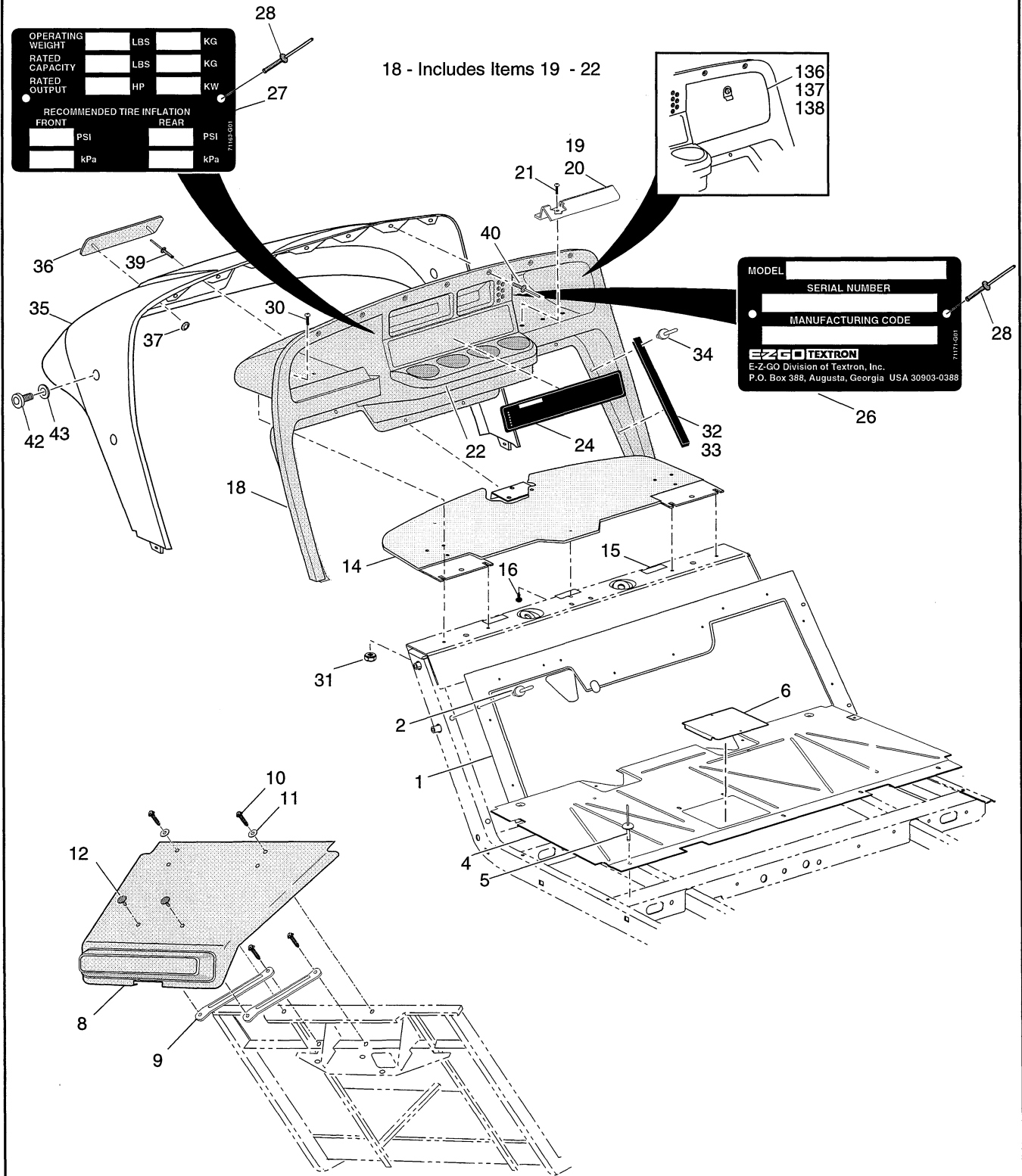


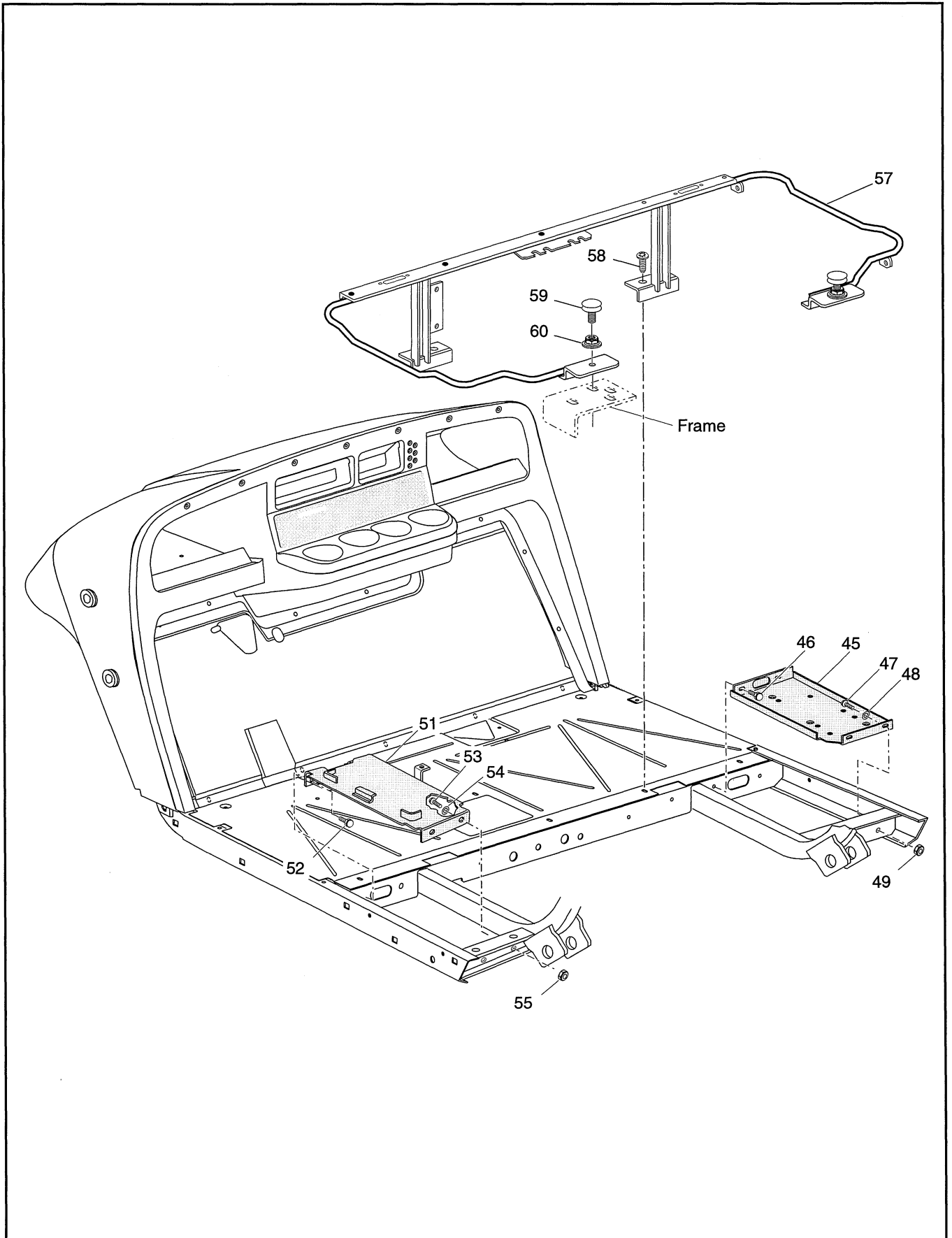
When ordering parts, please specify the model and serial number of the product.

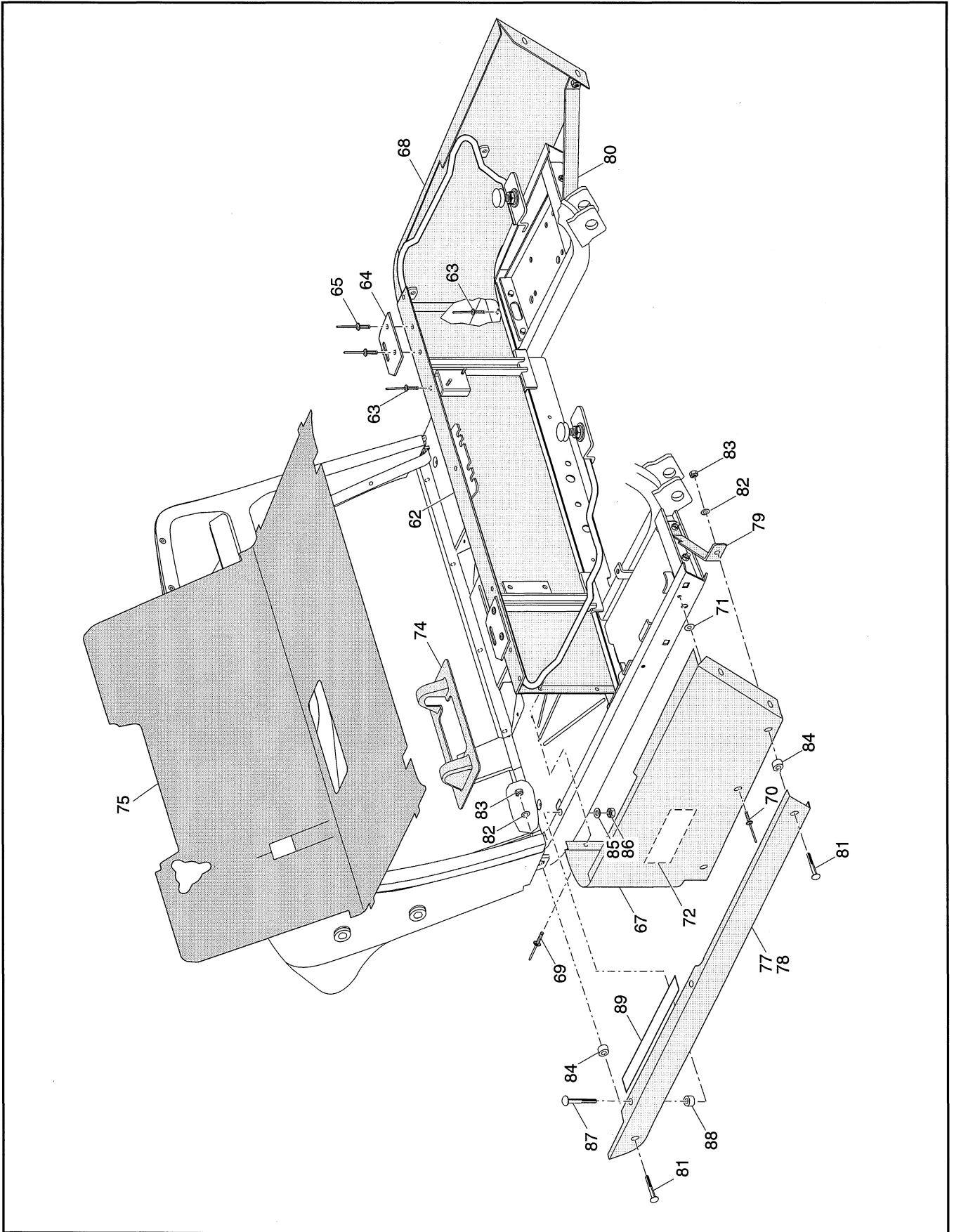
* Indicates a component that is not available as an individual part.

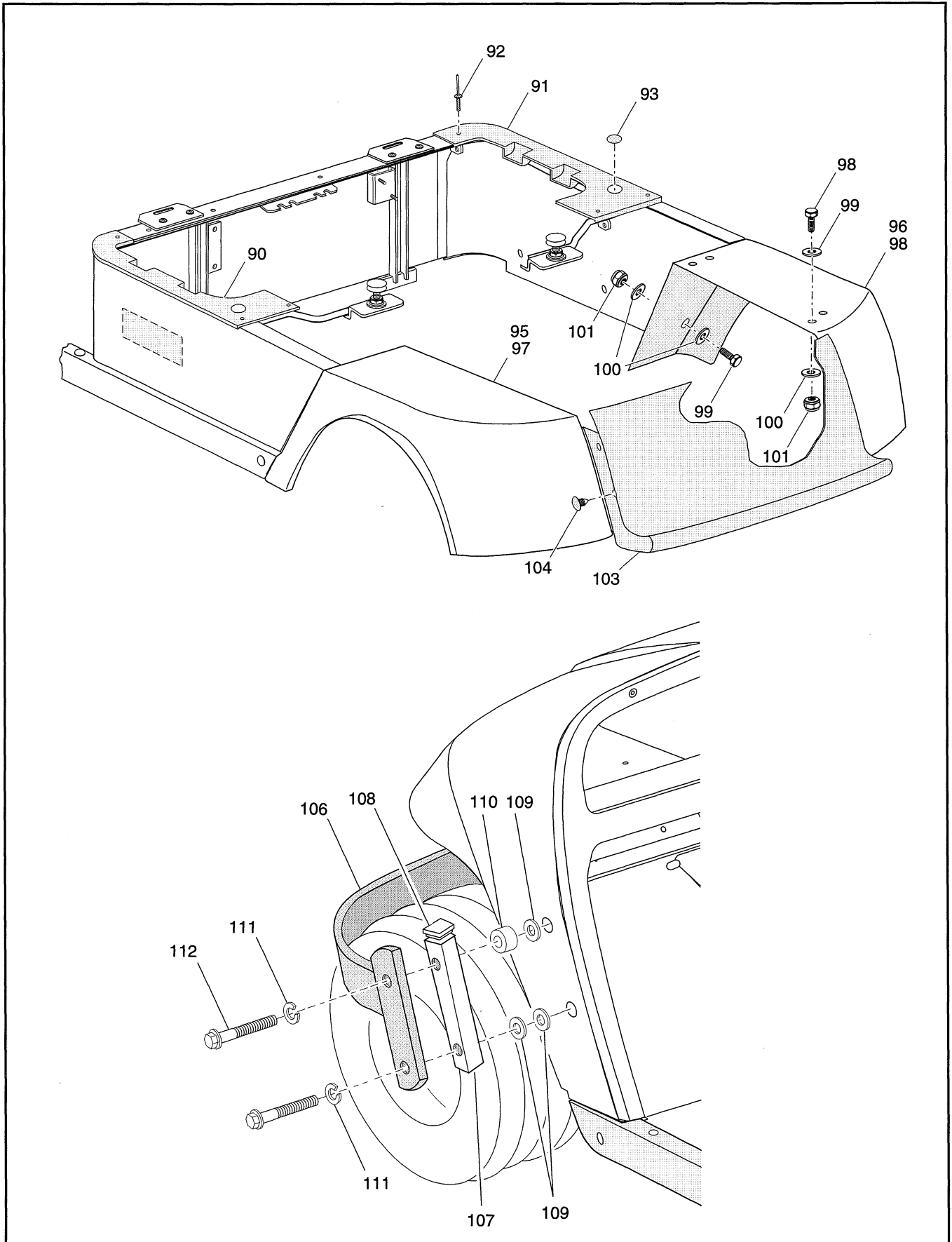
G** Indicates consult Customer Service Department for additional information.

ITEM	PART NO.	1 2 3 4 5	DESCRIPTION	QTY.
1	26727-G01		CARBURETOR / AIR BOX GASKET	2
2	26728-G01		CHOKE BRACKET	1
3				
4	23726-G6		SPACER, 7/16"	4
5	72178-G02		HOUSING	1
6	51400-G1		LOCK WASHER, 6 MM.....	2
7	13632-G1		NUT, M6 X 1.....	4
8	72529-G01		BAFFLE	1
9	72514-G01		STUD, M6 X 1 X 39 MM LG.....	2
10				
11	72147-G01		HOUSING MOUNT GROMMET	2
12	23726-G7		SPACER, 9/16"	2
13	26671-G01		BOLT AND WASHER, M6 X 1 X 30 MM LG.	2
14	26701-G01		WASHER, 6.5MM	2
15				
16	72368-G01		AIR FILTER ELEMENT	1
17	72179-G02		AIR FILTER COVER	1
18	72145-G01		LATCH.....	3
19				
20	72146-G02		INLET COVER	1
21	00614-G5		SCREW, #8 - 18 X 5/8" LG.	6
22				
23	72151-G01		PCV HOSE	1
24	74093-G01		LABEL (WARNING)	1

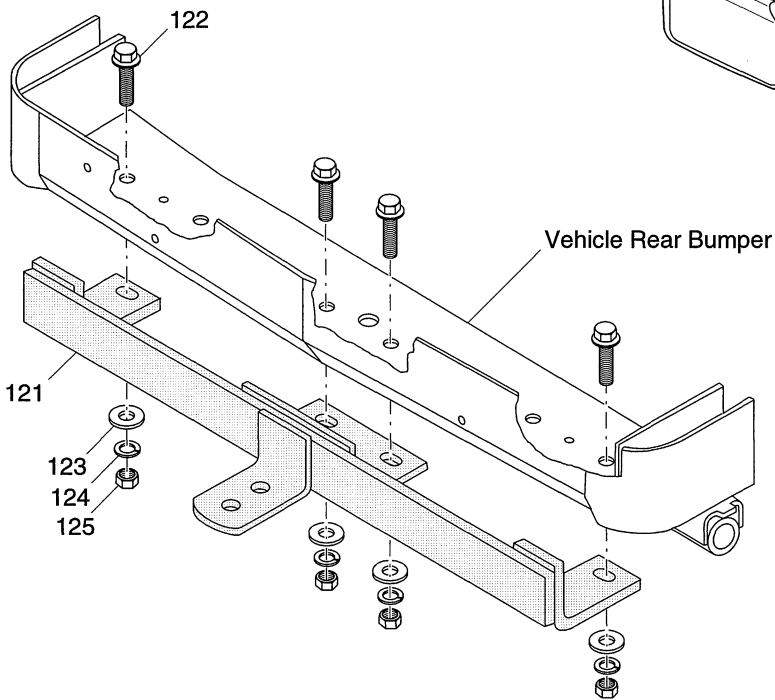
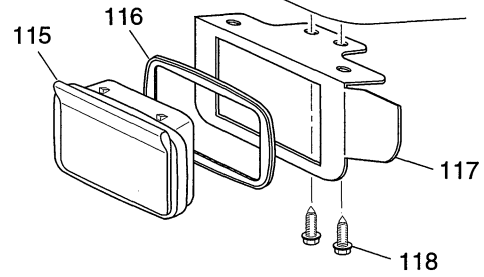




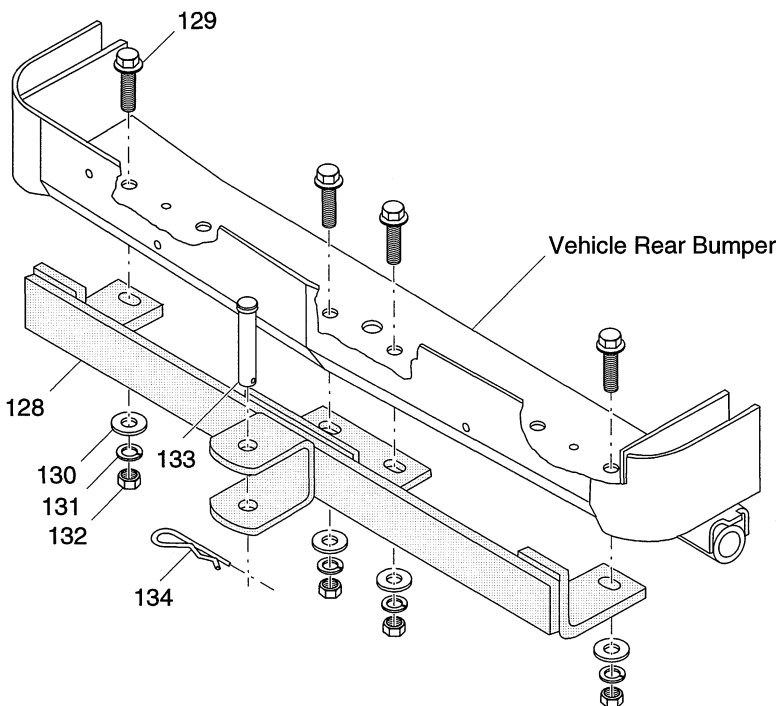




114 - Includes Items 115 - 118



120 - Includes Items 121 - 125



127 - Includes Items 128 - 132

When ordering parts, please specify the model and serial number of the product.

* Indicates a component that is not available as an individual part.

G** Indicates consult Customer Service Department for additional information.

ITEM	PART NO.	1 2 3 4 5	DESCRIPTION	QTY.
1	70047-G01		UPPER FLOORPAN	1
2	14601-G11		RIVET, 3/16" X 9/16" LG	9
3				
4	70451-G01		LOWER FLOORPAN.....	1
5	14601-G11		RIVET, 3/16" X 9/16" LG	7
6	70452-G01		ACCESS COVER.....	1
7				
8	27166-G02		FRONT SHIELD.....	1
9	71015-G01		FRONT SHIELD BRACE.....	2
10	01038-G01		SCREW, 1/4 - 20 X 1/2" LG	4
11	16469-G7		WASHER, 1/4"	2
12	16816-G2		RATCHET FASTENER, 1/4" X 3/4".....	2
13				
14	71143-G01		SPLASH PANEL ASSEMBLY	1
15	27919-G02		FOAM TAPE, 3/4" X 2" LG	3
16	16816-G2		RATCHET FASTENER, 1/4" X 3/4".....	1
17				
18	71151-G01		INSTRUMENT PANEL ASSEMBLY (INCLUDES ITEMS 19 - 22)	1
19	71153-G01		BALL DEFLECTOR (PASSENGER SIDE)	1
20	71154-G01		BALL DEFLECTOR (DRIVER SIDE).....	1
21	00614-G5		SCREW, #8 - 18 X 5/8" LG.....	6
22	71158-G01		INSTRUMENT PANEL INSERT (FOUR CUP)	1
23				
24	71177-G01		LABEL (SAFETY).....	1
25				
26	*		SERIAL NUMBER PLATE.....	1
27	*		CAPACITY PLATE	1
28	10570-G9		RIVET, 1/8 X 11/32" LG	4
29				
30	00740-G4		SCREW, #10 - 32 X 1/2" LG	4



When ordering parts, please specify the model and serial number of the product.

* Indicates a component that is not available as an individual part.

G** Indicates consult Customer Service Department for additional information.

ITEM	PART NO.	1 2 3 4 5	DESCRIPTION	QTY.
31	00921-G8		NUT, #10 - 32	4
32	71115-G01		VINYL TRIM	1
33				
34	14601-G13		RIVET, 5/32" X 9/16" LG.	10
35	71051-G**		COWL	1
36	71037-G02		NAMEPLATE (E-Z-GO).....	1
37	12064-G3		PUSHNUT, 3/16"	2
38				
39	14601-G13		RIVET, 5/32" X 9/16" LG.	2
40	71055-G01		RIVET, 3/16" X 3/8" LG.	7
41				
42	71056-G01		BOLT, 5/16 - 18 X 5/8" LG.....	4
43	00570-G2		WASHER, 5/16"	4
44				
45	70244-G02		SPLASH PANEL.....	1
46	00715-G2		BOLT, 5/16 - 18 X 13/16" LG.....	2
47	00438-G8		BOLT, 5/16 - 18 X 1" LG.....	2
48	00559-G8		WASHER, 5/16"	2
49	11098-G6		LOCK NUT, 5/16 - 18	2
50				
51	70245-G01		BATTERY TRAY.....	1
52	00715-G2		BOLT, 5/16 - 18 X 13/16" LG.....	2
53	00438-G8		BOLT, 5/16 - 18 X 1" LG.....	2
54	00571-G2		WASHER, 5/16"	2
55	11098-G6		LOCK NUT, 5/16 - 18	2
56				
57	70384-G01		SEAT FRAME.....	1
58	70200-G01		SCREW, 3/8 - 16 X 1/4" LG.	2
59	70113-G01		ADJUSTABLE BUMPER.....	2
60	11027-G1		LOCK NUT, 5/16 - 18	2



When ordering parts, please specify the model and serial number of the product.

* Indicates a component that is not available as an individual part.

G** Indicates consult Customer Service Department for additional information.

ITEM	PART NO.	1 2 3 4 5	DESCRIPTION	QTY.
61				
62	71379-G**		SEAT WRAP PANEL.....	1
63	10570-G10		RIVET, 5/32 X 9/16" LG.....	8
64	71609-G01		SEAT HINGE PLATE.....	2
65	10570-G11		RIVET, 3/16 X 3/4" LG.....	4
66				
67	71674-G**		SIDE PANEL (DRIVER SIDE).....	1
68	71674-G**		SIDE PANEL (PASSENGER SIDE).....	1
69	10570-G10		RIVET, 5/32" X 9/16" LG.....	4
70	10570-G12		RIVET, 1/4" X 1/2" LG.....	4
71	16469-G7		WASHER, 1/4".....	4
72	34898-G01		DECAL (WORKHORSE 1200G).....	2
73				
74	70135-G01		PEDAL PIVOT COVER.....	1
75	70048-G06		FLOORMAT.....	1
76				
77	71439-G01		ROCKER PANEL (DRIVER SIDE).....	1
78	71439-G02		ROCKER PANEL (PASSENGER SIDE).....	1
79	71440-G01		BRACE (DRIVER SIDE).....	1
80	71440-G02		BRACE (PASSENGER SIDE).....	1
81	00789-G2		SCREW, #10 - 24 X 1 1/4" LG.....	4
82	00660-G5		WASHER, #10.....	4
83	11098-G7		LOCK NUT, #10 - 24.....	4
84	19247-G3		SPACER (9/32").....	4
85	00559-G7		WASHER, 1/4".....	4
86	14390-G4		LOCK NUT, 1/4 - 20.....	4
87	16705-G1		SCREW, 1/4 - 20 X 1" LG.....	4
88	23726-G2		SPACER (1/4").....	4
89	71764-G01		SILL PLATE TREAD.....	2
90	71588-G01		SEAT FILLER PANEL (DRIVER SIDE).....	1



When ordering parts, please specify the model and serial number of the product.

* Indicates a component that is not available as an individual part.

G** Indicates consult Customer Service Department for additional information.

ITEM	PART NO.	1 2 3 4 5	DESCRIPTION	QTY.
91	71588-G02		SEAT FILLER PANEL (PASSENGER SIDE).....	1
92	10570-G10		RIVET, 5/32" X 9/16" LG.	6
93	20271-G3		PLUG (VEHICLES WITHOUT TOP)	2
94				
95	71586-G01		FENDER (DRIVER SIDE)	1
96	71586-G02		FENDER (PASSENGER SIDE).....	1
97	71586-G03		FENDER WITH TAILLIGHT (DRIVER SIDE)	1
98	71586-G04		FENDER WITH TAILLIGHT (PASSENGER SIDE)	1
99	00414-G7		BOLT, 1/4 - 20 X 7/8" LG.....	12
100	00559-G7		WASHER, 1/4"	24
101	14390-G4		LOCK NUT, 1/4 - 20	12
102				
103	71587-G01		REAR PANEL.....	1
104	71055-G01		RIVET, 3/16" X 3/8" LG.	4
105				
106	74040-G01		BUMPER.....	1
107	74037-G01		SPACER TUBE	2
108	19859-G1		TUBE CAP	2
109	00570-G2		WASHER, 5/16"	6
110	75048-G01		SPACER.....	2
111	00905-G8		LOCK WASHER, 5/16".....	4
112	01035-G02		BOLT, 5/16 - 18 X 2 1/2" LG.....	4
113				
114	75109-G02		ASH TRAY KIT (INCLUDES ITEMS 115 - 118).....	1
115	27731-G01		ASH TRAY	1
116	27736-G01		GASKET	1
117	75108-G01		BRACKET.....	1
118	00100-G4		SCREW, #10-16 X 1/2" LG.....	4
119				
120	75326-G02		BALL HITCH KIT (INCLUDES ITEMS 121 - 125)	1



When ordering parts, please specify the model and serial number of the product.

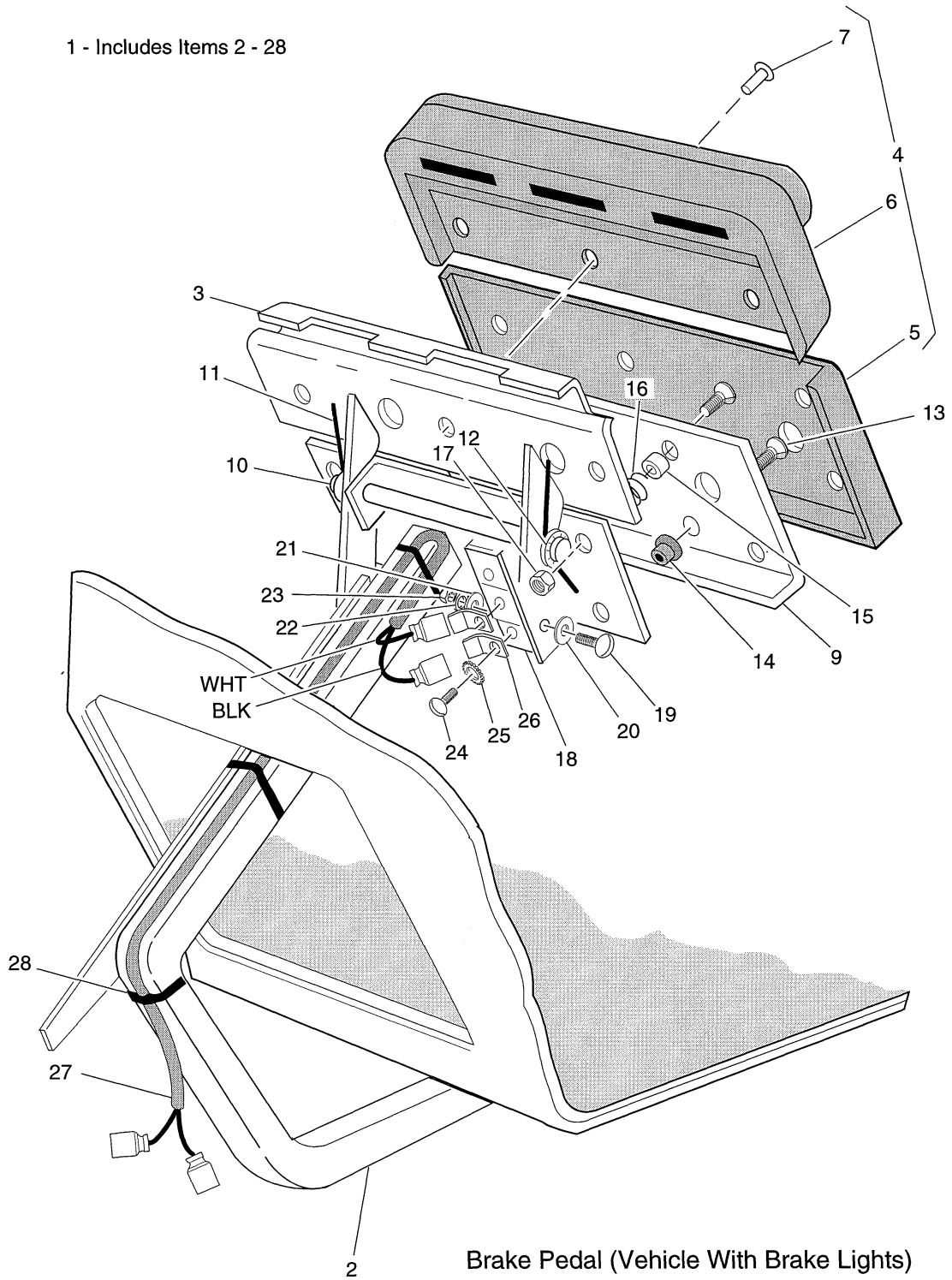
* Indicates a component that is not available as an individual part.

G** Indicates consult Customer Service Department for additional information.

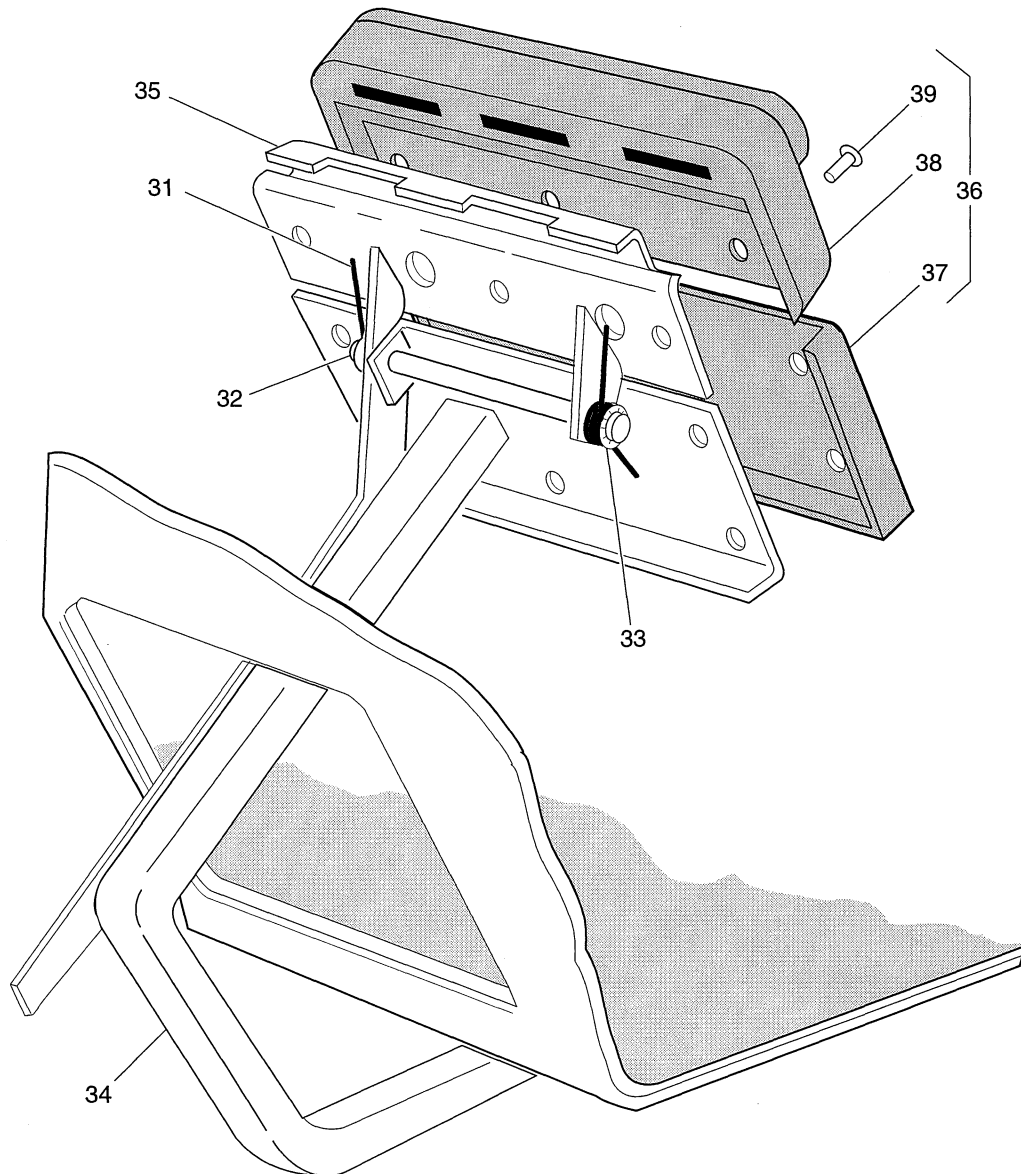
ITEM	PART NO.	1	2	3	4	5	DESCRIPTION	QTY.
121	75324-G01						HITCH.....	1
122	13437-G5						LOCK SCREW, 3/8-16 X 1 1/2" LG.....	4
123	00571-G3						WASHER, 3/8".....	4
124	00566-G1						LOCK WASHER, 3/8".....	4
125	00532-G5						NUT, 3/8-16	4
126								
127	75327-G02						CLEVIS HITCH KIT (INCLUDES ITEMS 128 - 132)	1
128	75325-G01						HITCH.....	1
129	13437-G5						LOCK SCREW, 3/8-16 X 1 1/2" LG.....	4
130	00571-G3						WASHER, 3/8".....	4
131	00566-G1						LOCK WASHER, 3/8".....	4
132	00532-G5						NUT, 3/8-16	4
133	14443-G7						CLEVIS PIN, 1/2" X 2 1/2" LG.....	1
134	19314-G1						COTTER PIN, 2 1/2" LG.....	1
135								
136	75459-G01						GLOVE BOX DOORS (BOTH SIDES)	1
137	75459-G02						GLOVE BOX DOOR (DRIVER SIDE)	1
138	75459-G03						GLOVE BOX DOOR (PASSENGER SIDE).....	1



1 - Includes Items 2 - 28

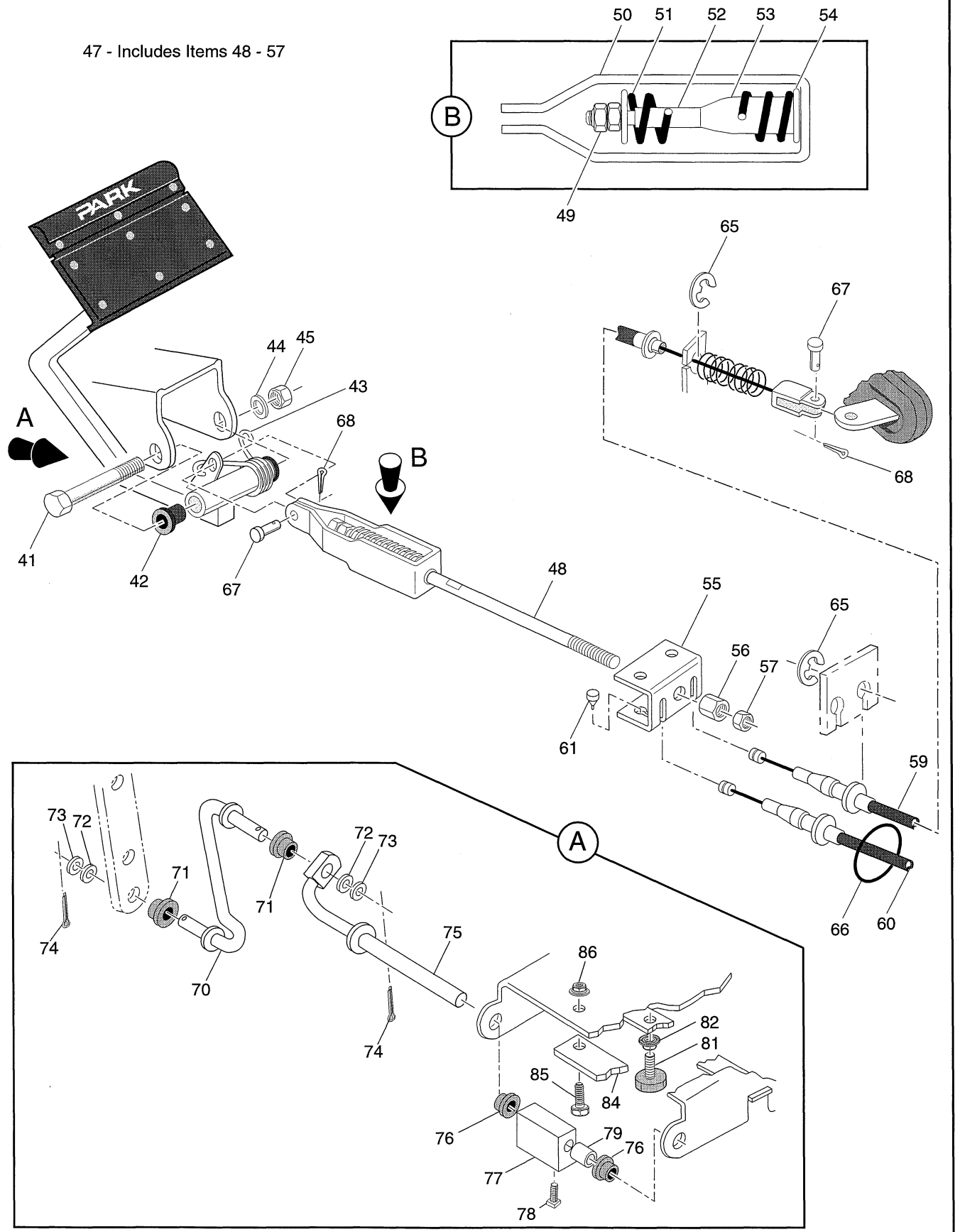


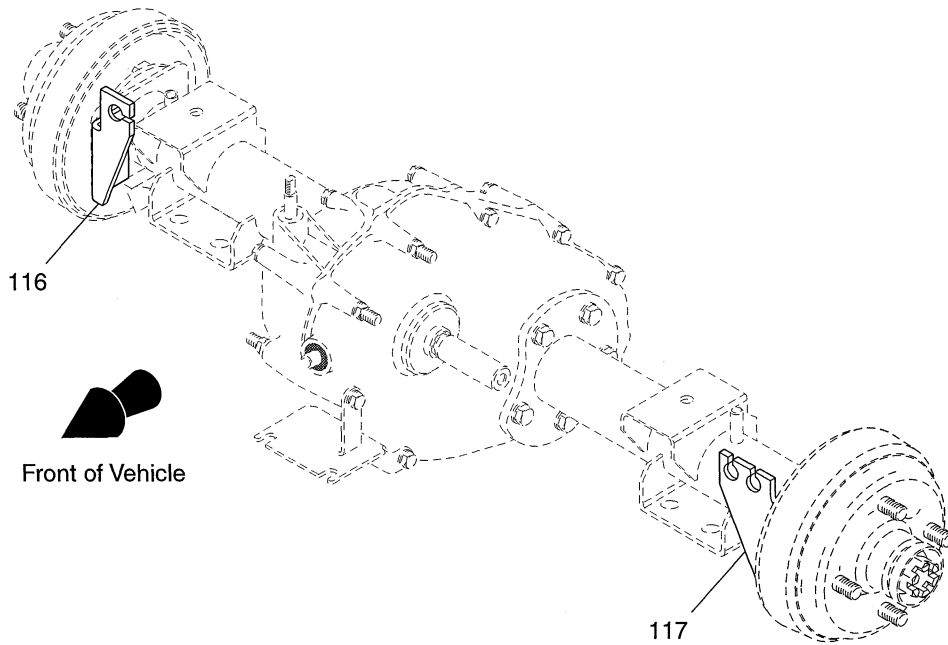
30 - Includes Items 31 - 39



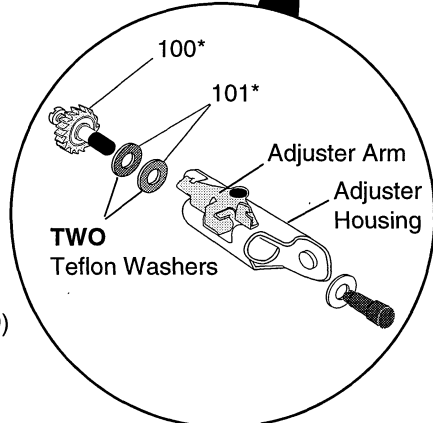
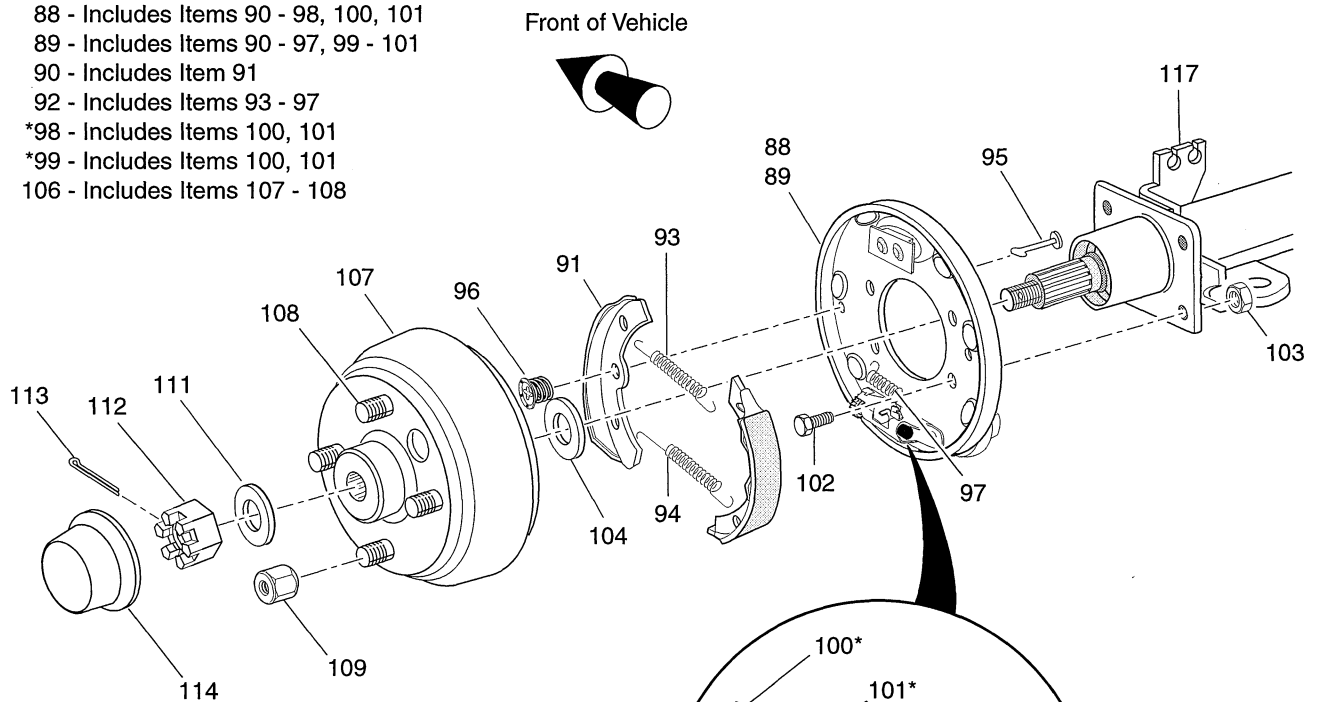
Brake Pedal (Vehicle Without Brake Lights)

47 - Includes Items 48 - 57





- 88 - Includes Items 90 - 98, 100, 101
- 89 - Includes Items 90 - 97, 99 - 101
- 90 - Includes Item 91
- 92 - Includes Items 93 - 97
- *98 - Includes Items 100, 101
- *99 - Includes Items 100, 101
- 106 - Includes Items 107 - 108



* E-Z-GO recommends ordering Brake Adjuster Kit (items 98 or 99) when replacing brake shoes.

When ordering parts, please specify the model and serial number of the product.

* Indicates a component that is not available as an individual part.

G** Indicates consult Customer Service Department for additional information.

ITEM	PART NO.	1 2 3 4 5	DESCRIPTION	QTY.
1	70263-G01		BRAKE PEDAL ASSEMBLY (WITH BRAKE LIGHTS) (INCLUDES ITEMS 2 - 28)	1
2	*		BRAKE PEDAL.....	1
3	70265-G01		PARK BRAKE PEDAL	1
4	70274-G01		BRAKE/PARK BRAKE PEDAL PAD KIT (INCLUDES ITEMS 5 - 7)	1
5	*		SERVICE BRAKE PAD	1
6	*		PARK BRAKE PAD	1
7	15766-G1		OVAL RIVET, 3/16 x 3/8" LG.....	9
8				
9	*		SERVICE BRAKE PEDAL PLATE.....	1
10	15932-G2		PIVOT PIN.....	1
11	11737-G1		TORSION SPRING	2
12	12064-G1		PUSHNUT, 5/16"	1
13	00737-G8		SCREW, #10 - 24 X 1" LG.....	4
14	00739-G1		RUBBER NUT, #10 - 24	2
15	22362-G3		BRAKE PEDAL STANDOFF	2
16	27137-G01		CONICAL SPRING.....	2
17	11098-G7		LOCK NUT, #10 - 24.....	2
18	10606-G8		MICRO SWITCH	1
19	00645-G2		SCREW, #6 - 32 X 1 1/4" LG.....	2
20	00559-G5		WASHER, #10	2
21	00559-G3		WASHER, #6.....	2
22	00565-G3		LOCK WASHER, #6	2
23	00525-G5		NUT, #6 - 32	2
24	*		BRASS SCREW	2
25	00567-G3		LOCK WASHER, #6	6
26	14628-G1		FASTON TAB	2
27	24605-G1		WIRE HARNESS (BRAKE LIGHT).....	1
28	17618-G1		WIRE TIE.....	3
29				



When ordering parts, please specify the model and serial number of the product.

* Indicates a component that is not available as an individual part.

G** Indicates consult Customer Service Department for additional information.

ITEM	PART NO.	1 2 3 4 5	DESCRIPTION	QTY.
30	70264-G01		BRAKE PEDAL ASSEMBLY (WITHOUT BRAKE LIGHTS) (INCLUDES ITEMS 31 - 39)	1
31	11737-G1		TORSION SPRING	2
32	15932-G2		PIVOT PIN.....	1
33	12064-G1		PUSHNUT, 5/16"	1
34	*		BRAKE PEDAL.....	1
35	70265-G01		PARK BRAKE PEDAL	1
36	70274-G01		BRAKE/PARK BRAKE PEDAL PAD KIT (INCLUDES ITEMS 37 - 39)	1
37	*		SERVICE BRAKE PAD	1
38	*		PARK BRAKE PEDAL PAD.....	1
39	15766-G1		OVAL RIVET, 3/16" X 3/8" LG.	9
40				
41	70582-G01		SHOULDER BOLT, 3/8 - 16 X 4" LG.....	1
42	70581-G01		FLANGED BUSHING	2
43	70138-G01		TORSION SPRING	1
44	00643-G1		WASHER, 3/8"	1
45	11098-G5		LOCK NUT, 3/8 - 16	1
46				
47	70272-G04		COMPENSATOR ASSEMBLY (INCLUDES ITEMS 48 - 57).....	1
48	25882-G04		LINKAGE ROD	1
49	00532-G4		NUT, 5/16 - 24	2
50	*		YOKE.....	1
51	23463-G1		COMPRESSION SPRING.....	1
52	23061-G2		COMPENSATOR STOP TUBE	1
53	17979-G1		BUSHING	1
54	15121-G1		WASHER, 3/8".....	2
55	28082-G01		EQUALIZER BRACKET	1
56	00963-G01		SPHERICAL NUT, 5/16 - 24.....	1
57	11098-G9		LOCK NUT, 5/16 - 24.....	1
58				



When ordering parts, please specify the model and serial number of the product.

* Indicates a component that is not available as an individual part.

G** Indicates consult Customer Service Department for additional information.

ITEM	PART NO.	1 2 3 4 5	DESCRIPTION	QTY.
59	70349-G02		BRAKE CABLE (PASSENGER SIDE)	1
60	70453-G01		BRAKE CABLE (DRIVER SIDE)	1
61	28083-G01		BRAKE COMPENSATOR BUMPER	2
62				
63				
64				
65	12305-G1		RETAINING RING	4
66	12416-G2		WIRE TIE	2
67	10386-G3		CLEVIS PIN, 5/16" X 1" LG.	3
68	10387-G3		COTTER PIN, 3/32" X 3/4" LG.	3
69				
70	70097-G01		KICK-OFF LINK	1
71	17838-G1		NYLON BUSHING	2
72	20835-G1		TEFLON WASHER, 3/8"	2
73	00559-G8		WASHER, 5/16"	2
74	10387-G3		COTTER PIN, 3/32" X 3/4" LG.	2
75	70098-G01		KICK OFF CAM PIVOT	1
76	10097-G6		FLANGED BEARING	2
77	25103-G1		KICK-OFF CAM	1
78	71215-G01		SETSCREW, 1/4 - 20 X 1/2" LG.	2
79	14134-G4		SPACER	1
80				
81	70113-G01		ADJUSTABLE BUMPER	1
82	11027-G1		LOCK NUT, 5/16 - 18	1
83				
84	70080-G01		CATCH BRACKET	1
85	00414-G6		BOLT, 1/4 - 20 X 3/4" LG.	2
86	11027-G2		LOCK NUT, 1/4 - 20	2
87				
88	72422-G01		BRAKE ASSEMBLY (DRIVER SIDE) (INCLUDES ITEMS 90 - 98, 100, 101)....	1

When ordering parts, please specify the model and serial number of the product.

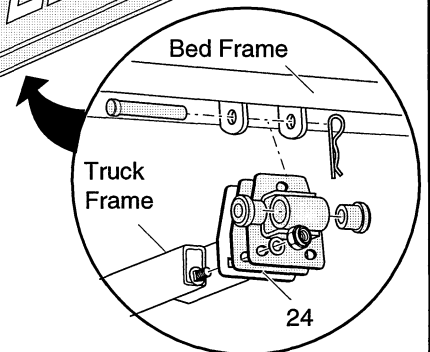
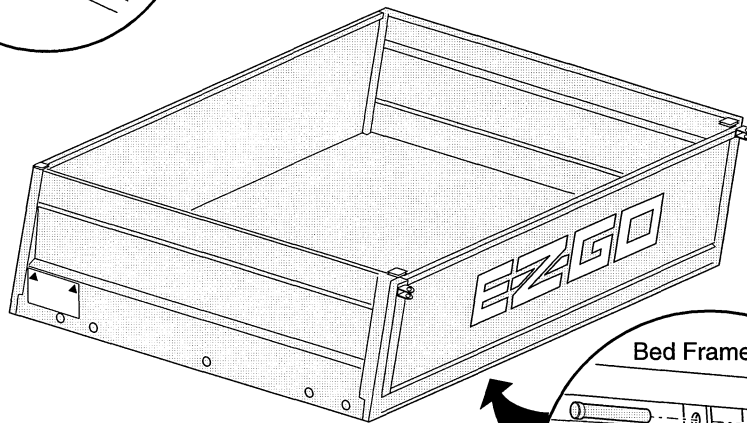
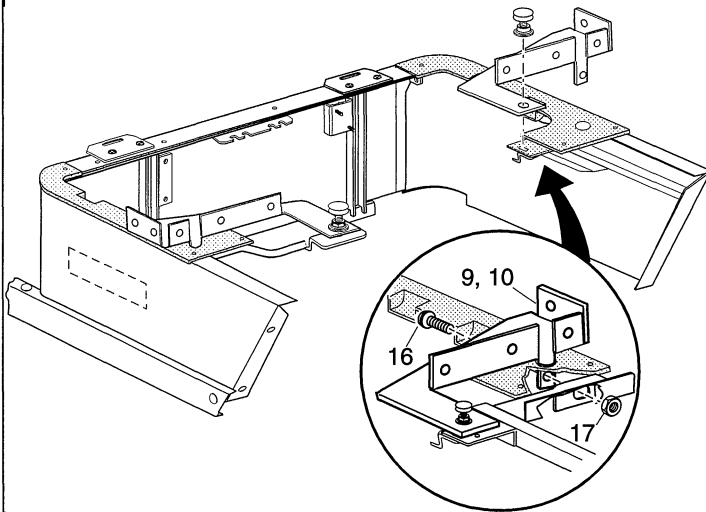
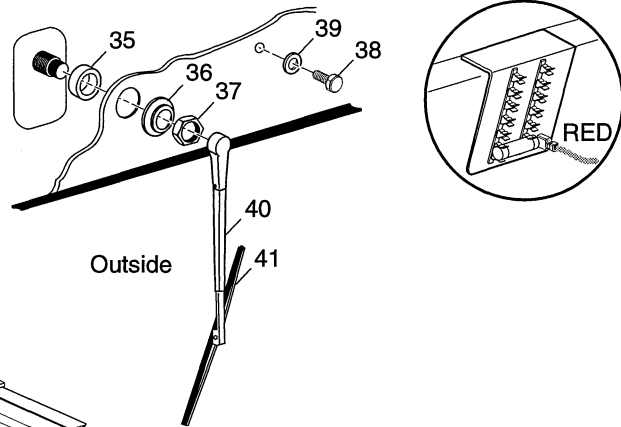
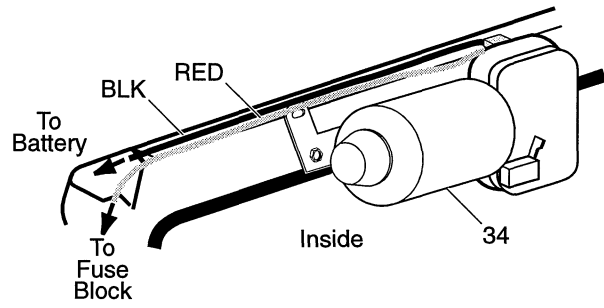
* Indicates a component that is not available as an individual part.

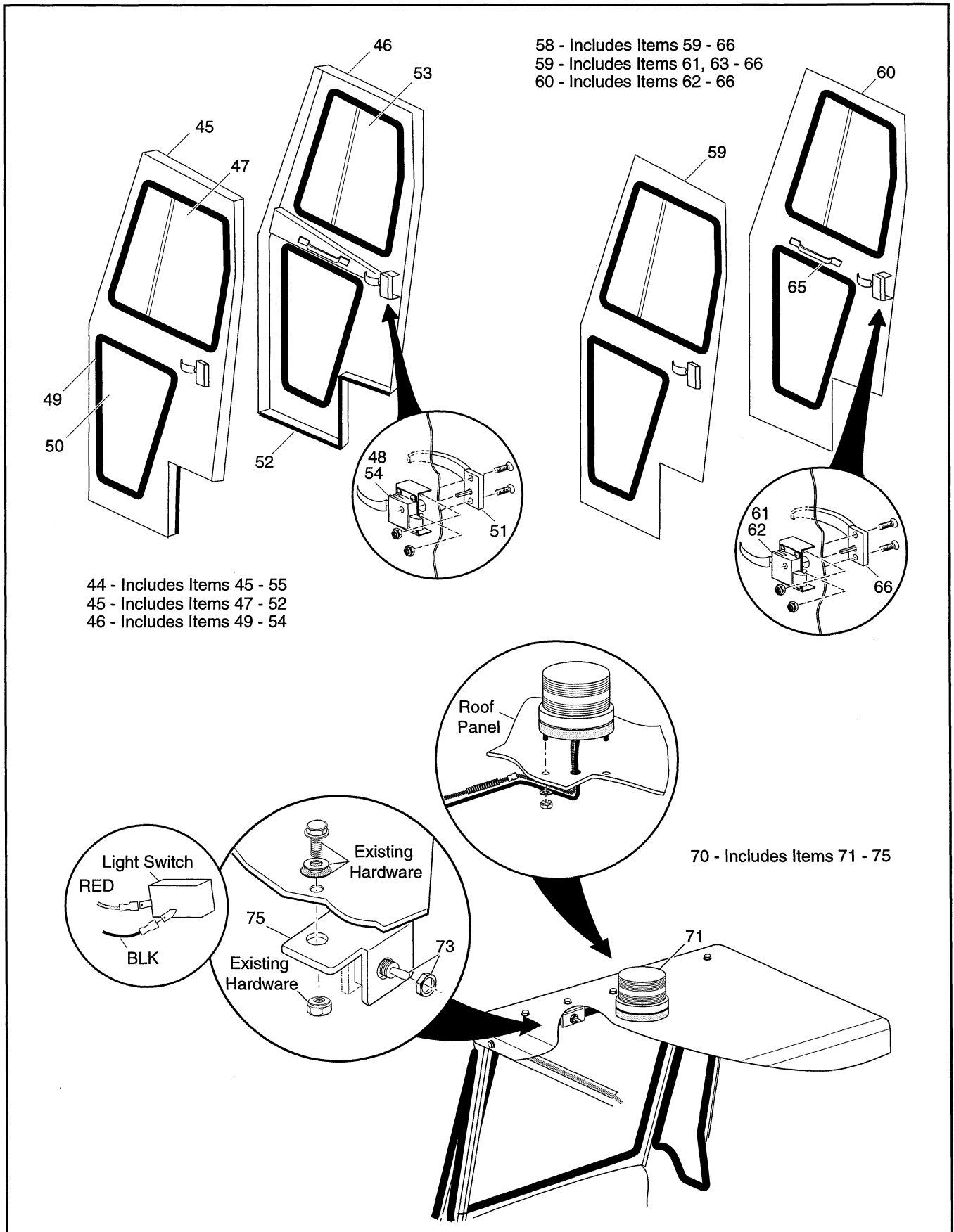
G** Indicates consult Customer Service Department for additional information.

ITEM	PART NO.	1 2 3 4 5	DESCRIPTION	QTY.
89	72422-G02		BRAKE ASSEMBLY (PASSENGER SIDE) (INCL. ITEMS 90 - 97, 99 - 101)	1
90	27945-G01		BRAKE SHOE KIT (INCLUDES ITEM 91)	2
91	*		BRAKE SHOE	2
92	27944-G01		BRAKE SPRING KIT (INCLUDES ITEMS 93 - 97)	2
93	*		UPPER SPRING	1
94	*		LOWER SPRING	1
95	*		PIN	2
96	*		CUP AND SPRING	2
97	*		ADJUSTER SPRING.....	1
98	72582-G01		BRAKE ADJUSTER KIT (DRIVER SIDE) (INCLUDES ITEMS 100 - 101)....	1
99	72582-G02		BRAKE ADJUSTER KIT (PASSENGER SIDE) (INCL. ITEMS 100 - 101)	1
100	*		ADJUSTER	1
101	*		TEFLON WASHER	2
102	17083-G2		BOLT, 5/16 - 24 X 1" LG.....	8
103	15126-G1		LOCK NUT, 5/16 - 24	8
104	21809-G1		INNER BRAKE DRUM WASHER	2
105				
106	21807-G1		BRAKE DRUM ASSEMBLY (INCLUDES ITEMS 107 - 108)	2
107	*		BRAKE DRUM.....	1
108	19862-G1		LUG BOLT, 1/2 - 20	4
109	14723-G1		LUG NUT, 1/2 - 20.....	8
110				
111	21830-G1		OUTER BRAKE DRUM WASHER	2
112	00518-G8		SLOTTED NUT, 3/4 - 16	2
113	10387-G1		COTTER PIN, 1/8" x 1 1/2" LG	2
114	74175-G01		SPINDLE CAP	2
115				
116	72036-G02		BRAKE CABLE BRACKET (PASSENGER SIDE)	1
117	72237-G02		BRAKE CABLE BRACKET (DRIVER SIDE).....	1



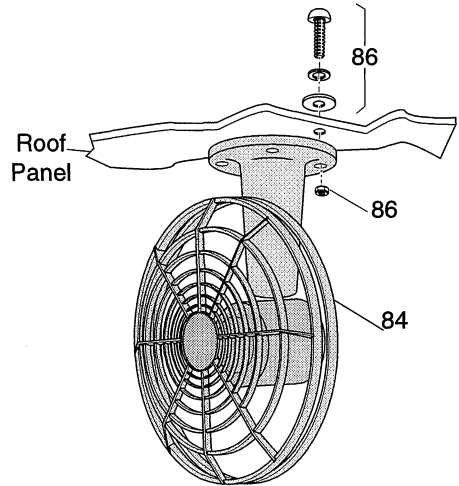
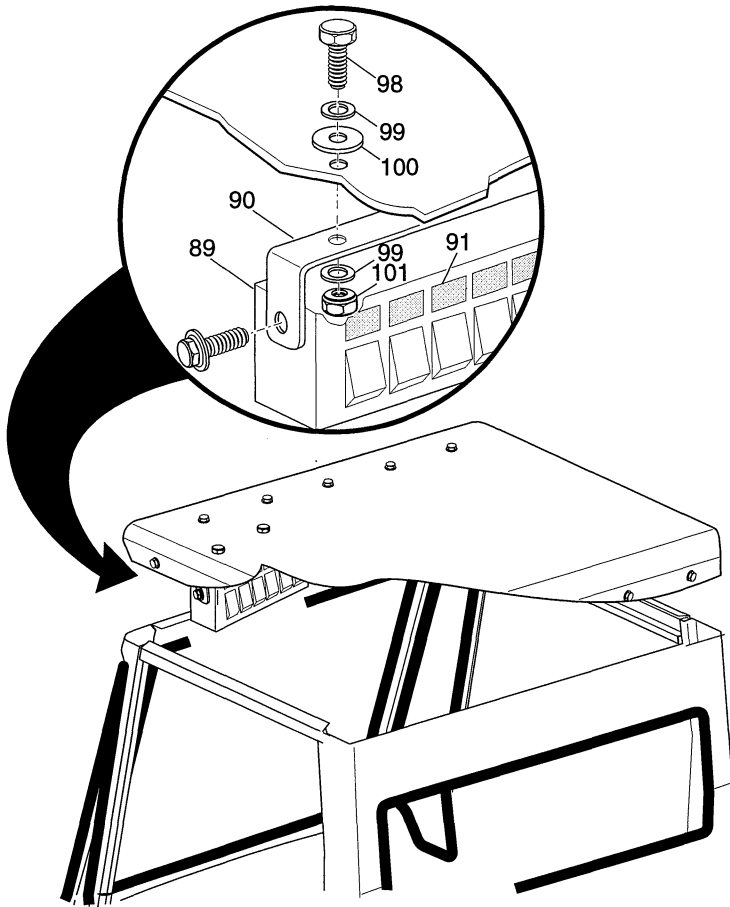
33 - Includes Items 34 - 42
34 - Includes Items 35 - 39





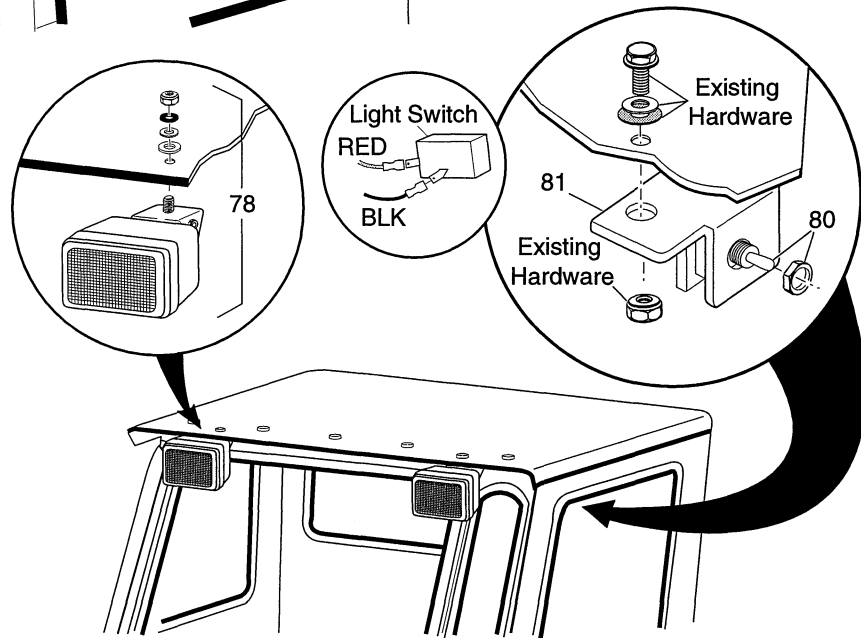
SWITCH PANEL KIT

88 - Includes Items 89 - 103



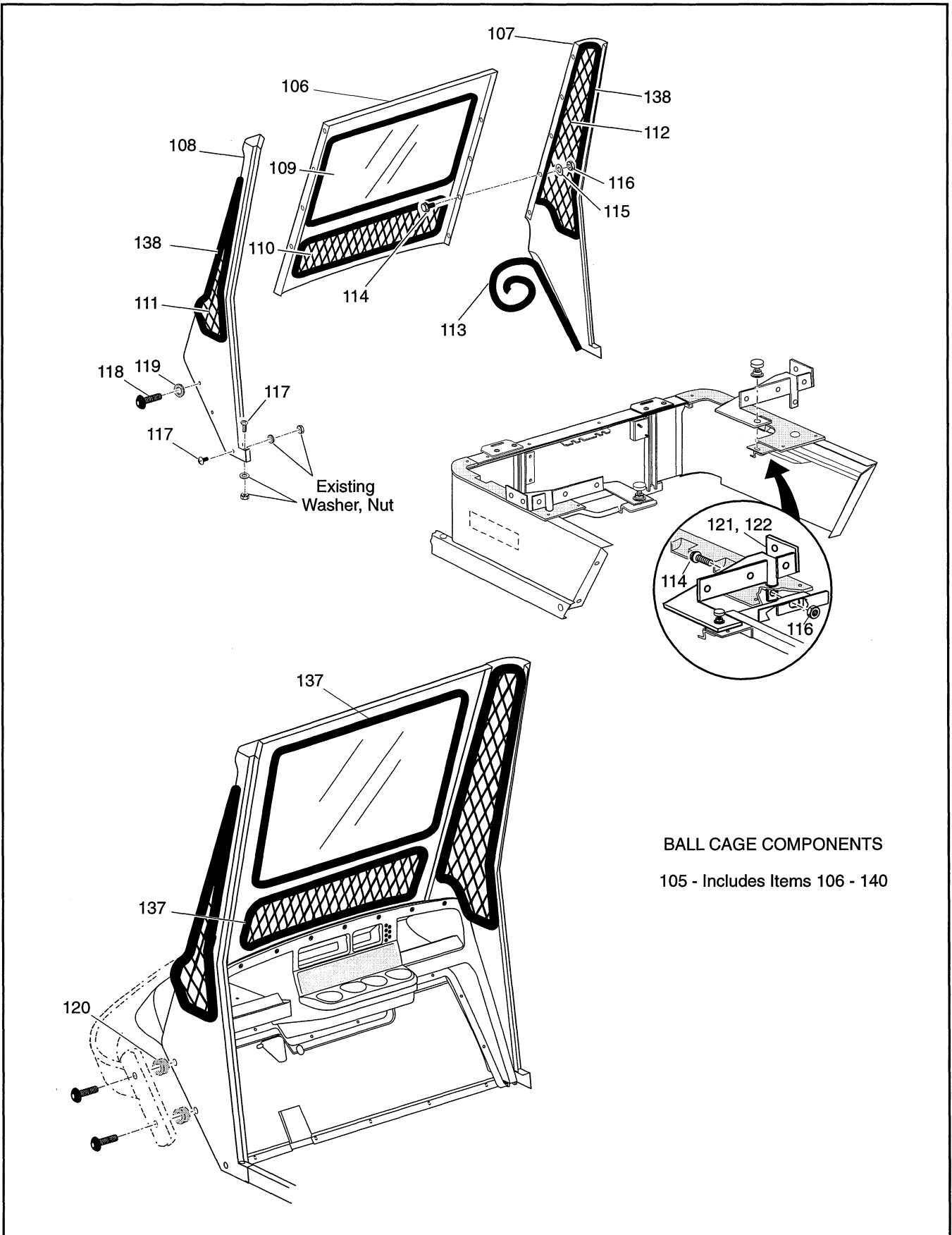
DEFROSTER / COOLING FAN KIT

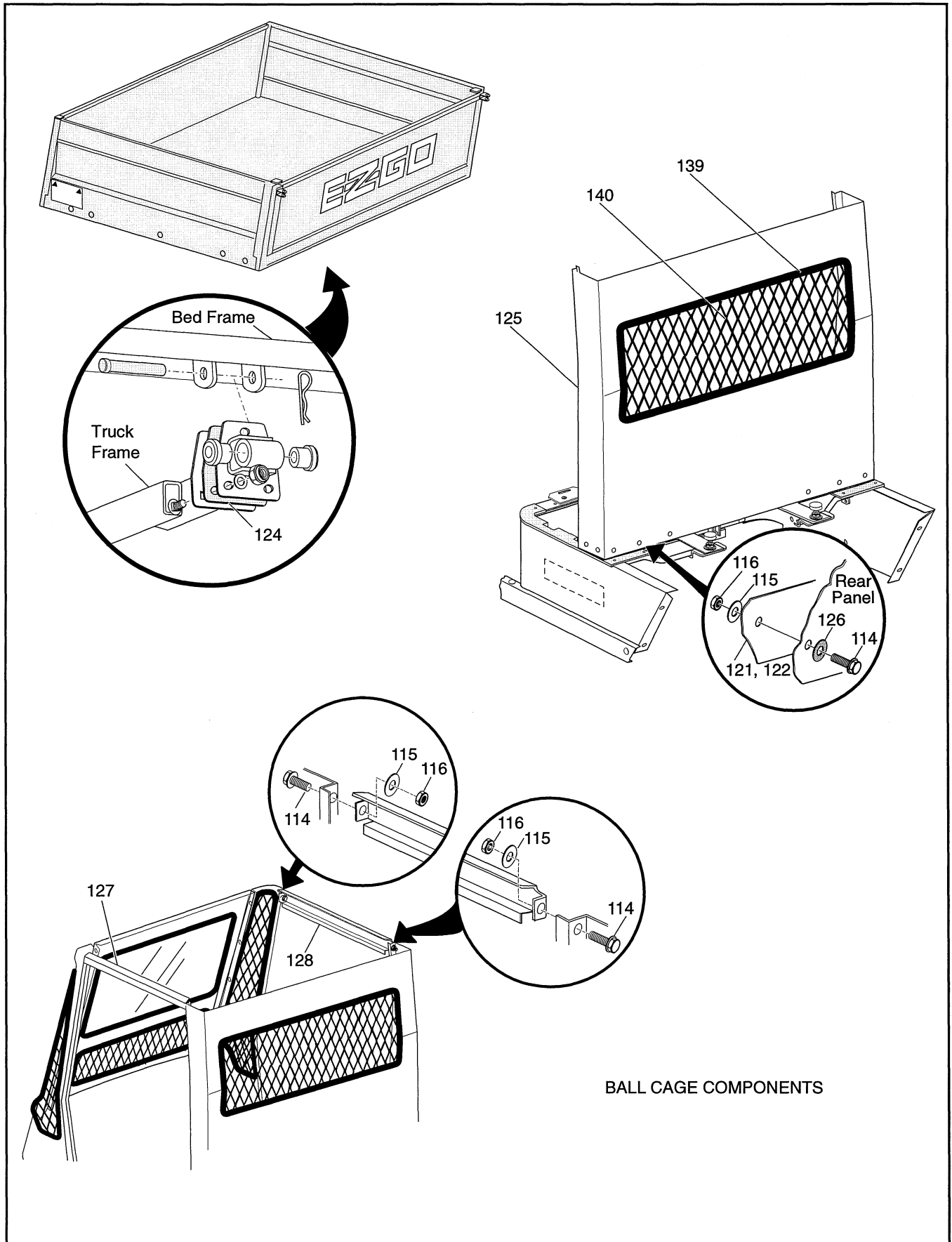
83 - Includes Items 84 - 86



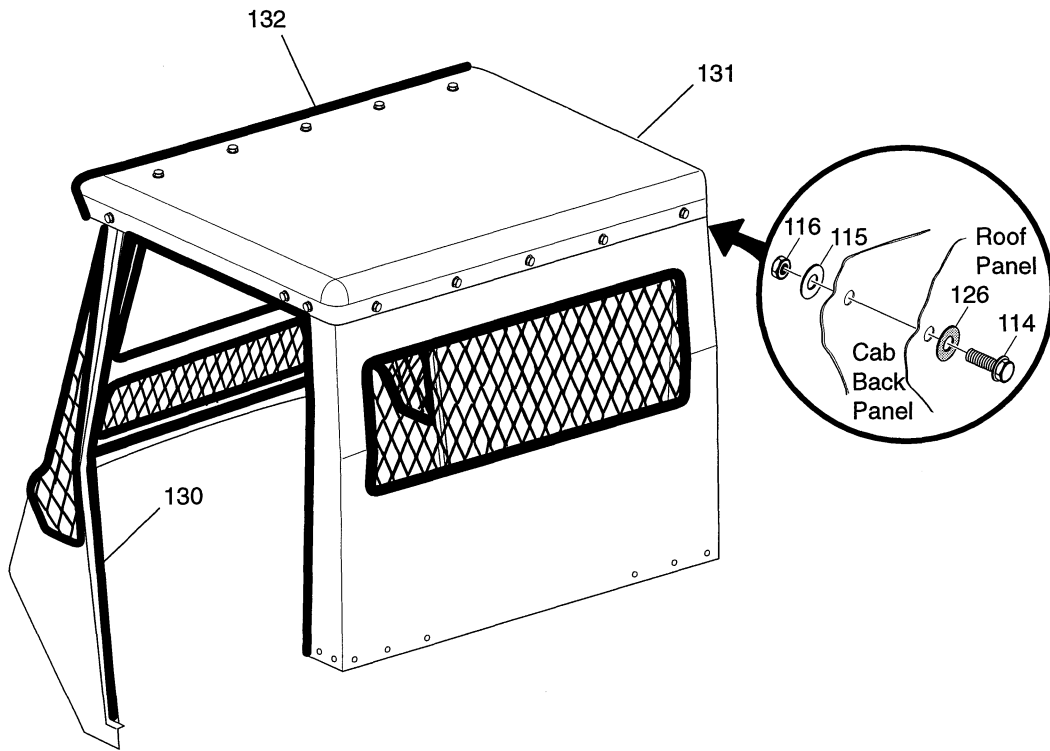
WORKLIGHT KIT

77 - Includes Items 78 - 81

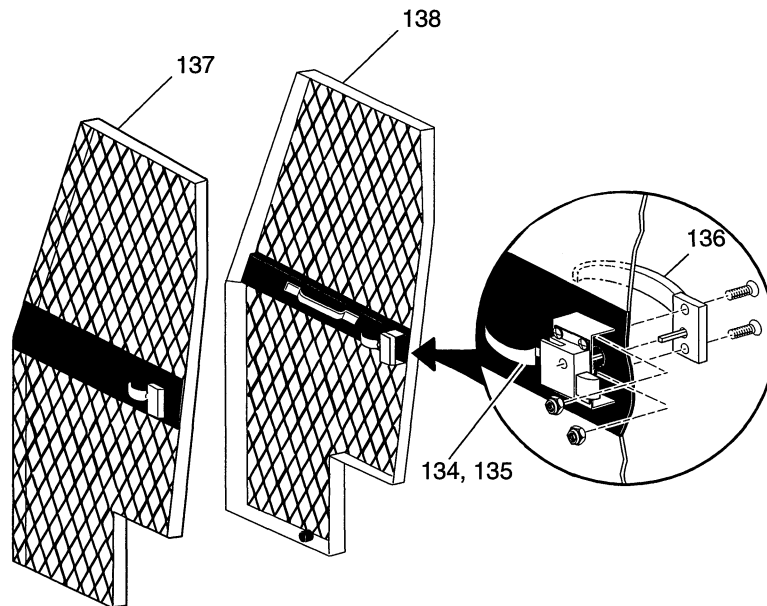




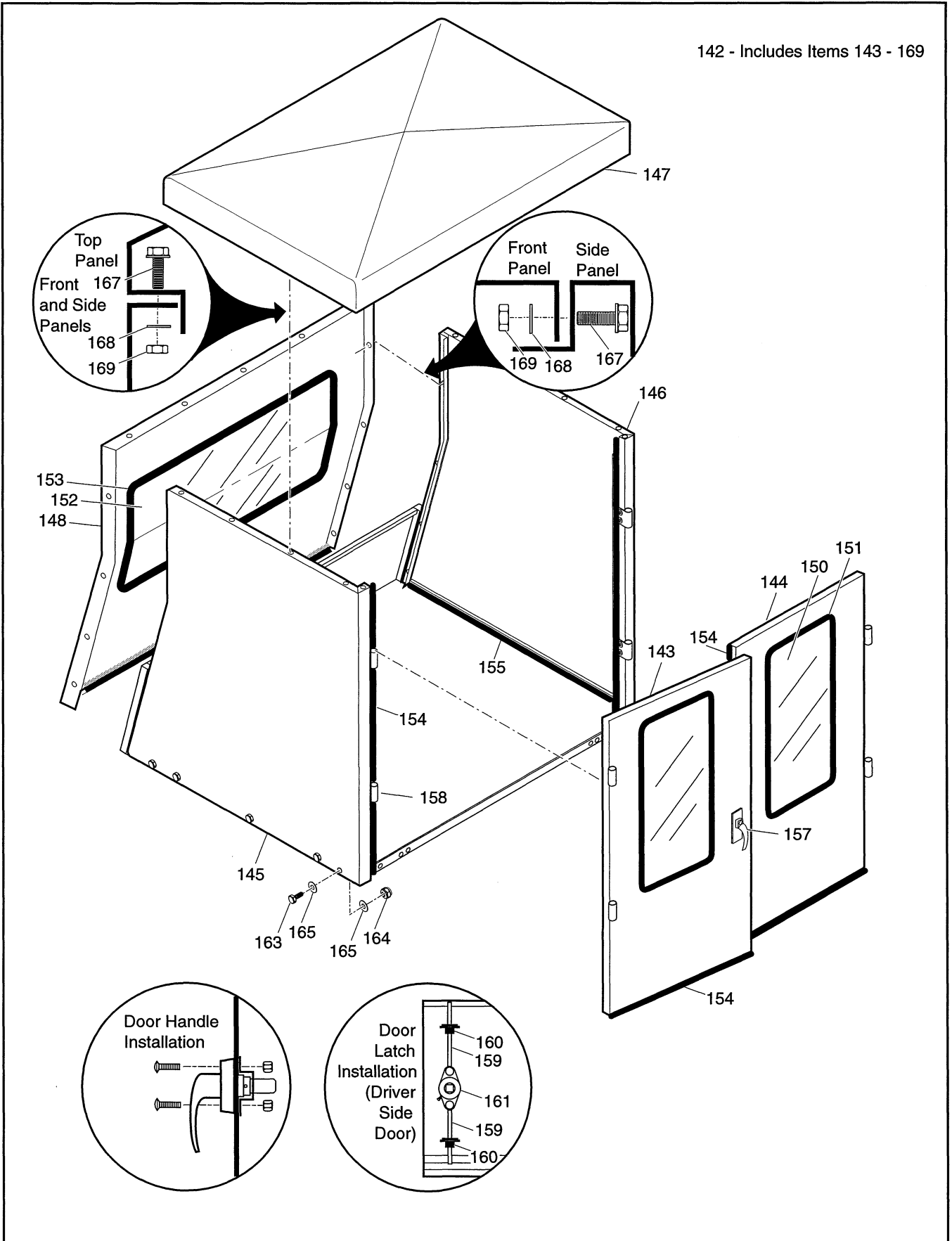
BALL CAGE COMPONENTS



BALL CAGE COMPONENTS



142 - Includes Items 143 - 169



Replacement parts may be obtained from Curtis Tractor Cab Inc., 111 Higgins Street, Worcester, MA 01606. Telephone (508) 853-2200, or FAX (508) 854-3377.

* Indicates a component that is not available as an individual part.

ITEM	PART NO.	1	2	3	4	5	DESCRIPTION	QTY.
1	74240-G0*						STEEL CAB KIT (WITHOUT DOORS) (INCLUDES ITEMS 2 - 42).....	1
2	74240-G0*A						ROOF PANEL	1
3	74240-G0*B						REAR PANEL	1
4	74240-G0*C						WINDSHIELD PANEL.....	1
5	74240-G0*D						FRONT CORNER PANEL (PASSENGER SIDE).....	1
6	74240-G0*E						FRONT CORNER PANEL (DRIVER SIDE)	1
7	74240-G0*F						RECEIVER (DRIVER SIDE)	1
8	74240-G0*G						RECEIVER (PASSENGER SIDE).....	1
9	74240-G0*H						LOWER MOUNTING BRACKET (DRIVER SIDE).....	1
10	74240-G0*I						LOWER MOUNTING BRACKET (PASSENGER SIDE)	1
11								
12	1P004A						FRONT PANEL COWL SEAL GASKET (85" LG).....	1
13	1P004D						ROOF TRIM (50")	1
14								
15	6E03						FRONT WINDSHIELD MOUNTING GASKET	1
16	6E03A						BOLT, 3/8-16 X 7/8" LG.....	44
17	6E03B						LOCK NUT, 3/8-16	44
18	6E03C						WASHER, 3/8"	44
19	6E03D						NYLON WASHER, 3/8".....	26
20	6E03E						FRONT WINDSHIELD GLASS	1
21	6E03H						FRONT CORNER PANEL MOUNTING GASKET	2
22	6E03J						REAR PANEL WINDOW MOUNTING GASKET	1
23	6E03S						ALLEN BUTTON HEAD BOLT	4
24	6E03T						BED SPACER	2
25	6E03U						BOLT, 1/4-20 X 1 1/2" LG.....	4
26	6E03V						NYLON SPACER, 1/4"	4
27	6E03W						WASHER, 5/16"	4
28								
29	6E05A						FRONT CORNER PANEL WINDOW (PASSENGER SIDE).....	1
30	6E05B						FRONT CORNER PANEL WINDOW (DRIVER SIDE)	1

Replacement parts may be obtained from Curtis Tractor Cab Inc., 111 Higgins Street, Worcester, MA 01606. Telephone (508) 853-2200, or FAX (508) 854-3377.

* Indicates a component that is not available as an individual part.

ITEM	PART NO.	1	2	3	4	5	DESCRIPTION	QTY.
31	6E05C						REAR PANEL WINDOW	1
32								
33	74244-G01						WINDSHIELD WIPER KIT (INCLUDES ITEMS 34 - 42)	1
34	9PWM85						WIPER MOTOR (INCLUDES ITEMS 35 - 39)	1
35	*						SPACER	1
36	*						SHAFT COVER (SEAL)	1
37	*						NUT	1
38	*						BOLT	1
39	*						WASHER	1
40	9PWA						WIPER ARM	1
41	9PWB						WINDSHIELD WIPER BLADE	1
42	9E003						ELECTRICAL HARDWARE KIT (NOT ILLUSTRATED)	1
43								
44	74241-G0*						STEEL DOOR KIT (INCLUDES ITEMS 45 - 55)	1
45	74241-G0*A						STEEL DOOR (DRIVER SIDE) (INCLUDES ITEMS 47 - 52)	1
46	74241-G0*B						STEEL DOOR (PASSENGER SIDE) (INCLUDES ITEMS 49 - 54)	1
47	6E05D						SLIDING DOOR WINDOW ASSEMBLY (DRIVER SIDE)	1
48	9DHSLR						INSIDE DOOR LATCH (DRIVER SIDE)	1
49	6E03P						LOWER DOOR WINDOW MOUNTING GASKET	1
50	6E05F						LOWER DOOR WINDOW	1
51	9DHOS1						OUTSIDE DOOR HANDLE (KEY LOCKING)	2
52	1P004B						LOWER DOOR SEAL GASKET (43" LG)	1
53	6E05E						SLIDING DOOR WINDOW ASSEMBLY (PASSENGER SIDE)	1
54	9DHSLR						INSIDE DOOR LATCH (PASSENGER SIDE)	1
55	1P004C						DOOR SEAL GASKET (123" LG)	2
56	9P001A						REPLACEMENT DOOR HINGE KIT (NOT ILLUSTRATED)	AR
57								
58	74242-G01						VINYL DOOR KIT (INCLUDES ITEMS 59 - 66)	1
59	9DVK-L						VINYL DOOR (DRIVER SIDE) (INCLUDES ITEMS 61, 63 - 66)	1
60	9DVK-R						VINYL DOOR (PASSENGER SIDE) (INCLUDES ITEMS 62 - 66)	1



Replacement parts may be obtained from Curtis Tractor Cab Inc., 111 Higgins Street, Worcester, MA 01606. Telephone (508) 853-2200, or FAX (508) 854-3377.

* Indicates a component that is not available as an individual part.

ITEM	PART NO.	1	2	3	4	5	DESCRIPTION	QTY.
61	9DHSL						INSIDE DOOR LATCH (DRIVER SIDE).....	1
62	9DHSLR						INSIDE DOOR LATCH (PASSENGER SIDE)	1
63	9DCK						DOOR CHECK (NOT ILLUSTRATED)	1
64	9DSTK1						DOOR STRIKER (NOT ILLUSTRATED).....	1
65	9DGH1						DOOR GRAB HANDLE.....	1
66	9DHOS1						OUTSIDE DOOR HANDLE (KEY LOCKING)	1
67	9PSSHL						REPLACEMENT DOOR HINGE (DRIVER SIDE) (NOT ILLUSTRATED).....	1
68	9PSSHR						REPLACEMENT DOOR HINGE (PASSENGER SIDE) (NOT ILLUSTRATED) ..	1
69								
70	74245-G01						STROBE LIGHT KIT (INCLUDES ITEMS 71 - 75).....	1
71	9PSLRL						STROBE LENS.....	1
72	9E001						ELECTRICAL HARDWARE KIT (NOT ILLUSTRATED)	1
73	9E002						TOGGLE SWITCH.....	1
74	9PSLRB						REPLACEMENT BULB (NOT ILLUSTRATED)	1
75	9PB001						BRACKET	1
76								
77	74247-G01						WORK LIGHT KIT (INCLUDES ITEMS 78 - 81)	1
78	9LW1A						WORK LIGHT (INCLUDES HARDWARE).....	2
79	9E001						ELECTRICAL HARDWARE KIT (NOT ILLUSTRATED)	1
80	9E002						TOGGLE SWITCH.....	1
81	9PB001						BRACKET	1
82								
83	74248-G01						DEFROSTER / COOLING FAN KIT (INCLUDES ITEMS 84 - 86)	1
84	9PDF						FAN.....	1
85	9E001						ELECTRICAL HARDWARE KIT (NOT ILLUSTRATED)	1
86	9PFHK						HARDWARE KIT	1
87								
88	74250-G01						SWITCH PANEL KIT (INCLUDES ITEMS 89 - 103)	1
89	9PSF1-001						SWITCH PANEL	1
90	9PSF1-002						MOUNTING BRACKET AND HARDWARE	1

Replacement parts may be obtained from Curtis Tractor Cab Inc., 111 Higgins Street, Worcester, MA 01606. Telephone (508) 853-2200, or FAX (508) 854-3377.

* Indicates a component that is not available as an individual part.

ITEM	PART NO.	1	2	3	4	5	DESCRIPTION	QTY.
91	9PSF1-003						ADHESIVE LABELS	1
92	9PSF1-004						3 AMP FUSE (NOT ILLUSTRATED)	2
93	9PSF1-005						5 AMP FUSE (NOT ILLUSTRATED)	3
94	9PSF1-006						7.5 AMP FUSE (NOT ILLUSTRATED)	1
95	9PSF1-007						FLEX LOOM, 5/8" X 10" LG (NOT ILLUSTRATED)	1
96	9PSF1-008						4-WAY BASE TIE (NOT ILLUSTRATED)	6
97	9PSF1-009						WIRE TIE (NOT ILLUSTRATED).....	14
98	9PSF1-010						BOLT, 1/4-20 X 7/8" LG	2
99	9PSF1-011						WASHER, 1/4"	4
100	9PSF1-012						NYLON WASHER, 1/4"	2
101	9PSF1-013						LOCK NUT, 1/4-20.....	2
102	9PSF1-014						10 GA WIRE (RED, 8" LG) (NOT ILLUSTRATED)	1
103	9PSF1-015						10 GA WIRE (BLACK, 8" LG) (NOT ILLUSTRATED).....	1
104								
105	74243-G01						BALL PICKER CAGE KIT (INCLUDES ITEMS 106 - 140)	1
106	74243G0*C						FRONT PANEL.....	1
107	74243G0*D						FRONT CORNER PANEL (PASSENGER SIDE)	1
108	74243G0*E						FRONT CORNER PANEL (DRIVER SIDE).....	1
109	6E04A						WINDSHIELD (LEXAN)	1
110	6E04B						EXPANDED METAL FRONT WINDSHIELD PANEL	1
111	6E04C						EXPANDED METAL FRONT CORNER PANEL(DRIVER SIDE).....	1
112	6E04D						EXPANDED METAL FRONT CORNER PANEL(PASSENGER SIDE)	1
113	1P004A						FRONT PANEL COWL SEAL GASKET (85").....	1
114	6E03A						BOLT, 3/8 - 16 X 7/8" LG	44
115	6E03C						WASHER, 3/8"	44
116	6E03B						LOCK NUT, 3/8 - 16.....	44
117	6E03U						BOLT, 1/4 - 20 X 1 1/2" LG	4
118	6E03S						ALLEN HEAD BUTTON BOLT	4
119	6E03W						WASHER, 5/16"	4
120	6E03V						NYLON SPACER, 1/4", (FOR USE WITH FRONT BUMPER ONLY).....	4



Replacement parts may be obtained from Curtis Tractor Cab Inc., 111 Higgins Street, Worcester, MA 01606. Telephone (508) 853-2200, or FAX (508) 854-3377.

* Indicates a component that is not available as an individual part.

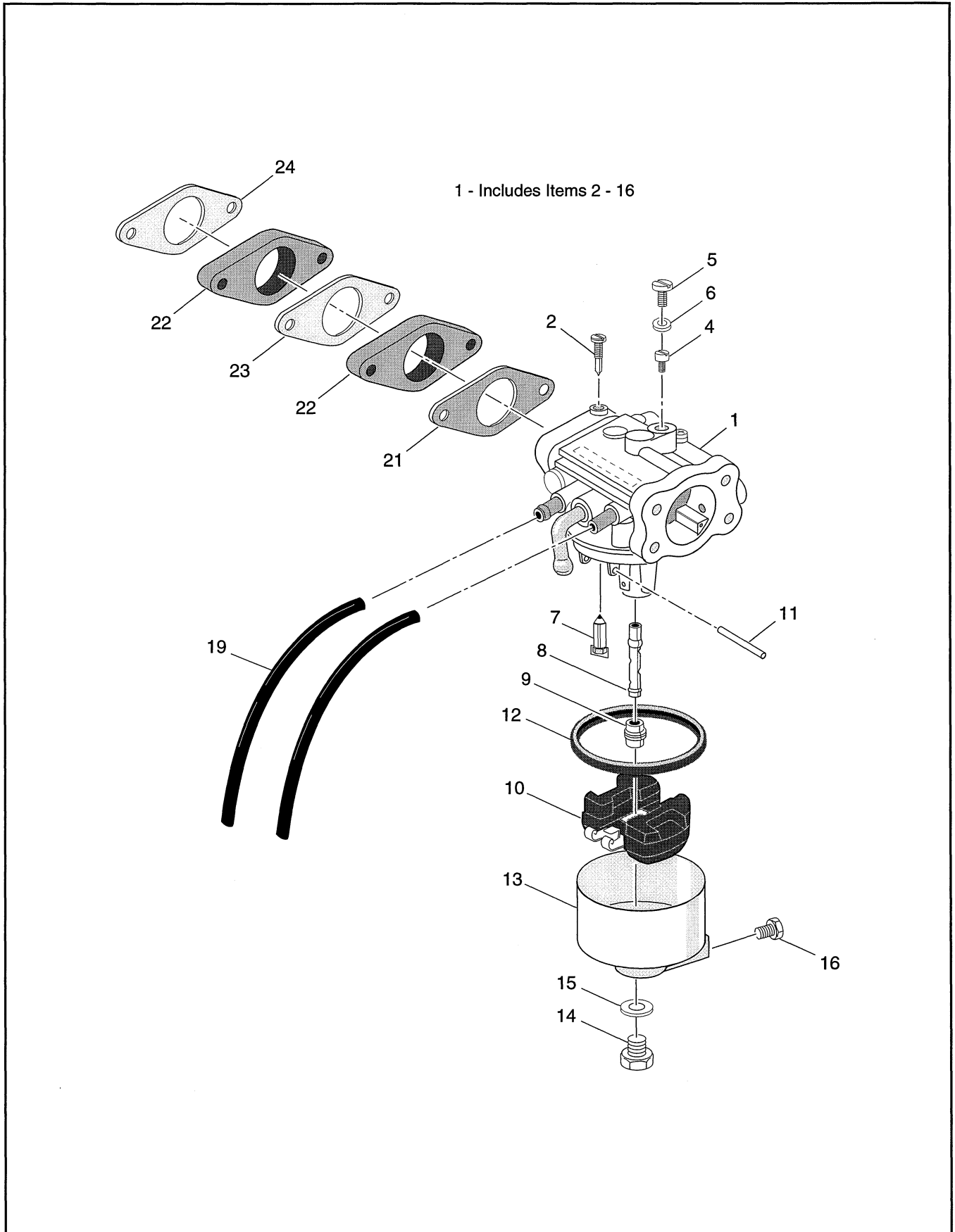
ITEM	PART NO.	1	2	3	4	5	DESCRIPTION	QTY.
121	74243-G0*J						LOWER MOUNTING BRACKET (DRIVER SIDE).....	1
122	74243-G0*K						LOWER MOUNTING BRACKET (PASSENGER SIDE)	1
123								
124	6E03T						BED SPACER	2
125	74243-G0*B						REAR PANEL	1
126	6E03D						NYLON, WASHER 3/8".....	26
127	74243-G0*F						RECEIVER (DRIVER SIDE)	1
128	74243-G0*G						PASSENGER SIDE RECEIVER (PASSENGER SIDE)	1
129								
130	1P004C						DOOR SEAL GASKET (121" LG).....	2
131	74243-G0*A						ROOF PANEL	1
132	1P004D						ROOF TRIM (50")	1
133								
134	9DHSL						INSIDE DOOR LATCH (DRIVER SIDE)	1
135	9DHSLR						INSIDE DOOR LATCH (PASSENGER SIDE).....	1
136	9DHOS1						OUTSIDE DOOR HANDLE, KEY LOCKING	2
137	74243-G0*H						STEEL DOOR (DRIVER SIDE)	1
138	74243-G0*L						STEEL DOOR (PASSENGER SIDE)	1
139	6E04A1						WINDSHIELD / WINDOW MOUNTING GASKET (BULK).....	AR
140	6E04E						REAR PANEL EXPANDED METAL WINDOW	1
141								
142	28361-G01						VAN BOX (INCLUDES ITEMS 143 - 169).....	1
143	28361-G01A						REAR DOOR (DRIVER SIDE).....	1
144	28361-G01B						REAR DOOR (PASSENGER SIDE)	1
145	28361-G01C						SIDE PANEL (DRIVER SIDE).....	1
146	28361-G01D						SIDE PANEL (PASSENGER SIDE)	1
147	28361-G01E						ROOF.....	1
148	28361-G01F						FRONT PANEL.....	1
149								
150	1P002A						REPLACEMENT REAR DOOR WINDOW	2

Replacement parts may be obtained from Curtis Tractor Cab Inc., 111 Higgins Street, Worcester, MA 01606. Telephone (508) 853-2200, or FAX (508) 854-3377.

* Indicates a component that is not available as an individual part.

ITEM	PART NO.	1	2	3	4	5	DESCRIPTION	QTY.
151	1P002B						MOUNTING GASKET FOR REAR DOOR WINDOW	2
152	1P002C						REPLACEMENT FRONT PANEL WINDOW	1
153	1P002D						MOUNTING GASKET FOR FRONT PANEL WINDOW	1
154	1P002E						DOOR SEAL GASKET (196")	1
155	1P002F						FLOOR SEAL GASKET (123")	1
156								
157	9DHOS1						OUTSIDE DOOR HANDLE (KEY LOCKING).....	1
158	9P001A						REPLACEMENT DOOR HINGE KIT (INCLUDING HARDWARE)	4
159	9P001B						DOOR LATCH RODS	2
160	9P001C						PLASTIC ROD GUIDES	2
161	9P001D						LATCH ROD SWIVEL CAM (WITH SET SCREW).....	1
162								
163	6B01A						BOLT, 1/4-20 X 7/8" LG	10
164	6B01B						LOCK NUT, 1/4-20.....	10
165	6B01C						WASHER, 1/4"	20
166								
167	6E01A						BOLT, 3/8-18 X 7/8" LG	23
168	6E01B						WASHER, 3/8"	23
169	6E01C						LOCK NUT, 3/8-16.....	23

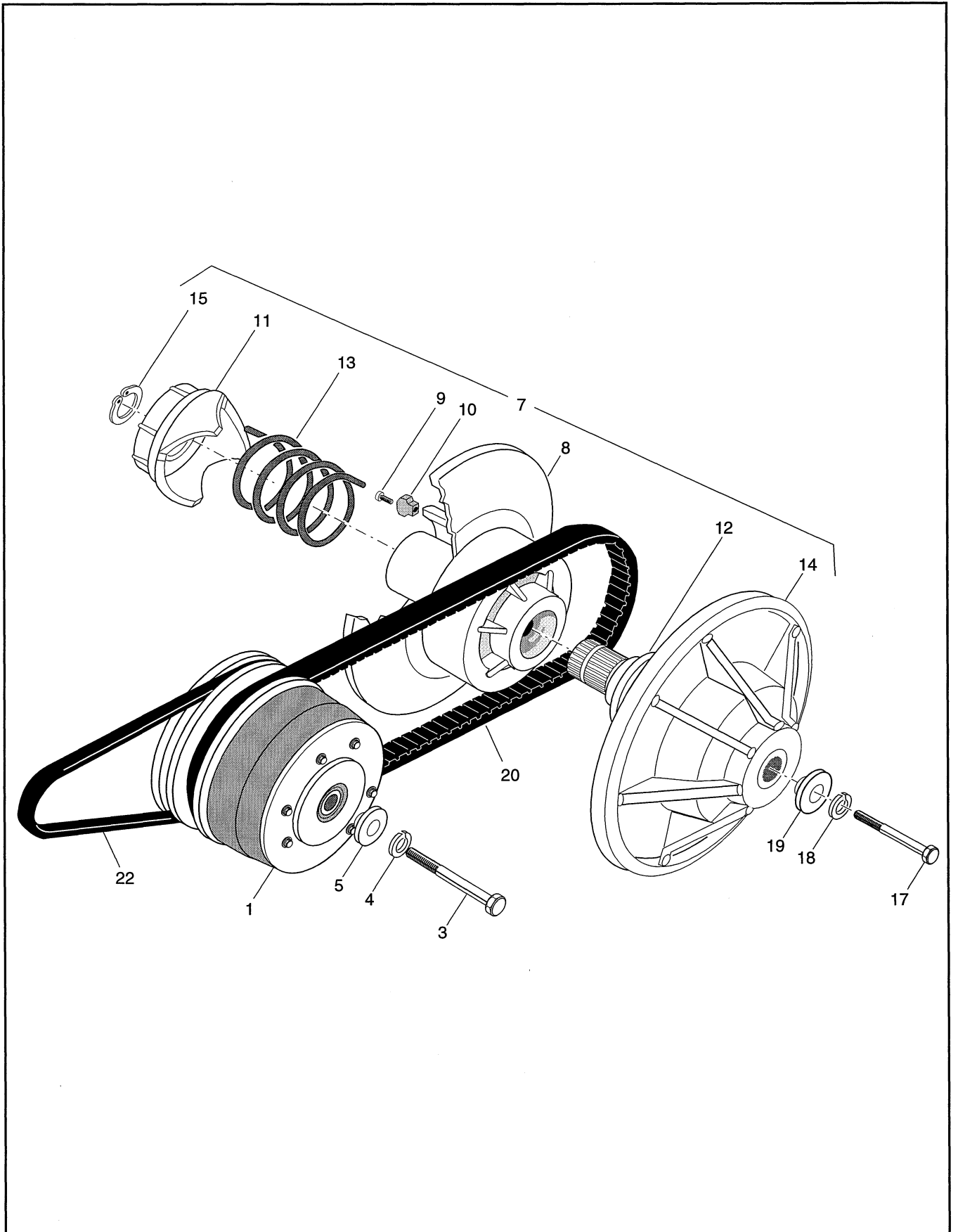




When ordering parts, please specify the model and serial number of the product.
 * Indicates a component that is not available as an individual part.
 G** Indicates consult Customer Service Department for additional information.

ITEM	PART NO.	1	2	3	4	5	DESCRIPTION	QTY.
1	72558-G01						CARBURETOR ASSEMBLY (INCLUDES ITEMS 2 - 16)	1
2	*						PILOT SCREW	1
3								
4	26649-G05						PILOT JET, #46P	1
5	26841-G01						PLUG	1
6	26731-G01						BOWL SCREEN GASKET.....	1
7	26647-G01						NEEDLE VALVE	1
8	26837-G01						MAIN NOZZLE.....	1
9	26646-G05						MAIN JET, #94.....	1
10	26648-G01						FLOAT	1
11	26840-G01						FLOAT PIN	1
12	26843-G01						FLOAT BOWL GASKET	1
13	26844-G01						FLOAT CHAMBER	1
14	26839-G01						BOWL SCREW.....	1
15	26730-G01						BOWL GASKET.....	1
16	*						DRAIN SCREW	1
17								
18								
19	26650-G01						VENT TUBE	2
20								
21	26726-G01						CARBURETOR MOUNT GASKET	1
22	26637-G01						INSULATOR.....	2
23	72306-G01						GASKET.....	1
24	26725-G01						CARBURETOR MOUNT GASKET	1

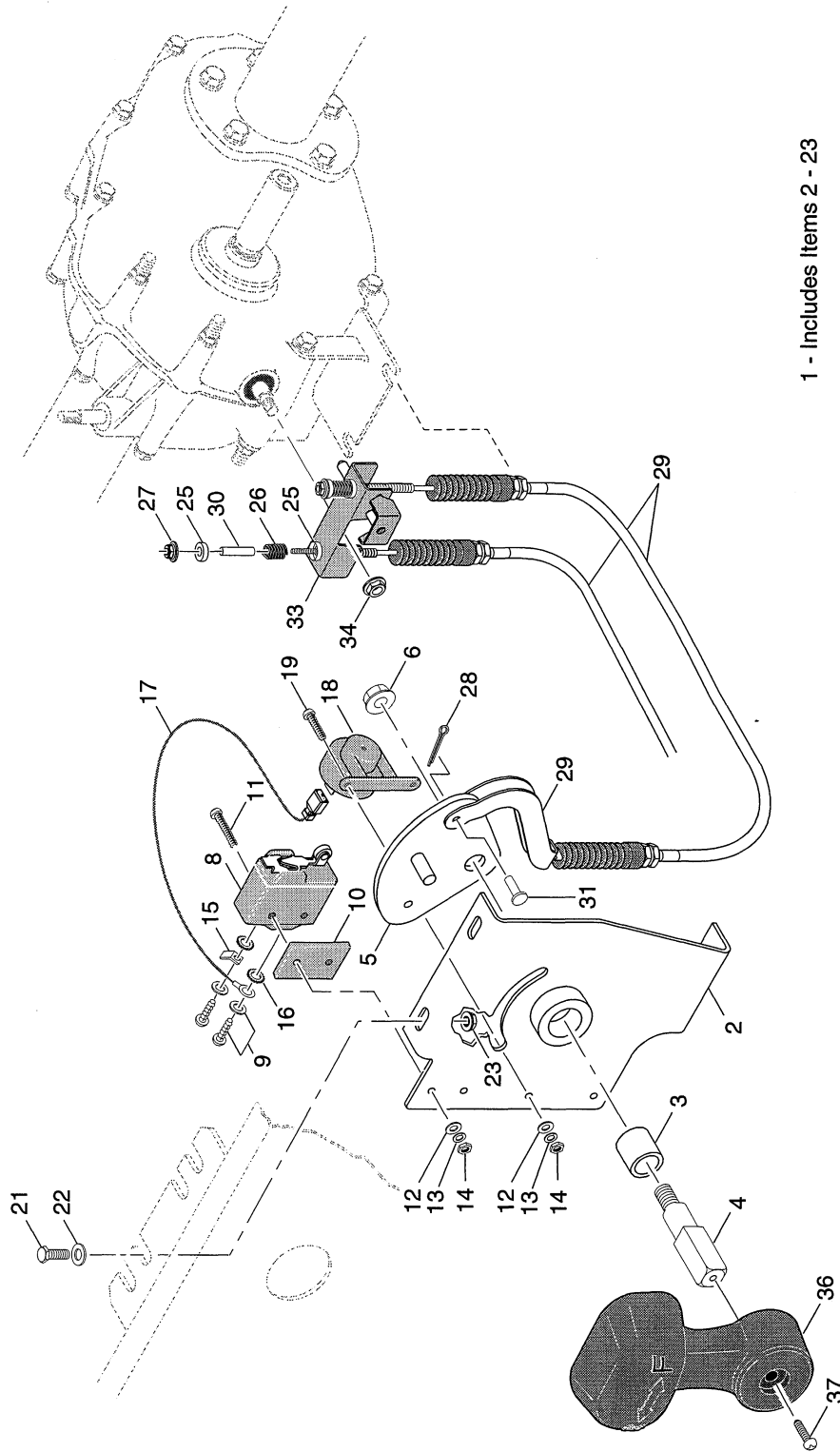




When ordering parts, please specify the model and serial number of the product.
 * Indicates a component that is not available as an individual part.
 G** Indicates consult Customer Service Department for additional information.

ITEM	PART NO.	1 2 3 4 5	DESCRIPTION	QTY.
1	26952-G01		DRIVE CLUTCH	1
2				
3	00473-G9		BOLT, 7/16-20 X 6 1/2" LG	1
4	00566-G2		LOCK WASHER, 7/16"	1
5	25757-G1		PILOT WASHER	1
6				
7	26301-G02		DRIVEN CLUTCH (INCLUDES ITEMS 8 - 15)	1
8	25626-G02		MOVABLE CAM SHEAVE (INCLUDES ITEMS 9 -10)	1
9	00979-G01		SCREW, #10-24 X 7/8" LG	3
10	26479-G01		RAMP BUTTON	3
11	26302-G01		FIXED CAM	1
12	24600-G1		SPACER	1
13	26304-G01		COMPRESSION SPRING	1
14	25643-G03		FIXED POST SHEAVE	1
15	27270-G01		HEAVY DUTY RETAINING RING.....	1
16				
17	00441-G8		BOLT, 5/16-18 X 4" LG.....	1
18	00565-G8		LOCK WASHER, 5/16"	4
19	25756-G1		RETAINING WASHER	1
20	72054-G01		DRIVE BELT	1
21				
22	26414-G01		STARTER / GENERATOR BELT.....	1





1 - Includes Items 2 - 23

When ordering parts, please specify the model and serial number of the product.

* Indicates a component that is not available as an individual part.

G** Indicates consult Customer Service Department for additional information.

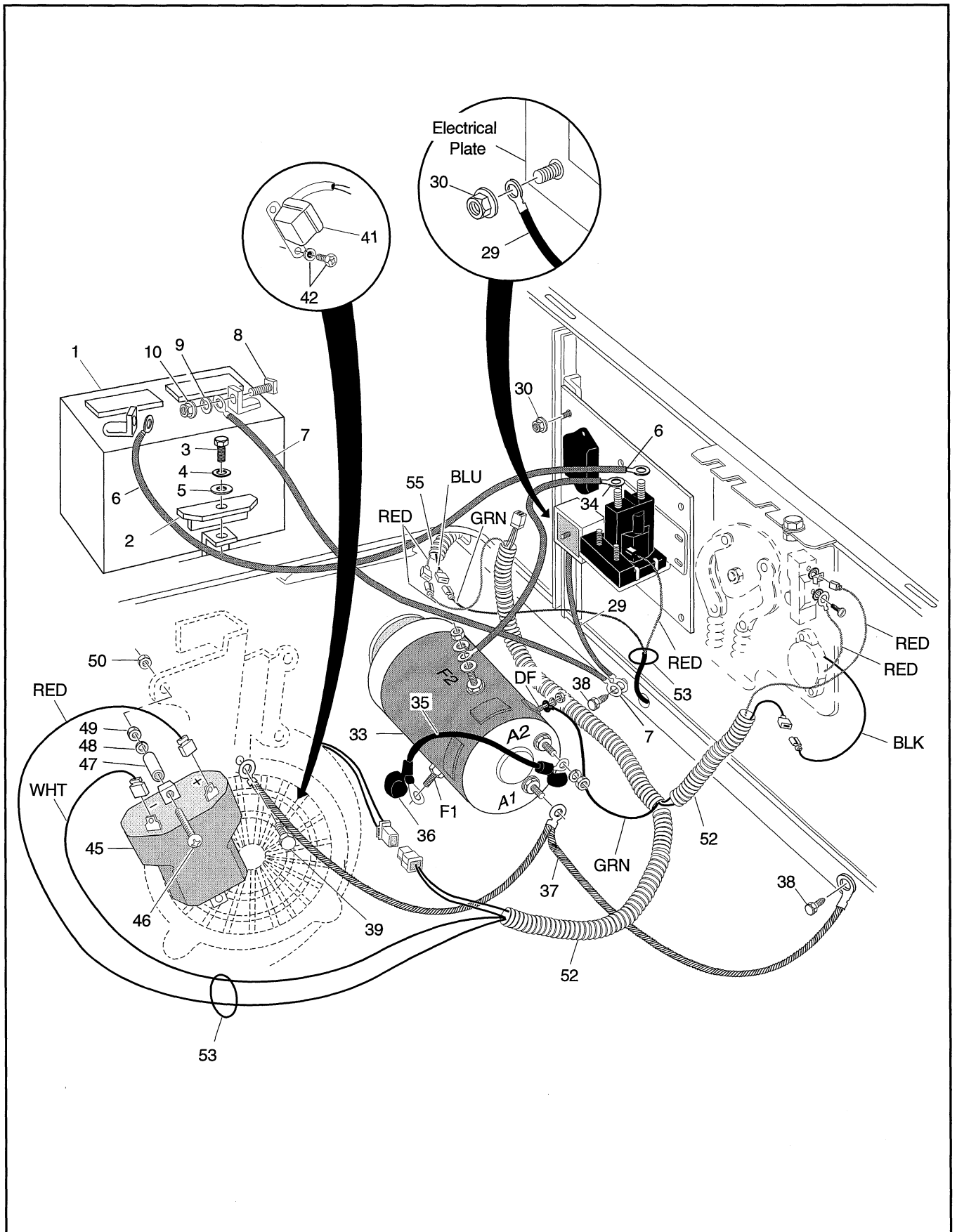
ITEM	PART NO.	1 2 3 4 5	DESCRIPTION	QTY.
1	70594-G02		DIRECTION SELECTOR ASSEMBLY (INCLUDES ITEMS 2 - 23)	1
2	25684-G01		DIRECTION SELECTOR BRACKET	1
3	25664-G1		BUSHING	1
4	27537-G01		DIRECTION SELECTOR SHAFT	1
5	25745-G01		DIRECTION SELECTOR CAM.....	1
6	14390-G1		LOCK NUT, 3/8 - 24.....	1
7				
8	10606-G1		MICRO SWITCH.....	1
9	*		SCREW AND WASHER ASSEMBLY	2
10	27151-G01		SPACER	1
11	00645-G2		SCREW, #6 - 32 X 1 1/4" LG.....	2
12	00559-G3		WASHER, #6	4
13	00565-G3		LOCK WASHER, #6	4
14	00525-G5		NUT, #6 - 32.....	4
15	14628-G1		FASTON TAB.....	1
16	00567-G3		LOCK WASHER, #6	2
17	25978-G234		18 GA. WIRE (RED)	1
18	73290-G02		REVERSE WARNING BUZZER.....	1
19	00138-G5		SCREW, #6 - 32 X 5/8" LG.....	2
20				
21	00414-G6		SCREW, 1/4 - 20 X 3/4" LG.....	2
22	00559-G7		WASHER, 1/4"	2
23	11027-G2		LOCK NUT, 1/4 - 20.....	2
24				
25	25727-G01		CUP WASHER	4
26	27764-G01		SPRING	2
27	11098-G7		NUT, #10 - 24	2
28	10387-G8		COTTER PIN, 1/16" X 3/4" LG.....	2
29	72341-G01		SHIFTER CONTROL CABLE.....	2
30	23726-G5		SPACER.....	2

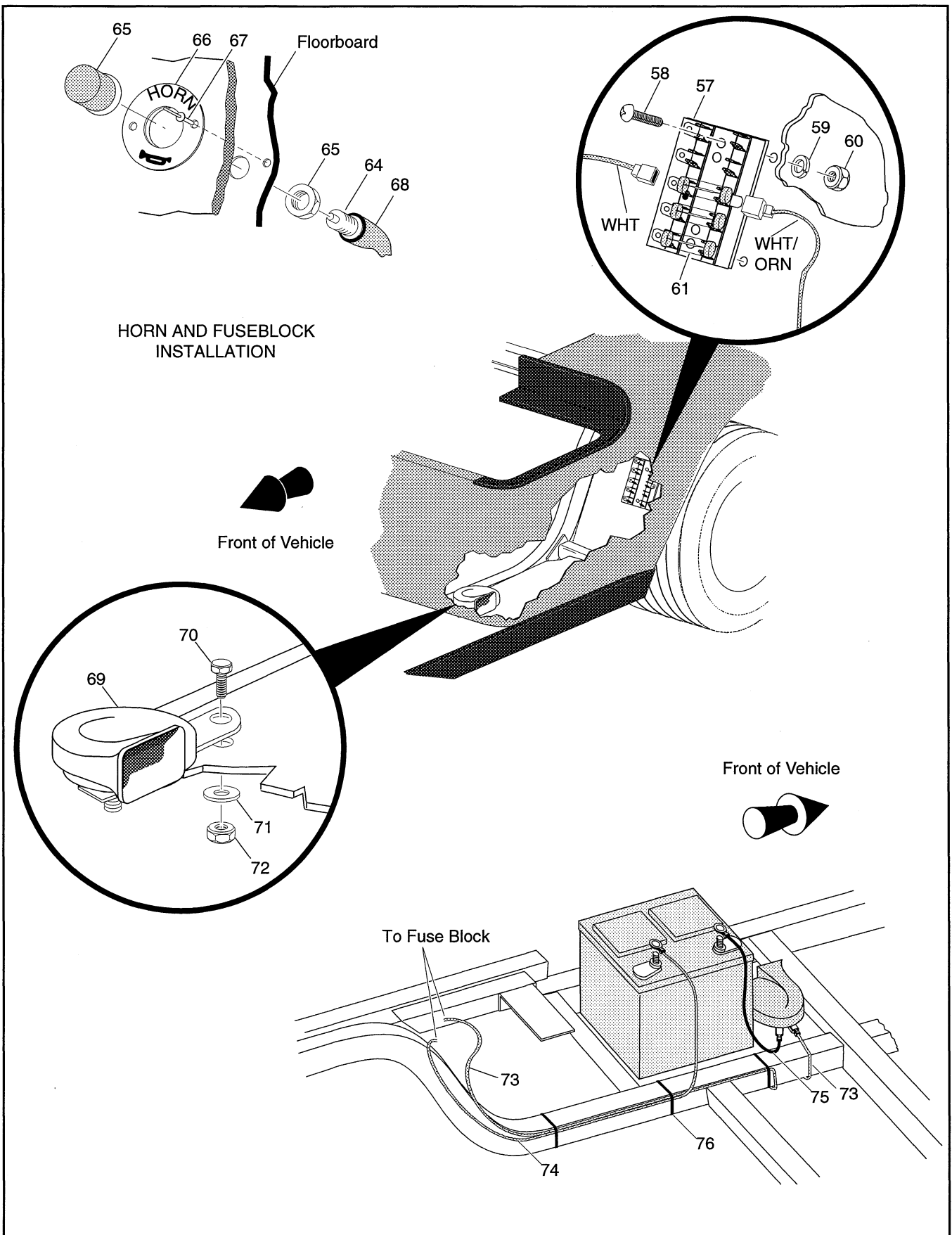
When ordering parts, please specify the model and serial number of the product.

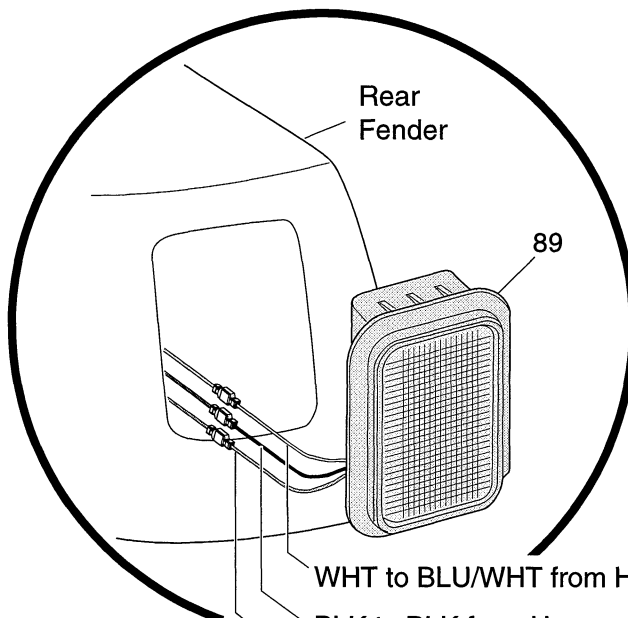
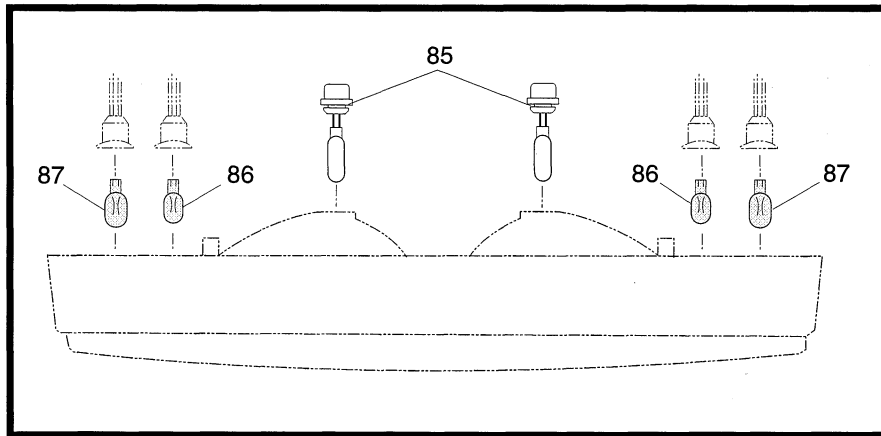
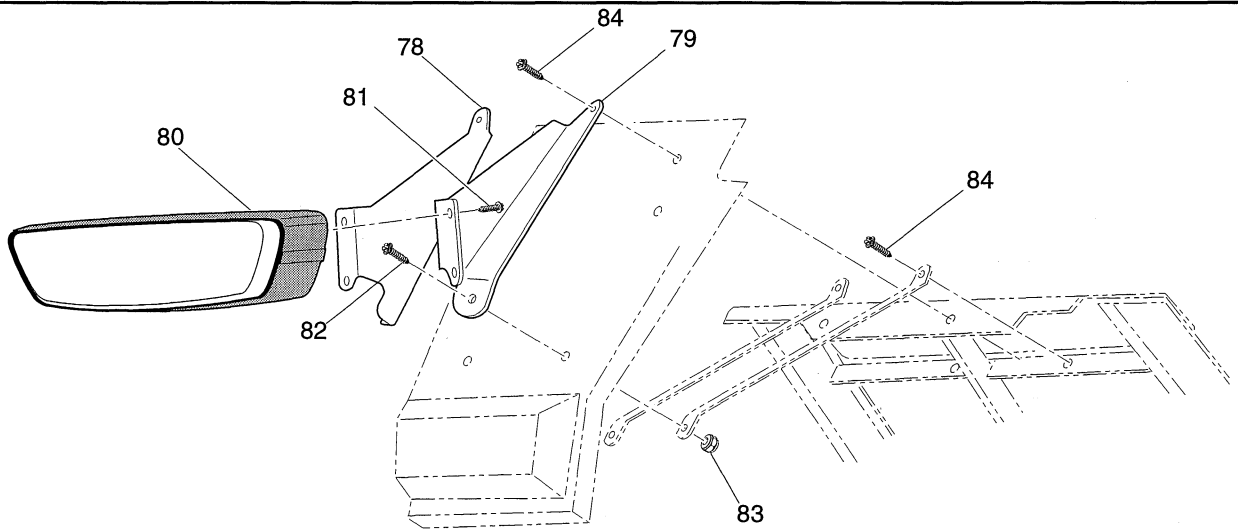
* Indicates a component that is not available as an individual part.

G** Indicates consult Customer Service Department for additional information.

ITEM	PART NO.	1 2 3 4 5	DESCRIPTION	QTY.
31	23176-G1		CLEVIS PIN, 5/16" X 3/8" LG.	2
32				
33	25946-G01		SHIFTER CONTROL PIVOT	1
34	26830-G01		SHIFTER LEVER NUT, M8 X 1.25 MM	1
35				
36	71205-G01		DIRECTION SELECTOR HANDLE.....	1
37	00740-G4		SCREW, #10 - 32 X 1/2" LG. (STAINLESS STEEL)	1







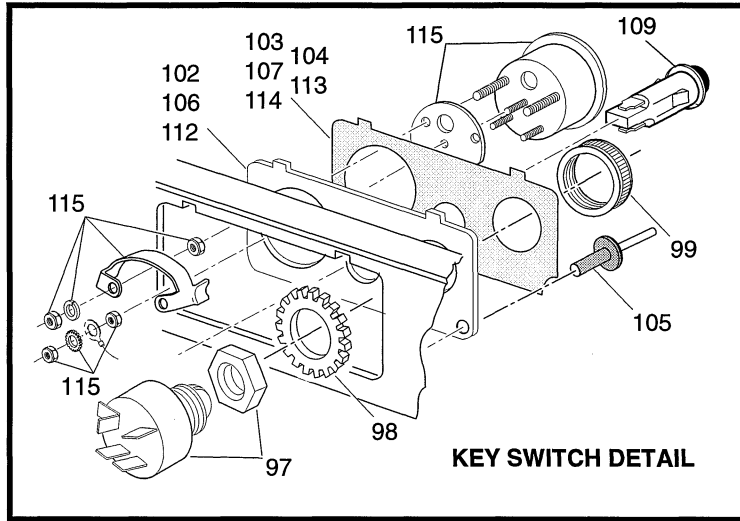
WHT to BLU/WHT from Harness - Both Sides

BLK to BLK from Harness - Both Sides

RED to BRN from Harness - Both Sides (without Turn Signals)

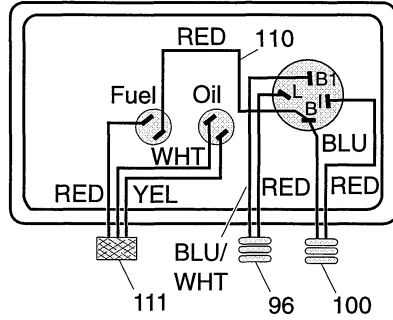
RED to WHT from Harness - Driver Side (with Turn Signals)

RED to YEL from Harness - Passenger Side (with Turn Signals)

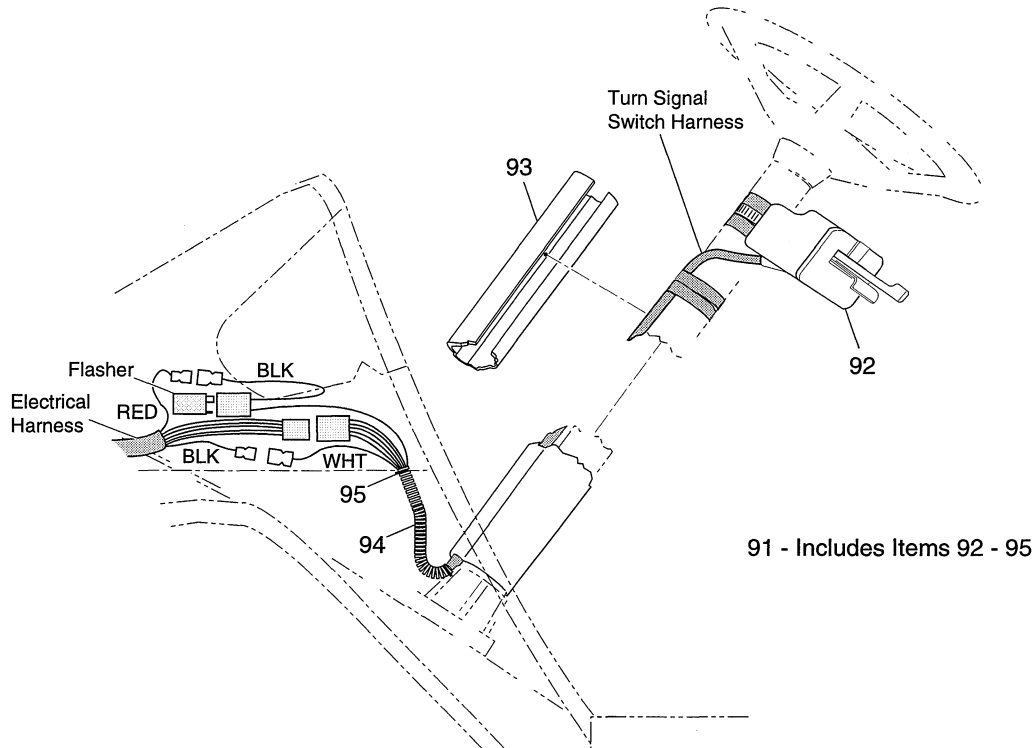
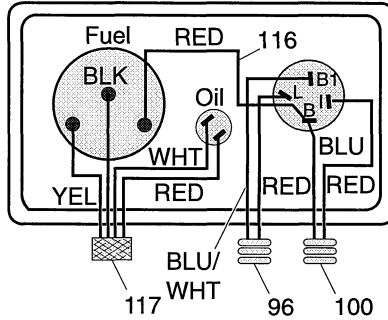


KEY SWITCH DETAIL

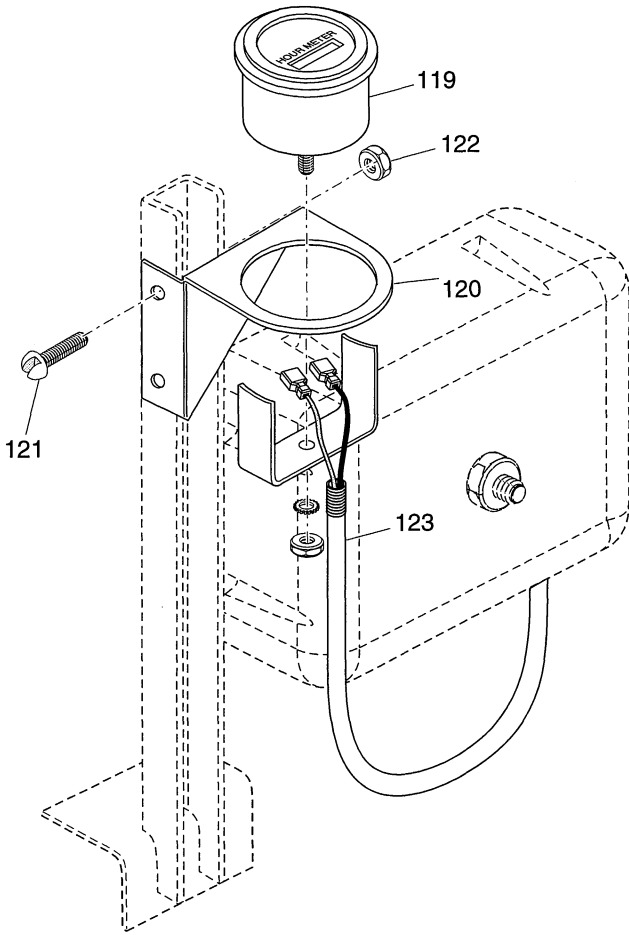
KEY SWITCH AND INDICATOR LIGHTS



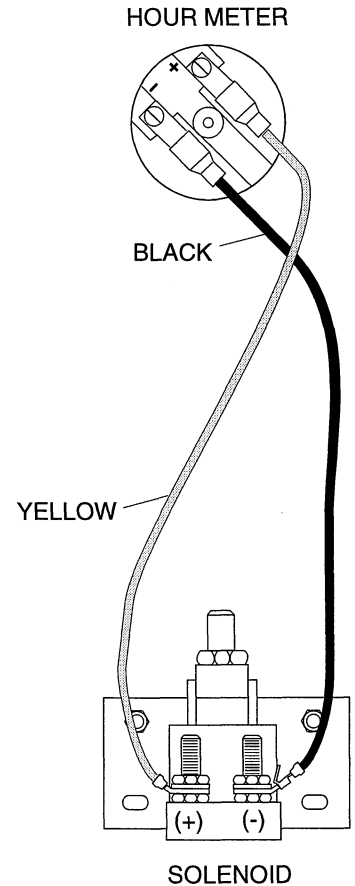
KEY SWITCH AND INDICATOR LIGHT/FUEL GAUGE



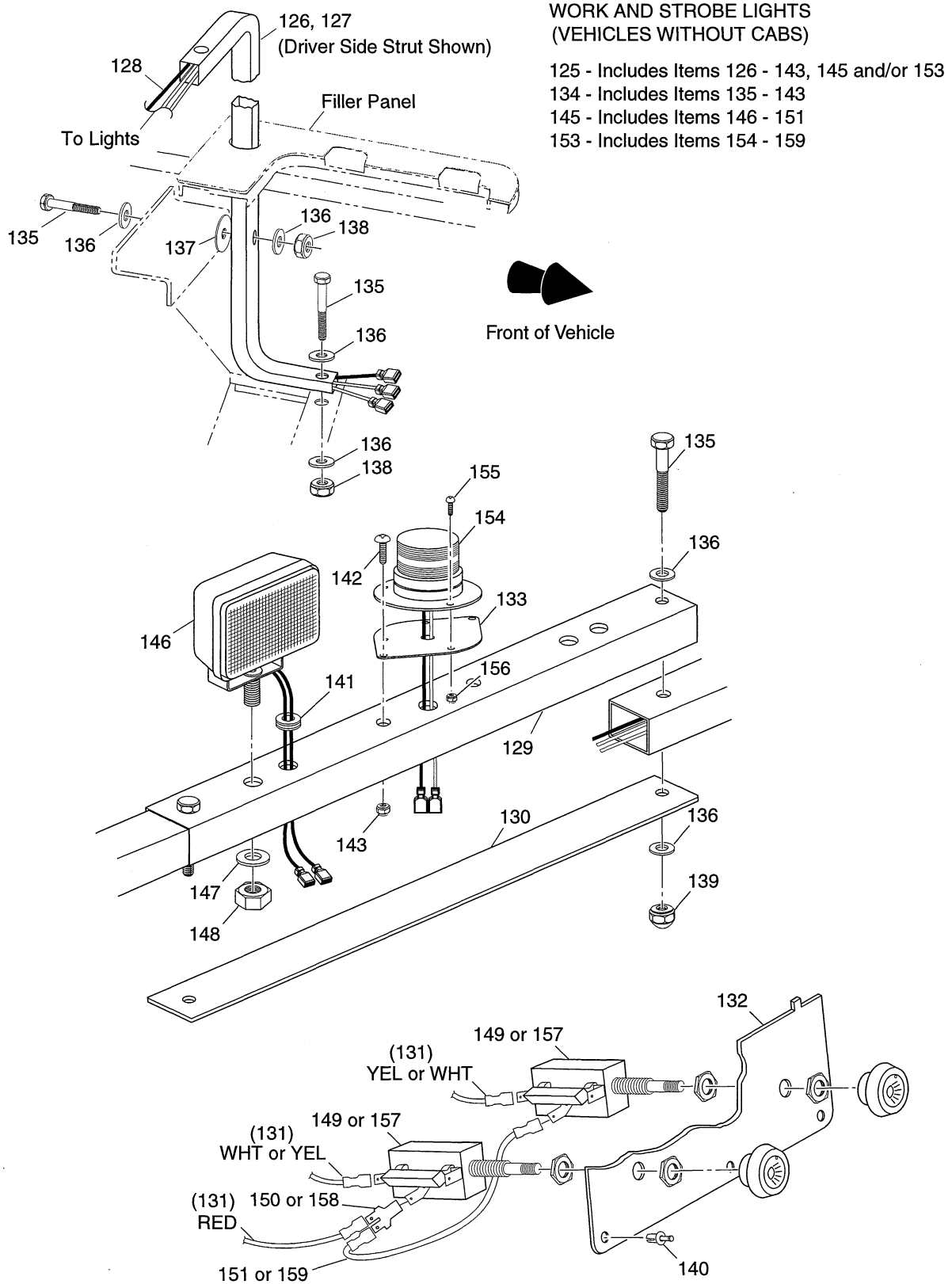
91 - Includes Items 92 - 95



HOUR METER



118 - Includes Items 119 - 123



When ordering parts, please specify the model and serial number of the product.

* Indicates a component that is not available as an individual part.

G** Indicates consult Customer Service Department for additional information.

ITEM	PART NO.	1 2 3 4 5	DESCRIPTION	QTY.
1	24775-G**		12 VOLT BATTERY	1
2	72101-G01		BATTERY HOLD DOWN.....	1
3	00952-G6		BOLT, 5/16 - 18 X 3/4" LG.....	1
4	00565-G8		LOCK WASHER, 5/16".....	1
5	00571-G2		WASHER, 5/16"	1
6	25972-G33		6 GA WIRE (BLACK 24", B+ - SOL)	1
7	25972-G12		6 GA WIRE (BLACK 16", B - GRD).....	1
8	*		BOLT, 5/16 - 18 X 3/4" LG.....	2
9	*		LOCK WASHER, 5/16".....	2
10	*		NUT, 5/16 - 18	2
11				
12	27740-G03		ELECTRICAL PLATE ASSEMBLY (INCLUDES ITEMS 13 - 27)	1
13	27738-G01		ELECTRICAL PLATE	1
14	27746-G01		IGNITOR.....	1
15	00650-G7		WASHER, 1/4".....	6
16	00565-G7		LOCK WASHER, 1/4".....	6
17	00532-G1		NUT, 1/4 - 20	5
18	27739-G01		VOLTAGE REGULATOR.....	1
19	27153-G01		SOLENOID	1
20	72003-G01		COVER SPACER	1
21	00565-G8		LOCK WASHER, 5/16".....	2
22	00544-G4		NUT, 5/16 - 24	2
23	25978-G56		18 GA WIRE (BLACK 5 3/4")	1
24	12914-G1		FASTON TAB	2
25	00565-G5		LOCK WASHER, #10	2
26	00526-G4		NUT, #10 - 32	2
27	12914-G2		FASTON TAB	2
28				
29	25976-G11		14 GA WIRE (BLACK 6")	1
30	11027-G2		LOCK NUT, 1/4 - 20	3



When ordering parts, please specify the model and serial number of the product.
 * Indicates a component that is not available as an individual part.
 G** Indicates consult Customer Service Department for additional information.

ITEM	PART NO.	1	2	3	4	5	DESCRIPTION	QTY.
31	72004-G01						COVER	1
32								
33	XXXXX-XX						STARTER / GENERATOR (SEE STARTER / GENERATOR SECTION)	X
34	25972-G58						6 GA WIRE (BLACK 26", SOL - F2).....	1
35	25887-G01						6 GA WIRE (BLACK 6", F1 - A2)	1
36	16563-G1						RUBBER BOOT	3
37	20294-G3						GROUND CABLE.....	1
38	00715-G3						BOLT, 5/16 - 18 X 1 1/4" LG.....	2
39	26676-G01						BOLT, M6 X 1 X 23 MM LG.....	1
40								
41	26651-G02						IGNITION PICKUP ASSEMBLY (INCLUDES ITEM 42).....	1
42	26707-G01						BOLT AND WASHER, M5 X 0.8 X 10 MM LG.....	1
43								
44	26652-G01						IGNITION COIL ASSEMBLY (INCLUDES ITEMS 45 - 49)	1
45	*						COIL	1
46	*						SCREW	1
47	*						SPACER	1
48	*						LOCK WASHER	1
49	*						NUT	1
50	13632-G1						NUT, M6 X 1 LG	2
51								
52	72344-G01						WIRE HARNESS (CONTROL).....	1
53	17618-G1						WIRE TIE	2
54								
55	27778-G01						WIRE HARNESS (IGNITION SWITCH)	1
56								
57	22674-G1						FUSE BLOCK	1
58	00138-G4						SCREW, #6-32 X 1/2" LG.	2
59	00565-G3						LOCK WASHER, #6.....	2
60	00525-G5						NUT, #6-32	2



When ordering parts, please specify the model and serial number of the product.

* Indicates a component that is not available as an individual part.

G** Indicates consult Customer Service Department for additional information.

ITEM	PART NO.	1 2 3 4 5	DESCRIPTION	QTY.
61	18392-G1		15 AMP FUSE.....	3
62				
63				
64	17318-G1		HORN SWITCH	1
65	17318-G2		HORN SWITCH CAP AND NUT	1
66	19233-G1		HORN SWITCH LABEL	1
67	14601-G7		RIVET, 3/16" X 11/16" LG (STAINLESS STEEL)	2
68	27068-G01		HORN SWITCH BOOT	1
69	32860-G1		HORN.....	1
70	00414-G5		BOLT, 1/4 - 20 X 5/8" LG.....	1
71	00559-G8		WASHER, 5/16"	1
72	00891-G2		LOCK NUT, 1/4 - 20	1
73	73214-G01		WIRE HARNESS (HORN).....	1
74	25974-G22		10 GA WIRE (WHITE 34")	1
75	25977-G40		16 GA WIRE (BLACK 17")	1
76	17618-G1		WIRE TIE	5
77				
78	74002-G01		LIGHT BRACKET (PASSENGER SIDE).....	1
79	74002-G02		LIGHT BRACKET (DRIVER SIDE)	1
80	74001-G01		HEADLIGHT AND TURN SIGNAL LIGHT	1
81	00114-G6		SCREW, 1/4 - 14 X 3/4" LG.	4
82	00414-G6		BOLT, 1/4 - 20 X 3/4" LG.....	2
83	11027-G2		LOCK NUT, 1/4 - 20	2
84	01028-G01		SCREW, 1/4 - 14 X 3/4" LG	4
85	74004-G01		HEADLIGHT BULB	A/R
86	74005-G01		MARKER LIGHT BULB.....	A/R
87	74006-G01		TURN LIGHT BULB	A/R
88				
89	32739-G2		TAILLIGHT	2
90				



When ordering parts, please specify the model and serial number of the product.

* Indicates a component that is not available as an individual part.

G** Indicates consult Customer Service Department for additional information.

ITEM	PART NO.	1 2 3 4 5	DESCRIPTION	QTY.
91	75107-G02		LIGHT AND TURN SIGNAL KIT (INCLUDES ITEMS 92 - 95).....	1
92	17867-G1		TURN SIGNAL (WITH MOUNTING HARDWARE)	1
93	20965-G3		STEERING COLUMN COVER.....	1
94	32307-G3		FLEX LOOM, 3/8" X 8" LG	1
95	17618-G1		WIRE TIE.....	2
96	74042-G01		WIRE HARNESS (LIGHT).....	1
97	33639-G*		IGNITION SWITCH, VEHICLE WITH LIGHTS.....	1
98	00568-G6		LOCK WASHER, 3/4".....	1
99	17137-G1		FACE NUT, 3/4 - 20.....	1
100	27778-G01		WIRE HARNESS (IGNITION SWITCH).....	1
101				
102	73030-G01		PLATE (IGNITION SWITCH ONLY)	1
103	71181-G01		DECAL (IGNITION SWITCH ONLY) WITH HEADLIGHTS	1
104	71181-G02		DECAL (IGNITION SWITCH ONLY) WITHOUT HEADLIGHTS	1
105	33623-G02		RIVET, 3/16" X 3/8" LG	2
106	73030-G03		PLATE (IGNITION SWITCH AND INDICATOR LIGHTS).....	1
107	71183-G01		DECAL (IGNITION SWITCH AND INDICATOR LIGHTS) WITH HEADLIGHTS.....	1
108				
109	23474-G1		INDICATOR LIGHT	2
110	25978-G74		18 GA WIRE (RED 6")	1
111	74020-G01		HARNESS (INDICATOR LIGHTS)	1
112	73030-G04		PLATE (IGNITION SWITCH, LOW OIL LIGHT AND FUEL GAUGE)	1
113	71127-G01		DECAL (IGNITION SWITCH, LOW OIL LIGHT AND FUEL GAUGE) WITH- OUT HEADLIGHTS.....	1
114	71131-G01		DECAL (IGNITION SWITCH, LOW OIL LIGHT AND FUEL GAUGE) WITH HEADLIGHTS	1
115	21553-G1		FUEL GAUGE	1
116	25978-G122		18 GA WIRE (RED 6")	1
117	74029-G01		WIRE HARNESS (FUEL GAUGE AND LOW OIL)	1
118	75114-G02		HOUR METER KIT (INCLUDES ITEMS 119 - 123)	1
119	21573-G1		HOUR METER	1

When ordering parts, please specify the model and serial number of the product.

* Indicates a component that is not available as an individual part.

G** Indicates consult Customer Service Department for additional information.

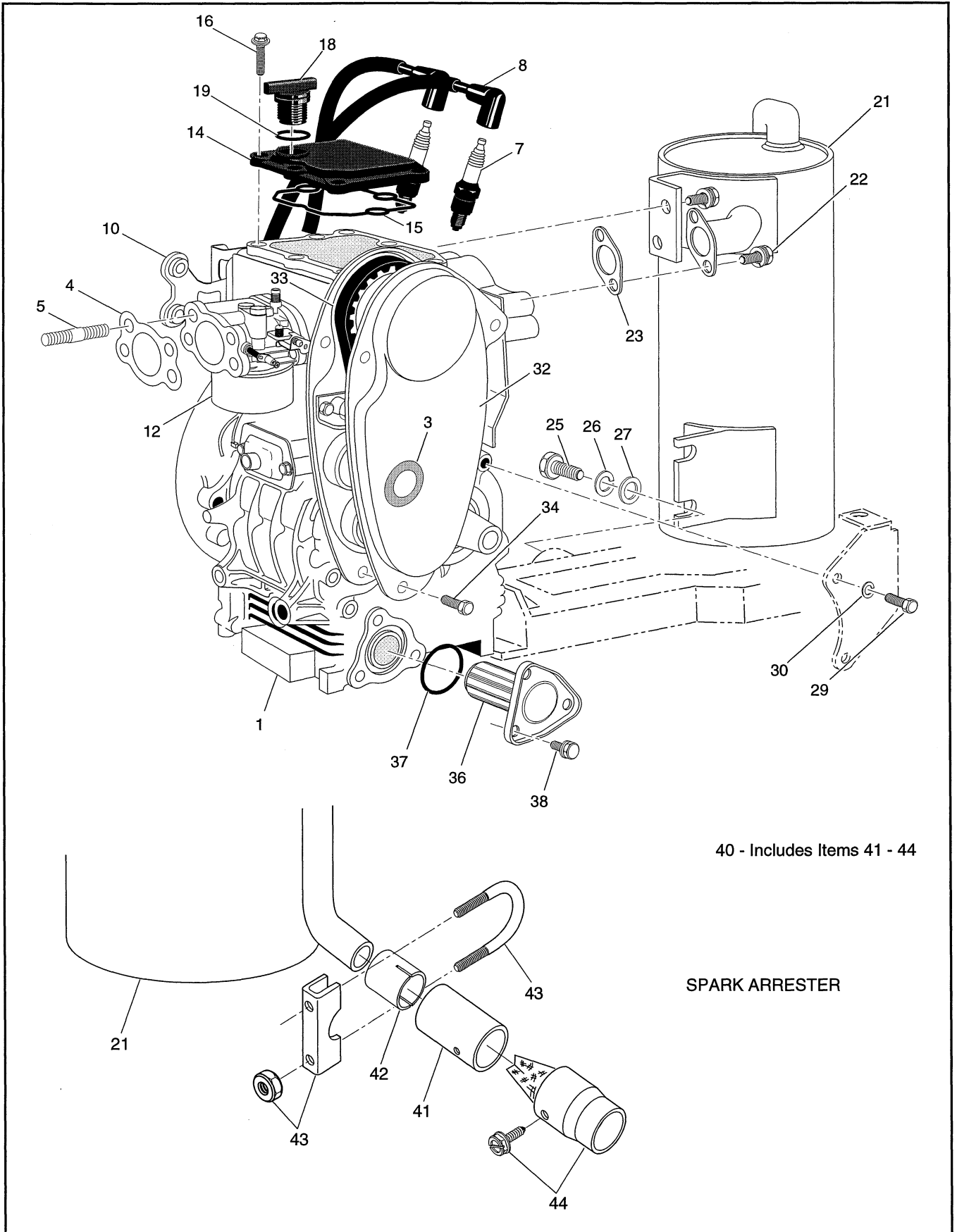
ITEM	PART NO.	1	2	3	4	5	DESCRIPTION	QTY.
120	74019-G01						HOUR METER BRACKET	1
121	00150-G4						SCREW, #10-24 - 1/2" LG.....	2
122	11098-G7						LOCK NUT, #10-24.....	2
123	75117-G01						WIRE HARNESS (HOUR METER)	1
124								
125	75354-G**						WORK LIGHT BAR WITH LIGHTS AND/OR STROBE (INCLUDES ITEMS 126 - 143, 145 AND/OR 153)	1
126	75352-G01						STRUT (PASSENGER SIDE).....	1
127	75352-G02						STRUT (DRIVER SIDE)	1
128	75346-G01						WIRE HARNESS (WORK LIGHT).....	1
129	75353-G01						BRACE	1
130	75363-G01						COVER PLATE.....	1
131	75347-G01						SWITCH HARNESS.....	1
132	71077-G**						LIGHT SWITCH PLATE.....	1
133	33201-G02						STROBE LIGHT MOUNT (USED ONLY WITH STROBE LIGHT)	1
134	75365-G01						HARDWARE KIT (INCLUDES ITEMS 135 - 143)	1
135	00685-G7						BOLT, 5/16 - 18 X 1 3/4" LG.....	6
136	00660-G8						WASHER, 5/16"	12
137	15121-G1						WASHER, 3/8" X 1 1/4"	2
138	11098-G6						LOCK NUT, 5/16 - 18	4
139	00918-G3						ACORN NUT, 5/16 - 18	2
140	33623-G02						RIVET, 3/16" X 3/8" LG	3
141	20367-G1						GROMMET.....	2
142	16705-G3						SCREW, 1/4 - 20 X 3/4" LG	2
143	14390-G4						LOCK NUT, 1/4 - 20	2
144								
145	20383-G2						WORK LIGHT KIT (INCLUDES ITEMS 146 - 151)	1
146	20209-G2						WORK LIGHT (RECTANGULAR)	2
147	00566-G3						LOCK WASHER, 1/2".....	2
148	00533-G1						NUT, 1/2 - 13	2



When ordering parts, please specify the model and serial number of the product.
 * Indicates a component that is not available as an individual part.
 G** Indicates consult Customer Service Department for additional information.

ITEM	PART NO.	1	2	3	4	5	DESCRIPTION	QTY.
149	17317-G1						LIGHT SWITCH.....	1
150	17902-G1						TAB ADAPTER.....	1
151	20053-G1						16 GA WIRE (RED, 5 3/8" LG.).....	1
152								
153	20385-G2						STROBE LIGHT KIT (INCLUDES ITEMS 154 - 159).....	1
154	20394-G1						STROBE LIGHT	1
155	00379-G4						SCREW, #10 - 24 x 1/2" LG	3
156	11098-G7						LOCK NUT, #10 - 24	3
157	17317-G1						LIGHT SWITCH.....	1
158	17902-G1						TAB ADAPTER.....	1
159	20053-G1						16 GA WIRE (RED, 5 3/8" LG.).....	1





40 - Includes Items 41 - 44

SPARK ARRESTER

When ordering parts, please specify the model and serial number of the product.

* Indicates a component that is not available as an individual part.

G** Indicates consult Customer Service Department for additional information.

ITEM	PART NO.	1 2 3 4 5	DESCRIPTION	QTY.
1	72500-G04		ENGINE, 350cc.....	1
2				
3	26631-G01		TIMING BELT COVER GROMMET	1
4	26727-G01		CARBURETOR / AIR BOX GASKET	1
5	72307-G01		STUD	2
6				
7	25523-G4		SPARK PLUG (NGK BP5ES).....	2
8	26733-G01		SPARK PLUG WIRE SET (2 WITH BOOTS).....	1
9				
10	72305-G01		IGNITION COIL BRACKET.....	1
11				
12	XXXXX-XX		CARBURETOR (SEE SECTION E).....	X
13				
14	26600-G01		VALVE COVER	1
15	26719-G01		VALVE COVER GASKET.....	1
16	26676-G01		FLANGED BOLT, M6 X 1 X 23 MM LG.....	6
17				
18	26601-G01		OIL FILLER CAP.....	1
19	26720-G01		FILLER CAP 'O' RING	1
20				
21	72019-G01		MUFFLER	1
22	25532-G1		BOLT AND WASHER, M8 X 1.25 X 18 MM LG.	4
23	25531-G1		EXHAUST GASKET.....	1
24				
25	00438-G8		BOLT, 5/16 - 18 X 1" LG.....	1
26	00565-G8		LOCK WASHER, 5/16"	1
27	00642-G8		WASHER, 5/16"	1
28				
29	00276-G6		BOLT, 5/16 - 24 X 3/4" LG.....	2
30	00565-G8		LOCK WASHER, 5/16"	2



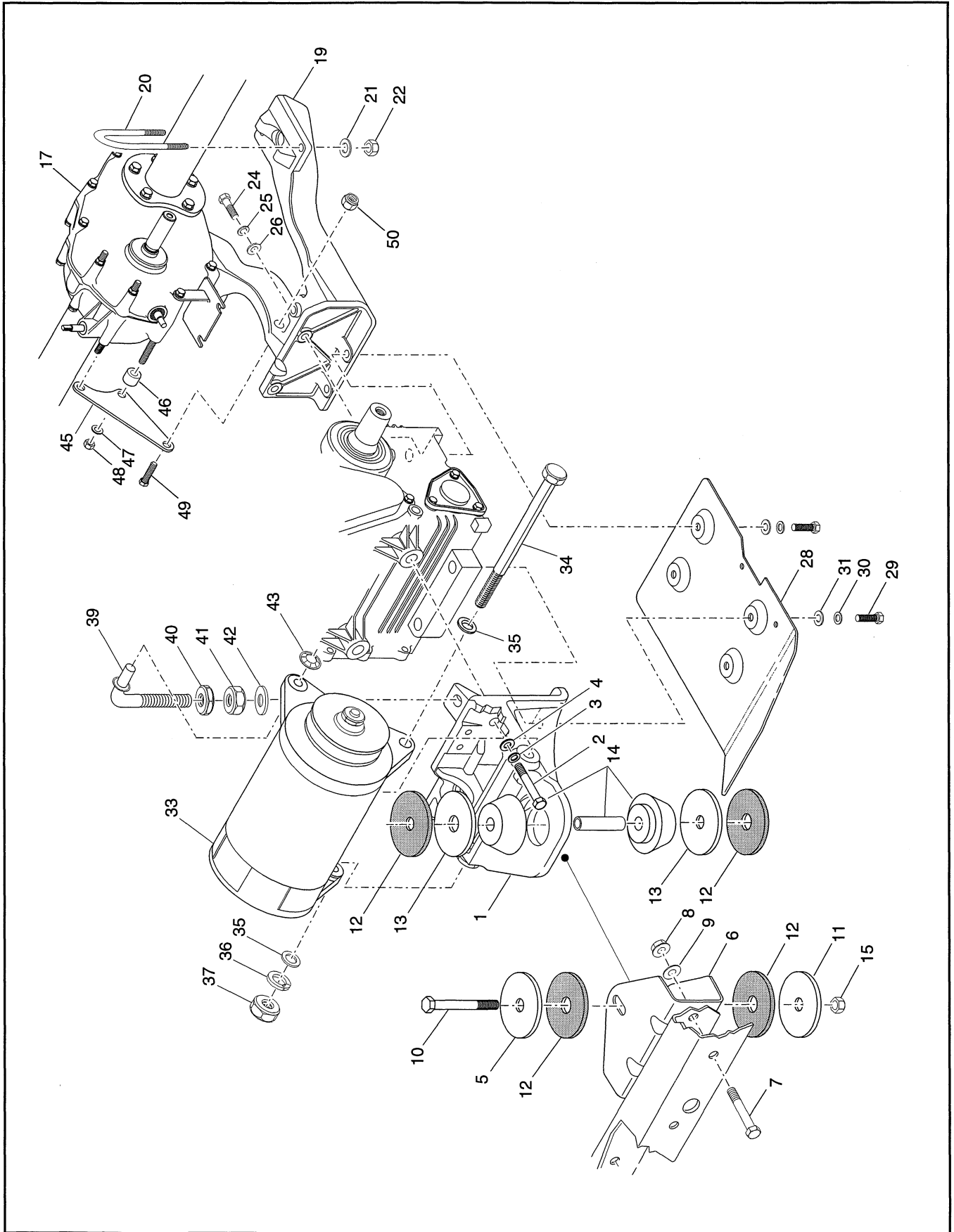
When ordering parts, please specify the model and serial number of the product.

* Indicates a component that is not available as an individual part.

G** Indicates consult Customer Service Department for additional information.

ITEM	PART NO.	1	2	3	4	5	DESCRIPTION	QTY.
31								
32	26630-G01						TIMING BELT COVER	1
33	26626-G01						TIMING BELT	1
34	26678-G01						BOLT, M6 X 1 X 12 MM LG.	3
35								
36	26591-G01						OIL FILTER	1
37	26710-G01						OIL FILTER "O" RING	1
38	26680-G01						BOLT AND WASHER, M6 X 1 X 12 MM LG.	3
39								
40	25747-G01						SPARK ARRESTER (INCLUDES ITEMS 41 - 44)	1
41	25746-G01						ADAPTER TUBE	1
42	25388-G1						SLEEVE	1
43	25405-G1						TUBE CLAMP	1
44	25406-G1						SPARK ARRESTER	1





When ordering parts, please specify the model and serial number of the product.

* Indicates a component that is not available as an individual part.

G** Indicates consult Customer Service Department for additional information.

ITEM	PART NO.	1 2 3 4 5	DESCRIPTION	QTY.
1	72010-G01		FRONT ENGINE MOUNT	1
2	00463-G4		BOLT, 7/16 - 14 X 1 1/2" LG.....	2
3	00566-G2		LOCK WASHER, 7/16"	2
4	00922-G3		WASHER, 7/16"	2
5	15121-G1		WASHER, 1 1/4" X 3/8".....	1
6	72044-G01		MOUNT BRACKET	1
7	00428-G6		BOLT, 3/8 - 16 X 2 3/4" LG.....	2
8	11098-G5		LOCK NUT, 3/8 - 16	2
9	00643-G1		WASHER, 3/8"	2
10	00430-G4		BOLT, 3/8 - 16 X 4 1/2" LG.....	1
11	72051-G02		WASHER, 2 1/2" X 11/32"	1
12	72050-G01		PLASTIC WASHER, 2 1/2" X 5/8"	4
13	72051-G01		WASHER, 2 1/2" X 5/8".....	2
14	72015-G01		ISOLATION MOUNT	1
15	11098-G5		LOCK NUT, 3/8 - 16	1
16				
17	XXXXX-XX		REAR AXLE (SEE SECTION P)	X
18				
19	72011-G01		REAR ENGINE MOUNT	1
20	72035-G01		"U" BOLT, 7/16 - 14 X 1 3/8" X 3 7/8"	2
21	00922-G3		WASHER, 7/16"	4
22	00734-G1		LOCK NUT, 7/16 - 14	4
23				
24	00463-G4		BOLT, 7/16 - 14 X 1 1/2" LG.....	2
25	00566-G2		LOCK WASHER, 7/16"	2
26	00922-G3		WASHER, 7/16"	2
27				
28	27432-G02		ENGINE GUARD	1
29	00463-G4		BOLT, 7/16 - 14 X 1 1/2" LG.....	4
30	00566-G2		LOCK WASHER, 7/16"	4

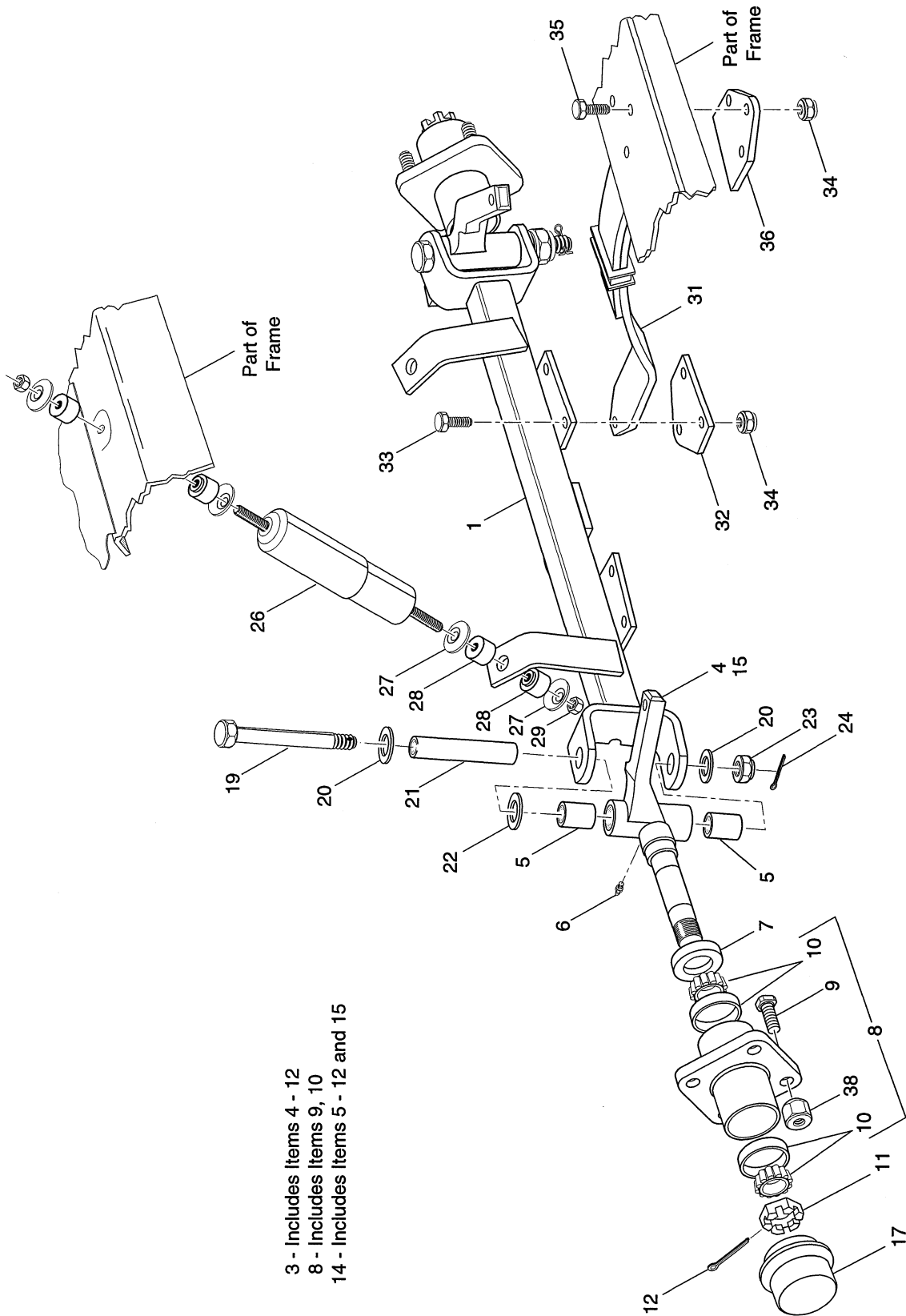


When ordering parts, please specify the model and serial number of the product.

* Indicates a component that is not available as an individual part.

G** Indicates consult Customer Service Department for additional information.

ITEM	PART NO.	1 2 3 4 5	DESCRIPTION	QTY.
31	00922-G3		WASHER, 7/16"	4
32				
33	XXXXX-XX		STARTER / GENERATOR (SEE SECTION S).....	1
34	00938-G4		BOLT, 1/2 - 13 X 8" LG.	1
35	00560-G3		WASHER, 1/2"	2
36	00566-G3		LOCK WASHER, 1/2"	1
37	00533-G1		NUT, 1/2 - 13	1
38				
39	72045-G01		STARTER / GENERATOR ADJUSTER.....	1
40	00544-G5		JAM NUT, 3/8 - 16	1
41	00532-G5		NUT, 3/8 - 16	1
42	00560-G1		WASHER, 3/8"	1
43	12064-G1		PUSH NUT, 5/16"	1
44				
45	72017-G01		AXLE BRACKET	1
46	75048-G01		SPACER, 1/2"	1
47	26826-G01		LOCK WASHER, 8MM	2
48	26827-G01		NUT, M8 X 1.25 MM	2
49	00439-G2		BOLT, 5/16 - 18 X 1 1/4" LG.	1
50	11098-G6		LOCK NUT, 5/16 - 18	1



When ordering parts, please specify the model and serial number of the product.

* Indicates a component that is not available as an individual part.

G** Indicates consult Customer Service Department for additional information.

ITEM	PART NO.	1 2 3 4 5	DESCRIPTION	QTY.
1	70536-G01		FRONT AXLE.....	1
2				
3	70220-G01		SPINDLE ASSEMBLY (DRIVER SIDE) (INCLUDES ITEMS 4 - 12).....	1
4	*		SPINDLE (DRIVER SIDE).....	1
5	16623-G1		BEARING	2
6	10389-G3		GREASE FITTING, STRAIGHT	1
7	25146-G1		GREASE SEAL	1
8	19932-G1		WHEEL HUB ASSEMBLY (INCLUDES ITEMS 9, 10).....	1
9	19862-G1		LUG BOLT, 1/2 - 20 X 1 7/32" LG.....	4
10	50892-G1		BEARING AND RACE ASSEMBLY (COMPLETE).....	2
11	12093-G1		SLOTTED NUT, 1 - 14.....	1
12	00798-G8		COTTER PIN, 5/32" X 1 3/4" LG.	1
13				
14	70221-G01		SPINDLE ASSEMBLY (PASSENGER SIDE) (INCLUDES ITEMS 5 - 12, 15) ...	1
15	*		SPINDLE (PASSENGER SIDE)	1
16				
17	12091-G2		SPINDLE CAP	2
18				
19	70327-G01		KING PIN, 1/2 - 13 X 5 1/2" LG.....	2
20	00571-G5		WASHER, 1/2"	4
21	70328-G01		KING PIN TUBE	2
22	16982-G1		THRUST WASHER, 7/8"	2
23	14390-G6		LOCK NUT, 1/2 - 13	2
24	10387-G2		COTTER PIN, 3/32 X 1" LG.	2
25				
26	70324-G01		SHOCK ABSORBER	2
27	10435-G1		SHOCK ABSORBER WASHER	8
28	10194-G1		RUBBER SHOCK ABSORBER BUSHING	8
29	00532-G6		NUT, 3/8 - 24	4
30				



FRONT SUSPENSION

Gasoline Vehicle

When ordering parts, please specify the model and serial number of the product.

* Indicates a component that is not available as an individual part.

G** Indicates consult Customer Service Department for additional information.

ITEM	PART NO.	1 2 3 4 5	DESCRIPTION	QTY.
31	70422-G01		LEAF SPRING (HEAVY DUTY)	2
32	70540-G02		SPRING PLATE.....	2
33	00463-G4		BOLT, 7/16 - 14 X 1 1/2" LG.	6
34	00734-G1		LOCK NUT, 7/16 - 14	12
35	00463-G6		BOLT, 7/16 - 14 X 1 3/4" LG.	6
36	70163-G02		SPRING PLATE.....	2
37				
38	14723-G1		LUG NUT, 1/2 - 20.....	8



When ordering parts, please specify the model and serial number of the product.

* Indicates a component that is not available as an individual part.

G** Indicates consult Customer Service Department for additional information.

ITEM	PART NO.	1 2 3 4 5	DESCRIPTION	QTY.
1	72231-G01		FUEL TANK ASSEMBLY (INCLUDES ITEMS 2 - 7).....	1
2	72092-G02		FUEL TANK (FOR ELECTRIC GAUGE / WARNING LIGHT)	1
3	72282-G01		FUEL TANK CAP	1
4	72229-G01		FUEL LEVEL SENDER ADAPTER	1
5	72230-G01		SCREW, #6 - 32 X 1/2" LG.....	2
6	20048-G2		FUEL LEVEL SENDER (ELECTRIC FUEL GAUGE).....	1
7	72232-G01		SCREW, #10 - 32 X 3/4"	5
8				
9	72231-G02		FUEL TANK ASSEMBLY (INCLUDES ITEMS 2 - 5, 7, 10).....	1
10	20048-G4		FUEL LEVEL SENDER (LOW FUEL WARNING LIGHT).....	1
11				
12	00439-G1		BOLT, 5/16 - 18 X 1 1/8" LG.....	2
13	00559-G8		WASHER, 5/16"	4
14	15121-G1		WASHER, 1 1/4" X 3/8"	1
15	72234-G01		PLASTIC SPACER.....	1
16	11098-G6		LOCK NUT, 5/16 - 18	2
17				
18	17470-G1		FUEL SYSTEM TUBE, 2 5/8" LG. (BULK).....	1
19	18292-G1		CLAMP	5
20	72084-G01		FUEL FILTER	1
21	17470-G1		FUEL SYSTEM TUBE, 4" LG. (BULK).....	1
22	72021-G01		FUEL PUMP	1
23	00114-G6		SCREW, 1/4 - 14 X 3/4" LG. (LATE PRODUCTION)	2
24	17470-G1		FUEL SYSTEM TUBE, 26" LG. (BULK).....	AR
25	11391-G4		HOSE CLAMP, 1/4"	3
26	27183-G01		PULSE TUBE, 26" LG. (BULK)	AR
27	17618-G1		WIRE TIE	3
28	22280-G1		VINYL TRIM, 14" LG. (BULK)	1
29				
30	72092-G01		FUEL TANK (FOR VEHICLES WITHOUT GAUGES).....	1



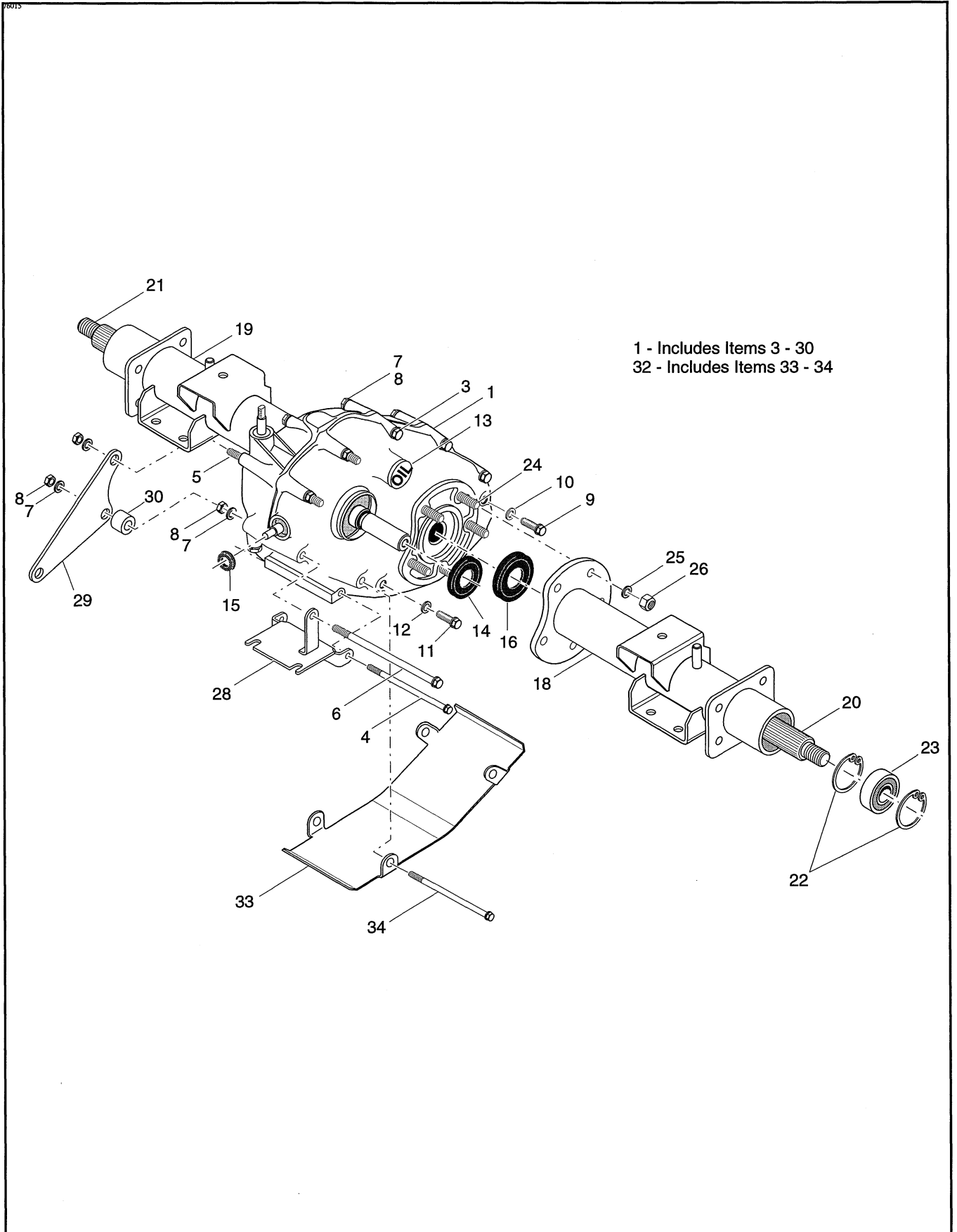
When ordering parts, please specify the model and serial number of the product.

* Indicates a component that is not available as an individual part.

G** Indicates consult Customer Service Department for additional information.

ITEM	PART NO.	1 2 3 4 5	DESCRIPTION	QTY.
31				
32	72092-G04		FUEL TANK (FOR MECHANICAL GAUGE)	1
33	72281-G01		FUEL GAUGE (MECHANICAL)	1
34	72280-G01		GROMMET	1
35				
36	72244-G01		FUEL PUMP MOUNT (EARLY PRODUCTION)	1
37	00715-G2		BOLT, 5/16 - 18 X 13/16" LG.....	2
38	11027-G2		LOCK NUT, 1/4 - 20	2





When ordering parts, please specify the model and serial number of the product.

* Indicates a component that is not available as an individual part.

G** Indicates consult Customer Service Department for additional information.

ITEM	PART NO.	1 2 3 4 5	DESCRIPTION	QTY.
1	72246-G01		REAR AXLE (13.32:1) (INCLUDES ITEMS 3 - 30)	1
2				
3	26823-G01		FLANGED BOLT, M8 X 1.25 X 100 MM LG.	7
4	26824-G01		FLANGED BOLT, M8 X 1.25 X 110 MM LG.	1
5	72053-G01		BOLT, M8 X 1.25 X 120 MM LG.	1
6	72052-G01		FLANGED BOLT, M8 X 1.25 X 130 MM LG.	1
7	26826-G01		LOCK WASHER, 8MM	14
8	26827-G01		NUT, M8 X 1.25 MM	14
9	26768-G01		OIL CHECK PLUG.....	1
10	26769-G01		GASKET, 8 MM.....	1
11	26770-G01		OIL DRAIN PLUG.....	1
12	26771-G01		GASKET, 14 MM.....	1
13	26772-G01		OIL FILLER PLUG	1
14	26761-G01		INPUT SHAFT SEAL	1
15	26762-G01		SHIFTER SHAFT SEAL.....	1
16	26766-G01		AXLE SHAFT SEAL.....	2
17				
18	72249-G01		AXLE TUBE (DRIVER SIDE).....	1
19	72248-G01		AXLE TUBE (PASSENGER SIDE)	1
20	72056-G01		AXLE SHAFT (DRIVER SIDE).....	1
21	72057-G01		AXLE SHAFT (PASSENGER SIDE)	1
22	26814-G01		RETAINING RING	4
23	26811-G01		BALL BEARING.....	2
24	26667-G01		STUD, M10 X 1.5 X 40 MM LG.	5
25	26828-G01		WASHER, 10 MM	10
26	26829-G01		NUT, 10 MM X 1.5 MM	10
27				
28	26815-G01		SHIFTER CABLE BRACKET	1
29	72017-G01		AXLE BRACKET.....	1
30	75048-G01		SPACER, 1/2"	1

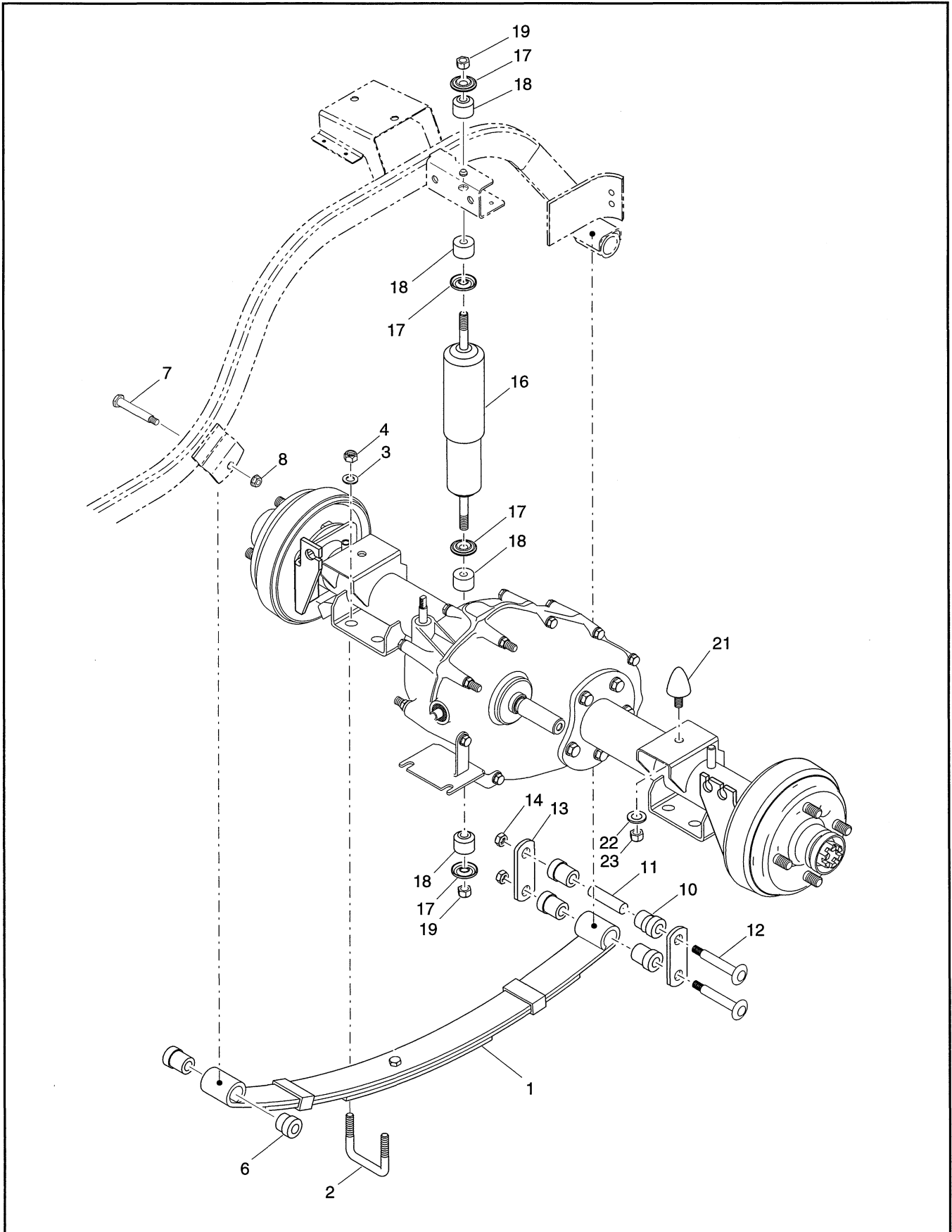


When ordering parts, please specify the model and serial number of the product.
 * Indicates a component that is not available as an individual part.
 G** Indicates consult Customer Service Department for additional information.

ITEM	PART NO.	1 2 3 4 5 DESCRIPTION	QTY.
31			
32	72347-G01	DIFFERENTIAL SCUFF GUARD KIT (INCLUDES ITEMS 33 - 34)	1
33	72349-G01	DIFFERENTIAL SKID PLATE.....	1
34	72053-G01	BOLT, M8 X 1.25 X 120 MM LG.....	2





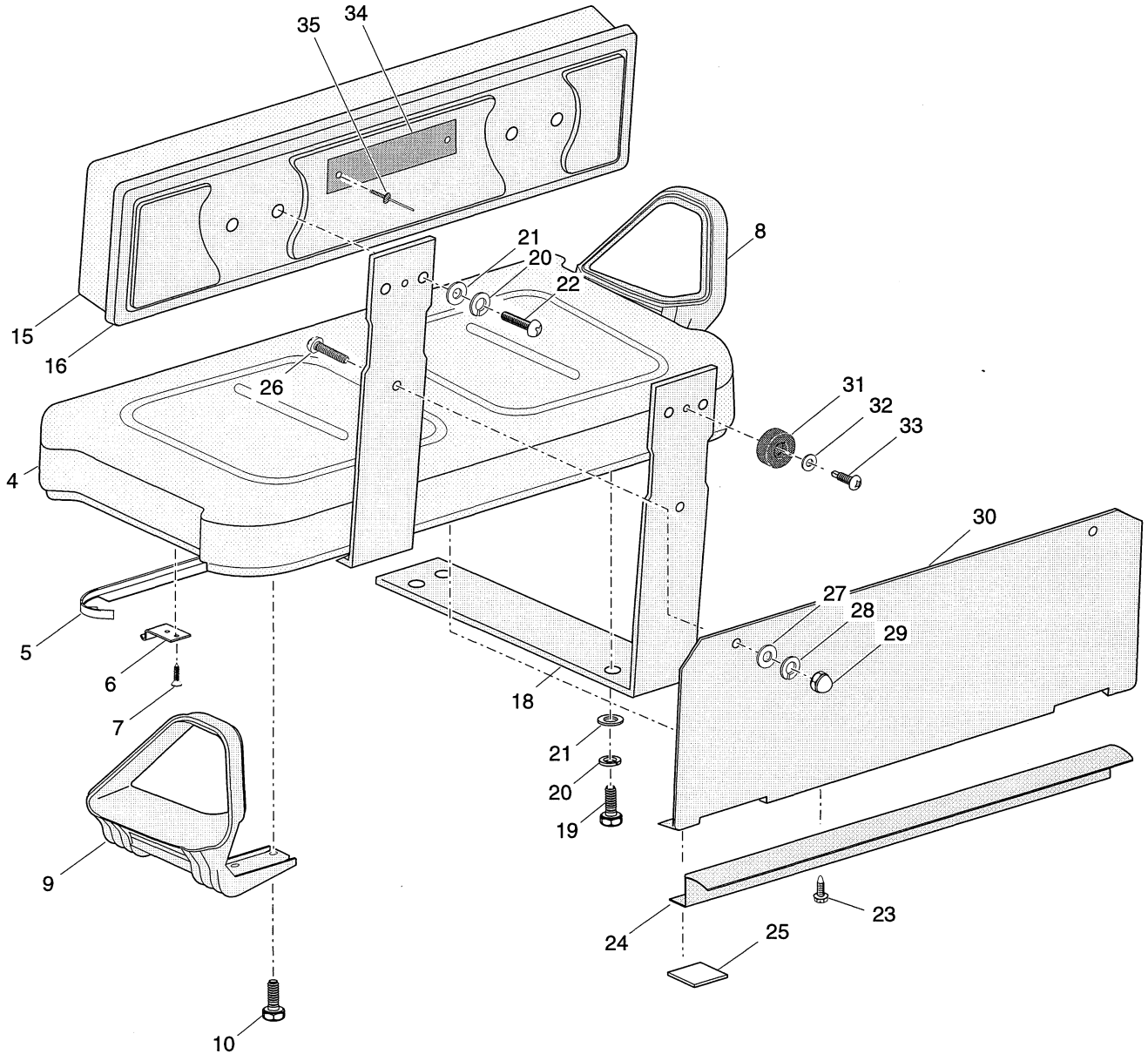


When ordering parts, please specify the model and serial number of the product.
 * Indicates a component that is not available as an individual part.
 G** Indicates consult Customer Service Department for additional information.

ITEM	PART NO.	1 2 3 4 5	DESCRIPTION	QTY.
1	70506-G01		LEAF SPRING SET	2
2	72029-G01		"U" BOLT, 3/8 - 16	4
3	00560-G1		WASHER, 3/8"	8
4	11098-G5		LOCK NUT, 3/8 - 16	8
5				
6	70291-G01		RUBBER BUSHING	12
7	14158-G1		SHOULDER BOLT, 3/8 - 16 x 3 1/4" LG.	2
8	12262-G1		LOCK NUT, 3/8 - 16	2
9				
10	10194-G1		RUBBER BUSHING	8
11	70289-G02		SPACER.....	4
12	00429-G4		BOLT, 3/8 - 16 X 3 1/2" LG.	4
13	70290-G01		SHACKLE PLATE	4
14	11098-G5		LOCK NUT, 3/8 - 16	1
15				
16	70324-G01		SHOCK ABSORBER	2
17	10435-G1		WASHER (SHOCK ABSORBER)	8
18	10194-G1		RUBBER BUSHING	8
19	00532-G6		NUT, 3/8 - 24	4
20				
21	70492-G01		RUBBER BUMPER.....	2
22	00968-G01		LOCK WASHER, 10MM.....	2
23	00974-G01		NUT, M10 X 1.5.....	2



- 1 - Includes Items 3 - 35
- 3 - Includes Items 4 - 12
- 14 - Includes Items 15 - 16



When ordering parts, please specify the model and serial number of the product.

* Indicates a component that is not available as an individual part.

G** Indicates consult Customer Service Department for additional information.

ITEM	PART NO.	1 2 3 4 5	DESCRIPTION	QTY.
1	71665-G**		SEAT ASSEMBLY (INCLUDES ITEMS 3 - 35)	1
2				
3	71664-G**		SEAT BOTTOM ASSEMBLY (INCLUDES ITEMS 4 - 12)	1
4	71602-G**		VINYL SEAT BOTTOM COVER.....	1
5	71012-G01		VINYL TRIM (SEAT BOTTOM)	1
6	71610-G01		SEAT HINGE.....	2
7	00720-G08		SCREW, #12 - 14 X 1" LG.	6
8	71701-G01		HIP RESTRAINT (PASSENGER SIDE)	1
9	71702-G01		HIP RESTRAINT (DRIVER SIDE)	1
10	71204-G01		BOLT, 1/4 - 20 X 7/8" LG.....	8
11				
12				
13				
14	27546-G**		SEAT BACK ASSEMBLY (INCLUDES ITEMS 15 - 16).....	1
15	18144-G**		VINYL COVER	1
16	18868-G3		COVER (BLACK - PLASTIC)	1
17				
18	71662-G01		SEAT BACK SUPPORT BRACKET	2
19	00414-G8		BOLT, 1/4 - 20 X 1" LG.	8
20	00567-G7		LOCK WASHER, 1/4"	12
21	00559-G7		WASHER, 1/4"	12
22	16705-G1		SCREW, 1/4-20 X 1" LG.	4
23				
24	71762-G01		SEAL.....	1
25	17074-G1		BUMPER	2
26	16705-G3		SCREW, 1/4-20 X 3/4" LG.....	2
27	00559-G7		WASHER, 1/4"	2
28	00565-G7		LOCK WASHER, 1/4"	2
29	15158-G1		ACORN NUT, 1/4"	2
30	71783-G01		SEAT SHIELD.....	1



When ordering parts, please specify the model and serial number of the product.

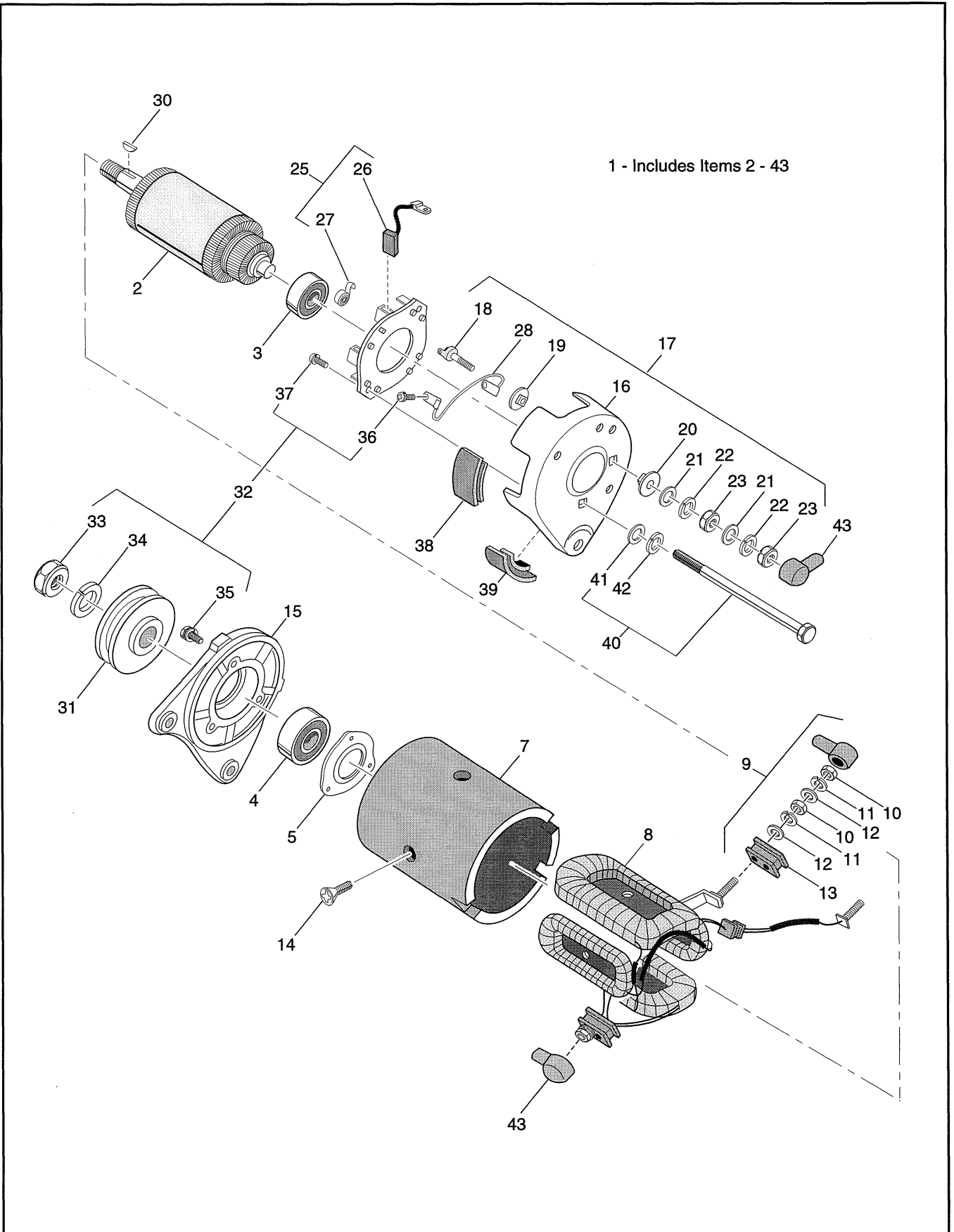
* Indicates a component that is not available as an individual part.

G** Indicates consult Customer Service Department for additional information.

ITEM	PART NO.	1	2	3	4	5	DESCRIPTION	QTY.
31	13728-G1						RUBBER BUMPER.....	2
32	00559-G5						WASHER, #10	2
33	00106-G6						SELF THREADING SCREW, #12 - 24 X 3/4" LG.....	2
34	71211-G01						PLATE / LABEL (800LB).....	1
35	14601-G10						RIVET, 5/32" X 7/16" LG.....	2







THE USE OF NON U.L. PARTS WILL VOID ANY U.L. LISTING.
 When ordering parts, please specify the model and serial number of the product.
 * Indicates a component that is not available as an individual part.
 G** Indicates consult Customer Service Department for additional information.

ITEM	PART NO.	1 2 3 4 5	DESCRIPTION	QTY.
1	27065-G01		STARTER / GENERATOR (INCLUDES ITEMS 2 - 43).....	1
2	26870-G01		ARMATURE ASSEMBLY (INCLUDES ITEMS 3 - 5).....	1
3	26871-G01		REAR BALL BEARING	1
4	26872-G01		FRONT BALL BEARING.....	1
5	26873-G01		BEARING HOLDER.....	1
6				
7				
8	26875-G01		FIELD COIL	1
9	26876-G01		INSULATING BRUSH ASSEMBLY('F') (INCLUDES ITEMS 10 - 13).....	2
10	*		NUT.....	2
11	*		LOCK WASHER.....	2
12	*		WASHER.....	2
13	*		INSULATOR.....	1
14	26877-G01		POLE CORE SET SCREW	4
15	26878-G01		FRONT COVER.....	1
16	16885-G1		REAR COVER.....	1
17	26880-G01		TERMINAL ASSEMBLY ('A') (INCLUDES ITEMS 18 - 23).....	2
18	*		TERMINAL	2
19	*		INSULATOR	2
20	*		INSULATOR.....	2
21	*		WASHER.....	4
22	*		LOCK WASHER.....	4
23	*		NUT.....	4
24				
25	26881-G01		BRUSH HOLDER ASSEMBLY (INCLUDES ITEMS 26 - 28)	1
26	26658-G01		BRUSH.....	4
27	26882-G01		BRUSH SPRING	4
28	26883-G01		BRUSH CONNECTOR.....	2
29				
30	26884-G01		KEY.....	1



THE USE OF NON U.L. PARTS WILL VOID ANY U.L. LISTING.

When ordering parts, please specify the model and serial number of the product.

* Indicates a component that is not available as an individual part.

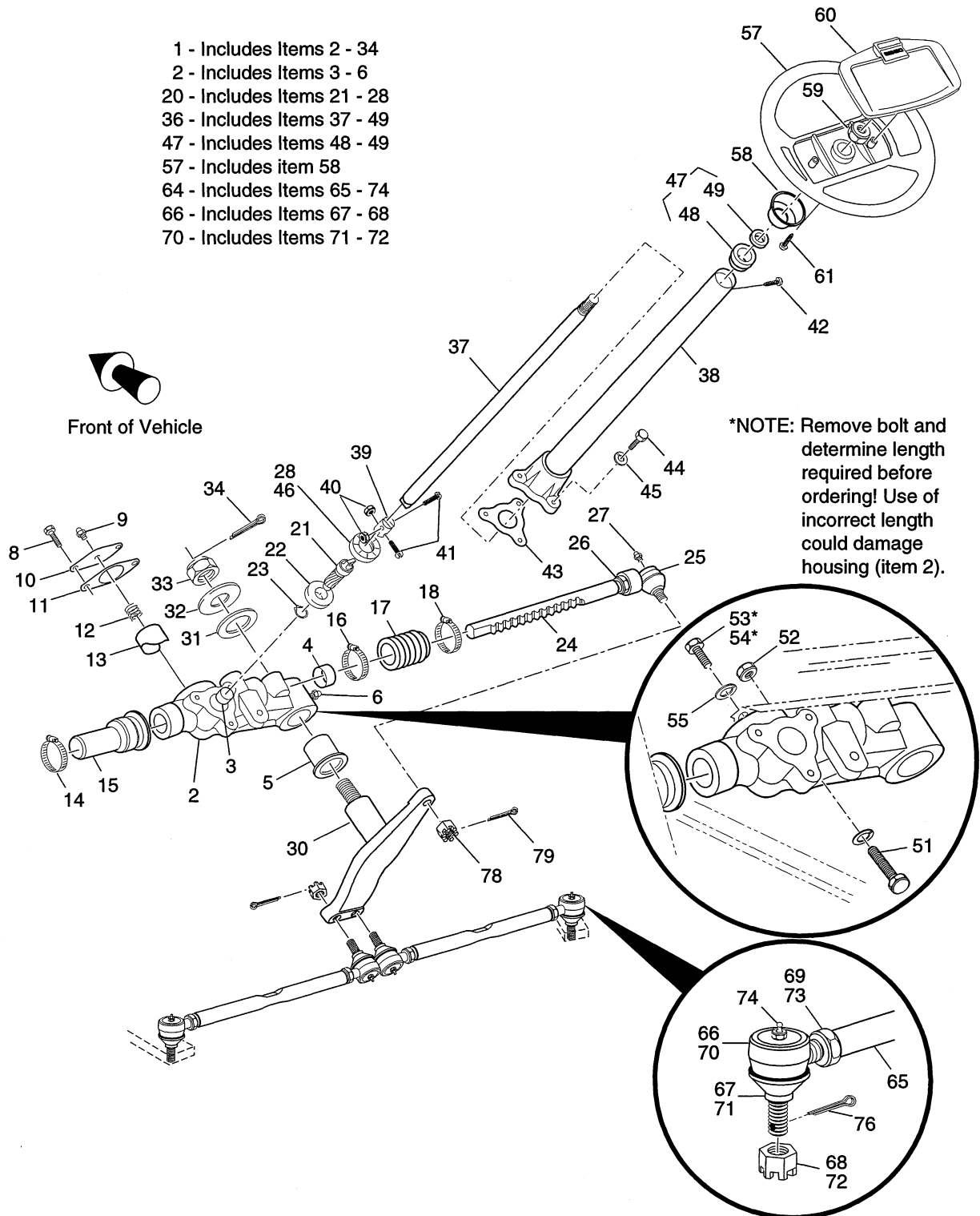
G** Indicates consult Customer Service Department for additional information.

ITEM	PART NO.	1	2	3	4	5	DESCRIPTION	QTY.
31	26885-G01						PULLEY	1
32	26886-G01						NUT AND SCREW ASSEMBLY (INCLUDES ITEMS 33 - 37).....	1
33	*						NUT	1
34	*						LOCK WASHER.....	1
35	*						SCREW	3
36	*						SCREW	4
37	*						SCREW	2
38	26887-G01						BRUSH 1 COVER.....	2
39	26888-G01						BRUSH 2 COVER.....	3
40	26889-G01						BOLT AND WASHER ASSEMBLY (INCLUDES ITEMS 41, 42).....	2
41	*						WASHER.....	2
42	*						LOCK WASHER.....	2
43	16896-G1						TERMINAL COVER.....	4





- 1 - Includes Items 2 - 34
- 2 - Includes Items 3 - 6
- 20 - Includes Items 21 - 28
- 36 - Includes Items 37 - 49
- 47 - Includes Items 48 - 49
- 57 - Includes item 58
- 64 - Includes Items 65 - 74
- 66 - Includes Items 67 - 68
- 70 - Includes Items 71 - 72



When ordering parts, please specify the model and serial number of the product.

* Indicates a component that is not available as an individual part.

G** Indicates consult Customer Service Department for additional information.

ITEM	PART NO.	1 2 3 4 5	DESCRIPTION	QTY.
1	70314-G02		STEERING BOX ASSEMBLY (COMPLETE) (INCLUDES ITEMS 2 - 34).....	1
2	75364-G01		STEERING HOUSING (INCLUDES ITEMS 3 - 6).....	1
3	*		SLEEVE BEARING	1
4	*		SLEEVE BEARING	1
5	*		FLANGED BEARING	1
6	10389-G3		GREASE FITTING, STRAIGHT	1
7				
8	00426-G6		BOLT, 3/8 - 16 X 3/4" LG.	2
9	18456-G1		GREASE FITTING, 90°	1
10	70177-G01		RACK GUIDE COVER.....	1
11	70225-G01		GASKET	1
12	70178-G01		COMPRESSION SPRING.....	1
13	70179-G01		RACK GUIDE	1
14	11391-G1		HOSE CLAMP, 1 1/4"	1
15	70041-G01		RACK COVER	1
16	11391-G1		HOSE CLAMP, 1 1/4"	1
17	70183-G01		BELLOWS	1
18	11391-G5		HOSE CLAMP, 3/4"	1
19				
20	70299-G01		STEERING GEAR KIT (INCLUDES ITEMS 21 - 28).....	1
21	70297-G01		GEAR PINION.....	1
22	15112-G1		BALL BEARING	1
23	70190-G01		EXTERNAL RETAINING RING	1
24	70298-G01		STEERING RACK.....	1
25	70192-G01		RACK BALL END	1
26	00532-G8		NUT, 7/16 - 20	1
27	18456-G1		GREASE FITTING, 90°	1
28	70466-G01		RETAINER.....	1
29				
30	70184-G01		IDLER.....	1



When ordering parts, please specify the model and serial number of the product.

* Indicates a component that is not available as an individual part.

G** Indicates consult Customer Service Department for additional information.

ITEM	PART NO.	1	2	3	4	5	DESCRIPTION	QTY.
31	70216-G01						THRUST WASHER, 1 1/2"	1
32	70195-G01						THRUST WASHER, 7/8"	1
33	00734-G6						LOCK NUT, 7/8 - 9.....	1
34	00798-G8						COTTER PIN, 5/32" X 1 3/4" LG.	1
35								
36	70360-G01						STEERING SHAFT/COLUMN KIT (INCLUDES ITEMS 37 - 49)	1
37	14322-G3						STEERING SHAFT	1
38	70333-G01						STEERING COLUMN	1
39	70558-G01						COUPLING.....	1
40	00550-G1						LOCK NUT, 1/4 - 20.....	2
41	70227-G01						BOLT, 1/4 - 20 X 7/8" LG.	2
42	01022-G01						SCREW, #6 - 20 X 5/16" LG.....	1
43	70223-G01						GASKET	1
44	01034-G01						BOLT, 3/8 - 16 X 1 1/2" LG. WITH PATCHLOCK	3
45	00878-G1						LOCK WASHER, 3/8"	3
46	70466-G01						RETAINER.....	1
47	17161-G1						BUSHING AND SEAL KIT (INCLUDES ITEMS 48, 49)	1
48	*						STEERING COLUMN BUSHING	1
49	*						SHAFT SEAL	1
50								
51	00470-G4						BOLT, 7/16 - 20 X 2 1/2" LG.	1
52	00734-G3						LOCK NUT, 7/16 - 20	1
53	01033-G01						BOLT, 7/16 - 14 X 1 1/4" LG. WITH PATCHLOCK (PROD. SINCE 4-98).....	2
54	01033-G02						BOLT, 7/16 - 14 X 7/8" LG. WITH PATCHLOCK (PRIOR TO 4-98 PROD.)	2
55	00566-G2						LOCK WASHER, 7/16"	3
56								
57	18325-G1						STEERING WHEEL (INCLUDES ITEM 58)	1
58	*						HUB	1
59	14390-G2						LOCK NUT, 5/8 - 18	1
60	27102-G01						CLIPBOARD.....	1

When ordering parts, please specify the model and serial number of the product.

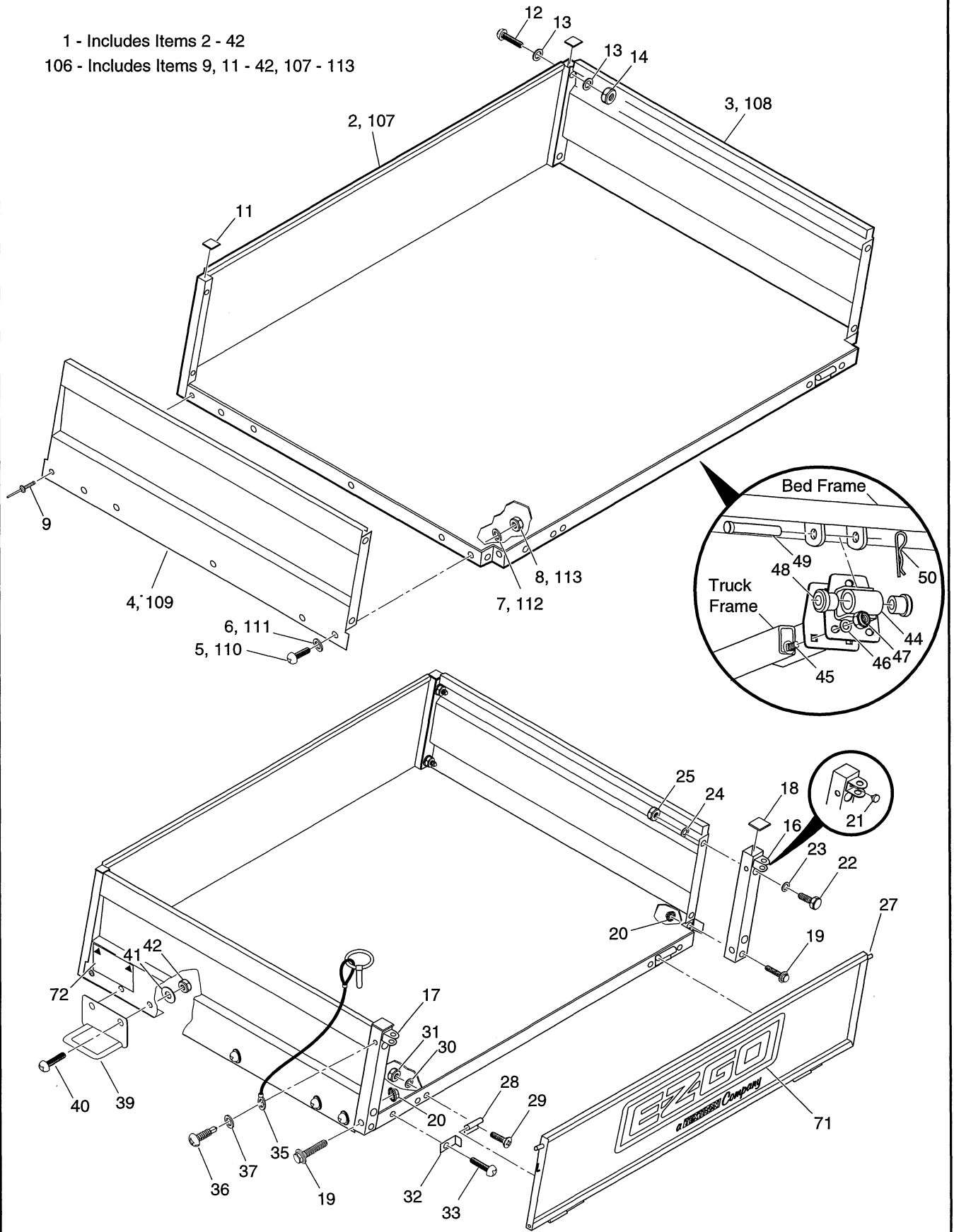
* Indicates a component that is not available as an individual part.

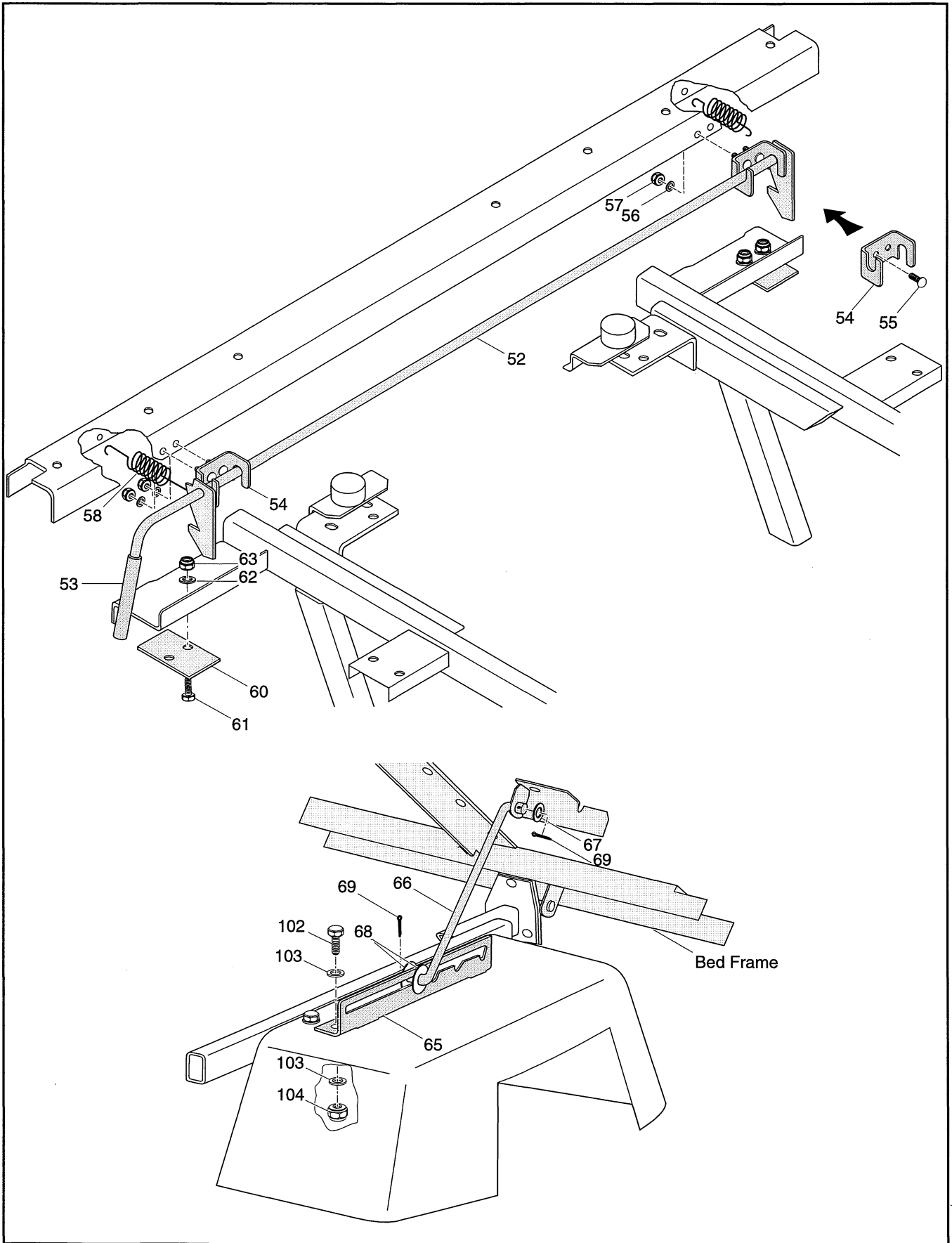
G** Indicates consult Customer Service Department for additional information.

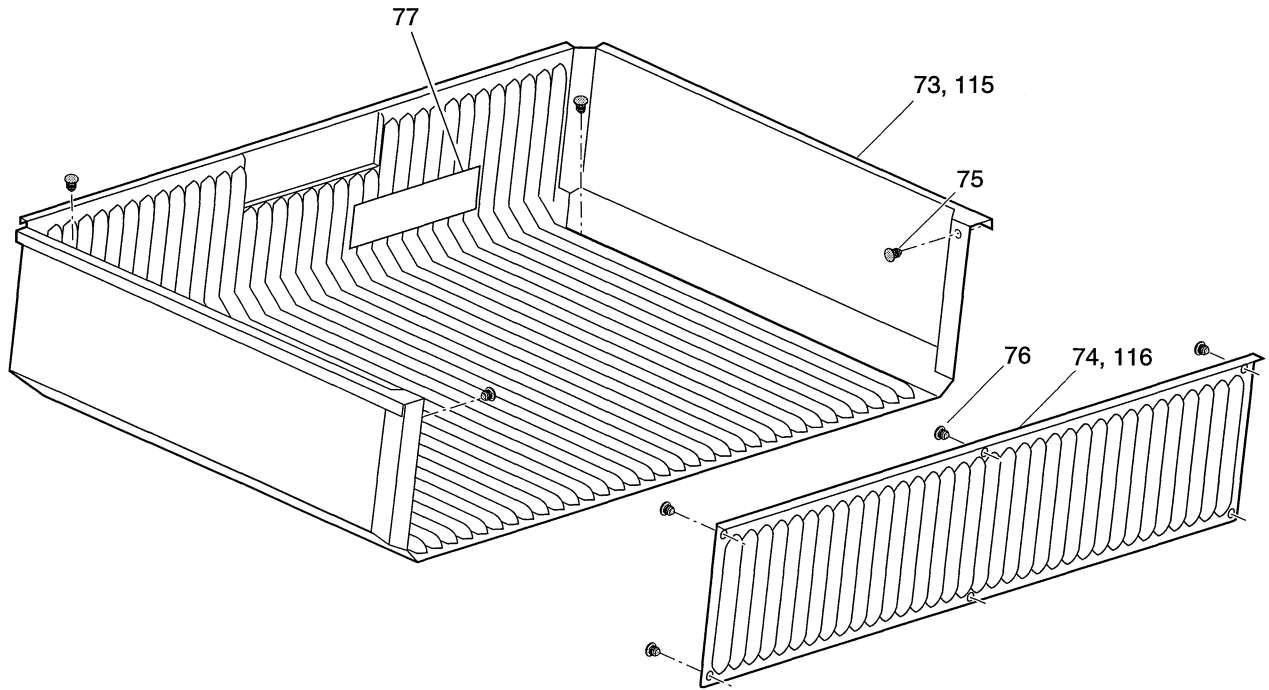
ITEM	PART NO.	1	2	3	4	5	DESCRIPTION	QTY.
61	00999-G01						SCREW, #8 - 18 X 7/8" LG.....	2
62								
63								
64	70074-G01						TIE ROD ASSEMBLY (INCLUDES ITEMS 65 - 74)	2
65	70583-G02						THREADED TUBE WITH FLAT	1
66	27205-G01						TIE ROD END (LEFT HAND THREAD) (INCLUDES ITEMS 67 - 68).....	1
67	50641-G1						RUBBER BOOT	1
68	50209-G2						SLOTTED NUT, 7/16 - 20.....	1
69	18434-G3						JAM NUT, 9/16 - 18 (LEFT HAND THREAD)	1
70	27205-G02						TIE ROD END (RIGHT HAND THREAD) (INCLUDES ITEMS 71 - 72)	1
71	50641-G1						RUBBER BOOT	1
72	50209-G2						SLOTTED NUT, 7/16 - 20.....	1
73	18434-G4						JAM NUT, 9/16 - 18 (RIGHT HAND THREAD).....	1
74	10389-G3						GREASE FITTING, STRAIGHT	2
75								
76	10387-G2						COTTER PIN, 3/32" X 1" LG.....	2
77								
78	50209-G2						SLOTTED NUT, 7/16 - 20.....	1
79	10387-G2						COTTER PIN, 3/32" X 1" LG.....	1



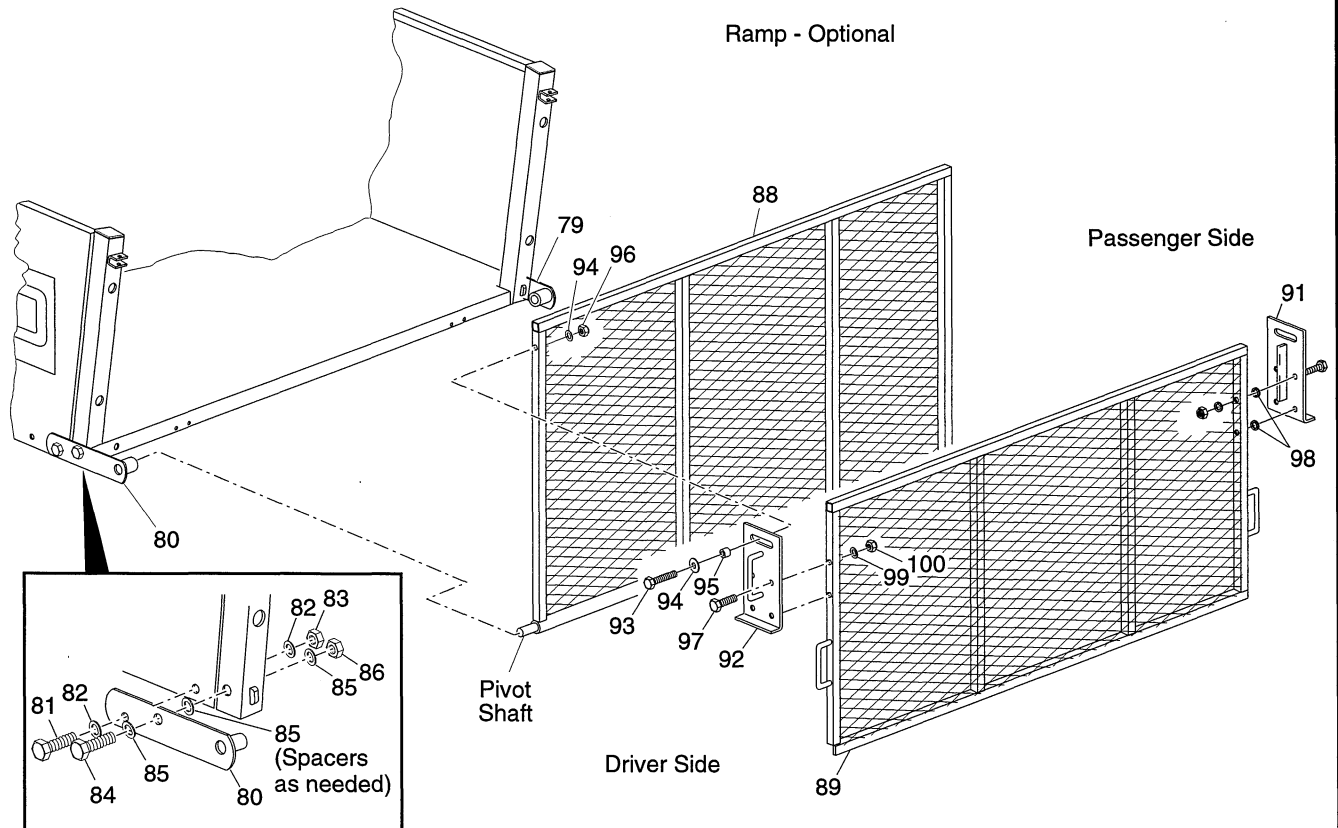
1 - Includes Items 2 - 42
106 - Includes Items 9, 11 - 42, 107 - 113







Ramp - Optional



When ordering parts, please specify the model and serial number of the product.

* Indicates a component that is not available as an individual part.

G** Indicates consult Customer Service Department for additional information.

ITEM	PART NO.	1 2 3 4 5	DESCRIPTION	QTY.
1	71711-G03		TRUCK BED ASSEMBLY, 40" (MANUAL DUMP) (INCLUDES ITEMS 2 - 42)...	1
2	71719-G01		BED FRAME, 40"	1
3	71714-G01		SIDE PANEL, 40" (PASSENGER SIDE)	1
4	71714-G02		SIDE PANEL, 40" (DRIVER SIDE)	1
5	16705-G3		SCREW, 1/4-20 X 3/4" LG.....	8
6	00915-G1		BONDED WASHER, 1/4"	8
7	00559-G7		WASHER, 1/4".....	8
8	14390-G4		LOCK NUT, 1/4-20.....	8
9	14601-G8		RIVET, 3/8" X 11/16" LG (ALUMINUM)	2
10				
11	71717-G01		END CAP 1"	2
12	16705-G6		SCREW, 1/4-20 X 1 3/4" LG.....	4
13	00915-G1		BONDED WASHER, 1/4"	8
14	14390-G4		LOCK NUT, 1/4-20.....	4
15				
16	71837-G01		POST (PASSENGER SIDE).....	1
17	71837-G02		POST (DRIVER SIDE)	1
18	71718-G01		TUBE CAP, 1 1/2".....	2
19	13437-G8		LOCK SCREW, 3/8-16	4
20	11027-G5		LOCK NUT, 3/8-16.....	4
21	71838-G01		BUMPER	2
22	16705-G3		SCREW, 1/4-20 X 3/4" LG.....	4
23	00915-G1		WASHER, 1/4".....	4
24	00559-G7		WASHER, 1/4".....	4
25	14390-G4		LOCK NUT, 1/4-20.....	4
26				
27	71732-G01		TAILGATE.....	1
28	27666-G01		HINGE	2
29	01002-G08		BOLT, 1/4-20 X 1" LG	4
30	00559-G7		WASHER, 1/4".....	4



When ordering parts, please specify the model and serial number of the product.

* Indicates a component that is not available as an individual part.

G** Indicates consult Customer Service Department for additional information.

ITEM	PART NO.	1	2	3	4	5	DESCRIPTION	QTY.
31	14390-G4						LOCK NUT, 1/4 - 20.....	4
32	71748-G01						TAILGATE KEEPER.....	1
33	16705-G3						SCREW, 1/4-20 X 3/4" LG.....	1
34								
35	71083-G01						TAILGATE CABLE.....	2
36	00106-G6						SELF-TAPPING SCREW, #12 - 24 X 3/4" LG.....	2
37	00915-G1						WASHER, 1/4".....	2
38								
39	71794-G01						LIFT HANDLE.....	1
40	00976-G08						SCREW, 5/16 - 18 X 1" LG.....	2
41	00559-G8						WASHER, 5/16".....	2
42	11098-G6						LOCK NUT, 5/16 - 18.....	2
43								
44	70396-G01						BED PIVOT.....	2
45	00764-G2						CARRIAGE BOLT, 5/16 X 1" LG.....	6
46	00559-G8						WASHER, 5/16".....	6
47	11098-G6						LOCK NUT, 5/16-18.....	6
48	70291-G01						RUBBER BUSHING.....	4
49	21682-G1						CLEVIS PIN, 1/2" X 2 7/8" LG.....	2
50	21683-G1						COTTER PIN, 15/32" X 2 11/16".....	2
51								
52	71831-G01						BED LATCH.....	1
53	71704-G01						HANDLE GRIP.....	1
54	71827-G01						LATCH BRACKET.....	2
55	01014-G03						CARRIAGE BOLT, 1/4 - 20 X 3/4" LG.....	4
56	00559-G7						WASHER, 1/4".....	4
57	14390-G4						LOCK NUT, 1/4 - 20.....	4
58	71707-G01						EXTENSION SPRING.....	2
59								
60	71766-G01						CATCH BRACKET.....	2



When ordering parts, please specify the model and serial number of the product.

* Indicates a component that is not available as an individual part.

G** Indicates consult Customer Service Department for additional information.

ITEM	PART NO.	1 2 3 4 5	DESCRIPTION	QTY.
61	00414-G6		BOLT, 1/4 - 20 X 3/4" LG.....	4
62	00559-G7		WASHER, 1/4"	4
63	14390-G4		LOCK NUT, 1/4-20	4
64				
65	71673-G01		PROP BRACKET	1
66	71657-G01		PROP ROD	1
67	00560-G3		WASHER, 1/2"	1
68	15121-G1		WASHER, 1 1/4" X 3/8".....	2
69	10387-G3		COTTER PIN, 3/32 X 3/4" LG	2
70				
71	71901-G01		E-Z-GO DECAL (E-Z-GO).....	1
72	71771-G01		LABEL (TILT WARNING)	1
73	74234-G01		BED LINER, 40"	1
74	74235-G01		TAILGATE LINER.....	1
75	18436-G1		RIVET, 1/4" X 1/2" LG	4
76	14601-G10		RIVET, 5/32" X 7/16" LG	6
77	71517-G03		BED CAPACITY DECAL	1
78				
79	28331-G01		RAMP SUPPORT (PASSENGER SIDE).....	1
80	28331-G02		RAMP SUPPORT (DRIVER SIDE)	1
81	00438-G8		BOLT, 5/16 - 18 X 1" LG.....	2
82	00559-G8		WASHER, 5/16"	4
83	11098-G6		LOCK NUT, 5/16 - 18	2
84	00428-G6		BOLT, 3/8 - 16 X 2 3/4" LG.....	2
85	00562-G1		WASHER, 3/8"	6
86	11098-G5		LOCK NUT, 3/8 - 16	2
87				
88	20264-G1		UPPER RAMP	1
89	20257-G2		LOWER RAMP	1
90				



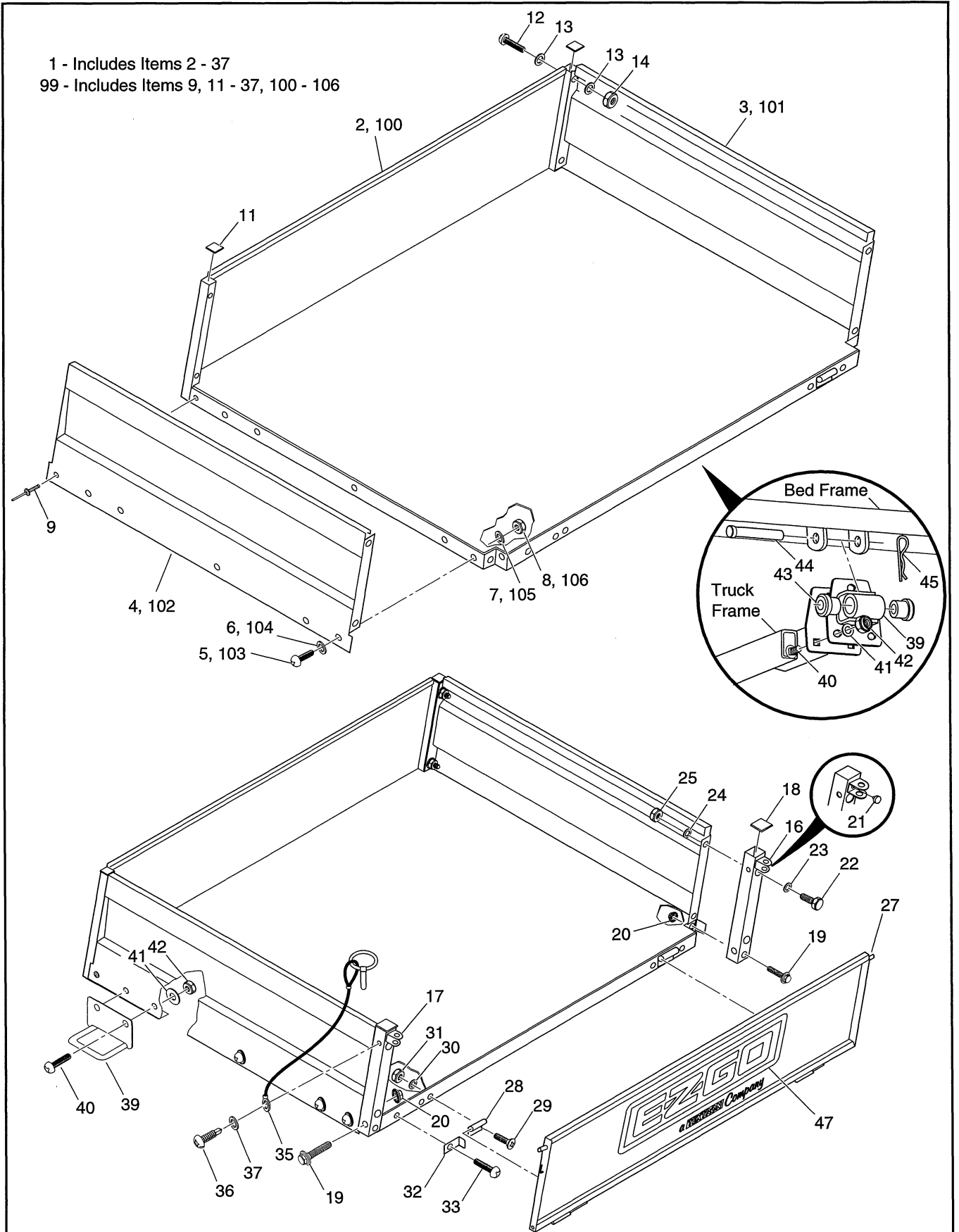
When ordering parts, please specify the model and serial number of the product.

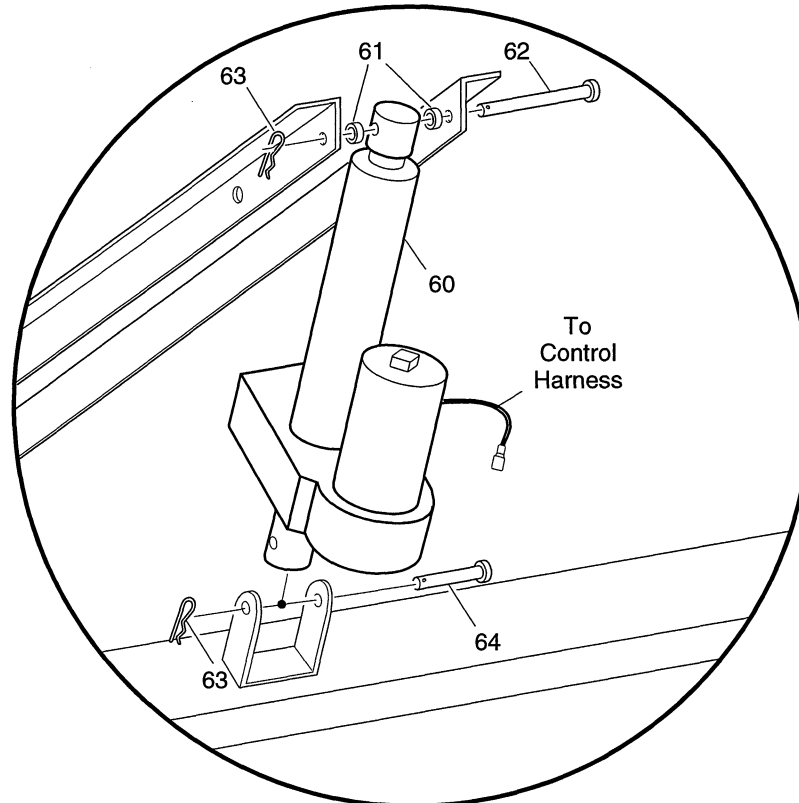
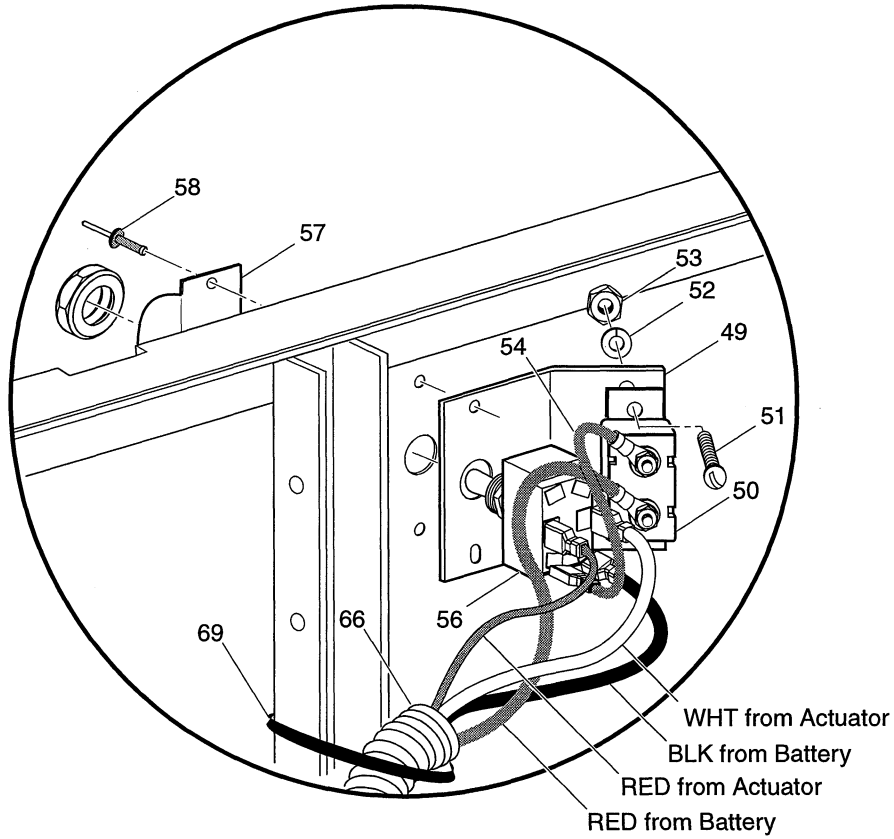
* Indicates a component that is not available as an individual part.

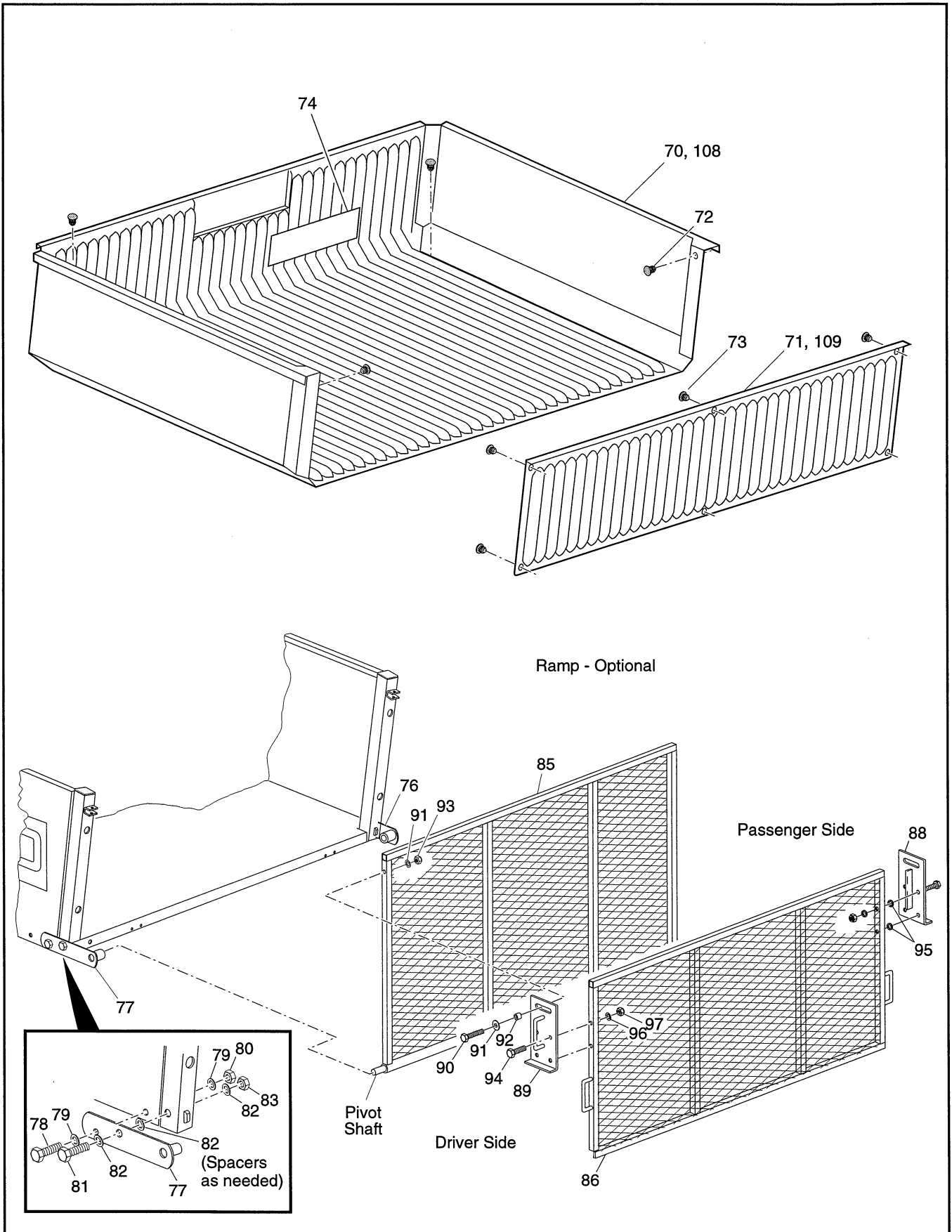
G** Indicates consult Customer Service Department for additional information.

ITEM	PART NO.	1 2 3 4 5	DESCRIPTION	QTY.
91	20252-G1		PIVOT (PASSENGER SIDE).....	1
92	20252-G2		PIVOT (DRIVER SIDE)	1
93	00427-G8		BOLT, 3/8 - 16 X 2" LG	2
94	00562-G1		WASHER, 3/8"	4
95	20275-G1		PIVOT SPACER.....	2
96	11098-G5		LOCK NUT, 3/8 - 16	2
97	00439-G6		BOLT, 5/16 - 18 X 1 3/4" LG	4
98	00569-G2		WASHER, 5/16"	4
99	00559-G8		WASHER, 5/16"	4
100	11098-G6		LOCK NUT, 5/16 - 18	4
101				
102	XXXXX-XX		BOLT, 1/4 - 20 X 7/8" LG (SEE BODY SECTION)	
103	XXXXX-XX		WASHER, 1/4" (SEE BODY SECTION)	
104	XXXXX-XX		LOCK NUT, 1/4 - 20 (SEE BODY SECTION)	
105				
106	71711-G04		TRUCK BED ASSEMBLY, 48" (MANUAL DUMP) (INCLUDES ITEMS 9, 11- 42, 107 - 113).....	1
107	71719-G02		BED FRAME, 48"	1
108	71742-G01		SIDE PANEL, 48" (PASSENGER SIDE)	1
109	71742-G02		SIDE PANEL, 48" (DRIVER SIDE).....	1
110	16705-G3		SCREW, 1/4 - 20 X 3/4" LG.....	10
111	00915-G1		BONDED WASHER, 1/4"	10
112	00559-G7		WASHER, 1/4".....	10
113	14390-G4		LOCK NUT, 1/4 - 20.....	10
114				
115	74033-G02		BED LINER, 48"	1
116	74036-G01		TAILGATE LINER, 48".....	1









When ordering parts, please specify the model and serial number of the product.

* Indicates a component that is not available as an individual part.

G** Indicates consult Customer Service Department for additional information.

ITEM	PART NO.	1 2 3 4 5	DESCRIPTION	QTY.
1	71711-G01		TRUCK BED ASSEMBLY, 40" (ELECTRIC DUMP) (INCLUDES ITEMS 2-37) ..	1
2	71719-G01		BED FRAME, 40"	1
3	71714-G01		SIDE PANEL, 40" (PASSENGER SIDE)	1
4	71714-G02		SIDE PANEL, 40" (DRIVER SIDE)	1
5	16705-G3		SCREW, 1/4-20 X 3/4" LG.....	10
6	00915-G1		BONDED WASHER, 1/4"	10
7	00559-G7		WASHER, 1/4".....	10
8	14390-G4		LOCK NUT, 1/4-20.....	10
9	14601-G8		RIVET, 3/8" X 11/16" LG (ALUMINUM)	2
10				
11	71717-G01		END CAP, 1"	2
12	16705-G6		SCREW, 1/4-20 X 1 3/4" LG.....	4
13	00915-G1		WASHER, 1/4"	8
14	14390-G4		LOCK NUT, 1/4-20.....	4
15				
16	71837-G01		POST (PASSENGER SIDE).....	1
17	71837-G02		POST (DRIVER SIDE)	1
18	71718-G01		END CAP, 1 1/2"	2
19	13437-G8		LOCK SCREW, 3/8-16 X 2" LG	4
20	11027-G5		LOCK NUT, 3/8-16.....	4
21	71838-G01		BUMPER	2
22	16705-G3		SCREW, 1/4-20 X 3/4" LG.....	4
23	00915-G1		BONDED WASHER, 1/4"	4
24	00559-G7		WASHER, 1/4".....	4
25	14390-G4		LOCK NUT, 1/4-20.....	4
26				
27	71732-G01		TAILGATE.....	1
28	27666-G01		HINGE	2
29	01002-G08		BOLT, 1/4-20 X 1" LG	4
30	00559-G7		WASHER, 1/4"	4



When ordering parts, please specify the model and serial number of the product.

* Indicates a component that is not available as an individual part.

G** Indicates consult Customer Service Department for additional information.

ITEM	PART NO.	1	2	3	4	5	DESCRIPTION	QTY.
31	14390-G4						LOCK NUT, 1/4-20.....	4
32	71748-G01						TAILGATE KEEPER.....	1
33	16705-G3						SCREW, 1/4-20 X 3/4" LG.....	1
34								
35	71083-G01						TAILGATE CABLE.....	2
36	00106-G6						SELF-THREADING SCREW, #12-24 X 3/4" LG.....	2
37	00915-G1						WASHER, 1/4".....	2
38								
39	70396-G01						BED PIVOT.....	2
40	00764-G1						CARRIAGE BOLT, 5/16 - 18 X 3/4" LG.....	6
41	00559-G8						WASHER, 5/16".....	6
42	11098-G6						LOCK NUT, 5/16-18.....	6
43	70291-G01						RUBBER BUSHING.....	4
44	21682-G1						CLEVIS PIN, 1/2" X 2 7/8" LG.....	2
45	21683-G1						COTTER PIN, 15/32" X 2 11/16" LG.....	2
46								
47	71901-G01						E-Z-GO DECAL (E-Z-GO).....	1
48								
49	74165-G01						CIRCUIT BREAKER MOUNTING BRACKET.....	1
50	21320-G3						CIRCUIT BREAKER, 30 AMP, 12V.....	1
51	00150-G4						SCREW, #10-24 X 1/2" LG.....	2
52	00565-G5						LOCK WASHER, #10.....	2
53	00526-G3						NUT, #10-24.....	2
54	25976-G14						14 GA WIRE (RED 5").....	1
55								
56	27680-G01						TOGGLE SWITCH.....	1
57	27447-G01						TOGGLE GUARD.....	1
58	10570-G9						RIVET, 1/8" X 11/32" LG.....	2
59								
60	27612-G02						ELECTRIC ACTUATOR.....	1



When ordering parts, please specify the model and serial number of the product.

* Indicates a component that is not available as an individual part.

G** Indicates consult Customer Service Department for additional information.

ITEM	PART NO.	1 2 3 4 5	DESCRIPTION	QTY.
61	27613-G01		SPACER.....	2
62	14443-G10		CLEVIS PIN, 1/2" X 3" LG.....	1
63	21683-G1		COTTER PIN, 2 11/16" LG.....	2
64	14443-G11		CLEVIS PIN, 1/2" X 1 7/8" LG.....	1
65				
66	74163-G01		WIRE HARNESS	1
67	11845-G3		CABLE CLIP	2
68	00532-G3		NUT, 5/16-18	2
69	17618-G1		WIRE TIE	8
70	74234-G01		BED LINER, 40"	1
71	74235-G01		TAILGATE LINER.....	1
72	18436-G1		RIVET, 1/4" X 1/2" LG	4
73	14601-G10		RIVET, 5/32" X 7/16" LG	6
74	71517-G03		BED CAPACITY DECAL	1
75				
76	28331-G01		RAMP SUPPORT (PASSENGER SIDE).....	1
77	28331-G02		RAMP SUPPORT (DRIVER SIDE)	1
78	00438-G8		BOLT, 5/16-18 X 1" LG	2
79	00559-G8		WASHER, 5/16"	4
80	11098-G6		LOCK NUT, 5/16 - 18	2
81	00428-G6		BOLT, 3/8 - 16 X 2 3/4" LG	2
82	00562-G1		WASHER, 3/8"	6
83	11098-G5		LOCK NUT, 3/8-16	2
84				
85	20264-G1		UPPER RAMP	1
86	20257-G2		LOWER RAMP.....	1
87				
88	20252-G1		PIVOT (PASSENGER SIDE).....	1
89	20252-G2		PIVOT (DRIVER SIDE)	1
90	00427-G8		BOLT, 3/8-16 X 2" LG.....	2



TRUCK BED, ELECTRIC LIFT

Gasoline Vehicle

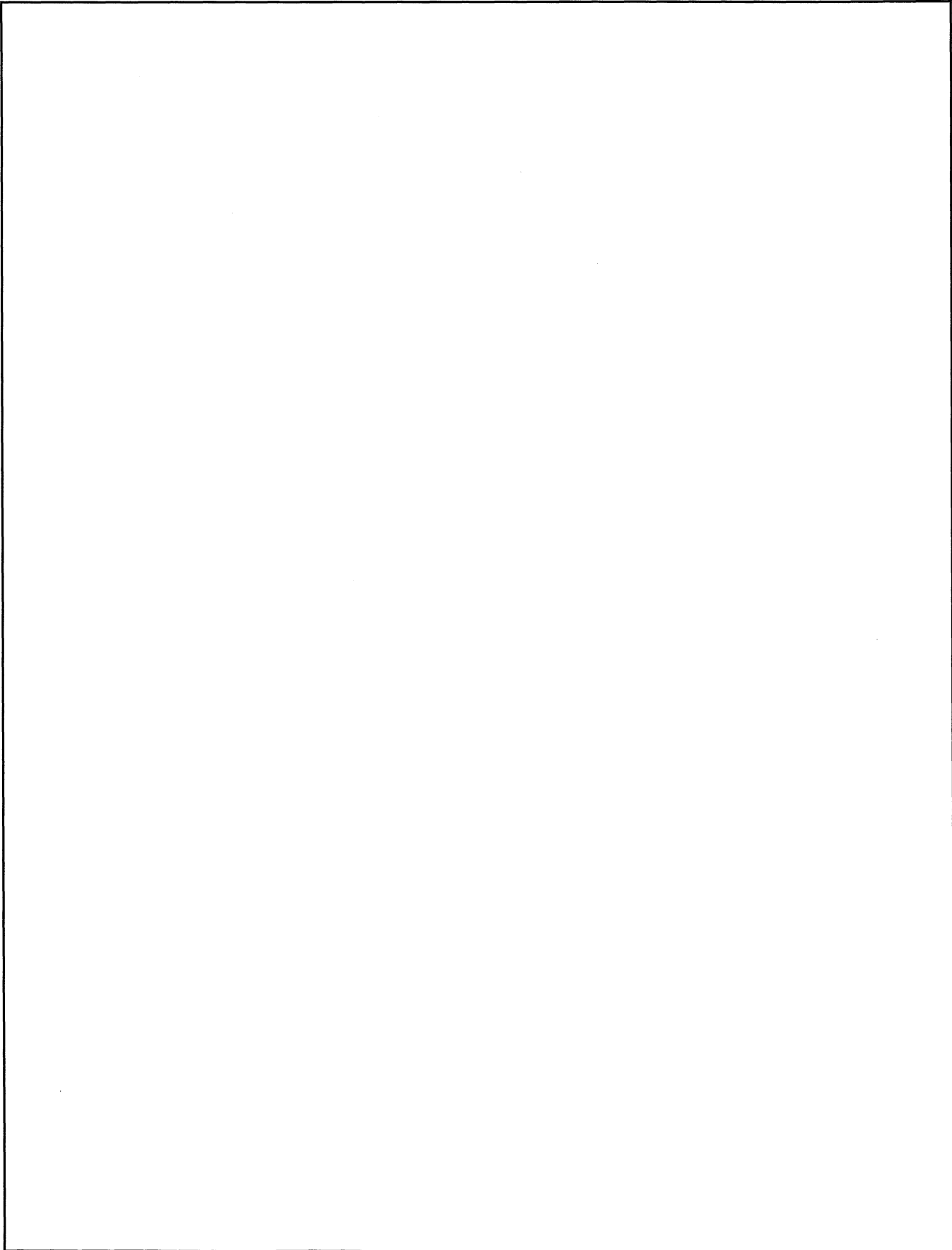
When ordering parts, please specify the model and serial number of the product.

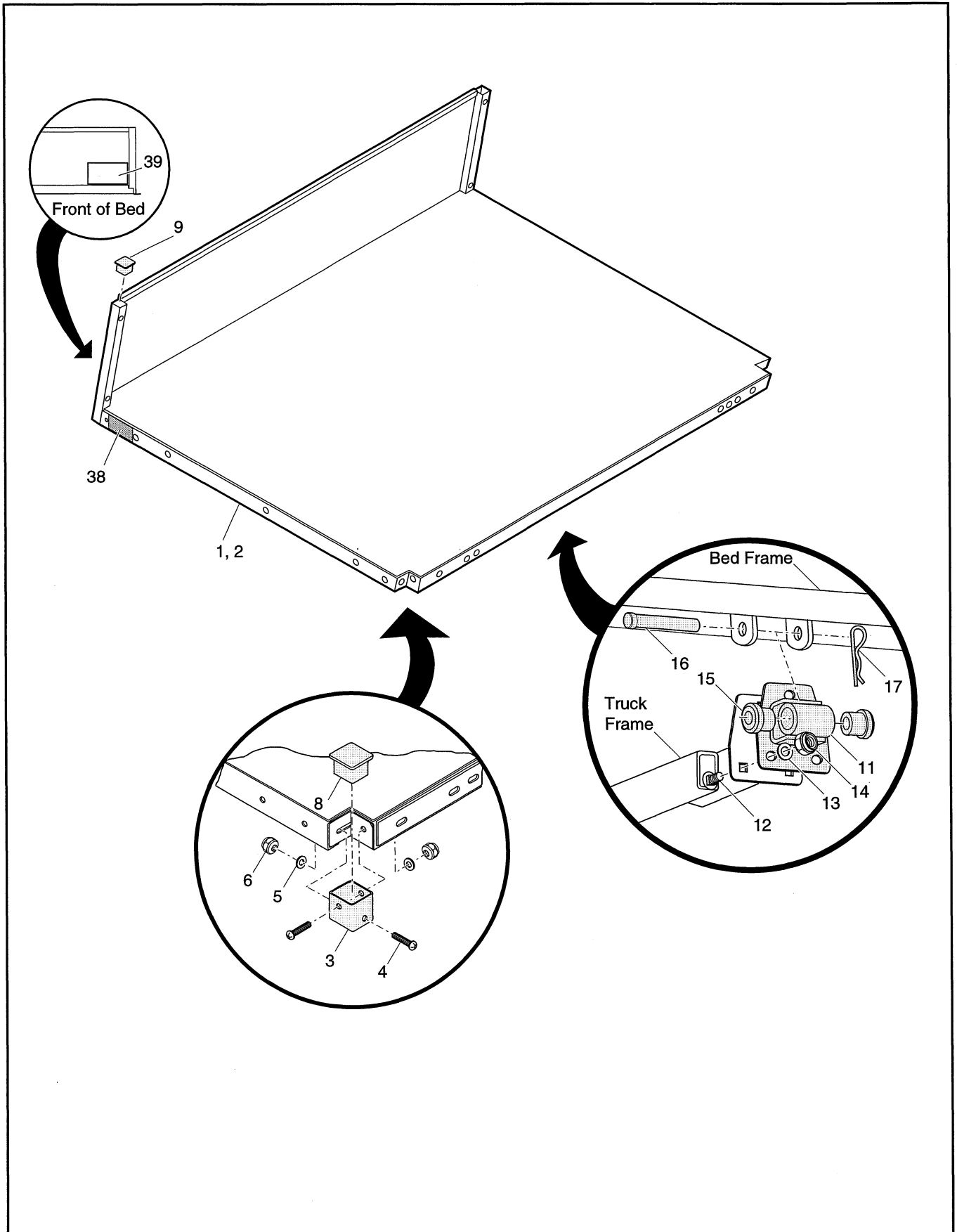
* Indicates a component that is not available as an individual part.

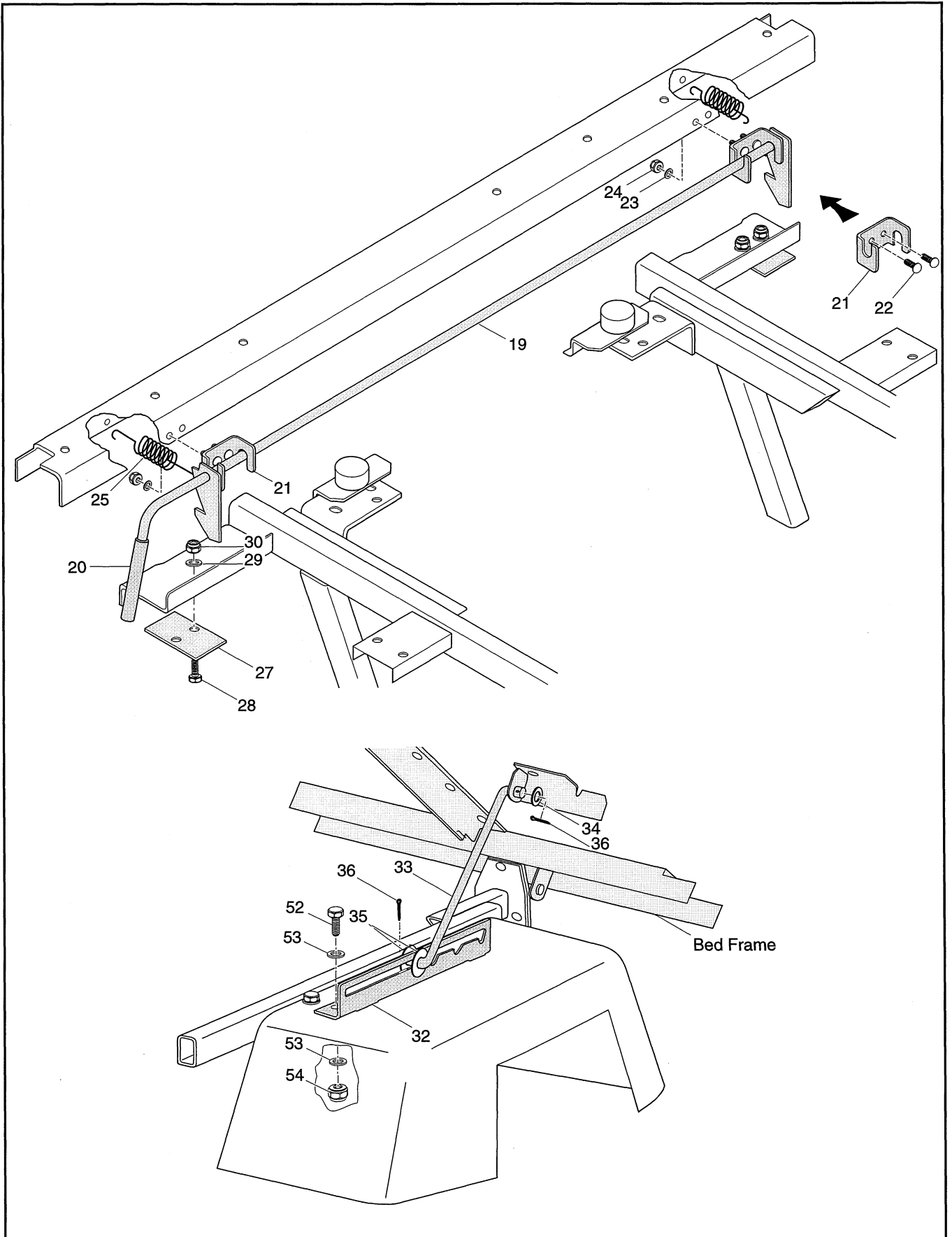
G** Indicates consult Customer Service Department for additional information.

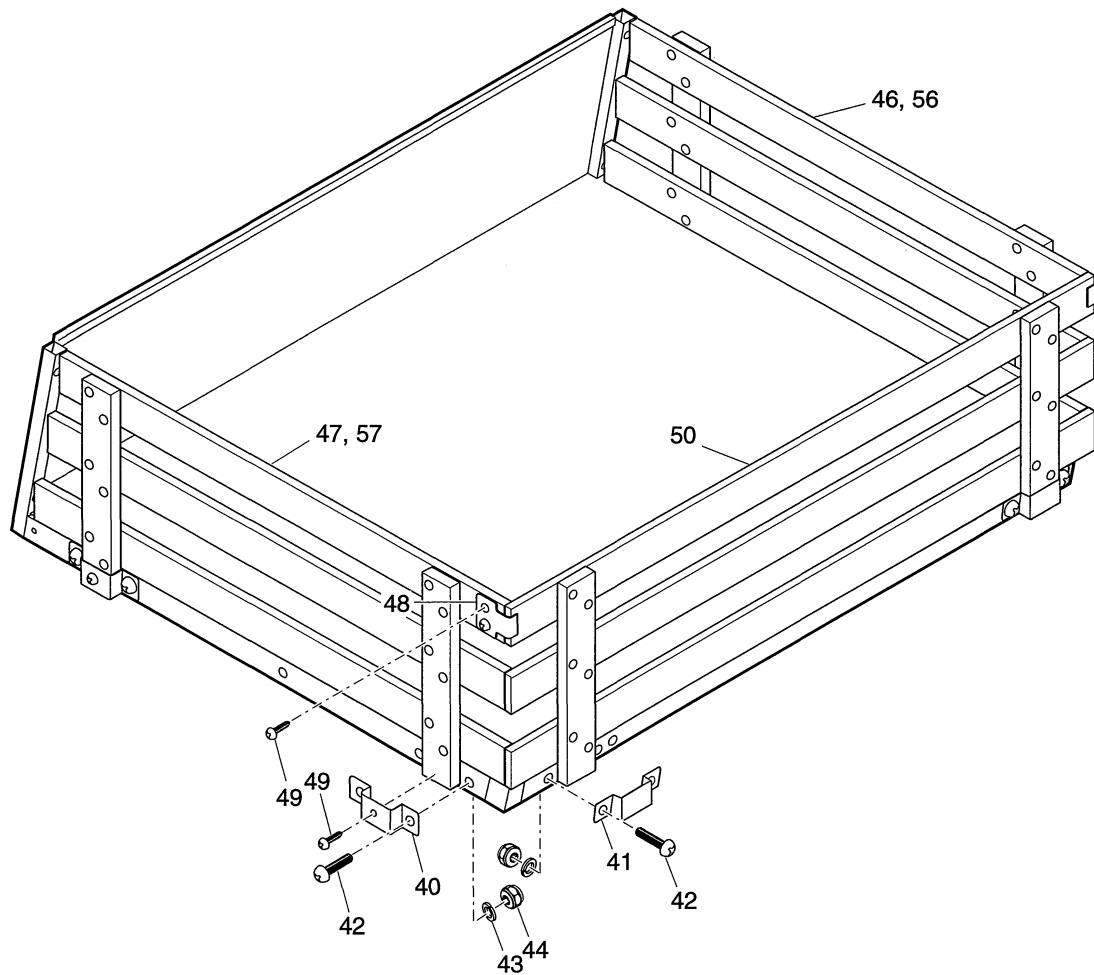
ITEM	PART NO.	1 2 3 4 5	DESCRIPTION	QTY.
91	00562-G1		WASHER, 3/8"	4
92	20275-G1		PIVOT SPACER	2
93	11098-G5		LOCK NUT, 3/8-16	2
94	00439-G6		BOLT, 5/16-18 X 1 3/4" LG	4
95	00569-G2		WASHER, 5/16"	4
96	00559-G8		WASHER, 5/16"	4
97	11098-G6		LOCK NUT, 5/16-18	4
98				
99	71711-G02		TRUCK BED ASSEMBLY, 48" (ELECTRIC DUMP) (INCLUDES ITEMS 9, 11- 37, 100 - 106)	1
100	71719-G02		BED FRAME, 48"	1
101	71742-G01		SIDE PANEL, 48", (PASSENGER SIDE)	1
102	71742-G02		SIDE PANEL, 48", (DRIVER SIDE)	1
103	16705-G3		SCREW, 1/4-20 X 3/4" LG	12
104	00915-G1		BONDED WASHER, 1/4"	12
105	00559-G7		WASHER, 1/4"	12
106	14390-G4		LOCK NUT, 1/4-20	12
107				
108	74033-G02		BED LINER, 48"	1
109	74036-G01		TAILGATE LINER, 48"	1











When ordering parts, please specify the model and serial number of the product.

* Indicates a component that is not available as an individual part.

G** Indicates consult Customer Service Department for additional information.

ITEM	PART NO.	1 2 3 4 5	DESCRIPTION	QTY.
1	71719-G01		FLAT BED, 40"	1
2	71719-G02		FLAT BED, 48"	1
3	71772-G01		CORNER TUBE	2
4	00762-G9		SCREW, 5/16 - 18 X 2 1/2" LG	4
5	00559-G8		WASHER, 5/16"	4
6	00550-G3		NUT, 5/16 - 18	4
7				
8	71718-G01		END CAP, 1 1/2"	2
9	71717-G01		END CAP, 1"	2
10				
11	70396-G01		BED PIVOT	2
12	00764-G2		CARRIAGE BOLT, 5/16 - 18 X 1" LG	6
13	00559-G8		WASHER, 5/16"	6
14	11098-G6		LOCK NUT, 5/16-18	6
15	70291-G01		RUBBER BUSHING	4
16	21682-G1		CLEVIS PIN, 1/2" X 3" LG	2
17	21683-G1		COTTER PIN, 15/32" X 2 11/16" LG	2
18				
19	71831-G01		BED LATCH	1
20	71704-G01		HANDLE GRIP	1
21	71827-G01		LATCH BRACKET	2
22	01014-G03		CARRIAGE BOLT, 1/4-20 X 3/4" LG	4
23	00559-G7		WASHER, 1/4"	4
24	14390-G4		LOCK NUT, 1/4-20	4
25	71707-G01		EXTENSION SPRING	2
26				
27	71766-G01		CATCH BRACKET	2
28	00414-G6		BOLT, 1/4-20 X 3/4" LG	4
29	00559-G7		WASHER, 1/4"	4
30	14390-G4		LOCK NUT, 1/4-20	4



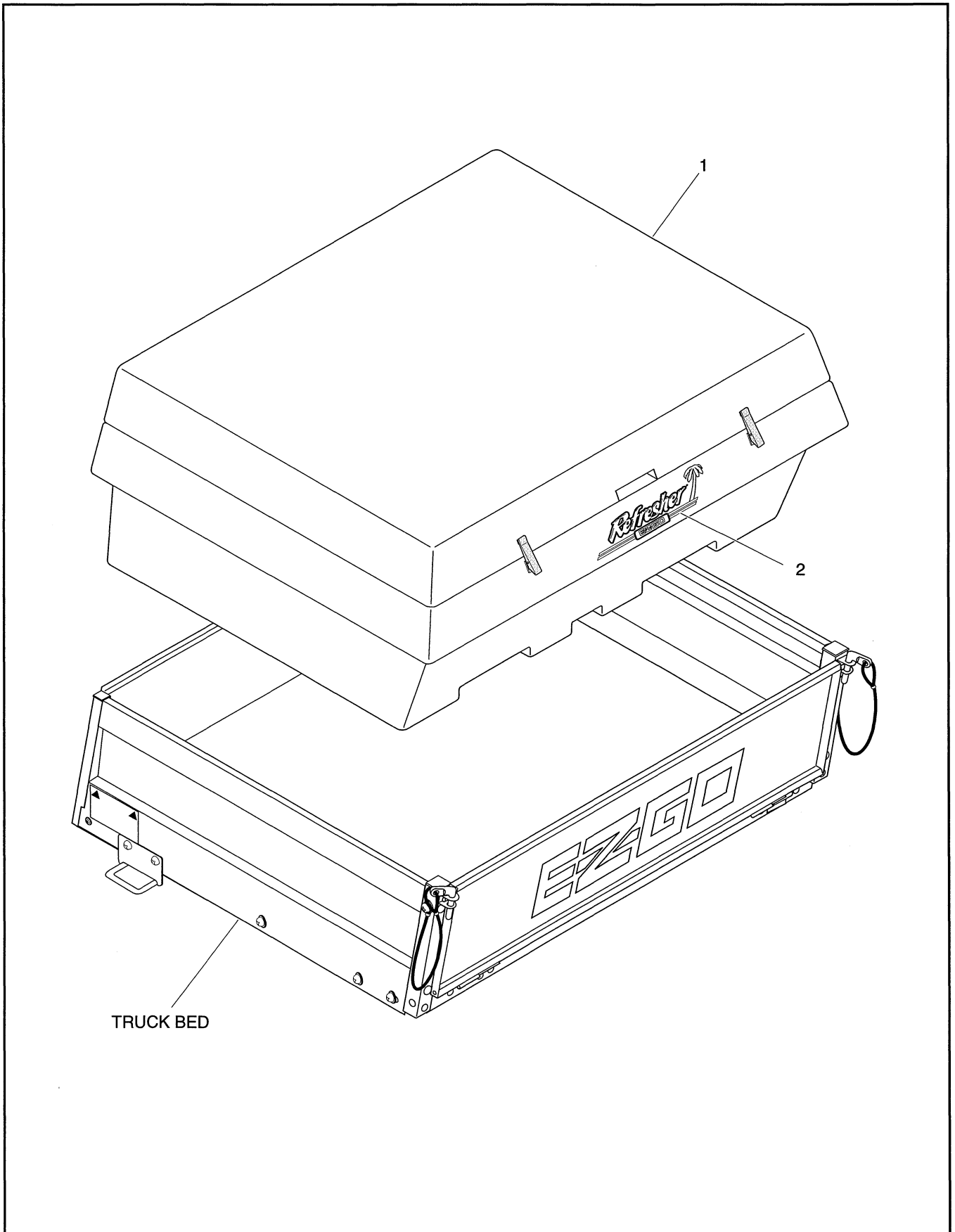
When ordering parts, please specify the model and serial number of the product.

* Indicates a component that is not available as an individual part.

G** Indicates consult Customer Service Department for additional information.

ITEM	PART NO.	1	2	3	4	5	DESCRIPTION	QTY.
31								
32	71673-G01						PROP BRACKET	1
33	71657-G01						PROP ROD	1
34	00560-G3						WASHER, 1/2"	1
35	15121-G1						WASHER, 1 1/4" X 3/8"	2
36	10387-G3						COTTER PIN, 3/32 X 3/4" LG	2
37								
38	71777-G01						DECAL (WARNING).....	1
39	71200-G01						LABEL (LOAD WARNING).....	1
40	74157-G01						SIDE RAIL SUPPORT.....	4
41	74161-G01						BACK RAIL SUPPORT	2
42	16705-G1						SCREW, 1/4-20 X 1" LG	12
43	00559-G7						WASHER, 1/4"	12
44	14390-G4						NUT, 1/4-20	12
45								
46	74167-G01						SIDE CARGO RACK, 40" (PASSENGER SIDE).....	1
47	74167-G02						SIDE CARGO RACK, 40" (DRIVER SIDE)	1
48	74079-G01						TAILGATE RETAINER BRACKET.....	2
49	00666-G6						SCREW, #10 - 12 X 3/4" LG	8
50	74162-G03						REAR CARGO RACK.....	1
51								
52	XXXXX-XX						BOLT, 1/4 - 20 X 7/8" LG (SEE BODY SECTION)	
53	XXXXX-XX						WASHER, 1/4" (SEE BODY SECTION)	
54	XXXXX-XX						LOCK NUT, 1/4 - 20 (SEE BODY SECTION)	
55								
56	74168-G01						SIDE CARGO RACK, 48" (PASSENGER SIDE).....	1
57	74168-G02						SIDE CARGO RACK, 48" (DRIVER SIDE)	1
58								





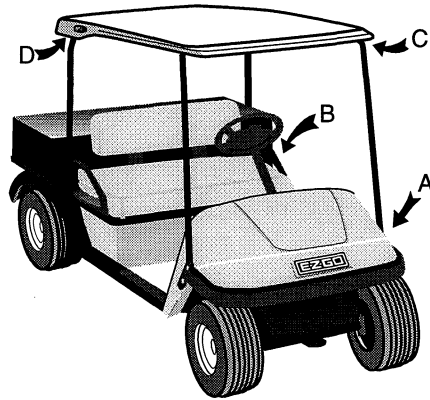
When ordering parts, please specify the model and serial number of the product.

* Indicates a component that is not available as an individual part.

G** Indicates consult Customer Service Department for additional information.

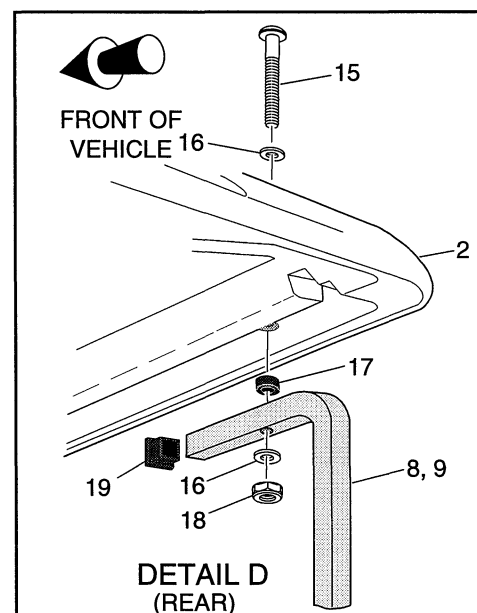
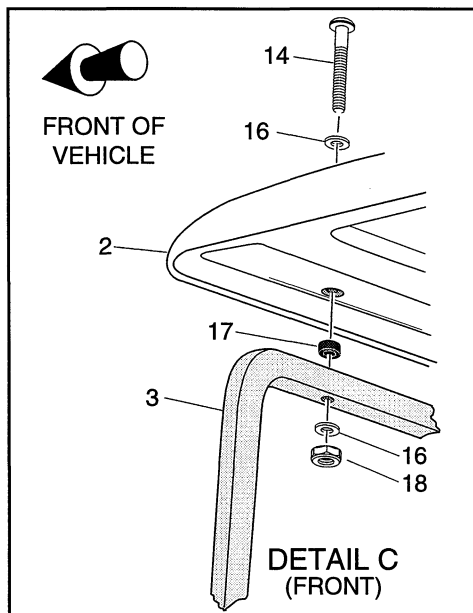
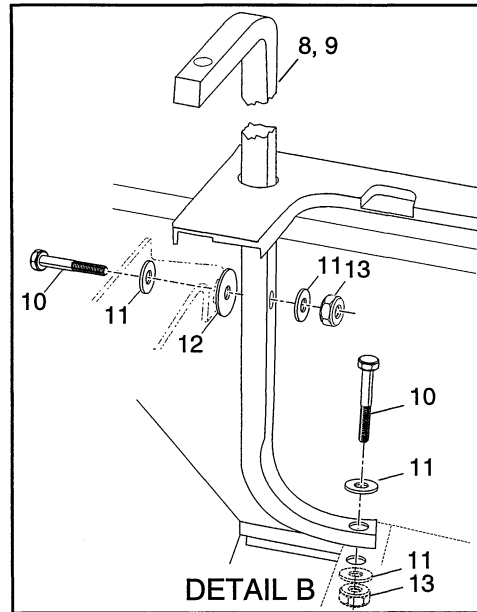
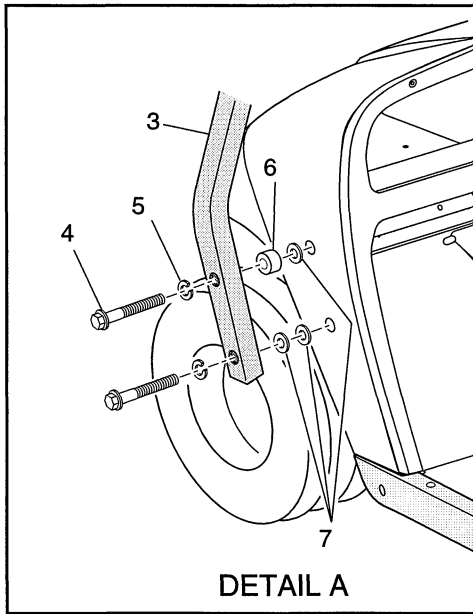
ITEM	PART NO.	1 2 3 4 5 DESCRIPTION	QTY.
1	75420-G02	REFRESHER COOLER.....	1
2	28093-G01	REFRESHER DECAL.....	1

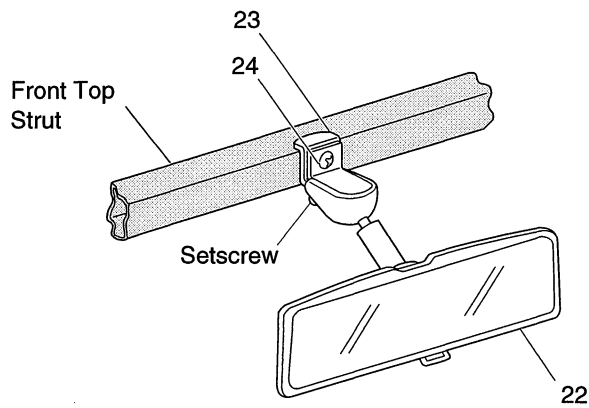




SUN TOP

1 - Includes Items 2 - 19



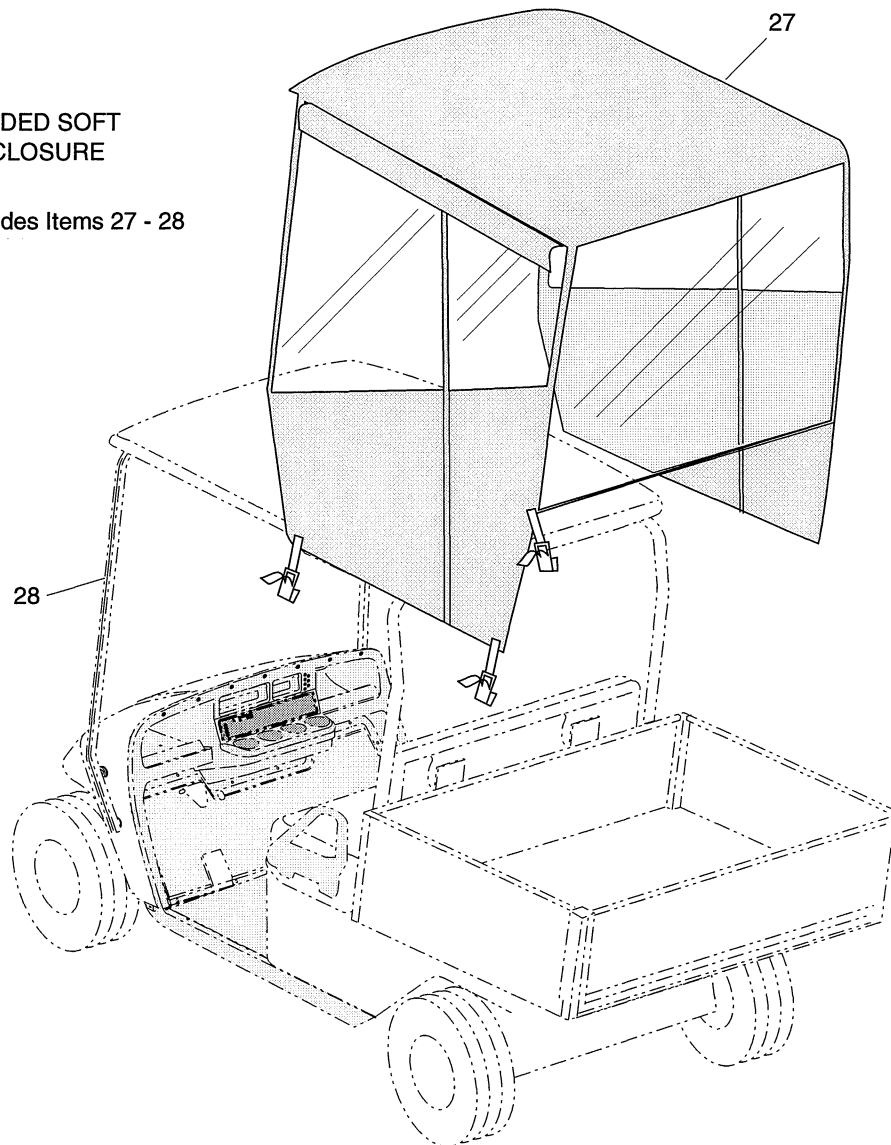


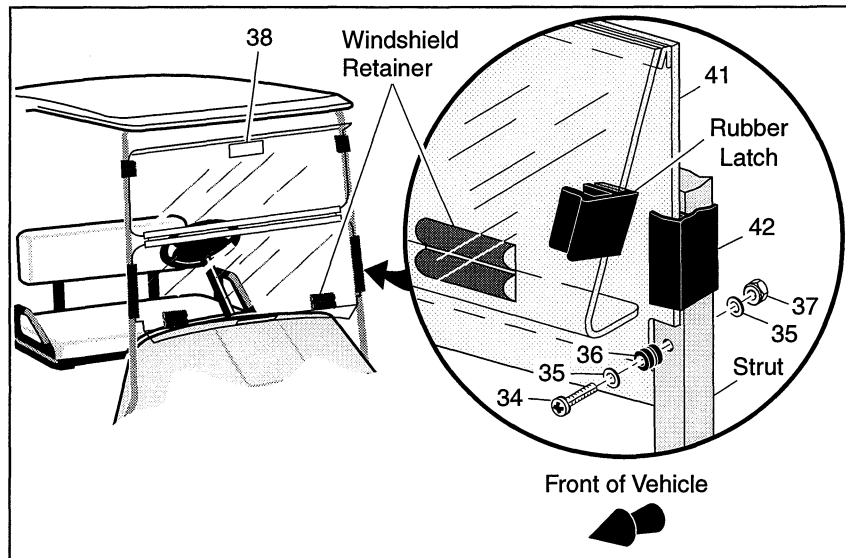
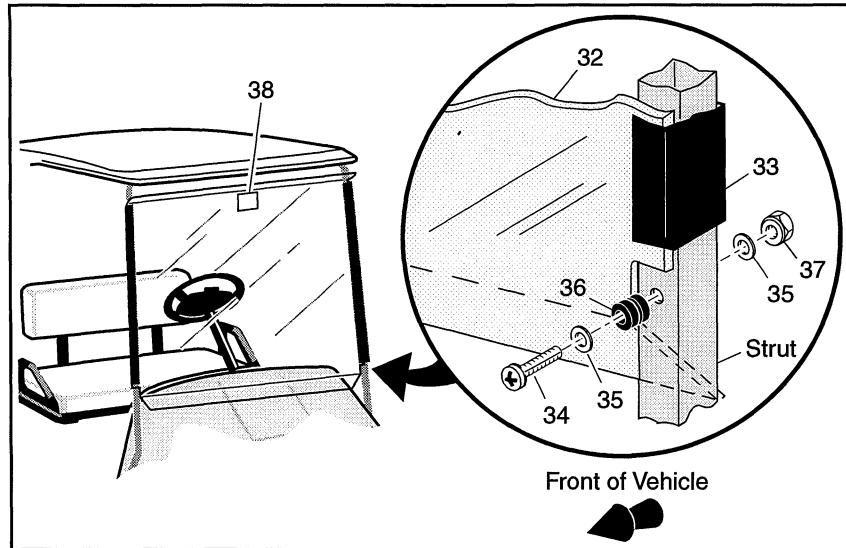
REAR VIEW MIRROR

21 - Includes Items 22 - 24

3-SIDED SOFT ENCLOSURE

26 - Includes Items 27 - 28





When ordering parts, please specify the model and serial number of the product.

* Indicates a component that is not available as an individual part.

G** Indicates consult Customer Service Department for additional information.

ITEM	PART NO.	1 2 3 4 5	DESCRIPTION	QTY.
1	75350-G**		SUN TOP KIT (INCLUDES ITEMS 2 - 19)	1
2	27069-G**		SUN TOP.....	1
3	75045-G01		FRONT STRUT	1
4	01035-G01		BOLT, 5/16 - 18 X 2 1/4" LG	4
5	00905-G8		LOCK WASHER, 5/16"	4
6	75048-G01		SPACER, 1/2"	2
7	00570-G2		WASHER, 5/16"	6
8	75343-G01		REAR STRUT (PASSENGER SIDE).....	1
9	75343-G02		REAR STRUT (DRIVER SIDE)	1
10	00439-G6		BOLT, 5/16 - 18 X 1 3/4" LG	4
11	00571-G2		WASHER, 5/16"	8
12	15121-G1		WASHER, 3/8"	2
13	11098-G6		LOCK NUT, 5/16 - 18.....	4
14	00753-G5		SCREW, 1/4 - 20 X 2" LG (STAINLESS STEEL)	2
15	00753-G6		SCREW, 1/4 - 20 X 2 1/4" LG (STAINLESS STEEL)	2
16	00559-G7		WASHER, 1/4"	8
17	75051-G01		SPACER.....	4
18	00891-G2		LOCK NUT, 1/4 - 20.....	4
19	19853-G1		END CAP, 1"	2
20				
21	19528-G2		REAR VIEW MIRROR KIT (REQUIRES SUN TOP) (INCLUDES ITEMS 22 - 24)	1
22	19496-G1		REAR VIEW MIRROR.....	1
23	19502-G2		SUPPORT BRACKET	1
24	19527-G1		SCREW, #8 - 32 X 5/8" LG (STAINLESS STEEL)	1
25				
26	75367-G03		3 SIDED SOFT ENCLOSURE (REQUIRES SUN TOP) (INCL ITEMS 27 - 28)	1
27	*		ENCLOSURE	1
28	*		VELCRO..... R	A/



Replacement parts for the windshield may be obtained from Eagle Parts, Inc. 1811 Wilkinson Rd. Augusta, GA 30904. Telephone (706) 729-9911 or FAX (706) 729-9955

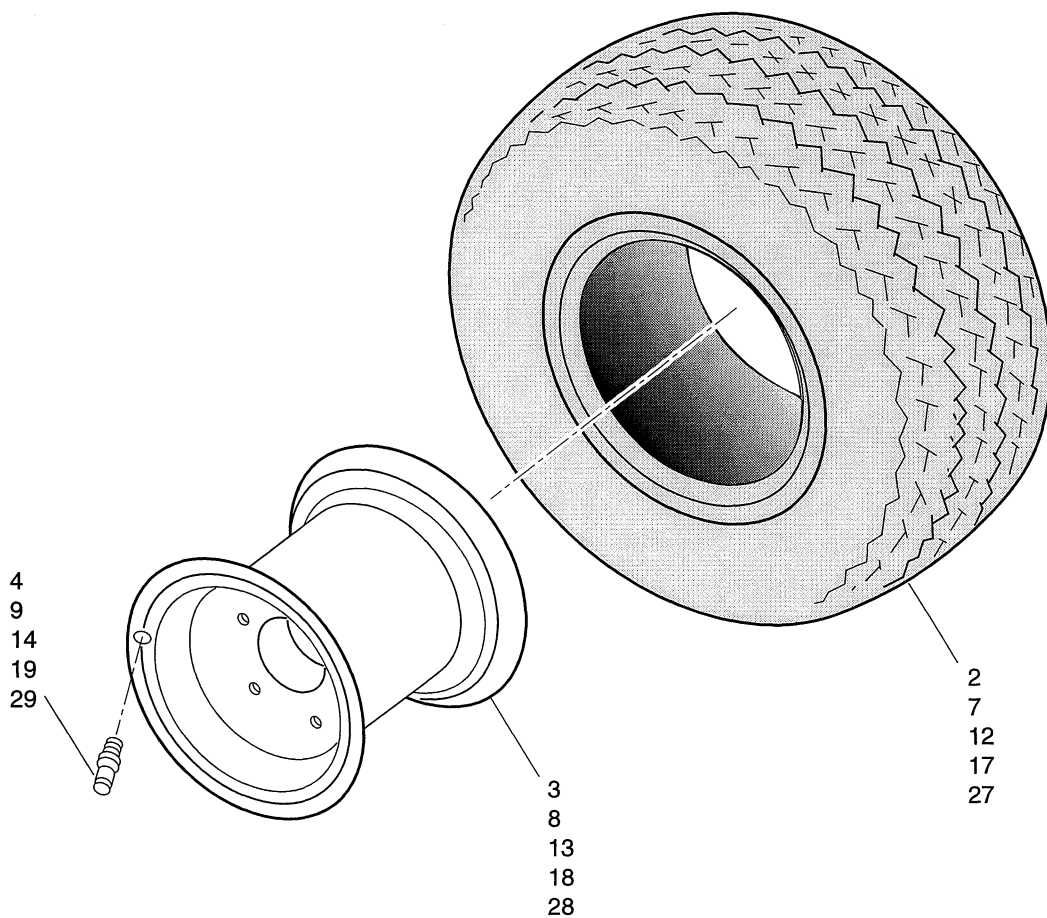
* Indicates a component that is not available as an individual part.

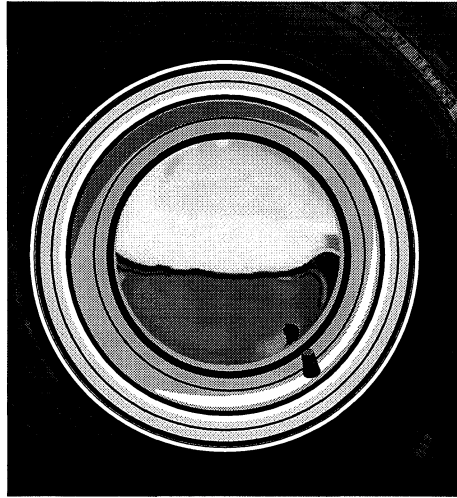
G** Indicates consult Customer Service Department for additional information.

ITEM	PART NO.	1	2	3	4	5	DESCRIPTION	QTY.
29								
30								
31	75524-G01						WINDSHIELD KIT (FLAT) (INCLUDES ITEMS 32 - 38)	1
32	EGWFX03						WINDSHIELD (FLAT) (30/70 DURAYL)	1
33	EGWHC12						SASH, 26" LG.....	2
34	EGWHS12						BOLT, 1/4 - 20 X 1 3/4' LG. (STAINLESS STEEL)	2
35	EGWHW12						WASHER, 1/4" (STAINLESS STEEL)	4
36	EGWHG13						RUBBER GROMMET.....	2
37	EGWHN12						LOCK NUT, 1/4 - 20 (STAINLESS STEEL)	2
38	EGWHL14						SAFETY LABEL	1
39								
40	75525-G01						WINDSHIELD KIT (SPLIT) (INCLUDES ITEMS 41, 42, 34 - 38)	1
41	EGWSX03						WINDSHIELD (SPLIT) (30/70 DURAYL).....	1
42	EGWHC10						SASH, 12" LG.....	2



- 1 - Includes Items 2 - 4
- 6 - Includes Items 7 - 9
- 11 - Includes Items 12 - 14
- 16 - Includes Items 17 - 19
- 26 - Includes Items 27 - 29

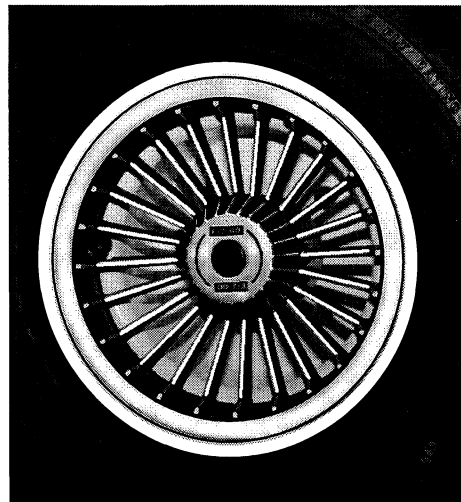




6" CHROME HUBCAP
22



8" CHROME HUBCAP
21



GOLD / SILVER SPOKE HUBCAP
23, 24

WHEELS AND TIRES

Gasoline Vehicle

When ordering parts, please specify the model and serial number of the product.

* Indicates a component that is not available as an individual part.

G** Indicates consult Customer Service Department for additional information.

ITEM	PART NO.	1 2 3 4 5	DESCRIPTION	QTY.
1	27772-G09		WHEEL AND TIRE ASSEMBLY, LINKS 1 (INCLUDES ITEMS 2 - 4)	AR
2	27772-G10		CARLISLE TIRE (LINKS 1 18 X 8.5 - 8)	AR
3	15169-G1		WHEEL RIM (4 LUG).....	AR
4	11657-G1		VALVE STEM.....	AR
5				
6	27772-G03		WHEEL AND TIRE ASSEMBLY, TURF SAVER (INCLUDES ITEMS 7 - 9)	AR
7	27772-G07		CARLISLE TIRE (TURF SAVER 18 X 8.5 - 8).....	AR
8	15169-G1		WHEEL RIM (4 LUG).....	AR
9	11657-G1		VALVE STEM.....	AR
10				
11	27775-G01		WHEEL AND TIRE ASSEMBLY, USA TRAIL (INCLUDES ITEMS 12 - 14).....	AR
12	27775-G02		CARLISLE TIRE (USA TRAIL 6 PLY 18.5 X 8.5 - 8)	AR
13	15169-G1		WHEEL RIM (4 LUG).....	AR
14	11657-G1		VALVE STEM.....	AR
15				
16	27784-G01		WHEEL AND TIRE ASSEMBLY, USA TRAIL (INCLUDES ITEMS 17 - 19).....	AR
17	27784-G03		CARLISLE TIRE (USA TRAIL 5.70 - 8)	AR
18	33678-G01		WHEEL RIM (4 LUG).....	AR
19	26482-G01		VALVE STEM (METAL).....	AR
20				
21	14913-G*		8" CHROME HUBCAP (OPTIONAL).....	AR
22	16042-G*		6" CHROME HUBCAP (OPTIONAL).....	AR
23	19241-G*		GOLD SPOKE HUBCAP (OPTIONAL)	AR
24	19241-G*		SILVER SPOKE HUBCAP (OPTIONAL).....	AR
25				
26	27772-G01		WHEEL AND TIRE ASSEMBLY, LINKS (INCLUDES ITEMS 27 - 29)	AR
27	27772-G05		CARLISLE TIRE (LINKS 18 X 8.5 - 8)	AR
28	15169-G1		WHEEL RIM (4 LUG).....	AR
29	11657-G1		VALVE STEM.....	AR



SPECIALTY PRODUCTS

SPECIALTY PRODUCTS

SPECIALTY PRODUCTS

SPECIAL TOOLS

Part No.

DRIVE CLUTCH PULLER	19779-G2
FLYWHEEL PULLER.....	27111-G01
CAM PULLEY TOOL	27851-G01
TACHOMETER	72526-G01
FEELER GAUGE.....	72525-G01
COMPRESSION TESTER.....	72524-G01
ENGINE REBUILD MANUAL	27615-G01
REAR AXLE REBUILD MANUAL.....	27660-G01
CURRENT INDICATOR.....	16489-G1
DIGITAL MULTI-METER.....	27481-G01
CRIMPING TOOL	27765-G01
SLIDE HAMMER (AXLE/HUB REMOVAL).....	15947-G1
SLIDE HAMMER (AXLE REMOVAL ONLY)	18753-G1

PERFORMANCE PRODUCTS

BATTERY PROTECTOR, 14 OZ AEROSOL	75500-G01
CARBURETOR & CHOKE CLEANER, 15 OZ AEROSOL	75501-G01
WHITE LITHIUM GREASE, 14 OZ AEROSOL	75502-G01
PENETRANT/LUBRICANT, 15 OZ AEROSOL.....	75503-G01
MULTI-PURPOSE CLEANER & DEGREASER, 14 OZ AEROSOL	75504-G01
MULTI-PURPOSE HAND CLEANER, 32 OZ LIQUID	75505-G01
BATTERY CLEANER, 32 OZ W/TRIGGER SPRAYER	75506-G01
BIODEGRADABLE CLEANER, 32 OZ W/TRIGGER SPRAYER.....	75507-G01
MULTI-PURPOSE VALUE PACK.....	75508-G01
•BATTERY PROTECTOR, 4 OZ AEROSOL	
•PENETRANT/LUBRICANT, 4 OZ AEROSOL	
•WHITE LITHIUM GREASE, 4 OZ AEROSOL	
•CARBURETOR & CHOKE CLEANER, 4 OZ AEROSOL	

PAINT

HUNTER GREEN - TOUCH-UP PEN.....	28432-G02
INDUSTRIAL YELLOW - TOUCH-UP PEN	28432-G03
HUNTER GREEN - 12 OZ. AEROSOL.....	28140-G09
INDUSTRIAL YELLOW - 12 OZ. AEROSOL	28140-G14

ENGINE OIL

4-CYCLE ENGINE OIL, 10W-30, 5 GALLON.....	25730-G03
4-CYCLE ENGINE OIL, 10W-30, 12 QUART CASE	25730-G04
4-CYCLE ENGINE OIL, 10W-30, QUART BOTTLE	25730-G06

ACCESSORIES

ACCESSORIES LIST

ACCESSORIES

ACCESSORY LIST	Kit Number	Manual Section
ASHTRAY KIT	75109-G02	BODY
BED LINER KIT (40")	74035-G03	TRUCKBED
BED LINER KIT (48")	74035-G04	TRUCKBED
CAB, STEEL (WITHOUT DOORS)	74240-G0*	CAB & VAN BOX
DOMELIGHT	20495-G2	CAB & VAN BOX
DOOR SET (STEEL)	74241-G0*	CAB & VAN BOX
DOOR SET (VINYL)	74242-G01	CAB & VAN BOX
DUMP KIT, ELECTRIC	74164-G02	TRUCKBED
ENCLOSURE, SOFT, 3 SIDED	75367-G0*	WEATHER PROTECTION
FAN, COOLING / DEFROSTING	74242-G01	CAB & VAN BOX
HEATER	22559-G2	CAB & VAN BOX
HITCH KIT (BALL)	75326-G02	BODY
HITCH KIT ("C")	75327-G02	BODY
HOUR METER KIT	75114-G02	ELECTRICAL SYSTEM
MIRROR, RECTANGULAR, SIDE MOUNTED	27924-G01	WEATHER PROTECTION
MIRROR KIT, INSIDE REAR VIEW	19528-G2	WEATHER PROTECTION
MIRROR KIT, ROUND, SIDE MOUNTED (6" CONVEX)	75400-G01	WEATHER PROTECTION
RAMP KIT	28334-G01	TRUCKBED
SPARK ARRESTOR KIT	25747-G01	ENGINE & MUFFLER
STROBE LIGHT, CAB MOUNTED	74245-G01	CAB & VAN BOX
STROBE LIGHT, STRUT MOUNTED	75354-G02	ELECTRICAL SYSTEM
SUN TOP KIT	75350-G0*	WEATHER PROTECTION
SWITCH PANEL KIT	74250-G01	CAB & VAN BOX
TURN SIGNAL KIT	75107-G02	ELECTRICAL SYSTEM
VAN BOX	28361-G01	CAB & VAN BOX
WHEEL COVERS 6" CHROME	16042-G*	WHEELS & TIRES
WHEEL COVERS 8" CHROME	14913-G*	WHEELS & TIRES
WHEEL COVERS, GOLD SPOKE	19241-G*	WHEELS & TIRES
WHEEL COVERS, SILVER SPOKE	19241-G*	WHEELS & TIRES
WINDSHIELD KIT (REQUIRES SUN TOP KIT)	75524-G01	WEATHER PROTECTION
SPLIT WINDSHIELD KIT (REQUIRES SUN TOP KIT)	75525-G01	WEATHER PROTECTION
WINDSHIELD WIPER	74244-G01	CAB & VAN BOX
WORK LIGHTS, CAB MOUNTED	74247-G01	CAB & VAN BOX
WORK LIGHTS, STRUT MOUNTED	75354-G01	ELECTRICAL SYSTEM
WORK LIGHTS AND STROBE, STRUT MOUNTED	75354-G03	ELECTRICAL SYSTEM



a **TEXTRON** Company

E-Z-GO Division of Textron Inc.

P.O. Box 388 Augusta, Georgia USA 30903-0388

Inside USA Phone: 1-800-227-7029, FAX: 1-800-752-6175

Outside USA Phone: 010-1-706-798-4311, FAX: 010-1-706-771-4601

Copyrighted Material
This manual may not be reproduced in whole or
in part without the express permission of
E-Z-GO Division of Textron Inc.
Technical Communications Department