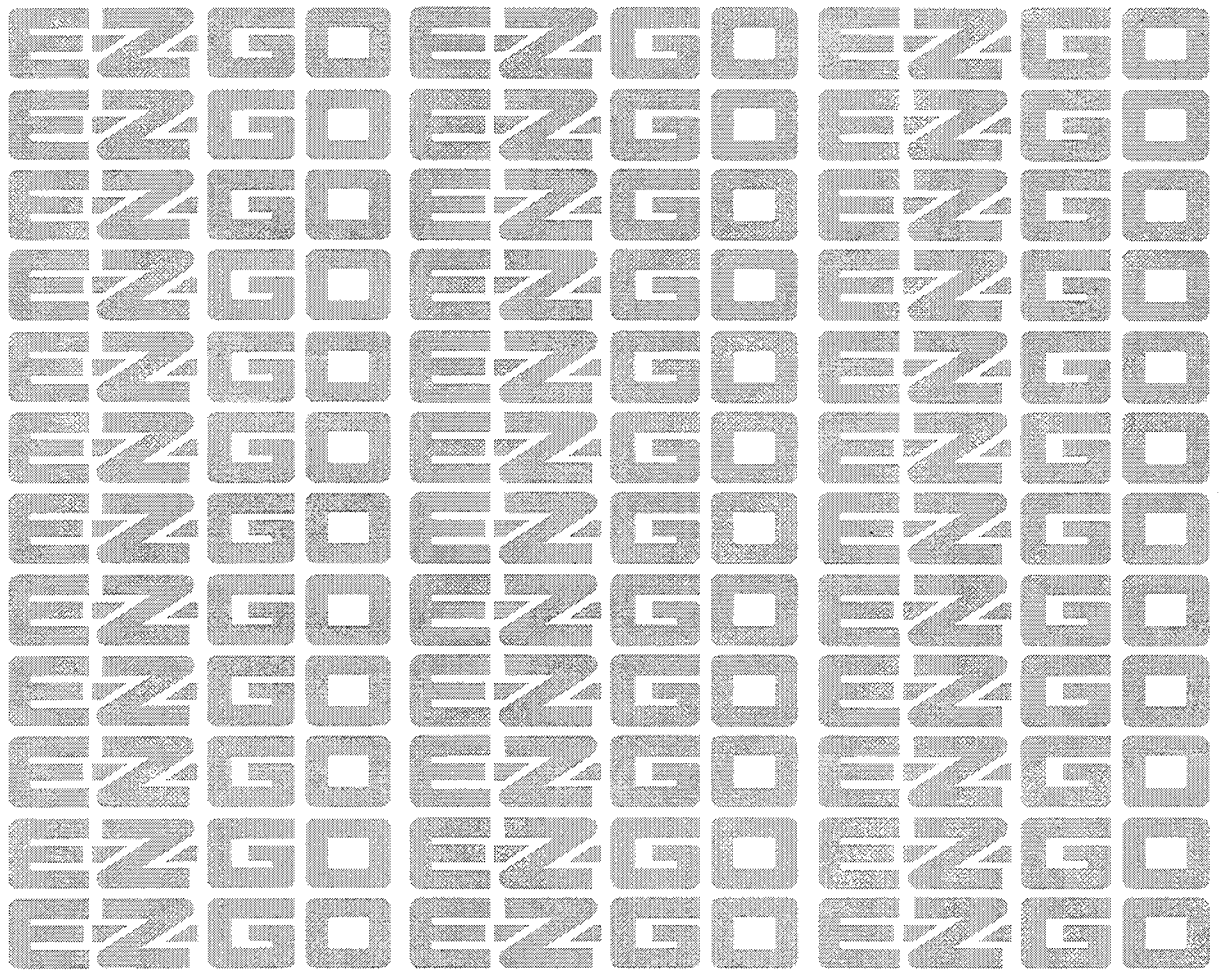




SERVICE PARTS MANUAL



SERVICE PARTS MANUAL



MODEL YEAR: 1996

CUSTOMER SERVICE DEPARTMENT PHONE 1-800-227-7029 FAX 1-800-752-6175
E-Z-GO DIVISION OF TEXTRON, INC., P.O.BOX 388, AUGUSTA, GEORGIA 30903-0388, 1-800-241-5855

LIMITED WARRANTY

TO OBTAIN A COPY OF THE LIMITED WARRANTY THAT IS APPLICABLE TO YOUR VEHICLE, CALL OR WRITE YOUR LOCAL DISTRIBUTOR, BRANCH OR E-Z-GO WARRANTY DEPARTMENT.

THE USE OF NON E-Z-GO PARTS AND HARDWARE MAY VOID YOUR WARRANTY.

TAMPERING WITH OR ADJUSTING OF GOVERNOR TO PERMIT THE VEHICLE TO OPERATE AT ABOVE FACTORY SETTINGS 12 - 15 MPH WILL VOID YOUR VEHICLE WARRANTY.

GENERAL INDEX

SECTIONSPage No.

How to use the **E-Z-GO** Service Manual vii

Illustrated Parts Breakdown:

IllustrationPage No.

ACCELERATOR LINKAGE A

- Accelerator Pedal Box A-1
- Accelerator Pedal A-2
- Accelerator Linkage A-3

BODY AND ASSOCIATED PARTS B

- Front Cowl, Instrument Panel, Floor Panel B-1
- Seat Frame, Splash Panels B-2
- Floormat, Seat Wrap, Side Panels, Rocker Panels B-3
- Seat Filler Panels, Rear Fenders, Rear Panel B-4

BRAKE LINKAGE C

- Brake Pedal C-1
- Brake Pedal (with lights) C-2
- Brake Linkage C-3

CARBURETOR D

- Carburetor D-1

CLUTCHES E

- Drive Clutch, Belts, Driven Clutch E-1

DIRECTION SELECTOR F

- Direction Selector F-1

ELECTRICAL SYSTEM G

- Gauge Installation and Connections G-1
- Electrical Plate G-2
- Battery, Solenoid, Starter/Generator G-3

ENGINE AND MUFFLER H

- Engine, Oil Filter, Spark Plugs, Muffler H-1

ENGINE AND STARTER MOUNTING J

- Front Mount, Rear Mount, Starter/Generator J-1

FILTERED AIR SYSTEM K

- Air Cleaner Box, Air Filter, PCV Hose K-1

GENERAL INDEX

Illustrated Parts Breakdown:

Illustration	Page No.
FRONT SUSPENSION	L
• Front Axle, Spindle, Wheel Hub, Shock Absorber	L-1
FUEL SYSTEM	M
• Fuel Tank, Fuel Gauge, Fuel Filter, Fuel Pump	M-1
HORN AND LIGHTING	N
• Horn	N-1
• Headlight.....	N-2
• Brake Pedal Wiring, Taillight.....	N-3
• Turn Signal Assembly	N-4
REAR AXLE	O
• Axle Shafts, Seals, Bearing	O-1
REAR SUSPENSION	P
• Spring, Shock Absorber	P-1
SEATING	Q
• Seat Bottom, Seat Back, Hip Restraint.....	Q-1
STARTER/GENERATOR.....	R
• Armature, Coil, Brushes.....	R-1
STEERING.....	S
• Steering Box, Steering Shaft/Column/Wheel, Tie Rods.....	S-1
TRUCKBED	T
• Manual Dump Bed	T-1
• Bed Decals, Pivot Mounting, Bed Liner	T-2
• Tilt Latch, Bed Prop	T-3
• Electric Dump Bed.....	T-7
• Bed Decals, Pivot Mounting, Bed Liner	T-8
• Electric Circuit Breaker, Toggle Switch, Actuator	T-9
• Flat Bed, Bed Decals, Pivot Mounting	T-13
• Tilt Latch, Bed Prop	T-14
• Cargo Bed.....	T-15
WHEEL BRAKE	U
• Brake Assembly, Brake Drum, Brake Shoe	U-1
WHEELS AND TIRES.....	V
• Tire and Wheel Assembly, Wheel Rim, Valve Stem.....	V-1

GENERAL INDEX

Illustrated Parts Breakdown:

Illustration

Page No.

SPECIAL TOOLS

Special Tools Listing.....Appendix - A

ACCESSORIES

Accessory ListingAppendix - B

ACCESSORIES

Accessory Installation InstructionsAppendix- C

Wheel Covers	28244
Ramp Kit.....	28335
Electric Dump Kit.....	74166
Windshield	75043
Ashtray	75110
Hour Meter	75119
Rear View Mirror Kit	75162
Ball Hitch Kit	75328
Clevis Hitch Kit	75329
Light Bar	75348
Sun Top Without Bagrack.....	75351
Front Bumper Kit	75355
Weather Enclosure	75368

HOW TO USE THE E-Z-GO SERVICE PARTS MANUAL

This manual is divided into several sections:

- GENERAL INFORMATION
- ILLUSTRATED PARTS BREAKDOWN FOR TXT GASOLINE POWERED TRUCK
- APPENDIX

The first section, GENERAL INFORMATION, contains the following information:

- WARRANTY INFORMATION
- GENERAL INDEX
- HOW TO USE THE E-Z-GO SERVICE PARTS MANUAL

The second section, ILLUSTRATED PARTS BREAKDOWN (IPB) FOR THE TXT GASOLINE POWERED TRUCK, contains illustrations and parts lists for all systems of your vehicle.

The third section, SERVICE ACCESSORIES AND SPECIAL TOOLS, contains a listing of E-Z-GO service accessories and special tools and that may be purchased from the company to aid in the servicing of the vehicle.

USE OF THE MANUAL

To use this manual, consult the GENERAL INDEX to locate the information or illustration required.

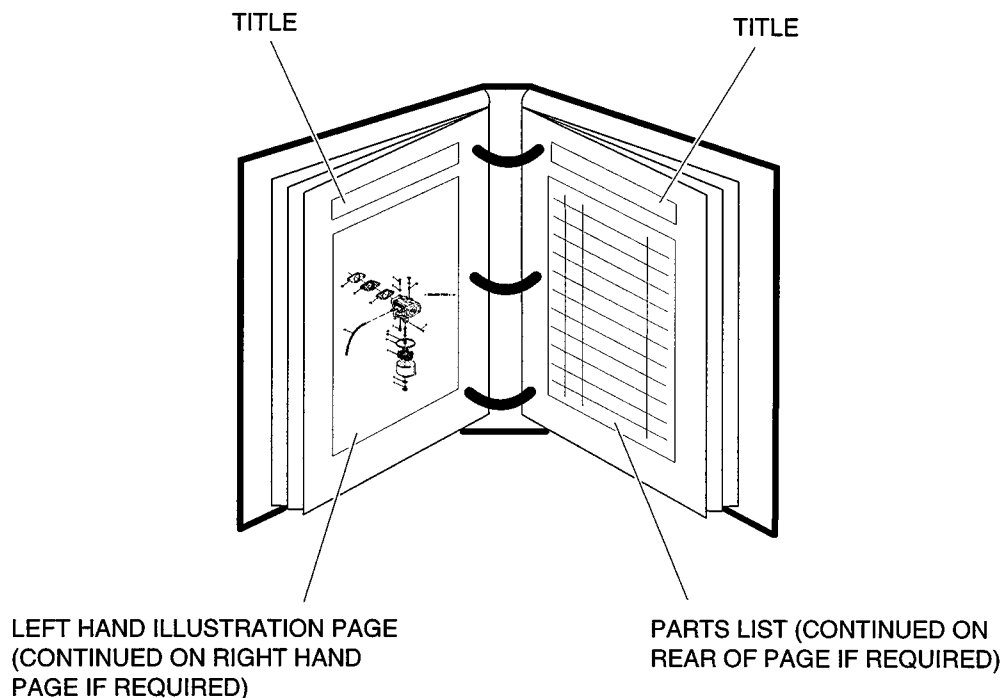
E-Z-GO manuals are revised periodically to coincide with vehicle changes. The manual will cover all models and model years stated on the cover page. Sections that remain unchanged have the last date they were revised in the lower inside margin. New components that are interchangeable with the previous year are automatically revised and the issue date is changed.

Introduction of some revisions varies due to supply of components; therefore, it is possible that various combinations of components may be found that are not directly reflected by each illustration. Consult the illustration that best suits your situation and then contact the Service Parts Department. It is important that the serial number of your vehicle and its model number be supplied to Service Parts when ordering any replacement components.

Locate the serial number plate (see Body and Associated Parts located in the IPB section of this manual for its location) and note the complete number shown on the plate.

All relevant systems are listed in the General Index and has an alphabetical prefix. The illustration always appears first and is followed by its related parts list. Additional illustrations and parts lists with the same prefix indicate significant changes that have taken place since the last issue.

HOW TO USE THE E-Z-GO SERVICE PARTS MANUAL



1. WHEN THE PART NUMBER IS NOT KNOWN

- Determine the function and application of the part required. Turn to the General Index and select the most appropriate title.
- Turn to the page number indicated and locate the desired part on the illustration.
- From the illustration, obtain the item number assigned to the desired part. Refer to the accompanying description for specific information regarding the part.

2. IF YOU KNOW THE PART NUMBER

- Locate the part number or description in the appropriate column on the parts list page.

NOTE: It is suggested that you confirm that the part selected is correct by verifying it with the pictorial representation on the illustrated page.

Should an asterisk (*) appear in the part number column on the parts list page, read upwards until a part number is found. The part number is the lowest assembly sold by E-Z-GO and the asterisk (*) indicates that the part depicted is not available for sale by E-Z-GO.

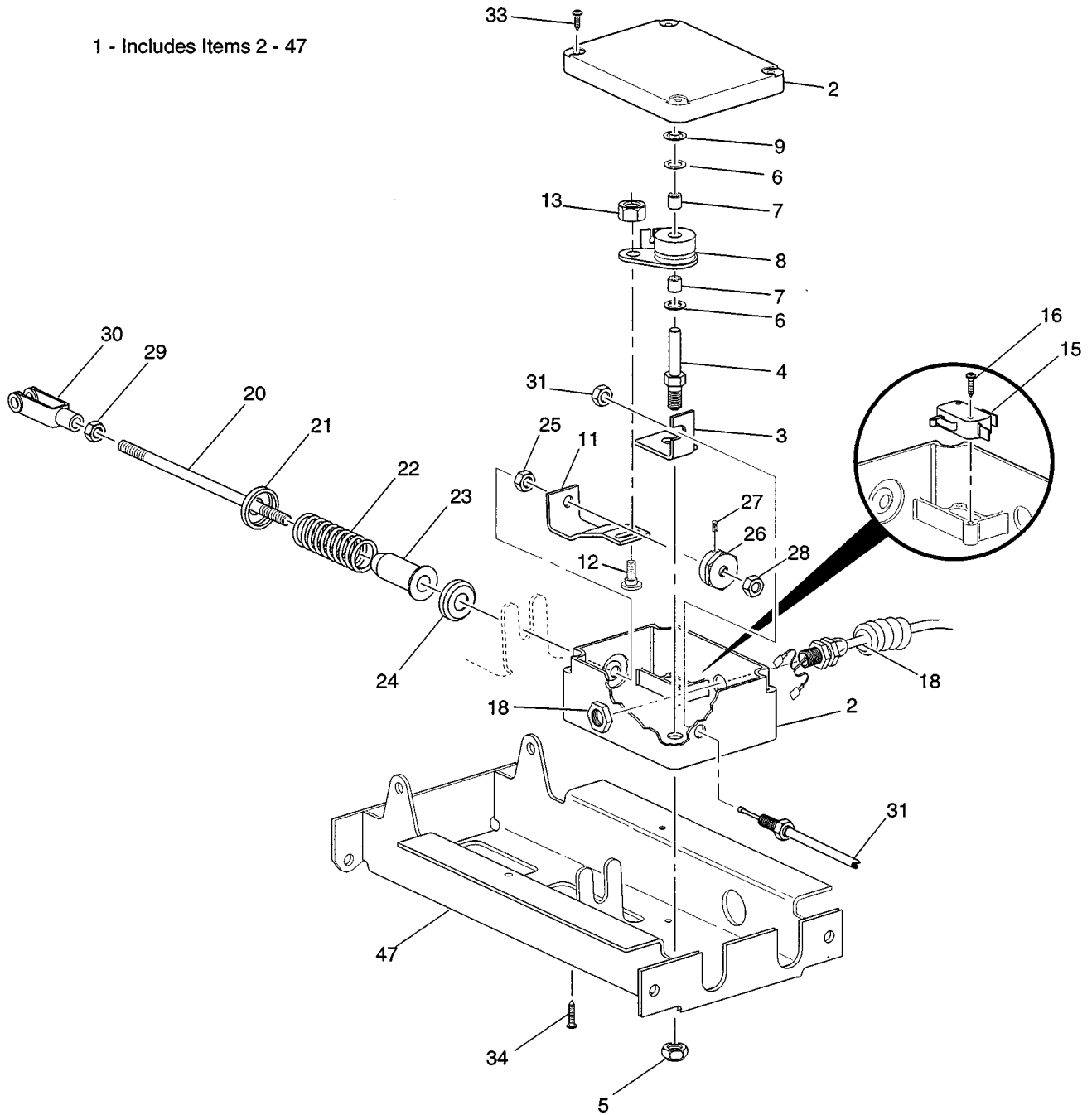
NOTE: Descriptions are indented under the assembly that they are used on. That assembly is, in turn listed under the assembly that it is used on. This process is repeated until the highest final assembly is reached.

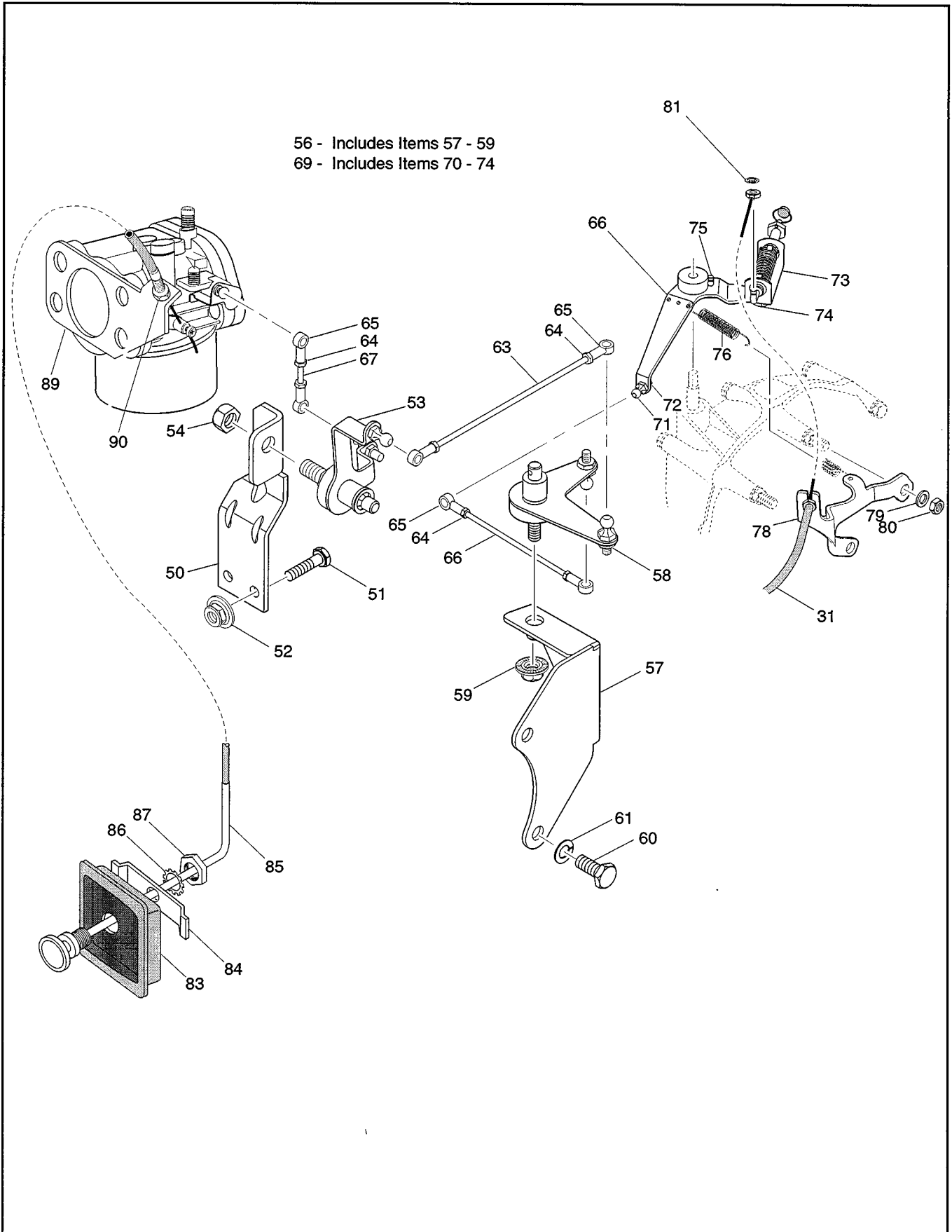
To facilitate the maintenance and repair of the vehicle, a Technician's Repair and Service Manual (P/N 28339-G01) is available from the E-Z-GO Service Parts Department.



ILLUSTRATED PARTS BREAKDOWN

1 - Includes Items 2 - 47





When ordering parts, please specify the model and serial number of the product.

* Indicates a component that is not available as an individual part.

G** Indicates consult Customer Service Department for additional information.

ITEM	PART NO.	1 2 3 4 5	DESCRIPTION	QTY.
1	72062-G03		ACCELERATOR PEDAL BOX ASSEMBLY (INCLUDES ITEMS 2 - 47).....	1
2	25853-G02		PEDAL BOX AND COVER	1
3	72199-G01		PIVOT BRACKET	1
4	25768-G01		PIVOT ROD	1
5	14390-G1		LOCK NUT, 3/8 - 24.....	1
6	24621-G1		NYLON WASHER, 5/16"	2
7	23860-G1		BEARING.....	2
8	72066-G01		CONTROL ARM	1
9	12064-G1		PUSHNUT, 1/4"	1
10				
11	72074-G01		CONTROL ARM LINK	1
12	72225-G01		SHOULDER BOLT, SOCKET BUTTON HEAD.....	1
13	14390-G10		LOCK NUT, #10 - 24.....	1
14				
15	25861-G01		MICRO SWITCH.....	1
16	00982-G01		SCREW, #4 - 14 X 5/8" LG.....	2
17				
18	72201-G01		PEDAL BOX WIRING HARNESS (WITH NUT).....	1
19				
20	72072-G01		ACCELERATOR ROD	1
21	17677-G2		SPRING RETAINER.....	1
22	73046-G01		COMPRESSION SPRING	1
23	17979-G1		ACCELERATOR ROD BUSHING.....	1
24	17677-G1		SPRING RETAINER	1
25	01009-G01		LOCK NUT, 5/16 - 24.....	1
26	72198-G01		MICRO SWITCH CAM.....	1
27	00487-G3		SETSCREW, 1/4 - 20 X 3/8" LG.....	1
28	00550-G4		LOCK NUT, 5/16 - 24.....	1
29	00532-G4		LOCK NUT, 5/16 - 24.....	1
30	10385-G4		CLEVIS YOKE	1

ACCELERATOR LINKAGE

Gasoline Vehicle

When ordering parts, please specify the model and serial number of the product.

* Indicates a component that is not available as an individual part.

G** Indicates consult Customer Service Department for additional information.

ITEM	PART NO.	1	2	3	4	5	DESCRIPTION	QTY.
31	72065-G02						ACCELERATOR CABLE (WITH NUT)	1
32								
33	00984-G01						SCREW, #8 - 32 X 1/2" LG.	4
34	00684-G6						SCREW, #8 - 10 X 1/2" LG.	4
35								
36	25799-G01						ACCELERATOR PEDAL ASSEMBLY (INCLUDES ITEMS 37 - 40)	1
37	*						ACCELERATOR PEDAL	1
38	27844-G01						ACCELERATOR PEDAL PAD KIT (INCLUDES ITEMS 39, 40)	1
39	27512-G01						ACCELERATOR PEDAL PAD	1
40	15766-G1						OVAL RIVET, 3/8 X 15/32" LG.	6
41	10386-G3						CLEVIS PIN, 5/16 X 1" LG.	1
42	17838-G1						BUSHING.....	3
43	17255-G1						TEFLON WASHER, 5/16".....	1
44	10387-G3						COTTER PIN, 3/32 x 3/4" LG.	1
45	70134-G01						PEDAL PIVOT PIN.....	1
46	00986-G01						PUSHNUT, 19/64".....	1
47	70116-G01						ACCELERATOR PEDAL BRACKET	1
48	00715-G2						BOLT, 5/16 - 18 X 3/4" LG.	4
49								
50	72197-G01						PIVOT BRACKET	1
51	00414-G8						BOLT, 1/4 - 20 X 1" LG.	2
52	14390-G4						LOCK NUT, 1/4 - 20	2
53	25760-G01						CARBURETOR LINKAGE BELLCRANK	1
54	14390-G1						LOCK NUT, 3/8 - 24	1
55								
56	25702-G01						GOVERNOR PIVOT BRACKET ASSEMBLY (INCLUDES ITEMS 57 - 59)	1
57	25655-G01						BELLCRANK BRACKET.....	1
58	25763-G01						GOVERNOR PIVOT	1
59	14390-G1						LOCK NUT, 3/8 - 24.....	1
60	00276-G6						BOLT, 5/16 - 24 X 3/4" LG.	2

When ordering parts, please specify the model and serial number of the product.

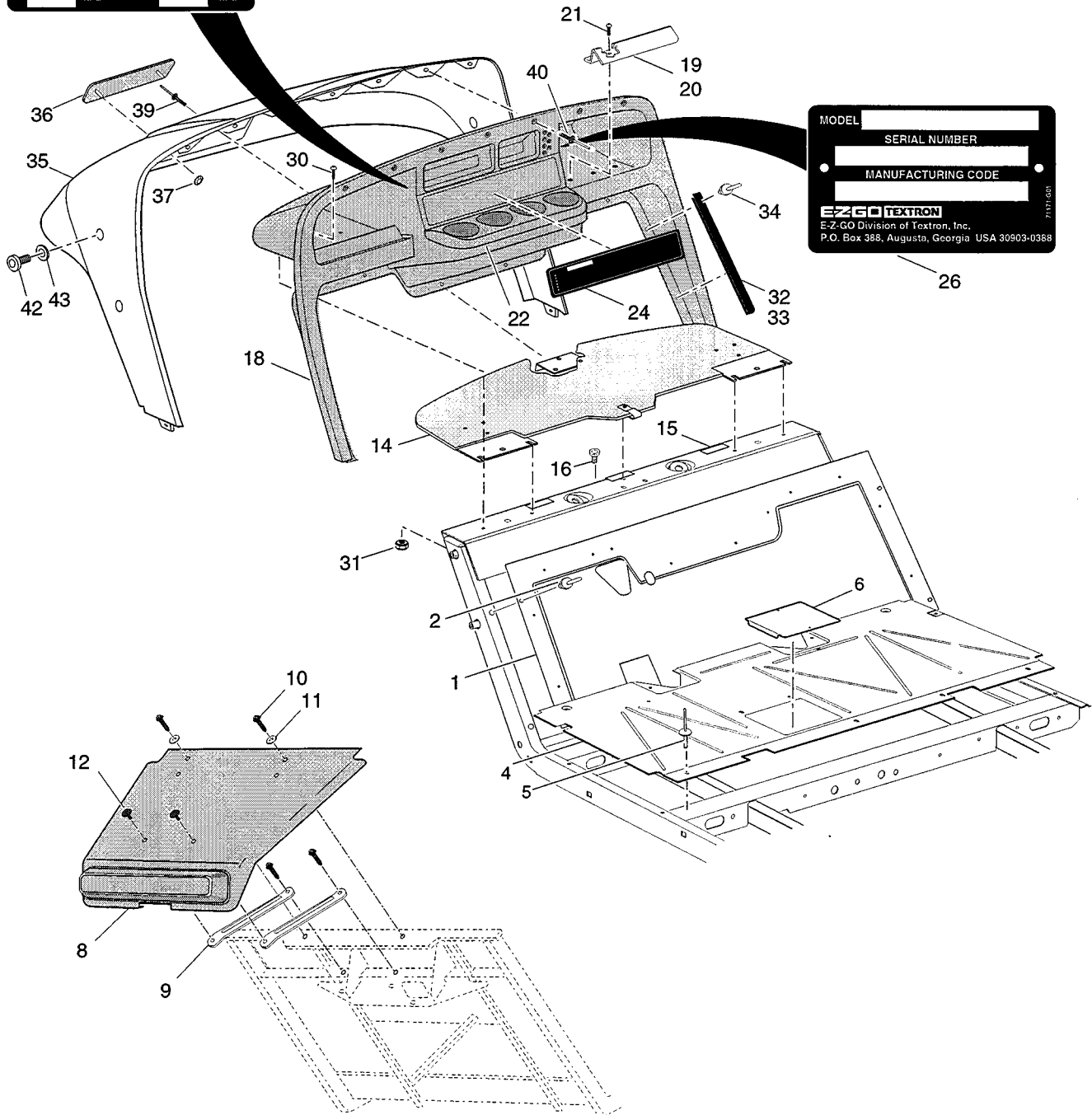
* Indicates a component that is not available as an individual part.

G** Indicates consult Customer Service Department for additional information.

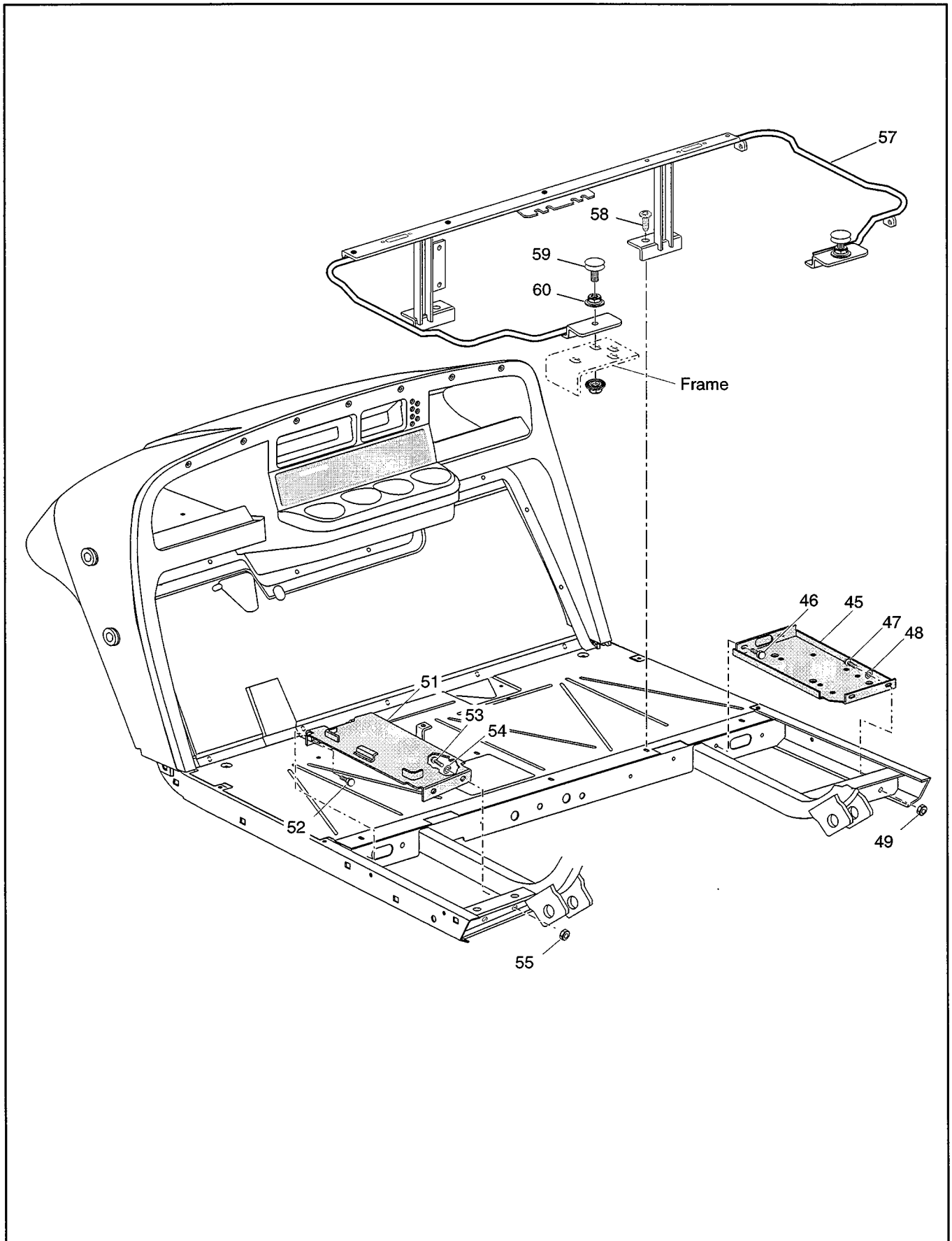
ITEM	PART NO.	1 2 3 4 5	DESCRIPTION	QTY.
61	00565-G8		LOCK WASHER, 5/16"	2
62				
63	25737-G02		THROTTLE LINKAGE ROD (COMPLETE)	1
64	00526-G4		NUT, #10 - 32	AR
65	24465-G1		BALL JOINT SOCKET	AR
66	25737-G03		GOVERNOR LINKAGE ROD.....	1
67	25737-G01		CARBURETOR LINKAGE ROD	1
68				
69	25690-G01		GOVERNOR BELLCRANK ASSEMBLY (INCLUDES ITEMS 70 - 74)	1
70	25765-G01		GOVERNOR BELLCRANK	1
71	24479-G1		BALL JOINT BALL	1
72	00734-G5		LOCK NUT, #10 - 32.....	1
73	22751-G2		GOVERNOR BRACKET	1
74	14390-G4		LOCK NUT, 1/4 - 20.....	1
75	00491-G4		SETSCREW, 1/4 - 20 X 1/2" LG.	1
76	25738-G01		GOVERNOR TO ACCELERATOR BRACKET SPRING	1
77				
78	25653-G01		ACCELERATOR CABLE BRACKET	1
79	*		WASHER (PROVIDED ON DIFFERENTIAL)	2
80	*		NUT (PROVIDED ON DIFFERENTIAL).....	2
81	12064-G3		PUSHNUT, 3/16"	1
82				
83	72154-G01		CHOKE CABLE ADAPTER.....	1
84	72155-G02		ADAPTER RETAINER	1
85	72401-G02		CHOKE CONTROL ASSEMBLY (COMPLETE WITH NUTS).....	1
86	00568-G4		LOCK WASHER, 9/16"	1
87	00545-G4		NUT, 9/16 - 18	1
88				
89	26728-G01		CHOKE BRACKET	1
90	00544-G4		NUT, 5/16 - 24	2

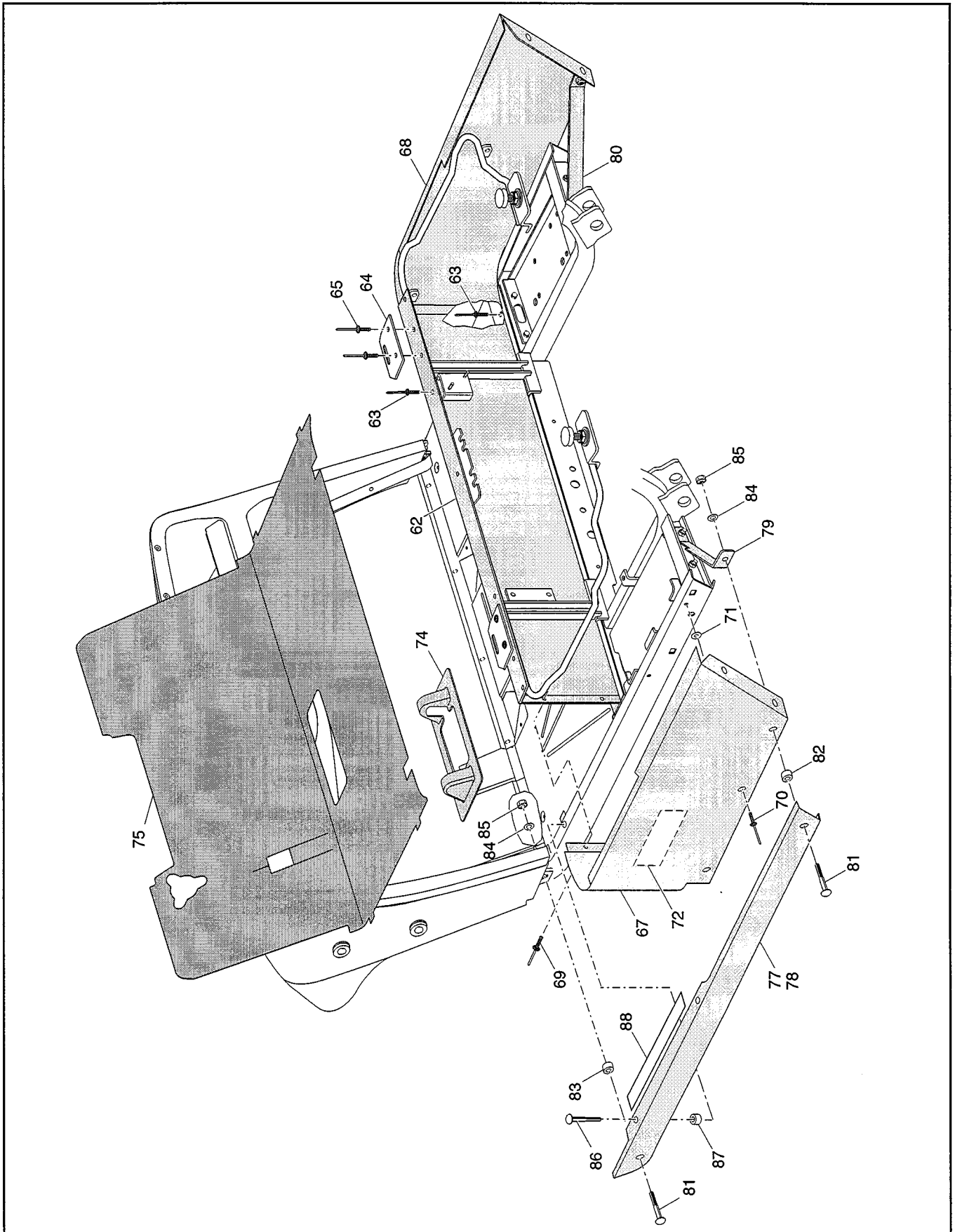
OPERATING WEIGHT	<input type="text"/>	LBS	<input type="text"/>	KG
RATED CAPACITY	<input type="text"/>	LBS	<input type="text"/>	KG
RATED OUTPUT	<input type="text"/>	HP	<input type="text"/>	KW
RECOMMENDED TIRE INFLATION				
FRONT		PSI	<input type="text"/>	PSI
REAR		PSI	<input type="text"/>	PSI
		kPa	<input type="text"/>	kPa

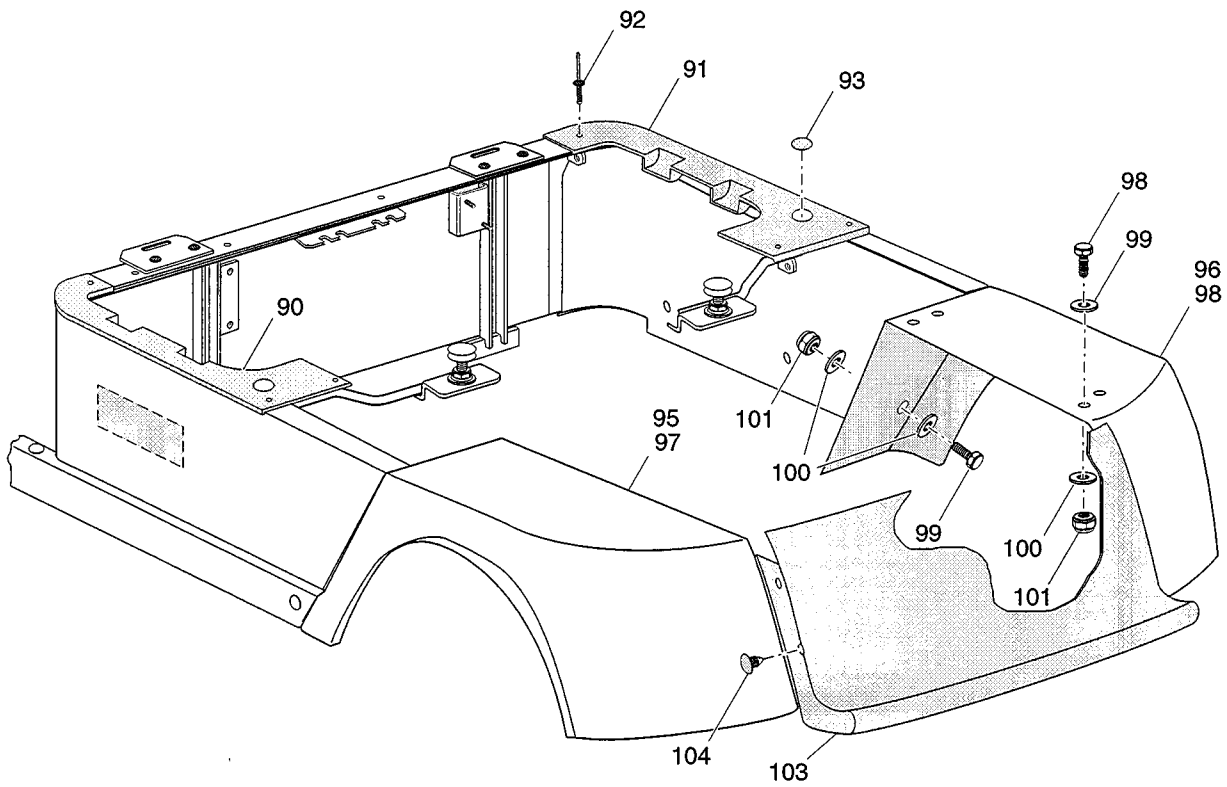
18 - Includes Items 19 - 22



MODEL	<input type="text"/>
SERIAL NUMBER	<input type="text"/>
MANUFACTURING CODE	<input type="text"/>
EZGO TEXTRON	
E-Z-GO Division of Textron, Inc.	
P.O. Box 388, Augusta, Georgia USA 30903-0388	







BODY AND ASSOCIATED PARTS

Gasoline Vehicle

When ordering parts, please specify the model and serial number of the product.

* Indicates a component that is not available as an individual part.

G** Indicates consult Customer Service Department for additional information.

ITEM	PART NO.	1 2 3 4 5	DESCRIPTION	QTY.
1	70047-G01		UPPER FLOORPAN	1
2	14601-G11		RIVET, 3/16 X 9/16" LG.....	9
3				
4	70132-G01		LOWER FLOORPAN	1
5	14601-G11		RIVET, 3/16 X 9/16" LG.....	7
6	70164-G01		SWITCH ACCESS COVER.....	1
7				
8	27166-G02		FRONT SHIELD	1
9	71015-G01		FRONT SHIELD BRACE	2
10	00114-G6		BOLT, 1/4 - 14 X 3/4" LG.....	4
11	16469-G7		WASHER, 1/4"	2
12	16816-G2		RATCHET FASTENER.....	2
13				
14	71143-G01		SPLASH PANEL	1
15	27919-G02		FOAM TAPE, 3/4 X 2" LG.	3
16	71102-G01		BOLT, 1/4 - 20 X 3/4" LG.....	1
17				
18	71151-G01		INSTRUMENT PANEL ASSEMBLY (INCLUDES ITEMS 19 - 22).....	1
19	71153-G01		PASSENGER SIDE DEFLECTOR	1
20	71154-G01		DRIVER SIDE DEFLECTOR	1
21	00614-G5		SCREW, #8 - 18 X 5/8" LG.....	6
22	71158-G01		4 CUP INSERT	1
23				
24	71177-G01		SAFETY LABEL	1
25				
26	*		SERIAL NUMBER PLATE.....	1
27	*		CAPACITY PLATE	1
28	10570-G9		RIVET, 1/8 X 11/32" LG.....	4
29				
30	00740-G4		SCREW, #10 - 32 X 1/2" LG.	4

When ordering parts, please specify the model and serial number of the product.

* Indicates a component that is not available as an individual part.

G** Indicates consult Customer Service Department for additional information.

ITEM	PART NO.	1 2 3 4 5	DESCRIPTION	QTY.
31	00921-G8		NUT, #10 - 32	4
32	71115-G01		VINYL TRIM (PASSENGER SIDE)	1
33	71115-G02		VINYL TRIM (DRIVER SIDE)	1
34	14601-G13		RIVET, 5/32 X 9/16" LG.....	10
35	71051-G**		COWL	1
36	19817-G2		E-Z-GO NAMEPLATE (GOLD)	1
37	12064-G3		PUSHNUT, 3/16"	2
38				
39	14601-G13		RIVET, 5/32 X 9/16" LG.....	2
40	71055-G01		RIVET, 3/16 X 3/8" LG.....	7
41				
42	71056-G01		BOLT, 5/16 - 18 X 5/8" LG.....	4
43	00570-G2		WASHER, 5/16"	4
44				
45	70244-G02		SPLASH PANEL	1
46	00715-G2		BOLT, 5/16 - 18 X 13/16" LG.....	2
47	00438-G8		BOLT, 5/16 - 18 X 1" LG.....	2
48	00559-G8		WASHER, 5/16"	2
49	11098-G6		LOCK NUT, 5/16 - 18	2
50				
51	70245-G01		BATTERY TRAY.....	1
52	00715-G2		BOLT, 5/16 - 18 X 13/16" LG.....	2
53	00438-G8		BOLT, 5/16 - 18 X 1" LG.....	2
54	00571-G2		WASHER, 5/16"	2
55	11098-G6		LOCK NUT, 5/16 - 18	2
56				
57	70384-G01		SEAT FRAME.....	1
58	70200-G01		SCREW, 3/8 - 16 X 1/4" LG.	2
59	70113-G01		RUBBER BUMPER.....	2
60	11027-G1		LOCK NUT, 5/16 - 18	4

BODY AND ASSOCIATED PARTS

Gasoline Vehicle

When ordering parts, please specify the model and serial number of the product.

* Indicates a component that is not available as an individual part.

G** Indicates a consult Customer Service Department for additional information.

ITEM	PART NO.	1	2	3	4	5	DESCRIPTION	QTY.
61								
62	71379-G**						SEAT WRAP PANEL.....	1
63	10570-G10						RIVET, 5/32 X 9/16" LG.....	8
64	71609-G01						HINGE PLATE.....	2
65	10570-G11						RIVET, 3/16 X 11/16" LG.....	4
66								
67	71674-G**						DRIVER SIDE SIDE PANEL	1
68	71674-G**						PASSENGER SIDE SIDE PANEL.....	1
69	10570-G10						RIVET, 5/32 X 9/16" LG.....	4
70	10570-G12						RIVET, 1/4 X 9/16" LG.....	4
71	16469-G7						FENDER WASHER.....	4
72	71196-G01						DECAL ("WORKHORSE")	2
73								
74	70135-G01						PEDAL PIVOT COVER.....	1
75	70048-G06						FLOORMAT	1
76								
77	71190-G01						DRIVER SIDE ROCKER PANEL	1
78	71190-G02						PASSENGER SIDE ROCKER PANEL.....	1
79	71191-G01						DRIVER SIDE BRACE.....	1
80	71191-G02						PASSENGER SIDE BRACE	1
81	16705-G9						CARRIAGE BOLT, 1/4 - 20 X 1 1/4" LG.....	4
82	19247-G2						SPACER (13/32" THICK)	2
83	19247-G3						SPACER (9/32" THICK)	2
84	00559-G7						WASHER, 1/4"	8
85	14390-G4						LOCK NUT, 1/4 - 20	8
86	16705-G1						CARRIAGE BOLT, 1/4 - 20 X 1" LG.....	4
87	23726-G2						SPACER (1/4" THICK)	4
88	71764-G01						SILL PLATE TREAD.....	1
89								
90	71588-G01						DRIVER SIDE SEAT FILLER PANEL	1

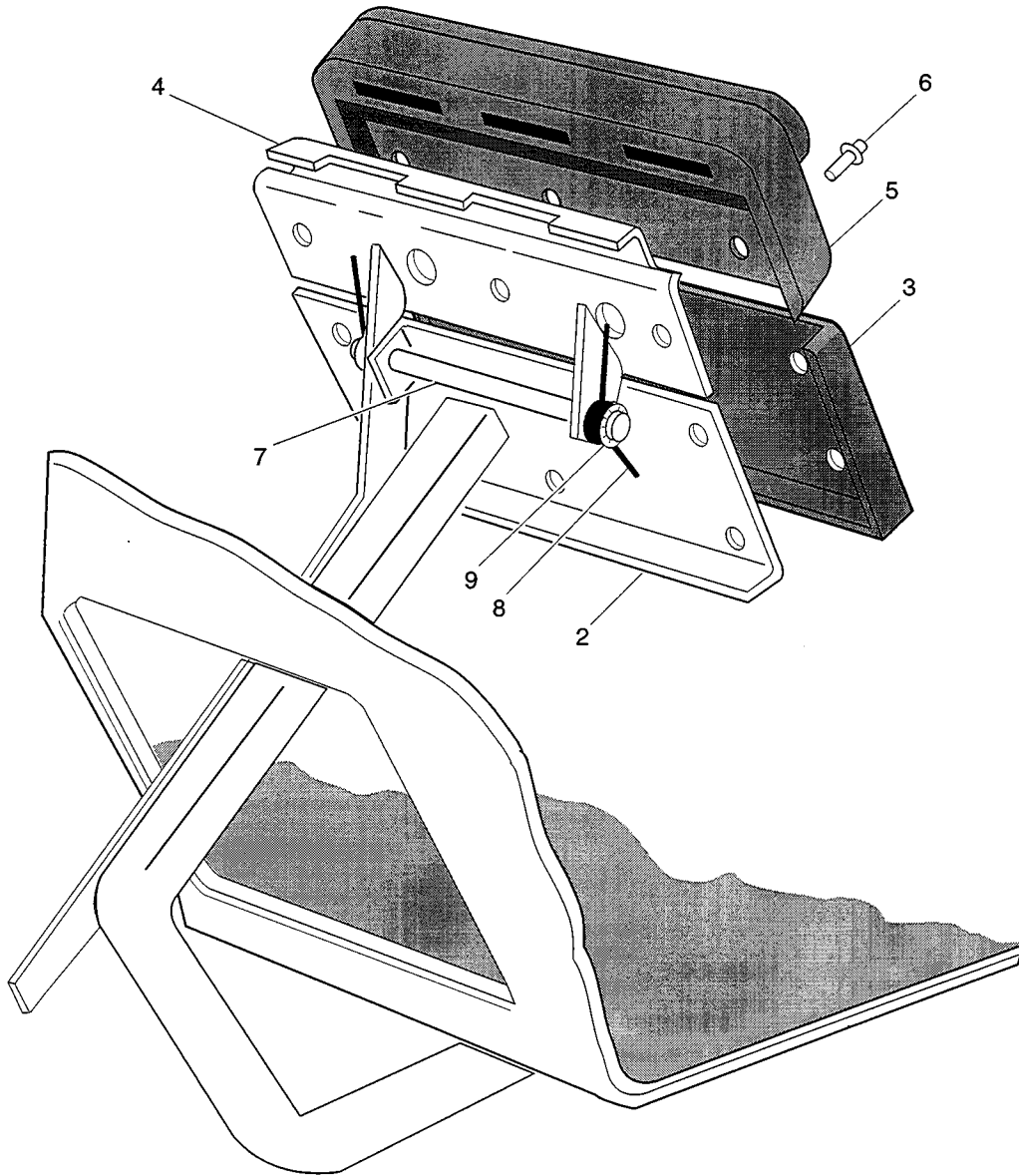
When ordering parts, please specify the model and serial number of the product.

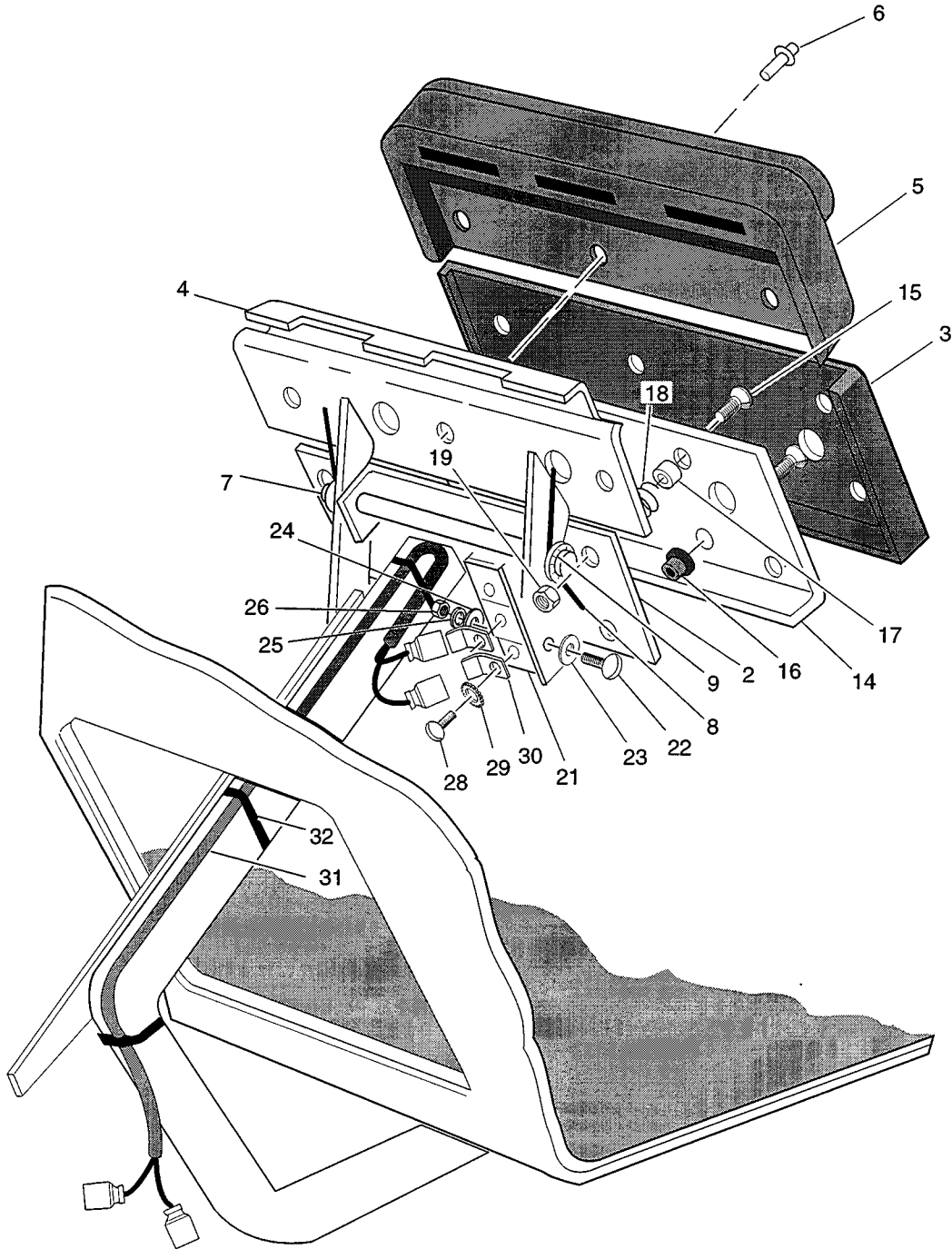
* Indicates a component that is not available as an individual part.

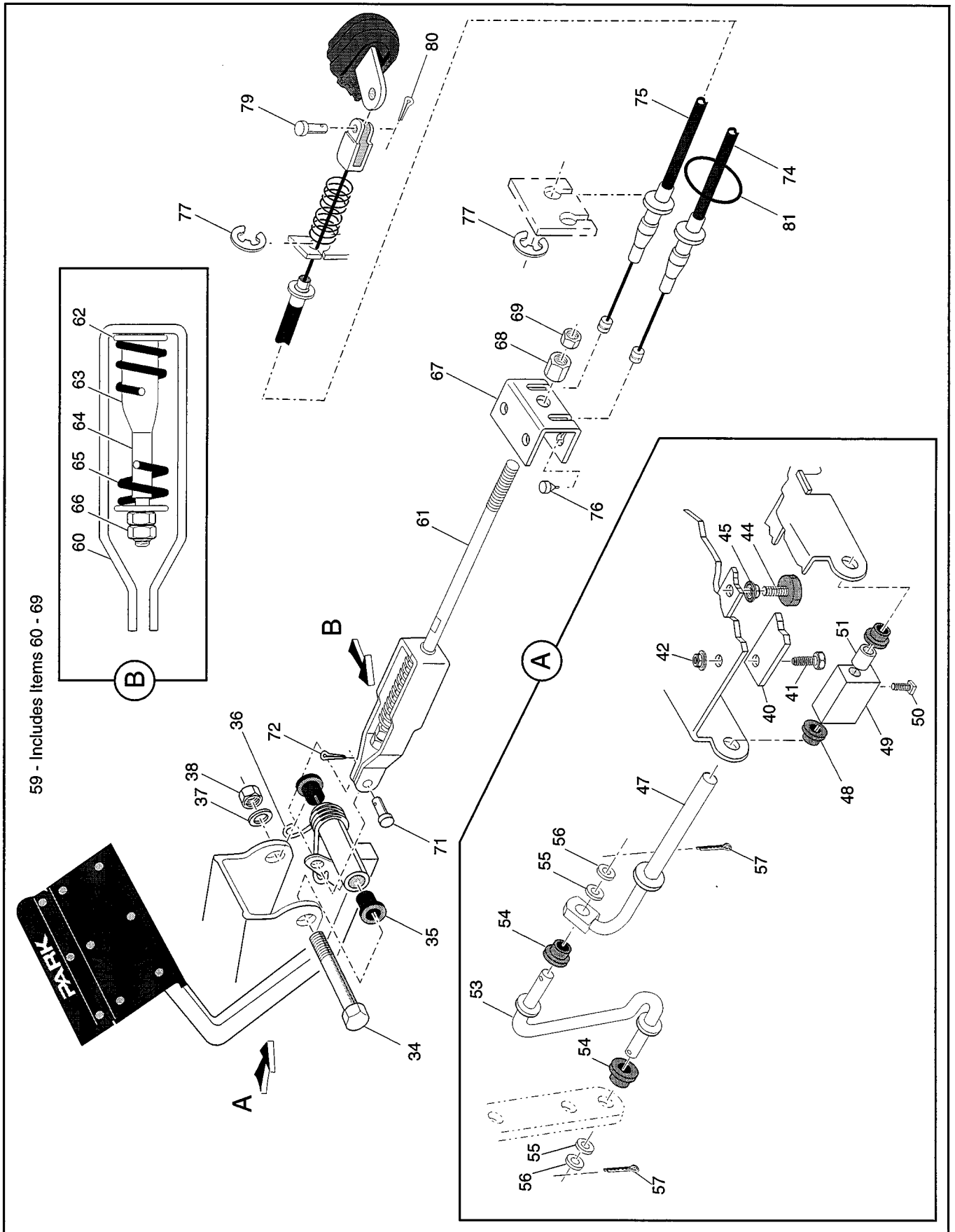
G** Indicates consult Customer Service Department for additional information.

ITEM	PART NO.	1 2 3 4 5	DESCRIPTION	QTY.
91	71588-G02		PASSENGER SIDE SEAT FILLER PANEL.....	1
92	10570-G10		RIVET, 5/32 X 9/16" LG.....	6
93	20271-G7		HOLE PLUG (VEHICLES WITHOUT TOP)	2
94				
95	71586-G01		DRIVER SIDE FENDER	1
96	71586-G02		PASSENGER SIDE FENDER.....	1
97	71586-G03		DRIVER SIDE FENDER (WITH TAILLIGHT).....	1
98	71586-G04		PASSENGER SIDE FENDER (WITH TAILLIGHT)	1
99	00414-G7		BOLT, 1/4 - 20 X 7/8" LG.....	12
100	00559-G7		WASHER, 1/4"	24
101	14390-G4		LOCK NUT, 1/4 - 20	12
102				
103	71587-G01		REAR PANEL.....	1
104	71055-G01		RIVET, 3/16 X 3/8" LG.....	4

1 - Includes Items 2 - 9







When ordering parts, please specify the model and serial number of the product.
 * Indicates a component that is not available as an individual part.
 G** Indicates consult Customer Service Department for additional information.

ITEM	PART NO.	1 2 3 4 5	DESCRIPTION	QTY.
1	70264-G01		BRAKE PEDAL ASSEMBLY (INCLUDES ITEMS 2 - 9) VEHICLES WITHOUT BRAKE LIGHTS	1
2	*		BRAKE PEDAL.....	1
3	70257-G01		BRAKE PEDAL PAD.....	1
4	70254-G01		PARK BRAKE PEDAL	1
5	70256-G01		PARK BRAKE PEDAL PAD	1
6	16409-G1		RIVET, 3/8 X 15/32" LG.....	9
7	15932-G2		PARK BRAKE PIN.....	1
8	11737-G1		PARK BRAKE TORSION SPRING.....	2
9	12064-G1		PUSH NUT, 5/16.....	1
10				
11	70263-G01		BRAKE PEDAL ASSEMBLY (INCLUDES ITEMS 12 - 32) VEHICLES WITH BRAKE LIGHTS	1
12	70264-G01		BRAKE PEDAL ASSEMBLY (INCLUDES ITEMS 2 - 9)	1
13				
14	70258-G02		BRAKE PEDAL PLATE.....	1
15	00737-G8		SCREW, #10 - 24 X 1" LG.....	4
16	00739-G1		RUBBER NUT, #10 - 24.....	2
17	22362-G3		BRAKE PEDAL STANDOFF.....	2
18	27137-G01		CONICAL SPRING	2
19	11098-G7		LOCK NUT, #10 - 24.....	2
20				
21	10606-G8		MICRO SWITCH.....	1
22	00645-G2		SCREW, #6 - 32 X 1 1/4" LG.....	2
23	00559-G5		WASHER, #10	2
24	00559-G3		WASHER, #6	2
25	00565-G3		LOCK WASHER, #6	2
26	00525-G5		NUT, #6 - 32.....	2
27				
28	*		BRASS SCREW	2
29	00567-G3		LOCK WASHER, #6	2

BRAKE LINKAGE

Gasoline Vehicle

When ordering parts, please specify the model and serial number of the product.

* Indicates a component that is not available as an individual part.

G** Indicates consult Customer Service Department for additional information.

ITEM	PART NO.	1	2	3	4	5	DESCRIPTION	QTY.
30	14628-G1						FASTON TAB, 5/16 X 5/16" LG.	2
31	24605-G1						WIRE	1
32	17618-G1						NYLON CLAMP	3
33								
34	70096-G01						SHOULDER BOLT, 3/8 - 16 X 3" LG.....	1
35	11079-G1						FLANGED BUSHING	2
36	70138-G01						TORSION SPRING	1
37	00643-G1						WASHER, 3/8.....	1
38	11098-G5						NUT, 3/8 - 16	1
39								
40	70080-G01						PARK BRAKE CATCH BRACKET	1
41	00414-G6						BOLT, 1/4 - 20 X 3/4" LG.....	2
42	11027-G2						LOCK NUT, 1/4 - 20	2
43								
44	70113-G01						ADJUSTABLE BUMPER.....	1
45	11027-G1						LOCK NUT, 5/16 - 18	1
46								
47	70098-G01						KICK OFF CAM PIVOT	1
48	10097-G6						FLANGED BEARING	2
49	25103-G1						KICK-OFF CAM.....	1
50	00491-G4						SETSCREW, 1/4 - 20 X 1/2" LG.	2
51	14134-G4						SPACER.....	1
52								
53	70097-G01						PARK BRAKE KICK-OFF LINK.....	1
54	17838-G1						BEARING	2
55	20835-G1						TEFLON WASHER	2
56	00559-G8						WASHER, 5/16.....	2
57	10387-G3						COTTER PIN, 3/32 X 3/4" LG.....	2
58								
59	70272-G04						COMPENSATOR ASSEMBLY (INCLUDES ITEMS 60 - 69).....	1

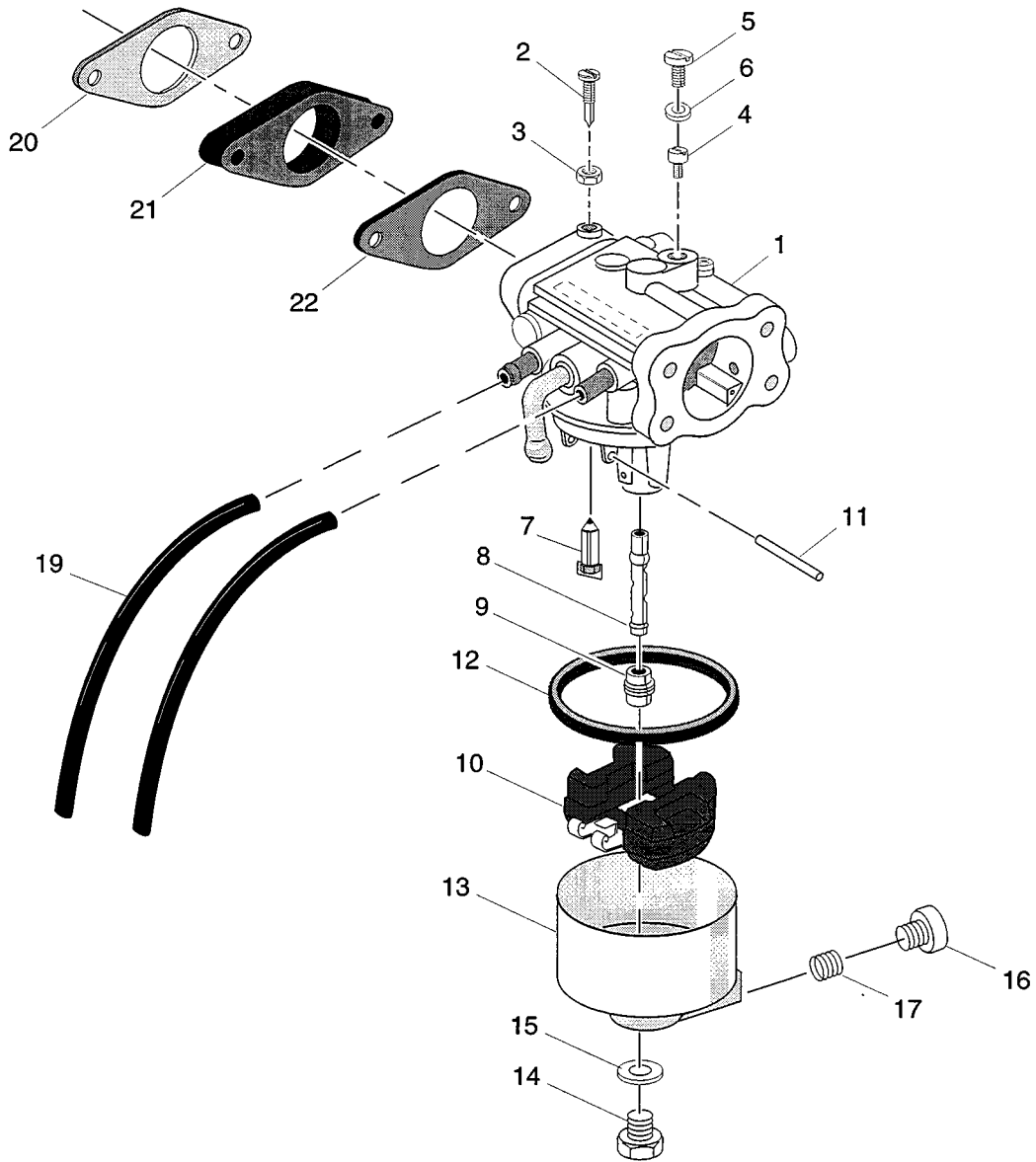
When ordering parts, please specify the model and serial number of the product.

* Indicates a component that is not available as an individual part.

G** Indicates consult Customer Service Department for additional information.

ITEM	PART NO.	1	2	3	4	5	DESCRIPTION	QTY.
60	*						BRAKE YOKE.....	1
61	25882-G04						LINK ROD.....	1
62	15121-G1						WASHER, 3/8".....	2
63	17979-G1						ACCELERATOR ROD BUSHING.....	1
64	23061-G2						TUBE.....	1
65	23463-G1						COMPRESSION SPRING.....	1
66	00532-G4						NUT, 5/16 - 24.....	2
67	28082-G01						EQUALIZER BRACKET.....	1
68	00963-G01						SPHERICAL NUT, 5/16 - 24.....	1
69	11098-G9						LOCK NUT, 5/16 - 24.....	1
70								
71	10386-G3						CLEVIS PIN, 5/16 X 15/16" LG.....	1
72	10387-G3						COTTER PIN, 3/32 X 3/4" LG.....	1
73								
74	70453-G01						BRAKE CABLE (DRIVER SIDE).....	1
75	70349-G02						BRAKE CABLE (PASSENGER SIDE).....	1
76	28083-G01						BRAKE COMPENSATOR BUMPER.....	2
77	12305-G1						RETAINING RING.....	4
78								
79	10386-G3						CLEVIS PIN, 5/16 X 15/16" LG.....	2
80	10387-G3						COTTER PIN, 3/32 X 3/4" LG.....	2
81	12416-G1						NYLON CLAMP.....	2

1 - Includes Items 2 - 17

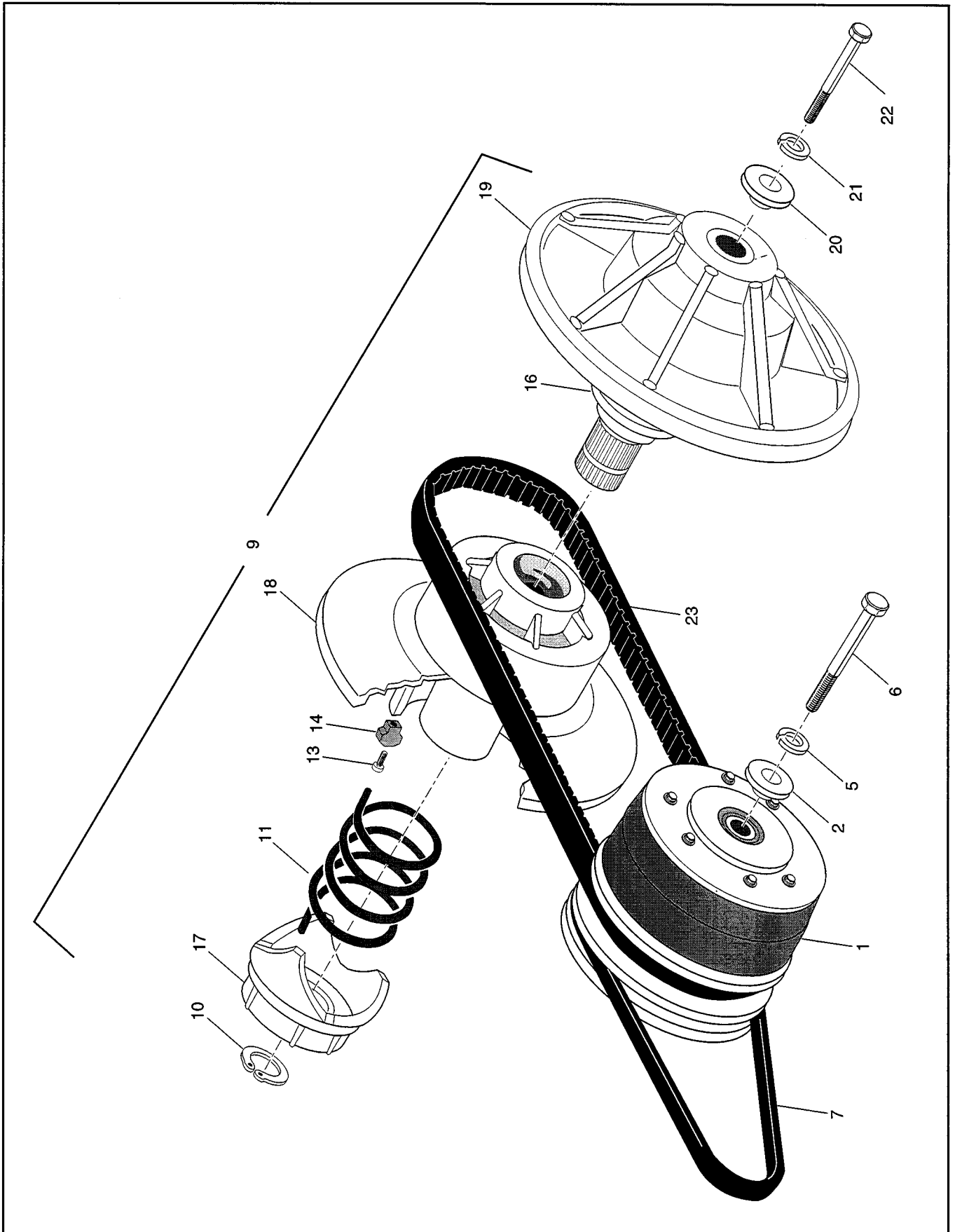


When ordering parts, please specify the model and serial number of the product.

* Indicates a component that is not available as an individual part.

G** Indicates consult Customer Service Department for additional information.

ITEM	PART NO.	1 2 3 4 5	DESCRIPTION	QTY.
1	26645-G04		CARBURETOR ASSEMBLY (INCLUDES ITEMS 2 - 17)	1
2	26835-G01		PILOT SCREW	1
3	26847-G01		PILOT SCREW NUT	1
4	26649-G03		PILOT JET (#50).....	1
5	26841-G01		PLUG	1
6	26731-G01		BOWL SCREEN GASKET	1
7	26647-G01		NEEDLE VALVE	1
8	26837-G01		MAIN NOZZLE.....	1
9	26646-G05		MAIN JET (#94).....	1
10	26648-G01		FLOAT	1
11	26840-G01		FLOAT PIN	1
12	26843-G01		FLOAT BOWL GASKET	1
13	26844-G01		FLOAT CHAMBER	1
14	26839-G01		BOWL SCREW	1
15	26730-G01		BOWL GASKET.....	1
16	26846-G01		DRAIN SCREW	1
17	26845-G01		SPRING	1
18				
19	26650-G01		VENT TUBE	2
20				
21	26725-G01		CARBURETOR MOUNT GASKET	1
22	26637-G01		CARBURETOR INSULATOR.....	1
23	26726-G01		CARBURETOR MOUNT GASKET	1

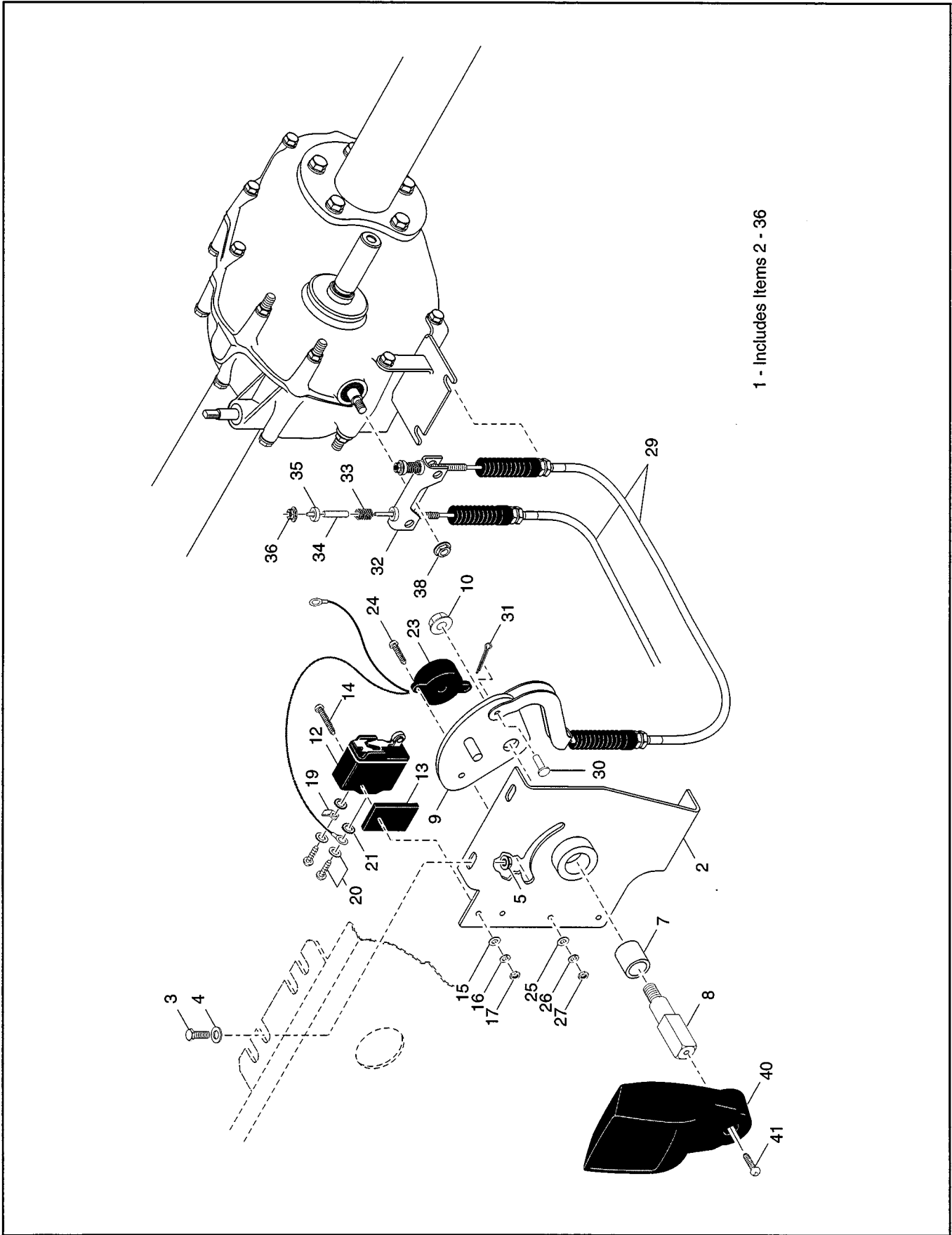


When ordering parts, please specify the model and serial number of the product.

* Indicates a component that is not available as an individual part.

G** Indicates consult Customer Service Department for additional information.

ITEM	PART NO.	1 2 3 4 5	DESCRIPTION	QTY.
1	26952-G01		DRIVE CLUTCH.....	1
2	25757-G1		PILOT WASHER	1
3				
4				
5	00566-G2		LOCK WASHER, 7/16"	1
6	00473-G9		BOLT, 7/16 - 20 X 6 1/2" LG.....	1
7	26414-G01		STARTER / GENERATOR BELT.....	1
8				
9	26301-G02		DRIVEN CLUTCH ASSEMBLY (INCLUDES ITEMS 10 - 19)	1
10	27270-G01		HEAVY DUTY RETAINING RING.....	1
11	26304-G01		COMPRESSION SPRING	1
12				
13	00979-G01		SCREW, #10 - 24	3
14	26479-G01		RAMP BUTTON.....	3
15				
16	24600-G1		SPACER WASHER.....	1
17	*		CAM.....	1
18	*		MOVABLE SHEAVE	1
19	*		SHEAVE AND POST	1
20	25756-G1		RETAINING WASHER	1
21	00565-G8		LOCK WASHER, 5/16"	1
22	00441-G8		BOLT, 5/16 - 18 X 4" LG.....	1
23	72054-G01		DRIVE BELT	1



1 - Includes Items 2 - 36

When ordering parts, please specify the model and serial number of the product.

* Indicates a component that is not available as an individual part.

G** Indicates consult Customer Service Department for additional information.

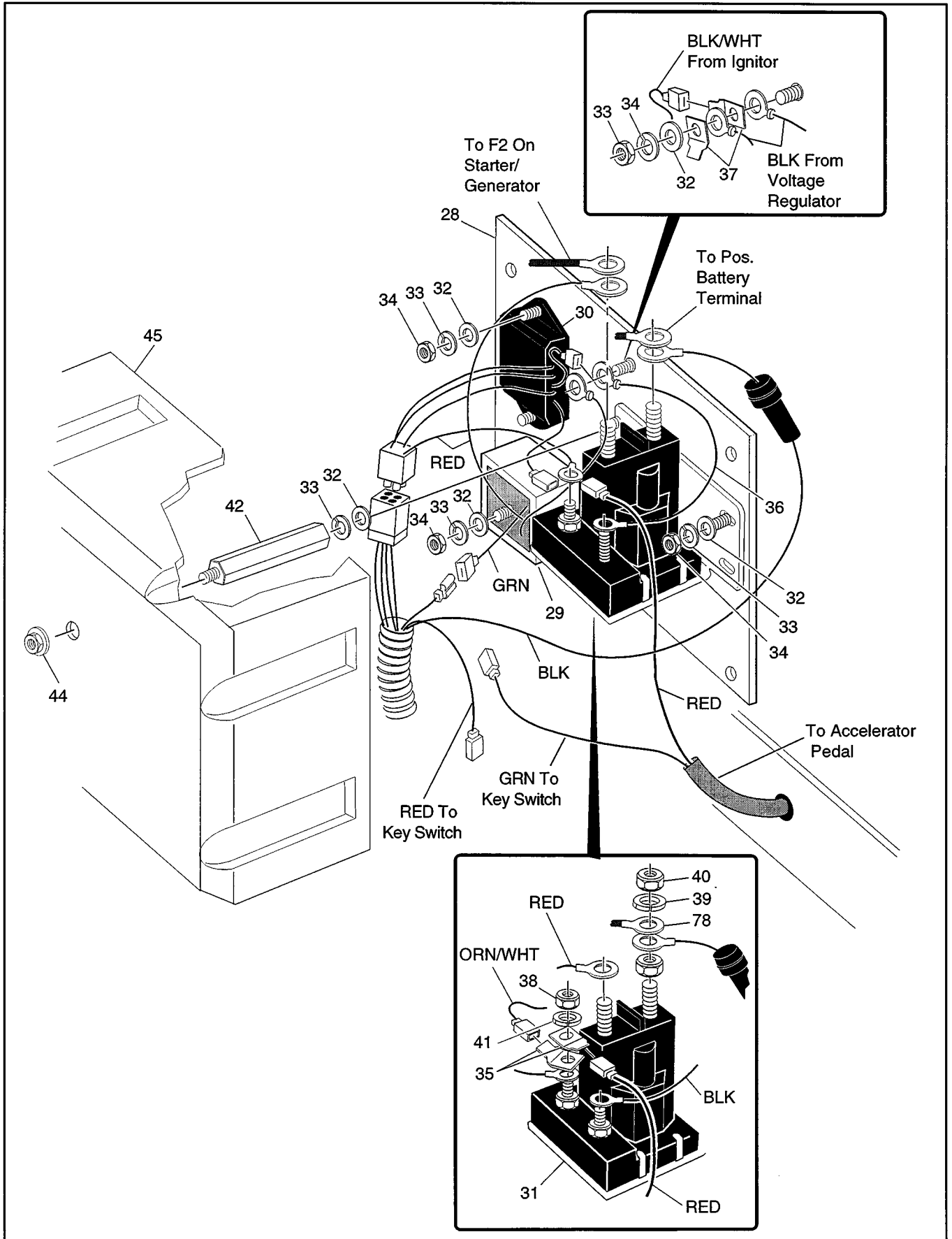
ITEM	PART NO.	1 2 3 4 5	DESCRIPTION	QTY.
1	25700-G06		DIRECTION SELECTOR ASSEMBLY (INCLUDES ITEMS 2 - 36)	1
2	25684-G01		DIRECTION SELECTOR BRACKET.....	1
3	00414-G6		SCREW, 1/4 - 20 X 3/4" LG.....	2
4	00559-G7		WASHER, 1/4".....	2
5	11027-G2		LOCK NUT, 1/4 - 20.....	2
6				
7	25664-G1		BUSHING	1
8	27537-G01		DIRECTION SELECTOR SHAFT	1
9	25745-G01		DIRECTION SELECTOR CAM.....	1
10	14390-G1		LOCK NUT, 3/8 - 24.....	1
11				
12	10606-G1		MICRO SWITCH.....	1
13	27151-G01		MICRO SWITCH SPACER.....	1
14	00645-G2		SCREW, #6 - 32 X 1 1/4" LG.....	2
15	00559-G3		WASHER, #6	2
16	00565-G3		LOCK WASHER, #6	2
17	00525-G5		NUT, #6 - 32.....	2
18				
19	14628-G1		FASTON TAB.....	1
20	*		SCREW AND WASHER ASSEMBLY	2
21	00567-G3		LOCK WASHER, #6	2
22				
23	17940-G5		REVERSE WARNING	1
24	00138-G5		SCREW, #6 - 32 X 5/8" LG.....	2
25	00559-G3		WASHER, #6	2
26	00565-G3		LOCK WASHER, #6	2
27	00525-G5		NUT, #6 - 32.....	2
28				
29	72341-G01		SHIFTER CONTROL CABLE	2
30	23176-G1		CLEVIS PIN, 5/16 X 1/2" LG.	2

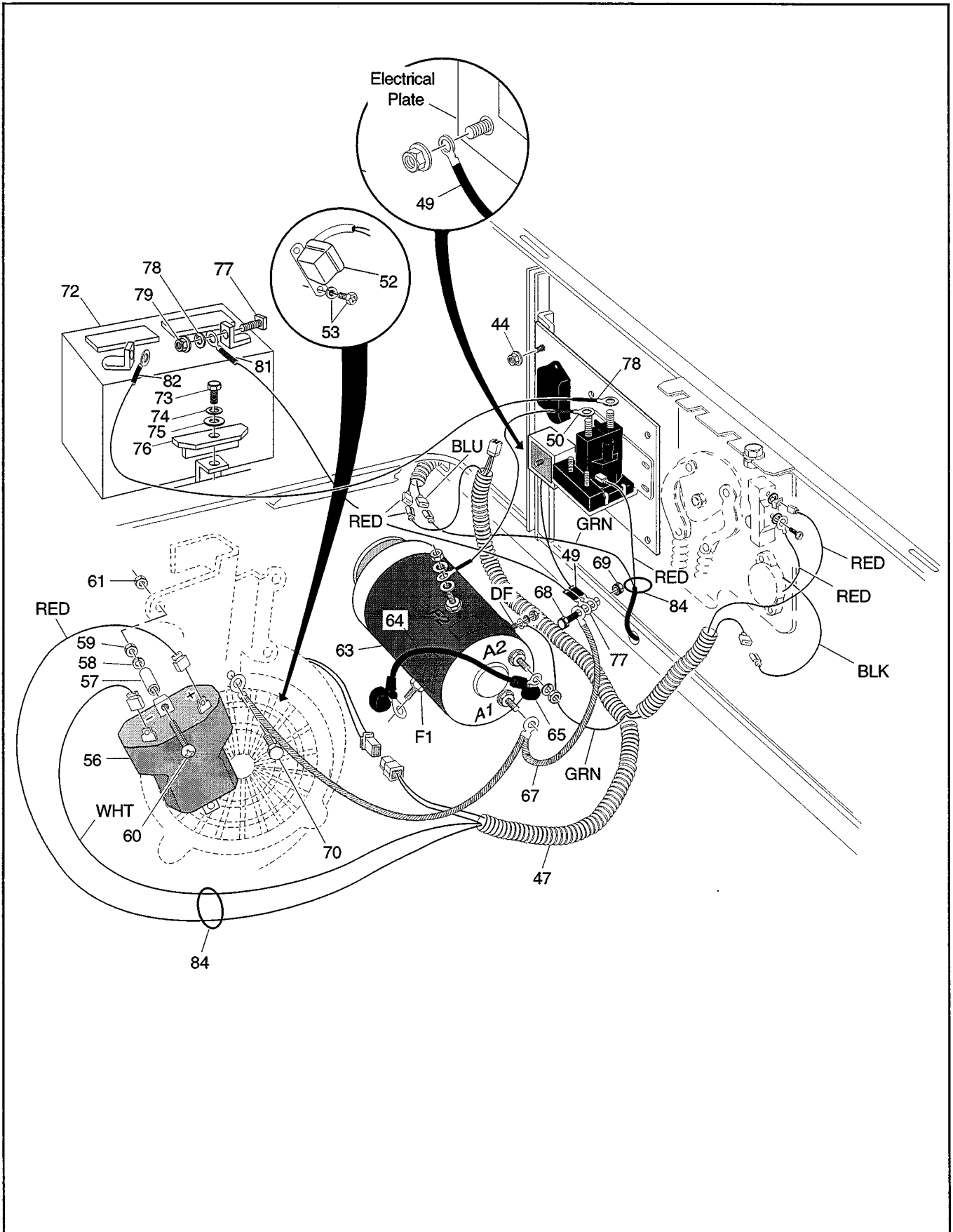
DIRECTION SELECTOR

Gasoline Vehicle

When ordering parts, please specify the model and serial number of the product.
* Indicates a component that is not available as an individual part.
G** Indicates consult Customer Service Department for additional information.

ITEM	PART NO.	1	2	3	4	5	DESCRIPTION	QTY.
31	10387-G8						COTTER PIN, 1/16 X 3/4" LG.....	2
32	25946-G01						PIVOT ARM	1
33	27764-G01						SPRING	2
34	23726-G5						SPACER	2
35	25727-G01						CUP WASHER.....	4
36	11098-G7						NUT, #10 - 24.....	2
37								
38	26830-G01						SHIFTER LEVER NUT, M8 X 1.25 MM.....	1
39								
40	71905-G01						DIRECTION SELECTOR HANDLE.....	1
41	00740-G4						SCREW, #10 - 32 X 1/2" LG	1





When ordering parts, please specify the model and serial number of the product.
 * Indicates a component that is not available as an individual part.
 G** Indicates consult Customer Service Department for additional information.

ITEM	PART NO.	1 2 3 4 5	DESCRIPTION	QTY.
1	73030-G01		CONSOLE PLATE (IGNITION SWITCH ONLY)	1
2	71181-G01		CONSOLE PLATE DECAL (IGNITION SWITCH ONLY)	1
3				
4	73030-G03		CONSOLE PLATE (SWITCH WITH WARNING LIGHTS)	1
5	71183-G01		CONSOLE PLATE DECAL (SWITCH WITH WARNING LIGHTS).....	1
6				
7	73030-G04		CONSOLE PLATE (SWITCH, OIL WARNING LIGHT AND FUEL GAUGE)	1
8	71127-G01		CONSOLE PLATE DECAL (SWITCH, LIGHT AND GAUGE)	1
9				
10	33623-G02		DRIVE RIVET.....	2
11	33639-G0*		IGNITION SWITCH (VEHICLES WITH LIGHTS).....	1
12	00568-G6		LOCK WASHER, 3/4"	1
13	17137-G1		FACE NUT	1
14	17063-G1		IGNITION KEY	AR
15	27778-G01		IGNITION SWITCH HARNESS.....	1
16				
17	23474-G1		INDICATOR LIGHT	A/R
18	74030-G01		INDICATOR LIGHTS WIRE HARNESS	1
19				
20	21553-G1		FUEL GAUGE	1
21	74029-G01		FUEL GAUGE/INDICATOR LIGHT WIRE HARNESS	1
22				
23	25978-G74		WIRE, RED	1
24	25978-G122		WIRE, RED	1
25				
26				
27	27740-G03		ELECTRICAL PLATE ASSEMBLY (INCLUDES ITEMS 28 - 42)	1
28	27738-G01		ELECTRICAL PLATE.....	1
29	27739-G01		VOLTAGE REGULATOR	1
30	27746-G01		IGNITOR ASSEMBLY	1

When ordering parts, please specify the model and serial number of the product.

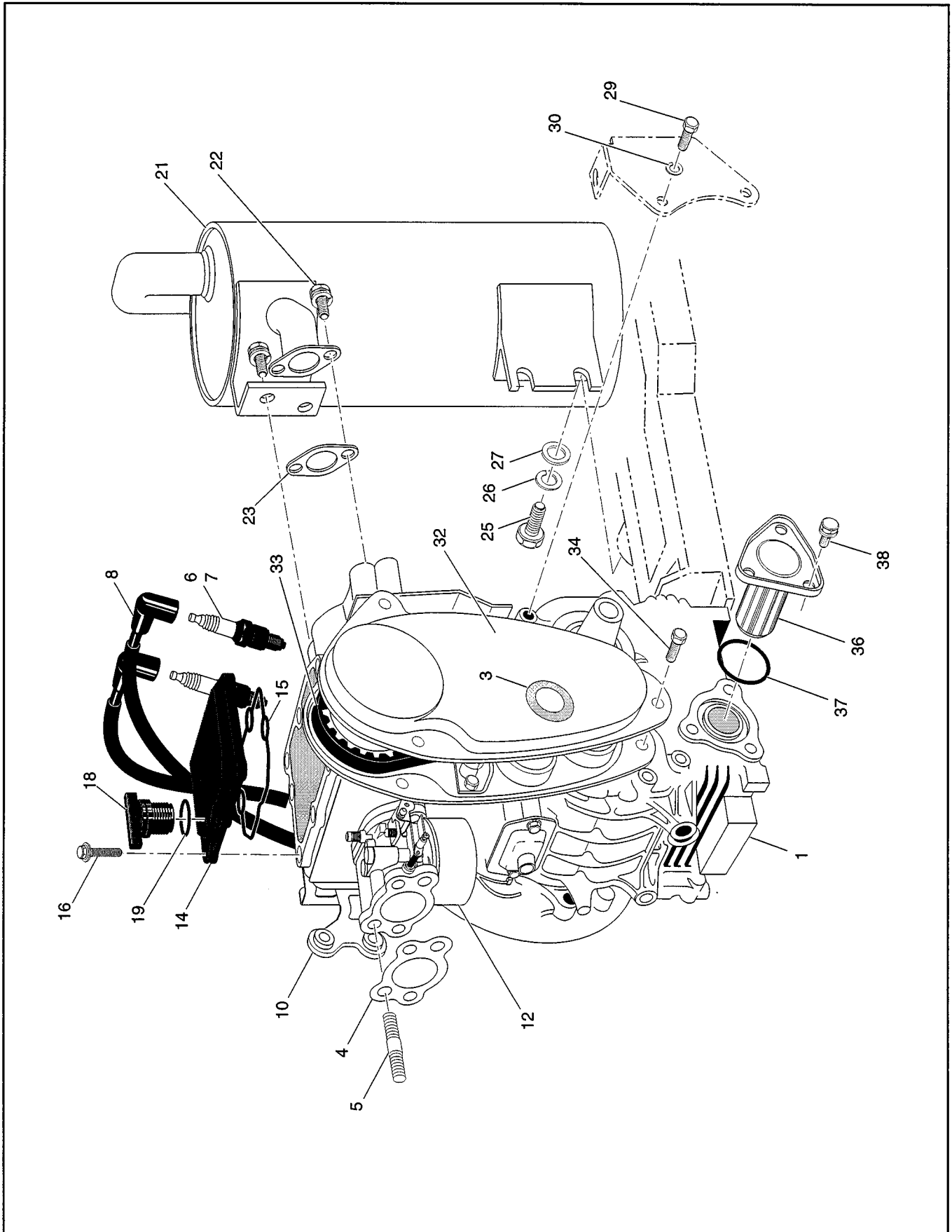
* Indicates a component that is not available as an individual part.

G** Indicates consult Customer Service Department for additional information.

ITEM	PART NO.	1	2	3	4	5	DESCRIPTION	QTY.
31	27153-G01						SOLENOID	1
32	00650-G7						WASHER, 1/4"	6
33	00565-G7						LOCK WASHER, 1/4"	6
34	00532-G1						NUT, 1/4 - 20.....	5
35	12914-G1						FASTON TAB, 5/16" x 5/16"	2
36	25978-G56						WIRE, BLACK, 5 3/4" LG.....	1
37	12914-G2						FASTON TAB, 3/8" x 13/32"	2
38	00526-G4						NUT, #10 - 32.....	2
39	00565-G8						LOCK WASHER, 5/16"	2
40	00544-G4						NUT, 5/16 - 24.....	2
41	00565-G5						LOCK WASHER, #10	2
42	72003-G01						COVER SPACER.....	1
43								
44	11027-G2						LOCK NUT, 1/4 - 20	3
45	72004-G01						ELECTRICAL PLATE COVER	1
46								
47	72344-G01						CONTROL HARNESS	1
48								
49	25976-G11						WIRE, BLACK	1
50	25972-G58						WIRE (SOL - F2)	1
51								
52	26651-G02						IGNITION PICKUP ASSEMBLY (INCLUDES ITEM 53)	1
53	26707-G01						BOLT AND WASHER ASSEMBLY, M5 X .8 X 10 MM LG.....	1
54								
55	26652-G01						IGNITION COIL ASSEMBLY (INCLUDES ITEMS 56 - 61)	1
56	*						IGNITION COIL	1
57	*						SPACER	1
58	*						LOCK WASHER	1
59	*						NUT	1
60	*						SCREW	1

When ordering parts, please specify the model and serial number of the product.
 * Indicates a component that is not available as an individual part.
 G** Indicates consult Customer Service Department for additional information.

ITEM	PART NO.	1	2	3	4	5	DESCRIPTION	QTY.
61	13632-G1						NUT, M6 X 1" LG.....	2
62								
63	XXXXX-XX						STARTER / GENERATOR (SEE SECTION R).....	X
64	25887-G01						WIRE (F1 - A2).....	1
65	25682-G1						TERMINAL COVER	3
66								
67	20294-G3						GROUND CABLE	1
68	00715-G3						BOLT, 5/16 - 18 X 1 1/4" LG.....	1
69	11027-G1						LOCK NUT, 5/16-18.....	1
70	26676-G01						SCREW, M6 X 1 X 23 MM LG.	1
71								
72	XXXXX-G**						BATTERY, 12 VOLT	1
73	00952-G6						BOLT, 5/16 - 18 X 3/4" LG.....	1
74	00565-G8						LOCK WASHER, 5/16"	1
75	00571-G2						WASHER, 5/16"	1
76	72101-G01						BATTERY HOLD DOWN.....	1
77	*						BOLT, 5/16 - 18 X 1 1/4" LG.....	2
78	*						LOCK WASHER, 5/16"	2
79	*						NUT, 5/16 - 18.....	2
80								
81	25972-G12						WIRE (B- GRD).....	1
82	25972-G33						WIRE (B+ - SOL)	1
83								
84	17618-G1						NYLON CLAMP	5



When ordering parts, please specify the model and serial number of the product.

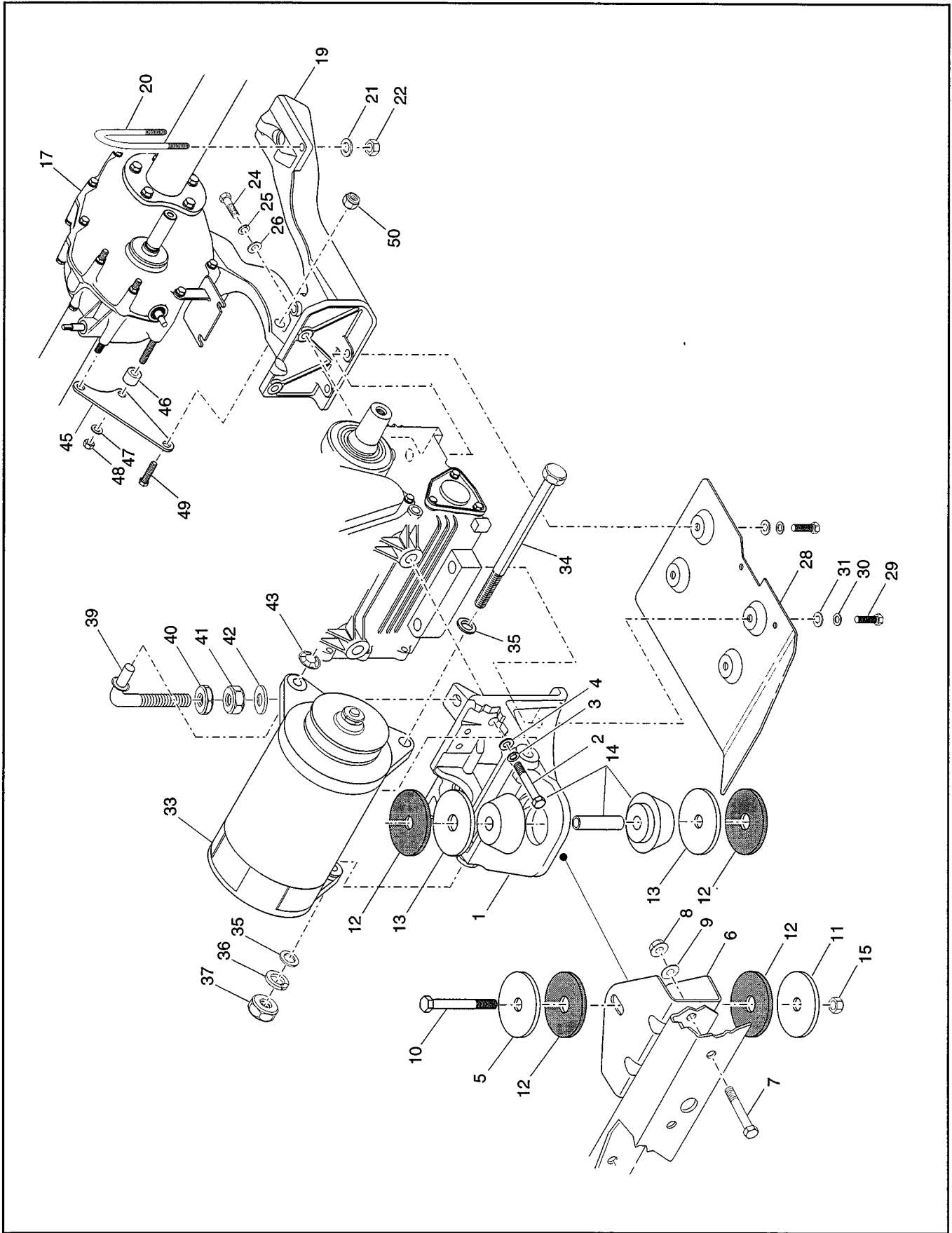
* Indicates a component that is not available as an individual part.

G** Indicates consult Customer Service Department for additional information.

ITEM	PART NO.	1 2 3 4 5	DESCRIPTION	QTY.
1	72500-G01		ENGINE, 350CC	1
2				
3	26631-G01		TIMING BELT COVER GROMMET	1
4	26727-G01		CARBURETOR / AIR BOX GASKET	1
5	26667-G01		STUD	2
6	25523-G3		SPARK PLUG, RESISTOR	AR
7	25523-G2		SPARK PLUG, NGK BP4ES	2
8	26733-G01		SPARK PLUG WIRE SET (2, WITH BOOTS)	1
9				
10	26657-G01		IGNITION COIL BRACKET	1
11				
12	XXXXX-XX		CARBURETOR (SEE SECTION D)	X
13				
14	26600-G01		VALVE COVER	1
15	26719-G01		VALVE COVER GASKET	1
16	26676-G01		BOLT, M6 X 1 X 23 MM LG.	6
17				
18	26601-G01		OIL FILLER CAP	1
19	26720-G01		"O" RING	1
20				
21	72019-G01		MUFFLER	1
22	25532-G1		BOLT AND WASHER, M8 X 1.25 X 18 MM LG.	2
23	25531-G1		EXHAUST GASKET	1
24				
25	00438-G8		BOLT, 5/16 - 18 X 1" LG.	1
26	00565-G8		LOCK WASHER, 5/16"	1
27	00642-G8		WASHER, 5/16"	1
28				
29	00276-G6		SCREW, 5/16 - 24 X 3/4" LG.	2
30	00565-G8		LOCK WASHER, 5/16"	2

When ordering parts, please specify the model and serial number of the product.
 * Indicates a component that is not available as an individual part.
 G** Indicates consult Customer Service Department for additional information.

ITEM	PART NO.	1	2	3	4	5	DESCRIPTION	QTY.
31								
32	26630-G01						TIMING BELT COVER	1
33	26626-G01						TIMING BELT	1
34	26678-G01						BOLT, M6 X 1 X 12 MM LG.	3
35								
36	26591-G01						OIL FILTER.....	1
37	26710-G01						OIL FILTER "O" RING	1
38	26680-G01						BOLT AND WASHER, M6 X 1 X 12 MM LG.....	3



When ordering parts, please specify the model and serial number of the product.

* Indicates a component that is not available as an individual part.

G** Indicates consult Customer Service Department for additional information.

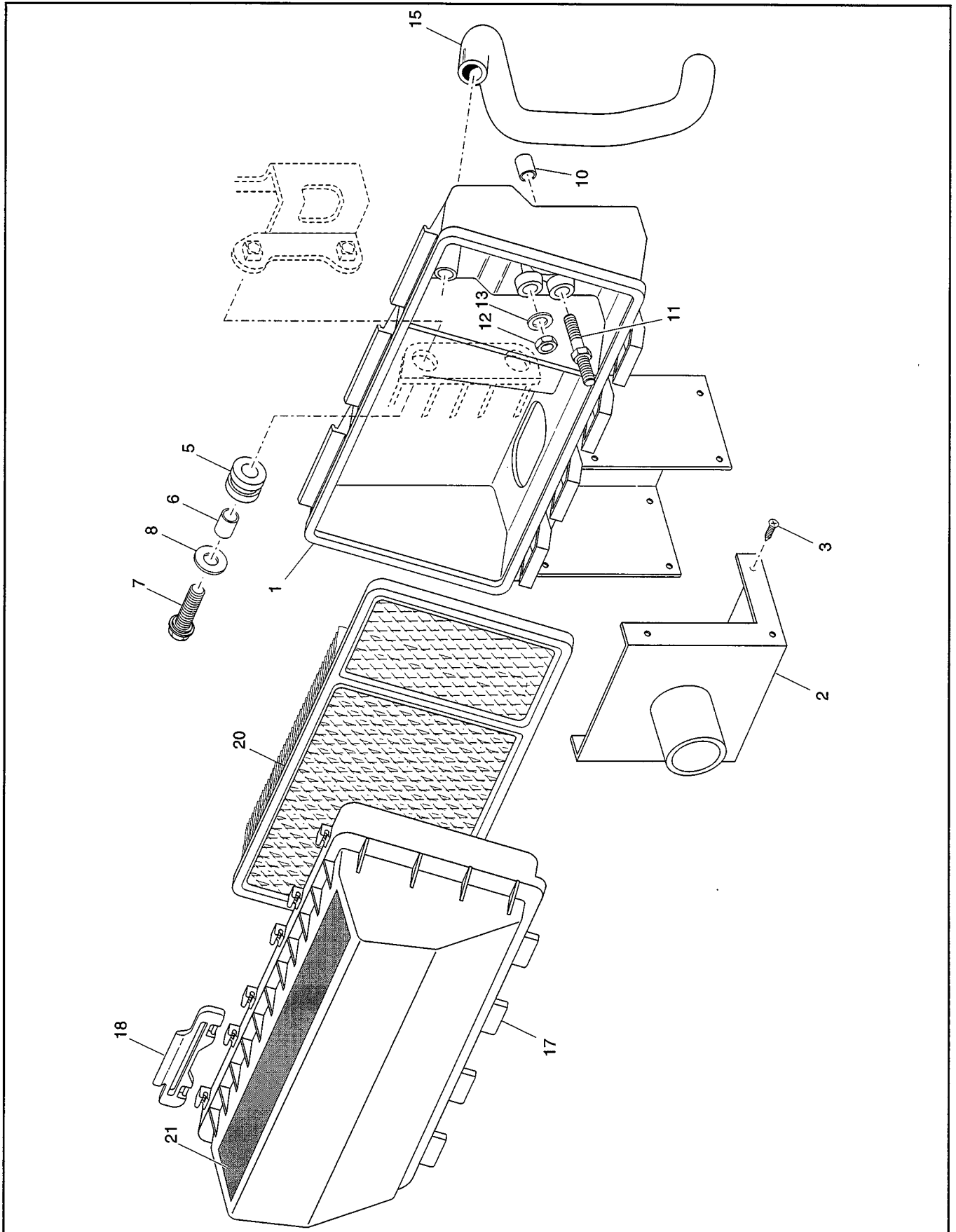
ITEM	PART NO.	1 2 3 4 5	DESCRIPTION	QTY.
1	72010-G01		FRONT ENGINE MOUNT	1
2	00463-G4		BOLT, 7/16 - 14 X 1 1/2" LG.....	2
3	00566-G2		LOCK WASHER, 7/16"	2
4	00922-G3		WASHER, 7/16"	2
5	15121-G1		WASHER, 1 1/4" X 3/8".....	1
6	72044-G01		MOUNT BRACKET	1
7	00428-G6		BOLT, 3/8 - 16 X 2 3/4" LG.....	2
8	11098-G5		LOCK NUT, 3/8 - 16	2
9	00643-G1		WASHER, 3/8"	2
10	00430-G4		BOLT, 3/8 - 16 X 4 1/2" LG.....	1
11	72051-G02		WASHER, 2 1/2 X 11/32 X 1/8"	1
12	72050-G01		PLASTIC WASHER.....	4
13	72051-G01		WASHER, 2 1/2 X 5/8 X 1/8"	2
14	72015-G01		ISOLATION MOUNT	1
15	11098-G5		LOCK NUT, 3/8 - 16	1
16				
17	XXXXX-XX		DIFFERENTIAL (SEE REAR AXLE SECTION 0)	X
18				
19	72011-G01		REAR ENGINE MOUNT	1
20	72035-G01		"U" BOLT	2
21	00922-G3		WASHER, 7/16"	4
22	00734-G1		LOCK NUT, 7/16 - 14	4
23				
24	00463-G4		BOLT, 7/16 - 14 X 1 1/2" LG.....	2
25	00566-G2		LOCK WASHER, 7/16"	2
26	00922-G3		WASHER, 7/16"	2
27				
28	27432-G02		ENGINE GUARD	1
29	00463-G4		BOLT, 7/16 - 14 X 1 1/2" LG.....	4
30	00566-G2		LOCK WASHER, 7/16"	4

When ordering parts, please specify the model and serial number of the product.

* Indicates a component that is not available as an individual part.

G** Indicates consult Customer Service Department for additional information.

ITEM	PART NO.	1 2 3 4 5	DESCRIPTION	QTY.
31	00922-G3		WASHER, 7/16"	4
32				
33	XXXXX-XX		STARTER / GENERATOR (SEE SECTION R)	1
34	00938-G4		BOLT, 1/2 - 13 X 8" LG.	1
35	00560-G3		WASHER, 1/2"	2
36	00566-G3		LOCK WASHER, 1/2".....	1
37	00533-G1		NUT, 1/2 - 13	1
38				
39	72045-G01		STARTER / GENERATOR ADJUSTER.....	1
40	00544-G5		JAM NUT, 3/8 - 16	1
41	00532-G5		NUT, 3/8 - 16	1
42	00560-G1		WASHER, 3/8"	1
43	12064-G1		PUSH NUT, 5/16"	1
44				
45	72017-G01		TRANSAXLE BRACKET	1
46	75048-G01		SPACER.....	1
47	26826-G01		LOCK WASHER, M8	2
48	26827-G01		NUT, M8 X 1.25 MM	2
49	00439-G2		BOLT, 5/16 - 18 X 1 1/4" LG.	1
50	11098-G6		LOCK NUT, 5/16 - 18	1

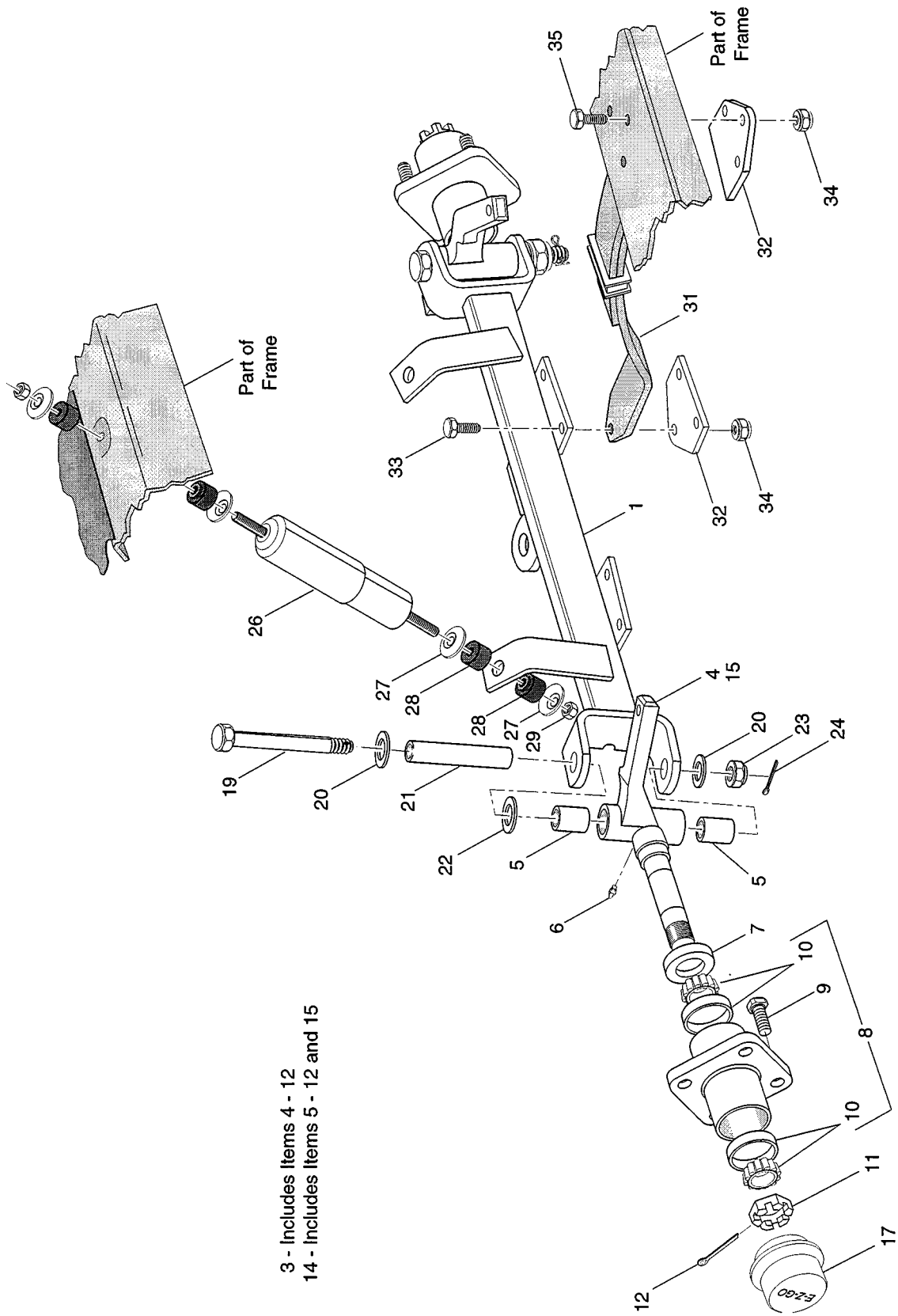


When ordering parts, please specify the model and serial number of the product.

* Indicates a component that is not available as an individual part.

G** Indicates consult Customer Service Department for additional information.

ITEM	PART NO.	1 2 3 4 5	DESCRIPTION	QTY.
1	72142-G01		AIR FILTER HOUSING	1
2	72146-G01		INLET COVER	1
3	00614-G5		SCREW, #8 - 18 X 5/8" LG.	6
4				
5	72147-G01		HOUSING MOUNT GROMMET	2
6	23726-G7		HOUSING MOUNT SPACER.....	2
7	26671-G01		BOLT WITH WASHER, M6 X 1 X 30 MM LG.....	2
8	26701-G01		WASHER, 6.5 X 20 X 1.6 MM.....	2
9				
10	23726-G6		CARBURETOR MOUNT SPACER	4
11	72514-G01		STUD.	2
12	13632-G1		NUT, M6 X 1 MM.....	2
13	51400-G1		LOCK WASHER, 6 MM.....	2
14				
15	72151-G01		PCV HOSE.....	1
16				
17	72143-G01		AIR FILTER COVER	1
18	72148-G01		AIR FILTER LATCH.....	3
19				
20	72144-G01		AIR FILTER ELEMENT	1
21				
22	74093-G01		WARNING LABEL.....	1



When ordering parts, please specify the model and serial number of the product.

* Indicates a component that is not available as an individual part.

G** Indicates consult Customer Service Department for additional information.

ITEM	PART NO.	1 2 3 4 5	DESCRIPTION	QTY.
1	70001-G01		FRONT AXLE.....	1
2				
3	70220-G01		DRIVER SIDE SPINDLE ASSEMBLY (INCLUDES ITEMS 4 - 12).....	1
4	*		DRIVER SIDE SPINDLE.....	1
5	16623-G1		BEARING.....	2
6	18456-G1		GREASE FITTING.....	1
7	25146-G1		GREASE SEAL.....	1
8	19932-G1		WHEEL HUB ASSEMBLY (INCLUDES ITEMS 17, 18).....	1
9	19862-G1		WHEEL BOLT, 1/2 - 20.....	4
10	50892-G1		BEARING AND RACE ASSEMBLY (COMPLETE).....	2
11	12093-G1		SLOTTED NUT, 17/32.....	1
12	00798-G8		COTTER PIN, 5/32 X 1 3/4" LG.	1
13				
14	70221-G01		PASSENGER SIDE SPINDLE ASSEMBLY (INCLUDES ITEMS 5 - 12, 15)	1
15	*		PASSENGER SIDE SPINDLE.....	1
16				
17	12091-G1		SPINDLE CAP	2
18				
19	70327-G01		SPINDLE PIN, 1/2 - 13 X 5 1/2" LG.	2
20	00571-G5		WASHER, 1/2"	4
21	70328-G01		SPINDLE PIN TUBE	2
22	16982-G1		THRUST WASHER	2
23	14390-G6		LOCK NUT, 1/2 -13	2
24	10387-G2		COTTER PIN, 3/32 X 1" LG.	2
25				
26	70324-G01		SHOCK ABSORBER.....	2
27	10435-G1		SHOCK ABSORBER WASHER.....	8
28	10194-G1		RUBBER SHOCK ABSORBER BUSHING	8
29	00532-G6		NUT, 3/8 - 24.....	4
30				

FRONT SUSPENSION

Gasoline Vehicle

When ordering parts, please specify the model and serial number of the product.

* Indicates a component that is not available as an individual part.

G** Indicates consult Customer Service Department for additional information.

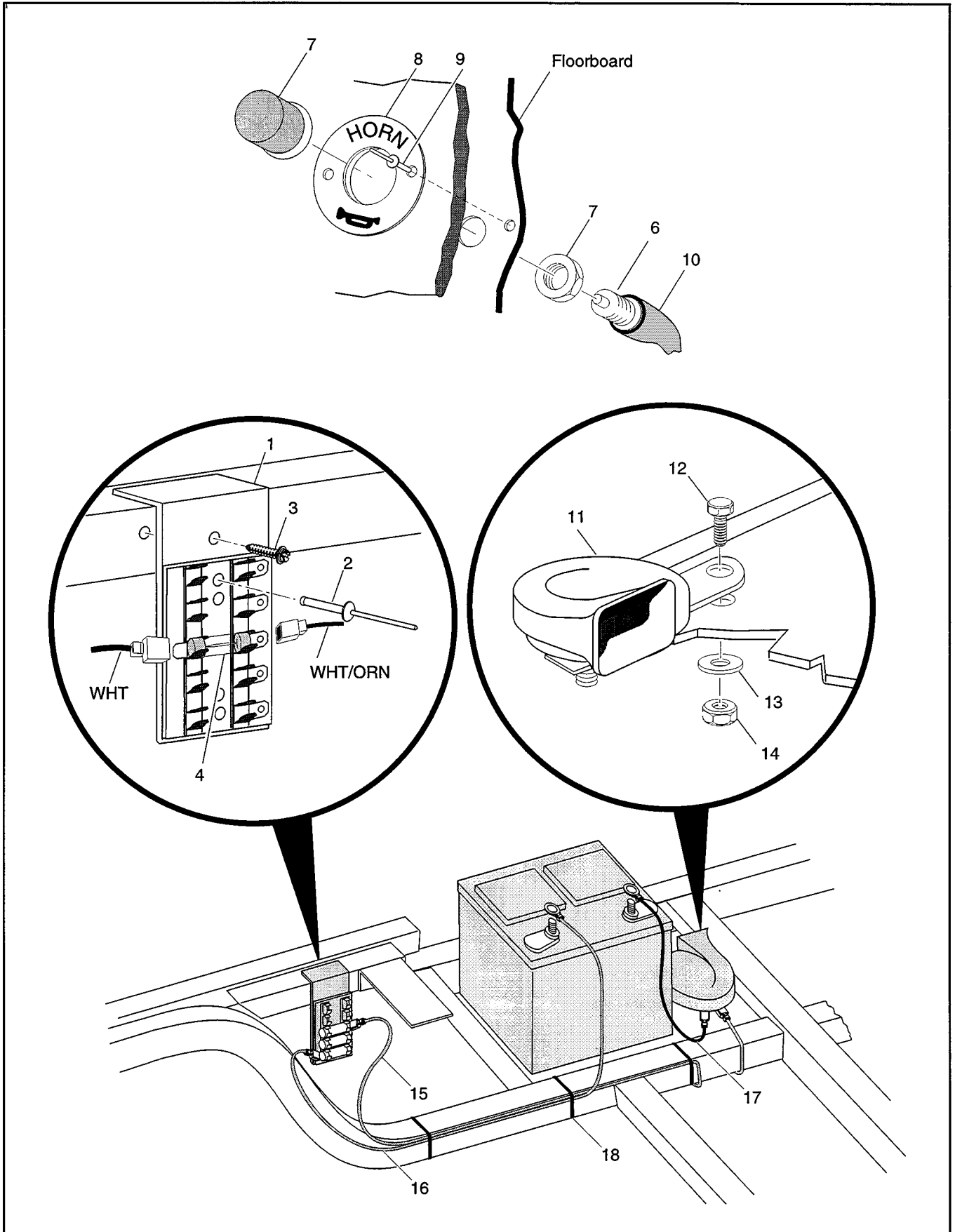
ITEM	PART NO.	1 2 3 4 5	DESCRIPTION	QTY.
31	70422-G01		LEAF SPRING (HEAVY DUTY)	2
32	70163-G02		SPRING PLATE	4
33	00463-G4		BOLT, 7/16 - 14 X 1 1/2" LG.	6
34	00734-G1		LOCK NUT, 7/16 - 14	12
35	00463-G6		BOLT, 7/16 - 14 X 1 3/4" LG.	6

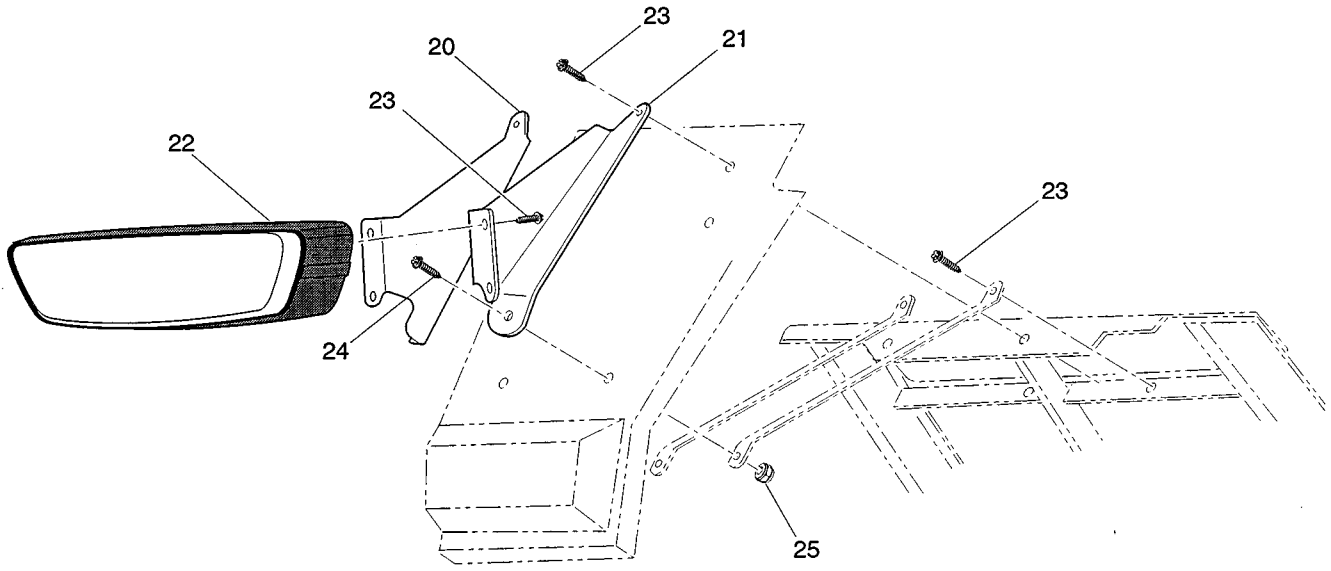
When ordering parts, please specify the model and serial number of the product.

* Indicates a component that is not available as an individual part.

G** Indicates consult Customer Service Department for additional information.

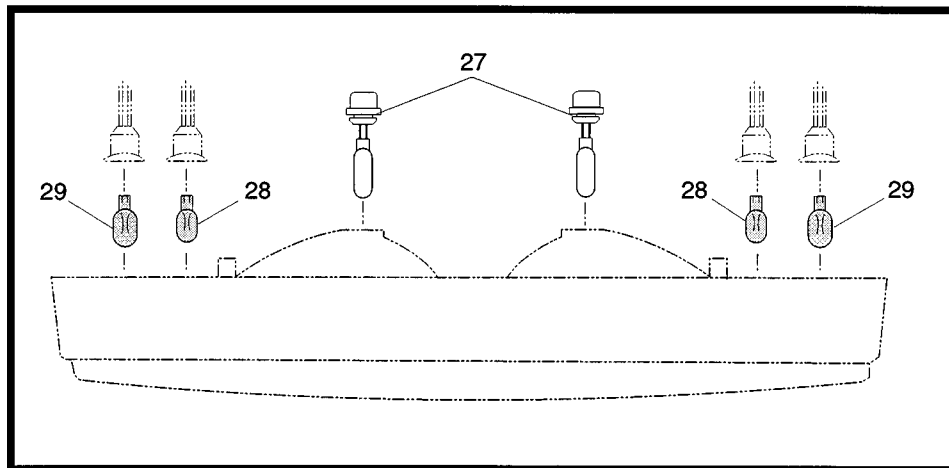
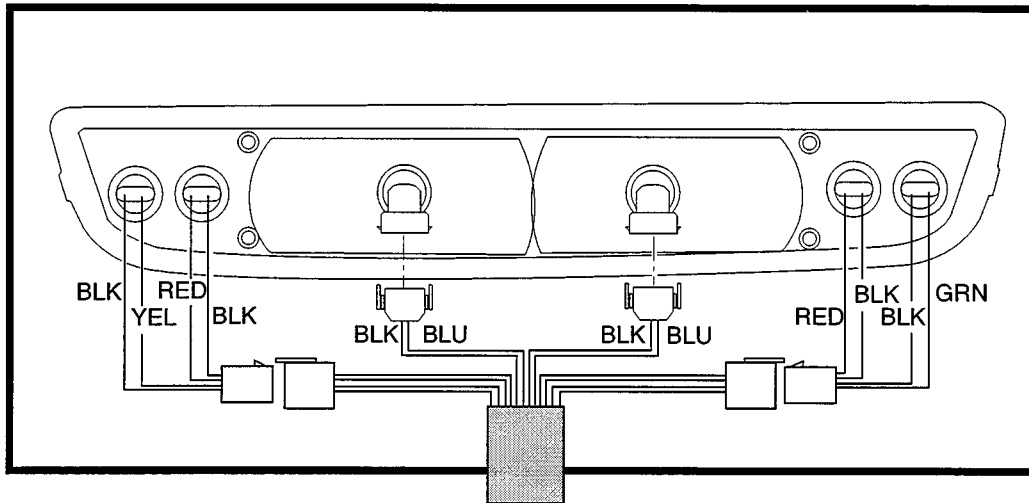
ITEM	PART NO.	1 2 3 4 5	DESCRIPTION	QTY.
1	72092-G01		FUEL TANK (WITHOUT REMOTE SENDING UNIT).....	1
2	14099-G2		FUEL TANK CAP (WITH GAUGE)	1
3				
4	00438-G8		BOLT, 5/16 - 18 X 1" LG.	2
5	00559-G8		WASHER, 5/16"	4
6	15121-G1		WASHER, 1 1/4" X 3/8".....	1
7	72234-G01		PLASTIC SPACER.....	1
8	11098-G6		LOCK NUT, 5/16 - 18	2
9	17470-G1		FUEL SYSTEM TUBE, 2 5/8" LG. (BULK)	1
10	18292-G1		TUBING CLAMP	5
11	72084-G01		FUEL FILTER	1
12	17470-G1		FUEL SYSTEM TUBE, 4" LG. (BULK)	1
13	72021-G01		FUEL PUMP.....	1
14	17470-G1		FUEL SYSTEM TUBE, 16" LG. (BULK)	AR
15	11391-G4		HOSE CLAMP	3
16	27183-G01		PULSE TUBE, 16" LG. (SOLD IN 12" INCREMENTS).....	AR
17				
18	72244-G01		FUEL PUMP MOUNT.....	1
19	00715-G2		SELF THREADING SCREW, 5/16 - 18 X 13/16" LG.	2
20	11027-G2		LOCK NUT, 1/4 - 20	2
21				
22	22280-G1		VINYL TRIM, 14" LG. (BULK)	1
23	17618-G1		NYLON CLAMP	1
24				
25	*		FUEL TANK ASSEMBLY (INCLUDES ITEMS 26 - 28)	1
26	72092-G02		FUEL TANK	1
27	20039-G1		CAP	1
28	20048-G2		FUEL SENDER (ELECTRIC FUEL GAUGE)	1
29	*		FUEL TANK ASSEMBLY (INCLUDES ITEMS 26, 27, 30)	1
30	20048-G4		FUEL SENDER (LOW FUEL LIGHT)	1

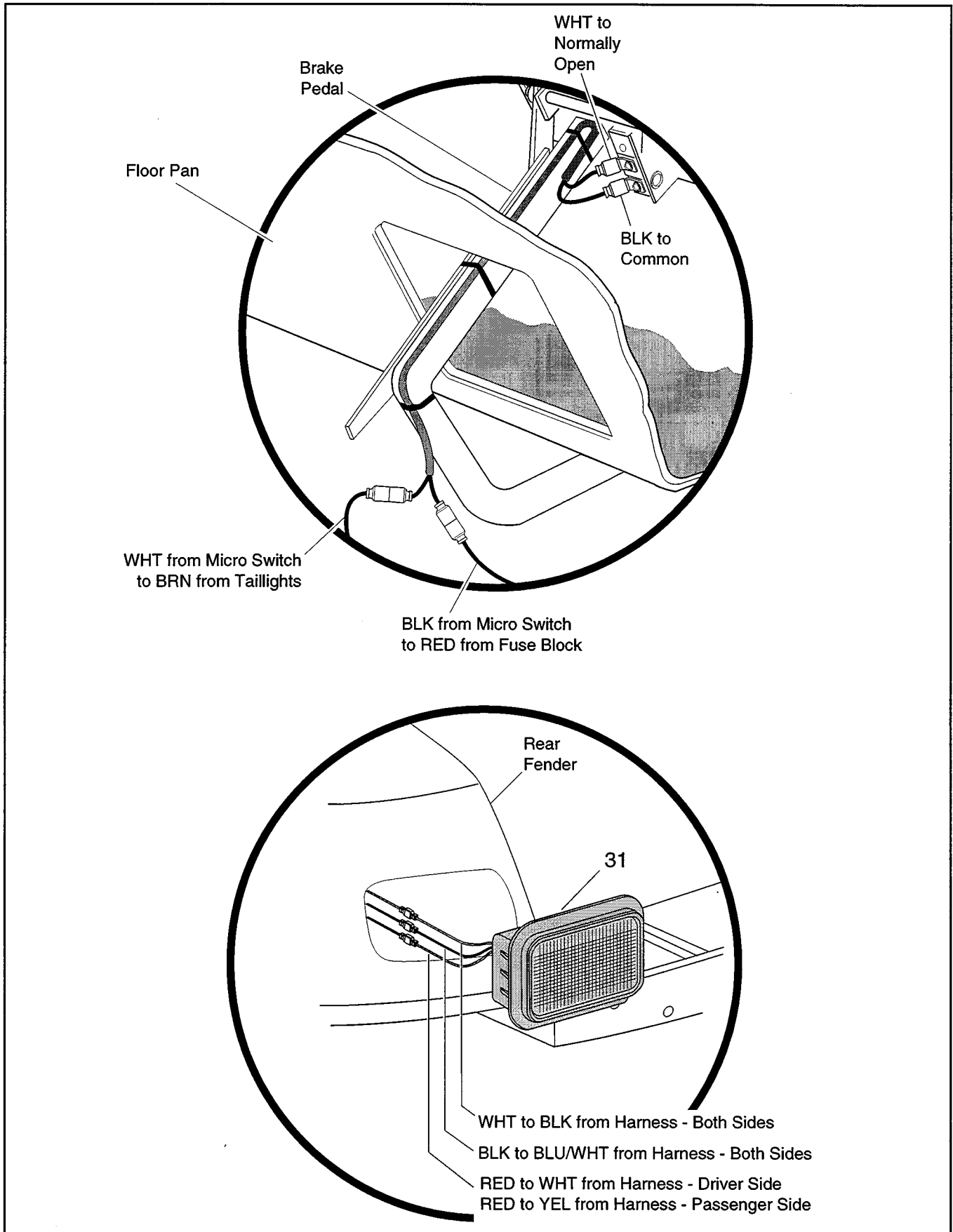


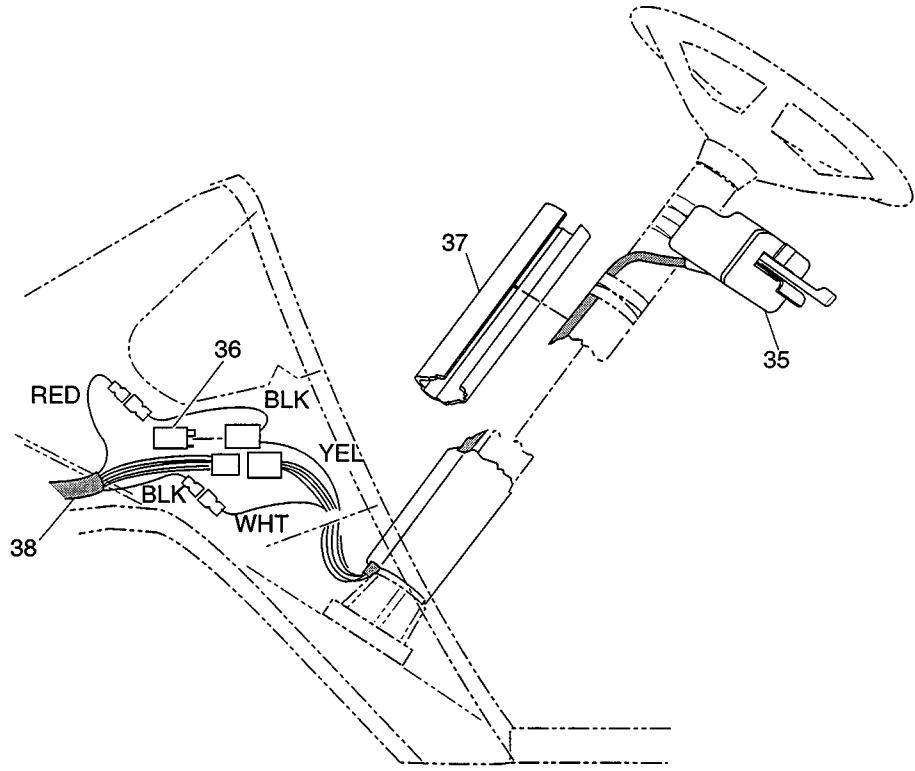


Driver Side

Passenger Side







HORN AND LIGHTING

Gasoline Vehicle

When ordering parts, please specify the model and serial number of the product.

* Indicates a component that is not available as an individual part.

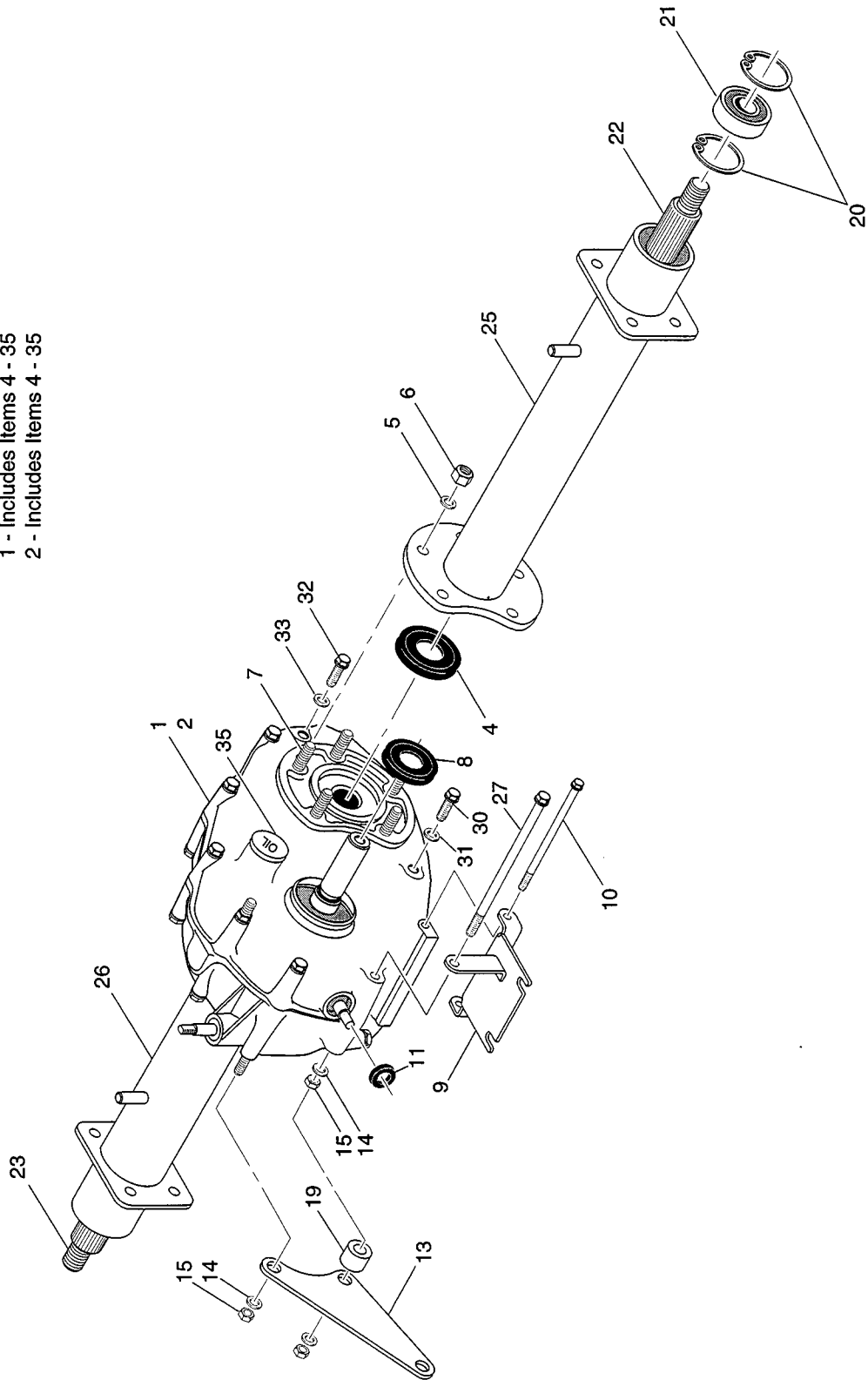
G** Indicates consult Customer Service Department for additional information.

ITEM	PART NO.	1 2 3 4 5	DESCRIPTION	QTY.
1	73204-G01		FUSE BLOCK AND BRACKET	1
2	71010-G01		RIVET, 5/32 X 3/8" LG.....	2
3	00106-G6		SELF THREADING SCREW, #12 - 24 X 3/4" LG.	1
4	18392-G1		15 AMP FUSE	3
5				
6	17318-G1		HORN SWITCH.....	1
7	17318-G2		HORN SWITCH CAP AND NUT	1
8	19233-G1		HORN SWITCH PLATE	1
9	14601-G7		STAINLESS STEEL RIVET, 9/16".....	2
10	27068-G01		HORN SWITCH BOOT	1
11	32860-G1		HORN.....	1
12	00414-G5		BOLT, 1/4 - 20 X 5/8" LG.....	1
13	00559-G8		WASHER, 5/16"	1
14	00891-G2		LOCK NUT, 1/4 - 20	1
15	73214-G01		HORN HARNESS	1
16	25974-G22		WIRE	1
17	25977-G40		WIRE	1
18	17618-G1		NYLON CLAMP.....	5
19				
20	74002-G01		PASSENGER SIDE LIGHT BAR BRACKET	1
21	74002-G02		DRIVER SIDE LIGHT BAR BRACKET	1
22	74001-G01		LIGHT BAR	1
23	00114-G6		SCREW, 1/4 - 14 X 3/4" LG.	8
24	00414-G6		BOLT, 1/4 - 20 X 3/4" LG.....	2
25	11027-G2		LOCK NUT, 1/4 - 20	2
26				
27	74004-G01		REPLACEMENT HEADLIGHT BULB	AR
28	74005-G01		REPLACEMENT MARKER LIGHT BULB	AR
29	74006-G01		REPLACEMENT TURN LIGHT BULB.....	AR
30				

When ordering parts, please specify the model and serial number of the product.
 * Indicates a component that is not available as an individual part.
 G** Indicates consult Customer Service Department for additional information.

ITEM	PART NO.	1 2 3 4 5	DESCRIPTION	QTY.
31	32739-G2		TAIL LIGHT	2
32				
33	74042-G01		LIGHT HARNESS	1
34				
35	17867-G1		TURN SIGNAL (WITH MOUNTING HARDWARE)	1
36	21640-G1		TURN SIGNAL FLASHER	1
37	20965-G3		STEERING COLUMN COVER	1

- 1 - Includes Items 4 - 35
- 2 - Includes Items 4 - 35

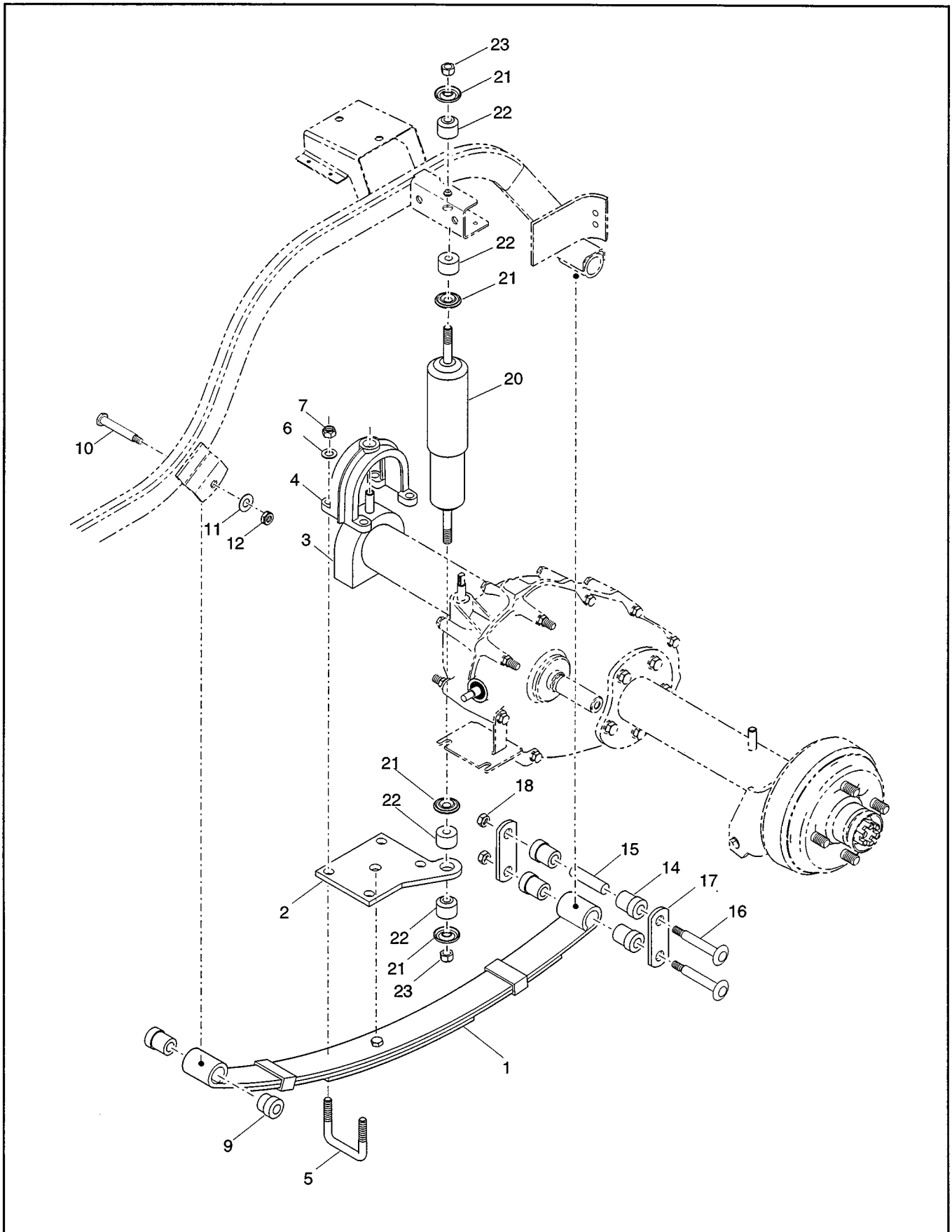


When ordering parts, please specify the model and serial number of the product.
 * Indicates a component that is not available as an individual part.
 G** Indicates special Customer Service Department for additional information.

ITEM	PART NO.	1 2 3 4 5	DESCRIPTION	QTY.
1	72031-G01		REAR AXLE (STANDARD) (W/O BRAKES) (INCLUDES ITEMS 4 - 35)	1
2	72031-G02		REAR AXLE (HP) (W/O BRAKES) (INCLUDES ITEMS 4 - 35).....	1
3				
4	26766-G01		AXLE SHAFT SEAL.....	1
5	26828-G01		WASHER, 10 MM	10
6	26829-G01		NUT, 10 MM X 1.5 MM	10
7	26667-G01		STUD, M10 X 1.5 X 40 MM LG.	5
8	26761-G01		INPUT SHAFT SEAL	1
9	26815-G01		SHIFTER CABLE BRACKET.....	1
10	26823-G01		BOLT, M8 X 1.25 X 100 MM LG.	8
11	26762-G01		SHIFTER SHAFT SEAL	1
12				
13	72017-G01		TRANSAXLE BRACKET	1
14	26826-G01		LOCK WASHER, M8	4
15	26827-G01		NUT, M8 X 1.25 MM	4
16				
17				
18				
19	75048-G01		SPACER	1
20	26814-G01		RETAINING RING	4
21	26811-G01		BALL BEARING.....	2
22	72056-G01		PASSENGER SIDE AXLE SHAFT	1
23	72057-G01		DRIVER SIDE AXLE SHAFT	1
24				
25	72115-G01		DRIVER SIDE AXLE TUBE	1
26	72116-G01		PASSENGER SIDE AXLE TUBE.....	1
27	26824-G01		BOLT, M8 X 1.25 X 110 MM LG.....	1
28	72053-G01		BOLT, M8 X 1.25 X 120 MM LG.	1
29				
30	26770-G01		OIL DRAIN PLUG	1

When ordering parts, please specify the model and serial number of the product.
 * Indicates a component that is not available as an individual part.
 G** Indicates consult Customer Service Department for additional information.

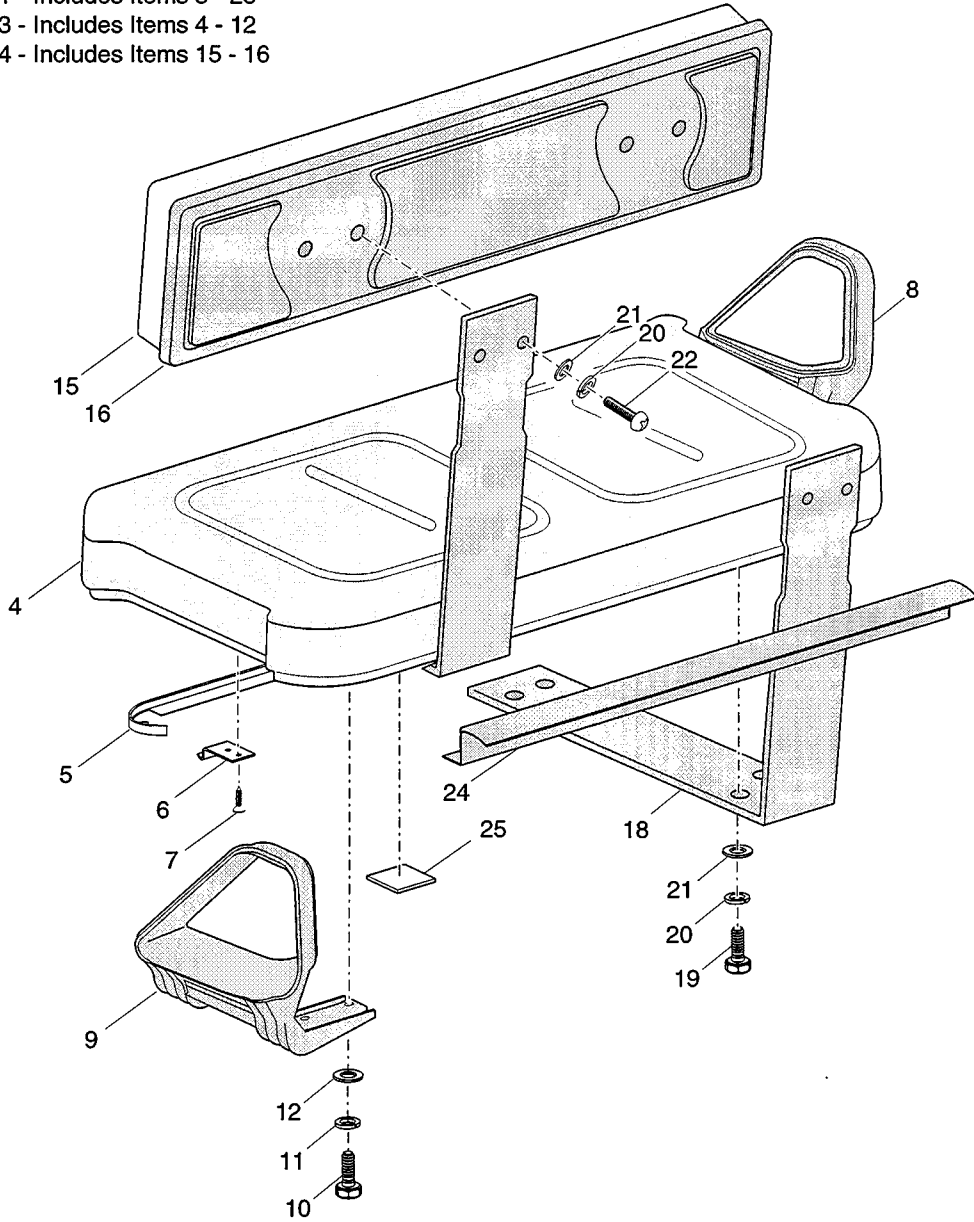
ITEM	PART NO.	1	2	3	4	5	DESCRIPTION	QTY.
31	26771-G01						GASKET, 14 MM	1
32	26768-G01						OIL CHECK PLUG	1
33	26769-G01						GASKET, 8 MM	1
34								
35	26772-G01						OIL FILLER PLUG.....	1



When ordering parts, please specify the model and serial number of the product.
 * Indicates a component that is not available as an individual part.
 G** Indicates consult Customer Service Department for additional information.

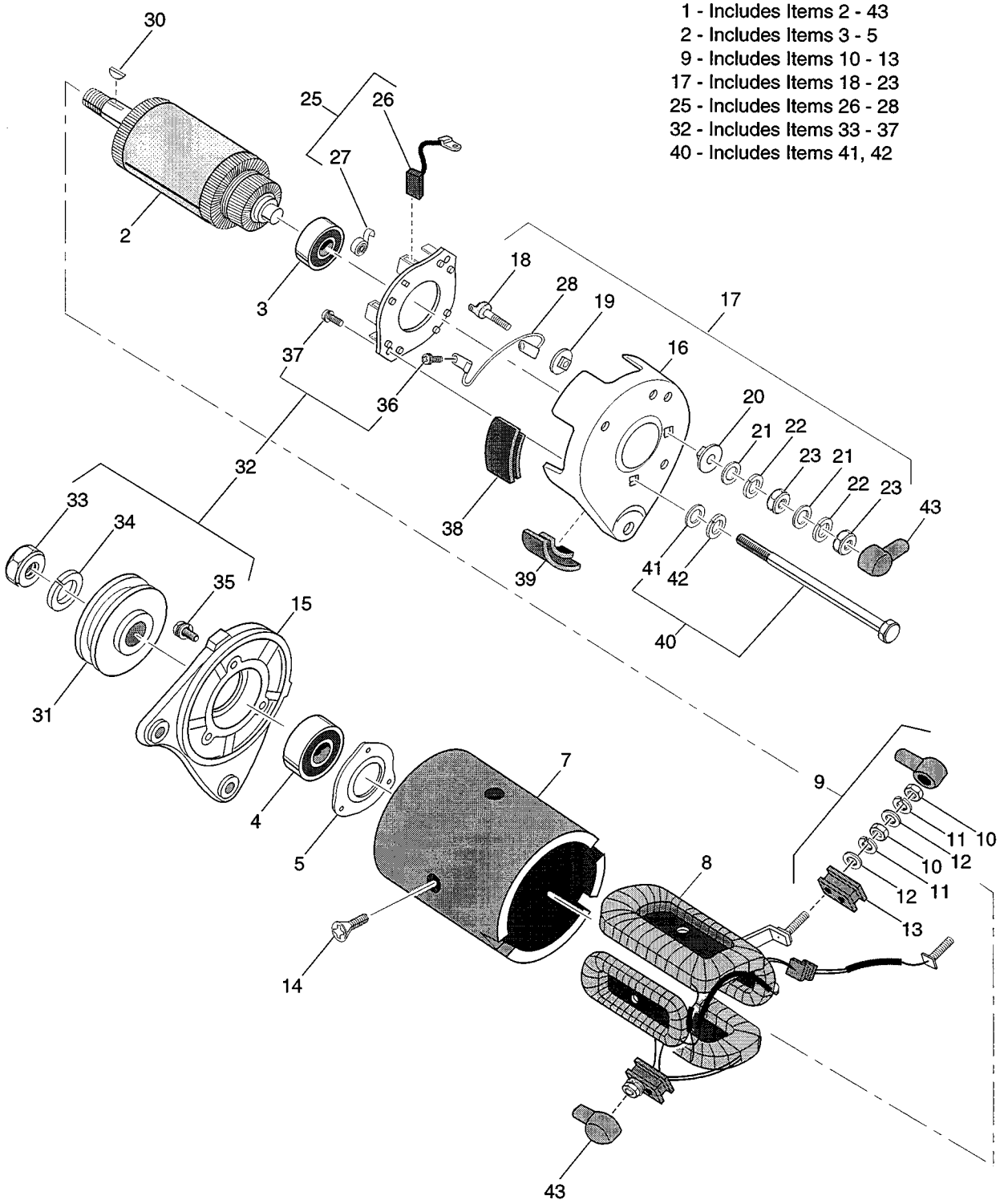
ITEM	PART NO.	1 2 3 4 5	DESCRIPTION	QTY.
1	74135-G01		LEAF SPRING	2
2	72028-G01		ISOMOUNT BASE PLATE	2
3	72117-G01		ISOMOUNT BUSHING	2
4	72037-G01		ISOMOUNT CAP	2
5	74124-G01		"U" BOLT, 3/8 - 16	4
6	00560-G1		WASHER, 3/8"	8
7	11098-G5		LOCK NUT, 3/8 - 16	8
8				
9	70291-G01		RUBBER BUSHING.....	4
10	14158-G1		SHOULDER BOLT, 3/16 x 3 1/4" LG.....	2
11	00643-G1		WASHER, 3/8"	2
12	11098-G5		LOCK NUT, 3/8 - 16	2
13				
14	70291-G01		RUBBER BUSHING.....	8
15	70289-G02		SPACER.....	4
16	00429-G2		BOLT, 3/8 - 16 X 3 1/4" LG.....	4
17	70290-G01		SHACKLE PLATE	4
18	11098-G5		LOCK NUT, 3/8 - 16	4
19				
20	70324-G01		SHOCK ABSORBER.....	2
21	10435-G1		WASHER (SHOCK ABSORBER).....	8
22	10194-G1		RUBBER BUSHING (SHOCK ABSORBER).....	8
23	00532-G6		NUT, 3/8 - 24	4

- 1 - Includes Items 3 - 25
- 3 - Includes Items 4 - 12
- 14 - Includes Items 15 - 16



When ordering parts, please specify the model and serial number of the product.
 * Indicates a component that is not available as an individual part.
 G** Indicates consult Customer Service Department for additional information.

ITEM	PART NO.	1	2	3	4	5	DESCRIPTION	QTY.
1	71665-G**						SEAT ASSEMBLY (INCLUDES ITEMS 3 - 25)	1
2								
3	71664-G**						SEAT BOTTOM ASSEMBLY (INCLUDES ITEMS 4 - 12).....	1
4	71602-G**						SEAT BOTTOM COVER	1
5	71012-G01						SEAT BOTTOM VINYL TRIM.....	1
6	71610-G01						SEAT HINGE.....	2
7	00720-G08						SCREW, #12 - 14 X 1" LG.	6
8	71701-G01						PASSENGER SIDE HIP RESTRAINT	1
9	71702-G01						DRIVER SIDE HIP RESTRAINT	1
10	00414-G8						BOLT, 1/4 - 20 X 1" LG.....	8
11	00565-G7						LOCK WASHER, 1/4"	8
12	00559-G7						WASHER, 1/4"	8
13								
14	27546-G**						SEAT BACK ASSEMBLY (INCLUDES ITEMS 15 - 16)	1
15	18144-G**						SEAT BACK COVER	1
16	18868-G3						PLASTIC SEAT BACK COVER	1
17								
18	71662-G01						SEAT BACK SUPPORT BRACKET.....	2
19	00414-G8						BOLT, 1/4 - 20 X 1" LG.	8
20	00567-G7						LOCK WASHER, 1/4"	12
21	00559-G7						WASHER, 1/4"	12
22	16705-G1						BOLT, 1/4-20 X 1" LG.	4
23								
24	71762-G01						SEAL.....	1
25	17074-G1						PAD.....	2



When ordering parts, please specify the model and serial number of the product.

* Indicates a component that is not available as an individual part.

G** Indicates consult Customer Service Department for additional information.

ITEM	PART NO.	1 2 3 4 5	DESCRIPTION	QTY.
1	27065-G01		STARTER / GENERATOR, COMPLETE (INCLUDES ITEMS 2 - 43).....	1
2	26870-G01		ARMATURE ASSEMBLY (INCLUDES ITEMS 3 - 5)	1
3	26871-G01		REAR BALL BEARING	1
4	26872-G01		FRONT BALL BEARING	1
5	26873-G01		BEARING HOLDER	1
6				
7				
8	26875-G01		FIELD COIL	1
9	26876-G01		"F" INSULATING BRUSH ASSEMBLY (INCLUDES ITEMS 10 - 13).....	2
10	*		NUT	2
11	*		LOCK WASHER.....	2
12	*		WASHER.....	2
13	*		INSULATOR	1
14	26877-G01		POLE CORE SET SCREW	4
15	26878-G01		FRONT COVER.....	1
16	16885-G1		REAR COVER.....	1
17	26880-G01		"A" TERMINAL ASSEMBLY (INCLUDES ITEMS 18 - 23)	2
18	*		TERMINAL	2
19	*		INSULATOR	2
20	*		INSULATOR	2
21	*		WASHER.....	4
22	*		LOCK WASHER.....	4
23	*		NUT	4
24				
25	26881-G01		BRUSH HOLDER ASSEMBLY (INCLUDES ITEMS 26 - 28)	1
26	26658-G01		BRUSH.....	4
27	26882-G01		BRUSH SPRING.....	4
28	26883-G01		BRUSH CONNECTOR.....	2
29				
30	26884-G01		KEY.....	1

STARTER / GENERATOR

Gasoline Vehicle

When ordering parts, please specify the model and serial number of the product.

* Indicates a component that is not available as an individual part.

G** Indicates consult Customer Service Department for additional information.

ITEM	PART NO.	1 2 3 4 5	DESCRIPTION	QTY.
31	26885-G01		PULLEY	1
32	26886-G01		NUT/SCREW ASSEMBLY (INCLUDES ITEMS 33 - 37)	1
33	*		NUT	1
34	*		LOCK WASHER	1
35	*		SCREW	3
36	*		SCREW	4
37	*		SCREW	2
38	26887-G01		BRUSH 1 COVER	2
39	26888-G01		BRUSH 2 COVER	3
40	26889-G01		BOLT AND WASHER ASSEMBLY (INCLUDES ITEMS 41, 42)	2
41	*		WASHER	2
42	*		LOCK WASHER	2
43	16896-G1		TERMINAL COVER.....	4

When ordering parts, please specify the model and serial number of the product.

* Indicates a component that is not available as an individual part.

G** Indicates consult Customer Service Department for additional information.

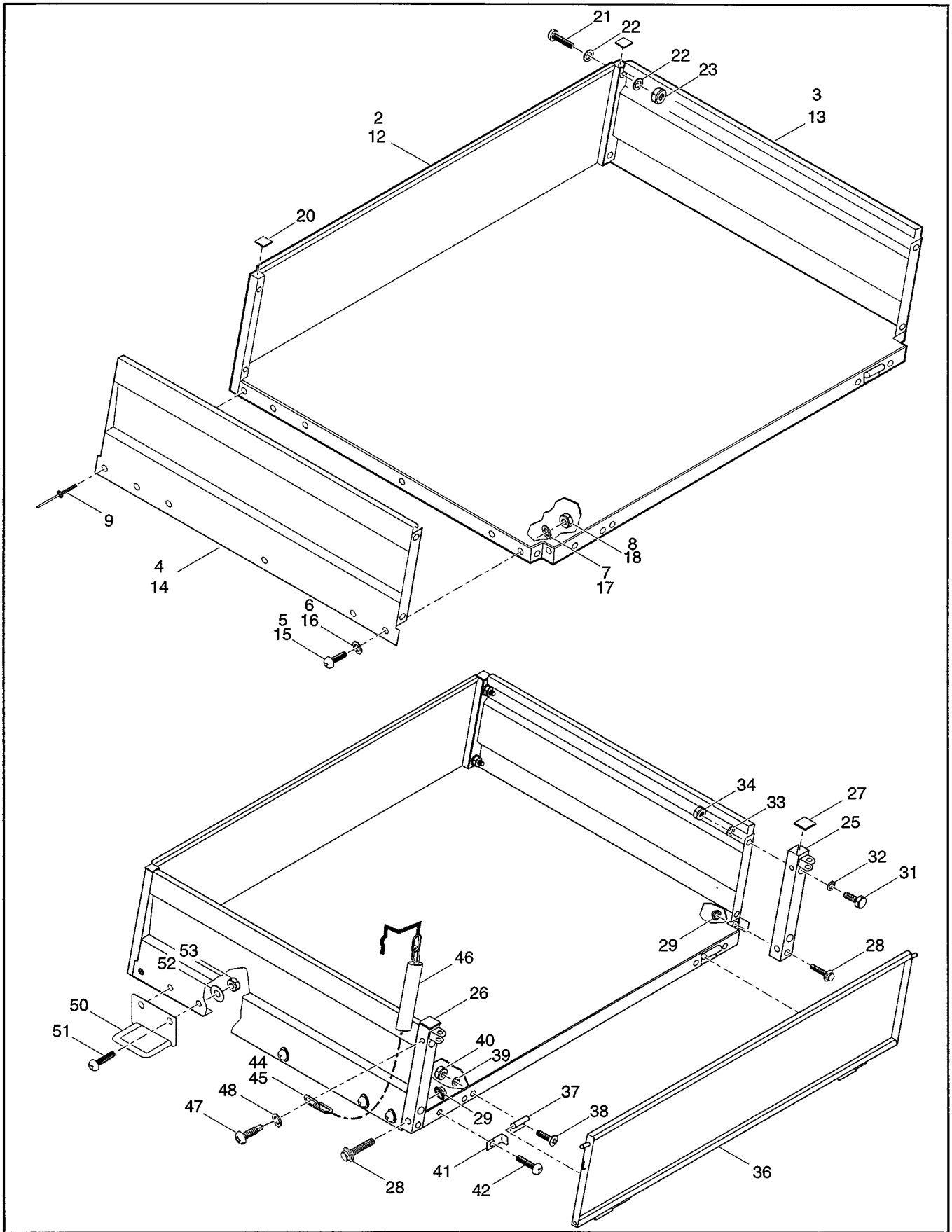
ITEM	PART NO.	1 2 3 4 5	DESCRIPTION	QTY.
1	70314-G01		STEERING BOX ASSEMBLY, COMPLETE (INCLUDES ITEMS 2 - 10)	1
2	70299-G01		STEERING GEAR KIT (INCLUDES ITEMS 3 - 10).....	1
3	*		GEAR PINION.....	1
4	*		BALL BEARING	1
5	*		EXTERNAL RETAINING RING	1
6	*		STEERING RACK.....	1
7	*		RACK BALL END (WITH NUT).....	1
8	*		NUT, 7/16 - 20	1
9	*		90° GREASE FITTING.....	2
10	*		INTERNAL RETAINING RING	1
11				
12	70360-G01		STEERING SHAFT/COLUMN KIT (INCLUDES ITEMS 13 - 25)	1
13	14322-G3		STEERING SHAFT.....	1
14	70333-G01		STEERING COLUMN	1
15	70226-G01		COUPLING.....	1
16	00550-G1		LOCK NUT, 1/4 - 20.....	2
17	70227-G01		BOLT, 1/4 - 20 X 7/8" LG.	2
18	00118-G2		SCREW, #6 - 18 X 1/4" LG.....	1
19	70223-G01		STEERING HOUSING GASKET	1
20	00876-G2		BOLT, 3/8 - 16 X 1 1/4" LG.	3
21	00878-G1		LOCK WASHER, 3/8".....	3
22	70189-G01		INTERNAL RETAINING RING.....	1
23	17161-G1		BUSHING/SEAL KIT (INCLUDES ITEMS 24, 25)	1
24	*		STEERING COLUMN BUSHING.....	1
25	*		SHAFT SEAL	1
26				
27	70184-G01		IDLER.....	1
28	70185-G01		FLANGED BEARING	1
29	70216-G01		THRUST WASHER, 1 1/2" I.D.	1
30	70195-G01		THRUST WASHER, 7/8"	1

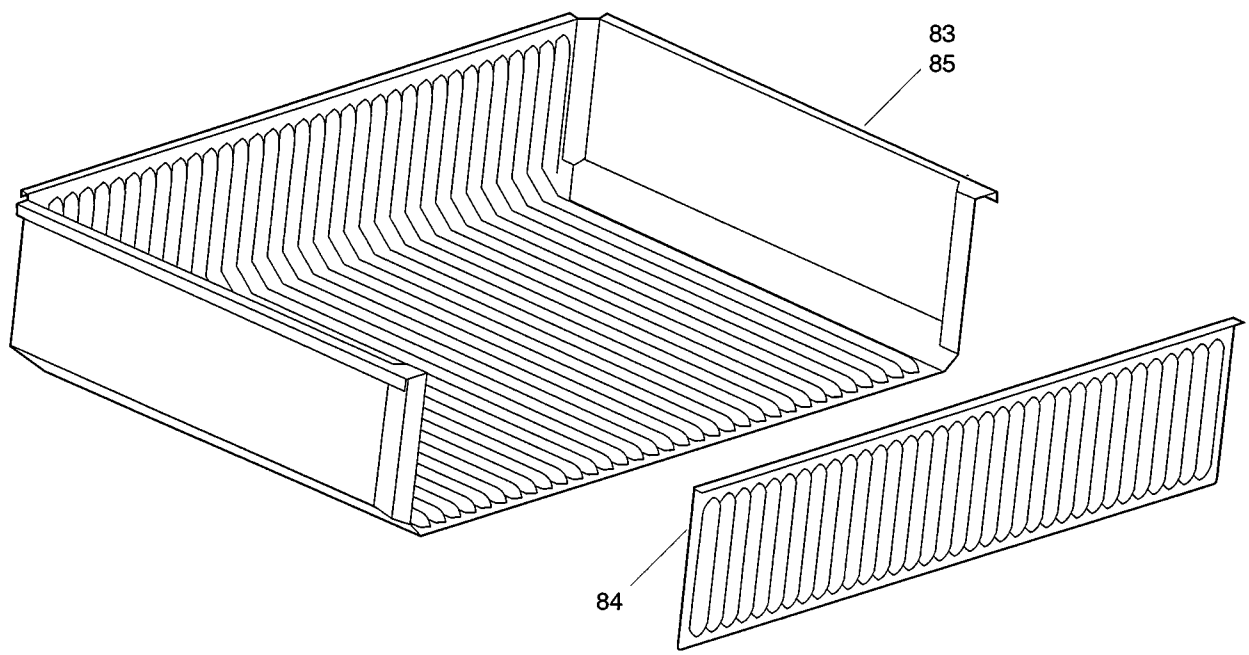
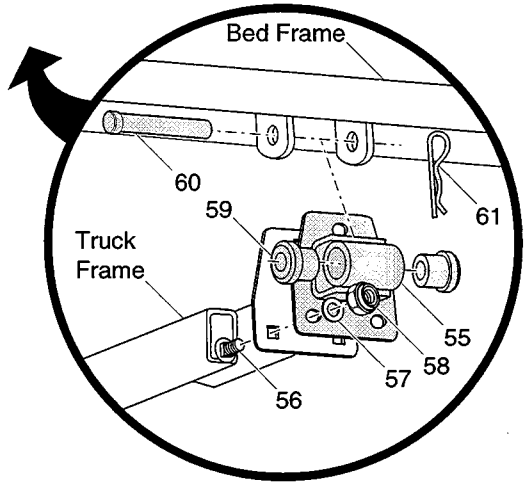
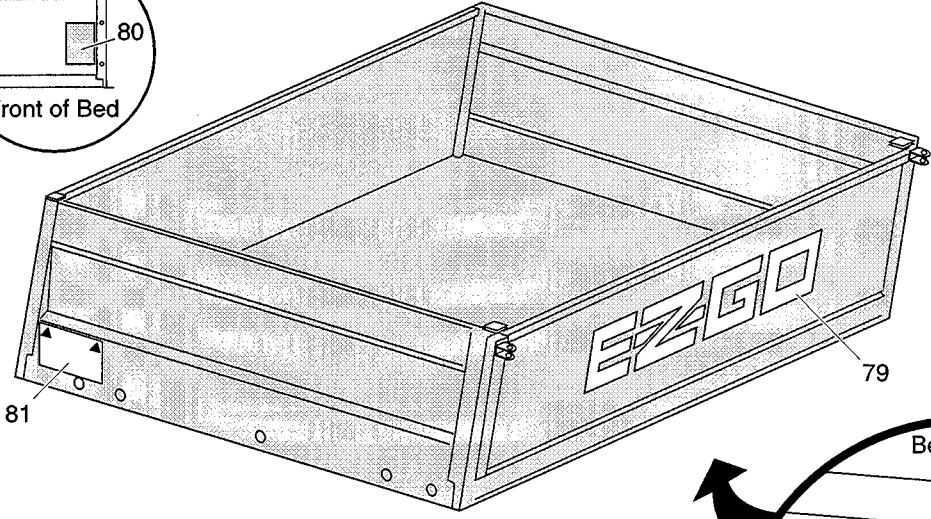
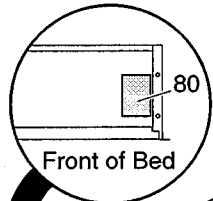
When ordering parts, please specify the model and serial number of the product.

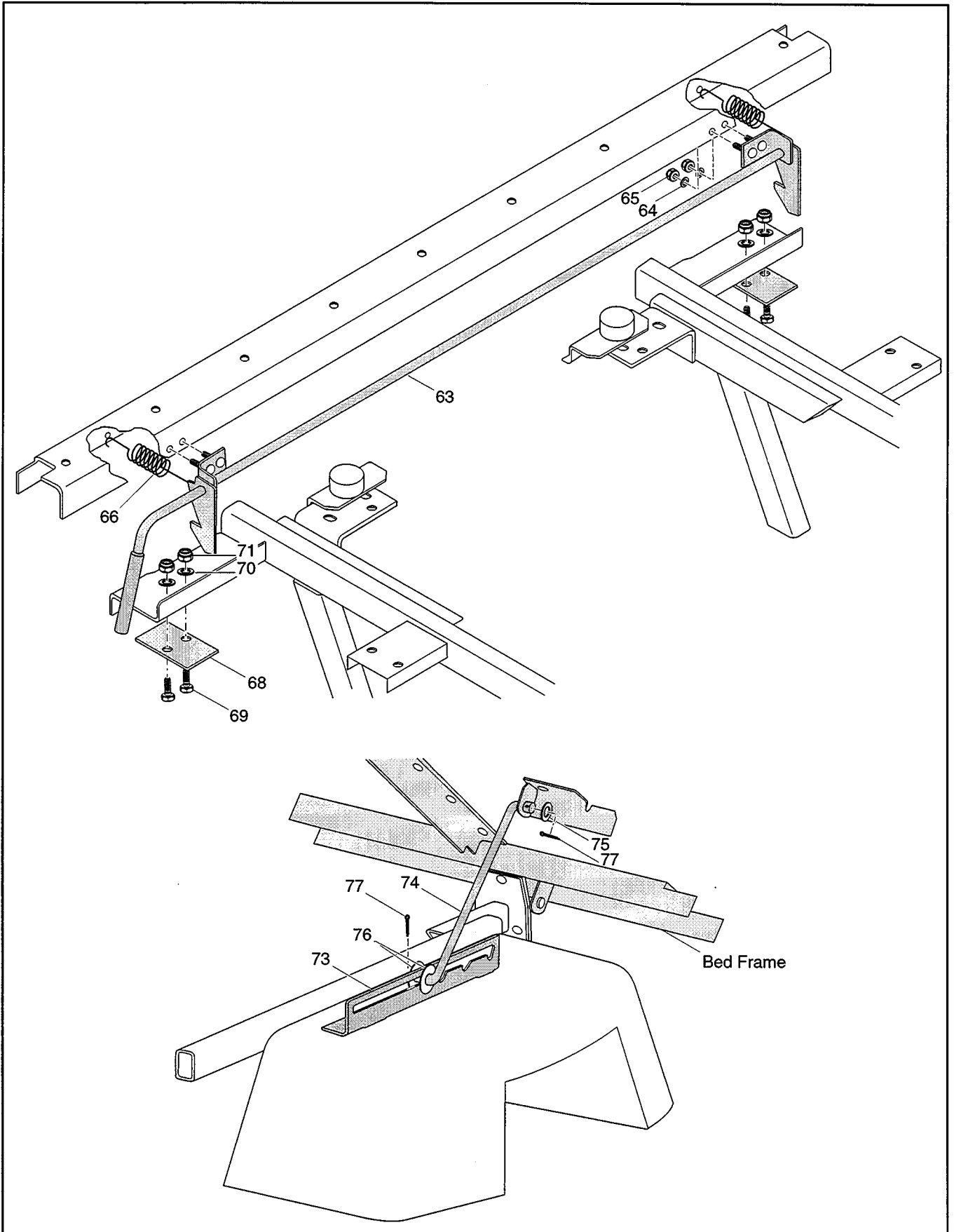
* Indicates a component that is not available as an individual part.

G** Indicates consult Customer Service Department for additional information.

ITEM	PART NO.	1 2 3 4 5	DESCRIPTION	QTY.
31	00734-G6		LOCK NUT, 7/8 - 9	1
32	00798-G8		COTTER PIN, 5/32 X 1 3/4" LG.	1
33				
34	00470-G4		BOLT, 7/16 - 20 X 2 1/2" LG.	1
35	00734-G3		LOCK NUT, 7/16 - 20	1
36	00462-G7		BOLT, 7/16 - 14 X 7/8" LG.	2
37	00566-G2		LOCK WASHER, 7/16"	2
38				
39	18325-G1		STEERING WHEEL (INCLUDES ITEM 40)	1
40	*		HUB COVER.....	1
41	14390-G2		LOCK NUT, 5/8 - 18	1
42	27102-G01		CLIPBOARD.....	1
43	00999-G01		SCREW, #8 - 18 X 7/8" LG.....	2
44				
45	70074-G01		TIE ROD ASSEMBLY (INCLUDES ITEMS 45 - 50)	2
46	18434-G2		NUT, 9/16 - 18.....	2
47	10387-G2		COTTER PIN, 3/32 X 1" LG.....	2
48	50209-G1		SLOTTED NUT, 7/16 - 20	2
49	50641-G1		RUBBER BOOT.....	2
50	10389-G3		GREASE FITTING.....	2
51				
52	50209-G1		SLOTTED NUT, 7/16 - 20.....	1
53	10387-G2		COTTER PIN, 3/32 X 1" LG.	3







When ordering parts, please specify the model and serial number of the product.
 * Indicates a component that is not available as an individual part.
 G** Indicates consult Customer Service Department for additional information.

ITEM	PART NO.	1 2 3 4 5	DESCRIPTION	QTY.
1	71711-G03		TRUCK BED ASSEMBLY (40") (MANUAL DUMP) (INCLUDES ITEMS 2 - 9, 20 - 53).....	1
2	71719-G01		BED FRAME (40")	1
3	71714-G01		SIDE PANEL (40", PASSENGER SIDE).....	1
4	71714-G02		SIDE PANEL (40", DRIVER SIDE)	1
5	16705-G3		BOLT, 1/4-20 X 3/4" LG.	8
6	00915-G1		BONDED WASHER, 1/4"	8
7	00559-G7		WASHER, 1/4"	8
8	14390-G4		LOCK NUT, 1/4-20.....	8
9	14601-G8		RIVET, 3/8" X 11/16" LG.	2
10				
11	71711-G04		TRUCK BED ASSEMBLY (48") (MANUAL DUMP) (INCLUDES ITEMS 9, 12 - 53).....	1
12	71719-G02		BED FRAME (48")	1
13	71742-G01		SIDE PANEL (48", PASSENGER SIDE).....	1
14	71742-G02		SIDE PANEL (48", DRIVER SIDE)	1
15	16705-G3		BOLT, 1/4-20 X 3/4" LG.	10
16	00915-G1		BONDED WASHER, 1/4"	10
17	00559-G7		WASHER, 1/4"	10
18	14390-G4		LOCK NUT, 1/4-20.....	10
19				
20	71717-G01		TUBE CAP (1" SQUARE).....	2
21	16705-G6		BOLT, 1/4-20 X 1 3/4" LG.	4
22	00915-G1		BONDED WASHER, 1/4"	8
23	14390-G4		LOCK NUT, 1/4-20.....	4
24				
25	71712-G01		POST (PASSENGER SIDE)	1
26	71712-G02		POST (DRIVER SIDE).....	1
27	71718-G01		TUBE CAP (1 1/2" SQUARE).....	2
28	13437-G8		BOLT, 3/8-16 X 2" LG.	4
29	11027-G5		LOCK NUT, 3/8-16.....	4

TRUCK BED, MANUAL LIFT

Gasoline Vehicle

When ordering parts, please specify the model and serial number of the product.

* Indicates a component that is not available as an individual part.

G** Indicates consult Customer Service Department for additional information.

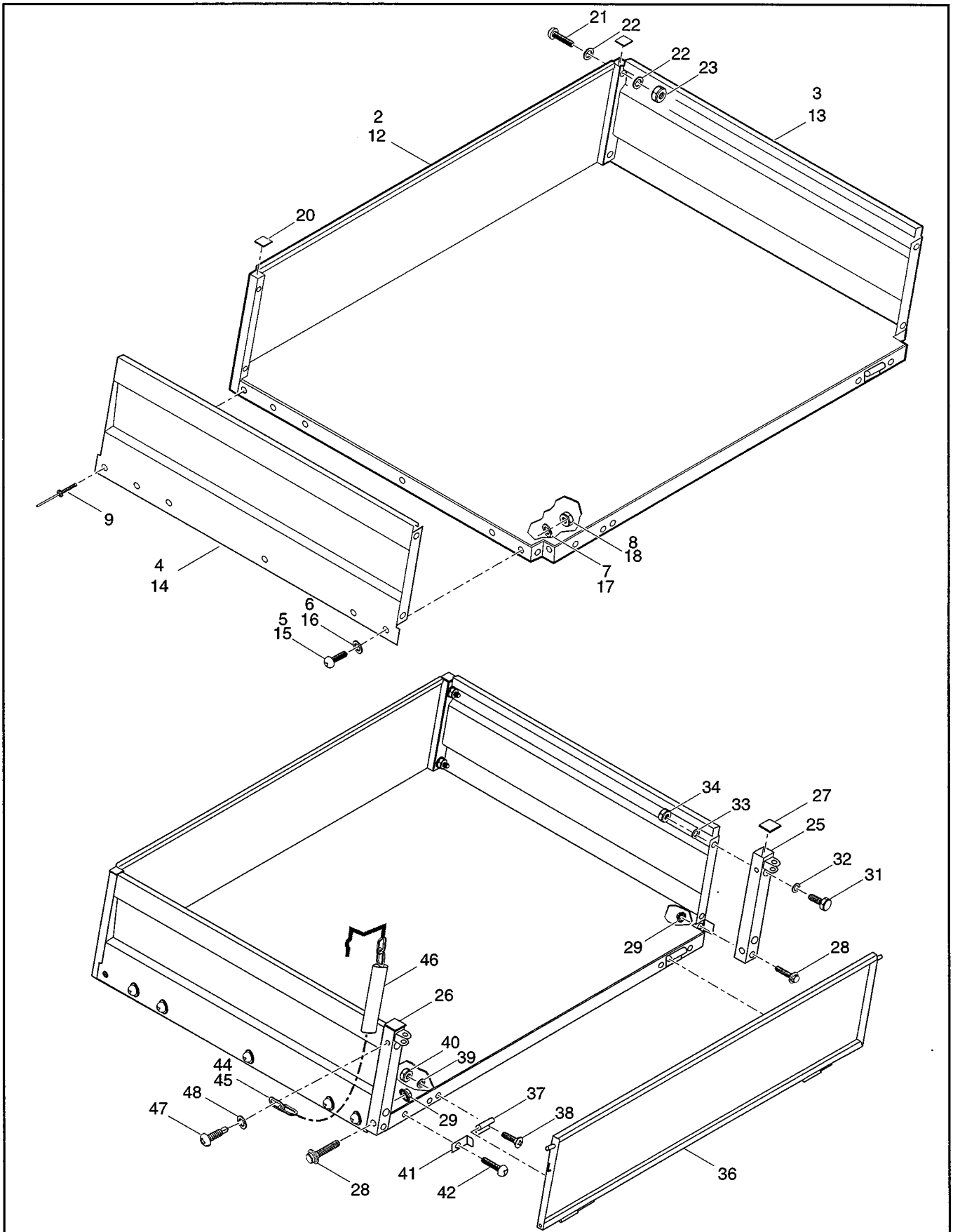
ITEM	PART NO.	1	2	3	4	5	DESCRIPTION	QTY.
30								
31	16705-G3						BOLT, 1/4-20 X 3/4" LG.	4
32	00915-G1						BONDED WASHER, 1/4"	4
33	00559-G7						WASHER, 1/4"	4
34	14390-G4						LOCK NUT, 1/4-20.....	4
35								
36	71732-G01						TAILGATE.....	1
37	27666-G01						HINGE	2
38	01002-G08						BOLT, 1/4-20 X 1" LG.	4
39	00559-G7						WASHER, 1/4".....	4
40	14390-G4						LOCK NUT, 1/4-20.....	4
41	71748-G01						TAILGATE KEEPER	1
42	16705-G3						BOLT, 1/4-20 X 3/4" LG.	1
43								
44	28288-G01						BED LOCK (PASSENGER SIDE).....	1
45	28288-G02						BED LOCK (DRIVER SIDE)	1
46	71763-G01						VINYL TUBING.....	2
47	00106-G6						SELF-TAPPING SCREW, #12-24 X 3/4" LG.	2
48	00915-G1						BONDED WASHER, 1/4"	2
49								
50	71794-G01						LIFT HANDLE.....	1
51	00976-G08						SCREW, 5/16-18 X 1" LG.....	2
52	00559-G8						WASHER, 5/16".....	2
53	11098-G6						LOCK NUT, 5/16-18.....	2
54								
55	70396-G01						BED PIVOT	2
56	00764-G2						CARRIAGE BOLT, , 5/16 X 1" LG.	6
57	00559-G8						WASHER, 5/16"	6
58	11098-G6						LOCK NUT, 5/16-18	6
59	70291-G01						FLANGED BUSHING.....	4

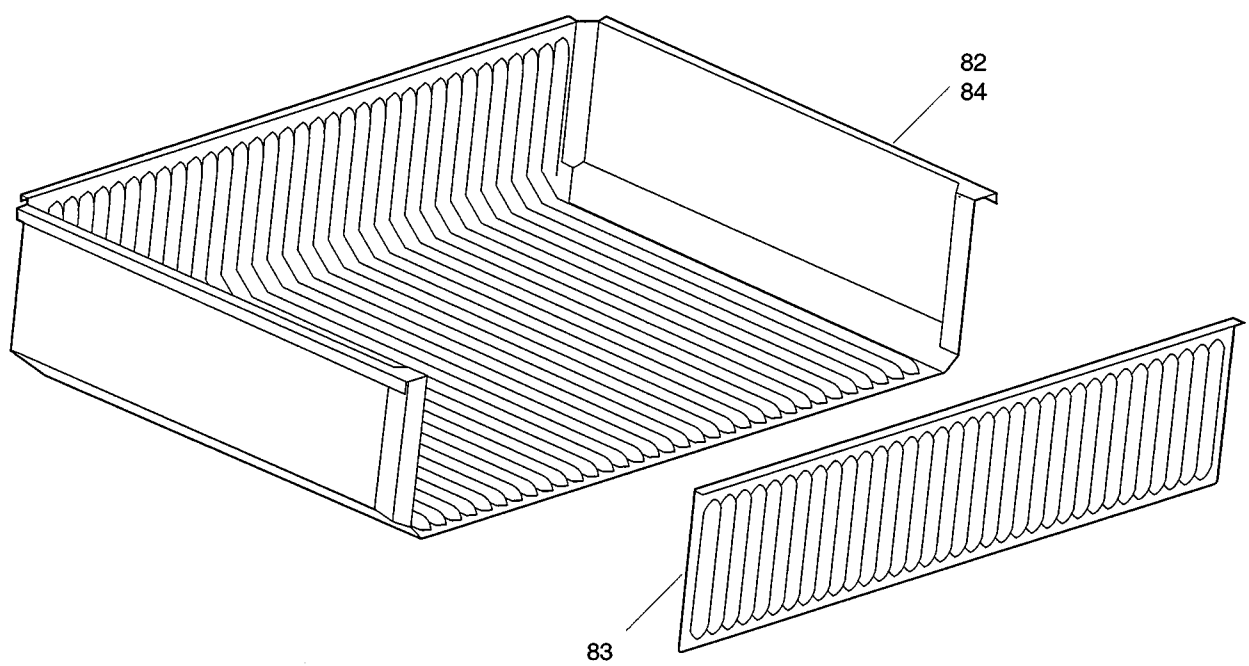
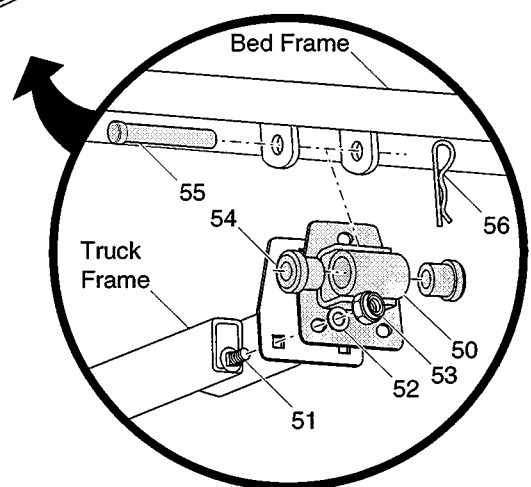
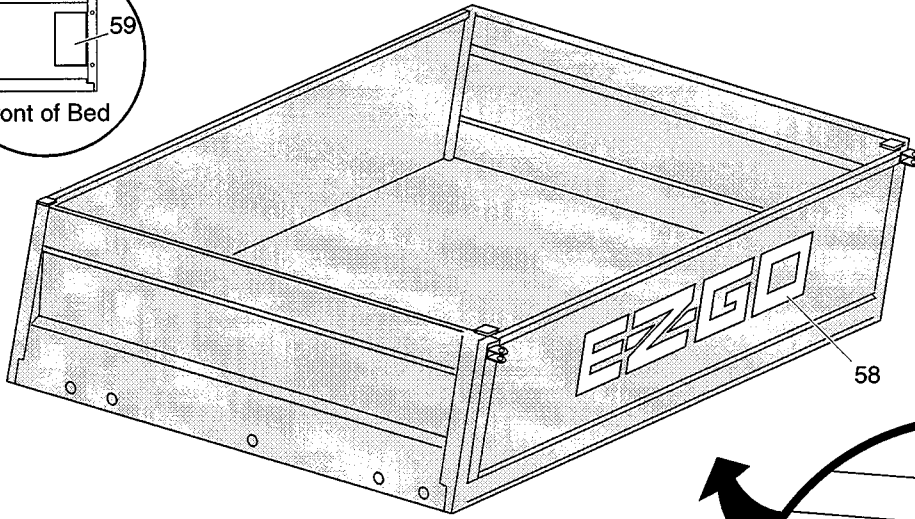
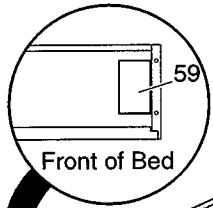
When ordering parts, please specify the model and serial number of the product.

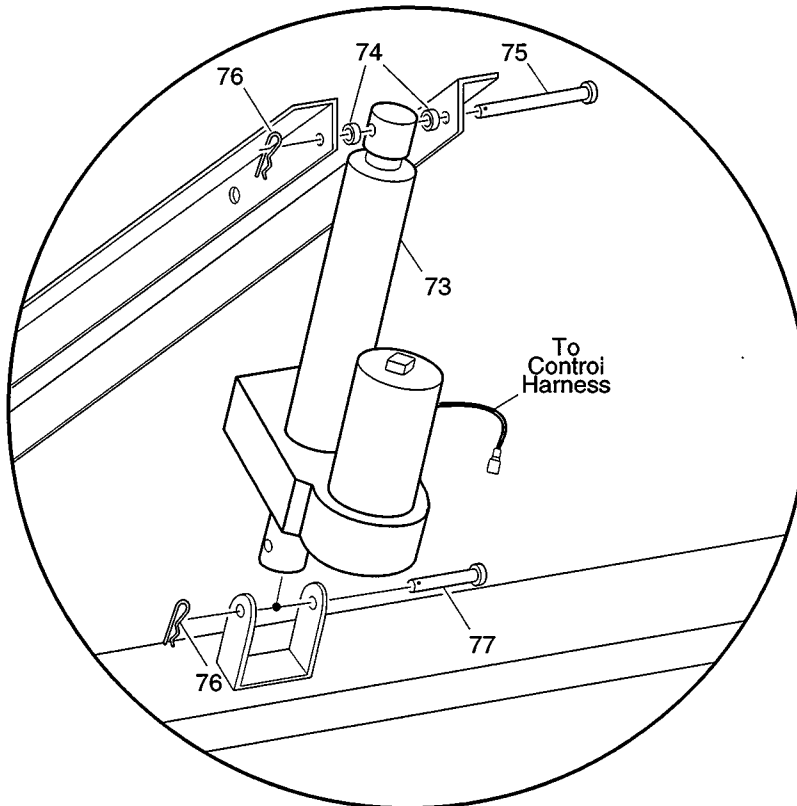
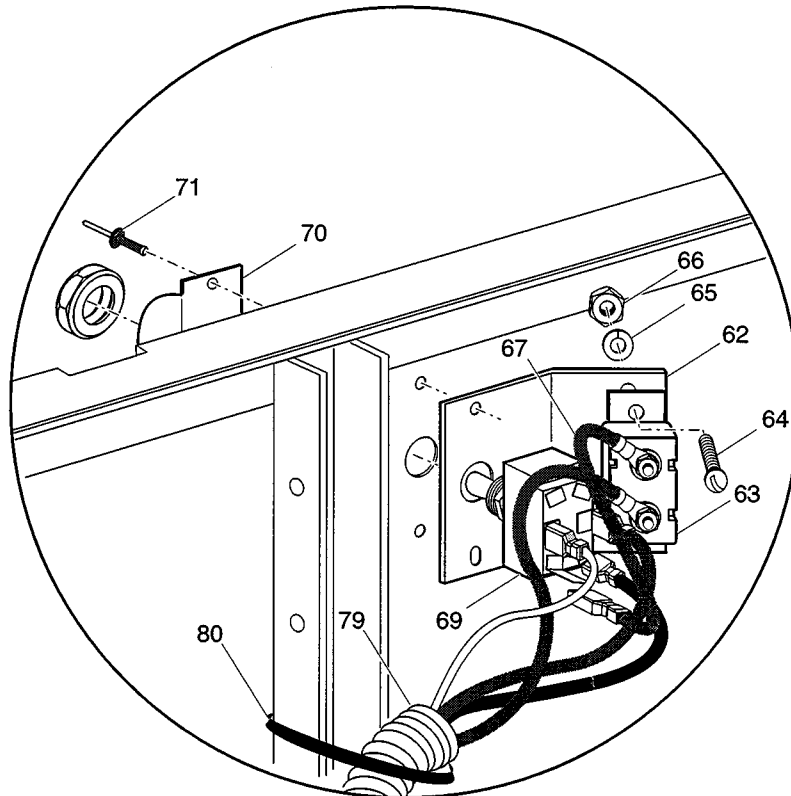
* Indicates a component that is not available as an individual part.

G** Indicates consult Customer Service Department for additional information.

ITEM	PART NO.	1	2	3	4	5	DESCRIPTION	QTY.
60	21682-G1						CLEVIS PIN	2
61	21683-G1						COTTER PIN	2
62								
63	71692-G01						BED LATCH	1
64	00559-G7						WASHER, 1/4"	4
65	14390-G4						LOCK NUT, 1/4-20	4
66	71707-G01						EXTENSION SPRING.....	2
67								
68	71766-G01						CATCH BRACKET	2
69	00414-G6						BOLT, 1/4-20 X 3/4" LG.....	4
70	00559-G7						WASHER, 1/4"	4
71	14390-G4						LOCK NUT, 1/4-20	4
72								
73	71673-G01						PROP BRACKET	1
74	71657-G01						PROP ROD	1
75	00560-G1						WASHER, 3/8"	1
76	15121-G1						WASHER, 3/8" (1 1/4" OD)	2
77	10387-G3						COTTER PIN, 3/32 X 3/4" LG.....	2
78								
79	71795-G01						E-Z-GO DECAL (WHITE).....	1
80	71200-G01						LOAD WARNING LABEL	1
81	71771-G01						TILT WARNING LABEL.....	1
82								
83	74033-G01						BED LINER, 40"	1
84	74036-G01						TAILGATE LINER.....	1
85	74033-G02						BED LINER, 48"	1







When ordering parts, please specify the model and serial number of the product.

* Indicates a component that is not available as an individual part.

G** Indicates consult Customer Service Department for additional information.

ITEM	PART NO.	1 2 3 4 5	DESCRIPTION	QTY.
1	71711-G01		TRUCK BED ASSEMBLY (40") (ELECTRIC DUMP) (INCLUDES ITEMS 2 - 9, 20 - 48).....	1
2	71719-G01		BED FRAME (40")	1
3	71714-G01		SIDE PANEL (40", PASSENGER SIDE).....	1
4	71714-G02		SIDE PANEL (40", DRIVER SIDE)	1
5	16705-G3		BOLT, 1/4-20 X 3/4" LG.	10
6	00915-G1		BONDED WASHER, 1/4"	10
7	00559-G7		WASHER, 1/4"	10
8	14390-G4		LOCK NUT, 1/4-20.....	10
9	14601-G8		RIVET, 3/8" X 11/16" LG.	2
10				
11	71711-G02		TRUCK BED ASSEMBLY (48") (ELECTRIC DUMP) (INCLUDES ITEMS 9, 12 - 48).....	1
12	71719-G02		BED FRAME (48")	1
13	71742-G01		SIDE PANEL (48", PASSENGER SIDE).....	1
14	71742-G02		SIDE PANEL (48", DRIVER SIDE)	1
15	16705-G3		BOLT, 1/4-20 X 3/4" LG.	12
16	00915-G1		BONDED WASHER, 1/4"	12
17	00559-G7		WASHER, 1/4"	12
18	14390-G4		LOCK NUT, 1/4-20.....	12
19				
20	71717-G01		TUBE CAP (1" SQUARE).....	2
21	16705-G6		BOLT, 1/4-20 X 1 3/4" LG.	4
22	00915-G1		BONDED WASHER, 1/4"	8
23	14390-G4		LOCK NUT, 1/4-20.....	4
24				
25	71712-G01		POST (PASSENGER SIDE)	1
26	71712-G02		POST (DRIVER SIDE).....	1
27	71718-G01		TUBE CAP (1 1/2" SQUARE).....	2
28	13437-G8		BOLT, 3/8-16 X 2" LG.	4
29	11027-G5		LOCK NUT, 3/8-16.....	4

TRUCK BED, ELECTRIC LIFT

Gasoline Vehicle

When ordering parts, please specify the model and serial number of the product.

* Indicates a component that is not available as an individual part.

G** Indicates consult Customer Service Department for additional information.

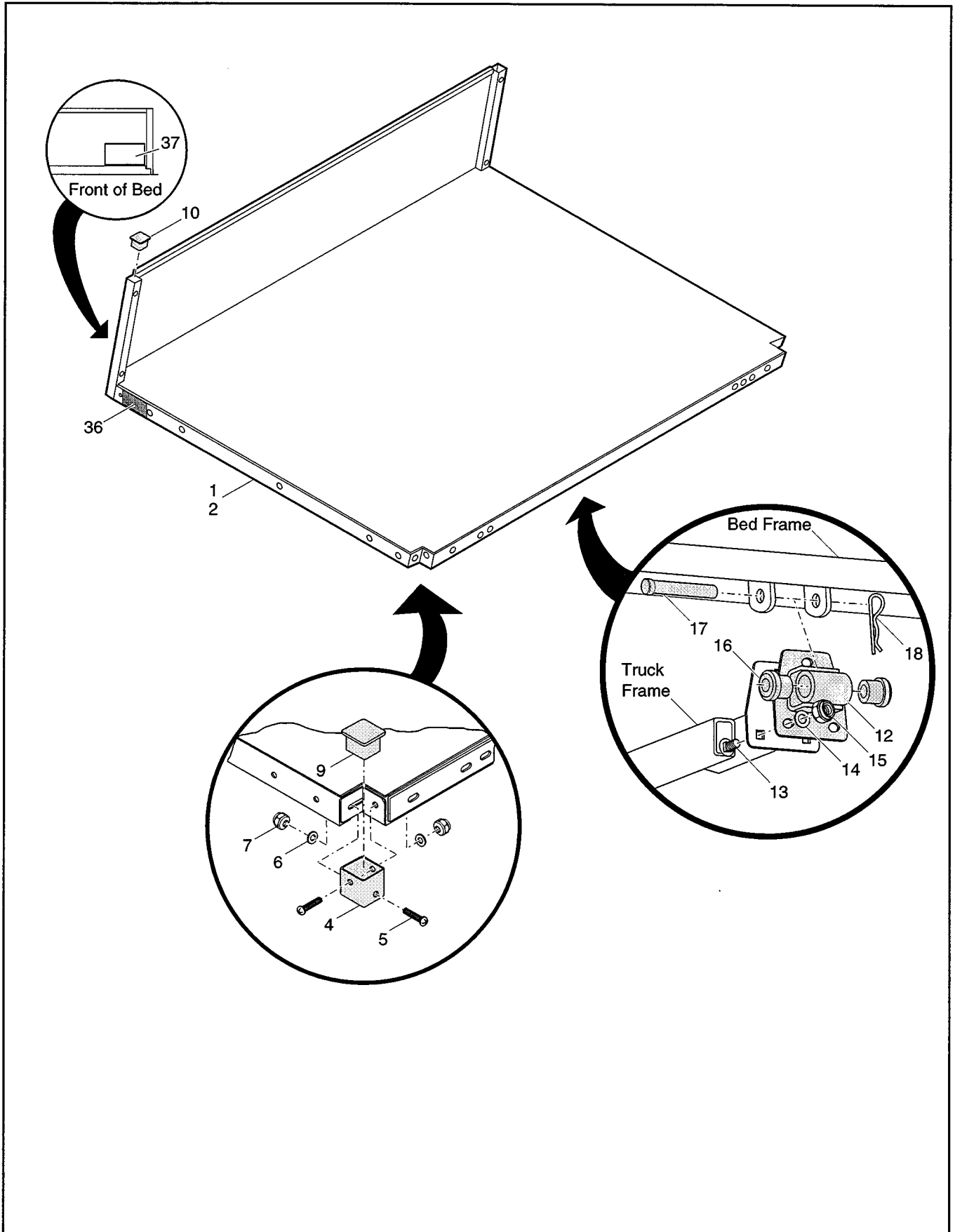
ITEM	PART NO.	1	2	3	4	5	DESCRIPTION	QTY.
30								
31	16705-G3						BOLT, 1/4-20 X 3/4" LG.	4
32	00915-G1						BONDED WASHER, 1/4"	4
33	00559-G7						WASHER, 1/4"	4
34	14390-G4						LOCK NUT, 1/4-20.....	4
35								
36	71732-G01						TAILGATE.....	1
37	27666-G01						HINGE	2
38	01002-G08						BOLT, 1/4-20 X 1" LG.	4
39	00559-G7						WASHER, 1/4"	4
40	14390-G4						LOCK NUT, 1/4-20.....	4
41	71748-G01						TAILGATE KEEPER	1
42	16705-G3						BOLT, 1/4-20 X 3/4" LG.	1
43								
44	28288-G01						BED LOCK (PASSENGER SIDE).....	1
45	28288-G02						BED LOCK (DRIVER SIDE)	1
46	71763-G01						VINYL TUBING.....	2
47	00106-G6						SELF-TAPPING SCREW, #12-24 X 3/4" LG.	2
48	00915-G1						BONDED WASHER, 1/4"	2
49								
50	70396-G01						BED PIVOT.....	2
51	00764-G2						CARRIAGE BOLT, , 5/16 X 1" LG.	6
52	00559-G8						WASHER, 5/16"	6
53	11098-G6						LOCK NUT, 5/16-18	6
54	70291-G01						FLANGED BUSHING.....	4
55	21682-G1						CLEVIS PIN	2
56	21683-G1						COTTER PIN	2
57								
58	71795-G01						E-Z-GO DECAL (WHITE).....	1
59	71200-G01						LOAD WARNING LABEL.....	1

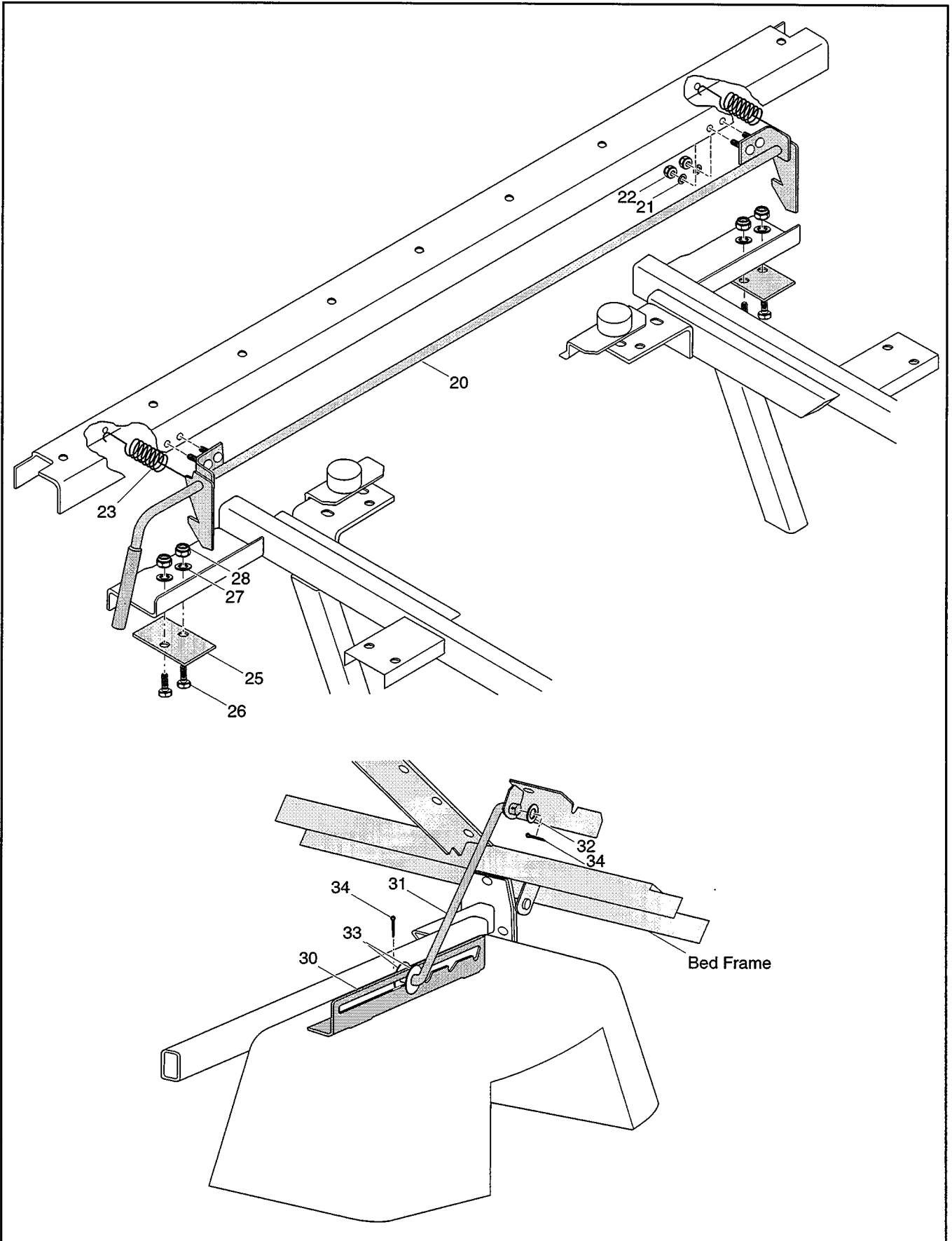
When ordering parts, please specify the model and serial number of the product.

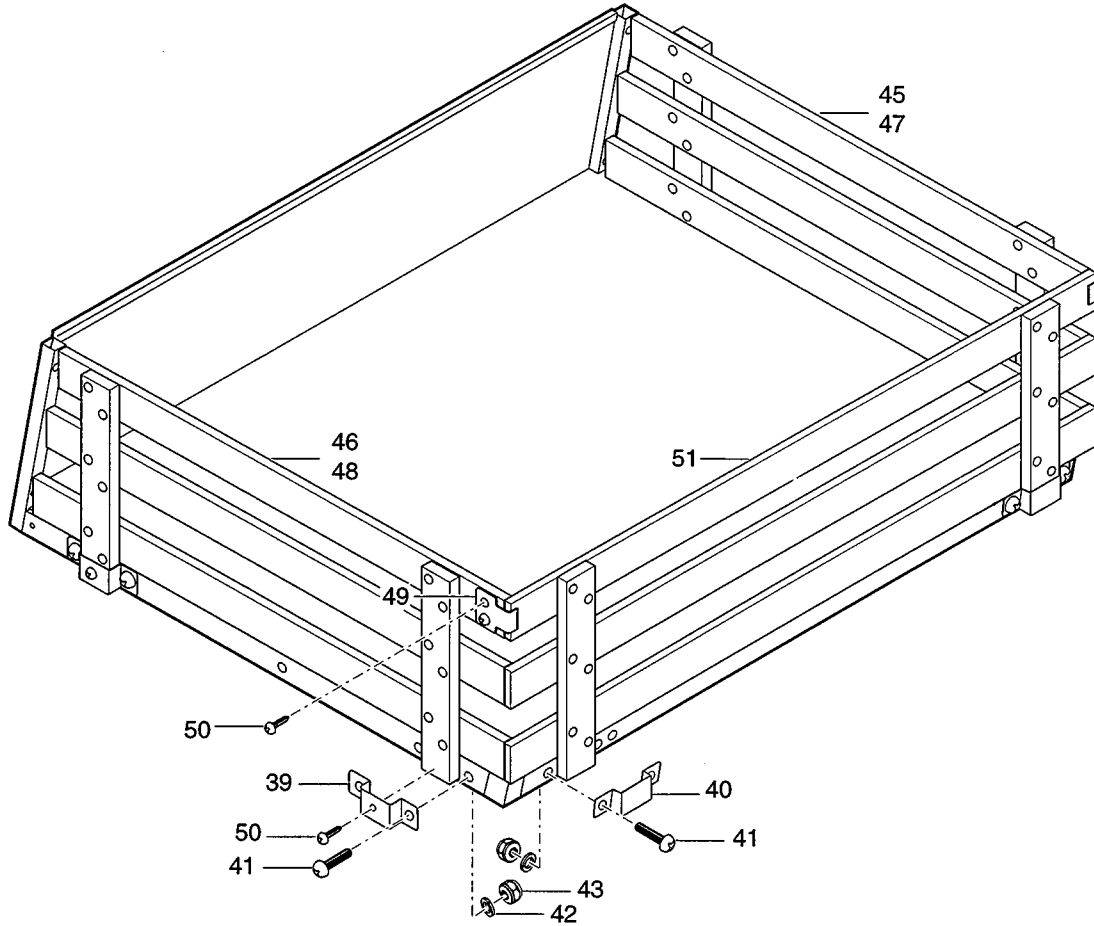
* Indicates a component that is not available as an individual part.

G** Indicates consult Customer Service Department for additional information.

ITEM	PART NO.	1	2	3	4	5	DESCRIPTION	QTY.
60								
61								
62	74165-G01						BRACKET	1
63	21320-G3						CIRCUIT BREAKER	1
64	00150-G4						SCREW, #10-24 X 1/2" LG.	2
65	00565-G5						WASHER, #10.....	2
66	00526-G3						NUT, #10-24.....	2
67	25976-G14						WIRE.....	1
68								
69	27680-G01						TOGGLE SWITCH.....	1
70	27447-G01						TOGGLE GUARD	1
71	10570-G9						RIVET, 1/8" X 11/32" LG.	2
72								
73	27612-G02						ELECTRIC ACTUATOR.....	1
74	27613-G01						SPACER.....	2
75	14443-G10						CLEVIS PIN, 1/2" X 3" LG.....	1
76	25233-G1						COTTER PIN	2
77	14443-G11						CLEVIS PIN, 1/2" X 1 7/8" LG.....	1
78								
79	74163-G01						HARNES.....	1
80	17618-G1						NYLON CLAMP	8
81								
82	74033-G01						BED LINER, 40".....	1
83	74036-G01						TAILGATE LINER.....	1
84	74033-G02						BED LINER, 48".....	1







When ordering parts, please specify the model and serial number of the product.

* Indicates a component that is not available as an individual part.

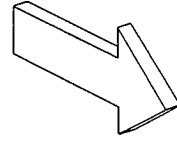
G** Indicates consult Customer Service Department for additional information.

ITEM	PART NO.	1	2	3	4	5	DESCRIPTION	QTY.
1	71719-G01						BED (40")	1
2	71719-G02						BED (48")	1
3								
4	71772-G01						CORNER TUBE	2
5	00762-G8						SCREW, 5/16 - 18 X ?? LG.....	4
6	00559-G8						WASHER, 5/16"	4
7	00550-G3						NUT, 5/16 - 18	4
8								
9	71718-G01						TUBE CAP	2
10	71717-G01						TUBE CAP	2
11								
12	70396-G01						BED PIVOT	2
13	00764-G2						CARRIAGE BOLT, , 5/16 X 1" LG.	6
14	00559-G8						WASHER, 5/16"	6
15	11098-G6						LOCK NUT, 5/16-18	6
16	70291-G01						FLANGED BUSHING	4
17	21682-G1						CLEVIS PIN	2
18	21683-G1						COTTER PIN	2
19								
20	71692-G01						BED LATCH	1
21	00559-G7						WASHER, 1/4"	4
22	14390-G4						LOCK NUT, 1/4-20	4
23	71707-G01						EXTENSION SPRING.....	2
24								
25	71766-G01						CATCH BRACKET	2
26	00414-G6						BOLT, 1/4-20 X 3/4" LG.....	4
27	00559-G7						WASHER, 1/4"	4
28	14390-G4						LOCK NUT, 1/4-20	4
29								
30	71673-G01						PROP BRACKET	1

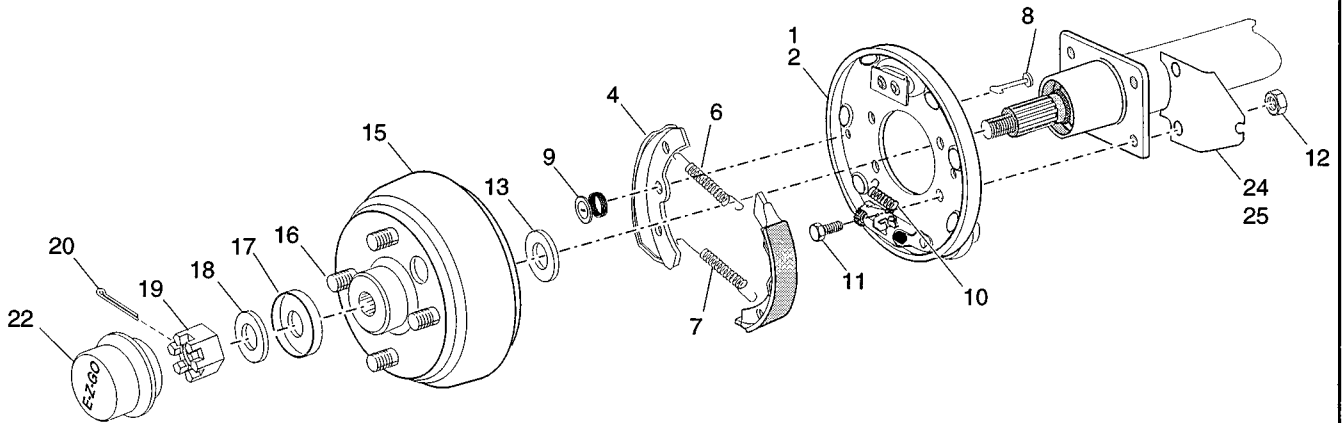
When ordering parts, please specify the model and serial number of the product.
 * Indicates a component that is not available as an individual part.
 G** Indicates consult Customer Service Department for additional information.

ITEM	PART NO.	1 2 3 4 5	DESCRIPTION	QTY.
31	71657-G01		PROP ROD	1
32	00560-G1		WASHER, 3/8"	1
33	15121-G1		WASHER, 3/8" (1 1/4" OD)	2
34	10387-G3		COTTER PIN, 3/32 X 3/4" LG	2
35				
36	71777-G01		WARNING DECAL	1
37	71200-G01		LOAD WARNING LABEL	1
38				
39	74157-G01		SIDE RAIL SUPPORT	4
40	74161-G01		BACK RAIL SUPPORT	2
41	16705-G3		SCREW, 1/4-20 X 3/4" LG.	12
42	00559-G7		WASHER, 1/4"	12
43	14390-G4		NUT, 1/4-20	12
44				
45	74167-G01		SIDE CARGO RACK (40") (PASSENGER SIDE)	1
46	74167-G02		SIDE CARGO RACK (40") (DRIVER SIDE)	1
47	74168-G01		SIDE CARGO RACK (48") (PASSENGER SIDE)	1
48	74168-G02		SIDE CARGO RACK (48") (DRIVER SIDE)	1
49	74079-G01		TAILGATE RETAINER BRACKET	2
50	00666-G6		SCREW, #10 X 3/4" LG	8
51	74162-G03		REAR CARGO RACK	1

- 1 - Includes Items 3 - 10
- 2 - Includes Items 3 - 10
- 3 - Includes Item 4
- 5 - Includes Items 6 - 10
- 14 - Includes Items 15, 16



FRONT OF VEHICLE



When ordering parts, please specify the model and serial number of the product.

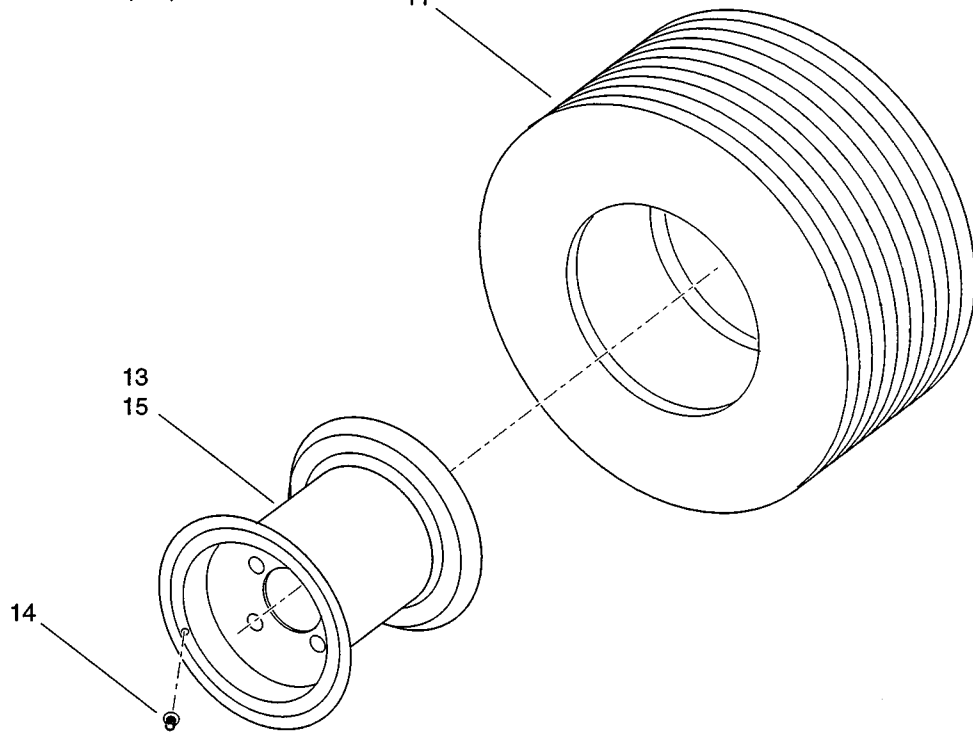
* Indicates a component that is not available as an individual part.

G** Indicates consult Customer Service Department for additional information.

ITEM	PART NO.	1 2 3 4 5	DESCRIPTION	QTY.
1	27942-G01		DRIVER SIDE BRAKE ASSEMBLY (INCLUDES ITEMS 3 - 10)	1
2	27942-G02		PASSENGER SIDE BRAKE ASSEMBLY (INCLUDES ITEMS 3 - 10).....	1
3	27945-G01		BRAKE SHOE KIT (INCLUDES ITEM 4).....	2
4	*		BRAKE SHOE.....	2
5	27944-G01		BRAKE SPRING KIT (INCLUDES ITEMS 6 - 10)	2
6	*		UPPER SPRING	1
7	*		LOWER SPRING	1
8	*		PIN	2
9	*		CUP AND SPRING.....	2
10	*		ADJUSTER SPRING	1
11	17083-G2		BOLT, 5/16 - 24 X 1" LG	8
12	15126-G1		LOCK NUT, 5/16 - 24	8
13	21809-G1		INNER BRAKE DRUM WASHER	2
14	21807-G1		BRAKE DRUM ASSEMBLY (INCLUDES ITEMS 15 - 16).....	2
15	*		BRAKE DRUM.....	1
16	19862-G1		LUG BOLT	4
17	24939-G2		SPINDLE CAP ADAPTER.....	2
18	21830-G1		OUTER BRAKE DRUM WASHER	2
19	00518-G8		SLOTTED NUT, 3/4 - 16	2
20	10387-G1		COTTER PIN	2
21				
22	12091-G1		SPINDLE CAP	2
23				
24	72036-G01		PASSENGER SIDE BRAKE CABLE BRACKET.....	1
25	72036-G02		DRIVER SIDE BRAKE CABLE BRACKET	1

- 1 - Includes Items 2, 13, 14
- 4 - Includes Items 5, 13, 14
- 7 - Includes Items 8, 13, 14
- 10 - Includes Items 11, 14, 15

- 2
- 5
- 8
- 11



When ordering parts, please specify the model and serial number of the product.
 * Indicates a component that is not available as an individual part.
 G** Indicates consult Customer Service Department for additional information.

ITEM	PART NO.	1 2 3 4 5	DESCRIPTION	QTY.
1	27772-G03		18 X 8.5 - 8 CARLISLE TIRE AND WHEEL ASSEMBLY, TURF SAVER (INCLUDES ITEMS 2, 13, 14).....	AR
2	27772-G07		18 X 8.5 - 8 CARLISLE TIRE, TURF SAVER	AR
3				
4	27772-G01		18 X 8.5 - 8 CARLISLE TIRE AND WHEEL ASSEMBLY, LINKS (INCLUDES ITEMS 5, 13, 14).....	AR
5	27772-G05		18 X 8.5 - 8 CARLISLE TIRE, LINKS	AR
6				
7	27775-G01		18.5 X 8.5 - 8 CARLISLE TIRE AND WHEEL ASSEMBLY, USA TRAIL (INCLUDES ITEMS 7, 13, 14).....	AR
8	27775-G02		18.5 X 8.5 - 8 CARLISLE TIRE, USA TRAIL	AR
9				
10	27784-G01		5.70 - 8 CARLISLE TIRE AND WHEEL ASSEMBLY, USA TRAIL (INCLUDES ITEMS 11, 14, 15).....	AR
11	27784-G03		5.70 - 8 CARLISLE TIRE, USA TRAIL.....	AR
12				
13	15169-G1		WHEEL RIM, 4 LUG, STANDARD	AR
14	11657-G1		VALVE STEM	AR
15	33678-G01		WHEEL RIM, 4 LUG.....	AR

SPECIAL TOOLS

SPECIAL TOOLS LISTING

SPECIAL TOOLS

SPECIAL TOOLS	Part No.
PULLER, DRIVE CLUTCH	19779-G2
PULLER, FLYWHEEL.....	27111-G01
CAM PULLEY TOOL.....	27851-G01
CURRENT INDICATOR.....	16489-G2
MULTI-METER, DIGITAL.....	27481-G01
CRIMPING TOOL	27765-G01
SLIDE HAMMER (AXLE/HUB REMOVAL)	15947-G1
SLIDE HAMMER (AXLE REMOVAL ONLY).....	18753-G1
TACHOMETER	72526-G01
FEELER GAUGE	72525-G01
COMPRESSION TESTER.....	72524-G01
OIL, 10W-30	
5 GALLONS	25730-G03
12 QUART CASE.....	25730-G04
55 GALLON DRUM.....	25730-G05
PAINT	
.6 OUNCE BRUSH ON PAINT - HUNTER GREEN.....	28002-G04

ACCESSORIES

ACCESSORIES LISTING

ACCESSORIES

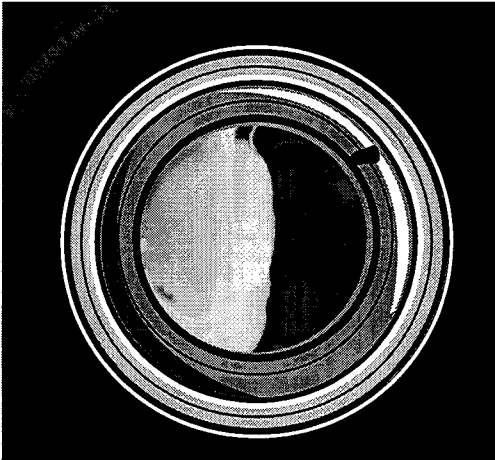
ACCESSORIES LISTING

KIT NO.

HUB CAP - 8" CHROME.....	14913-G**	See Kit Instruction Sheet 28244
HUB CAP - 6" CHROME.....	16042-G**	See Kit Instruction Sheet 28244
HUB CAP - GOLD SPOKE	19241-G**	See Kit Instruction Sheet 28244
HUB CAP - SILVER SPOKE.....	19241-G**	See Kit Instruction Sheet 28244
RAMP KIT	28334-G01	See Kit Instruction Sheet 28335
ELECTRIC DUMP KIT	74164-G02	See Kit Instruction Sheet 74166
WINDSHIELD KIT (2 BEND, CLEAR)	75041-G03	See Kit Instruction Sheet 75043
WINDSHIELD KIT (2 BEND, TINTED).....	75041-G04	See Kit Instruction Sheet 75043
WINDSHIELD KIT (4 BEND, CLEAR)	75041-G05	See Kit Instruction Sheet 75043
WINDSHIELD KIT (4 BEND, TINTED).....	75041-G06	See Kit Instruction Sheet 75043
LIGHT AND TURN SIGNAL.....	75107-G02	See section 'N'
ASH TRAY KIT	75109-G02	See Kit Instruction Sheet 75110
HOUR METER.....	75114-G02	See Kit Instruction Sheet 75119
REAR VIEW MIRROR KIT.....	19528-G2	See Kit Instruction Sheet 75162
BALL HITCH KIT.....	75326-G02	See Kit Instruction Sheet 75328
CLEVIS HITCH KIT.....	75327-G02	See Kit Instruction Sheet 75329
LIGHT BAR KIT WITH FLOOD LIGHT	75354-G01	See Kit Instruction Sheet 75348
LIGHT BAR KIT WITH BEACON	75354-G02	See Kit Instruction Sheet 75348
LIGHT BAR KIT WITH FLOOD/BEACON.....	75354-G03	See Kit Instruction Sheet 75348
SUN TOP KIT.....	75350-G01	See Kit Instruction Sheet 75351
FRONT BUMPER KIT.....	74041-G02	See Kit Instruction Sheet 75355
WEATHER ENCLOSURE.....	75367-G01	See Kit Instruction Sheet 75368
SPARK ARRESTOR KIT.....	25747-G01	

ACCESSORIES

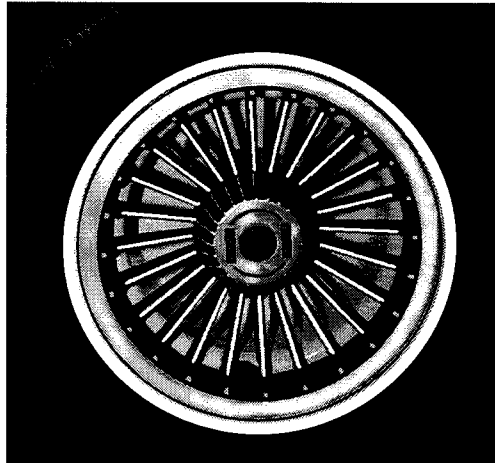
ACCESSORIES ILLUSTRATED



6" CHROME HUBCAP



8" CHROME HUBCAP



GOLD / SILVER SPOKE HUBCAP

ITEM	QTY	PART NO.	DESCRIPTION
1	1	14913-G1	8" CHROME HUBCAP
2	4	14913-G2	8" CHROME HUBCAP SET
3	1	16042-G1	6" CHROME HUBCAP
4	4	16042-G2	6" CHROME HUBCAP SET
5	1	19241-G2	GOLD SPOKE HUBCAP
6	4	19241-G4	GOLD SPOKE HUBCAP SET
7	1	19241-G1	SILVER SPOKE HUBCAP
8	4	19241-G3	SILVER SPOKE HUBCAP SET

THE SYMBOL REFERS TO A NOTE CORRESPONDING TO THE LETTER ENCLOSED WITHIN IT. SEE FOLLOWING PAGE(S) FOR NOTES AND PARTS LISTS. RETAIN THIS DOCUMENT TO FACILITATE THE ORDERING OF REPLACEMENT PARTS.

TITLE **WHEEL COVER INSTALLATION**



DRN BY
ORIG DATE

CGT
02/07/95

REV BY
REV DATE

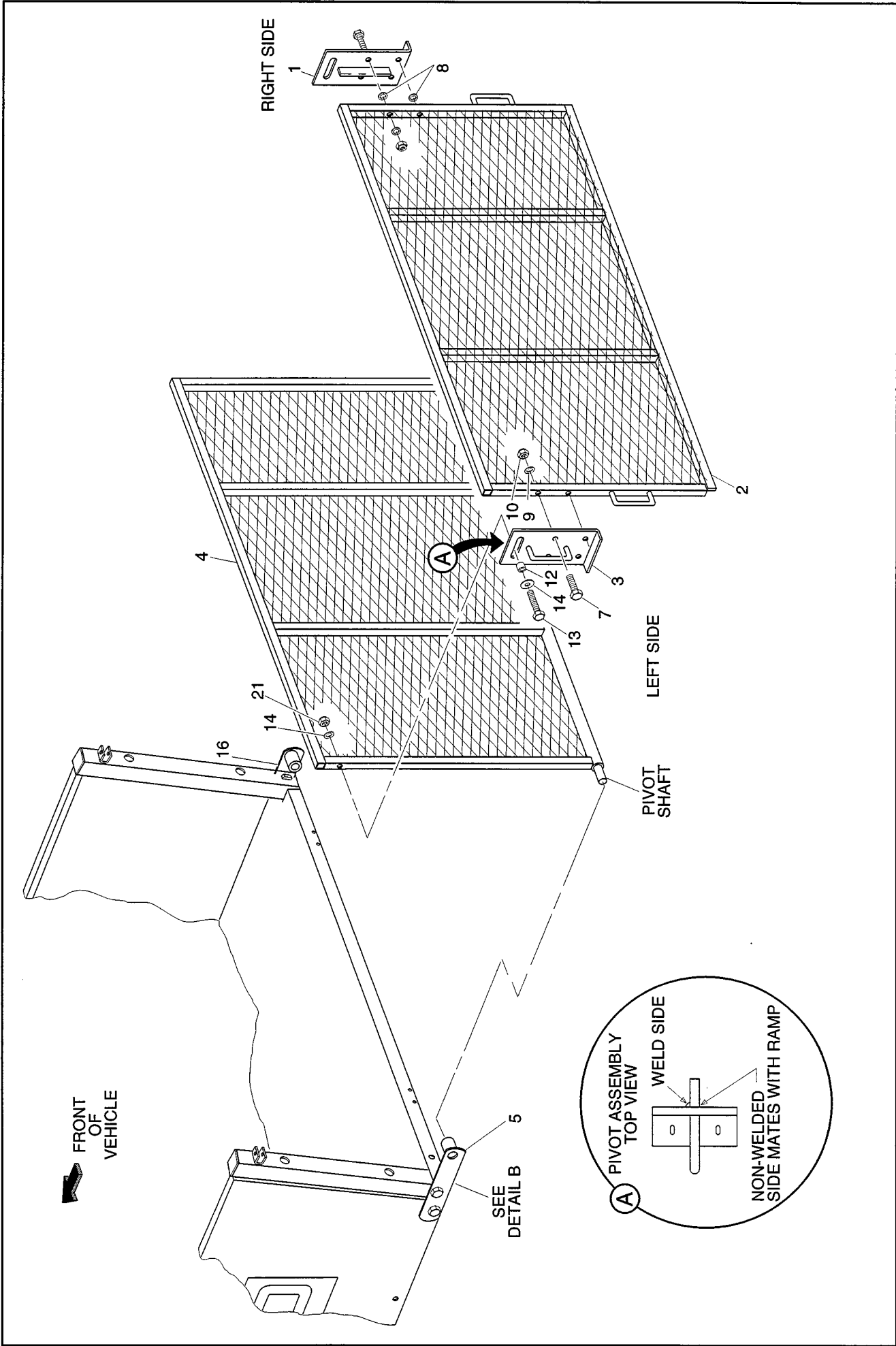
A

DRAWING
NO. 28244

REV -

PG. 1 OF 1

E-Z-GO DIVISION OF TEXTRON, INC., P. O. BOX 388, AUGUSTA, GA. 30913-2699, 1-800-241-5855



TITLE TRUCK RAMP FIELD KIT (48" WIDE BED)		REV -	
EZGO TEXTRON	DRN BY	REV BY	DRAWING
	ORIG DATE 09/01/95	REV DATE	NO. 28335
E-Z-GO DIVISION OF TEXTRON, INC., P. O. BOX 388, AUGUSTA, GA. 30903-0388, 1-800-241-5855		PG. 1 OF 4	

THE SYMBOL ◁ REFERS TO A NOTE CORRESPONDING TO THE LETTER ENCLOSED WITHIN IT. SEE FOLLOWING PAGE(S) FOR NOTES AND PARTS LISTS. RETAIN THIS DOCUMENT TO FACILITATE THE ORDERING OF REPLACEMENT PARTS.

NOTE: TO ORDER THIS ENTIRE FIELD KIT, REQUEST PART NO. 28334-G01

READ ALL INSTRUCTIONS BEFORE PROCEEDING.

A. REMOVE EXISTING TAILGATE

1. Engage parking brake.
2. Remove tailgate, right and left hinges, and related hardware. Leave chains and hooks attached to truck bed.
3. Retain all parts for possible future use.

B. TRUCKBED ASSEMBLY

1. Locate right and left corner posts on the truck bed. Remove lower outside bolts and rear lower panel truss head screw.
2. Attach driver's side ramp support (item 5) to the side of the truck bed securing with hardware (items 6, 9 and 10). See Detail B. Using hardware (items 20, 14, and 21), secure bracket (item 5) to corner post. Extra spacers may be needed between bracket and post to fill gap as shown in Detail B.
3. The mounting bracket for the opposite post will be added at final assembly.

C. LOWER RAMP ASSEMBLY

1. Place *NON-WELDED* side (see Detail A) of left pivot (item 3) flush against the side of the lower ramp (item 2). Align mounting holes and fasten securely with hardware (item 7, 9 and 10).
2. The right pivot (item 1) is to be mounted using the same procedure as the left pivot except a washer (item 8) *must* be added between the ramp and the pivot.

D. UPPER TO LOWER RAMP ASSEMBLY

1. Make certain the top surface (side with mesh) of each ramp is facing outwards.
2. Place one pivot spacer (item 12) inside each slot of pivot brackets and secure lower ramp to upper ramp with hardware (items 13, 14, and 21) as shown in illustration on first page.

E. FINAL ASSEMBLY

1. Insert left pivot shaft of the upper ramp into the driver side support (item 5) as shown in illustration on first page.
2. Place passenger side support (item 16) onto right pivot shaft of the upper ramp and mount support to the right side of the truck bed using procedure in step 2 of **TRUCK BED ASSEMBLY**.
3. Ramp is held in upright (stored) position with tailgate hooks.

THE SYMBOL ◁ REFERS TO A NOTE CORRESPONDING TO THE LETTER ENCLOSED WITHIN IT. SEE FOLLOWING PAGE(S) FOR NOTES AND PARTS LISTS. RETAIN THIS DOCUMENT TO FACILITATE THE ORDERING OF REPLACEMENT PARTS.

TITLE **TRUCK RAMP FIELD KIT (48" WIDE BED)**



DRN BY J. PRICE
ORIG DATE 08/01/95

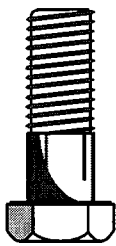
REV BY A
REV DATE 28335

REV -

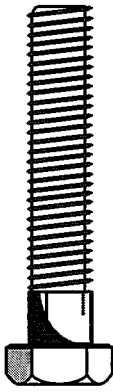
PG. 3 OF 4

E-Z-GO DIVISION OF TEXTRON, INC., P.O. BOX 388, AUGUSTA, GA. 30903-0388, 1-800-241-5855

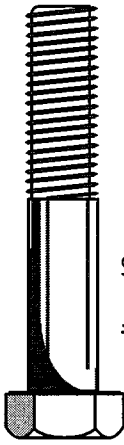
HARDWARE SHOWN ACTUAL SIZE



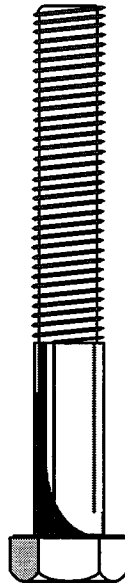
Item 6
5/16-18 X 1 3/4 Lg. Screw
Qty. 2



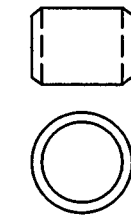
Item 7
5/16-18 X 1 3/4 Lg. Screw
Qty. 4



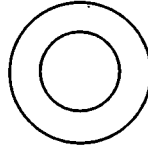
Item 13
3/8-16 x 2 Lg. Screw
Qty. 2



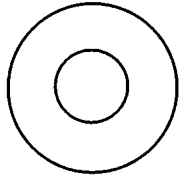
Item 20
3/8-16 x 2 3/4 Lg. Screw
Qty. 2



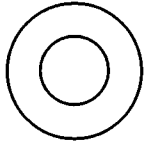
Item 12
Pivot Spacer
Qty. 2



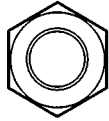
Item 14
3/8 Washer
Qty. 10



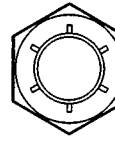
Item 8
5/16 Heavy Washer
Qty. 4



Item 9
5/16 Light Washer
Qty. 8



Item 10
5/16-18 Lock Nut
Qty. 6



Item 21
3/8-16 Lock Nut
Qty. 4

ITEM	QTY	PART NO.	DESCRIPTION
1	1	20252-G1	PIVOT, PASSENGER SIDE
2	1	20257-G2	RAMP, LOWER
3	1	20252-G2	PIVOT, DRIVER'S SIDE
4	1	20264-G1	RAMP, UPPER
5	1	28331-G02	SUPPORT, RAMP, DRIVER'S SIDE
6	2	00438-G8	BOLT, 5/16-18 X 1 LG.
7	4	00271-G6	BOLT, 5/16-18 X 1 3/4 LG.
8	4	00569-G2	WASHER, 5/16, HEAVY
9	8	00559-G8	WASHER, 5/16, LIGHT
10	6	11098-G6	NUT, LOCK, 5/16-18
11			
12	2	20275-G1	SPACER, PIVOT
13	2	00427-G8	BOLT 3/8-16 X 2 LG.
14	10	00562-G1	WASHER, 3/8
15			
16	1	28331-G01	SUPPORT, RAMP, PASSENGER SIDE
17			
18			
19			
20	2	00428-G6	BOLT, 3/8-16 X 2 3/4 LG.
21	4	11098-G5	NUT, LOCK, 3/8-16

THE SYMBOL ◁ REFERS TO A NOTE CORRESPONDING TO THE LETTER ENCLOSED WITHIN IT. SEE FOLLOWING PAGE(S) FOR NOTES AND PARTS LISTS. RETAIN THIS DOCUMENT TO FACILITATE THE ORDERING OF REPLACEMENT PARTS.

TITLE TRUCK RAMP FIELD KIT (48" WIDE BED)



DRN BY J.RICE
ORIG DATE 09/01/95

REV BY A
REV DATE 28335

REV -

PG. 4 OF 4

NOTE: TO ORDER THIS ENTIRE FIELD KIT, REQUEST PART NO. 74164-G02

READ ALL INSTRUCTIONS BEFORE PROCEEDING.

TOOL LIST	QTY. REQUIRED	TOOL LIST	QTY. REQUIRED
Flat Screwdriver	1	Phillips Screwdriver	1
Wrench, 7/16"	1	Open End Wrench, Insulated, 1/2"	1
Wrench, 3/8"	1	Wrench, 1/4"	1
Rivet Gun	1	Shop Rag	1
Needle Nose Pliers	1		

! WARNING !

BEFORE INSTALLING THE ELECTRIC DUMP KIT, THE FOLLOWING STEPS MUST BE TAKEN:

1. Place vehicle on level floor and engage the parking brake.
2. Raise and secure seat.
3. Using an insulated wrench, disconnect the battery ground cable and cover negative battery terminal (-) with a shop rag. (See Fig. 1)

! WARNING !

TO PREVENT PERSONAL INJURY, USE AN INSULATED WRENCH TO DISCONNECT AND RECONNECT THE BATTERY GROUND CABLE.

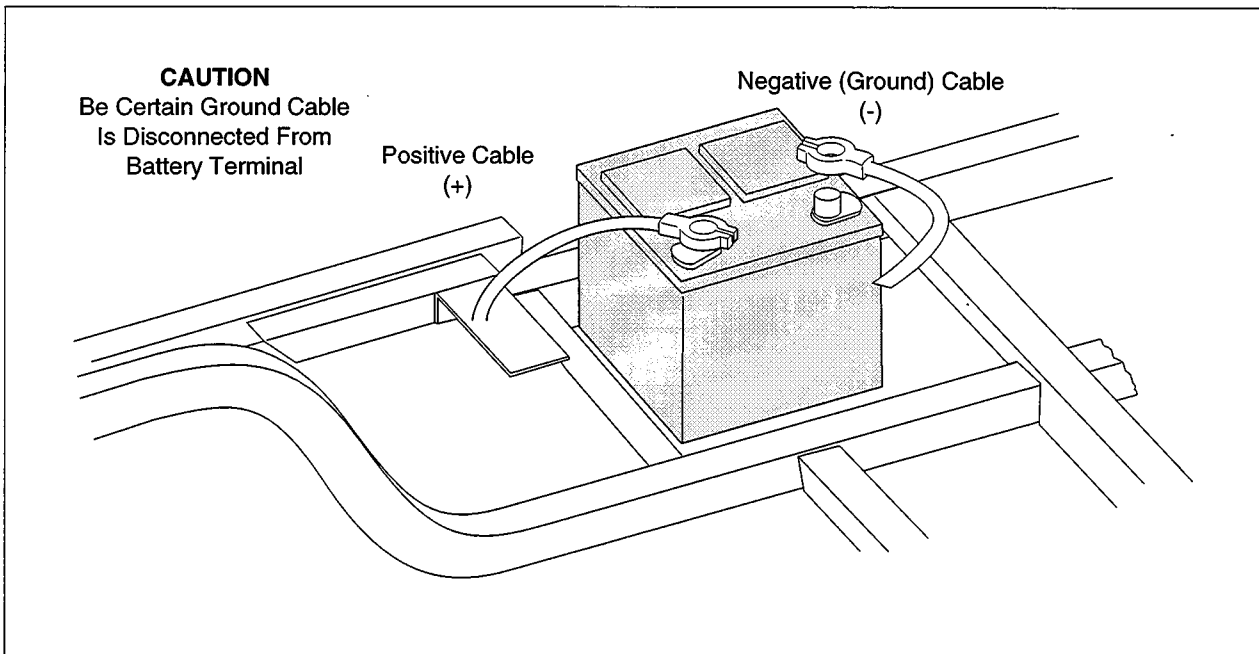


Fig. 1 Negative (Ground) Cable Connection

TITLE				REV -
ELECTRIC DUMP INSTALLATION INSTRUCTIONS				
EZGO TEXTRON	DRN BY ORIG DATE	J.RICE 12/15/95	REV BY REV DATE	DRAWING NO. 74166
E-Z-GO DIVISION OF TEXTRON, INC., P.O. BOX 388, AUGUSTA, GA. 30903-0388, 1-800-448-7476				PG. 1 OF 6

4. Raise and support truck bed.

⚠ WARNING ⚠

TO PREVENT PERSONAL INJURY, ENSURE BED IS PROPERLY SUPPORTED IN RAISED POSITION BEFORE CONTINUING WITH THE FOLLOWING PROCEDURES.

5. Remove and discard the latch assembly from the front of the dump bed. (See Fig. 2)

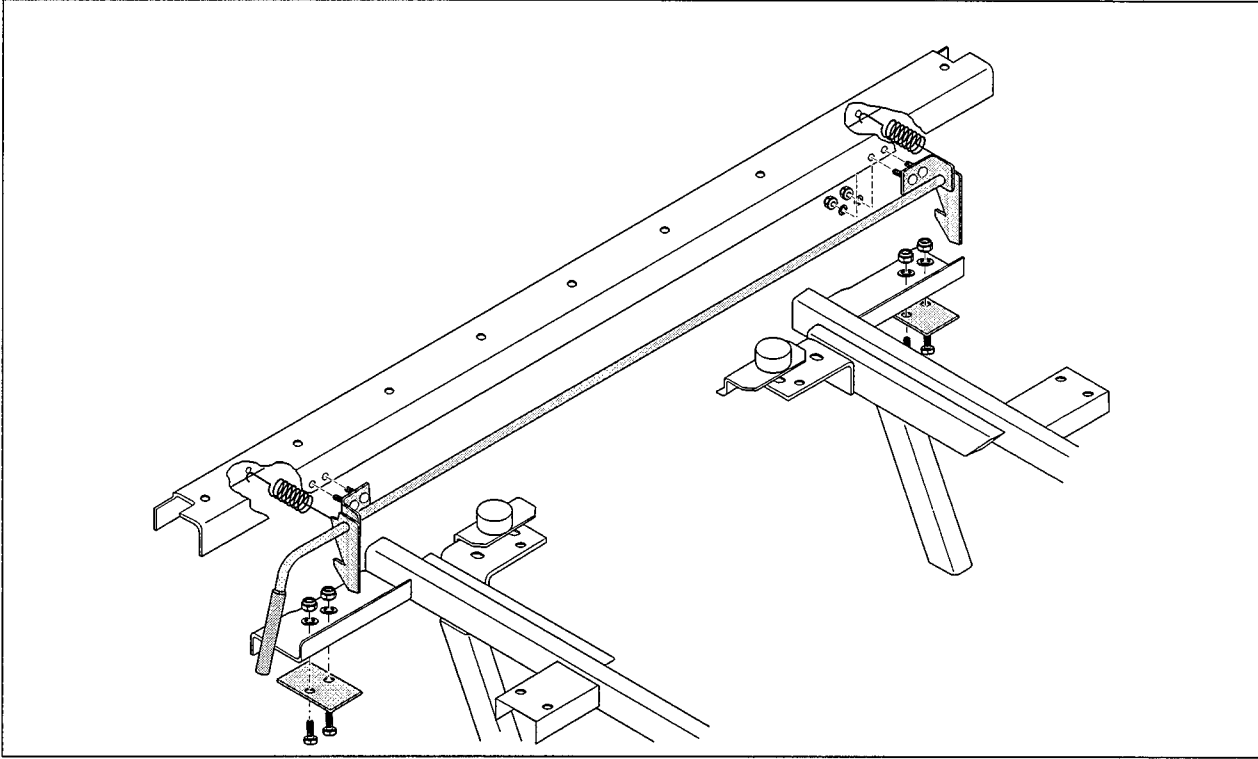


Fig. 2 Latch Assembly Removal

6. Remove and discard the bed prop assembly from the driver side rear fender. (See Fig. 3)

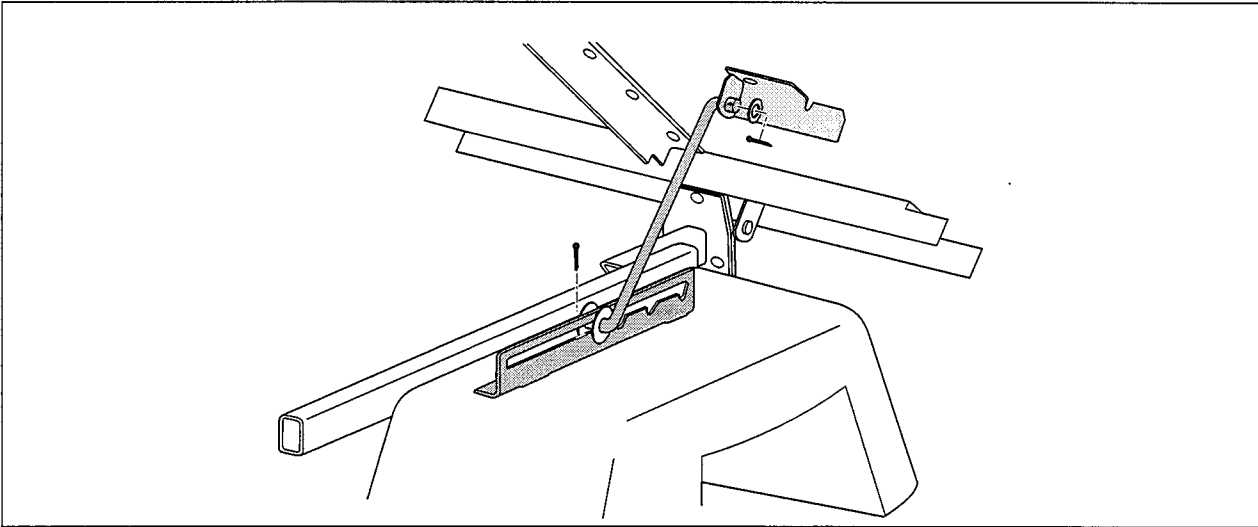


Fig. 3 Prop Assembly Removal

TITLE **ELECTRIC DUMP INSTALLATION INSTRUCTIONS**

REV -

EZGO **TEXTRON**

DRN BY J.RICE
ORIG DATE 12/15/95

REV BY
REV DATE

DRAWING NO. 74166

PG. 2 OF 6

A. TOGGLE SWITCH MOUNTING (See Fig. 4)

1. Attach circuit breaker (Item 2) to mounting bracket (Item 1) using screw (Item 3), lock washer (Item 4) and nut (Item 5).
2. Remove outer nut from toggle switch (Item 6) and insert the toggle lever through circuit breaker mounting bracket and into the seat wrap hole as illustrated in Fig. 4.
3. Place the toggle switch guard (Item 7) over the toggle switch lever and attach with outer nut. (Do not tighten)
4. Secure the toggle switch guard and circuit breaker mounting bracket to seat wrap with rivets (Item 8).
5. Adjust the toggle switch nut behind the bracket to position the tip of the toggle switch lever a distance of 1/16" or less beyond the toggle switch guard and tighten nut securely.
6. Attach red wire (Item 9) to circuit breaker and toggle switch as shown in Fig. 4.

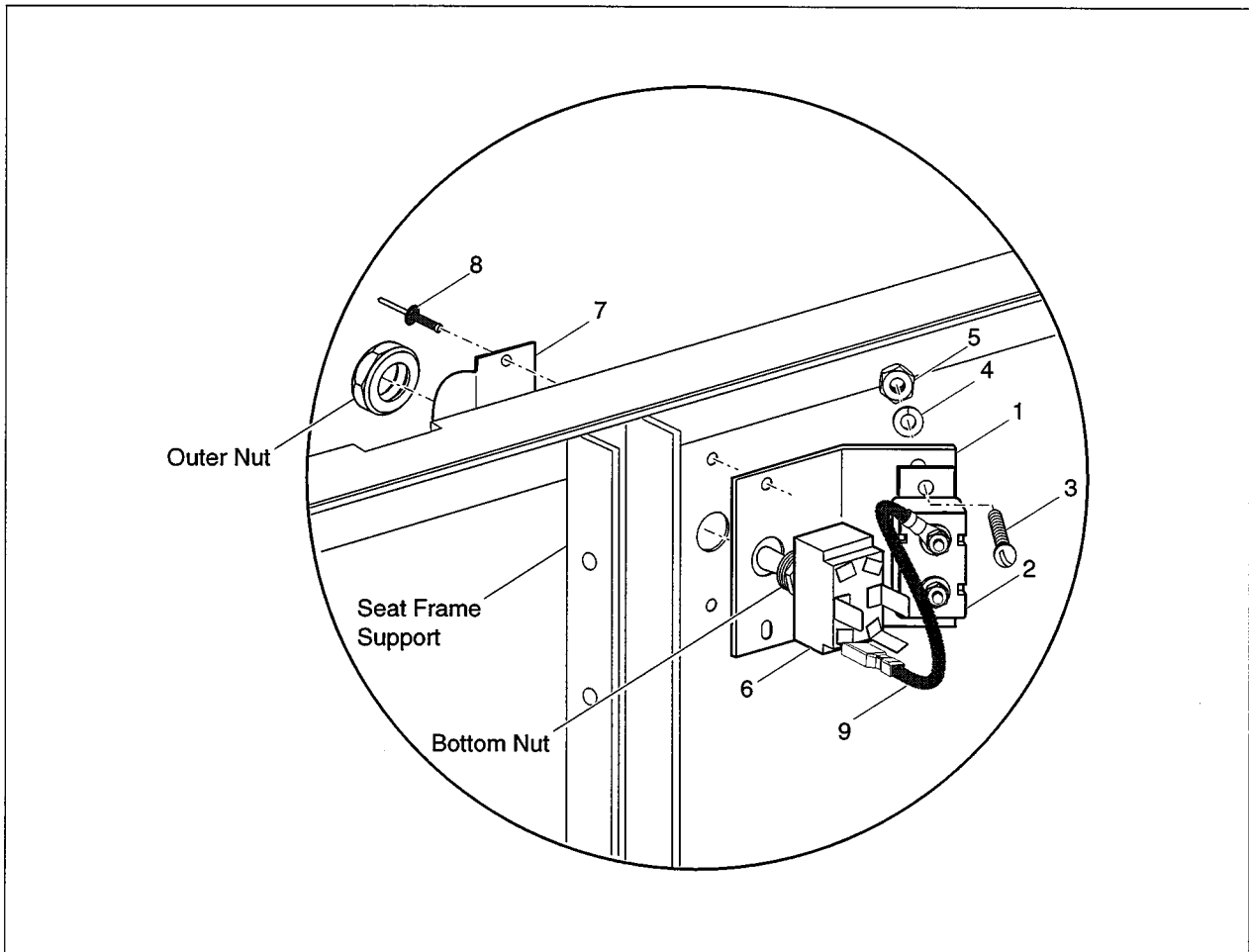


Fig. 4 Toggle Switch Installation

B. CONTROL HARNESS ROUTING (See Fig. 5)

1. Route the control harness (Item 10), beginning at the toggle switch, down the seat frame support on the driver side of the vehicle as illustrated in Fig. 5. **Leave enough slack in the control harness for connecting terminals to toggle switch.**
2. Secure the control harness to the seat frame support with a nylon clamp (Item 11) as shown in Fig. 5.
3. Route the control harness toward the rear of the truck, on the inside of the frame rail, to the rear cross member as shown.
4. Secure the control harness to the frame using nylon clamps in the locations shown in Fig. 5

TITLE

ELECTRIC DUMP INSTALLATION INSTRUCTIONS

REV -

EZGO TEXTRON

DRN BY J.RICE
ORIG DATE 12/15/95

REV BY
REV DATE

DRAWING NO. 74166

PG. 3 OF 6

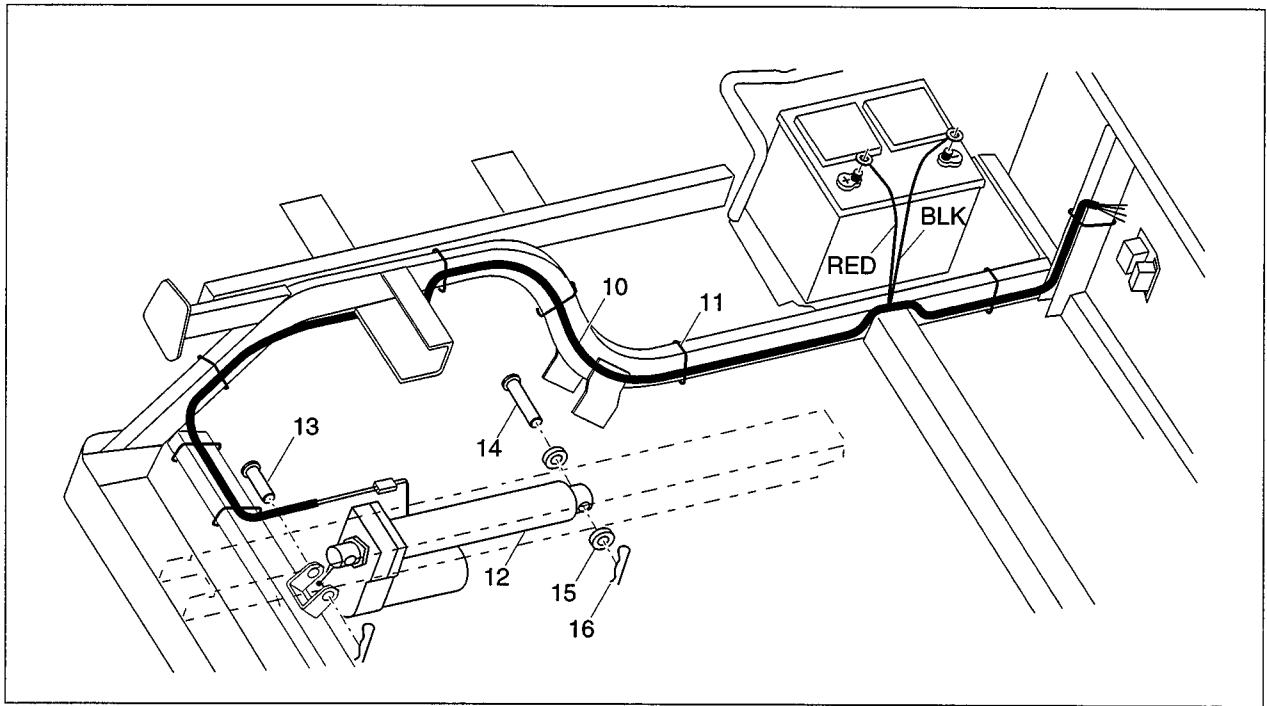


Fig. 5 Control Harness Routing

C. WIRING THE TOGGLE SWITCH (See Fig. 6)

1. Connect the white wire from the actuator to the toggle switch as shown.
2. Connect the red wire from the actuator to the toggle switch.
3. Connect the black (ground) wire from the battery to the toggle switch.
4. Connect the red wire from the battery to the circuit breaker as shown.

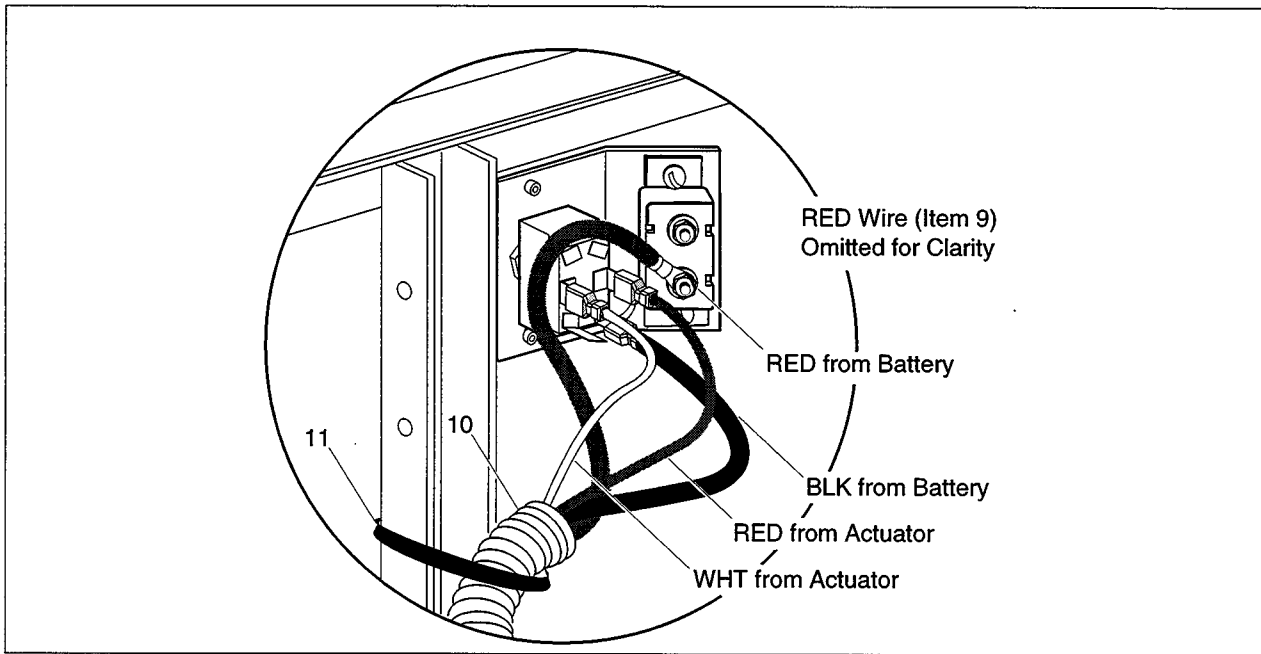


Fig. 6 Toggle Switch Wiring

TITLE ELECTRIC DUMP INSTALLATION INSTRUCTIONS					REV -
EZGO TEXTRON	DRN BY ORIG DATE	J.RICE 12/15/95	REV BY REV DATE	DRAWING NO. 74166	PG. 4 OF 6
E-Z-GO DIVISION OF TEXTRON, INC., P.O. BOX 388, AUGUSTA, GA. 30903-0388, 1-800-448-7476					

D. INSTALLING THE ELECTRIC ACTUATOR

1. Place the electric actuator, item 1 into the cylinder mount oriented as shown, and insert clevis pin (Item 13) through the cylinder mount and electric actuator. Secure with spring pin (Item 16).
2. Connect the control harness to the electric actuator.
3. Using an insulated wrench, reconnect battery ground cable. (See Fig. 1)
4. Extend actuator to full length by operating toggle switch lever.
5. Locate the appropriate holes in the center support angle of the truckbed frame.
6. Place one spacer (Item 15) on each side of electric actuator and insert 3" clevis pin (Item 14) through the center supports of the truckbed frame, the spacers and the electric actuator. (See Fig. 7)
7. Secure clevis pin with spring pin (Item 16).

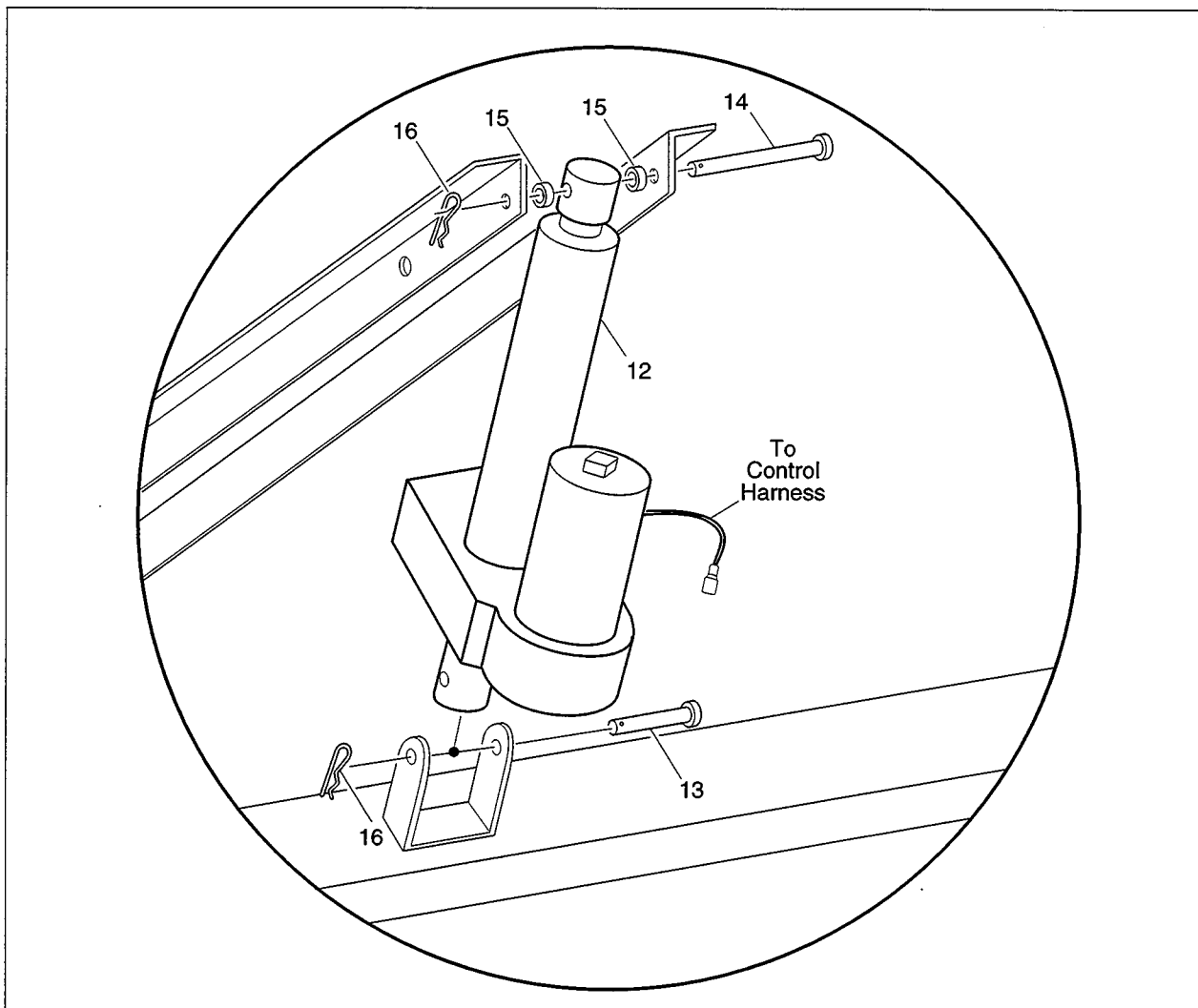


Fig. 7 Electric Actuator Installation

TITLE **ELECTRIC DUMP INSTALLATION INSTRUCTIONS**

REV -

EZGO TEXTRON

DRN BY J.RICE
ORIG DATE 12/15/95


REV BY
REV DATE

DRAWING NO. 74166

PG. 5 OF 6

KIT CONTENTS

ITEM	QTY	PART NO.	DESCRIPTION
1.....	1.....	74165-G01	CIRCUIT BREAKER MOUNTING BRACKET
2.....	1.....	21320-G3	CIRCUIT BREAKER
3.....	2.....	00150-G4	SCREW, #10-24 X 1/2" LG.
4.....	2.....	00565-G5	LOCK WASHER, #10
5.....	2.....	00526-G3	NUT, #10-24
6.....	1.....	27680-G01	TOGGLE SWITCH
7.....	1.....	27447-G01	TOGGLE SWITCH GUARD
8.....	2.....	10570-G9	RIVET, 5/32" X 9/16" LG.
9.....	1.....	25976-G14	RED WIRE
10.....	1.....	74163-G01	CONTROL HARNESS
11.....	8.....	17618-G1	NYLON CLAMP
12.....	1.....	27612-G02	ELECTRIC ACTUATOR
13.....	1.....	14443-G11	CLEVIS PIN, 1/2" X 1 7/8" LG.
14.....	1.....	14443-G10	CLEVIS PIN, 1/2" X 3" LG.
15.....	2.....	27613-G01	SPACER
16.....	2.....	25233-G1	SPRING PIN

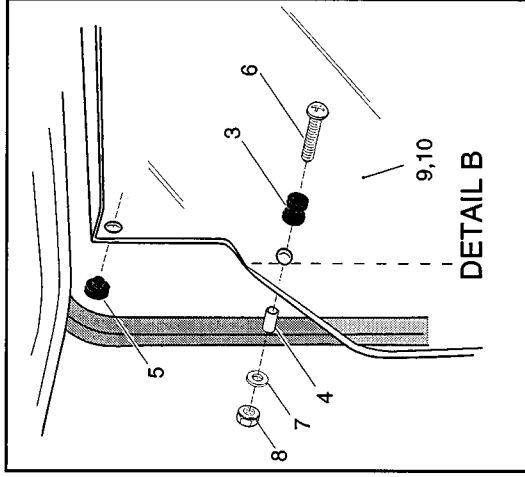
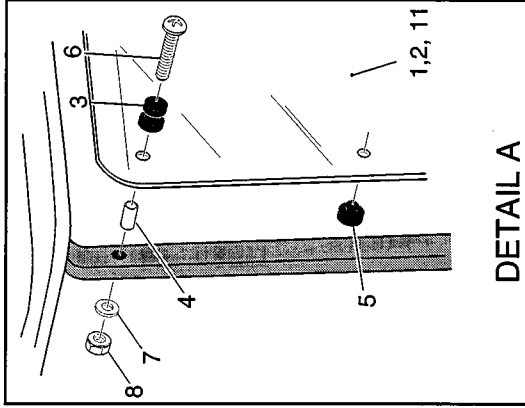
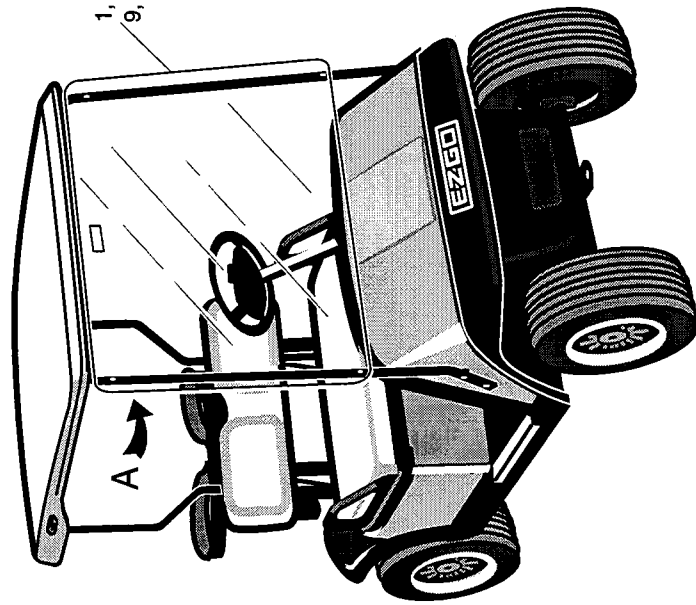
TITLE		ELECTRIC DUMP INSTALLATION INSTRUCTIONS		REV -
		DRN BY ORIG DATE	J.RICE 12/15/95	REV BY REV DATE
		DRAWING NO.	74166	PG. 6 OF 6
E-Z-GO DIVISION OF TEXTRON, INC., P.O. BOX 388, AUGUSTA, GA. 30903-0388, 1-800-448-7476				

NOTE: TO ORDER THIS ENTIRE FIELD KIT, REQUEST PART NO. 75041-G0*

* CONTACT SERVICE PARTS FOR AVAILABILITY.

READ ALL INSTRUCTIONS BEFORE PROCEEDING.

1. INSERT THE RUBBER GROMMETS, ITEM 3 INTO THE TOP AND BOTTOM HOLES ON BOTH SIDES OF THE WINDSHIELD, ITEMS 1, 2, 9, OR 10.
2. INSERT THE SPACERS, ITEM 4 INTO THE RUBBER GROMMETS.
3. INSERT THE PLUG BUMPERS, ITEM 5 INTO THE CENTER HOLES OF THE WINDSHIELD, ITEMS 1, 2 OR THE TOP OF WINDSHIELD, ITEMS 9 OR 10.
4. PLACE THE WINDSHIELD AGAINST THE FRONT STRUT WITH THE SMALL TAPERED END AT THE TOP.
5. INSERT THE BOLTS, ITEM 6 THRU WINDSHIELD AND THE FRONT STRUT AND SECURE WITH WASHERS, ITEM 7 AND LOCK NUTS, ITEM 8.



ITEM	QTY	PART NO.	DESCRIPTION
1	1	75021-G01	WINDSHIELD, CLEAR, 2 BEND
2	1	75021-G02	WINDSHIELD, TINTED, 2 BEND
3	4	72147-G01	GROMMET, RUBBER
4	4	23726-G7	SPACER
5	2	75124-G01	BUMPER, PLUG
6	4	16705-G6	SCREW, 1/4-20 X 1 3/4 LG.
7	4	00660-G7	WASHER, 1/4"
8	4	00891-G2	NUT, LOCK, 1/4-20
9	1	75203-G01	WINDSHIELD, CLEAR, 4 BEND
10	1	75203-G02	WINDSHIELD, TINTED, 4 BEND
11	1	75021-G03	WINDSHIELD, CLEAR, 2 BEND, OASIS

THE SYMBOL ◁ REFERS TO A NOTE CORRESPONDING TO THE LETTER ENCLOSED WITHIN IT. SEE FOLLOWING PAGE(S) FOR NOTES AND PARTS LISTS. RETAIN THIS DOCUMENT TO FACILITATE THE ORDERING OF REPLACEMENT PARTS.

TITLE WINDSHIELD INSTALLATION



DRN BY L WEBB
ORIG DATE 12/17/93

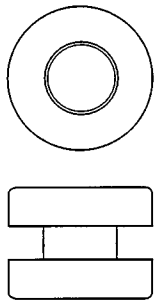
REV BY J.Brand
REV DATE 02/23/96

DRAWING NO. 75043

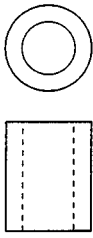
REV D

PG. 1 OF 2

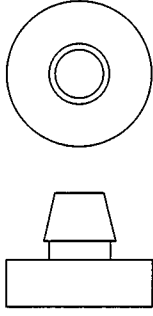
NOTE: ALL HARDWARE SHOWN ACTUAL SIZE



ITEM 3
RUBBER GROMMET
QTY. 4



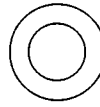
ITEM 4
SPACER
QTY. 4



ITEM 5
PLUG BUMPER
QTY. 2



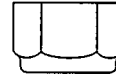
ITEM 6
1/4-20 X 1 3/4" SCREW
QTY. 4



ITEM 7
1/4" WASHER
QTY. 4



ITEM 8
1/4-20 NUT, LOCK
QTY. 4



THE SYMBOL ◁ REFERS TO A NOTE CORRESPONDING TO THE LETTER ENCLOSED WITHIN IT. SEE FOLLOWING PAGE(S) FOR NOTES AND PARTS LISTS. RETAIN THIS DOCUMENT TO FACILITATE THE ORDERING OF REPLACEMENT PARTS.

TITLE WINDSHIELD INSTALLATION

REV D



DRN BY L. WEBB
ORIG DATE 12/17/93

REV BY J. BRAND
REV DATE 02/23/96

DRAWING NO. 75043

A

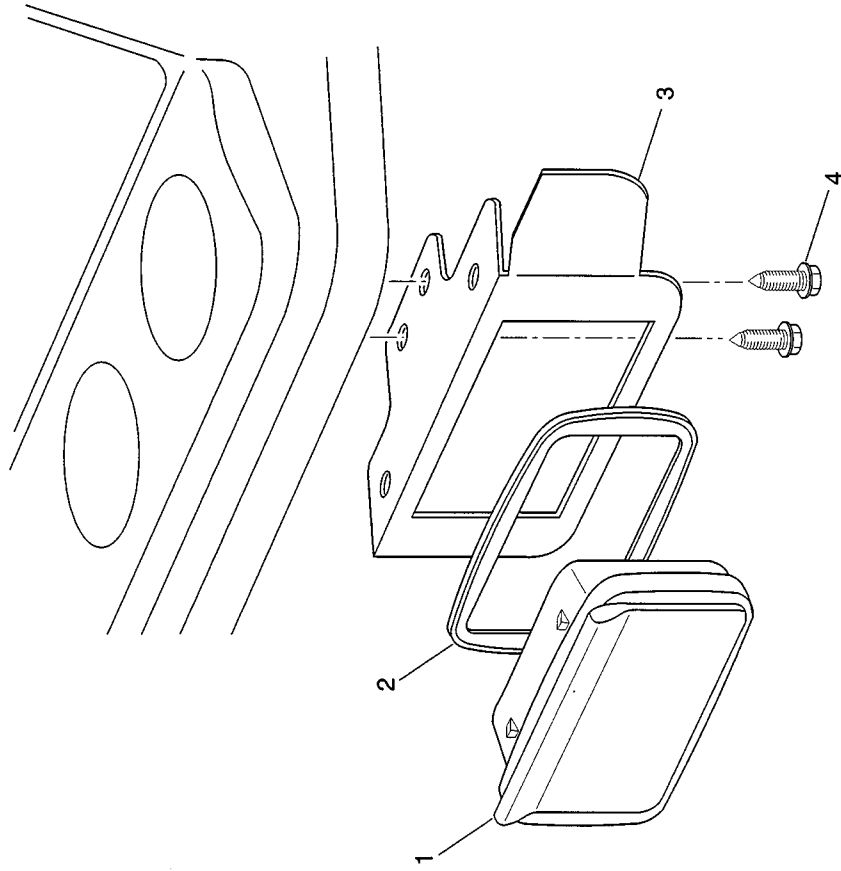
PG. 2 OF 2

E-Z-GO DIVISION OF TEXTRON, INC., P.O. BOX 388, AUGUSTA, GA. 30913-2699, 1-800-241-5855

NOTE: TO ORDER THIS ENTIRE FIELD KIT, REQUEST PART NO. 75109-G02

READ ALL INSTRUCTIONS BEFORE PROCEEDING.

1. INSERT THE ASH TRAY, ITEM 1 INTO THE GASKET, ITEM 2 UNTIL THE GASKET HOOKS OVER THE FLANGES ON THE TOP AND BOTTOM OF THE ASH TRAY.
2. USING BRACKET, ITEM 3 AS A TEMPLATE, INSERT THE (4) SELF DRILLING SCREWS, ITEM 4. LOCATE BRACKET APPROXIMATELY AS SHOWN IN ILLUSTRATION.
3. SNAP THE ASH TRAY INTO THE BRACKET.



ITEM	QTY	PART NO.	DESCRIPTION
1	1	27731-G01	ASH TRAY
2	1	27736-G01	GASKET, ASH TRAY
3	1	75108-G01	BRACKET, ASH TRAY
4	4	00100-G4	SCREW, 10-16 X 1/2" LG.

TITLE ASH TRAY INSTALLATION

THE SYMBOL REFERS TO A NOTE CORRESPONDING TO THE LETTER ENCLOSED WITHIN IT. SEE FOLLOWING PAGE(S) FOR NOTES AND PARTS LISTS. RETAIN THIS DOCUMENT TO FACILITATE THE ORDERING OF REPLACEMENT PARTS.

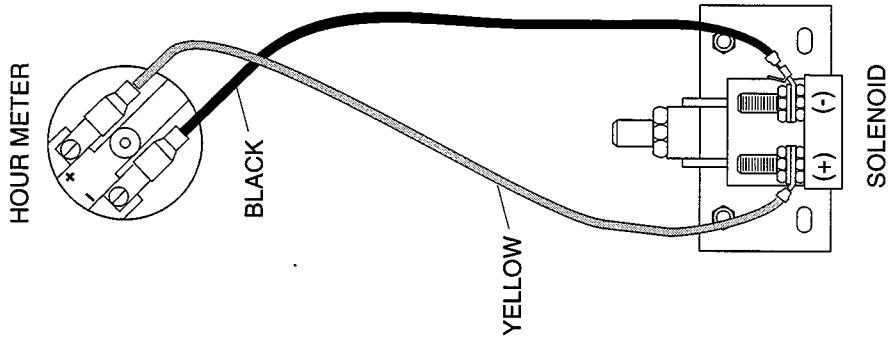
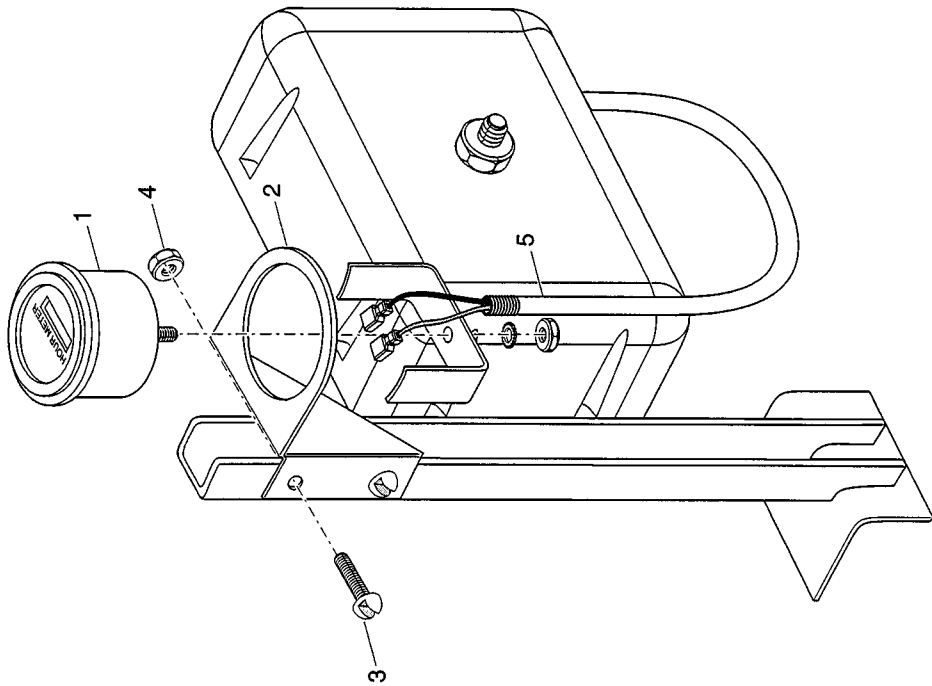


DRN BY L WEBB
ORIG DATE 01/21/94

REV BY
REV DATE

REV -

PG. 1 OF 1



THE SYMBOL ◁ REFERS TO A NOTE CORRESPONDING TO THE LETTER ENCLOSED WITHIN IT. SEE FOLLOWING PAGE(S) FOR NOTES AND PARTS LISTS. RETAIN THIS DOCUMENT TO FACILITATE THE ORDERING OF REPLACEMENT PARTS.

TITLE **HOUR METER INSTALLATION**



DRN BY J/PRICE
ORIG DATE 02/21/95

REV BY A
DRAWING NO. 75119

REV -

PG. 1 OF 2

E-Z-GO DIVISION OF TEXTRON, INC., P.O. BOX 388, AUGUSTA, GA. 30903-0388, 1-800-241-5855

NOTE: TO ORDER THIS ENTIRE FIELD KIT, REQUEST PART NO. 75114-G02

READ ALL INSTRUCTIONS BEFORE PROCEEDING.

A. ASSEMBLE HOUR METER

1. Insert Hour Meter (item 1) through Bracket (item 2), positioned as shown.
2. Using hardware supplied with the Hour Meter, secure Hour Meter to Bracket.
3. Attach Harness (item 5) to Hour Meter as shown, Yellow wire to Positive (+) terminal and Black wire to Negative (-) terminal of Hour Meter.

B. ATTACH HOUR METER ASSEMBLY

1. Locate predrilled holes in the driver's side seat support and secure the Hour Meter Assembly using Bolts (item 3) and Nuts (item 4) as shown.

C. CONNECT TO ELECTRONIC SPEED CONTROL

1. Locate the cables from the Electrical Control Panel to the batteries. Disconnect both of these cables from the batteries.
2. Remove the nut securing the cover on the Electrical Control Panel, and remove the cover from the Electrical Control Panel.
3. Remove the nut and lock washer from the left solenoid terminal and install Yellow wire from Harness to terminal and reinstall lock washer and nut.
4. Repeat procedure on right terminal for Black wire.
5. Replace cover and reinstall nut.
6. Reconnect Electrical Control Panel cables to batteries as connected earlier.

ITEM	QTY	PART NO.	DESCRIPTION
1	1	21573-G1	METER, HOUR
2	1	74019-G01	BRACKET, HOUR METER
3	2	00150-G4	BOLT, #10-24 - 1/2 LG.
4	2	11098-G7	NUT, #10-24
5	1	75117-G01	HARNESS, HOUR METER

TITLE **HOUR METER INSTALLATION**

REV -



DRN BY
ORIG DATE

J.PRICE
02/21/95

REV BY
REV DATE

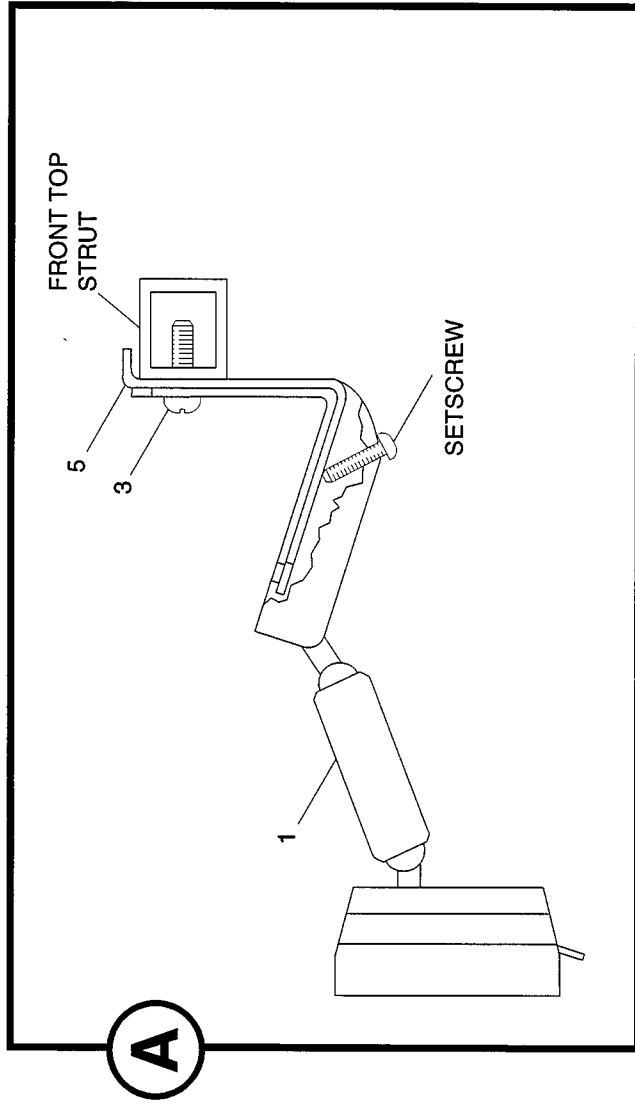
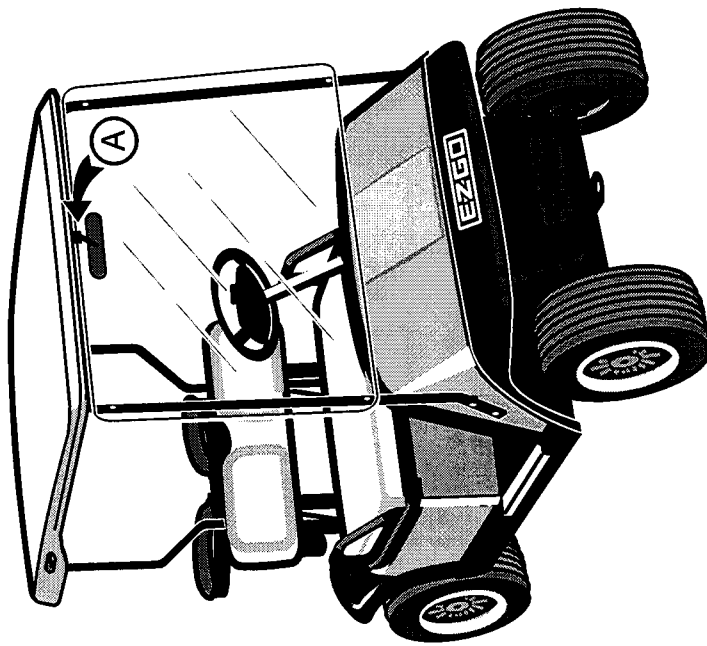
A

DRAWING
NO. 75119

PG. 2 OF 2

THE SYMBOL ◁ REFERS TO A NOTE CORRESPONDING TO THE LETTER ENCLOSED WITHIN IT. SEE FOLLOWING PAGE(S) FOR NOTES AND PARTS LISTS. RETAIN THIS DOCUMENT TO FACILITATE THE ORDERING OF REPLACEMENT PARTS.

E-Z-GO DIVISION OF TEXTRON, INC., P.O. BOX 388, AUGUSTA, GA. 30903-0388, 1-800-241-5855



THE SYMBOL ◁ REFERS TO A NOTE CORRESPONDING TO THE LETTER ENCLOSED WITHIN IT. SEE FOLLOWING PAGE(S) FOR NOTES AND PARTS LISTS. RETAIN THIS DOCUMENT TO FACILITATE THE ORDERING OF REPLACEMENT PARTS.

TITLE **REAR VIEW MIRROR INSTALLATION INSTRUCTIONS**

REV -



DRN BY
ORIG DATE

CGT
05/16/94

REV BY
REV DATE

A

DRAWING
NO. 75162

PG. 1 OF 2

E-Z-GO DIVISION OF TEXTRON, INC., P.O. BOX 388, AUGUSTA, GA. 30903-0388, 1-800-241-5855

NOTE: TO ORDER THIS ENTIRE FIELD KIT, REQUEST PART NO. 19528-G2

READ ALL INSTRUCTIONS BEFORE PROCEEDING.

1. DISCARD PLASTIC MOUNTING BRACKETS AND ADHESIVE SUPPLIED WITH KIT. THESE ITEMS ARE USED IN OTHER APPLICATIONS.
2. REMOVE THE FRONT TOP HARDWARE FROM THE FRONT TOP STRUT. IT IS NOT NECESSARY TO REMOVE TOP.
3. LOCATE AND DRILL A .147 DIA. HOLE (#26 DRILL) THROUGH CENTER OF FRONT TOP STRUT (INSIDE SURFACE ONLY). SEE DETAIL A.
4. USING SCREW, ITEM 3 FASTEN SUPPORT BRACKET, ITEM 5 TO FRONT TOP STRUT AS SHOWN IN DETAIL A.
5. LOOSEN SETSCREW SUPPLIED WITH MIRROR.
6. SLIDE MIRROR, ITEM 1 ONTO BRACKET AND TIGHTEN SETSCREW. *DO NOT* OVERTIGHTEN. DAMAGE TO MIRROR WILL OCCUR.
7. REINSTALL THE TOP ONTO THE FRONT TOP STRUT. TIGHTEN HARDWARE TO 3 - 5 FT. LBS. TORQUE.

ITEM	QTY	PART NO.	DESCRIPTION
1	1	19496-G1	MIRROR, REAR VIEW
2	1	19527-G1	SCREW, STAINLESS STEEL, SELF TAP-PING, #8 - 32 x 5/8 LG.
4	1	19502-G2	BRACKET, SUPPORT
5	1		

TITLE REAR VIEW MIRROR INSTALLATION INSTRUCTIONS

REV -



DRN BY
ORIG DATE

REV BY
REV DATE

DRAWING
NO. 75162

PG. 2 OF 2

THE SYMBOL ◁ REFERS TO A NOTE CORRESPONDING TO THE LETTER ENCLOSED WITHIN IT. SEE FOLLOWING PAGE(S) FOR NOTES AND PARTS LISTS. RETAIN THIS DOCUMENT TO FACILITATE THE ORDERING OF REPLACEMENT PARTS.

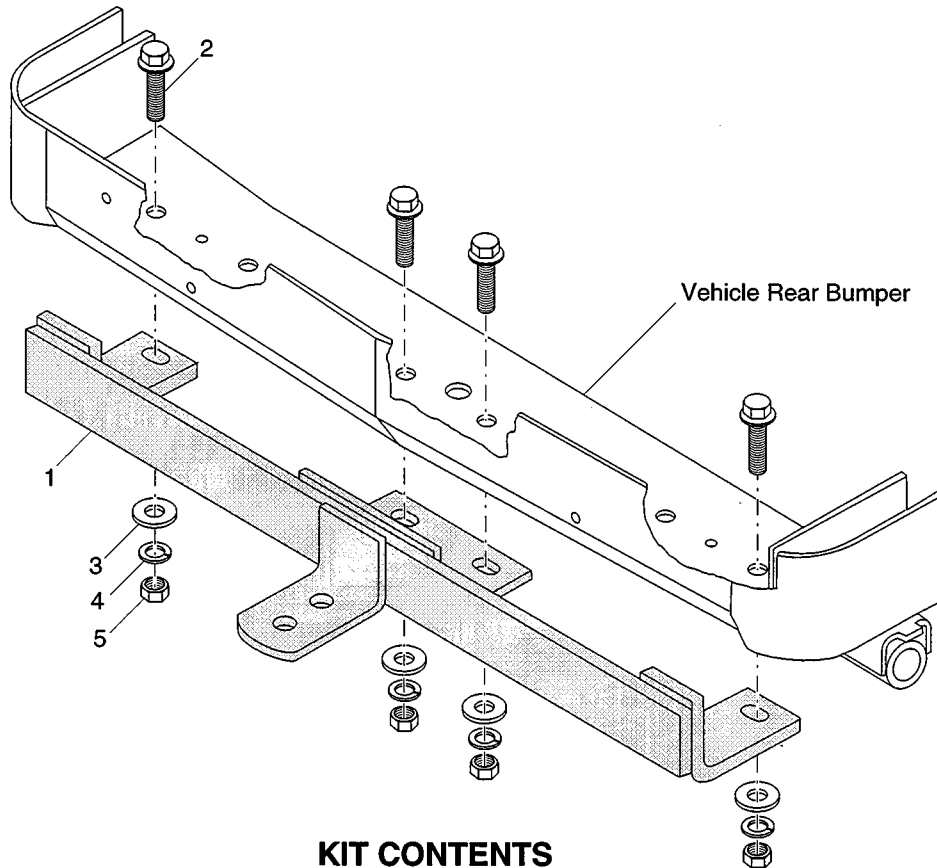
NOTE: TO ORDER THIS ENTIRE FIELD KIT, REQUEST PART NO.75326-G02

READ ALL INSTRUCTIONS BEFORE PROCEEDING.

TOOL LIST	QTY. REQUIRED	TOOL LIST	QTY. REQUIRED
Socket, 9/16".....	1	Wrench,9/16"	1
Ratchet.....	1	Torque Wrench.....	1

INSTALLING HITCH

1. Position hitch under rear bumper as shown and align holes in hitch with holes in bumper.
2. Insert bolt through bumper and hitch from the top and place flat washer and lock washer on bolt as shown and secure with nut. Finger tighten nut at this time.
3. Repeat process in other three holes.
4. Square hitch with bumper and tighten nuts to 31 ft.lbs. torque.



KIT CONTENTS

ITEM	QTY	PART NO.	DESCRIPTION
1	1	75324-G01.....	HITCH
2	4	13437-G5.....	BOLT, 3/6-16 X 1 1/2" LG.
3	4	00571-G3.....	WASHER, 3/8"
4	4	00566-G1.....	LOCK WASHER, 3/8"
5	4	00532-G5.....	NUT, 3/8-16

TITLE HITCH INSTALLATION INSTRUCTIONS			REV -
EZGO TEXTRON	DRN BY ORIG DATE	J.RICE 11/02/95	REV BY REV DATE
DRAWING NO. 75328		PG. 1 OF 1	

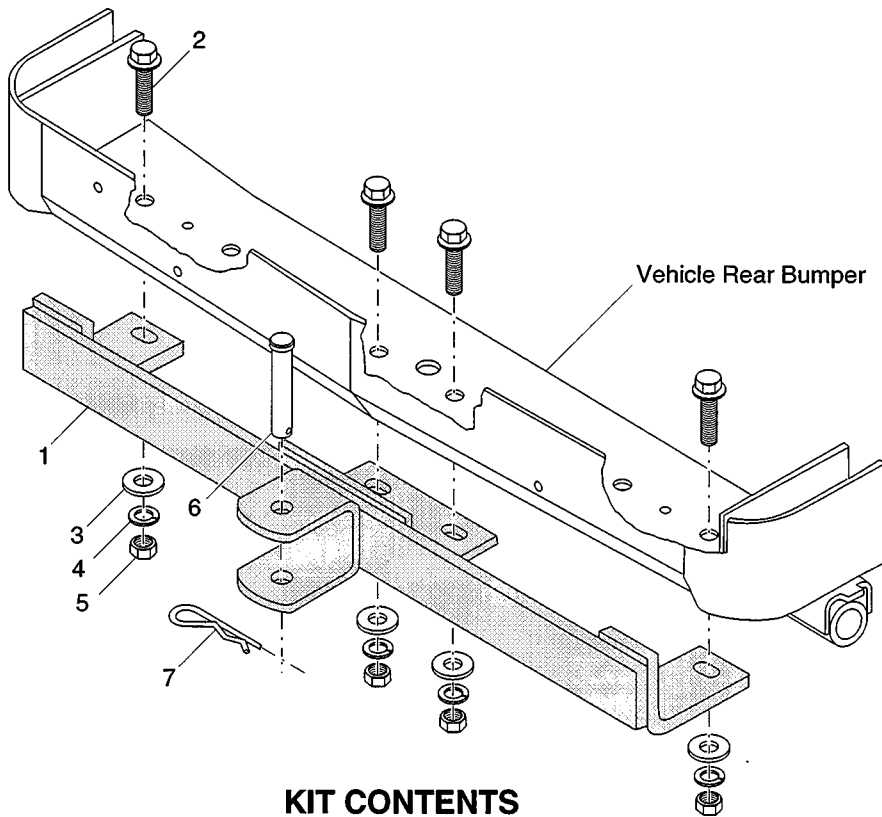
NOTE: TO ORDER THIS ENTIRE FIELD KIT, REQUEST PART NO.75327-G02

READ ALL INSTRUCTIONS BEFORE PROCEEDING.

TOOL LIST	QTY. REQUIRED	TOOL LIST	QTY. REQUIRED
Socket, 9/16"	1	Wrench,9/16"	1
Ratchet.....	1	Torque Wrench	1

A. INSTALLING HITCH

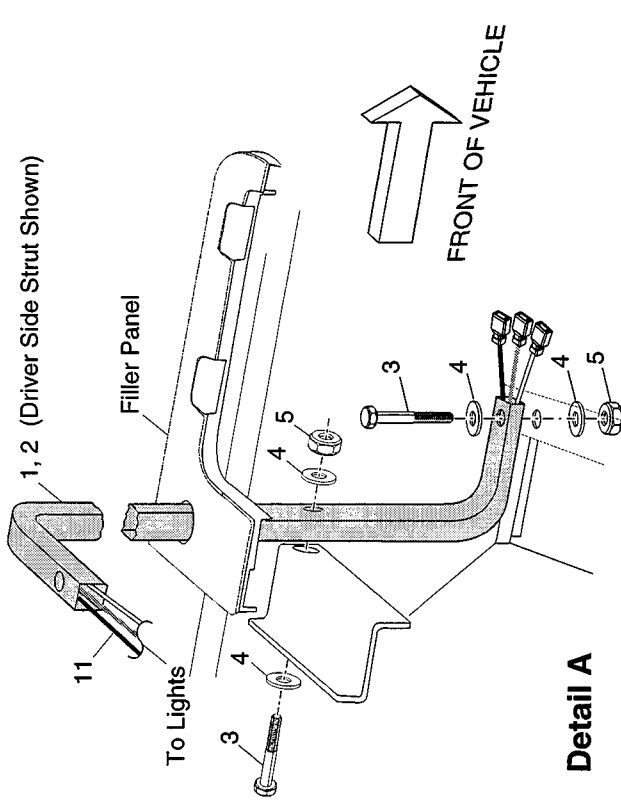
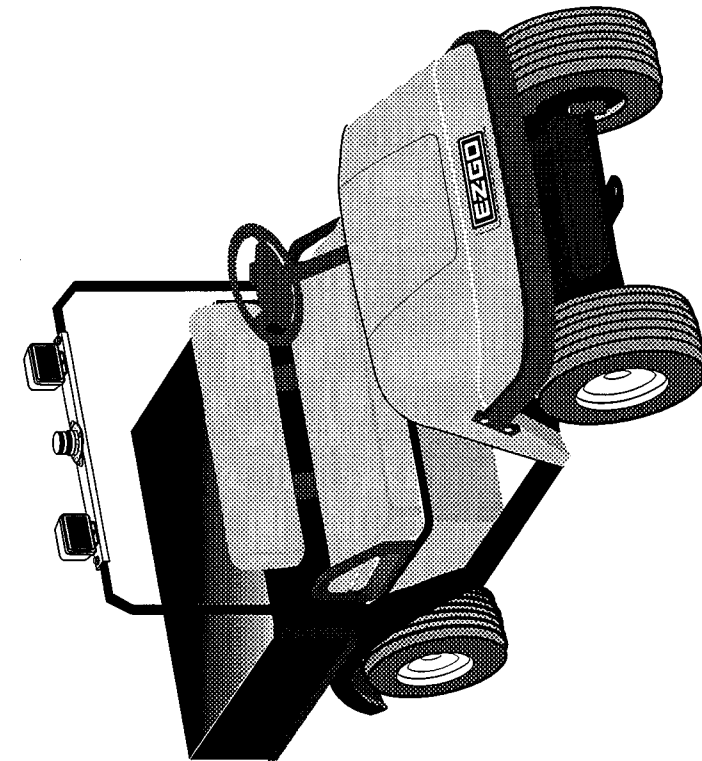
1. Position hitch under rear bumper as shown and align holes in hitch with holes in bumper.
2. Insert bolt through bumper and hitch from the top and place flat washer and lock washer on bolt as shown and secure with nut. Finger tighten nut at this time.
3. Repeat process in other three holes.
4. Square hitch with bumper and tighten nuts to 31 ft.lbs. torque.



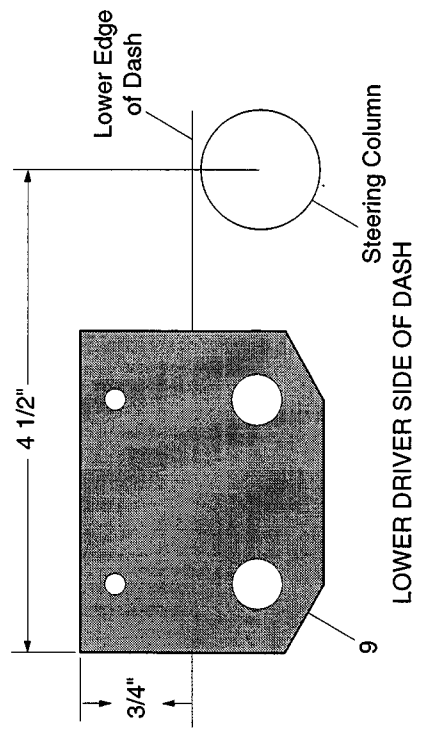
KIT CONTENTS

ITEM	QTY	PART NO.	DESCRIPTION
1	1	75325-G01	HITCH
2	4	13437-G5	BOLT, 3/6-16 X 1 1/2" LG.
3	4	00571-G3	WASHER, 3/8"
4	4	00566-G1	LOCK WASHER, 3/8"
5	4	00532-G5	NUT, 3/8-16
6	1	14443-G7	CLEVIS PIN
7	1	19314-G1	COTTER PIN (HAIRPIN)

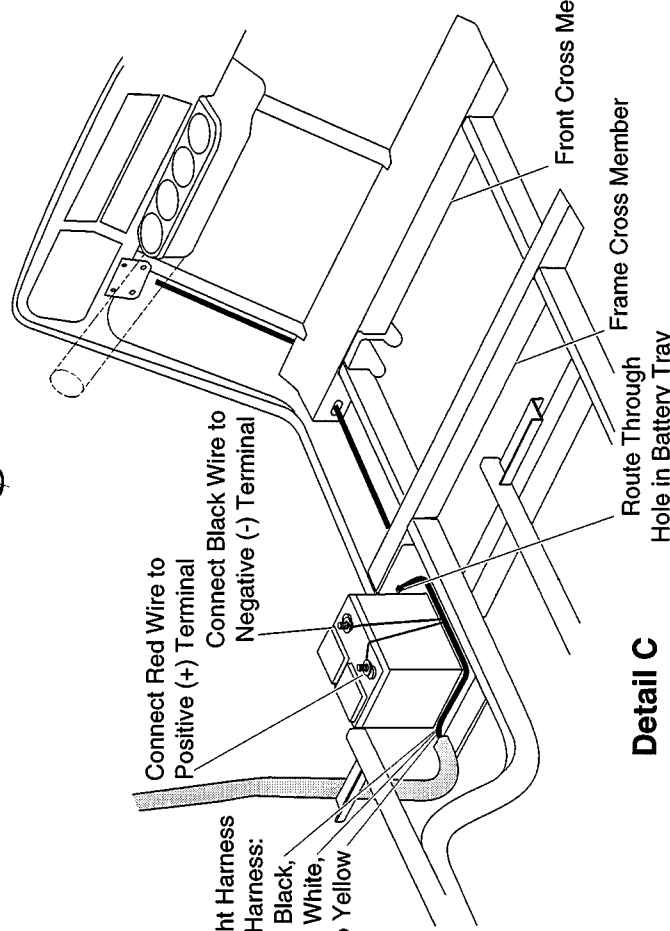
TITLE HITCH INSTALLATION INSTRUCTIONS			REV -
EZGO TEXTRON	DRN BY ORIG DATE	J.RICE 11/02/95	REV BY REV DATE
	DRAWING NO.	75329	PG. 1 OF 1



Detail A



Detail B



Detail C

THE SYMBOL \triangleleft REFERS TO A NOTE CORRESPONDING TO THE LETTER ENCLOSED WITHIN IT. SEE FOLLOWING PAGE(S) FOR NOTES AND PARTS LISTS. RETAIN THIS DOCUMENT TO FACILITATE THE ORDER-

TITLE **WORK LIGHT MOUNTING INSTRUCTIONS**



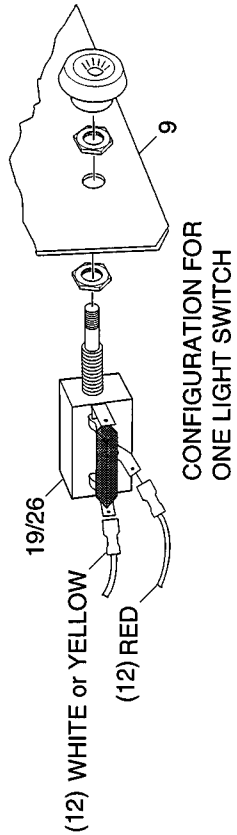
DRN BY J.RICE
ORIG DATE 12/07/95

REV BY A
DRAWING NO. 75348

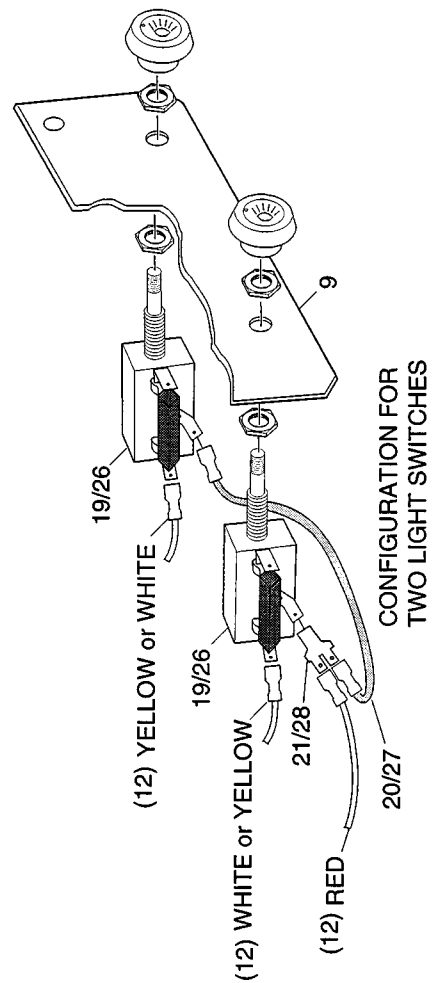
REV -

PG. 1 OF 5

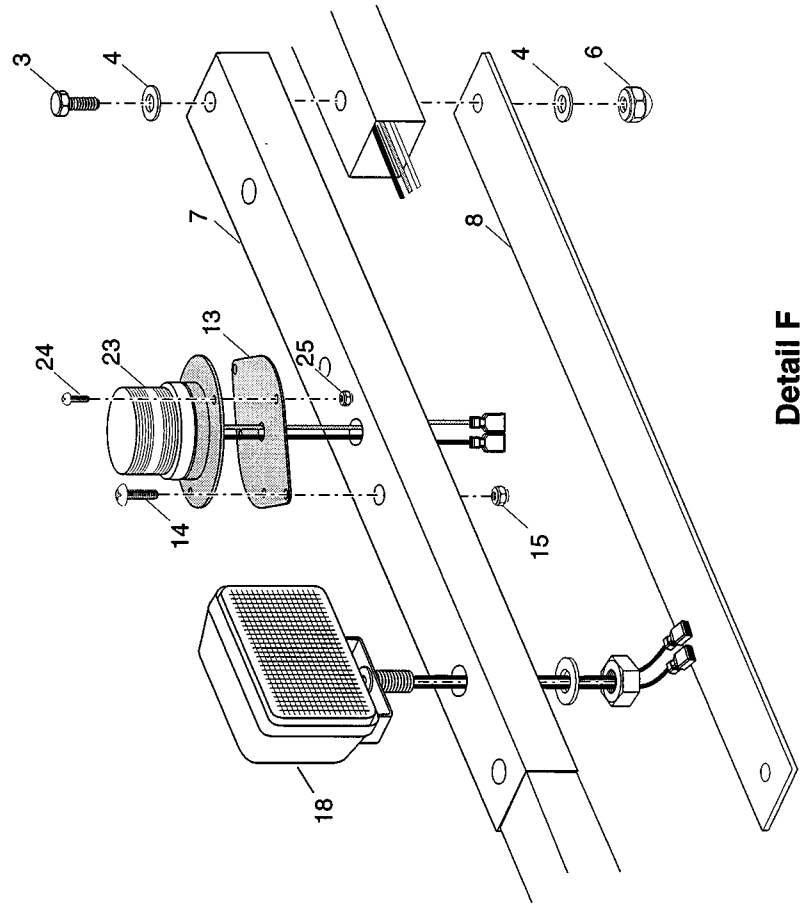
E-Z-GO DIVISION OF TEXTRON, INC., P.O. BOX 388, AUGUSTA, GA. 30913-2699, 1-800-241-5855



Detail D



Detail E



Detail F

THE SYMBOL ◁ REFERS TO A NOTE CORRESPONDING TO THE LETTER ENCLOSED WITHIN IT. SEE FOLLOWING PAGE(S) FOR NOTES AND PARTS LISTS. RETAIN THIS DOCUMENT TO FACILITATE THE ORDER-

TITLE **WORK LIGHT MOUNTING INSTRUCTIONS**

REV -

E-Z-GO **TEXTRON**

DRAWING NO. **A** 75348

PG. 2 OF 5

DRN BY J.RICE 12/07/95
REV BY REV DATE

E-Z-GO DIVISION OF TEXTRON, INC., P.O. BOX 388, AUGUSTA, GA. 30913-2699, 1-800-241-5855

NOTE: TO ORDER EITHER OF THESE FIELD KITS, REQUEST 75354-G0*.

READ ALL INSTRUCTIONS BEFORE PROCEEDING.

A. INSTALLING THE WORK LIGHT STRUTS (See Detail A)

1. Using a flexible wire, fish the light harness (item 11) down through the driver side strut (item 2), being careful not to kink the harness as it is being inserted. (Fish the end with the three leads through the strut.) Stop pulling just before the first pair of connectors is pulled inside the top end of the strut.
2. Pull seat bottom forward to gain access to frame. Remove hole plugs from filler panels on each side of vehicle.
3. At driver side of vehicle, thread the end of strut with the three connectors through hole in filler panel and insert short leg of strut through hole in panel and rest leg on frame rail. (To be properly positioned, the short leg of strut should be pointed toward the front of the vehicle and the longer upper leg should be pointed toward the center of the vehicle.)
4. Being careful not to chafe the harness inside the strut, insert bolt (item 3) with washer (item 4) through hole in lower strut leg and through hole in frame. Secure with washer (item 4) and lock nut (item 5). (Two places each side)
5. Repeat steps 3 and 4 on other side of vehicle. (Passenger side strut does not have harness.)

B. INSTALLING THE LIGHT SWITCH PLATE (See Detail B)

1. Position the left edge of the light switch plate (item 9) 4 1/2" left of the center of the steering column and the top edge 3/4" up from the bottom of the dash. Using the switch plate as a template, drill two 3/16" holes in the dash.
2. Attach the light switch plate to the dash using the rivets (item 10) provided.

C. ROUTING THE SWITCH HARNESS (See Detail C)

1. Connect the white lead from the light harness (item 11) to the white terminal from the switch harness (item 12), the yellow lead to the yellow terminal and the black lead to the black terminal.
2. Being careful not to chafe the switch harness, route the switch harness around the battery (toward the center of the vehicle), down through the hole in the battery tray in front of the battery, through the oval hole in the frame cross member, through the oval hole in the front cross member and up through the hole in the floor at the steering column.

3. Adjust the harness as necessary to place the switch connectors at the rear of the switch plate and remove any excessive tightness or looseness in the harness routing.
4. Using the nylon clamps (item 16), secure the switch harness to the frame in three places.

ITEM	QTY	PART NO.	DESCRIPTION
1	1	75352-G01	WORK LIGHT STRUT, PASSENGER SIDE
2	1	75352-G02	WORK LIGHT STRUT, DRIVER SIDE
3	6	00685-G7	BOLT, 5/16 - 18 X 3/4" LG.
4	12	00660-G8	WASHER, 5/16"
5	4	11098-G6	LOCK NUT, 5/16 - 18
6	2	00918-G3	ACORN NUT, 5/16 - 18
7	1	75353-G01	WORK LIGHT BRACE
8	1	75363-G01	COVER PLATE
9	1	75349-G01	LIGHT SWITCH PLATE
10	2	71055-G01	RIVET, 3/16" X 3/8" LG.
11	1	75346-G01	LIGHT HARNESS
12	1	75347-G01	SWITCH HARNESS
13	1	33201-G02	STROBE LIGHT MOUNT
14	2	16705-G3	SCREW, 1/4 - 20 X 3/4" LG.
15	2	14390-G4	LOCK NUT, 1/4 - 20
16	3	17618-G1	CLAMP, NYLON
17			
18	2	20209-G2	WORK LIGHT (RECTANGULAR)
19	1	17317-G1	LIGHT SWITCH
20	1	20053-G1	WIRE, RED
21	1	17902-G1	TAB ADAPTER
22			
23	1	20394-G1	STROBE LIGHT
24	3	00379-G4	SCREW, #10 - 24 X 1/2" LG.
25	3	11098-G7	LOCK NUT, #10 - 24
26	1	17317-G1	LIGHT SWITCH
27	1	20053-G1	WIRE, RED
28	1	17902-G1	TAB ADAPTER

THE SYMBOL REFERS TO A NOTE CORRESPONDING TO THE LETTER ENCLOSED WITHIN IT. SEE FOLLOWING PAGE(S) FOR NOTES AND PARTS LISTS. RETAIN THIS DOCUMENT TO FACILITATE THE ORDER-

TITLE WORK LIGHT MOUNTING INSTRUCTIONS



DRN BY
ORIG DATE

J.PRICE
12/07/95

REV BY
REV DATE

A

DRAWING
NO. 75348

REV -

PG. 3 OF 5

D. CONNECTING AND INSTALLING THE LIGHT SWITCH/SWITCHES

1. If installing the two work lights (item 18), connect the white lead from the switch harness to the end terminal of the light switch (item 19). Connect the red lead from switch harness to the side terminal on the light switch. (See Detail D)
2. If installing the strobe light (item 23), connect the yellow lead from the switch harness to the end terminal of the light switch (item 26). Connect the red lead from switch harness to the side terminal on the light switch. (See Detail D)
3. If installing both light kits, connect the white and yellow leads as described above. Place the tab adapter from one of the light kits (item 21 or 28) onto the side terminal of either light switch. Connect the red lead from the switch harness to one leg of the tab adapter. Using red wire from one of the light kits (item 20 or 27), connect one end to the other leg of the tab adapter and the other end to the side terminal of the other switch. (See Detail E)
4. Unscrew the switch knob and outer jam nut and insert the light switch(es), (item 19 and/or 26) in the light switch plate from the rear and replace nut and knob to the switch shaft.

E. INSTALLING THE RECTANGULAR WORK LAMPS (See Detail F)

1. Thread the leads of the work light (item 18) through the large hole on the end of the work light brace (item 7) and place the threaded post through the hole. Secure the work light to the work light brace with lock washer and nut provided with the light. Repeat the procedure at other side of work light brace.
2. Position work lights and tighten nut securely.
3. Place work light brace on top of strut and insert bolt (item 3) with washer (item 4) through hole in each end of brace and through holes in strut. Install acorn nuts (item 6) and finger tighten nut at this time.
4. Connect one black lead on work light to white lead on light harness and other black lead on work light to black lead on light harness. Repeat at other work light. If installing strobe lamp, proceed to Section F.
5. Remove the acorn nuts, and being careful not to pinch the wiring, place the cover plate (item 8) under the struts and on the bolts previously installed. Secure with washer (item 4) and acorn nut (item 6). Tighten hardware securely.

F. INSTALLING THE STROBE LAMP (See Detail F)

1. Thread the leads of the strobe light (item 23) through the hole in the strobe light mount (item 13) and attach the strobe light to the mount using screws (item 24) and lock nuts (item 25).

2. Thread the leads of the strobe light through the center hole of the work light brace (item 7) and attach the strobe light mount with light installed to the work light brace using screw (item 14) and lock nut (item 15).
3. Place brace on top of strut and insert bolt (item 3) with washer (item 4) through hole in each end of brace and through holes in strut. Install acorn nuts (item 6) and tighten nuts finger tight at this time.
4. Connect the red lead from the light to the yellow lead from the light harness. Connect the black lead from the strobe light to the black lead from the light harness.
5. Remove the acorn nuts, and being careful not to pinch the wiring, place the cover plate (item 8) under the struts and on the bolts previously installed. Secure with washer (item 4) and acorn nut (item 6). Tighten hardware securely.

G. CONNECTING HARNESS TO BATTERY (See Detail C)

1. Using an insulated wrench, attach black wire of switch harness (item 12) to negative (-) battery terminal clamp using existing hardware.
2. Attach red wire of switch harness (item 12) to positive (+) battery terminal clamp using existing hardware.

THE SYMBOL ◁ REFERS TO A NOTE CORRESPONDING TO THE LETTER ENCLOSED WITHIN IT. SEE FOLLOWING PAGE(S) FOR NOTES AND PARTS LISTS. RETAIN THIS DOCUMENT TO FACILITATE THE ORDER-

TITLE WORK LIGHT MOUNTING INSTRUCTIONS

E-Z-GO **TEXTRON**

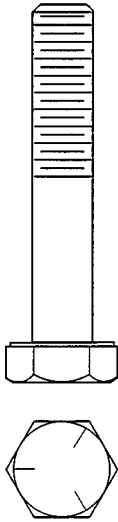
DRN BY J.RICE
ORIG DATE 12/07/95

REV BY
REV DATE
A DRAWING NO. 75348

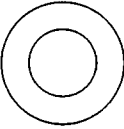
REV -

PG. 4 OF 5

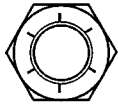
E-Z-GO DIVISION OF TEXTRON, INC., P.O. BOX 388, AUGUSTA, GA. 30913-2699, 1-800-241-5855



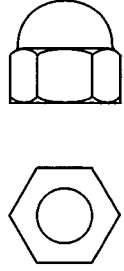
ITEM 3
5/16-18 X 1 3/4" LG. BOLT
QTY. 6



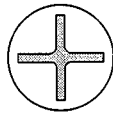
ITEM 4
5/16" WASHER
QTY. 12



ITEM 5
5/16-18 LOCK NUT
QTY. 4



ITEM 6
5/16-18 ACORN NUT
QTY. 2



ITEM 14
1/4-20 X 3/4" LG. SCREW
QTY. 2



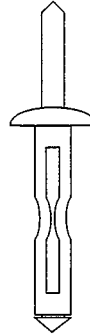
ITEM 15
1/4-20 LOCK NUT
QTY. 2



ITEM 24
#10-24 X 1/2" LG. SCREW
QTY. 3



ITEM 25
#10-24 LOCK NUT
QTY. 3



ITEM 10
3/16" DIA X 3/8" GRIP RIVET
QTY. 2

NOTE: ALL HARDWARE SHOWN ACTUAL SIZE

THE SYMBOL REFERS TO A NOTE CORRESPONDING TO THE LETTER ENCLOSED WITHIN IT. SEE FOLLOWING PAGE(S) FOR NOTES AND PARTS LISTS. RETAIN THIS DOCUMENT TO FACILITATE THE ORDER-

TITLE **WORK LIGHT MOUNTING INSTRUCTIONS**



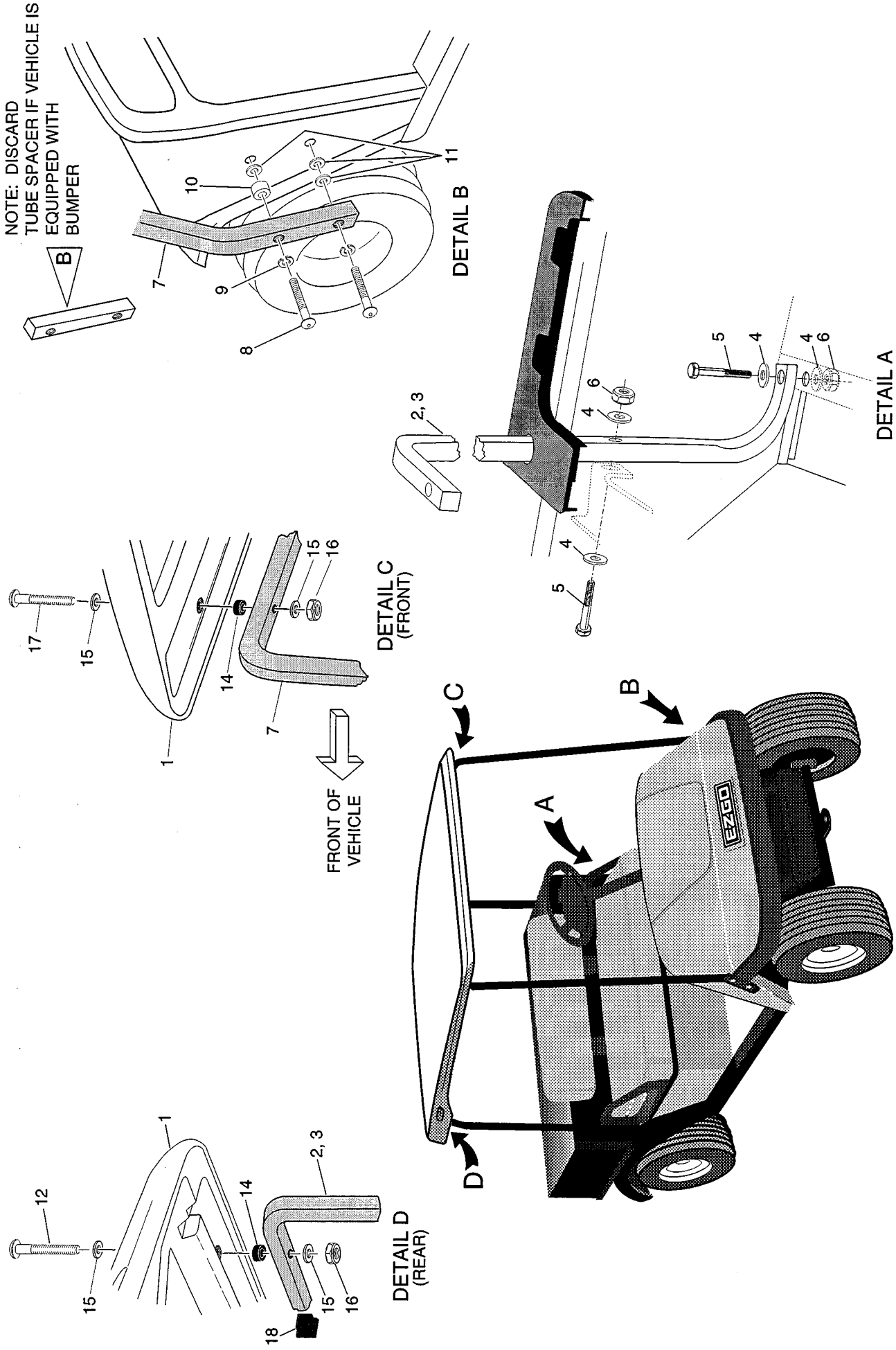
DRN BY J. RICE
ORIG DATE 12/07/95

REV BY A
DRAWING NO. 75348

REV -

PG. 5 OF 5

E-Z-GO DIVISION OF TEXTRON, INC., P. O. BOX 388, AUGUSTA, GA. 30913-2699, 1-800-241-5855




NOTE: DISCARD
TUBE SPACER IF VEHICLE IS
EQUIPPED WITH
BUMPER

DETAIL B

DETAIL C
(FRONT)

DETAIL D
(REAR)

DETAIL A

THE SYMBOL  REFERS TO A NOTE CORRESPONDING TO THE LETTER ENCLOSED WITHIN IT. SEE FOLLOWING PAGE(S) FOR NOTES AND PARTS LISTS. RETAIN THIS DOCUMENT TO FACILITATE THE ORDERING OF REPLACEMENT PARTS.

TITLE **SUN TOP INSTALLATION - TRUCK**

REV A

EZ-GO **TEXTRON**

DRAWING NO. 75351

PG. 1 OF 3

REV BY J. Brand
REV DATE 02/07/96

DRN BY J. Brand
ORIG DATE 10/16/95

E-Z-GO DIVISION OF TEXTRON, INC., P.O. BOX 388, AUGUSTA, GA. 30913-2699, 1-800-241-5855

NOTE: TO ORDER THIS ENTIRE FIELD KIT, REQUEST 75350-G01
READ ALL INSTRUCTIONS BEFORE PROCEEDING.

A. REAR STRUTS (REFER TO DETAIL A)

1. PULL SEAT BOTTOM FORWARD TO GAIN ACCESS BELOW. REMOVE HOLE PLUG FROM PANELS.
2. INSERT TUBE END CAP (ITEM 18) IN TOP (LONG) END OF STRUT (ITEM 2 AND 3).
3. INSERT SHORT LEG OF REAR STRUT (ITEM 2) THROUGH HOLE. POSITION STRUT SO THAT LOWER (SHORT) LEG IS POINTING TOWARD THE FRONT OF THE VEHICLE, AND UPPER (LONG) LEG IS POINTING TOWARD THE CENTER OF THE VEHICLE.
4. PLACE BOLT (ITEM 5) WITH WASHER (ITEM 4) THROUGH HOLE AT THE BOTTOM OF THE STRUT, AND THE HOLE IN THE FRAME. SECURE STRUT WITH WASHER (ITEM 4) AND NUT (ITEM 6).
5. REPEAT STEPS 2 AND 3 ON OTHER SIDE OF VEHICLE.
6. PLACE BOLT (ITEM 5) WITH WASHER (ITEM 4) THROUGH SLOT IN FRAME AND STRUT THEN SECURE WITH WASHER (ITEM 4) AND NUT (ITEM 6).
7. REPEAT STEP 6, ON OTHER SIDE OF VEHICLE.

B. FRONT STRUT - NOTE: DISCARD TUBE SPACER IF VEHICLE IS EQUIPPED WITH BUMPER. (REFER TO DETAIL B)

1. USING A 7/32" ALLEN WRENCH, REMOVE THE FOUR ALLEN HEAD BOLTS FROM THE FRONT COWL AND DISCARD.
2. AT THE TOP HOLE, INSTALL THE FRONT STRUT (ITEM 7) BETWEEN BUMPER, IF INSTALLED, AND COWL THEN SECURE WITH BOLT (ITEM 8) AND LOCK WASHER (ITEM 9) PLACING SPACER (ITEM 10) AND WASHER (ITEM 11) BETWEEN THE STRUT AND THE COWL. **DO NOT TIGHTEN HARDWARE.**
3. AT THE LOWER HOLE, PROCEED AS ABOVE, SUBSTITUTING 1 WASHER, (ITEM 11) FOR SPACER, (ITEM 10). **DO NOT TIGHTEN HARDWARE.**


C. SUN TOP (REFER TO DETAIL C & DETAIL D)

1. PLACE SUN TOP (ITEM 1) ONTO STRUTS.
2. SECURE SUN TOP LOOSELY WITH BOLT (ITEM 17 AT FRONT AND ITEM 12 AT REAR), WASHER, (ITEM 15) ABOVE THE SUN TOP, PLASTIC SPACER, (ITEM 14) BETWEEN THE STRUT AND UNDERSIDE OF SUN TOP. SECURE

WITH WASHER, (ITEM 15), AND LOCK NUT, (ITEM 16). SEE ILLUSTRATIONS FOR INSTALLATION SEQUENCE.

3. TIGHTEN ALL SUN TOP HARDWARE TO 3 - 5 FT. LBS. TORQUE.
4. TIGHTEN ALL REAR STRUT HARDWARE TO 13 - 15 FT. LBS. TORQUE.
5. TIGHTEN ALL FRONT STRUT HARDWARE TO 17 - 19 FT. LBS. TORQUE.

ITEM	QTY	PART NO.	DESCRIPTION
1	1	27069-G01	TOP, SUN
2	1	75343-G01	STRUT, REAR, DRIVER SIDE
3	1	75343-G02	STRUT, REAR, PASSENGER SIDE
4	8	00571-G2	WASHER, 5/16"
5	4	00439-G6	BOLT, 5/16-18 X 1 3/4" LG
6	4	11098-G6	NUT, LOCK, 5/16-18
7	1	75045-G01	STRUT, FRONT
8	4	71056-G03	BOLT, 5/16-18 X 2 1/8" LG
9	4	00905-G8	WASHER, LOCK, 5/16"
10	2	75048-G01	SPACER
11	6	00570-G2	WASHER, 5/16"
12	2	00753-G6	BOLT, STAINLESS STEEL, 1/4-20 X2 1/4"
13			
14	4	75051-G01	SPACER, PLASTIC
15	8	00559-G7	WASHER, 1/4"
16	4	00891-G2	NUT, LOCK, 1/4-20
17	2	00753-G5	BOLT, STAINLESS STEEL, 1/4-20 X 2" LG
18	2	19853-G1	CAP, TUBE, 1"

THE SYMBOL  REFERS TO A NOTE CORRESPONDING TO THE LETTER ENCLOSED WITHIN IT. SEE FOLLOWING PAGE(S) FOR NOTES AND PARTS LISTS. RETAIN THIS DOCUMENT TO FACILITATE THE ORDERING OF REPLACEMENT PARTS.

TITLE **SUN TOP INSTALLATION - TRUCK**



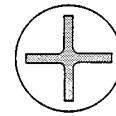
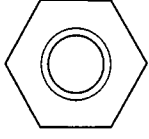
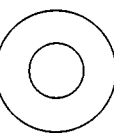
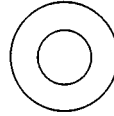
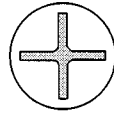
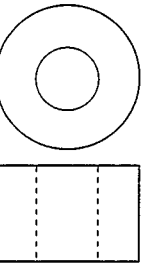
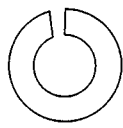
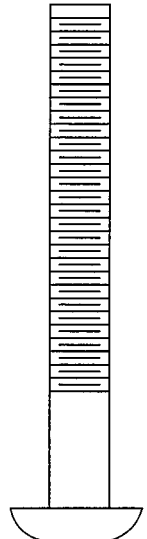
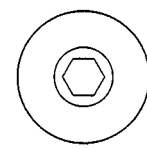
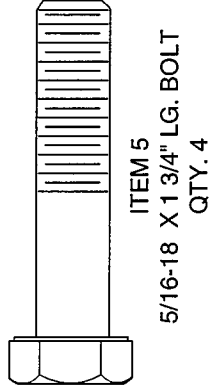
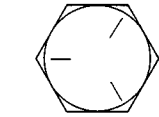
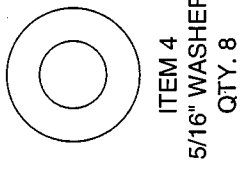
DRN BY J. BRAND 10/16/95
 ORIG DATE

REV BY J. BRAND 02/07/96
 REV DATE

DRAWING NO. 75351
 A

REV A

PG. 2 OF 3



NOTE: ALL HARDWARE SHOWN ACTUAL SIZE

THE SYMBOL  REFERS TO A NOTE CORRESPONDING TO THE LETTER ENCLOSED WITHIN IT. SEE FOLLOWING PAGE(S) FOR NOTES AND PARTS LISTS. RETAIN THIS DOCUMENT TO FACILITATE THE ORDERING OF REPLACEMENT PARTS.

TITLE **SUN TOP INSTALLATION - TRUCK**

REV A



DRN BY J. BRAND
ORIG DATE 10/16/95

REV BY J. BRAND
REV DATE 02/07/96

DRAWING NO. 75351

PG. 3 OF 3

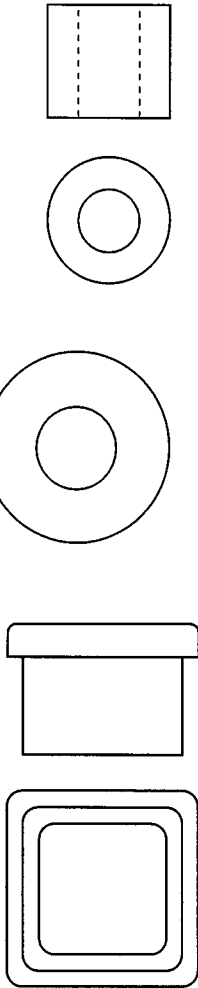
E-Z-GO DIVISION OF TEXTRON, INC., P.O. BOX 388, AUGUSTA, GA. 30913-2699, 1-800-241-5855

NOTE: TO ORDER THIS ENTIRE FIELD KIT, REQUEST 74041-G02

READ ALL INSTRUCTIONS BEFORE PROCEEDING.

NOTE: USE A JACK OR PERSON TO ASSIST IN ELEVATING THE BUMPER DURING INSTALLATION.

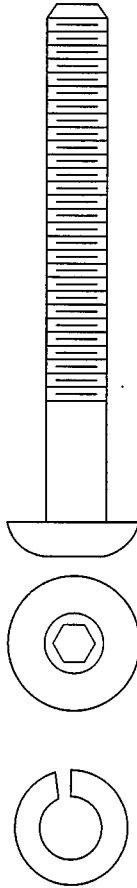
1. USING A 7/32" ALLEN WRENCH, REMOVE THE FOUR ALLEN HEAD BOLTS FROM THE FRONT COWL AND DISCARD.
2. TAP TUBE CAP (ITEM 3) INTO SPACER TUBE (ITEM 2) USING A PLASTIC-FACED HAMMER.
3. AT THE TOP HOLE OF THE BUMPER, INSERT THE BOLT (ITEM 7) AND WASHER (ITEM 6) THROUGH THE BUMPER (ITEM 1), SPACER TUBE WITH CAP (ITEMS 2 AND 3), PLASTIC SPACER (ITEM 5) AND WASHER (ITEM 4), AND THREAD INTO HOLE. **DO NOT TIGHTEN HARDWARE.**
4. AT THE LOWER HOLE, PROCEED AS ABOVE, SUBSTITUTING 1 WASHER (ITEM 4) FOR SPACER (ITEM 5). SEE ILLUSTRATION FOR INSTALLATION SEQUENCE.
5. TIGHTEN ALL HARDWARE TO 17-19 LBS. TORQUE.



ITEM 3
TUBE CAP
QTY. 2

ITEM 4
5/16" WASHER
QTY. 6

ITEM 5
PLASTIC SPACER
QTY. 2



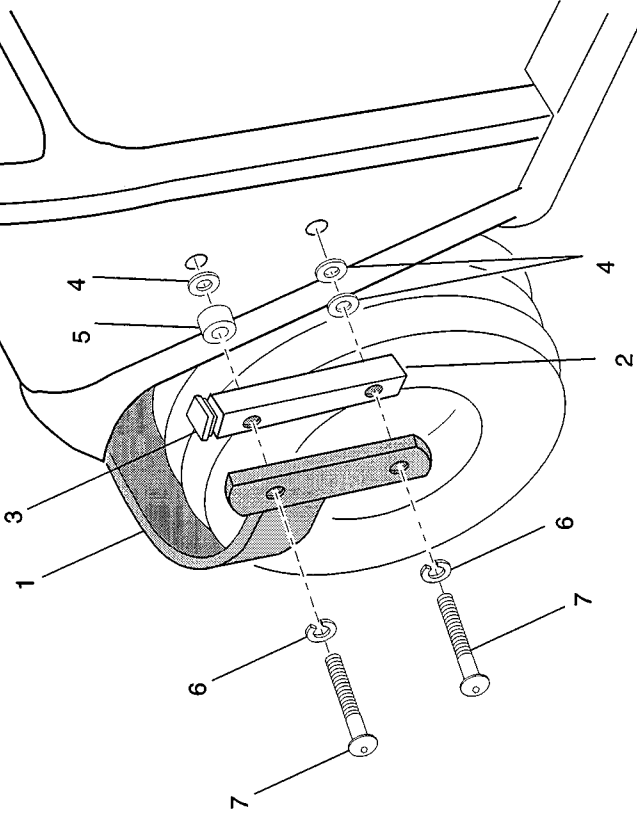
ITEM 6
5/16" LOCK WASHER
QTY. 4

ITEM 7
5/16-18 X 2 5/8" BOLT
QTY. 4

NOTE: ALL HARDWARE SHOWN ACTUAL SIZE

THE SYMBOL  REFERS TO A NOTE CORRESPONDING TO THE LETTER ENCLOSED WITHIN IT. SEE FOLLOWING PAGE(S) FOR NOTES AND PARTS LISTS. RETAIN THIS DOCUMENT TO FACILITATE THE ORDERING OF REPLACEMENT PARTS.


NOTE:
DISCARD SPACER TUBE
IF VEHICLE IS EQUIPPED
WITH SUN TOP



DETAIL A

ITEM	QTY	PART NO.	DESCRIPTION
1	1	74040-G01	BUMPER
2	2	74037-G01	SPACER TUBE
3	2	19859-G1	TUBE CAP
4	6	00570-G2	FLAT WASHER, 5/16
5	2	75048-G01	SPACER
6	4	00905-G8	LOCK WASHER, 5/16
7	4	71056-G02	BOLT, 5/16 - 18 X 2 5/8" LG

TITLE BUMPER INSTALLATION - TRUCK

DRN BY	J. BRAND	REV BY		REV -
ORIG DATE	09/12/95	REV DATE		
EZ-GO 		A		DRAWING NO. 75355
E-Z-GO DIVISION OF TEXTRON, INC., P.O. BOX 388, AUGUSTA, GA. 30913-2699, 1-800-241-5855				

NOTE: TO ORDER THIS ENTIRE FIELD KIT, REQUEST PART NO.75367-G01

READ ALL INSTRUCTIONS BEFORE PROCEEDING.

A. POSITION ENCLOSURE ON SUN TOP

1. Place folded enclosure on Sun Top.
2. Unfold the enclosure and reposition as necessary to allow clear rear window of enclosure to drape between the seat back and the cargo bed. The sides should hang naturally to the floorboard sill plates.
3. Move enclosure forward just enough to allow front edge to fit over the front edge of the Sun Top. Pull enclosure toward rear of vehicle to smooth out wrinkles.

B. APPLY VELCRO TAPE TO FRONT STRUTS

1. Remove the Velcro tape (hook tape) from the front edge of side curtain.
2. Remove the backing tape from the hook tape and, starting at the top of the strut just over the bend, apply the tape to the full length on the side of the front strut.
3. Repeat the procedure to the front strut on the other side.

C. SECURE FRONT OF ENCLOSURE TO FRONT STRUT


1. Starting at the top of enclosure front edge, attach enclosure to front strut by pressing enclosure edge to tape on side of front strut.
2. Repeat procedure on other side of vehicle.

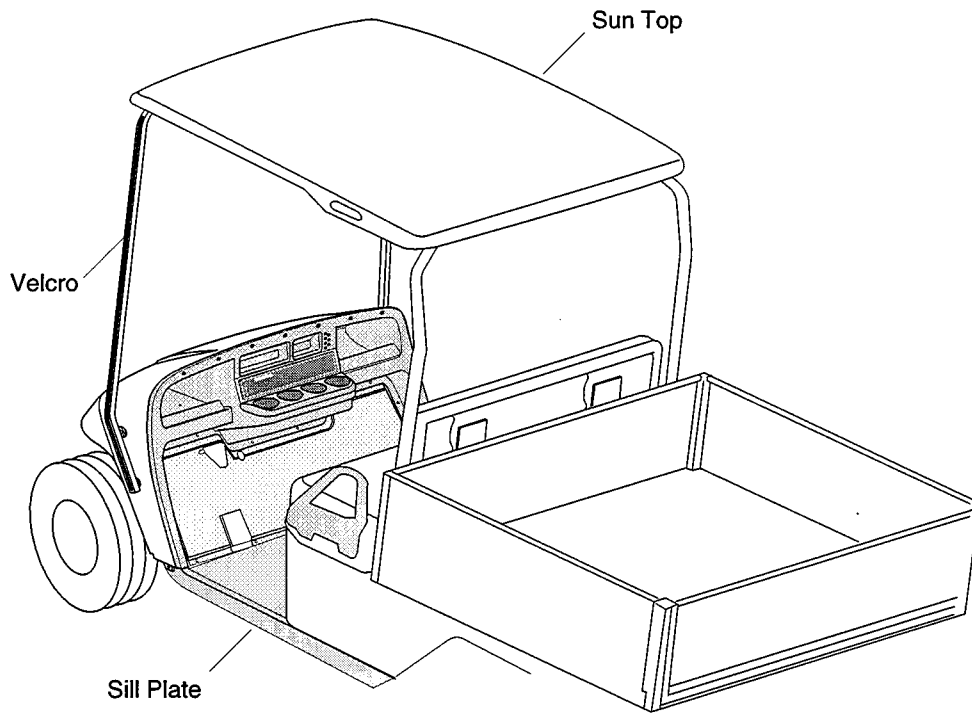
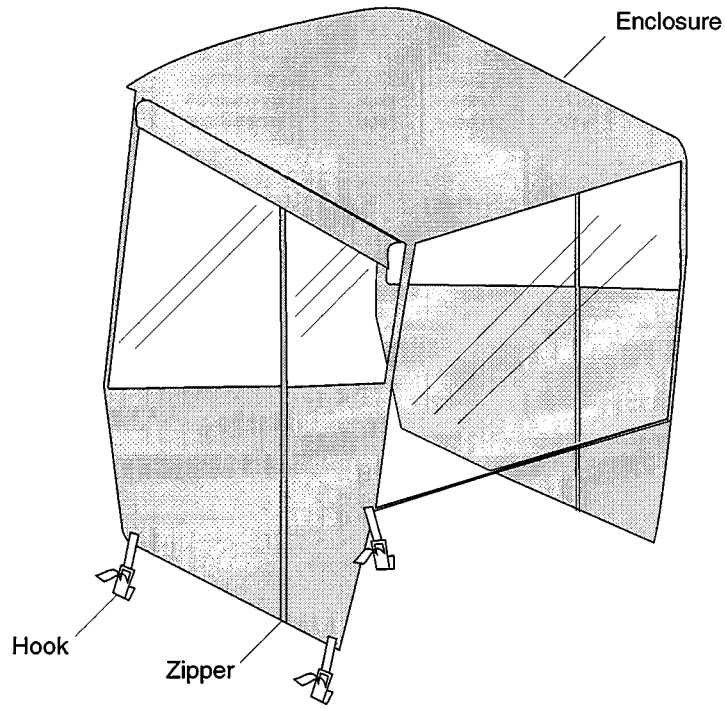
D. ATTACH STRAPPED HOOKS TO LOWER EDGE OF BODY

1. Loosen straps with hook attached to allow enough strap length so hooks may be hooked over the lower edge of floorboard sill plate at each end, and at rear of seat.
2. Pull strap end to tighten enclosure.
3. Repeat procedure on other side of vehicle.
4. Adjust straps as necessary to remove wrinkles from enclosure and obtain a snug fit. .

E. OPEN SIDE

1. To open the side of enclosure, loosen hook straps, move zipper to the top of track, loosen front edge from strut.
2. Starting at the bottom, roll the side curtain up to the top and secure with straps under flap on side of top.

TITLE		WEATHER ENCLOSURE INSTALLATION INSTRUCTIONS			REV -
	DRN BY ORIG DATE	J.RICE 12/15/95	REV BY REV DATE	DRAWING NO. 75368	PG. 1 OF 2
E-Z-GO DIVISION OF TEXTRON, INC., P.O. BOX 388, AUGUSTA,GA. 30903-0388, 1-800-448-7476					



TITLE WEATHER ENCLOSURE INSTALLATION INSTRUCTIONS				REV -
EZGO TEXTRON	DRN BY ORIG DATE	J.RICE 12/15/95	REV BY REV DATE	DRAWING NO. 75368
				PG. 2 OF 2



E-Z-GO Division of Textron Inc.
P.O. Box 388 Augusta, Georgia 30903-0388
Telephone 1-800-241-5855

Copyrighted Material
This manual may not be reproduced in whole or
in part without the express permission of
E-Z-GO Division of Textron Inc.
Technical Communications Department