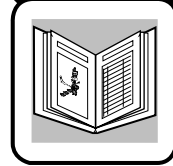


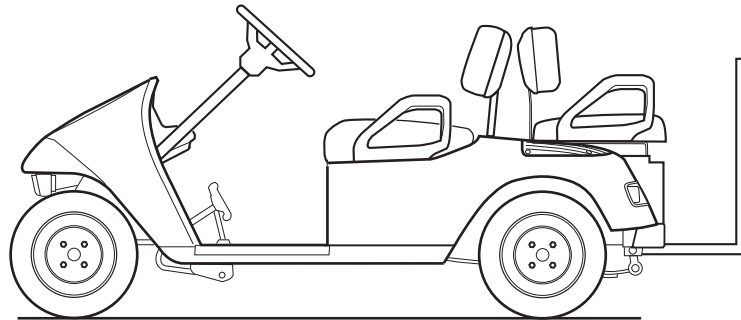
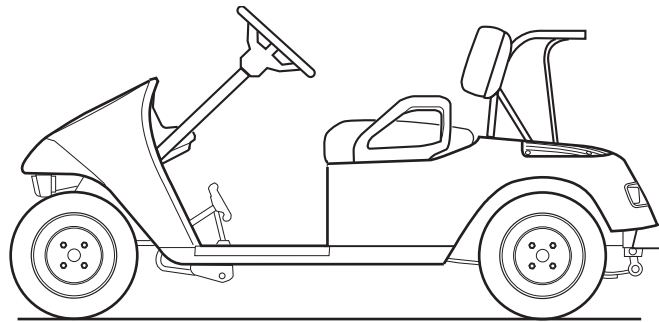
605524



A Textron Company



# SERVICE PARTS MANUAL



## GASOLINE POWERED FLEET GOLF CARS & PERSONAL VEHICLES

ISSUED DATE JUNE 2006

REVISED DATE AUGUST 2008



# **SERVICE PARTS MANUAL**

**GASOLINE POWERED  
FLEET GOLF CARS &  
PERSONAL VEHICLES  
FLEET GOLF CAR**

**FREEDOM™  
FREEDOM™ SE  
FREEDOM™ LE  
FREEDOM™ HP  
FREEDOM™ HP SE  
FREEDOM™ HP LE  
SHUTTLE™ 2+2**

**STARTING MODEL YEAR 2006+**

DISCLAIMER: The E-Z-GO Division of Textron Inc. reserves the right to incorporate engineering and design changes to products in this Manual, without obligation to include these changes on units leased/sold previously.

The information contained in this Manual may be revised periodically by the E-Z-GO Division, and therefore is subject to change without notice.

The E-Z-GO Division DISCLAIMS LIABILITY FOR ERRORS IN THIS MANUAL, and the E-Z-GO Division SPECIFICALLY DISCLAIMS LIABILITY FOR INCIDENTAL AND CONSEQUENTIAL DAMAGES resulting from the use of the information and materials in this Manual.

**CUSTOMER SERVICE DEPARTMENT IN USA PHONE: 1-800-241-5855 FAX: 1-800-448-8124**

**OUTSIDE USA PHONE: 001-706-798-4311, FAX: 001-706-771-4609**

**E-Z-GO DIVISION OF TEXTRON, INC., P.O. BOX 388, AUGUSTA, GEORGIA USA 30906-3852**

## NOTES

To obtain a copy of the limited warranty applicable to the vehicle, call or write a local Distributor, authorized Branch or the Warranty Department with vehicle serial number and manufacturer code.

The use of non Original Equipment Manufacturer (OEM) parts may void the warranty.

Tampering with or adjusting the governor to permit vehicle to operate at above factory specifications will void the vehicle warranty.

When servicing engines, all adjustments and replacement components must be per original vehicle specifications in order to maintain the United States of America Federal and State emission certification applicable at the time of manufacture.

### BATTERY PROLONGED STORAGE

All batteries will self discharge over time. The rate of self discharge varies depending on the ambient temperature and the age and condition of the batteries.

A fully charged battery will not freeze in winter temperatures unless the temperature falls below -75° F (-60° C).

# TABLE OF CONTENTS

<b>SECTION</b>	<b>Page No.</b>
HOW TO USE THE SERVICE PARTS MANUAL .....	v
ILLUSTRATED PARTS BREAKDOWN .....	vii
ACCELERATOR .....	A-1
AIR FILTER .....	B-1
BODY - FRONT .....	C-1
BODY - MID SECTION .....	C-5
BODY - REAR .....	C-7
BODY - FOOTREST .....	C-11
BODY - ACCESSORIES .....	C-13
BODY - ACCESSORIES CONTINUED .....	C-15
BODY - ACCESSORIES CONTINUED .....	C-17
BRAKES .....	D-1
CARBURETOR AND CHOKE .....	E-1
CLUTCH .....	F-1
DIRECTION SELECTOR .....	G-1
ELECTRICAL SYSTEM .....	H-1
ENGINE 9 HP AND MUFFLER .....	J-1
ENGINE 11 HP AND MUFFLER .....	J-3
ENGINE MOUNTING .....	K-1
FRONT SUSPENSION AND STEERING .....	L-1
FUEL SYSTEM - CALIFORNIA REQUIREMENT .....	M-1
FUEL SYSTEM .....	M-3
REAR AXLE .....	N-1
REAR SUSPENSION .....	P-1
SEATING AND BAG HOLDER - GOLF CAR .....	Q-1
SEATING - SHUTTLE 2+2 .....	Q-3
SEATING - CONVERTIBLE CARRIER .....	Q-7
STARTER / GENERATOR .....	R-1
TOW BAR - PERMANENT .....	S-1

# TABLE OF CONTENTS

<b>SECTION</b>	<b>Page No.</b>
TOW BAR - CASUAL.....	S-5
WEATHER PROTECTION - GOLF CAR.....	T-1
WEATHER PROTECTION - SHUTTLE 2+2 .....	T-7
WHEELS AND TIRES .....	U-1
OPTIONS/ACCESSORIES .....	APPENDIX A-1
SPECIALTY PRODUCTS .....	APPENDIX B-1
INDEX OF MAJOR COMPONENTS .....	INDEX-1

# HOW TO USE THE SERVICE PARTS MANUAL

This manual is divided into several sections:

## **GENERAL INFORMATION**

- TABLE OF CONTENTS
- HOW TO USE THE SERVICE PARTS MANUAL

## **ILLUSTRATED PARTS BREAKDOWN**

- Contains illustrations and parts lists for all systems of the vehicle

## **APPENDIX**

- Contains a listing of specialty products and options/accessories

## **INDEX OF MAJOR COMPONENTS**

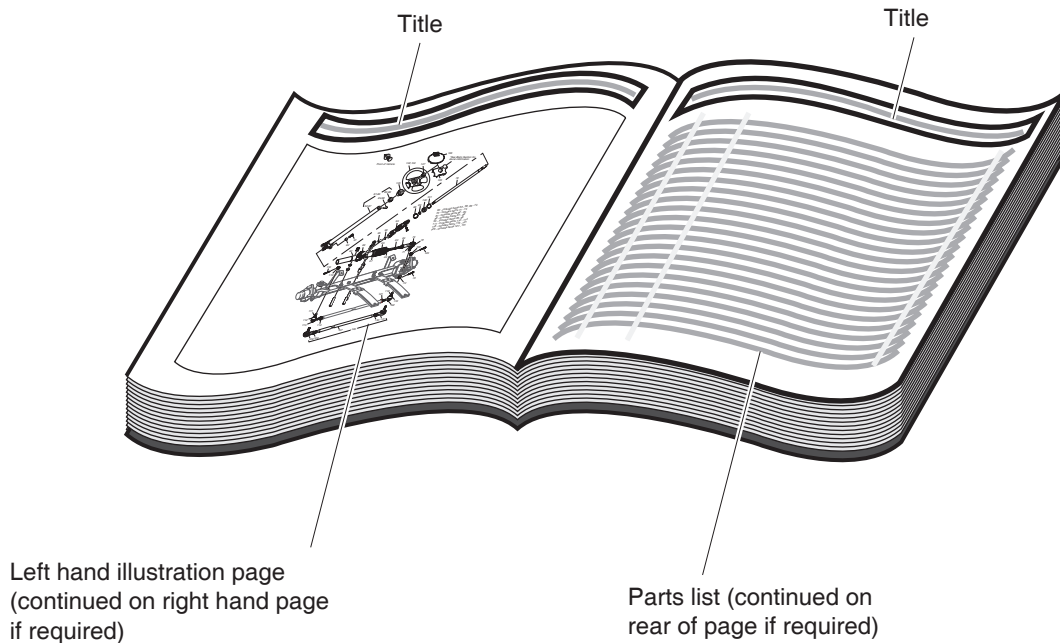
- Contains a listing of parts (excluding hardware) grouped by part description and indicates on which page(s) they can be found.

## **USE OF THE MANUAL**

To use this manual, consult the TABLE OF CONTENTS (page iii) to locate the information or illustration required.

Introduction of some revisions varies due to supply of components; therefore, it is possible that various combinations of components may be found that are not directly reflected by each illustration. Consult the illustration that best suits your situation. Locate the serial number plate (see BODY located in the Illustrated Parts Breakdown section of this manual for its location) and note the complete number shown on the plate. It is important that the serial number of your vehicle and its model number be supplied to Service Parts when ordering any replacement components.

# HOW TO USE THE SERVICE PARTS MANUAL



## 1. WHEN THE PART NUMBER IS NOT KNOWN

- Determine the function and application of the part required. Turn to the INDEX OF MAJOR COMPONENTS and select the most appropriate component description.
- Turn to the page number indicated and locate the part description in the parts list. Read the full accompanying description for specific information regarding the part that was not shown in the index.
- From the parts list, obtain the item number assigned to it and confirm that the part selected is correct by verifying it with the pictorial representation on the illustrated page.

## 2. IF YOU KNOW THE PART NUMBER

- Use the INDEX OF MAJOR COMPONENTS to find the page(s) the part number appears on.
- Turn to the page number indicated and locate the part number in the parts list. Refer to the accompanying description for specific information regarding the part.
- From the parts list, obtain the item number assigned to it and confirm that the part selected is correct by verifying it with the pictorial representation on the illustrated page.

Should an asterisk (\*) appear in the part number column on the parts list page, read upwards until a part number is found. The part number is the lowest assembly sold by Service Parts. The asterisk (\*) indicates that the part depicted is not available for purchase.

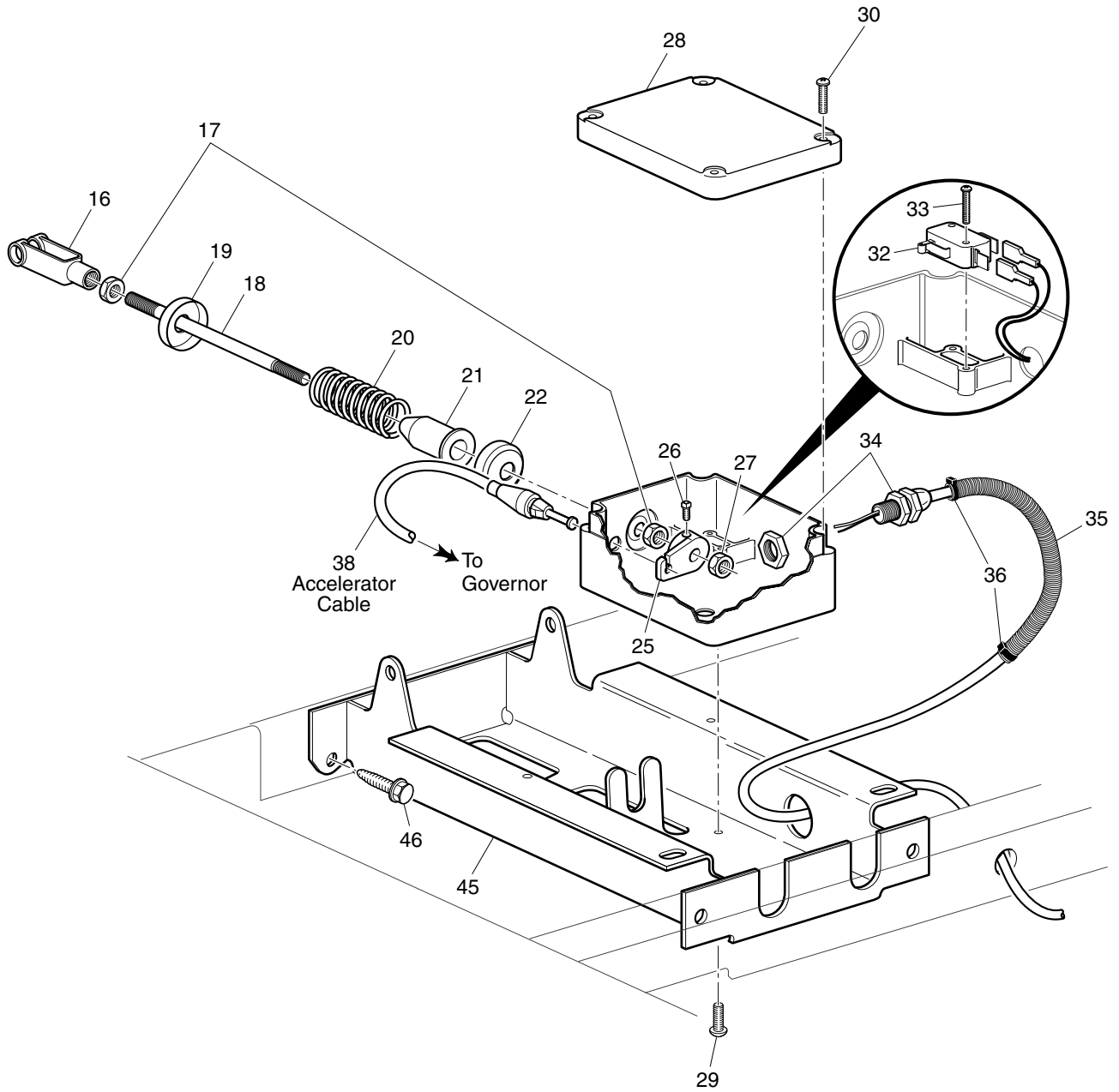
NOTE: Descriptions are indented under the assembly that they are used on. That assembly is, in turn listed under the assembly that it is used on. This process is repeated until the highest final assembly is reached.

**To facilitate the maintenance and repair of the vehicle, a Technician's Repair and Service Manual is available from the Service Parts Department.**

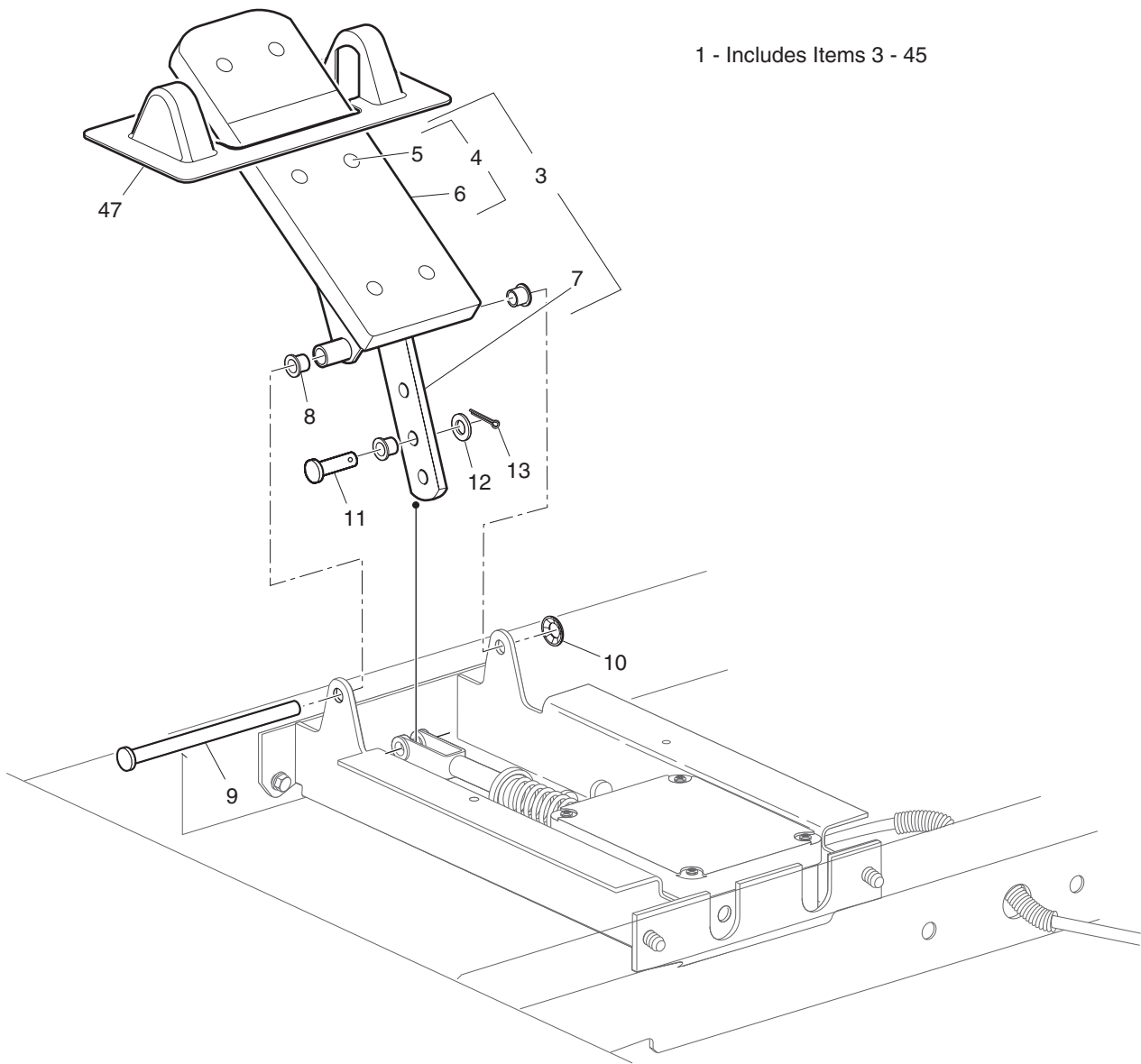


**ILLUSTRATED PARTS BREAKDOWN**

# ACCELERATOR

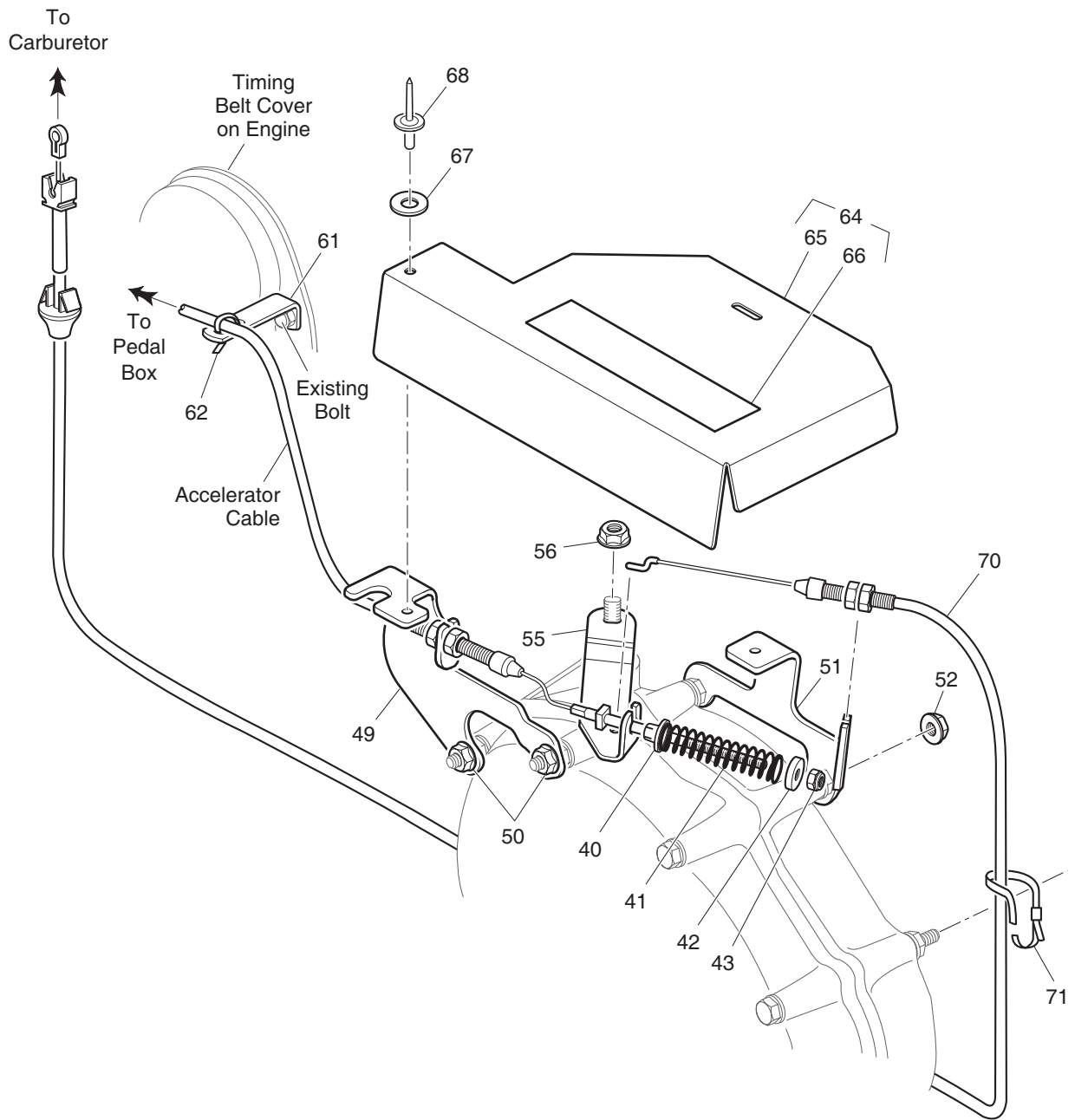


Ref Acl 2-1



Ref Acl 2-2

# ACCELERATOR



Ref Acl 2-3

# ACCELERATOR

Where applicable, THE USE OF NON UL PARTS WILL VOID ANY UL LISTING.

When ordering parts, please specify the model and serial number of the product.

\* Indicates a component that is not available as an individual part.

G\*\* Indicates consult Customer Service Department for additional information.

ITEM	PART NO.	1 2 3 4 5	DESCRIPTION	QTY.
1	<u>72717-G04</u>		PEDAL BOX ASSEMBLY (INCLUDES ITEMS 3 - 45).....	1
2				
3	<u>25799-G03</u>		ACCELERATOR PEDAL ASSEMBLY (INCLUDES ITEMS 4 - 7).....	1
4	<u>27844-G01</u>		ACCELERATOR PEDAL PAD KIT (INCLUDES ITEMS 5 - 6).....	1
5	<u>15766-G1</u>		OVAL RIVET, 3/16" X 7/16" LG.....	6
6	<u>27512-G01</u>		ACCELERATOR PEDAL PAD.....	1
7	*		ACCELERATOR PEDAL.....	1
8	<u>17838-G1</u>		NYLON BUSHING.....	3
9	<u>74432-G01</u>		PEDAL PIVOT PIN.....	1
10	<u>12064-G6</u>		PUSH NUT, 9/32".....	1
11	<u>10386-G3</u>		CLEVIS PIN, 5/16" X 13/16" LG.....	1
12	<u>17255-G1</u>		TEFLON WASHER, 5/16".....	1
13	<u>10387-G3</u>		COTTER PIN, 3/32" X 3/4" LG.....	1
14				
15				
16	<u>10385-G4</u>		CLEVIS YOKE (ADJUSTABLE).....	1
17	<u>00532-G4</u>		NUT, 5/16 - 24.....	2
18	<u>72072-G01</u>		ACCELERATOR ROD.....	1
19	<u>17677-G2</u>		SPRING RETAINER, 3/8".....	1
20	<u>73046-G01</u>		COMPRESSION SPRING.....	1
21	<u>17979-G1</u>		ACCELERATOR ROD BUSHING.....	1
22	<u>17677-G1</u>		SPRING RETAINER, 1/2".....	1
23				
24				
25	<u>72716-G01</u>		MICRO SWITCH CAM.....	1
26	<u>00487-G3</u>		SETSCREW, 1/4 - 20 X 3/8" LG.....	1
27	<u>15126-G1</u>		LOCK NUT, 5/16 - 24.....	1
28	<u>25853-G03</u>		PEDAL BOX AND COVER.....	1
29	<u>01051-G01</u>		SCREW, #8 - 16 X 1/2" LG.....	4
30	<u>00684-G6</u>		SCREW, #8 - 32 X 3/4" LG (STAINLESS STEEL).....	2

# ACCELERATOR

Where applicable, THE USE OF NON UL PARTS WILL VOID ANY UL LISTING.  
 When ordering parts, please specify the model and serial number of the product.  
 \* Indicates a component that is not available as an individual part.  
 G\*\* Indicates consult Customer Service Department for additional information.

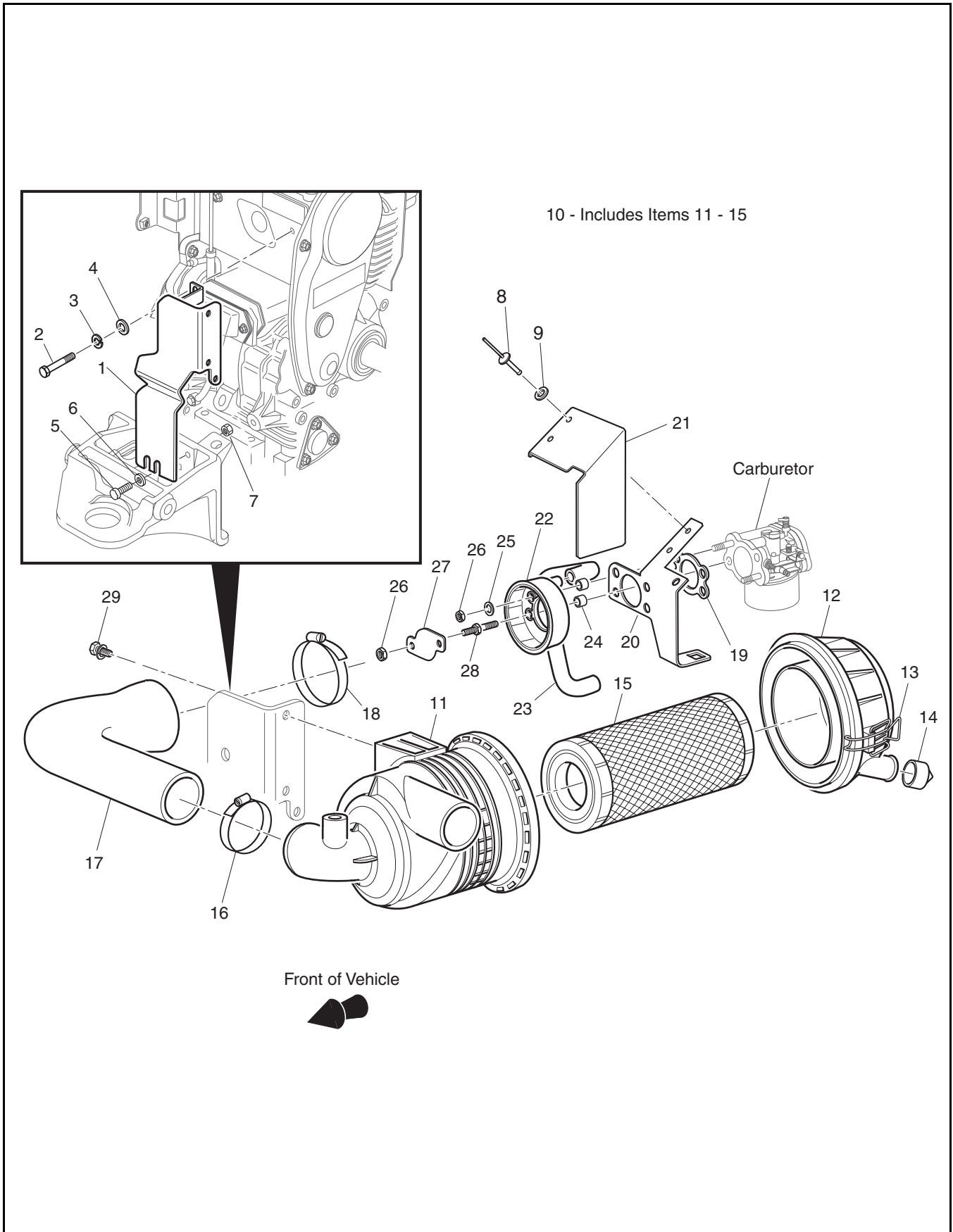
ITEM	PART NO.	1	2	3	4	5	DESCRIPTION	QTY.
31								
32	<u>25861-G01</u>						MICRO SWITCH.....	1
33	<u>01050-G01</u>						SCREW, #4 - 20 X 5/8" LG.....	2
34	<u>72201-G04</u>						WIRE HARNESS (PEDAL BOX) .....	1
35	<u>17313-G1</u>						FLEX LOOM (BULK).....	AR
36	<u>17618-G1</u>						WIRE TIE.....	2
37								
38	<u>72713-G01</u>						ACCELERATOR CABLE .....	1
39								
40	<u>72706-G01</u>						ACCELERATOR CABLE BUSHING.....	1
41	<u>72707-G01</u>						COMPRESSION SPRING .....	1
42	<u>25727-G02</u>						CUP WASHER, 3/16" .....	1
43	<u>00734-G5</u>						LOCK NUT, #10 - 32.....	1
44								
45	70116-G02						ACCELERATOR PEDAL BRACKET .....	1
46	<u>00715-G2</u>						BOLT, 5/16 - 18 X 13/16" LG .....	4
47	<u>70135-G01</u>						PEDAL PIVOT COVER.....	1
48								
49	<u>72701-G02</u>						ACCELERATOR CABLE MOUNTING BRACKET .....	1
50	26830-G01						LOCK NUT, M8 X 1.25 MM.....	2
51	<u>72703-G02</u>						THROTTLE CABLE MOUNTING BRACKET .....	1
52	26830-G01						LOCK NUT, M8 X 1.25 MM.....	2
53								
54								
55	<u>72708-G01</u>						GOVERNOR ARM .....	1
56	26830-G01						LOCK NUT, M8 X 1.25 MM.....	1
57								
58								
59								
60								

# ACCELERATOR

Where applicable, THE USE OF NON UL PARTS WILL VOID ANY UL LISTING.  
 When ordering parts, please specify the model and serial number of the product.  
 \* Indicates a component that is not available as an individual part.  
 G\*\* Indicates consult Customer Service Department for additional information.

ITEM	PART NO.	1	2	3	4	5	DESCRIPTION	QTY.
61	<u>72055-G01</u>						ACCELERATOR CABLE BRACKET .....	1
62	<u>17618-G1</u>						WIRE TIE .....	1
63								
64	74457-G02						GOVERNOR COVER/LABEL ASSEMBLY (INCLUDES ITEMS 65, 66) .....	1
65	72705-G01						GOVERNOR COVER .....	1
66	24880-G01						LABEL (WARNING - GOVERNOR).....	1
67	<u>00915-G1</u>						BONDED WASHER, 1/4" .....	2
68	<u>14601-G11</u>						RIVET, 3/16" X 9/16" LG (ALUMINUM) .....	2
69								
70	<u>72714-G01</u>						THROTTLE CABLE.....	1
71	<u>17618-G1</u>						WIRE TIE .....	1

# AIR FILTER

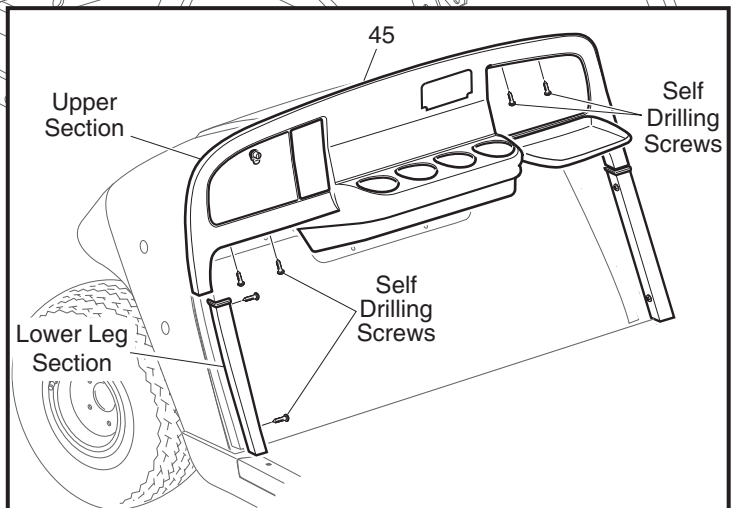
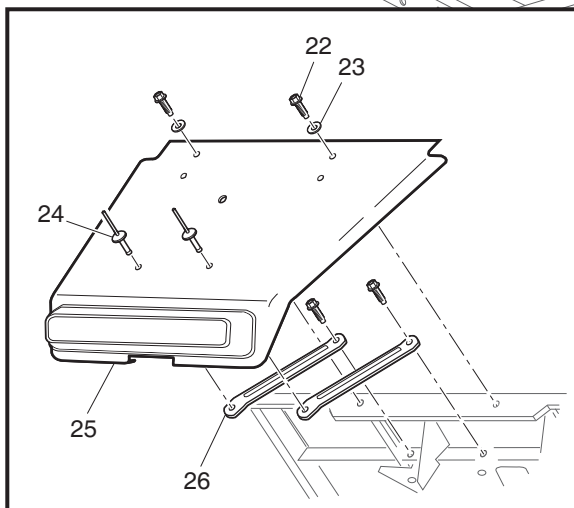
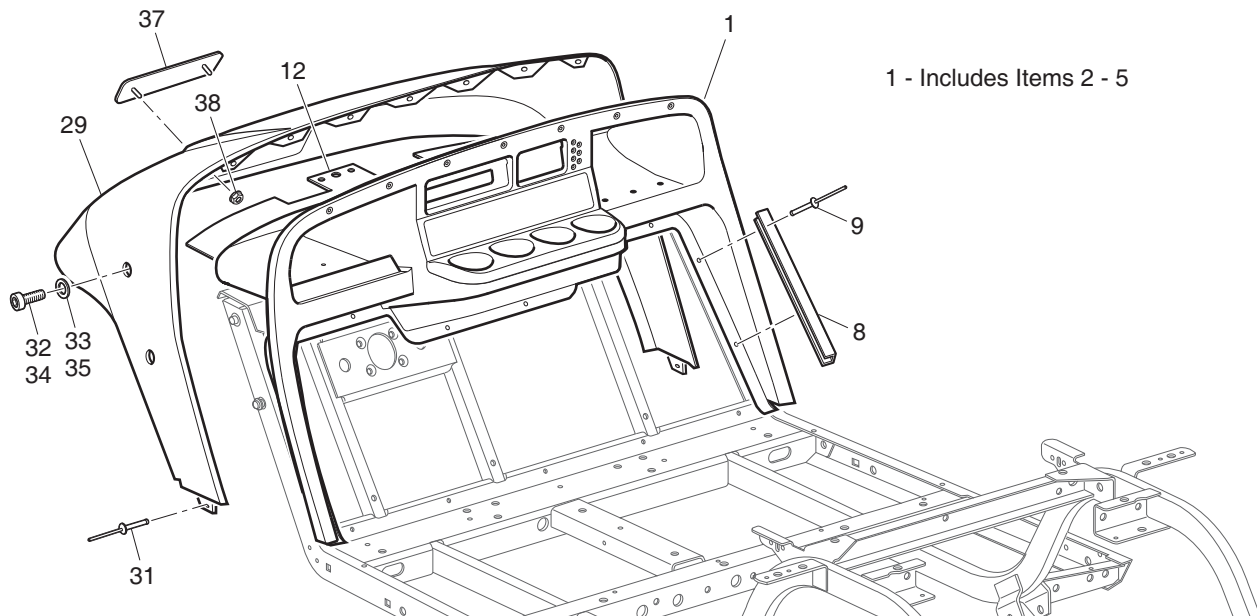
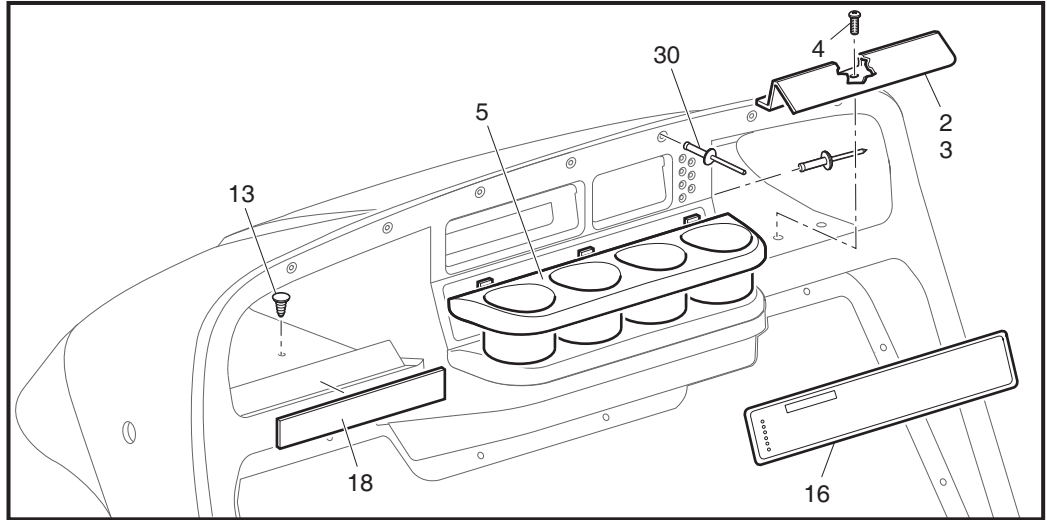




THE USE OF NON U.L. PARTS WILL VOID ANY U.L. LISTING.  
 When ordering parts, please specify the model and serial number of the product.  
 \* Indicates a component that is not available as an individual part.  
 G\*\* Indicates consult Customer Service Department for additional information.

ITEM	PART NO.	1 2 3 4 5	DESCRIPTION	QTY.
1	<u>75878-G02</u>		AIR FILTER BRACKET (CABLE ACTUATED CARBURETOR) .....	1
2	<u>12547-G3</u>		BOLT, M6 X 1MM X 20MM LG .....	1
3	<u>00664-G7</u>		LOCK WASHER, 1/4".....	1
4	<u>00559-G7</u>		WASHER, 1/4" .....	1
5	<u>00415-G2</u>		BOLT, 1/4 - 20 X 1 1/4" LG .....	2
6	<u>00559-G7</u>		WASHER, 1/4" .....	2
7	<u>14390-G4</u>		LOCK NUT, 1/4 - 20 .....	2
8	<u>14601-G11</u>		RIVET .....	2
9	<u>00915-G1</u>		BONDED WASHER .....	2
10	<u>72607-G01</u>		AIR CLEANER CANISTER ASSEMBLY (INCLUDES ITEMS 11 - 15) .....	1
11	<u>72598-G01</u>		AIR CLEANER CANISTER.....	1
12	<u>72599-G01</u>		AIR CLEANER COVER .....	1
13	<u>72604-G01</u>		AIR CLEANER LATCH .....	2
14	<u>28462-G01</u>		AIR CLEANER DUST COLLECTOR .....	1
15	<u>28463-G01</u>		AIR CLEANER ELEMENT .....	1
16	<u>11391-G7</u>		HOSE CLAMP .....	1
17	<u>72592-G01</u>		HOSE (AIR FILTER TO CARBURETOR) .....	1
18	<u>11391-G6</u>		HOSE CLAMP .....	2
19	<u>26727-G01</u>		CARBURETOR GASKET .....	2
20	<u>74498-G02</u>		CHOKE / THROTTLE BRACKET.....	1
21	<u>604117</u>		CHOKE / THROTTLE COVER.....	1
22	<u>72591-G01</u>		CARBURETOR ADAPTER .....	1
23	<u>72151-G01</u>		PCV HOSE.....	1
24	<u>23726-G11</u>		CARBURETOR MOUNTING SPACER.....	4
25	<u>00664-G7</u>		WASHER, 1/4" .....	2
26	<u>13632-G1</u>		NUT, M6 X 1.....	4
27	<u>72605-G01</u>		CARBURETOR BAFFLE.....	1
28	<u>72514-G01</u>		STUD.....	2
29	<u>25532-G1</u>		BOLT AND WASHER, M8 X 1.25 X 18 MM.....	2

# BODY - FRONT



Ref Bod 2-1

# BODY - FRONT

Where applicable, THE USE OF NON UL PARTS WILL VOID ANY UL LISTING.

When ordering parts, please specify the model and serial number of the product.

\* Indicates a component that is not available as an individual part.

G\*\* Indicates consult Customer Service Department for additional information.

ITEM	PART NO.	1 2 3 4 5	DESCRIPTION	QTY.
1	<u>71151-G01</u>		INSTRUMENT PANEL ASSEMBLY (INCLUDES ITEMS 2 - 5) .....	1
2	<u>71153-G01</u>		DEFLECTOR (PASSENGER SIDE) .....	1
3	<u>71154-G01</u>		DEFLECTOR (DRIVER SIDE).....	1
4	<u>00614-G5</u>		SCREW, #8 - 18 X 5/8" LG .....	6
5	<u>71158-G01</u>		INSTRUMENT PANEL INSERT (4 CUP HOLDER).....	1
6				
7				
8	<u>71115-G01</u>		VINYL TRIM .....	2
9	<u>71055-G01</u>		RIVET, 3/16" X 1" LG (ALUMINUM).....	10
10				
11				
12	<u>71413-G01</u>		SPLASH PANEL.....	1
13	<u>16816-G2</u>		RATCHET FASTENER, 1/4" X 3/4" LG .....	5
14				
15				
16	<u>608465</u>		LABEL (SAFETY).....	1
17				
18	<u>74443-G01</u>		LABEL (ANTI-ROLLBACK) .....	1
19				
20				
21				
22	<u>01038-G01</u>		BOLT, 1/4 - 20 X 11/16" LG .....	4
23	<u>16469-G1</u>		WASHER, 1/4" .....	2
24	<u>01057-G01</u>		RIVET, 1/4" X 1" LG .....	2
25	<u>27166-G04</u>		FRONT SHIELD .....	1
26	<u>70725-G02</u>		FRONT SHIELD BRACE.....	2
27				
28				
29	71051-G**		COWL.....	1
30	<u>71055-G01</u>		RIVET, 3/16" X 1" LG (ALUMINUM).....	9

# BODY - FRONT

Where applicable, THE USE OF NON UL PARTS WILL VOID ANY UL LISTING.

When ordering parts, please specify the model and serial number of the product.

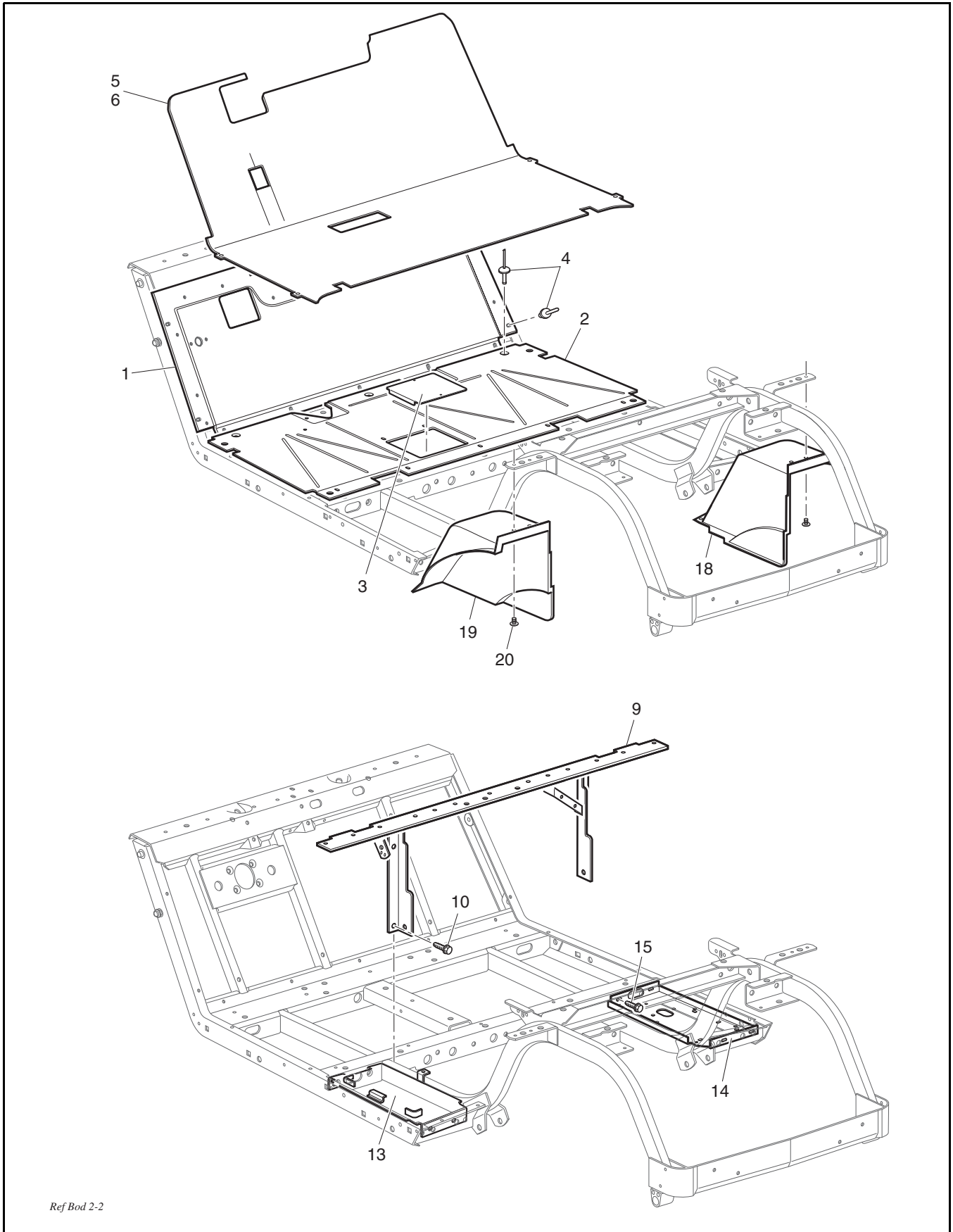
\* Indicates a component that is not available as an individual part.

G\*\* Indicates consult Customer Service Department for additional information.

ITEM	PART NO.	1 2 3 4 5	DESCRIPTION	QTY.
31	<u>10570-G11</u>		RIVET, 3/16" X 3/4" LG (STAINLESS STEEL) .....	2
32	<u>71056-G01</u>		BOLT, 5/16 - 18 X 5/8" LG .....	4
33	<u>00570-G2</u>		WASHER, 5/16 .....	4
34	00438-G6		BOLT, 5/16 - 18 X 3/4" LG (WITH TOP) .....	2
35	<u>00571-G2</u>		WASHER, 5/16" .....	2
36				
37	<u>71037-G02</u>		E-Z-GO NAMEPLATE (GOLD).....	1
38	<u>71597-G01</u>		NUT, SELF-THREADING, 5MM STUD x 10MM HEX .....	2
39				
40				
41				
42				
43				
44				
45	74239-G01		INSTRUMENT PANEL WOODGRAIN APPLIQUE KIT .....	1



# BODY - MID SECTION



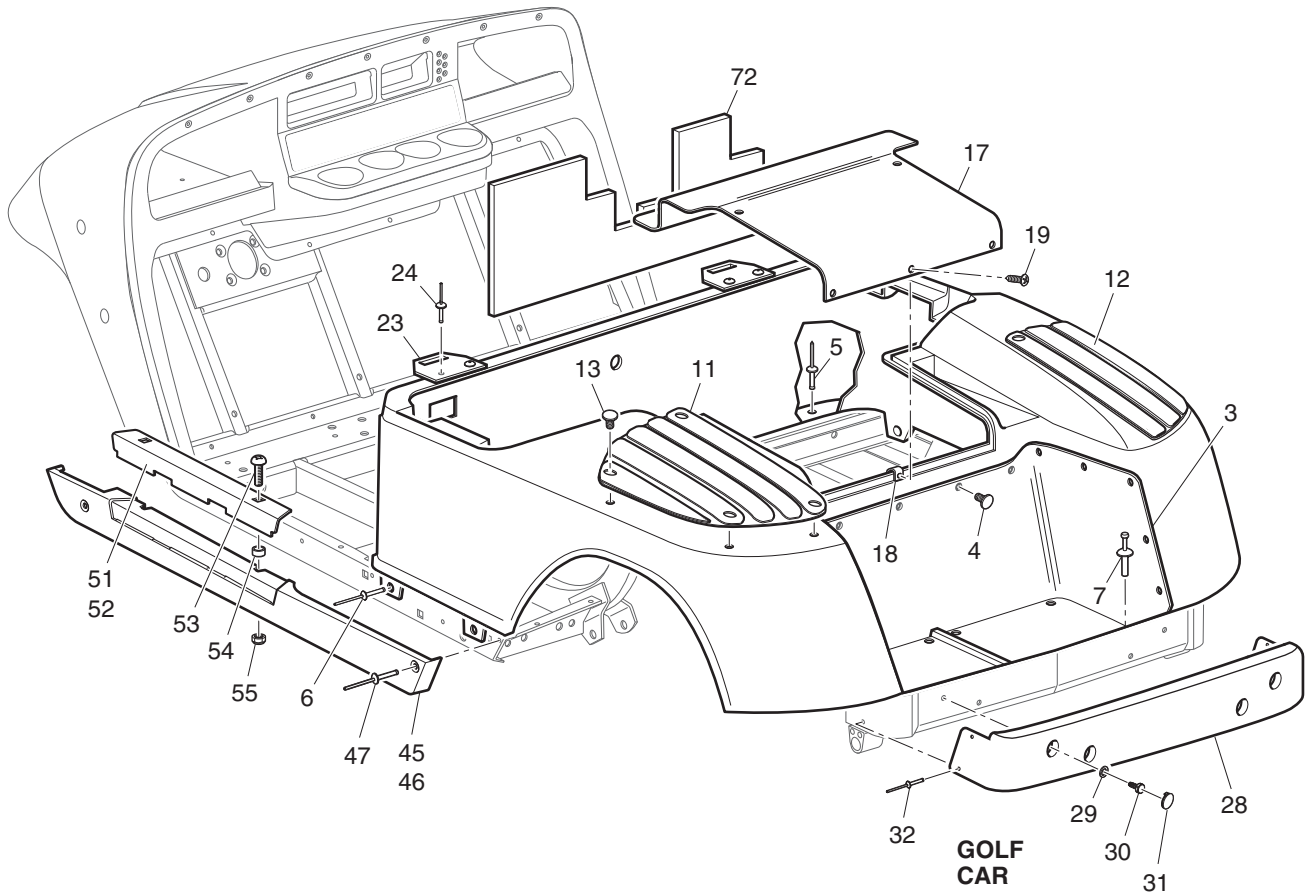
# BODY - MID SECTION

Where applicable, THE USE OF NON UL PARTS WILL VOID ANY UL LISTING.  
 When ordering parts, please specify the model and serial number of the product.  
 \* Indicates a component that is not available as an individual part.  
 G\*\* Indicates consult Customer Service Department for additional information.

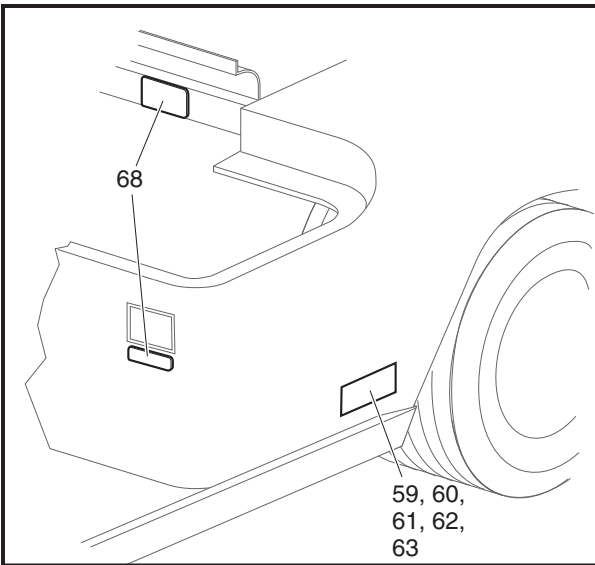
ITEM	PART NO.	1 2 3 4 5	DESCRIPTION	QTY.
1	70662-G01		UPPER FLOORPAN.....	1
2	<u>70451-G01</u>		LOWER FLOORPAN.....	1
3	<u>70452-G01</u>		ACCESS COVER.....	1
4	<u>14601-G11</u>		RIVET, 3/16" X 9/16" LG (ALUMINUM).....	16
5	<u>70995-G01</u>		FLOORMAT.....	1
6	<u>70995-G02</u>		FLOORMAT WITH HORN HOLE.....	1
7				
8				
9	<u>70440-G04</u>		SEAT FRAME.....	1
10	<u>00715-G2</u>		BOLT, 5/16 - 18 X 4/5" LG.....	2
11				
12				
13	<u>600496</u>		BATTERY TRAY.....	1
14	<u>70244-G03</u>		SPLASH PANEL.....	1
15	<u>00715-G2</u>		BOLT, 5/16 - 18 X 4/5" LG.....	4
16				
17				
18	<u>71812-G01</u>		FENDER LINER (PASSENGER SIDE).....	1
19	<u>71812-G02</u>		FENDER LINER (DRIVER SIDE).....	1
20	<u>16816-G2</u>		RATCHET FASTENER, 1/4" X 3/4" LG.....	8

# BODY - REAR

- 1 - Includes Items 3, 4
- 2 - Includes Items 3, 4

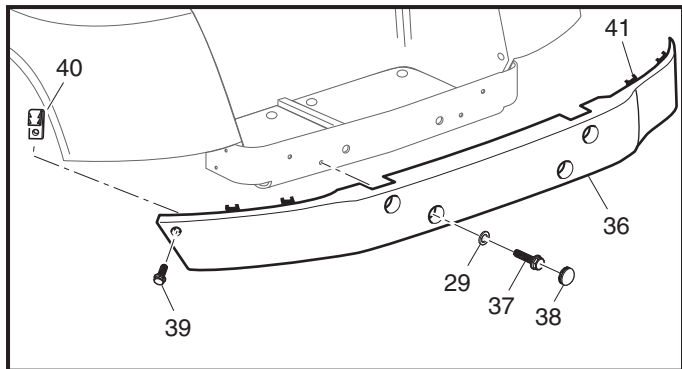


## LABELS



Ref Bod 2-3

## SHUTTLE 2+2 AND CONVERTIBLE CARRIER





# BODY - REAR

Where applicable, THE USE OF NON UL PARTS WILL VOID ANY UL LISTING.

When ordering parts, please specify the model and serial number of the product.

\* Indicates a component that is not available as an individual part.

G\*\* Indicates consult Customer Service Department for additional information.

ITEM	PART NO.	1 2 3 4 5	DESCRIPTION	QTY.
1	71912-G4**		REAR BODY (WITHOUT TAILLIGHTS) (INCLUDES ITEMS 3, 4) .....	1
2	71334-G0**		REAR BODY (WITH TAILLIGHTS) (INCLUDES ITEMS 3, 4).....	1
3	71318-G01		BAGWELL LINER .....	1
4	<u>16816-G1</u>		RATCHET FASTENER, 1/4" X 9/16" LG .....	26
5	<u>10570-G10</u>		RIVET, 5/32" X 9/16" LG (STAINLESS STEEL) .....	6
6	10570-G12		RIVET, 1/4" X 9/16" LG (ALUMINUM) .....	4
7	<u>18436-G1</u>		RIVET, 1/4" X 3/4" LG .....	2
8				
9				
10				
11	<u>75126-G01</u>		FENDER SCUFFGUARD (DRIVER SIDE) .....	1
12	<u>75126-G02</u>		FENDER SCUFFGUARD (PASSENGER SIDE).....	1
13	<u>16816-G2</u>		RATCHET FASTENER, 1/4" X 3/4" LG .....	8
14				
15				
16				
17	<u>71320-G01</u>		ACCESS PANEL .....	1
18	<u>71364-G02</u>		'J' CLIP .....	1
19	<u>01107-G01</u>		SCREW, #8 X 5/8" LG (STAINLESS STEEL) .....	5
20				
21				
22				
23	<u>71609-G01</u>		SEAT HINGE PLATE .....	2
24	<u>10570-G11</u>		RIVET, 3/16" X 3/4" LG (STAINLESS STEEL) .....	4
25				
26				
27				
28	<u>71578-G01</u>		REAR BUMPER .....	1
29	<u>00571-G2</u>		WASHER, 5/16" .....	4
30	<u>71102-G01</u>		BOLT, 1/4 - 20 X 3/4" LG .....	4

# BODY - REAR

Where applicable, THE USE OF NON UL PARTS WILL VOID ANY UL LISTING.

When ordering parts, please specify the model and serial number of the product.

\* Indicates a component that is not available as an individual part.

G\*\* Indicates consult Customer Service Department for additional information.

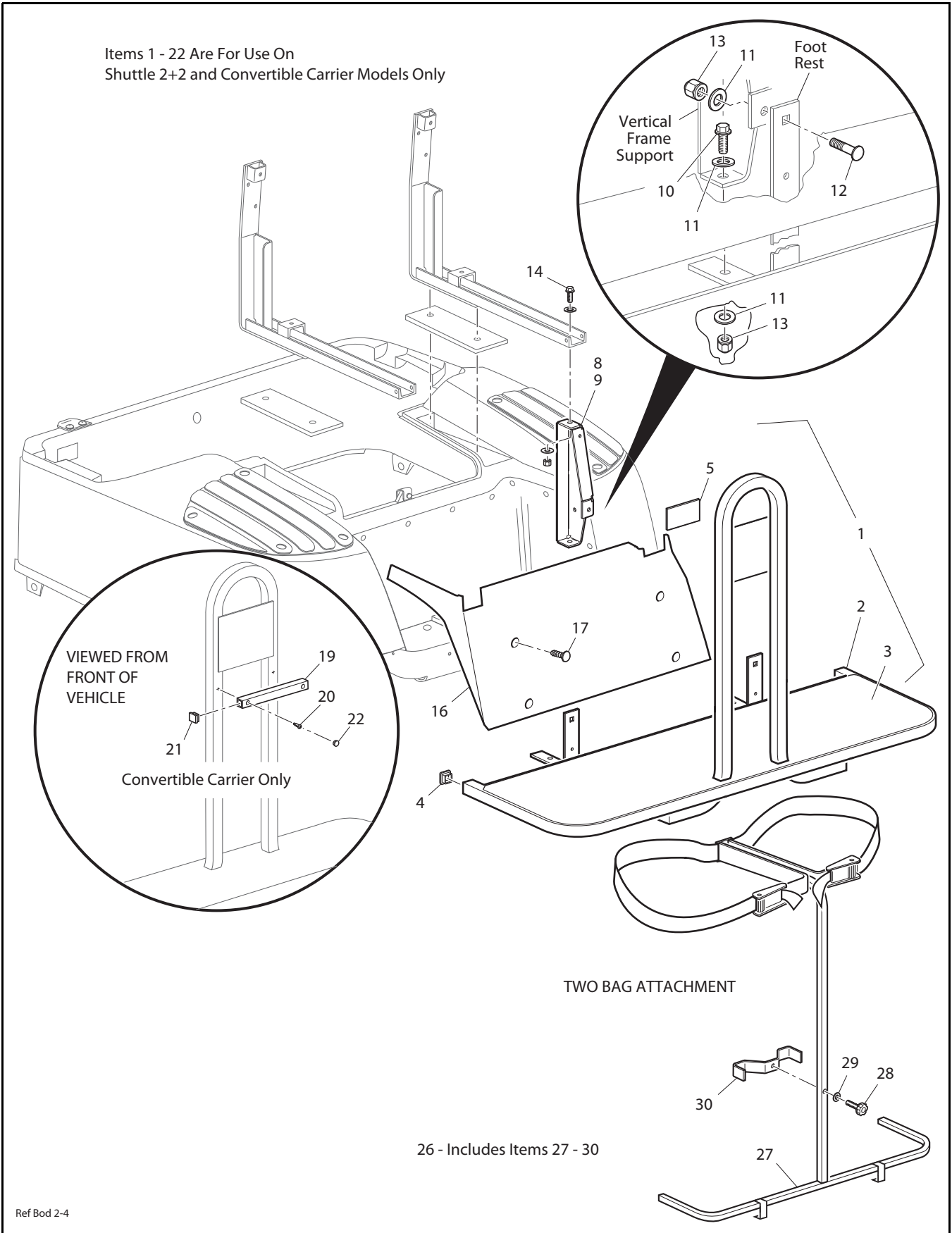
ITEM	PART NO.	1 2 3 4 5	DESCRIPTION	QTY.
31	<u>71514-G01</u>		BUMPER PLUG .....	4
32	14601-G17		RIVET, 3/16" X 9/16" LG (ALUMINUM) .....	4
33				
34				
35				
36	<u>71456-G01</u>		REAR BUMPER (SHUTTLE 2+2) .....	1
37	71398-G01		BOLT, 1/4 - 20 X 1 1/4" LG .....	2
38	<u>71455-G01</u>		BUMPER PLUG .....	4
39	<u>71102-G01</u>		BOLT, 1/4 - 20 X 3/4" LG .....	2
40	<u>71554-G01</u>		'J' TYPE NUT RETAINER.....	2
41	<u>71455-G01</u>		BUMPER STAY .....	4
42				
43				
44				
45	<u>71501-G01</u>		ROCKER PANEL (PASSENGER SIDE).....	1
46	<u>71502-G01</u>		ROCKER PANEL (DRIVER SIDE) .....	1
47	<u>15058-G6</u>		RIVET, 3/16" X 15/16" LG (ALUMINUM).....	4
48				
49				
50				
51	71507-G01		SILL PLATE (PASSENGER SIDE) .....	1
52	<u>71507-G02</u>		SILL PLATE (DRIVER SIDE).....	1
53	<u>16705-G1</u>		SCREW, 1/4 - 20 X 1" LG (STAINLESS STEEL) .....	4
54	<u>23726-G4</u>		SPACER, 5/16".....	4
55	<u>14390-G4</u>		LOCK NUT, 1/4 - 20 .....	4
56				
57				
58				
59	75960-G01		LABEL (FREEDOM).....	2
60	<u>75962-G01</u>		LABEL (FREEDOM SE) .....	2

Where applicable, THE USE OF NON UL PARTS WILL VOID ANY UL LISTING.  
 When ordering parts, please specify the model and serial number of the product.  
 \* Indicates a component that is not available as an individual part.  
 G\*\* Indicates consult Customer Service Department for additional information.

ITEM	PART NO.	1 2 3 4 5	DESCRIPTION	QTY.
61	<u>75964-G01</u>		LABEL (FREEDOM LE) .....	2
62	<u>35434-G01</u>		LABEL (SHUTTLE) .....	2
63	<u>35430-G19</u>		LABEL (TXT 2+2).....	2
64				
65				
66				
67				
68	*		LABEL (SERIAL NUMBER) .....	1
69				
70				
71				
72	<u>74024-G01</u>		SEAT WRAP MOUNTED NOISE SUPPRESSOR .....	1

# BODY - FOOTREST

Items 1 - 22 Are For Use On Shuttle 2+2 and Convertible Carrier Models Only



Ref Bod 2-4

# BODY - FOOTREST

Where applicable, THE USE OF NON UL PARTS WILL VOID ANY UL LISTING.

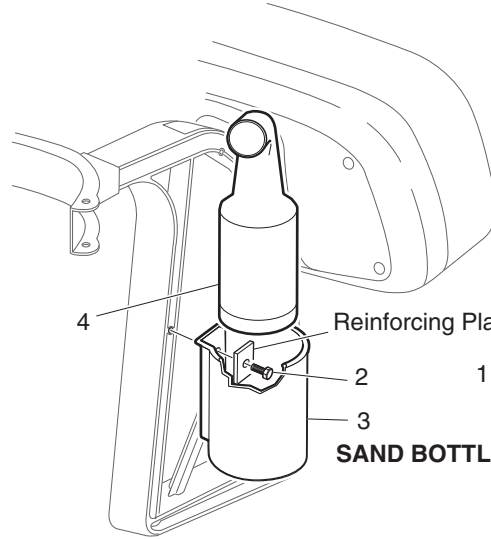
When ordering parts, please specify the model and serial number of the product.

\* Indicates a component that is not available as an individual part.

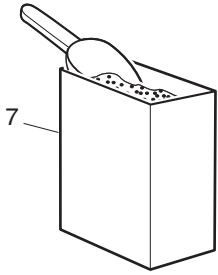
G\*\* Indicates consult Customer Service Department for additional information.

ITEM	PART NO.	1 2 3 4 5	DESCRIPTION	QTY.
1	<u>70361-G01</u>		FOOTREST ASSEMBLY (INCLUDES ITEMS 2 - 5) .....	1
2	<u>70633-G01</u>		FOOTREST .....	1
3	<u>70362-G01</u>		FLOOR MAT .....	1
4	<u>19853-G1</u>		END CAP, 1" .....	2
5	<u>74074-G01</u>		LABEL (WARNING) .....	1
6				
7				
8	<u>74126-G01</u>		VERTICAL FRAME SUPPORT (PASSENGER SIDE) .....	1
9	<u>74126-G02</u>		VERTICAL FRAME SUPPORT (DRIVER SIDE).....	1
10	<u>00427-G6</u>		BOLT, 3/8 - 16 X 1 1/2" LG .....	2
11	<u>00560-G1</u>		WASHER, 3/8" .....	10
12	<u>00769-G2</u>		CARRIAGE BOLT, 3/8 - 16 X 1 1/4" LG .....	2
13	<u>11098-G5</u>		LOCK NUT, 3/8 - 16 .....	10
14	<u>01006-G02</u>		BOLT, 3/8 - 16 X 1" LG .....	2
15				
16	<u>74149-G01</u>		VALANCE PANEL .....	1
17	<u>16816-G2</u>		RATCHET FASTENER, 1/4" X 3/4" LG .....	4
18				
19	<u>75268-G01</u>		SUPPORT .....	1
20	<u>606882</u>		SELF THREADING SCREW, #12 - 24 X 3/4" LG .....	2
21	<u>19859-G1</u>		END CAP, 3/4".....	2
22	<u>20271-G2</u>		HOLE PLUG, 1/2" .....	2
23				
24				
25				
26	<u>75183-G01</u>		TWO BAG ATTACHMENT KIT (INCLUDES ITEMS 27 - 30) .....	1
27	<u>75188-G01</u>		TWO BAG ATTACHMENT .....	1
28	<u>22238-G2</u>		KNOB, 3/8 - 16 X 1 1/2" LG .....	1
29	<u>17255-G1</u>		TEFLON WASHER, 5/16" .....	1
30	<u>75187-G01</u>		SUPPORT BRACKET.....	1

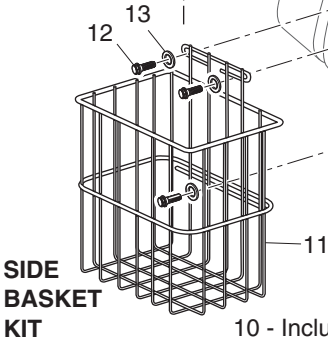
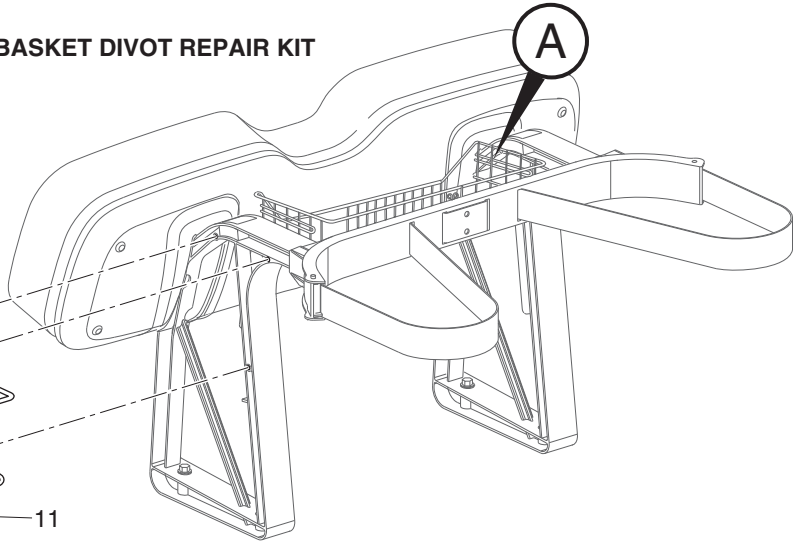
# BODY - ACCESSORIES



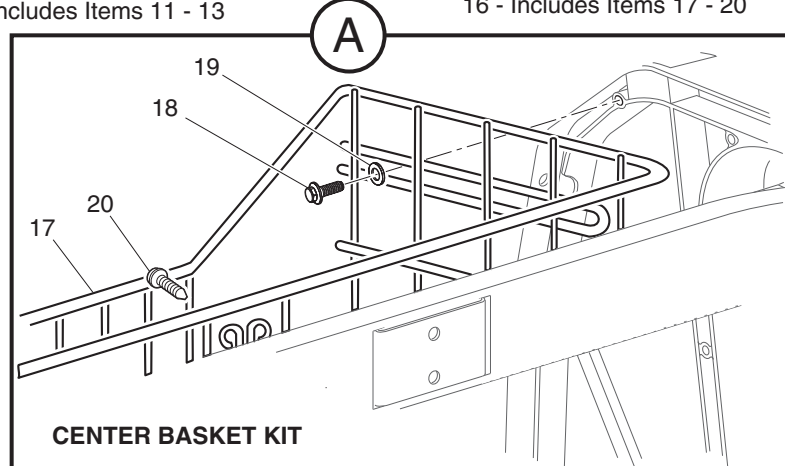
4 Reinforcing Plate (Part of holder)  
 2  
 3  
 1 - Includes Items 2 - 4  
**SAND BOTTLE DIVOT REPAIR KIT**



7  
**BASKET DIVOT REPAIR KIT**



12 13  
 11  
**SIDE BASKET KIT**  
 10 - Includes Items 11 - 13



16 - Includes Items 17 - 20  
 19  
 18  
 20  
 17  
**CENTER BASKET KIT**

Ref Bod 2-5

# BODY - ACCESSORIES

Where applicable, THE USE OF NON UL PARTS WILL VOID ANY UL LISTING.

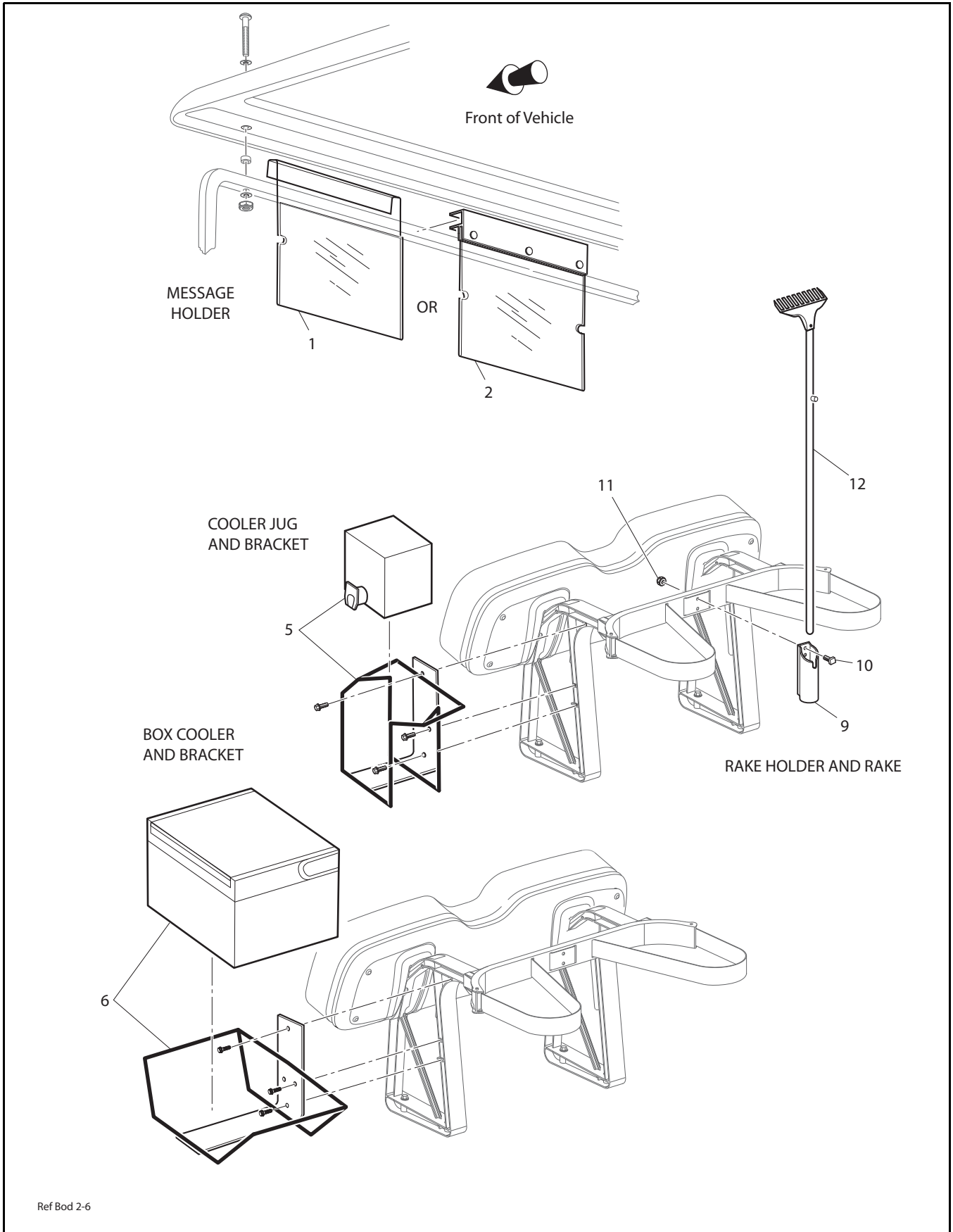
When ordering parts, please specify the model and serial number of the product.

\* Indicates a component that is not available as an individual part.

G\*\* Indicates consult Customer Service Department for additional information.

ITEM	PART NO.	1	2	3	4	5	DESCRIPTION	QTY.
1	<u>28661-G01</u>						SAND BOTTLE DIVOT REPAIR KIT (INCLUDES ITEMS 2 - 4) .....	1
2	<u>71102-G01</u>						BOLT, 1/4 - 20 X 3/4" LG.....	1
3	<u>28660-G01</u>						SAND BOTTLE HOLDER .....	1
4	<u>28659-G01</u>						SAND BOTTLE .....	1
5								
6								
7	23300-G01						BASKET DIVOT REPAIR KIT (INCLUDES SCOOP) .....	1
8								
9								
10	75007-G02						SIDE BASKET KIT (INCLUDES ITEMS 11 - 13).....	1
11	<u>75460-G01</u>						SIDE BASKET .....	1
12	<u>71102-G01</u>						BOLT, 1/4 - 20 X 3/4" LG.....	3
13	<u>00793-G2</u>						FLAT WASHER, 1/4" (STAINLESS STEEL) .....	3
14								
15								
16	<u>75003-G02</u>						CENTER BASKET KIT (INCLUDES ITEMS 17 - 20) .....	1
17	75461-G01						CENTER BASKET .....	1
18	<u>71102-G01</u>						BOLT, 1/4 - 20 X 3/4" LG.....	2
19	<u>00793-G2</u>						FLAT WASHER, 1/4" (STAINLESS STEEL) .....	2
20	<u>01105-G01</u>						SCREW, #10 X 5/8" LG (STAINLESS STEEL) .....	2

# BODY - ACCESSORIES CONTINUED





# BODY - ACCESSORIES CONTINUED

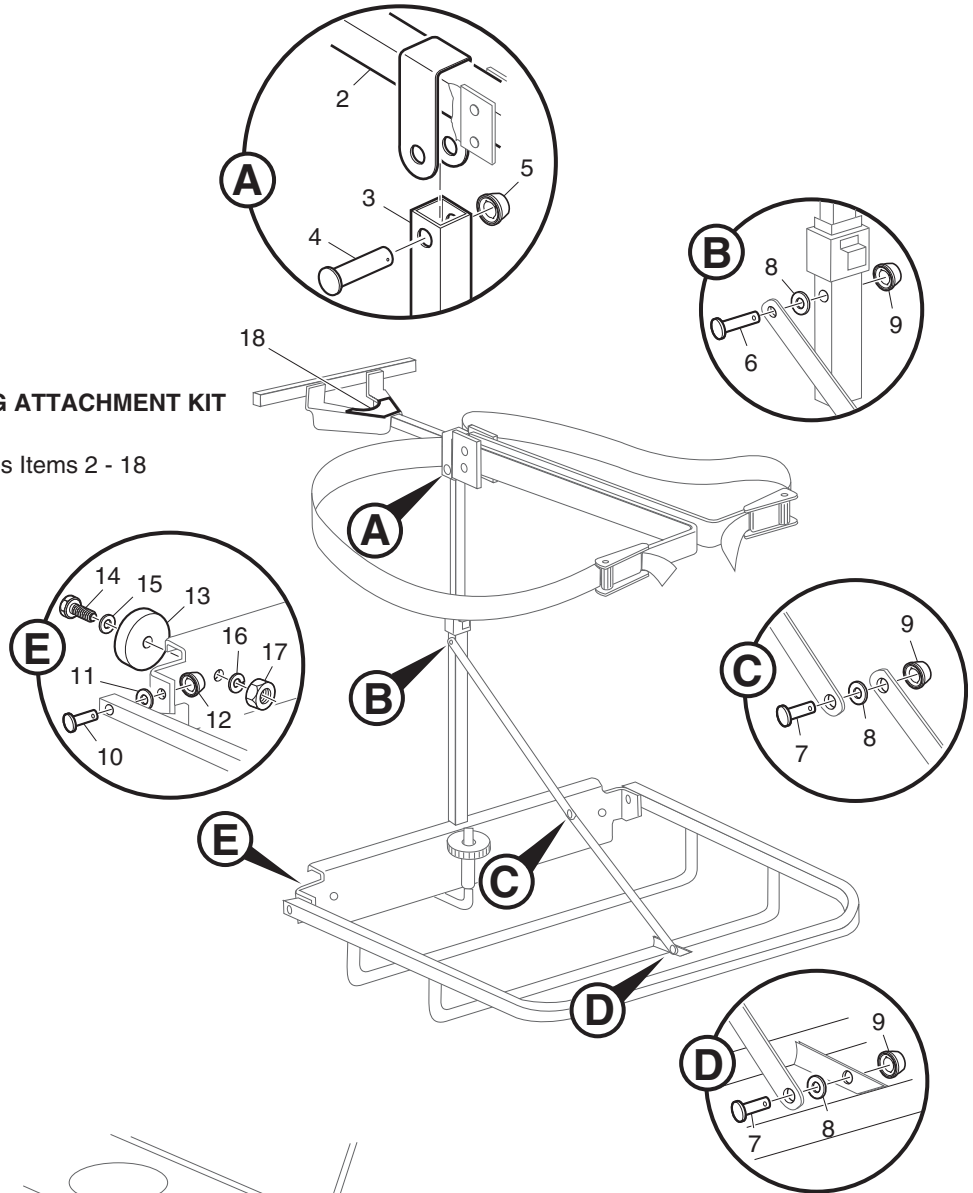
Where applicable, THE USE OF NON UL PARTS WILL VOID ANY UL LISTING.  
 When ordering parts, please specify the model and serial number of the product.  
 \* Indicates a component that is not available as an individual part.  
 G\*\* Indicates consult Customer Service Department for additional information.

ITEM	PART NO.	1 2 3 4 5	DESCRIPTION	QTY.
1	75509-G01		MESSAGE HOLDER (ONE PIECE).....	1
2	75496-G01		MESSAGE HOLDER.....	1
3				
4				
5	<u>75495-G01</u>		COOLER JUG AND BRACKET KIT .....	1
6	<u>75344-G01</u>		BOX COOLER AND BRACKET KIT .....	1
7				
8				
9	<u>25885-G01</u>		RAKE HOLDER.....	1
10	<u>00989-G06</u>		SQUARE HEAD BOLT, 1/4 - 20 X 3/4" LG.....	2
11	<u>11027-G2</u>		LOCK NUT, 1/4 - 20 .....	2
12	<u>14735-G1</u>		RAKE.....	1

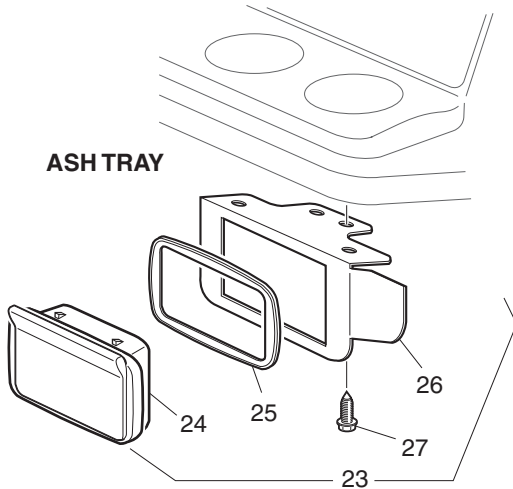
# BODY - ACCESSORIES CONTINUED

## FOUR BAG ATTACHMENT KIT

1 - Includes Items 2 - 18



## ASH TRAY



Ref Bod 2-7

## BODY - ACCESSORIES CONTINUED

Where applicable, THE USE OF NON UL PARTS WILL VOID ANY UL LISTING.

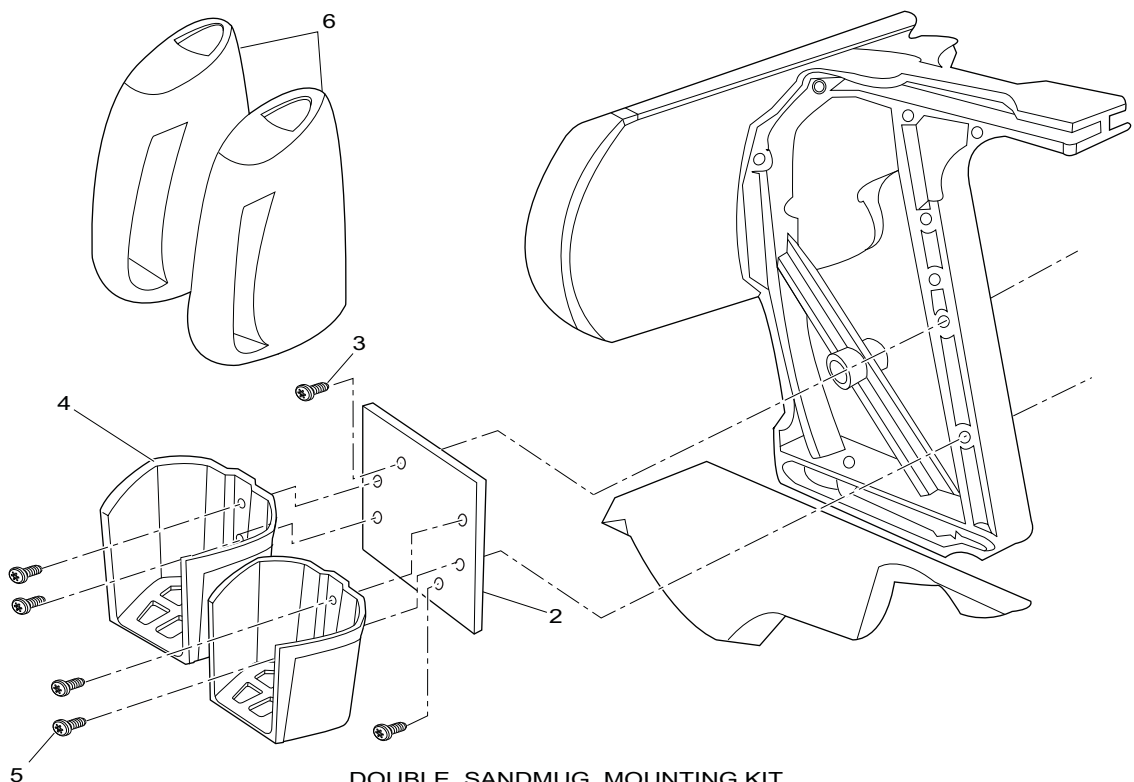
When ordering parts, please specify the model and serial number of the product.

\* Indicates a component that is not available as an individual part.

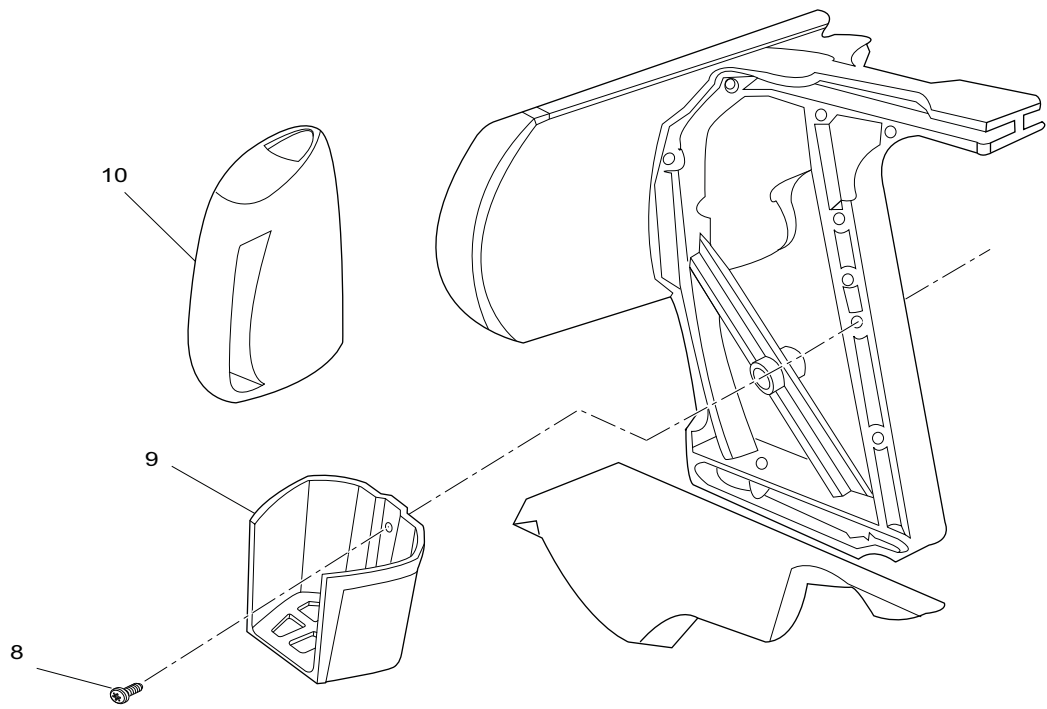
G\*\* Indicates consult Customer Service Department for additional information.

ITEM	PART NO.	1 2 3 4 5	DESCRIPTION	QTY.
1	<u>75335-G01</u>		FOUR BAG ATTACHMENT KIT (INCLUDES ITEMS 2 - 18) .....	1
2	*		TOP ASSEMBLY .....	1
3	*		BOTTOM ASSEMBLY .....	1
4	<u>17651-G2</u>		CLEVIS PIN, 5/16 X 1 1/8" LG.....	1
5	<u>28129-G01</u>		PUSH NUT, 5/16".....	1
6	<u>17651-G2</u>		CLEVIS PIN, 5/16 X 1 1/8" LG.....	1
7	<u>17651-G3</u>		CLEVIS PIN, 5/16 X 1/2" LG.....	2
8	00559-G8		WASHER, 5/16" .....	3
9	<u>28129-G01</u>		PUSH NUT, 5/16".....	3
10	*		CLEVIS PIN 3/8 X 1 1/4" LG.....	2
11	<u>00560-G1</u>		WASHER, 3/8" .....	2
12	*		PUSH NUT, 3/8".....	2
13	<u>13728-G1</u>		RUBBER BUMPER.....	2
14	00150-G6		SCREW, #10 - 24 X 3/4" LG .....	2
15	<u>00559-G5</u>		WASHER, #10 .....	2
16	<u>00565-G5</u>		LOCK WASHER, #10 .....	2
17	<u>00526-G3</u>		NUT, #10 - 24.....	2
18	*		LABEL (WARNING) .....	1
19				
20				
21				
22				
23	75109-G02		ASH TRAY KIT (INCLUDES ITEMS 24 - 27) .....	1
24	27731-G01		ASH TRAY .....	1
25	27736-G01		GASKET .....	1
26	<u>75108-G02</u>		BRACKET .....	1
27	<u>00100-G4</u>		SCREW, #10 - 16 X 1/2" LG .....	4

# BODY - ACCESSORIES CONTINUED



DOUBLE SANDMUG MOUNTING KIT  
ITEM 1 INCLUDES 2 TO 6



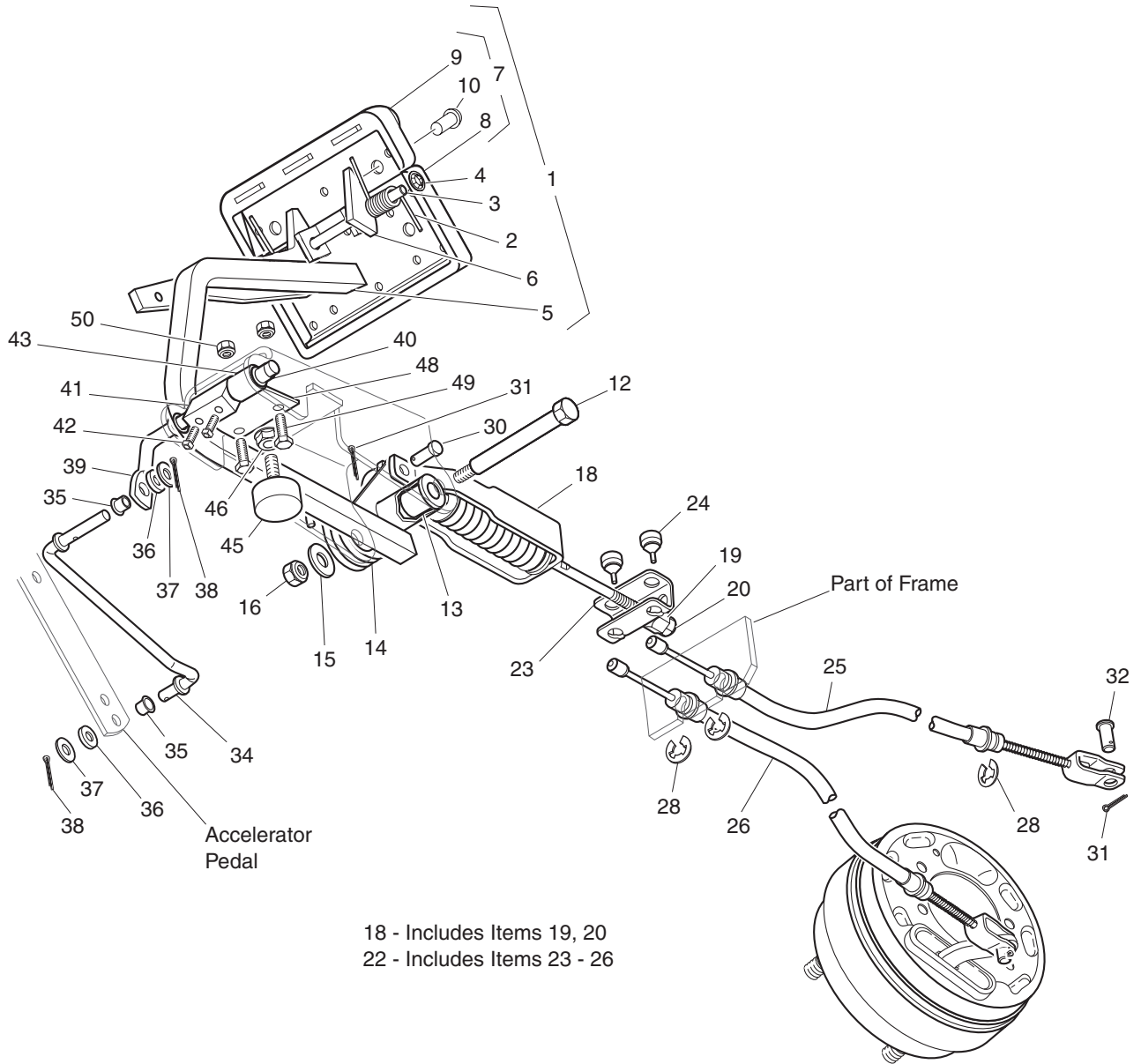
SINGLE SANDMUG MOUNTING KIT  
ITEM 7 INCLUDES 8 TO 10

# BODY - ACCESSORIES CONTINUED

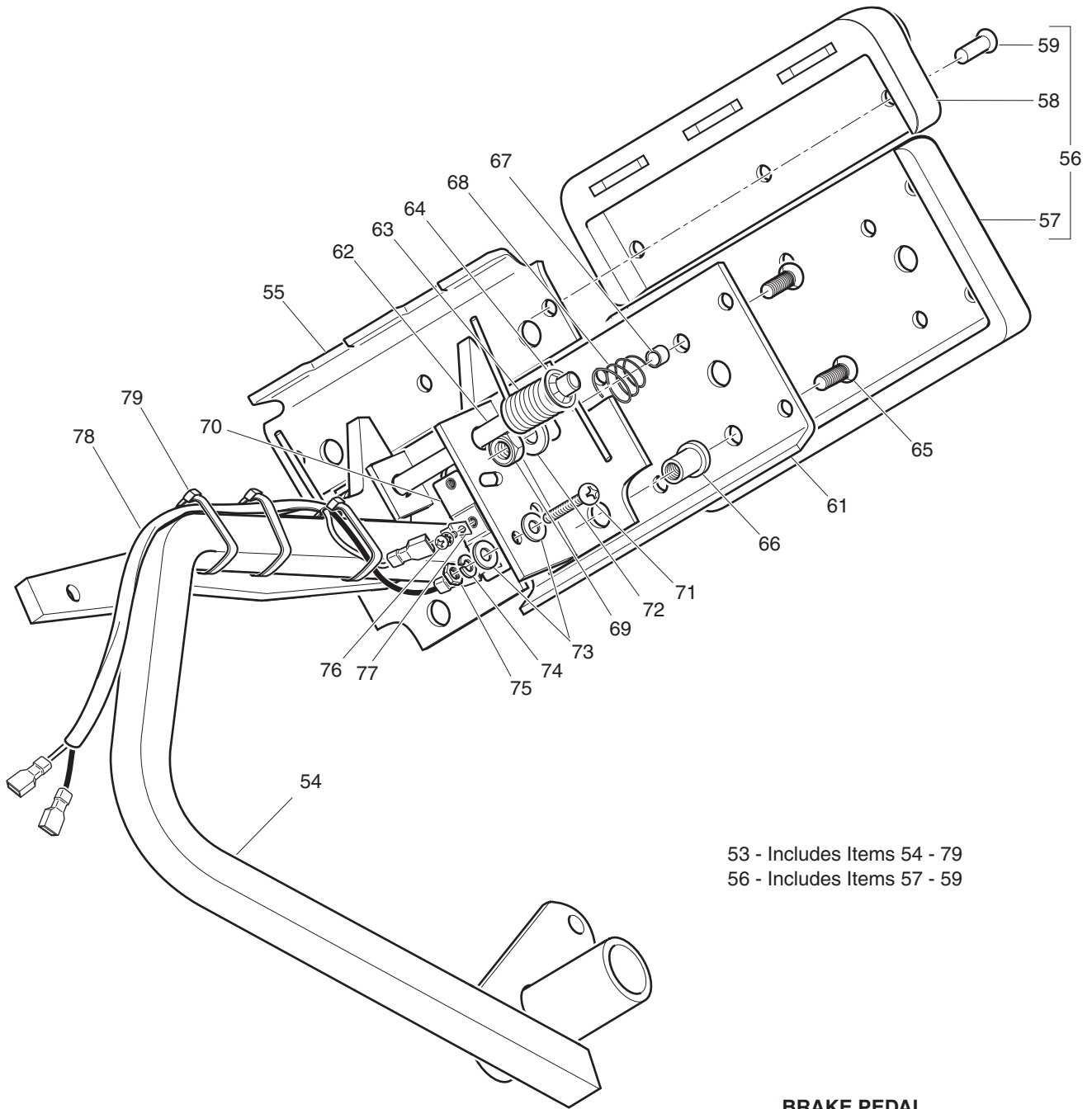
Where applicable, THE USE OF NON UL PARTS WILL VOID ANY UL LISTING.  
 When ordering parts, please specify the model and serial number of the product.  
 \* Indicates a component that is not available as an individual part.  
 G\*\* Indicates consult Customer Service Department for additional information.

ITEM	PART NO.	1 2 3 4 5	DESCRIPTION	QTY.
1	<u>606986</u>		DOUBLE SANDMUG MOUNTING KIT ( INCLUDES 2-5 ) .....	1
2	<u>606988</u>		MOUNTING PLATE, SAND MUG - HOLDER.....	1
3	<u>71102-G01</u>		BOLT 1/4 - 20 X 3/4 .....	2
4	<u>606950</u>		SAND MUG HOLDER.....	2
5	*		BOLT 1/4 - 20 X 1/2 .....	4
6	<u>606949</u>		SAND MUG.....	2
7	<u>606951</u>		SINGLE SANDMUG MOUNTING KIT (INCLUDES 8-10 ).....	1
8	<u>71102-G01</u>		BOLT 1/4 - 20 X 3/4 .....	1
9	<u>606950</u>		SAND MUG HOLDER.....	1
10	<u>606949</u>		SAND MUG.....	1

# BRAKES



Ref Brk 2-1

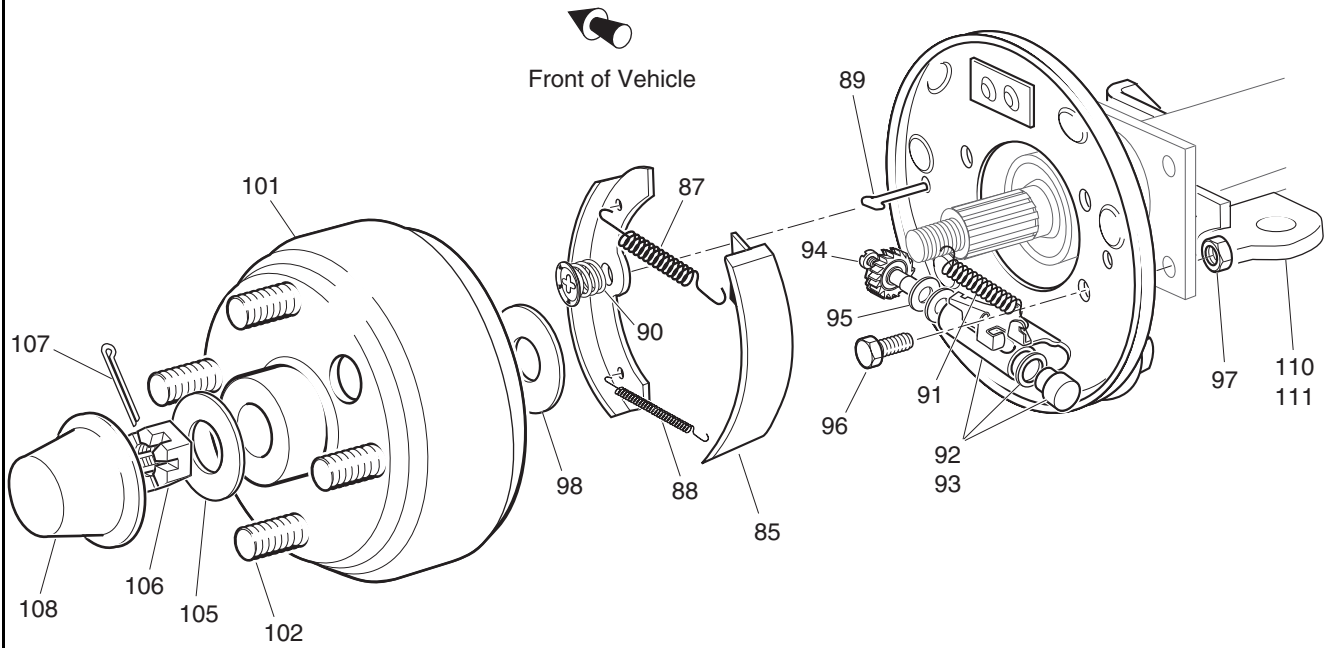


53 - Includes Items 54 - 79  
56 - Includes Items 57 - 59

**BRAKE PEDAL  
(VEHICLE WITH BRAKE LIGHTS)**

Ref Brk 2-2

# BRAKES



- 82 - Includes Items 84 - 92, 94, 95
- 83 - Includes Items 84 - 91, 93 - 95
- 84 - Includes Items 85
- 86 - Includes Items 87 - 91
- 92 - Includes Items 94, 95
- 93 - Includes Items 94, 95
- 100 - Includes Items 101, 102

Ref Brk 2-3



Where applicable, THE USE OF NON UL PARTS WILL VOID ANY UL LISTING.

When ordering parts, please specify the model and serial number of the product.

\* Indicates a component that is not available as an individual part.

G\*\* Indicates consult Customer Service Department for additional information.

ITEM	PART NO.	1 2 3 4 5	DESCRIPTION	QTY.
1	<u>70612-G02</u>		BRAKE PEDAL ASSEMBLY (WITHOUT BRAKE LIGHTS) (INCLUDES ITEMS 2 - 10).....	1
2	<u>70681-G01</u>		TORSION SPRING.....	2
3	<u>70682-G01</u>		PIVOT PIN.....	1
4	<u>01071-G01</u>		PUSHNUT, 5/16".....	2
5	*		BRAKE PEDAL.....	1
6	<u>70611-G02</u>		PARK BRAKE PEDAL.....	1
7	70274-G01		BRAKE/PARK BRAKE PEDAL PAD KIT (INCLUDES ITEMS 8 - 10).....	1
8	*		SERVICE BRAKE PAD.....	1
9	*		PARK BRAKE PEDAL PAD.....	1
10	<u>15766-G1</u>		OVAL RIVET, 3/16" X 7/16" LG.....	9
11				
12	<u>70582-G01</u>		SHOULDER BOLT, 3/8 - 16 X 4" LG (STAINLESS STEEL).....	1
13	<u>70581-G01</u>		FLANGED BUSHING.....	2
14	<u>70676-G01</u>		TORSION SPRING.....	1
15	<u>00643-G1</u>		WASHER, 3/8".....	1
16	<u>11098-G5</u>		LOCK NUT, 3/8 - 16.....	1
17				
18	70272-G04		COMPENSATOR ASSEMBLY (INCLUDES ITEMS 19, 20).....	1
19	<u>00963-G01</u>		SPHERICAL NUT, 5/16 - 24.....	1
20	<u>11098-G9</u>		LOCK NUT, 5/16 - 24.....	1
21				
22	<u>70969-G03</u>		EQUALIZER AND BRAKE CABLE ASSEMBLY (INCLUDES ITEMS 23 - 26) ...	1
23	<u>28082-G01</u>		EQUALIZER BRACKET.....	1
24	<u>28083-G01</u>		BRAKE COMPENSATOR BUMPER.....	2
25	*		BRAKE CABLE (DRIVER SIDE).....	1
26	*		BRAKE CABLE (PASSENGER SIDE).....	1
27				
28	<u>01111-G01</u>		RETAINING RING, 4/5" (STAINLESS STEEL).....	4
29				

# BRAKES

Where applicable, THE USE OF NON UL PARTS WILL VOID ANY UL LISTING.

When ordering parts, please specify the model and serial number of the product.

\* Indicates a component that is not available as an individual part.

G\*\* Indicates consult Customer Service Department for additional information.

ITEM	PART NO.	1 2 3 4 5	DESCRIPTION	QTY.
30	<u>10386-G3</u>		CLEVIS PIN, 5/16" X 13/16" LG .....	1
31	<u>10387-G3</u>		COTTER PIN, 3/32" X 3/4" LG .....	3
32	<u>14443-G2</u>		CLEVIS PIN, 5/16" X 5/8" LG .....	2
33				
34	<u>70601-G01</u>		KICK-OFF LINK.....	1
35	<u>17838-G1</u>		NYLON BUSHING.....	2
36	<u>20835-G1</u>		TEFLON WASHER, 3/8" .....	2
37	00559-G8		WASHER, 5/16" .....	2
38	<u>10387-G3</u>		COTTER PIN, 3/32" X 3/4" LG .....	2
39	<u>70098-G01</u>		KICK-OFF CAM PIVOT .....	1
40	<u>10097-G6</u>		FLANGED BEARING .....	2
41	<u>70587-G01</u>		KICK-OFF CAM.....	1
42	<u>71215-G01</u>		SETSCREW, 1/4 - 20 X 1/2" LG .....	2
43	<u>14134-G4</u>		SPACER.....	1
44				
45	<u>70113-G01</u>		ADJUSTABLE BUMPER.....	1
46	<u>11027-G1</u>		LOCK NUT, 5/16 - 18 .....	1
47				
48	<u>70080-G02</u>		CATCH BRACKET .....	1
49	<u>00414-G6</u>		BOLT, 1/4 - 20 X 3/4" LG .....	2
50	<u>14390-G4</u>		LOCK NUT, 1/4 - 20 .....	2
51				
52				
53	70690-G02		BRAKE PEDAL ASSEMBLY (WITH BRAKE LIGHTS) (INCLUDES ITEMS 54 - 79).....	1
54	*		BRAKE PEDAL.....	1
55	70611-G02		PARK BRAKE PEDAL .....	1
56	70274-G01		BRAKE/PARK BRAKE PEDAL PAD KIT (INCLUDES ITEMS 57 - 59) .....	1
57	*		SERVICE BRAKE PAD .....	1
58	*		PARK BRAKE PAD .....	1

Where applicable, THE USE OF NON UL PARTS WILL VOID ANY UL LISTING.

When ordering parts, please specify the model and serial number of the product.

\* Indicates a component that is not available as an individual part.

G\*\* Indicates consult Customer Service Department for additional information.

ITEM	PART NO.	1	2	3	4	5	DESCRIPTION	QTY.
59	<u>15766-G1</u>						OVAL RIVET, 3/16" x 7/16" LG .....	9
60								
61	70258-G02						BRAKE PEDAL PLATE.....	1
62	<u>70682-G01</u>						PIVOT PIN .....	1
63	<u>70681-G01</u>						TORSION SPRING.....	2
64	<u>12064-G1</u>						PUSHNUT, 5/16" .....	1
65	<u>00737-G8</u>						SCREW, #10 - 24 X 7/8" LG.....	4
66	<u>00739-G1</u>						RUBBER NUT, #10 - 24 .....	2
67	22362-G3						BRAKE PEDAL STANDOFF.....	2
68	<u>27137-G01</u>						CONICAL SPRING .....	2
69	11098-G7						LOCK NUT, #10 - 24.....	2
70	10606-G8						MICRO SWITCH.....	1
71	<u>00957-G1</u>						BOLT, #6 - 32 X 1 1/4" LG.....	2
72	<u>00559-G5</u>						WASHER, #10 .....	2
73	<u>00559-G3</u>						WASHER, #6 .....	4
74	<u>00565-G3</u>						LOCK WASHER, #6 .....	2
75	<u>00525-G5</u>						NUT, #6 - 32 .....	2
76	<u>13514-G1</u>						SCREW AND LOCK WASHER, #6 - 32 X 1/4" LG (BRASS) .....	2
77	<u>14628-G1</u>						PUSH ON MALE TERMINAL.....	2
78	<u>24605-G1</u>						WIRE HARNESS (BRAKE LIGHT) .....	1
79	<u>17618-G1</u>						WIRE TIE .....	3
80								
81								
82	<u>70998-G01</u>						BRAKE ASSEMBLY (DRIVER SIDE) (INCLUDES ITEMS 84 - 92, 94, 95).....	1
83	<u>70998-G02</u>						BRAKE ASSEMBLY (PASSENGER SIDE) (INCLUDES ITEMS 84 - 91, 93 - 95) .....	1
84	70794-G01						BRAKE SHOE KIT (INCLUDES ITEM 85).....	2
85	*						BRAKE SHOE .....	2
86	<u>27944-G01</u>						BRAKE SPRING KIT (INCLUDES ITEMS 87 - 91).....	2
87	*						UPPER SPRING .....	1

# BRAKES

Where applicable, THE USE OF NON UL PARTS WILL VOID ANY UL LISTING.

When ordering parts, please specify the model and serial number of the product.

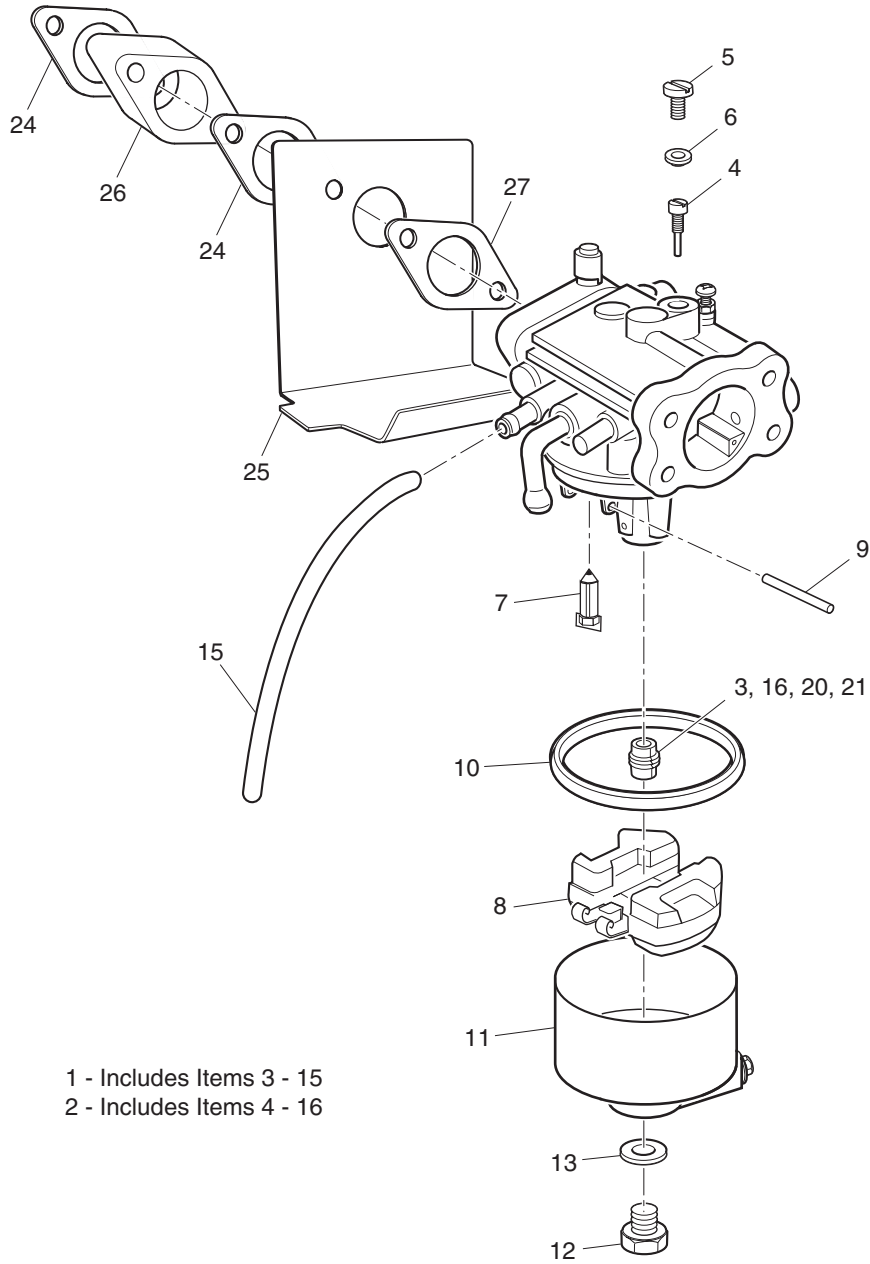
\* Indicates a component that is not available as an individual part.

G\*\* Indicates consult Customer Service Department for additional information.

ITEM	PART NO.	1	2	3	4	5	DESCRIPTION	QTY.
88	*						LOWER SPRING .....	1
89	*						PIN .....	2
90	*						CUP AND SPRING .....	2
91	*						ADJUSTER SPRING.....	1
92	<u>72582-G01</u>						BRAKE ADJUSTER KIT (DRIVER SIDE) (INCLUDES ITEMS 94, 95) .....	1
93	<u>72582-G02</u>						BRAKE ADJUSTER KIT (PASSENGER SIDE) (INCLUDES ITEMS 94, 95)	1
94	*						ADJUSTER .....	1
95	*						TEFLON WASHER .....	2
96	<u>17083-G2</u>						BOLT, 5/16 - 24 X 1" LG .....	8
97	<u>15126-G1</u>						LOCK NUT, 5/16 - 24 .....	8
98	<u>21809-G1</u>						INNER BRAKE DRUM WASHER, 1 5/16" O.D. X 1" I.D. X 1/32" .....	2
99								
100	<u>21807-G1</u>						BRAKE DRUM ASSEMBLY (INCLUDES ITEMS 101 - 102) .....	2
101	*						BRAKE DRUM .....	1
102	<u>19862-G1</u>						LUG BOLT, 1/2 - 20 X 1 3/16" LG .....	4
103								
104								
105	<u>21830-G1</u>						OUTER BRAKE DRUM WASHER .....	2
106	<u>00518-G8</u>						CASTELLATED NUT, 3/4 - 16 .....	2
107	<u>10387-G1</u>						COTTER PIN, 1/8" X 1 1/2" LG .....	2
108	<u>74175-G01</u>						SPINDLE CAP .....	2
109								
110	<u>72036-G01</u>						BRAKE CABLE BRACKET (PASSENGER SIDE) .....	1
111	<u>72036-G02</u>						BRAKE CABLE BRACKET (DRIVER SIDE) .....	1

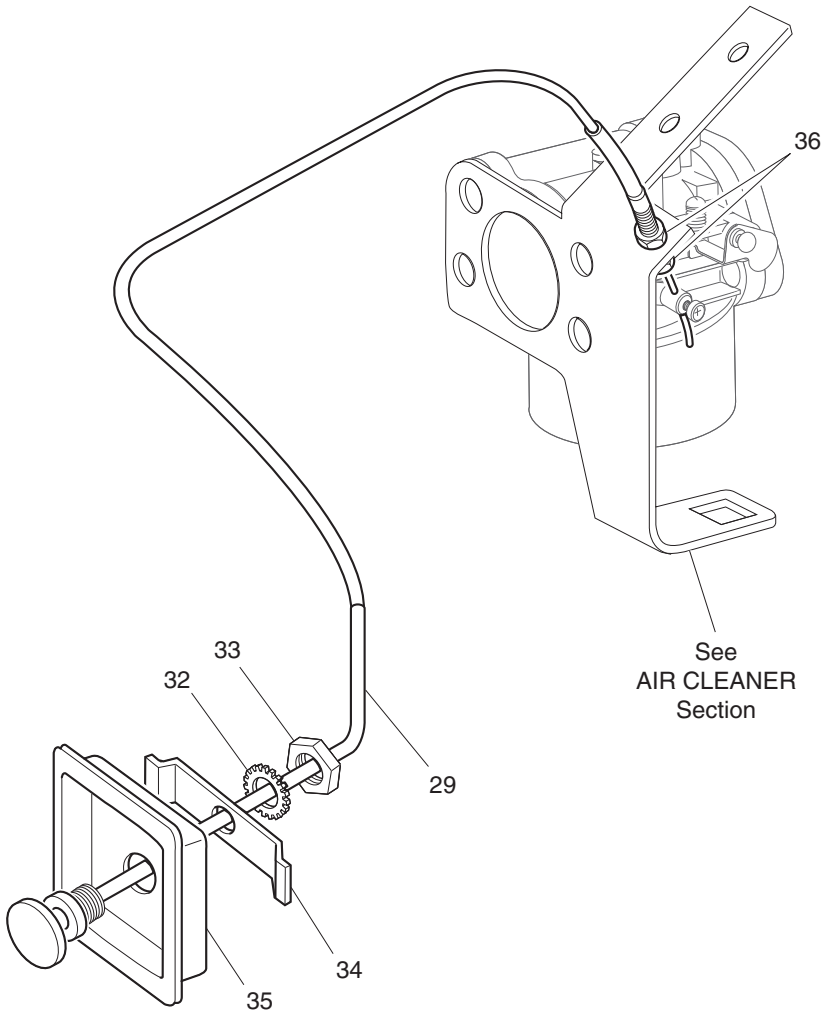


# CARBURETOR AND CHOKE



Ref Cac 2-1

# CARBURETOR AND CHOKE



Ref Cac 2-2

# CARBURETOR AND CHOKE

THE USE OF NON U.L. PARTS WILL VOID ANY U.L. LISTING.

When ordering parts, please specify the model and serial number of the product.

\* Indicates a component that is not available as an individual part.

G\*\* Indicates consult Customer Service Department for additional information.

ITEM	PART NO.	1	2	3	4	5	DESCRIPTION	QTY.
1	<u>72840G01</u>						CARBURETOR (FOR VEHICLES ORIGINALLY EQUIPPED WITH 295cc (EH29C & EH292C) ENGINES) (INCLUDES ITEMS 3 - 15).....	1
2	<u>72840G03</u>						CARBURETOR (FOR VEHICLES ORIGINALLY EQUIPPED WITH 350cc (EH35C & EH352C) ENGINES) (INCLUDES ITEMS 4 - 16).....	1
3	<u>26646G06</u>						MAIN JET (#80) .....	1
4	<u>26649G05</u>						PILOT JET (#46).....	1
5	<u>26841G01</u>						PLUG .....	1
6	<u>72306G01</u>						GASKET .....	1
7	<u>72578G01</u>						NEEDLE VALVE .....	1
8	<u>26648G01</u>						FLOAT .....	1
9	<u>26840G01</u>						FLOAT PIN .....	1
10	<u>26843G01</u>						FLOAT BOWL GASKET .....	1
11	<u>26844G01</u>						FLOAT CHAMBER .....	1
12	<u>26839G01</u>						BOWL SCREW .....	1
13	<u>26838G01</u>						BOWL GASKET .....	1
14	<u>72579G01</u>						DRAIN SCREW .....	1
15	<u>26650G01</u>						VENT TUBE.....	1
16	<u>26646G29</u>						MAIN JET (#85) .....	1
17								
18								
19								
20	<u>26646G**</u>						MAIN JET (***) (FOR ELEVATIONS OF 3000 FT - 6000 FT) .....	1
21	<u>26646G**</u>						MAIN JET (***) (FOR ELEVATIONS OF 6000 FT - 10000 FT) .....	1
22								
23								
24	<u>26726G01</u>						CARBURETOR MOUNT GASKET .....	2
25	<u>603871</u>						CARBURETOR SHIELD (FOR FUJI 295 ENGINE).....	1
26	<u>72854G01</u>						CARBURETOR INSULATOR .....	1
27	<u>26726G01</u>						CARBURETOR MOUNT GASKET (FOR FUJI 295 ENGINE) .....	1
28								
29	<u>25693G04</u>						CHOKE CABLE (22 1/4" LG WITH NUTS) .....	1

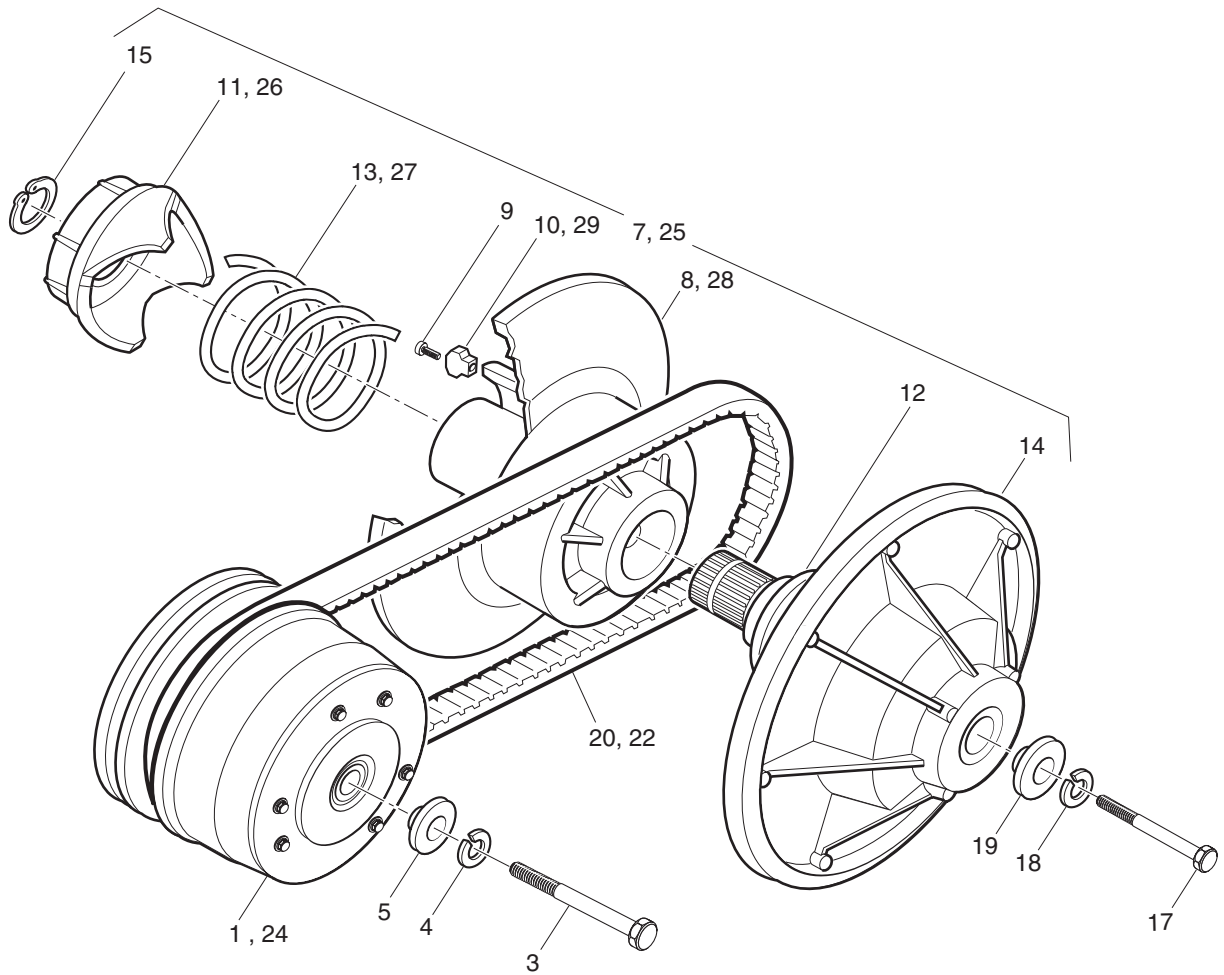


# CARBURETOR AND CHOKE

THE USE OF NON U.L. PARTS WILL VOID ANY U.L. LISTING.  
 When ordering parts, please specify the model and serial number of the product.  
 \* Indicates a component that is not available as an individual part.  
 G\*\* Indicates consult Customer Service Department for additional information.

ITEM	PART NO.	1 2 3 4 5	DESCRIPTION	QTY.
30				
31				
32	<u>00568G4</u>		LOCK WASHER, 9/16".....	1
33	<u>00545G4</u>		JAM NUT, 9/16 - 18.....	1
34	<u>72155G01</u>		RETAINER .....	1
35	<u>72154G01</u>		CHOKE CABLE ADAPTER.....	1
36	<u>00544G4</u>		JAM NUT, 5/16 - 24.....	2

# CLUTCH



Ref Clt 2

Where applicable, THE USE OF NON UL PARTS WILL VOID ANY UL LISTING.

When ordering parts, please specify the model and serial number of the product.

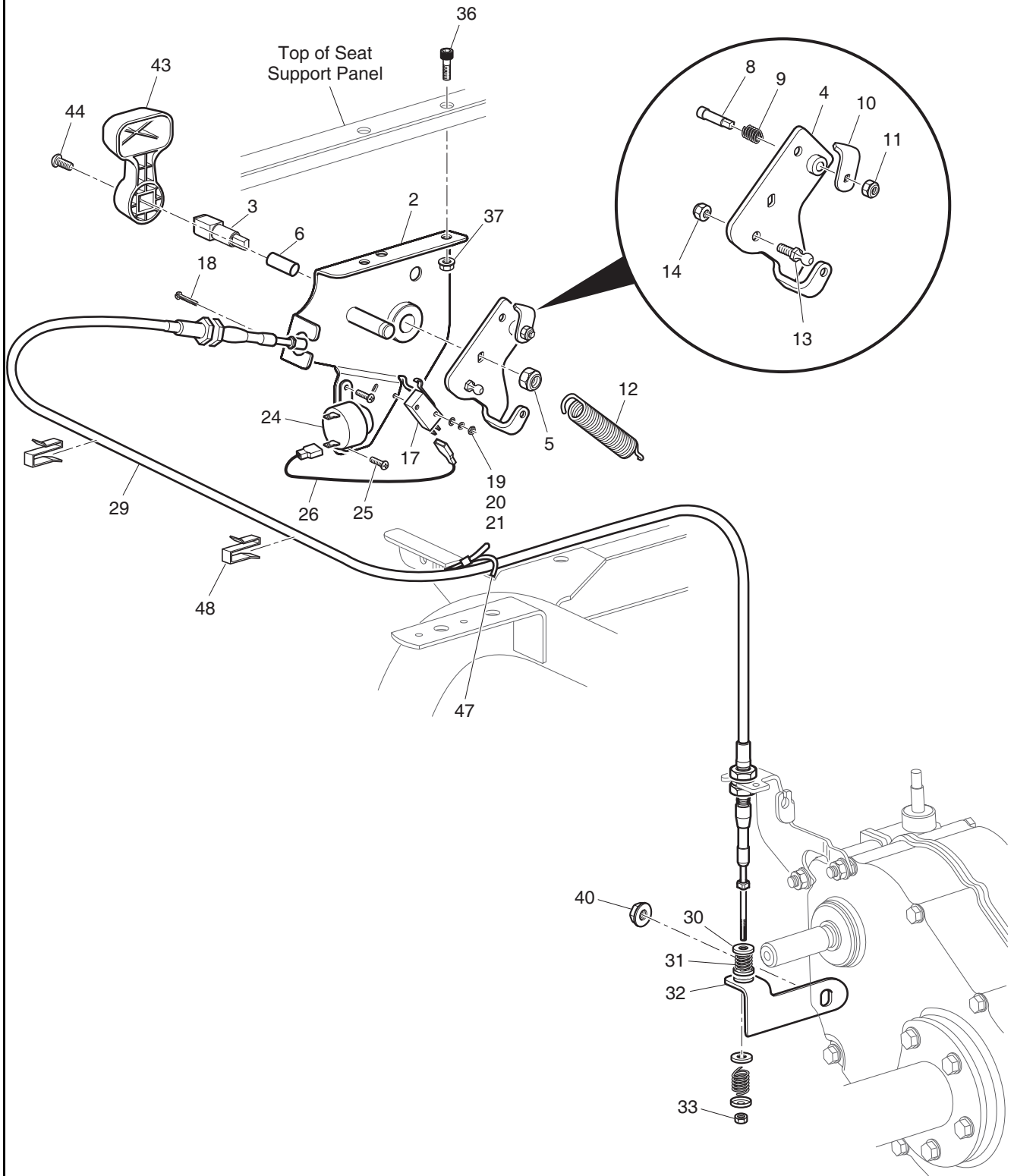
\* Indicates a component that is not available as an individual part.

G\*\* Indicates consult Customer Service Department for additional information.

ITEM	PART NO.	1 2 3 4 5	DESCRIPTION	QTY.
1	<u>26952-G01</u>		DRIVE CLUTCH .....	1
2				
3	<u>00473-G9</u>		BOLT, 7/16 - 20 X 6 1/2" LG .....	1
4	<u>00566-G2</u>		LOCK WASHER, 7/16".....	1
5	<u>25757-G1</u>		PILOT WASHER .....	1
6				
7	<u>26301-G02</u>		DRIVEN CLUTCH ASSEMBLY (INCLUDES ITEMS 8 - 15).....	1
8	*		MOVABLE SHEAVE (INCLUDES ITEMS 9 -10) .....	1
9	<u>00979-G01</u>		SCREW, #10 - 24 X 7/8" LG .....	3
10	<u>26479-G01</u>		RAMP BUTTON .....	3
11	*		CAM.....	1
12	<u>24600-G1</u>		SPACER, 1 1/2".....	1
13	<u>26304-G01</u>		COMPRESSION SPRING .....	1
14	*		SHEAVE AND POST .....	1
15	<u>27270-G01</u>		HEAVY DUTY RETAINING RING .....	1
16				
17	<u>00441-G8</u>		BOLT, 5/16 - 18 X 4" LG .....	1
18	<u>00565-G8</u>		LOCK WASHER, 5/16".....	1
19	<u>25756-G1</u>		RETAINING WASHER .....	1
20	<u>72054-G01</u>		DRIVE BELT .....	1
21				
22	<u>72328-G01</u>		DRIVE BELT (HIGH ALTITUDE).....	1
23				
24	<u>26952-G01</u>		DRIVE CLUTCH (HIGH ALTITUDE) .....	1
25	<u>26301-G03</u>		DRIVEN CLUTCH ASSEMBLY (HIGH ALTITUDE) (INCLUDES ITEMS 12, 14, 15, 26, 27, 28, 29).....	1
26	*		CAM .....	1
27	<u>26304-G01</u>		COMPRESSION SPRING .....	1
28	*		MOVABLE SHEAVE (INCLUDES ITEMS 9, 29) .....	1
29	<u>72324-G01</u>		RAMP BUTTON, 4 CYCLE .....	3

# DIRECTION SELECTOR

1 - Includes Items 2 - 33



Ref Dsl 2

# DIRECTION SELECTOR

Where applicable, THE USE OF NON UL PARTS WILL VOID ANY UL LISTING.

When ordering parts, please specify the model and serial number of the product.

\* Indicates a component that is not available as an individual part.

G\*\* Indicates consult Customer Service Department for additional information.

ITEM	PART NO.	1 2 3 4 5	DESCRIPTION	QTY.
1	<u>72721-G05</u>		DIRECTION SELECTOR ASSEMBLY (INCLUDES ITEMS 2 - 33) .....	1
2	<u>72737-G02</u>		DIRECTION SELECTOR BRACKET WITH BUSHING .....	1
3	<u>70233-G01</u>		DIRECTION SELECTOR SHAFT .....	1
4	<u>72738-G01</u>		DIRECTION SELECTOR CAM.....	1
5	<u>14390-G1</u>		LOCK NUT, 3/8 - 24.....	1
6	<u>25664-G2</u>		BUSHING.....	1
7				
8	<u>72724-G01</u>		NEUTRAL LOCK PIN .....	1
9	<u>72733-G01</u>		COMPRESSION SPRING, 3/8" X 5/8" LG .....	1
10	<u>72729-G01</u>		NEUTRAL LOCK BRACKET .....	1
11	<u>00734-G2</u>		LOCK NUT, 1/4 - 28.....	1
12	<u>28574-G01</u>		EXTENSION SPRING .....	1
13	<u>72732-G01</u>		BALL STUD, 1/4" .....	1
14	<u>00734-G5</u>		LOCK NUT, #10 - 32.....	1
15				
16				
17	<u>72736-G01</u>		MICRO SWITCH.....	1
18	<u>01062-G01</u>		SCREW, #4 - 40 X 1" LG.....	2
19	<u>00559-G1</u>		WASHER, #4 .....	2
20	<u>00565-G1</u>		LOCK WASHER, #4 .....	2
21	<u>00526-G2</u>		NUT, #4 - 40 .....	2
22				
23				
24	<u>73290-G03</u>		REVERSE WARNING BUZZER .....	1
25	<u>01063-G01</u>		SCREW, #6 - 32 X 3/8" LG.....	2
26	<u>25978-G345</u>		18 GA WIRE (RED 7") .....	1
27				
28				
29	<u>602891</u>		PUSH / PULL SHIFTER CABLE.....	1
30	<u>25727-G01</u>		CUP WASHER, 1/4" .....	4

# DIRECTION SELECTOR

Where applicable, THE USE OF NON UL PARTS WILL VOID ANY UL LISTING.

When ordering parts, please specify the model and serial number of the product.

\* Indicates a component that is not available as an individual part.

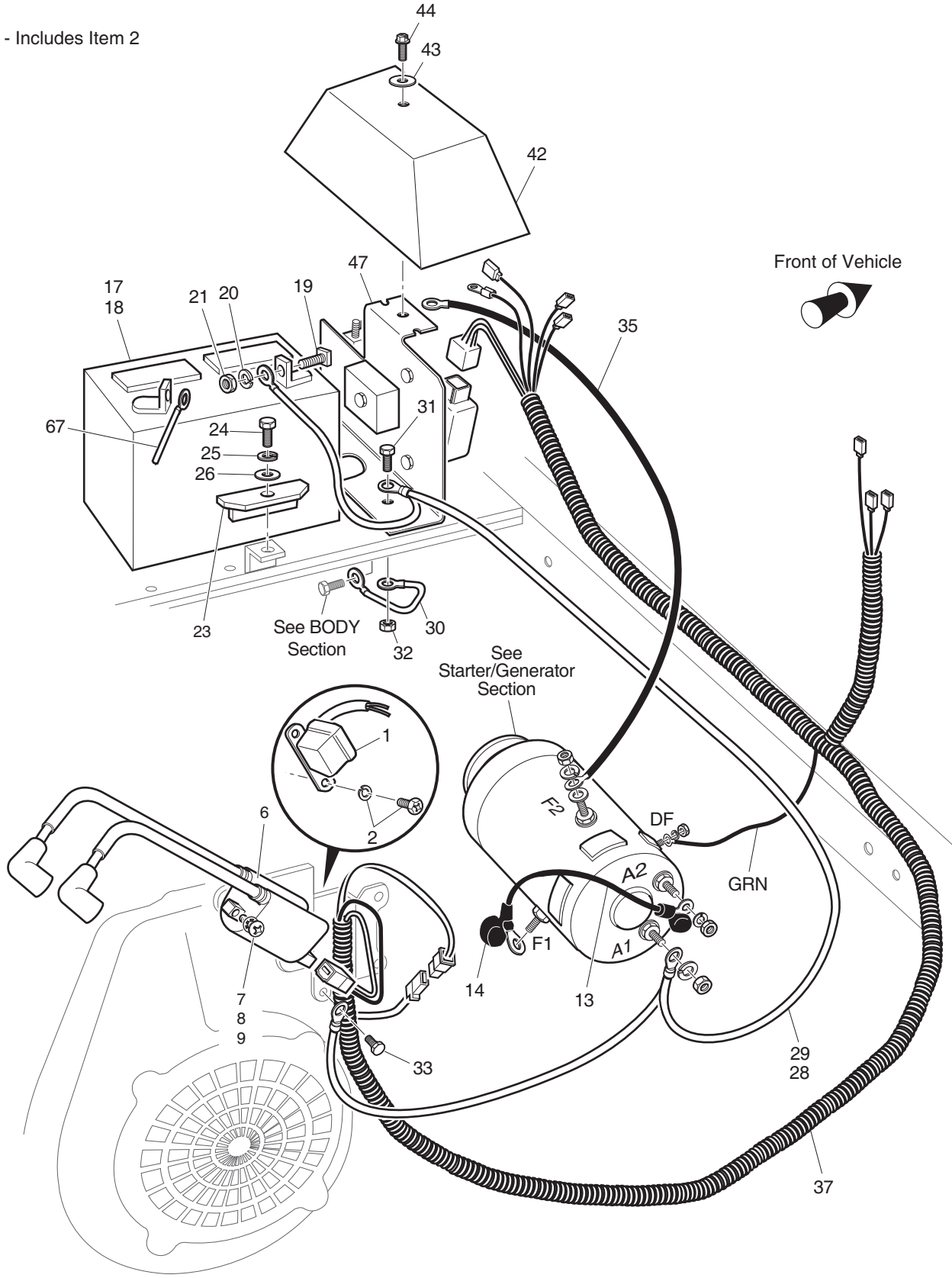
G\*\* Indicates consult Customer Service Department for additional information.

ITEM	PART NO.	1 2 3 4 5	DESCRIPTION	QTY.
31	<u>72735-G01</u>		COMPRESSION SPRING, 19/32" X 1" LG .....	2
32	<u>72730-G01</u>		SHIFTER BRACKET WITH BUSHING .....	1
33	<u>00734-G5</u>		LOCK NUT, #10 - 32.....	1
34				
35				
36	<u>70227-G01</u>		SCREW, 1/4 - 20 X 7/8" LG .....	2
37	<u>11027-G2</u>		LOCK NUT, 1/4 - 20 .....	2
38				
39				
40	26830-G01		LOCK NUT, M8 X 1.25 MM .....	1
41				
42				
43	<u>71205-G01</u>		DIRECTION SELECTOR HANDLE.....	1
44	<u>00740-G4</u>		SCREW, #10 - 32 X 1/2" LG (STAINLESS STEEL).....	1
45				
46				
47	<u>31539-G1</u>		WIRE TIE .....	1
48	<u>01072-G01</u>		CABLE CLIP.....	2



# ELECTRICAL SYSTEM

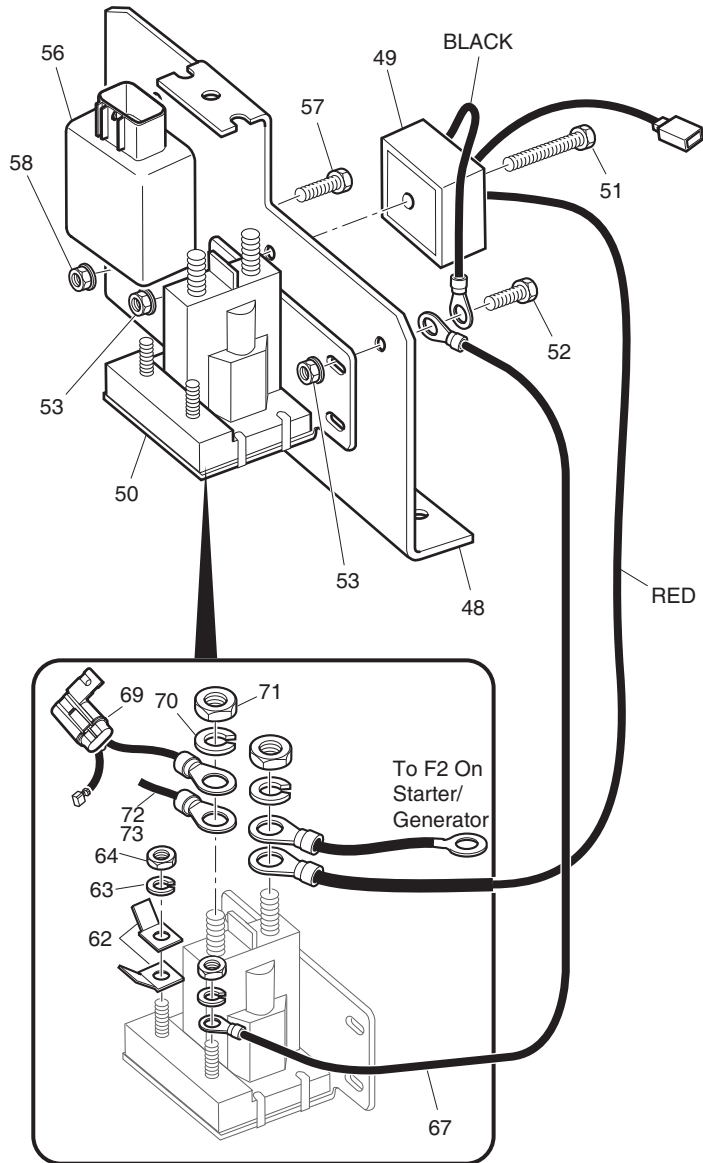
1 - Includes Item 2



Ref Ele 2-1

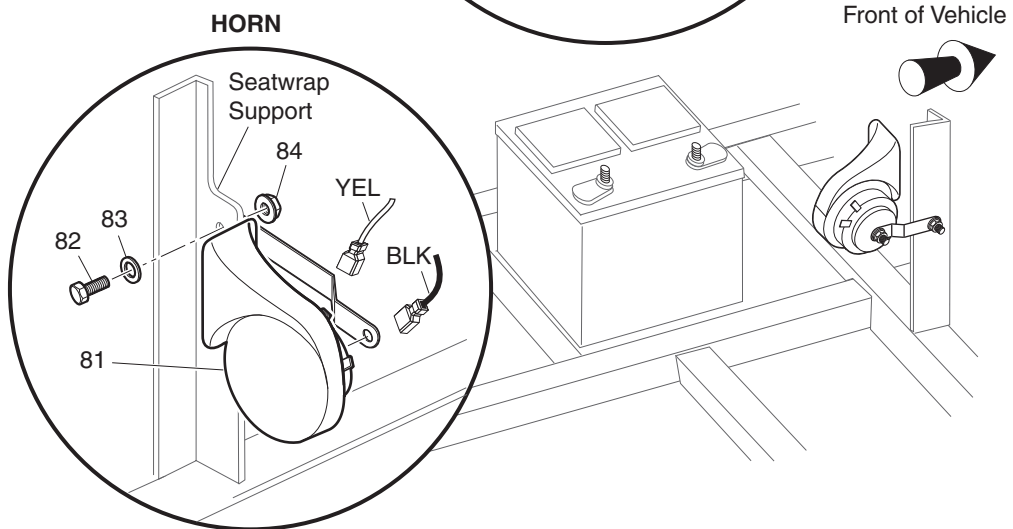
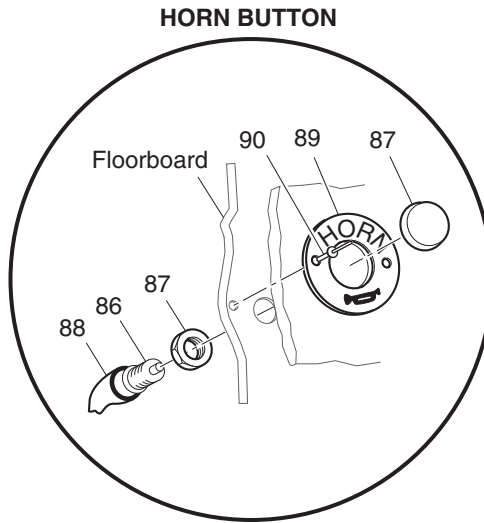
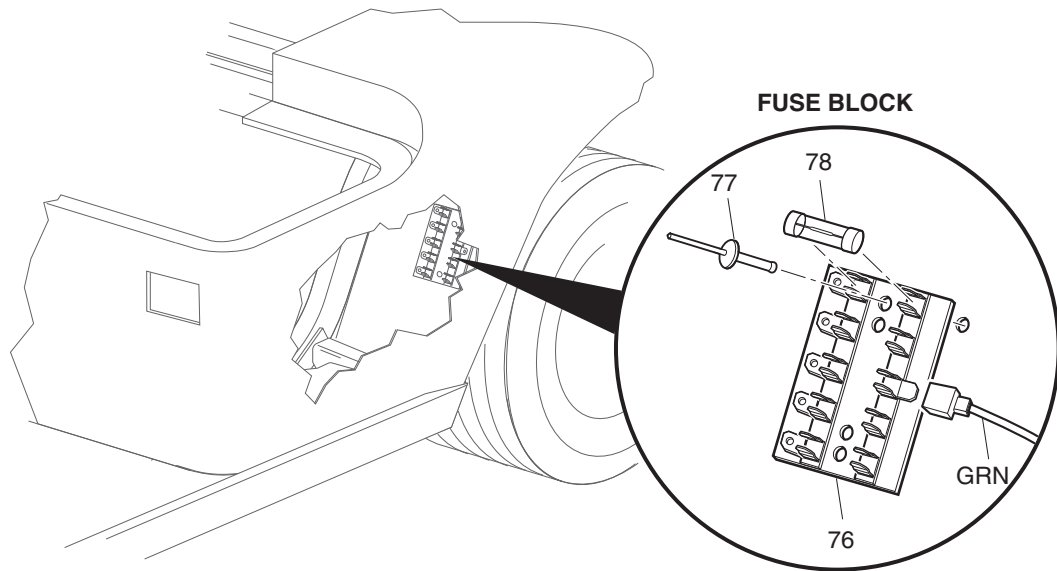


47 - Includes Items 48 - 72

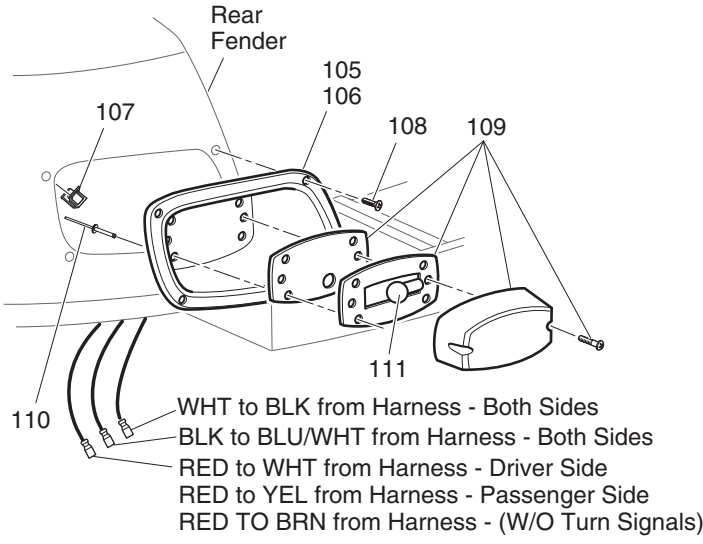
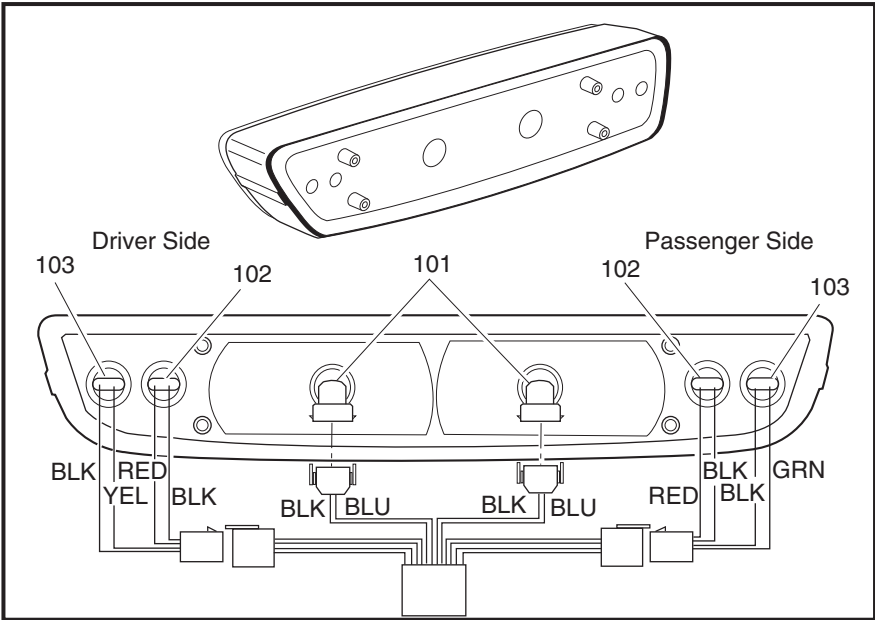
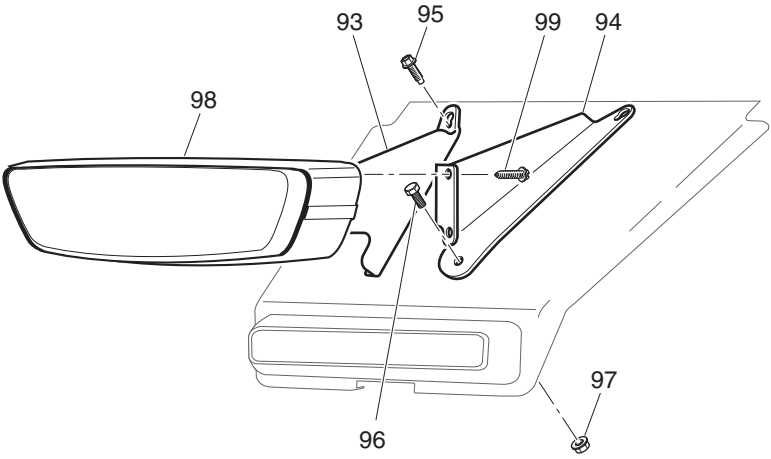


Ref Ele 2-2

# ELECTRICAL SYSTEM



Ref Ele 2-3

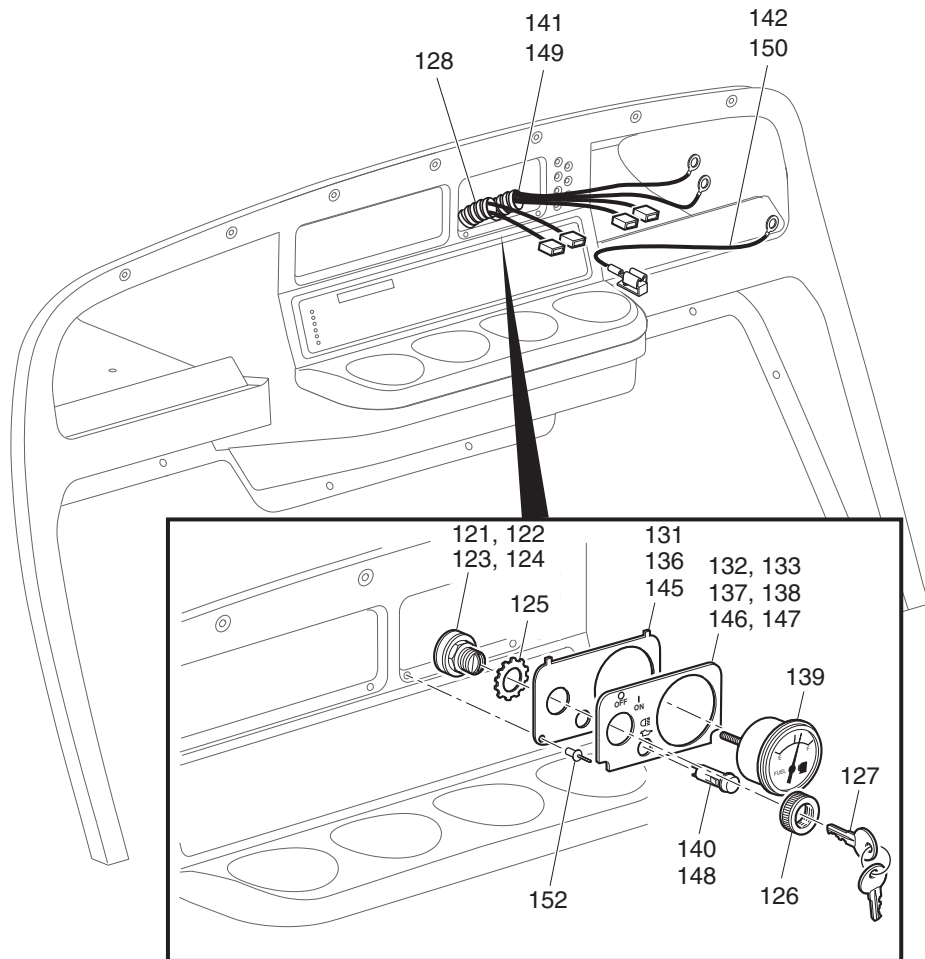
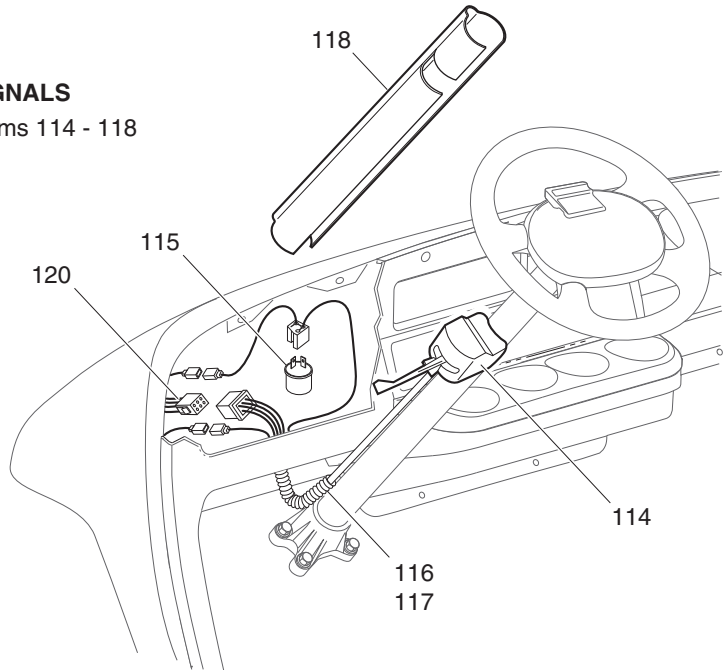


Ref Ele 2-4

# ELECTRICAL SYSTEM

## TURN SIGNALS

113 - Includes Items 114 - 118

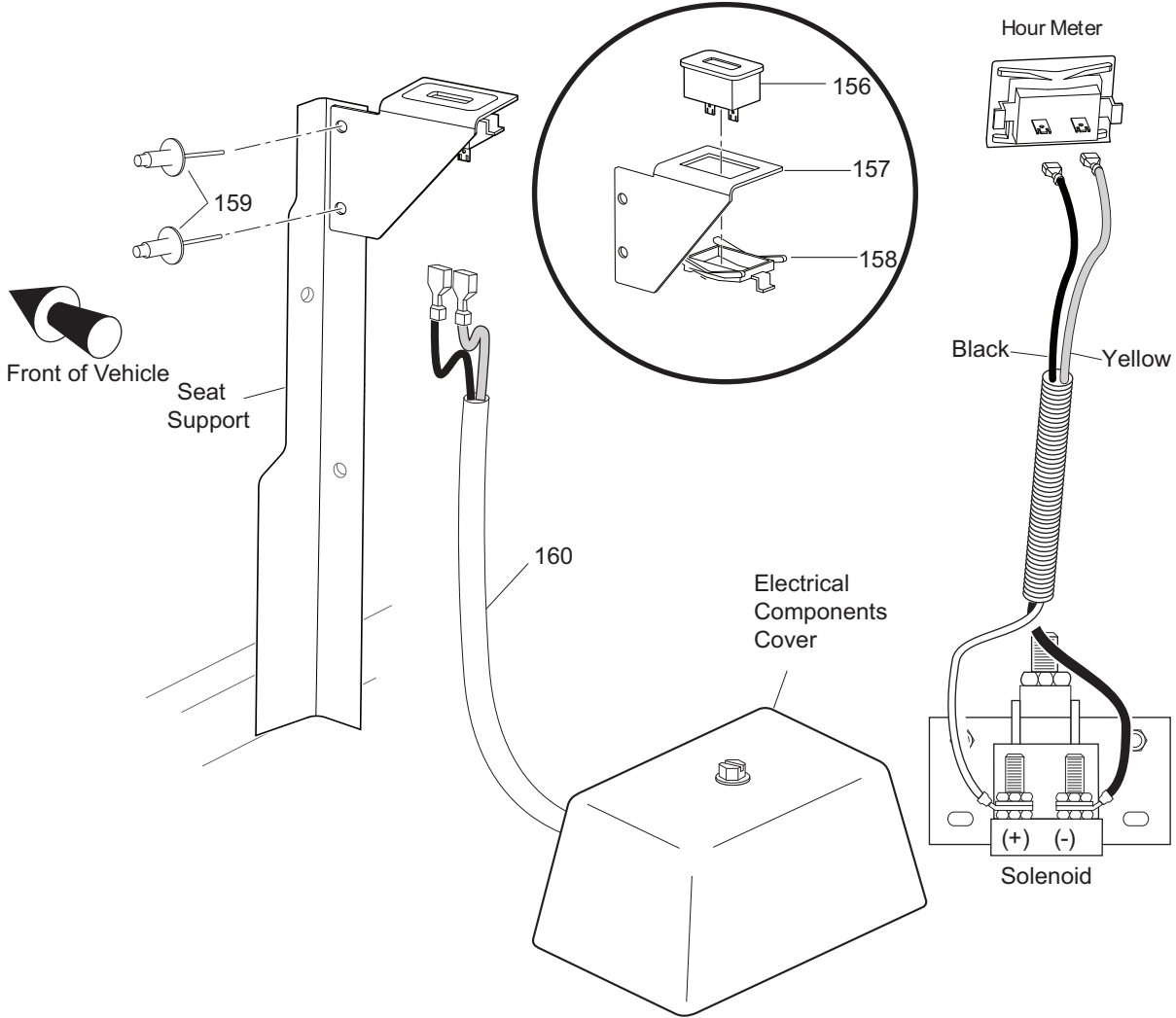


**FUEL GAUGE, LOW OIL PRESSURE LIGHT, AND KEY SWITCH**

Ref Ele 2-5

**HOUR METER**

155 - Includes Items 156 - 160



Ref Ele 2-6

# ELECTRICAL SYSTEM

Where applicable, THE USE OF NON UL PARTS WILL VOID ANY UL LISTING.

When ordering parts, please specify the model and serial number of the product.

\* Indicates a component that is not available as an individual part.

G\*\* Indicates consult Customer Service Department for additional information.

ITEM	PART NO.	1 2 3 4 5	DESCRIPTION	QTY.
1	<u>72865-G01</u>		PULSER COIL (EH292C & EH352C ENGINES) (INCLUDES ITEM 2) .....	1
2	<u>26707-G01</u>		BOLT AND WASHER ASSEMBLY, M5 X 0.8 X 10 MM LG .....	2
3				
4				
5				
6	<u>72866-G01</u>		IGNITION COIL (EH292C & EH352C ENGINES) (INCL. SPARK PLUG WIRES)	1
7	*		FLAT WASHER .....	2
8	*		LOCK WASHER .....	2
9	<u>72871-G01</u>		SCREW .....	2
10				
11				
12				
13	<u>25887-G01</u>		6 GA WIRE (BLACK, 6", F1 - A2).....	1
14	<u>25682-G1</u>		TERMINAL COVER .....	3
15				
16				
17	600597		BATTERY H.D ( PROLINK ).....	1
18	24775-G*		BATTERY, 12V .....	1
19	<u>00962-G1</u>		BOLT, 5/16 - 18 X 1 1/4" LG .....	2
20	<u>00993-G01</u>		LOCK WASHER, 5/16" (SILICON BRONZE).....	2
21	<u>00994-G01</u>		NUT, 5/16 - 18 (SILICON BRONZE) .....	2
22				
23	<u>72101-G02</u>		BATTERY HOLD DOWN.....	1
24	00438-G6		BOLT, 5/16 - 18 X 3/4" LG .....	1
25	<u>00565-G8</u>		LOCK WASHER, 5/16" .....	1
26	<u>00571-G2</u>		WASHER, 5/16" .....	1
27				
28	<u>601227</u>		BATTERY CABLE (-VE) ( PROLINK ).....	1
29	<u>27044-G03</u>		GROUND CABLE.....	1
30	<u>25976-G19</u>		14 GA WIRE (BLACK, 6") .....	1

# ELECTRICAL SYSTEM

Where applicable, THE USE OF NON UL PARTS WILL VOID ANY UL LISTING.  
 When ordering parts, please specify the model and serial number of the product.  
 \* Indicates a component that is not available as an individual part.  
 G\*\* Indicates consult Customer Service Department for additional information.

ITEM	PART NO.	1 2 3 4 5	DESCRIPTION	QTY.
31	00438-G6		BOLT, 5/16 - 18 X 3/4" LG .....	2
32	<u>11027-G1</u>		LOCK NUT, 5/16 - 18 .....	2
33	<u>26676-G01</u>		FLANGED BOLT, M6 X 1 X 23 MM LG .....	1
34				
35	<u>25972-G85</u>		6 GA WIRE (BLACK 23", F2 - SOL).....	1
36				
37	<u>74938-G01</u>		WIRE HARNESS (CONTROL) (EH292C & EH352C ENGINES) .....	1
38				
39				
40	<u>17618-G1</u>		WIRE TIE .....	AR
41				
42	<u>73049-G01</u>		COVER.....	1
43	<u>16469-G1</u>		WASHER, 1/4" .....	1
44	<u>00114-G6</u>		SCREW, 1/4 - 14 X 3/4" LG.....	1
45				
46				
47	<u>72909-G01</u>		ELEC. PLATE ASSY (EH292C & EH352C ENGINES) (INCL. ITEMS 48 - 72) ..	1
	<u>72909-G02</u>		ELECTRICAL PLATE ASSY ( PROLINK ) (EH29C & EH35C ENGINES) .....	1
48	<u>73057-G01</u>		BRACKET .....	1
49	<u>27739-G01</u>		VOLTAGE REGULATOR .....	1
50	<u>27153-G01</u>		SOLENOID .....	1
51	<u>00415-G2</u>		BOLT, 1/4 - 20 X 1 1/4" LG.....	1
52	00414-G8		BOLT, 1/4 - 20 X 1" LG.....	1
53	<u>11027-G2</u>		LOCK NUT, 1/4 - 20 .....	2
54				
55				
56	72872-G01		IGNITOR (EH292C & EH352C ENGINES).....	1
57	<u>00414-G5</u>		BOLT, 1/4 - 20 X 5/8" LG.....	1
58	<u>11027-G2</u>		LOCK NUT, 1/4 - 20 .....	1
59				

# ELECTRICAL SYSTEM

Where applicable, THE USE OF NON UL PARTS WILL VOID ANY UL LISTING.

When ordering parts, please specify the model and serial number of the product.

\* Indicates a component that is not available as an individual part.

G\*\* Indicates consult Customer Service Department for additional information.

ITEM	PART NO.	1	2	3	4	5	DESCRIPTION	QTY.
60								
61								
62	<u>73446-G01</u>						FASTON TAB, 90° .....	2
63	<u>00565-G5</u>						LOCK WASHER, #10 .....	2
64	<u>00526-G4</u>						NUT, #10 - 32.....	2
65								
66								
67	<u>25978-G56</u>						18 GA WIRE (BLACK, 5 3/4").....	1
68								
69	600418-G01						IN-LINE FUSE HOLDER.....	1
70	<u>00565-G8</u>						LOCK WASHER, 5/16" .....	2
71	<u>00544-G4</u>						JAM NUT, 5/16 - 24.....	2
72	<u>25972-G33</u>						6 GA WIRE (BLACK, 24", B+ - SOL).....	1
73	<u>601226</u>						BATTERY CABLE (+VE) (PROLINK) .....	1
74								
75								
76	<u>22674-G1</u>						FUSE BLOCK.....	1
77	<u>01041-G01</u>						RIVET, 1/8" X 13/16" LG .....	2
78	<u>18392-G1</u>						15 AMP FUSE .....	3
79								
80								
81	<u>32860-G1</u>						HORN .....	1
82	<u>00414-G5</u>						BOLT, 1/4 - 20 x 5/8" LG.....	1
83	<u>00559-G7</u>						WASHER, 5/16" .....	1
84	<u>14390-G4</u>						LOCK NUT, 1/4 - 20 .....	1
85								
86	<u>17318-G1</u>						HORN SWITCH.....	1
87	<u>17318-G2</u>						HORN SWITCH CAP AND NUT .....	1
88	<u>27068-G01</u>						HORN SWITCH BOOT .....	1
89	19233-G1						HORN SWITCH LABEL .....	1



# ELECTRICAL SYSTEM

Where applicable, THE USE OF NON UL PARTS WILL VOID ANY UL LISTING.  
 When ordering parts, please specify the model and serial number of the product.  
 \* Indicates a component that is not available as an individual part.  
 G\*\* Indicates consult Customer Service Department for additional information.

ITEM	PART NO.	1 2 3 4 5	DESCRIPTION	QTY.
90	<u>71055-G01</u>		RIVET, 3/16" X 1" LG (ALUMINUM) .....	2
91				
92				
93	<u>74236-G03</u>		HEADLIGHT MOUNT BRACKET (PASSENGER SIDE).....	1
94	<u>74236-G04</u>		HEADLIGHT MOUNT BRACKET (DRIVER SIDE) .....	1
95	<u>01038-G01</u>		BOLT, 1/4 - 20 X 11/16" LG .....	2
96	<u>00414-G6</u>		BOLT, 1/4 - 20 X 3/4" LG .....	2
97	<u>11027-G2</u>		LOCK NUT, 1/4 - 20 .....	2
98	<u>74001-G01</u>		HEADLIGHT AND TURN SIGNAL LIGHT .....	1
99	<u>00114-G6</u>		SCREW, 1/4 - 14 X 3/4" LG.....	4
100				
101	<u>74004-G01</u>		HEADLIGHT BULB .....	AR
102	<u>74005-G01</u>		MARKER LIGHT BULB .....	AR
103	<u>74006-G01</u>		TURN SIGNAL BULB.....	AR
104				
105	<u>74371-G01</u>		BEZEL (DRIVER SIDE).....	1
106	<u>74371-G02</u>		BEZEL (PASSENGER SIDE) .....	1
107	<u>71364-G02</u>		'J' CLIP .....	8
108	<u>71425-G01</u>		COUNTERSUNK SCREW, #8 .....	8
109	<u>22288-G2</u>		BRAKE / TAILLIGHT LAMP.....	1
110	<u>14601-G11</u>		RIVET, 3/16" X 9/16" LG (ALUMINUM).....	4
111	<u>21759-G1</u>		TAILLIGHT BULB .....	AR
112				
113	<u>75107-G02</u>		TURN SIGNAL KIT (INCLUDES ITEMS 114 - 118) .....	1
114	<u>17867-G1</u>		TURN SIGNAL (WITH MOUNTING HARDWARE) (INCLUDES ITEM 115)..	1
115	<u>21640-G1</u>		TURN SIGNAL FLASHER.....	1
116	<u>32307-G3</u>		FLEX LOOM, 3/8 X 8" LG .....	1
117	<u>17618-G1</u>		WIRE TIE .....	2
118	<u>20965-G3</u>		STEERING COLUMN COVER .....	1
119				

# ELECTRICAL SYSTEM

Where applicable, THE USE OF NON UL PARTS WILL VOID ANY UL LISTING.

When ordering parts, please specify the model and serial number of the product.

\* Indicates a component that is not available as an individual part.

G\*\* Indicates consult Customer Service Department for additional information.

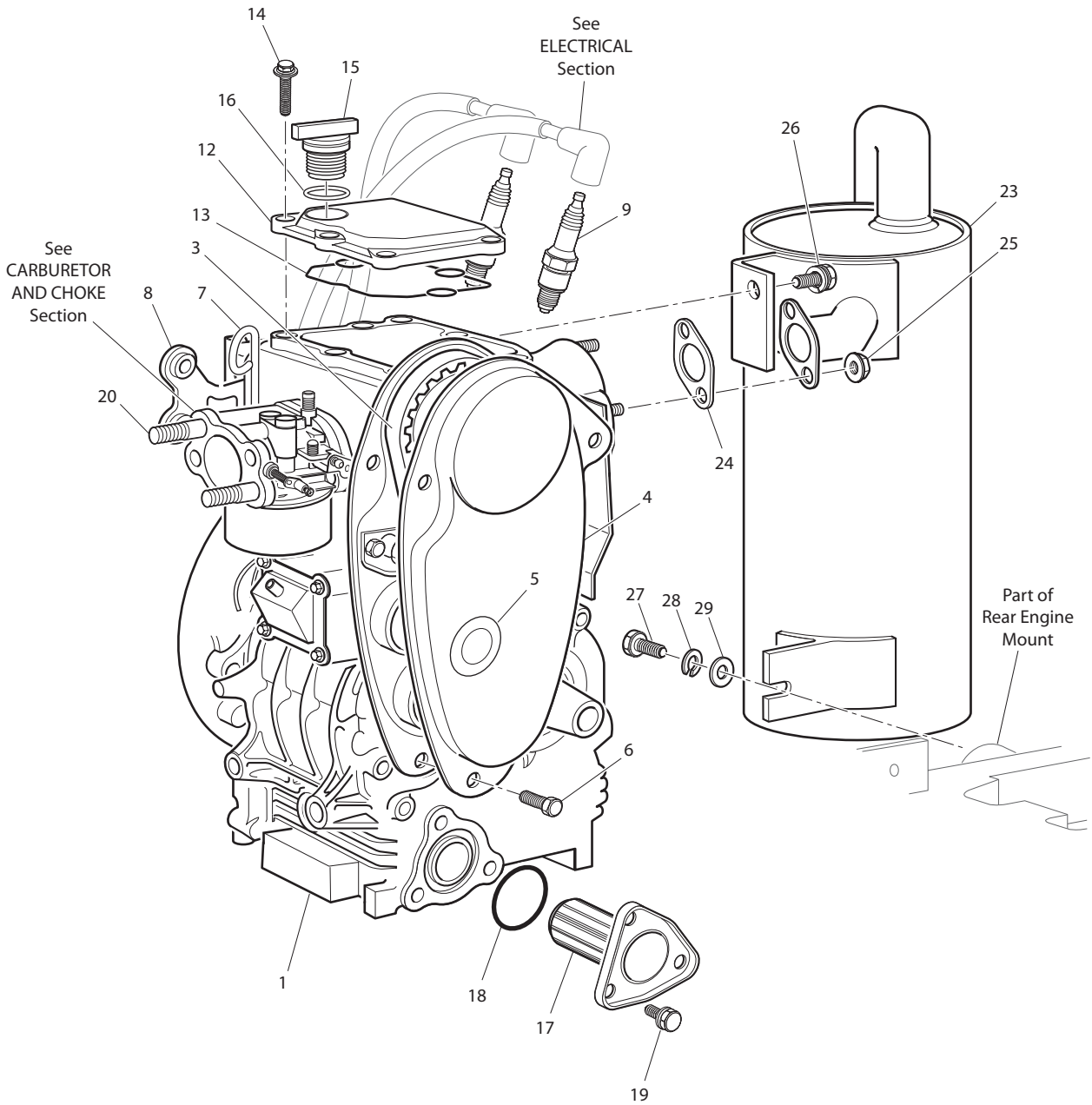
ITEM	PART NO.	1 2 3 4 5	DESCRIPTION	QTY.
120	72228-G01		WIRE HARNESS (ACCESSORY).....	1
121	<u>18602-G1</u>		KEY SWITCH KIT (W/O LIGHTS - STANDARD - WITH HARDWARE).....	1
122	<u>17955-G1</u>		KEY SWITCH (WITHOUT LIGHTS - NON STANDARD) .....	1
123	<u>18027-G1</u>		KEY SWITCH (WITHOUT LIGHTS - INDIVIDUALLY KEYED) .....	1
124	33639-G**		KEY SWITCH (WITH LIGHTS) .....	1
125	<u>00568-G6</u>		LOCK WASHER, 3/4".....	1
126	17137-G1		FACE NUT, 3/4 - 20 .....	1
127	<u>17063-G1</u>		KEY (SET).....	1
128	<u>73041-G01</u>		WIRE HARNESS (KEY SWITCH).....	1
129				
130				
131	<u>73030-G01</u>		PLATE (KEY SWITCH ONLY).....	1
132	<u>71145-G01</u>		LABEL (KEY SWITCH ONLY) WITHOUT HEADLIGHTS .....	1
133	<u>71181-G01</u>		LABEL (KEY SWITCH ONLY) WITH HEADLIGHTS.....	1
134				
135				
136	73030-G04		PLATE (FUEL GAUGE AND OIL LIGHT).....	1
137	71127-G01		LABEL (OIL LIGHT AND FUEL GAUGE W/O HEADLIGHTS) .....	1
138	<u>71131-G01</u>		LABEL (OIL LIGHT AND FUEL GAUGE WITH HEADLIGHTS) .....	1
139	<u>21553-G1</u>		FUEL GAUGE .....	1
140	<u>23474-G1</u>		INDICATOR LIGHT .....	1
141	<u>74311-G01</u>		WIRE HARNESS (OIL LIGHT/FUEL GAUGE).....	1
142	<u>25978-G122</u>		18 GA WIRE (RED, 6" LG).....	1
143				
144				
145	73030-G04		PLATE (LOW FUEL AND OIL LIGHT INDICATOR).....	1
146	<u>71125-G01</u>		LABEL (LOW FUEL AND OIL LIGHT W/O HEADLIGHTS) .....	1
147	<u>71183-G01</u>		LABEL (LOW FUEL AND OIL LIGHT WITH HEADLIGHTS) .....	1
148	<u>23474-G1</u>		INDICATOR LIGHT .....	2
149	<u>74311-G01</u>		WIRE HARNESS (OIL LIGHT/FUEL LIGHT).....	1

# ELECTRICAL SYSTEM

Where applicable, THE USE OF NON UL PARTS WILL VOID ANY UL LISTING.  
 When ordering parts, please specify the model and serial number of the product.  
 \* Indicates a component that is not available as an individual part.  
 G\*\* Indicates consult Customer Service Department for additional information.

ITEM	PART NO.	1 2 3 4 5	DESCRIPTION	QTY.
150	<u>25978-G122</u>		18 GA WIRE (RED, 6" LG).....	1
151				
152	33623-G02		DRIVE RIVET, 3/16" X 3/8" LG .....	2
153				
154				
155	75114-G02		HOUR METER KIT (INCLUDES ITEMS 156 - 160).....	1
156	<u>74665-G02</u>		HOUR METER.....	1
157	<u>74716-G01</u>		HOUR METER BRACKET.....	1
158	<u>74696-G01</u>		RETAINER CLIP .....	1
159	<u>10570-G11</u>		RIVET .....	2
160	<u>75117-G01</u>		WIRE HARNESS (HOUR METER).....	1

# ENGINE 9 HP AND MUFFLER



Ref Emf 2

# ENGINE 9 HP AND MUFFLER

THE USE OF NON U.L. PARTS WILL VOID ANY U.L. LISTING.

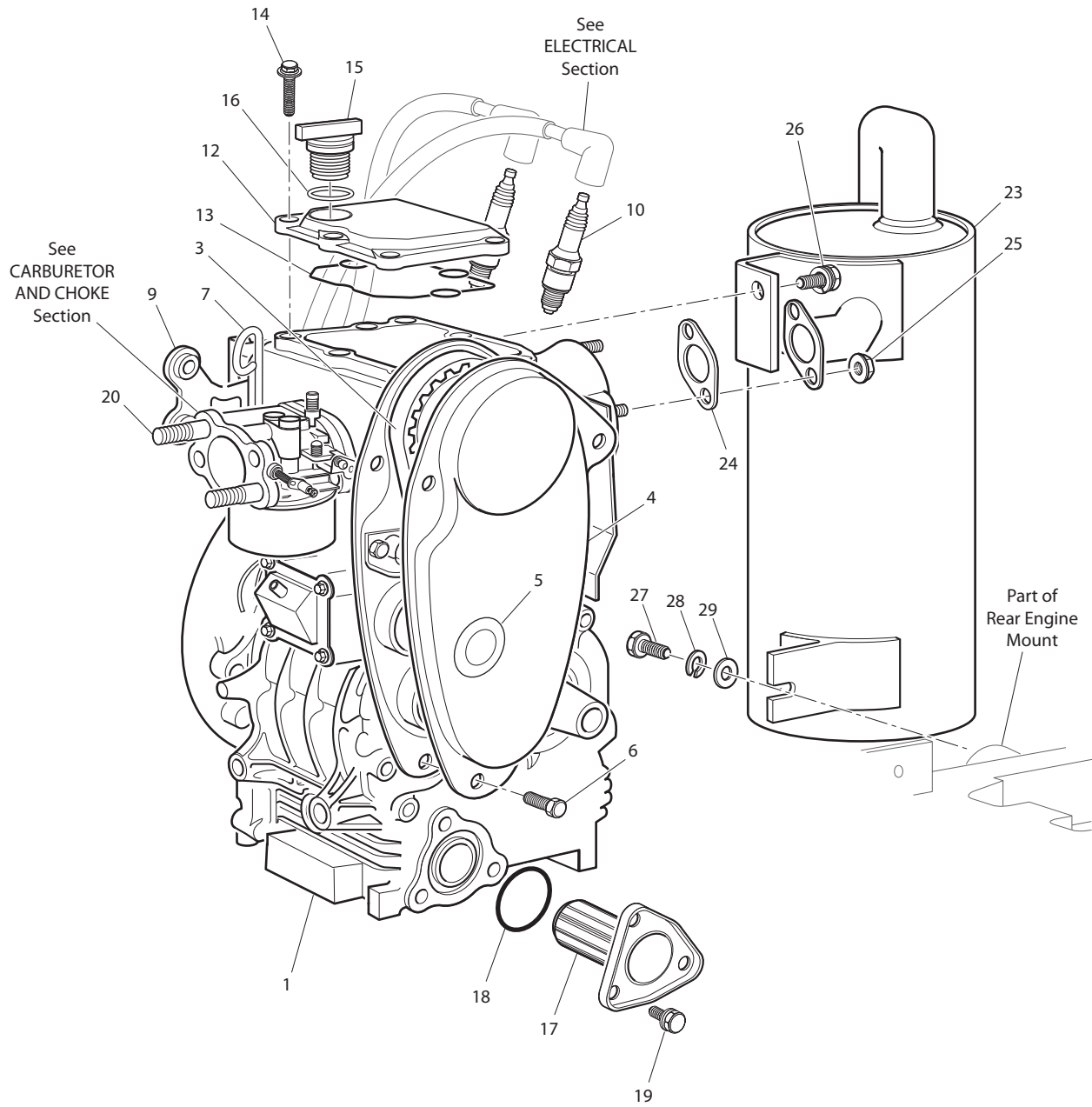
When ordering parts, please specify the model and serial number of the product.

\* Indicates a component that is not available as an individual part.

G\*\* Indicates consult Customer Service Department for additional information.

ITEM	PART NO.	1 2 3 4 5	DESCRIPTION	QTY.
1	604254		ENGINE (EH292C) (INCLUDES ITEMS 3-10, 12-20).....	1
2				
3	<u>26626-G01</u>		TIMING BELT.....	1
4	<u>72908-G01</u>		TIMING BELT COVER.....	1
5	<u>26631-G01</u>		TIMING BELT COVER GROMMET.....	1
6	<u>26678-G01</u>		BOLT, M6 X 1 X 12 MM LG.....	3
7	<u>72538-G01</u>		DIP STICK (0 DEGREES).....	1
8	<u>72885-G01</u>		IGNITION COIL BRACKET.....	1
9	<u>25523-G5</u>		SPARK PLUG (NGK FR2A-D).....	2
10				
11				
12	<u>72848-G01</u>		VALVE COVER.....	1
13	<u>72876-G01</u>		VALVE COVER GASKET.....	1
14	<u>26676-G01</u>		FLANGED BOLT, M6 X 1 X 23 MM LG.....	6
15	<u>26601-G01</u>		OIL FILLER CAP.....	1
16	<u>26720-G01</u>		OIL FILLER 'O' RING.....	1
17	<u>26591-G01</u>		OIL FILTER.....	1
18	<u>26710-G01</u>		OIL FILTER 'O' RING.....	1
19	<u>26680-G01</u>		BOLT AND WASHER, M6 X 1 X 12 MM LG.....	3
20	<u>603911</u>		STUD, M6 X 1 X 135MM LG.....	2
21				
22				
23	<u>74829-G01</u>		MUFFLER.....	1
24	<u>25531-G01</u>		EXHAUST GASKET.....	1
25	<u>72851-G01</u>		NUT, M18 X 1.25MM.....	2
26	<u>25532-G1</u>		BOLT AND WASHER, M8 X 1.25 X 18 MM LG.....	1
27	<u>00438-G8</u>		BOLT, 5/16 - 18 X 1" LG.....	1
28	<u>00565-G8</u>		LOCK WASHER, 5/16".....	3
29	<u>00642-G8</u>		WASHER, 5/16".....	1

# ENGINE 11 HP AND MUFFLER



# ENGINE 11 HP AND MUFFLER

Where applicable, THE USE OF NON UL PARTS WILL VOID ANY UL LISTING.

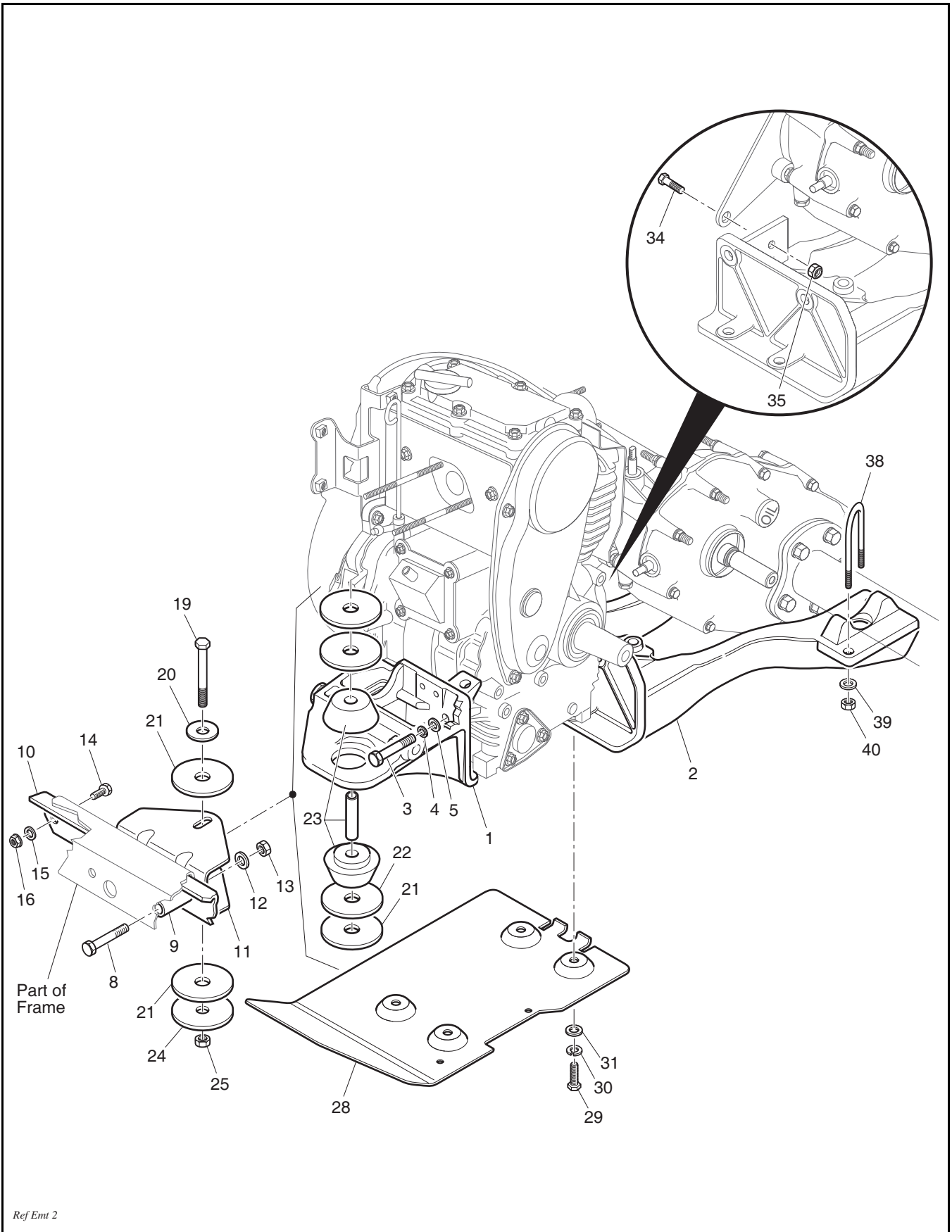
When ordering parts, please specify the model and serial number of the product.

\* Indicates a component that is not available as an individual part.

G\*\* Indicates consult Customer Service Department for additional information.

ITEM	PART NO.	1 2 3 4 5	DESCRIPTION	QTY.
1	<u>72846-G02</u>		ENGINE (FOR VEHICLES ORIGINALLY EQUIPPED WITH 350cc (EH35C) (INCLUDES ITEMS 3 - 20).....	1
2				
3	<u>26626-G01</u>		TIMING BELT.....	1
4	<u>72908-G01</u>		TIMING BELT COVER.....	1
5	<u>26631-G01</u>		TIMING BELT COVER GROMMET.....	1
6	<u>26678-G01</u>		BOLT, M6 X 1 X 12 MM LG.....	3
7	<u>72538-G01</u>		DIP STICK (0 DEGREES).....	1
8				
9	<u>72869-G01</u>		IGNITION COIL BRACKET.....	1
10	<u>72867-G01</u>		SPARK PLUG (NGK BPR5ES).....	2
11				
12	<u>72848-G01</u>		VALVE COVER.....	1
13	<u>72876-G01</u>		VALVE COVER GASKET.....	1
14	<u>26676-G01</u>		FLANGED BOLT, M6 X 1 X 23 MM LG.....	6
15	<u>26601-G01</u>		OIL FILLER CAP.....	1
16	<u>26720-G01</u>		OIL FILLER 'O' RING.....	1
17	<u>26591-G01</u>		OIL FILTER.....	1
18	<u>26710-G01</u>		OIL FILTER 'O' RING.....	1
19	<u>26680-G01</u>		BOLT AND WASHER, M6 X 1 X 12 MM LG.....	3
20	<u>72307-G01</u>		STUD, M6 X 1 X 115 MM LG.....	2
21				
22				
23	<u>74829-G01</u>		MUFFLER.....	1
24	<u>25531-G01</u>		EXHAUST GASKET.....	1
25	<u>72851-G01</u>		FLANGE NUT, M8 X 1.25 MM.....	2
26	<u>25532-G1</u>		BOLT AND WASHER, M8 X 1.25 X 18 MM LG.....	1
27	<u>00438-G8</u>		BOLT, 5/16 - 18 X 1" LG.....	1
28	<u>00565-G8</u>		LOCK WASHER, 5/16".....	3
29	<u>00642-G8</u>		WASHER, 5/16".....	1

# ENGINE MOUNTING



Ref Emt 2



# ENGINE MOUNTING

Where applicable, THE USE OF NON UL PARTS WILL VOID ANY UL LISTING.

When ordering parts, please specify the model and serial number of the product.

\* Indicates a component that is not available as an individual part.

G\*\* Indicates consult Customer Service Department for additional information.

ITEM	PART NO.	1 2 3 4 5	DESCRIPTION	QTY.
1	<u>72010-G01</u>		FRONT ENGINE MOUNT .....	1
2	<u>72011-G01</u>		REAR ENGINE MOUNT .....	1
3	<u>00463-G4</u>		BOLT, 7/16 - 14 X 1 1/2" LG .....	4
4	<u>00566-G2</u>		LOCK WASHER, 7/16".....	4
5	<u>00922-G3</u>		WASHER, 7/16" .....	4
6				
7				
8	<u>00428-G6</u>		BOLT, 3/8 - 16 X 2 3/4" LG .....	2
9	<u>72016-G01</u>		SPACER.....	2
10	<u>70269-G02</u>		CROSSMEMBER BRACE .....	1
11	<u>72044-G02</u>		MOUNT BRACKET .....	1
12	<u>00643-G1</u>		WASHER, 3/8" .....	2
13	<u>11098-G5</u>		LOCK NUT, 3/8 - 16 .....	2
14	<u>00438-G7</u>		BOLT, 5/16 - 18 X 7/8" LG .....	2
15	<u>01110-G03</u>		WASHER, 5/16" (STAINLESS STEEL).....	2
16	<u>01109-G01</u>		LOCK NUT, 5/16 - 18 (STAINLESS STEEL) .....	2
17				
18				
19	<u>00430-G4</u>		BOLT, 3/8 - 16 X 4 1/2" LG .....	1
20	<u>15121-G1</u>		WASHER, 3/8" .....	1
21	<u>72050-G01</u>		PLASTIC WASHER, 2 1/4" OD X 5/8" ID X 1/8" .....	4
22	<u>72051-G01</u>		WASHER, 2 1/2" OD X 5/8" ID X 1/8" .....	2
23	<u>72015-G01</u>		ISOLATION MOUNT .....	1
24	<u>72051-G02</u>		WASHER, 3/8" .....	1
25	<u>11098-G5</u>		LOCK NUT, 3/8 - 16 .....	1
26				
27				
28	<u>72719-G03</u>		ENGINE GUARD.....	1
29	<u>00463-G4</u>		BOLT, 7/16 - 14 X 1 1/2" LG .....	4
30	<u>00566-G2</u>		LOCK WASHER, 7/16".....	4

# ENGINE MOUNTING

Where applicable, THE USE OF NON UL PARTS WILL VOID ANY UL LISTING.

When ordering parts, please specify the model and serial number of the product.

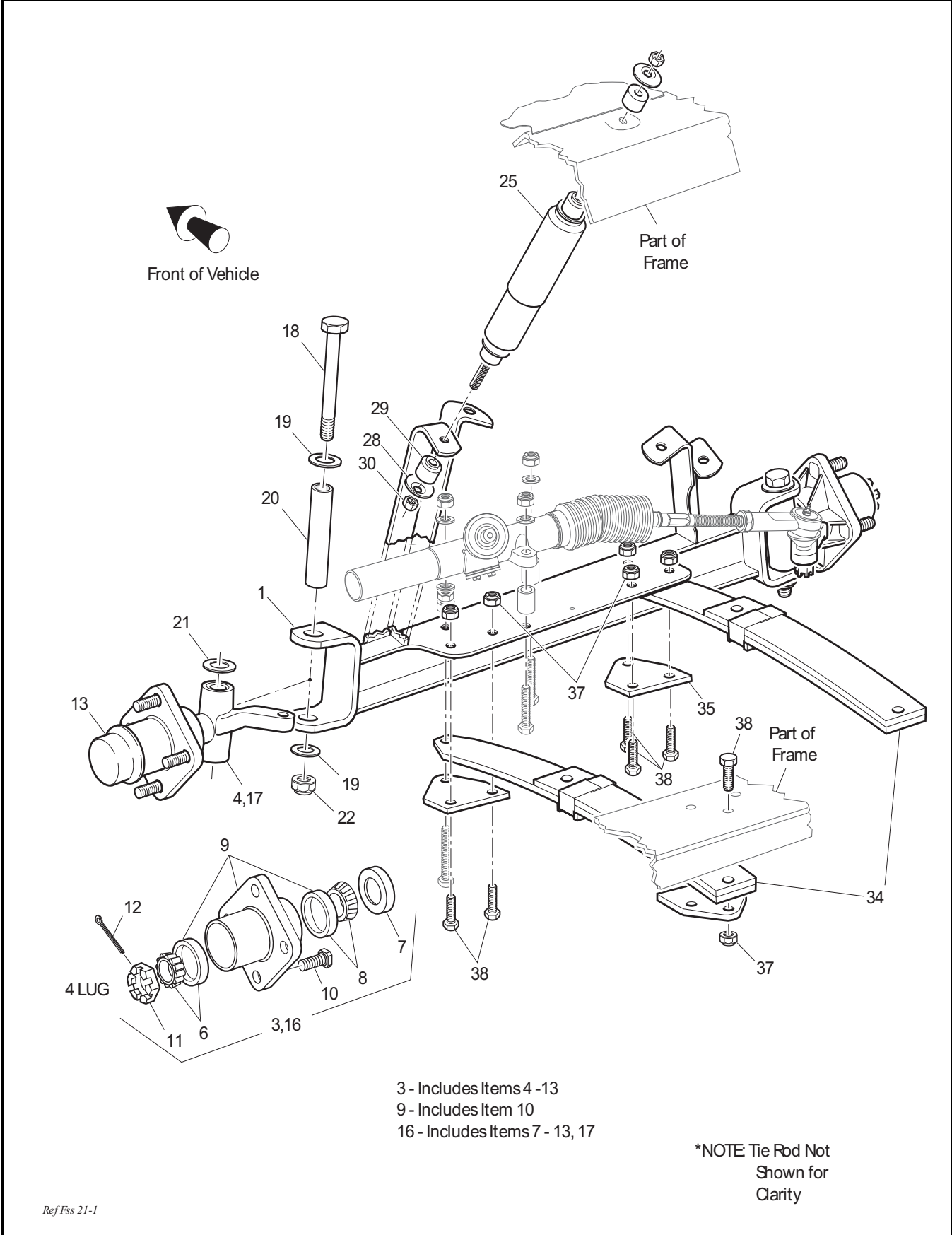
\* Indicates a component that is not available as an individual part.

G\*\* Indicates consult Customer Service Department for additional information.

ITEM	PART NO.	1 2 3 4 5	DESCRIPTION	QTY.
31	<u>00922-G3</u>		WASHER, 7/16" .....	4
32				
33				
34	<u>00439-G1</u>		BOLT, 5/16 - 18 X 1 1/8" LG .....	1
35	11098-G6		LOCK NUT, 5/16 - 18 (STAINLESS STEEL) .....	1
36				
37				
38	<u>72035-G01</u>		'U' BOLT, 7/16 - 14 X 3 7/16" X 3 9/16" LG.....	2
39	<u>00922-G3</u>		WASHER, 7/16" .....	4
40	<u>00734-G1</u>		LOCK NUT, 7/16 - 14 .....	4



# FRONT SUSPENSION AND STEERING

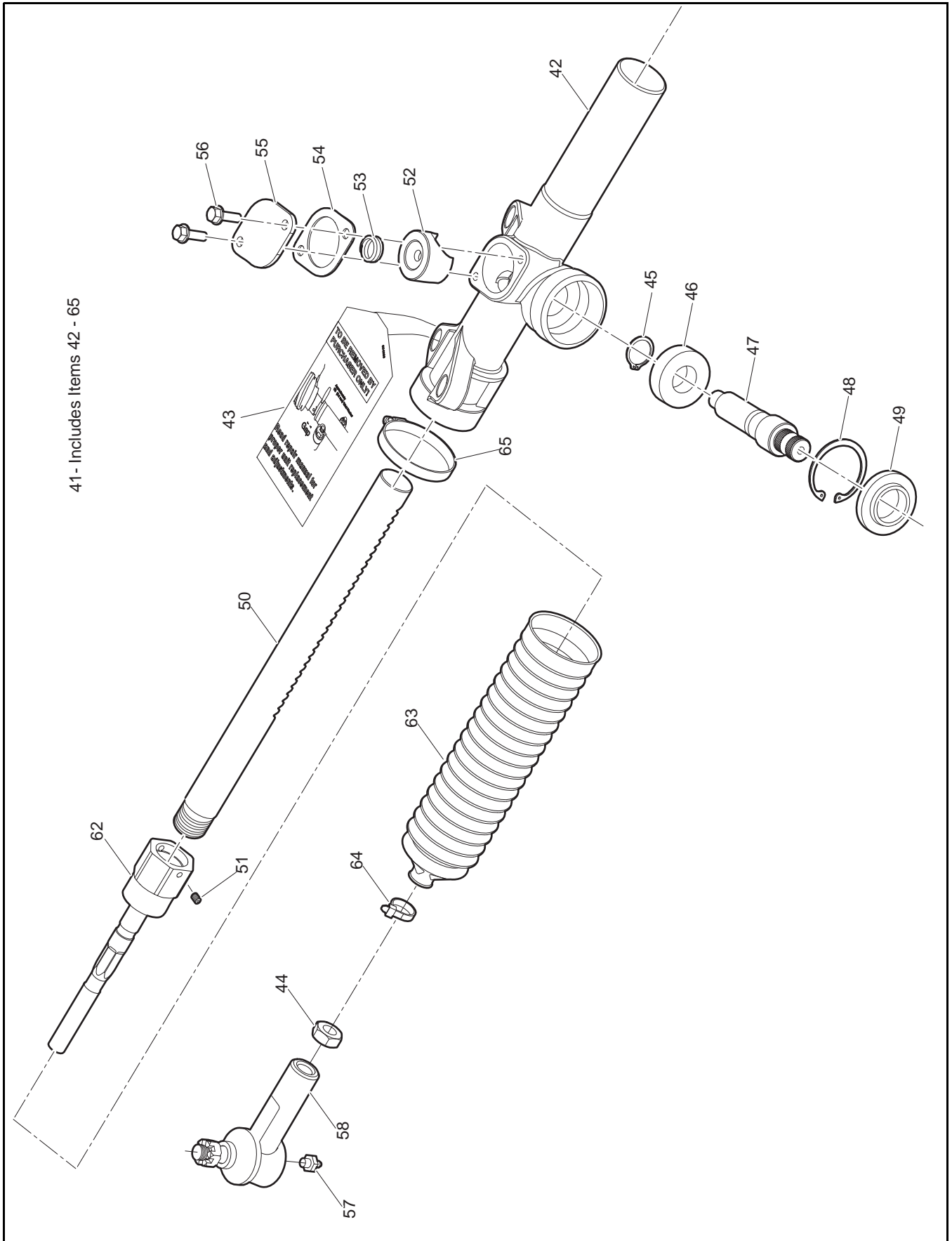


- 3 - Includes Items 4 - 13
- 9 - Includes Item 10
- 16 - Includes Items 7 - 13, 17

\*NOTE Tie Rod Not Shown for Clarity

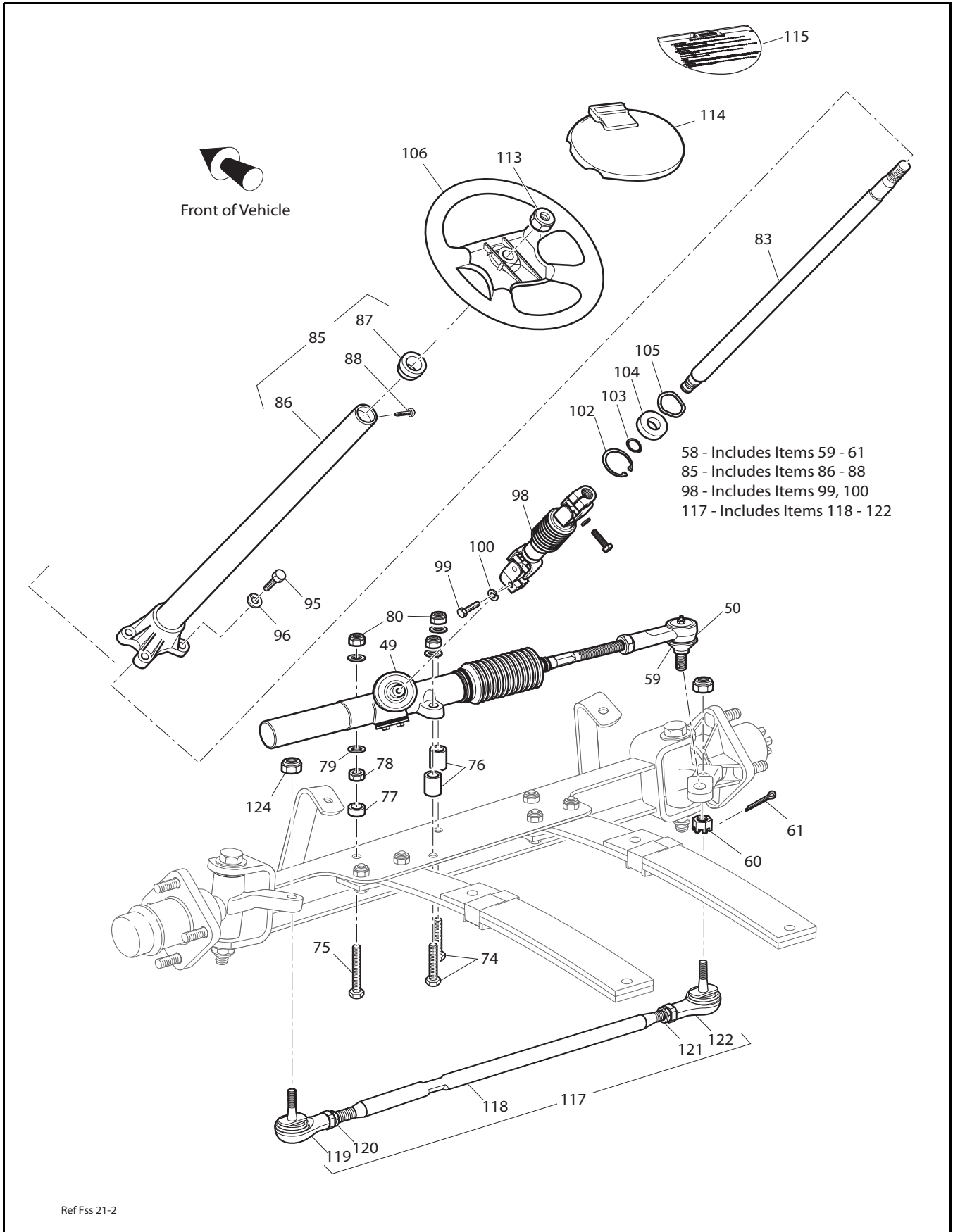
Ref Fvs 21-1

# FRONT SUSPENSION AND STEERING



41 - Includes Items 42 - 65

# FRONT SUSPENSION AND STEERING



# FRONT SUSPENSION AND STEERING

Where applicable, THE USE OF NON UL PARTS WILL VOID ANY UL LISTING.

When ordering parts, please specify the model and serial number of the product.

\* Indicates a component that is not available as an individual part.

G\*\* Indicates consult Customer Service Department for additional information.

ITEM	PART NO.	1 2 3 4 5	DESCRIPTION	QTY.
1	<u>602513</u>		FRONT AXLE .....	1
2				
3	<u>70942-G03</u>		SPINDLE AND HUB ASSEMBLY, 4 LUG (PASSENGER SIDE) (INCLUDES ITEMS 4 - 13).....	1
4	<u>70940-G04</u>		SPINDLE ASSEMBLY (PASSENGER SIDE) (INCLUDES ITEMS 5 - 6).....	1
5	<u>70648-G01</u>		BEARING .....	1
6	<u>70749-G01</u>		BEARING, DP4.....	1
7	<u>25146-G1</u>		GREASE SEAL.....	1
8	<u>50892-G1</u>		ROLLER BEARING AND RACE ASSEMBLY.....	2
9	<u>70589-G1</u>		WHEEL HUB ASSEMBLY WITH RACES, 4 LUG (INCLUDES ITEM 10) ....	1
10	<u>19862-G1</u>		LUG BOLT, 1/2 - 20 X 1 7/32" LG.....	4
11	<u>12093-G1</u>		SLOTTED NUT, 1 - 14 .....	1
12	<u>00798-G8</u>		COTTER PIN, 5/32" X 1 3/4" LG .....	1
13	<u>12091-G2</u>		SPINDLE CAP .....	2
14				
15				
16	<u>70673-G03</u>		SPINDLE AND HUB ASSEMBLY, 4 LUG (DRIVER SIDE) (INCLUDES ITEMS 7 - 13 & 17) .....	1
17	<u>70742-G02</u>		SPINDLE ASSEMBLY (DRIVER SIDE) (INCLUDES ITEMS 5 - 6) .....	1
18	<u>00407-G6</u>		BOLT, 1/2 - 13 X 6" LG .....	2
19	<u>00560-G3</u>		WASHER, 1/2" .....	4
20	<u>70745-G01</u>		KING PIN TUBE .....	2
21	<u>70754-G01</u>		THRUST WASHER (STAINLESS STEEL).....	2
22	<u>14390-G6</u>		LOCK NUT, 1/2 - 13 .....	2
23				
24				
25	<u>76419-G01</u>		SHOCK ABSORBER.....	2
26				
27				
28	<u>10435-G1</u>		SHOCK ABSORBER WASHER.....	8
29	<u>10194-G1</u>		RUBBER SHOCK ABSORBER BUSHING .....	8

# FRONT SUSPENSION AND STEERING

Where applicable, THE USE OF NON UL PARTS WILL VOID ANY UL LISTING.

When ordering parts, please specify the model and serial number of the product.

\* Indicates a component that is not available as an individual part.

G\*\* Indicates consult Customer Service Department for additional information.

ITEM	PART NO.	1 2 3 4 5	DESCRIPTION	QTY.
30	<u>00532-G6</u>		NUT, 3/8 - 24 .....	4
31				
32				
33				
34	<u>70664-G03</u>		LEAF SPRING (HEAVY DUTY) (SEE PART NUMBER ON SPRING).....	2
35	<u>70163-G03</u>		SPRING PLATE .....	4
36				
37	<u>00734-G1</u>		LOCK NUT, 7/16 - 14 .....	11
38	<u>00463-G11</u>		BOLT, 7/16 - 14 X 1 3/4" LG .....	11
39				
40				
41	<u>70964-G02</u>		RACK AND PINION UNIT (COMPLETE) (INCLUDES ITEMS 42 - 65) .....	1
42	<u>70965-G01</u>		STEERING RACK COVER & BEARING .....	1
43	*		STEERING BOX INSTALLATION TAG .....	1
44	*		JAM NUT, 1/2 - 20.....	1
45	<u>70750-G01</u>		RETAINING RING (EXTERNAL) .....	1
46	15115-G1		BALL BEARING .....	1
47	<u>70603-G01</u>		PINION.....	1
48	<u>70751-G01</u>		RETAINING RING (INTERNAL) .....	1
49	<u>70638-G01</u>		SEAL PINION .....	1
50	<u>70604-G01</u>		RACK STEERING.....	1
51	01053-G01		SCREW, 10- 32.....	1
52	<u>70590-G01</u>		RACK LOADER .....	1
53	<u>70666-G01</u>		SPRING COMPRESSION .....	1
54	<u>70645-G01</u>		GASKET RACK LOADER.....	1
55	<u>70591-G01</u>		COVER RACK LOADER .....	1
56	<u>71102-G01</u>		SCREW, 1/4 - 20.....	2
57	<u>10389-G3</u>		GREASE FITTING, STRAIGHT .....	1
58	<u>70695-G01</u>		RACK BALL JOINT (INCLUDES ITEMS 59 - 61) .....	1
59	<u>50641-G1</u>		RUBBER BOOT .....	1



# FRONT SUSPENSION AND STEERING

Where applicable, THE USE OF NON UL PARTS WILL VOID ANY UL LISTING.

When ordering parts, please specify the model and serial number of the product.

\* Indicates a component that is not available as an individual part.

G\*\* Indicates consult Customer Service Department for additional information.

ITEM	PART NO.	1	2	3	4	5	DESCRIPTION	QTY.
60	<u>50209-G2</u>						SLOTTED NUT, 7/16 - 20.....	1
61	<u>10387-G2</u>						COTTER PIN, 3/32" X 1" LG .....	1
62	74694-G01						ROD END (INNER).....	1
63	<u>70961-G01</u>						RACK BOOT .....	1
64	<u>12416-G2</u>						WIRE TIE .....	1
65	<u>11391-G8</u>						WIRE TIE .....	1
66								
67								
68								
69								
70								
71								
72								
73								
74	<u>00464-G6</u>						BOLT, 7/16 - 14 X 2 3/4" LG .....	2
75	<u>01068-G01</u>						BOLT, 7/16 - 14 X 3 1/2" LG .....	1
76	<u>70667-G02</u>						SPACER.....	2
77	<u>70667-G03</u>						SPACER (SHORT) .....	1
78	<u>00532-G7</u>						NUT, 7/16 - 14 .....	1
79	<u>00560-G2</u>						FLAT WASHER, 7/16" .....	7
80	<u>00734-G1</u>						LOCK NUT, 7/16 - 14 .....	3
81								
82								
83	<u>70607-G01</u>						STEERING SHAFT .....	1
84								
85	<u>70758-G05</u>						STEERING COLUMN KIT (INCLUDES ITEMS 86 - 88) .....	1
86	<u>70610-G03</u>						STEERING COLUMN .....	1
87	<u>28569-G01</u>						STEERING COLUMN BUSHING.....	1
88	<u>01022-G01</u>						SCREW, #6 - 20 X 5/16" LG .....	1
89								

# FRONT SUSPENSION AND STEERING

Where applicable, THE USE OF NON UL PARTS WILL VOID ANY UL LISTING.

When ordering parts, please specify the model and serial number of the product.

\* Indicates a component that is not available as an individual part.

G\*\* Indicates consult Customer Service Department for additional information.

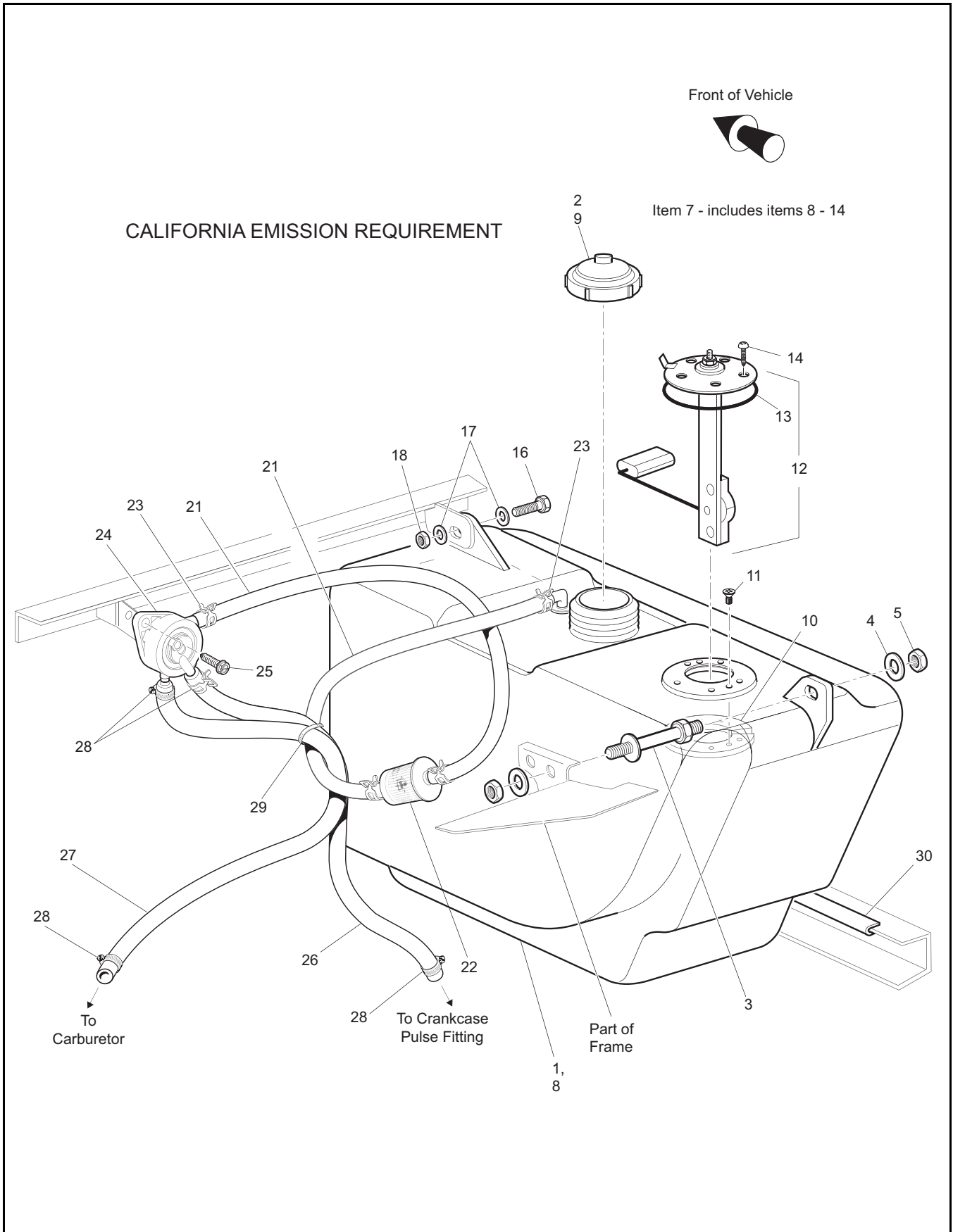
ITEM	PART NO.	1	2	3	4	5	DESCRIPTION	QTY.
90								
91								
92								
93								
94								
95	<u>01006-G01</u>						BOLT, 3/8 - 16 X 1 1/4" LG WITH PATCHLOCK .....	4
96	<u>00879-G1</u>						LOCK WASHER, 3/8" .....	4
97								
98	<u>70580-G01</u>						INTERMEDIATE SHAFT (INCLUDES ITEMS 99, 100).....	1
99	<u>01055-G01</u>						BOLT, M8 X 1 1/4" LG .....	2
100	<u>00565-G8</u>						LOCK WASHER, 5/16" .....	2
101								
102	<u>70751-G01</u>						RETAINING RING (INTERNAL) .....	1
103	<u>70888-G01</u>						RETAINING RING (EXTERNAL) .....	1
104	<u>15112-G1</u>						BALL BEARING .....	1
105	<u>70887-G01</u>						WAVE WASHER.....	1
106	<u>602979</u>						STEERING WHEEL .....	1
107								
108								
109								
110								
111								
112								
113	<u>14390-G2</u>						LOCK NUT, 5/8 - 18 .....	1
114	<u>607925</u>						CLIPBOARD.....	1
115	<u>608529</u>						WARNING LABEL	
116								
117	<u>74604-G01</u>						TIE ROD ASSEMBLY (INCLUDES ITEMS 118 - 122) .....	1
118	<u>74603-G01</u>						THREADED ROD (24" LG).....	1
119	<u>70902-G01</u>						TIE ROD END (LEFT HAND THREADS) .....	1

# FRONT SUSPENSION AND STEERING

Where applicable, THE USE OF NON UL PARTS WILL VOID ANY UL LISTING.  
 When ordering parts, please specify the model and serial number of the product.  
 \* Indicates a component that is not available as an individual part.  
 G\*\* Indicates consult Customer Service Department for additional information.

ITEM	PART NO.	1	2	3	4	5	DESCRIPTION	QTY.
120	<u>01069-G01</u>						JAM NUT, M12 X 1.25-05 (LEFT HAND THREADS).....	1
121	<u>70902-G02</u>						TIE ROD END (RIGHT HAND THREADS).....	1
122	<u>01069-G02</u>						JAM NUT, M12 X 1.25-05 (RIGHT HAND THREADS) .....	1
123								
124	<u>00734-G1</u>						LOCK NUT, 7/16 - 14 .....	2

# FUEL SYSTEM - CALIFORNIA REQUIREMENT



# FUEL SYSTEM - CALIFORNIA REQUIREMENT

THE USE OF NON U.L. PARTS WILL VOID ANY U.L. LISTING.

When ordering parts, please specify the model and serial number of the product.

\* Indicates a component that is not available as an individual part.

G\*\* Indicates consult Customer Service Department for additional information.

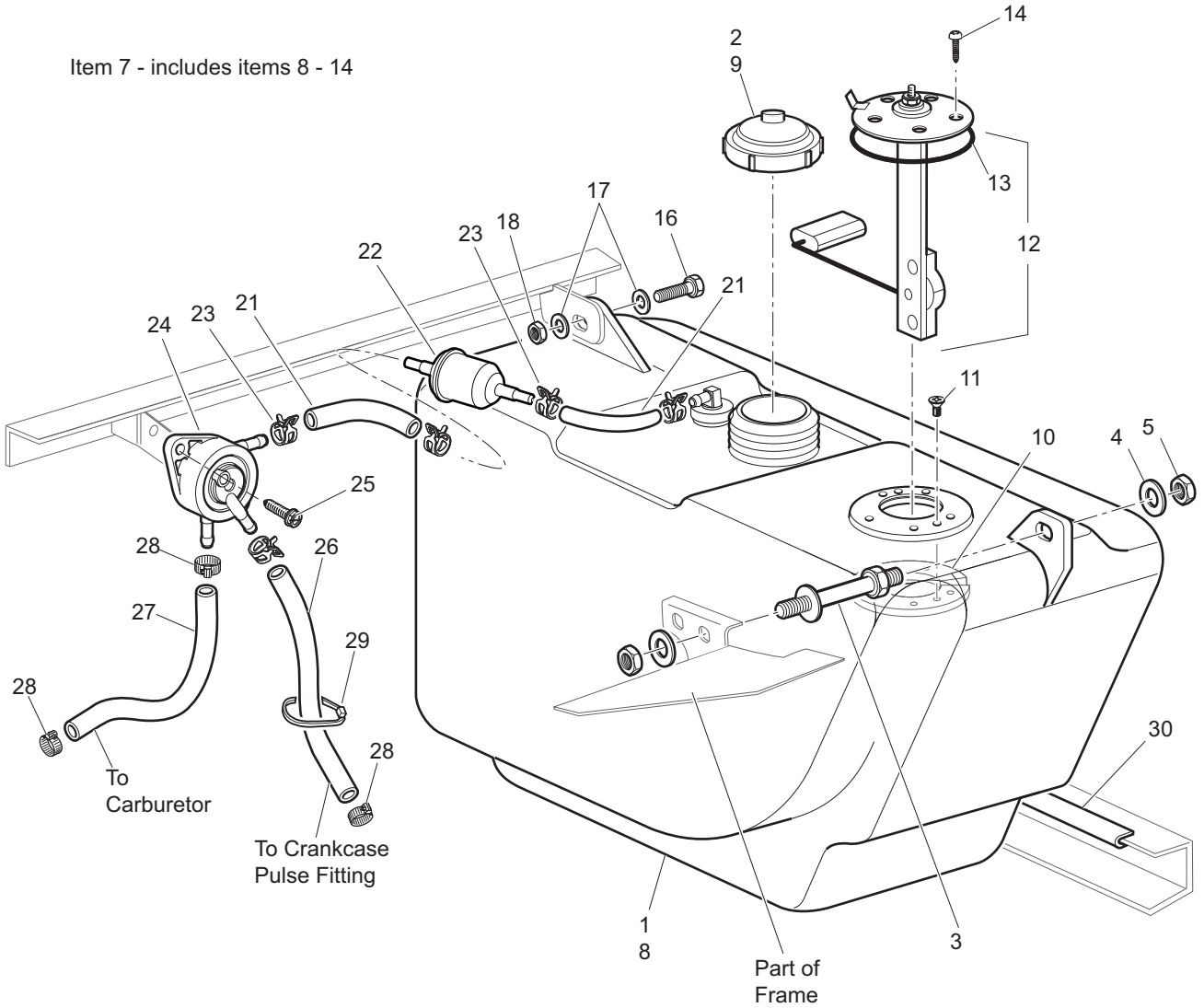
ITEM	PART NO.	1 2 3 4 5	DESCRIPTION	QTY.
1	605521		FUEL TANK (FOR VEHICLES WITHOUT GAUGE) .....	1
2	<u>72282G01</u>		FUEL TANK CAP .....	1
3	70486G01		SPACER .....	1
4	00559G8		WASHER, 5/16" .....	2
5	<u>01109G01</u>		LOCK NUT, 5/16 - 18 (STAINLESS STEEL) .....	2
6				
7	<u>605704</u>		FUEL TANK ASSEMBLY WITH LEVEL SWITCH (INCLUDES ITEMS 8-14) .....	1
8	605523		FUEL TANK (FOR VEHICLES WITH FUEL GAUGE) .....	1
9	<u>72282G01</u>		FUEL TANK CAP .....	1
10	<u>72229G01</u>		FUEL LEVEL SENDER ADAPTER .....	1
11	<u>72230G01</u>		SCREW, #6 - 32 X 1/2" LG .....	2
12	<u>20048G2</u>		FUEL LEVEL SENDER (INCLUDES ITEM 13) .....	1
13	*		GASKET .....	1
14	<u>72232G01</u>		SCREW, #10 x 3/4" LG .....	5
15				
16	<u>00438G8</u>		BOLT, 5/16 - 18 X 1" LG .....	1
17	00559G8		WASHER, 5/16" .....	2
18	<u>01109G01</u>		LOCK NUT, 5/16 - 18 (STAINLESS STEEL) .....	1
19				
20				
21	608014		FUEL HOSE, CALIFORNIA REQUIREMENT (BULK) .....	14"
22				
23	<u>18292G1</u>		CLAMP .....	5
24	<u>72873G01</u>		FUEL PUMP .....	1
25	<u>00114G6</u>		SCREW, 1/4 - 14 X 3/4" LG .....	2
26	<u>27184G01</u>		LOW PRESSURE FUEL LINE (BULK) .....	26"
27	608014		FUEL HOSE, CALIFORNIA REQUIREMENT (BULK) .....	16"
28	<u>11391G4</u>		HOSE CLAMP, 1/4" .....	3
29	<u>17618G1</u>		WIRE TIE .....	3
30	<u>22280G1</u>		VINYL TRIM - BLACK (BULK) .....	7"

# FUEL SYSTEM

Front of Vehicle



Item 7 - includes items 8 - 14



# FUEL SYSTEM

THE USE OF NON U.L. PARTS WILL VOID ANY U.L. LISTING.

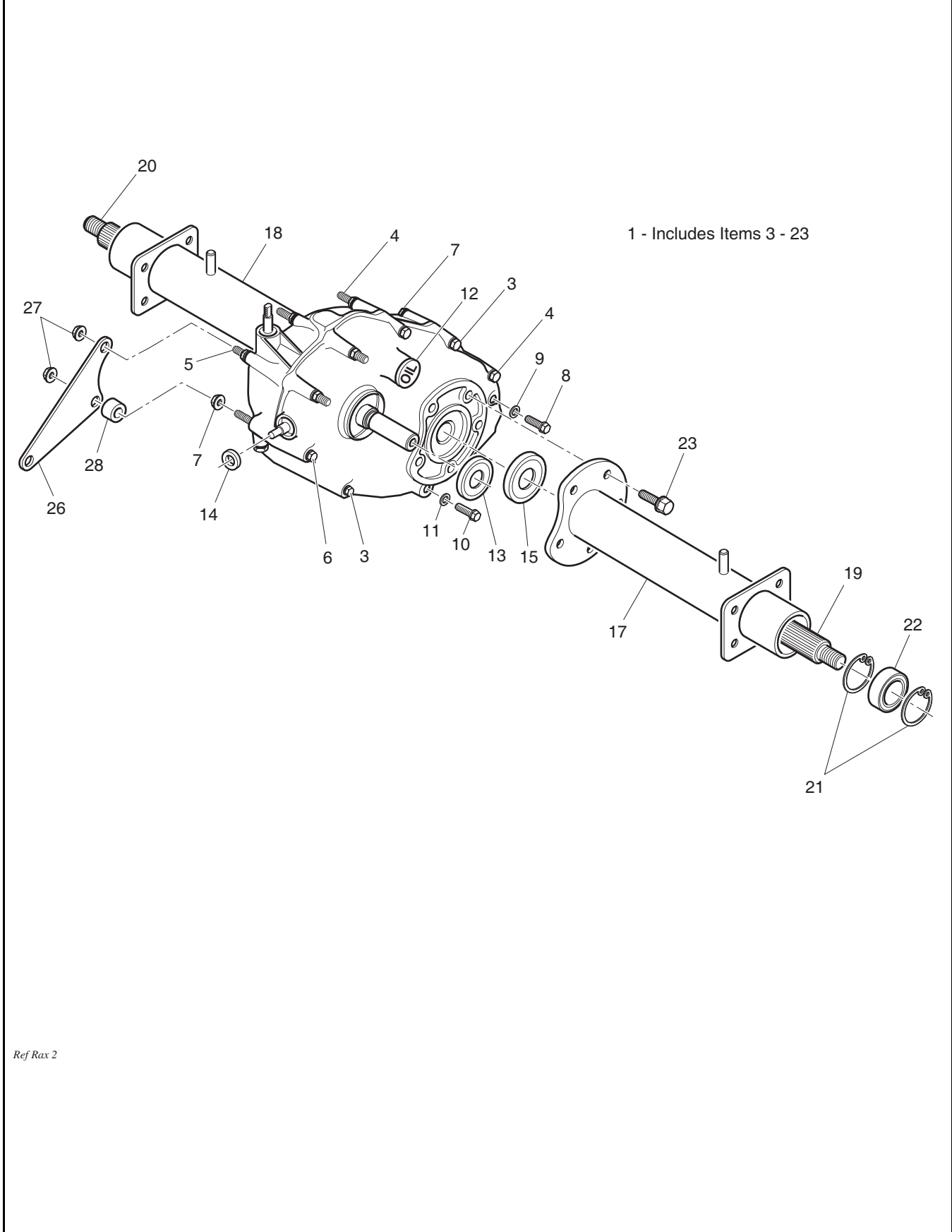
When ordering parts, please specify the model and serial number of the product.

\* Indicates a component that is not available as an individual part.

G\*\* Indicates consult Customer Service Department for additional information.

ITEM	PART NO.	1 2 3 4 5	DESCRIPTION	QTY.
1	605521		FUEL TANK (FOR VEHICLES WITHOUT GAUGE) .....	1
2	<u>72282G01</u>		FUEL TANK CAP .....	1
3	70486G01		SPACER .....	1
4	00559G8		WASHER, 5/16" .....	2
5	<u>01109G01</u>		LOCK NUT, 5/16 - 18 (STAINLESS STEEL) .....	2
6				
7	<u>605704</u>		FUEL TANK ASSEMBLY WITH LEVEL SWITCH (INCLUDES ITEMS 8-14) .....	1
8	605523		FUEL TANK (FOR VEHICLES WITH FUEL GAUGE) .....	1
9	<u>72282G01</u>		FUEL TANK CAP .....	1
10	<u>72229G01</u>		FUEL LEVEL SENDER ADAPTER .....	1
11	<u>72230G01</u>		SCREW, #6 - 32 X 1/2" LG .....	2
12	<u>20048G2</u>		FUEL LEVEL SENDER (INCLUDES ITEM 13) .....	1
13	*		GASKET .....	1
14	<u>72232G01</u>		SCREW WITH SEAL, #10 X 3/4" LG .....	5
15				
16	<u>00438G8</u>		BOLT, 5/16 - 18 X 1: LG .....	1
17	00559G8		WASHER, 5/16" .....	2
18	<u>01109G01</u>		LOCK NUT, 5/16 - 18 (STAINLESS STEEL) .....	1
19				
20				
21	<u>17470G1</u>		LOW PRESSURE FUEL LINE (BULK) .....	4"
22	<u>72084G01</u>		FUEL LINE FILTER .....	1
23	<u>18292G1</u>		CLAMP .....	5
24	<u>72873G01</u>		FUEL PUMP .....	1
25	<u>00114G6</u>		SCREW, 1/4 - 14 X 3/4" LG .....	2
26	<u>27184G01</u>		LOW PRESSURE FUEL LINE (BULK) .....	26"
27	<u>17470G1</u>		LOW PRESSURE FUEL LINE (BULK) .....	26"
28	<u>11391G4</u>		HOSE CLAMP, 1/4" .....	3
29	<u>17618G1</u>		WIRE TIE .....	3
30	<u>22280G1</u>		VINYL TRIM - BLACK (BULK) .....	7

# REAR AXLE



Ref Rax 2



# REAR AXLE

Where applicable, THE USE OF NON UL PARTS WILL VOID ANY UL LISTING.

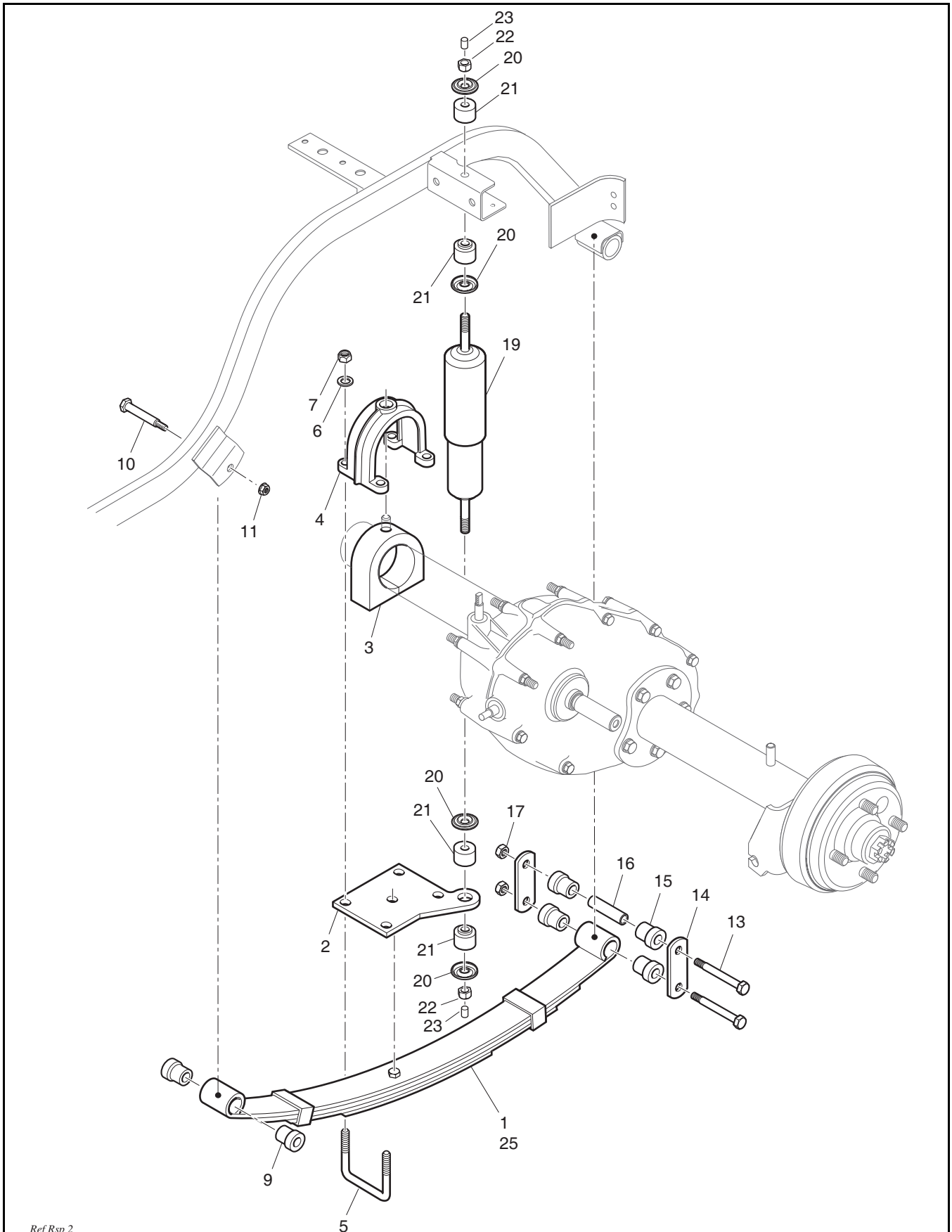
When ordering parts, please specify the model and serial number of the product.

\* Indicates a component that is not available as an individual part.

G\*\* Indicates consult Customer Service Department for additional information.

ITEM	PART NO.	1 2 3 4 5	DESCRIPTION	QTY.
1	<u>72715-G01</u>		REAR AXLE (13.32:1) (INCLUDES ITEMS 3 - 23) .....	1
2	<u>72715-G02</u>		REAR AXLE, FREEDOM HP (10.67:1) (INCLUDES ITEMS 3 - 23) .....	1
3	<u>26823-G01</u>		FLANGED BOLT, M8 X 1.25 X 100 MM LG .....	5
4	<u>26824-G01</u>		FLANGED BOLT, M8 X 1.25 X 110 MM LG .....	2
5	*		BOLT, M8 X 1.25 X 146 MM LG .....	2
6	<u>72052-G01</u>		FLANGED BOLT, M8 X 1.25 X 130 MM LG .....	1
7	<u>72269-G01</u>		FLANGE NUT, M8 X 1.25 MM .....	12
8	<u>26768-G01</u>		OIL CHECK PLUG .....	1
9	<u>26769-G01</u>		GASKET, 8 MM .....	1
10	<u>26770-G01</u>		OIL DRAIN PLUG .....	1
11	<u>26771-G01</u>		GASKET, 14 MM .....	1
12	<u>26772-G01</u>		OIL FILLER PLUG .....	1
13	<u>26761-G01</u>		INPUT SHAFT SEAL .....	1
14	<u>26762-G01</u>		SHIFTER SHAFT SEAL .....	1
15	<u>72259-G01</u>		AXLE SHAFT SEAL .....	2
16				
17	<u>72115-G01</u>		AXLE TUBE (DRIVER SIDE) .....	1
18	<u>72116-G01</u>		AXLE TUBE (PASSENGER SIDE) .....	1
19	<u>72056-G01</u>		AXLE SHAFT (DRIVER SIDE) .....	1
20	<u>72057-G01</u>		AXLE SHAFT (PASSENGER SIDE) .....	1
21	<u>26814-G01</u>		RETAINING RING .....	4
22	<u>26811-G01</u>		BALL BEARING .....	2
23	<u>72260-G01</u>		FLANGED BOLT, M10 X 1.5 X 23 MM LG .....	10
24				
25				
26	<u>72017-G02</u>		AXLE BRACKET .....	1
27	<u>26830-G01</u>		LOCK NUT, M8 X 1.25 MM .....	2
28	<u>75048-G01</u>		SPACER, 1/2" .....	1

# REAR SUSPENSION



Ref Rsp 2

# REAR SUSPENSION

Where applicable, THE USE OF NON UL PARTS WILL VOID ANY UL LISTING.

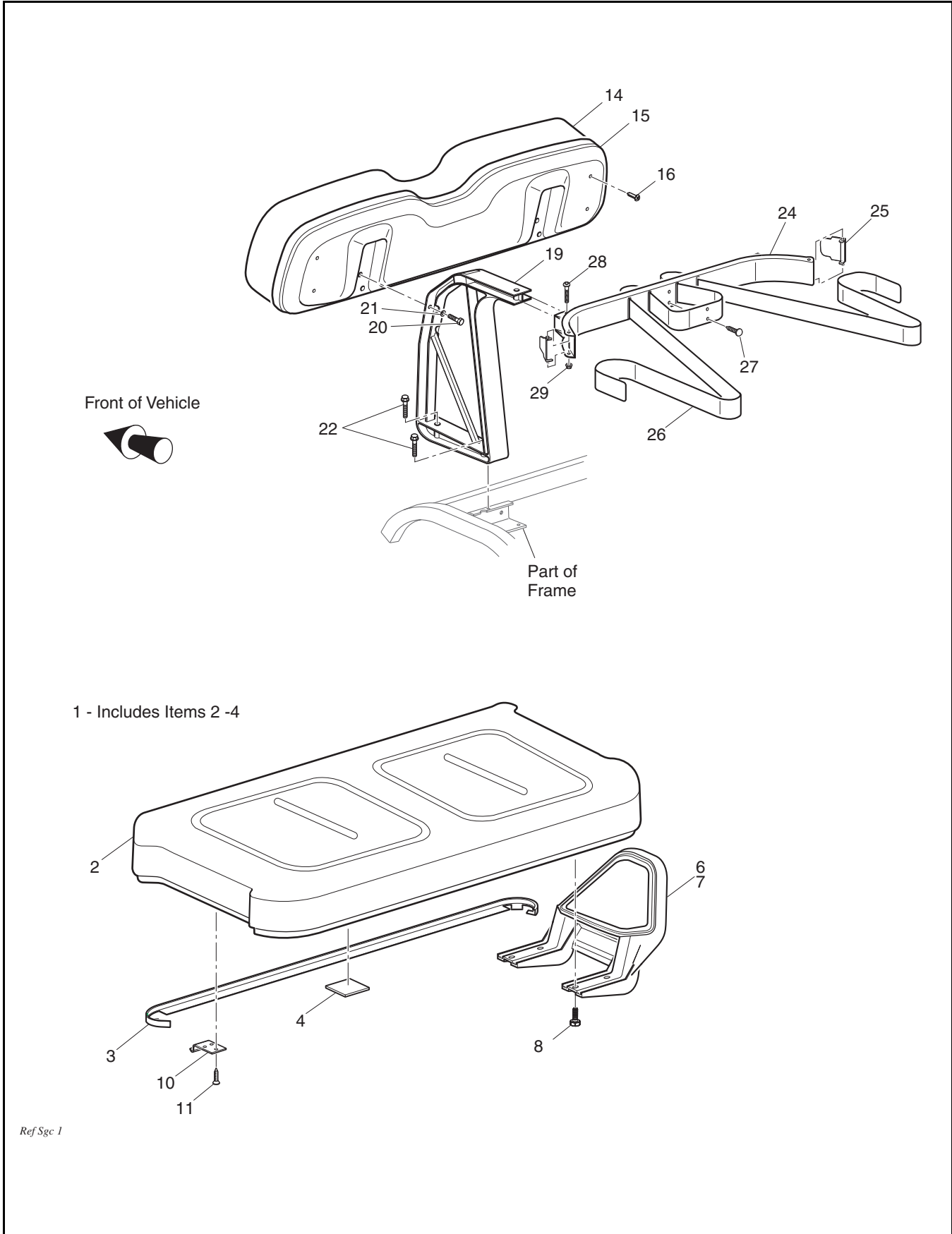
When ordering parts, please specify the model and serial number of the product.

\* Indicates a component that is not available as an individual part.

G\*\* Indicates consult Customer Service Department for additional information.

ITEM	PART NO.	1 2 3 4 5	DESCRIPTION	QTY.
1	<u>603109</u>		LEAF SPRING SET (CONTAINS 2 SPRINGS) .....	1
2	<u>72028-G02</u>		ISOMOUNT BASE PLATE .....	2
3	<u>72117-G01</u>		ISOMOUNT BUSHING.....	2
4	<u>72037-G01</u>		ISOMOUNT CAP.....	2
5	<u>72618-G01</u>		'U' BOLT, 3/8 - 16 X 2" X 2 1/2" LG.....	4
6	<u>00560-G1</u>		WASHER, 3/8" .....	8
7	<u>11098-G5</u>		LOCK NUT, 3/8 - 16 .....	8
8				
9	<u>70291-G01</u>		FLANGED BUSHING .....	4
10	<u>14158-G1</u>		SHOULDER BOLT, 3/8 - 16 x 3 1/4" LG.....	2
11	<u>12262-G1</u>		LOCK NUT, 3/8 - 16 .....	2
12				
13	<u>00665-G9</u>		BOLT, 3/8 - 16 X 3 1/2" LG (STAINLESS STEEL).....	4
14	<u>70290-G02</u>		SHACKLE PLATE .....	4
15	<u>70291-G01</u>		FLANGED BUSHING .....	8
16	<u>70289-G02</u>		SPACER.....	4
17	<u>11098-G5</u>		LOCK NUT, 3/8 - 16 .....	4
18				
19	<u>76418-G01</u>		SHOCK ABSORBER.....	2
20	<u>10435-G1</u>		SHOCK ABSORBER WASHER.....	8
21	<u>10194-G1</u>		RUBBER BUSHING .....	8
22	<u>00532-G6</u>		NUT, 3/8 - 24.....	4
23	<u>10044-G01</u>		VINYL CAP .....	4
24				
25	<u>74207-G03</u>		LEAF SPRING SET, (USE ON SHUTTLE 2+2 AND CONVERTIBLE CARRIER ONLY) (CONTAINS 2 SPRINGS) .....	1

# SEATING AND BAG HOLDER - GOLF CAR



# SEATING AND BAG HOLDER - GOLF CAR

Where applicable, THE USE OF NON UL PARTS WILL VOID ANY UL LISTING.

When ordering parts, please specify the model and serial number of the product.

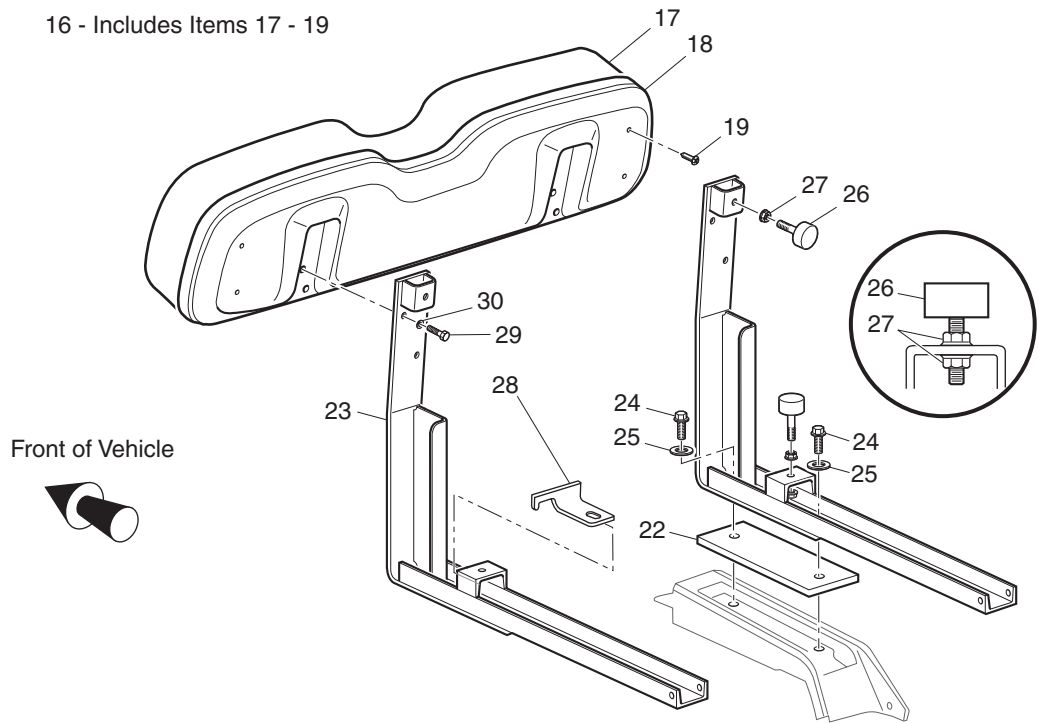
\* Indicates a component that is not available as an individual part.

G\*\* Indicates consult Customer Service Department for additional information.

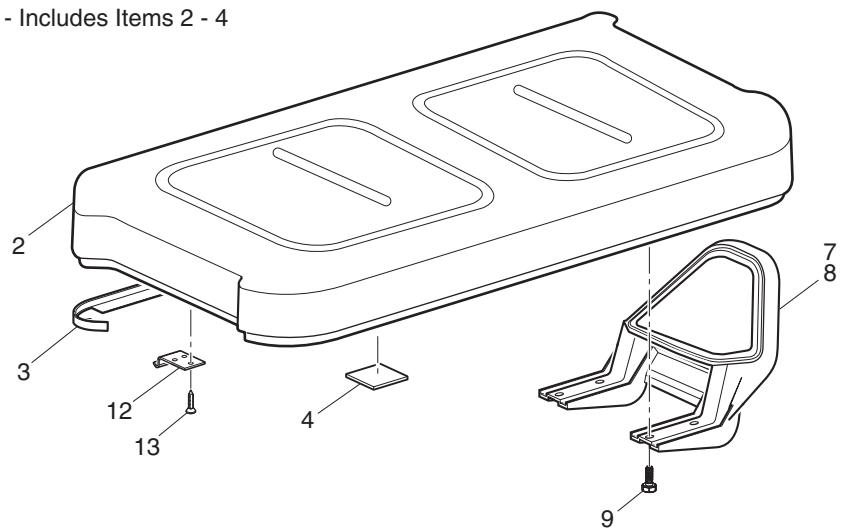
ITEM	PART NO.	1 2 3 4 5	DESCRIPTION	QTY.
1	71611-G**		SEAT BOTTOM ASSEMBLY (INCLUDES ITEMS 2 - 4) .....	1
2	71602-G**		VINYL SEAT BOTTOM COVER .....	1
3	<u>71012-G01</u>		VINYL TRIM (SEAT BOTTOM).....	1
4	<u>17074-G1</u>		RUBBER PAD.....	2
5				
6	<u>71701-G01</u>		HIP RESTRAINT (PASSENGER SIDE).....	1
7	<u>71702-G01</u>		HIP RESTRAINT (DRIVER SIDE).....	1
8	71204-G01		BOLT, 1/4 - 20 X 7/8" LG .....	8
9				
10	<u>71610-G01</u>		SEAT HINGE.....	2
11	<u>00720-G08</u>		SCREW, #12 - 14 X 1" LG (STAINLESS STEEL).....	4
12				
13	71751-G**		SEAT BACK ASSEMBLY (INCLUDES ITEMS 14 - 16) .....	1
14	71753-G**		VINYL SEAT BACK COVER .....	1
15	71752-G01		PLASTIC SEAT BACK COVER .....	1
16	<u>01107-G01</u>		SCREW, #8 X 5/8" LG (STAINLESS STEEL) .....	4
17				
18				
19	<u>71811-G03</u>		SEAT SUPPORT BRACKET.....	2
20	<u>00661-G8</u>		BOLT, 1/4 - 20 X 1" LG (STAINLESS STEEL).....	4
21	<u>00664-G7</u>		LOCK WASHER, 1/4" (STAINLESS STEEL) .....	4
22	<u>01075-G01</u>		BOLT, 3/8 - 16 X 2 1/2" LG .....	4
23				
24	<u>71851-G01</u>		BAG HOLDER BRACKET .....	1
25	<u>71856-G01</u>		BAG RETAINER CLAMP .....	2
26	<u>71853-G01</u>		BAG RETAINER STRAP .....	1
27	<u>16816-G1</u>		RATCHET FASTENER, 1/4" X 9/16" LG .....	2
28	<u>01102-G01</u>		CARRIAGE BOLT, 1/4 - 20 X 1 1/2" LG (STAINLESS STEEL) .....	2
29	<u>11027-G2</u>		LOCK NUT, 1/4 - 20 .....	2

# SEATING - SHUTTLE 2+2

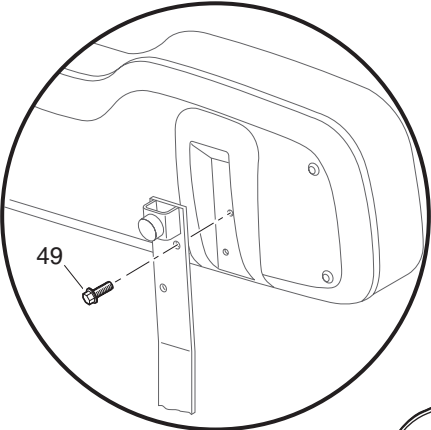
16 - Includes Items 17 - 19



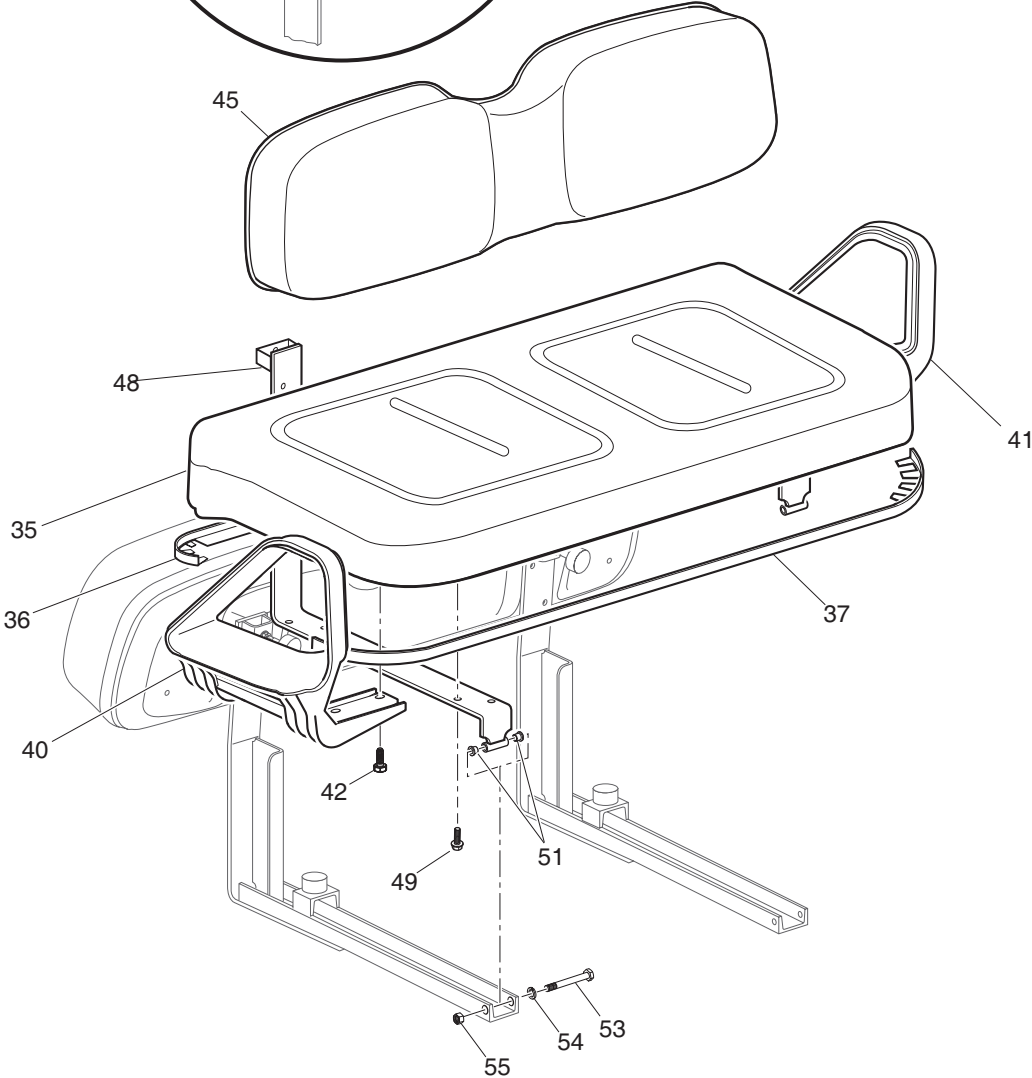
1 - Includes Items 2 - 4



Ref Ssh 1-1



34 - Includes Items 35 - 37  
45 - Includes Items 17 - 19



Ref Ssh 1-2

# SEATING - SHUTTLE 2+2

Where applicable, THE USE OF NON UL PARTS WILL VOID ANY UL LISTING.

When ordering parts, please specify the model and serial number of the product.

\* Indicates a component that is not available as an individual part.

G\*\* Indicates consult Customer Service Department for additional information.

ITEM	PART NO.	1 2 3 4 5	DESCRIPTION	QTY.
1	71611-G**		SEAT BOTTOM ASSEMBLY (INCLUDES ITEMS 2 -4) .....	1
2	71602-G**		VINYL SEAT BOTTOM COVER .....	1
3	<u>71012-G01</u>		VINYL TRIM (SEAT BOTTOM).....	1
4	<u>17074-G1</u>		RUBBER PAD.....	2
5				
6				
7	<u>71701-G01</u>		HIP RESTRAINT (PASSENGER SIDE).....	1
8	<u>71702-G01</u>		HIP RESTRAINT (DRIVER SIDE).....	1
9	<u>00661-G8</u>		BOLT, 1/4 - 20 X 1" LG (STAINLESS STEEL).....	8
10				
11				
12	<u>71610-G01</u>		SEAT HINGE.....	2
13	<u>00720-G08</u>		SCREW, #12 - 14 X 1" LG (STAINLESS STEEL).....	6
14				
15				
16	71751-G**		SEAT BACK ASSEMBLY (INCLUDES ITEMS 17 - 19) .....	1
17	71753-G**		VINYL SEAT BACK COVER .....	1
18	71752-G01		PLASTIC SEAT BACK COVER .....	1
19	<u>01107-G01</u>		SCREW, #8 X 5/8" LG (STAINLESS STEEL) .....	4
20				
21				
22	<u>70364-G01</u>		SPACER.....	2
23	<u>74111-G01</u>		SEAT BACK SUPPORT .....	2
24	<u>01006-G02</u>		BOLT, 3/8 - 16 X 1 1/2" LG .....	4
25	<u>00560-G1</u>		WASHER, 3/8" .....	4
26	<u>70113-G01</u>		ADJUSTABLE BUMPER.....	4
27	<u>11027-G1</u>		LOCK NUT, 5/16 - 18.....	6
28	74508-G02		LATCH BRACKET - LEFT.....	1
29	<u>00661-G8</u>		BOLT, 1/4 - 20 X 1" LG (STAINLESS STEEL).....	4
30	<u>00664-G7</u>		LOCK WASHER, 1/4" (STAINLESS STEEL) .....	4

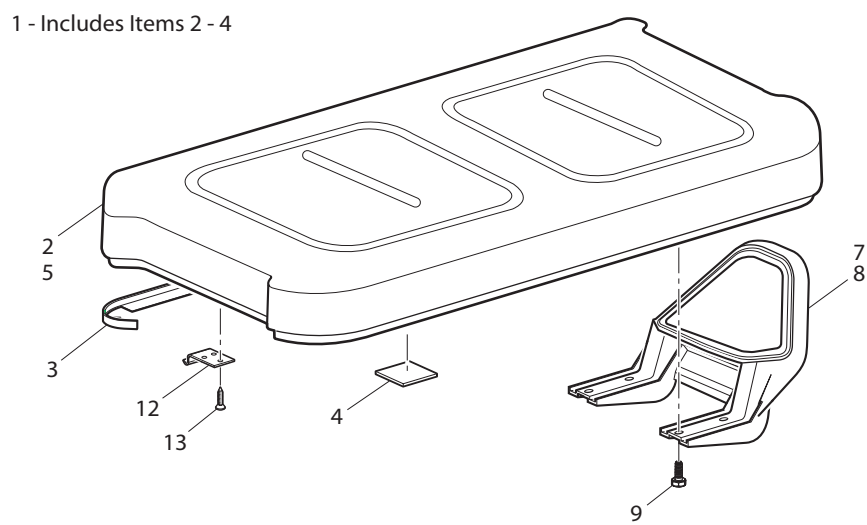
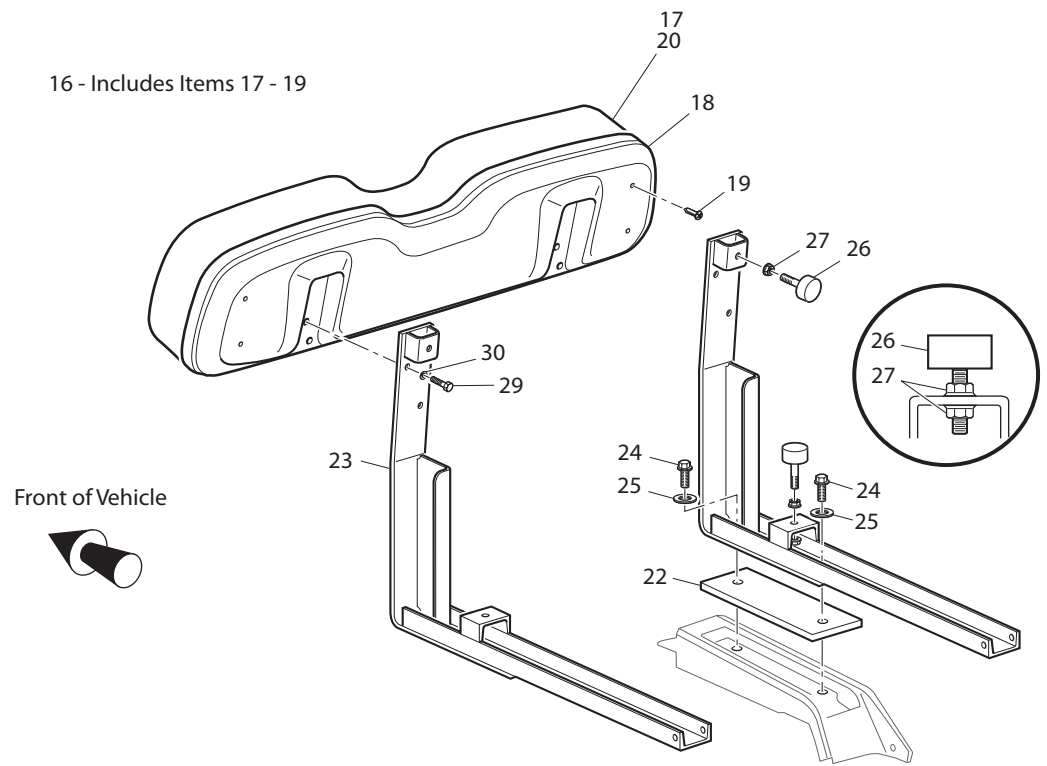


# SEATING - SHUTTLE 2+2

Where applicable, THE USE OF NON UL PARTS WILL VOID ANY UL LISTING.  
 When ordering parts, please specify the model and serial number of the product.  
 \* Indicates a component that is not available as an individual part.  
 G\*\* Indicates consult Customer Service Department for additional information.

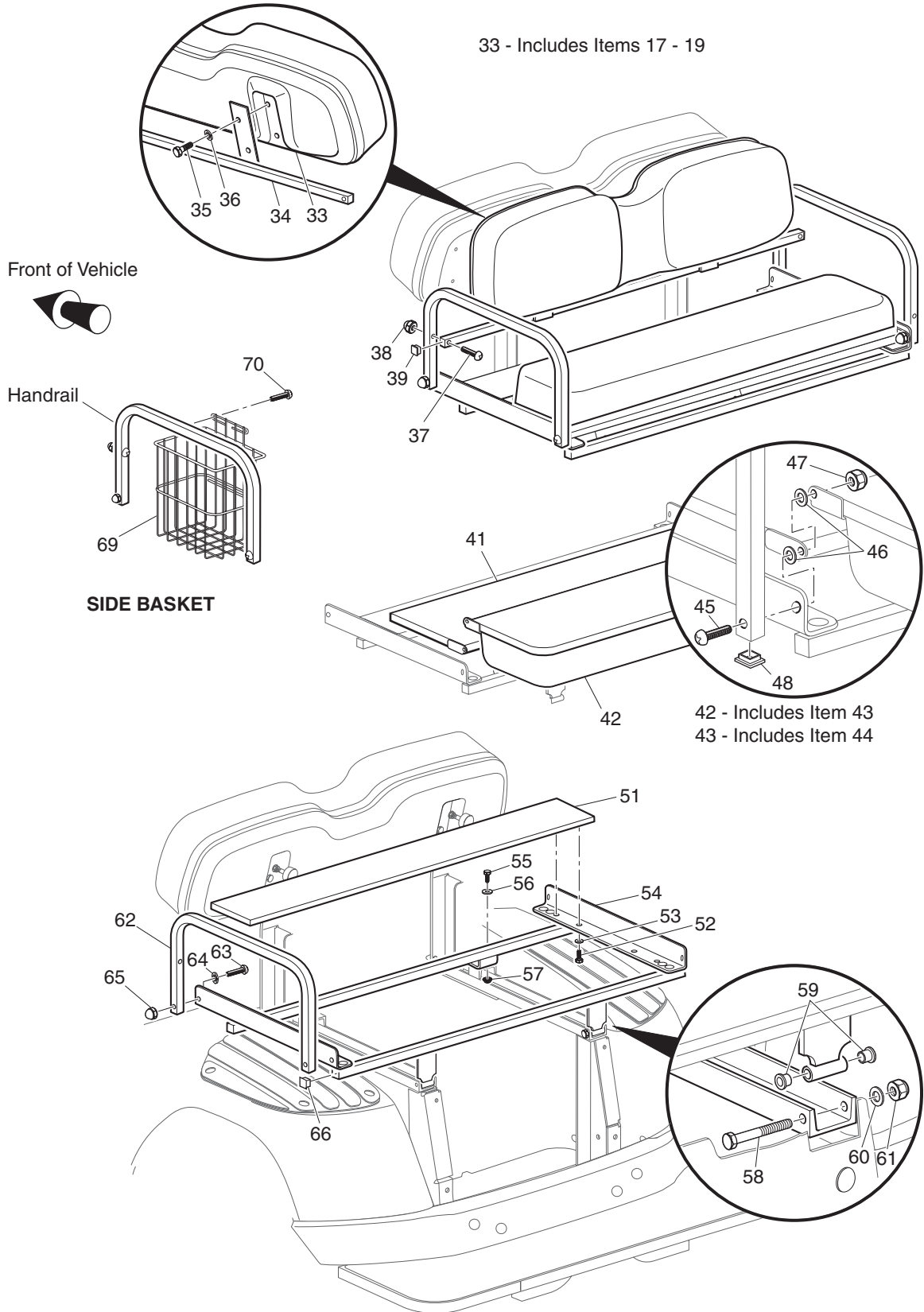
ITEM	PART NO.	1	2	3	4	5	DESCRIPTION	QTY.
31								
32								
33								
34	74139-G**						SEAT BOTTOM ASSEMBLY (INCLUDES ITEMS 42 - 44) .....	1
35	71602-G**						VINYL COVER (SEAT BOTTOM).....	1
36	<u>74140-G01</u>						TRIM .....	1
37	<u>71012-G01</u>						TRIM .....	1
38								
39								
40	<u>71702-G01</u>						HIP RESTRAINT (DRIVER SIDE).....	1
41	<u>71701-G01</u>						HIP RESTRAINT (PASSENGER SIDE).....	1
42	<u>00661-G8</u>						BOLT, 1/4 - 20 X 1" LG (STAINLESS STEEL).....	8
43								
44								
45	71751-G**						SEAT BACK ASSEMBLY (INCLUDES ITEMS 17 - 19) .....	1
46								
47								
48	<u>72918-G01</u>						SEAT SUPPORT BRACKET.....	2
49	71204-G01						BOLT, 1/4 - 20 X 1" LG (STAINLESS STEEL).....	12
50								
51	<u>17838-G1</u>						NYLON BUSHING.....	4
52								
53	<u>00440-G4</u>						BOLT, 5/16 - 18 X 2 1/4" LG .....	2
54	00559-G8						WASHER, 5/16" .....	2
55	11098-G6						LOCK NUT, 5/16 - 18 .....	2

# SEATING - CONVERTIBLE CARRIER



Ref Scc 1-1

# SEATING - CONVERTIBLE CARRIER



Ref Sec 1-2

# SEATING - CONVERTIBLE CARRIER

Where applicable, THE USE OF NON UL PARTS WILL VOID ANY UL LISTING.

When ordering parts, please specify the model and serial number of the product.

\* Indicates a component that is not available as an individual part.

G\*\* Indicates consult Customer Service Department for additional information.

ITEM	PART NO.	1 2 3 4 5	DESCRIPTION	QTY.
1	71611-G**		SEAT BOTTOM ASSEMBLY (INCLUDES ITEMS 2 - 4) .....	1
2	71602-G**		VINYL SEAT BOTTOM COVER .....	1
3	<u>71012-G01</u>		VINYL TRIM (SEAT BOTTOM) .....	1
4	<u>17074-G1</u>		RUBBER PAD .....	2
5	604912-G**		TWO TONE VINYL SEAT BOTTOM .....	1
6				
7	<u>71701-G01</u>		HIP RESTRAINT (PASSENGER SIDE) .....	1
8	<u>71702-G01</u>		HIP RESTRAINT (DRIVER SIDE) .....	1
9	71204-G01		BOLT, 1/4 - 20 X 1" LG (STAINLESS STEEL) .....	8
10				
11				
12	<u>71610-G01</u>		SEAT HINGE .....	2
13	<u>00720-G08</u>		SCREW, #12 - 14 X 1" LG (STAINLESS STEEL) .....	4
14				
15				
16	71751-G**		SEAT BACK ASSEMBLY (INCLUDES ITEMS 17 - 19) .....	1
17	71753-G**		VINYL SEAT BACK COVER .....	1
18	71752-G01		PLASTIC SEAT BACK COVER .....	1
19	<u>01107-G01</u>		SCREW, #8 X 5/8" LG (STAINLESS STEEL) .....	4
20	604916-G**		TWO TONE VINYL SEAT BACK .....	1
21				
22	<u>70364-G01</u>		SPACER .....	2
23	<u>74111-G01</u>		SEAT BACK SUPPORT .....	2
24	<u>01006-G02</u>		BOLT, 3/8 - 16 X 1 1/2" LG .....	4
25	<u>00560-G1</u>		WASHER, 3/8" .....	4
26	<u>70113-G01</u>		ADJUSTABLE BUMPER .....	2
27	<u>11027-G1</u>		LOCK NUT, 5/16 - 18 .....	2
28	74508-G02		LATCH BRACKET - LEFT .....	1
29	<u>00661-G8</u>		BOLT, 1/4 - 20 X 1" LG (STAINLESS STEEL) .....	4
30	<u>00664-G7</u>		LOCK WASHER, 1/4" (STAINLESS STEEL) .....	4

# SEATING - CONVERTIBLE CARRIER

Where applicable, THE USE OF NON UL PARTS WILL VOID ANY UL LISTING.

When ordering parts, please specify the model and serial number of the product.

\* Indicates a component that is not available as an individual part.

G\*\* Indicates consult Customer Service Department for additional information.

ITEM	PART NO.	1 2 3 4 5	DESCRIPTION	QTY.
31				
32				
33	71751-G**		SEAT BACK ASSEMBLY (INCLUDES ITEMS 17 - 19).....	1
34	<u>75258-G01</u>		SEAT BACK SUPPORT .....	1
35	<u>00661-G8</u>		BOLT, 1/4 - 20 X 1" LG (STAINLESS STEEL).....	4
36	00664-G6		LOCK WASHER, 1/4" (STAINLESS STEEL) .....	4
37	<u>16705-G6</u>		SCREW, 1/4 - 20 X 1 3/4" LG (STAINLESS STEEL) .....	2
38	<u>00520-G1</u>		ACORN NUT, 1/4 - 20 (STAINLESS STEEL).....	2
39	<u>75261-G01</u>		END CAP, 3/4".....	2
40				
41	<u>71062-G01</u>		BED .....	1
42	71063-G**		SEAT BOTTOM ASSEMBLY (INCLUDES ITEM 43).....	1
43	75197-G**		SEAT BOTTOM (INCLUDES ITEM 44) .....	1
44	75252-G**		VINYL SEAT BOTTOM COVER.....	1
45	<u>00762-G2</u>		SCREW, 5/16 - 18 X 1 1/2" LG (STAINLESS STEEL) .....	2
46	<u>00664-G8</u>		LOCK WASHER, 5/16" (STAINLESS STEEL) .....	4
47	<u>00891-G3</u>		ACORN NUT, 5/16 - 18 (STAINLESS STEEL).....	2
48	<u>75261-G01</u>		END CAP, 3/4".....	4
49				
50				
51	<u>71060-G01</u>		BED FRONT (INCLUDES MAT).....	1
52	<u>00661-G6</u>		BOLT, 1/4 - 20 X 3/4" LG (STAINLESS STEEL).....	4
53	<u>00664-G7</u>		LOCK WASHER, 1/4" (STAINLESS STEEL) .....	4
54	<u>75193-G01</u>		SUPPORT FRAME.....	1
55	<u>00438-G8</u>		BOLT, 5/16 - 18 X 1" LG .....	2
56	00559-G8		WASHER, 5/16" .....	2
57	75279-G1		LOCK NUT, 5/16 - 18 .....	2
58	<u>00440-G4</u>		BOLT, 5/16 - 18 X 2 1/2" LG .....	2
59	<u>17838-G1</u>		NYLON BUSHING.....	4
60	00559-G8		WASHER, 5/16" .....	2

# SEATING - CONVERTIBLE CARRIER

Where applicable, THE USE OF NON UL PARTS WILL VOID ANY UL LISTING.

When ordering parts, please specify the model and serial number of the product.

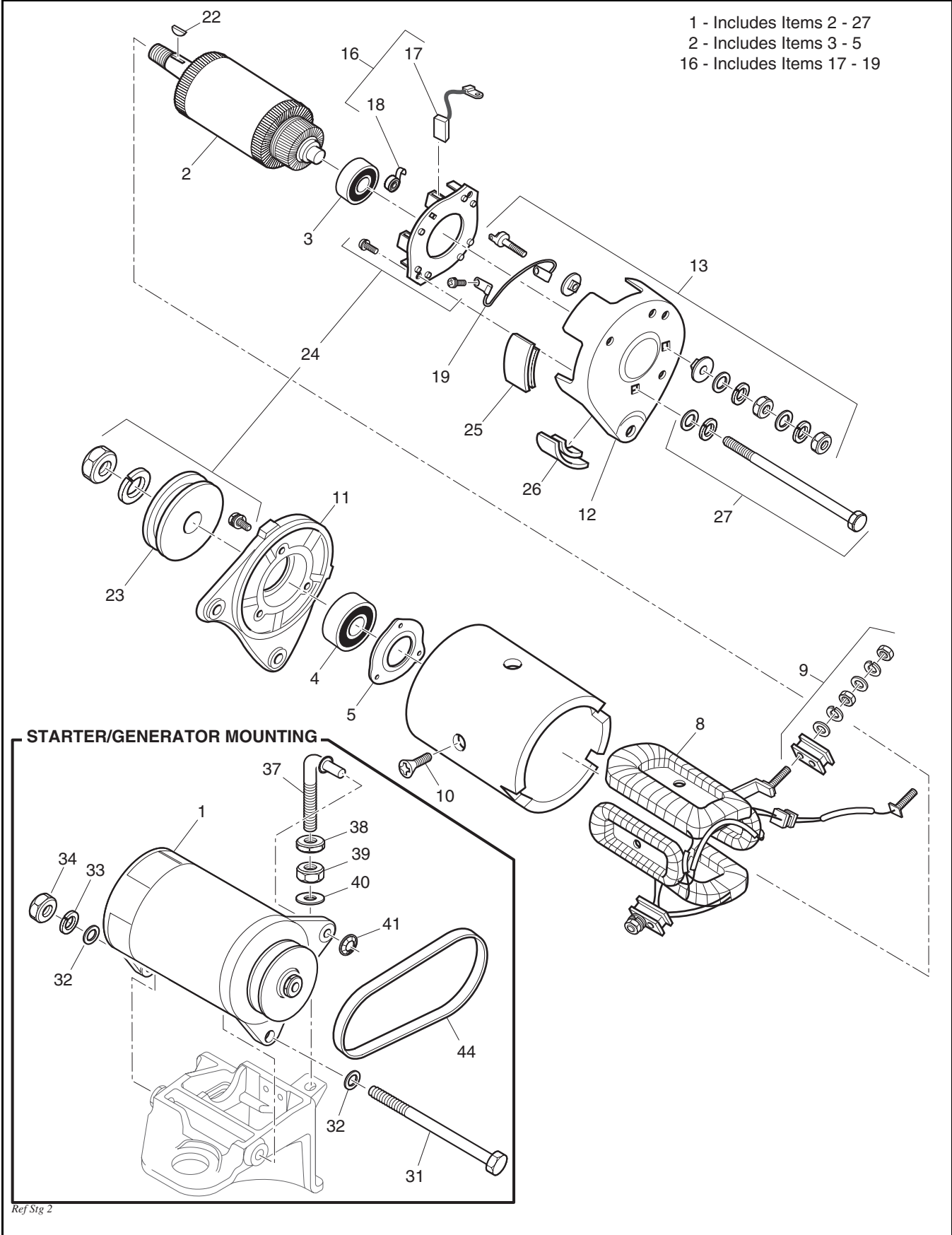
\* Indicates a component that is not available as an individual part.

G\*\* Indicates consult Customer Service Department for additional information.

ITEM	PART NO.	1 2 3 4 5	DESCRIPTION	QTY.
61	11098-G6		LOCK NUT, 5/16 - 18 (STAINLESS STEEL) .....	2
62	<u>75196-G01</u>		HANDRAIL .....	2
63	<u>00762-G2</u>		SCREW, 5/16 - 18 X 1 1/4" LG (STAINLESS STEEL) .....	2
64	<u>00664-G8</u>		LOCK WASHER, 5/16" (STAINLESS STEEL) .....	2
65	<u>00520-G3</u>		ACORN NUT, 5/16 - 18 (STAINLESS STEEL) .....	2
66	<u>75261-G02</u>		END CAP, 1" .....	4
67				
68				
69	<u>75460-G01</u>		SIDE BASKET (BLACK).....	2
70	<u>00106-G6</u>		SELF THREADING SCREW, #12 - 24 X 3/4" LG .....	4



# STARTER / GENERATOR





# STARTER / GENERATOR

Where applicable, THE USE OF NON UL PARTS WILL VOID ANY UL LISTING.

When ordering parts, please specify the model and serial number of the product.

\* Indicates a component that is not available as an individual part.

G\*\* Indicates consult Customer Service Department for additional information.

ITEM	PART NO.	1 2 3 4 5	DESCRIPTION	QTY.
1	<u>27065-G01</u>		STARTER / GENERATOR (INCLUDES ITEMS 2 - 27) .....	1
2	<u>26870-G01</u>		ARMATURE .....	1
3	<u>26871-G01</u>		REAR BALL BEARING .....	1
4	<u>26872-G01</u>		FRONT BALL BEARING.....	1
5	<u>26873-G01</u>		BEARING HOLDER.....	1
6				
7				
8	<u>26875-G01</u>		FIELD COIL .....	1
9	<u>26876-G01</u>		INSULATING BRUSH ASSEMBLY ('F') .....	2
10	<u>26877-G01</u>		POLE CORE SETSCREW.....	4
11	<u>26878-G01</u>		FRONT COVER.....	1
12	<u>27879-G01</u>		REAR COVER .....	1
13	<u>26880-G01</u>		TERMINAL ASSEMBLY ('A') .....	2
14				
15				
16	<u>26881-G01</u>		BRUSH HOLDER ASSEMBLY (INCLUDES ITEMS 17 - 19) .....	1
17	<u>26658-G01</u>		BRUSH.....	4
18	<u>26882-G01</u>		BRUSH SPRING .....	4
19	<u>26883-G01</u>		BRUSH CONNECTOR.....	2
20				
21				
22	<u>26884-G01</u>		KEY.....	1
23	<u>26885-G01</u>		PULLEY .....	1
24	<u>26886-G01</u>		BRUSH AND PULLEY HARDWARE KIT .....	1
25	<u>26887-G01</u>		BRUSH 1 COVER.....	3
26	<u>26888-G01</u>		BRUSH 2 COVER.....	2
27	<u>26889-G01</u>		HOUSING HARDWARE KIT.....	2
28				
29				
30				

# STARTER / GENERATOR

Where applicable, THE USE OF NON UL PARTS WILL VOID ANY UL LISTING.

When ordering parts, please specify the model and serial number of the product.

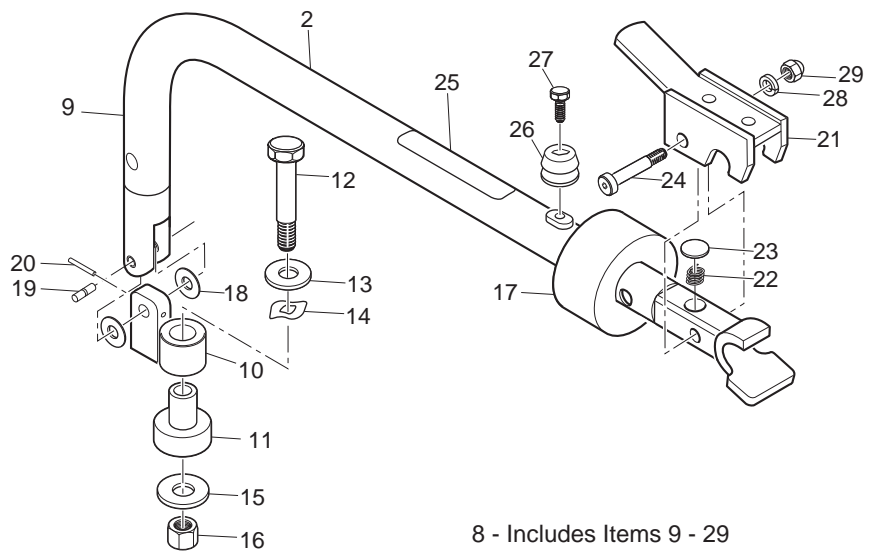
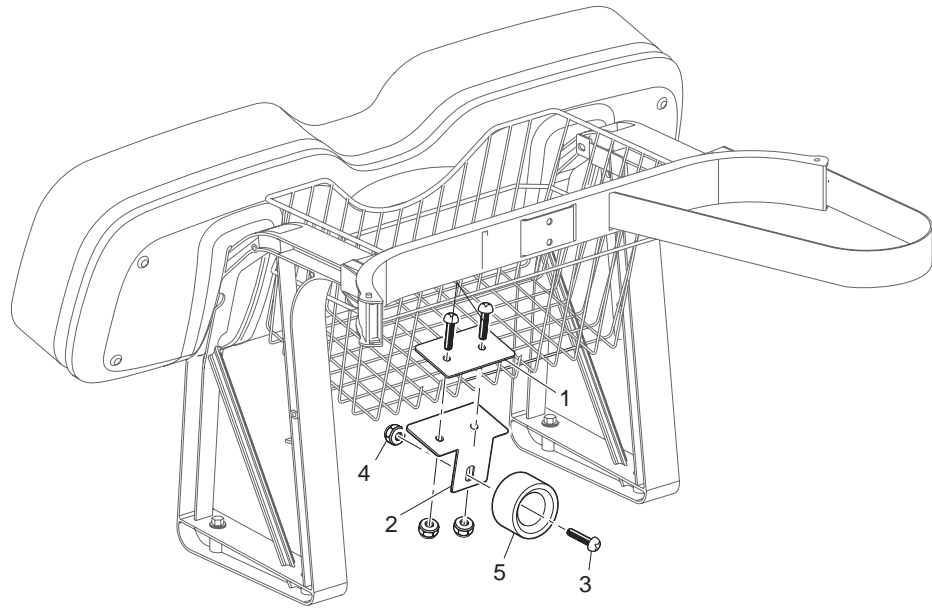
\* Indicates a component that is not available as an individual part.

G\*\* Indicates consult Customer Service Department for additional information.

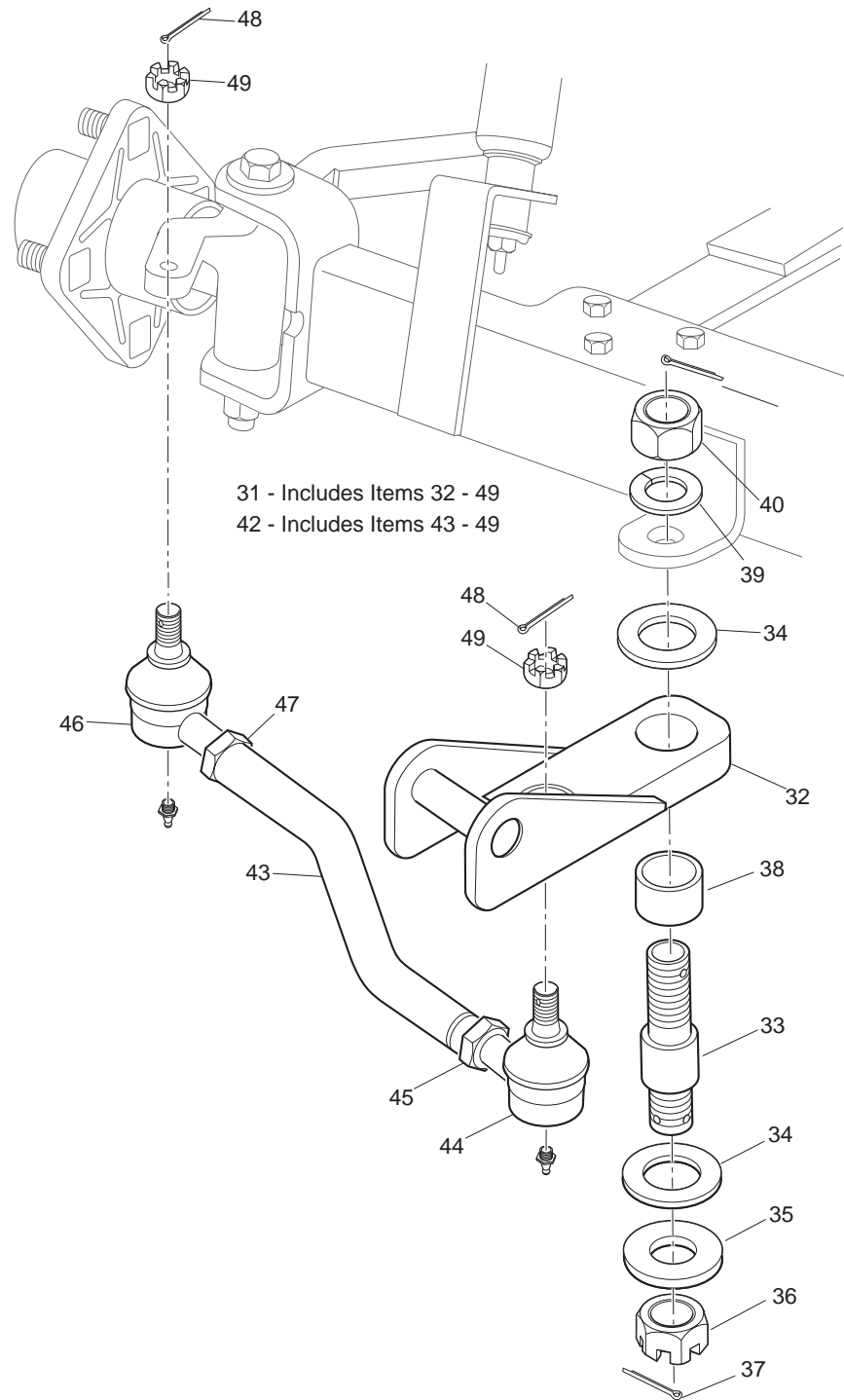
ITEM	PART NO.	1 2 3 4 5	DESCRIPTION	QTY.
31	<u>00938-G4</u>		BOLT, 1/2 - 13 X 8" LG .....	1
32	<u>00560-G3</u>		WASHER, 1/2" .....	2
33	<u>00566-G3</u>		LOCK WASHER, 1/2".....	1
34	<u>00533-G1</u>		NUT, 1/2 - 13.....	1
35				
36				
37	<u>28617-G01</u>		STARTER / GENERATOR ADJUSTER.....	1
38	<u>00544-G5</u>		JAM NUT, 3/8 - 16.....	1
39	00532-G5		NUT, 3/8 - 16.....	1
40	<u>00560-G1</u>		WASHER, 3/8" .....	1
41	12064-G4		PUSH NUT, 5/16" .....	1
42				
43				
44	<u>26414-G01</u>		STARTER / GENERATOR BELT .....	1



# TOW BAR - PERMANENT



8 - Includes Items 9 - 29



# TOW BAR - PERMANENT

Where applicable, THE USE OF NON UL PARTS WILL VOID ANY UL LISTING.

When ordering parts, please specify the model and serial number of the product.

\* Indicates a component that is not available as an individual part.

G\*\* Indicates consult Customer Service Department for additional information.

ITEM	PART NO.	1 2 3 4 5	DESCRIPTION	QTY.
1	<u>75318-G01</u>		MOUNTING PLATE.....	1
2	<u>75319-G01</u>		STOP MOUNT PLATE .....	1
3	<u>16705-G1</u>		SCREW, 1/4 - 20 X 1" LG (STAINLESS STEEL) .....	3
4	<u>00891-G2</u>		LOCK NUT, 1/4 - 20 (STAINLESS STEEL) .....	3
5	<u>75338-G02</u>		FEMALE STOP .....	1
6				
7				
8	<u>75304-G01</u>		TOW BAR ASSEMBLY (TOWING VEHICLE) (INCLUDES ITEMS 9 - 29) .....	1
9	<u>75299-G01</u>		TOW BAR .....	1
10	<u>75302-G01</u>		UPPER PIVOT .....	1
11	<u>75291-G01</u>		LOWER PIVOT .....	1
12	<u>00410-G8</u>		BOLT, 1/2 - 20 X 3" LG. ....	1
13	<u>00675-G3</u>		WASHER, 1/2" (STAINLESS STEEL).....	1
14	<u>75339-G01</u>		SPRING WASHER .....	1
15	<u>00571-G5</u>		WASHER, 1/2" .....	1
16	<u>11098-G8</u>		LOCK NUT, 1/2 - 20 .....	1
17	<u>75362-G01</u>		LATCH STOP.....	1
18	<u>75340-G01</u>		WASHER, 3/8" .....	2
19	<u>75360-G01</u>		PIVOT PIN .....	1
20	<u>13571-G7</u>		SPRING PIN .....	1
21	<u>75303-G01</u>		LATCH .....	1
22	<u>20852-G2</u>		COMPRESSION SPRING .....	1
23	<u>25661-G02</u>		CUP WASHER.....	1
24	<u>13005-G4</u>		SHOULDER BOLT, 5/16 - 18 X 2" LG.....	1
25	<u>75370-G01</u>		LABEL (WARNING) .....	1
26	<u>75338-G03</u>		MALE STOP .....	1
27	<u>12547-G4</u>		BOLT, 6MM X 1 X 30 MM LG.....	1
28	<u>00565-G8</u>		LOCK WASHER, 5/16" .....	1
29	<u>00520-G3</u>		ACORN NUT, 5/16 - 18 (STAINLESS STEEL) .....	1
30				

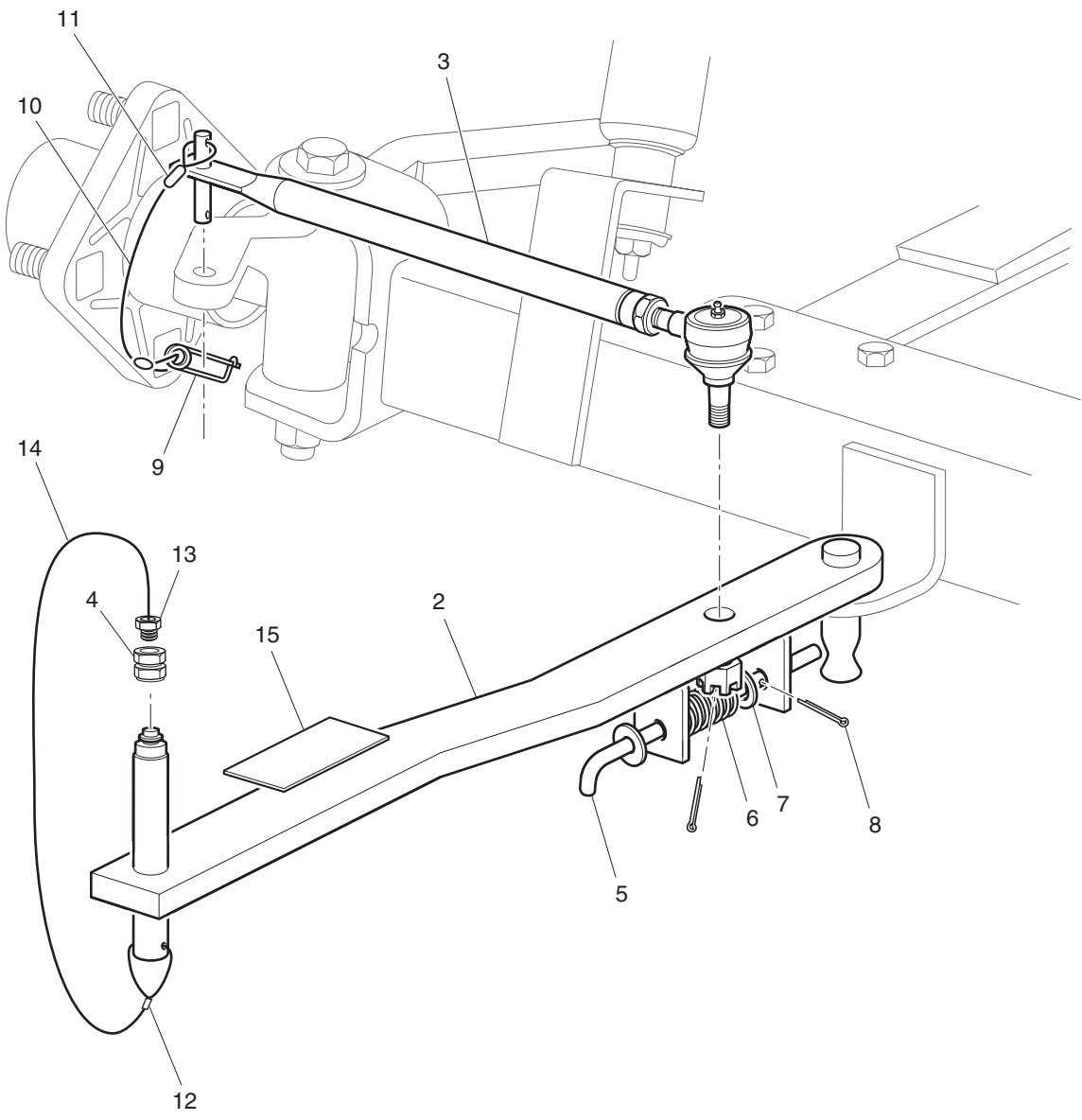
# TOW BAR - PERMANENT

Where applicable, THE USE OF NON UL PARTS WILL VOID ANY UL LISTING.  
 When ordering parts, please specify the model and serial number of the product.  
 \* Indicates a component that is not available as an individual part.  
 G\*\* Indicates consult Customer Service Department for additional information.

ITEM	PART NO.	1 2 3 4 5	DESCRIPTION	QTY.
31	<u>75308-G01</u>		TOW BAR HITCH ASSEMBLY (TOWED VEHICLE) (INCLUDES ITEMS 32 - 48).....	1
32	<u>75305-G01</u>		HITCH .....	1
33	<u>75292-G01</u>		PIVOT BOLT .....	1
34	<u>75309-G01</u>		THRUST WASHER.....	2
35	<u>75342-G01</u>		WASHER, 3/4" .....	1
36	<u>00518-G8</u>		CASTELLATED NUT, 3/4 - 16 .....	1
37	<u>10387-G1</u>		COTTER PIN, 1/8" X 1 1/2" LG .....	2
38	<u>75307-G01</u>		BEARING.....	1
39	<u>00566-G6</u>		LOCK WASHER, 3/4" .....	1
40	<u>00533-G8</u>		NUT, 3/4 - 16.....	1
41				
42	<u>602981</u>		TIE ROD ASSEMBLY (INCLUDES ITEMS 43 - 48) .....	1
43	<u>603089</u>		THREADED ROD.....	1
44	<u>27205-G01</u>		TIE ROD END (LEFT HAND THREADS).....	1
45	<u>18434-G3</u>		JAM NUT, M12 X 1.25-05 (LEFT HAND THREADS).....	1
46	<u>27205-G02</u>		TIE ROD END (RIGHT HAND THREADS) .....	1
47	<u>18434-G4</u>		JAM NUT, M12 X 1.25-05 (RIGHT HAND THREADS).....	1
48	<u>10387-G2</u>		COTTER PIN.....	2
49	<u>50209-G2</u>		CASTELLATED NUT, 7/16 - 20 .....	2

# TOW BAR - CASUAL

1 - Includes Items 2 - 15



Ref Tbc 1

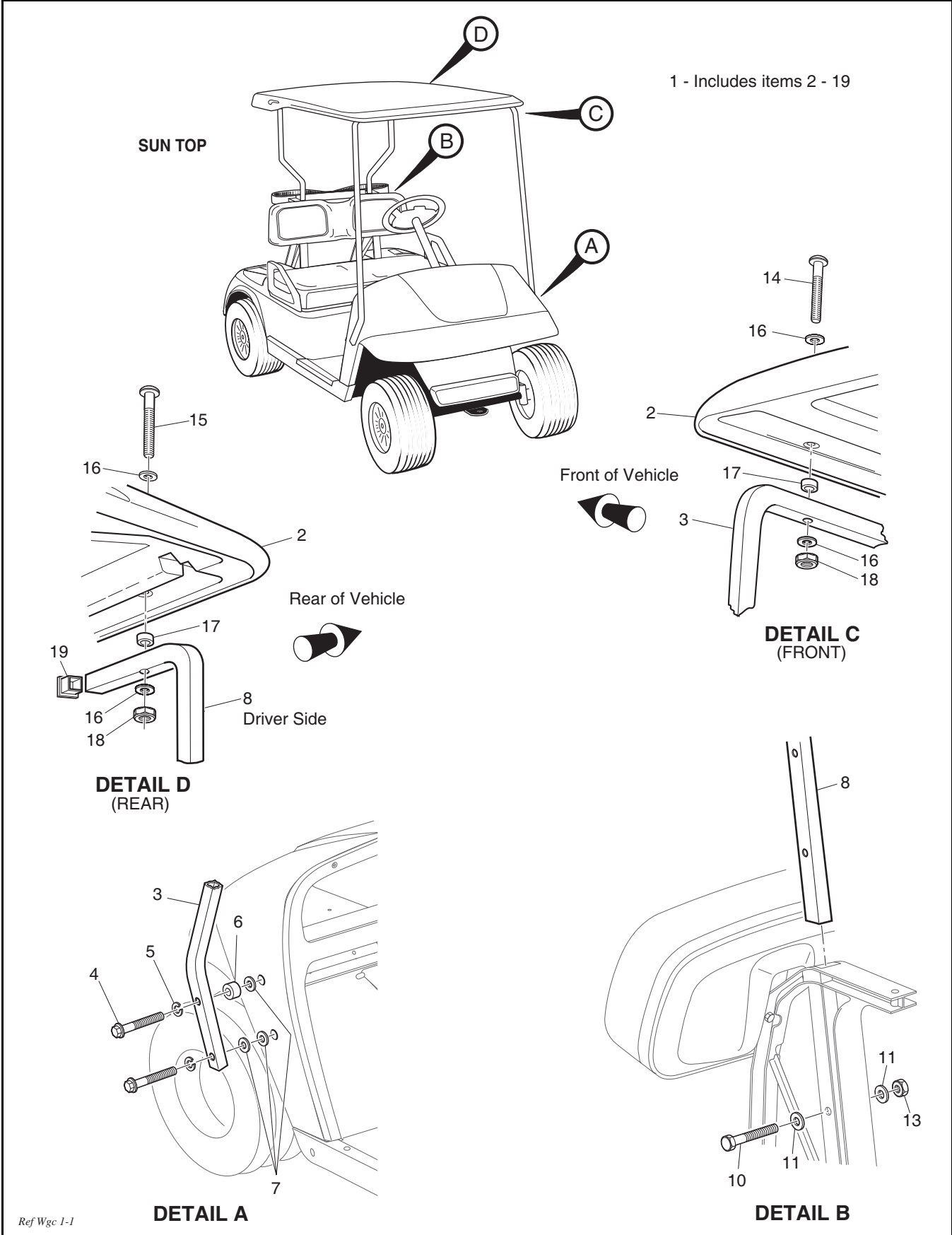


# TOW BAR - CASUAL

Where applicable, THE USE OF NON UL PARTS WILL VOID ANY UL LISTING.  
 When ordering parts, please specify the model and serial number of the product.  
 \* Indicates a component that is not available as an individual part.  
 G\*\* Indicates consult Customer Service Department for additional information.

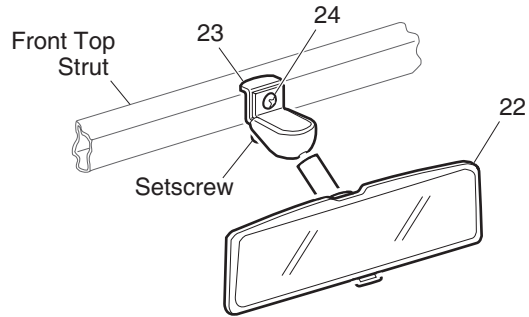
ITEM	PART NO.	1 2 3 4 5	DESCRIPTION	QTY.
1	<u>75033-G01</u>		CASUAL TOW BAR (INCLUDES ITEMS 2 - 15) .....	1
2	*		TOW BAR .....	1
3	<u>75034-G01</u>		TIE ROD (INCLUDES NUT AND COTTER PIN) .....	1
4	<u>75060-G01</u>		COUPLING .....	1
5	*		LOCK PIN .....	1
6	<u>75065-G01</u>		COMPRESSION SPRING .....	1
7	<u>00922-G2</u>		WASHER, 3/8" .....	1
8	<u>10387-G2</u>		COTTER PIN, 3/32" X 1" LG .....	1
9	<u>75068-G01</u>		SAFETY PIN .....	1
10	14869-G5		WIRE ROPE .....	1
11	<u>16783-G1</u>		FERRULE .....	3
12	<u>75067-G01</u>		FERRULE .....	1
13	<u>75035-G02</u>		HEX HEAD PLUG .....	1
14	14869-G3		WIRE ROPE .....	1
15	<u>75091-G01</u>		LABEL (WARNING) .....	1

# WEATHER PROTECTION - GOLF CAR

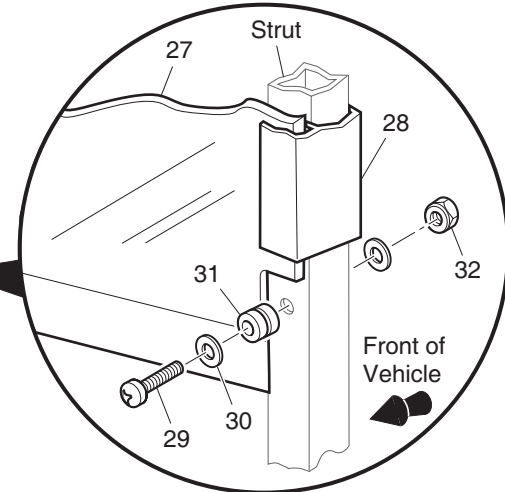
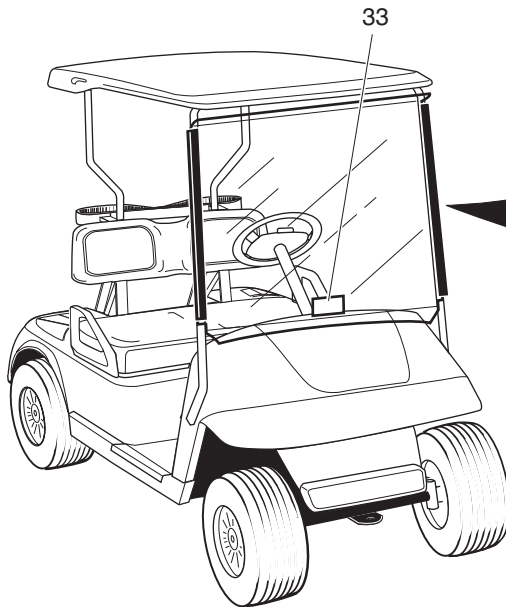


Ref Wgc 1-1

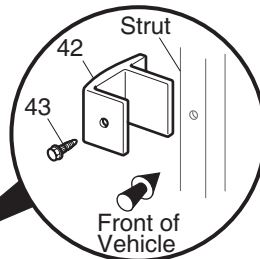
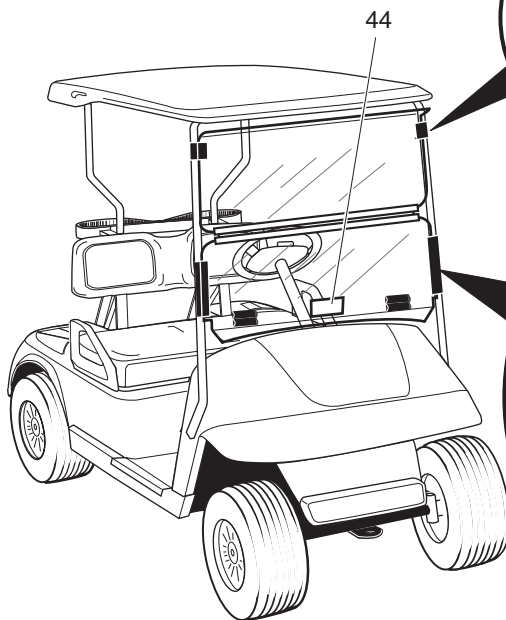
# WEATHER PROTECTION - GOLF CAR



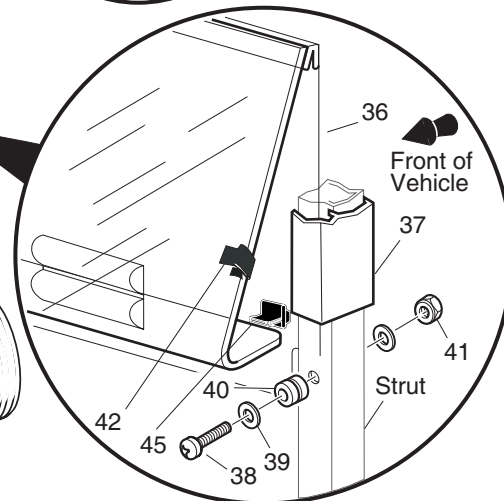
**REAR VIEW MIRROR**  
21 - Includes Items 22 - 24



**FULL WINDSHIELD**  
26 - Includes Items 27 - 33



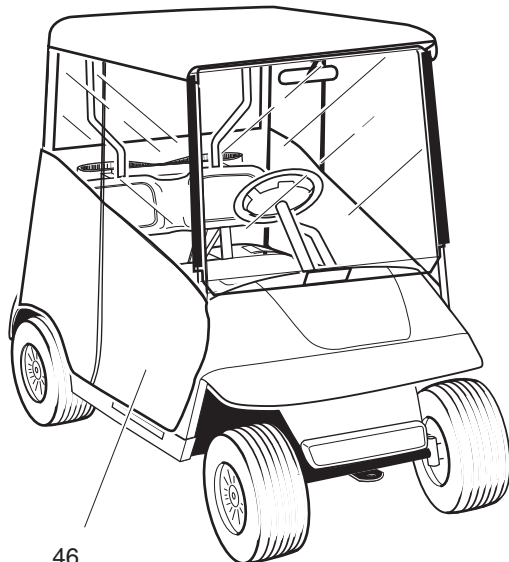
**FOLD DOWN WINDSHIELD**  
35 - Includes Items 36 - 45



Ref Wgc 1-2

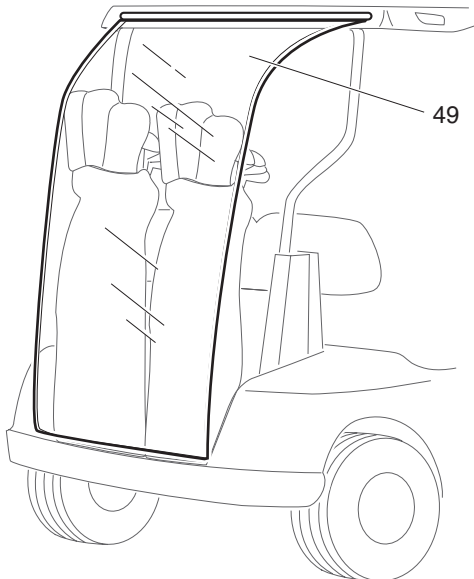
# WEATHER PROTECTION - GOLF CAR

**WEATHER ENCLOSURE**



46  
47

**BAG AND RAIN CURTAIN**



49

*Ref Wgc 1-3*

# WEATHER PROTECTION - GOLF CAR

Where applicable, THE USE OF NON UL PARTS WILL VOID ANY UL LISTING.

When ordering parts, please specify the model and serial number of the product.

\* Indicates a component that is not available as an individual part.

G\*\* Indicates consult Customer Service Department for additional information.

ITEM	PART NO.	1 2 3 4 5	DESCRIPTION	QTY.
			For service or replacement parts, contact: Eagle Parts, Inc. 1411 Marvin Griffin Rd. Augusta, GA 30906 Telephone (706) 790-6687 or FAX (706) 790-6066	
1	75040-G**		SUN TOP KIT (GOLF CAR) (INCLUDES ITEMS 2 - 19) .....	1
2	27069-G**		SUN TOP .....	1
3	<u>75045-G01</u>		FRONT STRUT .....	1
4	<u>00440-G2</u>		BOLT, 5/16 - 18 X 2 1/4" LG .....	4
5	00559-G8		WASHER, 5/16" .....	4
6	<u>75048-G01</u>		SPACER, 1/2" .....	2
7	<u>00570-G2</u>		WASHER, 5/16" .....	6
8	75046-G02		REAR STRUT .....	2
9				
10	<u>00685-G7</u>		BOLT, 5/16 - 18 X 1 3/4" LG (STAINLESS STEEL) .....	4
11	<u>01110-G03</u>		WASHER, 5/16" (STAINLESS STEEL) .....	8
12				
13	11098-G6		LOCK NUT, 5/16 - 18 (STAINLESS STEEL) .....	4
14	<u>00753-G5</u>		SCREW, 1/4 - 20 X 2" LG (STAINLESS STEEL) .....	2
15	00753-G6		SCREW, 1/4 - 20 X 2 1/4" LG (STAINLESS STEEL) .....	2
16	<u>01110-G01</u>		WASHER, 1/4" (STAINLESS STEEL) .....	8
17	<u>75051-G01</u>		SPACER .....	4
18	<u>00891-G2</u>		LOCK NUT, 1/4 - 20 (STAINLESS STEEL) .....	4
19	<u>19853-G1</u>		END CAP, 1" .....	2
20				
21	<u>19528-G2</u>		REAR VIEW MIRROR KIT (INCLUDES ITEMS 22 - 24) .....	1
22	<u>19496-G1</u>		REAR VIEW MIRROR .....	1
23	<u>19502-G3</u>		SUPPORT BRACKET .....	1
24	<u>19527-G1</u>		SCREW, #8 - 32 X 5/8" LG (STAINLESS STEEL) .....	1
25				

# WEATHER PROTECTION - GOLF CAR

Where applicable, THE USE OF NON UL PARTS WILL VOID ANY UL LISTING.

When ordering parts, please specify the model and serial number of the product.

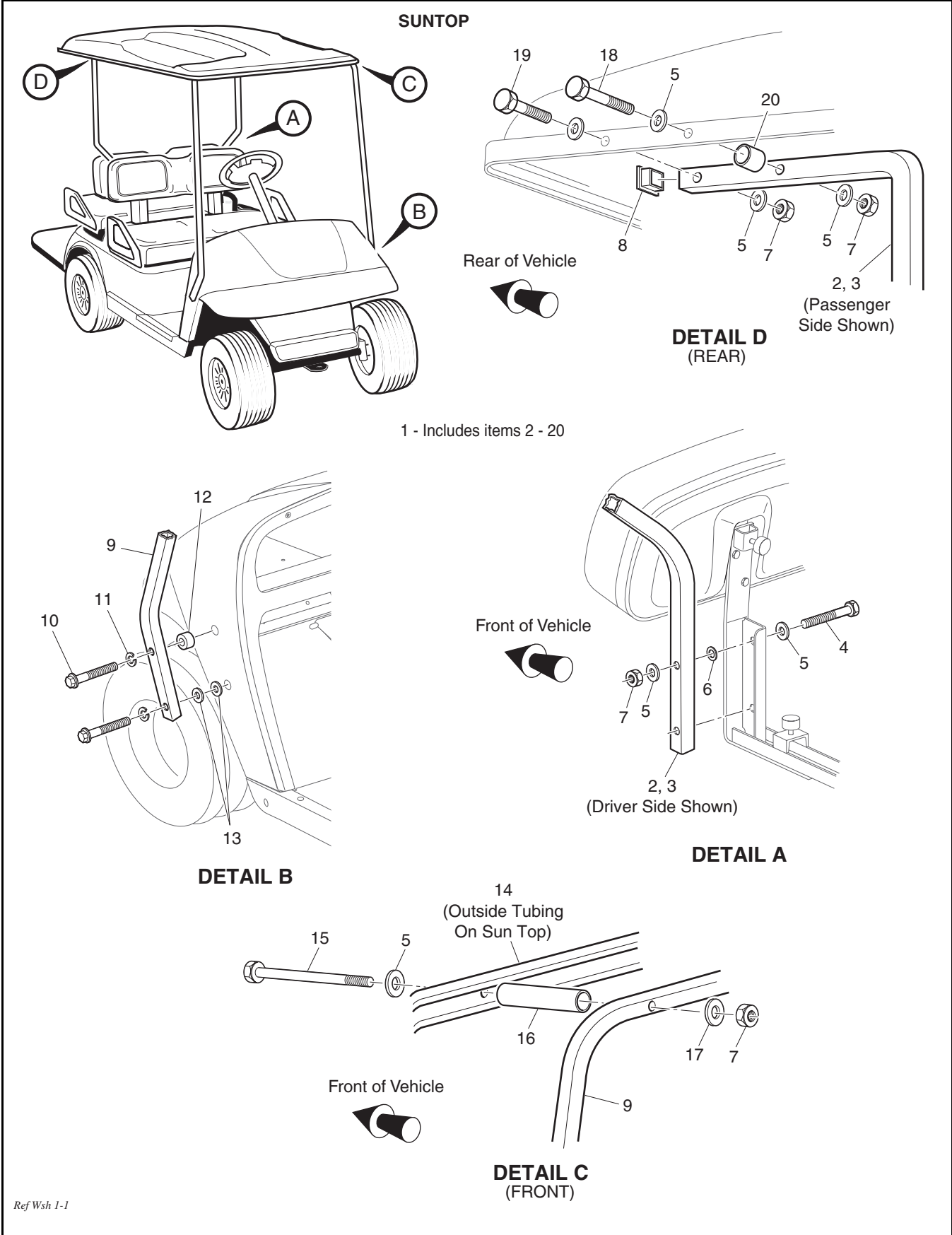
\* Indicates a component that is not available as an individual part.

G\*\* Indicates consult Customer Service Department for additional information.

ITEM	PART NO.	1 2 3 4 5	DESCRIPTION	QTY.
26	<u>75524-G01</u>		WINDSHIELD KIT (GOLF CAR) (INCLUDES ITEMS 27 - 33).....	1
27	*		WINDSHIELD .....	1
28	EGWHC12		SASH, 26" LG .....	2
29	EGWHS12		SCREW, 1/4 - 20 X 1 3/4" LG (STAINLESS STEEL) .....	2
30	EGWHW12		WASHER, 1/4" (STAINLESS STEEL) .....	4
31	EGWHG13		RUBBER GROMMET .....	2
32	EGWHN12		LOCK NUT, 1/4 - 20 (STAINLESS STEEL) .....	2
33	EGWHL14		LABEL (SAFETY) .....	1
34				
35	74910-G01		FOLD DOWN WINDSHIELD KIT (GOLF CAR) (INCLUDES ITEMS 36 - 45)...	1
36	*		WINDSHIELD .....	1
37	110-032A		SASH, 12" LG .....	2
38	EGWHS12		SCREW, 1/4 - 20 X 1 3/4" LG (STAINLESS STEEL) .....	2
39	EGWHW12		WASHER, 1/4" (STAINLESS STEEL) .....	4
40	EGWHG13		RUBBER GROMMET .....	2
41	EGWHN12		LOCK NUT, 1/4 - 20 (STAINLESS STEEL) .....	2
42	<u>110-055C</u>		TOP GRIP, 3/4" X 2" .....	2
43	136-008		TOP GRIP FASTENER.....	2
44	EGWHL14		LABEL (SAFETY) .....	1
45	110-056C		BOTTOM GRIP .....	2
46	<u>75078-G01</u>		WEATHER ENCLOSURE (3 SIDED) RECOMMENDED FOR VEHICLES WITH WINDSHIELDS .....	1
47	<u>75079-G01</u>		WEATHER ENCLOSURE (4 SIDED) RECOMMENDED FOR VEHICLES WITHOUT WINDSHIELDS .....	1
48				
49	<u>75191-G01</u>		BAG COVER AND RAIN CURTAIN KIT .....	1

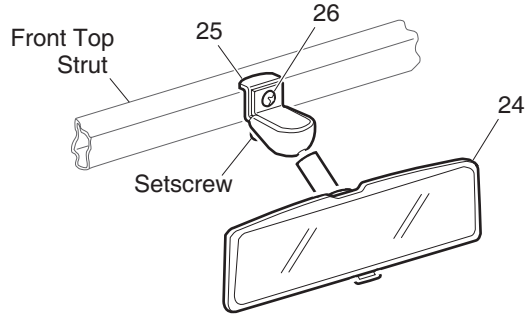


# WEATHER PROTECTION - SHUTTLE 2+2

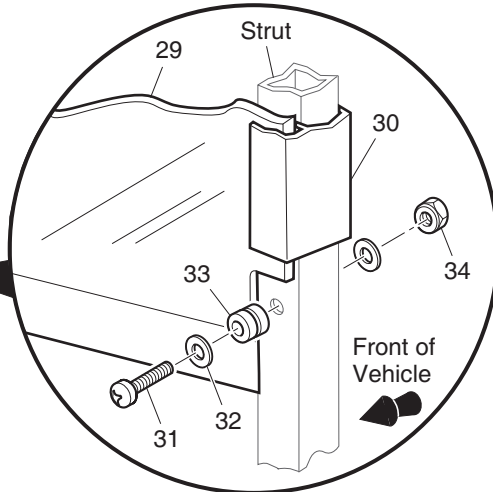
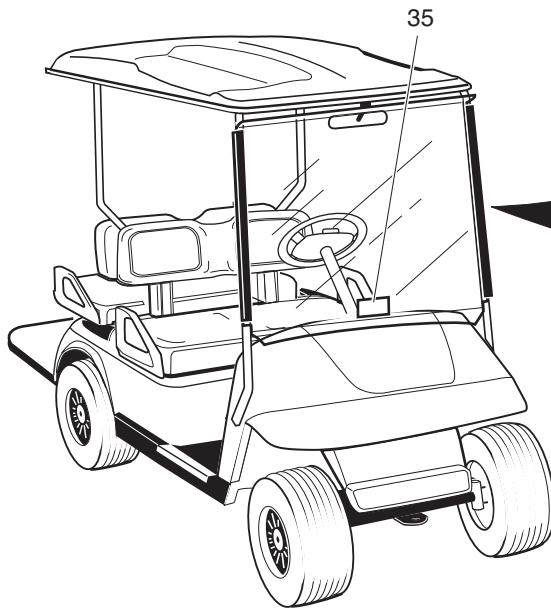




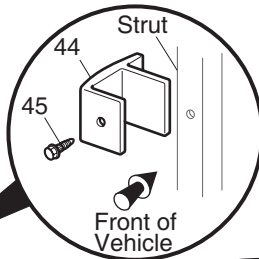
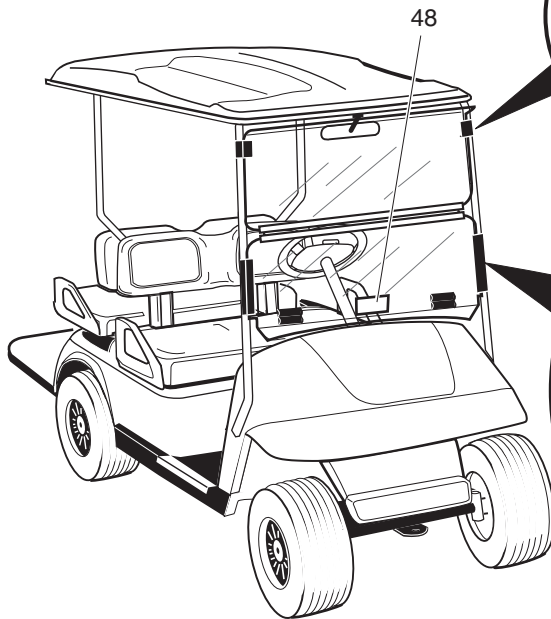
# WEATHER PROTECTION - SHUTTLE 2+2



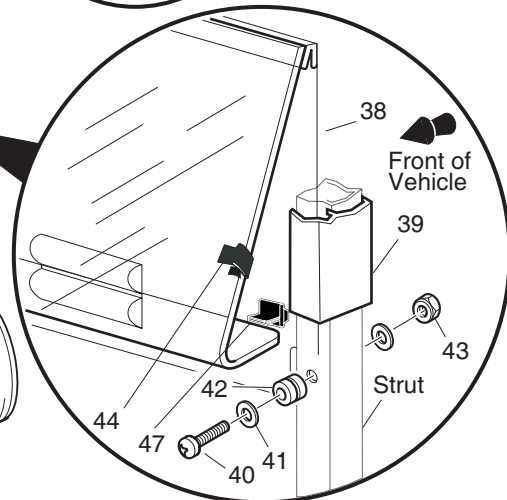
**REAR VIEW MIRROR**  
23 - Includes Items 24 - 26



**FULL WINDSHIELD**  
28 - Includes Items 29 - 35



**FOLD DOWN WINDSHIELD**  
37 - Includes Items 38 - 48



Ref Wsh 1-2

# WEATHER PROTECTION - SHUTTLE 2+2

Where applicable, THE USE OF NON UL PARTS WILL VOID ANY UL LISTING.

When ordering parts, please specify the model and serial number of the product.

\* Indicates a component that is not available as an individual part.

G\*\* Indicates consult Customer Service Department for additional information.

ITEM	PART NO.	1 2 3 4 5	DESCRIPTION	QTY.
			For service or replacement parts, contact: Eagle Parts, Inc. 1411 Marvin Griffin Rd. Augusta, GA 30906 Telephone (706) 790-6687 or FAX (706) 790-6066	
1	<u>75123-G01</u>		SUN TOP (SHUTTLE 2+2) (INCLUDES ITEMS 2 - 20).....	1
2	<u>75074-G01</u>		REAR STRUT (DRIVER SIDE).....	1
3	<u>75074-G02</u>		REAR STRUT (PASSENGER SIDE).....	1
4	<u>00665-G5</u>		BOLT, 3/8 - 16 X 1 3/4" LG (STAINLESS STEEL) .....	4
5	<u>00679-G1</u>		WASHER, 3/8 (STAINLESS STEEL).....	18
6	<u>00771-G5</u>		WASHER, 3/8 .....	4
7	<u>00891-G5</u>		LOCK NUT, 3/8 - 16.....	10
8	<u>19853-G1</u>		END CAP, 1" .....	2
9	<u>75125-G01</u>		FRONT STRUT.....	1
10	<u>00440-G2</u>		BOLT, 5/16 - 18 X 2 1/4" LG.....	4
11	<u>00905-G8</u>		LOCK WASHER, 5/16" .....	4
12	<u>75048-G01</u>		SPACER, 1/2" .....	2
13	<u>00879-G1</u>		LOCK WASHER, 3/8" .....	4
14	<u>27604-G01</u>		SUN TOP .....	1
15	<u>00674-G8</u>		BOLT, 3/8 - 16 X 5" LG (STAINLESS STEEL) .....	2
16	<u>18716-G1</u>		SPACER .....	2
17	<u>00653-G1</u>		WASHER, 3/8" (STAINLESS STEEL) .....	2
18	<u>00665-G3</u>		BOLT, 3/8 - 16 X 2 1/2" LG (STAINLESS STEEL) .....	2
19	<u>00665-G6</u>		BOLT, 3/8 - 16 X 2" LG (STAINLESS STEEL) .....	2
20	<u>24647-G1</u>		SPACER, 1/4" .....	2
21				
22				
23	<u>19528-G2</u>		REAR VIEW MIRROR KIT (INCLUDES ITEMS 24 - 26) .....	1
24	<u>19496-G1</u>		REAR VIEW MIRROR .....	1
25	<u>19502-G02</u>		SUPPORT BRACKET.....	1
26	<u>19527-G1</u>		SCREW, #8 - 32 X 5/8" LG (STAINLESS STEEL) .....	1

# WEATHER PROTECTION - SHUTTLE 2+2

Where applicable, THE USE OF NON UL PARTS WILL VOID ANY UL LISTING.

When ordering parts, please specify the model and serial number of the product.

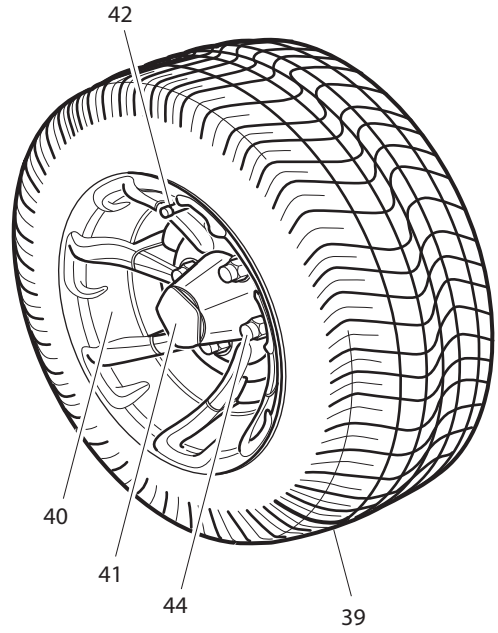
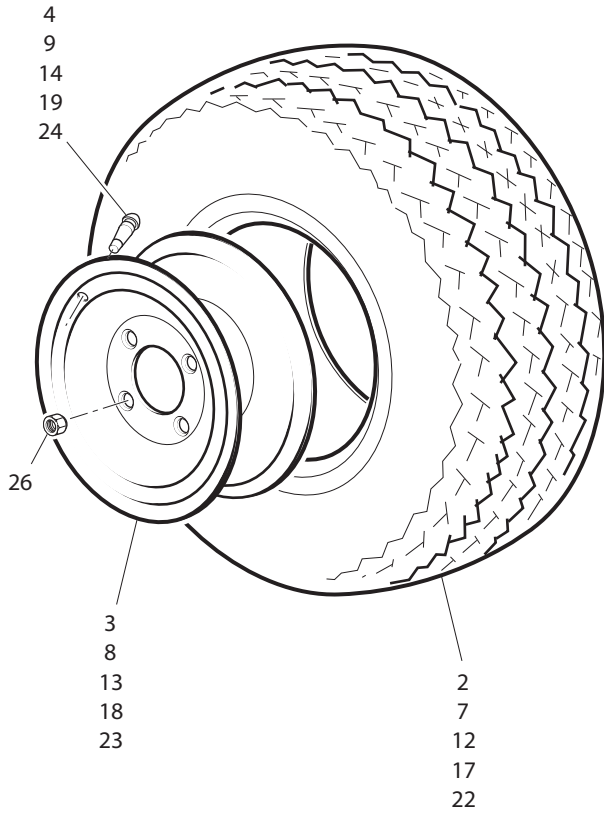
\* Indicates a component that is not available as an individual part.

G\*\* Indicates consult Customer Service Department for additional information.

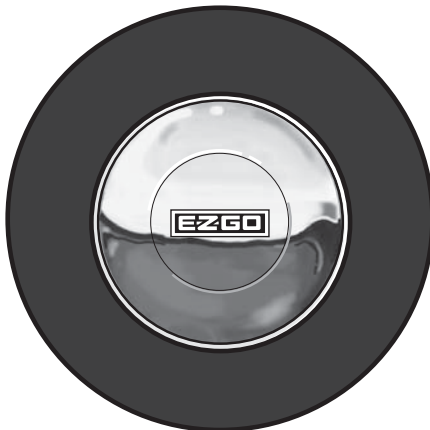
ITEM	PART NO.	1	2	3	4	5	DESCRIPTION	QTY.
27								
28	<u>75524-G02</u>						WINDSHIELD KIT (SHUTTLE 2+2) (INCLUDES ITEMS 29 - 35).....	1
29	*						WINDSHIELD .....	1
30	EGWHC12						SASH, 26" LG .....	2
31	EGWHS12						SCREW, 1/4 - 20 X 1 3/4" LG (STAINLESS STEEL) .....	2
32	EGWHW12						WASHER, 1/4" (STAINLESS STEEL) .....	4
33	EGWHG13						RUBBER GROMMET .....	2
34	EGWHN12						LOCK NUT, 1/4 - 20 (STAINLESS STEEL) .....	2
35	EGWHL14						LABEL (SAFETY) .....	1
36								
37	74910-G02						FOLD DOWN WINDSHIELD KIT (SHUTTLE 2+2) (INCLUDES ITEMS 38 - 48).....	1
38	*						WINDSHIELD .....	1
39	110-032A						SASH, 12" LG .....	2
40	EGWHS12						SCREW, 1/4 - 20 X 1 3/4" LG (STAINLESS STEEL) .....	2
41	EGWHW12						WASHER, 1/4" (STAINLESS STEEL) .....	4
42	EGWHG13						RUBBER GROMMET .....	2
43	EGWHN12						LOCK NUT, 1/4 - 20 (STAINLESS STEEL) .....	2
44	<u>110-055C</u>						TOP GRIP, 3/4" X 2" .....	2
45	136-008						TOP GRIP FASTENER.....	2
46								
47	110-056C						BOTTOM GRIP .....	2
48	EGWHL14						LABEL (SAFETY) .....	1

# WHEELS AND TIRES

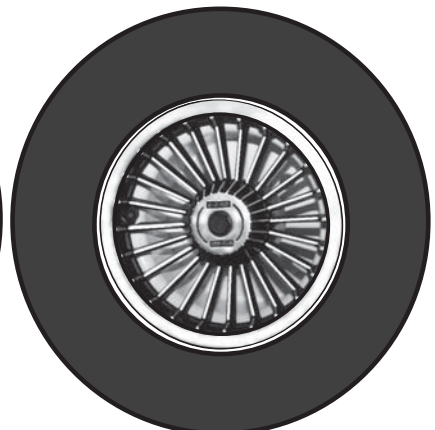
- 1 - Includes Items 2 - 4
- 6 - Includes Items 7 - 9
- 11 - Includes Items 12 - 14
- 16 - Includes Items 17 - 19
- 21 - Includes Items 22 - 24
- 38 - Includes Items 39 - 42



6" CHROME HUBCAP  
27, 28



8" CHROME HUBCAP  
30



SILVER / GOLD SPOKE HUBCAP  
32, 34

Ref Whl 1

# WHEELS AND TIRES

Where applicable, THE USE OF NON UL PARTS WILL VOID ANY UL LISTING.  
 When ordering parts, please specify the model and serial number of the product.  
 \* Indicates a component that is not available as an individual part.  
 G\*\* Indicates consult Customer Service Department for additional information.

ITEM	PART NO.	1 2 3 4 5	DESCRIPTION	QTY.
1	<u>28757-G01</u>		TIRE AND WHEEL ASSEMBLY (LINKS 18 X 8.50 - 8) (INCLUDES ITEMS 2 - 4).....	4
2	<u>28764-G01</u>		TIRE (LINKS 18 X 8.50 - 8) .....	1
3	<u>28759-G01</u>		WHEEL RIM (4 LUG).....	1
4	<u>11657-G2</u>		VALVE STEM.....	1
5				
6	<u>28757-G03</u>		WHEEL AND TIRE ASSEMBLY (TURF SAVER 18 X 8.50 - 8) (INCLUDES ITEMS 7 - 9).....	4
7	<u>28764-G03</u>		TIRE (TURF-SAVER 18 X 8.50 - 8).....	1
8	<u>28759-G01</u>		WHEEL RIM (4 LUG).....	1
9	<u>11657-G2</u>		VALVE STEM.....	1
10				
11	<u>28842-G01</u>		WHEEL AND TIRE ASSEMBLY (SURE TRAIL 18.5 X 8.50 - 8 LOAD RANGE C) (INCLUDES ITEMS 12 - 14).....	4
12	<u>28764-G08</u>		TIRE (SURE TRAIL 18.5 X 8.50 - 8 LOAD RANGE C) .....	1
13	<u>28759-G01</u>		WHEEL RIM (4 LUG).....	1
14	<u>11657-G2</u>		VALVE STEM.....	1
15				
16	<u>28757-G02</u>		WHEEL AND TIRE ASSEMBLY (TURF GLIDE 18 X 8.5 - 8) (INCLUDES ITEMS 17 - 19).....	4
17	<u>28764-G02</u>		TIRE (TURF-GLIDE 18 X 8.5 - 8) .....	1
18	<u>28759-G01</u>		WHEEL RIM (4 LUG).....	1
19	<u>11657-G2</u>		VALVE STEM.....	1
20				
21	<u>28757-G04</u>		WHEEL AND TIRE ASSEMBLY (FAIRWAY 18 X 8.5 - 8) (INCLUDES ITEMS 22 - 24).....	4
22	<u>28764-G04</u>		TIRE (FAIRWAY 18 X 8.5 - 8) .....	1
23	<u>28759-G01</u>		WHEEL RIM (4 LUG).....	1
24	<u>11657-G2</u>		VALVE STEM.....	1
25				
26	<u>14723-G1</u>		LUG NUT, 1/2 - 20.....	16
27	607096		HUBCAP, METALLIC SILVER.....	4

# WHEELS AND TIRES

Where applicable, THE USE OF NON UL PARTS WILL VOID ANY UL LISTING.

When ordering parts, please specify the model and serial number of the product.

\* Indicates a component that is not available as an individual part.

G\*\* Indicates consult Customer Service Department for additional information.

ITEM	PART NO.	1 2 3 4 5	DESCRIPTION	QTY.
28	<u>16042-G1</u>		6" CHROME HUBCAP .....	4
29	16042-G2		6" CHROME HUBCAP (SET OF FOUR).....	1
30	<u>14913-G1</u>		8" CHROME HUBCAP .....	4
31	14913-G2		8" CHROME HUBCAP (SET OF FOUR).....	1
32	<u>19241-G2</u>		GOLD SPOKE HUBCAP .....	4
33	19241-G4		GOLD SPOKE HUBCAP (SET OF FOUR) .....	1
34	<u>19241-G1</u>		SILVER SPOKE HUBCAP.....	4
35	19241-G3		SILVER SPOKE HUBCAP (SET OF FOUR).....	1
36				
37				
38	<u>600599</u>		ALLOY WHEEL AND TIRE ASSEMBLY(INCLUDES ITEMS 39 - 42) .....	4
39	<u>601768</u>		TIRE .....	1
40	<u>601766</u>		ALLOY WHEEL.....	1
41	<u>601353</u>		ALLOY WHEEL CAP .....	1
42	<u>601767</u>		VALVE STEM (CHROME).....	1
43				
44	601354		ALLOY WHEEL LUG NUT .....	16



# OPTIONS/ACCESSORIES



## OPTIONS/ACCESSORIES

ITEM	KIT NO.	SECTION
2 BAG ATTACHMENT . . . . .	75183-G01 . . . . .	Body - Footrest
4 BAG ATTACHMENT . . . . .	75335-G01 . . . . .	Body - Accessories Continued
ALLOY WHEEL AND TIRE ASSEMBLY . . . . .	600599 . . . . .	Wheels And Tires
ALLOY WHEEL CAP . . . . .	601353 . . . . .	Wheels And Tires
ALLOY WHEEL LUG NUT . . . . .	601354 . . . . .	Wheels And Tires
8" CHROME HUBCAP . . . . .	14913-G* . . . . .	Wheels And Tires
6" CHROME HUBCAP . . . . .	16042-G* . . . . .	Wheels And Tires
GOLD SPOKE HUBCAP . . . . .	19241-G* . . . . .	Wheels And Tires
SILVER SPOKE HUBCAP . . . . .	19241-G* . . . . .	Wheels And Tires
ASHTRAY KIT . . . . .	75109-G02 . . . . .	Body - Accessories Continued
BAG COVER / RAIN CURTAIN KIT . . . . .	75191-G01 . . . . .	Weather Protection - Golf Car
CONVERTIBLE CARRIER KIT . . . . .	75179-G* . . . . .	Body, Seating - Convertible Carrier
CENTER BASKET . . . . .	75003-G01 . . . . .	Body - Accessories
COOLER JUG AND BRACKET KIT . . . . .	75495-G01 . . . . .	Body - Accessories Continued
COOLER BOX AND BRACKET KIT . . . . .	75344-G01 . . . . .	Body - Accessories Continued
DIVOT REPAIR KIT . . . . .	23300-G1 . . . . .	Body - Accessories
HIGH ALTITUDE CONVERSION KIT (3-6K FEET) . . . . .	72754-G02 . . . . .	Carburetor and Choke
HIGH ALTITUDE CONVERSION KIT (6-10K FEET) . . . . .	72754-G01 . . . . .	Carburetor and Choke
HOUR METER . . . . .	75114-G02 . . . . .	Electrical System
MESSAGE HOLDER KIT (REQUIRES SUN TOP) . . . . .	75509-G01 . . . . .	Body - Accessories Continued
MESSAGE HOLDER KIT (REQUIRES SUN TOP) . . . . .	75496-G01 . . . . .	Body - Accessories Continued
REAR VIEW MIRROR (REQUIRES SUN TOP) . . . . .	19528-G2 . . . . .	Weather Protection - Golf Car
SAND BOTTLE . . . . .	28661-G01 . . . . .	Body - Accessories
SAND RAKE . . . . .	14735-G1 . . . . .	Body - Accessories Continued
SAND RAKE HOLDER . . . . .	75006-G01 . . . . .	Body - Accessories Continued
SAND MUG - KIT, SINGLE . . . . .	606951 . . . . .	Body - Accessories Continued
SAND MUG - KIT, DOUBLE . . . . .	606986 . . . . .	Body - Accessories Continued
SHUTTLE 2+2 KIT . . . . .	74150-G** . . . . .	Body, Seating - Shuttle 2+2
SIDE BASKET . . . . .	75007-G** . . . . .	Body - Accessories
SUN TOP KIT, GOLF CAR . . . . .	75040-G** . . . . .	Weather Protection - Golf Car
SUN TOP KIT, SHUTTLE 2+2 . . . . .	75123-G01 . . . . .	Weather Protection - Shuttle 2+2
TOW BAR KIT (CASUAL) . . . . .	75033-G01 . . . . .	Tow Bar - Casual

## OPTIONS/ACCESSORIES

ITEM	KIT NO.	SECTION
TOW BAR KIT (PERMANENT) . . . . .	75310-G01 . . . . .	Tow Bar - Permanent
TURN SIGNAL KIT . . . . .	75107-G02 . . . . .	Electrical System
WEATHER ENCLOSURE (3 SIDED). . . . .	75078-G01 . . . . .	Weather Protection - Golf Car
WEATHER ENCLOSURE (3 SIDED). . . . .	75492-G01 . . . . .	Weather Protection - Shuttle 2+2
WEATHER ENCLOSURE (4 SIDED). . . . .	75079-G01 . . . . .	Weather Protection - Golf Car
WINDSHIELD KIT, GOLF CAR . . . . .	75524-G01 . . . . .	Weather Protection - Golf Car
WINDSHIELD KIT, SHUTTLE 2+2. . . . .	75524-G02 . . . . .	Weather Protection - Shuttle 2+2
WINDSHIELD KIT, FOLD DOWN, GOLF CAR . . . . .	75525-G01 . . . . .	Weather Protection - Golf Car
WINDSHIELD KIT, FOLD DOWN, SHUTTLE 2+2. . . . .	75525-G02 . . . . .	Weather Protection - Shuttle 2+2
TIRE DOMINATOR 20X11-10 . . . . .	605316 . . . . .	Wheels and Tires
PATHFINDER TIRE, BRUSHED WHEEL LH . . . . .	605355 . . . . .	Wheels and Tires
PATHFINDER TIRE, BRUSHED WHEEL RH . . . . .	605356 . . . . .	Wheels and Tires
PRO TOUR POLISHED WHEEL . . . . .	605317 . . . . .	Wheels and Tires
PRO TOUR TIRE 205/50-10 . . . . .	605315 . . . . .	Wheels and Tires
V-STEM BRUSHED SPOKED WHEEL . . . . .	605351 . . . . .	Wheels and Tires
PRO BRUSHED WHEEL . . . . .	605318 . . . . .	Wheels and Tires
DOMINATOR POLISHED WHEEL . . . . .	605319 . . . . .	Wheels and Tires
DOMINATOR BRUSHED WHEEL . . . . .	605320 . . . . .	Wheels and Tires
CHROME CENTER CAP SPOKED WHEEL . . . . .	604929 . . . . .	Wheels and Tires
NUT, LUG-CHROME . . . . .	605310 . . . . .	Wheels and Tires
V-STEM POLISHED SPOKED WHEEL . . . . .	605311 . . . . .	Wheels and Tires
PATHFINDER TIRE 22X11-10 . . . . .	604928 . . . . .	Wheels and Tires
PATHFINDER TIRE POLISHED WHEEL LH . . . . .	604930 . . . . .	Wheels and Tires
PATHFINDER TIRE POLISHED WHEEL RH . . . . .	605228 . . . . .	Wheels and Tires
JACK UP KIT . . . . .	74786-G02 . . . . .	Wheels and Tires
SEAT BOTTOM COVER FRONT/REAR W/PIPING . . . . .	604912-GXXXX . . . . .	Seating - TXTG4 / S2+2G
SEAT BACK FRONT/REAR COVER W/PIPING . . . . .	604916-GXXXX . . . . .	Seating - TXTG4 / S2+2G
SEAT BACK CUST W/PIPING . . . . .	605373-GXXXX . . . . .	Seating - TXTG4 / S2+2G
SEAT BOTTOM FRONT W/PIPING . . . . .	605374-GXXXX . . . . .	Seating - TXTG4 / S2+2G
SEAT BOTTOM REAR W/PIPING . . . . .	605375-GXXXX . . . . .	Seating - TXTG4 / S2+2G

# OPTIONS/ACCESSORIES

**Notes:** \_\_\_\_\_

\_\_\_\_\_

\_\_\_\_\_

\_\_\_\_\_

\_\_\_\_\_

\_\_\_\_\_

\_\_\_\_\_

\_\_\_\_\_

\_\_\_\_\_

\_\_\_\_\_

\_\_\_\_\_

\_\_\_\_\_

\_\_\_\_\_

\_\_\_\_\_

\_\_\_\_\_

\_\_\_\_\_

\_\_\_\_\_

\_\_\_\_\_

\_\_\_\_\_

\_\_\_\_\_

\_\_\_\_\_

\_\_\_\_\_

\_\_\_\_\_

\_\_\_\_\_

\_\_\_\_\_

\_\_\_\_\_

\_\_\_\_\_

\_\_\_\_\_

\_\_\_\_\_

\_\_\_\_\_

\_\_\_\_\_

\_\_\_\_\_

\_\_\_\_\_

\_\_\_\_\_

\_\_\_\_\_

\_\_\_\_\_

# SPECIALTY PRODUCTS

## SPECIALTY PRODUCTS

<b>SPECIAL TOOLS</b>	<b>PART NO.</b>
HIGH RESISTANCE SPARK PLUG WIRE SET .....	26733-G02
CLUTCH PULLER (DRIVE) .....	19779-G2
FLYWHEEL PULLER .....	27111-G01
CURRENT INDICATOR .....	16489-G2
DIGITAL MULTI-METER .....	27481-G01
TUBELESS TIRE REPAIR KIT .....	606009
TIRE PLUGGER REFILL PACK (50/BOX) .....	606831

<b>TOUCH UP PAINT</b>	<b>PART NO.</b>
PEN 3 OUNCE (89 ML) - HUNTER GREEN .....	28432-G02
PEN 3 OUNCE (89 ML) - CHAMPAGNE BEIGE .....	28432-G01
PEN 3 OUNCE (89 ML) - WHITE .....	28432-G05
PEN 3 OUNCE (89 ML) - INDUSTRIAL YELLOW .....	28432-G03
PEN 3 OUNCE (89 ML) - ORANGE .....	28432-G04
PEN 3 OUNCE (89 ML) - STEEL BLUE PEARL .....	28432-G24
PEN 3 OUNCE (89 ML) - CAMOUFLAGE PAINT (THREE PENS) .....	75831-G01
AEROSOL 12 OUNCE (360 ML) - HUNTER GREEN .....	28140-G09
AEROSOL 12 OUNCE (360 ML) - CHAMPAGNE BEIGE .....	28140-G15
AEROSOL 12 OUNCE (360 ML) - INDUSTRIAL YELLOW .....	28140-G14

<b>MAINTENANCE PRODUCTS</b>	<b>PART NO.</b>
PLEXUS <sup>®</sup> CLEANER, 13 OUNCE (380 ML) (FOR WINDSHIELDS) .....	28433-G02
BATTERY PROTECTOR, 14 OUNCE (410 ML) SPRAY .....	27619-G02
E-Z-GO ALL SURFACE CLEANER .....	606311
E-Z-GO FIBREGLASS/PLASTIC RESTORER .....	606313
WINDSHIELD AND PLASTIC PROTECTOR .....	606314
64 OZ HAND CLEANER .....	607636
4 OZ HAND CLEANER .....	607637

# INDEX OF MAJOR COMPONENTS

## A

ACCELERATOR CABLE .....	A-5
ALLOY WHEEL .....	U-3
ARMATURE .....	R-2
ASH TRAY .....	C-18
AXLE SHAFT .....	N-2
AXLE SHAFT SEAL .....	N-2
AXLE TUBE .....	N-2

## B

BAG COVER .....	T-5
BALL BEARING .....	N-2
BED .....	Q-10
BOX COOLER .....	C-16
BRAKE ADJUSTER .....	D-7
BRAKE ASSEMBLY .....	D-6
BRAKE CABLE .....	D-4
BRAKE DRUM .....	D-7
BRAKE SHOE .....	D-6
BRAKE SPRING KIT .....	D-6
BRUSH ASSEMBLY .....	R-2
BUMPER PLUG .....	C-9
BUZZER .....	G-2

## C

CARBURETOR .....	E-3
CATCH BRACKET .....	D-5
CENTER BASKET .....	C-14
CHOKE CABLE .....	E-3
COMPENSATOR ASSEMBLY .....	D-4
COOLER JUG .....	C-16
COWL .....	C-2

## D

DIRECTION SELECTOR HANDLE .....	G-3
DIVOT REPAIR KIT .....	C-14
DRIVE BELT .....	F-2
DRIVE CLUTCH .....	F-2
DRIVEN CLUTCH .....	F-2

## E

ENGINE .....	J-2, J-4
ENGINE GUARD .....	K-2
ENGINE MOUNT .....	K-2
EQUALIZER .....	D-4

# INDEX OF MAJOR COMPONENTS

EXHAUST GASKET ..... J-2, J-4

## F

FEMALE STOP ..... S-3  
FENDER SCUFFGUARD ..... C-8  
FIELD COIL ..... R-2  
FLOORMAT ..... C-6  
FLOORMAT WITH HORN HOLE ..... C-6  
FOOTREST ..... C-12  
FOUR BAG ATTACHMENT KIT ..... C-18  
FRONT SHIELD ..... C-2  
FRONT STRUT ..... T-4, T-9  
FUEL GAUGE ..... H-11  
FUEL TANK ..... M-2  
FUSE ..... H-9  
FUSE BLOCK ..... H-9

## G

GOVERNOR ARM ..... A-5

## H

HEADLIGHT ..... H-10  
HEADLIGHT BULB ..... H-10  
HIP RESTRAINT ..... Q-2  
HORN SWITCH ..... H-9  
HOUR METER ..... H-12  
HUBCAP ..... U-3

## I

IGNITION COIL ..... H-7  
INDICATOR LIGHT ..... H-11  
IN-LINE FUSE HOLDER ..... H-9  
INPUT SHAFT SEAL ..... N-2  
INSTRUMENT PANEL WOODGRAIN APPLIQUE KIT ..... C-3  
ISOLATION MOUNT ..... K-2

## K

KEY SWITCH ..... H-11  
KICK-OFF ..... D-5

## L

LEAF SPRING ..... P-2

# INDEX OF MAJOR COMPONENTS

LINKS 1 18 X 8.5 - 8.....	U-2
LUG NUT .....	U-2, U-3

## M

MALE STOP.....	S-3
MARKER LIGHT BULB.....	H-10
MESSAGE HOLDER.....	C-16
MICRO SWITCH.....	A-5, D-6, G-2
MUFFLER.....	J-2, J-4

## O

OIL FILLER CAP.....	J-2, J-4
OIL FILTER .....	J-2, J-4
OIL FILTER 'O' RING .....	J-2, J-4

## P

PEDAL BOX ASSEMBLY .....	A-4
PEDAL PIVOT COVER.....	A-5
PULLEY .....	R-2
PULSER COIL .....	H-7

## R

RAIN CURTAIN.....	T-5
RAKE.....	C-16
REAR BODY (WITH TAILLIGHTS).....	C-8
REAR BODY (WITHOUT TAILLIGHTS) .....	C-8
REAR BUMPER.....	C-8
REAR STRUT .....	T-4
REAR STRUT (DRIVER SIDE).....	T-9
REAR STRUT (PASSENGER SIDE).....	T-9
REAR VIEW MIRROR.....	T-4
REVERSE WARNING BUZZER.....	G-2
ROCKER PANEL .....	C-9

## S

SAND BOTTLE .....	C-14
SEAT.....	Q-2, Q-5, Q-9
SEAT BACK MOUNT .....	Q-10
SEAT BACK SUPPORT.....	Q-5, Q-9
SEAT HINGE .....	Q-2
SEAT SUPPORT BRACKET.....	Q-2, Q-6
SHIFTER CABLE .....	G-2
SHIFTER SHAFT SEAL.....	N-2
SHOCK ABSORBER.....	P-2



# INDEX OF MAJOR COMPONENTS

SIDE BASKET .....	C-14
SILL PLATE .....	C-9
SPARK PLUG .....	J-2, J-4
STARTER / GENERATOR ADJUSTER .....	R-3
STARTER / GENERATOR BELT .....	R-3
SUN TOP .....	T-4
SUN TOP (SHUTTLE 2+2) .....	T-9

## T

TAILLIGHT BULB .....	H-10
THROTTLE CABLE .....	A-6
TIE ROD .....	S-4, S-6
TIMING BELT .....	J-2, J-4
TOW BAR .....	S-3, S-6
TOW BAR HITCH .....	S-4
TURF SAVER 18 X 8.5 - 8 .....	U-2
TURN SIGNAL .....	H-10
TURN SIGNAL BULB .....	H-10
TWO BAG ATTACHMENT KIT .....	C-12

## U

USA TRAIL 6-PLY 18.5 X 8.5 - 8 .....	U-2
--------------------------------------	-----

## V

VALANCE PANEL .....	C-12
VALVE COVER GASKET .....	J-2, J-4

## W

WEATHER ENCLOSURE (3 SIDED) .....	T-5
WEATHER ENCLOSURE (4 SIDED) .....	T-5
WINDSHIELD .....	T-5, T-10
WIRE HARNESS (ACCESSORY) .....	H-11
WIRE HARNESS (BRAKE LIGHT) .....	D-6
WIRE HARNESS (HOUR METER) .....	H-12
WIRE HARNESS (KEY SWITCH) .....	H-11
WIRE HARNESS (OIL LIGHT/FUEL GAUGE) .....	H-11
WIRE HARNESS (OIL LIGHT/FUEL LIGHT) .....	H-11
WIRE HARNESS (PEDAL BOX) .....	A-5





A Textron Company

E-Z-GO Division Of Textron, Inc.,  
1451 Marvin Griffin Road, Augusta, Georgia USA 30906-3852

**TO CONTACT US**

North America:

Technical Assistance & Warranty Phone: 1-800-774-3946, FAX: 1-800-448-8124  
Service Parts Phone: 1-888-GET-EZGO (1-888-438-3946), FAX: 1-800-752-6175

International:

Phone: 001-706-798-4311, FAX: 001-706-771-4609

Certified ISO 9001 / ISO 14001 by



Copyrighted Material  
This manual may not be reproduced in whole or  
in part without the express permission of  
E-Z-GO Division of Textron, Inc.  
Technical Communications Department