



A Textron Company

Gasoline Service Parts Manual



625475-BE

ISSUED SEPTEMBER 2011

REVISED DECEMBER 2019

SERVICE PARTS MANUAL

GASOLINE POWERED UTILITY VEHICLE

TERRAIN 250

TERRAIN 500

TERRAIN 1000

STARTING MODEL YEAR 2012

DISCLAIMER: The E-Z-GO Division of Textron Inc. (E-Z-GO) reserves the right to incorporate engineering and design changes to products in this Manual, without obligation to include these changes on units leased/sold previously.

The information contained in this Manual may be revised periodically E-Z-GO, and therefore is subject to change without notice.

E-Z-GO DISCLAIMS LIABILITY FOR ERRORS IN THIS MANUAL, and E-Z-GO SPECIFICALLY DISCLAIMS LIABILITY FOR INCIDENTAL AND CONSEQUENTIAL DAMAGES RESULTING FROM THE USE OF THE INFORMATION AND MATERIALS IN THIS MANUAL.

TO CONTACT US

NORTH AMERICA:

TECHNICAL ASSISTANCE & WARRANTY PHONE: 1-800-774-3946, FAX: 1-800-448-8124

SERVICE PARTS PHONE: 1-888-GET-EZGO (1-888-438-3946), FAX: 1-800-752-6175

INTERNATIONAL: PHONE: 001-706-798-4311, FAX: 001-706-771-4609

E-Z-GO DIVISION OF TEXTRON INC., 1451 MARVIN GRIFFIN RD., AUGUSTA, GEORGIA USA 30906-3852

GENERAL INFORMATION

To obtain a copy of the limited warranty applicable to the vehicle, call or write a local Distributor, authorized Branch or the Warranty Department with vehicle serial number and manufacturer code.

The use of non Original Equipment Manufacturer (OEM) parts may void the warranty.

Overfilling of batteries may void the warranty.

BATTERY PROLONGED STORAGE

All batteries will self discharge over time. The rate of self discharge varies depending on the ambient temperature and the age and condition of the batteries.

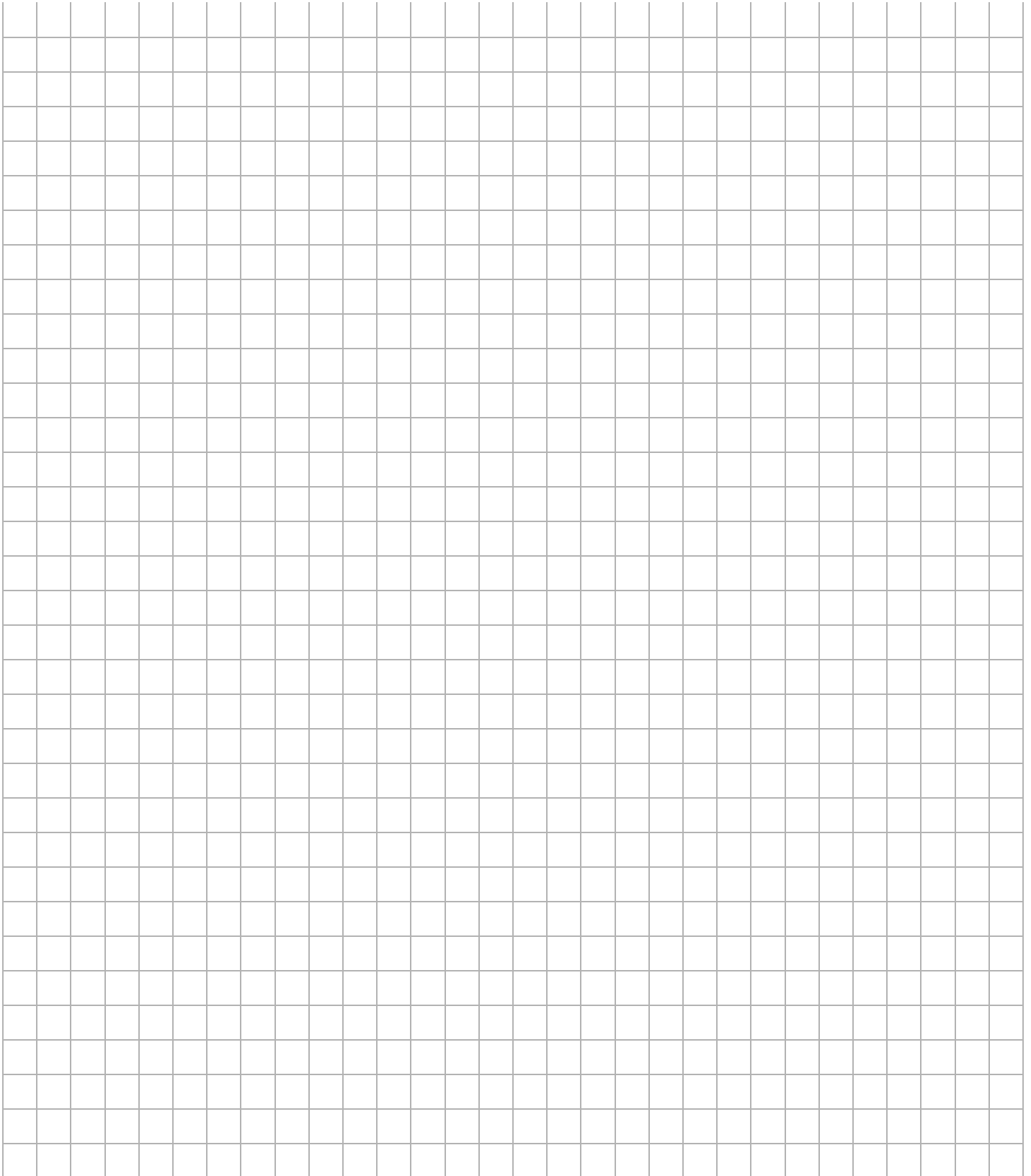
A fully charged battery will not freeze in winter temperatures unless the temperature falls below -75°F (-60°C).

As with all electric vehicles, the batteries must be checked and recharged as required or at a minimum of 30 day intervals.

TABLE OF CONTENTS

SECTION	Page No.
HOW TO USE THE SERVICE PARTS MANUAL	v
ACCELERATOR	A-1
AIR FILTER	B-1
BODY	C-1
BRAKES - MECHANICAL	D-1
CAB	E-1
CARBURETOR	F-1
CLUTCH	G-1
DIRECTION SELECTOR	H-1
ELECTRICAL SYSTEM	J-1
ENGINE AND MUFFLER	K-1
ENGINE MOUNTING	L-1
FRONT SUSPENSION AND STEERING (TERRAIN 250)	M-1
FRONT SUSPENSION AND STEERING (TERRAIN 500 & 1000)	M-9
FUEL SYSTEM	N-1
REAR AXLE	P-1
REAR SUSPENSION (TERRAIN 250)	Q-1
REAR SUSPENSION (TERRAIN 500 & 1000)	Q-5
ROPS	R-1
SEATING	S-1
STARTER / GENERATOR	T-1
TRUCK BED - METAL	U-1
TRUCK BED - PLASTIC	U-7
WEATHER PROTECTION	V-1
WHEELS AND TIRES	W-1

NOTES



HOW TO USE THE SERVICE PARTS MANUAL

This manual is divided into several sections:

- GENERAL INFORMATION
- ILLUSTRATED PARTS BREAKDOWN
- APPENDIX

The first section, GENERAL INFORMATION, contains the following information:

- WARRANTY INFORMATION
- GENERAL INDEX
- HOW TO USE THE SERVICE PARTS MANUAL

The second section, ILLUSTRATED PARTS BREAKDOWN, contains illustrations and parts lists for all systems of your vehicle.

The third section, APPENDIX, contains a listing of specialty products and accessories.

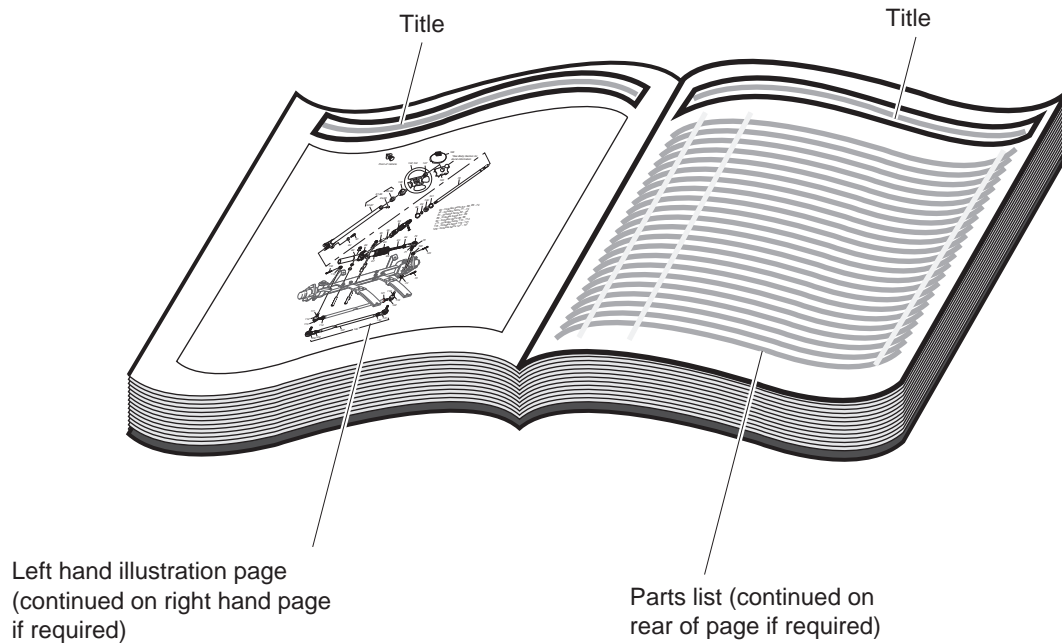
USE OF THE MANUAL

To use this manual, consult the GENERAL INDEX to locate the information or illustration required.

Introduction of some revisions varies due to supply of components; therefore, it is possible that various combinations of components may be found that are not directly reflected by each illustration. Consult the illustration that best suits your situation and then contact the Service Parts Department. It is important that the serial number of your vehicle and its model number be supplied to Service Parts when ordering any replacement components.

Locate the serial number plate (see BODY located in the Illustrated Parts Breakdown section of this manual for its location) and note the complete number shown on the plate.

HOW TO USE THE SERVICE PARTS MANUAL



1. WHEN THE PART NUMBER IS NOT KNOWN

- Determine the function and application of the part required. Turn to the General Index and select the most appropriate title.
- Turn to the page number indicated and locate the desired part on the illustration.
- From the illustration, obtain the item number assigned to the desired part. Refer to the accompanying description for specific information regarding the part.

2. IF YOU KNOW THE PART NUMBER

- Locate the part number or description in the appropriate column on the parts list page.

NOTE: It is suggested that you confirm that the part selected is correct by verifying it with the pictorial representation on the illustrated page.

Should an asterisk (*) appear in the part number column on the parts list page, read upwards until a part number is found. The part number is the lowest assembly sold by Service Parts and the asterisk (*) indicates that the part depicted is not available for purchase.

NOTE: Descriptions are indented under the assembly that they are used on. That assembly is, in turn listed under the assembly that it is used on. This process is repeated until the highest final assembly is reached.

To facilitate the maintenance and repair of the vehicle, a Technician's Repair and Service Manual is available from the Service Parts Department.

HOW TO USE THE SERVICE PARTS MANUAL

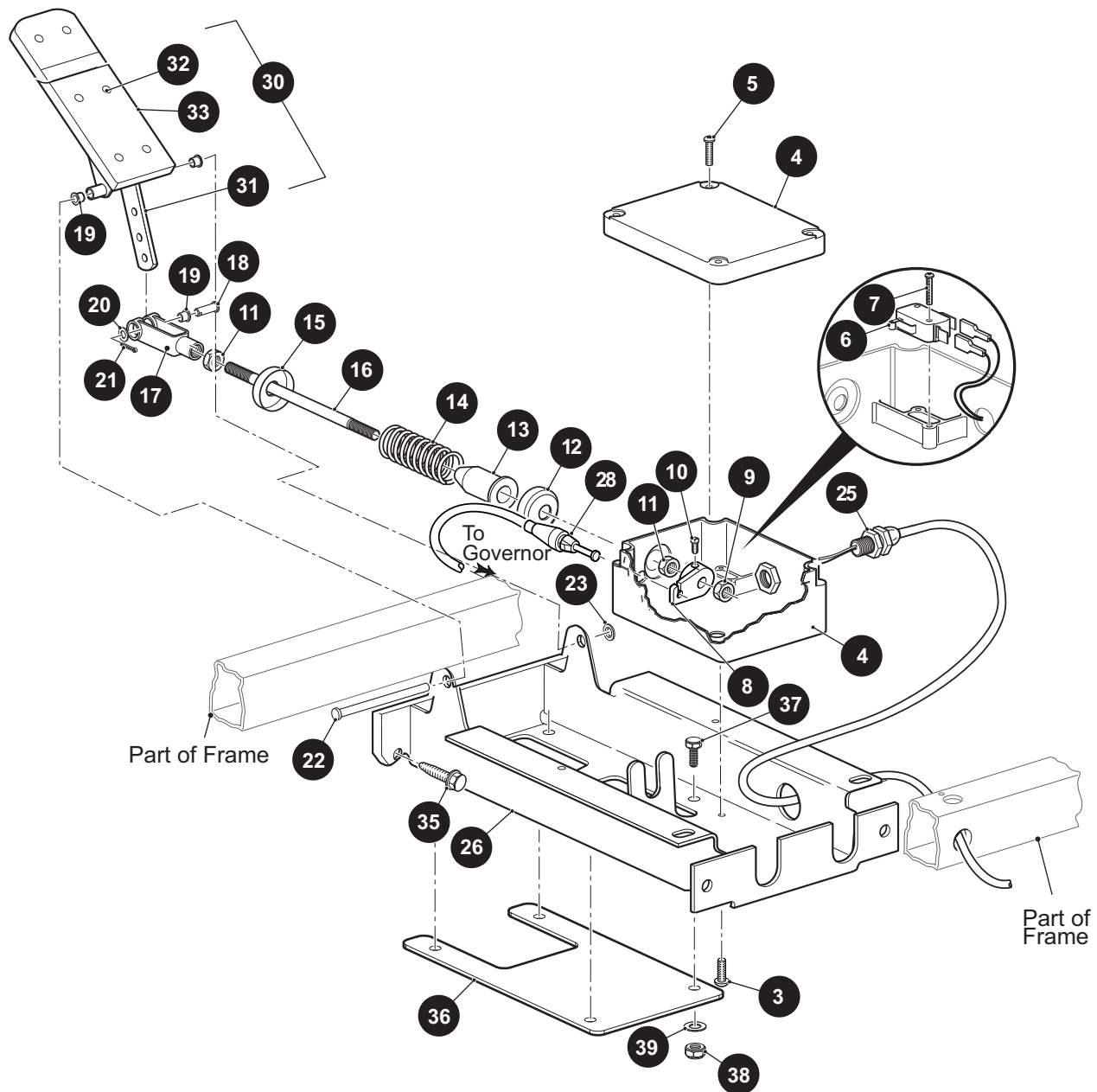
3. COLOR CODE FOR BODY COMPONENTS

The last two digits of the part number for the body part will denote the color code, locate the part number for the cowl, rear body, seat pod, side panel or seat wrap then locate your color in the list below, replace the last ** or XX with the two digit color code.

<u>CODE #</u>	<u>DESCRIPTION</u>	<u>CODE #</u>	<u>DESCRIPTION</u>
01	NO PAINT	53	MOSSY OAK NEW BREAK UP - DIPPED
02	SPECIAL COLOR	54	MOSSY OAK OBSESSION - DIPPED
05	JACOBSEN ORANGE	55	REALTREE ADVANTAGE MAX 4 - DIPPED
06	LIGHT GOLD PEARL	56	REALTREE HARDWOOD BROWN - DIPPED
07	SILVER PEARL METALIC	57	REALTREE AP HOT PINK - DIPPED
11	BLACK	58	BLACK / SILVER MARBLE - DIPPED
12	EMERALD GREEN PEARL	59	RED / SILVER MARBLE - DIPPED
13	CLOUD GRAY	60	HOT PINK / SILVER MARBLE - DIPPED
14	VIPER BLUE METALLIC	61	REALTREE AP
19	PATRIOT BLUE PEARL	62	REALTREE MAX 4
20	INFERNO RED METALLIC	63	MOSSY OAK BREAKUP
23	ADVANTAGE CLASSIC CAMO	64	MOSSY OAK TREESTAND
24	NATURAL	65	REALTREE APG
25	VIVID NEW HOLLAND BLUE	66	REALTREE MAX 1
26	STEEL BLUE PEARL	67	REALTREE AP PINK
27	BRIGHT SILVER METALLIC	68	REALTREE AP - DIPPED
29	PRIMER ONLY		
30	HD ADVANTAGE CAMO		
31	METALLIC CHARCOAL		
32	LIGHT ALMOND PEARL		
33	TIMBERLINE GREEN		
34	DEEP MOLTEN RED		
35	SAFETY YELLOW		
36	IVORY		
37	FOREST GREEN		
38	BRIGHT WHITE		
39	FLAME RED		
40	BLACK		
41	ELECTRIC BLUE		
42	PLATINUM		
43	BURGUNDY		
44	ALMOND		
45	BLACK		
46	FLAME RED		
47	BURLINGTON GREEN		
48	BLACK		
49	FLAME RED		
50	RECON GREEN		
51	SUNBURST ORANGE		
52	BRITISH RACING GREEN		

ACCELERATOR

- 1 PEDAL BOX ASSEMBLY (250 & 500 Only) includes items 28, 30 - 33
- 2 PEDAL BOX ASSEMBLY (1000 Only) includes items 3 - 27, 29 - 33
- 30 ACCELERATOR PEDAL ASSEMBLY includes items 31 - 33

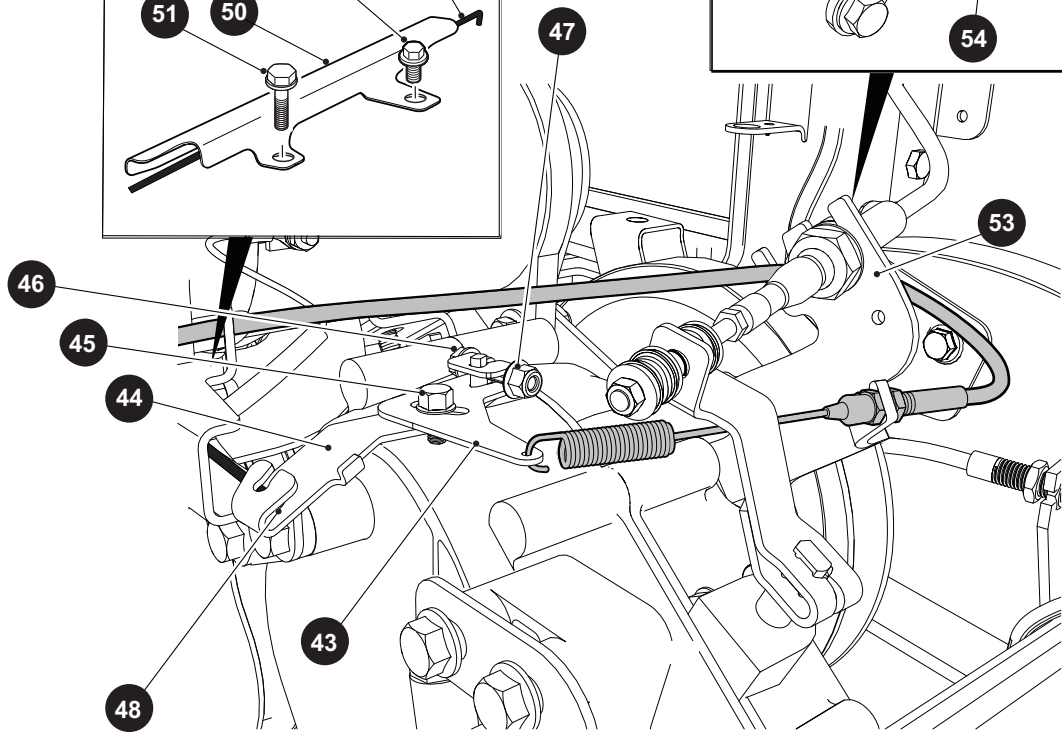
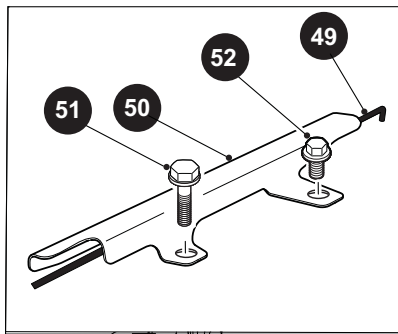
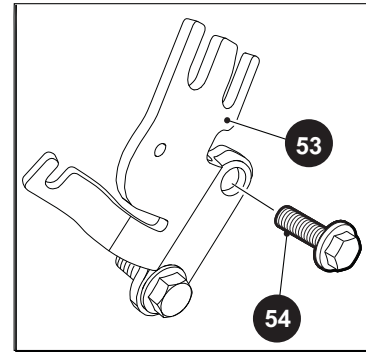
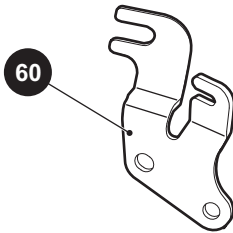


WARNING

DO NOT TAMPER WITH OR ATTEMPT TO CHANGE THE ADJUSTMENT OF THE GOVERNOR. GOVERNOR TAMPERING CAN RESULT IN SERIOUS PERSONAL INJURY AND WILL VOID THE VEHICLE WARRANTY.

56

FOR VEHICLES MANUFACTURED FROM APRIL 2014



Differential

ACCELERATOR

When ordering parts, please specify the model and serial number of the product.

* Indicates a component that is not available as an individual part.

*** Indicates consult Customer Service Department for additional information.

ITEM	PART NO.	1 2 3 4 5	DESCRIPTION	QTY.
1	<u>606990</u>		PEDAL BOX ASSEMBLY (TERRAIN 250 & 500 ONLY) (INCLUDES ITEMS 3 - 28, 30 - 33).....	1
2	<u>606991</u>		PEDAL BOX ASSEMBLY (TERRAIN 1000 ONLY) (INCLUDES ITEMS 3 - 27, 29 - 33).....	1
3	<u>01051G01</u>		PAN HEAD PHILLIPS SCREW, #8 - 16 X 1/2" LG	4
4	<u>25853G03</u>		PEDAL BOX AND COVER.....	1
5	<u>00684G6</u>		TRUSS HEAD PHILLIPS SCREW, #8 - 32 X 3/4" LG	2
6	<u>25861G01</u>		MICRO SWITCH	1
7	<u>01050G01</u>		PAN HEAD TORX SCREW, #4 - 20 X 5/8" LG	2
8	<u>72716G01</u>		MICRO SWITCH CAM.....	1
9	<u>15126G1</u>		LOCK NUT, 5/16" - 24.....	1
10	<u>00487G3</u>		SOCKET HEAD SCREW, 1/4 - 20 X 3/8" LG.....	1
11	<u>00532G4</u>		HEX NUT, 5/16" - 24	2
12	<u>17677G1</u>		SPRING RETAINER	1
13	<u>17979G1</u>		ACCELERATOR ROD BUSHING	1
14	<u>73046G01</u>		COMPRESSION SPRING	1
15	<u>17677G2</u>		SPRING RETAINER	1
16	<u>72072G01</u>		ACCELERATOR ROD	1
17	<u>10385G4</u>		CLEVIS YOKE (ADJUSTABLE)	1
18	<u>10386G3</u>		CLEVIS PIN, 5/16" X 13/16"	1
19	<u>17838G1</u>		NYLON BUSHING	3
20	<u>17255G1</u>		TEFLON WASHER, 5/16"	1
21	<u>10387G3</u>		COTTER PIN, 3/32" X 3/4"	1
22	<u>74432G01</u>		PEDAL PIVOT PIN.....	1
23	<u>12064G6</u>		PUSH NUT, 9/32"	1
24				
25	<u>72201G04</u>		WIRE HARNESS (PEDAL BOX).....	1
26	<u>652241G03</u>		ACCELERATOR PEDAL BRACKET	1
27				
28	<u>608608</u>		ACCELERATOR CABLE (TERRAIN 250 & 500 ONLY)	1
29	<u>608614</u>		ACCELERATOR CABLE (TERRAIN 1000 ONLY)	1
30	<u>25799G03</u>		ACCELERATOR PEDAL ASSEMBLY (INCLUDES ITEMS 31 - 33)	1

ACCELERATOR

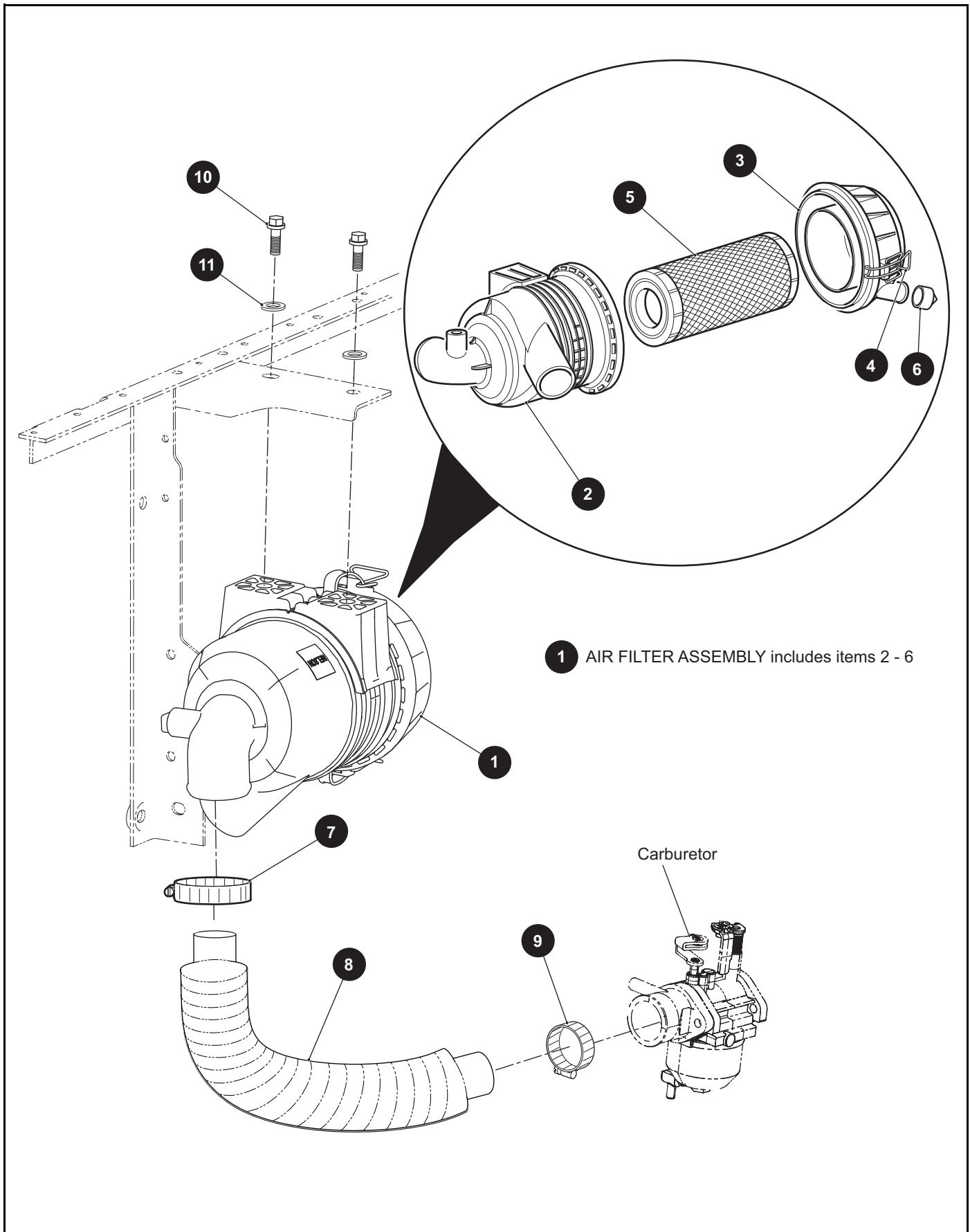
When ordering parts, please specify the model and serial number of the product.

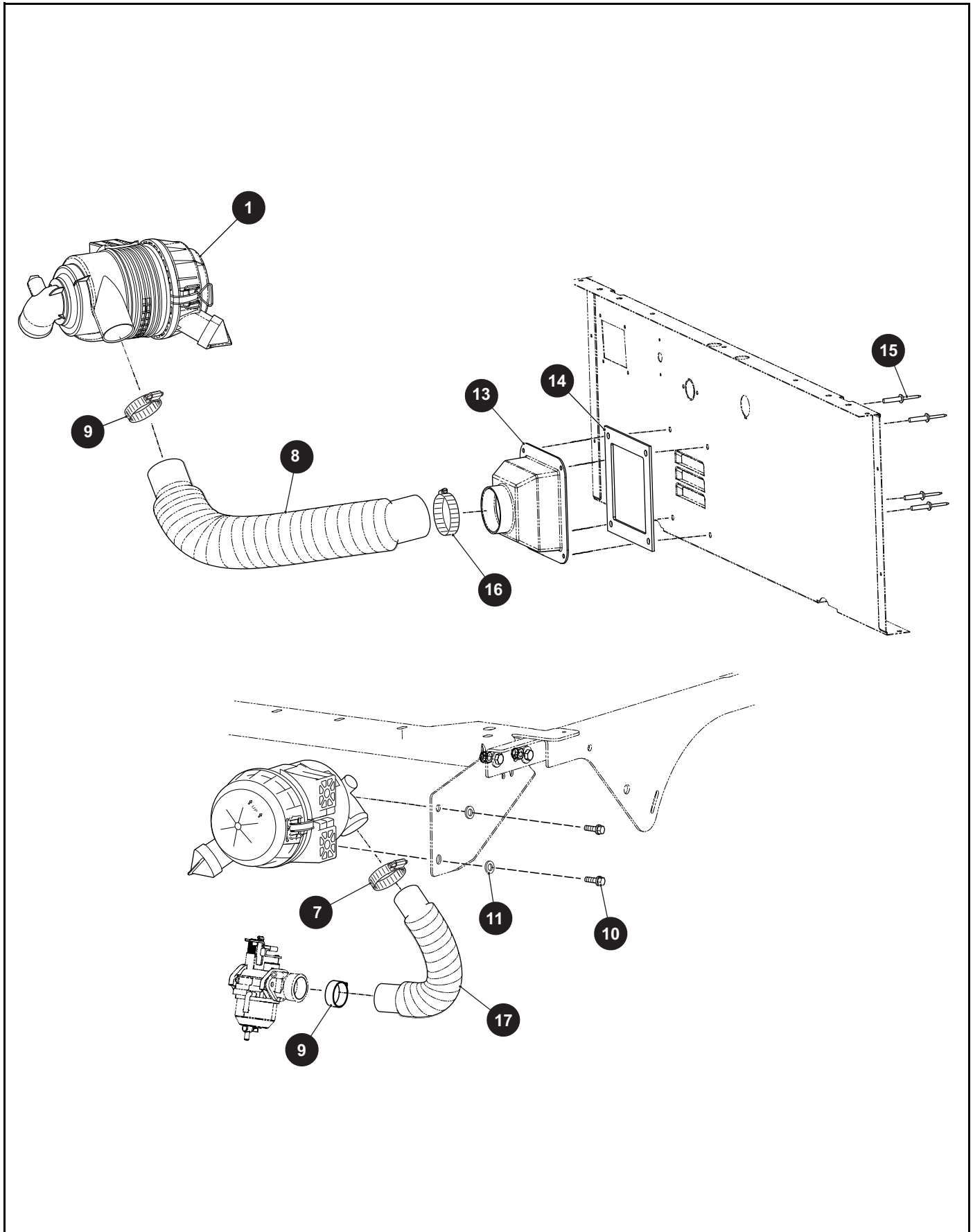
* Indicates a component that is not available as an individual part.

*** Indicates consult Customer Service Department for additional information.

ITEM	PART NO.	1 2 3 4 5	DESCRIPTION	QTY.
31	652824		ACCELERATOR PEDAL	1
32	<u>16409G1</u>		OVAL RIVET, 3/16" X 7/16" LG	6
33	<u>27512G01</u>		ACCELERATOR PEDAL PAD.....	1
34				
35	<u>00715G2</u>		TRUSS HEAD SCREW, 5/16" -18 X .8" LG.....	4
36	<u>652780G03</u>		BACKING PLATE (TERRAIN 500 & 1000 ONLY).....	1
37	<u>00414G6</u>		HEX HEAD BOLT, 1/4" - 20 X 3/4" LG (TERRAIN 500 & 1000 ONLY)	4
38	<u>00654G2</u>		LOCK NUT (SS) , 1/4" - 20 (TERRAIN 500 & 1000 ONLY)	4
39	<u>01110G01</u>		FLAT WASHER, 1/4" (TERRAIN 500 & 1000 ONLY).....	4
40				
41				
42				
43	<u>606083</u>		UPPER GOVERNOR BRACKET.....	1
44	<u>606005</u>		LOWER GOVERNOR BRACKET	1
45	<u>606265</u>		HEX HEAD BOLT, M6 - 1 X 12MM LG.....	1
46	<u>606421</u>		HEX HEAD BOLT, M6 - 1 X 30MM LG.....	1
47	<u>450452</u>		HEX NUT, M6 - 1.00.....	1
48	<u>606283</u>		GOVERNOR LEVER BUSHING	1
49	<u>606284</u>		GOVERNOR ROD	1
50	<u>603890</u>		GOVERNOR ROD GUARD	1
51	<u>606264</u>		HEX HEAD BOLT, M6 - 1 X 20MM LG.....	1
52	<u>606262</u>		HEX HEAD BOLT, M8 - 1.25 X 16MM LG.....	1
53	<u>606074</u>		BRACKET - FNR TO TRANSAXLE	1
54	<u>606256</u>		HEX HEAD BOLT, M10 - 1.5 X 25MM LG.....	2
55				
56	<u>608527</u>		GOVERNOR WARNING DECAL.....	1
57				
58				
59	<u>17618G1</u>		NYLON CLAMP	2
60	<u>632936</u>		GOVERNOR CABLE / DIRECTION SELECTOR BRACKET (FOR VEHICLES MANUFACTURED FROM APRIL 2014).....	1

AIR FILTER





AIR FILTER

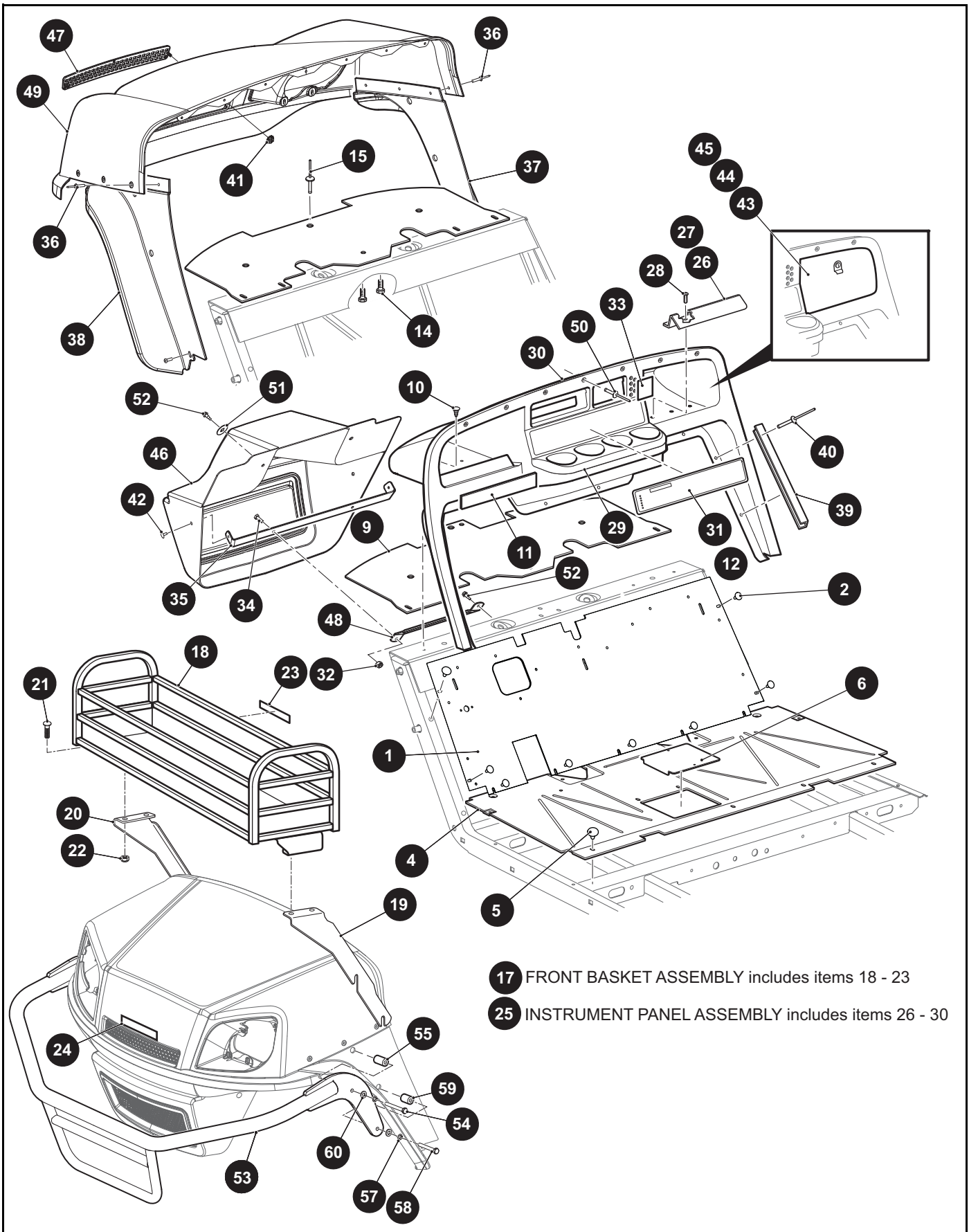
When ordering parts, please specify the model and serial number of the product.

* Indicates a component that is not available as an individual part.

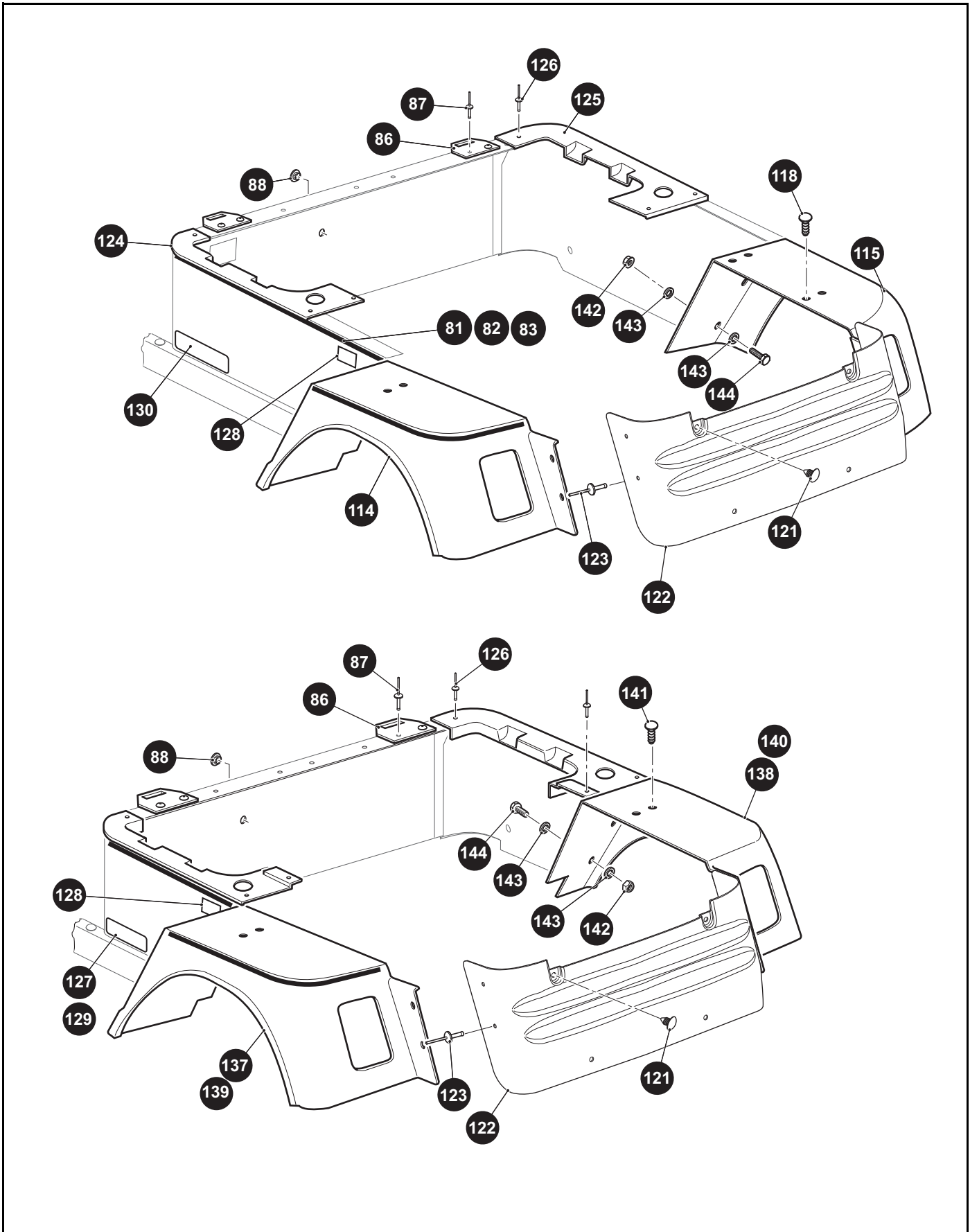
*** Indicates consult Customer Service Department for additional information.

ITEM	PART NO.	1 2 3 4 5	DESCRIPTION	QTY.
1	<u>658941</u>		AIR CLEANER (Includes items 2 - 6)	1
2	<u>659139</u>		AIR CLEANER BODY	1
3	<u>658957</u>		AIR CLEANER COVER	1
4	<u>72604G01</u>		AIR CLEANER CLIP	2
5	<u>28463G01</u>		AIR FILTER	1
6	<u>28462G01</u>		DUST EJECTOR VALVE	1
7	<u>11391G7</u>		HOSE CLAMP, 1.56 - 2.50 DIA (TERRAIN 250 & 500 Only)	1
8	<u>601910</u>		HOSE, 14" LONG	1
9	<u>11391G1</u>		HOSE CLAMP 1.31 - 2.25 DIA	3
10	<u>606261</u>		BOLT, M8 X 1.25 X 20 MM	4
11	<u>606272</u>		LOCK WASHER, 8 MM	4
12				
13	<u>72416G01</u>		INTAKE ASSEMBLY, REMOTE AIR (TERRAIN 1000 Only).....	1
14	<u>72415G01</u>		GASKET, REMOTE AIR INTAKE (TERRAIN 1000 Only).....	1
15	<u>71055G01</u>		RIVET, 3/16 X .38 (TERRAIN 1000 Only)	4
16	<u>11391G2</u>		CLAMP, HOSE, 2.06 - 3.00 DIA (TERRAIN 1000 Only)	1
17	<u>72637G03</u>		AIR INTAKE HOSE, 16" LONG (TERRAIN 1000 Only).....	1

BODY

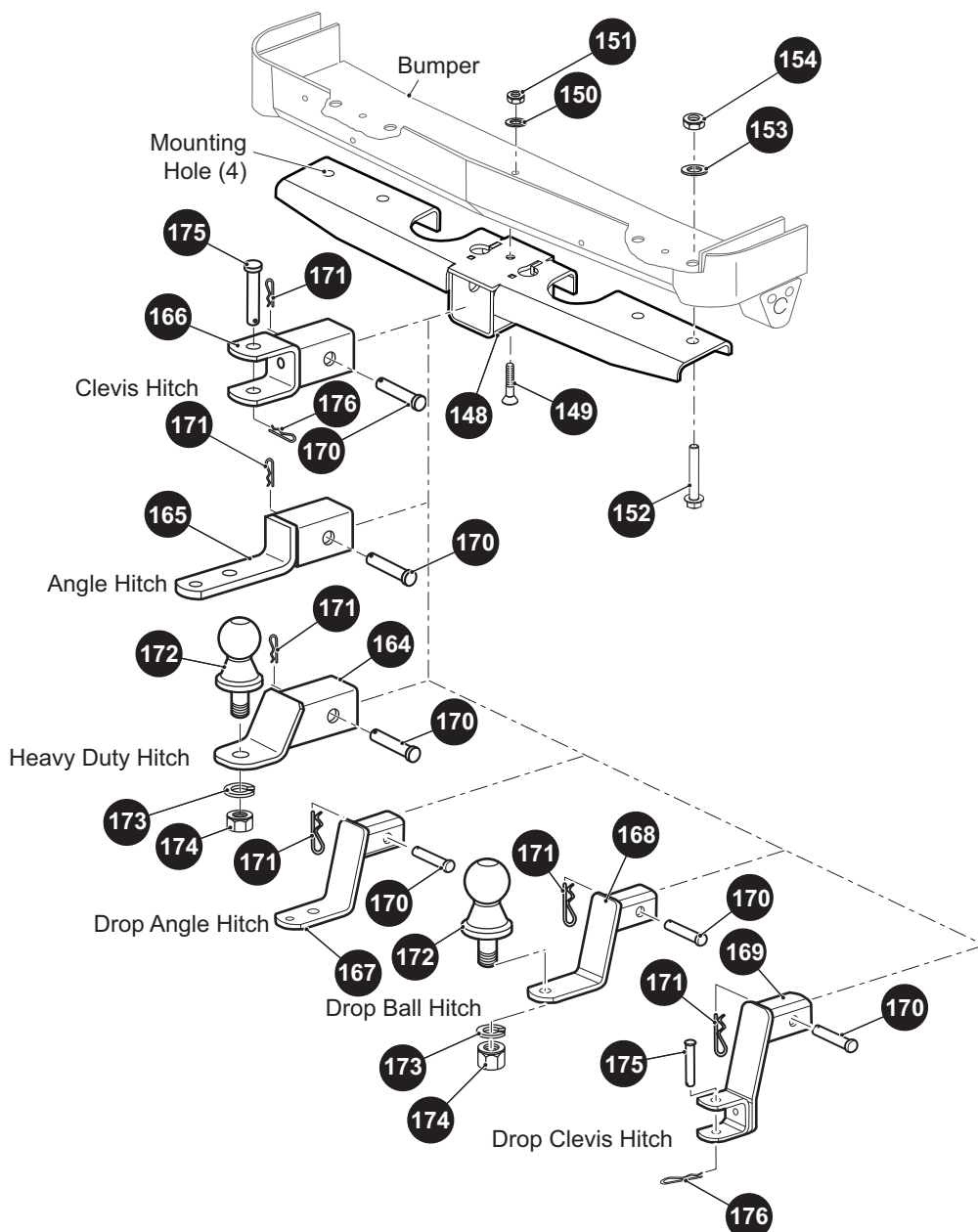


BODY

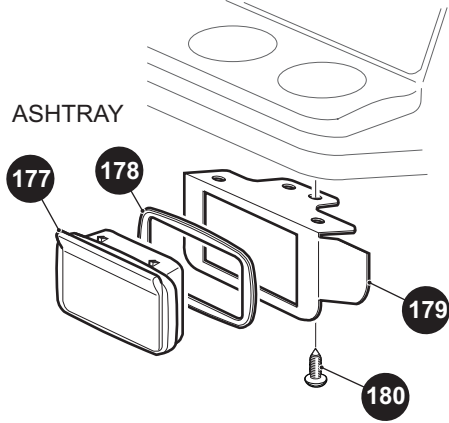


HITCHES

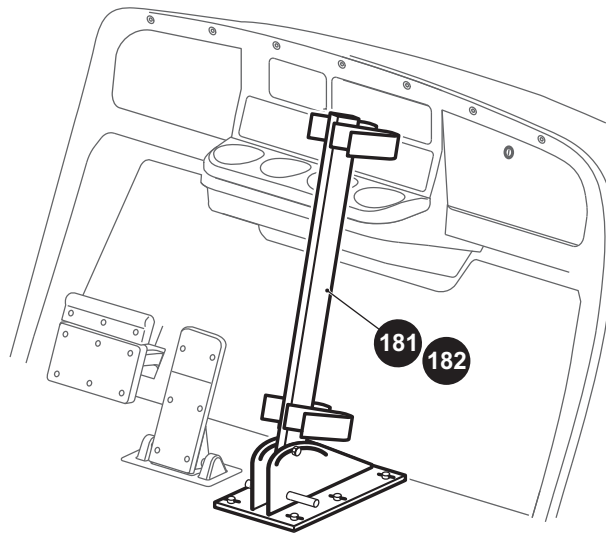
- 158** HEAVY DUTY HITCH KIT includes items 164, 170 - 172
- 159** ANGLE HITCH KIT INCLUDES includes items 165, 170, 171
- 160** CLEVIS HITCH KIT INCLUDES includes items 166, 170, 171, 175, 176
- 161** DROP ANGLE HITCH KIT INCLUDES includes items 167, 170, 171
- 162** DROP BALL HITCH KIT INCLUDES includes items 168, 170 - 172
- 163** DROP CLEVIS HITCH KIT includes items 169, 170, 171, 175, 176



ASHTRAY



FLOOR MOUNT
GUN HOLDER



When ordering parts, please specify the model and serial number of the product.

* Indicates a component that is not available as an individual part.

*** Indicates consult Customer Service Department for additional information.

ITEM	PART NO.	1 2 3 4 5	DESCRIPTION	QTY.
1	<u>637534</u>		UPPER FLOORPAN	1
2	<u>14601G11</u>		RIVET (ALUMINUM), 3/16" X 9/16" LG	9
3				
4	<u>70451G01</u>		LOWER FLOORPAN	1
5	<u>14601G11</u>		RIVET (ALUMINUM), 3/16" X 9/16" LG	7
6	<u>70452G01</u>		ACCESS COVER.....	1
7				
8				
9	<u>71413G01</u>		SPLASH PANEL.....	1
10	<u>16816G2</u>		RATCHET FASTENER, 1/4" X 3/4" LG.....	4
11	<u>74443G01</u>		LABEL (ANTI-ROLLBACK)	1
12	625743		SAFETY AND OPERATION LABEL, CE.....	1
13				
14	<u>71102G02</u>		SELF TAPPING SCREW, 1/4" - 20 X 1/2" LG	3
15	<u>71055G01</u>		RIVET (ALUMINUM), 3/16" X 1 1/8" LG	1
16				
17	74521G02		FRONT BASKET ASSEMBLY (INCLUDES ITEMS 18 - 23).....	1
18	<u>74523G01</u>		FRONT BASKET	1
19	<u>74522G01</u>		BASKET MOUNTING BRACKET (DRIVER SIDE).....	1
20	<u>74522G02</u>		BASKET MOUNTING BRACKET (PASSENGER SIDE)	1
21	<u>00769G2</u>		CARRIAGE BOLT (SS), 3/8" - 16 X 1.25" LG.....	4
22	<u>11098G5</u>		LOCK NUT, 3/8" - 16	4
23	<u>71931G01</u>		LABEL, FRONT BASKET (WARNING)	1
24	<u>619206</u>		DECAL, E-Z-GO COWL.....	1
25	<u>71151G01</u>		INSTRUMENT PANEL ASSEMBLY (INCLUDES ITEMS 26 - 30).....	1
26	<u>71153G01</u>		DEFLECTOR (PASSENGER SIDE)	1
27	<u>71154G01</u>		DEFLECTOR (DRIVER SIDE).....	1
28	<u>00614G5</u>		PAN HEAD SCREW, #8 - 18 X 5/8" LG.....	4
29	<u>71158G01</u>		INSTRUMENT PANEL INSERT (FOUR CUP)	1
30	71152G01		INSTRUMENT PANEL.....	1
31	<u>601781</u>		LABEL (SAFETY).....	1

BODY

When ordering parts, please specify the model and serial number of the product.

* Indicates a component that is not available as an individual part.

*** Indicates consult Customer Service Department for additional information.

ITEM	PART NO.	1 2 3 4 5	DESCRIPTION	QTY.
32	<u>14390G4</u>		PLASTIC INSERT LOCK NUT, 1/4" - 20	2
33	<u>35968G01</u>		LABEL (T-HOLDER COVER)	1
34	<u>00414G6</u>		HEX HEAD BOLT, 1/4" -20 X 3/4" LG.....	2
35	<u>618653</u>		FASCIA BRACKET	1
36	<u>71055G01</u>		RIVET (ALUMINUM), 3/16" X 1" LG.....	6
37	<u>613274</u>		FENDER FLARE (PASSENGER SIDE)	1
38	<u>614378</u>		FENDER FLARE (DRIVER SIDE).....	1
39	<u>71115G01</u>		VINYL TRIM.....	2
40	<u>71055G01</u>		RIVET (ALUMINUM), 3/16" X 1" LG.....	10
41	<u>71597G01</u>		SELF THREADING NUT, 5MM X 10MM X 15MM.....	2
42	<u>15058G1</u>		ALUMINUM RIVET, .87"	2
43	<u>75459G01</u>		GLOVE BOX DOORS (BOTH SIDES) (TERRAIN 500 & 1000 ONLY)	1
44	<u>75459G02</u>		GLOVE BOX DOOR (DRIVER SIDE) (TERRAIN 500 & 1000 ONLY)	1
45	<u>75459G03</u>		GLOVE BOX DOOR (PASSENGER SIDE) (TERRAIN 500 & 1000 ONLY)....	1
46	<u>613273</u>		FRONT FASCIA.....	1
47	<u>617643</u>		COWL GRILL COVER	1
48	<u>70725G02</u>		FRONT SHIELD BRACE	2
49	613036G**		COWL (See COLOR CODE in HOW TO USE Section of Manual)	1
50	<u>71055G01</u>		RIVET (ALUMINUM), 3/16" X 1" LG.....	7
51	<u>16469G1</u>		FENDER WASHER, 9/32"	2
52	<u>01038G01</u>		SWAGEFORM SCREW, 1/4" - 20 X .7" LG.....	4
53	617620		BRUSHGUARD	1
54	<u>00440G6</u>		HEX HEAD BOLT, 5/16" - 18 X 2 3/4" LG.....	2
55	<u>75048G02</u>		SPACER, .328 X 1.31.....	2
56	<u>70663G06</u>		FLOORMAT WITH HORN HOLES, DIAMOND PLATE (TERRAIN 500 AND 1000 ONLY)	1
57	<u>00565G8</u>		LOCK WASHER, 5/16"	4
58	<u>00440G2</u>		HEX HEAD BOLT, 5/16" - 18" X 2 1/4" LG	4
59	<u>75048G04</u>		SPACER, .328" X .75"	2
60	00559G8		FLAT WASHER, 5/16"	4
61	<u>70663G07</u>		FLOORMAT, DIAMOND PLATE (TERRAIN 250 ONLY)	1
62	<u>70135G01</u>		PEDAL PIVOT COVER	1

When ordering parts, please specify the model and serial number of the product.

* Indicates a component that is not available as an individual part.

*** Indicates consult Customer Service Department for additional information.

ITEM	PART NO.	1 2 3 4 5	DESCRIPTION	QTY.
63	<u>70244G05</u>		SPLASH PANEL.....	1
64	<u>00715G2</u>		HEX HEAD BOLT, 5/16" - 18 X 4/5" LG	4
65	<u>00438G8</u>		HEX HEAD BOLT, 5/16" - 18 X 1" LG	2
66	00559G8		FLAT WASHER, 5/16".....	2
67	11098G6		LOCK NUT (SS), 5/16" - 18	2
68	<u>652441G03</u>		BATTERY TRAY.....	1
69	<u>00715G2</u>		HEX HEAD BOLT, 5/16" - 18 X 4/5" LG	AR
70	00438G6		HEX HEAD BOLT, 5/16" - 18 X 3/4" LG	3
71	<u>00571G2</u>		FLAT WASHER, 5/16".....	1
72	<u>00565G8</u>		LOCK WASHER, 5/16"	1
73	<u>70629G01</u>		SPLASH PANEL.....	1
74	<u>00106G6</u>		SELF THREADING SCREW, #12 - 24 X 3/4" LG	2
75				
76				
77				
78				
79				
80				
81				
82				
83				
84	609143G**		SEAT WRAP WITH LOUVERS (TERRAIN 250 ONLY) (See COLOR CODE in HOW TO USE Section).....	1
85	<u>10570G10</u>		RIVET (SS), 5/32" X 9/16" LG.....	8
86	<u>71609G01</u>		SEAT HINGE PLATE.....	2
87	<u>10570G11</u>		RIVET (SS), 3/16" X 3/4" LG.....	4
88	20271G02		HOLE PLUG (TERRAIN 500 & 1000 ONLY)	1
89	609168G1**		SIDE PANEL (DRIVER SIDE) (TERRAIN 1000 ONLY) (See COLOR CODE in HOW TO USE Section).....	1
90	609168G2**		SIDE PANEL (PASSENGER SIDE) (TERRAIN 1000 ONLY) (See COLOR CODE in HOW TO USE Section).....	1
91	<u>10570G10</u>		RIVET (SS), 5/32" X 9/16" LG.....	4

BODY

When ordering parts, please specify the model and serial number of the product.

* Indicates a component that is not available as an individual part.

*** Indicates consult Customer Service Department for additional information.

ITEM	PART NO.	1 2 3 4 5	DESCRIPTION	QTY.
92	10570G12		RIVET (ALUMINUM), 1/4" X 9/16" LG.....	4
93	<u>16469G1</u>		FENDER WASHER, 1/4".....	4
94	609047G1**		SIDE PANEL (DRIVER) (TERRAIN 250 & 500 Only) (See COLOR CODE in HOW TO USE Section)	1
95	609047G2**		SIDE PANEL (PASSENGER) (TERRAIN 250 & 500 ONLY) (See COLOR CODE in HOW TO USE Section)	1
96	<u>618886</u>		ROCKER PANEL (DRIVER SIDE) (TERRAIN 1000 ONLY).....	1
97	<u>618885</u>		ROCKER PANEL (PASSENGER SIDE) (TERRAIN 1000 ONLY)	1
98	<u>71440G03</u>		BRACE (DRIVER SIDE) (TERRAIN 1000 ONLY)	1
99	<u>71440G04</u>		BRACE (PASSENGER SIDE) (TERRAIN 1000 ONLY).....	1
100				
101				
102				
103	<u>00789G2</u>		PHILLIPS HEAD SCREW, #10 - 24 X 1 1/4" LG	2
104	<u>23726G4</u>		SPACER, 1/4"	4
105	<u>00660G5</u>		FLAT WASHER (SS), #10	2
106	<u>14390G10</u>		LOCK NUT, #10 - 24.....	2
107				
108				
109				
110	<u>16705G1</u>		PHILLIPS TRUSS HEAD SCREW (SS), 1/4" - 20 X 1" LG	4
111	<u>23726G4</u>		SPACER, 1/4"	4
112				
113	<u>14390G4</u>		LOCK NUT, 1/4" - 20	4
114	<u>74893G01</u>		FENDER (DRIVER SIDE) (TERRAIN 1000 ONLY).....	1
115	<u>74893G02</u>		FENDER (PASSENGER SIDE) (TERRAIN 1000 ONLY)	1
116				
117				
118	<u>16816G2</u>		RATCHET FASTENER, 1/4" X 3/4" LG	10
119	<u>618358</u>		ROCKER PANEL, DRIVER SIDE (TERRAIN 250 & 500 ONLY).....	1
120	<u>618359</u>		ROCKER PANEL, PASSENGER SIDE (TERRAIN 250 & 500 ONLY)	1
121	<u>16816G2</u>		RATCHET FASTENER, 1/4" X 3/4" LG	8

When ordering parts, please specify the model and serial number of the product.

* Indicates a component that is not available as an individual part.

*** Indicates consult Customer Service Department for additional information.

ITEM	PART NO.	1 2 3 4 5	DESCRIPTION	QTY.
122	<u>74890G01</u>		REAR PANEL.....	1
123	<u>71055G01</u>		RIVET (ALUMINUM), 3/16" X 1" LG	4
124	<u>74891G01</u>		SEAT FILLER PANEL (DRIVER SIDE) (TERRAIN 500 & 1000 ONLY)	1
125	<u>74891G02</u>		SEAT FILLER PANEL (PASSENGER SIDE) (TERRAIN 500 & 1000 ONLY) .	1
126	<u>10570G10</u>		RIVET (SS), 5/32" X 9/16" LG.....	6
127	<u>619180</u>		DECAL, E-Z-GO LOGO (TERRAIN 500)	2
128	<u>74099G01</u>		LABEL (TILT WARNING)	2
129	<u>619178</u>		DECAL, E-Z-GO LOGO (TERRAIN 250)	2
130	<u>619181</u>		DECAL, E-Z-GO LOGO (TERRAIN 1000)	2
131	<u>605694</u>		SEAT FRAME	1
132	<u>00715G2</u>		HEX HEAD BOLT, 5/16" - 18 X 4/5" LG	2
133	<u>15058G6</u>		RIVET (ALUMINUM), 3/16" X 15/16" LG	2
134				
135				
136				
137	<u>74892G01</u>		FENDER (DRIVER SIDE) (TERRAIN 250, 500 and 1000).....	1
138	<u>74892G02</u>		FENDER (PASSENGER SIDE) (TERRAIN 250, 500 and 1000)	1
139	<u>74892G03</u>		FENDER WITH TAILLIGHT (DRIVER SIDE) (TERRAIN 250 & 500 ONLY)...	1
140	<u>74892G04</u>		FENDER WITH TAILLIGHT (PASSENGER SIDE) (TERRAIN 250 & 500 ONLY)	1
141	<u>16816G2</u>		RATCHET FASTENER, 1/4" X 3/4" LG	10
142	<u>14390G4</u>		LOCK NUT, 1/4" - 20	4
143	<u>00642G7</u>		FLAT WASHER, 1/4"	8
144	<u>00414G6</u>		HEX HEAD BOLT, 1/4" - 20 X 3/4" LG	4
145				
146				
147				
148	<u>647080</u>		HITCH RECEIVER.....	1
149	<u>00198G8</u>		FLAT HEAD SLOTTED SCREW, 5/16" - 18 X 3/4" LG	1
150	<u>00571G2</u>		FLAT WASHER, 5/16"	1
151	<u>11098G6</u>		LOCK NUT (SS), 5/16" - 18	1

BODY

When ordering parts, please specify the model and serial number of the product.

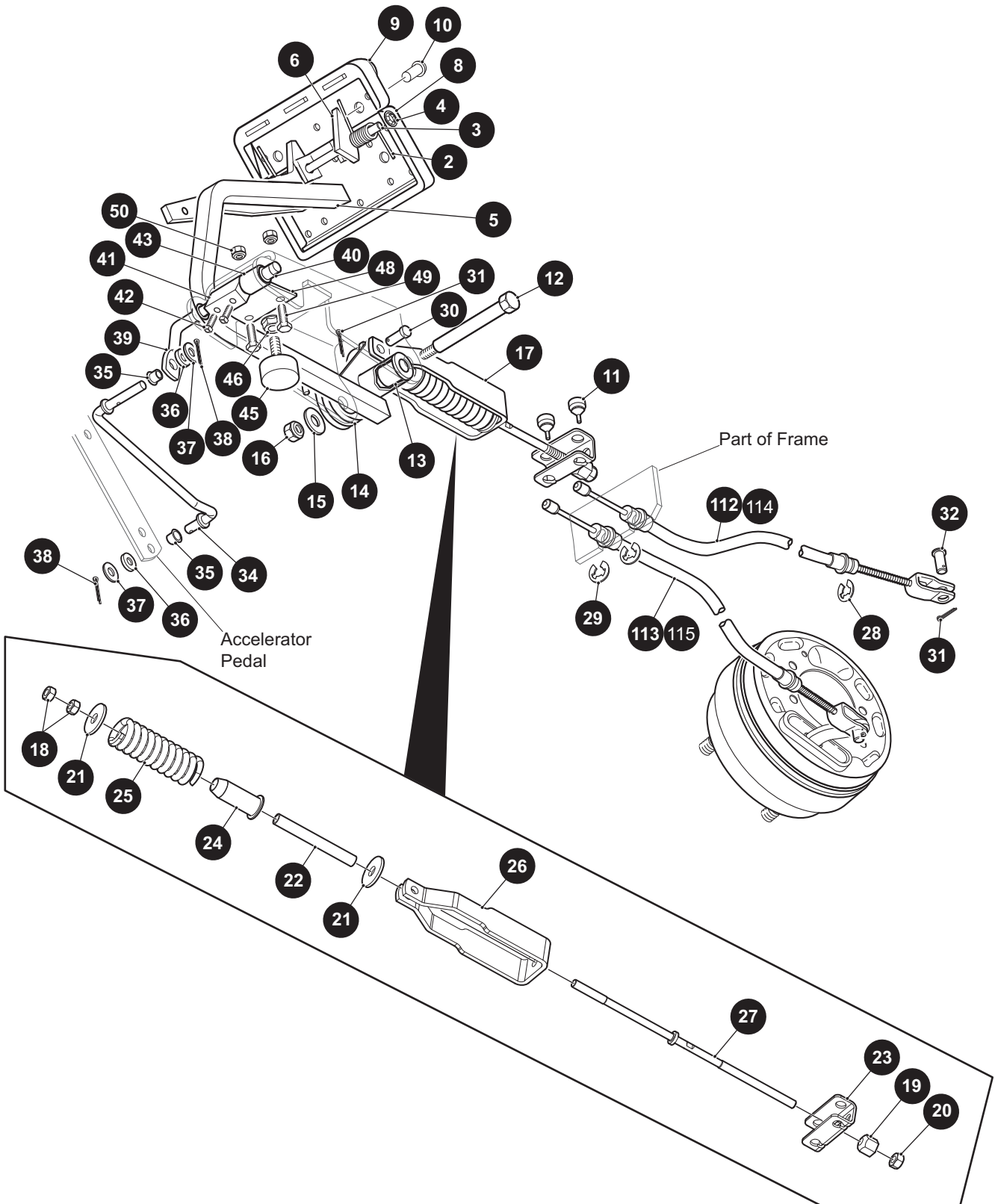
* Indicates a component that is not available as an individual part.

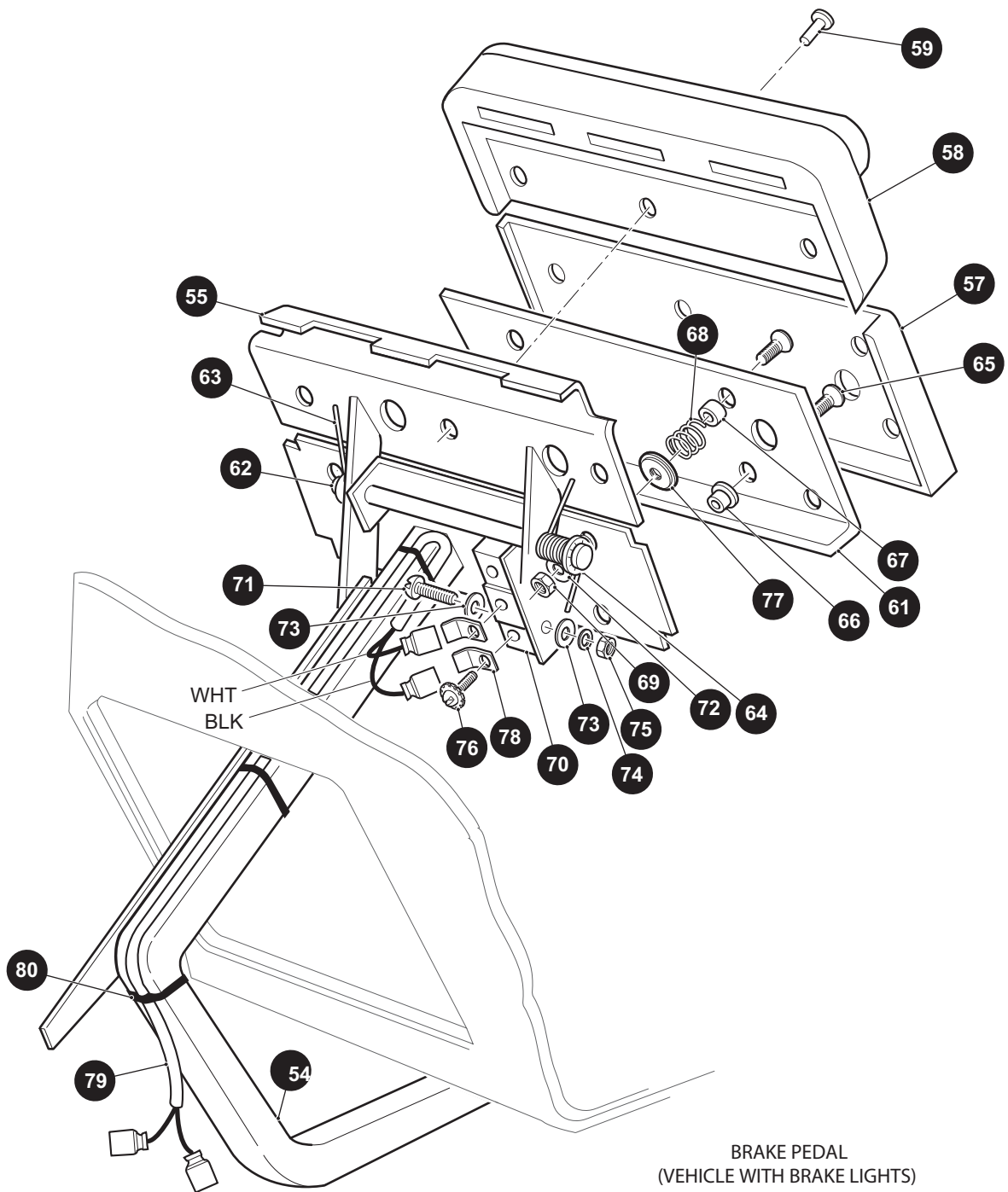
*** Indicates consult Customer Service Department for additional information.

ITEM	PART NO.	1 2 3 4 5	DESCRIPTION	QTY.
152	<u>00463G4</u>		HEX HEAD BOLT, 7/16" - 14 X 1 1/2" LG.....	4
153	<u>00922G3</u>		FLAT WASHER, 7/16"	4
154	<u>00734G1</u>		LOCK NUT, 7/16" - 14"	4
155				
156				
157				
158	<u>646789</u>		HEAVY DUTY BALL HITCH KIT (INCLUDES ITEMS 164, 170 - 172)	1
159	<u>646790</u>		ANGLE HITCH KIT (INCLUDES ITEMS 165, 170, 171)	1
160	<u>646791</u>		CLEVIS HITCH KIT (INCLUDES ITEMS 166, 170, 171, 175, 176).....	1
161	<u>646792</u>		DROP ANGLE HITCH KIT (INCLUDES ITEMS 167, 170, 171)	1
162	<u>646793</u>		DROP BALL HITCH KIT (INCLUDES ITEMS 168, 170 - 172)	1
163	<u>646794</u>		DROP CLEVIS HITCH KIT (INCLUDES ITEMS 169, 170, 171, 175, 176)	1
164	<u>646730</u>		HEAVY DUTY HITCH.....	1
165	<u>646729</u>		ANGLE HITCH.....	1
166	<u>646727</u>		CLEVIS HITCH	1
167	<u>646731</u>		DROP ANGLE HITCH.....	1
168	<u>646743</u>		DROP BALL HITCH	1
169	<u>646744</u>		DROP CLEVIS HITCH	1
170	<u>21317G1</u>		CLEVIS PIN, 5/8" X 3" LG.....	1
171	<u>21683G1</u>		COTTER PIN, 15/32" X 2 11/16" LG.....	1
172	<u>31757G1</u>		HITCH BALL WITH HARDWARE, 1 7/8" (INCLUDES ITEMS 173-174) ..	1
173	<u>00566G6</u>		LOCK WASHER, 3/4"	1
174	<u>00702G2</u>		HEX NUT, 5/16" - 18.....	1
175	<u>14443G10</u>		CLEVIS PIN, 1/2" X 3" LG.....	1
176	<u>19314G1</u>		COTTER PIN, 2 1/2" LG	1
177	<u>27731G01</u>		ASH TRAY	1
178	<u>27736G01</u>		GASKET	1
179	<u>75108G02</u>		BRACKET.....	1
180	<u>00106G6</u>		PAN HEAD PHILLIPS SCREW, #12 - 14 X .75" LG.....	4
181	<u>74533G01</u>		SWIVEL GUN HOLDER WITHBASE PLATE (TERRAIN 500 & 1000 ONLY) .	1
182	<u>74365G01</u>		GUN HOLDER REMOVABLE FLOOR MOUNT (TERRAIN 500 & 1000 ONLY)	1

BRAKES

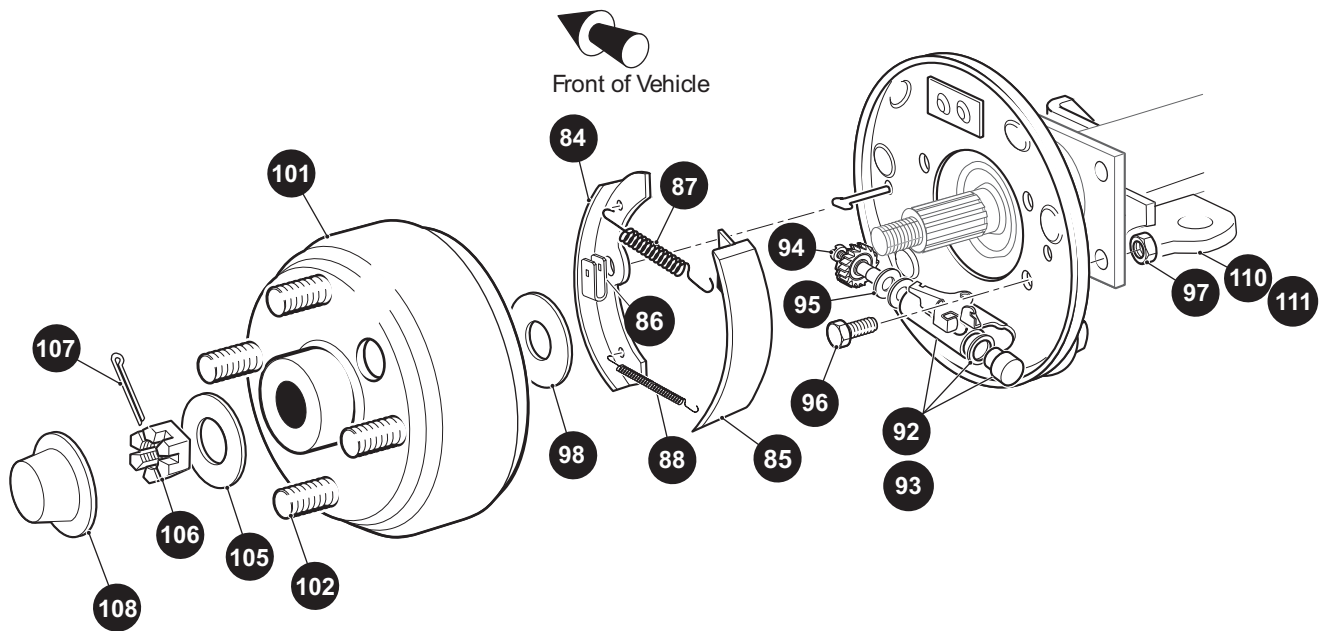
1 BRAKE PEDAL ASSEMBLY (W/O BRAKE LIGHTS) includes items 2 - 10





53 BRAKE PEDAL ASSEMBLY (WITH BRAKE LIGHTS) includes items 54 - 80

BRAKES



82 BRAKE ASSEMBLY (DRIVER SIDE) includes items 84 - 92

83 BRAKE ASSEMBLY (PASSENGER SIDE) includes items 84, 91 - 93

BRAKES

When ordering parts, please specify the model and serial number of the product.

* Indicates a component that is not available as an individual part.

*** Indicates consult Customer Service Department for additional information.

ITEM	PART NO.	1 2 3 4 5	DESCRIPTION	QTY.
1	<u>70612G02</u>		BRAKE PEDAL ASSEMBLY (WITHOUT BRAKE LIGHTS) (INCLUDES ITEMS 2 - 10)	1
2	<u>70681G01</u>		TORSION SPRING.....	2
3	<u>70682G01</u>		PIVOT PIN.....	1
4	<u>658825</u>		PUSHNUT, 5/16"	1
5	<u>652251G03</u>		BRAKE PEDAL.....	1
6	<u>652253G03</u>		PARK BRAKE PEDAL	1
7				
8	<u>70257G01</u>		SERVICE BRAKE PAD.....	1
9	<u>70256G01</u>		PARK BRAKE PEDAL PAD	1
10	<u>16409G1</u>		OVAL RIVET, 3/16" X 3/8" LG	9
11	<u>28083G01</u>		BRAKE COMPENSATOR BUMPER.....	2
12	<u>70582G01</u>		SHOULDER BOLT, 3/8 - 16 X 4" LG.....	1
13	<u>70581G01</u>		FLANGED BUSHING.....	2
14	<u>70676G01</u>		TORSION SPRING	1
15	<u>00643G1</u>		FLAT WASHER, 3/8"	1
16	<u>11098G5</u>		LOCK NUT, 3/8 - 16	1
17	<u>612558</u>		COMPENSATOR ASSEMBLY (INCLUDES ITEMS 18 - 27).....	1
18	<u>00532G4</u>		LOCK NUT, 5/16 - 24.....	2
19	<u>00963G01</u>		SPHERICAL NUT, 5/16 - 24	1
20	<u>11098G9</u>		LOCK NUT, 5/16 - 24.....	1
21	<u>15121G1</u>		FLAT WASHER, 5/16	2
22	<u>23061G2</u>		TUBE	1
23	<u>28082G01</u>		EQUALIZER BRACKET	1
24	<u>17979G1</u>		ACCELERATOR ROD BUSHING.....	1
25	<u>23463G1</u>		COMPRESSION SPRING	1
26	<u>652256</u>		BRAKE YOKE	1
27	<u>612557</u>		LINK ROD.....	1
28				
29	<u>01111G01</u>		RETAINING RING, S.S.	4
30	<u>10386G3</u>		CLEVIS PIN, 5/16" X 1" LG.....	3

BRAKES

When ordering parts, please specify the model and serial number of the product.

* Indicates a component that is not available as an individual part.

*** Indicates consult Customer Service Department for additional information.

ITEM	PART NO.	1 2 3 4 5	DESCRIPTION	QTY.
31	<u>10387G3</u>		COTTER PIN, 3/32" X 3/4" LG	3
32	<u>14443G2</u>		CLEVIS PIN, 5/16" X 3/4" LG	2
33				
34	<u>70601G01</u>		KICK-OFF LINK.....	1
35	<u>17838G1</u>		NYLON BUSHING	2
36	<u>20835G1</u>		TEFLON WASHER, 3/8"	2
37	00559G8		FLAT WASHER, 5/16"	2
38	<u>10387G3</u>		COTTER PIN, 3/32" X 3/4" LG	2
39	<u>70098G01</u>		KICK-OFF CAM PIVOT	1
40	<u>10097G6</u>		FLANGED BEARING	2
41	<u>70587G01</u>		KICK-OFF CAM.....	1
42	<u>71215G01</u>		SETSCREW, 1/4 - 20 X 1/2" LG.....	2
43	<u>14134G4</u>		SPACER	1
44				
45	<u>70113G01</u>		ADJUSTABLE BUMPER	1
46	<u>11027G1</u>		LOCK NUT, 5/16 - 18.....	1
47				
48	<u>70080G02</u>		CATCH BRACKET.....	1
49	<u>00414G6</u>		BOLT, 1/4 - 20 X 3/4" LG	2
50	<u>14390G4</u>		LOCK NUT, 1/4 - 20.....	2
51	<u>12416G2</u>		NYLON WEDGE LOCK CLAMP (NOT ILLUSTRATED)	AR
52				
53	70690G02		BRAKE PEDAL ASSEMBLY (WITH BRAKE LIGHTS) (INCLUDES ITEMS 54 - 80) (TERRAIN 500 & 1000 Only).....	1
54	<u>652791G03</u>		BRAKE PEDAL	1
55	<u>652253G03</u>		PARK BRAKE PEDAL.....	1
56				
57	<u>70257G01</u>		SERVICE BRAKE PAD	1
58	<u>70256G01</u>		PARK BRAKE PAD	1
59	<u>16409G1</u>		OVAL RIVET, 3/16" x 3/8" LG.....	9
60				
61	<u>652820</u>		BRAKE PEDAL PLATE	1

When ordering parts, please specify the model and serial number of the product.

* Indicates a component that is not available as an individual part.

*** Indicates consult Customer Service Department for additional information.

ITEM	PART NO.	1 2 3 4 5	DESCRIPTION	QTY.
62	<u>70682G01</u>		PIVOT PIN.....	1
63	<u>70681G01</u>		TORSION SPRING.....	2
64	<u>658825</u>		PUSHNUT, 5/16"	1
65	<u>00737G8</u>		SCREW, #10 - 24 X 1" LG.....	4
66	<u>00739G1</u>		RUBBER NUT, #10 - 24	2
67	<u>652355</u>		BRAKE PEDAL SPACER	2
68	<u>27137G01</u>		CONICAL SPRING.....	2
69	<u>14390G10</u>		LOCK NUT, #10 - 24.....	2
70	10606G8		MICRO SWITCH	1
71	<u>00645G2</u>		SCREW, #6 - 32 X 1 1/4" LG.....	2
72	<u>00559G5</u>		FLAT WASHER, #10	2
73	<u>00559G3</u>		FLAT WASHER, #6	4
74	<u>00565G3</u>		LOCK WASHER, #6	2
75	<u>00525G5</u>		NUT, #6 - 32	2
76	<u>13514G1</u>		SCREW AND LOCK WASHER, #6	2
77	<u>00642G8</u>		FLAT WASHER - 5/16"	2
78	<u>14628G1</u>		FASTON TAB.....	2
79	<u>24605G1</u>		WIRE HARNESS (BRAKE LIGHT).....	1
80	<u>17618G1</u>		WIRE TIE.....	2
81				
82	<u>612189</u>		BRAKE ASSEMBLY (DRIVER SIDE) (INCLUDES ITEMS 84 - 92).....	1
83	<u>612211</u>		BRAKE ASSEMBLY (PASSENGER SIDE) (INCL. ITEMS 84 - 91, 93)	1
84	*		BRAKE SHOE (LEADING)	2
85	*		BRAKE SHOE (TRAILING)	2
86	*		SHOE CLAMP	2
87	*		UPPER SPRING	1
88	*		LOWER SPRING.....	1
89				
90				
91				
92	<u>612417</u>		BRAKE ADJUSTER KIT (DRIVER SIDE).....	1

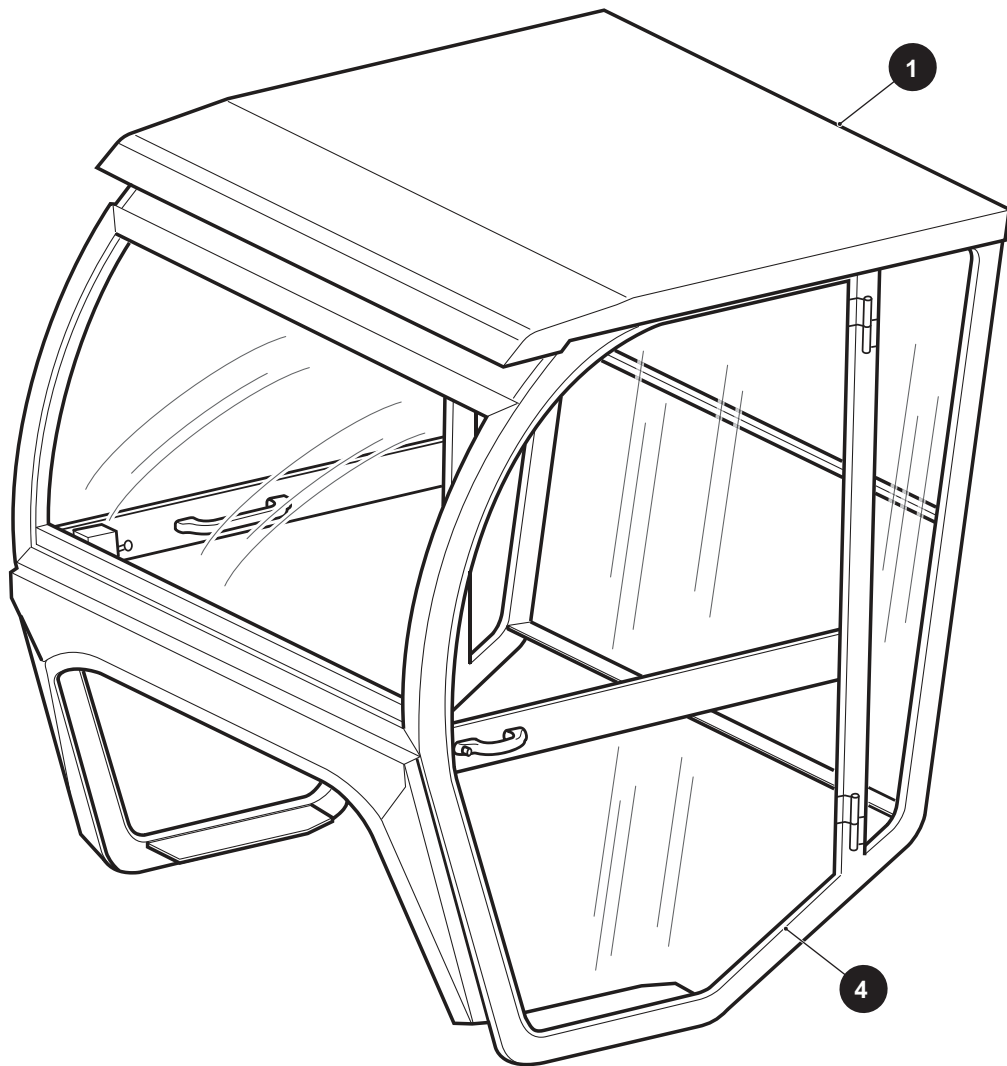
BRAKES

When ordering parts, please specify the model and serial number of the product.

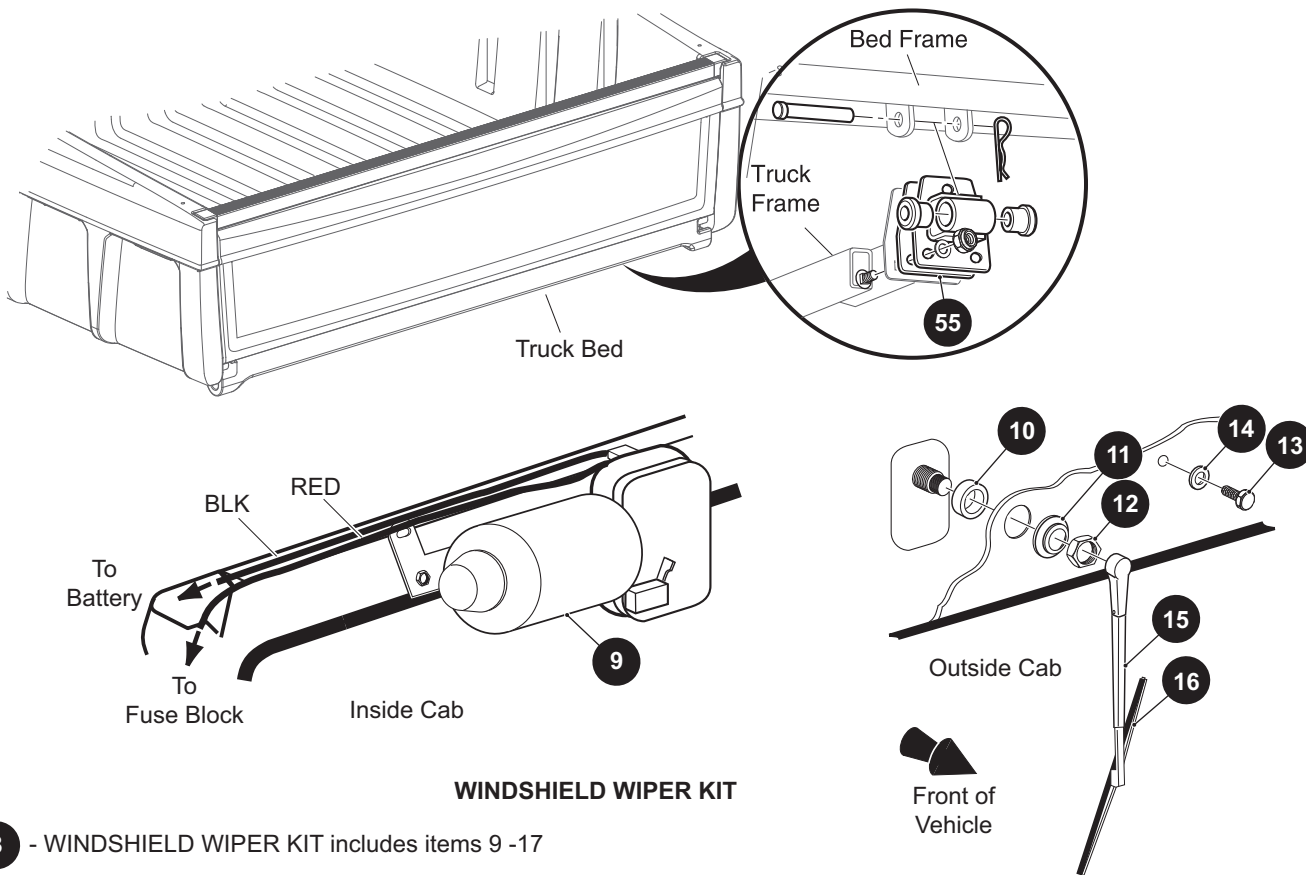
* Indicates a component that is not available as an individual part.

*** Indicates consult Customer Service Department for additional information.

ITEM	PART NO.	1	2	3	4	5	DESCRIPTION	QTY.
93	<u>72582G02</u>						BRAKE ADJUSTER KIT (PASSENGER SIDE).....	1
94								
95								
96	<u>17083G2</u>						BOLT, 5/16 - 24 X 1" LG	8
97	<u>15126G1</u>						LOCK NUT, 5/16 - 24.....	8
98	<u>21809G1</u>						INNER BRAKE DRUM WASHER, 1 5/16" OD X 1" ID X 1/32"	2
99								
100	<u>21807G2</u>						BRAKE DRUM ASSEMBLY (INCLUDES ITEMS 101 - 102).....	2
101	*						BRAKE DRUM	1
102	<u>19862G1</u>						LUG BOLT, 1/2 - 20 X 1 - 7/32	4
103								
104								
105	<u>606945</u>						OUTER BRAKE DRUM WASHER	2
106	<u>606403</u>						SLOTTED NUT, 3/4 - 16.....	2
107	<u>10387G1</u>						COTTER PIN, 1/8" X 1 1/2" LG	2
108	<u>74175G01</u>						DUST CAP.....	2
109								
110	<u>652248</u>						BRAKE CABLE BRACKET (PASSENGER SIDE).....	1
111	<u>652249</u>						BRAKE CABLE BRACKET (DRIVER SIDE)	1
112	<u>624690</u>						BRAKE CABLE (DRIVER SIDE) (FOR TERRAIN 250 TS2 & 500 TS2)	1
113	<u>624703</u>						BRAKE CABLE (PASSENGER SIDE) (FOR TERRAIN 250 TS2 & 500 TS2)	1
114	<u>624697</u>						BRAKE CABLE (DRIVER SIDE) (FOR TERRAIN 1000 TS2).....	1
115	<u>624698</u>						BRAKE CABLE (PASSENGER SIDE) (FOR TERRAIN 1000 TS2)	1

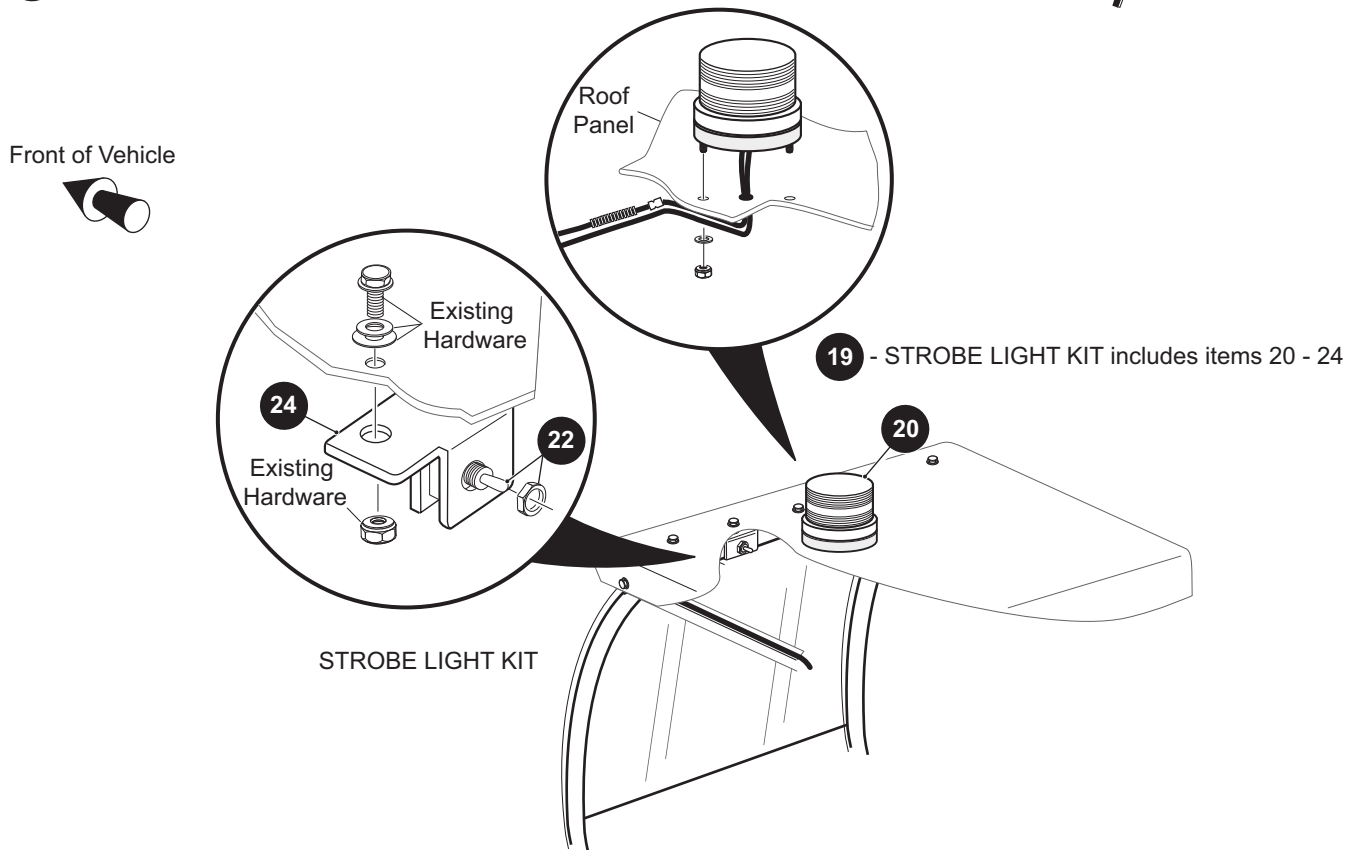


Steel Doors Shown



WINDSHIELD WIPER KIT

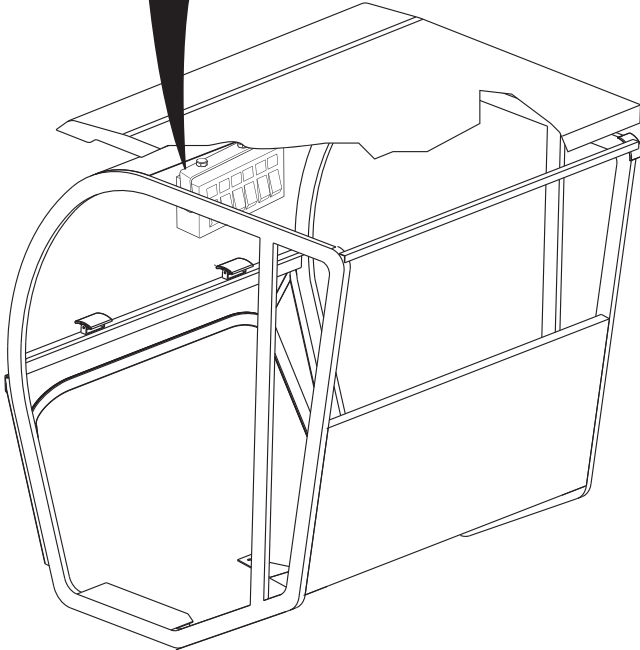
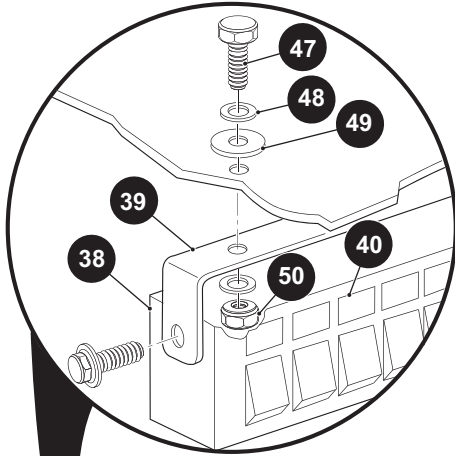
8 - WINDSHIELD WIPER KIT includes items 9 - 17



19 - STROBE LIGHT KIT includes items 20 - 24

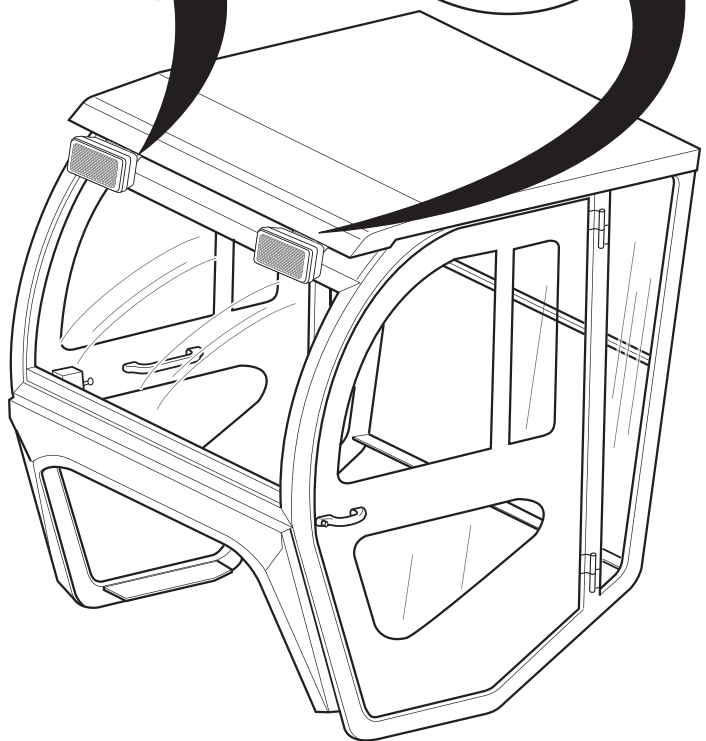
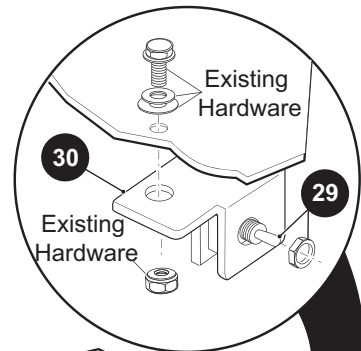
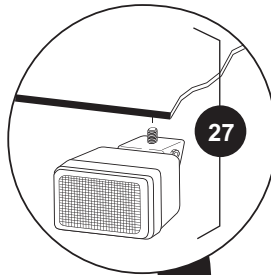
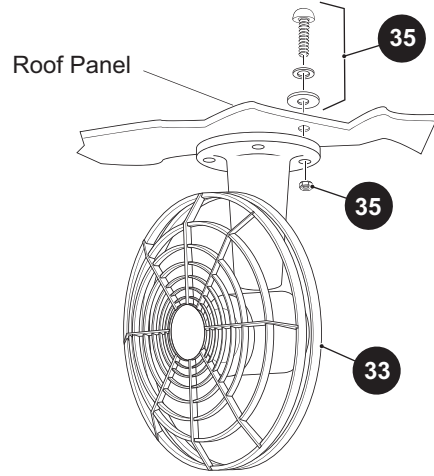
STROBE LIGHT KIT

37 SWITCH PANEL KIT includes items 38 - 52



26 WORK LIGHT KIT includes items 27 - 30

32 DEFROSTER / COOLING FAN KIT includes items 33 - 35



When ordering parts, please specify the model and serial number of the product.

* Indicates a component that is not available as an individual part.

*** Indicates consult Customer Service Department for additional information.

ITEM	PART NO.	1 2 3 4 5	DESCRIPTION	QTY.
1	72684G**		STEEL CAB (WITHOUT DOORS) REPACEMENT PARTS AND ACCESSORIES MAY BE OBTAINED FROM CURTIS CAB, INC.)	1
2				
3				
4	75856G**		STEEL DOOR KIT	1
5				
6				
7				
8	74244G01		WINDSHIELD WIPER KIT (INCLUDES ITEMS 9 -17)	1
9	9PWM85		WIPER MOTOR (INCLUDES ITEMS 10 - 14).....	1
10	*		SPACER.....	1
11	*		SHAFT COVER (SEAL)	1
12	*		NUT	1
13	*		BOLT	1
14	*		WASHER	1
15	9PWA		WIPER ARM.....	1
16	9PWB		WINDSHIELD WIPER BLADE	1
17	9E003		ELECTRICAL HARDWARE KIT (NOT ILLUSTRATED).....	1
18				
19	74245G01		STROBE LIGHT KIT (INCLUDES ITEMS 20 - 24)	1
20	9PSLRL		STROBE LENS	1
21	9E001		ELECTRICAL HARDWARE KIT (NOT ILLUSTRATED).....	1
22	9E002		TOGGLE SWITCH.....	1
23	9PSLRB		REPLACEMENT BULB (NOT ILLUSTRATED)	1
24	9PB001		BRACKET.....	1
25				
26	74247G01		WORK LIGHT KIT (INCLUDES ITEMS 27 - 30)	1
27	9LW1A		WORK LIGHT (INCLUDES HARDWARE)	2
28	9E001		ELECTRICAL HARDWARE KIT (NOT ILLUSTRATED).....	1
29	9E002		TOGGLE SWITCH.....	1
30	9PB001		BRACKET.....	1

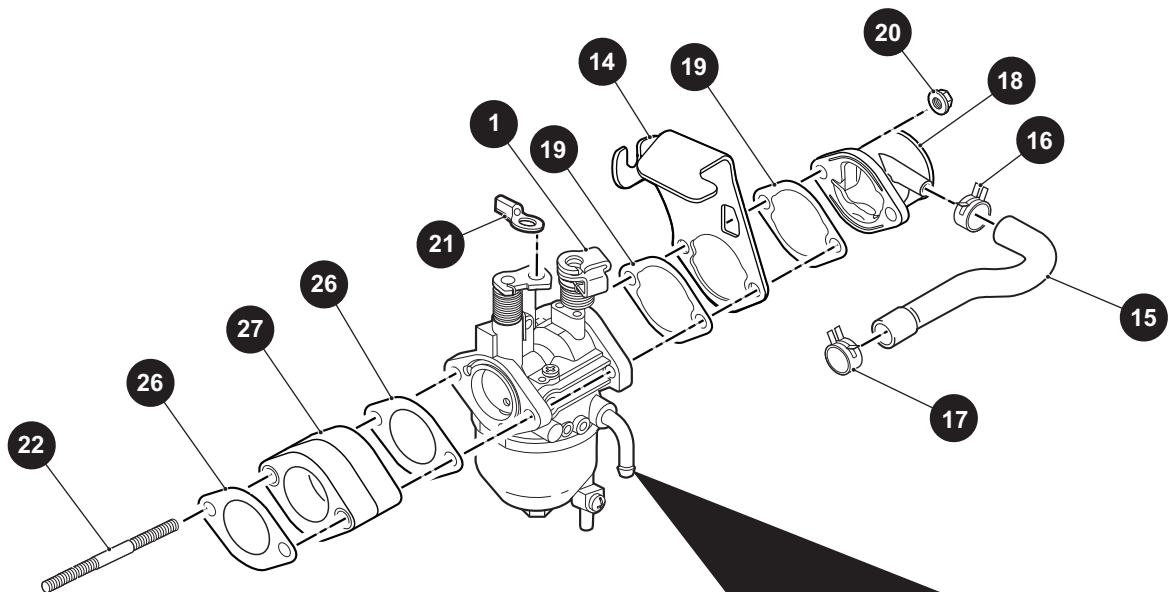
When ordering parts, please specify the model and serial number of the product.

* Indicates a component that is not available as an individual part.

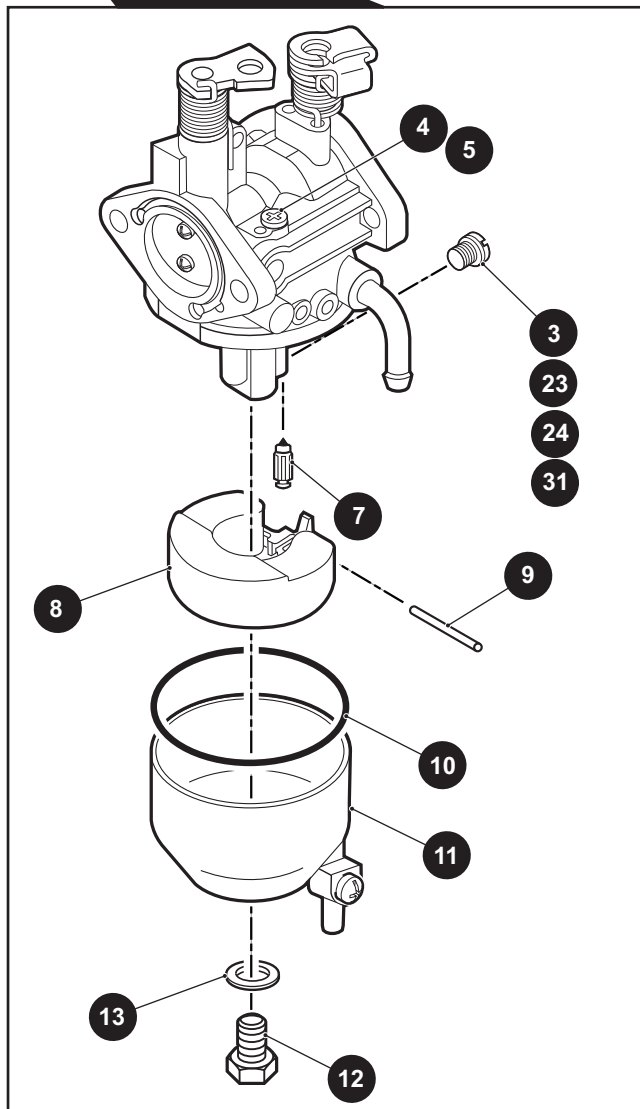
*** Indicates consult Customer Service Department for additional information.

ITEM	PART NO.	1	2	3	4	5	DESCRIPTION	QTY.
31								
32	74248G01						DEFROSTER / COOLING FAN KIT (INCLUDES ITEMS 33 - 35)	1
33	9PDF						FAN	1
34	9E001						ELECTRICAL HARDWARE KIT (NOT ILLUSTRATED)	1
35	9PFHK						HARDWARE KIT.....	1
36								
37	74250G01						SWITCH PANEL KIT (INCLUDES ITEMS 38 - 52)	1
38	9PSF1001						SWITCH PANEL	1
39	9PSF1002						MOUNTING BRACKET AND HARDWARE	1
40	9PSF1003						ADHESIVE LABELS	1
41	9PSF1004						3 AMP FUSE (NOT ILLUSTRATED).....	2
42	9PSF1005						5 AMP FUSE (NOT ILLUSTRATED).....	3
43	9PSF1006						7.5 AMP FUSE (NOT ILLUSTRATED).....	1
44	9PSF1007						FLEX LOOM, 5/8" X 10 FT LG (NOT ILLUSTRATED).....	1
45	9PSF1008						4-WAY BASE TIE (NOT ILLUSTRATED).....	6
46	9PSF1009						WIRE TIE (NOT ILLUSTRATED).....	14
47	9PSF1010						BOLT, 1/4 - 20 X 7/8" LG.....	2
48	9PSF1011						WASHER, 1/4"	4
49	9PSF1012						NYLON WASHER, 1/4".....	2
50	9PSF1013						LOCK NUT, 1/4 - 20	2
51	9PSF1014						10 GA WIRE (RED 8") (NOT ILLUSTRATED)	1
52	9PSF1015						10 GA WIRE (BLACK 8") (NOT ILLUSTRATED).....	1
53								
54								
55	6E03T						BED SPACER.....	2

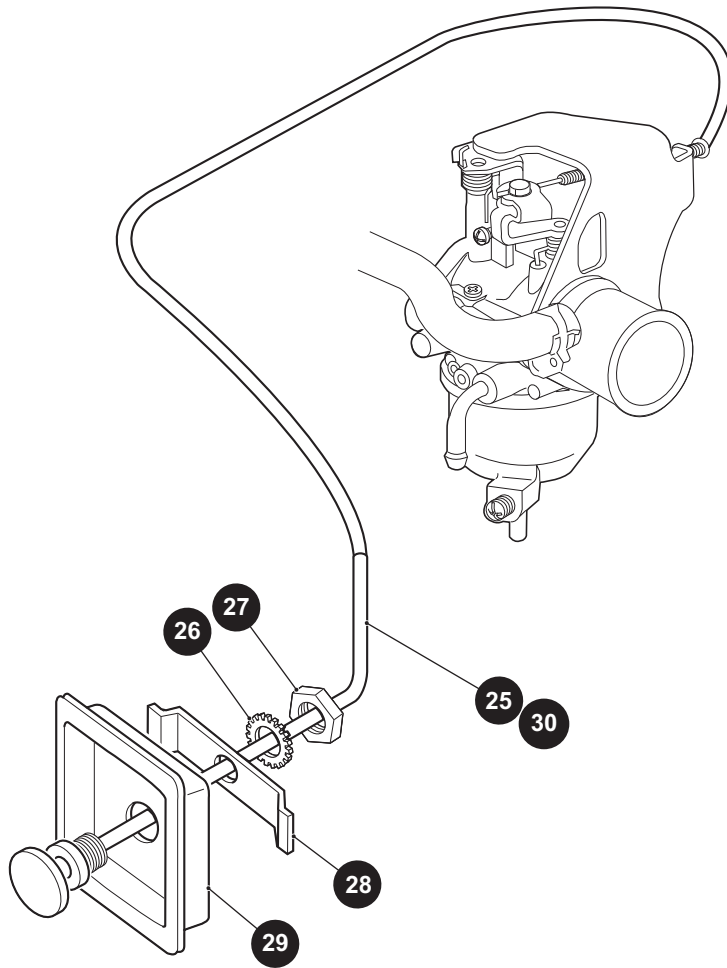
CARBURETOR AND CHOKE



1 CARBURETOR ASSEMBLY includes items 3 - 22



CARBURETOR AND CHOKE



CARBURETOR AND CHOKE

When ordering parts, please specify the model and serial number of the product.

* Indicates a component that is not available as an individual part.

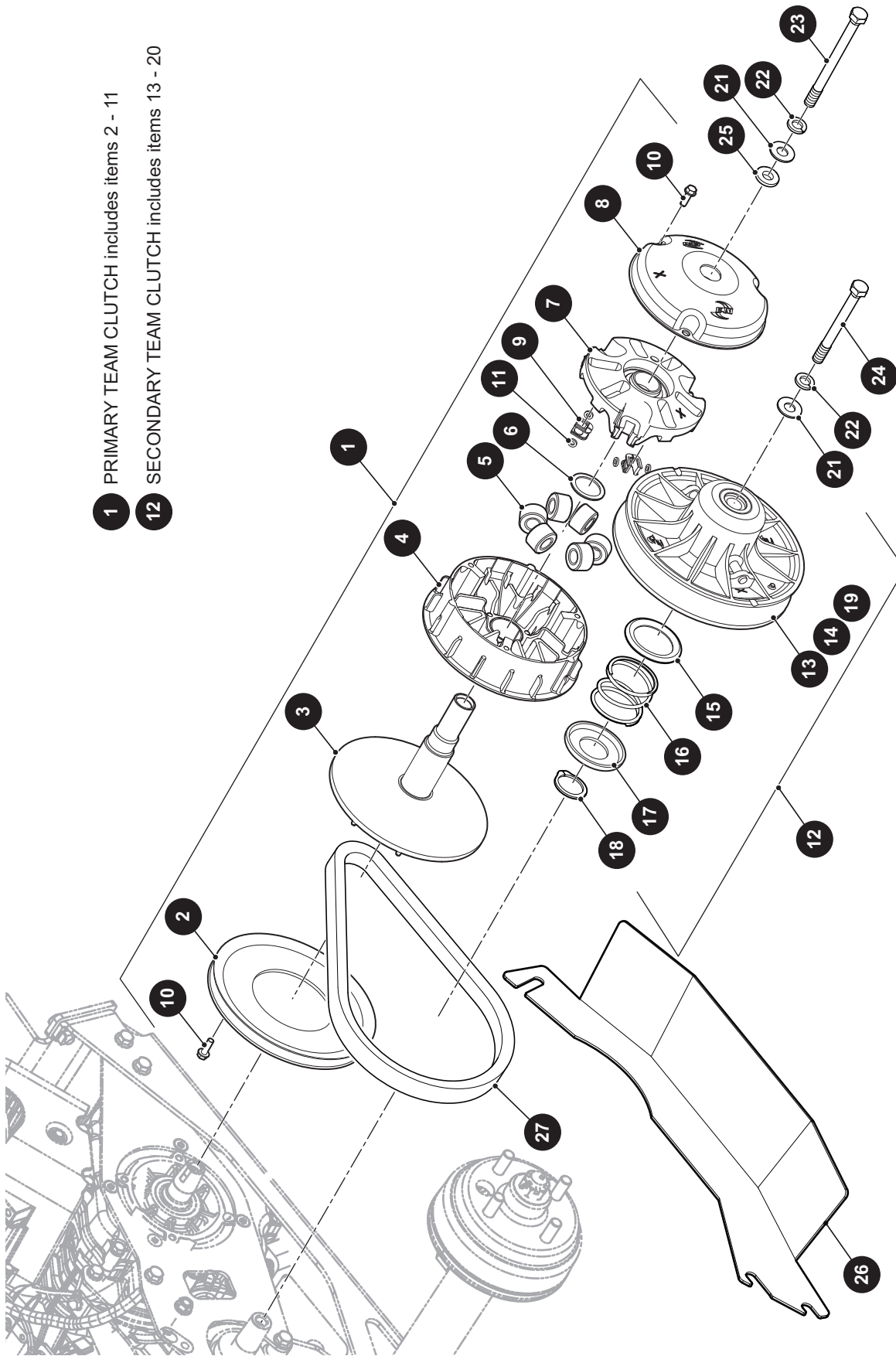
*** Indicates consult Customer Service Department for additional information.

ITEM	PART NO.	1 2 3 4 5	DESCRIPTION	QTY.
1	<u>607955</u>		CARBURETOR (INCLUDES ITEMS 3 - 22).....	1
2				
3	<u>607956</u>		MAIN JET (#106)	1
4	<u>607957</u>		PILOT JET (#52)	1
5	<u>603585</u>		PLUG	1
6				
7	<u>603586</u>		NEEDLE VALVE.....	1
8	<u>603587</u>		FLOAT.....	1
9	<u>603588</u>		FLOAT PIN.....	1
10	<u>603589</u>		FLOAT BOWL GASKET.....	1
11	<u>603590</u>		FLOAT CHAMBER.....	1
12	<u>603592</u>		BOWL SCREW	1
13	<u>603591</u>		BOWL GASKET	1
14	<u>603583</u>		CHOKE BRACKET	1
15	<u>603598</u>		BREATHER TUBE	1
16	<u>603596</u>		CLAMP, INTAKE TUBE.....	1
17	<u>603597</u>		CLAMP CYLINDER HEAD TUBE	1
18	<u>603594</u>		INTAKE TUBE	1
19	<u>603593</u>		CHOKE GASKET.....	2
20	<u>603595</u>		HEX NUT, M6 X 1.0	2
21	<u>608023</u>		THROTTLE ROD ATTACHMENT BUSHING.....	1
22	<u>603584</u>		STUD BOLT	2
23	<u>607684</u>		MAIN JET (#102) (FOR ELEVATIONS OF 6000 FT - 10000 FT).....	1
24	<u>607683</u>		MAIN JET (#104) (FOR ELEVATIONS OF 3000 FT - 6000 FT).....	1
25	<u>605868</u>		CHOKE CABLE (SWB)	1
26	<u>00568G4</u>		LOCK WASHER, 9/16"	1
27	<u>00545G4</u>		JAM NUT, 9/16" - 18.....	1
28	<u>72155G02</u>		RETAINER.....	1
29	<u>72154G01</u>		CHOKE CABLE ADAPTER.....	1
30	<u>605793</u>		CHOKE CABLE (MWB).....	1
31	606389		HIGH ALTITUDE JET (TERRAIN 500 & 1000 ONLY).....	1

CLUTCH

1 PRIMARY TEAM CLUTCH includes items 2 - 11

12 SECONDARY TEAM CLUTCH includes items 13 - 20



When ordering parts, please specify the model and serial number of the product.

* Indicates a component that is not available as an individual part.

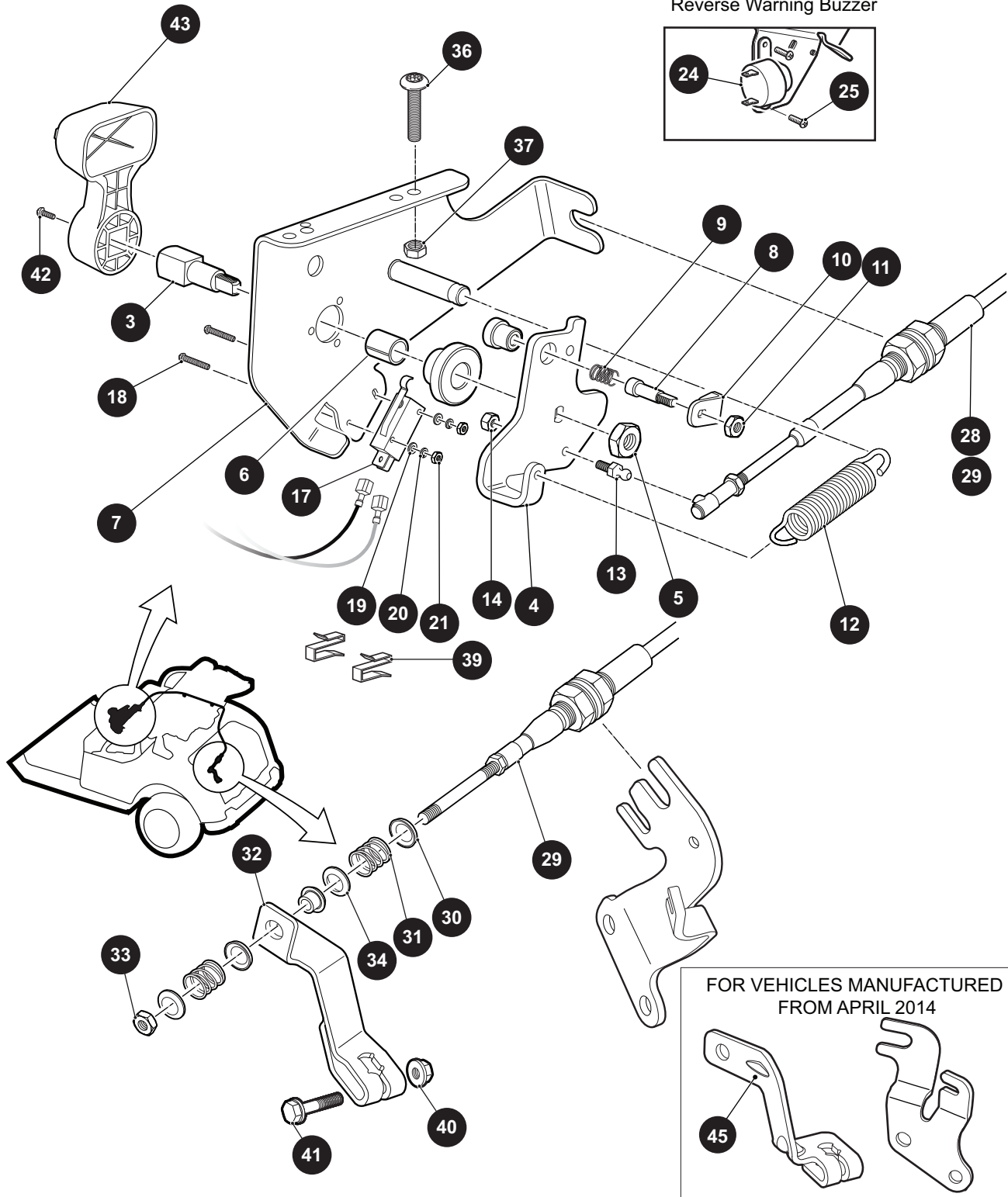
*** Indicates consult Customer Service Department for additional information.

ITEM	PART NO.	1 2 3 4 5	DESCRIPTION	QTY.
1	<u>644301</u>		PRIMARY TEAM CLUTCH (INCLUDES ITEMS 2 - 11).....	1
2	<u>619333</u>		PRIMARY STARTER PULLY, 195 - SVC.....	1
3	<u>619334</u>		STATIONARY ASSEMBLY	1
4	<u>619335</u>		MOVEABLE PRIMARY ASSEMBLY	1
5	<u>624112</u>		SHIFT ROLLER ASSEMBLY.....	6
6	<u>619337</u>		SHIM, 39 5MM X 31 75MM	1
7	<u>644303</u>		PRIMARY SPIDER ASSEMBLY	1
8	<u>619339</u>		PRIMARY DUST COVER ASSEMBLY.....	1
9	<u>644305</u>		BUTTON, TORQUE PRIMARY	6
10	<u>619332</u>		HEX WASHER HEAD BOLT, 1/4" - 20 X 3/4" LG	7
11	<u>644306</u>		PLUG, TORQUE PRIMARY	6
12	<u>623949</u>		SECONDARY TEAM CLUTCH (INCLUDES ITEMS 13 - 20).....	1
13	*		SECONDARY STATIONARY, 9.5.....	1
14	*		MOVEABLE SECONDARY, 9.5.....	1
15	<u>619327</u>		INNER RETAINER SPRING.....	1
16	<u>624111</u>		COMPRESSION SPRING, 2.70" O.D.....	1
17	<u>619329</u>		OUTER SPRING RETAINER	1
18	<u>619330</u>		RETAINER RING.....	1
19	<u>619331</u>		THRUST WASHER, 1 53" X 1 83" X 1"	1
20				
21	<u>606239</u>		CONICAL WASHER, M12	2
22	<u>00566G3</u>		LOCK WASHER (SPRING TYPE), 3/8".....	2
23	<u>606245</u>		HEX HEAD BOLT, M12 - 1 25 X 160MM LG.....	1
24	<u>606243</u>		HEX HEAD BOLT, M12 - 1 25 X 120MM LG.....	1
25	<u>606230</u>		CLUTCH WASHER, 27 5MM O.D. X 13 06MM I.D.	1
26	<u>605950</u>		CLUTCH BELT SHIELD (TERRAIN 500 & 1000 ONLY).....	1
27	<u>618630</u>		DRIVE BELT	1

DIRECTION SELECTOR

1 DIRECTION SELECTOR ASSEMBLY (250 & 500 Only) includes items 3 - 28, 30 - 34

2 DIRECTION SELECTOR ASSEMBLY (1000 Only) includes items 3 - 27, 29 - 34



DIRECTION SELECTOR

When ordering parts, please specify the model and serial number of the product.

* Indicates a component that is not available as an individual part.

*** Indicates consult Customer Service Department for additional information.

ITEM	PART NO.	1 2 3 4 5	DESCRIPTION	QTY.
1	<u>603416</u>		DIRECTION SELECTOR ASSEMBLY (Includes Items 3 - 28, 30 - 34)..... (TERRAIN 250 & 500 Only)	1
2	<u>606173</u>		DIRECTION SELECTOR ASSEMBLY (Includes Items 3 - 27, 29 - 34) (TERRAIN 1000 Only).....	1
3	<u>70233G01</u>		DIRECTION SELECTOR SHAFT	1
4	<u>603700</u>		DIRECTION SELECTOR CAM.....	1
5	<u>14390G1</u>		LOCK NUT, 3/8 - 24.....	1
6	<u>25664G2</u>		BUSHING	1
7	<u>606077</u>		DIRECTION SELECTOR BRACKET.....	1
8	<u>72724G01</u>		NEUTRAL LOCK PIN	1
9	<u>72733G01</u>		COMPRESSION SPRING, 3/8" X 5/8" LG	1
10	<u>72729G01</u>		NEUTRAL LOCK LATCH.....	1
11	<u>00734G2</u>		LOCK NUT, 1/4 - 28.....	1
12	<u>28574G01</u>		EXTENSION SPRING	1
13	<u>72732G01</u>		BALL STUD, 1/4"	1
14	<u>00734G5</u>		LOCK NUT, #10 - 32.....	1
15				
16				
17	<u>72736G01</u>		MICRO SWITCH	1
18	<u>01062G01</u>		SCREW, #4 - 40 X 1" LG.....	2
19	<u>00559G1</u>		FLAT WASHER, #4	2
20	<u>00565G1</u>		LOCK WASHER, #4	2
21	<u>00526G2</u>		HEX NUT, #4 - 40	2
22				
23				
24	<u>73290G03</u>		REVERSE WARNING BUZZER.....	1
25	<u>01063G01</u>		SCREW, #6 - 32 X 3/8" LG.....	2
26	<u>25978G345</u>		18 GA WIRE (RED 7").....	1
27				
28	<u>603615</u>		PUSH / PULL CABLE	1
29	<u>605807</u>		PUSH / PULL CABLE	1
30	<u>25727G01</u>		CUP WASHER, 1/4"	4

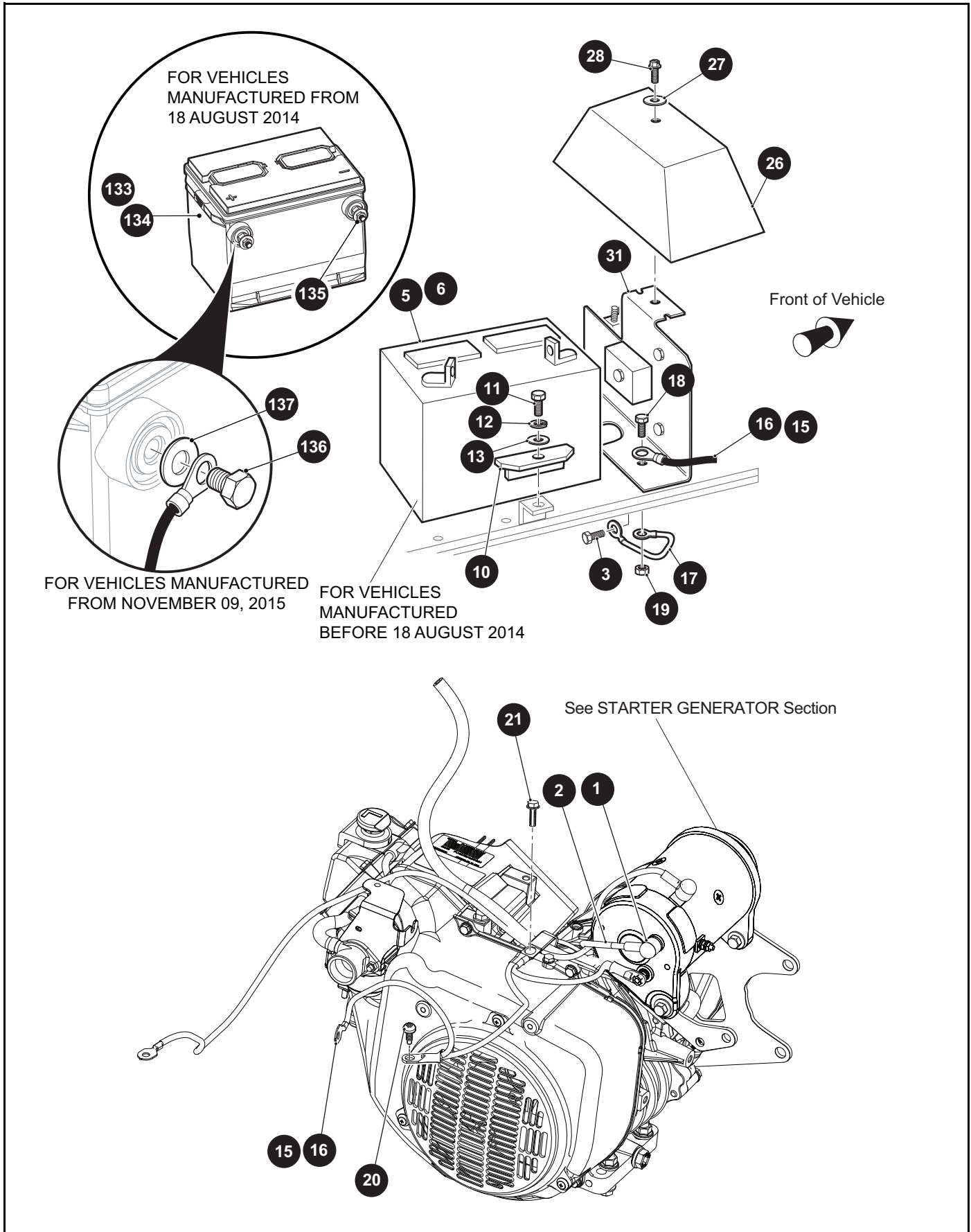
DIRECTION SELECTOR

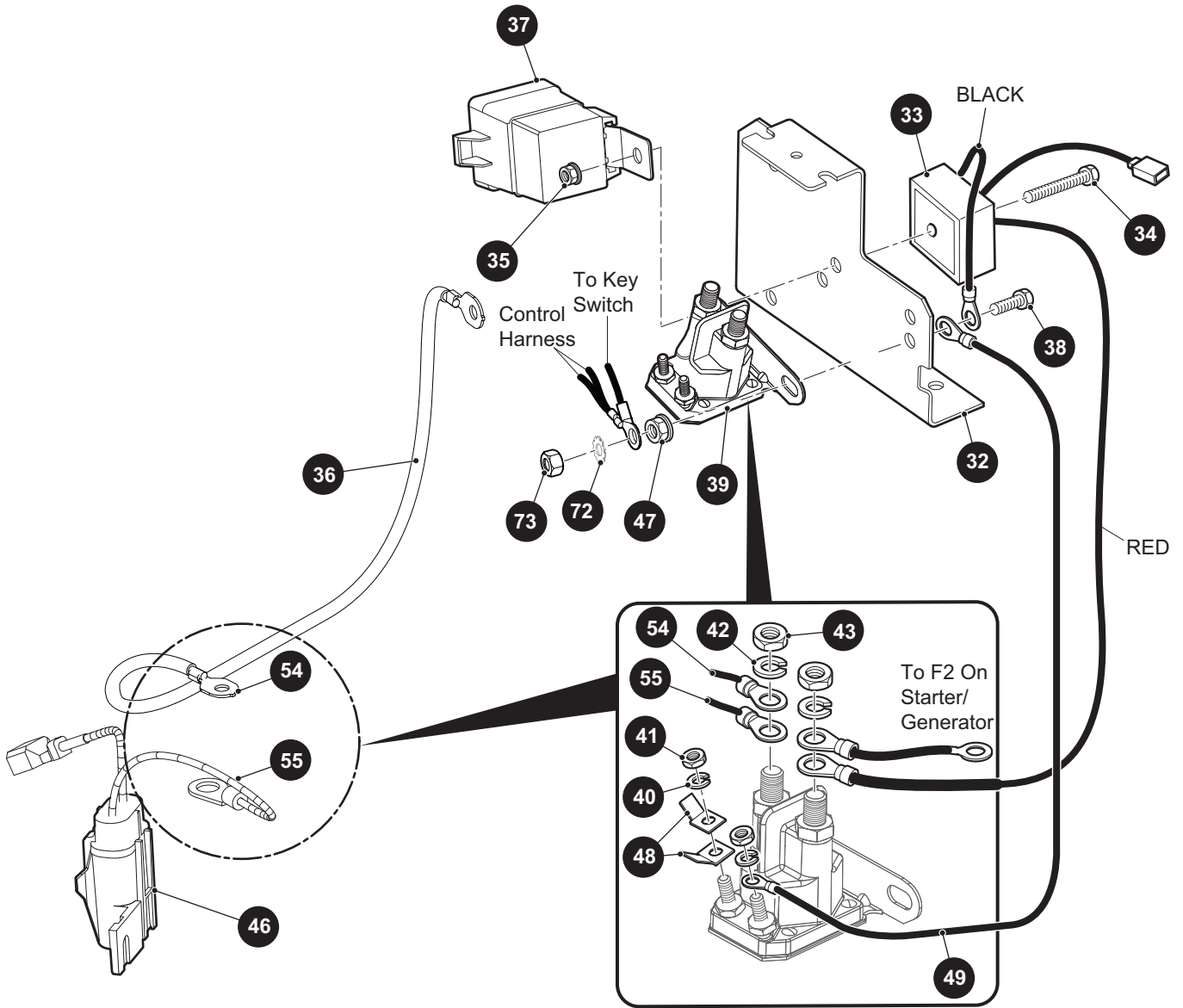
When ordering parts, please specify the model and serial number of the product.

* Indicates a component that is not available as an individual part.

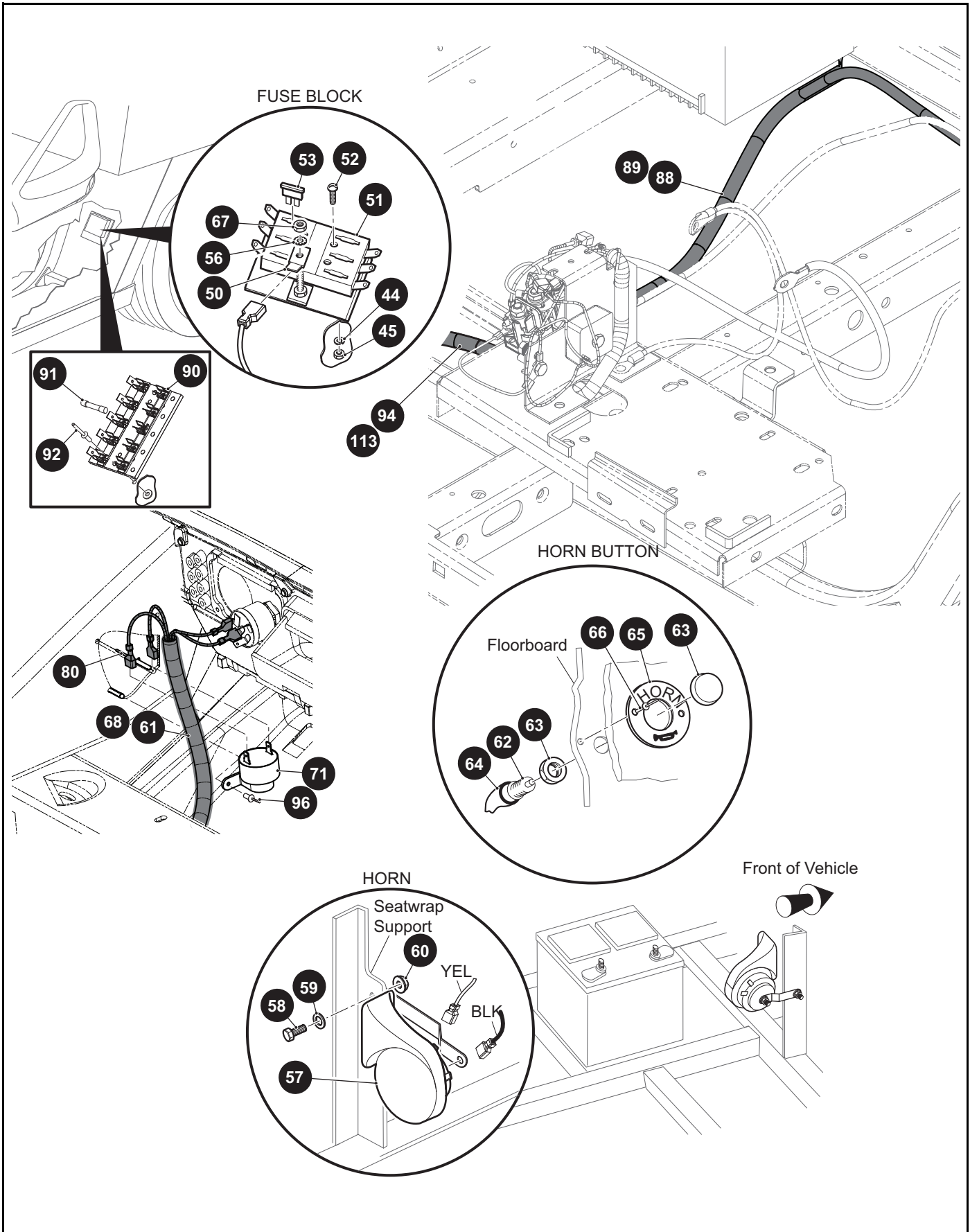
*** Indicates consult Customer Service Department for additional information.

ITEM	PART NO.	1	2	3	4	5	DESCRIPTION	QTY.
31	<u>72735G01</u>						COMPRESSION SPRING, 19/32" X 1" LG	2
32	<u>74455G01</u>						SHIFTER ARM WITH BUSHING	1
33	<u>00734G5</u>						LOCK NUT, #10 - 32	1
34	<u>22754G4</u>						BUSHING, FLIP LOK, .250	1
35								
36	<u>70227G01</u>						SCREW, 1/4 - 20 X 7/8" LG.....	2
37	<u>11027G2</u>						LOCK NUT, 1/4 - 20.....	2
38								
39	<u>01072G01</u>						CABLE CLIP.....	2
40	<u>450452</u>						HEX CUSH NUT, M6	1
41	<u>606421</u>						HEX BOLT, M6-1 X 30.....	1
42	<u>00740G4</u>						SCREW, #10 - 32 X 1/2" LG (STAINLESS STEEL)	1
43	<u>71205G01</u>						DIRECTION SELECTOR HANDLE	1
44								
45	<u>632891</u>						DIRECTION SELECTOR PIVOT BRACKET (FOR VEHICLES MANUFACTURED FROM APRIL 2014).....	1

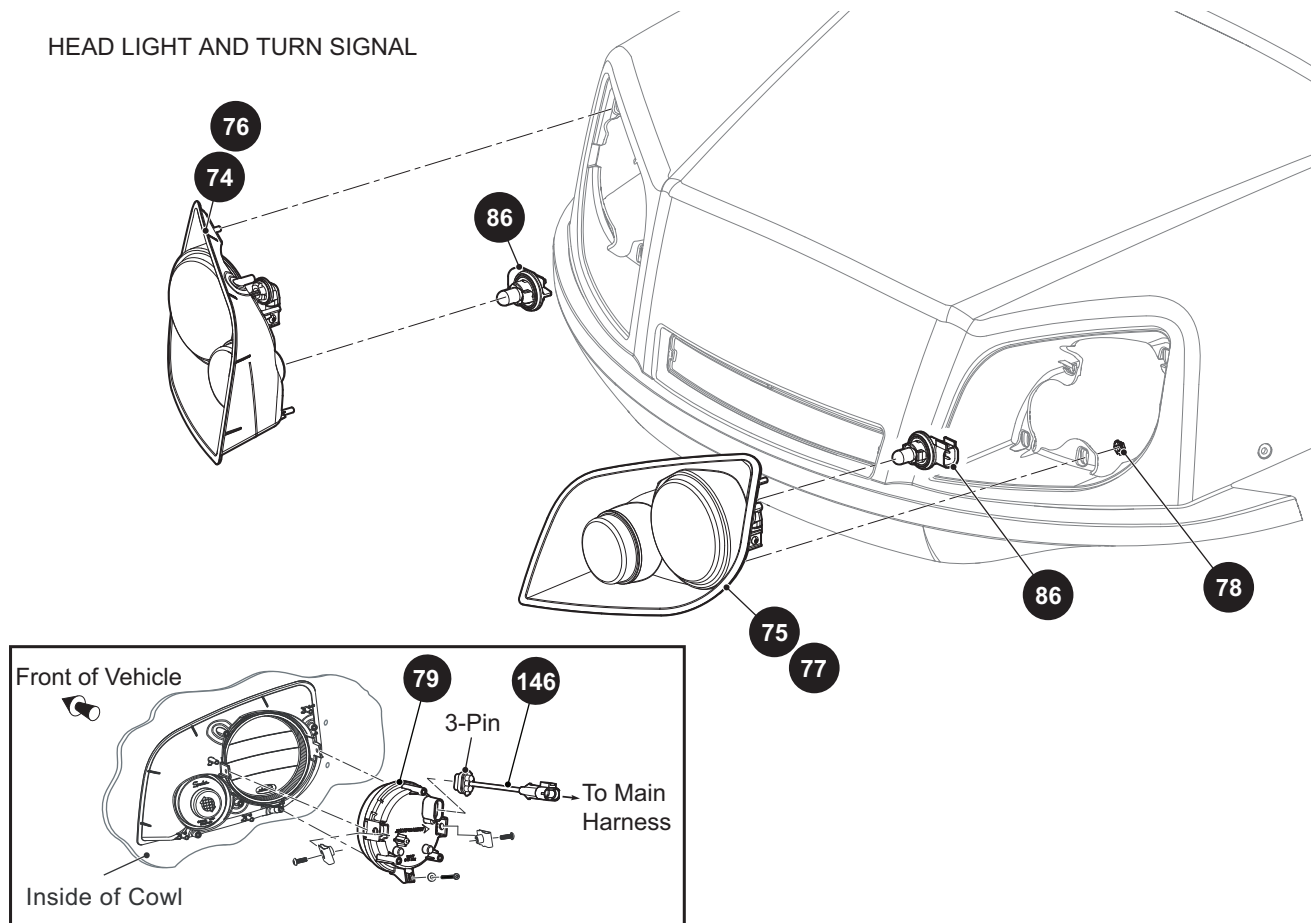




31 ELECTRICAL PLATE ASSEMBLY includes items 32 - 43 and 46 - 49

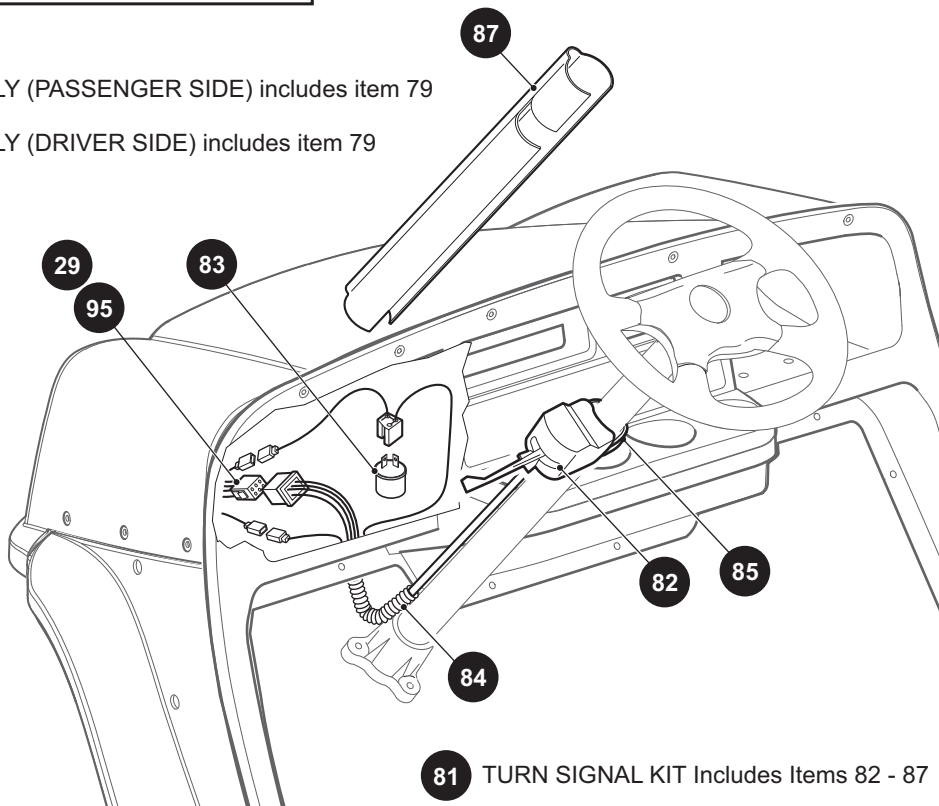


HEAD LIGHT AND TURN SIGNAL

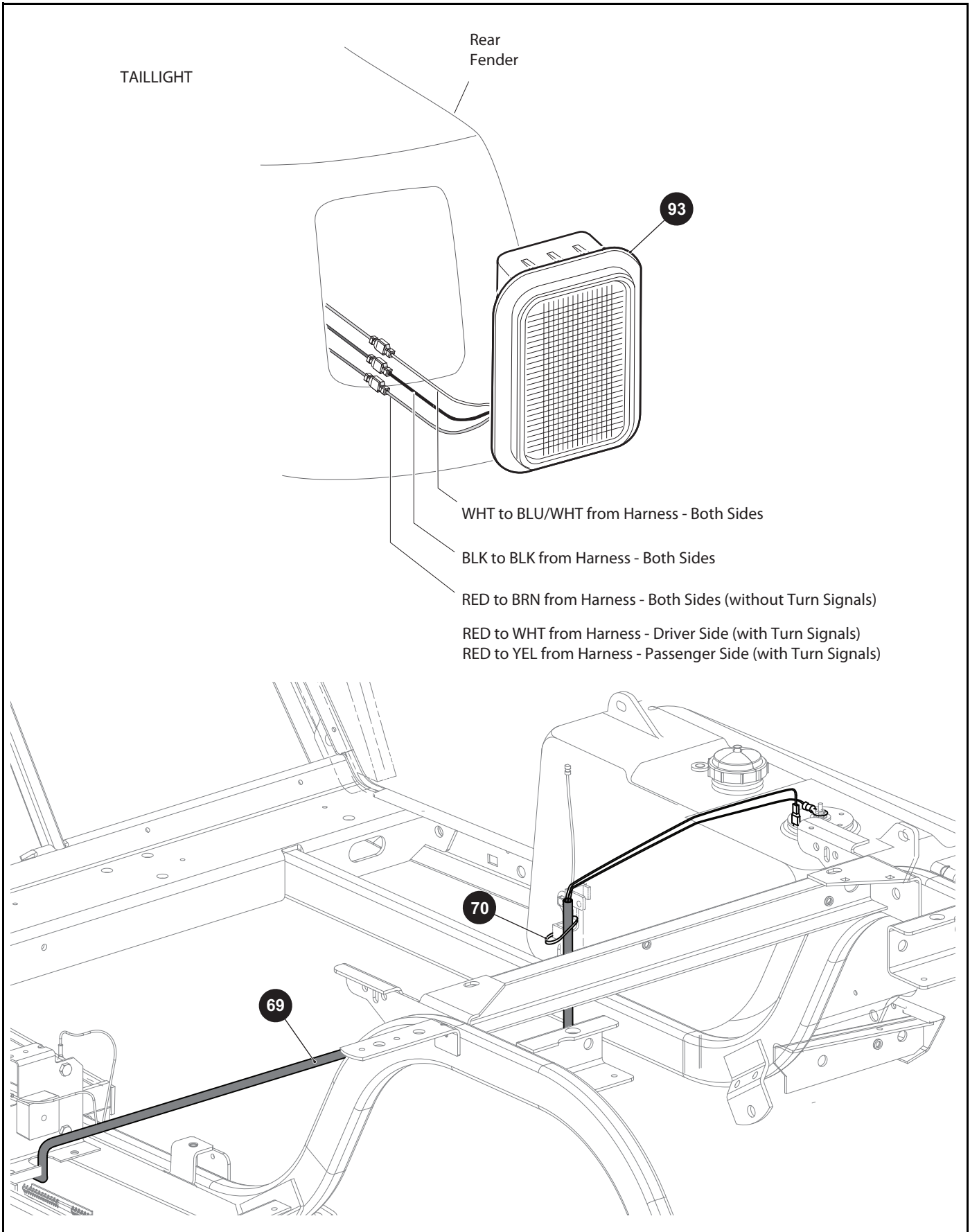


76 LED HEADLIGHT ASSEMBLY (PASSENGER SIDE) includes item 79

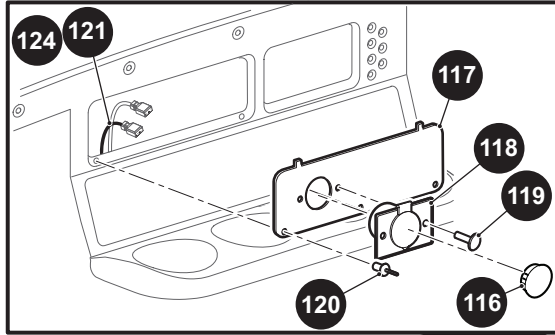
77 LED HEADLIGHT ASSEMBLY (DRIVER SIDE) includes item 79



81 TURN SIGNAL KIT Includes Items 82 - 87

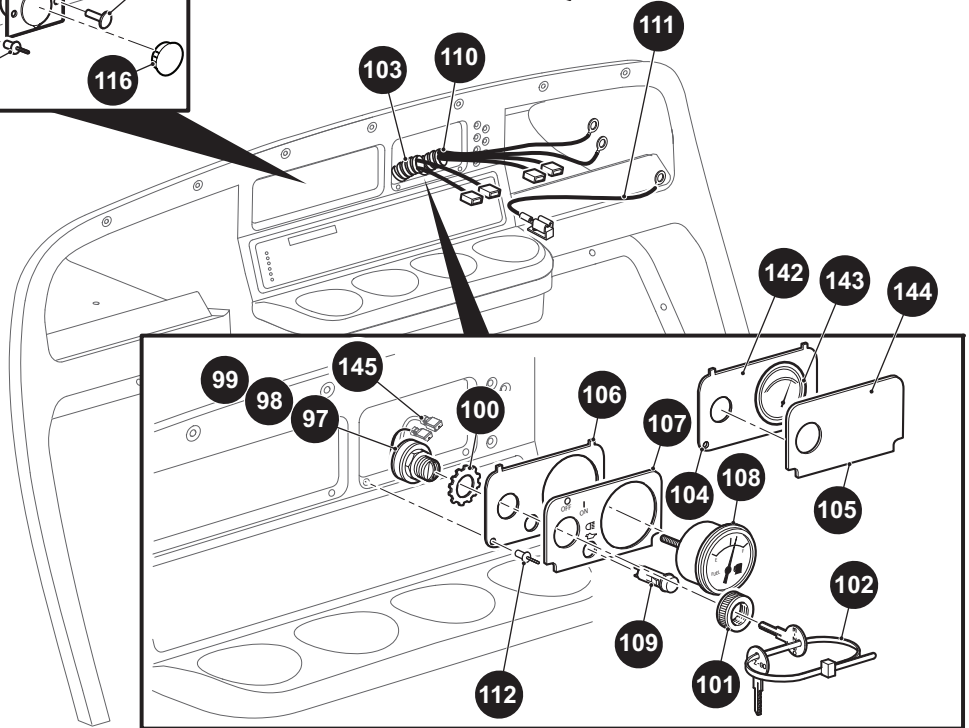
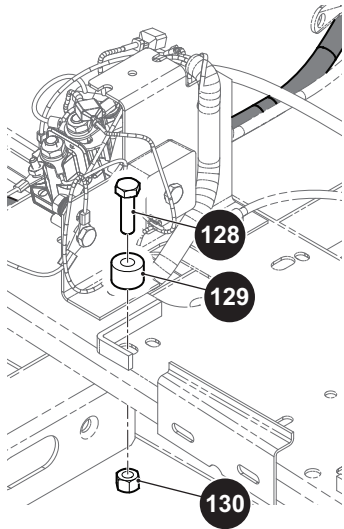
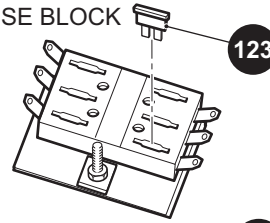


CONSOLE INSERT PLATE (WITH POWER OUTLET)



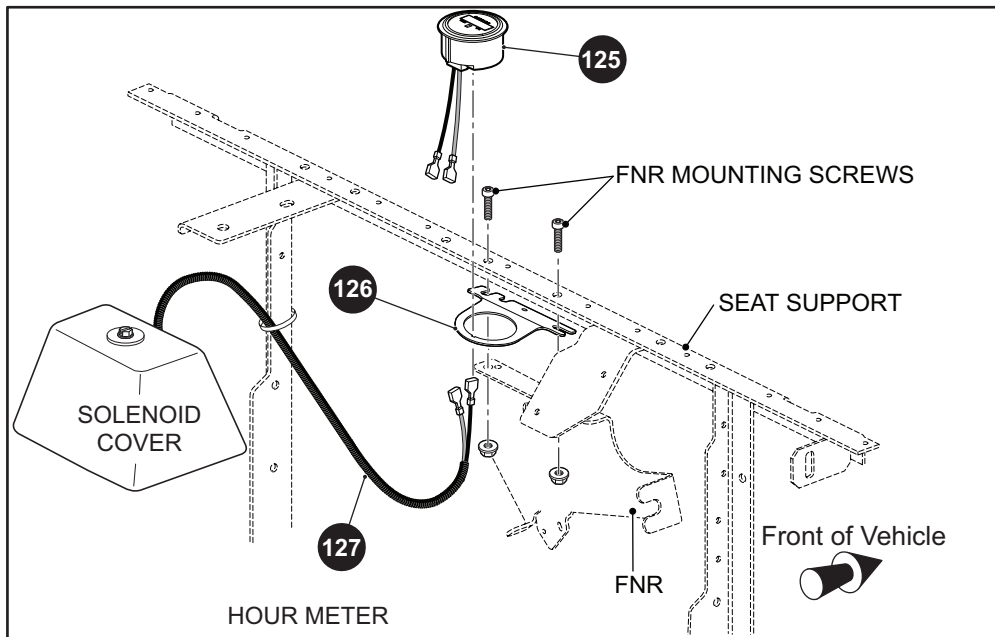
115 CONSOLE PLATE W/ PLUG includes items 116 - 117

FUSE BLOCK



KEY SWITCH, INDICATOR LIGHT(S), AND FUEL GAUGE

Front of Vehicle



ELECTRICAL

When ordering parts, please specify the model and serial number of the product.

* Indicates a component that is not available as an individual part.

*** Indicates consult Customer Service Department for additional information.

ITEM	PART NO.	1 2 3 4 5	DESCRIPTION	QTY.
1	<u>607053</u>		6 GA WIRE (BLACK 6", F1 - A2)	1
2	<u>25682G1</u>		TERMINAL COVER.....	3
3	<u>00715G2</u>		HEX WASHER HEAD BOLT, 5/16" - 18 X .875" LG	4
4				
5	<u>24775G1</u>		BATTERY, 12V DEKA (FOR VEHICLES MANUFACTURED BEFORE 18 AUGUST 2014)	1
6	<u>600497</u>		BATTERY, 12V, HD (FOR VEHICLES MANUFACTURED BEFORE 18 AUGUST 2014)	1
7				
8				
9				
10	<u>645191</u>		BATTERY HOLD DOWN	1
11	00438G6		HEX BOLT, 5/16 - 18 X 3/4" LG	3
12	<u>00565G8</u>		LOCK WASHER, 5/16"	1
13	<u>00571G2</u>		FLAT WASHER (SS), 5/16"	1
14				
15	<u>645191</u>		GROUND CABLE (FOR VEHICLES MANUFACTURED FROM NOVEMBER 09, 2015).....	1
16	<u>27044G03</u>		GROUND CABLE.....	1
17	<u>25976G19</u>		14 GA WIRE (BLACK 6").....	1
18	00438G6		HEX HEAD BOLT, 5/16" - 18 X 3/4" LG.....	2
19	<u>11027G1</u>		LOCK NUT, 5/16" - 18	2
20	<u>26676G01</u>		FLANGED BOLT, M6 X 1.0 X 23 MM	1
21	<u>606264</u>		HEX FLANGE BOLT, M6 -1 X 20 MM LG.....	1
22				
23				
24	<u>605821</u>		WIRE HARNESS (CONTROL).....	1
25	<u>17618G1</u>		WIRE TIE (NOT ILLUSTRATED).....	AR
26	<u>73049G01</u>		COVER FNR	1
27	<u>16469G1</u>		FENDER WASHER, 1/4"	1
28	<u>00114G6</u>		HEX WASHER HEAD BOLT, 1/4" - 14 X 3/4" LG	1
29	<u>645193</u>		WIRE HARNESS, LONG (ACCESSORY) (FOR VEHICLES MANUFACTURED FROM NOVEMBER 09, 2015).....	1

When ordering parts, please specify the model and serial number of the product.

* Indicates a component that is not available as an individual part.

*** Indicates consult Customer Service Department for additional information.

ITEM	PART NO.	1 2 3 4 5	DESCRIPTION	QTY.
30				
31	<u>605563</u>		ELECTRICAL PLATE ASSEMBLY (INCLUDES ITEMS 32 - 43, 46 - 49)	1
32	<u>73057G02</u>		BRACKET	1
33	<u>27739G01</u>		VOLTAGE REGULATOR	1
34	<u>303459</u>		HEX HEAD BOLT, 1/4" - 20 X 1 1/2" LG	1
35	<u>11027G2</u>		LOCK NUT, 1/4" - 20	1
36	<u>645190</u>		WIRE ASSEMBLY, 6 AWG	1
37	<u>603282</u>		RELAY	1
38	<u>00661G8</u>		HEX HEAD BOLT (SS), 1/4" - 20 X 1" LG	1
39	<u>612813</u>		SOLENOID	1
40	*		LOCK WASHER, #10	2
41	*		NUT, #10 - 32	2
42	*		LOCK WASHER, 5/16"	2
43	*		NUT, 5/16" - 24	2
44	<u>00559G5</u>		LOCK WASHER, # 10	2
45	<u>14390G10</u>		LOCKNUT, #10-24	2
46	600418G01		FUSE HOLDER ASSEMBLY	1
47	<u>11027G2</u>		LOCK NUT, 1/4" - 20	1
48	<u>73446G01</u>		FASTON TAB, 90°	2
49	<u>25978G56</u>		18 GA WIRE (BLACK 5 3/4")	1
50	12914G01		PUSH ON MALE TERMINAL	1
51	<u>35211G01</u>		FUSE BLOCK	1
52	<u>00379G2</u>		RIVET, 1/8" X 13/16" LG	2
53	<u>35212G01</u>		15 AMP FUSE (TERRAIN 500 & 1000 ONLY)	3
54	<u>645190</u>		WIRE ASSEMBLY, 6 AWG	1
55	<u>20216G1</u>		16 GA WIRE (RED)	1
56	<u>00567G5</u>		LOCK WASHER, #10	1
57	<u>32860G1</u>		HORN	1
58	<u>00414G5</u>		HEX HEAD BOLT, 1/4" - 20 X 5/8" LG	1
59	<u>00559G7</u>		FLAT WASHER (SS), 1/4"	1
60	<u>14390G4</u>		LOCK NUT, 1/4" - 20	1

ELECTRICAL

When ordering parts, please specify the model and serial number of the product.

* Indicates a component that is not available as an individual part.

*** Indicates consult Customer Service Department for additional information.

ITEM	PART NO.	1	2	3	4	5	DESCRIPTION	QTY.
61	<u>605639</u>						KEY SWITCH WIRING HARNESS (TERRAIN 250 & 500 ONLY)	1
62	<u>17318G1</u>						HORN SWITCH.....	1
63	<u>17318G2</u>						HORN SWITCH CAP AND NUT.....	1
64	<u>27068G01</u>						HORN SWITCH BOOT.....	1
65	<u>19233G1</u>						HORN SWITCH LABEL.....	1
66	<u>71055G01</u>						RIVET, 3/16" X 1" LG (ALUMINUM)	2
67	<u>00526G4</u>						HEX NUT, #10-32.....	1
68	<u>605830</u>						KEY SWITCH WIRING HARNESS, (TERRAIN 1000 ONLY).....	1
69	<u>606285</u>						FUEL GUAGE, INDICATOR HARNESS (TERRAIN 1000 ONLY)	1
70	<u>17618G1</u>						NYLON CLAMP (TERRAIN 1000 ONLY)	2
71	<u>73290G03</u>						BUZZER	1
72	<u>00567G7</u>						LOCK WASHER (EXTERNAL TOOTH TYPE), 1/4".....	1
73	<u>00532G1</u>						HEX NUT , 1/4" - 20	1
74	<u>614497</u>						HEADLIGHT W/O TURN SIGNAL (PASSENGER SIDE).....	1
75	<u>614501</u>						HEADLIGHT W/O TURN SIGNAL (DRIVER SIDE)	1
76	<u>659008</u>						LED HEADLIGHT ASSEMBLY (PASSENGER SIDE) (INCLUDES ITEM 79) .	1
77	<u>659009</u>						LED HEADLIGHT ASSEMBLY (DRIVER SIDE) (INCLUDES ITEM 79).....	1
78	<u>71597G01</u>						SELF THREADING NUT, 5X 10 X 15 MM.....	8
79	<u>651411G03</u>						LED HEADLIGHT.....	1
80	<u>01041G01</u>						BULBEX RIVET, 5/32" DIA.....	2
81	<u>622712</u>						TURN SIGNAL KIT (INCLUDES ITEMS 82 - 87)	1
82	<u>611810</u>						TURN SIGNAL SWITCH (INCLUDES ITEM 83).....	1
83	<u>21640G1</u>						TURN SIGNAL FLASHER	1
84	<u>32307G3</u>						FLEX LOOM, 3/8"	1
85	<u>17618G1</u>						CLAMP.....	2
86	<u>619102</u>						TURN SIGNAL BULB.....	2
87	<u>20965G3</u>						STEERING COLUMN COVER	1
88	<u>605560</u>						CONTROL HARNESS (TERRAIN 250 & 500 ONLY).....	1
89	<u>605821</u>						CONTROL HARNESS (TERRAIN 1000 ONLY).....	1
90	<u>22674G1</u>						FUSE BLOCK.....	1
91	<u>18392G1</u>						15 AMP FUSE	3

When ordering parts, please specify the model and serial number of the product.

* Indicates a component that is not available as an individual part.

*** Indicates consult Customer Service Department for additional information.

ITEM	PART NO.	1 2 3 4 5	DESCRIPTION	QTY.
92	<u>01041G01</u>		BULBEX RIVET, 5/32"	2
93	<u>32739G2</u>		TAILLIGHT ASSEMBLY (TERRAIN 250 AND 500 ONLY)	2
94	<u>619153</u>		TRUCK WIRE ACCESSORY HARNESS (TERRAIN 1000 ONLY).....	1
95	<u>606045</u>		WIRE HARNESS (ACCESSORY)	1
96	<u>01041G01</u>		BULBEX RIVET, 5/32" DIA.....	2
97	<u>33639G01</u>		IGNITION SWITCH (WITH LIGHTS)	1
98	<u>33639G02</u>		IGNITION SWITCH (WITH LIGHTS, GROUP KEY) (TERRAIN 500 & 1000 ONLY)	1
99	33639G03		IGNITION SWITCH (WITH LIGHTS, INDIVIDUALLY KEYED) (TERRAIN 500 & 1000 ONLY)	1
100	<u>00568G6</u>		LOCK WASHER, 3/4"	1
101	17137G1		FACE NUT, 3/4" - 20	1
102	<u>17618G1</u>		NYLON CLAMP	1
103	<u>605830</u>		WIRE HARNESS (KEY SWITCH).....	1
104	<u>601015</u>		STD CONSOLE PLATE INSERT (TERRAIN 250 ONLY)	1
105	<u>71181G01</u>		STD CONSOLE PLATE DECAL (TERRAIN 250 ONLY).....	1
106	73030G04		PLATE (FUEL GAUGE AND OIL LIGHT) (TERRAIN 500 & 1000 ONLY).....	1
107	<u>71131G01</u>		LABEL (OIL LIGHT AND FUEL GAUGE WITH HEADLIGHTS) (TERRAIN 500 & 1000 ONLY)	1
108	<u>21553G1</u>		FUEL GAUGE (TERRAIN 500 & 1000 ONLY)	1
109	<u>23474G1</u>		INDICATOR LIGHT (TERRAIN 500 & 1000 ONLY)	1
110	<u>74311G01</u>		HARNESS (OIL LIGHT/FUEL GAUGE)	1
111	<u>25978G122</u>		18 GA WIRE (RED 6") (TERRAIN 500 & 1000 ONLY)	1
112	33623G02		DRIVE RIVET, 3/16" X 3/8" LG	2
113	<u>645195</u>		TRUCK WIRE ACCESSORY HARNESS (TERRAIN 1000 ONLY) (FOR VEHICLES MANUFACTURED FROM NOVEMBER 09, 2015)	1
114	<u>74693G01</u>		CONSOLE PLATE W/ POWER OUTLET (TERRAIN 500 & 1000 ONLY) (INCLUDES ITEMS 117 - 119).....	1
115	<u>74693G02</u>		CONSOLE PLATE W/ PLUG (TERRAIN 250 ONLY) (INCLUDES ITEMS 116 - 117).....	1
116	<u>20271G10</u>		HOLE PLUG	1
117	<u>73522G03</u>		CONSOLE INSERT PLATE	1
118	<u>71078G01</u>		12V POWER OUTLET.....	1

ELECTRICAL

When ordering parts, please specify the model and serial number of the product.

* Indicates a component that is not available as an individual part.

*** Indicates consult Customer Service Department for additional information.

ITEM	PART NO.	1	2	3	4	5	DESCRIPTION	QTY.
119	<u>14601G10</u>						ALUMINUM RIVET, 5/32"	2
120	<u>33623G02</u>						DRIVE RIVET, 3/16" X 3/8" LG	3
121	<u>71081G01</u>						WIRE HARNESS (TERRAIN 500 & 1000 ONLY).....	1
122	<u>17618G1</u>						WIRE TIE (TERRAIN 500 & 1000 ONLY) (NOT ILLUSTRATED)	5
123	<u>35212G01</u>						15 AMP FUSE (TERRAIN 500 & 1000 ONLY)	1
124	<u>645194</u>						WIRE HARNESS (TERRAIN 500 & 1000 ONLY) (FOR VEHICLES MANUFACTURED FROM NOVEMBER 09, 2015).....	1
125	<u>617074</u>						HOUR METER	1
126	<u>635649</u>						HOUR METER BRACKET	1
127	<u>606254</u>						WIRE HARNESS (HOUR METER)	1
128	<u>00439G1</u>						HEX HEAD BOLT, 5/16" X 18 X 1 1/8" LG	1
129	<u>75048G01</u>						SPACER, .328" X .75" X.50" LG.....	1
130	<u>11098G6</u>						LOCK NUT, 5/16" - 18	1
131	<u>610428</u>						BATTERY BOLT EXTENDER (NOT ILLUSTRATED).....	2
132								
133	<u>637484</u>						BATTERY, 12V (FOR VEHICLES MANUFACTURED FROM 18 AUGUST 2014).....	1
134	<u>638433</u>						BATTERY, 12V HD (FOR VEHICLES MANUFACTURED FROM 18 AUGUST 2014).....	1
135	<u>610428</u>						BATTERY BOLT EXTENDER (FOR VEHICLES MANUFACTURED FROM 18 AUGUST 2014).....	2
136	<u>651336</u>						BATTERY BOLT (FOR VEHICLES MANUFACTURED FROM NOVEMBER 09, 2015).....	2
137	<u>614221</u>						FLAT WASHER, 3/8" (FOR VEHICLES MANUFACTURED FROM NOVEMBER 09, 2015).....	2
138	<u>645195</u>						WIRE HARNESS (HEADLIGHT) (NOT ILLUSTRATED) (FOR VEHICLES MANUFACTURED FROM NOVEMBER 09, 2015).....	1
139	<u>645199</u>						#10GA WIRE ASSEMBLY, (WHITE) (NOT ILLUSTRATED) (FOR VEHICLES MANUFACTURED FROM NOVEMBER 09, 2015).....	1
140	<u>645198</u>						#16GA WIRE ASSEMBLY, (BLACK) (NOT ILLUSTRATED) (FOR VEHICLES MANUFACTURED FROM NOVEMBER 09, 2015).....	1
141								
142	<u>73030G14</u>						CONSOLE INSERT PLATE (FOR VEHICLES MANUFACTURED FROM NOVEMBER 09, 2015).....	1

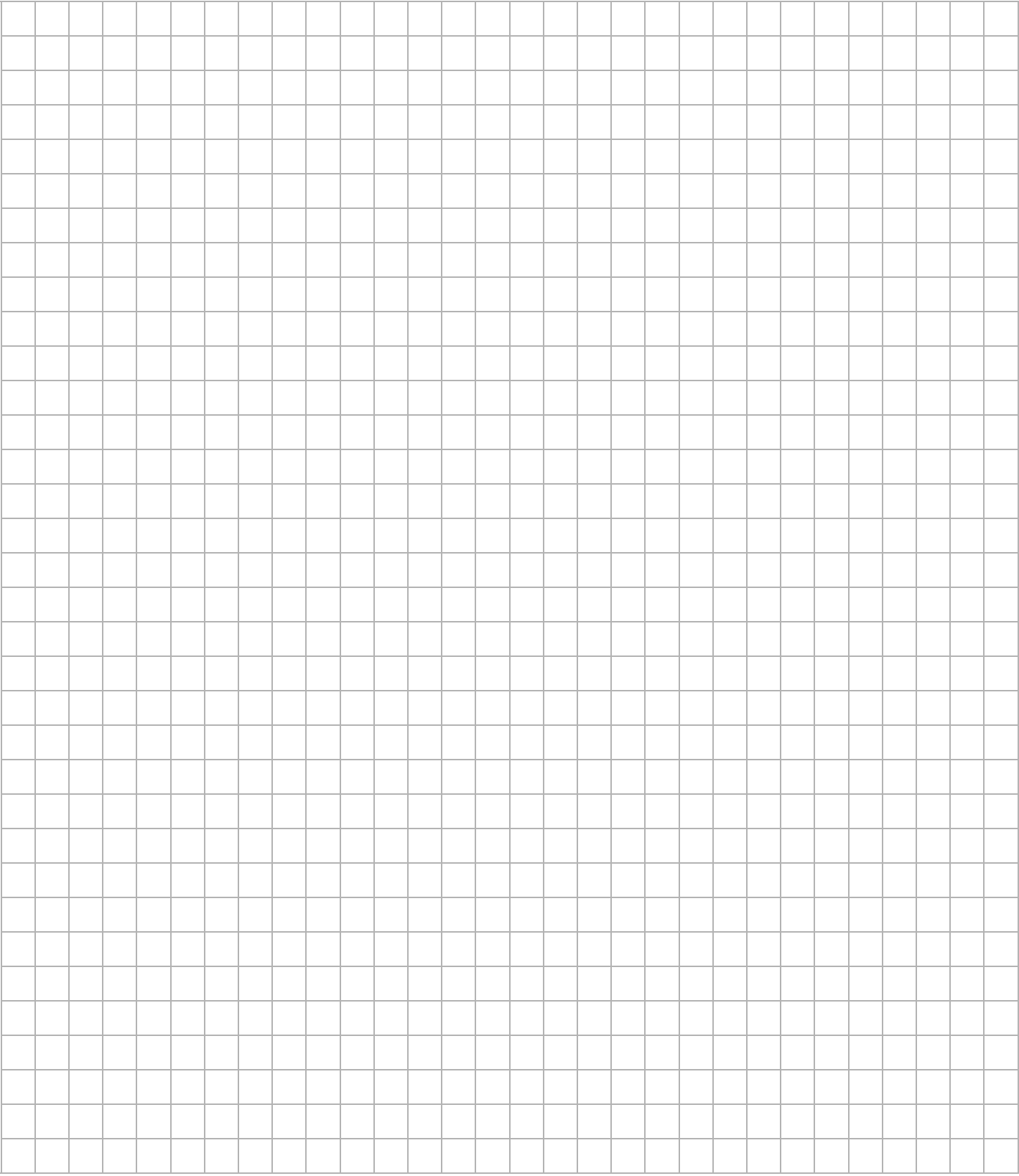
When ordering parts, please specify the model and serial number of the product.

* Indicates a component that is not available as an individual part.

*** Indicates consult Customer Service Department for additional information.

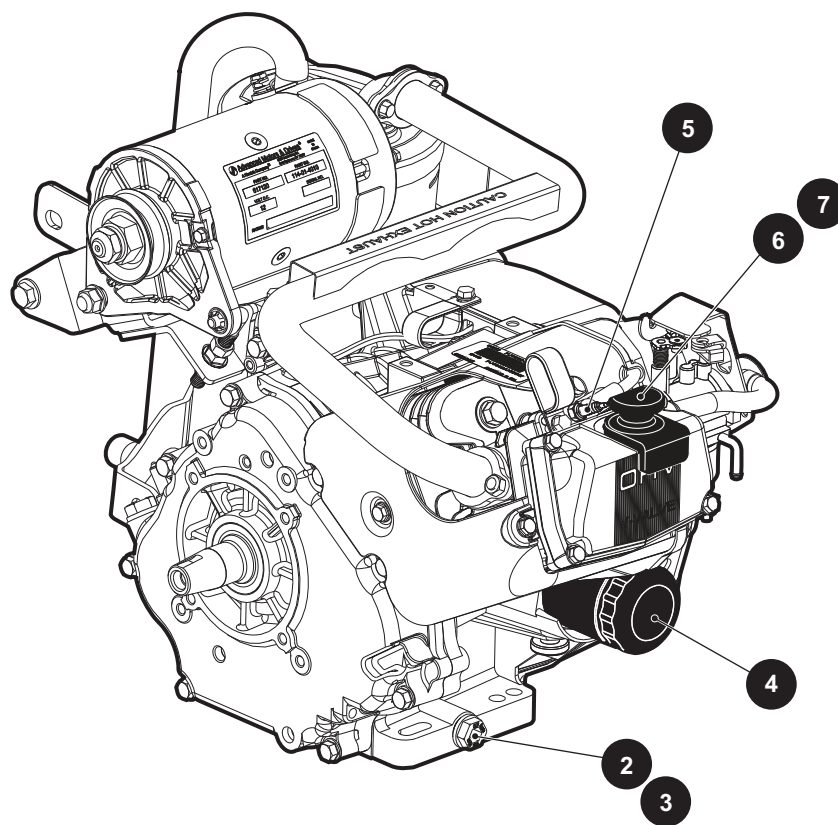
ITEM	PART NO.	1 2 3 4 5	DESCRIPTION	QTY.
143	<u>648247</u>		GAUGE (FUEL LEVEL) (FOR VEHICLES MANUFACTURED FROM NOVEMBER 09, 2015)	1
144	<u>648855</u>		CONSOLE LABEL (FOR VEHICLES MANUFACTURED FROM NOVEMBER 09, 2015)	1
145	<u>648002</u>		WIRE HARNESS (FUEL GAUGE) (FOR VEHICLES MANUFACTURED FROM NOVEMBER 09, 2015)	1
146	<u>654465</u>		JUMPER HARNESS, LED HEADLIGHT	2

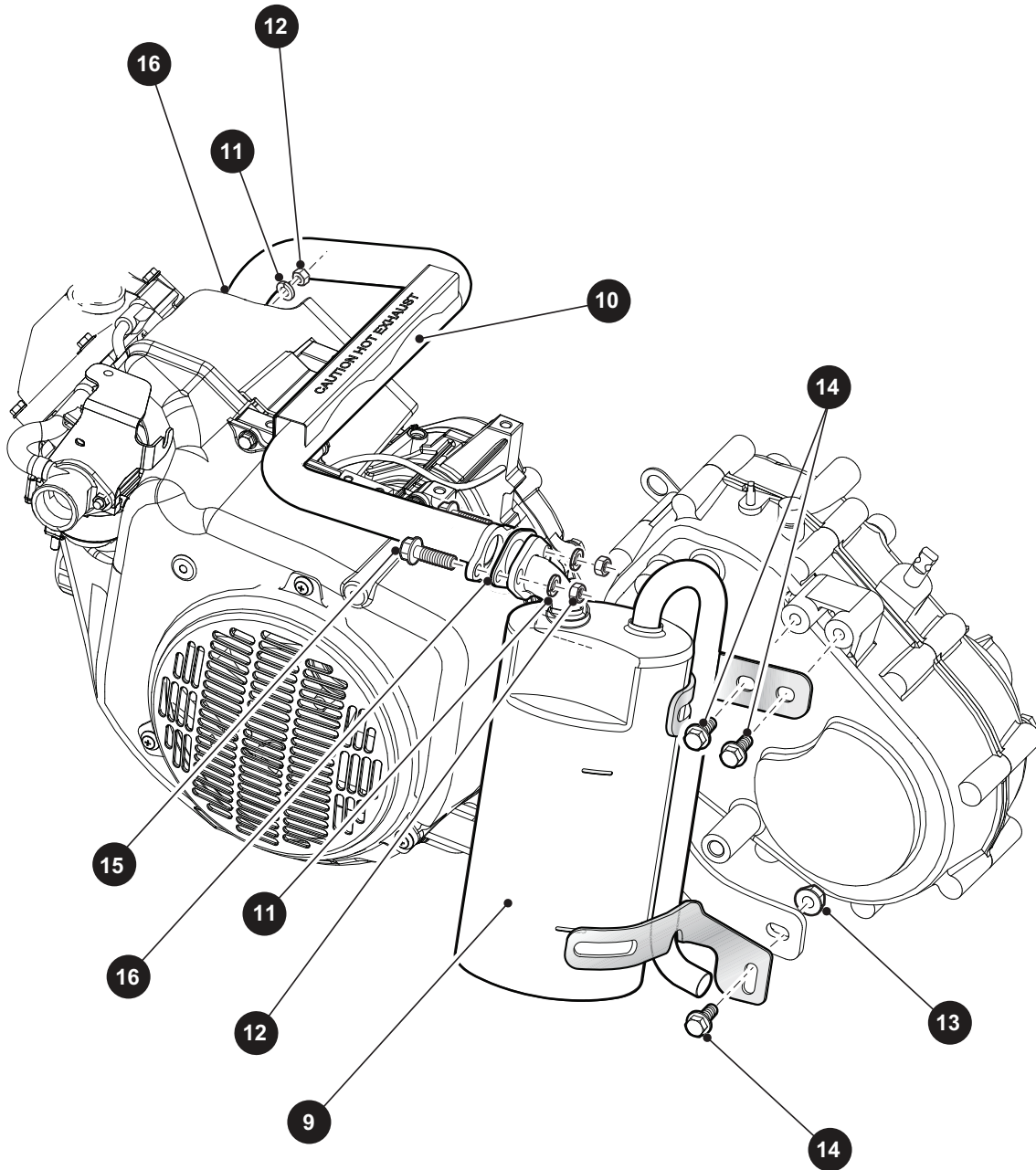
Notes:



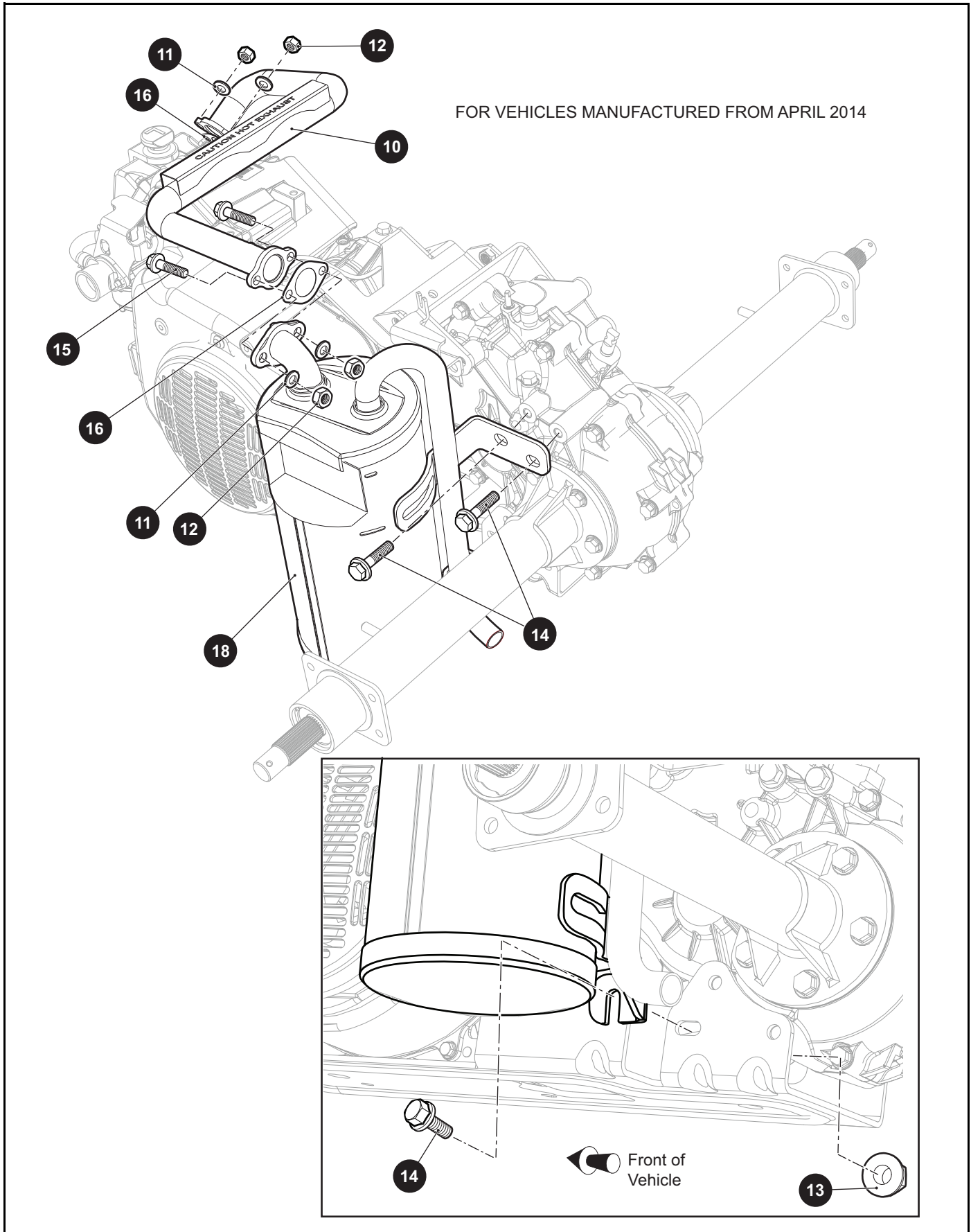
ENGINE AND MUFFLER

1 ENGINE, GAS, 13HP includes items 2 - 5





ENGINE AND MUFFLER



ENGINE AND MUFFLER

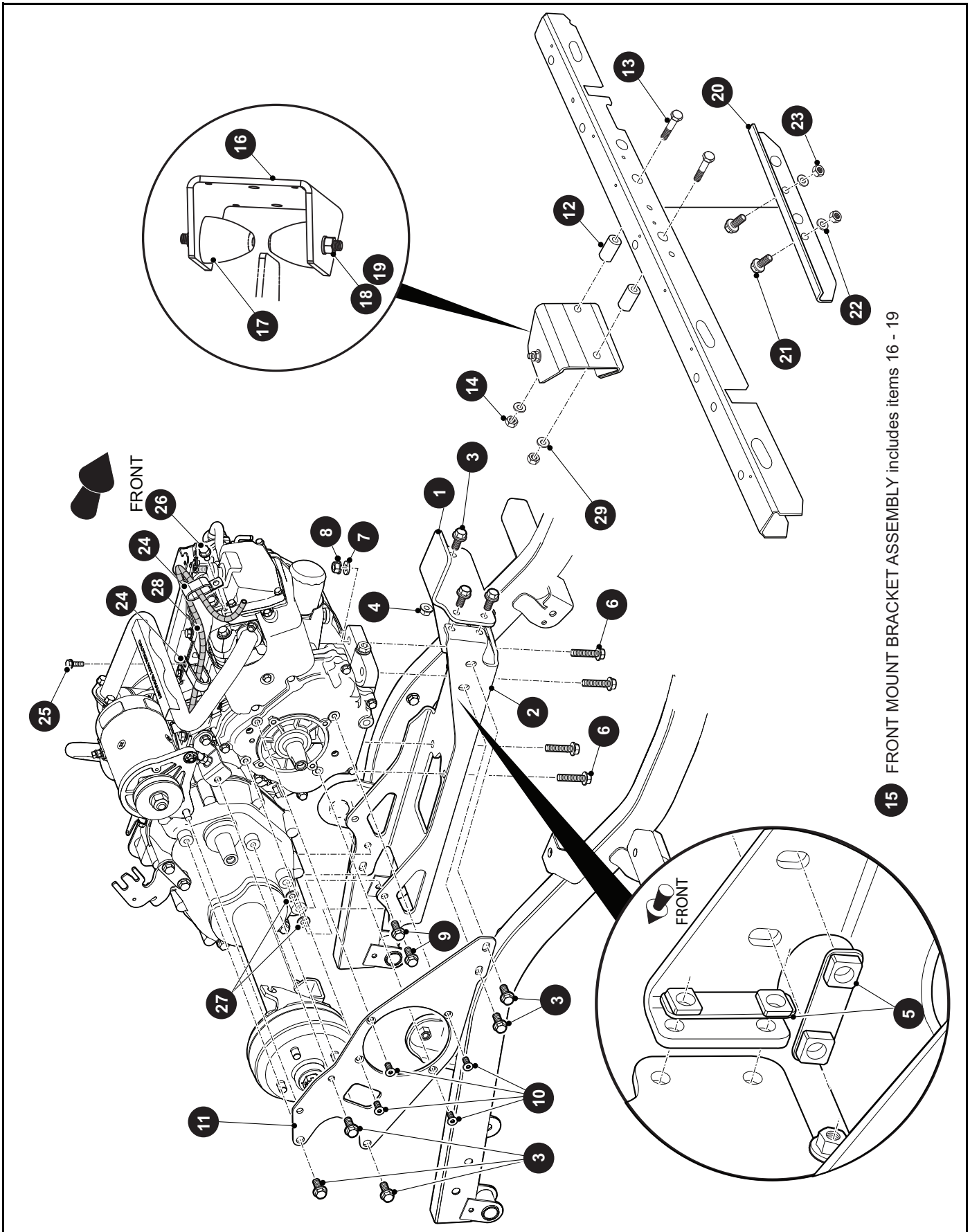
When ordering parts, please specify the model and serial number of the product.

* Indicates a component that is not available as an individual part.

*** Indicates consult Customer Service Department for additional information.

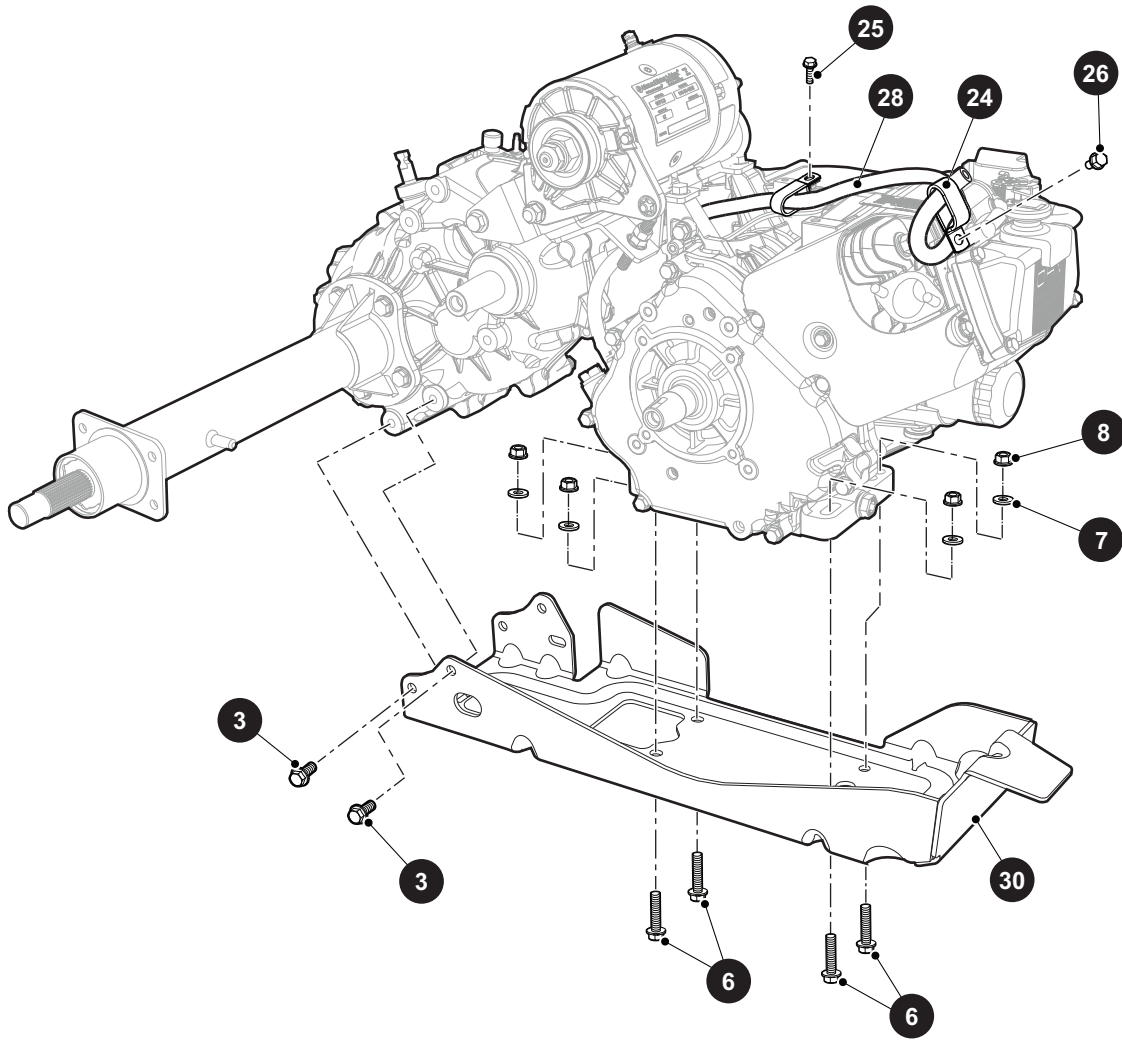
ITEM	PART NO.	1 2 3 4 5	DESCRIPTION	QTY.
1	<u>633740</u>		ENGINE, GAS, 13HP, NON-GOLF (INCLUDES ITEMS 2 - 5)	1
2	<u>603557</u>		OIL DRAIN PLUG	1
3	<u>603599</u>		EXHAUST GASKET	2
4	<u>607454</u>		OIL FILTER	1
5	<u>607462</u>		SPARK PLUG (BPR2ES)	1
6	<u>606390</u>		DIP STICK, LOW (TERRAIN 250 Only).....	1
7	<u>606391</u>		DIP STICK, HIGH (TERRAIN 500 & 1000 Only).....	1
8				
9	<u>612266</u>		MUFFLER	1
10	<u>606982</u>		EXHAUST PIPE	1
11	<u>606272</u>		LOCK WASHER, 8MM.....	4
12	<u>606267</u>		HEX NUT, M8 X 1.25	4
13	<u>606279</u>		HEX NUT, M10 - 1.25.....	1
14	<u>606256</u>		HEX HEAD BOLT, M10 - 1.25 X 25MM LG.....	3
15	<u>602330</u>		HEX HEAD BOLT, M8 - 1.25 X 30MM LG.....	2
16	<u>603599</u>		EXHAUST GASKET.....	2
17				
18	<u>630970</u>		MUFFLER (FOR VEHICLES MANUFACTURED FROM APRIL 2014)	1

ENGINE MOUNTING



15 FRONT MOUNT BRACKET ASSEMBLY includes items 16 - 19

FOR VEHICLES MANUFACTURED FROM APRIL 2014



ENGINE MOUNTING

When ordering parts, please specify the model and serial number of the product.

* Indicates a component that is not available as an individual part.

*** Indicates consult Customer Service Department for additional information.

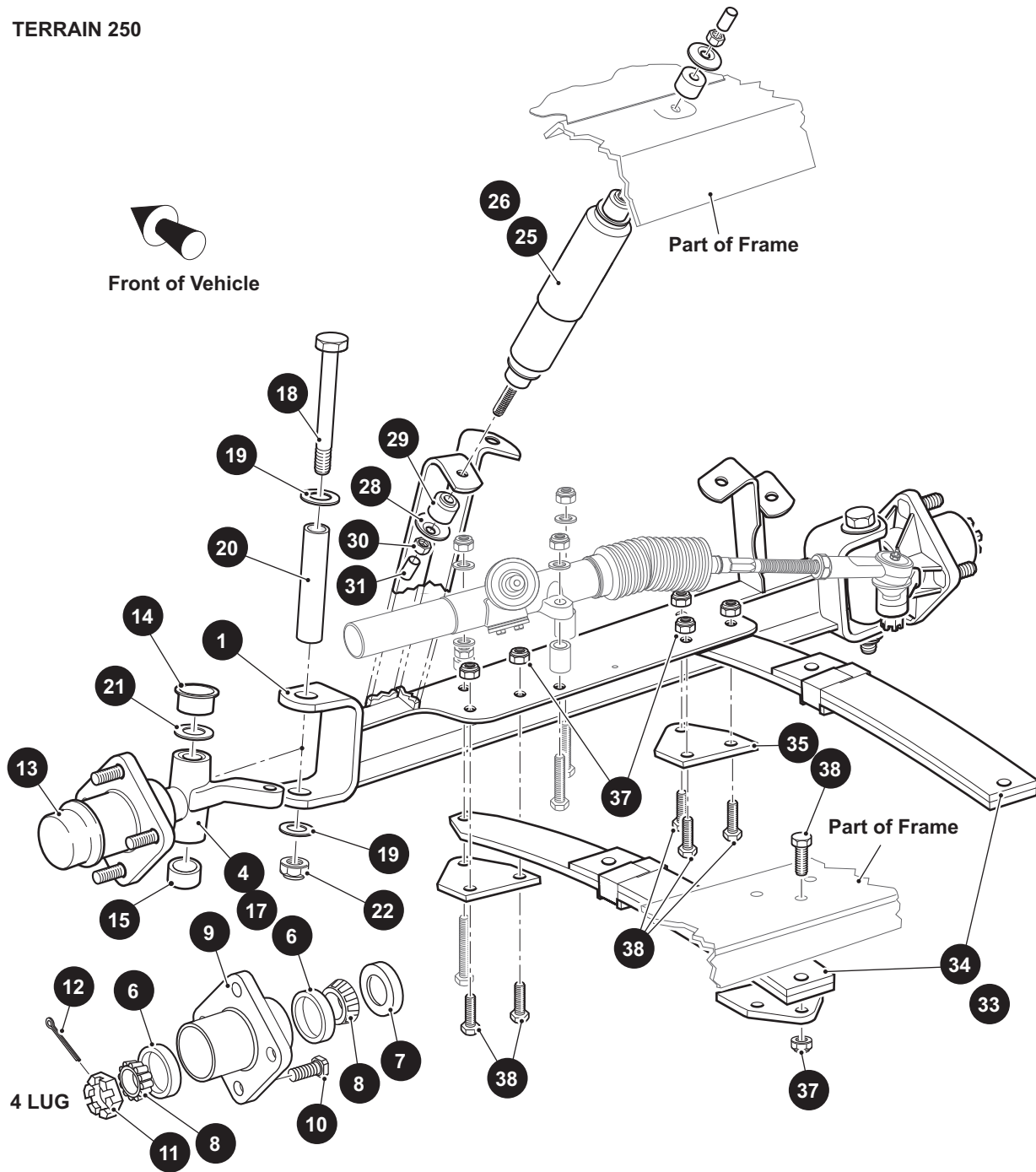
ITEM	PART NO.	1 2 3 4 5	DESCRIPTION	QTY.
1	<u>606007</u>		FRONT ENGINE MOUNT	1
2	<u>603101</u>		ENGINE PAN MOUNT.....	1
3	<u>606256</u>		BOLT, M10 - 1.25 X 25	8
4	<u>606279</u>		NUT, M10 - 1.25	1
5	<u>606096</u>		NUT PLATE	2
6	<u>606259</u>		BOLT, M10 - 1.25 X 45	4
7	<u>603823</u>		FLAT WASHER, M10 X 22 - 2.5.....	4
8	<u>606279</u>		NUT, M10 - 1.25	4
9	<u>608020</u>		BOLT, M10 - 1.25 X 34	4
10	<u>606246</u>		FLAT HEAD SCREW, M6-1 X 12	4
11	<u>602146</u>		DIFFERENTIAL PLATE	1
12	<u>72016G01</u>		TUBE SPACER	2
13	<u>00428G8</u>		HEX HEAD 3/8 - 16, UNC X 2.75.....	2
14	<u>11098G5</u>		PLASTIC INSERT LOCK NUT, 3/8-16.....	2
15	<u>627627</u>		FRONT MOUNT BRACKET ASSEMBLY (INCLUDES ITEMS 16 - 19).....	1
16	<u>625345</u>		FRONT MOUNT BRACKET.....	1
17	<u>605757</u>		RUBBER BUMPER.....	2
18	<u>00974G01</u>		HEX - NUT, M10 X 1.5	2
19	<u>608654</u>		SPLIT LOCK WASHER, 10MM.....	2
20	<u>652247</u>		CROSSMEMBER BRACE.....	1
21	<u>00438G7</u>		SCREW, CAP HEX HEAD 5/16 - 18 UNC.....	2
22	<u>00559G8</u>		FLAT WASHER, 5/16	2
23	<u>01109G01</u>		PLASTIC INSERT LOCK NUT, 5/16-18 UNC.....	2
24	<u>606962</u>		TUBE CLAMP, DBL - 0.72	2
25	<u>606264</u>		HEX BOLT, M6 - 1 X 20	1
26	<u>606265</u>		HEX BOLT, M6 - 1 X 12	1
27	<u>00560G2</u>		B TYPE NARROW FLAT WASHER, 7/16	2
28	<u>27184G12</u>		TUBE, (FUEL SYSTEM).....	1
29	<u>00643G1</u>		FLAT WASHER, 3/8 X 1.0 X .063.....	2
30	<u>630776</u>		ENGINE PAN (FOR VEHICLES MANUFACTURED FROM APRIL 2014)	1

Notes:

A large rectangular area filled with a uniform grid of small squares, intended for handwritten notes or technical drawings.

FRONT SUSPENSION/STEERING

TERRAIN 250

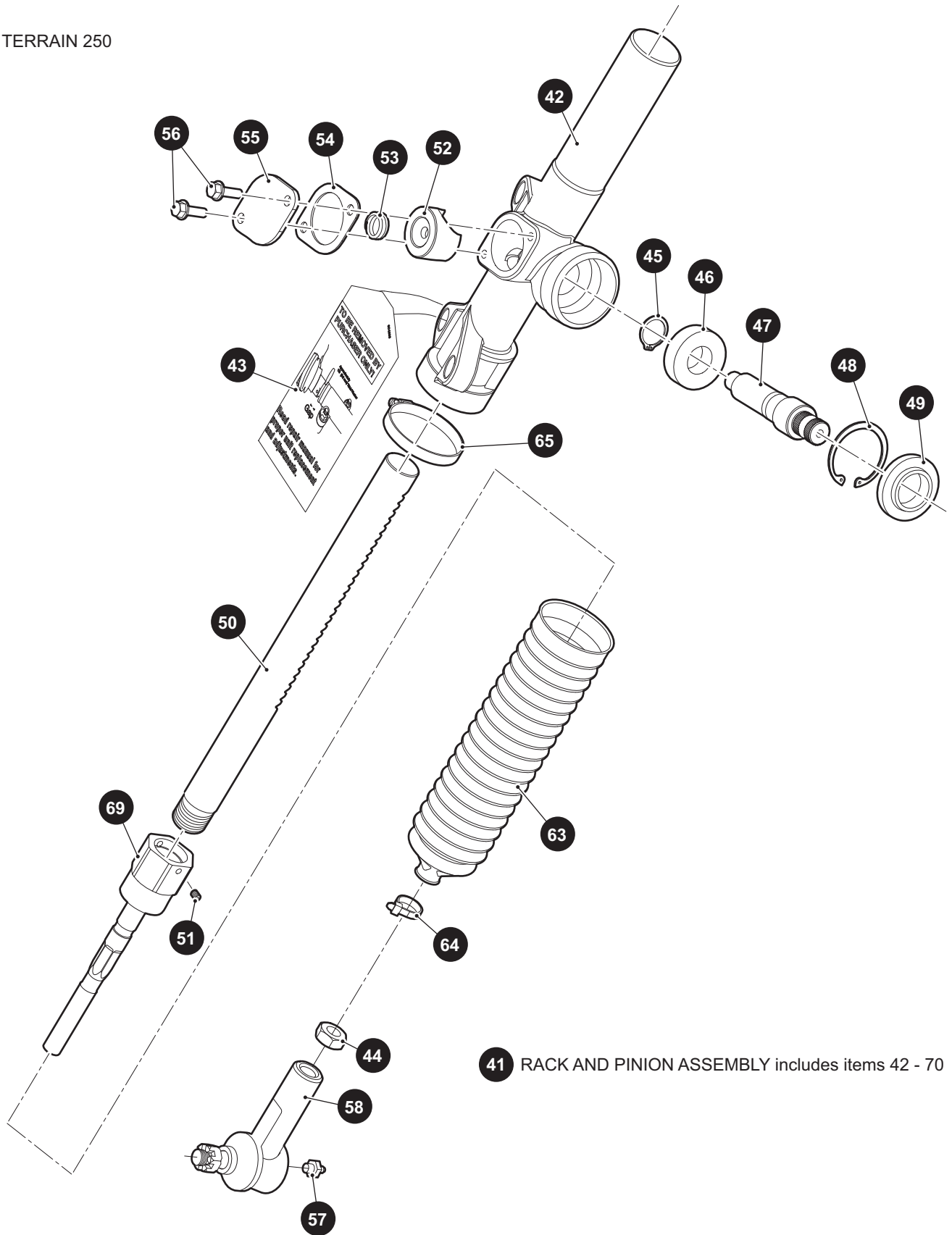


3 PASSENGER SIDE SPINDLE AND HUB ASSEMBLY includes items 4 - 15

16 DRIVER SIDE SPINDLE AND HUB ASSEMBLY includes items 6 - 15, 17

FRONT SUSPENSION/STEERING

TERRAIN 250



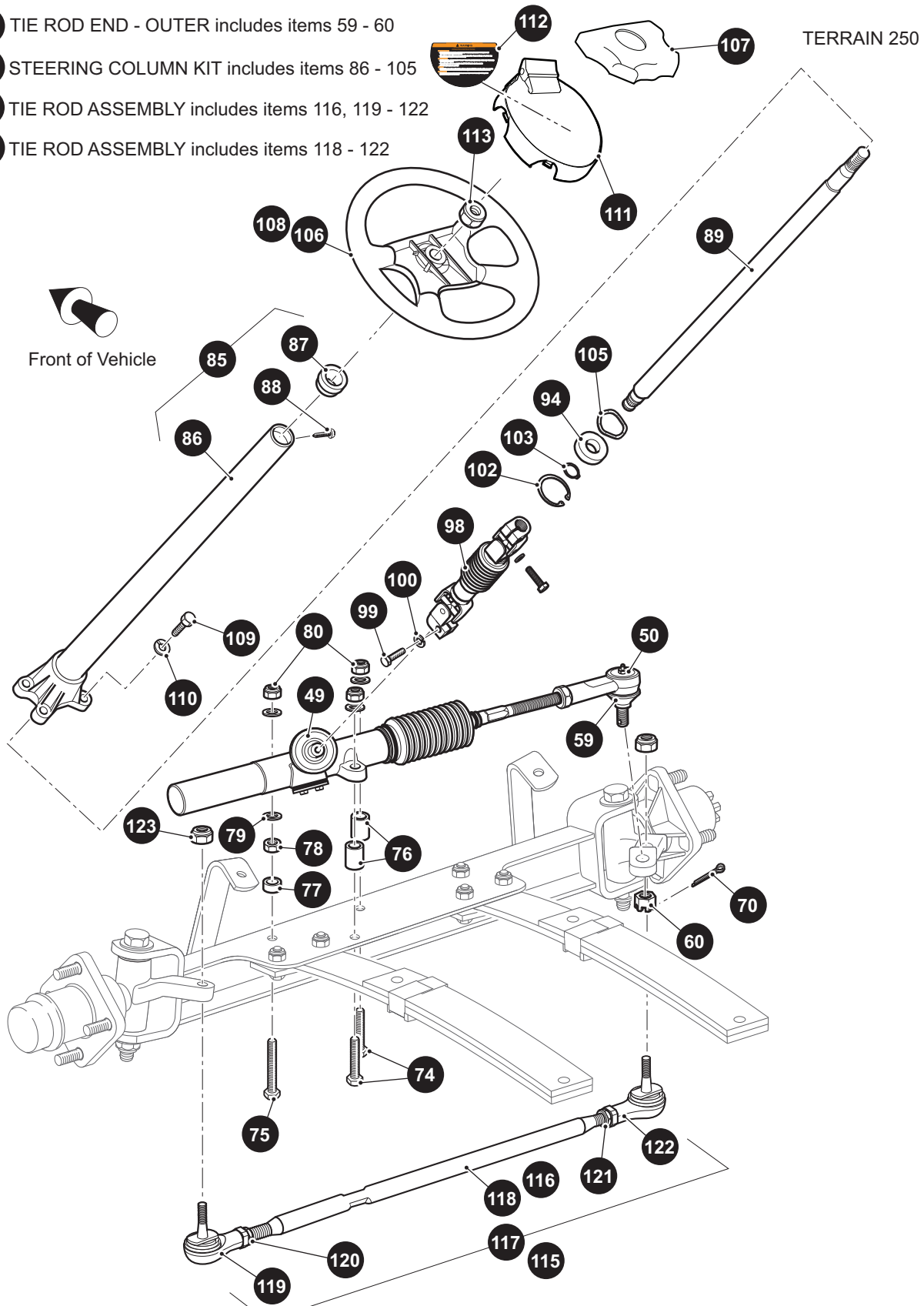
FRONT SUSPENSION/STEERING

58 TIE ROD END - OUTER includes items 59 - 60

85 STEERING COLUMN KIT includes items 86 - 105

115 TIE ROD ASSEMBLY includes items 116, 119 - 122

117 TIE ROD ASSEMBLY includes items 118 - 122



FRONT SUSPENSION/STEERING

When ordering parts, please specify the model and serial number of the product.

* Indicates a component that is not available as an individual part.

*** Indicates consult Customer Service Department for additional information.

ITEM	PART NO.	1 2 3 4 5	DESCRIPTION	QTY.
1	<u>602512</u>		FRONT AXLE.....	1
2				
3	<u>70942G03</u>		SPINDLE AND HUB ASSEMBLY, 4 LUG (PASSENGER SIDE) (INCLUDES ITEMS 4 - 15)	1
4	70940G02		SPINDLE ASSEMBLY (PASSENGER SIDE)	1
5				
6	<u>51141G1</u>		BEARING RACE	2
7	<u>25146G1</u>		GREASE SEAL.....	1
8	<u>11750G2</u>		ROLLER BEARING	2
9	<u>70589G01</u>		WHEEL HUB ASSEMBLY WITH RACES, 4 LUG.....	1
10	<u>19862G1</u>		LUG BOLT, 1/2 - 20 X 1 7/32" LG	4
11	12093G1		SLOTTED NUT, 1 - 14.....	1
12	<u>00798G8</u>		COTTER PIN, 5/32" X 1 3/4" LG	1
13	<u>12091G2</u>		SPINDLE CAP	2
14	<u>632925</u>		FLANGED BUSHING	1
15	<u>632926</u>		SLEEVE BUSHING	1
16	<u>70673G03</u>		SPINDLE AND HUB ASSEMBLY, 4 LUG (DRIVER SIDE) (INCLUDES ITEMS 6 - 15, 17)	1
17	<u>70742G02</u>		SPINDLE ASSEMBLY (DRIVER SIDE)	1
18	<u>00407G6</u>		HEX HEAD BOLT, 1/2" - 13 X 6" LG	2
19	<u>00560G3</u>		FLAT WASHER, 1/2"	4
20	<u>70745G01</u>		KING PIN TUBE	2
21	<u>70754G01</u>		THRUST WASHER (SS).....	2
22	<u>14390G6</u>		LOCK NUT, 1/2" - 13.....	2
23				
24				
25	<u>76419G01</u>		SHOCK ABSORBER.....	2
26	<u>70509G01</u>		SHOCK ABSORBER BOOT	2
27				
28	<u>10435G1</u>		SHOCK ABSORBER WASHER.....	8
29	<u>10194G1</u>		RUBBER SHOCK ABSORBER BUSHING	8
30	<u>00532G6</u>		HEX NUT, 3/8" - 24	4

FRONT SUSPENSION/STEERING

When ordering parts, please specify the model and serial number of the product.

* Indicates a component that is not available as an individual part.

*** Indicates consult Customer Service Department for additional information.

ITEM	PART NO.	1 2 3 4 5	DESCRIPTION	QTY.
31	<u>10044G01</u>		VINYL CAP	4
32				
33				
34	<u>70989G03</u>		LEAF SPRING (HEAVY DUTY) (SEE PART NUMBER ON SPRING)	2
35	<u>652258</u>		SPRING PLATE	4
36				
37	<u>00734G1</u>		LOCK NUT, 7/16" - 14	11
38	<u>00463G11</u>		HEX HEAD BOLT, 7/16" - 14 X 1 3/4" LG	11
39				
40				
41	<u>74605G01</u>		RACK AND PINION UNIT (COMPLETE) (INCLUDES ITEMS 42 - 65).....	1
42	<u>70965G01</u>		STEERING RACK COVER & BEARING	1
43	*		STEERING BOX INSTALLATION TAG	1
44	*		JAM NUT, 1/2" - 20	1
45	<u>70750G01</u>		RETAINING RING (EXTERNAL)	1
46	<u>15112G1</u>		BALL BEARING	1
47	<u>70603G01</u>		PINION.....	1
48	<u>70751G01</u>		RETAINING RING (INTERNAL).....	1
49	<u>70638G01</u>		SEAL PINION.....	1
50	<u>70604G01</u>		RACK STEERING.....	1
51	*		SET SCREW, #10 - 32 X 1/4" LG	1
52	<u>70590G01</u>		RACK LOADER	1
53	<u>70666G01</u>		SPRING COMPRESSION	1
54	<u>70645G01</u>		GASKET (RACK LOADER)	1
55	<u>652259</u>		COVER (RACK LOADER)	1
56	<u>71102G01</u>		CAP SCREW, 1/4" - 20 X 3/4"	2
57	<u>10389G3</u>		GREASE FITTING, STRAIGHT	1
58	<u>70695G01</u>		TIE ROD END - OUTER (INCLUDES ITEMS 59 - 60)	1
59	*		GROMMET - TIE ROD END.....	1
60	*		SLOTTED NUT, 7/16" - 20.....	1
61				

FRONT SUSPENSION/STEERING

When ordering parts, please specify the model and serial number of the product.

* Indicates a component that is not available as an individual part.

*** Indicates consult Customer Service Department for additional information.

ITEM	PART NO.	1 2 3 4 5	DESCRIPTION	QTY.
62				
63	<u>70961G01</u>		RACK BOOT	1
64	<u>12416G2</u>		WIRE TIE.....	1
65	<u>11391G8</u>		WIRE TIE.....	1
66				
67				
68				
69	<u>74602G01</u>		ROD END (INNER)	1
70	<u>10387G2</u>		COTTER PIN, 3/32" X 1" LG.....	1
71				
72				
73				
74	<u>00464G8</u>		HEX HEAD BOLT, 7/16" - 14 X 2 3/4" LG	2
75	<u>01068G01</u>		HEX HEAD BOLT, 7/16" - 14 X 3 1/2" LG	1
76	<u>70667G02</u>		SPACER, 1.21" LG	2
77	<u>70667G04</u>		SPACER (SHORT), 0.69" LG.....	1
78	<u>00532G7</u>		HEX NUT, 7/16" - 14	1
79	<u>00560G2</u>		FLAT WASHER, 7/16".....	7
80	<u>00734G1</u>		LOCK NUT, 7/16 - 14	3
81				
82				
83				
84				
85	<u>70758G05</u>		STEERING COLUMN KIT (INCLUDES ITEMS 86 - 105).....	1
86	<u>70610G03</u>		STEERING COLUMN.....	1
87	<u>28569G01</u>		STEERING COLUMN BUSHING	1
88	<u>01022G01</u>		HEX WASHER HEAD SCREW, #6 - 20 X 5/16" LG.....	1
89	<u>70607G01</u>		STEERING SHAFT.....	1
90				
91				
92				

FRONT SUSPENSION/STEERING

When ordering parts, please specify the model and serial number of the product.

* Indicates a component that is not available as an individual part.

*** Indicates consult Customer Service Department for additional information.

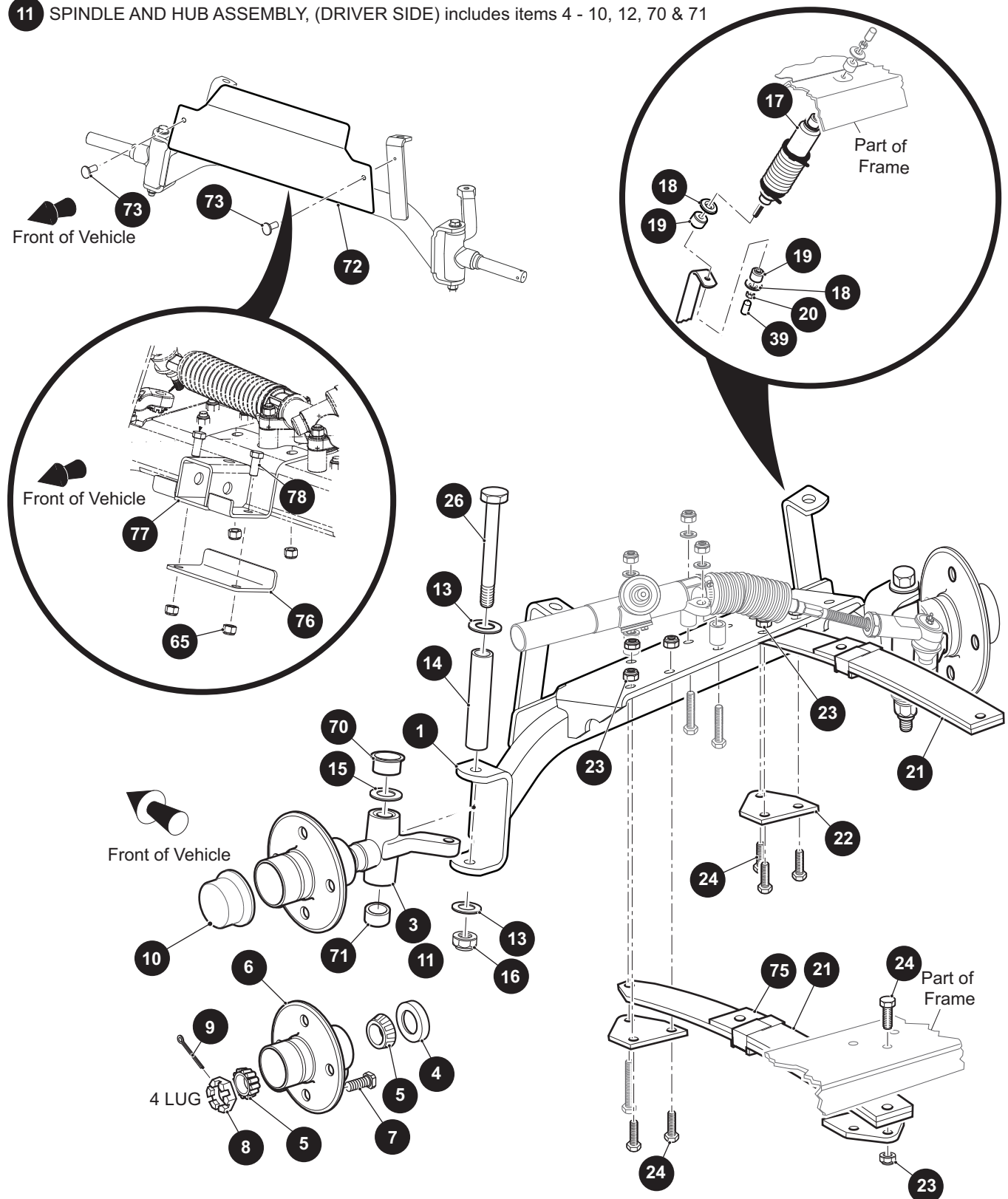
ITEM	PART NO.	1	2	3	4	5	DESCRIPTION	QTY.
93								
94	<u>15112G1</u>						BALL BEARING	1
95								
96								
97								
98	<u>70580G01</u>						INTERMEDIATE SHAFT	1
99	<u>01055G01</u>						HEX HEAD BOLT, M8 X 1.25 - 6G.....	2
100	<u>00565G8</u>						LOCK WASHER, 5/16"	2
101								
102	<u>70751G01</u>						RETAINING RING (INTERNAL).....	1
103	<u>70888G01</u>						RETAINING RING (EXTERNAL)	1
104								
105	<u>70887G01</u>						WAVE WASHER	1
106	<u>602980</u>						STEERING WHEEL PREMIUM.....	1
107	<u>71147G01</u>						STEERING WHEEL COVER.....	1
108	<u>602979</u>						STEERING WHEEL.....	1
109	<u>01006G01</u>						HEX WASHER HEAD BOLT, 3/8" - 16 X 1 1/4" LG WITH PATCHLOCK	4
110	<u>00879G1</u>						LOCK WASHER, 3/8"	4
111	<u>607925</u>						CLIPBOARD	1
112	<u>608529</u>						STEERING WHEEL LABEL	1
113	<u>14390G2</u>						LOCK NUT, 5/8" - 18	1
114								
115	<u>74604G01</u>						TIE ROD ASSEMBLY (INCLUDES ITEMS 116, 119 - 122).....	1
116	<u>74603G01</u>						THREADED ROD	1
117	<u>70604G01</u>						TIE ROD ASSEMBLY (INCLUDES ITEMS 118 - 122).....	1
118	<u>74603G01</u>						THREADED ROD (24" LG).....	1
119	<u>70902G01</u>						TIE ROD END (LEFT HAND THREADS)	1
120	<u>01069G01</u>						JAM NUT, M12 X 1.25-05 (LEFT HAND THREADS).....	1
121	<u>70902G02</u>						TIE ROD END (RIGHT HAND THREADS).....	1
122	<u>01069G02</u>						JAM NUT, M12 X 1.25-05 (RIGHT HAND THREADS)	1
123	<u>00734G1</u>						LOCK NUT, 7/16" - 14	2

FRONT SUSPENSION/STEERING

2 SPINDLE AND HUB ASSEMBLY, (PASSENGER SIDE) includes items 3 - 10, 70 & 71

TERRAIN 500 & 1000

11 SPINDLE AND HUB ASSEMBLY, (DRIVER SIDE) includes items 4 - 10, 12, 70 & 71



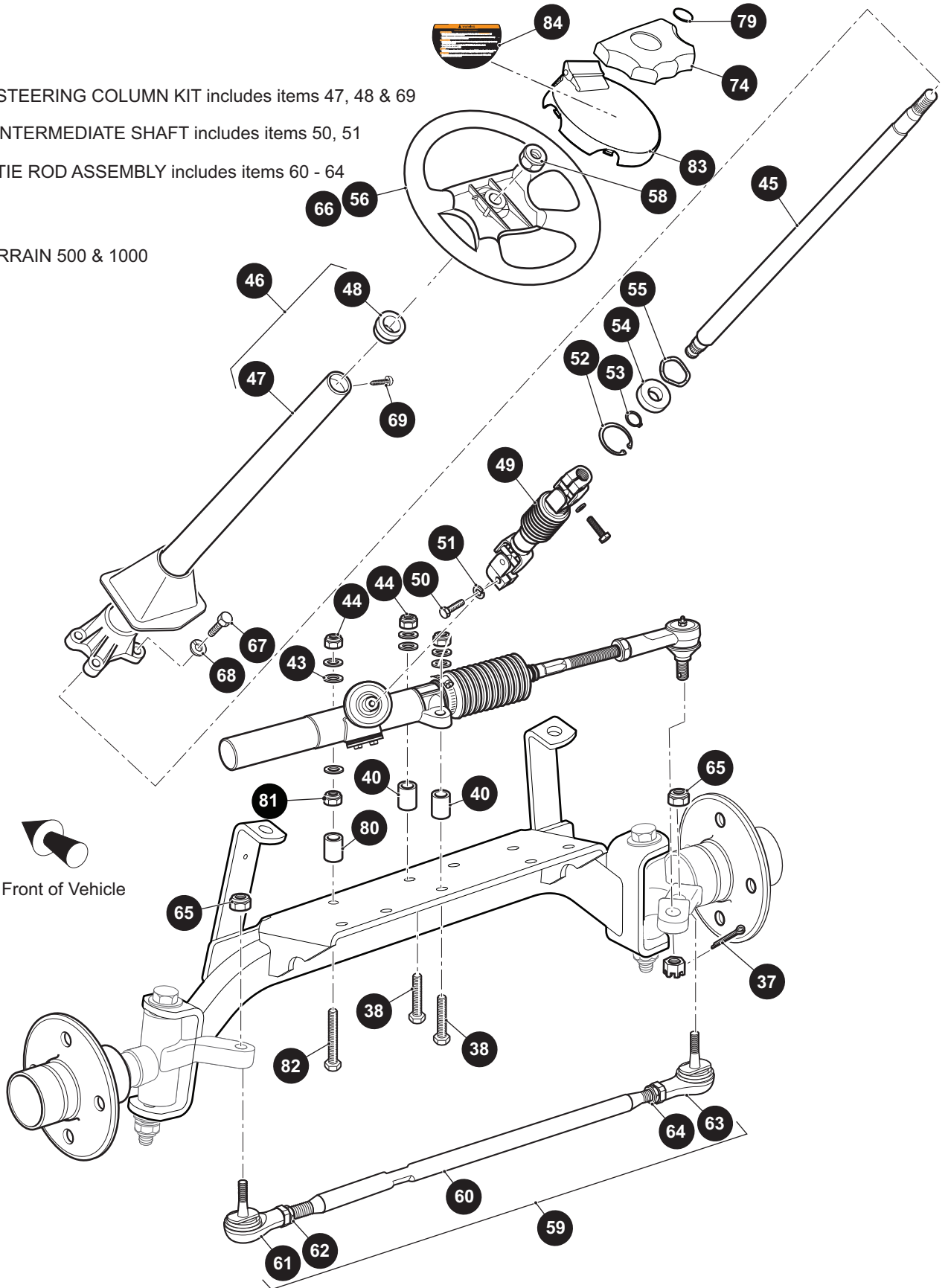
FRONT SUSPENSION/STEERING

46 STEERING COLUMN KIT includes items 47, 48 & 69

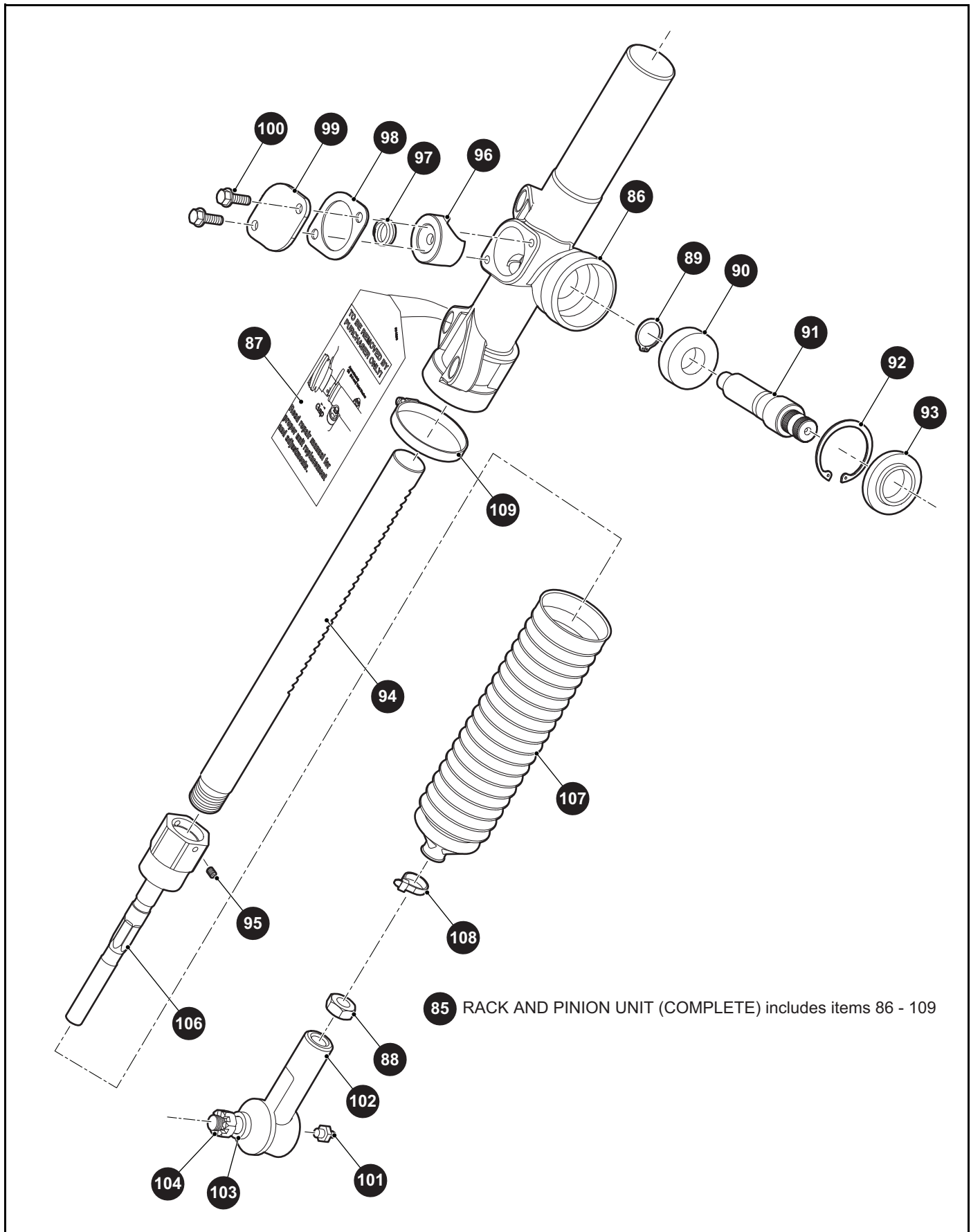
49 INTERMEDIATE SHAFT includes items 50, 51

59 TIE ROD ASSEMBLY includes items 60 - 64

TERRAIN 500 & 1000



FRONT SUSPENSION/STEERING



FRONT SUSPENSION/STEERING

When ordering parts, please specify the model and serial number of the product.

* Indicates a component that is not available as an individual part.

*** Indicates consult Customer Service Department for additional information.

ITEM	PART NO.	1 2 3 4 5	DESCRIPTION	QTY.
1	652823		FRONT AXLE.....	1
2	<u>70930G01</u>		SPINDLE AND HUB ASSEMBLY, 4 LUG (PASSENGER SIDE) (INCLUDES ITEMS 3 - 10, 70 & 71).....	1
3	<u>70802G01</u>		SPINDLE ASSEMBLY (PASSENGER SIDE)	1
4	<u>25146G1</u>		GREASE SEAL.....	1
5	<u>11750G2</u>		ROLLER BEARING AND RACE ASSEMBLY	2
6	<u>35886G01</u>		WHEEL HUB ASSEMBLY WITH RACES, 4 LUG	1
7	<u>19862G1</u>		LUG BOLT, 1/2" - 20 X 1 3/16" LG.....	4
8	12093G1		CASTELLATED NUT, 1" - 14.....	1
9	<u>00798G8</u>		COTTER PIN, 5/32" X 1 3/4" LG	1
10	<u>12091G2</u>		SPINDLE CAP.....	1
11	<u>70931G01</u>		SPINDLE AND HUB ASSEMBLY, 4 LUG (DRIVER SIDE) (INCLUDES ITEMS 4 - 9, 12, 70 & 71).....	1
12	<u>70803G01</u>		SPINDLE ASSEMBLY (DRIVER SIDE).....	1
13	<u>00560G3</u>		FLAT WASHER, 1/2".....	4
14	<u>70745G01</u>		KING PIN TUBE.....	2
15	<u>70754G01</u>		THRUST WASHER, 1" (SS)	2
16	<u>14390G6</u>		LOCK NUT, 1/2 - 13	2
17	<u>76419G01</u>		SHOCK ABSORBER.....	2
18	<u>10435G1</u>		SHOCK ABSORBER WASHER.....	8
19	<u>10194G1</u>		RUBBER BUSHING.....	8
20	<u>00532G6</u>		HEX NUT, 3/8" - 24	4
21	<u>70664G03</u>		LEAF SPRING (HEAVY DUTY)	2
22	<u>652258</u>		SPRING PLATE	4
23	<u>00734G1</u>		LOCK NUT, 7/16" - 14.....	11
24	<u>00463G11</u>		BOLT, 7/16 - 14 X 1 3/4" LG.....	11
25				
26	<u>00407G6</u>		HEX HEAD BOLT, 1/2 - 13 X 6" LG	2
27				
28				
29				
30				

FRONT SUSPENSION/STEERING

When ordering parts, please specify the model and serial number of the product.

* Indicates a component that is not available as an individual part.

*** Indicates consult Customer Service Department for additional information.

ITEM	PART NO.	1	2	3	4	5	DESCRIPTION	QTY.
31								
32								
33								
34								
35								
36								
37	<u>10387G2</u>						COTTER PIN, 3/32" X 1" LG	1
38	<u>00464G8</u>						HEX HEAD BOLT, 7/16 - 14 X 2 3/4" LG	2
39	<u>10044G01</u>						VINYL CAP	4
40	<u>70667G02</u>						SPACER, O.D 1" X I.D .46" X 1.2" LG	2
41								
42								
43	<u>00560G2</u>						FLAT WASHER, 7/16"	7
44	<u>00734G1</u>						LOCK NUT, 7/16" - 14	3
45	<u>70607G01</u>						STEERING SHAFT	1
46	<u>70758G05</u>						STEERING COLUMN KIT (INCLUDES ITEMS 47,48, 69)	1
47	<u>70610G03</u>						STEERING COLUMN	1
48	<u>28569G01</u>						STEERING COLUMN BUSHING	1
49	<u>70580G01</u>						INTERMEDIATE SHAFT (INCLUDES ITEMS 50, 51)	1
50	<u>01055G01</u>						METRIC BOLT, M8 X 1.25 - 05	1
51	<u>00565G8</u>						LOCK WASHER, 5/16"	1
52	<u>70751G01</u>						RETAINING RING (INTERNAL)	1
53	<u>70888G01</u>						RETAINING RING (EXTERNAL)	1
54	<u>15112G1</u>						BALL BEARING	1
55	<u>70887G01</u>						WAVE WASHER	1
56	<u>602980</u>						STEERING WHEEL PREMIUM (OPTIONAL)	1
57								
58	<u>14390G2</u>						LOCK NUT, 5/8 - 18	1
59	<u>70876G02</u>						TIE ROD ASSEMBLY (INCLUDES ITEMS 60 - 64)	1
60	<u>70897G02</u>						THREADED ROD (24" LG)	1
61	<u>70902G01</u>						TIE ROD END (LEFT HAND THREADS)	1

FRONT SUSPENSION/STEERING

When ordering parts, please specify the model and serial number of the product.

* Indicates a component that is not available as an individual part.

*** Indicates consult Customer Service Department for additional information.

ITEM	PART NO.	1 2 3 4 5	DESCRIPTION	QTY.
62	<u>01069G01</u>		JAM NUT, M12 X 1.25 - 05 (LEFT HAND THREADS)	1
63	<u>70902G02</u>		TIE ROD END (RIGHT HAND THREADS).....	1
64	<u>01069G02</u>		JAM NUT, M12 X 1.25 - 05 (RIGHT HAND THREADS).....	1
65	<u>00734G1</u>		LOCK NUT, 7/16" - 14	6
66	<u>602979</u>		STEERING WHEEL	1
67	<u>01006G01</u>		HEX WASHER HEAD BOLT, 3/8" - 16 x 1 1/4" LG	4
68	<u>00879G1</u>		LOCK WASHER, 3/8"	4
69	<u>01022G01</u>		HEX WASHER HEAD BOLT #6 - 20 x 5/16" LG	1
70	<u>70648G01</u>		FLANGED BEARING	1
71	<u>632926</u>		SLEEVE BEARING	1
72	<u>605642</u>		STEERING RACK COVER (TERRAIN 250 ONLY)	1
73	<u>15058G1</u>		BLACK ALUMINUM RIVET, 3/16" X 7/16" X 5/8" (TERRAIN 250 ONLY).....	2
74	<u>71147G01</u>		STEERING WHEEL COVER	1
75	<u>70990G03</u>		CANTILEVER LEAF SPRING.....	2
76	<u>604572</u>		WINCH RECEIVER RETAINER PLATE	4
77	<u>604559</u>		WINCH RECEIVER.....	3
78	<u>00462G8</u>		HEX SCREW, 7/16 - 14 X 1" LG.....	4
79	<u>605435</u>		STEERING WHEEL DECAL	1
80	<u>70667G04</u>		SPACER, O.D 1" X I.D .46" X .69" LG	1
81	<u>00532G7</u>		HEX NUT, 7/16" - 14	1
82	<u>01068G01</u>		HEX HEAD BOLT, 7/16" - 14 X 3.5"LG	1
83	<u>607925</u>		CLIPBOARD	1
84	<u>608529</u>		STEERING WHEEL LABEL.....	1
85	<u>70964G01</u>		RACK AND PINION UNIT (COMPLETE) (INCLUDES ITEMS 86 - 109).....	1
86	<u>70965G01</u>		STEERING RACK COVER & BEARING.....	1
87	*		STEERING BOX INSTALLATION TAG.....	1
88	*		JAM NUT, 1/2" - 20	1
89	<u>70750G01</u>		RETAINING RING (EXTERNAL).....	1
90	<u>15112G1</u>		BALL BEARING.....	1
91	<u>70603G01</u>		PINION	1
92	<u>70751G01</u>		RETAINING RING (INTERNAL).....	1

FRONT SUSPENSION/STEERING

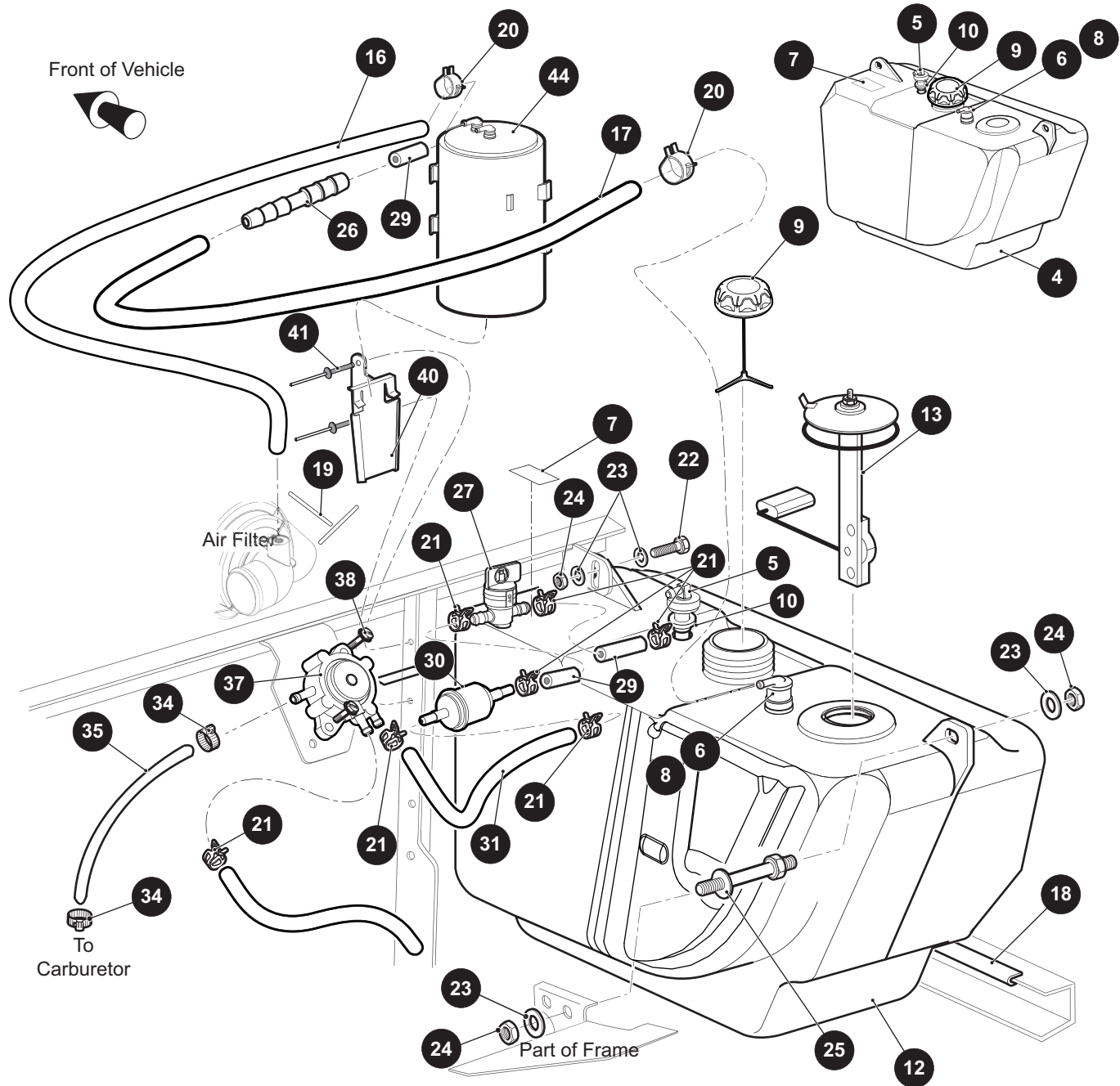
When ordering parts, please specify the model and serial number of the product.

* Indicates a component that is not available as an individual part.

*** Indicates consult Customer Service Department for additional information.

ITEM	PART NO.	1	2	3	4	5	DESCRIPTION	QTY.
93	<u>70638G01</u>						SEAL PINION.....	1
94	<u>70604G01</u>						RACK STEERING.....	1
95	*						SET SCREW, #10 - 32 X .25" LG	1
96	<u>70590G01</u>						RACK LOADER	1
97	<u>70666G01</u>						SPRING COMPRESSION	1
98	<u>70645G01</u>						GASKET (RACK LOADER)	1
99	<u>652259</u>						COVER (RACK LOADER)	1
100	<u>71102G01</u>						HEX WASHER HEAD SCREW, 1/4" - 20 X 3/4" LG.....	2
101	<u>10389G3</u>						GREASE FITTING, STRAIGHT	1
102	<u>70695G01</u>						TIE ROD END - OUTER	1
103	*						GROMMET - TIE ROD END	1
104	*						SLOTTED NUT, 7/16" - 20	1
105								
106	<u>74694G01</u>						ROD END (INNER).....	1
107	<u>70961G01</u>						BELLOWS, RACK COVER.....	1
108	<u>12416G2</u>						WEDGE CLAMP (NYLON), 11.8" LG.....	1
109	<u>11391G8</u>						CLAMP (SS), 1.81" DIA	1

FUEL SYSTEM



- 1 CARB FUEL TANK ASSEMBLY (WITHOUT SWITCH) includes items 3 - 10
- 2 CARB FUEL TANK ASSEMBLY (WITH SWITCH) includes items 5 - 13
- 3 FLUOR FUEL TANK (WITHOUT SENDER UNIT) includes item 4

EARLY PRODUCTION VEHICLES

FUEL SYSTEM

When ordering parts, please specify the model and serial number of the product.

* Indicates a component that is not available as an individual part.

*** Indicates consult Customer Service Department for additional information.

ITEM	PART NO.	1 2 3 4 5	DESCRIPTION	QTY.
1	<u>645033</u>		CARB FUEL TANK ASSEMBLY (WITHOUT SWITCH) (INCLUDES ITEMS 3 - 10) (TERRAIN 250 ONLY).....	1
2	<u>645034</u>		CARB FUEL TANK ASSEMBLY (WITH SWITCH) (INCLUDES ITEMS 5 - 13) (TERRAIN 500 & 1000 ONLY)	1
3	*		FLUOR FUEL TANK (WITHOUT SENDER UNIT) (INCLUDES ITEM 4) .	1
4	*		FUEL TANK (WITHOUT SENDER UNIT)	1
5	<u>18287G3</u>		SIPHON TUBE ASSEMBLY	1
6	<u>606068</u>		ROLLOVER VALVE GROMMET	1
7	<u>625826</u>		EPA FUEL TANK LABEL	1
8	<u>606067</u>		ROLLOVER VALVE	1
9	<u>633423</u>		FUEL TANK CAP (RATCHET).....	1
10	<u>70988G01</u>		SIPHON TUBE GROMMET.....	1
11				
12	*		NON FLUOR FUEL TANK (WITH SENDER UNIT)	1
13	<u>633024G02</u>		PRESS FIT FUEL SENDER	1
14				
15				
16	<u>606966</u>		LOW PRESSURE FUEL HOSE (CARB), 3/16" I.D X 3/8 O.D X 34" LG	1
17	<u>607546</u>		LOW PRESSURE FUEL HOSE (CARB), 3/16" I.D X 3/8 O.D X 17" LG	1
18	<u>32372G6</u>		BLACK TRIM, 6.25" LONG	1
19	<u>17618G1</u>		NYLON CLAMP	2
20	<u>606963</u>		TUBING CLAMP, 3/16" I.D.....	2
21	<u>18292G1</u>		HOSE CLAMP, .50 DIA.....	7
22	<u>00438G8</u>		HEX HEAD BOLT, 5/16" - 18 X 1" LG	1
23	00559G8		FLAT WASHER, 5/16"	4
24	11098G6		LOCK NUT, 5/16" - 18.....	3
25	<u>70483G01</u>		SPACER, 5/16" - 18	1
26	<u>615346</u>		HOSE REDUCER, 1/4" I.D X 3/16".....	1
27	<u>611181</u>		FUEL SHUT-OFF VALVE	1
28				
29	<u>615350</u>		FUEL SYSTEM HOSE, 2" LG	3

FUEL SYSTEM

When ordering parts, please specify the model and serial number of the product.

* Indicates a component that is not available as an individual part.

*** Indicates consult Customer Service Department for additional information.

ITEM	PART NO.	1 2 3 4 5	DESCRIPTION	QTY.
30	<u>72084G01</u>		FUEL LINE FILTER	1
31	<u>606969</u>		FUEL SYSTEM HOSE, .25 I.D X .50 O.D X 8" LG.....	1
32				
33				
34	<u>11391G4</u>		HOSE CLAMP, .25 - .63 DIA	2
35	<u>604597</u>		CARB FUEL SYSTEM HOSE, .25 I.D X .50 O.D X 26" LG.....	1
36				
37	<u>602061</u>		FUEL PUMP	1
38	<u>00114G6</u>		HEX WASHER HEAD SLOTTED TAPPING SCREW, 1/4" - 14 X .75" LG	2
39				
40	<u>606310</u>		CARBON CANISTER MOUNTING BRACKET	1
41	<u>10570G11</u>		RIVET, 3/16" DIA X .70.....	2
42				
43				
44	<u>606071</u>		CARBON CANISTER	1

FUEL SYSTEM

When ordering parts, please specify the model and serial number of the product.

* Indicates a component that is not available as an individual part.

*** Indicates consult Customer Service Department for additional information.

ITEM	PART NO.	1 2 3 4 5	DESCRIPTION	QTY.
1	<u>649515</u>		FUEL LINE ASSEMBLY (INCLUDES ITEMS 2 - 8)	1
2	649570		HOSE, .312" I.D. X .562" O.D. X 9" LG	1
3	<u>615350</u>		HOSE, 2" LG	1
4	<u>649873</u>		CLAMP, 1/2" O.D.	2
5	<u>611181</u>		SHUT-OFF VALVE.....	1
6	<u>72084G01</u>		FUEL FILTER	1
7	<u>649874</u>		CLAMP, 9/16" O.D.	2
8	649577		CONNECTOR, 5/16" I.D.	1
9	<u>18292G1</u>		CLAMP, 1/2" O.D.	3
10				
11	<u>606071</u>		CARBON CANISTER.....	1
12	<u>606310</u>		CANISTER BRACKET	1
13	<u>10570G11</u>		RIVET (SS), 3/16" X .70"	2
14				
15	<u>602061</u>		FUEL PUMP.....	1
16	<u>00114G6</u>		HEX WASHER HEAD BOLT, 1/4" - 10 X 3/4" LG	2
17				
18	<u>27184G14</u>		FUEL SYSTEM TUBE.....	1
19	<u>18292G1</u>		CLAMP, 1/2" O.D.	2
20	<u>606966</u>		HOSE, 3/16" I.D. X 34" LG.....	1
21	<u>606963</u>		CLAMP, 3/16" I.D.	2
22				
23	<u>604597</u>		FUEL HOSE, 26" LG.....	1
24	<u>18292G1</u>		CLAMP, 1/2" O.D.	1
25				
26	<u>17618G1</u>		NYLON CLAMP, 7" LG (NOT ILLUSTRATED).....	2
27	<u>32372G6</u>		VINYL TRIM, 6.25" LG	1
28				
29	<u>615350</u>		FUEL HOSE, 2" LG.....	1
30				
31	<u>00438G8</u>		HEX HEAD BOLT, 5/16" - 18 X 5/8" LG	1

FUEL SYSTEM

When ordering parts, please specify the model and serial number of the product.

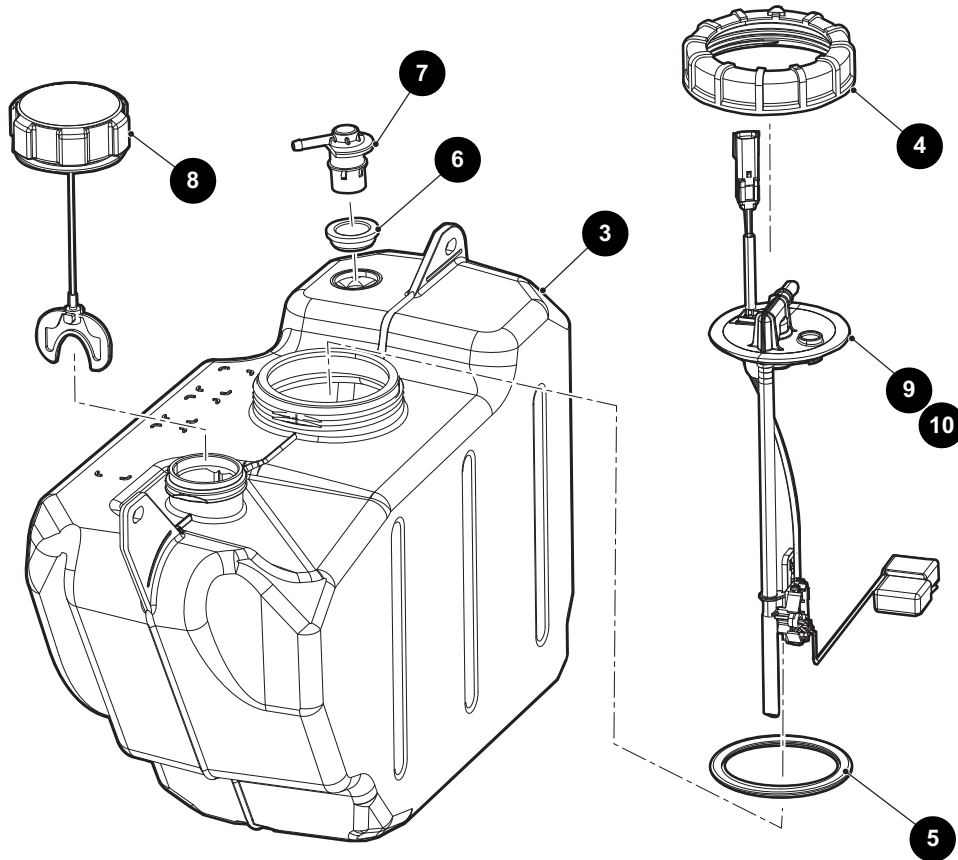
* Indicates a component that is not available as an individual part.

*** Indicates consult Customer Service Department for additional information.

ITEM	PART NO.	1 2 3 4 5	DESCRIPTION	QTY.
32	<u>70483G01</u>		SPACER	1
33	00559G8		FLAT WASHER, 5/16"	4
34	11098G6		LOCK NUT, 5/16" - 18	3

FUEL SYSTEM

- 1** FUEL TANK ASSEMBLY (WITH SENDER UNIT)
includes items 3 - 9
- 2** FUEL TANK ASSEMBLY (WITHOUT SENDER UNIT)
includes items 3 - 8, 10



LATE PRODUCTION VEHICLES

FUEL SYSTEM

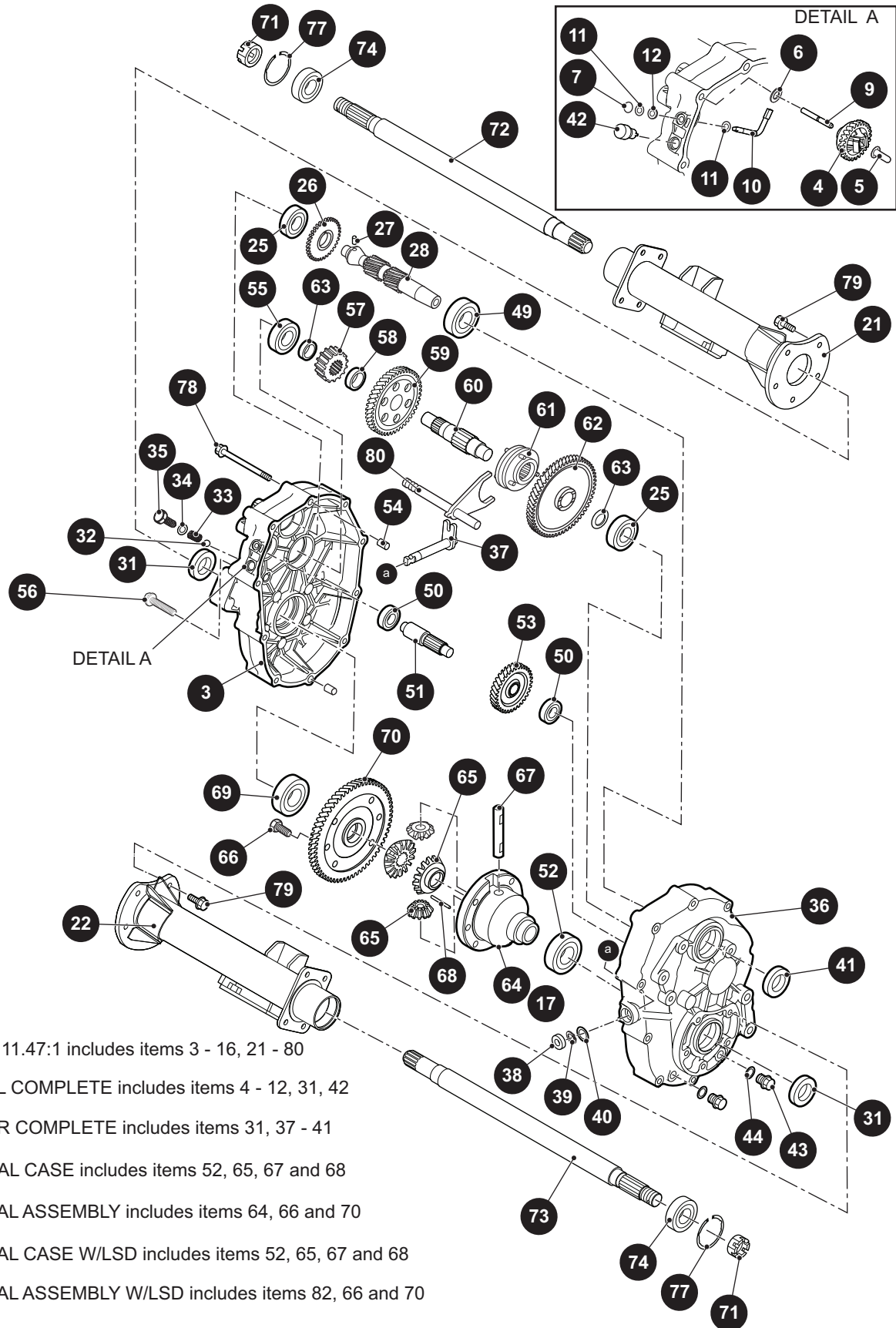
When ordering parts, please specify the model and serial number of the product.

* Indicates a component that is not available as an individual part.

*** Indicates consult Customer Service Department for additional information.

ITEM	PART NO.	1 2 3 4 5	DESCRIPTION	QTY.
1	<u>656139</u>		FUEL TANK ASSEMBLY (WITH SENDER UNIT) (INCLUDES ITEMS 3 - 9)	1
2	<u>656138</u>		FUEL TANK ASSEMBLY (WITHOUT SENDER UNIT) (INCLUDES ITEMS 3 - 8, 10)	1
3	646306		FUEL TANK	1
4	<u>646837</u>		CAP	1
5	<u>646838</u>		SEAL.....	1
6	<u>647810</u>		GROMMET	1
7	<u>647809</u>		ROLLOVER VALVE	1
8	<u>635688</u>		FUEL CAP	1
9	<u>656144</u>		FUEL PICKUP WITH SENDER ASSEMBLY	1
10	<u>656135</u>		FUEL PICKUP WITHOUT SENDER ASSEMBLY	1

REAR AXLE



- 1 REAR AXLE, 11.47:1 includes items 3 - 16, 21 - 80
- 3 AXLE CASE L COMPLETE includes items 4 - 12, 31, 42
- 36 AXLE CASE R COMPLETE includes items 31, 37 - 41
- 64 DIFFERENTIAL CASE includes items 52, 65, 67 and 68
- 16 DIFFERENTIAL ASSEMBLY includes items 64, 66 and 70
- 17 DIFFERENTIAL CASE W/LSD includes items 52, 65, 67 and 68
- 18 DIFFERENTIAL ASSEMBLY W/LSD includes items 82, 66 and 70
- 2 REAR AXLE W/LSD, 11.47:1 includes items 3 - 12, 17 - 63, 65 - 80

REAR AXLE

When ordering parts, please specify the model and serial number of the product.

* Indicates a component that is not available as an individual part.

*** Indicates consult Customer Service Department for additional information.

ITEM	PART NO.	1 2 3 4 5	DESCRIPTION	QTY.
1	<u>670468</u>		REAR AXLE, 11.47:1 (INCLUDES ITEMS 3 - 16, 21 - 80)	1
2	<u>670470</u>		REAR AXLE W/LSD, 11.47:1 (INCLUDES ITEMS 3 - 12, 17 - 63, 65 - 80)....	1
3	<u>639859</u>		AXLE CASE L COMPLETE (INCLUDES ITEMS 4 - 12, 31, 42)	1
4	<u>665887</u>		GOVERNOR GEAR	1
5	<u>639689</u>		GOVERNOR SLEEVE	1
6	<u>607904</u>		FLAT WASHER	1
7	<u>607913</u>		RETAINING RING E5	1
8				
9	<u>639698</u>		GOVERNOR GEAR SHAFT	1
10	<u>639707</u>		GOVERNOR SHAFT	1
11	<u>639736</u>		FLAT WASHER, 6MM	2
12	<u>607911</u>		OIL SEAL, 6 x 10 x 2.5 MM.....	1
13				
14				
15				
16	<u>639847</u>		DIFFERENTIAL ASSEMBLY (INCLUDES ITEMS 64, 66 AND 70)	1
17	<u>640098</u>		DIFFERENTIAL CASE W/LSD (INCLUDES ITEMS 52, 65, 67 AND 68)	1
18	<u>639847</u>		DIFFERENTIAL ASSEMBLY W/LSD (INCLUDES ITEMS 17, 66 AND 70).....	1
19				
20				
21	<u>607939</u>		AXLE CASE L COMPLETE	1
22	<u>607940</u>		AXLE CASE R COMPLETE	1
23				
24				
25	<u>26785G01</u>		BALL BEARING (6204)	2
26	<u>665888</u>		GOVERNOR GEAR, 34	1
27	<u>607920</u>		PIN, 6 x 12L.....	1
28	<u>639750</u>		INPUT SHAFT	1
29				
30				

REAR AXLE

When ordering parts, please specify the model and serial number of the product.

* Indicates a component that is not available as an individual part.

*** Indicates consult Customer Service Department for additional information.

ITEM	PART NO.	1	2	3	4	5	DESCRIPTION	QTY.
31	<u>639738</u>						OIL SEAL, 24 x 40 x 9MM	2
32	<u>26818G01</u>						STEEL BALL	1
33	<u>26819G01</u>						SPRING	1
34	<u>26831G01</u>						GASKET, 10	1
35	<u>26820G01</u>						FLANGED HEX HEAD BOLT, M10 x 1.25 x 12 MM LG.....	1
36	<u>639865</u>						AXLE CASE R COMPLETE (INCLUDES ITEMS 31, 37 - 41)	1
37	<u>639746</u>						SELECT SHAFT	1
38	607915						OIL SEAL, 13 x 22 x 5MM	1
39	<u>607916</u>						SNAP RING, 13MM	1
40	<u>607917</u>						SPACER, 13 x 1MM	1
41	<u>640093</u>						OIL SEAL, 28 x 47 x 9MM	1
42	<u>607919</u>						AIR BREATHER	1
43	<u>639747</u>						OIL DRAIN PLUG	2
44	<u>639748</u>						GASKET, 14MM.....	2
45								
46								
47								
48								
49	<u>607922</u>						BALL BEARING (62/28).....	1
50	<u>639868</u>						BALL BEARING (TMB202)	2
51	<u>639755</u>						COUNTER SHAFT.....	1
52	<u>640744</u>						BALL BEARING (6006).....	1
53	<u>639758</u>						GEAR, 34	1
54	<u>639869</u>						KNOCK PIPE	2
55	<u>639760</u>						BALL BEARING (6304).....	2
56	<u>639768</u>						FLANGED HEX HEAD BOLT, M8 - 1.25 X 40MM LG.....	1
57	<u>639769</u>						GEAR, 17	1
58	<u>28689G01</u>						COLLAR, 24 x 7.5MM.....	1
59	<u>639771</u>						GEAR, 52.....	1
60	<u>670697</u>						CENTER SHAFT.....	1
61	<u>639774</u>						CLUTCH PIN.....	1

REAR AXLE

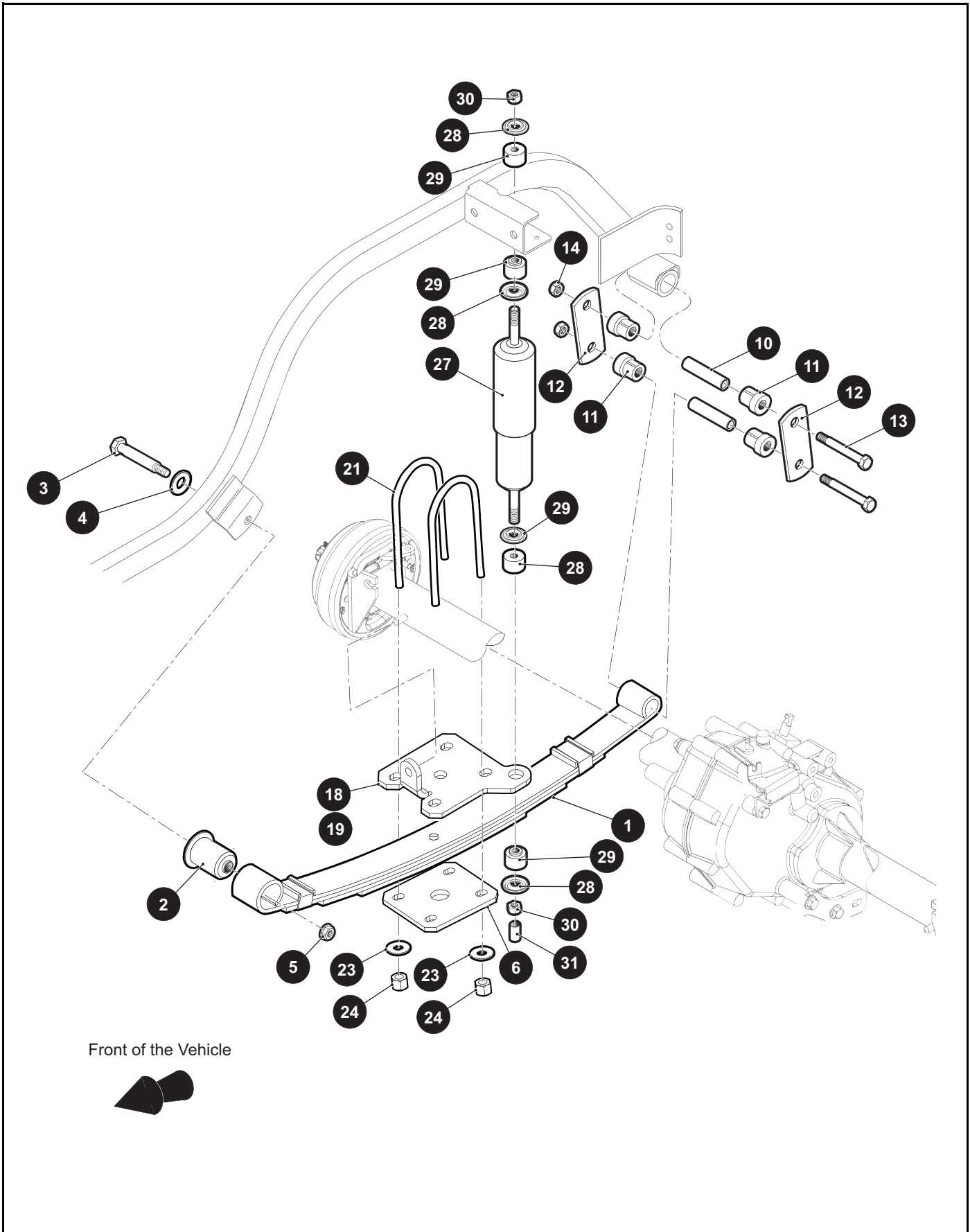
When ordering parts, please specify the model and serial number of the product.

* Indicates a component that is not available as an individual part.

*** Indicates consult Customer Service Department for additional information.

ITEM	PART NO.	1 2 3 4 5	DESCRIPTION	QTY.
62	<u>670696</u>		GEAR, 61	1
63	<u>639797</u>		SPACER, 20 x 2MM	2
64	<u>639872</u>		DIFFERENTIAL CASE (INCLUDES ITEMS 52, 65, 67 AND 68)	1
65	<u>639800</u>		DIFFERENTIAL PAIR GEAR	1
66	<u>26808G01</u>		HEX HEAD BOLT, M10 x 1.25 x 26 MM LG.....	6
67	<u>28723G01</u>		DIFFERENTIAL SHAFT	1
68	<u>28697G01</u>		SPRING PIN, 4 x 40L	1
69	<u>639801</u>		BALL BEARING (6007)	1
70	<u>640739</u>		GEAR, 60 COMPLETE (INCLUDES ITEM 69).....	1
71	607938		CASTLED NUT, M22 - 1.5	2
72	<u>639876</u>		AXLE SHAFT L COMPLETE (INCLUDES ITEM 74).....	1
73	<u>639881</u>		AXLE SHAFT R COMPLETE (INCLUDES ITEM 74)	1
74	<u>639836</u>		BALL BEARING (6205DD).....	2
75				
76				
77	26814G01		SNAP RING, 52MM	2
78	<u>639839</u>		FLANGED HEX HEAD BOLT, M8 x 1.25 x 60MM LG	9
79	<u>639840</u>		FLANGED HEX HEAD BOLT, M10 x 1.25 x 25MM LG	10
80	<u>639844</u>		SHIFT SHAFT COMPLETE.....	1

REAR SUSPENSION (TERRAIN 250)



REAR SUSPENSION (TERRAIN 250)

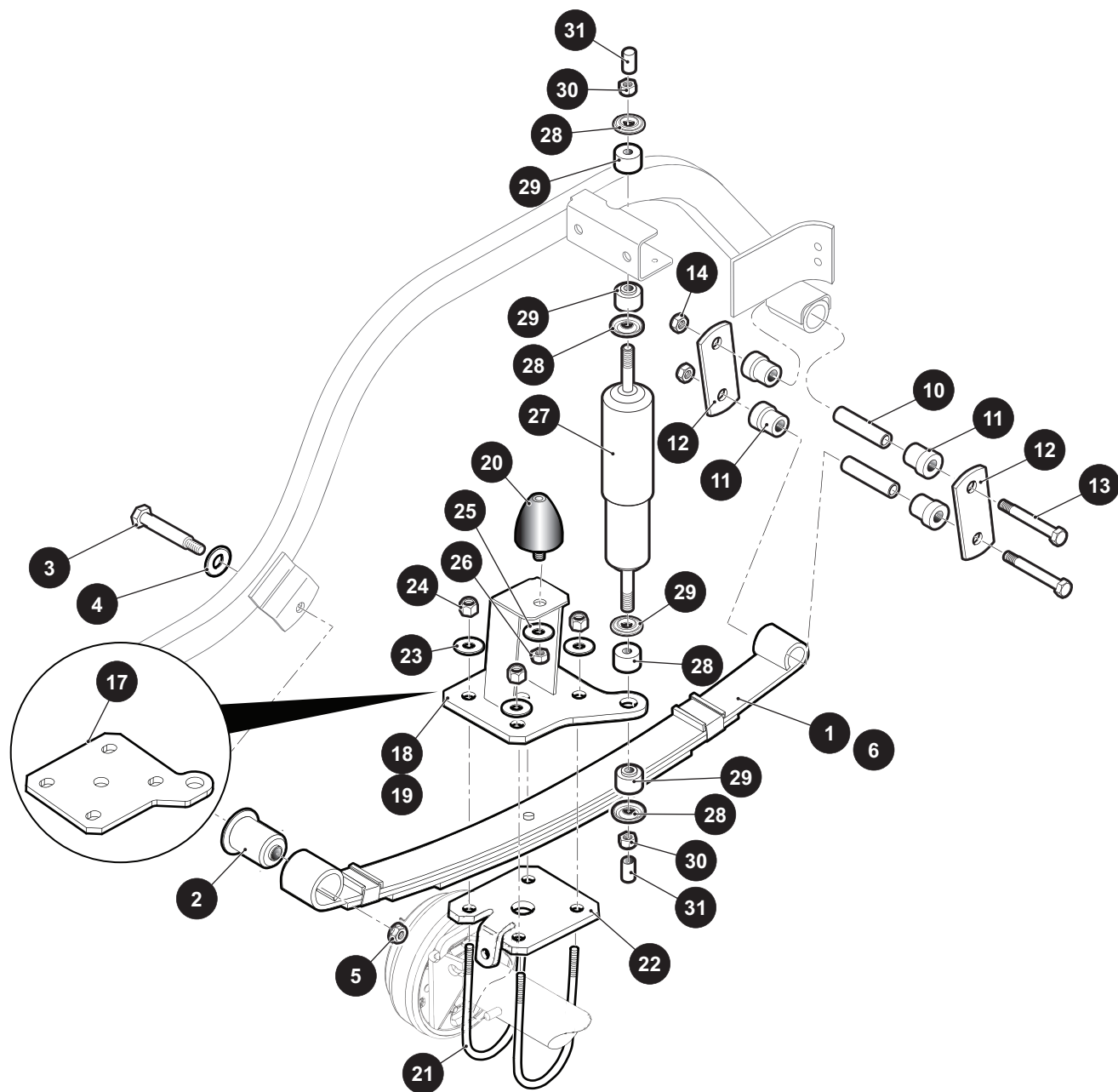
When ordering parts, please specify the model and serial number of the product.

* Indicates a component that is not available as an individual part.

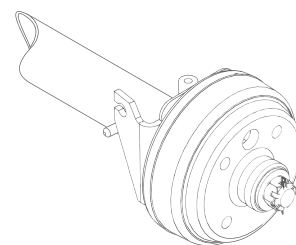
*** Indicates consult Customer Service Department for additional information.

ITEM	PART NO.	1 2 3 4 5	DESCRIPTION	QTY.
1	<u>605722</u>		HEAVY DUTY LEAF SPRING.....	2
2	<u>605445</u>		LEAF SPRING BUSHING, FRONT.....	2
3	<u>00665G9</u>		HEX HEAD BOLT (SS), 3/8" - 16 X 3.5 LG.....	2
4	<u>00643G1</u>		FLAT WASHER, .411 I.D. X 1.00 O.D. X .06.....	2
5	<u>12262G1</u>		FLANGED LOCK NUT, 3/8" - 16.....	2
6	<u>652246</u>		REAR SUSPENSION PLATE.....	2
7				
8				
9				
10	<u>70289G02</u>		SPLIT STEEL SPACER.....	4
11	<u>624030</u>		FLANGED BUSHING.....	8
12	<u>604961</u>		SHACKLE PLATE.....	4
13	<u>00665G9</u>		HEX HEAD BOLT (SS), 3/8" - 16 X 3.5 LG.....	4
14	<u>11098G5</u>		LOCK NUT, 3/8" - 16.....	4
15				
16				
17				
18	<u>605958</u>		AXLE BRACKET, DRIVER SIDE.....	1
19	<u>605938</u>		AXLE BRACKET, PASSENGER SIDE.....	1
20				
21	<u>32195G3</u>		U-BOLT, 3/8" - 16 X 5" X 2.875" X 2".....	4
22				
23	<u>00643G1</u>		FLAT WASHER, .411 I.D. X 1.00 O.D. X .06.....	8
24	<u>11098G5</u>		LOCK NUT, 3/8" - 16.....	8
25				
26				
27	<u>642085</u>		SHOCK ABSORBER.....	2
28	<u>10435G1</u>		SHOCK ABSORBER WASHER.....	8
29	<u>10194G1</u>		RUBBER SHOCK BUSHING.....	8
30	<u>00532G6</u>		HEX NUT, 3/8" - 24.....	4
31	<u>10044G01</u>		VINYL CAP.....	2

REAR SUSPENSION (TERRAIN 500 & 1000)



Front of the Vehicle



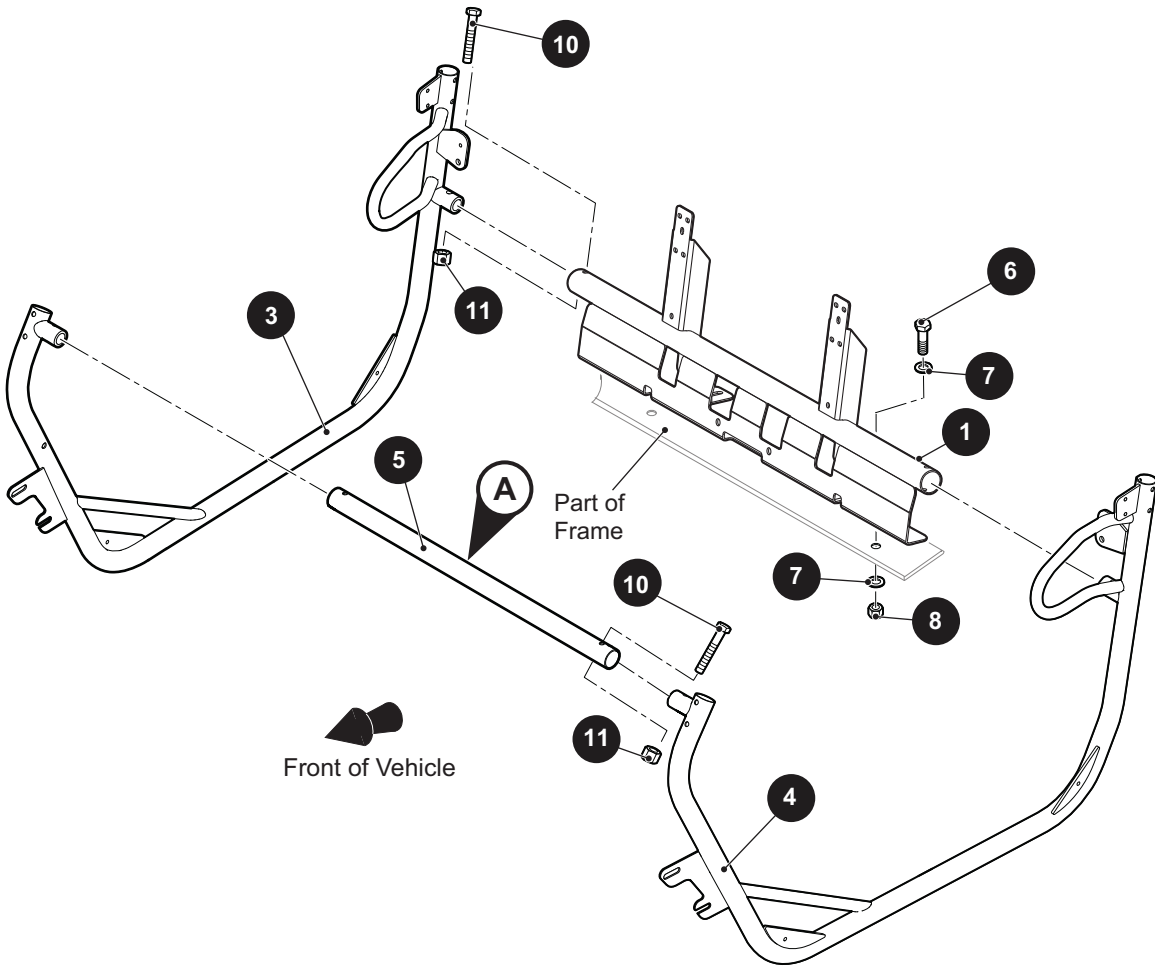
REAR SUSPENSION (TERRAIN 500 & 1000)

When ordering parts, please specify the model and serial number of the product.

* Indicates a component that is not available as an individual part.

*** Indicates consult Customer Service Department for additional information.

ITEM	PART NO.	1 2 3 4 5	DESCRIPTION	QTY.
1	<u>605722</u>		HEAVY DUTY LEAF SPRING (TERRAIN 1000 ONLY)	2
2	<u>605445</u>		LEAF SPRING BUSHING, FRONT.....	2
3	<u>00665G9</u>		HEX HEAD BOLT (SS), 3/8" - 16 X 3.5 LG.....	2
4	<u>00643G1</u>		FLAT WASHER, .411 I.D. X 1.00 O.D. X .06	2
5	<u>12262G1</u>		FLANGED LOCK NUT, 3/8" - 16.....	2
6	<u>605721</u>		HEAVY DUTY LEAF SPRING (TERRAIN 500 ONLY)	2
7				
8				
9				
10	<u>70289G02</u>		SPLIT STEEL SPACER	4
11	<u>624030</u>		FLANGED BUSHING.....	8
12	<u>652245</u>		SHACKLE PLATE	4
13	<u>00665G9</u>		HEX HEAD BOLT (SS), 3/8" - 16 X 3.5 LG.....	4
14	<u>11098G5</u>		LOCK NUT, 3/8" - 16.....	4
15				
16				
17	<u>605977</u>		REAR SUSPENSION PLATE (TERRAIN 500 ONLY).....	2
18	<u>652629G103</u>		SPRING PLATE, DRIVER SIDE (TERRAIN 1000 ONLY)	1
19	<u>652629G203</u>		SPRING PLATE, PASSENGER SIDE (TERRAIN 1000 ONLY)	1
20	<u>70492G01</u>		RUBBER BUMPER (TERRAIN 1000 ONLY)	2
21	<u>32195G3</u>		U-BOLT, 3/8" - 16 X 5" X 2.875" X 2"	4
22	<u>652580</u>		REAR SUSPENSION PLATE	2
23	<u>00643G1</u>		FLAT WASHER, .411 I.D. X 1.00 O.D. X .06	8
24	<u>11098G5</u>		LOCK NUT, 3/8" - 16.....	8
25	<u>608654</u>		SPLIT LOCK WASHER, M10 (TERRAIN 1000 ONLY)	2
26	<u>00974G01</u>		HEX NUT, M10 (TERRAIN 1000 ONLY)	2
27	<u>642085</u>		SHOCK ABSORBER.....	2
28	<u>10435G1</u>		SHOCK ABSORBER WASHER.....	8
29	<u>10194G1</u>		RUBBER SHOCK BUSHING	8
30	<u>00532G6</u>		HEX NUT, 3/8" - 24	4
31	<u>10044G01</u>		VINYL CAP.....	2



A

This ROPS was tested in accordance with the requirements of ISO 3471 per ANSI/ROHVA 1

CUSHMAN

EZGO

A Textron Company 642582

Textron Specialized Vehicles
1451 Menden Goffin Rd
Augusta, GA 30906
USA

Test GVW: 700 kgs (1545 lbs)
Vehicle Models:
Hauler 900 and 1200 G, E, XG, XE
Hauler Pro, Pro X, 4X4
E-Z-GO Terrain 250 and 1000 G, E
E-Z-GO Terrain 1500 G

WARNING

The protection offered by this ROPS will be impaired if it has been subjected to any modification or structural damage. This ROPS must be replaced after a rollover.

When ordering parts, please specify the model and serial number of the product.

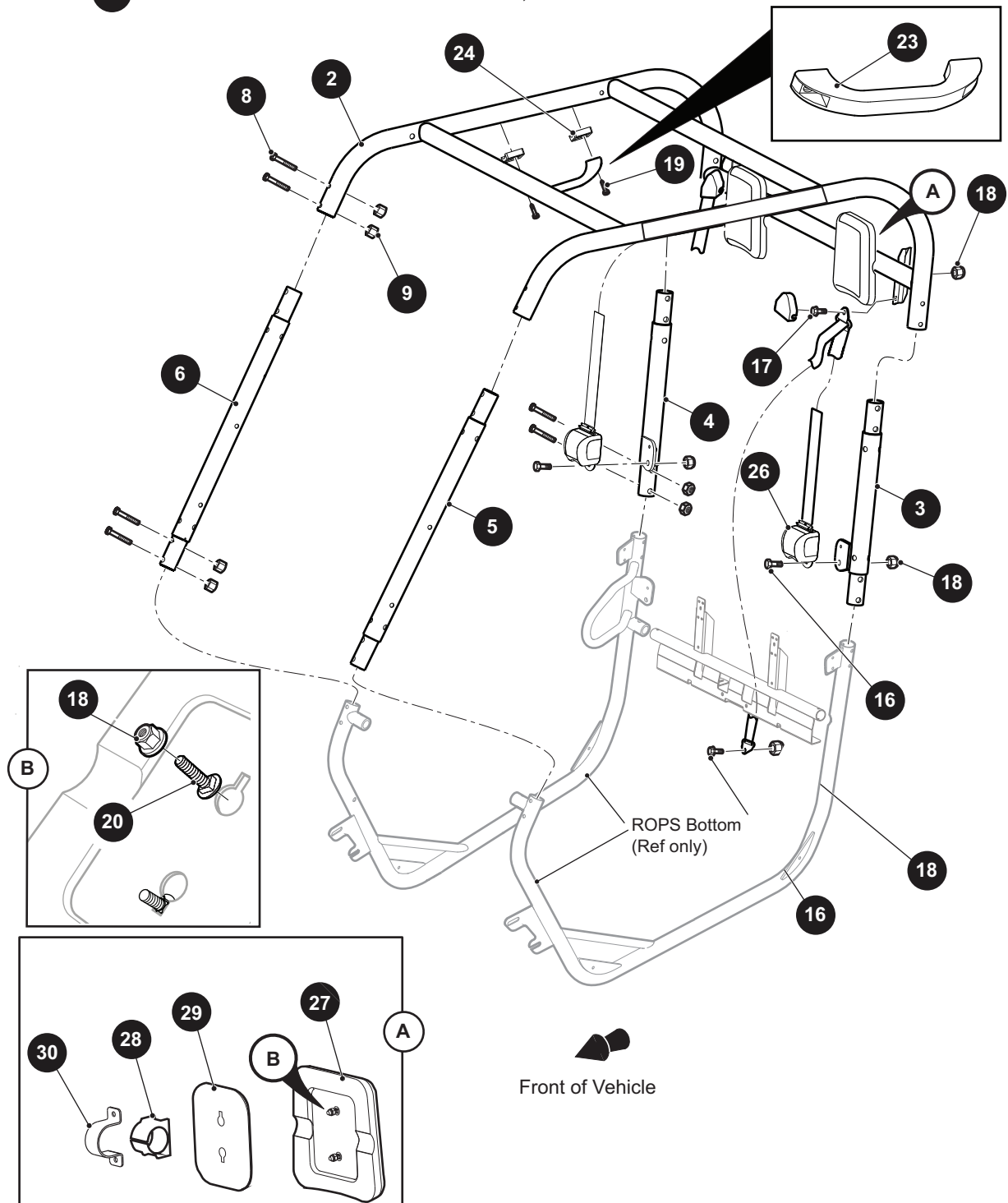
* Indicates a component that is not available as an individual part.

*** Indicates consult Customer Service Department for additional information.

ITEM	PART NO.	1 2 3 4 5	DESCRIPTION	QTY.
1	<u>640293</u>		ROPS SEAT SUPPORT.....	1
2				
3	<u>640183</u>		ROPS BOTTOM (PASSENGER SIDE).....	1
4	<u>640182</u>		ROPS BOTTOM (DRIVER SIDE)	1
5	<u>629023</u>		FRONT CROSSBAR TUBE	1
6	<u>00427G2</u>		HEX HEAD BOLT, 3/8" - 16 X 1 1/4" LG	4
7	<u>00571G2</u>		FLAT WASHER, 5/16"	8
8	<u>11098G5</u>		LOCK NUT, 3/8" - 16	4
9				
10	<u>630642</u>		HEX HEAD BOLT, 3/8" - 16 X 2 1/2" LG	4
11	<u>630643</u>		LOCK NUT, 3/8" - 16	4
12				
13	<u>642582</u>		ROPS CERTIFICATION DECAL.....	1

ROPS

- 1 ROPS UPPER KIT includes items 2 - 7
- 7 ROPS UPPER HARDWARE KIT includes items 8 - 9
- 15 ROPS ACCESSORY HARDWARE KIT includes items 16 - 20
- 22 ROPS ACCESSORY KIT includes items 15, 23 - 30



When ordering parts, please specify the model and serial number of the product.

* Indicates a component that is not available as an individual part.

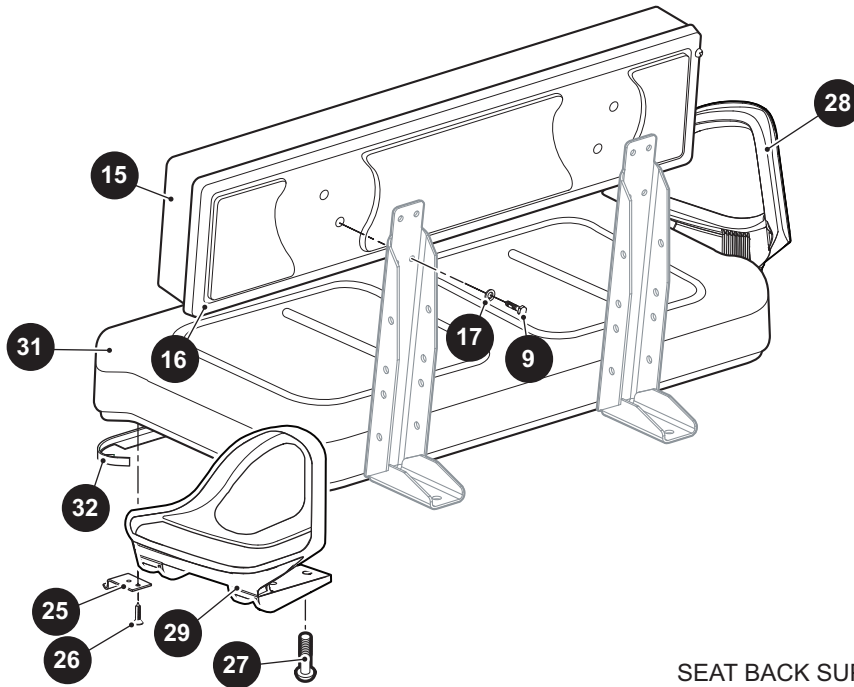
*** Indicates consult Customer Service Department for additional information.

ITEM	PART NO.	1 2 3 4 5	DESCRIPTION	QTY.
1	<u>631578</u>		ROPS UPPER KIT (INCLUDES ITEMS 2 - 7)	1
2	<u>631576</u>		ROPS TOP WELDMENT.....	1
3	<u>629080</u>		CONNECTOR REAR (DRIVER SIDE)	1
4	<u>629079</u>		CONNECTOR REAR (PASSENGER SIDE).....	1
5	<u>629082</u>		CONNECTOR FRONT (DRIVER SIDE).....	1
6	<u>629081</u>		CONNECTOR FRONT (PASSENGER SIDE)	1
7	<u>629328</u>		ROPS UPPER HARDWARE KIT (INCLUDES ITEMS 8 - 9).....	1
8	<u>630642</u>		HEX HEAD BOLT, 3/8" - 16 X 2 1/2" LG	16
9	<u>630643</u>		LOCK NUT, 3/8" - 16.....	16
10				
11				
12				
13				
14				
15	<u>640434</u>		ROPS ACCESSORY HARDWARE KIT (INCLUDES ITEMS 16 - 20)	1
16	<u>610753</u>		HEX HEAD BOLT, 7/16" - 20 X 1" LG	4
17	<u>609569</u>		HEX HEAD BOLT, 7/16" - 20 X 3/4" LG	4
18	<u>00734G3</u>		LOCK NUT, 7/16" - 20.....	8
19	<u>612255</u>		PAN HEAD TORX SCREW, 12 - 14 X 1" LG	2
20	<u>630763</u>		CARRIAGE BOLT (SS), 1/4" - 20 X .75" LG	4
21				
22	<u>640436</u>		ROPS ACCESSORIES KIT (INCLUDES ITEMS 15, 23 - 30).....	1
23	<u>611774</u>		GRAB HANDLE	1
24	<u>612254</u>		GRAB HANDLE MOUNT.....	2
25	<u>629454</u>		SIDE DOOR NET (PAIR) (NOT ILLUSTRATED).....	1
26	<u>649134</u>		SEAT BELT RETRACTOR.....	2
27	<u>628577</u>		HEADREST	2
28	<u>629642</u>		CLAMP GUARD	2
29	<u>629666</u>		HEADREST PLATE	2
30	<u>627786</u>		CLAMP	2

SEATING

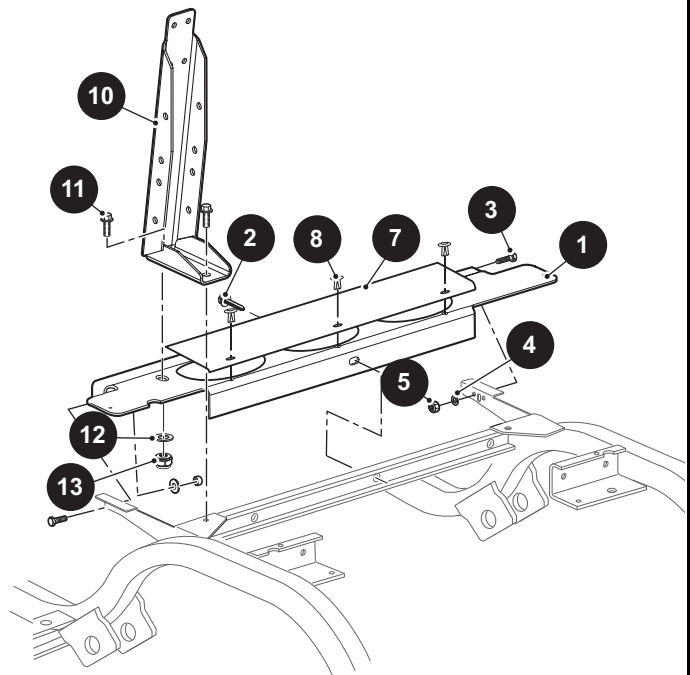
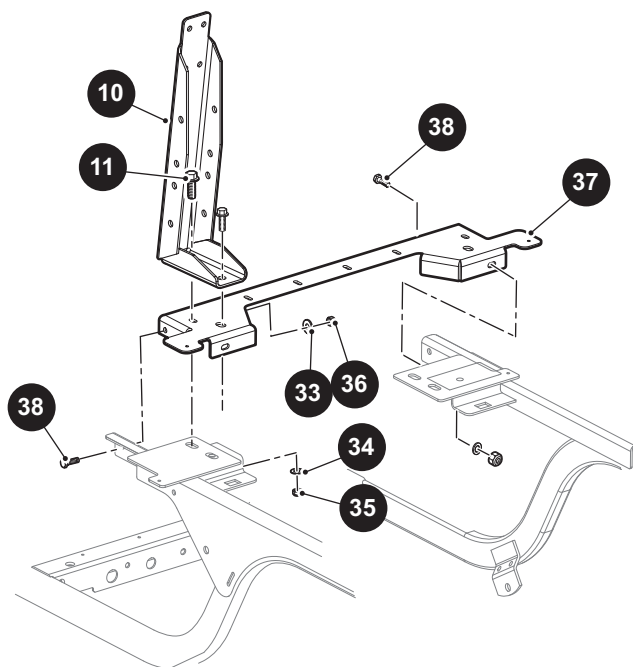
14 SEAT BACK ASSEMBLY includes items 15 - 16

18 SEAT BOTTOM ASSEMBLY includes items 19 - 32



SEAT BACK SUPPORT (TERRAIN 1000)

SEAT BACK SUPPORT (TERRAIN 250 & 500)



When ordering parts, please specify the model and serial number of the product.

* Indicates a component that is not available as an individual part.

*** Indicates consult Customer Service Department for additional information.

ITEM	PART NO.	1 2 3 4 5	DESCRIPTION	QTY.
1	<u>71262G04</u>		SEAT BACK SUPPORT (TERRAIN 250 & 500 Only)	1
2	<u>00715G2</u>		FLANGED HEX HEAD SCREW, 5/16 - 18 X 13/16" LG (TERRAIN 250 & 500 Only)	1
3	<u>00438G8</u>		HEX HEAD CAP SCREW, 5/16 - 18 X 3/4" LG (TERRAIN 250 & 500 Only)	2
4	<u>00642G8</u>		WASHER, 5/16" (TERRAIN 250 & 500 Only)	2
5	11098G6		LOCK NUT, 5/16 - 18 (TERRAIN 250 & 500 Only)	2
6				
7	<u>71263G01</u>		ACCESS COVER (TERRAIN 250 & 500 Only).....	1
8	<u>18436G1</u>		DRIVE RIVET (TERRAIN 250 & 500 Only).....	3
9	<u>605056</u>		HEX SCREW W/PTCHLOC, 1/4 - 20 X 1"	4
10	<u>652243G03</u>		SEAT BACK SUPPORT BRACKET	2
11	<u>00427G2</u>		HEX HEAD CAP SCREW, 3/8 - 16 X 1 1/4" LG.....	4
12	<u>00560G1</u>		FLAT WASHER, 3/8" (TERRAIN 250 & 500 Only).....	2
13	<u>11098G5</u>		LOCK NUT, 3/8 - 16 (TERRAIN 250 & 500 Only)	2
14	71274G**		SEAT BACK ASSEMBLY (INCLUDES ITEMS 15 - 16)..... 71274G01 WHITE 71274G02 BLACK 71274G03 TAN 71274G04 GRAY 71274G05 OYSTER 71274G07 BROWN	
15	18144G*		BACK REST COVER..... 18144G2 WHITE 18144G3 BLACK 18144G4 TAN 18144G5 GRAY 18144G6 OYSTER 18144G8 BROWN	1
16	<u>74889G01</u>		SEAT BACK COVER	1
17	<u>00664G7</u>		LOCK WASHER (SS), 1/4"	4
18	629269G**		SEAT BOTTOM ASSEMBLY (INCLUDES ITEMS 19 - 32)	1
			629269G0105 WHITE 629269G0104 GRAY 629269G0101 OYSTER 629269G0103 TAN 629269G0107 BROWN 629269G0106 BLACK	
19	71602G**		VINYL SEAT BOTTOM	1

SEATING

When ordering parts, please specify the model and serial number of the product.

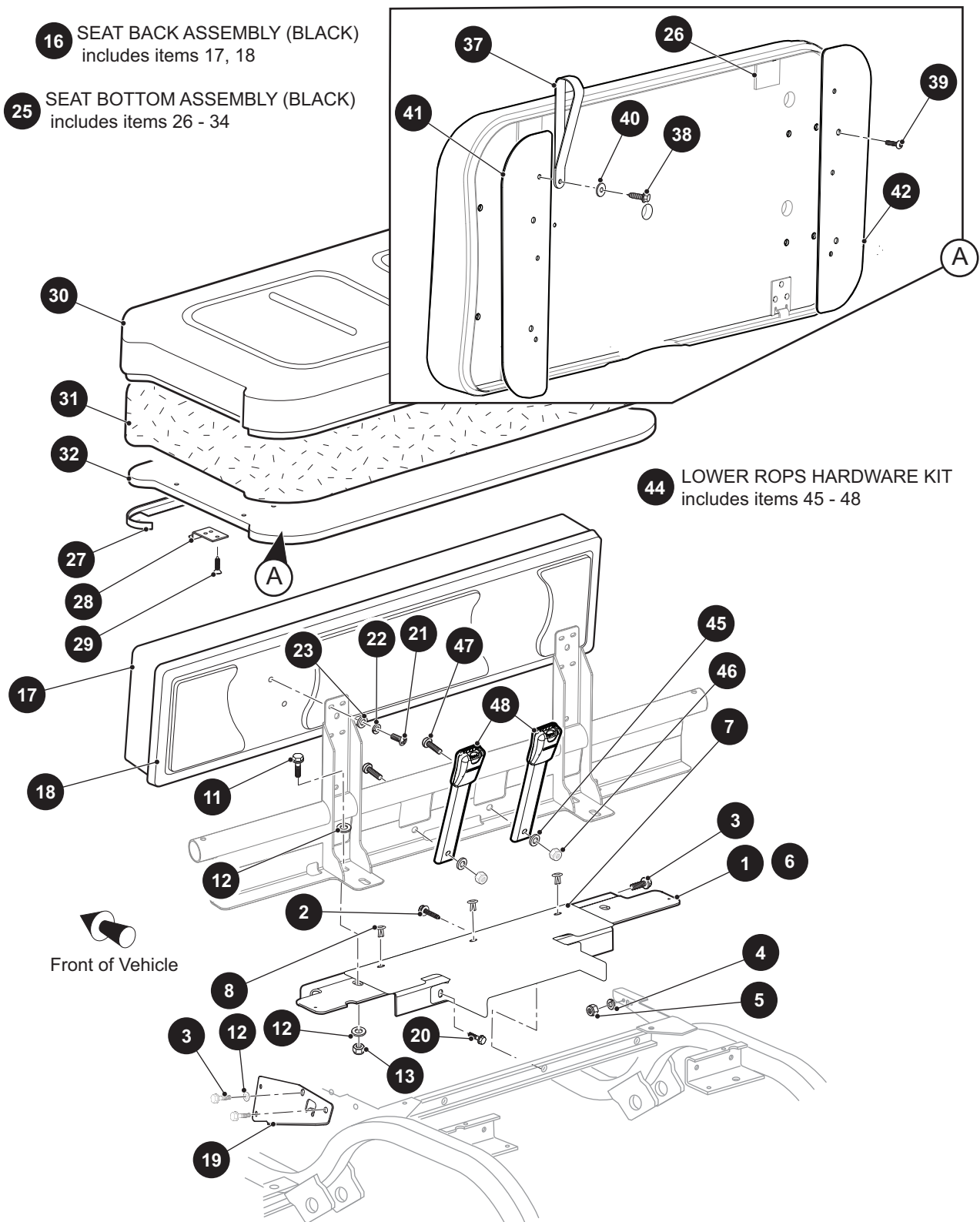
* Indicates a component that is not available as an individual part.

*** Indicates consult Customer Service Department for additional information.

ITEM	PART NO.	1	2	3	4	5	DESCRIPTION	QTY.
20							71602G01 WHITE	
21							71602G02 GRAY	
22							71602G03 OYSTER	
23							71602G04 TAN	
24							71602G07 BROWN	
25	<u>71610G01</u>						SEAT HINGE.....	2
26	<u>00720G08</u>						FLAT HEAD PHILLIPS SCREW, #12 - 14 X 1" LG.	6
27	<u>615417</u>						BUTTON HEAD TORX BOLT, M10 - 1.5 X 25MM LG	1
28	<u>617644</u>						HIP RESTRAINT (PASSENGER SIDE).....	1
29	<u>617645</u>						HIP RESTRAINT (DRIVER SIDE)	1
30								
31								
32	<u>71012G01</u>						VINYL TRIM (SEAT BOTTOM)	1
33	<u>00571G2</u>						FLAT WASHER, 5/16 (TERRAIN 1000 Only)	5
34	11098G6						LOCK NUT, 5/16 - 18 (TERRAIN 1000 Only)	5
35	<u>00560G1</u>						WASHER, 3/8" (TERRAIN 1000 Only)	4
36	<u>11098G5</u>						LOCK NUT, 3/8 - 16 (TERRAIN 1000 Only)	4
37	<u>609567</u>						SEAT BACK SUPPORT BRACKET (TERRAIN 1000 Only)	1
38	<u>00438G8</u>						HEX HEAD CAP SCREW, 5/16 - 18 X 3/4" LG (TERRAIN 1000 Only)	5

16 SEAT BACK ASSEMBLY (BLACK)
includes items 17, 18

25 SEAT BOTTOM ASSEMBLY (BLACK)
includes items 26 - 34



44 LOWER ROPS HARDWARE KIT
includes items 45 - 48

Front of Vehicle

When ordering parts, please specify the model and serial number of the product.

* Indicates a component that is not available as an individual part.

*** Indicates consult Customer Service Department for additional information.

ITEM	PART NO.	1 2 3 4 5	DESCRIPTION	QTY.
1	<u>609567</u>		SEAT BACK SUPPORT (TERRAIN 1000 only)	1
2	<u>00715G2</u>		FLANGED HEX HEAD BOLT, 5/16" - 18 X .8" LG	1
3	<u>00438G8</u>		HEX HEAD BOLT, 5/16" - 18 X 1" LG	5
4	<u>00642G8</u>		LOCK WASHER, 5/16"	2
5	11098G6		LOCK NUT, 5/16" - 18.....	2
6	<u>71262G03</u>		SEAT BACK SUPPORT (TERRAIN 250 Only)	
7	<u>609575</u>		CLOSEOUT BED COVER (TERRAIN 1000 Only).....	1
8	<u>18436G1</u>		DRIVE RIVET.....	3
9				
10				
11	<u>00427G2</u>		FLANGED HEX HEAD BOLT, 3/8" - 16 X 1 1/4" LG	4
12	<u>00571G2</u>		FLAT WASHER, 5/16"	14
13	<u>11098G5</u>		LOCK NUT, 3/8" - 16.....	4
14				
15				
16	<u>71274G02</u>		SEAT BACK ASSEMBLY (BLACK) (INCLUDES ITEMS 17, 18).....	1
17	<u>18144G3</u>		VINYL COVER.....	1
18	<u>74889G01</u>		SEAT BACK COVER (PLASTIC)	1
19	<u>634703</u>		AIR CLEANER BRACKET (TERRAIN 1000 only)	1
20	<u>00114G6</u>		HEX HEAD WASHER BOLT, 1/4 - 10 X 3/4" LG.....	2
21	<u>16705G1</u>		HEX HEAD BOLT (WITH PATCH LOCK), 1/4" - 20 X 1" LG.....	4
22	<u>01110G01</u>		FLAT WASHER (SS), 1/4".....	4
23	<u>00664G7</u>		LOCK WASHER (SS), 1/4"	4
24				
25	<u>629269G1306</u>		SEAT BOTTOM ASSEMBLY (BLACK) (INCLUDES ITEMS 26 - 34).....	1
26	<u>17074G1</u>		SOILING SLAB (NOT ILLUSTRATED).....	2
27	<u>71012G01</u>		VINYL TRIM (SEAT BOTTOM).....	1
28	<u>71610G01</u>		SEAT HINGE	1
29	<u>00720G08</u>		FLAT HEAD PHILLIPS SCREW, #12 - 14 X 1" LG.....	3
30	<u>615169</u>		VINYL SEAT BOTTOM COVER (BLACK).....	1
31	<u>605503</u>		SEAT BOTTOM PADDING (FOAM)	1

SEATING

When ordering parts, please specify the model and serial number of the product.

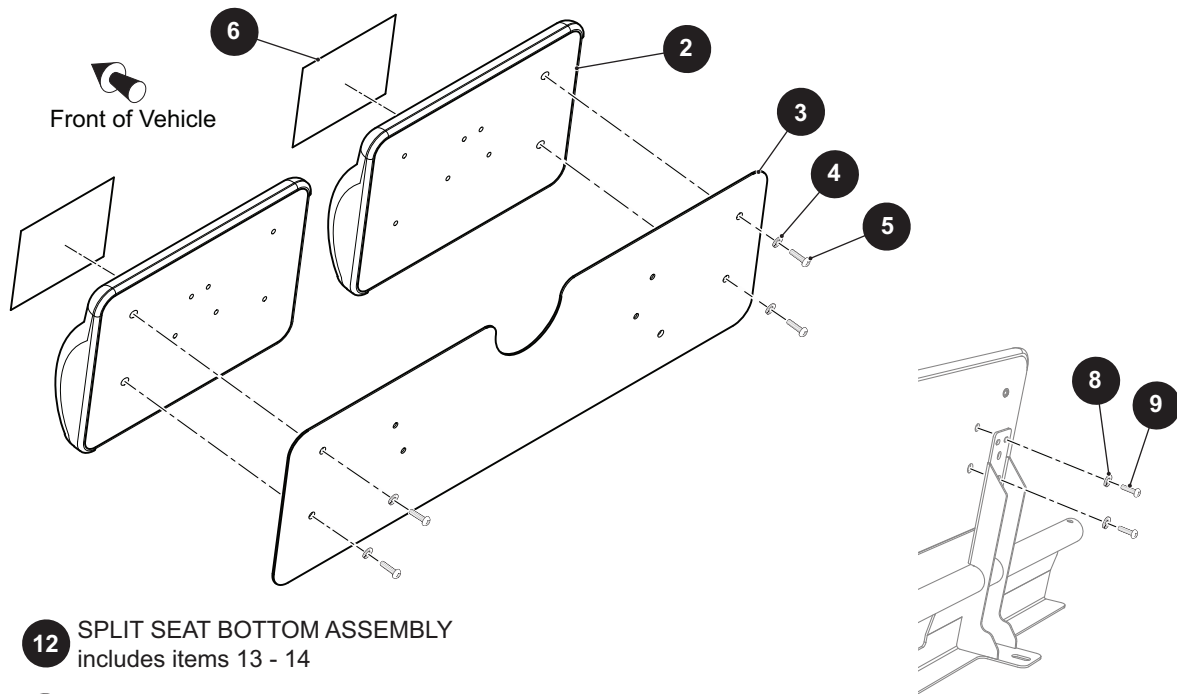
* Indicates a component that is not available as an individual part.

*** Indicates consult Customer Service Department for additional information.

ITEM	PART NO.	1	2	3	4	5	DESCRIPTION	QTY.
32	<u>645492</u>						SEAT BOTTOM.....	1
33	<u>23222G1</u>						FLAT STAPLE, 3/8" (NOT ILLUSTRATED).....	AR
34	<u>23223G1</u>						FLAT STAPLE (NOT ILLUSTRATED)	AR
35								
36								
37	<u>617402</u>						SEAT STRAP.....	1
38	71398G01						FLANGED HEX HEAD SCREW, 1/4" - 20 X 1 1/4" LG	1
39	<u>615417</u>						BUTTON HEAD TORX BOLT, M10 - 1.5 X 25MM LG	4
40	<u>16469G1</u>						FENDER WASHER, 1/4"	1
41	<u>640674G01</u>						SEAT SIDE COVER (DRIVER SIDE).....	1
42	<u>640674G02</u>						SEAT SIDE COVER (PASSENGER SIDE)	1
43								
44	642823						LOWER ROPS HARDWARE KIT (INCLUDES ITEMS 45 - 48)	1
45	<u>00560G3</u>						FLAT WASHER, 1/2"	2
46	<u>00734G3</u>						LOCK NUT, 7/16" - 20	2
47	<u>635630</u>						BUTTON HEAD TORX BOLT, 7/16" - 20 x 1 1/4" LG	2
48	<u>631973</u>						BUCKLE AND BRACKET ASSEMBLY.....	2

SEATING - TERRAIN 1000

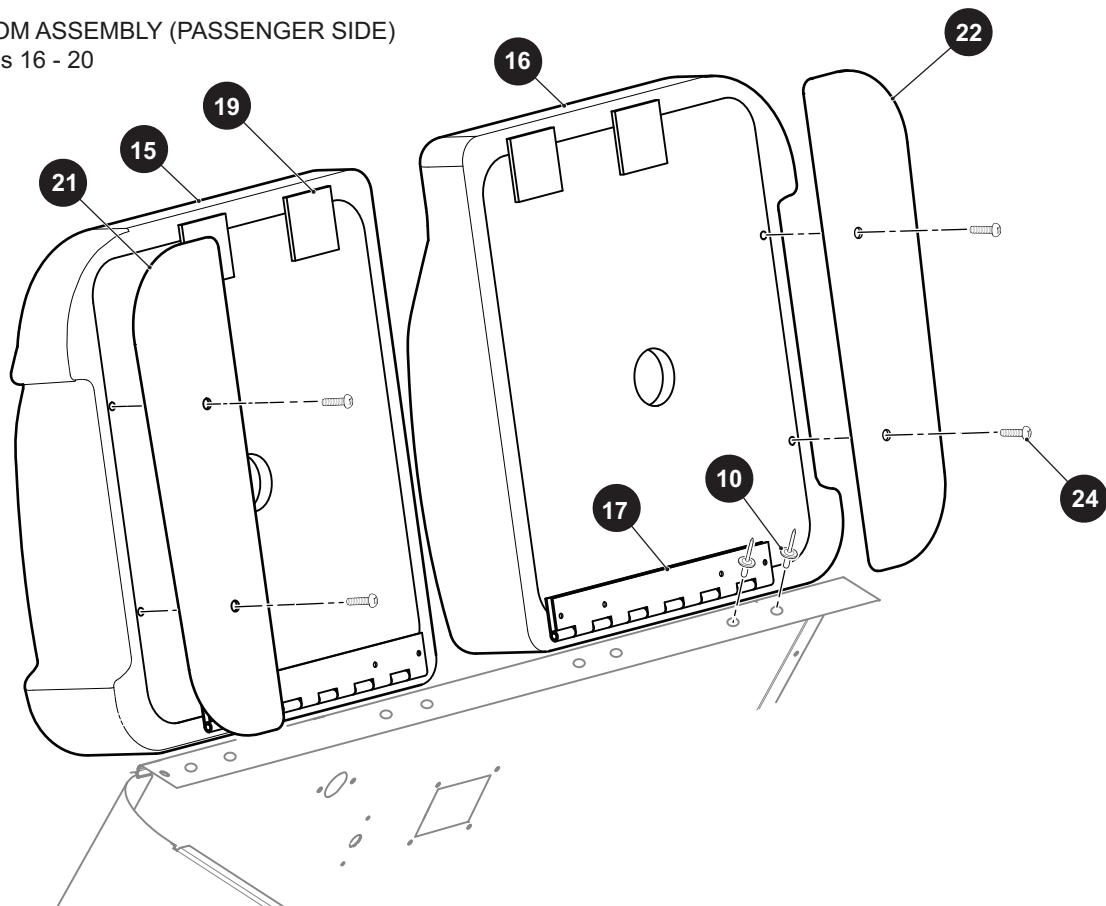
- 1** SEAT BACK ASSEMBLY includes items 2 - 6



- 12** SPLIT SEAT BOTTOM ASSEMBLY includes items 13 - 14

- 13** SEAT BOTTOM ASSEMBLY (DRIVER SIDE) includes items 15, 17 - 20

- 14** SEAT BOTTOM ASSEMBLY (PASSENGER SIDE) includes items 16 - 20



SEATING - TERRAIN 1000

When ordering parts, please specify the model and serial number of the product.

* Indicates a component that is not available as an individual part.

*** Indicates consult Customer Service Department for additional information.

ITEM	PART NO.	1 2 3 4 5	DESCRIPTION	QTY.
1	626618G05		SEAT BACK ASSEMBLY (INCLUDES ITEMS 2 - 6).....	1
2	75840G**		SEAT BACK CUSHION	2
3	<u>626607</u>		SEAT BACK PLATE.....	1
4	<u>00664G7</u>		LOCK WASHER (SS), 1/4".....	4
5	16705G3		TRUSS HEAD PHILLIPS SCREW (SS), 1/4" - 20 X 3/4" LG	4
6	<u>27336G01</u>		WARINING DECAL.....	2
7				
8	<u>00664G7</u>		LOCK WASHER (SS), 1/4"	4
9	<u>16705G1</u>		TRUSS HEAD PHILLIPS SCREW (SS), 1/4" - 20 X 1" LG.....	4
10	<u>10570G11</u>		RIVET, 3/16" X .70"	8
11				
12	642838		SPLIT SEAT BOTTOM ASSEMBLY (INCLUDES ITEMS 13 - 14)	1
13	<u>628111G05</u>		SEAT BOTTOM ASSEMBLY (DRIVER SIDE) (INCLUDES ITEMS 15, 17 - 20).....	1
14	<u>628112G05</u>		SEAT BOTTOM ASSEMBLY (PASSENGER SIDE) (INCLUDES ITEMS 16 - 20).....	1
15	75833G**		SEAT BOTTOM (DRIVER SIDE)	1
16	75834G**		SEAT BOTTOM (PASSENGER SIDE).....	1
17	<u>75847G01</u>		SEAT HINGE	1
18	<u>16705G1</u>		TRUSS HEAD PHILLIPS SCREW (SS), 1/4" - 20 X 1" LG.....	3
19	<u>17074G1</u>		SOILING SLAB	2
20	<u>23223G1</u>		STAPLE (NOT ILLUSTRATED).....	8
21	<u>640674G01</u>		SEAT SIDE COVER (DRIVER SIDE)	1
22	<u>640674G02</u>		SEAT SIDE COVER (PASSENGER SIDE).....	1
23				
24	<u>615417</u>		BUTTON HEAD TORX BOLT, M10 - 1.5 X 25MM LG	4

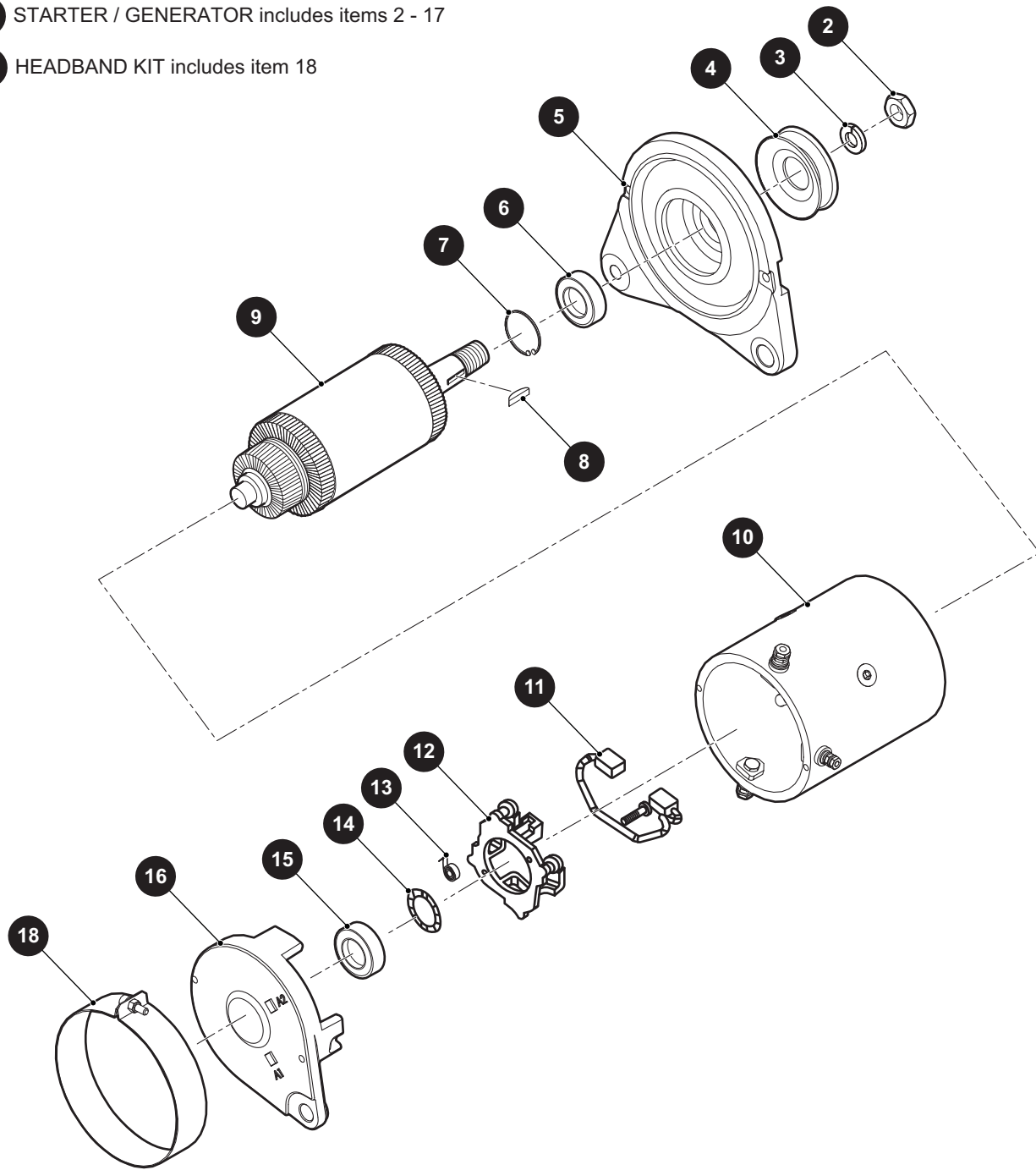
Notes:



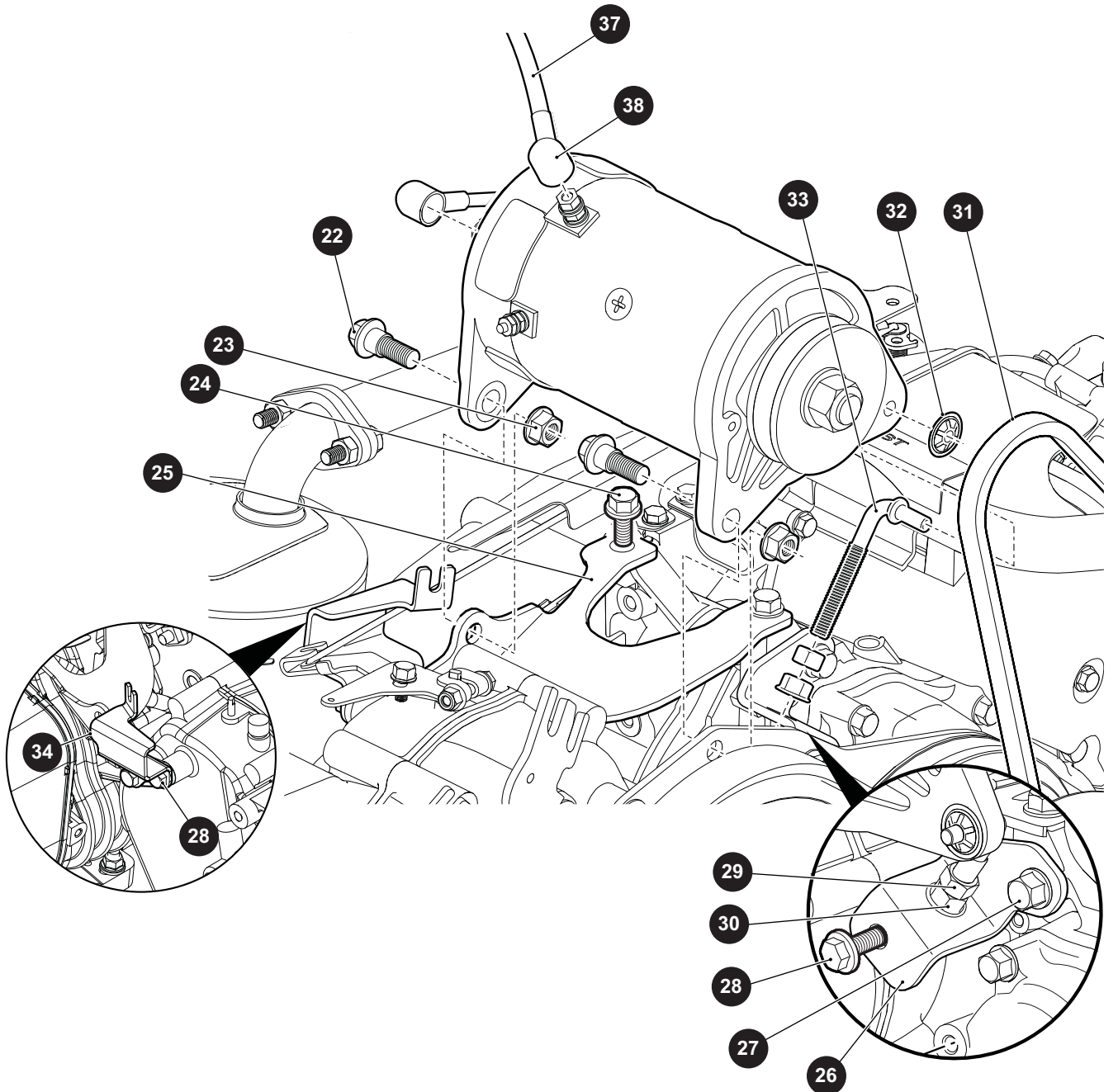
STARTER / GENERATOR

1 STARTER / GENERATOR includes items 2 - 17

17 HEADBAND KIT includes item 18

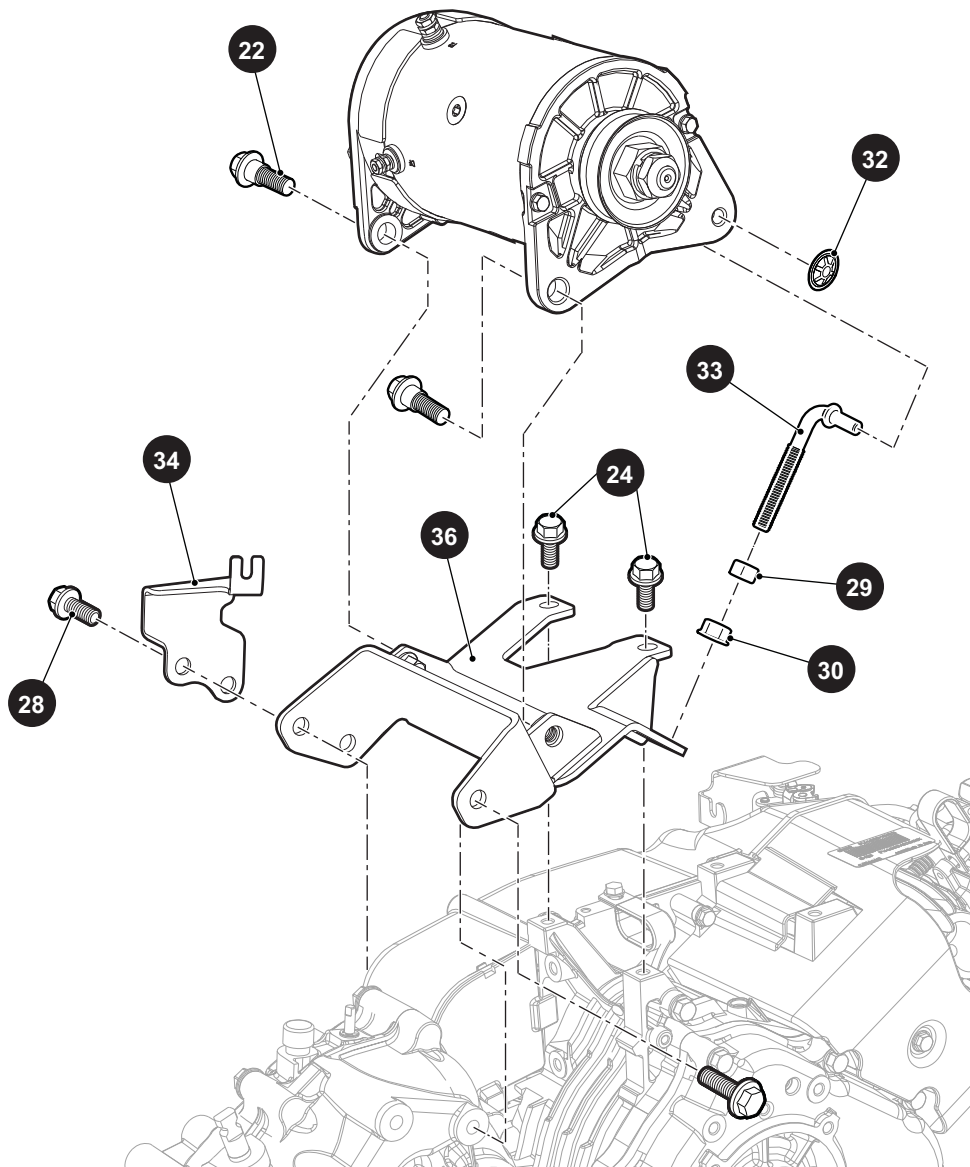


STARTER / GENERATOR



STARTER / GENERATOR

FOR VEHICLES MANUFACTURED FROM APRIL 2014



STARTER / GENERATOR

When ordering parts, please specify the model and serial number of the product.

* Indicates a component that is not available as an individual part.

*** Indicates consult Customer Service Department for additional information.

ITEM	PART NO.	1 2 3 4 5	DESCRIPTION	QTY.
1	<u>660379</u>		STARTER / GENERATOR (INCLUDES ITEMS 2 - 17)	1
2	<u>612029</u>		HEX NUT	1
3	<u>612030</u>		LOCK WASHER	1
4	<u>625716</u>		PULLEY, 2.5" O.D.	1
5	<u>654715</u>		DRIVE END HEAD	1
6	<u>612033</u>		BEARING	1
7	<u>612034</u>		RETAINING RING	1
8	<u>612035</u>		WOODRUFF KEY	1
9	<u>612036</u>		ARMATURE ASSEMBLY	1
10	<u>654716</u>		FRAME AND FIELD ASSEMBLY	1
11	<u>612038</u>		BRUSH LEAD AND TERMINAL PACKAGE	1
12	<u>654717</u>		BRUSH BOX ASSEMBLY	1
13	<u>656659</u>		BRUSH SPRING	4
14	<u>612043</u>		WAVY WASHER	1
15	<u>612044</u>		BEARING	1
16	<u>612045</u>		COMMUTATOR END HEAD	1
17	<u>658172</u>		HEADBAND KIT (INCLUDES ITEM 18)	1
18	<u>654718</u>		HEADBAND	1
19				
20				
21				
22	<u>606235</u>		HEX BOLT, M10 - 1.25 X 20	2
23	<u>606279</u>		HEX NUT, M10 - 1.25	2
24	<u>606261</u>		HEX BOLT, M8 - 1.25 X 20	3
25	<u>602141</u>		STARTER / GENERATOR BRACKET	1
26	<u>602145</u>		TENSIONER BRACKET	1
27	<u>606261</u>		HEX BOLT, M8 - 1.25 X 20	1
28	<u>606256</u>		HEX BOLT, M10 - 1.25 X 25	9
29	<u>606255</u>		HEX JAM NUT, M10 - 1.25	1
30	<u>606274</u>		HEX FLANGE NUT, M10 - 1.25	1
31	<u>630587</u>		STARTER / GENERATOR BELT	1

STARTER / GENERATOR

When ordering parts, please specify the model and serial number of the product.

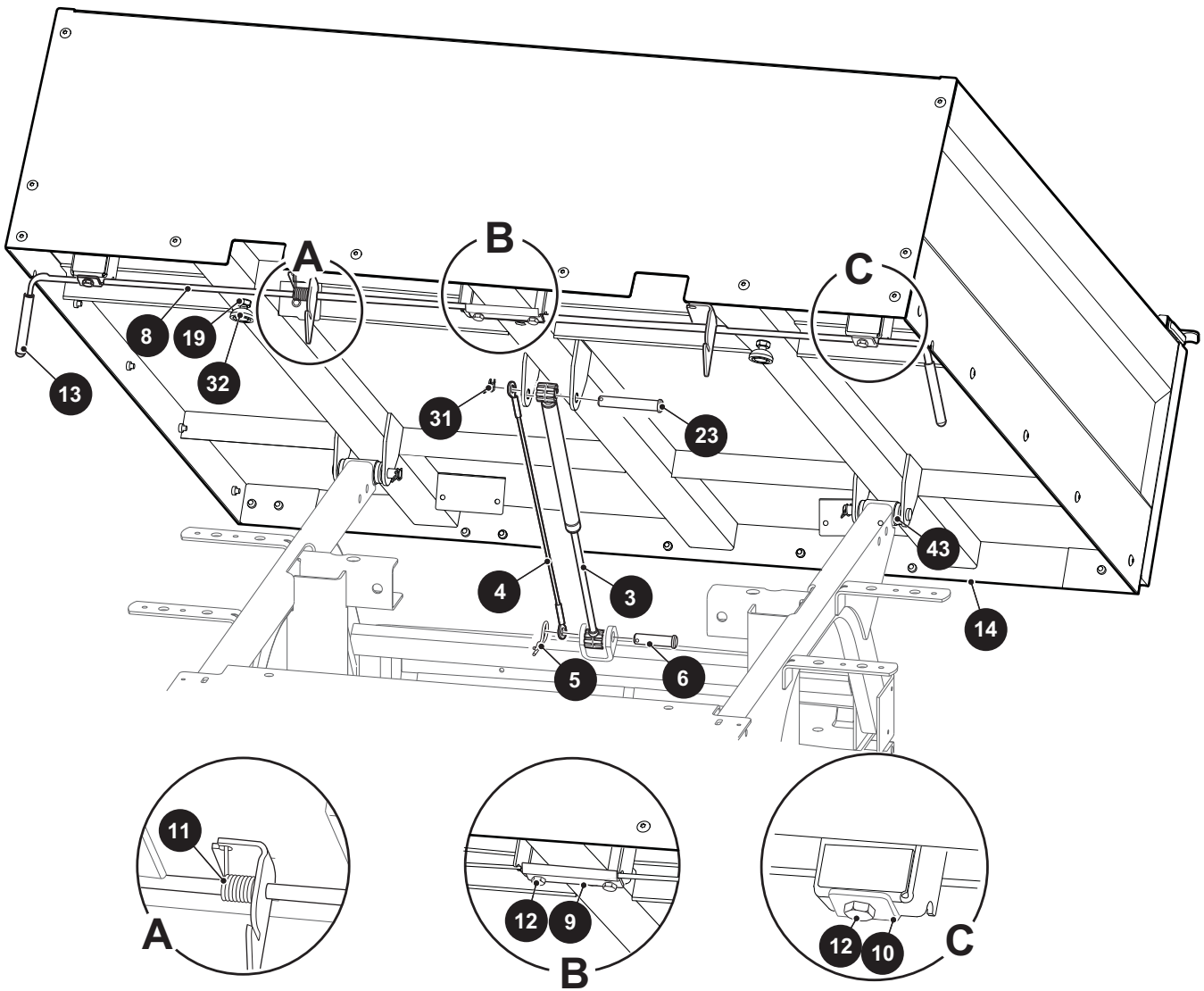
* Indicates a component that is not available as an individual part.

*** Indicates consult Customer Service Department for additional information.

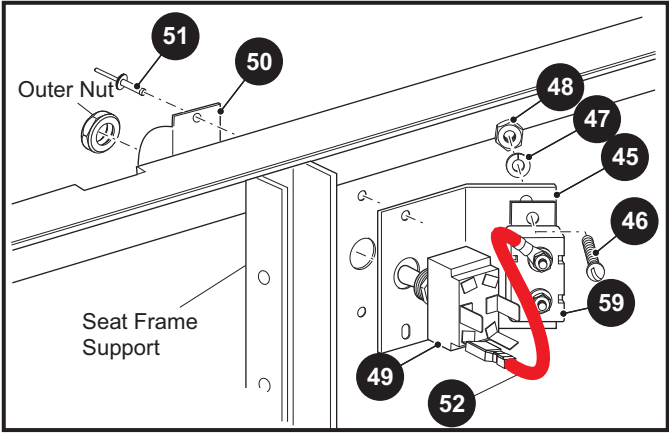
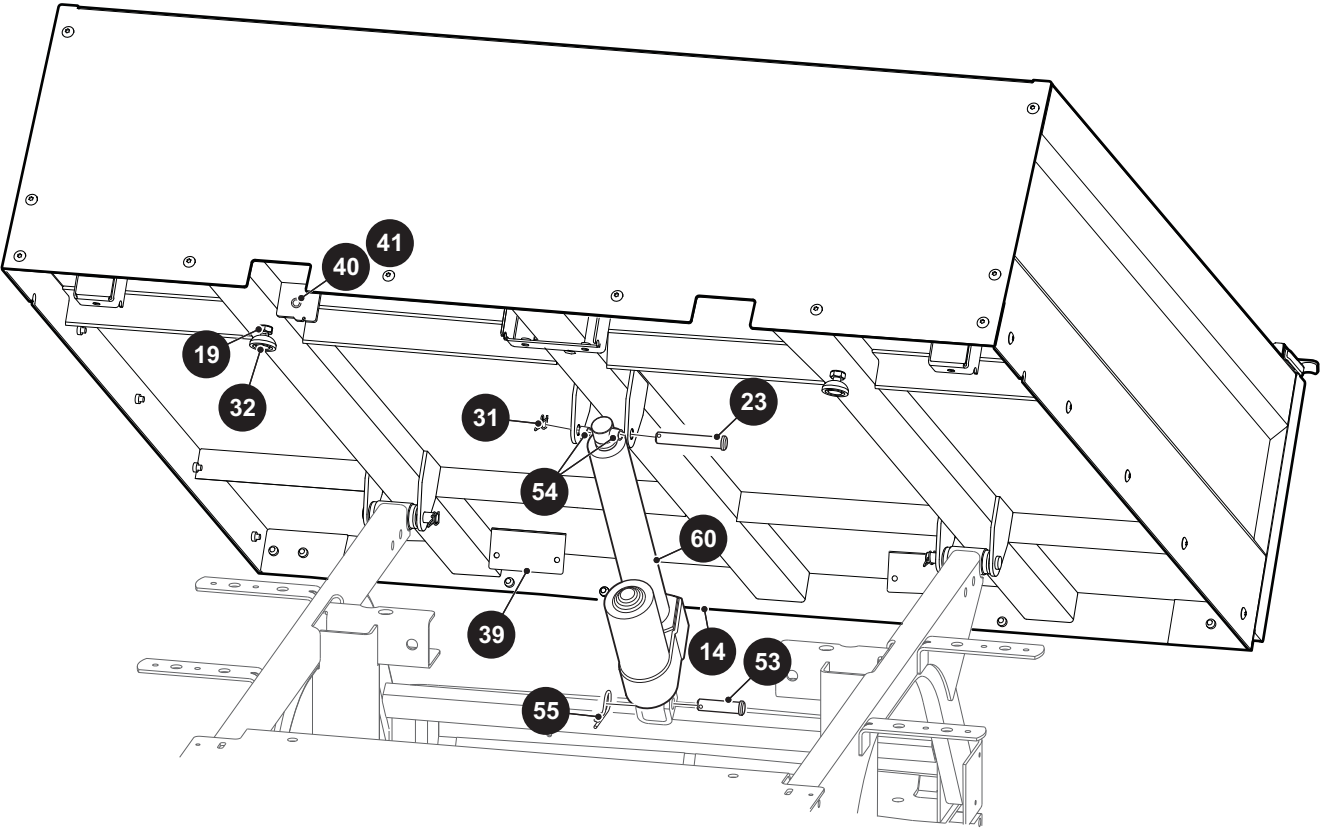
ITEM	PART NO.	1 2 3 4 5	DESCRIPTION	QTY.
32	<u>12064G6</u>		PUSH NUT, 5/16"	1
33	<u>629763</u>		TENSIONER BOLT.....	1
34	<u>603884</u>		CABLE GUIDE BRACKET	1
35				
36	<u>631972</u>		STARTER / GENERATOR SUPPORT BRACKET (FOR VEHICLES MANUFACTURED FROM APRIL 2014)	1
37	<u>607103</u>		WIRE ASSEMBLY, 6 AWG, 42" LG	1
38	<u>25682G01</u>		RUBBER BOOT	3

TRUCK BED - METAL

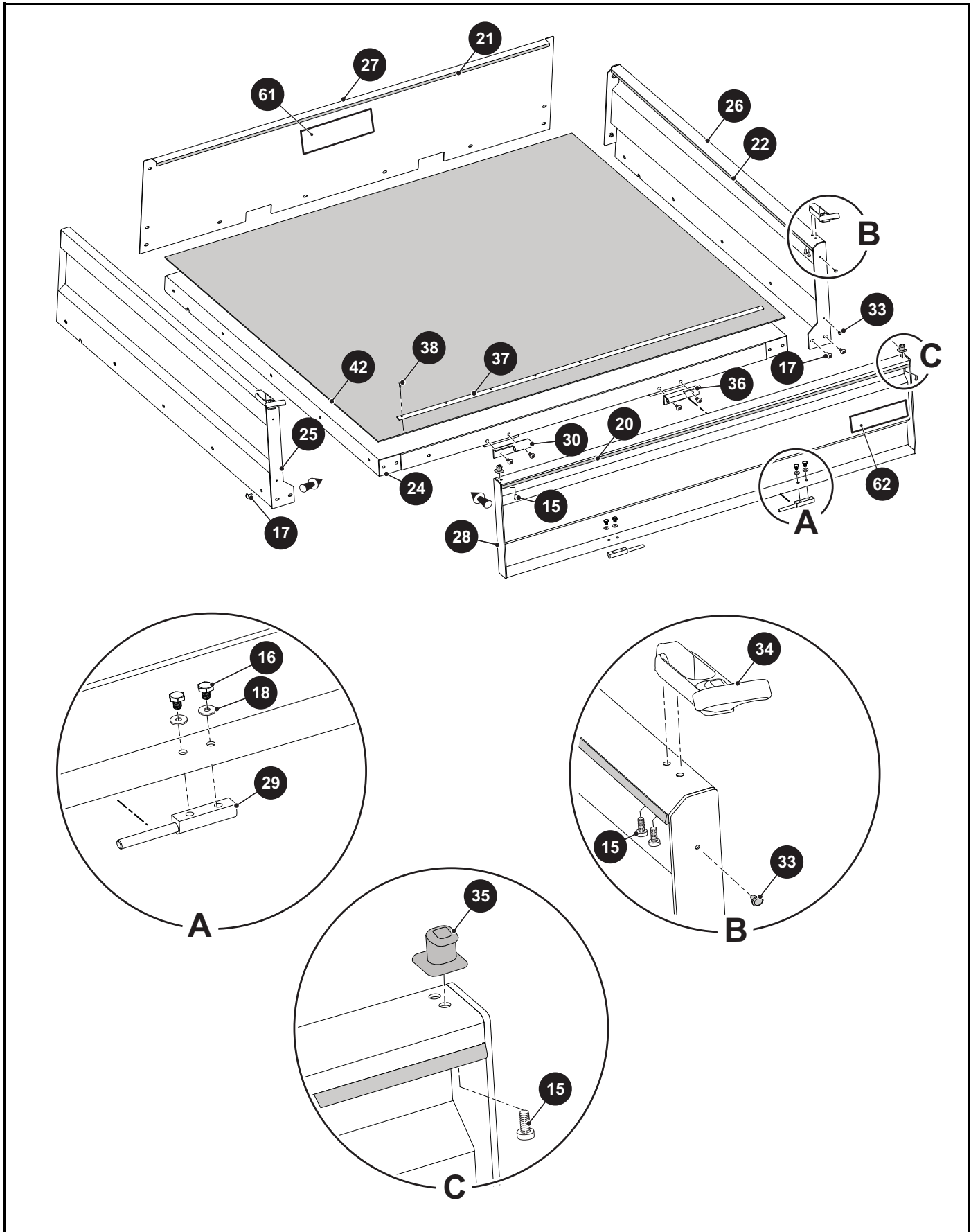
- 1 ALUMINUM BED, ELECTRIC LIFT includes items 14, 43 - 60
- 2 ALUMINUM BED, MANUAL LIFT includes items 3 - 6, 14, 43
- 14 ALUMINUM BED, LARGE includes items 15 - 42



TRUCK BED - METAL



TRUCK BED - METAL



TRUCK BED - METAL

When ordering parts, please specify the model and serial number of the product.

* Indicates a component that is not available as an individual part.

*** Indicates consult Customer Service Department for additional information.

ITEM	PART NO.	1 2 3 4 5	DESCRIPTION	QTY.
1	<u>620482</u>		ALUMINUM BED, ELECTRIC LIFT (INCLUDES ITEMS 14, 43 - 60)	1
2	<u>620481</u>		ALUMINUM BED, MANUAL LIFT (INCLUDES ITEMS 3 - 6, 14, 43).....	1
3	<u>71537G02</u>		GAS SPRING	1
4	<u>602904</u>		TETHER CABLE ASSEMBLY.....	1
5	<u>21683G1</u>		COTTER PIN.....	1
6	<u>14443G12</u>		CLEVIS PIN, 1/2" X 2.22"	1
7				
8	<u>74962G01</u>		LATCH BED	1
9	<u>652440G03</u>		LATCH RETAINER BRACKET	1
10	<u>652442G03</u>		LATCH KEEPER PLATE	2
11	<u>71538G01</u>		LATCH TORSION SPRING.....	1
12	<u>01118G01</u>		HEX HEAD CAP SCREW, 1/4" - 20 X .62" LG.....	4
13	<u>71704G01</u>		HANDLE GRIP	2
14	<u>612612</u>		ALUMINUM BED, LARGE (INCLUDES ITEMS 15 - 42)	1
15	<u>612957</u>		PAN HEAD SCREW, M5 X 15.9MM LG.....	6
16	*		HEX HEAD BOLT, 1/4" - 20 X .375" LG	4
17	<u>612959</u>		TORX SCREW, 1/4" - 20 X 1/2" LG.....	28
18	*		FLAT WASHER, 1/4"	4
19	*		HEX NUT, 3/8" -16	2
20	*		EDGE PROTECTOR	1
21	*		EDGE PROTECTOR	1
22	*		EDGE PROTECTOR	2
23	<u>612965</u>		CLEVIS PIN	3
24	*		BED BOTTOM	1
25	*		SIDE PANEL (DRIVER SIDE).....	1
26	*		SIDE PANEL (PASSENGER SIDE)	1
27	*		FRONT PANEL	1
28	<u>612970</u>		TAILGATE	1
29	<u>612971</u>		PIVOT PIN	2
30	<u>612972</u>		TAILGATE HINGE (DRIVER SIDE).....	1
31	<u>612973</u>		RUE PIVOT RING.....	3

TRUCK BED - METAL

When ordering parts, please specify the model and serial number of the product.

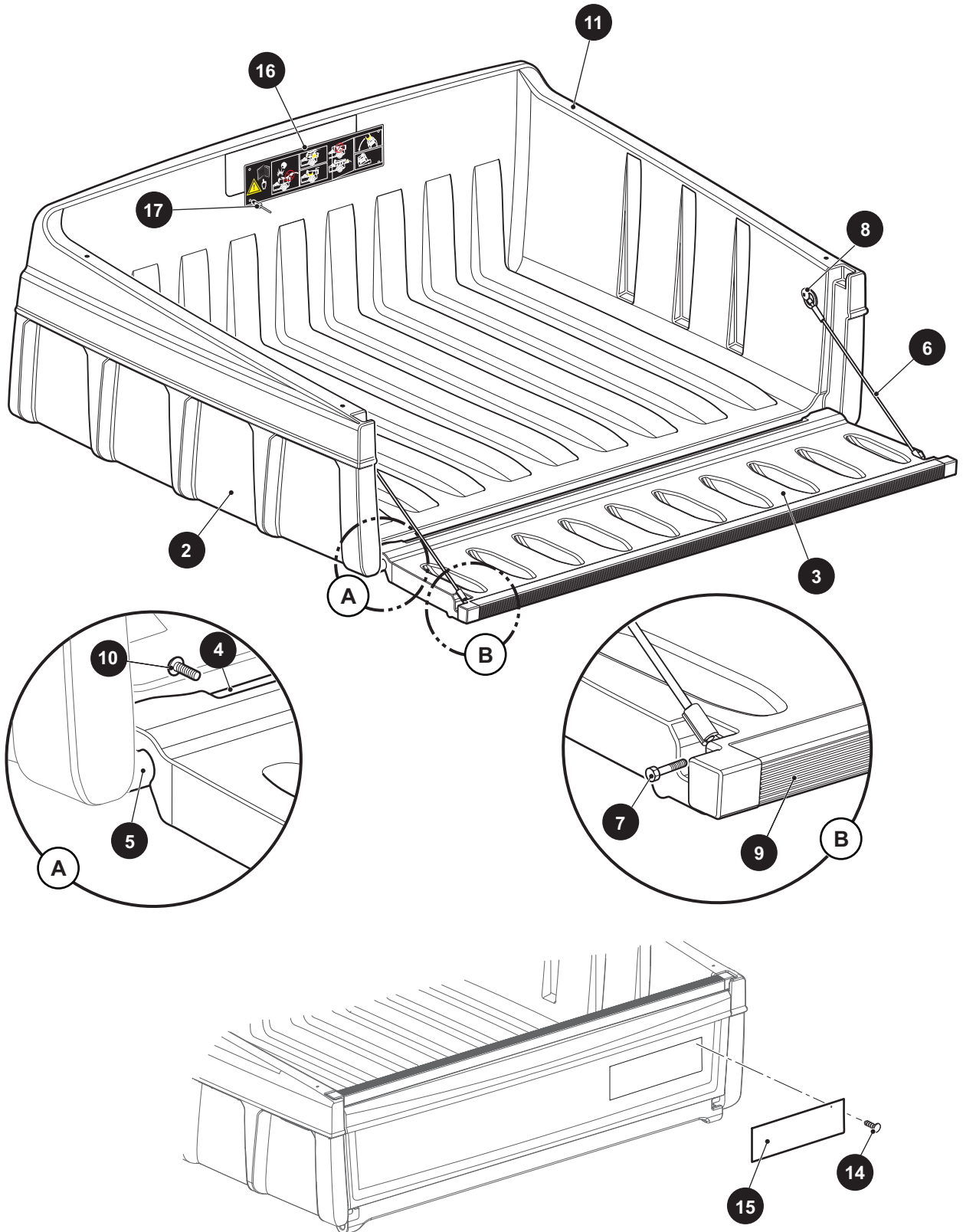
* Indicates a component that is not available as an individual part.

*** Indicates consult Customer Service Department for additional information.

ITEM	PART NO.	1	2	3	4	5	DESCRIPTION	QTY.
32	<u>612974</u>						LEVELING PAD	2
33	*						BUMPER INSERT (RUBBER)	4
34	<u>612976</u>						DRAW LATCH ASSEMBLY	2
35	<u>612977</u>						DRAW LATCH KEEPER.....	2
36	<u>612978</u>						TAILGATE HINGE (PASSENGER SIDE)	1
37	<u>614440</u>						MAT RETAINER	1
38	*						RIVET	9
39	*						HINGE SUPPORT	2
40	*						NUT	2
41	*						BOLT.....	1
42	*						RUBBER MAT	1
43	<u>624030</u>						FLANGED BUSHING.....	4
44	<u>17618G1</u>						NYLON CLAMP (NOT ILLUSTRATED)	8
45	<u>74165G02</u>						CIRCUIT BREAKER MOUNTING BRACKET	1
46	<u>00150G4</u>						ROUND HEAD SLOTTED SCREW, #10 - 24 X 1/2" LG.....	2
47	<u>00565G5</u>						LOCK WASHER, #10.....	2
48	<u>00526G3</u>						HEX NUT, #10 - 24.....	2
49	<u>27680G01</u>						TOGGLE SWITCH	1
50	<u>27447G01</u>						TOGGLE GUARD ASSEMBLY	1
51	<u>10570G9</u>						RIVET (ALUMINUM), 1/8" X 11/32" LG.....	2
52	<u>25976G14</u>						14 GA WIRE (RED 5")	1
53	<u>14443G11</u>						CLEVIS PIN, 1/2" X 1 3/4" LG.....	1
54	<u>27613G01</u>						SPACER.....	2
55	<u>21683G1</u>						COTTER PIN, 15/32" X 2 13/16" LG.....	1
56	<u>651950</u>						DUMP HARNESS (48V) (NOT ILLUSTRATED)	1
57	11845G3						INSULATED CABLE CLAMP, 11/16" (NOT ILLUSTRATED))	2
58	<u>00532G3</u>						HEX NUT, 5/16" - 18 (NOT ILLUSTRATED)	2
59	<u>21320G3</u>						CIRCUIT BREAKER (30 AMP 12V)	1
60	<u>27612G02</u>						ELECTRIC ACTUATOR, 12V.....	1
61	<u>35980G02</u>						BED LOAD DECAL, 500 LBS (TERRAIN 1000 ONLY)	1
62	<u>606405</u>						E-Z-GO NAMEPLATE	1

TRUCK BED - PLASTIC

1 36" PLASTIC BED ASSEMBLY includes items 2 - 11



TRUCK BED - PLASTIC

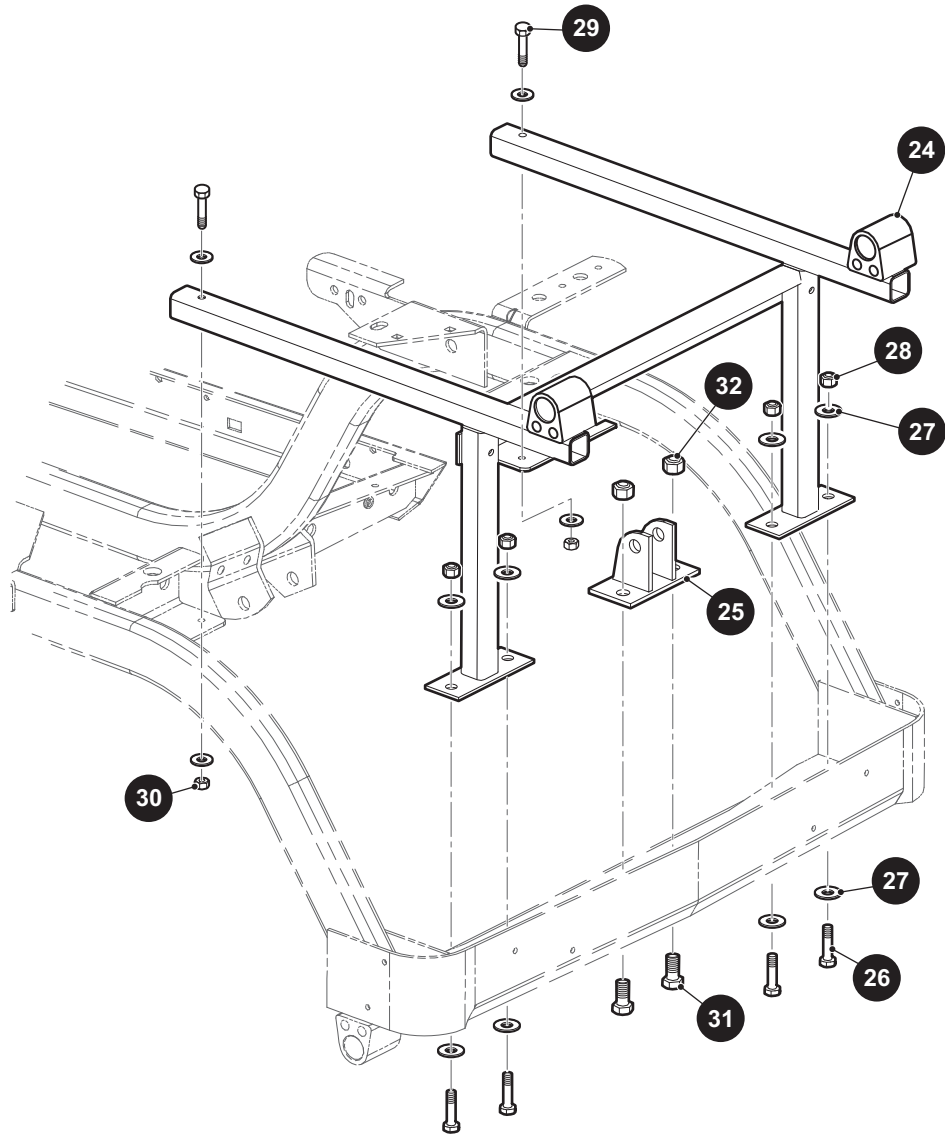
When ordering parts, please specify the model and serial number of the product.

* Indicates a component that is not available as an individual part.

*** Indicates consult Customer Service Department for additional information.

ITEM	PART NO.	1 2 3 4 5	DESCRIPTION	QTY.
1	<u>72647G01</u>		36" PLASTIC TRUCK BED ASSEMBLY (INCLUDES ITEMS 2 - 11).....	1
2	72648G01		36" PLASTIC BED	1
3	<u>72649G01</u>		36" PLASTIC TAILGATE.....	1
4	<u>73450G01</u>		BOWED ANGLE	1
5	<u>73454G01</u>		PIVOT SHAFT	2
6	73455G02		TAILGATE CABLE ASSEMBLY	2
7	<u>00415G2</u>		HEX HEAD BOLT, 1/4" - 20 X 1 1/4" LG.....	2
8	<u>73460G01</u>		SHOULDER BOLT, 1/4" - 20 X 3/4" LG	2
9	<u>73449G01</u>		TAILGATE CAP	1
10	<u>16705G2</u>		PAN HEAD PHILLIPS SCREW, 1/4" - 2 X 5/8" LG.....	4
11	<u>16816G5</u>		RACHET FASTENER.....	4
12				
13				
14	16812G2		RATCHET FASTENER	2
15	<u>600821</u>		LABEL EZGO.....	2
16	<u>74821G05</u>		BED CAPACITY LABEL (250 LB)	1
17	<u>71055G01</u>		RIVET (ALUMINUM), 3/16".....	5
18				
19				
20				
21				
22				
23				

TRUCK BED - PLASTIC



TRUCK BED - PLASTIC

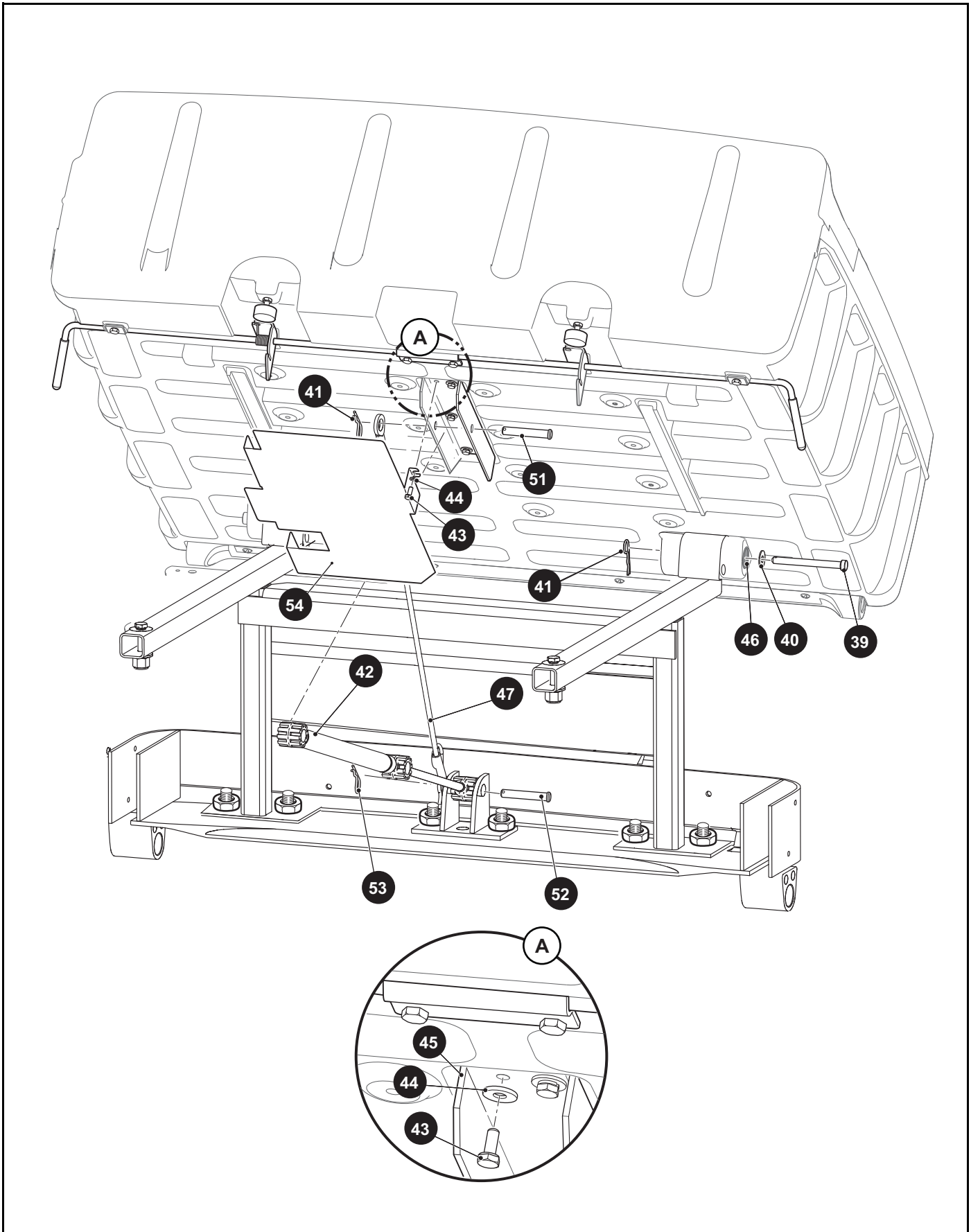
When ordering parts, please specify the model and serial number of the product.

* Indicates a component that is not available as an individual part.

*** Indicates consult Customer Service Department for additional information.

ITEM	PART NO.	1 2 3 4 5	DESCRIPTION	QTY.
24	<u>76423G01</u>		TRUCK BED FRAME.....	1
25	<u>71283G02</u>		ELECTRIC LIFT BRACKET	1
26	<u>00439G2</u>		HEX HEAD BOLT, 5/16" - 18 X 1 1/4" LG	4
27	<u>00642G8</u>		FLAT WASHER, 5/16"	8
28	11098G6		LOCK NUT, 5/16"- 18.....	2
29	00415G6		HEX HEAD BOLT, 1/4" - 20 X 1 3/4" LG	2
30	<u>14390G4</u>		LOCK NUT, 1/4" - 20.....	2
31	<u>00462G7</u>		HEX HEAD BOLT, 7/16" - 14 X .875" LG	2
32	<u>00734G1</u>		LOCK NUT, 7/16" - 14.....	2
33				
34				
35				
36				
37				
38				

TRUCK BED - PLASTIC



TRUCK BED - PLASTIC

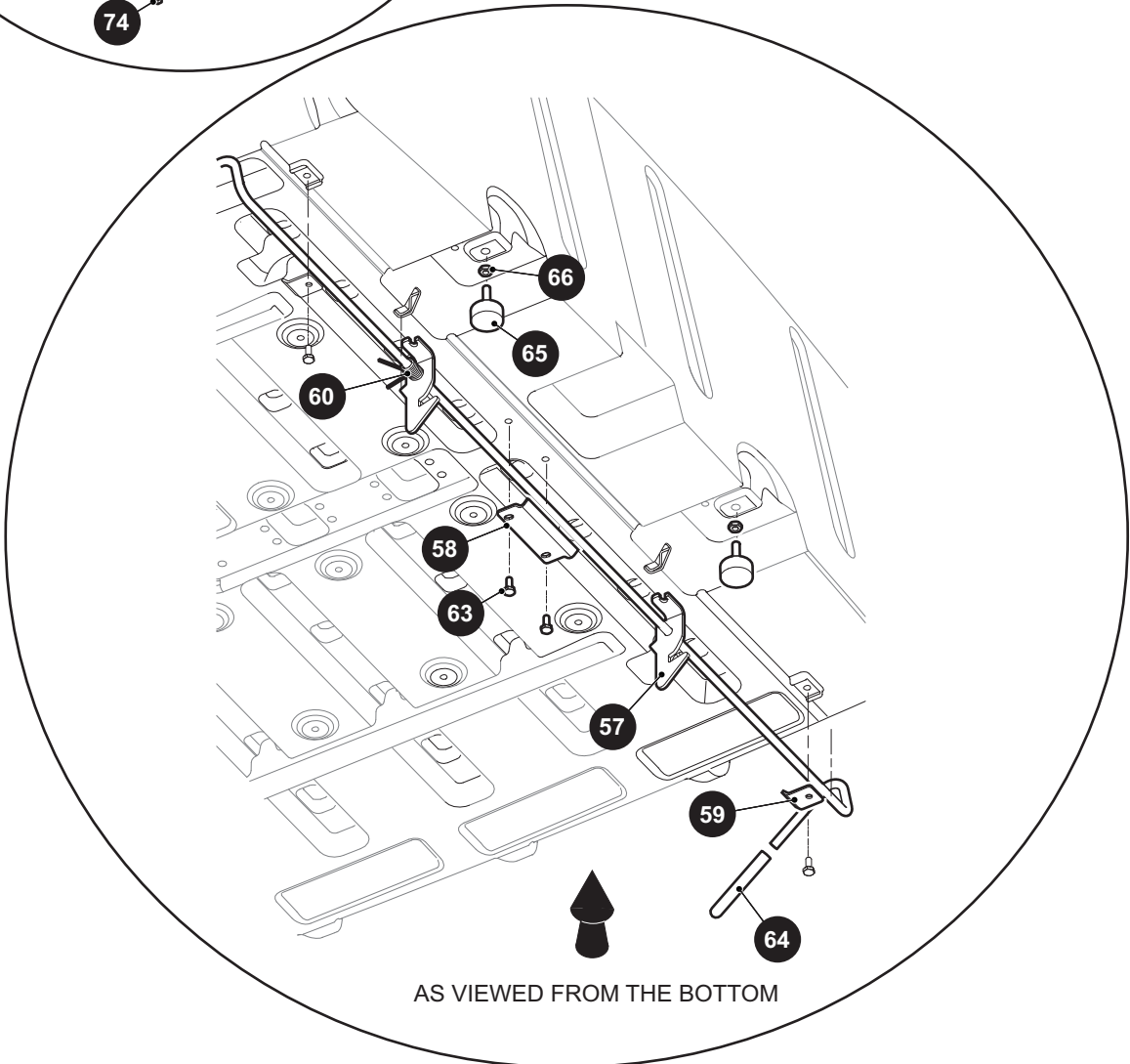
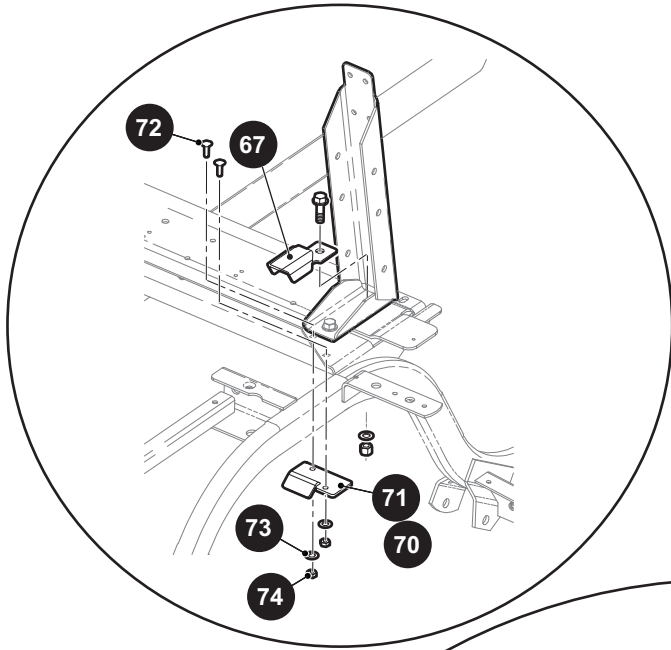
When ordering parts, please specify the model and serial number of the product.

* Indicates a component that is not available as an individual part.

*** Indicates consult Customer Service Department for additional information.

ITEM	PART NO.	1 2 3 4 5	DESCRIPTION	QTY.
39	<u>71571G01</u>		CLEVIS PIN, .50" X 5.25"	2
40	<u>00571G5</u>		FLAT WASHER, 5/16"	2
41	<u>21683G1</u>		COTTER PIN, 15/32" X 2 13/16"	2
42	<u>71537G02</u>		GAS SPRING	1
43	<u>01118G01</u>		HEX HEAD BOLT WITH PATCHLOCK, 1/4" - 20 X .62" LG	8
44	<u>00642G7</u>		FLAT WASHER, 1/4"	8
45	<u>71569G02</u>		GAS SPRING CHANNEL	1
46	<u>624030</u>		FLANGED BUSHING	4
47	<u>602904</u>		CABLE ASSEMBLY	1
48				
49				
50				
51	<u>14443G10</u>		CLEVIS PIN, .50 X 3"	1
52	<u>14443G12</u>		CLEVIS PIN, 1/2" X 1 3/4"	1
53	<u>21683G1</u>		HAIR CLIP	1
54	<u>72339G02</u>		HEAT SHIELD	1
55				
56				

TRUCK BED - PLASTIC



TRUCK BED - PLASTIC

When ordering parts, please specify the model and serial number of the product.

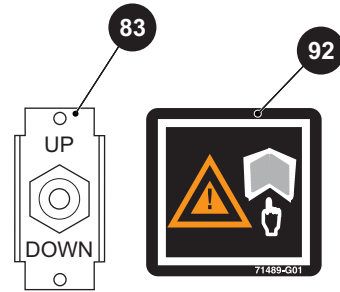
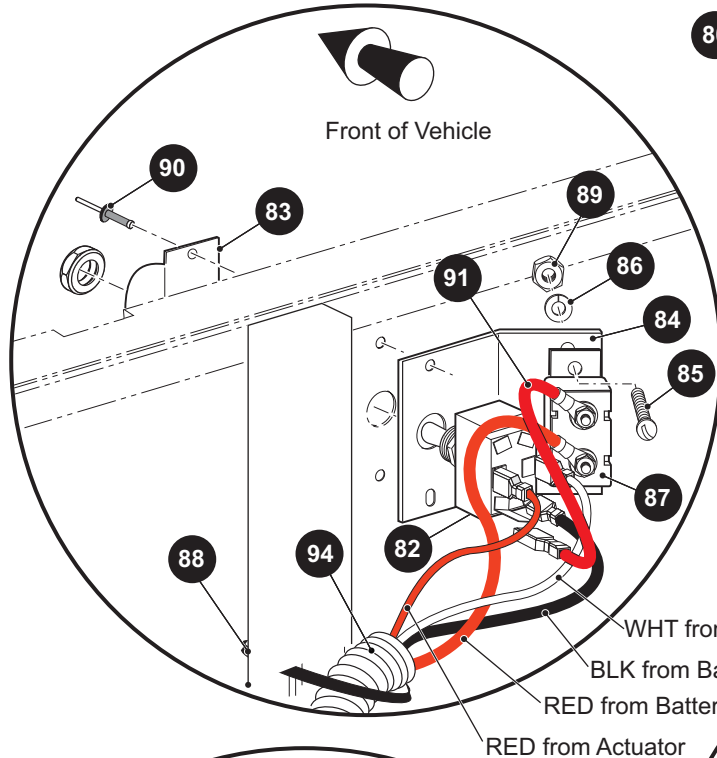
* Indicates a component that is not available as an individual part.

*** Indicates consult Customer Service Department for additional information.

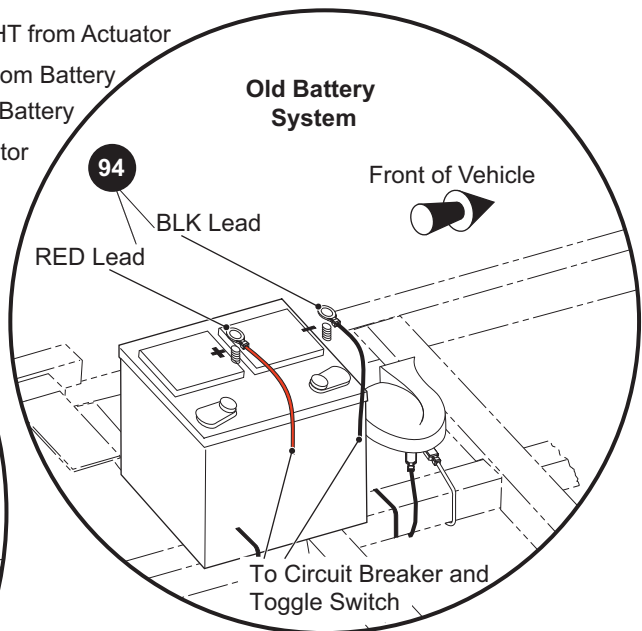
ITEM	PART NO.	1 2 3 4 5	DESCRIPTION	QTY.
57	<u>74962G01</u>		BED LATCH WELDMENT.....	1
58	<u>652440G03</u>		BRACKET	1
59	<u>652442G03</u>		LATCH PLATE	2
60	<u>71538G01</u>		TORSION SPRING	1
61				
62				
63	<u>01118G01</u>		HEX HEAD CAP SCREW, 1/4" - 2 X 5/8" LG	4
64	<u>71704G01</u>		HANDLE GRIP.....	2
65	<u>70113G01</u>		ADJUSTABLE BUMPER.....	2
66	<u>11027G1</u>		LOCK NUT, 5/16" - 18.....	2
67	<u>652444G03</u>		BUMPER BRACKET.....	2
68				
69				
70	<u>602977</u>		LATCH PLATE (DRIVER SIDE).....	1
71	<u>602978</u>		LATCH PLATE (PASSENGER SIDE).....	1
72	<u>01014G03</u>		CARRIAGE BOLT, 1/4" - 20 X .75" LG.....	4
73	<u>00559G7</u>		FLAT WASHER, 1/4".....	4
74	<u>14390G4</u>		LOCK NUT, 1/4" - 20.....	4
75				
76				
77				
78				
79				

TRUCK BED - PLASTIC

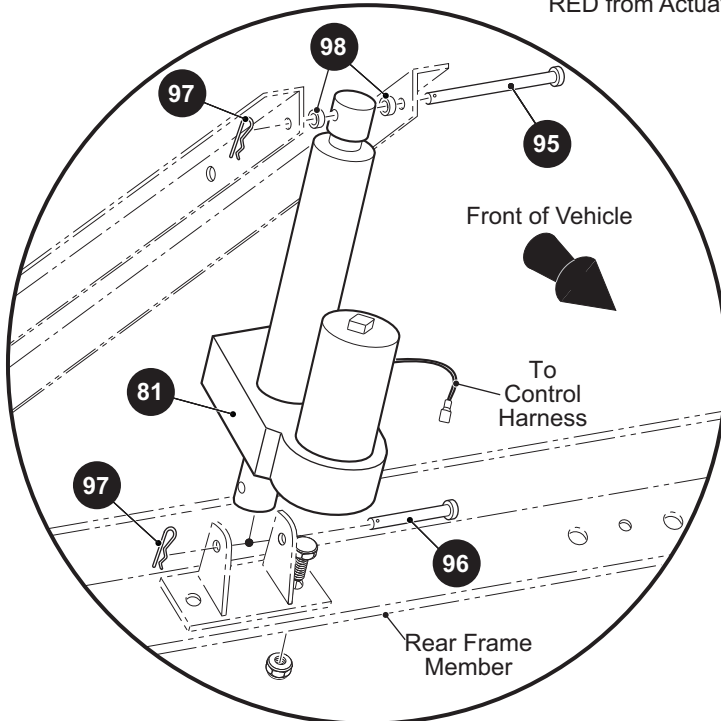
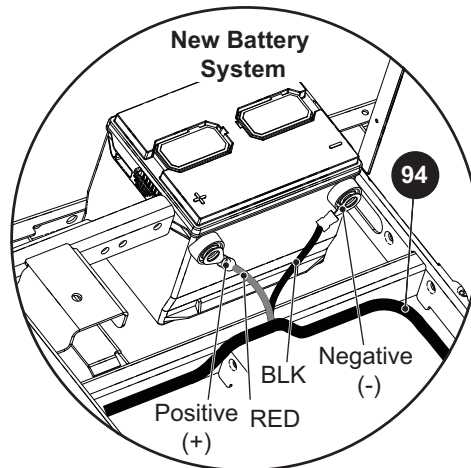
80 ELECTRIC DUMP KIT includes items 81 - 98



Old Battery System



New Battery System



TRUCK BED - PLASTIC

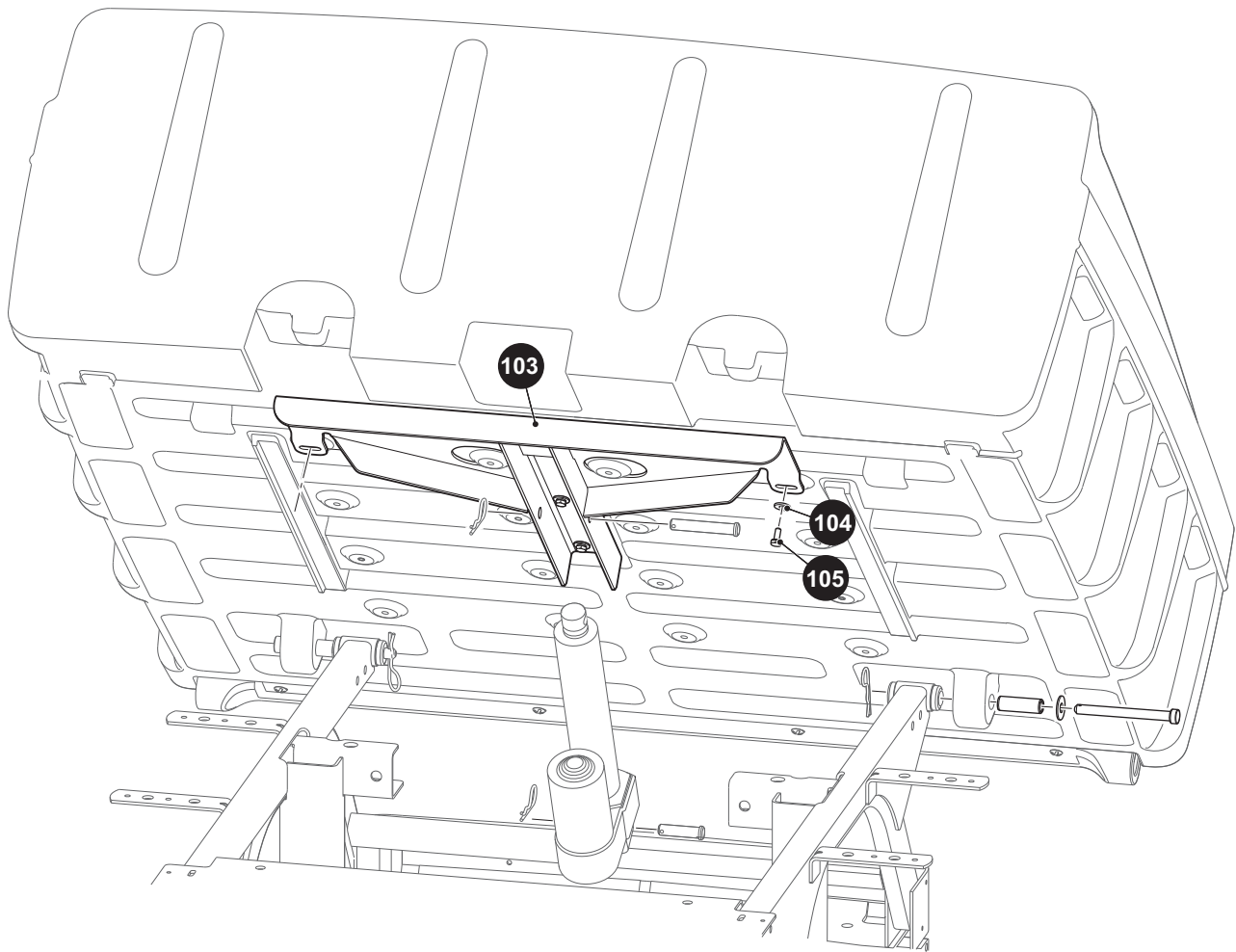
When ordering parts, please specify the model and serial number of the product.

* Indicates a component that is not available as an individual part.

*** Indicates consult Customer Service Department for additional information.

ITEM	PART NO.	1 2 3 4 5	DESCRIPTION	QTY.
80	<u>74164G04</u>		ELECTRIC DUMP KIT (INCLUDES ITEMS 81 - 98)	1
81	<u>27612G02</u>		ELECTRIC ACTUATOR	1
82	<u>27680G01</u>		TOGGLE SWITCH.....	1
83	<u>27447G01</u>		TOGGLE GUARD.....	1
84	<u>74165G02</u>		CIRCUIT BREAKER MOUNTING BRACKET	1
85	<u>00150G4</u>		ROUND HEAD SLOTTED SCREW, #10 - 24 X 3/8" LG	2
86	<u>00565G5</u>		LOCK WASHER, #10	2
87	<u>21320G3</u>		CIRCUIT BREAKER 15A, 24V	1
88	<u>17618G1</u>		WIRE TIE.....	8
89	<u>00526G3</u>		HEX NUT, #8 - 32	2
90	<u>10570G9</u>		RIVET (ALUMINUM), 1/8" X 11/32"	2
91	<u>25976G14</u>		14 GA WIRE ASSEMBLY (RED 5")	1
92	<u>71489G01</u>		READ INSTRUCTIONS DECAL.....	1
93				
94	<u>651950</u>		WIRE HARNESS, ELECTRIC DUMP.....	1
95	<u>14443G10</u>		CLEVIS PIN, .50" X 3"	1
96	<u>14443G11</u>		CLEVIS PIN, .50" X 1.92"	1
97	<u>21683G1</u>		COTTER PIN, 15/32" X 2 13/16"	2
98	<u>27613G01</u>		SPACER, .75" O.D. X .50" I.D.	2
99				
100				
101				
102				

TRUCK BED - PLASTIC



TRUCK BED - PLASTIC

When ordering parts, please specify the model and serial number of the product.

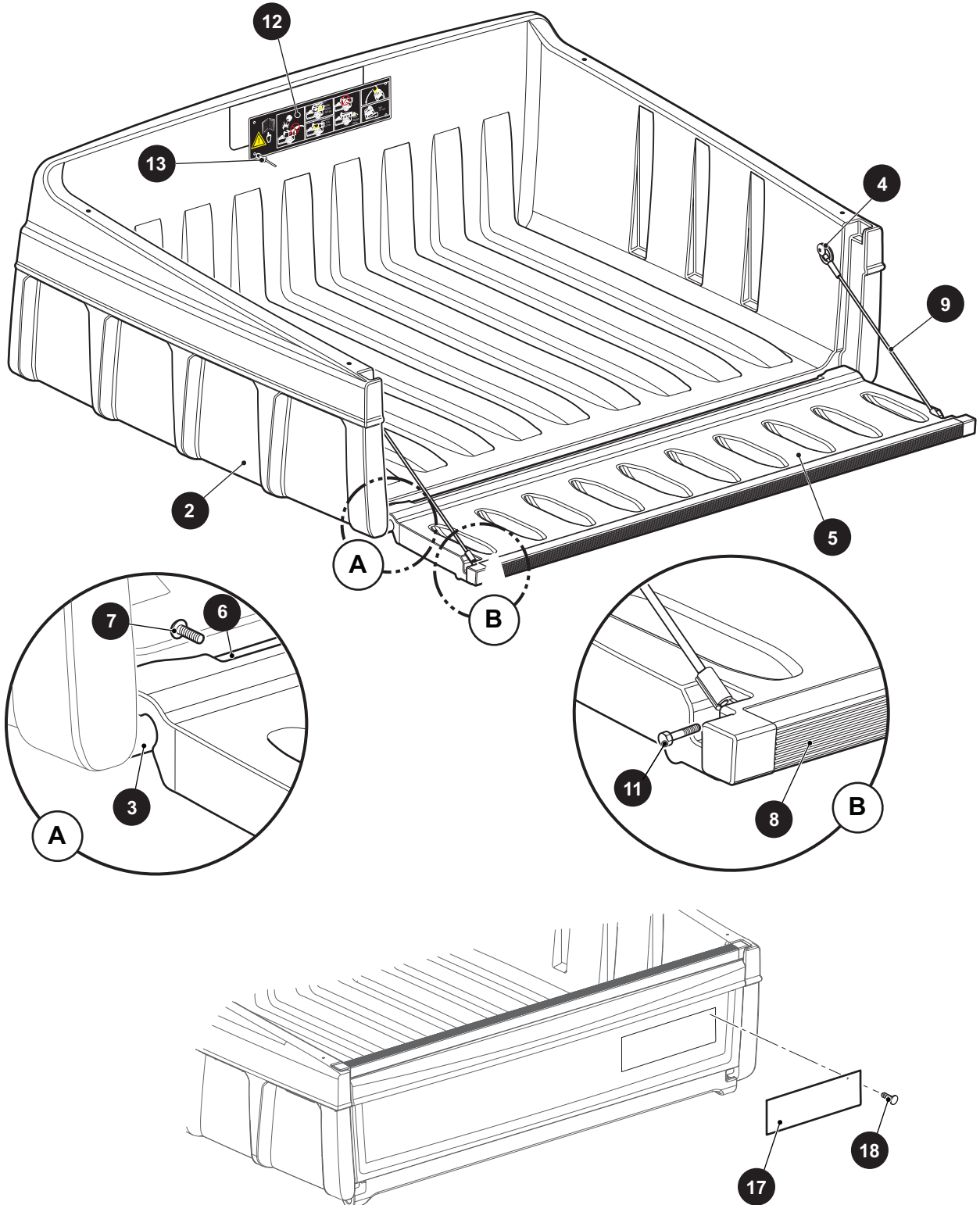
* Indicates a component that is not available as an individual part.

*** Indicates consult Customer Service Department for additional information.

ITEM	PART NO.	1 2 3 4 5	DESCRIPTION	QTY.
103	<u>71547G02</u>		OUTRIGGER CHANNEL	1
104	<u>00642G7</u>		FLAT WASHER, #4 - 5/16".....	8
105	<u>01118G01</u>		HEX HEAD BOLT, 1/4" - 20 X .62" LG	8
106				
107				
108				
109				
110				
111				

TRUCK BED - PLASTIC

1 40" PLASTIC BED ASSEMBLY includes items 2 - 11



TRUCK BED - PLASTIC

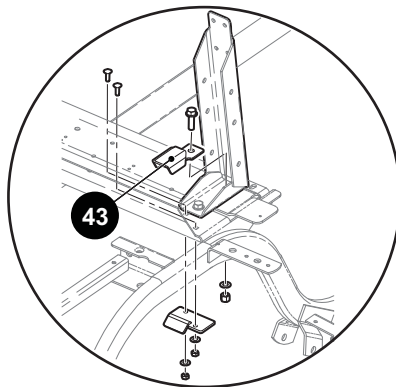
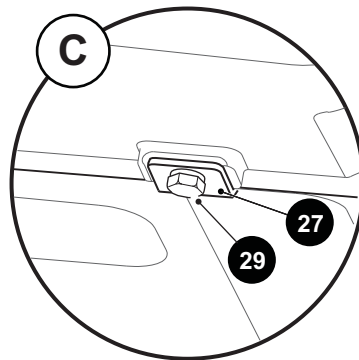
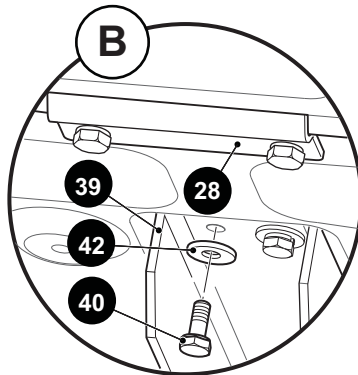
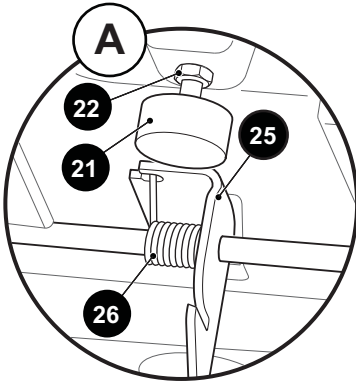
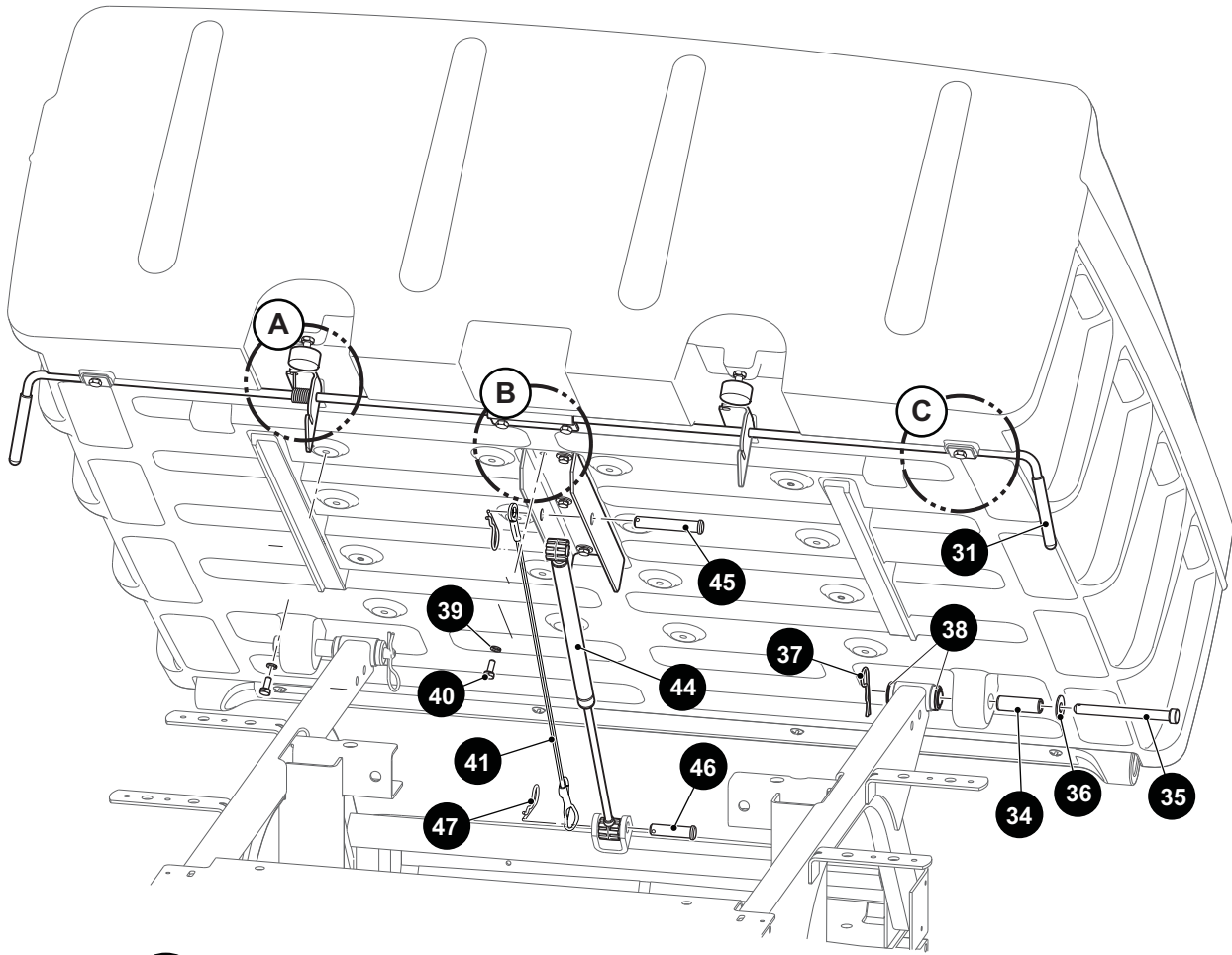
When ordering parts, please specify the model and serial number of the product.

* Indicates a component that is not available as an individual part.

*** Indicates consult Customer Service Department for additional information.

ITEM	PART NO.	1 2 3 4 5	DESCRIPTION	QTY.
1	<u>73451G01</u>		BED ASSEMBLY, 40" (INCLUDES ITEMS 2 -11)	1
2	*		PLASTIC BED, 40"	1
3	<u>73454G01</u>		PIVOT SHAFT	2
4	<u>73460G01</u>		SHOULDER BOLT, 1/4" - 20 X 3/4" LG	2
5	<u>73455G01</u>		TAILGATE CABLE	1
6	<u>73450G01</u>		BOWED ANGLE	1
7	<u>16705G2</u>		PAN HEAD SCREW (SS), 1/4" - 20 X 5/8" LG	4
8	<u>73449G01</u>		TAILGATE CAP	1
9	16818G5		RATCHET FASTENER	4
10				
11	<u>00415G2</u>		HEX HEAD CAP SCREW, 1/4" - 20 X 1 1/4" LG	2
12	<u>74821G01</u>		BED CAPACITY LABEL	1
13	<u>71055G01</u>		RIVET (ALUMINUM), 3/16" X 1"	5
14				
15				
16				
17	<u>606405</u>		LABEL EZGO	1
18	<u>16816G2</u>		RATCHET FASTNER	4
19				
20				

TRUCK BED - PLASTIC



TRUCK BED - PLASTIC

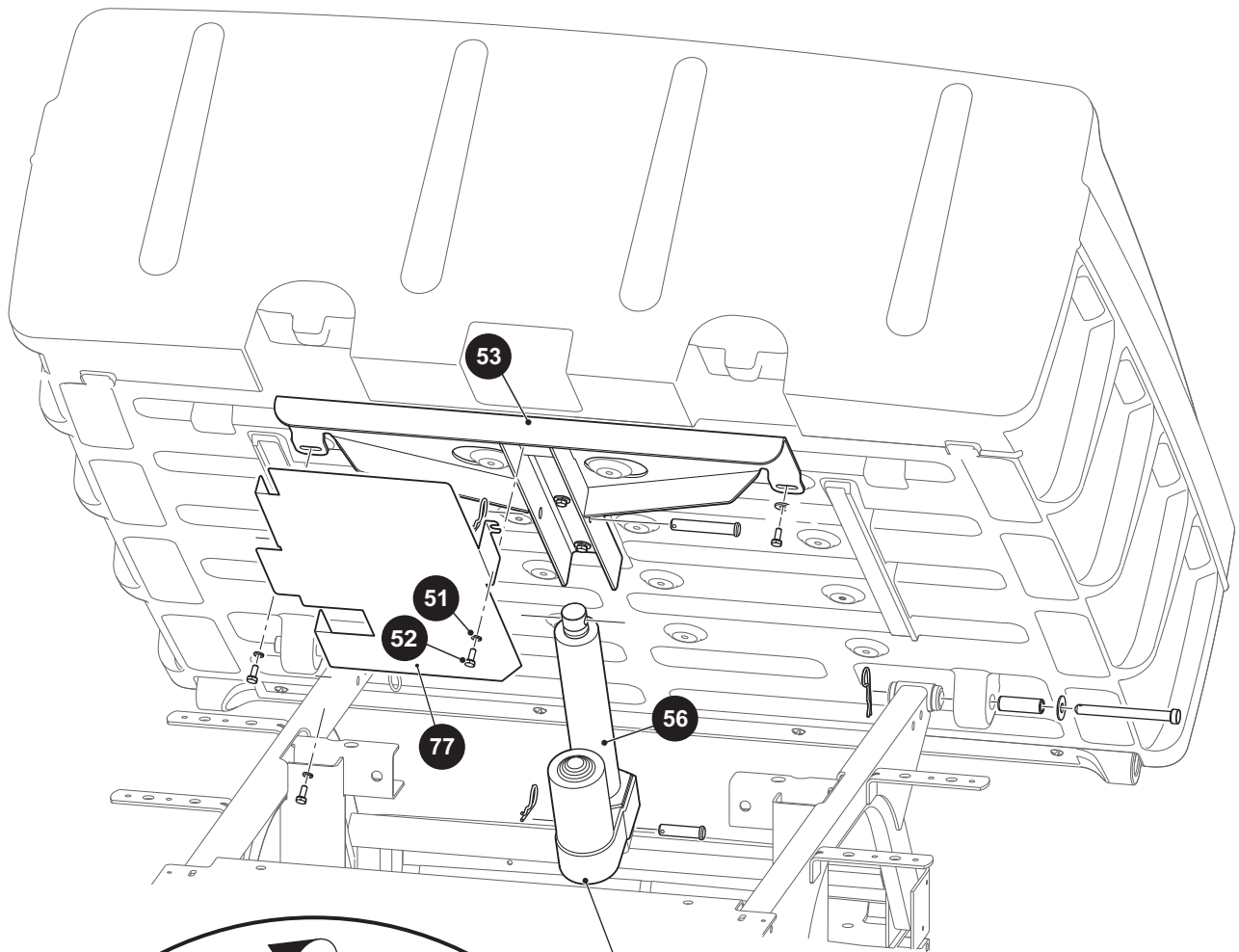
When ordering parts, please specify the model and serial number of the product.

* Indicates a component that is not available as an individual part.

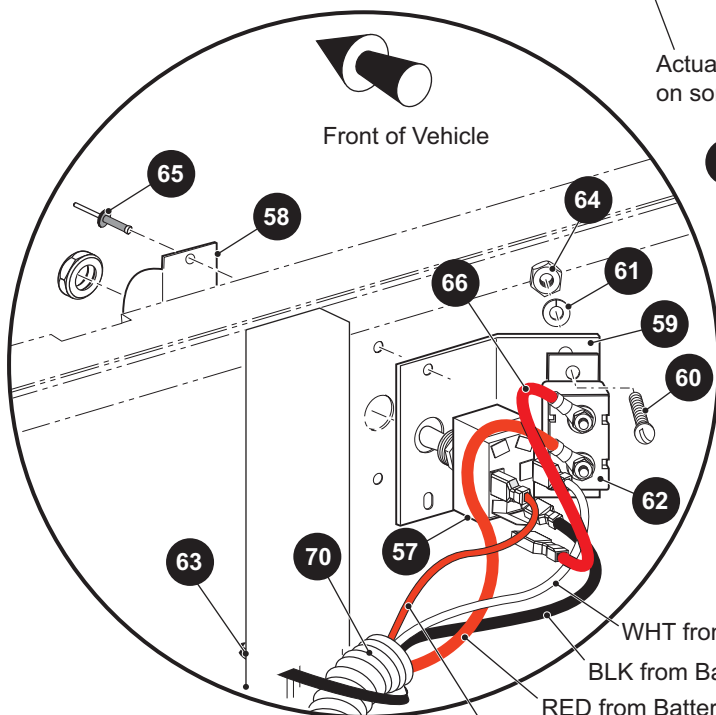
*** Indicates consult Customer Service Department for additional information.

ITEM	PART NO.	1 2 3 4 5	DESCRIPTION	QTY.
21	<u>70113G01</u>		ADJUSTABLE RUBBER BUMPER.....	2
22	<u>11027G1</u>		LOCK NUT, 5/16" - 18.....	2
23				
24				
25	<u>74962G01</u>		BED LATCH.....	1
26	<u>71538G01</u>		LATCH TORSION SPRING.....	1
27	<u>652442G03</u>		LATCH PLATE.....	2
28	<u>652440G03</u>		RETAINER BRACKET.....	1
29	<u>01118G01</u>		HEX HEAD CAP SCREW, 1/4" - 20 X 5/8" LG.....	4
30				
31	<u>71704G01</u>		HANDLE GRIP.....	2
32				
33				
34	<u>71570G01</u>		BUSHING.....	2
35	<u>71571G01</u>		CLEVIS PIN, .50" X 5.25".....	2
36	<u>00571G5</u>		FLAT WASHER, 5/16".....	2
37	<u>21683G1</u>		HAIR CLIP.....	2
38	<u>624030</u>		FLANGED BUSHING.....	4
39	<u>71569G02</u>		SPRING CHANNEL.....	1
40	<u>01118G01</u>		HEX HEAD CAP SCREW, 1/4" - 20 X 5/8" LG.....	8
41	<u>602904</u>		BED TETHER CABLE.....	1
42	<u>00642G7</u>		FLAT WASHER, 1/4".....	8
43	<u>652444G03</u>		BRACKET, BUMPER.....	2
44	<u>71537G02</u>		GAS SPRING.....	2
45	<u>14443G10</u>		CLEVIS PIN, 1/2" X 2 - 27/32".....	1
46	<u>14443G12</u>		CLEVIS PIN, 1/2" X 1 3/4".....	1
47	<u>21683G1</u>		HAIR CLIP.....	2
48				
49				
50				

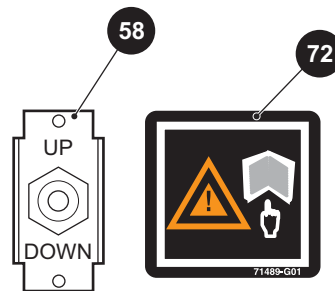
TRUCK BED - PLASTIC



Actuator may be rotated 90° on some models



55 ELECTRIC DUMP KIT includes items 56 - 66



WHT from Actuator
 BLK from Battery
 RED from Battery
 RED from Actuator

TRUCK BED - PLASTIC

When ordering parts, please specify the model and serial number of the product.

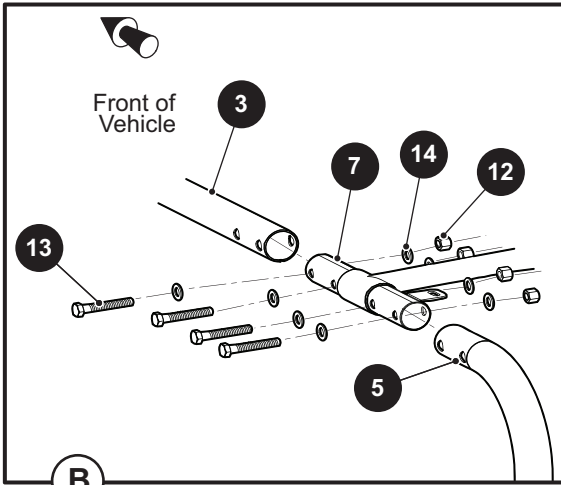
* Indicates a component that is not available as an individual part.

*** Indicates consult Customer Service Department for additional information.

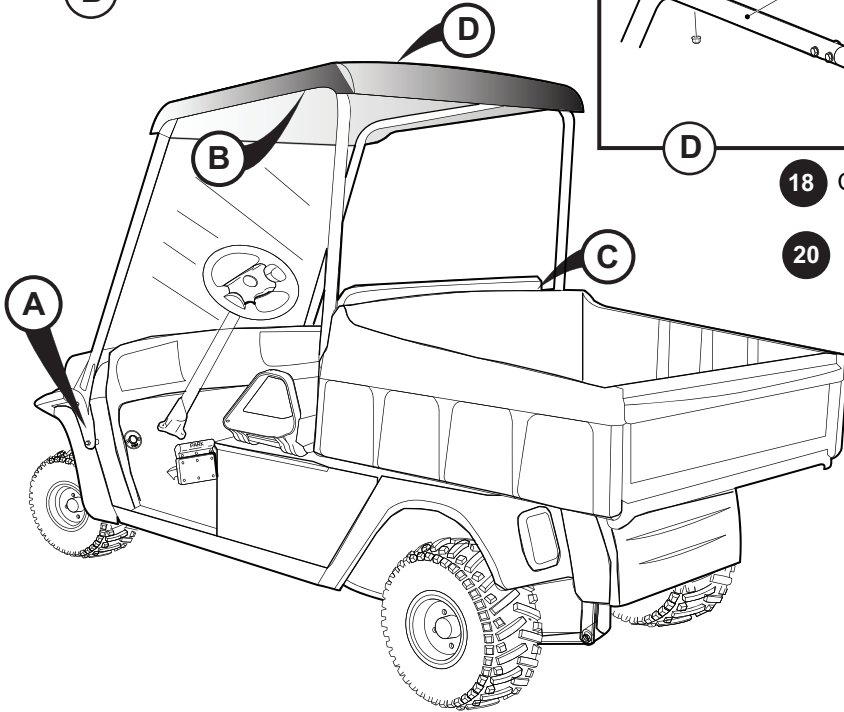
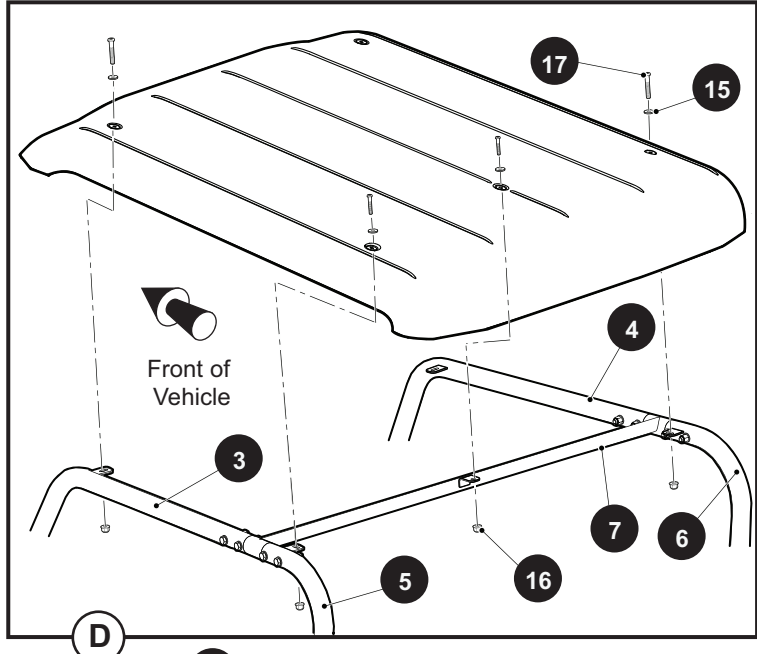
ITEM	PART NO.	1 2 3 4 5	DESCRIPTION	QTY.
51	<u>00642G7</u>		FLAT WASHER, 1/4"	8
52	<u>01118G01</u>		HEX HEAD CAP SCREW, 1/4" - 20 X 5/8" LG	8
53	<u>71547G02</u>		OUTRIGGER CHANNEL	1
54				
55	<u>74164G01</u>		ELECTRIC DUMP KIT (INCLUDES ITEMS 56 - 66)	1
56	<u>27612G02</u>		ELECTRIC ACTUATOR, 12V, 1500 LBS.....	1
57	<u>27680G01</u>		TOGGLE SWITCH.....	1
58	<u>27447G01</u>		TOGGLE GUARD.....	1
59	<u>74165G02</u>		CIRCUIT BREAKER MOUNTING BRACKET	1
60	<u>00150G4</u>		ROUND HEAD SLOTTED SCREW, #10 - 24 X 3/8" LG	2
61	<u>00565G5</u>		LOCK WASHER, #10	2
62	<u>21320G4</u>		CIRCUIT BREAKER, 15A, 24V	1
63	<u>17618G1</u>		WIRE TIE.....	8
64	<u>00526G3</u>		HEX NUT, #10 - 24	2
65	<u>10570G9</u>		RIVET, 5/32" X .55"	2
66	<u>25976G14</u>		14 GA WIRE (RED 5")	1
67				
68				
69	<u>27613G01</u>		SPACER, .75 O.D. X .50 I.D. (NOT ILLUSTRATED)	2
70	<u>651950</u>		DUMP HARNESS	1
71				
72	<u>71489G01</u>		DECAL	1
73				
74				
75				
76				
77	<u>72339G02</u>		PLASTIC BED HEAT SHIELD (GASOLINE VEHICLES ONLY)	1

WEATHER PROTECTION

2 CANOPY STRUTS KIT includes items 3 - 8

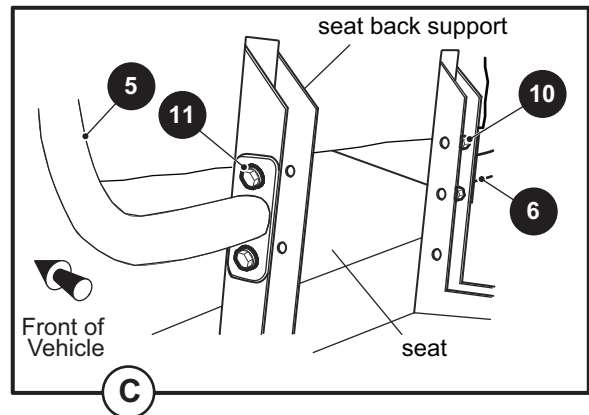
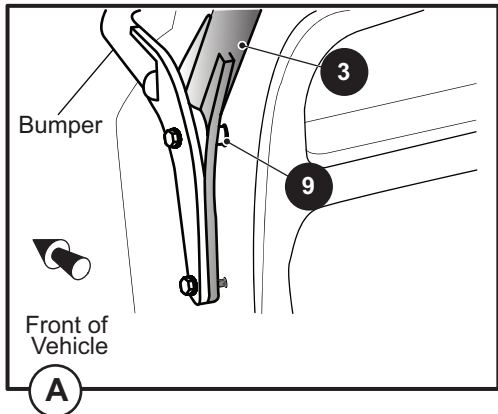
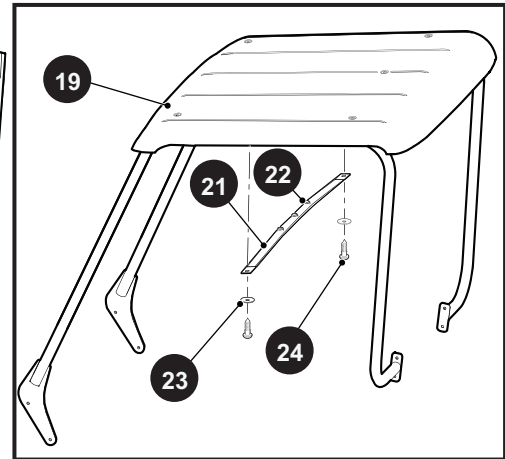


8 HARDWARE KIT includes items 9 - 17



18 CANOPY ASSEMBLY, REINFORCED (BLACK) includes items 19 - 24

20 REINFORCEMENT BAR ASSEMBLY includes items 21 - 22

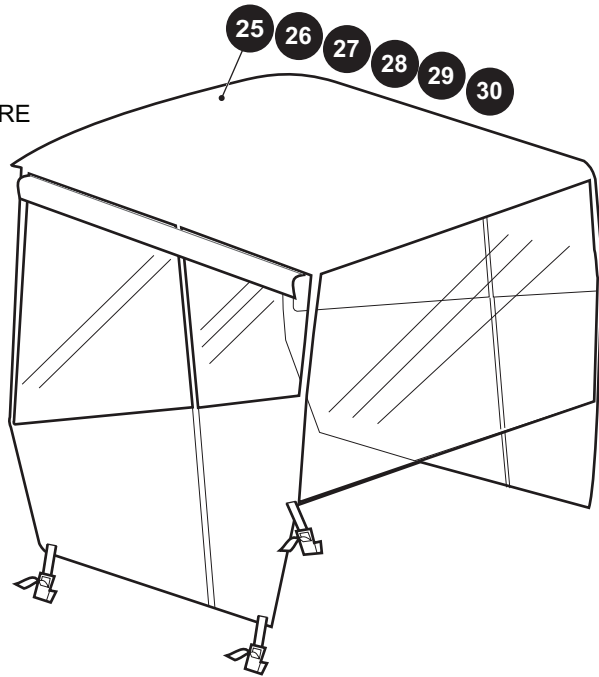


WEATHER PROTECTION

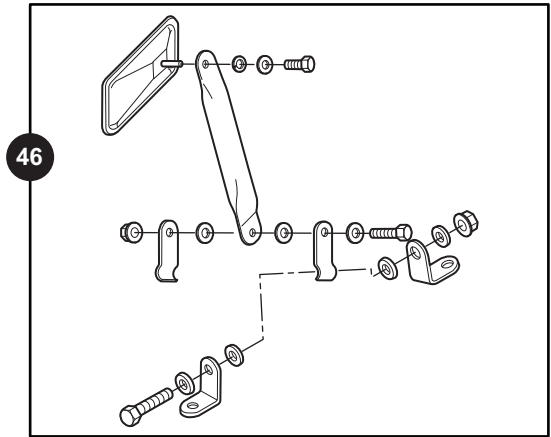
32 FULL WINDSHIELD KIT includes items 33 - 38

41 SPLIT WINDSHIELD KIT includes items 34 - 37, 42, 43

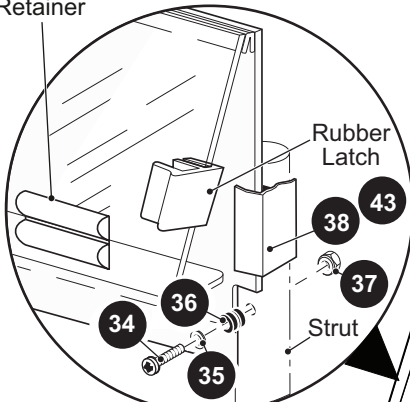
ENCLOSURE



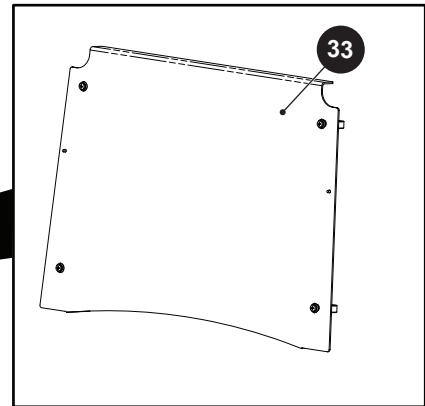
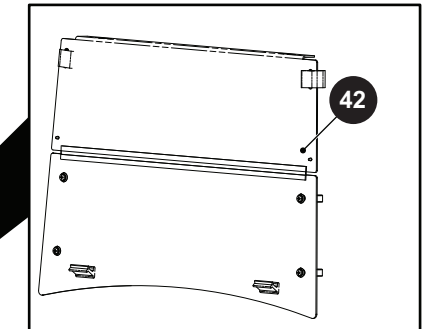
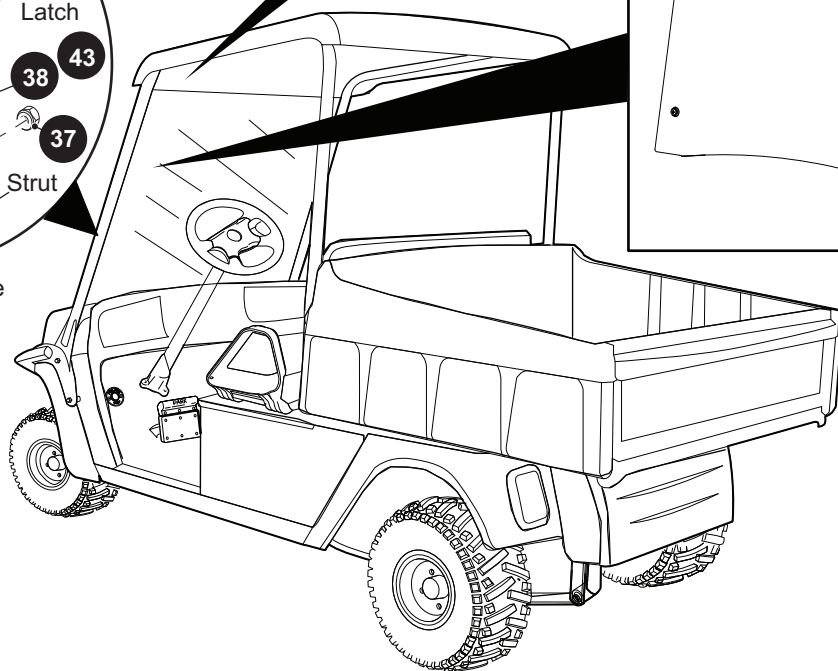
REAR VIEW MIRROR



Windshield Retainer

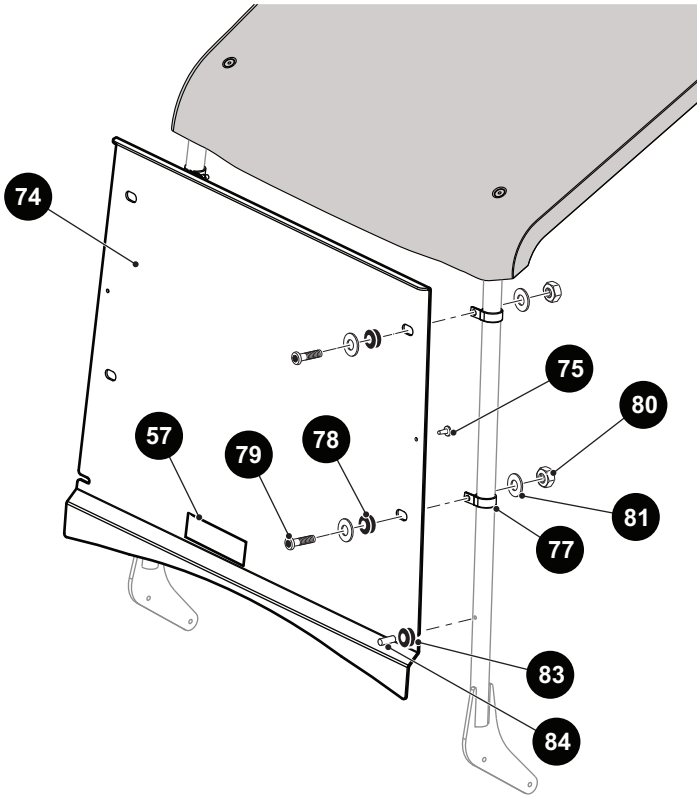


Front of Vehicle

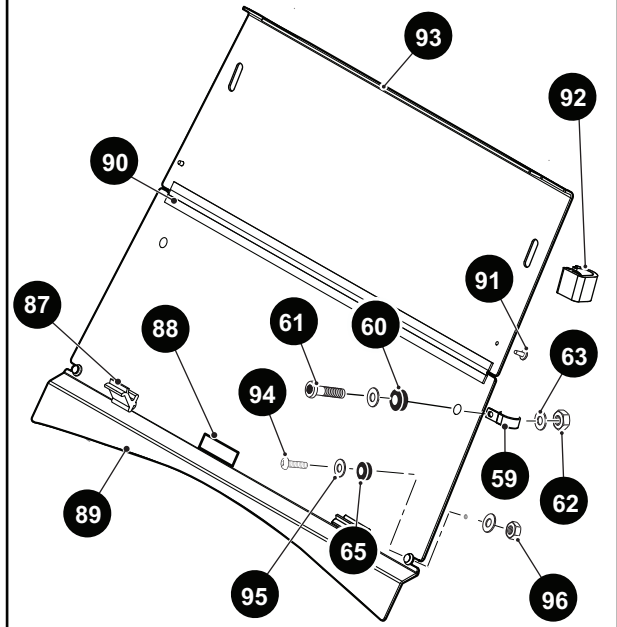


WEATHER PROTECTION

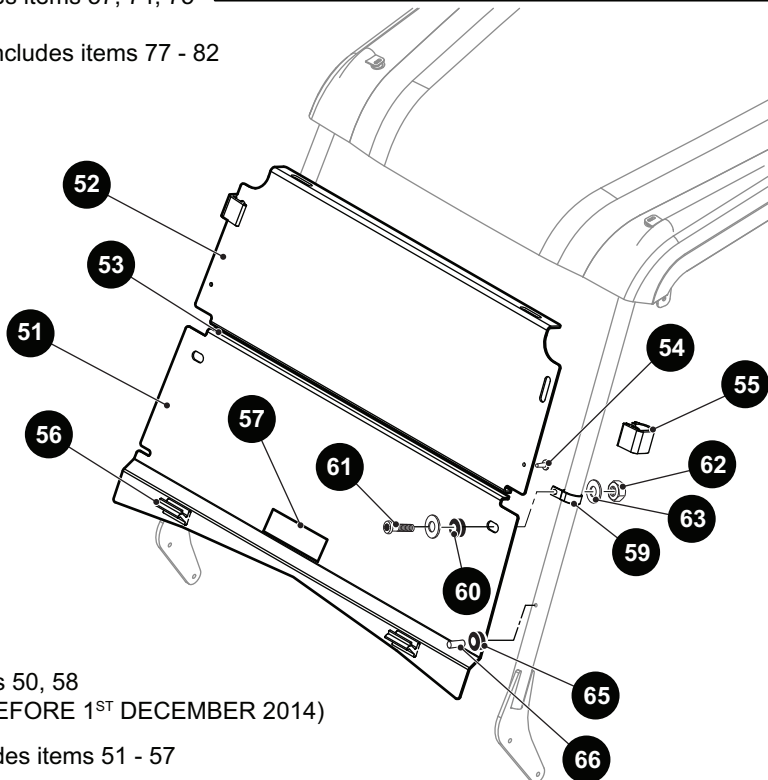
FOR VEHICLES MANUFACTURED FROM
1ST DECEMBER 2014



- 85** SPLIT WINDSHIELD, KIT CLIP ON
(INCLUDES ITEMS 86, 58)
- 86** SPLIT WINDSHIELD ASSEMBLY
(INCLUDES ITEMS 87 - 96)



- 72** FULL WINDSHIELD KIT includes items 73, 76
- 73** FULL WINDSHIELD ASSEMBLY includes items 57, 74, 75
- 76** FULL WINDSHIELD HARDWARE KIT includes items 77 - 82



- 49** SPLIT WINDSHIELD KIT includes items 50, 58
(FOR VEHICLES MANUFACTURED BEFORE 1ST DECEMBER 2014)
- 50** SPLIT WINDSHIELD ASSEMBLY includes items 51 - 57
- 58** SPLIT WINDSHIELD HARDWARE KIT includes items 59 - 64, 94 - 96

WEATHER PROTECTION

When ordering parts, please specify the model and serial number of the product.

* Indicates a component that is not available as an individual part.

*** Indicates consult Customer Service Department for additional information.

ITEM	PART NO.	1 2 3 4 5	DESCRIPTION	QTY.
1				
2	<u>638362</u>		CANOPY STRUTS KIT (INCLUDES ITEMS 3 - 8)	1
3	<u>638092G01</u>		CANOPY SUPPORT (DRIVER SIDE FRONT)	1
4	<u>638092G02</u>		CANOPY SUPPORT (PASSENGER SIDE FRONT)	1
5	<u>626084</u>		CANOPY SUPPORT (DRIVER SIDE REAR).....	1
6	<u>626085</u>		CANOPY SUPPORT (PASSENGER SIDE REAR)	1
7	<u>617641</u>		CANOPY SUPPORT (CROSS TUBE).....	1
8	<u>624119</u>		HARDWARE KIT (INCLUDES ITEMS 9 - 17)	1
9	<u>619586</u>		SPACER, 3/4"	2
10	<u>11098G6</u>		LOCK NUT, 5/16" - 18.....	4
11	<u>00438G7</u>		HEX HEAD BOLT, 5/16" - 18 X 7/8" LG	4
12	<u>11098G5</u>		LOCK NUT, 3/8" - 16.....	8
13	<u>00428G2</u>		HEX HEAD BOLT, 3/8" - 16 X 2 1/4" LG	8
14	<u>00560G1</u>		FLAT WASHER, 3/8"	16
15	<u>00915G1</u>		FLAT WASHER, 1/4"	5
16	<u>601476</u>		LOCK NUT, M6 - 1	5
17	*		TORX BOLT, M6 - 1 X 40MM LG	5
18	<u>651139</u>		CANOPY ASSEMBLY, REINFORCED (BLACK) (INCLUDES ITEMS 19 - 24)	1
19	<u>639044</u>		CANOPY (BLACK)	1
20	<u>651138</u>		REINFORCEMENT BAR ASSEMBLY (INCLUDES ITEMS 21 - 22)	1
21	<u>639438</u>		REINFORCEMENT BAR	1
22	<u>820951</u>		BUMPER.....	3
23	<u>00559G4</u>		FLAT WASHER, O.D .45" X I.D .19".....	2
24	<u>608290</u>		PHILLIPS HEAD SELF TAPPING SCREW, #10 - 16 X .72" LG.....	2
25	<u>624829</u>		TOP ENCLOSURE (BLACK)	1
26	<u>624830</u>		TOP ENCLOSURE (GRAY)	1
27	<u>624831</u>		TOP ENCLOSURE (GREEN)	1
28	<u>624832</u>		TOP ENCLOSURE (WHITE)	1
29	<u>624833</u>		TOP ENCLOSURE (TAN)	1
30	*		VELCRO	AR

WEATHER PROTECTION

When ordering parts, please specify the model and serial number of the product.

* Indicates a component that is not available as an individual part.

*** Indicates consult Customer Service Department for additional information.

ITEM	PART NO.	1	2	3	4	5	DESCRIPTION	QTY.
31								
32	<u>71966G03</u>						FULL WINDSHIELD KIT (INCLUDES ITEMS 33 - 38)	1
33	<u>71960G01</u>						FULL WINDSHIELD	1
34	*						HEX HEAD BOLT, 1/4" - 20 X 1 3/4" LG	2
35	*						FLAT WASHER (SS), 1/4"	4
36	*						RUBBER GROMMET	2
37	*						LOCK NUT (SS), 1/4" - 20	2
38	<u>615662</u>						SASH, 26" LG	2
39								
40								
41	<u>71966G04</u>						SPLIT WINDSHIELD KIT (INCLUDES ITEMS 34 - 37, 42, 43).....	1
42	<u>617544</u>						SPORT WINDSHIELD	1
43	<u>615661</u>						SASH, 12" LG	2
44								
45								
46	<u>27924G01</u>						MIRROR ASSEMBLY	1
47								
48								
49	<u>625932</u>						SPLIT WINDSHIELD KIT, CLIP - ON (INCLUDES ITEMS 50, 58) (FOR VEHICLES MANUFACTURED BEFORE 1ST DECEMBER 2014)	1
50	*						SPLIT WINDSHIELD ASSEMBLY (INCLUDES ITEMS 51 - 57).....	1
51	*						WINDSHIELD LOWER.....	1
52	*						WINDSHIELD UPPER.....	1
53	*						HINGE	1
54	*						GROMMET	2
55	*						UPPER LATCH.....	2
56	*						LOWER LATCH.....	2
57	*						WARNING DECAL.....	1
58	<u>625928</u>						HARDWARE KIT, SPLIT WINDSHIELD (INCLUDES ITEMS 59 - 64, 94 - 96)	1
59	*						TUBE CLAMP, 1.5" DIA.....	2
60	*						FASTENER GROMMET	2

WEATHER PROTECTION

When ordering parts, please specify the model and serial number of the product.

* Indicates a component that is not available as an individual part.

*** Indicates consult Customer Service Department for additional information.

ITEM	PART NO.	1 2 3 4 5	DESCRIPTION	QTY.
61	*		PAN HEAD BOLT, 3/8" - 16 X 1 1/2" LG	2
62	*		LOCK NUT, 3/8" - 16	2
63	<u>306981</u>		FLAT WASHER, 3/8"	4
64	*		GROMMET ASSEMBLY, 1/4" (INCLUDES ITEMS 65, 66)	2
65	*		GROMMET, 1/4"	1
66	*		SLEEVE, 1/4"	1
67				
68				
69				
70				
71				
72	<u>625931</u>		FULL WINDSHIELD KIT, CLIP - ON (INCLUDES ITEMS 73, 76).....	1
73	*		FULL WINDSHIELD ASSEMBLY (INCLUDES ITEMS 57, 74, 75)	1
74	*		FULL WINDSHIELD	1
75	*		GROMMET	2
76	*		HARDWARE KIT, FULL WINDSHIELD (INCLUDES ITEMS 77 - 82).....	1
77	*		TUBE CLAMP, 1.5" DIA.....	4
78	*		FASTENER GROMMET	4
79	*		PAN HEAD BOLT, 3/8" - 16 X 1 1/2" LG	4
80	*		LOCK NUT, 3/8" - 16	4
81	*		FLAT WASHER, 3/8"	8
82	*		GROMMET ASSEMBLY, 1/4" (INCLUDES ITEMS 83, 84)	2
83	*		GROMMET, 1/4"	1
84	*		SLEEVE, 1/4"	1
85	<u>638372</u>		SPLIT WINDSHIELD KIT, CLIP ON (INCLUDES ITEMS 86, 58) (FOR VEHICLES MANUFACTURED FROM 1ST DECEMBER 2014)	1
86	<u>638120</u>		SPLIT WINDSHIELD ASSEMBLY (INCLUDES ITEMS 87 - 96)	1
87	<u>603201</u>		LOWER WINDSHIELD LATCH	2
88	71963G01		DECAL	1
89	638054		LOWER SPLIT WINDSHIELD	1
90	638070		HINGE	1

WEATHER PROTECTION

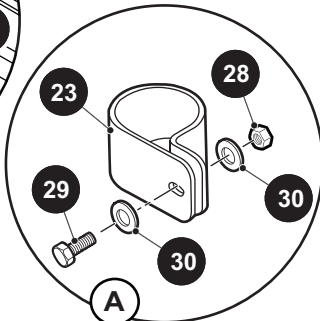
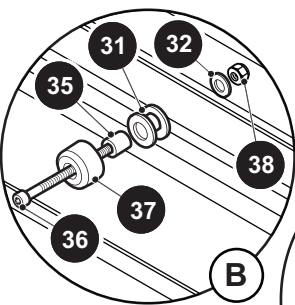
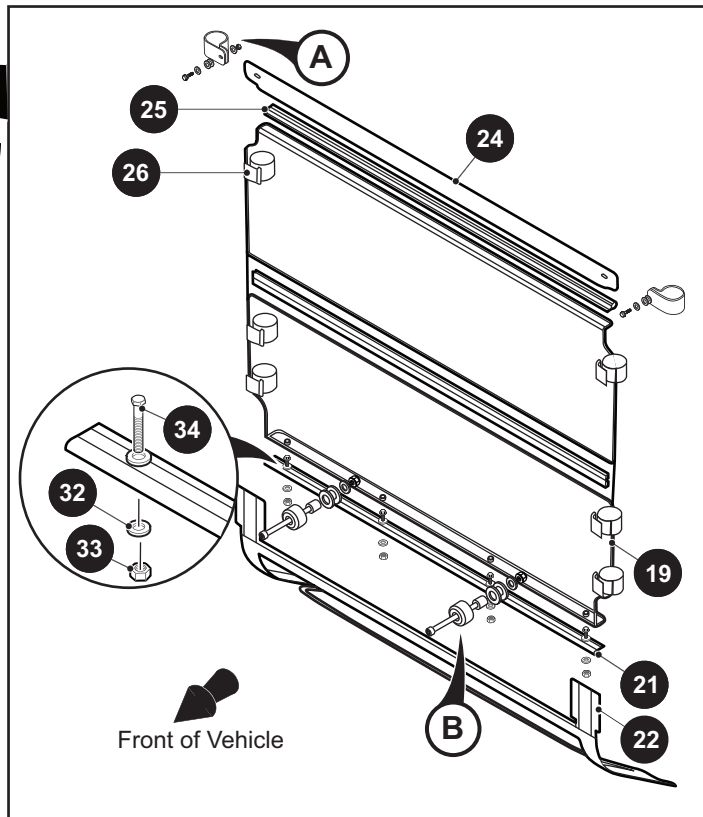
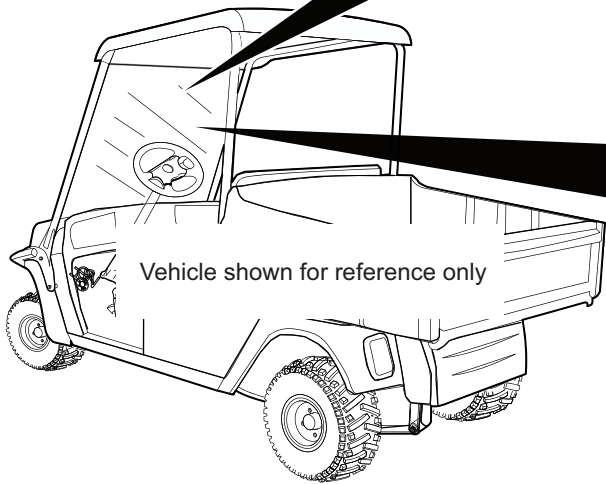
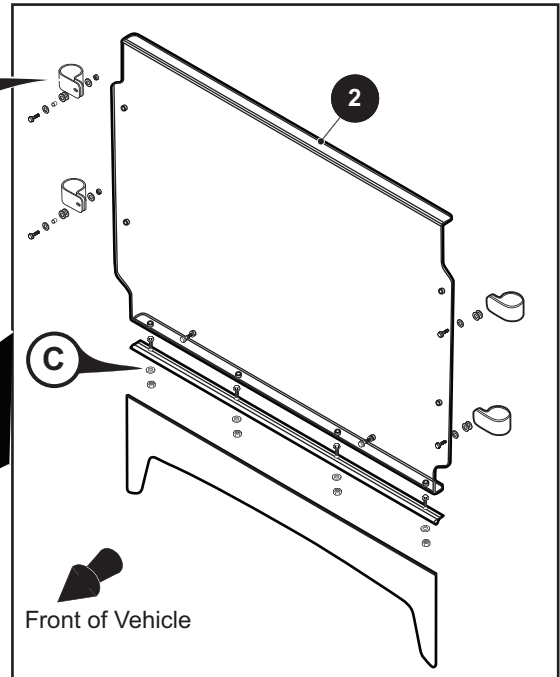
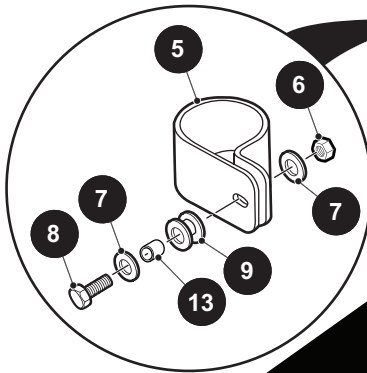
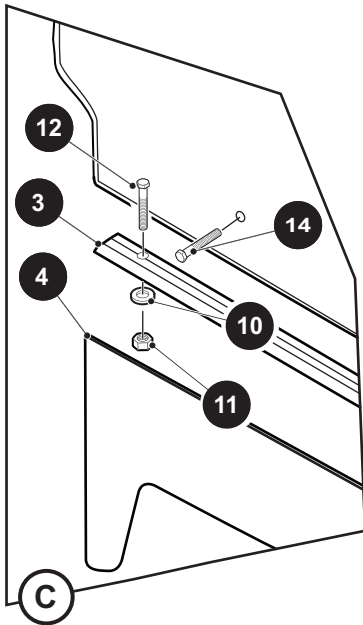
When ordering parts, please specify the model and serial number of the product.

* Indicates a component that is not available as an individual part.

*** Indicates consult Customer Service Department for additional information.

ITEM	PART NO.	1	2	3	4	5	DESCRIPTION	QTY.
91	<u>604115</u>						GROMMET	2
92	<u>619621</u>						UPPER WINDSHIELD LATCH	2
93	638053						UPPER SPLIT WINDSHIELD.....	1
94	<u>00753G7</u>						TRUSS HEAD PHILLIPS SCREW, 1/4" - 20 X 2.5" LG	2
95	<u>00650G7</u>						FLAT WASHER, 1/4"	4
96	<u>00550G1</u>						HEX NUT, 1/4" - 20.....	2

WEATHER PROTECTION



1 WINDSHIELD KIT (FULL) includes items 2 - 14

18 WINDSHIELD KIT (SPLIT) includes items 19 - 38

WEATHER PROTECTION

When ordering parts, please specify the model and serial number of the product.

* Indicates a component that is not available as an individual part.

*** Indicates consult Customer Service Department for additional information.

ITEM	PART NO.	1 2 3 4 5	DESCRIPTION	QTY.
1	<u>627079</u>		WINDSHIELD KIT (FULL) (INCLUDES ITEMS 2 - 14)	1
2	*		WINDSHIELD	1
3	*		AWNING MOLDING (ALUMINUM).....	1
4	*		TEXTILE SKIRT PLACEHOLDER.....	1
5	*		PLASTIC CLAMP	4
6	*		HEX NUT.....	6
7	*		FLAT WASHER	12
8	*		HEX HEAD BOLT	4
9	*		WINDSHIELD GROMMET	6
10	*		FLAT WASHER	8
11	*		HEX NUT.....	4
12	*		HEX HEAD BOLT	4
13	*		CRUSH SLEEVE	6
14	*		HEX HEAD BOLT	2
15				
16				
17				
18	<u>627080</u>		WINDSHIELD KIT (SPLIT) (INCLUDES ITEMS 19 - 38).....	1
19	*		WINDSHIELD	1
20				
21	*		AWNING MOLDING (ALUMINUM).....	1
22	*		TEXTILE SKIN PLACEHOLDER.....	1
23	*		PLASTIC CLAMP	2
24	*		UPPER METAL SEAL.....	1
25	*		UNIGRIP.....	1
26	*		TEXTILE STRAP	6
27				
28	*		HEX NUT.....	2
29	*		HEX HEAD BOLT	2
30	*		FLAT WASHER	4
31	*		GROMMET	2

WEATHER PROTECTION

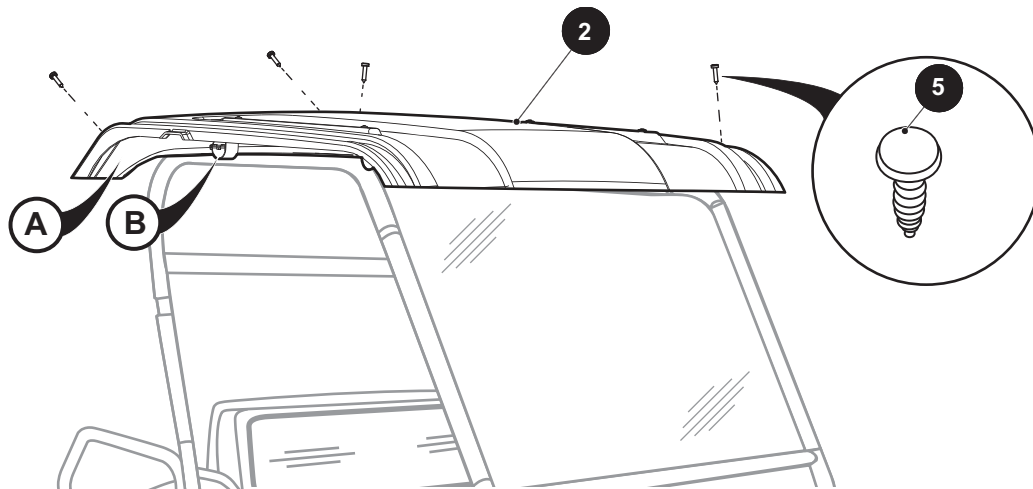
When ordering parts, please specify the model and serial number of the product.

* Indicates a component that is not available as an individual part.

*** Indicates consult Customer Service Department for additional information.

ITEM	PART NO.	1	2	3	4	5	DESCRIPTION	QTY.
32	*						FLAT WASHER	10
33	*						HEX NUT	4
34	*						HEX HEAD BOLT.....	4
35	*						CRUSH SLEEVE	2
36	*						HEX HEAD BOLT.....	2
37	*						BUMPER.....	2
38	*						HEX NUT	2

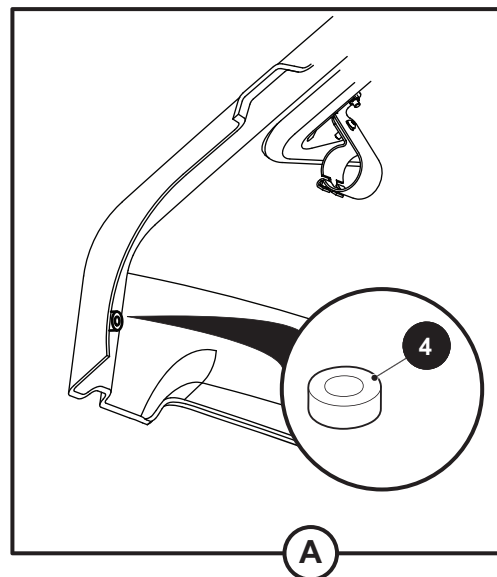
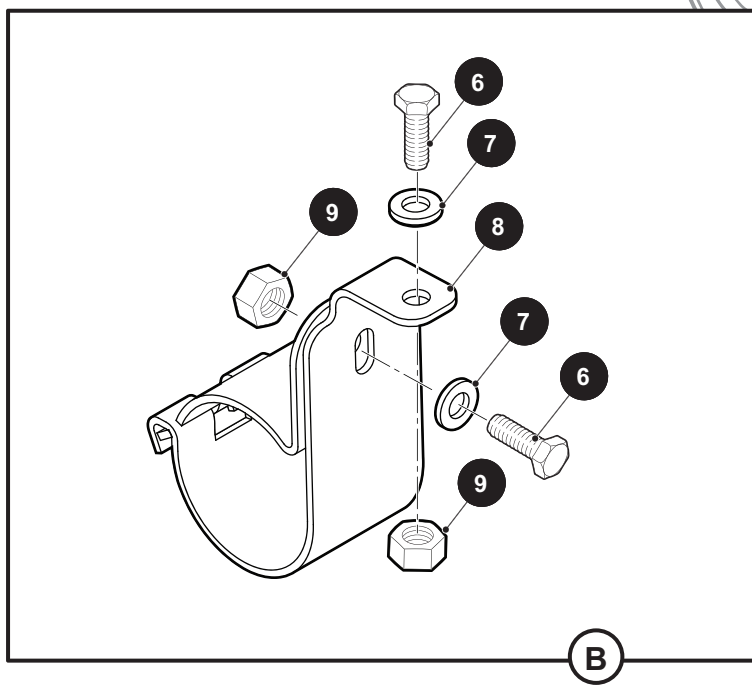
WEATHER PROTECTION



Vehicle shown for reference only

1 TOP CANOPY KIT includes items 2, 3

3 HARDWARE KIT includes items 4 - 9



WEATHER PROTECTION

When ordering parts, please specify the model and serial number of the product.

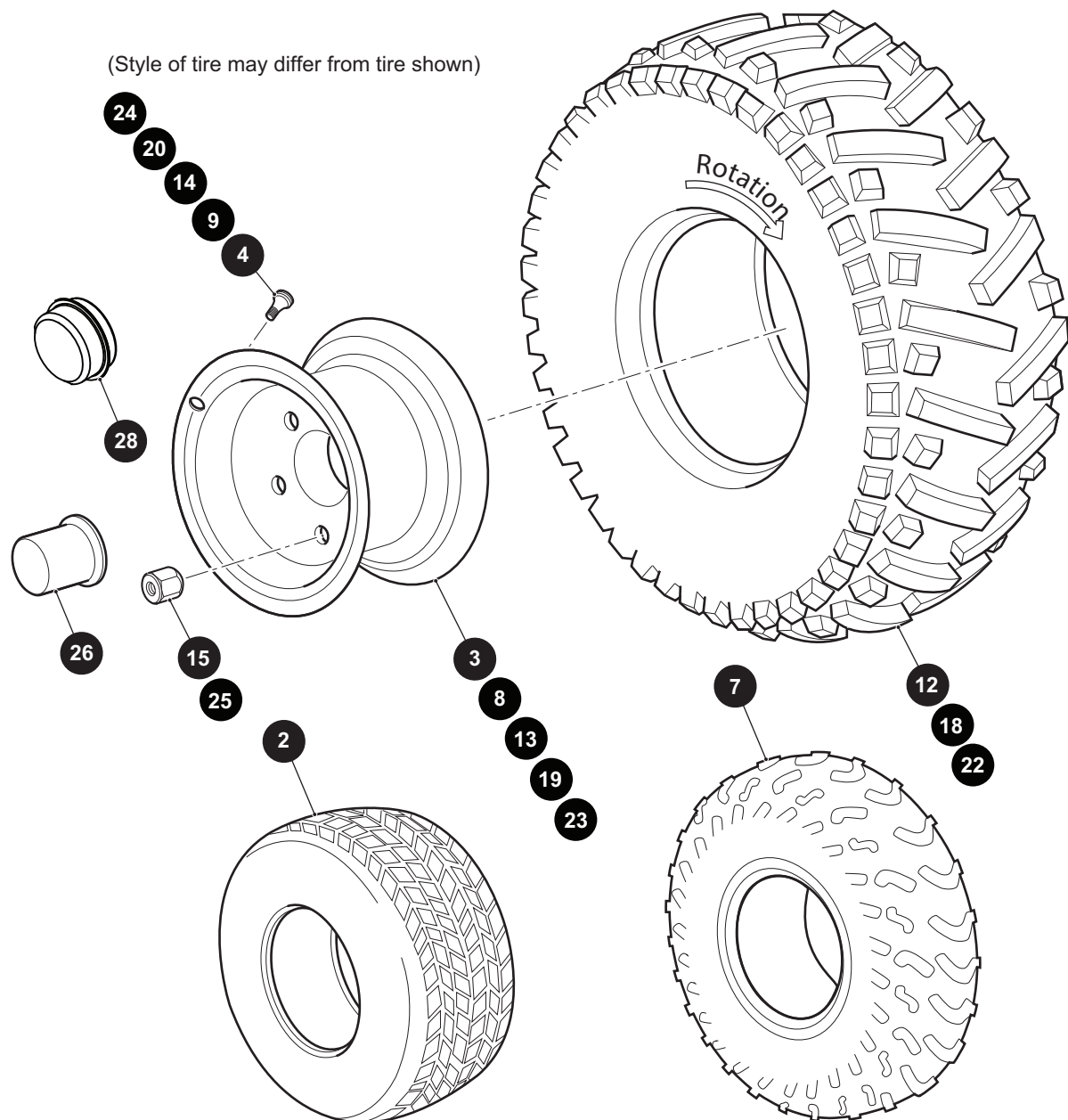
* Indicates a component that is not available as an individual part.

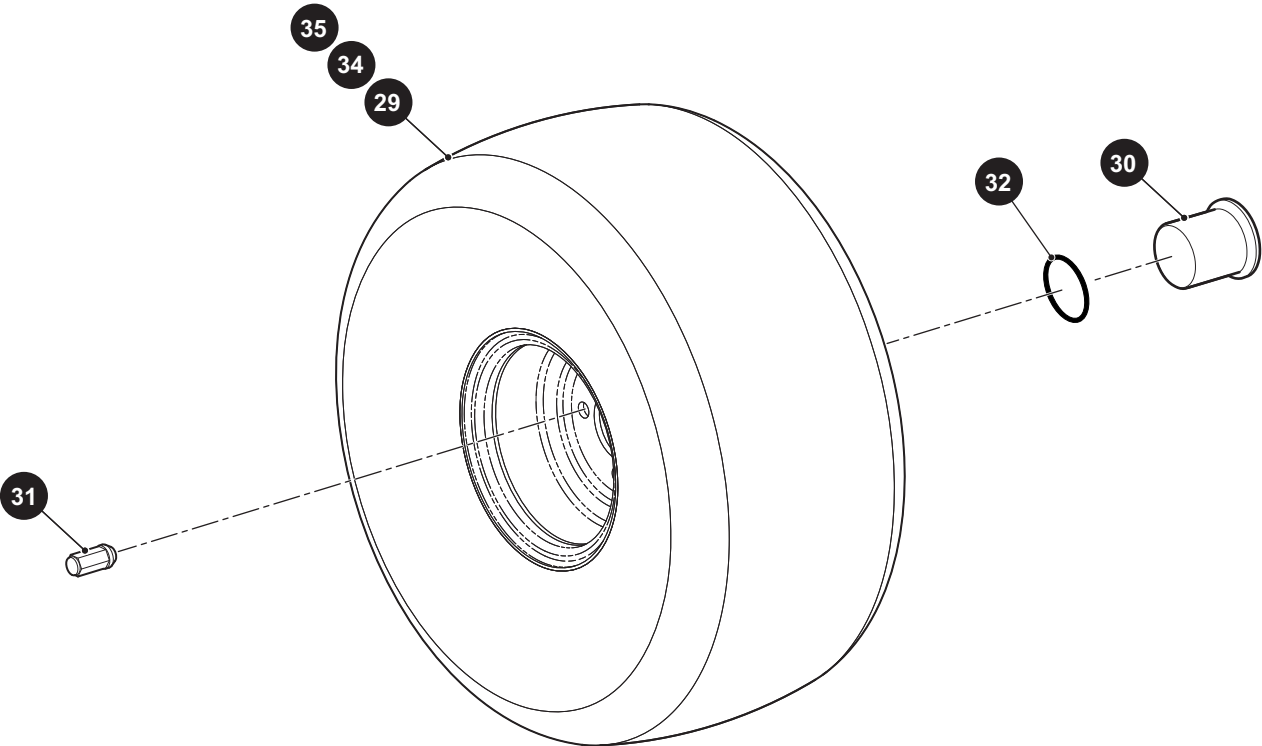
*** Indicates consult Customer Service Department for additional information.

ITEM	PART NO.	1 2 3 4 5	DESCRIPTION	QTY.
1	<u>628584</u>		TOP CANOPY KIT (INCLUDES ITEMS 2, 3).....	1
2	627077		TOP CANOPY	1
3	<u>628585</u>		HARDWARE KIT (INCLUDES ITEMS 4 - 9)	1
4	*		RUBBER SPACER.....	4
5	*		CHRISTMAS TREE PUSH RIVET	4
6	*		HEX HEAD BOLT, M6 - 1 X 20MM LG	8
7	*		FLAT WASHER, 1/4"	8
8	*		CLAMP (2 PIECE).....	4
9	*		HEX NUT, M6 - 1.....	8

WHEELS AND TIRES

- 1 WHEEL AND TIRE ASSY, TURF SAVER includes items 2 - 4
- 5 WHEEL AND TIRE ASSY (DRIVER SIDE) includes items 7 - 9
- 6 WHEEL AND TIRE ASSY (PASSENGER SIDE) includes items 7 - 9
- 10 WHEEL AND TIRE ASSY (DRIVER SIDE) includes items 12 - 14
- 11 WHEEL AND TIRE ASSY (PASSENGER SIDE) includes items 12 - 14
- 17 SPEEDRACER TIRE & WHEEL, 10X7, (DRIVER SIDE) includes items 18 - 20
- 21 SPEEDRACER TIRE AND WHEEL, 10X7, (PASSENGER SIDE) includes items 22 - 24





WHEELS AND TIRES

When ordering parts, please specify the model and serial number of the product.

* Indicates a component that is not available as an individual part.

*** Indicates consult Customer Service Department for additional information.

ITEM	PART NO.	1 2 3 4 5	DESCRIPTION	QTY.
1	<u>28442G03</u>		WHEEL AND TIRE ASSY, TURF SAVER (INCLUDES ITEMS 2 - 4) (FOR VEHICLES MANUFACTURED UNTIL 14OCT2016)	1
2	<u>28442G02</u>		TIRE, 20 X 10 - 10 TURF SAVER	1
3	<u>15172G02</u>		WHEEL RIM (BLACK, 4 LUG)	1
4	<u>11657G1</u>		VALVE STEM	1
5	<u>74842G03</u>		WHEEL AND TIRE ASSY (DRIVER SIDE) (INCLUDES ITEMS 7 - 9)	1
6	<u>74842G04</u>		WHEEL AND TIRE ASSY (PASSENGER SIDE) (INCLUDES ITEMS 7 - 9) ...	1
7	<u>74842G05</u>		TIRE, 21 X 11 - 10 TRAIL WOLF	1
8	1015239014		WHEEL RIM (BLACK, 4 LUG)	1
9	012007		VALVE STEM	1
10	<u>28630G04</u>		WHEEL AND TIRE ASSY (DRIVER SIDE) (INCLUDES ITEMS 12 - 14)	1
11	<u>28630G05</u>		WHEEL AND TIRE ASSY (PASSENGER SIDE) (INCLUDES ITEMS 12 - 14)	1
12	<u>28630G01</u>		TIRE, 22 X 9 - 10 STRYKER	1
13	<u>15172G02</u>		WHEEL RIM (BLACK, 4 LUG)	1
14	<u>11657G1</u>		VALVE STEM	1
15	<u>14723G1</u>		LUG NUT, 1/2" - 20	A/R
16				
17	<u>606240</u>		SPEEDRACER TIRE & WHEEL, 10X7 (DRIVER SIDE) (INCLUDES ITEMS 18 - 20)	2
18	<u>606139</u>		SPEED RACER, 10X7 (DRIVER SIDE)	1
19	<u>606152</u>		WHEEL, 10" DIAMOND FINISHED WHEEL	1
20	<u>604915</u>		VALVE STEM, CHROME	1
21	<u>606179</u>		SPEEDRACER TIRE AND WHEEL, 10X7 (PASSENGER SIDE) (INCLUDES ITEMS 22 - 24)	2
22	<u>606139</u>		SPEED RACER, 10X7 (DRIVER SIDE)	1
23	<u>606152</u>		WHEEL, 10 " DIAMOND FINISHED	1
24	<u>604915</u>		VALVE STEM (CHROME)	1
25	<u>605310</u>		CHROME LUG NUTS, 1/2" - 20	4
26	<u>608910</u>		DIAMOND WHEEL CAP	1
27				
28	<u>12091G2</u>		SPINDLE CAP	2
29	<u>608914</u>		10 " TERA TRAC (FRONT/REAR)	2

WHEELS AND TIRES

When ordering parts, please specify the model and serial number of the product.

* Indicates a component that is not available as an individual part.

*** Indicates consult Customer Service Department for additional information.

ITEM	PART NO.	1 2 3 4 5	DESCRIPTION	QTY.
30	<u>601353</u>		WHEEL CAP	4
31	<u>605310</u>		CHROME LUG NUT (FRONT/REAR).....	8
32	<u>650164</u>		O-RING	4
33				
34	<u>604930</u>		PATHFINDER TIRE (FRONT/REAR) (DRIVER SIDE)	1
35	<u>605228</u>		PATHFINDER TIRE (FRONT/REAR) (PASSENGER SIDE).....	1



A Textron Company

E-Z-GO Division of Textron Inc.,
1451 Marvin Griffin Road, Augusta, Georgia 30906 - 3852 USA

TO CONTACT US...

North America:

Technical Assistance & Warranty Phone: 1-800-774-3946, FAX: 1-800-448-8124

Service Parts Phone: 1-888-GET-E-Z-GO (1-888-438-3946), FAX: 1-800-752-6175

International: Phone: 001-706-798-4311, FAX: 001-706-771-4609

Service Parts Manuals, as well as Repair and Service Manuals
are available from a local Distributor, an authorized Branch,
Genuine E-Z-GO Parts & Accessories Department or at www.shopezgo.com.

Copyrighted Material
This manual may not be reproduced in whole or
in part without the express permission of
E-Z-GO Division of Textron Inc.
Technical Communications Department