



A Textron Company

Gasoline Service Parts Manual



625479-BB

ISSUED SEP 2011

REVISED MARCH 2018

SERVICE PARTS MANUAL

GASOLINE POWERED UTILITY VEHICLE

EXPRESS S4

EXPRESS L4

STARTING MODEL YEAR 2012

DISCLAIMER: The E-Z-GO Division of Textron Inc. (E-Z-GO) reserves the right to incorporate engineering and design changes to products in this Manual, without obligation to include these changes on units leased/sold previously.

The information contained in this Manual may be revised periodically E-Z-GO, and therefore is subject to change without notice.

E-Z-GO DISCLAIMS LIABILITY FOR ERRORS IN THIS MANUAL, and E-Z-GO SPECIFICALLY DISCLAIMS LIABILITY FOR INCIDENTAL AND CONSEQUENTIAL DAMAGES RESULTING FROM THE USE OF THE INFORMATION AND MATERIALS IN THIS MANUAL.

TO CONTACT US

NORTH AMERICA:

TECHNICAL ASSISTANCE & WARRANTY PHONE: 1-800-774-3946, FAX: 1-800-448-8124

SERVICE PARTS PHONE: 1-888-GET-EZGO (1-888-438-3946), FAX: 1-800-752-6175

INTERNATIONAL: PHONE: 001-706-798-4311, FAX: 001-706-771-4609

E-Z-GO DIVISION OF TEXTRON INC., 1451 MARVIN GRIFFIN RD., AUGUSTA, GEORGIA USA 30906-3852

GENERAL INFORMATION

To obtain a copy of the limited warranty applicable to the vehicle, call or write a local Distributor, authorized Branch or the Warranty Department with vehicle serial number and manufacturer code.

The use of non Original Equipment Manufacturer (OEM) parts may void the warranty.

Overfilling of batteries may void the warranty.

BATTERY PROLONGED STORAGE

All batteries will self discharge over time. The rate of self discharge varies depending on the ambient temperature and the age and condition of the batteries.

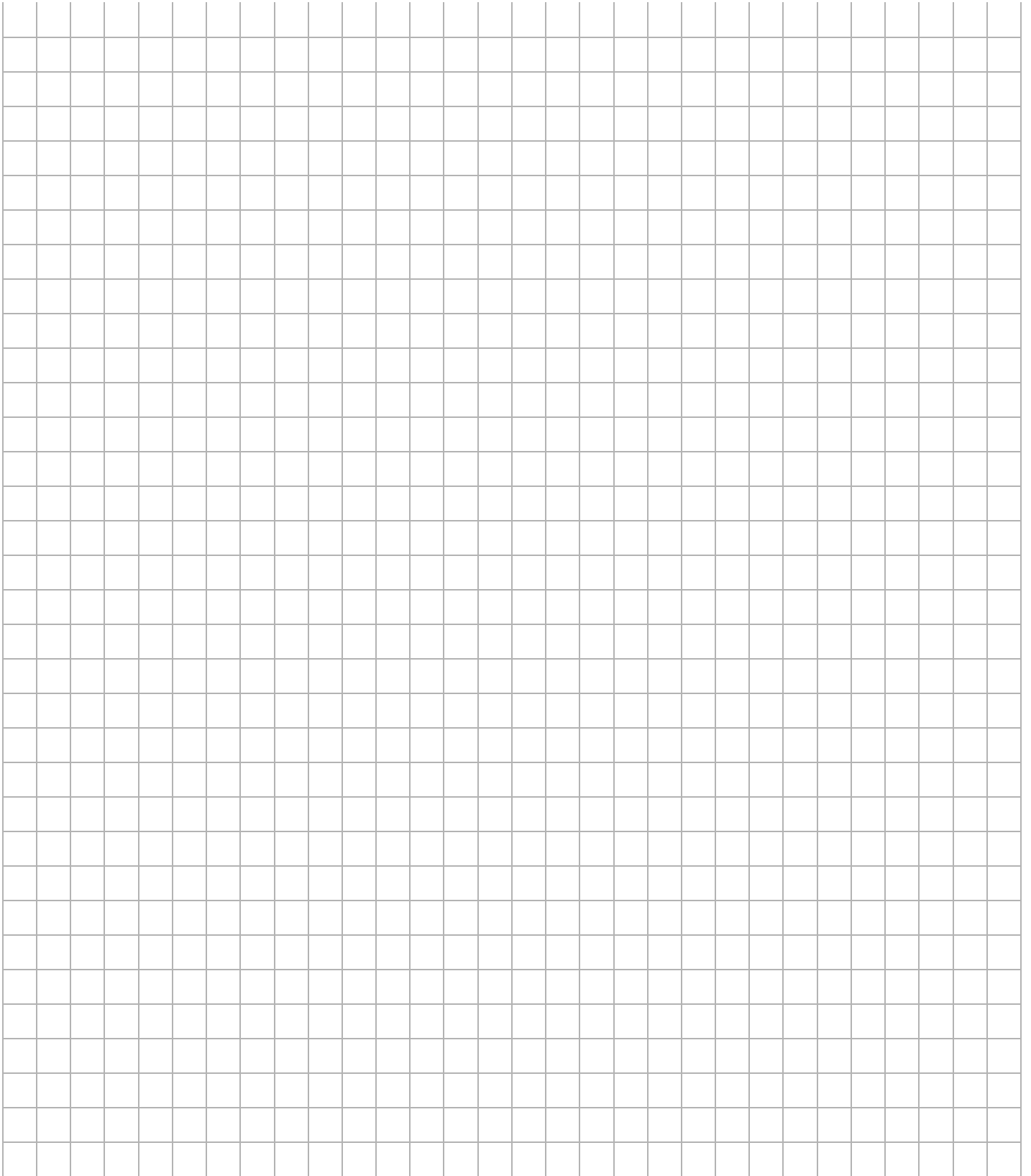
A fully charged battery will not freeze in winter temperatures unless the temperature falls below -75° F (-60° C).

As with all electric vehicles, the batteries must be checked and recharged as required or at a minimum of 30 day intervals.

TABLE OF CONTENTS

SECTION	Page No.
HOW TO USE THE SERVICE PARTS MANUAL	vii
ACCELERATOR	A-1
AIR FILTER	B-1
BODY	C-1
BRAKES - MECHANICAL	D-1
CARBURETOR AND CHOKE	E-1
CLUTCH	F-1
DIRECTION SELECTOR	G-1
ELECTRICAL SYSTEM	H-1
ENGINE AND MUFFLER	J-1
ENGINE MOUNTING	K-1
FRONT SUSPENSION AND STEERING	L-1
FUEL SYSTEM	M-1
REAR AXLE	N-1
REAR SUSPENSION	P-1
SEATING	Q-1
STARTER / GENERATOR	R-1
WEATHER PROTECTION	S-1
WHEELS AND TIRES	T-1

NOTES



HOW TO USE THE SERVICE PARTS MANUAL

This manual is divided into several sections:

- GENERAL INFORMATION
- ILLUSTRATED PARTS BREAKDOWN
- APPENDIX

The first section, GENERAL INFORMATION, contains the following information:

- WARRANTY INFORMATION
- GENERAL INDEX
- HOW TO USE THE SERVICE PARTS MANUAL

The second section, ILLUSTRATED PARTS BREAKDOWN, contains illustrations and parts lists for all systems of your vehicle.

The third section, APPENDIX, contains a listing of specialty products and accessories.

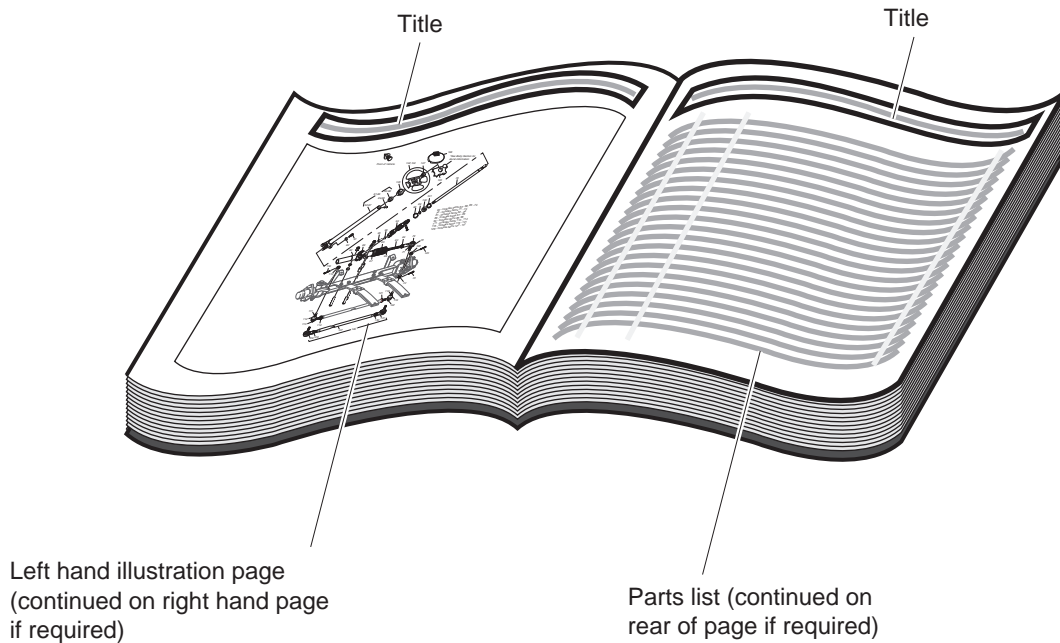
USE OF THE MANUAL

To use this manual, consult the GENERAL INDEX to locate the information or illustration required.

Introduction of some revisions varies due to supply of components; therefore, it is possible that various combinations of components may be found that are not directly reflected by each illustration. Consult the illustration that best suits your situation and then contact the Service Parts Department. It is important that the serial number of your vehicle and its model number be supplied to Service Parts when ordering any replacement components.

Locate the serial number plate (see BODY located in the Illustrated Parts Breakdown section of this manual for its location) and note the complete number shown on the plate.

HOW TO USE THE SERVICE PARTS MANUAL



1. WHEN THE PART NUMBER IS NOT KNOWN

- Determine the function and application of the part required. Turn to the General Index and select the most appropriate title.
- Turn to the page number indicated and locate the desired part on the illustration.
- From the illustration, obtain the item number assigned to the desired part. Refer to the accompanying description for specific information regarding the part.

2. IF YOU KNOW THE PART NUMBER

- Locate the part number or description in the appropriate column on the parts list page.

NOTE: It is suggested that you confirm that the part selected is correct by verifying it with the pictorial representation on the illustrated page.

Should an asterisk (*) appear in the part number column on the parts list page, read upwards until a part number is found. The part number is the lowest assembly sold by Service Parts and the asterisk (*) indicates that the part depicted is not available for purchase.

NOTE: Descriptions are indented under the assembly that they are used on. That assembly is, in turn listed under the assembly that it is used on. This process is repeated until the highest final assembly is reached.

To facilitate the maintenance and repair of the vehicle, a Technician's Repair and Service Manual is available from the Service Parts Department.

HOW TO USE THE SERVICE PARTS MANUAL

3. COLOR CODE FOR BODY COMPONENTS

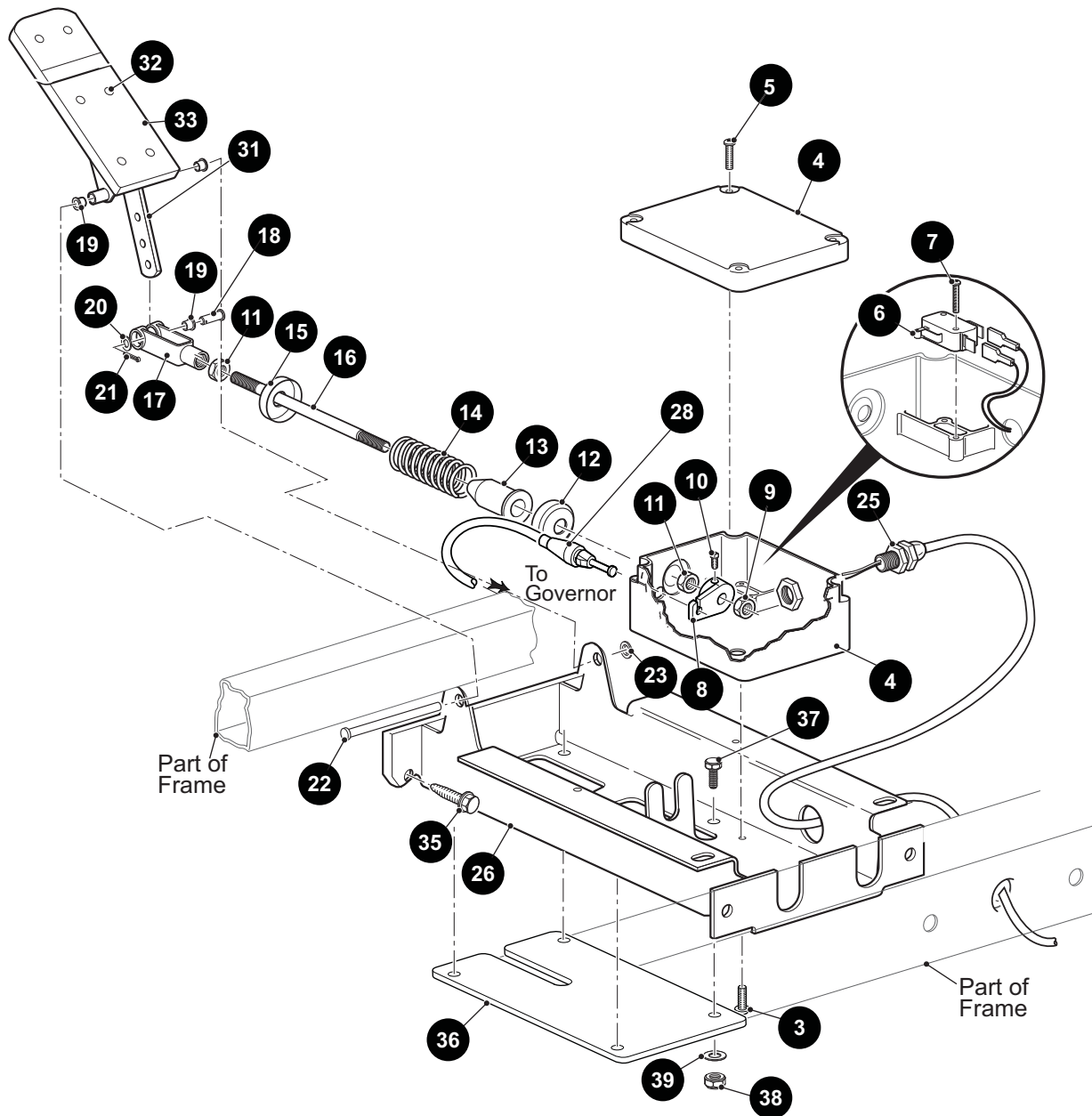
The last two digits of the part number for the body part will denote the color code, locate the part number for the cowl, rear body, seat pod, side panel or seat wrap then locate your color in the list below, replace the last ** or XX with the two digit color code.

<u>CODE #</u>	<u>DESCRIPTION</u>	<u>CODE #</u>	<u>DESCRIPTION</u>
01	NO PAINT	53	MOSSY OAK NEW BREAK UP - DIPPED
02	SPECIAL COLOR	54	MOSSY OAK OBSESSION - DIPPED
05	JACOBSEN ORANGE	55	REALTREE ADVANTAGE MAX 4 - DIPPED
06	LIGHT GOLD PEARL	56	REALTREE HARDWOOD BROWN - DIPPED
07	SILVER PEARL METALIC	57	REALTREE AP HOT PINK - DIPPED
11	BLACK	58	BLACK / SILVER MARBLE - DIPPED
12	EMERALD GREEN PEARL	59	RED / SILVER MARBLE - DIPPED
13	CLOUD GRAY	60	HOT PINK / SILVER MARBLE - DIPPED
14	VIPER BLUE METALLIC	61	REALTREE AP
19	PATRIOT BLUE PEARL	62	REALTREE MAX 4
20	INFERNO RED METALLIC	63	MOSSY OAK BREAKUP
23	ADVANTAGE CLASSIC CAMO	64	MOSSY OAK TREESTAND
24	NATURAL	65	REALTREE APG
25	VIVID NEW HOLLAND BLUE	66	REALTREE MAX 1
26	STEEL BLUE PEARL	67	REALTREE AP PINK
27	BRIGHT SILVER METALLIC	68	REALTREE AP - DIPPED
29	PRIMER ONLY	69	MONSTER GREEN
30	HD ADVANTAGE CAMO		
31	METALLIC CHARCOAL		
32	LIGHT ALMOND PEARL		
33	TIMBERLINE GREEN		
34	DEEP MOLTEN RED		
35	SAFETY YELLOW		
36	IVORY		
37	FOREST GREEN		
38	BRIGHT WHITE		
39	FLAME RED		
40	BLACK		
41	ELECTRIC BLUE		
42	PLATINUM		
43	BURGUNDY		
44	ALMOND		
45	BLACK		
46	BURGUNDY		
47	BURLINGTON GREEN		
48	BLACK		
49	FLAME RED		
50	RECON GREEN		
51	SUNBURST ORANGE		
52	BRITISH RACING GREEN		

ACCELERATOR

1 PEDAL BOX ASSEMBLY Includes Items 3 - 33

30 ACCELERATOR PEDAL ASSEMBLY Includes Items 31 - 33

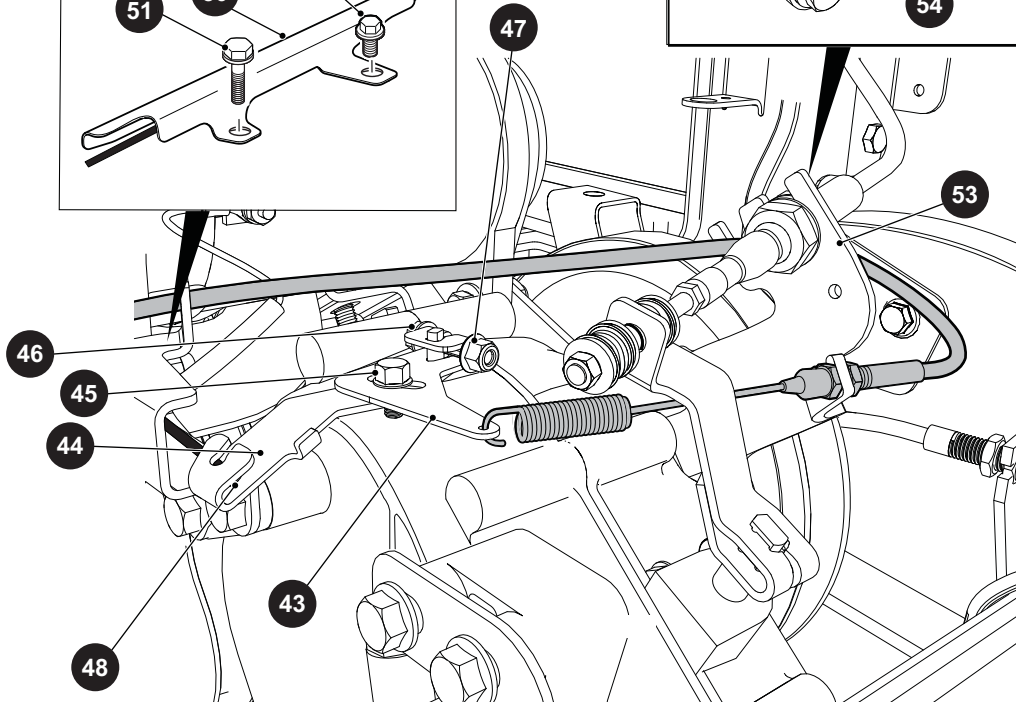
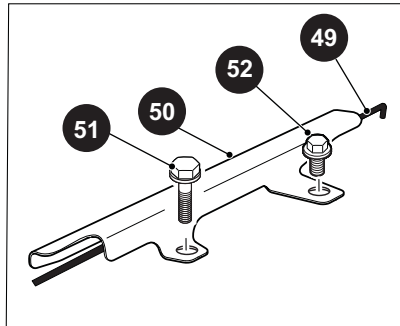
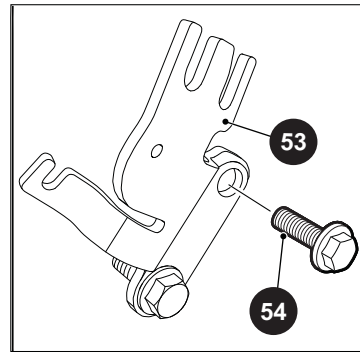
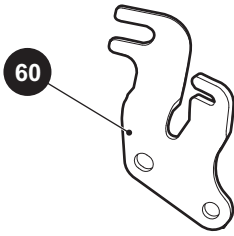


WARNING

DO NOT TAMPER WITH OR ATTEMPT TO CHANGE THE ADJUSTMENT OF THE GOVERNOR. GOVERNOR TAMPERING CAN RESULT IN SERIOUS PERSONAL INJURY AND WILL VOID THE VEHICLE WARRANTY.

56

FOR VEHICLES
MANUFACTURED
FROM APRIL 2014



Differential

ACCELERATOR

When ordering parts, please specify the model and serial number of the product.

* Indicates a component that is not available as an individual part.

*** Indicates consult Customer Service Department for additional information.

ITEM	PART NO.	1	2	3	4	5	DESCRIPTION	QTY.
1	606990						PEDAL BOX ASSEMBLY, SWB (INCLUDES ITEMS 3 - 28, 30 - 33).....	1
2								
3	01051G01						SCREW, #8 - 16 X 1/2" LG	4
4	25853G03						PEDAL BOX AND COVER.....	1
5	00684G6						HEX HEAD BOLT (SS), #8 - 32 X 3/4" LG.....	2
6	25861G01						MICRO SWITCH.....	1
7	01050G01						PAN HEAD TORX SCREW, #4 - 20 X 5/8" LG	2
8	72716G01						MICRO SWITCH CAM.....	1
9	15126G1						LOCK NUT, 5/16" - 24.....	1
10	00487G3						SETSCREW, 1/4" - 20 X 3/8" LG.....	1
11	00532G4						HEX NUT, 5/16" - 24	2
12	17677G1						SPRING RETAINER	1
13	17979G1						ACCELERATOR ROD BUSHING	1
14	73046G01						COMPRESSION SPRING	1
15	17677G2						SPRING RETAINER	1
16	72072G01						ACCELERATOR ROD	1
17	10385G4						CLEVIS YOKE (ADJUSTABLE).....	1
18	10386G3						CLEVIS PIN, 5/16" X 13/16" LG.....	1
19	17838G1						NYLON BUSHING	3
20	17255G1						TEFLON WASHER, 5/16".....	1
21	10387G3						COTTER PIN, 3/32" X 3/4" LG.....	1
22	74432G01						PEDAL PIVOT PIN.....	1
23	12064G6						PUSH NUT, 9/32".....	1
24								
25	72201G04						WIRE HARNESS (PEDAL BOX).....	1
26	652241G03						ACCELERATOR PEDAL BRACKET	1
27								
28	608608						ACCELERATOR CABLE, SWB	1
29								
30	25799G03						ACCELERATOR PEDAL ASSEMBLY (INCLUDES ITEMS 31- 33)	1
31	27844G01						ACCELERATOR PEDAL).....	1

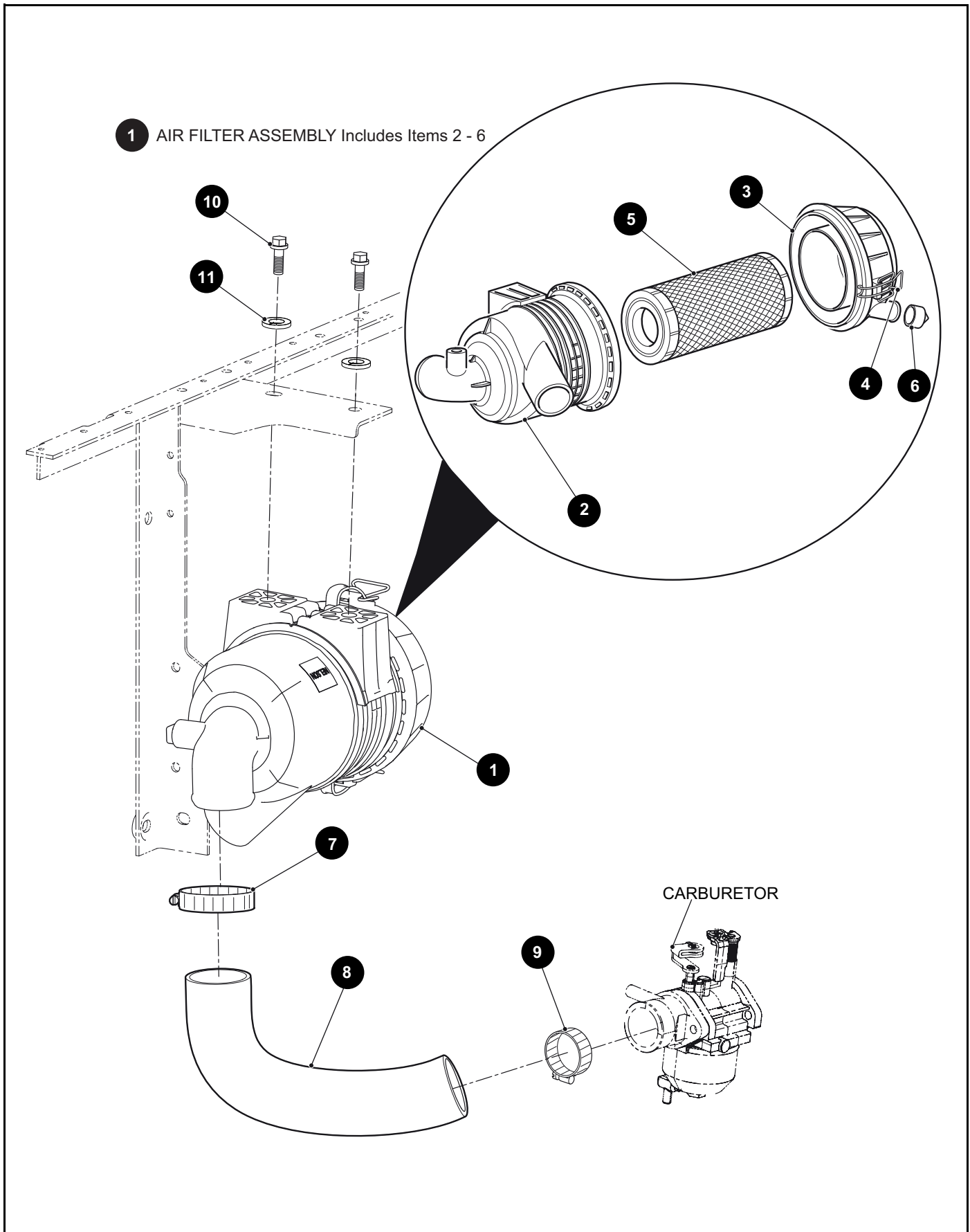
When ordering parts, please specify the model and serial number of the product.

* Indicates a component that is not available as an individual part.

*** Indicates consult Customer Service Department for additional information.

ITEM	PART NO.	1 2 3 4 5	DESCRIPTION	QTY.
32	16409G1		OVAL RIVET, 3/16" X 7/16" LG	6
33	27512-G01		ACCELERATOR PEDAL PAD.....	1
34				
35	00715G2		HEX HEAD BOLT, 5/16" -18 X 4/5" LG	4
36	652780G03		PLATE, BRACKET	1
37	00414G6		HEX HEAD BOLT, 1/4" - 20 x 3/4" LG.....	4
38	00654G2		STAINLESS STEEL HEX NUT, 3/8" - 16	4
39	01110G01		FLAT WASHER, 1/4"	4
40				
41				
42				
43	606083		UPPER GOVERNOR BRACKET.....	1
44	606005		LOWER GOVERNOR BRACKET	1
45	606265		HEX HEAD BOLT, M6 - 1 X 12MM LG.....	1
46	606421		HEX HEAD BOLT, M6 - 1 X 30MM LG.....	1
47	450452		HEX NUT, M6 - 1.....	1
48	606283		GOVERNOR LEVER BUSHING	1
49	606284		GOVERNOR ROD	1
50	603890		GOVERNOR ROD GUARD	1
51	606264		HEX HEAD BOLT, M6 - 1 X 20MM LG.....	1
52	606262		HEX HEAD BOLT, M8 - 1.25 X 16MM LG.....	1
53	606074		GOVERNOR CABLE / DIRECTION SELECTOR BRACKET	1
54	606256		HEX HEAD BOLT, M10 - 1.25 X 16MM LG.....	2
55				
56	608527		GOVERNOR WARNING DECAL.....	1
57				
58				
59	17618G1		NYLON CLAMP	2
60	632936		GOVERNOR CABLE / DIRECTION SELECTOR BRACKET (FOR VEHICLES MANUFACTURED FROM APRIL 2014)	1

AIR FILTER



AIR FILTER

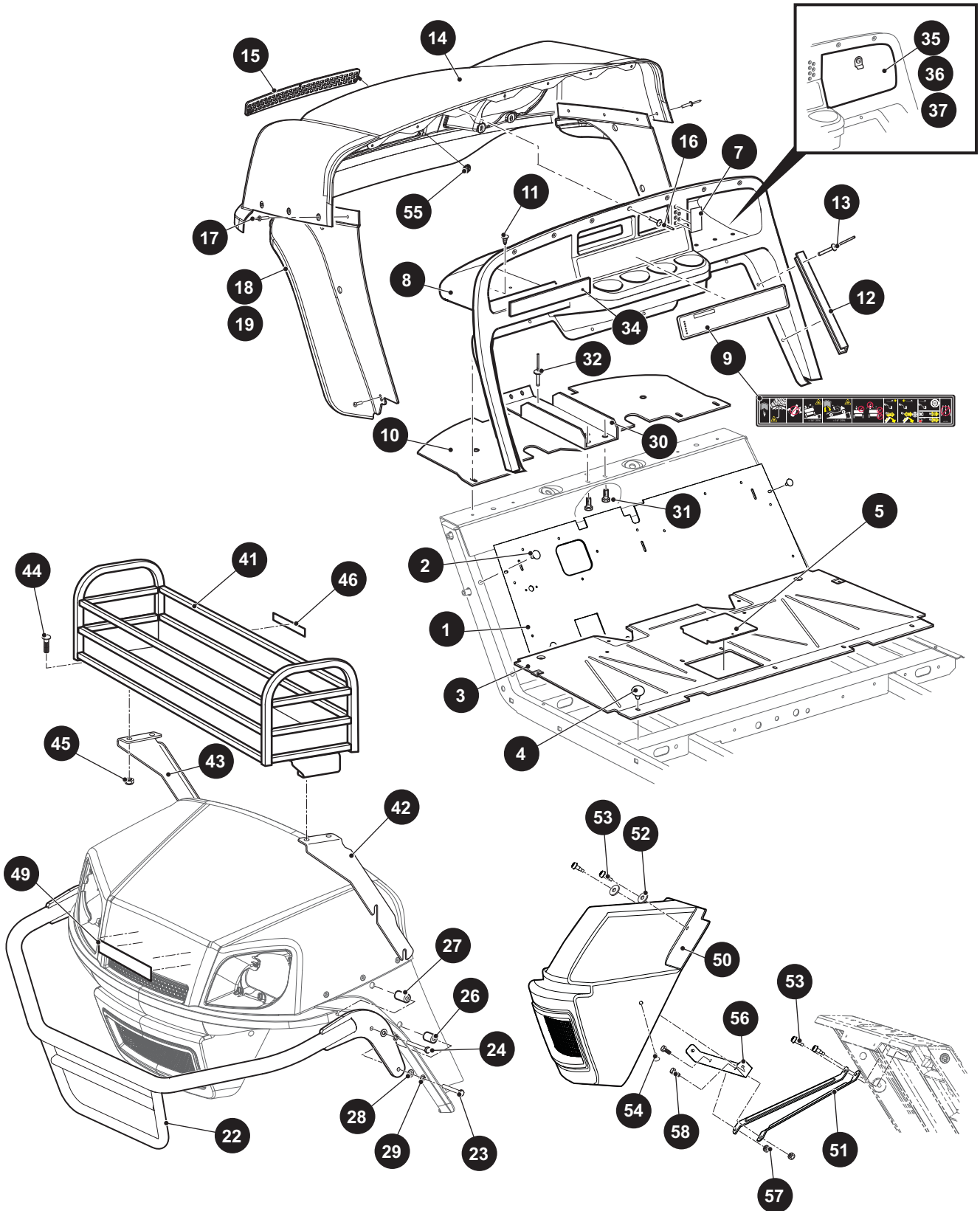
When ordering parts, please specify the model and serial number of the product.

* Indicates a component that is not available as an individual part.

*** Indicates consult Customer Service Department for additional information.

ITEM	PART NO.	1 2 3 4 5	DESCRIPTION	QTY.
1	658941		AIR FILTER ASSEMBLY (INCLUDES ITEMS 2 - 6)	1
2	659139		AIR CLEANER BODY.....	1
3	658957		AIR CLEANER COVER.....	1
4	72604G01		AIR CLEANER CLIP.....	2
5	28463G01		AIR FILTER	1
6	28462G01		DUST EJECTOR VALVE	1
7	11391G7		HOSE CLAMP.....	1
8	601910		HOSE, 14" LONG	1
9	11391G1		HOSE CLAMP.....	1
10	606271		BOLT M8 - 1.25 X 20	2
11	606272		LOCK WASHER, 8 MM.....	2

BODY



40 FRONT BASKET ASSEMBLY includes items 41 - 46

When ordering parts, please specify the model and serial number of the product.

* Indicates a component that is not available as an individual part.

*** Indicates consult Customer Service Department for additional information.

ITEM	PART NO.	1 2 3 4 5	DESCRIPTION	QTY.
1	641260		UPPER FLOORPAN (AXLE MOUNTED STEERING)	1
2	14601G11		RIVET (ALUMINUM), 3/16" X 9/16" LG	9
3	70451G01		LOWER FLOORPAN	1
4	14601G11		RIVET (ALUMINUM), 3/16" X 9/16" LG	7
5	70452G01		ACCESS COVER.....	1
6				
7	35968G01		T-HOLDER COVER	1
8	71151G03		INSTRUMENT PANEL ASSEMBLY	1
9	601781		WARNING DECAL.....	1
10	71413G01		SPLASH PANEL.....	1
11	16816G2		RATCHET FASTENER, 1/4" X 3/4" LG.....	5
12	71115G01		VINYL TRIM	2
13	71055G01		RIVET (ALUMINUM), 3/16" X 1 1/8" LG	10
14	613036GXXX		COWL	1
15	617643		GRILL COVER	1
16	71055G01		RIVET (ALUMINUM), 3/16" X 1 1/8" LG	7
17	71055G01		RIVET (ALUMINUM), 3/16" X 1 1/8" LG	6
18	614378		FENDER FLARE (DRIVER SIDE)	1
19	613274		FENDER FLARE (PASSENGER SIDE).....	1
20				
21				
22	617620		BRUSHGUARD.....	1
23	00440G2		HEX HEAD BOLT, 5/16" - 8 X 2 1/4" LG	2
24	00440G6		HEX HEAD BOLT, 5/16" -18 X 2 3/4" LG	2
25				
26	75048G04		SPACER, 1" LONG	2
27	75048G02		SPACER, 1.3"	2
28	00559G8		FLAT WASHER, 5/16"	4
29	00565G8		LOCK WASHER, 5/16"	4
30	71101G02		COWL SUPPORT BRACKET	1
31	71102G02		SELF TAPPING SCREW, 1/4" - 20 X 1/2" LG	3

BODY

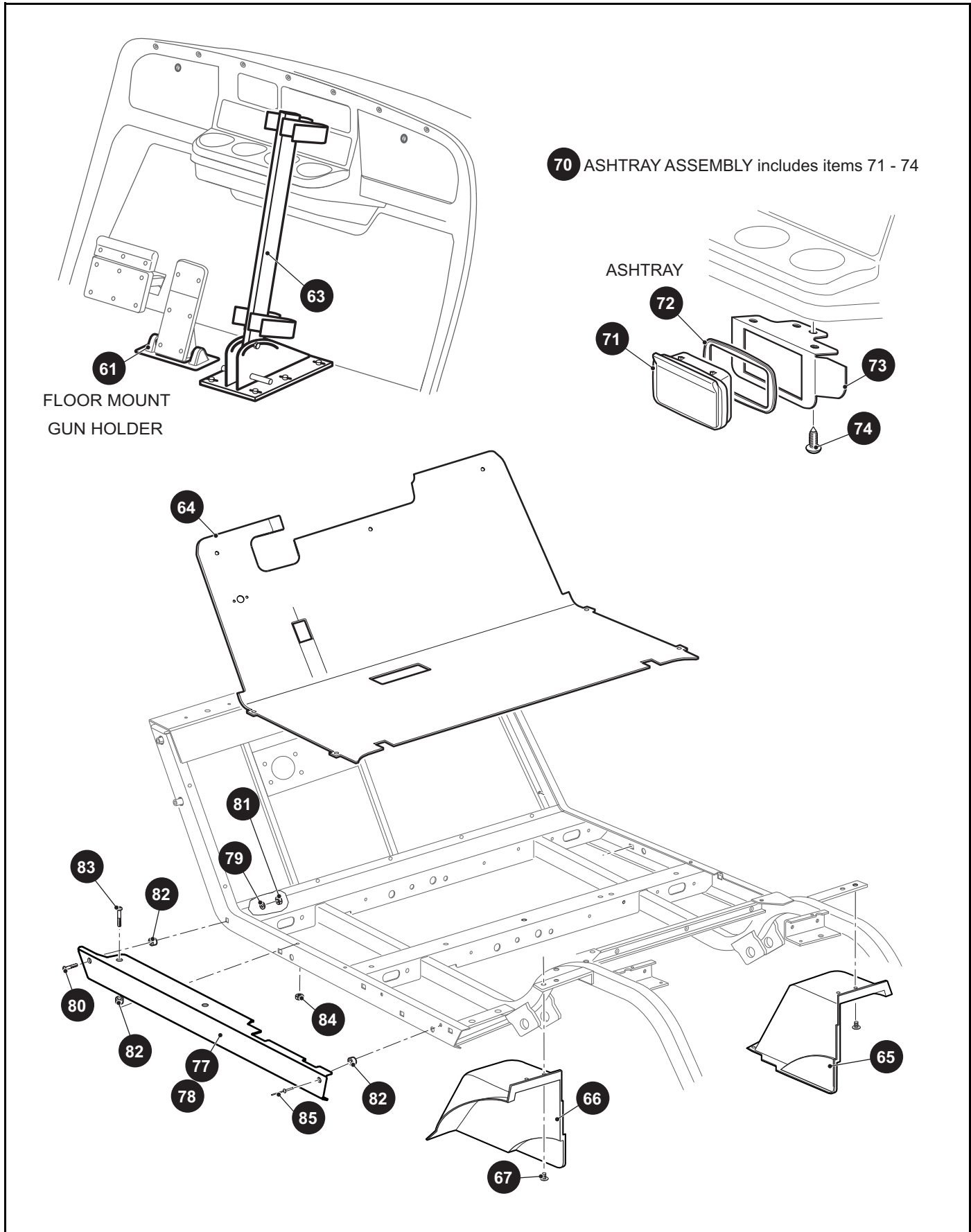
When ordering parts, please specify the model and serial number of the product.

* Indicates a component that is not available as an individual part.

*** Indicates consult Customer Service Department for additional information.

ITEM	PART NO.	1	2	3	4	5	DESCRIPTION	QTY.
32	71055G01						RIVET, 3/16" X 1 1/8" LG.....	1
33								
34	74443G01						ANTI-ROLLBACK LABEL.....	1
35	75459G01						GLOVE BOX DOORS (BOTH SIDES)	1
36	75459G02						GLOVE BOX DOOR (DRIVER SIDE)	1
37	75459G03						GLOVE BOX DOOR (PASSENGER SIDE).....	1
38								
39								
40	74521G02						FRONT BASKET ASSEMBLY (INCLUDES ITEMS 41 - 46)	1
41	74523G01						FRONT BASKET.....	1
42	74522G01						BASKET MOUNTING BRACKET (DRIVER SIDE)	1
43	74522G02						BASKET MOUNTING BRACKET (PASSENGER SIDE).....	1
44	00769G2						CARRIAGE BOLT (SS), 3/8" - 16 X 1.25" LG	4
45	11098G5						LOCK NUT, 3/8" - 16.....	4
46	71931G01						FRONT BASKET WARNING LABEL	1
47								
48								
49	619206						E-Z-GO COWL DECAL	1
50	613273						FRONT FASCIA.....	1
51	70725G02						FRONT SHIELD BRACE	2
52	16469G1						FENDER WASHER, 9/32"	2
53	01038G01						SWAGEFORM SCREW, 1/4" - 20 X .7" LG.....	4
54	15058G1						RIVET (ALUMINUM), 3/16"	2
55	71597G01						SELF THREADING NUT, 5MM X 10MM X 15MM.....	2
56	618653						FASCIA BRACKET	1
57	14390G4						HEX NUT, 1/4" - 20.....	2
58	00414G6						HEX HEAD BOLT, 1/4" - 20 X 3/4" LG.....	2
59								
60								

BODY



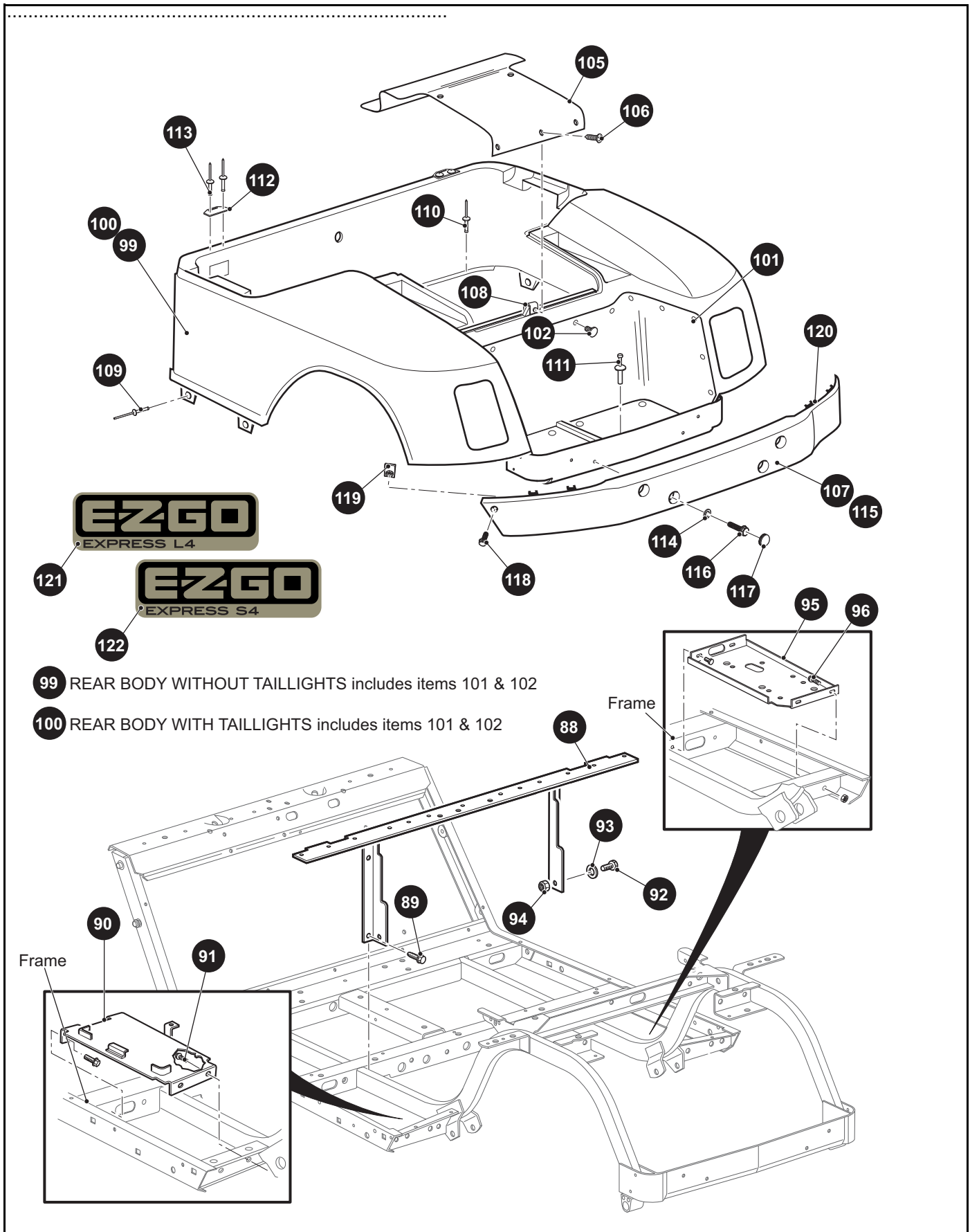
When ordering parts, please specify the model and serial number of the product.

* Indicates a component that is not available as an individual part.

*** Indicates consult Customer Service Department for additional information.

ITEM	PART NO.	1 2 3 4 5	DESCRIPTION	QTY.
61	70135G01		PEDAL PIVOT COVER.....	1
62	74248G01		DEFROSTER/COOLING FAN KIT (NOT ILLUSTRATED).....	1
63	74365G01		GUN HOLDER, FLOOR MOUNT.....	1
64	637535G02		FLOORMAT WITH HORN HOLES	1
65	635054G02		FENDER LINER (PASSENGER SIDE).....	1
66	635054G01		FENDER LINER (DRIVER SIDE)	1
67	16816G2		RATCHET FASTENER, 1/4" X 3/4" LG.....	8
68				
69				
70	75109G04		ASH TRAY KIT (INCLUDES ITEMS 71 - 74)	1
71	27731G01		ASH TRAY	1
72	27736G01		GASKET	1
73	75108G02		BRACKET.....	1
74	00106G6		PAN HEAD PHILLIPS SCREW, #12 - 14 X .75" LG.....	4
75				
76	74533G01		GUN HOLDER (SWIVEL MOUNT) (NOT ILLUSTRATED).....	1
77	618356		ROCKER PANEL (DRIVER SIDE).....	1
78	618357		ROCKER PANEL (PASSENGER SIDE)	1
79	00660G5		FLAT WASHER, #10	2
80	00789G2		TRUSS HEAD PHILLIPS SCREW, #10 - 24 X 1.25" LG	2
81	14390G10		LOCK NUT, #10 - 24	2
82	23726G4		SPACER, 1/4"	8
83	16705G01		TRUSS HEAD PHILLIPS SCREW, 1/4" - 20 X 1" LG	4
84	14390G4		LOCK NUT, 1/4" - 20.....	4
85	15058G6		RIVET (ALUMINUM), 3/16".....	2
86				
87				

BODY



When ordering parts, please specify the model and serial number of the product.

* Indicates a component that is not available as an individual part.

*** Indicates consult Customer Service Department for additional information.

ITEM	PART NO.	1 2 3 4 5	DESCRIPTION	QTY.
88	605694		SEAT FRAME	1
89	00715G2		HEX HEAD BOLT, 5/16" - 18 X 13/16" LG	2
90	652441G03		BATTERY RACK	1
91	00715G2		HEX HEAD BOLT, 5/16" - 18 X 13/16" LG	2
92	00438G6		HEX HEAD BOLT, 5/16" - 18 X 3/4" LG	2
93	00559G8		FLAT WASHER, 5/16"	2
94	11098G6		LOCK NUT (SS), 5/16" - 18	2
95	70244G05		SPLASH PANEL.....	1
96	00715G2		HEX HEAD BOLT, 5/16" - 18 X 13/16" LG	4
97				
98				
99	71912G4**		REAR BODY (WITHOUT TAILLIGHTS) (INCLUDES ITEMS 101 & 102).....	1
100	71331G0**		REARY BODY (WITH TAILLIGHTS) (INCLUDES ITEMS 101 & 102).....	1
101	71318G01		BAGWELL LINER.....	1
102	16816G1		RATCHET FASTENER, 1/4" X 9/16" LG	20
103				
104				
105	71320G01		ACCESS PANEL.....	1
106	01107G01		PAN HEAD TORX SCREW (SS), #8 X 3/8" LG	5
107	71451G02		REAR BUMPER.....	1
108	71364G02		"J" CLIP.....	1
109	10570G12		RIVET (ALUMINUM), 1/4" X 9/16" LG	2
110	10570G10		RIVET (SS), 5/32" X 9/16" LG.....	5
111	18436G1		PLASTIC DRIVE RIVET, 1/4" X 3/4" LG	2
112	71609G01		SEAT HINGE PLATE.....	2
113	10570G11		RIVET (SS), 3/16" X 3/4" LG.....	4
114	00571G2		FLAT WASHER, 5/16"	2
115	71456G01		NOTCHED REAR BUMPER	1
116	71102G01		HEX HEAD BOLT, 1/4" - 20 X 3/4" LG	4
117	71455G01		BUMPER PLUG	4
118	71102G01		HEX HEAD BOLT, 1/4" - 20 X 3/4" LG	2

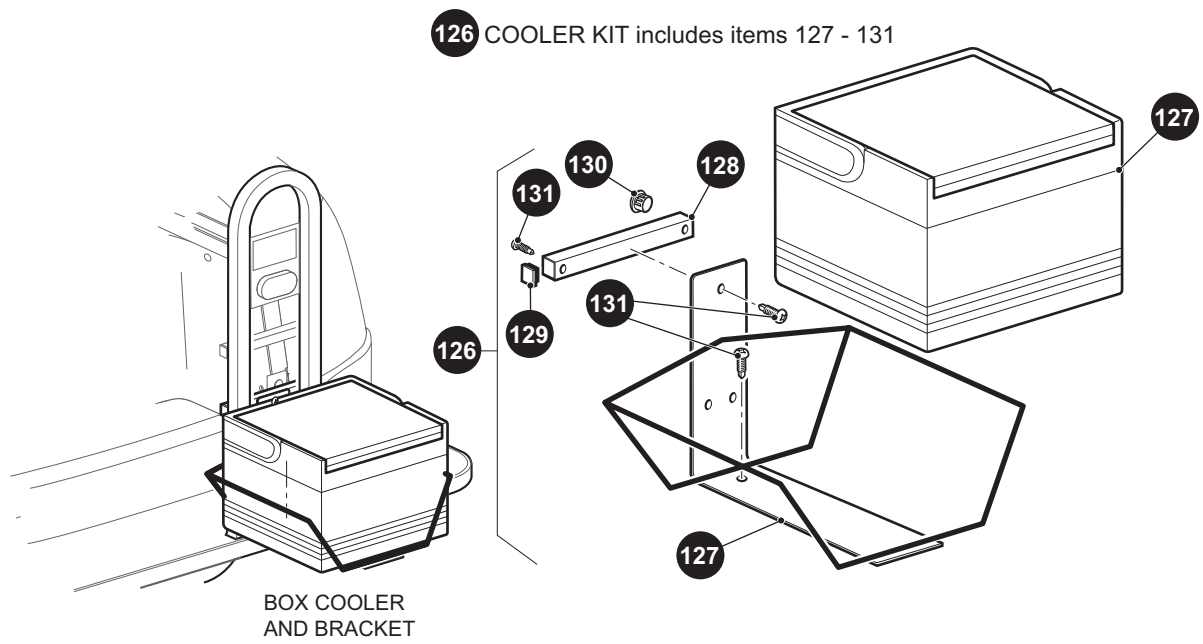
BODY

When ordering parts, please specify the model and serial number of the product.

* Indicates a component that is not available as an individual part.

*** Indicates consult Customer Service Department for additional information.

ITEM	PART NO.	1 2 3 4 5	DESCRIPTION	QTY.
119	71554G01		J-TYPE NUT RETAINER, 1/4" - 20	2
120	71457G01		BUMPER STAY	4
121	619186		E-Z-GO EXPRESS L4 DECAL	2
122	619184		E-Z-GO EXPRESS S4 DECAL.....	2
123				
124				
125				



When ordering parts, please specify the model and serial number of the product.

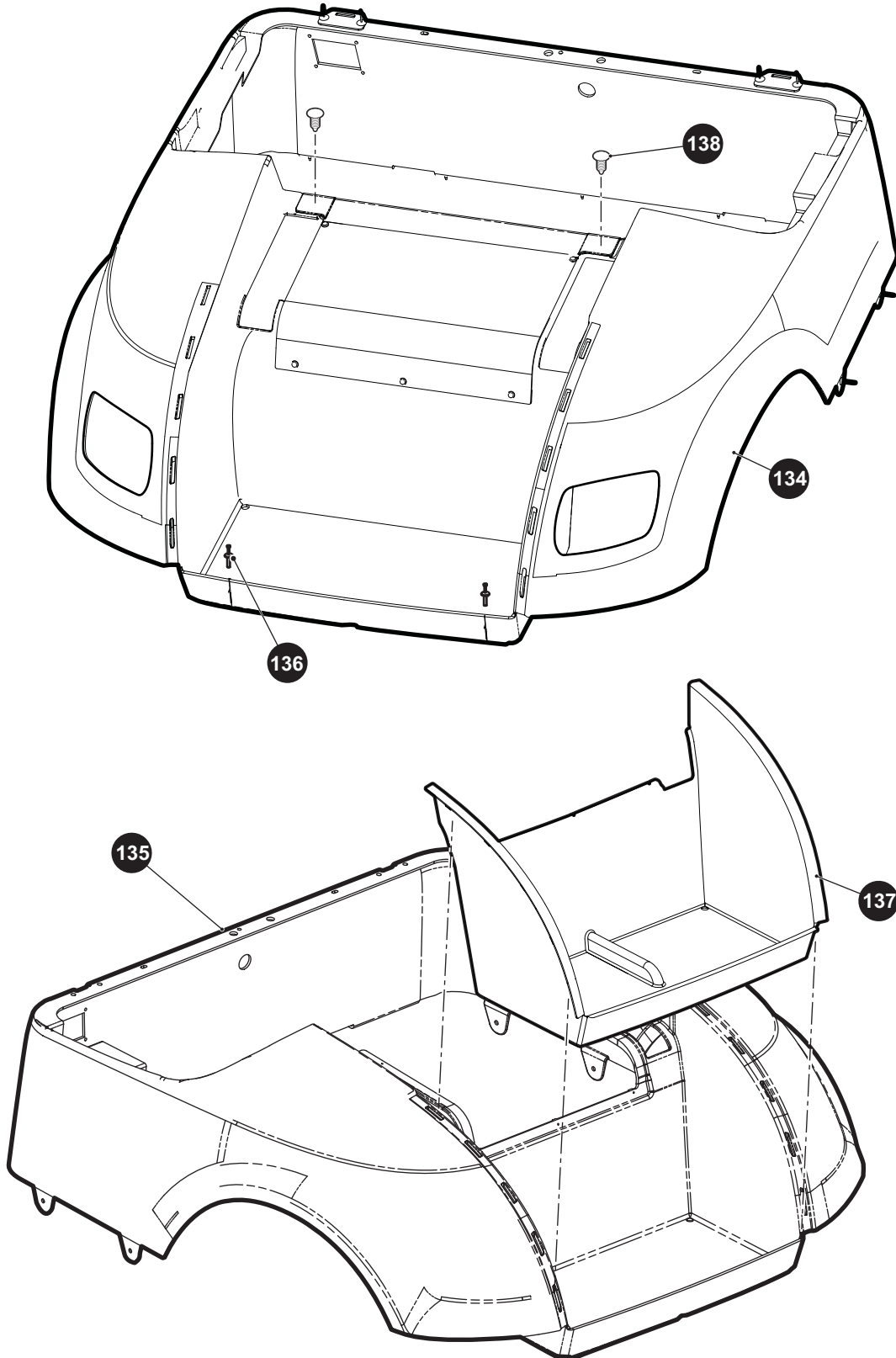
* Indicates a component that is not available as an individual part.

*** Indicates consult Customer Service Department for additional information.

ITEM	PART NO.	1 2 3 4 5	DESCRIPTION	QTY.
126	74581G01		COOLER KIT (INCLUDES ITEMS 127 - 131).....	1
127	71048G01		COOLER & BRACKET KIT (INCLUDES HARDWARE)	1
128	75268G01		SUPPORT TUBE	1
129	19859G1		END CAP, 3/4"	2
130	20271G2		HOLE PLUG, 1/2"	2
131	00106G6		PAN HEAD PHILLIPS SELF DRILLING SCREW, #12 - 24 X 3/4" LG	4
132				
133				

BODY

VEHICLES MANUFACTURED FROM MARCH 2014



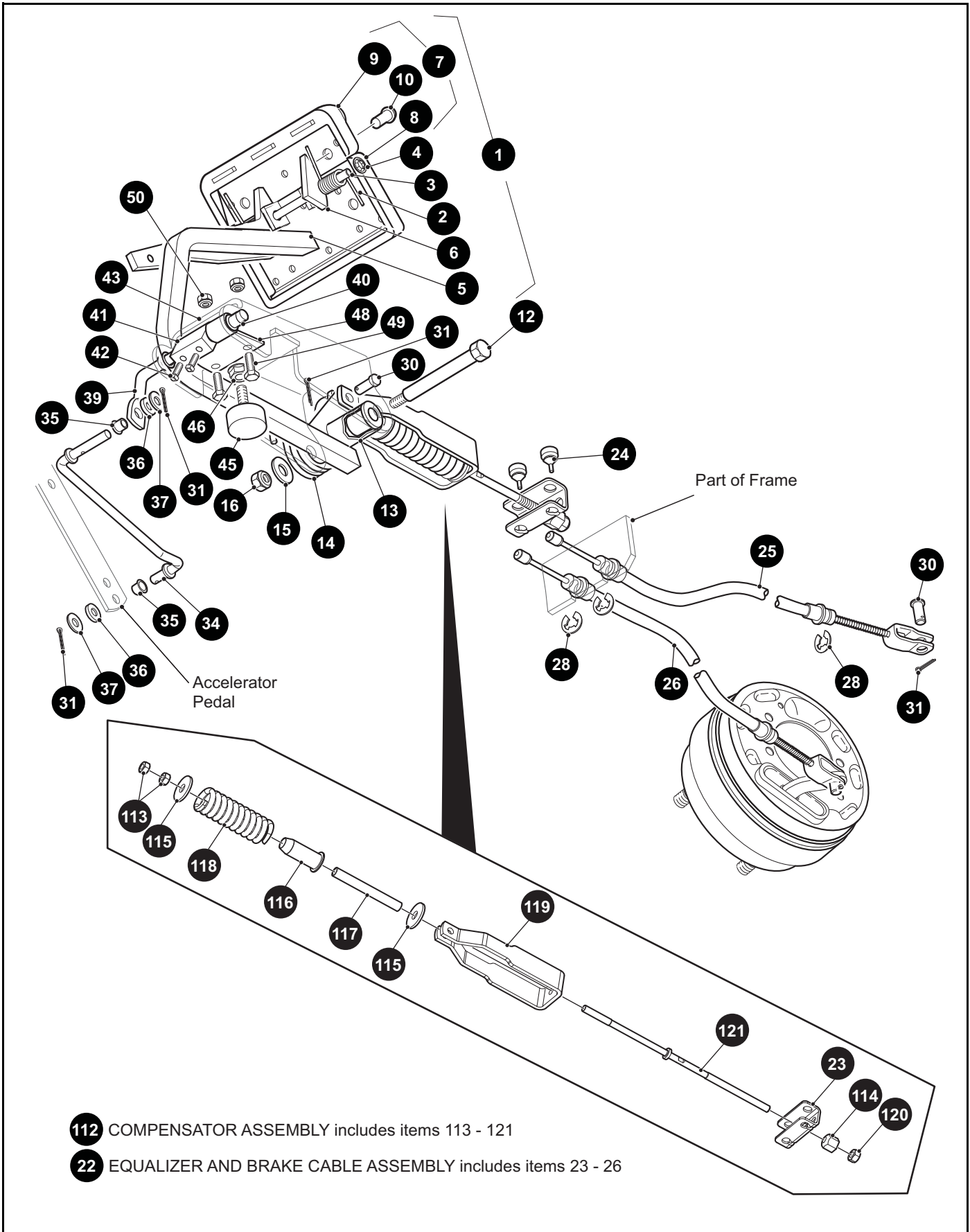
When ordering parts, please specify the model and serial number of the product.

* Indicates a component that is not available as an individual part.

*** Indicates consult Customer Service Department for additional information.

ITEM	PART NO.	1 2 3 4 5	DESCRIPTION	QTY.
134	625272G0XX		REAR BODY (WITH LIGHTS) (FOR VEHICLES MANUFACTURED FROM MARCH 2014).....	1
135	619752G0XX		REAR BODY (FOR VEHICLES MANUFACTURED FROM MARCH 2014).....	1
136	633917		RIVET (FOR VEHICLES MANUFACTURED FROM MARCH 2014)	2
137	624374		BAGWELL LINER (FOR VEHICLES MANUFACTURED FROM MARCH 2014).....	1
138	16816G2		RATCHET RIVET, .25" X .887" (FOR VEHICLES MANUFACTURED FROM MARCH 2014).....	2

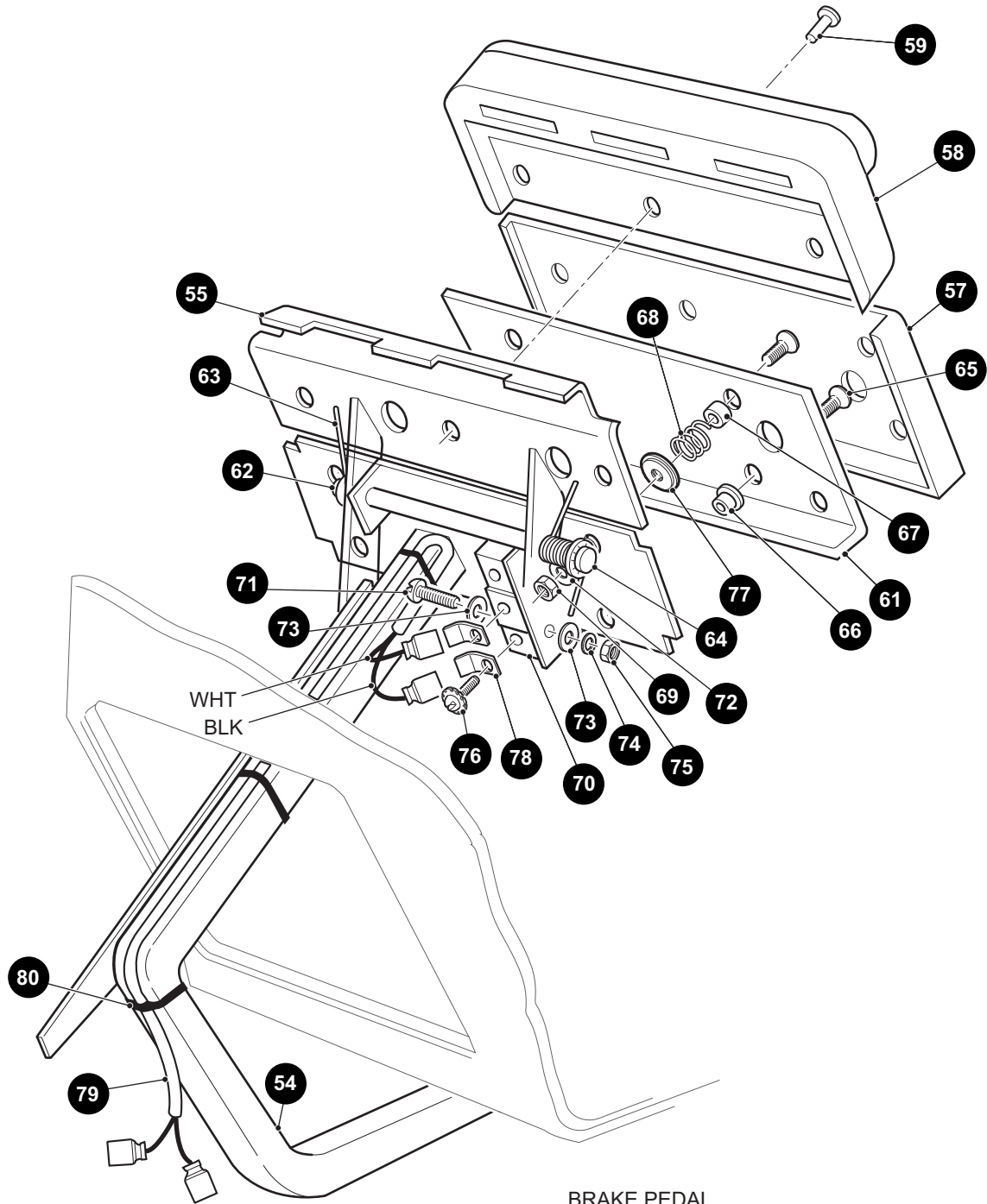
BRAKES



112 COMPENSATOR ASSEMBLY includes items 113 - 121

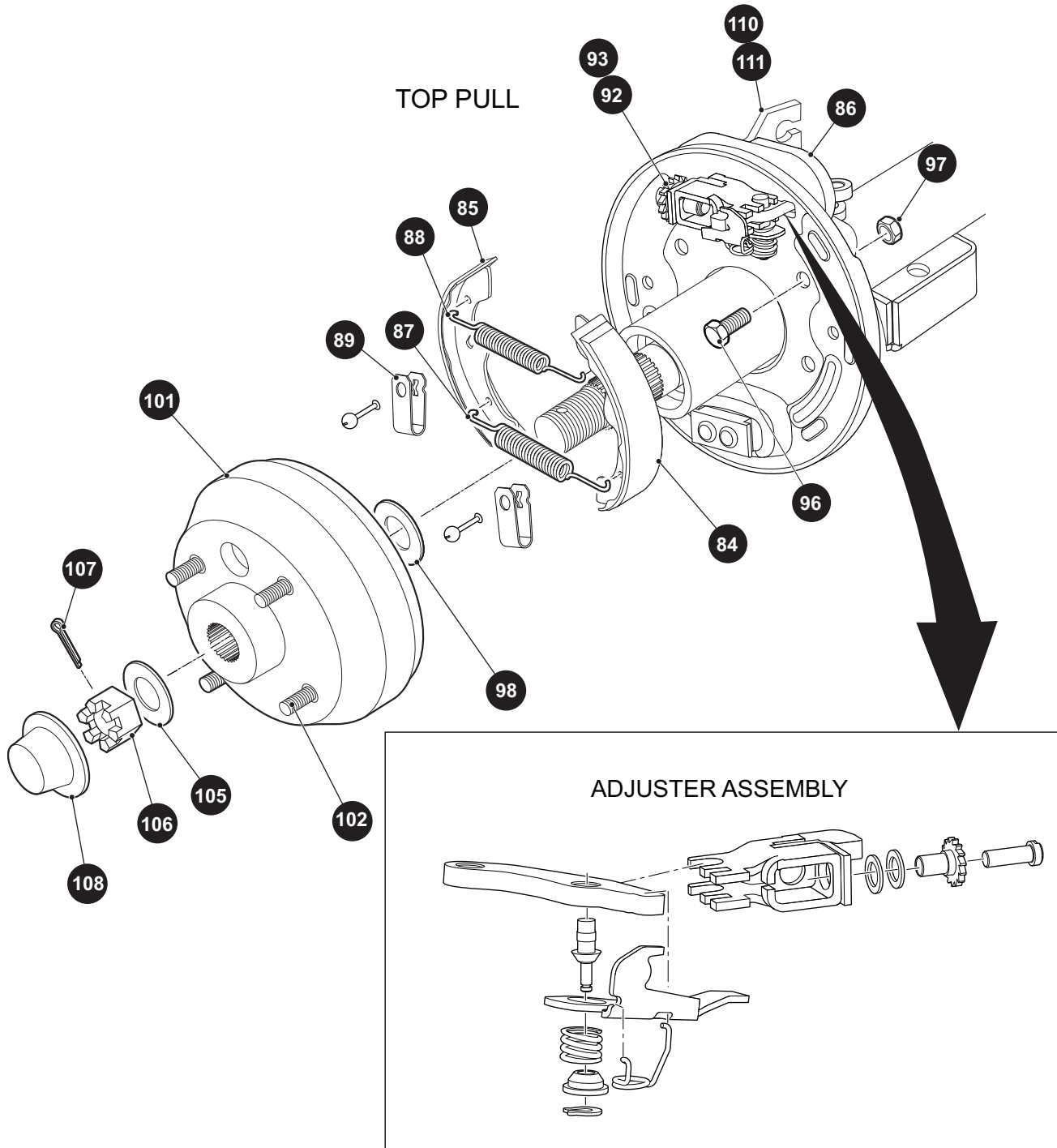
22 EQUALIZER AND BRAKE CABLE ASSEMBLY includes items 23 - 26

53 BRAKE PEDAL ASSEMBLY (WITH BRAKE LIGHTS) includes items 54 - 80



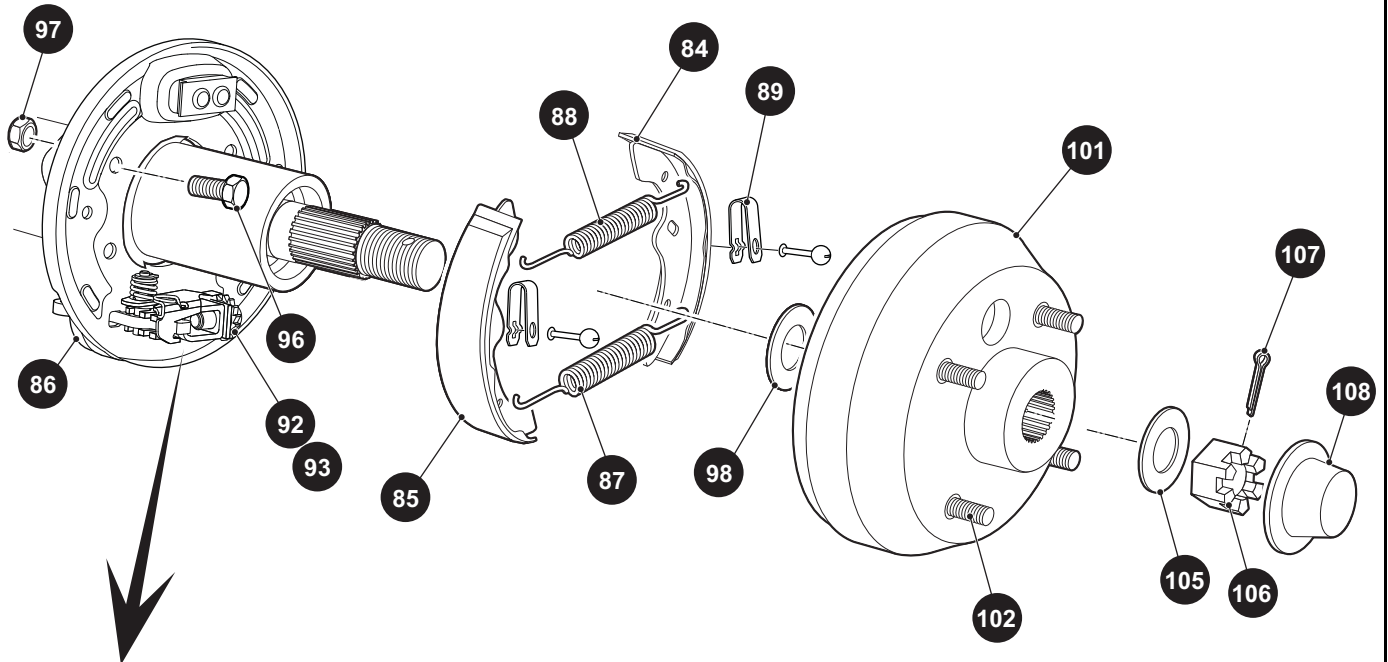
BRAKE PEDAL
(VEHICLE WITH BRAKE LIGHTS)

BRAKES

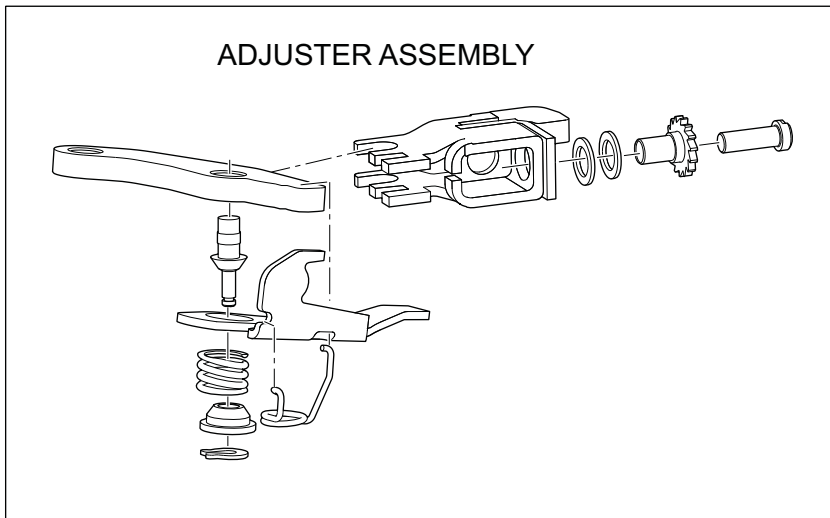


- 82 BRAKE ASSEMBLY DRIVER SIDE includes items 84 - 89, 92
- 83 BRAKE ASSEMBLY PASSENGER SIDE includes items 84 - 89, 93
- 100 BRAKE DRUM ASSEMBLY includes items 101 - 102

BOTTOM PULL



ADJUSTER ASSEMBLY



- 82** BRAKE ASSEMBLY DRIVER SIDE includes items 84 - 89, 92
- 83** BRAKE ASSEMBLY PASSENGER SIDE includes items 84 - 89, 93
- 100** BRAKE DRUM ASSEMBLY includes items 101 - 102

BRAKES

When ordering parts, please specify the model and serial number of the product.

* Indicates a component that is not available as an individual part.

*** Indicates consult Customer Service Department for additional information.

ITEM	PART NO.	1 2 3 4 5	DESCRIPTION	QTY.
1	70612G02		BRAKE PEDAL ASSEMBLY (WITHOUT BRAKE LIGHTS) (INCLUDES ITEMS 2 - 10).....	1
2	70681G01		TORSION SPRING	2
3	70682G01		PIVOT PIN	1
4	658825		PUSHNUT, 5/16"	1
5	652251G03		BRAKE PEDAL	1
6	652253G03		PARK BRAKE PEDAL.....	1
7				
8	70257G01		SERVICE BRAKE PAD	1
9	70256G01		PARK BRAKE PEDAL PAD.....	1
10	16409G1		OVAL RIVET, 3/16" X 3/8" LG	9
11				
12	70582G01		SHOULDER BOLT, 3/8 - 16 X 4" LG (STAINLESS STEEL).....	1
13	70581G01		FLANGED BUSHING	2
14	70676G01		TORSION SPRING	1
15	00643G1		FLAT WASHER, 3/8"	1
16	11098G5		LOCK NUT, 3/8 - 16.....	1
17				
18	12416G2		NYLON WEDGE LOCK CLAMP (NOT ILLUSTRATED)	3
19				
20				
21				
22	624714		EQUALIZER AND BRAKE CABLE ASSEMBLY (INCLUDES ITEMS 23 - 26)	1
23	28082G01		EQUALIZER BRACKET	1
24	28083G01		BRAKE COMPENSATOR BUMPER.....	2
25	624690		BRAKE CABLE (DRIVER SIDE).....	1
26	624703		BRAKE CABLE (PASSENGER SIDE)	1
27				
28	01111G01		RETAINING RING, 13/32" (STAINLESS STEEL).....	4
29				
30	10386G3		CLEVIS PIN, 5/16" X 13/16" LG	3
31	10387G3		COTTER PIN, 3/32" X 3/4" LG	5

BRAKES

When ordering parts, please specify the model and serial number of the product.

* Indicates a component that is not available as an individual part.

*** Indicates consult Customer Service Department for additional information.

ITEM	PART NO.	1 2 3 4 5	DESCRIPTION	QTY.
32				
33				
34	70601G01		KICK-OFF LINK	1
35	17838G1		NYLON BUSHING	2
36	20835G1		TEFLON WASHER, 3/8"	2
37	00559G8		FLAT WASHER, 5/16"	2
38				
39	70098G01		KICK-OFF CAM PIVOT.....	1
40	10097G6		FLANGED BEARING	2
41	70587G01		KICK-OFF CAM	1
42	71215G01		SETSCREW, 1/4 - 20 X 1/2" LG	2
43	14134G4		SPACER.....	1
44				
45	70113G01		ADJUSTABLE BUMPER.....	1
46	11027G1		LOCK NUT, 5/16 - 18	1
47				
48	70080G02		CATCH BRACKET	1
49	00414G6		BOLT, 1/4 - 20 X 3/4" LG.....	2
50	14390G4		LOCK NUT, 1/4 - 20 (STAINLESS STEEL).....	2
51				
52				
53	70690G02		BRAKE PEDAL ASSEMBLY (WITH BRAKE LIGHTS) (INCLUDES ITEMS 54 - 80)	1
54	652791G03		BRAKE PEDAL.....	1
55	652253G03		PARK BRAKE PEDAL	1
56				
57	70257G01		SERVICE BRAKE PAD.....	1
58	70256G01		PARK BRAKE PAD.....	1
59	16409G1		OVAL RIVET, 3/16" x 7/16" LG	9
60				
61	652820		BRAKE PEDAL PLATE.....	1

BRAKES

When ordering parts, please specify the model and serial number of the product.

* Indicates a component that is not available as an individual part.

*** Indicates consult Customer Service Department for additional information.

ITEM	PART NO.	1	2	3	4	5	DESCRIPTION	QTY.
62	70682G01						PIVOT PIN	1
63	70681G01						TORSION SPRING	2
64	658825						PUSHNUT, 5/16"	1
65	00737G8						SCREW, #10 - 24 X 7/8" LG	4
66	00739G1						RUBBER NUT, #10 - 24	2
67	652355						BRAKE PEDAL SPACER	2
68	27137G01						CONICAL SPRING	2
69	14390G10						LOCK NUT, #10 - 24	2
70	10606G8						MICRO SWITCH	1
71	00645-G2						BOLT, #6 - 32 X 1 1/4" LG	2
72	00559G5						FLAT WASHER, #10	2
73	00559G3						FLAT WASHER, #6	4
74	00565G3						LOCK WASHER, #6	2
75	00525G5						NUT, #6 - 32	2
76	13514G1						SCREW AND LOCK WASHER, #6	2
77	00642-G8						FLAT WASHER, 5/16"	2
78	14628G1						FASTON TAB	2
79	24605G1						WIRE HARNESS (BRAKE LIGHT)	1
80	17618G1						WIRE TIE	4
81								
82	612211						BRAKE ASSEMBLY (DRIVER SIDE) (INCLUDES ITEMS 84 - 92, 92)	1
83	612189						BRAKE ASSEMBLY (PASSENGER SIDE) (INCLUDES ITEMS 84 - 91, 93)	1
84	612411						BRAKE SHOE L	2
85	612412						BRAKE SHOE T	2
86	612413						DUST COVER	2
87	612415						BRAKE SPRING	1
88	612414						BRAKE SPRING	1
89	612416						SHOE CLAMP	2
90								
91								
92	612418						GEAR ADJUSTER	1

BRAKES

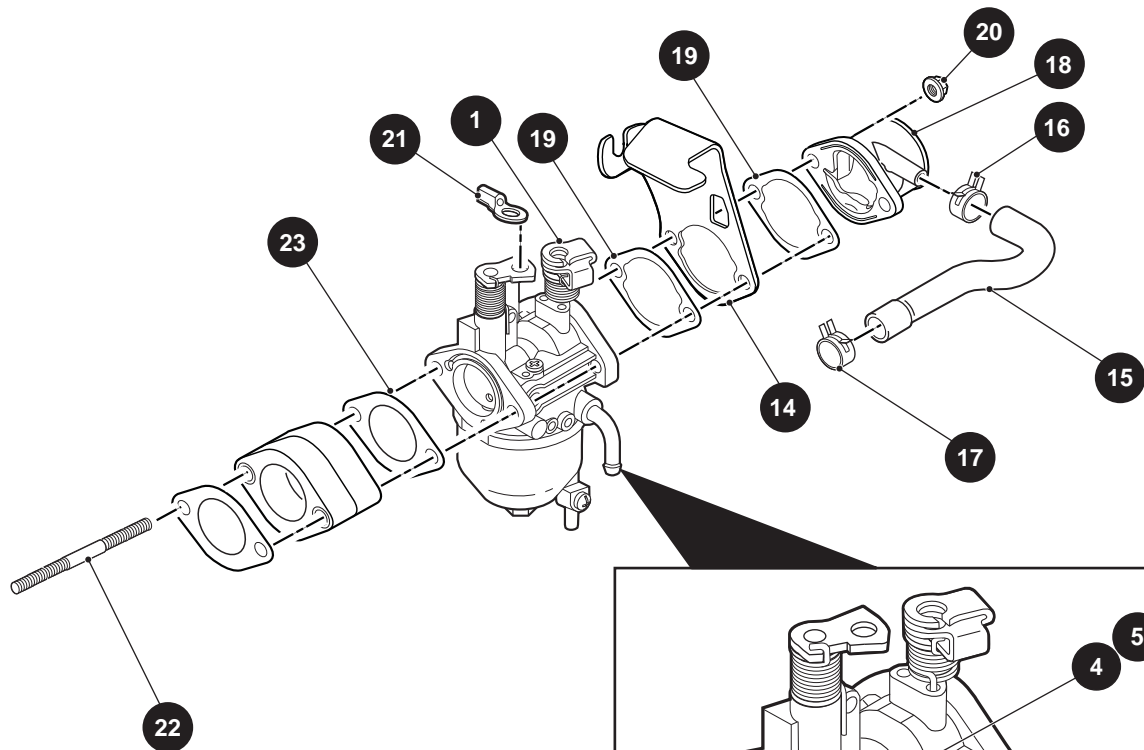
When ordering parts, please specify the model and serial number of the product.

* Indicates a component that is not available as an individual part.

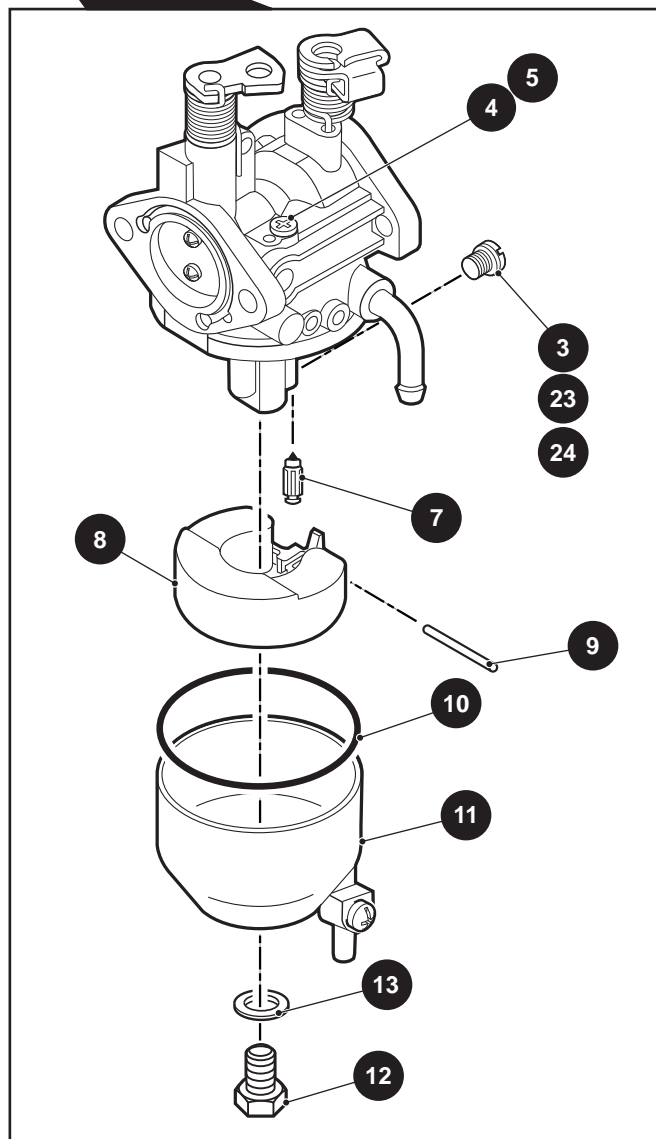
*** Indicates consult Customer Service Department for additional information.

ITEM	PART NO.	1 2 3 4 5	DESCRIPTION	QTY.
93	612417		GEAR ADJUSTER	1
94				
95				
96	17083G2		BOLT, 5/16 - 24 X 1" LG.....	8
97	15126G1		LOCK NUT, 5/16 - 24	8
98	21809G1		INNER BRAKE DRUM WASHER, 1 5/16" OD X 1" ID X 1/32".....	2
99				
100	21807G2		BRAKE DRUM ASSEMBLY (INCLUDES ITEMS 101 - 102)	2
101	*		BRAKE DRUM.....	1
102	19862G2		LUG BOLT, 1/2 - 20 X 1 3/16" LG	4
103				
104				
105	606945		OUTER BRAKE DRUM WASHER.....	2
106	606403		SLOTTED NUT, M22 X 1.5	2
107	10387G1		COTTER PIN, 1/8" X 1 1/2" LG.....	2
108	74175G01		DUST CAP	2
109				
110	652248		BRAKE CABLE BRACKET (PASSENGER SIDE)	1
111	652249		BRAKE CABLE BRACKET (DRIVER SIDE).....	1
112	612558		COMPENSATOR ASSEMBLY (INCLUDES ITEMS 113 - 121).....	1
113	00532G4		HEX NUT.....	2
114	629486		HEX NUT, 5/16 - 24	1
115	15121G1		FLAT WASHER - 5/16	2
116	17979G1		ACCELERATOR ROD BUSHING.....	1
117	23061G2		TUBE	1
118	23463G1		COMPRESSION SPRING	1
119	652256		BRAKE YOKE	1
120	11098G9		HEX LOCK NUT, 5/16 - 24	1
121	612557		COMPENSATOR LINK ROD.....	1

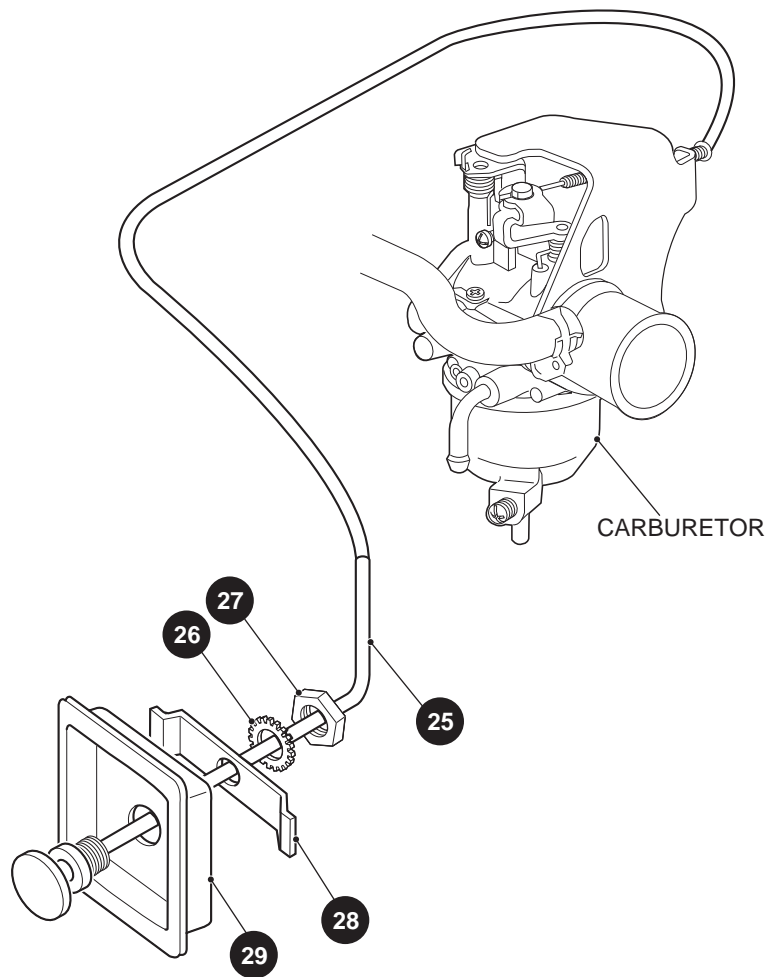
CARBURETOR AND CHOKE



1 CARBURETOR Includes Items 3 - 22



CARBURETOR AND CHOKE



CARBURETOR AND CHOKE

When ordering parts, please specify the model and serial number of the product.

* Indicates a component that is not available as an individual part.

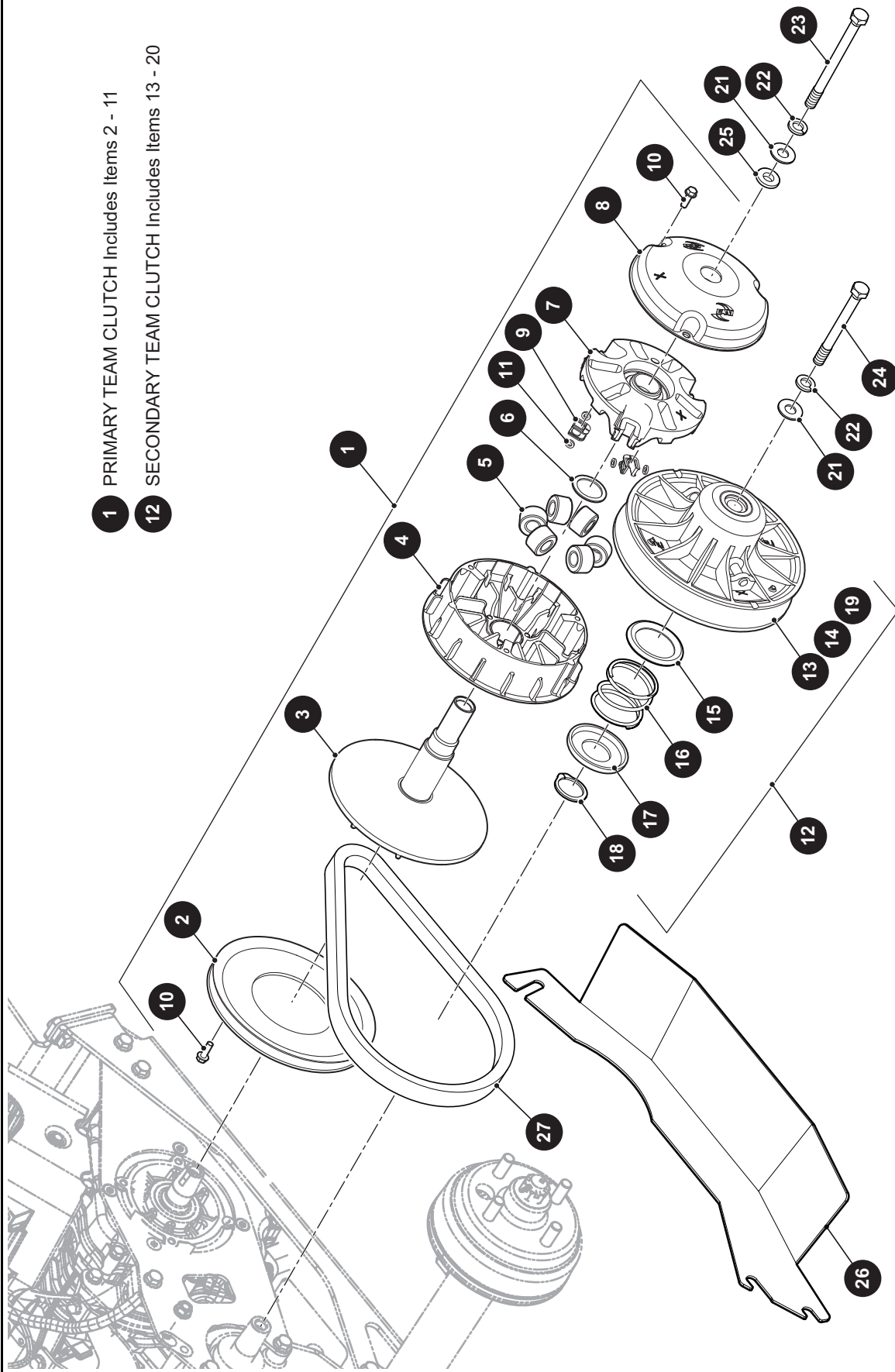
*** Indicates consult Customer Service Department for additional information.

ITEM	PART NO.	1 2 3 4 5	DESCRIPTION	QTY.
1	607955		CARBURETOR (INCLUDES ITEMS 3 - 22).....	1
2				
3	607956		MAIN JET (#106)	1
4	607957		PILOT JET (#52)	1
5	603585		PLUG	1
6				
7	603586		NEEDLE VALVE.....	1
8	603587		FLOAT.....	1
9	603588		FLOAT PIN.....	1
10	603589		FLOAT BOWL GASKET.....	1
11	603590		FLOAT CHAMBER.....	1
12	603592		BOWL SCREW	1
13	603591		BOWL GASKET	1
14	603583		CHOKE BRACKET	1
15	603598		BREATHER TUBE	1
16	603596		CLAMP, INTAKE TUBE.....	1
17	603597		CLAMP CYLINDER HEAD TUBE	1
18	603594		INTAKE TUBE.....	1
19	603593		CHOKE GASKET.....	2
20	603595		NUT, M6 X 1.0.....	2
21	608023		THROTTLE ROD ATTACHMENT BUSHING.....	1
22	603584		STUD BOLT, 6 X 105	2
23	607684		MAIN JET (#102) (FOR ELEVATIONS OF 6000 FT - 10000 FT).....	1
24	607983		MAIN JET (#104) (FOR ELEVATIONS OF 3000 FT - 6000 FT).....	1
25	605868		CHOKE CABLE (SWB)	1
26	00568G4		LOCK WASHER, 9/16"	1
27	00545G4		JAM NUT, 9/16 - 18	1
28	72155G02		RETAINER.....	1
29	72154G01		CHOKE CABLE ADAPTER.....	1

CLUTCH

1 PRIMARY TEAM CLUTCH Includes Items 2 - 11

12 SECONDARY TEAM CLUTCH Includes Items 13 - 20



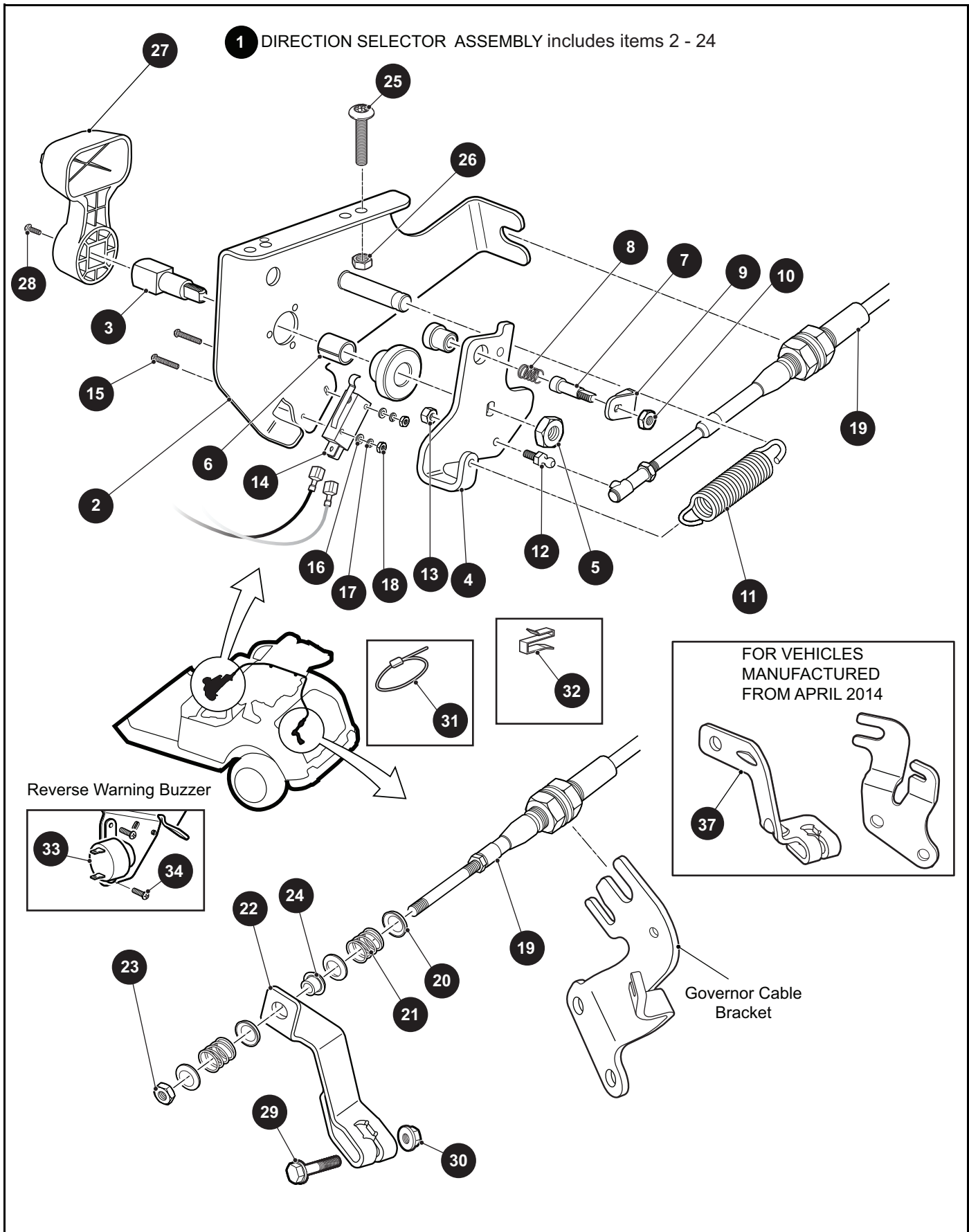
When ordering parts, please specify the model and serial number of the product.

* Indicates a component that is not available as an individual part.

*** Indicates consult Customer Service Department for additional information.

ITEM	PART NO.	1 2 3 4 5	DESCRIPTION	QTY.
1	644301		PRIMARY TEAM CLUTCH (INCLUDES ITEMS 2 - 11).....	1
2	619333		PRIMARY STARTER PULLY, 195 - SVC.....	1
3	619334		STATIONARY ASSEMBLY	1
4	619335		MOVEABLE PRIMARY ASSEMBLY	1
5	624112		SHIFT ROLLER ASSEMBLY.....	6
6	619337		SHIM, 39 5MM X 31 75MM	1
7	644303		PRIMARY SPIDER ASSEMBLY	1
8	619339		PRIMARY DUST COVER ASSEMBLY.....	1
9	644305		BUTTON, TORQUE PRIMARY	6
10	619332		HEX WASHER HEAD BOLT, 1/4" - 20 X 3/4" LG	7
11	644306		PLUG, TORQUE PRIMARY	6
12	623949		SECONDARY TEAM CLUTCH (INCLUDES ITEMS 13 - 20).....	1
13	*		SECONDARY STATIONARY, 9.5.....	1
14	*		MOVEABLE SECONDARY, 9.5.....	1
15	619327		INNER RETAINER SPRING.....	1
16	624111		COMPRESSION SPRING, 2.70" O.D.....	1
17	619329		OUTER SPRING RETAINER	1
18	619330		RETAINER RING.....	1
19	619331		THRUST WASHER, 1 53" x 1 83" x 1"	1
20				
21	606239		CONICAL WASHER, M12	2
22	00566G3		LOCK WASHER (SPRING TYPE), 3/8".....	2
23	606245		HEX HEAD BOLT, M12 - 1 25 X 160MM LG.....	1
24	606243		HEX HEAD BOLT, M12 - 1 25 X 120MM LG.....	1
25	606230		CLUTCH WASHER, 27 5MM O.D. X 13 06MM I.D.	1
26	605950		CLUTCH BELT SHIELD.....	1
27	618630		DRIVE BELT	1

DIRECTION SELECTOR



DIRECTION SELECTOR

When ordering parts, please specify the model and serial number of the product.

* Indicates a component that is not available as an individual part.

*** Indicates consult Customer Service Department for additional information.

ITEM	PART NO.	1 2 3 4 5	DESCRIPTION	QTY.
1	606173		DIRECTION SELECTOR ASSEMBLY (INCLUDES ITEMS 2 - 24)	1
2	606077		DIRECTION SELECTOR BRACKET.....	1
3	70233G01		DIRECTION SELECTOR SHAFT.....	1
4	603700		DIRECTION SELECTOR CAM.....	1
5	14390G1		LOCK NUT, 3/8" - 24	1
6	25664G2		BUSHING, 1/2" X .75" LG	1
7	72724G01		NEUTRAL LOCK PIN	1
8	72733G01		COMPRESSION SPRING, 3/8" X 5/8" LG	1
9	72729G01		NEUTRAL LOCK LATCH.....	1
10	00734G2		LOCK NUT, 1/4" - 28	1
11	28574G01		EXTENSION SPRING	1
12	72732G01		BALL STUD, 1/4".....	1
13	00734G5		LOCK NUT, #10 - 32.....	1
14	72736G01		MICRO SWITCH	1
15	01062G01		SLOTTED MACHINED SCREW, #4 - 40 X 1" LG	2
16	00559G1		FLAT WASHER, #4	2
17	00565G1		LOCK WASHER, #4	2
18	00526G2		HEX NUT, #4 - 40	2
19	605807		DIRECTION SELECTOR CABLE.....	1
20	25727G01		CUP WASHER, 1/4"	4
21	72735G01		COMPRESSION SPRING, 19/32" X 1" LG	2
22	632891		PIVOT BRACKET	1
23	00734G5		LOCK NUT, #10 - 32.....	1
24	22754G4		FLIP LOK BUSHING, .250	1
25	70227G01		SOCKET HEAD SCREW, 1/4" - 20 X 7/8" LG	2
26	11027G2		LOCK NUT, 1/4" - 20.....	2
27	71205G01		DIRECTION SELECTOR HANDLE	1
28	645185		TRUSS HEAD PHILLIPS SCREW, #10 - 32 X 1/2" LG	1
29	606421		HEX HEAD BOLT, M6 - 1 X 30MM LG.....	1
30	450452		HEX NUT, M6 -1.....	1
31	31539G1		NYLON CLAMP, 15.5" LG.....	2

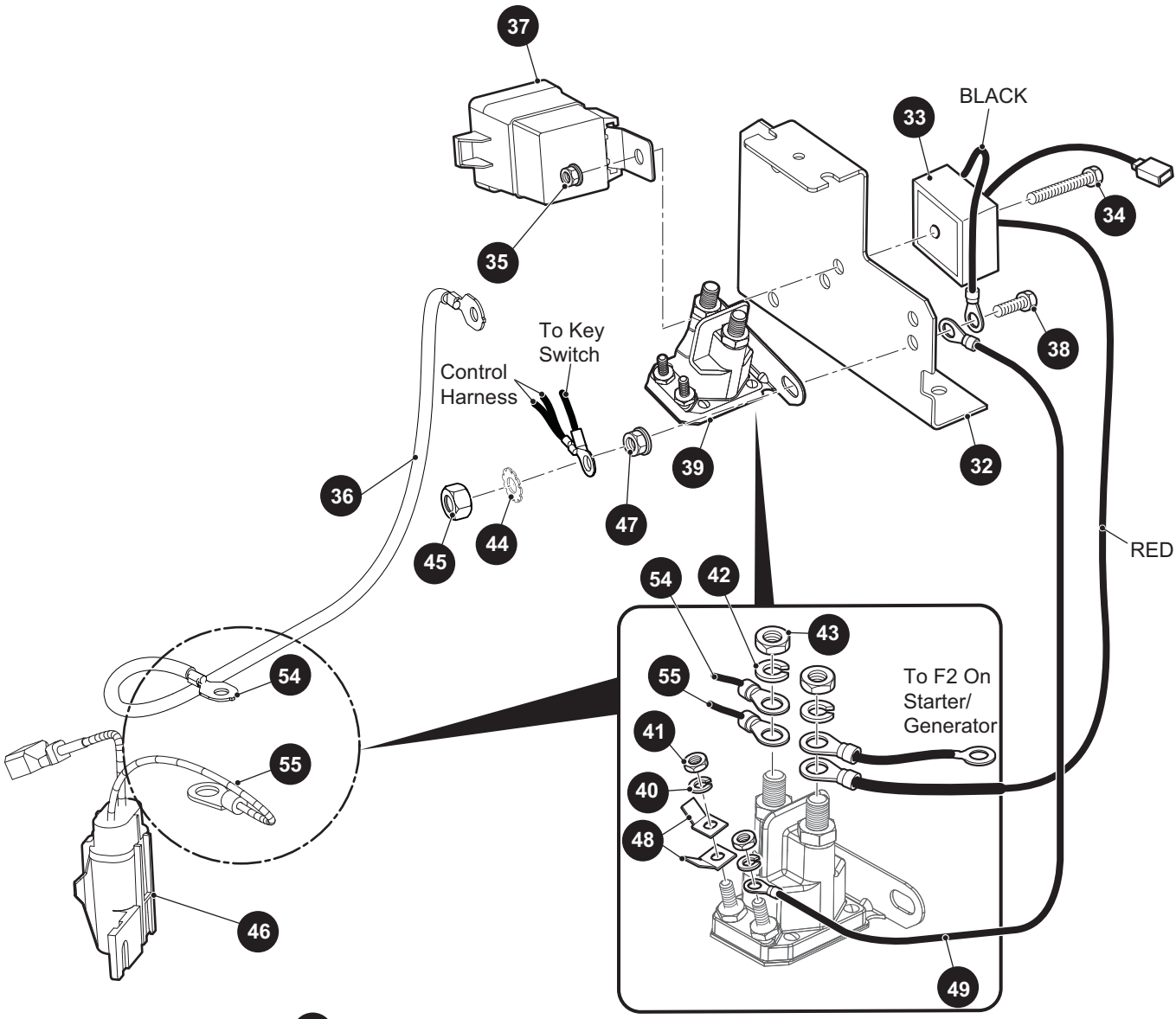
DIRECTION SELECTOR

When ordering parts, please specify the model and serial number of the product.

* Indicates a component that is not available as an individual part.

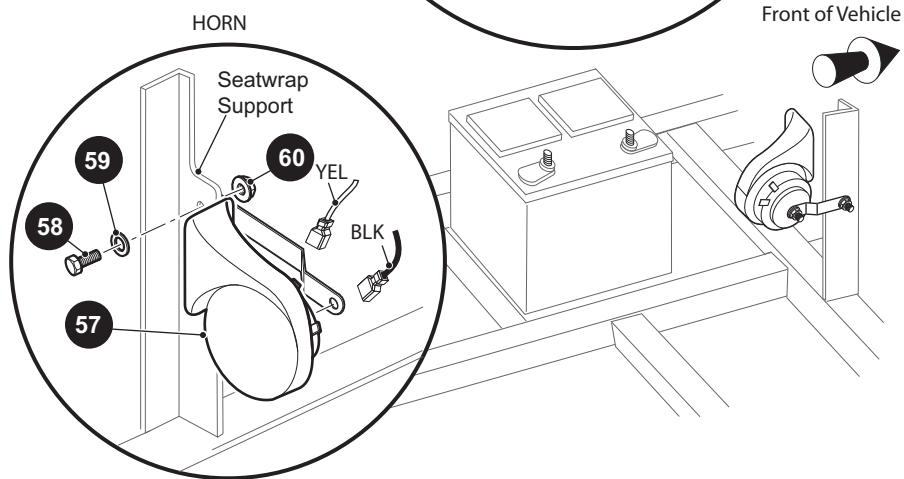
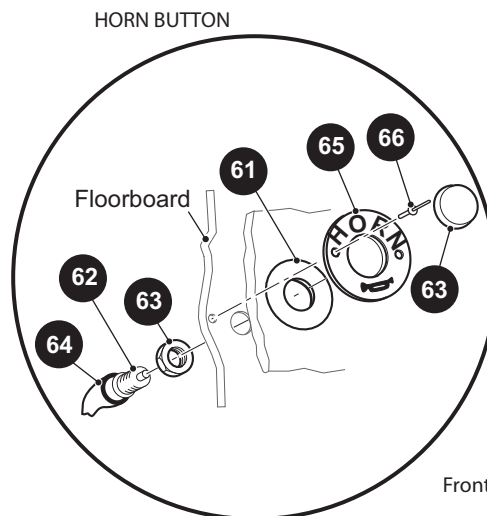
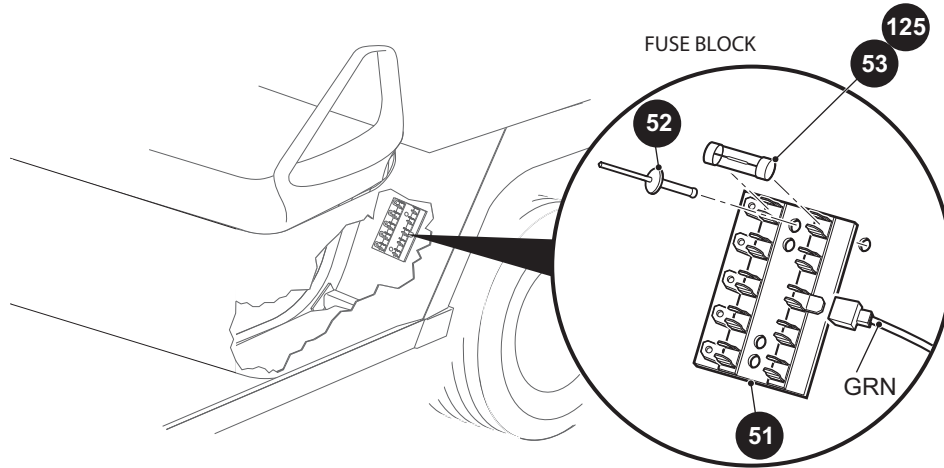
*** Indicates consult Customer Service Department for additional information.

ITEM	PART NO.	1 2 3 4 5	DESCRIPTION	QTY.
32	01072G01		CABLE CLIP.....	1
33	73290G03		REVERSE WARNING BUZZER.....	1
34	01063G01		TAPTITE THREAD SCREW, #6 - 32 X 3/8" LG	2
35	25978G345		18 GA WIRE (RED) (NOT ILLUSTRATED), 7" LG	1
36				
37	632891		DIRECTION SELECTOR PIVOT BRACKET (FOR VEHICLES MANUFACTURED FROM APRIL 2014)	1

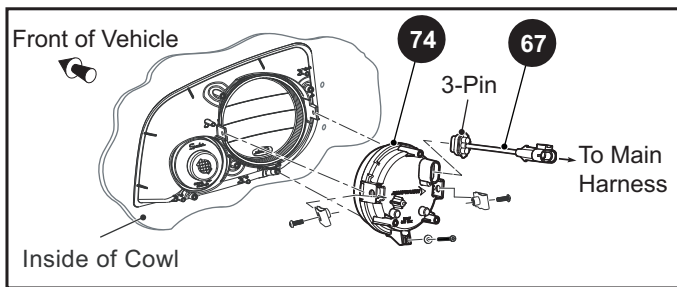
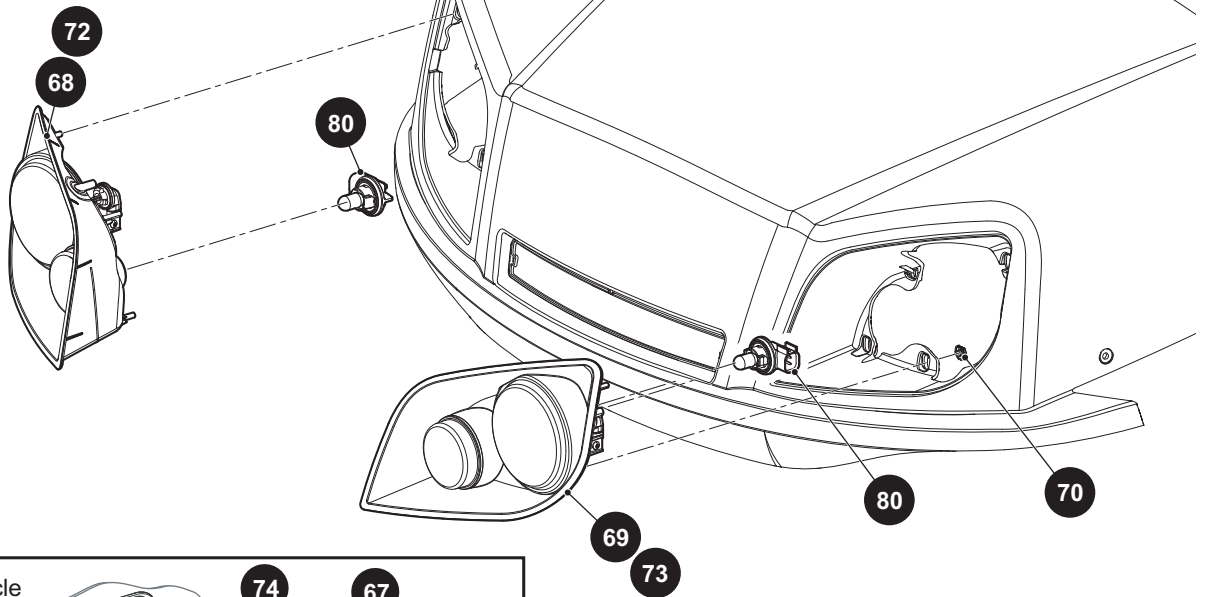


31 ELECTRICAL PLATE ASSEMBLY includes items 32 - 43 and 46 - 49

ELECTRICAL SYSTEM

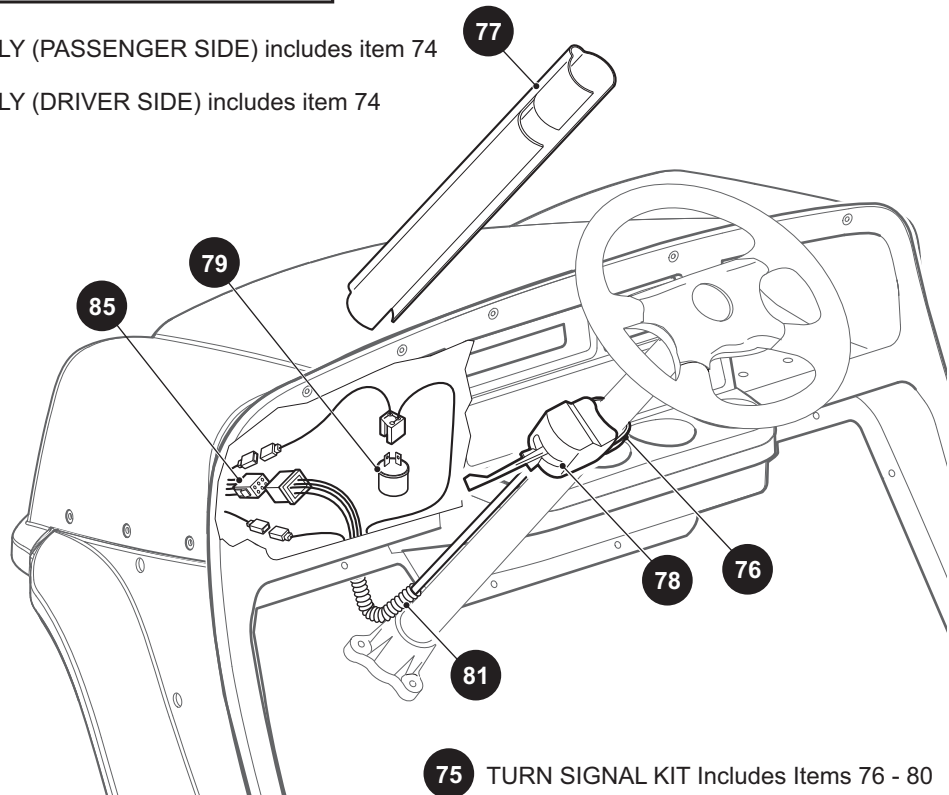


HEAD LIGHT AND TURN SIGNAL



72 LED HEADLIGHT ASSEMBLY (PASSENGER SIDE) includes item 74

73 LED HEADLIGHT ASSEMBLY (DRIVER SIDE) includes item 74

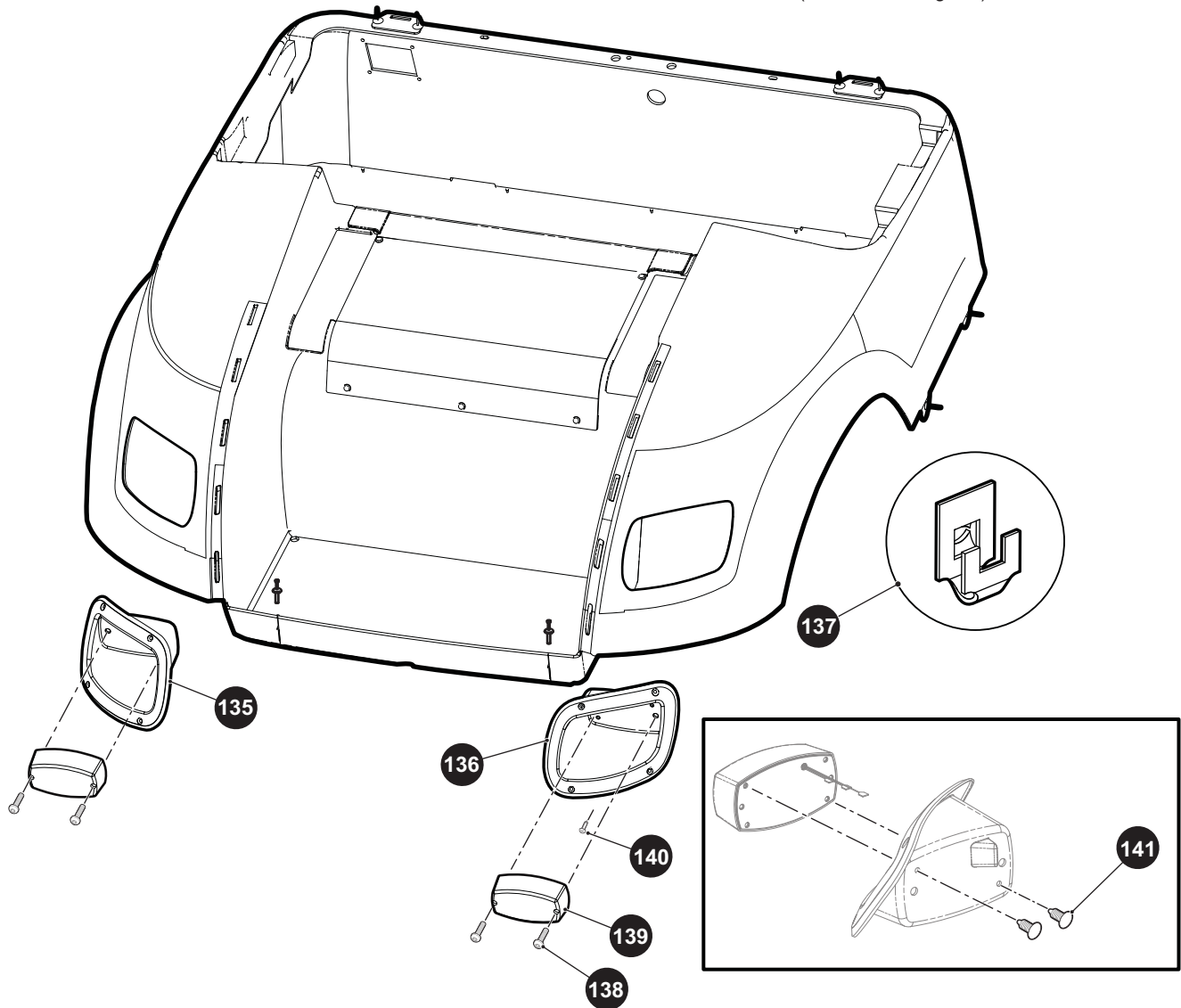
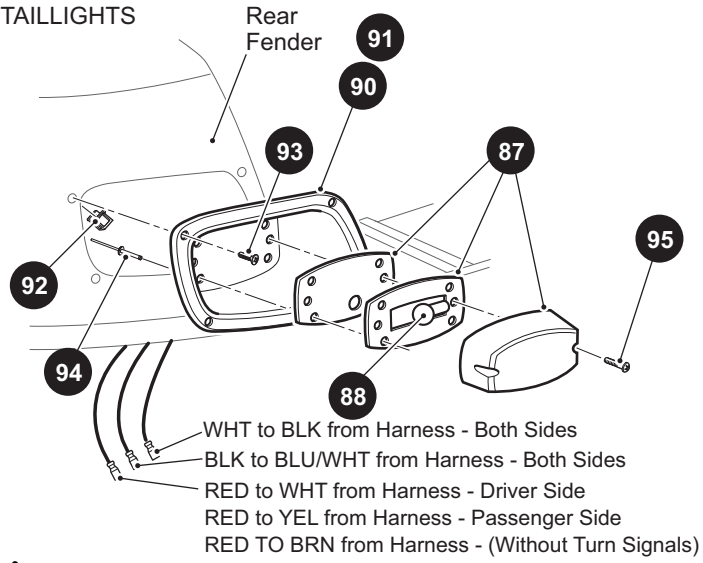


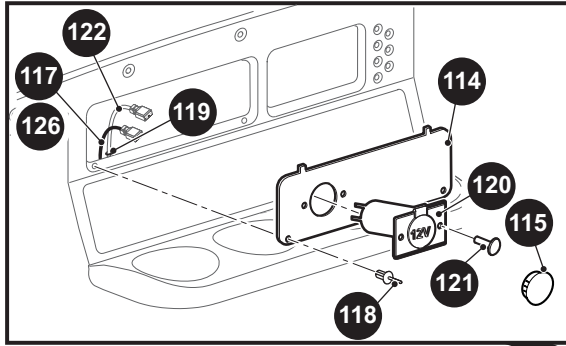
75 TURN SIGNAL KIT Includes Items 76 - 80

ELECTRICAL SYSTEM

TAILLIGHTS

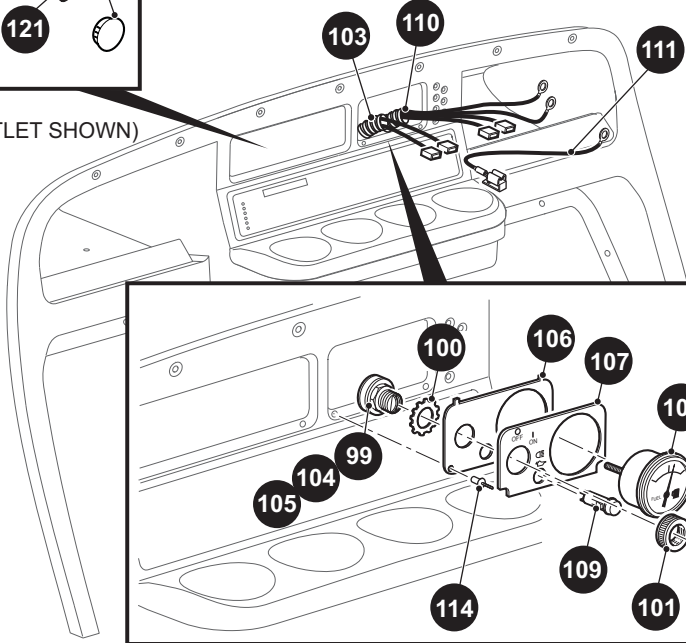
Rear Fender





- 112** CONSOLE PLATE WITHOUT OUTLET includes items 113, 118
- 113** CONSOLE INSERT ASSY WITH PLUG includes items 114, 115
- 116** 12 V OUTLET KIT includes items 117 - 121, 126
- 123** POWER OUTLET 12V includes items 117 - 119, 124 - 126
- 124** CONSOLE INSERT ASSY WITH POWER OUTLET includes items 114, 120 - 121

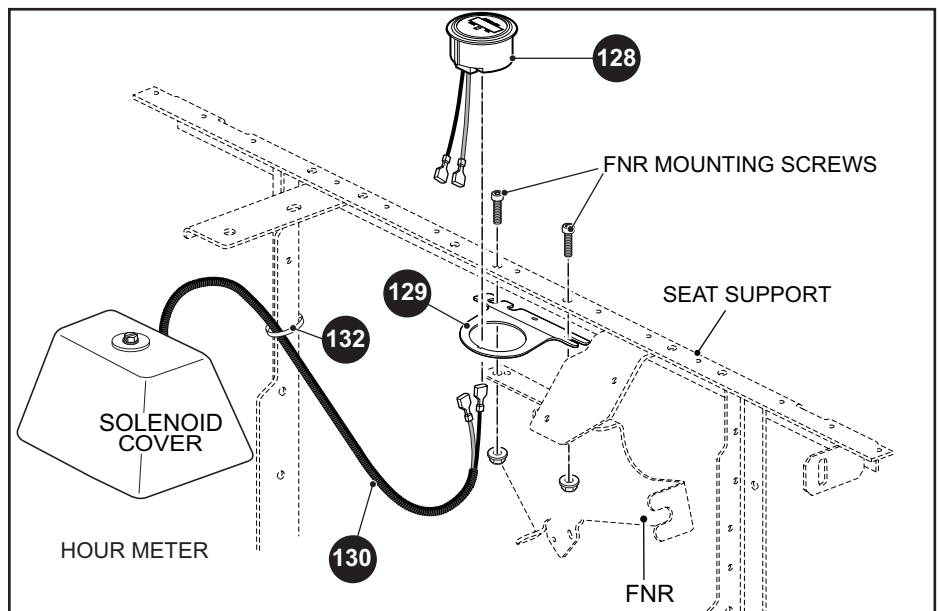
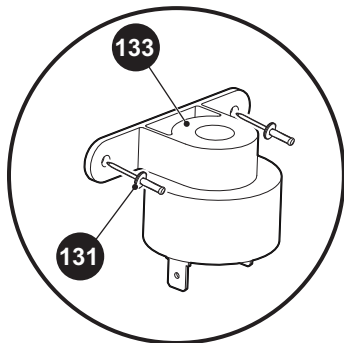
CONSOLE INSERT PLATE (WITH POWER OUTLET SHOWN)



KEY SWITCH, INDICATOR LIGHT(S), AND FUEL GAUGE



- 127** HOUR METER KIT includes items 128 - 130



ELECTRICAL SYSTEM

When ordering parts, please specify the model and serial number of the product.

* Indicates a component that is not available as an individual part.

*** Indicates consult Customer Service Department for additional information.

ITEM	PART NO.	1 2 3 4 5	DESCRIPTION	QTY.
1	607053		6 GA WIRE (BLACK 6", F1 - A2)	1
2	25682G01		TERMINAL COVER.....	3
3				
4				
5	24775G1		BATTERY, 12V (FOR VEHICLES MANUFACTURED BEFORE 18 AUGUST 2014)	1
6	*		BOLT, 5/16" - 18 X 1 1/4" LG	2
7	*		LOCK WASHER (SILICON BRONZE), 5/16".....	2
8	*		NUT (SILICON BRONZE), 5/16" - 18.....	2
9	600497		BATTERY, 12V, HD (FOR VEHICLES MANUFACTURED BEFORE 18 AUGUST 2014)	1
10	72101G02		BATTERY HOLD DOWN	1
11	00438G6		HEX HEAD BOLT, 5/16" - 18 X 3/4" LG.....	3
12	00565G8		LOCK WASHER, 5/16" - 18.....	1
13	00571G2		FLAT WASHER (SS), 5/16"	1
14				
15	645191		GROUND CABLE (FOR VEHICLES MANUFACTURED FROM NOVEMBER 09, 2015).....	1
16	27044G03		GROUND CABLE	1
17	25976G19		14 GA WIRE (BLACK 6").....	1
18	00438G6		HEX HEAD BOLT, 5/16" - 18 X 3/4" LG.....	2
19	11027G1		LOCK NUT, 5/16" - 18	2
20	26676G01		HEX HEAD FLANGED BOLT, M6 X 1.0 X 23 MM LG	1
21				
22	610428		BATTERY BOLT EXTENDER (NOT ILLUSTRATED).....	1
23				
24	605560		WIRE HARNESS (CONTROL).....	1
25	17618G1		WIRE TIE (NOT ILLUSTRATED).....	AR
26	73049G01		COVER (DIRECTION SELECTOR)	1
27	16469G1		FENDER WASHER, 1/4"	1
28	00114G6		HEX HEAD BOLT, 1/4" - 14 X 3/4" LG.....	1
29				
30				
31	605563		ELECTRICAL PLATE ASSEMBLY (INCLUDES ITEMS 32 - 43, 46 - 49).....	1
32	73057G02		BRACKET	1

ELECTRICAL SYSTEM

When ordering parts, please specify the model and serial number of the product.

* Indicates a component that is not available as an individual part.

*** Indicates consult Customer Service Department for additional information.

ITEM	PART NO.	1 2 3 4 5	DESCRIPTION	QTY.
33	27739G01		VOLTAGE REGULATOR	1
34	303459		HEX HEAD BOLT, 1/4" - 20 X 1 1/2" LG.....	1
35	11027G2		LOCK NUT, 1/4" - 20	1
36	645190		WIRE ASSEMBLY 6 AWG	1
37	603282		RELAY	1
38	00661G8		HEX HEAD BOLT, 1/4" - 20 X 1" LG.....	1
39	612813		SOLENOID	1
40	*		LOCK WASHER, #10.....	2
41	*		NUT, #10 - 32	2
42	*		LOCK WASHER, 5/16"	2
43	*		NUT, 5/16" - 24"	2
44	00567G7		LOCK WASHER (EXTERNAL TOOTH TYPE), 1/4"	1
45	00532G1		LOCK NUT, 1/4" - 20	1
46	600418G01		FUSE HOLDER ASSEMBLY	1
47	11027G2		LOCK NUT, 1/4" - 20	1
48	73446G01		FASTON TAB, 90°	2
49	25978G56		18 GA WIRE (BLACK 5 3/4").....	1
50				
51	22674G1		FUSE BLOCK	1
52	01041G01		BULBEX RIVET, 5/32" DIA.....	2
53	18392G1		15 AMP FUSE	3
54	645190		#6 GA WIRE ASSEMBLY	1
55	20216G1		16 GA WIRE (RED).....	1
56				
57	32860G1		HORN.....	1
58	00414G5		HEX HEAD BOLT, 1/4" - 20 X 5/8" LG	1
59	00559G7		FLAT WASHER (SS), 1/4".....	1
60	14390G4		LOCK NUT, 1/4" - 20	1
61	608397		HORN PLATE	1
62	17318G1		HORN SWITCH	1
63	17318G2		HORN SWITCH CAP AND NUT	1
64	27068G01		HORN SWITCH BOOT	1
65	19233G1		HORN SWITCH LABEL	1

ELECTRICAL SYSTEM

When ordering parts, please specify the model and serial number of the product.

* Indicates a component that is not available as an individual part.

*** Indicates consult Customer Service Department for additional information.

ITEM	PART NO.	1 2 3 4 5	DESCRIPTION	QTY.
66	71055G01		RIVET (ALUMINUM), 3/16" X 1" LG.....	2
67	654465		JUMPER HARNESS, LED HEADLIGHT.....	2
68	614497		PASSENGER SIDE HEADLIGHT ASSEMBLY.....	1
69	614501		DRIVER SIDE HEADLIGHT ASSEMBLY.....	1
70	71597G01		SELFTHRADING NUT.....	8
71	71781G02		VINYL TAPE.....	2
72	659008		LED HEADLIGHT ASSEMBLY (PASSENGER SIDE) (INCLUDES ITEM 74) .	1
73	659009		LED HEADLIGHT ASSEMBLY (DRIVER SIDE) (INCLUDES ITEM 74).....	1
74	651411G03		LED HEADLIGHT.....	1
75	622712		TURN SIGNAL KIT (INCLUDES ITEMS 76 - 81).....	1
76	17618G1		NYLON CLAMP.....	2
77	20965G3		STEERING COLUMN COVER.....	1
78	611810		TURN SIGNAL SWITCH ASSEMBLY (INCLUDES ITEM 79).....	1
79	21640G1		TURN SIGNAL FLASHER.....	1
80	619102		TURN SIGNAL ASSEMBLY BULB.....	2
81	32307G3		FLEX ZIP LOOM, 3/8".....	1
82				
83				
84				
85	645193		WIRE HARNESS, LONG (ACCESSORY) (FOR VEHICLES MANUFACTURED FROM NOVEMBER 09, 2015).....	1
86				
87	22288G1		COMPLETE TAIL LIGHT ASSEMBLY (INCLUDES ITEM 13).....	2
88	21759G1		TAILLIGHT BULB.....	1
89				
90	74371G01		BEZEL (DRIVER SIDE).....	1
91	74371G02		BEZEL (PASSENGER SIDE).....	1
92	71364G02		J - CLIP.....	8
93	71425G01		FLAT HEAD PHILLIPS TAPPING SCREW, #8 - 18 X .75" LG.....	8
94	14601G11		RIVET (ALUMINUM), 3/16" X 9/16" LG.....	4
95	00513G4		PAN HEAD SCREW, #8 - 18 X 1 1/2" LG.....	4
96	00439G1		HEX HEAD BOLT, 5/16" - 18 1 1/8" LG (NOT ILLUSTRATED).....	1
97	75048G01		SPACER, .328" X .75" X .50" (NOT ILLUSTRATED).....	1
98	619092		WIRE HARNESS, LONG (ACCESSORY).....	1

ELECTRICAL SYSTEM

When ordering parts, please specify the model and serial number of the product.

* Indicates a component that is not available as an individual part.

*** Indicates consult Customer Service Department for additional information.

ITEM	PART NO.	1 2 3 4 5	DESCRIPTION	QTY.
99	33639G01		IGNITION SWITCH	1
100	00568G6		LOCK WASHER, 3/4"	1
101	17137G1		FACE NUT, 3/4" - 20	1
102	17063G1		IGNITION KEY	1
103	605639		WIRE HARNESS (KEY SWITCH).....	1
104	33639G02		IGNITION SWITCH (GROUP KEY)	1
105	33639G03		IGNITION SWITCH (WITH LIGHTS)	1
106	73030G04		CONSOLE INSERT PLATE (FUEL GAUGE AND OIL LIGHT)	1
107	71131G01		LABEL (OIL LIGHT AND FUEL GAUGE WITH HEADLIGHTS).....	1
108	21553G1		FUEL GAUGE	1
109	23474G1		INDICATOR LIGHT	1
110	74311G01		HARNESS (OIL LIGHT/FUEL GAUGE)	1
111	25978G122		18 GA WIRE (RED 6")	1
112	71079G08		CONSOLE PLATE WITHOUT OUTLET (INCLUDES ITEMS 113, 118)	1
113	74693G02		CONSOLE INSERT ASSY, W/PLUG (INCLUDES ITEMS 114, 115).....	1
114	73522G03		CONSOLE PLATE (E-COAT).....	1
115	20271G10		HOLE PLUG, 1"	1
116	71079G10		12 V OUTLET KIT (INCLUDES ITEMS 117 - 122, 126).....	1
117	71081G01		WIRE HARNESS, POWER OUTLET 12V	1
118	33623G02		DRIVE RIVET, .188"	3
119	17618G1		NYLON CLAMP.....	5
120	71078G01		POWER OUTLET, 12V	1
121	14601G10		RIVET (ALUMINIUM), 5/32"	2
122	35212G01		FUSE, AUTOMTIVE ATC TYPE, 15A.....	1
123	71079G11		POWER OUTLET 12V (INCLUDES ITEMS 117 -119, 124 - 126).....	1
124	74693G01		CONSOLE INSERT ASSY (INCLUDES ITEMS 114, 120 - 121)	1
125	18392G01		GLASS FUSE, 3AG - 15AMP	1
126	645194		WIRE HARNESS, POWER OUTLET 12V (FOR VEHICLES MANUFACTURED FROM NOVEMBER 09, 2015)	1
127	607285		HOUR METER KIT (INCLUDES ITEMS 128 - 130).....	1
128	617074		HOUR METER	1
129	635649		HOUR METER BRACKET.....	1
130	606254		WIRE HARNESS (HOUR METER)	1
131	01041G01		BULBEX RIVET, 5/32" DIA.....	2

ELECTRICAL SYSTEM

When ordering parts, please specify the model and serial number of the product.

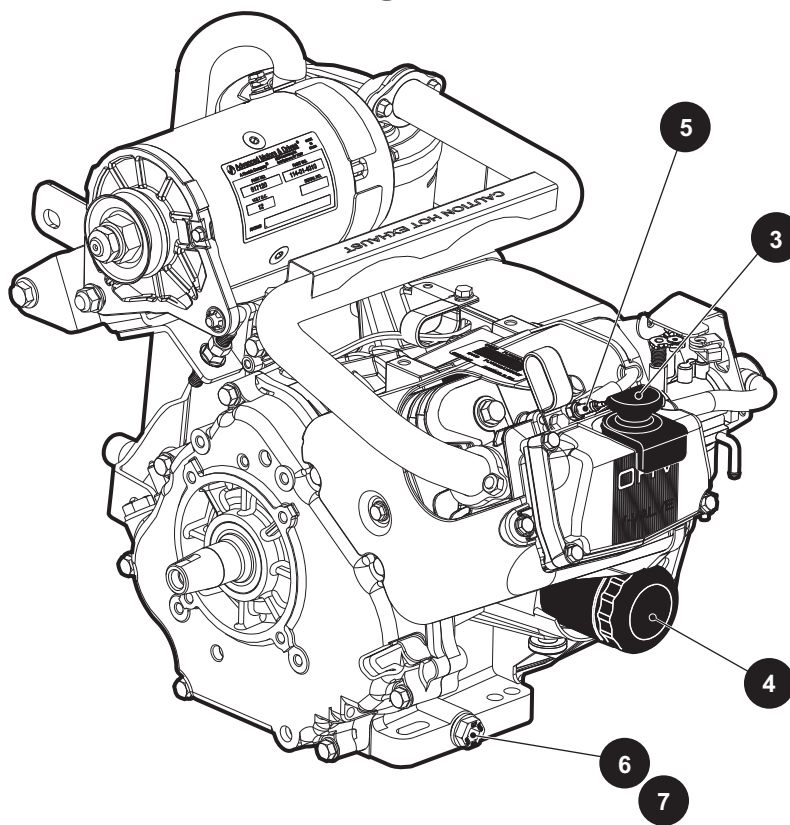
* Indicates a component that is not available as an individual part.

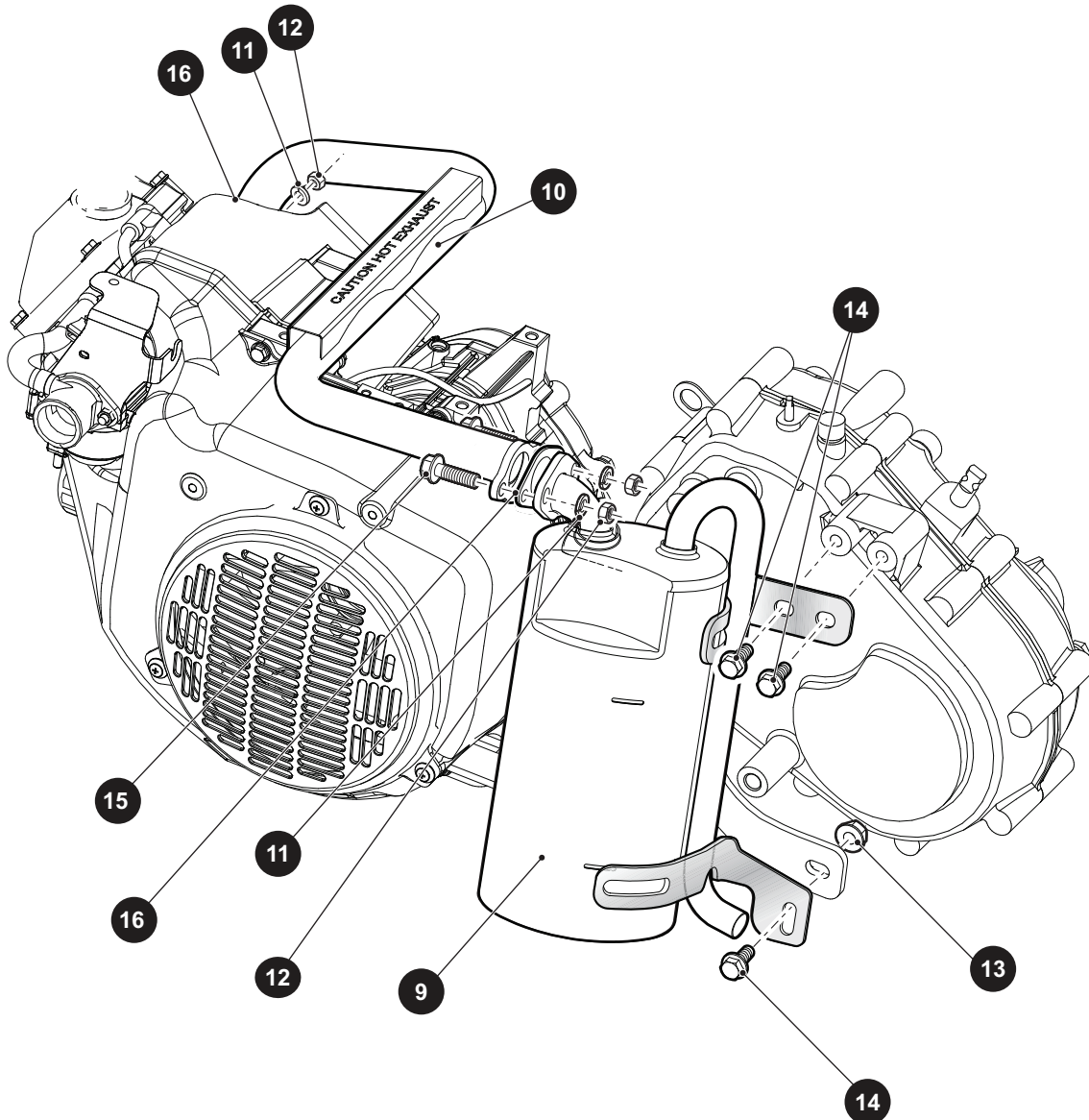
*** Indicates consult Customer Service Department for additional information.

ITEM	PART NO.	1 2 3 4 5	DESCRIPTION	QTY.
132	31539G1		NYLON CLAMP 15.5" (NOT ILLUSTRATED).....	AR
133	73290G03		CONTINUOUS TONE BUZZER.....	1
134	11098G6		LOCK NUT, 5/16" - 18 (NOT ILLUSTRATED)	1
135	625251		BEZEL, TAILLIGHT (DRIVER SIDE) (FOR VEHICLES MANUFACTURED FROM MARCH 2014)	1
136	625252		BEZEL, TAILLIGHT (PASSENGER SIDE) (FOR VEHICLES MANUFACTURED FROM MARCH 2014)	1
137	71364G02		"J" TYPE NUT, #8 (FOR VEHICLES MANUFACTURED FROM MARCH 2014)	8
138	00513G4		PAN HEAD PHILLIPS SCREW, #8 X 1.5" LG (FOR VEHICLES MANUFACTURED FROM MARCH 2014)	4
139	22288G1		TAILLIGHT ASSEMBLY (FOR VEHICLES MANUFACTURED FROM MARCH 2014)	2
140	71425G01		TAPPING SCREW, #8 - 18 X .75" LG (FOR VEHICLES MANUFACTURED FROM MARCH 2014)	8
141	14601G11		RIVET, 3/16" X 9/16" (FOR VEHICLES MANUFACTURED FROM MARCH 2014)	2
142				
143	637484		BATTERY, 12V (FOR VEHICLES MANUFACTURED FROM 18 AUGUST 2014).....	1
144	638433		BATTERY, 12V HD (FOR VEHICLES MANUFACTURED FROM 18 AUGUST 2014).....	1
145	610428		BATTERY BOLT EXTENDER (FOR VEHICLES MANUFACTURED FROM 18 AUGUST 2014).....	2
146	651336		BATTERY BOLT (FOR VEHICLES MANUFACTURED FROM NOVEMBER 09, 2015).....	2
147	614221		FLAT WASHER, 3/8" (FOR VEHICLES MANUFACTURED FROM NOVEMBER 09, 2015).....	2
148	645200		WIRE HARNESS, LONG (ACCESSORY) (NOT ILLUSTRATED) (FOR VEHICLES MANUFACTURED FROM NOVEMBER 09, 2015)	1

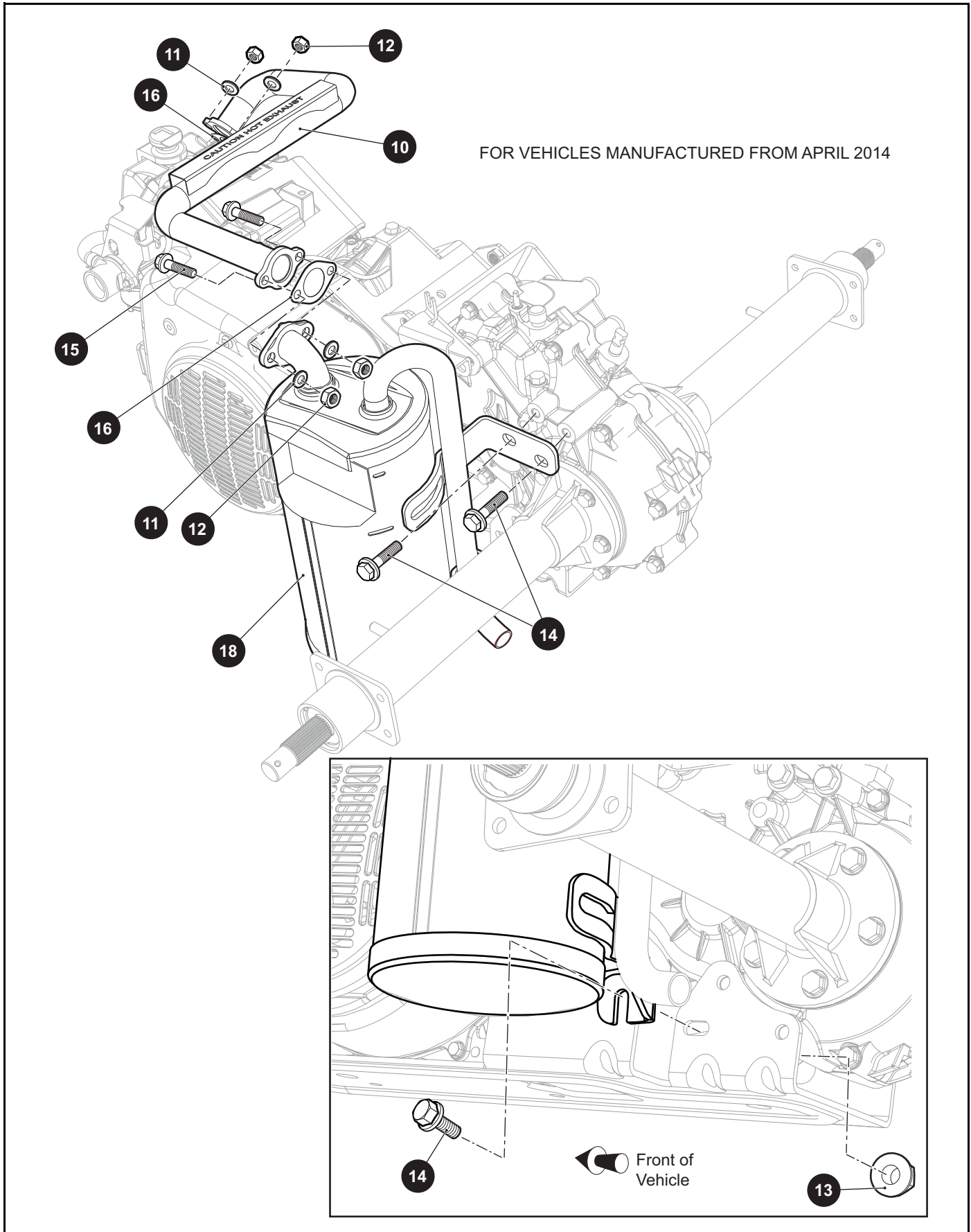
ENGINE AND MUFFLER

1 GAS ENGINE includes items 4 - 7





ENGINE AND MUFFLER



ENGINE AND MUFFLER

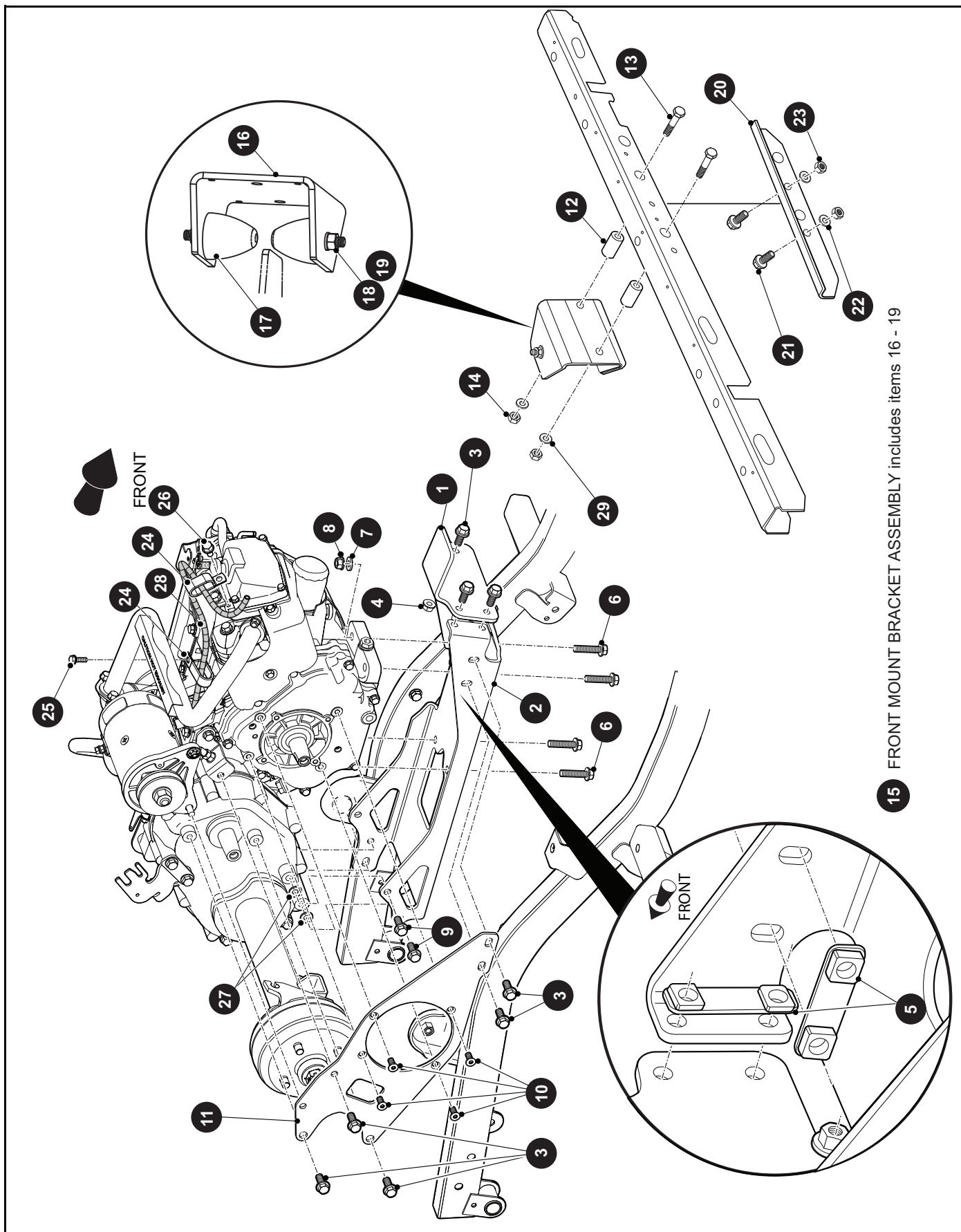
When ordering parts, please specify the model and serial number of the product.

* Indicates a component that is not available as an individual part.

*** Indicates consult Customer Service Department for additional information.

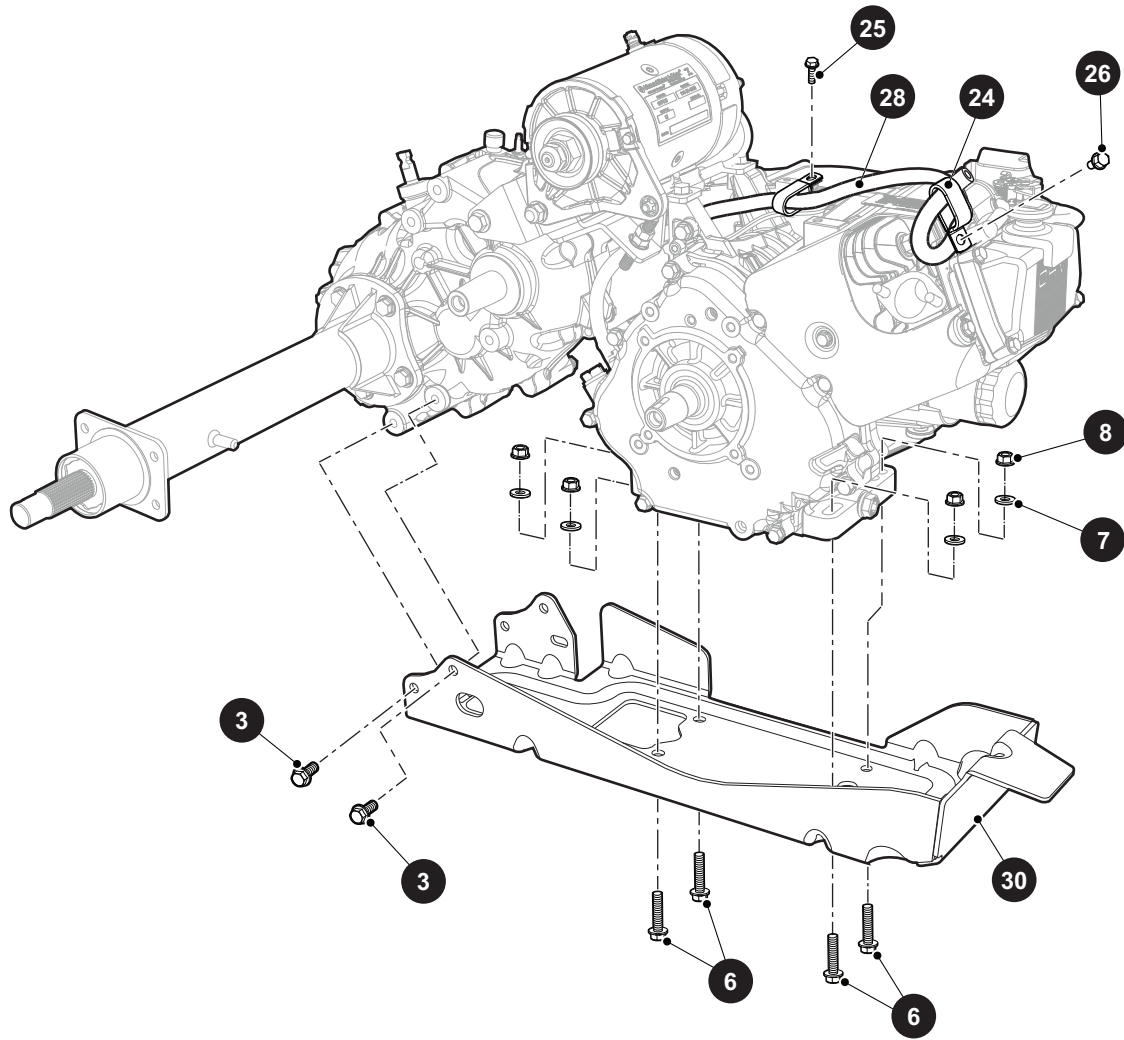
ITEM	PART NO.	1 2 3 4 5	DESCRIPTION	QTY.
1	633740		ENGINE, GAS, 13HP, NON-GOLF (INCLUDES ITEMS 3 - 7)	1
2				
3	606391		DIP STICK, HIGH	1
4	607454		OIL FILTER	1
5	607462		SPARK PLUG (BPR2ES)	1
6	603557		OIL DRAIN PLUG	1
7	603562		'O' RING, 16MM.....	1
8				
9	612266		MUFFLER	1
10	606982		EXHAUST PIPE	1
11	606272		LOCK WASHER, 8MM.....	4
12	606267		HEX NUT, M8 X 1.25	4
13	606279		HEX NUT, M10 - 1.25.....	1
14	606256		HEX HEAD BOLT, M10 - 1.25 X 25MM LG.....	3
15	602330		HEX HEAD BOLT, M8 - 1.25 X 30MM LG.....	2
16	603599		EXHAUST GASKET.....	2
17				
18	630970		MUFFLER (FOR VEHICLES MANUFACTURED FROM APRIL 2014)	1

ENGINE MOUNTING



15 FRONT MOUNT BRACKET ASSEMBLY includes items 16 - 19

FOR VEHICLES MANUFACTURED FROM APRIL 2014



ENGINE MOUNTING

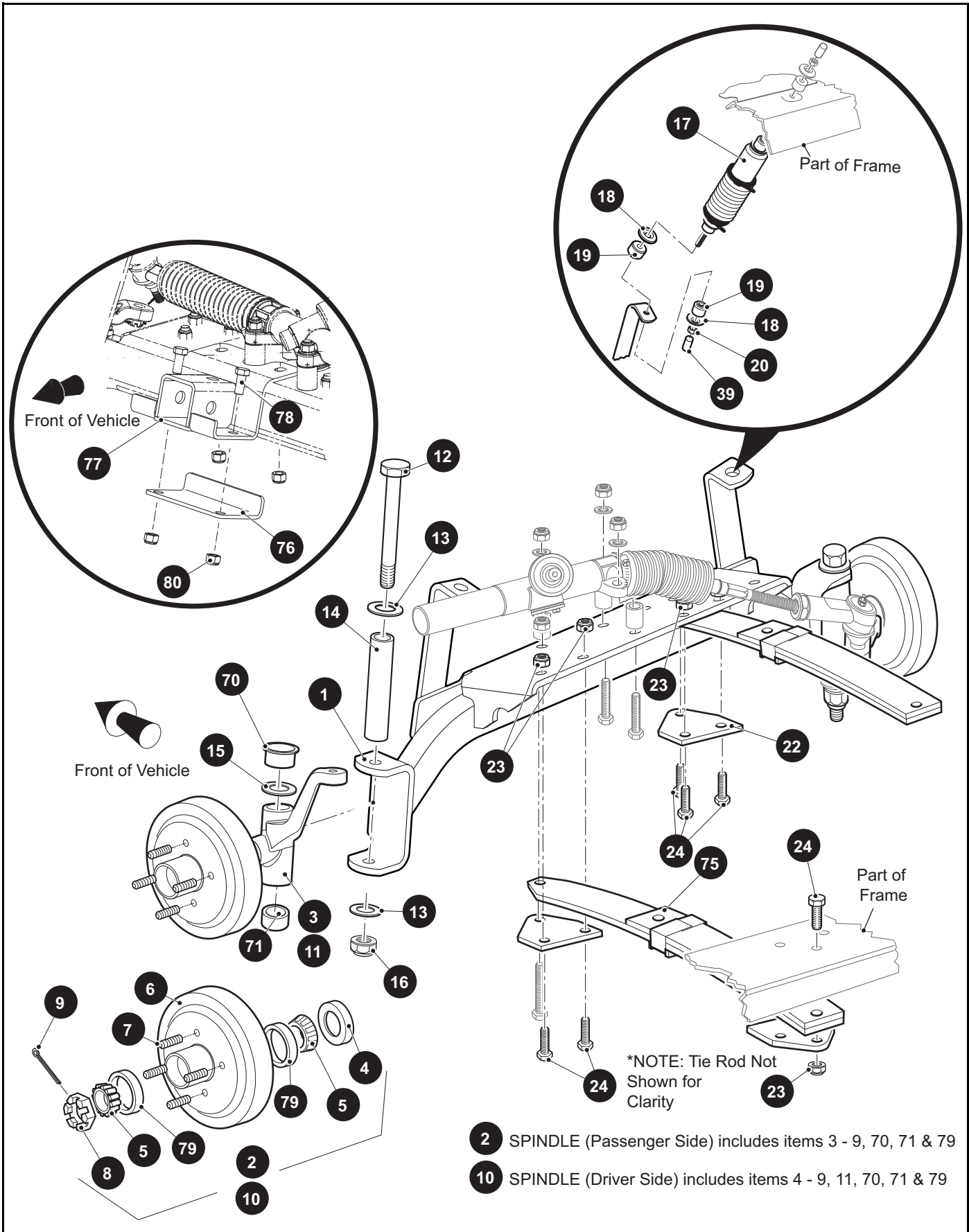
When ordering parts, please specify the model and serial number of the product.

* Indicates a component that is not available as an individual part.

*** Indicates consult Customer Service Department for additional information.

ITEM	PART NO.	1 2 3 4 5	DESCRIPTION	QTY.
1	606007		FRONT ENGINE MOUNT	1
2	603101		ENGINE PAN MOUNT.....	1
3	606256		BOLT, M10 - 1.25 X 25	8
4	606279		NUT, M10 - 1.25	1
5	606096		NUT PLATE	2
6	606259		BOLT, M10 - 1.25 X 45	4
7	603823		FLAT WASHER, M10 X 22 - 2.5.....	4
8	606279		NUT, M10 - 1.25	4
9	608020		BOLT, M10 - 1.25 X 34	4
10	606246		FLAT HEAD SCREW, 5/16" X 4"	4
11	602146		DIFFERENTIAL PLATE	1
12	72016G01		TUBE SPACER	2
13	00428G8		HEX HEAD 3/8 - 16 X 2.75"	2
14	11098G5		PLASTIC INSERT LOCK NUT, 3/8-16"	2
15	627627		FRONT MOUNT BRACKET ASSEMBLY (INCLUDES ITEMS 16 - 19).....	1
16	625345		FRONT MOUNT BRACKET.....	1
17	605757		RUBBER BUMPER.....	2
18	00974G01		HEX NUT, M10 X 1.5	2
19	608654		SPLIT LOCK WASHER, 10MM.....	2
20	652247		CROSSMEMBER BRACE.....	1
21	00438G7		SCREW, CAP HEX HEAD 5/16 - 18 UNC.....	2
22	00559G8		FLAT WASHER, 5/16"	2
23	01109G01		PLASTIC INSERT LOCK NUT, 5/16-18 UNC-2B.....	2
24	606962		TUBE CLAMP, DBL - 0.72	2
25	606264		BOLT, HXFL M6 - 1 X 20	1
26	606265		BOLT, HXFL M6 - 1 X 12	1
27	00560G2		B TYPE NARROW FLAT WASHER, 7/16" X .25.....	2
28	27184G12		TUBE, (FUEL SYSTEM).....	1
29	00643G1		FLAT WASHER, 3/8 X 1.0 X .063.....	2
30	630776		ENGINE PAN (FOR VEHICLES MANUFACTURED FROM APRIL 2014)	1

FRONT SUSPENSION AND STEERING

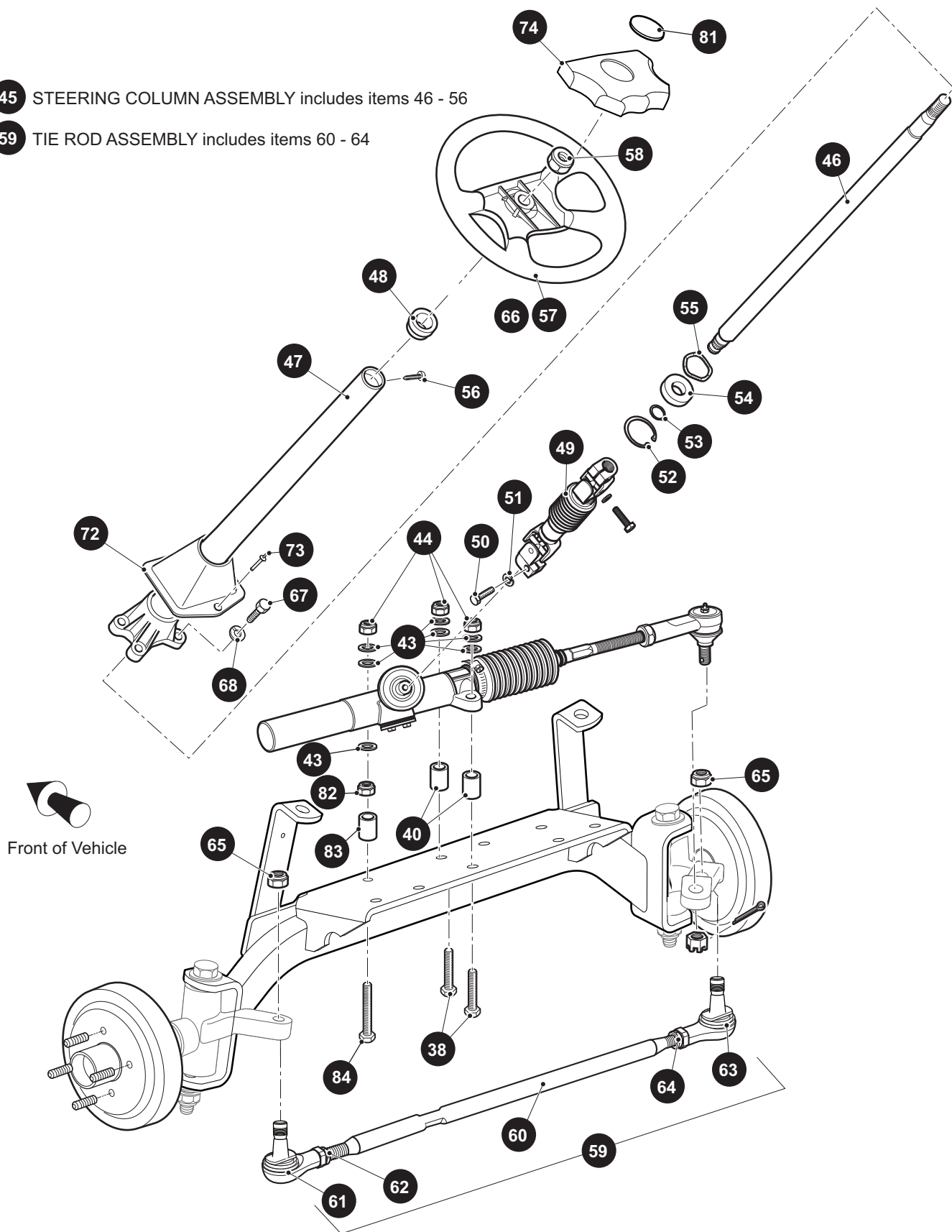


- 2** SPINDLE (Passenger Side) includes items 3 - 9, 70, 71 & 79
- 10** SPINDLE (Driver Side) includes items 4 - 9, 11, 70, 71 & 79

FRONT SUSPENSION AND STEERING

45 STEERING COLUMN ASSEMBLY includes items 46 - 56

59 TIE ROD ASSEMBLY includes items 60 - 64



FRONT SUSPENSION AND STEERING

When ordering parts, please specify the model and serial number of the product.

* Indicates a component that is not available as an individual part.

*** Indicates consult Customer Service Department for additional information.

ITEM	PART NO.	1 2 3 4 5	DESCRIPTION	QTY.
1	652823		FRONT AXLE	1
2	70930G02		SPINDLE AND HUB ASSEMBLY (PASSENGER SIDE) (INCLUDES ITEMS 3 - 9, 70, 71 & 79)	1
3	70802G01		SPINDLE ASSEMBLY (PASSENGER SIDE)	1
4	25146G1		GREASE SEAL	1
5	11750G2		ROLLER BEARING AND RACE ASSEMBLY	2
6	74332G01		WHEEL HUB	1
7	36038G01		DRIVE FLANGE STUD	4
8	12093G1		CASTLE NUT, 1" - 14.....	1
9	00798G8		COTTER PIN, 5/32" X 1 3/4" LG.....	1
10	70931G02		SPINDLE AND HUB ASSEMBLY (DRIVER SIDE) (INCLUDES ITEMS 4 - 9, 11, 70, 71 & 79).....	1
11	70803G01		SPINDLE ASSEMBLY (DRIVER SIDE)	1
12	00407G6		KING PIN BOLT, 1/2" - 13 X 6" LG	2
13	00560G3		FLAT WASHER, 1/2"	4
14	70745G01		KING PIN TUBE	2
15	70754G01		THRUST WASHER, 1" (SS)	2
16	14390G6		LOCK NUT, 1/2" - 13	2
17	76419G01		SHOCK ABSORBER	2
18	10435G1		SHOCK ABSORBER WASHER	8
19	10194G1		RUBBER BUSHING	8
20	00532G6		HEX NUT, 1/4" - 20.....	4
21				
22	652258		SPRING PLATE.....	4
23	00734G1		LOCK NUT, 7/16" - 14	11
24	00463G11		HEX HEAD BOLT, 7/16" - 14 X 1 3/4" LG.....	11
25				
26				
27				
28				
29				
30				

FRONT SUSPENSION AND STEERING

When ordering parts, please specify the model and serial number of the product.

* Indicates a component that is not available as an individual part.

*** Indicates consult Customer Service Department for additional information.

ITEM	PART NO.	1 2 3 4 5	DESCRIPTION	QTY.
31				
32				
33				
34				
35				
36				
37				
38	00464G8		HEX HEAD BOLT, 7/16" - 14 X 2 3/4" LG	2
39	10044G01		VINYL CAP.....	4
40	70667G02		SPACER, 1" O.D. X .46" I.D. X 1.2" LG	2
41				
42				
43	00560G2		FLAT WASHER, 7/16".....	7
44	00734G1		LOCK NUT, 7/16" - 14.....	3
45	70758G05		STEERING COLUMN KIT (INCLUDES ITEMS 46 - 56).....	1
46	70607G01		STEERING SHAFT.....	1
47	70610G03		STEERING COLUMN.....	1
48	28569G01		STEERING COLUMN BUSHING	1
49	70580G01		INTERMEDIATE SHAFT	1
50	01055G01		HEX HEAD BOLT, M8 X 1.25 - 1.18" LG	1
51	00565G8		LOCK WASHER, 5/16"	1
52	70751G01		RETAINING RING (INTERNAL)	1
53	70888G01		RETAINING RING (EXTERNAL)	1
54	15112G1		BALL BEARING	1
55	70887G01		WAVE WASHER.....	1
56	01022G01		HEX HEAD BOLT, #6 - 20 X 5/16" LG	1
57	602980		STEERING WHEEL (PREMIUM).....	1
58	14390G2		LOCK NUT, 5/8" - 18.....	1
59	70876G02		TIE ROD ASSEMBLY (INCLUDES ITEMS 60 - 64).....	1
60	70897G02		THREADED ROD (24" LG)	1
61	70902G01		TIE ROD END (LEFT HAND THREADS)	1

FRONT SUSPENSION AND STEERING

When ordering parts, please specify the model and serial number of the product.

* Indicates a component that is not available as an individual part.

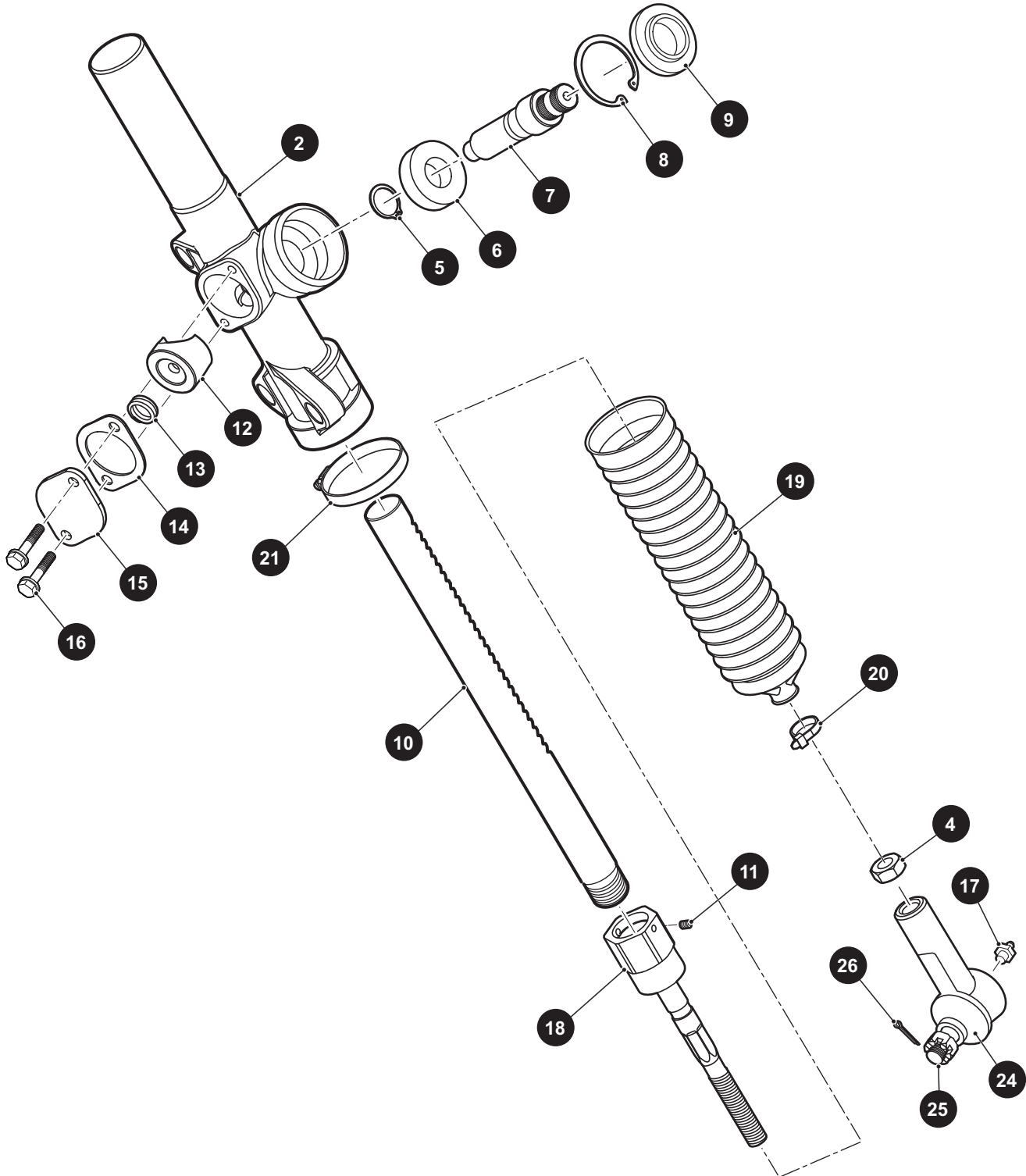
*** Indicates consult Customer Service Department for additional information.

ITEM	PART NO.	1	2	3	4	5	DESCRIPTION	QTY.
62	01069G01						JAM NUT, M12 X 1.25 - 05 (LEFT HAND THREADS).....	1
63	70902G02						TIE ROD END (RIGHT HAND THREADS).....	1
64	01069G02						JAM NUT, M12 X 1.25 - 05 (RIGHT HAND THREADS)	1
65	00734G1						LOCK NUT, 7/16" - 14	2
66	602979						STEERING WHEEL.....	1
67	01006G01						HEX WASHER HEAD BOLT, 3/8" - 16 X 1 1/4" LG	4
68	00879G1						LOCK WASHER, 3/8"	4
69								
70	632925						FLANGED BUSHING, 25MM I.D. X 28MM O.D. X 18MM LG	1
71	632926						BUSHING SLEEVE.....	1
72	70997G01						STEERING COLUMN BASE COVER	1
73	71055G01						RIVET, 3/16" DIA	1
74	71147G01						STEERING WHEEL COVER.....	1
75	70990G03						CANTILEVER LEAF SPRING	2
76	604572						WINCH RECEIVER RETAINER PALTE	1
77	635202						WINCH RECEIVER WELDMENT	1
78	00462G8						HEX HEAD BOLT, 7/16" - 14 X 1" LG.....	4
79	51141G1						RACE BEARING	2
80	00734G1						LOCKNUT, 7/16" - 14	4
81	605435						STEERING WHEEL DECAL.....	1
82	00532G7						HEX NUT, 1/4" - 20	1
83	70667G04						SPACER, 1" O.D X .469" I.D. X .69" LG.....	1
84	01068G01						HEX HEAD BOLT, 7/16" - 14 X 3.5" LG.....	1

FRONT SUSPENSION AND STEERING

1 RACK AND PINION UNIT includes items 2 - 23

23 RACK BALL JOINT includes items 24 - 25



FRONT SUSPENSION AND STEERING

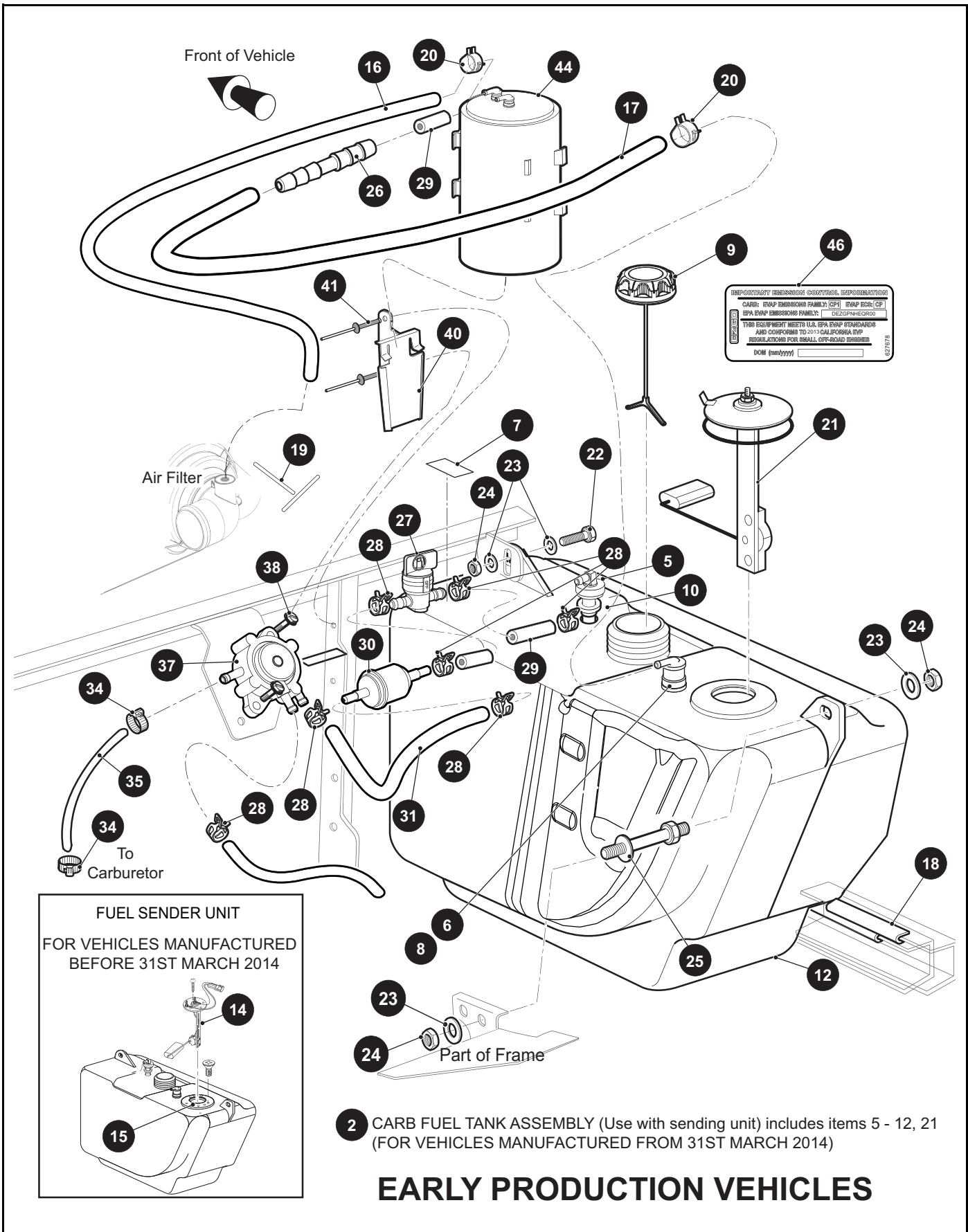
When ordering parts, please specify the model and serial number of the product.

* Indicates a component that is not available as an individual part.

*** Indicates consult Customer Service Department for additional information.

ITEM	PART NO.	1 2 3 4 5	DESCRIPTION	QTY.
1	70964G01		RACK AND PINION UNIT (INCLUDES ITEMS 2 - 23)	1
2	70965G01		STEERING RACK COVER & BEARING	1
3				
4	*		JAM NUT, 1/2" - 20	1
5	70750G01		RETAINING RING (EXTERNAL)	1
6	15112G1		BALL BEARING	1
7	70603G01		PINION	1
8	70751G01		RETAINING RING (INTERNAL)	1
9	70638G01		SEAL (PINION)	1
10	70604G01		STEERING RACK	1
11	*		SET SCREW, #10 - 32 X .25" LG	1
12	70590G01		RACK LOADER	1
13	70666G01		COMPRESSION SPRING	1
14	70645G01		GASKET (RACK LOADER COVER)	1
15	652259		COVER (RACK LOADER)	1
16	71102G01		HEX WASHER HEAD BOLT, 1/4" - 20 X 11/16" LG	2
17	10389G3		GREASE FITTING (STRAIGHT)	1
18	74694G01		ROD END (INNER)	1
19	70961G01		RACK BOOT	1
20	12416G2		NYLON CLAMP, 10"	1
21	11391G8		HOSE CLAMP, 1.81"	1
22				
23	70695G01		TIE ROD END (OUTER) (INCLUDES ITEMS 24 - 25)	1
24	50641G1		GROMMET	1
25	50209G2		HEX SLOTTED NUT, 7/16" - 20	1
26	10387G2		COTTER PIN, 3/32" X 1"	1

FUEL SYSTEM



FUEL SYSTEM

When ordering parts, please specify the model and serial number of the product.

* Indicates a component that is not available as an individual part.

*** Indicates consult Customer Service Department for additional information.

ITEM	PART NO.	1 2 3 4 5	DESCRIPTION	QTY.
1				
2	645034		CARB FUEL TANK ASSEMBLY (USE WITH SENDING UNIT) (INCLUDES ITEMS 5 - 12, 21) (FOR VEHICLES MANUFACTURED FROM 31ST MARCH 2014)	1
3				
4				
5	18287G3		SIPHON TUBE ASSEMBLY	1
6	606068		ROLLOVER VALVE GROMMET	1
7	625826		EPA FUEL TANK LABEL	1
8	606067		ROLLOVER VALVE	1
9	633423		FUEL TANK CAP (RATCHET).....	1
10	70988G01		SIPHON TUBE GROMMET.....	1
11				
12	*		NON FLUOR FUEL TANK (WITH SENDER UNIT)	1
13				
14	20048G2		FUEL LEVEL SENDER	1
15	72229G01		FUEL TANK ADAPTER	1
16	606966		LOW PRESSURE FUEL HOSE, 3/16" I.D. X 3/8" O.D. X 34" LG (CARB)	1
17	607546		LOW PRESSURE FUEL HOSE, 3/16" I.D. X 3/8" O.D. X 17" LG (CARB)	1
18	32372G6		BLACK TRIM, 6.25" LG	1
19	17618G1		NYLON CLAMP	2
20	606963		TUBING CLAMP, 3/16" I.D.....	2
21	633024G02		PRESS FIT FUEL SENDER	1
22	00438G8		HEX HEAD BOLT, 5/16" - 18 X 1" LG	1
23	00559G8		FLAT WASHER, 5/16"	4
24	11098G6		LOCK NUT, 5/16" - 18	3
25	70483G01		SPACER BOLT, 5/16" - 18	1
26	615346		HOSE REDUCER, 1/4" I.D X 3/16".....	1
27	611181		FUEL SHUT-OFF VALVE	1
28	18292G1		HOSE CLAMP, .50" DIAMETER	8
29	615350		FUEL SYSTEM HOSE, 6.35" I.D X12.7" O.D X 2" LONG	3
30	72084G01		FUEL LINE FILTER	1

FUEL SYSTEM

When ordering parts, please specify the model and serial number of the product.

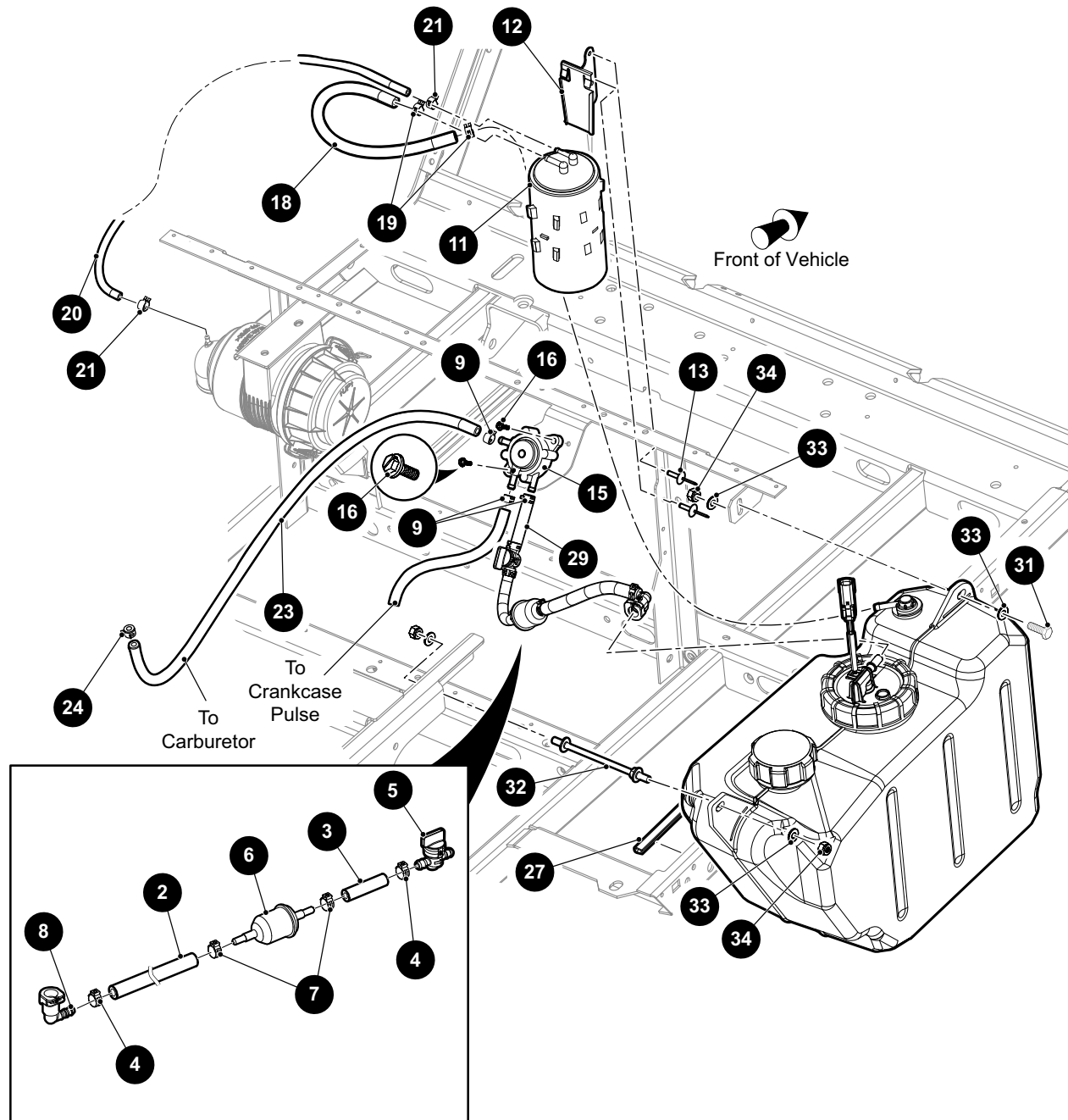
* Indicates a component that is not available as an individual part.

*** Indicates consult Customer Service Department for additional information.

ITEM	PART NO.	1 2 3 4 5	DESCRIPTION	QTY.
31	606969		FUEL SYSTEM HOSE, .25" I.D. X .50" O.D. X 8" LG	1
32				
33				
34	11391G4		HOSE CLAMP, .25" - .63" DIA.....	2
35	604597		CARB FUEL SYSTEM HOSE, .25" I.D. X.50" O.D. X 26" LG	1
36				
37	602061		FUEL PUMP	1
38	00114G6		HEX WASHER HEAD SLOTTED TAPPING SCREW, 1/4" - 14 X .75" LG	2
39				
40	606310		CARBON CANISTER MOUNTING BRACKET	1
41	10570G11		RIVET, 3/16" DIA X .70.....	2
42				
43				
44	606071		CARBON CANISTER	1
45				
46	627678		EVAP LABEL	1

FUEL SYSTEM

1 FUEL LINE ASSEMBLY includes items 2 - 8



LATE PRODUCTION VEHICLES

FUEL SYSTEM

When ordering parts, please specify the model and serial number of the product.

* Indicates a component that is not available as an individual part.

*** Indicates consult Customer Service Department for additional information.

ITEM	PART NO.	1 2 3 4 5	DESCRIPTION	QTY.
1	649515		FUEL LINE ASSEMBLY (INCLUDES ITEMS 2 - 8)	1
2	649570		HOSE, .312" I.D. X .562" O.D. X 9" LG	1
3	615350		HOSE, 2" LG	1
4	649873		CLAMP, 1/2" O.D.	2
5	611181		SHUT-OFF VALVE.....	1
6	72084G01		FUEL FILTER	1
7	649874		CLAMP, 9/16" O.D.	2
8	649577		CONNECTOR, 5/16" I.D.	1
9	18292G1		CLAMP, 1/2" O.D.	3
10				
11	606071		CARBON CANISTER.....	1
12	606310		CANISTER BRACKET	1
13	10570G11		RIVET (SS), 3/16" X .70"	2
14				
15	602061		FUEL PUMP.....	1
16	00114G6		HEX WASHER HEAD BOLT, 1/4" - 10 X 3/4" LG	2
17				
18	27184G14		FUEL SYSTEM TUBE.....	1
19	18292G1		CLAMP, 1/2" O.D.	2
20	606966		HOSE, 3/16" I.D. X 34" LG.....	1
21	606963		CLAMP, 3/16" I.D.	2
22				
23	604597		FUEL HOSE, 26" LG.....	1
24	18292G1		CLAMP, 1/2" O.D.	1
25				
26	17618G1		NYLON CLAMP, 7" LG (NOT ILLUSTRATED).....	2
27	32372G6		VINYL TRIM, 6.25" LG	1
28				
29	615350		FUEL HOSE, 2" LG.....	1
30				
31	00438G8		HEX HEAD BOLT, 5/16" - 18 X 5/8" LG	1

FUEL SYSTEM

When ordering parts, please specify the model and serial number of the product.

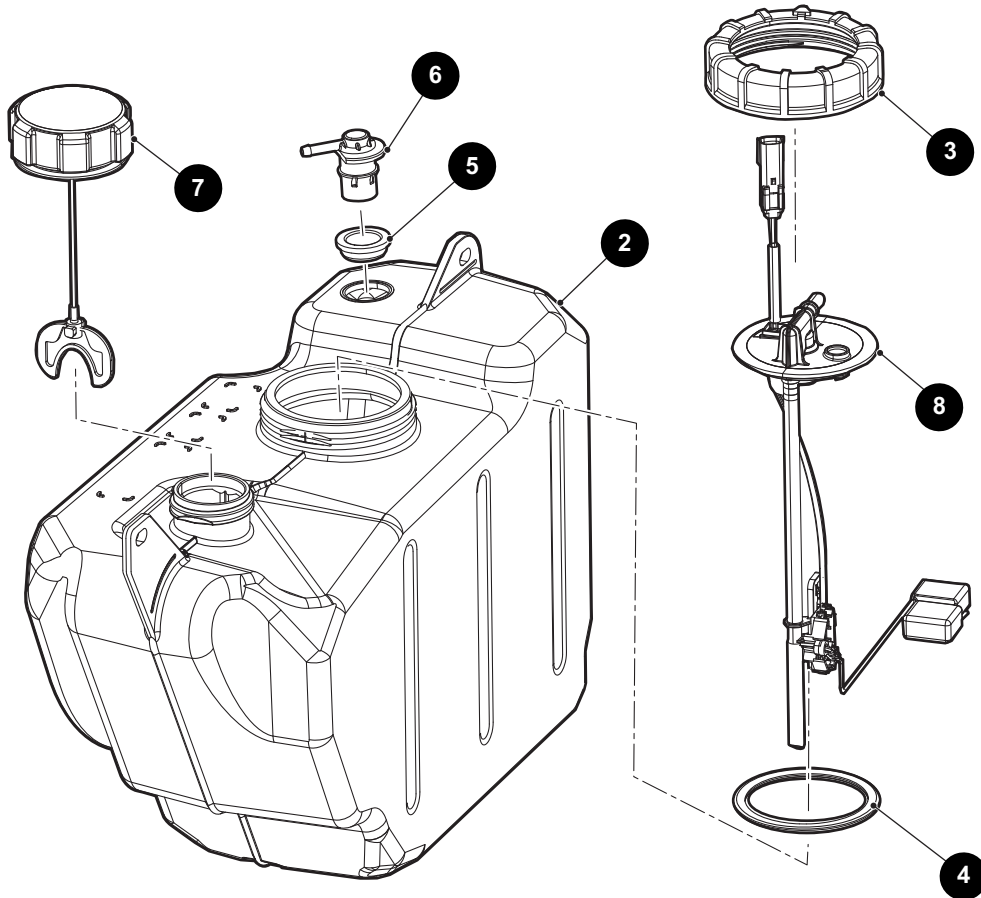
* Indicates a component that is not available as an individual part.

*** Indicates consult Customer Service Department for additional information.

ITEM	PART NO.	1 2 3 4 5	DESCRIPTION	QTY.
32	70483G01		SPACER	1
33	00559G8		FLAT WASHER, 5/16"	4
34	11098G6		LOCK NUT, 5/16" - 18	3

FUEL SYSTEM

- 1** FUEL TANK ASSEMBLY (WITH SENDER UNIT)
includes items 2 - 8



LATE PRODUCTION VEHICLES

FUEL SYSTEM

When ordering parts, please specify the model and serial number of the product.

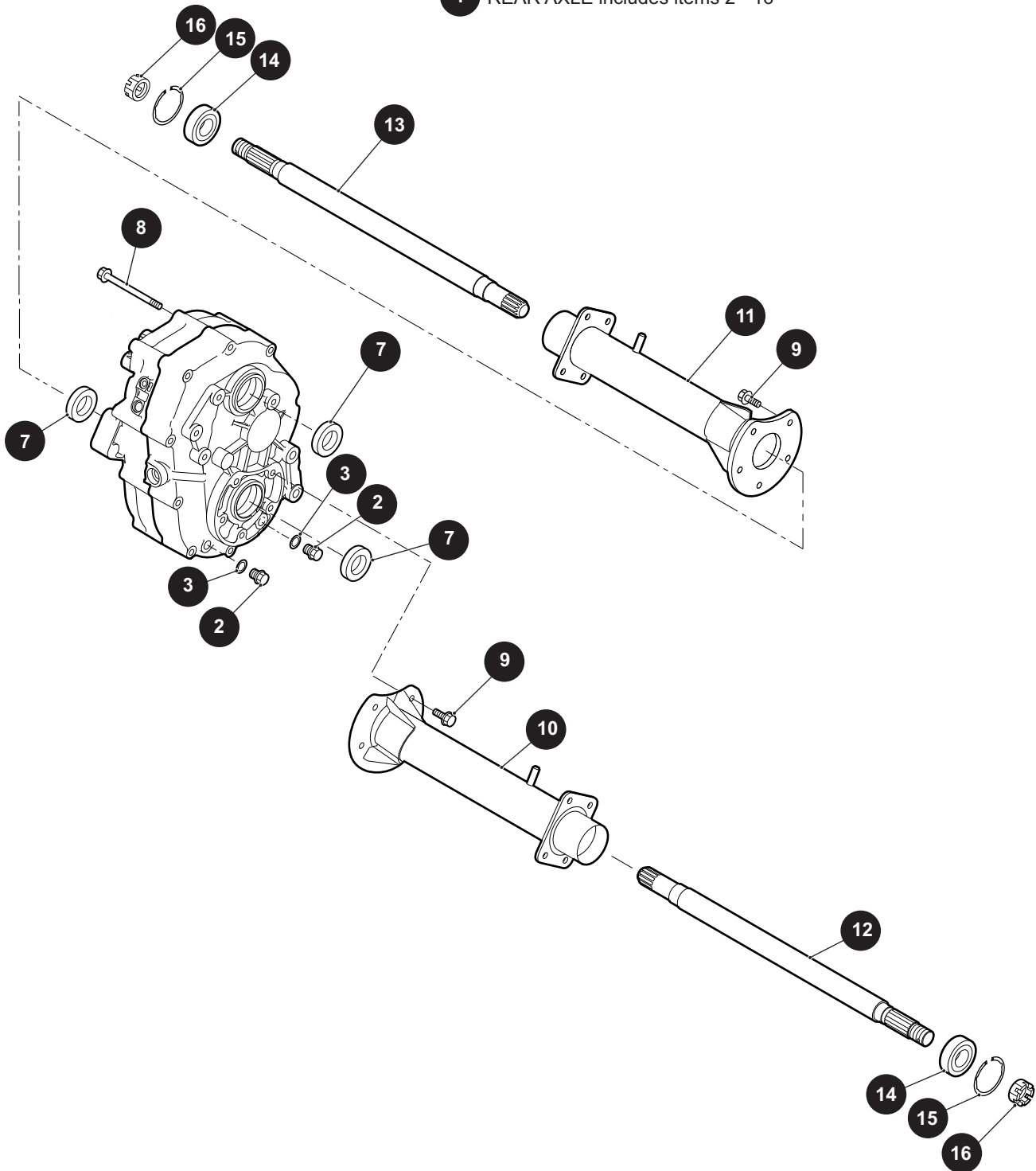
* Indicates a component that is not available as an individual part.

*** Indicates consult Customer Service Department for additional information.

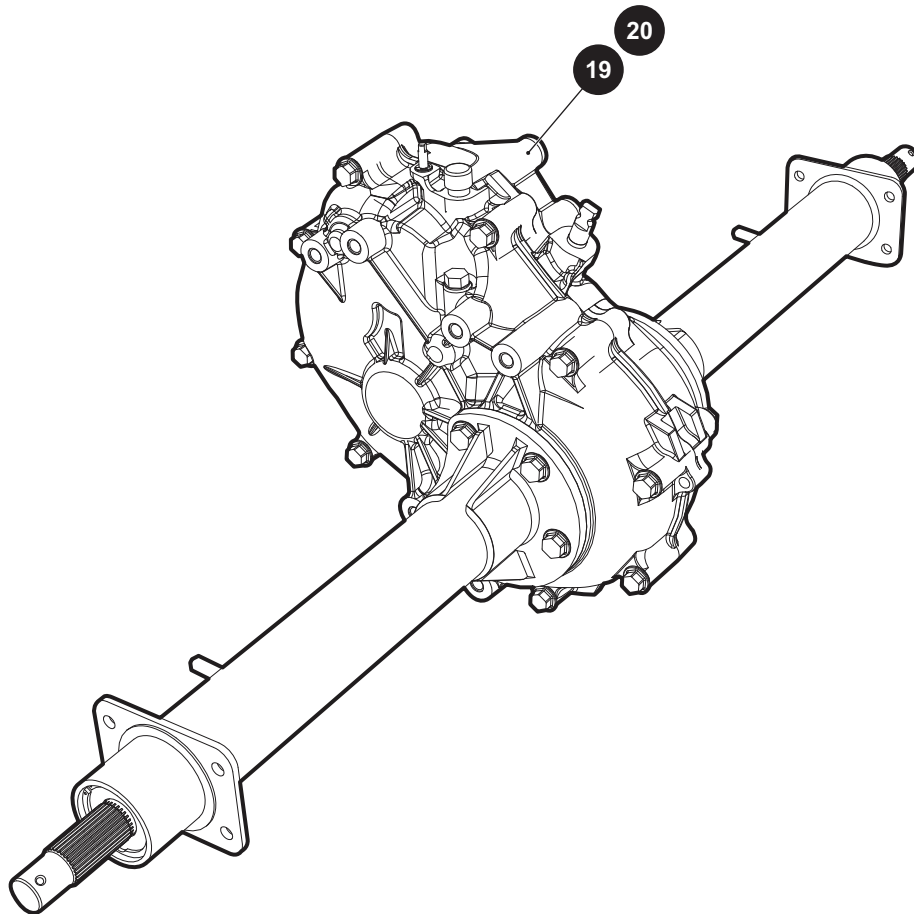
ITEM	PART NO.	1 2 3 4 5	DESCRIPTION	QTY.
1	656139		FUEL TANK ASSEMBLY (WITH SENDER UNIT) (INCLUDES ITEMS 2 - 8) ..	1
2	646306		FUEL TANK	1
3	646837		CAP	1
4	646838		SEAL.....	1
5	647810		GROMMET	1
6	647809		ROLLOVER VALVE	1
7	635688		FUEL CAP	1
8	656144		FUEL PICKUP WITH SENDER ASSEMBLY	1

REAR AXLE

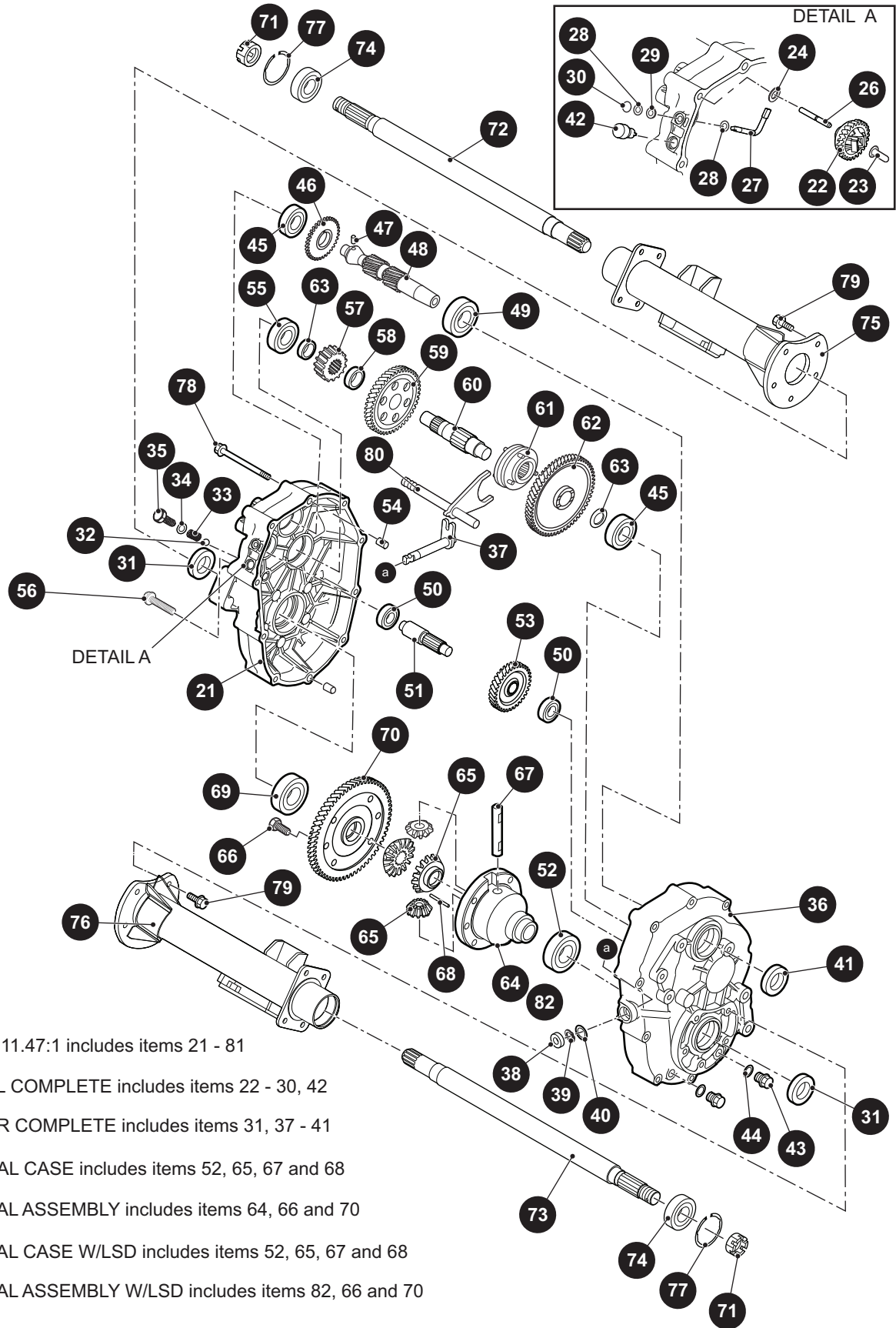
1 REAR AXLE includes items 2 - 16



FOR VEHICLES MANUFACTURED FROM APRIL 2014



REAR AXLE



- 19 REAR AXLE, 11.47:1 includes items 21 - 81
- 21 AXLE CASE L COMPLETE includes items 22 - 30, 42
- 36 AXLE CASE R COMPLETE includes items 31, 37 - 41
- 64 DIFFERENTIAL CASE includes items 52, 65, 67 and 68
- 81 DIFFERENTIAL ASSEMBLY includes items 64, 66 and 70
- 82 DIFFERENTIAL CASE W/LSD includes items 52, 65, 67 and 68
- 83 DIFFERENTIAL ASSEMBLY W/LSD includes items 82, 66 and 70
- 20 REAR AXLE W/LSD, 11.47:1 includes items 21 - 63, 65 - 80, 82 - 83

REAR AXLE

When ordering parts, please specify the model and serial number of the product.

* Indicates a component that is not available as an individual part.

*** Indicates consult Customer Service Department for additional information.

ITEM	PART NO.	1 2 3 4 5	DESCRIPTION	QTY.
1	627891		REAR AXLE (INCLUDES ITEMS 2 - 16)	1
2	26770G01		OIL DRAIN PLUG	2
3	26771G01		GASKET, 14MM	2
4				
5				
6				
7	72259G01		OIL SEAL, 28 X 47 X 9MM	3
8	26823G01		FLANGED HEX HEAD BOLT, M8 X 1.25 X 100MM LG	10
9	72260G01		FLANGED HEX HEAD BOLT, M10 X 1.5 X 23MM LG	10
10	607940		AXLE TUBE (PASSENGER SIDE)	1
11	607939		AXLE TUBE (DRIVER SIDE).....	1
12	607946		AXLE SHAFT (PASSENGER SIDE).....	1
13	607945		AXLE SHAFT (DRIVER SIDE)	1
14	26811G01		BALL BEARING	2
15	26814G01		SNAP RING, 52MM	2
16	606403		SLOTTED NUT, M22 X 1.5.....	2
17				
18				
19	670468		REAR AXLE, 11.47:1 (INCLUDES ITEMS 21 - 81) (FOR VEHICLES MANUFACTURED FROM APRIL 2014).....	1
20	670470		REAR AXLE W/LSD, 11.47:1 (INCLUDES ITEMS 21 - 63, 65 - 80, 82 - 83) (FOR VEHICLES MANUFACTURED FROM APRIL 2014).....	1
21	639859		AXLE CASE L COMPLETE (INCLUDES ITEMS 22 - 30, 42)	1
22	665887		GOVERNOR GEAR	1
23	639689		GOVERNOR SLEEVE	1
24	607904		FLAT WASHER	1
25				
26	639698		GOVERNOR GEAR SHAFT	1
27	639707		GOVERNOR SHAFT	1
28	639736		FLAT WASHER, 6MM	2
29	607911		OIL SEAL, 6 x 10 x 2.5MM.....	1
30	607913		RETAINING RING E5	1

REAR AXLE

When ordering parts, please specify the model and serial number of the product.

* Indicates a component that is not available as an individual part.

*** Indicates consult Customer Service Department for additional information.

ITEM	PART NO.	1	2	3	4	5	DESCRIPTION	QTY.
31	639738						OIL SEAL, 24 x 40 x 9MM	2
32	26818G01						STEEL BALL	1
33	26819G01						SPRING	1
34	26831G01						GASKET, 10	1
35	26820G01						FLANGED HEX HEAD BOLT, M10 x 1.25 x 12MM LG.....	1
36	639865						AXLE CASE R COMPLETE (INCLUDES ITEMS 31, 37 - 41)	1
37	639746						SELECT SHAFT	1
38	607915						OIL SEAL, 13 x 22 x 5MM	1
39	607916						SNAP RING, 13MM	1
40	607917						SPACER, 13 x 1MM	1
41	640093						OIL SEAL, 28 x 47 x 9MM	13
42	607919						AIR BREATHER	1
43	639747						OIL DRAIN PLUG	2
44	639748						GASKET, 14MM.....	2
45	26785G01						BALL BEARING (6204).....	2
46	665888						GOVERNOR GEAR, 34.....	1
47	607920						PIN, 6 x 12L	1
48	639750						INPUT SHAFT.....	1
49	607922						BALL BEARING (62/28).....	1
50	639868						BALL BEARING (TMB202)	2
51	639755						COUNTER SHAFT.....	1
52	640744						BALL BEARING (6006).....	1
53	639758						GEAR, 34.....	1
54	639869						KNOCK PIPE	2
55	639760						BALL BEARING (6304).....	2
56	639768						FLANGED HEX HEAD BOLT, M8 - 1.25 X 40MM LG.....	1
57	639769						GEAR, 17	1
58	28689G01						COLLAR, 24 x 7.5MM.....	1
59	639771						GEAR, 52.....	1
60	670697						CENTER SHAFT.....	1
61	639774						CLUTCH PIN.....	1

REAR AXLE

When ordering parts, please specify the model and serial number of the product.

* Indicates a component that is not available as an individual part.

*** Indicates consult Customer Service Department for additional information.

ITEM	PART NO.	1	2	3	4	5	DESCRIPTION	QTY.
62	670696						GEAR, 61	1
63	639797						SPACER, 20 x 2MM	2
64	639872						DIFFERENTIAL CASE (INCLUDES ITEMS 52, 65, 67 AND 68)	1
65	639800						DIFFERENTIAL PAIR GEAR	1
66	26808G01						HEX HEAD BOLT, M10 x 1.25 x 26MM LG	6
67	28723G01						DIFFERENTIAL SHAFT	1
68	28697G01						SPRING PIN, 4 x 40L	1
69	639801						BALL BEARING (6007)	1
70	640739						GEAR, 60 COMPLETE (INCLUDES ITEM 69)	1
71	607938						CASTLED NUT, M22 - 1.5	2
72	639876						AXLE SHAFT L COMPLETE (INCLUDES ITEM 74)	1
73	639881						AXLE SHAFT R COMPLETE (INCLUDES ITEM 74)	1
74	639836						BALL BEARING (6205DD)	2
75	607939						AXLE CASE L COMPLETE	1
76	607940						AXLE CASE R COMPLETE	1
77	26814G01						SNAP RING, 52MM	2
78	639839						FLANGED HEX HEAD BOLT, M8 x 1.25 x 60MM LG	9
79	639840						FLANGED HEX HEAD BOLT, M10 x 1.25 x 25MM LG	10
80	639844						SHIFT SHAFT COMPLETE	1
81	639847						DIFFERENTIAL ASSEMBLY (INCLUDES ITEMS 64, 66 AND 70)	1
82	640098						DIFFERENTIAL CASE W/LSD (INCLUDES ITEMS 52, 65, 67 AND 68)	1
83	639847						DIFFERENTIAL ASSEMBLY W/LSD (INCLUDES ITEMS 82, 66 AND 70)	1

REAR SUSPENSION

When ordering parts, please specify the model and serial number of the product.

* Indicates a component that is not available as an individual part.

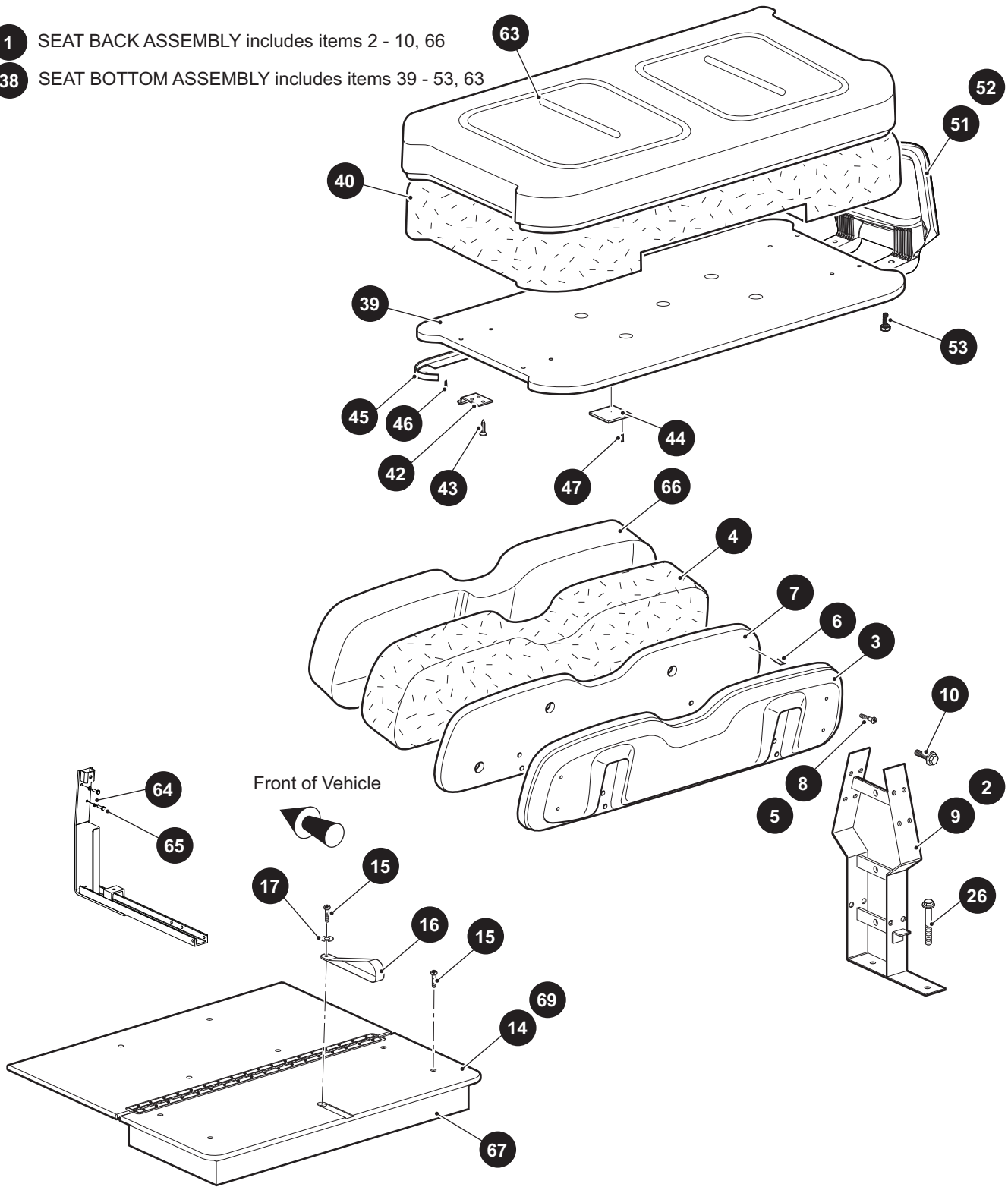
*** Indicates consult Customer Service Department for additional information.

ITEM	PART NO.	1 2 3 4 5	DESCRIPTION	QTY.
1				
2	605445		LEAF SPRING BUSHING, FRONT.....	2
3	00665G9		HEX HEAD BOLT (SS), 3/8" - 16 X 3.5 LG.....	2
4	00643G1		FLAT WASHER, .411 I.D. X 1.00 O.D. X .06	2
5	12262G1		FLANGED LOCK NUT, 3/8" - 16.....	2
6	605721		HEAVY DUTY LEAF SPRING	2
7				
8				
9				
10	70289G02		SPLIT STEEL SPACER	4
11	624030		FLANGED BUSHING.....	8
12	652245		SHACKLE PLATE	4
13	00665G9		HEX HEAD BOLT (SS), 3/8" - 16 X 3.5 LG.....	4
14	11098G5		LOCK NUT, 3/8" - 16.....	4
15				
16				
17	605977		REAR SUSPENSION PLATE	2
18				
19				
20				
21	32195G3		U-BOLT, 3/8" - 16 X 5" X 2.875" X 2"	4
22	652580		REAR SUSPENSION PLATE	2
23	00643G1		FLAT WASHER, .411 I.D. X 1.00 O.D. X .06	8
24	11098G5		LOCK NUT, 3/8" - 16.....	8
25				
26				
27	642085		SHOCK ABSORBER.....	2
28	10435G1		SHOCK ABSORBER WASHER.....	8
29	10194G1		RUBBER SHOCK BUSHING	8
30	00532G6		HEX NUT, 3/8" - 24	4
31	10044G01		VINYL CAP.....	2

SEATING

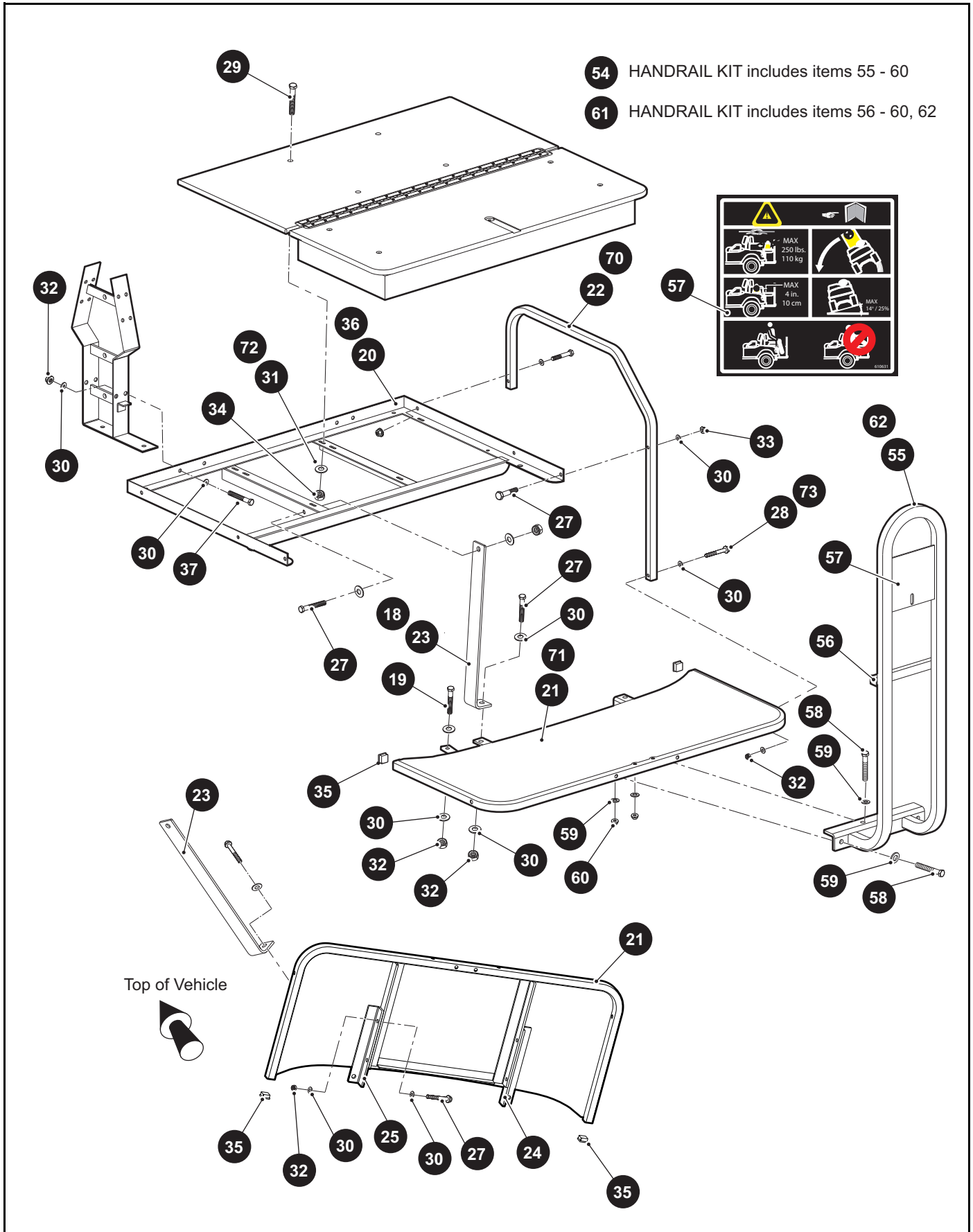
1 SEAT BACK ASSEMBLY includes items 2 - 10, 66

38 SEAT BOTTOM ASSEMBLY includes items 39 - 53, 63



12 FLIP FLOP SEAT BOTTOM ASSEMBLY includes items 14 - 17, 67

68 FLIP FLOP SEAT BOTTOM ASSEMBLY includes items 15 - 17, 67, 69



SEATING

When ordering parts, please specify the model and serial number of the product.

* Indicates a component that is not available as an individual part.

*** Indicates consult Customer Service Department for additional information.

ITEM	PART NO.	1	2	3	4	5	DESCRIPTION	QTY.	
1	***	SEAT BACK ASSEMBLY (INCLUDES ITEMS 2 - 10, 66)					1		1
							71751G02 GRAY		
							71751G03 OYSTER		
							71751G04 TAN		
							71751G07 BLACK		
							604908 WHITE/BLUE		
							604907 WHITE/RED		
							71751G06 BROWN		
							620794 WHITE/YELLOW		
							620796 GRAY/BLACK		
							606828 RED/BLACK		
							615838 WHITE/BLACK		
							615837 OYSTER/GARNET		
2	631478	SEAT BACK SUPPORT (FOR VEHICLES MANUFACTURED FROM MARCH 2014).....					1		1
3	71752G01	SEAT BACK REAR COVER					1		1
4	71754G01	FOAM PADDING.....					1		1
5	607535	PAN HEAD TORX SCREW, #8 - 20 X .63" LG (FOR VEHICLES MANUFACTURED FROM MARCH 2014).....					4		4
6	23222G1	FLAT STAPLE					95		95
7	645021	SEAT BACK BASE.....					1		1
8	01107G01	PAN HEAD SCREW, #8 - 20 X .63" LG					4		4
9	615730	SEAT BACK SUPPORT					2		2
10	71204G01	HEX HEAD BOLT, 1/4" - 20 X .86" LG					8		8
11									
12	***	FLIP FLOP SEAT BOTTOM ASSEMBLY (INCLUDES ITEMS 14 - 17, 67).....					1		1
							621027 TAN		
							621026 OYSTER		
							621031 WHITE/BLUE		
							621036 BLACK		
							621032 WHITE/RED		
							621034 WHITE/YELLOW		
							621035 GRAY/BLACK		
							617895 GRAY		
							617897 BROWN		
13									
14	617137	DECK BOARD ASSEMBLY					1		1
15	16705G1	HEX HEAD SCREW (SS), 1/4" - 20 X 1" LG					5		5
16	617402	SEAT STRAP					1		1
17	00559G7	FLAT WASHER, 1/4"					1		1

When ordering parts, please specify the model and serial number of the product.

* Indicates a component that is not available as an individual part.

*** Indicates consult Customer Service Department for additional information.

ITEM	PART NO.	1 2 3 4 5	DESCRIPTION	QTY.
18	634174		SEAT FRAME SUPPORT (FOR VEHICLES MANUFACTURED FROM MARCH 2014).....	2
19	00427G6		HEX HEAD BOLT, 3/8" - 16 X 1 1/4" LG (FOR VEHICLES MANUFACTURED FROM MARCH 2014).....	2
20	615712		SEAT FRAME WELDMENT	1
21	615714		FOOTREST WELDMENT	1
22	615729		ARMREST, REAR SEAT.....	2
23	615713		SEAT FRAME SUPPORT	2
24	615728		FOOTREST BRACKET (PASSENGER SIDE).....	1
25	615727		FOOTREST BRACKET (DRIVER SIDE)	1
26	01006G01		HEX HEAD BOLT, 3/8" - 16 X 1.25" LG	4
27	00427G4		HEX HEAD BOLT, 3/8" - 16 X 1.5" LG	16
28	00429G2		HEX HEAD BOLT, 3/8" - 16 X 3.25" LG	2
29	16705G9		HEX HEAD BOLT (SS), 1/4" - 20 X 1.25" LG	4
30	614221		FLAT WASHER, 3/8".....	32
31	01110G01		FLAT WASHER, 1/4".....	4
32	11098G5		PLASTIC LOCK NUT, 3/8" - 16.....	14
33	11027G5		FLANGED LOCK NUT, 3/8" - 16.....	4
34	14390G4		PLASTIC LOCK NUT, 1/4" - 20.....	4
35	19853G1		SQUARE CAP TUBE, 1".....	2
36	634180		SEAT FRAME WELDMENT (FOR VEHICLES MANUFACTURED FROM MARCH 2014).....	1
37	00427G2		HEX HEAD BOLT, 3/8" - 49 X 1.25" LG (FOR VEHICLES MANUFACTURED FROM MARCH 2014).....	4
38	***		SEAT BOTTOM ASSEMBLY (INCLUDES ITEMS 39 - 53, 63)	1
			629269G0103 TAN	
			629269G0101 OYSTER	
			629269G0104 GRAY	
			629269G0106 BLACK	
			629269G0107 BROWN	
			629269G0111 WHITE/RED	
			629269G0109 WHITE/BLUE	
			629269G0113 WHITE/YELLOW	
			629269G0114 GRAY/BLACK	
39	645492		SEAT BOTTOM (WOOD)	1

SEATING

When ordering parts, please specify the model and serial number of the product.

* Indicates a component that is not available as an individual part.

*** Indicates consult Customer Service Department for additional information.

ITEM	PART NO.	1	2	3	4	5	DESCRIPTION	QTY.
40	71603G02						FOAM PADDING (SEAT BOTTOM).....	1
41								
42	71610G01						SEAT HINGE.....	2
43	00720G08						HEX HEAD BOLT (SS), #12 - 14 X 1" LG.....	6
44	17074G1						RUBBER PAD.....	2
45	71012G01						VINYL TRIM (SEAT BOTTOM).....	1
46	23222G1						FLAT STAPLE.....	110
47	23223G1						FLAT STAPLE.....	36
48								
49								
50								
51	617644						HIP RESTRAINT (PASSENGER SIDE).....	1
52	617645						HIP RESTRAINT (DRIVER SIDE).....	1
53	615417						BUTTON HEAD TORX BOLT, M10 - 1.5 X 25" LG.....	8
54	617901						HANDRAIL KIT, FLIP-FLOP SEAT (INCLUDES ITEMS 55 - 60).....	1
55	615721						FOOTREST HANDLE WELDMENT.....	1
56	19859G1						SQUARE CAP TUBE, 3/4".....	2
57	610631						DECAL.....	1
58	00427G8						HEX HEAD BOLT, 3/8" - 16 X 2" LG.....	4
59	614221						FLAT WASHER, 3/8".....	8
60	11098G5						PLASTIC LOCK NUT, 3/8" - 16.....	4
61	634184						HANDRAIL KIT, FLIP-FLOP SEAT (INCLUDES ITEMS 56 - 60, 62) (FOR VEHICLES MANUFACTURED FROM MARCH 2014).....	1
62	631485						FOOTREST WELDMENT.....	1
63	***						VINYL SEAT BOTTOM COVER..... 604912G0103 WHITE/RED 604912G0102 WHITE/BLUE 604912G0108 WHITE/YELLOW 604912G0704 GRAY/BLACK 71602G02 GRAY 71602G03 OYSTER 71602G04 TAN 71602G06 BLACK 71602G07 BROWN 71602G05 NSC 604912G0304 RED/BLACK	1

When ordering parts, please specify the model and serial number of the product.

* Indicates a component that is not available as an individual part.

*** Indicates consult Customer Service Department for additional information.

ITEM	PART NO.	1 2 3 4 5	DESCRIPTION	QTY.
			604912G0104 WHITE/BLACK 604912G0506 OYSTER/GARNET	
64	00664G7		LOCK WASHER, 1/4"	4
65	00661G8		HEX HEAD BOLT, 1/4" - 20 X 1" LG	4
66	***		VINYL SEAT BACK COVER..... 71753G03 OYSTER 71753G04 TAN 71753G07 BLACK 604916G0103 WHITE/RED 71753G02 GRAY 71753G06 BROWN 604916G0102 WHITE/BLUE 604916G0704 GRAY/BLACK 604916G0108 WHITE/YELLOW 604916G0304 RED/BLACK 604916G0104 WHITE/BLACK 604916G0506 OYSTER/GARNET	1
67	***		FLIP FLOP VINYL SEAT BOTTOM COVER	1
			611126 WHITE/RED 611125 WHITE/BLUE 611127 WHITE/YELLOW 611137 GRAY/BLACK 617892 GRAY 615646 OYSER 615648 BLACK 617893 BROWN 615647 TAN 611130 WHITE/BLACK 611135 RED/BLACK 611136 WHITE/BLACK	
68	***		FLIP FLOP SEAT BOTTOM ASSEMBLY (INCLUDES ITEMS 15 - 17, 67, 69) (FOR VEHICLES MANUFACTURED FROM MARCH 2014).....	1
			628058G01 OYSTER 628058G03 TAN 628058G04 GRAY 628058G06 BLACK 628058G07 BROWN 628058G09 WHITE/BLUE 628058G10 RED/BLACK 628058G11 WHITE/RED 628058G12 WHITE/BLACK 628058G13 WHITE/YELLOW 628058G14 GRAY/BLACK 628058G15 OYSTER/GARNET	
69	634190		DECK BOARD ASSEMBLY (FOR VEHICLES MANUFACTURED FROM MARCH 2014)	1

SEATING

When ordering parts, please specify the model and serial number of the product.

* Indicates a component that is not available as an individual part.

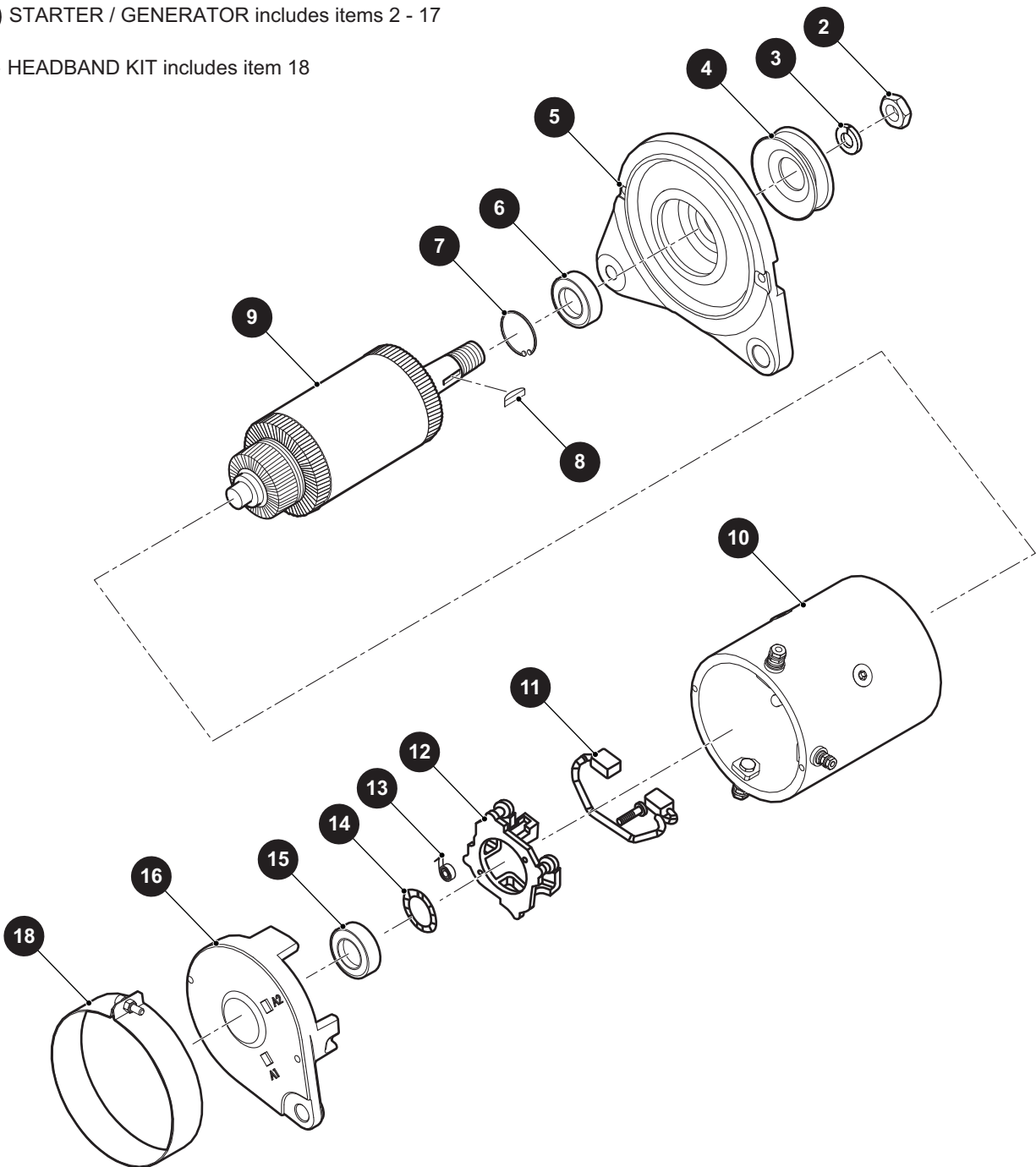
*** Indicates consult Customer Service Department for additional information.

ITEM	PART NO.	1	2	3	4	5	DESCRIPTION	QTY.
70	634175						REAR SEAT ARM REST (FOR VEHICLES MANUFACTURED FROM MARCH 2014)	2
71	634179						FOOTREST WELDMENT (FOR VEHICLES MANUFACTURED FROM MARCH 2014)	1
72	00559G7						FLAT WASHER, 1/4" (FOR VEHICLES MANUFACTURED FROM MARCH 2014)	4
73	00428G8						HEX HEAD BOLT, 3/8" - 16 X 2.25" LG (FOR VEHICLES MANUFACTURED FROM MARCH 2014)	2

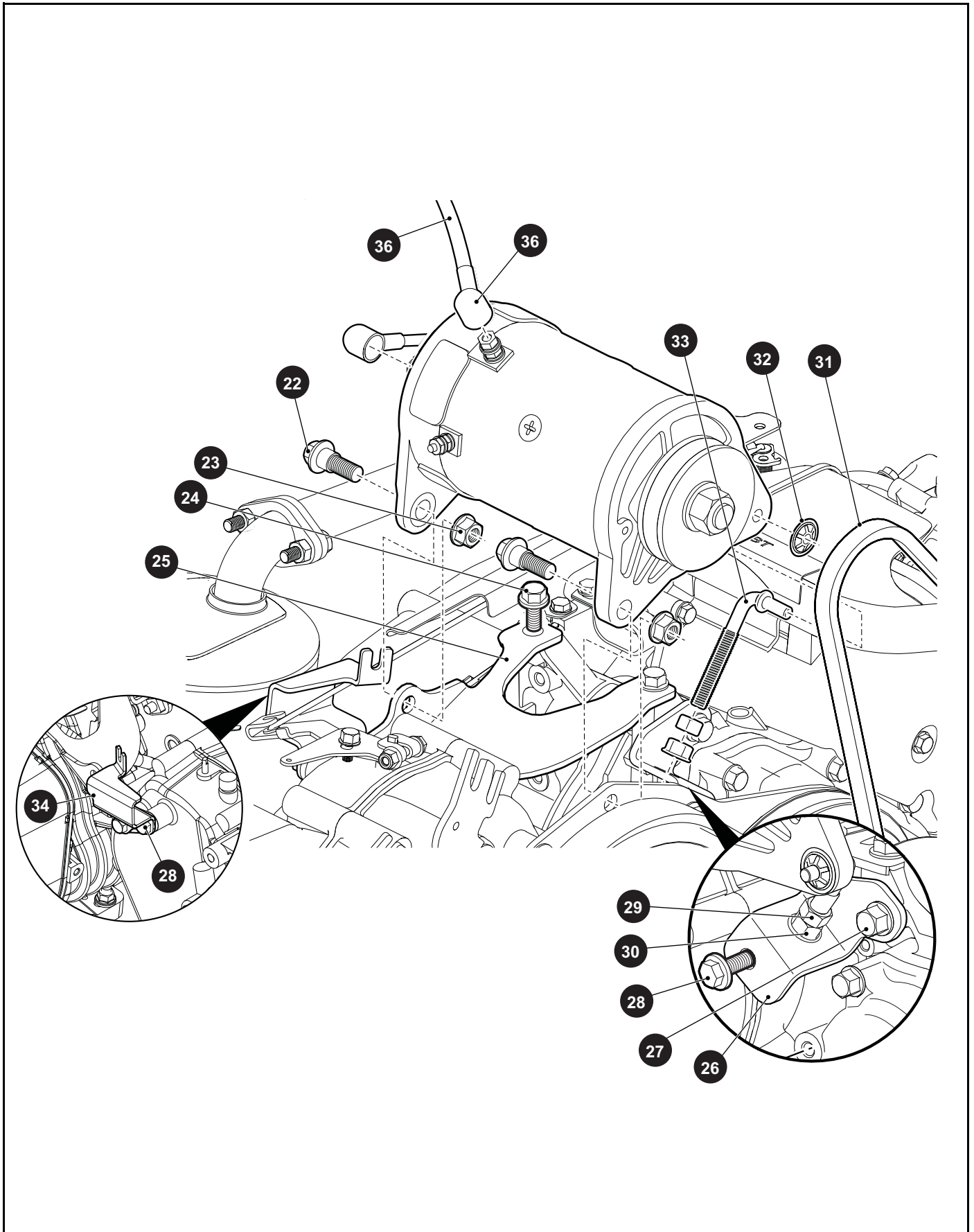
STARTER GENERATOR

1 STARTER / GENERATOR includes items 2 - 17

17 HEADBAND KIT includes item 18

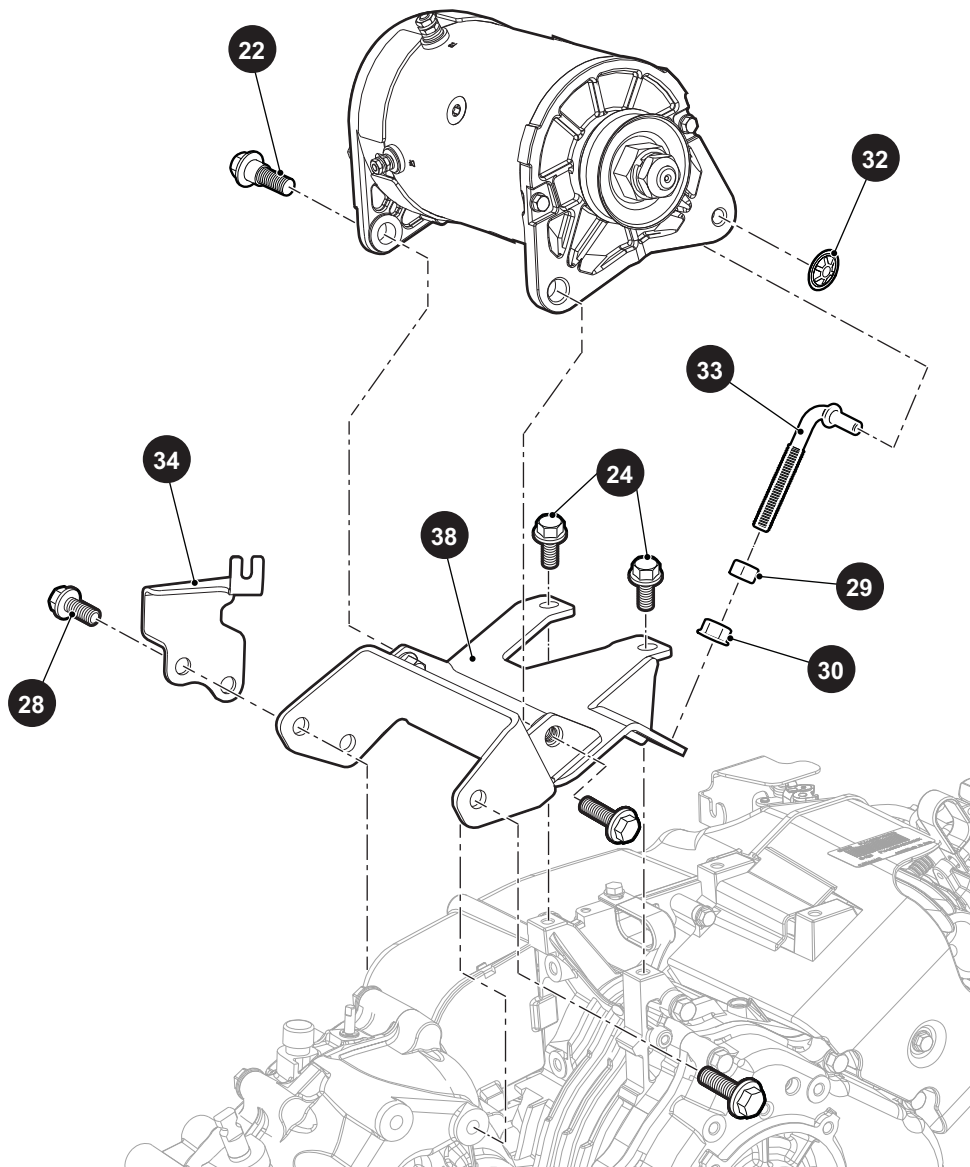


STARTER GENERATOR



STARTER GENERATOR

FOR VEHICLES MANUFACTURED FROM APRIL 2014



STARTER GENERATOR

When ordering parts, please specify the model and serial number of the product.

* Indicates a component that is not available as an individual part.

*** Indicates consult Customer Service Department for additional information.

ITEM	PART NO.	1 2 3 4 5	DESCRIPTION	QTY.
1	660379		STARTER / GENERATOR (INCLUDES ITEMS 2 - 17)	1
2	612029		HEX NUT	1
3	612030		LOCK WASHER	1
4	625716		PULLEY, 2.5" O.D.	1
5	654715		DRIVE END HEAD	1
6	612033		BEARING	1
7	612034		RETAINING RING	1
8	612035		WOODRUFF KEY	1
9	612036		ARMATURE ASSEMBLY	1
10	654716		FRAME AND FIELD ASSEMBLY	1
11	612038		BRUSH LEAD AND TERMINAL PACKAGE	1
12	654717		BRUSH BOX ASSEMBLY	1
13	656659		BRUSH SPRING	4
14	612043		WAVY WASHER	1
15	612044		BEARING	1
16	612045		COMMUTATOR END HEAD	1
17	658172		HEADBAND KIT (INCLUDES ITEM 18)	1
18	654718		HEADBAND	1
19				
20				
21				
22	606235		HEX HEAD SHOULDER BOLT, M10 - 1.25 X 20	2
23	606279		NUT, M10 - 1.25	2
24	606261		BOLT, M8 - 1.25 X 20MM LG	2
25	602141		STARTER / GENERATOR BRACKET	1
26	602145		TENSIONER BRACKET	1
27	606261		BOLT, M8 - 1.25 X 20MM LG	1
28	606256		BOLT, M10 - 1.25 X 25MM LG	1
29	606255		NUT, M10 - 1.25	1
30	606274		NUT, M10 - 1.25	1
31	630587		STARTER / GENERATOR BELT	1

STARTER GENERATOR

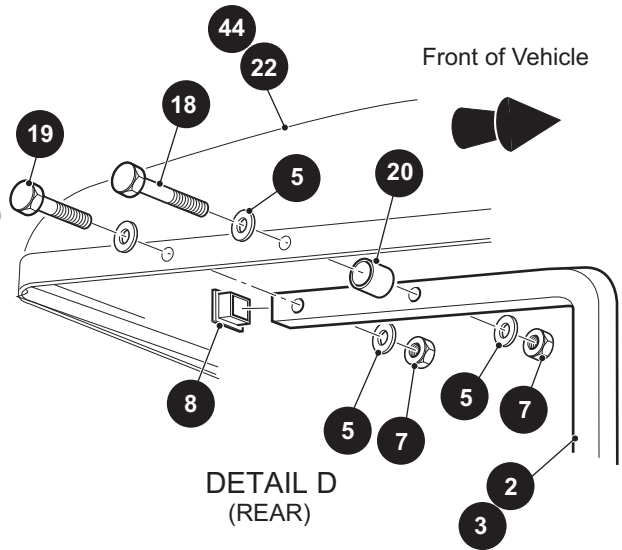
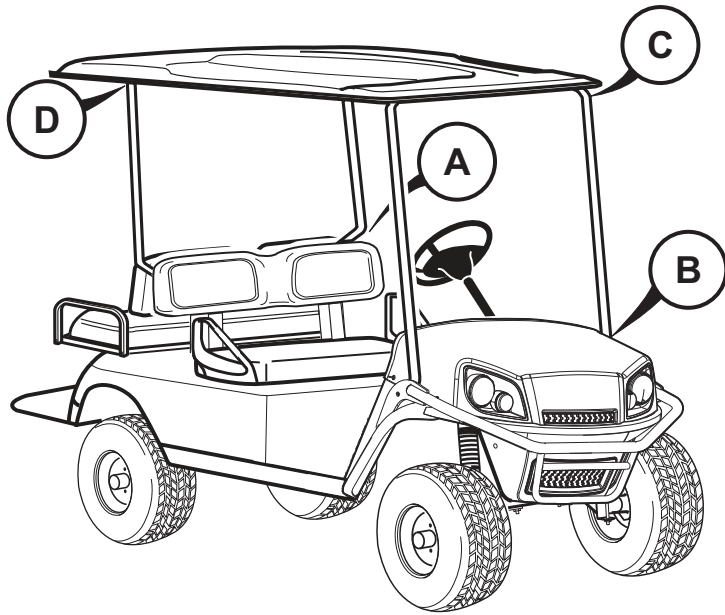
When ordering parts, please specify the model and serial number of the product.

* Indicates a component that is not available as an individual part.

*** Indicates consult Customer Service Department for additional information.

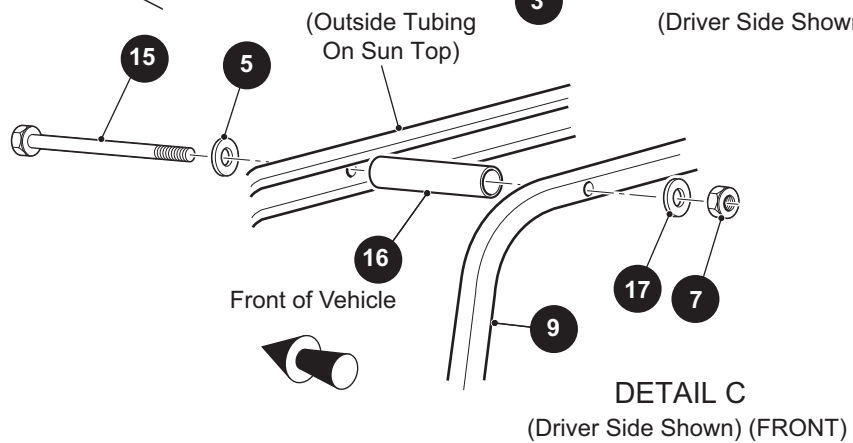
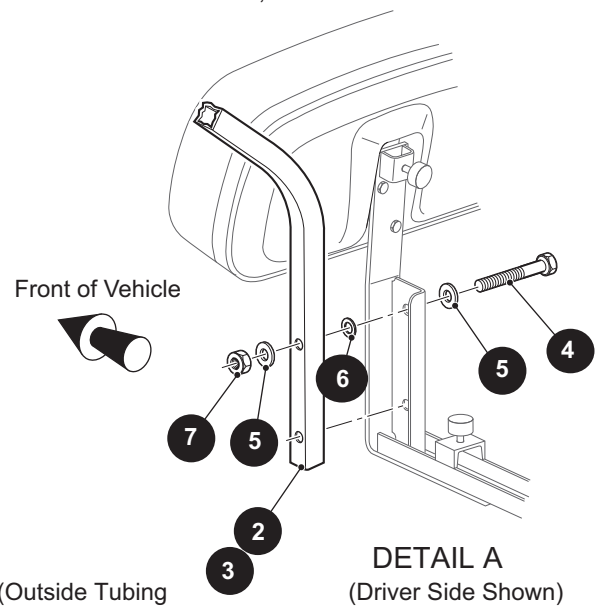
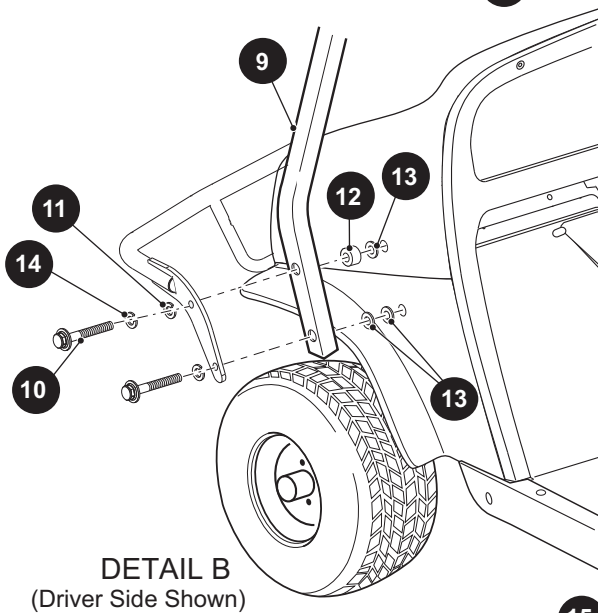
ITEM	PART NO.	1 2 3 4 5	DESCRIPTION	QTY.
32	12064G6		PUSH NUT, 5/16"	1
33	629763		TENSIONER BOLT.....	1
34	603884		CABLE GUIDE BRACKET	1
35				
36	607103		WIRE ASSEMBLY, 6 AWG, 42" LG	1
37	25682G01		RUBBER BOOT	3
38	631972		STARTER / GENERATOR SUPPORT BRACKET (FOR VEHICLES MANUFACTURED FROM APRIL 2014)	1

WEATHER PROTECTION

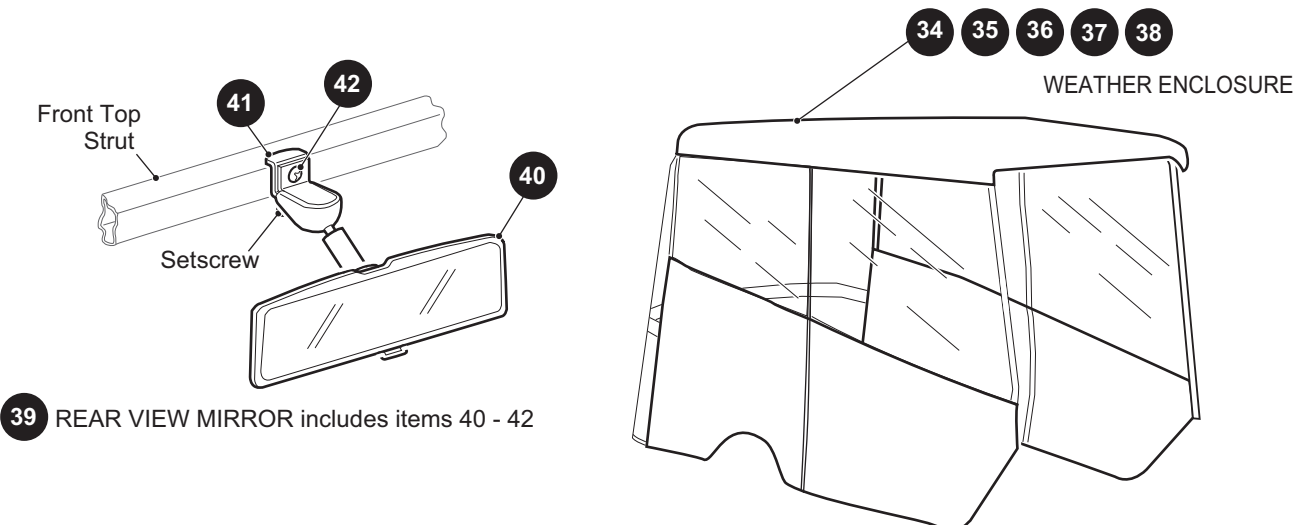
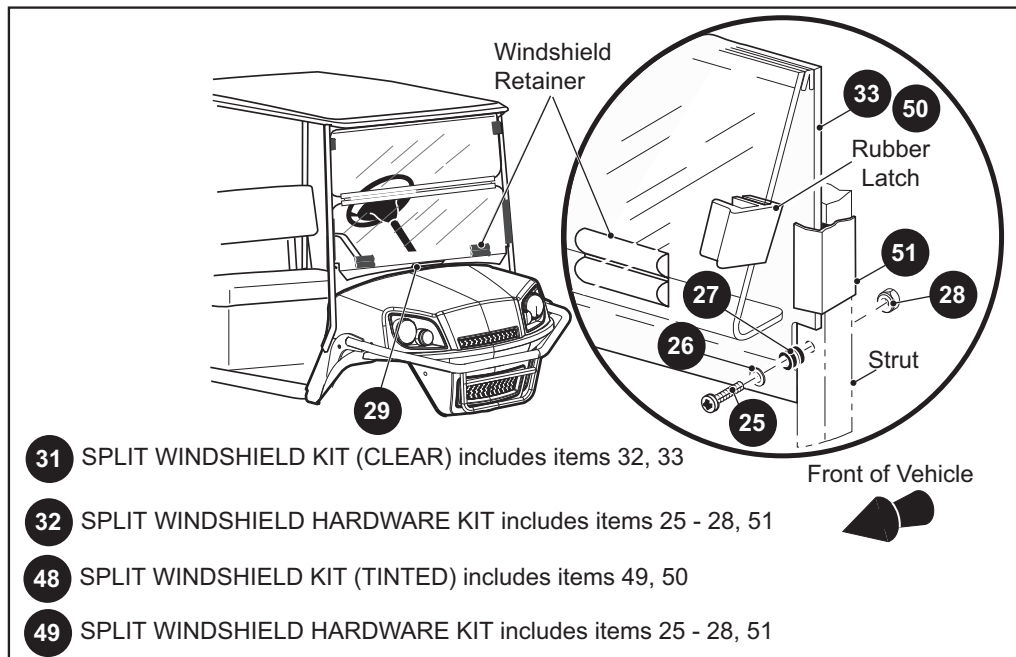
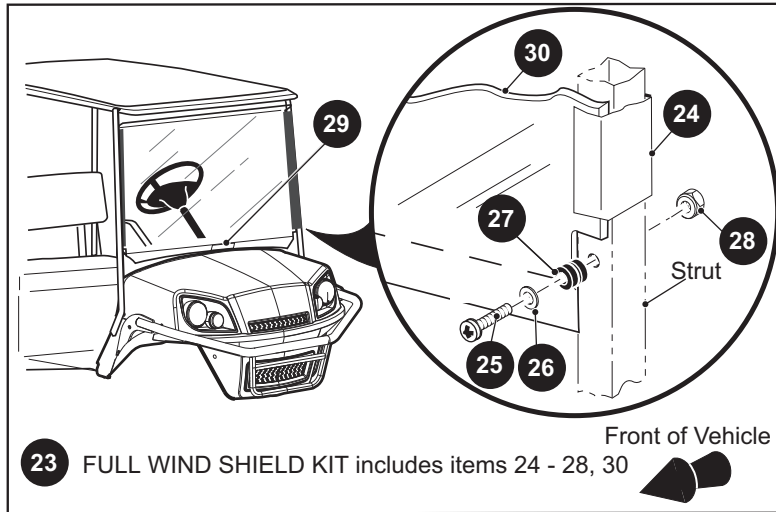


- 1 BLACK SUN TOP KIT Includes Items 2 - 20, 44
- 21 WHITE SUN TOP KIT Includes Items 2 - 20, 22

(Passenger Side Shown)



WEATHER PROTECTION



WEATHER PROTECTION

When ordering parts, please specify the model and serial number of the product.

* Indicates a component that is not available as an individual part.

*** Indicates consult Customer Service Department for additional information.

ITEM	PART NO.	1 2 3 4 5	DESCRIPTION	QTY.
1	606260		BLACK SUN TOP KIT, 80" LG (INCLUDES ITEMS 2 - 20, 44)	1
2	602743		REAR STRUT (DRIVER SIDE)	1
3	602741		REAR STRUT (PASSENGER SIDE)	1
4	00665G5		HEX HEAD BOLT (SS), 3/8" - 16 X 1 3/4" LG	4
5	00679G1		FLAT WASHER (SS), 3/8"	18
6	00771G5		NYLON WASHER, 3/8"	4
7	00891G5		LOCK NUT, 3/8" - 16	10
8	19853G1		END CAP, 1"	2
9	75125G01		FRONT STRUT	1
10	00440G2		HEX HEAD BOLT, 5/16" - 18 X 2 1/4" LG	4
11	00565G8		LOCK WASHER, 5/16"	4
12	75048G01		SPACER, 1/2"	2
13	00879G1		LOCK WASHER, 3/8"	4
14	00559G8		LOCK WASHER, 5/16"	4
15	00674G8		HEX HEAD BOLT (SS), 3/8" - 16 X 5" LG	2
16	18716G1		SPACER.....	2
17	00653G1		FLAT WASHER (SS), 3/8".....	2
18	00665G3		HEX HEAD BOLT (SS), 3/8" - 16 X 2 1/2" LG	2
19	00665G6		HEX HEAD BOLT (SS), 3/8" - 16 X 2" LG	2
20	24647G1		SPACER, 1/4"	2
21	603119		WHITE SUN TOP KIT, 80" LG (INCLUDES ITEMS 2 - 20, 22)	1
22	27604G01		SUN TOP, WHITE	1
23	71966G03		FULL WINDSHIELD KIT (INCLUDES ITEMS 24 - 28, 30)	1
24	615662		SASH, 26" LG.	2
25	*		HEX HEAD BOLT (SS), 1/4" - 20 X 1 3/4" LG	2
26	*		FLAT WASHER (SS), 1/4".....	2
27	*		RUBBER GROMMET	2
28	*		LOCK NUT (SS), 1/4" - 20	2
29	71963G01		SAFETY LABEL.....	1
30	71960G01		FULL WINDSHIELD	1

WEATHER PROTECTION

When ordering parts, please specify the model and serial number of the product.

* Indicates a component that is not available as an individual part.

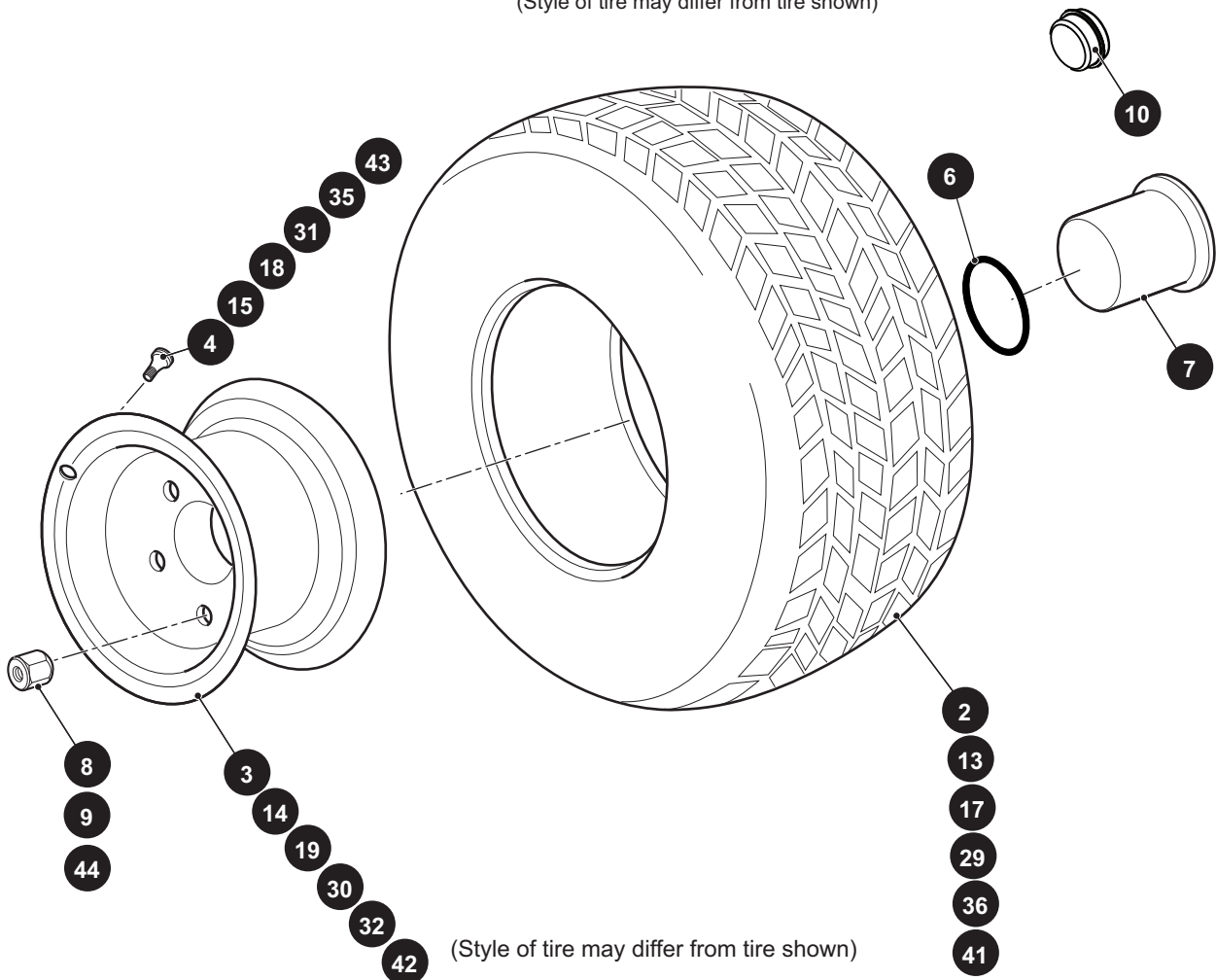
*** Indicates consult Customer Service Department for additional information.

ITEM	PART NO.	1 2 3 4 5	DESCRIPTION	QTY.
31	71966G05		SPLIT WINDSHIELD KIT (CLEAR) (INCLUDES ITEMS 32, 33).....	1
32	71956G05		SPLIT WINDSHIELD HARDWARE KIT (INCLUDES ITEMS 25 - 28, 51).....	2
33	630012		SPLIT WINDSHIELD (CLEAR)	1
34	624829		BLACK WEATHER ENCLOSURE (3 SIDED) (REQUIRES SUN TOP KIT)	1
35	624830		GRAY WEATHER ENCLOSURE (3 SIDED) (REQUIRES SUN TOP KIT).....	1
36	624831		GREEN WEATHER ENCLOSURE (3 SIDED) (REQUIRES SUN TOP KIT) ...	1
37	624832		WHITE WEATHER ENCLOSURE (3 SIDED) (REQUIRES SUN TOP KIT)	1
38	624833		TAN WEATHER ENCLOSURE (3 SIDED) (REQUIRES SUN TOP KIT).....	1
39	19528G2		REAR VIEW MIRROR KIT (INCLUDES ITEMS 40 - 42).....	1
40	19496G1		REAR VIEW MIRROR.....	1
41	19502G2		SUPPORT BRACKET	1
42	19527G1		HEX HEAD BOLT (SS), #8 - 32 X 5/8" LG	1
43				
44	606937		BLACK SUN TOP.....	1
45				
46				
47				
48	71966G06		SPLIT WINDSHIELD KIT (TINTED) (INCLUDES ITEMS 49, 50).....	1
49	71956G05		SPLIT WINDSHIELD HARDWARE KIT (INCLUDES ITEMS 25 - 28, 51).....	1
50	630013		SPLIT WINDSHIELD (TINTED)	1
51	615661		SASH, 12" LG	2

WHEELS AND TIRES

- 1 TERRA TRAC ASSEMBLY includes items 2 - 4
- 11 WHEEL & TIRE ASSEMBLY includes items 13 - 15
- 12 WHEEL & TIRE ASSEMBLY includes items 13 - 15
- 16 WHEEL & TIRE ASSEMBLY includes items 17 - 19
- 20 WHEEL & TIRE ASSEMBLY includes items 17 - 19
- 28 WHEEL & TIRE ASSEMBLY includes items 29 - 31
- 33 WHEEL & TIRE ASSEMBLY includes items 29, 31 - 32
- 34 WHEEL & TIRE ASSEMBLY includes items 35
- 37 WHEEL & TIRE ASSEMBLY includes items 35
- 40 WHEEL & TIRE ASSEMBLY includes items 41 - 43

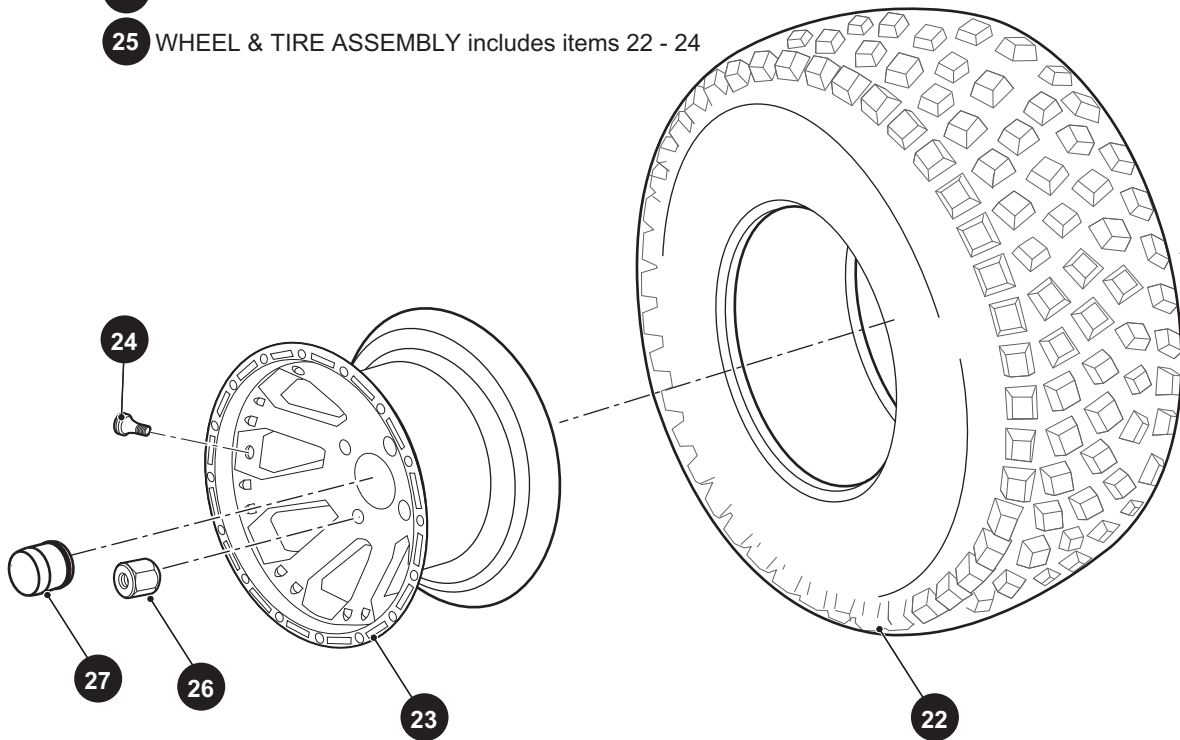
(Style of tire may differ from tire shown)



(Style of tire may differ from tire shown)

21 WHEEL & TIRE ASSEMBLY includes items 22 - 24

25 WHEEL & TIRE ASSEMBLY includes items 22 - 24



(Style of tire may differ from tire shown)

WHEELS AND TIRES

When ordering parts, please specify the model and serial number of the product.

* Indicates a component that is not available as an individual part.

*** Indicates consult Customer Service Department for additional information.

ITEM	PART NO.	1 2 3 4 5	DESCRIPTION	QTY.
1	608914		TERRA TRAC, 10", FRONT AND REAR (INCLUDES ITEMS 2, 3, 4)	AR
2	606141		TIRE, 22 X 11 X 10 TERRA TRAC.....	1
3	604927		WHEEL - POLISHED SPOKED, 10 X 7, (4 LUG).....	1
4	604915		VALVE STEM - CHROME.....	1
5				
6	650164		O-RING.....	AR
7	601353		WHEEL CAP.....	AR
8	605310		LUG NUT, 1/2" - 20.....	AR
9	14723G1		LUG NUT, 1/2" - 20.....	AR
10	12091G2		SPINDLE CAP.....	2
11	28630G04		WHEEL AND TIRES ASSEMBLY (DRIVER SIDE) (INCLUDES ITEM 13, 14, 15)	AR
12	28630G05		WHEEL AND TIRES ASSEMBLY (PASSENGER SIDE) (INCLUDES ITEM 13, 14, 15)	AR
13	28630G01		TIRE, 22 X 9 X 10 STRYKER	1
14	15172G02		WHEEL RIM (BLACK, 4 LUG)	AR
15	11657G1		VALVE STEM	1
16	605228		WHEEL AND TIRES ASSEMBLY (PASSENGER SIDE) (INCLUDES ITEM 17, 18, 19)	AR
17	604928		PATHFINDER TIRE 22 X 11	1
18	604915		VALVE STEM.....	1
19	604927		WHEEL - POLISHED SPOKED.....	1
20	604930		WHEEL AND TIRES ASSEMBLY (DRIVER SIDE) (INCLUDES ITEM 17, 18, 19)	AR
21	606240		SPEEDRACER TIRE AND WHEEL, 10 X 7, (DRIVER SIDE) (INCLUDES 22- 24) (MUST USE ITEM 26 LUG NUTS, ORDER SEPARATELY)	AR
22	606139		SPEEDRACER, 10 X 7.....	1
23	606152		WHEEL, 10" DIAMOND FINISHED WHEEL.....	1
24	604915		VALVE STEM, CHROME	1
25	606179		SPEEDRACER TIRE AND WHEEL, 10 X 7, (PASSENGER SIDE) (INCLUD- -ES 22-24) (MUST USE ITEM 26 LUG NUTS, ORDER SEPARATELY)	AR
26	605310		LUG NUT, 1/2" - 20.....	4
27	608910		DIAMOND WHEEL CAP.....	1

WHEELS AND TIRES

When ordering parts, please specify the model and serial number of the product.

* Indicates a component that is not available as an individual part.

*** Indicates consult Customer Service Department for additional information.

ITEM	PART NO.	1 2 3 4 5	DESCRIPTION	QTY.
28	28442G03		WHEEL AND TIRES ASSEMBLY, REAR (INCLUDES ITEMS 29 -31) (FOR VEHICLES MANUFACTURED UNTIL 14OCT2016)	AR
29	28442G02		TIRE	1
30	15172G02		WHEEL RIM (BLACK, 4 LUG).....	AR
31	11657G1		VALVE STEM.....	1
32	15172G01		WHEEL RIM (BLACK, 4 LUG).....	AR
33	28442G01		WHEEL AND TIRES ASSEMBLY, FRONT (INCLUDES ITEMS 29, 31, 32) (FOR VEHICLES MANUFACTURED UNTIL 14OCT2016)	AR
34	74842G03		WHEEL AND TIRE ASSEMBLY LH, TRAIL WOLF (BLK) (INCLUDES ITEMS 35 - 36)	AR
35				
36	74842G05		TIRE	1
37	74842G04		WHEEL AND TIRE ASSEMBLY RH, TRAIL WOLF (BLK) (INCLUDES ITEMS 35).....	AR
38				
39				
40	652263		WHEEL AND TIRE ASSEMBLY (INCLUDES ITEMS 41 - 43) (FOR VEHICLES MANUFACTURED FROM 15OCT2016)	AR
41	652986		KENDA TIRE, K500, 20 X 8 - 10, 6PLY	1
42	643934		WHEEL, 10 X 6	1
43	643948		VALVE STEM.....	1
44	14723G1		LUG NUT, 1/2" - 20	AR



A Textron Company

E-Z-GO Division of Textron Inc.,
1451 Marvin Griffin Road, Augusta, Georgia 30906 - 3852 USA

TO CONTACT US...

North America:

Technical Assistance & Warranty Phone: 1-800-774-3946, FAX: 1-800-448-8124

Service Parts Phone: 1-888-GET-E-Z-GO (1-888-438-3946), FAX: 1-800-752-6175

International: Phone: 001-706-798-4311, FAX: 001-706-771-4609

Service Parts Manuals, as well as Repair and Service Manuals
are available from a local Distributor, an authorized Branch,
Genuine E-Z-GO Parts & Accessories Department or at www.shopezgo.com.

Copyrighted Material
This manual may not be reproduced in whole or
in part without the express permission of
E-Z-GO Division of Textron Inc.
Technical Communications Department