



A Textron Company

CUSHMAN[®]

A Textron Company

JACOBSEN[®]

A Textron Company

S E R V I C E P A R T S
M A N U A L



604710

G A S O L I N E P O W E R E D U T I L I T Y V E H I C L E S

ISSUED DATE MAY 2006

REVISED DATE DEC 2008

SERVICE PARTS MANUAL

GASOLINE POWERED UTILITY VEHICLES

MPT[®] 800

INDUSTRIAL 800

COMMANDER[™] 280

HAULER[™] 800

SPORT[™] II

Starting Model Year 2006

DISCLAIMER: The E-Z-GO Division of Textron Inc. reserves the right to incorporate engineering and design changes to products in this Manual, without obligation to include these changes on units leased/sold previously.

The information contained in this Manual may be revised periodically by the E-Z-GO Division, and therefore is subject to change without notice.

The E-Z-GO Division DISCLAIMS LIABILITY FOR ERRORS IN THIS MANUAL, and the E-Z-GO Division SPECIFICALLY DISCLAIMS LIABILITY FOR INCIDENTAL AND CONSEQUENTIAL DAMAGES resulting from the use of the information and materials in this Manual.

CUSTOMER SERVICE DEPARTMENT IN USA PHONE: 1-800-241-5855 FAX: 1-800-448-8124

OUTSIDE USA PHONE: 001-706-798-4311, FAX: 001-706-771-4609

E-Z-GO DIVISION OF TEXTRON, INC., 1451 MARVIN GRIFFIN ROAD, AUGUSTA, GEORGIA USA 30906

NOTES

To obtain a copy of the limited warranty applicable to the vehicle, call or write a local Distributor, authorized Branch or the Warranty Department with vehicle serial number and manufacturer code.

The use of non Original Equipment Manufacturer (OEM) parts may void the warranty.

Tampering with or adjusting the governor to permit vehicle to operate at above factory specifications will void the vehicle warranty.

When servicing engines, all adjustments and replacement components must be per original vehicle specifications in order to maintain the United States of America Federal and State emission certification applicable at the time of manufacture.

BATTERY PROLONGED STORAGE

All batteries will self discharge over time. The rate of self discharge varies depending on the ambient temperature and the age and condition of the batteries.

A fully charged battery will not freeze in winter temperatures unless the temperature falls below -75° F (-60° C).

TABLE OF CONTENTS

HOW TO USE THE SERVICE PARTS MANUAL	v
ILLUSTRATED PARTS BREAKDOWN	vii
ACCELERATOR - ALL CABLES	A-1
AIR FILTER	B-1
BODY	C-1
BRAKES	D-1
BRAKES - FRONT DISC	E-1
CAB	F-1
CARBURETOR AND CHOKE	G-1
CLUTCH	H-1
DIRECTION SELECTOR	I-1
ELECTRICAL SYSTEM	J-1
ENGINE AND MUFFLER	K-1
ENGINE MOUNTING	L-1
FRONT SUSPENSION/STEERING	M-1
FUEL SYSTEM	N-1
REAR AXLE	O-1
REAR SUSPENSION	P-1
SEATING	Q-1
STARTER / GENERATOR	R-1
TRUCK BED, MANUAL LIFT	S-1
TRUCK BED, ELECTRIC LIFT	T-1
TRUCK BED, REFRESHER COOLER	U-1
WEATHER PROTECTION	V-1
WHEELS AND TIRES	W-1
SPECIALTY PRODUCTS	APPENDIX A-1
OPTIONS/ACCESSORIES	APPENDIX B-1

HOW TO USE THE SERVICE PARTS MANUAL

This manual is divided into several sections:

GENERAL INFORMATION

- TABLE OF CONTENTS
- HOW TO USE THE SERVICE PARTS MANUAL

ILLUSTRATED PARTS BREAKDOWN

- Contains illustrations and parts lists for all systems of the vehicle

APPENDIX

- Contains a listing of specialty products and options/accessories

INDEX OF MAJOR COMPONENTS

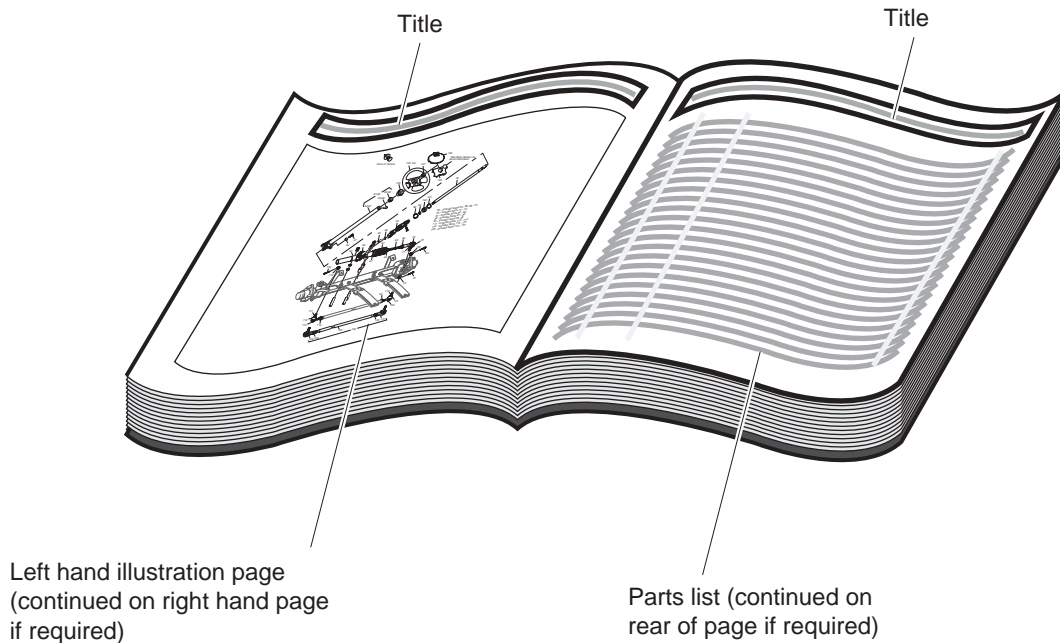
- Contains a listing of parts (excluding hardware) grouped by part number and description and indicates on which page(s) they can be found

USE OF THE MANUAL

To use this manual, consult the TABLE OF CONTENTS (page iii) or the INDEX OF MAJOR COMPONENTS (located at rear of this manual) to locate the information or illustration required.

Introduction of some revisions varies due to supply of components; therefore, it is possible that various combinations of components may be found that are not directly reflected by each illustration. Consult the illustration that best suits your situation. Locate the serial number plate (see BODY located in the Illustrated Parts Breakdown section of this manual for its location) and note the complete number shown on the plate. It is important that the serial number of your vehicle and its model number be supplied to Service Parts when ordering any replacement components.

HOW TO USE THE SERVICE PARTS MANUAL



1. WHEN THE PART NUMBER IS NOT KNOWN

- Determine the function and application of the part required. Turn to the INDEX OF MAJOR COMPONENTS and select the most appropriate component description.
- Turn to the page number indicated and locate the part description in the parts list. Read the full accompanying description for specific information regarding the part that was not shown in the index.
- From the parts list, obtain the item number assigned to it and confirm that the part selected is correct by verifying it with the pictorial representation on the illustrated page.

2. IF YOU KNOW THE PART NUMBER

- Use the INDEX OF MAJOR COMPONENTS to find the page(s) the part number appears on.
- Turn to the page number indicated and locate the part number in the parts list. Refer to the accompanying description for specific information regarding the part.
- From the parts list, obtain the item number assigned to it and confirm that the part selected is correct by verifying it with the pictorial representation on the illustrated page.

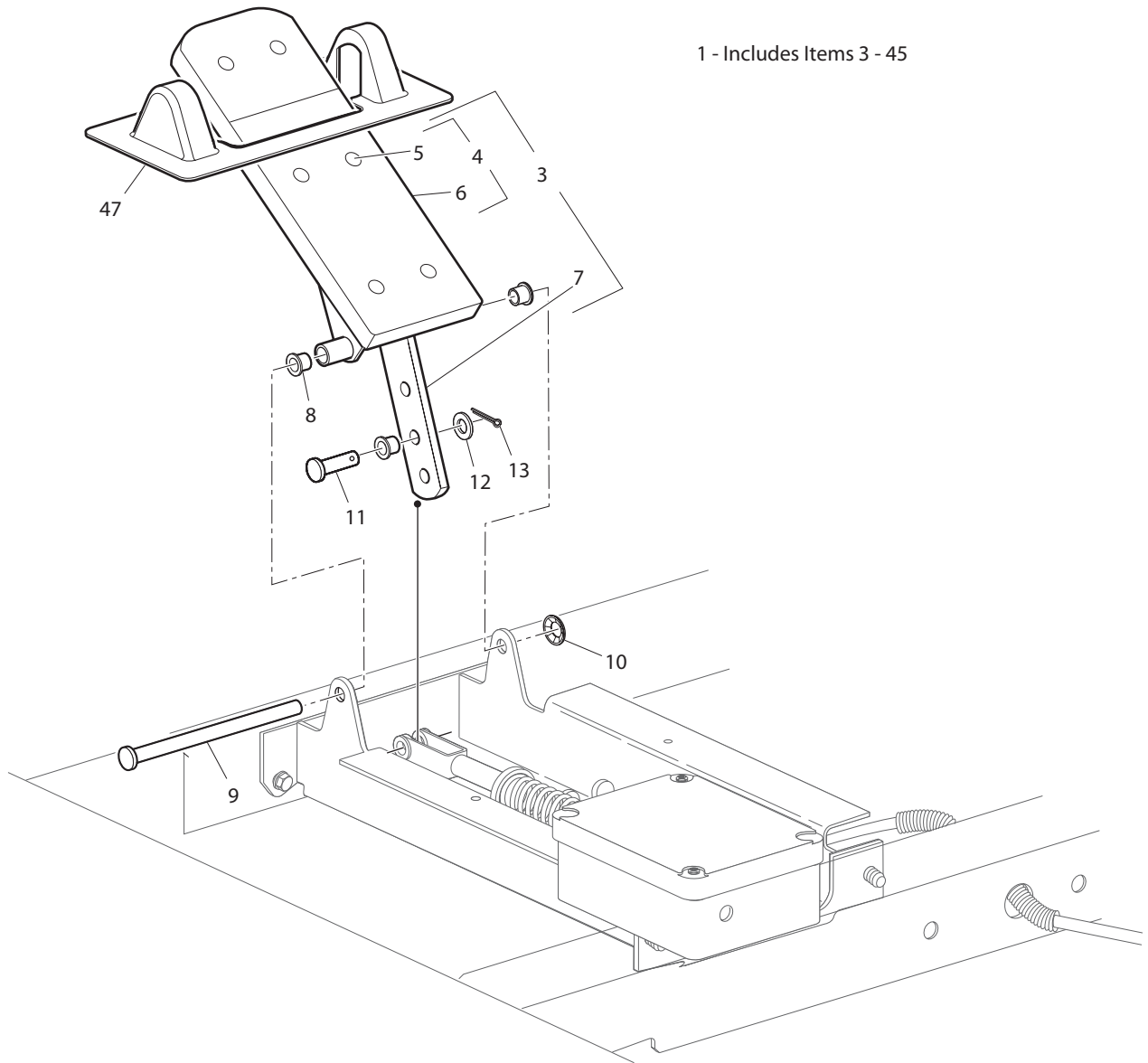
Should an asterisk (*) appear in the part number column on the parts list page, read upwards until a part number is found. The part number is the lowest assembly sold by Service Parts. The asterisk (*) indicates that the part depicted is not available for purchase.

NOTE: Descriptions are indented under the assembly that they are used on. That assembly is, in turn listed under the assembly that it is used on. This process is repeated until the highest final assembly is reached.

To facilitate the maintenance and repair of the vehicle, a Technician's Repair and Service Manual is available from the Service Parts Department.

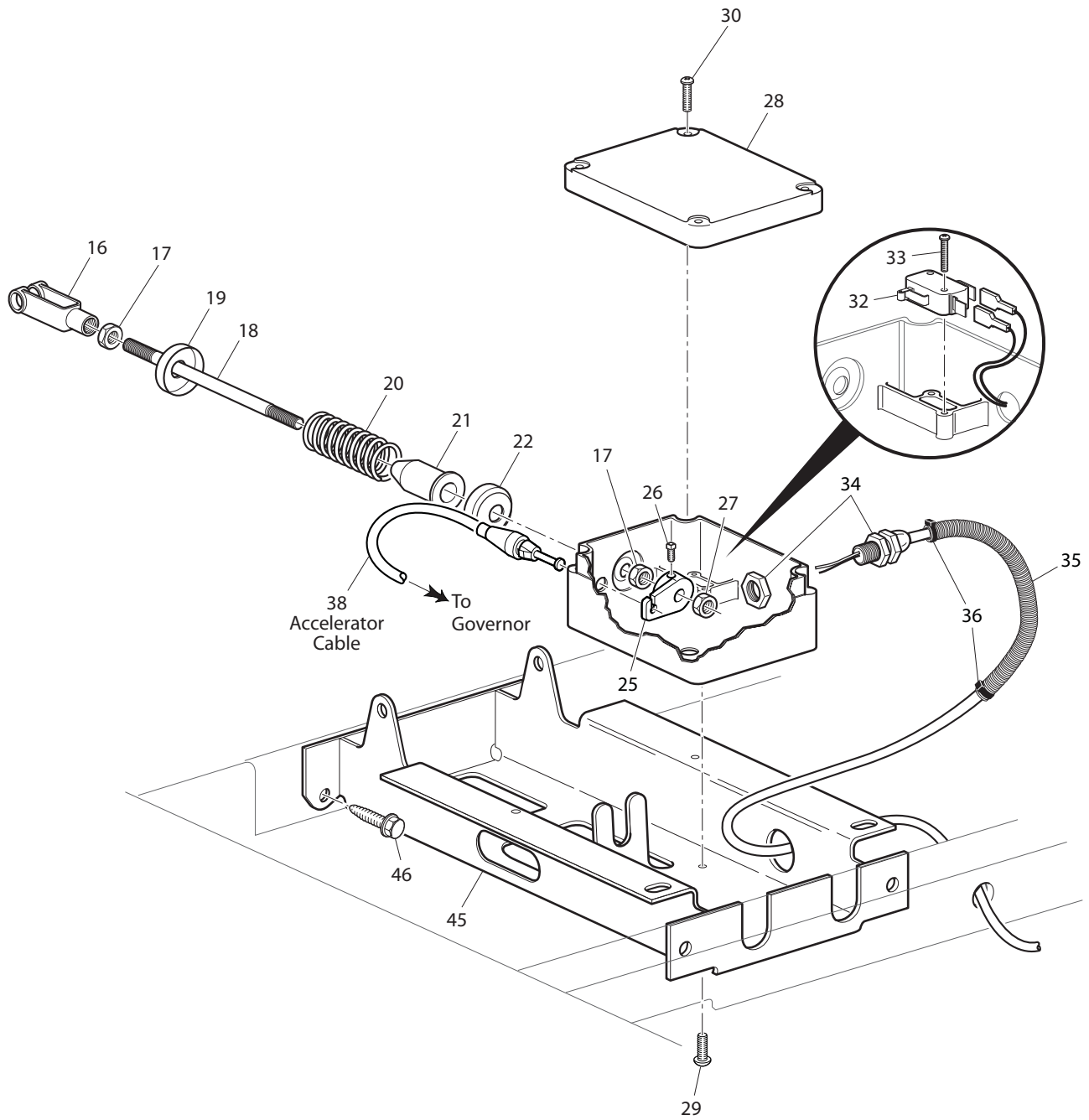
ILLUSTRATED PARTS BREAKDOWN

ACCELERATOR - ALL CABLES



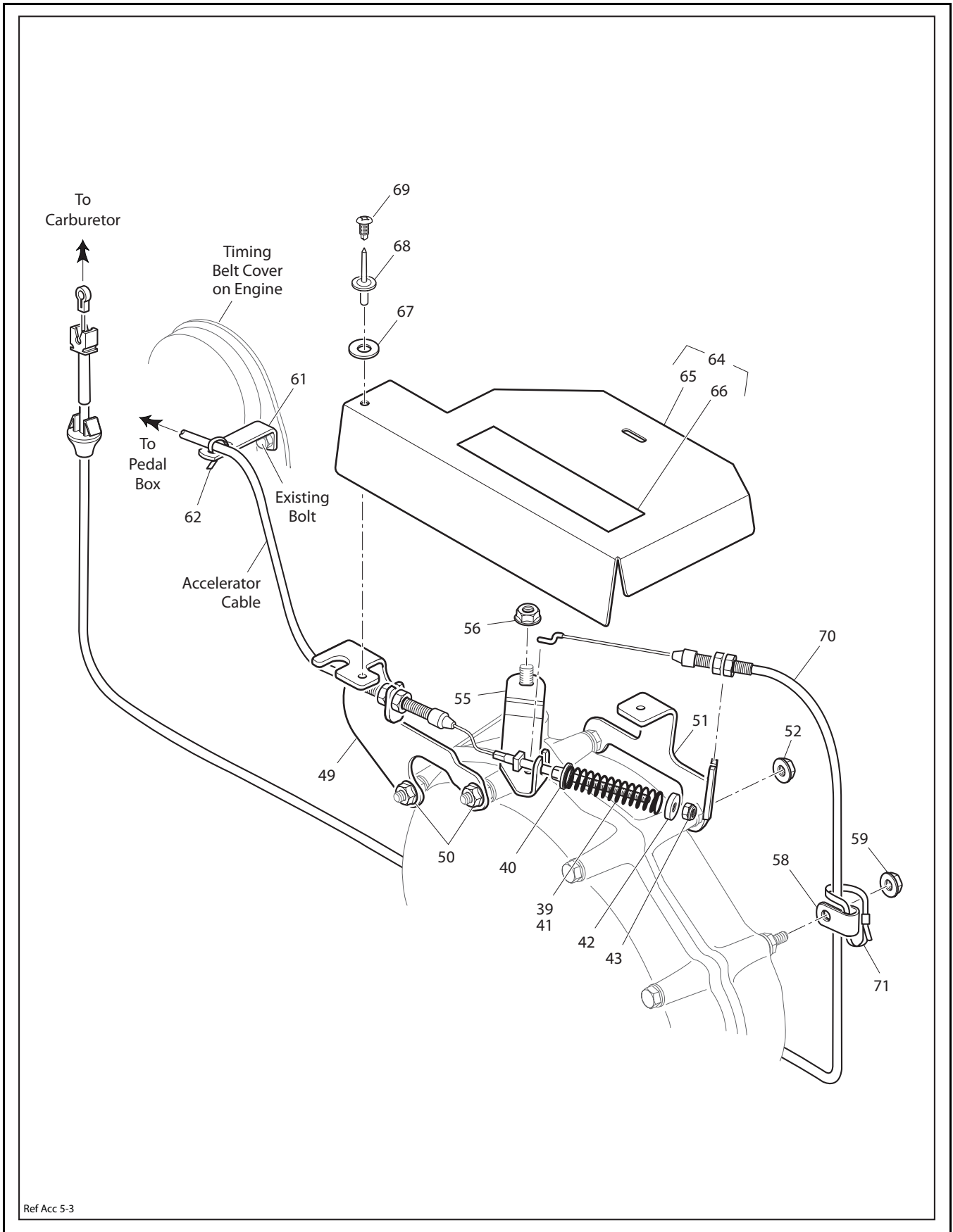
Ref Acc 5-1

ACCELERATOR - ALL CABLES



Ref Acc 21-2

ACCELERATOR - ALL CABLES



ACCELERATOR - ALL CABLES

THE USE OF NON U.L. PARTS WILL VOID ANY U.L. LISTING.
 When ordering parts, please specify the model and serial number of the product.
 * Indicates a component that is not available as an individual part.
 G** Indicates consult Customer Service Department for additional information.

ITEM	PART NO.	1 2 3 4 5	DESCRIPTION	QTY.
1	72717G06		PEDAL BOX ASSEMBLY (INCLUDES ITEMS 3 - 45).....	1
2				
3	25799G03		ACCELERATOR PEDAL ASSEMBLY (INCLUDES ITEMS 4 - 7).....	1
4	27844G01		ACCELERATOR PEDAL PAD KIT (INCLUDES ITEMS 5 - 6).....	1
5	15766G1		OVAL RIVET, 3/16" X 3/8" LG.....	6
6	27512G01		ACCELERATOR PEDAL PAD	1
7	*		ACCELERATOR PEDAL	1
8	17838G1		NYLON BUSHING	3
9	74432G01		PEDAL PIVOT PIN	1
10	12064G6		PUSH NUT, 9/32".....	1
11	10386G3		CLEVIS PIN, 5/16" X 1" LG	1
12	17255G1		TEFLON WASHER, 5/16".....	1
13	10387G3		COTTER PIN, 3/32" X 3/4" LG	1
14				
15				
16	10385G4		CLEVIS YOKE (ADJUSTABLE).....	1
17	00532G4		LOCK NUT, 5/16 - 24	2
18	72072G01		ACCELERATOR ROD	1
19	17677G2		SPRING RETAINER	1
20	73046G01		COMPRESSION SPRING	1
21	17979G1		ACCELERATOR ROD BUSHING	1
22	17677G1		SPRING RETAINER	1
23				
24				
25	72716G01		MICRO SWITCH CAM.....	1
26	00487G3		SETSCREW, 1/4 - 20 X 3/8" LG.	1
27	00550G4		LOCK NUT, 5/16 - 24	1
28	25853G03		PEDAL BOX AND COVER	1
29	01051G01		SCREW, #8 - 16 X 1/2" LG.	4
30	00684G6		SCREW, #8 - 32 X 3/4" LG.	2

ACCELERATOR - ALL CABLES

THE USE OF NON U.L. PARTS WILL VOID ANY U.L. LISTING.

When ordering parts, please specify the model and serial number of the product.

* Indicates a component that is not available as an individual part.

G** Indicates consult Customer Service Department for additional information.

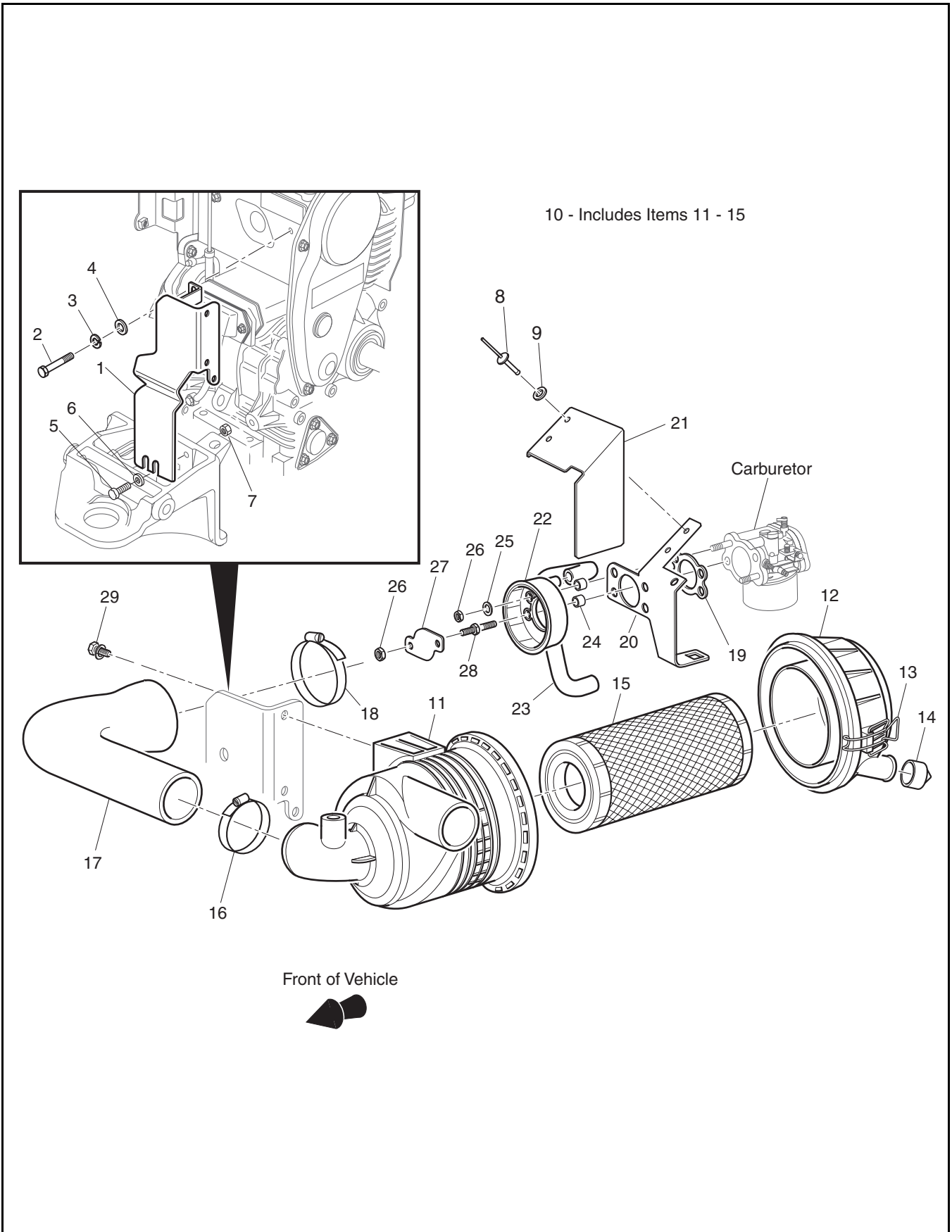
ITEM	PART NO.	1	2	3	4	5	DESCRIPTION	QTY.
31								
32	25861G01						MICRO SWITCH.....	1
33	01050G01						SCREW, #4 - 20 X 5/8" LG	2
34	72201G04						WIRE HARNESS (PEDAL BOX)	1
35	17313G1						FLEX LOOM (BULK).....	AR
36	17618G1						WIRE TIE	2
37								
38	72713G01						ACCELERATOR CABLE	1
39	72809G01						COMPRESSION SPRING (ONLY FOR ST-SPORTS II)	1
40	72706G01						ACCELERATOR CABLE BUSHING	1
41	72707G01						COMPRESSION SPRING	1
42	25727G02						CUP WASHER.....	1
43	00734G5						LOCK NUT, #10 - 32.....	1
44								
45	70116G02						ACCELERATOR PEDAL BRACKET.....	1
46	00715G2						BOLT, 5/16 - 18 X 13/16" LG	4
47	70135G01						PEDAL PIVOT COVER.....	1
48								
49	72701G02						ACCELERATOR CABLE MOUNTING BRACKET	1
50	26830-G01						LOCK NUT, M8 X 1.25 MM	2
51	72703G02						THROTTLE CABLE MOUNTING BRACKET	1
52	26830G01						LOCK NUT, M8 X 1.25 MM	2
53								
54								
55	72708G01						GOVERNOR ARM	1
56	26830G01						LOCK NUT, M8 X 1.25 MM	1
57								
58	11845G3						CLAMP	1
59	26830G01						LOCK NUT, M8 X 1.25 MM	1
60								

ACCELERATOR - ALL CABLES

THE USE OF NON U.L. PARTS WILL VOID ANY U.L. LISTING.
 When ordering parts, please specify the model and serial number of the product.
 * Indicates a component that is not available as an individual part.
 G** Indicates consult Customer Service Department for additional information.

ITEM	PART NO.	1 2 3 4 5	DESCRIPTION	QTY.
61	72055G01		ACCELERATOR CABLE BRACKET	1
62	17618G1		WIRE TIE	2
63				
64	74457G02		GOVERNOR COVER/LABEL ASSEMBLY (INCLUDES ITEMS 65, 66).....	1
65	72705G02		GOVERNOR COVER	1
66	24880G01		LABEL (WARNING - GOVERNOR).....	1
67	00915G1		BONDED WASHER, 1/4"	2
68	14601G11		RIVET, 3/16" X 9/16" LG	2
69	00106G6		SELF THREADING SCREW, #12-24 X 3/4 - CP	
70	72714G01		THROTTLE CABLE.....	1
71	17618G1		WIRE TIE	1

AIR FILTER

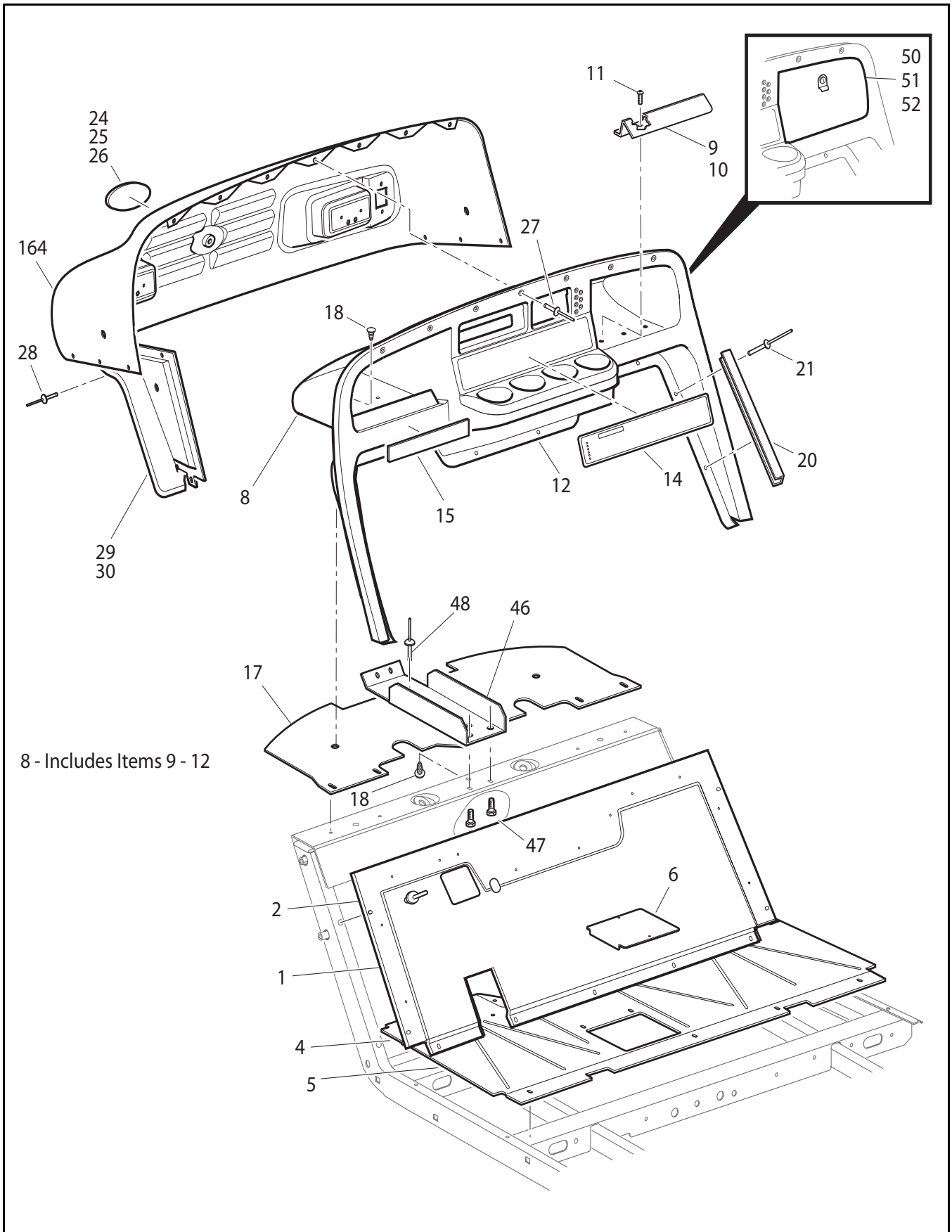


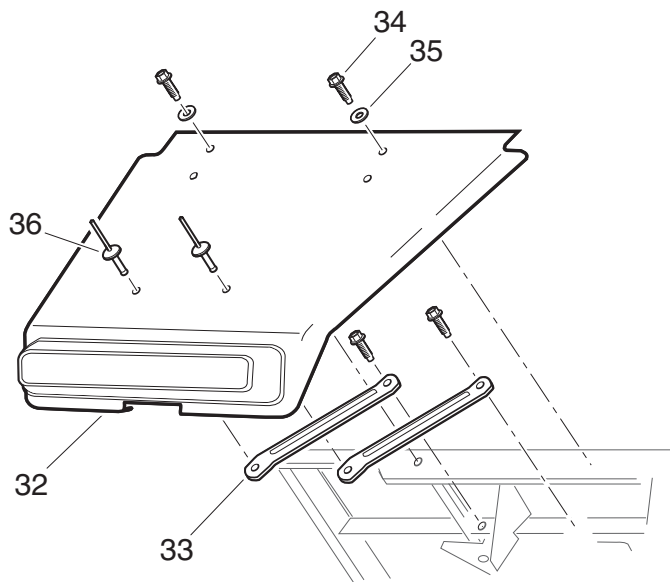
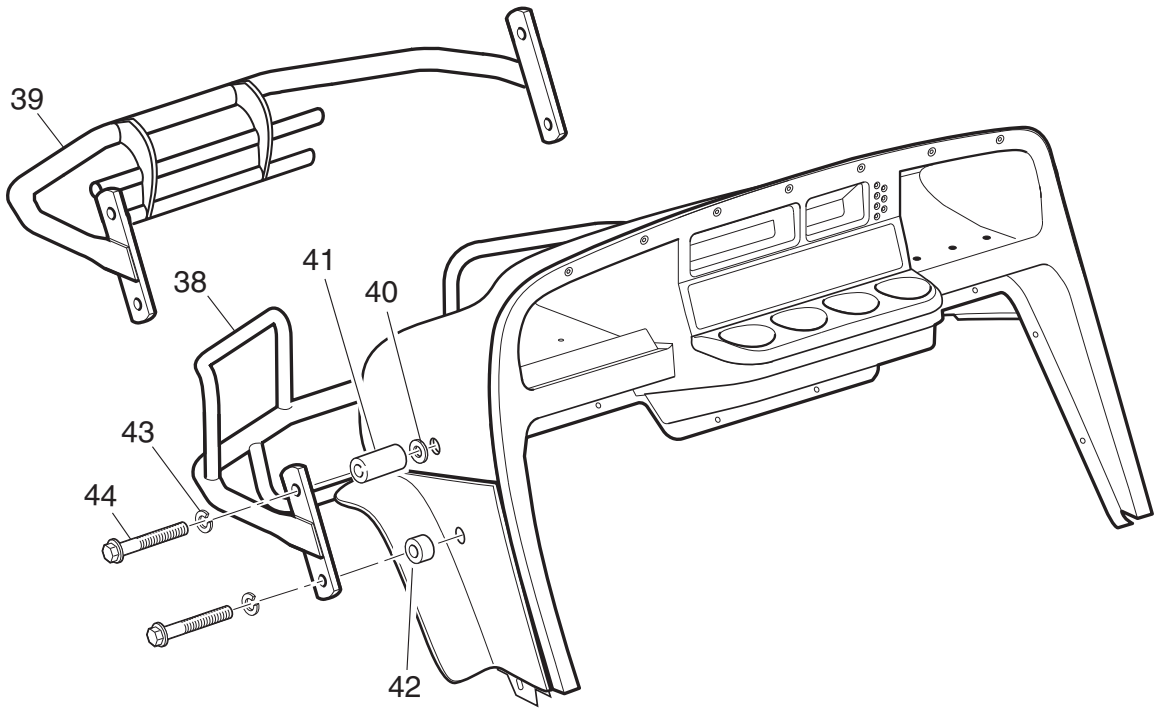
AIR FILTER

THE USE OF NON U.L. PARTS WILL VOID ANY U.L. LISTING.
 When ordering parts, please specify the model and serial number of the product.
 * Indicates a component that is not available as an individual part.
 G** Indicates consult Customer Service Department for additional information.

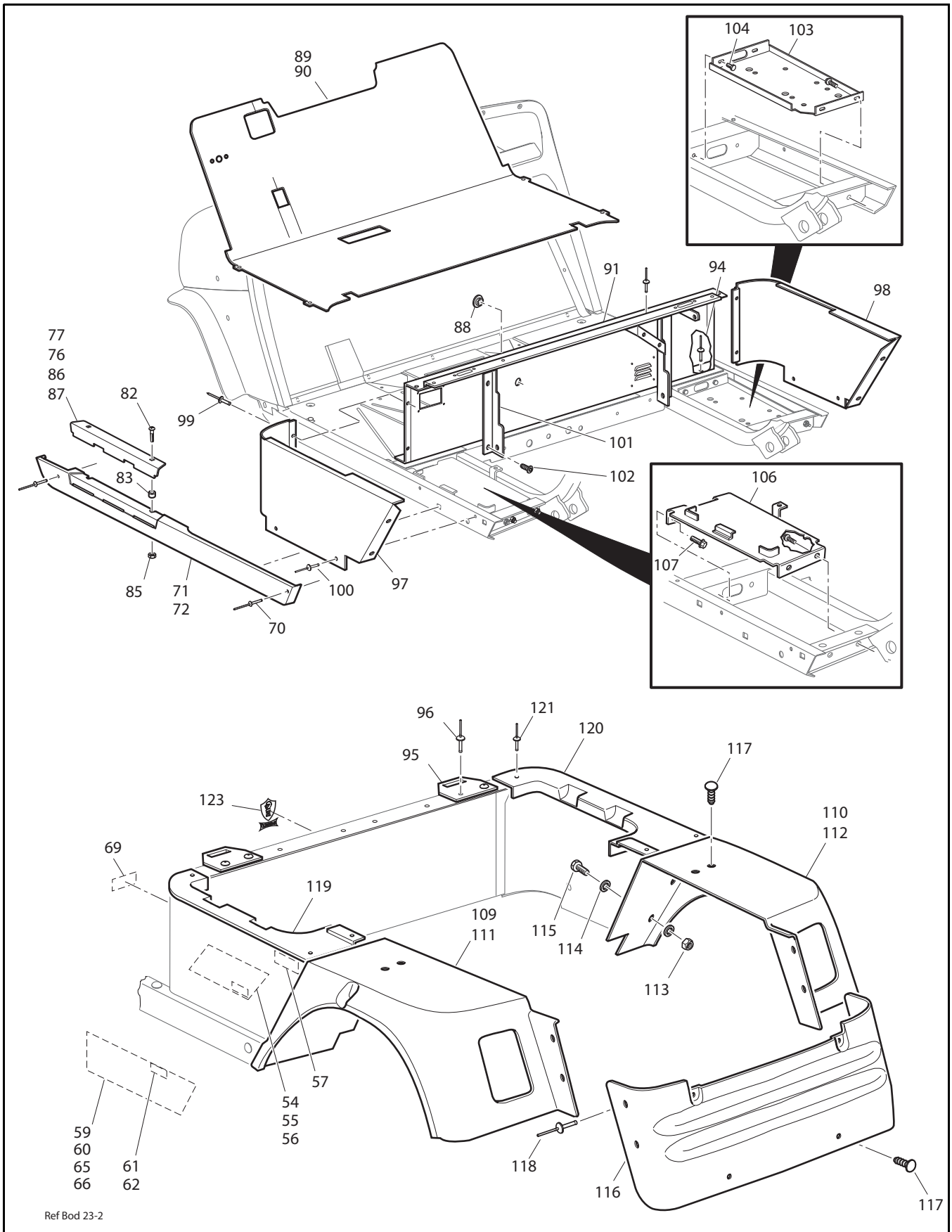
ITEM	PART NO.	1 2 3 4 5	DESCRIPTION	QTY.
1	75878G02		AIR FILTER BRACKET (CABLE ACTUATED CARBURETOR).....	1
2	12547G3		BOLT, M6 X 1MM X 20MM LG	1
3	00664G7		LOCK WASHER, 1/4".....	1
4	00559G7		WASHER, 1/4"	1
5	00415G2		BOLT, 1/4 - 20 X 1 1/4" LG	2
6	00559G7		WASHER, 1/4"	2
7	14390G4		LOCK NUT, 1/4 - 20	2
8	14601G11		RIVET	2
9	00915G1		BONDED WASHER	2
10	72607G01		AIR CLEANER CANISTER ASSEMBLY (INCLUDES ITEMS 11 - 15).....	1
11	72598G01		AIR CLEANER CANISTER.....	1
12	72599G01		AIR CLEANER COVER	1
13	72604G01		AIR CLEANER LATCH	2
14	28462G01		AIR CLEANER DUST COLLECTOR	1
15	28463G01		AIR CLEANER ELEMENT	1
16	11391G7		HOSE CLAMP	1
17	72592G01		HOSE (AIR FILTER TO CARBURETOR).....	1
18	11391G6		HOSE CLAMP	2
19	26727G01		CARBURETOR GASKET	2
20	74498G02		CHOKE / THROTTLE BRACKET.....	1
21	604117		CHOKE / THROTTLE COVER.....	1
22	72591G01		CARBURETOR ADAPTER	1
23	72151G01		PCV HOSE.....	1
24	23726G11		CARBURETOR MOUNTING SPACER	4
25	00664G7		WASHER, 1/4"	2
26	13632G1		NUT, M6 X 1	4
27	72605G01		CARBURETOR BAFFLE.....	1
28	72514G01		STUD.....	2
29	25532G1		BOLT AND WASHER, M8 X 1.25 X 18 MM	2

BODY



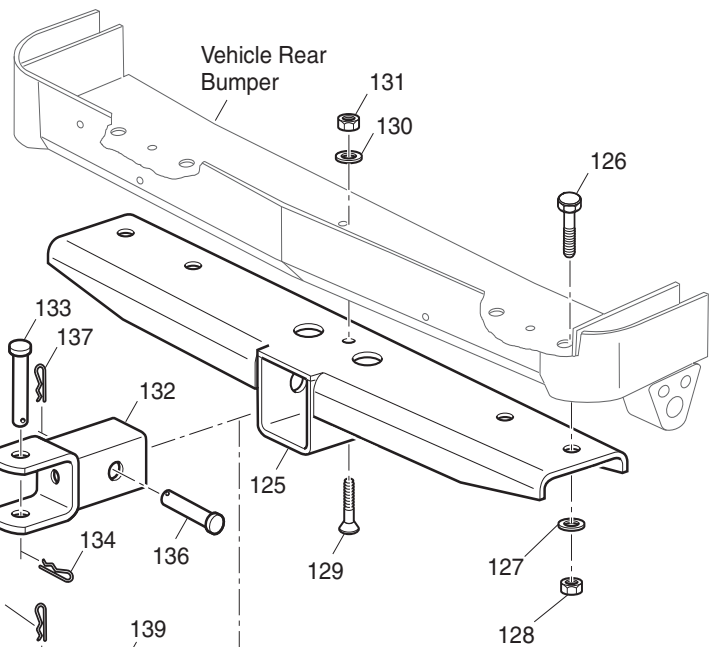
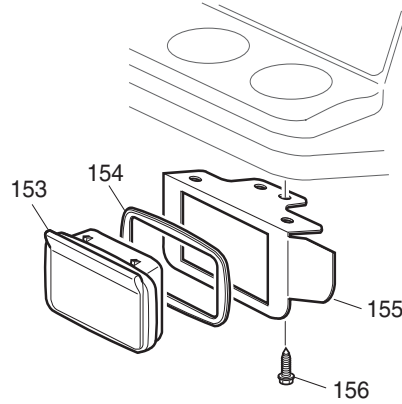


BODY



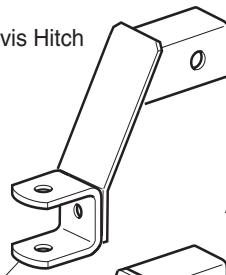
ASH TRAY

152 - Includes Items 153 - 156



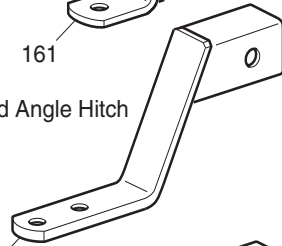
HITCHES

Dropped Clevis Hitch



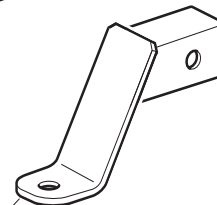
161

Dropped Angle Hitch



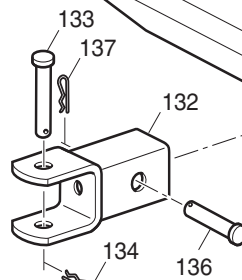
162

Dropped Heavy Duty Hitch

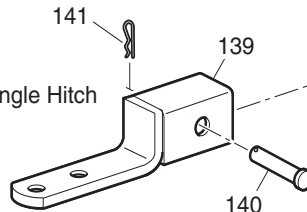


163

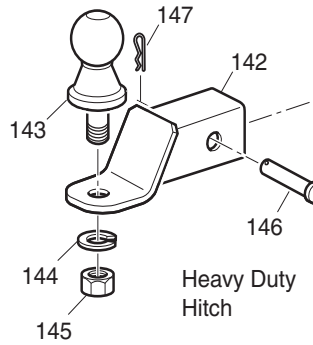
Clevis Hitch



Angle Hitch



Heavy Duty Hitch



Ref Bod 21-3

BODY

THE USE OF NON U.L. PARTS WILL VOID ANY U.L. LISTING.

When ordering parts, please specify the model and serial number of the product.

* Indicates a component that is not available as an individual part.

G** Indicates consult Customer Service Department for additional information.

ITEM	PART NO.	1 2 3 4 5	DESCRIPTION	QTY.
1	70662G01		UPPER FLOORPAN.....	1
2	14601G11		RIVET, 3/16" X 9/16" LG (ALUMINUM).....	9
3				
4	70451G01		LOWER FLOORPAN.....	1
5	14601G11		RIVET, 3/16" X 9/16" LG (ALUMINUM).....	7
6	70452G01		ACCESS COVER.....	1
7				
8	71151G03		INSTRUMENT PANEL ASSEMBLY (INCLUDES ITEMS 9 - 12)	1
9	71153G01		DEFLECTOR (PASSENGER SIDE)	1
10	71154G01		DEFLECTOR (DRIVER SIDE).....	1
11	00614G5		SCREW, #8 - 18 X 5/8" LG	6
12	71158G01		INSTRUMENT PANEL INSERT (FOUR CUP).....	1
13				
14	35962G01		LABEL (SAFETY) (PICTOGRAPH).....	1
15	74443G01		LABEL (ANTI-ROLLBACK)	1
16				
17	71413G01		SPLASH PANEL.....	1
18	16816G2		RATCHET FASTENER, 1/4" X 3/4" LG	5
19				
20	71115G01		VINYL TRIM	2
21	71055G01		RIVET, 3/16" X 1" LG (ALUMINUM).....	10
22				
23				
24	71289G01		NAMEPLATE (E-Z-GO) (OVAL)	1
25	28907G01		NAMEPLATE (JACOBSEN) (OVAL)	1
26	74401G01		NAMEPLATE (CUSHMAN) (OVAL).....	1
27	71055G01		RIVET, 3/16" X 1" LG	9
28	71055G01		RIVET, 3/16" X 1" LG	6
29	71338G01		FENDER FLARE (DRIVER SIDE).....	1
30	71338G02		FENDER FLARE (PASSENGER SIDE).....	1

THE USE OF NON U.L. PARTS WILL VOID ANY U.L. LISTING.

When ordering parts, please specify the model and serial number of the product.

* Indicates a component that is not available as an individual part.

G** Indicates consult Customer Service Department for additional information.

ITEM	PART NO.	1 2 3 4 5	DESCRIPTION	QTY.
31				
32	27166G04		FRONT SHIELD	1
33	70725G02		FRONT SHIELD BRACE	2
34	01038G01		SCREW, 1/4 - 20 X 1/2" LG	4
35	16469G1		WASHER, 1/4"	2
36	01057G01		RIVET, KTR, 1/4" X 1" LG	2
37				
38	74265G02		BUMPER	1
39	604659		BRUSH GUARD (BLACK)	1
40	00570G2		WASHER, 5/16"	2
41	75048G04		SPACER, 1"	2
42	75048G01		SPACER, 1/2"	2
43	00905G8		LOCK WASHER, 5/16"	4
44	01035G02		BOLT, 5/16 - 18 X 2 1/2" LG	4
45				
46	71101G02		COWL SUPPORT BRACKET	1
47	71102G02		SELF TAPPING SCREW, 1/4 - 20 X 1/2" LG	3
48	71055G01		RIVET, 3/16" X 1 1/8" LG	1
49				
50	75459G01		GLOVE BOX DOORS (BOTH SIDES)	1
51	75459G02		GLOVE BOX DOOR (DRIVER SIDE)	1
52	75459G03		GLOVE BOX DOOR (PASSENGER SIDE)	1
53				
54	600823		LABEL (MPT™)	2
55	600817		LABEL (800)	2
56	604706		LABEL (ST SPORT II)	2
57	74099-G01		LABEL, TILT WARNING PICTOGRAPH	2
58				
59	28915G01		LABEL (JACOBSEN HAULER™) (DRIVER SIDE)	1
60	28915G02		LABEL (JACOBSEN HAULER™) (PASSENGER SIDE)	1

BODY

THE USE OF NON U.L. PARTS WILL VOID ANY U.L. LISTING.

When ordering parts, please specify the model and serial number of the product.

* Indicates a component that is not available as an individual part.

G** Indicates consult Customer Service Department for additional information.

ITEM	PART NO.	1 2 3 4 5	DESCRIPTION	QTY.
61	74803G01		LABEL (800).....	2
62	28964G01		LABEL (280).....	2
63				
64				
65	28952G01		LABEL (CUSHMAN COMMANDER™) (DRIVER SIDE).....	1
66	28952G02		LABEL (CUSHMAN COMMANDER™) (PASSENGER SIDE)	1
67				
68				
69	*		SERIAL NUMBER LABEL.....	1
70	15058G6		RIVET, BLACK (ALUMINUM).....	4
71	71502G01		ROCKER PANEL (DRIVER SIDE)	1
72	71501G01		ROCKER PANEL (PASSENGER SIDE).....	1
73				
74				
75				
76				
77				
78				
79				
80				
81				
82	16705-G1		SCREW, 1/4 - 20 X 1" LG.....	4
83	23726-G4		SPACER.....	4
84				
85	14390G4		LOCK NUT, 1/4 - 20	4
86	28971G01		SILL PLATE TREAD (PASSENGER SIDE).....	1
87	28971G02		SILL PLATE TREAD (DRIVER SIDE)	1
88	20271G9		HOLE PLUG, 1/2"	1
89	70663-G03		FLOORMAT.....	1
90	70663-G04		FLOORMAT (AXLE MOUNTED STEERING).....	1

THE USE OF NON U.L. PARTS WILL VOID ANY U.L. LISTING.
 When ordering parts, please specify the model and serial number of the product.
 * Indicates a component that is not available as an individual part.
 G** Indicates consult Customer Service Department for additional information.

ITEM	PART NO.	1 2 3 4 5	DESCRIPTION	QTY.
91	71844GXX		SEAT WRAP PANEL 71844G01....PER PROD SCHED. 71844G02....CAMPAGNE BEIGE 71844G03....HUNTER GREEN 71844G04....INDUSTRIAL YELLOW 71844G05....JACOBSEN ORANGE 71844G06....SPECIAL COLORS 71844G09....ADVANTAGE CAMO 71844G12....ARTIC WHITE 71844G13....BLUE	1
92				
93				
94	10570G10		RIVET, 5/32" X 9/16" LG	8
95	71609G01		SEAT HINGE PLATE	2
96	10570G11		RIVET, 3/16" X 3/4" LG	4
97	71259G01		SIDE PANEL (DRIVER SIDE)	1
98	71259G02		SIDE PANEL (PASSENGER SIDE).....	1
99	10570G10		RIVET, 5/32" X 9/16" LG	4
100	10570G12		RIVET, 1/4" X 1/2" LG	4
101	70440G04		SEAT FRAME.....	1
102	00715G2		BOLT, 5/16 - 18 X 13/16" LG	2
103	70244G03		SPLASH PANEL.....	1
104	00715G2		BOLT, 5/16 - 18 X 13/16" LG	4
105				
106	600496		BATTERY TRAY.....	1
107	00715G2		BOLT, 5/16 - 18 X 13/16" LG	4
108				
109	74892G01		FENDER (DRIVER SIDE)	1
110	74892G02		FENDER (PASSENGER SIDE).....	1
111	74892G03		FENDER WITH TAILLIGHT (DRIVER SIDE)	1
112	74892G04		FENDER WITH TAILLIGHT (PASSENGER SIDE).....	1
113	14390G4		LOCK NUT, 1/4 - 20	4
114	00642G7		WASHER, 1/4"	8

BODY

THE USE OF NON U.L. PARTS WILL VOID ANY U.L. LISTING.

When ordering parts, please specify the model and serial number of the product.

* Indicates a component that is not available as an individual part.

G** Indicates consult Customer Service Department for additional information.

ITEM	PART NO.	1 2 3 4 5	DESCRIPTION	QTY.
115	00414G6		BOLT, 1/4 - 20 X 3/4" LG	4
116	74890G01		REAR PANEL	1
117	16816G2		RATCHET FASTENER, 1/4" X 3/4" LG	6
118	71055-G01		RIVET, 3/16	4
119	74891G01		SEAT FILLER PANEL (DRIVER SIDE)	1
120	74891G02		SEAT FILLER PANEL (PASSENGER SIDE).....	1
121	10570G10		RIVET, 5/32" X 9/16" LG	6
122				
123	74755G01		LABEL	1
124				
125	74348G02		HITCH RECEIVER	1
126	00463G4		BOLT, 7/16 - 14 X 1 1/2" LG	4
127	00922G3		WASHER, 7/16"	4
128	00734G1		LOCK NUT, 7/16 - 14	4
129	00198G8		SCREW, 5/16 - 18 X 1" LG.....	1
130	00559G8		WASHER, 5/16"	1
131	11098G6		LOCK NUT, 5/16 - 18	1
132	74338G02		CLEVIS HITCH.....	1
133	14443G7		CLEVIS PIN, 1/2" X 2 1/2" LG	1
134	19314G1		COTTER PIN, 2 1/2" LG.....	1
135				
136	21317G01		CLEVIS PIN, 5/8" X 3" LG	1
137	21683G1		COTTER PIN, 15/32" X 2 11/16" LG	1
138				
139	74339G02		ANGLE HITCH	1
140	21317G01		CLEVIS PIN, 5/8" X 3" LG	1
141	21683G1		COTTER PIN, 15/32" X 2 11/16" LG	1
142	74351G02		HEAVY DUTY HITCH.....	1
143	31757G1		HITCH BALL, 1 7/8"	1
144	00566G6		LOCK WASHER, 3/4"	1

THE USE OF NON U.L. PARTS WILL VOID ANY U.L. LISTING.
 When ordering parts, please specify the model and serial number of the product.
 * Indicates a component that is not available as an individual part.
 G** Indicates consult Customer Service Department for additional information.

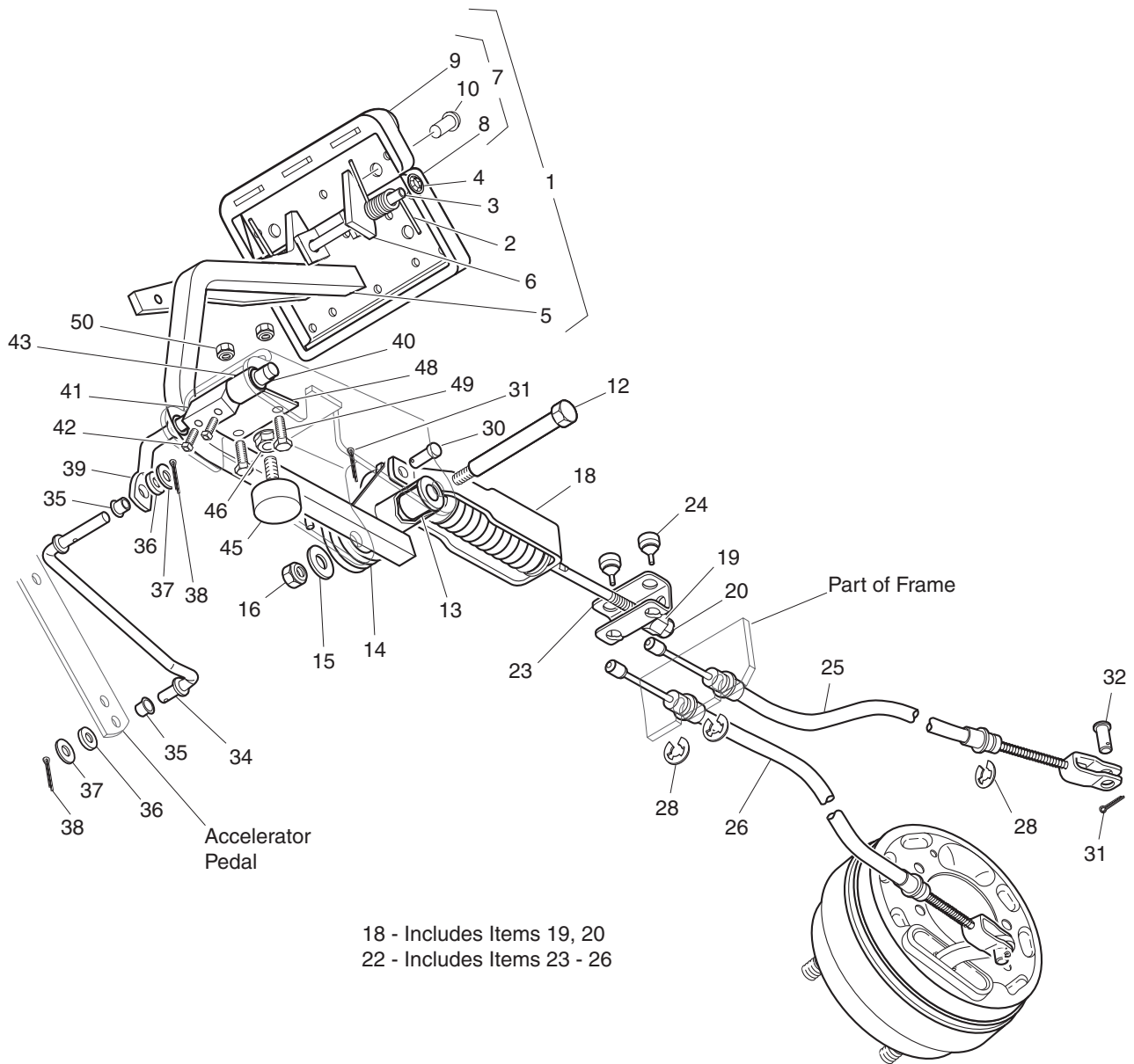
ITEM	PART NO.	1 2 3 4 5	DESCRIPTION	QTY.
145	00702-G11		NUT, 3/4 - 16	1
146	21317G01		CLEVIS PIN, 5/8" X 3" LG	1
147	21683G1		COTTER PIN, 15/32" X 2 11/16" LG	1
148				
149				
150				
151				
152	75109G04		ASH TRAY KIT (INCLUDES ITEMS 153 - 156)	1
153	27731G01		ASH TRAY	1
154	27736G01		GASKET	1
155	75108G02		BRACKET	1
156	00100G4		SCREW, #10 - 16 X 1/2" LG	4
157				
158				
159				
160				
161	74495G02		DROPPED CLEVIS HITCH	1
162	74489G02		DROPPED ANGLE HITCH	1
163	74491G01		DROPPED BALL HITCH	1
164	606534G0XX		ST COWL	1
			606534G002....ST COWL SPECIAL COLOR	
			606534G005....ST COWL FRONT JAC ORANGE	
			606534G006....ST COWL FRONT LIGHT GOLD PEARL	
			606534G007....ST COWL SILVER PEARL METAL	
			606534G011....ST COWL BLACK PAINT	
			606534G012....ST COWL EMERALD GREEN PEARL	
			606534G013....ST COWL CLOUD GREY	
			606534G014....ST COWL VIPER BLUE METAL	
			606534G019....ST COWL PATRIOT BLUE PEARL	
			606534G020....ST COWL INFERNO RED METAL	
			606534G023....ST COWL ADV CLASSICE CAMO	
			606534G024....ST COWL FRONT NATURAL	
			606534G025....ST COWL FRONT NEW HOLLAND BLUE	
			606534G026....ST COWL FRONT STEEL BLUE PEARL	
			606534G027....ST COWL BRIGHT SILVER METAL	
			606534G029....ST COWL PRIME	

BODY

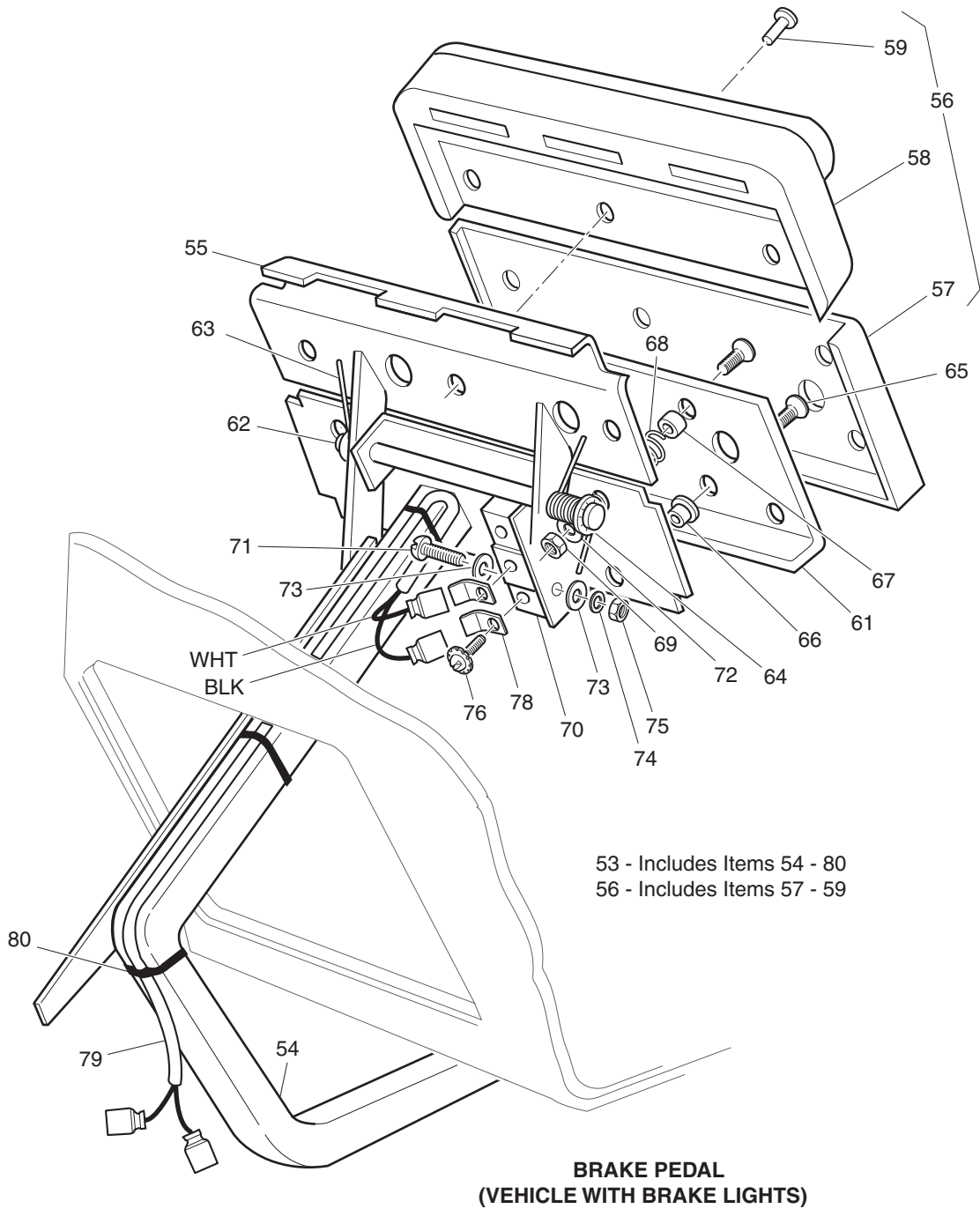
THE USE OF NON U.L. PARTS WILL VOID ANY U.L. LISTING.
 When ordering parts, please specify the model and serial number of the product.
 * Indicates a component that is not available as an individual part.
 G** Indicates consult Customer Service Department for additional information.

ITEM	PART NO.	1 2 3 4 5 DESCRIPTION	QTY.
		606534G030....ST COWL HD ADV CAMO 606534G031....ST COWL FRONT METALLIC CHARCOAL 606534G033....ST COWL TIMERLINE GREEN 606534G034....ST COWL DEEP MOLTEN RED 606534G035....ST COWL SAFETY YELLOW 606534G036....ST COWL CAMPAGNE BEIGE TEXT 606534G037....ST COWL HUNTER GREEN 606534G038....ST COWL BRIGHT WHITE 606534G039....ST COWL FLAME RED 606534G040....ST COWL BLACK 606534G041....ST COWL ELECTRIC BLUE 606534G042....ST COWL PLATINUM 606534G043....ST COWL BURGUNDY ON CH BG 606534G044....ST COWL ALMOND 606534G046....ST COWL BURGANDY ON BLACK 606534G047....ST COWL BURLINGTON GREEN 606534G048....ST COWL BLACK ON CHAM BEIGE 606534G049....ST COWL RED ON CHAM BEIGE	

BRAKES

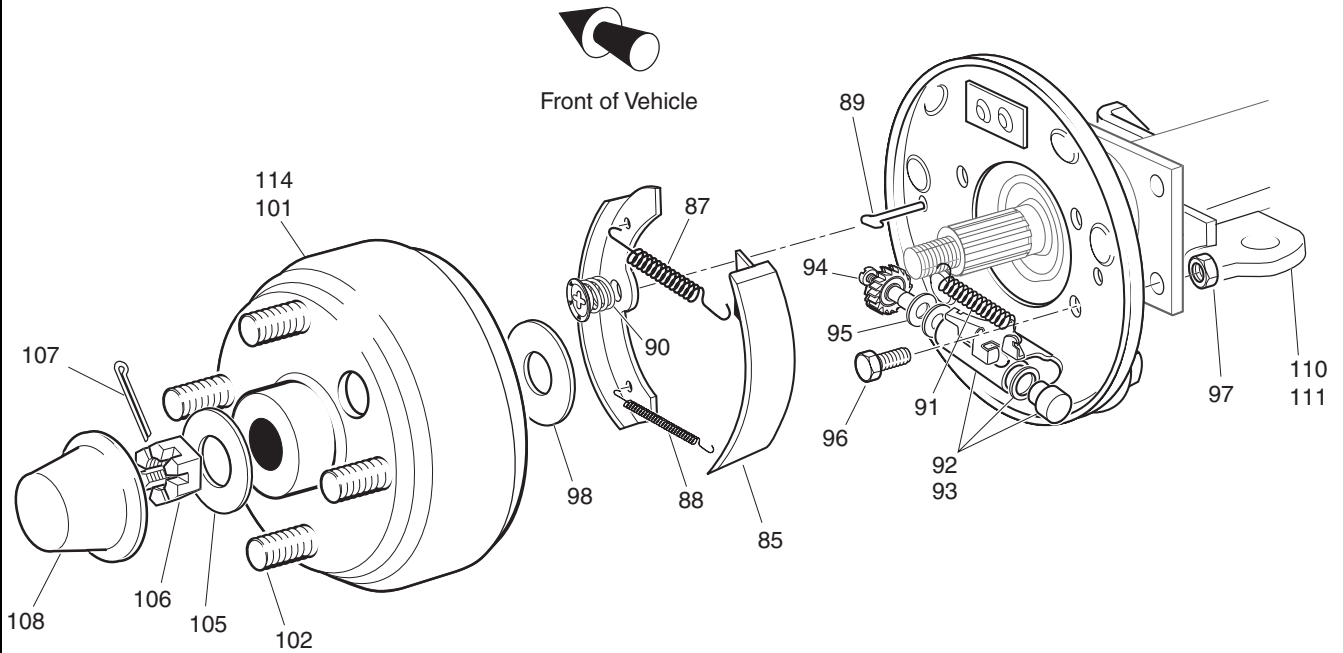


Ref Brk 6-1



Ref Brk 6-2

BRAKES



- 82 - Includes Items 84 - 92
- 83 - Includes Items 84 - 93
- 84 - Includes Items 85
- 86 - Includes Items 87 - 91
- 92 - Includes Items 94, 95
- 93 - Includes Items 94, 95
- 100 - Includes Items 101, 102
- 114 - Includes Items 115, 116

Ref Brk 6-3

THE USE OF NON U.L. PARTS WILL VOID ANY U.L. LISTING.

When ordering parts, please specify the model and serial number of the product.

* Indicates a component that is not available as an individual part.

G** Indicates consult Customer Service Department for additional information.

ITEM	PART NO.	1 2 3 4 5	DESCRIPTION	QTY.
1	70612G02		BRAKE PEDAL ASSEMBLY (WITHOUT BRAKE LIGHTS) (INCLUDES ITEMS 2 - 10).....	1
2	70681G01		TORSION SPRING.....	2
3	70682G01		PIVOT PIN.....	1
4	01071G01		PUSHNUT, 5/16".....	2
5	*		BRAKE PEDAL.....	1
6	70611G02		PARK BRAKE PEDAL.....	1
7	70274G01		BRAKE/PARK BRAKE PEDAL PAD KIT (INCLUDES ITEMS 8 - 10).....	1
8	*		SERVICE BRAKE PAD.....	1
9	*		PARK BRAKE PEDAL PAD.....	1
10	15766G1		OVAL RIVET, 3/16" X 3/8" LG.....	9
11				
12	70582G01		SHOULDER BOLT, 3/8 - 16 X 4" LG.....	1
13	70581G01		FLANGED BUSHING.....	2
14	70676G01		TORSION SPRING.....	1
15	00643G1		WASHER, 3/8".....	1
16	11098G5		LOCK NUT, 3/8 - 16.....	1
17				
18	70272G04		COMPENSATOR ASSEMBLY (INCLUDES ITEMS 19, 20).....	1
19	00963G01		SPHERICAL NUT, 5/16 - 24.....	1
20	11098G9		LOCK NUT, 5/16 - 24.....	1
21				
22	70969G03		EQUALIZER AND BRAKE CABLE ASSEMBLY (INCLUDES ITEMS 23 - 26)....	1
23	28082G01		EQUALIZER BRACKET.....	1
24	28083G01		BRAKE COMPENSATOR BUMPER.....	2
25	*		BRAKE CABLE (DRIVER SIDE).....	1
26	*		BRAKE CABLE (PASSENGER SIDE).....	1
27				
28	01111G01		RETAINING RING, S.S.....	4
29				

BRAKES

THE USE OF NON U.L. PARTS WILL VOID ANY U.L. LISTING.

When ordering parts, please specify the model and serial number of the product.

* Indicates a component that is not available as an individual part.

G** Indicates consult Customer Service Department for additional information.

ITEM	PART NO.	1 2 3 4 5	DESCRIPTION	QTY.
30	10386G3		CLEVIS PIN, 5/16" X 1" LG	3
31	10387G3		COTTER PIN, 3/32" X 3/4" LG	3
32	14443G2		CLEVIS PIN, 5/16" X 3/4" LG	2
33				
34	70601G01		KICK-OFF LINK.....	1
35	17838G1		NYLON BUSHING.....	2
36	20835G1		TEFLON WASHER, 3/8"	2
37	00559G8		WASHER, 5/16"	2
38	10387G3		COTTER PIN, 3/32" X 3/4" LG	2
39	70098G01		KICK-OFF CAM PIVOT.....	1
40	10097G6		FLANGED BEARING	2
41	70587G01		KICK-OFF CAM.....	1
42	71215G01		SETSCREW, 1/4 - 20 X 1/2" LG.....	2
43	14134G4		SPACER.....	1
44				
45	70113G01		ADJUSTABLE BUMPER.....	1
46	11027G1		LOCK NUT, 5/16 - 18	1
47				
48	70080G02		CATCH BRACKET	1
49	00414G6		BOLT, 1/4 - 20 X 3/4" LG	2
50	14390G4		LOCK NUT, 1/4 - 20	2
51				
52				
53	70690G02		BRAKE PEDAL ASSEMBLY (WITH BRAKE LIGHTS) (INCLUDES ITEMS 54 - 80).....	1
54	*		BRAKE PEDAL.....	1
55	70611G02		PARK BRAKE PEDAL	1
56	70274G01		BRAKE/PARK BRAKE PEDAL PAD KIT (INCLUDES ITEMS 57 - 59).....	1
57	*		SERVICE BRAKE PAD	1
58	*		PARK BRAKE PAD.....	1

THE USE OF NON U.L. PARTS WILL VOID ANY U.L. LISTING.
 When ordering parts, please specify the model and serial number of the product.
 * Indicates a component that is not available as an individual part.
 G** Indicates consult Customer Service Department for additional information.

ITEM	PART NO.	1	2	3	4	5	DESCRIPTION	QTY.
59	15766G1						OVAL RIVET, 3/16" x 3/8" LG	9
60								
61	70258G03						BRAKE PEDAL PLATE	1
62	70682G01						PIVOT PIN	1
63	70681G01						TORSION SPRING	2
64	01071G01						PUSHNUT, 5/16"	2
65	00737G8						SCREW, #10 - 24 X 1" LG	4
66	00739-1						RUBBER NUT, #10 - 24	2
67	74535G01						BRAKE PEDAL STANDOFF	2
68	27137G01						CONICAL SPRING	2
69	14390G10						LOCK NUT, #10 - 24	2
70	10606G8						MICRO SWITCH	1
71	00957G1						SCREW, #6 - 32 X 1 1/4" LG	2
72	00559G5						WASHER, #10	2
73	00559G3						WASHER, #6	4
74	00565G3						LOCK WASHER, #6	2
75	00525G5						NUT, #6 - 32	2
76	13514G1						SCREW AND LOCK WASHER, #6	2
77								
78	14628G1						FASTON TAB	2
79	24605G1						WIRE HARNESS (BRAKE LIGHT)	1
80	17618G1						WIRE TIE	3
81								
82	70998G01						BRAKE ASSEMBLY (DRIVER SIDE) (INCLUDES ITEMS 84 - 92)	1
83	70998G02						BRAKE ASSEMBLY (PASSENGER SIDE) (INCL. ITEMS 84 - 91, 93)	1
84	70794G01						BRAKE SHOE KIT (INCLUDES ITEM 85)	2
85	*						BRAKE SHOE	2
86	27944G01						BRAKE SPRING KIT (INCLUDES ITEMS 87 - 91)	2
87	*						UPPER SPRING	1
88	*						LOWER SPRING	1

BRAKES

THE USE OF NON U.L. PARTS WILL VOID ANY U.L. LISTING.

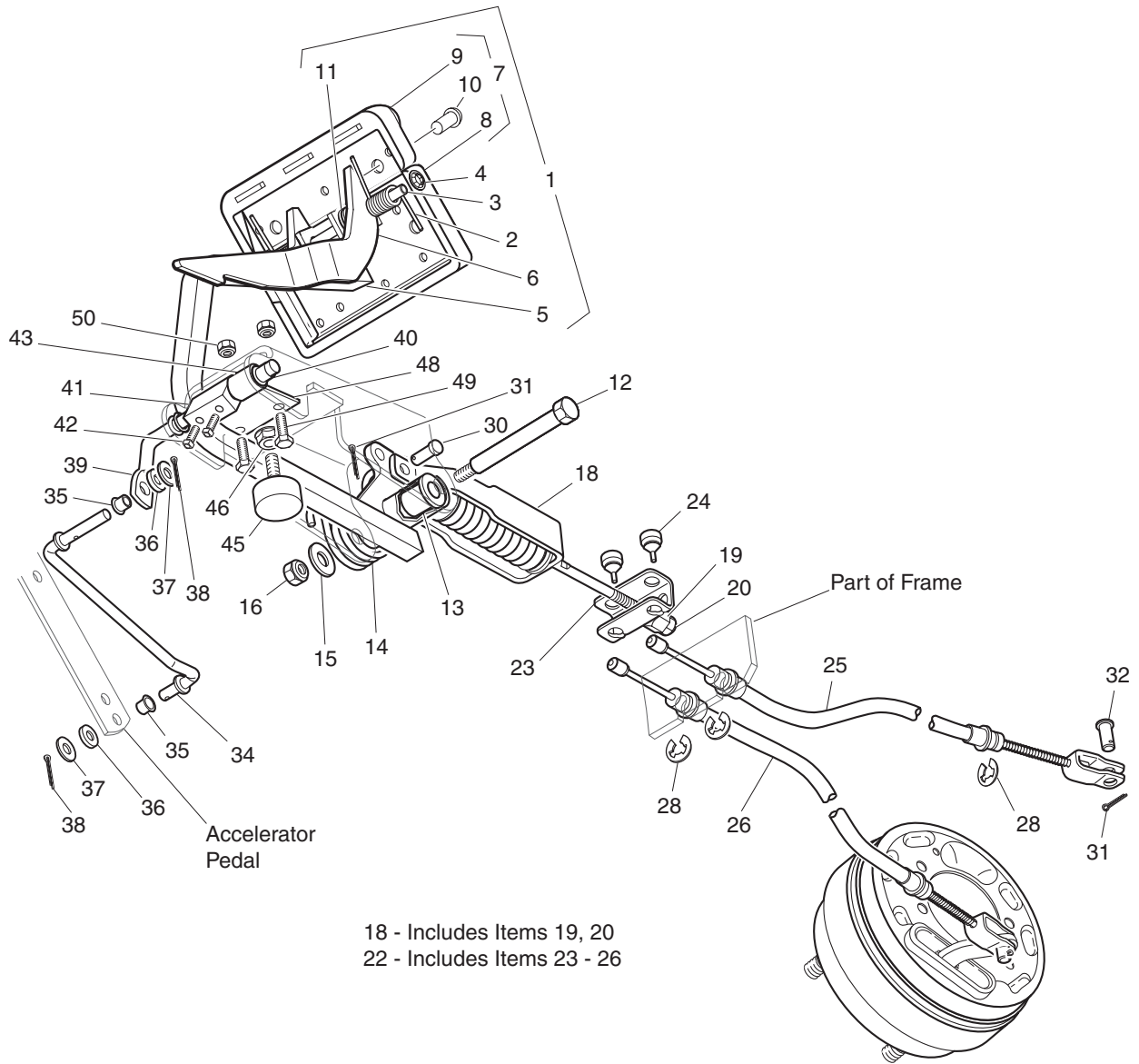
When ordering parts, please specify the model and serial number of the product.

* Indicates a component that is not available as an individual part.

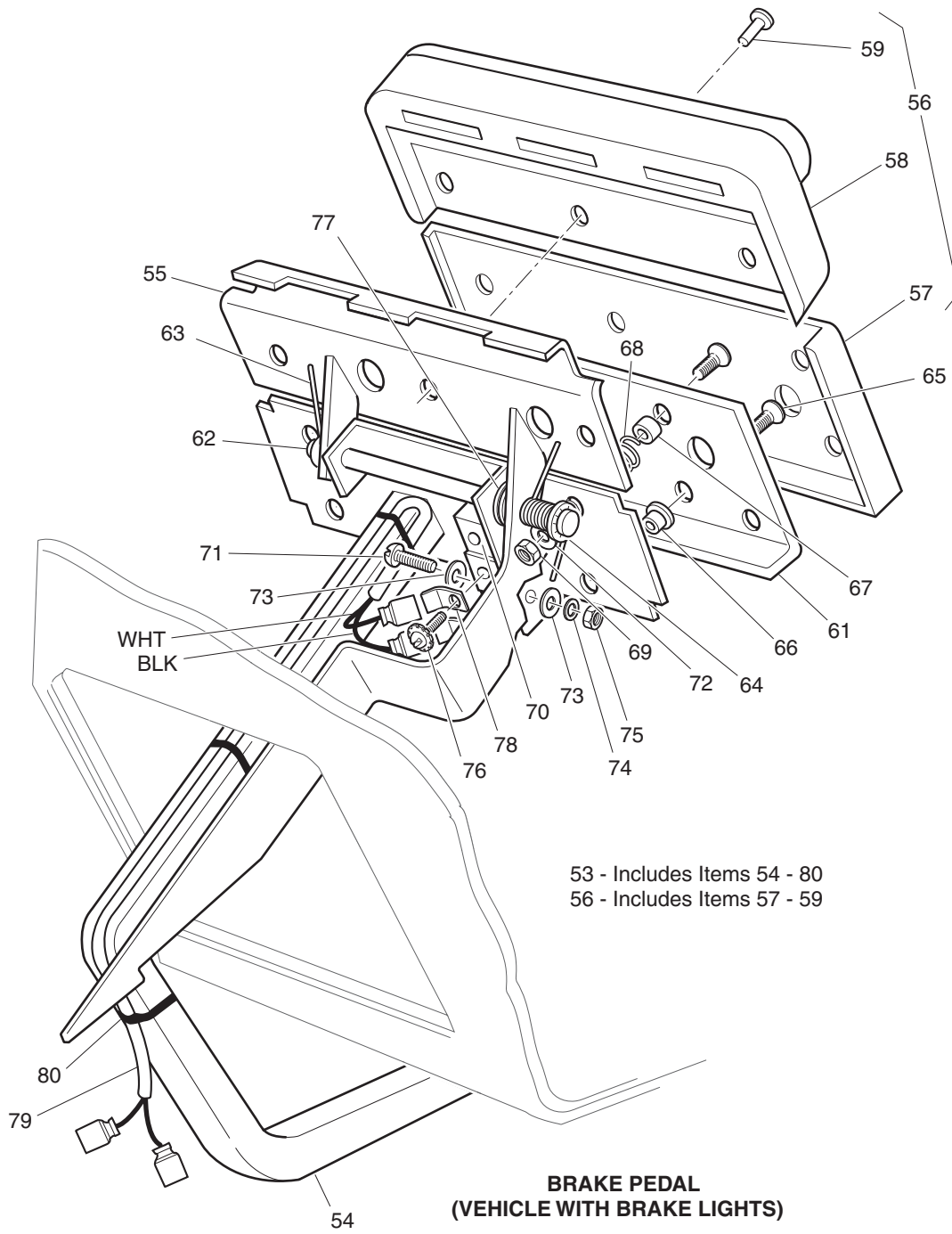
G** Indicates consult Customer Service Department for additional information.

ITEM	PART NO.	1	2	3	4	5	DESCRIPTION	QTY.
89	*						PIN	2
90	*						CUP AND SPRING	2
91	*						ADJUSTER SPRING.....	1
92	72582G01						BRAKE ADJUSTER KIT (DRIVER SIDE) (INCLUDES ITEMS 94, 95)	1
93	72582G02						BRAKE ADJUSTER KIT (PASSENGER SIDE) (INCL ITEMS 94, 95).....	1
94	*						ADJUSTER	1
95	*						TEFLON WASHER.....	2
96	17083G2						BOLT, 5/16 - 24 X 1" LG	8
97	15126G1						LOCK NUT, 5/16 - 24	8
98	21809G1						INNER BRAKE DRUM WASHER, 1 5/16" OD X 1" ID X 1/32"	2
99								
100	21807G1						BRAKE DRUM ASSEMBLY (INCLUDES ITEMS 101 - 102).....	2
101	*						BRAKE DRUM	1
102	19862G1						LUG BOLT, 1/2 - 20 X 1 7/32"	4
103								
104								
105	21830G1						OUTER BRAKE DRUM WASHER	2
106	00518G8						SLOTTED NUT, 3/4 - 16.....	2
107	10387G1						COTTER PIN, 1/8" X 1 1/2" LG	2
108	74175G01						SPINDLE CAP	2
109								
110	72036G03						BRAKE CABLE BRACKET (PASSENGER SIDE).....	1
111	72036G04						BRAKE CABLE BRACKET (DRIVER SIDE)	1
112								
113								
114	21807G2						BRAKE DRUM ASSEMBLY (INCLUDES ITEMS 115 - 116).....	2
115	*						BRAKE DRUM	1
116	19862G2						LUG BOLT, 1/2 - 20 X 1 5/8"	4

BRAKES - FRONT DISC

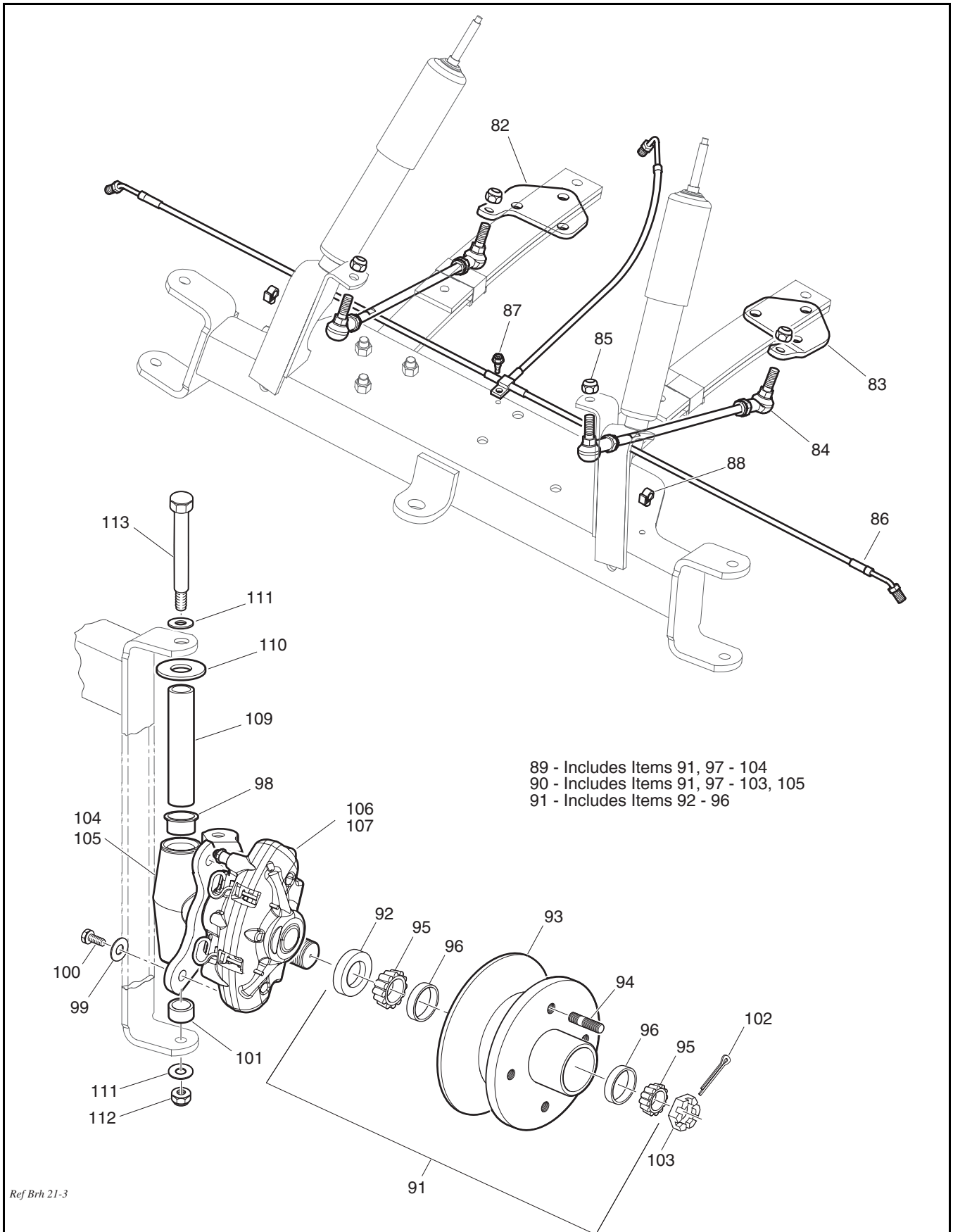


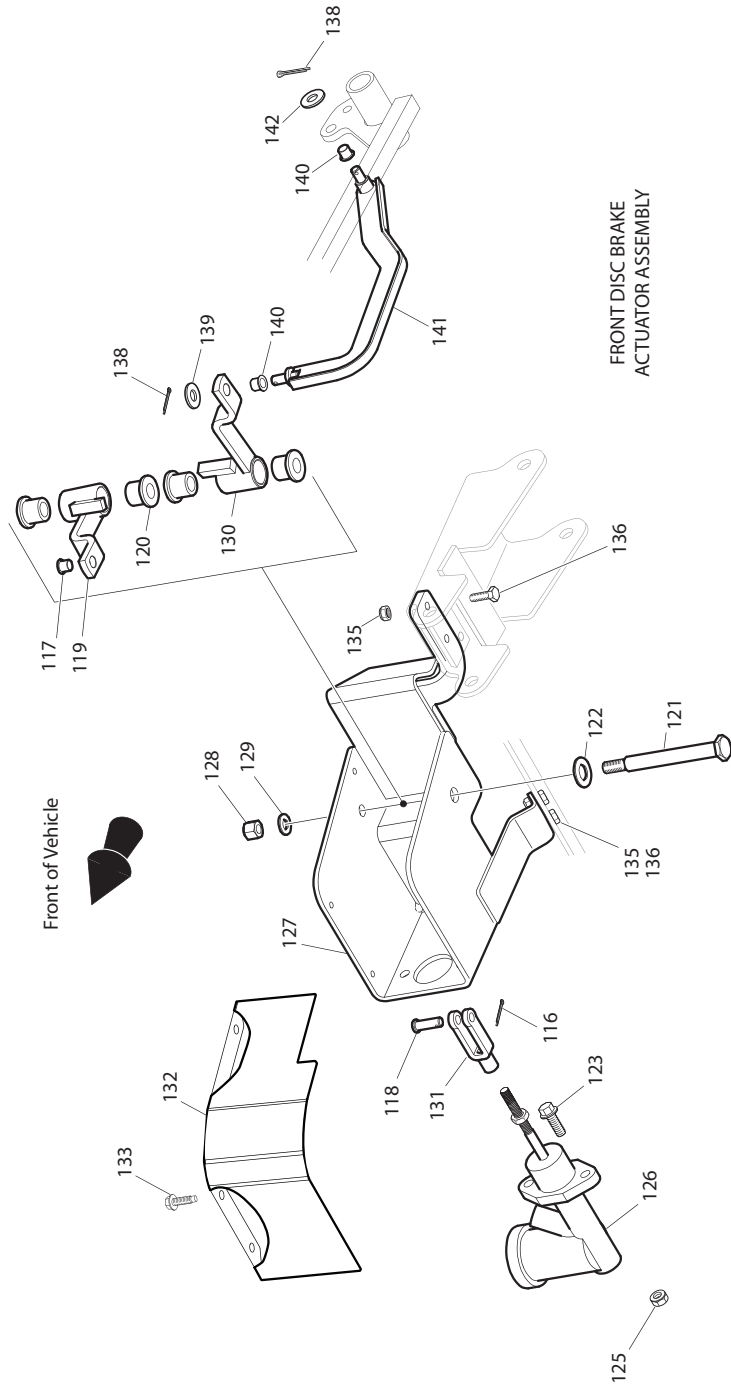
Ref Brh 21-1



Ref Brh 21-2

BRAKES - FRONT DISC





115 - Includes 116 -133

Ref Brh 21-4

BRAKES - FRONT DISC

THE USE OF NON U.L. PARTS WILL VOID ANY U.L. LISTING.

When ordering parts, please specify the model and serial number of the product.

* Indicates a component that is not available as an individual part.

G** Indicates consult Customer Service Department for additional information.

ITEM	PART NO.	1 2 3 4 5	DESCRIPTION	QTY.
1	74723G01		BRAKE PEDAL ASSEMBLY (WITHOUT BRAKE LIGHTS) (INCLUDES ITEMS 2 - 11)	1
2	70681G01		TORSION SPRING	2
3	70682G01		PIVOT PIN	1
4	01071G01		PUSHNUT, 5/16"	2
5	*		BRAKE PEDAL	1
6	74724G01		PARK BRAKE PEDAL	1
7	70274G01		BRAKE/PARK BRAKE PEDAL PAD KIT (INCLUDES ITEMS 8 - 10)	1
8	*		SERVICE BRAKE PAD	1
9	*		PARK BRAKE PEDAL PAD	1
10	15766G1		OVAL RIVET, 3/16" X 15/32" LG	9
11	20835G1		WASHER, TEFLON, 3/8"	2
12	70582G01		SHOULDER BOLT, 3/8 - 16 X 4" LG	1
13	70581G01		FLANGED BUSHING	2
14	70676G01		TORSION SPRING	1
15	00643G1		WASHER, 3/8"	1
16	11098G5		LOCK NUT, 3/8 - 16	1
17				
18	70272G04		COMPENSATOR ASSEMBLY (INCLUDES ITEMS 19, 20)	1
19	00963G01		SPHERICAL NUT, 5/16 - 24	1
20	11098G9		LOCK NUT, 5/16 - 24	1
21				
22	70969G03		EQUALIZER AND BRAKE CABLE ASSEMBLY (INCLUDES ITEMS 23 - 26)....	1
23	28082G01		EQUALIZER BRACKET	1
24	28083G01		BRAKE COMPENSATOR BUMPER.....	2
25	*		BRAKE CABLE (DRIVER SIDE).....	1
26	*		BRAKE CABLE (PASSENGER SIDE)	1
27				
28	01111G01		RETAINING RING	4
29				

BRAKES - FRONT DISC

THE USE OF NON U.L. PARTS WILL VOID ANY U.L. LISTING.
 When ordering parts, please specify the model and serial number of the product.
 * Indicates a component that is not available as an individual part.
 G** Indicates consult Customer Service Department for additional information.

ITEM	PART NO.	1 2 3 4 5	DESCRIPTION	QTY.
30	10386G3		CLEVIS PIN, 5/16" X 1" LG	3
31	10387G3		COTTER PIN, 3/32" X 3/4" LG	3
32	10386G3		CLEVIS PIN, 5/16" X 3/4" LG	2
33				
34	70601G01		KICK-OFF LINK.....	1
35	17838G1		NYLON BUSHING.....	2
36	20835G1		TEFLON WASHER, 3/8"	2
37	00559G8		WASHER, 5/16"	2
38	10387G3		COTTER PIN, 3/32" X 3/4" LG	2
39	70098G01		KICK-OFF CAM PIVOT.....	1
40	10097G6		FLANGED BEARING	2
41	70587G01		KICK-OFF CAM.....	1
42	71215G01		SETSCREW, 1/4 - 20 X 1/2" LG.....	2
43	14134G4		SPACER.....	1
44				
45	70113G01		ADJUSTABLE BUMPER	1
46	11027G1		LOCK NUT, 5/16 - 18	1
47				
48	70080G01		CATCH BRACKET	1
49	00414G6		BOLT, 1/4 - 20 X 3/4" LG	2
50	14390G4		LOCK NUT, 1/4 - 20	2
51				
52				
53	74874G01		BRAKE PEDAL ASSEMBLY (WITH BRAKE LIGHTS) (INCLUDES ITEMS 54 - 80).....	1
54	*		BRAKE PEDAL.....	1
55	74724G01		PARK BRAKE PEDAL	1
56	70274G01		BRAKE/PARK BRAKE PEDAL PAD KIT (INCLUDES ITEMS 57 - 59).....	1
57	*		SERVICE BRAKE PAD	1
58	*		PARK BRAKE PAD.....	1

BRAKES - FRONT DISC

THE USE OF NON U.L. PARTS WILL VOID ANY U.L. LISTING.

When ordering parts, please specify the model and serial number of the product.

* Indicates a component that is not available as an individual part.

G** Indicates consult Customer Service Department for additional information.

ITEM	PART NO.	1	2	3	4	5	DESCRIPTION	QTY.
59	15766G1						OVAL RIVET, 3/16" X 15/32" LG	9
60								
61	70258G02						BRAKE PEDAL PLATE	1
62	70682G01						PIVOT PIN	1
63	70681G01						TORSION SPRING	2
64	01071G01						PUSHNUT, 5/16"	1
65	00737G8						SCREW, #10 - 24 X 1" LG	4
66	00739G1						RUBBER NUT, #10 - 24	2
67	74535G01						BRAKE PEDAL STANDOFF	2
68	27137G01						CONICAL SPRING	2
69	14390G10						LOCK NUT, #10 - 24	2
70	10606G8						MICRO SWITCH	1
71	00957G1						SCREW, #6 - 32 X 1 1/4" LG	2
72	00559G5						WASHER, #10	2
73	00559G3						WASHER, #6	4
74	00565G3						LOCK WASHER, #6	2
75	00525G5						NUT, #6 - 32	2
76	13514G1						SCREW AND LOCK WASHER, #6	2
77	20835G1						WASHER, TEFLON, 3/8"	2
78	14628G1						FASTON TAB	2
79	24605G1						WIRE HARNESS (BRAKE LIGHT)	1
80	17618G1						WIRE TIE	3
81								
82	74731G02						SPRING PLATE (PASSENGER SIDE)	1
83	74731G01						SPRING PLATE (DRIVER SIDE)	1
84	74730G01						FOUR LINK ROD	2
85	01084G01						LOCK NUT, M10-1.25	4
86	74736G01						BRAKE LINE	1
87	01038G01						SCREW, 1/4 - 20 X 4444" LG	1
88	74875G01						WIRE RETAINER	2

BRAKES - FRONT DISC

THE USE OF NON U.L. PARTS WILL VOID ANY U.L. LISTING.
 When ordering parts, please specify the model and serial number of the product.
 * Indicates a component that is not available as an individual part.
 G** Indicates consult Customer Service Department for additional information.

ITEM	PART NO.	1 2 3 4 5	DESCRIPTION	QTY.
89	602288		SPINDLE ASSEMBLY, PASSENGER SIDE (INCLUDES ITEMS 91, 97 - 104) ..	1
90	602281		SPINDLE ASSEMBLY, DRIVER SIDE (INCLUDES ITEMS 91, 97 - 103, 105)...	1
91	74948G01		FRONT DISC HUB ASSEMBLY (INCLUDES ITEMS 92 - 96)	1
92	25146G1		GREASE SEAL	1
93	74995G01		DISC BRAKE HUB	1
94	74864-G01		DRIVE FLANGE STUD	4
95	11750-G2		ROLLER BEARING	2
96	50892G1		BEARING RACE	2
97	12093G1		SLOTTED NUT	1
98	70648-G01		FLANGED BEARING.....	1
99	00565-G8		WASHER, 3/8"	2
100	00426-G6		BOLT, 3/8 - 16 X 3/4" LG.....	2
101	70749-G01		BEARING.....	1
102	00798-G8		COTTER PIN	1
103	25146-G1		GREASE SEAL.....	1
104	602158		DISC BRAKE SPINDLE, PASSENGER SIDE	1
105	602176		DISC BRAKE SPINDLE, DRIVER SIDE.....	1
106	74733G01		CALIPER, PASSENGER SIDE.....	1
107	74733G02		CALIPER, DRIVER SIDE	1
108				
109	70745G01		KINGPIN TUBE	2
110	70754G01		THRUST WASHER	2
111	00560G3		WASHER, 1/2"	4
112	14390G6		LOCKNUT, 1/2 - 13	2
113	00407G6		CAPSCREW, 1/2 - 13 X 6" LG	2
114				
115	74702G01		FRONT DISC BRAKE BRAKE ACTUATOR ASSEMBLY (INCLUDES ITEMS 116 - 133).....	1
116	10387G3		COTTER PIN, 3/32 X 3/4" LG.....	1
117	17838G1		NYLON BUSHING	1

BRAKES - FRONT DISC

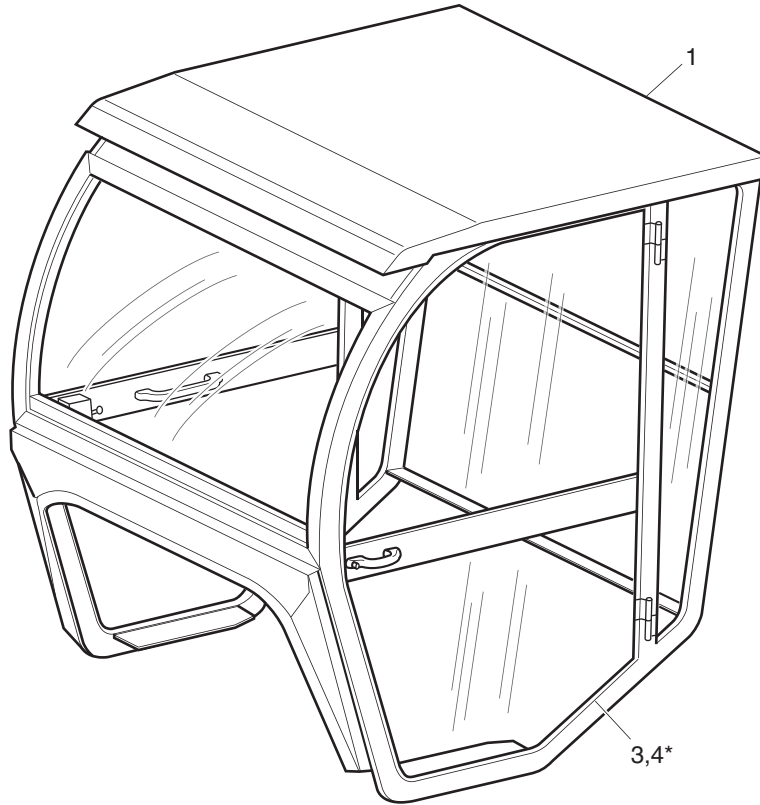
THE USE OF NON U.L. PARTS WILL VOID ANY U.L. LISTING.

When ordering parts, please specify the model and serial number of the product.

* Indicates a component that is not available as an individual part.

G** Indicates consult Customer Service Department for additional information.

ITEM	PART NO.	1	2	3	4	5	DESCRIPTION	QTY.
118	10386G3						CLEVIS PIN, 5/16 X 1" LG.....	1
119	74753G01						UPPER ACTUATOR PIVOT	1
120	70581G02						ACETAL BUSHING	4
121	74711G01						SHOULDER BOLT	1
122	00560G3						WASHER, 1/2"	1
123	13437G3						BOLT, 1/2 - 13 X 6" LG.....	2
124								
125	800697						FLANGED LOCKNUT, 5/16 - 18.....	2
126	74742G01						MASTER CYLINDER.....	1
127	606864						MASTER CYLINDER WELDMENT MOUNT	1
128	11098G5						LOCKNUT, 3/8 - 16.....	1
129	00679G1						WASHER, 3/8" STAINLESS	1
130	74707G01						LOWER ACTUATOR PIVOT.....	1
131	10385G4						CLEVIS YOKE	1
132	606869						BRAKE ACTUATOR ASSEMBLY COVER	1
133	01038G01						SCREW, 1/4 -20 SWAGEFORM.....	4
134								
135	00414G8						BOLT, 1/4 - 20 X 1 1/4" LG	4
136	00891G2						LOCKNUT, 1/4 - 20	4
137								
138	10387G3						COTTER PIN, 3/32 X 3/4	2
139	20835G1						WASHER, NYLON	1
140	17838G1						NYLON BUSHING.....	2
141	74865G01						ACTUATOR LINKAGE	1
142	00771G5						WASHER, 3/8"	1
143	74917G01						DISC BRAKE PAD AND PIN KIT (SERVICES ONE CORNER) (INCLUDES ITEMS 144 - 145).....	1
144	*						BRAKE PADS	2
145	*						BRAKE PAD RETAINER PINS	2



*Steel Doors Shown

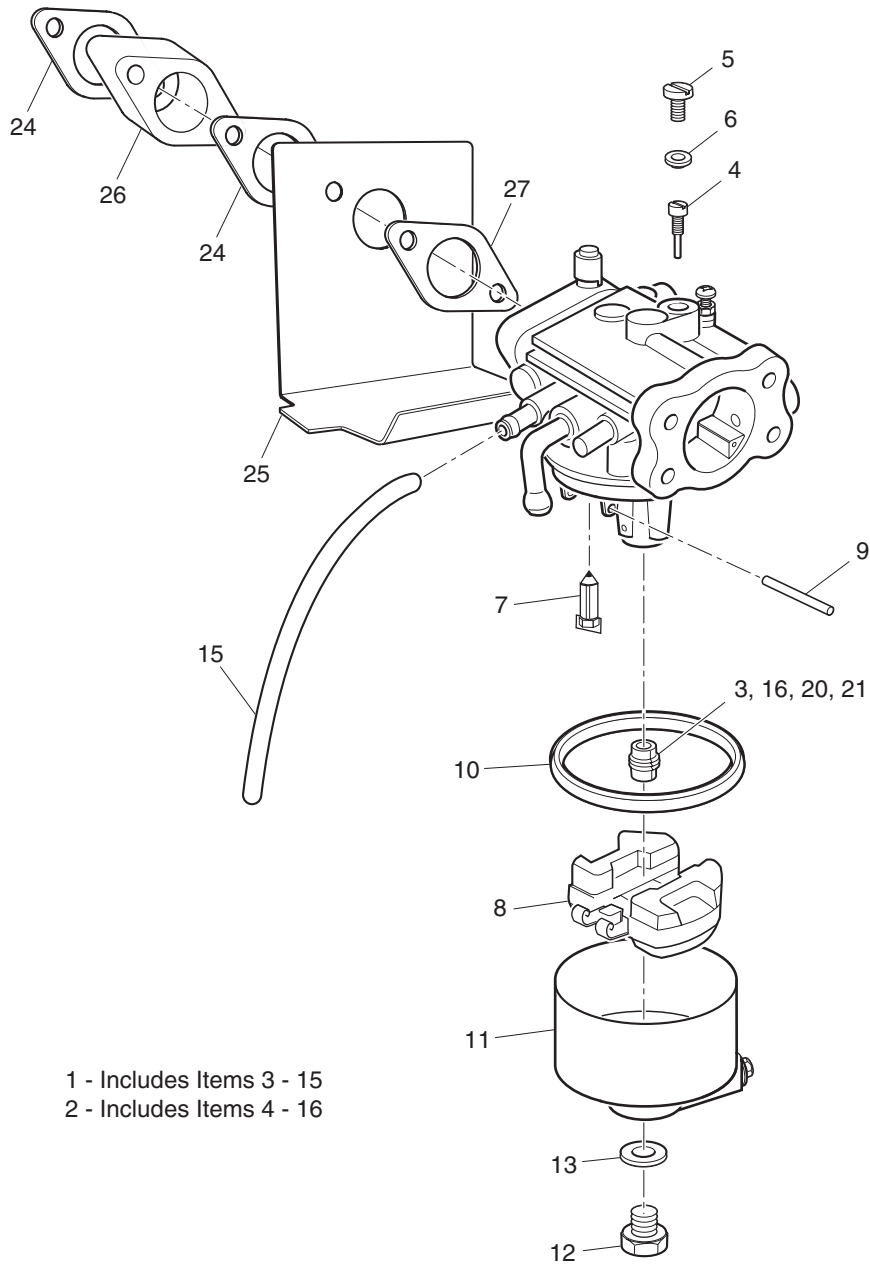
For Cab Accessories, See ACCESSORIES LISTING in Appendix B

Ref Cab 5

THE USE OF NON U.L. PARTS WILL VOID ANY U.L. LISTING.
 When ordering parts, please specify the model and serial number of the product.
 * Indicates a component that is not available as an individual part.
 G** Indicates consult Customer Service Department for additional information.

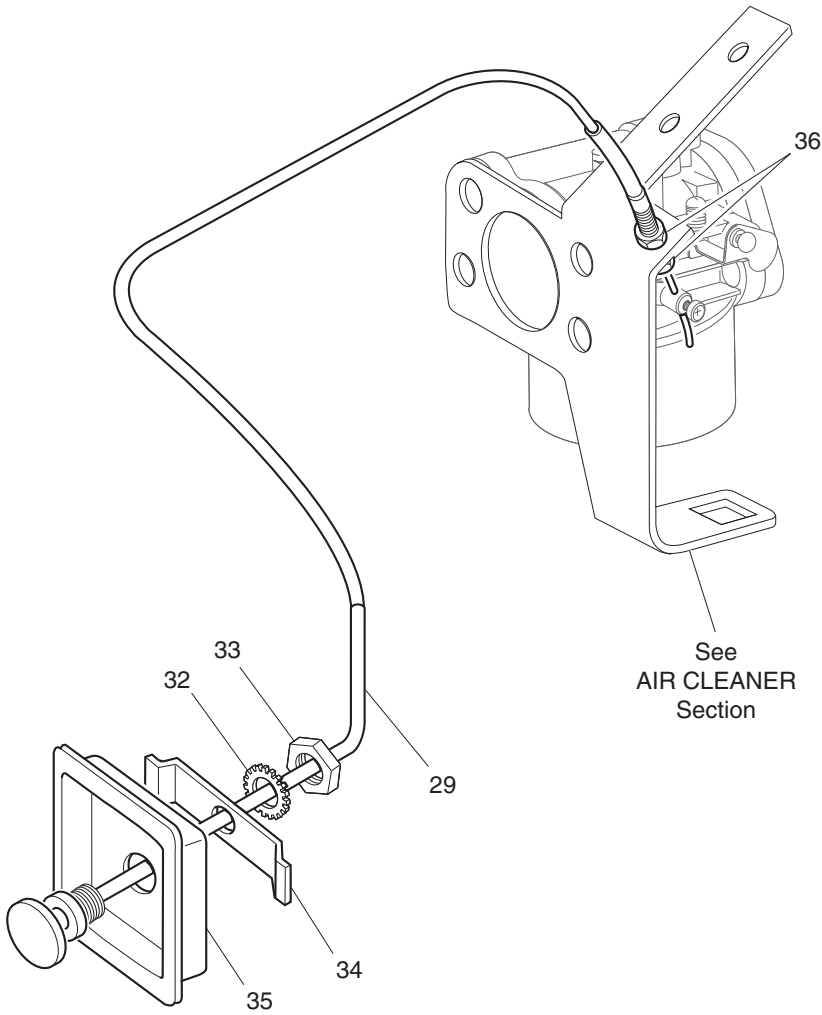
ITEM	PART NO.	1 2 3 4 5	DESCRIPTION	QTY.
1	75854G**		STEEL CAB (WITHOUT DOORS) REPACEMENT PARTS AND ACCESSORIES MAY BE OBTAINED FROM CURTIS CAB, INC.	1
2				
3	75855G01		VINYL DOOR KIT.....	1
4	75856G**		STEEL DOOR KIT.....	1
<p>ForCab replacement parts and accessories, contact Curtis Cab at: Curtis Cab, Inc. 111 Higgins Street, Worcester, Massachusetts, 01606. Tel.: 508-853-2200. Toll free: 800-343-7676. www.curtiscab.com</p>				

CARBURETOR AND CHOKE



Ref Cac 2-1

CARBURETOR AND CHOKE



Ref Cac 2-2

CARBURETOR AND CHOKE

THE USE OF NON U.L. PARTS WILL VOID ANY U.L. LISTING.

When ordering parts, please specify the model and serial number of the product.

* Indicates a component that is not available as an individual part.

G** Indicates consult Customer Service Department for additional information.

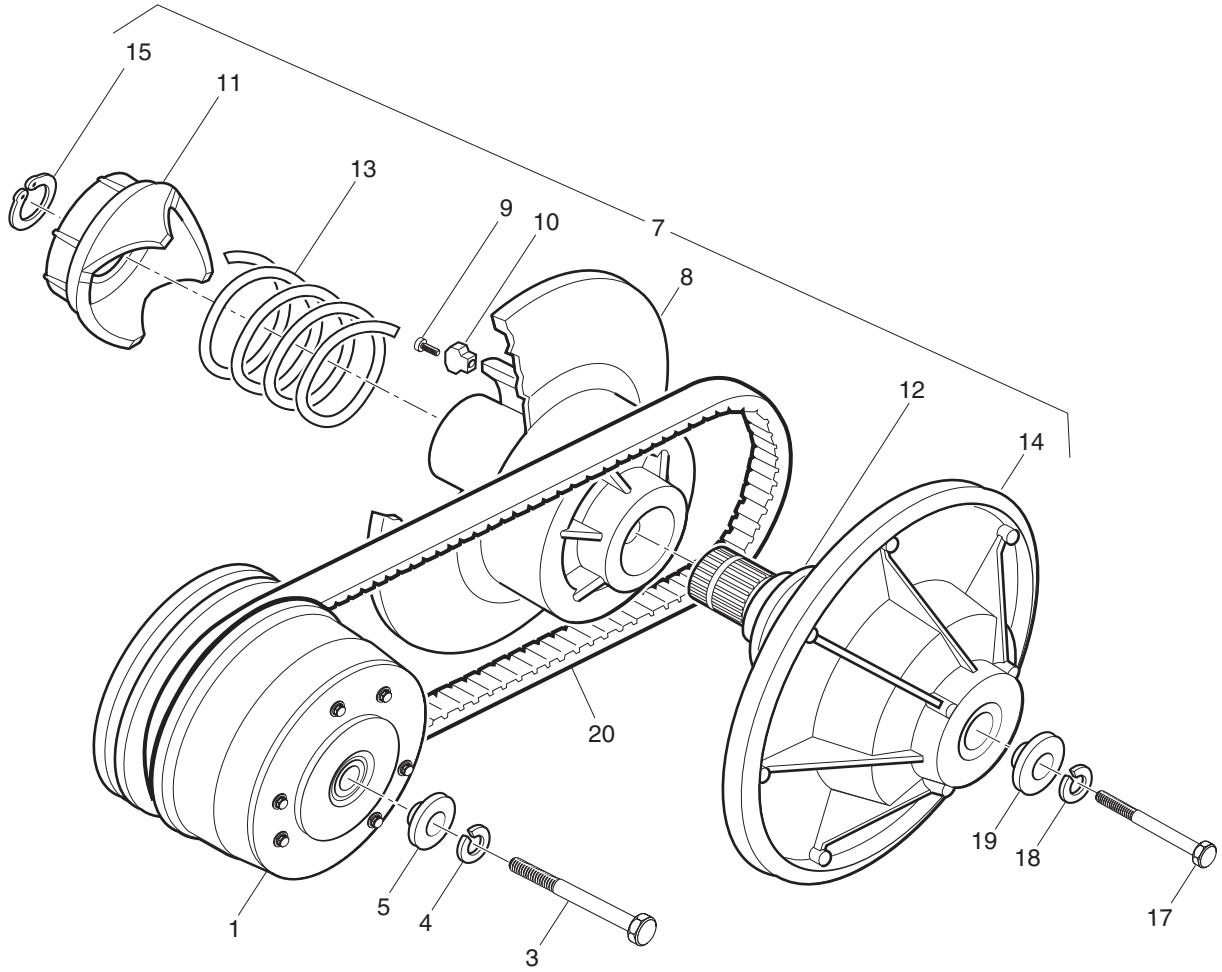
ITEM	PART NO.	1 2 3 4 5	DESCRIPTION	QTY.
1	72840G01		CARBURETOR (FOR VEHICLES ORIGINALLY EQUIPPED WITH 295cc (EH29C & EH292C) ENGINES) (INCLUDES ITEMS 3 - 15).....	1
2	72840G03		CARBURETOR (FOR VEHICLES ORIGINALLY EQUIPPED WITH 350cc (EH35C & EH352C) ENGINES) (INCLUDES ITEMS 4 - 16).....	1
3	26646G06		MAIN JET (#80)	1
4	26649G05		PILOT JET (#46).....	1
5	26841G01		PLUG	1
6	72306G01		GASKET	1
7	72578G01		NEEDLE VALVE	1
8	26648G01		FLOAT.....	1
9	26840G01		FLOAT PIN.....	1
10	26843G01		FLOAT BOWL GASKET	1
11	26844G01		FLOAT CHAMBER.....	1
12	26839G01		BOWL SCREW	1
13	26838G01		BOWL GASKET	1
14	72579G01		DRAIN SCREW	1
15	26650G01		VENT TUBE.....	1
16	26646G29		MAIN JET (#85)	1
17				
18				
19				
20	26646G**		MAIN JET (***) (FOR ELEVATIONS OF 3000 FT - 6000 FT).....	1
21	26646G**		MAIN JET (***) (FOR ELEVATIONS OF 6000 FT - 10000 FT).....	1
22				
23				
24	26726G01		CARBURETOR MOUNT GASKET.....	2
25	603871		CARBURETOR SHIELD (FOR FUJI 295 ENGINE).....	1
26	72854G01		CARBURETOR INSULATOR	1
27	26726G01		CARBURETOR MOUNT GASKET (FOR FUJI 295 ENGINE)	1
28				
29	25693G04		CHOKE CABLE (22 1/4" LG WITH NUTS)	1

CARBURETOR AND CHOKE

THE USE OF NON U.L. PARTS WILL VOID ANY U.L. LISTING.
 When ordering parts, please specify the model and serial number of the product.
 * Indicates a component that is not available as an individual part.
 G** Indicates consult Customer Service Department for additional information.

ITEM	PART NO.	1 2 3 4 5	DESCRIPTION	QTY.
30				
31				
32	00568G4		LOCK WASHER, 9/16"	1
33	00545G4		JAM NUT, 9/16 - 18	1
34	72155G01		RETAINER	1
35	72154G01		CHOKE CABLE ADAPTER	1
36	00544G4		JAM NUT, 5/16 - 24	2

CLUTCH



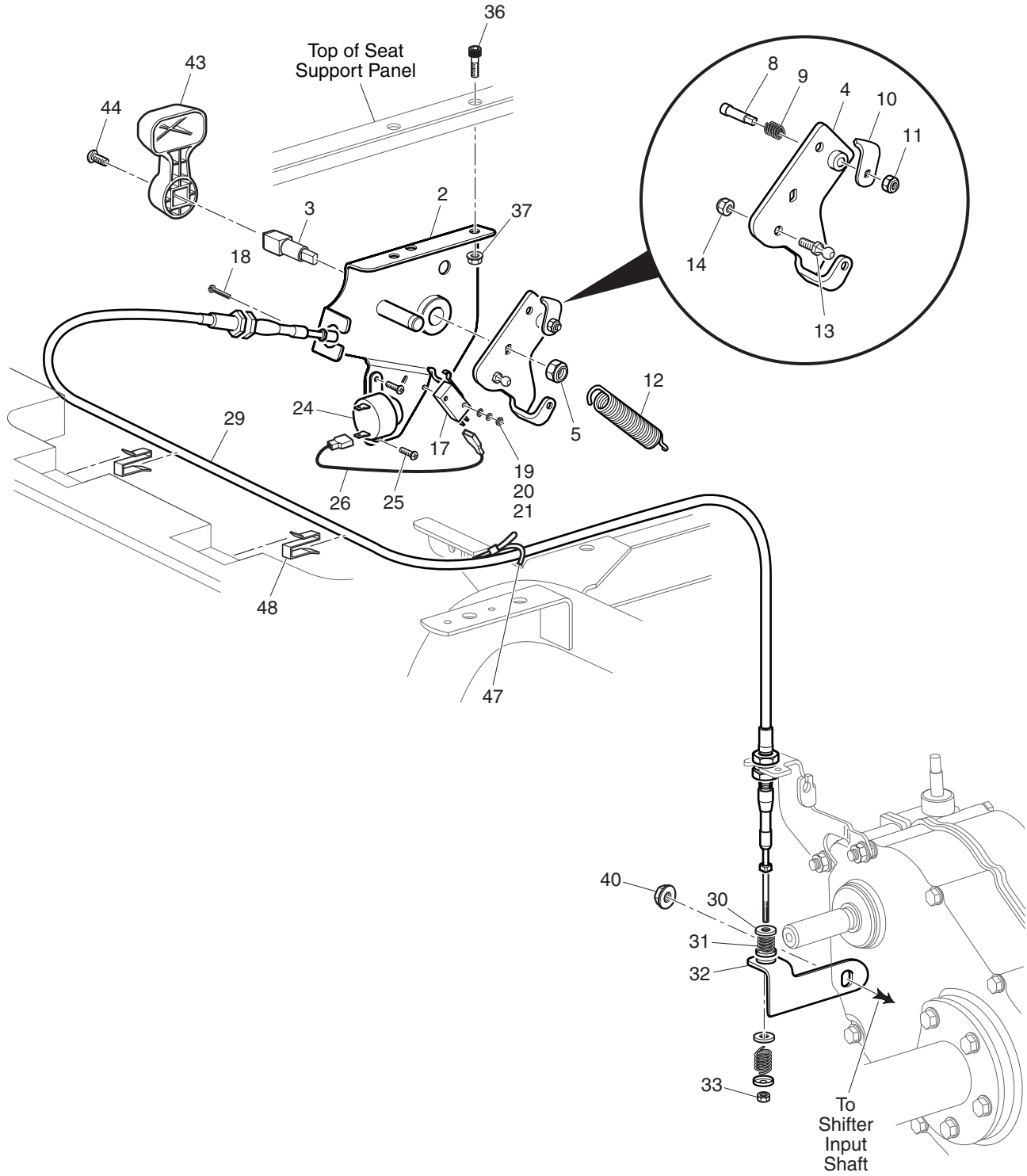
Ref Clt 21-1

THE USE OF NON U.L. PARTS WILL VOID ANY U.L. LISTING.
 When ordering parts, please specify the model and serial number of the product.
 * Indicates a component that is not available as an individual part.
 G** Indicates consult Customer Service Department for additional information.

ITEM	PART NO.	1 2 3 4 5	DESCRIPTION	QTY.
1	26952G01		DRIVE CLUTCH	1
2				
3	00473G9		BOLT, 7/16 - 20 X 6 1/2" LG	1
4	00566G2		LOCK WASHER, 7/16".....	1
5	25757G1		PILOT WASHER	1
6				
7	26301G03		DRIVEN CLUTCH ASSEMBLY (INCLUDES ITEMS 8 - 15)	1
8	*		MOVABLE SHEAVE (INCLUDES ITEMS 9 -10).....	1
9	00979G01		SCREW, #10 - 24 X 7/8" LG.....	3
10	72324G01		RAMP BUTTON	3
11	*		CAM.....	1
12	24600G1		SPACER	1
13	26304G01		COMPRESSION SPRING	1
14	*		SHEAVE AND POST	1
15	27270G01		HEAVY DUTY RETAINING RING	1
16				
17	00441G8		BOLT, 5/16 - 18 X 4" LG	1
18	00565G8		LOCK WASHER, 5/16".....	4
19	25756G1		RETAINING WASHER	1
20	72328G01		DRIVE BELT (SEVERE DUTY).....	1

DIRECTION SELECTOR

1 - Includes Items 2 - 33



Ref Dsl 5

DIRECTION SELECTOR

THE USE OF NON U.L. PARTS WILL VOID ANY U.L. LISTING.

When ordering parts, please specify the model and serial number of the product.

* Indicates a component that is not available as an individual part.

G** Indicates consult Customer Service Department for additional information.

ITEM	PART NO.	1 2 3 4 5	DESCRIPTION	QTY.
1	72721G05		DIRECTION SELECTOR ASSEMBLY (INCLUDES ITEMS 2 - 33)	1
2	74456G02		DIRECTION SELECTOR BRACKET WITH BUSHING	1
3	70233G01		DIRECTION SELECTOR SHAFT	1
4	72738G01		DIRECTION SELECTOR CAM	1
5	14390G1		LOCK NUT, 3/8 - 24	1
6				
7				
8	72724G01		NEUTRAL LOCK PIN	1
9	72733G01		COMPRESSION SPRING, 3/8" X 5/8" LG	1
10	72729G01		NEUTRAL LOCK LATCH	1
11	00734G2		LOCK NUT, 1/4 - 28	1
12	28574G01		EXTENSION SPRING	1
13	72732G01		BALL STUD	1
14	00734G5		LOCK NUT, #10 - 32	1
15				
16				
17	72736G01		MICRO SWITCH	1
18	01062G01		SCREW, #4 - 40 X 1" LG	2
19	00559G1		WASHER, #4	2
20	00565G1		LOCK WASHER, #4	2
21	00526G2		NUT, #4 - 40	2
22				
23				
24	73290G03		REVERSE WARNING BUZZER	1
25	01063G01		SCREW, #6 - 32 X 3/8" LG	2
26	25978G345		18 GA WIRE (RED 7")	1
27				
28				
29	602891		SHIFTER CABLE	1
30	25727G01		CUP WASHER	4

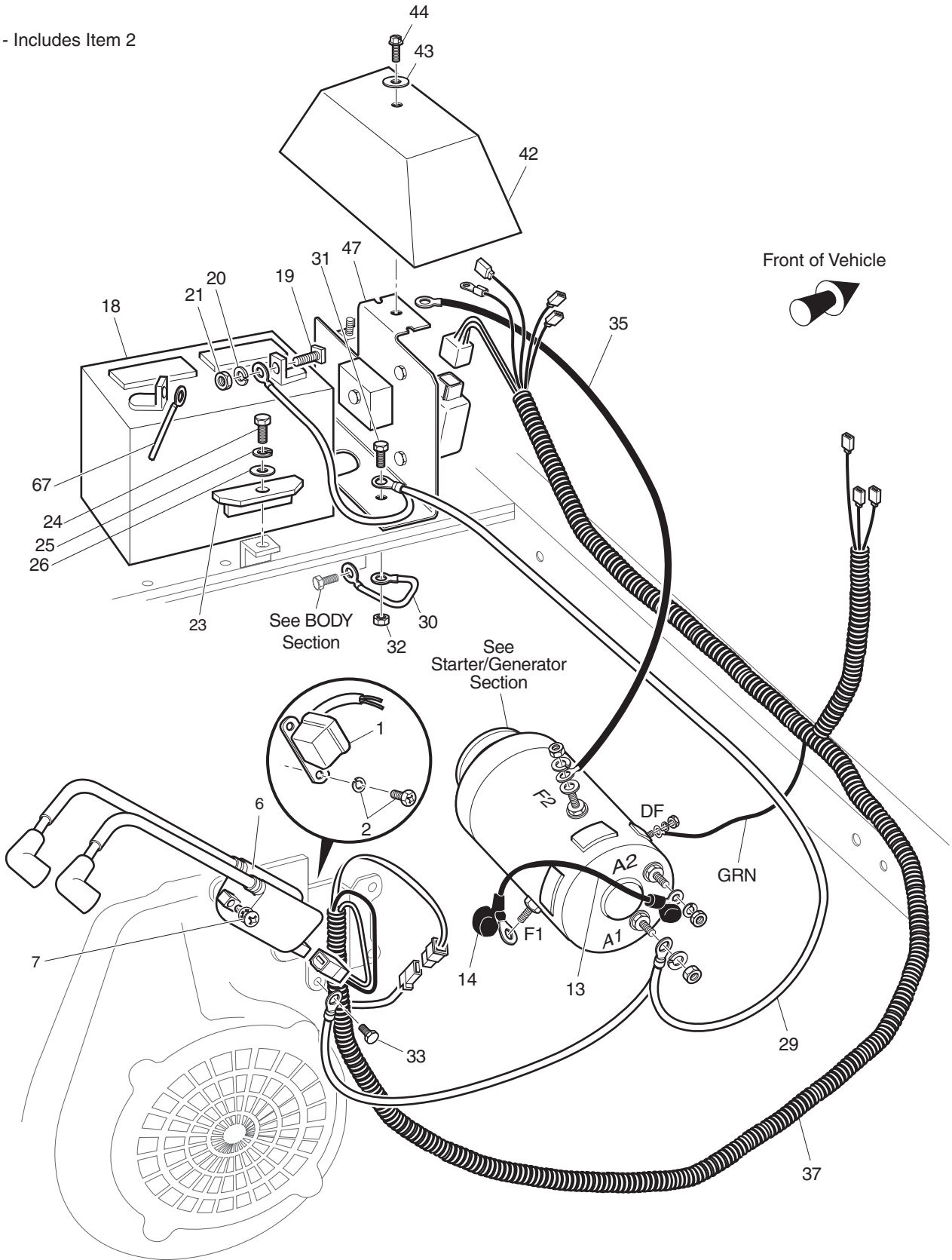
DIRECTION SELECTOR

THE USE OF NON U.L. PARTS WILL VOID ANY U.L. LISTING.
 When ordering parts, please specify the model and serial number of the product.
 * Indicates a component that is not available as an individual part.
 G** Indicates consult Customer Service Department for additional information.

ITEM	PART NO.	1	2	3	4	5	DESCRIPTION	QTY.
31	72735G01						COMPRESSION SPRING, 19/32" X 1" LG.....	2
32	74455G01						SHIFTER ARM WITH BUSHING.....	1
33	00734G5						LOCK NUT, #10 - 32.....	1
34								
35								
36	70227G01						SCREW, 1/4 - 20 X 7/8" LG.....	2
37	11027G2						LOCK NUT, 1/4 - 20.....	2
38								
39								
40	26830G01						LOCK NUT, M8 X 1.25 MM.....	1
41								
42								
43	71205G01						DIRECTION SELECTOR HANDLE.....	1
44	00740G4						SCREW, #10 - 32 X 1/2" LG (STAINLESS STEEL).....	1
45								
46								
47	31539G1						WIRE TIE.....	1
48	01072G01						CABLE CLIP.....	2

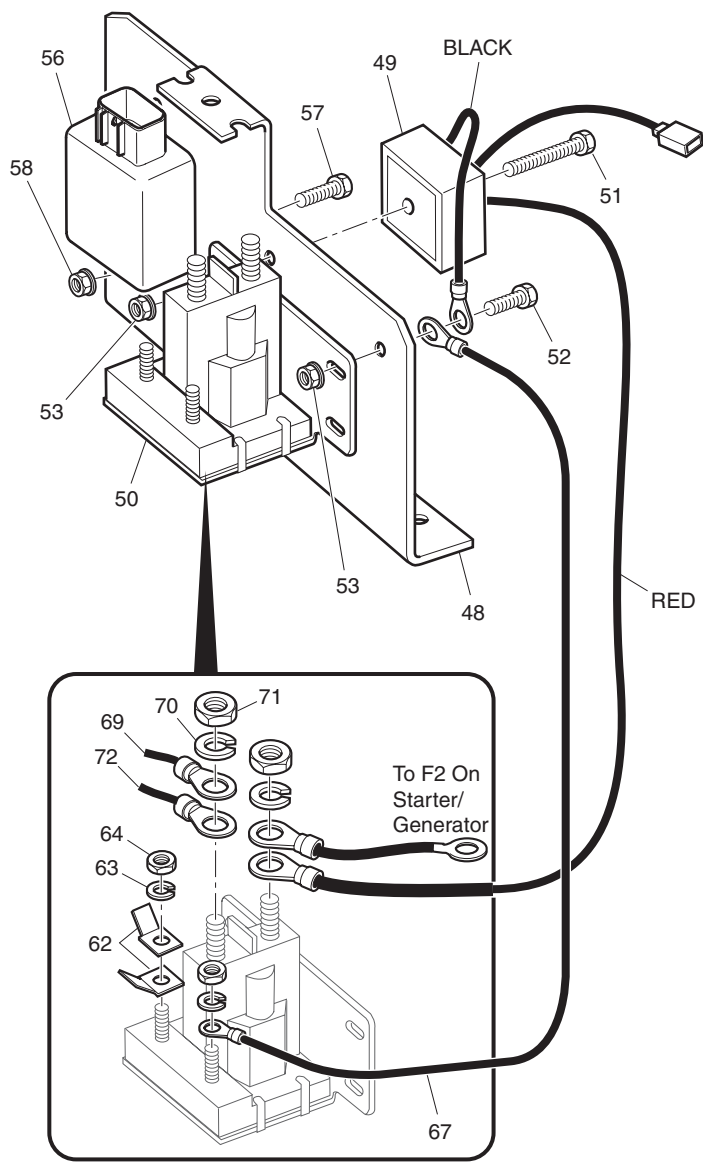
ELECTRICAL SYSTEM

1 - Includes Item 2



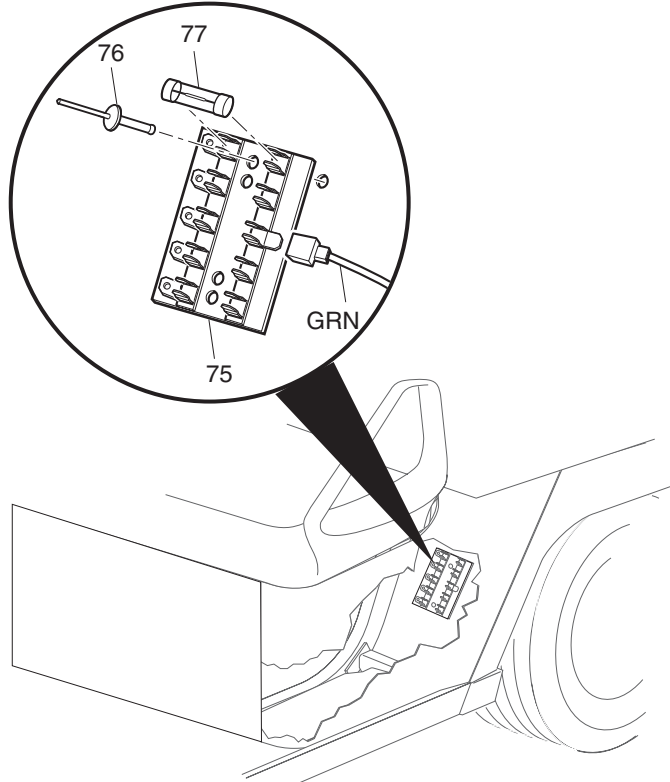
Ref Ele 2-1

47 - Includes Items 48 - 72

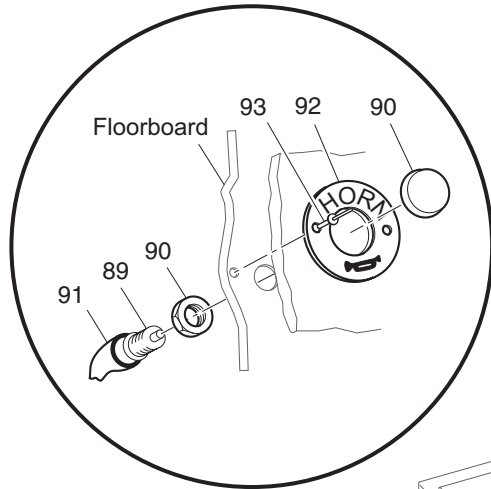


Ref Ele 2-2

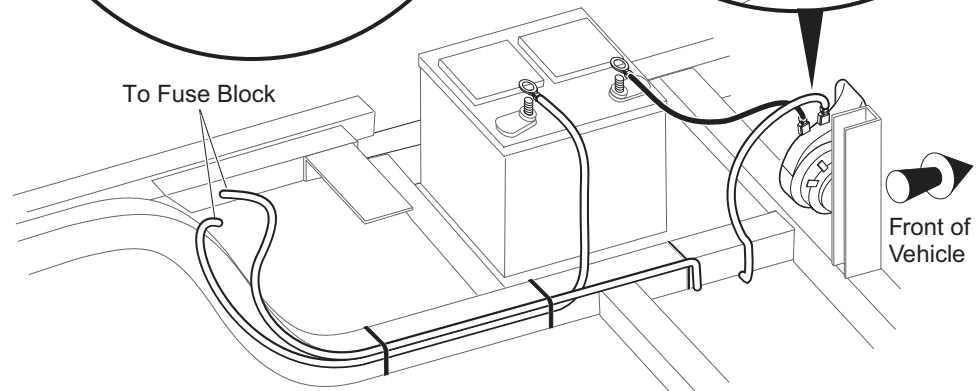
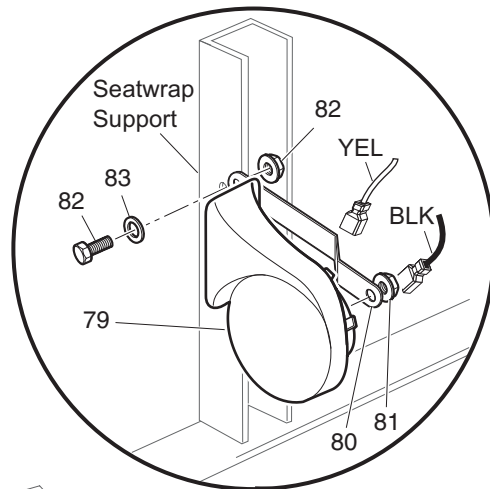
ELECTRICAL SYSTEM



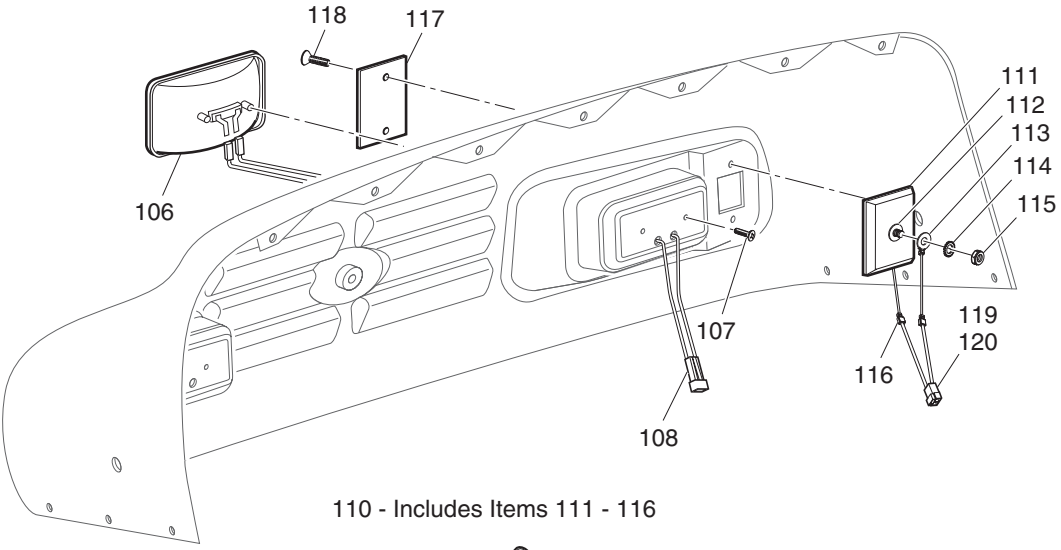
HORN BUTTON



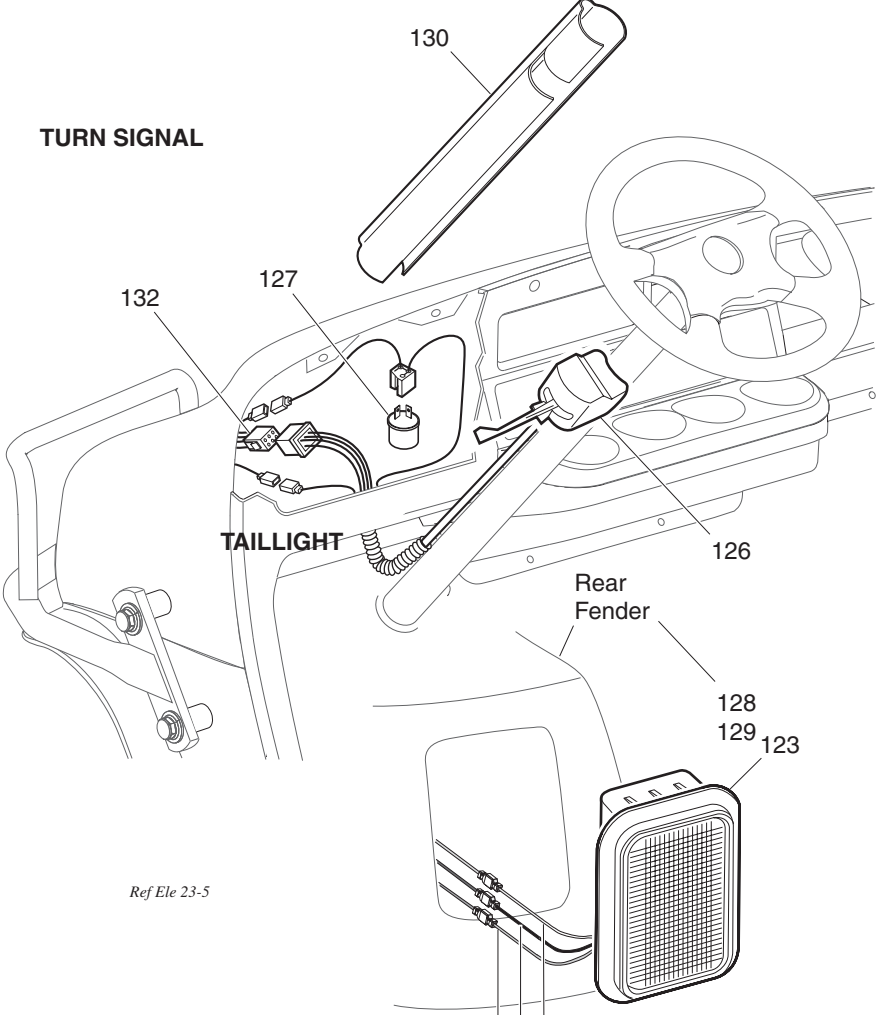
HORN



Ref Ele 11-3



TURN SIGNAL

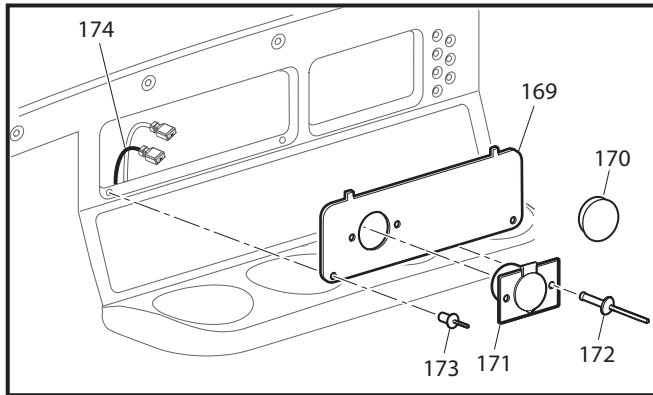


Ref Ele 23-5

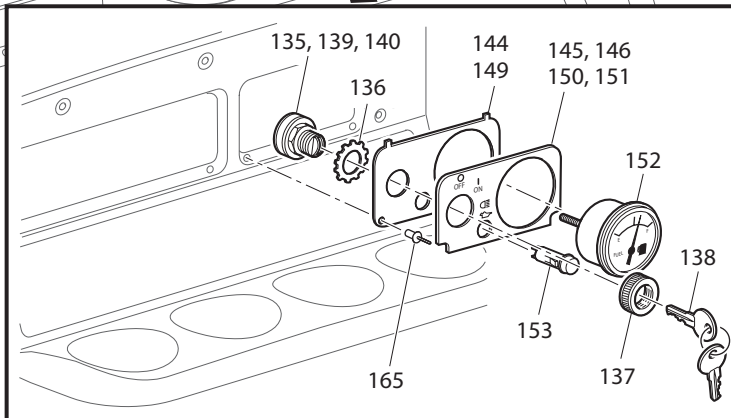
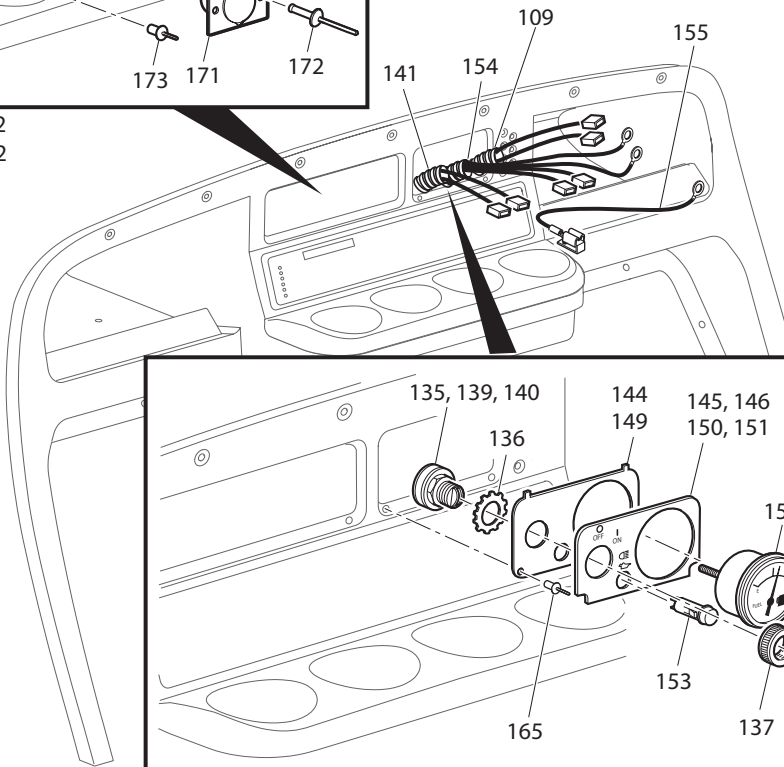
- WHT to BLU/WHT from Harness - Both Sides
- BLK to BLK from Harness - Both Sides
- RED to BRN from Harness - Both Sides (without Turn Signals)
- RED to WHT from Harness - Driver Side (with Turn Signals)
- RED to YEL from Harness - Passenger Side (with Turn Signals)

ELECTRICAL SYSTEM

CONSOLE INSERT PLATE (WITH POWER OUTLET SHOWN)

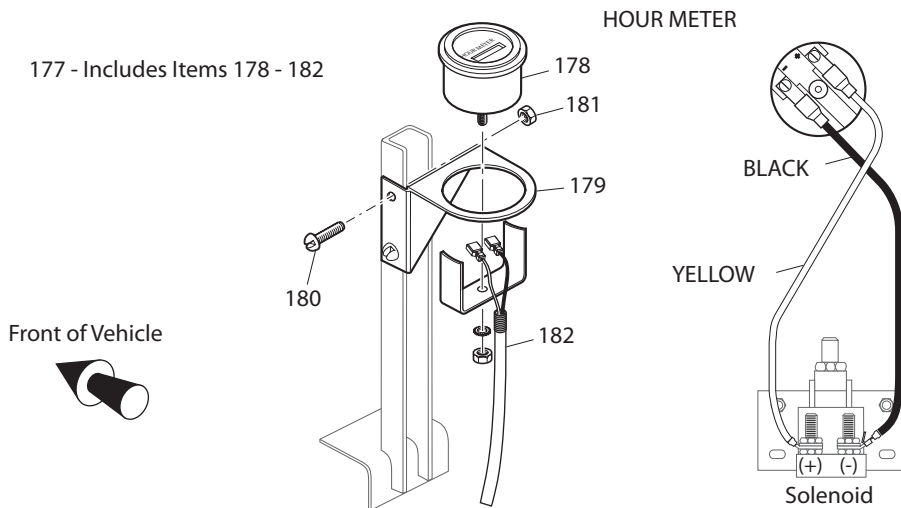


167 - Includes items 169, 170, 172
 168 - Includes Items 169, 171, 172



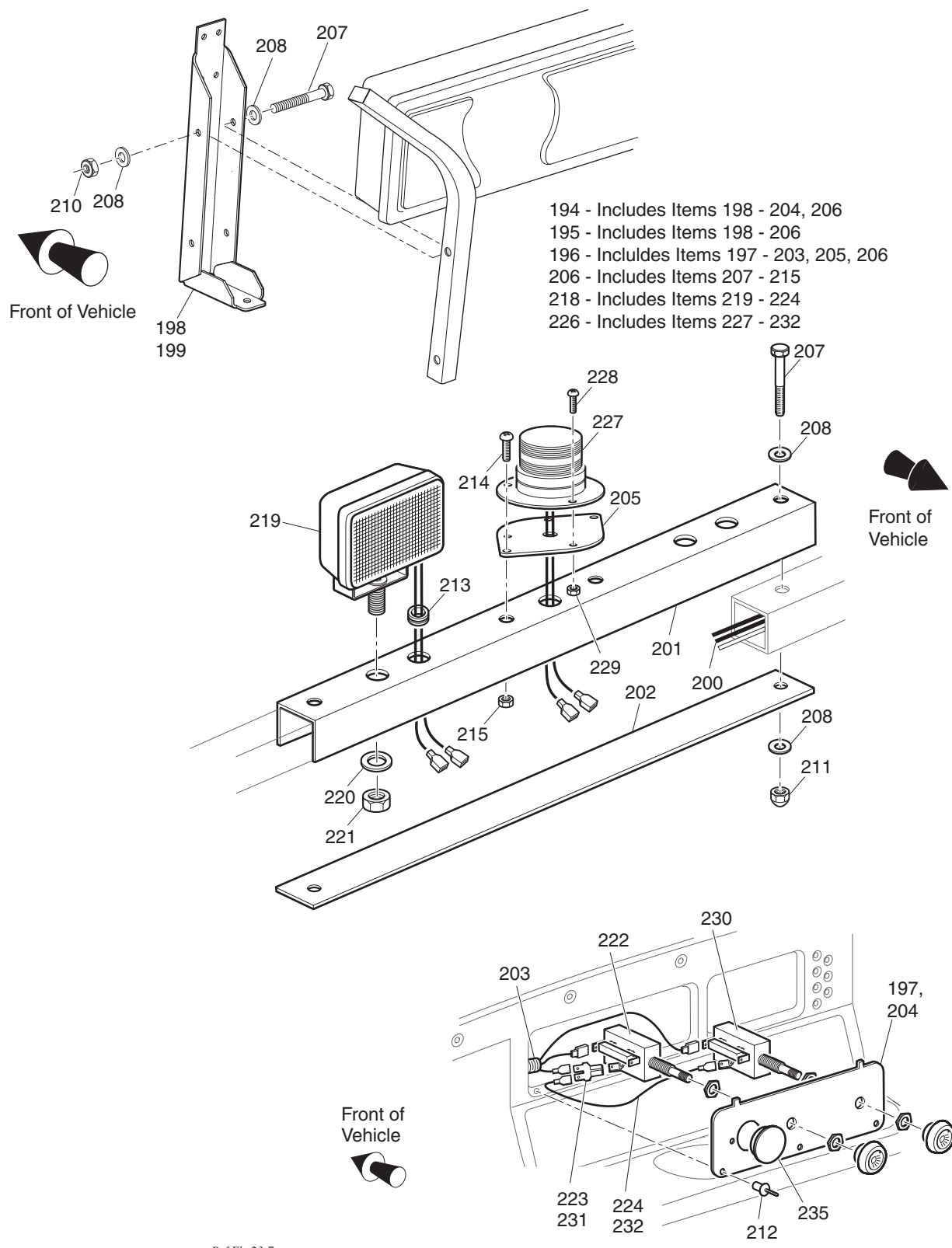
KEY SWITCH, INDICATOR LIGHT(S), AND FUEL GAUGE
 134 - Includes items 135-138

177 - Includes Items 178 - 182



Ref Ele 5-6

WORK AND STROBE LIGHTS



Ref Ele 23-7

ELECTRICAL SYSTEM

THE USE OF NON U.L. PARTS WILL VOID ANY U.L. LISTING.
 When ordering parts, please specify the model and serial number of the product.
 * Indicates a component that is not available as an individual part.
 G** Indicates consult Customer Service Department for additional information.

ITEM	PART NO.	1 2 3 4 5	DESCRIPTION	QTY.
1	72865G01		PULSER COIL (EH292C & EH352C ENGINES) (INCLUDES ITEM 2)	11
2	26707G01		BOLT AND WASHER ASSEMBLY, M5 X 0.8 X 10 MM LG	2
3				
4				
5				
6	72866G01		IGNITION COIL(EH292C & EH352C ENGINES) (INCL.SPARK PLUG WIRES)	1
7	72871G01		SCREW AND WASHER ASSEMBLY	2
8				
9				
10				
11				
12				
13	25887G01		6 GA WIRE (BLACK, 6", F1 - A2).....	1
14	25682G1		TERMINAL COVER	3
15				
16				
17				
18	24775G*		BATTERY, 12V	1
19	00962G1		BOLT, 5/16 - 18 X 1 1/4" LG	2
20	00993G01		LOCK WASHER, 5/16" (SILICON BRONZE).....	2
21	00994G01		NUT, 5/16 - 18 (SILICON BRONZE)	2
22				
23	72101G02		BATTERY HOLD DOWN.....	1
24	00438G6		BOLT, 5/16 - 18 X 3/4" LG	1
25	00565G8		LOCK WASHER, 5/16"	1
26	01110G03		WASHER, 5/16" (STAINLESS STEEL)	1
27				
28				
29	27044G03		GROUND CABLE.....	1
30	25976G19		14 GA WIRE (BLACK, 6")	1

ELECTRICAL SYSTEM

THE USE OF NON U.L. PARTS WILL VOID ANY U.L. LISTING.
 When ordering parts, please specify the model and serial number of the product.
 * Indicates a component that is not available as an individual part.
 G** Indicates consult Customer Service Department for additional information.

ITEM	PART NO.	1 2 3 4 5	DESCRIPTION	QTY.
31	00438G6		BOLT, 5/16 - 18 X 3/4" LG	2
32	11027G1		LOCK NUT, 5/16 - 18	2
33	26676G01		FLANGED BOLT, M6 X 1 X 23 MM LG	1
34				
35	25972G85		6 GA WIRE (BLACK 23", F2 - SOL).....	1
36				
37	74938G01		WIRE HARNESS (CONTROL) (EH292C & EH352C ENGINES)	1
38				
39				
40	17618G1		WIRE TIE	AR
41				
42	73049G01		COVER.....	1
43	16469G1		WASHER, 1/4"	1
44	00114G6		SCREW, 1/4 - 14 X 3/4" LG.....	1
45				
46				
47	72909G01		ELEC. PLATE ASSY (EH292C & EH352C ENGINES) (INCL. ITEMS 48 - 72) ..	1
48	73057G01		BRACKET	1
49	27739G01		VOLTAGE REGULATOR	1
50	27153G01		SOLENOID	1
51	00415G2		BOLT, 1/4 - 20 X 1 1/4" LG.....	1
52	00414G8		BOLT, 1/4 - 20 X 1" LG.....	1
53	11027G2		LOCK NUT, 1/4 - 20	2
54				
55				
56	72872G01		IGNITOR (EH292C & EH352C ENGINES).....	1
57	00414G5		BOLT, 1/4 - 20 X 5/8" LG.....	1
58	11027G2		LOCK NUT, 1/4 - 20	1
59				
60				

ELECTRICAL SYSTEM

THE USE OF NON U.L. PARTS WILL VOID ANY U.L. LISTING.

When ordering parts, please specify the model and serial number of the product.

* Indicates a component that is not available as an individual part.

G** Indicates consult Customer Service Department for additional information.

ITEM	PART NO.	1	2	3	4	5	DESCRIPTION	QTY.
61								
62	73446G01						FASTON TAB, 90°	2
63	00565G5						LOCK WASHER, #10	2
64	00526G4						NUT, #10 - 32.....	2
65								
66								
67	25978G56						18 GA WIRE (BLACK, 5 3/4").....	1
68								
69	600418G01						FUSE HOLDER ASSEMBLY, SEALED.....	1
70	00565G8						LOCK WASHER, 5/16"	2
71	00544G4						JAM NUT, 5/16 - 24.....	2
72	25972G33						6 GA WIRE (BLACK, 24", B+ - SOL).....	1
73								
74								
75	22674G1						FUSE BLOCK.....	1
76	01041G01						RIVET, 5/32" X 3/8" LG	2
77	18392G1						15 AMP FUSE	3
78								
79	32860G1						HORN (INCLUDES ITEM 80, 81).....	1
80	*						MOUNTING BRACKET	1
81	*						HEX NUT	1
82	00414G5						BOLT, 1/4 - 20 X 5/8" LG	1
83	00559G8						WASHER, 5/16"	1
84	14390G4						LOCK NUT, 1/4 - 20	1
85								
86								
87								
88								
89	17318G1						HORN SWITCH.....	1
90	17318G2						HORN SWITCH CAP AND NUT	1

ELECTRICAL SYSTEM

THE USE OF NON U.L. PARTS WILL VOID ANY U.L. LISTING.
 When ordering parts, please specify the model and serial number of the product.
 * Indicates a component that is not available as an individual part.
 G** Indicates consult Customer Service Department for additional information.

ITEM	PART NO.	1 2 3 4 5	DESCRIPTION	QTY.
91	27068G01		HORN SWITCH BOOT	1
92	19233G1		HORN SWITCH LABEL	1
93	71055G01		RIVET, 3/16" X 1" LG (ALUMINUM).....	2
94				
95				
96				
97				
98				
99				
100				
101				
102				
103				
104				
105				
106	22523G1		HEADLIGHT (INCLUDES ITEM 107) (LX / SE).....	2
107	00906G6		SCREW, #10 - 16 X 1" LG	2
108	74337G01		HEADLIGHT JUMPER	2
109	620159		WIRE HARNESS.....	1
110	20570G3		TURN SIGNAL LIGHT (INCLUDES ITEMS 111 - 116).....	2
111	20574G3		TURN SIGNAL LIGHT	1
112	00660G7		WASHER, 1/4"	1
113	20606G1		WIRE ASSEMBLY	1
114	00567G7		LOCK WASHER, 1/4"	1
115	00532G1		NUT, 1/4 - 20.....	1
116	18995G1		PUSH-ON MALE TERMINAL	1
117	20574G4		LENS, AMBER	1
118	00118G5		SCREW, #6 - 18 X 5/8" LG.....	2
119	74056G01		TURN SIGNAL JUMPER, RED/BLACK (DRIVER SIDE).....	1
120	74056G02		TURN SIGNAL JUMPER, GREEN/BLACK (PASSENGER SIDE).....	1

ELECTRICAL SYSTEM

THE USE OF NON U.L. PARTS WILL VOID ANY U.L. LISTING.

When ordering parts, please specify the model and serial number of the product.

* Indicates a component that is not available as an individual part.

G** Indicates consult Customer Service Department for additional information.

ITEM	PART NO.	1 2 3 4 5	DESCRIPTION	QTY.
121				
122				
123	32739G2		TAILLIGHT ASSEMBLY (COMPLETE)	2
124				
125				
126	17867G1		TURN SIGNAL SWITCH (WITH MTG HARDWARE) (INCLUDES ITEM 127) ...	1
127	21640G1		TURN SIGNAL FLASHER	1
128	32307G3		FLEX LOOM, 3/8 X 8" LG	1
129	17618G1		WIRE TIE	2
130	20965G3		STEERING COLUMN COVER.....	1
131				
132	72228G01		WIRE HARNESS (ACCESSORY).....	1
133				
134	17421G1		IGNITION SWITCH KIT (W/O LIGHTS - STANDARD - INC ITEMS 135 - 135)..	1
135	18602G1		IGNITION SWITCH (WITHOUT LIGHTS - NON STANDARD).....	1
136	00568G6		LOCK WASHER, 3/4"	1
137	17137G1		FACE NUT, 3/4 - 20	1
138	17063G1		IGNITION KEY	1
139	18027G1		IGNITION SWITCH (WITHOUT LIGHTS - INDIVIDUALLY KEYED)	1
140	33639G**		IGNITION SWITCH (WITH LIGHTS).....	1
141	73041-G01		WIRE HARNESS (KEY SWITCH).....	1
142				
143				
144	601015		PLATE (IGNITION SWITCH ONLY)	1
145	71181G02		LABEL (IGNITION SWITCH ONLY) WITHOUT HEADLIGHTS	1
146	71181G01		LABEL (IGNITION SWITCH ONLY) WITH HEADLIGHTS	1
147				
148				
149	73030G04		PLATE (FUEL GAUGE AND OIL LIGHT).....	1
150	71127G01		LABEL (OIL LIGHT AND FUEL GAUGE W/O HEADLIGHTS)	1

ELECTRICAL SYSTEM

THE USE OF NON U.L. PARTS WILL VOID ANY U.L. LISTING.
 When ordering parts, please specify the model and serial number of the product.
 * Indicates a component that is not available as an individual part.
 G** Indicates consult Customer Service Department for additional information.

ITEM	PART NO.	1 2 3 4 5	DESCRIPTION	QTY.
151	71131G01		LABEL (OIL LIGHT AND FUEL GAUGE WITH HEADLIGHTS)	1
152	21553G1		FUEL GAUGE	1
153	23474G1		INDICATOR LIGHT	1
154	74311G01		HARNESS (OIL LIGHT/FUEL GAUGE)	1
155	25978G122		18 GA WIRE (RED 6").....	1
156				
157				
158				
159				
160				
161				
162				
163				
164				
165	33623G02		DRIVE RIVET, 3/16" X 3/8" LG	2
166				
167				
168	74444G**		CONSOLE INSERT ASSEMBLY (WITH OR W/O POWER OUTLET)..... (INCLUDES ITEMS 169 - 172).....	1
169	71077G03		CONSOLE INSERT PLATE	1
170	35966G**		LABEL (CONSOLE INSERT PLATE).....	1
171	71078G01		POWER OUTLET (12 VOLT).....	1
172	14601G10		RIVET, 5/32" X 7/16" LG	2
173	33623G01		DRIVE RIVET, 5/32" X 5/16" LG	3
174	71081G01		WIRE HARNESS (POWER OUTLET)	1
175				
176				
177	75114G02		HOUR METER KIT (INCLUDES ITEMS 178 - 182).....	1
178	21573G1		HOUR METER ASSEMBLY.....	1
179	74019G02		HOUR METER BRACKET.....	1

ELECTRICAL SYSTEM

THE USE OF NON U.L. PARTS WILL VOID ANY U.L. LISTING.
 When ordering parts, please specify the model and serial number of the product.
 * Indicates a component that is not available as an individual part.
 G** Indicates consult Customer Service Department for additional information.

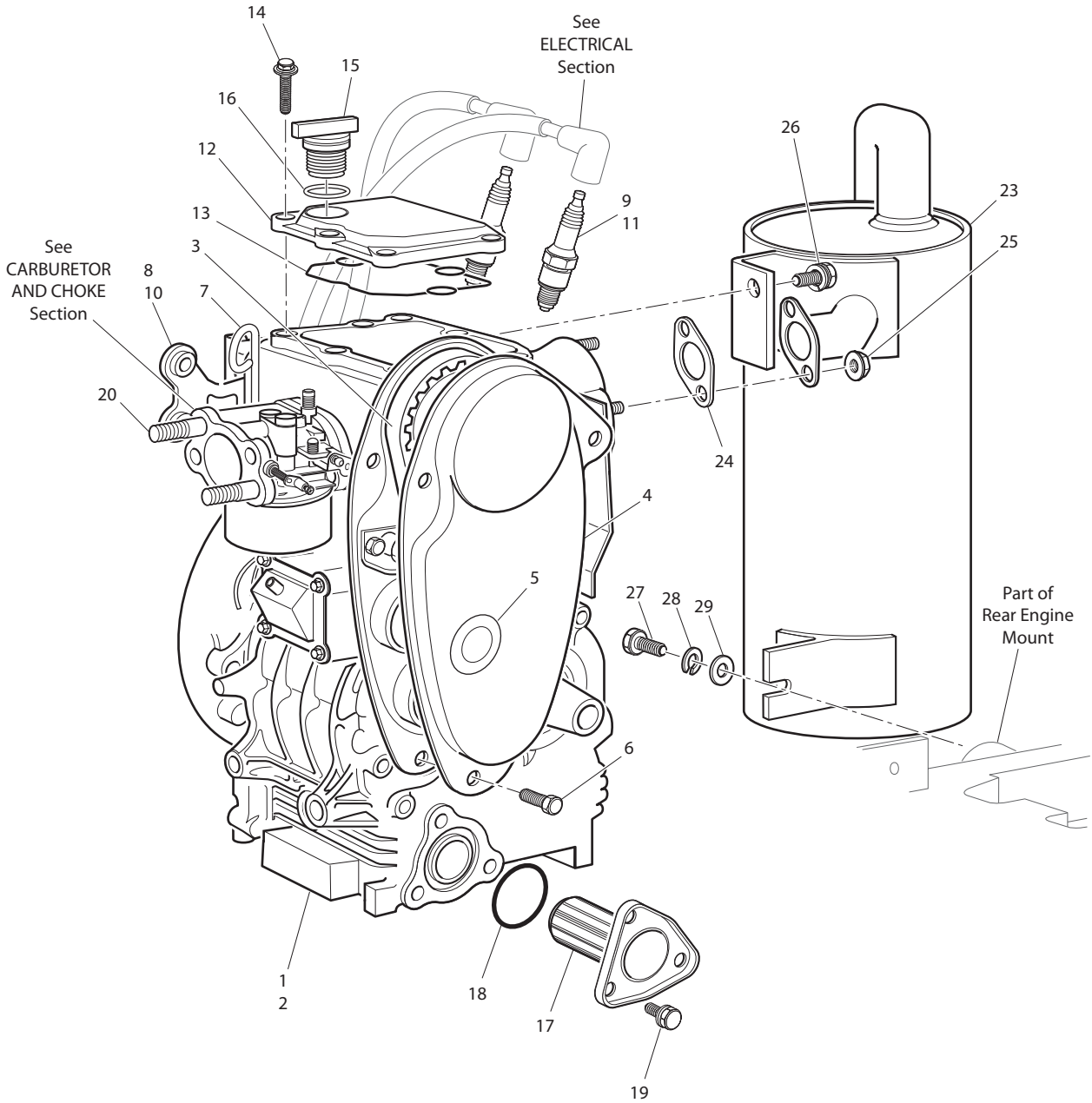
ITEM	PART NO.	1	2	3	4	5	DESCRIPTION	QTY.
180	00379G4						SCREW, #10 - 24 X 1/2" LG	2
181	14390G10						LOCK NUT, #10 - 24	2
182	75117G01						WIRE HARNESS (HOUR METER).....	1
183								
184								
185								
186								
187								
188								
189								
190								
191								
192								
193								
194	71323G01						WORK LIGHT BAR WITH LIGHTS (INCLUDES ITEMS 198 - 204, 206).....	1
195	71323G02						WORK LIGHT BAR WITH STROBE LIGHT (INCLUDES ITEMS 198 - 206)	1
196	71323G03						WORK LIGHT BAR WITH LIGHTS AND STROBE (INCLUDES ITEMS 197-203, 205, 206).....	1
197	73522G05						CONSOLE INSERT PLATE	1
198	75838G03						STRUT (DRIVER SIDE).....	1
199	75838G04						STRUT (PASSENGER SIDE)	1
200	75346G01						WIRE HARNESS (WORK LIGHT)	1
201	71294G02						BRACE.....	1
202	71293G02						COVER PLATE	1
203	75347G01						SWITCH HARNESS	1
204	73522-04						CONSOLE INSERT PLATE	1
205	33201G03						STROBE LIGHT MOUNT (USED ONLY WITH STROBE LIGHT).....	1
206	75365G01						HARDWARE KIT (INCLUDES ITEMS 207 - 215).....	1
207	00685G7						BOLT, 5/16 - 18 X 1 3/4" LG	6

ELECTRICAL SYSTEM

THE USE OF NON U.L. PARTS WILL VOID ANY U.L. LISTING.
 When ordering parts, please specify the model and serial number of the product.
 * Indicates a component that is not available as an individual part.
 G** Indicates consult Customer Service Department for additional information.

ITEM	PART NO.	1	2	3	4	5	DESCRIPTION	QTY.
208	00660G8						WASHER, 5/16".....	12
209	15121G1						WASHER, 3/8" X 1 1/4".....	2
210	01109G01						LOCK NUT, 5/16 - 18.....	4
211	00918G3						ACORN NUT, 5/16 - 18.....	2
212	33623G02						DRIVE RIVET, 3/16" X 3/8" LG.....	3
213	20367G1						GROMMET.....	2
214	16705G3						SCREW, 1/4 - 20 X 3/4" LG.....	2
215	14390G4						LOCK NUT, 1/4 - 20.....	2
216								
217								
218	20383G2						WORK LIGHT KIT (INCLUDES ITEMS 219 - 224).....	1
219	20209G2						WORK LIGHT (RECTANGULAR).....	2
220	00566G3						LOCK WASHER, 1/2".....	2
221	00533G1						NUT, 1/2 - 13.....	2
222	17317G1						LIGHT SWITCH.....	1
223	17902G1						TAB ADAPTER.....	1
224	20053G1						16 GA WIRE (RED 5 3/8").....	1
225								
226	20385G3						STROBE LIGHT KIT (INCLUDES ITEMS 227 - 232).....	1
227	20394G4						STROBE LIGHT.....	1
228	00379G4						SCREW, #10 - 24 x 1/2" LG.....	3
229	14390G10						LOCK NUT, #10 - 24.....	3
230	17317G1						LIGHT SWITCH.....	1
231	17902G1						TAB ADAPTER.....	1
232	20053G1						16 GA WIRE (RED 5 3/8").....	1
233								
234								
235	20271G10						HOLE PLUG.....	1

ENGINE AND MUFFLER



Ref Emf 2

ENGINE AND MUFFLER

THE USE OF NON U.L. PARTS WILL VOID ANY U.L. LISTING.

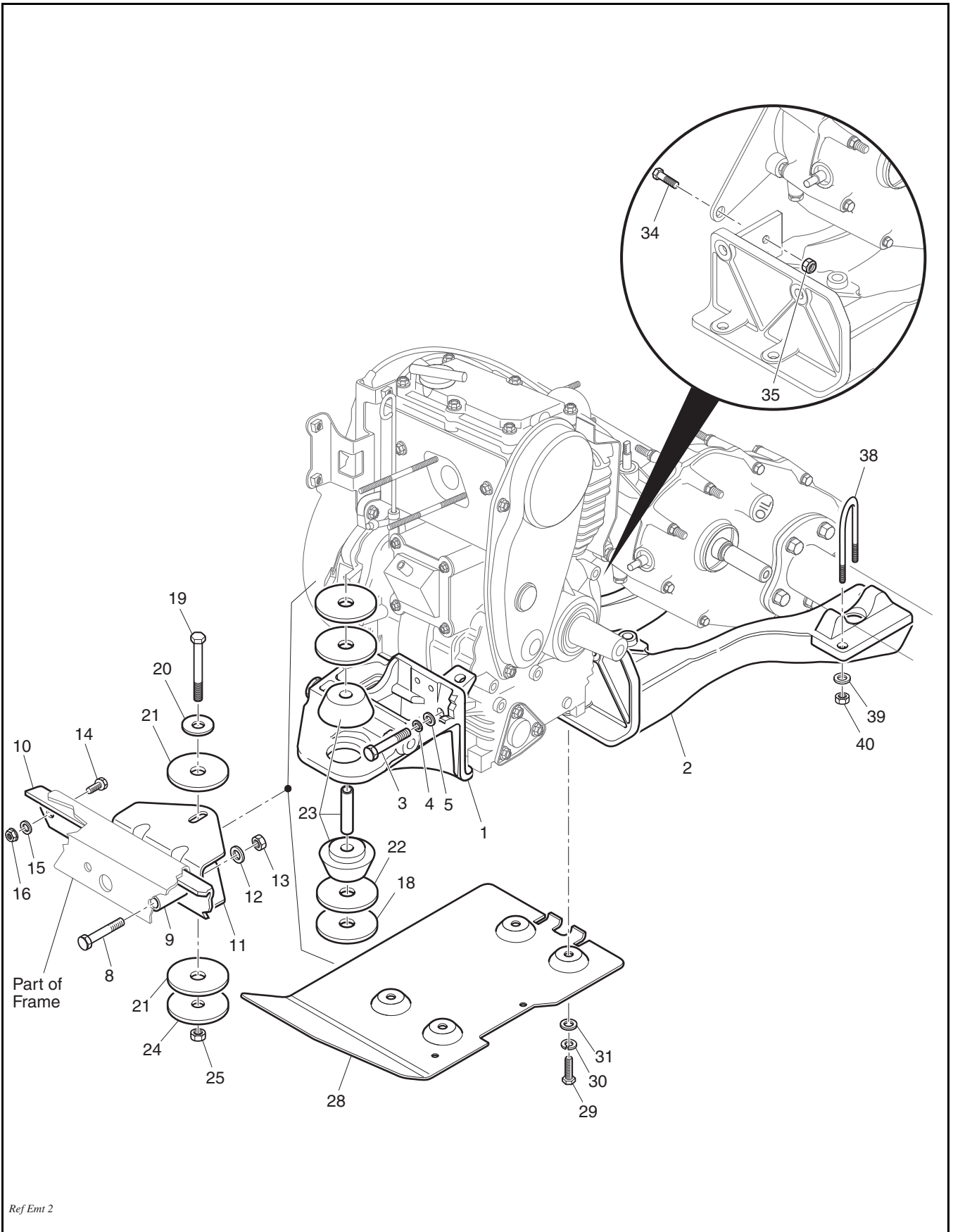
When ordering parts, please specify the model and serial number of the product.

* Indicates a component that is not available as an individual part.

G** Indicates consult Customer Service Department for additional information.

ITEM	PART NO.	1 2 3 4 5	DESCRIPTION	QTY.
1	604254		ENGINE (EH292C) (INCLUDES ITEMS 3-10, 12-20).....	1
2	72846G02		ENGINE (EH35C) (INCLUDES ITEMS 3-6, 10-20).....	1
3	26626G01		TIMING BELT.....	1
4	72908G01		TIMING BELT COVER.....	1
5	26631G01		TIMING BELT COVER GROMMET.....	1
6	26678G01		BOLT, M6 X 1 X 12 MM LG.....	4
7	72538-G01		DIP STICK (0 DEGREES).....	1
8	72885G01		IGNITION COIL BRACKET.....	1
9	25523G5		SPARK PLUG (NGK FR2A-D).....	2
10	72869G01		IGNITION COIL BRACKET.....	1
11	72867G01		SPARK PLUG (NGK BPR5ES).....	2
12	72848G01		VALVE COVER.....	1
13	72876G01		VALVE COVER GASKET.....	1
14	26676G01		FLANGED BOLT, M6 X 1 X 23 MM LG.....	6
15	26601G01		OIL FILLER CAP.....	1
16	26720G01		OIL FILLER 'O' RING.....	1
17	26591G01		OIL FILTER.....	1
18	26710G01		OIL FILTER 'O' RING.....	1
19	26680G01		BOLT AND WASHER, M6 X 1 X 12 MM LG.....	3
20	603911		STUD, M6 X 1 X 135MM LG.....	2
21				
22				
23	74829G01		MUFFLER.....	1
24	25531G1		EXHAUST GASKET.....	1
25	72851G01		NUT, M8 X 1.25MM.....	2
26	25532G1		BOLT AND WASHER, M8 X 1.25 X 18 MM LG.....	1
27	00438G8		BOLT, 5/16 - 18 X 1" LG.....	1
28	00565G8		LOCK WASHER, 5/16".....	1
29	00642G8		WASHER, 5/16".....	1

ENGINE MOUNTING



Ref Emt 2

ENGINE MOUNTING

THE USE OF NON U.L. PARTS WILL VOID ANY U.L. LISTING.

When ordering parts, please specify the model and serial number of the product.

* Indicates a component that is not available as an individual part.

G** Indicates consult Customer Service Department for additional information.

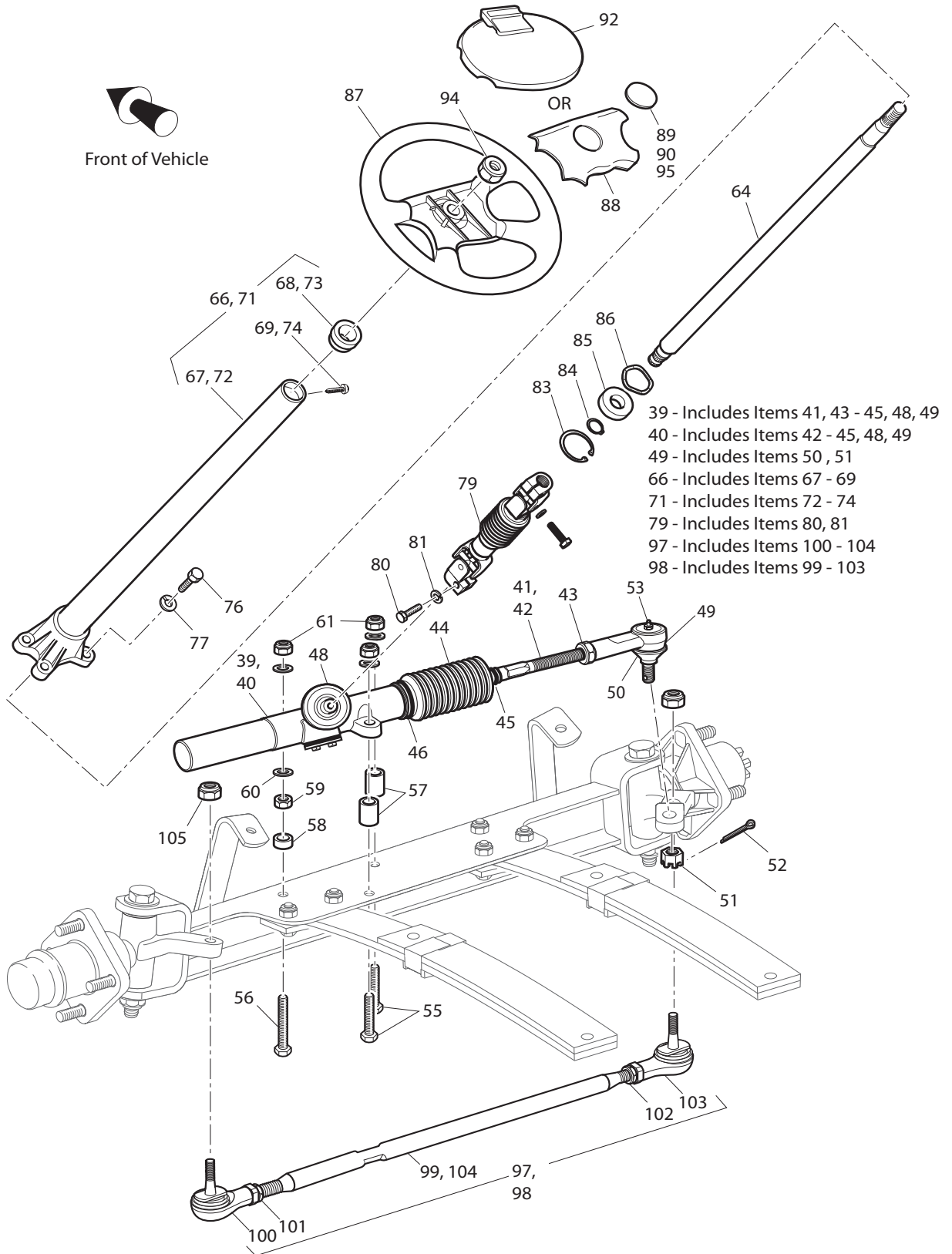
ITEM	PART NO.	1 2 3 4 5	DESCRIPTION	QTY.
1	72010G01		FRONT ENGINE MOUNT	1
2	72011G01		REAR ENGINE MOUNT	1
3	00463G4		BOLT, 7/16 - 14 X 1 1/2" LG	4
4	00566G2		LOCK WASHER, 7/16".....	4
5	00922G3		WASHER, 7/16"	4
6				
7				
8	00428G6		BOLT, 3/8 - 16 X 2 3/4" LG	2
9	72016G01		SPACER.....	2
10	70269G02		CROSSMEMBER BRACE	1
11	72044G02		MOUNT BRACKET	1
12	00643G1		WASHER, 3/8"	2
13	11098G5		LOCK NUT, 3/8 - 16	2
14	00438G7		BOLT, 5/16 - 18 X 7/8" LG	2
15	01110G03		WASHER, 5/16" (STAINLESS STEEL)	2
16	01109G01		LOCK NUT, 5/16 - 18 (STAINLESS STEEL).....	2
17				
18	72051GO2		WASHER, 2 1/2" OD X 25/64" ID S 9/64"	1
19	00430G4		BOLT, 3/8 - 16 X 4 1/2" LG	1
20	15121G1		WASHER, 3/8"	1
21	72050G01		PLASTIC WASHER, 2 1/4" OD X 5/8" ID X 1/8"	4
22	72051G01		WASHER, 2 1/2" OD X 41/64" ID X 9/64"	2
23	72015G01		ISOLATION MOUNT	1
24	72051G02		WASHER, 3/8"	1
25	11098G5		LOCK NUT, 3/8 - 16	1
26				
27				
28	72719G03		ENGINE GUARD.....	1
29	00463G4		BOLT, 7/16 - 14 X 1 1/2" LG	4
30	00566G2		LOCK WASHER, 7/16".....	4

ENGINE MOUNTING

THE USE OF NON U.L. PARTS WILL VOID ANY U.L. LISTING.
 When ordering parts, please specify the model and serial number of the product.
 * Indicates a component that is not available as an individual part.
 G** Indicates consult Customer Service Department for additional information.

ITEM	PART NO.	1 2 3 4 5	DESCRIPTION	QTY.
31	00922G3		WASHER, 7/16"	4
32				
33				
34	00439G1		BOLT, 5/16 - 18 X 1 1/8" LG	1
35	01109G01		LOCK NUT, 5/16 - 18 (STAINLESS STEEL)	1
36				
37				
38	72035G01		'U' BOLT, 7/16 - 14 X 3 7/16" X 3 9/16" LG	2
39	00922G3		WASHER, 7/16"	4
40	00734G1		LOCK NUT, 7/16 - 14	4

FRONT SUSPENSION/STEERING



Ref Fss 21-2

FRONT SUSPENSION/STEERING

THE USE OF NON U.L. PARTS WILL VOID ANY U.L. LISTING.

When ordering parts, please specify the model and serial number of the product.

* Indicates a component that is not available as an individual part.

G** Indicates consult Customer Service Department for additional information.

ITEM	PART NO.	1 2 3 4 5	DESCRIPTION	QTY.
1	602512		FRONT AXLE.....	1
2	602513		FRONT AXLE.....	1
3	602327		FRONT AXLE.....	1
4	70942G03		SPINDLE AND HUB ASSEMBLY, 4 LUG (PASSENGER SIDE) (INCLUDES ITEMS 5 - 11).....	1
5	70942G04		SPINDLE ASSEMBLY (PASSENGER SIDE).....	1
6	25146G1		GREASE SEAL.....	1
7	50892G1		ROLLER BEARING AND RACE ASSEMBLY.....	2
8	70895G01		WHEEL HUB ASSEMBLY WITH RACES, 4 LUG (INCLUDES ITEM 8).....	1
9	19862-G1		LUG BOLT, 1/2 - 20 X 1 7/32" LG.....	4
10	12093G1		SLOTTED NUT, 1 - 14.....	1
11	00798G8		COTTER PIN, 5/32" X 1 3/4" LG.....	1
12	12091G2		SPINDLE CAP.....	2
13				
14	70673G03		SPINDLE AND HUB ASSEMBLY, 4 LUG (DRIVER SIDE) (INCLUDES ITEMS 6 - 11, 15).....	1
15	70673G04		SPINDLE ASSEMBLY (DRIVER SIDE).....	1
16				
17				
18	00407G6		BOLT, 1/2 - 13 X 6" LG.....	2
19	00560G3		WASHER, 1/2".....	4
20	70745G01		KING PIN TUBE.....	2
21	70754G01		THRUST WASHER (STAINLESS STEEL).....	2
22	14390G6		LOCK NUT, 1/2 - 13.....	2
23				
24	76418G01		SHOCK ABSORBER.....	2
25	76419G01		SHOCK ABSORBER.....	2
26	70509G01		SHOCK ABSORBER BOOT.....	2
27	31539G1		WIRE TIE.....	4
28	10435G1		SHOCK ABSORBER WASHER.....	8
29	10194G1		RUBBER SHOCK ABSORBER BUSHING.....	8

FRONT SUSPENSION/STEERING

THE USE OF NON U.L. PARTS WILL VOID ANY U.L. LISTING.

When ordering parts, please specify the model and serial number of the product.

* Indicates a component that is not available as an individual part.

G** Indicates consult Customer Service Department for additional information.

ITEM	PART NO.	1 2 3 4 5	DESCRIPTION	QTY.
30	00532G6		NUT, 3/8 - 24	4
31	10044G01		VINYL CAP	2
32				
33	70989G03		LEAF SPRING (HEAVY DUTY).....	2
34	70664G03		LEAF SPRING (HEAVY DUTY) (SEE PART NUMBER ON SPRING).....	2
35	70163G03		SPRING PLATE	4
36				
37	00734G1		LOCK NUT, 7/16 - 14	9
38	00463G11		BOLT, 7/16 - 14 X 1 3/4" LG	11
39	70964G02		RACK AND PINION UNIT (COMPLETE) (INCLUDES ITEMS 41-43, 45-47, 49-50)	1
40	74605G01		RACK AND PINION UNIT (COMPLETE) (INCLUDES ITEMS 41-42, 44-47, 49-54)	1
41	70965-G01		STEERING RACK & COVER BEARING	1
42	*		STEERING BOX INSTALLATION TAG	1
43	70694G01		RACK EXTENSION	1
44	74602G01		RACK EXTENSION	1
45	*		JAM NUT, 1/2 - 20.....	1
46	70675G01		RACK BOOT	1
47	12416G2		WIRE TIE	1
48	11391G8		HOSE CLAMP	1
49	70638G01		PINION SEAL	1
50	70695G01		RACK BALL JOINT (INCLUDES ITEMS 51 & 52).....	1
51	50641G1		RUBBER BOOT	1
52	50209G2		SLOTTED NUT, 7/16 - 20.....	1
53	10387G2		COTTER PIN, 3/32" X 1" LG	1
54	10389G3		GREASE FITTING, STRAIGHT	1
55	00464G6		BOLT, 7/16 - 14 X 2 3/4" LG	2
56	01068G01		BOLT, 7/16 - 14 X 3 1/2" LG	1
57	70667G02		SPACER	2
58	70667G03		SPACER (SHORT).....	1

FRONT SUSPENSION/STEERING

THE USE OF NON U.L. PARTS WILL VOID ANY U.L. LISTING.

When ordering parts, please specify the model and serial number of the product.

* Indicates a component that is not available as an individual part.

G** Indicates consult Customer Service Department for additional information.

ITEM	PART NO.	1 2 3 4 5	DESCRIPTION	QTY.
59	00532G7		NUT, 7/16 - 14	1
60	00560G2		FLAT WASHER, 7/16"	7
61	00734G1		LOCK NUT, 7/16 - 14	3
62				
63				
64	70607G01		STEERING SHAFT	1
65				
66	70758-G06		STEERING COLUMN KIT (INCLUDES ITEMS 67 - 69)	1
67	70610G03		STEERING COLUMN	1
68	28569G01		STEERING COLUMN BUSHING	1
69	01022G01		SCREW, #6 - 20 X 5/16" LG	1
70				
71	70758G08		STEERING COLUMN KIT (HORN) (INCLUDES ITEMS 72 - 74)	1
72	70610G04		STEERING COLUMN	1
73	28569G01		STEERING COLUMN BUSHING	1
74	01022G01		SCREW, #6 - 20 X 5/16" LG	1
75				
76	01006G01		BOLT, 3/8 - 16 X 1 1/4" LG WITH PATCHLOCK	4
77	00879G1		WASHER, 3/8"	4
78				
79	70580G01		INTERMEDIATE SHAFT (INCLUDES ITEMS 80, 81)	1
80	01055G01		BOLT, M8 X 1 1/4" LG	2
81	00565G8		LOCK WASHER, 5/16"	2
82				
83	70751G01		RETAINING RING (INTERNAL)	1
84	70888G01		RETAINING RING (EXTERNAL)	1
85	15112G1		BALL BEARING	1
86	70887G01		WAVE WASHER	1
87	602980		STEERING WHEEL	1
88	71147G01		STEERING WHEEL COVER	1

FRONT SUSPENSION/STEERING

THE USE OF NON U.L. PARTS WILL VOID ANY U.L. LISTING.

When ordering parts, please specify the model and serial number of the product.

* Indicates a component that is not available as an individual part.

G** Indicates consult Customer Service Department for additional information.

ITEM	PART NO.	1 2 3 4 5	DESCRIPTION	QTY.
89	605435		LABEL (E-Z-GO)	1
90	74954G01		LABEL (CUSHMAN).....	1
91				
92	71950-G01		CLIPBOARD.....	1
93				
94	14390-G2		LOCK NUT, 5/8 - 18	1
95	28909-G01		LABEL (JACOBSEN)	1
96				
97	74604G01		TIE ROD ASSEMBLY (INCLUDES ITEMS 100 - 104)	
98	70876G02		TIE ROD ASSEMBLY (INCLUDES ITEMS 99 - 103).....	1
99	70897G02		THREADED ROD (24" LG).....	1
100	70902G01		TIE ROD END (LEFT HAND THREADS)	1
101	01069G01		JAM NUT, M12 X 1.25-05 (LEFT HAND THREADS).....	1
102	70902G02		TIE ROD END (RIGHT HAND THREADS).....	1
103	01069G02		JAM NUT, M12 X 1.25-05 (RIGHT HAND THREADS)	1
104	74603G01		THREADED ROD (27" LG).....	1
105	00734-G1		LOCK NUT, 7/16 - 14	2

FUEL SYSTEM - CALIFORNIA REQUIREMENT

THE USE OF NON U.L. PARTS WILL VOID ANY U.L. LISTING.

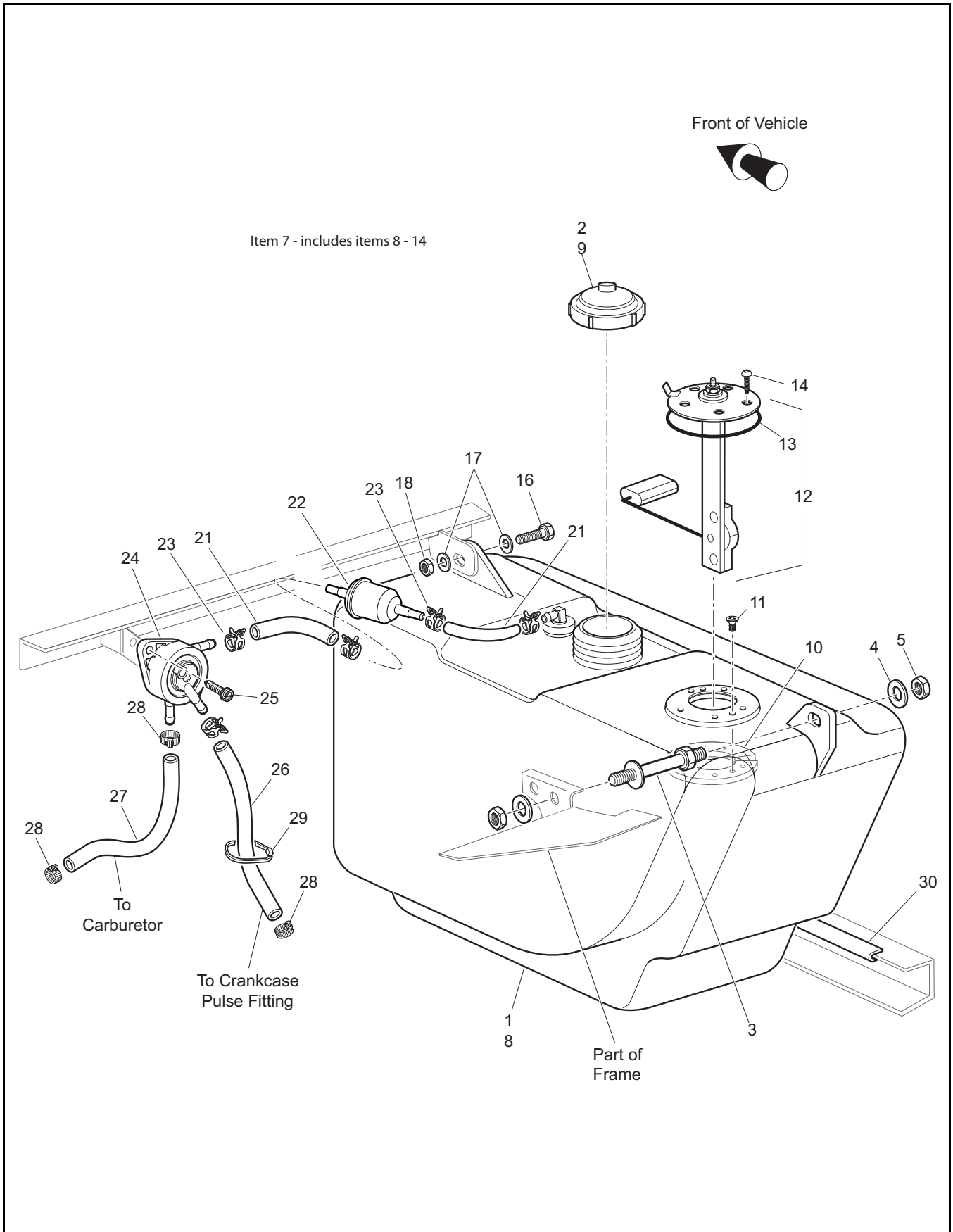
When ordering parts, please specify the model and serial number of the product.

* Indicates a component that is not available as an individual part.

G** Indicates consult Customer Service Department for additional information.

ITEM	PART NO.	1 2 3 4 5	DESCRIPTION	QTY.
1	605521		FUEL TANK (FOR VEHICLES WITHOUT GAUGE)	1
2	72282G01		FUEL TANK CAP	1
3	70486G01		SPACER	1
4	00559G8		WASHER, 5/16"	2
5	01109G01		LOCK NUT, 5/16 - 18 (STAINLESS STEEL)	2
6				
7	605704		FUEL TANK ASSEMBLY WITH LEVEL SWITCH (INCLUDES ITEMS 8-14)	1
8	605523		FUEL TANK (FOR VEHICLES WITH FUEL GAUGE)	1
9	72282G01		FUEL TANK CAP	1
10	72229G01		FUEL LEVEL SENDER ADAPTER	1
11	72230G01		SCREW, #6 - 32 X 1/2" LG	2
12	20048G2		FUEL LEVEL SENDER (INCLUDES ITEM 13)	1
13	*		GASKET	1
14	72232G01		SCREW, #10 x 3/4" LG	5
15				
16	00438G8		BOLT, 5/16 - 18 X 1" LG	1
17	00559G8		WASHER, 5/16"	2
18	01109G01		LOCK NUT, 5/16 - 18 (STAINLESS STEEL)	1
19				
20				
21	608014		FUEL HOSE, CALIFORNIA REQUIREMENT (BULK)	14"
22				
23	18292G1		CLAMP	5
24	72873G01		FUEL PUMP	1
25	00114G6		SCREW, 1/4 - 14 X 3/4" LG	2
26	27184G01		LOW PRESSURE FUEL LINE (BULK)	26"
27	608014		FUEL HOSE, CALIFORNIA REQUIREMENT (BULK)	16"
28	11391G4		HOSE CLAMP, 1/4"	3
29	17618G1		WIRE TIE	3
30	22280G1		VINYL TRIM - BLACK (BULK)	7"

FUEL SYSTEM



FUEL SYSTEM

THE USE OF NON U.L. PARTS WILL VOID ANY U.L. LISTING.

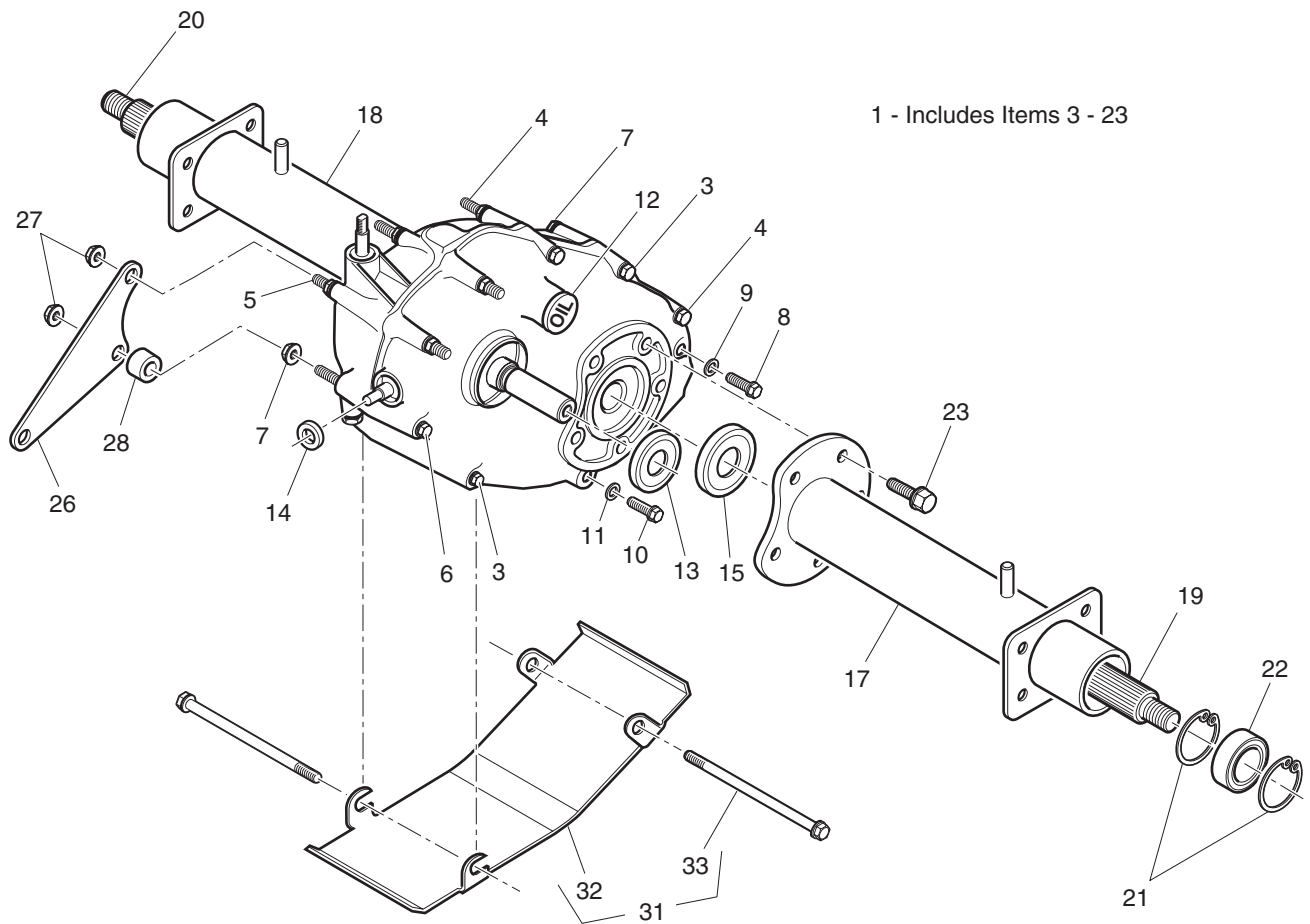
When ordering parts, please specify the model and serial number of the product.

* Indicates a component that is not available as an individual part.

G** Indicates consult Customer Service Department for additional information.

ITEM	PART NO.	1 2 3 4 5	DESCRIPTION	QTY.
1	605521		FUEL TANK (FOR VEHICLES WITHOUT GAUGE)	1
2	72282G01		FUEL TANK CAP	1
3	70486G01		SPACER	1
4	00559G8		WASHER, 5/16"	2
5	01109G01		LOCK NUT, 5/16 - 18 (STAINLESS STEEL)	2
6				
7	605704		FUEL TANK ASSEMBLY WITH LEVEL SWITCH (INCLUDES ITEMS 8-14)	1
8	605523		FUEL TANK (FOR VEHICLES WITH FUEL GAUGE)	1
9	72282G01		FUEL TANK CAP	1
10	72229G01		FUEL LEVEL SENDER ADAPTER	1
11	72230G01		SCREW, #6 - 32 X 1/2" LG	2
12	20048G2		FUEL LEVEL SENDER (INCLUDES ITEM 13)	1
13	*		GASKET	1
14	72232G01		SCREW WITH SEAL, #10 X 3/4" LG	5
15				
16	00438G8		BOLT, 5/16 - 18 X 1: LG	1
17	00559G8		WASHER, 5/16"	2
18	01109G01		LOCK NUT, 5/16 - 18 (STAINLESS STEEL)	1
19				
20				
21	17470G1		LOW PRESSURE FUEL LINE (BULK)	4"
22	72084G01		FUEL LINE FILTER	1
23	18292G1		CLAMP	5
24	72873G01		FUEL PUMP	1
25	00114G6		SCREW, 1/4 - 14 X 3/4" LG	2
26	27184G01		LOW PRESSURE FUEL LINE (BULK)	26"
27	17470G1		LOW PRESSURE FUEL LINE (BULK)	26"
28	11391G4		HOSE CLAMP, 1/4"	3
29	17618G1		WIRE TIE	3
30	22280G1		VINYL TRIM - BLACK (BULK)	7

REAR AXLE



Ref Rax 5

REAR AXLE

THE USE OF NON U.L. PARTS WILL VOID ANY U.L. LISTING.

When ordering parts, please specify the model and serial number of the product.

* Indicates a component that is not available as an individual part.

G** Indicates consult Customer Service Department for additional information.

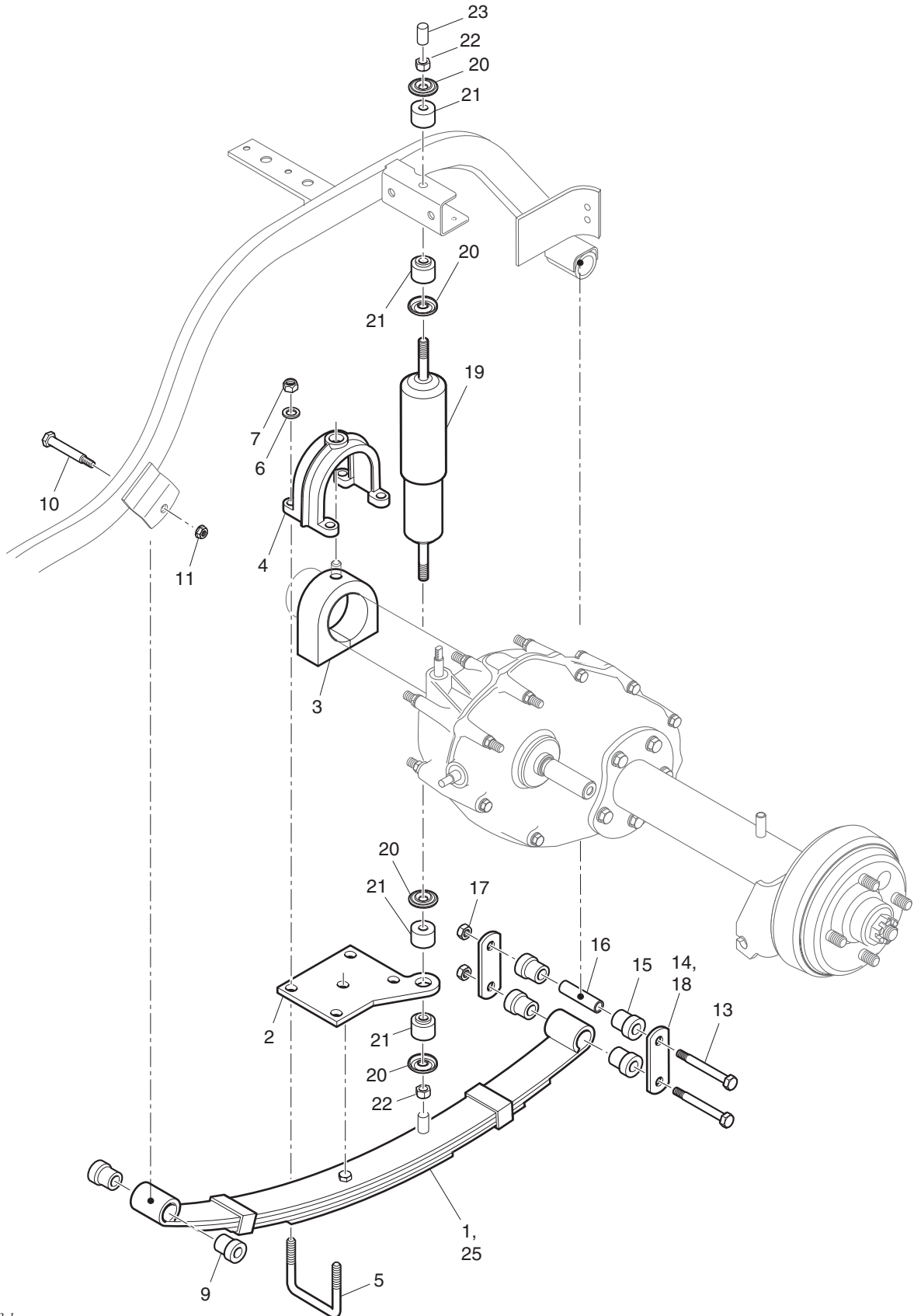
ITEM	PART NO.	1	2	3	4	5	DESCRIPTION	QTY.
1	72715-G01						REAR AXLE (13.32:1) (INCLUDES ITEMS 3 - 23)	1
2								
3	26823-G01						FLANGED BOLT, M8 X 1.25 X 100 MM LG.....	5
4	26824-G01						FLANGED BOLT, M8 X 1.25 X 110 MM LG.....	2
5	*						BOLT, M8 X 1.25 X 146 MM LG.....	2
6	72052-G01						FLANGED BOLT, M8 X 1.25 X 130 MM LG.....	1
7	72269-G01						FLANGE NUT, M8 X 1.25 MM	12
8	26768-G01						OIL CHECK PLUG.....	1
9	26769-G01						GASKET, 8 MM.....	1
10	26770-G01						OIL DRAIN PLUG	1
11	26771-G01						GASKET, 14 MM.....	1
12	26772-G01						OIL FILLER PLUG	1
13	26761-G01						INPUT SHAFT SEAL	1
14	26762-G01						SHIFTER SHAFT SEAL.....	1
15	72259-G01						AXLE SHAFT SEAL.....	2
16								
17	72115-G01						AXLE TUBE (DRIVER SIDE).....	1
18	72116-G01						AXLE TUBE (PASSENGER SIDE)	1
19	72056-G01						AXLE SHAFT (DRIVER SIDE).....	1
20	72057-G01						AXLE SHAFT (PASSENGER SIDE).....	1
21	26814-G01						RETAINING RING.....	4
22	26811-G01						BALL BEARING	2
23	72260-G01						FLANGED BOLT, M10 X 1.5 X 23 MM LG.....	10
24								
25								
26	72017-G02						AXLE BRACKET	1
27	26830-G01						LOCK NUT, M8 X 1.25 MM	2
28	75048-G01						SPACER, 1/2".....	1
29								
30								

REAR AXLE

THE USE OF NON U.L. PARTS WILL VOID ANY U.L. LISTING.
 When ordering parts, please specify the model and serial number of the product.
 * Indicates a component that is not available as an individual part.
 G** Indicates consult Customer Service Department for additional information.

ITEM	PART NO.	1 2 3 4 5	DESCRIPTION	QTY.
31	72347-G02		DIFFERENTIAL GUARD KIT (INCLUDES ITEMS 32 - 33)	1
32	72349-G02		DIFFERENTIAL GUARD	1
33	26824-G01		FLANGED BOLT, M8 X 1.25 X 110 MM LG	2

REAR SUSPENSION



Ref Rsp 23-1

REAR SUSPENSION

THE USE OF NON U.L. PARTS WILL VOID ANY U.L. LISTING.

When ordering parts, please specify the model and serial number of the product.

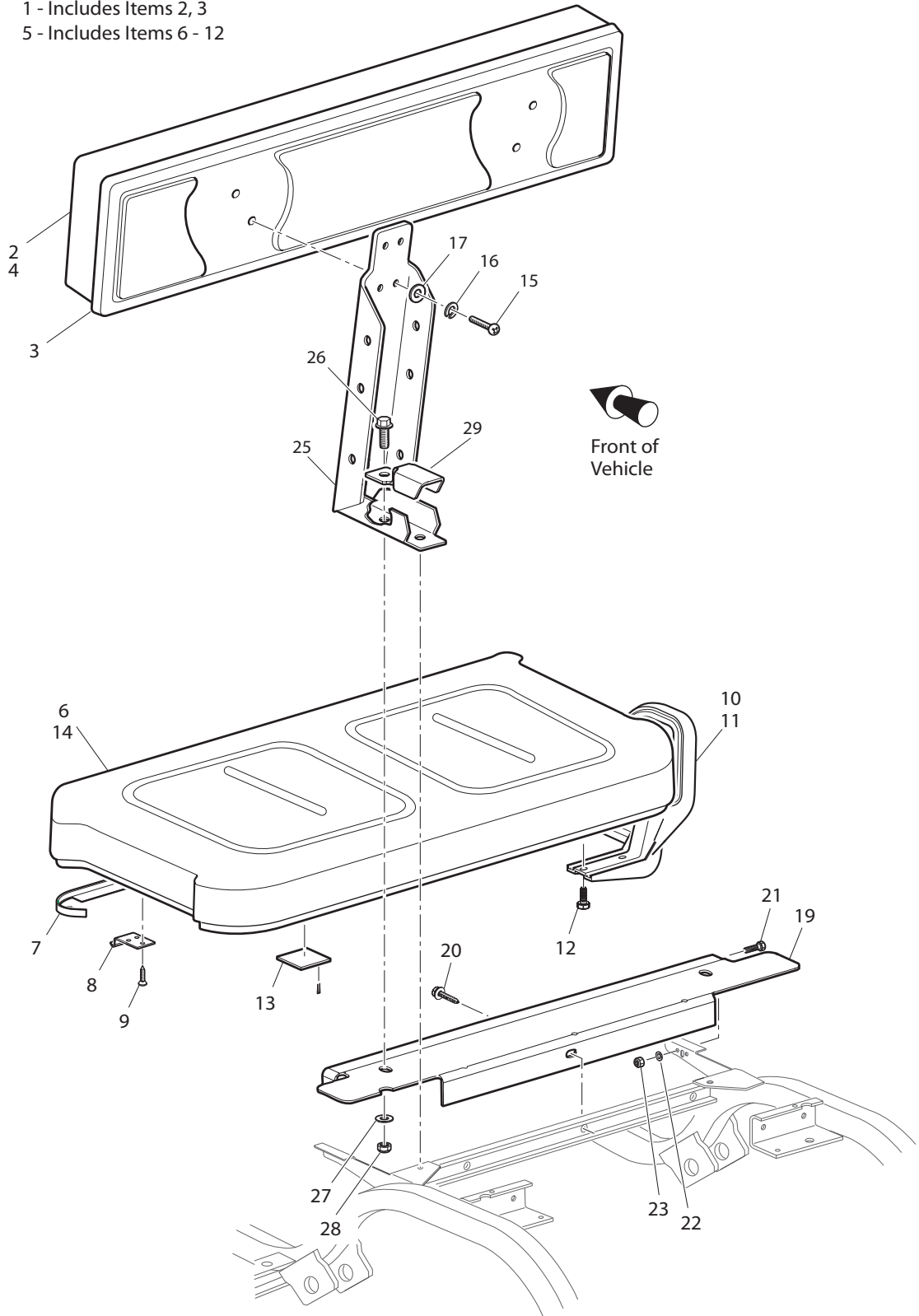
* Indicates a component that is not available as an individual part.

G** Indicates consult Customer Service Department for additional information.

ITEM	PART NO.	1 2 3 4 5	DESCRIPTION	QTY.
1	74345G03		LEAF SPRING.....	2
2	72028G01		ISOMOUNT BASE PLATE	2
3	72117G01		ISOMOUNT BUSHING.....	2
4	72037G01		ISOMOUNT CAP.....	2
5	72618G01		'U' BOLT, 3/8 - 16	4
6	00560G1		WASHER, 3/8"	8
7	11098G5		LOCK NUT, 3/8 - 16	8
8				
9	70291G01		FLANGED BUSHING	4
10	14158G1		SHOULDER BOLT, 3/8 - 16 x 3 1/4" LG.....	2
11	12262G1		LOCK NUT, 3/8 - 16	2
12				
13	00665G9		BOLT, 3/8 - 16 X 3 1/2" LG	4
14	70290G02		SHACKLE PLATE	4
15	70291G01		FLANGED BUSHING	8
16	70289G02		SPACER	4
17	11098G5		LOCK NUT, 3/8 - 16	4
18	604961		SHACKLE PLATE	4
19	70248G01		SHOCK ABSORBER.....	2
20	10435G1		SHOCK ABSORBER WASHER.....	8
21	10194G1		RUBBER BUSHING	8
22	00532G6		NUT, 3/8 - 24	4
23	10044G01		VINYL CAP	4
24				
25	74207G03		LEAF SPRING.....	2

SEATING

1 - Includes Items 2, 3
5 - Includes Items 6 - 12

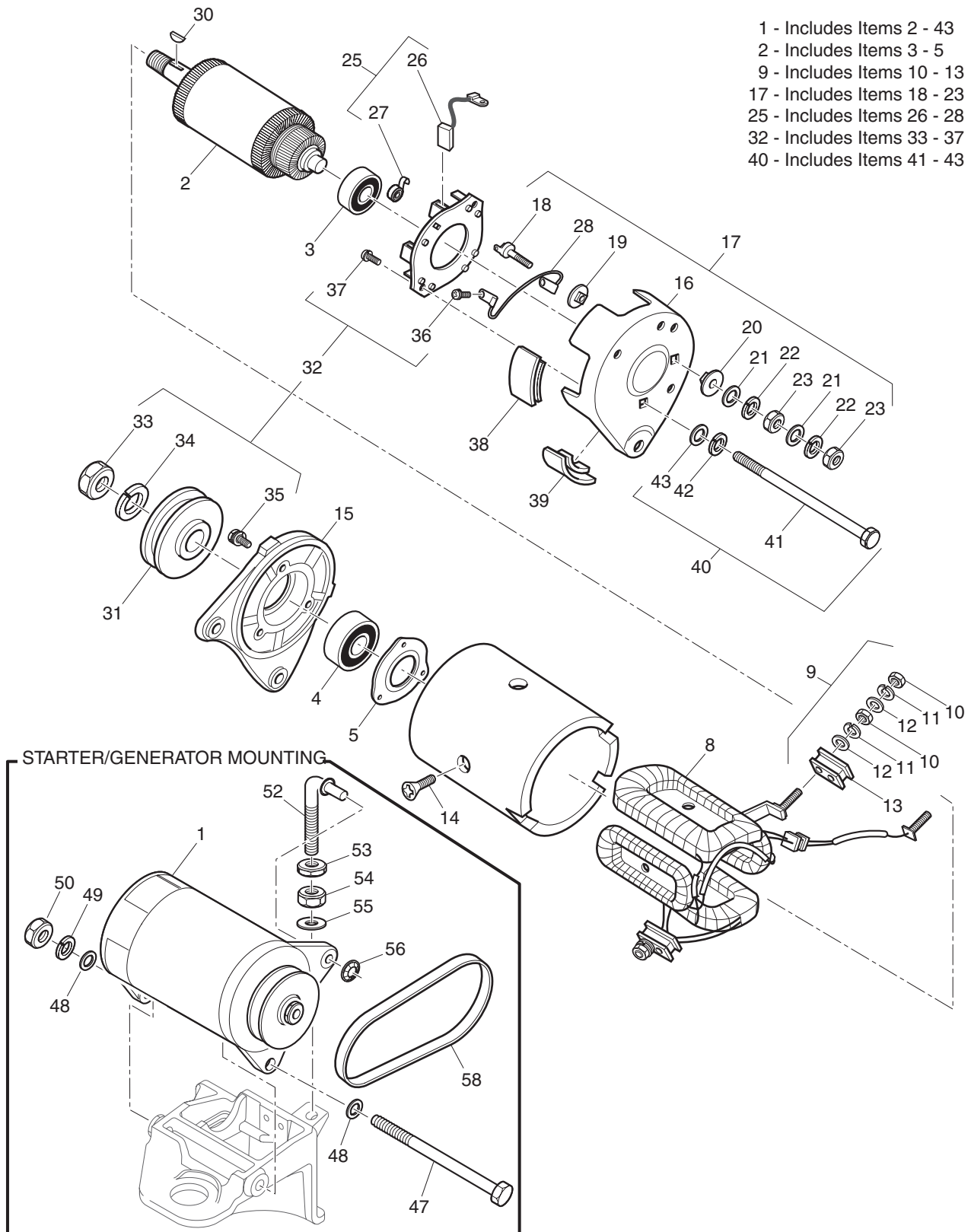


Ref Sea 23

THE USE OF NON U.L. PARTS WILL VOID ANY U.L. LISTING.
 When ordering parts, please specify the model and serial number of the product.
 * Indicates a component that is not available as an individual part.
 G** Indicates consult Customer Service Department for additional information.

ITEM	PART NO.	1 2 3 4 5	DESCRIPTION	QTY.
1	71274G**		SEAT BACK ASSEMBLY (INCLUDES ITEMS 2, 3).....	1
2	18144G**		VINYL SEAT BACK COVER	1
3	74889G01		PLASTIC SEAT BACK COVER (BLACK)	1
4	604916-G**		TWO TONE VINYL SEAT BACK.....	1
5	71611G**		SEAT BOTTOM ASSEMBLY (INCLUDES ITEMS 6 - 12).....	1
6	71602G**		VINYL SEAT BOTTOM COVER	1
7	71012G01		VINYL TRIM (SEAT BOTTOM).....	1
8	71610G01		SEAT HINGE	2
9	00720G08		SCREW, #12 - 14 X 1" LG	6
10	71701G01		HIP RESTRAINT (PASSENGER SIDE).....	1
11	71702G01		HIP RESTRAINT (DRIVER SIDE)	1
12	71204G01		BOLT, 1/4 - 20 X 7/8" LG.....	8
13	17074G1		RUBBER PAD	2
14	604912-G**		TWO TONE VINYL SEAT BOTTOM	1
15	16705G12		SCREW, 1/4 - 20 X 1" LG.....	4
16	00664G7		LOCK WASHER, 1/4" (STAINLESS STEEL)	4
17	01110G1		WASHER, 1/4" (STAINLESS STEEL)	4
18				
19	71262G03		SEAT BACK SUPPORT	1
20	00715G2		BOLT, 5/16 - 18 X 13/16" LG	1
21	00438G8		BOLT, 5/16 - 18 X 1" LG	2
22	00642G8		WASHER, 5/16"	2
23	11098G6		LOCK NUT, 5/16 - 18	2
24				
25	75900G02		SEAT BACK SUPPORT BRACKET	2
26	01006G1		BOLT, 3/8 - 16 X 1 1/4" LG	4
27	00560G1		WASHER, 3/8"	2
28	11098G5		LOCK NUT, 3/8 - 16	2
29	74947G01		BED BUMPER BRACKET.....	2
30				

STARTER / GENERATOR



Ref Stg 5

STARTER / GENERATOR

THE USE OF NON U.L. PARTS WILL VOID ANY U.L. LISTING.
 When ordering parts, please specify the model and serial number of the product.
 * Indicates a component that is not available as an individual part.
 G** Indicates consult Customer Service Department for additional information.

ITEM	PART NO.	1 2 3 4 5	DESCRIPTION	QTY.
1	27065G01		STARTER / GENERATOR (INCLUDES ITEMS 2 - 43).....	1
2	26870G01		ARMATURE (INCLUDES ITEMS 3 - 5)	1
3	26871G01		REAR BALL BEARING	1
4	26872G01		FRONT BALL BEARING	1
5	26873G01		BEARING HOLDER	1
6				
7				
8	26875G01		FIELD COIL	1
9	26876G01		INSULATING BRUSH ASSEMBLY ('F') (INCLUDES ITEMS 10 - 13).....	2
10	*		NUT	2
11	*		LOCK WASHER.....	2
12	*		WASHER.....	2
13	*		INSULATOR	1
14	26877G01		POLE CORE SETSCREW.....	4
15	26878G01		FRONT COVER.....	1
16	27879G01		REAR COVER	1
17	26880G01		TERMINAL ASSEMBLY ('A') (INCLUDES ITEMS 18 - 23).....	2
18	*		TERMINAL	2
19	*		INSULATOR	2
20	*		INSULATOR	2
21	*		WASHER.....	4
22	*		LOCK WASHER.....	4
23	*		NUT	4
24				
25	26881G01		BRUSH HOLDER ASSEMBLY (INCLUDES ITEMS 26 - 28)	1
26	26658G01		BRUSH.....	4
27	26882G01		BRUSH SPRING	4
28	26883G01		BRUSH CONNECTOR.....	2
29				
30	26884G01		KEY.....	1

STARTER / GENERATOR

THE USE OF NON U.L. PARTS WILL VOID ANY U.L. LISTING.

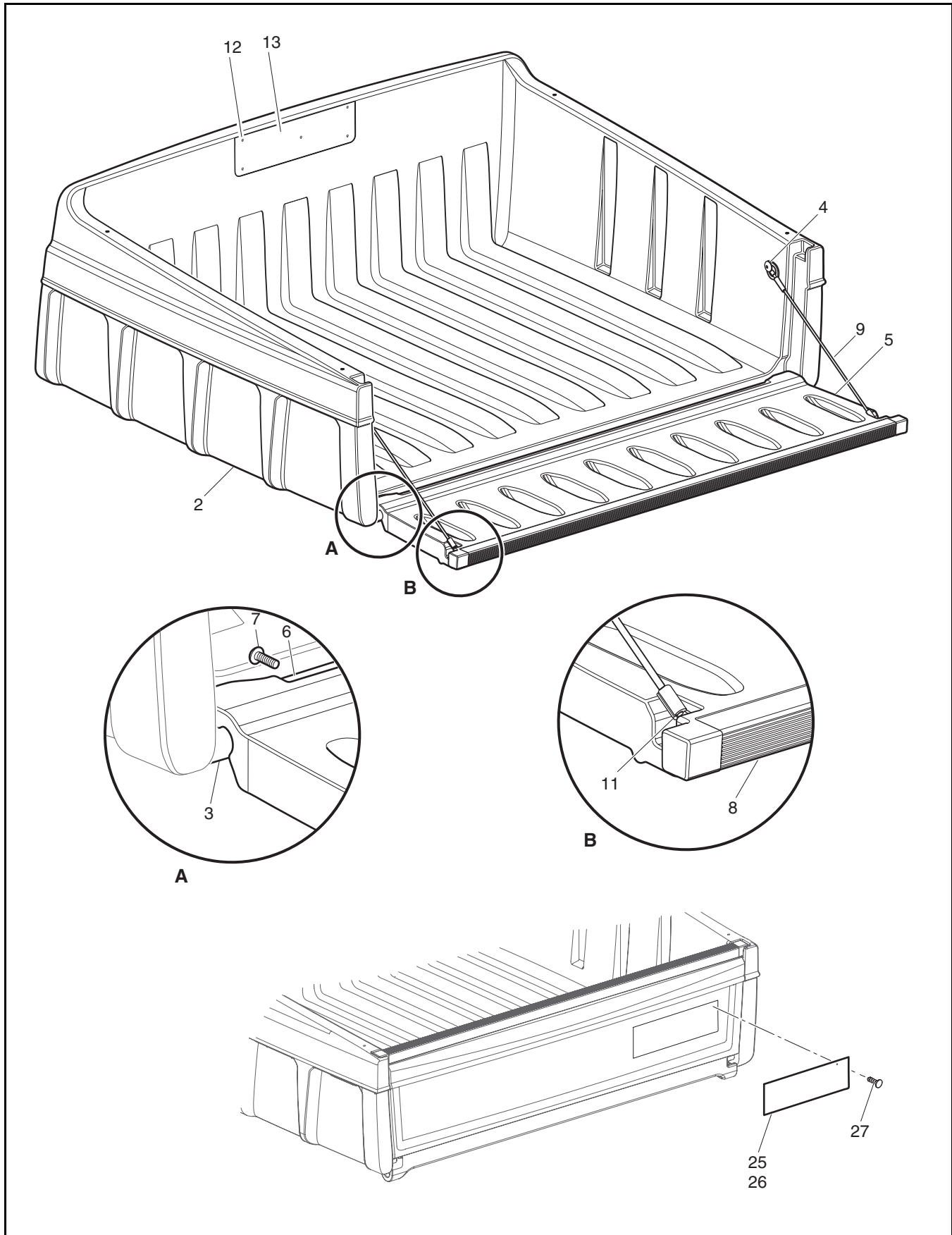
When ordering parts, please specify the model and serial number of the product.

* Indicates a component that is not available as an individual part.

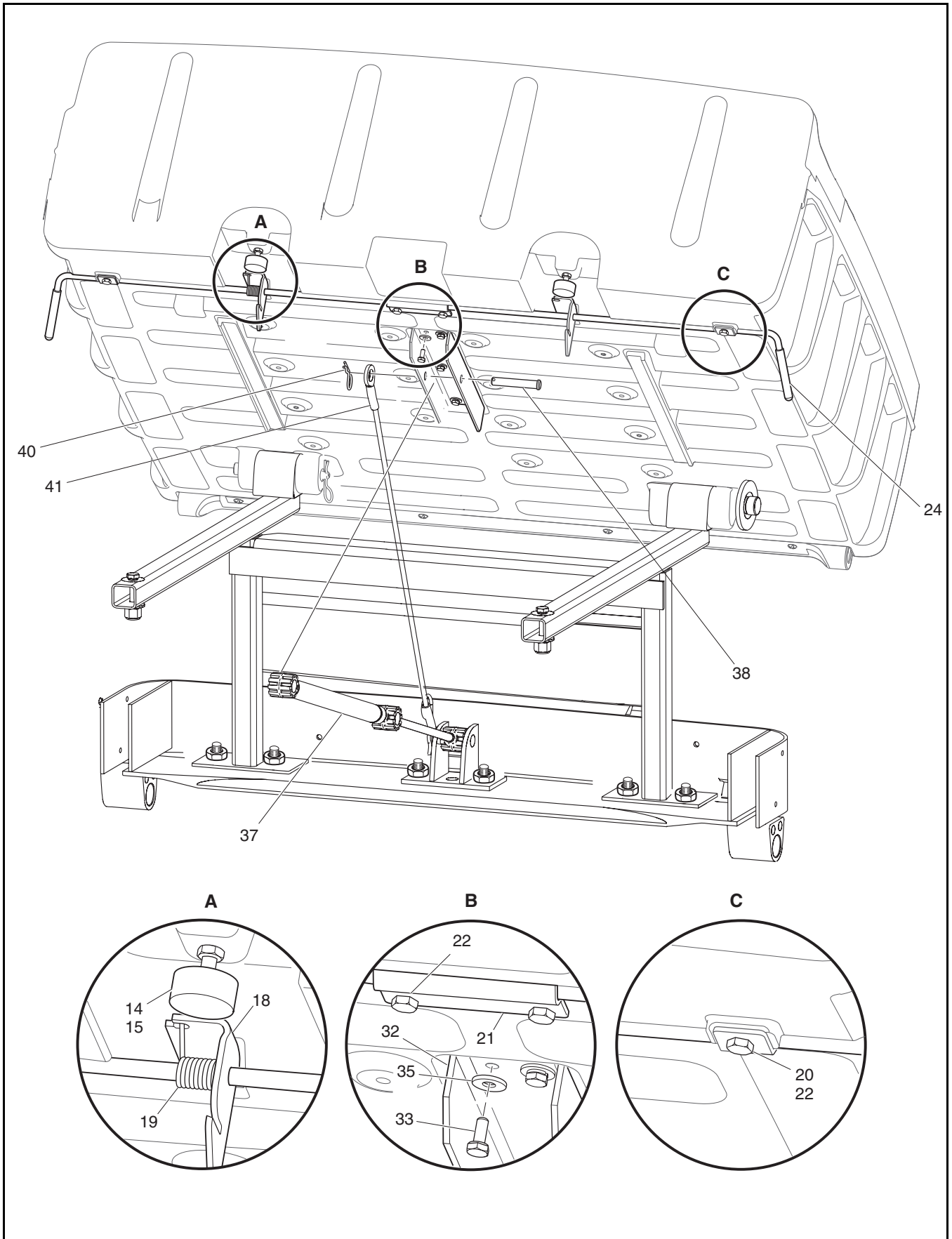
G** Indicates consult Customer Service Department for additional information.

ITEM	PART NO.	1	2	3	4	5	DESCRIPTION	QTY.
31	26885G01						PULLEY	1
32	26886G01						BRUSH AND PULLEY HARDWARE KIT (INCLUDES ITEMS 33 - 37).....	1
33	*						NUT	1
34	*						LOCK WASHER.....	1
35	*						SCREW	3
36	*						SCREW	4
37	*						SCREW	2
38	26887G01						BRUSH 1 COVER.....	3
39	26888G01						BRUSH 2 COVER.....	2
40	26889G01						HOUSING HARDWARE KIT (INCLUDES ITEMS 41 - 43).....	2
41	*						BOLT	2
42	*						LOCK WASHER.....	2
43	*						WASHER.....	2
44								
45								
46								
47	00938G4						BOLT, 1/2 - 13 X 8" LG	1
48	00560G3						WASHER, 1/2"	2
49	00566G3						LOCK WASHER, 1/2".....	1
50	00533G1						NUT, 1/2 - 13	1
51								
52	28617G01						STARTER / GENERATOR ADJUSTER.....	1
53	00544G5						JAM NUT, 3/8 - 16	1
54	00532G5						NUT, 3/8 - 16	1
55	00560G1						WASHER, 3/8"	1
56	12064G4						PUSH NUT, 5/16"	1
57								
58	26414G01						STARTER / GENERATOR BELT	1

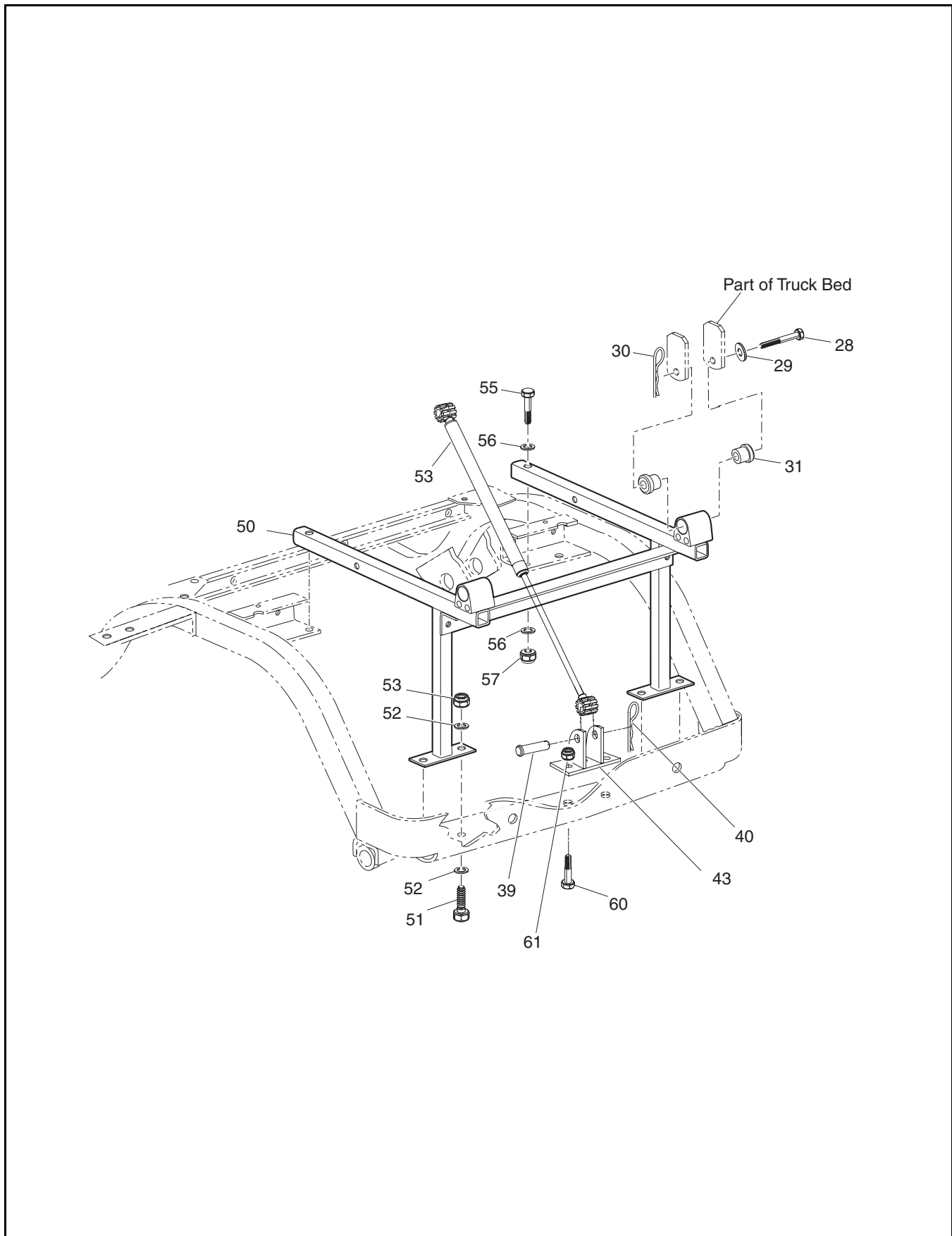
TRUCK BED, MANUAL LIFT



TRUCK BED, MANUAL LIFT



TRUCK BED, MANUAL LIFT



TRUCK BED, MANUAL LIFT

THE USE OF NON U.L. PARTS WILL VOID ANY U.L. LISTING.

When ordering parts, please specify the model and serial number of the product.

* Indicates a component that is not available as an individual part.

G** Indicates consult Customer Service Department for additional information.

ITEM	PART NO.	1 2 3 4 5	DESCRIPTION	QTY.
1	72647G01		BED ASSEMBLY (INCLUDES ITEMS 2 -11)	1
2	72648G01		PLASTIC BED, 36"	1
3	73454G01		PIVOT SHAFT	2
4	73460G01		SHOULDER BOLT, 1/4 - 20 X 3/4" LG.....	2
5	72649G01		TAILGATE	1
6	73450G01		BOWED ANGLE	1
7	16705G2		SCREW, 1/4 - 20 X 5/8" LG (STAINLESS STEEL).....	4
8	73449G01		EXTRUSION CHANNEL.....	1
9	73455G02		TAILGATE CABLE	1
10				
11	00415G2		SCREW, 1/4 - 20 X 1 1/4" LG	2
12	74821G01		LOAD BED DECAL	1
13	71055G01		RIVET	5
14	70113G01		ADJUSTABLE RUBBER BUMPER	2
15	11027G1		LOCK NUT, 5/16 - 18	2
16				
17				
18	74962G01		BED LATCH	1
19	71538G01		LATCH TORSION SPRING.....	1
20	71099G02		KEEPER PLATE.....	2
21	71477G02		RETAINER BRACKET.....	1
22	01118G01		SCREW, 1/4 - 20 X 5/8" LG.....	4
23				
24	71704G01		HANDLE GRIP	2
25	600110		JACOBSEN NAME PLATE.....	1
26	600108G01		CUSHMAN NAME PLATE.....	1
27	16816G2		RATCHET FASTENER	4
28	71571G01		CLEVIS PIN.....	2
29	00571G5		WASHER, 1/2"	2
30	21683G1		COTTER PIN.....	2

TRUCK BED, MANUAL LIFT

THE USE OF NON U.L. PARTS WILL VOID ANY U.L. LISTING.

When ordering parts, please specify the model and serial number of the product.

* Indicates a component that is not available as an individual part.

G** Indicates consult Customer Service Department for additional information.

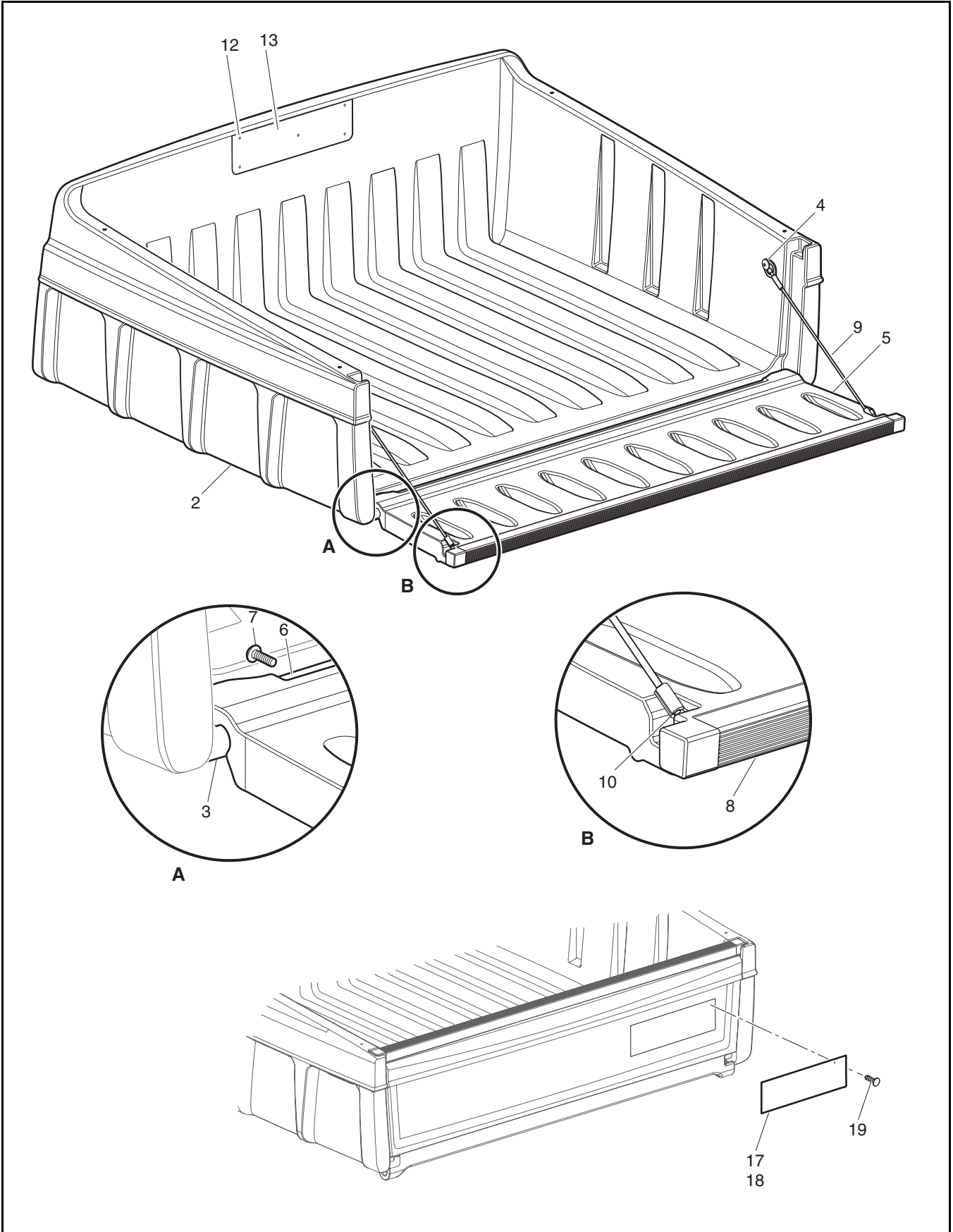
ITEM	PART NO.	1 2 3 4 5	DESCRIPTION	QTY.
31	70291G01		BUSHING	4
32	71569G02		SPRING CHANNEL	1
33	01118G01		SCREW, 1/4 - 20 X 5/8" LG.....	8
34				
35	00642G7		WASHER, 1/4"	8
36				
37	71537G02		GAS SPRING	2
38	14443G10		CLEVIS PIN, 1/2" X 2 27/32" LG.....	1
39	14443G12		CLEVIS PIN, 1/2" X 2 1/4" LG.....	1
40	21683G1		COTTER PIN,	2
41	602904		BED TETHER CABLE.....	1
42				
43	71283G02		LIFT BRACKET	1
44				
45				
46				
47				
48				
49				
50	76423G01		BED FRAME	1
51	00439G2		SCREW, 5/16 - 18 X 1 1/4" LG.....	4
52	00642G8		WASHER, 5/16"	8
53	01109G01		LOCK NUT, 5/16 - 18 (STAINLESS STEEL).....	4
54				
55	00415G6		BOLT, 1/4 - 20 X 1 3/4" LG.....	2
56	00642G7		WASHER, 1/4"	4
57	00654G2		LOCK NUT, 1/4 - 20 (STAINLESS STEEL).....	2
58				
59				
60	00462G7		SCREW, 7/16 - 14 X 7/8" LG.....	2

TRUCK BED, MANUAL LIFT

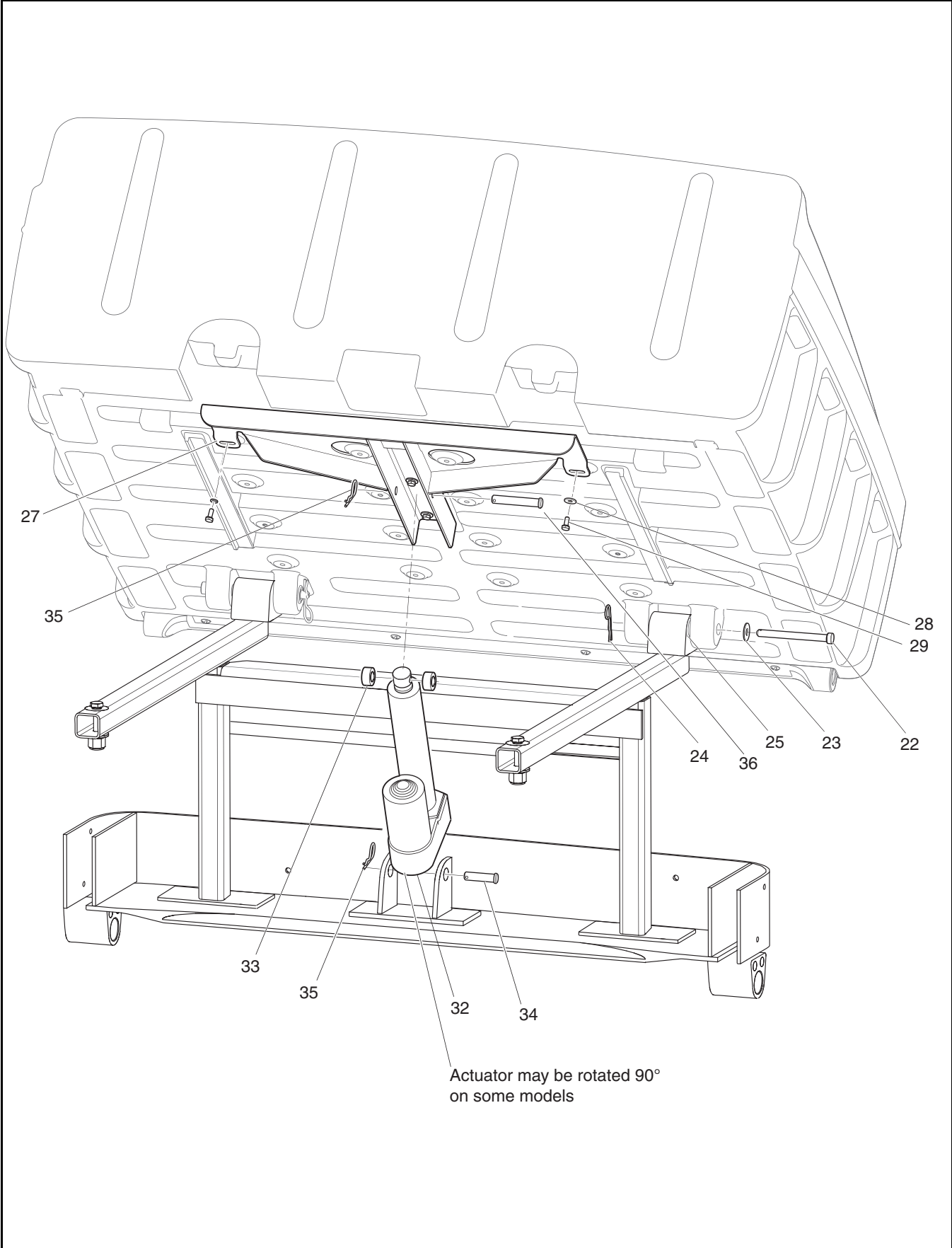
THE USE OF NON U.L. PARTS WILL VOID ANY U.L. LISTING.
 When ordering parts, please specify the model and serial number of the product.
 * Indicates a component that is not available as an individual part.
 G** Indicates consult Customer Service Department for additional information.

ITEM	PART NO.	1 2 3 4 5	DESCRIPTION	QTY.
61	00734G1		LOCK NUT, 7/16 - 14	2
62				
63				
64				
65				
66				
67				
68				

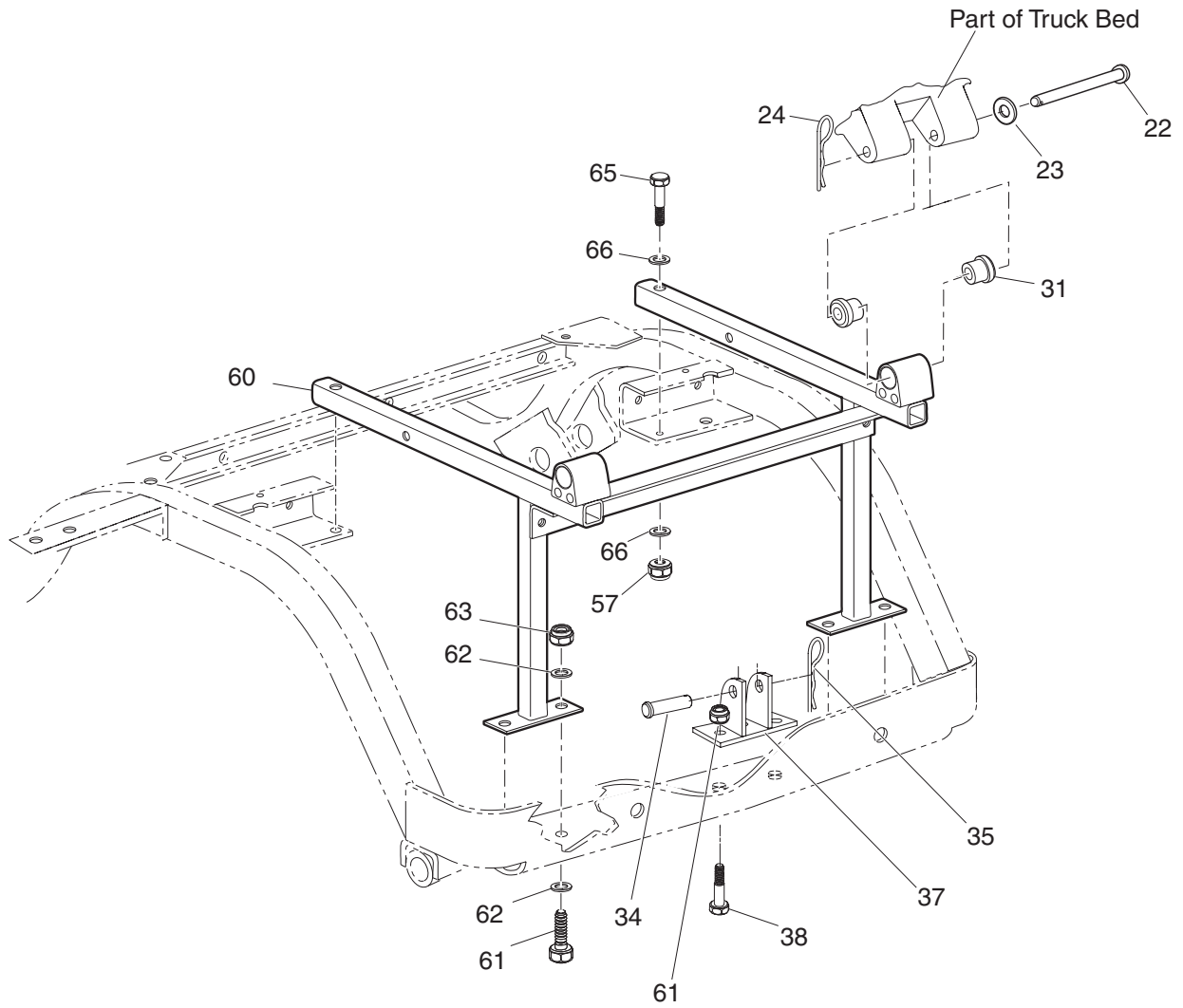
TRUCK BED, ELECTRIC LIFT



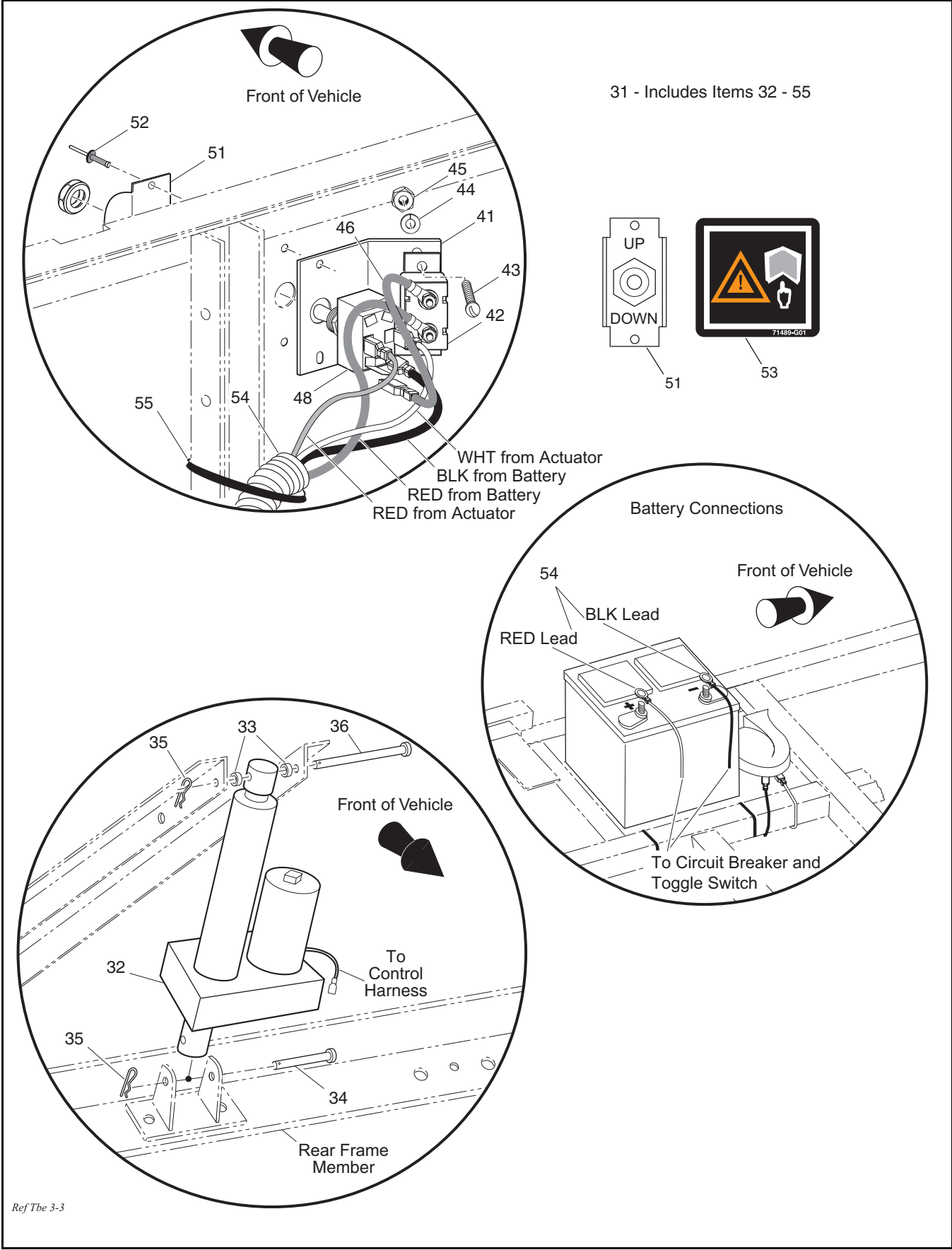
TRUCK BED, ELECTRIC LIFT



TRUCK BED, ELECTRIC LIFT



TRUCK BED, ELECTRIC LIFT



Ref The 3-3

TRUCK BED, ELECTRIC LIFT

THE USE OF NON U.L. PARTS WILL VOID ANY U.L. LISTING.

When ordering parts, please specify the model and serial number of the product.

* Indicates a component that is not available as an individual part.

G** Indicates consult Customer Service Department for additional information.

ITEM	PART NO.	1 2 3 4 5	DESCRIPTION	QTY.
1	72647G01		BED ASSEMBLY (INCLUDES ITEMS 2 - 11)	1
2	72648G01		PLASTIC BED, 36"	1
3	73454G01		PIVOT SHAFT	2
4	73460G01		SHOULDER BOLT, 1/4 - 20 X 3/4" LG.....	2
5	72649G01		TAILGATE	1
6	73450G01		BOWED ANGLE	1
7	16705G2		SCREW, 1/4 - 20 X 1 1/4" LG (STAINLESS STEEL).....	4
8	73449G01		EXTRUSION CHANNEL	1
9	73455G02		TAILGATE CABLE	1
10	00415G2		SCREW, 1/4 - 20 X 1 1/4" LG	4
11				
12	71055G01		LOAD BED DECAL	1
13	71055G01		RIVET	5
14	70113G01		ADJUSTABLE RUBBER BUMPER	2
15	11027G1		LOCK NUT, 5/16 - 18	2
16				
17	600110		JACOBSEN NAME PLATE.....	1
18	600108G01		CUSHMAN NAME PLATE.....	1
19	16816G2		RATCHET FASTENR	4
20				
21				
22	71571G01		CLEVIS PIN.....	2
23	00571G5		WASHER, 1/2"	2
24	21683G1		COTTER PIN.....	2
25				
26	70291G01		BUSHING	4
27	71547G02		OUTRIGGER CHANNEL	1
28	0118G01		SCREW, 1/4 - 20 X 5/8" LG.....	8
29	00642G7		WASHER, 1/4"	8
30				

TRUCK BED, ELECTRIC LIFT

THE USE OF NON U.L. PARTS WILL VOID ANY U.L. LISTING.

When ordering parts, please specify the model and serial number of the product.

* Indicates a component that is not available as an individual part.

G** Indicates consult Customer Service Department for additional information.

ITEM	PART NO.	1 2 3 4 5	DESCRIPTION	QTY.
31	74164G04		ELECTRIC DUMP KIT (INCLUDES ITEMS 32-	1
32	27612G02		ELECTRIC ACTUATOR	1
33	27613G01		SPACER	2
34	14443G11		CLEVIS PIN, 1/2" X 1 3/4" LG	1
35	21683G1		COTTER PIN, 15/32" X 2 13/16" LG	2
36	14443G10		CLEVIS PIN 1/2" X 2 7/8" LG	1
37	71283G02		LIFT BRACKET	1
38	00462G7		SCREW, 7/16 - 14 X 7/8" LG	2
39	00734G1		LOCK NUT, 7/16 - 14	2
40				
41	74165G02		CIRCUIT BREAKER MOUNTING BRACKET	1
42	21320G3		CIRCUIT BREAKER, 30 AMP, 12V	1
43	00150G4		SCREW, #10 - 24 X 1/2" LG	2
44	00565G5		LOCK WASHER, #10	2
45	00526G3		NUT, #10 - 24	2
46	25976G14		14 GA WIRE (RED 5:)	1
47				
48	27680G01		TOGGLE SWITCH	1
49				
50				
51	27447G01		TOGGLE GUARD	1
52	10570G9		RIVET, 1/8" X 11/32" LG (ALUMINUM)	2
53	71489G01		WARNING LABEL	1
54	74163G01		WIRE HARNESS (CONTROL)	1
55	17618G1		WIRE TIE	8
56				
57				
58				
59				
60	76423G01		BED FRAME	1

TRUCK BED, ELECTRIC LIFT

THE USE OF NON U.L. PARTS WILL VOID ANY U.L. LISTING.

When ordering parts, please specify the model and serial number of the product.

* Indicates a component that is not available as an individual part.

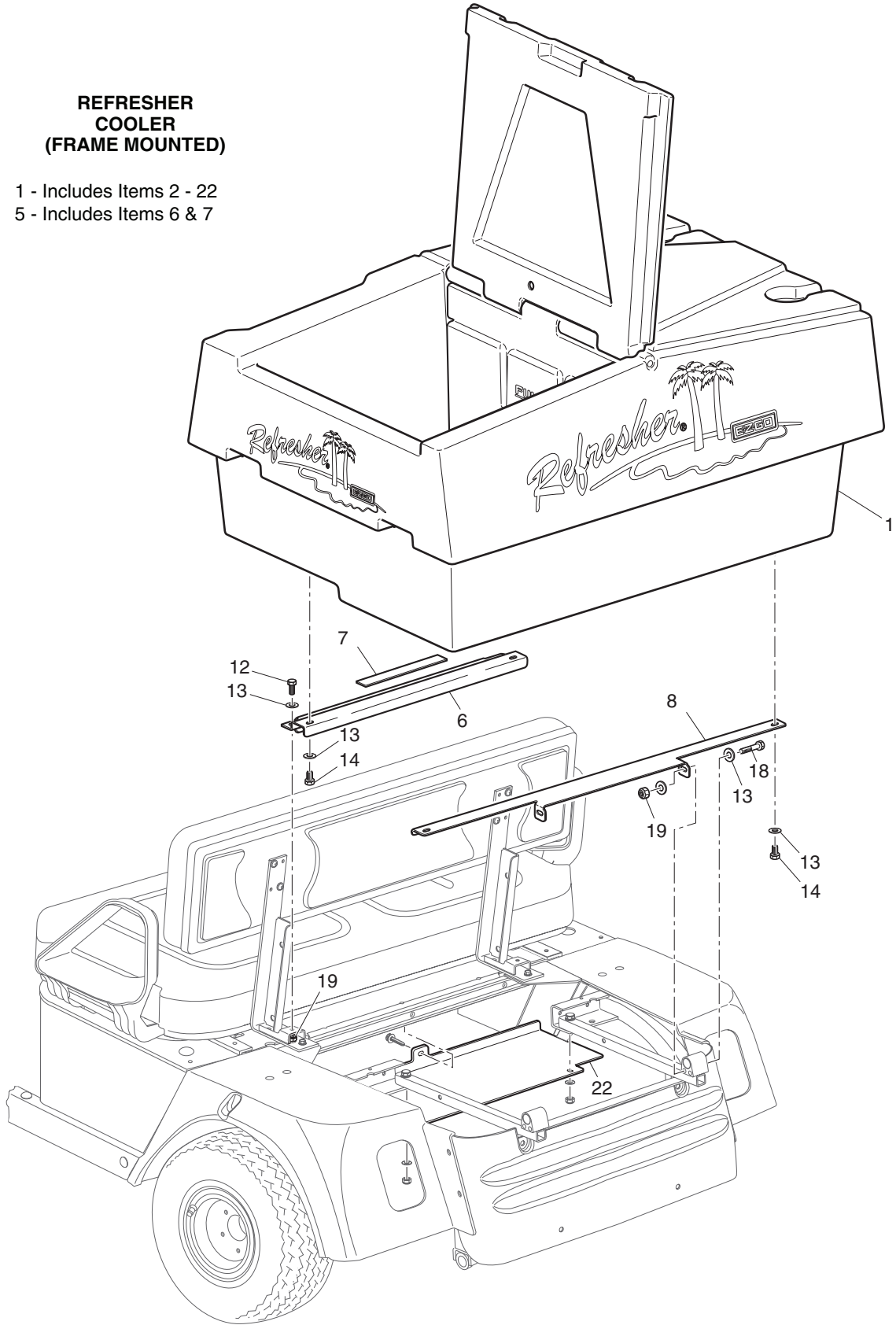
G** Indicates consult Customer Service Department for additional information.

ITEM	PART NO.	1 2 3 4 5	DESCRIPTION	QTY.
61	00439G2		SCREW, 5/16 - 18 X 1 1/4" LG.....	2
62	00642G8		WASHER, 1/4"	8
63	11098G6		LOCK NUT, 5/16 - 18	4
64				
65	00415G6		BOLT, 1/4 - 20 X 1 3/4" LG	2
66	00642G7		WASHER, 1/4"	4
67	00891G2		LOCK NUT, 1/4 - 20	2

TRUCK BED, REFRESHER

REFRESHER COOLER (FRAME MOUNTED)

- 1 - Includes Items 2 - 22
- 5 - Includes Items 6 & 7



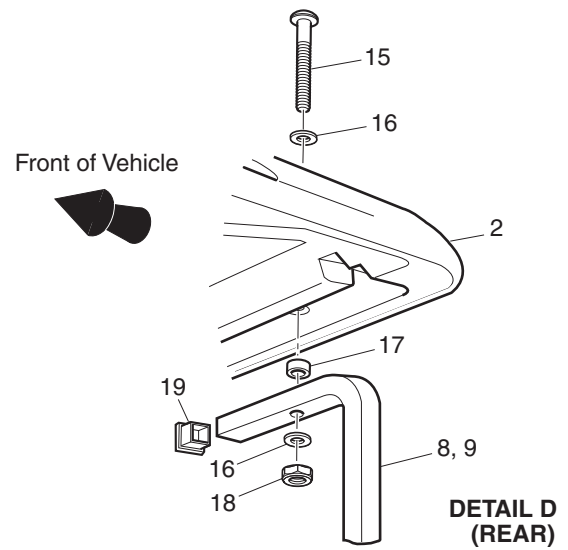
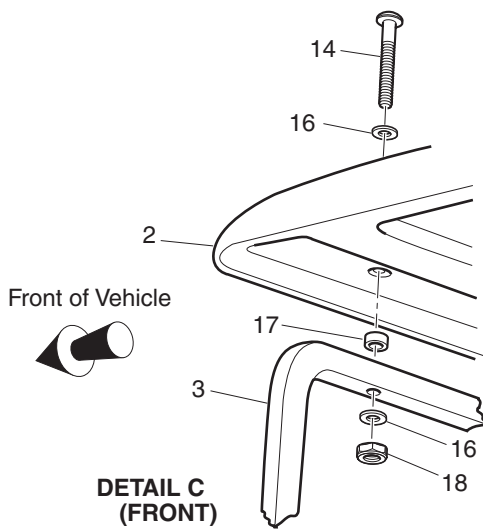
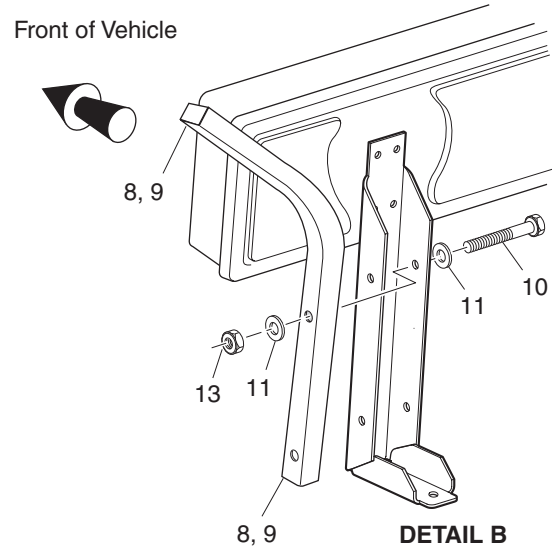
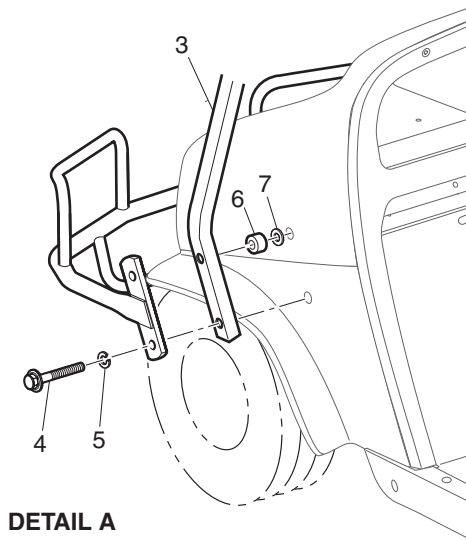
Ref Ref 5-2

TRUCK BED, REFRESHER

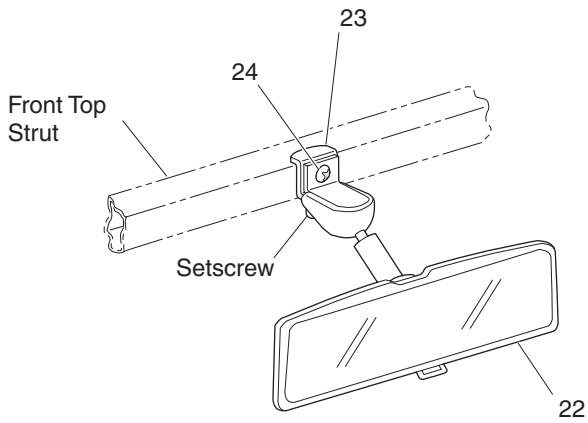
THE USE OF NON U.L. PARTS WILL VOID ANY U.L. LISTING.
 When ordering parts, please specify the model and serial number of the product.
 * Indicates a component that is not available as an individual part.
 G** Indicates consult Customer Service Department for additional information.

ITEM	PART NO.	1 2 3 4 5	DESCRIPTION	QTY.
1	75738-G01		REFRESHER COOLER (FRAME MOUNTED) (INCLUDES ITEMS 1 - 22)	1
2	75663G01		REFRESHER COOLER INSERT	1
3				
4				
5	75752-G01		SUPPORT / DECAL ASSEMBLY (INCLUDES ITEMS 21 - 22)	1
6	*		REFRESHER FRONT SUPPORT	1
7	75751-G01		REFRESHER CAUTION DECAL	1
8	75672-G01		REFRESHER REAR SUPPORT	1
9				
10				
11				
12	00270-G5		BOLT, 5/16 - 18 x 5/8" LG	4
13	00559-G8		WASHER, 5/16"	10
14	00438-G6		BOLT, 5/16 - 18 x 3/4" LG	2
15				
16				
17				
18	00440-G4		BOLT, 5/16 - 18 x 2 1/2" LG	2
19	11098-G6		LOCK NUT, 5/16 - 18	4
20				
21				
22	75749-G01		HEAT SHIELD	1

WEATHER PROTECTION



Ref Wea 20-1

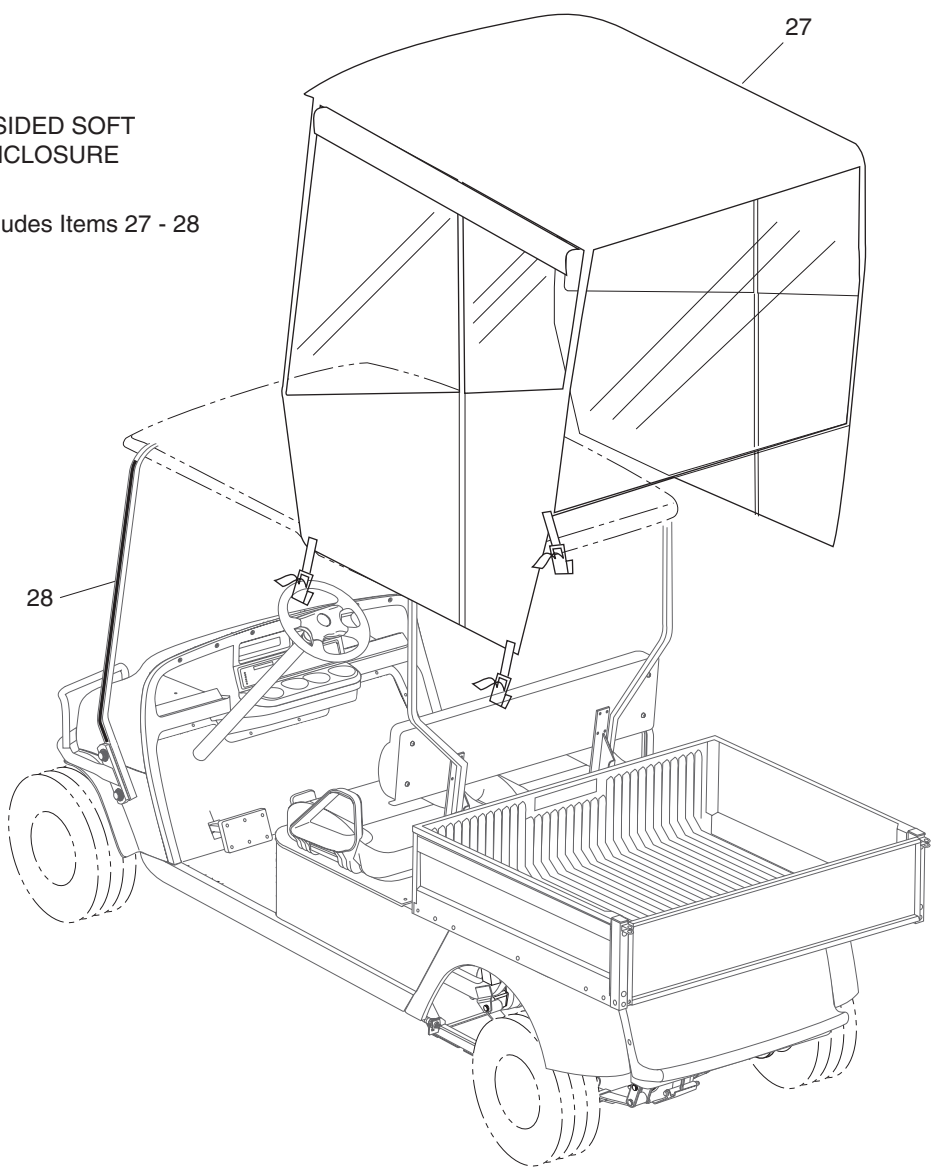


REAR VIEW MIRROR

21 - Includes Items 22 - 24

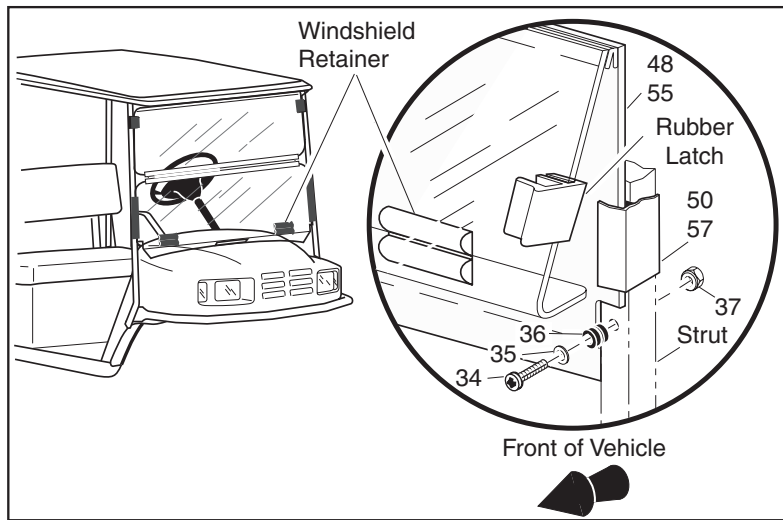
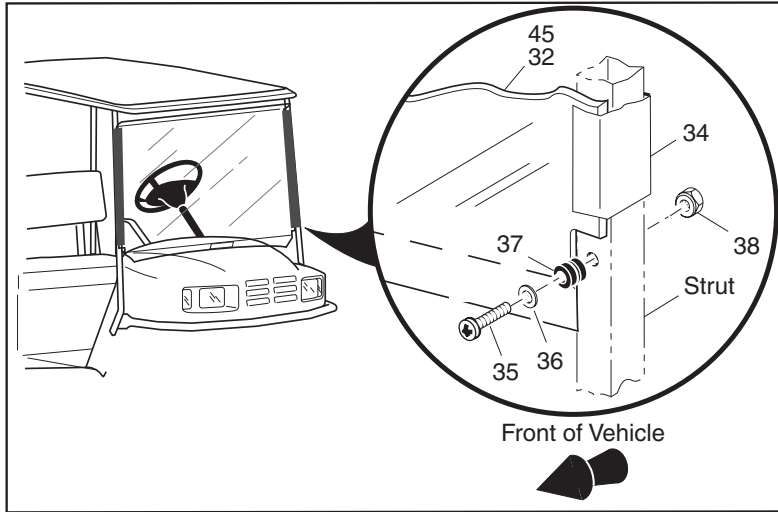
3-SIDED SOFT ENCLOSURE

26 - Includes Items 27 - 28



Ref Wea 20-2

WEATHER PROTECTION



Ref Wea 20-3

WEATHER PROTECTION

THE USE OF NON U.L. PARTS WILL VOID ANY U.L. LISTING.
 When ordering parts, please specify the model and serial number of the product.
 * Indicates a component that is not available as an individual part.
 G** Indicates consult Customer Service Department for additional information.

ITEM	PART NO.	1 2 3 4 5	DESCRIPTION	QTY.
1	75040G**		SUN TOP KIT (INCLUDES ITEMS 2 - 19)	1
2	27069G**		SUN TOP	1
3	75045G05		FRONT STRUT	1
4	00440G2		BOLT, 5/16 - 18 X 2 1/4" LG.....	4
5	00905G8		LOCK WASHER, 5/16"	4
6	75048G01		SPACER, 1/2"	2
7	00570G2		WASHER, 5/16"	6
8	75838G04		REAR STRUT (PASSENGER SIDE).....	1
9	75838G03		REAR STRUT (DRIVER SIDE).....	1
10	00685G7		BOLT, 5/16 - 18 X 1 3/4" LG.....	4
11	01110G03		WASHER, 5/16" (STAINLESS STEEL).....	8
12				
13	11098G6		LOCK NUT, 5/16 - 18	4
14	00753G5		SCREW, 1/4 - 20 X 2" LG (STAINLESS STEEL).....	2
15	00753G6		SCREW, 1/4 - 20 X 2 1/4" LG (STAINLESS STEEL).....	2
16	01110G01		WASHER, 1/4" (STAINLESS STEEL).....	8
17	75051G01		SPACER	4
18	00891G2		LOCK NUT, 1/4 - 20	4
19	19853G1		END CAP, 1"	2
20				
21	19528G2		REAR VIEW MIRROR KIT (REQUIRES SUN TOP) (INCLUDES ITEMS 22 - 24).....	1
22	19496G1		REAR VIEW MIRROR	1
23	19502G2		SUPPORT BRACKET.....	1
24	19527G1		SCREW, #8 - 32 X 5/8" LG (STAINLESS STEEL).....	1
25				
26	75367-G**		3-SIDED SOFT ENCLOSURE (REQUIRES SUN TOP) (INCL ITEMS 27 - 28)	1
27	*		ENCLOSURE.....	1
28	*		VELCRO	AR
29				

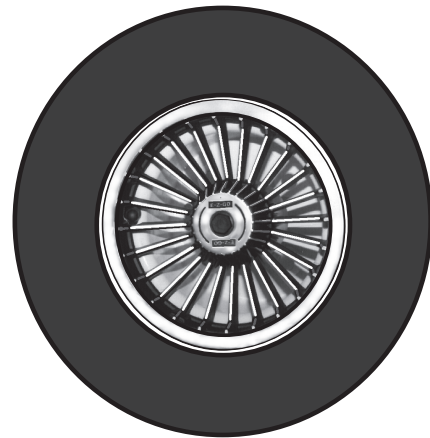
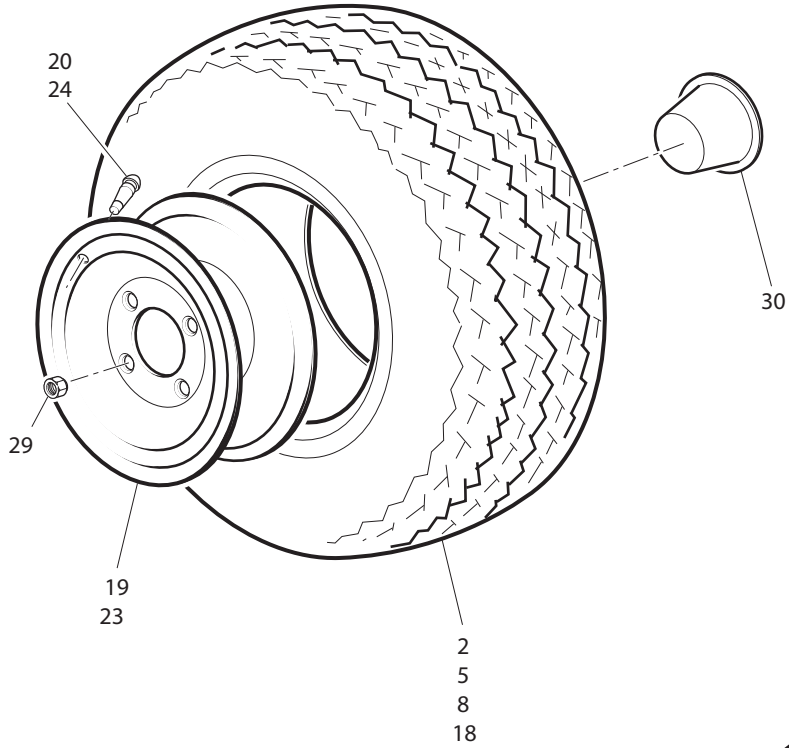
WEATHER PROTECTION

THE USE OF NON U.L. PARTS WILL VOID ANY U.L. LISTING.
 When ordering parts, please specify the model and serial number of the product.
 * Indicates a component that is not available as an individual part.
 G** Indicates consult Customer Service Department for additional information.

ITEM	PART NO.	1 2 3 4 5	DESCRIPTION	QTY.
30				
31	71966G01		WINDSHIELD KIT (FULL) (INCLUDES ITEMS 32 - 38)	1
32	71954G01		WINDSHIELD (FULL) (LEXAN) (INCLUDES ITEM 33).....	1
33	71963G01		WARNING DECAL	1
34	EGWHC12		SASH, 26" LG.	2
35	EGWHS12		BOLT, 1/4 - 20 X 1 3/4" LG. (STAINLESS STEEL).....	2
36	EGWHG12		WASHER, 1/4" (STAINLESS STEEL).....	4
37	EGWHG13		RUBBER GROMMET	2
38	EGWHN12		LOCK NUT, 1/4 - 20 (STAINLESS STEEL).....	2
39				
40				
41				
42				
43				
44	71966-G03		WINDSHIELD KIT (FULL) (INCLUDES ITEMS 45, 34 - 38)	1
45	71960-G01		WINDSHIELD (FULL) (INCLUDES ITEM 46).....	1
46	71963G01		WARNING DECAL	1
47	71966-G04		WINDSHIELD KIT (SPLIT) (INCLUDES ITEMS 48, 49, 35 - 38)	1
48	71961-G01		WINDSHIELD (SPLIT).....	1
49	EGWHC10		SASH, 12" LG.	2
50				
51				
52				
53				
54	71966-G02		WINDSHIELD KIT (SPLIT) (INCLUDES ITEMS 55, 56, 35 - 38)	1
55	71955-G01		WINDSHIELD (SPLIT) (LEXAN) (INCLUDES ITEM 56).....	1
56	71963G01		WARNING DECAL	1
57	EGWHC10		SASH, 12" LG.	2

WHEELS AND TIRES

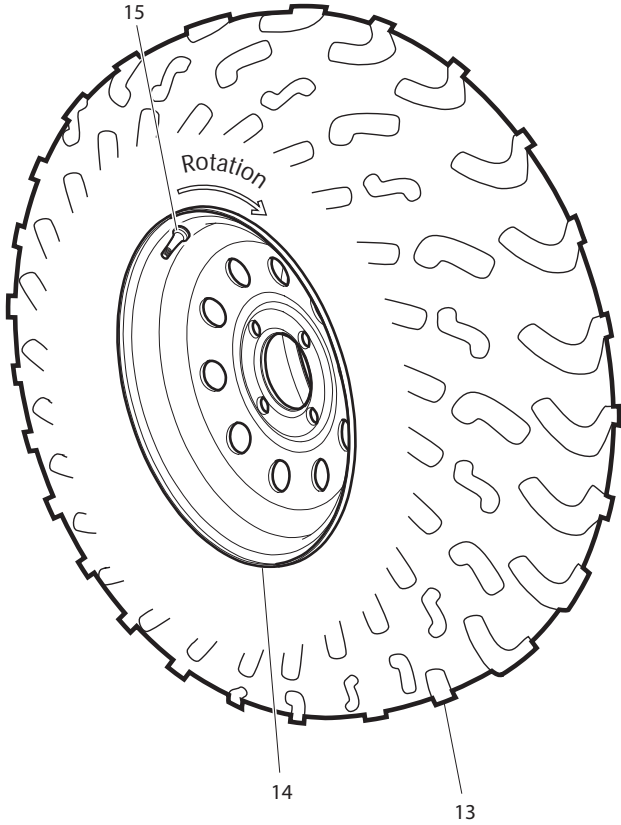
- 1 - Includes Items 2, 23, 24
- 4 - Includes Items 5, 23, 24
- 7 - Includes Items 8, 23, 24
- 17 - Includes Items 18, 19, 20



SILVER / GOLD SPOKE HUBCAP
26, 27

Ref Whl 17

10 - Includes Items 13, 14, 15
12 - Includes Items 13, 14, 15



Ref Whl 19

WHEELS AND TIRES

THE USE OF NON U.L. PARTS WILL VOID ANY U.L. LISTING.

When ordering parts, please specify the model and serial number of the product.

* Indicates a component that is not available as an individual part.

G** Indicates consult Customer Service Department for additional information.

ITEM	PART NO.	1 2 3 4 5	DESCRIPTION	QTY.
1	28757-G01		TIRE AND WHEEL ASSEMBLY (LINKS 18 X 8.5 - 8) (INCLUDES ITEMS 2, 23, 24).....	A/R
2	28764-G01		TIRE (LINKS 18 X 8.5 - 8)	A/R
3				
4	28757-G03		WHEEL AND TIRE ASSEMBLY (TURF SAVER 18 X 8.5 - 8) (INCLUDES ITEMS 5, 23, 24).....	A/R
5	28764-G03		TIRE (TURF-SAVER 18 X 8.5 - 8)	A/R
6				
7	28842-G01		WHEEL AND TIRE ASSEMBLY (USA TRAIL 6-PLY 18.5 X 8.5 - 8) (INCLUDES ITEMS 11, 23, 24)	A/R
8	28764-G06		TIRE (USA TRAIL 18.5 X 8.5 - 8)	A/R
9				
10	74842G03		WHEEL AND TIRE ASSEMBLY, DRIVER SIDE (TRAIL WOLF) (INCLUDES ITEMS 13, 14, 15).....	A/R
11				
12	74842G04		WHEEL AND TIRE ASSEMBLY, PASSENGER SIDE (TRAIL WOLF) (INCLUDES ITEMS 13, 14, 15).....	A/R
13	74842G05		TIRE (TRAIL WOLF 20 X 11 - 10)	A/R
14	*		WHEEL RIM.....	A/R
15	*		VALVE STEM	A/R
16				
17	27784-G06		WHEEL AND TIRE ASSEMBLY, USA TRAIL (INCLUDES ITEMS 18, 19, 20)...	A/R
18	27784-G07		CARLISLE TIRE (USA TRAIL 5.70 X 8).....	A/R
19	33678-G02		WHEEL RIM (4 LUG).....	A/R
20	26482-G01		VALVE STEM.....	A/R
21				
22				
23	28759-G01		WHEEL RIM (4 LUG).....	A/R
24	11657-G2		VALVE STEM.....	A/R
25				
26	19241-G*		GOLD SPOKE HUBCAP (OPTIONAL)	A/R
27	19241-G*		SILVER SPOKE HUBCAP (OPTIONAL).....	A/R

WHEELS AND TIRES

THE USE OF NON U.L. PARTS WILL VOID ANY U.L. LISTING.
 When ordering parts, please specify the model and serial number of the product.
 * Indicates a component that is not available as an individual part.
 G** Indicates consult Customer Service Department for additional information.

ITEM	PART NO.	1 2 3 4 5	DESCRIPTION	QTY.
28				
29	14723G1		LUG NUT, 1/2-20.....	A/R
30	74175G01		SPINCLE CAP.....	A/R

SPECIALTY PRODUCTS

SPECIALTY PRODUCTS

SPECIAL TOOLS..... PART NO.

HIGH RESISTANCE SPARK PLUG WIRE SET26733-G02

CLUTCH PULLER (DRIVE)19779-G2

FLYWHEEL PULLER27111-G01

CURRENT INDICATOR16489-G2

DIGITAL MULTI-METER27481-G01

TUBELESS TIERE REPAIR KIT606009

TIRE PLUGGER REFILL PACK(50/BOX)606831

TOUCH UP PAINT PART NO.

PEN 3 OUNCE (89 ML) - HUNTER GREEN28432-G02

PEN 3 OUNCE (89 ML) - CHAMPAGNE BEIGE28432-G01

PEN 3 OUNCE (89 ML) - WHITE28432-G05

PEN 3 OUNCE (89 ML) - INDUSTRIAL YELLOW28432-G03

PEN 3 OUNCE (89 ML) - ORANGE28432-G04

PEN 3 OUNCE (89 ML) - STEEL BLUE PEARL28432-G24

PEN 3 OUNCE (89 ML) - OLIVE GREEN28432-G**

PEN 3 OUNCE (89 ML) - CAMOUFLAGE PAINT (THREE PENS)75831-G01

AEROSOL 12 OUNCE (360 ML) - HUNTER GREEN28140-G09

AEROSOL 12 OUNCE (360 ML) - CHAMPAGNE BEIGE28140-G15

AEROSOL 12 OUNCE (360 ML) - INDUSTRIAL YELLOW28140-G14

MAINTENANCE PRODUCTS... PART NO.

PLEXUS® CLEANER, 13 OUNCE (380 ML) (FOR WINDSHIELDS)28433-G02

BATTERY PROTECTOR, 14 OUNCE (410 ML) SPRAY27619-G02

E-Z-GO ALLSURFACE CLEANER606311

E-Z-GO FIBERGLASS/PLASTIC RESTORER606313

WIND SHIELD AND PLASTIC PROTECTOR606314

SPECIALTY PRODUCTS

64 OZ HANDCLEANER607636

4 OZ HANDCLEANER607637

**OPTIONS
AND
ACCESSORIES**

OPTIONS / ACCESSORIES

ASHTRAY KIT75109-G04See BODY

BALL HITCH KIT74492-G02See BODY

BUMPER KIT74292-G04See BODY

CAB, W/O DOORS75854-G0*See CAB

CAB SWITCH PANEL74250-G01See CAB

CLEVIS HITCH KIT74492-G06See BODY

DEFROSTER/COOLING FAN74248-G01See CAB

DIFFERENTIAL GUARD72347-G02See REAR AXLE

DOOR SET75856-G0*See CAB

DOOR SET (VINYL)75855-G01See CAB

ELECTRIC DUMP KIT74164-G04See TRUCKBED

GLOVE BOX DOOR75456-G0*See BODY

HOUR METER KIT75114-G02See ELECTRICAL SYSTEM

INSIDE REAR VIEW MIRROR (CAB)27924-G01See WEATHER PROTECTION

REAR VIEW MIRROR KIT19528-G2See WEATHER PROTECTION

SOFT ENCLOSURE75367-G0*See WEATHER PROTECTION

STROBE LIGHT74245-G01See CAB

SUN TOP KIT75040-G0*See WEATHER PROTECTION

TURN SIGNAL KIT75107-G02See ELECTRICAL SYSTEM

GOLD SPOKE WHEEL COVERS19241-G*See WHEELS AND TIRES

SILVER SPOKE WHEEL COVERS19241-G*See WHEELS AND TIRES

WINDSHIELD (FULL) (LEXAN-POLYCARBONATE)71966-G01See WEATHER PROTECTION

WINDSHIELD (SPLIT) (LEXAN-POLYCARBONATE)71966-G02See WEATHER PROTECTION

WINDSHIELD (FULL) (PLEXIGLAS)71966-G03See WEATHER PROTECTION

WINDSHIELD (SPLIT) (PLEXIGLAS)71966-G04See WEATHER PROTECTION

WINDSHIELD WIPER74244-G01See CAB

WORK LIGHTS74247-G01See CAB

WORK LIGHT BAR WITH LIGHTS71323-G01See ELECTRICAL SYSTEM

WORK LIGHT BAR WITH STROBE71323-G02See ELECTRICAL SYSTEM

WORK LIGHT BAR WITH LIGHTS AND STROBE71323-G03See ELECTRICAL SYSTEM

NOTES

Notes: _____



A Textron Company



E-Z-GO Division Of Textron, Inc.,
1451 Marvin Griffin Road, Augusta, Georgia USA 30906-3852

TO CONTACT US

North America:

Technical Assistance & Warranty Phone: 1-800-774-3946, FAX: 1-800-448-8124
Service Parts Phone: 1-888-GET-EZGO (1-888-438-3946), FAX: 1-800-752-6175

International:

Phone: 001-706-798-4311, FAX: 001-706-771-4609

Certified ISO 9001 / ISO 14001 by



Copyrighted Material
This manual may not be reproduced in whole or
in part without the express permission of
E-Z-GO Division of Textron, Inc.
Technical Communications Department