



A Textron Company

JACOBSEN[®]
A Textron Company

S E R V I C E P A R T S
M A N U A L



606916

G A S O L I N E P O W E R E D U T I L I T Y V E H I C L E S

ISSUED MARCH 2008

REVISED DECEMBER 2011

GASOLINE POWERED UTILITY VEHICLES

**MPT[®] 800; CARB
INDUSTRIAL 800; CARB
HAULER[™] 800; CARB**

Starting Model Year 2008

DISCLAIMER: The E-Z-GO Division of Textron Inc. reserves the right to incorporate engineering and design changes to products in this Manual, without obligation to include these changes on units leased/sold previously.

The information contained in this Manual may be revised periodically by the E-Z-GO Division, and therefore is subject to change without notice.

The E-Z-GO Division DISCLAIMS LIABILITY FOR ERRORS IN THIS MANUAL, and the E-Z-GO Division SPECIFICALLY DISCLAIMS LIABILITY FOR INCIDENTAL AND CONSEQUENTIAL DAMAGES resulting from the use of the information and materials in this Manual.

CUSTOMER SERVICE DEPARTMENT IN USA PHONE: 1-800-241-5855 FAX: 1-800-448-8124

OUTSIDE USA PHONE: 001-706-798-4311, FAX: 001-706-771-4609

E-Z-GO DIVISION OF TEXTRON, INC., 1451 MARVIN GRIFFIN ROAD, AUGUSTA, GEORGIA USA 30906

GENERAL INFORMATION

To obtain a copy of the limited warranty applicable to the vehicle, call or write a local Distributor, authorized Branch or the Warranty Department with vehicle serial number and manufacturer code.

The use of non Original Equipment Manufacturer (OEM) parts may void the warranty.

Tampering with or adjusting the governor to permit vehicle to operate at above factory specifications will void the vehicle warranty.

When servicing engines, all adjustments and replacement components must be per original vehicle specifications in order to maintain the United States of America Federal and State emission certification applicable at the time of manufacture.

BATTERY PROLONGED STORAGE

All batteries will self discharge over time. The rate of self discharge varies depending on the ambient temperature and the age and condition of the batteries.

A fully charged battery will not freeze in winter temperatures unless the temperature falls below -75 F (-60 C).

TABLE OF CONTENTS

SECTION	Page No.
HOW TO USE THE SERVICE PARTS MANUAL	v
ILLUSTRATED PARTS BREAKDOWN	vii
ACCELERATOR	A-1
• Pedal Box Assembly	
• Actuator Pedal Assembly	
• Governor Cover/Decal	
AIR FILTER	B-1
• Air Cleaner	
BODY	C-1
• Instrument Panel Assembly	
• Cowl	
• Front Bracket Assembly	
• Rear Body	
• Foot Rest Assembly	
BRAKES	D-1
• Brake Pedal Assembly	
• Brake Drum Assembly	
BRAKES FRONT DISC	E-1
• Equalizer and Brake Cable Assembly	
• Spring Plate	
CAB	F-1
• Steel Cab	
CARBURETOR AND CHOKE	G-1
• Carburetor	
• Choke Cable	
CLUTCH	H-1
• Drive Clutch	
• Driven Clutch Assembly	
DIRECTION SELECTOR	J-1
• Direction Selector Handle	
ELECTRICAL SYSTEM	K-1
• Battery	
• Ground Cable	
• Electrical Plate Assembly	
ENGINE AND MUFFLER	L-1
• Engine	

TABLE OF CONTENTS

• Muffler	
ENGINE MOUNTING.....	M-1
• Front Engine Mount	
• Engine Pan Mount	
• Iso Mount	
FRONT SUSPENSION/STEERING.....	N-1
• Front Axle	
• Spindle Assembly	
• Shock Absorber	
FUEL SYSTEM.....	P-1
• CARB Fuel Tank Assembly	
• Fuel Pump	
• Carbon Canister	
REAR AXLE.....	Q-1
• Axle Tube	
• Axle Shaft	
REAR SUSPENSION.....	R-1
• Heavy Duty Leaf Spring	
• Flanged Bushing	
SEATING.....	S-1
• Seat Bottom Assembly	
• Seat Back Assembly	
STARTER / GENERATOR.....	T-1
• Insulating Brush Assembly	
• Starter/Generator Adjuster	
TRUCK BED MANUAL LIFT.....	U-1
TRUCK BED ELECTRIC LIFT.....	V-1
TRUCK BED REFRESHER COOLER.....	W-1
WEATHER PROTECTION.....	X-1
• Sun Top Kit	
• Windshield Kit	
WHEELS AND TIRES.....	Y-1
SPECIALTY PRODUCTS.....	APPENDIX A-1
OPTIONS AND ACCESSORIES.....	APPENDIX B-1

HOW TO USE THE SERVICE PARTS MANUAL

This manual is divided into several sections:

- GENERAL INFORMATION
- ILLUSTRATED PARTS BREAKDOWN
- APPENDIX

The first section, GENERAL INFORMATION, contains the following information:

- WARRANTY INFORMATION
- GENERAL INDEX
- HOW TO USE THE SERVICE PARTS MANUAL

The second section, ILLUSTRATED PARTS BREAKDOWN, contains illustrations and parts lists for all systems of your vehicle.

The third section, APPENDIX, contains a listing of specialty products and accessories.

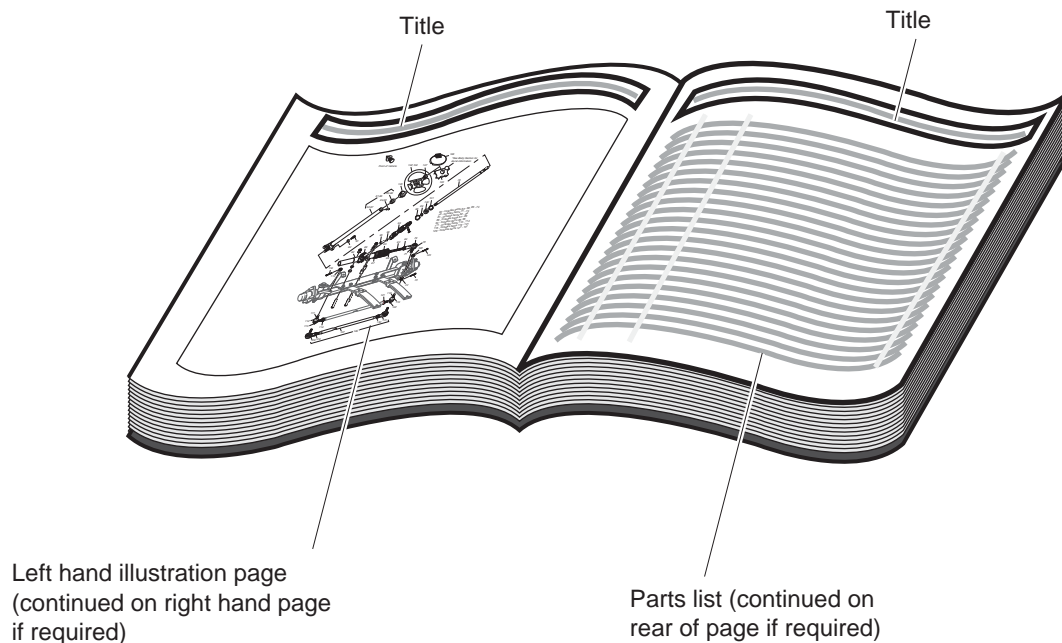
USE OF THE MANUAL

To use this manual, consult the GENERAL INDEX to locate the information or illustration required.

Introduction of some revisions varies due to supply of components; therefore, it is possible that various combinations of components may be found that are not directly reflected by each illustration. Consult the illustration that best suits your situation and then contact the Service Parts Department. It is important that the serial number of your vehicle and its model number be supplied to Service Parts when ordering any replacement components.

Locate the serial number plate (see BODY located in the Illustrated Parts Breakdown section of this manual for its location) and note the complete number shown on the plate.

HOW TO USE THE SERVICE PARTS MANUAL



1. WHEN THE PART NUMBER IS NOT KNOWN

- Determine the function and application of the part required. Turn to the General Index and select the most appropriate title.
- Turn to the page number indicated and locate the desired part on the illustration.
- From the illustration, obtain the item number assigned to the desired part. Refer to the accompanying description for specific information regarding the part.

2. IF YOU KNOW THE PART NUMBER

- Locate the part number or description in the appropriate column on the parts list page.

NOTE: It is suggested that you confirm that the part selected is correct by verifying it with the pictorial representation on the illustrated page.

Should an asterisk (*) appear in the part number column on the parts list page, read upwards until a part number is found. The part number is the lowest assembly sold by Service Parts and the asterisk (*) indicates that the part depicted is not available for purchase.

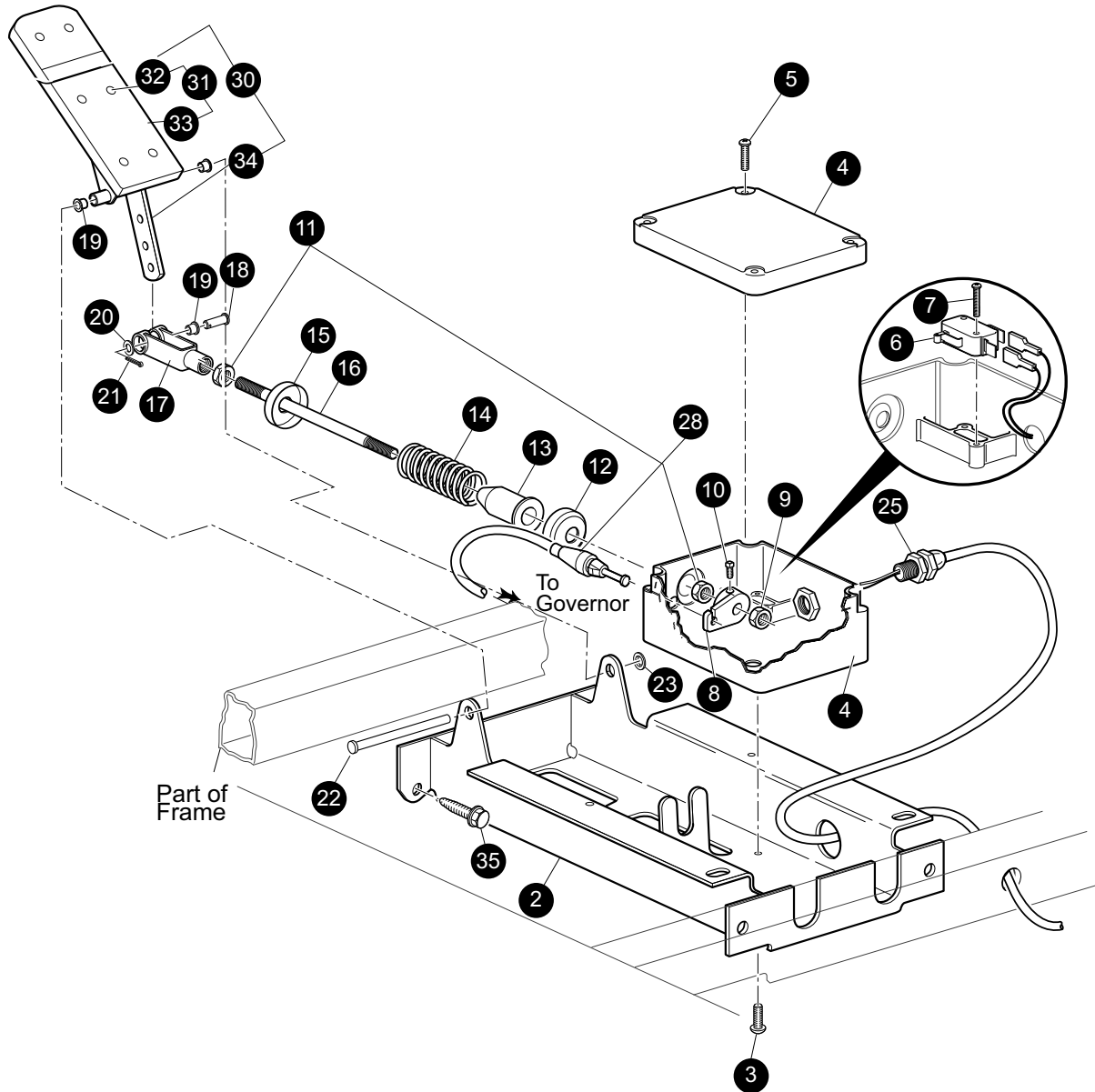
NOTE: Descriptions are indented under the assembly that they are used on. That assembly is, in turn listed under the assembly that it is used on. This process is repeated until the highest final assembly is reached.

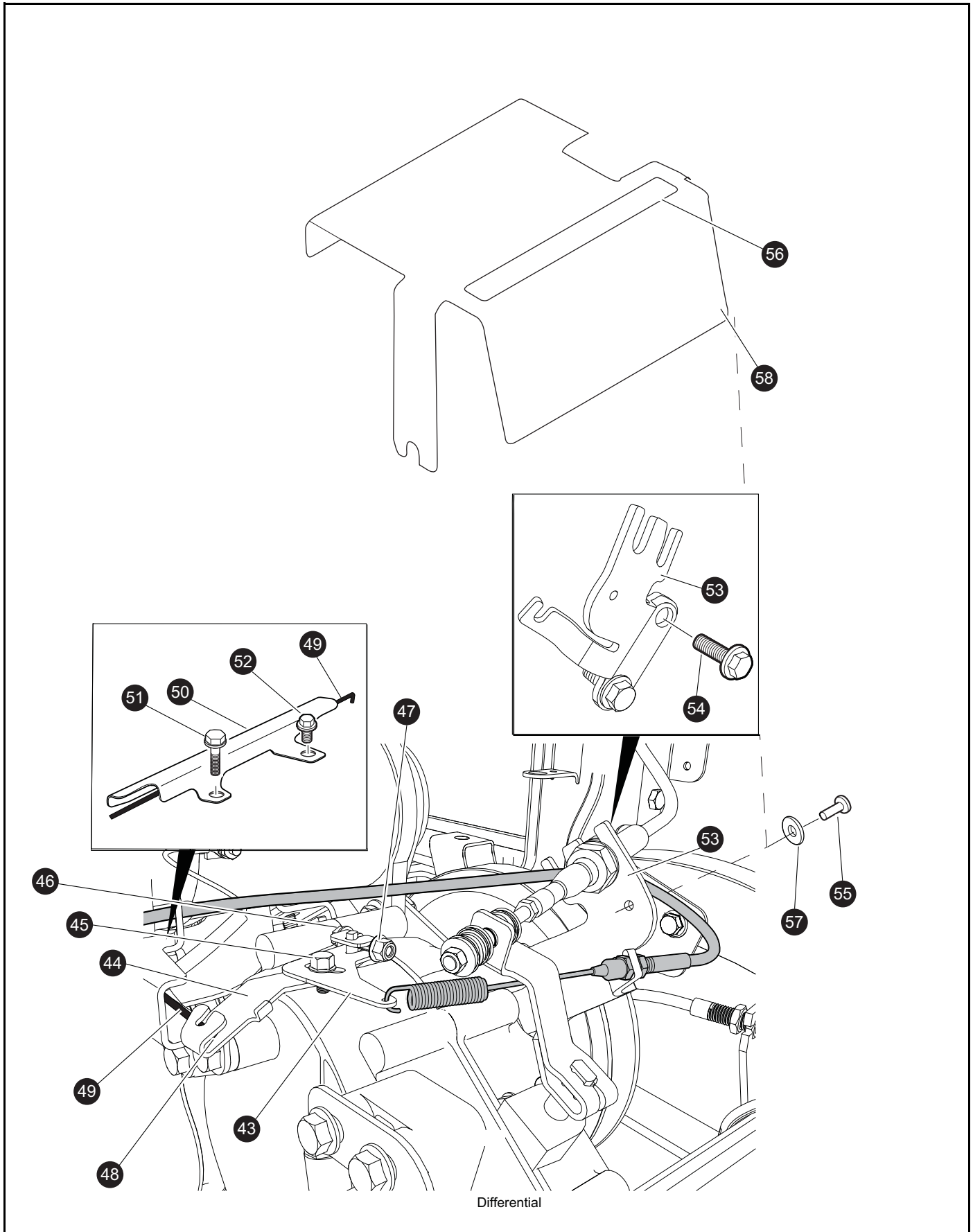
To facilitate the maintenance and repair of the vehicle, a Technician's Repair and Service Manual is available from the Service Parts Department.

ILLUSTRATED PARTS BREAKDOWN

ACCELERATOR

1 - Includes Items 3 - 34





Differential

ACCELERATOR

When ordering parts, please specify the model and serial number of the product.

* Indicates a component that is not available as an individual part.

*** Indicates consult Customer Service Department for additional information.

ITEM	PART NO.	1 2 3 4 5	DESCRIPTION	QTY.
1	<u>606990</u>		PEDAL BOX ASSEMBLY (INCLUDES ITEMS 2 - 34)	1
2	<u>70116G02</u>		ACCELERATOR PEDAL BRACKET	1
3	<u>01051G01</u>		SCREW, #8 - 16 X 1/2" LG	4
4	<u>25853G03</u>		PEDAL BOX AND COVER	1
5	<u>00684G6</u>		SCREW, #8 - 32 X 3/4" LG (STAINLESS STEEL)	2
6	<u>25861G01</u>		MICRO SWITCH	1
7	<u>01050G01</u>		SCREW, #4 - 20 X 5/8" LG	2
8	<u>72716G01</u>		MICRO SWITCH CAM	1
9	<u>15126G1</u>		LOCK NUT, 5/16 - 24	1
10	<u>00487G3</u>		SETSCREW, 1/4 - 20 X 3/8" LG	1
11	<u>00532G4</u>		NUT, 5/16 - 24	2
12	<u>17677G1</u>		SPRING RETAINER	1
13	<u>17979G1</u>		ACCELERATOR ROD BUSHING	1
14	<u>73046G01</u>		COMPRESSION SPRING	1
15	<u>17677G2</u>		SPRING RETAINER	1
16	<u>72072G01</u>		ACCELERATOR ROD	1
17	<u>10385G4</u>		CLEVIS YOKE (ADJUSTABLE)	1
18	<u>10386G3</u>		CLEVIS PIN, 5/16" X 13/16" LG	1
19	<u>17838G1</u>		NYLON BUSHING	3
20	<u>17255G1</u>		TEFLON WASHER, 5/16"	1
21	<u>10387G3</u>		COTTER PIN, 3/32" X 3/4" LG	1
22	<u>74432G01</u>		PEDAL PIVOT PIN	1
23	<u>12064G6</u>		PUSH NUT, 9/32"	1
24	<u>12730G1</u>		WHEEL BEARING GREASE (NOT ILLUSTRATED)	A/R
25	<u>72201G04</u>		WIRE HARNESS (PEDAL BOX)	1
26				
27				
28	<u>608608</u>		ACCELERATOR CABLE	1
29				
30	<u>25799G03</u>		ACCELERATOR PEDAL ASSEMBLY (INCLUDES ITEMS 31- 33)	1
31	<u>27844G01</u>		ACCELERATOR PEDAL PAD KIT (INCLUDES ITEMS 32- 33)	1

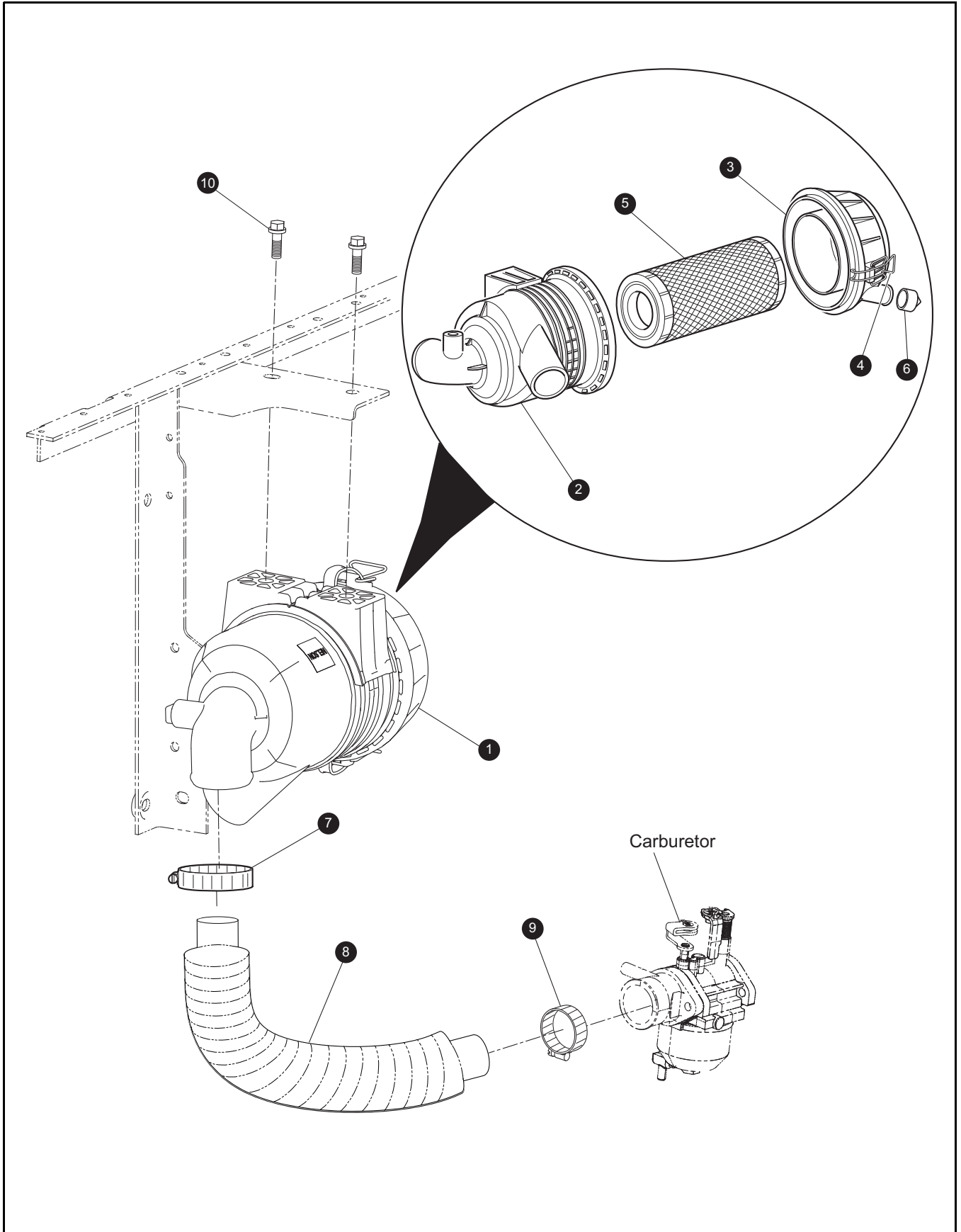
When ordering parts, please specify the model and serial number of the product.

* Indicates a component that is not available as an individual part.

*** Indicates consult Customer Service Department for additional information.

ITEM	PART NO.	1	2	3	4	5	DESCRIPTION	QTY.
32	<u>16409G1</u>						OVAL RIVET, 3/16" X 7/16" LG	6
33	<u>27512-G01</u>						ACCELERATOR PEDAL PAD	1
34	*						ACCELERATOR PEDAL	
35	<u>00715G2</u>						BOLT, 5/16 -18 X 4/5" LG.....	4
36								
37								
38								
39								
40								
41								
42								
43	<u>606083</u>						UPPER GOVERNOR BRACKET	1
44	<u>606005</u>						LOWER GOVERNOR BRACKET	1
45	<u>606265</u>						BOLT, M6 - 1 X 12.....	1
46	<u>606421</u>						BOLT, M6 - 1 X 30.....	1
47	<u>450452</u>						NUT, M6 - 1.0.....	1
48	<u>606283</u>						GOVERNOR LEVER BUSHING	1
49	<u>606284</u>						GOVERNOR ROD	1
50	<u>603890</u>						GOVERNOR ROD GUARD	1
51	<u>606264</u>						BOLT, M6 - 1 X 20.....	1
52	<u>606262</u>						BOLT, M8 - 1.25 X 16.....	1
53	<u>606074</u>						GOVERNOR CABLE / DIRECTION SELECTOR BRACKET	1
54	<u>606256</u>						BOLT, M10 - 1.25 X 16.....	2
55	<u>14601G11</u>						RIVET.....	1
56	<u>608527</u>						GOVERNOR WARNING DECAL.....	1
57	<u>00915G1</u>						WASHER	1
58	<u>606199</u>						GOVERNOR COVER	1
59	<u>17618G1</u>						NYLON CLAMP	2

AIR FILTER



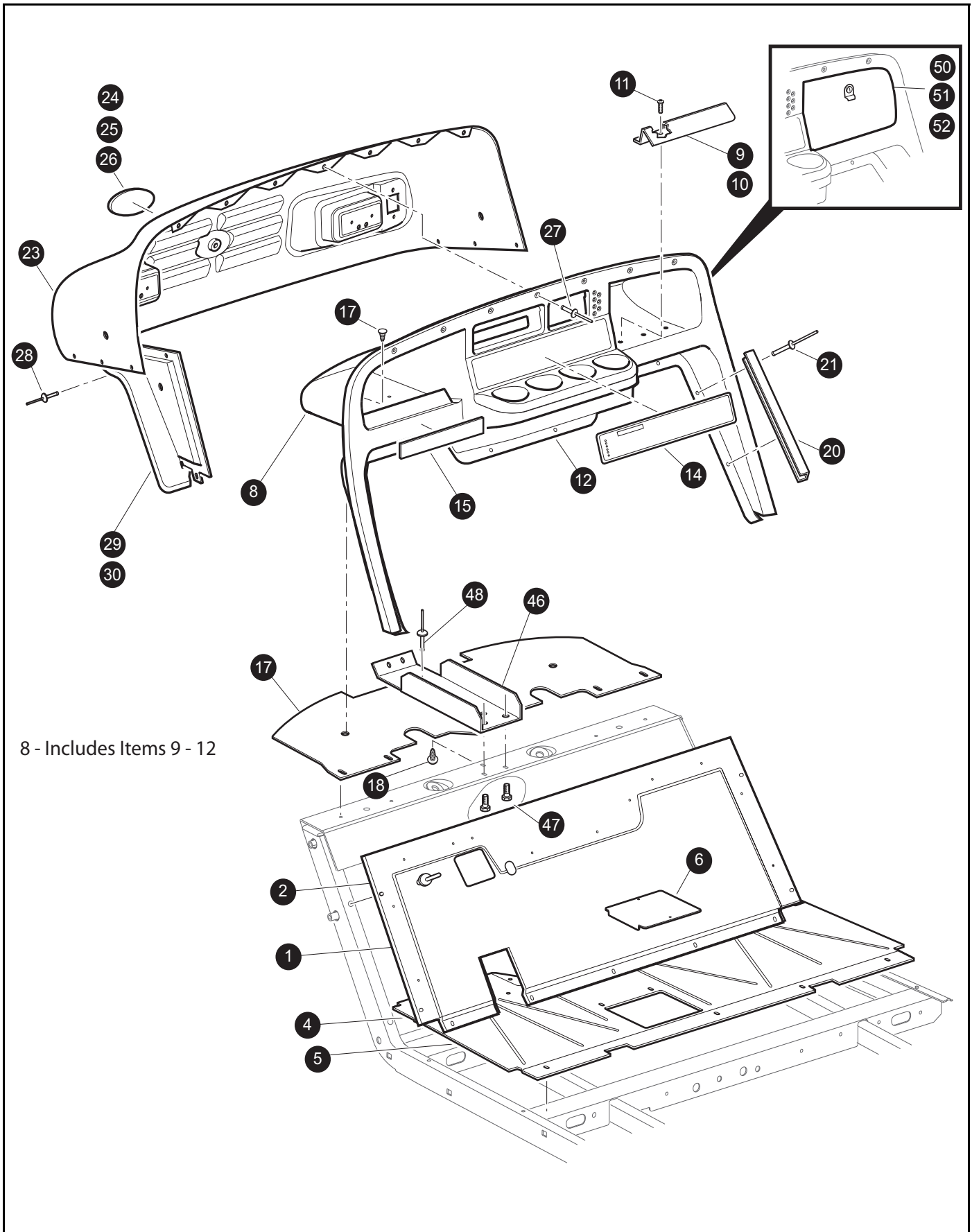
When ordering parts, please specify the model and serial number of the product.

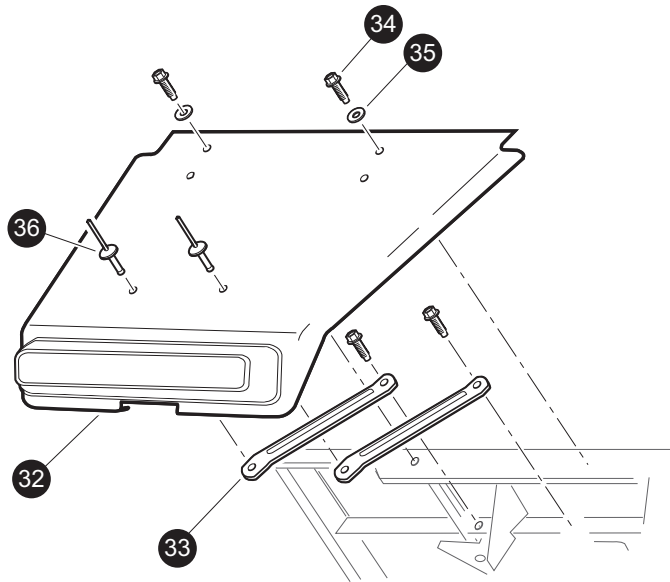
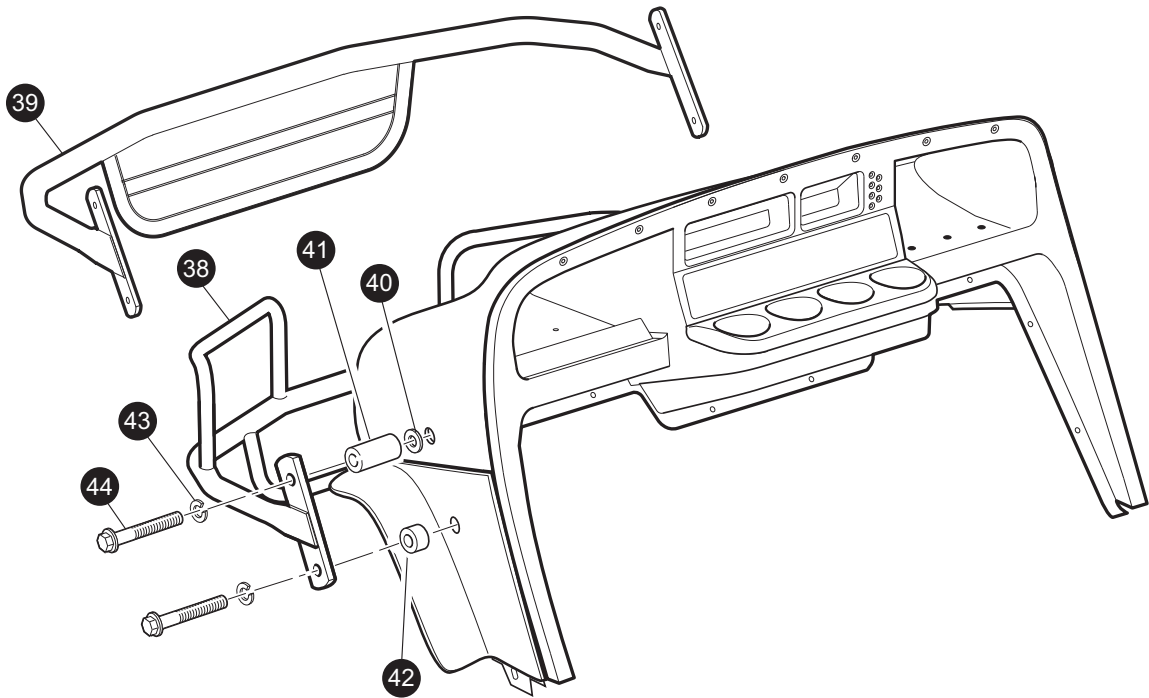
* Indicates a component that is not available as an individual part.

*** Indicates consult Customer Service Department for additional information.

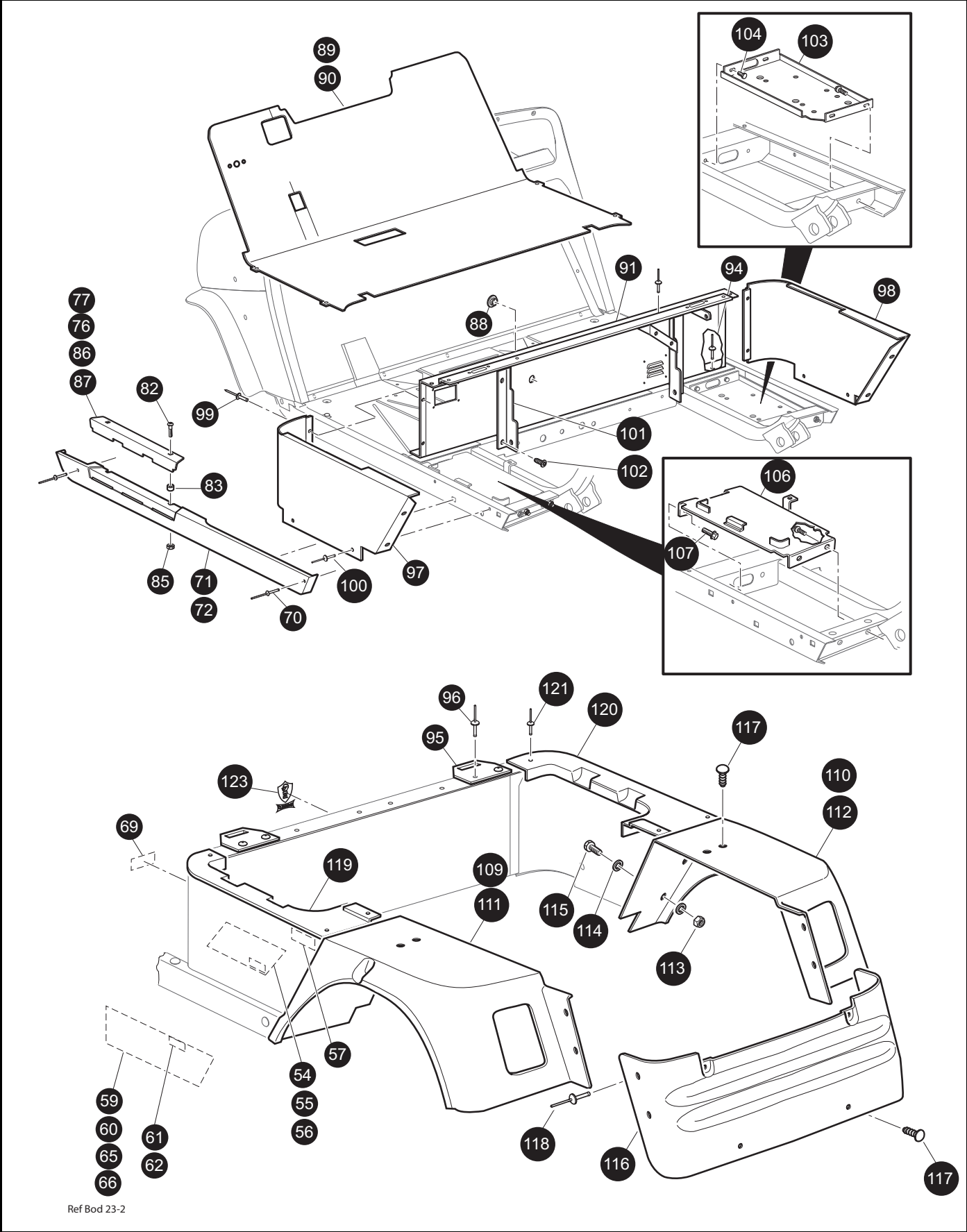
ITEM	PART NO.	1 2 3 4 5	DESCRIPTION	QTY.
1	<u>606952</u>		AIR CLEANER (INCLUDES ITEMS 2 - 6)	1
2	607269		BODY & BRACKET ASSEMBLY	1
3	<u>72599G01</u>		AIR CLEANER COVER	1
4	<u>72604G01</u>		AIR CLEANER CLIP	2
5	<u>28463G01</u>		AIR FILTER	1
6	<u>28462G01</u>		VALVE DUST EJECTOR	1
7	<u>11391G7</u>		HOSE CLAMP	1
8	<u>607950</u>		HOSE	1
9	<u>11391G1</u>		HOSE CLAMP	1
10	<u>25532G1</u>		BOLT AND WASHER, M8 X 1.25 X 18 MM	2

BODY



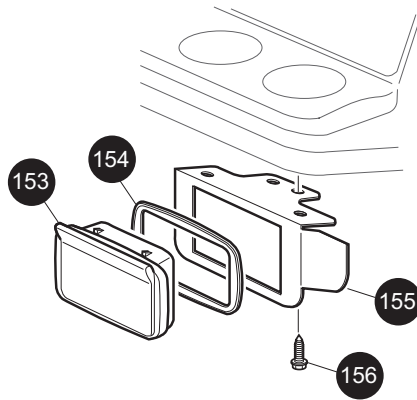


BODY

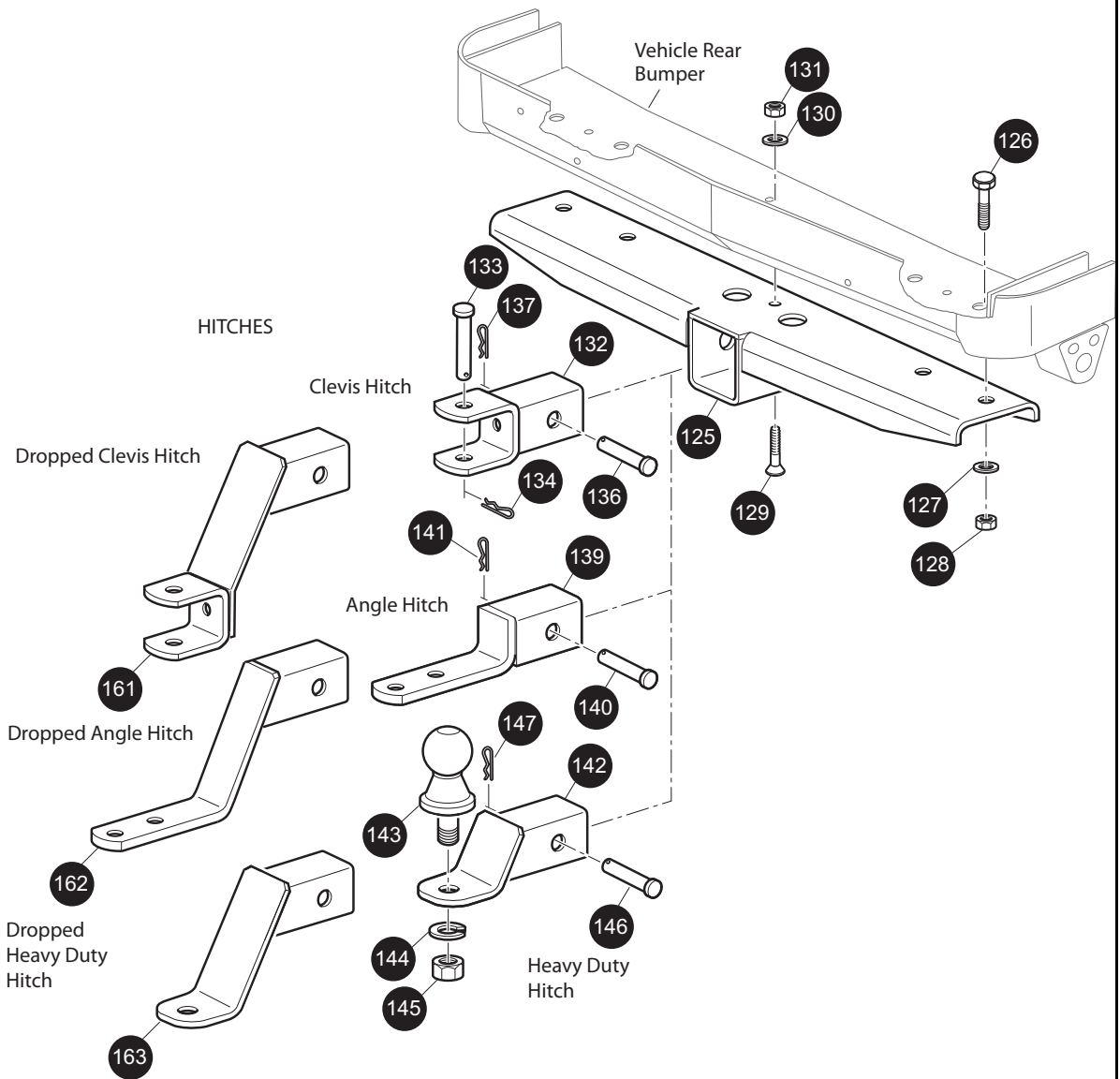


ASH TRAY

152 - Includes Items 153 - 156



HITCHES



Ref Bod 21-3

BODY

When ordering parts, please specify the model and serial number of the product.

* Indicates a component that is not available as an individual part.

*** Indicates consult Customer Service Department for additional information.

ITEM	PART NO.	1 2 3 4 5	DESCRIPTION	QTY.
1	70662G01		UPPER FLOORPAN.....	1
2	<u>14601G11</u>		RIVET, 3/16" X 9/16" LG (ALUMINUM).....	9
3				
4	<u>70451G01</u>		LOWER FLOORPAN.....	1
5	<u>14601G11</u>		RIVET, 3/16" X 9/16" LG (ALUMINUM).....	7
6	<u>70452G01</u>		ACCESS COVER.....	1
7				
8	<u>71151G03</u>		INSTRUMENT PANEL ASSEMBLY (INCLUDES ITEMS 9 - 12).....	1
9	<u>71153G01</u>		DEFLECTOR (PASSENGER SIDE).....	1
10	<u>71154G01</u>		DEFLECTOR (DRIVER SIDE).....	1
11	<u>00614G5</u>		SCREW, #8 - 18 X 5/8" LG.....	6
12	<u>71158G01</u>		INSTRUMENT PANEL INSERT (FOUR CUP).....	1
13				
14	<u>35962G01</u>		LABEL (SAFETY) (PICTOGRAPH).....	1
15	<u>74443G01</u>		LABEL (ANTI-ROLLBACK).....	1
16				
17	<u>71413G01</u>		SPLASH PANEL.....	1
18	<u>16816G2</u>		RATCHET FASTENER, 1/4" X 3/4" LG.....	5
19				
20	<u>71115G01</u>		VINYL TRIM.....	2
21	<u>71055G01</u>		RIVET, 3/16" X 1" LG (ALUMINUM).....	10
22				
23	71469G**		COWL..... 71469G002....SPECIAL COLOR 71469G005....JACOBSEN ORANGE 71469G006....LIGHT GOLD PEARL 71469G013....CLOUD GREY 71469G019....PATRIOT BLUE PEARL 71469G020....INFERNO RED METAL 71469G023....CAMO ADV CLASSIC 71469G025....NEW HOLLAND BLUE 71469G026....STEEL BLUE PEARL 71469G030....CAMO HD ADV 71469G031....METALLIC CHARCOAL 71469G035....SAFETY YELLOW 71469G036....CAMPAGNE BEIGE 71469G038....BRIGHT WHITE	1

When ordering parts, please specify the model and serial number of the product.

* Indicates a component that is not available as an individual part.

*** Indicates consult Customer Service Department for additional information.

ITEM	PART NO.	1 2 3 4 5	DESCRIPTION	QTY.
			71469G039....FLAME RED 71469G041....ELECTRIC BLUE 71469G042....PLATINUM 71469G043....BURGUNDY ON CH BG 71469G044....ALMOND 71469G046....BURGANDY ON BLACK 71469G047....BURLINGTON GREEN 71469G048....BLACK ON CHAM BEIGE	
24	<u>71289G01</u>		NAMEPLATE (E-Z-GO) (OVAL).....	1
25	<u>28907G01</u>		NAMEPLATE (JACOBSEN) (OVAL).....	1
26	74401G01		NAMEPLATE (CUSHMAN) (OVAL).....	1
27	<u>71055G01</u>		RIVET, 3/16" X 1" LG.....	9
28	<u>71055G01</u>		RIVET, 3/16" X 1" LG.....	6
29	<u>71338G01</u>		FENDER FLARE (DRIVER SIDE).....	1
30	<u>71338G02</u>		FENDER FLARE (PASSENGER SIDE).....	1
31				
32	<u>27166G04</u>		FRONT SHIELD.....	1
33	<u>70725G02</u>		FRONT SHIELD BRACE.....	2
34	<u>01038G01</u>		SCREW, 1/4 - 20 X 1/2" LG.....	4
35	<u>16469G1</u>		WASHER, 1/4".....	2
36	<u>01057G01</u>		RIVET, KTR, 1/4" X 1" LG.....	2
37				
38	<u>74265G02</u>		BUMPER.....	1
39	604659		BRUSH GUARD (BLACK).....	1
40	<u>00570G2</u>		WASHER, 5/16".....	2
41	<u>75048G04</u>		SPACER, 1".....	2
42	<u>75048G01</u>		SPACER, 1/2".....	2
43	<u>00905G8</u>		LOCK WASHER, 5/16".....	4
44	<u>01035G02</u>		BOLT, 5/16 - 18 X 2 1/2" LG.....	4
45				
46	<u>71101G02</u>		COWL SUPPORT BRACKET.....	1
47	<u>71102G02</u>		SELF TAPPING SCREW, 1/4 - 20 X 1/2" LG.....	3
48	<u>71055G01</u>		RIVET, 3/16" X 1 1/8" LG.....	1
49				

BODY

When ordering parts, please specify the model and serial number of the product.

* Indicates a component that is not available as an individual part.

*** Indicates consult Customer Service Department for additional information.

ITEM	PART NO.	1 2 3 4 5	DESCRIPTION	QTY.
50	<u>75459G01</u>		GLOVE BOX DOORS (BOTH SIDES)	1
51	<u>75459G02</u>		GLOVE BOX DOOR (DRIVER SIDE)	1
52	<u>75459G03</u>		GLOVE BOX DOOR (PASSENGER SIDE)	1
53				
54	<u>600823</u>		LABEL (MPT™)	2
55	<u>600817</u>		LABEL (800)	2
56	<u>604706</u>		LABEL (ST SPORT II)	2
57	<u>74099-G01</u>		LABEL, TILT WARNING PICTOGRAPH	2
58				
59	<u>28915G01</u>		LABEL (JACOBSEN HAULER™) (DRIVER SIDE)	1
60	<u>28915G02</u>		LABEL (JACOBSEN HAULER™) (PASSENGER SIDE)	1
61	74803G01		LABEL (800)	2
62	28964G01		LABEL (280)	2
63				
64				
65	<u>28952G01</u>		LABEL (CUSHMAN COMMANDER™) (DRIVER SIDE)	1
66	<u>28952G02</u>		LABEL (CUSHMAN COMMANDER™) (PASSENGER SIDE)	1
67				
68				
69	*		SERIAL NUMBER LABEL	1
70	<u>15058G6</u>		RIVET, BLACK (ALUMINUM)	4
71	<u>71502G01</u>		ROCKER PANEL (DRIVER SIDE)	1
72	<u>71501G01</u>		ROCKER PANEL (PASSENGER SIDE)	1
73				
74				
75				
76				
77				
78				
79				
80				

When ordering parts, please specify the model and serial number of the product.

* Indicates a component that is not available as an individual part.

*** Indicates consult Customer Service Department for additional information.

ITEM	PART NO.	1 2 3 4 5	DESCRIPTION	QTY.
81				
82	<u>16705-G1</u>		SCREW, 1/4 - 20 X 1" LG	4
83	<u>23726-G4</u>		SPACER.....	4
84				
85	<u>14390G4</u>		LOCK NUT, 1/4 - 20	4
86	28971G01		SILL PLATE TREAD (PASSENGER SIDE)	1
87	28971G02		SILL PLATE TREAD (DRIVER SIDE)	1
88	<u>20271G9</u>		HOLE PLUG, 1/2".....	1
89	<u>70663-G03</u>		FLOORMAT	1
90	<u>70663-G04</u>		FLOORMAT (AXLE MOUNTED STEERING)	1
91	609045G**		SEAT WRAP PANEL..... 609045G02....SPECIAL COLOR 609045G05....FRONT JAC ORANGE 609045G35....SAFETY YELLOW 609045G36....CHAMPAGNE BEIGE 609045G37....HUNTER GREEN 609045G38....BRIGHT WHITE 609045G39....FLAME RED 609045G40....BLACK	1
92				
93				
94	<u>10570G10</u>		RIVET, 5/32" X 9/16" LG	8
95	<u>71609G01</u>		SEAT HINGE PLATE	2
96	<u>10570G11</u>		RIVET, 3/16" X 3/4" LG	4
97	609047G1**		SIDE PANEL (DRIVER SIDE)..... 609047G102....SPECIAL COLOR 609047G105....FRONT JAC ORANGE 609047G135....SAFETY YELLOW 609047G136....CHAMPAGNE BEIGE 609047G137....HUNTER GREEN 609047G138....BRIGHT WHITE 609047G139....FLAME RED 609047G140....BLACK	1
98	609047G2**		SIDE PANEL (PASSENGER SIDE)	1
			609047G202....SPECIAL COLOR 609047G205....FRONT JAC ORANGE 609047G235....SAFETY YELLOW 609047G236....CHAMPAGNE BEIGE 609047G237....HUNTER GREEN	

BODY

When ordering parts, please specify the model and serial number of the product.

* Indicates a component that is not available as an individual part.

*** Indicates consult Customer Service Department for additional information.

ITEM	PART NO.	1 2 3 4 5	DESCRIPTION	QTY.
			609047G238....BRIGHT WHITE 609047G239....FLAME RED 609047G240....BLACK	
99	<u>10570G10</u>		RIVET, 5/32" X 9/16" LG.....	4
100	<u>10570G12</u>		RIVET, 1/4" X 1/2" LG.....	4
101	<u>70440G04</u>		SEAT FRAME.....	1
102	<u>00715G2</u>		BOLT, 5/16 - 18 X 13/16" LG.....	2
103	<u>70244G03</u>		SPLASH PANEL.....	1
104	<u>00715G2</u>		BOLT, 5/16 - 18 X 13/16" LG.....	4
105				
106	<u>600496</u>		BATTERY TRAY.....	1
107	<u>00715G2</u>		BOLT, 5/16 - 18 X 13/16" LG.....	4
108				
109	<u>74892G01</u>		FENDER (DRIVER SIDE).....	1
110	<u>74892G02</u>		FENDER (PASSENGER SIDE).....	1
111	<u>74892G03</u>		FENDER WITH TAILLIGHT (DRIVER SIDE).....	1
112	<u>74892G04</u>		FENDER WITH TAILLIGHT (PASSENGER SIDE).....	1
113	<u>14390G4</u>		LOCK NUT, 1/4 - 20.....	4
114	<u>00642G7</u>		WASHER, 1/4".....	8
115	<u>00414G6</u>		BOLT, 1/4 - 20 X 3/4" LG.....	4
116	<u>74890G01</u>		REAR PANEL.....	1
117	<u>16816G2</u>		RATCHET FASTENER, 1/4" X 3/4" LG.....	6
118	<u>71055-G01</u>		RIVET, 3/16.....	4
119	<u>74891G01</u>		SEAT FILLER PANEL (DRIVER SIDE).....	1
120	<u>74891G02</u>		SEAT FILLER PANEL (PASSENGER SIDE).....	1
121	<u>10570G10</u>		RIVET, 5/32" X 9/16" LG.....	6
122				
123	<u>74755G01</u>		LABEL.....	1
124				
125	<u>74348G02</u>		HITCH RECEIVER.....	1
126	<u>00463G4</u>		BOLT, 7/16 - 14 X 1 1/2" LG.....	4
127	<u>00922G3</u>		WASHER, 7/16".....	4

When ordering parts, please specify the model and serial number of the product.

* Indicates a component that is not available as an individual part.

*** Indicates consult Customer Service Department for additional information.

ITEM	PART NO.	1 2 3 4 5	DESCRIPTION	QTY.
128	<u>00734G1</u>		LOCK NUT, 7/16 - 14	4
129	<u>00198G8</u>		SCREW, 5/16 - 18 X 1" LG	1
130	<u>00559G8</u>		WASHER, 5/16"	1
131	<u>11098G6</u>		LOCK NUT, 5/16 - 18	1
132	<u>74338G02</u>		CLEVIS HITCH	1
133	<u>14443G7</u>		CLEVIS PIN, 1/2" X 2 1/2" LG	1
134	<u>19314G1</u>		COTTER PIN, 2 1/2" LG	1
135				
136	<u>21317G01</u>		CLEVIS PIN, 5/8" X 3" LG	1
137	<u>21683G1</u>		COTTER PIN, 15/32" X 2 11/16" LG	1
138				
139	<u>74339G02</u>		ANGLE HITCH	1
140	<u>21317G01</u>		CLEVIS PIN, 5/8" X 3" LG	1
141	<u>21683G1</u>		COTTER PIN, 15/32" X 2 11/16" LG	1
142	<u>74351G02</u>		HEAVY DUTY HITCH	1
143	<u>31757G1</u>		HITCH BALL, 1 7/8"	1
144	<u>00566G6</u>		LOCK WASHER, 3/4"	1
145	<u>00702-G11</u>		NUT, 3/4 - 16	1
146	<u>21317G01</u>		CLEVIS PIN, 5/8" X 3" LG	1
147	<u>21683G1</u>		COTTER PIN, 15/32" X 2 11/16" LG	1
148				
149				
150				
151				
152	<u>75109G04</u>		ASH TRAY KIT (INCLUDES ITEMS 153 - 156)	1
153	<u>27731G01</u>		ASH TRAY	1
154	<u>27736G01</u>		GASKET	1
155	<u>75108G02</u>		BRACKET	1
156	<u>00100G4</u>		SCREW, #10 - 16 X 1/2" LG	4
157				
158				

BODY

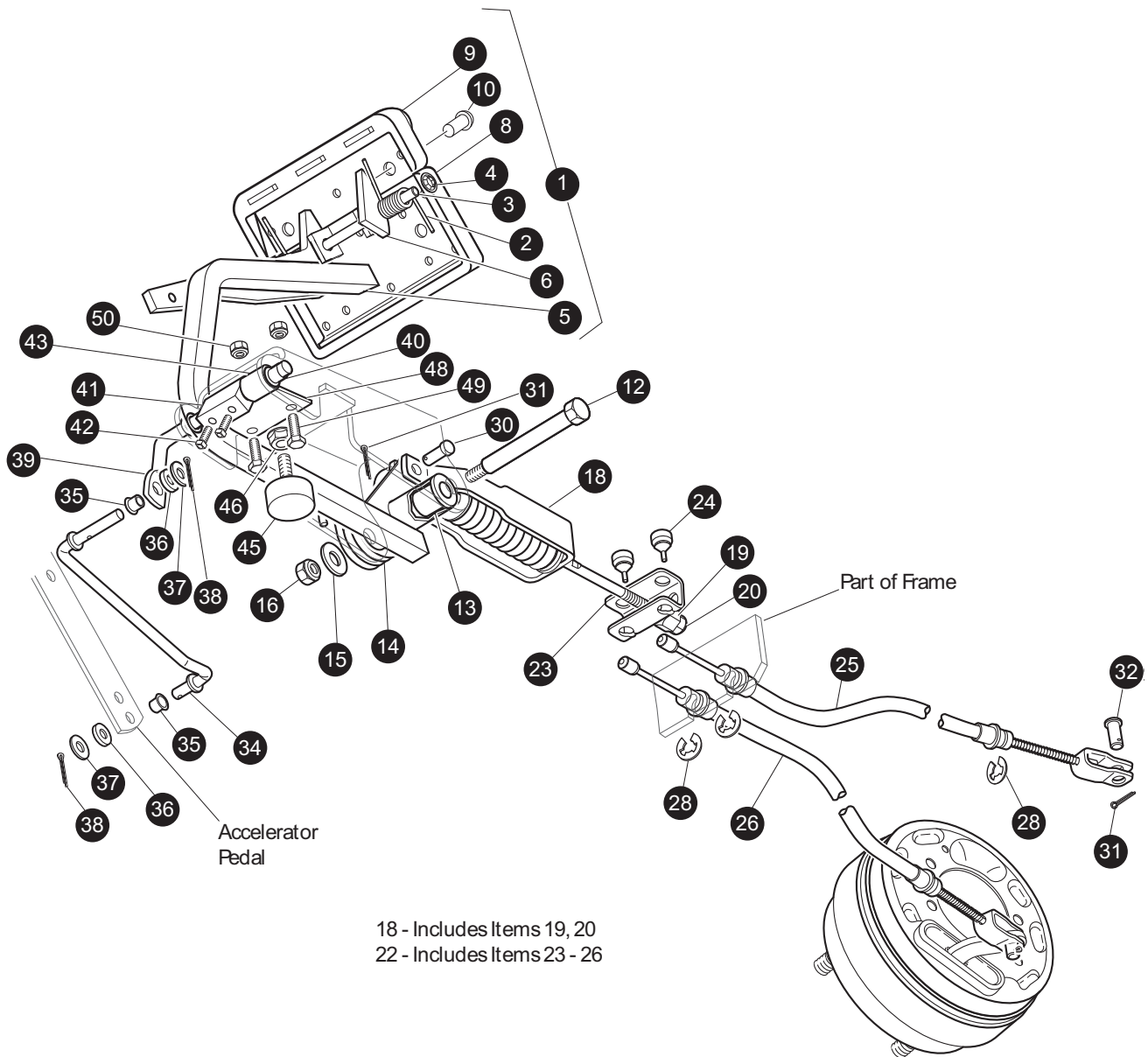
When ordering parts, please specify the model and serial number of the product.

* Indicates a component that is not available as an individual part.

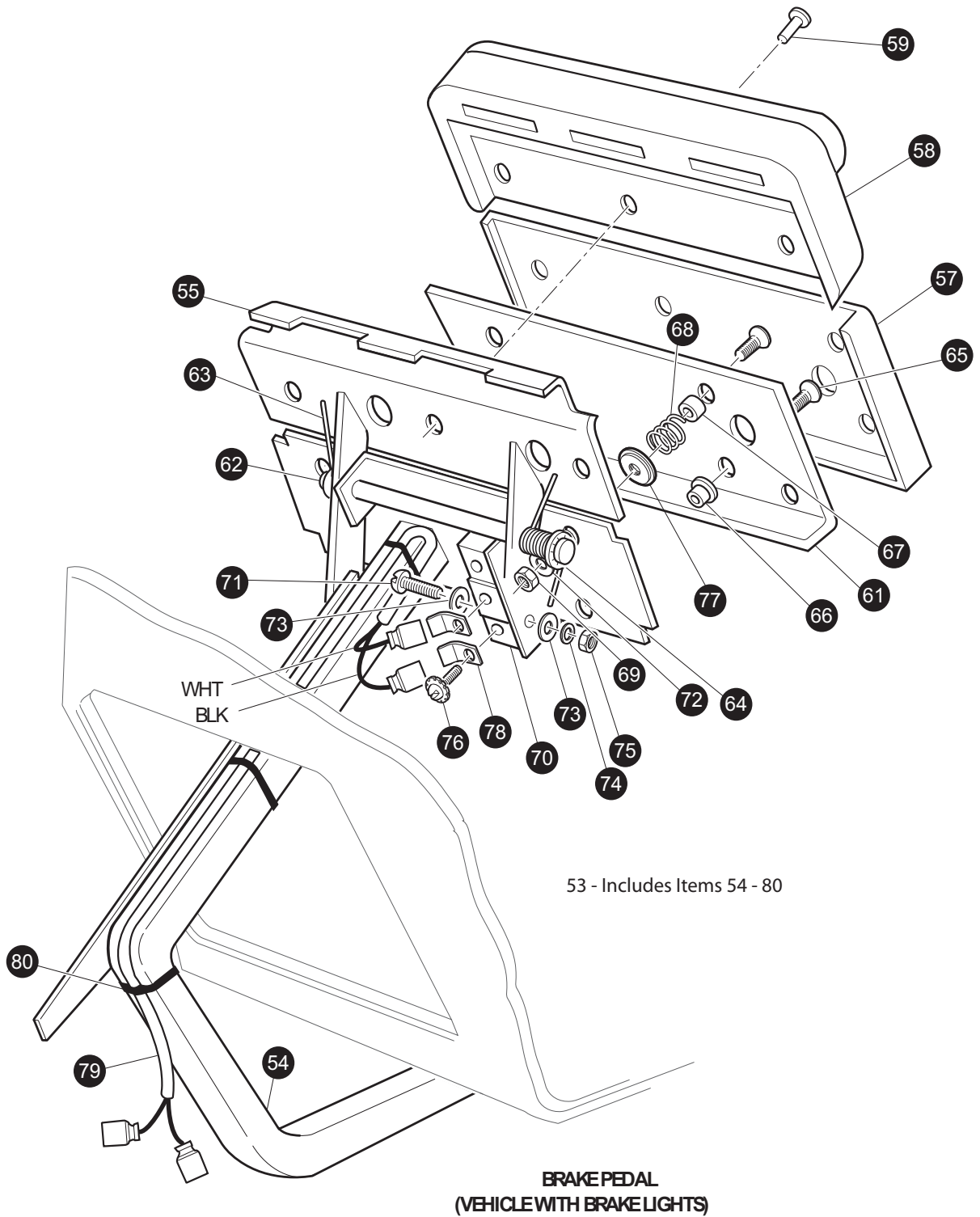
*** Indicates consult Customer Service Department for additional information.

ITEM	PART NO.	1	2	3	4	5	DESCRIPTION	QTY.
159								
160								
161	<u>74495G02</u>						DROPPED CLEVIS HITCH	1
162	<u>74489G02</u>						DROPPED ANGLE HITCH.....	1
163	<u>74491G01</u>						DROPPED BALL HITCH	1

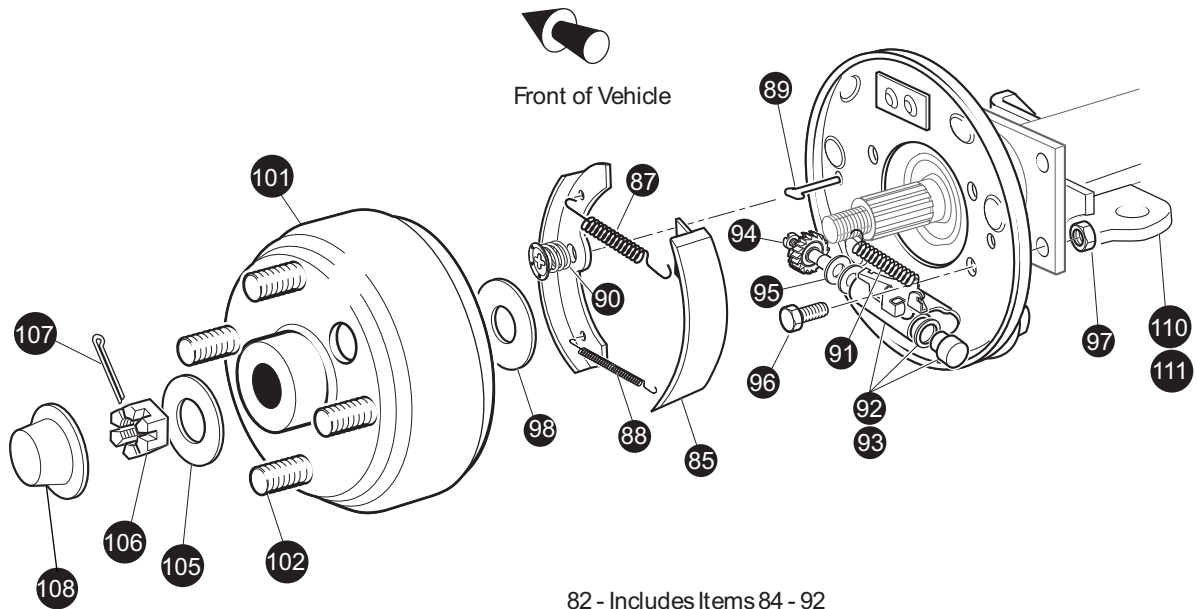
BRAKES



Ref Brk 6-1



BRAKES



- 82 - Includes Items 84 - 92
- 83 - Includes Items 84 - 93
- 84 - Includes Items 85
- 86 - Includes Items 87 - 91
- 92 - Includes Items 94, 95
- 93 - Includes Items 94, 95
- 100 - Includes Items 101, 102

Ref Brk 6-3

When ordering parts, please specify the model and serial number of the product.

* Indicates a component that is not available as an individual part.

*** Indicates consult Customer Service Department for additional information.

ITEM	PART NO.	1 2 3 4 5	DESCRIPTION	QTY.
1	<u>70612G02</u>		BRAKE PEDAL ASSEMBLY (WITHOUT BRAKE LIGHTS) (INCLUDES ITEMS 2 - 10)	1
2	<u>70681G01</u>		TORSION SPRING.....	2
3	<u>70682G01</u>		PIVOT PIN.....	1
4	<u>01071G01</u>		PUSHNUT, 5/16"	1
5	<u>70259G02</u>		BRAKE PEDAL.....	1
6	<u>70611G02</u>		PARK BRAKE PEDAL	1
7				
8	<u>70257G01</u>		SERVICE BRAKE PAD.....	1
9	<u>70256G01</u>		PARK BRAKE PEDAL PAD	1
10	<u>16409G1</u>		OVAL RIVET, 3/16" X 3/8" LG	9
11				
12	<u>70582G01</u>		SHOULDER BOLT, 3/8 - 16 X 4" LG.....	1
13	<u>70581G01</u>		FLANGED BUSHING.....	2
14	<u>70676G01</u>		TORSION SPRING	1
15	<u>00643G1</u>		WASHER, 3/8"	1
16	<u>11098G5</u>		LOCK NUT, 3/8 - 16	1
17				
18	<u>70272G04</u>		COMPENSATOR ASSEMBLY (INCLUDES ITEMS 19, 20).....	1
19	<u>00963G01</u>		SPHERICAL NUT, 5/16 - 24	1
20	<u>11098G9</u>		LOCK NUT, 5/16 - 24.....	1
21				
22	<u>70969G03</u>		EQUALIZER AND BRAKE CABLE ASSEMBLY (INCLUDES ITEMS 23 - 26)	1
23	<u>28082G01</u>		EQUALIZER BRACKET	1
24	<u>28083G01</u>		BRAKE COMPENSATOR BUMPER	2
25	*		BRAKE CABLE (DRIVER SIDE)	1
26	*		BRAKE CABLE (PASSENGER SIDE).....	1
27				
28	<u>01111G01</u>		RETAINING RING, S.S.	4
29				
30	<u>10386G3</u>		CLEVIS PIN, 5/16" X 1" LG.....	3

BRAKES

When ordering parts, please specify the model and serial number of the product.

* Indicates a component that is not available as an individual part.

*** Indicates consult Customer Service Department for additional information.

ITEM	PART NO.	1 2 3 4 5	DESCRIPTION	QTY.
31	<u>10387G3</u>		COTTER PIN, 3/32" X 3/4" LG	3
32	<u>14443G2</u>		CLEVIS PIN, 5/16" X 3/4" LG	2
33				
34	<u>70601G01</u>		KICK-OFF LINK.....	1
35	<u>17838G1</u>		NYLON BUSHING.....	2
36	<u>20835G1</u>		TEFLON WASHER, 3/8"	2
37	00559G8		WASHER, 5/16".....	2
38	<u>10387G3</u>		COTTER PIN, 3/32" X 3/4" LG	2
39	<u>70098G01</u>		KICK-OFF CAM PIVOT	1
40	<u>10097G6</u>		FLANGED BEARING	2
41	<u>70587G01</u>		KICK-OFF CAM.....	1
42	<u>71215G01</u>		SETSCREW, 1/4 - 20 X 1/2" LG.....	2
43	<u>14134G4</u>		SPACER	1
44				
45	<u>70113G01</u>		ADJUSTABLE BUMPER	1
46	<u>11027G1</u>		LOCK NUT, 5/16 - 18.....	1
47				
48	<u>70080G02</u>		CATCH BRACKET	1
49	<u>00414G6</u>		BOLT, 1/4 - 20 X 3/4" LG	2
50	<u>14390G4</u>		LOCK NUT, 1/4 - 20.....	2
51				
52				
53	70690G02		BRAKE PEDAL ASSEMBLY (WITH BRAKE LIGHTS) (INCLUDES ITEMS 54 - 80).....	1
54	<u>70686G02</u>		BRAKE PEDAL	1
55	<u>70611G02</u>		PARK BRAKE PEDAL.....	1
56				
57	<u>70257G01</u>		SERVICE BRAKE PAD	1
58	<u>70256G01</u>		PARK BRAKE PAD	1
59	<u>16409G1</u>		OVAL RIVET, 3/16" x 3/8" LG	9
60				
61	<u>70258G03</u>		BRAKE PEDAL PLATE	1

When ordering parts, please specify the model and serial number of the product.

* Indicates a component that is not available as an individual part.

*** Indicates consult Customer Service Department for additional information.

ITEM	PART NO.	1 2 3 4 5	DESCRIPTION	QTY.
62	<u>70682G01</u>		PIVOT PIN.....	1
63	<u>70681G01</u>		TORSION SPRING.....	2
64	<u>01071G01</u>		PUSHNUT, 5/16"	1
65	<u>00737G8</u>		SCREW, #10 - 24 X 1" LG.....	4
66	<u>00739G1</u>		RUBBER NUT, #10 - 24	2
67	<u>74535G01</u>		BRAKE PEDAL STANDOFF.....	2
68	<u>27137G01</u>		CONICAL SPRING.....	2
69	<u>14390G10</u>		LOCK NUT, #10 - 24.....	2
70	10606G8		MICRO SWITCH	1
71	<u>00645-G2</u>		SCREW, #6 - 32 X 1 1/4" LG.....	2
72	<u>00559G5</u>		WASHER, #10	2
73	<u>00559G3</u>		WASHER, #6.....	4
74	<u>00565G3</u>		LOCK WASHER, #6	2
75	<u>00525G5</u>		NUT, #6 - 32	2
76	<u>13514G1</u>		SCREW AND LOCK WASHER, #6	2
77	<u>00642-G8</u>		WASHER - 5/16"	2
78	<u>14628G1</u>		FASTON TAB.....	2
79	<u>24605G1</u>		WIRE HARNESS (BRAKE LIGHT).....	1
80	<u>17618G1</u>		WIRE TIE.....	2
81				
82	<u>70998G01</u>		BRAKE ASSEMBLY (DRIVER SIDE) (INCLUDES ITEMS 84 - 92).....	1
83	<u>70998G02</u>		BRAKE ASSEMBLY (PASSENGER SIDE) (INCL. ITEMS 84 - 91, 93).....	1
84	70794G01		BRAKE SHOE KIT (INCLUDES ITEM 85)	2
85	*		BRAKE SHOE.....	2
86	<u>27944G01</u>		BRAKE SPRING KIT (INCLUDES ITEMS 87 - 91)	2
87	*		UPPER SPRING	1
88	*		LOWER SPRING	1
89	*		PIN	2
90	*		CUP AND SPRING	2
91	*		ADJUSTER SPRING	1
92	<u>72582G01</u>		BRAKE ADJUSTER KIT (DRIVER SIDE) (INCLUDES ITEMS 94, 95)....	1

BRAKES

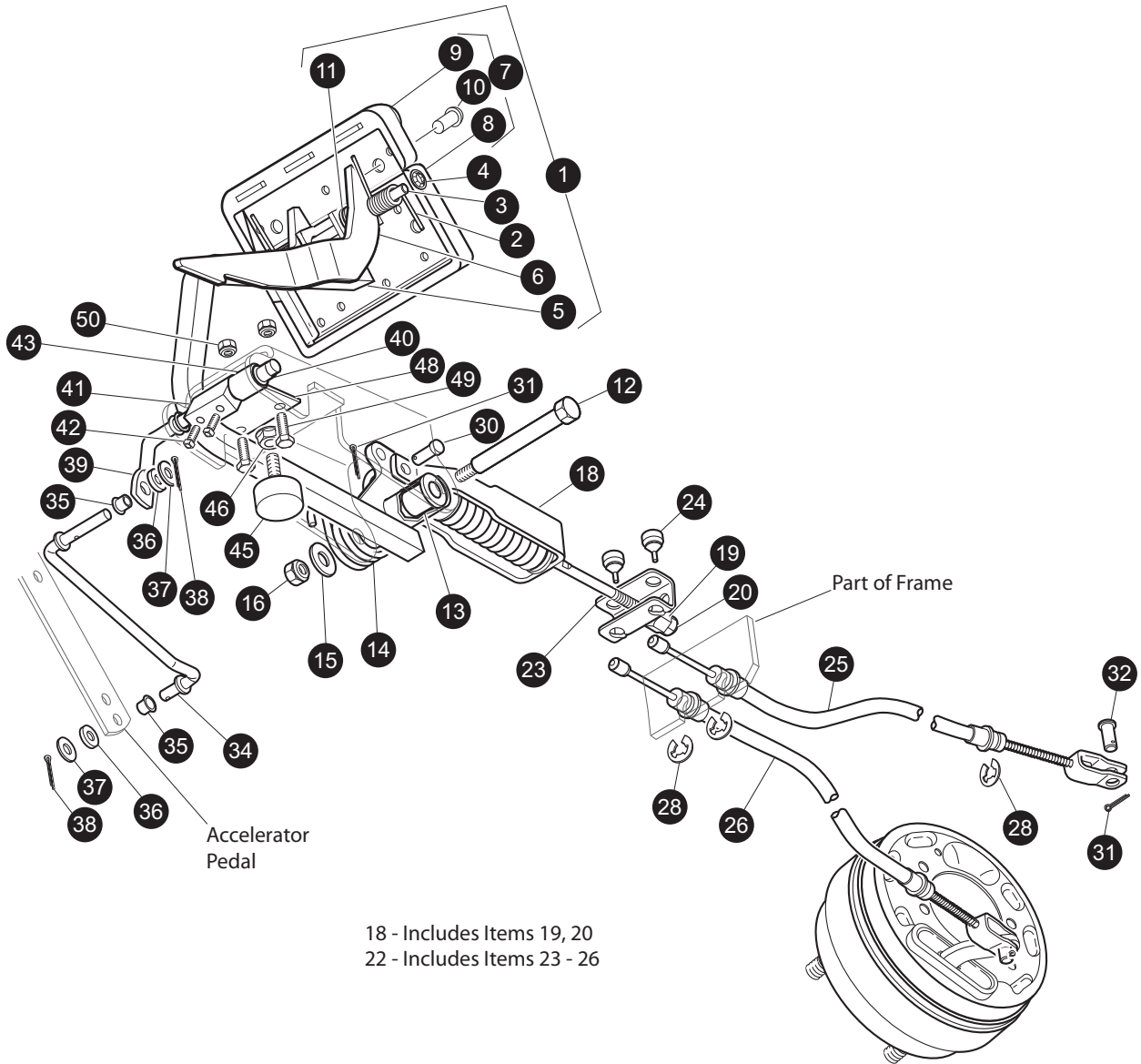
When ordering parts, please specify the model and serial number of the product.

* Indicates a component that is not available as an individual part.

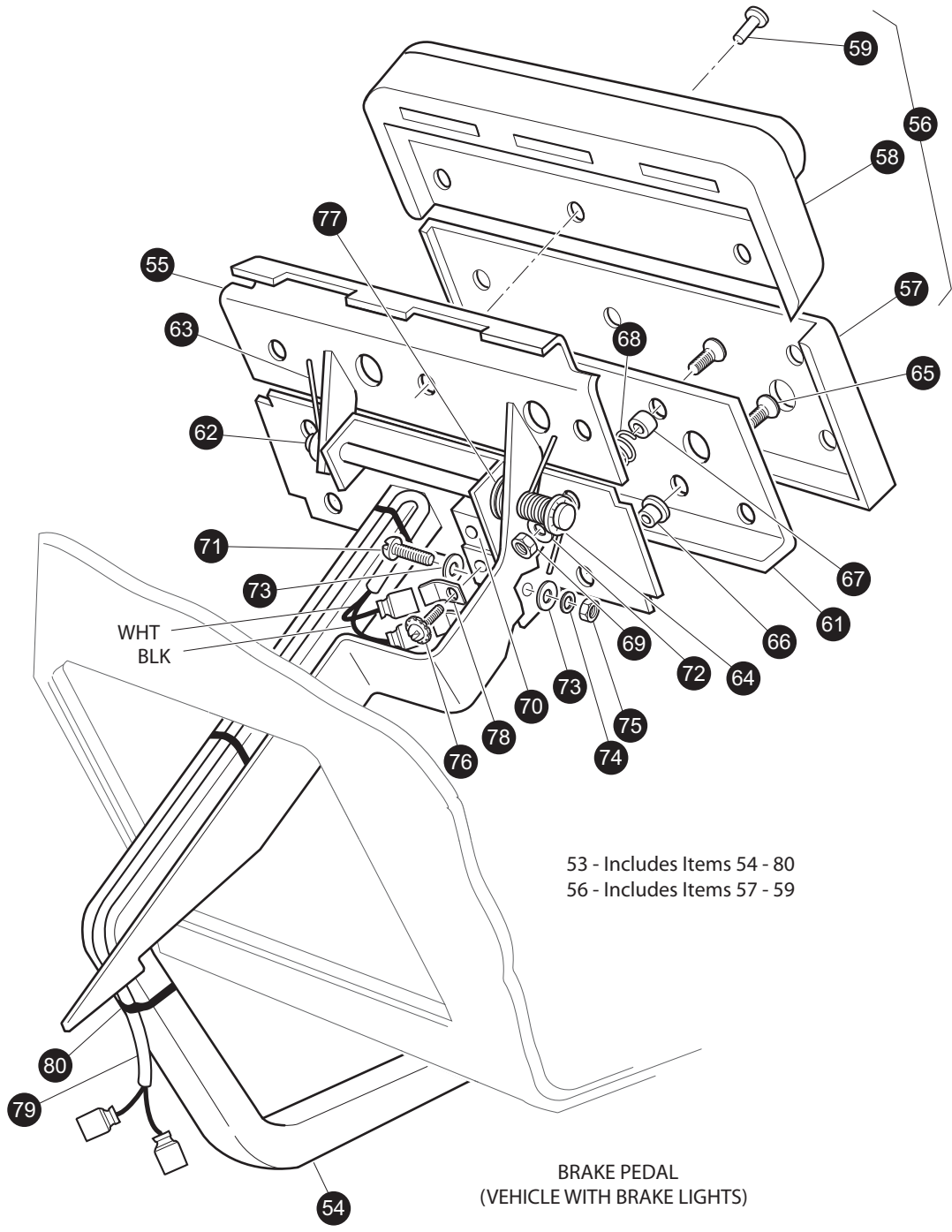
*** Indicates consult Customer Service Department for additional information.

ITEM	PART NO.	1	2	3	4	5	DESCRIPTION	QTY.
93	<u>72582G02</u>						BRAKE ADJUSTER KIT (PASSENGER SIDE) (INCL ITEMS 94, 95).....	1
94	*						ADJUSTER.....	1
95	*						TEFLON WASHER.....	2
96	<u>17083G2</u>						BOLT, 5/16 - 24 X 1" LG	8
97	<u>15126G1</u>						LOCK NUT, 5/16 - 24.....	8
98	<u>21809G1</u>						INNER BRAKE DRUM WASHER, 1 5/16" OD X 1" ID X 1/32"	2
99								
100	<u>21807G2</u>						BRAKE DRUM ASSEMBLY (INCLUDES ITEMS 101 - 102).....	2
101	*						BRAKE DRUM	1
102	<u>19862G1</u>						LUG BOLT, 1/2 - 20.....	4
103								
104								
105	<u>606945</u>						OUTER BRAKE DRUM WASHER	2
106	<u>606403</u>						SLOTTED NUT, 3/4 - 16.....	2
107	<u>10387G1</u>						COTTER PIN, 1/8" X 1 1/2" LG	2
108	<u>74175G01</u>						SPINDLE CAP.....	2
109								
110	<u>608200</u>						BRAKE CABLE BRACKET (PASSENGER SIDE).....	1
111	<u>608201</u>						BRAKE CABLE BRACKET (DRIVER SIDE)	1

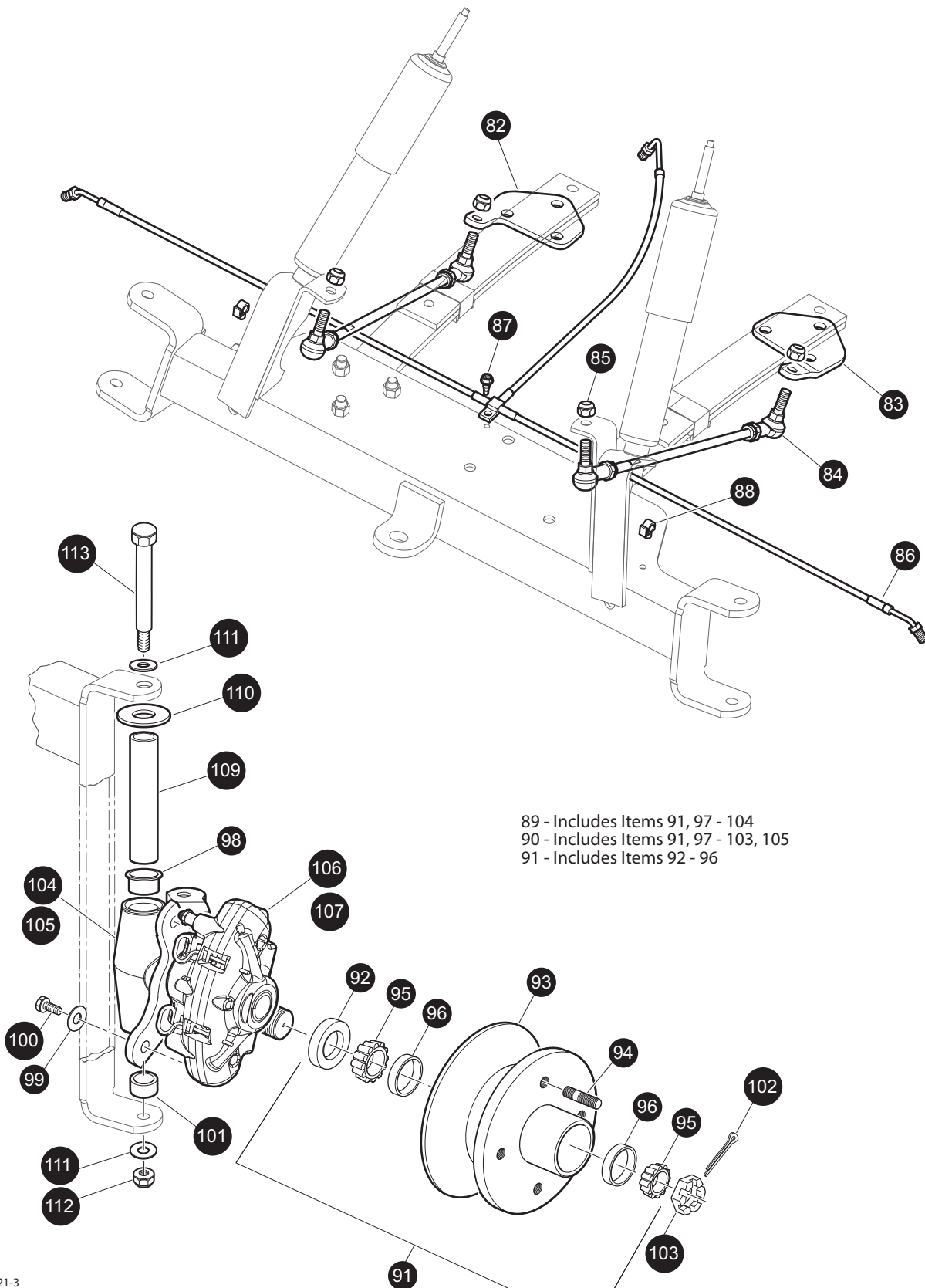
BRAKES - FRONT DISC



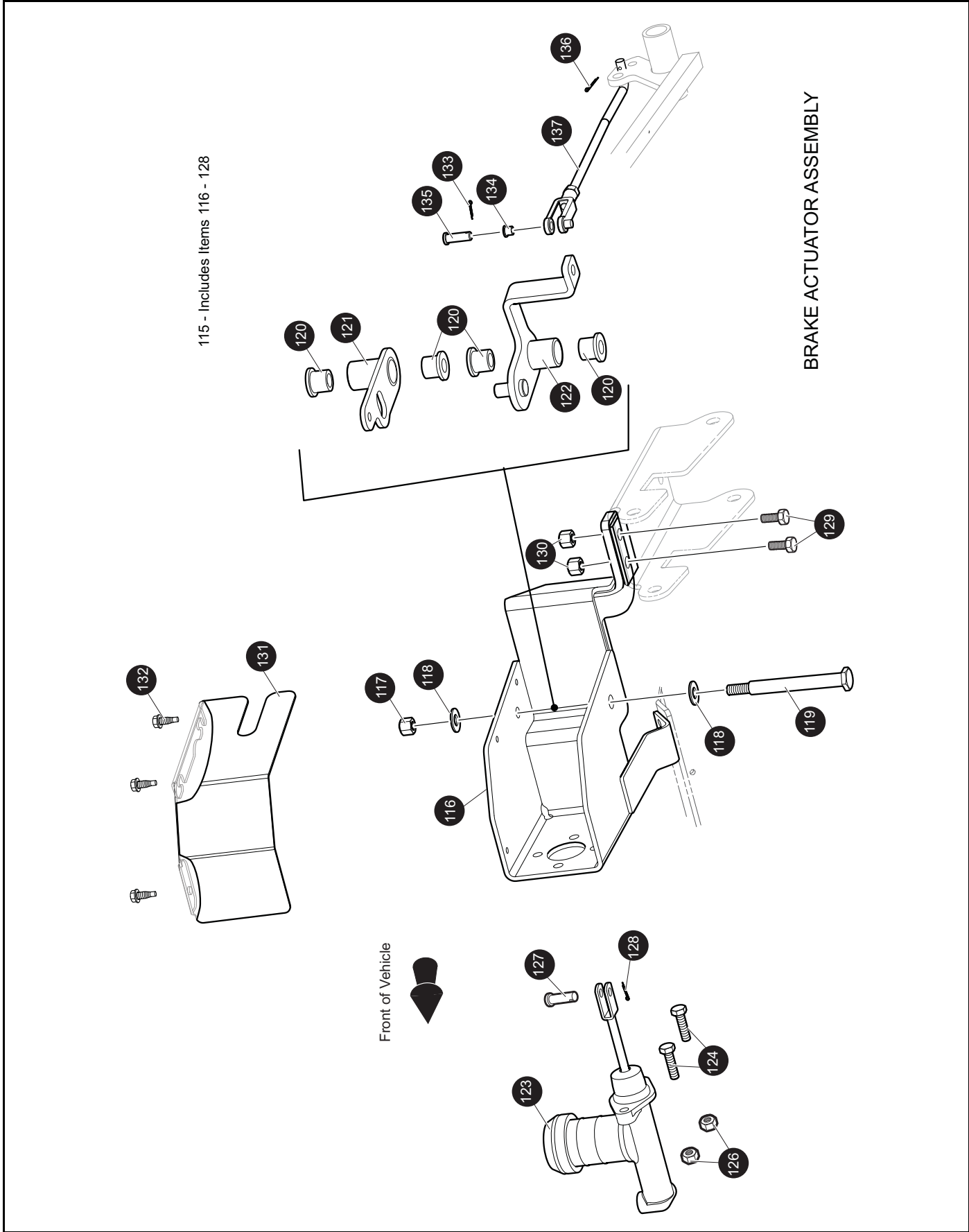
Ref Brh 21-1



BRAKES - FRONT DISC



Ref Brh 21-3



BRAKES - FRONT DISC

When ordering parts, please specify the model and serial number of the product.

* Indicates a component that is not available as an individual part.

*** Indicates consult Customer Service Department for additional information.

ITEM	PART NO.	1 2 3 4 5	DESCRIPTION	QTY.
1	<u>74723G01</u>		BRAKE PEDAL ASSEMBLY (WITHOUT BRAKE LIGHTS) (INCLUDES ITEMS 2 - 11)	1
2	<u>70681G01</u>		TORSION SPRING	2
3	<u>70682G01</u>		PIVOT PIN	1
4	<u>01071G01</u>		PUSHNUT, 5/16"	2
5	*		BRAKE PEDAL	1
6	74724G01		PARK BRAKE PEDAL.....	1
7	70274G01		BRAKE/PARK BRAKE PEDAL PAD KIT (INCLUDES ITEMS 8 - 10)	1
8	*		SERVICE BRAKE PAD.....	1
9	*		PARK BRAKE PEDAL PAD	1
10	<u>15766G1</u>		OVAL RIVET, 3/16" X 15/32" LG	9
11	<u>20835G1</u>		WASHER, TEFLON, 3/8"	2
12	<u>70582G01</u>		SHOULDER BOLT, 3/8 - 16 X 4" LG	1
13	<u>70581G01</u>		FLANGED BUSHING	2
14	<u>70676G01</u>		TORSION SPRING	1
15	<u>00643G1</u>		WASHER, 3/8"	1
16	<u>11098G5</u>		LOCK NUT, 3/8 - 16.....	1
17				
18	70272G04		COMPENSATOR ASSEMBLY (INCLUDES ITEMS 19, 20)	1
19	<u>00963G01</u>		SPHERICAL NUT, 5/16 - 24.....	1
20	<u>11098G9</u>		LOCK NUT, 5/16 - 24	1
21				
22	<u>70969G03</u>		EQUALIZER AND BRAKE CABLE ASSEMBLY (INCLUDES ITEMS 23 - 26)	1
23	<u>28082G01</u>		EQUALIZER BRACKET	1
24	<u>28083G01</u>		BRAKE COMPENSATOR BUMPER.....	2
25	*		BRAKE CABLE (DRIVER SIDE).....	1
26	*		BRAKE CABLE (PASSENGER SIDE)	1
27				
28	<u>01111G01</u>		RETAINING RING	4
29				
30	<u>10386G3</u>		CLEVIS PIN, 5/16" X 1" LG	3

BRAKES - FRONT DISC

When ordering parts, please specify the model and serial number of the product.

* Indicates a component that is not available as an individual part.

*** Indicates consult Customer Service Department for additional information.

ITEM	PART NO.	1 2 3 4 5	DESCRIPTION	QTY.
31	<u>10387G3</u>		COTTER PIN, 3/32" X 3/4" LG.....	3
32	<u>10386G3</u>		CLEVIS PIN, 5/16" X 3/4" LG.....	2
33				
34	<u>70601G01</u>		KICK-OFF LINK	1
35	<u>17838G1</u>		NYLON BUSHING	2
36	<u>20835G1</u>		TEFLON WASHER, 3/8"	2
37	00559G8		WASHER, 5/16"	2
38	<u>10387G3</u>		COTTER PIN, 3/32" X 3/4" LG.....	2
39	<u>70098G01</u>		KICK-OFF CAM PIVOT.....	1
40	<u>10097G6</u>		FLANGED BEARING	2
41	<u>70587G01</u>		KICK-OFF CAM	1
42	<u>71215G01</u>		SETSCREW, 1/4 - 20 X 1/2" LG	2
43	<u>14134G4</u>		SPACER.....	1
44				
45	<u>70113G01</u>		ADJUSTABLE BUMPER.....	1
46	<u>11027G1</u>		LOCK NUT, 5/16 - 18	1
47				
48	<u>70080G01</u>		CATCH BRACKET	1
49	<u>00414G6</u>		BOLT, 1/4 - 20 X 3/4" LG.....	2
50	<u>14390G4</u>		LOCK NUT, 1/4 - 20	2
51				
52				
53	<u>74874G01</u>		BRAKE PEDAL ASSEMBLY (WITH BRAKE LIGHTS) (INCLUDES ITEMS 54 - 80)	1
54	*		BRAKE PEDAL.....	1
55	74724G01		PARK BRAKE PEDAL	1
56	70274G01		BRAKE/PARK BRAKE PEDAL PAD KIT (INCLUDES ITEMS 57 - 59)	1
57	*		SERVICE BRAKE PAD	1
58	*		PARK BRAKE PAD	1
59	<u>15766G1</u>		OVAL RIVET, 3/16" X 15/32" LG.....	9
60				

BRAKES - FRONT DISC

When ordering parts, please specify the model and serial number of the product.

* Indicates a component that is not available as an individual part.

*** Indicates consult Customer Service Department for additional information.

ITEM	PART NO.	1 2 3 4 5	DESCRIPTION	QTY.
61	70258G02		BRAKE PEDAL PLATE	1
62	<u>70682G01</u>		PIVOT PIN	1
63	<u>70681G01</u>		TORSION SPRING	2
64	<u>01071G01</u>		PUSHNUT, 5/16"	1
65	<u>00737G8</u>		SCREW, #10 - 24 X 1" LG	4
66	<u>00739G1</u>		RUBBER NUT, #10 - 24	2
67	<u>74535G01</u>		BRAKE PEDAL STANDOFF	2
68	<u>27137G01</u>		CONICAL SPRING	2
69	<u>14390G10</u>		LOCK NUT, #10 - 24	2
70	10606G8		MICRO SWITCH	1
71	<u>00957G1</u>		SCREW, #6 - 32 X 1 1/4" LG	2
72	<u>00559G5</u>		WASHER, #10	2
73	<u>00559G3</u>		WASHER, #6	4
74	<u>00565G3</u>		LOCK WASHER, #6	2
75	<u>00525G5</u>		NUT, #6 - 32	2
76	<u>13514G1</u>		SCREW AND LOCK WASHER, #6	2
77	<u>20835G1</u>		WASHER, TEFLON, 3/8"	2
78	<u>14628G1</u>		FASTON TAB	2
79	<u>24605G1</u>		WIRE HARNESS (BRAKE LIGHT)	1
80	<u>17618G1</u>		WIRE TIE	3
81				
82	<u>74731G02</u>		SPRING PLATE (PASSENGER SIDE)	1
83	<u>74731G01</u>		SPRING PLATE (DRIVER SIDE)	1
84	74730G01		FOUR LINK ROD	2
85	<u>01084G01</u>		LOCK NUT, M10-1.25	4
86	<u>74736G01</u>		BRAKE LINE	1
87	<u>01038G01</u>		SCREW, 1/4 - 20 X 4444" LG	1
88	<u>74875G01</u>		WIRE RETAINER	2
89	<u>602288</u>		SPINDLE ASSEMBLY, PASSENGER SIDE (INCLUDES ITEMS 91, 97 - 104)	1
90	<u>602281</u>		SPINDLE ASSEMBLY, DRIVER SIDE (INCLUDES ITEMS 91, 97 - 103, 105)	1
91	<u>74948G01</u>		FRONT DISC HUB ASSEMBLY (INCLUDES ITEMS 92 - 96)	1

BRAKES - FRONT DISC

When ordering parts, please specify the model and serial number of the product.

* Indicates a component that is not available as an individual part.

*** Indicates consult Customer Service Department for additional information.

ITEM	PART NO.	1 2 3 4 5	DESCRIPTION	QTY.
92	<u>25146G1</u>		GREASE SEAL	1
93	74995G01		DISC BRAKE HUB	1
94	<u>74864-G01</u>		DRIVE FLANGE STUD	4
95	<u>11750-G2</u>		ROLLER BEARING.....	2
96	<u>50892G1</u>		BEARING RACE	2
97	12093G1		SLOTTED NUT.....	1
98	<u>70648-G01</u>		FLANGED BEARING	1
99	<u>00565-G8</u>		WASHER, 3/8"	2
100	<u>00426-G6</u>		BOLT, 3/8 - 16 X 3/4" LG	2
101	<u>70749-G01</u>		BEARING	1
102	<u>00798-G8</u>		COTTER PIN.....	1
103	<u>25146-G1</u>		GREASE SEAL	1
104	<u>602158</u>		DISC BRAKE SPINDLE, PASSENGER SIDE	1
105	<u>602176</u>		DISC BRAKE SPINDLE, DRIVER SIDE	1
106	<u>74733G01</u>		CALIPER, PASSENGER SIDE	1
107	<u>74733G02</u>		CALIPER, DRIVER SIDE.....	1
108				
109	<u>70745G01</u>		KINGPIN TUBE.....	2
110	<u>70754G01</u>		THRUST WASHER.....	2
111	<u>00560G3</u>		WASHER, 1/2"	4
112	<u>14390G6</u>		LOCKNUT, 1/2 - 13	2
113	<u>00407G6</u>		CAPSCREW, 1/2 - 13 X 6" LG	2
114				
115	<u>608706</u>		BRAKE ACTUATOR ASSEMBLY (INCLUDES ITEMS 116 - 128).....	1
116	<u>612706</u>		MASTER CYLINDER WELDMENT MOUNT.....	1
117	<u>11098G5</u>		NYLON BUSHING.....	1
118	<u>00679G1</u>		FLAT WASHER	1
119	<u>74711G01</u>		SHOULDER BOLT.....	1
120	<u>70581-G02</u>		ACETAL BUSHING.....	4
121	<u>608122</u>		UPPER ACTUATOR PIVOT	1

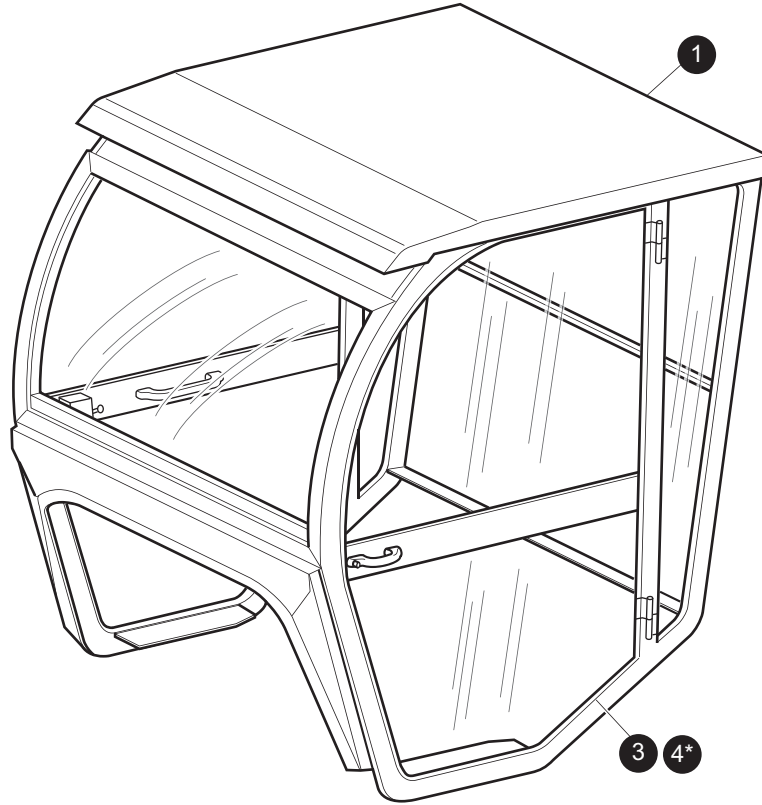
BRAKES - FRONT DISC

When ordering parts, please specify the model and serial number of the product.

* Indicates a component that is not available as an individual part.

*** Indicates consult Customer Service Department for additional information.

ITEM	PART NO.	1	2	3	4	5	DESCRIPTION	QTY.
122	<u>608118</u>						LOWER ACTUATOR PIVOT.....	1
123	<u>887364</u>						MASTER CYLINDER.....	1
124	<u>00439G1</u>						CAPSCREW, 5/16 X 18.....	2
125								
126	11098G6						LOCK NUT.....	2
127	<u>10386G3</u>						CLEVIS PIN.....	1
128	<u>10387G3</u>						COTTER PIN 3/32 X 3/4.....	1
129	00414G8						CAPSCREW, 1/4 - 20.....	4
130	00891G2						NYLOCK NUT 1/4 - 20.....	4
131	<u>612704</u>						ACTUATOR ASSEMBLY COVER.....	1
132	<u>01038G01</u>						SCREW, SWARE FORM.....	3
133	<u>10387G3</u>						COTTER PIN 3/32 X 3/4.....	1
134	<u>17838-G1</u>						NYLON BUSHING.....	1
135	<u>10386G3</u>						CLEVIS PIN.....	1
136	<u>10387G3</u>						COTTER PIN 3/32 X 3/4.....	1
137	<u>608943</u>						ACTUATOR LINKAGE.....	1
138								
139								
140								
141								
142								
143	<u>74917G01</u>						DISC BRAKE PAD AND PIN KIT (SERVICES ONE CORNER) (INCLUDES ITEMS 144 - 145).....	1
144	*						BRAKE PADS.....	2
145	*						BRAKE PAD RETAINER PINS.....	2



*Steel Doors Shown

For Cab Accessories, See ACCESSORIES LISTING in Appendix B

Ref Cab 5

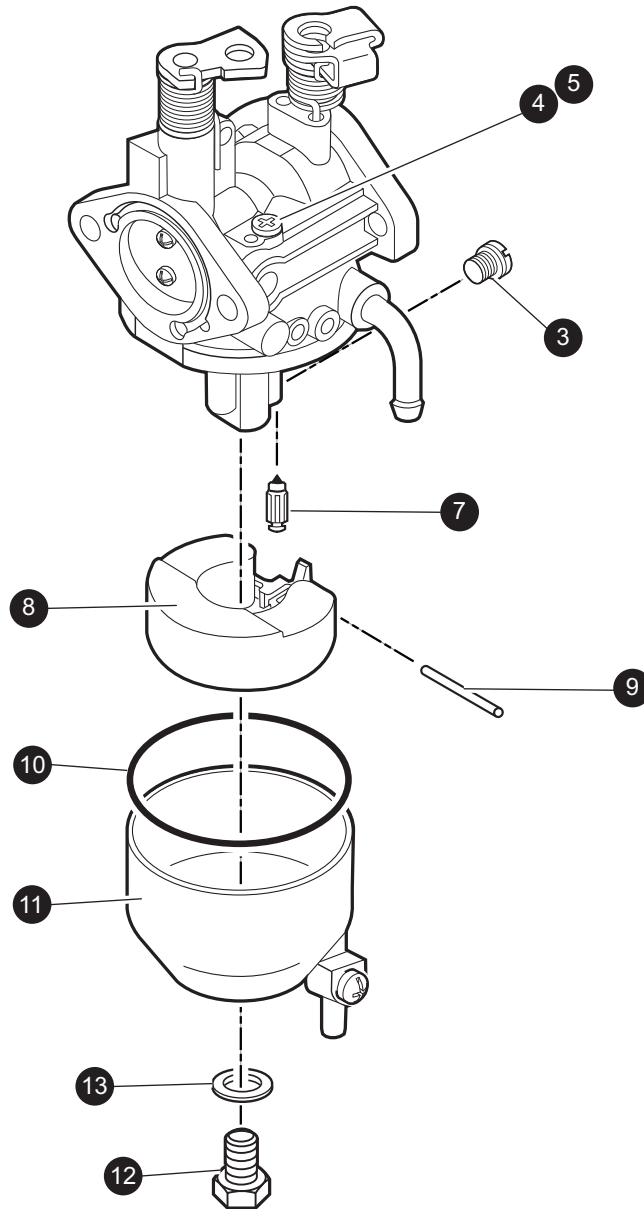
When ordering parts, please specify the model and serial number of the product.

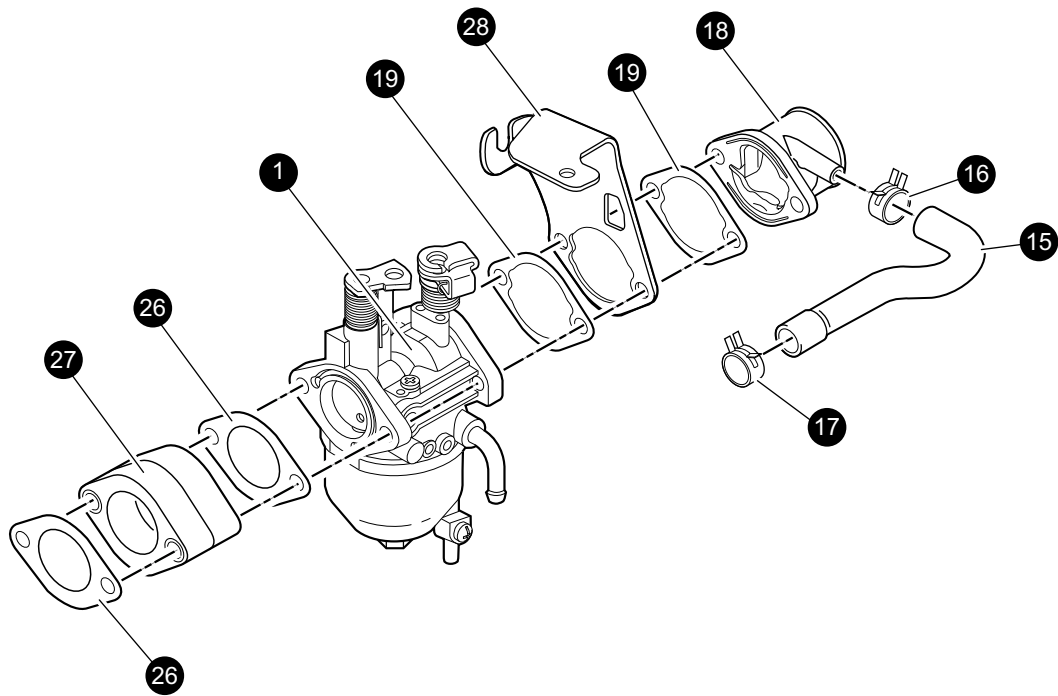
* Indicates a component that is not available as an individual part.

*** Indicates consult Customer Service Department for additional information.

ITEM	PART NO.	1 2 3 4 5 DESCRIPTION	QTY.
1	75854G**	STEEL CAB (WITHOUT DOORS) REPACEMENT PARTS AND ACCESSORIES MAY BE OBTAINED FROM CURTIS CAB, INC.	1
2			
3	<u>75855G01</u>	VINYL DOOR KIT	1
4	75856G**	STEEL DOOR KIT	1
<p>For Cab replacement parts and accessories, contact Curtis Cab at: Curtis Cab, Inc. 111 Higgins Street, Worcester, Massachusetts, 01606. Tel.: 508-853-2200. Toll free: 800-343-7676. www.curtiscab.com</p>			

CARBURETOR





CARBURETOR

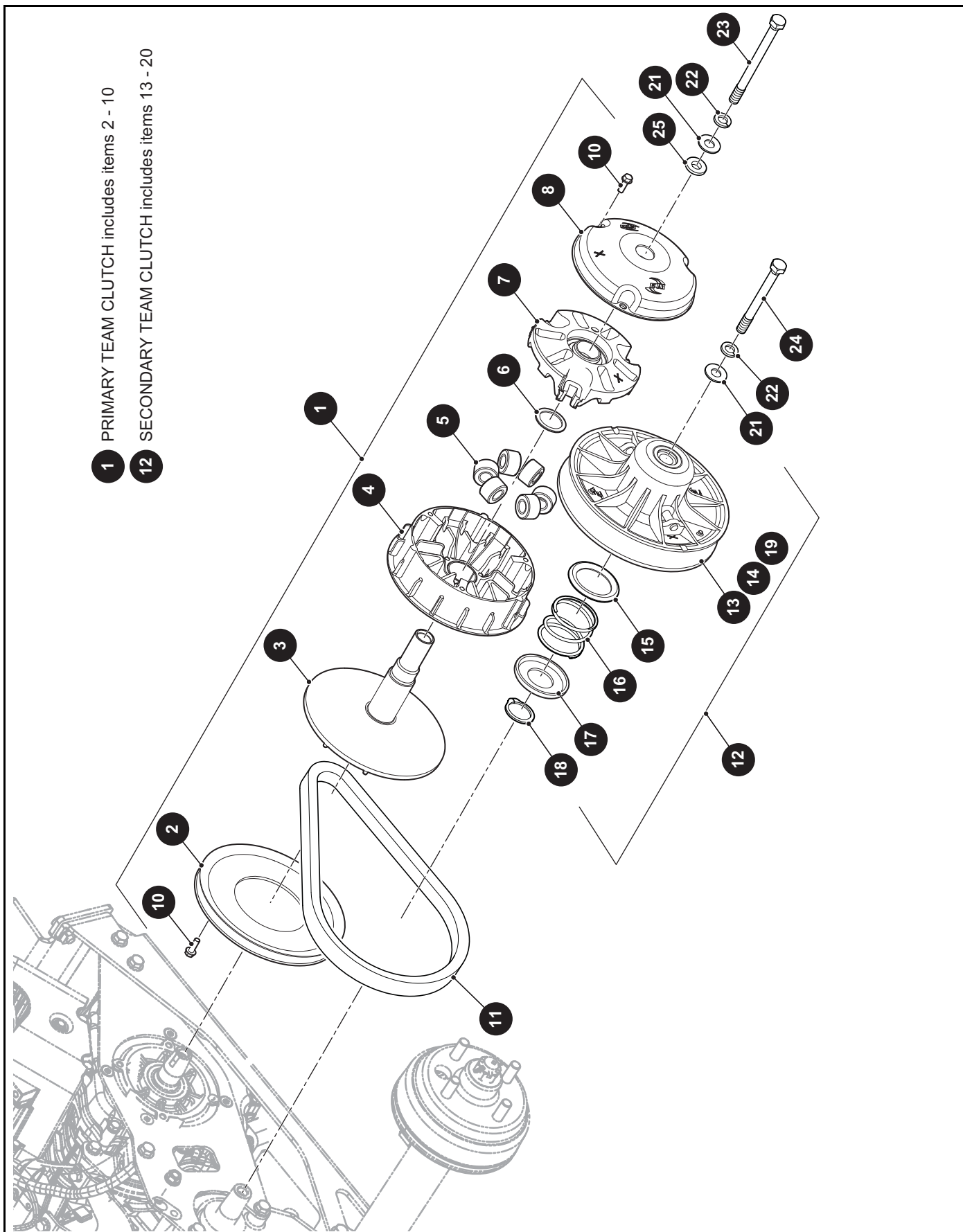
When ordering parts, please specify the model and serial number of the product.

* Indicates a component that is not available as an individual part.

*** Indicates consult Customer Service Department for additional information.

ITEM	PART NO.	1	2	3	4	5	DESCRIPTION	QTY.
1	<u>607954</u>						CARBURETOR (INCLUDES ITEMS 3 - 21).....	1
2								
3	<u>607683</u>						MAIN JET (#104)	1
4	<u>608021</u>						PILOT JET (#44)	1
5	<u>603585</u>						PLUG	1
6								
7	<u>603586</u>						NEEDLE VALVE.....	1
8	<u>603587</u>						FLOAT.....	1
9	<u>603588</u>						FLOAT PIN.....	1
10	<u>603589</u>						FLOAT BOWL GASKET.....	1
11	<u>603590</u>						FLOAT CHAMBER.....	1
12	<u>603592</u>						BOWL SCREW	1
13	<u>603591</u>						BOWL GASKET	1
14								
15	<u>603598</u>						BREATHER TUBE	1
16	<u>603596</u>						CLAMP, INTAKE TUBE.....	1
17	<u>603597</u>						CLAMP CYLINDER HEAD TUBE	1
18	<u>603594</u>						INTAKE TUBE	1
19	<u>603593</u>						CHOKE GASKET.....	2
20	<u>603595</u>						NUT, M6 X 1.0.....	2
21	<u>608023</u>						THROTTLE ROD ATTACHMENT BUSHING.....	1
22								
23	<u>607684</u>						MAIN JET (#102) (FOR ELEVATIONS OF 3000 FT - 6000 FT).....	1
24	<u>607685</u>						MAIN JET (#100) (FOR ELEVATIONS OF 6000 FT - 10000 FT).....	1
25								
26	<u>603580</u>						CARBURETOR MOUNT GASKET.....	2
27	<u>603581</u>						CARBURETOR INSULATOR	1

CLUTCH



When ordering parts, please specify the model and serial number of the product.

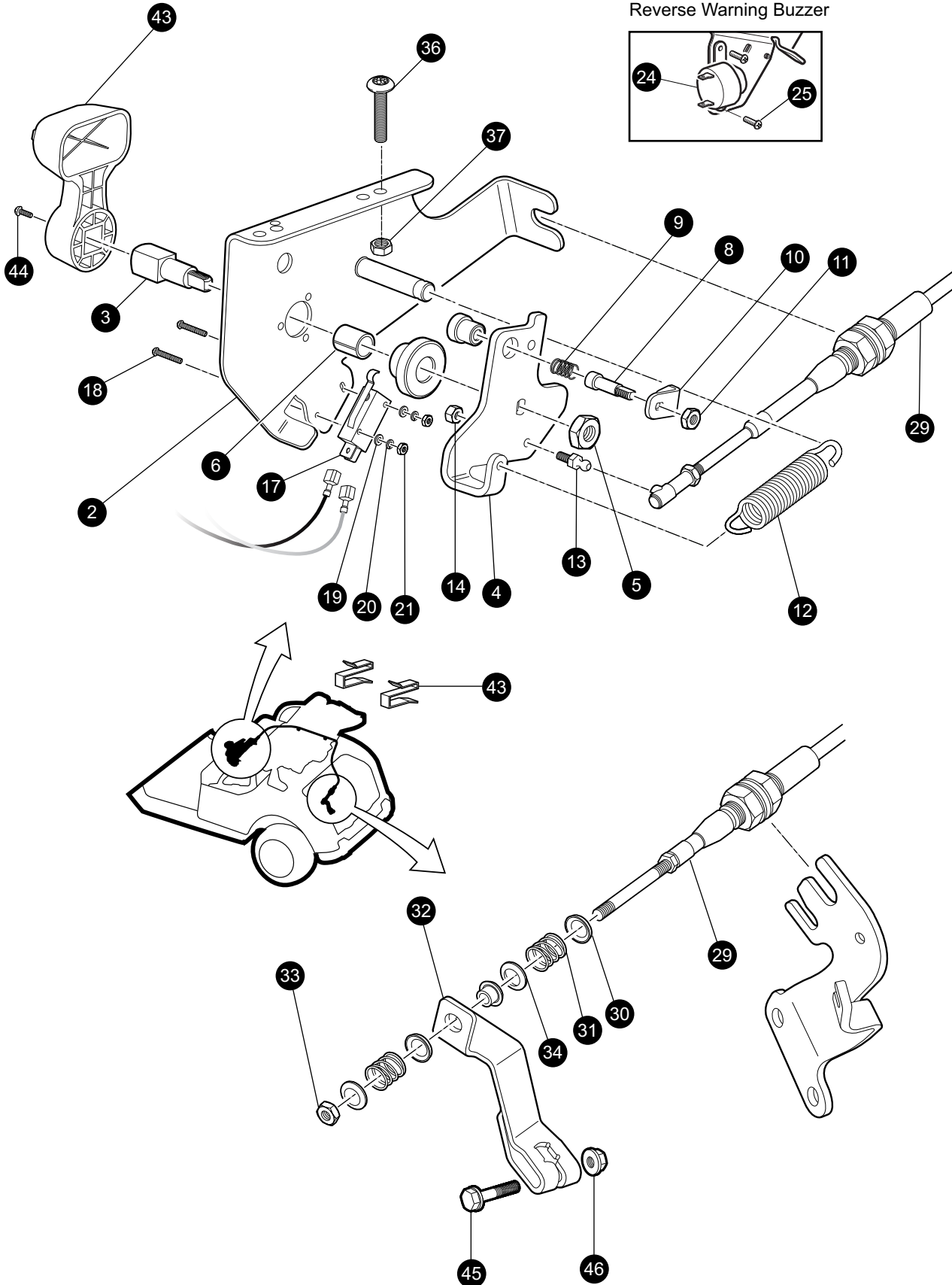
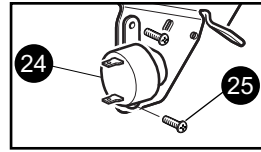
* Indicates a component that is not available as an individual part.

*** Indicates consult Customer Service Department for additional information.

ITEM	PART NO.	1 2 3 4 5	DESCRIPTION	QTY.
1	<u>623948</u>		PRIMARY TEAM CLUTCH (Includes items 2 - 10).....	1
2	<u>619333</u>		PRIMARY STARTER PULLY, 195 - SVC.....	1
3	<u>619334</u>		STATIONARY ASSEMBLY	1
4	<u>619335</u>		MOVEABLE PRIMARY ASSEMBLY	1
5	<u>624112</u>		SHIFT ROLLER ASSEMBLY.....	6
6	<u>619337</u>		SHIM, 39.5 X 31.75	1
7	619338		PRIMARY SPIDER ASSEMBLY	1
8	<u>619339</u>		PRIMARY DUST COVER ASSEMBLY.....	1
9				
10	<u>619332</u>		BOLT, 1/4 - 20 X.75	7
11	<u>618630</u>		DRIVE BELT	1
12	<u>623949</u>		SECONDARY TEAM CLUTCH (Includes items 13 - 20)	1
13	*		SECONDARY STATIONARY, 9.5.....	1
14	*		MOVEABLE SECONDARY, 9.5.....	1
15	<u>619327</u>		INNER RETAINER SPRING.....	1
16	<u>624111</u>		COMPRESSION SPRING, 2.70 OD.....	1
17	<u>619329</u>		OUTER SPRING RETAINER	1
18	<u>619330</u>		RETAINER RING.....	1
19	<u>619331</u>		THRUST WASHER, 1.530 x 1.830 x 1.....	1
20				
21	<u>606239</u>		CONICAL WASHER, M12	2
22	<u>00566G3</u>		SPRING TYPE LOCK WASHER	2
23	<u>606245</u>		HEX BOLT, M12 - 1.25 X 160	1
24	<u>606243</u>		HEX BOLT, M12 - 1.25 X 120	1
25	<u>606230</u>		CLUTCH WASHER.....	1

DIRECTION SELECTOR

Reverse Warning Buzzer



DIRECTION SELECTOR

When ordering parts, please specify the model and serial number of the product.

* Indicates a component that is not available as an individual part.

*** Indicates consult Customer Service Department for additional information.

ITEM	PART NO.	1 2 3 4 5	DESCRIPTION	QTY.
1	<u>603614</u>		DIRECTION SELECTOR ASSEMBLY (INCLUDES ITEMS 2 - 33)	1
2	<u>606077</u>		DIRECTION SELECTOR BRACKET	1
3	<u>70233G01</u>		DIRECTION SELECTOR SHAFT	1
4	<u>603700</u>		DIRECTION SELECTOR CAM	1
5	<u>14390G1</u>		LOCK NUT, 3/8 - 24	1
6	<u>25664G2</u>		BUSHING	1
7				
8	<u>72724G01</u>		NEUTRAL LOCK PIN	1
9	<u>72733G01</u>		COMPRESSION SPRING, 3/8" X 5/8" LG	1
10	<u>72729G01</u>		NEUTRAL LOCK LATCH	1
11	<u>00734G2</u>		LOCK NUT, 1/4 - 28	1
12	<u>28574G01</u>		EXTENSION SPRING	1
13	<u>72732G01</u>		BALL STUD, 1/4"	1
14	<u>00734G5</u>		LOCK NUT, #10 - 32	1
15				
16				
17	<u>72736G01</u>		MICRO SWITCH	1
18	<u>01062G01</u>		SCREW, #4 - 40 X 1" LG	2
19	<u>00559G1</u>		WASHER, #4	2
20	<u>00565G1</u>		LOCK WASHER, #4	2
21	<u>00526G2</u>		NUT, #4 - 40	2
22				
23				
24	<u>73290G03</u>		REVERSE WARNING BUZZER	1
25	<u>01063G01</u>		SCREW, #6 - 32 X 3/8" LG	2
26	<u>25978G345</u>		18 GA WIRE (RED 7")	1
27				
28				
29	<u>602891</u>		SHIFTER CABLE	1
30	<u>25727G01</u>		CUP WASHER, 1/4"	4
31	<u>72735G01</u>		COMPRESSION SPRING, 19/32" X 1" LG	2

DIRECTION SELECTOR

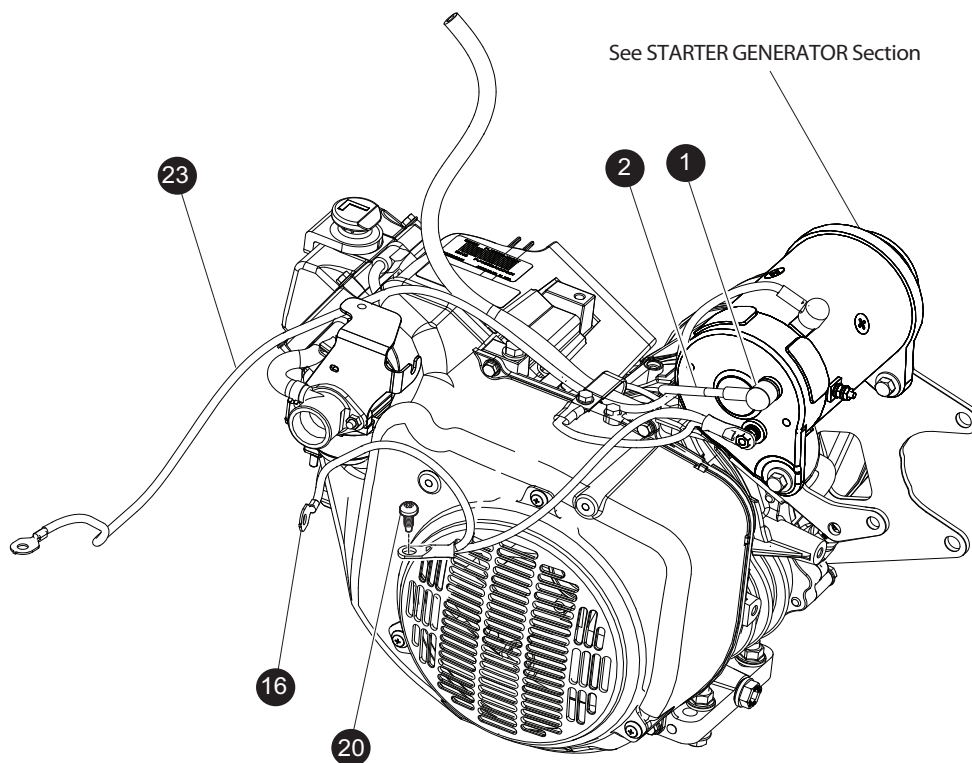
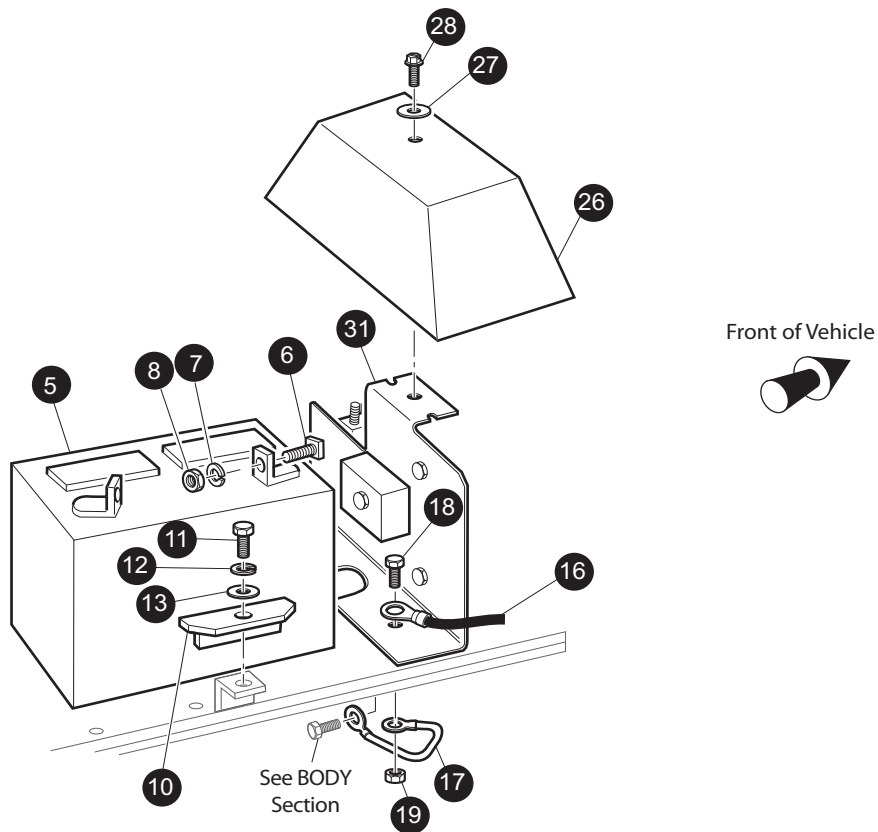
When ordering parts, please specify the model and serial number of the product.

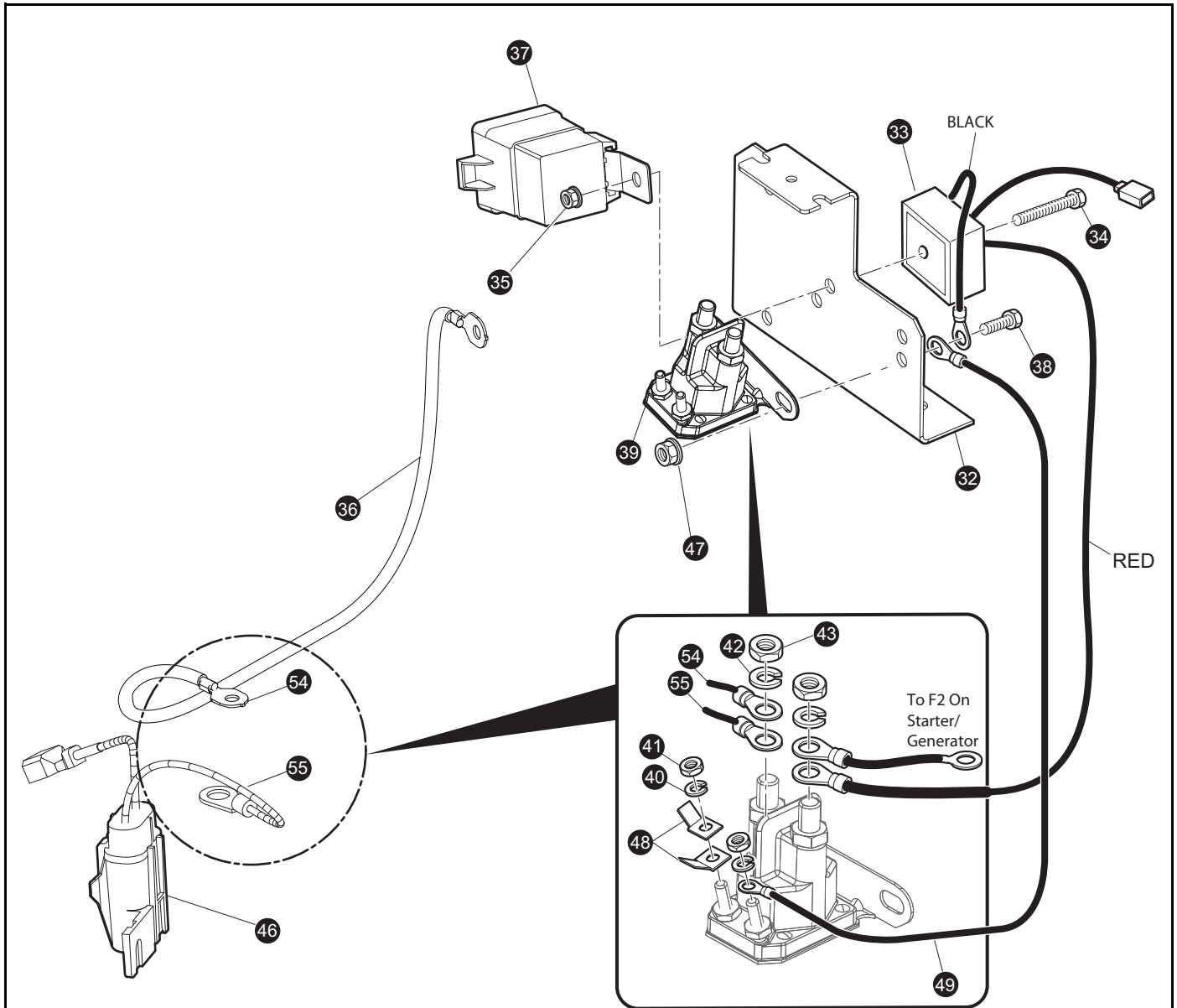
* Indicates a component that is not available as an individual part.

*** Indicates consult Customer Service Department for additional information.

ITEM	PART NO.	1	2	3	4	5	DESCRIPTION	QTY.
32	<u>74455G01</u>						SHIFTER ARM WITH BUSHING	1
33	<u>00734G5</u>						LOCK NUT, #10 - 32	1
34	<u>22754G4</u>						BUSHING, FLIP LOK, .250	1
35								
36	<u>70227G01</u>						SCREW, 1/4 - 20 X 7/8" LG.....	2
37	<u>11027G2</u>						LOCK NUT, 1/4 - 20.....	2
38								
39								
40	26830G01						LOCK NUT, M8 X 1.25 MM	1
41								
42								
43	<u>71205G01</u>						DIRECTION SELECTOR HANDLE	1
44	<u>00740G4</u>						SCREW, #10 - 32 X 1/2" LG (STAINLESS STEEL)	1
45	<u>606421</u>						BOLT	1
46	<u>450452</u>						NUT	1
47	<u>17618G1</u>						WIRE TIE.....	1
48	<u>01072G01</u>						CABLE CLIP	2

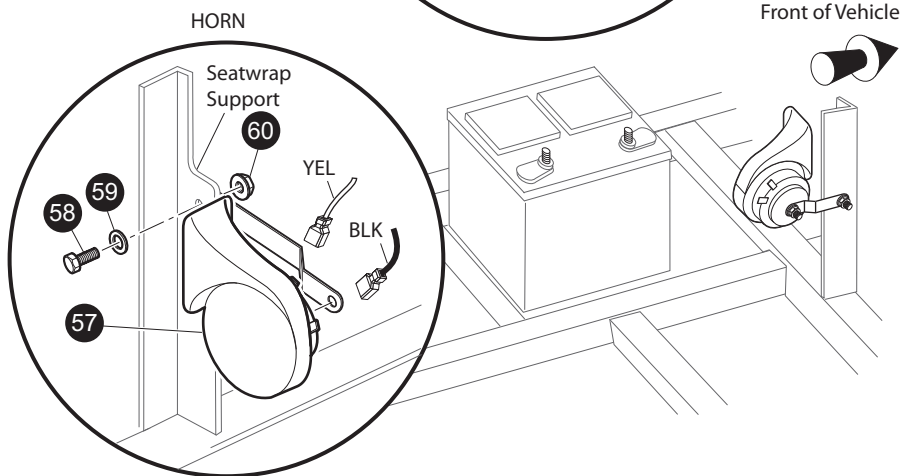
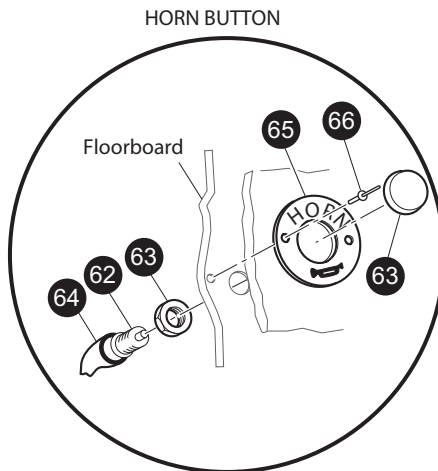
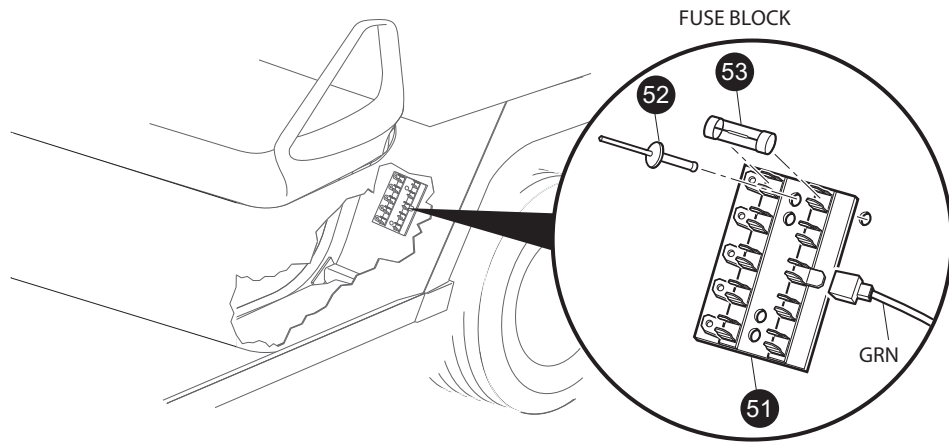
ELECTRICAL SYSTEM



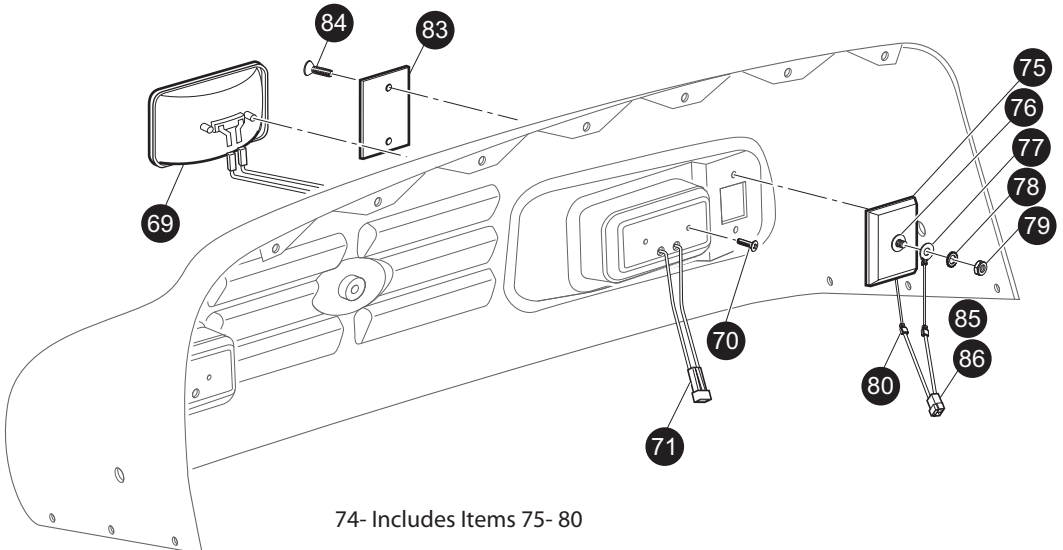


31- Includes Items 32 - 49

Ref Ele 2-2

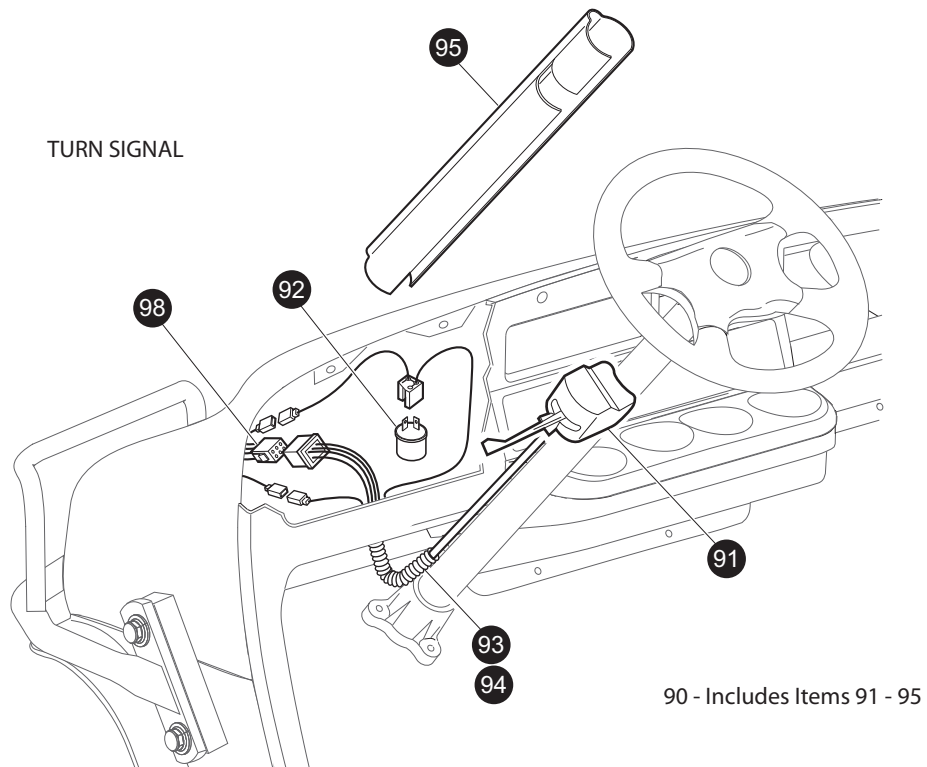
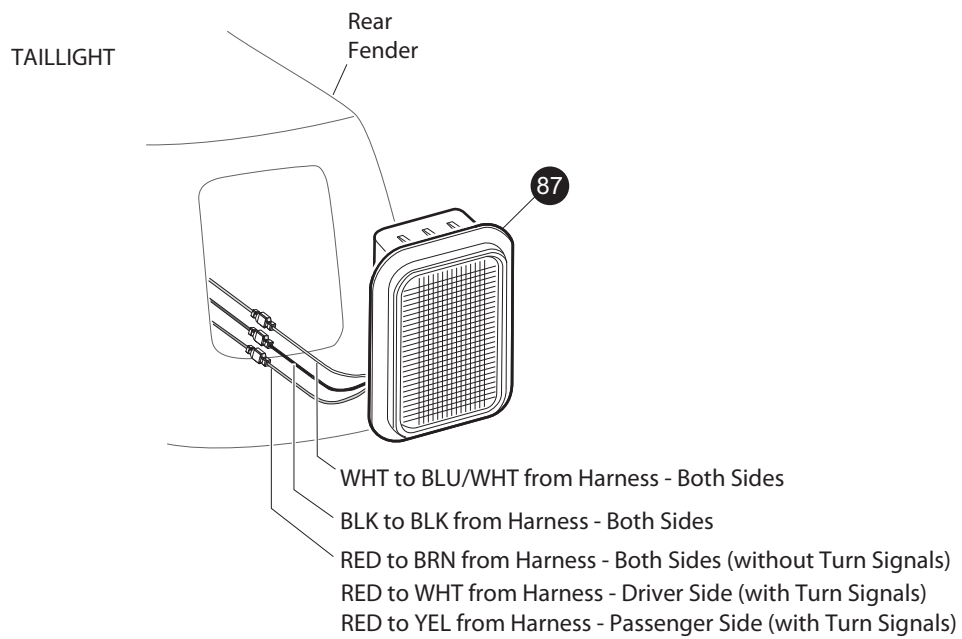


Ref Ele 11-3



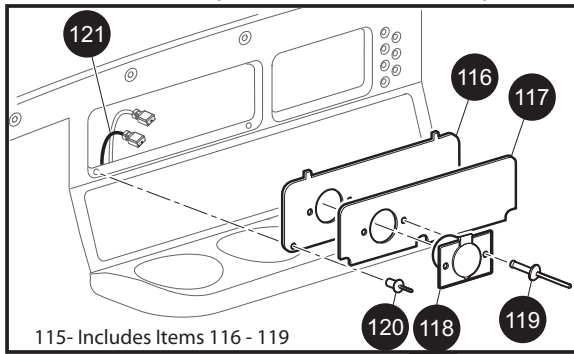
Ref Ele 11-4

ELECTRICAL SYSTEM



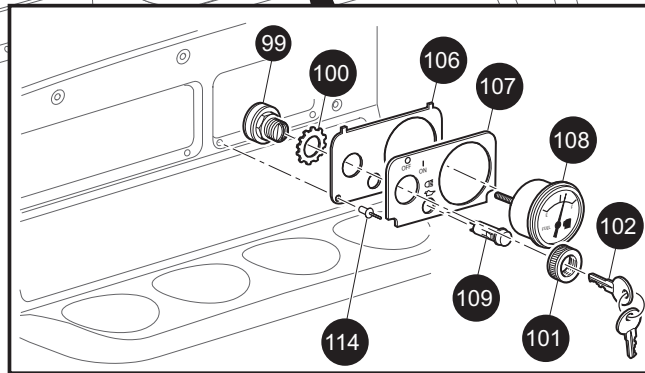
Ref Ele 11-5

CONSOLE INSERT PLATE (WITH POWER OUTLET SHOWN)



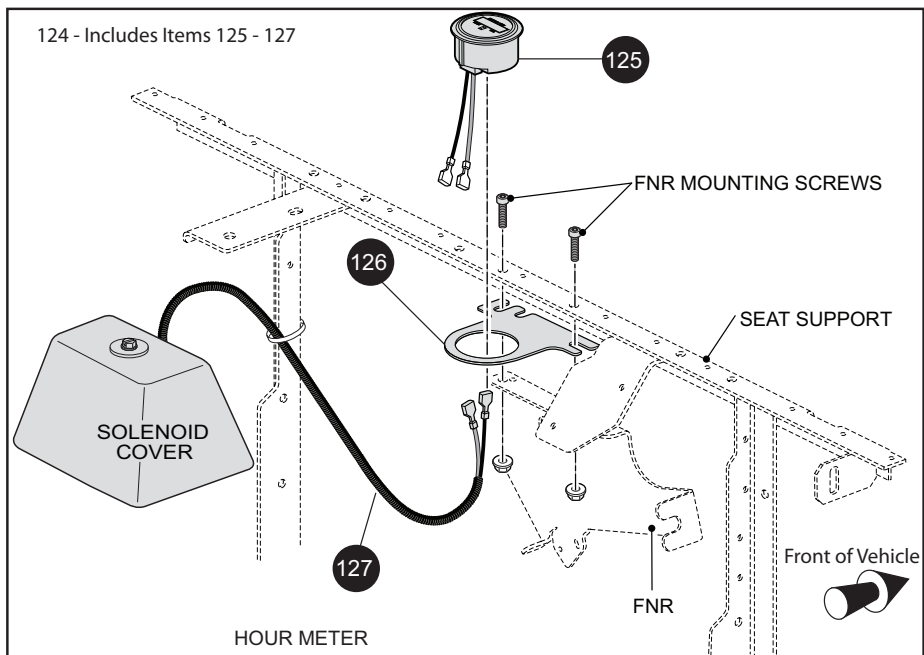
115 - Includes Items 116 - 119

Front of Vehicle



KEY SWITCH, INDICATOR LIGHT(S), AND FUEL GAUGE

124 - Includes Items 125 - 127



Ref Ele 11-6

ELECTRICAL SYSTEM

When ordering parts, please specify the model and serial number of the product.

* Indicates a component that is not available as an individual part.

*** Indicates consult Customer Service Department for additional information.

ITEM	PART NO.	1 2 3 4 5	DESCRIPTION	QTY.
1	<u>607053</u>		6 GA WIRE (BLACK 6", F1 - A2).....	1
2	<u>25682G1</u>		TERMINAL COVER.....	3
3				
4				
5	24775G*		BATTERY, 12V	1
6	*		BOLT, 5/16 - 18 X 1 1/4" LG.....	2
7	*		LOCK WASHER, 5/16" (SILICON BRONZE).....	2
8	*		NUT, 5/16 - 18 (SILICON BRONZE)	2
9				
10	<u>72101G02</u>		BATTERY HOLD DOWN	1
11	00438G6		BOLT, 5/16 - 18 X 3/4" LG	3
12	<u>00565G8</u>		LOCK WASHER, 5/16"	1
13	<u>00571G2</u>		WASHER, 5/16" (STAINLESS STEEL)	1
14				
15				
16	<u>27044G03</u>		GROUND CABLE.....	1
17	<u>25976G19</u>		14 GA WIRE (BLACK 6").....	1
18	00438G6		BOLT, 5/16 - 18 X 3/4" LG	2
19	<u>11027G1</u>		LOCK NUT, 5/16 - 18.....	2
20	<u>26676G01</u>		FLANGED BOLT	1
21				
22				
23	<u>25972G85</u>		6 GA WIRE (BLACK 23", F2 - SOL).....	1
24	<u>605560</u>		WIRE HARNESS (CONTROL).....	1
25	<u>17618G1</u>		WIRE TIE (NOT ILLUSTRATED)	AR
26	<u>73049G01</u>		COVER FNR	1
27	<u>16469G1</u>		WASHER, 1/4".....	1
28	<u>00114G6</u>		SCREW, 1/4 - 14 X 3/4" LG.....	1
29	<u>31539G1</u>		CLAMP, NYLON (NOT ILLUSTRATED)	10
30				
31	<u>605563</u>		ELECTRICAL PLATE ASSEMBLY (INCLUDES ITEMS 32 - 49)	1

ELECTRICAL SYSTEM

When ordering parts, please specify the model and serial number of the product.

* Indicates a component that is not available as an individual part.

*** Indicates consult Customer Service Department for additional information.

ITEM	PART NO.	1 2 3 4 5	DESCRIPTION	QTY.
32	<u>73057G01</u>		BRACKET.....	1
33	<u>27739G01</u>		VOLTAGE REGULATOR.....	1
34	<u>00415G4</u>		BOLT, 1/4 - 20 X 1 1/4" LG.....	1
35	<u>11027G2</u>		LOCK NUT, 1/4 - 20.....	1
36	<u>25972G33</u>		WIRE ASSEMBLY 6 GA.....	1
37	<u>603282</u>		RELAY.....	1
38	00661G08		BOLT, 1/4 - 20 X 1" LG.....	1
39	<u>612813</u>		SOLENOID.....	1
40	*		LOCK WASHER, #10.....	2
41	*		NUT, #10 - 32.....	2
42	*		LOCK WASHER, 5/16".....	2
43	*		NUT, 5/16 - 24.....	2
44				
45				
46	600418G01		FUSE HOLDER ASSEMBLY.....	1
47	<u>11027G2</u>		LOCK NUT, 1/4 - 20.....	1
48	<u>73446G01</u>		FASTON TAB, 90°.....	2
49	<u>25978G56</u>		18 GA WIRE (BLACK 5 3/4").....	1
50				
51	<u>22674G1</u>		FUSE BLOCK.....	1
52	<u>01041G01</u>		RIVET, 1/8" X 13/16" LG.....	2
53	<u>18392G1</u>		15 AMP FUSE.....	3
54	<u>25972G33</u>		#6 GA WIRE ASSEMBLY.....	1
55	<u>20216G1</u>		16 GA WIRE (RED).....	1
56				
57	<u>32860G1</u>		HORN.....	1
58	<u>00414G5</u>		BOLT, 1/4 - 20 x 5/8" LG.....	1
59	<u>00559G7</u>		WASHER, 1/4" (STAINLESS STEEL).....	1
60	<u>14390G4</u>		LOCK NUT, 1/4 - 20.....	1
61				
62	<u>17318G1</u>		HORN SWITCH.....	1

ELECTRICAL SYSTEM

When ordering parts, please specify the model and serial number of the product.

* Indicates a component that is not available as an individual part.

*** Indicates consult Customer Service Department for additional information.

ITEM	PART NO.	1 2 3 4 5	DESCRIPTION	QTY.
63	<u>17318G2</u>		HORN SWITCH CAP AND NUT	1
64	<u>27068G01</u>		HORN SWITCH BOOT.....	1
65	19233G1		HORN SWITCH LABEL.....	1
66	<u>71055G01</u>		RIVET, 3/16" X 1" LG (ALUMINUM)	2
67				
68				
69	22523G01		HEADLIGHT (INCLUDES ITEM 70).....	2
70	<u>00906G6</u>		SCREW, #10 - 16 X 1" LG	4
71	<u>74337G01</u>		JUMPER WIRE (HEADLIGHT)	2
72				
73				
74	<u>20570G3</u>		TURN SIGNAL LIGHT ASSEMBLY (INCLUDES ITEMS 75 - 80).....	2
75	<u>20574G3</u>		TURN SIGNAL LIGHT	1
76	<u>00660G7</u>		WASHER, 1/4" (STAINLESS STEEL).....	1
77	<u>20606G1</u>		WIRE ASSEMBLY.....	1
78	<u>00567G7</u>		LOCK WASHER, 1/4"	1
79	<u>00532G1</u>		NUT, 1/4 - 20.....	1
80	<u>18995G1</u>		PUSH-ON TERMINAL (MALE).....	1
81				
82				
83	<u>20574G4</u>		LENS, AMBER	1
84	<u>00118G5</u>		SCREW, #6 - 18 X 5/8" LG.....	4
85	<u>74056G01</u>		TURN SIGNAL JUMPER, RED/BLACK (PASSENGER SIDE)	1
86	<u>74056G02</u>		TURN SIGNAL JUMPER, GREEN/BLACK (DRIVER SIDE).....	1
87	<u>32739G2</u>		TAILLIGHT ASSEMBLY (COMPLETE)	2
88				
89				
90	606887		TURN SIGNAL KIT (INCLUDES ITEMS 91 - 95).....	1
91	<u>17867G1</u>		TURN SIGNAL (WITH MOUNTING HARDWARE) (INCLUDES ITEM 106)	1
92	<u>21640G1</u>		TURN SIGNAL FLASHER.....	1
93	<u>32307G3</u>		FLEX LOOM, 3/8 X 8" LG	1

ELECTRICAL SYSTEM

When ordering parts, please specify the model and serial number of the product.

* Indicates a component that is not available as an individual part.

*** Indicates consult Customer Service Department for additional information.

ITEM	PART NO.	1 2 3 4 5	DESCRIPTION	QTY.
94	<u>17618G1</u>		WIRE TIE.....	2
95	<u>20965G3</u>		STEERING COLUMN COVER.....	1
96				
97				
98	<u>606045</u>		WIRE HARNESS (ACCESSORY)	1
99	<u>33639G01</u>		IGNITION SWITCH (WITH LIGHTS, INDIVIDUALLY KEYED).....	1
100	<u>00568G6</u>		LOCK WASHER, 3/4"	1
101	<u>17137G1</u>		FACE NUT, 3/4 - 20.....	1
102	<u>17063G1</u>		IGNITION KEY	1
103	<u>605639</u>		WIRE HARNESS (KEY SWITCH).....	1
104				
105				
106	<u>73030G04</u>		PLATE (FUEL GAUGE AND OIL LIGHT)	1
107	<u>71131G01</u>		LABEL (OIL LIGHT AND FUEL GAUGE WITH HEADLIGHTS)	1
108	<u>21553G1</u>		FUEL GAUGE	1
109	<u>23474G1</u>		INDICATOR LIGHT	1
110	<u>74311G01</u>		HARNESS (OIL LIGHT/FUEL GAUGE).....	1
111	<u>25978G122</u>		18 GA WIRE (RED 6")	1
112				
113				
114	<u>33623G02</u>		DRIVE RIVET, 3/16" X 3/8" LG	2
115	<u>74693G01</u>		CONSOLE INSERT ASSEMBLY (INCLUDES ITEMS 116 - 119).....	1
116	<u>73522G03</u>		CONSOLE INSERT PLATE.....	1
117	<u>35962G01</u>		LABEL (CONSOLE INSERT PLATE)	1
118	<u>71078G01</u>		POWER OUTLET (12 VOLT)	1
119	<u>14601G10</u>		RIVET, 3/16" X 7/16" LG (ALUMINUM)	2
120	<u>33623G02</u>		DRIVE RIVET, 3/16" X 3/8" LG	3
121	<u>71081G01</u>		WIRE HARNESS (POWER OUTLET)	1
122				
123				
124	<u>607285</u>		HOUR METER KIT (INCLUDES ITEMS 125 - 127).....	1

ELECTRICAL SYSTEM

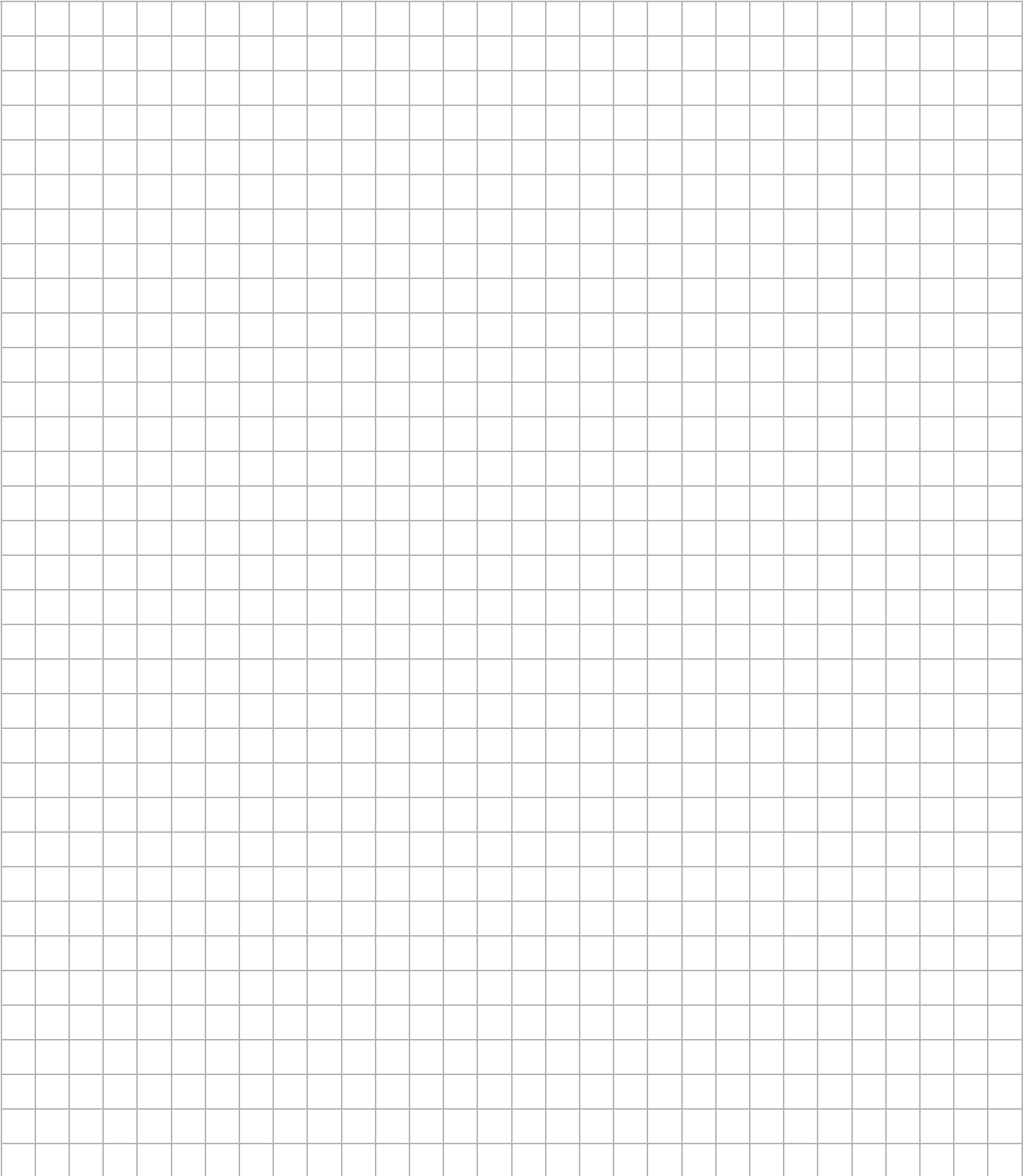
When ordering parts, please specify the model and serial number of the product.

* Indicates a component that is not available as an individual part.

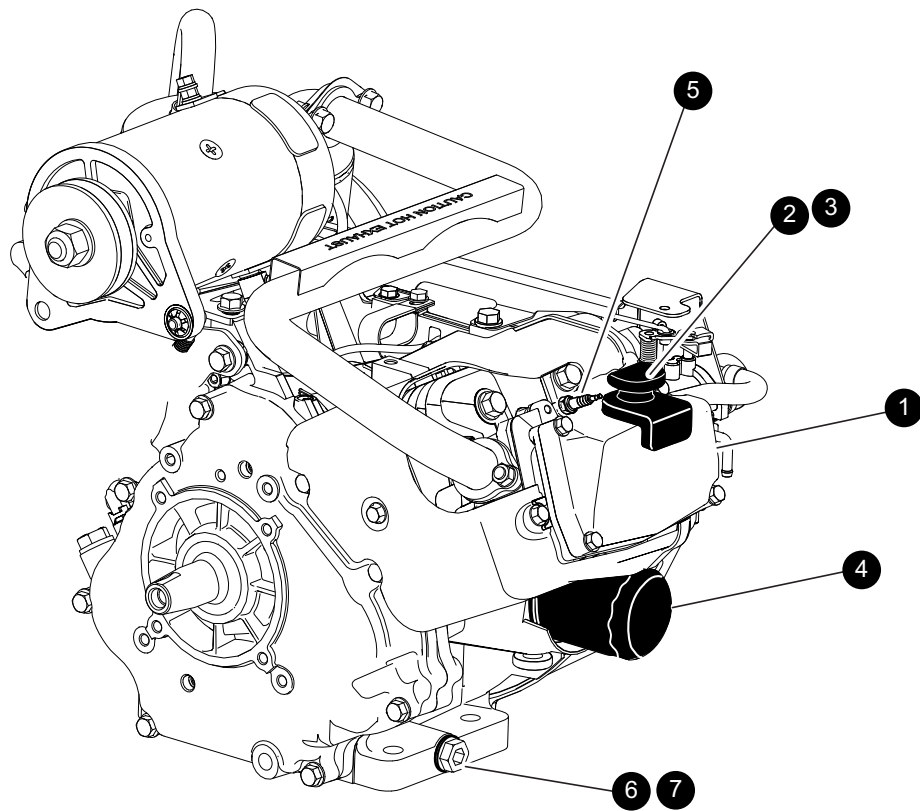
*** Indicates consult Customer Service Department for additional information.

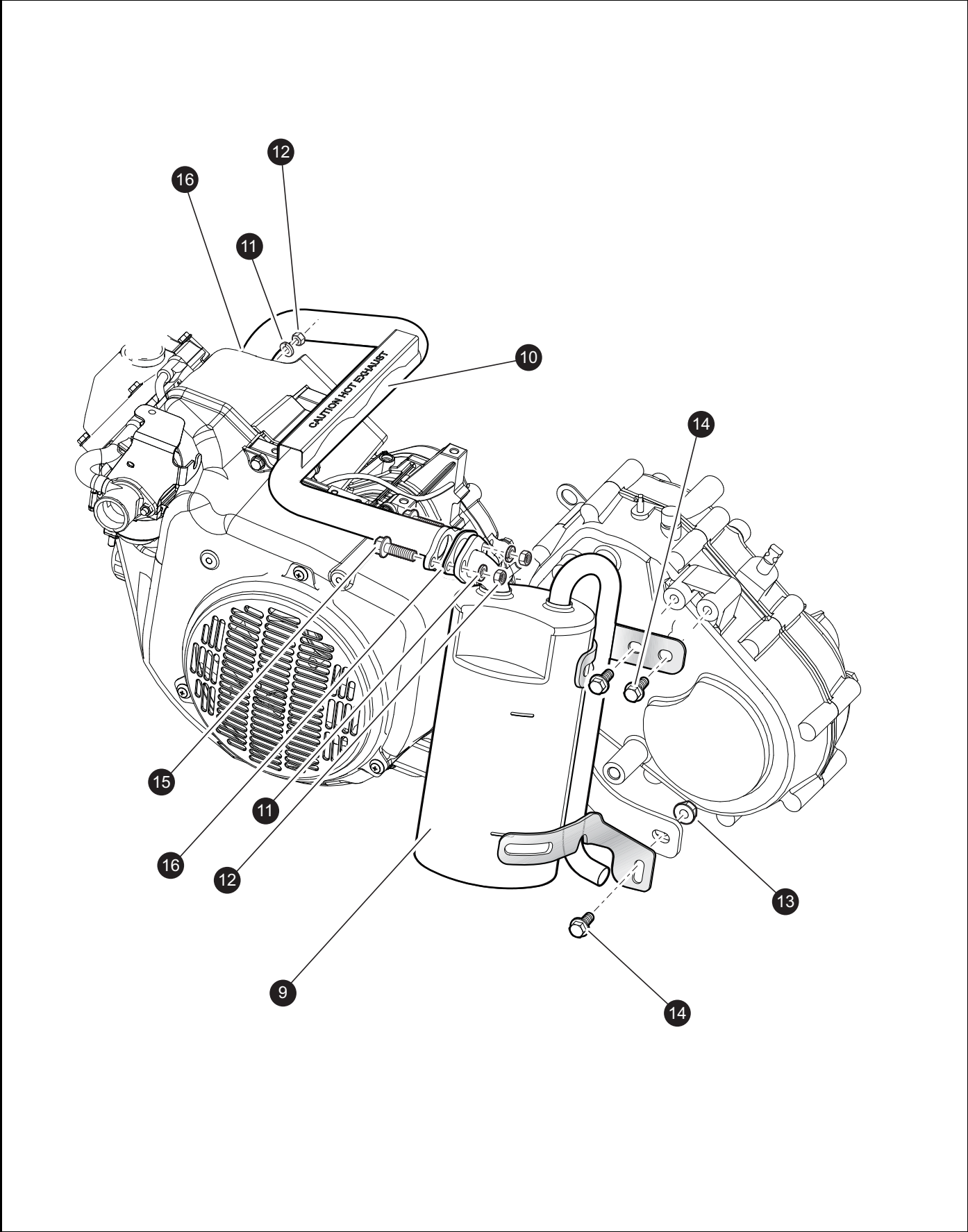
ITEM	PART NO.	1	2	3	4	5	DESCRIPTION	QTY.
125	<u>617074</u>						HOUR METER.....	1
126	<u>603721</u>						HOUR METER BRACKET.....	1
127	<u>606254</u>						WIRE HARNESS (HOUR METER).....	1

Notes:

A large rectangular grid consisting of 30 columns and 30 rows of small squares, intended for writing notes. The grid is empty.

ENGINE AND MUFFLER





ENGINE AND MUFFLER

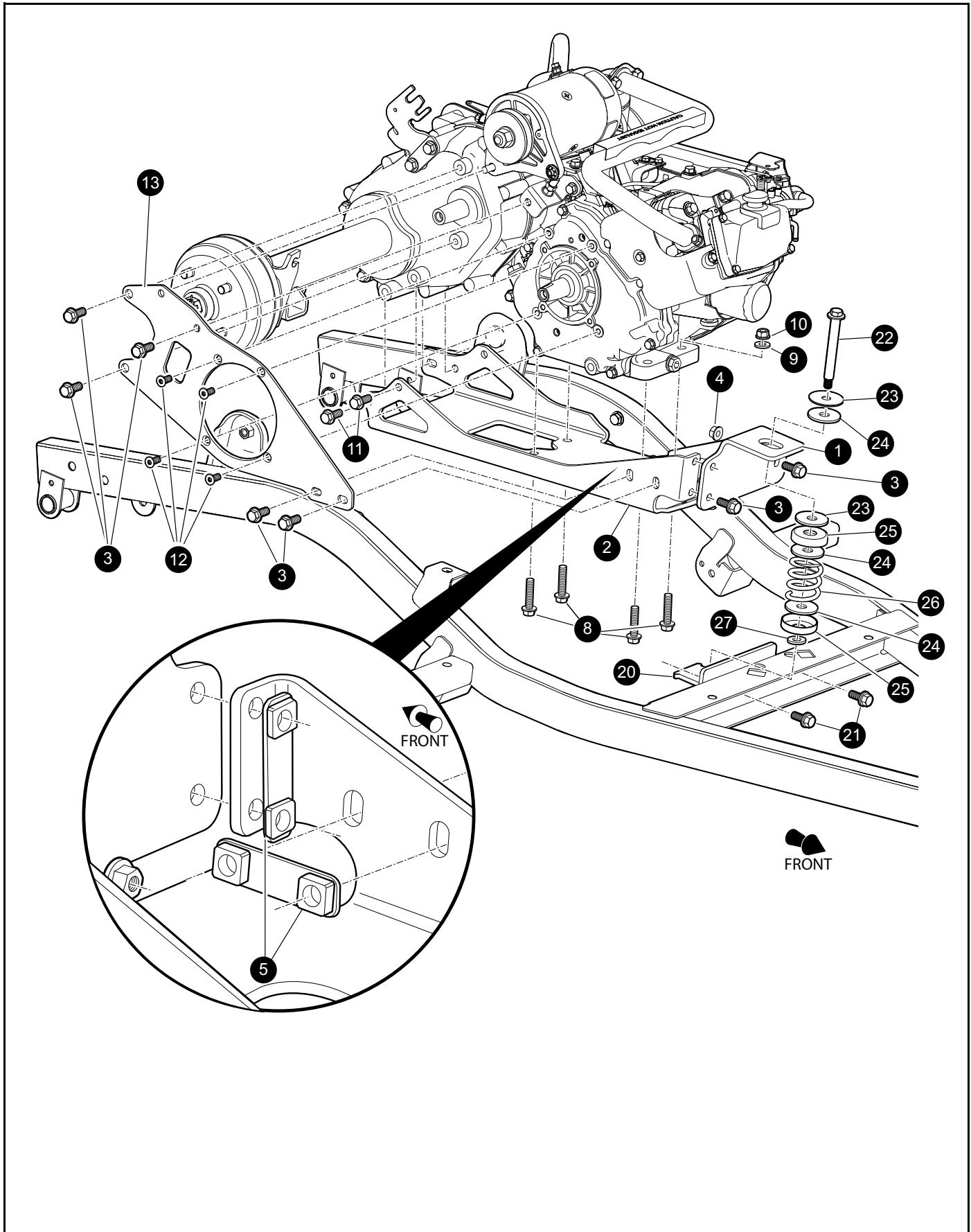
When ordering parts, please specify the model and serial number of the product.

* Indicates a component that is not available as an individual part.

*** Indicates consult Customer Service Department for additional information.

ITEM	PART NO.	1 2 3 4 5	DESCRIPTION	QTY.
1	<u>607154</u>		ENGINE, GAS, 13HP, NON-GOLF	1
2	<u>606390</u>		DIP STICK, LOW	1
3				
4	<u>607454</u>		OIL FILTER	1
5	<u>607462</u>		SPARK PLUG (BPR2ES).....	1
6	<u>603557</u>		OIL DRAIN PLUG	1
7	<u>603562</u>		'O' RING, 16MM	1
8				
9	<u>612266</u>		MUFFLER.....	1
10	<u>606982</u>		EXHAUST PIPE	1
11	<u>606272</u>		WASHER, 8MM	4
12	<u>606267</u>		NUT, M8 X 1.25	4
13	<u>606279</u>		NUT, M10 - 1.25	1
14	<u>606256</u>		BOLT, M10 - 1.25 X 25	3
15	<u>602330</u>		BOLT, M8 - 1.25 X 30	2
16	<u>603599</u>		EXHAUST GASKET	2

ENGINE MOUNTING



ENGINE MOUNTING

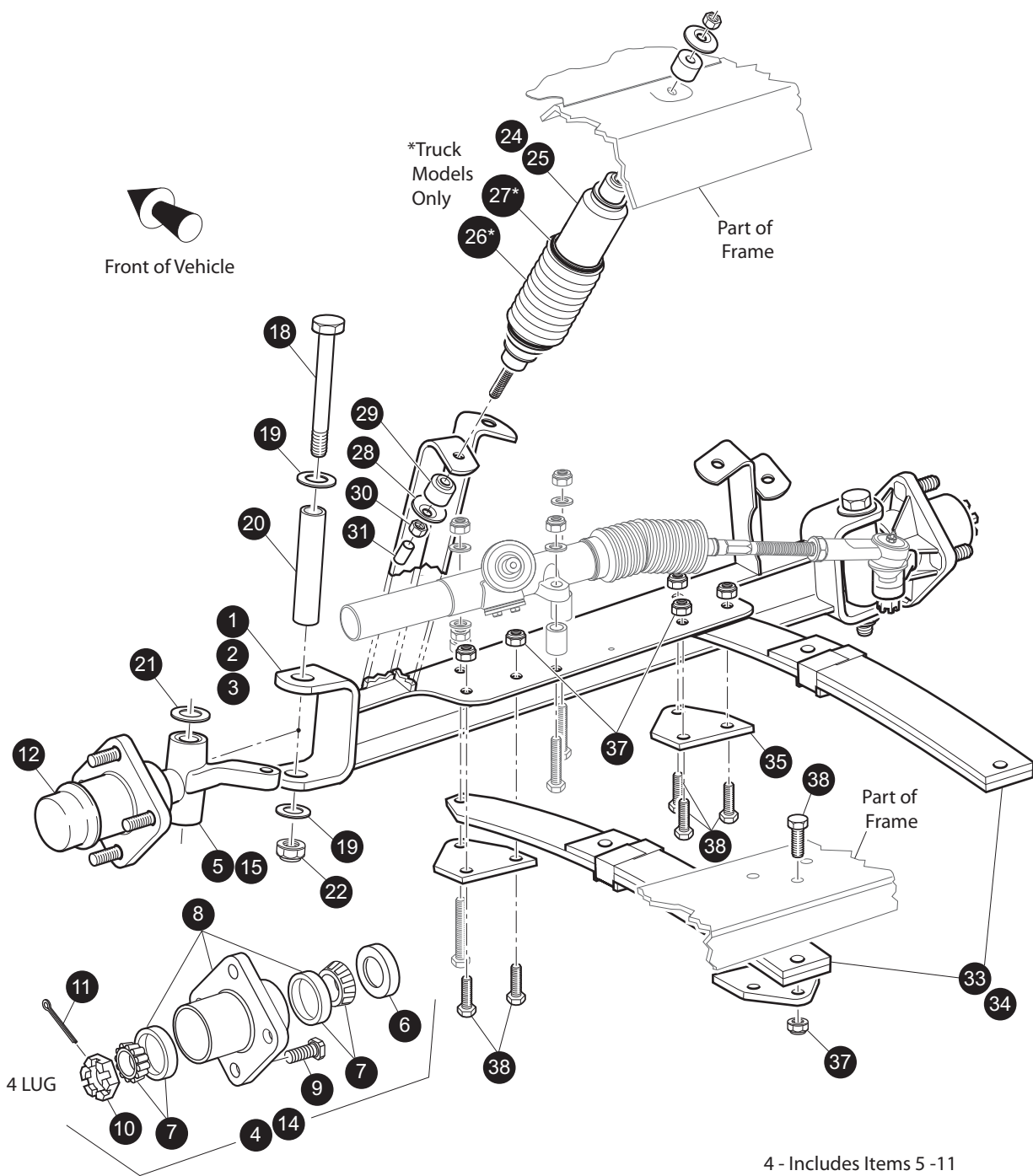
When ordering parts, please specify the model and serial number of the product.

* Indicates a component that is not available as an individual part.

*** Indicates consult Customer Service Department for additional information.

ITEM	PART NO.	1 2 3 4 5	DESCRIPTION	QTY.
1	<u>606007</u>		FRONT ENGINE MOUNT	1
2	<u>603101</u>		ENGINE PAN MOUNT	1
3	<u>606256</u>		BOLT, M10 - 1.25 X 25	10
4	<u>606279</u>		NUT, M10 - 1.25	1
5	<u>606096</u>		NUT PLATE	2
6				
7				
8	<u>606259</u>		BOLT,	4
9	<u>603823</u>		FLAT WASHER, M10 X 22 - 2.5	4
10	<u>606279</u>		NUT, M10 - 1.25	4
11	<u>608020</u>		BOLT, M10 - 1.25 X 34	4
12	<u>606246</u>		FLAT HEAD SCREW, T40	4
13	<u>602146</u>		DIFFERENTIAL PLATE	1
14				
15				
16				
17				
18				
19				
20	603683		ISO MOUNT	1
21	<u>603799</u>		BOLT, M10 -1.0 X 25	2
22	<u>607299</u>		BOLT, M10 - 1.5	1
23	<u>607297</u>		RUBBER WASHER	2
24	<u>607298</u>		DELTRIN WASHER	3
25	<u>24939G2</u>		CAP ADAPTER	2
26	<u>606166</u>		COMPRESSION SPRING	1
27	<u>604066</u>		WASHER, M10 - 10.5 X 30	1

FRONT SUSPENSION/STEERING



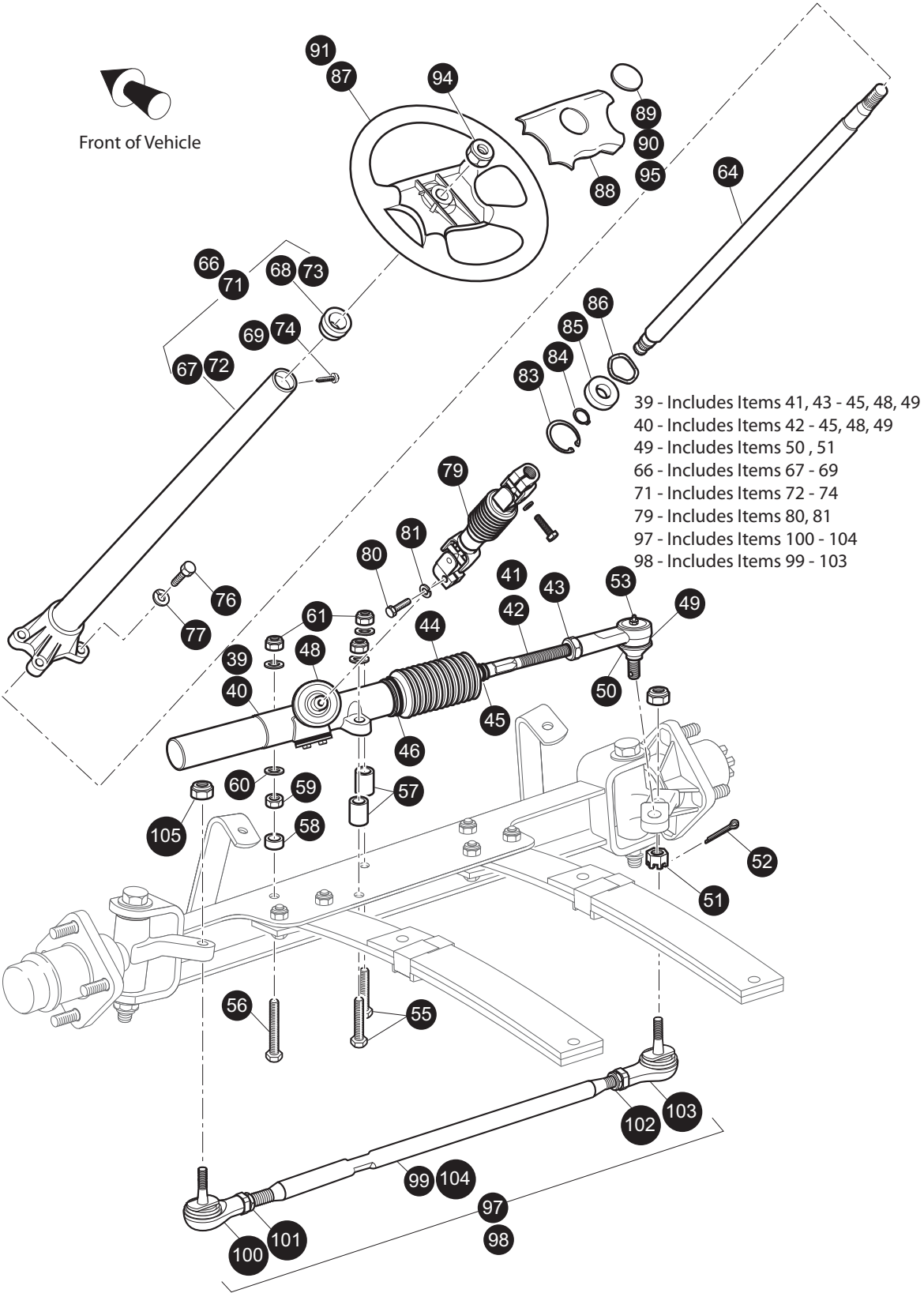
***NOTE:** For Vehicles with Front Disc Brakes see page E-3

4 - Includes Items 5 - 11
 8 - Includes Item 9
 14 - Includes Items 5 - 10, 15

***NOTE:** Tie Rod Not Shown for Clarity

Ref Fss 21-1

FRONT SUSPENSION/STEERING



Ref Fss 21-2

FRONT SUSPENSION/STEERING

When ordering parts, please specify the model and serial number of the product.

* Indicates a component that is not available as an individual part.

*** Indicates consult Customer Service Department for additional information.

ITEM	PART NO.	1 2 3 4 5	DESCRIPTION	QTY.
1	<u>602512</u>		FRONT AXLE	1
2	<u>602513</u>		FRONT AXLE	1
3	<u>602327</u>		FRONT AXLE	1
4	<u>70942G03</u>		SPINDLE AND HUB ASSEMBLY, 4 LUG (PASSENGER SIDE) (INCLUDES ITEMS 5 - 11)	1
5	<u>70942G04</u>		SPINDLE ASSEMBLY (PASSENGER SIDE).....	1
6	<u>25146G1</u>		GREASE SEAL	1
7	<u>50892G1</u>		ROLLER BEARING AND RACE ASSEMBLY	2
8	<u>70895G01</u>		WHEEL HUB ASSEMBLY WITH RACES, 4 LUG (INCLUDES ITEM 8) ..	1
9	<u>19862-G1</u>		LUG BOLT, 1/2 - 20 X 1 7/32" LG	4
10	<u>12093G1</u>		SLOTTED NUT, 1 - 14	1
11	<u>00798G8</u>		COTTER PIN, 5/32" X 1 3/4" LG.....	1
12	<u>12091G2</u>		SPINDLE CAP	2
13				
14	<u>70673G03</u>		SPINDLE AND HUB ASSEMBLY, 4 LUG (DRIVER SIDE) (INCLUDES ITEMS 6 - 11, 15)	1
15	<u>70673G04</u>		SPINDLE ASSEMBLY (DRIVER SIDE)	1
16				
17				
18	<u>00407G6</u>		BOLT, 1/2 - 13 X 6" LG	2
19	<u>00560G3</u>		WASHER, 1/2"	4
20	<u>70745G01</u>		KING PIN TUBE	2
21	<u>70754G01</u>		THRUST WASHER (STAINLESS STEEL)	2
22	<u>14390G6</u>		LOCK NUT, 1/2 - 13.....	2
23				
24	<u>76418G01</u>		SHOCK ABSORBER	2
25	<u>76419G01</u>		SHOCK ABSORBER	2
26	<u>70509G01</u>		SHOCK ABSORBER BOOT	2
27	<u>31539G1</u>		WIRE TIE	4
28	<u>10435G1</u>		SHOCK ABSORBER WASHER	8
29	<u>10194G1</u>		RUBBER SHOCK ABSORBER BUSHING	8
30	<u>00532G6</u>		NUT, 3/8 - 24	4

FRONT SUSPENSION/STEERING

When ordering parts, please specify the model and serial number of the product.

* Indicates a component that is not available as an individual part.

*** Indicates consult Customer Service Department for additional information.

ITEM	PART NO.	1 2 3 4 5	DESCRIPTION	QTY.
31	<u>10044G01</u>		VINYL CAP	2
32				
33	<u>70989G03</u>		LEAF SPRING (HEAVY DUTY)	2
34	<u>70664G03</u>		LEAF SPRING (HEAVY DUTY) (SEE PART NUMBER ON SPRING).....	2
35	<u>70163G03</u>		SPRING PLATE	4
36				
37	<u>00734G1</u>		LOCK NUT, 7/16 - 14	9
38	<u>00463G11</u>		BOLT, 7/16 - 14 X 1 3/4" LG.....	11
39	<u>70964G02</u>		RACK AND PINION UNIT (COMPLETE) (INCLUDES ITEMS 41-43, 45-47, 49-50)	1
40	<u>74605G01</u>		RACK AND PINION UNIT (COMPLETE) (INCLUDES ITEMS 41-42, 44-47, 49-54)	1
41	<u>70965-G01</u>		STEERING RACK & COVER BEARING	1
42	*		STEERING BOX INSTALLATION TAG	1
43	<u>70694G01</u>		RACK EXTENSION.....	1
44	<u>74602G01</u>		RACK EXTENSION.....	1
45	*		JAM NUT, 1/2 - 20	1
46	<u>70675G01</u>		RACK BOOT	1
47	<u>12416G2</u>		WIRE TIE.....	1
48	<u>11391G8</u>		HOSE CLAMP.....	1
49	<u>70638G01</u>		PINION SEAL.....	1
50	<u>70695G01</u>		RACK BALL JOINT (INCLUDES ITEMS 51 & 52)	1
51	<u>50641G1</u>		RUBBER BOOT	1
52	<u>50209G2</u>		SLOTTED NUT, 7/16 - 20	1
53	<u>10387G2</u>		COTTER PIN, 3/32" X 1" LG	1
54	<u>10389G3</u>		GREASE FITTING, STRAIGHT.....	1
55	<u>00464G6</u>		BOLT, 7/16 - 14 X 2 3/4" LG.....	2
56	<u>01068G01</u>		BOLT, 7/16 - 14 X 3 1/2" LG.....	1
57	<u>70667G02</u>		SPACER.....	2
58	<u>70667G03</u>		SPACER (SHORT).....	1
59	<u>00532G7</u>		NUT, 7/16 - 14.....	1
60	<u>00560G2</u>		FLAT WASHER, 7/16".....	7

FRONT SUSPENSION/STEERING

When ordering parts, please specify the model and serial number of the product.

* Indicates a component that is not available as an individual part.

*** Indicates consult Customer Service Department for additional information.

ITEM	PART NO.	1	2	3	4	5	DESCRIPTION	QTY.
61	<u>00734G1</u>						LOCK NUT, 7/16 - 14.....	3
62								
63								
64	<u>70607G01</u>						STEERING SHAFT	1
65								
66	<u>70758-G06</u>						STEERING COLUMN KIT (INCLUDES ITEMS 67 - 69)	1
67	<u>70610G03</u>						STEERING COLUMN	1
68	<u>28569G01</u>						STEERING COLUMN BUSHING.....	1
69	<u>01022G01</u>						SCREW, #6 - 20 X 5/16" LG	1
70								
71	<u>70758G08</u>						STEERING COLUMN KIT (HORN) (INCLUDES ITEMS 72 - 74)	1
72	<u>70610G04</u>						STEERING COLUMN	1
73	<u>28569G01</u>						STEERING COLUMN BUSHING.....	1
74	<u>01022G01</u>						SCREW, #6 - 20 X 5/16" LG	1
75								
76	<u>01006G01</u>						BOLT, 3/8 - 16 X 1 1/4" LG WITH PATCHLOCK.....	4
77	<u>00879G1</u>						WASHER, 3/8".....	4
78								
79	<u>70580G01</u>						INTERMEDIATE SHAFT (INCLUDES ITEMS 80, 81).....	1
80	<u>01055G01</u>						BOLT, M8 X 1 1/4" LG	2
81	<u>00565G8</u>						LOCK WASHER, 5/16"	2
82								
83	<u>70751G01</u>						RETAINING RING (INTERNAL)	1
84	<u>70888G01</u>						RETAINING RING (EXTERNAL).....	1
85	<u>15112G1</u>						BALL BEARING.....	1
86	<u>70887G01</u>						WAVE WASHER.....	1
87	<u>602980</u>						STEERING WHEEL PREMIUM (OPTIONAL).....	1
88	<u>71147G01</u>						STEERING WHEEL COVER.....	1
89	<u>74815G01</u>						LABEL (E-Z-GO)	1
90	<u>74954G01</u>						LABEL (CUSHMAN).....	1
91	<u>602979</u>						STEERING WHEEL	1

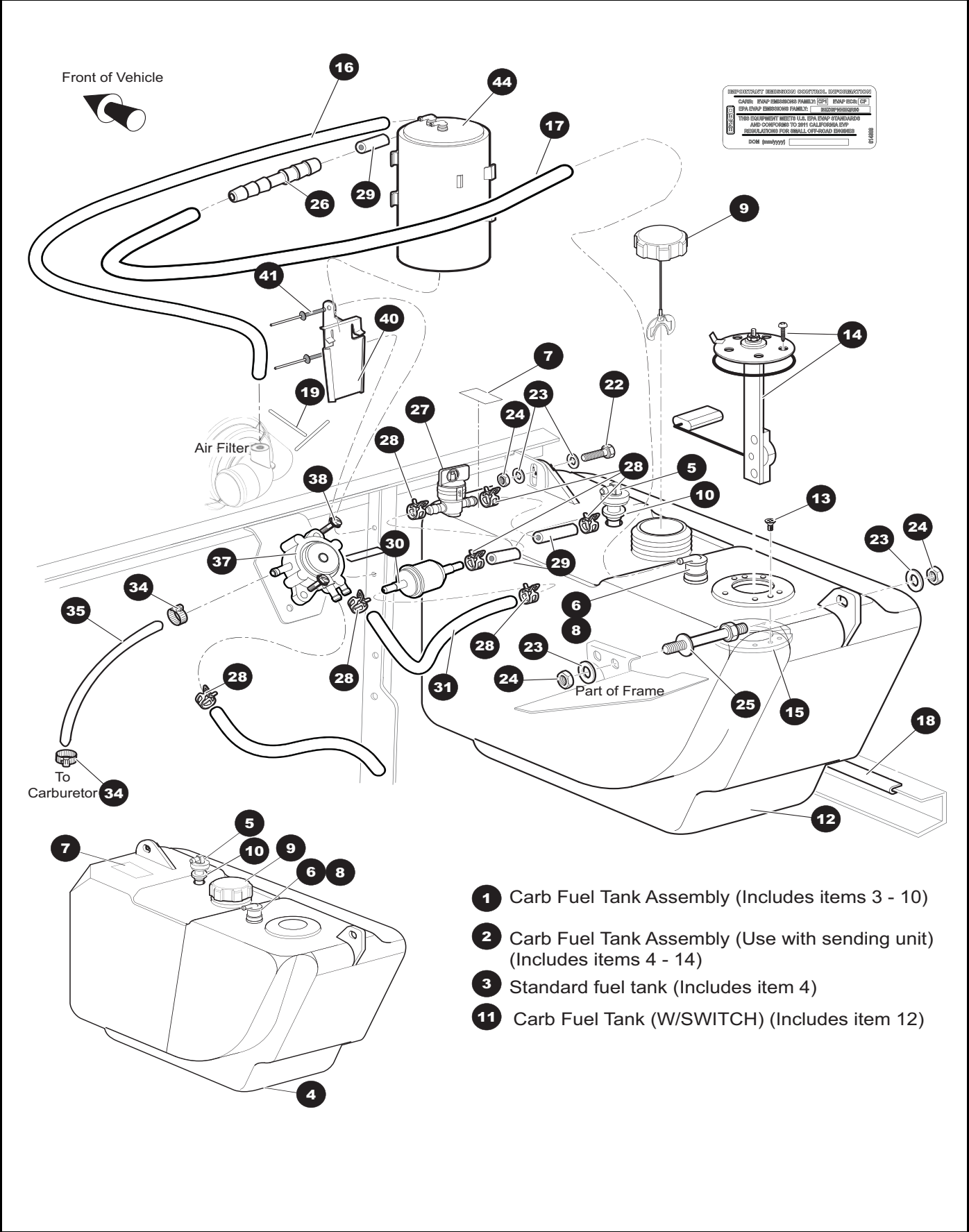
FRONT SUSPENSION/STEERING

When ordering parts, please specify the model and serial number of the product.

* Indicates a component that is not available as an individual part.

*** Indicates consult Customer Service Department for additional information.

ITEM	PART NO.	1 2 3 4 5	DESCRIPTION	QTY.
92				
93				
94	<u>14390-G2</u>		LOCK NUT, 5/8 - 18	1
95	<u>28909-G01</u>		LABEL (JACOBSEN)	1
96				
97	<u>74604G01</u>		TIE ROD ASSEMBLY (INCLUDES ITEMS 100 - 104)	
98	<u>70876G02</u>		TIE ROD ASSEMBLY (INCLUDES ITEMS 99 - 103).....	1
99	<u>70897G02</u>		THREADED ROD (24" LG)	1
100	<u>70902G01</u>		TIE ROD END (LEFT HAND THREADS).....	1
101	<u>01069G01</u>		JAM NUT, M12 X 1.25-05 (LEFT HAND THREADS)	1
102	<u>70902G02</u>		TIE ROD END (RIGHT HAND THREADS)	1
103	<u>01069G02</u>		JAM NUT, M12 X 1.25-05 (RIGHT HAND THREADS).....	1
104	<u>74603G01</u>		THREADED ROD (27" LG)	1
105	<u>00734-G1</u>		LOCK NUT, 7/16 - 14	2



FUEL SYSTEM

When ordering parts, please specify the model and serial number of the product.

* Indicates a component that is not available as an individual part.

*** Indicates consult Customer Service Department for additional information.

ITEM	PART NO.	1 2 3 4 5	DESCRIPTION	QTY.
1	<u>620180</u>		CARB FUEL TANK ASSEMBLY (Includes items 3 - 10)	1
2	<u>620181</u>		CARB FUEL TANK ASSEMBLY (Use with sending unit) (Includes items 5 - 15)	1
3	<u>620179</u>		STANDARD FUEL TANK (CARB III) (Includes item 4).....	1
4	618668		FUEL TANK, W/O SENDER UNIT	1
5	<u>18287G3</u>		SIPHON TUBE ASSEMBLY	1
6	<u>606068</u>		ROLLOVER VALVE GROMMET	1
7	617886		EPA FUEL TANK LABEL	1
8	<u>606067</u>		ROLLOVER VALVE	1
9	617885		FUEL TANK CAP (RATCHET).....	1
10	<u>70988G01</u>		SIPHON TUBE GROMMET	1
11	<u>607479</u>		CARB FUEL TANK, FLOUR (W/SWITCH) (Includes item 12)	1
12	618669		NON-FLOUR FUEL TANK, W/ SENDER UNIT	1
13	<u>72230G01</u>		FLAT HEAD MACHINE SCREW	2
14	<u>20048G2</u>		FUEL LEVEL SENDER	1
15	72229G01		FUEL TANK ADAPTER	1
16	<u>606966</u>		LOW PRESSURE FUEL HOSE, 3/16 I.D. X 3/8 O.D. X 34.00 LONG (CARB)	1
17	<u>607546</u>		LOW PRESSURE FUEL HOSE, 3/16 I.D. X 3/8 O.D. X 17.00 LONG (CARB)	1
18	<u>32372G6</u>		BLACK TRIM, 6.25 LONG	1
19	<u>17618G1</u>		NYLON CLAMP	2
20				
21				
22	<u>00438G8</u>		HEX HEAD BOLT, 5/16 - 18 X 1	1
23	00559G8		FLAT WASHER, 5/16	4
24	11098G6		LOCK NUT, 5/16 - 18	3
25	<u>70483G01</u>		SPACER BOLT, 5/16 - 18.....	1
26	<u>615346</u>		HOSE REDUCER-ID 1/4 X 3/16.....	1
27	<u>611181</u>		FUEL SHUT-OFF VALVE	1
28	<u>18292G1</u>		HOSE CLAMP,.50 DIAMETER	7
29	<u>615350</u>		FUEL SYSTEM HOSE 2.00"	3
30	<u>72084G01</u>		FUEL LINE FILTER.....	1
31	<u>606969</u>		FUEL SYSTEM HOSE,.25 I.D. X.50 O.D. X 8.00 LONG	1

FUEL SYSTEM

When ordering parts, please specify the model and serial number of the product.

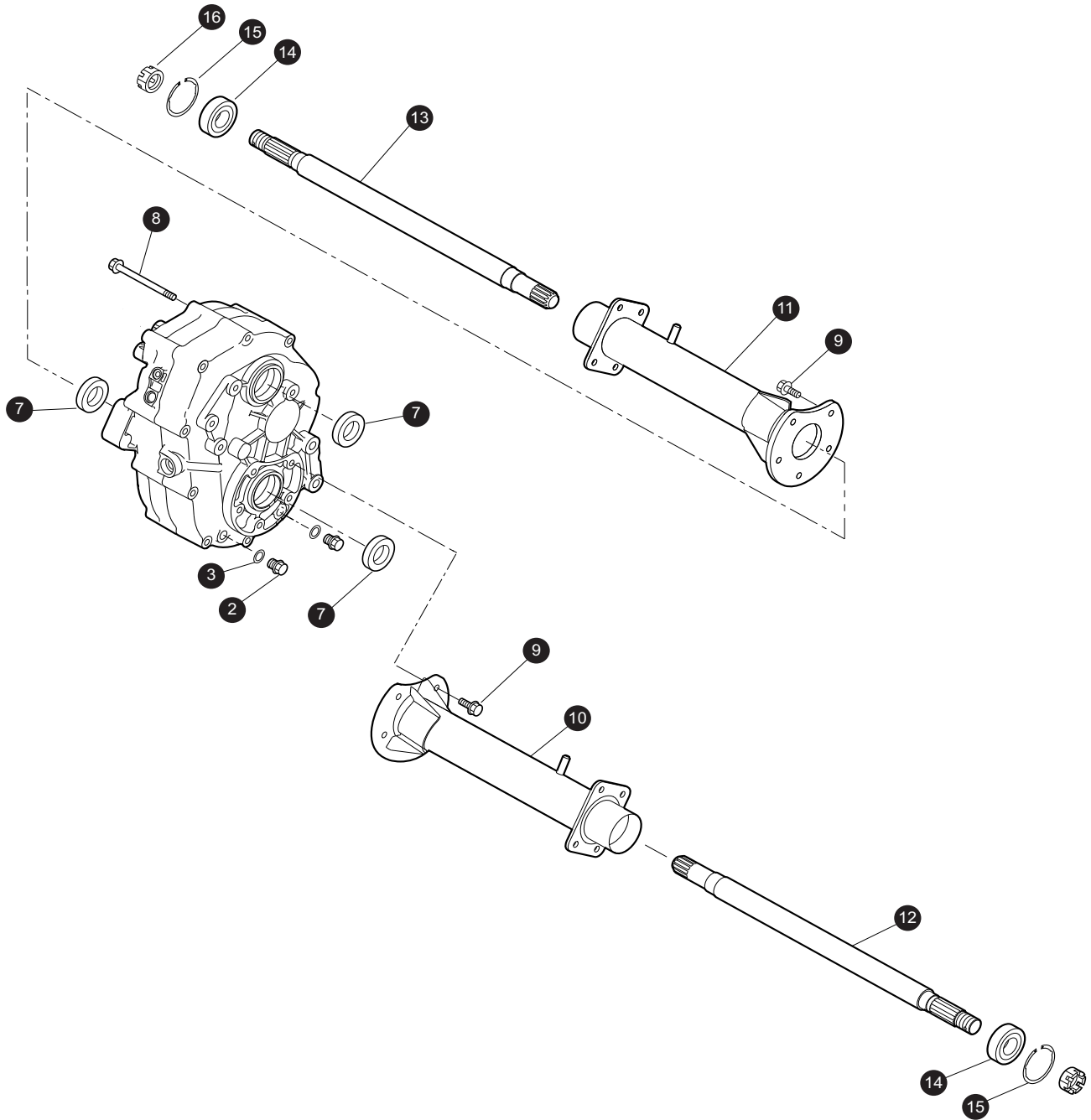
* Indicates a component that is not available as an individual part.

*** Indicates consult Customer Service Department for additional information.

ITEM	PART NO.	1	2	3	4	5	DESCRIPTION	QTY.
32								
33								
34	<u>11391G4</u>						HOSE CLAMP, .25 - .63 DIA	2
35	<u>604597</u>						CARB FUEL SYSTEM HOSE,.25 I.D. X.50 O.D. X 26.00 LONG	1
36								
37	<u>602061</u>						FUEL PUMP	1
38	<u>00114G6</u>						HEX WASHER HEAD SLOTTED TAPPING SCREW, 1/4 - 14 X .75.....	2
39								
40	<u>606310</u>						CARBON CANISTER MOUNTING BRACKET (CARB ONLY).....	1
41	<u>10570G11</u>						RIVET, 3/16 DIA X .70 (CARB ONLY)	2
42								
43								
44	<u>606071</u>						CARBON CANISTER (CARB ONLY)	1

REAR AXLE

1 - Includes Items 2 - 16



REAR AXLE

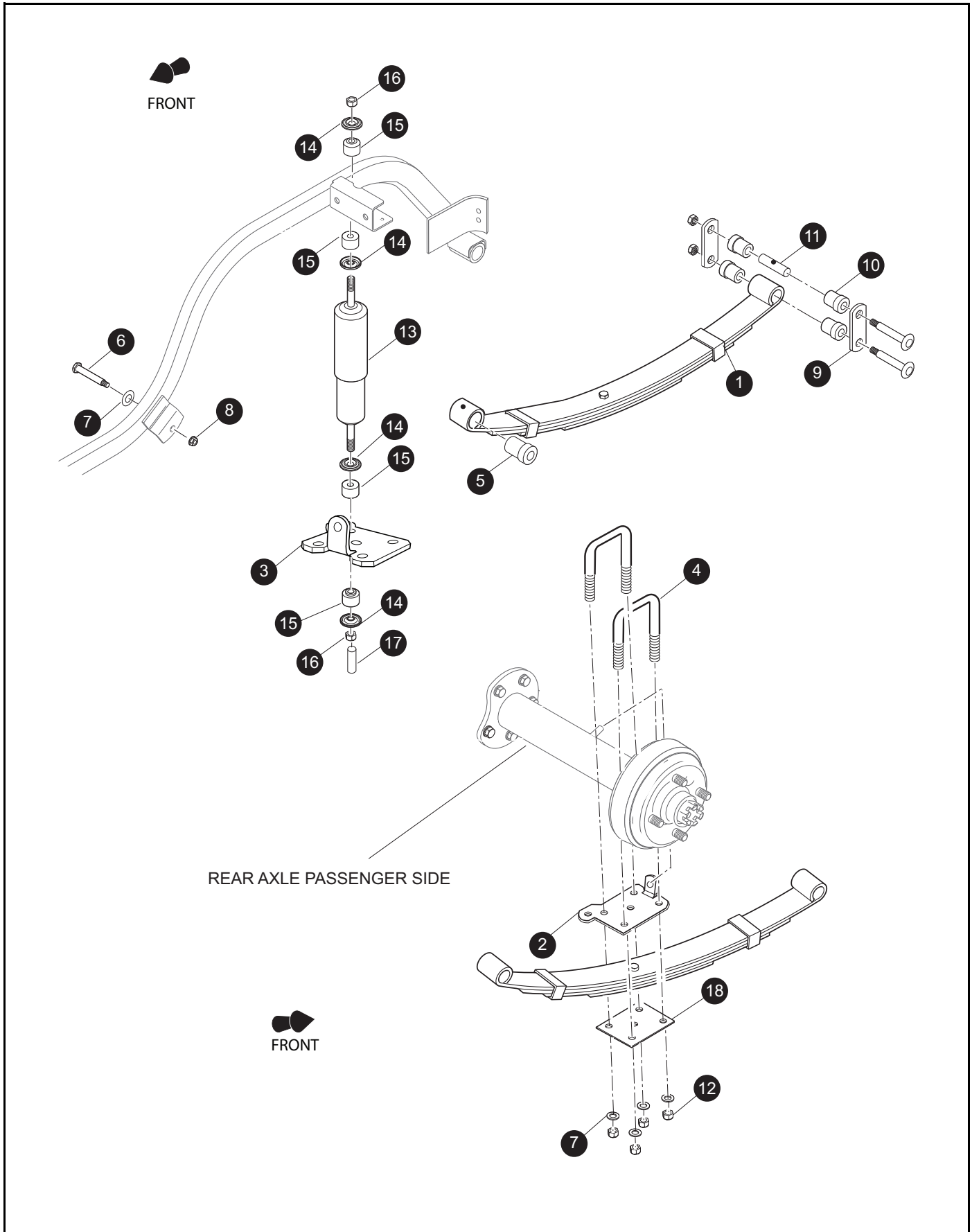
When ordering parts, please specify the model and serial number of the product.

* Indicates a component that is not available as an individual part.

*** Indicates consult Customer Service Department for additional information.

ITEM	PART NO.	1 2 3 4 5	DESCRIPTION	QTY.
1	605891		REAR AXLE	1
2	<u>26770G01</u>		OIL DRAIN PLUG	2
3	<u>26771G01</u>		GASKET	2
4				
5				
6				
7	<u>72259G01</u>		OIL SEAL 28 X 47 X 9	3
8	<u>26823G01</u>		FLANGE BOLT M8 X 1.25 X 100	10
9	<u>72260G01</u>		FLANGE BOLT M10 X 1.5 X 23	10
10	<u>607940</u>		AXLE TUBE (PASSENGER SIDE)	1
11	<u>607939</u>		AXLE TUBE (DRIVER SIDE)	1
12	607988		AXLE SHAFT (PASSENGER SIDE)	1
13	607987		AXLE SHAFT (DRIVER SIDE)	1
14	<u>26811G01</u>		BALL BEARING	2
15	26814G01		SNAP RING	2
16	<u>606403</u>		SLOTTED NUT	2

REAR SUSPENSION



REAR SUSPENSION

When ordering parts, please specify the model and serial number of the product.

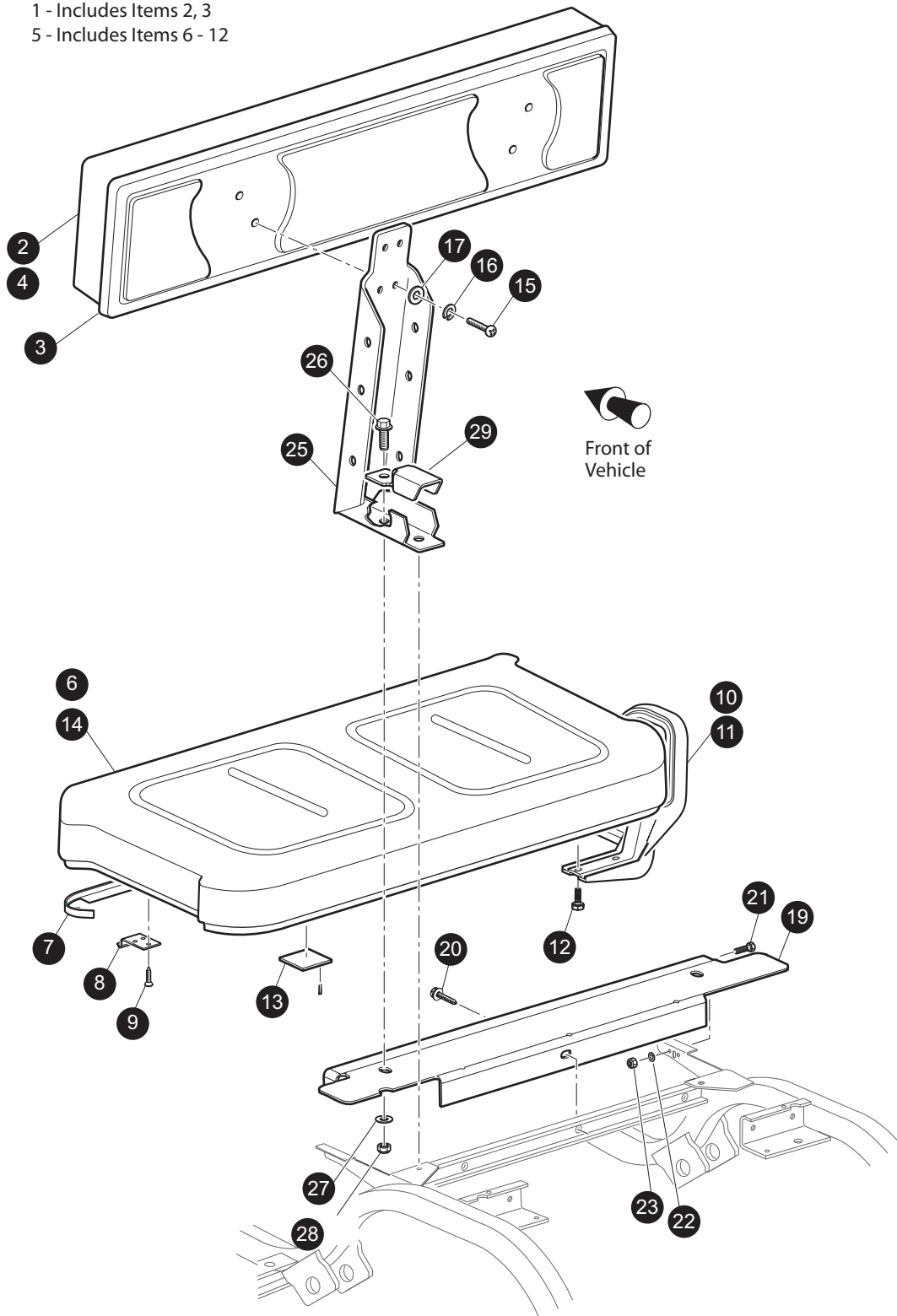
* Indicates a component that is not available as an individual part.

*** Indicates consult Customer Service Department for additional information.

ITEM	PART NO.	1 2 3 4 5	DESCRIPTION	QTY.
1	<u>605721</u>		HEAVY DUTY LEAF SPRING.....	1
2	<u>605958</u>		AXLE BRACKET PASSENGER SIDE	1
3	<u>605938</u>		AXLE BRACKET DRIVER SIDE	1
4	<u>32195G3</u>		'U' BOLT	4
5	<u>605445</u>		FRONT SPRING BUSH.....	2
6	<u>00665G9</u>		SHOULDER BOLT, 3/8 - 16	6
7	<u>00643G1</u>		FLAT WASHER B TYPE 3/8	10
8	<u>12262G1</u>		LOCK NUT, 3/8 - 16	2
9	<u>70290G02</u>		SHACKLE PLATE	4
10	<u>70291G01</u>		FLANGED BUSHING.....	8
11	<u>70289G02</u>		SPACER.....	4
12	<u>11098G5</u>		LOCK NUT, 3/8 - 16	12
13	<u>70248G01</u>		SHOCK ABSORBER	2
14	<u>10435G1</u>		SHOCK ABSORBER WASHER.....	8
15	<u>10194G1</u>		RUBBER BUSHING.....	8
16	<u>00532G6</u>		NUT, 3/8 - 24	4
17	<u>10044G01</u>		VINYL CAP	2
18	<u>605956</u>		REAR SUSPENSION PLATE	2

SEATING

1 - Includes Items 2, 3
5 - Includes Items 6 - 12



Ref Sea 23

When ordering parts, please specify the model and serial number of the product.

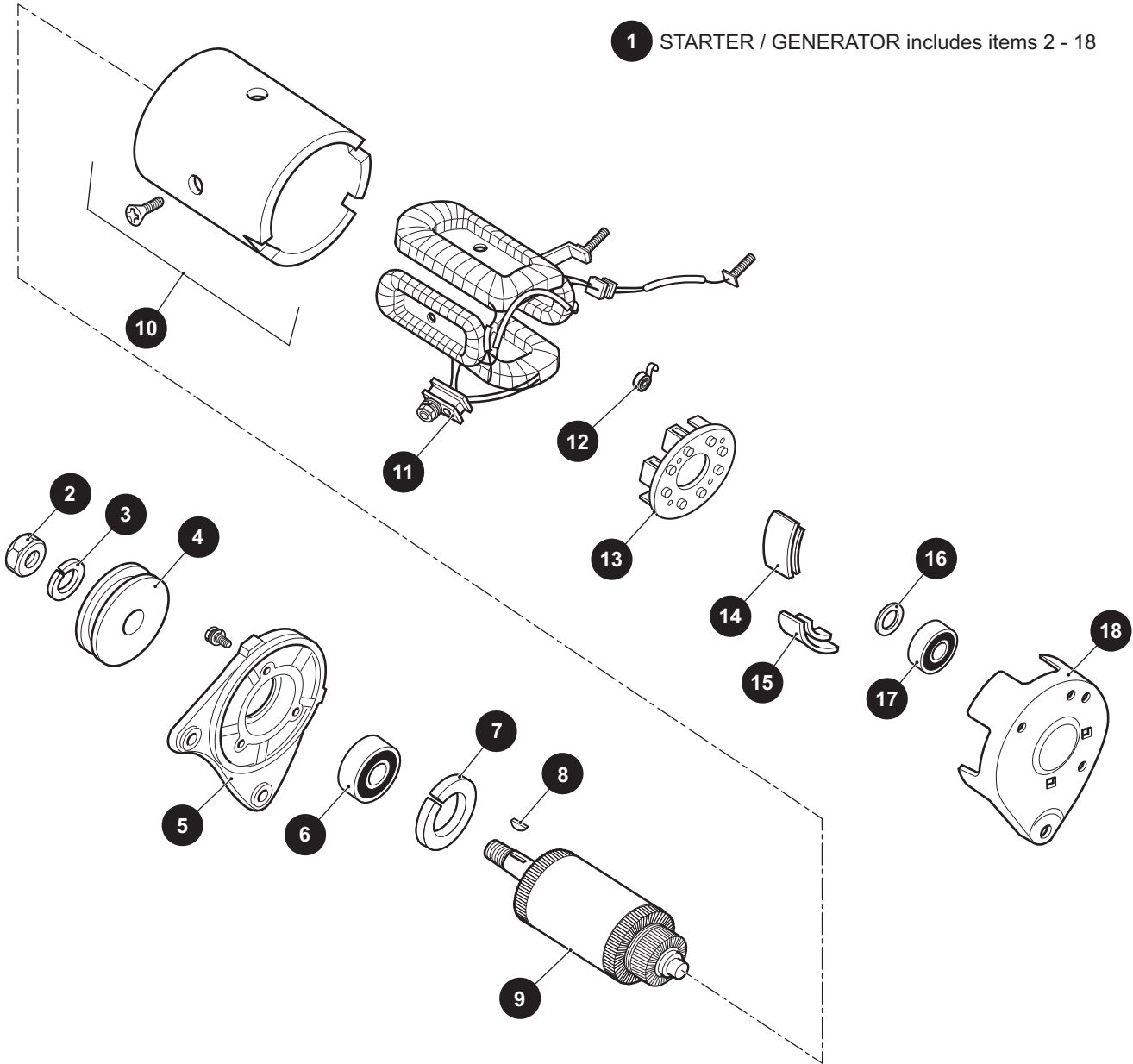
* Indicates a component that is not available as an individual part.

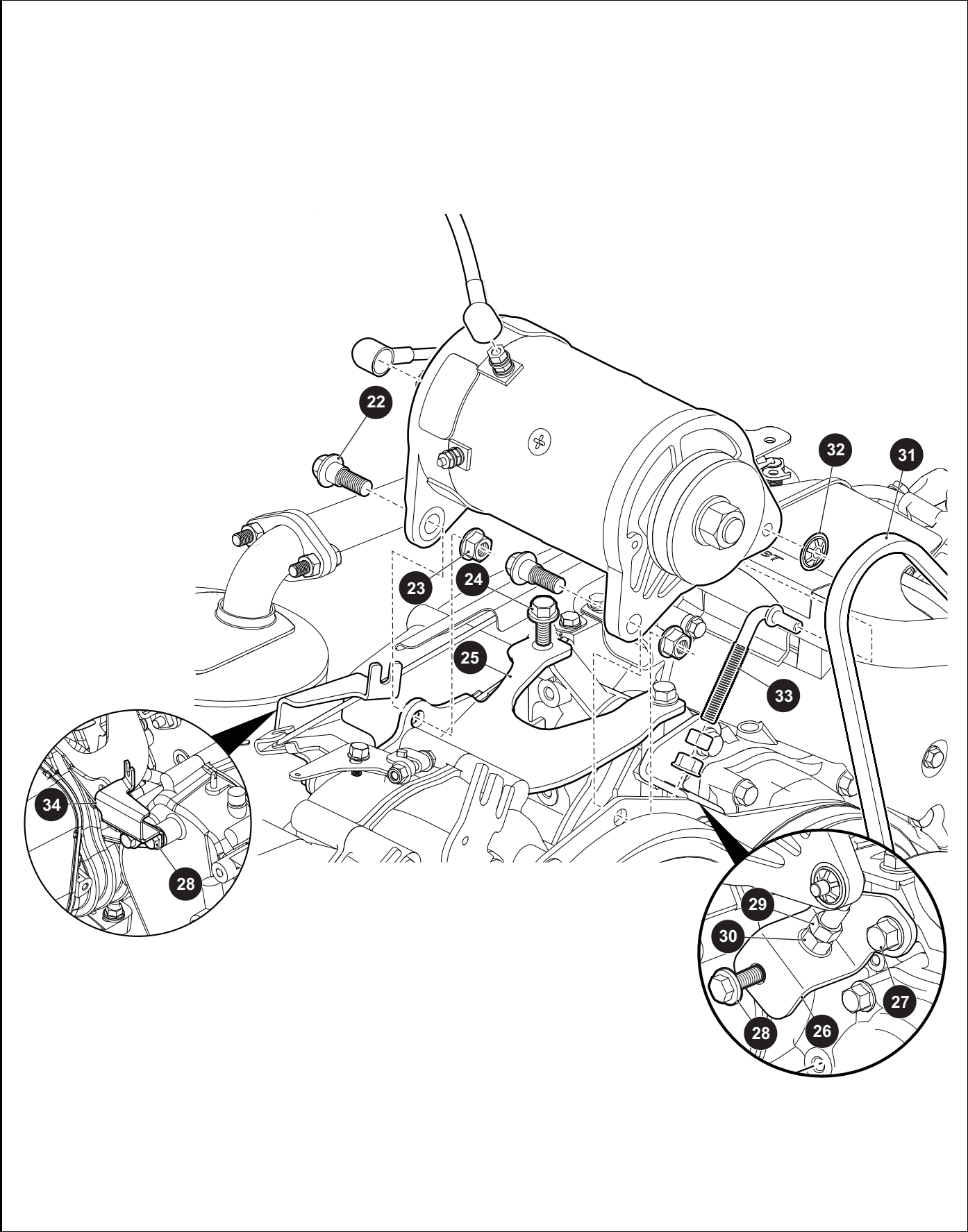
*** Indicates consult Customer Service Department for additional information.

ITEM	PART NO.	1 2 3 4 5	DESCRIPTION	QTY.
1	71274G**		SEAT BACK ASSEMBLY (INCLUDES ITEMS 2, 3)	1
2	18144G**		VINYL SEAT BACK COVER	1
3	<u>74889G01</u>		PLASTIC SEAT BACK COVER (BLACK)	1
4	604916G**		TWO TONE VINYL SEAT BACK	1
5	71611G**		SEAT BOTTOM ASSEMBLY (INCLUDES ITEMS 6 - 12).....	1
6	71602G**		VINYL SEAT BOTTOM COVER	1
7	<u>71012G01</u>		VINYL TRIM (SEAT BOTTOM).....	1
8	<u>71610G01</u>		SEAT HINGE	2
9	<u>00720G08</u>		SCREW, #12 - 14 X 1" LG.....	6
10	<u>71701G01</u>		HIP RESTRAINT (PASSENGER SIDE)	1
11	<u>71702G01</u>		HIP RESTRAINT (DRIVER SIDE).....	1
12	71204G01		BOLT, 1/4 - 20 X 7/8" LG	8
13	<u>17074G1</u>		RUBBER PAD	2
14	604912G**		TWO TONE VINYL SEAT BOTTOM	1
15	<u>16705G12</u>		SCREW, 1/4 - 20 X 1" LG	4
16	<u>00664G7</u>		LOCK WASHER, 1/4" (STAINLESS STEEL)	4
17	01110G1		WASHER, 1/4" (STAINLESS STEEL).....	4
18				
19	<u>71262G03</u>		SEAT BACK SUPPORT	1
20	<u>00715G2</u>		BOLT, 5/16 - 18 X 13/16" LG.....	1
21	<u>00438G8</u>		BOLT, 5/16 - 18 X 1" LG.....	2
22	<u>00642G8</u>		WASHER, 5/16"	2
23	11098G6		LOCK NUT, 5/16 - 18	2
24				
25	<u>75900G02</u>		SEAT BACK SUPPORT BRACKET	2
26	01006G1		BOLT, 3/8 - 16 X 1 1/4" LG.....	4
27	<u>00560G1</u>		WASHER, 3/8"	2
28	<u>11098G5</u>		LOCK NUT, 3/8 - 16	2
29	<u>74947G01</u>		BED BUMPER BRACKET	2
30				

STARTER / GENERATOR

1 STARTER / GENERATOR includes items 2 - 18





STARTER / GENERATOR

When ordering parts, please specify the model and serial number of the product.

* Indicates a component that is not available as an individual part.

*** Indicates consult Customer Service Department for additional information.

ITEM	PART NO.	1 2 3 4 5	DESCRIPTION	QTY.
1	<u>617120</u>		STARTER / GENERATOR (INCLUDES 2 - 18).....	1
2	<u>612029</u>		NUT.....	1
3	<u>612030</u>		LOCKWASHER.....	1
4	<u>617172</u>		PULLEY	1
5	<u>612032</u>		FRONT COVER.....	1
6	<u>612033</u>		BEARING	1
7	<u>612034</u>		RETAINING RING.....	1
8	<u>612035</u>		KEY	1
9	<u>612036</u>		ARMATURE ASSEMBLY	1
10	<u>612037</u>		FRAME & FIELD ASSEMBLY	1
11	<u>612038</u>		BRUSH LEAD & TERMINAL PKG.....	1
12	<u>612039</u>		BRUSH SPRING.....	1
13	<u>612040</u>		BRUSH BOX ASSEMBLY.....	1
14	<u>612041</u>		BRUSH 1 COVER.....	2
15	<u>612042</u>		BRUSH 2 COVER.....	2
16	<u>612043</u>		WAVY WASHER	1
17	<u>612044</u>		BEARING.....	1
18	<u>612045</u>		REAR COVER	1
19				
20				
21				
22	<u>606235</u>		BOLT, HXFL SHLDR - M10 - 1.25 X 20.....	2
23	<u>606279</u>		NUT, M10 - 1.25	2
24	<u>606261</u>		BOLT, M8 - 1.25 X 20	3
25	<u>602141</u>		STARTER / GENERATOR BRACKET.....	1
26	<u>602145</u>		TENSIONER BRACKET.....	1
27	<u>606261</u>		BOLT, M8 - 1.25 X 20	1
28	<u>606256</u>		BOLT, M10 - 1.25 X 25	9
29	<u>606255</u>		NUT, M10 - 1.25	1
30	<u>606274</u>		NUT, M10 - 1.25	1
31	<u>16548G1</u>		STARTER / GENERATOR BELT	1

STARTER / GENERATOR

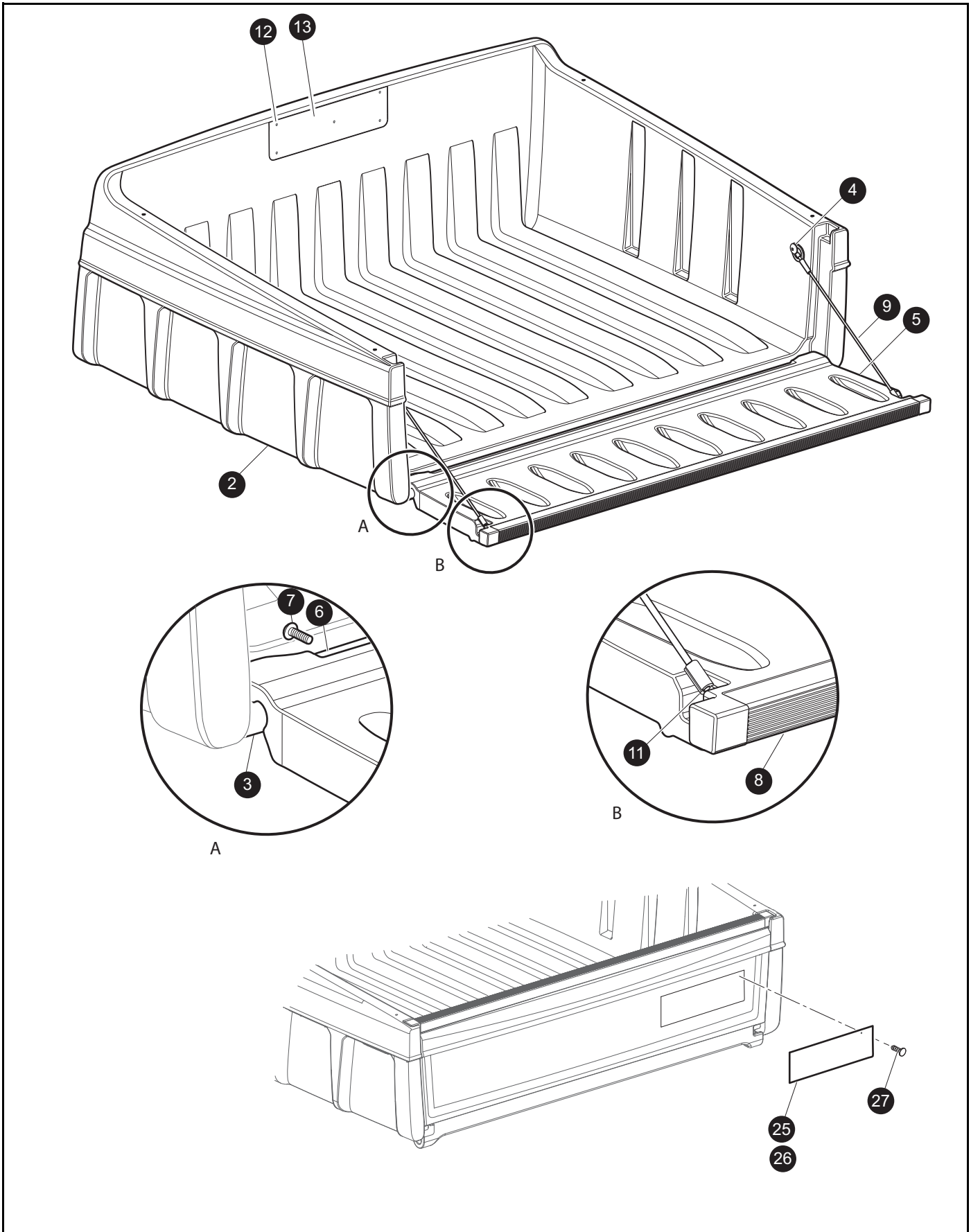
When ordering parts, please specify the model and serial number of the product.

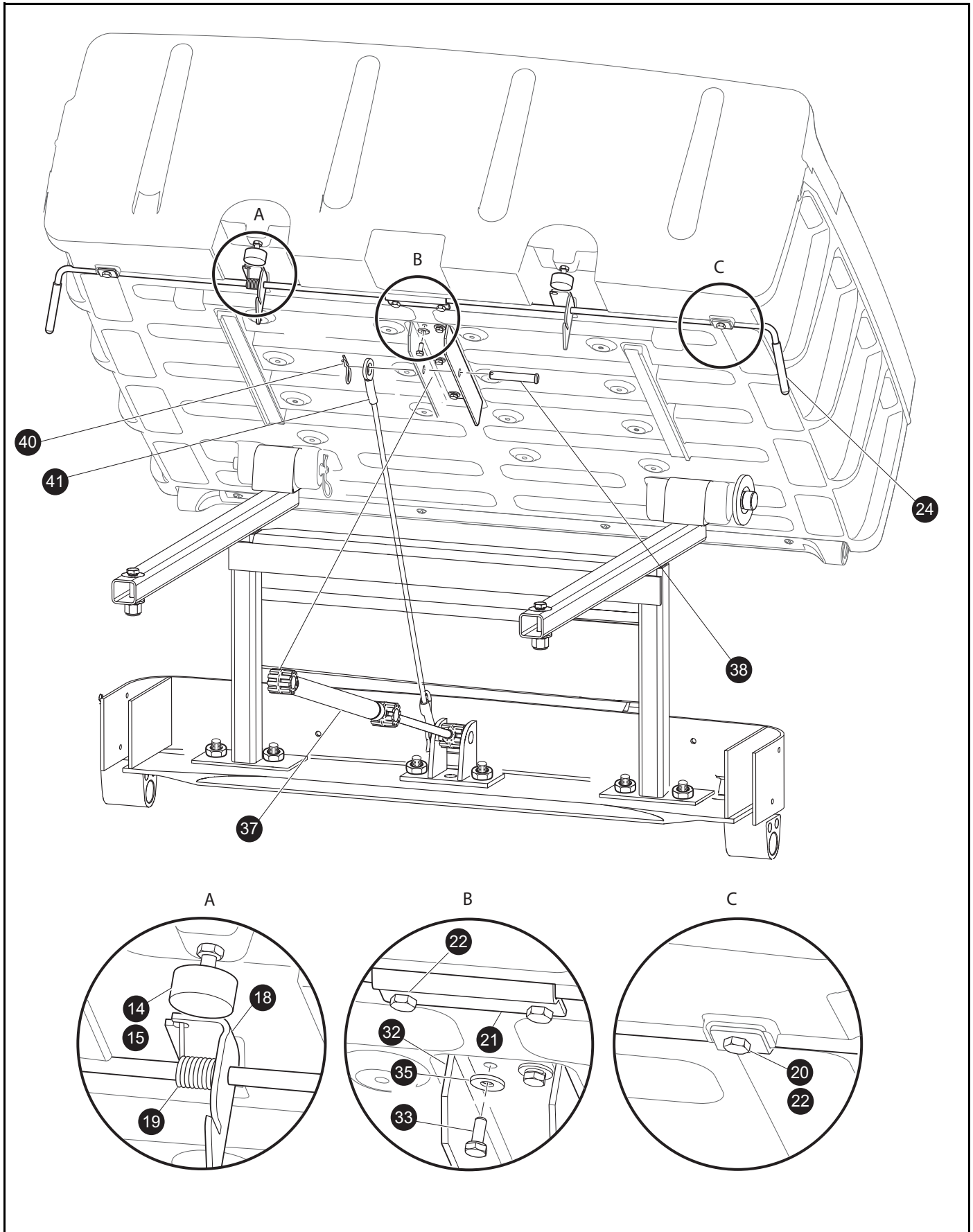
* Indicates a component that is not available as an individual part.

*** Indicates consult Customer Service Department for additional information.

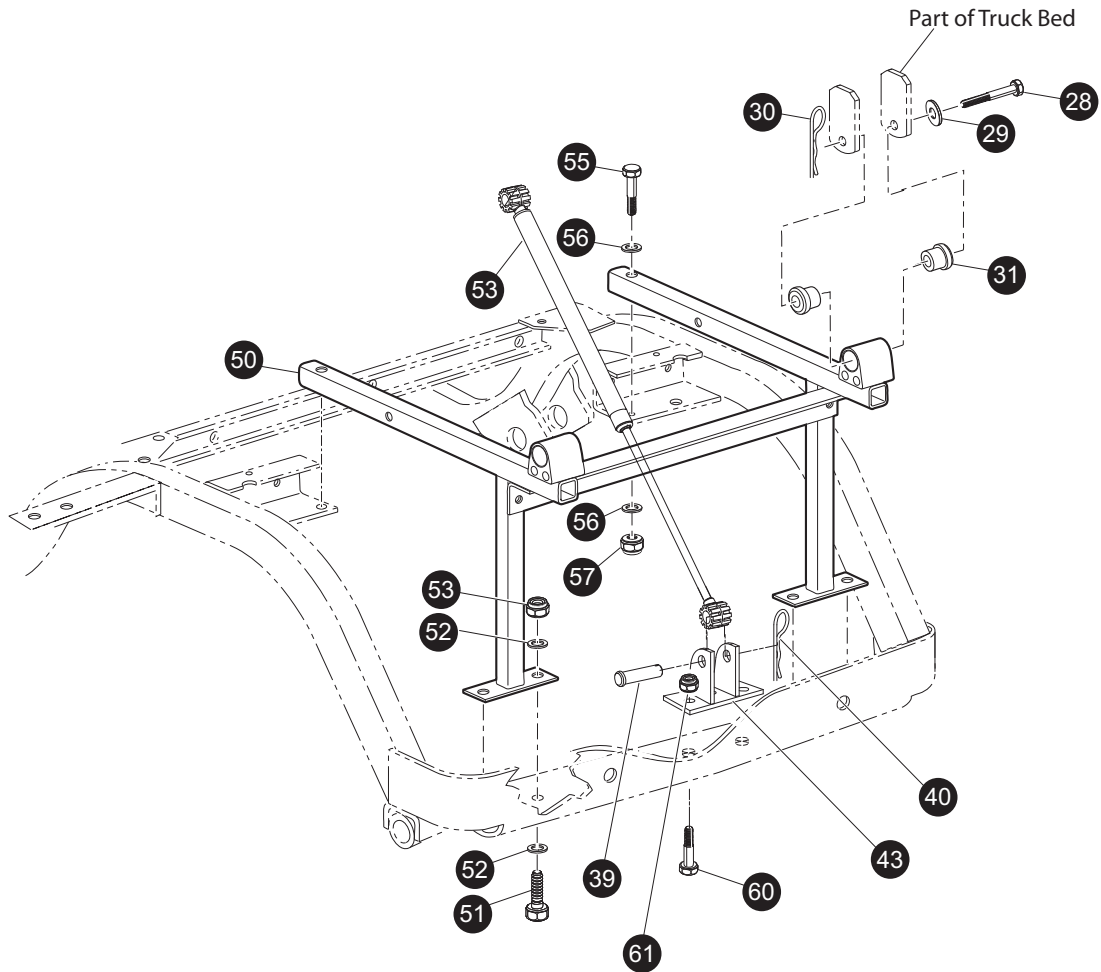
ITEM	PART NO.	1 2 3 4 5	DESCRIPTION	QTY.
32	<u>12064G6</u>		PUSH NUT, 5/16"	1
33	<u>625705</u>		TENSIONER BOLT	1
34	<u>603884</u>		CABLE GUIDE BRACKET	1

TRUCK BED, MANUAL LIFT





TRUCK BED, MANUAL LIFT



TRUCK BED, MANUAL LIFT

When ordering parts, please specify the model and serial number of the product.

* Indicates a component that is not available as an individual part.

*** Indicates consult Customer Service Department for additional information.

ITEM	PART NO.	1 2 3 4 5	DESCRIPTION	QTY.
1	<u>72647G01</u>		BED ASSEMBLY (INCLUDES ITEMS 2 -11)	1
2	72648G01		PLASTIC BED, 36"	1
3	<u>73454G01</u>		PIVOT SHAFT	2
4	<u>73460G01</u>		SHOULDER BOLT, 1/4 - 20 X 3/4" LG	2
5	<u>72649G01</u>		TAILGATE	1
6	<u>73450G01</u>		BOWED ANGLE	1
7	<u>16705G2</u>		SCREW, 1/4 - 20 X 5/8" LG (STAINLESS STEEL)	4
8	<u>73449G01</u>		EXTRUSION CHANNEL	1
9	73455G02		TAILGATE CABLE	1
10				
11	<u>00415G2</u>		SCREW, 1/4 - 20 X 1 1/4" LG	2
12	<u>74821G01</u>		LOAD BED DECAL	1
13	<u>71055G01</u>		RIVET	5
14	<u>70113G01</u>		ADJUSTABLE RUBBER BUMPER	2
15	<u>11027G1</u>		LOCK NUT, 5/16 - 18	2
16				
17				
18	<u>74962G01</u>		BED LATCH	1
19	<u>71538G01</u>		LATCH TORSION SPRING	1
20	<u>71099G02</u>		KEEPER PLATE	2
21	<u>71477G02</u>		RETAINER BRACKET	1
22	<u>01118G01</u>		SCREW, 1/4 - 20 X 5/8" LG	4
23				
24	<u>71704G01</u>		HANDLE GRIP	2
25	600110		JACOBSEN NAME PLATE	1
26	<u>600108G01</u>		CUSHMAN NAME PLATE	1
27	<u>16816G2</u>		RATCHET FASTENER	4
28	<u>71571G01</u>		CLEVIS PIN	2
29	<u>00571G5</u>		WASHER, 1/2"	2
30	<u>21683G1</u>		COTTER PIN	2
31	<u>70291G01</u>		BUSHING	4

TRUCK BED, MANUAL LIFT

When ordering parts, please specify the model and serial number of the product.

* Indicates a component that is not available as an individual part.

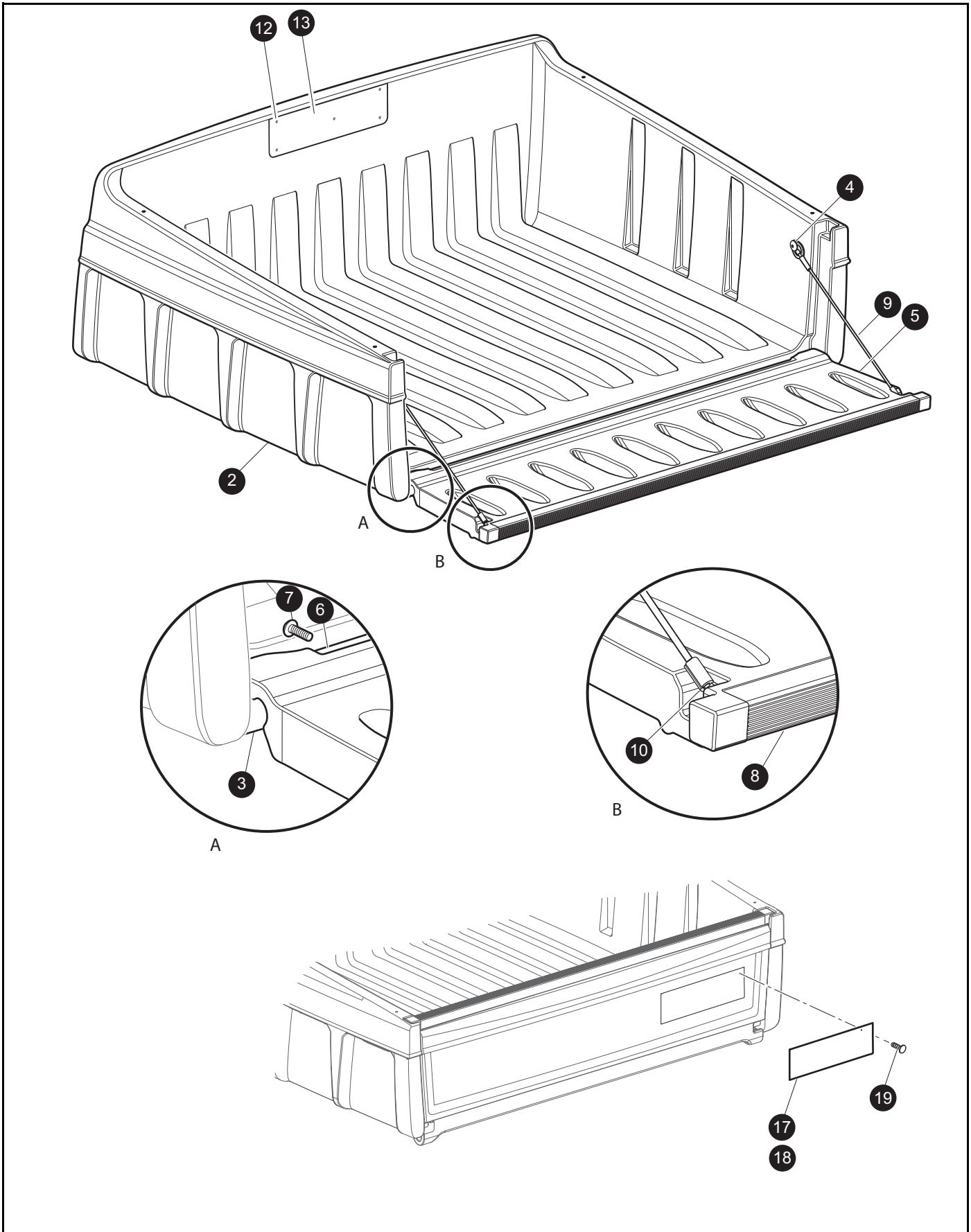
*** Indicates consult Customer Service Department for additional information.

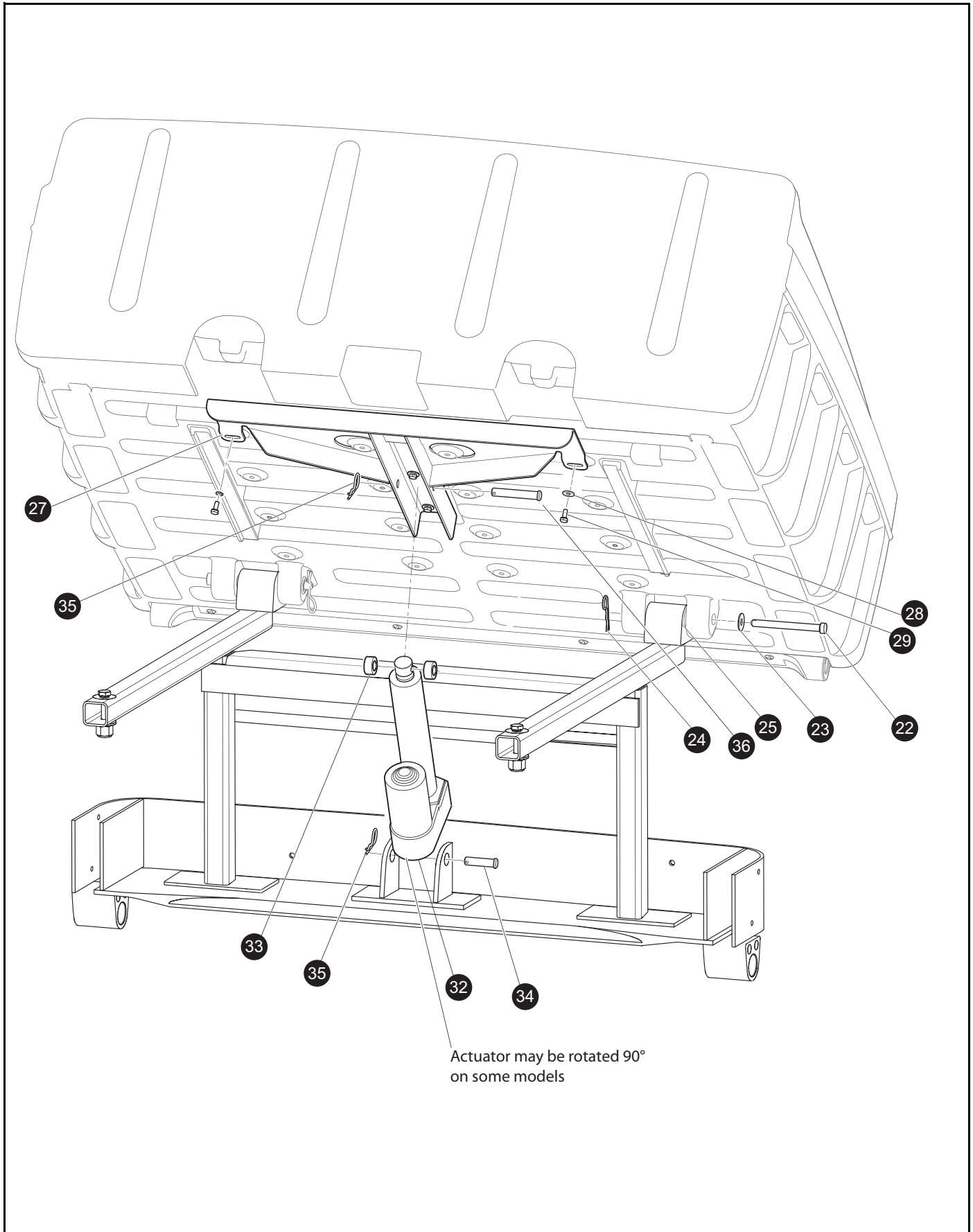
ITEM	PART NO.	1 2 3 4 5	DESCRIPTION	QTY.
32	<u>71569G02</u>		SPRING CHANNEL.....	1
33	<u>01118G01</u>		SCREW, 1/4 - 20 X 5/8" LG.....	8
34				
35	<u>00642G7</u>		WASHER, 1/4".....	8
36				
37	<u>71537G02</u>		GAS SPRING	2
38	<u>14443G10</u>		CLEVIS PIN, 1/2" X 2 27/32" LG	1
39	<u>14443G12</u>		CLEVIS PIN, 1/2" X 2 1/4" LG	1
40	<u>21683G1</u>		COTTER PIN,	2
41	<u>602904</u>		BED TETHER CABLE	1
42				
43	<u>71283G02</u>		LIFT BRACKET	1
44				
45				
46				
47				
48				
49				
50	<u>76423G01</u>		BED FRAME.....	1
51	<u>00439G2</u>		SCREW, 5/16 - 18 X 1 1/4" LG.....	4
52	<u>00642G8</u>		WASHER, 5/16".....	8
53	<u>01109G01</u>		LOCK NUT, 5/16 - 18 (STAINLESS STEEL)	4
54				
55	<u>00415G6</u>		BOLT, 1/4 - 20 X 1 3/4" LG	2
56	<u>00642G7</u>		WASHER, 1/4".....	4
57	<u>00654G2</u>		LOCK NUT, 1/4 - 20 (STAINLESS STEEL)	2
58				
59				
60	<u>00462G7</u>		SCREW, 7/16 - 14 X 7/8" LG.....	2
61	<u>00734G1</u>		LOCK NUT, 7/16 - 14.....	2
62				

Notes:

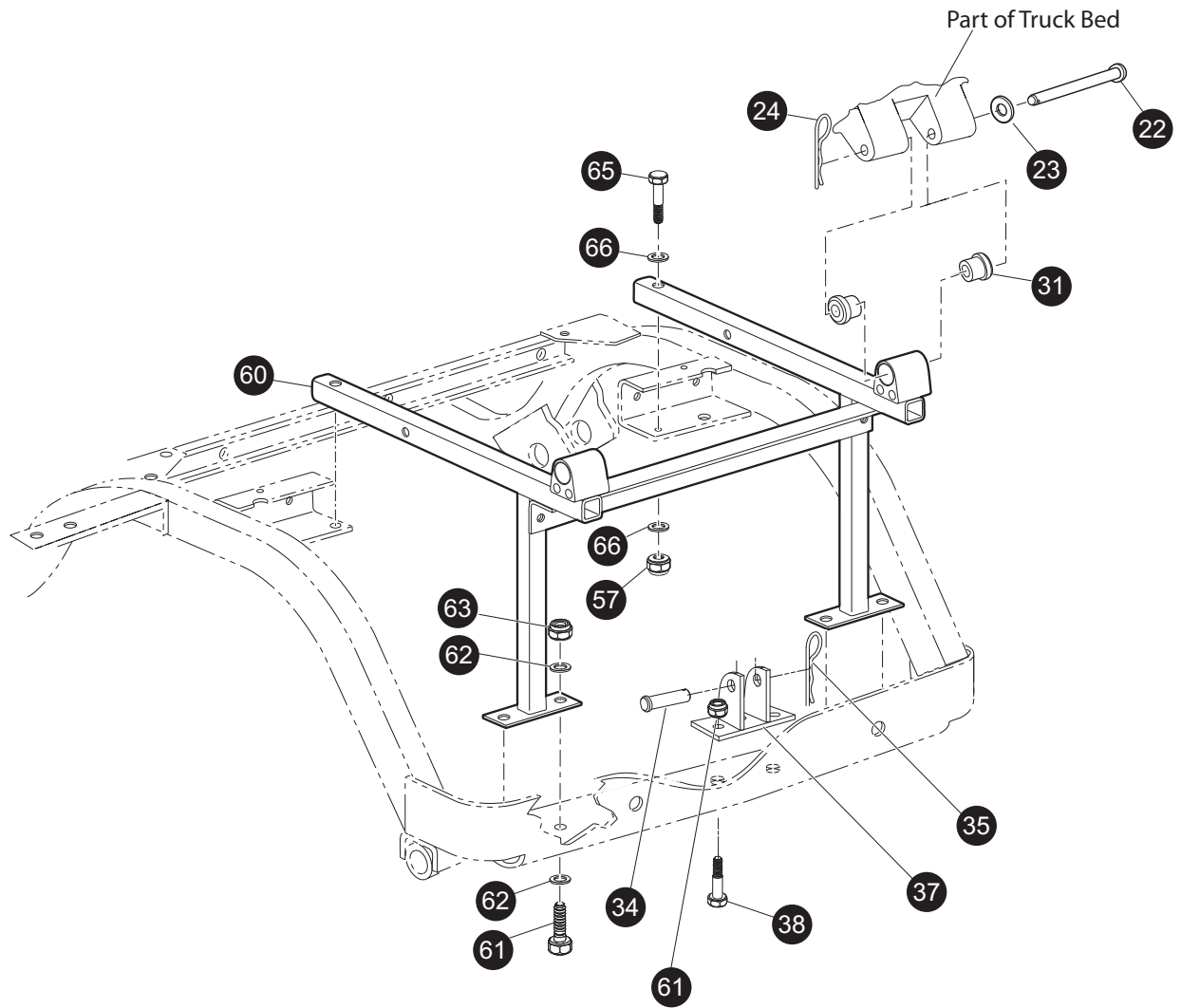
A large grid of graph paper for taking notes. The grid consists of 20 columns and 30 rows of small squares. The grid is empty and intended for the user to write notes in.

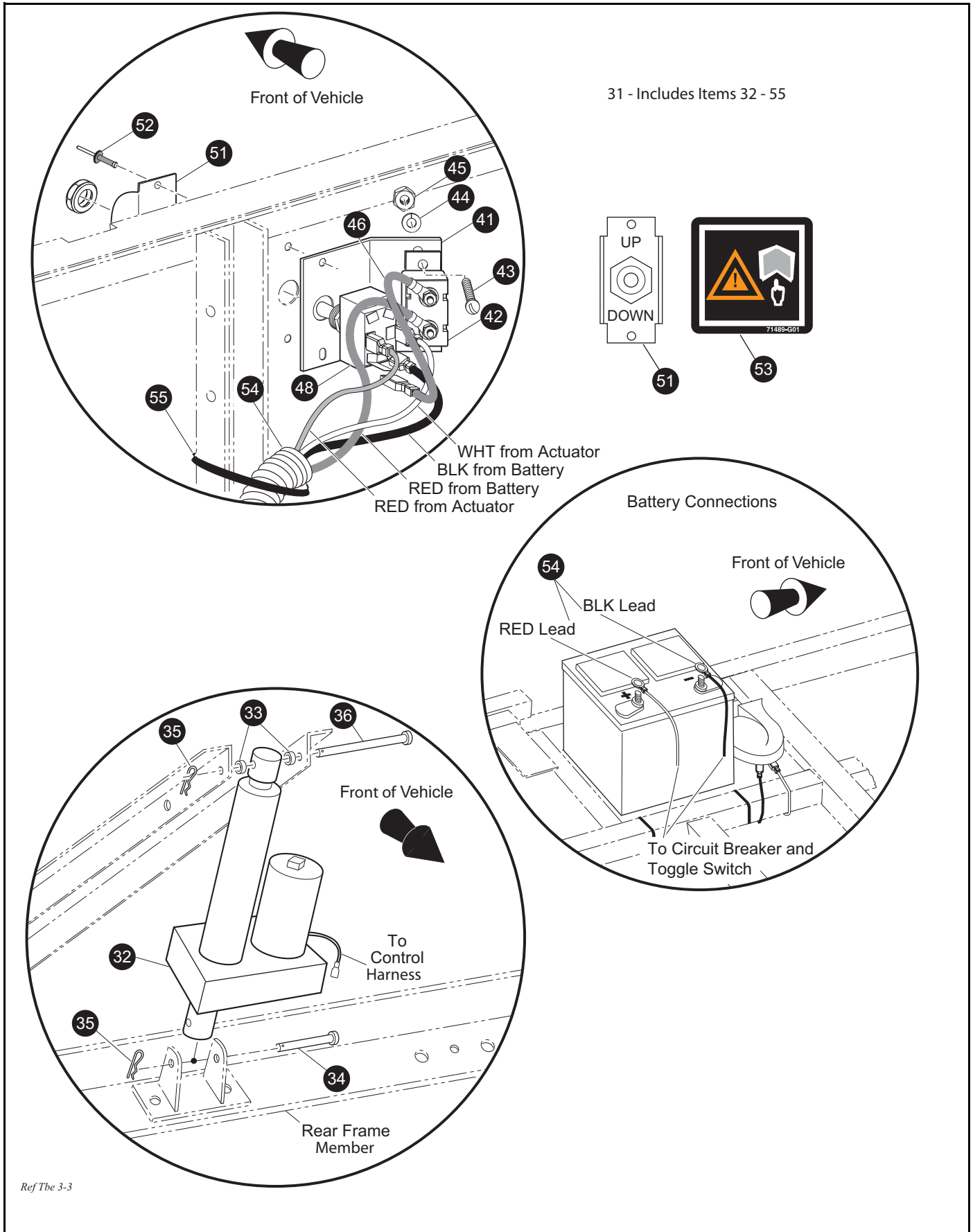
TRUCK BED, ELECTRIC LIFT





TRUCK BED, ELECTRIC LIFT





TRUCK BED, ELECTRIC LIFT

When ordering parts, please specify the model and serial number of the product.

* Indicates a component that is not available as an individual part.

*** Indicates consult Customer Service Department for additional information.

ITEM	PART NO.	1 2 3 4 5	DESCRIPTION	QTY.
1	<u>72647G01</u>		BED ASSEMBLY (INCLUDES ITEMS 2 - 11).....	1
2	72648G01		PLASTIC BED, 36"	1
3	<u>73454G01</u>		PIVOT SHAFT.....	2
4	<u>73460G01</u>		SHOULDER BOLT, 1/4 - 20 X 3/4" LG.....	2
5	<u>72649G01</u>		TAILGATE	1
6	<u>73450G01</u>		BOWED ANGLE	1
7	<u>16705G2</u>		SCREW, 1/4 - 20 X 1 1/4" LG (STAINLESS STEEL).....	4
8	<u>73449G01</u>		EXTRUSION CHANNEL.....	1
9	73455G02		TAILGATE CABLE	1
10	<u>00415G2</u>		SCREW, 1/4 - 20 X 1 1/4" LG	4
11				
12	<u>71055G01</u>		LOAD BED DECAL	1
13	<u>71055G01</u>		RIVET	5
14	<u>70113G01</u>		ADJUSTABLE RUBBER BUMPER	2
15	<u>11027G1</u>		LOCK NUT, 5/16 - 18.....	2
16				
17	600110		JACOBSEN NAME PLATE.....	1
18	<u>600108G01</u>		CUSHMAN NAME PLATE	1
19	<u>16816G2</u>		RATCHET FASTENR	4
20				
21				
22	<u>71571G01</u>		CLEVIS PIN.....	2
23	<u>00571G5</u>		WASHER, 1/2".....	2
24	<u>21683G1</u>		COTTER PIN.....	2
25				
26	<u>70291G01</u>		BUSHING	4
27	<u>71547G02</u>		OUTRIGGER CHANNEL.....	1
28	0118G01		SCREW, 1/4 - 20 X 5/8" LG.....	8
29	<u>00642G7</u>		WASHER, 1/4".....	8
30				
31	<u>74164G04</u>		ELECTRIC DUMP KIT (INCLUDES ITEMS 32-	1

TRUCK BED, ELECTRIC LIFT

When ordering parts, please specify the model and serial number of the product.

* Indicates a component that is not available as an individual part.

*** Indicates consult Customer Service Department for additional information.

ITEM	PART NO.	1 2 3 4 5	DESCRIPTION	QTY.
32	<u>27612G02</u>		ELECTRIC ACTUATOR.....	1
33	<u>27613G01</u>		SPACER.....	2
34	<u>14443G11</u>		CLEVIS PIN, 1/2" X 1 3/4" LG.....	1
35	<u>21683G1</u>		COTTER PIN, 15/32" X 2 13/16" LG.....	2
36	<u>14443G10</u>		CLEVIS PIN 1/2" X 2 7/8" LG.....	1
37	<u>71283G02</u>		LIFT BRACKET.....	1
38	<u>00462G7</u>		SCREW, 7/16 - 14 X 7/8" LG.....	2
39	<u>00734G1</u>		LOCK NUT, 7/16 - 14.....	2
40				
41	<u>74165G02</u>		CIRCUIT BREAKER MOUNTING BRACKET.....	1
42	<u>21320G3</u>		CIRCUIT BREAKER, 30 AMP, 12V.....	1
43	<u>00150G4</u>		SCREW, #10 - 24 X 1/2" LG.....	2
44	<u>00565G5</u>		LOCK WASHER, #10.....	2
45	<u>00526G3</u>		NUT, #10 - 24.....	2
46	<u>25976G14</u>		14 GA WIRE (RED 5:).....	1
47				
48	<u>27680G01</u>		TOGGLE SWITCH.....	1
49				
50				
51	<u>27447G01</u>		TOGGLE GUARD.....	1
52	<u>10570G9</u>		RIVET, 1/8" X 11/32" LG (ALUMINUM).....	2
53	<u>71489G01</u>		WARNING LABEL.....	1
54	<u>74163G01</u>		WIRE HARNESS (CONTROL).....	1
55	<u>17618G1</u>		WIRE TIE.....	8
56				
57				
58				
59				
60	<u>76423G01</u>		BED FRAME.....	1
61	<u>00439G2</u>		SCREW, 5/16 - 18 X 1 1/4" LG.....	2
62	<u>00642G8</u>		WASHER, 1/4".....	8

TRUCK BED, ELECTRIC LIFT

When ordering parts, please specify the model and serial number of the product.

* Indicates a component that is not available as an individual part.

*** Indicates consult Customer Service Department for additional information.

ITEM	PART NO.	1 2 3 4 5	DESCRIPTION	QTY.
63	11098G6		LOCK NUT, 5/16 - 18.....	4
64				
65	00415G6		BOLT, 1/4 - 20 X 1 3/4" LG	2
66	<u>00642G7</u>		WASHER, 1/4"	4
67	00891G2		LOCK NUT, 1/4 - 20.....	2

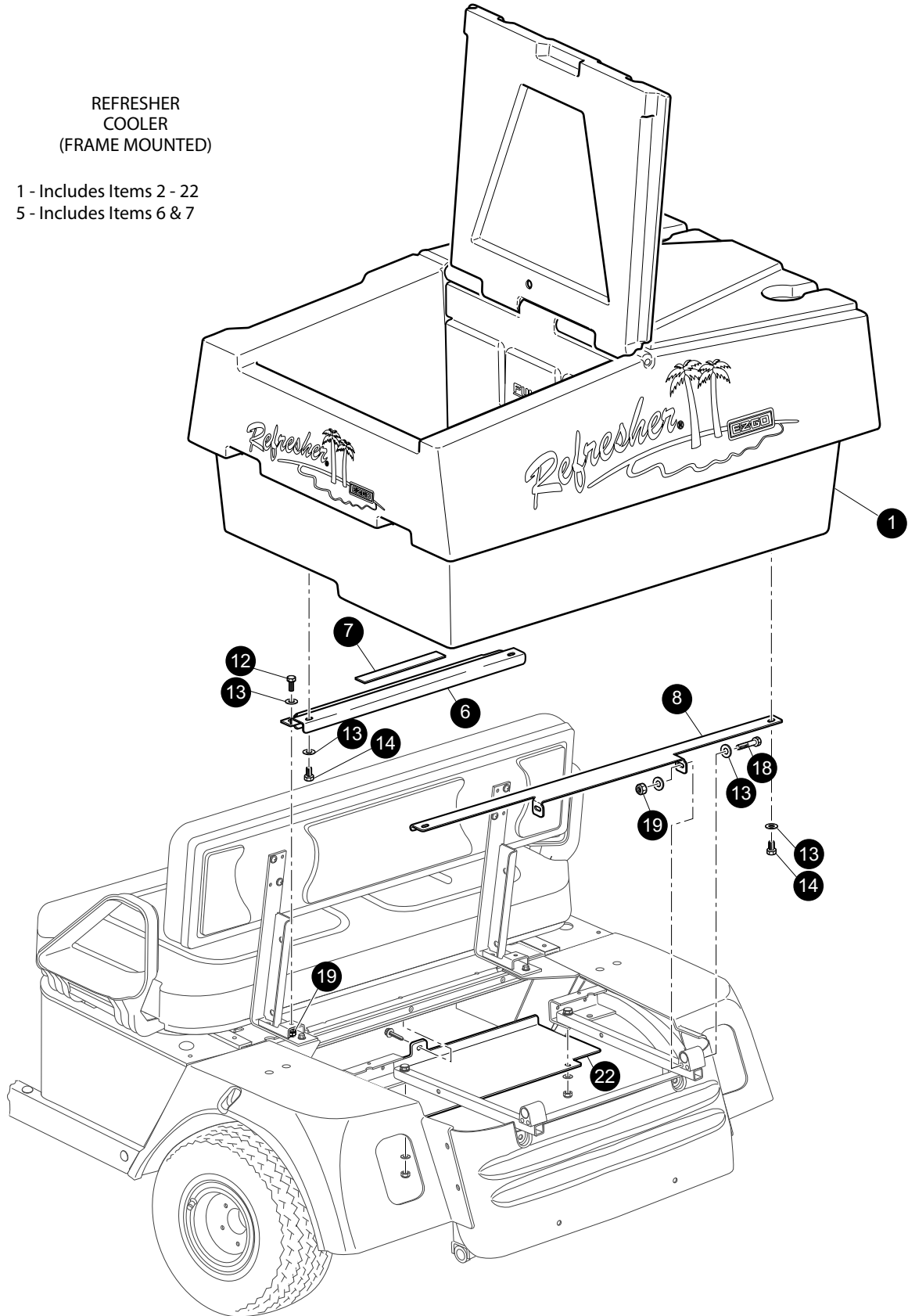
Notes:

A large rectangular grid of 20 columns and 40 rows, intended for handwritten notes.

TRUCK BED, REFRESHER

REFRESHER COOLER (FRAME MOUNTED)

- 1 - Includes Items 2 - 22
- 5 - Includes Items 6 & 7



Ref Ref 5-2

TRUCK BED, REFRESHER

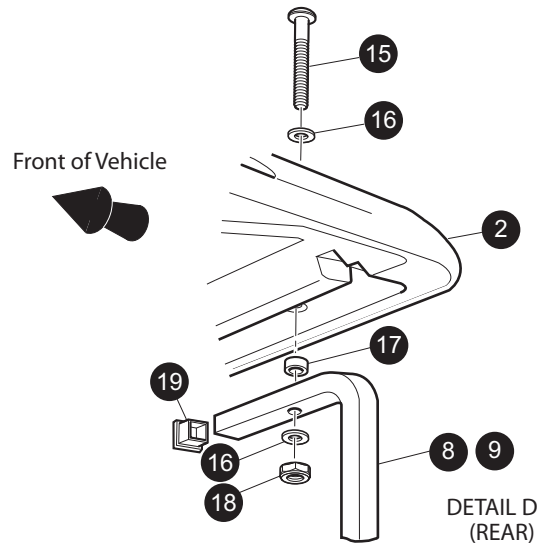
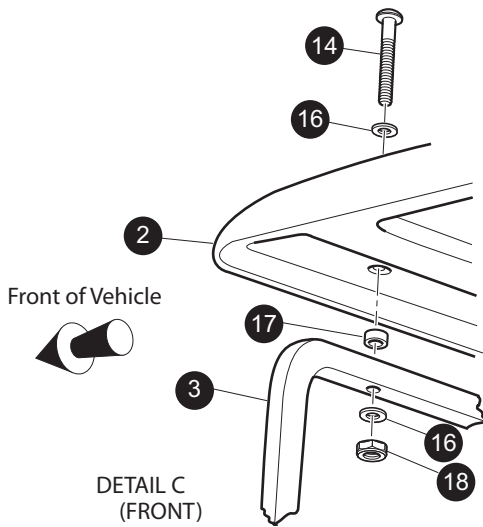
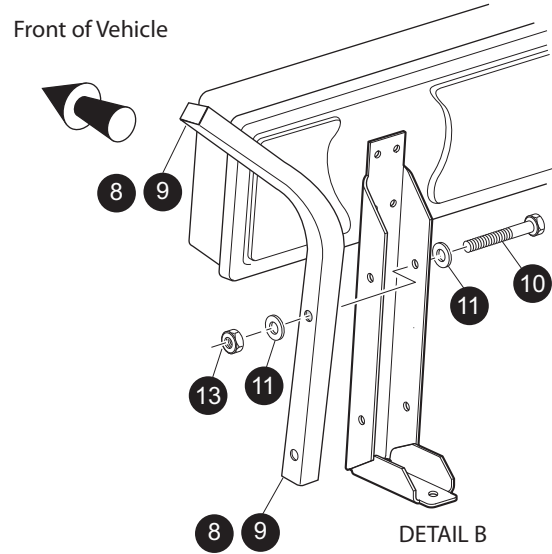
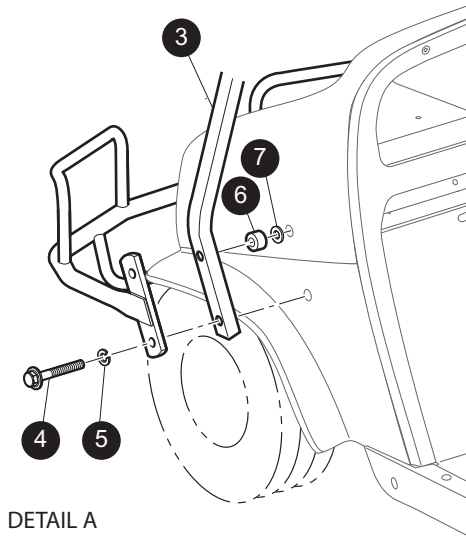
When ordering parts, please specify the model and serial number of the product.

* Indicates a component that is not available as an individual part.

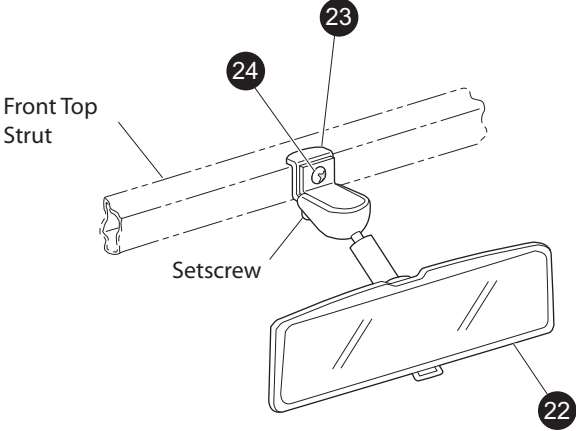
*** Indicates consult Customer Service Department for additional information.

ITEM	PART NO.	1 2 3 4 5	DESCRIPTION	QTY.
1	<u>75738G01</u>		REFRESHER COOLER (FRAME MOUNTED) (INCLUDES ITEMS 1 - 22) ..	1
2	<u>75663G01</u>		REFRESHER COOLER INSERT	1
3				
4				
5	<u>75752G01</u>		SUPPORT / DECAL ASSEMBLY (INCLUDES ITEMS 21 - 22)	1
6	*		REFRESHER FRONT SUPPORT	1
7	75751G01		REFRESHER CAUTION DECAL.....	1
8	<u>75672G01</u>		REFRESHER REAR SUPPORT	1
9				
10				
11				
12	<u>00270G5</u>		BOLT, 5/16 - 18 x 5/8" LG.....	4
13	00559G8		WASHER, 5/16".....	10
14	00438G6		BOLT, 5/16 - 18 x 3/4" LG.....	2
15				
16				
17				
18	<u>00440G4</u>		BOLT, 5/16 - 18 x 2 1/2" LG.....	2
19	11098G6		LOCK NUT, 5/16 - 18.....	4
20				
21				
22	<u>75749G01</u>		HEAT SHIELD	1

WEATHER PROTECTION



Ref Wea 20-1

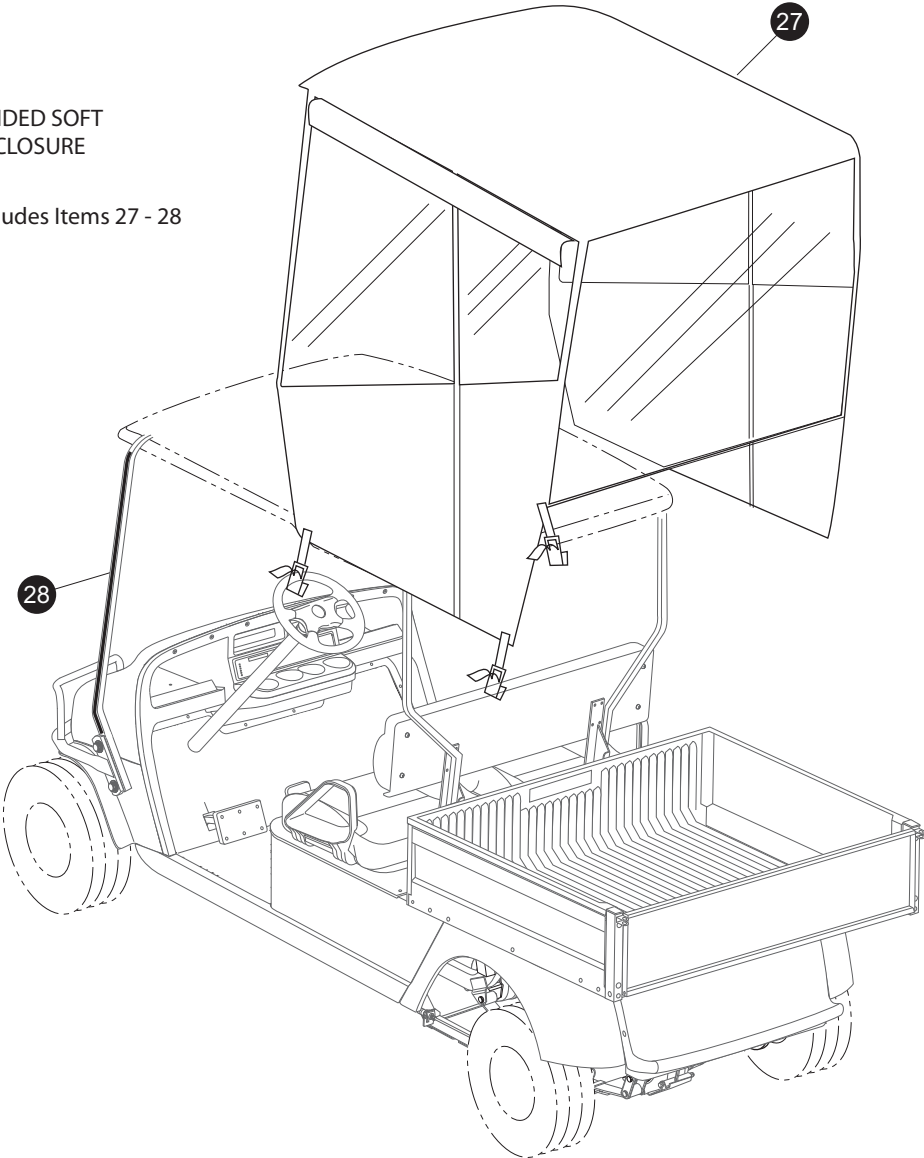


REAR VIEW MIRROR

21 - Includes Items 22 - 24

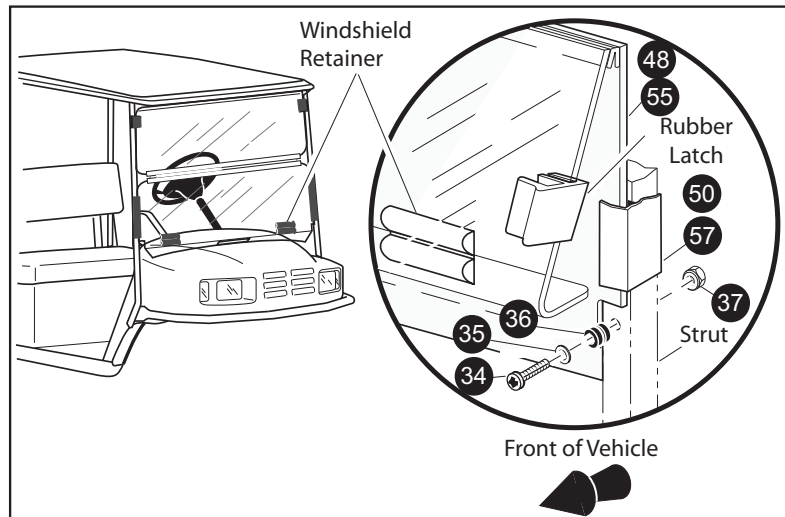
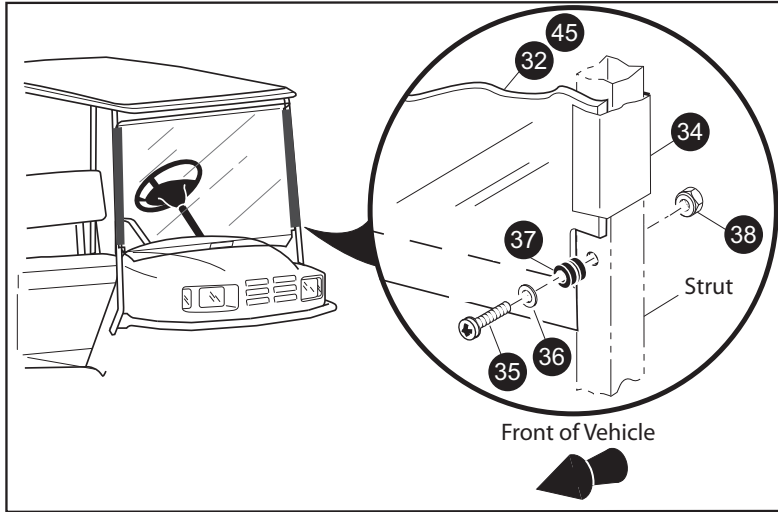
3-SIDED SOFT ENCLOSURE

26 - Includes Items 27 - 28



Ref Wea 20-2

WEATHER PROTECTION



Ref Wea 20-3

WEATHER PROTECTION

When ordering parts, please specify the model and serial number of the product.

* Indicates a component that is not available as an individual part.

*** Indicates consult Customer Service Department for additional information.

ITEM	PART NO.	1 2 3 4 5	DESCRIPTION	QTY.
1	75040G**		SUN TOP KIT (INCLUDES ITEMS 2 - 19).....	1
2	27069G**		SUN TOP.....	1
3	<u>75045G05</u>		FRONT STRUT	1
4	<u>00440G2</u>		BOLT, 5/16 - 18 X 2 1/4" LG	4
5	<u>00905G8</u>		LOCK WASHER, 5/16"	4
6	<u>75048G01</u>		SPACER, 1/2"	2
7	<u>00570G2</u>		WASHER, 5/16"	6
8	<u>75838G04</u>		REAR STRUT (PASSENGER SIDE).....	1
9	<u>75838G03</u>		REAR STRUT (DRIVER SIDE)	1
10	<u>00685G7</u>		BOLT, 5/16 - 18 X 1 3/4" LG	4
11	<u>01110G03</u>		WASHER, 5/16" (STAINLESS STEEL)	8
12				
13	11098G6		LOCK NUT, 5/16 - 18.....	4
14	<u>00753G5</u>		SCREW, 1/4 - 20 X 2" LG (STAINLESS STEEL)	2
15	00753G6		SCREW, 1/4 - 20 X 2 1/4" LG (STAINLESS STEEL)	2
16	<u>01110G01</u>		WASHER, 1/4" (STAINLESS STEEL)	8
17	<u>75051G01</u>		SPACER	4
18	00891G2		LOCK NUT, 1/4 - 20.....	4
19	<u>19853G1</u>		END CAP, 1"	2
20				
21	<u>19528G2</u>		REAR VIEW MIRROR KIT (REQUIRES SUN TOP) (INCLUDES ITEMS 22 - 24)	1
22	<u>19496G1</u>		REAR VIEW MIRROR.....	1
23	19502G2		SUPPORT BRACKET	1
24	<u>19527G1</u>		SCREW, #8 - 32 X 5/8" LG (STAINLESS STEEL)	1
25				
26	75367G**		3-SIDED SOFT ENCLOSURE (REQUIRES SUN TOP) (INCL ITEMS 27 - 28)	1
27	*		ENCLOSURE	1
28	*		VELCRO.....	AR
29				
30				

WEATHER PROTECTION

When ordering parts, please specify the model and serial number of the product.

* Indicates a component that is not available as an individual part.

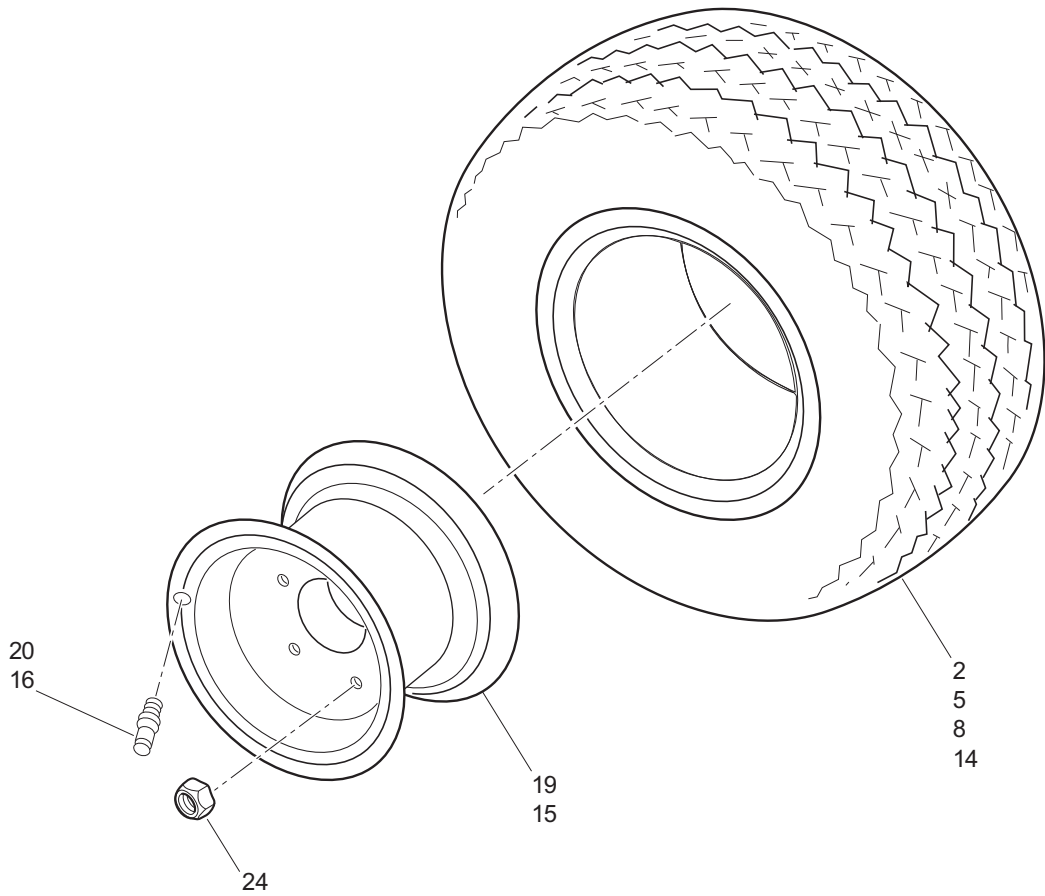
*** Indicates consult Customer Service Department for additional information.

ITEM	PART NO.	1	2	3	4	5	DESCRIPTION	QTY.
31	<u>71966G01</u>						WINDSHIELD KIT (FULL) (INCLUDES ITEMS 32 - 38)	1
32	<u>71954G01</u>						WINDSHIELD (FULL) (LEXAN) (INCLUDES ITEM 33)	1
33	71963G01						WARNING DECAL	1
34	EGWHC12						SASH, 26" LG.....	2
35	EGWHS12						BOLT, 1/4 - 20 X 1 3/4" LG. (STAINLESS STEEL).....	2
36	EGWHG12						WASHER, 1/4" (STAINLESS STEEL).....	4
37	EGWHG13						RUBBER GROMMET	2
38	EGWHN12						LOCK NUT, 1/4 - 20 (STAINLESS STEEL).....	2
39								
40								
41								
42								
43								
44	<u>71966G03</u>						WINDSHIELD KIT (FULL) (INCLUDES ITEMS 45, 34 - 38)	1
45	<u>71960G01</u>						WINDSHIELD (FULL) (INCLUDES ITEM 46)	1
46	71963G01						WARNING DECAL	1
47	<u>71966G04</u>						WINDSHIELD KIT (SPLIT) (INCLUDES ITEMS 48, 49, 35 - 38)	1
48	<u>71961G01</u>						WINDSHIELD (SPLIT)	1
49	EGWHC10						SASH, 12" LG.....	2
50								
51								
52								
53								
54	<u>71966G02</u>						WINDSHIELD KIT (SPLIT) (INCLUDES ITEMS 55, 56, 35 - 38)	1
55	<u>71955G01</u>						WINDSHIELD (SPLIT) (LEXAN) (INCLUDES ITEM 56).....	1
56	71963G01						WARNING DECAL	1
57	EGWHC10						SASH, 12" LG.....	2

WHEELS AND TIRES

- 1 - Includes Items 2, 19, 20
- 4 - Includes Items 5, 19, 20
- 7 - Includes Items 8, 19, 20
- 13 - Includes Items 14, 15, 16

Tire design may vary by Part Number





GOLD / SILVER SPOKE HUBCAP
22, 23

WHEELS AND TIRES

When ordering parts, please specify the model and serial number of the product.

* Indicates a component that is not available as an individual part.

G** Indicates consult Customer Service Department for additional information.

ITEM	PART NO.	1 2 3 4 5	DESCRIPTION	QTY.
1	<u>28757-G01</u>		WHEEL AND TIRE ASSEMBLY, LINKS (INCLUDES ITEMS 2, 19, 20)	1
2	<u>28764-G01</u>		CARLISLE TIRE (LINKS 18 X 8.5 - 8, 4 PLY RATED).....	1
3				
4	<u>28757-G03</u>		WHEEL AND TIRE ASSEMBLY, TURF SAVER (INCLUDES ITEMS 5, 19, 20) ..	1
5	<u>28764-G03</u>		CARLISLE TIRE (TURF SAVER 18 X 8.5 - 8, 4 PLY RATED)	1
6				
7	<u>28842-G01</u>		WHEEL AND TIRE ASSEMBLY, LINKS (INCLUDES ITEMS 8, 19, 20)	1
8	<u>28764-G08</u>		CARLISLE TIRE (USA TRAIL LOAD RANGE C)	1
9				
10				
11				
12				
13	<u>27784-G06</u>		WHEEL AND TIRE ASSEMBLY, USA TRAIL (INCLUDES ITEMS 14, 15 16)	1
14	<u>27784-G07</u>		CARLISLE TIRE (USA TRAIL 5.70 X 8).....	1
15	<u>33678-G02</u>		WHEEL RIM (4 LUG).....	1
16	<u>26482-G01</u>		VALVE STEM.....	1
17				
18				
19	<u>28759-G01</u>		WHEEL RIM (4 LUG).....	1
20	<u>11657-G2</u>		VALVE STEM.....	1
21				
22	19241-G*		GOLD SPOKE HUBCAP (OPTIONAL)	A/R
23	19241-G*		SILVER SPOKE HUBCAP (OPTIONAL).....	A/R
24	<u>14723-G1</u>		NUT-LUG-ZP (1/2-20)	A/R

SPECIALTY PRODUCTS

SPECIALTY PRODUCTS

SPECIAL TOOLS	PART NO.
HIGH RESISTANCE SPARK PLUG WIRE SET	26733G02
CLUTCH PULLER (DRIVE)	19779G2
FLYWHEEL PULLER	27111G01
CURRENT INDICATOR	16489G2
DIGITAL MULTI-METER	27481G01
TUBELESS TIRE REPAIR KIT	606009
TIRE PLUGGER REFIL PACK (50/BOX)	606831

TOUCH UP PAINT	PART NO.
PEN 3 OUNCE (89 ML) - HUNTER GREEN	28432G02
PEN 3 OUNCE (89 ML) - CHAMPAGNE BEIGE	28432G01
PEN 3 OUNCE (89 ML) - WHITE	28432G05
PEN 3 OUNCE (89 ML) - INDUSTRIAL YELLOW	28432G03
PEN 3 OUNCE (89 ML) - ORANGE	28432G04
PEN 3 OUNCE (89 ML) - STEEL BLUE PEARL	28432G24
PEN 3 OUNCE (89 ML) - OLIVE GREEN	28432G**
PEN 3 OUNCE (89 ML) - CAMOUFLAGE PAINT (THREE PENS)	75831G01
AEROSOL 12 OUNCE (360 ML) - HUNTER GREEN	28140G09
AEROSOL 12 OUNCE (360 ML) - CHAMPAGNE BEIGE	28140G15
AEROSOL 12 OUNCE (360 ML) - INDUSTRIAL YELLOW	28140G14

MAINTENANCE PRODUCTS	PART NO.
PLEXUS® CLEANER, 13 OUNCE (380 ML) (FOR WINDSHIELDS)	28433G02
BATTERY PROTECTOR, 14 OUNCE (410 ML) SPRAY	27619G02
E-Z-GO ALLSURFACE CLEANER	606311
E-Z-GO FIBERGLASS/PLASTIC RESTORER	606313
WIND SHIELD AND PLASTIC PROTECTOR	606314
64 OZ HAND CLEANER	607636
4 OZ HAND CLEANER	607637

OPTIONS/ACCESSORIES

OPTIONS/ACCESSORIES

ITEM	KIT NO.	SECTION
ASHTRAY KIT	75109G04	See BODY
BALL HITCH KIT	74492G02	See BODY
BUMPER KIT	74292G04	See BODY
CAB, W/O DOORS	75854G0*	See CAB
CAB SWITCH PANEL	74250G01	See CAB
CLEVIS HITCH KIT	74492G06	See BODY
DEFROSTER/COOLING FAN	74248G01	See CAB
DIFFERENTIAL GUARD	72347G02	See REAR AXLE
DOOR SET	75856G0*	See CAB
DOOR SET (VINYL)	75855G01	See CAB
ELECTRIC DUMP KIT	74164G04	See TRUCKBED
GLOVE BOX DOOR	75456G0*	See BODY
HOUR METER KIT	75114G02	See ELECTRICAL SYSTEM
INSIDE REAR VIEW MIRROR (CAB)	27924G01	See WEATHER PROTECTION
REAR VIEW MIRROR KIT	19528G2	See WEATHER PROTECTION
SOFT ENCLOSURE	75367G0*	See WEATHER PROTECTION
STROBE LIGHT	74245G01	See CAB
SUN TOP KIT	75040G0*	See WEATHER PROTECTION
TURN SIGNAL KIT	75107G02	See ELECTRICAL SYSTEM
GOLD SPOKE WHEEL COVERS	19241G*	See WHEELS AND TIRES
SILVER SPOKE WHEEL COVERS	19241G*	See WHEELS AND TIRES
WINDSHIELD (FULL) (LEXAN-POLYCARBONATE)	71966G01	See WEATHER PROTECTION
WINDSHIELD (SPLIT) (LEXAN-POLYCARBONATE)	71966G02	See WEATHER PROTECTION
WINDSHIELD (FULL) (PLEXIGLAS)	71966G03	See WEATHER PROTECTION
WINDSHIELD (SPLIT) (PLEXIGLAS)	71966G04	See WEATHER PROTECTION
WINDSHIELD WIPER	74244G01	See CAB
WORK LIGHTS	74247G01	See CAB
WORK LIGHT BAR WITH LIGHTS	71323G01	See ELECTRICAL SYSTEM
WORK LIGHT BAR WITH STROBE	71323G02	See ELECTRICAL SYSTEM
WORK LIGHT BAR WITH LIGHTS AND STROBE	71323G03	See ELECTRICAL SYSTEM



A Textron Company



E-Z-GO Division Of Textron, Inc.,
1451 Marvin Griffin Road, Augusta, Georgia USA 30906-3852

TO CONTACT US

North America:

Technical Assistance & Warranty Phone: 1-800-774-3946, FAX: 1-800-448-8124
Service Parts Phone: 1-888-GET-EZGO (1-888-438-3946), FAX: 1-800-752-6175

International:

Phone: 001-706-798-4311, FAX: 001-706-771-4609

Certified ISO 9001 / ISO 14001 by



Copyrighted Material
This manual may not be reproduced in whole or
in part without the express permission of
E-Z-GO Division of Textron, Inc.
Technical Communications Department