



A Textron Company

# **TXT Shuttle 2+2**

## **Service Parts Manual**

699357 - D

ISSUED FEBRUARY 2020

REVISED NOVEMBER 2020



# SERVICE PARTS MANUAL

## GASOLINE KYEFI POWERED GOLF CAR

### TXT SHUTTLE 2+2

### STARTING MODEL YEAR 2020

Never modify the vehicle in any way that will alter the weight distribution of the vehicle, decrease its stability or increase the speed beyond the factory specifications. Such modifications can cause serious personal injury or death. Textron Specialized Vehicles prohibits and dis-claims responsibility for any such modifications or any other alteration which would adversely affect the safety of the vehicle.

TSV reserves the right to incorporate engineering and design changes to products in this manual, without obligation to include these changes on units sold previously.

The information contained in this manual may be revised periodically by TSV, and therefore is subject to change without notice.

TSV DISCLAIMS LIABILITY FOR ERRORS IN THIS MANUAL, and SPECIFICALLY DISCLAIMS LIABILITY FOR INCIDENTAL AND CONSEQUENTIAL DAMAGES resulting from the use of the information and materials in this manual.

These are the original instructions as defined by 2006/42/EC.

#### TO CONTACT US:

Textron Specialized Vehicles, Inc.  
1451 Marvin Griffin Road  
Augusta, Georgia, USA 30906-3852

#### NORTH AMERICA:

Technical Assistance & Warranty PHONE: 1-800-774-3946, FAX: 1-800-448-8124

Service Parts PHONE: 1-888-438-3946, FAX: 1-800-752-6175

International: PHONE: 001-706-798-4311, FAX: 001-706-771-4609

## GENERAL INFORMATION

To obtain a copy of the limited warranty applicable to the vehicle, call or write a local Distributor, authorized Branch or the Warranty Department with vehicle serial number and manufacturer code.

The use of non Original Equipment Manufacturer (OEM) approved parts may void the warranty.

Tampering with or adjusting the governor to permit vehicle to operate at above factory specifications will void the vehicle warranty.

When servicing engines, all adjustments and replacement components must be per original vehicle specifications in order to maintain the United States of America Federal and State emission certification applicable at the time of manufacture.

### BATTERY PROLONGED STORAGE

All batteries will self discharge over time. The rate of self discharge varies depending on the ambient temperature and the age and condition of the batteries.

A fully charged battery will not freeze in winter temperatures unless the temperature falls below -75° F (-60° C).

### BATTERY DISPOSAL

Lead-acid batteries are recyclable. Return whole scrap batteries to distributor, manufacturer or lead smelter for recycling. For neutralized spills, place residue in acid-resistant containers with absorbent material, sand or earth and dispose of in accordance with local, state and federal regulations for acid and lead compounds. Contact local and/or state environmental officials regarding disposal information.



# TABLE OF CONTENTS

| <b>SECTION</b>                                   | <b>Page No.</b> |
|--|-----------------|
| <b>HOW TO USE THE SERVICE PARTS MANUAL</b> ..... | <b>v</b>        |
| <b>ACCELERATOR</b> .....                         | <b>A - 1</b>    |
| <b>AIR FILTER</b> .....                          | <b>B - 1</b>    |
| <b>BODY</b> .....                                | <b>C - 1</b>    |
| <b>BRAKES</b> .....                              | <b>D - 1</b>    |
| <b>DIRECTION SELECTOR</b> .....                  | <b>E - 1</b>    |
| <b>ELECTRICAL</b> .....                          | <b>F - 1</b>    |
| <b>ENGINE AND MUFFLER</b> .....                  | <b>G - 1</b>    |
| <b>FRONT SUSPENSION AND STEERING</b> .....       | <b>H - 1</b>    |
| <b>FUEL SYSTEM</b> .....                         | <b>J - 1</b>    |
| <b>REAR AXLE</b> .....                           | <b>K - 1</b>    |
| <b>REAR SUSPENSION</b> .....                     | <b>L - 1</b>    |
| <b>SEATING</b> .....                             | <b>M - 1</b>    |
| <b>WEATHER PROTECTION</b> .....                  | <b>N - 1</b>    |
| <b>WHEELS AND TIRES</b> .....                    | <b>P - 1</b>    |
| <b>DECALS AND LABELS</b> .....                   | <b>R - 1</b>    |



# HOW TO USE THE SERVICE PARTS MANUAL

This manual is divided into several sections:

- GENERAL INFORMATION
- ILLUSTRATED PARTS BREAKDOWN

The first section, GENERAL INFORMATION, contains the following information:

- WARRANTY INFORMATION
- TABLE OF CONTENT
- HOW TO USE THE SERVICE PARTS MANUAL

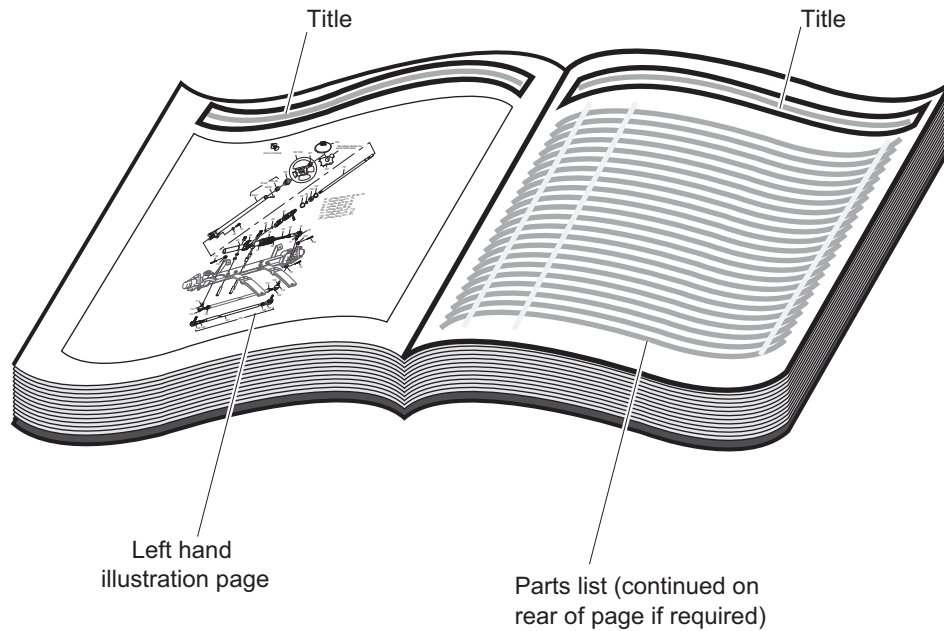
The second section, ILLUSTRATED PARTS BREAKDOWN, contains illustrations and parts lists for all systems of your vehicle.

## USE OF THE MANUAL

To use this manual, consult the TABLE OF CONTENTS to locate the information or illustration required.

Introduction of some revisions varies due to supply of components; therefore, it is possible that various combinations of components may be found that are not directly reflected by each illustration. Consult the illustration that best suits your situation and then contact the Service Parts Department. It is important that the serial number or VIN of your vehicle and the model name be supplied to Service Parts when ordering any replacement components.

# HOW TO USE THE SERVICE PARTS MANUAL



## 1. WHEN THE PART NUMBER IS NOT KNOWN

- Determine the function and application of the part required. Turn to the Table of Content and select the most appropriate title.
- Turn to the page number indicated and locate the desired part on the illustration.
- From the illustration, obtain the item number assigned to the desired part. Refer to the accompanying description for specific information regarding the part.

## 2. IF YOU KNOW THE PART NUMBER

- Locate the part number or description in the appropriate column on the parts list page.

NOTE: It is suggested that you confirm that the part selected is correct by verifying it with the pictorial representation on the illustrated page.

Should an asterisk (\*) appear in the part number column on the parts list page, read upwards until a part number is found. The part number is the lowest assembly sold by Service Parts and the asterisk (\*) indicates that the part depicted is not available for purchase.

NOTE: Descriptions are indented under the assembly that they are used on. That assembly is, in turn listed under the assembly that it is used on. This process is repeated until the highest final assembly is reached.

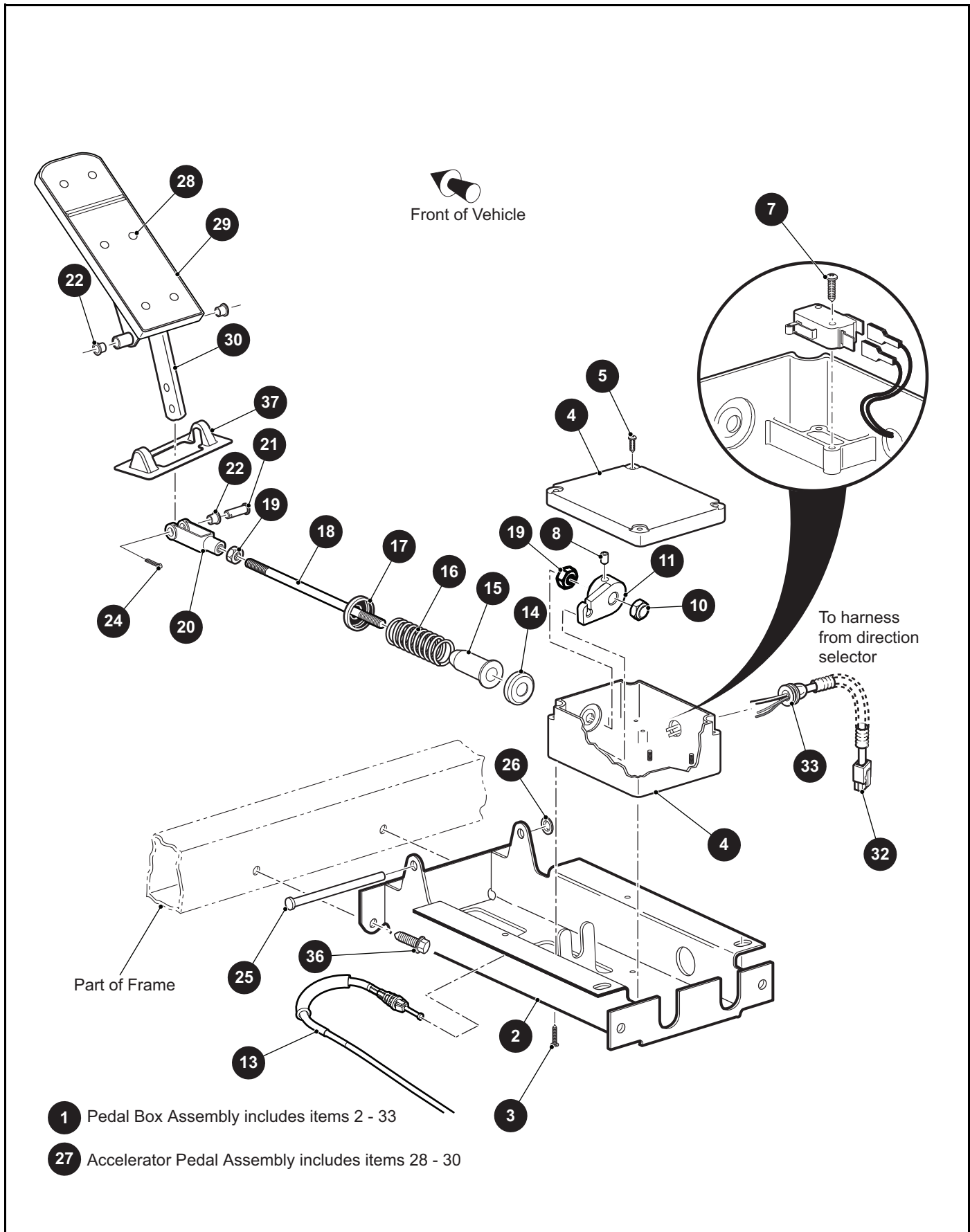
**To facilitate the maintenance and repair of the vehicle, a Repair and Service Manual is available from the Service Parts Department.**

## 3. COLOR CODE FOR BODY COMPONENTS

The last two digits of the part number for the body part will denote the color code, locate the part number for the cowl, rear body, seat pod, side panel or seat wrap then locate your color in the list below, replace the last \*\* or XX with the two digit color code.

| <b><u>CODE #</u></b> | <b><u>DESCRIPTION</u></b> |
|----------------------|---------------------------|
| 02                   | SPECIAL COLOR             |
| 11                   | BLACK                     |
| 19                   | PATRIOT BLUE PEARL        |
| 20                   | INFERNO RED METALLIC      |
| 26                   | STEEL BLUE PEARL          |
| 31                   | METALLIC CHARCOAL         |
| 35                   | SAFETY YELLOW             |
| 36                   | IVORY                     |
| 37                   | FOREST GREEN              |
| 38                   | BRIGHT WHITE              |
| 39                   | FLAME RED                 |
| 41                   | ELECTRIC BLUE             |
| 42                   | PLATINUM                  |
| 43                   | BURGUNDY                  |
| 44                   | ALMOND                    |
| 51                   | SUNBURST ORANGE           |
| 52                   | BRITISH RACING GREEN      |
| 74                   | BARLEY GOLD               |
| 75                   | OASIS GREEN               |
| 76                   | JAVA BROWN                |
| 79                   | JACOBSEN ORANGE           |
| A5                   | OCEAN GRAY                |

# ACCELERATOR



THE USE OF NON U.L. PARTS WILL VOID ANY U.L. LISTING.

When ordering parts, please specify the model and serial number of the product.

\* Indicates a component that is not available as an individual part.

\*\*\* Indicates consult Customer Service Department for additional information.

| ITEM | PART NO.         | 1 2 3 4 5 | DESCRIPTION  | QTY. |
|------|------------------|-----------|--|------|
| 1    | 696441           |           | Pedal Box Assembly (Includes Items 2 - 33).....          | 1    |
| 2    | <u>652241G03</u> |           | Accelerator Pedal Bracket .....                          | 1    |
| 3    | <u>01051G01</u>  |           | Pan Head Phillips Screw, #8 - 10 x 1/2" Lg .....         | 4    |
| 4    | <u>25853G03</u>  |           | Pedal Box and Cover.....                                 | 1    |
| 5    | <u>00684G6</u>   |           | Truss Head Screw (SS), #8 - 32 x 3/4" Lg.....            | 2    |
| 6    |                  |           |  |      |
| 7    | <u>01050G02</u>  |           | Pan Head Torx Screw, #4 - 20 x 5/8" Lg .....             | 2    |
| 8    | <u>00487G3</u>   |           | Socket Head Screw, 1/4" - 20 x 3/8" Lg.....              | 1    |
| 9    |                  |           |  |      |
| 10   | <u>15126G1</u>   |           | Lock Nut, 5/6" - 24 .....                                | 1    |
| 11   | <u>72716G01</u>  |           | Micro Switch Cam.....                                    | 1    |
| 12   |                  |           |  |      |
| 13   | 10000082G02      |           | Accelerator Cable .....                                  | 1    |
| 14   | <u>17677G1</u>   |           | Spring Retainer.....                                     | 1    |
| 15   | <u>17979G1</u>   |           | Bushing, .75" x 2" Lg .....                              | 1    |
| 16   | <u>73046G01</u>  |           | Compression Spring .....                                 | 1    |
| 17   | <u>17677G2</u>   |           | Spring Retainer, 3/8".....                               | 1    |
| 18   | 72072G01         |           | Accelerator Rod .....                                    | 1    |
| 19   | <u>00532G4</u>   |           | Hex Nut, 5/16" - 24 .....                                | 2    |
| 20   | 10385G4          |           | Clevis Yoke (Adjustable).....                            | 1    |
| 21   | <u>10386G3</u>   |           | Clevis Pin, 5/16" x 13/16" Lg .....                      | 1    |
| 22   | <u>17838G1</u>   |           | Nylon Bushing, .37" x .31" Lg .....                      | 3    |
| 23   |                  |           |  |      |
| 24   | <u>10387G3</u>   |           | Cotter Pin, 3/32" x 3/4" Lg .....                        | 1    |
| 25   | <u>74432G01</u>  |           | Pedal Pivot Pin .....                                    | 1    |
| 26   | <u>12064G6</u>   |           | Push Nut, 5/16".....                                     | 1    |
| 27   | <u>25799G03</u>  |           | Accelerator Pedal Assembly (Includes Items 28 - 30)..... | 1    |
| 28   | <u>16409G1</u>   |           | Oval Rivet, 3/16" x 7/16" Lg .....                       | 6    |
| 29   | <u>27512G01</u>  |           | Accelerator Pedal Pad .....                              | 1    |
| 30   | 652824           |           | Accelerator Pedal.....                                   | 1    |
| 31   |                  |           |  |      |

# ACCELERATOR

THE USE OF NON U.L. PARTS WILL VOID ANY U.L. LISTING.

When ordering parts, please specify the model and serial number of the product.

\* Indicates a component that is not available as an individual part.

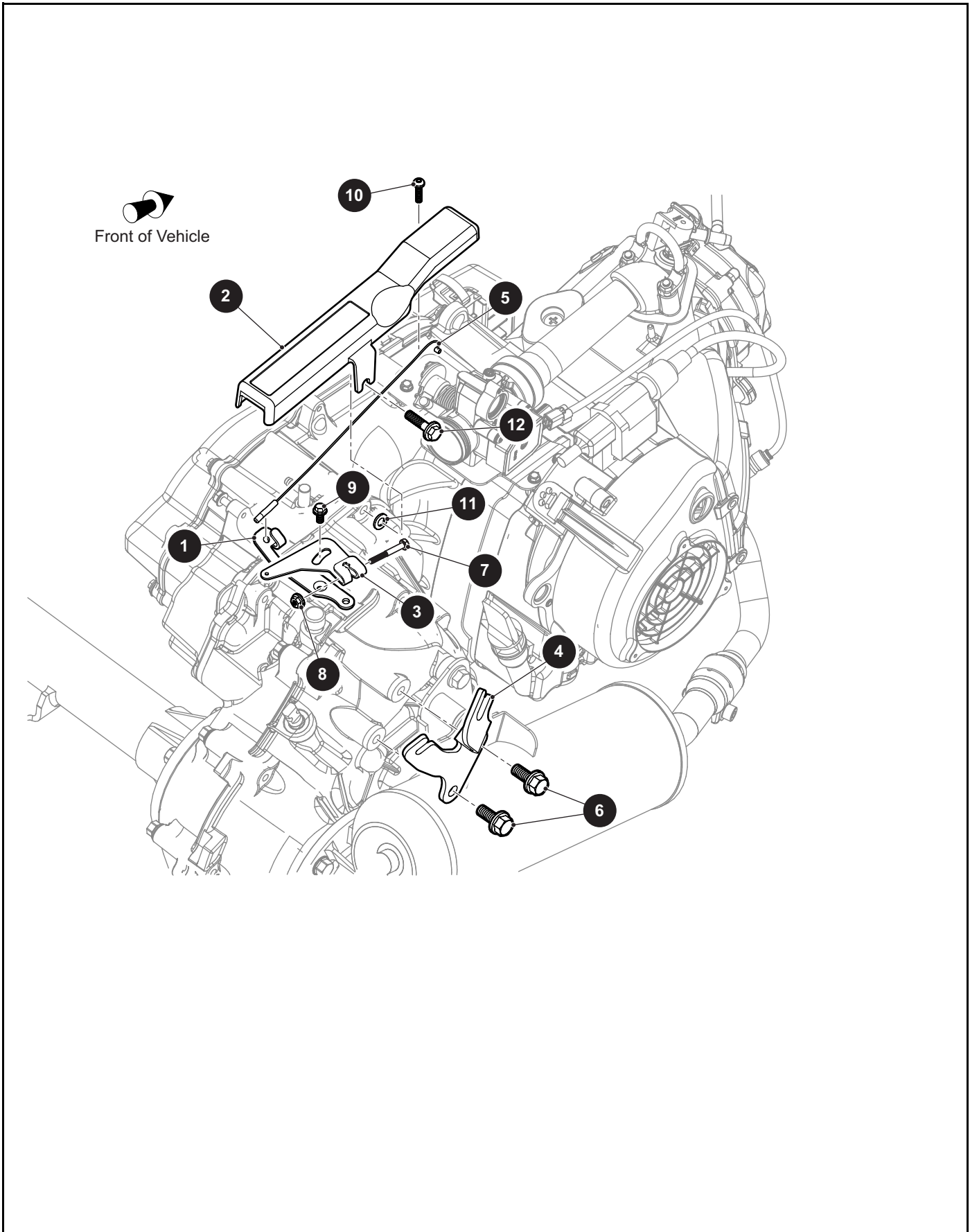
\*\*\* Indicates consult Customer Service Department for additional information.

| ITEM | PART NO.        | 1 | 2 | 3 | 4 | 5 | DESCRIPTION                                     | QTY. |
|------|-----------------|---|---|---|---|---|---|------|
| 32   | 696433          |   |   |   |   |   | Pedal Harness.....                              | 1    |
| 33   | <u>654645</u>   |   |   |   |   |   | Grommet (Rubber).....                           | 1    |
| 34   |                 |   |   |   |   |   |   |      |
| 35   | <u>17618G1</u>  |   |   |   |   |   | Nylon Clamp, 7" Lg (Not Illustrated) .....      | 2    |
| 36   | <u>00715G2</u>  |   |   |   |   |   | Hex Washer Head Bolt, 5/16" - 18 x 3/4" Lg..... | 4    |
| 37   | <u>70135G01</u> |   |   |   |   |   | Pedal Pivot Cover.....                          | 1    |





# ACCELERATOR



THE USE OF NON U.L. PARTS WILL VOID ANY U.L. LISTING.

When ordering parts, please specify the model and serial number of the product.

\* Indicates a component that is not available as an individual part.

\*\*\* Indicates consult Customer Service Department for additional information.

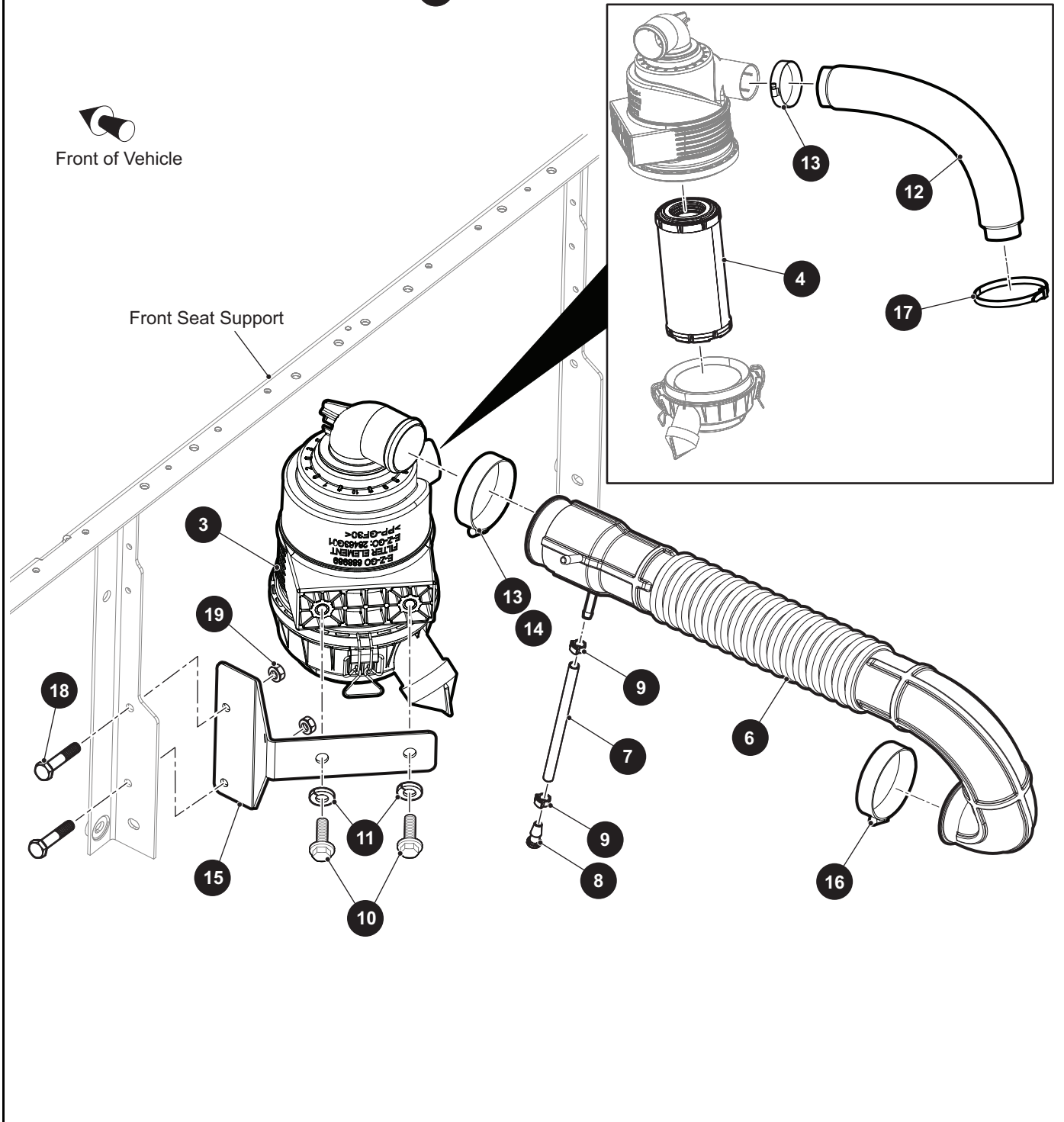
| ITEM | PART NO.        | 1 2 3 4 5 | DESCRIPTION  | QTY. |
|------|-----------------|-----------|--|------|
| 1    | 680366          |           | Governor Bracket, Lower .....                                | 1    |
| 2    | 694322          |           | Governor Guard .....   | 1    |
| 3    | <u>606083</u>   |           | Governor Bracket, Upper .....                                | 1    |
| 4    | <u>632936</u>   |           | Governor Cable/Direction Selector Bracket .....              | 1    |
| 5    | 693153          |           | Throttle Cable.....  | 1    |
| 6    | <u>606256</u>   |           | Flanged Hex Head Bolt, M10 - 1.25 x 25mm Lg, Grade 8.8 ..... | 2    |
| 7    | <u>00797G2</u>  |           | Hex Head Bolt, 1/4" - 20 x 1.25" Lg, Grade 8 .....           | 1    |
| 8    | <u>11027G2</u>  |           | Flanged Lock Nut, 1/4" - 20 .....                            | 1    |
| 9    | <u>73876G01</u> |           | Flanged Hex Head Bolt, M6 - 1 x 12mm Lg, Grade 8.8 .....     | 1    |
| 10   | <u>601326</u>   |           | Button Head Torx Bolt, M6 - x 20mm Lg .....                  | 1    |
| 11   | <u>616671</u>   |           | Flat Washer, 15.8 x 8.5 x 1.5 .....                          | 1    |
| 12   | <u>602330</u>   |           | Flanged Hex Head Bolt, M8 - 1.25 x 30mm Lg, Grade 8.8 .....  | 1    |





# AIR FILTER

- 1 Air Filter with Intake Extension Assembly includes items 3 - 13, 15
- 2 Air Filter without Intake Extension Assembly includes items 3 - 11, 14 - 15
- 3 Air Cleaner Assembly includes item 4
- 5 Intake Hose Assembly includes items 6 - 9



THE USE OF NON U.L. PARTS WILL VOID ANY U.L. LISTING.

When ordering parts, please specify the model and serial number of the product.

\* Indicates a component that is not available as an individual part.

\*\*\* Indicates consult Customer Service Department for additional information.

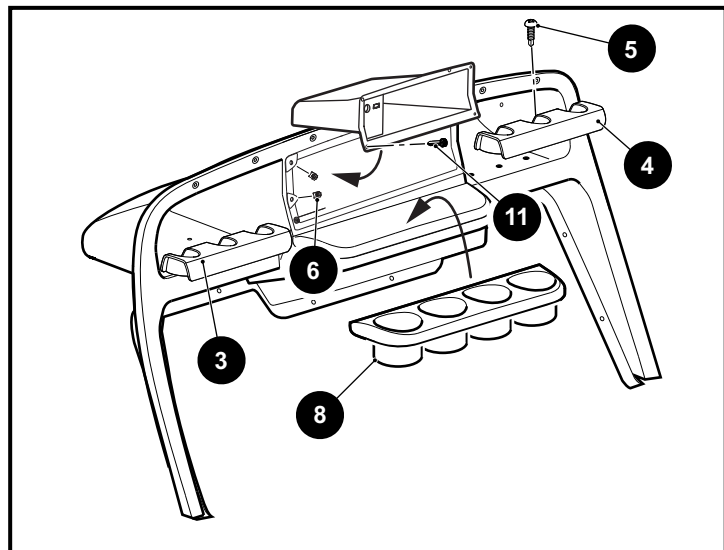
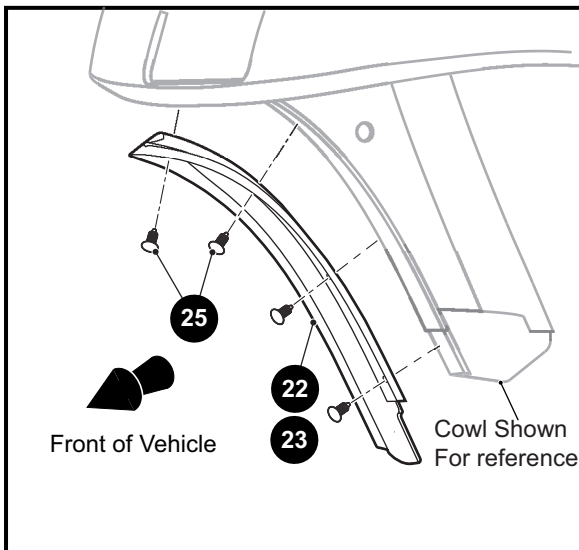
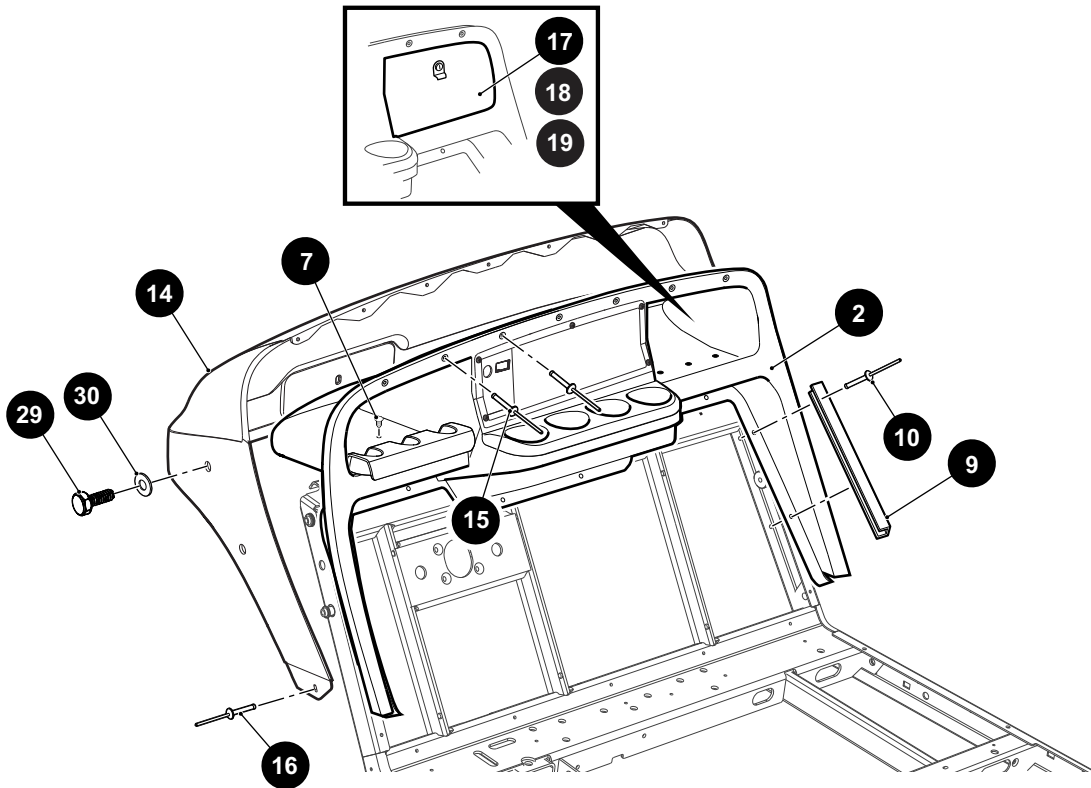
| ITEM | PART NO.        | 1 2 3 4 5 | DESCRIPTION   | QTY. |
|------|-----------------|-----------|---|------|
| 1    | 10006912G01     |           | Air Filter with Intake Extension Assembly (Includes Items 3 - 13, 15).....      | 1    |
| 2    | 10006912G02     |           | Air Filter without Intake Extension Assembly (Includes Items 3 - 11, 14 - 15).. | 1    |
| 3    | 688989          |           | Air Cleaner Assembly (Includes Item 4) .....                                    | 1    |
| 4    | <u>28463G01</u> |           | Air Filter.....   | 1    |
| 5    | 695525          |           | Intake Hose Assembly (Includes Items 6 - 9) .....                               | 1    |
| 6    | 680394          |           | Intake Hose .....   | 1    |
| 7    | 685828          |           | Oil Drain Tube .....  | 1    |
| 8    | 686875          |           | Hose Plug.....  | 1    |
| 9    | 696439          |           | Oil Drain Clamp.....  | 2    |
| 10   | <u>606261</u>   |           | Flanged Hex Head Bolt, M8 - 1.25 x 20mm Lg, Grade 8.8 .....                     | 2    |
| 11   | <u>606272</u>   |           | Lock Washer, 8mm .....  | 2    |
| 12   | <u>601910</u>   |           | Air Filter Hose, 14" Lg.....  | 1    |
| 13   | <u>11391G1</u>  |           | Hose Clamp, 1.31".....  | 2    |
| 14   | <u>11391G1</u>  |           | Hose Clamp, 1.31".....  | 1    |
| 15   | 692988          |           | Air Cleaner Mounting Bracket.....   | 1    |
| 16   | <u>11391G1</u>  |           | Hose Clamp, 1.31" .....   | 1    |
| 17   | <u>12416G2</u>  |           | Nylon Clamp, 11.8" Lg .....   | 1    |
| 18   | <u>00414G7</u>  |           | Hex Head Bolt, 1/4" - 20 x 7/8" Lg, Grade 5 .....                               | 2    |
| 19   | 14390G4         |           | Lock Nut, 1/4" - 20 .....   | 2    |







- 1 Instrument Panel Assembly includes items 2 - 6
- 21 Front Splash Guard kit includes items 22 - 25
- 24 Hardware Kit includes item 25



THE USE OF NON U.L. PARTS WILL VOID ANY U.L. LISTING.

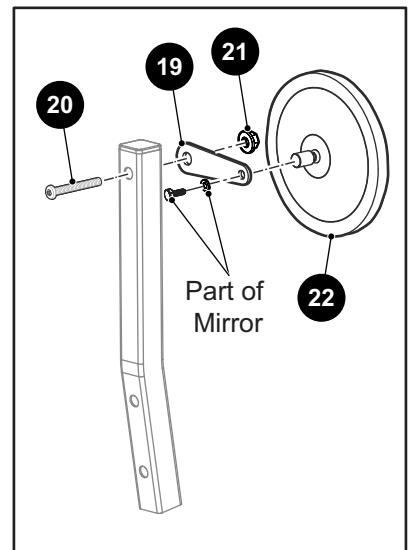
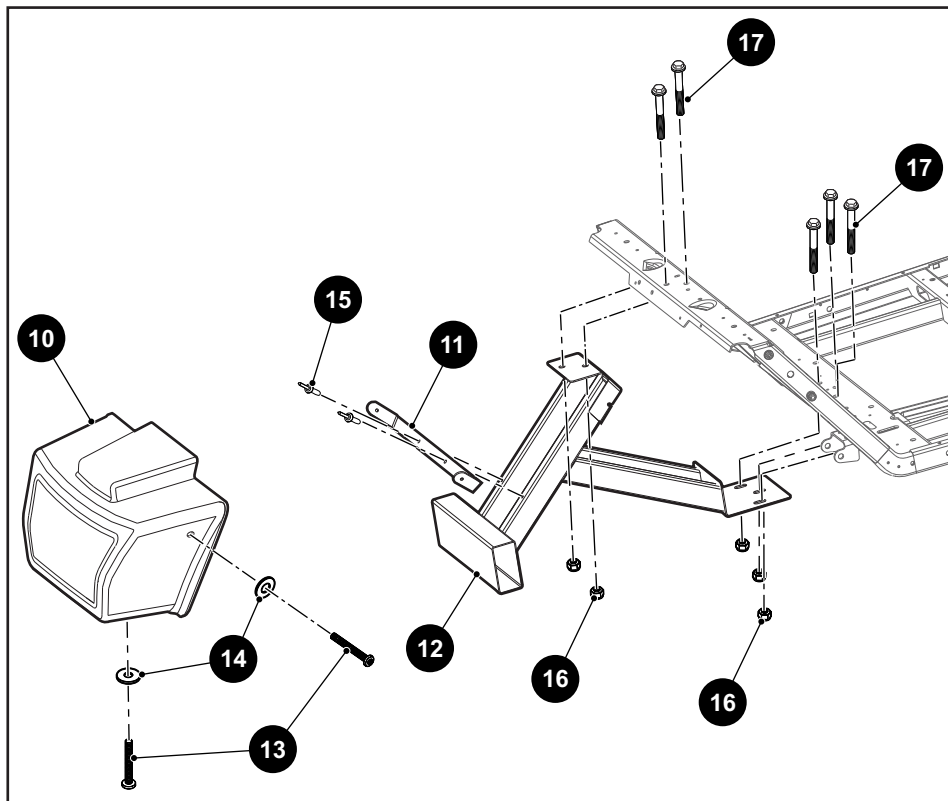
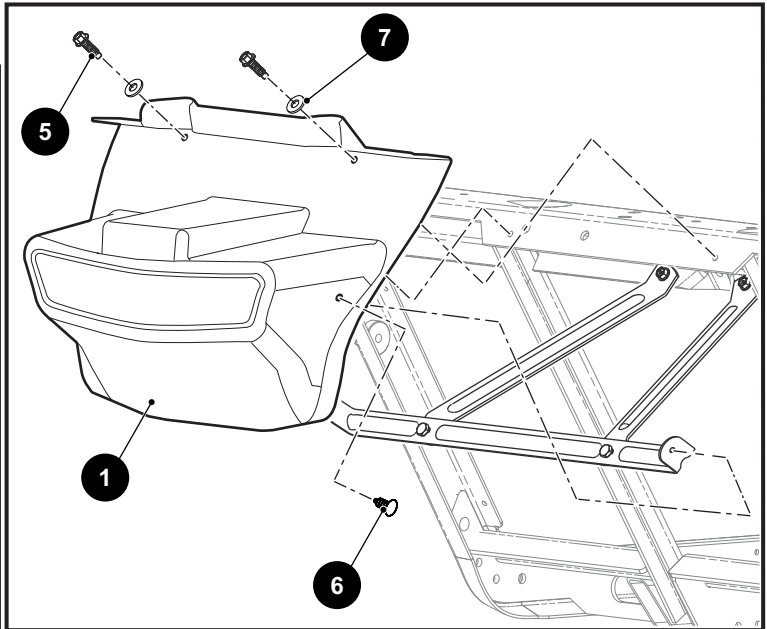
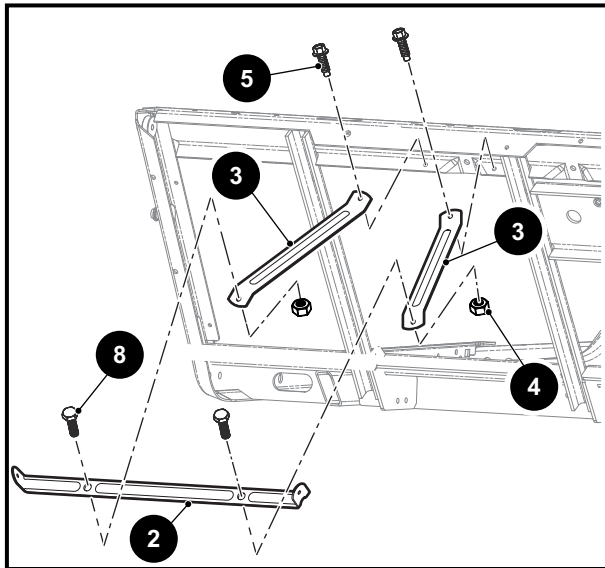
When ordering parts, please specify the model and serial number of the product.

\* Indicates a component that is not available as an individual part.

\*\*\* Indicates consult Customer Service Department for additional information.

| ITEM | PART NO.         | 1 2 3 4 5 | DESCRIPTION   | QTY. |
|------|------------------|-----------|---|------|
| 1    | <u>628017</u>    |           | Instrument Panel Assembly (Includes Items 2 - 6).....     | 1    |
| 2    | <u>628010</u>    |           | Instrument Panel Assembly with Compartment.....           | 1    |
| 3    | <u>641632G01</u> |           | Ball Holder (Driver Side).....                            | 1    |
| 4    | <u>641632G02</u> |           | Ball Holder (Passenger Side) .....                        | 1    |
| 5    | 00614G3          |           | Pan Head Phillips Tapping Screw, #8 - 15 x 3/8" Lg .....  | 4    |
| 6    | <u>71364G02</u>  |           | 'J' Type Speed Nut, #8 - 15 x .198" Lg .....              | 5    |
| 7    | <u>16816G2</u>   |           | Ratchet Rivet, .25" x .887" .....                         | 2    |
| 8    | <u>628023</u>    |           | Cup Holder .....  | 1    |
| 9    | <u>71115G01</u>  |           | Trim .....  | 2    |
| 10   | <u>71055G01</u>  |           | Rivet, 3/16" x .985" Dia .....                            | 11   |
| 11   | <u>608290</u>    |           | Pan Head Phillips Tapping Screw, #10 - 16 x 3/4" Lg ..... | 5    |
| 12   |                  |           |   |      |
| 13   |                  |           |   |      |
| 14   | 619730G1XX       |           | Cowl (See COLOR CODES in HOW TO USE Section).....         | 1    |
| 15   | <u>71055G01</u>  |           | Rivet, 3/16" x .985" Dia .....                            | 7    |
| 16   | <u>10570G11</u>  |           | Rivet (SS), 3/16" x .70" .....                            | 2    |
| 17   | <u>75459G01</u>  |           | Glove Box (Driver/Passenger Side).....                    | 1    |
| 18   | <u>75459G02</u>  |           | Glove Box (Driver Side) .....                             | 1    |
| 19   | <u>75459G03</u>  |           | Glove Box (Passenger Side).....                           | 1    |
| 20   |                  |           |   |      |
| 21   | <u>656538</u>    |           | Front Splash Guard Kit (Includes Items 22 - 25) .....     | 1    |
| 22   | <u>651127G01</u> |           | Splash Guard (Driver Side) .....                          | 1    |
| 23   | <u>651127G02</u> |           | Splash Guard (Passenger Side) .....                       | 1    |
| 24   | <u>656649</u>    |           | Hardware Kit (Includes Item 25).....                      | 1    |
| 25   | <u>16816G1</u>   |           | Ratchet Rivet, .25" x .680" .....                         | 4    |
| 26   |                  |           |   |      |
| 27   |                  |           |   |      |
| 28   |                  |           |   |      |
| 29   | 00438G6          |           | Hex Head Bolt, 5/16" - 18 x 3/4" Lg, Grade 5 .....        | 2    |
| 30   | <u>00571G2</u>   |           | Flat Washer, 5/16".....                                   | 2    |

# BODY



THE USE OF NON U.L. PARTS WILL VOID ANY U.L. LISTING.

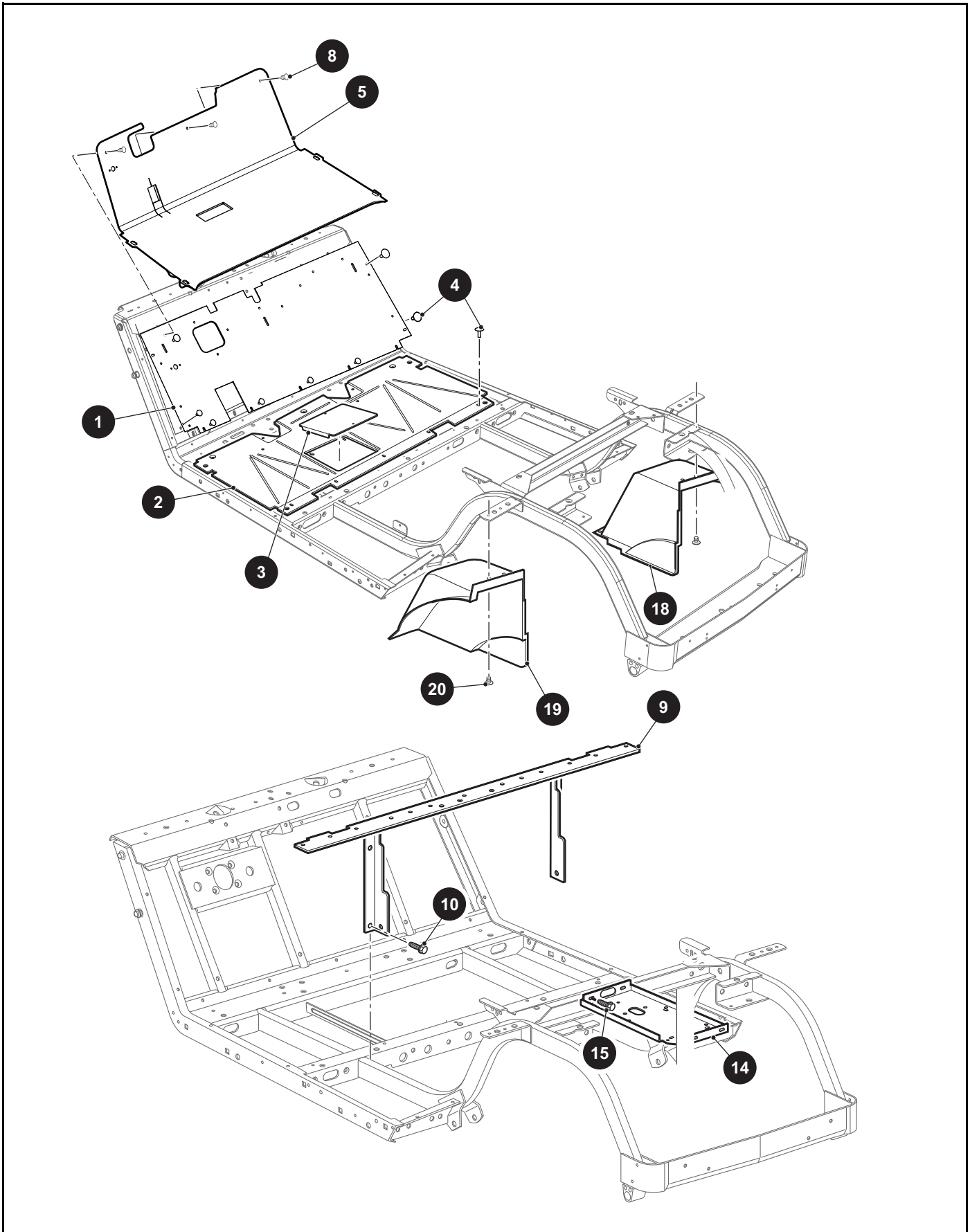
When ordering parts, please specify the model and serial number of the product.

\* Indicates a component that is not available as an individual part.

\*\*\* Indicates consult Customer Service Department for additional information.

| ITEM | PART NO.        | 1 2 3 4 5 | DESCRIPTION   | QTY. |
|------|-----------------|-----------|---|------|
| 1    | <u>624607</u>   |           | Front Fascia .....  | 1    |
| 2    | <u>627769</u>   |           | Shield Bracket.....   | 1    |
| 3    | <u>70725G02</u> |           | Front Shield Brace .....                                    | 2    |
| 4    | <u>14390G4</u>  |           | Lock Nut, 1/4" - 20 .....                                   | 2    |
| 5    | <u>01038G01</u> |           | Hex Washer Head Swagefrom Screw, 1/4" - 20 x 11/16" Lg..... | 4    |
| 6    | <u>15058G1</u>  |           | Rivet, 3/16" x .45" Lg .....                                | 2    |
| 7    | <u>16469G1</u>  |           | Flat Washer, 1/4" .....                                     | 2    |
| 8    | <u>00414G6</u>  |           | Hex Head Bolt, 1/4" - 20 x 3/4" Lg, Grade 5 .....           | 2    |
| 9    |                 |           |   |      |
| 10   | <u>634329</u>   |           | Bumper Assembly .....                                       | 1    |
| 11   | <u>625208</u>   |           | Bumper Brace .....  | 1    |
| 12   | <u>625202</u>   |           | Bumper Support Weldment.....                                | 1    |
| 13   | <u>627568</u>   |           | Socket Head Tapping Screw .....                             | 3    |
| 14   | <u>627565</u>   |           | Flat Washer (SS), 1/4" .....                                | 3    |
| 15   | <u>71055G01</u> |           | Rivet, 3/16" x .985" Dia .....                              | 2    |
| 16   | <u>00734G1</u>  |           | Lock Nut, 7/16" - 14 .....                                  | 5    |
| 17   | <u>00463G11</u> |           | Hex Head Bolt, 7/16" - 14 x 1 3/4" Lg, Grade 5 .....        | 5    |
| 18   |                 |           |   |      |
| 19   | <u>648528</u>   |           | Mirror Bracket.....   | 1    |
| 20   | <u>600527</u>   |           | Button Head Torx Bolt, M10 - 1.5 x 60mm Lg .....            | 1    |
| 21   | <u>600525</u>   |           | Lock Nut, M10 - 1.5.....                                    | 1    |
| 22   | <u>74202G01</u> |           | Round Mirror .....  | 1    |

# BODY



THE USE OF NON U.L. PARTS WILL VOID ANY U.L. LISTING.

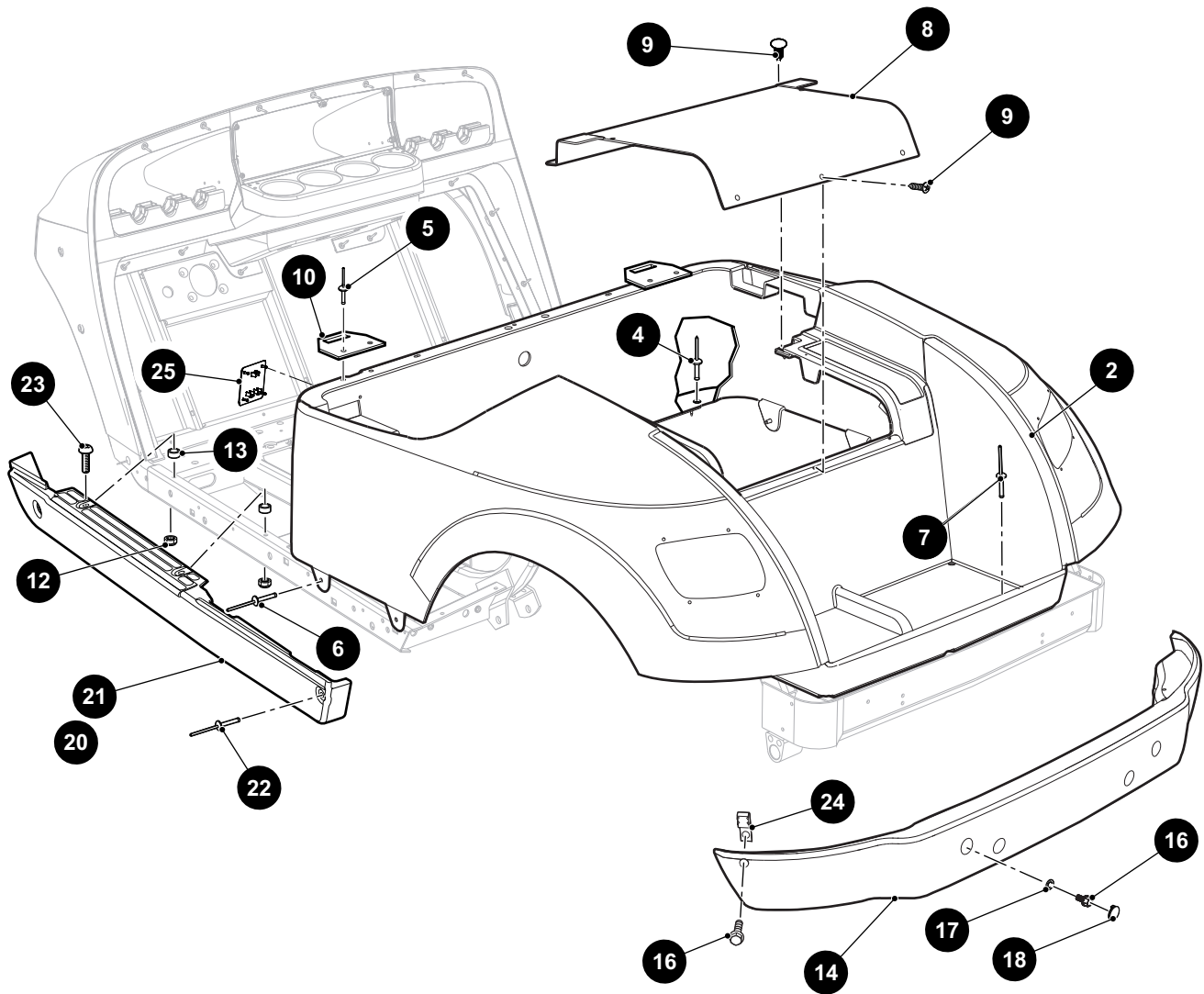
When ordering parts, please specify the model and serial number of the product.

\* Indicates a component that is not available as an individual part.

\*\*\* Indicates consult Customer Service Department for additional information.

| ITEM | PART NO.         | 1 2 3 4 5 | DESCRIPTION  | QTY. |
|------|------------------|-----------|--|------|
| 1    | <u>641260</u>    |           | Upper Floorpan .....                               | 1    |
| 2    | <u>70451G01</u>  |           | Lower Floorpan .....                               | 1    |
| 3    | <u>70452G01</u>  |           | Access Cover .....                                 | 1    |
| 4    | <u>14601G11</u>  |           | Rivet (Aluminum), 3/16" x 9/16" Lg .....           | 16   |
| 5    | <u>637535G02</u> |           | Floormat with Horn Hole .....                      | 1    |
| 6    |                  |           |  |      |
| 7    |                  |           |  |      |
| 8    | <u>16816G1</u>   |           | Ratchet Rivet, .25" x .680" .....                  | 3    |
| 9    | <u>659143</u>    |           | Seat Frame .....                                   | 1    |
| 10   | <u>00715G2</u>   |           | Flanged Hex Head Screw, 5/16" - 18 x 4/5" Lg ..... | 2    |
| 11   |                  |           |  |      |
| 12   |                  |           |  |      |
| 13   |                  |           |  |      |
| 14   | <u>70244G05</u>  |           | Splash Panel .....                                 | 1    |
| 15   | <u>00715G2</u>   |           | Flanged Hex Head Screw, 5/16" - 18 x 4/5" Lg ..... | 4    |
| 16   |                  |           |  |      |
| 17   |                  |           |  |      |
| 18   | <u>635054G02</u> |           | Fender Liner (Passenger Side) .....                | 1    |
| 19   | <u>635054G01</u> |           | Fender Liner (Driver Side) .....                   | 1    |
| 20   | <u>16816G2</u>   |           | Ratchet Fastener, 1/4" x 3/4" Lg .....             | 8    |

1 Rear Body (without Taillights) includes item 2





THE USE OF NON U.L. PARTS WILL VOID ANY U.L. LISTING.

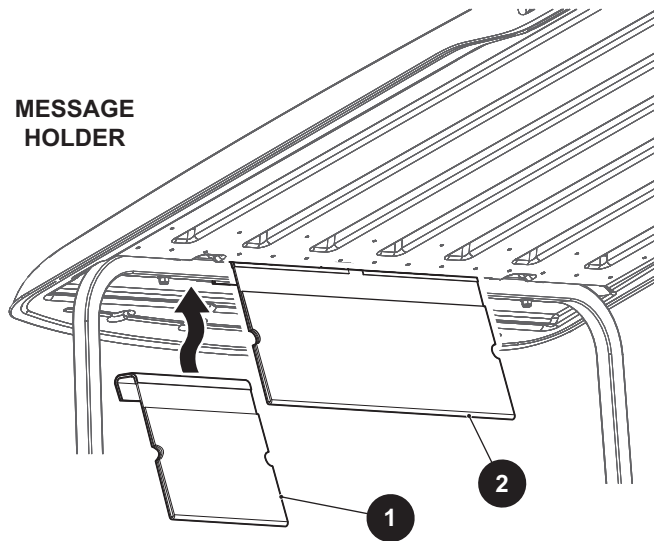
When ordering parts, please specify the model and serial number of the product.

\* Indicates a component that is not available as an individual part.

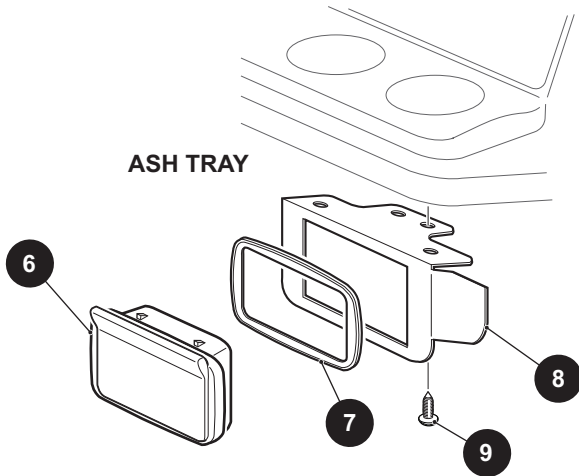
\*\*\* Indicates consult Customer Service Department for additional information.

| ITEM | PART NO.        | 1 2 3 4 5 | DESCRIPTION   | QTY. |
|------|-----------------|-----------|---|------|
| 1    | 625272G1XX      |           | Rear Body (with Taillights) (Includes Item 2)<br>(See COLOR CODES In HOW TO USE Section)..... | 1    |
| 2    | <u>624374</u>   |           | Bagwell Liner .....   | 1    |
| 3    |                 |           |   |      |
| 4    | <u>10570G10</u> |           | Rivet (SS), 5/32" x 9/16" Lg .....  | 5    |
| 5    | <u>10570G11</u> |           | Rivet (SS), 3/16" x .70" Lg .....   | 4    |
| 6    | 10570G12        |           | Rivet (SS), 1/4" x 9/16" Lg .....   | 2    |
| 7    | <u>633917</u>   |           | Plastic Rivet, 1/4" x 1" Lg .....   | 2    |
| 8    | <u>71320G01</u> |           | Access Cover .....  | 1    |
| 9    | <u>01107G01</u> |           | Pan Head Torx Screw, #8 x .63" Lg .....   | 5    |
| 10   | <u>71609G01</u> |           | Seat Hinge Plate .....  | 2    |
| 11   |                 |           |   |      |
| 12   | <u>601476</u>   |           | Lock Nut, M6 - 1 .....  | 4    |
| 13   | <u>23726G4</u>  |           | Spacer, 5/16" .....   | 4    |
| 14   | 71456G01        |           | Rear Bumper (Notched) .....   | 1    |
| 15   |                 |           |   |      |
| 16   | <u>71102G01</u> |           | Hex Head Bolt, 1/4" - 20 x 3/4" Lg, Grade 5 .....   | 4    |
| 17   | <u>00571G2</u>  |           | Flat Washer, 5/16" .....  | 2    |
| 18   | <u>71455G01</u> |           | Bumper Plug .....   | 4    |
| 19   |                 |           |   |      |
| 20   | <u>615239</u>   |           | Rocker Panel with Sill Plate (Driver Side) .....  | 1    |
| 21   | <u>617333</u>   |           | Rocker Panel with Sill Plate (Passenger Side) .....   | 1    |
| 22   | <u>15058G6</u>  |           | Black Rivet (Aluminum), 3/16" .....   | 4    |
| 23   | <u>634161</u>   |           | Flanged Button Head Trox Bolt, M6 - 1 x 34.5mm Lg .....                                       | 4    |
| 24   | <u>71554G01</u> |           | 'J' Type Nut Retainer, 1/4" - 20 .....  | 2    |
| 25   | <u>666066</u>   |           | Receptacle Cover Assembly .....   | 1    |

**MESSAGE HOLDER**

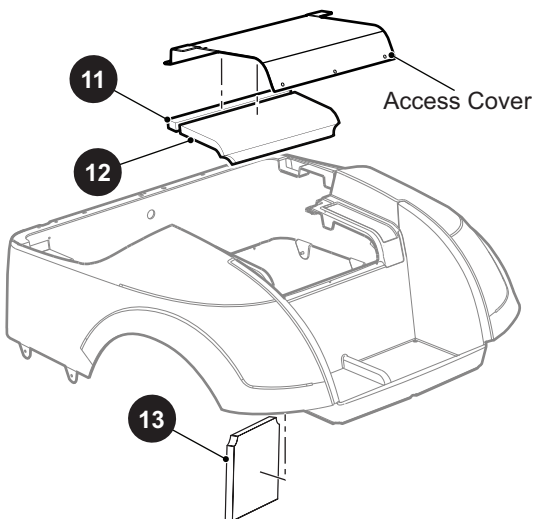


**ASH TRAY**



**5** Ash Tray Kit includes items 6 - 9

**TWO BAG ATTACHMENT**



**15** Two Bag Attachment Kit includes items 16 - 19

THE USE OF NON U.L. PARTS WILL VOID ANY U.L. LISTING.

When ordering parts, please specify the model and serial number of the product.

\* Indicates a component that is not available as an individual part.

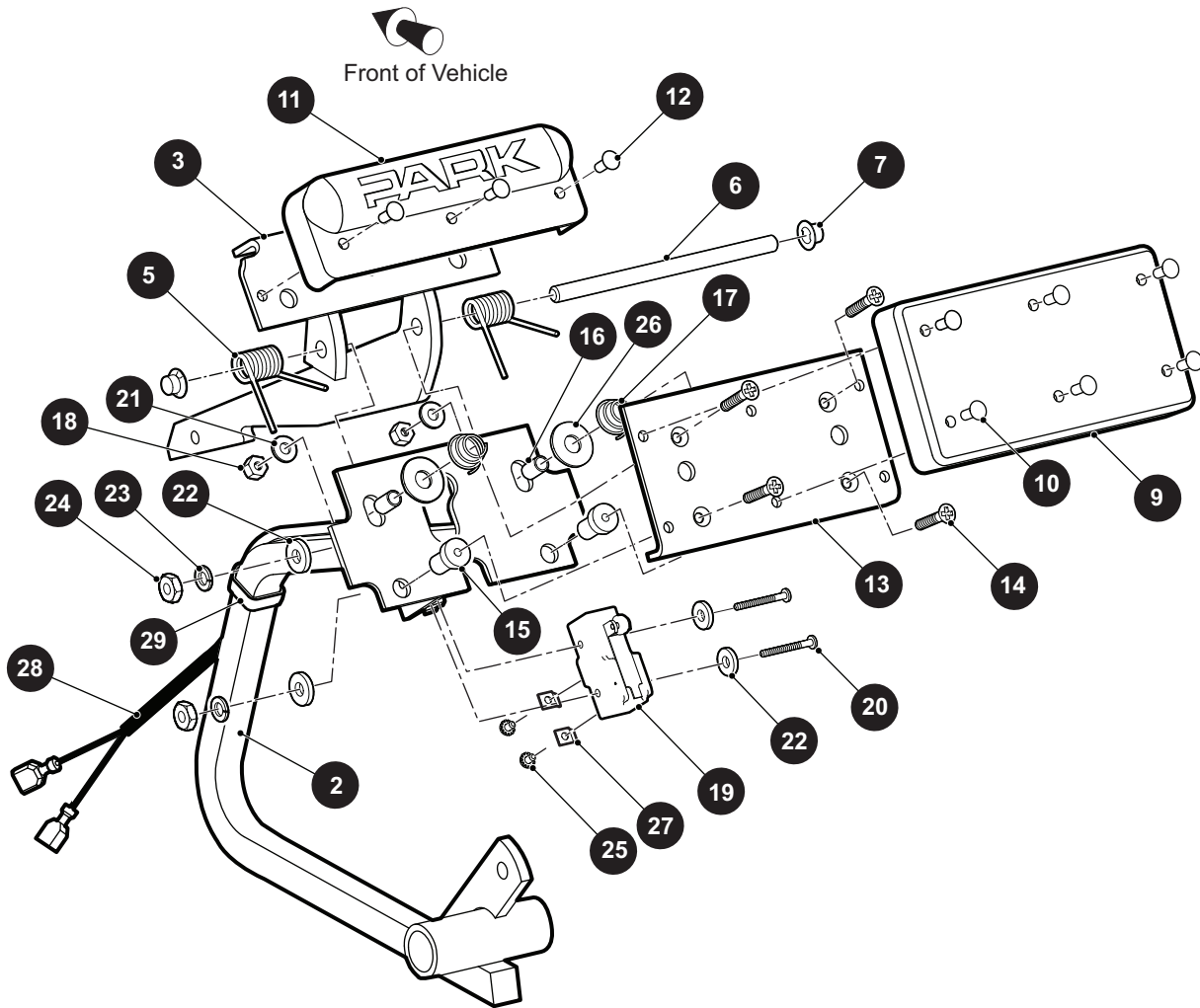
\*\*\* Indicates consult Customer Service Department for additional information.

| ITEM | PART NO.        | 1 2 3 4 5 | DESCRIPTION   | QTY. |
|------|-----------------|-----------|---|------|
| 1    | <u>609308</u>   |           | Message Holder .....                                  | 1    |
| 2    | <u>617613</u>   |           | Message Holder, Double .....                          | 1    |
| 3    |                 |           |   |      |
| 4    |                 |           |   |      |
| 5    | <u>75109G03</u> |           | Ash Tray Kit (Includes Items 6 - 9) .....             | 1    |
| 6    | <u>27731G01</u> |           | Ash Tray .....  | 1    |
| 7    | <u>27736G01</u> |           | Gasket .....  | 1    |
| 8    | <u>75108G02</u> |           | Bracket .....   | 1    |
| 9    | <u>00106G6</u>  |           | Pan Head Phillips Screw, #12 - 14 x .75" Lg .....     | 4    |
| 10   |                 |           |   |      |
| 11   | <u>659357</u>   |           | Sound Treatment, Small (Access Cover) .....           | 1    |
| 12   | <u>657950</u>   |           | Sound Treatment, Large (Access Cover) .....           | 1    |
| 13   | <u>657953</u>   |           | Sound Treatment (Rear Body) .....                     | 1    |
| 14   |                 |           |   |      |
| 15   | <u>75183G01</u> |           | Two Bag Attachment Kit (Includes Items 16 - 19) ..... | 1    |
| 16   | <u>75188G01</u> |           | Two Bag Attachment .....                              | 1    |
| 17   | <u>22238G2</u>  |           | Knob, 3/8" - 16 x 1 1/2" Lg .....                     | 1    |
| 18   | <u>17255G1</u>  |           | Teflon Washer, 5/16" .....                            | 1    |
| 19   | <u>75187G01</u> |           | Support Bracket .....                                 | 1    |





- 1 Brake Pedal Assembly (with Brake Lights) includes items 2 - 29



2 WHEEL DRUM BRAKES

# BRAKES

THE USE OF NON U.L. PARTS WILL VOID ANY U.L. LISTING.

When ordering parts, please specify the model and serial number of the product.

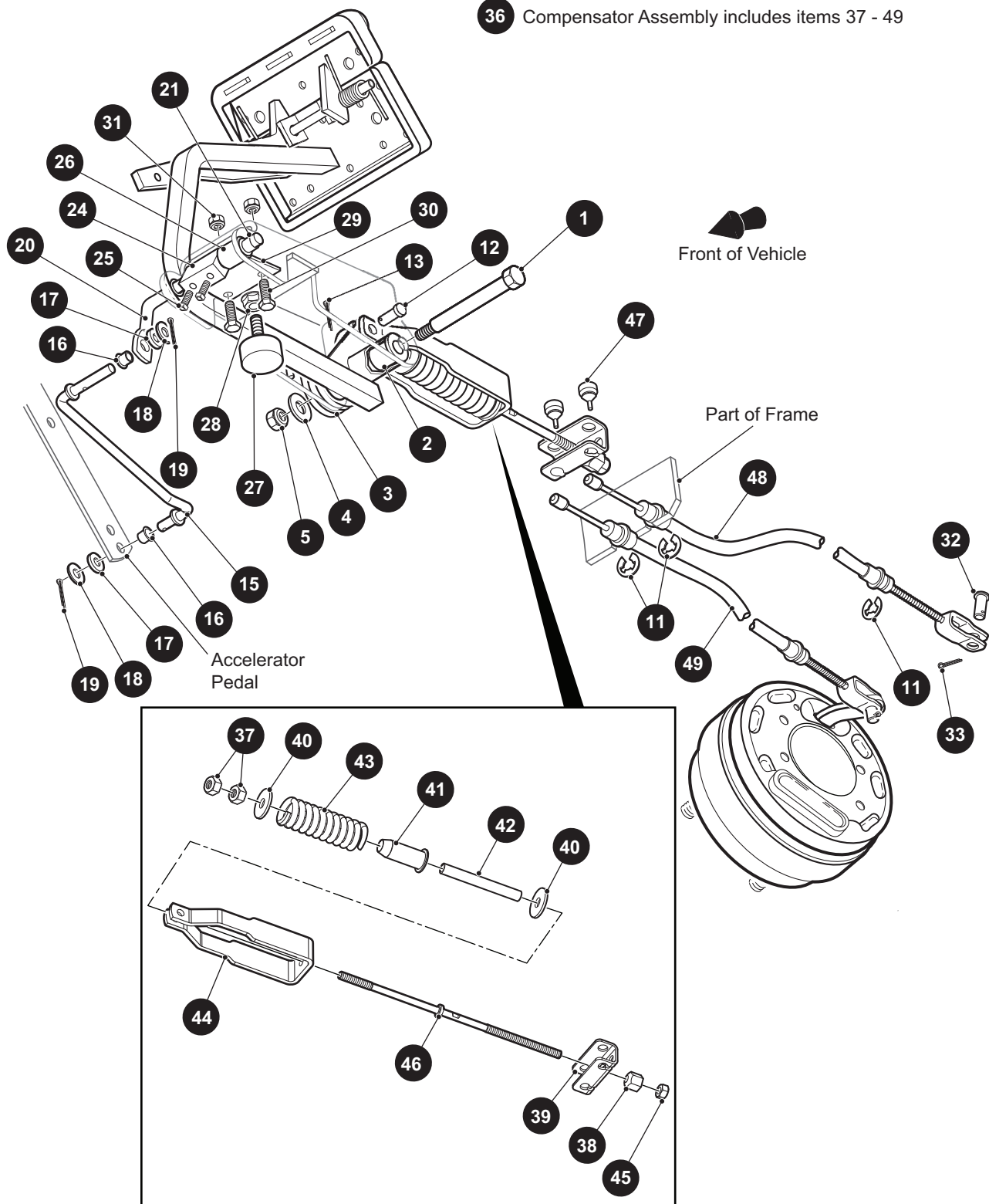
\* Indicates a component that is not available as an individual part.

\*\*\* Indicates consult Customer Service Department for additional information.

| ITEM | PART NO.         | 1 2 3 4 5 | DESCRIPTION   | QTY. |
|------|------------------|-----------|---|------|
| 1    | 70690G02         |           | Brake Pedal Assembly (with Brake Lights) (Includes Items 2 - 29).....             | 1    |
| 2    | <u>652791G03</u> |           | Brake Pedal (with Lights).....  | 1    |
| 3    | <u>652253G03</u> |           | Park Brake Pedal.....   | 1    |
| 4    |                  |           |   |      |
| 5    | <u>70681G01</u>  |           | Torsion Spring.....   | 2    |
| 6    | <u>70682G01</u>  |           | Pivot Pin .....   | 1    |
| 7    | <u>658825</u>    |           | Push Nut, 5/16" - 24 .....  | 2    |
| 8    |                  |           |   |      |
| 9    | <u>70257G01</u>  |           | Service Brake Pad.....  | 1    |
| 10   | <u>16409G1</u>   |           | Oval Rivet, .375" x .468" Lg.....   | 6    |
| 11   | <u>70256G01</u>  |           | Park Brake Pedal Pad .....  | 1    |
| 12   | <u>16409G1</u>   |           | Oval Rivet, .375" x .468" Lg.....   | 3    |
| 13   | <u>652820</u>    |           | Service Brake Pedal Plate .....   | 1    |
| 14   | <u>00737G8</u>   |           | Flat Head Phillips Screw, #10 - 24 x .875" Lg.....                                | 4    |
| 15   | <u>00739G1</u>   |           | Rubber Well Nut, #10 - 24 .....   | 2    |
| 16   | <u>652355</u>    |           | Brake Pedal Spacer.....   | 2    |
| 17   | <u>27137G01</u>  |           | Conical Spring .....  | 2    |
| 18   | <u>14390G10</u>  |           | Lock Nut, #10 - 24 .....  | 2    |
| 19   | 10606G8          |           | Micro Switch .....  | 1    |
| 20   | <u>00645G2</u>   |           | Pan Head Phillips Screw, #6 - 32 x 1.25" Lg .....                                 | 2    |
| 21   | <u>00559G5</u>   |           | Flat Washer, #10.....   | 2    |
| 22   | <u>00559G3</u>   |           | Flat Washer, #6.....  | 4    |
| 23   | <u>00565G3</u>   |           | Lock Washer, #6 .....   | 2    |
| 24   | <u>00525G5</u>   |           | Lock Nut, #6 - 32 .....   | 2    |
| 25   | <u>13514G1</u>   |           | Pan Head Phillips Screw<br>with Internal Tooth Lock Washer, #6- 32 x .22" Lg..... | 2    |
| 26   | <u>00642G8</u>   |           | Flat Washer, 5/16" .....  | 2    |
| 27   | <u>14628G1</u>   |           | Faston Tab.....   | 2    |
| 28   | <u>24605G1</u>   |           | Wire Harness (Brake Light) .....  | 1    |
| 29   | <u>17618G1</u>   |           | Wire Tie .....  | 2    |

## 2 WHEEL DRUM BRAKES

36 Compensator Assembly includes items 37 - 49





THE USE OF NON U.L. PARTS WILL VOID ANY U.L. LISTING.

When ordering parts, please specify the model and serial number of the product.

\* Indicates a component that is not available as an individual part.

\*\*\* Indicates consult Customer Service Department for additional information.

| ITEM | PART NO.        | 1 2 3 4 5 | DESCRIPTION   | QTY. |
|------|-----------------|-----------|---|------|
| 1    | <u>70582G01</u> |           | Shoulder Bolt, .495 Dia. x 3/8" - 16 Thread x 3.406" Lg .....     | 1    |
| 2    | <u>70581G01</u> |           | Bushing (Acetal), .51" I.D. x .795" O.D. x .75" Lg. ....          | 2    |
| 3    | <u>70676G01</u> |           | Torsion Spring 1.34" Dia. ....                                    | 1    |
| 4    | <u>00643G1</u>  |           | Flat Washer, 3/8" .....   | 1    |
| 5    | <u>11098G5</u>  |           | Lock Nut, 3/8" - 16 .....   | 1    |
| 6    |                 |           |   |      |
| 7    | <u>12416G2</u>  |           | Wedge Clamp (Nylon), 11.8" Lg (Not Illustrated) .....             | 3    |
| 8    |                 |           |   |      |
| 9    |                 |           |   |      |
| 10   |                 |           |   |      |
| 11   | <u>01111G01</u> |           | Retaining Ring, .8" O.D. x .39" I.D. x .42" .....                 | 4    |
| 12   | <u>10386G3</u>  |           | Clevis Pin, .313" x .84" Lg.....                                  | 1    |
| 13   | <u>10387G3</u>  |           | Cotter Pin, .094" x .75".....                                     | 1    |
| 14   |                 |           |   |      |
| 15   | <u>70601G01</u> |           | Kick-off Linkage Rod .....  | 1    |
| 16   | <u>17838G1</u>  |           | Flanged Nyliner Bushing, .374" O.D. x .313" I.D. x .312" Lg ..... | 2    |
| 17   | <u>20835G1</u>  |           | Washer, .62" O.D. x .39" I.D. x .135".....                        | 2    |
| 18   | <u>00559G8</u>  |           | Flat Washer, 1/4" - 20.....                                       | 2    |
| 19   | <u>10387G3</u>  |           | Cotter Pin, .094" x .75".....                                     | 2    |
| 20   | <u>70098G01</u> |           | Kick-off Cam Pivot.....   | 1    |
| 21   | <u>10097G6</u>  |           | Flanged Bearing .502" O.D. x .378" I.D. x .380" .....             | 2    |
| 22   |                 |           |   |      |
| 23   |                 |           |   |      |
| 24   | <u>70587G01</u> |           | Park Brake Cam.....   | 1    |
| 25   | <u>71215G01</u> |           | Square Head Set Screw with Patch Lock, 1/4" - 20 x .5" Lg.....    | 2    |
| 26   | <u>14134G4</u>  |           | Spacer, .76" O.D. x .405" I.D. x 1.25" Lg .....                   | 1    |
| 27   | <u>70113G01</u> |           | Adjustable Rubber Bumper .....                                    | 1    |
| 28   | <u>11027G1</u>  |           | Flanged Lock Nut, 5/16" - 18 .....                                | 1    |
| 29   | <u>70080G02</u> |           | Hill Brake Catch Bracket .....                                    | 1    |
| 30   | <u>00414G6</u>  |           | Hex Head Bolt, 1/4" - 20 x .75" Lg, Grade 5 .....                 | 2    |
| 31   | <u>14390G4</u>  |           | Lock Nut, 1/4" - 20 .....   | 2    |

# BRAKES

THE USE OF NON U.L. PARTS WILL VOID ANY U.L. LISTING.

When ordering parts, please specify the model and serial number of the product.

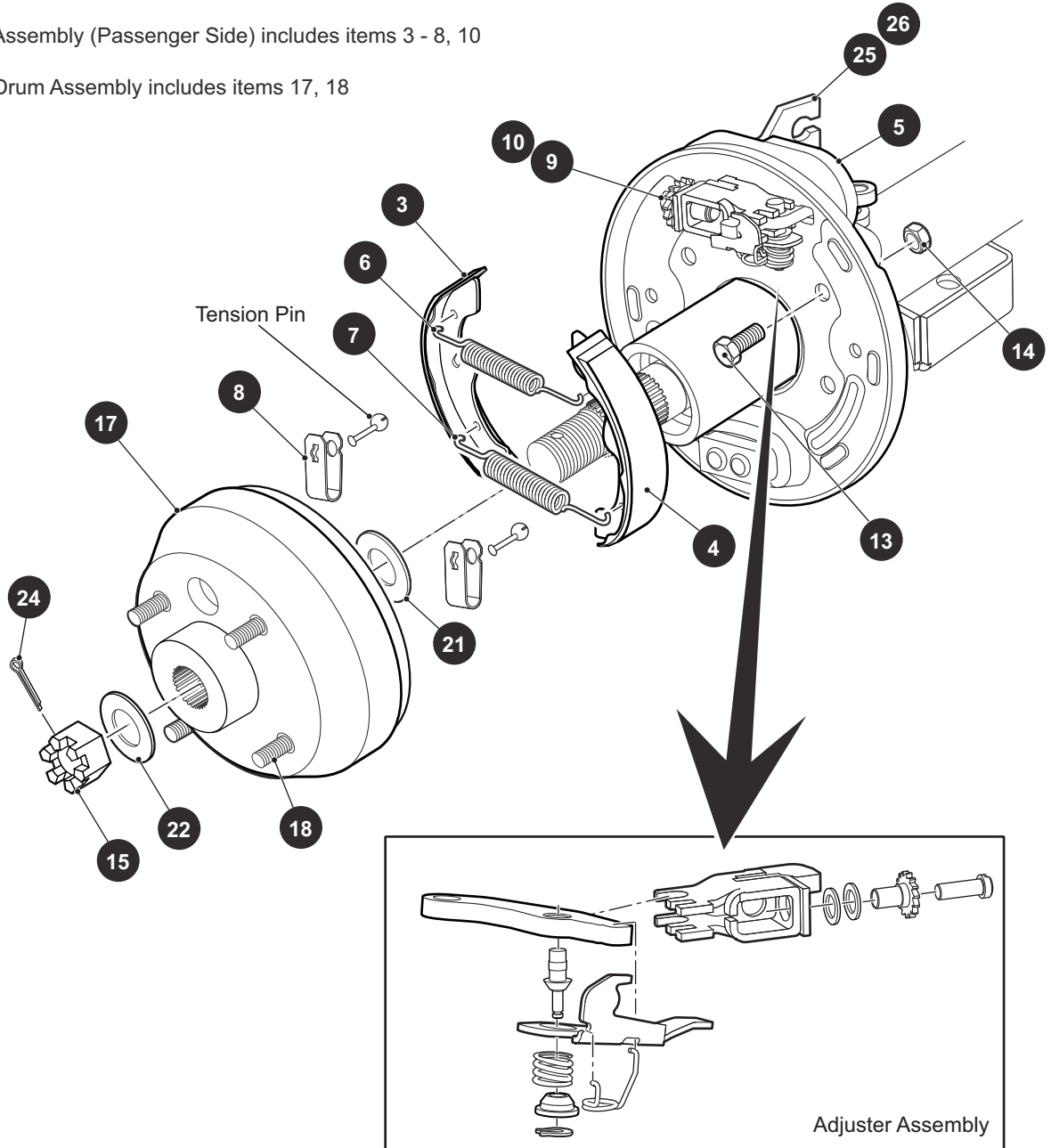
\* Indicates a component that is not available as an individual part.

\*\*\* Indicates consult Customer Service Department for additional information.

| ITEM | PART NO.        | 1 | 2 | 3 | 4 | 5 | DESCRIPTION   | QTY. |
|------|-----------------|---|---|---|---|---|---|------|
| 32   | <u>10386G3</u>  |   |   |   |   |   | Clevis Pin, .313" x .84" Lg .....                           | 1    |
| 33   | <u>10387G3</u>  |   |   |   |   |   | Cotter Pin, .094" x .75" .....                              | 1    |
| 34   |                 |   |   |   |   |   |   |      |
| 35   |                 |   |   |   |   |   |   |      |
| 36   | 654667          |   |   |   |   |   | Compensator Assembly (Includes Items 37 - 49).....          | 1    |
| 37   | <u>00532G4</u>  |   |   |   |   |   | Hex Nut, 5/16" - 24 .....                                   | 2    |
| 38   | <u>629486</u>   |   |   |   |   |   | Spherical Hex Nut, 5/16"- 24.....                           | 1    |
| 39   | <u>28082G01</u> |   |   |   |   |   | Equalizer Bracket .....                                     | 1    |
| 40   | <u>15121G1</u>  |   |   |   |   |   | Flat Washer, 3/8" .....                                     | 2    |
| 41   | <u>17979G1</u>  |   |   |   |   |   | Accelerator Rod Bushing, .464" I.D. x 1" O.D. x 2" Lg ..... | 1    |
| 42   | <u>23061G2</u>  |   |   |   |   |   | Tube .....  | 1    |
| 43   | <u>23463G1</u>  |   |   |   |   |   | Compression Spring.....                                     | 1    |
| 44   | <u>652256</u>   |   |   |   |   |   | Brake Yoke .....  | 1    |
| 45   | <u>11098G9</u>  |   |   |   |   |   | Lock Nut, 5/16" - 24 .....                                  | 1    |
| 46   | <u>612557</u>   |   |   |   |   |   | Compensator Link Rod .....                                  | 1    |
| 47   | <u>28083G01</u> |   |   |   |   |   | Brake Compensator Bumper.....                               | 2    |
| 48   | <u>624690</u>   |   |   |   |   |   | Brake Cable (Driver Side) .....                             | 1    |
| 49   | <u>624703</u>   |   |   |   |   |   | Brake Cable (Passenger Side).....                           | 1    |



- 1 Brake Assembly (Driver Side) includes items 3 - 9
- 2 Brake Assembly (Passenger Side) includes items 3 - 8, 10
- 16 Brake Drum Assembly includes items 17, 18



# BRAKES

THE USE OF NON U.L. PARTS WILL VOID ANY U.L. LISTING.

When ordering parts, please specify the model and serial number of the product.

\* Indicates a component that is not available as an individual part.

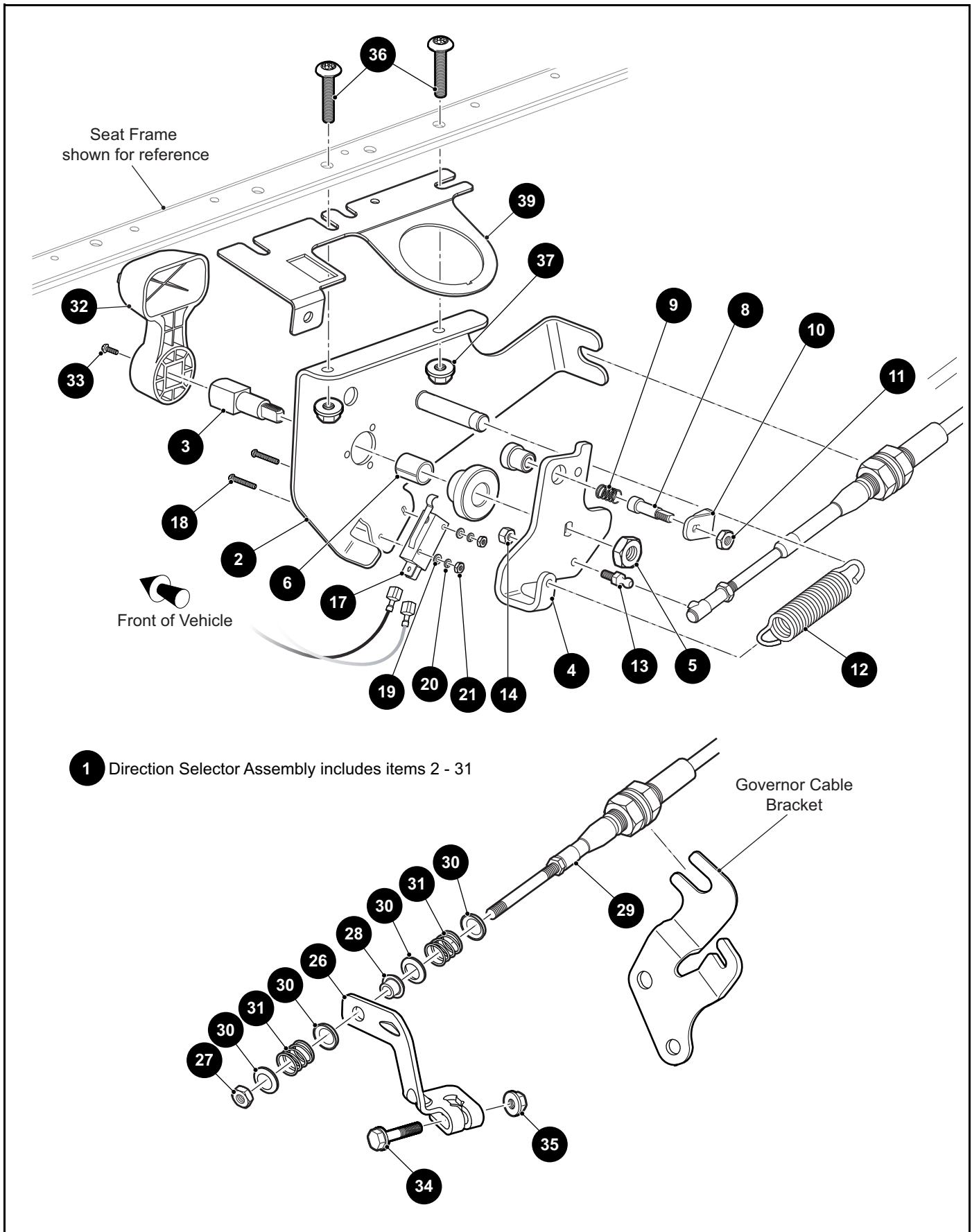
\*\*\* Indicates consult Customer Service Department for additional information.

| ITEM | PART NO.       | 1 2 3 4 5 | DESCRIPTION   | QTY. |
|------|----------------|-----------|---|------|
| 1    | <u>612211</u>  |           | Brake Assembly (Driver Side) (Includes Items 3 - 9) .....       | 1    |
| 2    | <u>612189</u>  |           | Brake Assembly (Passenger Side) (Includes Items 3 - 8, 10)..... | 1    |
| 3    | <u>612411</u>  |           | Brake Shoe, Leading .....                                       | 1    |
| 4    | <u>612412</u>  |           | Brake Shoe, Trailing .....                                      | 1    |
| 5    | <u>612413</u>  |           | Dust Cover.....   | 1    |
| 6    | <u>612415</u>  |           | Brake Spring, Top .....   | 1    |
| 7    | <u>612414</u>  |           | Brake Spring, Bottom .....                                      | 1    |
| 8    | <u>612416</u>  |           | Shoe Clamp.....   | 2    |
| 9    | <u>612418</u>  |           | Gear Adjuster (Driver Side) .....                               | 1    |
| 10   | <u>612417</u>  |           | Gear Adjuster (Passenger Side).....                             | 1    |
| 11   |                |           |   |      |
| 12   |                |           |   |      |
| 13   | <u>17083G2</u> |           | Hex Head Bolt, 5/16" - 24 x 1" Lg, Grade 8 .....                | 8    |
| 14   | <u>15126G1</u> |           | Lock Nut, 5/16" - 24 .....                                      | 8    |
| 15   | <u>612928</u>  |           | Castle Nut, 5/8" - 18.....                                      | 2    |
| 16   | <u>21807G2</u> |           | Brake Drum Assembly (Includes Items 17, 18).....                | 2    |
| 17   | <u>20947G1</u> |           | Brake Drum .....  | 1    |
| 18   | <u>19862G2</u> |           | Lug Bolt, 1/2" - 20 x 1.218" Lg.....                            | 4    |
| 19   |                |           |   |      |
| 20   |                |           |   |      |
| 21   | <u>21809G1</u> |           | Flat Washer, Inner Wheel Rim, 1.31" O.D. x .85" I.D. ....       | 2    |
| 22   | <u>606945</u>  |           | Flat Washer - Brake Drum, 1.75" O.D. x .89" I.D. ....           | 2    |
| 23   |                |           |   |      |
| 24   | <u>10387G1</u> |           | Cotter Pin, .125" x 1.50" Lg .....                              | 2    |
| 25   | <u>652248</u>  |           | Brake Cable Bracket (Passenger Side) .....                      | 1    |
| 26   | <u>652249</u>  |           | Brake Cable Bracket (Driver Side).....                          | 1    |





# DIRECTION SELECTOR





# DIRECTION SELECTOR

THE USE OF NON U.L. PARTS WILL VOID ANY U.L. LISTING.

When ordering parts, please specify the model and serial number of the product.

\* Indicates a component that is not available as an individual part.

\*\*\* Indicates consult Customer Service Department for additional information.

| ITEM | PART NO.        | 1 2 3 4 5 | DESCRIPTION  | QTY. |
|------|-----------------|-----------|--|------|
| 1    | <u>603416</u>   |           | Direction Selector Assembly (Includes Items 2 - 31)..... | 1    |
| 2    | <u>606077</u>   |           | Direction Selector Bracket .....                         | 1    |
| 3    | <u>70233G01</u> |           | Direction Selector Shaft.....                            | 1    |
| 4    | <u>603700</u>   |           | Direction Selector Cam.....                              | 1    |
| 5    | <u>14390G1</u>  |           | Lock Nut, 3/8" - 24 .....                                | 1    |
| 6    | <u>25664G2</u>  |           | Bushing, 1/2" x .750" Lg .....                           | 1    |
| 7    |                 |           |  |      |
| 8    | <u>72724G01</u> |           | Neutral Lock Pin .....                                   | 1    |
| 9    | <u>72733G01</u> |           | Compression Spring .....                                 | 1    |
| 10   | <u>72729G01</u> |           | Neutral Lock Latch.....                                  | 1    |
| 11   | <u>00734G2</u>  |           | Lock Nut, 1/4" - 28 .....                                | 1    |
| 12   | <u>28574G01</u> |           | Extension Spring .....                                   | 1    |
| 13   | <u>72732G01</u> |           | Ball Stud, #10 - 32 .....                                | 1    |
| 14   | <u>00734G5</u>  |           | Lock Nut, #10 - 32 .....                                 | 1    |
| 15   |                 |           |  |      |
| 16   |                 |           |  |      |
| 17   | <u>72736G01</u> |           | Micro Switch .....                                       | 1    |
| 18   | <u>01062G01</u> |           | Round Head Screw, #4 - 40 x 1" Lg .....                  | 2    |
| 19   | <u>00559G1</u>  |           | Flat Washer, #4.....                                     | 2    |
| 20   | <u>00565G1</u>  |           | Lock Washer, #4 .....                                    | 2    |
| 21   | <u>00526G2</u>  |           | Hex Nut, #4 - 40 .....                                   | 2    |
| 22   |                 |           |  |      |
| 23   |                 |           |  |      |
| 24   |                 |           |  |      |
| 25   |                 |           |  |      |
| 26   | <u>632891</u>   |           | Pivot Bracket .....                                      | 1    |
| 27   | <u>00734G5</u>  |           | Lock Nut, #10 - 32 .....                                 | 1    |
| 28   | <u>22754G4</u>  |           | Bushing (Flip Lok), .250" .....                          | 1    |
| 29   | <u>603615</u>   |           | Shifter Cable.....                                       | 1    |
| 30   | <u>25727G01</u> |           | Cup Washer, 1/4".....                                    | 4    |
| 31   | <u>72735G01</u> |           | Compression Spring.....                                  | 2    |

# DIRECTION SELECTOR

THE USE OF NON U.L. PARTS WILL VOID ANY U.L. LISTING.

When ordering parts, please specify the model and serial number of the product.

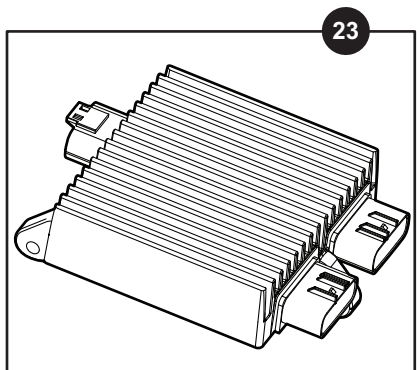
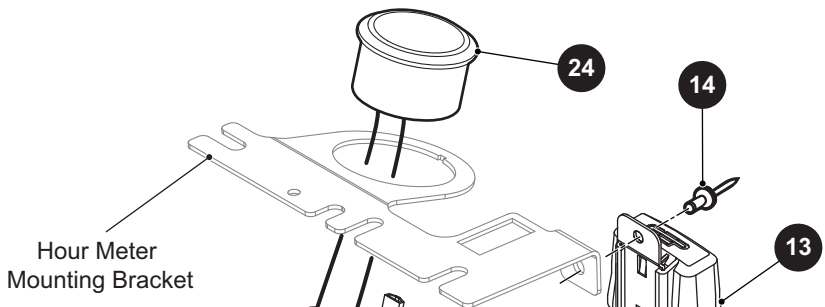
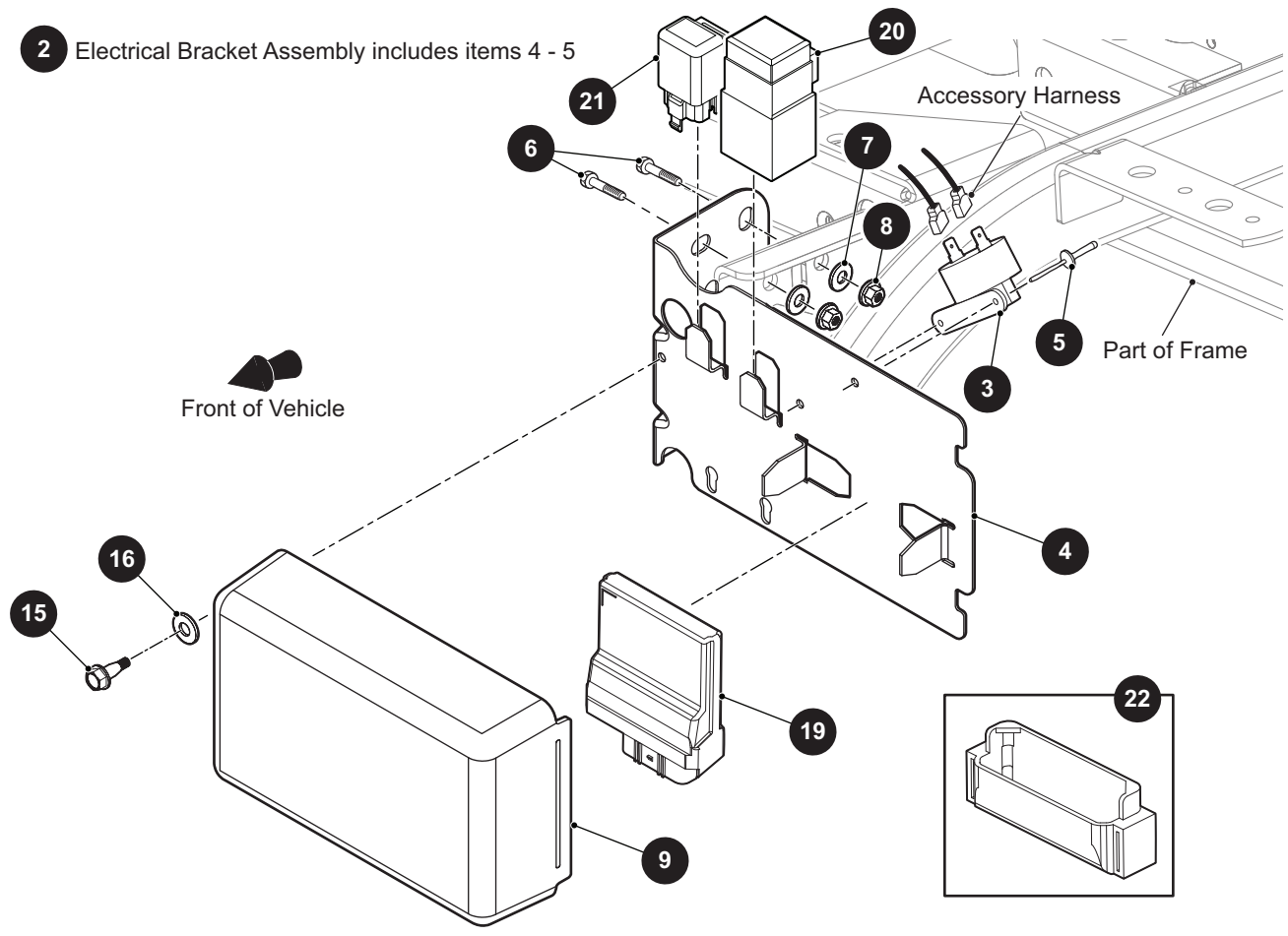
\* Indicates a component that is not available as an individual part.

\*\*\* Indicates consult Customer Service Department for additional information.

| ITEM | PART NO.        | 1 2 3 4 5 | DESCRIPTION   | QTY. |
|------|-----------------|-----------|---|------|
| 32   | <u>71205G01</u> |           | Direction Selector Handle.....                            | 1    |
| 33   | <u>01037G02</u> |           | Truss Head Phillips Screw, #10 - 32 x 1/2" Lg.....        | 1    |
| 34   | <u>606421</u>   |           | Flanged Hex Head Bolt, M6 - 1 x 30mm Lg, Grade 8.8 .....  | 1    |
| 35   | <u>450452</u>   |           | Hex Nut, M6 - 1 .....                                     | 1    |
| 36   | <u>70227G01</u> |           | Socket Head Cap Screw, 1/4" - 20 x 7/8" Lg, Grade 8 ..... | 2    |
| 37   | <u>11027G2</u>  |           | Lock Nut, 1/4" - 20 .....                                 | 2    |
| 38   | <u>31539G1</u>  |           | Nylon Clamp, 15.5" Lg (Not Illustrated) .....             | 1    |
| 39   | <u>662631</u>   |           | Hour Meter Bracket .....                                  | 1    |



2 Electrical Bracket Assembly includes items 4 - 5



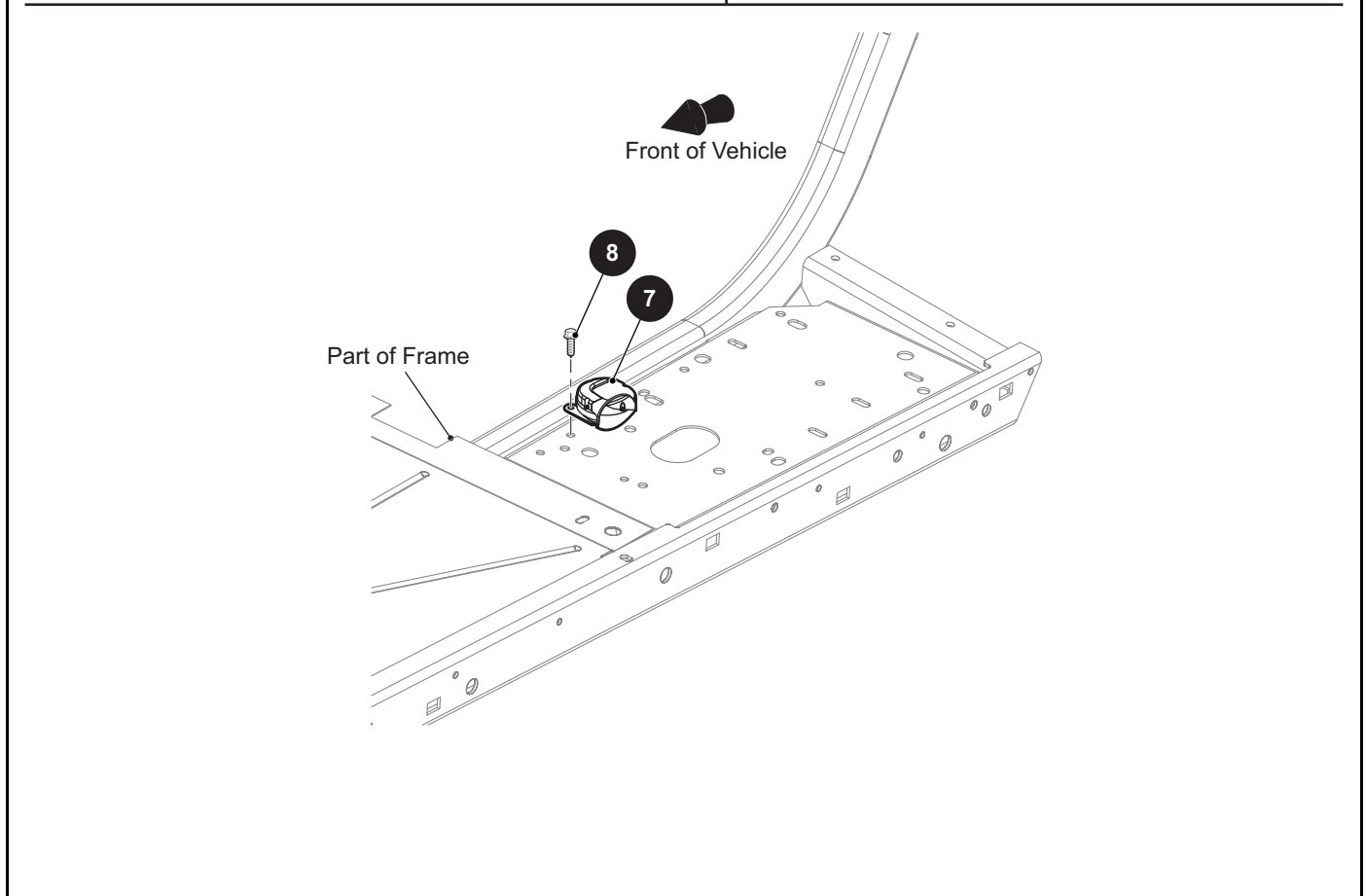
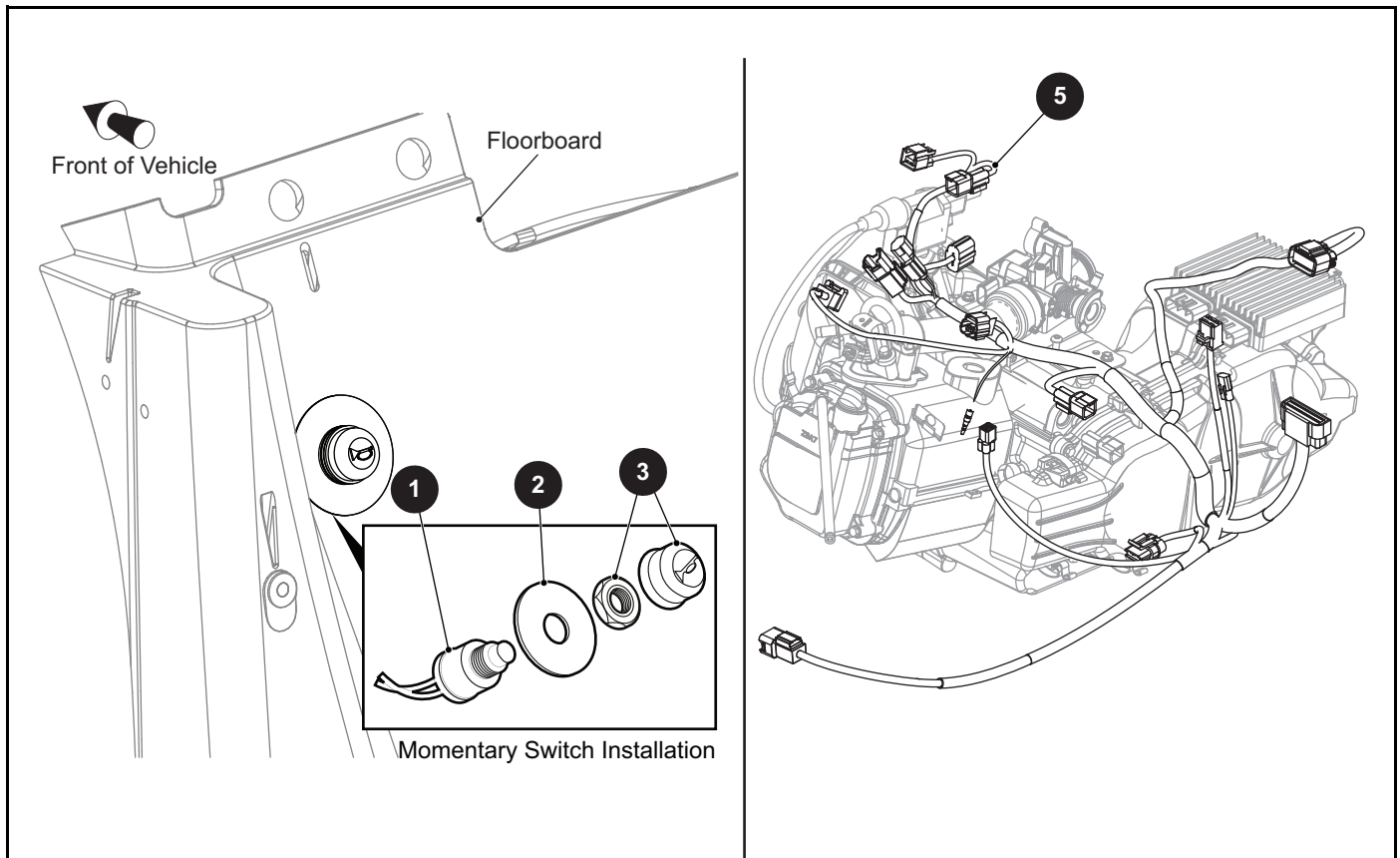
THE USE OF NON U.L. PARTS WILL VOID ANY U.L. LISTING.

When ordering parts, please specify the model and serial number of the product.

\* Indicates a component that is not available as an individual part.

\*\*\* Indicates consult Customer Service Department for additional information.

| ITEM | PART NO.        | 1 2 3 4 5 | DESCRIPTION  | QTY. |
|------|-----------------|-----------|--|------|
| 1    | 680389          |           | Main Harness .....   | 1    |
| 2    | 10006730        |           | Electrical Bracket Assembly (Includes Items 4 - 5) .....                 | 1    |
| 3    | <u>73290G03</u> |           | Buzzer .....   | 1    |
| 4    | 683972          |           | Bracket .....  | 1    |
| 5    | <u>01041G01</u> |           | Bulbex Rivet, 5/32" Dia .....  | 2    |
| 6    | 00438G6         |           | Hex Head Bolt, 5/16" - 18 x 3/4" Lg, Grade 5 .....                       | 2    |
| 7    | 00559G8         |           | Flat Washer, 5/16" .....   | 2    |
| 8    | <u>11027G1</u>  |           | Flanged Lock Nut, 5/16" - 18 .....                                       | 2    |
| 9    | 684246          |           | Compartment Cover .....  | 1    |
| 10   |                 |           |  |      |
| 11   |                 |           |  |      |
| 12   |                 |           |  |      |
| 13   | 694165          |           | Accessory Harness .....  | 1    |
| 14   | <u>71055G01</u> |           | Rivet, 3/16" Dia .....   | 1    |
| 15   | <u>01038G01</u> |           | Hex Washer Head Swageform Screw with Dog Point, 1/4" - 20 x .7" Lg ..... | 1    |
| 16   | <u>01110G01</u> |           | Flat Washer, 1/4" .....  | 1    |
| 17   |                 |           |  |      |
| 18   | <u>17618G1</u>  |           | Nylon Clamp, 8" Lg (Not Illustrated) .....                               | 3    |
| 19   | 684128          |           | Electronic Control Unit (ECU) .....                                      | 1    |
| 20   | 684136          |           | Ignition Relay .....   | 1    |
| 21   | 684135          |           | Fuel Pump Relay .....  | 1    |
| 22   | 10001718        |           | Engine Control Unit Boot .....   | 1    |
| 23   | 680387          |           | Controller .....   | 1    |
| 24   | <u>617074</u>   |           | Hour Meter .....   | 1    |



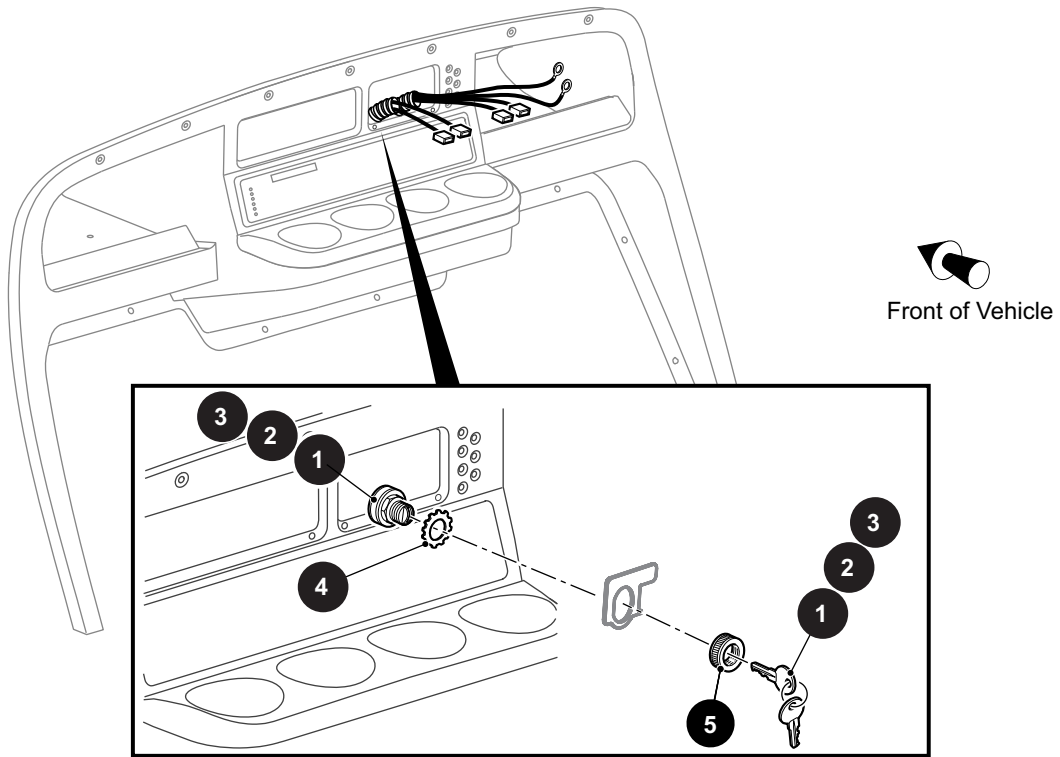
THE USE OF NON U.L. PARTS WILL VOID ANY U.L. LISTING.

When ordering parts, please specify the model and serial number of the product.

\* Indicates a component that is not available as an individual part.

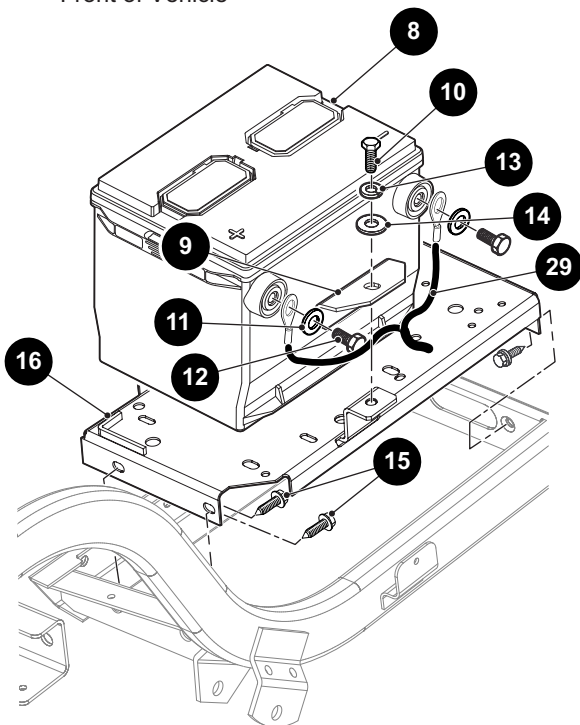
\*\*\* Indicates consult Customer Service Department for additional information.

| ITEM | PART NO.        | 1 2 3 4 5 | DESCRIPTION                                       | QTY. |
|------|-----------------|-----------|---|------|
| 1    | <u>27068G01</u> |           | Horn Switch Boot .....                            | 1    |
| 2    | <u>608397</u>   |           | Horn Plate .....                                  | 1    |
| 3    | <u>17318G1</u>  |           | Momentary Switch.....                             | 1    |
| 4    |                 |           |   |      |
| 5    | 687926          |           | Engine Harness.....                               | 1    |
| 6    |                 |           |   |      |
| 7    | 32860G01        |           | Horn .....  | 1    |
| 8    | <u>00715G2</u>  |           | Flanged Hex Head Screw, 5/16" - 18 x 4/5" Lg..... | 1    |

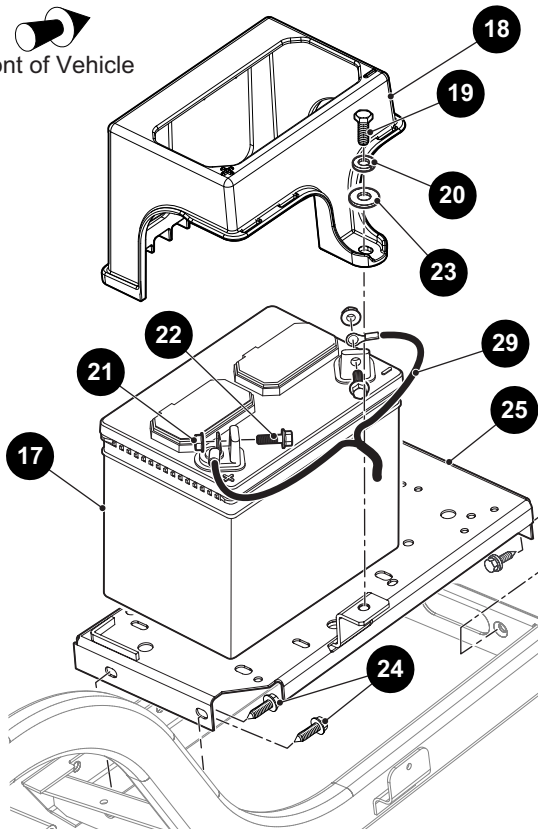


KEY SWITCH, INDICATOR LIGHT(S), AND FUEL GAUGE

## BATTERY SIDE POST



## BATTERY TOP POST





THE USE OF NON U.L. PARTS WILL VOID ANY U.L. LISTING.

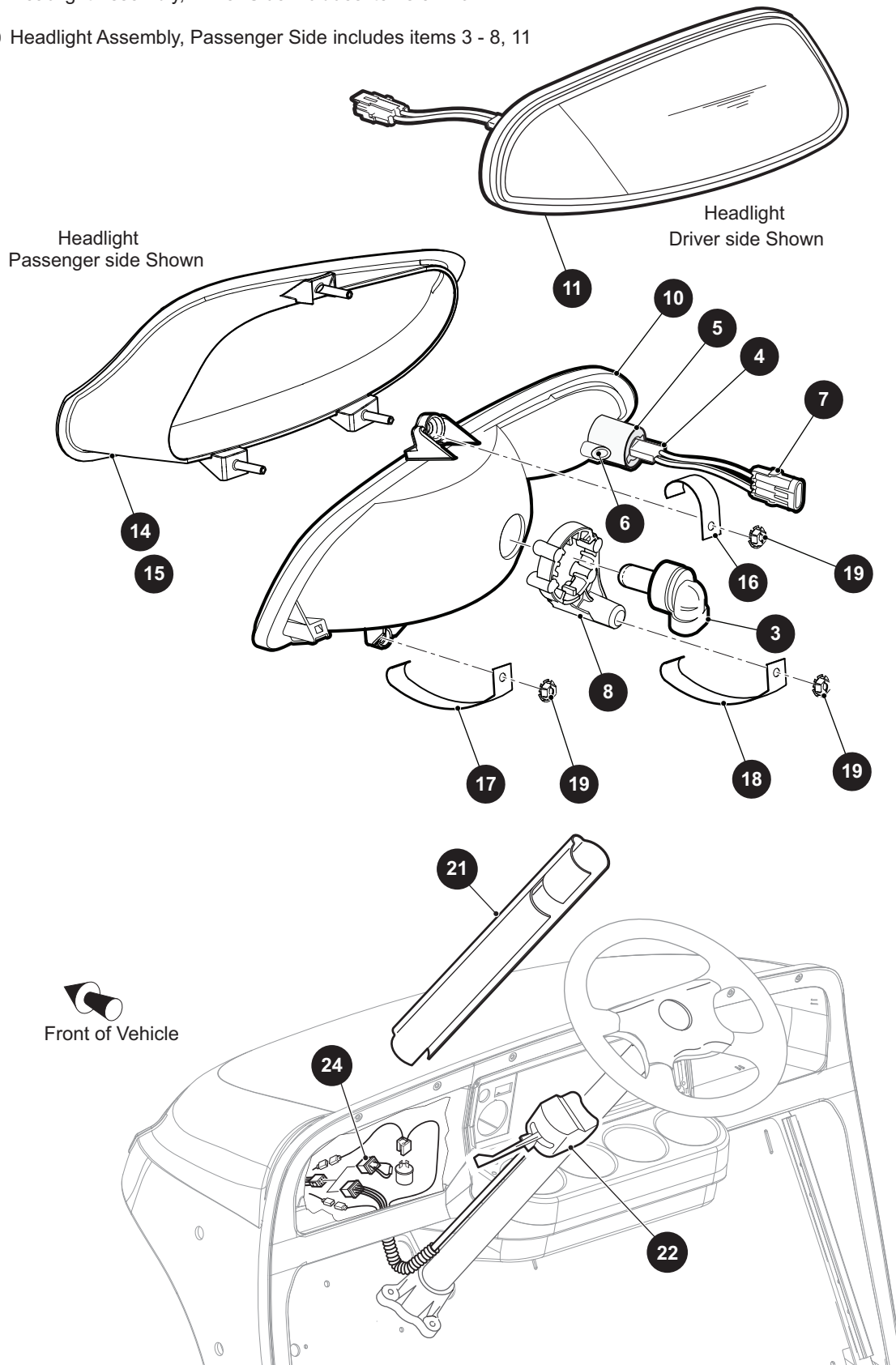
When ordering parts, please specify the model and serial number of the product.

\* Indicates a component that is not available as an individual part.

\*\*\* Indicates consult Customer Service Department for additional information.

| ITEM | PART NO.         | 1 2 3 4 5 | DESCRIPTION  | QTY. |
|------|------------------|-----------|--|------|
| 1    | 33639G03         |           | Ignition Switch with Key .....   | 1    |
| 2    | <u>33639G02</u>  |           | Ignition Switch with Group Key .....                                       | 1    |
| 3    | <u>33639G01</u>  |           | Ignition Switch (Special).....   | 1    |
| 4    | <u>00568G6</u>   |           | Lock Washer (External Tooth Type), 3/4" .....                              | 1    |
| 5    | 17137G1          |           | Face Nut, 3/4" - 20 .....  | 1    |
| 6    |                  |           |  |      |
| 7    |                  |           |  |      |
| 8    | <u>637484</u>    |           | Battery, 12V (Side Post).....  | 1    |
| 9    | <u>72101G02</u>  |           | Battery Hold Down .....  | 1    |
| 10   | <u>00438G8</u>   |           | Hex Head Bolt, 5/16" - 18 x 1" Lg, Grade 5 .....                           | 1    |
| 11   | <u>614221</u>    |           | Flat Washer, 3/8" .....  | 2    |
| 12   | <u>651336</u>    |           | Battery Bolt (Side Terminal) .....   | 2    |
| 13   | <u>00565G8</u>   |           | Lock Washer, 5/16" .....   | 1    |
| 14   | <u>00571G2</u>   |           | Flat Washer (SS), 5/16" .....  | 1    |
| 15   | <u>00715G2</u>   |           | Hex Washer Head Screw, 5/16" - 18 x .80" Lg .....                          | 4    |
| 16   | <u>652441G03</u> |           | Battery Tray.....  | 1    |
| 17   | 680408           |           | Battery, 12V (Top Post) .....  | 1    |
| 18   | 688408           |           | Battery Tie Down.....  | 1    |
| 19   | <u>00438G8</u>   |           | Hex Head Bolt, 5/16" - 18 x 1" Lg, Grade 5 .....                           | 1    |
| 20   | <u>00565G8</u>   |           | Lock Washer, 5/16" .....   | 1    |
| 21   | <u>11027G2</u>   |           | Flanged Lock Nut, 1/4" - 20 .....  | 2    |
| 22   | <u>13437G9</u>   |           | Flanged Lock Screw (Serrated), 1/4" - 20 x 3/4" Lg, Grade 5.....           | 2    |
| 23   | <u>00571G2</u>   |           | Flat Washer (SS), 5/16" .....  | 1    |
| 24   | <u>00715G2</u>   |           | Hex Washer Head Screw, 5/16" - 18 x .80" Lg .....                          | 4    |
| 25   | <u>652441G03</u> |           | Battery Tray.....  | 1    |
| 26   |                  |           |  |      |
| 27   | 608772           |           | #6AWG Wire, Blue (For CE Vehicles) (Not Illustrated) .....                 | 1    |
| 28   | 625757           |           | #6AWG Wire (Blue, Solenoid - F2) (For CE Vehicles) (Not Illustrated) ..... | 1    |
| 29   | 687925           |           | Power Harness (Connects to Starter Generator Controller).....              | 1    |

- 1 Headlight Assembly, Driver Side includes items 3 - 10
- 2 Headlight Assembly, Passenger Side includes items 3 - 8, 11



THE USE OF NON U.L. PARTS WILL VOID ANY U.L. LISTING.

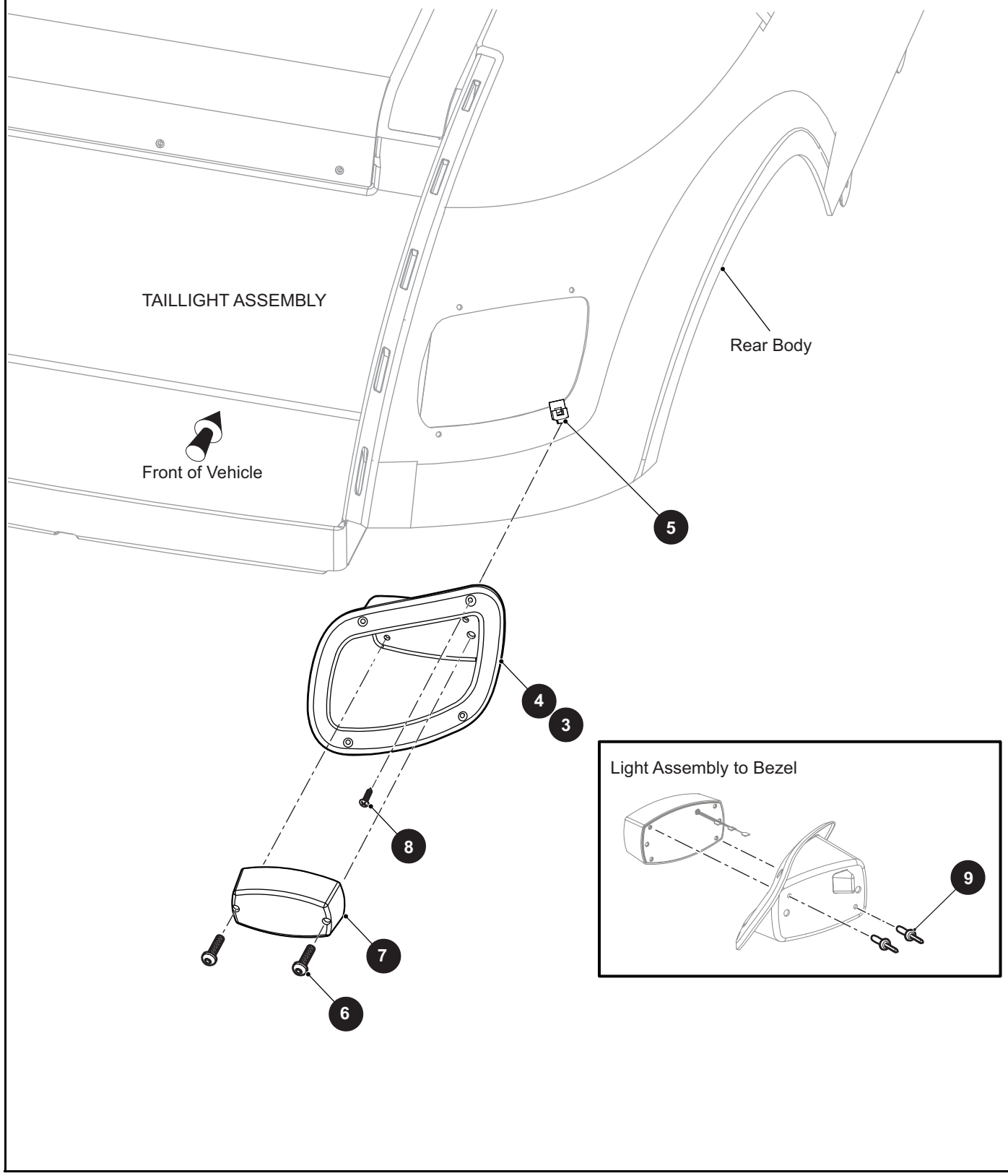
When ordering parts, please specify the model and serial number of the product.

\* Indicates a component that is not available as an individual part.

\*\*\* Indicates consult Customer Service Department for additional information.

| ITEM | PART NO.        | 1 2 3 4 5 | DESCRIPTION  | QTY. |
|------|-----------------|-----------|--|------|
| 1    | <u>602928</u>   |           | Headlight Assembly (Driver Side) (Includes Items 3 - 10).....              | 1    |
| 2    | <u>603328</u>   |           | Headlight Assembly (Passenger Side) (Includes Items 3 - 8, 11) .....       | 1    |
| 3    | <u>74004G02</u> |           | Headlight Bulb .....   | 1    |
| 4    | <u>676687</u>   |           | Turn Signal Bulb .....   | 1    |
| 5    | 608322          |           | Headlight Retainer.....  | 1    |
| 6    | <u>608328</u>   |           | Button Head Torx Screw, M3 - 1.3 x 14mm Lg .....                           | 1    |
| 7    | <u>607487</u>   |           | Turn Signal Wire Harness.....  | 1    |
| 8    | <u>615459</u>   |           | Collar .....   | 1    |
| 9    |                 |           |  |      |
| 10   | 604607          |           | Headlight without Bulbs (Driver Side).....                                 | 1    |
| 11   | 604609          |           | Headlight without Bulbs (Passenger Side) .....                             | 1    |
| 12   |                 |           |  |      |
| 13   |                 |           |  |      |
| 14   | <u>625280</u>   |           | Headlight Bezel (Driver Side).....   | 1    |
| 15   | <u>625281</u>   |           | Headlight Bezel (Passenger Side) .....                                     | 1    |
| 16   | <u>626275</u>   |           | Headlight Clip.....  | 2    |
| 17   | <u>626276</u>   |           | Headlight Clip.....  | 2    |
| 18   | <u>626277</u>   |           | Headlight Clip.....  | 2    |
| 19   | <u>71597G01</u> |           | Self Threading Nut, 5 x 10 x 15mm.....                                     | 6    |
| 20   |                 |           |  |      |
| 21   | <u>20965G3</u>  |           | Steering Column Cover.....   | 1    |
| 22   | <u>611810</u>   |           | Turn Signal Switch Assembly .....  | 1    |
| 23   |                 |           |  |      |
| 24   | <u>618260</u>   |           | Taillight Jumper Plug (For Vehicle without Taillight and Turn Signal)..... | 1    |

- 1 Taillight Assembly, Driver Side includes items 3, 5 - 9
- 2 Taillight Assembly, Passenger Side includes items 4 - 9



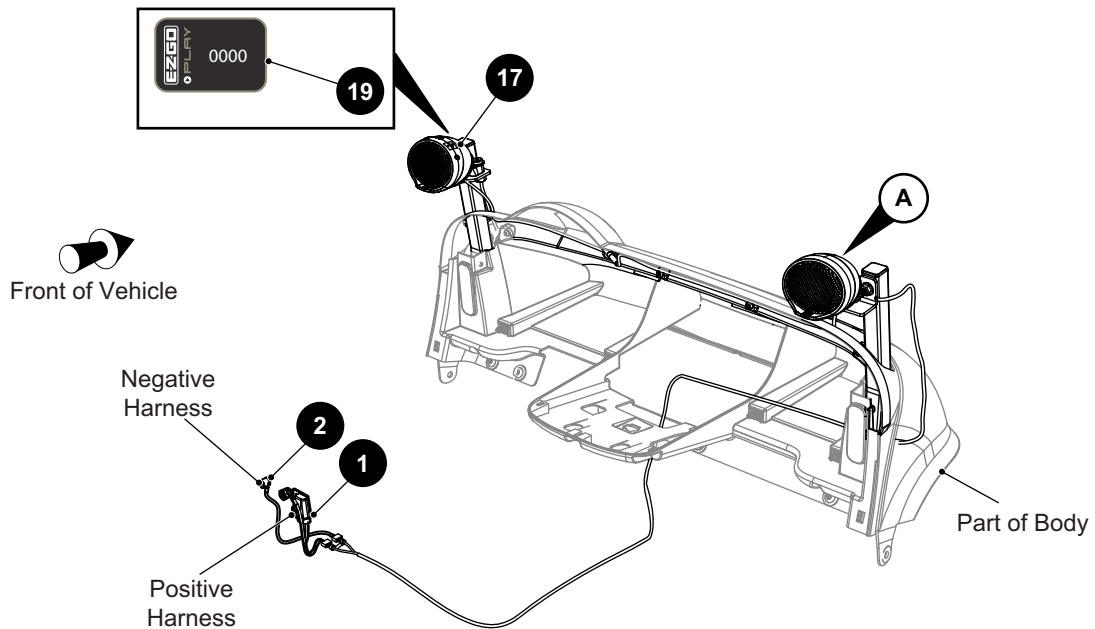
THE USE OF NON U.L. PARTS WILL VOID ANY U.L. LISTING.

When ordering parts, please specify the model and serial number of the product.

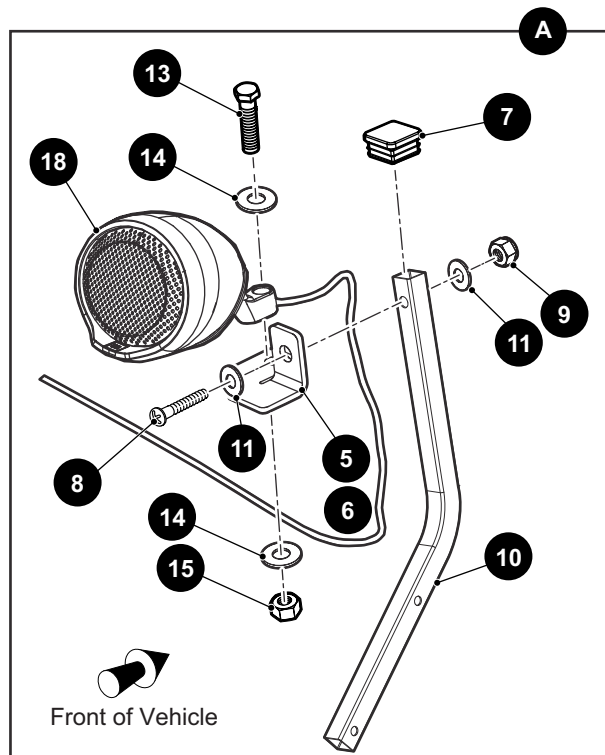
\* Indicates a component that is not available as an individual part.

\*\*\* Indicates consult Customer Service Department for additional information.

| ITEM | PART NO.        | 1 2 3 4 5 | DESCRIPTION  | QTY. |
|------|-----------------|-----------|--|------|
| 1    | 655150          |           | Taillight Assembly (Driver Side) (Includes Items 3, 5 - 9).....  | 1    |
| 2    | 655152          |           | Taillight Assembly (Passenger Side) (Includes Items 4 - 9) ..... | 1    |
| 3    | <u>625251</u>   |           | Taillight Bezel (Driver Side) .....                              | 1    |
| 4    | <u>625252</u>   |           | Taillight Bezel (Passenger Side).....                            | 1    |
| 5    | <u>71364G02</u> |           | J-Type Nut, #8 .....   | 4    |
| 6    | <u>00513G4</u>  |           | Pan Head Phillips Screw, #8 - 18 x 3/4" Lg .....                 | 2    |
| 7    | <u>22288G1</u>  |           | Taillight Assembly .....   | 1    |
| 8    | <u>71425G01</u> |           | Flat Head Phillips Tapping Screw, #8 - 18 x 3/4" Lg .....        | 4    |
| 9    | <u>14601G11</u> |           | Rivet (Aluminum), 3/16" x 9/16".....                             | 2    |



- 3** Speaker Assembly Mounting, Driver Side includes items 5, 7 - 11
- 4** Speaker Assembly Mounting, Passenger Side includes items 6 - 11
- 16** Bluetooth Speakers Assembly includes items 17 - 19



THE USE OF NON U.L. PARTS WILL VOID ANY U.L. LISTING.

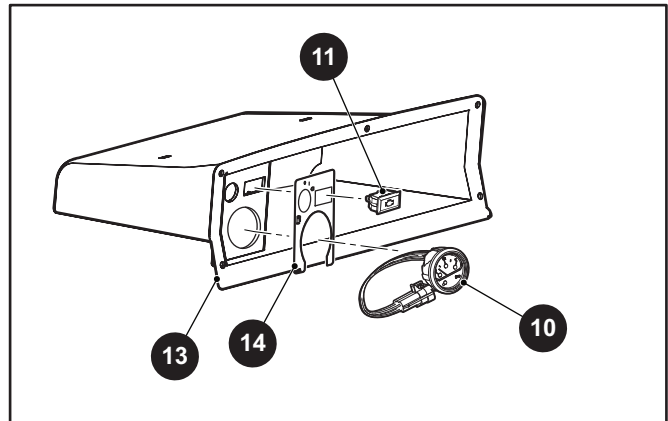
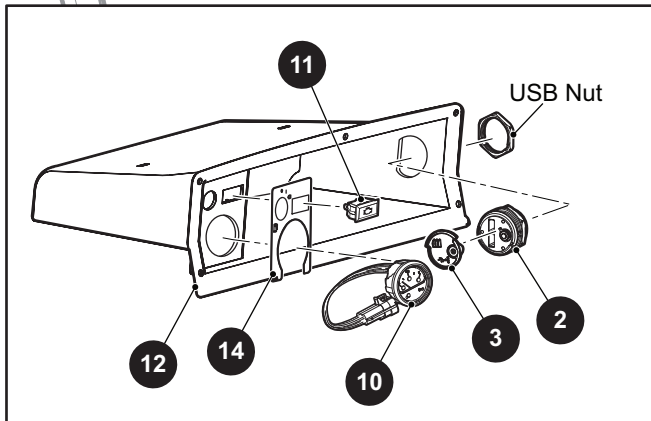
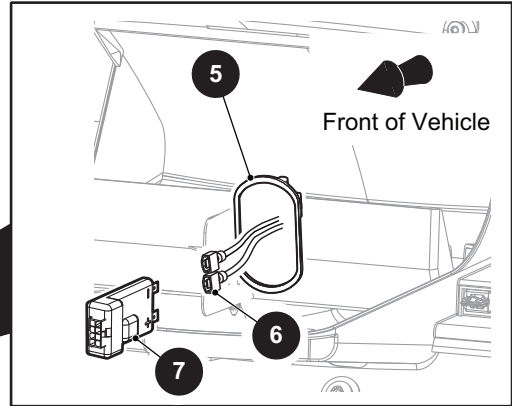
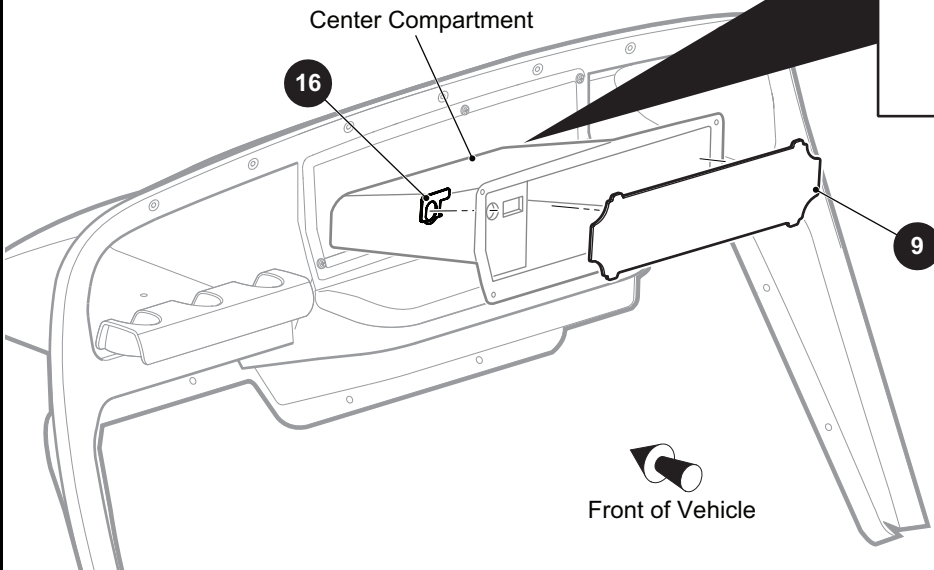
When ordering parts, please specify the model and serial number of the product.

\* Indicates a component that is not available as an individual part.

\*\*\* Indicates consult Customer Service Department for additional information.

| ITEM | PART NO.        | 1 2 3 4 5 | DESCRIPTION   | QTY. |
|------|-----------------|-----------|---|------|
| 1    | 697532          |           | Speaker Harness (Positive) .....  | 1    |
| 2    | 697533          |           | Speaker Harness (Negative).....   | 1    |
| 3    | 699647          |           | Speaker Assembly Mounting, Driver Side (Includes Items 5, 7 - 11) ..... | 1    |
| 4    | 699646          |           | Speaker Assembly Mounting, Passenger Side (Includes Items 6 - 11).....  | 1    |
| 5    | 690335G01       |           | Speaker Bracket (Driver Side).....                                      | 1    |
| 6    | 690335G02       |           | Speaker Bracket (Passenger Side) .....                                  | 1    |
| 7    | <u>19853G1</u>  |           | End Cap.....  | 1    |
| 8    | <u>00753G7</u>  |           | Truss Head Phillips Screw, 1/4" - 20 x 2 1/2" Lg .....                  | 1    |
| 9    | <u>14390G4</u>  |           | Lock Nut, 1/4" - 20 .....   | 1    |
| 10   | 692562          |           | Front Mirror Mount Strut .....  | 1    |
| 11   | <u>00793G2</u>  |           | Flat Washer (SS), 1/4" .....  | 2    |
| 12   |                 |           |   |      |
| 13   | <u>00463G11</u> |           | Hex Head Bolt, 7/16" - 14 x 1 5/8" Lg, Grade 5 .....                    | 1    |
| 14   | <u>00560G2</u>  |           | Flat Washer, 7/16" .....  | 2    |
| 15   | <u>00734G1</u>  |           | Lock Nut, 7/16" - 14 .....  | 1    |
| 16   | 692171          |           | Bluetooth Speakers Assembly (Includes Items 17 - 19).....               | 1    |
| 17   | 690350          |           | Bluetooth Speaker (Parent).....   | 1    |
| 18   | 692906          |           | Bluetooth Speaker (Child) .....   | 1    |
| 19   | 692795          |           | Bluetooth Speaker Decal.....  | 1    |

1 USB Port Housing Assembly includes items 2 - 3





THE USE OF NON U.L. PARTS WILL VOID ANY U.L. LISTING.

When ordering parts, please specify the model and serial number of the product.

\* Indicates a component that is not available as an individual part.

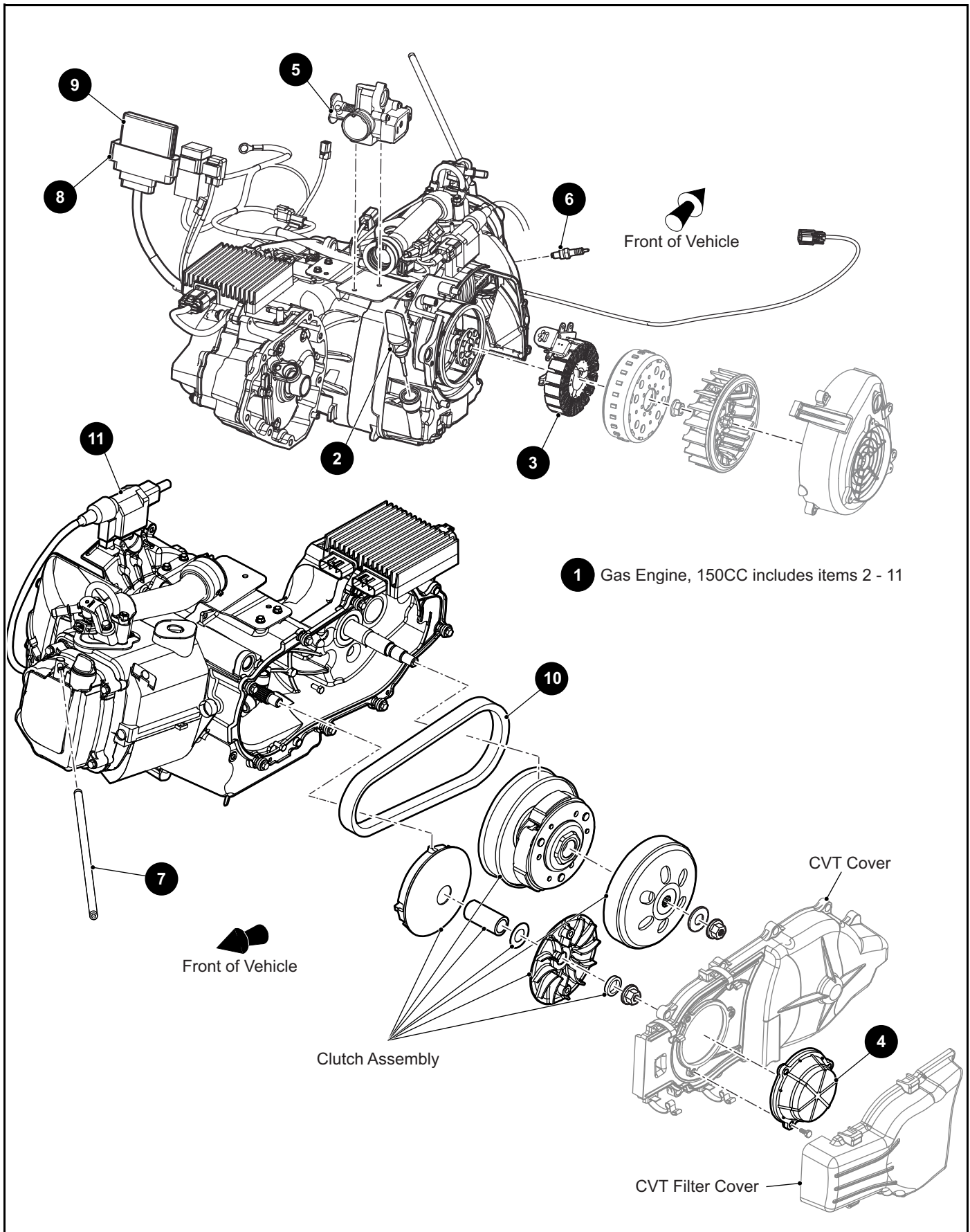
\*\*\* Indicates consult Customer Service Department for additional information.

| ITEM | PART NO.       | 1 2 3 4 5 | DESCRIPTION   | QTY. |
|------|----------------|-----------|---|------|
| 1    | <u>639384</u>  |           | USB Port Housing Assembly (Includes Items 2 - 3)..... | 1    |
| 2    | 639383         |           | USB Port Housing .....                                | 1    |
| 3    | 639382         |           | USB Port Lid .....                                    | 1    |
| 4    |                |           |   |      |
| 5    | <u>17618G1</u> |           | Nylon Clamp, 7" Lg .....                              | 1    |
| 6    | <u>663847</u>  |           | USB Harness .....                                     | 1    |
| 7    | 10001356       |           | USB Electronics .....                                 | 1    |
| 8    |                |           |   |      |
| 9    | <u>625224</u>  |           | Center Compartment Divider .....                      | 1    |
| 10   | <u>612314</u>  |           | State of Charge Meter (Fuel) .....                    | 1    |
| 11   | <u>659101</u>  |           | Malfunction Indicator Light (MIL).....                | 1    |
| 12   | 690928         |           | Center Compartment with Fuel Meter, USB and MIL.....  | 1    |
| 13   | 666398         |           | Center Compartment with Fuel Meter and MIL .....      | 1    |
| 14   | 680414         |           | Center Compartment Decal .....                        | 1    |
| 15   |                |           |   |      |
| 16   | 666576         |           | Keyswitch Plate.....                                  | 1    |





# ENGINE AND MUFFLER



## ENGINE AND MUFFLER

THE USE OF NON U.L. PARTS WILL VOID ANY U.L. LISTING.

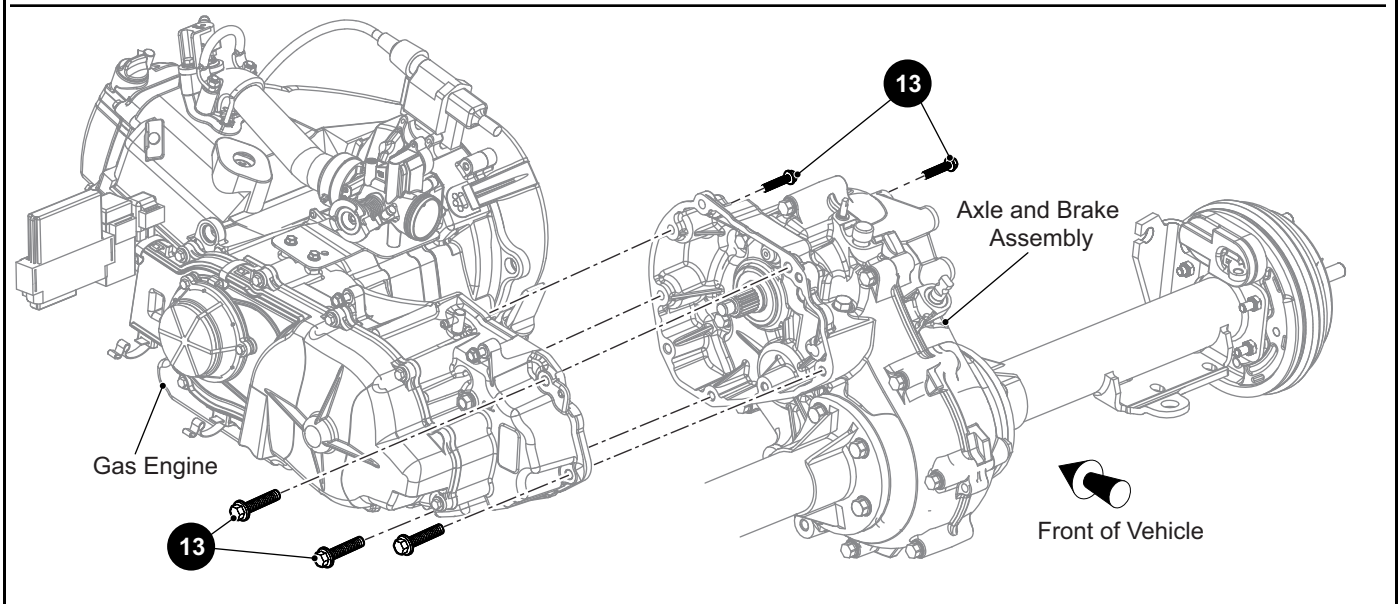
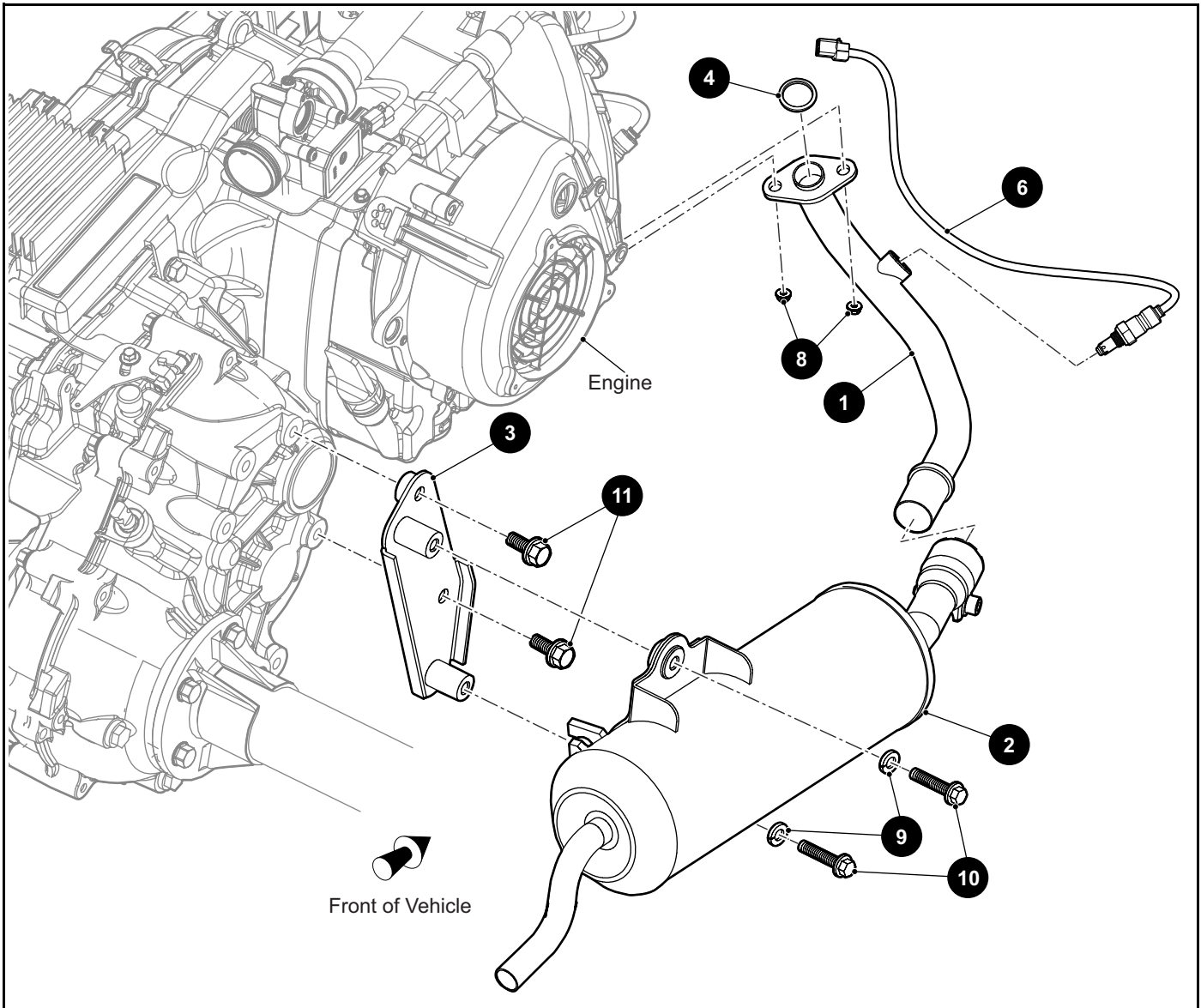
When ordering parts, please specify the model and serial number of the product.

\* Indicates a component that is not available as an individual part.

\*\*\* Indicates consult Customer Service Department for additional information.

| ITEM | PART NO. | 1 2 3 4 5 | DESCRIPTION                                    | QTY. |
|------|----------|-----------|--|------|
| 1    | 680364   |           | Gas Engine, 150CC (Includes Items 2 - 11)..... | 1    |
| 2    | 696012   |           | Dip Stick .....                                | 1    |
| 3    | 696523   |           | Stator .....                                   | 1    |
| 4    | 696008   |           | CVT Filter .....                               | 1    |
| 5    | 680380   |           | Throttle Body .....                            | 1    |
| 6    | 696497   |           | Spark Plug .....                               | 1    |
| 7    | 696641   |           | Breather Tube .....                            | 2    |
| 8    | 10001718 |           | ECU Boot.....                                  | 1    |
| 9    | 684128   |           | ECU .....                                      | 1    |
| 10   | 696533   |           | CVT Belt .....                                 | 1    |
| 11   | 680379   |           | Ignition Coil.....                             | 1    |
| 12   |          |           |  |      |
| 13   | 10001280 |           | Diagnostic Tool (Not Illustrated) .....        | 1    |

# ENGINE AND MUFFLER



## ENGINE AND MUFFLER

THE USE OF NON U.L. PARTS WILL VOID ANY U.L. LISTING.

When ordering parts, please specify the model and serial number of the product.

\* Indicates a component that is not available as an individual part.

\*\*\* Indicates consult Customer Service Department for additional information.

| ITEM | PART NO.      | 1 2 3 4 5 | DESCRIPTION   | QTY. |
|------|---------------|-----------|---|------|
| 1    | 680368        |           | Exhaust Pipe .....  | 1    |
| 2    | 680367        |           | Exhaust Muffler .....                                       | 1    |
| 3    | 680372        |           | Exhaust Bracket .....                                       | 1    |
| 4    | 680371        |           | Exhaust Gasket.....   | 1    |
| 5    |               |           |   |      |
| 6    | 680373        |           | Oxygen Sensor .....   | 1    |
| 7    |               |           |   |      |
| 8    | 26830G01      |           | Self Lock Nut, M8 - 1.25.....                               | 2    |
| 9    | <u>616990</u> |           | Split Lock Washer, 8mm .....                                | 2    |
| 10   | <u>602330</u> |           | Flanged Hex Head Bolt, M8 - 1.25 x 30mm Lg, Grade 8.8 ..... | 2    |
| 11   | 10007023      |           | Flanged Hex Head Bolt, M10 - 1.25 x 30mm Lg .....           | 2    |
| 12   |               |           |   |      |
| 13   | <u>602330</u> |           | Flanged Hex Head Bolt, M8 - 1.25 x 30mm Lg, Grade 8.8 ..... | 6    |

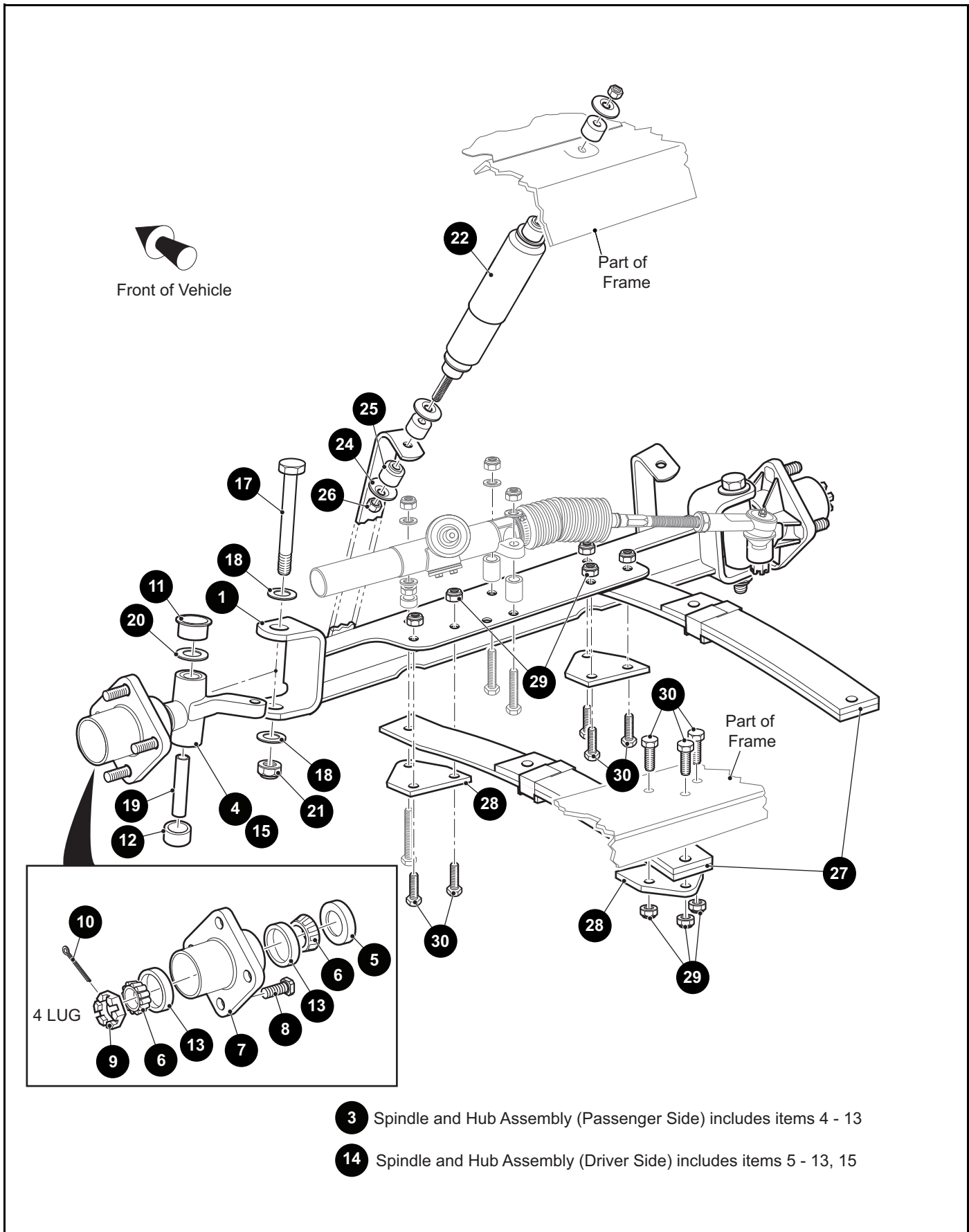
**Notes:**

A large, empty grid of graph paper, consisting of 20 columns and 30 rows of small squares, intended for taking notes.





# FRONT SUSPENSION AND STEERING



## FRONT SUSPENSION AND STEERING

THE USE OF NON U.L. PARTS WILL VOID ANY U.L. LISTING.

When ordering parts, please specify the model and serial number of the product.

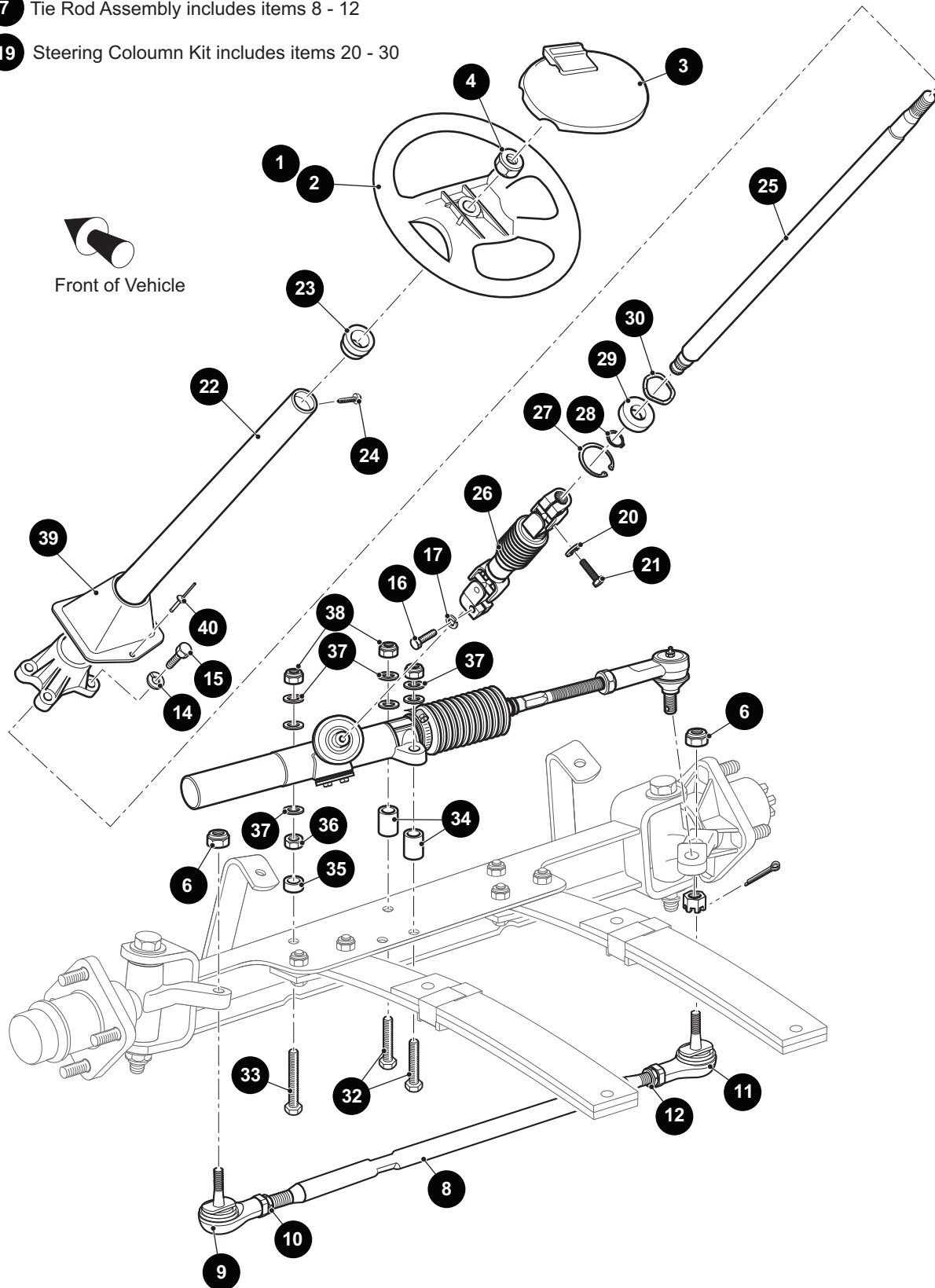
\* Indicates a component that is not available as an individual part.

\*\*\* Indicates consult Customer Service Department for additional information.

| ITEM | PART NO.        | 1 2 3 4 5 | DESCRIPTION  | QTY. |
|------|-----------------|-----------|--|------|
| 1    | 652822          |           | Front Axle .....   | 1    |
| 2    |                 |           |  |      |
| 3    | <u>70942G03</u> |           | Spindle and Hub Assembly, 4 Lug (Passenger Side)<br>(Includes Items 4 - 13) .....  | 1    |
| 4    | 70940G02        |           | Spindle Assembly (Passenger Side) .....  | 1    |
| 5    | <u>25146G1</u>  |           | Grease Seal.....   | 1    |
| 6    | <u>11750G2</u>  |           | Roller Bearing.....  | 2    |
| 7    | <u>70589G01</u> |           | Wheel Hub.....   | 1    |
| 8    | <u>19862G1</u>  |           | Lug Bolt, 1/2" - 20 x 1 3/16" Lg.....  | 4    |
| 9    | 12093G1         |           | Castellated Nut, 1" - 14.....  | 1    |
| 10   | <u>00798G8</u>  |           | Cotter Pin, 5/32" x 1 3/4" Lg .....  | 1    |
| 11   | <u>632925</u>   |           | Flanged Bushing.....   | 1    |
| 12   | <u>632926</u>   |           | Bushing.....   | 1    |
| 13   | <u>51141G1</u>  |           | Race Bearing.....  | 2    |
| 14   | <u>70673G03</u> |           | Spindle and Hub Assembly, 4 Lug (Driver Side)<br>(Includes Items 5 - 13, 15) ..... | 1    |
| 15   | <u>70742G02</u> |           | Spindle Assembly (Driver Side) .....   | 1    |
| 16   |                 |           |  |      |
| 17   | <u>00407G6</u>  |           | Hex Head Bolt 1/2" - 13 x 6" Lg, Grade 5 .....                                     | 1    |
| 18   | <u>00560G3</u>  |           | Flat Washer, 1/2".....   | 2    |
| 19   | <u>70745G01</u> |           | King Pin Tube.....   | 1    |
| 20   | <u>70754G01</u> |           | Thrust Washer (SS), 1" .....   | 1    |
| 21   | <u>14390G6</u>  |           | Lock Nut, 1/2" - 13 .....  | 1    |
| 22   | <u>76419G01</u> |           | Shock Absorber.....  | 2    |
| 23   |                 |           |  |      |
| 24   | <u>10435G1</u>  |           | Shock Absorber Washer .....  | 4    |
| 25   | <u>10194G1</u>  |           | Rubber Bushing .....   | 4    |
| 26   | <u>00532G6</u>  |           | Hex Nut, 3/8" - 24.....  | 2    |
| 27   | <u>70990G03</u> |           | Leaf Spring.....   | 2    |
| 28   | <u>652258</u>   |           | Spring Plate.....  | 4    |
| 29   | <u>00734G1</u>  |           | Lock Nut, 7/16" - 14 .....   | 11   |
| 30   | <u>00463G11</u> |           | Hex Head Bolt, 7/16" - 14 x 1 3/4" Lg, Grade 5 .....                               | 11   |

# FRONT SUSPENSION AND STEERING

- 7 Tie Rod Assembly includes items 8 - 12
- 19 Steering Coloumn Kit includes items 20 - 30



## FRONT SUSPENSION AND STEERING

THE USE OF NON U.L. PARTS WILL VOID ANY U.L. LISTING.

When ordering parts, please specify the model and serial number of the product.

\* Indicates a component that is not available as an individual part.

\*\*\* Indicates consult Customer Service Department for additional information.

| ITEM | PART NO.        | 1 2 3 4 5 | DESCRIPTION  | QTY. |
|------|-----------------|-----------|--|------|
| 1    | <u>602980</u>   |           | Steering Wheel (Premium).....                      | 1    |
| 2    | <u>602979</u>   |           | Steering Wheel.....                                | 1    |
| 3    | <u>607925</u>   |           | Scorecard Holder .....                             | 1    |
| 4    | <u>14390G2</u>  |           | Lock Nut, 5/8" - 18 .....                          | 1    |
| 5    |                 |           |  |      |
| 6    | <u>00734G1</u>  |           | Lock Nut, 7/16" - 14 .....                         | 2    |
| 7    | <u>70876G02</u> |           | Tie Rod Assembly (Includes Items 8 - 12) .....     | 1    |
| 8    | <u>70897G02</u> |           | Threaded Rod, 24" Lg .....                         | 1    |
| 9    | <u>70902G01</u> |           | Tie Rod End (Left Hand Threads).....               | 1    |
| 10   | <u>01069G01</u> |           | Jam Nut, M12 x 1.25 (Left Hand Threads) .....      | 1    |
| 11   | <u>70902G02</u> |           | Tie Rod End (Right Hand Threads) .....             | 1    |
| 12   | <u>01069G02</u> |           | Jam Nut, M12 x 1.25 (Right Hand Threads).....      | 1    |
| 13   |                 |           |  |      |
| 14   | <u>00879G1</u>  |           | Lock Washer, 3/8" .....                            | 4    |
| 15   | <u>01006G01</u> |           | Hex Head Bolt, 3/8" - 16 x 1 1/4" Lg .....         | 4    |
| 16   | <u>01055G01</u> |           | Hex Head Bolt, M8 - 1.25 x 1.18" Lg, Grade 5.....  | 1    |
| 17   | <u>00565G8</u>  |           | Lock Washer, 5/16" .....                           | 1    |
| 18   |                 |           |  |      |
| 19   | <u>70758G05</u> |           | Steering Column Kit (Includes Items 20 - 30) ..... | 1    |
| 20   | <u>00565G8</u>  |           | Lock Washer, 5/16".....                            | 1    |
| 21   | <u>01055G01</u> |           | Hex Head Bolt, M8 - 1.25 x 1.18" Lg, Grade 5 ..... | 1    |
| 22   | <u>70610G03</u> |           | Steering Column .....                              | 1    |
| 23   | <u>28569G01</u> |           | Steering Column Bushing.....                       | 1    |
| 24   | <u>01022G01</u> |           | Hex Washer Head Screw, #6 - 20 x 5/16" Lg .....    | 1    |
| 25   | <u>70607G01</u> |           | Steering Shaft.....                                | 1    |
| 26   | <u>70580G01</u> |           | Intermediate Shaft .....                           | 1    |
| 27   | <u>70751G01</u> |           | Retaining Ring (Internal).....                     | 1    |
| 28   | <u>70888G01</u> |           | Retaining Ring (External) .....                    | 1    |
| 29   | <u>15112G1</u>  |           | Ball Bearing .....                                 | 1    |
| 30   | <u>70887G01</u> |           | Wave Washer .....                                  | 1    |
| 31   |                 |           |  |      |

## FRONT SUSPENSION AND STEERING

THE USE OF NON U.L. PARTS WILL VOID ANY U.L. LISTING.

When ordering parts, please specify the model and serial number of the product.

\* Indicates a component that is not available as an individual part.

\*\*\* Indicates consult Customer Service Department for additional information.

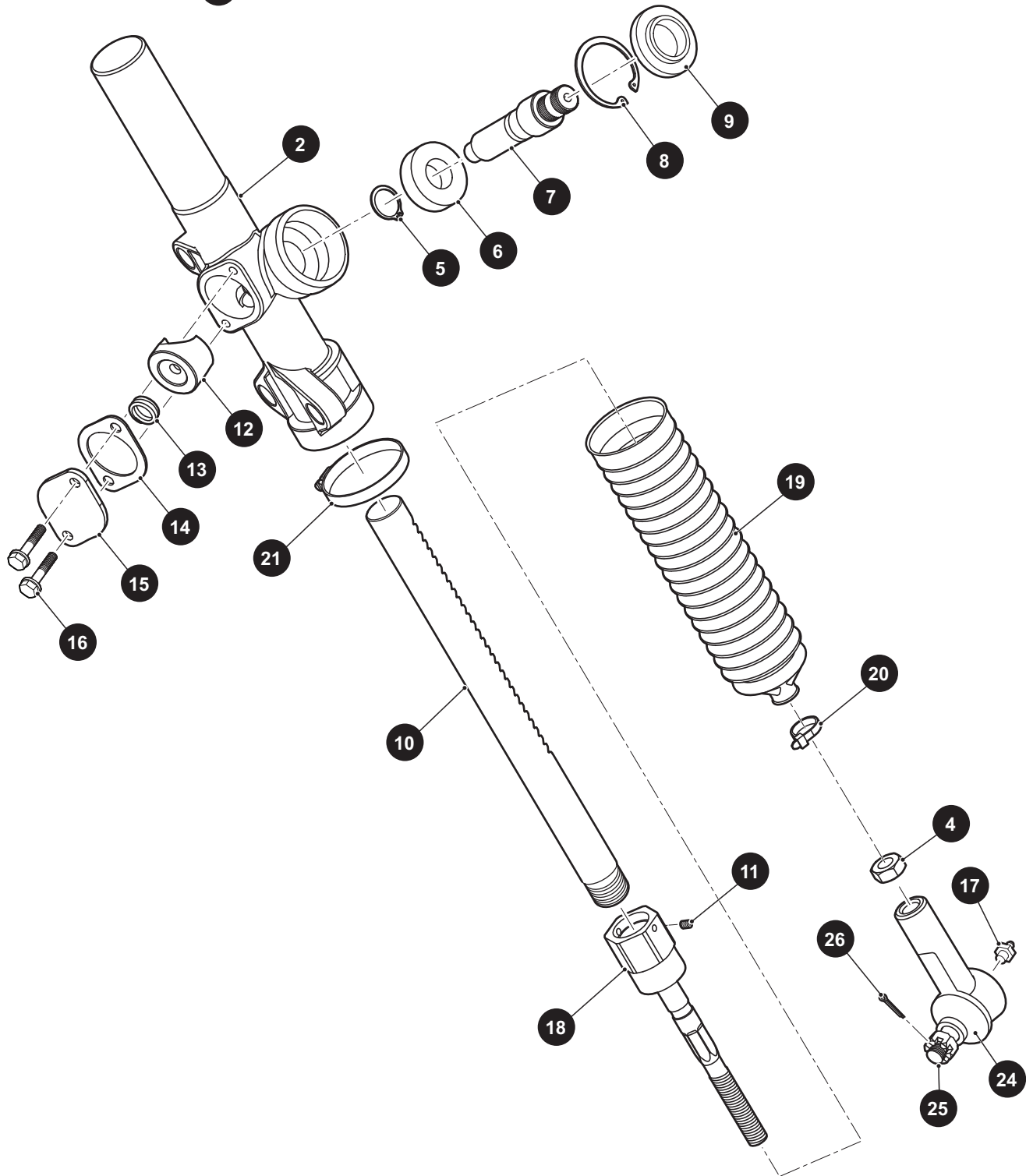
| ITEM | PART NO.        | 1 2 3 4 5 | DESCRIPTION   | QTY. |
|------|-----------------|-----------|---|------|
| 32   | <u>00464G6</u>  |           | Hex Head Bolt, 7/16" - 14 x 2 3/4" Lg, Grade 5..... | 2    |
| 33   | <u>01068G01</u> |           | Hex Head Bolt, 7/16" - 14 x 3 1/2" Lg, Grade 5..... | 1    |
| 34   | <u>70667G02</u> |           | Spacer, 1.21" .....                                 | 2    |
| 35   | <u>70667G04</u> |           | Spacer (Short), .69" .....                          | 1    |
| 36   | <u>00532G7</u>  |           | Hex Nut, 7/16" - 14 .....                           | 1    |
| 37   | <u>00560G2</u>  |           | Flat Washer, 7/16" .....                            | 7    |
| 38   | <u>00734G1</u>  |           | Lock Nut, 7/16" - 14 .....                          | 3    |
| 39   | <u>70997G01</u> |           | Cover .....   | 1    |
| 40   | <u>71055G01</u> |           | Rivet (Aluminum), 3/16" x 1" Lg.....                | 1    |



# FRONT SUSPENSION AND STEERING

**1** Rack and Pinion Unit includes items 2 - 23

**23** Tie Rod End (Outer) includes items 24 - 25





## FRONT SUSPENSION AND STEERING

THE USE OF NON U.L. PARTS WILL VOID ANY U.L. LISTING.

When ordering parts, please specify the model and serial number of the product.

\* Indicates a component that is not available as an individual part.

\*\*\* Indicates consult Customer Service Department for additional information.

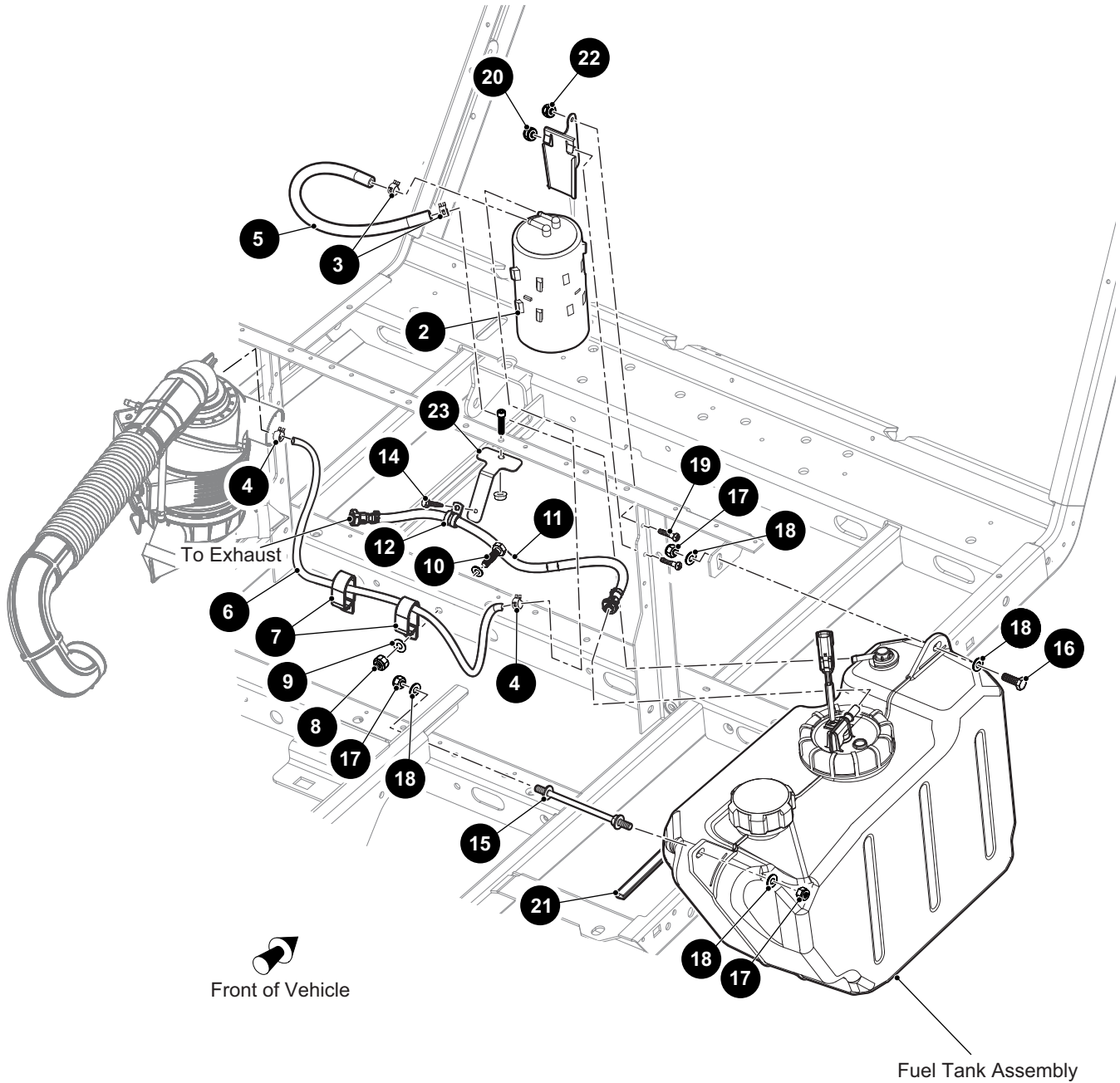
| ITEM | PART NO.        | 1 2 3 4 5 | DESCRIPTION   | QTY. |
|------|-----------------|-----------|---|------|
| 1    | <u>70964G01</u> |           | Rack and Pinion Unit (Includes Items 2 - 23).....         | 1    |
| 2    | <u>70965G01</u> |           | Steering Rack Cover and Bearing .....                     | 1    |
| 3    |                 |           |   |      |
| 4    | *               |           | Jam Nut, 1/2" - 20.....                                   | 1    |
| 5    | <u>70750G01</u> |           | Retaining Ring (External) .....                           | 1    |
| 6    | <u>15112G1</u>  |           | Ball Bearing .....  | 1    |
| 7    | <u>70603G01</u> |           | Pinion.....   | 1    |
| 8    | <u>70751G01</u> |           | Retaining Ring (Internal).....                            | 1    |
| 9    | <u>70638G01</u> |           | Seal (Pinion) .....                                       | 1    |
| 10   | <u>70604G01</u> |           | Steering Rack .....                                       | 1    |
| 11   | *               |           | Set Screw, #10 - 32 x .25" Lg .....                       | 1    |
| 12   | <u>70590G01</u> |           | Rack Loader .....   | 1    |
| 13   | <u>70666G01</u> |           | Compression Spring .....                                  | 1    |
| 14   | <u>70645G01</u> |           | Gasket (Rack Loader Cover).....                           | 1    |
| 15   | <u>652259</u>   |           | Cover (Rack Loader) .....                                 | 1    |
| 16   | <u>71102G01</u> |           | Hex Washer Head Bolt, 1/4" - 20 x 11/16" Lg, Grade 5..... | 2    |
| 17   | <u>10389G3</u>  |           | Grease Fitting (Straight) .....                           | 1    |
| 18   | <u>70694G01</u> |           | Rod End (Inner) .....                                     | 1    |
| 19   | <u>70961G01</u> |           | Rack Boot .....   | 1    |
| 20   | <u>12416G2</u>  |           | Nylon Clamp, 11.8" Lg .....                               | 1    |
| 21   | <u>11391G8</u>  |           | Hose Clamp, 1.81".....                                    | 1    |
| 22   |                 |           |   |      |
| 23   | <u>70695G01</u> |           | Tie Rod End (Outer) (Includes Items 24 - 25).....         | 1    |
| 24   | <u>50641G1</u>  |           | Grommet .....   | 1    |
| 25   | *               |           | Hex Slotted Nut, 7/16" - 20 .....                         | 1    |
| 26   | <u>10387G2</u>  |           | Cotter Pin, 3/32" x 1".....                               | 1    |





# FUEL SYSTEM

1 Carbon Canister Assembly includes items 2 - 6



# FUEL SYSTEM

THE USE OF NON U.L. PARTS WILL VOID ANY U.L. LISTING.

When ordering parts, please specify the model and serial number of the product.

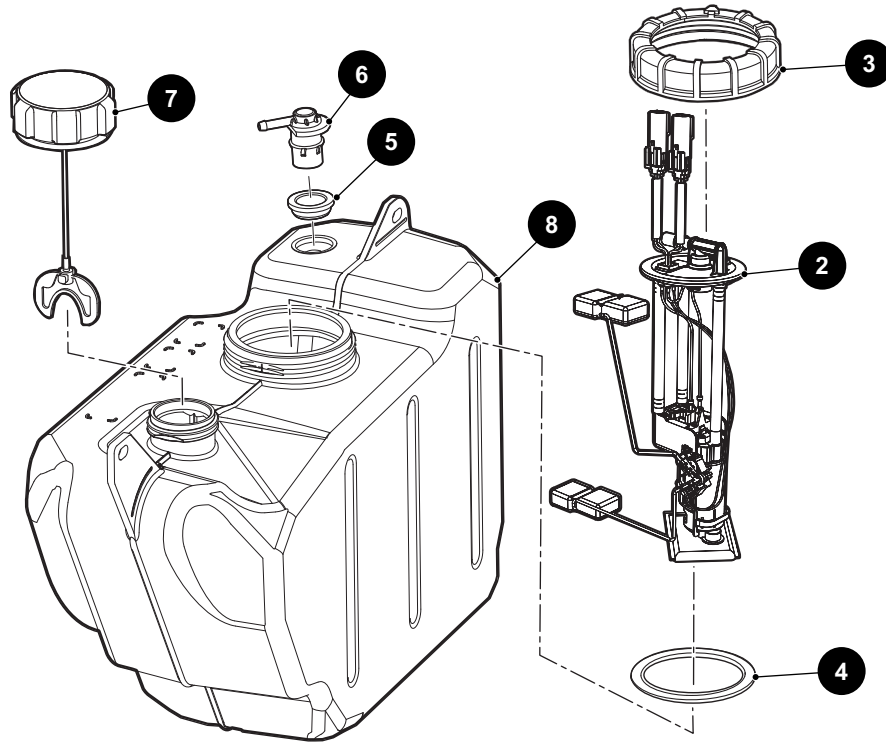
\* Indicates a component that is not available as an individual part.

\*\*\* Indicates consult Customer Service Department for additional information.

| ITEM | PART NO.        | 1 2 3 4 5 | DESCRIPTION   | QTY. |
|------|-----------------|-----------|---|------|
| 1    | 662807          |           | Carbon Canister Assembly (Includes Items 2 - 6) .....       | 1    |
| 2    | 10006822        |           | Carbon Canister .....                                       | 1    |
| 3    | <u>18292G1</u>  |           | Clamp, 1/2" O.D.....  | 2    |
| 4    | <u>606963</u>   |           | Clamp, 3/16" I.D .....                                      | 2    |
| 5    | <u>27184G14</u> |           | Fuel System Tube.....                                       | 1    |
| 6    | <u>662608</u>   |           | Hose, 3/16" I.D. x 37" Lg .....                             | 1    |
| 7    | <u>660369</u>   |           | Tube Clamp, 0.5" .....                                      | 2    |
| 8    | 11098G6         |           | Lock Nut, 5/16" - 18 .....                                  | 2    |
| 9    | 00559G8         |           | Flat Washer, 5/16" .....                                    | 4    |
| 10   | 00438G6         |           | Hex Head Bolt, 5/16" - 18 x 3/4" Lg, Grade 5 .....          | 2    |
| 11   | 680391          |           | Fuel Hose Assembly .....                                    | 1    |
| 12   | 664747          |           | Tube Clamp, .5" .....                                       | 1    |
| 13   | <u>31539G1</u>  |           | Nylon Clamp, 15.5" Lg (Not Illustrated).....                | 1    |
| 14   | <u>01038G01</u> |           | Hex Washer Head Swageform Screw, 1/4" - 20 x 11/16" Lg..... | 1    |
| 15   | <u>70483G01</u> |           | Spacer, 5/16" - 18 .....                                    | 1    |
| 16   | <u>00438G8</u>  |           | Hex Head Bolt, 5/16" - 18 x 1" Lg, Grade 5 .....            | 1    |
| 17   | 11098G6         |           | Lock Nut, 5/16" - 18 .....                                  | 3    |
| 18   | 00559G8         |           | Flat Washer, 5/16" .....                                    | 4    |
| 19   | <u>00379G4</u>  |           | Pan Head Phillips Screw, #10 - 24 x 1/2" Lg.....            | 2    |
| 20   | <u>606310</u>   |           | Carbon Canister Mounting Bracket.....                       | 1    |
| 21   | <u>32372G6</u>  |           | Vinyl Trim, 6.25" Lg .....                                  | 1    |
| 22   | <u>14390G10</u> |           | Lock Nut, #10 - 24.....                                     | 2    |
| 23   | 10006728        |           | Fuel System Bracket.....                                    | 1    |

# FUEL SYSTEM

1 Fuel Tank Assembly (with Sender Unit) includes items 2 - 8



# FUEL SYSTEM

THE USE OF NON U.L. PARTS WILL VOID ANY U.L. LISTING.  
 When ordering parts, please specify the model and serial number of the product.  
 \* Indicates a component that is not available as an individual part.  
 \*\*\* Indicates consult Customer Service Department for additional information.

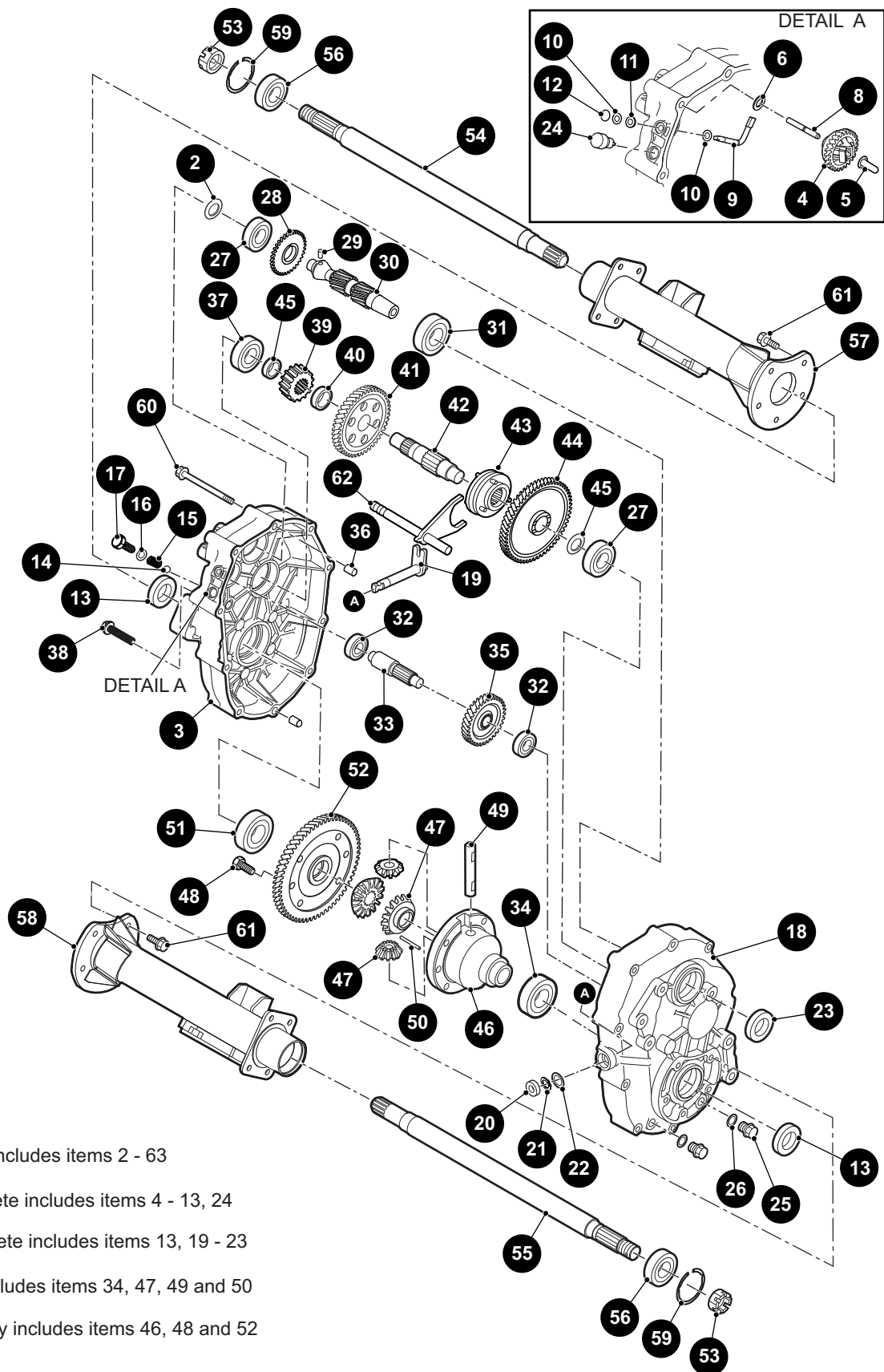
| ITEM | PART NO.      | 1 2 3 4 5 | DESCRIPTION   | QTY. |
|------|---------------|-----------|---|------|
| 1    | <u>646825</u> |           | Fuel Tank Assembly (with Sender Unit) (Includes Items 2 - 8)..... | 1    |
| 2    | <u>646353</u> |           | Fuel Pickup with Sender Assembly .....                            | 1    |
| 3    | <u>646837</u> |           | Fuel Pump Lid .....   | 1    |
| 4    | <u>646838</u> |           | Seal .....  | 1    |
| 5    | <u>647810</u> |           | Grommet.....  | 1    |
| 6    | <u>647809</u> |           | Rollover Valve.....   | 1    |
| 7    | 670898        |           | Fuel Cap .....  | 1    |
| 8    | 646306        |           | Fuel Tank .....   | 1    |







# REAR AXLE



# REAR AXLE

THE USE OF NON U.L. PARTS WILL VOID ANY U.L. LISTING.

When ordering parts, please specify the model and serial number of the product.

\* Indicates a component that is not available as an individual part.

\*\*\* Indicates consult Customer Service Department for additional information.

| ITEM | PART NO.        | 1 2 3 4 5 | DESCRIPTION   | QTY. |
|------|-----------------|-----------|---|------|
| 1    | 677877          |           | Rear Axle, 11.47:1 (Includes Items 2 - 63) .....        | 1    |
| 2    | 10007594        |           | O-Ring .....  | 1    |
| 3    | 10007589        |           | Axle Case L Complete (Includes Items 4 - 13, 24) .....  | 1    |
| 4    | <u>665887</u>   |           | Governor Gear .....                                     | 1    |
| 5    | <u>639689</u>   |           | Governor Sleeve .....                                   | 1    |
| 6    | <u>607904</u>   |           | Flat Washer .....                                       | 1    |
| 7    |                 |           |   |      |
| 8    | <u>639698</u>   |           | Governor Gear Shaft.....                                | 1    |
| 9    | <u>639707</u>   |           | Governor Shaft.....                                     | 1    |
| 10   | <u>639736</u>   |           | Flat Washer, 6mm .....                                  | 2    |
| 11   | <u>607911</u>   |           | Oil Seal, 6 x 10 x 2.5mm .....                          | 1    |
| 12   | <u>607913</u>   |           | Retaining Ring, E5 .....                                | 1    |
| 13   | <u>639738</u>   |           | Oil Seal, 24 x 40 x 9mm .....                           | 2    |
| 14   | <u>26818G01</u> |           | Steel Ball .....  | 1    |
| 15   | <u>26819G01</u> |           | Spring .....  | 1    |
| 16   | <u>26831G01</u> |           | Gasket .....  | 1    |
| 17   | <u>26820G01</u> |           | Flanged Hex Head Bolt, M10 - 1.25 x 12mm Lg .....       | 1    |
| 18   | 10007590        |           | Axle Case R Complete (Includes Items 13, 19 - 23) ..... | 1    |
| 19   | <u>639746</u>   |           | Select Shaft.....                                       | 1    |
| 20   | 607915          |           | Oil Seal, 13 x 22 x 5mm .....                           | 1    |
| 21   | <u>607916</u>   |           | Snap Ring, 13mm .....                                   | 1    |
| 22   | <u>607917</u>   |           | Spacer, 13 x 1mm .....                                  | 1    |
| 23   | <u>640093</u>   |           | Oil Seal, 28 x 47 x 9mm .....                           | 1    |
| 24   | <u>607919</u>   |           | Air Breather .....                                      | 1    |
| 25   | <u>639747</u>   |           | Oil Drain Plug .....                                    | 2    |
| 26   | <u>639748</u>   |           | Gasket, 14mm .....                                      | 2    |
| 27   | <u>26785G01</u> |           | Ball Bearing .....                                      | 2    |
| 28   | <u>665888</u>   |           | Governor Gear.....                                      | 1    |
| 29   | <u>607920</u>   |           | Pin, 6 x 12L.....                                       | 1    |
| 30   | 10007591        |           | Input Shaft .....                                       | 1    |
| 31   | <u>607922</u>   |           | Ball Bearing (62/28).....                               | 1    |

## REAR AXLE

THE USE OF NON U.L. PARTS WILL VOID ANY U.L. LISTING.

When ordering parts, please specify the model and serial number of the product.

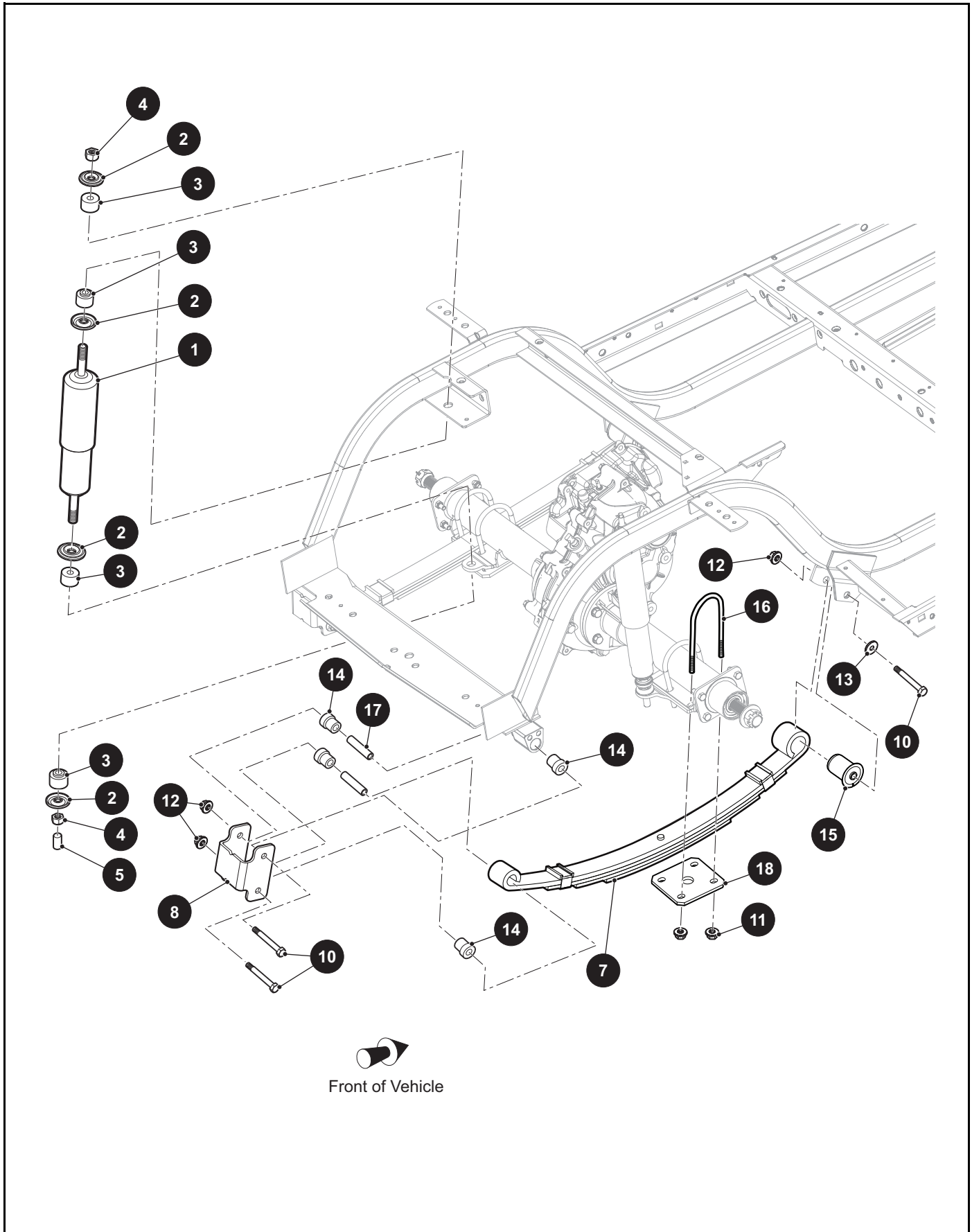
\* Indicates a component that is not available as an individual part.

\*\*\* Indicates consult Customer Service Department for additional information.

| ITEM | PART NO.        | 1 | 2 | 3 | 4 | 5 | DESCRIPTION   | QTY. |
|------|-----------------|---|---|---|---|---|---|------|
| 32   | <u>639868</u>   |   |   |   |   |   | Ball Bearing (TMB202).....                                | 2    |
| 33   | <u>639755</u>   |   |   |   |   |   | Counter Shaft.....  | 1    |
| 34   | <u>640744</u>   |   |   |   |   |   | Ball Bearing (6006) .....                                 | 1    |
| 35   | <u>639758</u>   |   |   |   |   |   | Gear, 34 .....  | 1    |
| 36   | <u>639869</u>   |   |   |   |   |   | Knock Pipe .....  | 2    |
| 37   | <u>639760</u>   |   |   |   |   |   | Ball Bearing (6304) .....                                 | 2    |
| 38   | <u>639768</u>   |   |   |   |   |   | Flanged Hex Head Bolt, M8 - 1.25 x 40mm Lg .....          | 1    |
| 39   | <u>639769</u>   |   |   |   |   |   | Gear, 17 .....  | 1    |
| 40   | <u>28689G01</u> |   |   |   |   |   | Collar, 24 x 7.5mm .....                                  | 1    |
| 41   | <u>639771</u>   |   |   |   |   |   | Gear, 52 .....  | 1    |
| 42   | <u>670697</u>   |   |   |   |   |   | Center Shaft.....   | 1    |
| 43   | <u>639774</u>   |   |   |   |   |   | Clutch Pin.....   | 1    |
| 44   | <u>670696</u>   |   |   |   |   |   | Gear, 61 .....  | 1    |
| 45   | <u>639797</u>   |   |   |   |   |   | Spacer, 20 x 2mm .....                                    | 2    |
| 46   | <u>639782</u>   |   |   |   |   |   | Differential Case (Includes Items 34, 47, 49 and 50)..... | 1    |
| 47   | <u>639800</u>   |   |   |   |   |   | Differential Pair Gear.....                               | 1    |
| 48   | <u>26808G01</u> |   |   |   |   |   | Hex Head Bolt, M10 - 1.25 x 26mm Lg .....                 | 6    |
| 49   | <u>28723G01</u> |   |   |   |   |   | Differential Shaft.....                                   | 1    |
| 50   | <u>28697G01</u> |   |   |   |   |   | Spring Pin, 4 x 40L.....                                  | 1    |
| 51   | <u>639801</u>   |   |   |   |   |   | Ball Bearing (6007) .....                                 | 1    |
| 52   | <u>640739</u>   |   |   |   |   |   | Gear, 60 Complete (Includes Item 51).....                 | 1    |
| 53   | <u>607938</u>   |   |   |   |   |   | Castle Nut, M22 - 1.5 .....                               | 2    |
| 54   | <u>639876</u>   |   |   |   |   |   | Axle Shaft L Complete (Includes Item 56).....             | 1    |
| 55   | <u>639881</u>   |   |   |   |   |   | Axle Shaft R Complete (Includes Item 56).....             | 1    |
| 56   | <u>639836</u>   |   |   |   |   |   | Ball Bearing (6205DD).....                                | 2    |
| 57   | <u>10007592</u> |   |   |   |   |   | Axle Case L Complete .....                                | 1    |
| 58   | <u>10007593</u> |   |   |   |   |   | Axle Case R Complete.....                                 | 1    |
| 59   | <u>26814G01</u> |   |   |   |   |   | Snap Ring, 52mm .....                                     | 2    |
| 60   | <u>639839</u>   |   |   |   |   |   | Flanged Hex Head Bolt, M8 - 1.25 x 60mm Lg .....          | 9    |
| 61   | <u>639840</u>   |   |   |   |   |   | Flanged Hex Head Bolt, M10 - 1.25 x 25mm Lg .....         | 10   |
| 62   | <u>639844</u>   |   |   |   |   |   | Shift Shaft Complete .....                                | 1    |
| 63   | <u>639847</u>   |   |   |   |   |   | Differential Assembly (Includes Items 46, 48 and 52)..... | 1    |



# REAR SUSPENSION



# REAR SUSPENSION

THE USE OF NON U.L. PARTS WILL VOID ANY U.L. LISTING.

When ordering parts, please specify the model and serial number of the product.

\* Indicates a component that is not available as an individual part.

\*\*\* Indicates consult Customer Service Department for additional information.

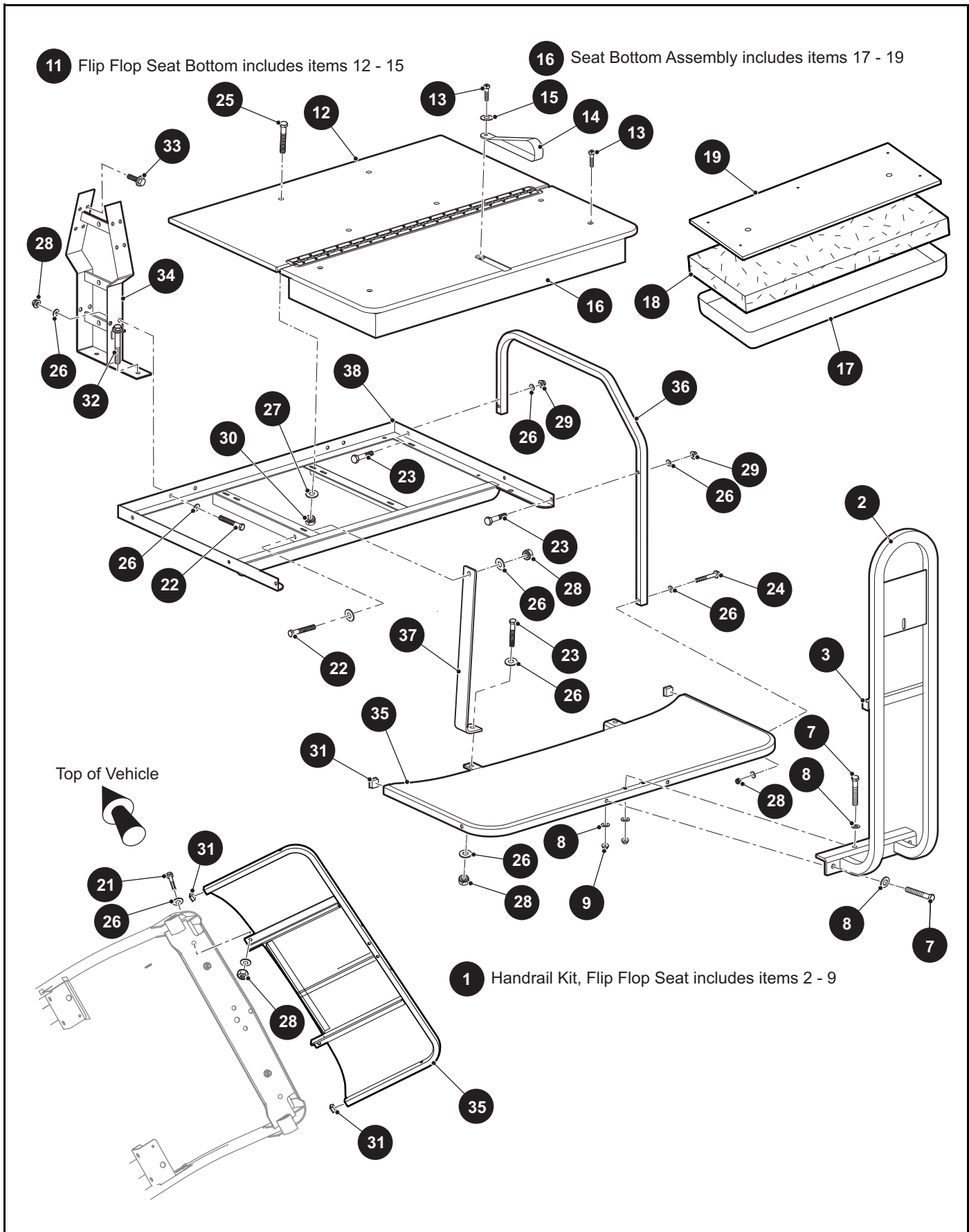
| ITEM | PART NO.        | 1 2 3 4 5 | DESCRIPTION                            | QTY. |
|------|-----------------|-----------|--|------|
| 1    | 10001104        |           | Shock Absorber.....                    | 2    |
| 2    | <u>10435G1</u>  |           | Shock Absorber Washer .....            | 4    |
| 3    | <u>10194G1</u>  |           | Rubber Bushing .....                   | 4    |
| 4    | <u>00532G6</u>  |           | Hex Nut, 3/8" - 24.....                | 2    |
| 5    | <u>10044G01</u> |           | Vinyl Cap.....                         | 1    |
| 6    |                 |           |  |      |
| 7    | 694498          |           | Leaf Spring, 500 lbs .....             | 1    |
| 8    | 694077          |           | Shackle Bracket .....                  | 1    |
| 9    |                 |           |  |      |
| 10   | <u>00665G9</u>  |           | Hex Head Bolt, 3/8" - 16 x 1" Lg ..... | 3    |
| 11   | <u>600525</u>   |           | Flanged Lock Nut, M10 - 1.5.....       | 4    |
| 12   | <u>12262G1</u>  |           | Flanged Lock Nut, 3/8" - 16 .....      | 3    |
| 13   | <u>00643G1</u>  |           | Flat Washer, 3/8" .....                | 1    |
| 14   | <u>624030</u>   |           | Flanged Bushing .....                  | 4    |
| 15   | <u>605445</u>   |           | Front Spring Bushing .....             | 1    |
| 16   | <u>632103</u>   |           | U-bolt, 68mm Dia x 110mm x 45mm .....  | 2    |
| 17   | <u>70289G02</u> |           | Split Spacer (Steel) .....             | 2    |
| 18   | 692039          |           | Suspension Plate .....                 | 1    |







# SEATING



THE USE OF NON U.L. PARTS WILL VOID ANY U.L. LISTING.

When ordering parts, please specify the model and serial number of the product.

\* Indicates a component that is not available as an individual part.

\*\*\* Indicates consult Customer Service Department for additional information.

| ITEM | PART NO.       | 1 2 3 4 5 | DESCRIPTION   | QTY. |
|------|----------------|-----------|---|------|
| 1    | <u>634184</u>  |           | Handrail Kit, Flip-Flop Seat (Includes Items 2 - 9) ..... | 1    |
| 2    | <u>634185</u>  |           | Footrest Handle Weldment .....                            | 1    |
| 3    | <u>19859G1</u> |           | Square Cap Tube, 3/4" .....                               | 2    |
| 4    |                |           |   |      |
| 5    |                |           |   |      |
| 6    |                |           |   |      |
| 7    | <u>00427G8</u> |           | Hex Head Bolt, 3/8" - 16 x 2" Lg, Grade 5 .....           | 4    |
| 8    | <u>614221</u>  |           | Flat Washer, 3/8" .....                                   | 8    |
| 9    | <u>11098G5</u> |           | Lock Nut (Plastic), 3/8" - 16 .....                       | 4    |
| 10   |                |           |   |      |
| 11   | 600118         |           | Flip Flop Seat Bottom (Includes Items 12 - 15).....       | 1    |
| 12   | <u>634190</u>  |           | Deck Board Assembly .....                                 | 1    |
| 13   | <u>16705G1</u> |           | Truss Head Phillips Screw (SS), 1/4" - 20 x 1" Lg .....   | 5    |
| 14   | <u>617402</u>  |           | Seat Strap.....   | 1    |
| 15   | <u>00559G7</u> |           | Flat Washer, 1/4" .....                                   | 1    |
| 16   | ***            |           | Seat Bottom Assembly (Includes Items 17 - 19) .....       | 1    |
|      |                |           | 699321G01 Oyster  |      |
|      |                |           | 699321G03 Tan   |      |
|      |                |           | 699321G04 Gray  |      |
|      |                |           | 699321G06 Black   |      |
| 17   | ***            |           | Vinyl Seat Bottom .....                                   | 1    |
|      |                |           | 615646 Oyster   |      |
|      |                |           | 615647 Tan  |      |
|      |                |           | 617892 Gray   |      |
|      |                |           | 615648 Black  |      |
| 18   | 699297         |           | Foam Padding (Seat Bottom) .....                          | 1    |
| 19   | 669061         |           | Seat Bottom (Wood) .....                                  | 1    |
| 20   |                |           |   |      |
| 21   | <u>00427G6</u> |           | Hex Head Bolt, 3/8" - 16 x 1.75" Lg, Grade 5 .....        | 2    |
| 22   | <u>00427G2</u> |           | Hex Head Bolt, 3/8" - 16 x 1.25" Lg, Grade 5 .....        | 4    |
| 23   | <u>00427G4</u> |           | Hex Head Bolt, 3/8" - 16 x 1.5" Lg, Grade 5 .....         | 6    |
| 24   | <u>00428G8</u> |           | Hex Head Bolt, 3/8" - 16 x 3.25" Lg, Grade 5 .....        | 2    |
| 25   | <u>16705G9</u> |           | Truss Head Phillips Screw (SS), 1/4" - 20 x 1.25" Lg..... | 4    |
| 26   | <u>614221</u>  |           | Flat Washer, 3/8" .....                                   | 24   |

# SEATING

THE USE OF NON U.L. PARTS WILL VOID ANY U.L. LISTING.

When ordering parts, please specify the model and serial number of the product.

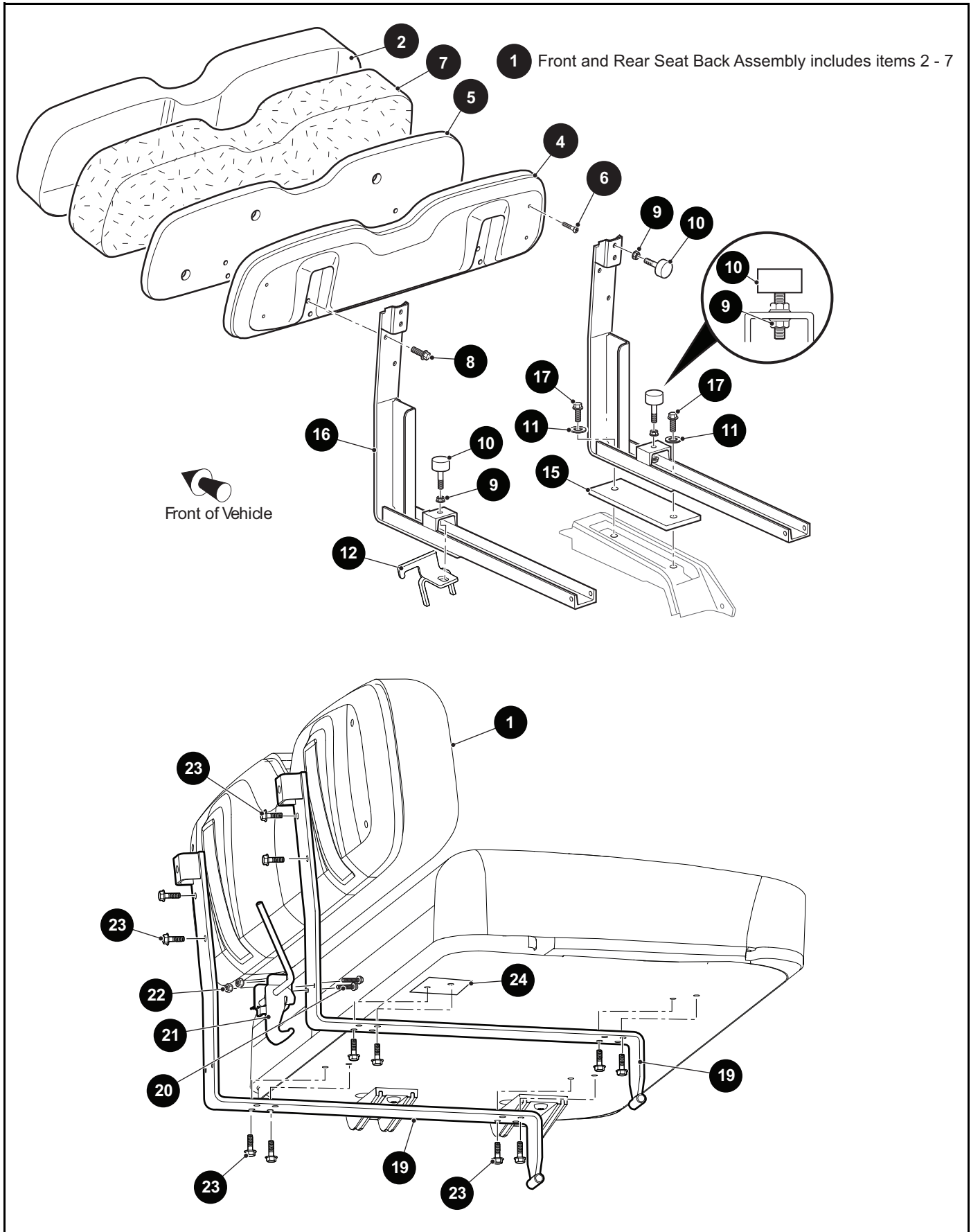
\* Indicates a component that is not available as an individual part.

\*\*\* Indicates consult Customer Service Department for additional information.

| ITEM | PART NO.        | 1 2 3 4 5 | DESCRIPTION  | QTY. |
|------|-----------------|-----------|--|------|
| 27   | <u>00559G7</u>  |           | Flat Washer, 1/4" .....  | 4    |
| 28   | <u>11098G5</u>  |           | Lock Nut (Plastic), 3/8" - 16 .....                              | 10   |
| 29   | <u>11027G5</u>  |           | Flanged Lock Nut, 3/8" - 16 .....                                | 4    |
| 30   | <u>14390G4</u>  |           | Lock Nut (Plastic), 1/4" - 20 .....                              | 4    |
| 31   | <u>19853G1</u>  |           | Square Cap Tube, 1" .....  | 2    |
| 32   | <u>01006G01</u> |           | Hex Washer Head Thread Forming Screw, 3/8" - 16 x 1.25" Lg ..... | 4    |
| 33   | 71204G01        |           | Hex Washer Head Screw with Patch Lock, 1/4" - 20 x 7/8" Lg.....  | 8    |
| 34   | <u>634178</u>   |           | Seat Back Support.....   | 1    |
| 35   | <u>634179</u>   |           | Footrest Weldment .....  | 1    |
| 36   | <u>634175</u>   |           | Armrest (Rear Seat) .....  | 2    |
| 37   | <u>634174</u>   |           | Seat Frame Support .....   | 2    |
| 38   | <u>634180</u>   |           | Seat Frame Weldment.....   | 1    |



# SEATING



THE USE OF NON U.L. PARTS WILL VOID ANY U.L. LISTING.

When ordering parts, please specify the model and serial number of the product.

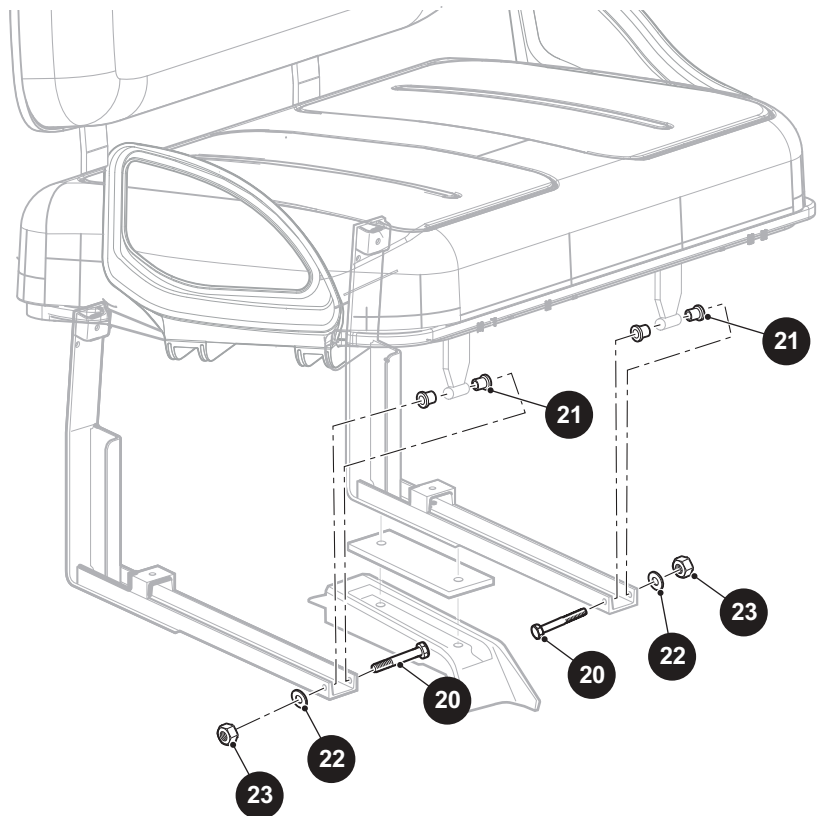
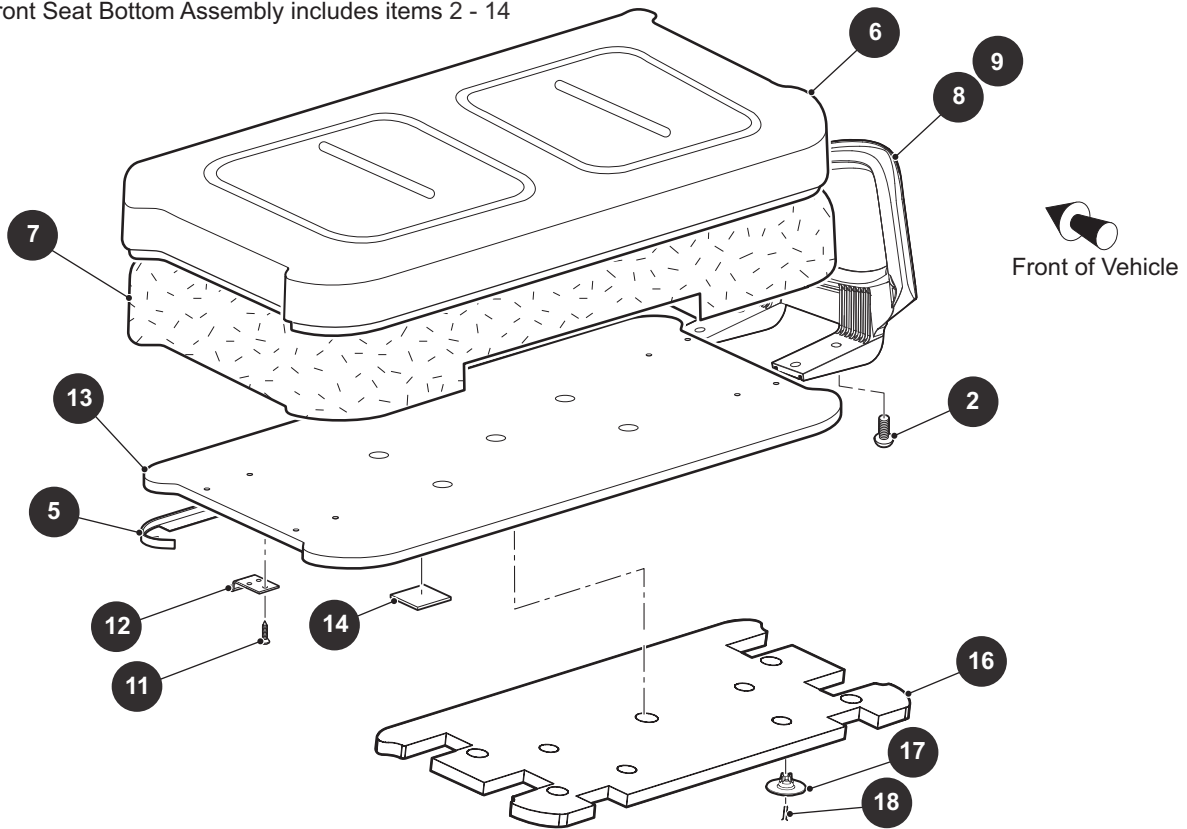
\* Indicates a component that is not available as an individual part.

\*\*\* Indicates consult Customer Service Department for additional information.

| ITEM | PART NO.        | 1 2 3 4 5 | DESCRIPTION  | QTY. |
|------|-----------------|-----------|--|------|
| 1    | ***             |           | Front And Rear Seat Back Assembly (Includes Items 2 - 7) .....<br>71751G03 Oyster<br>71751G02 Gray<br>71751G04 Tan<br>71751G07 Black | 1    |
| 2    | ***             |           | Vinyl Seat Back Cover .....<br>71753G03 Oyster<br>71753G02 Gray<br>71753G04 Tan<br>71753G07 Black                                    | 1    |
| 3    | <u>17618G1</u>  |           | Nylon Clamp, 7" Lg (Not Illustrated) .....   | 1    |
| 4    | 71752G01        |           | Plastic Seat Back Cover .....  | 1    |
| 5    | <u>645021</u>   |           | Seat Back Base .....   | 1    |
| 6    | <u>01107G01</u> |           | Pan Head Torx Screw (SS), #8 x 5/8" Lg.....  | 4    |
| 7    | <u>71754G01</u> |           | Foam Padding (Seat Back) .....   | 1    |
| 8    | 71204G01        |           | Hex Washer Head Screw with Patch Lock, 1/4" - 20 x 7/8" Lg .....   | 4    |
| 9    | <u>11027G1</u>  |           | Lock Nut, 5/16" - 18 .....   | 6    |
| 10   | <u>70113G01</u> |           | Adjustable Bumper.....   | 4    |
| 11   | <u>00560G1</u>  |           | Flat Washer, 3/8" .....  | 4    |
| 12   | <u>625530</u>   |           | Latch Bracket (Driver Side).....   | 1    |
| 13   |                 |           |  |      |
| 14   |                 |           |  |      |
| 15   | <u>70364G01</u> |           | Spacer, 8.45" x 2".....  | 2    |
| 16   | 685520          |           | Seat Back Support .....  | 2    |
| 17   | <u>00427G2</u>  |           | Hex Head Bolt, 3/8" - 16 x 1" Lg, Grade 5 .....  | 4    |
| 18   |                 |           |  |      |
| 19   | <u>625526</u>   |           | Rear Seat Support Weldment .....   | 2    |
| 20   | <u>628906</u>   |           | Flanged Hex Head Bolt, #10 - 24 x 3/4" Lg.....   | 2    |
| 21   | <u>72917G01</u> |           | Bed Latch Assembly.....  | 1    |
| 22   | <u>14390G10</u> |           | Lock Nut, #10 - 24.....  | 2    |
| 23   | 71204G01        |           | Hex Washer Head Screw with Patch Lock, 1/4" - 20 x 7/8" Lg .....   | 12   |
| 24   | 677575          |           | Rear Seat Support Plate .....  | 2    |

# SEATING

1 Front Seat Bottom Assembly includes items 2 - 14





THE USE OF NON U.L. PARTS WILL VOID ANY U.L. LISTING.

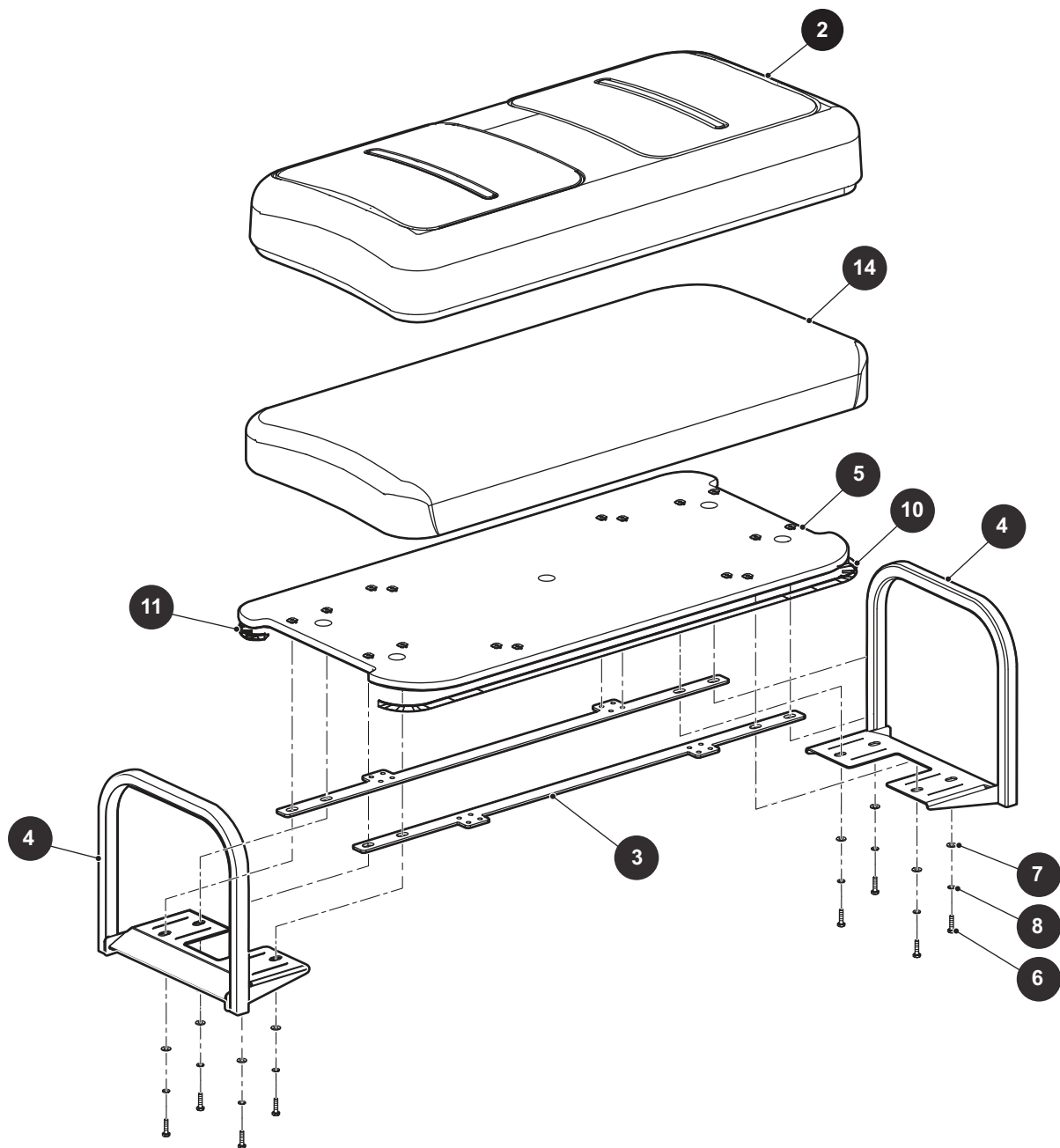
When ordering parts, please specify the model and serial number of the product.

\* Indicates a component that is not available as an individual part.

\*\*\* Indicates consult Customer Service Department for additional information.

| ITEM | PART NO.        | 1 2 3 4 5 | DESCRIPTION  | QTY. |
|------|-----------------|-----------|--|------|
| 1    | ***             |           | Front Seat Bottom Assembly (Includes Items 2 - 14).....<br>629269G0101 Oyster<br>629269G0103 Tan<br>629269G0104 Gray<br>629269G0108 Custom Solid | 1    |
| 2    | <u>615417</u>   |           | Button Head Torx Bolt, M10 - 1.5 x 25mm Lg.....  | 8    |
| 3    |                 |           |  |      |
| 4    |                 |           |  |      |
| 5    | <u>71012G01</u> |           | Vinyl Trim (Seat Bottom).....  | 1    |
| 6    | ***             |           | Vinyl Seat Bottom Cover .....<br>71602G03 Oyster<br>71602G02 Gray<br>71602G04 Tan<br>71602G05 Custom Solid                                       | 1    |
| 7    | <u>71603G02</u> |           | Foam Padding (Seat Bottom).....  | 1    |
| 8    | <u>617645</u>   |           | Hip Restraint (Driver Side).....   | 1    |
| 9    | <u>617644</u>   |           | Hip Restraint (Passenger Side).....  | 1    |
| 10   | <u>17618G1</u>  |           | Nylon Clamp, 7" Lg (Not Illustrated).....  | 1    |
| 11   | <u>00720G08</u> |           | Phillips Head Tapping Screw, #12 - 14 x 1" Lg.....   | 6    |
| 12   | <u>71610G01</u> |           | Seat Hinge.....  | 2    |
| 13   | <u>645492</u>   |           | Seat Bottom (Wood).....  | 1    |
| 14   | <u>17074G1</u>  |           | Soiling Slab.....  | 2    |
| 15   |                 |           |  |      |
| 16   | <u>657949</u>   |           | Sound Treatment, Seat Bottom.....  | 1    |
| 17   | <u>663426</u>   |           | Retainer, Sound Treatment.....   | 4    |
| 18   | <u>00720G08</u> |           | Phillips Head Tapping Screw, #12 - 14 x 1" Lg.....   | 4    |
| 19   |                 |           |  |      |
| 20   | <u>00440G4</u>  |           | Hex Head Bolt, 5/16" - 18 x 2.5" Lg.....   | 2    |
| 21   | <u>17838G1</u>  |           | Nyliner Bushing, .5".....  | 4    |
| 22   | 00559G8         |           | Flat Washer, 5/16".....  | 2    |
| 23   | 11098G6         |           | Lock Nut, 5/16" - 18.....  | 2    |

1 Rear Seat Bottom Assembly includes items 2 - 14



THE USE OF NON U.L. PARTS WILL VOID ANY U.L. LISTING.

When ordering parts, please specify the model and serial number of the product.

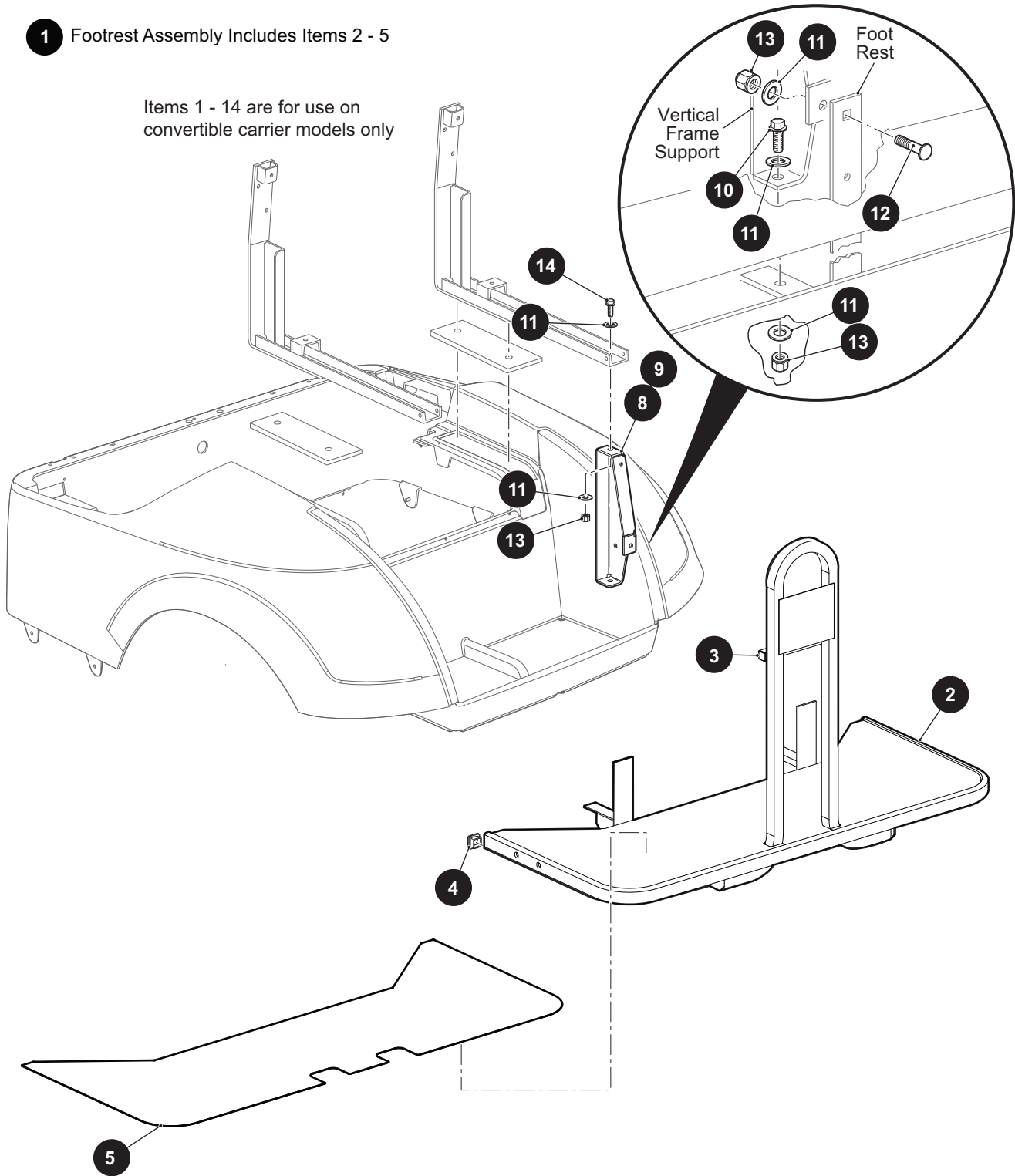
\* Indicates a component that is not available as an individual part.

\*\*\* Indicates consult Customer Service Department for additional information.

| ITEM | PART NO.        | 1 2 3 4 5 | DESCRIPTION   | QTY. |
|------|-----------------|-----------|---|------|
| 1    | ***             |           | Rear Seat Bottom Assembly (Includes Items 2 - 14) .....<br>74139G03 Oyster<br>74139G04 Tan<br>74139G02 Gray<br>74139G05 Special | 1    |
| 2    | ***             |           | Vinyl Seat Bottom .....<br>71602G03 Oyster<br>71602G04 Tan<br>71602G02 Gray<br>71602G05 Special                                 | 1    |
| 3    | 664673          |           | Board Plate.....  | 2    |
| 4    | 660264          |           | Armrest Weldment.....   | 2    |
| 5    | 76417G01        |           | Seat Bottom (Wood).....   | 1    |
| 6    | <u>00661G8</u>  |           | Hex Head Bolt, 1/4" - 20 x 1" Lg.....   | 8    |
| 7    | <u>01110G01</u> |           | Flat Washer, 1/4".....  | 8    |
| 8    | <u>00664G7</u>  |           | Lock Washer, 1/4".....  | 8    |
| 9    | <u>17618G1</u>  |           | Nylon Clamp, 7" Lg (Not Illustrated).....   | 1    |
| 10   | <u>74140G01</u> |           | Seat Trim.....  | 1    |
| 11   | <u>71012G01</u> |           | Trim (Seat Bottom).....   | 1    |
| 12   |                 |           |   |      |
| 13   |                 |           |   |      |
| 14   | <u>71603G02</u> |           | Seat Cushion.....   | 1    |

## 1 Footrest Assembly Includes Items 2 - 5

Items 1 - 14 are for use on convertible carrier models only



THE USE OF NON U.L. PARTS WILL VOID ANY U.L. LISTING.

When ordering parts, please specify the model and serial number of the product.

\* Indicates a component that is not available as an individual part.

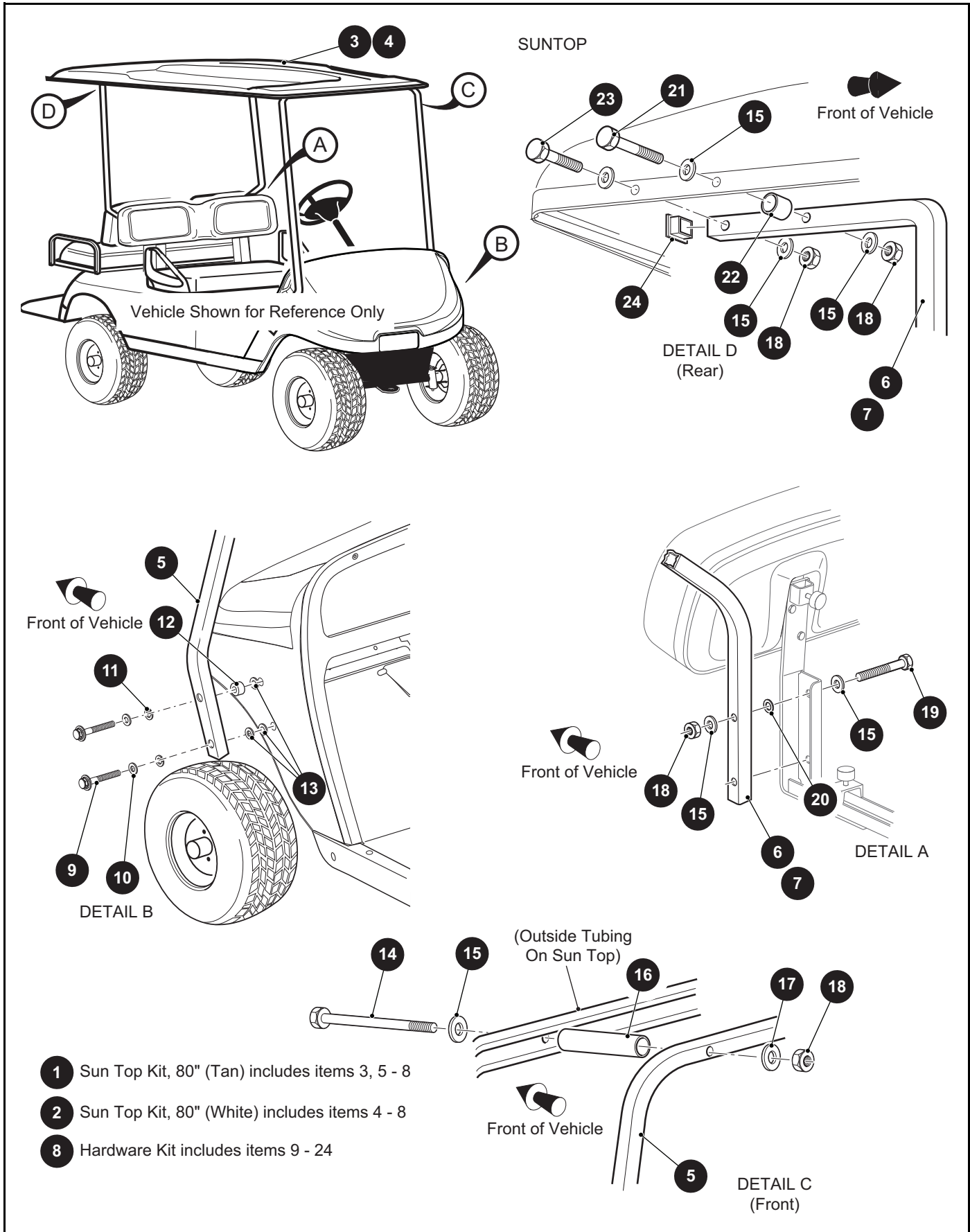
\*\*\* Indicates consult Customer Service Department for additional information.

| ITEM | PART NO.        | 1 2 3 4 5 | DESCRIPTION   | QTY. |
|------|-----------------|-----------|---|------|
| 1    | <u>70361G01</u> |           | Footrest Assembly (Includes Items 2 - 5).....       | 1    |
| 2    | <u>70633G01</u> |           | Footrest .....                                      | 1    |
| 3    | <u>19859G1</u>  |           | End Cap, 3/4" .....                                 | 2    |
| 4    | <u>19853G1</u>  |           | End Cap, 1" .....                                   | 2    |
| 5    | 640652          |           | Footrest Grip Tape .....                            | 1    |
| 6    |                 |           |   |      |
| 7    |                 |           |   |      |
| 8    | <u>74126G01</u> |           | Vertical Frame Support (Driver Side) .....          | 1    |
| 9    | <u>74126G02</u> |           | Vertical Frame Support (Passenger Side).....        | 1    |
| 10   | <u>00427G6</u>  |           | Hex Head Bolt, 3/8" - 16 x 1 1/4" Lg, Grade 5 ..... | 2    |
| 11   | <u>00560G1</u>  |           | Flat Washer, 3/8" .....                             | 10   |
| 12   | <u>00769G2</u>  |           | Carriage Bolt, 3/8" - 16 x 1 1/4" Lg, Grade 5.....  | 2    |
| 13   | <u>11098G5</u>  |           | Lock Nut, 3/8" - 16 .....                           | 6    |
| 14   | <u>00426G8</u>  |           | Hex Head Bolt, 3/8" - 16 x 1" Lg, Grade 5 .....     | 2    |





# WEATHER PROTECTION





# WEATHER PROTECTION

THE USE OF NON U.L. PARTS WILL VOID ANY U.L. LISTING.

When ordering parts, please specify the model and serial number of the product.

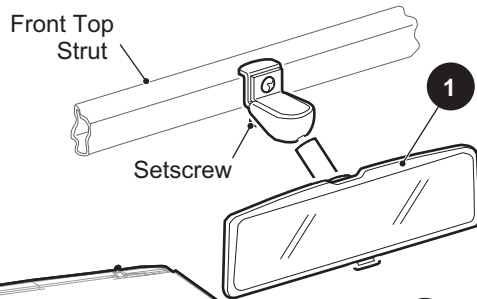
\* Indicates a component that is not available as an individual part.

\*\*\* Indicates consult Customer Service Department for additional information.

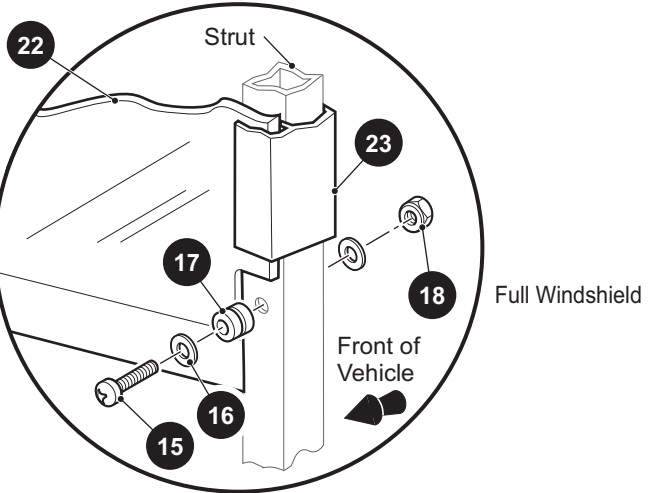
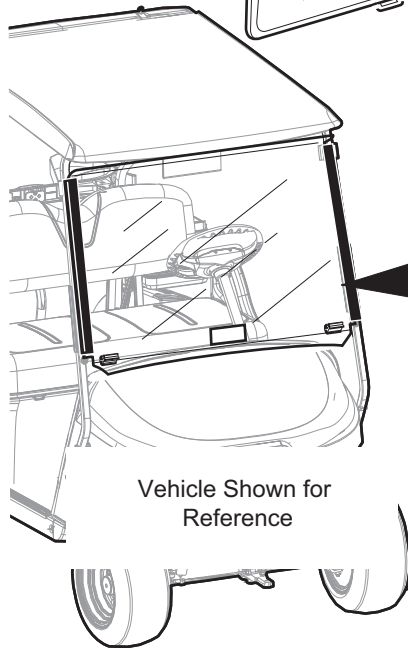
| ITEM | PART NO.         | 1 2 3 4 5 | DESCRIPTION   | QTY. |
|------|------------------|-----------|---|------|
| 1    | <u>634553G01</u> |           | Sun Top Kit, 80" (Tan) (Includes Items 3, 5 - 8)..... | 1    |
| 2    | <u>634553G02</u> |           | Sun Top Kit, 80" (White) (Includes Items 4 - 8) ..... | 1    |
| 3    | <u>602672</u>    |           | Sun Top (Tan), 80" .....                              | 1    |
| 4    | <u>27604G01</u>  |           | Sun Top (White), 80" Lg.....                          | 1    |
| 5    | <u>634791</u>    |           | Front Strut.....                                      | 1    |
| 6    | <u>75074G01</u>  |           | Rear Strut (Driver Side) .....                        | 1    |
| 7    | <u>75074G02</u>  |           | Rear Strut (Passenger Side) .....                     | 1    |
| 8    | <u>634554</u>    |           | Hardware Kit (Includes Items 9 - 24) .....            | 1    |
| 9    | <u>634809</u>    |           | Hex Head Bolt, 5/16" - 18 x 2 1/2" Lg .....           | 4    |
| 10   | <u>634811</u>    |           | Flat Washer, 5/16" .....                              | 4    |
| 11   | <u>634810</u>    |           | Lock Washer, 5/16" .....                              | 4    |
| 12   | <u>634807</u>    |           | Spacer, .328" I.D. x .75" O.D. x 1/2" Lg.....         | 2    |
| 13   | <u>634808</u>    |           | Flat Washer, 5/16" .....                              | 6    |
| 14   | <u>00674G8</u>   |           | Hex Head Bolt (SS), 3/8" - 16 x 5" Lg .....           | 2    |
| 15   | <u>00679G1</u>   |           | Flat Washer (SS), 3/8" .....                          | 16   |
| 16   | <u>18716G1</u>   |           | Spacer, .75" O.D. x 2.88" Lg .....                    | 2    |
| 17   | <u>00653G1</u>   |           | Flat Washer (SS), 3/8" .....                          | 2    |
| 18   | <u>00891G5</u>   |           | Lock Nut, 3/8" - 16 .....                             | 10   |
| 19   | <u>00665G5</u>   |           | Hex Head Bolt (SS), 3/8" - 16 x 1 3/4" Lg .....       | 4    |
| 20   | <u>00771G5</u>   |           | Nylon Washer, 3/8".....                               | 4    |
| 21   | <u>00665G3</u>   |           | Hex Head Bolt (SS), 3/8" - 16 x 2 1/2" Lg .....       | 2    |
| 22   | <u>24647G1</u>   |           | Spacer, .39" I.D. x .75" O.D. x .29" Lg.....          | 2    |
| 23   | <u>00665G6</u>   |           | Hex Head Bolt (SS), 3/8" - 16 x 2" Lg .....           | 2    |
| 24   | <u>19853G1</u>   |           | End Cap, 1" Sq .....                                  | 2    |

# WEATHER PROTECTION

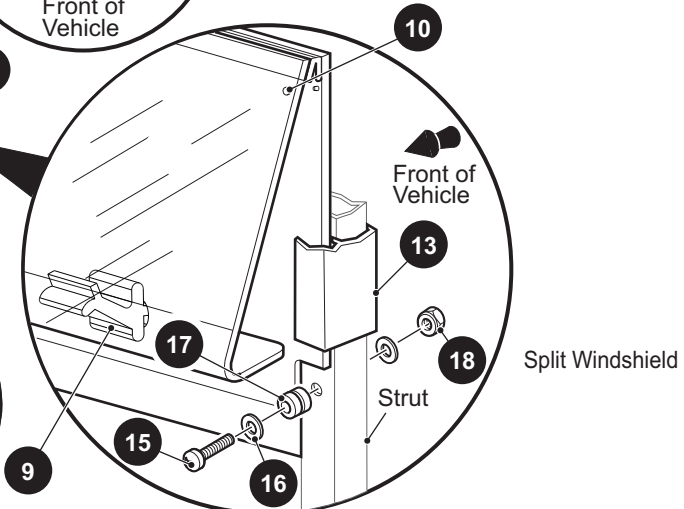
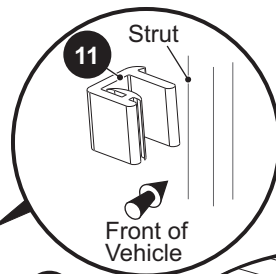
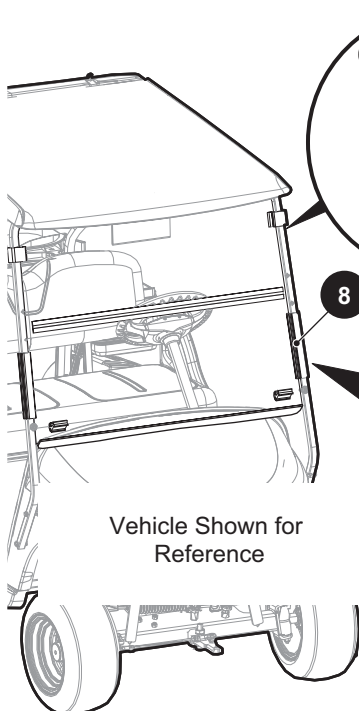
## REAR VIEW MIRROR



- 6** Windshield Kit, Split includes items 7 - 14
- 7** Split Windshield Assembly includes items 8 - 11
- 14** Hardware Kit includes items 15 - 18



- 20** Windshield Kit, Full includes items 14, 21 - 23
- 21** Full Windshield Assembly includes items 22



# WEATHER PROTECTION

THE USE OF NON U.L. PARTS WILL VOID ANY U.L. LISTING.

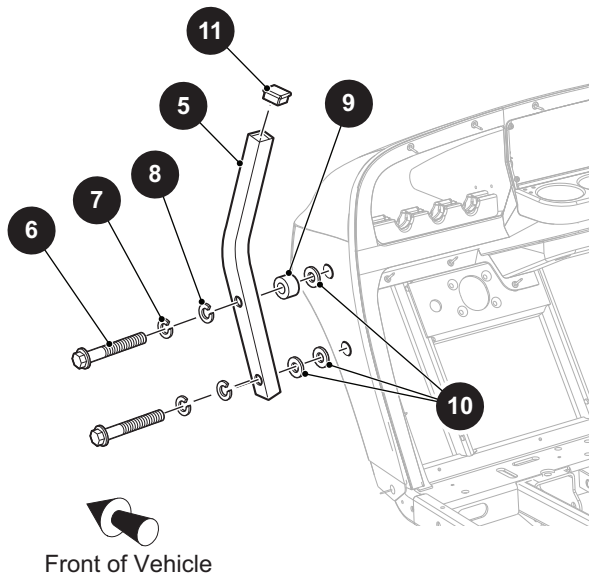
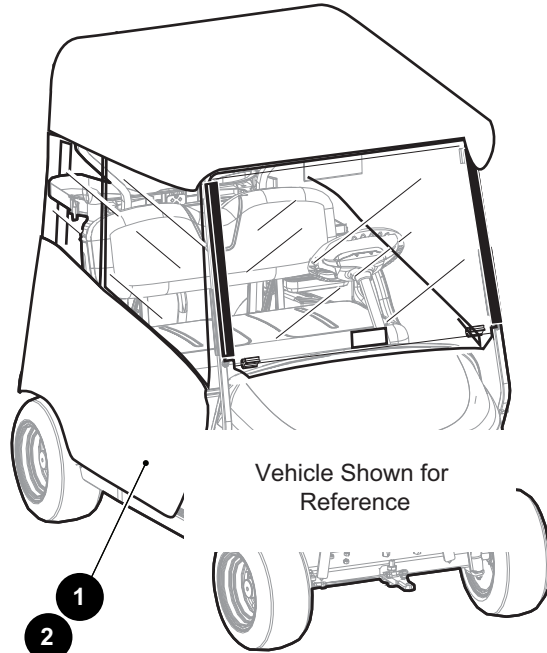
When ordering parts, please specify the model and serial number of the product.

\* Indicates a component that is not available as an individual part.

\*\*\* Indicates consult Customer Service Department for additional information.

| ITEM | PART NO.         | 1 2 3 4 5 | DESCRIPTION  | QTY. |
|------|------------------|-----------|--|------|
| 1    | <u>690087</u>    |           | Rear View Mirror Kit .....                               | 1    |
| 2    |                  |           |  |      |
| 3    |                  |           |  |      |
| 4    |                  |           |  |      |
| 5    |                  |           |  |      |
| 6    | <u>625279G02</u> |           | Windshield Kit, Split (Includes Items 7 - 14).....       | 1    |
| 7    | <u>625275</u>    |           | Windshield Assembly, Split (Includes Items 8 - 11) ..... | 1    |
| 8    | *                |           | Split Windshield.....                                    | 1    |
| 9    | <u>603201</u>    |           | Lower Latch.....   | 2    |
| 10   | <u>604115</u>    |           | Grommet .....  | 4    |
| 11   | <u>625230</u>    |           | Upper Latch.....   | 2    |
| 12   |                  |           |  |      |
| 13   | <u>625228</u>    |           | Sash, 9" Lg .....  | 2    |
| 14   | <u>625271</u>    |           | Hardware Kit (Includes Items 15 - 18) .....              | 1    |
| 15   | <u>00753G5</u>   |           | Truss Head Phillips Screw, 1/4" - 20 x 2" Lg .....       | 1    |
| 16   | <u>01110G01</u>  |           | Flat Washer (SS), 1/4" .....                             | 2    |
| 17   | <u>625278</u>    |           | Rubber Grommet .....                                     | 1    |
| 18   | <u>00654G2</u>   |           | Lock Nut (SS), 1/4" - 20 .....                           | 1    |
| 19   |                  |           |  |      |
| 20   | <u>625279G04</u> |           | Windshield Kit, Full (Includes Items 14, 21 - 23).....   | 1    |
| 21   | <u>634285</u>    |           | Windshield Assembly, Full (Includes Items 22).....       | 1    |
| 22   | <u>634234</u>    |           | Windshield Full.....                                     | 1    |
| 23   | <u>625227</u>    |           | Sash, 26" Lg .....                                       | 2    |

## WEATHER ENCLOSURE



## WEATHER PROTECTION

THE USE OF NON U.L. PARTS WILL VOID ANY U.L. LISTING.

When ordering parts, please specify the model and serial number of the product.

\* Indicates a component that is not available as an individual part.

\*\*\* Indicates consult Customer Service Department for additional information.

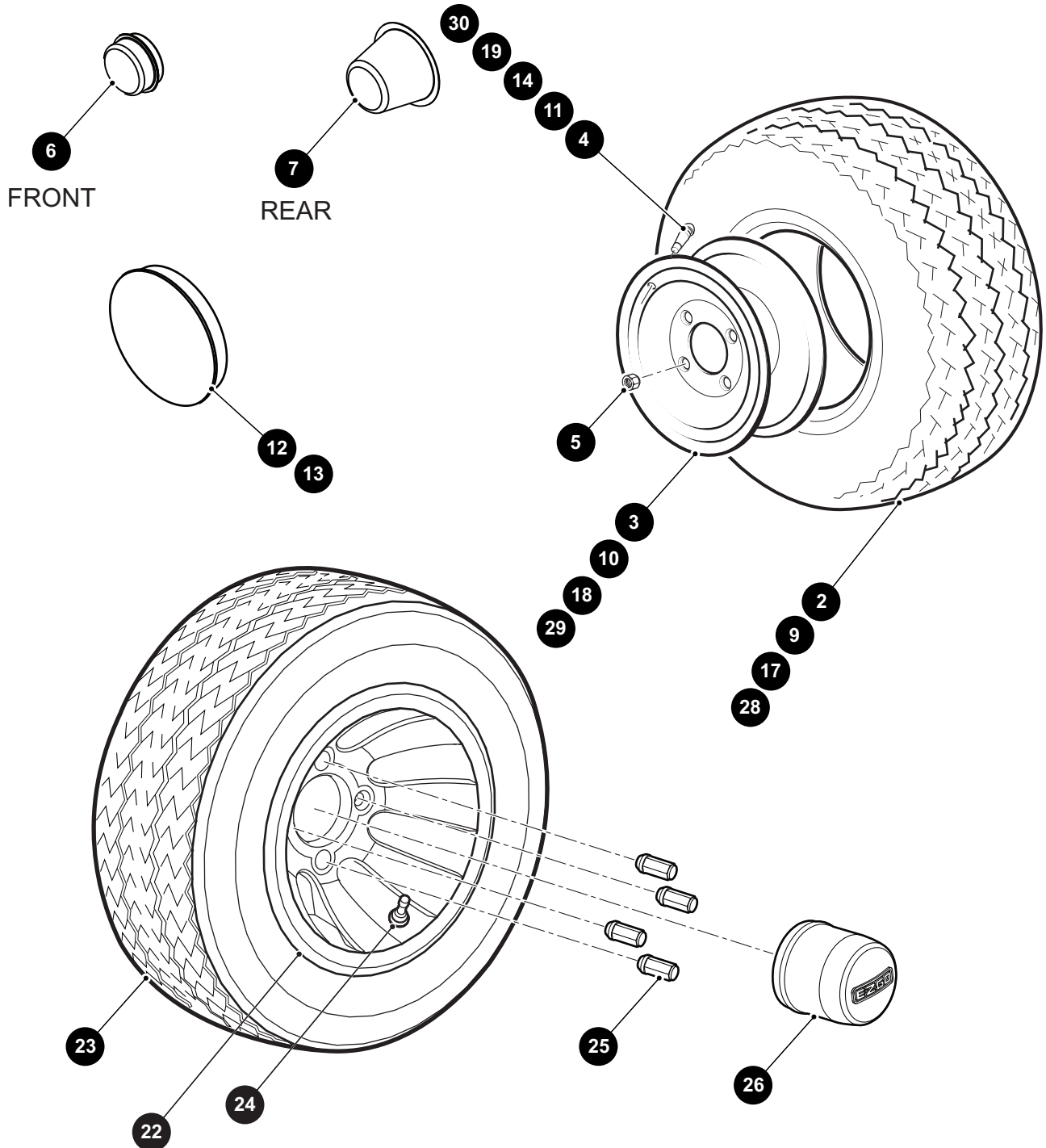
| ITEM | PART NO.       | 1 2 3 4 5 | DESCRIPTION  | QTY. |
|------|----------------|-----------|--|------|
| 1    | <u>634544</u>  |           | Weather Enclosure (4 Sided) (Tan)<br>Recommended for Vehicles without Windshields .....          | 1    |
| 2    | <u>634545</u>  |           | Weather Enclosure (4 Sided) (Oyster)<br>Recommended for Vehicles without Windshields .....       | 1    |
| 3    | <u>634546</u>  |           | Weather Enclosure (4 Sided) (Hunter Green)<br>Recommended for Vehicles without Windshields ..... | 1    |
| 4    |                |           |  |      |
| 5    | 692562         |           | Front Strut .....  | 1    |
| 6    | 634809         |           | Hex Head Bolt, 5/16" - 18 x 2 1/4" Lg .....  | 2    |
| 7    | <u>634811</u>  |           | Flat Washer, 5/16" .....   | 2    |
| 8    | <u>634810</u>  |           | Lock Washer, 5/16" .....   | 2    |
| 9    | <u>634807</u>  |           | Spacer, .328" I.D. x .75" O.D. x .5" Lg .....  | 1    |
| 10   | <u>634808</u>  |           | Flat Washer, 5/16" .....   | 3    |
| 11   | <u>19853G1</u> |           | Tube Cap .....   | 1    |





# WHEELS AND TIRES

- 1 Wheel and Tire Assembly (Links) includes items 2 - 4
- 8 Wheel and Tire Assembly (Sure Trail) includes items 9 - 11
- 16 Wheel and Tire Assembly (Hole - N - One) includes items 17 - 19
- 21 Wheel and Tire Assembly (Machine Alloy) includes items 22 - 24
- 27 Wheel and Tire Assembly (Kenda) includes items 28 - 30





# WHEELS AND TIRES

THE USE OF NON U.L. PARTS WILL VOID ANY U.L. LISTING.

When ordering parts, please specify the model and serial number of the product.

\* Indicates a component that is not available as an individual part.

\*\*\* Indicates consult Customer Service Department for additional information.

| ITEM | PART NO.        | 1 2 3 4 5 | DESCRIPTION  | QTY. |
|------|-----------------|-----------|--|------|
| 1    | <u>28757G01</u> |           | Wheel and Tire Assembly (Links) 18 x 8.5 - 8 (Includes Items 2 - 4)..... | 1    |
| 2    | <u>28764G01</u> |           | Tire, Carlisle Links .....   | 1    |
| 3    | <u>28759G01</u> |           | Wheel Rim (4 Lug).....   | 1    |
| 4    | <u>11657G2</u>  |           | Valve Stem .....   | 1    |
| 5    | <u>14723G1</u>  |           | Lug Nut, 1/2" - 20 .....   | 4    |
| 6    | <u>12091G2</u>  |           | Spindle Cap.....   | 1    |
| 7    | <u>74175G01</u> |           | Molded Dust Cap .....  | 1    |
| 8    | <u>28842G01</u> |           | Wheel and Tire Assembly (Sure Trail) (Includes Items 9 - 11) .....       | 1    |
| 9    | <u>28764G06</u> |           | Tire, USA Trail.....   | 1    |
| 10   | <u>28759G01</u> |           | Wheel Rim (4 Lug).....   | 1    |
| 11   | <u>11657G2</u>  |           | Valve Stem .....   | 1    |
| 12   | <u>665149</u>   |           | Wheel Cover (Metallic Gold) .....  | 1    |
| 13   | <u>665144</u>   |           | Wheel Cover (Metallic Silver).....                                       | 1    |
| 14   |                 |           |  |      |
| 15   |                 |           |  |      |
| 16   | <u>612772</u>   |           | Wheel and Tire Assembly (Hole - N - One) (Includes Items 17 - 19) .....  | 1    |
| 17   | <u>612771</u>   |           | Kenda Tire, Hole - N - One .....   | 1    |
| 18   | <u>612770</u>   |           | Wheel, Monitor 8" .....  | 1    |
| 19   | <u>11657G2</u>  |           | Valve Stem .....   | 1    |
| 20   |                 |           |  |      |
| 21   | <u>647042</u>   |           | Wheel and Tire Assembly (Machine Alloy) (Includes Items 22 - 24) .....   | 1    |
| 22   | <u>653593</u>   |           | Wheel, 10".....  | 1    |
| 23   | <u>647044</u>   |           | Tire (Kenda), 205/50 - 10" .....   | 1    |
| 24   | <u>604915</u>   |           | Valve Stem (Chrome) .....  | 1    |
| 25   | <u>605310</u>   |           | Lug Nut (Chrome) .....   | 4    |
| 26   | <u>652122</u>   |           | Wheel Cap (Chrome) .....   | 1    |
| 27   | <u>652255</u>   |           | Wheel and Tire Assembly (Kenda) (Includes Items 28 - 30).....            | 1    |
| 28   | <u>652989</u>   |           | Tire, 18 x 8.5 - 8, 6 Ply (Kenda).....                                   | 1    |
| 29   | <u>614621</u>   |           | Wheel, 8 x 7.....  | 1    |
| 30   | <u>643948</u>   |           | Valve Stem .....   | 1    |





# DECALS AND LABELS

Cup Holder

1

**▲ WARNING** Failure to follow these instructions can result in **SERIOUS INJURY** or **DEATH**.

**EXHAUST** NEVER drive on public roads. Drivers must possess a valid drivers license in accordance with local state law.

**SAFETY** ALWAYS TIE UP before the vehicle. Do not operate any of accessories any **PROHIBIT** SMOKING and DRUG USE. ALWAYS WEAR YOUR **SEATBELT** while moving.

**Reduce the RISK OF ACCIDENTS:** Always DRIVE SLOWLY in congested areas, use seat belt buckles, and when backing up. DRIVE SLOWLY when turning and **AVOID** sudden stops. ALWAYS drive straight up and down slopes. Do not coast, one-handed steering, **NO PHONE**, or **NO DISTRACTION** while driving. Always use proper hand signals when turning.

**OPERATION:** NEVER operate a vehicle with children, untrained or inexperienced operators. ALWAYS keep the key in the vehicle when parked.

**DO NOT OVERLOAD THE VEHICLE:** NEVER carry more than 2 occupants on each bench seat who not exceed vehicle **WEIGHT CAPACITY** per Owner's Guide.

**DO NOT EXCEED THE SPEED LIMIT:** NEVER drive the vehicle in excess of rated speeds unless you are a professional. **DO NOT** tamper with P-200 safety or other after the vehicle using approved parts. Alterations not approved or tested by P-200 can create unsafe conditions and increase your chance of having an accident.

3 4 5

Cowl

**EZGO**  
A Textron Company

*Jack Nicklaus*

*Arnold Palmer*

11

**BUILT RIGHT.**  
**RIGHT HERE.**

6 7

6 7 8

**EX1**

12

10

13

|  |  |
|--|--|
|  |  |
|  |  |
|  |  |

MAX 250 lbs / 110 kg

MAX 4 ft / 10 cm

MAX 14" / 25%

610031

## DECALS AND LABELS

THE USE OF NON U.L. PARTS WILL VOID ANY U.L. LISTING.

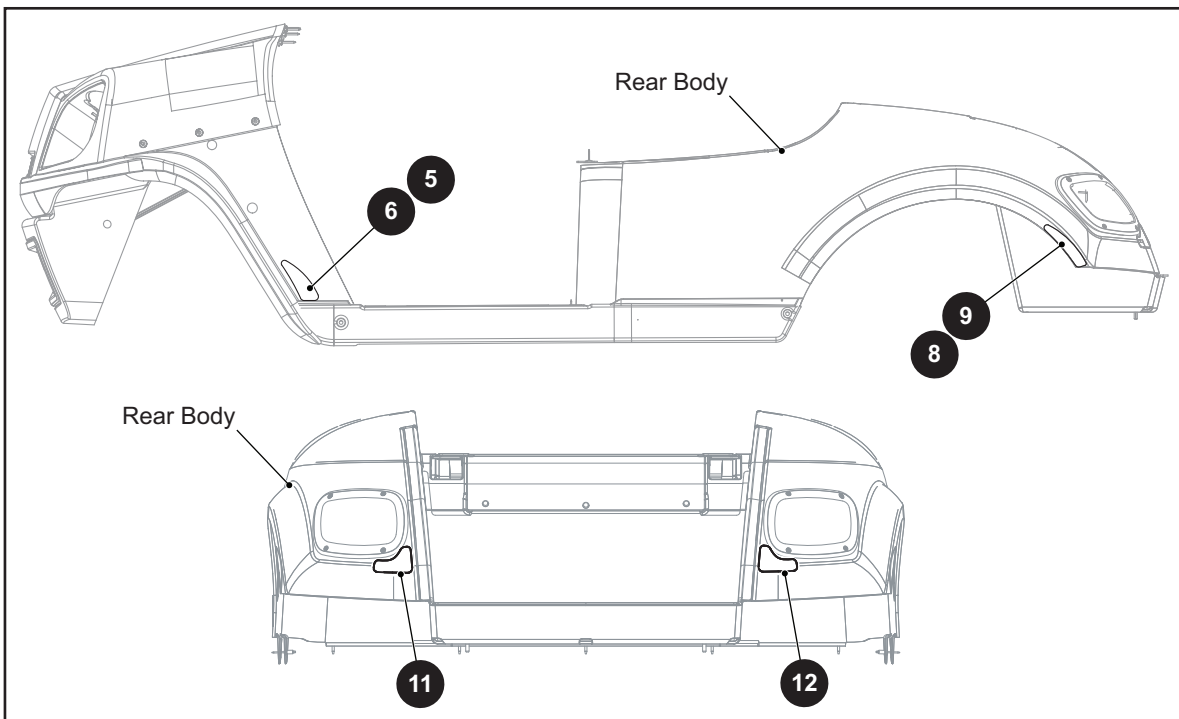
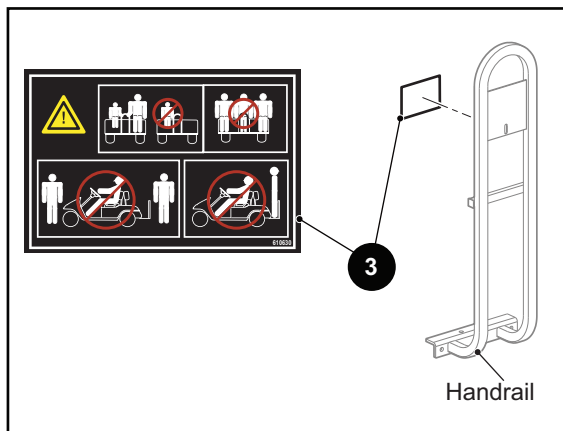
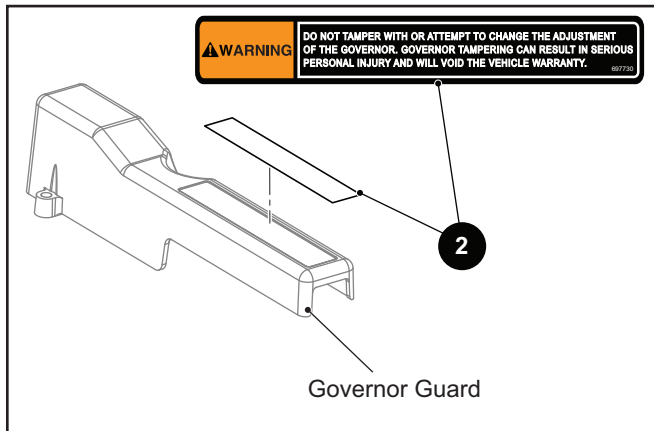
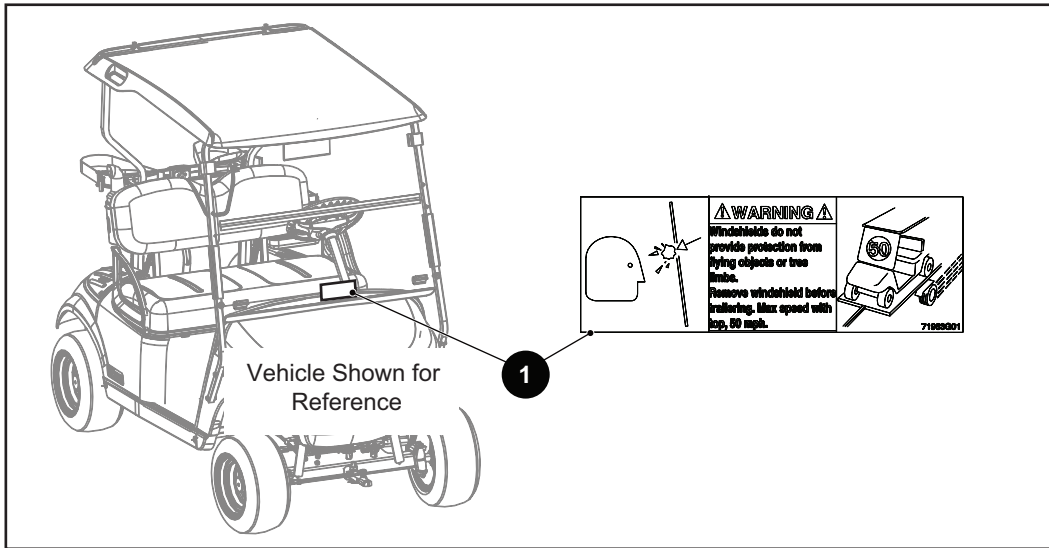
When ordering parts, please specify the model and serial number of the product.

\* Indicates a component that is not available as an individual part.

\*\*\* Indicates consult Customer Service Department for additional information.

| ITEM | PART NO.        | 1 2 3 4 5 | DESCRIPTION                        | QTY. |
|------|-----------------|-----------|------------------------------------|------|
| 1    | <u>628019</u>   |           | Safety Label .....                 | 1    |
| 2    |                 |           |                                    |      |
| 3    | <u>606405</u>   |           | E-Z-GO Name Plate.....             | 1    |
| 4    | 634299          |           | Jack Nicklaus Name Plate .....     | 1    |
| 5    | <u>634297</u>   |           | Arnold Palmer Name Plate.....      | 1    |
| 6    | <u>604847</u>   |           | Golden Bear Decal.....             | 1    |
| 7    | <u>604850</u>   |           | Umbrella Decal.....                | 1    |
| 8    | 10007729        |           | Branding Decal.....                | 1    |
| 9    |                 |           |                                    |      |
| 10   | 664789          |           | Steering Wheel Warning Label ..... | 1    |
| 11   | 685698          |           | MADE IN USA Decal.....             | 1    |
| 12   | <u>74093G01</u> |           | Engine Warning Decal .....         | 1    |
| 13   | <u>610631</u>   |           | Clays Bed Decal.....               | 1    |

# DECALS AND LABELS



## DECALS AND LABELS

THE USE OF NON U.L. PARTS WILL VOID ANY U.L. LISTING.

When ordering parts, please specify the model and serial number of the product.

\* Indicates a component that is not available as an individual part.

\*\*\* Indicates consult Customer Service Department for additional information.

| ITEM | PART NO.      | 1 2 3 4 5 | DESCRIPTION                            | QTY. |
|------|---------------|-----------|--|------|
| 1    | 71963G01      |           | Clip-on Windshield Warning Label ..... | 1    |
| 2    | 697730        |           | Governor Warning Label .....           | 1    |
| 3    | <u>610630</u> |           | Rear Handrail Decal.....               | 1    |
| 4    |               |           |  |      |
| 5    | <u>627561</u> |           | Front Reflector (Driver Side) .....    | 1    |
| 6    | <u>627562</u> |           | Front Reflector (Passenger Side).....  | 1    |
| 7    |               |           |  |      |
| 8    | <u>627563</u> |           | Side Reflector (Driver Side) .....     | 1    |
| 9    | <u>627564</u> |           | Side Reflector (Passenger Side).....   | 1    |
| 10   |               |           |  |      |
| 11   | <u>625244</u> |           | Rear Reflector (Driver Side).....      | 1    |
| 12   | <u>625246</u> |           | Rear Reflector (Passenger Side).....   | 1    |





## DECALS AND LABELS

THE USE OF NON U.L. PARTS WILL VOID ANY U.L. LISTING.

When ordering parts, please specify the model and serial number of the product.

\* Indicates a component that is not available as an individual part.

\*\*\* Indicates consult Customer Service Department for additional information.

| ITEM | PART NO.        | 1 2 3 4 5 | DESCRIPTION                                | QTY. |
|------|-----------------|-----------|--|------|
| 1    | <u>634229</u>   |           | Safety Label (Instrument Panel).....       | 1    |
| 2    | <u>614068</u>   |           | Authorized Representative Decal (EC) ..... | 1    |
| 3    | <u>601783</u>   |           | CE Symbol Decal .....                      | 1    |
| 4    |                 |           |  |      |
| 5    | <u>608822</u>   |           | Governor Decal .....                       | 1    |
| 6    | <u>28203G01</u> |           | Battery Warning Decal .....                | 1    |







A Textron Company

**Textron Specialized Vehicles, Inc.,**  
1451 Marvin Griffin Road  
Augusta, Georgia 30906 - 3852 USA

**CONTACT INFORMATION**

North America:

**Technical Assistance & Warranty** Phone: 1-800-774-3946, FAX: 1-800-448-8124  
**Service Parts** Phone: 1-888-438-3946, FAX: 1-800-752-6175

International: Phone: 001-706-798-4311, FAX: 001-706-771-4609

Owner's Guides and Repair Manuals  
are available from a local Distributor, an authorized Branch,  
Parts & Accessories Department or at [www.shop.txtsv.com/shop-ezgo](http://www.shop.txtsv.com/shop-ezgo)

Copyrighted Material  
This manual may not be reproduced in whole or  
in part without the express permission of  
Textron Specialized Vehicles  
Technical Publications Department