



A Textron Company

TXT Fleet

Service Parts Manual

699355 - F
ISSUED FEBRUARY 2020

REVISED DECEMBER 2020

SERVICE PARTS MANUAL

GASOLINE KYEFI POWERED GOLF CAR

TXT FLEET

STARTING MODEL YEAR 2020

Never modify the vehicle in any way that will alter the weight distribution of the vehicle, decrease its stability or increase the speed beyond the factory specifications. Such modifications can cause serious personal injury or death. Textron Specialized Vehicles prohibits and dis-claims responsibility for any such modifications or any other alteration which would adversely affect the safety of the vehicle.

TSV reserves the right to incorporate engineering and design changes to products in this manual, without obligation to include these changes on units sold previously.

The information contained in this manual may be revised periodically by TSV, and therefore is subject to change without notice.

TSV DISCLAIMS LIABILITY FOR ERRORS IN THIS MANUAL, and SPECIFICALLY DISCLAIMS LIABILITY FOR INCIDENTAL AND CONSEQUENTIAL DAMAGES resulting from the use of the information and materials in this manual.

These are the original instructions as defined by 2006/42/EC.

TO CONTACT US:

**Textron Specialized Vehicles, Inc.
1451 Marvin Griffin Road
Augusta, Georgia, USA 30906-3852**

NORTH AMERICA:

Technical Assistance & Warranty PHONE: 1-800-774-3946, FAX: 1-800-448-8124

Service Parts PHONE: 1-888-438-3946, FAX: 1-800-752-6175

International: PHONE: 001-706-798-4311, FAX: 001-706-771-4609

GENERAL INFORMATION

To obtain a copy of the limited warranty applicable to the vehicle, call or write a local Distributor, authorized Branch or the Warranty Department with vehicle serial number and manufacturer code.

The use of non Original Equipment Manufacturer (OEM) approved parts may void the warranty.

Tampering with or adjusting the governor to permit vehicle to operate at above factory specifications will void the vehicle warranty.

When servicing engines, all adjustments and replacement components must be per original vehicle specifications in order to maintain the United States of America Federal and State emission certification applicable at the time of manufacture.

BATTERY PROLONGED STORAGE

All batteries will self discharge over time. The rate of self discharge varies depending on the ambient temperature and the age and condition of the batteries.

A fully charged battery will not freeze in winter temperatures unless the temperature falls below -75° F (-60° C).

BATTERY DISPOSAL

Lead-acid batteries are recyclable. Return whole scrap batteries to distributor, manufacturer or lead smelter for recycling. For neutralized spills, place residue in acid-resistant containers with absorbent material, sand or earth and dispose of in accordance with local, state and federal regulations for acid and lead compounds. Contact local and/or state environmental officials regarding disposal information.

TABLE OF CONTENTS

SECTION	Page No.
HOW TO USE THE SERVICE PARTS MANUAL	V
ACCELERATOR	A - 1
AIR FILTER	B - 1
BODY	C - 1
BRAKES	D - 1
DIRECTION SELECTOR	E - 1
ELECTRICAL	F - 1
ENGINE AND MUFFLER	G - 1
FRONT SUSPENSION AND STEERING	H - 1
FUEL SYSTEM	J - 1
REAR AXLE	K - 1
REAR SUSPENSION	L - 1
SEATING	M - 1
TOWBAR	N - 1
WEATHER PROTECTION	P - 1
WHEELS AND TIRES	R - 1
DECALS AND LABELS	S - 1

HOW TO USE THE SERVICE PARTS MANUAL

This manual is divided into several sections:

- GENERAL INFORMATION
- ILLUSTRATED PARTS BREAKDOWN

The first section, GENERAL INFORMATION, contains the following information:

- WARRANTY INFORMATION
- TABLE OF CONTENT
- HOW TO USE THE SERVICE PARTS MANUAL

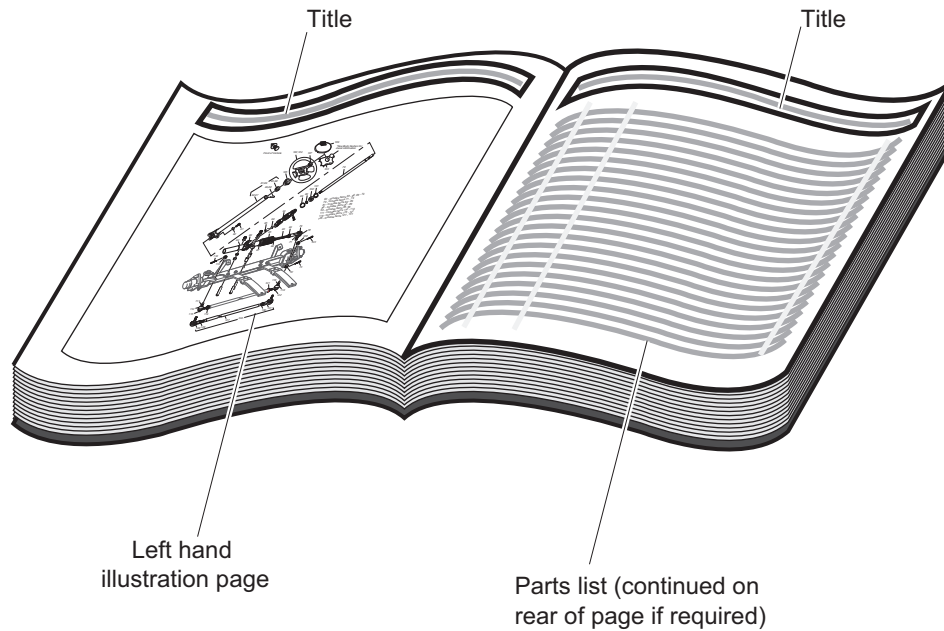
The second section, ILLUSTRATED PARTS BREAKDOWN, contains illustrations and parts lists for all systems of your vehicle.

USE OF THE MANUAL

To use this manual, consult the TABLE OF CONTENTS to locate the information or illustration required.

Introduction of some revisions varies due to supply of components; therefore, it is possible that various combinations of components may be found that are not directly reflected by each illustration. Consult the illustration that best suits your situation and then contact the Service Parts Department. It is important that the serial number or VIN of your vehicle and the model name be supplied to Service Parts when ordering any replacement components.

HOW TO USE THE SERVICE PARTS MANUAL



1. WHEN THE PART NUMBER IS NOT KNOWN

- Determine the function and application of the part required. Turn to the Table of Content and select the most appropriate title.
- Turn to the page number indicated and locate the desired part on the illustration.
- From the illustration, obtain the item number assigned to the desired part. Refer to the accompanying description for specific information regarding the part.

2. IF YOU KNOW THE PART NUMBER

- Locate the part number or description in the appropriate column on the parts list page.

NOTE: It is suggested that you confirm that the part selected is correct by verifying it with the pictorial representation on the illustrated page.

Should an asterisk (*) appear in the part number column on the parts list page, read upwards until a part number is found. The part number is the lowest assembly sold by Service Parts and the asterisk (*) indicates that the part depicted is not available for purchase.

NOTE: Descriptions are indented under the assembly that they are used on. That assembly is, in turn listed under the assembly that it is used on. This process is repeated until the highest final assembly is reached.

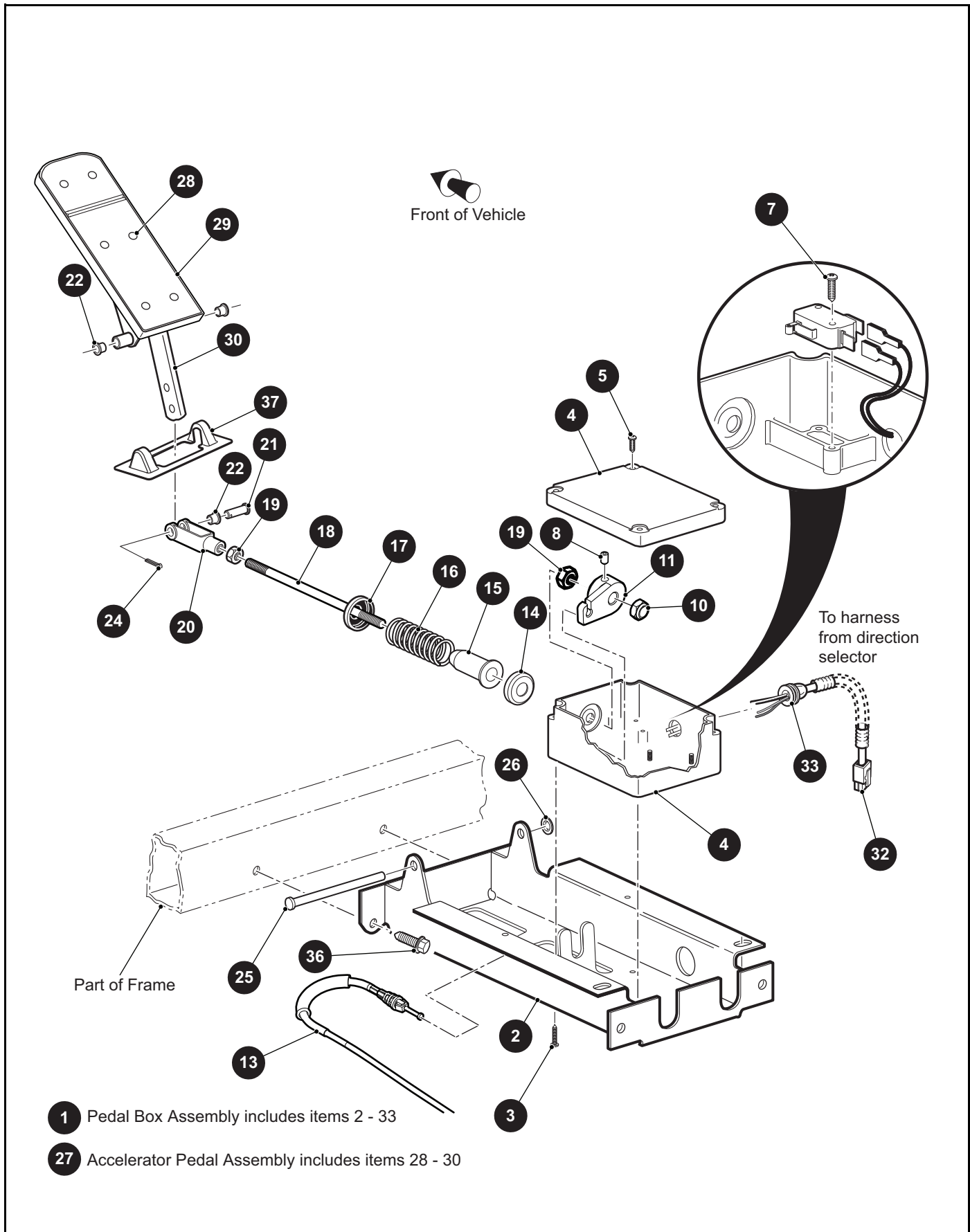
To facilitate the maintenance and repair of the vehicle, a Repair and Service Manual is available from the Service Parts Department.

3. COLOR CODE FOR BODY COMPONENTS

The last two digits of the part number for the body part will denote the color code, locate the part number for the cowl, rear body, seat pod, side panel or seat wrap then locate your color in the list below, replace the last ** or XX with the two digit color code.

<u>CODE #</u>	<u>DESCRIPTION</u>
02	SPECIAL COLOR
11	BLACK
19	PATRIOT BLUE PEARL
20	INFERNO RED METALLIC
26	STEEL BLUE PEARL
31	METALLIC CHARCOAL
35	SAFETY YELLOW
36	IVORY
37	FOREST GREEN
38	BRIGHT WHITE
39	FLAME RED
41	ELECTRIC BLUE
42	PLATINUM
43	BURGUNDY
44	ALMOND
51	SUNBURST ORANGE
52	BRITISH RACING GREEN
74	BARLEY GOLD
75	OASIS GREEN
76	JAVA BROWN
79	JACOBSEN ORANGE
A5	OCEAN GRAY

ACCELERATOR



THE USE OF NON U.L. PARTS WILL VOID ANY U.L. LISTING.

When ordering parts, please specify the model and serial number of the product.

* Indicates a component that is not available as an individual part.

*** Indicates consult Customer Service Department for additional information.

ITEM	PART NO.	1 2 3 4 5	DESCRIPTION	QTY.
1	10001063		Pedal Box Assembly (Includes Items 2 - 33).....	1
2	<u>652241G03</u>		Accelerator Pedal Bracket	1
3	<u>01051G01</u>		Pan Head Phillips Screw, #8 - 10 x 1/2" Lg	4
4	<u>25853G03</u>		Pedal Box and Cover.....	1
5	<u>00684G6</u>		Truss Head Screw (SS), #8 - 32 x 3/4" Lg.....	2
6				
7	<u>01050G02</u>		Pan Head Torx Screw, #4 - 20 x 5/8" Lg	2
8	<u>00487G3</u>		Socket Head Screw, 1/4" - 20 x 3/8" Lg.....	1
9				
10	<u>15126G1</u>		Lock Nut, 5/6" - 24	1
11	<u>72716G01</u>		Micro Switch Cam.....	1
12				
13	10000082G01		Accelerator Cable	1
14	<u>17677G1</u>		Spring Retainer.....	1
15	<u>17979G1</u>		Bushing, .75" x 2" Lg	1
16	<u>73046G01</u>		Compression Spring	1
17	<u>17677G2</u>		Spring Retainer, 3/8".....	1
18	72072G01		Accelerator Rod	1
19	<u>00532G4</u>		Hex Nut, 5/16" - 24	2
20	10385G4		Clevis Yoke (Adjustable).....	1
21	<u>10386G3</u>		Clevis Pin, 5/16" x 13/16" Lg	1
22	<u>17838G1</u>		Nylon Bushing, .37" x .31" Lg	3
23				
24	<u>10387G3</u>		Cotter Pin, 3/32" x 3/4" Lg	1
25	<u>74432G01</u>		Pedal Pivot Pin	1
26	<u>12064G6</u>		Push Nut, 5/16".....	1
27	<u>25799G03</u>		Accelerator Pedal Assembly (Includes Items 28 - 30).....	1
28	<u>16409G1</u>		Oval Rivet, 3/16" x 7/16" Lg	6
29	<u>27512G01</u>		Accelerator Pedal Pad	1
30	652824		Accelerator Pedal.....	1
31				

ACCELERATOR

THE USE OF NON U.L. PARTS WILL VOID ANY U.L. LISTING.

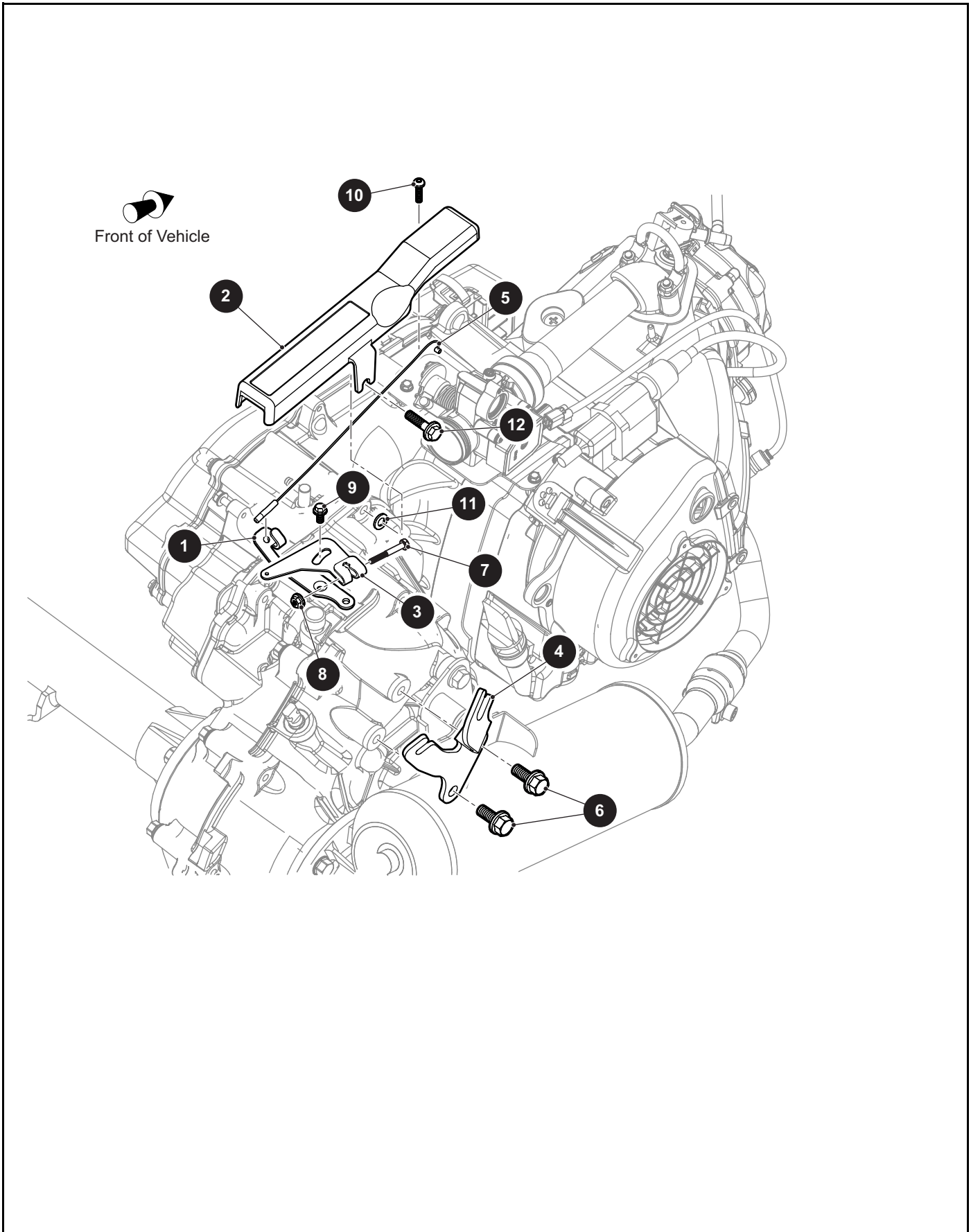
When ordering parts, please specify the model and serial number of the product.

* Indicates a component that is not available as an individual part.

*** Indicates consult Customer Service Department for additional information.

ITEM	PART NO.	1	2	3	4	5	DESCRIPTION	QTY.
32	696433						Pedal Harness.....	1
33	<u>654645</u>						Grommet (Rubber).....	1
34								
35	<u>17618G1</u>						Nylon Clamp, 7" Lg (Not Illustrated)	2
36	<u>00715G2</u>						Hex Washer Head Bolt, 5/16" - 18 x 3/4" Lg.....	4
37	<u>70135G01</u>						Pedal Pivot Cover.....	1

ACCELERATOR



THE USE OF NON U.L. PARTS WILL VOID ANY U.L. LISTING.

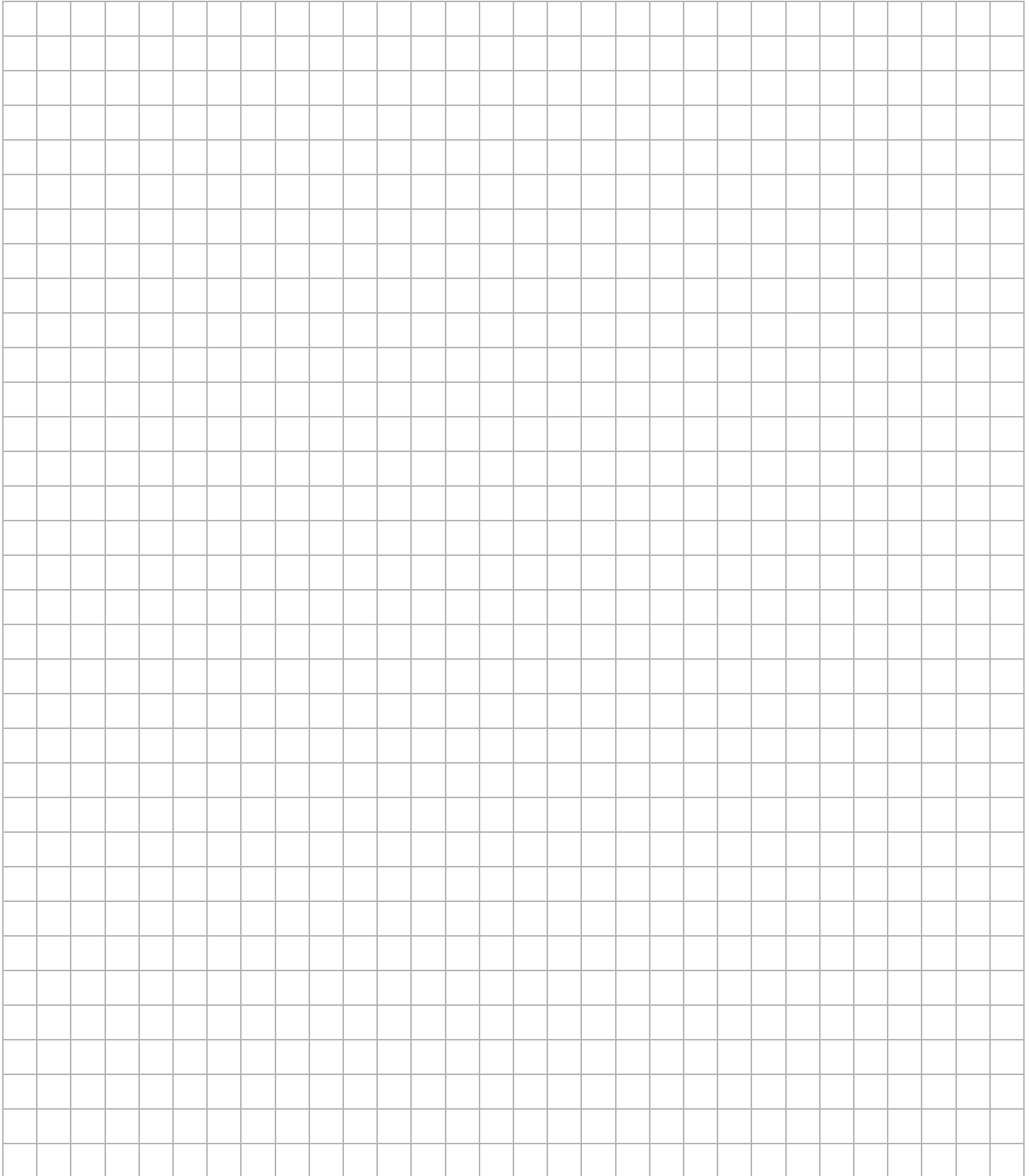
When ordering parts, please specify the model and serial number of the product.

* Indicates a component that is not available as an individual part.

*** Indicates consult Customer Service Department for additional information.

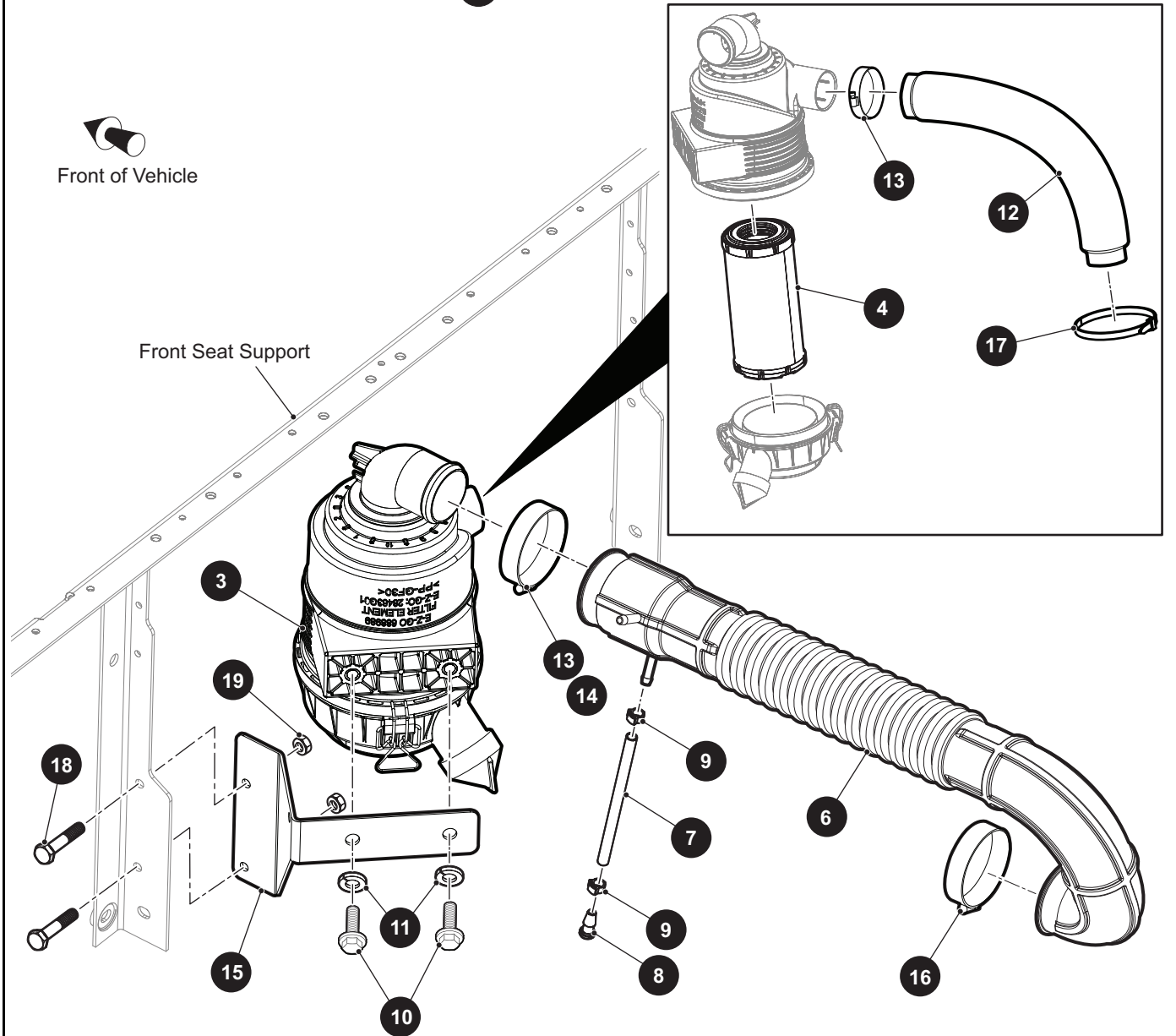
ITEM	PART NO.	1 2 3 4 5	DESCRIPTION	QTY.
1	680366		Governor Bracket, Lower	1
2	694322		Governor Guard	1
3	<u>606083</u>		Governor Bracket, Upper	1
4	<u>632936</u>		Governor Cable/Direction Selector Bracket	1
5	693153		Throttle Cable.....	1
6	<u>606256</u>		Flanged Hex Head Bolt, M10 - 1.25 x 25mm Lg, Grade 8.8	2
7	<u>00797G2</u>		Hex Head Bolt, 1/4" - 20 x 1.25" Lg, Grade 8	1
8	<u>11027G2</u>		Flanged Lock Nut, 1/4" - 20	1
9	<u>73876G01</u>		Flanged Hex Head Bolt, M6 - 1 x 12mm Lg, Grade 8.8	1
10	<u>601326</u>		Button Head Torx Bolt, M6 - x 20mm Lg	1
11	<u>616671</u>		Flat Washer, 15.8 x 8.5 x 1.5	1
12	<u>602330</u>		Flanged Hex Head Bolt, M8 - 1.25 x 30mm Lg, Grade 8.8	1

Notes:



AIR FILTER

- 1 Air Filter with Intake Extension Assembly includes items 3 - 13, 15
- 2 Air Filter without Intake Extension Assembly includes items 3 - 11, 14 - 15
- 3 Air Cleaner Assembly includes item 4
- 5 Intake Hose Assembly includes items 6 - 9



THE USE OF NON U.L. PARTS WILL VOID ANY U.L. LISTING.

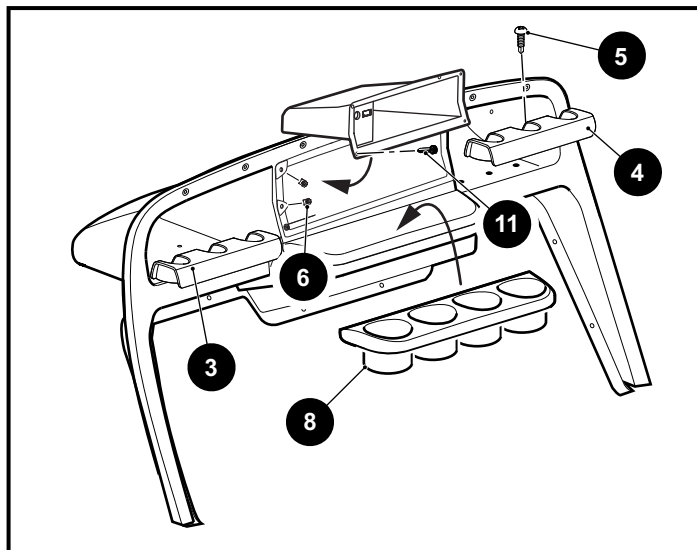
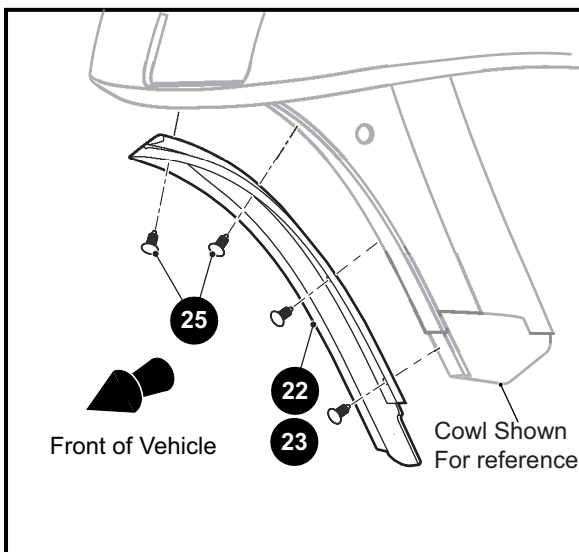
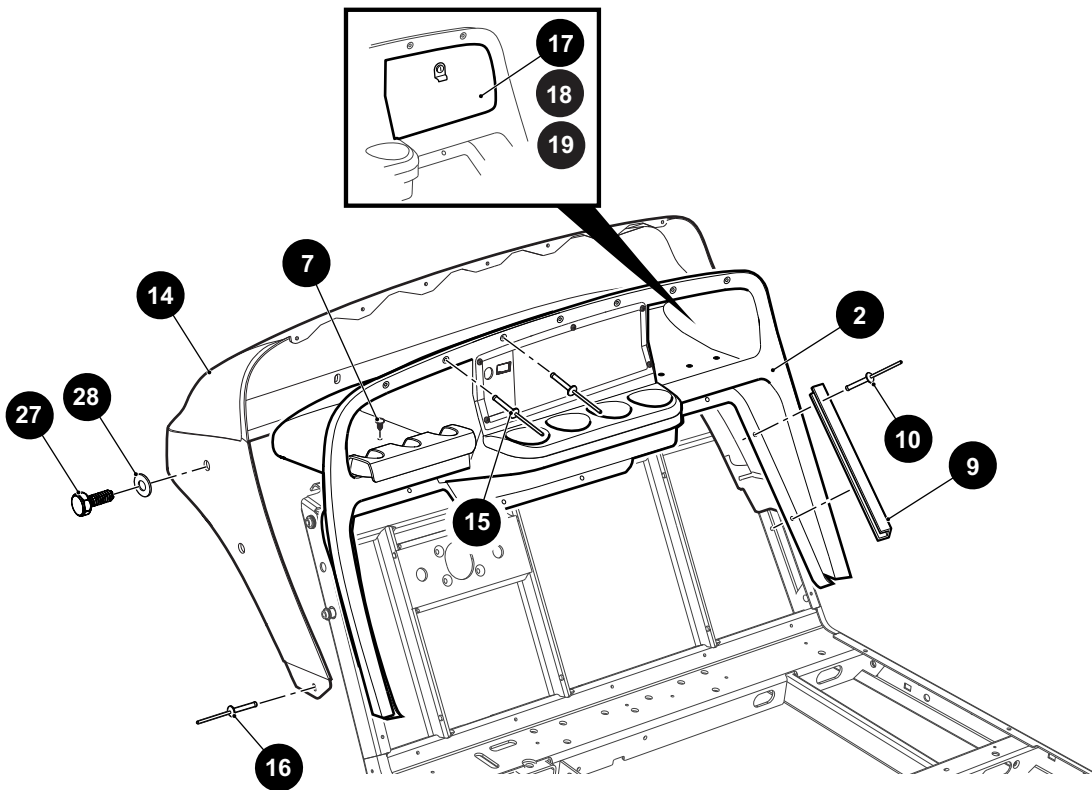
When ordering parts, please specify the model and serial number of the product.

* Indicates a component that is not available as an individual part.

*** Indicates consult Customer Service Department for additional information.

ITEM	PART NO.	1 2 3 4 5	DESCRIPTION	QTY.
1	10006912G01		Air Filter with Intake Extension Assembly (Includes Items 3 - 13, 15).....	1
2	10006912G02		Air Filter without Intake Extension Assembly (Includes Items 3 - 11, 14 - 15)..	1
3	688989		Air Cleaner Assembly (Includes Item 4)	1
4	<u>28463G01</u>		Air Filter.....	1
5	695525		Intake Hose Assembly (Includes Items 6 - 9)	1
6	680394		Intake Hose	1
7	685828		Oil Drain Tube	1
8	686875		Hose Plug.....	1
9	696439		Oil Drain Clamp.....	2
10	<u>606261</u>		Flanged Hex Head Bolt, M8 - 1.25 x 20mm Lg, Grade 8.8	2
11	<u>606272</u>		Lock Washer, 8mm	2
12	<u>601910</u>		Air Filter Hose, 14" Lg.....	1
13	<u>11391G1</u>		Hose Clamp, 1.31".....	2
14	<u>11391G1</u>		Hose Clamp, 1.31".....	1
15	692988		Air Cleaner Mounting Bracket.....	1
16	<u>11391G1</u>		Hose Clamp, 1.31"	1
17	<u>12416G2</u>		Nylon Clamp, 11.8" Lg	1
18	<u>00414G7</u>		Hex Head Bolt, 1/4" - 20 x 7/8" Lg, Grade 5	2
19	<u>14390G4</u>		Lock Nut, 1/4" - 20	2

- 1** Instrument Panel Assembly includes items 2 - 6
- 21** Front Splash Guard Kit includes items 22 - 25
- 24** Hardware Kit includes item 25



THE USE OF NON U.L. PARTS WILL VOID ANY U.L. LISTING.

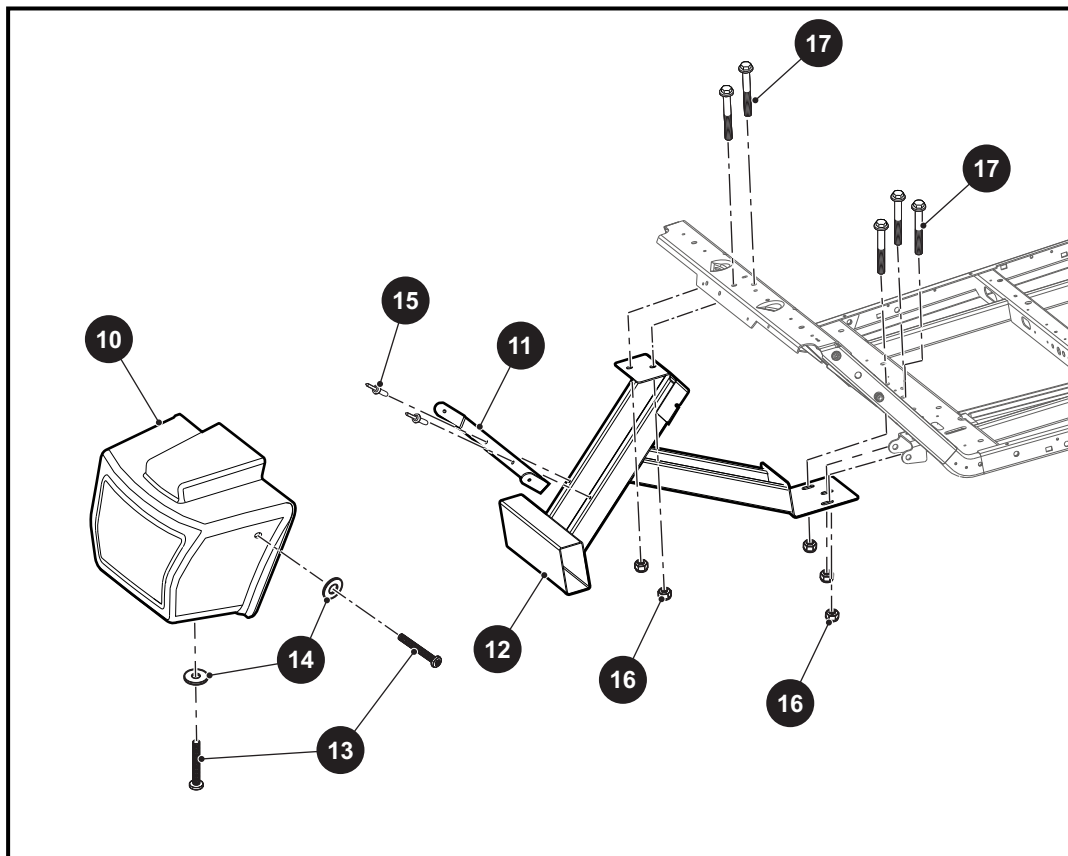
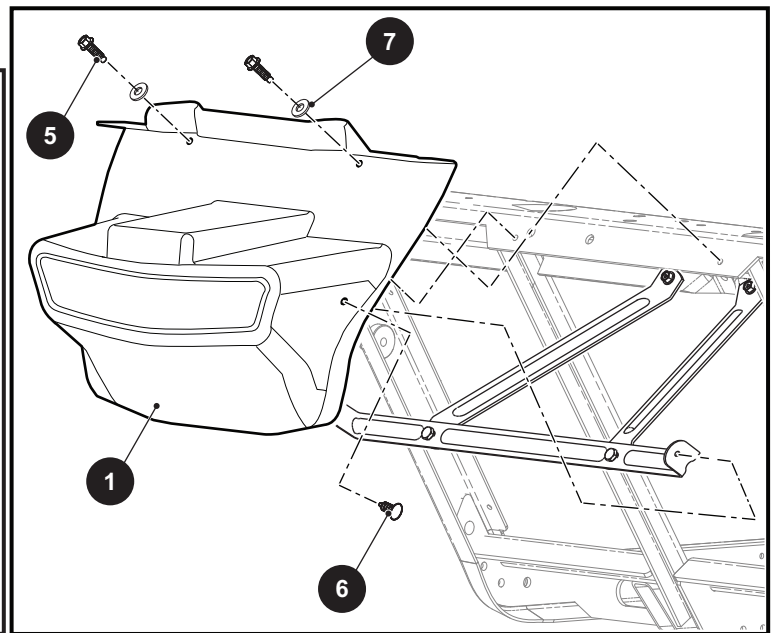
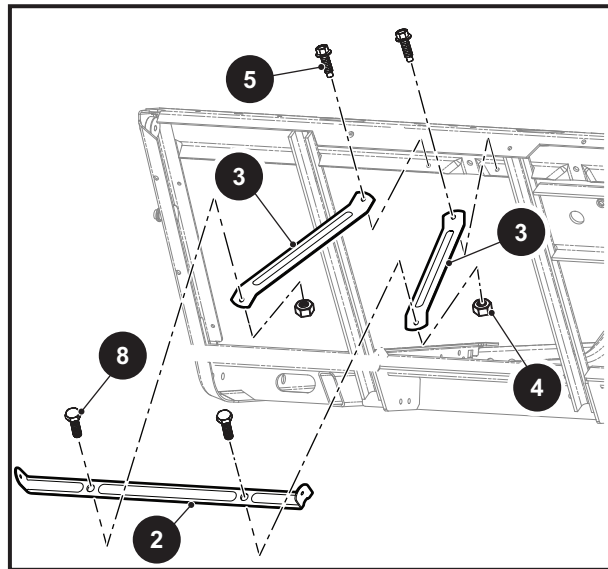
When ordering parts, please specify the model and serial number of the product.

* Indicates a component that is not available as an individual part.

*** Indicates consult Customer Service Department for additional information.

ITEM	PART NO.	1 2 3 4 5	DESCRIPTION	QTY.
1	<u>628017</u>		Instrument Panel Assembly (Includes Items 2 - 6).....	1
2	<u>628010</u>		Instrument Panel Assembly with Compartment.....	1
3	<u>641632G01</u>		Ball Holder (Driver Side).....	1
4	<u>641632G02</u>		Ball Holder (Passenger Side)	1
5	00614G3		Pan Head Phillips Tapping Screw, #8 - 15 x 3/8" Lg	4
6	<u>71364G02</u>		'J' Type Speed Nut, #8 - 15 x .198" Lg	5
7	<u>16816G2</u>		Ratchet Rivet, .25" x .887"	2
8	<u>628023</u>		Cup Holder	1
9	<u>71115G01</u>		Trim	2
10	<u>71055G01</u>		Rivet, 3/16" x .985" Dia	11
11	<u>608290</u>		Pan Head Phillips Tapping Screw, #10 - 16 x 3/4" Lg	5
12				
13				
14	619730G0XX		Cowl (See COLOR CODES in HOW TO USE Section).....	1
15	<u>71055G01</u>		Rivet, 3/16" x .985" Dia	7
16	<u>10570G11</u>		Rivet (SS), 3/16" x .70"	2
17	<u>75459G01</u>		Glove Box (Driver/Passenger Side).....	1
18	<u>75459G02</u>		Glove Box (Driver Side)	1
19	<u>75459G03</u>		Glove Box (Passenger Side).....	1
20				
21	<u>656538</u>		Front Splash Guard Kit (Includes Items 22 - 25)	1
22	<u>651127G01</u>		Splash Guard (Driver Side)	1
23	<u>651127G02</u>		Splash Guard (Passenger Side)	1
24	<u>656649</u>		Hardware Kit (Includes Item 25).....	1
25	<u>16816G1</u>		Ratchet Rivet, .25" x .680"	4
26				
27	00438G6		Hex Head Bolt, 5/16" - 18 x 3/4" Lg, Grade 5	2
28	<u>00571G2</u>		Flat Washer, 5/16".....	2

BODY



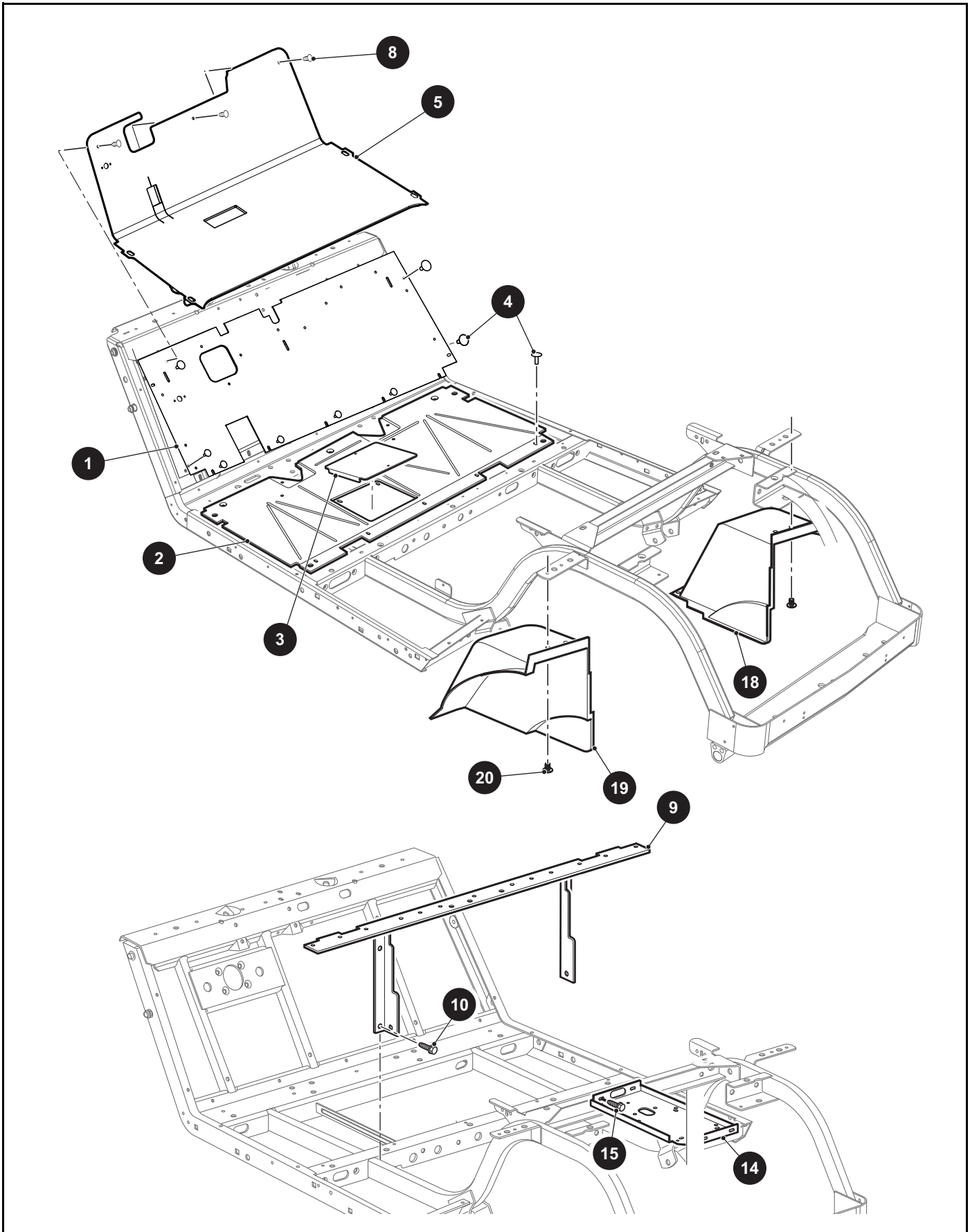
THE USE OF NON U.L. PARTS WILL VOID ANY U.L. LISTING.

When ordering parts, please specify the model and serial number of the product.

* Indicates a component that is not available as an individual part.

*** Indicates consult Customer Service Department for additional information.

ITEM	PART NO.	1 2 3 4 5	DESCRIPTION	QTY.
1	<u>624607</u>		Front Fascia	1
2	<u>627769</u>		Shield Bracket.....	1
3	<u>70725G02</u>		Front Shield Brace	2
4	<u>14390G4</u>		Lock Nut, 1/4" - 20	2
5	<u>01038G01</u>		Hex Washer Head Swagefrom Screw, 1/4" - 20 x 11/16" Lg.....	4
6	<u>15058G1</u>		Rivet, 3/16" x .45" Lg	2
7	<u>16469G1</u>		Flat Washer, 1/4"	2
8	<u>00414G6</u>		Hex Head Bolt, 1/4" - 20 x 3/4" Lg, Grade 5	2
9				
10	<u>634329</u>		Bumper Assembly	1
11	<u>625208</u>		Bumper Brace	1
12	<u>625202</u>		Bumper Support Weldment.....	1
13	<u>627568</u>		Socket Head Tapping Screw	3
14	<u>627565</u>		Flat Washer (SS), 1/4"	3
15	<u>71055G01</u>		Rivet, 3/16" x .985" Dia	2
16	<u>00734G1</u>		Lock Nut, 7/16" - 14	5
17	<u>00463G11</u>		Hex Head Bolt, 7/16" - 14 x 1 3/4" Lg, Grade 5	5



THE USE OF NON U.L. PARTS WILL VOID ANY U.L. LISTING.

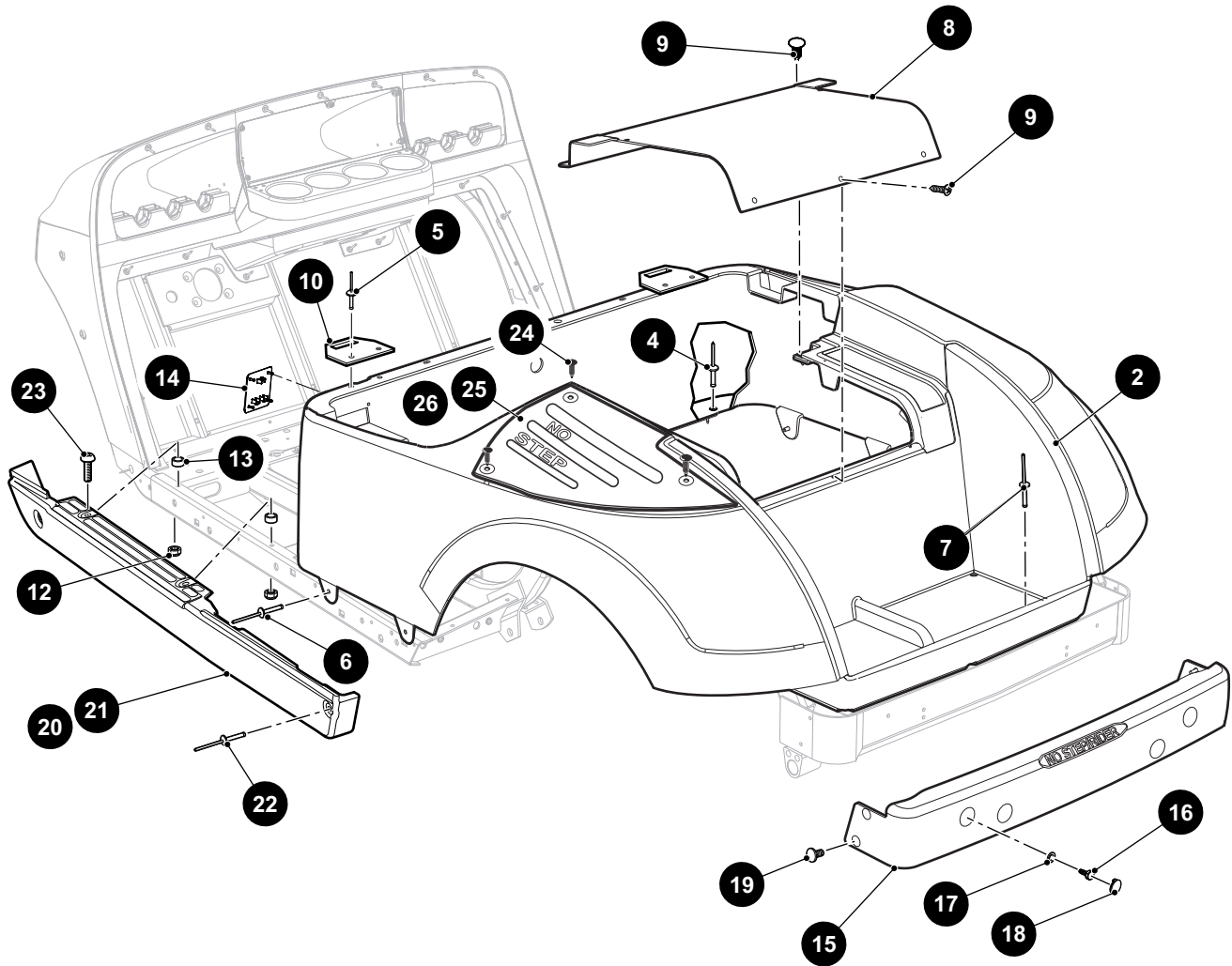
When ordering parts, please specify the model and serial number of the product.

* Indicates a component that is not available as an individual part.

*** Indicates consult Customer Service Department for additional information.

ITEM	PART NO.	1 2 3 4 5	DESCRIPTION	QTY.
1	<u>641260</u>		Upper Floorpan	1
2	<u>70451G01</u>		Lower Floorpan	1
3	<u>70452G01</u>		Access Cover	1
4	<u>14601G11</u>		Rivet (Aluminum), 3/16" x 9/16" Lg	16
5	<u>637535G01</u>		Floormat	1
6				
7				
8	<u>16816G1</u>		Ratchet Rivet, .25" x .680"	3
9	<u>659143</u>		Seat Frame	1
10	<u>00715G2</u>		Flanged Hex Head Screw, 5/16" - 18 x 4/5" Lg	2
11				
12				
13				
14	<u>70244G05</u>		Splash Panel	1
15	<u>00715G2</u>		Flanged Hex Head Screw, 5/16" - 18 x 4/5" Lg	4
16				
17				
18	<u>635054G02</u>		Fender Liner (Passenger Side)	1
19	<u>635054G01</u>		Fender Liner (Driver Side)	1
20	<u>16816G2</u>		Ratchet Fastener, 1/4" x 3/4" Lg	8

1 Rear Body (Without Taillights) includes item 2



THE USE OF NON U.L. PARTS WILL VOID ANY U.L. LISTING.

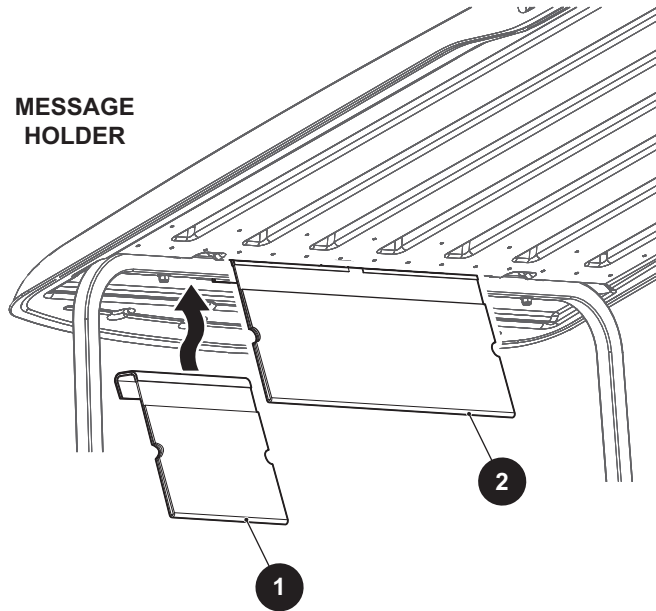
When ordering parts, please specify the model and serial number of the product.

* Indicates a component that is not available as an individual part.

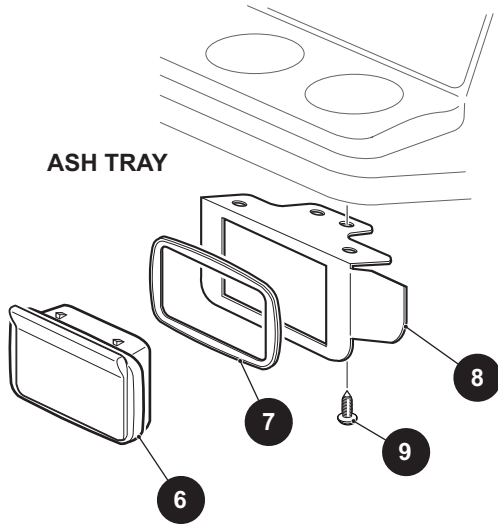
*** Indicates consult Customer Service Department for additional information.

ITEM	PART NO.	1 2 3 4 5	DESCRIPTION	QTY.
1	625272G0XX		Rear Body (Without Taillights) (Includes Item 2) (See COLOR CODES in HOW TO USE Section).....	1
2	<u>624374</u>		Bagwell Liner	1
3				
4	<u>10570G10</u>		Rivet (SS), 5/32" x 9/16" Lg	5
5	<u>10570G11</u>		Rivet (SS), 3/16" x .70" Lg	4
6	10570G12		Rivet (SS), 1/4" x 9/16" Lg	2
7	<u>633917</u>		Plastic Rivet, 1/4" x 1" Lg	2
8	<u>71320G01</u>		Access Cover	1
9	<u>01107G01</u>		Pan Head Torx Screw, #8 x .63" Lg	5
10	<u>71609G01</u>		Seat Hinge Plate	2
11				
12	<u>601476</u>		Lock Nut, M6 - 1	4
13	<u>23726G4</u>		Spacer, 5/16"	4
14	<u>666066</u>		Receptacle Cover Assembly	1
15	695282		Rear Bumper	1
16	<u>71102G01</u>		Hex Head Bolt, 1/4" - 20 x 3/4" Lg, Grade 5	4
17	<u>00571G2</u>		Flat Washer, 5/16"	4
18	<u>71514G01</u>		Bumper Plug	4
19	14601G17		Rivet (Aluminum), 3/16" x 9/16" Lg	4
20	<u>615239</u>		Rocker Panel with Sill Plate (Driver Side)	1
21	<u>617333</u>		Rocker Panel with Sill Plate (Passenger Side)	1
22	<u>15058G6</u>		Black Rivet (Aluminum), 3/16"	4
23	<u>634161</u>		Flanged Button Head Trox Bolt, M6 - 1 x 34.5mm Lg	4
24	<u>16816G2</u>		Ratchet Rivet, .25" x .887"	6
25	<u>625210</u>		Rear Scuff Pad (Driver Side)	1
26	<u>625211</u>		Rear Scuff Pad (Passenger Side)	1

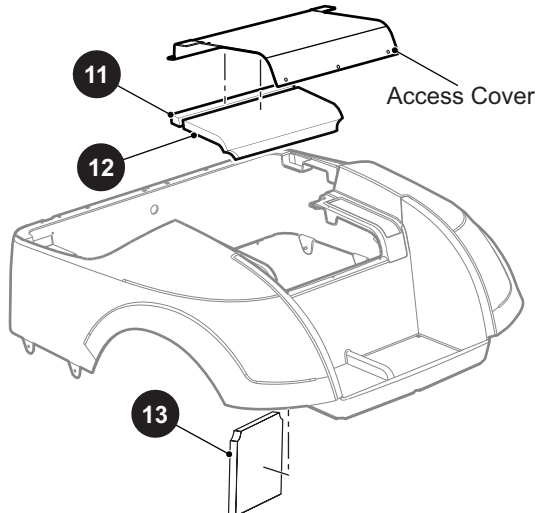
MESSAGE
HOLDER



ASH TRAY



5 Ash Tray Kit includes items 6 - 9



THE USE OF NON U.L. PARTS WILL VOID ANY U.L. LISTING.

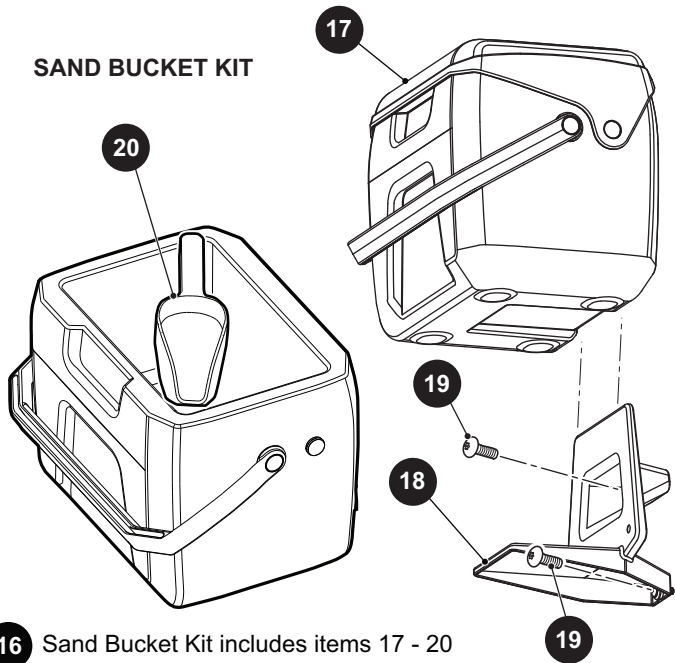
When ordering parts, please specify the model and serial number of the product.

* Indicates a component that is not available as an individual part.

*** Indicates consult Customer Service Department for additional information.

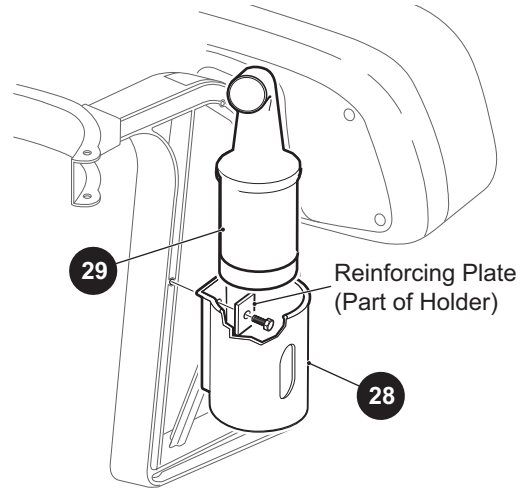
ITEM	PART NO.	1 2 3 4 5	DESCRIPTION	QTY.
1	<u>609308</u>		Message Holder	1
2	<u>617613</u>		Message Holder, Double	1
3				
4				
5	<u>75109G03</u>		Ash Tray Kit (Includes Items 6 - 9)	1
6	<u>27731G01</u>		Ash Tray	1
7	<u>27736G01</u>		Gasket	1
8	<u>75108G02</u>		Bracket	1
9	<u>00106G6</u>		Pan Head Phillips Screw, #12 - 14 x .75" Lg	4
10				
11	<u>659357</u>		Sound Treatment, Small (Access Cover)	1
12	<u>657950</u>		Sound Treatment, Large (Access Cover)	1
13	<u>657953</u>		Sound Treatment (Rear Body)	1

SAND BUCKET KIT



16 Sand Bucket Kit includes items 17 - 20

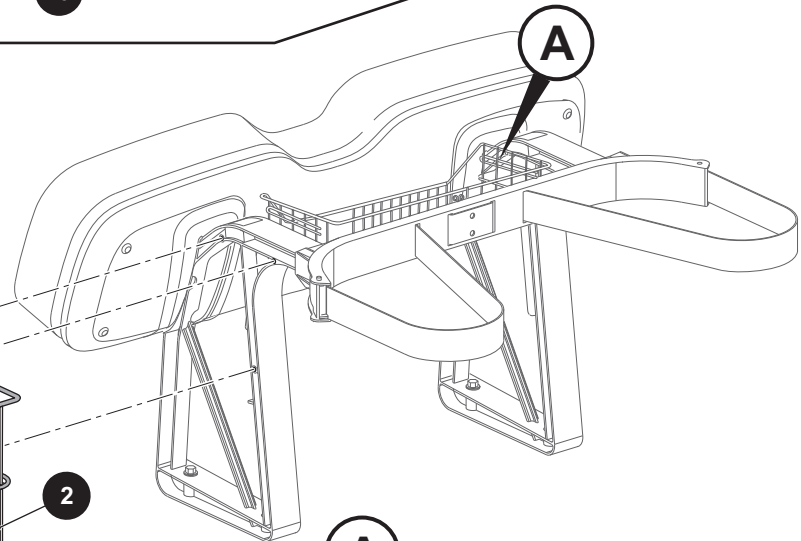
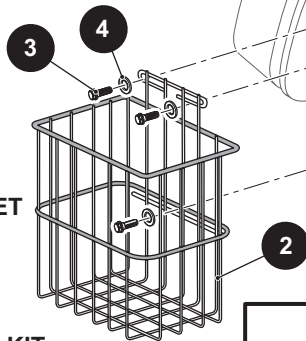
SAND BOTTLE DIVOT REPAIR KIT



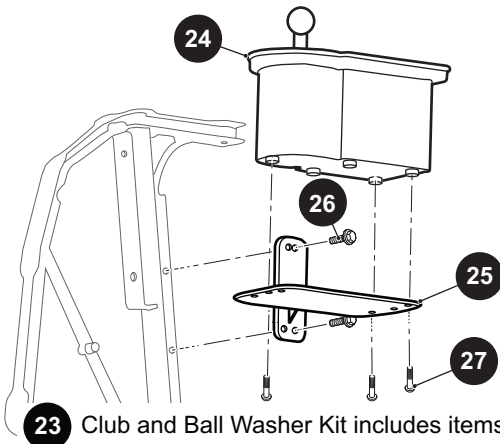
1 Side Basket Kit includes items 2 - 4

10 Center Basket Kit includes items 11 - 14

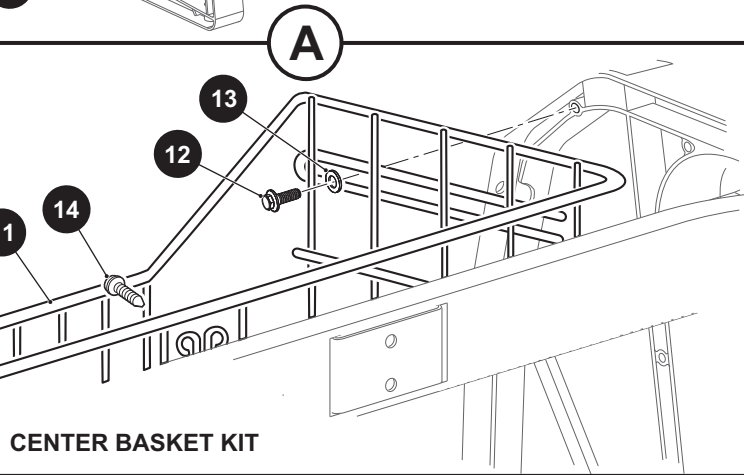
SIDE BASKET KIT



CLUB & BALL WASHER KIT



23 Club and Ball Washer Kit includes items 24 - 27



CENTER BASKET KIT

THE USE OF NON U.L. PARTS WILL VOID ANY U.L. LISTING.

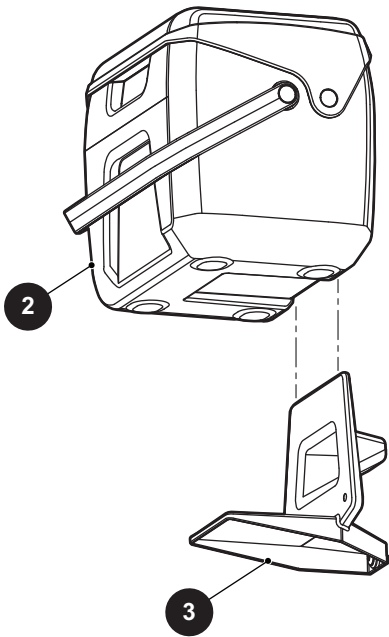
When ordering parts, please specify the model and serial number of the product.

* Indicates a component that is not available as an individual part.

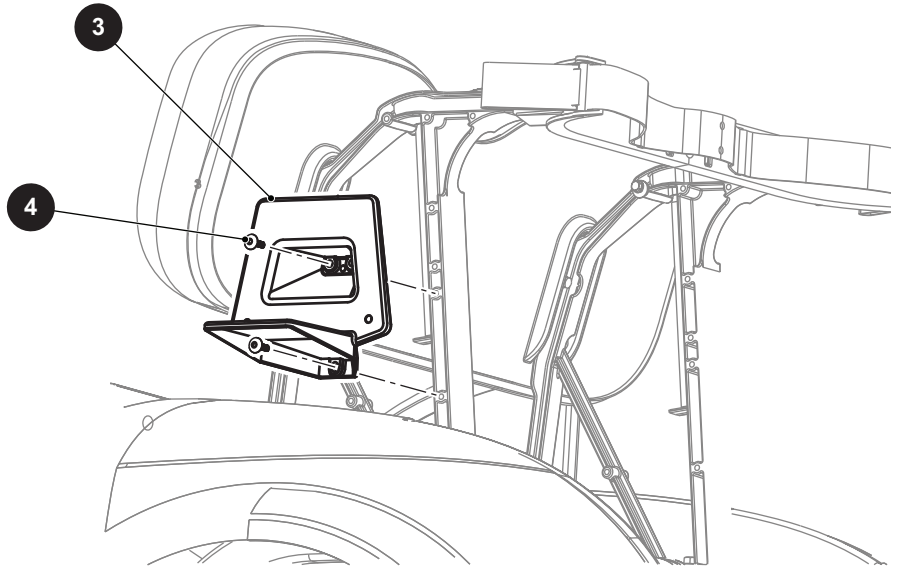
*** Indicates consult Customer Service Department for additional information.

ITEM	PART NO.	1 2 3 4 5	DESCRIPTION	QTY.
1	<u>75007G03</u>		Side Basket Kit (Includes Items 2 - 4).....	1
2	<u>75460G01</u>		Side Basket	2
3	<u>71102G01</u>		Hex Head Bolt, 1/4" - 20 x 3/4" Lg, Grade 5.....	6
4	<u>00793G2</u>		Flat Washer (SS), 1/4".....	6
5				
6				
7				
8				
9				
10	<u>75003G01</u>		Center Basket Kit (Includes Items 11 - 14).....	1
11	<u>75461G01</u>		Center Basket.....	1
12	<u>71102G01</u>		Hex Head Bolt, 1/4" - 20 x 3/4" Lg, Grade 5.....	2
13	<u>00793G2</u>		Flat Washer (SS), 1/4".....	2
14	<u>01105G01</u>		Truss Head Torx Screw (SS), #10 - 14 x 5/8" Lg.....	2
15				
16	<u>664402</u>		Sand Bucket Kit (Includes Items 17 - 20).....	1
17	<u>662248</u>		Sand Bucket	1
18	<u>658506</u>		Bracket	1
19	<u>659155</u>		Truss Head Torx Screw, 1/4" - 20 x 3/4" Lg.....	2
20	<u>74848G01</u>		Scoop	1
21				
22				
23	<u>627900</u>		Club and Ball Washer Kit (Includes Items 24 - 27)	1
24	*		Club and Ball Washer.....	1
25	*		Club and Ball Washer Weldment.....	1
26	*		Hex Head Bolt, 1/4" - 20 x 3/4" Lg.....	2
27	*		Pan Head Phillips Self Tapping Screw, #8 - 18 x 1" Lg	3
28	<u>28660G01</u>		Sand Bottle Holder.....	1
29	600612		Sand Bottle	1
30	<u>614191</u>		Sand Bottle Hardware Kit (Not Illustrated).....	1

1 Cooler Kit includes items 2 - 4



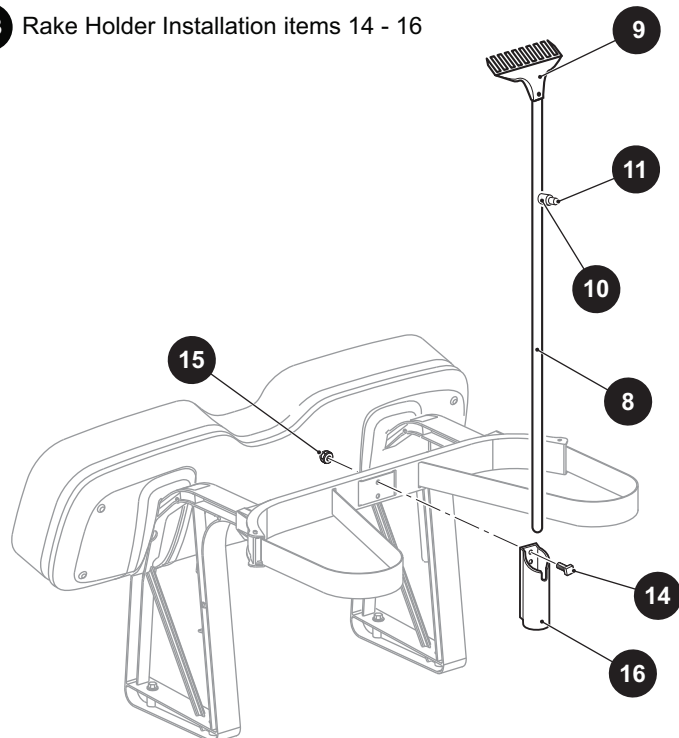
BOX COOLER AND BRACKET



RAKE ASSEMBLY AND INSTALLATION

7 Rake Assembly includes items 8 - 11

13 Rake Holder Installation items 14 - 16



THE USE OF NON U.L. PARTS WILL VOID ANY U.L. LISTING.

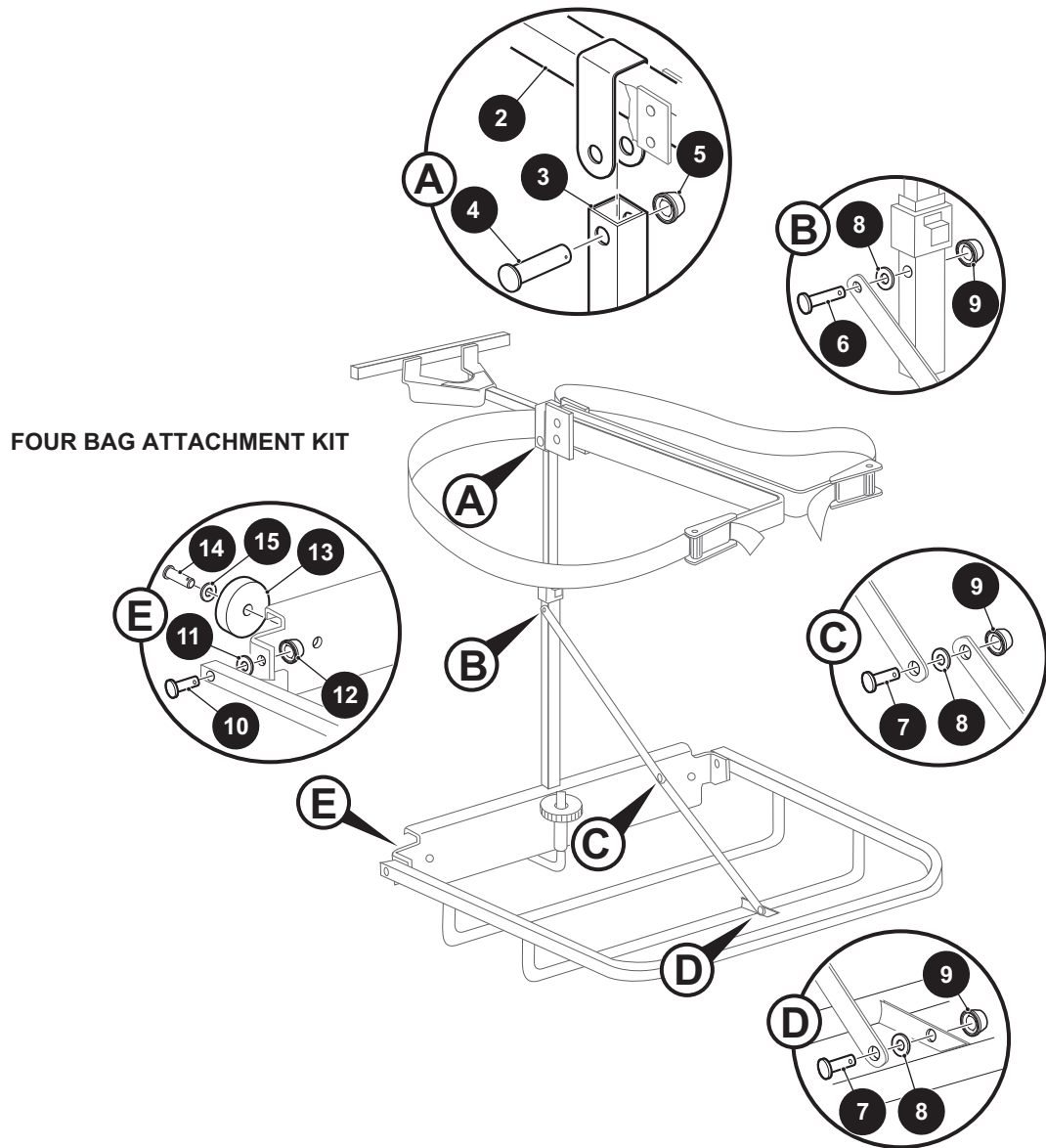
When ordering parts, please specify the model and serial number of the product.

* Indicates a component that is not available as an individual part.

*** Indicates consult Customer Service Department for additional information.

ITEM	PART NO.	1 2 3 4 5	DESCRIPTION	QTY.
1	<u>658509</u>		Cooler Kit (Includes Items 2 - 4)	1
2	<u>658503</u>		Beverage Cooler.....	1
3	<u>658506</u>		Cooler Bracket.....	1
4	<u>659155</u>		Truss Head Torx Screw, 1/4" - 20 x 3/4" Lg	2
5				
6				
7	<u>14735G1</u>		Rake Assembly (Includes Items 8 - 11).....	1
8	<u>14736G2</u>		Rake Handle.....	1
9	<u>14737G1</u>		Rake	1
10	<u>14934G1</u>		Spacer	1
11	<u>00130G8</u>		Round Head Phillips Wood Screw, #10 - 13 x 1" Lg.....	1
12				
13	75006G01		Rake Holder Installation (Includes Items 14 - 16).....	1
14	<u>00989G06</u>		Square Head Bolt, 1/4" - 20 x 3/4" Lg.....	2
15	<u>11027G2</u>		Lock Nut, 1/4" - 20	2
16	<u>25885G01</u>		Rake Holder.....	1

1 Four Bag Attachment Kit includes items 2 - 15



THE USE OF NON U.L. PARTS WILL VOID ANY U.L. LISTING.

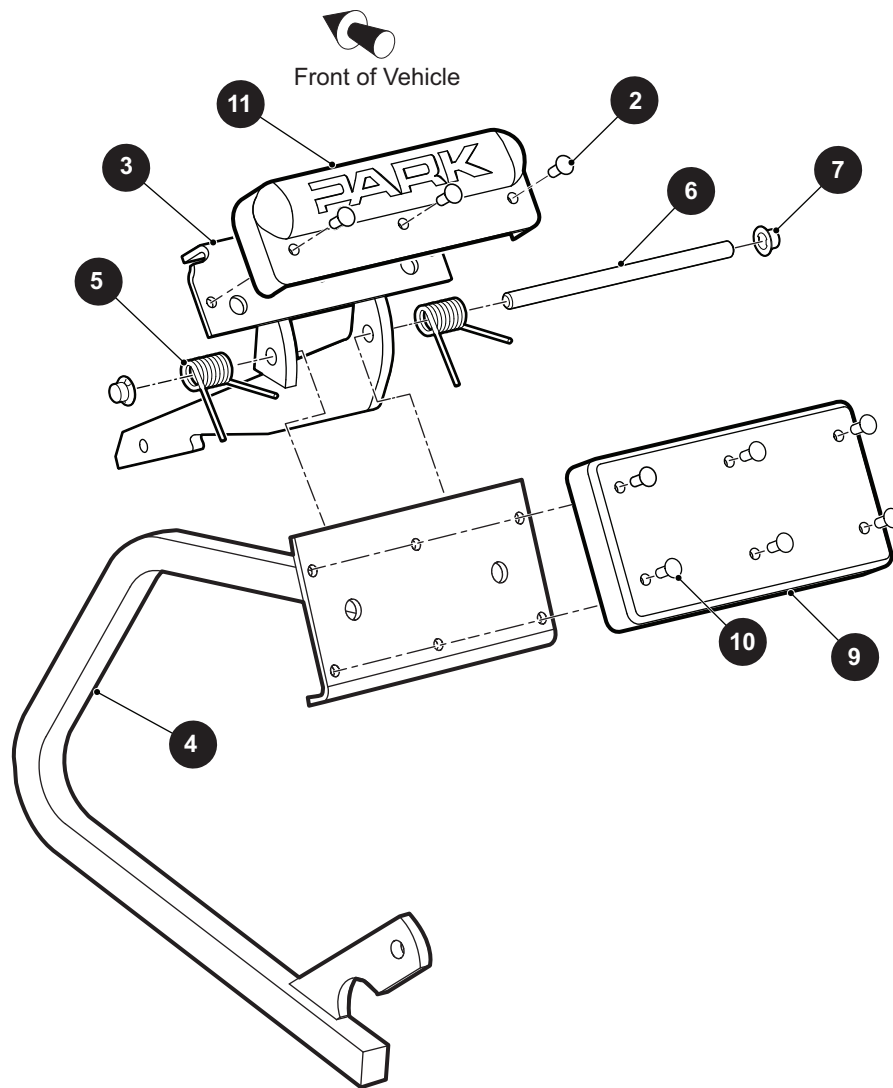
When ordering parts, please specify the model and serial number of the product.

* Indicates a component that is not available as an individual part.

*** Indicates consult Customer Service Department for additional information.

ITEM	PART NO.	1 2 3 4 5	DESCRIPTION	QTY.
1	<u>75335G01</u>		Four Bag Attachment Kit (Includes Items 2 -15)	1
2	*		Top Assembly	1
3	*		Bottom Assembly	1
4	<u>17651G2</u>		Clevis Pin, 5/16" x 1 1/8" Lg	1
5	<u>28129G01</u>		Push Nut, 5/16"	1
6	<u>17651G2</u>		Clevis Pin, 5/16" x 1 1/8" Lg	1
7	<u>17651G3</u>		Clevis Pin, 5/16" x 1/2" Lg	2
8	00559G8		Flat Washer, 5/16"	3
9	<u>28129G01</u>		Push Nut, 5/16"	3
10	<u>17651G1</u>		Clevis Pin, 3/8" x 1 1/4" Lg	2
11	<u>00560G1</u>		Flat Washer, 3/8"	2
12	<u>28129G02</u>		Push Nut, 3/8"	2
13	<u>13728G1</u>		Rubber Bumper	2
14	<u>14601G1</u>		Rivet, 3/16"	2
15	<u>00559G5</u>		Flat Washer, #10	2

1 Brake Pedal Assembly (without Brake Lights) includes items 2 - 11



BRAKES

THE USE OF NON U.L. PARTS WILL VOID ANY U.L. LISTING.

When ordering parts, please specify the model and serial number of the product.

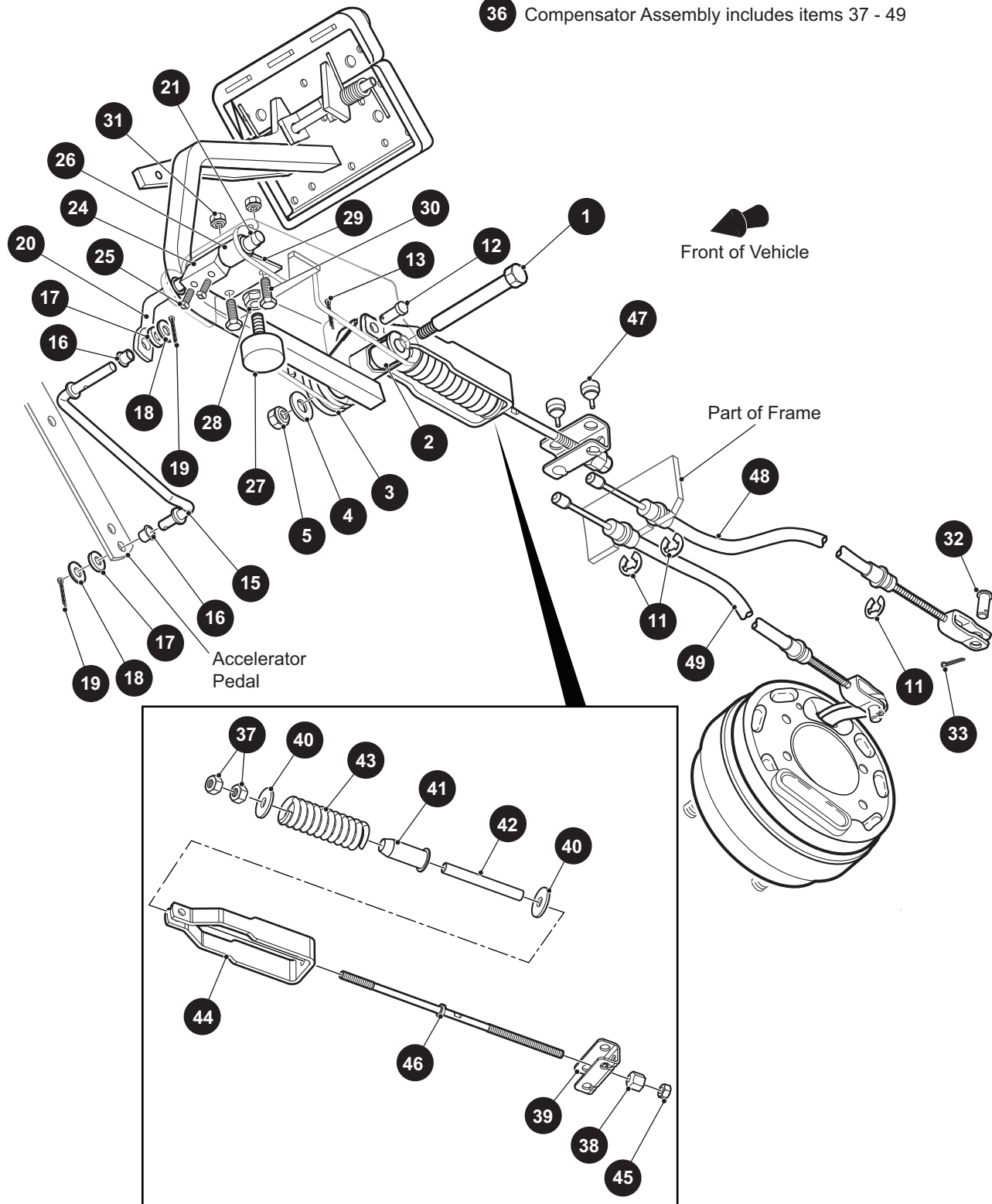
* Indicates a component that is not available as an individual part.

*** Indicates consult Customer Service Department for additional information.

ITEM	PART NO.	1 2 3 4 5	DESCRIPTION	QTY.
1	<u>70612G02</u>		Brake Pedal Assembly (without Lights) (Includes Items 2 - 11)	1
2	<u>16409G1</u>		Oval Rivet, .375" x .468" Lg.....	3
3	<u>652253G03</u>		Park Brake Pedal.....	1
4	<u>652251G03</u>		Brake Pedal (without Lights).....	1
5	<u>70681G01</u>		Torsion Spring.....	2
6	<u>70682G01</u>		Pivot Pin	1
7	<u>658825</u>		Push Nut, 5/16" - 24	2
8				
9	<u>70257G01</u>		Service Brake Pad.....	1
10	<u>16409G1</u>		Oval Rivet, .375" x .468" Lg.....	6
11	<u>70256G01</u>		Park Brake Pedal Pad	1

2 WHEEL DRUM BRAKES

36 Compensator Assembly includes items 37 - 49



THE USE OF NON U.L. PARTS WILL VOID ANY U.L. LISTING.

When ordering parts, please specify the model and serial number of the product.

* Indicates a component that is not available as an individual part.

*** Indicates consult Customer Service Department for additional information.

ITEM	PART NO.	1 2 3 4 5	DESCRIPTION	QTY.
1	<u>70582G01</u>		Shoulder Bolt, .495 Dia. x 3/8" - 16 Thread x 3.406" Lg	1
2	<u>70581G01</u>		Bushing (Acetal), .51" I.D. x .795" O.D. x .75" Lg.	2
3	<u>70676G01</u>		Torsion Spring 1.34" Dia.	1
4	<u>00643G1</u>		Flat Washer, 3/8"	1
5	<u>11098G5</u>		Lock Nut, 3/8" - 16	1
6				
7	<u>12416G2</u>		Wedge Clamp (Nylon), 11.8" Lg (Not Illustrated)	3
8				
9				
10				
11	<u>01111G01</u>		Retaining Ring, .8" O.D. x .39" I.D. x .42"	4
12	<u>10386G3</u>		Clevis Pin, .313" x .84" Lg.....	1
13	<u>10387G3</u>		Cotter Pin, .094" x .75".....	1
14				
15	<u>70601G01</u>		Kick-off Linkage Rod	1
16	<u>17838G1</u>		Flanged Nyliner Bushing, .374" O.D. x .313" I.D. x .312" Lg	2
17	<u>20835G1</u>		Washer, .62" O.D. x .39" I.D. x .135".....	2
18	<u>00559G8</u>		Flat Washer, 1/4" - 20.....	2
19	<u>10387G3</u>		Cotter Pin, .094" x .75"	2
20	<u>70098G01</u>		Kick-off Cam Pivot.....	1
21	<u>10097G6</u>		Flanged Bearing .502" O.D. x .378" I.D. x .380"	2
22				
23				
24	<u>70587G01</u>		Park Brake Cam.....	1
25	<u>71215G01</u>		Square Head Set Screw with Patch Lock, 1/4" - 20 x .5" Lg.....	2
26	<u>14134G4</u>		Spacer, .76" O.D. x .405" I.D. x 1.25" Lg	1
27	<u>70113G01</u>		Adjustable Rubber Bumper	1
28	<u>11027G1</u>		Flanged Lock Nut, 5/16" - 18	1
29	<u>70080G02</u>		Hill Brake Catch Bracket	1
30	<u>00414G6</u>		Hex Head Bolt, 1/4" - 20 x .75" Lg, Grade 5	2
31	<u>14390G4</u>		Lock Nut, 1/4" - 20	2

BRAKES

THE USE OF NON U.L. PARTS WILL VOID ANY U.L. LISTING.

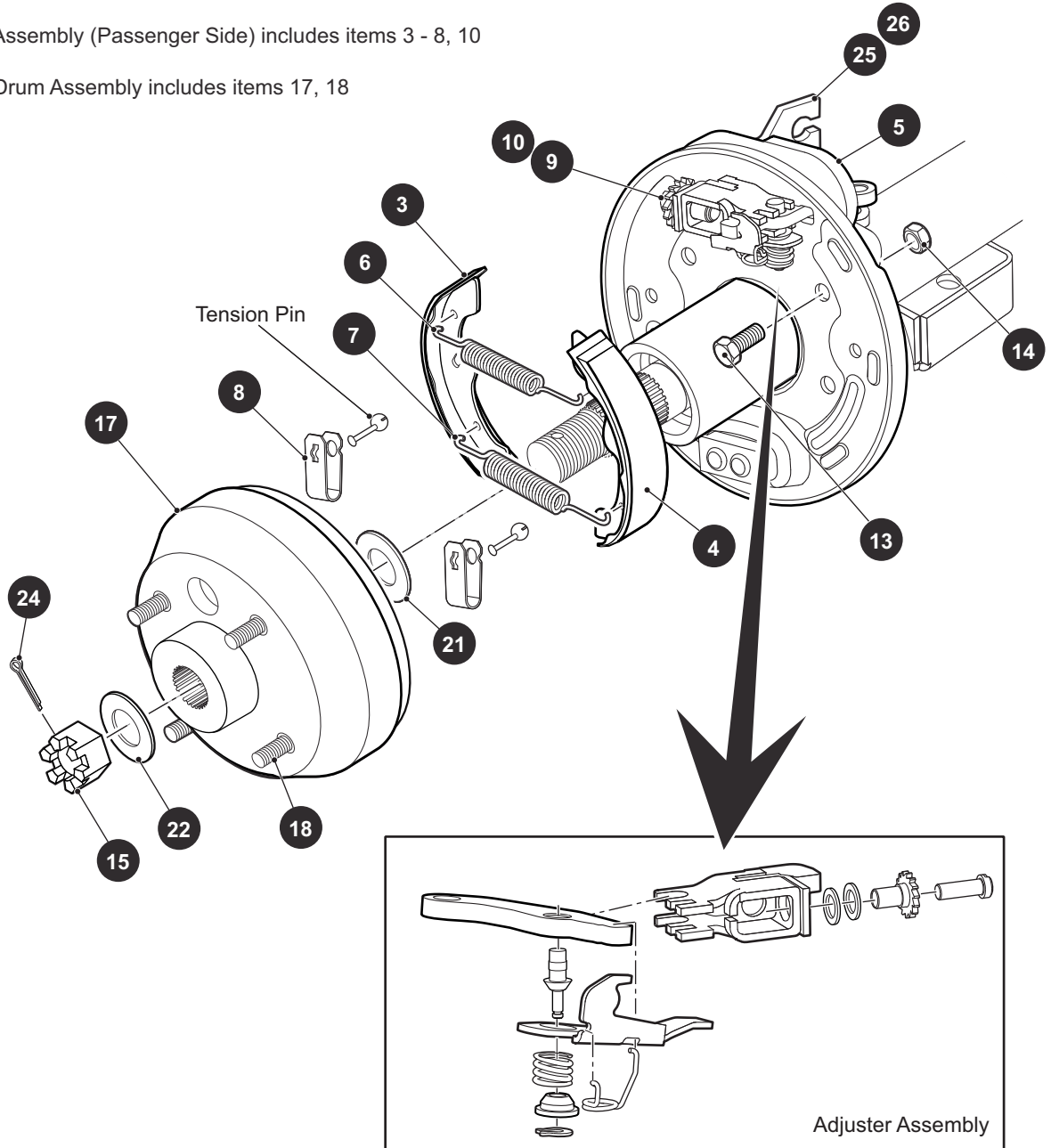
When ordering parts, please specify the model and serial number of the product.

* Indicates a component that is not available as an individual part.

*** Indicates consult Customer Service Department for additional information.

ITEM	PART NO.	1	2	3	4	5	DESCRIPTION	QTY.
32	<u>10386G3</u>						Clevis Pin, .313" x .84" Lg	1
33	<u>10387G3</u>						Cotter Pin, .094" x .75"	1
34								
35								
36	654667						Compensator Assembly (Includes Items 37 - 49).....	1
37	<u>00532G4</u>						Hex Nut, 5/16" - 24	2
38	<u>629486</u>						Spherical Hex Nut, 5/16"- 24.....	1
39	<u>28082G01</u>						Equalizer Bracket	1
40	<u>15121G1</u>						Flat Washer, 3/8"	2
41	<u>17979G1</u>						Accelerator Rod Bushing, .464" I.D. x 1" O.D. x 2" Lg	1
42	<u>23061G2</u>						Tube	1
43	<u>23463G1</u>						Compression Spring.....	1
44	<u>652256</u>						Brake Yoke	1
45	<u>11098G9</u>						Lock Nut, 5/16" - 24	1
46	<u>612557</u>						Compensator Link Rod	1
47	<u>28083G01</u>						Brake Compensator Bumper.....	2
48	<u>624690</u>						Brake Cable (Driver Side)	1
49	<u>624703</u>						Brake Cable (Passenger Side).....	1

- 1 Brake Assembly (Driver Side) includes items 3 - 9
- 2 Brake Assembly (Passenger Side) includes items 3 - 8, 10
- 16 Brake Drum Assembly includes items 17, 18



BRAKES

THE USE OF NON U.L. PARTS WILL VOID ANY U.L. LISTING.

When ordering parts, please specify the model and serial number of the product.

* Indicates a component that is not available as an individual part.

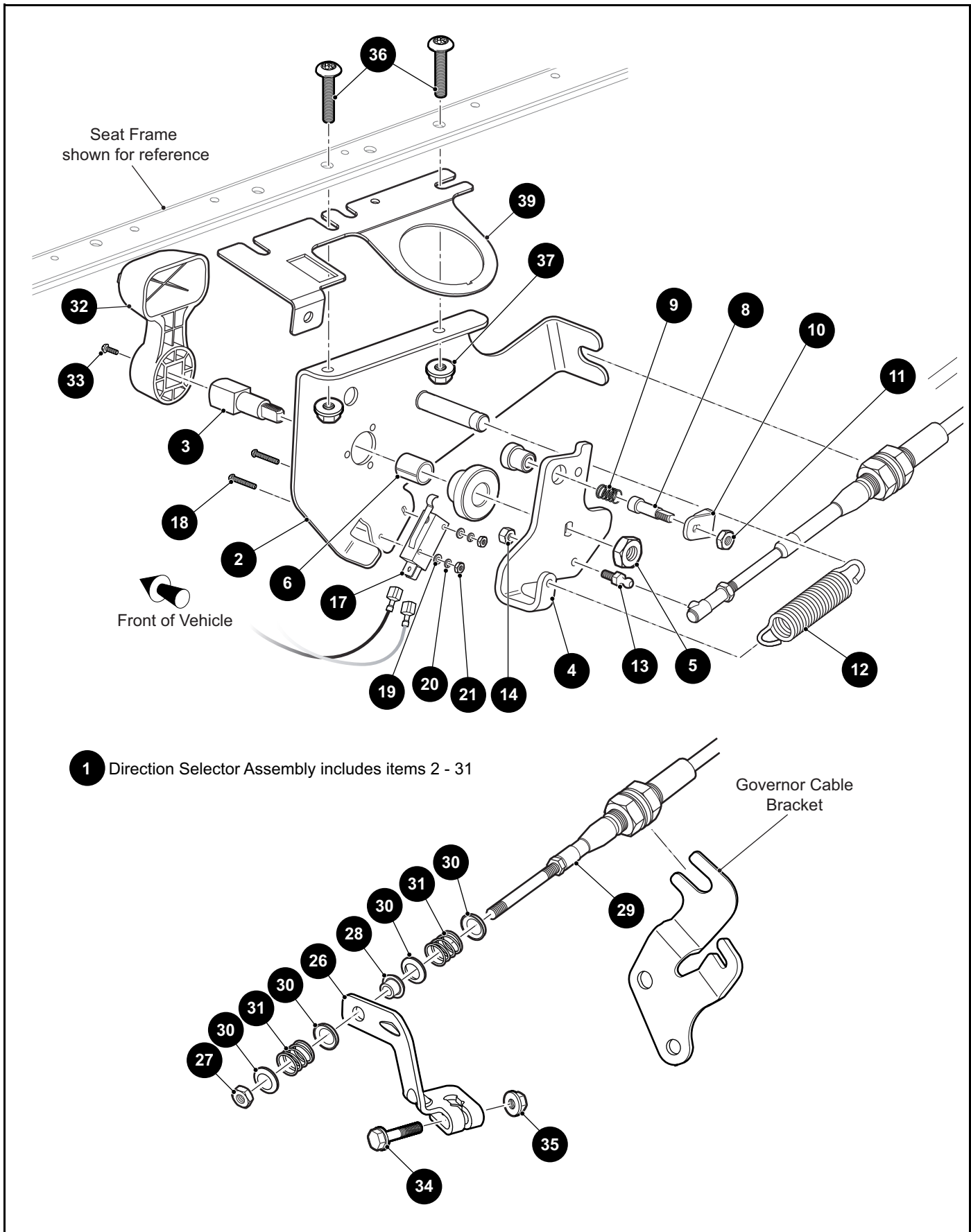
*** Indicates consult Customer Service Department for additional information.

ITEM	PART NO.	1 2 3 4 5	DESCRIPTION	QTY.
1	<u>612211</u>		Brake Assembly (Driver Side) (Includes Items 3 - 9)	1
2	<u>612189</u>		Brake Assembly (Passenger Side) (Includes Items 3 - 8, 10).....	1
3	<u>612411</u>		Brake Shoe, Leading	1
4	<u>612412</u>		Brake Shoe, Trailing	1
5	<u>612413</u>		Dust Cover.....	1
6	<u>612415</u>		Brake Spring, Top	1
7	<u>612414</u>		Brake Spring, Bottom	1
8	<u>612416</u>		Shoe Clamp	2
9	<u>612418</u>		Gear Adjuster (Driver Side)	1
10	<u>612417</u>		Gear Adjuster (Passenger Side).....	1
11				
12				
13	<u>17083G2</u>		Hex Head Bolt, 5/16" - 24 x 1" Lg, Grade 8	8
14	<u>15126G1</u>		Lock Nut, 5/16" - 24	8
15	<u>612928</u>		Castle Nut, 5/8" - 18.....	2
16	<u>21807G2</u>		Brake Drum Assembly (Includes Items 17, 18).....	2
17	<u>20947G1</u>		Brake Drum	1
18	<u>19862G2</u>		Lug Bolt, 1/2" - 20 x 1.218" Lg.....	4
19				
20				
21	<u>21809G1</u>		Flat Washer, Inner Wheel Rim, 1.31" O.D. x .85" I.D.	2
22	<u>606945</u>		Flat Washer - Brake Drum, 1.75" O.D. x .89" I.D.	2
23				
24	<u>10387G1</u>		Cotter Pin, .125" x 1.50" Lg	2
25	<u>652248</u>		Brake Cable Bracket (Passenger Side)	1
26	<u>652249</u>		Brake Cable Bracket (Driver Side).....	1

Notes:

A large grid of graph paper for taking notes, consisting of 30 columns and 30 rows of small squares.

DIRECTION SELECTOR



DIRECTION SELECTOR

THE USE OF NON U.L. PARTS WILL VOID ANY U.L. LISTING.

When ordering parts, please specify the model and serial number of the product.

* Indicates a component that is not available as an individual part.

*** Indicates consult Customer Service Department for additional information.

ITEM	PART NO.	1 2 3 4 5	DESCRIPTION	QTY.
1	<u>603416</u>		Direction Selector Assembly (Includes Items 2 - 31).....	1
2	<u>606077</u>		Direction Selector Bracket	1
3	<u>70233G01</u>		Direction Selector Shaft.....	1
4	<u>603700</u>		Direction Selector Cam.....	1
5	<u>14390G1</u>		Lock Nut, 3/8" - 24	1
6	<u>25664G2</u>		Bushing, 1/2" x .750" Lg	1
7				
8	<u>72724G01</u>		Neutral Lock Pin	1
9	<u>72733G01</u>		Compression Spring	1
10	<u>72729G01</u>		Neutral Lock Latch.....	1
11	<u>00734G2</u>		Lock Nut, 1/4" - 28	1
12	<u>28574G01</u>		Extension Spring	1
13	<u>72732G01</u>		Ball Stud, #10 - 32	1
14	<u>00734G5</u>		Lock Nut, #10 - 32	1
15				
16				
17	<u>72736G01</u>		Micro Switch	1
18	<u>01062G01</u>		Round Head Screw, #4 - 40 x 1" Lg	2
19	<u>00559G1</u>		Flat Washer, #4.....	2
20	<u>00565G1</u>		Lock Washer, #4	2
21	<u>00526G2</u>		Hex Nut, #4 - 40	2
22				
23				
24				
25				
26	<u>632891</u>		Pivot Bracket	1
27	<u>00734G5</u>		Lock Nut, #10 - 32	1
28	<u>22754G4</u>		Bushing (Flip Lok), .250"	1
29	<u>603615</u>		Shifter Cable.....	1
30	<u>25727G01</u>		Cup Washer, 1/4".....	4
31	<u>72735G01</u>		Compression Spring.....	2

DIRECTION SELECTOR

THE USE OF NON U.L. PARTS WILL VOID ANY U.L. LISTING.

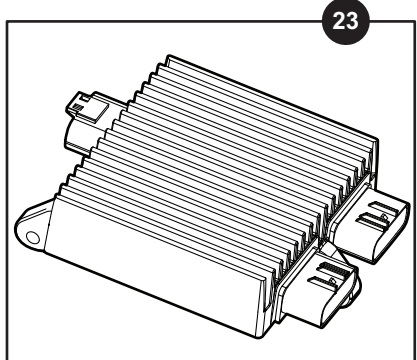
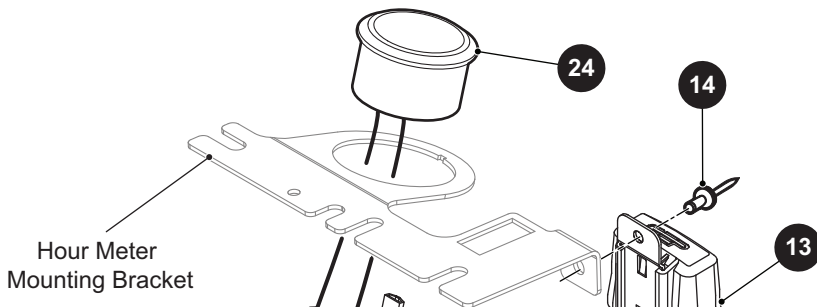
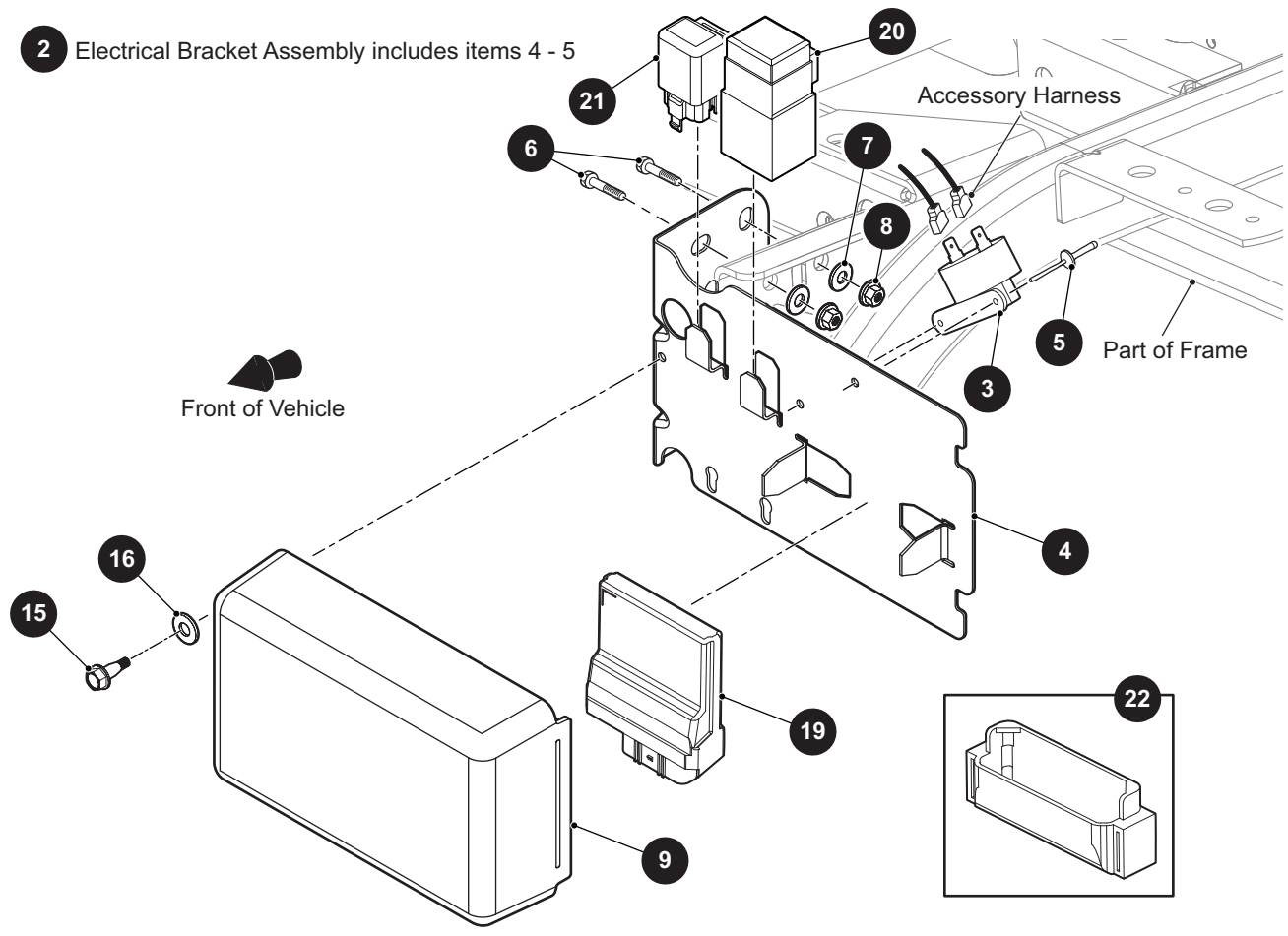
When ordering parts, please specify the model and serial number of the product.

* Indicates a component that is not available as an individual part.

*** Indicates consult Customer Service Department for additional information.

ITEM	PART NO.	1 2 3 4 5	DESCRIPTION	QTY.
32	<u>71205G01</u>		Direction Selector Handle.....	1
33	<u>01037G02</u>		Truss Head Phillips Screw, #10 - 32 x 1/2" Lg.....	1
34	<u>606421</u>		Flanged Hex Head Bolt, M6 - 1 x 30mm Lg, Grade 8.8	1
35	<u>450452</u>		Hex Nut, M6 - 1	1
36	<u>70227G01</u>		Socket Head Cap Screw, 1/4" - 20 x 7/8" Lg, Grade 8	2
37	<u>11027G2</u>		Lock Nut, 1/4" - 20	2
38	<u>31539G1</u>		Nylon Clamp, 15.5" Lg (Not Illustrated)	1
39	<u>662631</u>		Hour Meter Bracket	1

2 Electrical Bracket Assembly includes items 4 - 5



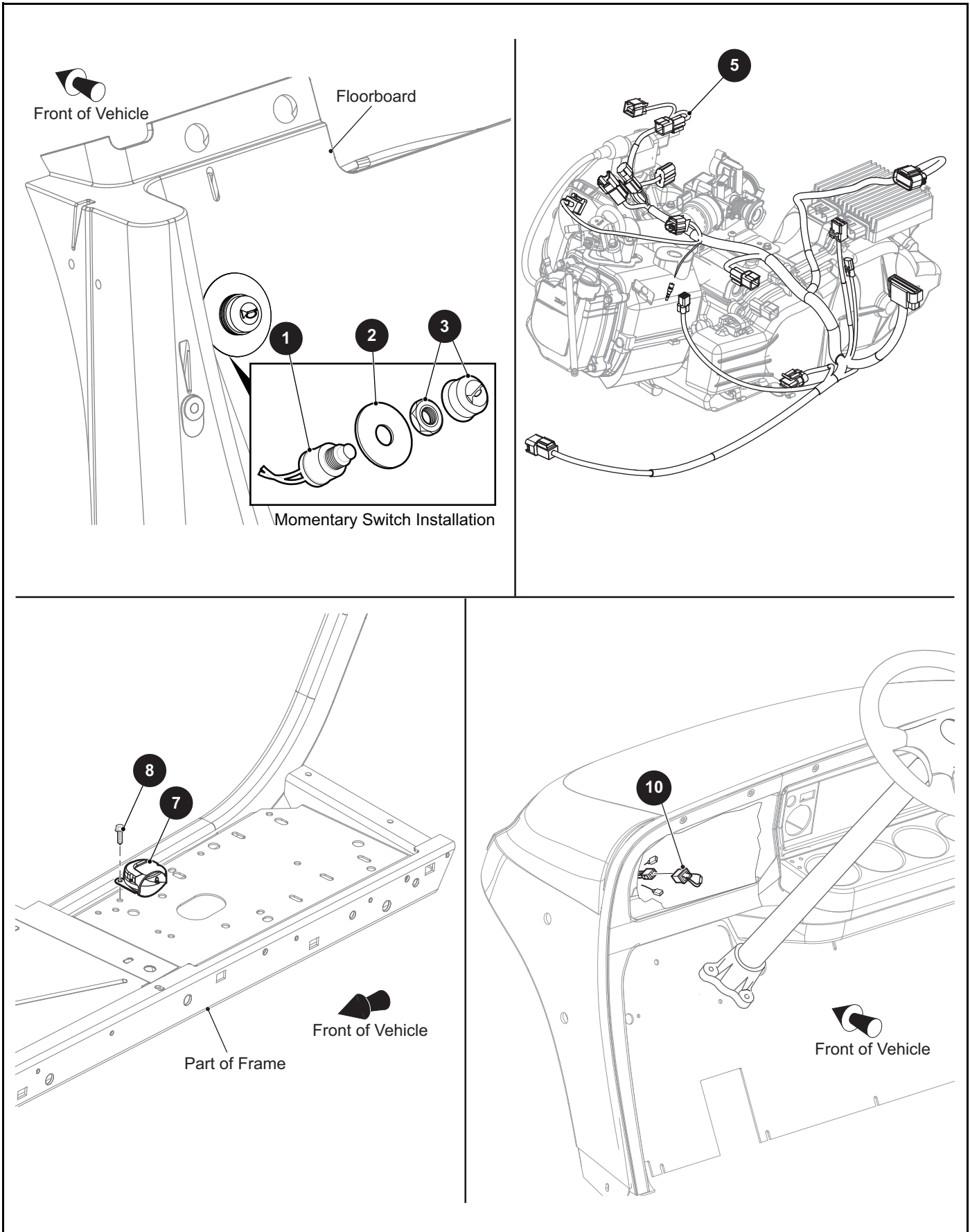
THE USE OF NON U.L. PARTS WILL VOID ANY U.L. LISTING.

When ordering parts, please specify the model and serial number of the product.

* Indicates a component that is not available as an individual part.

*** Indicates consult Customer Service Department for additional information.

ITEM	PART NO.	1 2 3 4 5	DESCRIPTION	QTY.
1	680389		Main Harness	1
2	10006730		Electrical Bracket Assembly (Includes Items 4 - 5)	1
3	<u>73290G03</u>		Buzzer	1
4	683972		Bracket	1
5	<u>01041G01</u>		Bulbex Rivet, 5/32" Dia	2
6	00438G6		Hex Head Bolt, 5/16" - 18 x 3/4" Lg, Grade 5	2
7	00559G8		Flat Washer, 5/16"	2
8	<u>11027G1</u>		Flanged Lock Nut, 5/16" - 18	2
9	684246		Compartment Cover	1
10				
11				
12				
13	694165		Accessory Harness	1
14	<u>71055G01</u>		Rivet, 3/16" Dia	1
15	<u>01038G01</u>		Hex Washer Head Swageform Screw with Dog Point, 1/4" - 20 x .7" Lg	1
16	<u>01110G01</u>		Flat Washer, 1/4"	1
17				
18	<u>17618G1</u>		Nylon Clamp, 8" Lg (Not Illustrated)	3
19	684128		Electronic Control Unit (ECU)	1
20	684136		Ignition Relay	1
21	684135		Fuel Pump Relay	1
22	10001718		Engine Control Unit Boot	1
23	680387		Controller	1
24	<u>617074</u>		Hour Meter	1



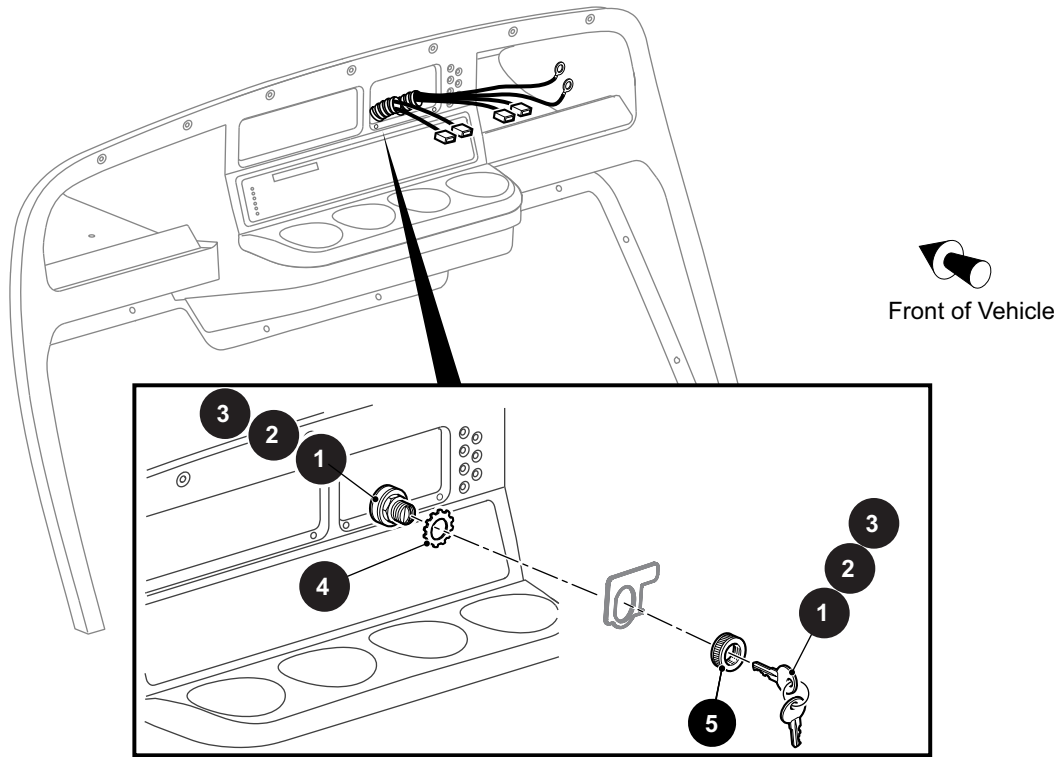
THE USE OF NON U.L. PARTS WILL VOID ANY U.L. LISTING.

When ordering parts, please specify the model and serial number of the product.

* Indicates a component that is not available as an individual part.

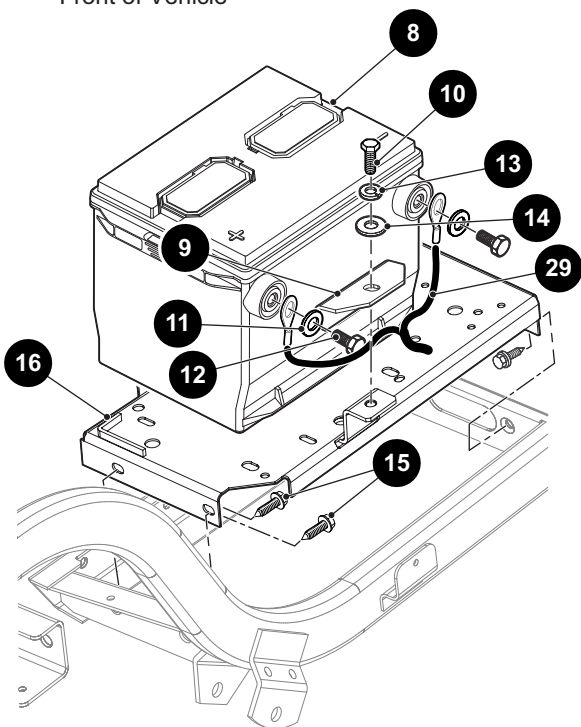
*** Indicates consult Customer Service Department for additional information.

ITEM	PART NO.	1 2 3 4 5	DESCRIPTION	QTY.
1	<u>27068G01</u>		Horn Switch Boot	1
2	<u>608397</u>		Horn Plate	1
3	<u>17318G1</u>		Momentary Switch.....	1
4				
5	687926		Engine Harness.....	1
6				
7	32860G01		Horn	1
8	<u>00715G2</u>		Flanged Hex Head Screw, 5/16" - 18 x 4/5" Lg.....	1
9				
10	<u>618260</u>		Taillight Jumper Plug.....	1

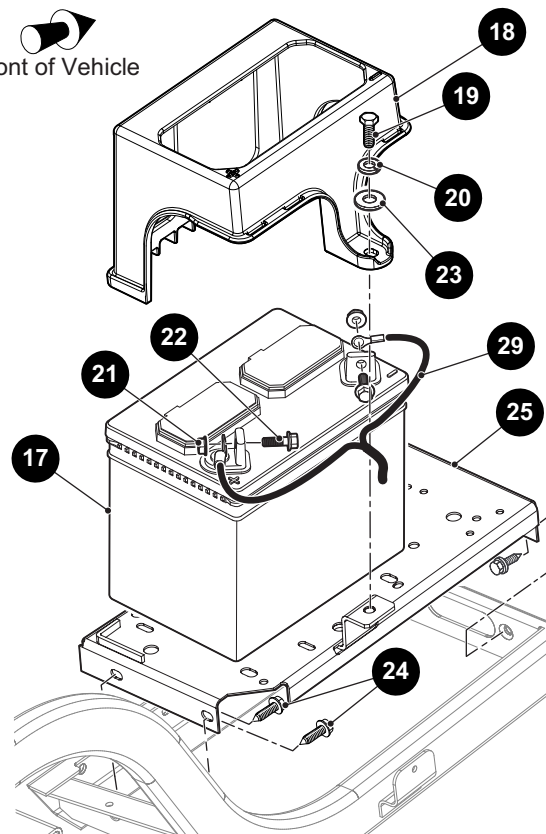


KEY SWITCH, INDICATOR LIGHT(S), AND FUEL GAUGE

BATTERY SIDE POST



BATTERY TOP POST



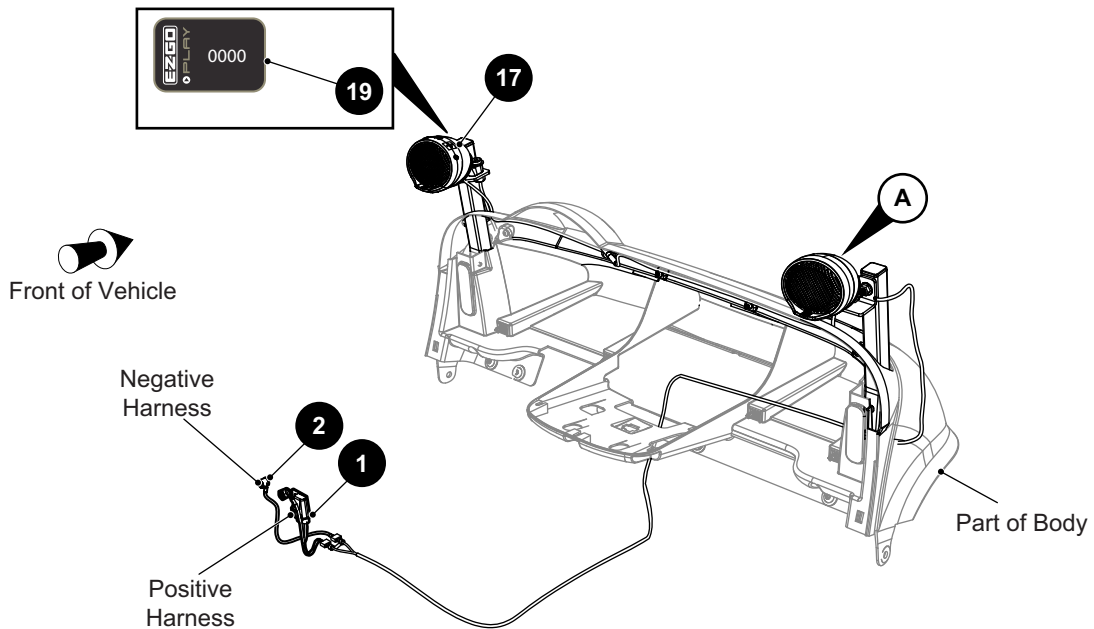
THE USE OF NON U.L. PARTS WILL VOID ANY U.L. LISTING.

When ordering parts, please specify the model and serial number of the product.

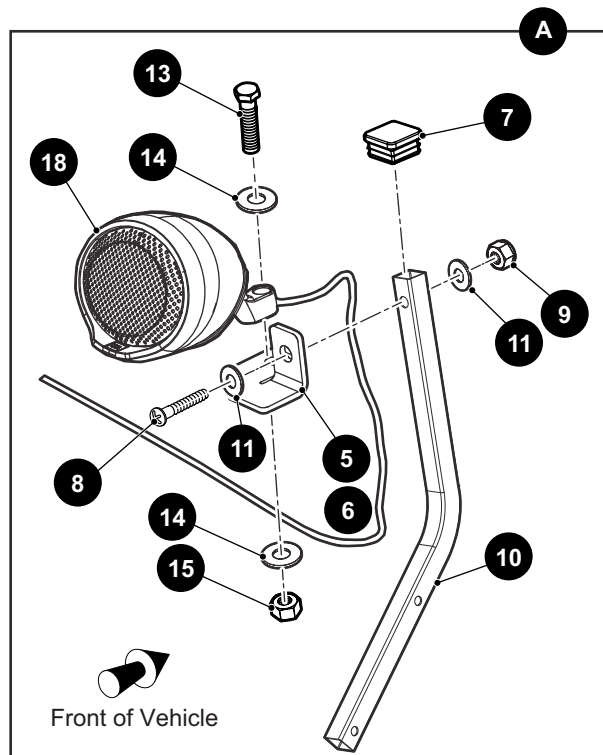
* Indicates a component that is not available as an individual part.

*** Indicates consult Customer Service Department for additional information.

ITEM	PART NO.	1 2 3 4 5	DESCRIPTION	QTY.
1	<u>18027G1</u>		Ignition Switch with Key	1
2	<u>17955G1</u>		Ignition Switch with Group Key	1
3	<u>18602G1</u>		Ignition Switch (Special).....	1
4	<u>00568G6</u>		Lock Washer (External Tooth Type), 3/4"	1
5	<u>17137G1</u>		Face Nut, 3/4" - 20	1
6				
7				
8	<u>637484</u>		Battery, 12V (Side Post).....	1
9	<u>72101G02</u>		Battery Hold Down	1
10	<u>00438G8</u>		Hex Head Bolt, 5/16" - 18 x 1" Lg, Grade 5	1
11	<u>614221</u>		Flat Washer, 3/8"	2
12	<u>651336</u>		Battery Bolt (Side Terminal)	2
13	<u>00565G8</u>		Lock Washer, 5/16"	1
14	<u>00571G2</u>		Flat Washer (SS), 5/16"	1
15	<u>00715G2</u>		Hex Washer Head Screw, 5/16" - 18 x .80" Lg	4
16	<u>652441G03</u>		Battery Tray.....	1
17	<u>680408</u>		Battery, 12V (Top Post)	1
18	<u>688408</u>		Battery Tie Down.....	1
19	<u>00438G8</u>		Hex Head Bolt, 5/16" - 18 x 1" Lg, Grade 5	1
20	<u>00565G8</u>		Lock Washer, 5/16"	1
21	<u>11027G2</u>		Flanged Lock Nut, 1/4" - 20	2
22	<u>13437G9</u>		Flanged Lock Screw (Serrated), 1/4" - 20 x 3/4" Lg, Grade 5.....	2
23	<u>00571G2</u>		Flat Washer (SS), 5/16"	1
24	<u>00715G2</u>		Hex Washer Head Screw, 5/16" - 18 x .80" Lg	4
25	<u>652441G03</u>		Battery Tray.....	1
26				
27	<u>608772</u>		#6AWG Wire, Blue (For CE Vehicles) (Not Illustrated)	1
28	<u>625757</u>		#6AWG Wire (Blue, Solenoid - F2) (For CE Vehicles) (Not Illustrated)	1
29	<u>687925</u>		Power Harness (Connects to Starter Generator Controller).....	1



- 3** Speaker Assembly Mounting, Driver Side includes items 5, 7 - 11
- 4** Speaker Assembly Mounting, Passenger Side includes items 6 - 11
- 16** Bluetooth Speakers Assembly includes items 17 - 19



THE USE OF NON U.L. PARTS WILL VOID ANY U.L. LISTING.

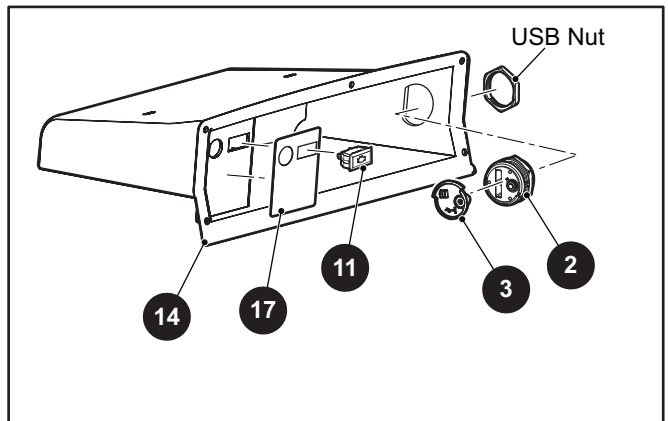
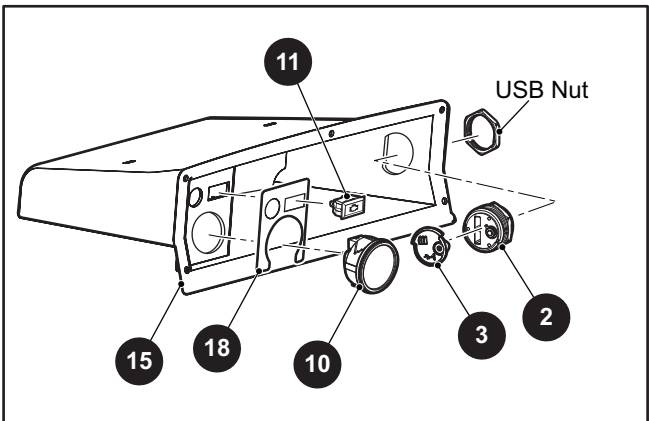
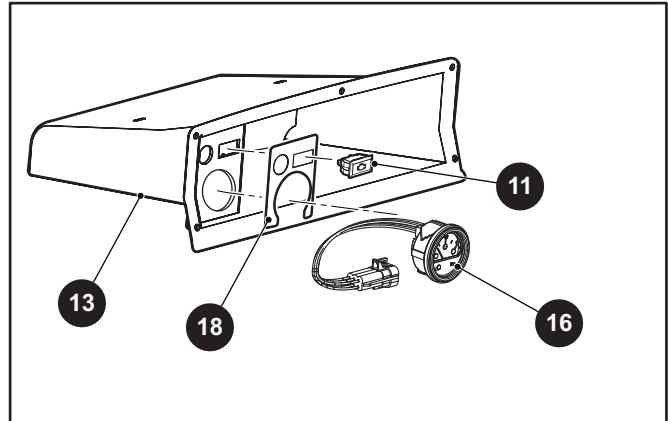
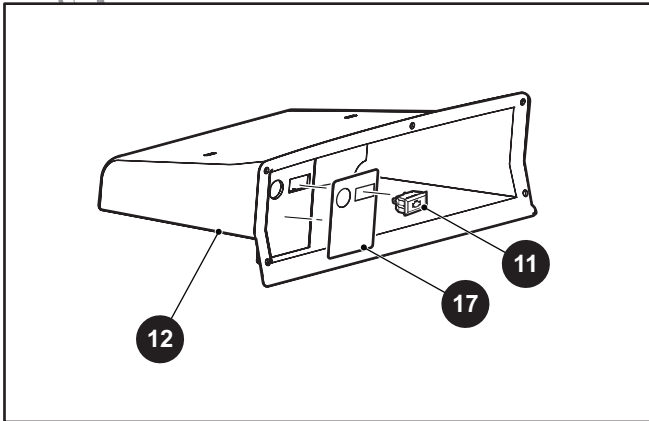
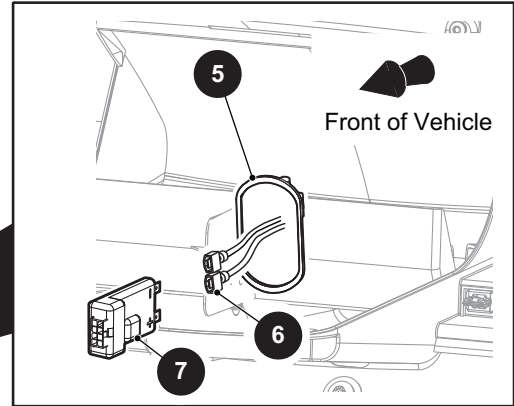
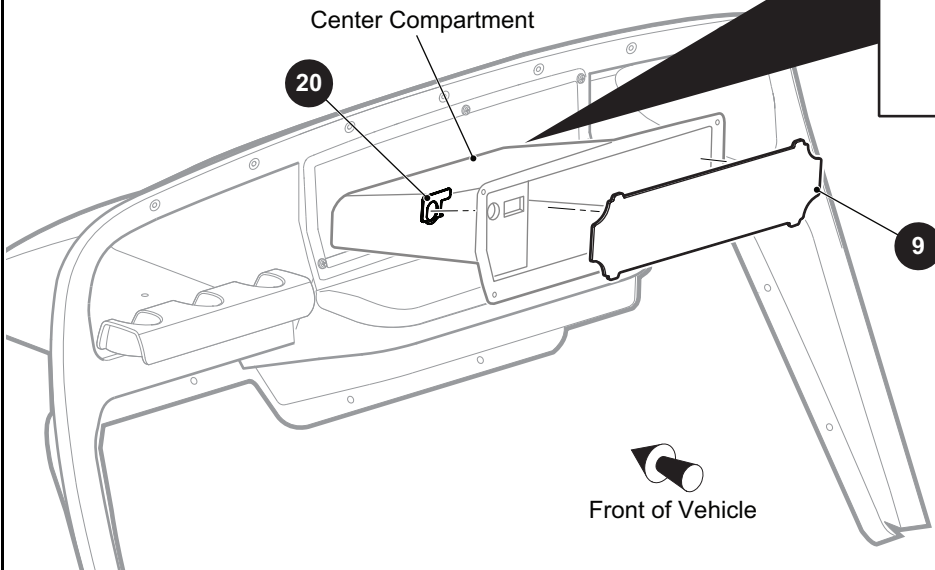
When ordering parts, please specify the model and serial number of the product.

* Indicates a component that is not available as an individual part.

*** Indicates consult Customer Service Department for additional information.

ITEM	PART NO.	1 2 3 4 5	DESCRIPTION	QTY.
1	697532		Speaker Harness (Positive)	1
2	697533		Speaker Harness (Negative).....	1
3	699647		Speaker Assembly Mounting, Driver Side (Includes Items 5, 7 - 11)	1
4	699646		Speaker Assembly Mounting, Passenger Side (Includes Items 6 - 11).....	1
5	690335G01		Speaker Bracket (Driver Side).....	1
6	690335G02		Speaker Bracket (Passenger Side)	1
7	<u>19853G1</u>		End Cap.....	1
8	<u>00753G7</u>		Truss Head Phillips Screw, 1/4" - 20 x 2 1/2" Lg	1
9	<u>14390G4</u>		Lock Nut, 1/4" - 20	1
10	692562		Front Mirror Mount Strut	1
11	<u>00793G2</u>		Flat Washer (SS), 1/4"	2
12				
13	<u>00463G11</u>		Hex Head Bolt, 7/16" - 14 x 1 5/8" Lg, Grade 5	1
14	<u>00560G2</u>		Flat Washer, 7/16"	2
15	<u>00734G1</u>		Lock Nut, 7/16" - 14	1
16	692171		Bluetooth Speakers Assembly (Includes Items 17 - 19).....	1
17	690350		Bluetooth Speaker (Parent).....	1
18	692906		Bluetooth Speaker (Child)	1
19	692795		Bluetooth Speaker Decal.....	1

1 USB Port Housing Assembly includes items 2 - 3



THE USE OF NON U.L. PARTS WILL VOID ANY U.L. LISTING.

When ordering parts, please specify the model and serial number of the product.

* Indicates a component that is not available as an individual part.

*** Indicates consult Customer Service Department for additional information.

ITEM	PART NO.	1 2 3 4 5	DESCRIPTION	QTY.
1	<u>639384</u>		USB Port Housing Assembly (Includes Items 2 - 3).....	1
2	639383		USB Port Housing	1
3	639382		USB Port Lid	1
4				
5	<u>17618G1</u>		Nylon Clamp, 7" Lg	1
6	<u>663847</u>		USB Harness	1
7	10001356		USB Electronics	1
8				
9	<u>625224</u>		Center Compartment Divider	1
10	<u>648247</u>		Fuel Gauge	1
11	<u>659101</u>		Malfunction Indicator Light (MIL).....	1
12	665576		Center Compartment with MIL	1
13	666398		Center Compartment with Fuel Meter and MIL	1
14	690918		Center Compartment with USB and MIL.....	1
15	690928		Center Compartment with Fuel Meter, USB and MIL.....	1
16	<u>612314</u>		State of Charge Meter (Fuel)	1
17	696589		Center Compartment Decal (Key Switch and MIL)	1
18	686543		Center Compartment Decal (Fuel, Key Switch and MIL)	1
19				
20	666576		Keyswitch Plate.....	1
21				
22				
ITEMS 23 TO 46 NOT SHOWN				
23	10008835G07124		GPS Display Unit, 7", Base, 24 Months Lease Duration.....	1
24	10008835G07131		GPS Display Unit, 7", Base, 31 Months Lease Duration.....	1
25	10008835G07136		GPS Display Unit, 7", Base, 36 Months Lease Duration	1
26	10008835G07148		GPS Display Unit, 7", Base, 48 Months Lease Duration.....	1
27	10008835G07154		GPS Display Unit, 7", Base, 54 Months Lease Duration	1
28	10008835G07160		GPS Display Unit, 7", Base, 60 Months Lease Duration	1
29	10008835G07166		GPS Display Unit, 7", Base, 66 Months Lease Duration.....	1
30	10008835G07172		GPS Display Unit, 7", Base, 72 Months Lease Duration	1

ELECTRICAL

THE USE OF NON U.L. PARTS WILL VOID ANY U.L. LISTING.

When ordering parts, please specify the model and serial number of the product.

* Indicates a component that is not available as an individual part.

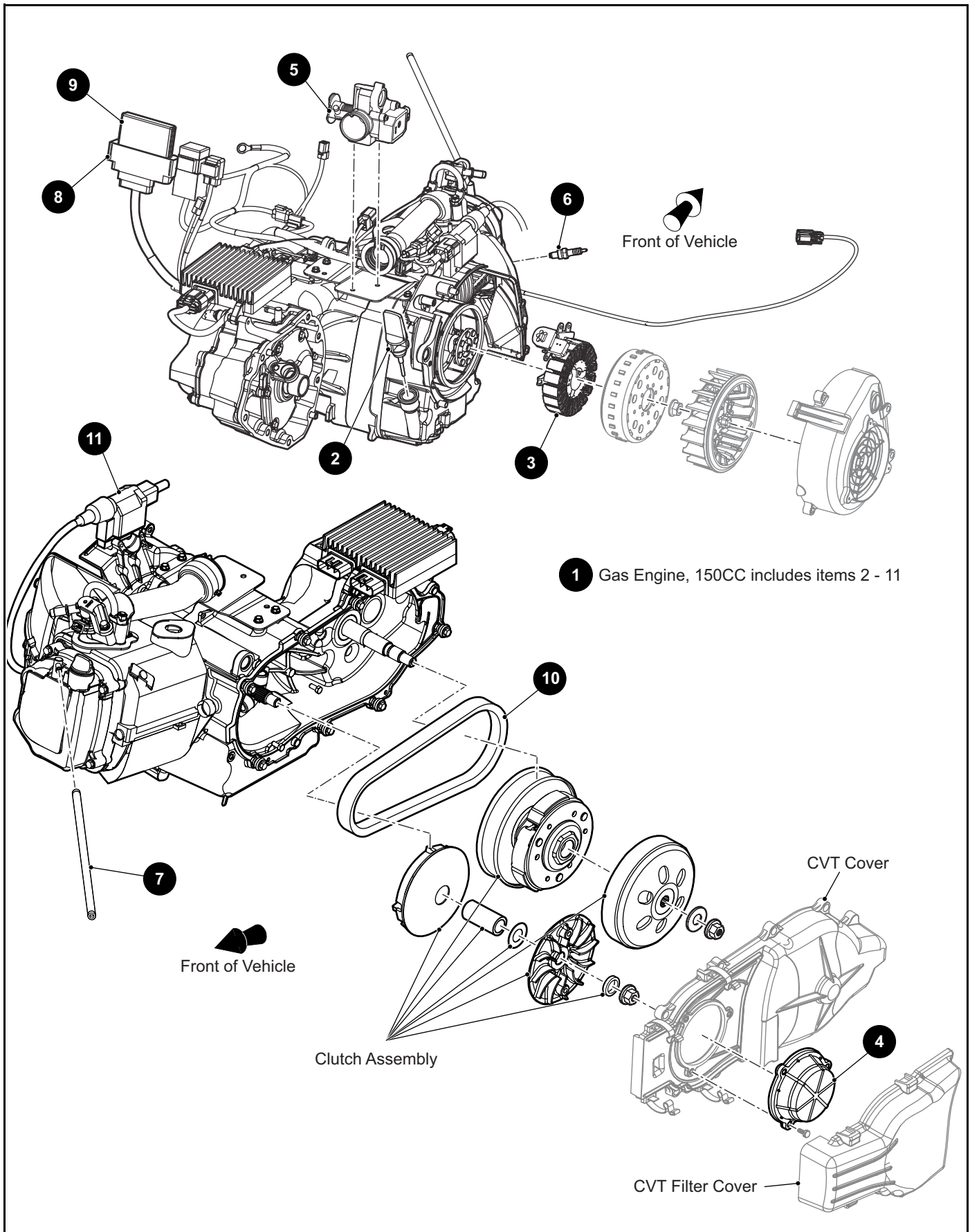
*** Indicates consult Customer Service Department for additional information.

ITEM	PART NO.	1	2	3	4	5	DESCRIPTION	QTY.
31	10008835G07224						GPS Display Unit, 7", Enhanced, 24 Months Lease Duration	1
32	10008835G07231						GPS Display Unit, 7", Enhanced, 31 Months Lease Duration	1
33	10008835G07236						GPS Display Unit, 7", Enhanced, 36 Months Lease Duration	1
34	10008835G07248						GPS Display Unit, 7", Enhanced, 48 Months Lease Duration	1
35	10008835G07254						GPS Display Unit, 7", Enhanced, 54 Months Lease Duration	1
36	10008835G07260						GPS Display Unit, 7", Enhanced, 60 Months Lease Duration	1
37	10008835G07266						GPS Display Unit, 7", Enhanced, 66 Months Lease Duration	1
38	10008835G07272						GPS Display Unit, 7", Enhanced, 72 Months Lease Duration	1
39	10008835G10224						GPS Display Unit, 10", Enhanced, 24 Months Lease Duration	1
40	10008835G10231						GPS Display Unit, 10", Enhanced, 31 Months Lease Duration	1
41	10008835G10236						GPS Display Unit, 10", Enhanced, 36 Months Lease Duration	1
42	10008835G10248						GPS Display Unit, 10", Enhanced, 48 Months Lease Duration	1
43	10008835G10254						GPS Display Unit, 10", Enhanced, 54 Months Lease Duration	1
44	10008835G10260						GPS Display Unit, 10", Enhanced, 60 Months Lease Duration	1
45	10008835G10266						GPS Display Unit, 10", Enhanced, 66 Months Lease Duration	1
46	10008835G10272						GPS Display Unit, 10", Enhanced, 72 Months Lease Duration	1

Notes:

A large grid of graph paper for taking notes. The grid consists of 20 columns and 30 rows of small squares, providing a structured area for handwritten notes.

ENGINE AND MUFFLER



ENGINE AND MUFFLER

THE USE OF NON U.L. PARTS WILL VOID ANY U.L. LISTING.

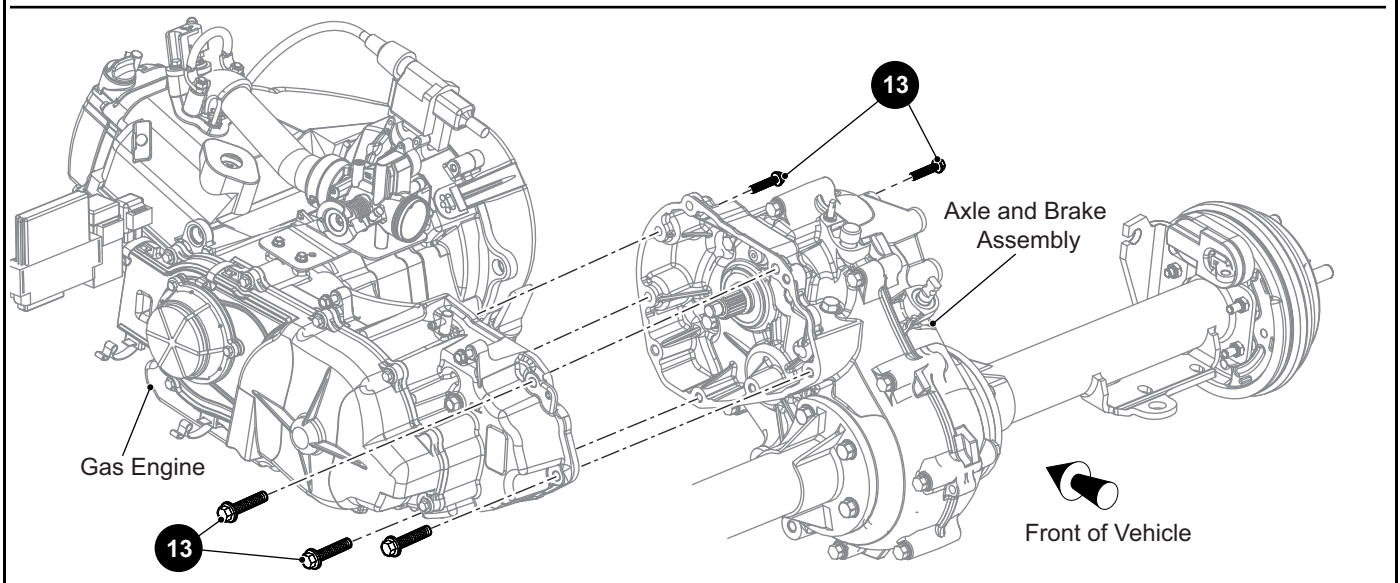
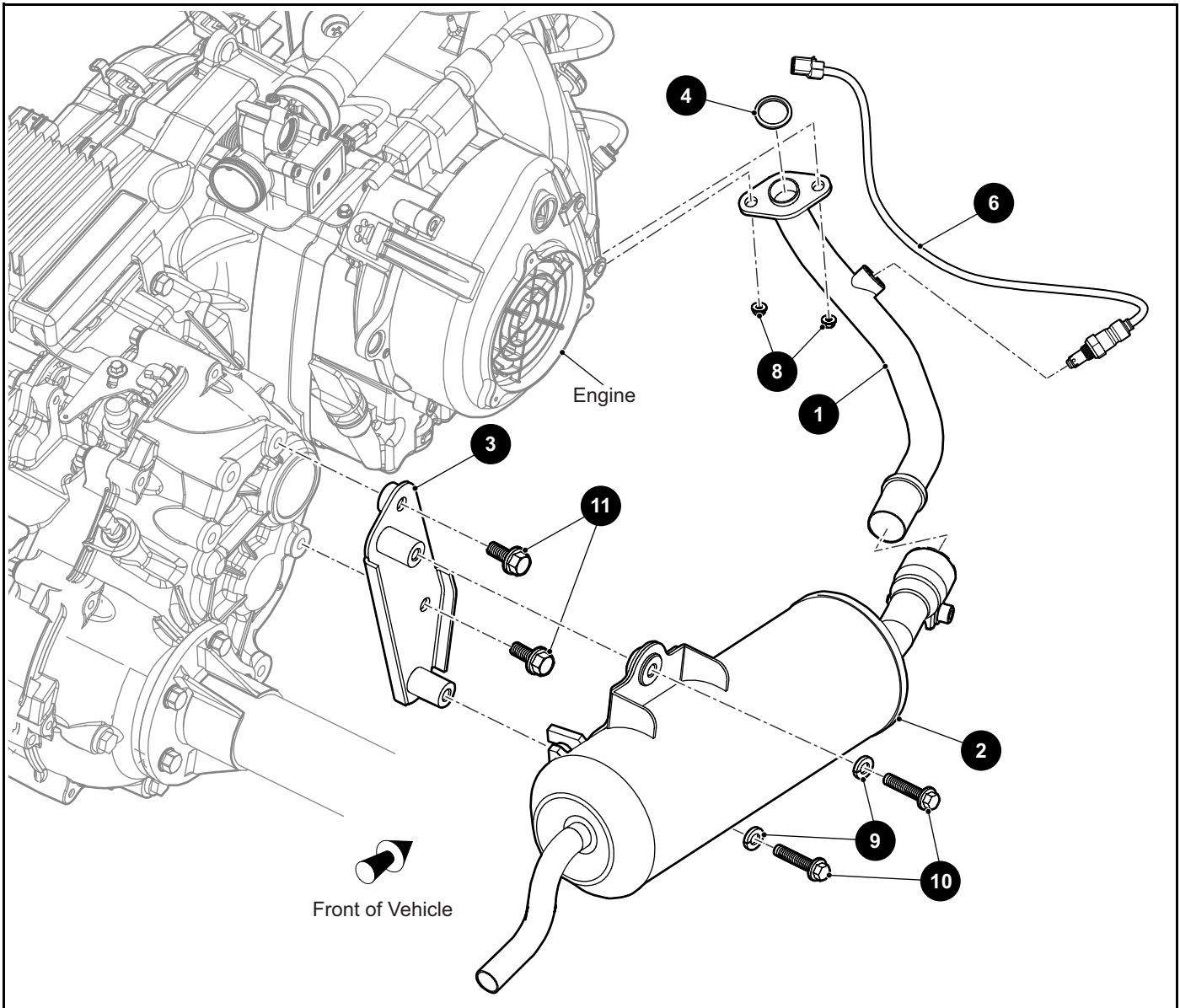
When ordering parts, please specify the model and serial number of the product.

* Indicates a component that is not available as an individual part.

*** Indicates consult Customer Service Department for additional information.

ITEM	PART NO.	1 2 3 4 5	DESCRIPTION	QTY.
1	680364		Gas Engine, 150CC (Includes Items 2 - 11).....	1
2	696012		Dip Stick	1
3	696523		Stator	1
4	696008		CVT Filter	1
5	680380		Throttle Body	1
6	696497		Spark Plug	1
7	696641		Breather Tube	2
8	10001718		ECU Boot.....	1
9	684128		ECU	1
10	696533		CVT Belt	1
11	680379		Ignition Coil.....	1
12				
13	10001280		Diagnostic Tool (Not Illustrated)	1

ENGINE AND MUFFLER



ENGINE AND MUFFLER

THE USE OF NON U.L. PARTS WILL VOID ANY U.L. LISTING.

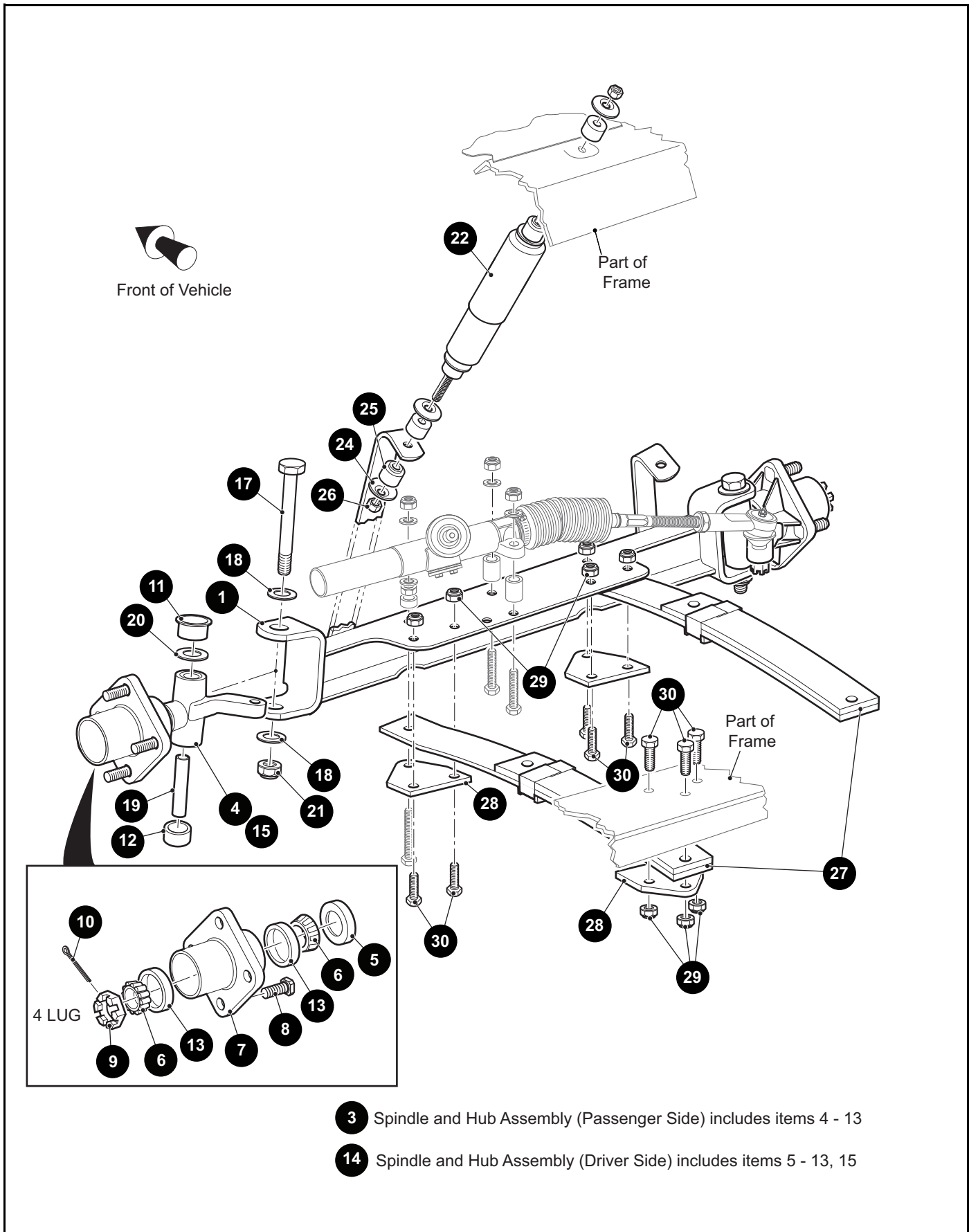
When ordering parts, please specify the model and serial number of the product.

* Indicates a component that is not available as an individual part.

*** Indicates consult Customer Service Department for additional information.

ITEM	PART NO.	1 2 3 4 5	DESCRIPTION	QTY.
1	680368		Exhaust Pipe	1
2	680367		Exhaust Muffler	1
3	680372		Exhaust Bracket	1
4	680371		Exhaust Gasket.....	1
5				
6	680373		Oxygen Sensor	1
7				
8	26830G01		Self Lock Nut, M8 - 1.25.....	2
9	<u>616990</u>		Split Lock Washer, 8mm	2
10	<u>602330</u>		Flanged Hex Head Bolt, M8 - 1.25 x 30mm Lg, Grade 8.8	2
11	10007023		Flanged Hex Head Bolt, M10 - 1.25 x 30mm Lg	2
12				
13	<u>602330</u>		Flanged Hex Head Bolt, M8 - 1.25 x 30mm Lg, Grade 8.8	6

FRONT SUSPENSION AND STEERING



FRONT SUSPENSION AND STEERING

THE USE OF NON U.L. PARTS WILL VOID ANY U.L. LISTING.

When ordering parts, please specify the model and serial number of the product.

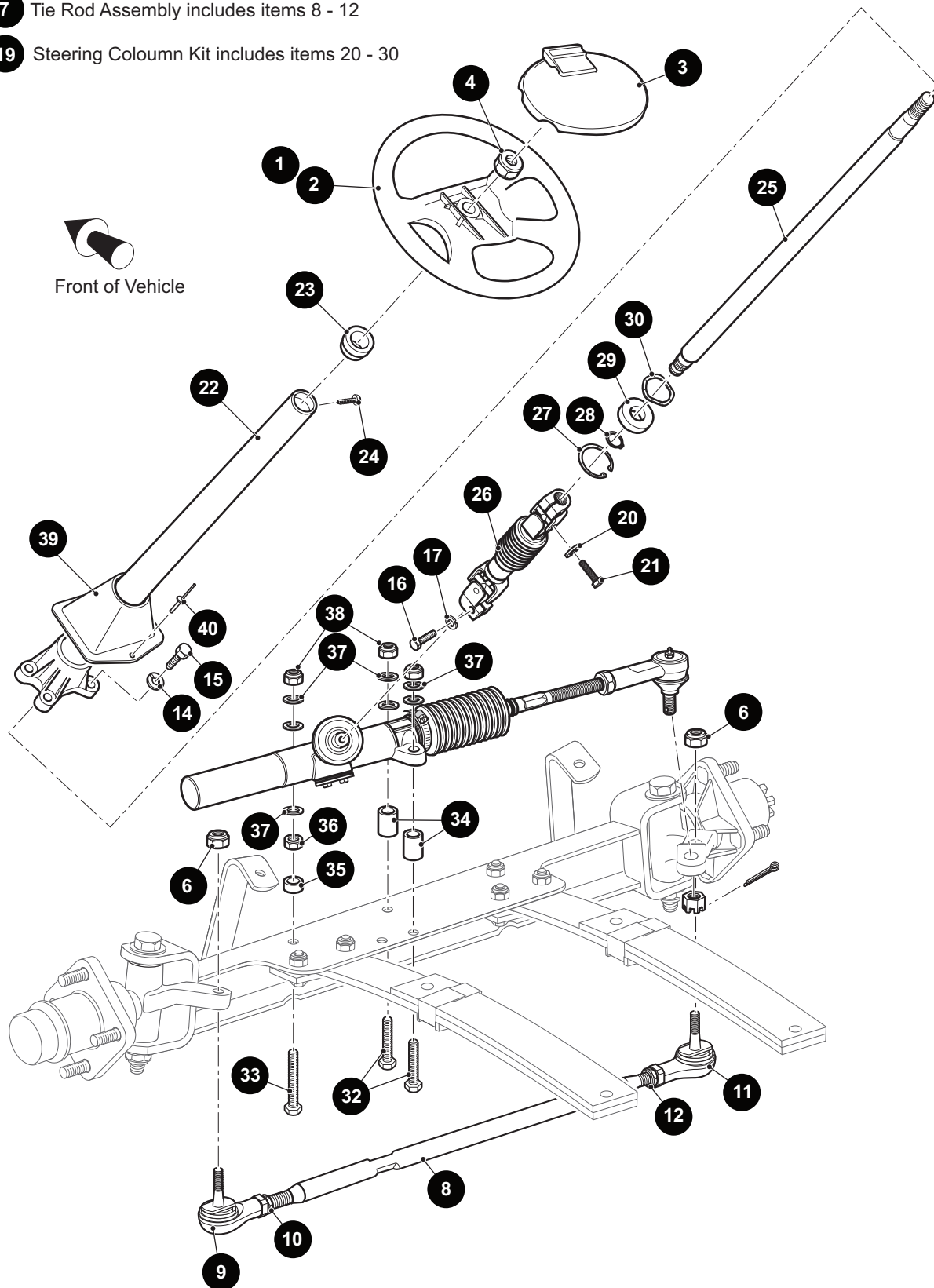
* Indicates a component that is not available as an individual part.

*** Indicates consult Customer Service Department for additional information.

ITEM	PART NO.	1 2 3 4 5	DESCRIPTION	QTY.
1	652822		Front Axle	1
2				
3	<u>70942G03</u>		Spindle and Hub Assembly, 4 Lug (Passenger Side) (Includes Items 4 - 13)	1
4	70940G02		Spindle Assembly (Passenger Side)	1
5	<u>25146G1</u>		Grease Seal.....	1
6	<u>11750G2</u>		Roller Bearing.....	2
7	<u>70589G01</u>		Wheel Hub.....	1
8	<u>19862G1</u>		Lug Bolt, 1/2" - 20 x 1 3/16" Lg.....	4
9	12093G1		Castellated Nut, 1" - 14.....	1
10	<u>00798G8</u>		Cotter Pin, 5/32" x 1 3/4" Lg	1
11	<u>632925</u>		Flanged Bushing.....	1
12	<u>632926</u>		Bushing.....	1
13	<u>51141G1</u>		Race Bearing.....	2
14	<u>70673G03</u>		Spindle and Hub Assembly, 4 Lug (Driver Side) (Includes Items 5 - 13, 15)	1
15	<u>70742G02</u>		Spindle Assembly (Driver Side)	1
16				
17	<u>00407G6</u>		Hex Head Bolt 1/2" - 13 x 6" Lg, Grade 5	1
18	<u>00560G3</u>		Flat Washer, 1/2".....	2
19	<u>70745G01</u>		King Pin Tube.....	1
20	<u>70754G01</u>		Thrust Washer (SS), 1"	1
21	<u>14390G6</u>		Lock Nut, 1/2" - 13	1
22	<u>76419G01</u>		Shock Absorber.....	2
23				
24	<u>10435G1</u>		Shock Absorber Washer	4
25	<u>10194G1</u>		Rubber Bushing	4
26	<u>00532G6</u>		Hex Nut, 3/8" - 24.....	2
27	<u>70990G03</u>		Leaf Spring.....	2
28	<u>652258</u>		Spring Plate.....	4
29	<u>00734G1</u>		Lock Nut, 7/16" - 14	11
30	<u>00463G11</u>		Hex Head Bolt, 7/16" - 14 x 1 3/4" Lg, Grade 5	11

FRONT SUSPENSION AND STEERING

- 7 Tie Rod Assembly includes items 8 - 12
- 19 Steering Coloumn Kit includes items 20 - 30



FRONT SUSPENSION AND STEERING

THE USE OF NON U.L. PARTS WILL VOID ANY U.L. LISTING.

When ordering parts, please specify the model and serial number of the product.

* Indicates a component that is not available as an individual part.

*** Indicates consult Customer Service Department for additional information.

ITEM	PART NO.	1 2 3 4 5	DESCRIPTION	QTY.
1	<u>602980</u>		Steering Wheel (Premium).....	1
2	<u>602979</u>		Steering Wheel.....	1
3	<u>607925</u>		Scorecard Holder	1
4	<u>14390G2</u>		Lock Nut, 5/8" - 18	1
5				
6	<u>00734G1</u>		Lock Nut, 7/16" - 14	2
7	<u>70876G02</u>		Tie Rod Assembly (Includes Items 8 - 12)	1
8	<u>70897G02</u>		Threaded Rod, 24" Lg	1
9	<u>70902G01</u>		Tie Rod End (Left Hand Threads).....	1
10	<u>01069G01</u>		Jam Nut, M12 x 1.25 (Left Hand Threads)	1
11	<u>70902G02</u>		Tie Rod End (Right Hand Threads)	1
12	<u>01069G02</u>		Jam Nut, M12 x 1.25 (Right Hand Threads).....	1
13				
14	<u>00879G1</u>		Lock Washer, 3/8"	4
15	<u>01006G01</u>		Hex Head Bolt, 3/8" - 16 x 1 1/4" Lg	4
16	<u>01055G01</u>		Hex Head Bolt, M8 - 1.25 x 1.18" Lg, Grade 5.....	1
17	<u>00565G8</u>		Lock Washer, 5/16"	1
18				
19	<u>70758G05</u>		Steering Column Kit (Includes Items 20 - 30)	1
20	<u>00565G8</u>		Lock Washer, 5/16".....	1
21	<u>01055G01</u>		Hex Head Bolt, M8 - 1.25 x 1.18" Lg, Grade 5	1
22	<u>70610G03</u>		Steering Column	1
23	<u>28569G01</u>		Steering Column Bushing.....	1
24	<u>01022G01</u>		Hex Washer Head Screw, #6 - 20 x 5/16" Lg	1
25	<u>70607G01</u>		Steering Shaft.....	1
26	<u>70580G01</u>		Intermediate Shaft	1
27	<u>70751G01</u>		Retaining Ring (Internal).....	1
28	<u>70888G01</u>		Retaining Ring (External)	1
29	<u>15112G1</u>		Ball Bearing	1
30	<u>70887G01</u>		Wave Washer	1
31				

FRONT SUSPENSION AND STEERING

THE USE OF NON U.L. PARTS WILL VOID ANY U.L. LISTING.

When ordering parts, please specify the model and serial number of the product.

* Indicates a component that is not available as an individual part.

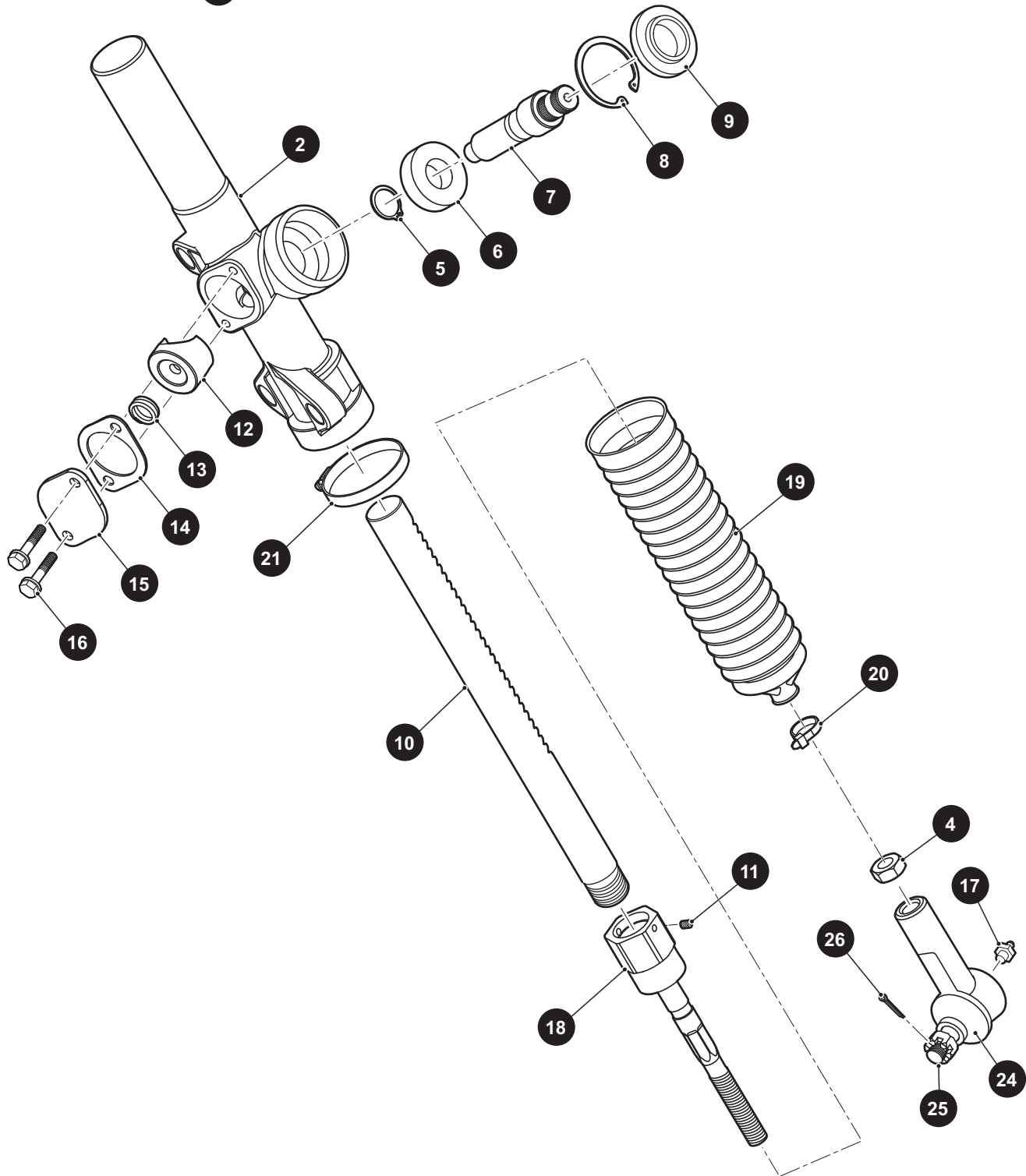
*** Indicates consult Customer Service Department for additional information.

ITEM	PART NO.	1 2 3 4 5	DESCRIPTION	QTY.
32	<u>00464G6</u>		Hex Head Bolt, 7/16" - 14 x 2 3/4" Lg, Grade 5.....	2
33	<u>01068G01</u>		Hex Head Bolt, 7/16" - 14 x 3 1/2" Lg, Grade 5.....	1
34	<u>70667G02</u>		Spacer, 1.21"	2
35	<u>70667G04</u>		Spacer (Short), .69"	1
36	<u>00532G7</u>		Hex Nut, 7/16" - 14	1
37	<u>00560G2</u>		Flat Washer, 7/16"	7
38	<u>00734G1</u>		Lock Nut, 7/16" - 14	3
39	<u>70997G01</u>		Cover	1
40	<u>71055G01</u>		Rivet (Aluminum), 3/16" x 1" Lg.....	1

FRONT SUSPENSION AND STEERING

1 Rack and Pinion Unit includes items 2 - 23

23 Tie Rod End (Outer) includes items 24 - 25



FRONT SUSPENSION AND STEERING

THE USE OF NON U.L. PARTS WILL VOID ANY U.L. LISTING.

When ordering parts, please specify the model and serial number of the product.

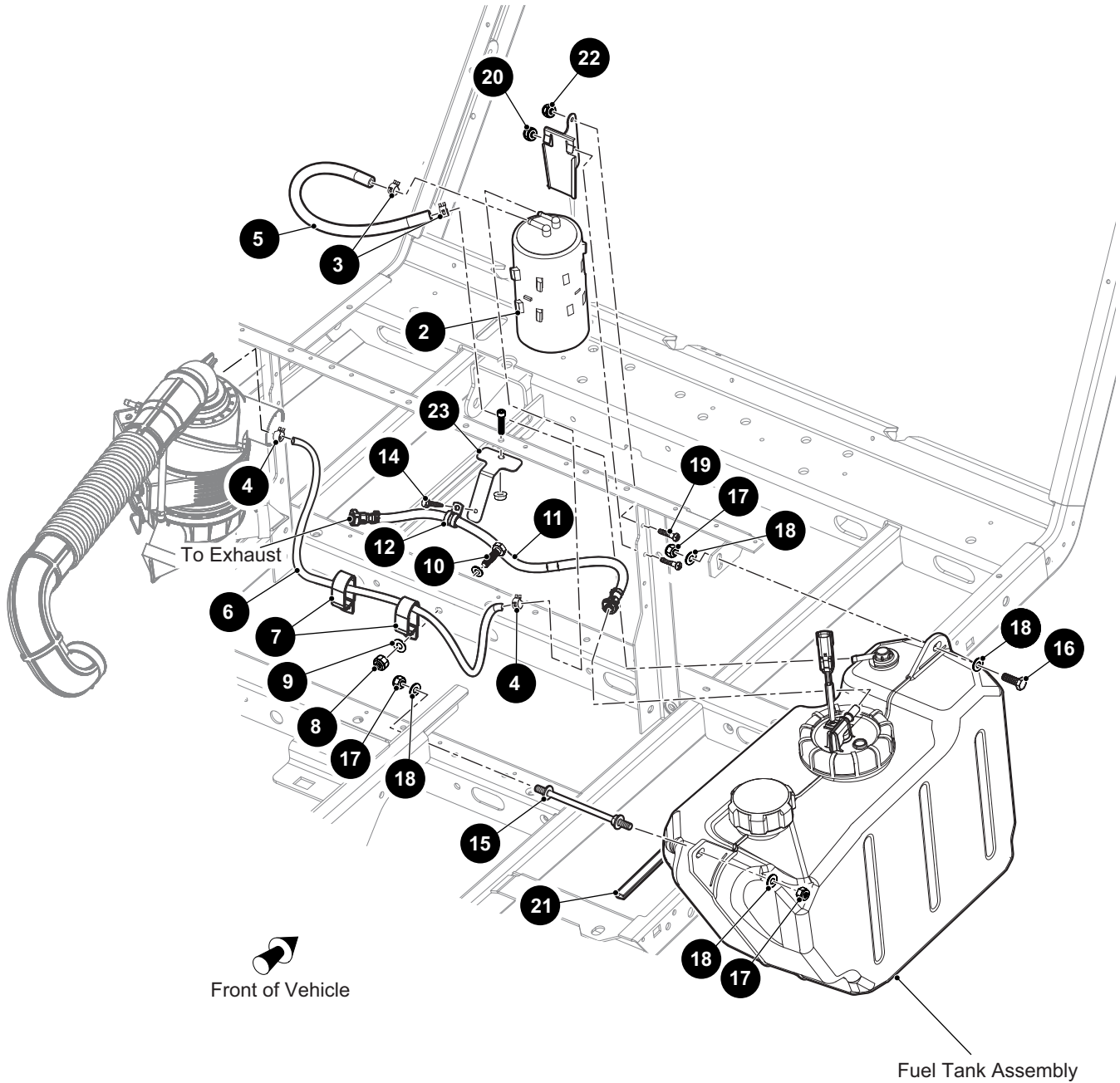
* Indicates a component that is not available as an individual part.

*** Indicates consult Customer Service Department for additional information.

ITEM	PART NO.	1 2 3 4 5	DESCRIPTION	QTY.
1	<u>70964G01</u>		Rack and Pinion Unit (Includes Items 2 - 23).....	1
2	<u>70965G01</u>		Steering Rack Cover and Bearing	1
3				
4	*		Jam Nut, 1/2" - 20.....	1
5	<u>70750G01</u>		Retaining Ring (External)	1
6	<u>15112G1</u>		Ball Bearing	1
7	<u>70603G01</u>		Pinion.....	1
8	<u>70751G01</u>		Retaining Ring (Internal).....	1
9	<u>70638G01</u>		Seal (Pinion)	1
10	<u>70604G01</u>		Steering Rack	1
11	*		Set Screw, #10 - 32 x .25" Lg	1
12	<u>70590G01</u>		Rack Loader	1
13	<u>70666G01</u>		Compression Spring	1
14	<u>70645G01</u>		Gasket (Rack Loader Cover).....	1
15	<u>652259</u>		Cover (Rack Loader)	1
16	<u>71102G01</u>		Hex Washer Head Bolt, 1/4" - 20 x 11/16" Lg, Grade 5.....	2
17	<u>10389G3</u>		Grease Fitting (Straight)	1
18	<u>70694G01</u>		Rod End (Inner)	1
19	<u>70961G01</u>		Rack Boot	1
20	<u>12416G2</u>		Nylon Clamp, 11.8" Lg	1
21	<u>11391G8</u>		Hose Clamp, 1.81".....	1
22				
23	<u>70695G01</u>		Tie Rod End (Outer) (Includes Items 24 - 25).....	1
24	<u>50641G1</u>		Grommet	1
25	*		Hex Slotted Nut, 7/16" - 20	1
26	<u>10387G2</u>		Cotter Pin, 3/32" x 1".....	1

FUEL SYSTEM

1 Carbon Canister Assembly includes items 2 - 6



FUEL SYSTEM

THE USE OF NON U.L. PARTS WILL VOID ANY U.L. LISTING.

When ordering parts, please specify the model and serial number of the product.

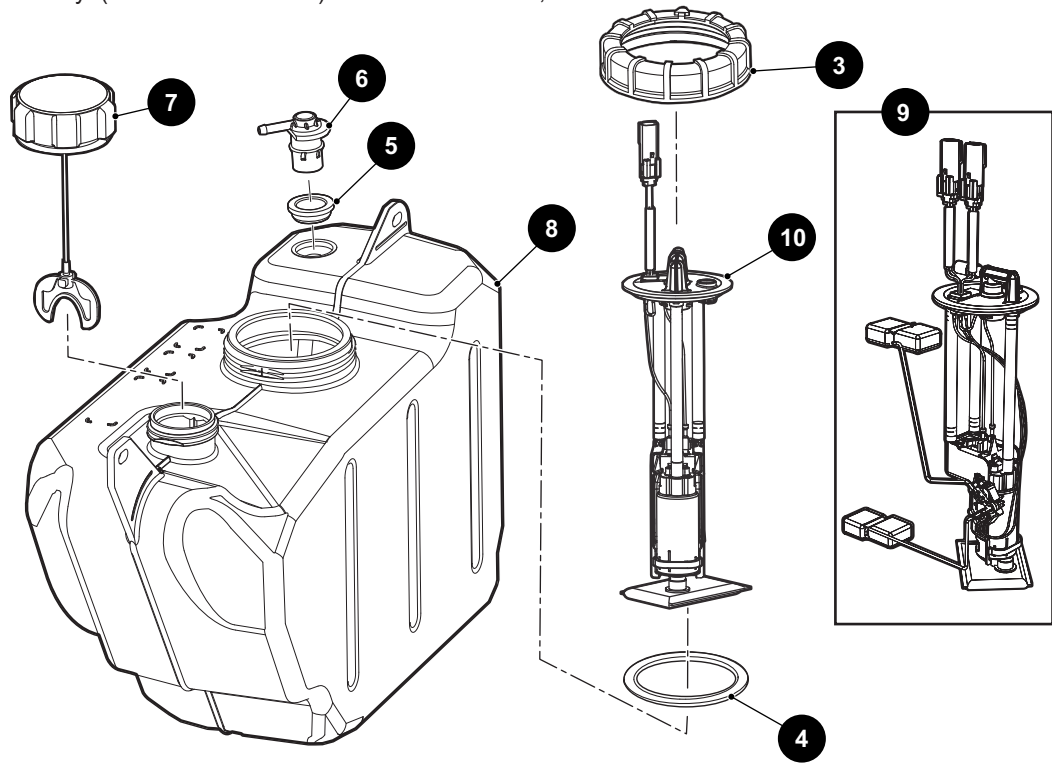
* Indicates a component that is not available as an individual part.

*** Indicates consult Customer Service Department for additional information.

ITEM	PART NO.	1 2 3 4 5	DESCRIPTION	QTY.
1	662807		Carbon Canister Assembly (Includes Items 2 - 6)	1
2	10006822		Carbon Canister	1
3	<u>18292G1</u>		Clamp, 1/2" O.D.....	2
4	<u>606963</u>		Clamp, 3/16" I.D	2
5	<u>27184G14</u>		Fuel System Tube.....	1
6	<u>662608</u>		Hose, 3/16" I.D. x 37" Lg	1
7	<u>660369</u>		Tube Clamp, 0.5"	2
8	11098G6		Lock Nut, 5/16" - 18	2
9	00559G8		Flat Washer, 5/16".....	4
10	00438G6		Hex Head Bolt, 5/16" - 18 x 3/4" Lg, Grade 5	2
11	680391		Fuel Hose Assembly	1
12	664747		Tube Clamp, .5"	1
13	<u>31539G1</u>		Nylon Clamp, 15.5" Lg (Not Illustrated).....	1
14	<u>01038G01</u>		Hex Washer Head Swageform Screw, 1/4" - 20 x 11/16" Lg.....	1
15	<u>70483G01</u>		Spacer, 5/16" - 18	1
16	<u>00438G8</u>		Hex Head Bolt, 5/16" - 18 x 1" Lg, Grade 5	1
17	11098G6		Lock Nut, 5/16" - 18	3
18	00559G8		Flat Washer, 5/16".....	4
19	<u>00379G4</u>		Pan Head Phillips Screw, #10 - 24 x 1/2" Lg.....	2
20	<u>606310</u>		Carbon Canister Mounting Bracket.....	1
21	<u>32372G6</u>		Vinyl Trim, 6.25" Lg	1
22	<u>14390G10</u>		Lock Nut, #10 - 24.....	2
23	10006728		Fuel System Bracket.....	1

FUEL SYSTEM

- 1 Fuel Tank Assembly (with Sender Unit) includes items 3 - 9
- 2 Fuel Tank Assembly (without Sender Unit) includes items 3 - 8, 10

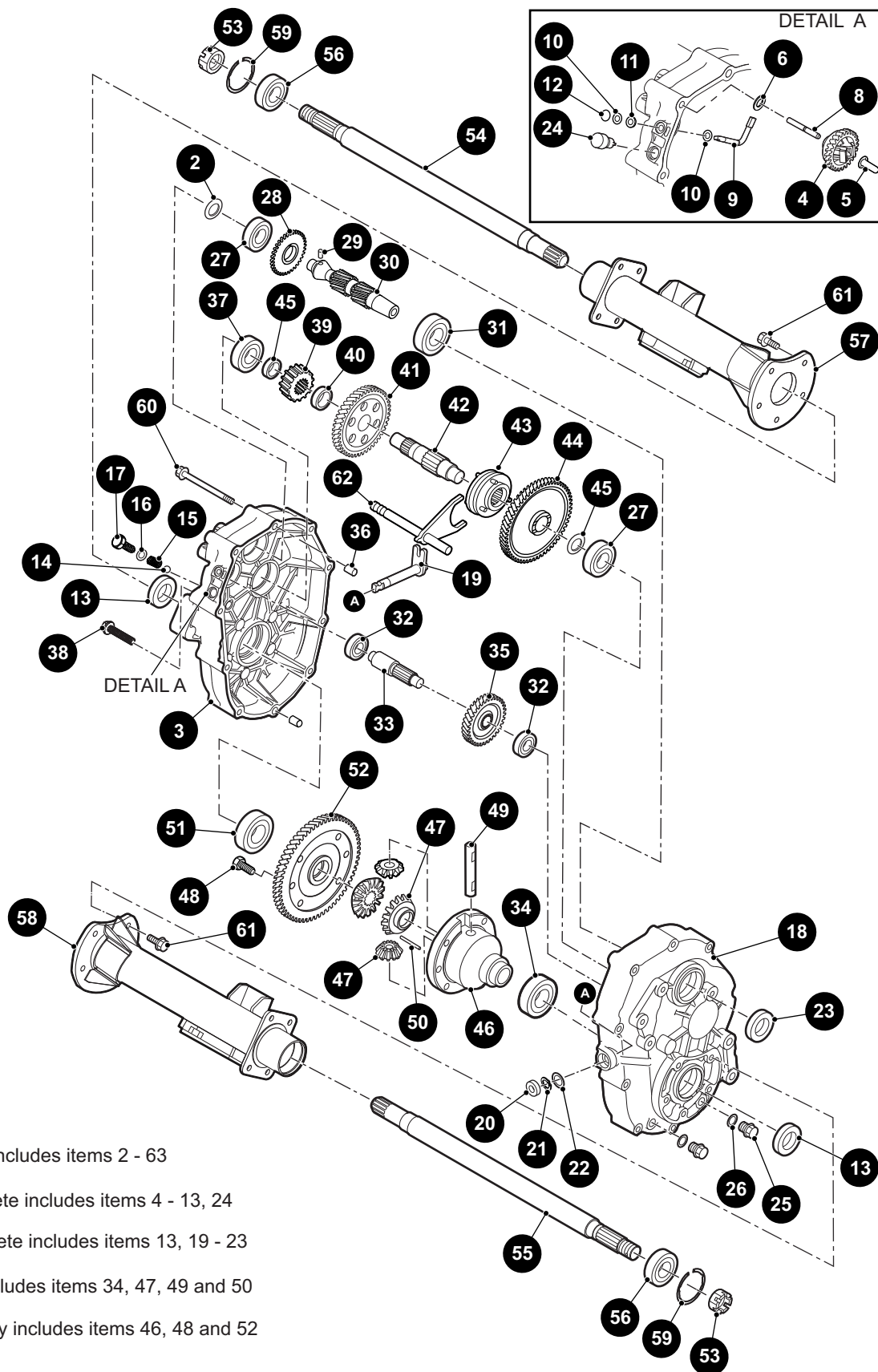


FUEL SYSTEM

THE USE OF NON U.L. PARTS WILL VOID ANY U.L. LISTING.
 When ordering parts, please specify the model and serial number of the product.
 * Indicates a component that is not available as an individual part.
 *** Indicates consult Customer Service Department for additional information.

ITEM	PART NO.	1 2 3 4 5	DESCRIPTION	QTY.
1	<u>646825</u>		Fuel Tank Assembly (with Sender Unit) (Includes Items 3 - 9).....	1
2	<u>646824</u>		Fuel Tank Assembly (without Sender Unit) (Includes Items 3 - 8, 10).....	1
3	<u>646837</u>		Fuel Pump Lid	1
4	<u>646838</u>		Seal	1
5	<u>647810</u>		Grommet.....	1
6	<u>647809</u>		Rollover Valve.....	1
7	670898		Fuel Cap	1
8	646306		Fuel Tank	1
9	<u>646353</u>		Fuel Pickup with Sender Assembly	1
10	<u>646352</u>		Fuel Pickup without Sender Assembly	1

REAR AXLE



- 1 Rear Axle, 11.47:1 includes items 2 - 63
- 3 Axle Case L Complete includes items 4 - 13, 24
- 18 Axle Case R Complete includes items 13, 19 - 23
- 46 Differential Case includes items 34, 47, 49 and 50
- 63 Differential Assembly includes items 46, 48 and 52

THE USE OF NON U.L. PARTS WILL VOID ANY U.L. LISTING.

When ordering parts, please specify the model and serial number of the product.

* Indicates a component that is not available as an individual part.

*** Indicates consult Customer Service Department for additional information.

ITEM	PART NO.	1 2 3 4 5	DESCRIPTION	QTY.
1	677877		Rear Axle, 11.47:1 (Includes Items 2 - 63)	1
2	10007594		O-Ring	1
3	10007589		Axle Case L Complete (Includes Items 4 - 13, 24)	1
4	<u>665887</u>		Governor Gear	1
5	<u>639689</u>		Governor Sleeve	1
6	<u>607904</u>		Flat Washer	1
7				
8	<u>639698</u>		Governor Gear Shaft.....	1
9	<u>639707</u>		Governor Shaft.....	1
10	<u>639736</u>		Flat Washer, 6mm	2
11	<u>607911</u>		Oil Seal, 6 x 10 x 2.5mm	1
12	<u>607913</u>		Retaining Ring, E5	1
13	<u>639738</u>		Oil Seal, 24 x 40 x 9mm	2
14	<u>26818G01</u>		Steel Ball	1
15	<u>26819G01</u>		Spring	1
16	<u>26831G01</u>		Gasket	1
17	<u>26820G01</u>		Flanged Hex Head Bolt, M10 - 1.25 x 12mm Lg	1
18	10007590		Axle Case R Complete (Includes Items 13, 19 - 23)	1
19	<u>639746</u>		Select Shaft.....	1
20	607915		Oil Seal, 13 x 22 x 5mm	1
21	<u>607916</u>		Snap Ring, 13mm	1
22	<u>607917</u>		Spacer, 13 x 1mm	1
23	<u>640093</u>		Oil Seal, 28 x 47 x 9mm	1
24	<u>607919</u>		Air Breather	1
25	<u>639747</u>		Oil Drain Plug	2
26	<u>639748</u>		Gasket, 14mm	2
27	<u>26785G01</u>		Ball Bearing	2
28	<u>665888</u>		Governor Gear.....	1
29	<u>607920</u>		Pin, 6 x 12L.....	1
30	10007591		Input Shaft	1
31	<u>607922</u>		Ball Bearing (62/28).....	1

REAR AXLE

THE USE OF NON U.L. PARTS WILL VOID ANY U.L. LISTING.

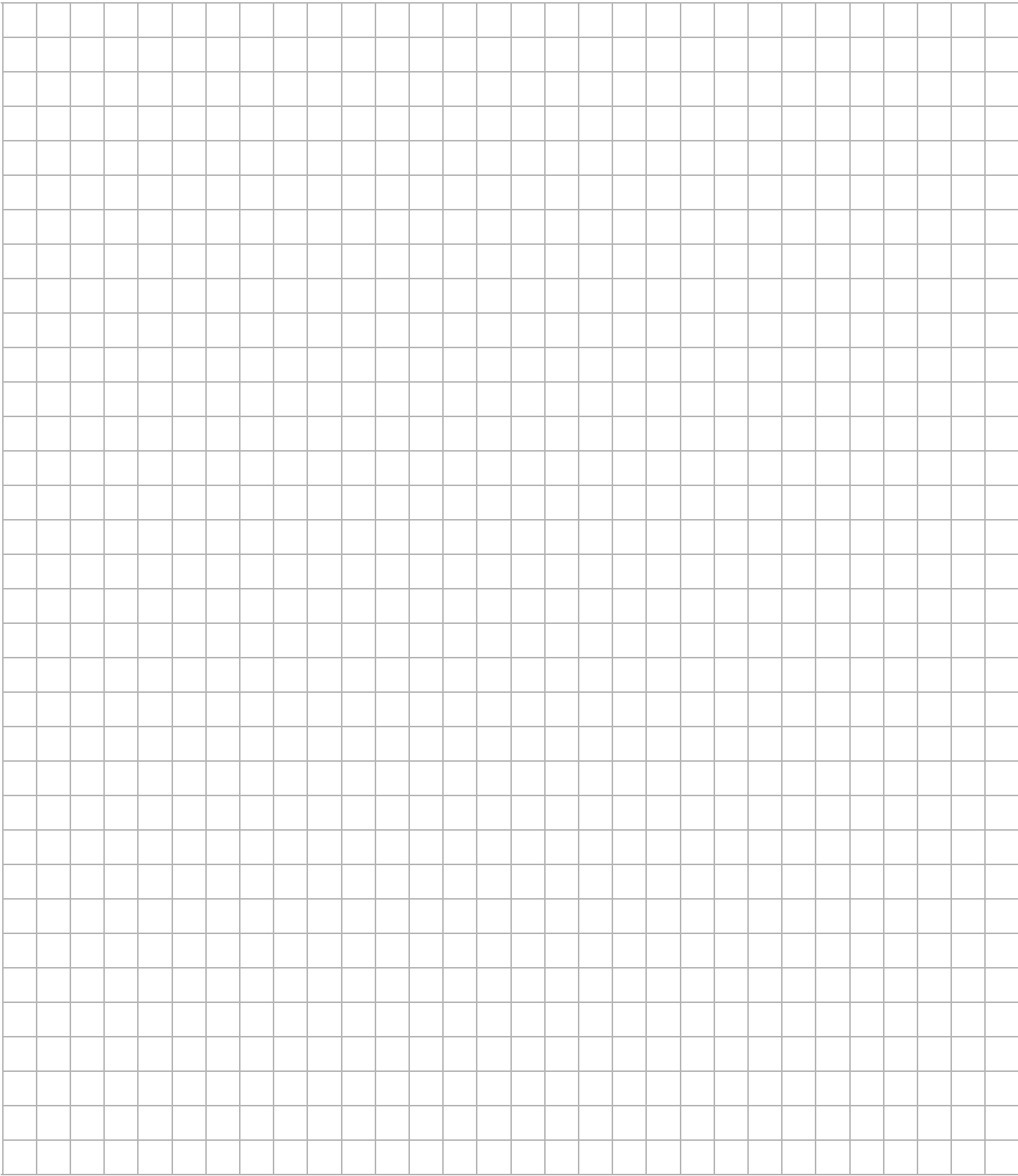
When ordering parts, please specify the model and serial number of the product.

* Indicates a component that is not available as an individual part.

*** Indicates consult Customer Service Department for additional information.

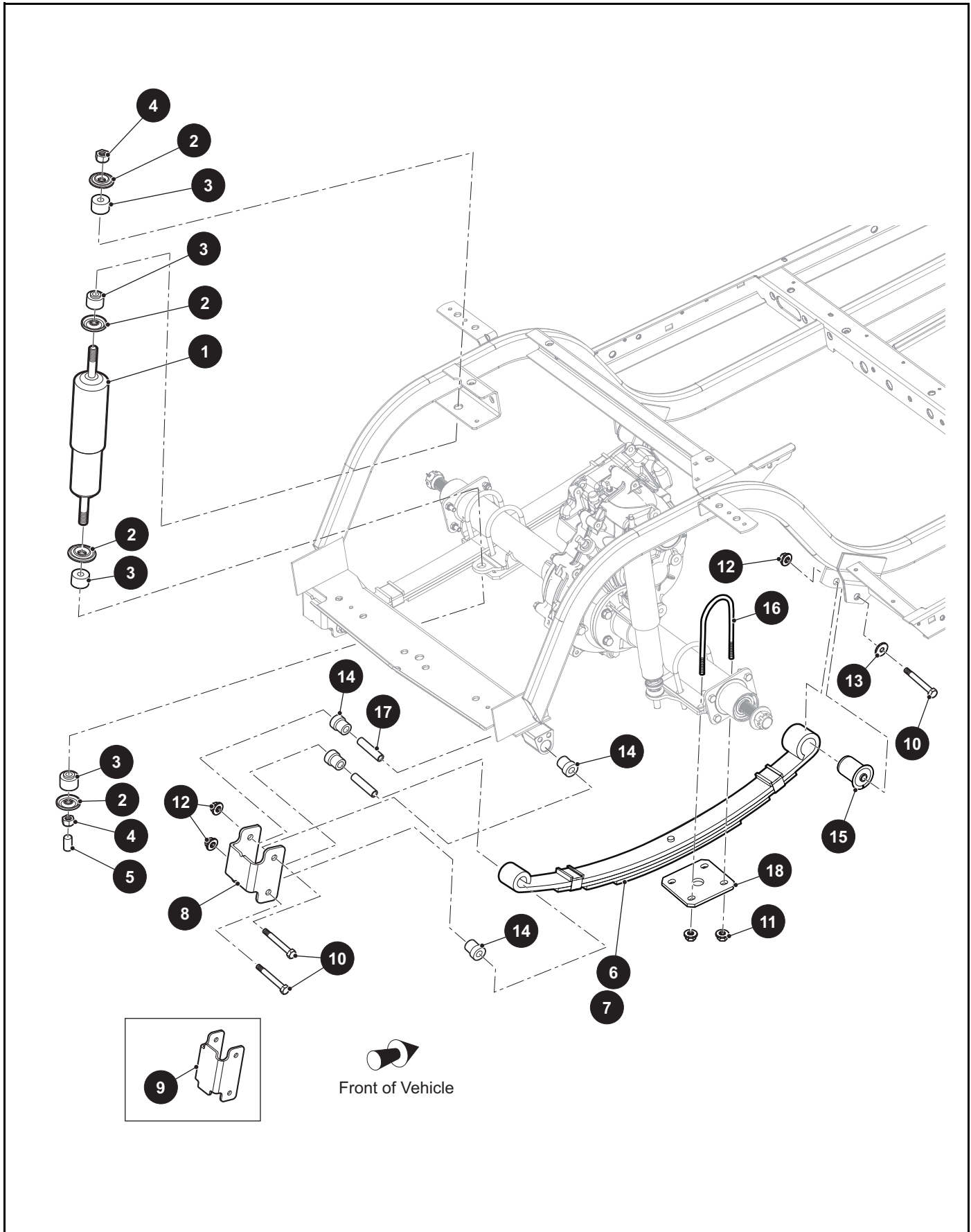
ITEM	PART NO.	1	2	3	4	5	DESCRIPTION	QTY.
32	<u>639868</u>						Ball Bearing (TMB202).....	2
33	<u>639755</u>						Counter Shaft.....	1
34	<u>640744</u>						Ball Bearing (6006)	1
35	<u>639758</u>						Gear, 34	1
36	<u>639869</u>						Knock Pipe	2
37	<u>639760</u>						Ball Bearing (6304)	2
38	<u>639768</u>						Flanged Hex Head Bolt, M8 - 1.25 x 40mm Lg	1
39	<u>639769</u>						Gear, 17	1
40	<u>28689G01</u>						Collar, 24 x 7.5mm	1
41	<u>639771</u>						Gear, 52	1
42	<u>670697</u>						Center Shaft.....	1
43	<u>639774</u>						Clutch Pin.....	1
44	<u>670696</u>						Gear, 61	1
45	<u>639797</u>						Spacer, 20 x 2mm	2
46	<u>639782</u>						Differential Case (Includes Items 34, 47, 49 and 50).....	1
47	<u>639800</u>						Differential Pair Gear.....	1
48	<u>26808G01</u>						Hex Head Bolt, M10 - 1.25 x 26mm Lg	6
49	<u>28723G01</u>						Differential Shaft.....	1
50	<u>28697G01</u>						Spring Pin, 4 x 40L.....	1
51	<u>639801</u>						Ball Bearing (6007)	1
52	<u>640739</u>						Gear, 60 Complete (Includes Item 51).....	1
53	<u>607938</u>						Castle Nut, M22 - 1.5	2
54	<u>639876</u>						Axle Shaft L Complete (Includes Item 56).....	1
55	<u>639881</u>						Axle Shaft R Complete (Includes Item 56).....	1
56	<u>639836</u>						Ball Bearing (6205DD).....	2
57	<u>10007592</u>						Axle Case L Complete	1
58	<u>10007593</u>						Axle Case R Complete.....	1
59	<u>26814G01</u>						Snap Ring, 52mm	2
60	<u>639839</u>						Flanged Hex Head Bolt, M8 - 1.25 x 60mm Lg	9
61	<u>639840</u>						Flanged Hex Head Bolt, M10 - 1.25 x 25mm Lg	10
62	<u>639844</u>						Shift Shaft Complete	1
63	<u>639847</u>						Differential Assembly (Includes Items 46, 48 and 52).....	1

Notes:



A large grid of graph paper for taking notes. The grid consists of 24 columns and 24 rows of small squares.

REAR SUSPENSION



REAR SUSPENSION

THE USE OF NON U.L. PARTS WILL VOID ANY U.L. LISTING.

When ordering parts, please specify the model and serial number of the product.

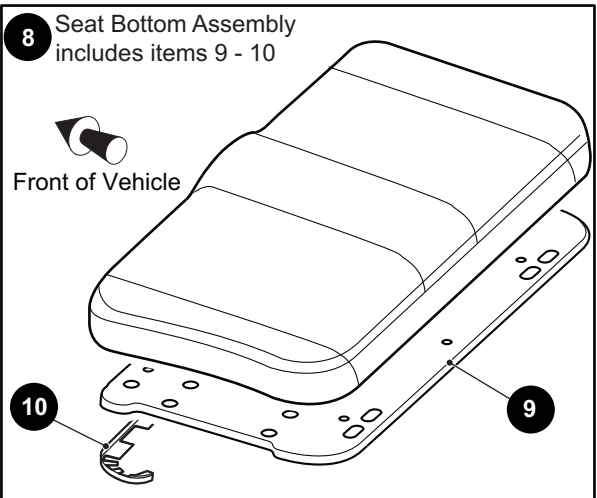
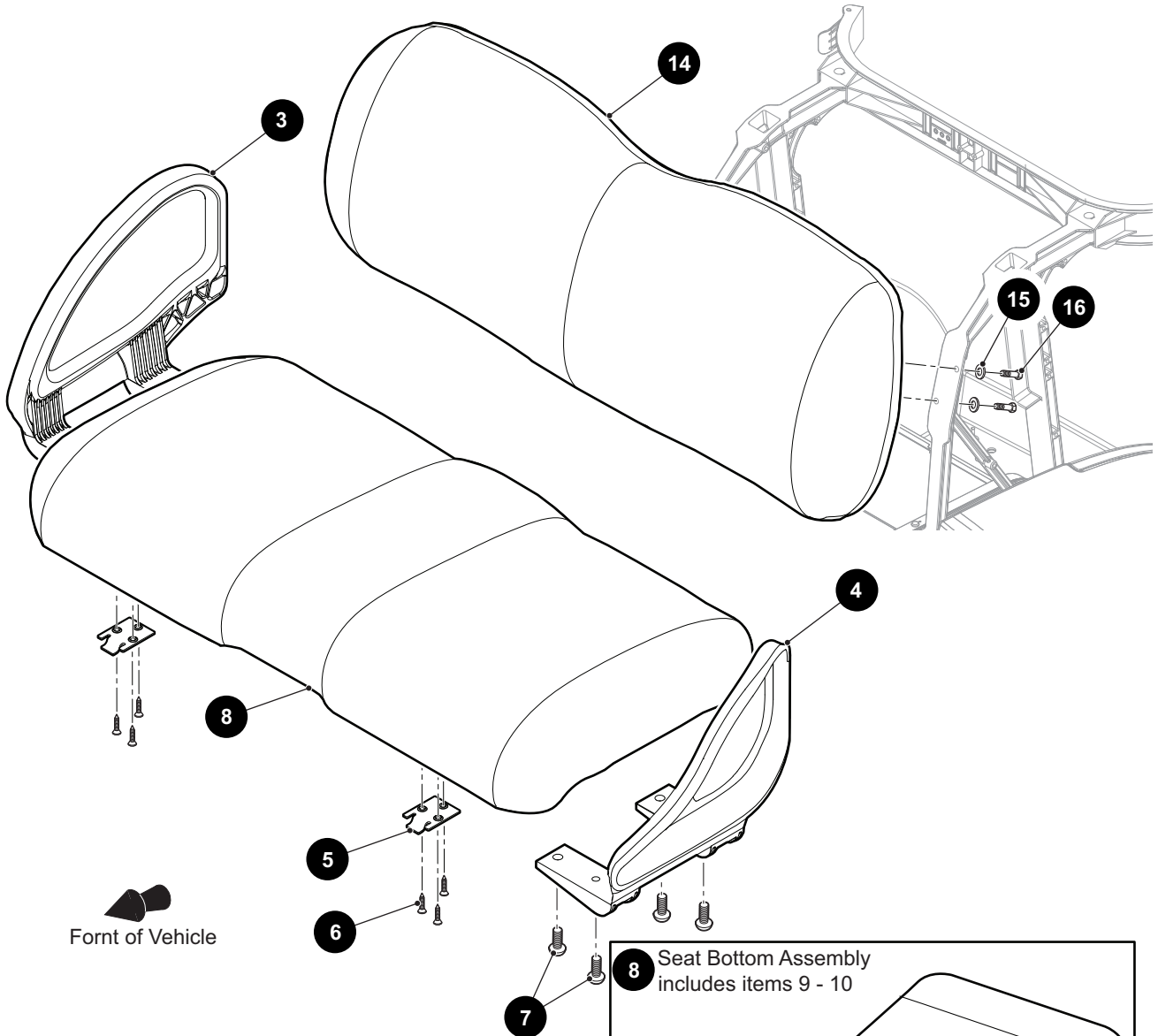
* Indicates a component that is not available as an individual part.

*** Indicates consult Customer Service Department for additional information.

ITEM	PART NO.	1 2 3 4 5	DESCRIPTION	QTY.
1	10001104		Shock Absorber.....	2
2	<u>10435G1</u>		Shock Absorber Washer	4
3	<u>10194G1</u>		Rubber Bushing	4
4	<u>00532G6</u>		Hex Nut, 3/8" - 24.....	2
5	<u>10044G01</u>		Vinyl Cap.....	1
6	10001050		Leaf Spring, 300 lbs	1
7	694498		Leaf Spring, 500 lbs	1
8	694077		Shackle Bracket (TXT).....	1
9	696060		Shackle Bracket (Valor).....	1
10	<u>00665G9</u>		Hex Head Bolt, 3/8" - 16 x 1" Lg	3
11	<u>600525</u>		Flanged Lock Nut, M10 - 1.5.....	4
12	<u>12262G1</u>		Flanged Lock Nut, 3/8" - 16	3
13	<u>00643G1</u>		Flat Washer, 3/8"	1
14	<u>624030</u>		Flanged Bushing	4
15	<u>605445</u>		Front Spring Bushing	1
16	<u>632103</u>		U-bolt, 68mm Dia x 110mm x 45mm.....	2
17	<u>70289G02</u>		Split Spacer (Steel)	2
18	692039		Suspension Plate	1

For Vehicles with Premium Seat Option

- 1** Seat Bottom Assembly includes items 3 - 8



THE USE OF NON U.L. PARTS WILL VOID ANY U.L. LISTING.

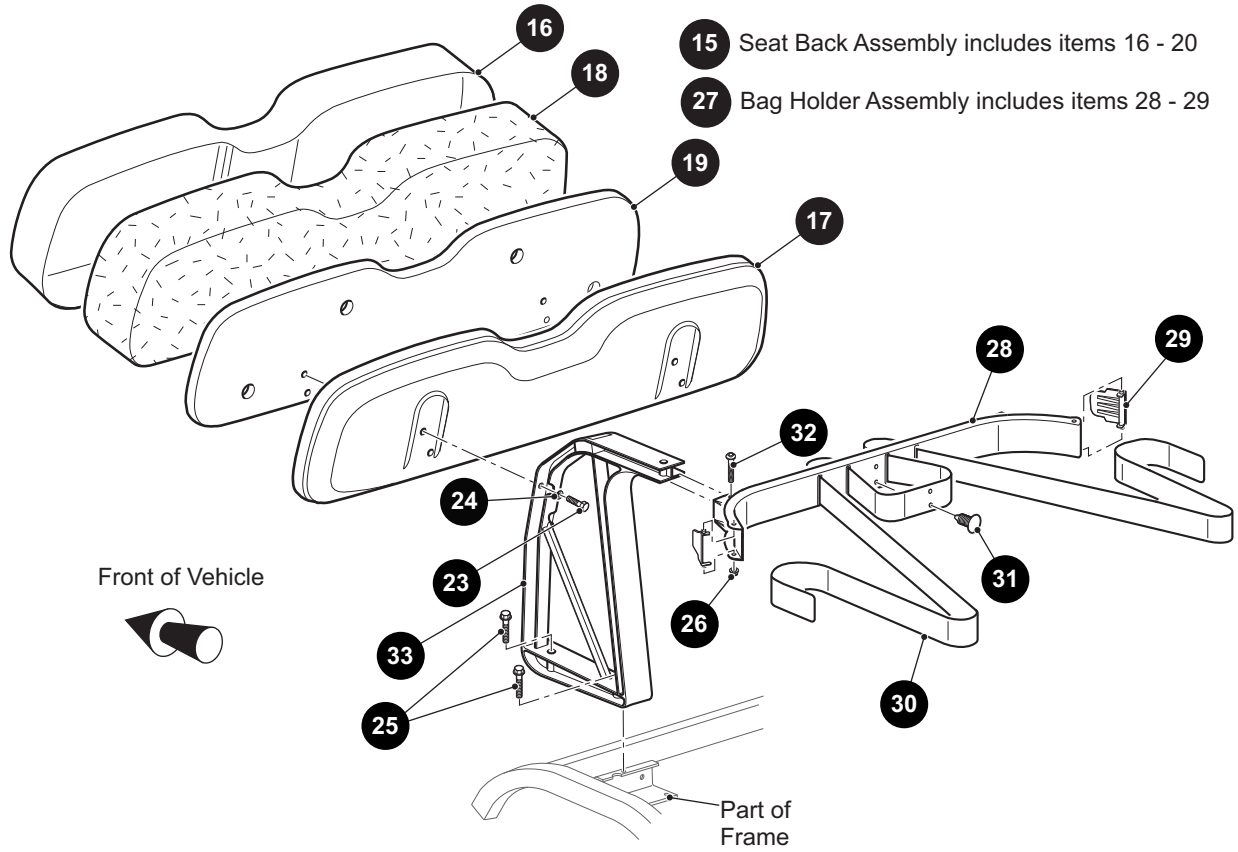
When ordering parts, please specify the model and serial number of the product.

* Indicates a component that is not available as an individual part.

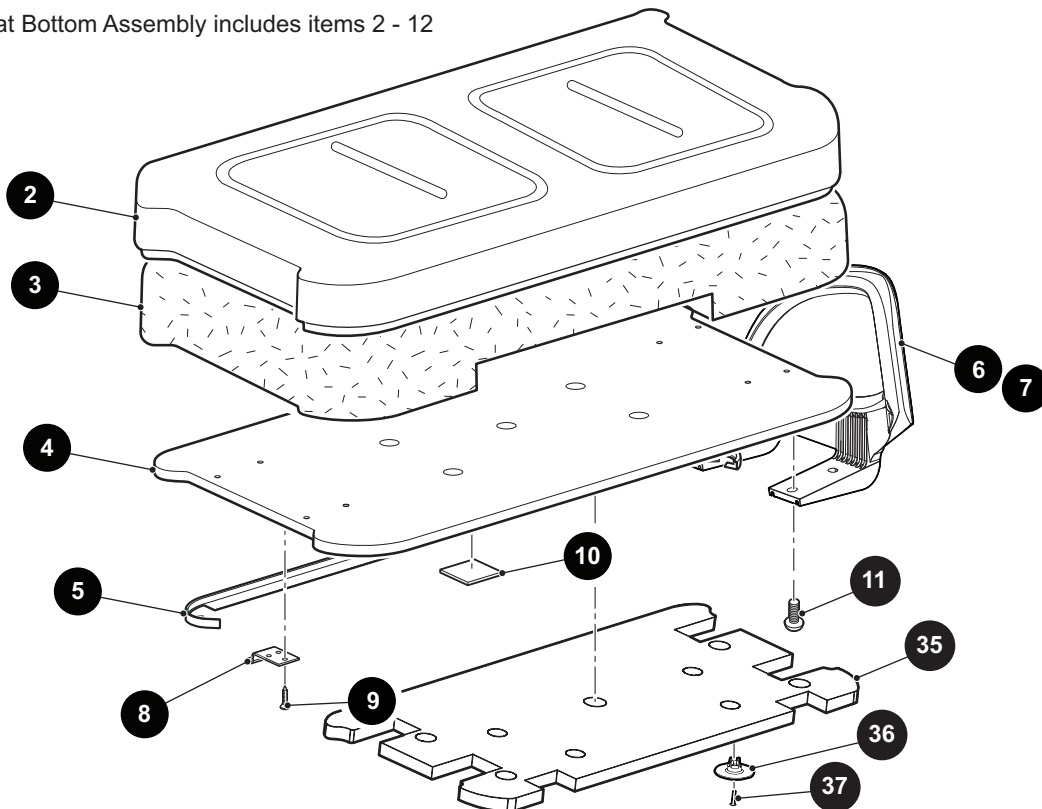
*** Indicates consult Customer Service Department for additional information.

ITEM	PART NO.	1 2 3 4 5	DESCRIPTION	QTY.
1	***		Seat Bottom Assembly (Includes Items 3 - 8) 629269G198 Mushroom 629269G199 Gray 629269G1920 Custom 629269G1921 Black 629269G1923 Charcoal 629269G1924 Oyster 629269G1925 White	1
2				
3	<u>617644</u>		Hip Restraint (Passenger Side)	1
4	<u>617645</u>		Hip Restraint (Driver Side).....	1
5	<u>71610G01</u>		Seat Hinge	2
6	<u>00720G08</u>		Phillips Head Tapping Screw, #12 -14 x 1" Lg	6
7	<u>615417</u>		Button Head Torx Bolt, M10 - 1.5 x 25mm Lg.....	8
8	***		Seat Bottom Assembly (Includes Items 9 - 10)..... 686151G18 Mushroom 686151G19 Gray 686151G20 Custom 686151G21 Black 686151G23 Charcoal 686151G24 Oyster 686151G25 White	1
9	645492		Seat Bottom.....	1
10	<u>71012G01</u>		Vinyl Trim (Seat Bottom)	2
11				
12				
13				
14	***		Seat Back Assembly 686150G18 Mushroom 686150G19 Gray 686150G20 Custom 686150G21 Black 686150G23 Charcoal 686150G24 Oyster 686150G25 White	1
15	<u>00664G7</u>		Lock Washer (SS), 1/4"	4
16	<u>605056</u>		Hex Head Bolt (SS), 1/4" - 20 x 1" Lg	4

SEATING



1 Seat Bottom Assembly includes items 2 - 12



THE USE OF NON U.L. PARTS WILL VOID ANY U.L. LISTING.

When ordering parts, please specify the model and serial number of the product.

* Indicates a component that is not available as an individual part.

*** Indicates consult Customer Service Department for additional information.

ITEM	PART NO.	1 2 3 4 5	DESCRIPTION	QTY.
1	***		Seat Bottom Assembly (Includes Items 2 - 12) 629269G0101 Oyster 629269G0103 Tan 629269G0104 Gray 629269G0108 Custom Solid	1
2	***		Seat Bottom Cover 71602G03 Oyster 71602G02 Gray 71602G04 Tan 71602G05 Custom Solid	1
3	<u>71603G02</u>		Foam Padding (Seat Bottom)	1
4	<u>645492</u>		Seat Bottom.....	1
5	<u>71012G01</u>		Vinyl Trim (Seat Bottom).....	1
6	<u>617644</u>		Hip Restraint (Passenger Side).....	1
7	<u>617645</u>		Hip Restraint (Driver Side).....	1
8	<u>71610G01</u>		Seat Hinge.....	2
9	<u>00720G08</u>		Phillips Head Tapping Screw, #12 -14 x 1" Lg.....	6
10	<u>17074G1</u>		Soiling Slab.....	2
11	<u>615417</u>		Button Head Torx Bolt, M10 - 1.5 x 25 mm Lg.....	8
12	<u>17618G1</u>		Nylon Clamp, 7" Lg (Not Illustrated)	1
13				
14				
15	***		Seat Back Assembly (Includes Items 16 - 20)..... 625229G0101 Oyster 625229G0103 Tan 625229G0104 Gray 625229G0108 Custom Solid	1
16	***		Vinyl Seat Back Cover 625234G01 Oyster 625234G03 Tan 625234G04 Gray 625234G08 Custom Solid	1
17	<u>625239</u>		Plastic Seat Back Cover	1
18	<u>625233</u>		Foam Padding (Seat Back)	1
19	<u>644266</u>		Seat Back Base	1
20	<u>17618G1</u>		Nylon Clamp, 7" Lg (Not Illustrated)	1
21				

SEATING

THE USE OF NON U.L. PARTS WILL VOID ANY U.L. LISTING.

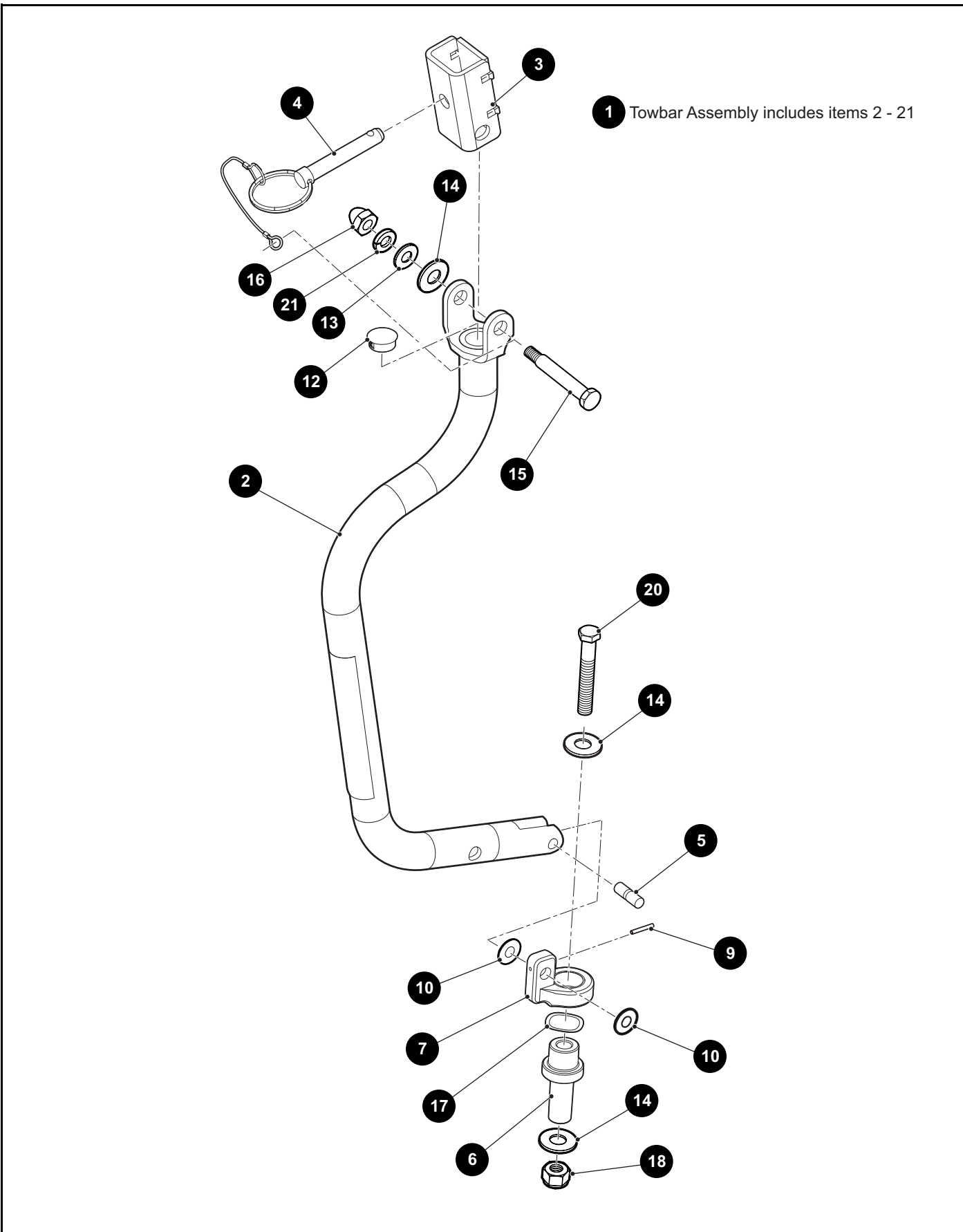
When ordering parts, please specify the model and serial number of the product.

* Indicates a component that is not available as an individual part.

*** Indicates consult Customer Service Department for additional information.

ITEM	PART NO.	1	2	3	4	5	DESCRIPTION	QTY.
22								
23	<u>605056</u>						Hex Head Bolt (SS), 1/4" - 20 x 1" Lg.....	4
24	<u>00664G7</u>						Lock Washer (SS), 1/4"	4
25	<u>01075G01</u>						Hex Head Bolt, 3/8" - 16 x 2 1/2" Lg.....	4
26	<u>11027G2</u>						Lock Nut, 1/4" - 20	2
27	<u>618206</u>						Bag Holder Assembly (Includes Items 28 - 29)	1
28	<u>610642</u>						Bag Holder Bracket.....	1
29	<u>608051</u>						Bag Retainer Clamp.....	2
30	<u>71853G01</u>						Bag Retainer Strap	1
31	<u>16816G1</u>						Ratchet Fastener, 1/4" x 9/16" Lg.....	2
32	<u>01102G01</u>						Carriage Bolt (SS), 1/4" - 20 x 1 1/2" Lg.....	2
33	<u>71811G03</u>						Seat Support Bracket	2
34								
35	<u>657949</u>						Sound Treatment, Seat Bottom	1
36	<u>663426</u>						Retainer, Sound Treatment.....	4
37	<u>00720G08</u>						Phillips Head Tapping Screw, #12 - 14 x 1" Lg	4

TOW BAR



THE USE OF NON U.L. PARTS WILL VOID ANY U.L. LISTING.

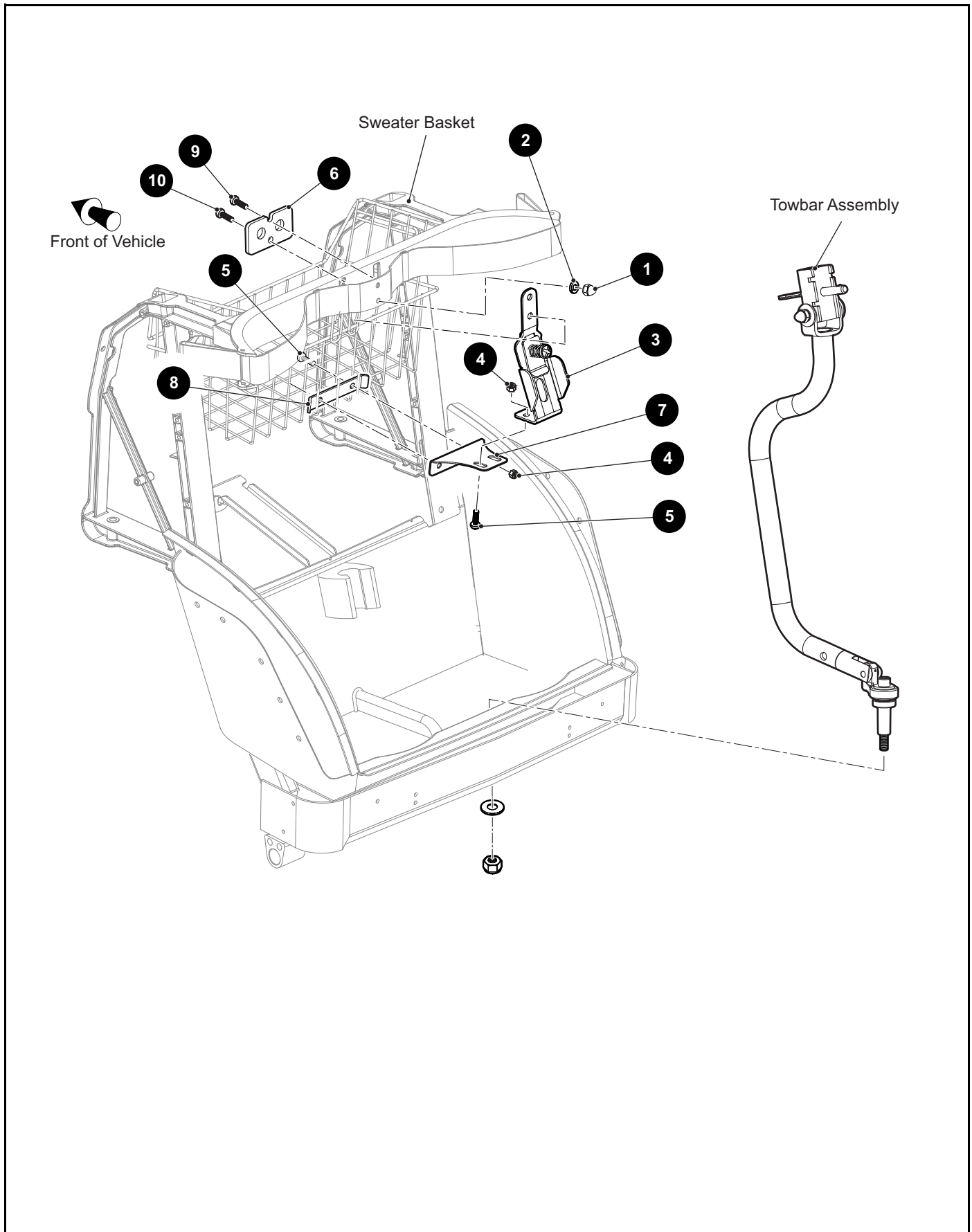
When ordering parts, please specify the model and serial number of the product.

* Indicates a component that is not available as an individual part.

*** Indicates consult Customer Service Department for additional information.

ITEM	PART NO.	1 2 3 4 5	DESCRIPTION	QTY.
1	<u>636433</u>		Towbar Assembly (Includes Items 2 - 21)	1
2	<u>635820</u>		Towbar Weldment	1
3	<u>635461</u>		Coupling Weldment	1
4	685471		Hitch Pin Assembly (Short).....	1
5	<u>75360G01</u>		Pivot Pin	1
6	<u>625582</u>		Towbar Pivot	1
7	<u>625458</u>		Towbar Swivel.....	1
8				
9	<u>608793</u>		Pin, 3mm x 22mm.....	1
10	<u>75340G01</u>		Flat Washer (Delrin), M10.....	2
11				
12	<u>20271G6</u>		Hole Plug, .875"	1
13	<u>00560G1</u>		Flat Washer, 3/8"	1
14	<u>00571G5</u>		Flat Washer, 5/16"	3
15	<u>14158G1</u>		Shoulder Bolt, 1/2" / 3/8" - 16 x 2 3/4" Lg	1
16	<u>15717G5</u>		Acorn Nut, 3/8" - 16	1
17	<u>603341</u>		Wavy Washer, 32mm.....	1
18	<u>11098G8</u>		Lock Nut, 3/8" - 16	1
19				
20	<u>00410G8</u>		Hex Head Bolt, 1/2" - 20 x 3" Lg Grade 5	1
21	<u>00566G1</u>		Spring Lock Washer, 7/16"	1

TOW BAR



THE USE OF NON U.L. PARTS WILL VOID ANY U.L. LISTING.

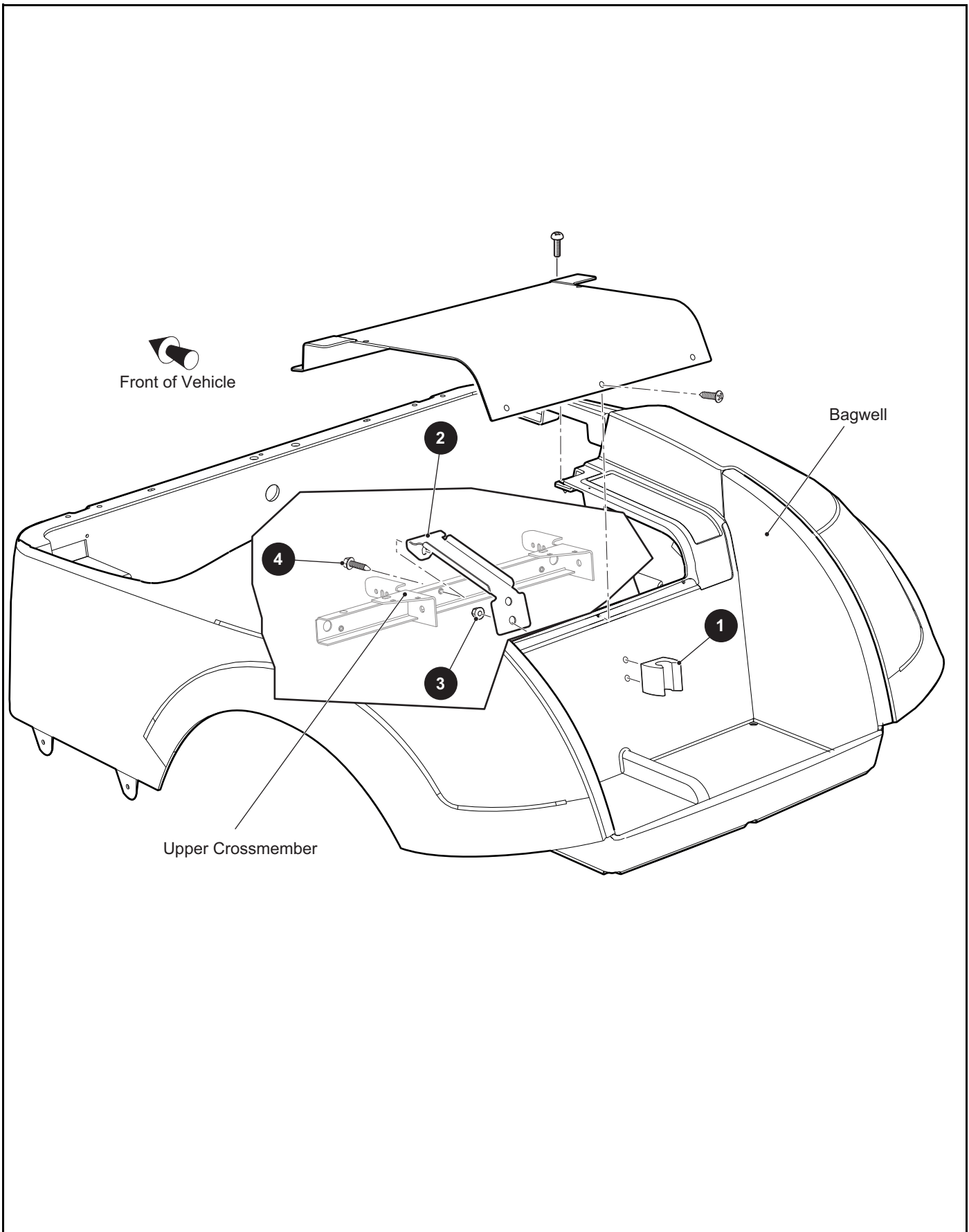
When ordering parts, please specify the model and serial number of the product.

* Indicates a component that is not available as an individual part.

*** Indicates consult Customer Service Department for additional information.

ITEM	PART NO.	1 2 3 4 5	DESCRIPTION	QTY.
1	<u>00520G1</u>		Acorn Nut	2
2	<u>00664G7</u>		Lock Washer, 1/4"	2
3	<u>641540</u>		Towbar Bracket	1
4	<u>14390G4</u>		Lock Nut, 1/4" - 20	4
5	<u>16705G2</u>		Pan Head Phillips Screw, 1/4" - 20 x 5/8" Lg	4
6	<u>641600</u>		Mounting Bracket	1
7	<u>641547</u>		Support Bracket	1
8	<u>641599</u>		Retainer.....	1
9	<u>16705G5</u>		Pan Head Phillips Screw, 1/4" - 20 x 1 1/2" Lg	1
10	<u>16705G6</u>		Pan Head Phillips Screw, 1/4" - 20 x 1 3/4" Lg	1

TOW BAR

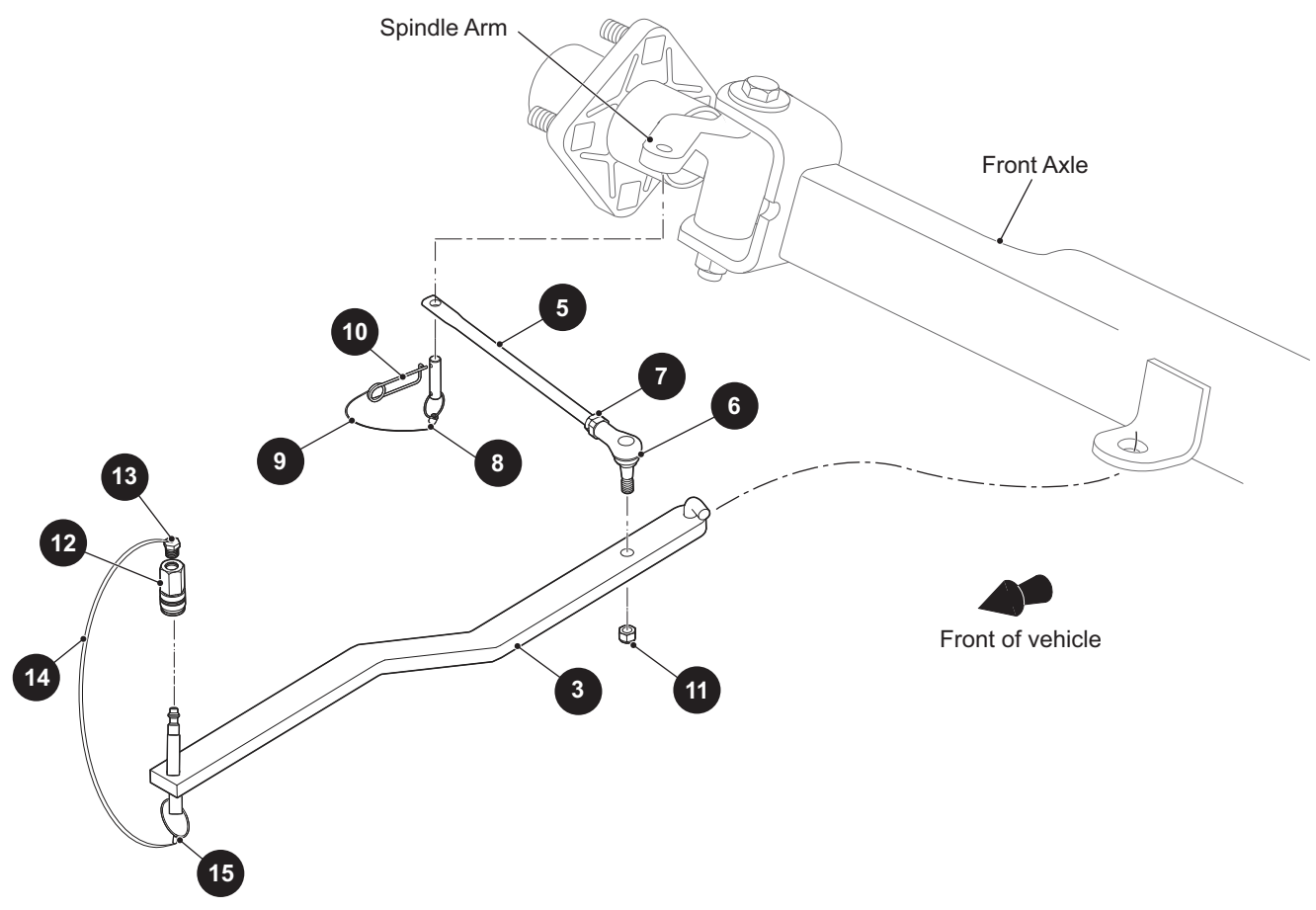


THE USE OF NON U.L. PARTS WILL VOID ANY U.L. LISTING.
 When ordering parts, please specify the model and serial number of the product.
 * Indicates a component that is not available as an individual part.
 *** Indicates consult Customer Service Department for additional information.

ITEM	PART NO.	1 2 3 4 5	DESCRIPTION	QTY.
1	<u>603020</u>		Towbar Retainer	1
2	<u>637479</u>		Retainer Bracket	1
3	<u>600525</u>		Flanged Lock Nut, M10 - 1.5.....	2
4	<u>00715G2</u>		Hex Washer Head Thread Forming Screw, 5/16" - 18 x .80" Lg	1

TOW BAR

- 1 Casual Towbar Kit includes item 2
- 2 Casual Towbar Assembly includes items 3 - 15
- 4 Tie Rod Assembly includes items 5 - 7



THE USE OF NON U.L. PARTS WILL VOID ANY U.L. LISTING.

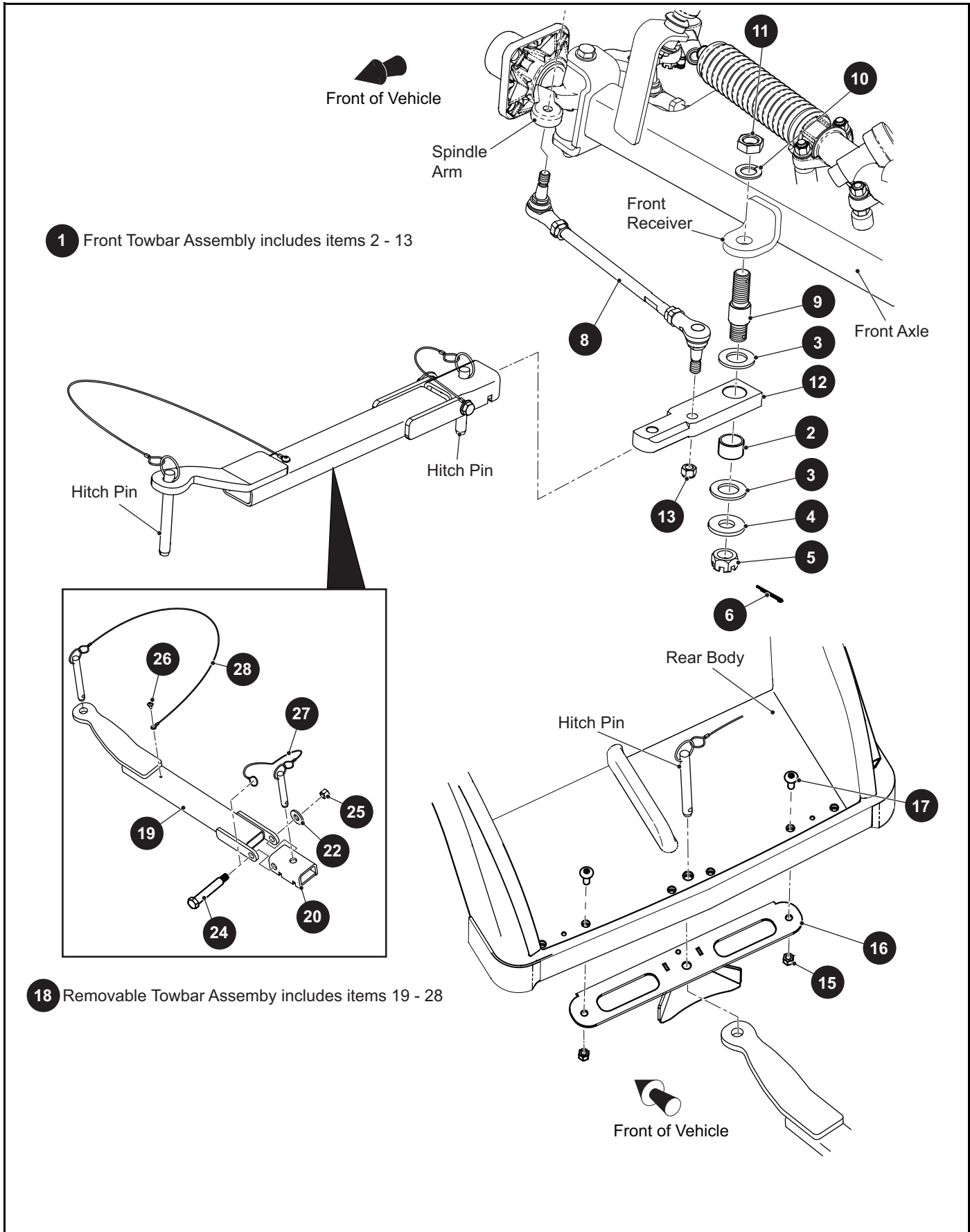
When ordering parts, please specify the model and serial number of the product.

* Indicates a component that is not available as an individual part.

*** Indicates consult Customer Service Department for additional information.

ITEM	PART NO.	1 2 3 4 5	DESCRIPTION	QTY.
1	<u>625284</u>		Casual Towbar Kit (Includes Item 2)	1
2	<u>625282</u>		Casual Towbar Assembly (Includes Items 3 -15).....	1
3	<u>625327</u>		Towbar Weldment	1
4	<u>625328</u>		Tie Rod Assembly (Includes Items 5 - 7).....	1
5	<u>625329</u>		Tie Rod Weldment	1
6	<u>70902G01</u>		Tie Rod End (Driver Side).....	1
7	<u>01069G01</u>		Jam Nut, M12 - 1.25	1
8	<u>16783G1</u>		Ferrule.....	1
9	<u>14869G5</u>		Wire Rope, 6" Lg.....	1
10	<u>75068G01</u>		Safety Pin.....	1
11	<u>00734G1</u>		Lock Nut, 7/16" - 14	1
12	<u>75060G01</u>		Coupling	1
13	<u>75035G02</u>		Hex Head Plug with Hole, 1/4" - 18.....	1
14	<u>14869G3</u>		Wire Rope, 20" Lg.....	1
15	<u>75067G01</u>		Ferrule.....	1

TOW BAR



THE USE OF NON U.L. PARTS WILL VOID ANY U.L. LISTING.

When ordering parts, please specify the model and serial number of the product.

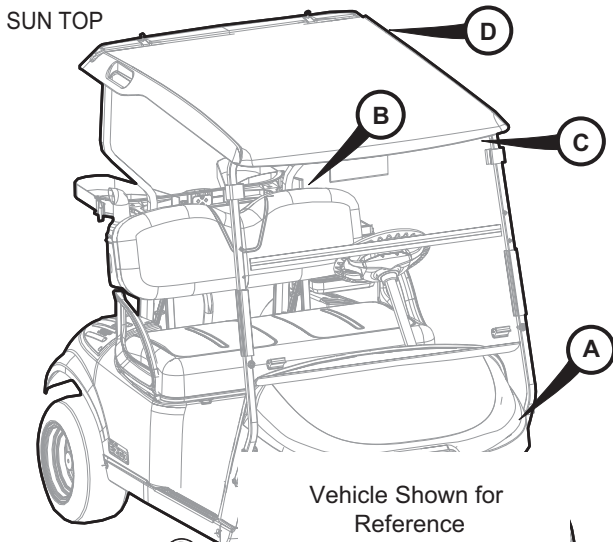
* Indicates a component that is not available as an individual part.

*** Indicates consult Customer Service Department for additional information.

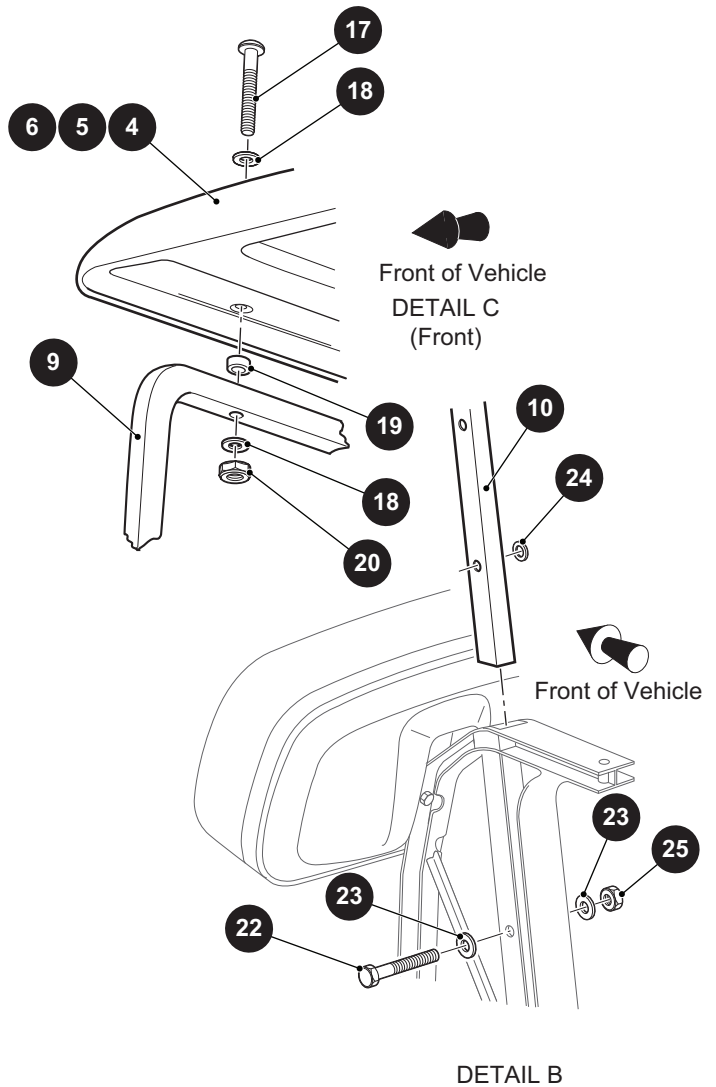
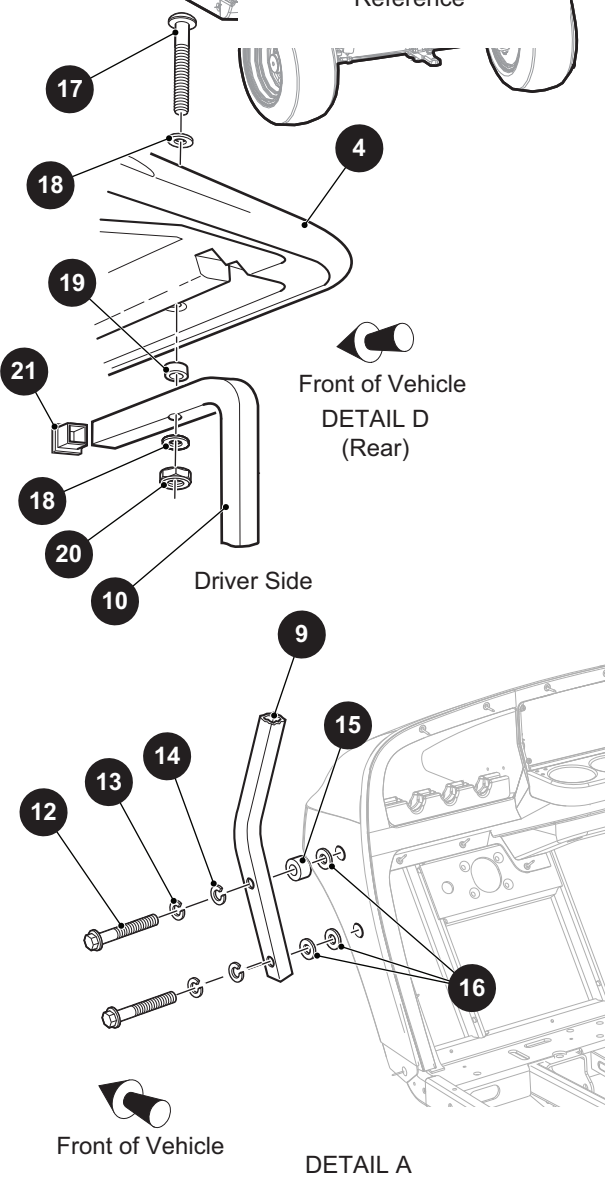
ITEM	PART NO.	1 2 3 4 5	DESCRIPTION	QTY.
1	<u>637319</u>		Front Towbar Assembly (Includes Items 2 - 13)	1
2	<u>75307G01</u>		Bearing	1
3	<u>75309G01</u>		Thrust Bearing	2
4	<u>75342G01</u>		Flat Washer, 1.7" O.D. x .781" I.D.	1
5	<u>00518G8</u>		Castle Nut, 3/4" - 16	1
6	<u>10387G1</u>		Cotter Pin, .125" x 1.50" Lg	1
7				
8	<u>625811</u>		Tie Rod Assembly	1
9	<u>75292G01</u>		Pivot Bolt, 3/4" - 16 x 3.71" Lg	1
10	<u>00566G6</u>		Lock Washer, 3/4"	1
11	<u>00533G8</u>		Hex Nut, 1/2" - 13	1
12	<u>635632</u>		Front Pivot Bar	1
13	<u>00734G1</u>		Lock Nut, 7/16" - 14	2
14				
15	<u>11098G5</u>		Lock Nut, 3/8" - 16	2
16	<u>635620</u>		Rear Towbar Receiver	1
17	<u>73653G01</u>		Truss Head Torx Screw, 3/8" - 16 x 1.5" Lg	2
18	<u>635736</u>		Removable Towbar Assembly (Includes Items 19 - 28)	1
19	<u>635428</u>		Towbar Tongue Weldment	1
20	<u>635461</u>		Towbar Coupling Weldment	1
21				
22	<u>00571G5</u>		Flat Washer (SS), 1/4"	1
23				
24	<u>14158G1</u>		Hex Shoulder Bolt, 1/2" x 2 3/4" Lg	1
25	<u>11098G5</u>		Lock Nut, 3/8" - 16	1
26	<u>637563</u>		Self Tapping Screw, M4 - 1 x 14/12mm Lg	1
27	685471		Hitch Pin Assembly (Short)	1
28	<u>641171</u>		Hitch Pin Assembly (Long)	1

WEATHER PROTECTION

SUN TOP



- 1 Sun Top Kit, 54" (Tan) includes items 4, 8
- 2 Sun Top Kit, 54" (Beige) includes items 5, 8
- 3 Sun Top Kit, 54" (Black) includes items 6, 8
- 8 Strut Set Kit, 1" includes items 9 - 11
- 11 Sun Top Hardware Kit includes items 12 - 25



WEATHER PROTECTION

THE USE OF NON U.L. PARTS WILL VOID ANY U.L. LISTING.

When ordering parts, please specify the model and serial number of the product.

* Indicates a component that is not available as an individual part.

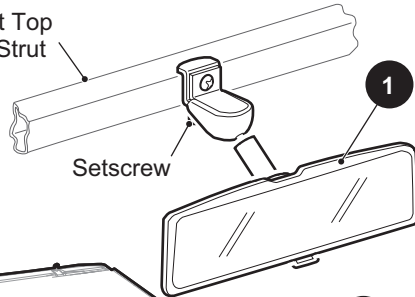
*** Indicates consult Customer Service Department for additional information.

ITEM	PART NO.	1 2 3 4 5	DESCRIPTION	QTY.
1	<u>625299G01</u>		Sun Top Kit, 54" (Tan) (Includes Items 4, 8).....	1
2	<u>625299G02</u>		Sun Top Kit, 54" (Beige) (Includes Items 5, 8)	1
3	<u>625299G03</u>		Sun Top Kit, 54" (Black) (Includes Items 6, 8).....	1
4	<u>625290</u>		Sun Top (Tan)	1
5	<u>625291</u>		Sun Top (Beige).....	1
6	<u>625292</u>		Sun Top (Black)	1
7				
8	<u>635005</u>		Strut Set Kit, 1" (Includes Items 9 - 11).....	1
9	<u>625294G01</u>		Front Strut	1
10	<u>75046G01</u>		Rear Strut.....	1
11	<u>625296</u>		Sun Top Hardware Kit (Includes Items 12 - 25)	1
12	*		Hex Head Bolt, 5/16" - 18 x 2 1/4" Lg.....	2
13	*		Flat Washer, 5/16"	2
14	*		Lock Washer, 5/16".....	2
15	*		Spacer, .328" I.D. x .75" O.D. x .5" Lg	1
16	*		Flat Washer, 5/16"	3
17	*		Hex Head Bolt, 1/4" - 20 x 2 1/2" Lg.....	2
18	*		Flat Washer (SS), 1/4"	4
19	*		Spacer (Plastic), .28" I.D. x .56" O.D. x .74" Lg.....	2
20	*		Lock Nut (SS), 1/4" - 20.....	2
21	*		End Cap, 1" Sq	1
22	*		Hex Head Bolt (SS), 5/16" - 18 x 1 3/4" Lg.....	2
23	*		Flat Washer (SS), 5/16"	4
24	*		Teflon Washer, 5/16".....	2
25	*		Lock Nut (SS), 5/16" - 18.....	2

WEATHER PROTECTION

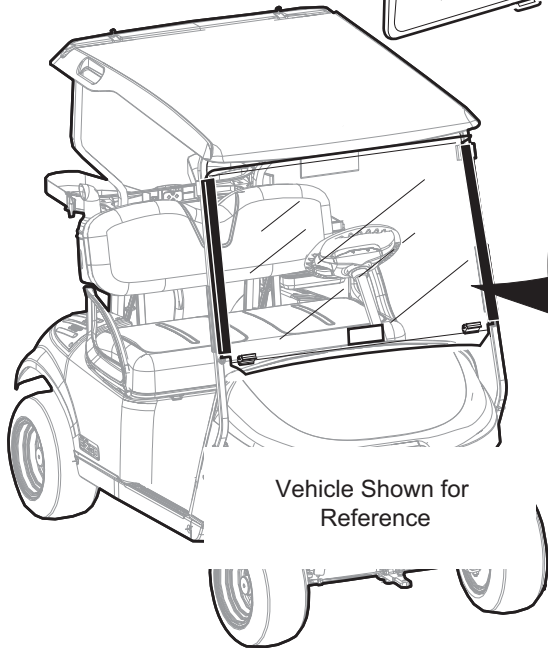
REAR VIEW MIRROR

Front Top
Strut

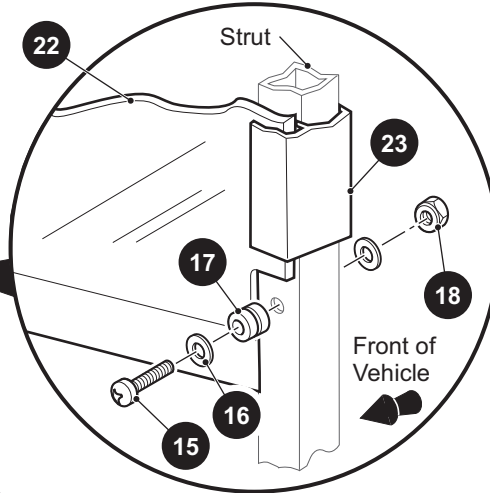


Setscrew

- 6** Windshield Kit, Split includes items 7 - 14
- 7** Split Windshield Assembly includes items 8 - 11
- 14** Hardware Kit includes items 15 - 18

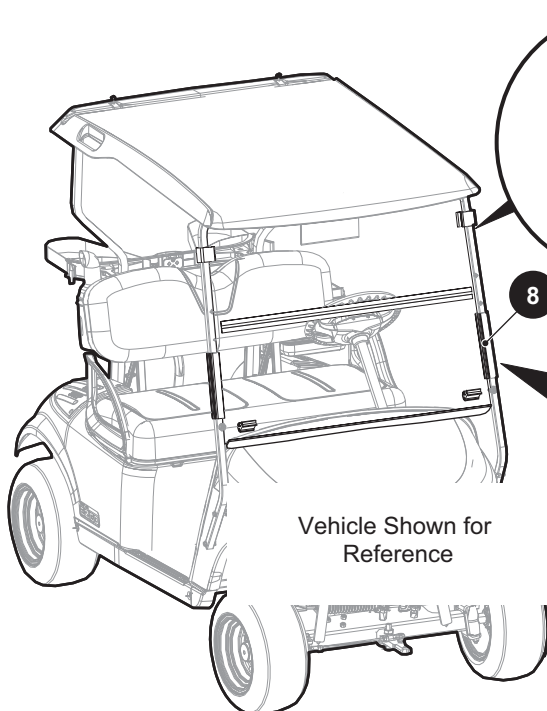


Vehicle Shown for
Reference

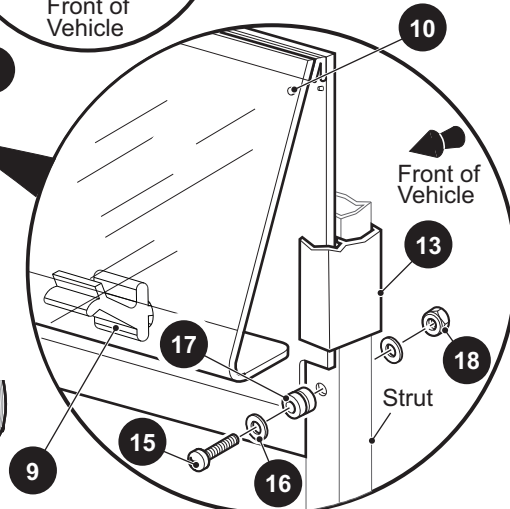
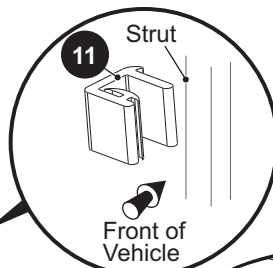


Full Windshield

- 20** Windshield Kit, Full includes items 14, 21 - 23
- 21** Full Windshield Assembly includes item 22



Vehicle Shown for
Reference



Split Windshield

WEATHER PROTECTION

THE USE OF NON U.L. PARTS WILL VOID ANY U.L. LISTING.

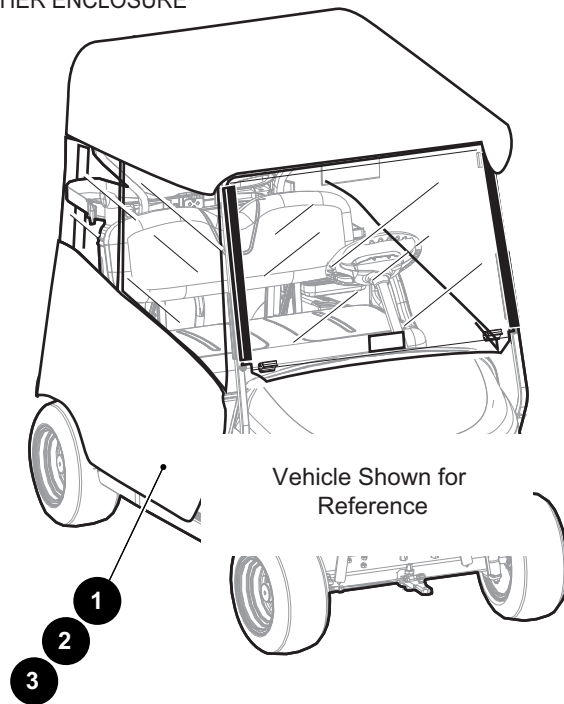
When ordering parts, please specify the model and serial number of the product.

* Indicates a component that is not available as an individual part.

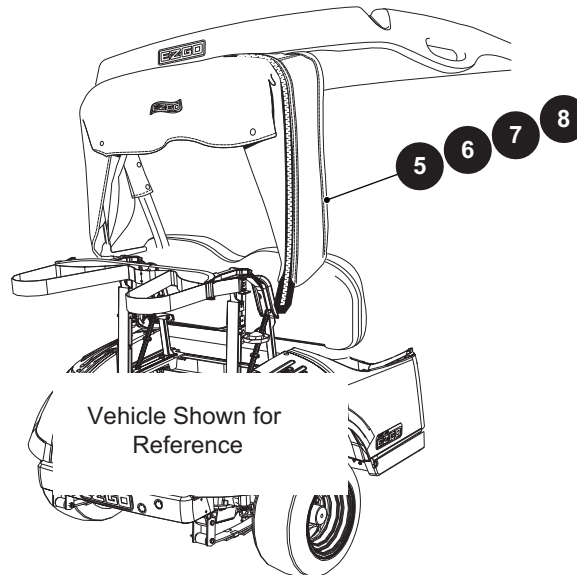
*** Indicates consult Customer Service Department for additional information.

ITEM	PART NO.	1 2 3 4 5	DESCRIPTION	QTY.
1	<u>690087</u>		Rear View Mirror Kit	1
2				
3				
4				
5				
6	<u>625279G01</u>		Windshield Kit, Split (Includes Items 7 - 14).....	1
7	<u>625275</u>		Windshield Assembly, Split (Includes Items 8 - 11)	1
8	*		Split Windshield.....	1
9	<u>603201</u>		Lower Latch.....	2
10	<u>604115</u>		Grommet	4
11	<u>625230</u>		Upper Latch.....	2
12				
13	<u>625228</u>		Sash, 9" Lg	2
14	<u>625271</u>		Hardware Kit (Includes Items 15 - 18)	1
15	<u>00753G5</u>		Truss Head Phillips Screw, 1/4" - 20 x 2" Lg	1
16	<u>01110G01</u>		Flat Washer (SS), 1/4"	2
17	<u>625278</u>		Rubber Grommet	1
18	<u>00654G2</u>		Lock Nut (SS), 1/4" - 20	1
19				
20	<u>625279G03</u>		Windshield Kit, Full (Includes Items 14, 21 - 23).....	1
21	<u>625277</u>		Windshield Assembly, Full (Includes Item 22)	1
22	<u>625276</u>		Windshield Full.....	1
23	<u>625227</u>		Sash, 26" Lg	2

WEATHER ENCLOSURE



BAG COVER KIT



WEATHER PROTECTION

THE USE OF NON U.L. PARTS WILL VOID ANY U.L. LISTING.

When ordering parts, please specify the model and serial number of the product.

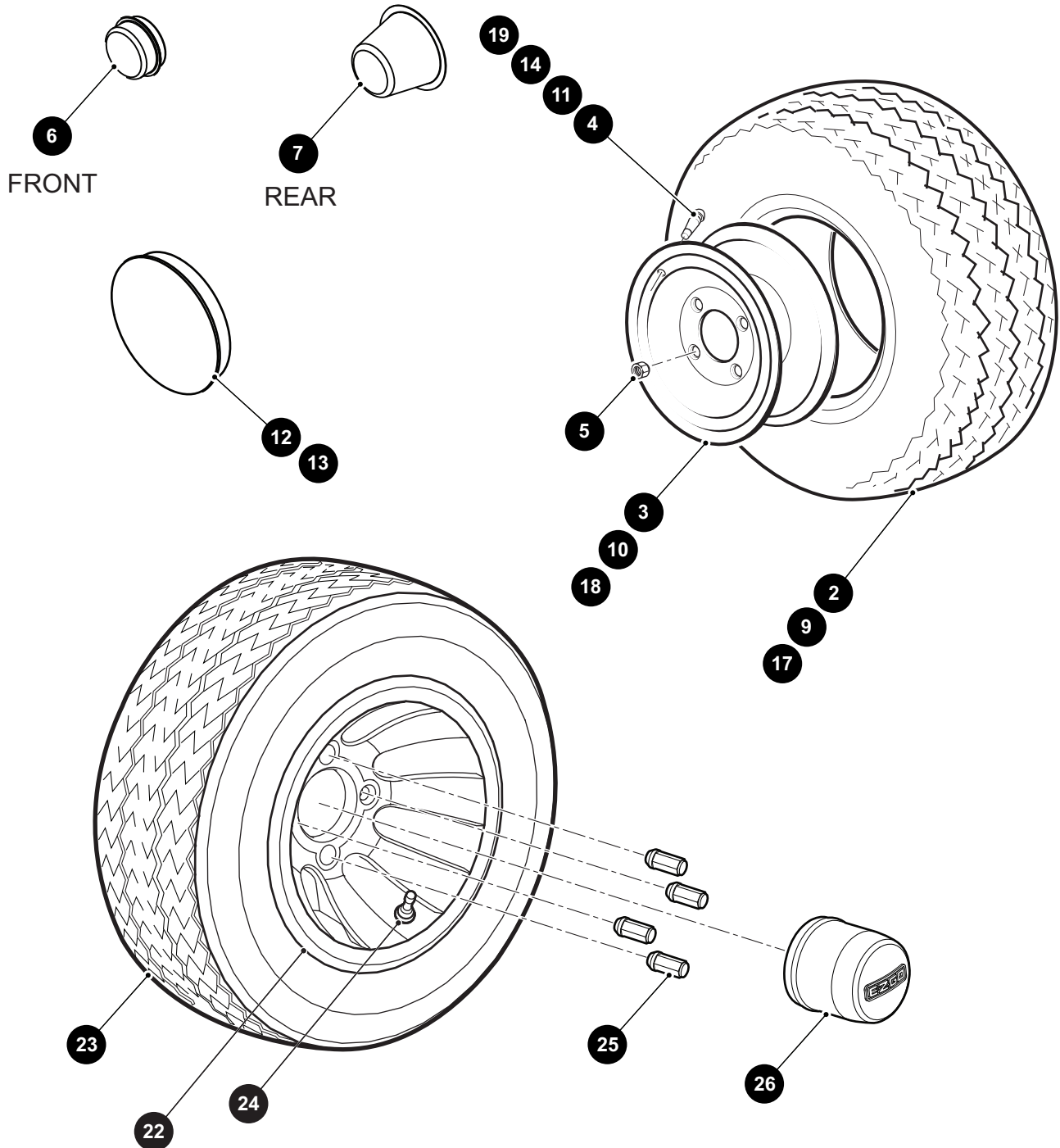
* Indicates a component that is not available as an individual part.

*** Indicates consult Customer Service Department for additional information.

ITEM	PART NO.	1 2 3 4 5	DESCRIPTION	QTY.
1	<u>634541</u>		Weather Enclosure (3 Sided) (Tan) Recommended for Vehicles with Windshields	1
2	<u>634542</u>		Weather Enclosure (3 Sided) (Oyster) Recommended for Vehicles with Windshields	1
3	<u>634543</u>		Weather Enclosure (3 Sided) (Hunter Green) Recommended for Vehicles with Windshields	1
4				
5	<u>625581</u>		Bag Cover Kit (Oyster).....	1
6	<u>625583</u>		Bag Cover Kit (Tan).....	1
7	<u>625585</u>		Bag Cover Kit (Green).....	1
8	<u>618430</u>		Bag Cover Kit (Black).....	1

WHEELS AND TIRES

- 1 Wheel and Tire Assembly (Links) includes items 2 - 4
- 8 Wheel and Tire Assembly (Sure Trail) includes items 9 - 11
- 16 Wheel and Tire Assembly (Hole - N - One) includes items 17 - 19
- 21 Wheel and Tire Assembly (Machine Alloy) includes items 22 - 24



WHEELS AND TIRES

THE USE OF NON U.L. PARTS WILL VOID ANY U.L. LISTING.

When ordering parts, please specify the model and serial number of the product.

* Indicates a component that is not available as an individual part.

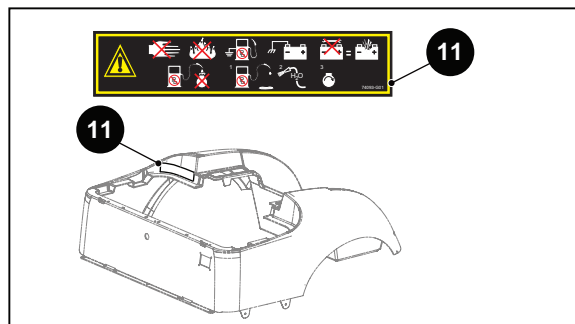
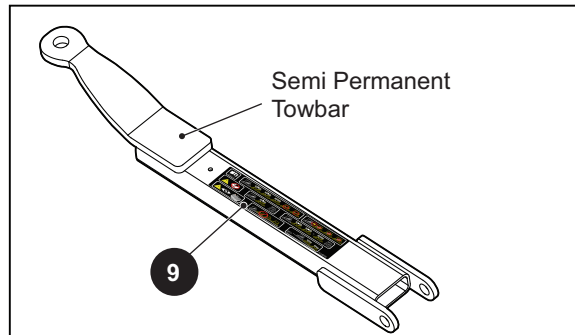
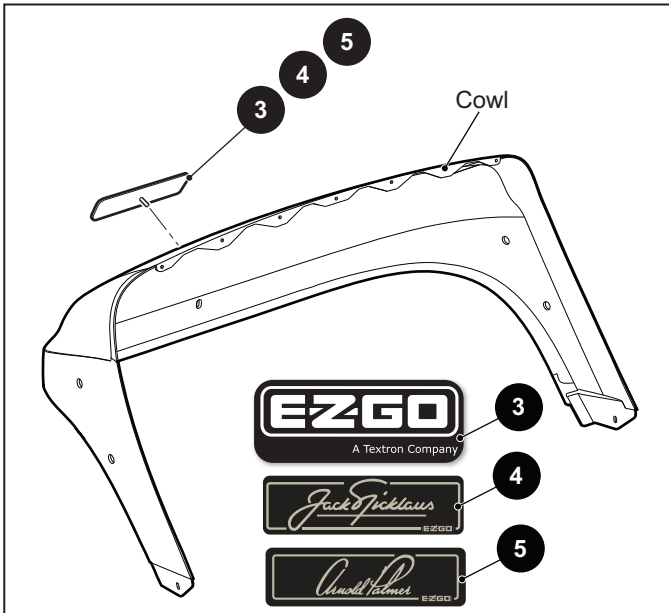
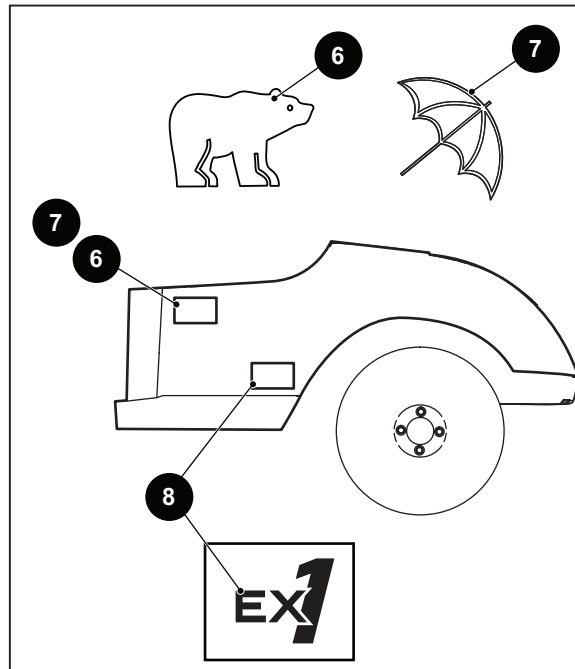
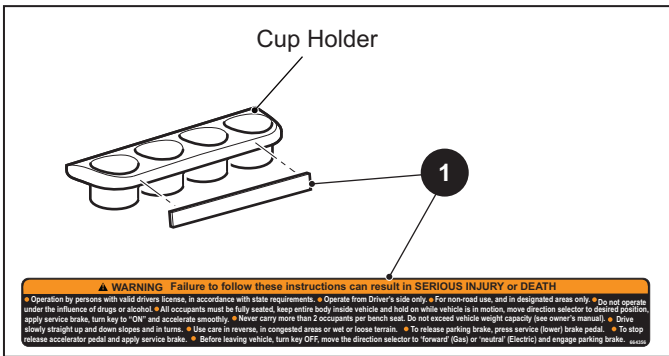
*** Indicates consult Customer Service Department for additional information.

ITEM	PART NO.	1 2 3 4 5	DESCRIPTION	QTY.
1	<u>28757G01</u>		Wheel and Tire Assembly (Links) 18 x 8.5 - 8 (Includes Items 2 - 4).....	1
2	<u>28764G01</u>		Tire, Carlisle Links	1
3	<u>28759G01</u>		Wheel Rim (4 Lug).....	1
4	<u>11657G2</u>		Valve Stem	1
5	<u>14723G1</u>		Lug Nut, 1/2" - 20	4
6	<u>12091G2</u>		Spindle Cap.....	1
7	<u>74175G01</u>		Molded Dust Cap	1
8	<u>28842G01</u>		Wheel and Tire Assembly (Sure Trail) (Includes Items 9 - 11)	1
9	<u>28764G06</u>		Tire, USA Trail.....	1
10	<u>28759G01</u>		Wheel Rim (4 Lug).....	1
11	<u>11657G2</u>		Valve Stem	1
12	<u>665149</u>		Wheel Cover (Metallic Gold)	1
13	<u>665144</u>		Wheel Cover (Metallic Silver).....	1
14				
15				
16	<u>612772</u>		Wheel and Tire Assembly (Hole - N - One) (Includes Items 17 - 19)	1
17	<u>612771</u>		Kenda Tire, Hole - N - One	1
18	<u>612770</u>		Wheel, Monitor 8"	1
19	<u>11657G2</u>		Valve Stem	1
20				
21	<u>647042</u>		Wheel and Tire Assembly (Machine Alloy) (Includes Items 22 - 24)	1
22	<u>653593</u>		Wheel, 10"	1
23	<u>647044</u>		Tire (Kenda), 205/50 - 10"	1
24	<u>604915</u>		Valve Stem (Chrome)	1
25	<u>605310</u>		Lug Nut (Chrome)	4
26	<u>652122</u>		Wheel Cap (Chrome)	1

Notes:

Large grid area for notes.

DECALS AND LABELS



DECALS AND LABELS

THE USE OF NON U.L. PARTS WILL VOID ANY U.L. LISTING.

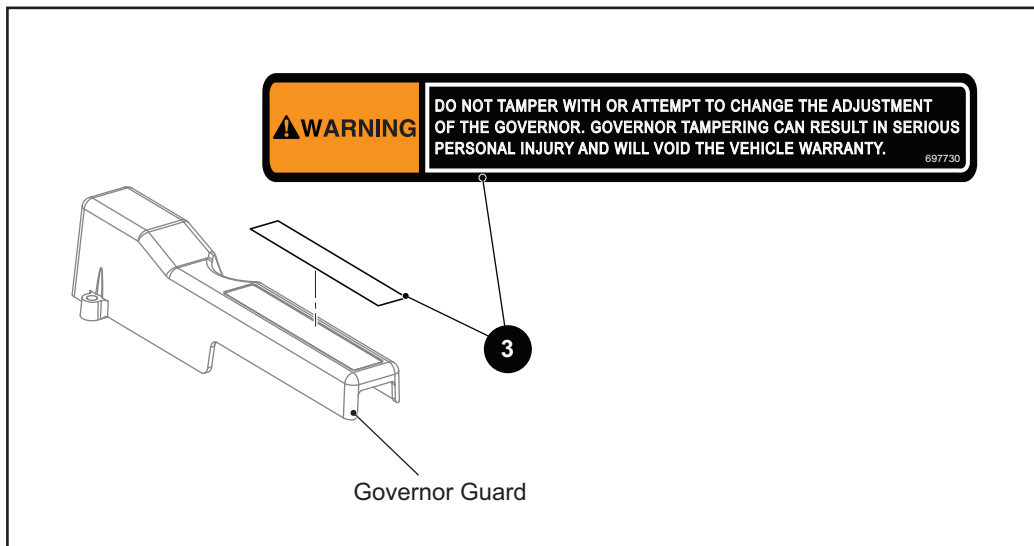
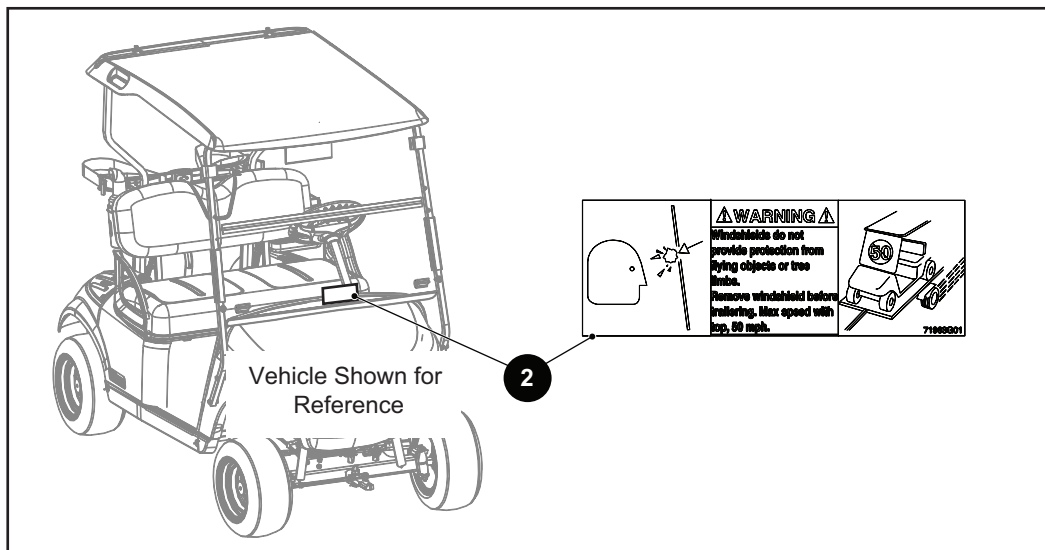
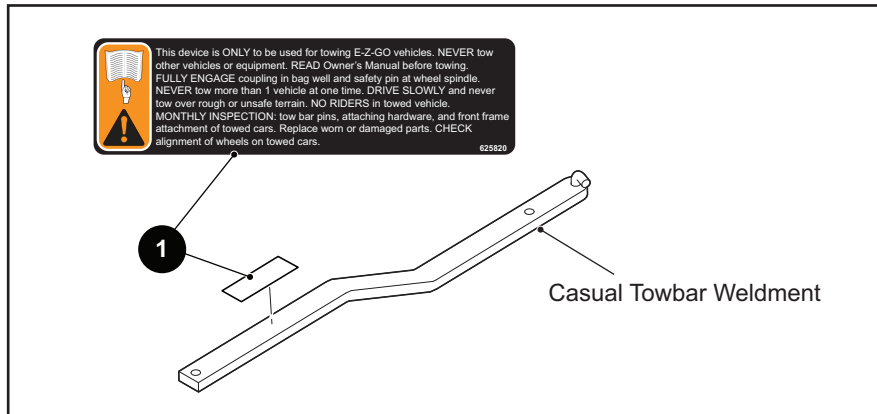
When ordering parts, please specify the model and serial number of the product.

* Indicates a component that is not available as an individual part.

*** Indicates consult Customer Service Department for additional information.

ITEM	PART NO.	1 2 3 4 5	DESCRIPTION	QTY.
1	664356		Safety Label	1
2				
3	<u>606405</u>		E-Z-GO Name Plate.....	1
4	634299		Jack Nicklaus Name Plate	1
5	<u>634297</u>		Arnold Palmer Name Plate.....	1
6	<u>604847</u>		Golden Bear Decal.....	1
7	<u>604850</u>		Umbrella Decal.....	1
8	10007729		Branding Decal.....	1
9	<u>635906</u>		Towbar Warning Label	1
10				
11	<u>74093G01</u>		Engine Warning Decal	1
12	75130G01		2 Person 4 Bag Warning Label	1

DECALS AND LABELS



DECALS AND LABELS

THE USE OF NON U.L. PARTS WILL VOID ANY U.L. LISTING.

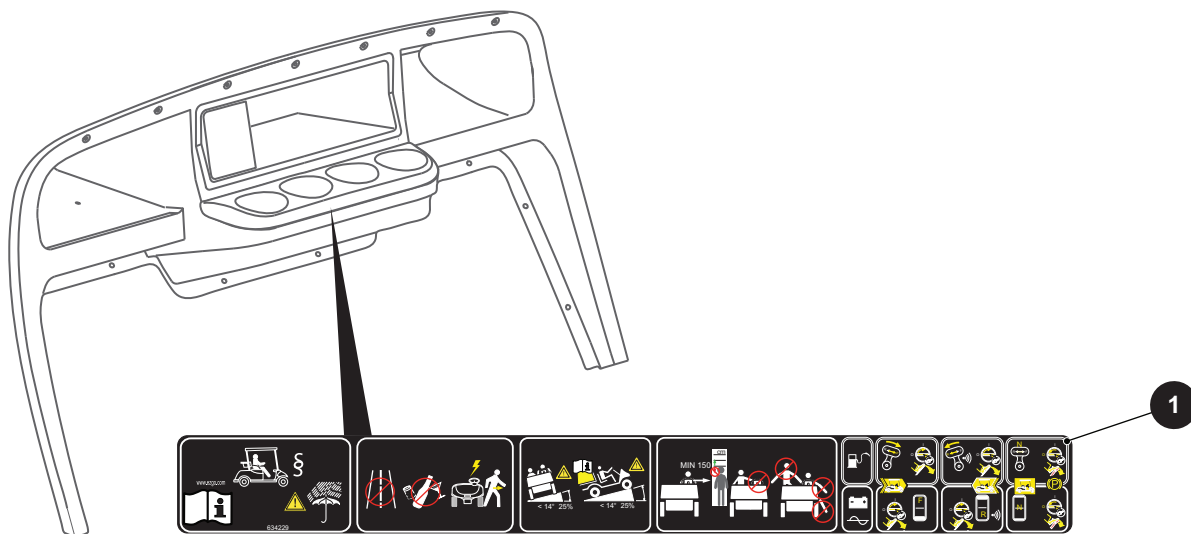
When ordering parts, please specify the model and serial number of the product.

* Indicates a component that is not available as an individual part.

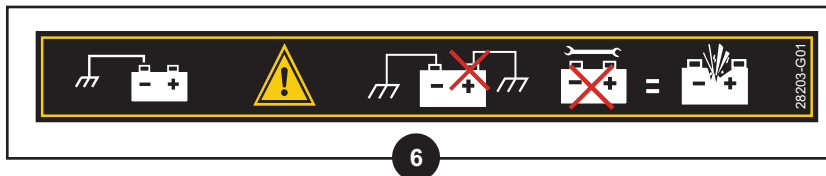
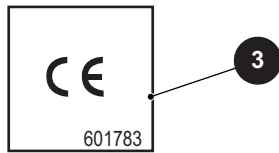
*** Indicates consult Customer Service Department for additional information.

ITEM	PART NO.	1 2 3 4 5	DESCRIPTION	QTY.
1	<u>625820</u>		Casual Towbar Warning Label	1
2	71963G01		Clip-on Windshield Warning Label	1
3	697730		Governor Warning Label	1

For CE Vehicles



AUTHORIZED REPRESENTATIVE IN EC IS:
 RANSOMES JACOBSEN LTD.
 WEST ROAD, IPSWICH,
 SUFFOLK, IP3 9TT, UK
 614068



DECALS AND LABELS

THE USE OF NON U.L. PARTS WILL VOID ANY U.L. LISTING.

When ordering parts, please specify the model and serial number of the product.

* Indicates a component that is not available as an individual part.

*** Indicates consult Customer Service Department for additional information.

ITEM	PART NO.	1 2 3 4 5	DESCRIPTION	QTY.
1	<u>634229</u>		Safety Label (Instrument Panel).....	1
2	<u>614068</u>		Authorized Representative Decal (EC)	1
3	<u>601783</u>		CE Symbol Decal (For CE Vehicles).....	1
4				
5	<u>608822</u>		Governor Decal (For CE Vehicles).....	1
6	<u>28203G01</u>		Battery Warning Decal	1

Notes:

A large, empty grid for taking notes, consisting of 30 columns and 30 rows of small squares.



A Textron Company

Textron Specialized Vehicles, Inc.,
1451 Marvin Griffin Road
Augusta, Georgia 30906 - 3852 USA

CONTACT INFORMATION

North America:

Technical Assistance & Warranty Phone: 1-800-774-3946, FAX: 1-800-448-8124
Service Parts Phone: 1-888-438-3946, FAX: 1-800-752-6175

International: Phone: 001-706-798-4311, FAX: 001-706-771-4609

Owner's Guides and Repair Manuals
are available from a local Distributor, an authorized Branch,
Parts & Accessories Department or at www.shop.txtsv.com/shop-ezgo

Copyrighted Material
This manual may not be reproduced in whole or
in part without the express permission of
Textron Specialized Vehicles
Technical Publications Department