



A Textron Company

Gasoline Powered Vehicle Service Parts Manual



625481-BE

ISSUED SEP 2011 REVISED DECEMBER 2019

SERVICE PARTS MANUAL

GASOLINE POWERED UTILITY VEHICLE

EXPRESS S6

STARTING MODEL YEAR 2012

DISCLAIMER: The E-Z-GO Division of Textron Inc. (E-Z-GO) reserves the right to incorporate engineering and design changes to products in this Manual, without obligation to include these changes on units leased/sold previously.

The information contained in this Manual may be revised periodically E-Z-GO, and therefore is subject to change without notice.

E-Z-GO DISCLAIMS LIABILITY FOR ERRORS IN THIS MANUAL, and E-Z-GO SPECIFICALLY DISCLAIMS LIABILITY FOR INCIDENTAL AND CONSEQUENTIAL DAMAGES RESULTING FROM THE USE OF THE INFORMATION AND MATERIALS IN THIS MANUAL.

TO CONTACT US

NORTH AMERICA:

TECHNICAL ASSISTANCE & WARRANTY PHONE: 1-800-774-3946, FAX: 1-800-448-8124

SERVICE PARTS PHONE: 1-888-GET-EZGO (1-888-438-3946), FAX: 1-800-752-6175

INTERNATIONAL: PHONE: 001-706-798-4311, FAX: 001-706-771-4609

E-Z-GO DIVISION OF TEXTRON INC., 1451 MARVIN GRIFFIN RD., AUGUSTA, GEORGIA USA 30906-3852

GENERAL INFORMATION

To obtain a copy of the limited warranty applicable to the vehicle, call or write a local Distributor, authorized Branch or the Warranty Department with vehicle serial number and manufacturer code.

The use of non Original Equipment Manufacturer (OEM) parts may void the warranty.

Overfilling of batteries may void the warranty.

BATTERY PROLONGED STORAGE

All batteries will self discharge over time. The rate of self discharge varies depending on the ambient temperature and the age and condition of the batteries.

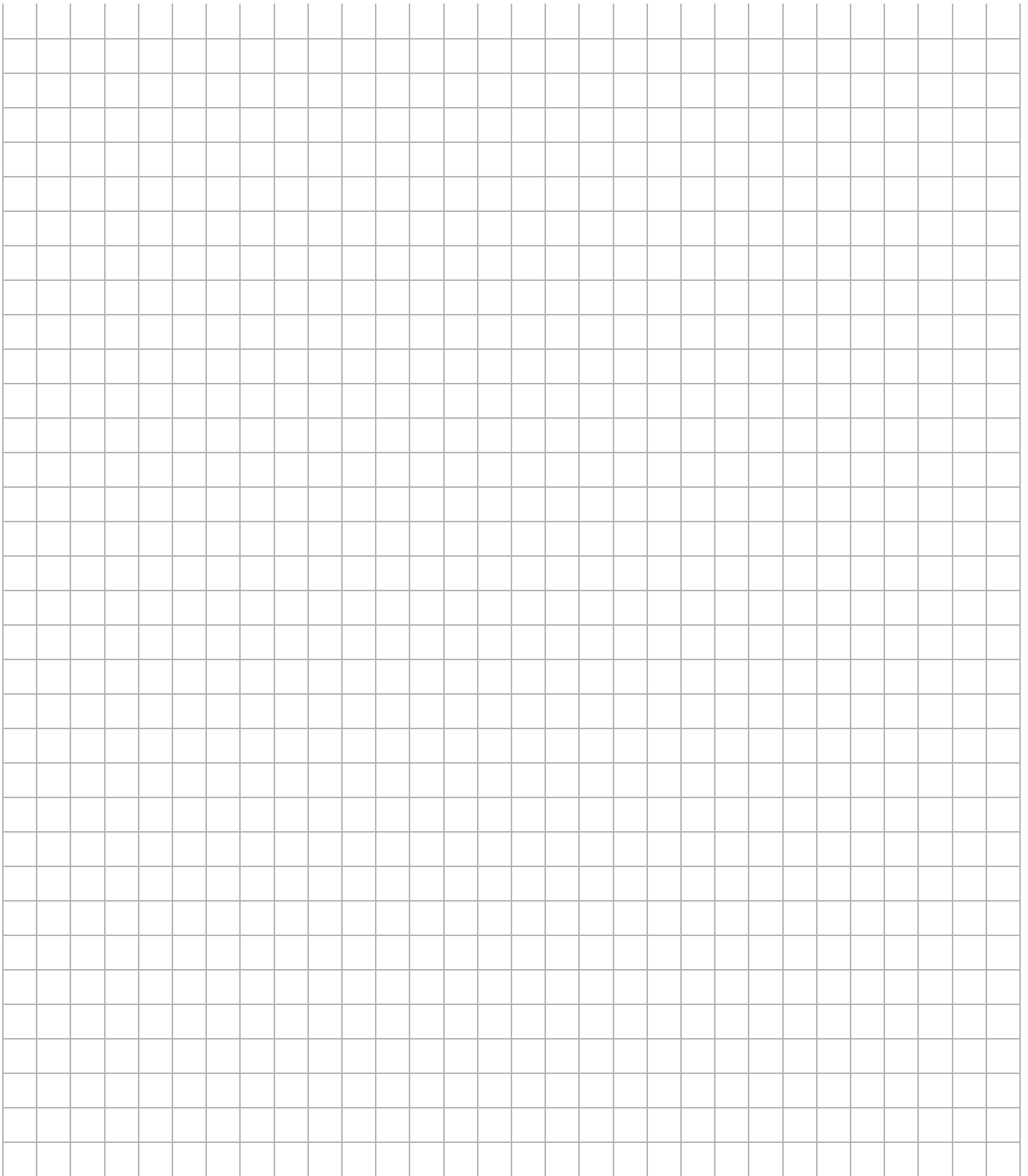
A fully charged battery will not freeze in winter temperatures unless the temperature falls below -75° F (-60° C).

As with all electric vehicles, the batteries must be checked and recharged as required or at a minimum of 30 day intervals.

TABLE OF CONTENTS

SECTION	Page No.
HOW TO USE THE SERVICE PARTS MANUAL	V
ACCELERATOR	A-1
AIR FILTER	B-1
BODY	C-1
BRAKES - MECHANICAL AND FRONT DISC BRAKES	D-1
CARBUR9TOR	E-1
CLUTCH	F-1
DIRECTION SELECTOR	G-1
ELECTRICAL SYSTEM	H-1
ENGINE MOUNTING	J-1
ENGINE MUFFLER	K-1
FRONT SUSPENSIONAND STEERING	L-%
FUEL SYSTEM	M-1
REAR AXLE	N-1
REAR SUSPENSION	P-1
SEATING	Q-1
STARTER/GENERATOR	R-1
TRUCK BED	S-1
WEATHER PROTECTION	T-1
WHEELS AND TIRES	U-1

NOTES



HOW TO USE THE SERVICE PARTS MANUAL

This manual is divided into several sections:

- GENERAL INFORMATION
- ILLUSTRATED PARTS BREAKDOWN
- APPENDIX

The first section, GENERAL INFORMATION, contains the following information:

- WARRANTY INFORMATION
- GENERAL INDEX
- HOW TO USE THE SERVICE PARTS MANUAL

The second section, ILLUSTRATED PARTS BREAKDOWN, contains illustrations and parts lists for all systems of your vehicle.

The third section, APPENDIX, contains a listing of specialty products and accessories.

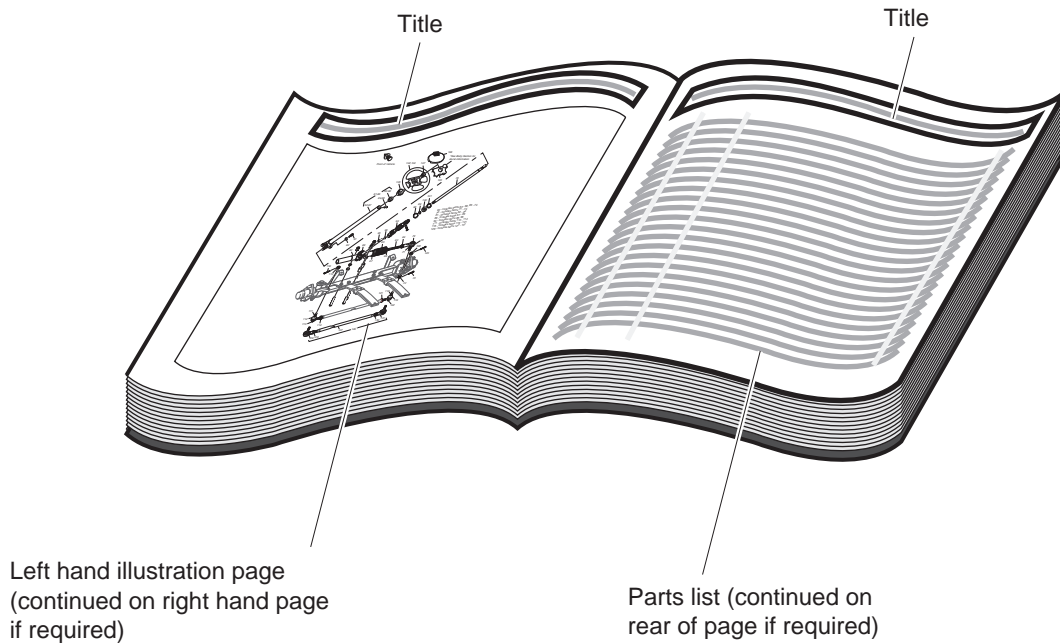
USE OF THE MANUAL

To use this manual, consult the GENERAL INDEX to locate the information or illustration required.

Introduction of some revisions varies due to supply of components; therefore, it is possible that various combinations of components may be found that are not directly reflected by each illustration. Consult the illustration that best suits your situation and then contact the Service Parts Department. It is important that the serial number of your vehicle and its model number be supplied to Service Parts when ordering any replacement components.

Locate the serial number plate (see BODY located in the Illustrated Parts Breakdown section of this manual for its location) and note the complete number shown on the plate.

HOW TO USE THE SERVICE PARTS MANUAL



1. WHEN THE PART NUMBER IS NOT KNOWN

- Determine the function and application of the part required. Turn to the General Index and select the most appropriate title.
- Turn to the page number indicated and locate the desired part on the illustration.
- From the illustration, obtain the item number assigned to the desired part. Refer to the accompanying description for specific information regarding the part.

2. IF YOU KNOW THE PART NUMBER

- Locate the part number or description in the appropriate column on the parts list page.

NOTE: It is suggested that you confirm that the part selected is correct by verifying it with the pictorial representation on the illustrated page.

Should an asterisk (*) appear in the part number column on the parts list page, read upwards until a part number is found. The part number is the lowest assembly sold by Service Parts and the asterisk (*) indicates that the part depicted is not available for purchase.

NOTE: Descriptions are indented under the assembly that they are used on. That assembly is, in turn listed under the assembly that it is used on. This process is repeated until the highest final assembly is reached.

To facilitate the maintenance and repair of the vehicle, a Technician's Repair and Service Manual is available from the Service Parts Department.

HOW TO USE THE SERVICE PARTS MANUAL

3. COLOR CODE FOR BODY COMPONENTS

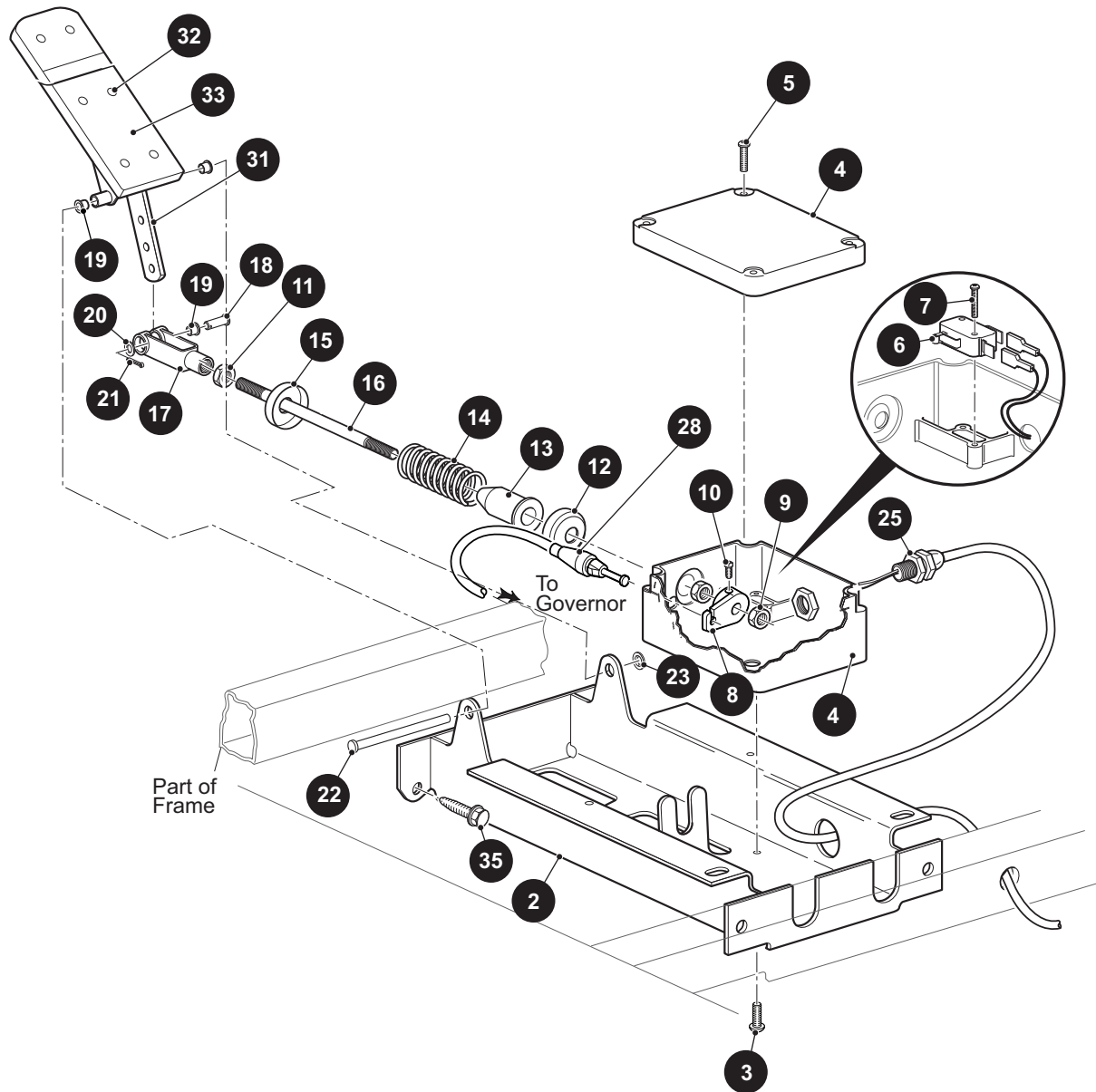
The last two digits of the part number for the body part will denote the color code, locate the part number for the cowl, rear body, seat pod, side panel or seat wrap then locate your color in the list below, replace the last ** or XX with the two digit color code.

<u>CODE #</u>	<u>DESCRIPTION</u>	<u>CODE #</u>	<u>DESCRIPTION</u>
01	NO PAINT	53	MOSSY OAK NEW BREAK UP - DIPPED
02	SPECIAL COLOR	54	MOSSY OAK OBSESSION - DIPPED
05	JACOBSEN ORANGE	55	REALTREE ADVANTAGE MAX 4 - DIPPED
06	LIGHT GOLD PEARL	56	REALTREE HARDWOOD BROWN - DIPPED
07	SILVER PEARL METALIC	57	REALTREE AP HOT PINK - DIPPED
11	BLACK	58	BLACK / SILVER MARBLE - DIPPED
12	EMERALD GREEN PEARL	59	RED / SILVER MARBLE - DIPPED
13	CLOUD GRAY	60	HOT PINK / SILVER MARBLE - DIPPED
14	VIPER BLUE METALLIC	61	REALTREE AP
19	PATRIOT BLUE PEARL	62	REALTREE MAX 4
20	INFERNO RED METALLIC	63	MOSSY OAK BREAKUP
23	ADVANTAGE CLASSIC CAMO	64	MOSSY OAK TREESTAND
24	NATURAL	65	REALTREE APG
25	VIVID NEW HOLLAND BLUE	66	REALTREE MAX 1
26	STEEL BLUE PEARL	67	REALTREE AP PINK
27	BRIGHT SILVER METALLIC	68	REALTREE AP - DIPPED
29	PRIMER ONLY	69	MONSTER GREEN
30	HD ADVANTAGE CAMO	74	BARLEY GOLD
31	METALLIC CHARCOAL	75	OASIS GREEN
32	LIGHT ALMOND PEARL	76	JAVA BROWN
33	TIMBERLINE GREEN		
34	DEEP MOLTEN RED		
35	SAFETY YELLOW		
36	IVORY		
37	FOREST GREEN		
38	BRIGHT WHITE		
39	FLAME RED		
40	BLACK		
41	ELECTRIC BLUE		
42	PLATINUM		
43	BURGUNDY		
44	ALMOND		
45	BLACK		
46	BURGUNDY		
47	BURLINGTON GREEN		
48	BLACK		
49	FLAME RED		
50	RECON GREEN		
51	SUNBURST ORANGE		
52	BRITISH RACING GREEN		

ACCELERATOR

1 PEDAL BOX ASSEMBLY includes items 2 - 33

30 ACCELERATOR PEDAL ASSEMBLY includes items 31 - 33



WARNING

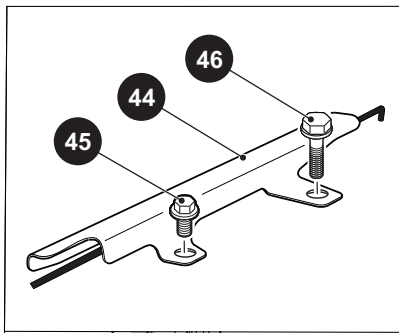
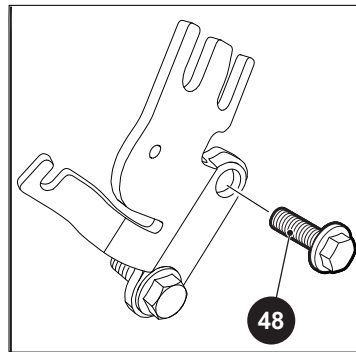
DO NOT TAMPER WITH OR ATTEMPT TO CHANGE THE ADJUSTMENT OF THE GOVERNOR. GOVERNOR TAMPERING CAN RESULT IN SERIOUS PERSONAL INJURY AND WILL VOID THE VEHICLE WARRANTY.

FOR VEHICLES
MANUFACTURED
FROM APRIL 2014

55

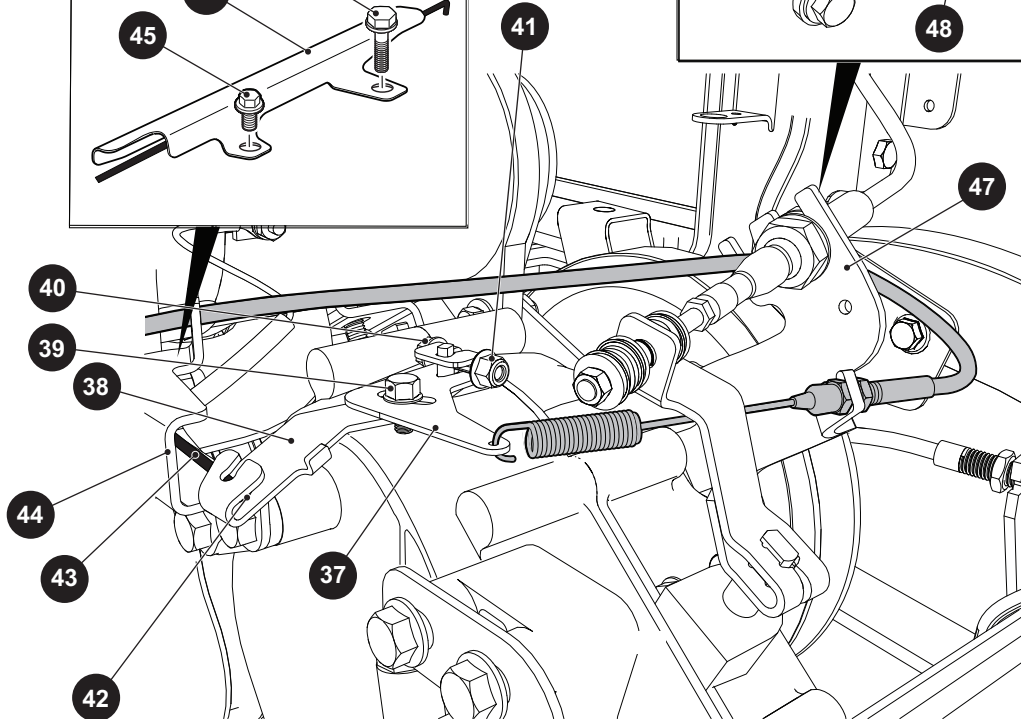


50



41

47



Differential

ACCELERATOR

When ordering parts, please specify the model and serial number of the product.

* Indicates a component that is not available as an individual part.

*** Indicates consult Customer Service Department for additional information.

ITEM	PART NO.	1 2 3 4 5	DESCRIPTION	QTY.
1	<u>606992</u>		PEDAL BOX ASSEMBLY (INCLUDES ITEMS 2 - 33).....	1
2	<u>652241G03</u>		ACCELERATOR PEDAL BRACKET	1
3	<u>01051G01</u>		PAN HEAD PHILIPS SCREW, #8 - 16 X 1/2" LG	4
4	<u>25853G03</u>		PEDAL BOX AND COVER.....	1
5	<u>00684G6</u>		STAINLESS STEEL SCREW, #8 - 32 X 3/4" LG	2
6	<u>25861G01</u>		MICRO SWITCH	1
7	<u>01050G01</u>		PAN HEAD TORX SCREW, #4 - 20 X 5/8" LG	2
8	<u>72716G01</u>		MICRO SWITCH CAM	1
9	<u>15126G1</u>		LOCK NUT, 5/16" - 24	1
10	<u>00487G3</u>		SET SCREW, 1/4" - 20 X 3/8" LG	1
11	<u>00532G4</u>		HEX NUT, 5/16" - 24	2
12	<u>17677G1</u>		SPRING RETAINER	1
13	<u>17979G1</u>		ACCELERATOR ROD BUSHING	1
14	<u>73046G01</u>		COMPRESSION SPRING	1
15	<u>17677G2</u>		SPRING RETAINER	1
16	72072G01		ACCELERATOR ROD	1
17	10385G4		CLEVIS YOKE (ADJUSTABLE)	1
18	<u>10386G3</u>		CLEVIS PIN, 5/16" X 13/16" LG.....	1
19	<u>17838G1</u>		NYLON BUSHING	3
20	<u>17255G1</u>		TEFLON WASHER, 5/16"	1
21	<u>10387G3</u>		COTTER PIN, 3/32" X 3/4" LG.....	1
22	<u>74432G01</u>		PEDAL PIVOT PIN.....	1
23	<u>12064G6</u>		PUSH NUT, 9/32"	1
24				
25	<u>72201G04</u>		WIRE HARNESS (PEDAL BOX).....	1
26				
27				
28	<u>608618</u>		ACCELERATOR CABLE.....	1
29				
30	<u>25799G03</u>		ACCELERATOR PEDAL ASSEMBLY (INCLUDES ITEMS 31- 33)	1
31	652824		ACCELERATOR PEDAL	1

When ordering parts, please specify the model and serial number of the product.

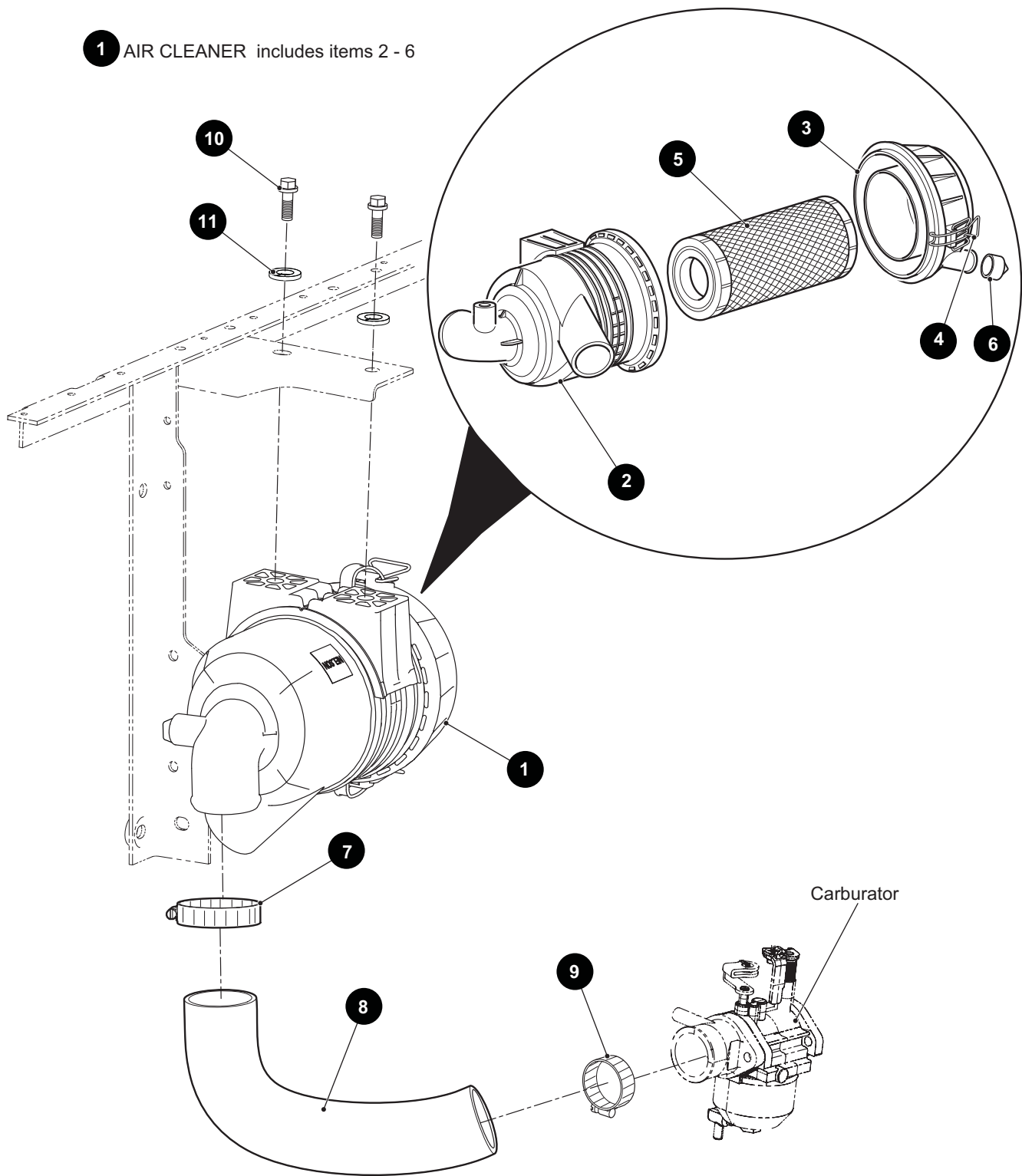
* Indicates a component that is not available as an individual part.

*** Indicates consult Customer Service Department for additional information.

ITEM	PART NO.	1	2	3	4	5	DESCRIPTION	QTY.
32	<u>16409G1</u>						OVAL RIVET, 3/16" X 7/16" LG	6
33	<u>27512G01</u>						ACCELERATOR PEDAL PAD	1
34								
35	<u>00715G2</u>						BOLT, 5/16 -18 X 4/5" LG	4
36								
37	<u>606083</u>						UPPER GOVERNOR BRACKET	1
38	<u>606005</u>						LOWER GOVERNOR BRACKET	1
39	<u>73876G01</u>						FLANGED HEX HEAD BOLT, M6 - 1 X 12MM LG	1
40	<u>606421</u>						FLANGED HEX HEAD BOLT, M6 - 1 X 30MM LG	1
41	<u>450452</u>						NUT, M6 - 1.0	1
42	<u>606283</u>						GOVERNOR LEVER BUSHING	1
43	<u>606284</u>						GOVERNOR ROD	1
44	<u>603890</u>						GOVERNOR ROD GUARD	1
45	<u>606264</u>						FLANGED HEX HEAD BOLT, M6 - 1 X 20MM LG	1
46	<u>606262</u>						FLANGED HEX HEAD BOLT, M8 - 1.25 X 16MM LG	1
47	<u>606074</u>						GOVERNOR CABLE / DIRECTION SELECTOR BRACKET	1
48	<u>606256</u>						FLANGED HEX HEAD BOLT, M10 - 1.25 X 16MM LG	2
49								
50	<u>608527</u>						GOVERNOR WARNING DECAL	1
51								
52								
53	<u>17618G1</u>						NYLON CLAMP	2
54								
55	<u>632936</u>						GOVERNOR CABLE / DIRECTION SELECTOR BRACKET (FOR VEHICLES MANUFACTURED FROM APRIL 2014)	1

AIR FILTER

1 AIR CLEANER includes items 2 - 6



AIR FILTER

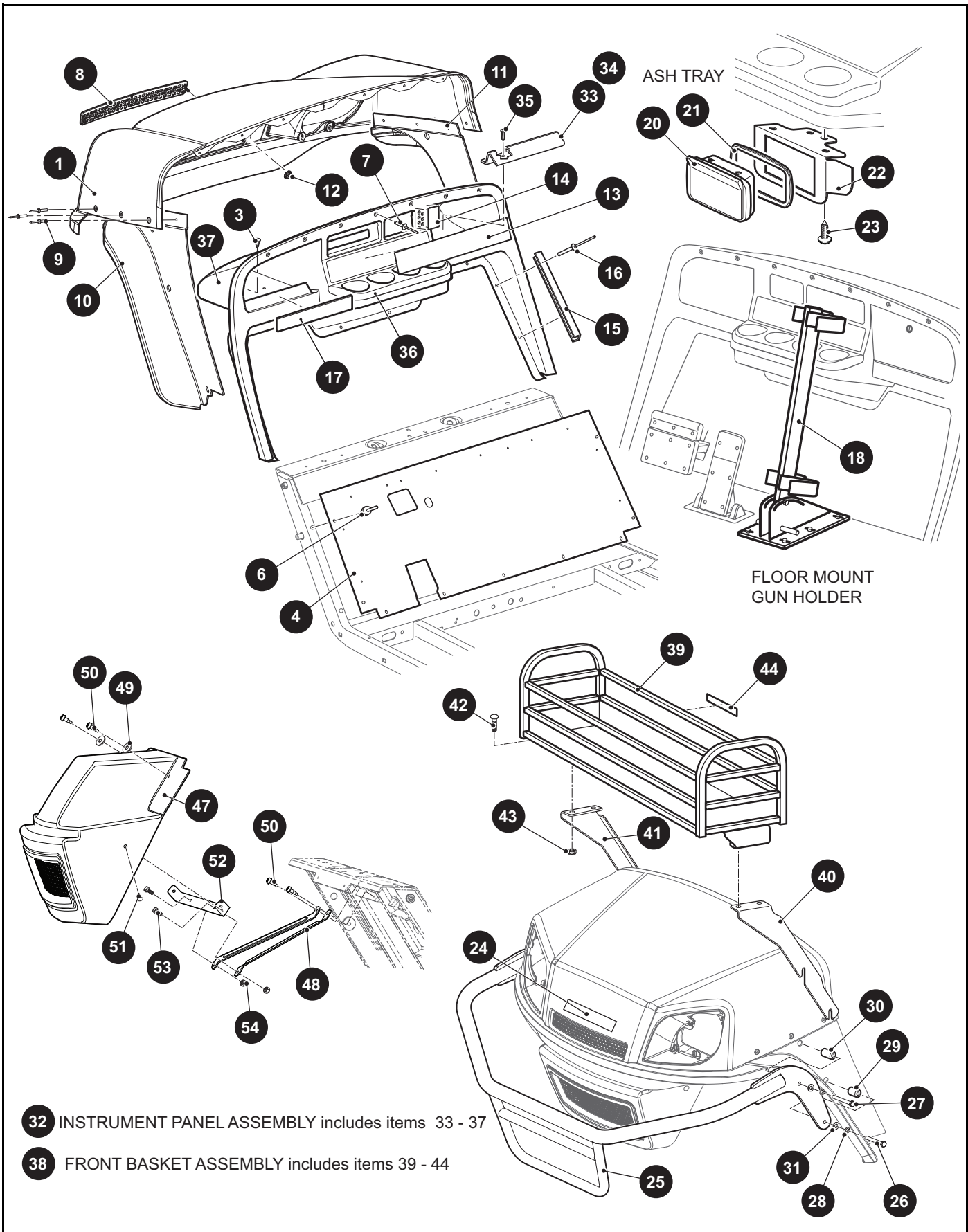
When ordering parts, please specify the model and serial number of the product.

* Indicates a component that is not available as an individual part.

*** Indicates consult Customer Service Department for additional information.

ITEM	PART NO.	1 2 3 4 5	DESCRIPTION	QTY.
1	<u>658941</u>		AIR CLEANER (INCLUDES ITEMS 2 - 6)	1
2	<u>659139</u>		AIR CLEANER BODY.....	1
3	<u>658957</u>		AIR CLEANER COVER.....	1
4	<u>72604G01</u>		AIR CLEANER CLIP.....	2
5	<u>28463G01</u>		AIR FILTER	1
6	<u>28462G01</u>		DUST EJECTOR VALVE	1
7	<u>11391G7</u>		HOSE CLAMP.....	1
8	<u>601910</u>		HOSE, 14" LONG	1
9	<u>11391G1</u>		HOSE CLAMP.....	1
10	606271		BOLT M8 - 1.25 X 20	2
11	<u>606272</u>		LOCK WASHER, 8 MM.....	2

BODY



When ordering parts, please specify the model and serial number of the product.

* Indicates a component that is not available as an individual part.

*** Indicates consult Customer Service Department for additional information.

ITEM	PART NO.	1 2 3 4 5	DESCRIPTION	QTY.
1	613036G**		COWL (See COLOR CODES in HOW TO USE section).....	1
2				
3	<u>16816G2</u>		RATCHET FASTENER, 1/4" X 3/4"	4
4	<u>637534</u>		UPPER FLOOR PANEL.....	1
5	<u>14601G11</u>		RIVET (ALUMINUM), 3/16" X 9/16"	16
6				
7	<u>71055G01</u>		RIVET, 3/16" X 1"	7
8	<u>617643</u>		GRILL COVER	1
9	<u>71055G01</u>		RIVET, 3/16" X 1"	6
10	<u>614378</u>		FENDER FLARE (DRIVER SIDE)	1
11	<u>613274</u>		FENDER FLARE (PASSENGER SIDE).....	1
12	<u>71597G01</u>		SELF-THREADING NUT, 3/16" X 19/32"	2
13	<u>608465</u>		LABEL (IP)	1
14	<u>601781</u>		T-HOLDER COVER DECAL	1
15	<u>71115G01</u>		VINYL TRIM	2
16	<u>71055G01</u>		RIVET, 3/16" X 1"	10
17	<u>74443G01</u>		ANTI-ROLLBACK LABEL	1
18	<u>74365G01</u>		GUN HOLDER REMOVABLE FLOOR MOUNT	1
19				
20	<u>27731G01</u>		ASHTRAY	1
21	<u>27736G01</u>		GASKET (ASHTRAY)	1
22	<u>75108G02</u>		BRACKET	1
23	<u>00106G6</u>		PAN HEAD PHILLIPS SCREW, #12 - 14 X .75" LG	4
24	<u>619206</u>		E-Z-GO COWL DECAL.....	1
25	<u>617620</u>		BRUSHGUARD.....	1
26	<u>00440G2</u>		HEX HEAD BOLT, 5/16" - 18 X 2 1/4" LG	2
27	<u>00440G6</u>		HEX HEAD BOLT, 5/16" - 18 X 2 3/4" LG	2
28	<u>00565G8</u>		LOCK WASHER (BLACK), 5/16"	4
29	<u>75048G04</u>		SPACER, 21/64" X 3/4" X 1" LG	2
30	<u>75048G02</u>		SPACER, 21/64" X 3/4" X 1 5/16" LG	2
31	<u>00559G8</u>		FLAT WASHER, 5/16"	4

BODY

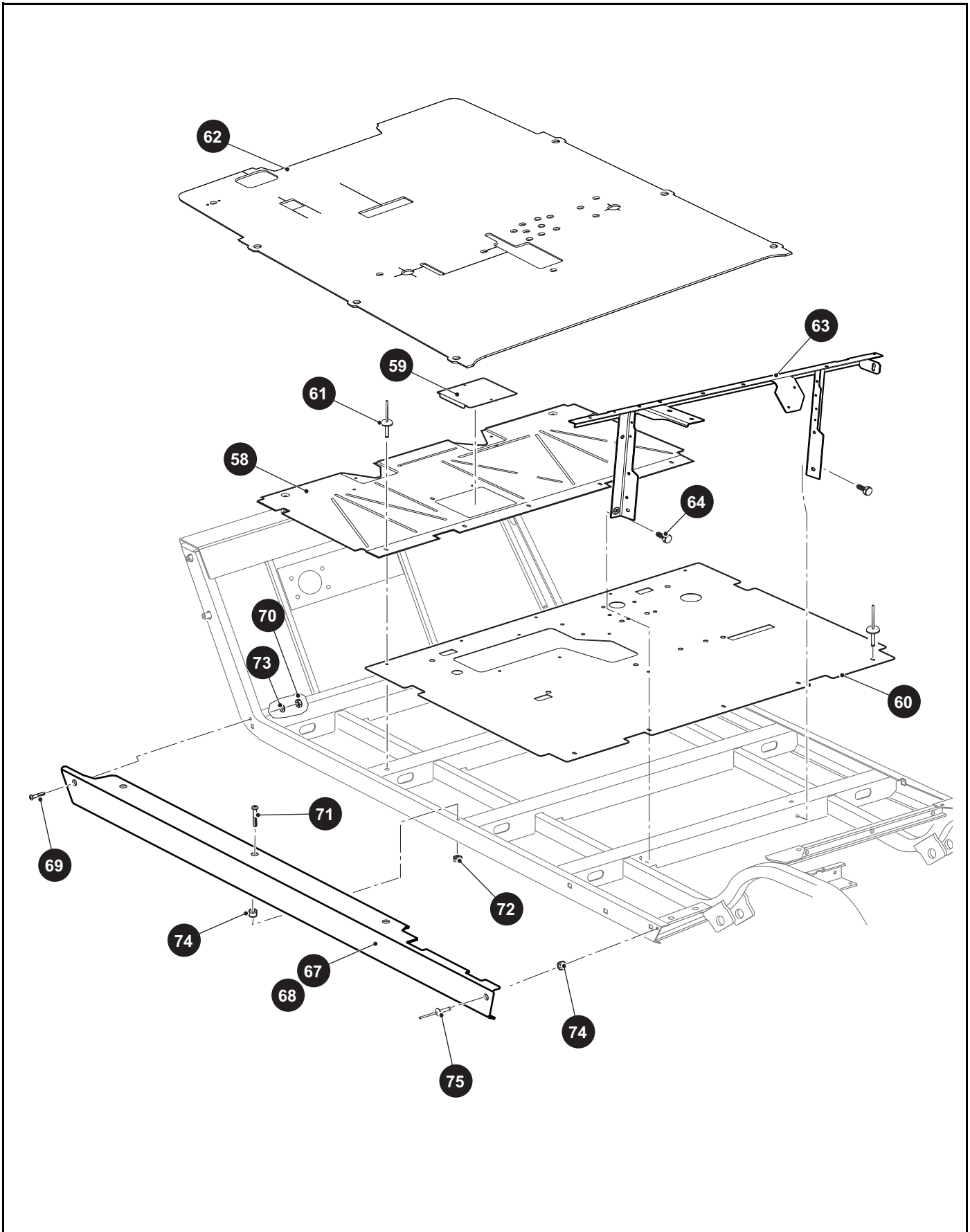
When ordering parts, please specify the model and serial number of the product.

* Indicates a component that is not available as an individual part.

*** Indicates consult Customer Service Department for additional information.

ITEM	PART NO.	1	2	3	4	5	DESCRIPTION	QTY.
32	<u>71151G03</u>						INSTRUMENT PANEL ASSEMBLY (INCLUDES ITEMS 33 - 37)	1
33	<u>71153G01</u>						DEFLECTOR (PASSENGER SIDE)	1
34	<u>71154G01</u>						DEFLECTOR (DRIVER SIDE)	1
35	00614G3						PAN HEAD PHILLIPS SCREW, #8 - 15 X 3/8" LG	4
36	<u>71158G01</u>						INSTRUMENT PANEL INSERT (FOUR CUP)	1
37	71152G01						INSTRUMENT PANEL	1
38	<u>74521G02</u>						FRONT BASKET ASSEMBLY (INCLUDES ITEMS 39 - 44)	1
39	<u>74523G01</u>						BASKET	1
40	<u>625076</u>						BRACKET (DRIVER SIDE)	1
41	<u>625077</u>						BRACKET (PASSENGER SIDE)	1
42	00725G01						CARRIAGE BOLT (SS), 3/8" - 16 X 1" LG	4
43	<u>11098G5</u>						LOCK NUT, 3/8" - 16	4
44	<u>71931G01</u>						DECAL	1
45								
46								
47	<u>613273</u>						FRONT FASCIA.....	1
48	<u>70725G02</u>						FRONT SHIELD BRACE	2
49	<u>16469G1</u>						FENDER WASHER, 9/32" I.D. X 1 1/4" O.D.	2
50	<u>01038G01</u>						HEX HEAD BOLT, 1/4" - 20 X 3/4" LG.....	4
51	<u>15058G1</u>						RIVET (ALUMINUM), 3/16" X 4/9".....	2
52	<u>618653</u>						FASCIA BRACKET	1
53	<u>00414G6</u>						HEX HEAD BOLT, 1/4" - 20 X 3/4" LG.....	2
54	<u>14390G4</u>						LOCK NUT, 1/4" - 20	2
55								
56								
57								

BODY



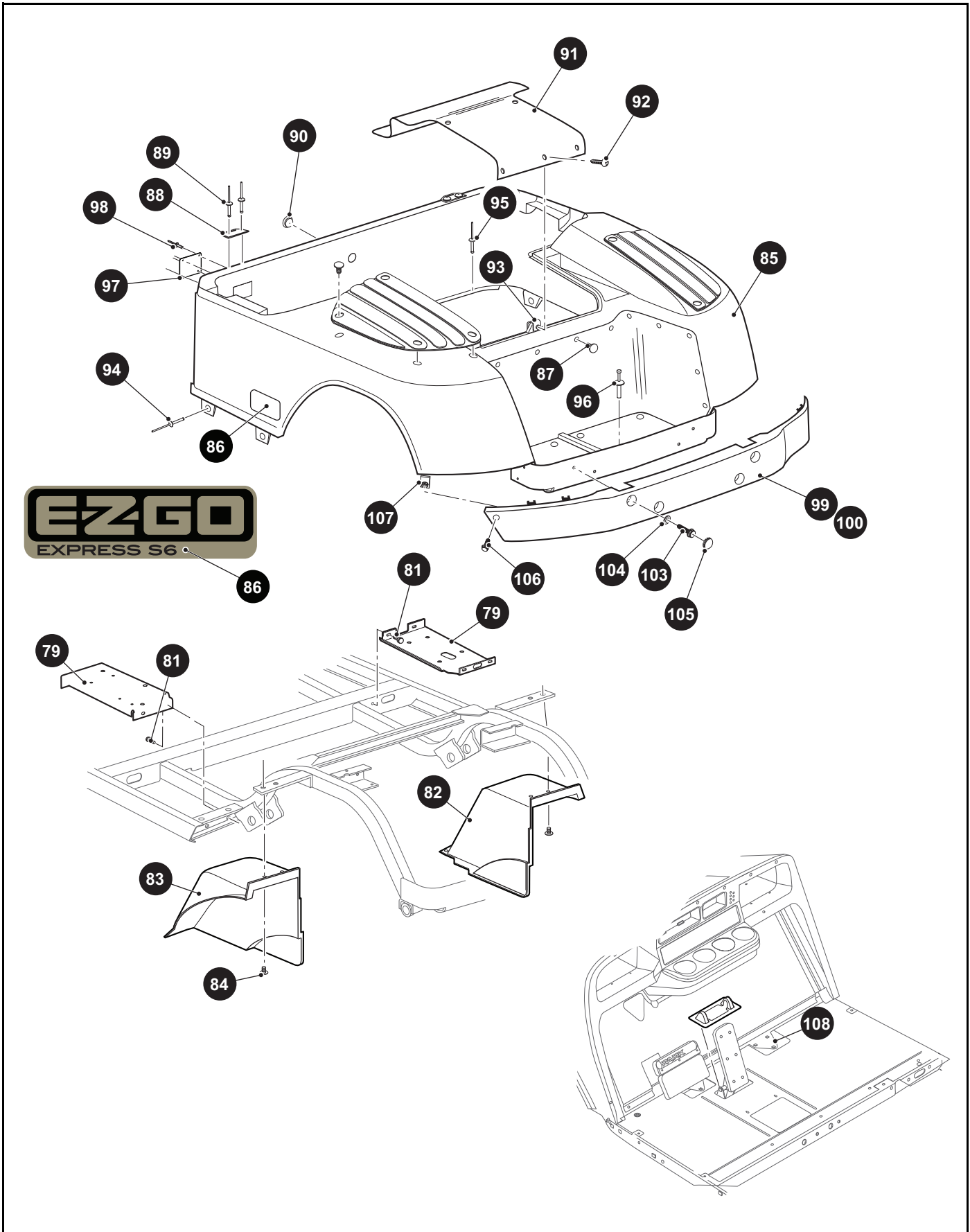
When ordering parts, please specify the model and serial number of the product.

* Indicates a component that is not available as an individual part.

*** Indicates consult Customer Service Department for additional information.

ITEM	PART NO.	1 2 3 4 5	DESCRIPTION	QTY.
58	<u>70451G01</u>		LOWER FLOORPAN	1
59	<u>70452G01</u>		ACCESS COVER.....	1
60	<u>648840</u>		REAR FLOORPAN.....	1
61	<u>10570G10</u>		RIVET (SS), 5/32" X 9/16"	5
62	<u>652139G03</u>		FLOORMAT WITH HORN HOLES	1
63	<u>605694</u>		SEAT FRAME	1
64	<u>00715G2</u>		HEX HEAD BOLT, 5/16" - 18 X 13/16" LG	4
65				
66				
67	<u>618889</u>		ROCKER PANEL (DRIVER SIDE)	1
68	<u>618888</u>		ROCKER PANEL (PASSENGER SIDE)	1
69	<u>00789G2</u>		TRUSS HEAD PHILLIPS SCREW, #10 - 24 X 1" LG	2
70	<u>14390G10</u>		LOCK NUT, #10 - 24	2
71	<u>16705G1</u>		TRUSS HEAD PHILLIPS SCREW (SS), 1/4" - 20 X 1" LG.....	6
72	<u>14390G4</u>		LOCK NUT, 1/4" - 20	6
73	<u>00660G5</u>		FLAT WASHER, #10	2
74	<u>23726G4</u>		SPACER, 5/16"	8
75	<u>15058G6</u>		RIVET (ALUMINUM), 3/16" X 15/16"	2
76				
77				
78				

BODY



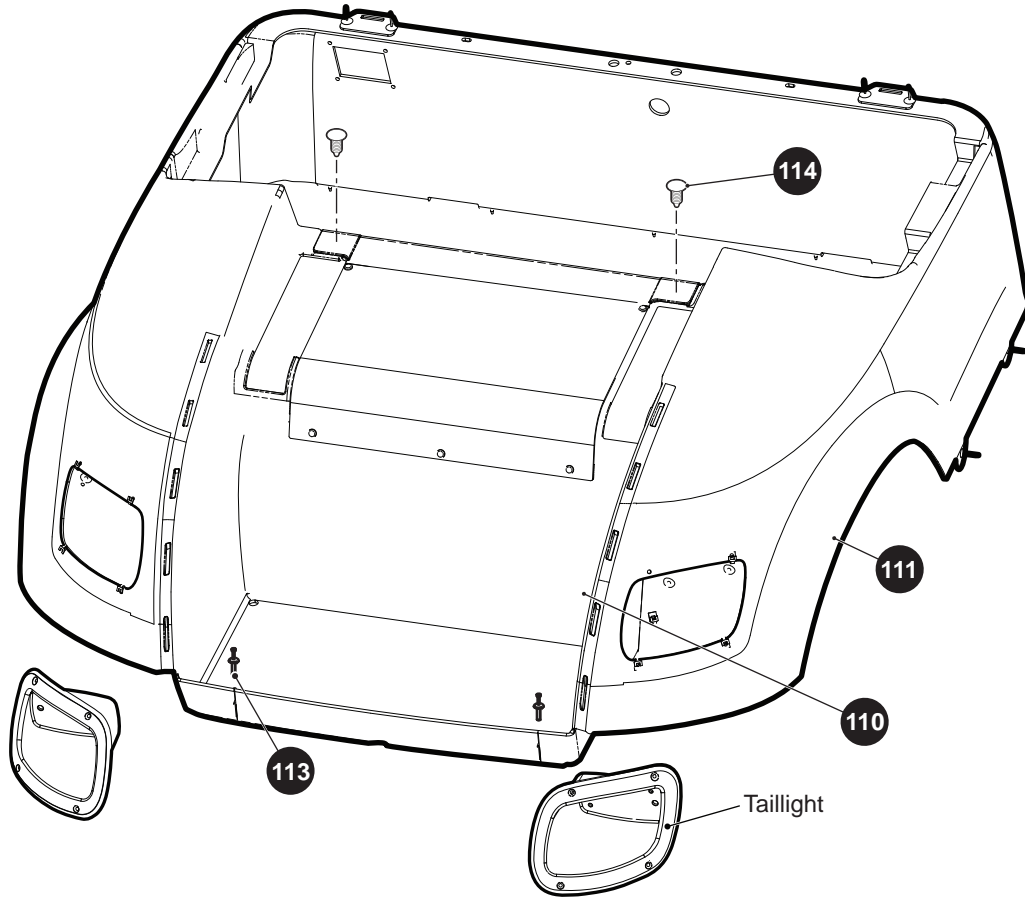
When ordering parts, please specify the model and serial number of the product.

* Indicates a component that is not available as an individual part.

*** Indicates consult Customer Service Department for additional information.

ITEM	PART NO.	1 2 3 4 5	DESCRIPTION	QTY.
79	<u>70244G05</u>		SPLASH PAN.....	2
80				
81	<u>00715G2</u>		HEX HEAD BOLT, 5/16" - 18 X 13/16" LG	8
82	<u>635054G02</u>		FENDER LINER (PASSENGER SIDE).....	1
83	<u>635054G01</u>		FENDER LINER (DRIVER SIDE)	1
84	<u>16816G2</u>		RATCHET FASTENER, .25" X .88"	8
85	71334G0**		REAR BODY WITH LNR AND WITH LIGHT (See COLOR CODES in HOW TO USE section)	1
86	<u>619190</u>		E-Z-GO DECAL.....	1
87	<u>16816G1</u>		RATCHET FASTENER, 1/4" X 5/8"	20
88	<u>71609G01</u>		HINGE PLATE.....	2
89	<u>10570G11</u>		RIVET (SS), 3/16" X 3/4"	4
90	<u>71316G01</u>		PLUG	1
91	<u>71320G01</u>		ACCESS PANEL.....	1
92	<u>01107G01</u>		PAN HEAD TORX SCREW, #8 X 5/8" LG	5
93	<u>71364G02</u>		'J' CLIP, #8	1
94	10570G12		RIVET (ALUMINUM), 1/4" X 9/16"	2
95	<u>10570G10</u>		RIVET (SS), 5/32" X 9/16"	6
96	<u>18436G1</u>		PLASTIC DRIVE RIVET, 1/4" X 9/16"	2
97	<u>73173G02</u>		COVER PLATE	1
98	<u>71055G01</u>		RIVET (ALUMINUM), 3/16" X 1"	4
99	<u>71451G02</u>		REAR BUMPER.....	1
100	71456G01		REAR BUMPER (FOR VEHICLES WITH CARGO BED OPTION)	1
101				
102				
103	<u>71102G01</u>		HEX HEAD BOLT, 1/4" - 20 X 3/4" LG	2
104	<u>00571G2</u>		FLAT WASHER, 5/16".....	2
105	<u>71455G01</u>		BUMPER PLUG.....	4
106	<u>71102G01</u>		HEX HEAD BOLT, 1/4" - 20 X 3/4" LG	2
107	<u>71554G01</u>		'J' - TYPE NUT RETAINER, 1/4" - 20.....	2
108	<u>70135G01</u>		PEDAL PIVOT COVER.....	1

VEHICLES MANUFACTURED FROM MARCH 2014



109 Rear Body Assembly (With Lights), includes items 110 & 111

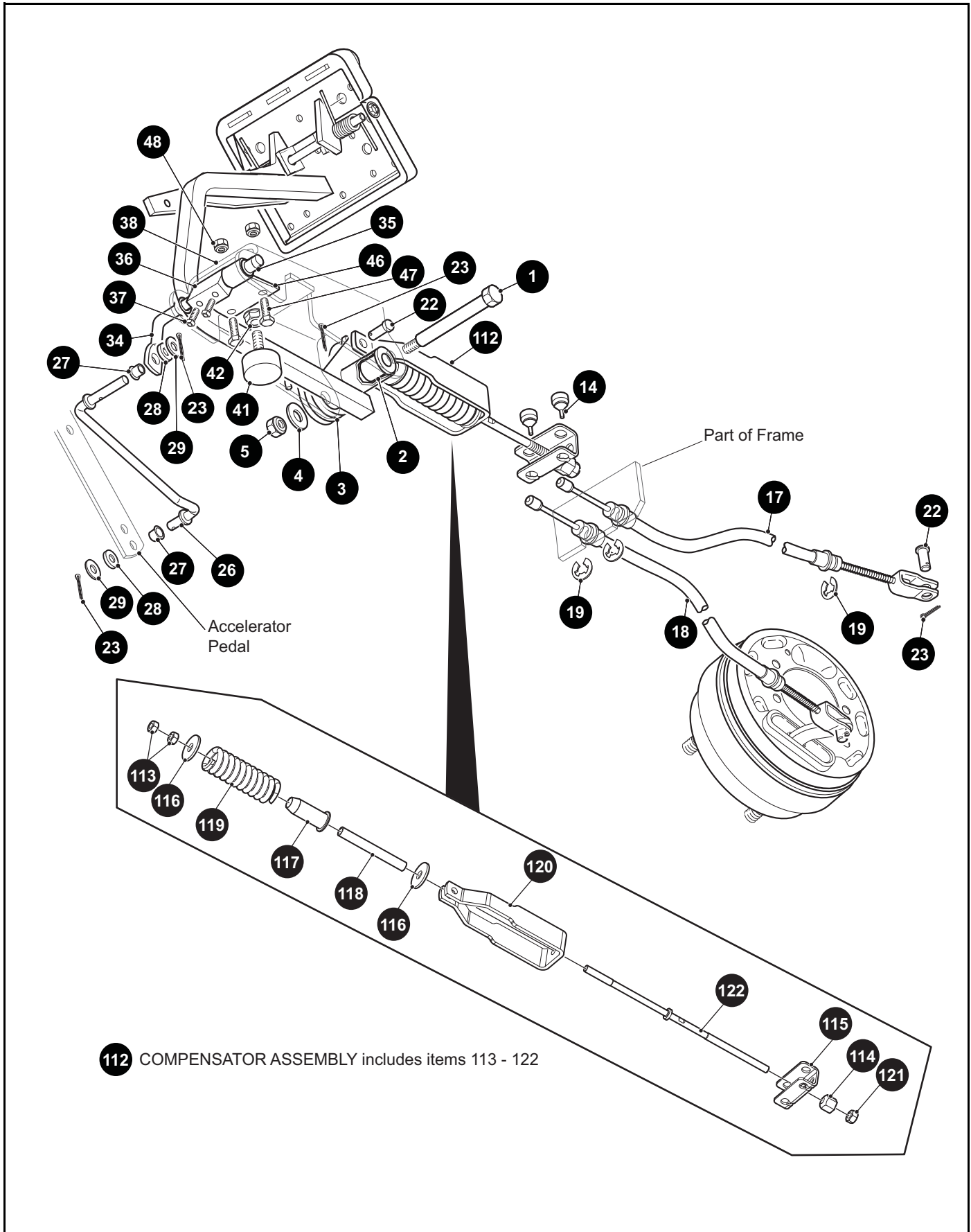
When ordering parts, please specify the model and serial number of the product.

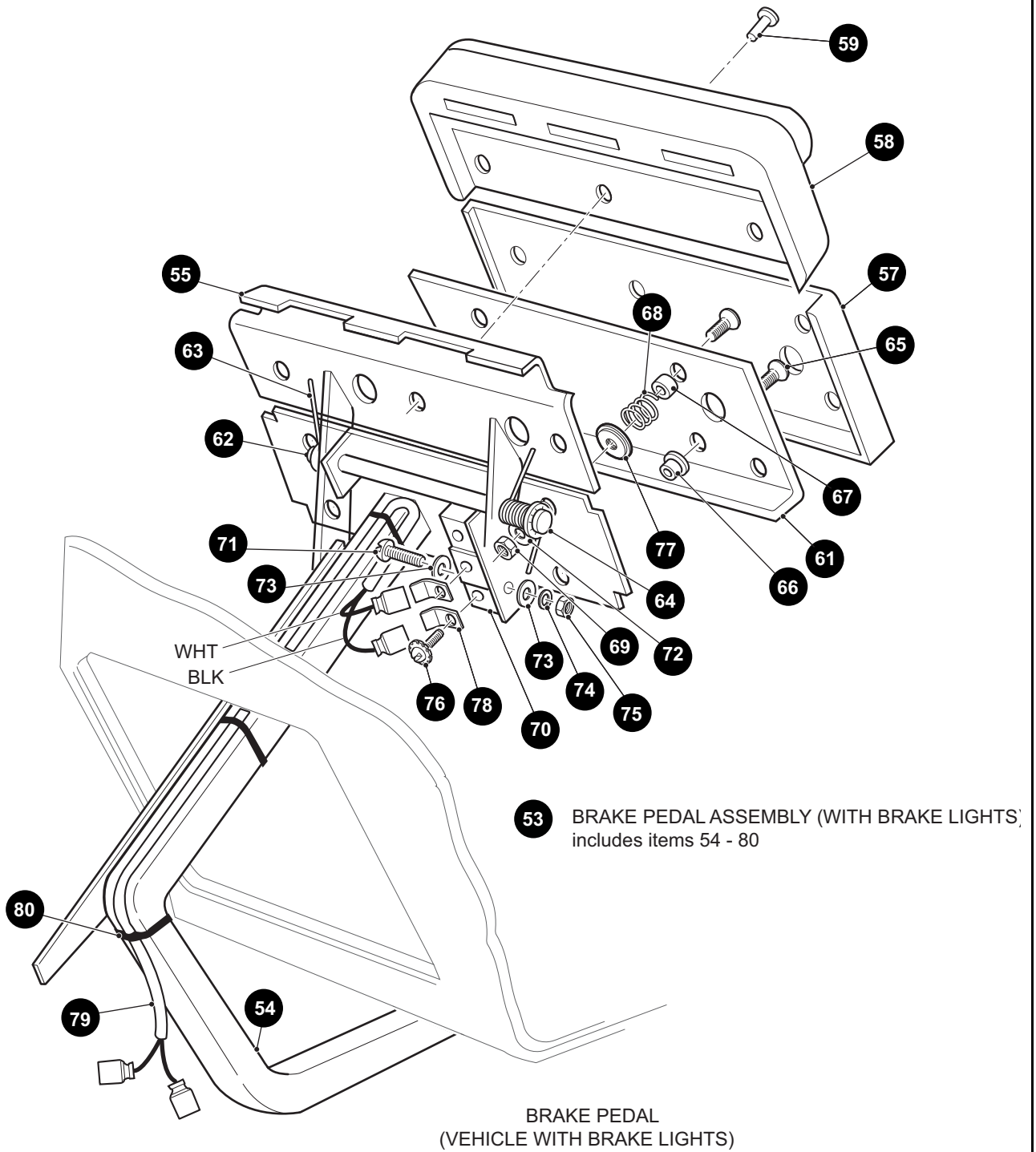
* Indicates a component that is not available as an individual part.

*** Indicates consult Customer Service Department for additional information.

ITEM	PART NO.	1 2 3 4 5	DESCRIPTION	QTY.
109	625272G1XX		REAR BODY ASSEMBLY (WITH LIGHTS) (INCLUDES ITEMS 110 & 111) (See COLOR CODE in HOW TO USE section) (FOR VEHICLES MANUFACTURED FROM MARCH 2014).....	1
110	<u>624374</u>		BAGWELL LINER (FOR VEHICLES MANUFACTURED FROM MARCH 2014)	1
111	619752G1XX		REAR BODY (WITH LIGHTS) (See COLOR CODE in HOW TO USE section) (FOR VEHICLES MANUFACTURED FROM MARCH 2014)	1
112				
113	<u>633917</u>		RIVET (FOR VEHICLES MANUFACTURED FROM MARCH 2014)	2
114	<u>16816G2</u>		RATCHET RIVET, .25" X .887" (FOR VEHICLES MANUFACTURED FROM MARCH 2014).....	2

BRAKES - MECHANICAL

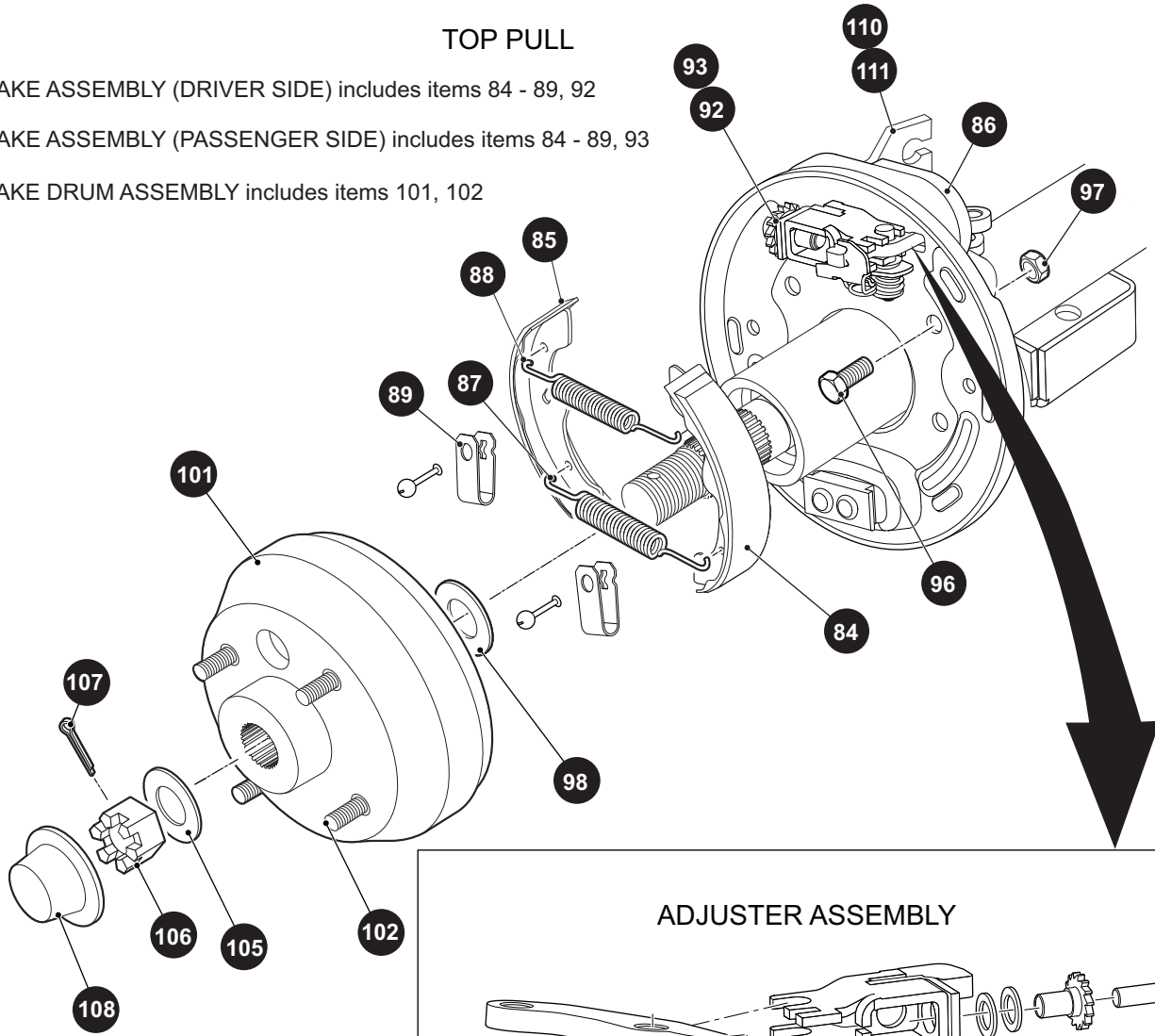




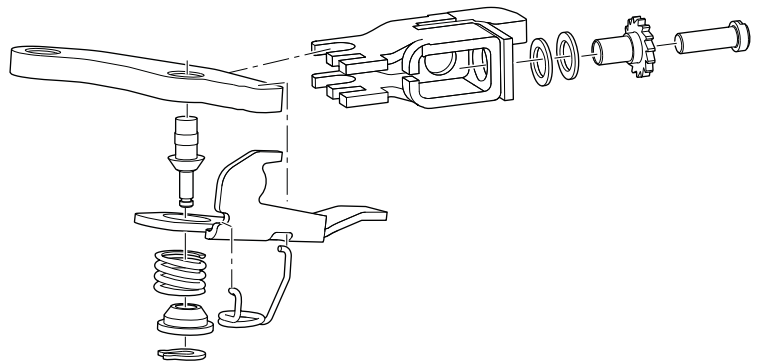
BRAKES - MECHANICAL

TOP PULL

- 82 BRAKE ASSEMBLY (DRIVER SIDE) includes items 84 - 89, 92
- 83 BRAKE ASSEMBLY (PASSENGER SIDE) includes items 84 - 89, 93
- 100 BRAKE DRUM ASSEMBLY includes items 101, 102



ADJUSTER ASSEMBLY



BRAKES - MECHANICAL

When ordering parts, please specify the model and serial number of the product.

* Indicates a component that is not available as an individual part.

*** Indicates consult Customer Service Department for additional information.

ITEM	PART NO.	1 2 3 4 5	DESCRIPTION	QTY.
1	<u>70582G01</u>		STAINLESS STEEL SHOULDER BOLT, 3/8 - 16 X 4" LG	1
2	<u>70581G01</u>		FLANGED BUSHING	2
3	<u>70676G01</u>		TORSION SPRING	1
4	<u>00643G1</u>		FLAT WASHER, 3/8" X 1.0 X.063	1
5	<u>11098G5</u>		LOCK NUT, 3/8 - 16	1
6				
7				
8	<u>12416G2</u>		NYLON WEDGE LOCK CLAMP (NOT ILLUSTRATED)	6
9				
10				
11				
12				
13				
14	<u>28083G01</u>		BRAKE COMPENSATOR BUMPER.....	2
15				
16				
17	<u>624695</u>		BRAKE CABLE (DRIVER SIDE).....	1
18	<u>624696</u>		BRAKE CABLE (PASSENGER SIDE)	1
19	<u>01111G01</u>		STAINLESS STEEL RETAINING RING, 13/32"	4
20				
21				
22	<u>10386G3</u>		CLEVIS PIN, 5/16" X 13/16" LG.....	3
23	<u>10387G3</u>		COTTER PIN, 3/32" X 3/4" LG.....	5
24				
25				
26	<u>70601G01</u>		KICK-OFF LINK	1
27	<u>17838G1</u>		NYLON BUSHING	2
28	<u>20835G1</u>		TEFLON WASHER, 3/8"	2
29	<u>00559G8</u>		FLAT WASHER, 5/16"	2
30				
31				

BRAKES - MECHANICAL

When ordering parts, please specify the model and serial number of the product.

* Indicates a component that is not available as an individual part.

*** Indicates consult Customer Service Department for additional information.

ITEM	PART NO.	1	2	3	4	5	DESCRIPTION	QTY.
32								
33								
34	<u>70098G01</u>						KICK-OFF CAM PIVOT	1
35	<u>10097G6</u>						FLANGED BEARING	2
36	<u>70587G01</u>						KICK-OFF CAM.....	1
37	<u>71215G01</u>						SET SCREW, 1/4 - 20 X 1/2" LG	2
38	<u>14134G4</u>						SPACER	1
39								
40								
41	<u>70113G01</u>						ADJUSTABLE BUMPER	1
42	<u>11027G1</u>						LOCK NUT, 5/16 - 18.....	1
43								
44								
45								
46	<u>70080G02</u>						CATCH BRACKET.....	1
47	<u>00414G6</u>						BOLT, 1/4 - 20 X 3/4" LG	2
48	<u>14390G4</u>						STAINLESS STEEL LOCK NUT, 1/4 - 20.....	2
49								
50								
51								
52								
53	70690G02						BRAKE PEDAL ASSEMBLY (WITH BRAKE LIGHTS) (INCLUDES ITEMS 54 - 80).....	1
54	<u>652791G03</u>						BRAKE PEDAL	1
55	<u>652253G03</u>						PARK BRAKE PEDAL.....	1
56								
57	<u>70257G01</u>						SERVICE BRAKE PAD	1
58	<u>70256G01</u>						PARK BRAKE PAD	1
59	<u>16409G1</u>						OVAL RIVET, 3/16" x 7/16" LG.....	9
60								
61	<u>652820</u>						BRAKE PEDAL PLATE	1
62	<u>70682G01</u>						PIVOT PIN	1

BRAKES - MECHANICAL

When ordering parts, please specify the model and serial number of the product.

* Indicates a component that is not available as an individual part.

*** Indicates consult Customer Service Department for additional information.

ITEM	PART NO.	1 2 3 4 5	DESCRIPTION	QTY.
63	<u>70681G01</u>		TORSION SPRING.....	2
64	<u>658825</u>		PUSH NUT, 5/16"	1
65	<u>00737G8</u>		FLAT HEAD PHILLIPS SCREW, #10 - 24 X 7/8" LG.....	4
66	<u>00739G1</u>		RUBBER NUT, #10 - 24	2
67	<u>652355</u>		BRAKE PEDAL SPACER	2
68	<u>27137G01</u>		CONICAL SPRING	2
69	<u>14390G10</u>		LOCK NUT, #10 - 24.....	2
70	10606G8		MICRO SWITCH	1
71	<u>00645G2</u>		PAN HEAD PHILLIPS SCREW, #6 - 32 X 1 1/4" LG.....	2
72	<u>00559G5</u>		FLAT WASHER, #10	2
73	<u>00559G3</u>		FLAT WASHER, #6	4
74	<u>00565G3</u>		LOCK WASHER, #6	2
75	<u>00525G5</u>		HEX NUT, #6 - 32	2
76	<u>13514G1</u>		SCREW AND LOCK WASHER, #6	2
77	<u>00642G8</u>		FLAT WASHER, 5/16"	2
78	<u>14628G1</u>		FASTON TAB.....	2
79	<u>24605G1</u>		WIRE HARNESS (BRAKE LIGHT).....	1
80	<u>17618G1</u>		WIRE TIE.....	4
81				
82	<u>612211</u>		BRAKE ASSEMBLY (DRIVER SIDE) (INCLUDES ITEMS 84 - 89, 92).....	1
83	<u>612189</u>		BRAKE ASSEMBLY (PASSENGER SIDE) (INCLUDES ITEMS 84 - 89, 93)	1
84	<u>612411</u>		BRAKE SHOE L	2
85	<u>612412</u>		BRAKE SHOE T	2
86	<u>612413</u>		DUST COVER	2
87	<u>612415</u>		BRAKE SPRING.....	1
88	<u>612414</u>		BRAKE SPRING.....	1
89	<u>612416</u>		SHOE CLAMP	2
90				
91				
92	<u>612418</u>		GEAR ADJUSTER.....	1

BRAKES - MECHANICAL

When ordering parts, please specify the model and serial number of the product.

* Indicates a component that is not available as an individual part.

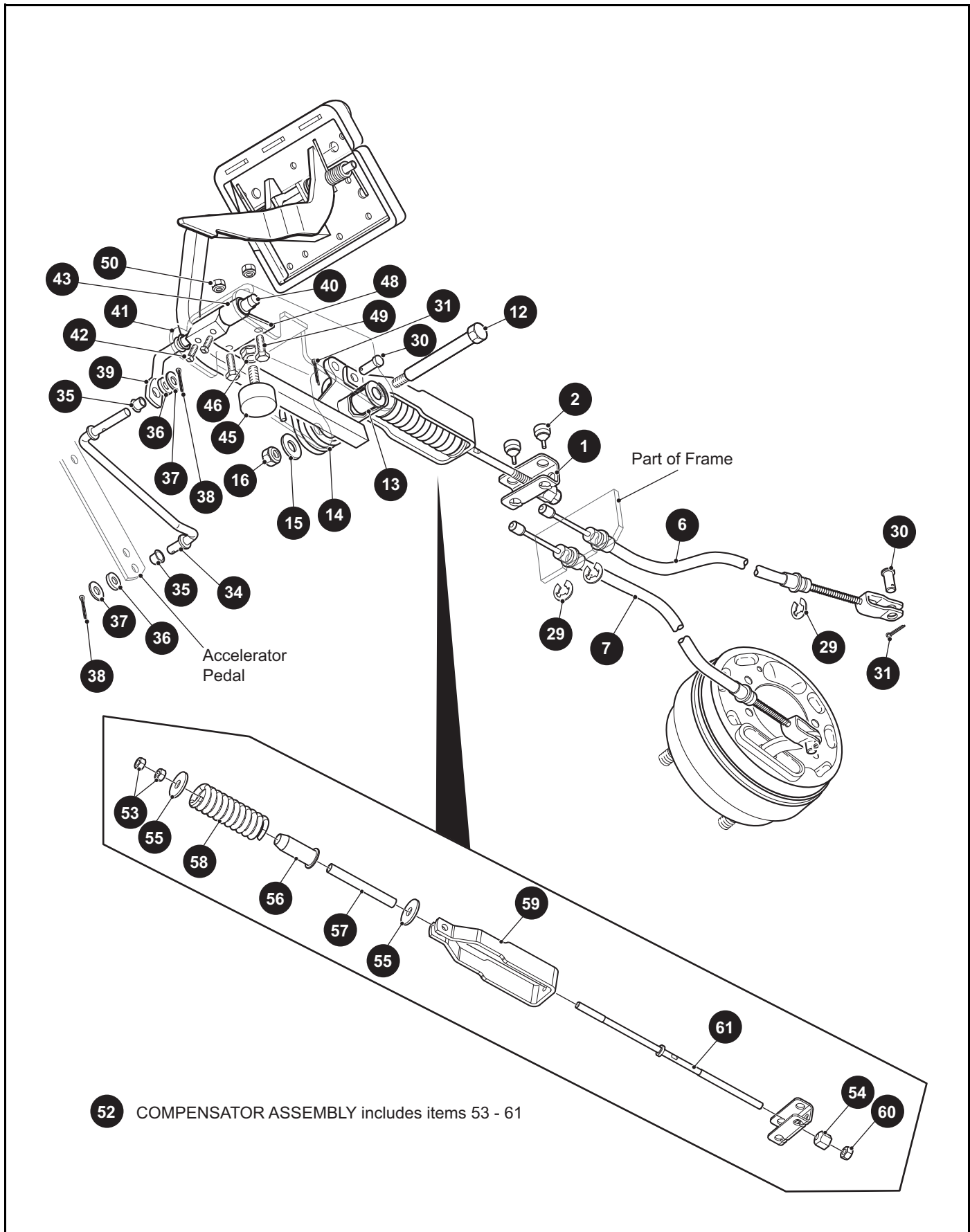
*** Indicates consult Customer Service Department for additional information.

ITEM	PART NO.	1 2 3 4 5	DESCRIPTION	QTY.
93	<u>612417</u>		GEAR ADJUSTER	1
94				
95				
96	<u>17083G2</u>		HEX HEAD BOLT, 5/16 - 24 X 1" LG.....	8
97	<u>15126G1</u>		LOCK NUT, 5/16 - 24.....	8
98	<u>21809G1</u>		INNER BRAKE DRUM WASHER, 1 5/16" OD X 1" ID X 1/32"	2
99				
100	<u>21807G2</u>		BRAKE DRUM ASSEMBLY (INCLUDES ITEMS 101 - 102).....	2
101	*		BRAKE DRUM	1
102	<u>19862G2</u>		LUG BOLT, 1/2 - 20 X 1 3/16" LG	4
103				
104				
105	<u>606945</u>		OUTER BRAKE DRUM WASHER	2
106	<u>606403</u>		SLOTTED NUT, M22 X 1.5.....	2
107	<u>10387G1</u>		COTTER PIN, 1/8" X 1 1/2" LG	2
108	<u>74175G01</u>		SPINDLE CAP.....	2
109				
110	<u>652248</u>		BRAKE CABLE BRACKET (PASSENGER SIDE).....	1
111	<u>652249</u>		BRAKE CABLE BRACKET (DRIVER SIDE)	1
112	<u>612558</u>		COMPENSATOR ASSEMBLY (INCLUDES ITEMS 113 - 122)	1
113	<u>00532G4</u>		HEX NUT	2
114	<u>629486</u>		HEX NUT, 5/16 - 24.....	1
115	<u>28082G01</u>		EQUALIZER BRACKET	1
116	<u>15121G1</u>		FLAT WASHER - 5/16.....	2
117	<u>17979G1</u>		ACCELERATOR ROD BUSHING	1
118	<u>23061G2</u>		TUBE.....	1
119	<u>23463G1</u>		COMPRESSION SPRING	1
120	<u>652256</u>		BRAKE YOKE	1
121	<u>11098G9</u>		HEX LOCK NUT, 5/16 - 24.....	1
122	<u>612557</u>		COMPENSATOR LINK ROD	1

Notes:

A large grid of graph paper for taking notes, consisting of approximately 25 columns and 35 rows of small squares.

BRAKES - FRONT DISC



BRAKES - FRONT DISC

When ordering parts, please specify the model and serial number of the product.

* Indicates a component that is not available as an individual part.

*** Indicates consult Customer Service Department for additional information.

ITEM	PART NO.	1 2 3 4 5	DESCRIPTION	QTY.
1	<u>28082G01</u>		EQUALIZER BRACKET	1
2	<u>28083G01</u>		BRAKE COMPENSATOR BUMPER.....	2
3				
4				
5				
6	<u>624695</u>		BRAKE CABLE (DRIVER SIDE).....	1
7	<u>624696</u>		BRAKE CABLE (PASSENGER SIDE)	1
8				
9				
10				
11				
12	<u>70582G01</u>		SHOULDER BOLT, 3/8" - 16 X 4" LG	1
13	<u>70581G01</u>		FLANGED BUSHING.....	2
14	<u>70676G01</u>		TORSION SPRING	1
15	<u>00643G1</u>		LOCK WASHER, 3/8"	1
16	<u>11098G5</u>		LOCK NUT, 3/8" - 16.....	1
17				
18	<u>01038G01</u>		SWAGEFORM SCREW, 1/4" - 20 (NOT ILLUSTRATED).....	1
19	<u>12416G2</u>		NYLON WEDGE LOCK CLAMP (NOT ILLUSTRATED).....	A/R
20				
21				
22				
23				
24				
25				
26				
27				
28				
29	<u>01111G01</u>		RETAINING RING (SS).....	4
30	<u>10386G3</u>		CLEVIS PIN, 5/16" X 1"	2
31	<u>10387G3</u>		COTTER PIN, 3/32" X 3/4"	2

BRAKES - FRONT DISC

When ordering parts, please specify the model and serial number of the product.

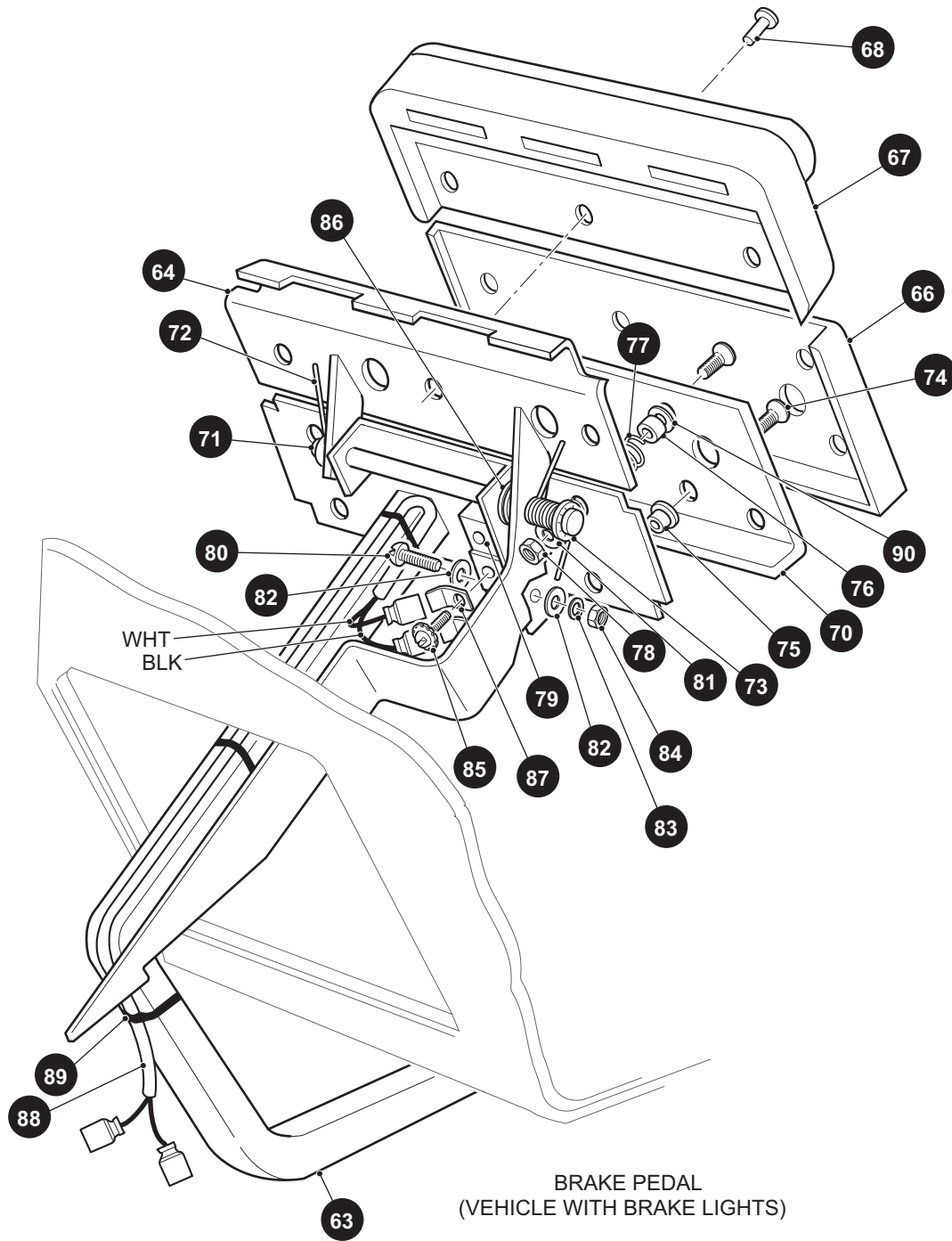
* Indicates a component that is not available as an individual part.

*** Indicates consult Customer Service Department for additional information.

ITEM	PART NO.	1	2	3	4	5	DESCRIPTION	QTY.
32								
33								
34	<u>70601G01</u>						KICK-OFF LINK.....	1
35	<u>17838G1</u>						NYLON BUSHING.....	2
36	<u>20835G1</u>						TEFLON WASHER, 3/8".....	2
37	<u>00559G8</u>						FLAT WASHER, 5/16".....	2
38	<u>10387G3</u>						COTTER PIN, 3/32" X 3/4".....	2
39	<u>70098G01</u>						KICK-OFF CAM PIVOT.....	1
40	<u>10097G6</u>						FLANGED BEARING.....	2
41	<u>70587G01</u>						KICK-OFF CAM.....	1
42	<u>71215G01</u>						SET SCREW WITH PATCHLOCK, 1/4" - 20 X 1/2" LG.....	2
43	<u>14134G4</u>						SPACER, 1.25".....	1
44								
45	<u>70113G01</u>						ADJUSTABLE BUMPER.....	1
46	<u>11027G1</u>						LOCK NUT, 5/16" - 18.....	1
47								
48	<u>70080G02</u>						CATCH BRACKET.....	1
49	<u>00414G6</u>						HEX HEAD BOLT, 1/4" - 20 X 1/2" LG.....	2
50	<u>14390G4</u>						LOCK NUT, 1/4" - 20".....	2
51								
52	<u>612558</u>						COMPENSATOR ASSEMBLY (INCLUDES ITEMS 53 - 61).....	1
53	<u>00532G4</u>						HEX NUT, 1/4" - 20.....	2
54	<u>629486</u>						HEX NUT, 5/16" - 24.....	1
55	<u>15121G1</u>						FLAT WASHER, 5/16".....	2
56	<u>17979G1</u>						ACCELERATOR ROD BUSHING.....	1
57	<u>23061G2</u>						TUBE.....	1
58	<u>23463G1</u>						COMPRESSION SPRING.....	1
59	<u>652256</u>						BRAKE YOKE.....	1
60	<u>11098G9</u>						HEX LOCK NUT, 5/16" - 24.....	1
61	<u>612557</u>						COMPENSATOR LINK ROD.....	1

BRAKES - FRONT DISC

62 BRAKE PEDAL ASSEMBLY (WITH BRAKE LIGHT) includes items 63 - 90



BRAKES - FRONT DISC

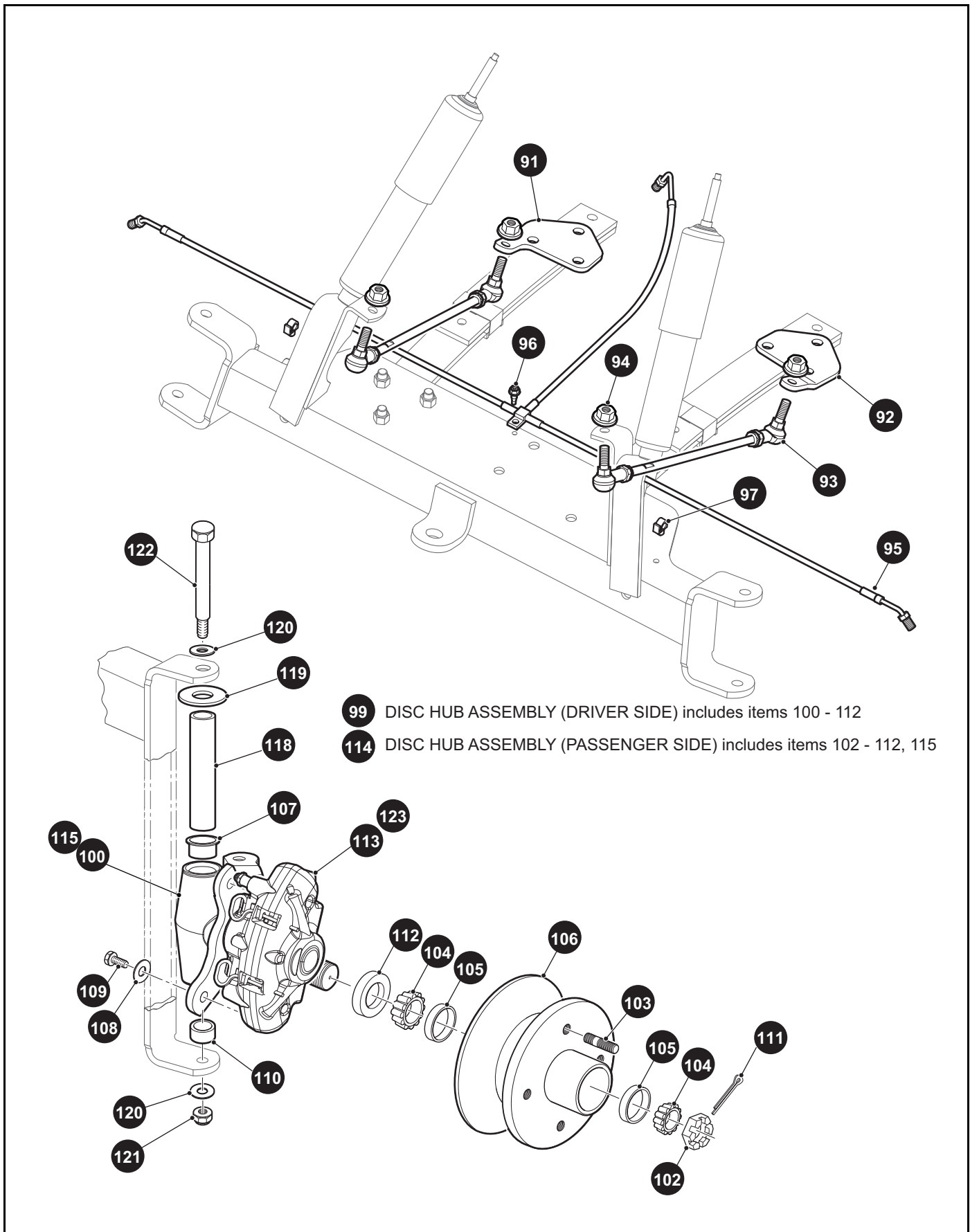
When ordering parts, please specify the model and serial number of the product.

* Indicates a component that is not available as an individual part.

*** Indicates consult Customer Service Department for additional information.

ITEM	PART NO.	1 2 3 4 5	DESCRIPTION	QTY.
62	<u>74874G01</u>		BRAKE PEDAL ASSEMBLY (WITH BRAKE LIGHTS) (INCLUDES ITEMS 63 - 90)	1
63	<u>74870G01</u>		BRAKE PEDAL.....	1
64	<u>641760</u>		PARK BRAKE PEDAL	1
65				
66	<u>70257G01</u>		BRAKE PAD	1
67	<u>70256G01</u>		PARK BRAKE PAD.....	1
68	<u>15766G1</u>		OVAL RIVET, 3/16" X 15/32" LG	9
69	<u>18659G1</u>		LOCTITE (262) (NOT ILLUSTRATED).....	A/R
70	<u>70258G03</u>		BRAKE PEDAL PLATE.....	1
71	<u>70682G01</u>		PARKING BRAKE PEDAL PIN.....	1
72	<u>70681G01</u>		TORSION SPRING.....	2
73	<u>658825</u>		PUSHNUT, 5/16"	1
74	<u>00737G8</u>		FLAT HEAD PHILLIPS SCREW, #10 - 24 X 1" LG.....	4
75	<u>00739G1</u>		RUBBER NUT, #10 - 24	2
76	<u>652355</u>		BRAKE PEDAL SPACER	2
77	<u>27137G01</u>		CONICAL SPRING	2
78	<u>14390G10</u>		LOCK NUT, #10 - 24.....	2
79	<u>10606G8</u>		LIMIT SWITCH (3 POLE)	1
80	<u>00957G1</u>		HEX HEAD CAP SCREW, #6 - 32 X 1 1/4" LG	2
81	<u>00559G5</u>		FLAT WASHER, #10	2
82	<u>00559G3</u>		FLAT WASHER, #6	4
83	<u>00565G3</u>		LOCK WASHER, #6	2
84	<u>00525G5</u>		HEX NUT, #6 - 32	2
85	<u>13514G1</u>		BRASS LIMIT SWITCH SCREW, #6 - 32 X 7/32" LG	2
86	<u>20835G1</u>		NYLON WASHER, 3/8"	2
87	<u>14628G1</u>		FASTON TAB.....	2
88	<u>24605G1</u>		WIRE HARNESS (BRAKE LIGHT).....	1
89	<u>17618G1</u>		WIRE TIE.....	3
90	<u>00642G8</u>		FLAT WASHER, 5/16"	2

BRAKES - FRONT DISC



BRAKES - FRONT DISC

When ordering parts, please specify the model and serial number of the product.

* Indicates a component that is not available as an individual part.

*** Indicates consult Customer Service Department for additional information.

ITEM	PART NO.	1 2 3 4 5	DESCRIPTION	QTY.
91	<u>74731G02</u>		SPRING PLATE (PASSENGER SIDE)	1
92	<u>74731G01</u>		SPRING PLATE (DRIVER SIDE).....	1
93	<u>74730G01</u>		FOUR LINK ROD	2
94	<u>606279</u>		HEX NUT, M10 - 1.25.....	4
95	<u>74736G01</u>		BRAKE LINE	1
96	<u>01038G01</u>		SWAGEFORM SCREW, 1/4" - 20 X 1/2" LG	1
97	<u>74875G01</u>		WIRE RETAINER.....	2
98				
99	<u>602281</u>		SPINDLE, CALIPER AND DISC HUB ASSEMBLY (DRIVER SIDE) (INCLUDES ITEMS 100 - 112).....	1
100	<u>602176</u>		DISC BRAKE SPINDLE (DRIVER SIDE)	1
101				
102	<u>12093G1</u>		SLOTTED NUT, 17/32"	1
103	<u>74864G01</u>		DRIVE FLANGE STUD	4
104	<u>11750G2</u>		ROLLER BEARING	2
105	<u>51141G1</u>		BEARING RACE	2
106	<u>74673G01</u>		DISC BRAKE HUB	1
107	<u>70648G01</u>		FLANGED BEARING	1
108	<u>00566G1</u>		FLAT WASHER, 3/8"	2
109	<u>00426G8</u>		HEX HEAD BOLT, 3/8" - 16 X 1" LG.....	2
110	<u>70749G01</u>		BEARING	1
111	<u>00798G8</u>		COTTER PIN, 5/32" X 1 3/4"	1
112	<u>25146G1</u>		GREASE SEAL.....	1
113	<u>74733G02</u>		CALIPER (DRIVER SIDE)	1
114	<u>602288</u>		SPINDLE, CALIPER AND DISC HUB ASSEMBLY (PASSENGER SIDE) (INCLUDES ITEMS 102 - 112, 115).....	1
115	<u>602158</u>		DISC BRAKE SPINDLE (PASSENGER SIDE).....	1
116				
117				
118	<u>70745G01</u>		KINGPIN TUBE.....	2
119	<u>70754G01</u>		THRUST WASHER, .995" I.D. X 1.38" O.D.	2

BRAKES - FRONT DISC

When ordering parts, please specify the model and serial number of the product.

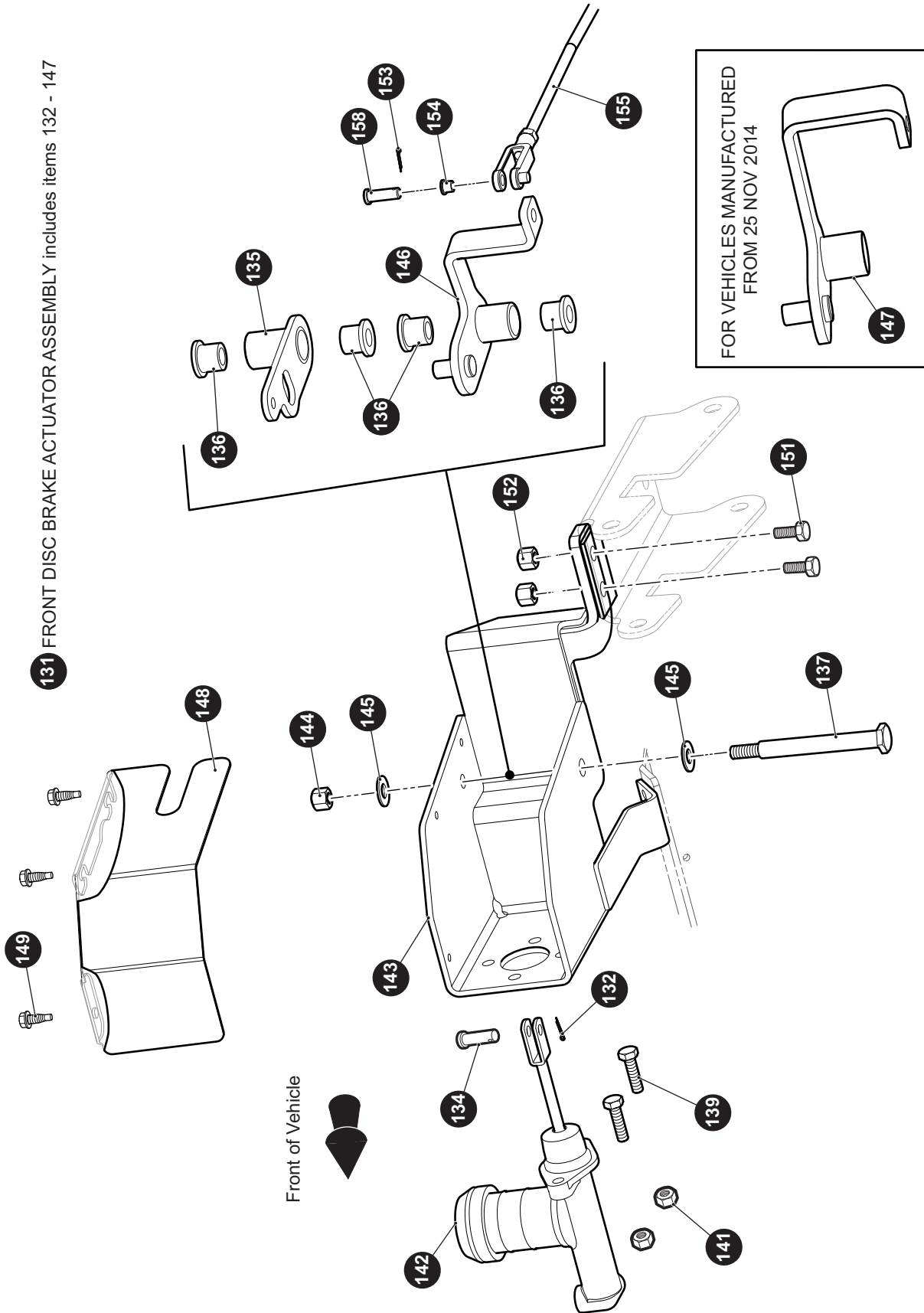
* Indicates a component that is not available as an individual part.

*** Indicates consult Customer Service Department for additional information.

ITEM	PART NO.	1 2 3 4 5	DESCRIPTION	QTY.
120	<u>00560G3</u>		LOCK WASHER, 1/2"	4
121	<u>14390G6</u>		LOCK NUT, 1/2" - 13	2
122	<u>00407G6</u>		HEX HEAD BOLT, 1/2" - 13 X 6" LG.....	2
123	<u>74733G01</u>		CALIPER (PASSENGER SIDE)	1
124				
125				
126				
127				
128				
129				
130				

BRAKES - FRONT DISC

131 FRONT DISC BRAKE ACTUATOR ASSEMBLY includes items 132 - 147



BRAKES - FRONT DISC

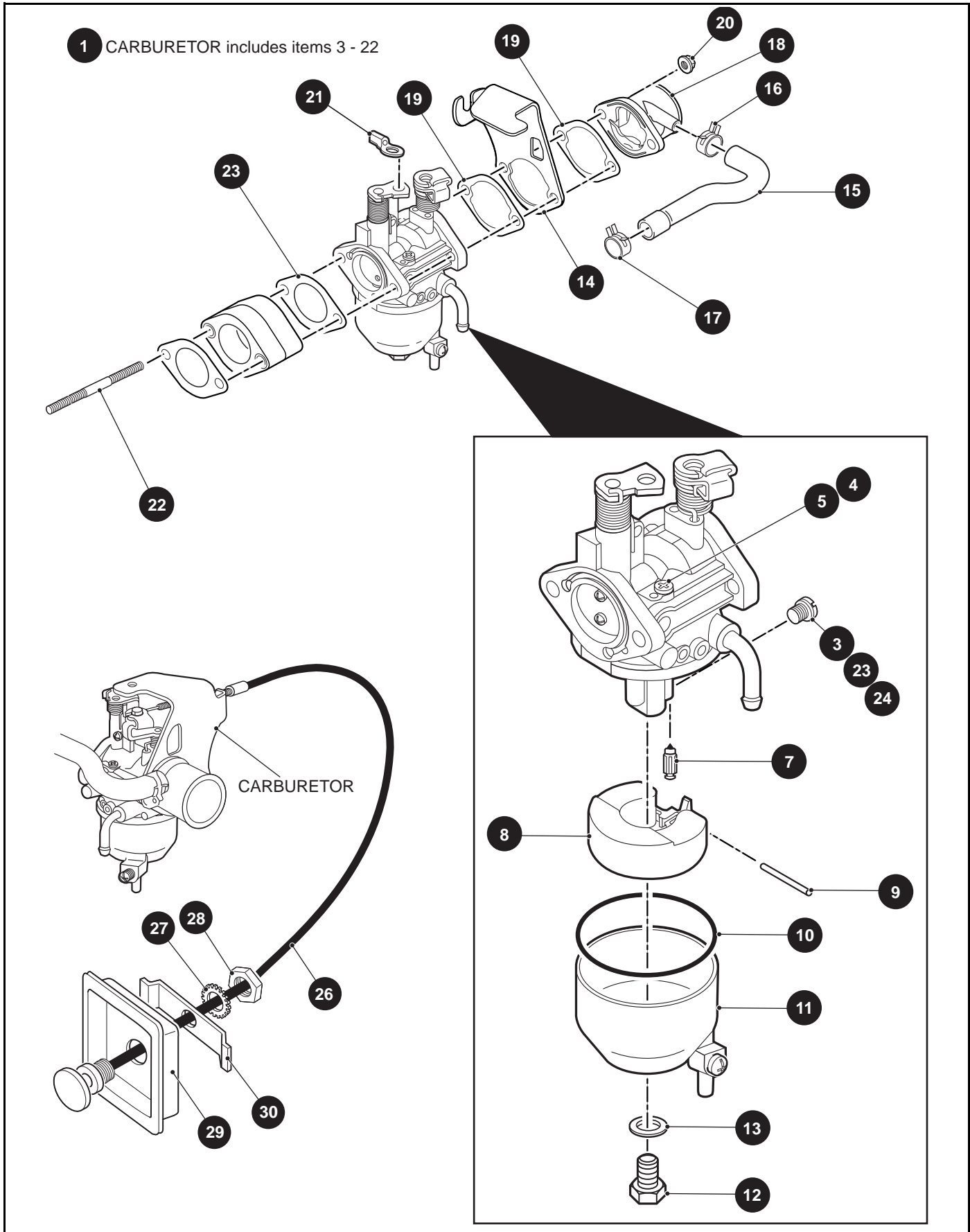
When ordering parts, please specify the model and serial number of the product.

* Indicates a component that is not available as an individual part.

*** Indicates consult Customer Service Department for additional information.

ITEM	PART NO.	1 2 3 4 5	DESCRIPTION	QTY.
131	<u>608706</u>		FRONT DISC BRAKE BRAKE ACTUATOR ASSEMBLY (INCLUDES ITEMS 132 - 147)	1
132	<u>10387G3</u>		COTTER PIN, 3/32" X 3/4" LG	1
133				
134	<u>10386G3</u>		CLEVIS PIN, 5/16" X 1"	1
135	<u>608122</u>		UPPER ACTUATOR PIVOT	1
136	<u>70581G02</u>		ACETAL BUSHING.....	4
137	<u>74711G01</u>		ACTUATOR PIVOT BOLT, 3/4" - 16 X 3/4" LG	1
138				
139	<u>00439G1</u>		HEX HEAD BOLT, 1/2" - 13 X 6" LG.....	2
140				
141	<u>11098G6</u>		LOCK NUT, 5/16" - 18	2
142	<u>887364</u>		MASTER CYLINDER	1
143	<u>612706</u>		MASTER CYLINDER WELDMENT MOUNT.....	1
144	<u>11098G5</u>		LOCK NUT, 3/8" - 16	1
145	<u>00679G1</u>		LOCK WASHER (SS), 3/8".....	2
146	<u>608118</u>		LOWER ACTUATOR PIVOT (FOR VEHICLES MANUFACTURED BEFORE 25 NOV 2014).....	1
147	<u>641826</u>		LOWER ACTUATOR PIVOT (FOR VEHICLES MANUFACTURED FROM 25 NOV 2014).....	1
148	<u>612704</u>		ACTUATOR ASSEMBLY COVER	1
149	<u>01038G01</u>		SWAGEFORM SCREW, 1/4" - 20 X 1/2" LG	3
150				
151	<u>00414G6</u>		HEX HEAD BOLT, 1/4" - 20 X 1/2" LG	4
152	<u>14390G4</u>		LOCK NUT, 1/4" - 20.....	4
153	<u>10387G3</u>		COTTER PIN, .094" X .75"	2
154	<u>17838G1</u>		NYLON BUSHING	2
155	<u>608943</u>		ACTUATOR LINKAGE	1
156	<u>00771G5</u>		FLAT WASHER, 3/8" (NOT ILLUSTRATED).....	1
157	<u>21504G1</u>		BRAKE FLUID (NOT ILLUSTRATED)	A/R
158	<u>10386G3</u>		CLEVIS PIN, 5/16" X 1"	2

CARBURETOR AND CHOKE



CARBURETOR AND CHOKE

When ordering parts, please specify the model and serial number of the product.

* Indicates a component that is not available as an individual part.

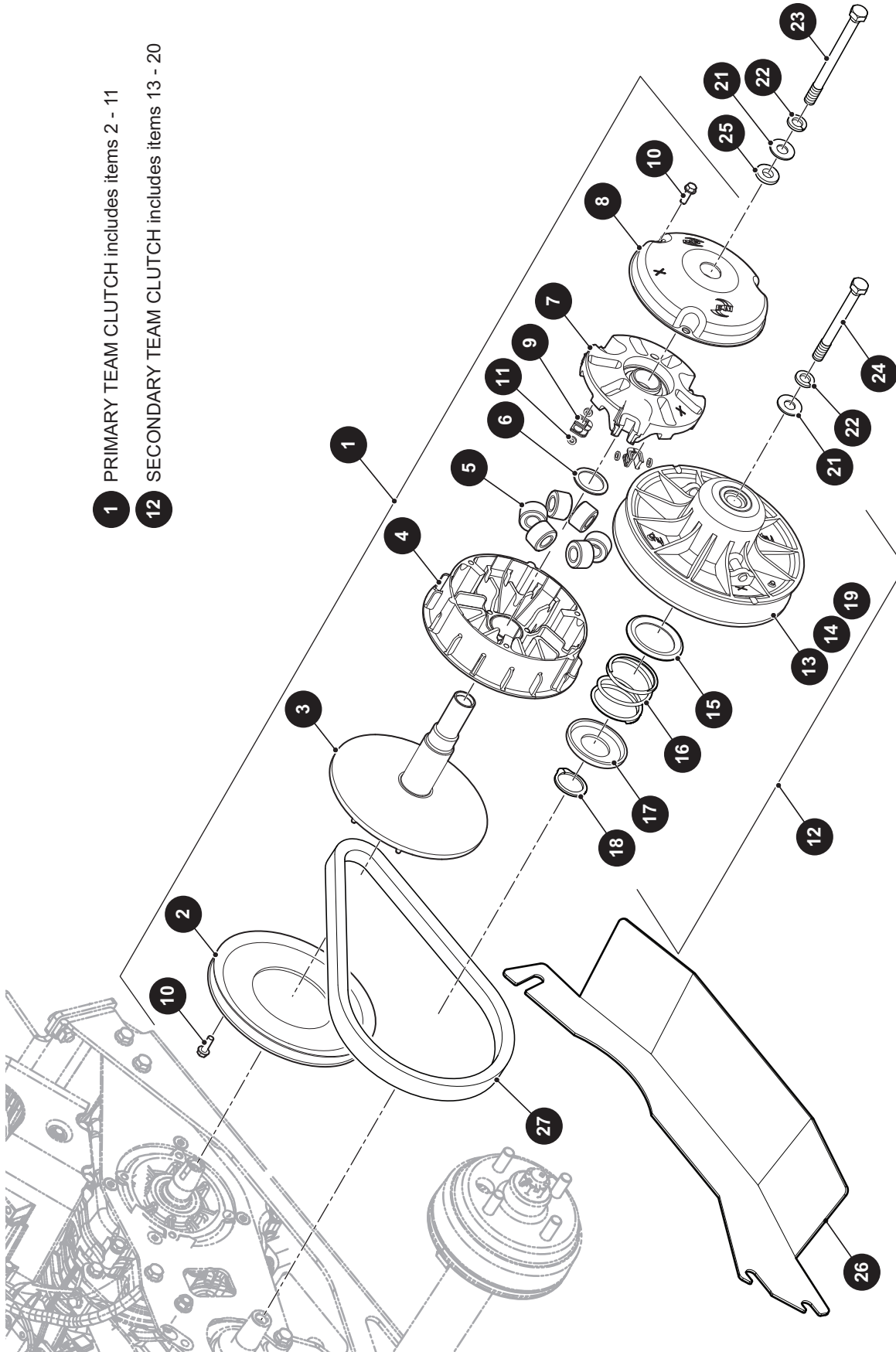
*** Indicates consult Customer Service Department for additional information.

ITEM	PART NO.	1 2 3 4 5	DESCRIPTION	QTY.
1	<u>607955</u>		CARBURETOR (INCLUDES ITEMS 3 - 22)	1
2				
3	<u>607956</u>		MAIN JET (#106).....	1
4	<u>607957</u>		PILOT JET (#52)	1
5	<u>603585</u>		PLUG.....	1
6				
7	<u>603586</u>		NEEDLE VALVE	1
8	<u>603587</u>		FLOAT	1
9	<u>603588</u>		FLOAT PIN	1
10	<u>603589</u>		FLOAT BOWL GASKET	1
11	<u>603590</u>		FLOAT CHAMBER	1
12	<u>603592</u>		BOWL SCREW.....	1
13	<u>603591</u>		BOWL GASKET	1
14	<u>603583</u>		CHOKE BRACKET.....	1
15	<u>603598</u>		BREATHER TUBE.....	1
16	<u>603596</u>		CLAMP, INTAKE TUBE	1
17	<u>603597</u>		CLAMP CYLINDER HEAD TUBE	1
18	<u>603594</u>		INTAKE TUBE	1
19	<u>603593</u>		CHOKE GASKET	2
20	<u>603595</u>		NUT, M6 X 1.0	2
21	<u>608023</u>		THROTTLE ROD ATTACHMENT BUSHING	1
22	<u>603584</u>		STUD BOLT.....	2
23	<u>607684</u>		MAIN JET (#102) (FOR ELEVATIONS OF 6000 FT - 10000 FT)	1
24	607983		MAIN JET (#104) (FOR ELEVATIONS OF 3000 FT - 6000 FT)	1
25				
26	<u>605868</u>		CHOKE CABLE (SWB).....	1
27	<u>00568G4</u>		LOCK WASHER, 9/16"	1
28	<u>00545G4</u>		JAM NUT, 9/16 - 18.....	1
29	<u>72155G01</u>		RETAINER	1
30	<u>72154G01</u>		CHOKE CABLE ADAPTER.....	1

CLUTCH

1 PRIMARY TEAM CLUTCH includes items 2 - 11

12 SECONDARY TEAM CLUTCH includes items 13 - 20



When ordering parts, please specify the model and serial number of the product.

* Indicates a component that is not available as an individual part.

*** Indicates consult Customer Service Department for additional information.

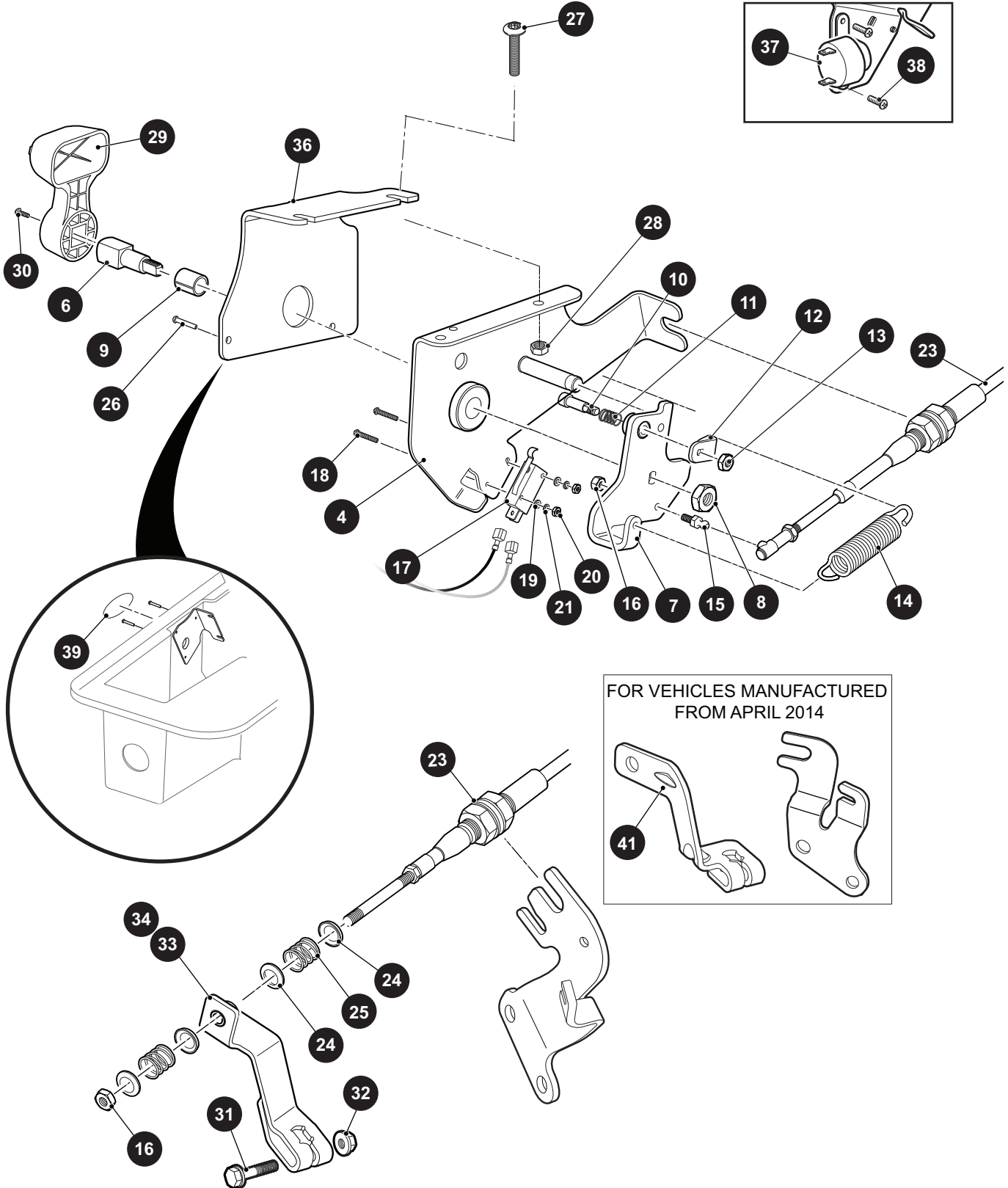
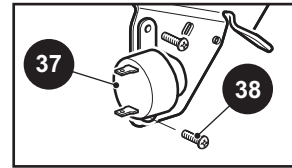
ITEM	PART NO.	1 2 3 4 5	DESCRIPTION	QTY.
1	672688		PRIMARY TEAM CLUTCH (INCLUDES ITEMS 2 - 11).....	1
2	<u>619333</u>		PRIMARY STARTER PULLY, 195 - SVC.....	1
3	*		STATIONARY ASSEMBLY	1
4	*		MOVEABLE PRIMARY ASSEMBLY.....	1
5	<u>624112</u>		SHIFT ROLLER ASSEMBLY	6
6	<u>619337</u>		SHIM, 39 5MM X 31 75MM	1
7	<u>644303</u>		PRIMARY SPIDER ASSEMBLY	1
8	*		PRIMARY DUST COVER ASSEMBLY	1
9	<u>644305</u>		BUTTON, TORQUE PRIMARY	6
10	<u>619332</u>		HEX WASHER HEAD BOLT, 1/4" - 20 X 3/4" LG	7
11	<u>644306</u>		PLUG, TORQUE PRIMARY	6
12	<u>623949</u>		SECONDARY TEAM CLUTCH (INCLUDES ITEMS 13 - 20)	1
13	*		SECONDARY STATIONARY, 9.5	1
14	*		MOVEABLE SECONDARY, 9.5.....	1
15	<u>619327</u>		INNER RETAINER SPRING.....	1
16	<u>624111</u>		COMPRESSION SPRING, 2.70" O.D.	1
17	<u>619329</u>		OUTER SPRING RETAINER	1
18	<u>619330</u>		RETAINER RING.....	1
19	<u>619331</u>		THRUST WASHER, 1 53" x 1 83" x 1"	1
20				
21	<u>606239</u>		CONICAL WASHER, M12.....	2
22	<u>00566G3</u>		LOCK WASHER (SPRING TYPE), 3/8"	2
23	<u>606245</u>		HEX HEAD BOLT, M12 - 1 25 X 160MM LG.....	1
24	<u>606243</u>		HEX HEAD BOLT, M12 - 1 25 X 120MM LG.....	1
25	<u>606230</u>		CLUTCH WASHER, 27 5MM O.D. X 13 06MM I.D.	1
26	<u>605950</u>		CLUTCH BELT SHIELD	1
27	<u>618630</u>		DRIVE BELT	1

DIRECTION SELECTOR

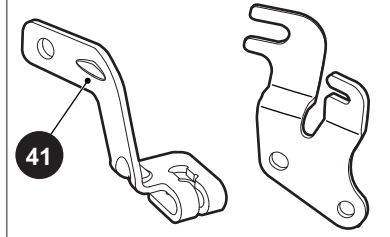
1 DIRECTION SELECTOR CABLE ASSEMBLY includes items 16, 23-25, 33 - 34

2 DIRECTION SELECTOR ASSEMBLY includes items 4, 6, 7-21

Reverse Warning Buzzer



FOR VEHICLES MANUFACTURED
FROM APRIL 2014



DIRECTION SELECTOR

When ordering parts, please specify the model and serial number of the product.

* Indicates a component that is not available as an individual part.

*** Indicates consult Customer Service Department for additional information.

ITEM	PART NO.	1 2 3 4 5	DESCRIPTION	QTY.
1	<u>608184</u>		DIRECTION SELECTOR CABLE ASSEMBLY (INCLUDES ITEMS 16, 23-25, 33-34)	1
2	<u>605999</u>		DIRECTION SELECTOR ASSEMBLY (INCLUDES ITEMS 4, 6, 7-21)	1
3				
4	<u>603627</u>		DIRECTION SELECTOR BRACKET WITH BUSHING (INCLUDES ITEM 9)	1
5				
6	<u>606266</u>		DIRECTION SELECTOR SHAFT	1
7	<u>603700</u>		DIRECTION SELECTOR CAM	1
8	<u>14390G1</u>		LOCK NUT, 3/8 - 24	1
9	*		BUSHING	1
10	<u>72724G01</u>		NEUTRAL LOCK PIN	1
11	<u>72733G01</u>		COMPRESSION SPRING, 3/8" X 5/8" LG	1
12	<u>72729G01</u>		NEUTRAL LOCK BRACKET	1
13	<u>00734G2</u>		LOCK NUT, 1/4 - 28	1
14	<u>28574G01</u>		EXTENSION SPRING	1
15	<u>72732G01</u>		BALL STUD, 1/4"	1
16	<u>00734G5</u>		LOCK NUT, #10 - 32	1
17	<u>72736G01</u>		MICRO SWITCH	1
18	<u>01062G01</u>		SCREW, #4 - 40 X 1" LG	2
19	<u>00559G1</u>		FLAT WASHER, #4	2
20	<u>00565G1</u>		LOCK WASHER, #4	2
21	<u>00526G2</u>		HEX NUT, #4 - 40	2
22				
23	<u>605809</u>		PUSH / PULL SHIFTER CABLE	1
24	<u>25727G01</u>		CUP WASHER, 1/4"	4
25	<u>72735G01</u>		COMPRESSION SPRING, 19/32" X 1" LG	2
26	<u>71055G01</u>		RIVET, 3/16" x .38 GRIP	3
27	<u>70227G01</u>		SCREW, 1/4 - 20 X 7/8" LG	2
28	<u>11027G2</u>		LOCK NUT, 1/4 - 20	2
29	<u>71205G01</u>		DIRECTION SELECTOR HANDLE	1
30	<u>01037G02</u>		PAN HEAD TORX SCREW, #10 - 32 X 1/2" LG	1

DIRECTION SELECTOR

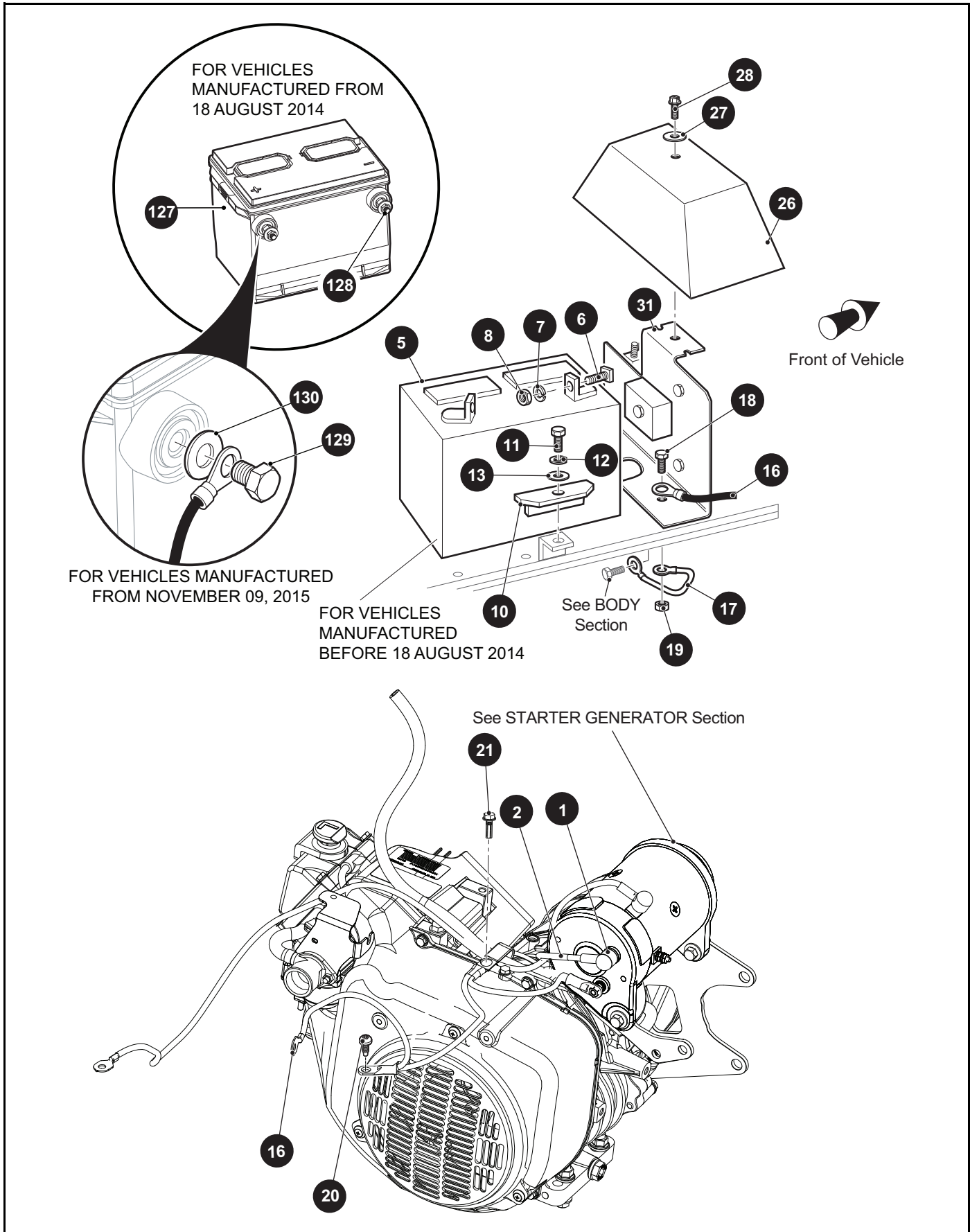
When ordering parts, please specify the model and serial number of the product.

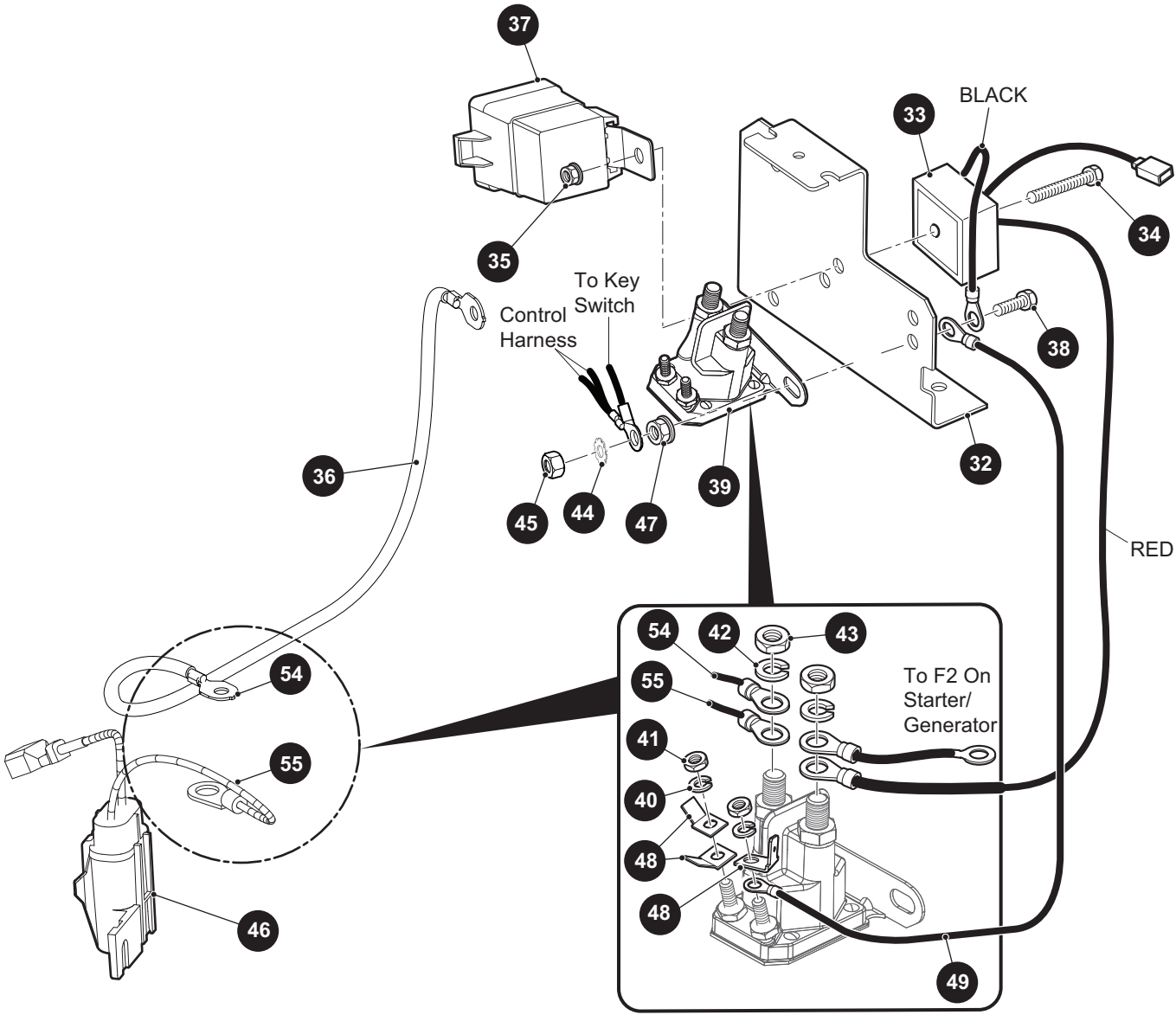
* Indicates a component that is not available as an individual part.

*** Indicates consult Customer Service Department for additional information.

ITEM	PART NO.	1 2 3 4 5	DESCRIPTION	QTY.
31	<u>606421</u>		FLANGED HEX HEAD BOLT, M6 - 1.00 X 30.....	1
32	<u>450452</u>		HEX NUT, M6 - 1.00.....	1
33	<u>606014</u>		BRACKET.....	1
34	*		BUSHING, FLIP LOK, 0.25.....	1
35				
36	<u>605869</u>		MOUNTING BRACKET.....	1
37	<u>73290G03</u>		REVERSE WARNING BUZZER.....	1
38	<u>01063G01</u>		ROLLED THREAD TAPTITE SCREW, #6 - 32 X 3/8" LG.....	2
39	<u>73317G01</u>		DECAL - FNR - EUROPEAN.....	1
40				
41	<u>632891</u>		DIRECTION SELECTOR PIVOT BRACKET (FOR VEHICLES MANUFACTURED FROM APRIL 2014).....	1

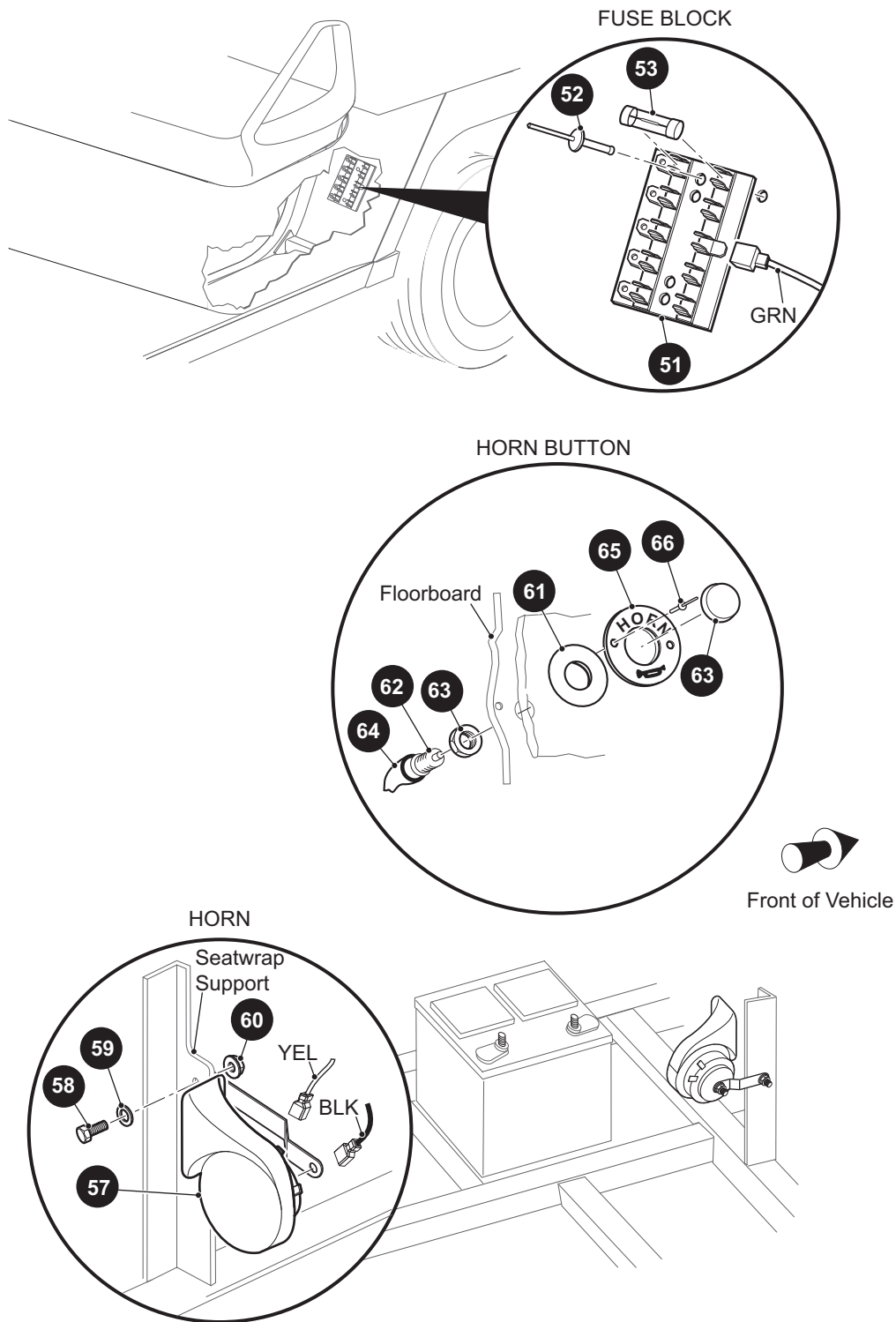
ELECTRICAL SYSTEM



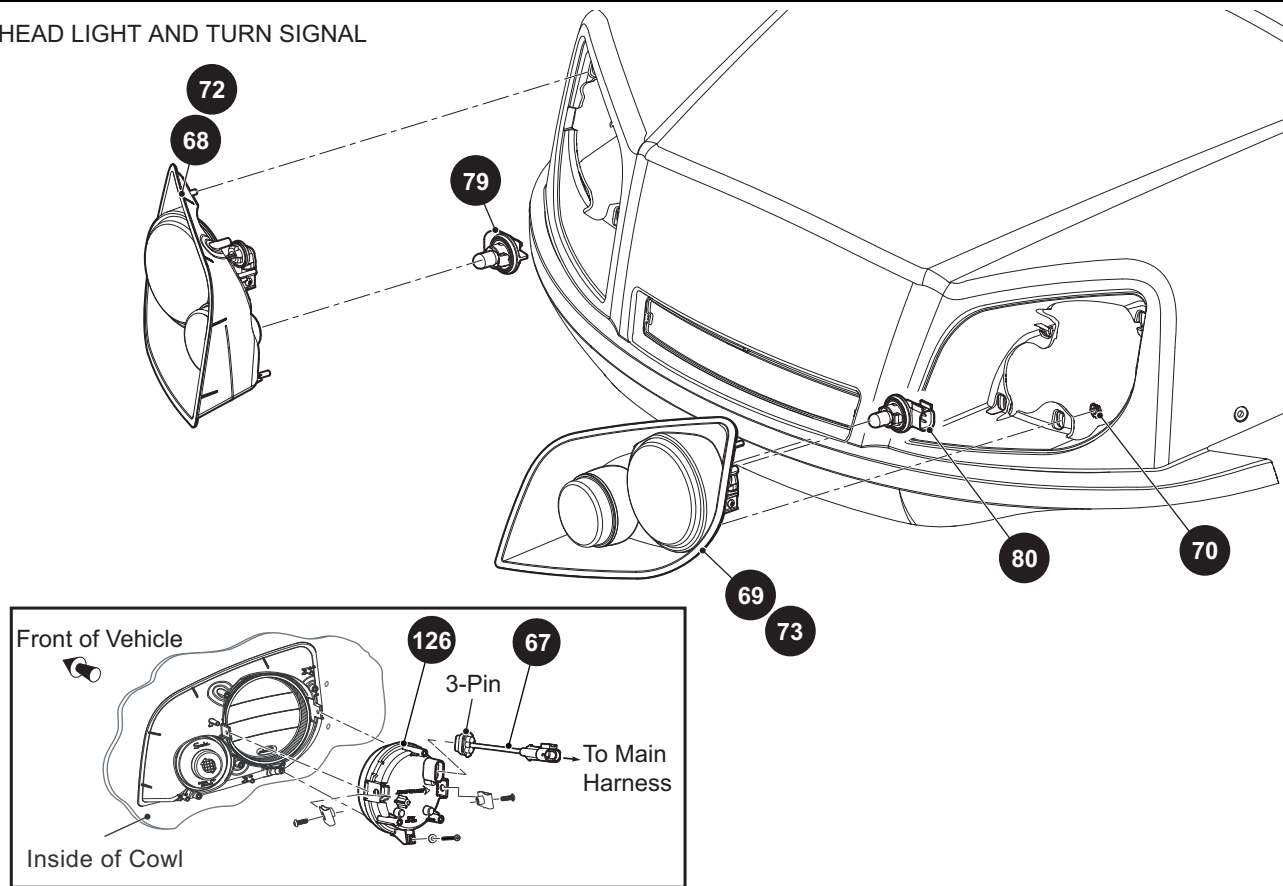


31 ELECTRICAL PLATE ASSEMBLY includes items 32 - 43 and 46 - 49

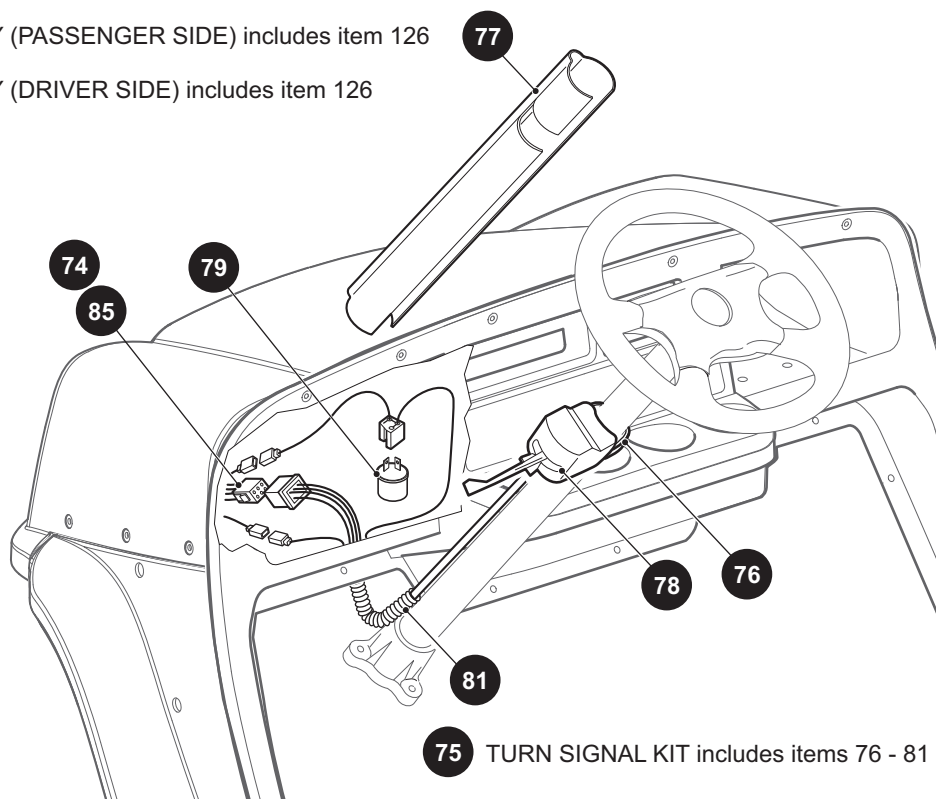
ELECTRICAL SYSTEM



HEAD LIGHT AND TURN SIGNAL

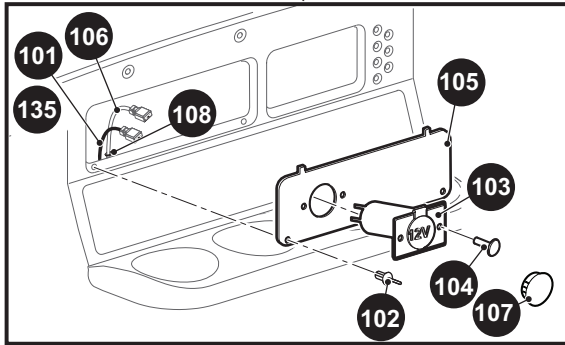


- 72** LED HEADLIGHT ASSEMBLY (PASSENGER SIDE) includes item 126
- 73** LED HEADLIGHT ASSEMBLY (DRIVER SIDE) includes item 126

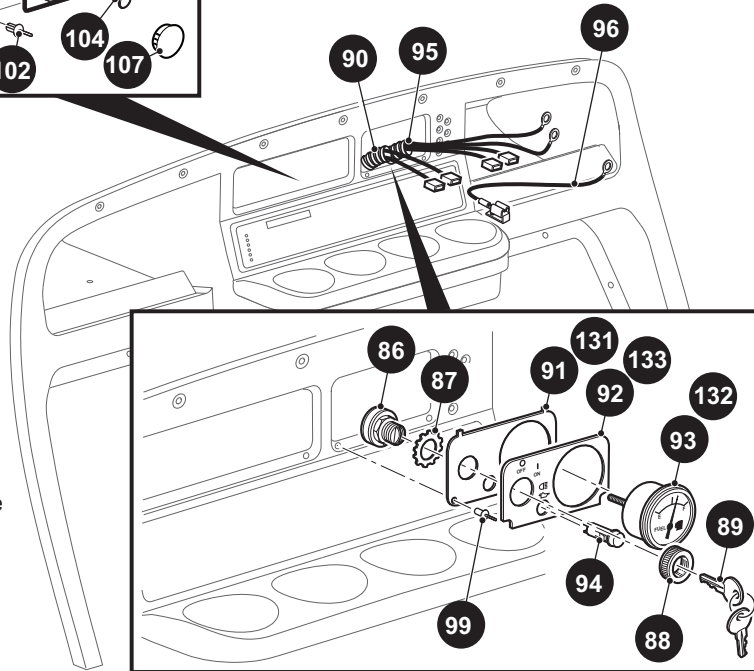


- 75** TURN SIGNAL KIT includes items 76 - 81

CONSOLE INSERT PLATE (WITH POWER OUTLET SHOWN)

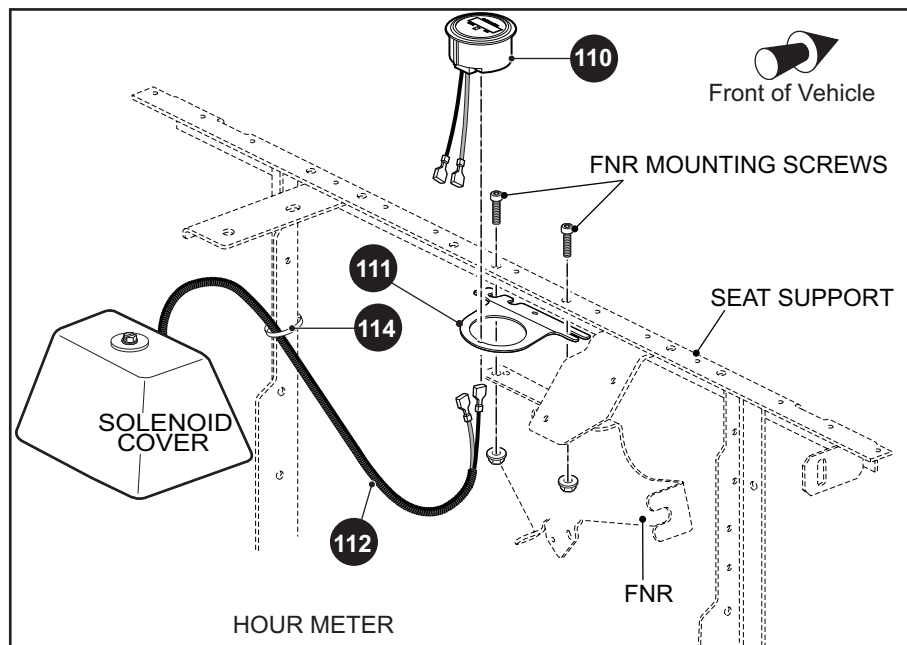
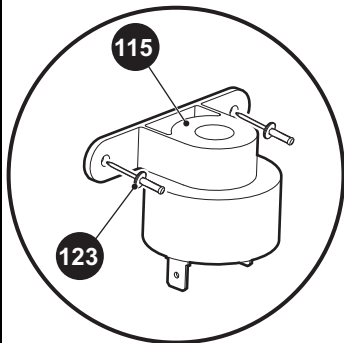


- 97 POWER OUTLET 12V includes items 101 - 106, 108
- 98 CONSOLE INSERT ASSY includes items 105, 107
- 100 POWER OUTLET 12V includes items 101 - 106, 135 - 136



KEY SWITCH, INDICATOR LIGHT(S), AND FUEL GAUGE

- 109 HOUR METER KIT includes items 110 - 111



ELECTRICAL SYSTEM

When ordering parts, please specify the model and serial number of the product.

* Indicates a component that is not available as an individual part.

*** Indicates consult Customer Service Department for additional information.

ITEM	PART NO.	1 2 3 4 5	DESCRIPTION	QTY.
1	<u>607053</u>		6 GA WIRE (BLACK 6", F1 - A2)	1
2	<u>25682G01</u>		TERMINAL COVER.....	3
3				
4				
5	24775G1		BATTERY, 12V (FOR VEHICLES MANUFACTURED BEFORE 18 AUGUST 2014)	1
6	*		HEX HEAD BOLT, 5/16" - 18 X 1 1/4" LG	2
7	*		LOCK WASHER (SILICON BRONZE), 5/16"	2
8	*		LOCK NUT (SILICON BRONZE), 5/16" - 18.....	2
9				
10	<u>72101G02</u>		BATTERY HOLD DOWN	1
11	00438G6		HEX HEAD BOLT, 5/16" - 18 X 3/4" LG.....	3
12	<u>00565G8</u>		LOCK WASHER, 5/16"	1
13	<u>00571G2</u>		FLAT WASHER, 5/16"	1
14				
15				
16	<u>27044G03</u>		GROUND CABLE.....	1
17	<u>25976G19</u>		14 GA WIRE (BLACK 6").....	1
18	00438G6		HEX HEAD BOLT, 5/16" - 18 X 3/4" LG.....	2
19	<u>11027G1</u>		LOCK NUT, 5/16" - 18	2
20	<u>26676G01</u>		FLANGED BOLT, M6 - 1 X 23MM LG	1
21	<u>606264</u>		HEX HEAD BOLT, M6 - 1 X 20MM LG	1
22				
23				
24	<u>605777</u>		WIRE HARNESS (CONTROL).....	1
25	<u>17618G1</u>		WIRE TIE (NOT ILLUSTRATED).....	A/R
26	<u>73049G01</u>		COVER (DIRECTION SELECTOR)	1
27	<u>16469G1</u>		FENDER WASHER, 1/4"	1
28	<u>00114G6</u>		HEX WASHER HEAD TAPPING SCREW, 1/4" - 14 X 3/4" LG	1
29				

ELECTRICAL SYSTEM

When ordering parts, please specify the model and serial number of the product.

* Indicates a component that is not available as an individual part.

*** Indicates consult Customer Service Department for additional information.

ITEM	PART NO.	1 2 3 4 5	DESCRIPTION	QTY.
30				
31	<u>605563</u>		ELECTRICAL PLATE ASSY (INCLUDES ITEMS 32 - 43 AND 46 - 49)	1
32	<u>73057G02</u>		BRACKET	1
33	<u>27739G01</u>		VOLTAGE REGULATOR	1
34	<u>303459</u>		HEX HEAD BOLT, 1/4" - 20 X 1 1/2" LG.....	1
35	<u>11027G2</u>		LOCK NUT, 1/4" - 20	1
36	<u>645190</u>		WIRE ASSEMBLY 6 AWG	1
37	<u>603282</u>		RELAY	1
38	<u>00661G8</u>		HEX HEAD BOLT, 1/4" - 20 X 1" LG.....	1
39	<u>612813</u>		SOLENOID	1
40	*		LOCK WASHER, #10.....	2
41	*		HEX NUT, #10 - 32.....	2
42	*		LOCK WASHER, 5/16"	2
43	*		HEX NUT, 5/16" - 24	2
44	<u>00567G7</u>		LOCK WASHER (EXTERNAL TOOTH TYPE), 1/4"	1
45	<u>00532G1</u>		HEX NUT, 1/4" - 20	1
46	600418G01		FUSE HOLDER ASSEMBLY	1
47	<u>11027G2</u>		LOCK NUT, 1/4" - 20	1
48	<u>73446G01</u>		FASTON TAB, 90°	3
49	<u>25978G56</u>		18 GA WIRE (BLACK 5 3/4").....	1
50				
51	<u>22674G1</u>		FUSE BLOCK	1
52	<u>01041G01</u>		RIVET, 1/8" X 13/16"	2
53	<u>18392G1</u>		15 AMP FUSE	3
54	<u>645190</u>		#6 GA WIRE ASSEMBLY	1
55	<u>20216G1</u>		16 GA WIRE (RED).....	1
56				
57	<u>32860G1</u>		HORN.....	1
58	<u>00414G5</u>		HEX HEAD BOLT, 1/4" - 20 X 5/8" LG	1
59	<u>00559G7</u>		FLAT WASHER, 1/4"	1
60	<u>14390G4</u>		LOCK NUT, 1/4" - 20	1

ELECTRICAL SYSTEM

When ordering parts, please specify the model and serial number of the product.

* Indicates a component that is not available as an individual part.

*** Indicates consult Customer Service Department for additional information.

ITEM	PART NO.	1	2	3	4	5	DESCRIPTION	QTY.
61	<u>608397</u>						HORN PLATE.....	1
62	<u>17318G1</u>						HORN SWITCH.....	1
63	<u>17318G2</u>						HORN SWITCH CAP AND NUT.....	1
64	<u>27068G01</u>						HORN SWITCH BOOT.....	1
65	<u>19233G1</u>						HORN SWITCH LABEL.....	1
66	<u>71055G01</u>						RIVET (ALUMINUM), 3/16" X 1".....	2
67	<u>654465</u>						JUMPER HARNESS, LED HEADLIGHT.....	2
68	<u>614497</u>						HEADLIGHT ASSEMBLY (PASSENGER SIDE).....	1
69	<u>614501</u>						HEADLIGHT ASSEMBLY (DRIVER SIDE).....	1
70	<u>71597G01</u>						SELF THREADING NUT.....	8
71	<u>71781G02</u>						VINYL TAPE.....	2
72	<u>659008</u>						LED HEADLIGHT ASSEMBLY (PASSENGER SIDE) (INCLUDES ITEM 126).....	1
73	<u>659009</u>						LED HEADLIGHT ASSEMBLY (DRIVER SIDE) (INCLUDES ITEM 126).....	1
74	<u>645200</u>						WIRE HARNESS, LONG (ACCESSORY) (FOR VEHICLES MANUFACTURED FROM NOVEMBER 09, 2015).....	1
75	<u>622712</u>						TURN SIGNAL KIT (INCLUDES ITEMS 76 - 81).....	1
76	<u>17618G1</u>						NYLON CLAMP.....	2
77	<u>20965G3</u>						STEERING COLUMN COVER.....	1
78	<u>611810</u>						TURN SIGNAL SWITCH ASSEMBLY (INCLUDES ITEM 79).....	1
79	<u>21640G1</u>						TURN SIGNAL FLASHER.....	1
80	<u>619102</u>						TURN SIGNAL ASSEMBLY BULB.....	2
81	<u>32307G3</u>						FLEX ZIP LOOM.....	1
82	<u>11098G6</u>						LOCK NUT, 5/16" - 18 (NOT ILLUSTRATED).....	1
83	<u>75048G01</u>						SPACER, .328" X .75" X .50" (NOT ILLUSTRATED).....	1
84	<u>00439G1</u>						HEX HEAD BOLT, 5/16" - 18 X 1 1/8" LG (NOT ILLUSTRATED).....	1
85	<u>619092</u>						WIRE HARNESS, LONG (ACCESSORY).....	1
86	<u>33639G01</u>						IGNITION SWITCH (WITH LIGHTS).....	1
87	<u>00568G6</u>						LOCK WASHER, 3/4".....	1
88	<u>17137G1</u>						FACE NUT, 3/4" - 20.....	1
89	<u>17063G1</u>						IGNITION KEY.....	1
90	<u>605866</u>						WIRE HARNESS (KEY SWITCH).....	1
91	<u>73030G04</u>						PLATE (FUEL GAUGE AND OIL LIGHT).....	1

ELECTRICAL SYSTEM

When ordering parts, please specify the model and serial number of the product.

* Indicates a component that is not available as an individual part.

*** Indicates consult Customer Service Department for additional information.

ITEM	PART NO.	1 2 3 4 5	DESCRIPTION	QTY.
92	<u>71131G01</u>		LABEL (OIL LIGHT AND FUEL GAUGE WITH HEADLIGHTS).....	1
93	<u>21553G1</u>		FUEL GAUGE	1
94	<u>23474G1</u>		INDICATOR LIGHT	1
95	<u>74311G01</u>		HARNES (OIL LIGHT/FUEL GAUGE)	1
96	<u>25978G122</u>		18 GA WIRE (RED 6")	1
97	<u>612087</u>		POWER OUTLET 12V (INCLUDES ITEMS 101 - 106, 108)	1
98	<u>74693G02</u>		CONSOLE INSERT ASSEMBLY (INCLUDES ITEMS 105, 107)	1
99	33623G02		RIVET (PLASTIC), 3/16" X 3/8"	2
100	612143		POWER OUTLET 12V (INCLUDES ITEMS 101 - 106, 135 - 136).....	1
101	<u>612107</u>		WIRE HARNES, POWER OUTLET, 12V	1
102	33623G02		RIVET (PLASTIC), 3/16" X 3/8"	3
103	<u>71078G01</u>		POWER OUTLET, 12V	1
104	<u>14601G10</u>		RIVET (ALUMINUM), 5/32"	2
105	<u>73522G03</u>		CONSOLE PLATE (E-COAT)	1
106	<u>35212G01</u>		FUSE, 15A.....	1
107	20271G01		HOLE PLUG	1
108	<u>17618G1</u>		NYLON CLAMP.....	1
109	607284		HOUR METER KIT (INCLUDES ITEMS 110 - 111)	1
110	<u>617074</u>		HOUR METER	1
111	<u>635649</u>		HOUR METER BRACKET.....	1
112	664689		WIRE HARNES (HOUR METER).....	1
113				
114	<u>31539G1</u>		NYLON CLAMP, 15.5"	A/R
115	<u>73290G03</u>		CONTINUOUS TONE POTTED BUZZER	1
116	<u>74371G01</u>		BEZEL (DRIVER SIDE)	1
117	<u>74371G02</u>		BEZEL (PASSENGER SIDE).....	1
118	<u>71364G02</u>		'J' CLIP	8
119	<u>71425G01</u>		FLAT HEAD SCREW, #8 - 18 X .75" LG.....	8
120	<u>22288G1</u>		BRAKE/TAILLIGHT LAMP	2
121	<u>14601G11</u>		RIVET (ALUMINUM), 3/16" X 9/16"	4
122	<u>00513G4</u>		PAN HEAD PHILLIPS SCREW, 8" - 18 X 1 1/2" LG	4

ELECTRICAL SYSTEM

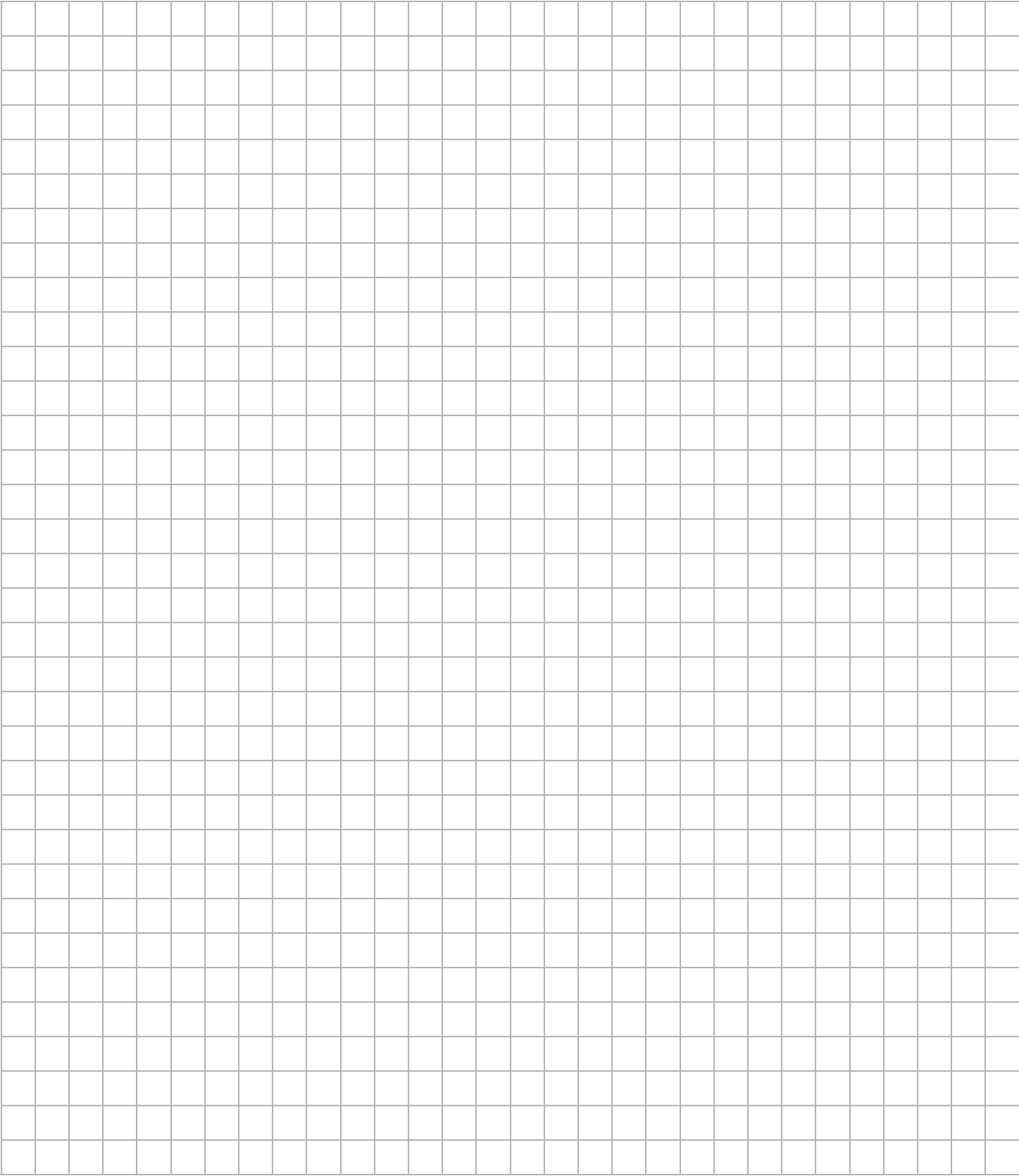
When ordering parts, please specify the model and serial number of the product.

* Indicates a component that is not available as an individual part.

*** Indicates consult Customer Service Department for additional information.

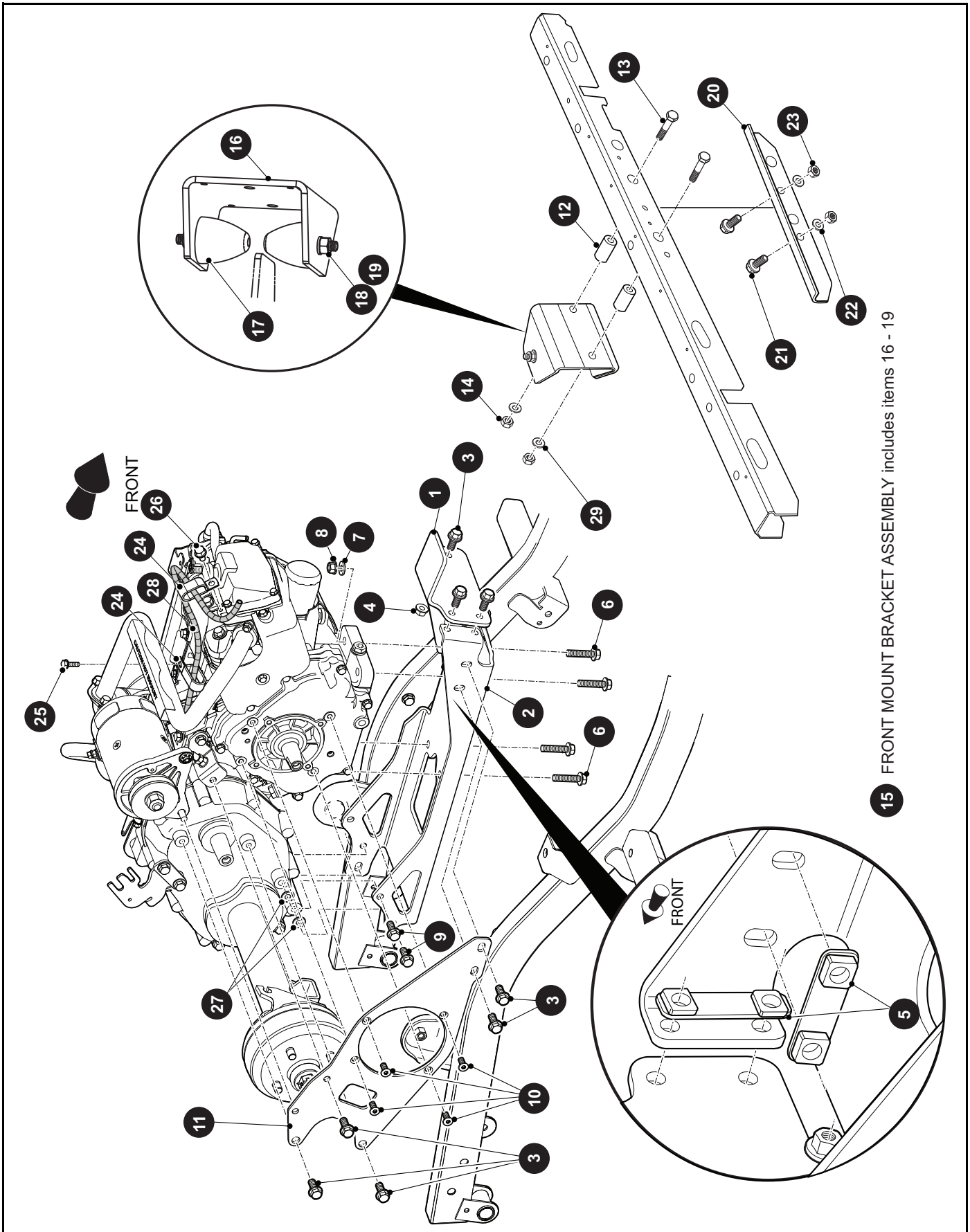
ITEM	PART NO.	1	2	3	4	5	DESCRIPTION	QTY.
123	<u>01041G01</u>						BULBEX RIVET, 5/32" DIA.....	2
124	<u>625251</u>						BEZEL, TAILLIGHT (DRIVER SIDE) (FOR VEHICLES MANUFACTURED FROM MARCH 2014).....	1
125	<u>625252</u>						BEZEL, TAILLIGHT (PASSENGER SIDE) (FOR VEHICLES MANUFACTURED FROM MARCH 2014).....	1
126	<u>651411G03</u>						LED HEADLIGHT.....	1
127	<u>637484</u>						BATTERY, 12V (FOR VEHICLES MANUFACTURED FROM 18 AUGUST 2014).....	1
128	<u>610428</u>						BATTERY BOLT EXTENDER (FOR VEHICLES MANUFACTURED FROM 18 AUGUST 2014).....	2
129	<u>651336</u>						BATTERY BOLT (FOR VEHICLES MANUFACTURED FROM NOVEMBER 09, 2015)	1
130	<u>614221</u>						FLAT WASHER, 3/8" (FOR VEHICLES MANUFACTURED FROM NOVEMBER 09, 2015)	1
131	<u>73030G14</u>						CONSOLE INSERT PLATE (FOR VEHICLES MANUFACTURED FROM NOVEMBER 09, 2015)	1
132	<u>648247</u>						FUEL LEVEL GAUGE (FOR VEHICLES MANUFACTURED FROM NOVEMBER 09, 2015)	1
133	<u>648855</u>						CONSOLE LABEL (FOR VEHICLES MANUFACTURED FROM NOVEMBER 09, 2015)	1
134								
135	<u>645201</u>						12V POWER OUTLET HARNESS (FOR VEHICLES MANUFACTURED FROM NOVEMBER 09, 2015)	1
136	<u>18392G1</u>						FUSE-15 AMP (NOT ILLUSTRATED) (FOR VEHICLES MANUFACTURED FROM NOVEMBER 09, 2015)	1

Notes:

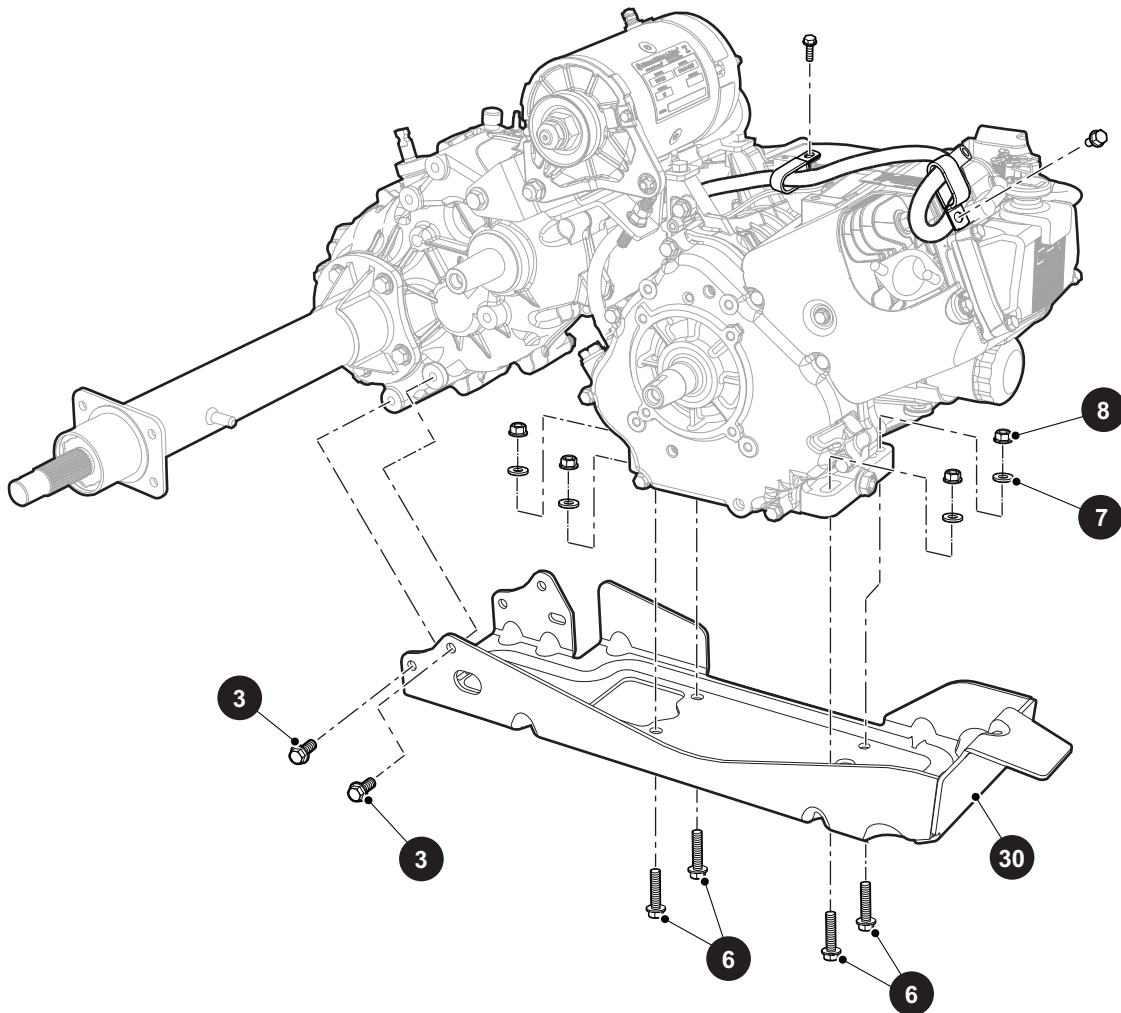


A large grid of graph paper for taking notes, consisting of 30 columns and 35 rows of small squares.

ENGINE MOUNTING



FOR VEHICLES MANUFACTURED FROM APRIL 2014



ENGINE MOUNTING

When ordering parts, please specify the model and serial number of the product.

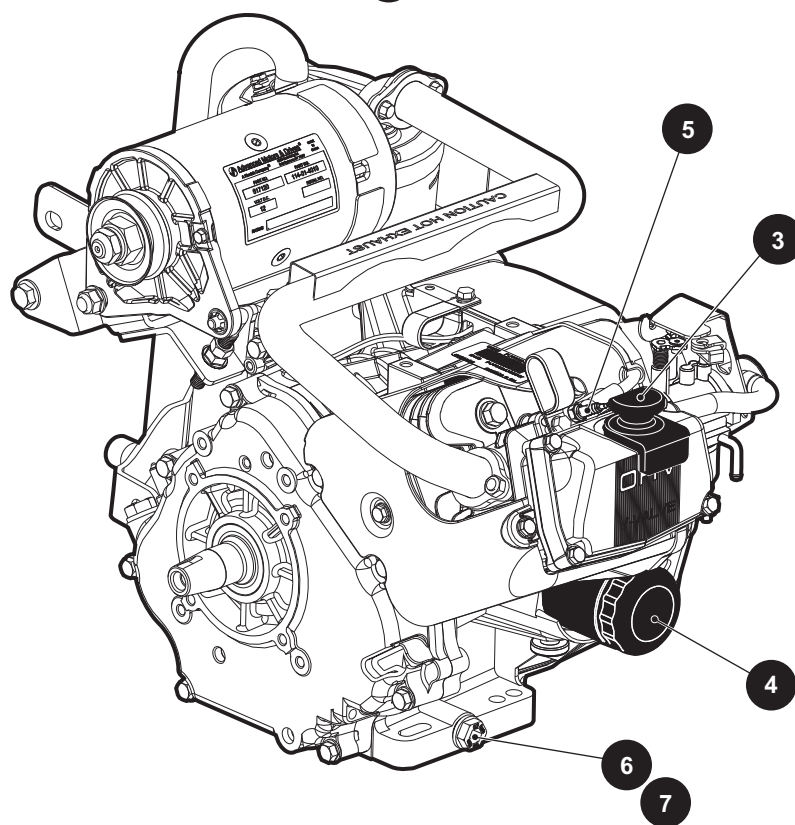
* Indicates a component that is not available as an individual part.

*** Indicates consult Customer Service Department for additional information.

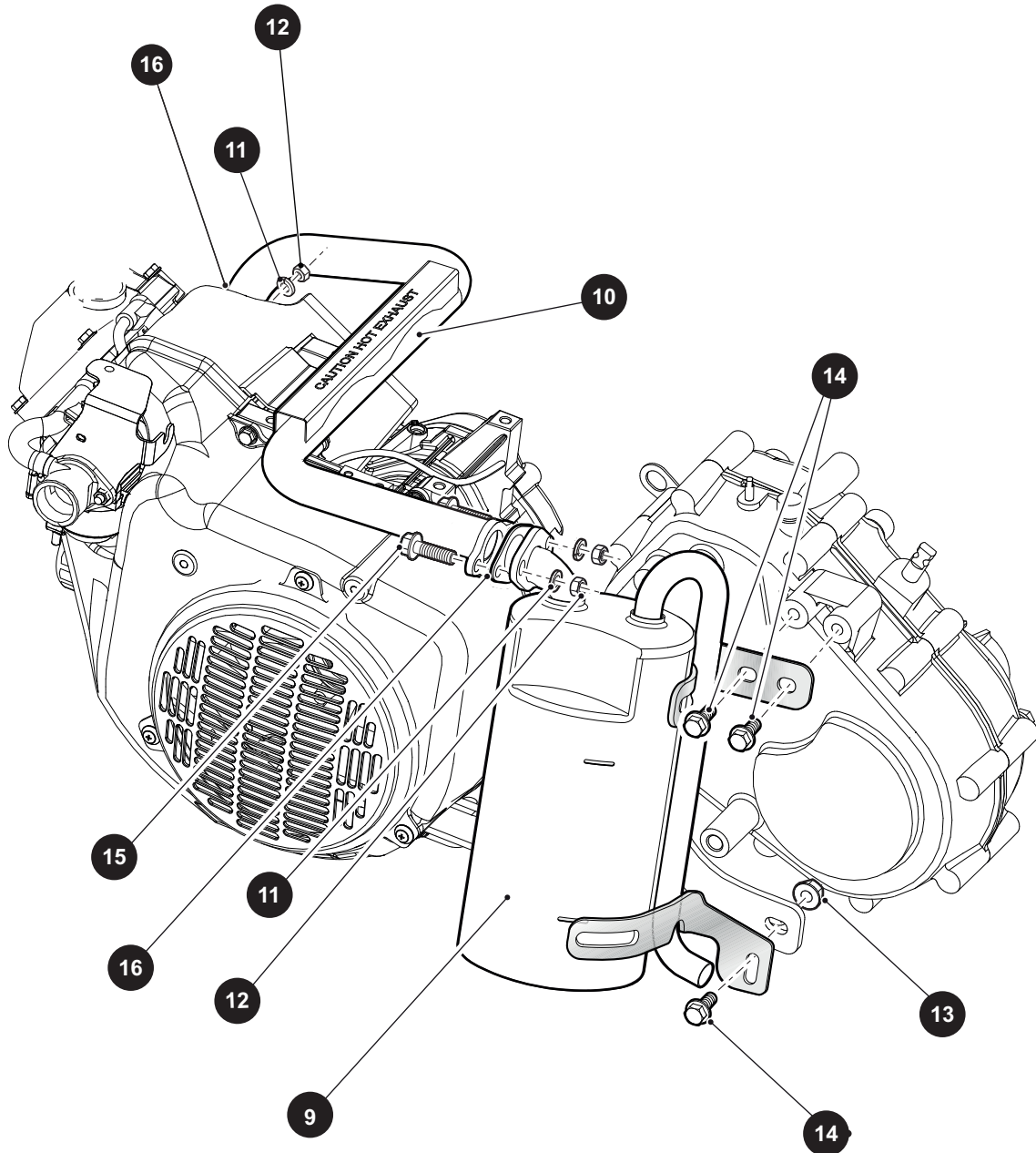
ITEM	PART NO.	1 2 3 4 5	DESCRIPTION	QTY.
1	<u>606007</u>		FRONT ENGINE MOUNT	1
2	<u>603101</u>		ENGINE PAN MOUNT.....	1
3	<u>606256</u>		FLANGED HEX HEAD BOLT, M10 - 1.25 X 25MM LG	8
4	<u>606279</u>		FLANGED HEX NUT, M10 - 1.25	1
5	<u>606096</u>		NUT PLATE	2
6	<u>606259</u>		FLANGED HEX HEAD BOLT, M10 - 1.25 X 45MM LG	4
7	<u>603823</u>		FLAT WASHER, M10 X 22 - 2.5	4
8	<u>606279</u>		FLANGED HEX NUT, M10 - 1.25	4
9	<u>608020</u>		FLANGED HEX HEAD BOLT, M10 - 1.25 X 34MM LG	4
10	<u>606246</u>		FLAT HEAD SCREW, 5/16" X 4"	4
11	<u>602146</u>		DIFFERENTIAL PLATE	1
12	<u>72016G01</u>		TUBE SPACER	2
13	<u>00428G8</u>		HEX HEAD BOLT, 3/8" - 16, UNC X 2.75".....	2
14	<u>11098G5</u>		PLASTIC INSERT LOCK NUT, 3/8" - 16	2
15	<u>627627</u>		FRONT MOUNT BRACKET ASSEMBLY (INCLUDES ITEMS 16 - 19).....	1
16	<u>625345</u>		FRONT MOUNT BRACKET.....	1
17	<u>605757</u>		RUBBER BUMPER.....	2
18	<u>00974G01</u>		HEX NUT, M10 X 1.5	2
19	<u>608654</u>		SPLIT LOCK WASHER, 10MM.....	2
20	<u>652247</u>		CROSSMEMBER BRACE.....	1
21	<u>00438G7</u>		SCREW, CAP HEX HEAD 5/16" - 18 UNC	2
22	<u>00559G8</u>		FLAT WASHER, 5/16"	2
23	<u>01109G01</u>		PLASTIC INSERT LOCK NUT, 5/16" - 18 UNC-2B	2
24	<u>606962</u>		TUBE CLAMP, DBL - .72	2
25	<u>606264</u>		FLANGED HEX HEAD BOLT, M6 - 1 X 20MM LG	1
26	<u>73876G01</u>		FLANGED HEX HEAD BOLT, M6 - 1 X 12MM LG	1
27	<u>00560G2</u>		B TYPE NARROW FLAT WASHER, 7/16" X .25.....	2
28	<u>27184G12</u>		TUBE, (FUEL SYSTEM).....	1
29	<u>00643G1</u>		FLAT WASHER, 3/8" X 1 X .063	2
30	<u>630776</u>		ENGINE PAN (FOR VEHICLES MANUFACTURED FROM APRIL 2014)	1

ENGINE AND MUFFLER

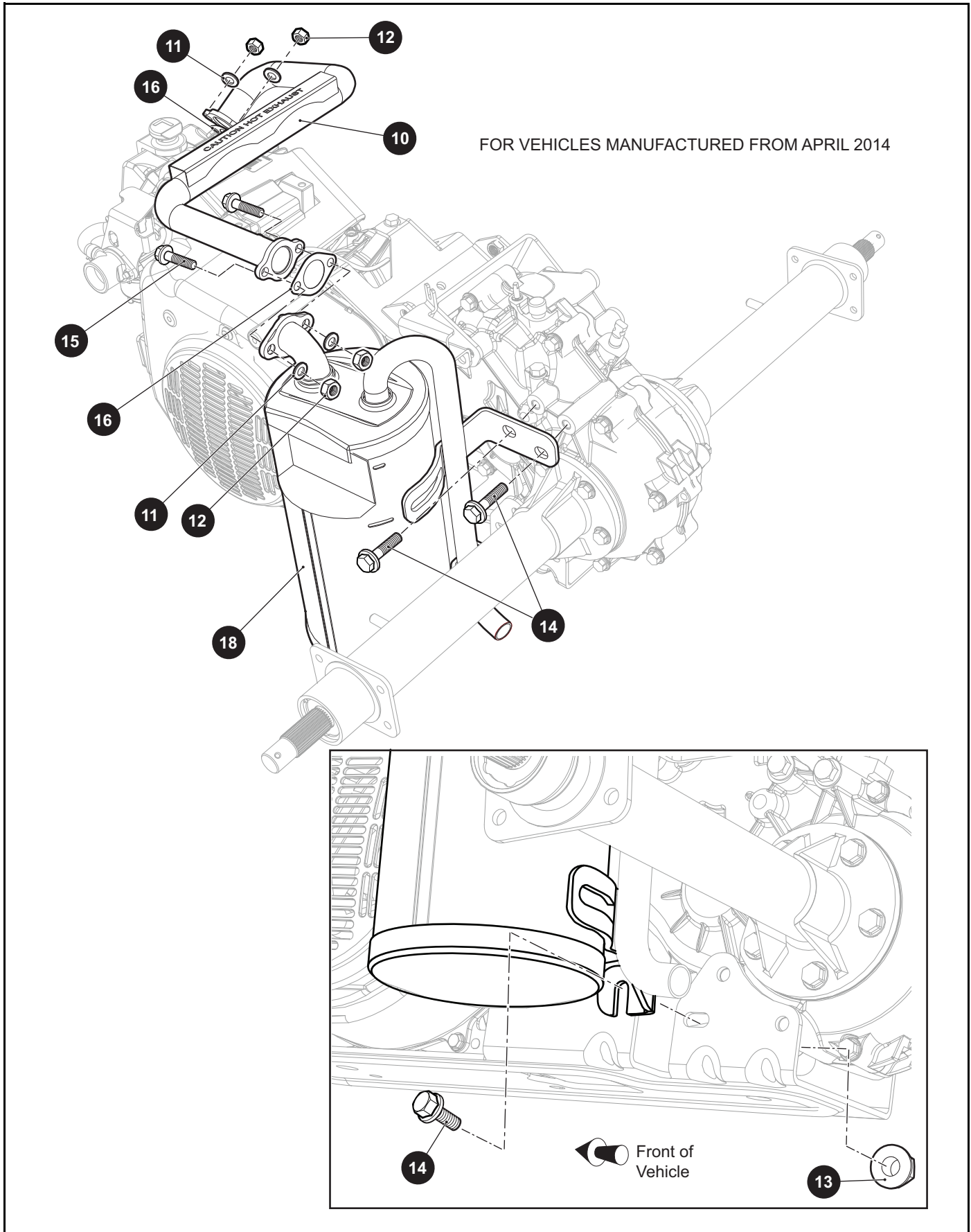
1 GAS ENGINE includes items 4 - 6



ENGINE AND MUFFLER



ENGINE AND MUFFLER



ENGINE AND MUFFLER

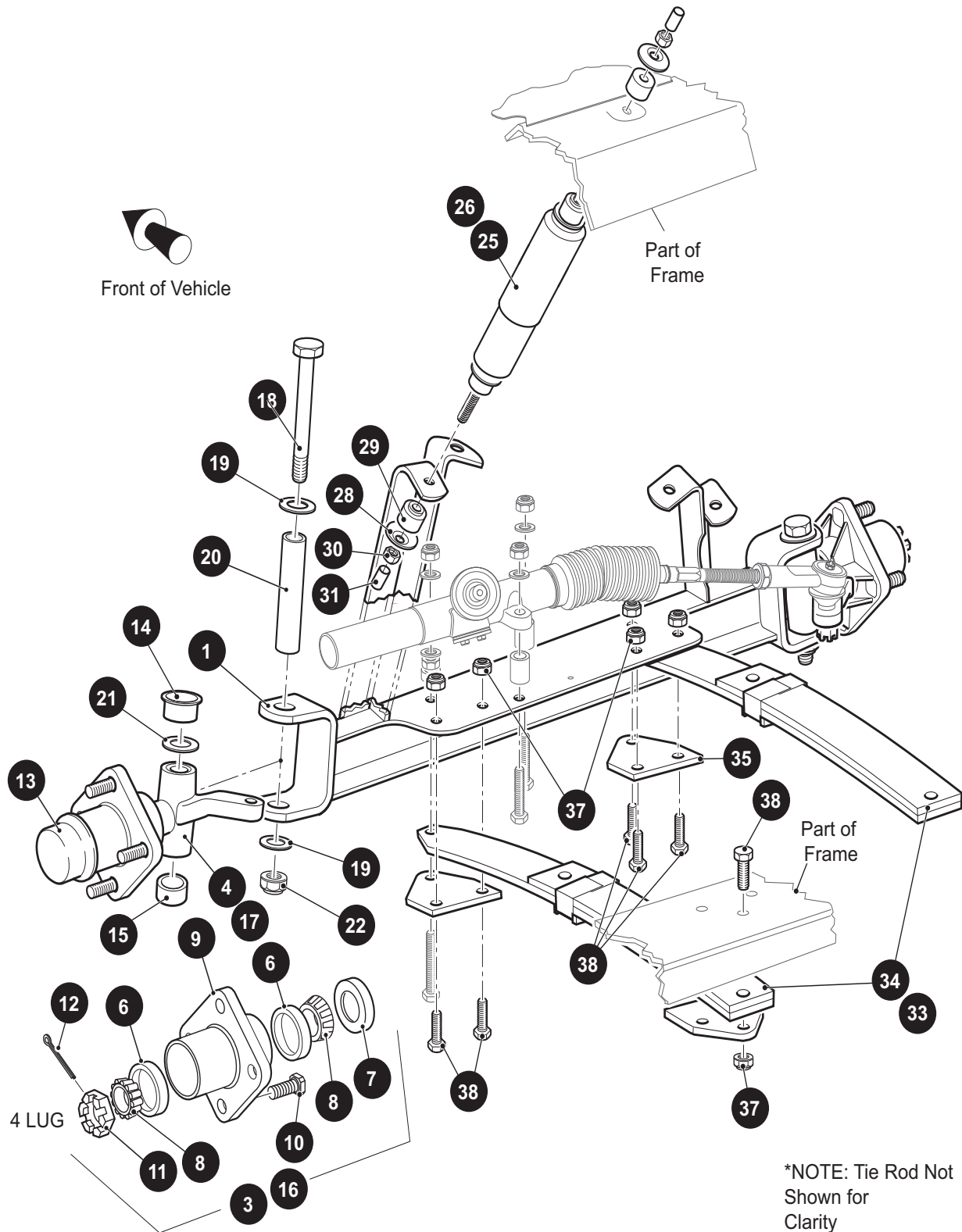
When ordering parts, please specify the model and serial number of the product.

* Indicates a component that is not available as an individual part.

*** Indicates consult Customer Service Department for additional information.

ITEM	PART NO.	1 2 3 4 5	DESCRIPTION	QTY.
1	<u>633740</u>		GAS ENGINE, 13HP, NON-GOLF (INCLUDES ITEMS 4 - 6)	1
2				
3	<u>606390</u>		DIP STICK.....	1
4	<u>607454</u>		OIL FILTER.....	1
5	<u>607462</u>		SPARK PLUG (BPR2ES)	1
6	<u>603557</u>		OIL DRAIN PLUG.....	1
7	<u>603562</u>		'O' RING, 16MM.....	1
8				
9	<u>612266</u>		MUFFLER	1
10	<u>606982</u>		EXHAUST PIPE	1
11	<u>606272</u>		LOCK WASHER, 8MM.....	4
12	<u>606267</u>		HEX NUT, M8 X 1.25	4
13	<u>606279</u>		FLANGED HEX NUT, M10 - 1.25.....	1
14	<u>606256</u>		FLANGED HEX HEAD BOLT, M10 - 1.25 X 25	3
15	<u>602330</u>		FLANGED HEX HEAD BOLT, M8 - 1.25 X 30	2
16	<u>603599</u>		EXHAUST GASKET.....	2
17				
18	<u>630970</u>		MUFFLER (FOR VEHICLES MANUFACTURED FROM APRIL 2014)	1

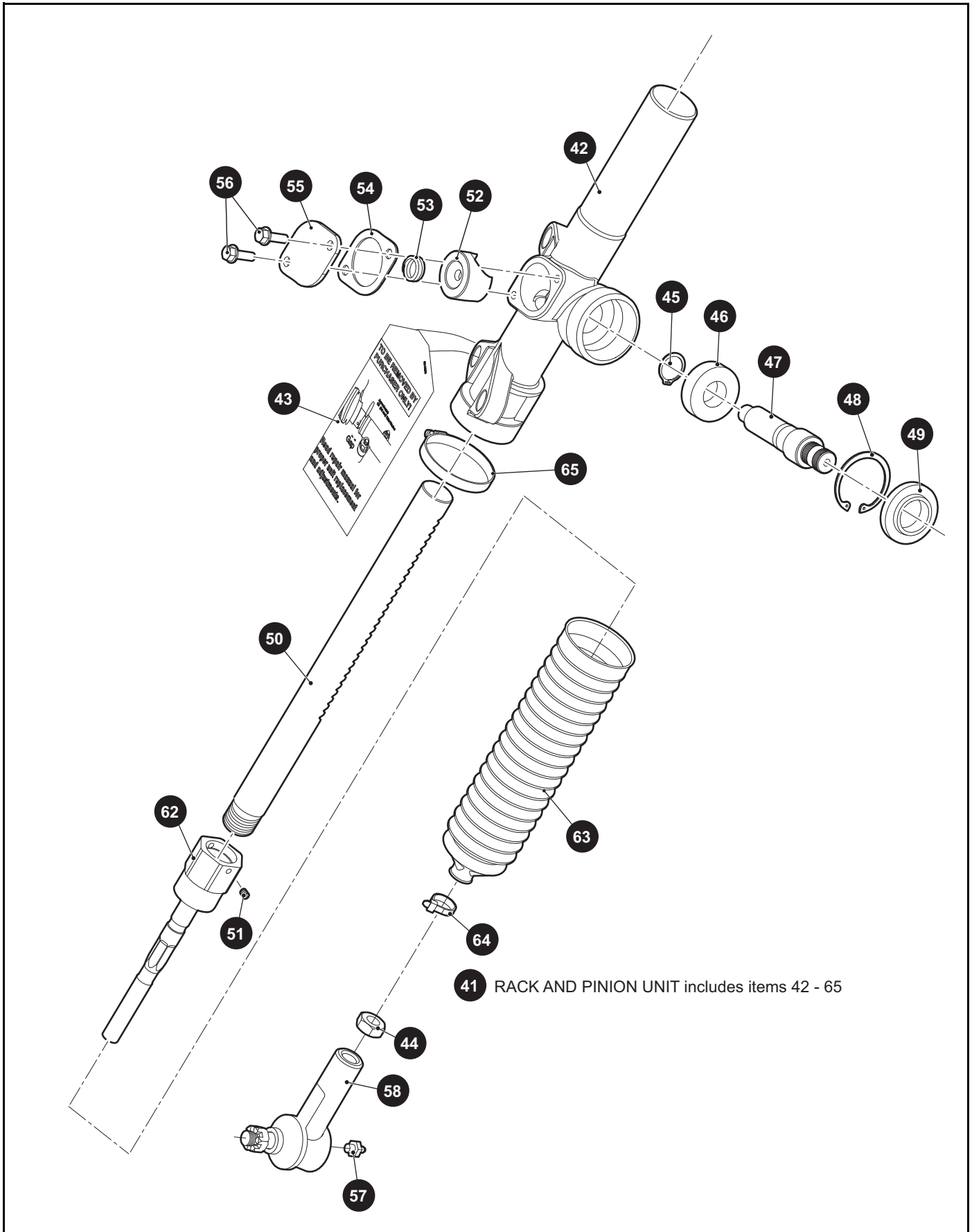
FRONT SUSPENSION/STEERING



3 PASSENGER SIDE SPINDLE AND HUB ASSEMBLY includes items 4 - 15

16 DRIVER SIDE SPINDLE AND HUB ASSEMBLY includes items 6 - 15 & 17

FRONT SUSPENSION/STEERING

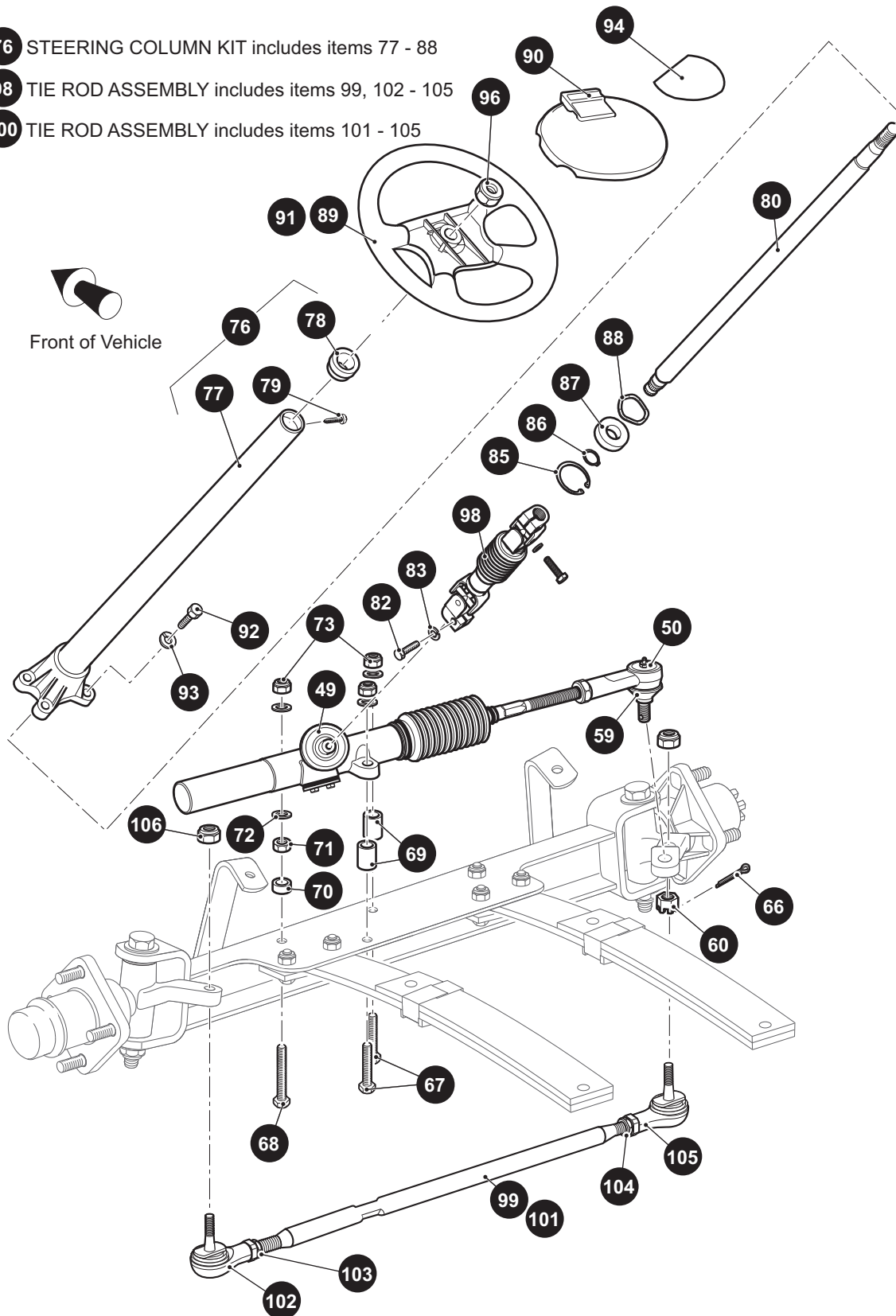


FRONT SUSPENSION/STEERING

76 STEERING COLUMN KIT includes items 77 - 88

98 TIE ROD ASSEMBLY includes items 99, 102 - 105

100 TIE ROD ASSEMBLY includes items 101 - 105



FRONT SUSPENSION/STEERING

When ordering parts, please specify the model and serial number of the product.

* Indicates a component that is not available as an individual part.

*** Indicates consult Customer Service Department for additional information.

ITEM	PART NO.	1 2 3 4 5	DESCRIPTION	QTY.
1	<u>602512</u>		FRONT AXLE.....	1
2				
3	<u>70942G03</u>		SPINDLE AND HUB ASSEMBLY, 4 LUG (PASSENGER SIDE) (INCLUDES ITEMS 4 - 15)	1
4	70940G02		SPINDLE ASSEMBLY (PASSENGER SIDE)	1
5				
6	<u>51141G1</u>		BEARING RACE	2
7	<u>25146G1</u>		GREASE SEAL.....	1
8	<u>11750G2</u>		ROLLER BEARING	2
9	<u>70589G01</u>		WHEEL HUB ASSEMBLY WITH RACES, 4 LUG.....	1
10	<u>19862G1</u>		LUG BOLT, 1/2 - 20 X 1 7/32" LG	4
11	12093G1		SLOTTED NUT, 1 - 14.....	1
12	<u>00798G8</u>		COTTER PIN, 5/32" X 1 3/4" LG	1
13	<u>12091G2</u>		SPINDLE CAP	2
14	<u>632925</u>		FLANGED BUSHING	1
15	<u>632926</u>		SLEEVE BUSHING	1
16	<u>70673G03</u>		SPINDLE AND HUB ASSEMBLY, 4 LUG (DRIVER SIDE) (INCLUDES ITEMS 6 - 15 & 17).....	1
17	<u>70742G02</u>		SPINDLE ASSEMBLY (DRIVER SIDE).....	1
18	<u>00407G6</u>		HEX HEAD BOLT, 1/2 - 13 X 6" LG	2
19	<u>00560G3</u>		FLAT WASHER, 1/2".....	4
20	<u>70745G01</u>		KING PIN TUBE.....	2
21	<u>70754G01</u>		THRUST WASHER (STAINLESS STEEL).....	2
22	<u>14390G6</u>		LOCK NUT, 1/2 - 13	2
23				
24				
25	<u>76419G01</u>		SHOCK ABSORBER.....	2
26	<u>70509G01</u>		SHOCK ABSORBER BOOT	2
27				
28	<u>10435G1</u>		SHOCK ABSORBER WASHER.....	8
29	<u>10194G1</u>		RUBBER SHOCK ABSORBER BUSHING	8
30	<u>00532G6</u>		HEX NUT, 3/8 - 24.....	4

FRONT SUSPENSION/STEERING

When ordering parts, please specify the model and serial number of the product.

* Indicates a component that is not available as an individual part.

*** Indicates consult Customer Service Department for additional information.

ITEM	PART NO.	1 2 3 4 5	DESCRIPTION	QTY.
31	<u>10044G01</u>		VINYL CAP	4
32				
33	<u>70664G03</u>		LEAF SPRING (HEAVY DUTY)	2
34	<u>70989G03</u>		LEAF SPRING (HEAVY DUTY) (SEE PART NUMBER ON SPRING)	2
35	<u>652258</u>		SPRING PLATE	4
36				
37	<u>00734G1</u>		LOCK NUT, 7/16 - 14	11
38	<u>00463G11</u>		HEX HEAD BOLT, 7/16 - 14 X 1 3/4" LG	11
39				
40				
41	<u>74605G01</u>		RACK AND PINION UNIT (COMPLETE) (INCLUDES ITEMS 42 - 65)	1
42	<u>70965G01</u>		STEERING RACK COVER & BEARING	1
43	*		STEERING BOX INSTALLATION TAG	1
44	*		JAM NUT, 1/2 - 20	1
45	<u>70750G01</u>		RETAINING RING (EXTERNAL)	1
46	<u>15112G1</u>		BALL BEARING	1
47	<u>70603G01</u>		PINION	1
48	<u>70751G01</u>		RETAINING RING (INTERNAL)	1
49	<u>70638G01</u>		SEAL PINION	1
50	<u>70604G01</u>		RACK STEERING	1
51	*		SCREW, 10- 32 x .25" LG	1
52	<u>70590G01</u>		RACK LOADER	1
53	<u>70666G01</u>		SPRING COMPRESSION	1
54	<u>70645G01</u>		GASKET (RACK LOADER)	1
55	<u>652259</u>		COVER (RACK LOADER)	1
56	<u>71102G01</u>		SCREW, 1/4 - 20 X 1/2" LG	2
57	<u>10389G3</u>		GREASE FITTING, STRAIGHT	1
58	<u>70695G01</u>		TIE ROD END - OUTER	1
59	*		GROMMET - TIE ROD END	1
60	*		SLOTTED NUT, 7/16 - 20	1
61				

FRONT SUSPENSION/STEERING

When ordering parts, please specify the model and serial number of the product.

* Indicates a component that is not available as an individual part.

*** Indicates consult Customer Service Department for additional information.

ITEM	PART NO.	1 2 3 4 5	DESCRIPTION	QTY.
62	<u>74602G01</u>		ROD END (INNER)	1
63	<u>70961G01</u>		RACK BOOT	1
64	<u>12416G2</u>		WIRE TIE.....	1
65	<u>11391G8</u>		WIRE TIE.....	1
66	<u>10387G2</u>		COTTER PIN, 3/32" X 1" LG.....	1
67	<u>00464G8</u>		HEX HEAD BOLT, 7/16 - 14 X 2 3/4" LG	2
68	<u>01068G01</u>		HEX HEAD BOLT, 7/16 - 14 X 3 1/2" LG	1
69	<u>70667G02</u>		SPACER.....	2
70	<u>70667G04</u>		SPACER, STEERING HOUSING	1
71	<u>00532G7</u>		HEX NUT, 7/16" - 14	1
72	<u>00560G2</u>		FLAT WASHER, 7/16".....	7
73	<u>00734G1</u>		LOCK NUT, 7/16" - 14.....	3
74				
75				
76	<u>70758G05</u>		STEERING COLUMN KIT (INCLUDES ITEMS 77 - 80).....	1
77	<u>70610G03</u>		STEERING COLUMN.....	1
78	<u>28569G01</u>		STEERING COLUMN BUSHING	1
79	<u>01022G01</u>		SCREW, #6 - 20 X 5/16" LG.....	1
80	<u>70607G01</u>		STEERING SHAFT.....	1
81				
82	<u>01055G01</u>		HEX HEAD BOLT, M8 X 1 1/4" LG.....	2
83	<u>00565G8</u>		LOCK WASHER, 5/16"	2
84				
85	<u>70751G01</u>		RETAINING RING (INTERNAL)	1
86	<u>70888G01</u>		RETAINING RING (EXTERNAL).....	1
87	<u>15112G1</u>		BALL BEARING.....	1
88	<u>70887G01</u>		WAVE WASHER.....	1
89	<u>602980</u>		STEERING WHEEL PREMIUM (OPTIONAL)	1
90	<u>71147G01</u>		COVER STEERING WHEEL	1
91	<u>602979</u>		STEERING WHEEL.....	1
92	<u>01006G01</u>		HEX HEAD BOLT, 3/8 - 16 X 1 1/4" LG	4

FRONT SUSPENSION/STEERING

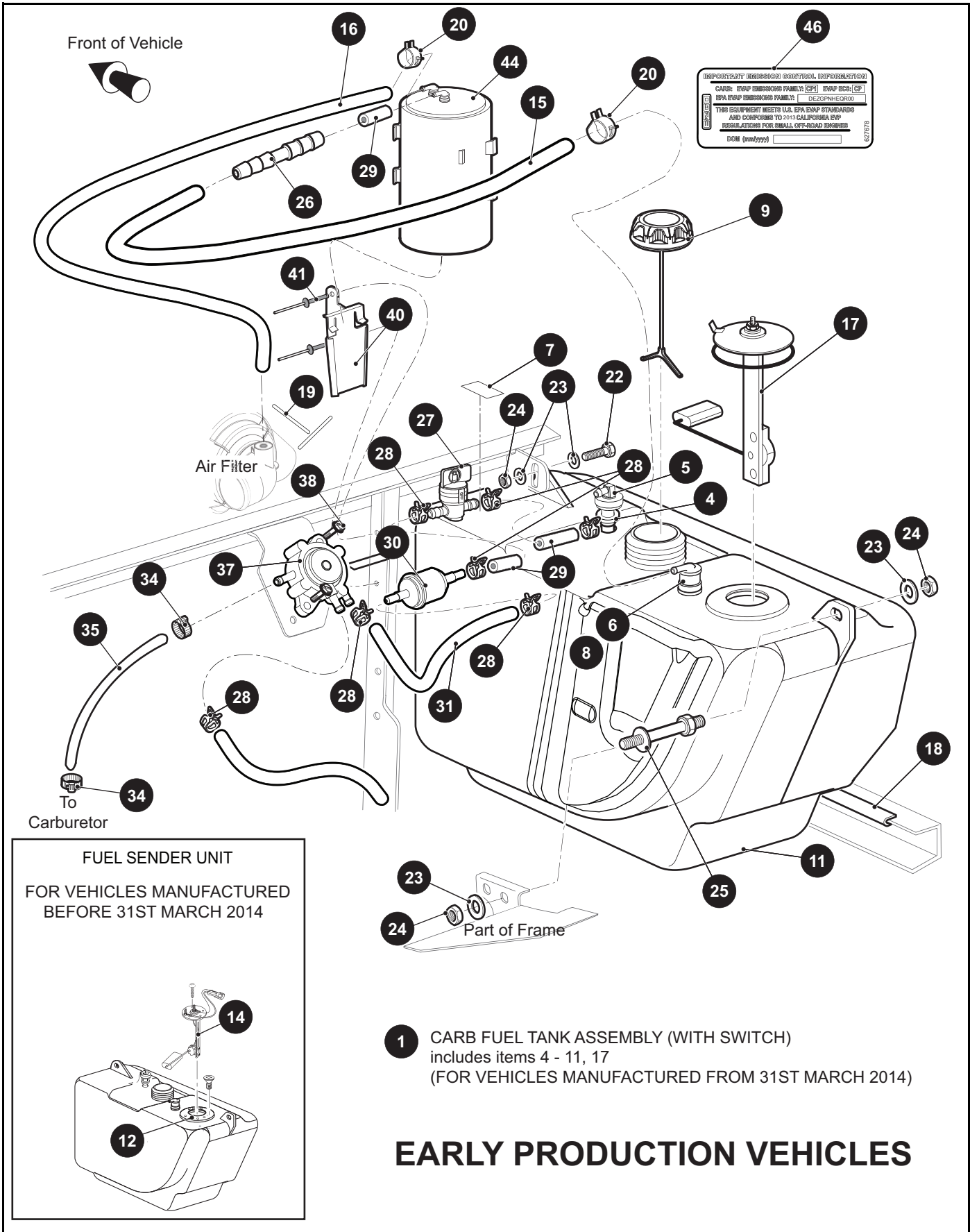
When ordering parts, please specify the model and serial number of the product.

* Indicates a component that is not available as an individual part.

*** Indicates consult Customer Service Department for additional information.

ITEM	PART NO.	1	2	3	4	5	DESCRIPTION	QTY.
93	<u>00879G1</u>						LOCK WASHER, 3/8"	4
94	<u>605435</u>						DECAL EZGO, S/W - ROUND	1
95								
96	<u>14390G2</u>						LOCK NUT, 5/8 - 18.....	1
97								
98	<u>70876G02</u>						TIE ROD ASSEMBLY (INCLUDES ITEMS 99, 102 - 105)	1
99	<u>70897G02</u>						THREADED ROD	1
100	<u>74604G01</u>						TIE ROD ASSEMBLY (INCLUDES ITEMS 101 - 105)	1
101	<u>74603G01</u>						THREADED ROD (24" LG).....	1
102	<u>70902G01</u>						TIE ROD END (LEFT HAND THREADS)	1
103	<u>01069G01</u>						JAM NUT, M12 X 1.25-05 (LEFT HAND THREADS).....	1
104	<u>70902G02</u>						TIE ROD END (RIGHT HAND THREADS)	1
105	<u>01069G02</u>						JAM NUT, M12 X 1.25-05 (RIGHT HAND THREADS)	1
106	<u>00734G1</u>						LOCK NUT, 7/16 - 14.....	2

FUEL SYSTEM



FUEL SYSTEM

When ordering parts, please specify the model and serial number of the product.

* Indicates a component that is not available as an individual part.

*** Indicates consult Customer Service Department for additional information.

ITEM	PART NO.	1 2 3 4 5	DESCRIPTION	QTY.
1	<u>645034</u>		CARB FUEL TANK ASSEMBLY (WITH SWITCH) (INCLUDES ITEMS 4 - 11, 17)..... (FOR VEHICLES MANUFACTURED FROM 31ST MARCH 2014)	1
2				
3				
4	<u>70988G01</u>		SIPHON TUBE GROMMET.....	1
5	<u>18287G3</u>		SIPHON TUBE ASSEMBLY	1
6	<u>606068</u>		ROLLOVER VALVE GROMMET	1
7	<u>625826</u>		EPA FUEL TANK LABEL	1
8	<u>606067</u>		ROLLOVER VALVE	1
9	<u>633423</u>		FUEL TANK CAP (RATCHET).....	1
10				
11	*		NON FLUOR FUEL TANK (WITH SENDER UNIT)	1
12	<u>72229G01</u>		FUEL TANK ADAPTER	1
13				
14	<u>20048G2</u>		FUEL LEVEL SENDER	1
15	<u>607546</u>		LOW PRESSURE FUEL HOSE, 3/16" I.D. X 3/8" O.D. X 17" LONG	1
16	<u>606966</u>		LOW PRESSURE FUEL HOSE, 3/16" I.D. X 3/8" O.D. X 34" LONG	1
17	<u>633024G02</u>		PRESS FIT FUEL SENDER	1
18	<u>32372G6</u>		BLACK TRIM, 6.25" LONG	1
19	<u>17618G1</u>		NYLON CLAMP	2
20	<u>606963</u>		TUBING CLAMP, 3/16" I.D.....	2
21				
22	<u>00438G8</u>		HEX HEAD BOLT, 5/16" - 18 X 1" LG	1
23	<u>00559G8</u>		FLAT WASHER, 5/16"	4
24	<u>11098G6</u>		LOCK NUT, 5/16" - 18.....	3
25	<u>70483G01</u>		SPACER, 5/16" - 18 X 5.74" LG.....	1
26	<u>615346</u>		HOSE REDUCER, ID 1/4" X 3/16".....	1
27	<u>611181</u>		FUEL SHUT-OFF VALVE	1
28	<u>18292G1</u>		HOSE CLAMP, .50" DIAMETER	8
29	<u>615350</u>		FUEL SYSTEM HOSE, 2"	3
30	<u>72084G01</u>		FUEL LINE FILTER	1

FUEL SYSTEM

When ordering parts, please specify the model and serial number of the product.

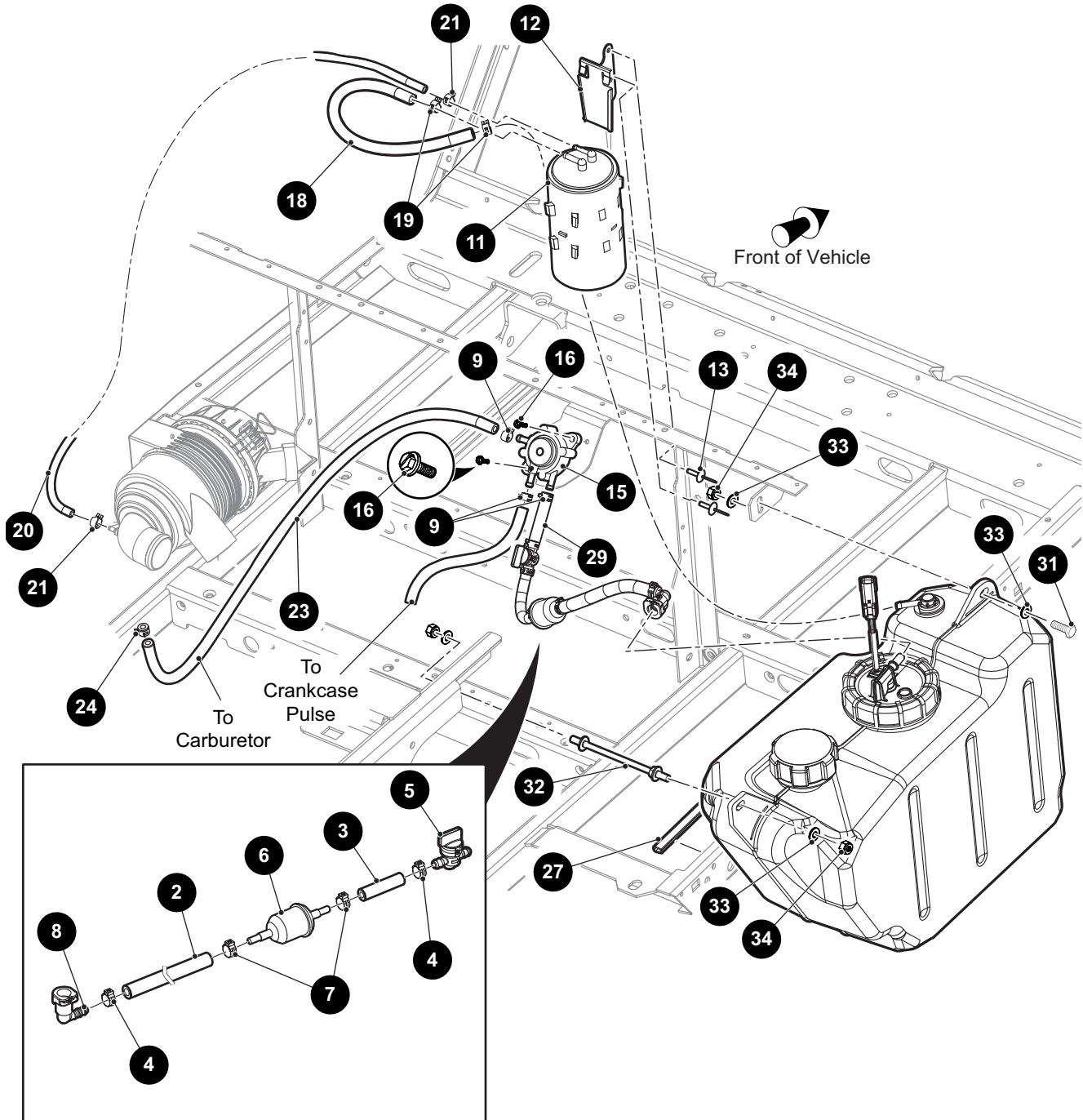
* Indicates a component that is not available as an individual part.

*** Indicates consult Customer Service Department for additional information.

ITEM	PART NO.	1 2 3 4 5	DESCRIPTION	QTY.
31	<u>606969</u>		FUEL SYSTEM HOSE, .25" I.D. X.50" O.D. X 8" LONG.....	1
32				
33				
34	<u>11391G4</u>		HOSE CLAMP, .25" - .63" DIA.....	2
35	<u>604597</u>		FUEL SYSTEM HOSE, .25" I.D. X .50" O.D. X 26" LONG.....	1
36				
37	<u>602061</u>		FUEL PUMP	1
38	<u>00114G6</u>		HEX WASHER HEAD SLOTTED TAPPING SCREW, 1/4" - 14 X .75" LG	2
39				
40	<u>606310</u>		CARBON CANISTER MOUNTING BRACKET	1
41	<u>10570G11</u>		RIVET, 3/16" DIA X .70".....	2
42				
43				
44	<u>606071</u>		CARBON CANISTER	1
45				
46	627678		EVAP LABEL	1

FUEL SYSTEM

1 FUEL LINE ASSEMBLY includes items 2 - 8



LATE PRODUCTION VEHICLES

FUEL SYSTEM

When ordering parts, please specify the model and serial number of the product.

* Indicates a component that is not available as an individual part.

*** Indicates consult Customer Service Department for additional information.

ITEM	PART NO.	1 2 3 4 5	DESCRIPTION	QTY.
1	<u>649515</u>		FUEL LINE ASSEMBLY (INCLUDES ITEMS 2 - 8)	1
2	<u>649570</u>		HOSE, .312" I.D. X .562" O.D. X 9" LG	1
3	<u>615350</u>		HOSE, 2" LG	1
4	<u>649873</u>		CLAMP, 1/2" O.D.	2
5	<u>611181</u>		SHUT-OFF VALVE.....	1
6	<u>72084G01</u>		FUEL FILTER	1
7	<u>649874</u>		CLAMP, 9/16" O.D.	2
8	<u>649577</u>		CONNECTOR, 5/16" I.D.	1
9	<u>18292G1</u>		CLAMP, 1/2" O.D.	3
10				
11	<u>606071</u>		CARBON CANISTER.....	1
12	<u>606310</u>		CANISTER BRACKET	1
13	<u>10570G11</u>		RIVET (SS), 3/16" X .70"	2
14				
15	<u>602061</u>		FUEL PUMP.....	1
16	<u>00114G6</u>		HEX WASHER HEAD BOLT, 1/4" - 10 X 3/4" LG	2
17				
18	<u>27184G14</u>		FUEL SYSTEM TUBE.....	1
19	<u>18292G1</u>		CLAMP, 1/2" O.D.	2
20	<u>606966</u>		HOSE, 3/16" I.D. X 34" LG.....	1
21	<u>606963</u>		CLAMP, 3/16" I.D.	2
22				
23	<u>604597</u>		FUEL HOSE, 26" LG.....	1
24	<u>18292G1</u>		CLAMP, 1/2" O.D.	1
25				
26	<u>17618G1</u>		NYLON CLAMP, 7" LG (NOT ILLUSTRATED).....	2
27	<u>32372G6</u>		VINYL TRIM, 6.25" LG	1
28				
29	<u>615350</u>		FUEL HOSE, 2" LG.....	1
30				
31	<u>00438G8</u>		HEX HEAD BOLT, 5/16" - 18 X 5/8" LG	1

FUEL SYSTEM

When ordering parts, please specify the model and serial number of the product.

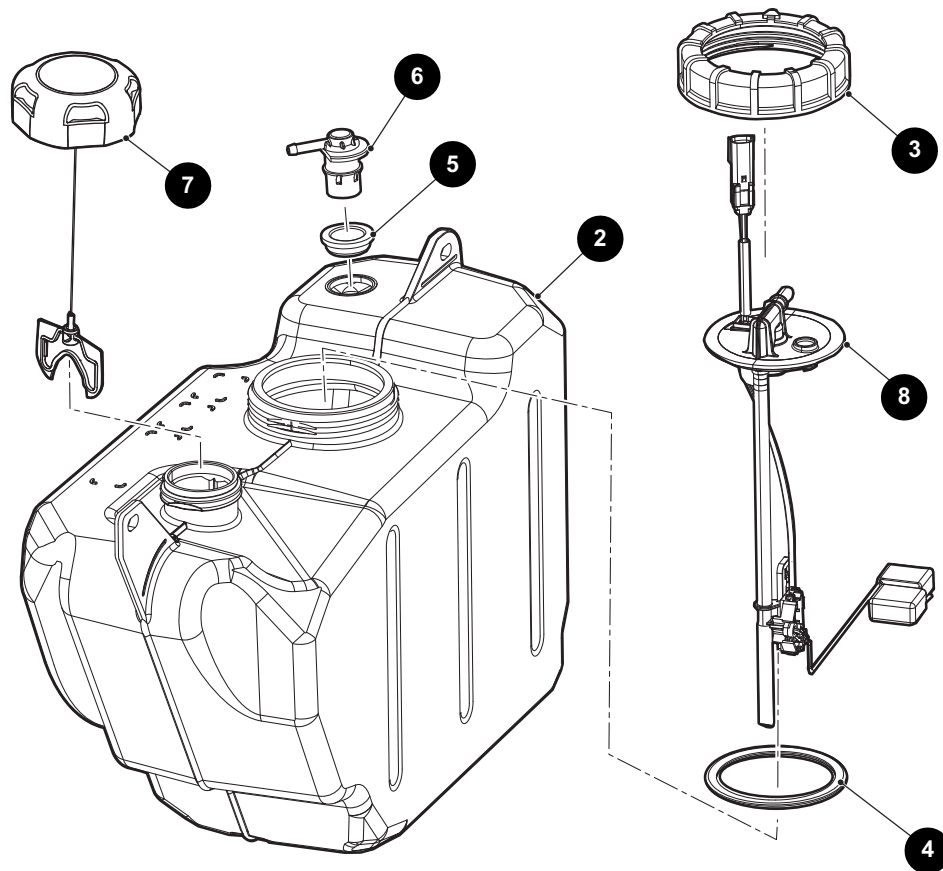
* Indicates a component that is not available as an individual part.

*** Indicates consult Customer Service Department for additional information.

ITEM	PART NO.	1 2 3 4 5	DESCRIPTION	QTY.
32	<u>70483G01</u>		SPACER	1
33	00559G8		FLAT WASHER, 5/16"	4
34	11098G6		LOCK NUT, 5/16" - 18	3

FUEL SYSTEM

- 1** FUEL TANK ASSEMBLY (WITH SENDER UNIT)
includes items 2 - 8



LATE PRODUCTION VEHICLES

FUEL SYSTEM

When ordering parts, please specify the model and serial number of the product.

* Indicates a component that is not available as an individual part.

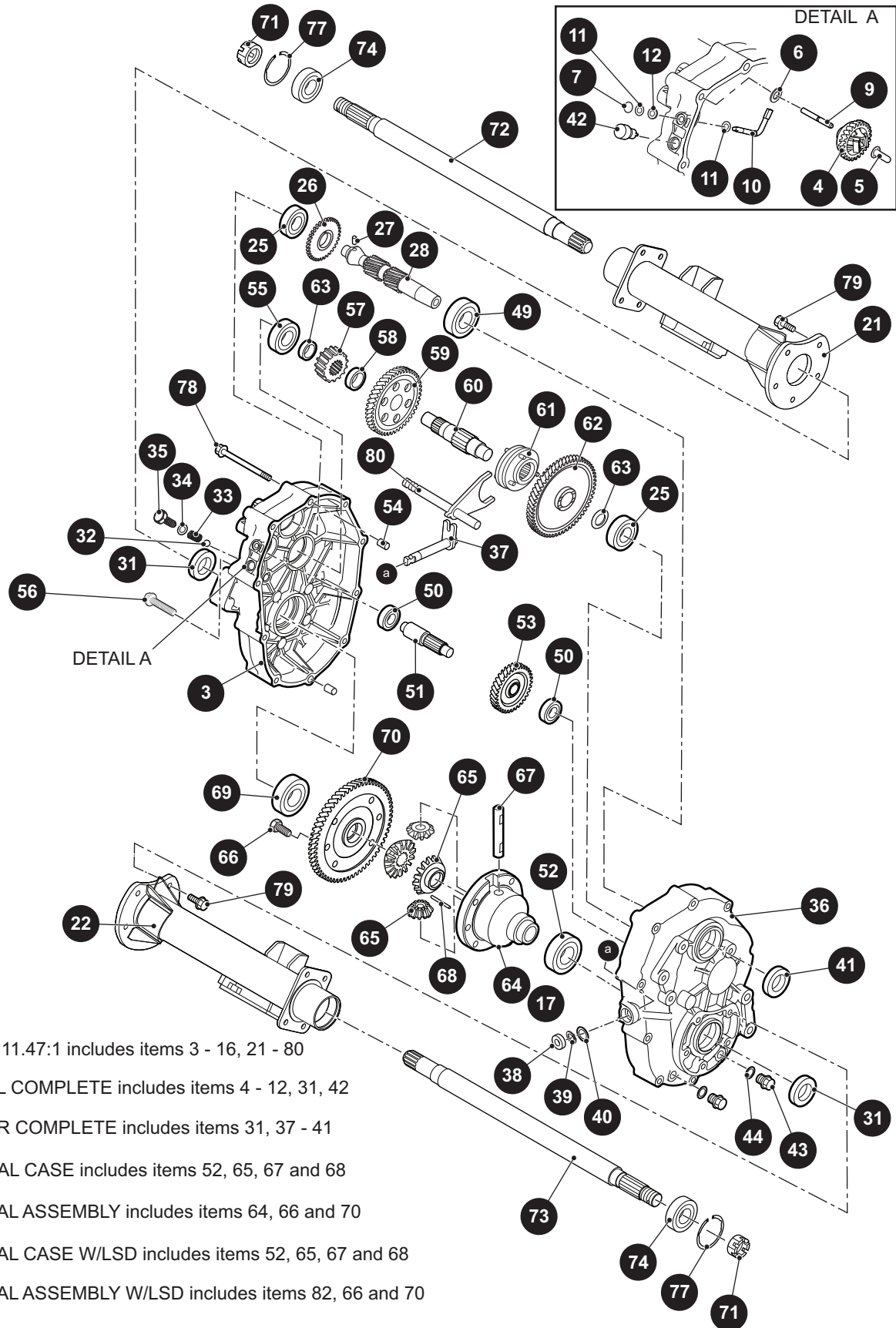
*** Indicates consult Customer Service Department for additional information.

ITEM	PART NO.	1 2 3 4 5	DESCRIPTION	QTY.
1	<u>656139</u>		FUEL TANK ASSEMBLY (WITH SENDER UNIT) (INCLUDES ITEMS 2 - 8) ..	1
2	646306		FUEL TANK	1
3	<u>646837</u>		CAP	1
4	<u>646838</u>		SEAL.....	1
5	<u>647810</u>		GROMMET	1
6	<u>647809</u>		ROLLOVER VALVE	1
7	670898		FUEL CAP	1
8	<u>656135</u>		FUEL PICKUP WITH SENDER ASSEMBLY	1

Notes:

A large grid area for taking notes, consisting of approximately 30 columns and 30 rows of small squares.

REAR AXLE



- 1 REAR AXLE, 11.47:1 includes items 3 - 16, 21 - 80
- 3 AXLE CASE L COMPLETE includes items 4 - 12, 31, 42
- 36 AXLE CASE R COMPLETE includes items 31, 37 - 41
- 64 DIFFERENTIAL CASE includes items 52, 65, 67 and 68
- 16 DIFFERENTIAL ASSEMBLY includes items 64, 66 and 70
- 17 DIFFERENTIAL CASE W/LSD includes items 52, 65, 67 and 68
- 18 DIFFERENTIAL ASSEMBLY W/LSD includes items 82, 66 and 70
- 2 REAR AXLE W/LSD, 11.47:1 includes items 3 - 12, 17 - 63, 65 - 80

REAR AXLE

When ordering parts, please specify the model and serial number of the product.

* Indicates a component that is not available as an individual part.

*** Indicates consult Customer Service Department for additional information.

ITEM	PART NO.	1 2 3 4 5	DESCRIPTION	QTY.
1	<u>670468</u>		REAR AXLE, 11.47:1 (INCLUDES ITEMS 3 - 16, 21 - 80)	1
2	<u>670470</u>		REAR AXLE W/LSD, 11.47:1 (INCLUDES ITEMS 3 - 12, 17 - 63, 65 - 80)....	1
3	<u>639859</u>		AXLE CASE L COMPLETE (INCLUDES ITEMS 4 - 12, 31, 42)	1
4	<u>665887</u>		GOVERNOR GEAR	1
5	<u>639689</u>		GOVERNOR SLEEVE	1
6	<u>607904</u>		FLAT WASHER	1
7	<u>607913</u>		RETAINING RING E5	1
8				
9	<u>639698</u>		GOVERNOR GEAR SHAFT	1
10	<u>639707</u>		GOVERNOR SHAFT	1
11	<u>639736</u>		FLAT WASHER, 6MM	2
12	<u>607911</u>		OIL SEAL, 6 x 10 x 2.5 MM.....	1
13				
14				
15				
16	<u>639847</u>		DIFFERENTIAL ASSEMBLY (INCLUDES ITEMS 64, 66 AND 70)	1
17	<u>640098</u>		DIFFERENTIAL CASE W/LSD (INCLUDES ITEMS 52, 65, 67 AND 68)	1
18	<u>639847</u>		DIFFERENTIAL ASSEMBLY W/LSD (INCLUDES ITEMS 17, 66 AND 70).....	1
19				
20				
21	<u>607939</u>		AXLE CASE L COMPLETE	1
22	<u>607940</u>		AXLE CASE R COMPLETE	1
23				
24				
25	<u>26785G01</u>		BALL BEARING (6204)	2
26	<u>665888</u>		GOVERNOR GEAR, 34	1
27	<u>607920</u>		PIN, 6 x 12L.....	1
28	<u>639750</u>		INPUT SHAFT	1
29				
30				

REAR AXLE

When ordering parts, please specify the model and serial number of the product.

* Indicates a component that is not available as an individual part.

*** Indicates consult Customer Service Department for additional information.

ITEM	PART NO.	1	2	3	4	5	DESCRIPTION	QTY.
31	<u>639738</u>						OIL SEAL, 24 x 40 x 9MM	2
32	<u>26818G01</u>						STEEL BALL	1
33	<u>26819G01</u>						SPRING	1
34	<u>26831G01</u>						GASKET, 10	1
35	<u>26820G01</u>						FLANGED HEX HEAD BOLT, M10 x 1.25 x 12 MM LG.....	1
36	<u>639865</u>						AXLE CASE R COMPLETE (INCLUDES ITEMS 31, 37 - 41)	1
37	<u>639746</u>						SELECT SHAFT	1
38	607915						OIL SEAL, 13 x 22 x 5MM	1
39	<u>607916</u>						SNAP RING, 13MM	1
40	<u>607917</u>						SPACER, 13 x 1MM	1
41	<u>640093</u>						OIL SEAL, 28 x 47 x 9MM	1
42	<u>607919</u>						AIR BREATHER	1
43	<u>639747</u>						OIL DRAIN PLUG	2
44	<u>639748</u>						GASKET, 14MM.....	2
45								
46								
47								
48								
49	<u>607922</u>						BALL BEARING (62/28).....	1
50	<u>639868</u>						BALL BEARING (TMB202)	2
51	<u>639755</u>						COUNTER SHAFT.....	1
52	<u>640744</u>						BALL BEARING (6006).....	1
53	<u>639758</u>						GEAR, 34	1
54	<u>639869</u>						KNOCK PIPE	2
55	<u>639760</u>						BALL BEARING (6304).....	2
56	<u>639768</u>						FLANGED HEX HEAD BOLT, M8 - 1.25 X 40MM LG.....	1
57	<u>639769</u>						GEAR, 17	1
58	<u>28689G01</u>						COLLAR, 24 x 7.5MM.....	1
59	<u>639771</u>						GEAR, 52	1
60	<u>670697</u>						CENTER SHAFT.....	1
61	<u>639774</u>						CLUTCH PIN.....	1

REAR AXLE

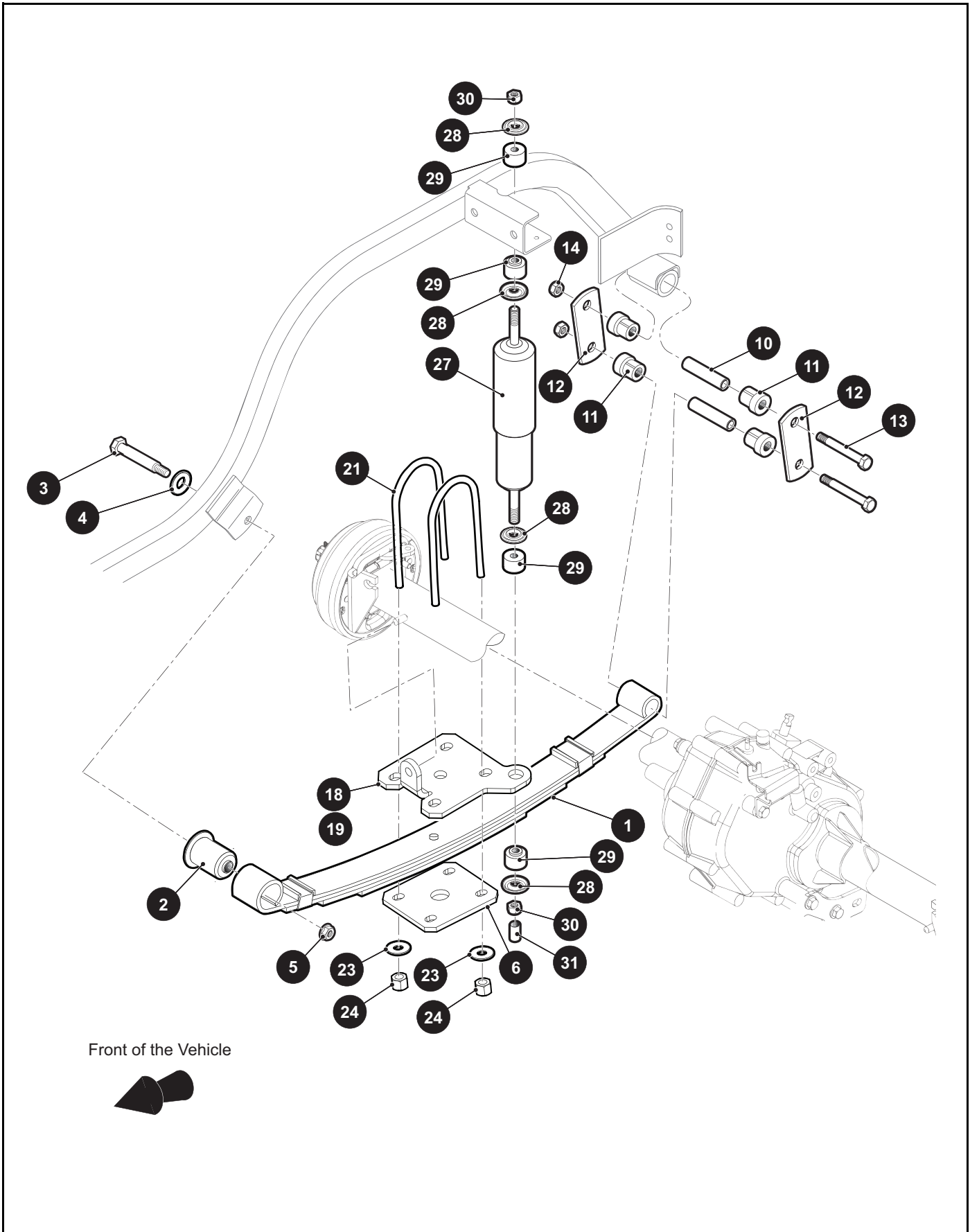
When ordering parts, please specify the model and serial number of the product.

* Indicates a component that is not available as an individual part.

*** Indicates consult Customer Service Department for additional information.

ITEM	PART NO.	1	2	3	4	5	DESCRIPTION	QTY.
62	<u>670696</u>						GEAR, 61	1
63	<u>639797</u>						SPACER, 20 x 2MM	2
64	<u>639872</u>						DIFFERENTIAL CASE (INCLUDES ITEMS 52, 65, 67 AND 68)	1
65	<u>639800</u>						DIFFERENTIAL PAIR GEAR	1
66	<u>26808G01</u>						HEX HEAD BOLT, M10 x 1.25 x 26 MM LG.....	6
67	<u>28723G01</u>						DIFFERENTIAL SHAFT	1
68	<u>28697G01</u>						SPRING PIN, 4 x 40L	1
69	<u>639801</u>						BALL BEARING (6007)	1
70	<u>640739</u>						GEAR, 60 COMPLETE (INCLUDES ITEM 69).....	1
71	607938						CASTLED NUT, M22 - 1.5	2
72	<u>639876</u>						AXLE SHAFT L COMPLETE (INCLUDES ITEM 74).....	1
73	<u>639881</u>						AXLE SHAFT R COMPLETE (INCLUDES ITEM 74)	1
74	<u>639836</u>						BALL BEARING (6205DD).....	2
75								
76								
77	26814G01						SNAP RING, 52MM	2
78	<u>639839</u>						FLANGED HEX HEAD BOLT, M8 x 1.25 x 60MM LG	9
79	<u>639840</u>						FLANGED HEX HEAD BOLT, M10 x 1.25 x 25MM LG	10
80	<u>639844</u>						SHIFT SHAFT COMPLETE.....	1

REAR SUSPENSION



REAR SUSPENSION

When ordering parts, please specify the model and serial number of the product.

* Indicates a component that is not available as an individual part.

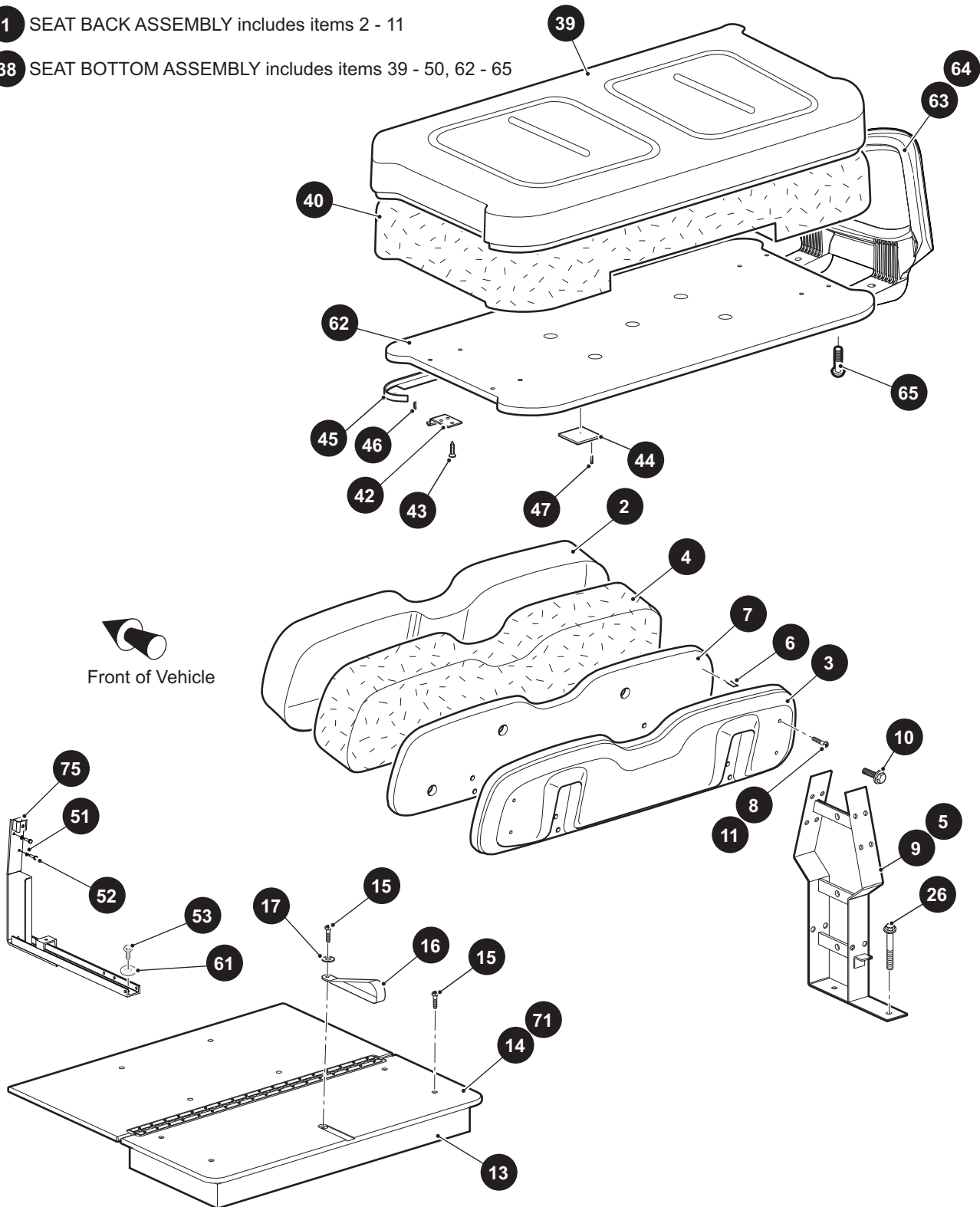
*** Indicates consult Customer Service Department for additional information.

ITEM	PART NO.	1 2 3 4 5	DESCRIPTION	QTY.
1	<u>605722</u>		HEAVY DUTY LEAF SPRING.....	2
2	<u>605445</u>		LEAF SPRING BUSHING, FRONT.....	2
3	<u>00665G9</u>		HEX HEAD BOLT (SS), 3/8" - 16 X 3.5" LG	2
4	<u>00643G1</u>		FLAT WASHER, 3/8"	2
5	<u>12262G1</u>		FLANGED LOCK NUT, 3/8" - 16.....	2
6	<u>652246</u>		REAR SUSPENSION PLATE	2
7				
8				
9				
10	<u>70289G02</u>		SPLIT STEEL SPACER	4
11	<u>624030</u>		FLANGED BUSHING.....	8
12	<u>604961</u>		SHACKLE PLATE	4
13	<u>00665G9</u>		HEX HEAD BOLT (SS), 3/8" - 16 X 3.5" LG	4
14	<u>11098G5</u>		LOCK NUT, 3/8" - 16.....	4
15				
16				
17				
18	<u>605938</u>		AXLE BRACKET, DRIVER SIDE	1
19	<u>605958</u>		AXLE BRACKET, PASSENGER SIDE.....	1
20				
21	<u>32195G3</u>		U-BOLT, 3/8" - 16 X 5" X 2.875" X 2"	4
22				
23	<u>00643G1</u>		FLAT WASHER, 3/8"	8
24	<u>11098G5</u>		LOCK NUT, 3/8" - 16.....	8
25				
26				
27	<u>642085</u>		SHOCK ABSORBER.....	2
28	<u>10435G1</u>		SHOCK ABSORBER WASHER.....	8
29	<u>10194G1</u>		RUBBER SHOCK BUSHING	8
30	<u>00532G6</u>		HEX NUT, 3/8" - 24	4
31	<u>10044G01</u>		VINYL CAP.....	2

SEATING

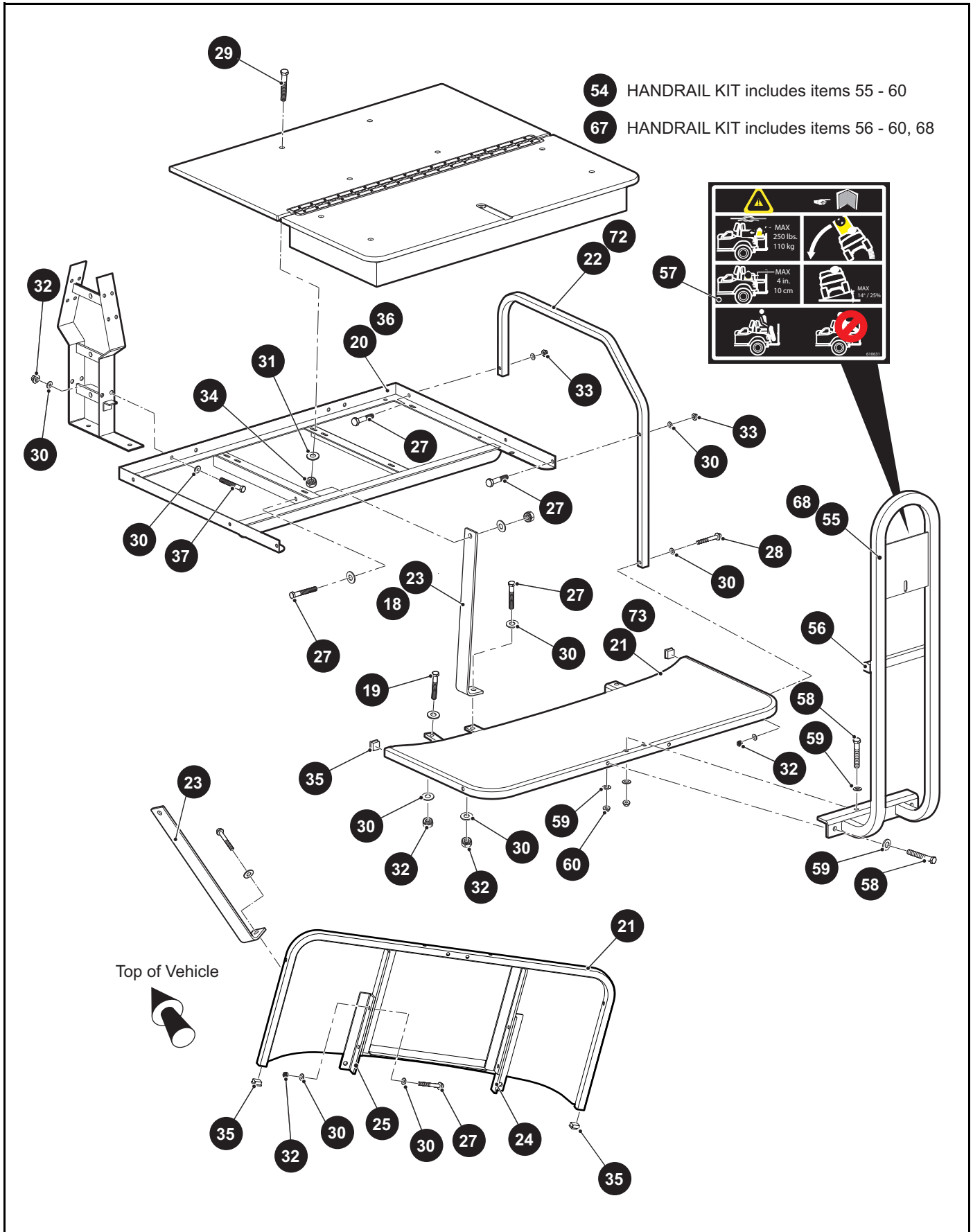
1 SEAT BACK ASSEMBLY includes items 2 - 11

38 SEAT BOTTOM ASSEMBLY includes items 39 - 50, 62 - 65



12 FLIP FLOP SEAT BOTTOM ASSEMBLY includes items 13 - 17

70 FLIP FLOP SEAT BOTTOM ASSEMBLY includes items 13, 15 - 17, 71



SEATING

When ordering parts, please specify the model and serial number of the product.

* Indicates a component that is not available as an individual part.

*** Indicates consult Customer Service Department for additional information.

ITEM	PART NO.	1	2	3	4	5	DESCRIPTION	QTY.	
1	***	SEAT BACK ASSEMBLY (INCLUDES ITEMS 2 - 11)					1		1
		606828	RED/BLACK						
		71751G03	OYSTER						
		71751G04	TAN						
		71751G07	BLACK						
		604908	WHITE/BLUE						
		604907	WHITE/RED						
		615838	WHITE/BLACK						
		620794	WHITE/YELLOW						
		620796	GRAY/BLACK						
		615837	OYSTER/GARNET						
2	***	VINYL SEAT BACK COVER					1		1
		71753G03	OYSTER						
		71753G04	TAN						
		71753G07	BLACK						
		604916G0103	WHITE/RED						
		604916G0102	WHITE/BLUE						
		604916G0304	RED/BLACK						
		604916G0104	WHITE/BLACK						
		604916G0108	WHITE/YELLOW						
		604916G0704	GRAY/BLACK						
		604916G0506	OYSTER/GARNET						
3	71752G01	SEAT BACK REAR COVER					1		1
4	<u>71754G01</u>	FOAM PADDING.....					1		1
5	<u>634178</u>	SEAT BACK SUPPORT (FOR VEHICLES MANUFACTURED FROM MARCH 2014).....					1		1
6	23222G01	FLAT STAPLE, 3/8" X 3/8"					95		95
7	<u>645021</u>	SEAT BACK BASE					1		1
8	<u>01107G01</u>	PAN HEAD TORX SCREW, #8 X 5/8" LG					4		4
9	<u>615730</u>	SEAT BACK SUPPORT					2		2
10	71204G01	MACHINE SCREW WITH PATCH LOCK, 1/4" - 20 X 7/8" LG.....					8		8
11	607535	PAN HEAD TORX SCREW, #8 X .88" LG (FOR VEHICLES MANUFACTURED FROM MARCH 2014).....					4		4
12	***	FLIP FLOP SEAT BOTTOM ASSEMBLY (INCLUDES ITEMS 13 - 17).....					1		1
		621027	TAN						
		621026	OYSTER						
		621031	WHITE/BLUE						
		621036	BLACK						
		621032	WHITE/RED						
		621033	RED/BLACK						
		621034	WHITE/YELLOW						
		621038	WHITE/BLACK						
		621035	GRAY/BLACK						

When ordering parts, please specify the model and serial number of the product.

* Indicates a component that is not available as an individual part.

*** Indicates consult Customer Service Department for additional information.

ITEM	PART NO.	1	2	3	4	5	DESCRIPTION	QTY.
		621037					OYSTER/RUBY	
13	***						VINYL FLIP FLOP SEAT BOTTOM COVER	1
		615646					OYSTER	
		615647					TAN	
		615648					BLACK	
		611126					WHITE/RED	
		611125					WHITE/BLUE	
		611135					RED/BLACK	
		611127					WHITE/YELLOW	
		611137					GRAY/BLACK	
		611130					WHITE/BLACK	
		611136					OYSTER/RUBY	
		617892					GRAY	
		617893					BROWN	
14	<u>617137</u>						DECK BOARD ASSEMBLY	1
15	<u>16705G1</u>						TRUSS HEAD PHILLIPS SCREW (SS), 1/4" - 20 X 1" LG	5
16	<u>617402</u>						SEAT STRAP.....	1
17	<u>00559G7</u>						FLAT WASHER, 1/4"	1
18	<u>634174</u>						SEAT FRAME SUPPORT (FOR VEHICLES MANUFACTURED FROM MARCH 2014).....	2
19	<u>00427G6</u>						HEX HEAD BOLT, 3/8" - 16 X 1 1/4" LG (FOR VEHICLES MANUFACTURED FROM MARCH 2014).....	2
20	<u>615712</u>						SEAT FRAME WELDMENT	1
21	<u>615714</u>						FOOTREST WELDMENT	1
22	<u>615729</u>						ARMREST, REAR SEAT	2
23	<u>615713</u>						SEAT FRAME SUPPORT	2
24	<u>615728</u>						FOOTREST BRACKET (PASSENGER SIDE).....	1
25	<u>615727</u>						FOOTREST BRACKET (DRIVER SIDE)	1
26	<u>01006G01</u>						HEX HEAD BOLT, 3/8" - 16 X 1 1/4" LG	4
27	<u>00427G4</u>						HEX HEAD BOLT, 3/8" - 16 X 1 1/2" LG	4
28	<u>00429G2</u>						HEX HEAD BOLT, 3/8" - 16 X 3 1/4" LG	2
29	<u>16705G9</u>						TRUSS HEAD PHILLIPS SCREW (SS), 1/4" - 20 X 1 1/4" LG.....	4
30	<u>614221</u>						FLAT WASHER, 3/8"	32
31	<u>01110G01</u>						FLAT WASHER, 1/4"	4
32	<u>11098G5</u>						LOCK NUT, 3/8" - 16.....	14
33	<u>11027G5</u>						LOCK NUT, 3/8" - 16.....	4

SEATING

When ordering parts, please specify the model and serial number of the product.

* Indicates a component that is not available as an individual part.

*** Indicates consult Customer Service Department for additional information.

ITEM	PART NO.	1	2	3	4	5	DESCRIPTION	QTY.
34	<u>14390G4</u>						LOCK NUT, 1/4" - 20	4
35	<u>19853G1</u>						SQUARE CAP TUBE, 1"	2
36	<u>634180</u>						SEAT FRAME WELDMENT (FOR VEHICLES MANUFACTURED FROM MARCH 2014)	1
37	<u>00427G2</u>						HEX HEAD BOLT, 3/8" - 16 X 1.25" LG.....	4
38	***						SEAT BOTTOM ASSEMBLY (INCLUDES ITEMS 39 - 50, 62 - 65)	1
							629269G0103 TAN	
							629269G0101 OYSTER	
							629269G0110 RED ON BLACK	
							629269G0106 BLACK	
							629269G0109 WHITE/BLUE	
							629269G0112 WHITE/BLACK	
							629269G0113 WHITE/YELLOW	
							629269G0114 GRAY/BLACK	
							629269G0115 OYSTER/RUBY	
							629269G0111 WHITE/RED	
39	***						VINYL SEAT BOTTOM COVER.....	1
							71602G04 TAN	
							71602G03 OYSTER	
							71602G06 BLACK	
							604912G0103 WHITE/RED	
							604912G0102 WHITE/BLUE	
							604912G0104 WHITE/BLACK	
							604912G0108 WHITE/YELLOW	
							604912G0704 GRAY/BLACK	
							604912G0506 OYSTER/GARNET	
							604912G0304 RED/BLACK	
40	<u>71603G02</u>						FOAM PADDING (SEAT BOTTOM).....	1
41								
42	<u>71610G01</u>						SEAT HINGE.....	2
43	<u>00720G08</u>						FLAT HEAD PHILLIPS SCREW, #12 -14 X 1" LG	6
44	<u>17074G1</u>						RUBBER PAD	2
45	<u>71012G01</u>						VINYL TRIM (SEAT BOTTOM)	1
46	<u>23222G1</u>						FLAT STAPLE, 3/8" X 3/8"	110
47	<u>23223G1</u>						FLAT STAPLE, 3/8" X 3/8"	36
48								
49								
50								
51	<u>00664G7</u>						LOCK WASHER, 1/4"	4

When ordering parts, please specify the model and serial number of the product.

* Indicates a component that is not available as an individual part.

*** Indicates consult Customer Service Department for additional information.

ITEM	PART NO.	1 2 3 4 5	DESCRIPTION	QTY.
52	<u>00661G8</u>		HEX HEAD BOLT, 1/4" - 20 X 1/2" LG	4
53	<u>00426G8</u>		HEX HEAD BOLT, 3/8" - 16 X 3/4" LG	2
54	<u>617901</u>		HANDRAIL KIT, FLIP FLOP SEAT (INCLUDES ITEMS 55 - 60)	1
55	<u>615721</u>		FOOTREST HANDLE WELDMENT	1
56	<u>19859G1</u>		SQUARE CAP TUBE, 3/4"	2
57	<u>610631</u>		DECAL.....	1
58	<u>00427G8</u>		HEX HEAD BOLT, 3/8" - 16 X 2" LG.....	4
59	<u>614221</u>		FLAT WASHER, 3/8"	8
60	<u>11098G5</u>		LOCK NUT, 3/8" - 16	4
61	<u>00560G1</u>		FLAT WASHER, 3/8"	8
62	<u>645492</u>		SEAT BOTTOM	1
63	<u>617644</u>		HIP RESTRAINT (DRIVER SIDE)	1
64	<u>617645</u>		HIP RESTRAINT (PASSENGER SIDE)	1
65	<u>615417</u>		BUTTON HEAD TORX BOLT, M10 - 1.5 X 25MM LG	8
66				
67	<u>634184</u>		HANDRAIL KIT, FLIP-FLOP SEAT (INCLUDES ITEMS 56 - 60, 68) (FOR VEHICLES MANUFACTURED FROM MARCH 2014).....	1
68	<u>631485</u>		FOOTREST HANDLE WELDMENT (FOR VEHICLES MANUFACTURED FROM MARCH 2014)	1
69				
70	***		FLIP FLOP SEAT BOTTOM ASSEMBLY (INCLUDES ITEMS 13, 15 - 17, 71) (FOR VEHICLES MANUFACTURED FROM MARCH 2014).....	1
		628058G01	OYSTER	
		628058G03	TAN	
		628058G04	GRAY	
		628058G06	BLACK	
		628058G07	BROWN	
		628058G09	WHITE/BLUE	
		628058G10	RED/BLACK	
		628058G11	WHITE/RED	
		628058G12	WHITE/BLACK	
		628058G13	WHITE/YELLOW	
		628058G14	GRAY/BLACK	
		628058G15	OYSTER/GARNET	
71	<u>634190</u>		DECK BOARD ASSEMBLY (FOR VEHICLES MANUFACTURED FROM MARCH 2014)	1
72	<u>634175</u>		REAR SEAT ARM REST	

SEATING

When ordering parts, please specify the model and serial number of the product.

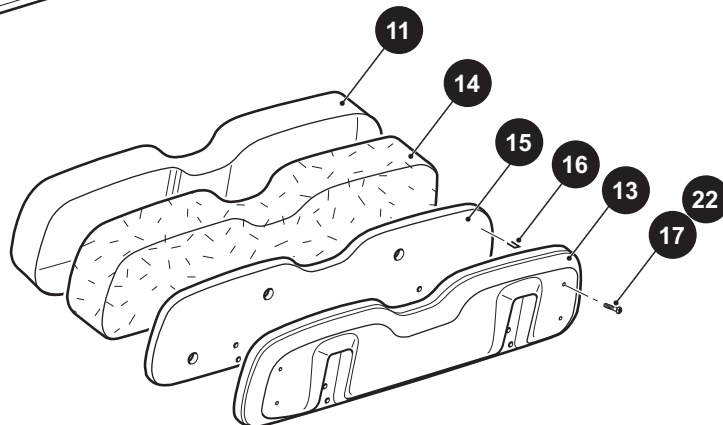
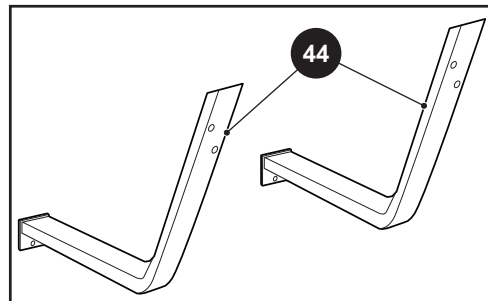
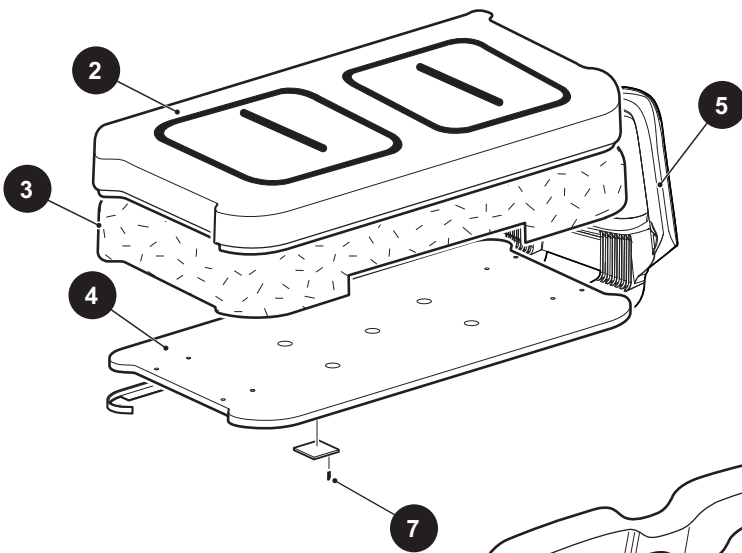
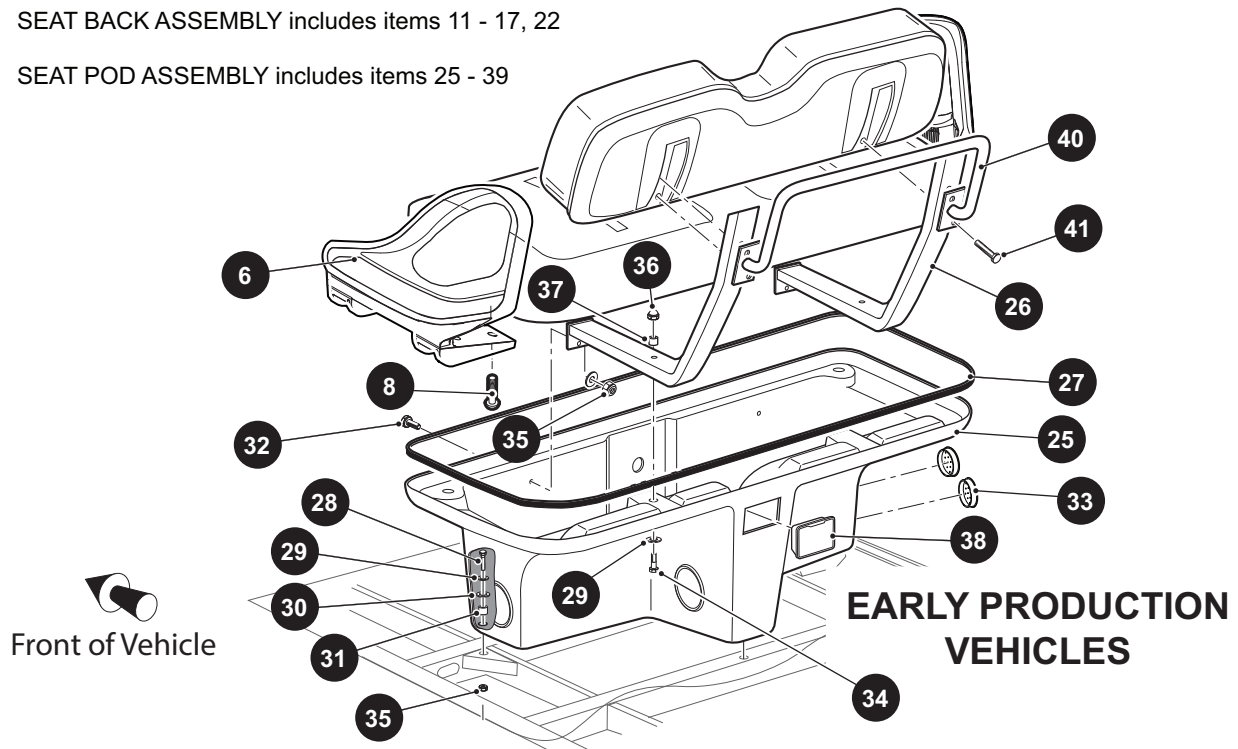
* Indicates a component that is not available as an individual part.

*** Indicates consult Customer Service Department for additional information.

ITEM	PART NO.	1	2	3	4	5	DESCRIPTION	QTY.
73	<u>634179</u>						(FOR VEHICLES MANUFACTURED FROM MARCH 2014)	2
74							FOOTREST WELDMENT	
75	<u>625525</u>						(FOR VEHICLES MANUFACTURED FROM MARCH 2014)	1
							SEAT SUPPORT WELDMENT	
							(FOR VEHICLES MANUFACTURED FROM MARCH 2014)	2

SEATING

- 1 SEAT BOTTOM ASSEMBLY includes items 2 - 8
- 10 SEAT BACK ASSEMBLY includes items 11 - 17, 22
- 24 SEAT POD ASSEMBLY includes items 25 - 39



When ordering parts, please specify the model and serial number of the product.

* Indicates a component that is not available as an individual part.

*** Indicates consult Customer Service Department for additional information.

ITEM	PART NO.	1 2 3 4 5	DESCRIPTION	QTY.
1	***		SEAT BOTTOM ASSEMBLY (INCLUDES ITEMS 2 - 8) 629269G0410 RED/BLACK 629269G0401 OYSTER 629269G0407 BROWN 629269G0107 BROWN 629269G0406 BLACK 629269G0409 WHITE/BLUE 629269G0411 WHITE/RED 629269G0403 TAN 629269G0412 WHITE/BLACK 629269G0413 WHITE/YELLOW 629269G0414 GRAY/BLACK 629269G0415 OYSTER/GARNET 629269G0404 GRAY	1
2	***		VINYL SEAT BOTTOM COVER 71624G07 BLACK 604912G0304 RED/BLACK 604912G0102 WHITE/BLUE 604912G0103 WHITE/RED 604912G0104 WHITE/BLACK 604912G0108 WHITE/YELLOW 604912G0704 GRAY/BLACK 604912G0506 OYSTER/GARNET 71624G02 GRAY 71624G03 OYSTER 71602G04 TAN 71602G06 BLACK 71624G06 BROWN	1
3	<u>71625G01</u>		SEAT BOTTOM FOAM PADDING.....	1
4	645494		BASE ASSEMBLY	1
5	<u>617644</u>		HIP RESTRAINT (PASSENGER SIDE)	1
6	<u>617645</u>		HIP RESTRAINT (DRIVER SIDE)	1
7	<u>23222G1</u>		STAPLE, 3/8" X 3/8"	110
8	<u>615417</u>		BUTTON HEAD TORX BOLT, M10 - 1.5 X 25MM LG	8
9	70864G01		T-KNOB STUD (NOT ILLUSTRATED).....	4
10	***		SEAT BACK ASSEMBLY (INCLUDES ITEMS 11 - 17, 22)..... 71751G07 BLACK 71751G04 TAN 71751G03 OYSTER 606828 RED/BLACK 604908 WHITE/BLUE 604907 WHITE/RED 615837 OYSTER/GARNET	1

SEATING

When ordering parts, please specify the model and serial number of the product.

* Indicates a component that is not available as an individual part.

*** Indicates consult Customer Service Department for additional information.

ITEM	PART NO.	1	2	3	4	5	DESCRIPTION	QTY.
		615838					WHITE/BLACK	
		620794					WHITE/YELLOW	
		620796					GRAY/BLACK	
		71751G02					GRAY	
		71751G06					BROWN	
11	***						VINYL SEAT BACK COVER	1
		71753G07					BLACK	
		71753G04					TAN	
		71753G03					OYSTER	
		604916G0304					RED/BLACK	
		604916G0102					WHITE/BLUE	
		604916G0103					WHITE/RED	
		604916G0108					WHITE/YELLOW	
		604916G0704					GRAY/BLACK	
		604916G0104					WHITE/BLACK	
		604916G0506					OYSTER/GARNET	
		71753G02					GRAY	
		71753G06					BROWN	
12								
13	71752G01						SEAT BACK REAR COVER (PLASTIC)	1
14	<u>71754G01</u>						SEAT BACK, FOAM PADDING	1
15	<u>645021</u>						SEAT BACK BASE	1
16	<u>23222G1</u>						STAPLE, 3/8" X 3/8"	95
17	<u>01107G01</u>						PAN HEAD TORX SCREW, #8 X 5/8" LG	4
18								
19								
20								
21								
22	607535						PAN HEAD TORX SCREW, #8 X .88" LG	4
23								
24	620216G0**						SEAT POD ASSEMBLY (INCLUDES ITEMS 25 - 39)	1
25	70836G0**						SEAT POD (see COLOR CODES in HOW TO USE section)	1
26	<u>626576</u>						SEAT BACK SUPPORT WELDMENT	2
27	<u>32805G6</u>						BLACK TRIM.....	1
28	00439G8						HEX HEAD BOLT, 5/16" - 18 X 2" LG	3

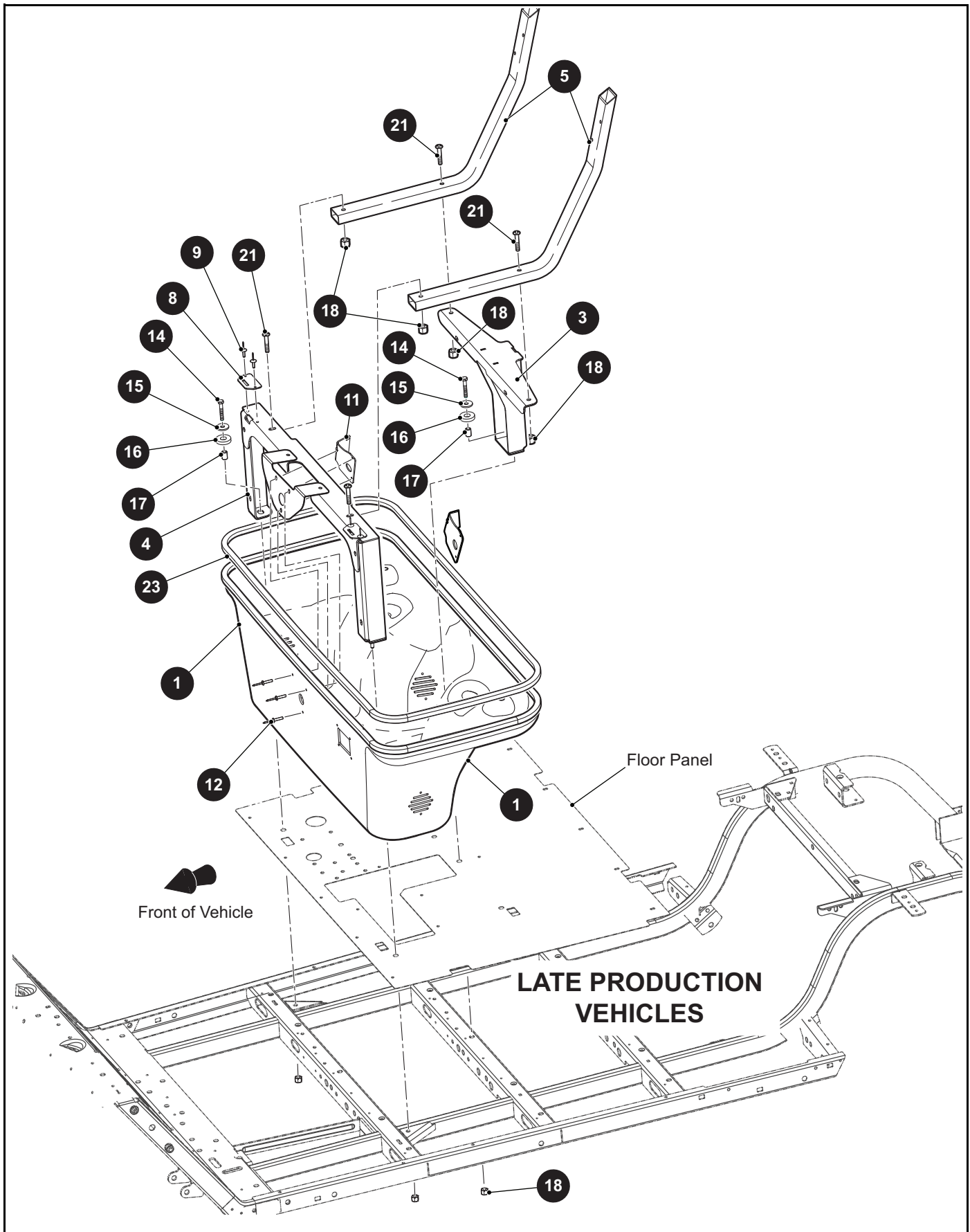
When ordering parts, please specify the model and serial number of the product.

* Indicates a component that is not available as an individual part.

*** Indicates consult Customer Service Department for additional information.

ITEM	PART NO.	1 2 3 4 5	DESCRIPTION	QTY.
29	<u>00675G1</u>		FLAT WASHER (SS), 3/8"	5
30	<u>71883G01</u>		RUBBER WASHER, 5/8"	3
31	<u>23726G9</u>		SPACER, 3/4"	3
32	<u>00976G06</u>		TRUSS HEAD PHILLIPS SCREW (SS), 5/16" - 18 X 3/4" LG	2
33	<u>71599G01</u>		VENT PLUG	4
34	<u>00427G8</u>		HEX HEAD BOLT, 3/8" - 16 X 2" LG.....	2
35	11098G6		LOCK NUT (SS), 5/16" - 18.....	5
36	<u>15717G5</u>		ACORN NUT, 3/8" - 16	2
37	<u>23726G4</u>		SPACER, 5/16"	2
38	27731G01		ASHTRAY, FLUSH MOUNTED PLASTIC	1
39	<u>71055G01</u>		RIVET, 3/16" (NOT ILLUSTRATED)	3
40	<u>71632G01</u>		HANDGRIP WELDMENT	1
41	<u>71204G02</u>		HEX HEAD BOLT, 1/4" - 20 X 2" LG	4
42	<u>605869</u>		MOUNTING BRACKET (NOT ILLUSTRATED).....	1
43				
44	<u>71868G01</u>		SEAT BACK SUPPORT WELDMENT	2

SEATING



When ordering parts, please specify the model and serial number of the product.

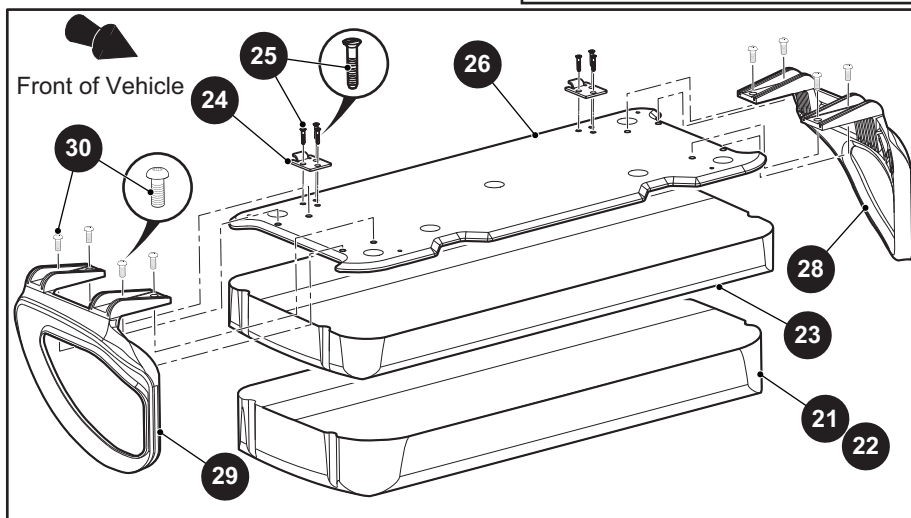
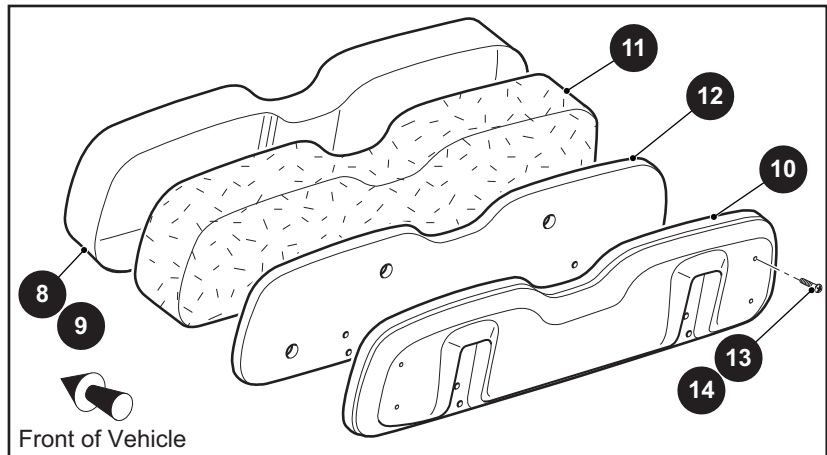
* Indicates a component that is not available as an individual part.

*** Indicates consult Customer Service Department for additional information.

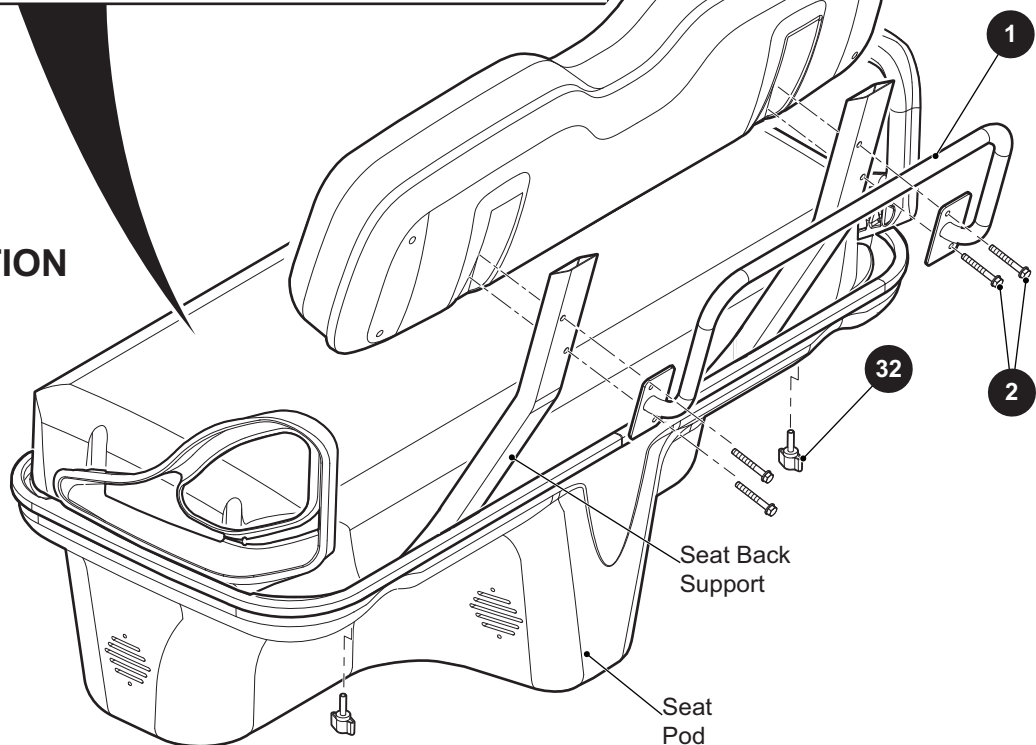
ITEM	PART NO.	1 2 3 4 5	DESCRIPTION	QTY.
1	648313GXX		SEAT POD	1
2				
3	<u>657681</u>		REAR SEAT SUPPORT	1
4	<u>654767</u>		SEAT SUPPORT	1
5	<u>648523</u>		SEAT BACK SUPPORT TUBE	2
6				
7				
8	<u>71609G01</u>		HINGE PLATE.....	2
9	<u>10570G11</u>		RIVET (SS), 3/16" X .70" LG.....	4
10				
11	<u>605869</u>		DIRECTION SELECTOR MOUNTING BRACKET	1
12	<u>71055G01</u>		RIVET (ALUMINUM), 3/16" X 1" LG	3
13				
14	00439G8		HEX HEAD BOLT (SS), 5/16" - 18 X 2" LG	3
15	<u>00675G1</u>		WASHER (SS), .398" I.D. X 1.25" O.D. X .115" LG	3
16	<u>71883G01</u>		WASHER (RUBBER), .625" I.D. X 1.50" O.D. X .312" LG.....	3
17	<u>23726G9</u>		SPACER, .312" I.D. X .562" O.D. X .750" LG	3
18	11098G6		LOCK NUT, 5/16" - 18.....	7
19				
20				
21	<u>00762G6</u>		TRUSS HEAD PHILLIPS SCREW (SS), 5/16" - 18 X 3/4" LG.....	4
22				
23	<u>32805G6</u>		TRIM, 118" LG	1

SEATING

- 6** SEAT BACK ASSEMBLY
includes items 8, 10 - 13
- 7** SEAT BACK ASSEMBLY
includes items 9 - 12, 14
- 17** SEAT BOTTOM ASSEMBLY
includes items 22 - 30
- 18** SEAT BOTTOM ASSEMBLY
includes items 21, 23 - 30



LATE PRODUCTION VEHICLES



When ordering parts, please specify the model and serial number of the product.

* Indicates a component that is not available as an individual part.

*** Indicates consult Customer Service Department for additional information.

ITEM	PART NO.	1 2 3 4 5	DESCRIPTION	QTY.
1	<u>71632G01</u>		HAND GRIP WELDMENT.....	1
2	<u>71204G02</u>		MACHINE SCREW WITH PATCH LOCK, 1/4" - 20 X 2" LG.....	4
3				
4				
5				
6	***		SEAT BACK ASSEMBLY (INCLUDES ITEM 8, 10 - 13)..... 606828 RED/BLACK 604908 WHITE/BLUE 604907 WHITE/RED 615838 WHITE/BLACK 620794 WHITE/YELLOW 620796 GRAY/BLACK 615837 OYSTER/GARNET	2
7	***		SEAT BACK ASSEMBLY (INCLUDES ITEM 9 - 12, 14)..... 71751G02 GRAY 71751G03 OYSTER 71751G04 TAN 71751G06 BROWN 71751G07 BLACK	2
8	***		VINYL SEAT BACK COVER..... 604916G0304 RED/BLACK 604912G0102 WHITE/BLUE 604912G0103 WHITE/RED 604916G0104 WHITE/BLACK 604916G0108 WHITE/YELLOW 604916G0704 GREY/BLACK 604916G0506 OYSTER/GARNET	1
9	***		VINYL SEAT BACK COVER..... 71753G01 WHITE 71753G03 OYSTER 71753G04 TAN 71753G06 BROWN 71753G07 BLACK	1
10	71752G01		REAR SEAT BACK COVER.....	1
11	<u>71754G01</u>		SEAT BACK PADDING	1
12	<u>645021</u>		SEAT BACK BASE	1
13	<u>648271</u>		PAN HEAD TORX SCREW (SS), #8 - 15 X 1" LG	4
14	<u>01107G01</u>		PAN HEAD TORX SCREW (SS), #8 X .63" LG.....	4
15				
16				

SEATING

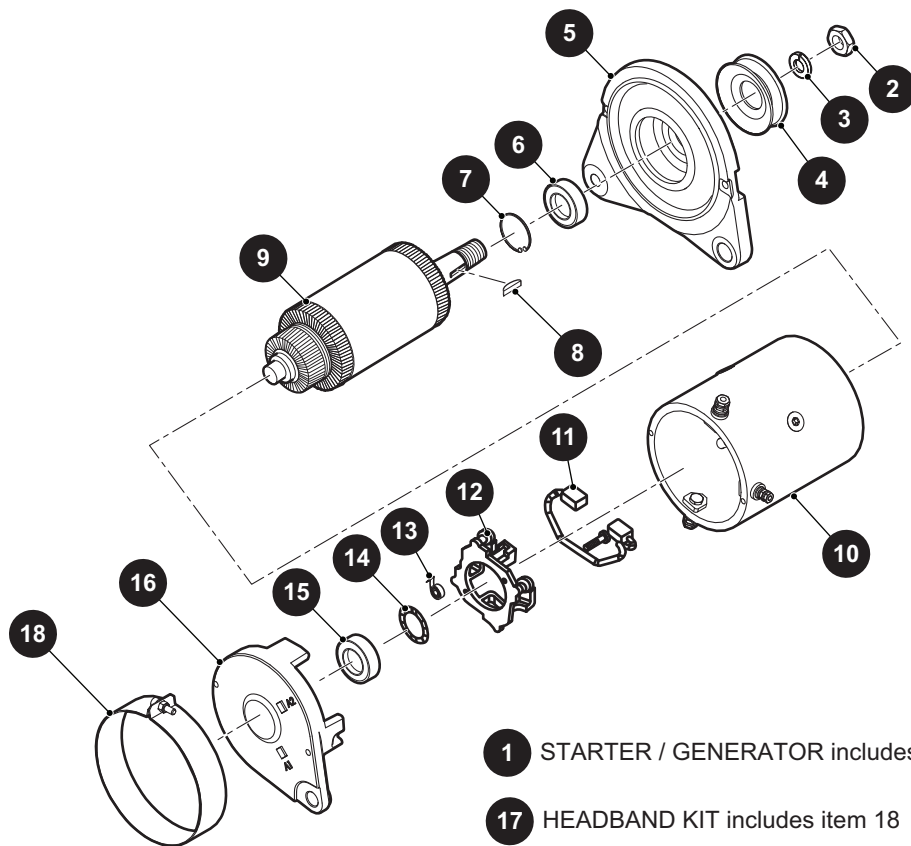
When ordering parts, please specify the model and serial number of the product.

* Indicates a component that is not available as an individual part.

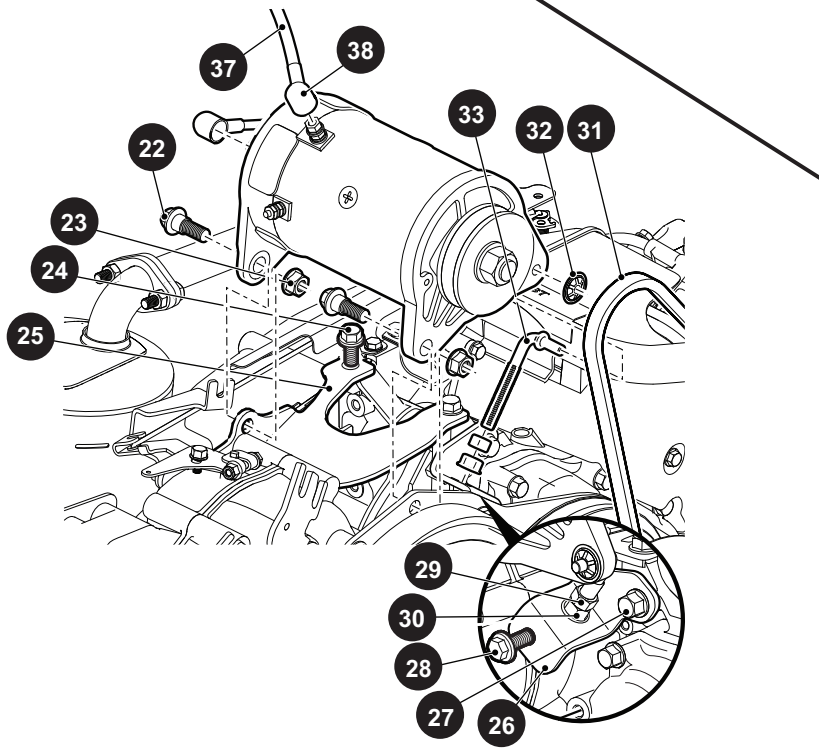
*** Indicates consult Customer Service Department for additional information.

ITEM	PART NO.	1	2	3	4	5	DESCRIPTION	QTY.
17	***						SEAT BOTTOM ASSEMBLY (INCLUDES ITEM 22 - 30) 629269G1701 OYSTER 629269G1703 TAN 629269G1704 GRAY 629269G1706 BLACK 629269G1707 BROWN	1
18	***						SEAT BOTTOM ASSEMBLY (INCLUDES ITEM 21, 23 - 30) 629269G1709 WHITE/BLUE 629269G1710 RED/BLACK 629269G1711 WHITE/RED 629269G1712 WHITE/BLACK 629269G1713 WHITE/YELLOW 629269G1714 GRAY/BLACK 629269G1715 OYSTER/GARNET	1
19								
20								
21	***						VINYL SEAT COVER 604912G0102 WHITE/BLUE 604912G0103 WHITE/RED 604916G0104 WHITE/BLACK 604916G0108 WHITE/YELLOW 604916G0304 RED/BLACK 604916G0506 OYSTER/GARNET 604916G0704 GREY/BLACK	1
22	***						VINYL SEAT COVER 71624G03 OYSTER 71624G04 TAN 71624G02 GRAY 71624G07 BLACK 71624G06 BROWN	1
23	<u>71625G01</u>						SEAT BOTTOM PADDING.....	1
24	<u>71610G01</u>						SEAT HINGE.....	2
25	<u>00720G08</u>						FLAT HEAD PHILLIPS SCREW, #12 -14 X 1" LG	6
26	<u>649851</u>						SEAT BOTTOM BASE	1
27								
28	<u>617645</u>						HIP RESTRAINT (DRIVER SIDE)	1
29	<u>617644</u>						HIP RESTRAINT (PASSENGER SIDE)	1
30	<u>615417</u>						BUTTON HEAD TORX BOLT, M10 - 1.5 X 25MM LG	8
31								
32	70864G01						T-KNOB STUD, 1/4" - 20 X 1" LG	2

STARTER / GENERATOR

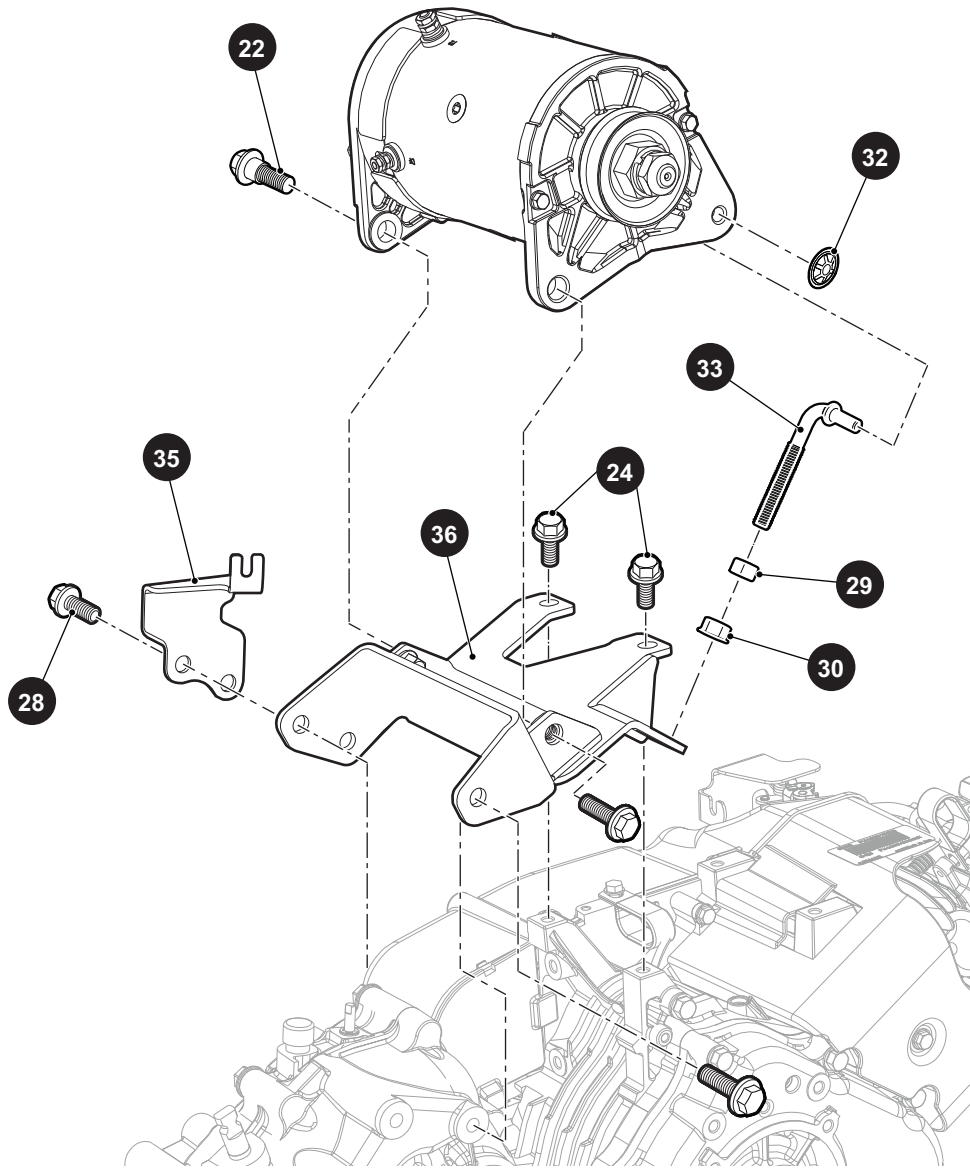


STARTER/GENERATOR MOUNTING



STARTER / GENERATOR

FOR VEHICLES MANUFACTURED FROM APRIL 2014



STARTER / GENERATOR

When ordering parts, please specify the model and serial number of the product.

* Indicates a component that is not available as an individual part.

*** Indicates consult Customer Service Department for additional information.

ITEM	PART NO.	1 2 3 4 5	DESCRIPTION	QTY.
1	<u>660379</u>		STARTER / GENERATOR (INCLUDES ITEMS 2 - 17)	1
2	<u>612029</u>		HEX NUT	1
3	<u>612030</u>		LOCK WASHER.....	1
4	<u>625716</u>		PULLEY, 2.5" O.D.	1
5	<u>654715</u>		DRIVE END HEAD.....	1
6	<u>612033</u>		BEARING	1
7	<u>612034</u>		RETAINING RING.....	1
8	<u>612035</u>		WOODRUFF KEY	1
9	<u>612036</u>		ARMATURE ASSEMBLY	1
10	<u>654716</u>		FRAME AND FIELD ASSEMBLY	1
11	<u>612038</u>		BRUSH LEAD AND TERMINAL PACKAGE.....	1
12	<u>654717</u>		BRUSH BOX ASSEMBLY	1
13	<u>656659</u>		BRUSH SPRING.....	4
14	<u>612043</u>		WAVY WASHER	1
15	<u>612044</u>		BEARING	1
16	<u>612045</u>		COMMUTATOR END HEAD.....	1
17	<u>658172</u>		HEADBAND KIT (INCLUDES ITEM 18)	1
18	<u>654718</u>		HEADBAND.....	1
19				
20				
21				
22	<u>606235</u>		BOLT, HXFL SHLDR - M10 - 1.25 X 20.....	2
23	<u>606279</u>		NUT, M10 - 1.25	2
24	<u>606261</u>		BOLT, M8 - 1.25 X 20	3
25	<u>602141</u>		STARTER / GENERATOR BRACKET.....	1
26	<u>602145</u>		TENSIONER BRACKET.....	1
27	<u>606261</u>		BOLT, M8 - 1.25 X 20	1
28	<u>606256</u>		BOLT, M10 - 1.25 X 25	1
29	<u>606255</u>		HEX JAM NUT, M10 - 1.25.....	1
30	<u>606274</u>		FLANGE HEX NUT, M10 - 1.25.....	1
31	<u>630587</u>		STARTER / GENERATOR BELT	1

STARTER / GENERATOR

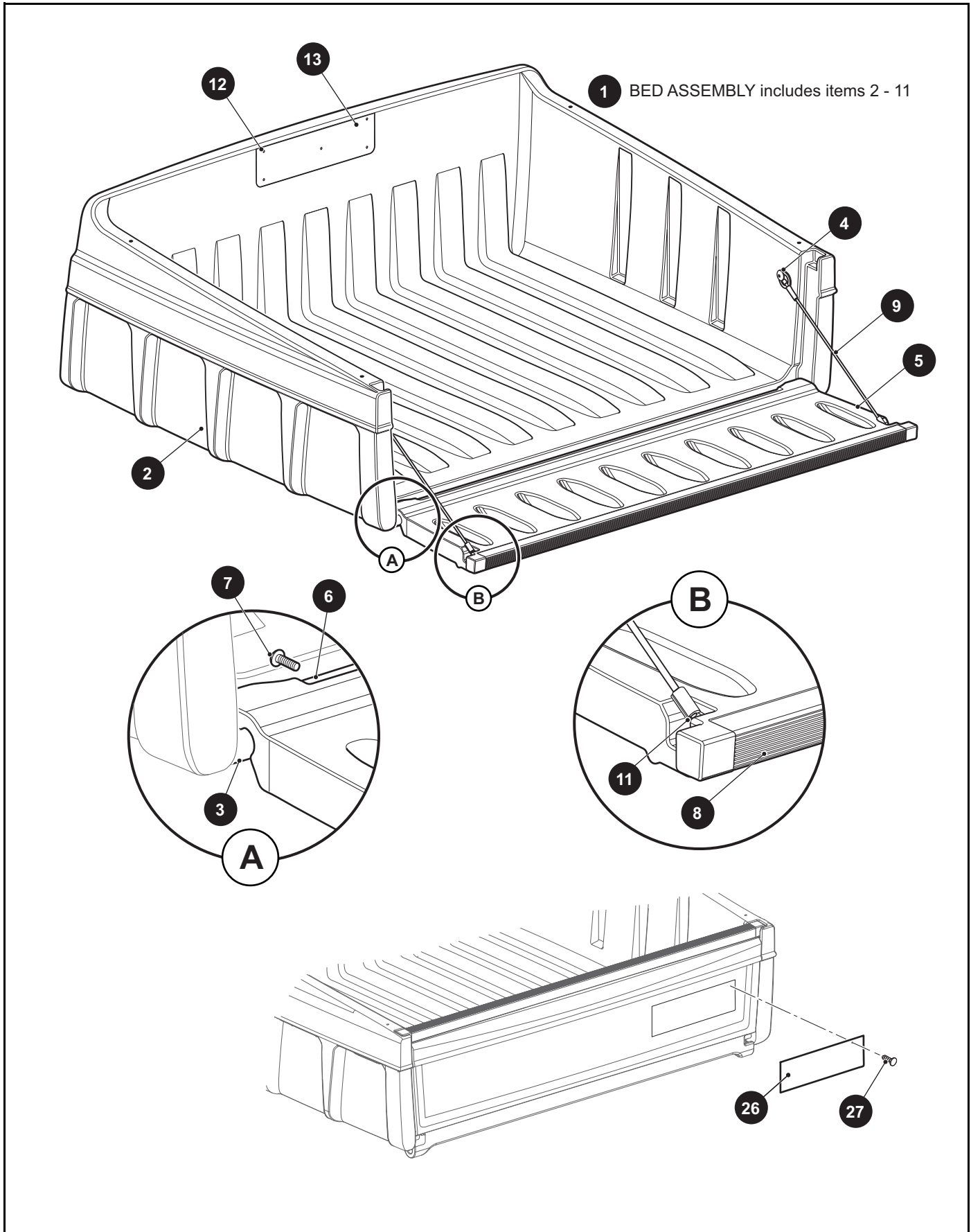
When ordering parts, please specify the model and serial number of the product.

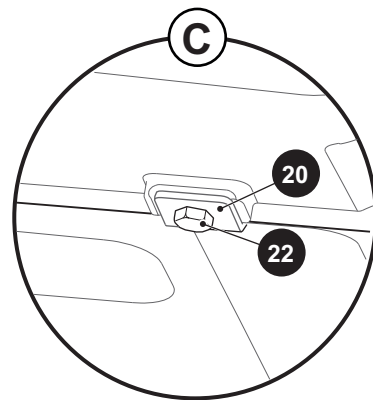
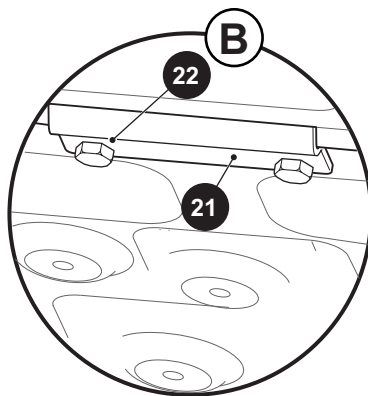
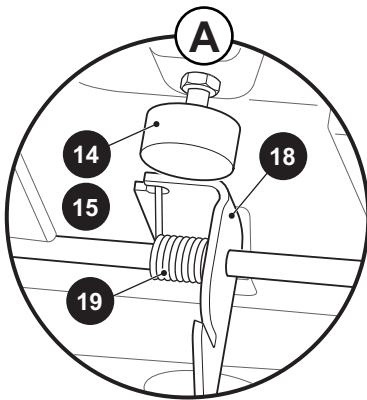
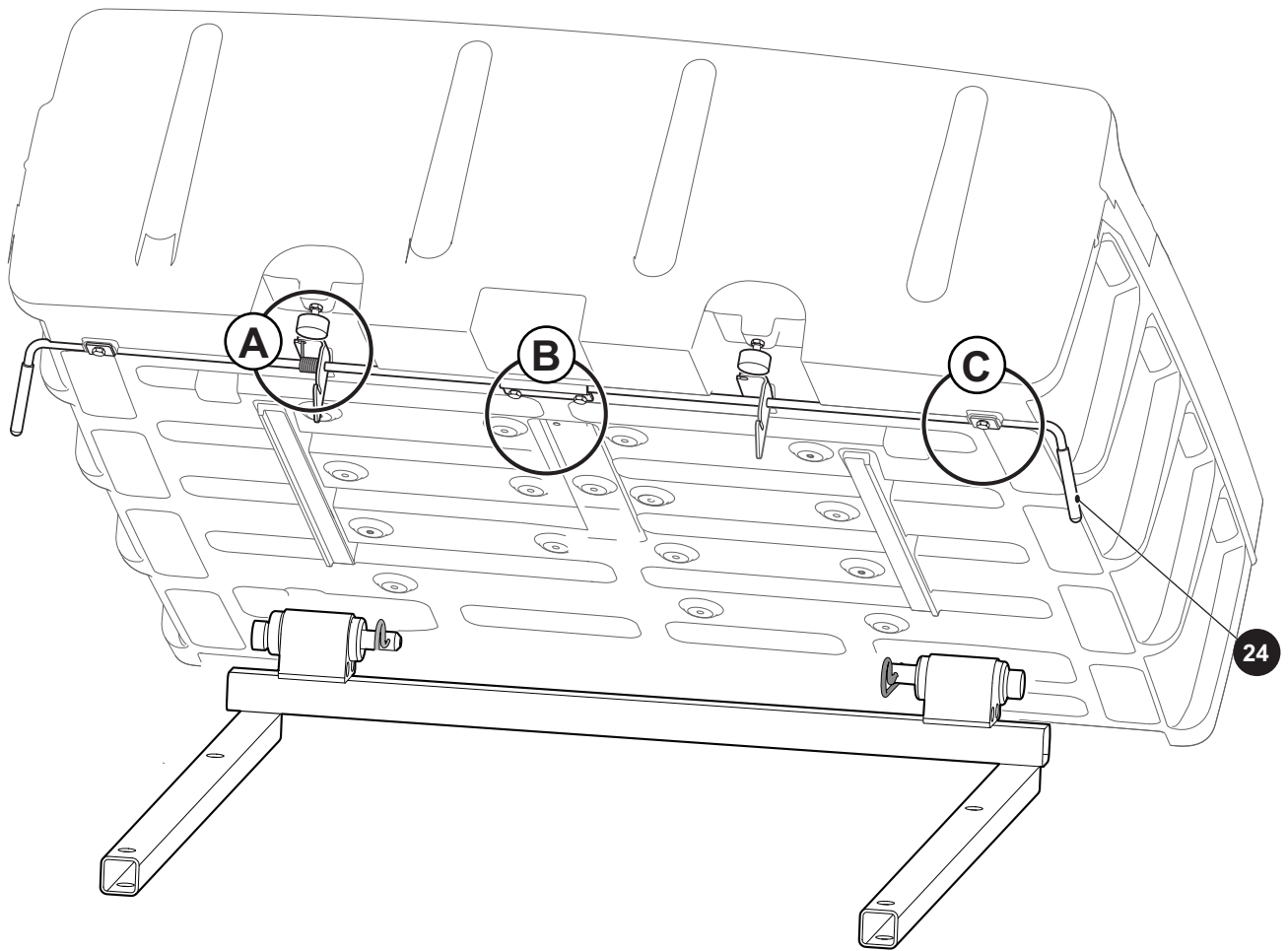
* Indicates a component that is not available as an individual part.

*** Indicates consult Customer Service Department for additional information.

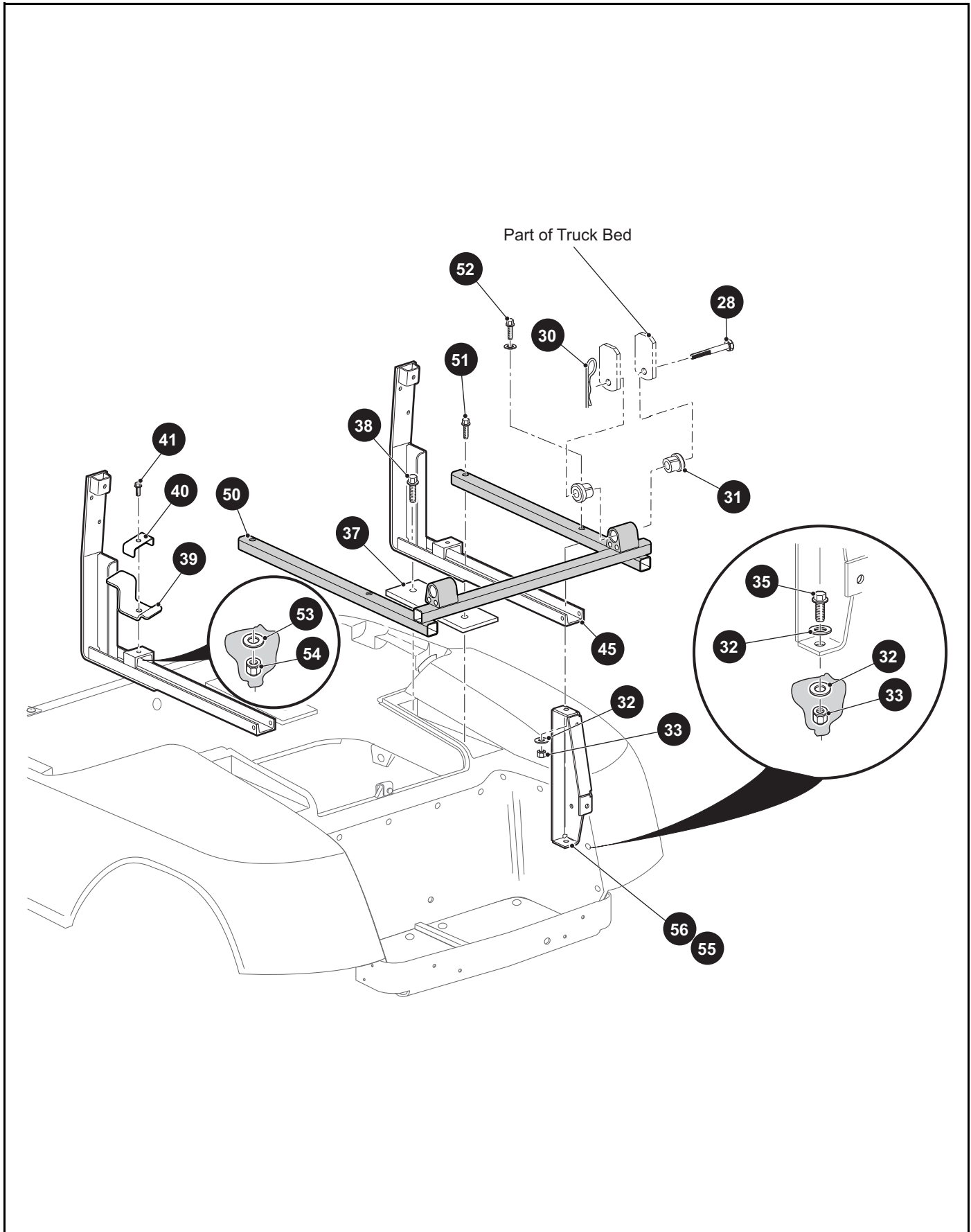
ITEM	PART NO.	1 2 3 4 5	DESCRIPTION	QTY.
32	<u>12064G6</u>		PUSH NUT, 5/16"	1
33	<u>629763</u>		TENSIONER BOLT	1
34				
35	<u>603884</u>		BRACKET (GUIDE CABLE).....	1
36	<u>631972</u>		STARTER / GENERATOR SUPPORT BRACKET (FOR VEHICLES MANUFACTURED FROM APRIL 2014).....	1
37	<u>607103</u>		WIRE ASSEMBLY, 6 AWG, 42" LG	1
38	<u>25682G01</u>		RUBBER BOOT	3

TRUCK BED





TRUCK BED



When ordering parts, please specify the model and serial number of the product.

* Indicates a component that is not available as an individual part.

*** Indicates consult Customer Service Department for additional information.

ITEM	PART NO.	1 2 3 4 5	DESCRIPTION	QTY.
1	<u>72647G01</u>		BED ASSEMBLY (INCLUDES ITEMS 2 -11)	1
2	72648G01		PLASTIC BED, 36"	1
3	<u>73454G01</u>		PIVOT SHAFT	2
4	<u>73460G01</u>		SHOULDER BOLT, 1/4" - 20 X 3/4" LG	2
5	<u>72649G01</u>		TAILGATE	1
6	<u>73450G01</u>		BOWED ANGLE	1
7	<u>16705G2</u>		PAN HEAD PHILLIPS SCREW (SS), 1/4" - 20 X 5/8" LG	4
8	<u>73449G01</u>		TAILGATE CAP	1
9	73455G02		TAILGATE CABLE	1
10				
11	<u>00415G2</u>		HEX HEAD CAP SCREW, 1/4" - 20 X 1 1/4" LG	2
12	<u>74821G01</u>		LOAD BED DECAL	1
13	<u>71055G01</u>		RIVET, 3/16" X .38"	5
14	<u>70113G01</u>		ADJUSTABLE RUBBER BUMPER	2
15	<u>11027G1</u>		LOCK NUT, 5/16" - 18	2
16				
17				
18	<u>607072</u>		BED LATCH	1
19	<u>71538G01</u>		LATCH TORSION SPRING	1
20	<u>652442G03</u>		KEEPER PLATE	2
21	<u>652440G03</u>		RETAINER BRACKET	1
22	<u>01118G01</u>		HEX HEAD CAP SCREW, 1/4" - 20 X 5/8" LG	4
23				
24	<u>71704G01</u>		HANDLE GRIP	2
25				
26	<u>600821</u>		E-Z-GO LABEL	1
27				
28	<u>71571G01</u>		CLEVIS PIN	2
29				
30	<u>21683G1</u>		COTTER PIN, 5/32 "X 2 13/16"	2
31	<u>624030</u>		FLANGED BUSHING	4

TRUCK BED

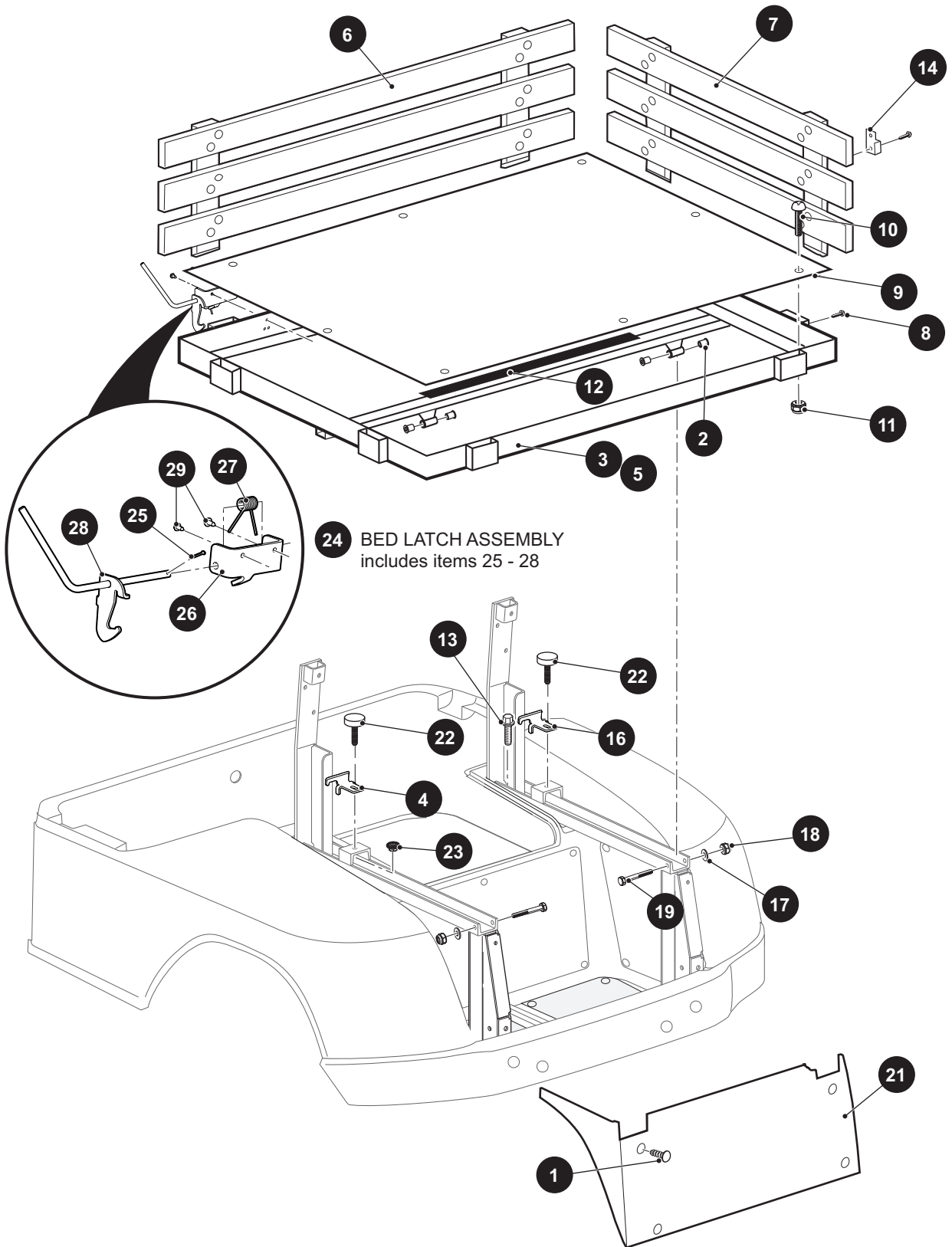
When ordering parts, please specify the model and serial number of the product.

* Indicates a component that is not available as an individual part.

*** Indicates consult Customer Service Department for additional information.

ITEM	PART NO.	1 2 3 4 5	DESCRIPTION	QTY.
32	00560G01		FLAT WASHER, 3/8"	8
33	<u>11098G5</u>		LOCK NUT, 3/8" - 16	4
34				
35	<u>00427G4</u>		HEX HEAD BOLT, 3/8" - 16 X 1 1/2" LG.....	2
36				
37	<u>70364G01</u>		SPACER	2
38	<u>01006G02</u>		HEX HEAD BOLT, 3/8 - 16 X 1 1/2" LG (FOR VEHICLES WITH PLASTIC BED OPTION)	2
39	<u>606167</u>		FRONT BED SUPPORT.....	2
40	<u>607093</u>		BED SUPPORT BRACKET	2
41	<u>00439G1</u>		HEX HEAD CAP SCREW 5/16" - 18 X 1 1/8" LG.....	2
42				
43				
44	<u>74111G01</u>		SEAT SUPPORT	2
45				
46				
47				
48				
49	<u>606112</u>		BED FRAME.....	1
50	<u>01075G01</u>		HEX HEAD BOLT, 3/8" - 16 X 2.5" LG.....	2
51	<u>00427G8</u>		HEX HEAD BOLT, 3/8" - 16 X 2" LG.....	2
52	00559G8		FLAT WASHER, 5/16"	2
53	11098G6		LOCK NUT, 3/8" - 16	2
54	<u>74126G01</u>		REAR SUPPORT FRAME (DRIVER SIDE)	1
55	<u>74126G02</u>		REAR SUPPORT FRAME (PASSENGER SIDE)	1

TRUCK BED



When ordering parts, please specify the model and serial number of the product.

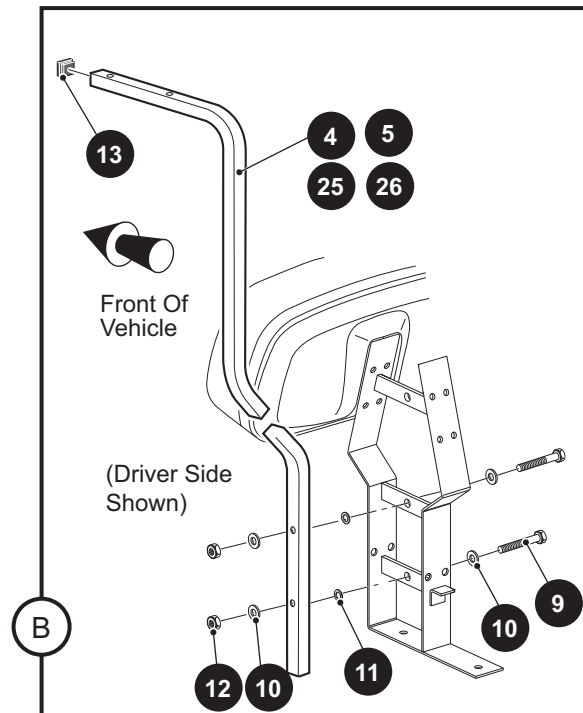
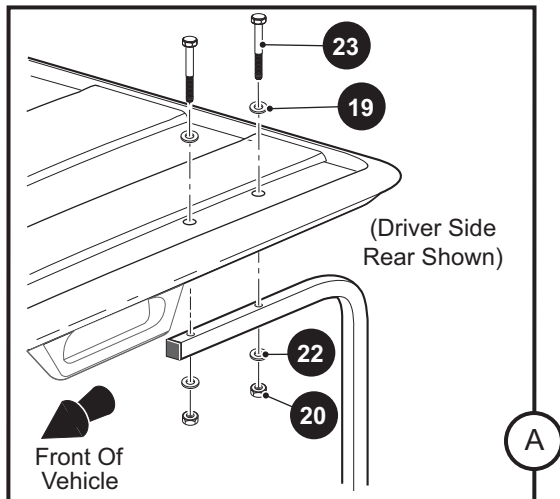
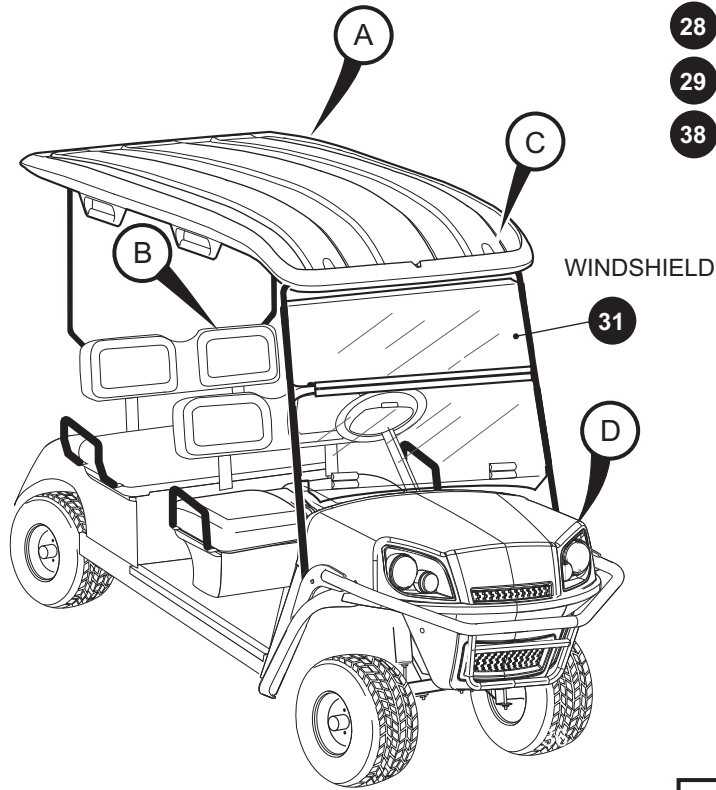
* Indicates a component that is not available as an individual part.

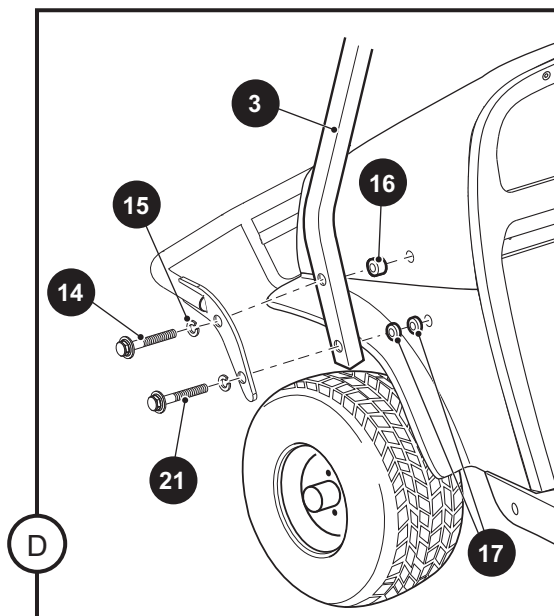
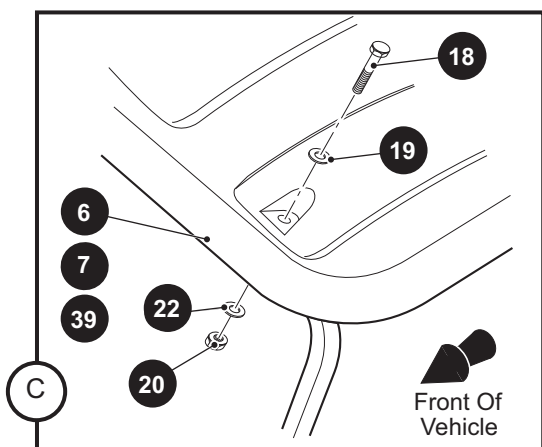
*** Indicates consult Customer Service Department for additional information.

ITEM	PART NO.	1 2 3 4 5	DESCRIPTION	QTY.
1	<u>16816G2</u>		RIVET, 1/4" X 3/4"	4
2	<u>17838G1</u>		NYLON BUSHING	4
3	<u>74080G01</u>		CARGO DECK.....	1
4	<u>72914G01</u>		LATCH BRACKET (DRIVER SIDE)	1
5	<u>635862</u>		CARGO DECK (FOR VEHICLES MANUFACTURED FROM MARCH 2014)	1
6	<u>34280G02</u>		FRONT/REAR CARGO RACK.....	2
7	<u>34280G01</u>		SIDE CARGO RACK.....	2
8	00666G6		TAPPING SCREW (SS), #10 - 12 X 3/4" LG	10
9	<u>655936</u>		CARGO DECKBOARD	1
10	<u>16705G9</u>		HEX HEAD BOLT, 1/4" - 20 X 1.25" LG	8
11	<u>14390G4</u>		LOCK NUT, 1/4" - 20.....	8
12	23052G1		NOISE SUPPRESSOR.....	1
13	<u>01006G01</u>		HEX WASHER HEAD BOLT, 3/8" - 16 X 1 1/4" LG	4
14	<u>74079G02</u>		TAILGATE RETAINER BRACKET	2
15				
16	<u>72914G02</u>		LATCH BRACKET (PASSENGER SIDE).....	1
17	00559G8		FLAT WASHER, 5/16".....	2
18	11098G6		LOCK NUT (SS), 5/16" - 18	2
19	<u>00440G4</u>		HEX HEAD BOLT, 5/16" - 18 X 2 1/2" LG	2
20				
21	<u>74149G01</u>		PANEL.....	1
22	<u>70113G01</u>		ADJUSTABLE RUBBER BUMPER.....	2
23	<u>11027G1</u>		LOCK NUT, 5/16" - 18.....	4
24	72913G01		BED LATCH ASSEMBLY (INCLUDES ITEMS 25 - 28).....	1
25	<u>10387G3</u>		COTTER PIN.....	1
26	<u>74509G01</u>		PIVOT BRACKET	1
27	<u>70681G01</u>		TORSION SPRING.....	1
28	<u>72912G01</u>		LONG BED LATCH.....	1
29	<u>00100G6</u>		HEX HEAD BOLT, # 10 - 16 X 3/4" LG	2

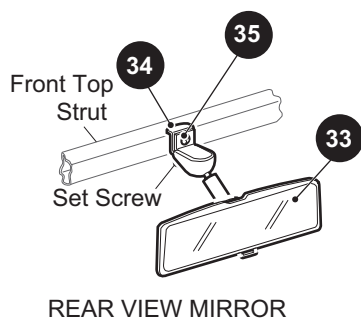
WEATHER PROTECTION

- 1 SUN TOP KIT, BLACK includes items 3 - 6, 8
- 2 SUN TOP KIT, WHITE includes items 3 - 5, 7, 8
- 28 SUN TOP KIT, WHITE includes items 3, 7, 8 - 26
- 29 SUN TOP KIT, BLACK includes items 3, 6, 8 - 26
- 38 SUN TOP KIT, TAN includes items 3, 8 - 26, 39





32 REAR VIEW MIRROR KIT includes items 33 - 35



WEATHER PROTECTION

When ordering parts, please specify the model and serial number of the product.

* Indicates a component that is not available as an individual part.

*** Indicates consult Customer Service Department for additional information.

ITEM	PART NO.	1 2 3 4 5	DESCRIPTION	QTY.
1	<u>607305</u>		SUN TOP KIT, BLACK (INCLUDES ITEMS 3 - 6, 8)	1
2	<u>607581</u>		SUNTOP KIT, WHITE (INCLUDES ITEMS 3 - 5, 7, 8)	1
3	<u>75488G01</u>		FRONT SUPPORT	1
4	<u>75487G02</u>		REAR SUPPORT (DRIVER SIDE)	1
5	<u>75487G01</u>		REAR SUPPORT (PASSENGER SIDE)	1
6	<u>607258</u>		SUN TOP, BLACK	1
7	<u>607580</u>		SUN TOP, WHITE	1
8	<u>608138</u>		SUN TOP HARDWARE KIT (INCLUDES ITEMS 9 - 23)	1
9	<u>00665G5</u>		HEX HEAD BOLT (SS), 3/8" - 16 X 1 3/4" LG	4
10	<u>00679G1</u>		FLAT WASHER, 3/8"	8
11	<u>00771G5</u>		NYLON WASHER, 3/8"	4
12	<u>00891G5</u>		LOCK NUT, 3/8" - 16	4
13	<u>19853G1</u>		END CAP, 1" SQ	2
14	<u>01035G02</u>		HEX HEAD BOLT, 5/16" - 18 X 2 1/2" LG	2
15	<u>00565G8</u>		LOCK WASHER, 5/16"	4
16	<u>75048G01</u>		SPACER, 1/2"	2
17	<u>00879G1</u>		LOCK WASHER, 3/8"	4
18	<u>00685G10</u>		HEX HEAD BOLT, 5/16" - 18 X 2.75" LG	2
19	<u>00907G2</u>		FLAT WASHER, 5/16"	6
20	11098G6		LOCK NUT, 5/16" - 18	6
21	<u>00440G2</u>		HEX HEAD BOLT, 5/16" - 18 X 2 1/4" LG	2
22	<u>00660G8</u>		FLAT WASHER, 5/16"	6
23	<u>00685G11</u>		HEX HEAD BOLT, 5/16" - 18 X 3 1/4" LG	4
24				
25	<u>617943</u>		REAR SUPPORT (DRIVER SIDE)	1
26	<u>617942</u>		REAR SUPPORT (PASSENGER SIDE)	1
27				
28	<u>617947</u>		SUNTOP KIT, WHITE (INCLUDES ITEMS 3, 7, 8 - 26)	1
29	<u>617950</u>		SUNTOP KIT, BLACK (INCLUDES ITEMS 3, 6, 8 - 26)	1
30				
31	<u>607255</u>		WINDSHIELD KIT	1

WEATHER PROTECTION

When ordering parts, please specify the model and serial number of the product.

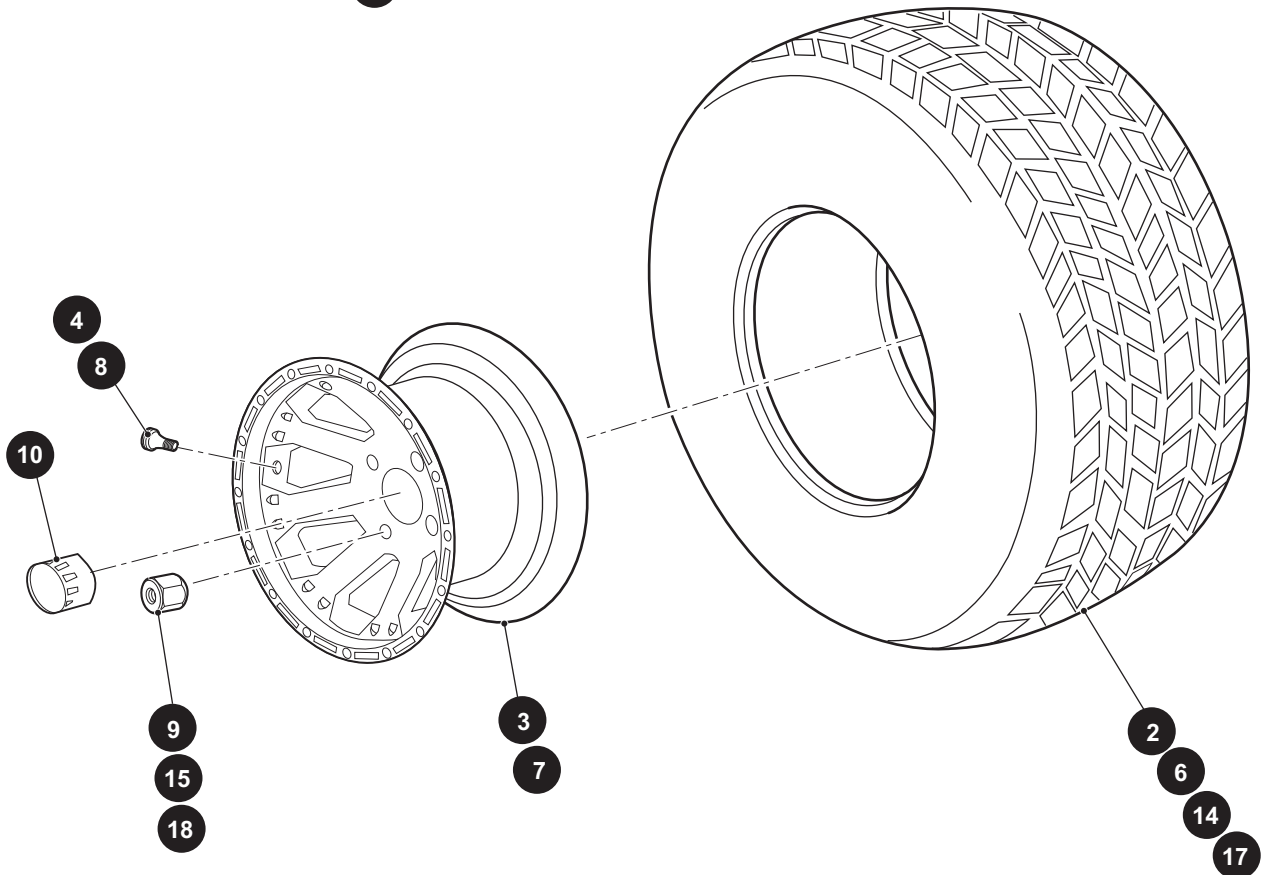
* Indicates a component that is not available as an individual part.

*** Indicates consult Customer Service Department for additional information.

ITEM	PART NO.	1 2 3 4 5	DESCRIPTION	QTY.
32	<u>19528G2</u>		REAR VIEW MIRROR KIT (INCLUDES ITEMS 33 - 35)	1
33	<u>19496G1</u>		REAR VIEW MIRROR	1
34	<u>19502G2</u>		SUPPORT BRACKET	1
35	<u>19527G1</u>		SCREW, # 8 - 32 X 5/8" LG	1
36				
37				
38	<u>643404</u>		SUN TOP KIT, TAN (INCLUDES ITEMS 3, 8 - 26, 39)	1
39	<u>643212</u>		SUN TOP, TAN	1

WHEELS AND TIRES

- 1** SPEEDRACER TIRE AND WHEEL, 10X7, DRIVER SIDE includes items 2 - 4
- 5** SPEEDRACER TIRE AND WHEEL, 10X7, PASSENGER SIDE includes items 6 - 8
- 13** WHEEL INSTALLATION includes items 14 - 15
- 16** WHEEL INSTALLATION includes items 26 - 27



(Style of tire may differ from tire shown)

WHEELS AND TIRES

When ordering parts, please specify the model and serial number of the product.

* Indicates a component that is not available as an individual part.

*** Indicates consult Customer Service Department for additional information.

ITEM	PART NO.	1 2 3 4 5	DESCRIPTION	QTY.
1	<u>606240</u>		SPEEDRACER TIRE AND WHEEL, 10X7, DRIVER SIDE (INCLUDES ITEMS 2 - 4) (MUST USE ITEM 9 LUG NUTS, ORDER SEPARATELY)	2
2	<u>606139</u>		SPEED RACER, 10X7 DRIVER SIDE	1
3	<u>606152</u>		WHEEL, 10" DIAMOND FINISHED WHEEL	1
4	<u>604915</u>		VALVE STEM, CHROME.....	1
5	<u>606179</u>		SPEEDRACER TIRE AND WHEEL, 10X7, PASSENGER SIDE (INCLUDES ITEMS 6 - 8) (MUST USE ITEM 9 LUG NUTS, ORDER SEPARATELY).....	2
6	<u>606139</u>		SPEED RACER, 10X7 DRIVER SIDE	1
7	<u>606152</u>		WHEEL, 10 " DIAMOND FINISHED WHEEL	1
8	<u>604915</u>		VALVE STEM, CHROME.....	1
9	<u>605310</u>		LUG NUTS, 1/2" - 20	4
10	<u>608910</u>		DIAMOND WHEEL CAP	1
11				
12				
13	624819G01		WHEEL INSTALLATION (INCLUDES ITEMS 14 - 15).....	1
14	623939		TIRE/WHEEL	2
15	<u>14723G1</u>		LUG NUT, 1/2" X 20	8
16	624819G02		WHEEL INSTALLATION (INCLUDES ITEMS 26 - 27).....	1
17	623939		TIRE/WHEEL.....	4
18	<u>14723G1</u>		LUG NUT, 1/2" X 20	16



A Textron Company

E-Z-GO Division of Textron Inc.,
1451 Marvin Griffin Road, Augusta, Georgia 30906 - 3852 USA

TO CONTACT US...

North America:

Technical Assistance & Warranty Phone: 1-800-774-3946, FAX: 1-800-448-8124

Service Parts Phone: 1-888-GET-E-Z-GO (1-888-438-3946), FAX: 1-800-752-6175

International: Phone: 001-706-798-4311, FAX: 001-706-771-4609

Service Parts Manuals, as well as Repair and Service Manuals
are available from a local Distributor, an authorized Branch,
Genuine E-Z-GO Parts & Accessories Department or at www.shopezgo.com.

Copyrighted Material
This manual may not be reproduced in whole or
in part without the express permission of
E-Z-GO Division of Textron Inc.
Technical Communications Department