



A Textron Company

RXV Shuttle 2+2

Service Parts Manual

689390 - P
ISSUED MAY 2019

REVISED FEBRUARY 2021

SERVICE PARTS MANUAL

GASOLINE EFI POWERED GOLF CAR

RXV SHUTTLE 2+2

STARTING MID-MODEL YEAR 2019

Never modify the vehicle in any way that will alter the weight distribution of the vehicle, decrease its stability or increase the speed beyond the factory specifications. Such modifications can cause serious personal injury or death. Textron Specialized Vehicles prohibits and dis-claims responsibility for any such modifications or any other alteration which would adversely affect the safety of the vehicle. TSV reserves the right to incorporate engineering and design changes to products in this manual, without obligation to include these changes on units sold previously.

The information contained in this manual may be revised periodically by TSV, and therefore is subject to change without notice. TSV DISCLAIMS LIABILITY FOR ERRORS IN THIS MANUAL, and SPECIFICALLY DISCLAIMS LIABILITY FOR INCIDENTAL AND CONSEQUENTIAL DAMAGES resulting from the use of the information and materials in this manual. These are the original instructions as defined by 2006/42/EC.

TO CONTACT US:

**Textron Specialized Vehicles, Inc.
1451 Marvin Griffin Road
Augusta, Georgia, USA 30906-3852**

NORTH AMERICA:

Technical Assistance & Warranty PHONE: 1-800-774-3946, FAX: 1-800-448-8124
Service Parts PHONE: 1-888-438-3946, FAX: 1-800-752-6175
International: PHONE: 001-706-798-4311, FAX: 001-706-771-4609

GENERAL INFORMATION

To obtain a copy of the limited warranty applicable to the vehicle, call or write a local Distributor, authorized Branch or the Warranty Department with vehicle serial number and manufacturer code.

The use of non Original Equipment Manufacturer (OEM) approved parts may void the warranty.

Tampering with or adjusting the governor to permit vehicle to operate at above factory specifications will void the vehicle warranty.

When servicing engines, all adjustments and replacement components must be per original vehicle specifications in order to maintain the United States of America Federal and State emission certification applicable at the time of manufacture.

BATTERY PROLONGED STORAGE

All batteries will self discharge over time. The rate of self discharge varies depending on the ambient temperature and the age and condition of the batteries.

A fully charged battery will not freeze in winter temperatures unless the temperature falls below -75° F (-60° C).

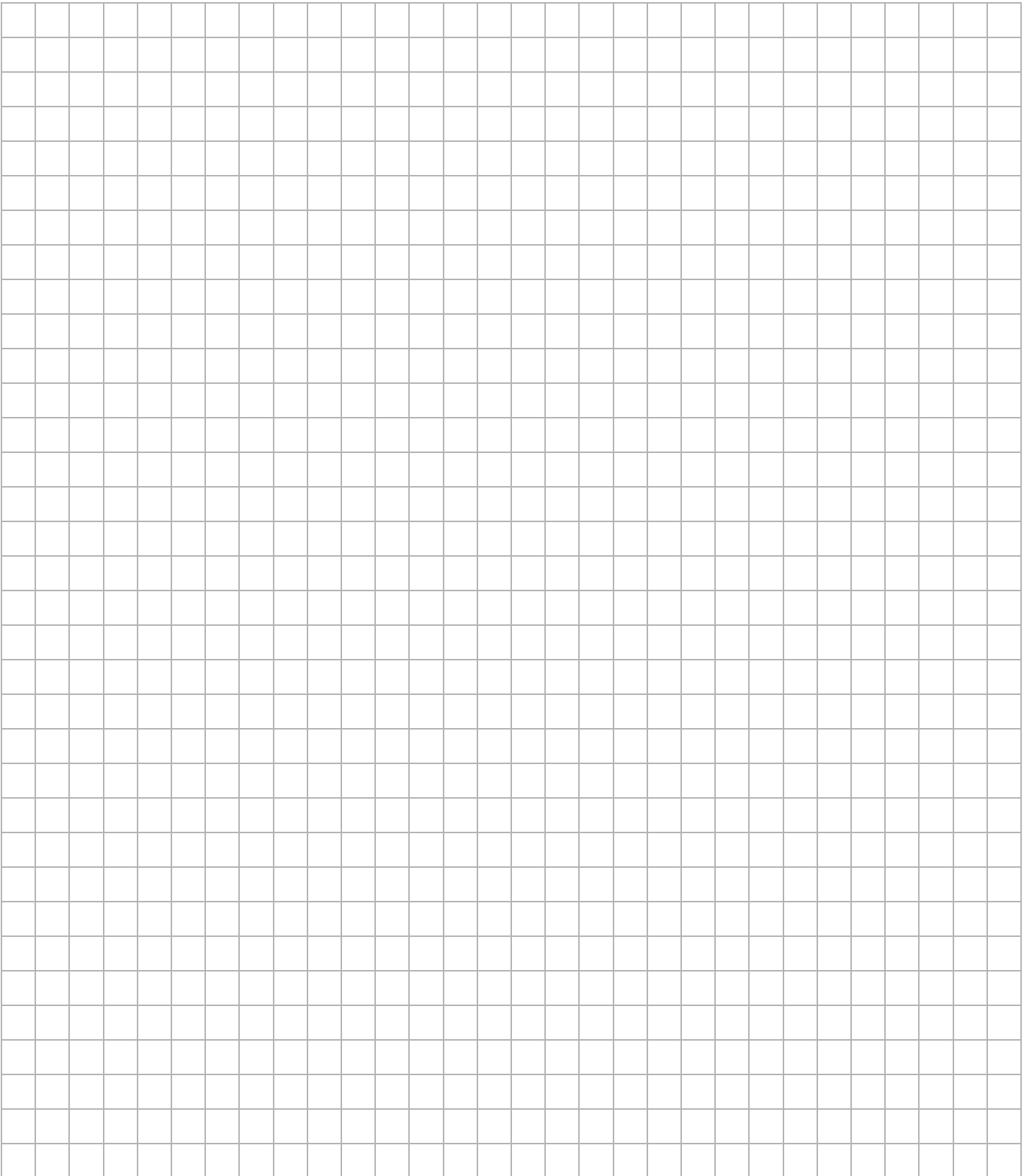
BATTERY DISPOSAL

Lead-acid batteries are recyclable. Return whole scrap batteries to distributor, manufacturer or lead smelter for recycling. For neutralized spills, place residue in acid-resistant containers with absorbent material, sand or earth and dispose of in accordance with local, state and federal regulations for acid and lead compounds. Contact local and/or state environmental officials regarding disposal information.

TABLE OF CONTENTS

SECTION	Page No.
HOW TO USE THE SERVICE PARTS MANUAL	v
ACCELERATOR	A - 1
AIR FILTER	B - 1
BODY	C - 1
BRAKES	D - 1
CLUTCH	E - 1
DIRECTION SELECTOR	F - 1
ELECTRICAL SYSTEM	G - 1
ENGINE AND MUFFLER	H - 1
ENGINE MOUNTING	J - 1
FRAME	K - 1
FRONT SUSPENSION AND STEERING	L - 1
FUEL SYSTEM	M - 1
REAR AXLE	N - 1
REAR SUSPENSION	P - 1
SEATING	R - 1
STARTER GENERATOR	S - 1
WEATHER PROTECTION	T - 1
WHEELS AND TIRES	U - 1
DECALS AND LABELS	V - 1

NOTES



HOW TO USE THE SERVICE PARTS MANUAL

This manual is divided into several sections:

- GENERAL INFORMATION
- ILLUSTRATED PARTS BREAKDOWN

The first section, GENERAL INFORMATION, contains the following information:

- WARRANTY INFORMATION
- TABLE OF CONTENT
- HOW TO USE THE SERVICE PARTS MANUAL

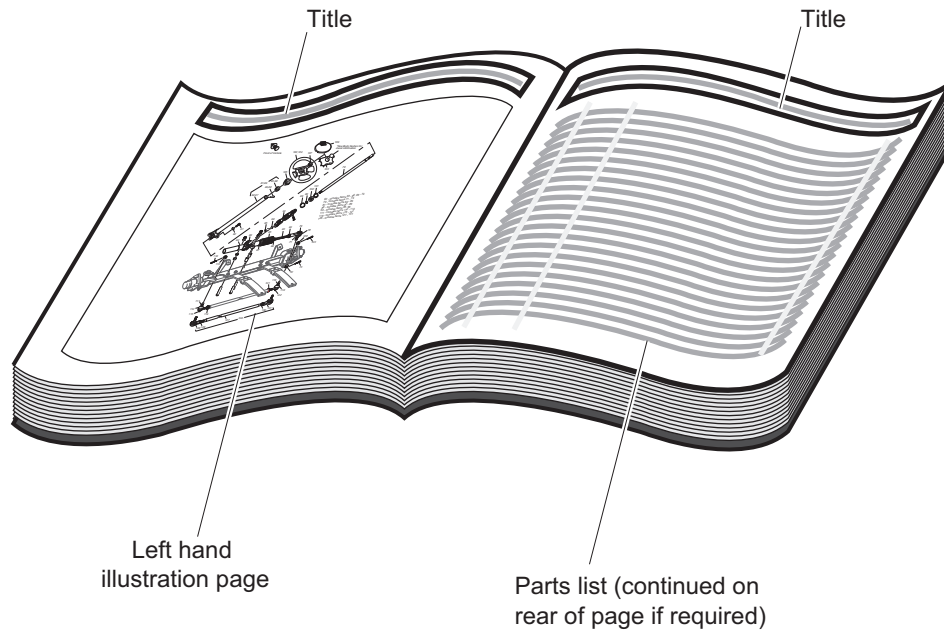
The second section, ILLUSTRATED PARTS BREAKDOWN, contains illustrations and parts lists for all systems of your vehicle.

USE OF THE MANUAL

To use this manual, consult the TABLE OF CONTENTS to locate the information or illustration required.

Introduction of some revisions varies due to supply of components; therefore, it is possible that various combinations of components may be found that are not directly reflected by each illustration. Consult the illustration that best suits your situation and then contact the Service Parts Department. It is important that the serial number or VIN of your vehicle and the model name be supplied to Service Parts when ordering any replacement components.

HOW TO USE THE SERVICE PARTS MANUAL



1. WHEN THE PART NUMBER IS NOT KNOWN

- Determine the function and application of the part required. Turn to the Table of Content and select the most appropriate title.
- Turn to the page number indicated and locate the desired part on the illustration.
- From the illustration, obtain the item number assigned to the desired part. Refer to the accompanying description for specific information regarding the part.

2. IF YOU KNOW THE PART NUMBER

- Locate the part number or description in the appropriate column on the parts list page.

NOTE: It is suggested that you confirm that the part selected is correct by verifying it with the pictorial representation on the illustrated page.

Should an asterisk (*) appear in the part number column on the parts list page, read upwards until a part number is found. The part number is the lowest assembly sold by Service Parts and the asterisk (*) indicates that the part depicted is not available for purchase.

NOTE: Descriptions are indented under the assembly that they are used on. That assembly is, in turn listed under the assembly that it is used on. This process is repeated until the highest final assembly is reached.

To facilitate the maintenance and repair of the vehicle, a Repair and Service Manual is available from the Service Parts Department.

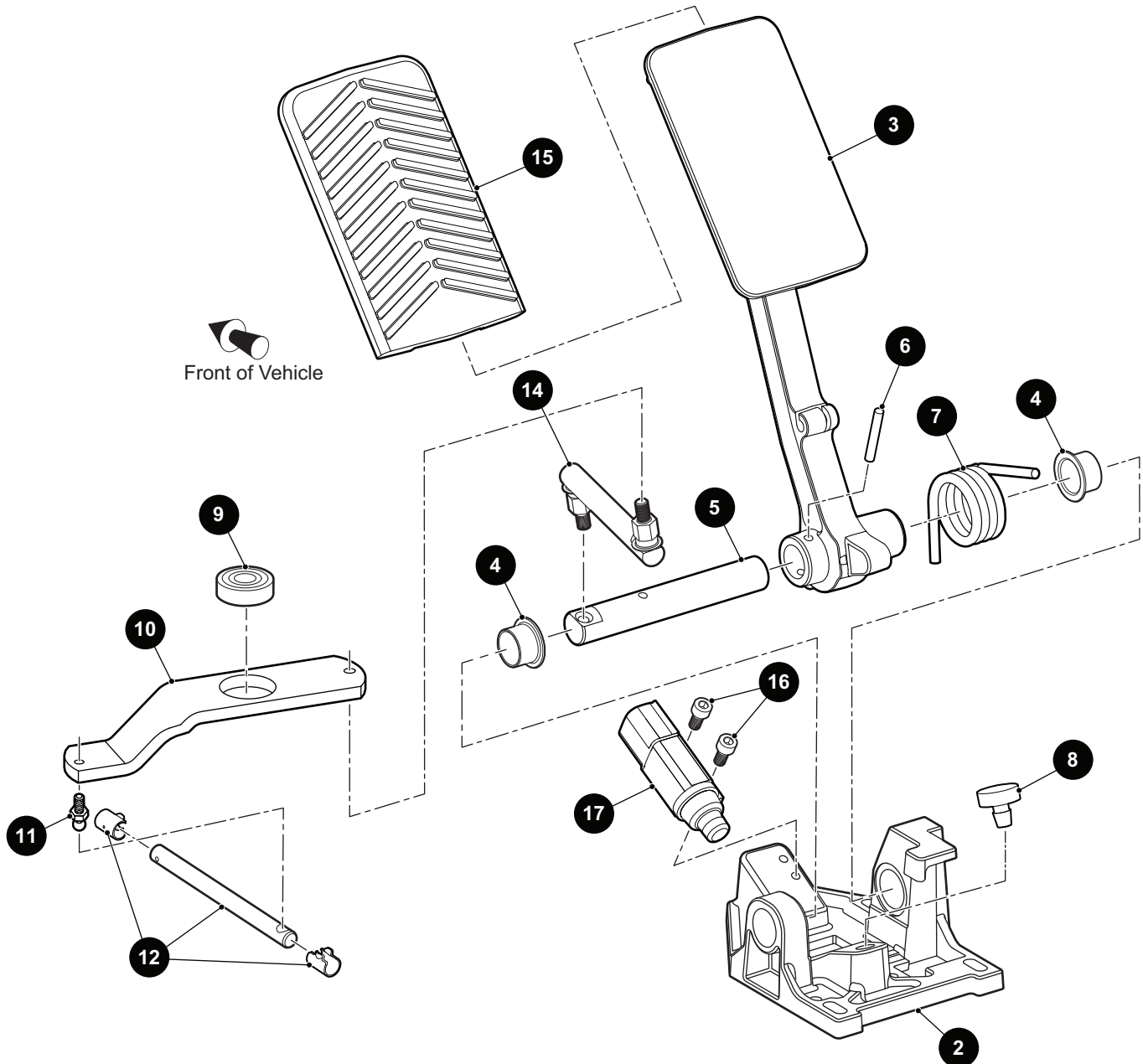
3. COLOR CODE FOR BODY COMPONENTS

The last two digits of the part number for the body part will denote the color code, locate the part number for the cowl, rear body, seat pod, side panel or seat wrap then locate your color in the list below, replace the last ** or XX with the two digit color code.

<u>CODE #</u>	<u>DESCRIPTION</u>
02	SPECIAL COLOR
11	BLACK
19	PATRIOT BLUE PEARL
20	INFERNO RED METALLIC
26	STEEL BLUE PEARL
31	METALLIC CHARCOAL
36	IVORY
37	FOREST GREEN
38	BRIGHT WHITE
39	FLAME RED
41	ELECTRIC BLUE
42	PLATINUM
43	BURGUNDY
44	ALMOND
51	SUNBURST ORANGE
52	BRITISH RACING GREEN
74	BARLEY GOLD
75	OASIS GREEN
76	JAVA BROWN
A5	OCEAN GRAY

ACCELERATOR

1 Accelerator Pedal Assembly includes items 2 - 17



ACCELERATOR

THE USE OF NON U.L. PARTS WILL VOID ANY U.L. LISTING.

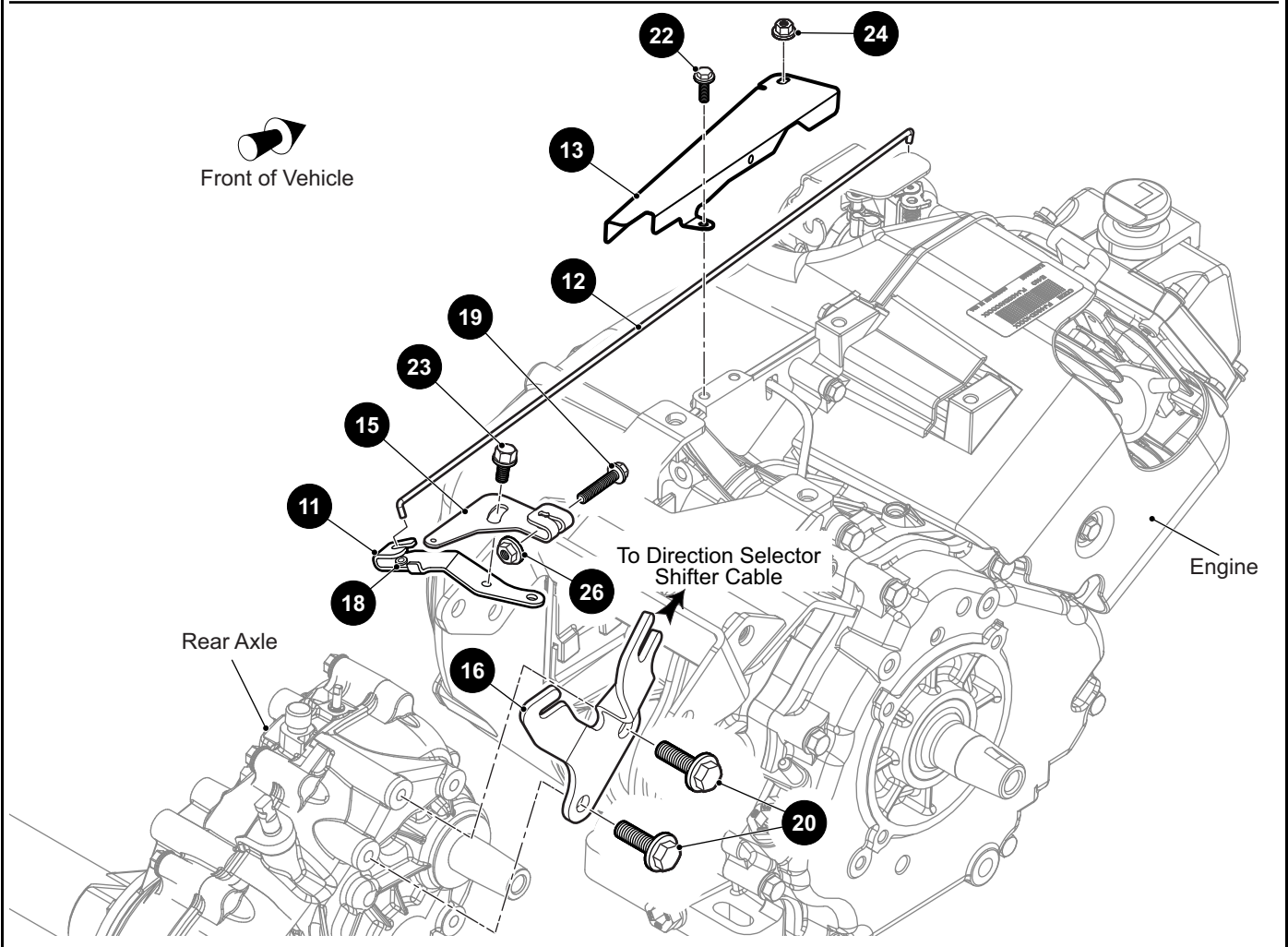
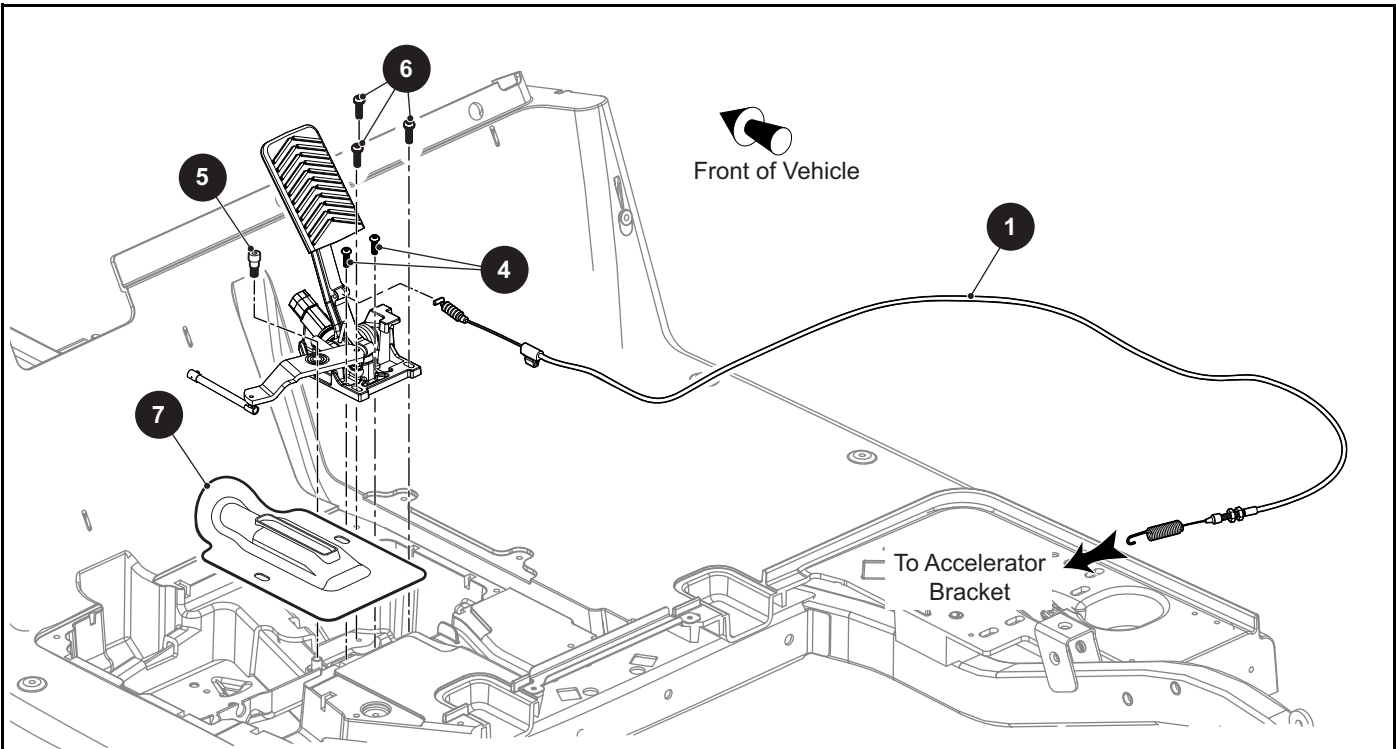
When ordering parts, please specify the model and serial number of the product.

* Indicates a component that is not available as an individual part.

*** Indicates consult Customer Service Department for additional information.

ITEM	PART NO.	1 2 3 4 5	DESCRIPTION	QTY.
1	<u>653202</u>		Accelerator Pedal Assembly (Includes Items 2 - 17).....	1
2	*		Pedal Bracket	1
3	*		Pedal	1
4	*		Flanged Bushing, 16mm x 12mm	2
5	*		Pivot Shaft, 16mm	1
6	<u>600683</u>		Spirol Pin (Heavy Duty), 4mm x 26mm	1
7	*		Torsion Spring, 4.5mm Dia	1
8	<u>604097</u>		Rebound Bumper	1
9	<u>603808</u>		Ball Bearing	1
10	<u>600702</u>		Bell crank Arm	1
11	<u>604475</u>		Ball Stud, 6mm Dia.....	1
12	668945		Linkage Rod Saddle Clip Assembly.....	1
13				
14	<u>603816</u>		Ball Joint Rod Assembly	1
15	<u>610529</u>		Pedal Cover.....	1
16	<u>620030</u>		Socket Head Bolt, M5 - .8 x 15mm Lg.....	2
17	<u>612889</u>		Pedal Switch.....	1

ACCELERATOR



THE USE OF NON U.L. PARTS WILL VOID ANY U.L. LISTING.

When ordering parts, please specify the model and serial number of the product.

* Indicates a component that is not available as an individual part.

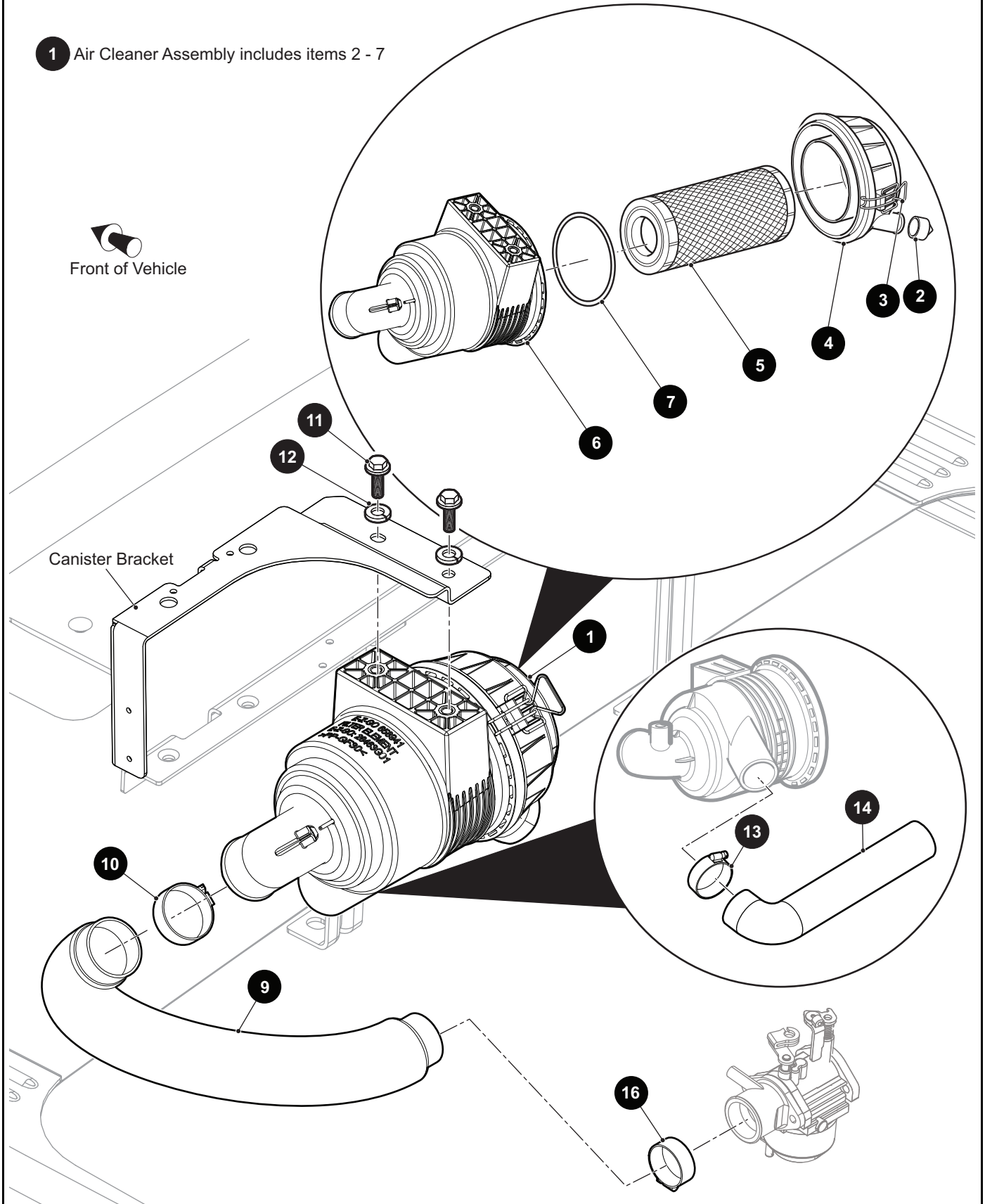
*** Indicates consult Customer Service Department for additional information.

ITEM	PART NO.	1 2 3 4 5	DESCRIPTION	QTY.
1	<u>609849</u>		Accelerator Cable.....	1
2				
3				
4	<u>608290</u>		Pan Head Phillips Screw, #10 - 16 x 3/4" Lg.....	2
5	<u>604536</u>		Socket Head Shoulder Bolt, M8 - 1.25 x 20mm Lg.....	1
6	<u>649803</u>		Pan Head Torx Screw, M6 - 2.65 x 25mm Lg.....	3
7	<u>614393</u>		Pedal Insert.....	1
8				
9				
10				
11	<u>606005</u>		Governor Bracket (Lower).....	1
12	<u>606284</u>		Governor Link Rod.....	1
13	<u>660005</u>		Governor Guard Bracket.....	1
14				
15	<u>606083</u>		Governor Bracket (Upper).....	1
16	<u>632936</u>		Governor Cable/Direction Selector Bracket.....	1
17				
18	<u>606283</u>		Governor Lever Bushing.....	1
19	<u>606421</u>		Flanged Hex Head Bolt, M6 - 1 x 30mm Lg, Grade 8.8.....	1
20	<u>606256</u>		Flanged Hex Head Bolt, M10 - 1.25 x 25mm Lg, Grade 8.8.....	2
21				
22	<u>606264</u>		Flanged Hex Head Bolt, M6 - 1 x 20mm Lg, Grade 8.8.....	1
23	<u>73876G01</u>		Flanged Hex Head Bolt, M6 - 1 x 12mm Lg, Grade 8.8.....	1
24	<u>601476</u>		Lock Nut M6 - 1.....	1
25				
26	<u>450452</u>		Flanged Hex Nut, M6 - 1.....	1

AIR FILTER

1 Air Cleaner Assembly includes items 2 - 7

Front of Vehicle



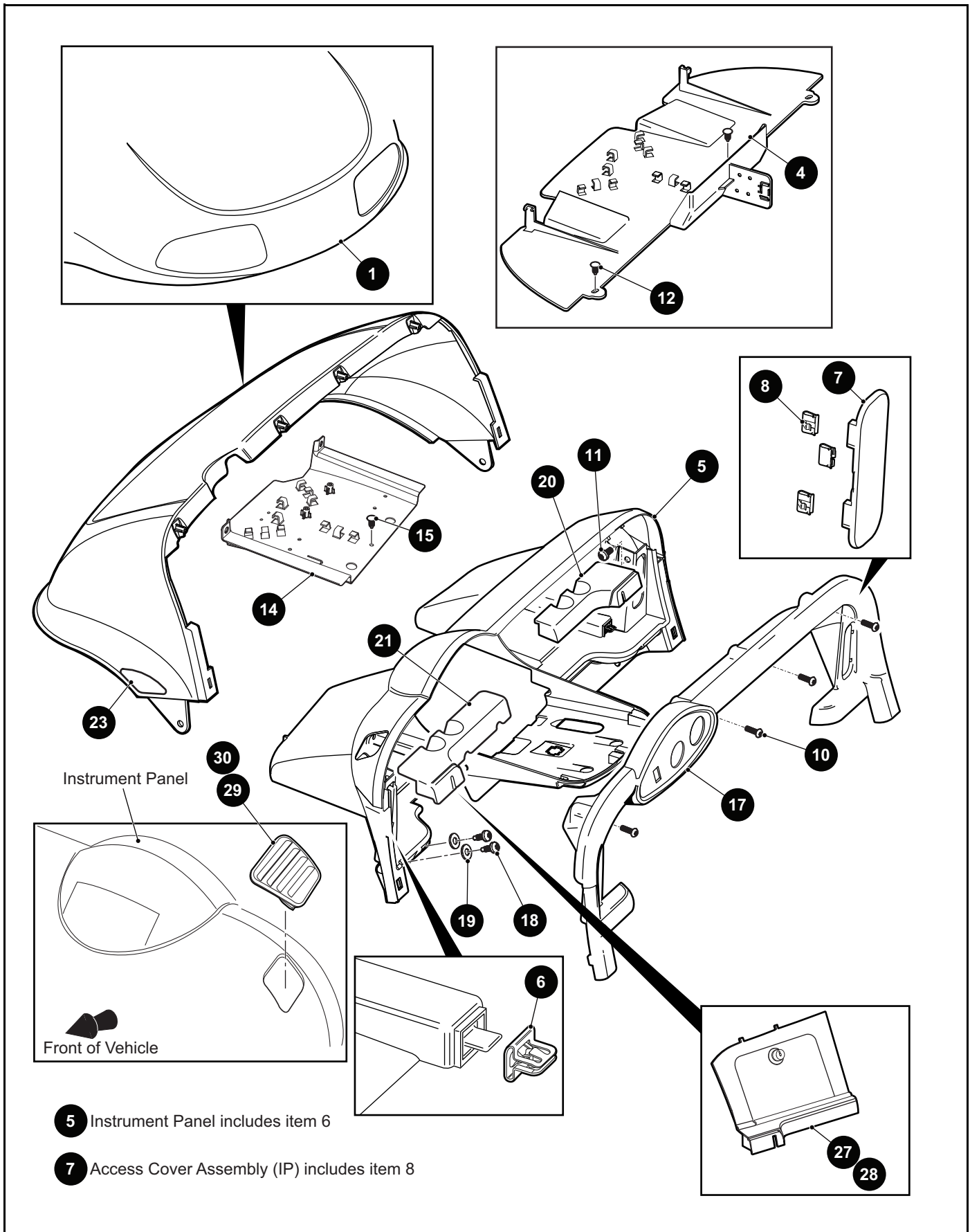
THE USE OF NON U.L. PARTS WILL VOID ANY U.L. LISTING.

When ordering parts, please specify the model and serial number of the product.

* Indicates a component that is not available as an individual part.

*** Indicates consult Customer Service Department for additional information.

ITEM	PART NO.	1 2 3 4 5	DESCRIPTION	QTY.
1	688989		Air Cleaner Assembly (Includes Items 2 - 7)	1
2	<u>28462G01</u>		Dust Ejector Valve	1
3	<u>72604G01</u>		Air Cleaner Clip	2
4	691746		Air Cleaner Cover	1
5	<u>28463G01</u>		Air Filter	1
6	689988		Air Cleaner Housing	1
7	689987		Air Cleaner Seal	1
8				
9	<u>601910</u>		Air Filter Hose, 14" Lg	1
10	<u>11391G7</u>		Hose Clamp, 1.56"	1
11	<u>606261</u>		Flanged Hex Head Bolt, M8 - 1.25 x 20mm Lg, Grade 8.8	2
12	<u>606272</u>		Lock Washer, 8mm	2
13	<u>11391G7</u>		Hose Clamp, 1.56"	1
14	<u>661663</u>		Intake Extension Hose	1
15	<u>12416G2</u>		Nylon Clamp, 15.5" Lg (Not Illustrated)	1
16	<u>11391G5</u>		Hose Clamp, .81"	1



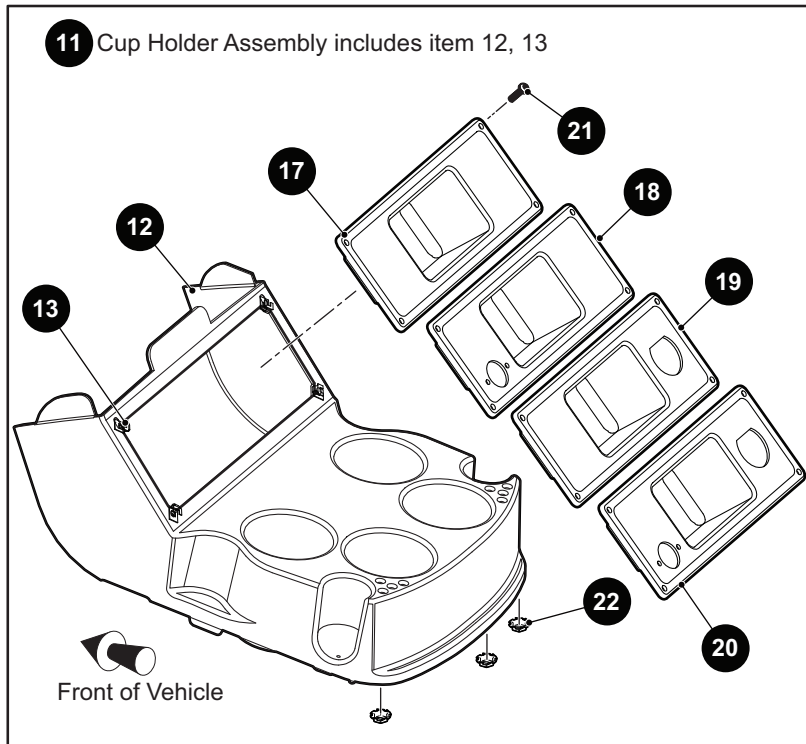
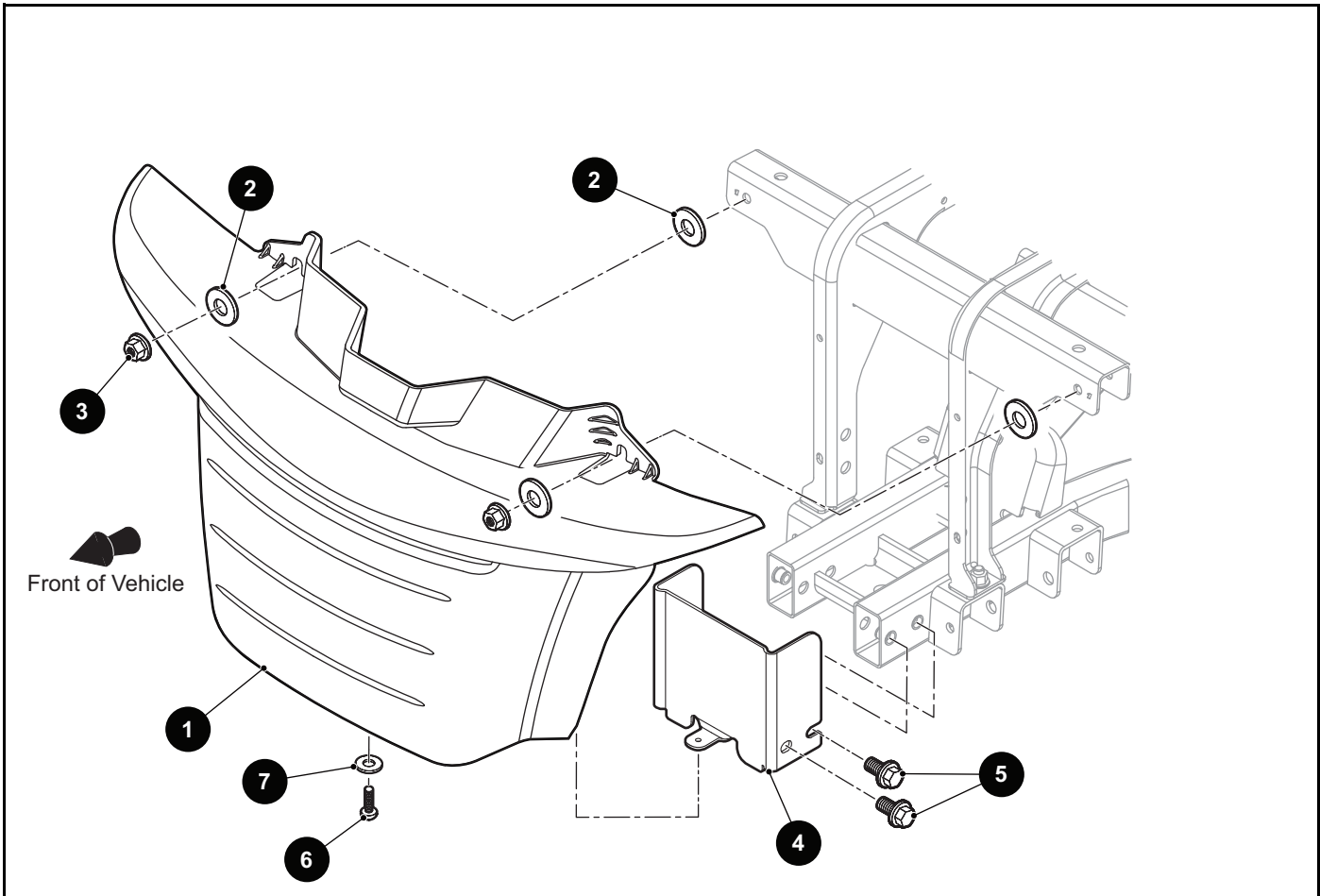
THE USE OF NON U.L. PARTS WILL VOID ANY U.L. LISTING.

When ordering parts, please specify the model and serial number of the product.

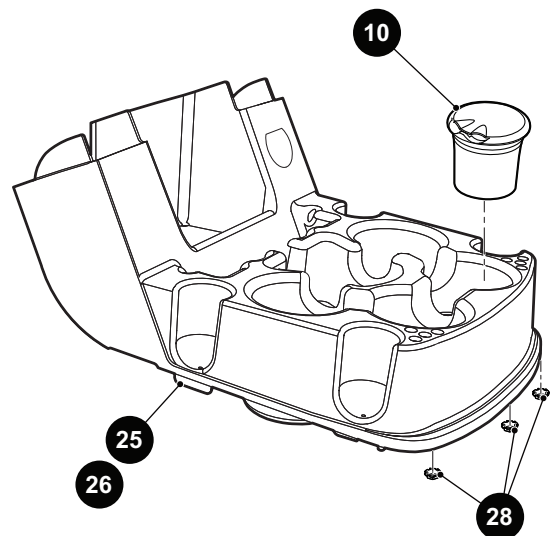
* Indicates a component that is not available as an individual part.

*** Indicates consult Customer Service Department for additional information.

ITEM	PART NO.	1 2 3 4 5	DESCRIPTION	QTY.
1	645759G01XX		Cowl with Lights (See HOW TO USE Section for COLOR CODES)	1
2				
3				
4	<u>601634</u>		Front Splash Guard (For Vehicles Manufactured Before July 21, 2019).....	1
5	<u>602387</u>		Instrument Panel (Includes Item 6)	1
6	<u>602184</u>		Spring Clip	4
7	<u>602388</u>		Access Cover Assembly (IP) (Includes Item 8)	1
8	<u>602100</u>		U-clip	3
9				
10	<u>649803</u>		Pan Head Torx Screw, M6 - 2.65 x 25mm Lg.....	4
11	<u>70200G01</u>		Truss Head Torx Bolt, 3/8" - 16 x 3/4" Lg	2
12	<u>16816G2</u>		Ratchet Rivet, .25" x .887" (For Vehicles Manufactured Before July 21, 2019)	3
13				
14	683595		Front Component Mount Plate (For Vehicles Manufactured After July 21, 2019)	1
15	<u>16816G2</u>		Ratchet Rivet, .25" x .887" (For Vehicles Manufactured After July 21, 2019) ..	1
16				
17	<u>608864</u>		Instrument Panel Trim (Opening For Key Switch, SOC and Light Switch).....	1
18	<u>602572</u>		Pan Head Taptite Bolt, M10 - 1.5 x 25mm Lg, Grade 8.8	4
19	<u>604066</u>		Flat Washer, M10	4
20	<u>600241</u>		Ball Holder Insert (Passenger Side).....	1
21	<u>600243</u>		Ball Holder Insert (Driver Side)	1
22				
23	<u>608991</u>		Yellow Reflector	1
24				
25				
26				
27	<u>607131</u>		Glove Box (Passenger Side).....	1
28	<u>607533</u>		Glove Box (Driver Side)	1
29	<u>602993</u>		Grommet (Driver Side) (Used for Vehicles without Sun Top)	1
30	<u>602994</u>		Grommet (Passenger Side) (Used for Vehicles without Sun Top)	1



- 23** Center Console, Base Assembly includes item 25
- 24** Center Console, USB Assembly includes item 26



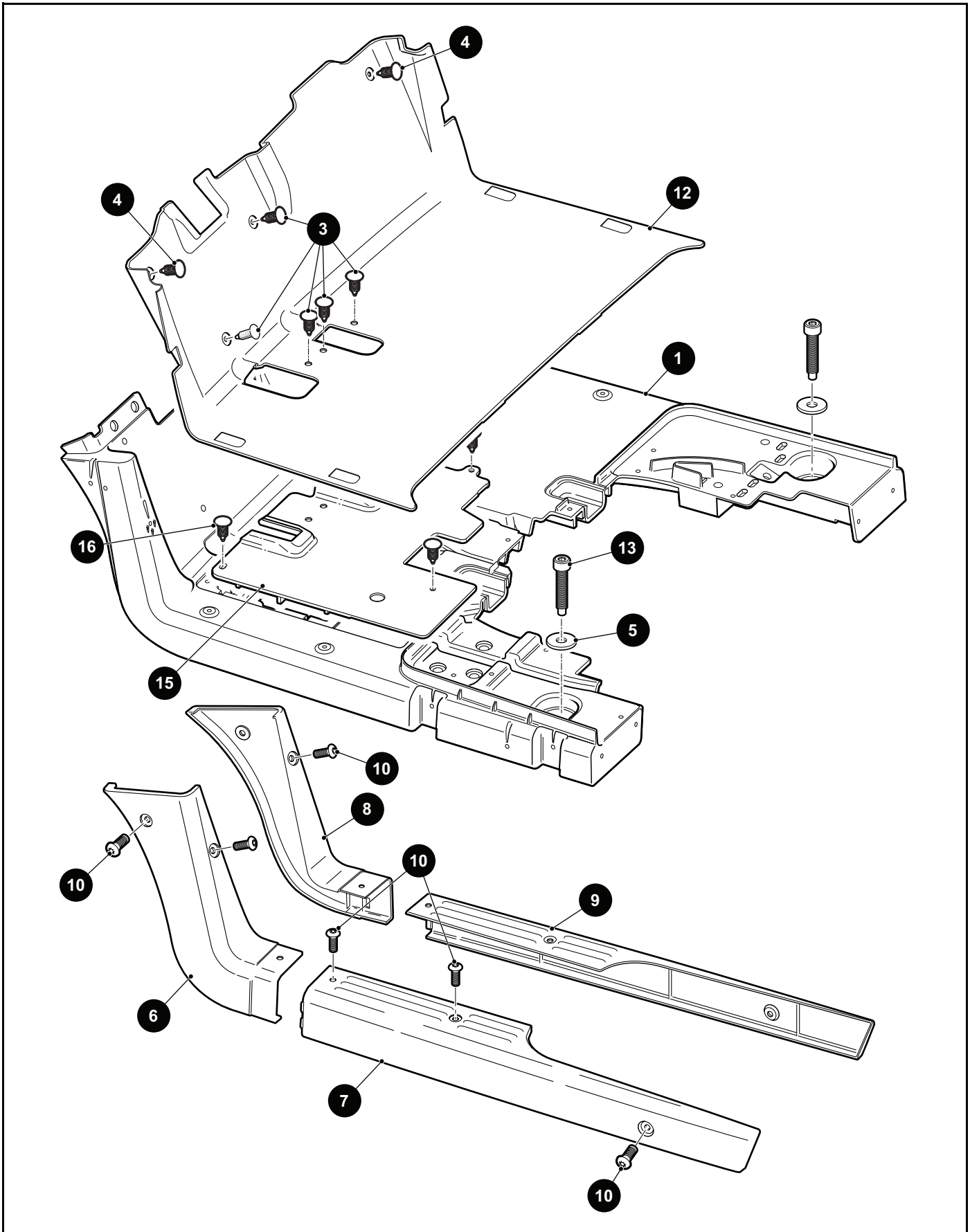
THE USE OF NON U.L. PARTS WILL VOID ANY U.L. LISTING.

When ordering parts, please specify the model and serial number of the product.

* Indicates a component that is not available as an individual part.

*** Indicates consult Customer Service Department for additional information.

ITEM	PART NO.	1 2 3 4 5	DESCRIPTION	QTY.
1	<u>656325</u>		Front Fascia	1
2	<u>604066</u>		Flat Washer, M10	4
3	<u>600525</u>		Lock Nut, M10 - 1.5.....	2
4	<u>641628</u>		Bumper Attachment Bracket	1
5	<u>603799</u>		Flanged Hex Head Bolt, M10 - 1.5 x 25mm Lg, Grade 8.8.....	4
6	<u>646348</u>		Thread Forming Screw, 1/4" - 20 x 1" Lg	1
7	<u>646345</u>		Flat Washer, 1/4"	1
8				
9				
10	<u>603725</u>		Ashtray	1
ITEMS 11 - 22: FOR VEHICLES MANUFACTURED BEFORE JULY 21, 2019				
11	<u>644117</u>		Cup Holder Assembly (Includes Items 12, 13).....	1
12	<u>640706</u>		Center Console.....	1
13	<u>71364G02</u>		J-type Speed Nut, #8.....	4
14				
15				
16				
17	<u>638348G01</u>		Center Compartment.....	1
18	<u>638348G02</u>		Center Compartment (Opening For 12V).....	1
19	<u>638348G03</u>		Center Compartment (Opening For USB).....	1
20	<u>638348G04</u>		Center Compartment (Opening For 12V and USB)	1
21	<u>608290</u>		Pan Head Phillips Screw, #10 - 16 x 3/4" Lg.....	4
22	<u>71597G01</u>		Self Threading Nut, .226"	3
ITEMS 23 - 28: FOR VEHICLES MANUFACTURED AFTER JULY 21, 2019				
23	<u>686696G01</u>		Center Console, Base Assembly (Includes Item 25).....	1
24	<u>686696G02</u>		Center Console, USB Assembly (Includes Item 26).....	1
25	<u>694334G01</u>		Center Console, Base	1
26	<u>694334G02</u>		Center Console, USB	1
27				
28	<u>71597G01</u>		Self Threading Nut, .226"	3



THE USE OF NON U.L. PARTS WILL VOID ANY U.L. LISTING.

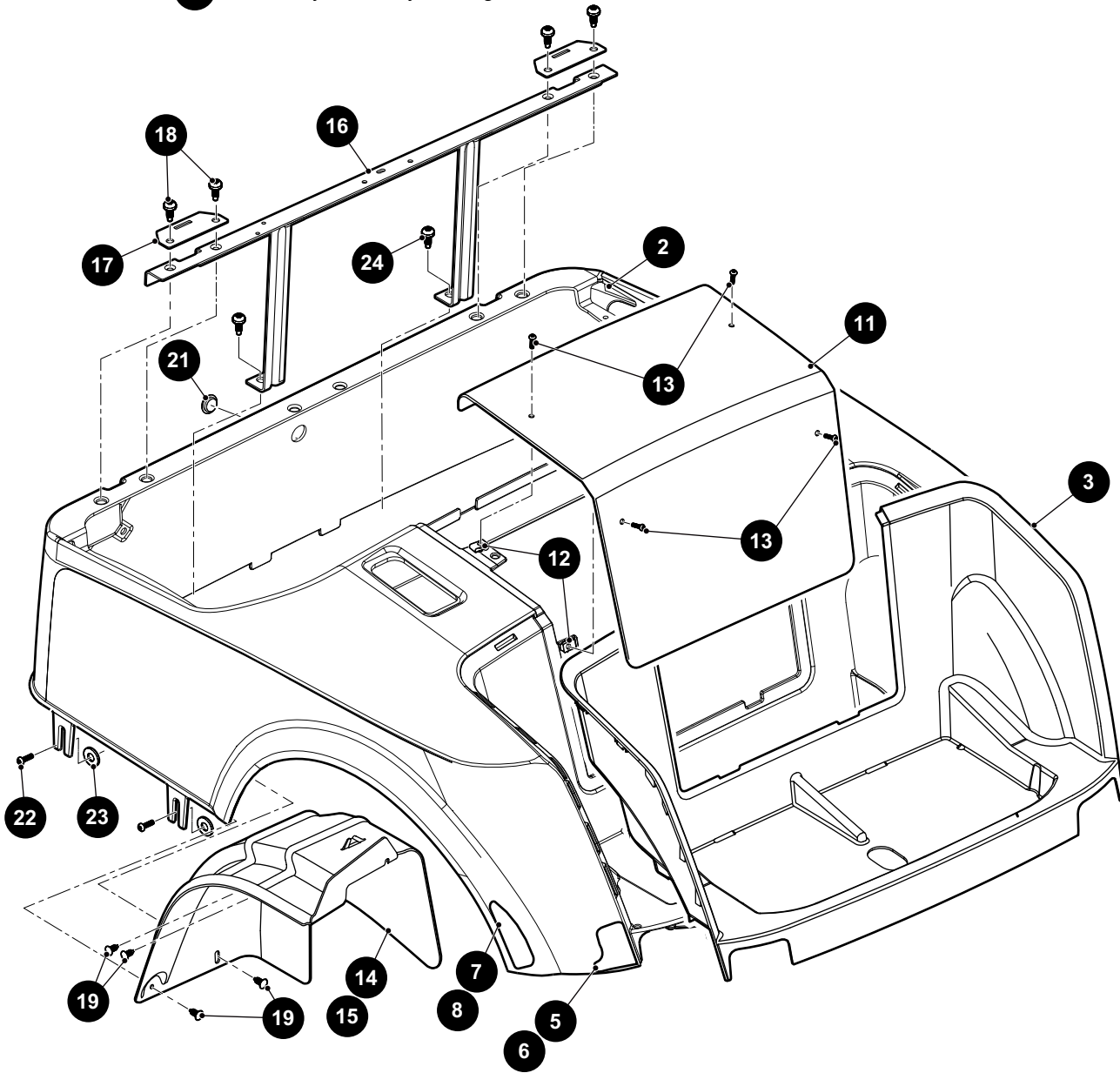
When ordering parts, please specify the model and serial number of the product.

* Indicates a component that is not available as an individual part.

*** Indicates consult Customer Service Department for additional information.

ITEM	PART NO.	1 2 3 4 5	DESCRIPTION	QTY.
1	<u>600225</u>		Floorboard.....	1
2				
3	<u>16816G2</u>		Ratchet Rivet, .25" x .887"	5
4	<u>16816G1</u>		Ratchet Rivet, .25" x .680"	2
5	<u>604066</u>		Flat Washer, M10	2
6	<u>601257</u>		Upper Rocker Panel (Driver Side).....	1
7	<u>600253</u>		Lower Rocker Panel (Driver Side).....	1
8	<u>601258</u>		Upper Rocker Panel (Passenger Side).....	1
9	<u>600257</u>		Lower Rocker Panel (Passenger Side).....	1
10	<u>649804</u>		Button Head Torx Screw, M8 - 3.5 x 30mm Lg.....	5
11				
12	<u>603707</u>		Floormat (Horn Attachment).....	1
13	<u>602020</u>		Socket Head Torx Bolt, M10 - 1.5 x 50mm Lg, Grade 8.8.....	2
14				
15	<u>605277</u>		Pedal Cover Plate	1
16	<u>16816G2</u>		Ratchet Rivet, .25" x .887"	4

1 Rear Body Assembly with Lights includes items 2, 3



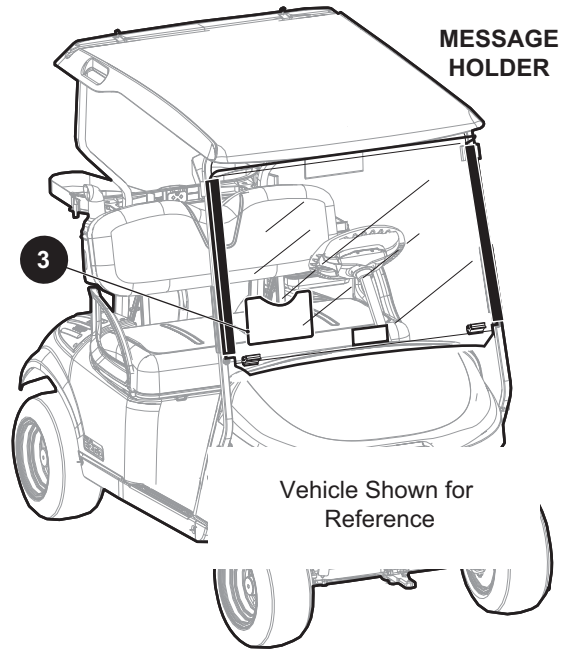
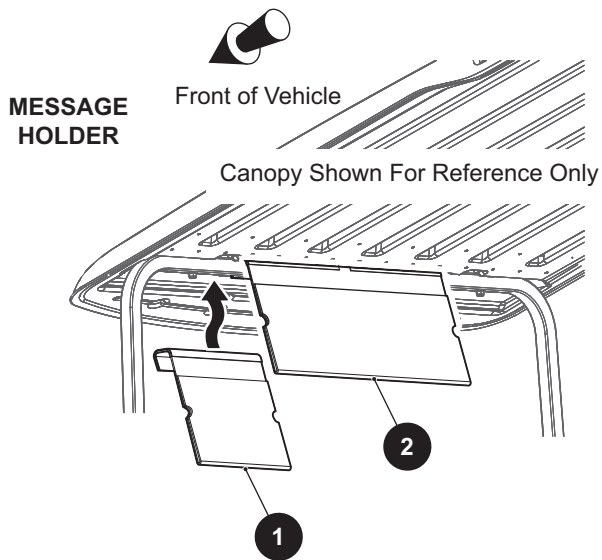
THE USE OF NON U.L. PARTS WILL VOID ANY U.L. LISTING.

When ordering parts, please specify the model and serial number of the product.

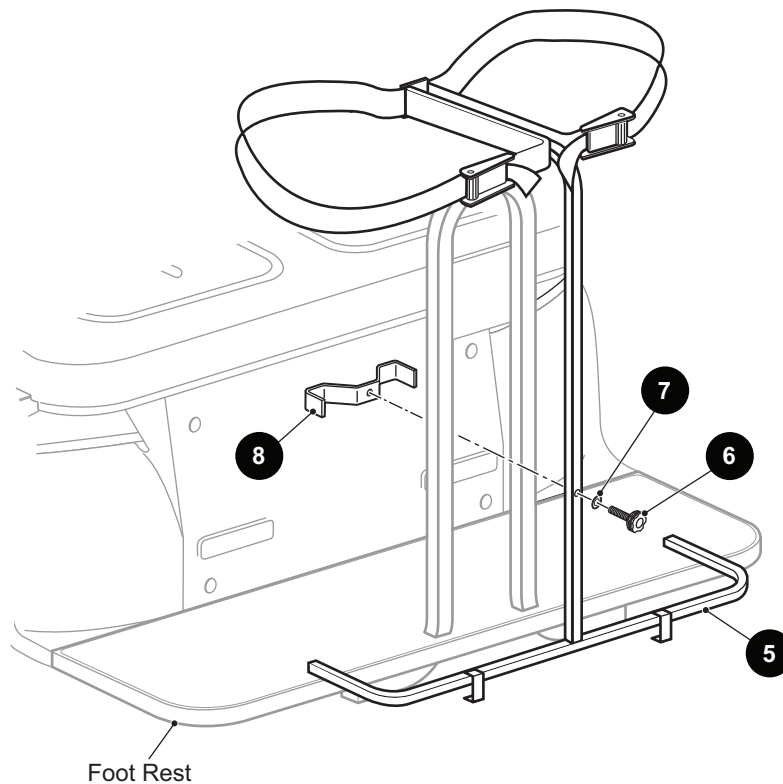
* Indicates a component that is not available as an individual part.

*** Indicates consult Customer Service Department for additional information.

ITEM	PART NO.	1 2 3 4 5	DESCRIPTION	QTY.
1	650353G01XX		Rear Body Assembly with Lights (Includes Items 2, 3) (See HOW TO USE Section for COLOR CODES)	1
2	650311G00XX		Body	1
3	<u>650254</u>		Bagwell Liner	1
4				
5	<u>625246</u>		Rear Reflex Reflector (Red) (Driver Side).....	1
6	<u>625244</u>		Rear Reflex Reflector (Red) (Passenger Side).....	1
7	<u>608993</u>		Side Reflector (Red) (Driver Side)	1
8	<u>608996</u>		Side Reflector (Red) (Passenger Side).....	1
9				
10				
11	<u>650443</u>		Access Cover	1
12	<u>602409</u>		Barrel Clip, M6 - 1	4
13	<u>601326</u>		Button Head Torx Bolt, M6 - 1 x 20mm Lg, Grade 8.8	4
14	<u>601621</u>		Rear Splash Guard (Driver Side)	1
15	<u>601622</u>		Rear Splash Guard (Passenger Side).....	1
16	<u>601921</u>		Front Seat Support Assembly	1
17	<u>602558</u>		Seat Hinge Plate	1
18	<u>602572</u>		Pan Head Taptite Bolt, M10 - 1.5 x 25mm Lg, Grade 8.8	2
19	<u>16816G2</u>		Ratchet Rivet, .25" x .887"	4
20				
21	<u>71316G01</u>		Plug	1
22	<u>649804</u>		Button Head Torx Screw, M8 - 3.5 x 30mm Lg.....	4
23	<u>604066</u>		Flat Washer, M10	4
24	<u>602572</u>		Pan Head Taptite Bolt, M10 - 1.5 x 25mm Lg, Grade 8.8	2



4 Two Bag-4 Caddy Attachment Kit includes items 5 - 8



THE USE OF NON U.L. PARTS WILL VOID ANY U.L. LISTING.

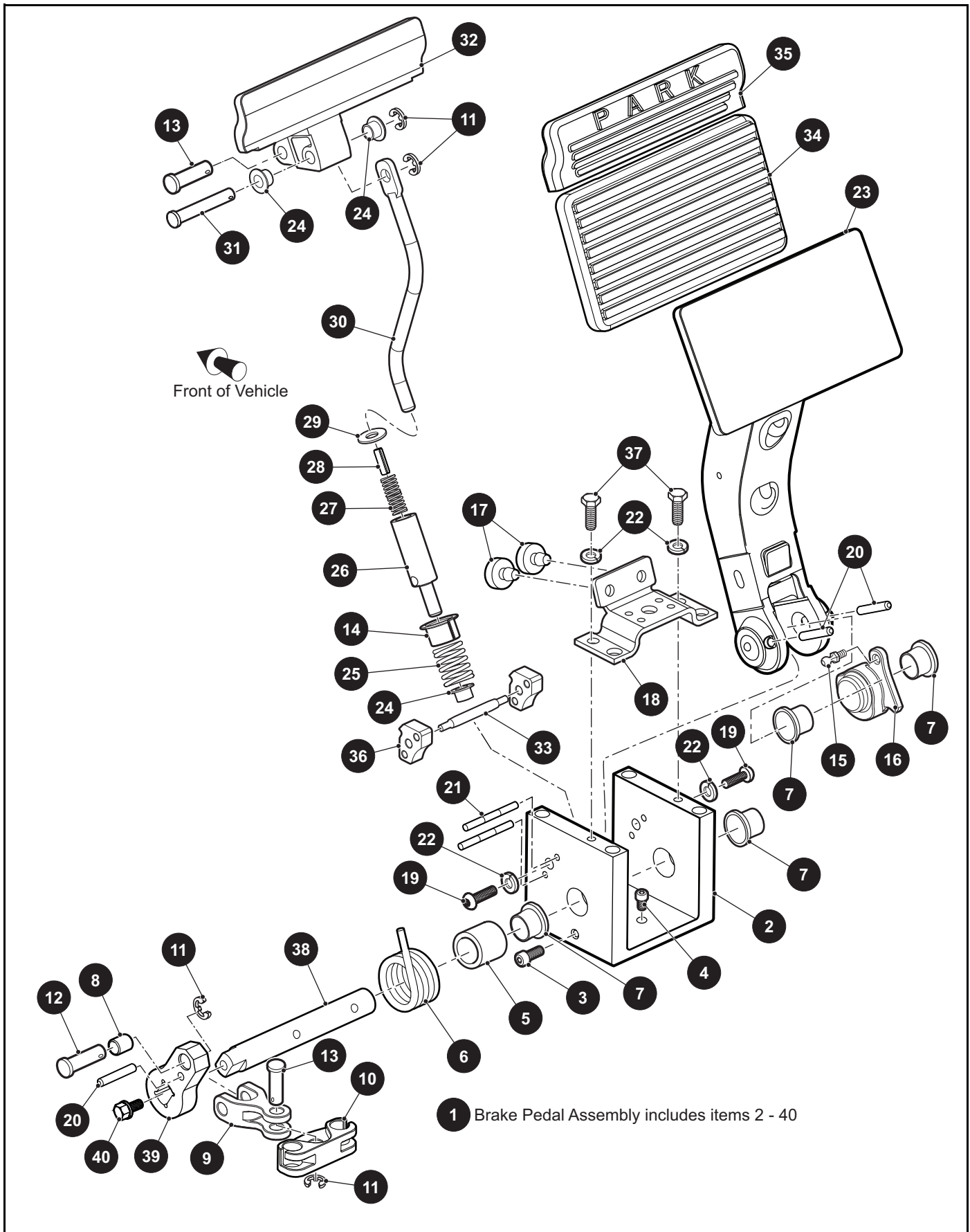
When ordering parts, please specify the model and serial number of the product.

* Indicates a component that is not available as an individual part.

*** Indicates consult Customer Service Department for additional information.

ITEM	PART NO.	1 2 3 4 5	DESCRIPTION	QTY.
1	<u>609308</u>		Message Holder (Single).....	1
2	<u>617613</u>		Message Holder (Double).....	1
3	695349		Message Holder (Mounted on Windshield).....	1
4	<u>75183G01</u>		Two Bag-4 Caddy Attachment Kit (Includes Items 5 - 8).....	1
5	<u>75188G01</u>		Bag Attachment Assembly.....	1
6	<u>22238G2</u>		Knob, 3/8" - 16 x 1 1/2" Lg.....	1
7	<u>17255G1</u>		Flat Washer (Plastic)	1
8	<u>620184</u>		Support Bracket.....	1

BRAKES



THE USE OF NON U.L. PARTS WILL VOID ANY U.L. LISTING.

When ordering parts, please specify the model and serial number of the product.

* Indicates a component that is not available as an individual part.

*** Indicates consult Customer Service Department for additional information.

ITEM	PART NO.	1 2 3 4 5	DESCRIPTION	QTY.
1	<u>653204</u>		Brake Pedal Assembly (Includes Items 2 - 40)	1
2	*		Brake Arm Mount.....	1
3	*		Socket Head Bolt, M5 - .8 x 15mm Lg.....	1
4	*		Socket Head Bolt, M4 - .7 x 10mm Lg.....	1
5	*		Spacer (Torsion Spring).....	1
6	*		Torsion Spring, 4.5mm Dia	1
7	*		Flanged Bushing, 16mm x 12mm	4
8	*		Bush Sleeve (Split), 8mm x 12mm	1
9	<u>604459</u>		Cable Pull Clip	1
10	<u>604458</u>		Equalizer.....	1
11	<u>601835</u>		E-ring, 8mm	4
12	<u>601895</u>		Clevis Pin, 8mm x 27mm	1
13	<u>601894</u>		Clevis Pin, 8mm x 21.5mm.....	2
14	*		Flanged Bushing, 16mm x 12mm.....	1
15	*		Ball Stud, 6mm Dia.....	1
16	*		Multi Latch Cam.....	1
17	<u>604097</u>		Rebound Bumper	2
18	<u>609226</u>		Bracket	1
19	*		Button Head Torx Bolt, M6 - 1 x 20mm Lg.....	2
20	*		Spirol Pin, 5mm x 30mm	3
21	<u>600683</u>		Spirol Pin (Heavy Duty), 4mm x 26mm	4
22	*		Lock Washer, 6mm	4
23	*		Pedal (Black)	1
24	*		Flanged Bush (Plastic), 8mm	3
25	*		Compression Spring	1
26	*		Latch Release Pin	1
27	*		Compression Spring, Engage.....	1
28	*		Roll Pin, 5mm x 16mm	1
29	*		Flat Washer, M4.....	1
30	*		Park Brake Pushrod	1
31	*		Clevis Pin, 8mm x 45mm.....	1

BRAKES

THE USE OF NON U.L. PARTS WILL VOID ANY U.L. LISTING.

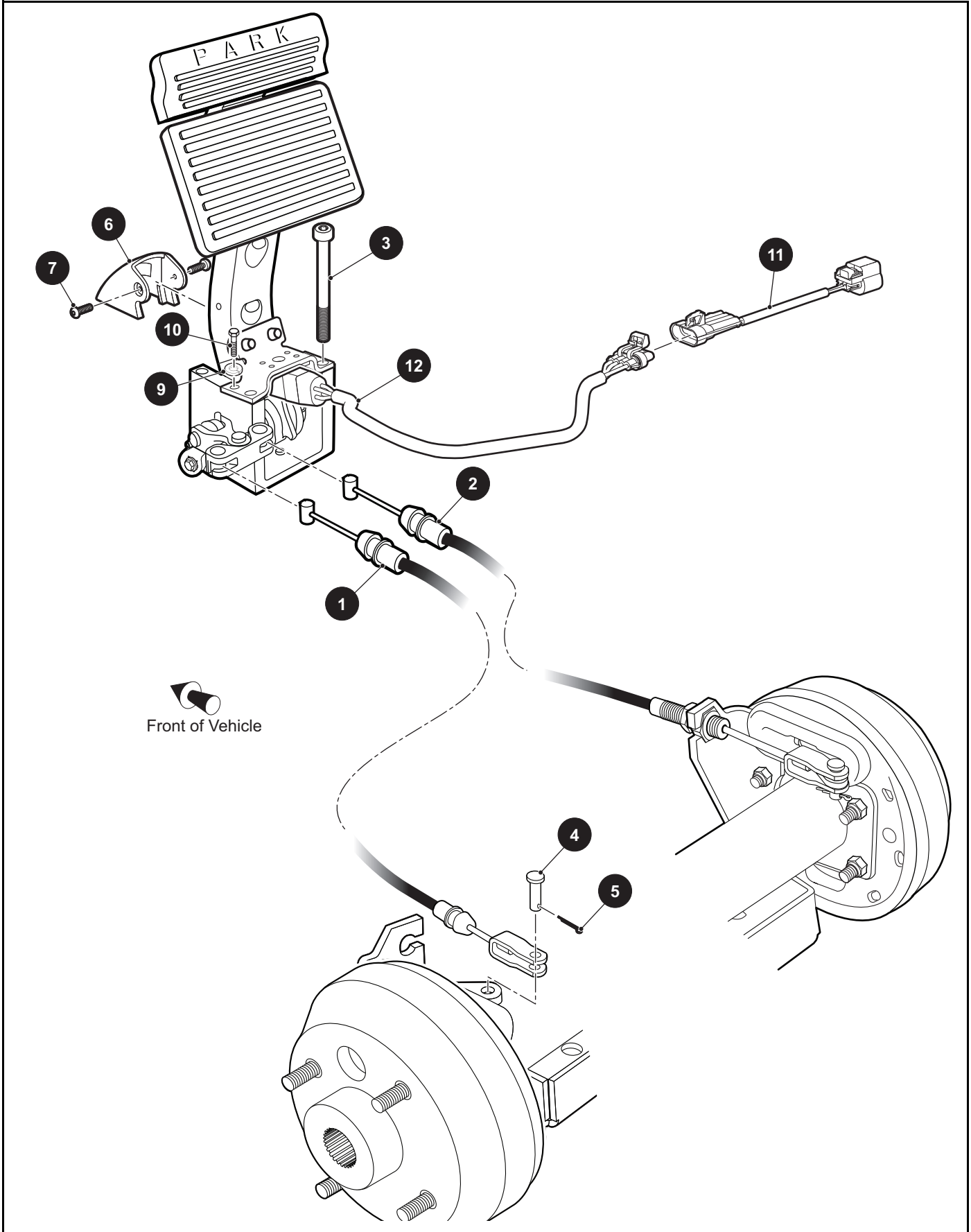
When ordering parts, please specify the model and serial number of the product.

* Indicates a component that is not available as an individual part.

*** Indicates consult Customer Service Department for additional information.

ITEM	PART NO.	1	2	3	4	5	DESCRIPTION	QTY.
32	626156						Park Brake Pad	1
33	*						Solid Pin, 4mm x 57mm	1
34	<u>610471</u>						Brake Pedal Cover	1
35	<u>610635</u>						Park Brake Pedal Cover.....	1
36	*						Latch Ratchet	2
37	<u>613231</u>						Flanged Hex Head Bolt, M6 - 1 x 20mm Lg, Grade 8.8.....	2
38	*						Pivot Shaft.....	1
39	626146						Brake Cable Arm	1
40	<u>606265</u>						Flanged Hex Head Bolt, M6 - 1 x 12mm Lg, Grade 8.8.....	1

BRAKES



BRAKES

THE USE OF NON U.L. PARTS WILL VOID ANY U.L. LISTING.

When ordering parts, please specify the model and serial number of the product.

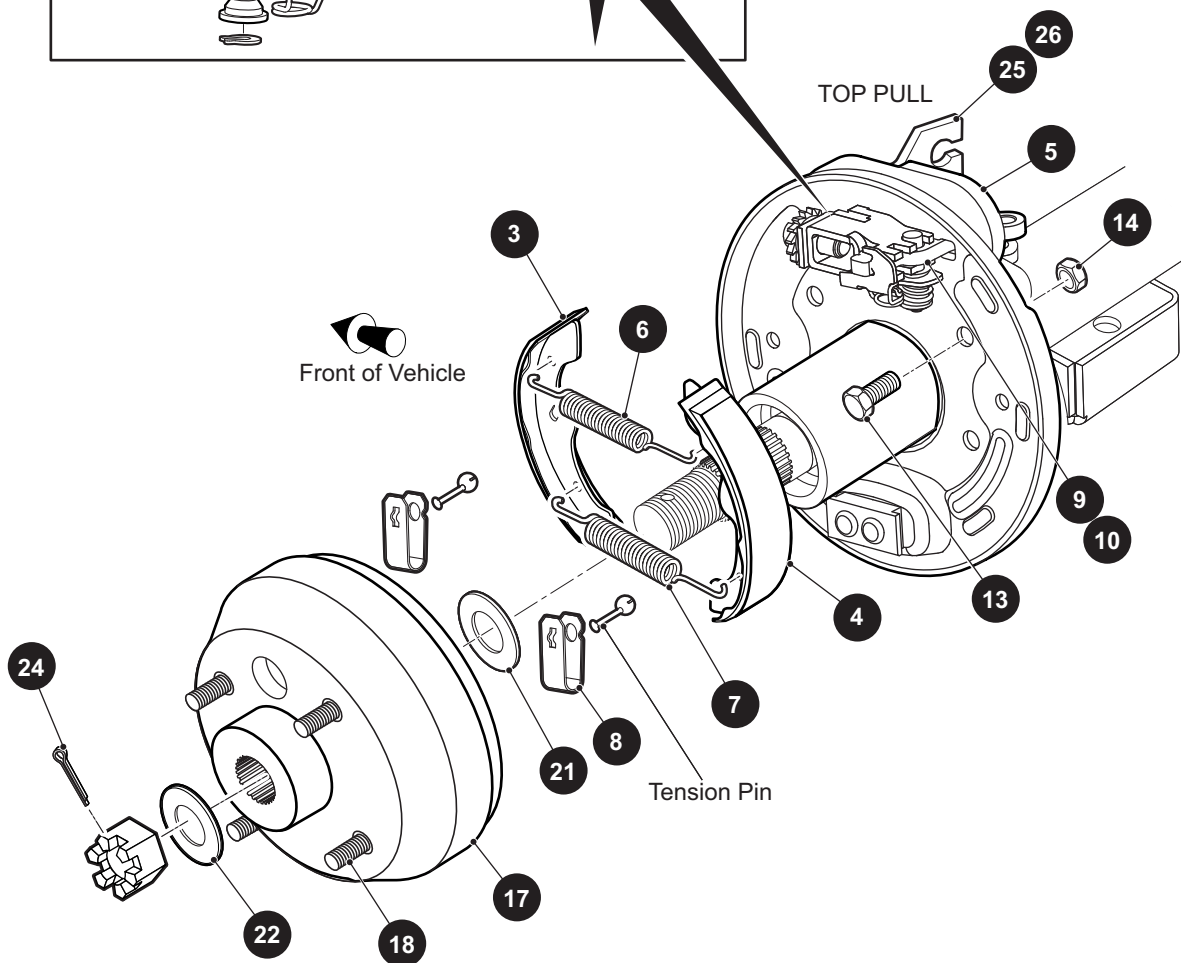
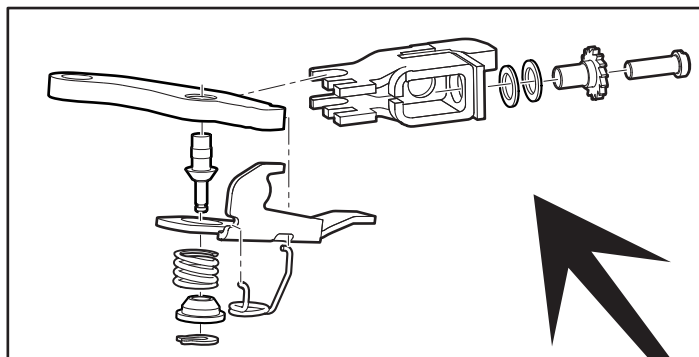
* Indicates a component that is not available as an individual part.

*** Indicates consult Customer Service Department for additional information.

ITEM	PART NO.	1 2 3 4 5	DESCRIPTION	QTY.
1	<u>611373</u>		Brake Cable (Driver Side)	1
2	<u>612519</u>		Brake Cable (Passenger Side).....	1
3	<u>605254</u>		Socket Head Bolt, M8 - 1.25 x 90mm Lg	4
4	<u>10386G3</u>		Clevis Pin, 5/16" x .940"	1
5	<u>10387G3</u>		Cotter Pin, .094" x 3/4" Lg.....	1
6	<u>605688</u>		Brake Pedal Cover	1
7	<u>600543</u>		Button Head Torx Bolt, M4 - .75 x 12mm Lg	2
8	<u>17618G1</u>		Nylon Clamp, 8" Lg (Not Illustrated).....	1
9	<u>601327</u>		Lock Washer (Split), 6mm	2
10	<u>800425</u>		Hex Head Bolt, M6 - 1 x 16mm Lg, Grade 8.8	2
11	<u>609181</u>		Brake Light Jumper Harness.....	1
12	<u>607605</u>		Brake and Accelerator Pedal Switch	1

BRAKES

- 1 Brake Assembly (Driver Side) includes items 3 - 9
- 2 Brake Assembly (Passenger Side) includes items 3 - 8, 10
- 16 Brake Drum Assembly includes items 17, 18



THE USE OF NON U.L. PARTS WILL VOID ANY U.L. LISTING.

When ordering parts, please specify the model and serial number of the product.

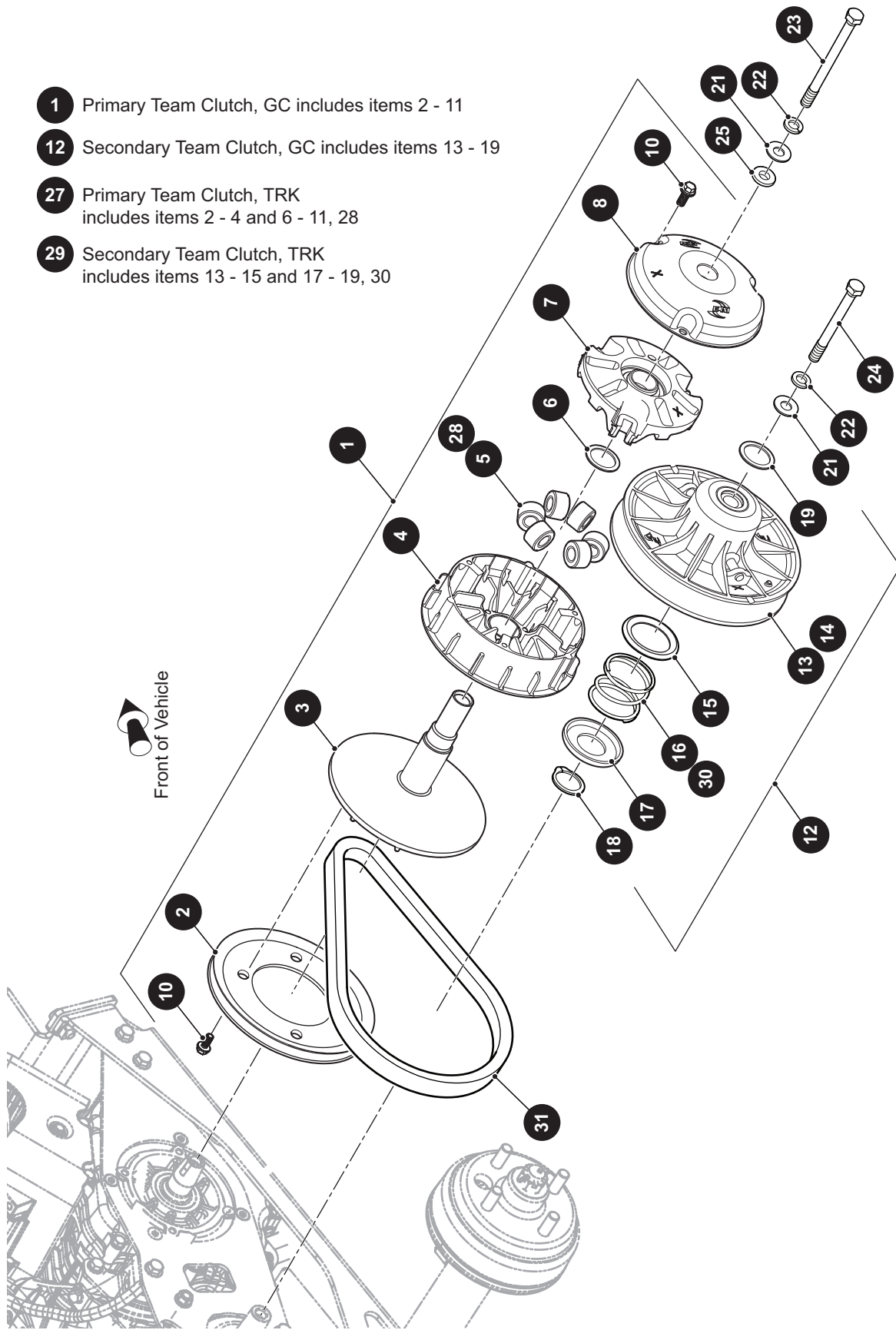
* Indicates a component that is not available as an individual part.

*** Indicates consult Customer Service Department for additional information.

ITEM	PART NO.	1 2 3 4 5	DESCRIPTION	QTY.
1	<u>612189</u>		Brake Assembly (Driver Side) (Includes Items 3 - 9)	1
2	<u>612211</u>		Brake Assembly (Passenger Side) (Includes Items 3 - 8, 10).....	1
3	<u>612411</u>		Brake Shoe, Leading	1
4	<u>612412</u>		Brake Shoe, Trailing	1
5	<u>612413</u>		Dust Cover.....	1
6	<u>612415</u>		Brake Spring, Top	1
7	<u>612414</u>		Brake Spring, Bottom	1
8	<u>612416</u>		Shoe Clamp.....	2
9	<u>612418</u>		Gear Adjuster (Driver Side)	1
10	<u>612417</u>		Gear Adjuster (Passenger Side).....	1
11				
12				
13	<u>17083G2</u>		Hex Head Bolt, 5/16" - 24 x 1" Lg, Grade 8	4
14	<u>15126G1</u>		Lock Nut, 5/16" - 24	4
15				
16	<u>21807G2</u>		Brake Drum Assembly (Includes Items 17, 18).....	1
17	<u>20947G1</u>		Brake Drum	1
18	<u>19862G2</u>		Lug Bolt, 1/2" - 20 x 1.718" Lg.....	4
19				
20				
21	<u>21809G1</u>		Flat Washer (Inner Wheel Rim), 1.31" O.D. x .98" I.D	1
22	<u>606945</u>		Flat Washer (Brake Drum), 1.75" O.D. x .886" I.D	1
23				
24	<u>10387G1</u>		Cotter Pin, 5/32" x 1 3/4" Lg.....	1
25	<u>652248</u>		Brake Cable Bracket (Passenger Side)	1
26	<u>610096</u>		Brake Cable Bracket (Driver Side).....	1

CLUTCH

- 1 Primary Team Clutch, GC includes items 2 - 11
- 12 Secondary Team Clutch, GC includes items 13 - 19
- 27 Primary Team Clutch, TRK includes items 2 - 4 and 6 - 11, 28
- 29 Secondary Team Clutch, TRK includes items 13 - 15 and 17 - 19, 30



THE USE OF NON U.L. PARTS WILL VOID ANY U.L. LISTING.

When ordering parts, please specify the model and serial number of the product.

* Indicates a component that is not available as an individual part.

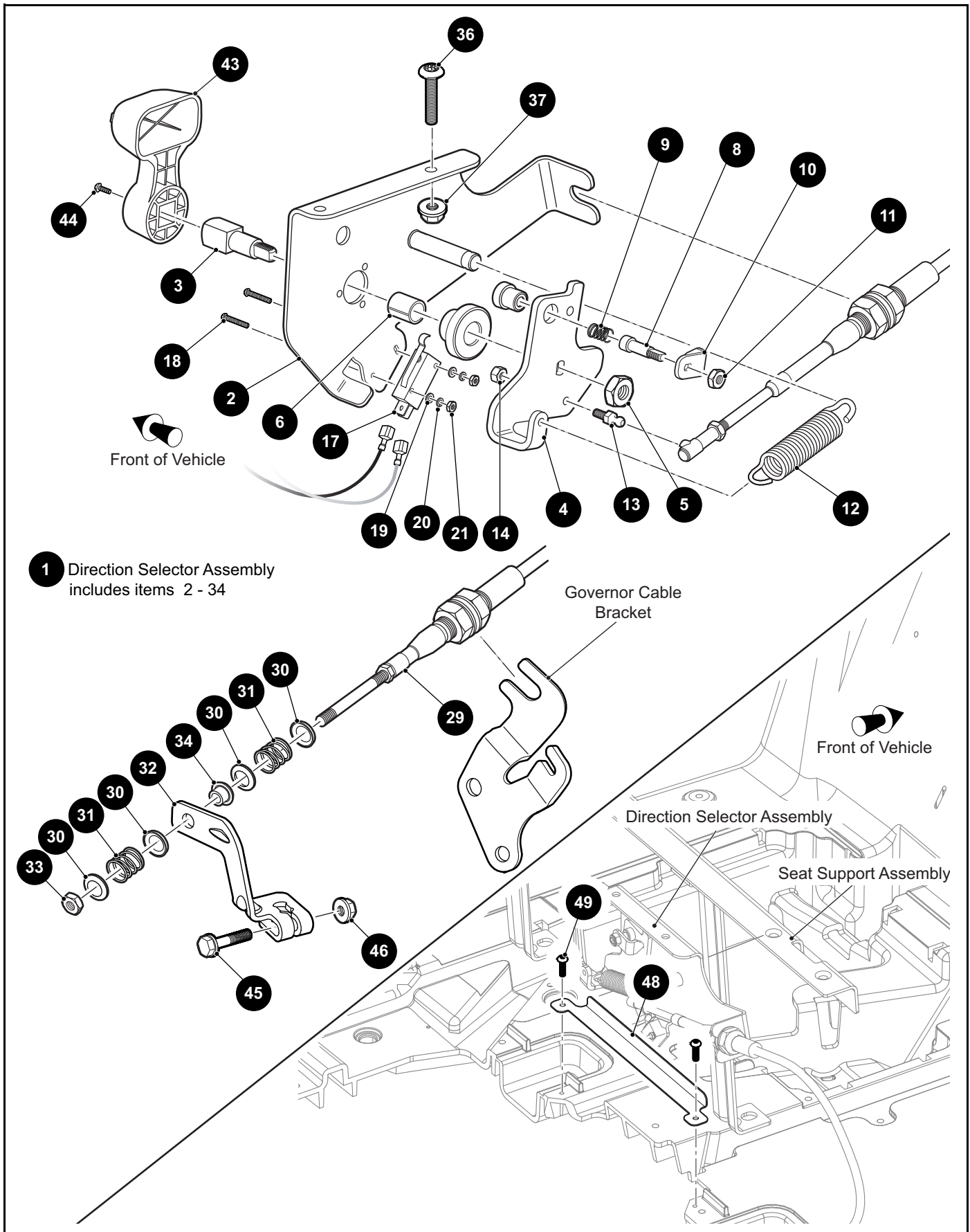
*** Indicates consult Customer Service Department for additional information.

ITEM	PART NO.	1 2 3 4 5	DESCRIPTION	QTY.
1	<u>672686</u>		Primary Team Clutch, GC (Includes items 2 - 11)	1
2	<u>619333</u>		Primary Starter Pulley	1
3	<u>619334</u>		Stationary Assembly	1
4	<u>619335</u>		Moveable Primary Assembly	1
5	<u>619336</u>		Shift Roller Assembly	6
6	<u>619337</u>		Shim, 39.5mm x 31.75mm	1
7	<u>644303</u>		Primary Spider Assembly	1
8	<u>619339</u>		Primary Dust Cover Assembly	1
9	<u>644305</u>		Torque Primary Button (Not Illustrated)	1
10	<u>619332</u>		Hex Washer Head Bolt, 1/4" - 20 x 3/4" Lg	7
11	<u>644306</u>		Torque Button Plug (Not Illustrated)	6
12	<u>644300</u>		Secondary Team Clutch, GC (Includes items 13 - 19)	1
13	*		Secondary Stationary Clutch	1
14	*		Moveable Secondary Clutch	1
15	<u>619327</u>		Inner Retainer Spring	1
16	<u>644304</u>		Compression Spring	1
17	<u>619329</u>		Outer Spring Retainer	1
18	<u>619330</u>		Retainer Ring	1
19	<u>619331</u>		Thrust Washer, 1.530" x 1.830" x 1"	1
20				
21	<u>606239</u>		Conical Washer, M12	2
22	<u>00566G3</u>		Lock Washer (Spring Type), 3/8"	2
23	<u>606245</u>		Hex Head Bolt, M12 - 1.25 x 160mm Lg, Grade 8.8	1
24	<u>606243</u>		Hex Head Bolt, M12 - 1.25 x 120mm Lg, Grade 8.8	1
25	<u>606230</u>		Clutch Washer, 27.5 Dia. O.D x 13.06 Dia. I.D	1
26				
27	<u>672688</u>		Primary Team Clutch, TRK (Includes items 2 - 4 and 6 - 11, 28)	1
28	<u>624112</u>		Shift Roller Assembly	6
29	<u>623949</u>		Secondary Team Clutch, TRK (Includes Items 13 - 15 and 17- 19, 30)	1
30	<u>624111</u>		Compression Spring	1
31	<u>618630</u>		Drive Belt	1

Notes:

A large grid of graph paper, consisting of approximately 25 columns and 30 rows of small squares, intended for taking notes. The grid is empty and occupies the majority of the page area.

DIRECTION SELECTOR



1 Direction Selector Assembly includes items 2 - 34

Governor Cable Bracket

Front of Vehicle

Direction Selector Assembly

Seat Support Assembly

DIRECTION SELECTOR

THE USE OF NON U.L. PARTS WILL VOID ANY U.L. LISTING.

When ordering parts, please specify the model and serial number of the product.

* Indicates a component that is not available as an individual part.

*** Indicates consult Customer Service Department for additional information.

ITEM	PART NO.	1 2 3 4 5	DESCRIPTION	QTY.
1	<u>608161</u>		Direction Selector Assembly (Includes Items 2 - 34).....	1
2	<u>603627</u>		Direction Selector Bracket	1
3	<u>608150</u>		Direction Selector Shaft.....	1
4	<u>603700</u>		Direction Selector Cam.....	1
5	<u>14390G1</u>		Lock Nut, 3/8" - 24	1
6	<u>25664G2</u>		Bushing, 1/2" x .750" Lg	1
7				
8	<u>72724G01</u>		Neutral Lock Pin	1
9	<u>72733G01</u>		Compression Spring	1
10	<u>72729G01</u>		Neutral Lock Latch.....	1
11	<u>00734G2</u>		Lock Nut, 1/4" - 28	1
12	<u>28574G01</u>		Extension Spring	1
13	<u>72732G01</u>		Ball Stud, #10 - 32	1
14	<u>00734G5</u>		Lock Nut, #10 - 32	1
15				
16				
17	<u>72736G01</u>		Micro Switch	1
18	<u>01062G01</u>		Round Head Screw, #4 - 40 x 1" Lg	2
19	<u>00559G1</u>		Flat Washer, #4.....	2
20	<u>00565G1</u>		Lock Washer, #4	2
21	<u>00526G2</u>		Hex Nut, #4 - 40	2
22				
23				
24				
25				
26				
27				
28				
29	<u>603615</u>		Shifter Cable	1
30	<u>25727G01</u>		Cup Washer, 1/4".....	4
31	<u>72735G01</u>		Compression Spring	2

DIRECTION SELECTOR

THE USE OF NON U.L. PARTS WILL VOID ANY U.L. LISTING.

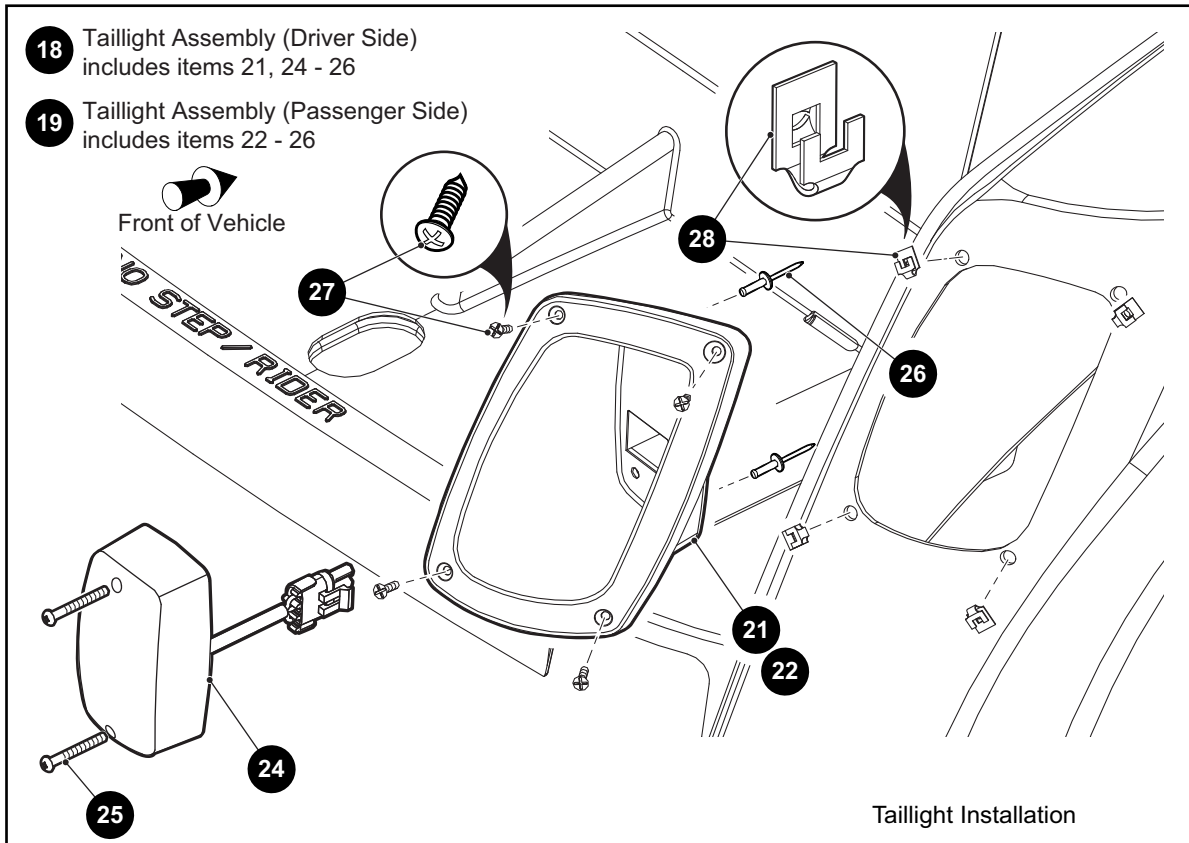
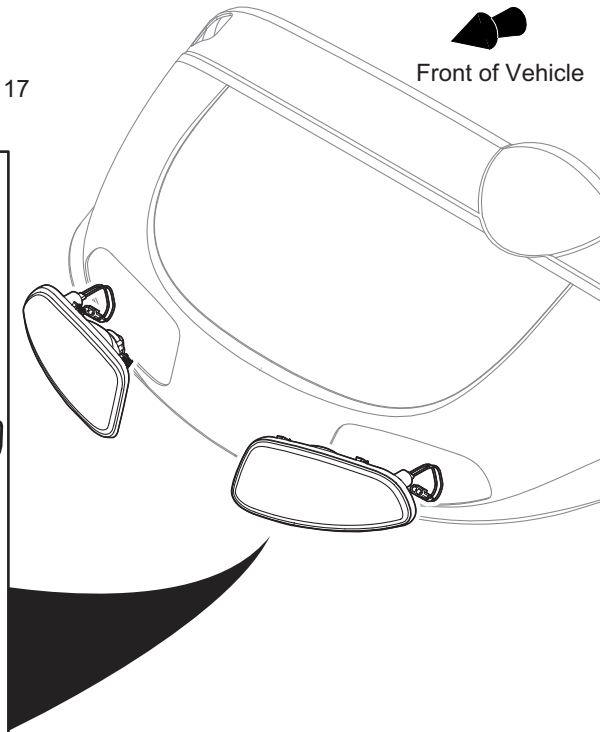
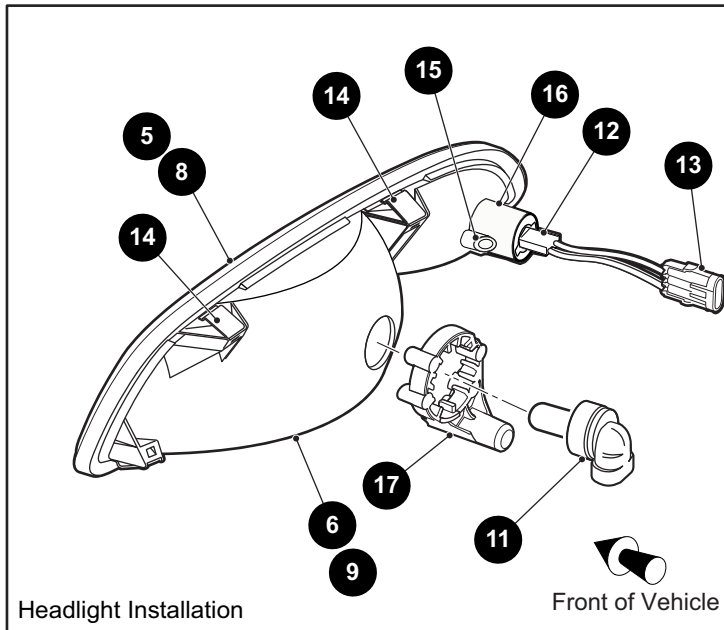
When ordering parts, please specify the model and serial number of the product.

* Indicates a component that is not available as an individual part.

*** Indicates consult Customer Service Department for additional information.

ITEM	PART NO.	1	2	3	4	5	DESCRIPTION	QTY.
32	<u>632891</u>						Pivot Bracket.....	1
33	<u>00734G5</u>						Lock Nut, #10 - 32.....	1
34	<u>22754G4</u>						Bushing (Flip Lok), .250".....	1
35								
36	<u>601326</u>						Button Head Torx Bolt, M6 - 1 x 20mm Lg, Grade 8.8.....	2
37	<u>450452</u>						Hex Nut, M6 - 1	2
38								
39								
40								
41								
42								
43	<u>71205G01</u>						Direction Selector Handle.....	1
44	<u>01037G02</u>						Pan Head Phillips Screw, #10 - 32 x 1/2" Lg.....	1
45	<u>606421</u>						Flanged Hex Head Bolt, M6 - 1 x 30mm Lg, Grade 8.8	1
46	<u>450452</u>						Hex Nut, M6 - 1	1
47								
48	<u>628573</u>						Body Support.....	1
49	<u>608290</u>						Self Tapping Screw, #10 - 16 x 3/4" Lg.....	2

- 1 Headlight Assembly (Driver Side) includes items 5, 6, 11 - 17
- 2 Headlight Assembly (Passenger Side) includes items 8, 9, 11 - 17



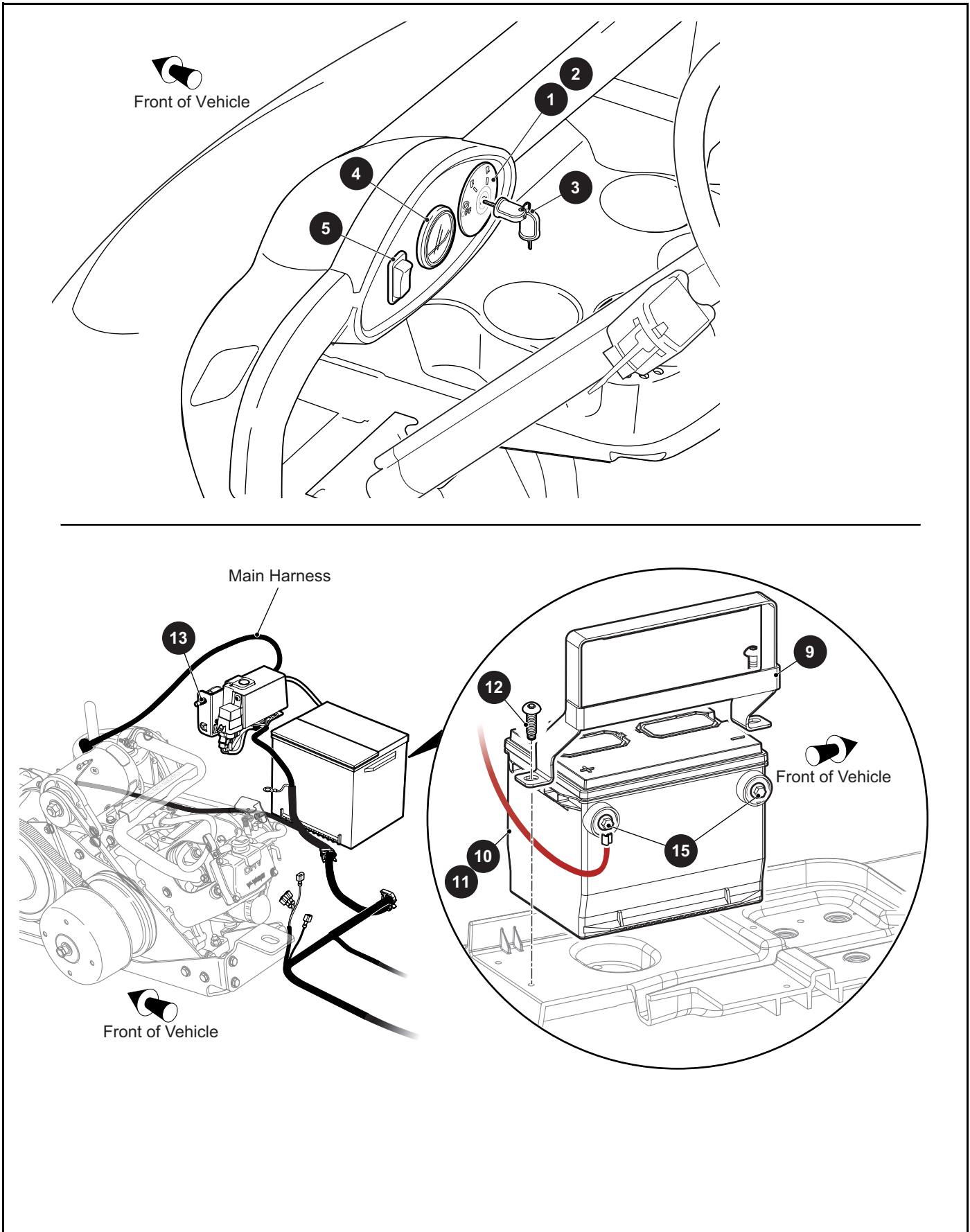
THE USE OF NON U.L. PARTS WILL VOID ANY U.L. LISTING.

When ordering parts, please specify the model and serial number of the product.

* Indicates a component that is not available as an individual part.

*** Indicates consult Customer Service Department for additional information.

ITEM	PART NO.	1 2 3 4 5	DESCRIPTION	QTY.
1	<u>607439</u>		Headlight Assembly (Driver Side) (Includes Items 5, 6, 11 - 17).....	1
2	<u>607438</u>		Headlight Assembly (Passenger Side) (Includes Items 8, 9, 11 - 17)	1
3				
4				
5	<u>607452</u>		Gasket (Driver Side)	1
6	<u>607436</u>		Headlight (Driver Side)	1
7				
8	<u>607437</u>		Headlight Gasket (Passenger Side)	1
9	<u>607435</u>		Headlight (Passenger Side).....	1
10				
11	<u>74004G01</u>		Headlight Bulb	1
12	<u>676687</u>		Front Turn Signal Bulb	1
13	<u>607487</u>		Wiring Harness (Turn Signal Lamp)	1
14	<u>607434</u>		Headlight Clip	4
15	<u>608328</u>		Button Head Torx Screw (Plastite), M3 - 1.3 x 14mm Lg.....	1
16	<u>608322</u>		Headlight Retainer.....	1
17	<u>615459</u>		Anti Rotation Collar.....	1
18	<u>648672G01</u>		Taillight Assembly (Driver Side) (Includes Item 21, 24 - 26).....	1
19	<u>648672G02</u>		Taillight Assembly (Passenger Side) (Includes Item 22 - 26).....	1
20				
21	<u>639815G01</u>		Bezel (Driver Side)	1
22	<u>639815G02</u>		Bezel (Passenger Side)	1
23				
24	<u>639816</u>		Taillight.....	1
25	<u>00513G4</u>		Pan Head Phillips Screw, #8 - 18 x 3/4" Lg	2
26	<u>14601G11</u>		Rivet (Aluminum), 3/16" x 9/16"	2
27	<u>71425G01</u>		Tapping Screw, #8 - 18 x 3/4" Lg.....	4
28	<u>71364G02</u>		J-type Nut, #8.....	4



THE USE OF NON U.L. PARTS WILL VOID ANY U.L. LISTING.

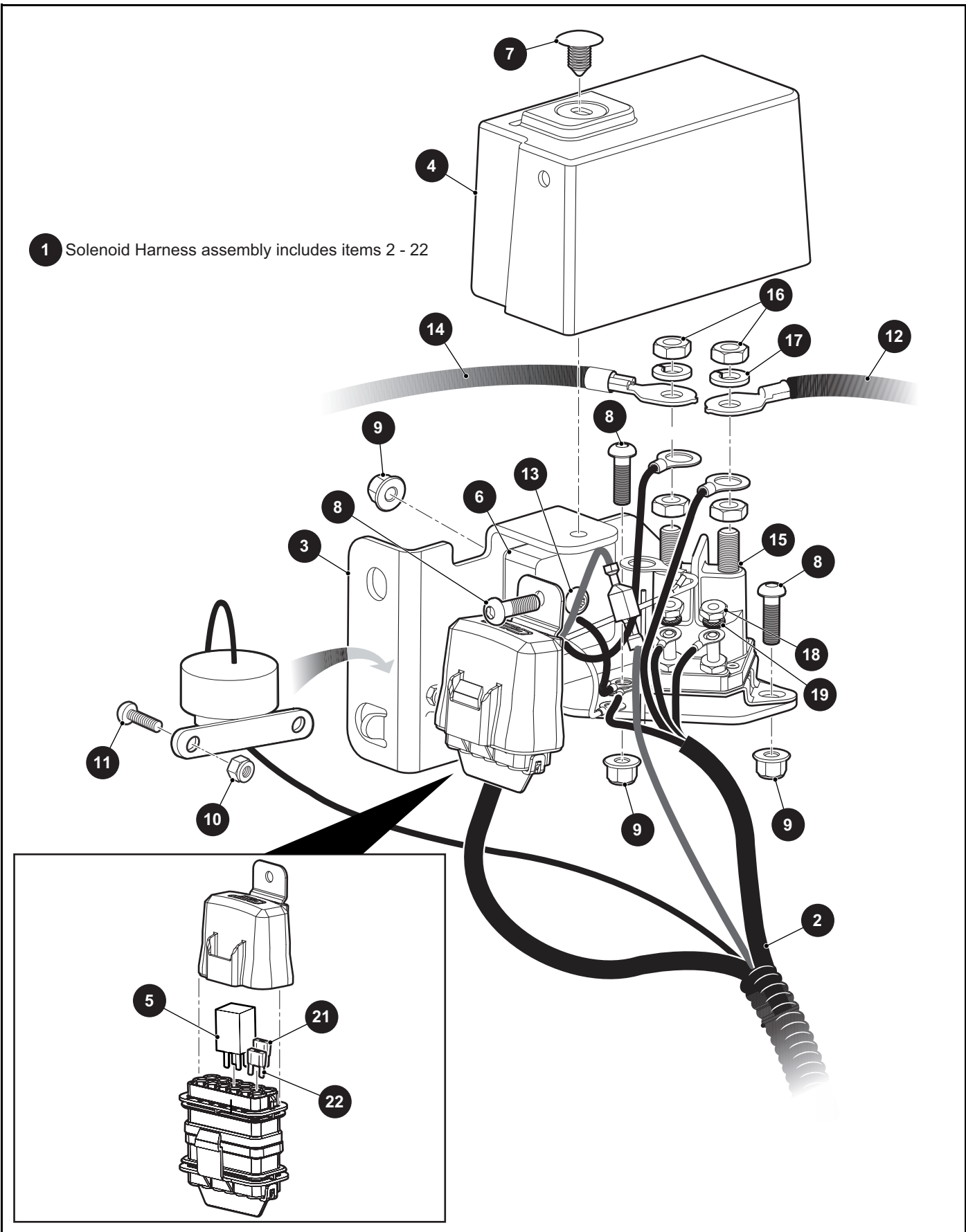
When ordering parts, please specify the model and serial number of the product.

* Indicates a component that is not available as an individual part.

*** Indicates consult Customer Service Department for additional information.

ITEM	PART NO.	1 2 3 4 5	DESCRIPTION	QTY.
1	<u>611284</u>		Keyswitch	1
2	<u>609696</u>		Keyswitch and Key Set (Unique).....	1
3	<u>611282</u>		Key Set (Common).....	1
4	<u>612314</u>		Fuel Meter	1
5	<u>604019</u>		Headlight Switch	1
6				
7				
8				
9	643145		Battery Tie Down.....	1
10	<u>637484</u>		Battery, 12V.....	1
11	<u>638433</u>		Battery (Heavy Duty), 12V	1
12	<u>649804</u>		Button Head Torx Screw, M8 - 3.50 x 30mm Lg.....	2
13	<u>602572</u>		Pan Head Taptite Bolt, M10 - 1.5 x 25mm Lg, Grade 8.8	2
14				
15	<u>640488</u>		Battery Bolt (Side Terminal)	2

1 Solenoid Harness assembly includes items 2 - 22



THE USE OF NON U.L. PARTS WILL VOID ANY U.L. LISTING.

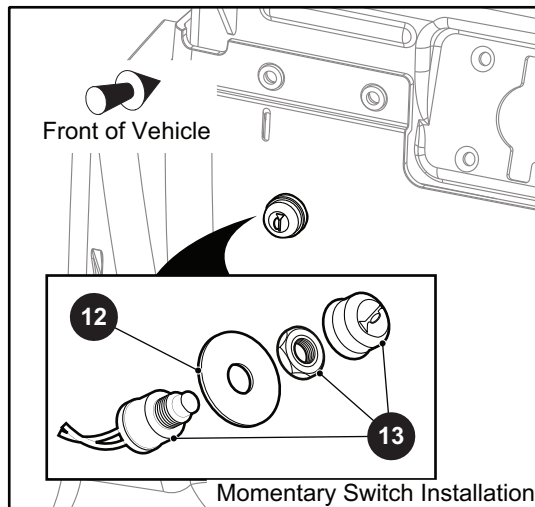
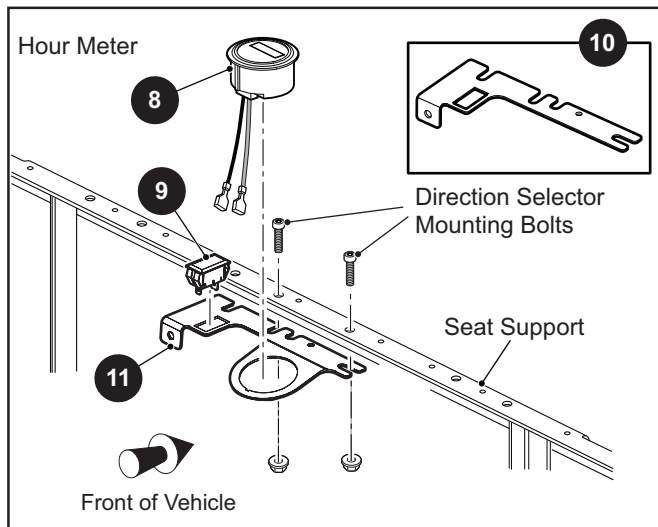
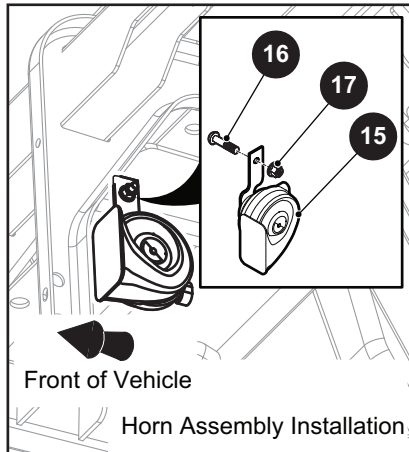
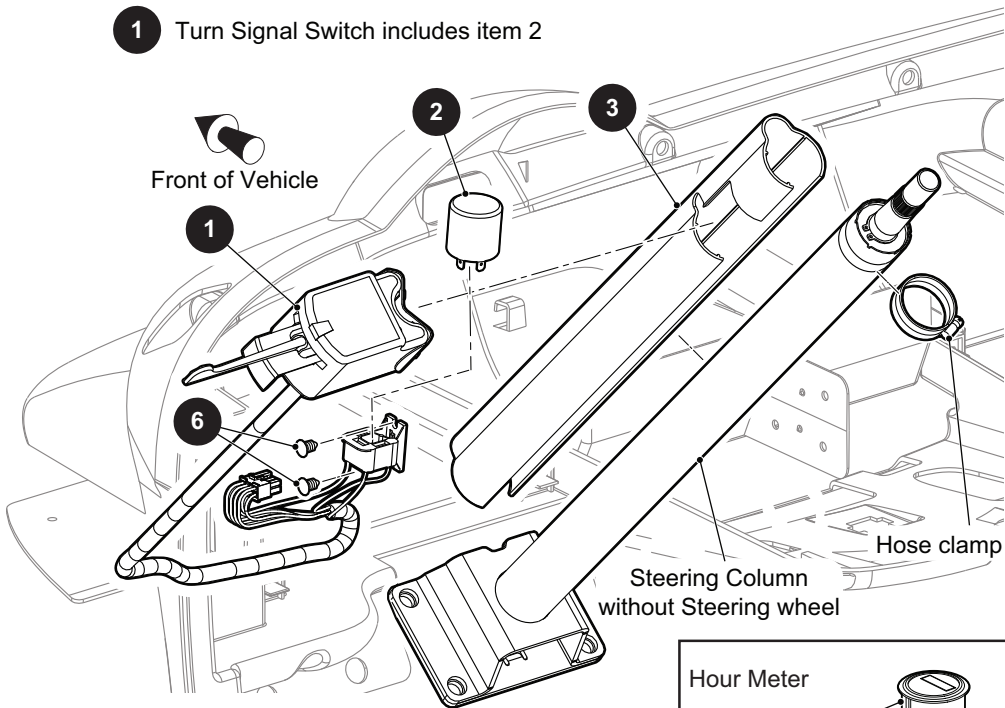
When ordering parts, please specify the model and serial number of the product.

* Indicates a component that is not available as an individual part.

*** Indicates consult Customer Service Department for additional information.

ITEM	PART NO.	1 2 3 4 5	DESCRIPTION	QTY.
1	<u>659007</u>		Solenoid Harness Assembly (Includes Items 2 - 22).....	1
2	659006		Main Harness	1
3	<u>615349</u>		Solenoid Bracket	1
4	<u>603390</u>		Solenoid Cover	1
5	663593		Relay, 12V	1
6	<u>27739G01</u>		Voltage Regulator	1
7	<u>16816G1</u>		Ratchet Rivet, .25" x .680".....	1
8	<u>601326</u>		Button Head Torx Bolt, M6 - 1 x 20mm Lg, Grade 8.8.....	3
9	<u>601476</u>		Lock Nut, M6 - 1	4
10	<u>602053</u>		Lock Nut, M4 - .7	3
11	<u>600543</u>		Button Head Torx Bolt, M4 - .75 x 12mm Lg, Grade 8.8.....	3
12	<u>645209</u>		#6 GA Wire Assembly (B+ / Sol).....	1
13	<u>602063</u>		Button Head Torx Bolt, M6 - 1 x 40mm Lg.....	1
14	<u>603874</u>		6 AWG Wire Assembly, Black (Sol - F2).....	1
15	613322		Solenoid Base, 14V	1
16	<u>00544G4</u>		Hex Jam Nut, 5/16" - 24	2
17	<u>00565G8</u>		Lock Washer, 5/16".....	2
18	<u>00526G4</u>		Hex Nut, #10 - 32	2
19	<u>00565G5</u>		Lock Washer, #10	2
20	<u>646246</u>		3A Diode, #10 Ring (Not Illustrated).....	1
21	<u>636455G12</u>		Fuse, 10A	1
22	<u>636455G13</u>		Fuse, 15A	1

1 Turn Signal Switch includes item 2



THE USE OF NON U.L. PARTS WILL VOID ANY U.L. LISTING.

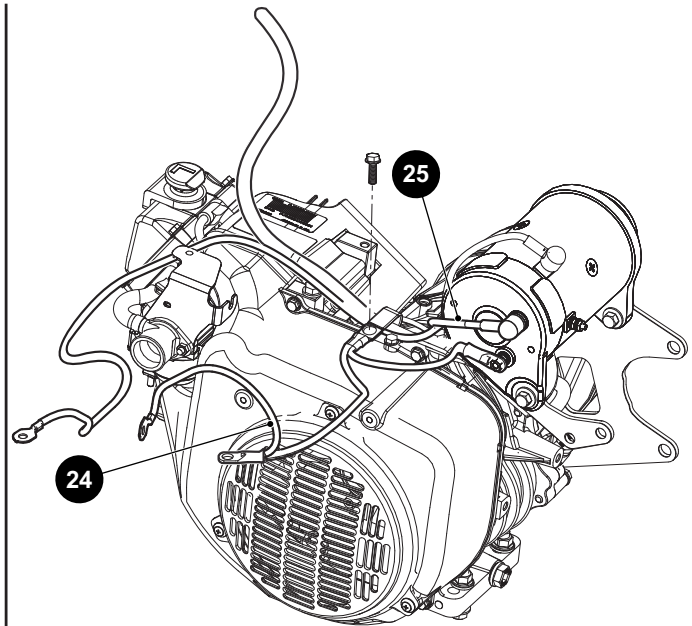
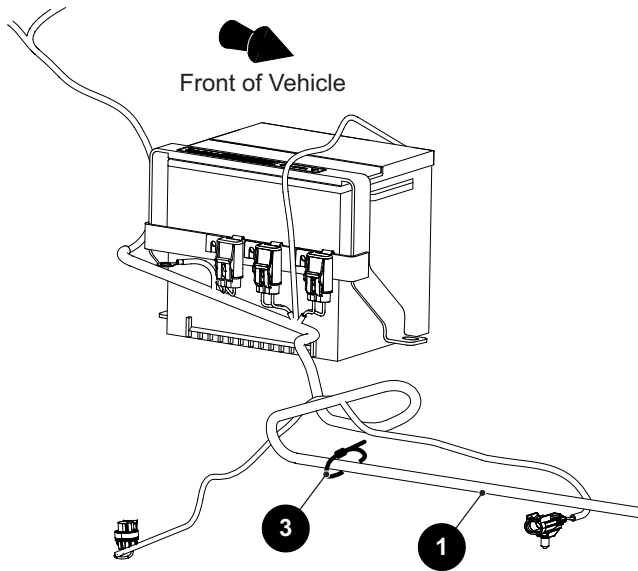
When ordering parts, please specify the model and serial number of the product.

* Indicates a component that is not available as an individual part.

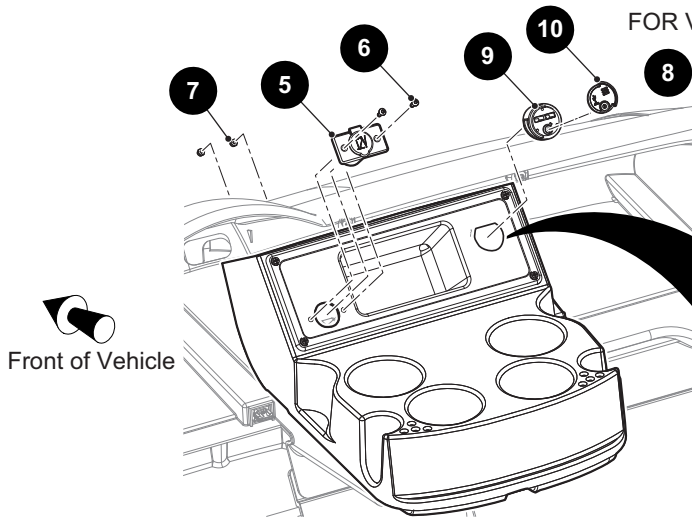
*** Indicates consult Customer Service Department for additional information.

ITEM	PART NO.	1 2 3 4 5	DESCRIPTION	QTY.
1	<u>604511</u>		Turn Signal Switch (Includes Item 2)	1
2	<u>604367</u>		Flasher Unit.....	1
3	<u>20965G3</u>		Steering Column Cover.....	1
4	<u>19344G1</u>		Vinyl Tape, 40mm (Not Illustrated).....	1
5				
6	<u>16816G5</u>		Ratchet Rivet, .187" x .550"	2
7	<u>31539G1</u>		Nylon Clamp, 15.5" Lg (Not Illustrated).....	1
8	<u>617074</u>		Hour Meter	1
9	<u>659101</u>		Malfunction Indicator Light	1
10	<u>659085</u>		Fuse Bracket (For Vehicles without Hour Meter)	11
11	<u>662631</u>		Fuse Bracket (For Vehicles with Hour Meter)	11
12	<u>608397</u>		Horn Plate	1
13	<u>17318G1</u>		Momentary Switch.....	1
14				
15	<u>604196</u>		Horn Assembly.....	1
16	<u>601326</u>		Button Head Torx Bolt, M6 - 1 x 20mm Lg, Grade 8.8	1
17	<u>601476</u>		Lock Nut, M6 - 1.....	1

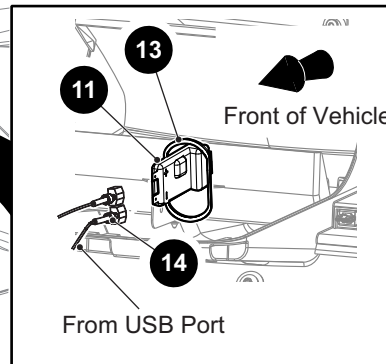
ELECTRICAL



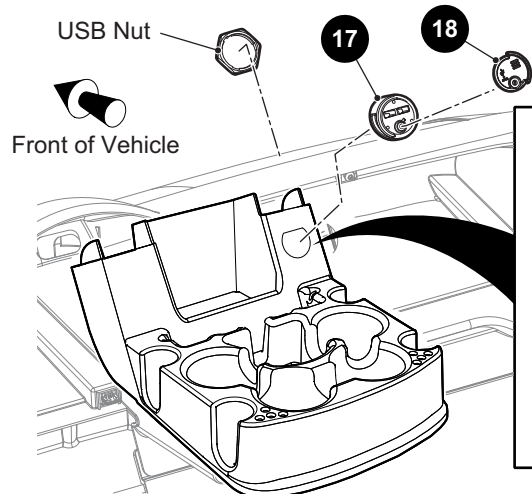
FOR VEHICLES MANUFACTURED BEFORE JULY 21, 2019



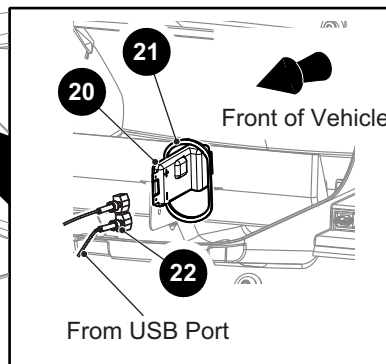
8 USB Port Housing Assembly includes items 9 - 10



FOR VEHICLES MANUFACTURED AFTER JULY 21, 2019



16 USB Port Housing Assembly includes items 17 - 18



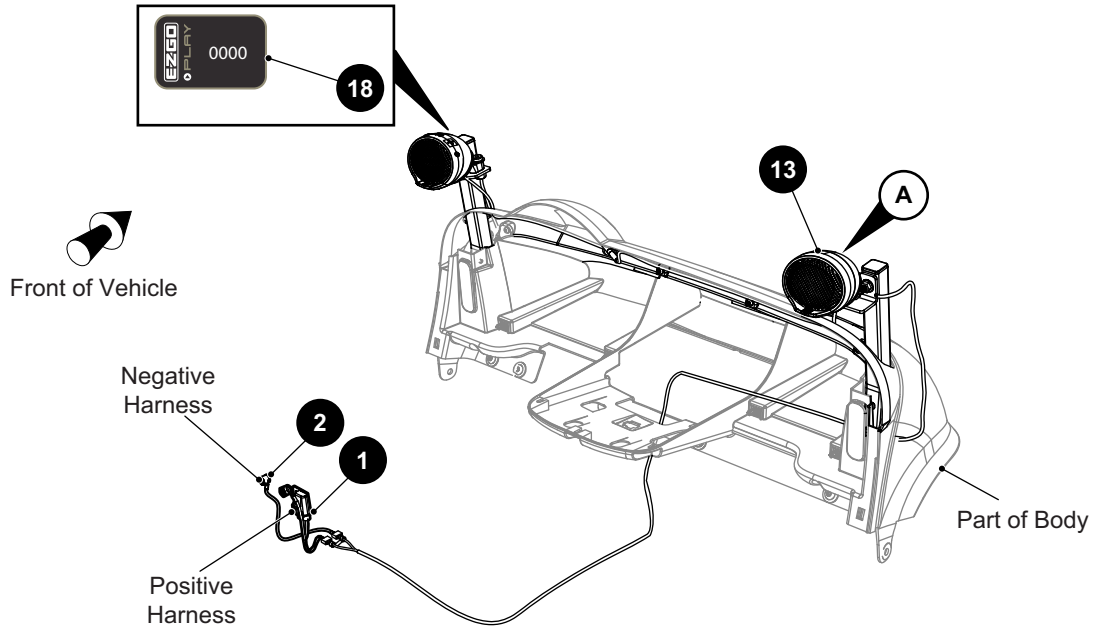
THE USE OF NON U.L. PARTS WILL VOID ANY U.L. LISTING.

When ordering parts, please specify the model and serial number of the product.

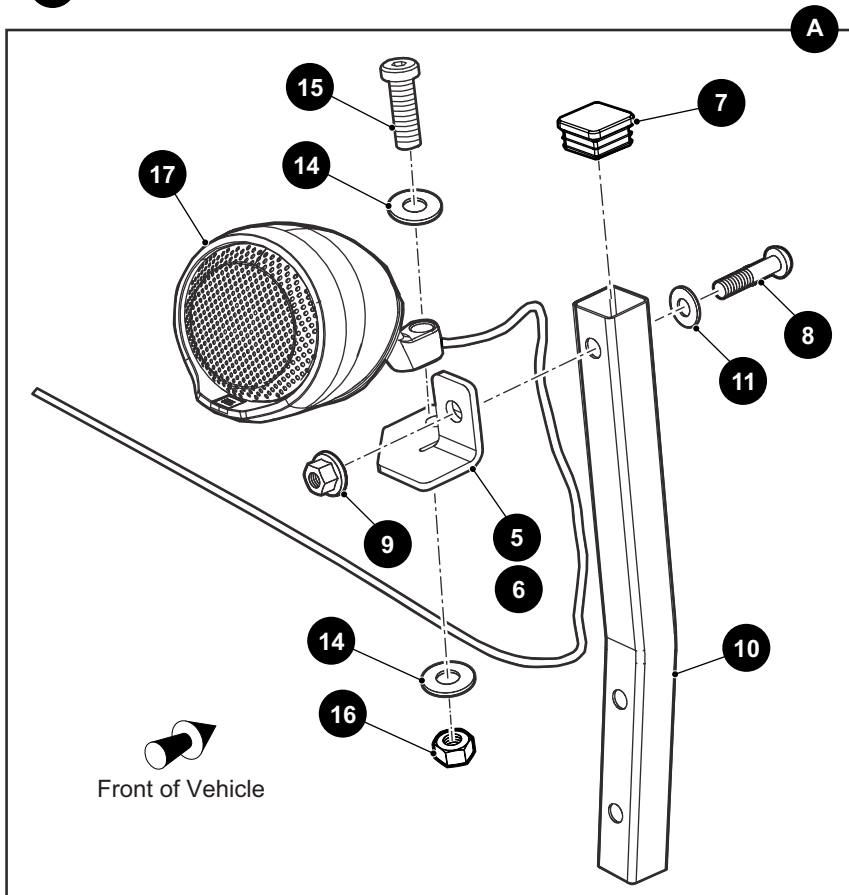
* Indicates a component that is not available as an individual part.

*** Indicates consult Customer Service Department for additional information.

ITEM	PART NO.	1 2 3 4 5	DESCRIPTION	QTY.
1	<u>645208</u>		Accessory Harness	1
2	<u>01072G01</u>		Cable Clip (Not Illustrated).....	3
3	<u>17618G1</u>		Nylon Clamp, 8" Lg	3
4				
			ITEMS 5 - 14: FOR VEHICLES MANUFACTURED BEFORE JULY 21, 2019	
5	<u>71078G01</u>		12V Power Outlet.....	1
6	<u>600543</u>		Button Head Torx Screw, M4 - .75 x 12mm Lg, Grade 8.8.....	2
7	<u>602053</u>		Lock Nut, M4 - .7	2
8	<u>639384</u>		USB Port Housing Assembly (Includes Items 9 - 10).....	1
9	639383		USB Port Housing	1
10	639382		USB Port Lid.....	1
11	10001356		USB Electronics	1
12				
13	<u>17618G1</u>		Nylon Clamp, 7" Lg	5
14	645210		USB Harness	1
15				
			ITEMS 16 - 22: FOR VEHICLES MANUFACTURED AFTER JULY 21, 2019	
16	<u>639384</u>		USB Port Housing Assembly (Includes Items 17 - 18).....	1
17	639383		USB Port Housing	1
18	639382		USB Port Lid.....	1
19				
20	10001356		USB Electronics	1
21	<u>17618G1</u>		Nylon Clamp, 7" Lg	5
22	645210		USB Harness	1
23				
24	<u>607053</u>		#6 GA Wire.....	1
25	645192		Battery/Engine Ground Cable	1



- 3** Speaker Assembly Mounting, Driver Side includes items 5, 7 - 11
- 4** Speaker Assembly Mounting, Passenger Side includes items 6 - 11
- 12** Bluetooth Speakers Assembly includes items 13 - 18
- 13** Bluetooth Speaker (Parent) includes items 14 - 16



THE USE OF NON U.L. PARTS WILL VOID ANY U.L. LISTING.

When ordering parts, please specify the model and serial number of the product.

* Indicates a component that is not available as an individual part.

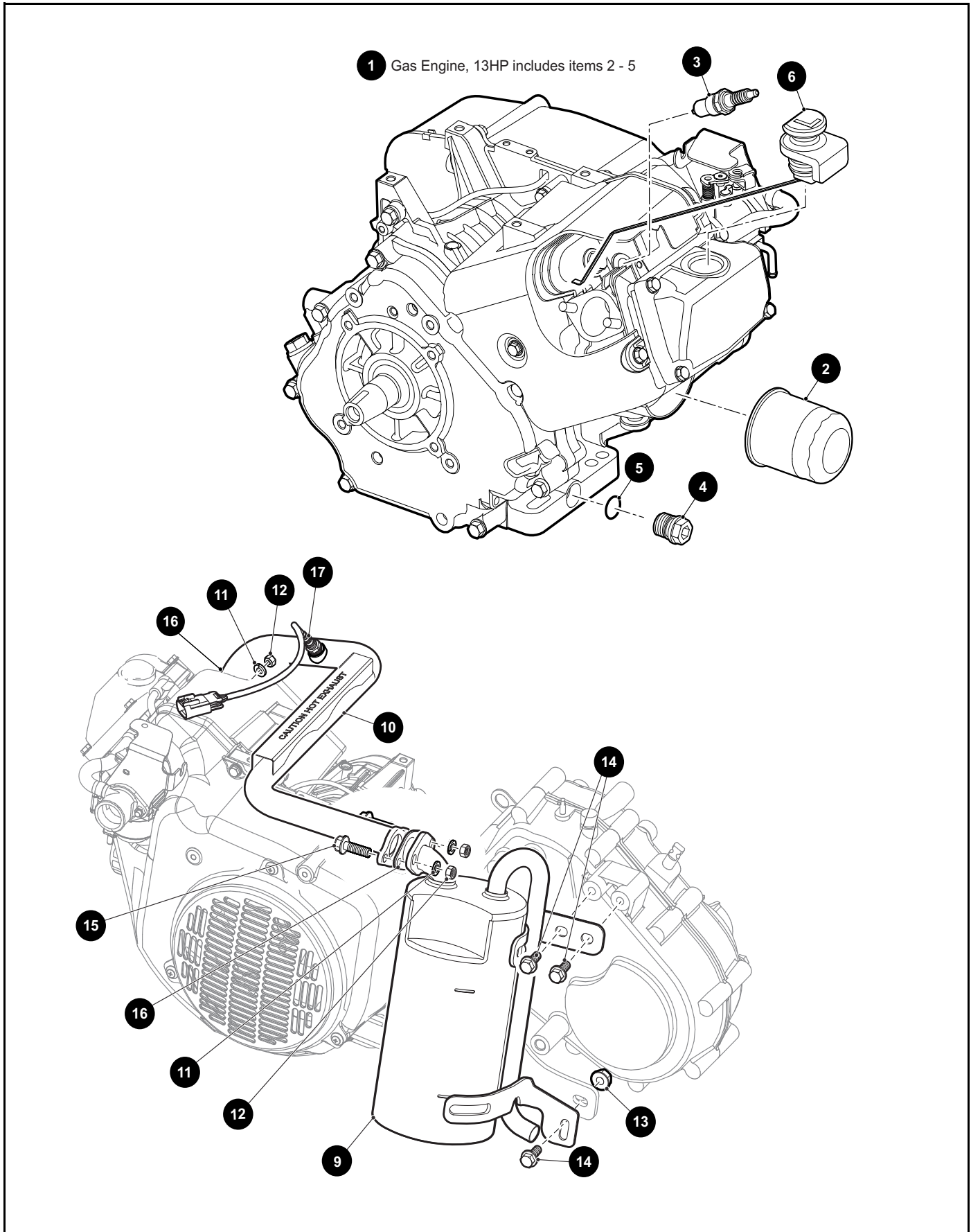
*** Indicates consult Customer Service Department for additional information.

ITEM	PART NO.	1 2 3 4 5	DESCRIPTION	QTY.
1	697532		Speaker Harness (Positive)	1
2	697533		Speaker Harness (Negative).....	1
3	697232		Speaker Assembly Mounting, Driver Side (Includes Items 5, 7 - 11).....	1
4	697231		Speaker Assembly Mounting, Passenger Side (Includes Items 6 - 11).....	1
5	690335G01		Speaker Bracket (Driver Side).....	1
6	690335G02		Speaker Bracket (Passenger Side)	1
7	<u>620634</u>		End Cap.....	1
8	<u>600527</u>		Button Head Torx Bolt, M10 - 1.5 x 60 mm Lg.....	1
9	<u>600525</u>		Lock Nut, M10 - 1.5	1
10	<u>648473</u>		Front Mirror Mount Strut	1
11	<u>603823</u>		Flat Washer	1
12	692171		Bluetooth Speakers Assembly (Includes Items 13 - 18).....	1
13	690350		Bluetooth Speaker (Parent) (Includes Items 14 - 16)	1
14	*		Flat Washer, 1/2" - 13.....	2
15	*		Socket Head Cap Screw, 1/2" -13 x 1 1/2" Lg.....	1
16	*		Lock Nut, 1/2" - 13	1
17	692906		Bluetooth Speaker (Child)	1
18	692795		Bluetooth Speaker Decal.....	1

Notes:

A large grid of graph paper, consisting of 25 columns and 35 rows of small squares, intended for taking notes.

ENGINE AND MUFFLER



ENGINE AND MUFFLER

THE USE OF NON U.L. PARTS WILL VOID ANY U.L. LISTING.

When ordering parts, please specify the model and serial number of the product.

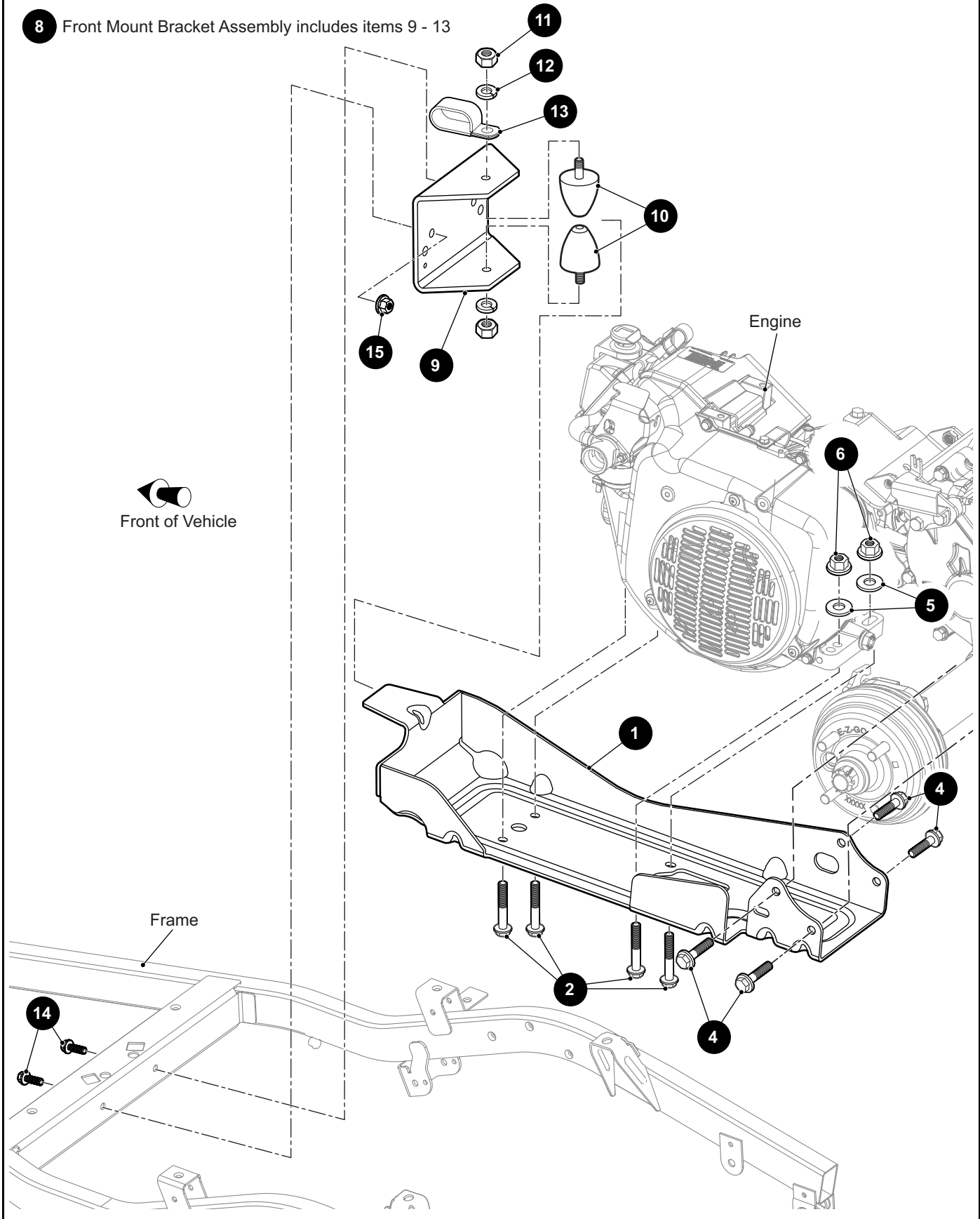
* Indicates a component that is not available as an individual part.

*** Indicates consult Customer Service Department for additional information.

ITEM	PART NO.	1 2 3 4 5	DESCRIPTION	QTY.
1	<u>658237</u>		Gas Engine, 13HP (Includes Items 2 - 5).....	1
2	<u>607454</u>		Oil Filter	1
3	<u>607462</u>		Spark Plug	1
4	<u>603557</u>		Oil Drain Plug	3
5	<u>603562</u>		O-ring, 16mm.....	3
6	689936G01		Dip Stick.....	1
7				
8				
9	695386		Muffler	1
10	<u>657450</u>		Exhaust Pipe	1
11	<u>606272</u>		Lock Washer, 8mm	4
12	<u>606267</u>		Hex Jam Nut, M8 x 1.25.....	4
13	<u>606279</u>		Flanged Hex Nut, M10 - 1.25	1
14	<u>606256</u>		Flanged Hex Head Bolt, M10 - 1.25 x 25mm Lg, Grade 8.8	3
15	<u>602330</u>		Flanged Hex Head Bolt, M8 - 1.25 x 30mm Lg, Grade 8.8	2
16	<u>603599</u>		Exhaust Gasket.....	2
17	<u>657449</u>		Oxygen Sensor	1

ENGINE MOUNTING

8 Front Mount Bracket Assembly includes items 9 - 13



ENGINE MOUNTING

THE USE OF NON U.L. PARTS WILL VOID ANY U.L. LISTING.

When ordering parts, please specify the model and serial number of the product.

* Indicates a component that is not available as an individual part.

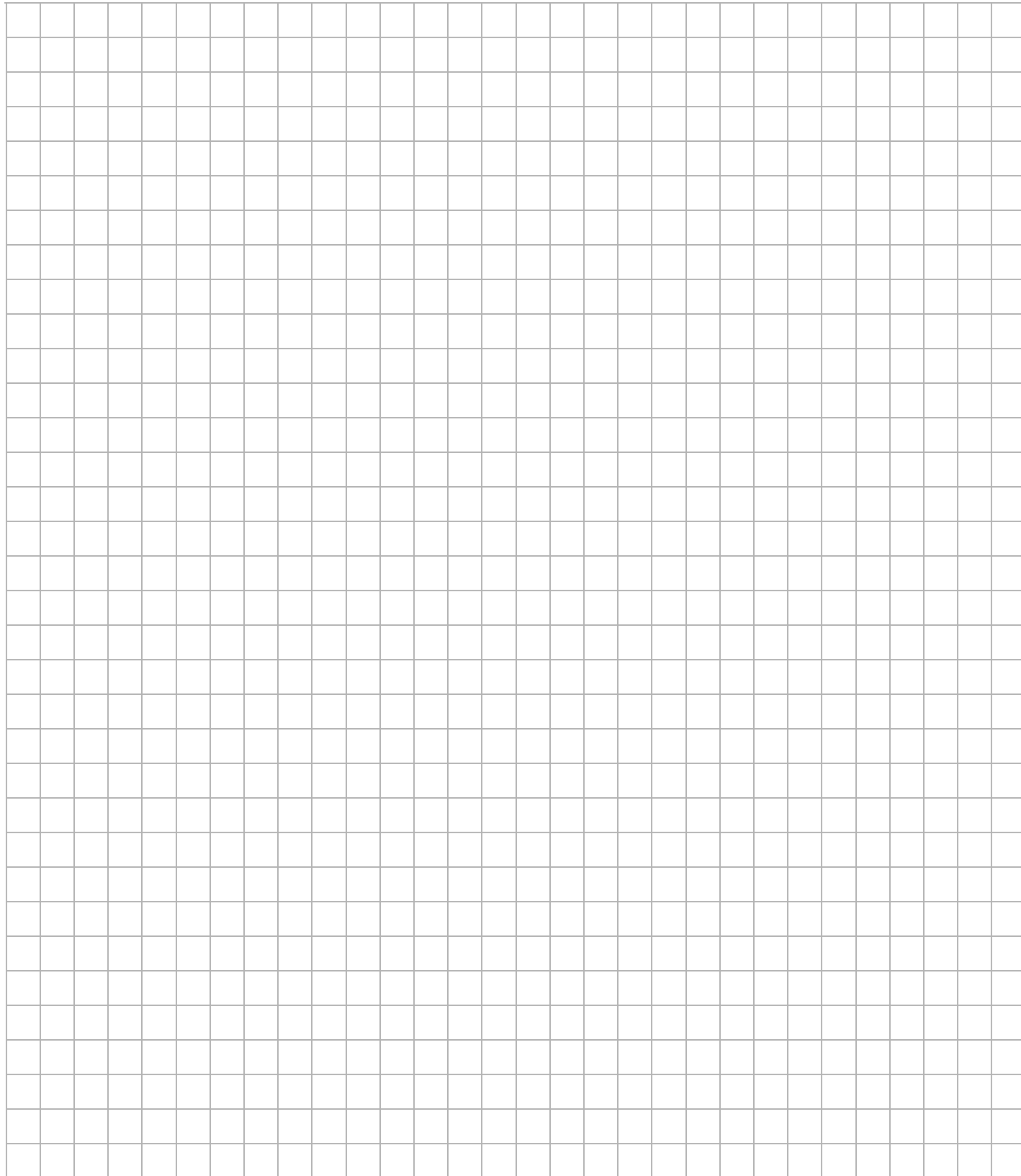
*** Indicates consult Customer Service Department for additional information.

ITEM	PART NO.	1 2 3 4 5	DESCRIPTION	QTY.
1	<u>630776</u>		Engine Pan	1
2	<u>606259</u>		Flanged Hex Head Bolt, M10 - 1.25 x 45mm Lg, Grade 8.8	4
3				
4	<u>606256</u>		Flanged Hex Head Bolt, M10 - 1.25 x 25mm Lg, Grade 8.8	4
5	<u>603823</u>		Flat Washer, M10 x 22mm x 2.5mm	4
6	<u>606279</u>		Flanged Hex Nut, M10 - 1.25	4
7				
8	662794		Front Mount Bracket Assembly (Includes Items 9 - 13)	1
9	10000283		Front Mount Bracket	1
10	<u>605757</u>		Rubber Bumper	2
11	<u>00974G01</u>		Hex Nut, M10 - 1.5	2
12	<u>608654</u>		Lock Washer (Split), 10mm	2
13	<u>692754</u>		Tube Clamp	1
14	<u>603799</u>		Flanged Hex Head Bolt, M10 - 1.5 x 25mm Lg, Grade 8.8	2
15	<u>600525</u>		Flanged Lock Nut, M10 - 1.5	2

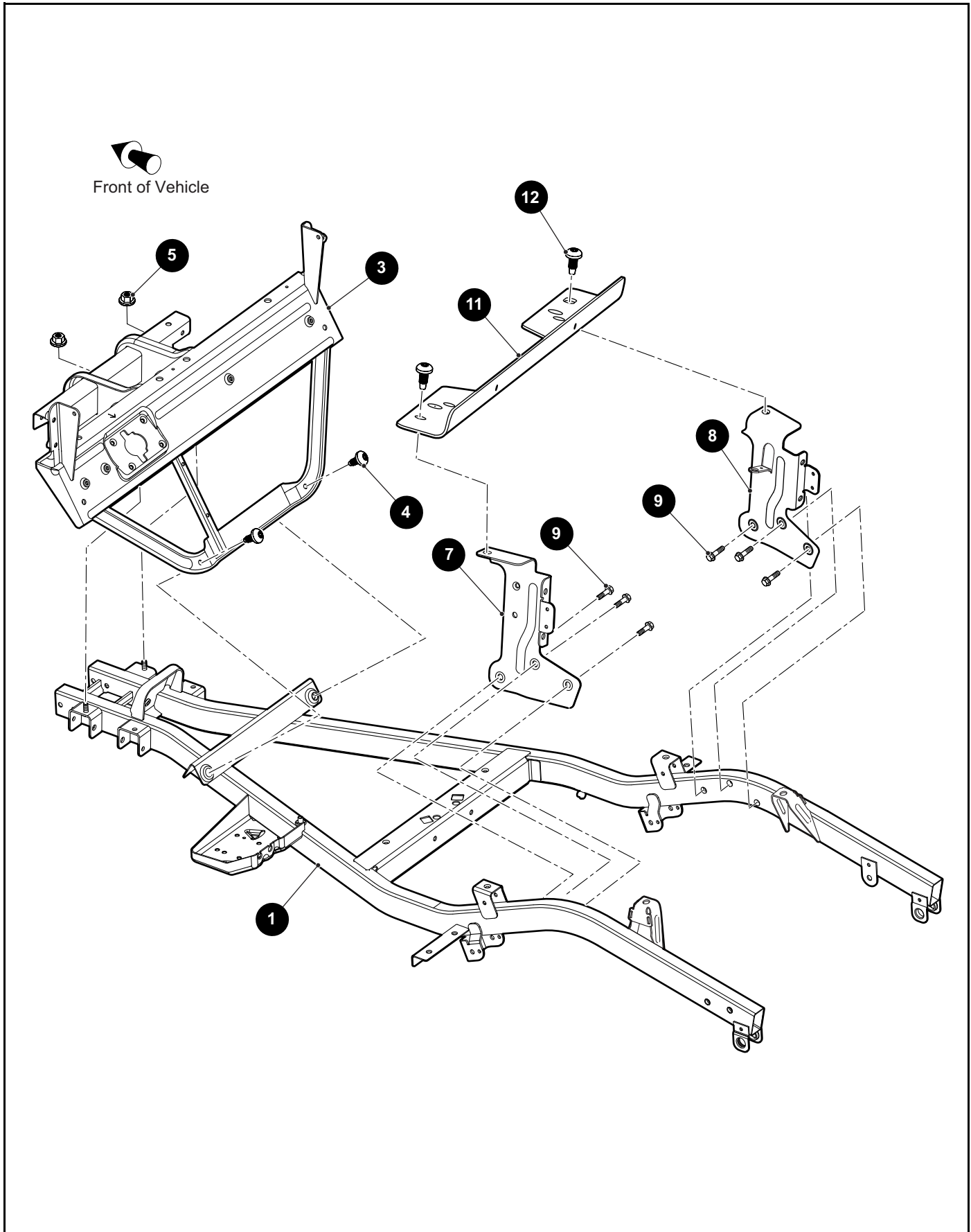
Notes:

A large rectangular area filled with a grid of small squares, intended for handwritten notes. The grid consists of approximately 25 columns and 35 rows.

Notes:



FRAME



THE USE OF NON U.L. PARTS WILL VOID ANY U.L. LISTING.

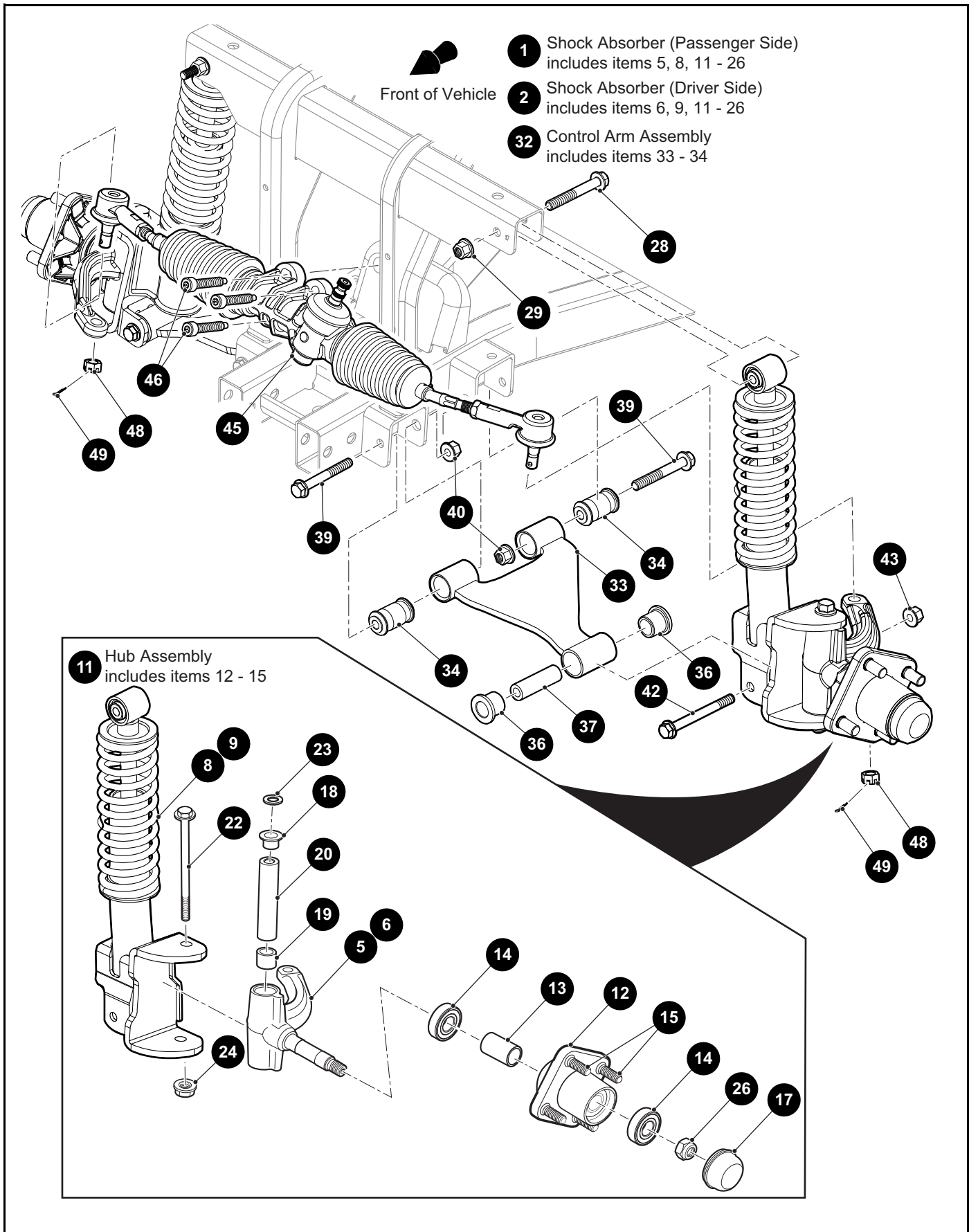
When ordering parts, please specify the model and serial number of the product.

* Indicates a component that is not available as an individual part.

*** Indicates consult Customer Service Department for additional information.

ITEM	PART NO.	1 2 3 4 5	DESCRIPTION	QTY.
1	<u>657280G05</u>		Frame Weldment, P/coat	1
2				
3	<u>614597</u>		Instrument Panel Support Weldment	1
4	<u>602572</u>		Pan Head Taptite Bolt, M10 - 1.5 x 25mm Lg, Grade 8.8	2
5	<u>600525</u>		Flanged Lock Nut, M10 - 1.5.....	2
6				
7	<u>600218</u>		Seat Support Bracket (Driver Side).....	1
8	<u>613187</u>		Seat Support Bracket (Passenger Side).....	1
9	<u>603799</u>		Flanged Hex Head Bolt, M10 - 1.5 x 25mm Lg, Grade 8.8.....	3
10				
11	<u>601275</u>		Seat Support Brace.....	1
12	<u>602572</u>		Pan Head Taptite Bolt, M10 - 1.5 x 25mm Lg, Grade 8.8	2

FRONT SUSPENSION AND STEERING



FRONT SUSPENSION AND STEERING

THE USE OF NON U.L. PARTS WILL VOID ANY U.L. LISTING.

When ordering parts, please specify the model and serial number of the product.

* Indicates a component that is not available as an individual part.

*** Indicates consult Customer Service Department for additional information.

ITEM	PART NO.	1 2 3 4 5	DESCRIPTION	QTY.
1	<u>663321</u>		Shock Absorber (Passenger Side) (Includes Items 5, 8, 11 - 26)	1
2	<u>663303</u>		Shock Absorber (Driver Side) (Includes Items 6, 9, 11 - 26)	1
3				
4				
5	<u>611271</u>		Spindle (Passenger Side)	1
6	<u>607413</u>		Spindle (Driver Side)	1
7				
8	<u>655529</u>		Strut (Passenger Side)	1
9	<u>655526</u>		Strut (Driver Side)	1
10				
11	<u>609603</u>		Hub Assembly (Includes Items 12 - 15)	1
12	602340		Hub	1
13	602342		Bearing Spacer, 28mm O.D. x 22mm I.D. x 46.7mm Lg	1
14	<u>602341</u>		Ball Bearing, 47mm O.D. x 20mm I.D. x 14mm	2
15	<u>19862G1</u>		Wheel Bolt, 1/2" - 20 x 1.218" Lg	4
16				
17	<u>12091G2</u>		Spindle Cap	1
18	<u>632925</u>		Flanged Bushing	1
19	<u>632926</u>		Flanged Sleeve	1
20	<u>614034</u>		Kingpin Tube	1
21				
22	<u>620380</u>		Flanged Hex Head Bolt, M12 - 1.25 x 145mm Lg, Grade 10.9	1
23	<u>601920</u>		Thrust Washer (SS), 35mm O.D. x 26mm I.D. x 2.5mm Lg	1
24	<u>600549</u>		Lock Nut, M12 - 1.25	1
25				
26	<u>615109</u>		Lock Nut, M16 - 2	1
27				
28	<u>602415</u>		Flanged Hex Head Bolt, M10 - 1.5 x 80mm Lg	1
29	<u>600525</u>		Lock Nut, M10 - 1.5	1
30				
31				

FRONT SUSPENSION AND STEERING

THE USE OF NON U.L. PARTS WILL VOID ANY U.L. LISTING.

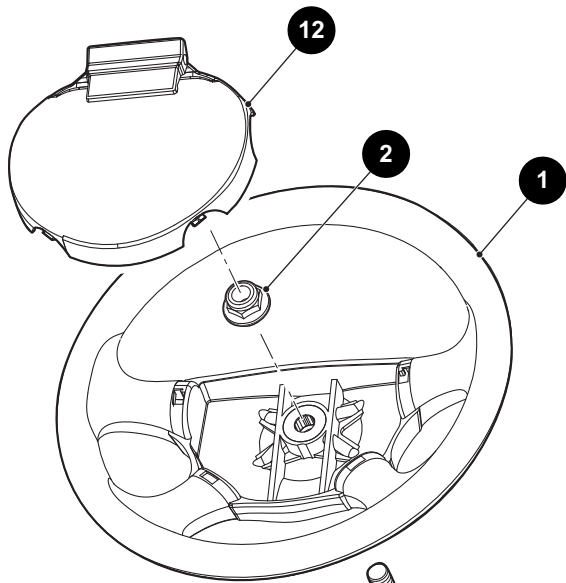
When ordering parts, please specify the model and serial number of the product.

* Indicates a component that is not available as an individual part.

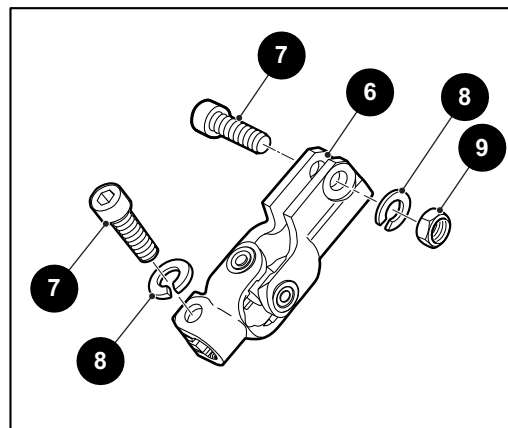
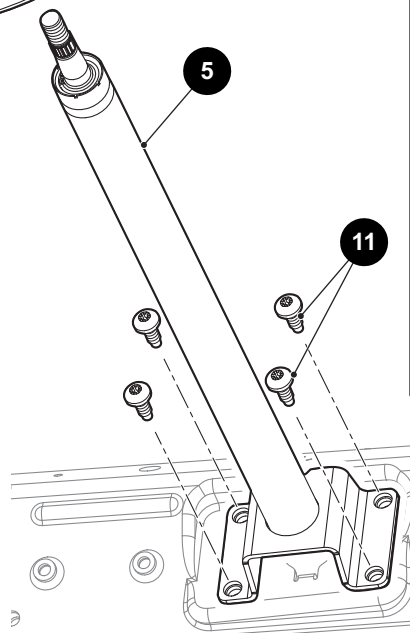
*** Indicates consult Customer Service Department for additional information.

ITEM	PART NO.	1 2 3 4 5	DESCRIPTION	QTY.
32	<u>608089</u>		Control Arm Assembly (Includes Items 33 - 34)	1
33	608090		Control Arm	1
34	<u>608086</u>		Mounting Sleeve (Rubber)	2
35				
36	<u>601340</u>		Control Arm Bushing.....	2
37	<u>602085</u>		Control Arm Carrier Tube.....	2
38				
39	<u>602415</u>		Flanged Hex Head Bolt, M10 - 1.5 x 80mm Lg	2
40	<u>600525</u>		Lock Nut, M10 - 1.5	2
41				
42	<u>601754</u>		Flanged Hex Head Bolt, M10 - 1.5 x 100mm Lg	1
43	<u>600525</u>		Lock Nut, M10 - 1.5	1
44				
45	<u>618329</u>		Steering Rack Assembly.....	1
46	<u>602020</u>		Socket Head Bolt, M10 - 1.5 x 50mm Lg, Grade 8.8.....	3
47				
48	<u>608005</u>		Castle Nut (SS), M12 - 1.25	2
49	<u>10387G2</u>		Cotter Pin, .094" x 1"	2

FRONT SUSPENSION AND STEERING



4 Steering Column Assembly includes items 5 - 9



FRONT SUSPENSION AND STEERING

THE USE OF NON U.L. PARTS WILL VOID ANY U.L. LISTING.

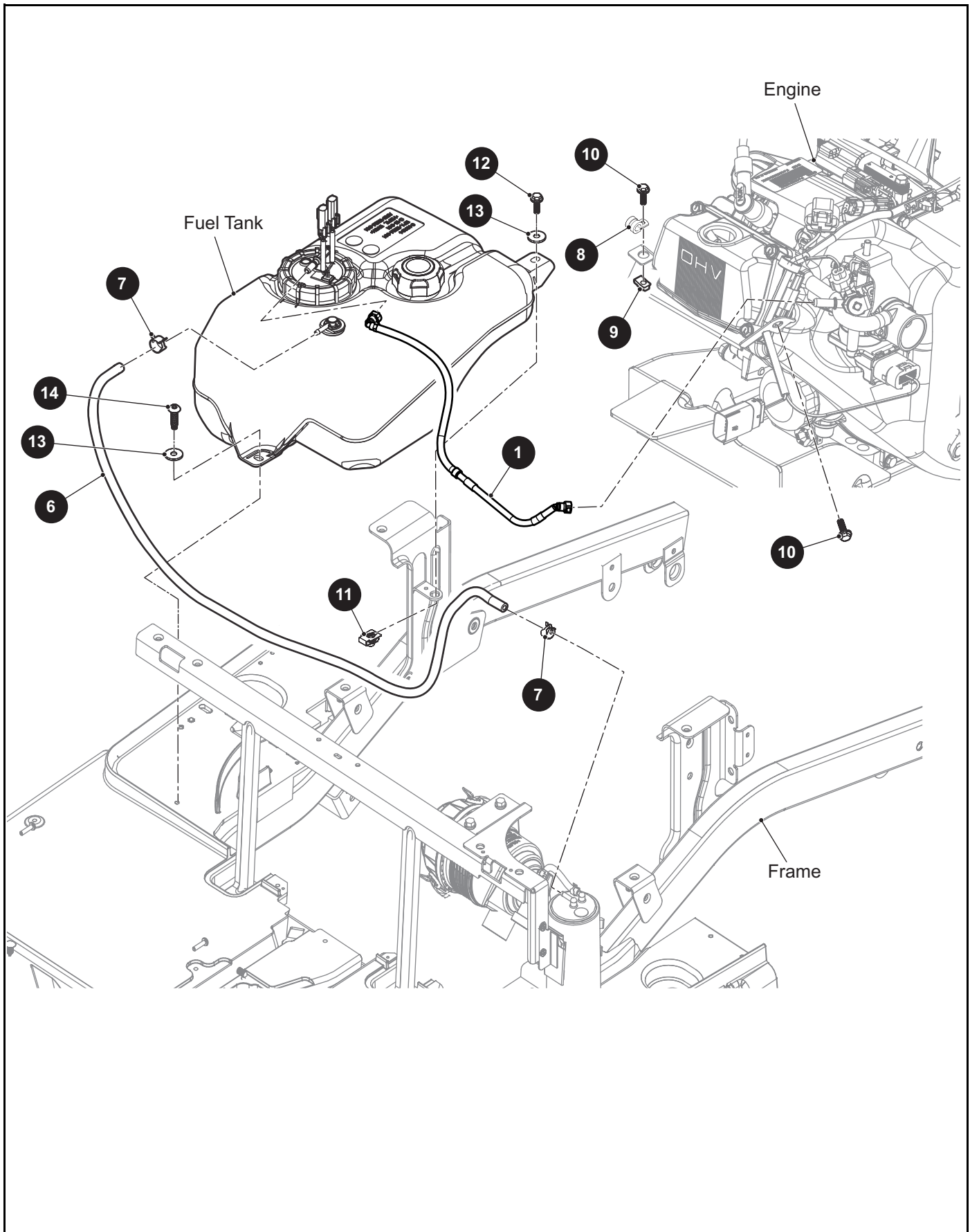
When ordering parts, please specify the model and serial number of the product.

* Indicates a component that is not available as an individual part.

*** Indicates consult Customer Service Department for additional information.

ITEM	PART NO.	1 2 3 4 5	DESCRIPTION	QTY.
1	<u>602980</u>		Steering Wheel.....	1
2	10013991		Lock Nut, M16 - 2.....	1
3				
4	<u>600333</u>		Steering Column Assembly (Includes Items 5 - 9).....	1
5	<u>608117</u>		Steering Column	1
6	<u>608114</u>		Steering Yoke	1
7	<u>608653</u>		Socket Head Bolt, M10 - 1.5 x 35mm Lg.....	2
8	<u>608654</u>		Lock Washer, 10.5mm	2
9	<u>608655</u>		Hex Nut, M10 - 1.5	1
10				
11	<u>602572</u>		Pan Head Taptite Bolt, M10 - 1.5 x 25mm Lg, Grade 8.8	4
12	<u>607925</u>		Scorecard Holder	1

FUEL SYSTEM



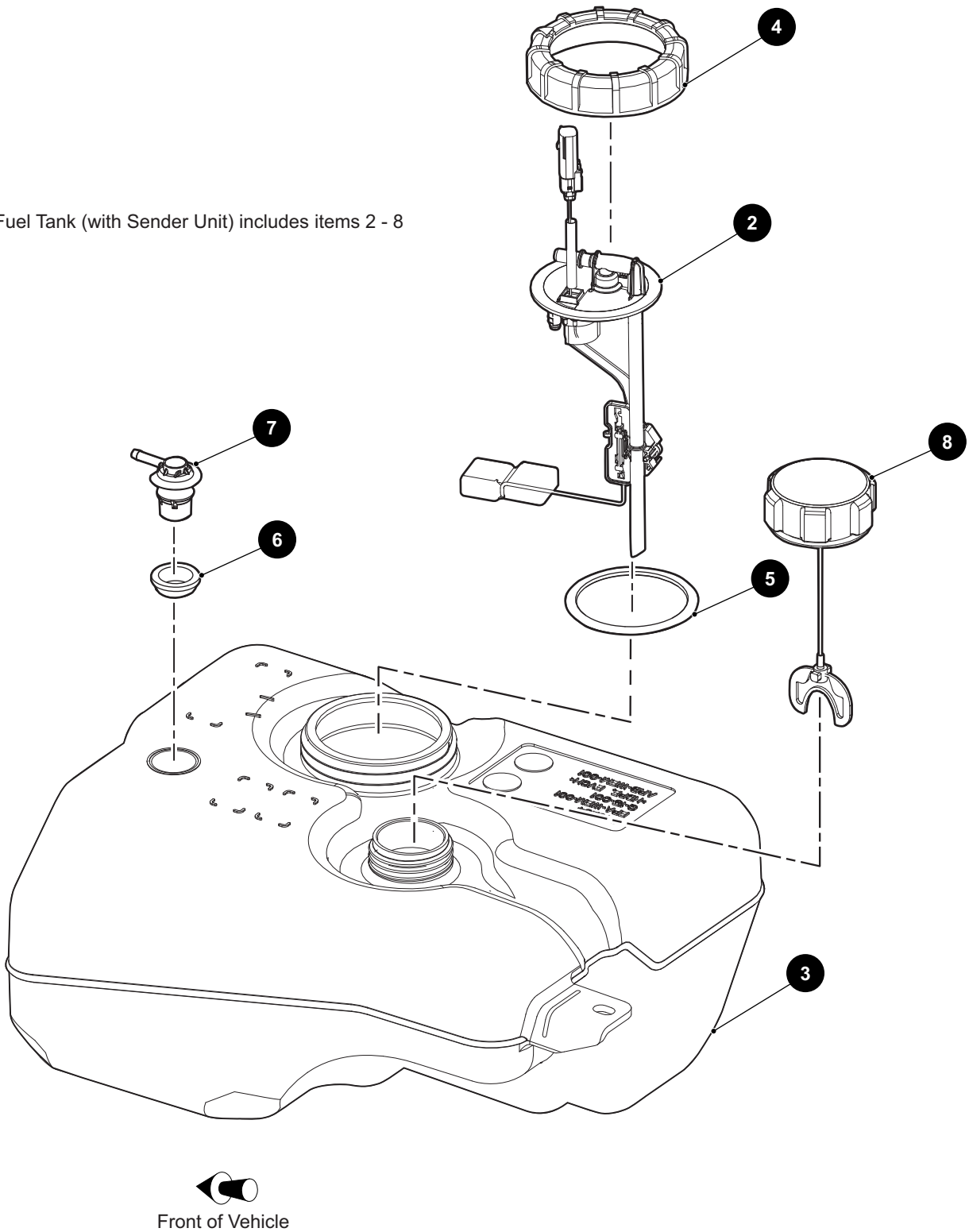
FUEL SYSTEM

THE USE OF NON U.L. PARTS WILL VOID ANY U.L. LISTING.
 When ordering parts, please specify the model and serial number of the product.
 * Indicates a component that is not available as an individual part.
 *** Indicates consult Customer Service Department for additional information.

ITEM	PART NO.	1 2 3 4 5	DESCRIPTION	QTY.
1	666351		Fuel Hose	1
2				
3				
4				
5				
6	<u>27184G05</u>		Fuel Tube, .25 I.D x .5 O.D x 42" Lg	1
7	<u>18292G1</u>		Tubing Clamp	1
8	664747		Tubing Clamp	2
9	<u>602409</u>		Barrel Clip, M6 - 1	2
10	<u>606264</u>		Flanged Hex Head Bolt, M6 - 1 x 20mm Lg, Grade 8.8	2
11	<u>603818</u>		Barrel Clip, M10 - 1.5	1
12	<u>603799</u>		Flanged Hex Head Bolt, M10 - 1.5 x 25mm Lg, Grade 8.8	1
13	<u>604066</u>		Flat Washer, M10	2
14	<u>649804</u>		Button Head Torx Screw, M8 - 3.5 x 30mm Lg.....	1

FUEL SYSTEM

1 Fuel Tank (with Sender Unit) includes items 2 - 8



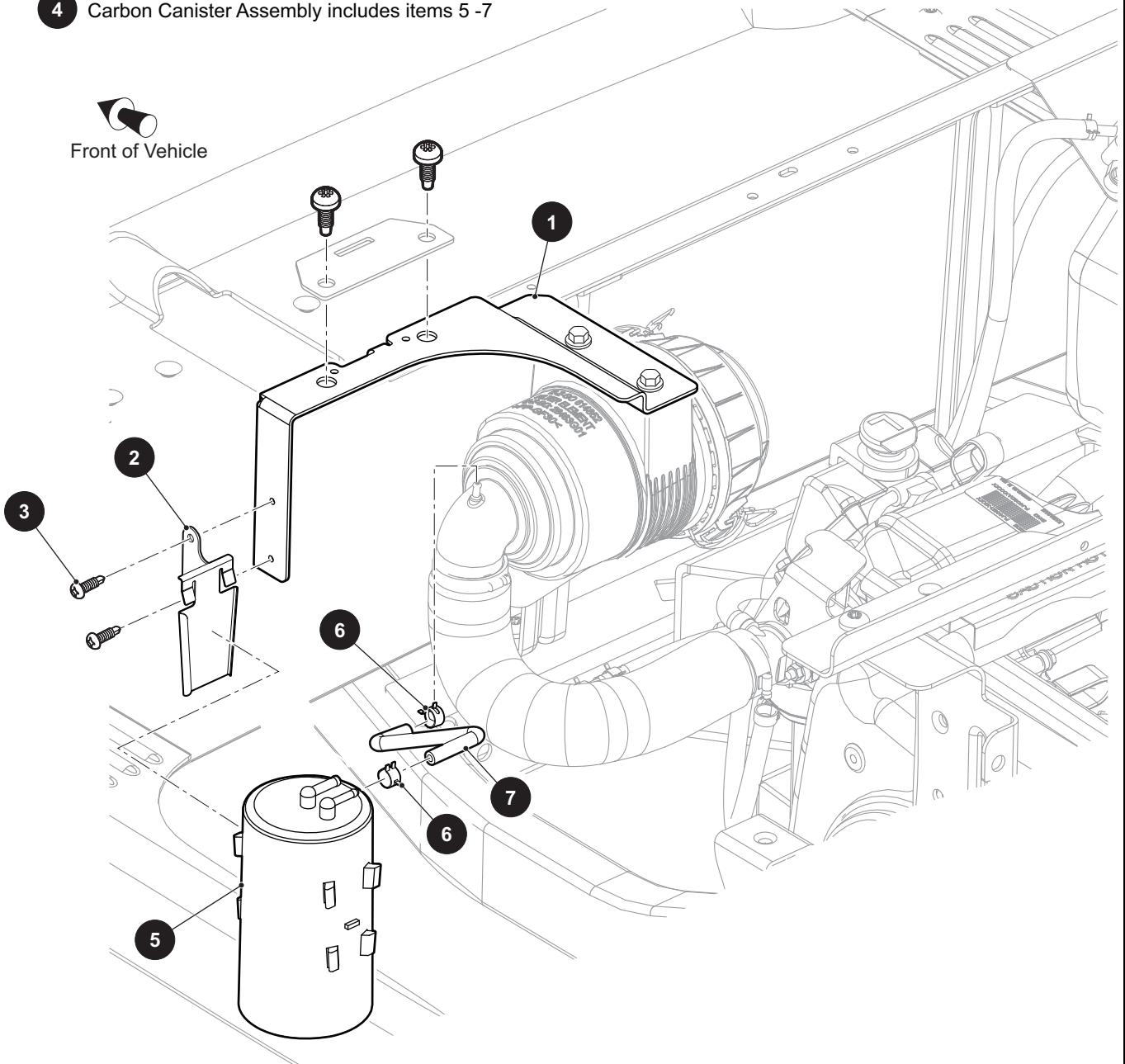
FUEL SYSTEM

THE USE OF NON U.L. PARTS WILL VOID ANY U.L. LISTING.
 When ordering parts, please specify the model and serial number of the product.
 * Indicates a component that is not available as an individual part.
 *** Indicates consult Customer Service Department for additional information.

ITEM	PART NO.	1 2 3 4 5	DESCRIPTION	QTY.
1	<u>646833</u>		Fuel Tank (with Sender Unit) (Includes Items 2 - 8)	1
2	<u>646358</u>		Fuel Pickup with Sender Assembly	1
3	646284		Fuel Tank	1
4	<u>646837</u>		Fuel Pump Lid	1
5	<u>646838</u>		Mason Jar Seal.....	1
6	<u>647810</u>		Rollover Valve Grommet.....	1
7	<u>647809</u>		Rollover Valve.....	1
8	670898		Fuel Tank Cap (Ratchet).....	1

4 Carbon Canister Assembly includes items 5 -7

Front of Vehicle



THE USE OF NON U.L. PARTS WILL VOID ANY U.L. LISTING.

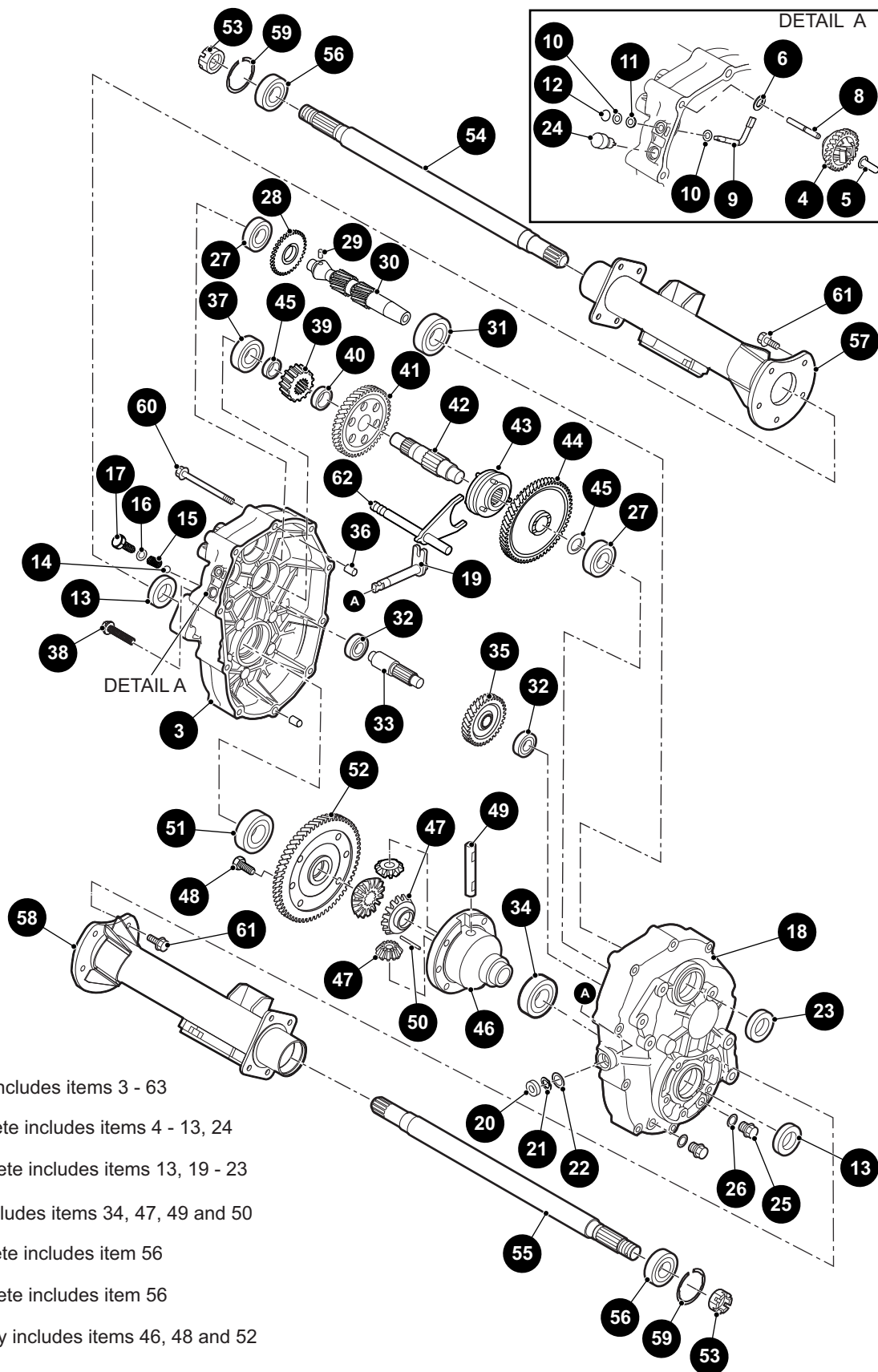
When ordering parts, please specify the model and serial number of the product.

* Indicates a component that is not available as an individual part.

*** Indicates consult Customer Service Department for additional information.

ITEM	PART NO.	1 2 3 4 5	DESCRIPTION	QTY.
1	<u>659882</u>		Canister Bracket.....	1
2	<u>606310</u>		Canister Mounting Bracket.....	1
3	<u>00106G6</u>		Pan Head Phillips Screw, #12 - 24 x 3/4" Lg.....	2
4	662808		Carbon Canister Assembly (Includes Items 5 - 7).....	1
5	10006822		Carbon Canister	1
6	<u>606963</u>		Hose Clamp, 3/16" I.D.....	2
7	692912		Hose, 3/16" I.D.....	1

REAR AXLE



- 1 Rear Axle, 11.47:1 includes items 3 - 63
- 3 Axle Case L Complete includes items 4 - 13, 24
- 18 Axle Case R Complete includes items 13, 19 - 23
- 46 Differential Case includes items 34, 47, 49 and 50
- 54 Axle Shaft L Complete includes item 56
- 55 Axle Shaft R Complete includes item 56
- 63 Differential Assembly includes items 46, 48 and 52

REAR AXLE

THE USE OF NON U.L. PARTS WILL VOID ANY U.L. LISTING.

When ordering parts, please specify the model and serial number of the product.

* Indicates a component that is not available as an individual part.

*** Indicates consult Customer Service Department for additional information.

ITEM	PART NO.	1 2 3 4 5	DESCRIPTION	QTY.
1	<u>670468</u>		Rear Axle, 11.47:1 (Includes Items 3 - 63)	1
2				
3	<u>639859</u>		Axle Case L Complete (Includes Items 4 - 13, 24)	1
4	<u>665887</u>		Governor Gear	1
5	<u>639689</u>		Governor Sleeve	1
6	<u>607904</u>		Flat Washer	1
7				
8	<u>639698</u>		Governor Gear Shaft.....	1
9	<u>639707</u>		Governor Shaft.....	1
10	<u>639736</u>		Flat Washer, 6mm	2
11	<u>607911</u>		Oil Seal, 6 x 10 x 2.5mm	1
12	<u>607913</u>		Retaining Ring, E5	1
13	<u>639738</u>		Oil Seal, 24 x 40 x 9mm	2
14	<u>26818G01</u>		Steel Ball	1
15	<u>26819G01</u>		Spring	1
16	<u>26831G01</u>		Gasket, 10	1
17	<u>26820G01</u>		Flanged Hex Head Bolt, M10 - 1.25 x 12mm Lg	1
18	<u>639865</u>		Axle Case R Complete (Includes Items 13, 19 - 23)	1
19	<u>639746</u>		Select Shaft.....	1
20	<u>607915</u>		Oil Seal, 13 x 22 x 5mm	1
21	<u>607916</u>		Snap Ring, 13mm	1
22	<u>607917</u>		Spacer, 13 x 1mm	1
23	<u>640093</u>		Oil Seal, 28 x 47 x 9mm	1
24	<u>607919</u>		Air Breather	1
25	<u>639747</u>		Oil Drain Plug	2
26	<u>639748</u>		Gasket, 14mm	2
27	<u>26785G01</u>		Ball Bearing (6204).....	2
28	<u>665888</u>		Governor Gear,34.....	1
29	<u>607920</u>		Pin, 6 x 12L.....	1
30	<u>639750</u>		Input Shaft	1
31	<u>607922</u>		Ball Bearing (62/28).....	1

REAR AXLE

THE USE OF NON U.L. PARTS WILL VOID ANY U.L. LISTING.

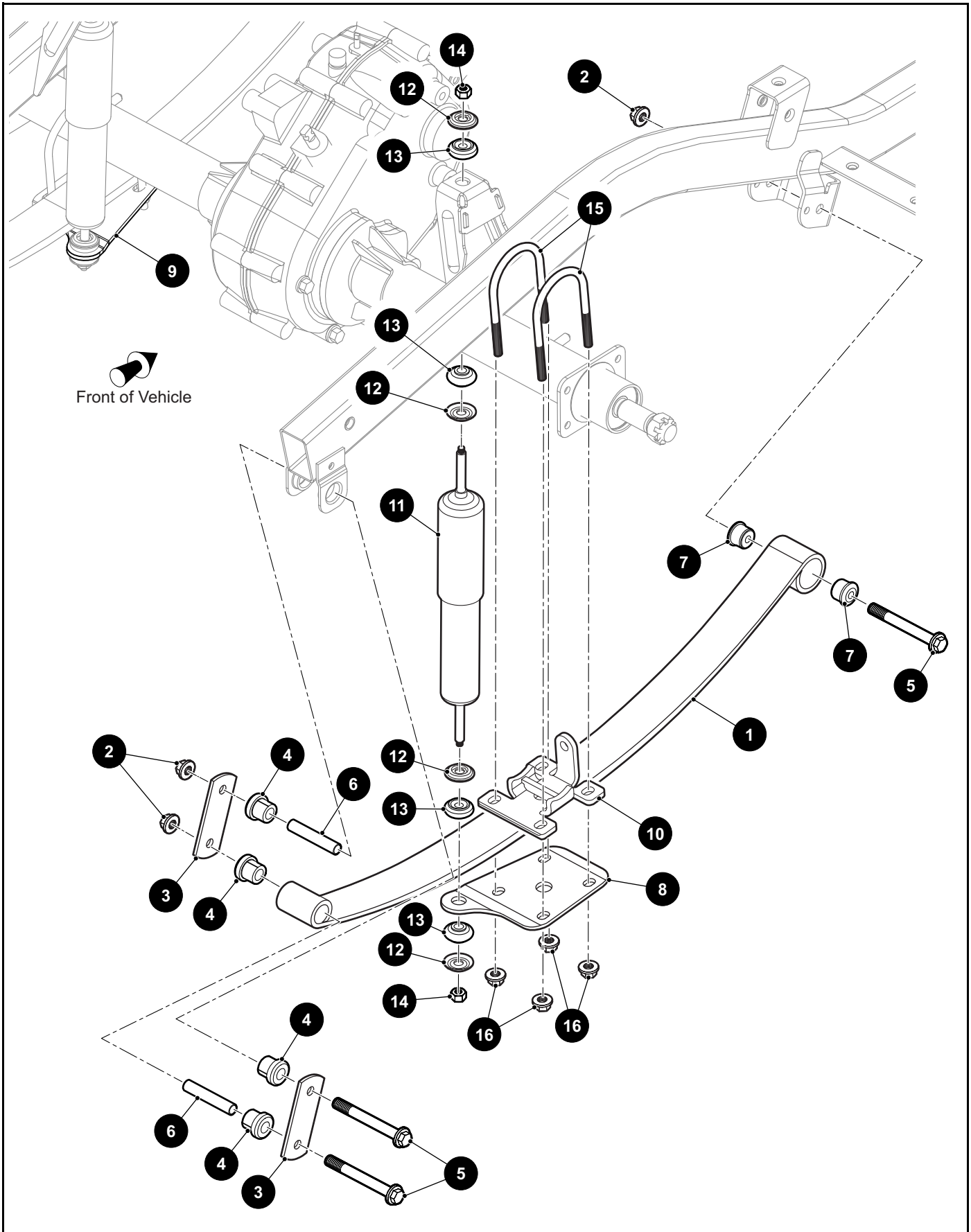
When ordering parts, please specify the model and serial number of the product.

* Indicates a component that is not available as an individual part.

*** Indicates consult Customer Service Department for additional information.

ITEM	PART NO.	1	2	3	4	5	DESCRIPTION	QTY.
32	<u>639868</u>						Ball Bearing (TMB202)	2
33	<u>639755</u>						Counter Shaft	1
34	<u>640744</u>						Ball Bearing (6006)	1
35	<u>639758</u>						Gear, 34.....	1
36	<u>639869</u>						Knock Pipe	2
37	<u>639760</u>						Ball Bearing (6304).....	2
38	<u>639768</u>						Flanged Hex Head Bolt, M8 - 1.25 x 40mm Lg	1
39	<u>639769</u>						Gear, 17.....	1
40	<u>28689G01</u>						Collar, 24 x 7.5mm	1
41	<u>639771</u>						Gear, 52.....	1
42	<u>670697</u>						Center Shaft	1
43	<u>639774</u>						Clutch Pin	1
44	<u>670696</u>						Gear, 61.....	1
45	<u>639797</u>						Spacer, 20 x 2mm	2
46	<u>639872</u>						Differential Case (Includes Items 34, 47, 49 and 50).....	1
47	<u>639800</u>						Differential Pair Gear.....	1
48	<u>26808G01</u>						Hex Head Bolt, M10 - 1.25 x 26mm Lg.....	6
49	<u>28723G01</u>						Differential Shaft.....	1
50	<u>28697G01</u>						Spring Pin, 4 x 40L.....	1
51	<u>639801</u>						Ball Bearing (6007)	1
52	<u>640739</u>						Gear, 60 Complete (Includes Item 51).....	1
53	<u>607938</u>						Castle Nut, M22 - 1.5	2
54	<u>639876</u>						Axle Shaft L Complete (Includes Item 56).....	1
55	<u>639881</u>						Axle Shaft R Complete (Includes Item 56)	1
56	<u>639836</u>						Ball Bearing (6205DD).....	2
57	<u>607939</u>						Axle Case L Complete.....	1
58	<u>607940</u>						Axle Case R Complete	1
59	<u>26814G01</u>						Snap Ring, 52mm.....	2
60	<u>639839</u>						Flanged Hex Head Bolt, M8 - 1.25 x 60mm Lg	9
61	<u>639840</u>						Flanged Hex Head Bolt, M10 - 1.25 x 25mm Lg	10
62	<u>639844</u>						Shift Shaft Complete	1
63	<u>639847</u>						Differential Assembly (Includes Items 46, 48 and 52).....	1

REAR SUSPENSION



REAR SUSPENSION

THE USE OF NON U.L. PARTS WILL VOID ANY U.L. LISTING.

When ordering parts, please specify the model and serial number of the product.

* Indicates a component that is not available as an individual part.

*** Indicates consult Customer Service Department for additional information.

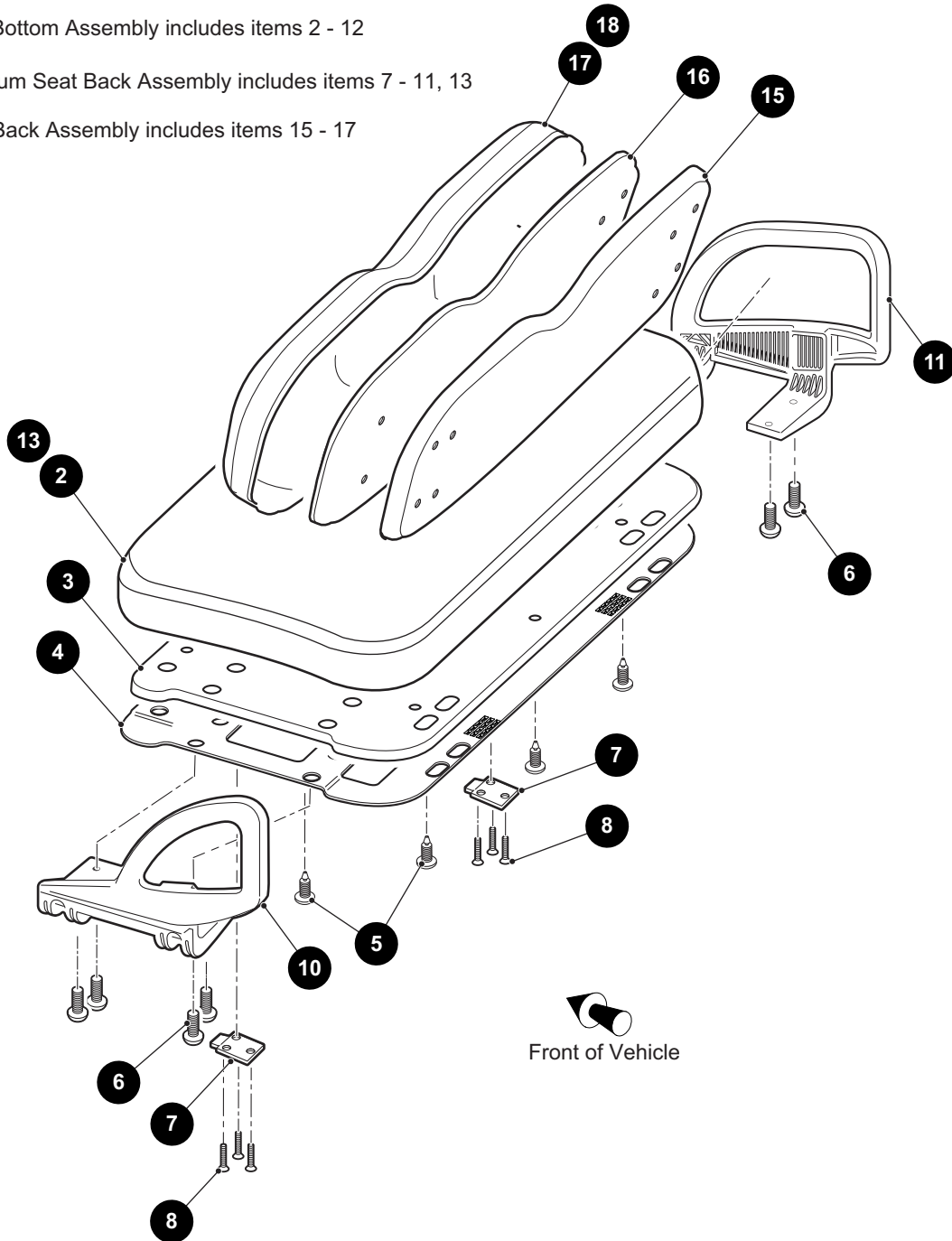
ITEM	PART NO.	1 2 3 4 5	DESCRIPTION	QTY.
1	<u>604494</u>		Heavy Duty Leaf Spring	1
2	<u>614974</u>		Flanged Hex Nut, M10 - 1.5	3
3	<u>652245</u>		Shackle Plate	2
4	<u>624030</u>		Flanged Bushing	4
5	<u>601754</u>		Flanged Hex Head Bolt, M10 - 1.5 x 100mm Lg	3
6	<u>620161</u>		Split Spacer (Steel)	3
7	<u>620160</u>		Flanged Bushing (Urethane)	2
8	<u>625658</u>		Shock Mount Plate (Passenger Side)	1
9	<u>625657</u>		Shock Mount Plate (Driver Side)	1
10	<u>626422</u>		Axle Support Bracket	1
11	<u>76418G01</u>		Shock Absorber	2
12	<u>10435G1</u>		Shock Absorber Washer, .406" x 1.25" x .22"	4
13	<u>10194G1</u>		Rubber Bushing	4
14	<u>00532G6</u>		Hex Nut, 3/8" - 24	2
15	<u>632103</u>		U-bolt, 68mm Dia x 45mm x 110mm Lg	2
16	<u>600525</u>		Lock Nut, M10 - 1.5	4

SEATING

1 Seat Bottom Assembly includes items 2 - 12

12 Premium Seat Back Assembly includes items 7 - 11, 13

14 Seat Back Assembly includes items 15 - 17



THE USE OF NON U.L. PARTS WILL VOID ANY U.L. LISTING.

When ordering parts, please specify the model and serial number of the product.

* Indicates a component that is not available as an individual part.

*** Indicates consult Customer Service Department for additional information.

ITEM	PART NO.	1 2 3 4 5	DESCRIPTION	QTY.
1	***		Seat Bottom Assembly (Includes Items 2 - 12) 629269G1502 Stone Beige 629269G1501 Oyster 629269G1506 Black 629269G1504 Gray	1
2	***		Vinyl and Foam Seat Bottom 644819G02 Stone Beige 644819G01 Oyster 644819G06 Black 644819G04 Gray	1
3	<u>644351</u>		Wooden Base Assembly.....	1
4	<u>602551</u>		Cover Plate.....	1
5	<u>16816G2</u>		Ratchet Rivet, .25" x .887".....	4
6	<u>615417</u>		Button Head Torx Bolt, M10 - 1.5 x 25mm Lg.....	4
7	<u>71610G01</u>		Seat Hinge.....	1
8	<u>00720G08</u>		Flat Head Phillips Tapping Screw, #12 - 14 x 1" Lg.....	3
9				
10	<u>617645</u>		Hip Restraint (Driver Side).....	1
11	<u>617644</u>		Hip Restraint (Passenger Side).....	1
12	***		Premium Seat Bottom Assembly (Includes Items 7 - 11, 13) 629269G2918 Mushroom 629269G2919 Gray 629269G2921 Black	1
13	***		Premium Seat Bottom 647267G18 Mushroom 647267G19 Gray 647267G21 Black	1
14	***		Seat Back Assembly (Includes Items 15 - 17)..... 641897G0002 Stone Beige 641897G0001 Oyster 641897G0006 Black 641897G0004 Gray	1
15	<u>605529</u>		Cover (Plastic) (Black).....	1
16	<u>644268</u>		Base Assembly.....	1
17	***		Vinyl Cover and Foam 644820G02 Stone Beige 644820G01 Oyster 644820G06 Black 644820G04 Gray	1

SEATING

THE USE OF NON U.L. PARTS WILL VOID ANY U.L. LISTING.

When ordering parts, please specify the model and serial number of the product.

* Indicates a component that is not available as an individual part.

*** Indicates consult Customer Service Department for additional information.

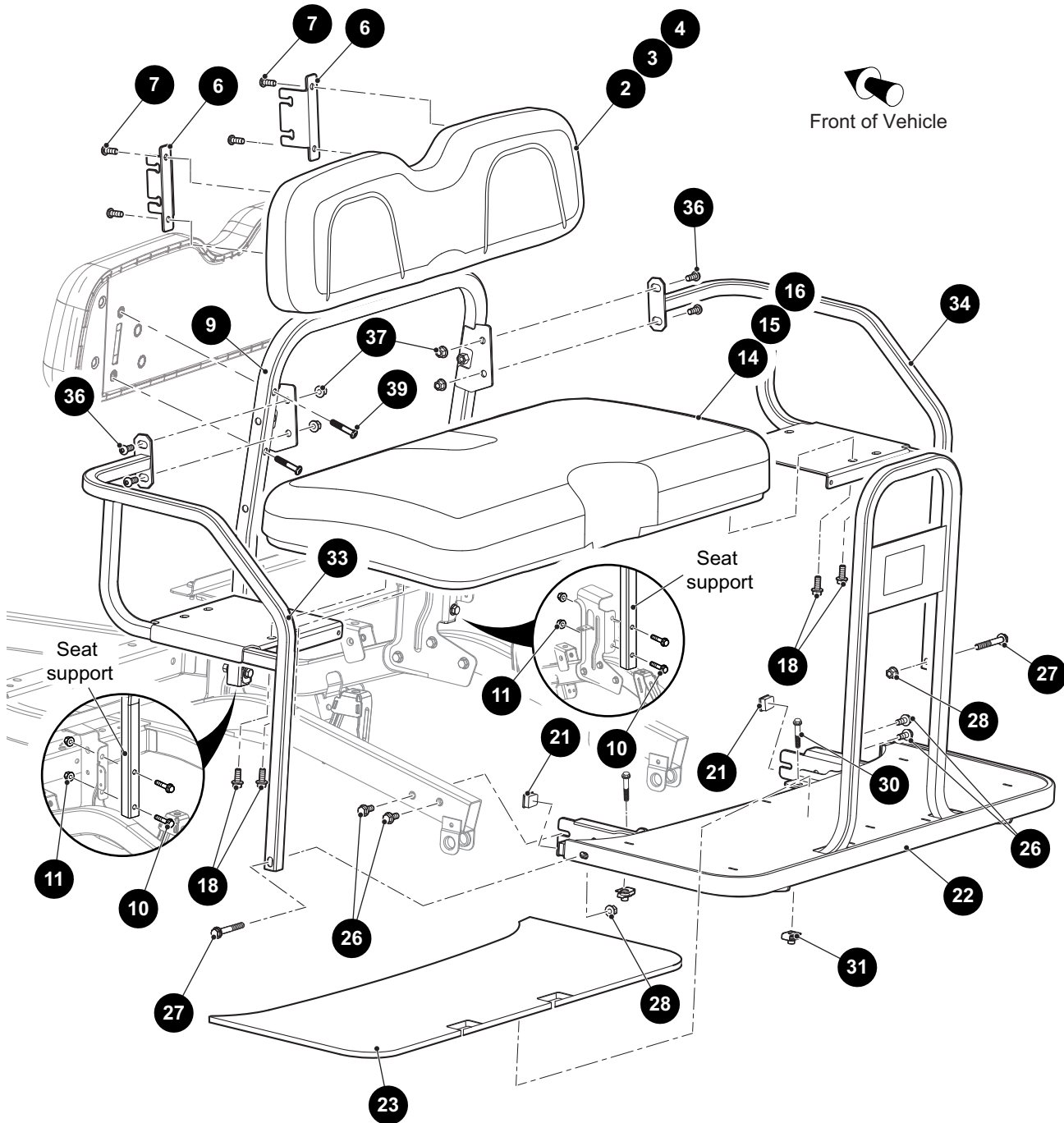
ITEM	PART NO.	1 2 3 4 5 DESCRIPTION	QTY.
18	***	Premium Seat Back Assembly 647282G18 Mushroom 647282G19 Premium 647282G21 Black	1

SEATING

1 Seat Back Assembly
includes items 2 - 4

20 Floorboard Assembly (Fixed Seat)
includes items 21 - 23

13 Seat Bottom Assembly (Fixed)
includes items 14 - 16



THE USE OF NON U.L. PARTS WILL VOID ANY U.L. LISTING.

When ordering parts, please specify the model and serial number of the product.

* Indicates a component that is not available as an individual part.

*** Indicates consult Customer Service Department for additional information.

ITEM	PART NO.	1 2 3 4 5	DESCRIPTION	QTY.
1	***		Seat Back Assembly (Includes Items 2 - 4)..... 641897G0001 Oyster 641897G0002 Stone Beige 641897G0006 Black 641897G0004 Gray	1
2	***		Vinyl Cover and Foam 644820G02 Stone Beige 644820G01 Oyster 644820G06 Black 644820G04 Gray	1
3	<u>605529</u>		Cover (Plastic).....	1
4	<u>644268</u>		Base Assembly	1
5				
6	<u>606286</u>		Rear Seat Support Bracket	1
7	<u>600530</u>		Button Head Torx Bolt, M10 - 1.5 x 25mm Lg, Grade 8.8	2
8				
9	<u>604473</u>		Seat Support	1
10	<u>603800</u>		Flanged Hex Head Bolt, M10 - 1.5 x 50mm Lg, Grade 8.8	4
11	<u>600525</u>		Flanged Lock Nut, M10 - 1.5	4
12				
13	***		Seat Bottom Assembly (Fixed) (Includes Items 14 - 16) 608010 Oyster 605501 Stone Beige 615170 Black 671495 Gray	1
14	***		Vinyl Cover and Foam 600221 Stone Beige 608007 Oyster 615169 Black 669919 Gray	1
15	<u>605502</u>		Base Assembly	1
16	<u>605503</u>		Seat Bottom (Foam)	1
17				
18	<u>603799</u>		Flanged Hex Head Bolt, M10 - 1.5 x 25mm Lg, Grade 8.8	4
19				
20	<u>642444G01</u>		Floorboard Assembly (Fixed Seat) (Includes Items 21 - 23).....	1

SEATING

THE USE OF NON U.L. PARTS WILL VOID ANY U.L. LISTING.

When ordering parts, please specify the model and serial number of the product.

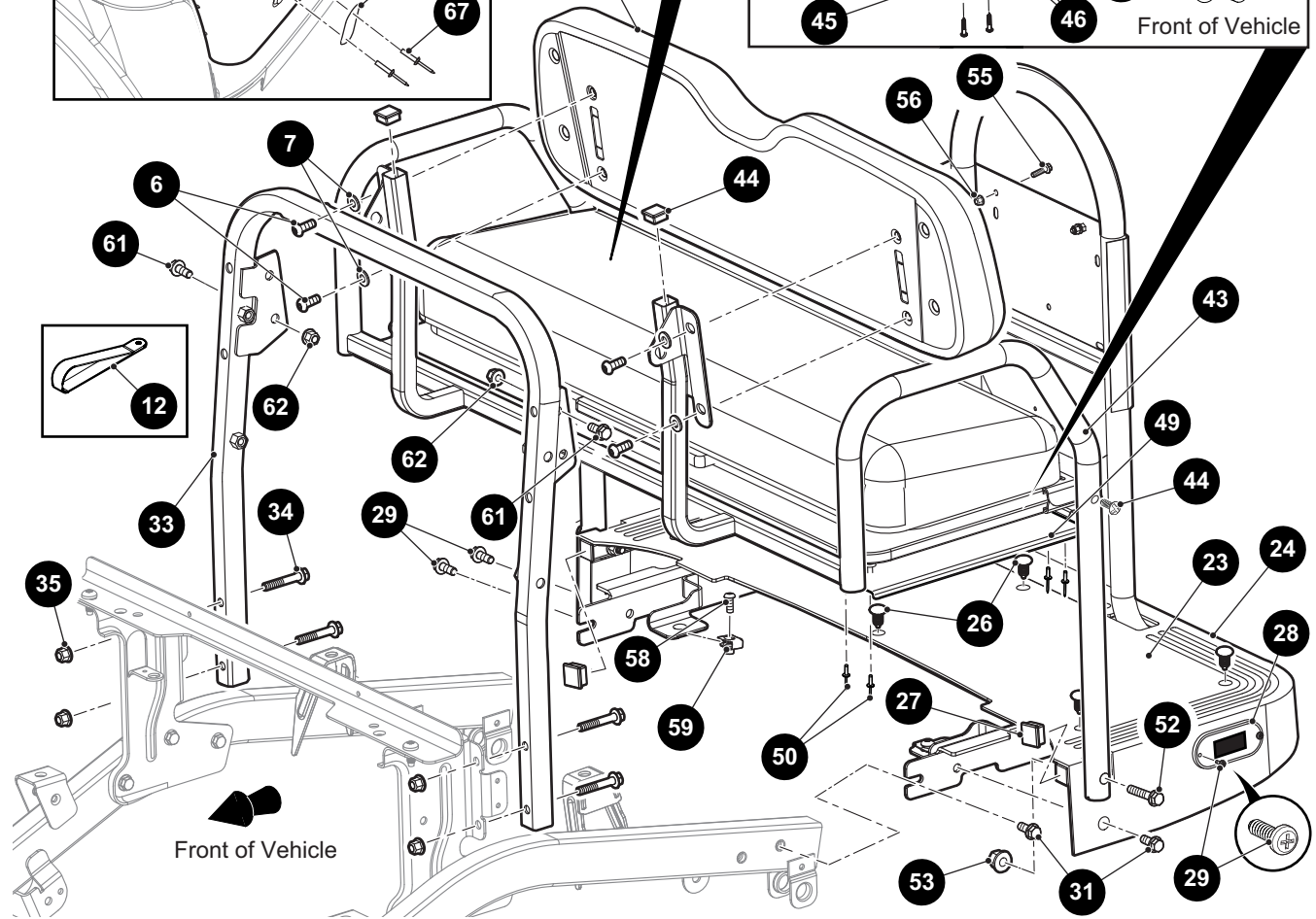
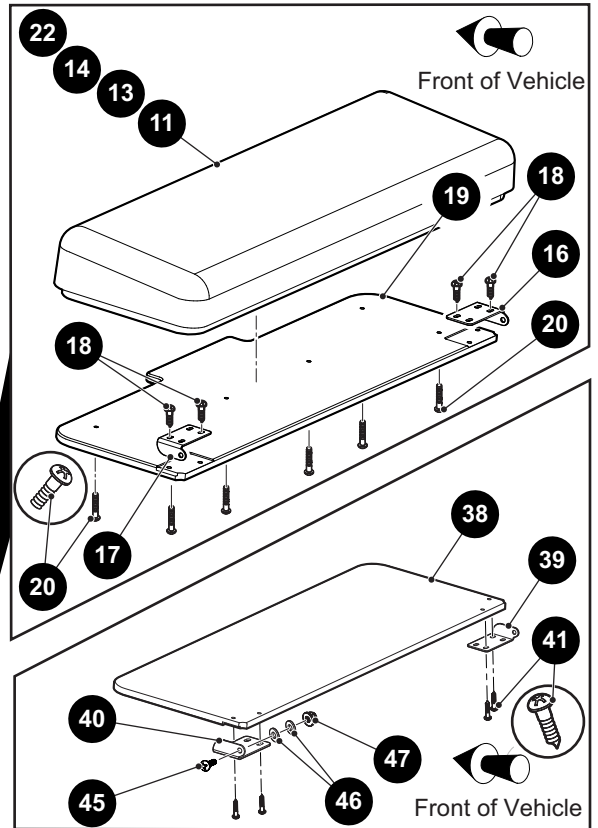
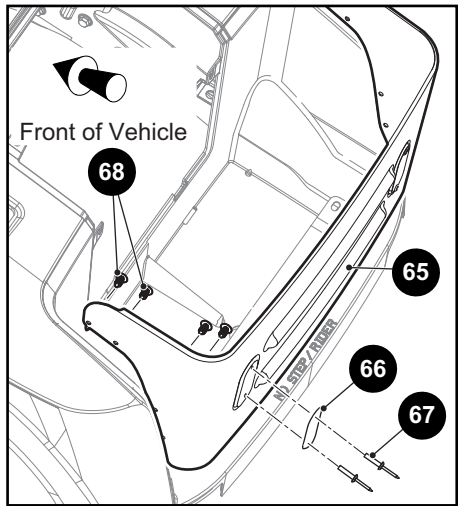
* Indicates a component that is not available as an individual part.

*** Indicates consult Customer Service Department for additional information.

ITEM	PART NO.	1	2	3	4	5	DESCRIPTION	QTY.
21	<u>19853G1</u>						Tube Cap, 1" x 1"	2
22	<u>638346G01</u>						Footrest Weldment.....	1
23	<u>640653</u>						Grip Tape.....	1
24								
25								
26	<u>603799</u>						Flanged Hex Head Bolt, M10 - 1.5 x 25mm Lg, Grade 8.8	4
27	<u>602415</u>						Flanged Hex Head Bolt, M10 - 1.5 x 80mm Lg	2
28	<u>600525</u>						Lock Nut, M10 - 1.5	2
29								
30	<u>603800</u>						Flanged Hex Head Bolt, M10 - 1.5 x 50mm Lg, Grade 8.8	2
31	<u>603818</u>						Barrel Clip, M10 - 1.5.....	2
32								
33	<u>604723</u>						Arm Rest (Driver Side)	1
34	<u>604725</u>						Arm Rest (Passenger Side).....	1
35								
36	<u>600530</u>						Button Head Torx Bolt, M10 - 1.5 x 25mm Lg, Grade 8.8.....	2
37	<u>600525</u>						Lock Nut, M10 - 1.5	2
38	<u>17618G1</u>						Nylon Clamp, 8" Lg (Not Illustrated).....	2
39	<u>600527</u>						Button Head Torx Bolt, M10 - 1.5 x 60mm Lg, Grade 8.8.....	4

SEATING

- 1 Seat Back Assembly includes items 2 - 4
- 9 Seat Bottom Assembly (Flip) includes items 10 - 20
- 10 Seat Bottom Assembly includes items 11 - 14
- 21 Premium Seat Bottom Assembly includes items 16 - 20, 22
- 23 Floorboard Assembly (Flip Seat) includes items 24 - 29
- 37 Deck Bed Assembly includes items 38 - 41
- 64 Bagwell Closeout Assembly includes items 65 - 67



THE USE OF NON U.L. PARTS WILL VOID ANY U.L. LISTING.

When ordering parts, please specify the model and serial number of the product.

* Indicates a component that is not available as an individual part.

*** Indicates consult Customer Service Department for additional information.

ITEM	PART NO.	1 2 3 4 5	DESCRIPTION	QTY.
1	***		Seat Back Assembly (Includes Items 2 - 4)..... 641897G0002 Stone Beige 641897G0001 Oyster 641897G0006 Black 641897G0004 Gray	1
2	<u>605529</u>		Black Plastic Cover.....	1
3	<u>644268</u>		Base Assembly	1
4	***		Vinyl Cover and Foam 644820G02 Stone Beige 644820G01 Oyster 644820G06 Black 644820G04 Gray	1
5	***		Premium Seat Back Assembly..... 647282G18 Mushroom 647282G19 Gray 647282G21 Black	1
6	<u>600530</u>		Button Head Torx Bolt, M10 - 1.5 x 25mm Lg, Grade 8.8	4
7	<u>603823</u>		Flat Washer, M10 x 22mm x 2.5mm	4
8				
9	***		Seat Bottom Assembly (Flip) (Includes Items 10 - 20)..... 615193 Stone Beige 615194 Oyster 615137 Black 670860 Gray	1
10	***		Seat Bottom Assembly (Includes Items 11 - 14)..... 615192 Stone Beige 75197G03 Oyster 75197G07 Black 75197G02 Gray	1
11	***		Vinyl Cover..... 615191 Stone Beige 75252G03 Oyster 75252G07 Black 75252G02 Gray	1
12	<u>617402</u>		Seat Strap, 5.5" Lg.....	1
13	<u>75199G01</u>		Foam.....	1
14	<u>75223G01</u>		Plywood.....	1
15	<u>17618G1</u>		Nylon Clamp, 8" Lg (Not Illustrated).....	1
16	<u>75250G01</u>		Seat Hinge (Passenger Side).....	1
17	<u>75250G02</u>		Seat Hinge (Driver Side).....	1

SEATING

THE USE OF NON U.L. PARTS WILL VOID ANY U.L. LISTING.

When ordering parts, please specify the model and serial number of the product.

* Indicates a component that is not available as an individual part.

*** Indicates consult Customer Service Department for additional information.

ITEM	PART NO.	1	2	3	4	5	DESCRIPTION	QTY.
18	<u>600922</u>						Truss Head Screw With Patch Lock, 1/4" - 20 x 5/8" Lg	2
19	<u>620879</u>						Seat Bed Deck Assembly	1
20	<u>00205G4</u>						Flat Head Screw, 1/4" - 20 x 1 1/2" Lg	6
21	***						Premium Seat Bottom Assembly (Includes Items 16 - 20, 22) 699668G18 Mushroom 699668G19 Gray 699668G21 Black	1
22	***						Premium Seat Bottom Assembly 699649G18 Mushroom 699649G19 Gray 699649G21 Black	1
23	<u>642444G02</u>						Floorboard Assembly (Flip Seat) (Includes Items 24 - 29)	1
24	<u>638346G02</u>						Footrest Weldment (Fixed Seat)	1
25	<u>609851</u>						Footrest Cover	1
26	<u>16816G2</u>						Ratchet Rivet, .25" x .887"	10
27	<u>19853G1</u>						Tube Cap, 1" x 1"	2
28	<u>614973</u>						Oval Reflector (Red)	4
29	<u>608290</u>						Self Tapping Screw, #10 - 16 x 3/4" Lg	2
30								
31	<u>603799</u>						Flanged Hex Head Bolt, M10 - 1.5 x 25mm Lg	4
32								
33	<u>604473</u>						Seat Support	1
34	<u>601414</u>						Flanged Hex Head Bolt, M10 -1.5 x 65mm Lg, Grade 8.8	4
35	<u>600525</u>						Lock Nut, M10 - 1.5	4
36								
37	<u>615138</u>						Deck Bed Assembly (Includes Items 38 - 41).....	1
38	<u>620878</u>						Middle Lifted Deck Bed	1
39	<u>75250G01</u>						Seat Hinge (Passenger Side).....	1
40	<u>75250G02</u>						Seat Hinge (Driver Side).....	1
41	<u>600922</u>						Truss Head Screw With Patch Lock, 1/4" - 20 x 5/8" Lg	2
42								
43	<u>617576</u>						Rear Seat Frame (Lifted).....	1
44	<u>19853G1</u>						Tube Cap, 1" x 1"	2

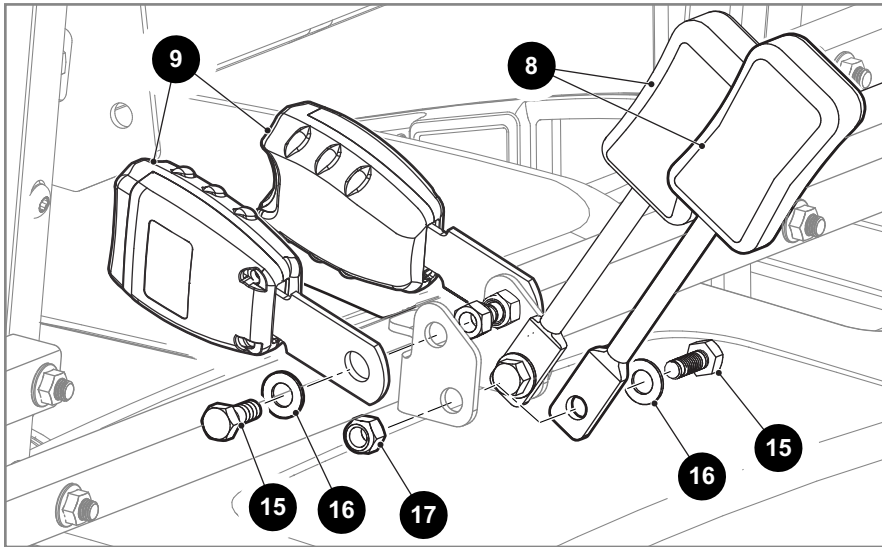
THE USE OF NON U.L. PARTS WILL VOID ANY U.L. LISTING.

When ordering parts, please specify the model and serial number of the product.

* Indicates a component that is not available as an individual part.

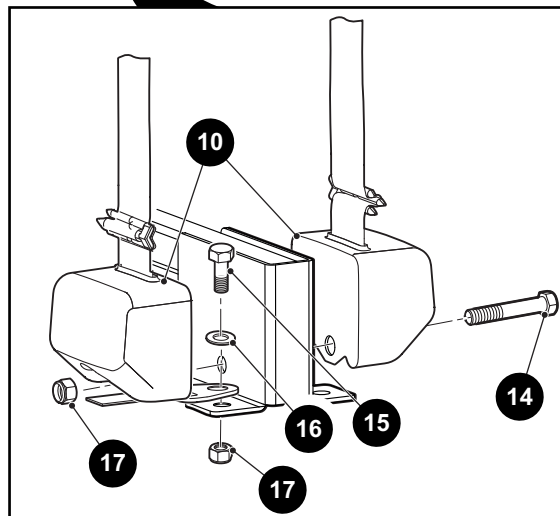
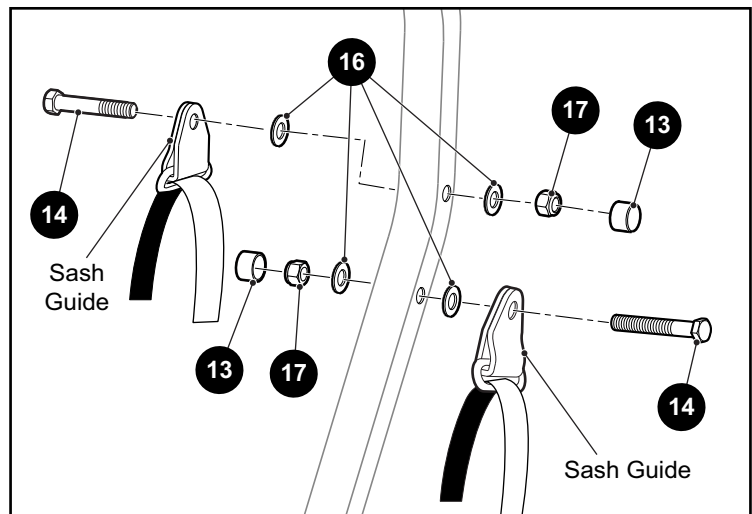
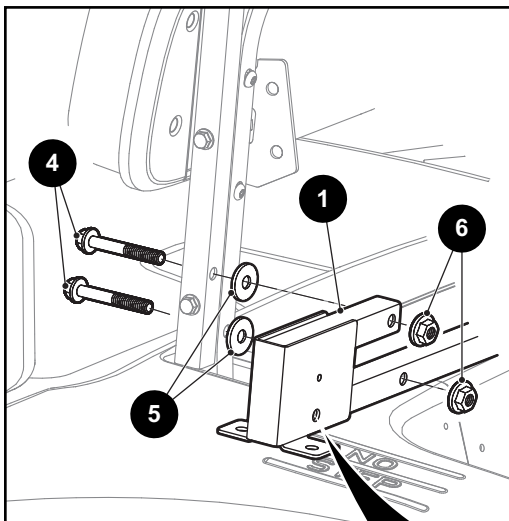
*** Indicates consult Customer Service Department for additional information.

ITEM	PART NO.	1 2 3 4 5	DESCRIPTION	QTY.
45	<u>00762G8</u>		Truss Head Phillips Screw, 5/16" - 18 x 2" Lg	2
46	<u>17255G1</u>		Flat Washer (Teflon), .360" x .625" x .030"	4
47	<u>00891G3</u>		Lock Nut, 5/16" -18.....	2
48				
49	<u>612620</u>		Rear Facing Seat Close Out	1
50	<u>18436G1</u>		Rivet, 1/4" x 3/4"	4
51				
52	<u>602415</u>		Flanged Hex Head Bolt, M10 - 1.5 x 80mm Lg	2
53	<u>600525</u>		Lock Nut, M10 - 1.5	2
54				
55	<u>73876G01</u>		Flanged Hex Head Bolt, M6 - 1 x 12mm Lg, Grade 8.8.....	2
56	<u>601476</u>		Lock Nut, M6 - 1.....	2
57				
58	<u>600530</u>		Button Head Torx Bolt, M10 - 1.5 x 25mm Lg, Grade 8.8	2
59	<u>603818</u>		Barrel Clip, M10 - 1.5	2
60				
61	<u>603799</u>		Flanged Hex Head Bolt, M10 - 1.5 x 25mm Lg, Grade 8.8.....	2
62	<u>600525</u>		Lock Nut, M10 - 1.5	2
63				
64	<u>643973</u>		Bagwell Closeout Assembly (Includes Items 65 - 67)	1
65	<u>643062</u>		Bagwell Closeout.....	1
66	<u>614973</u>		Oval Reflector (Red).....	2
67	<u>71055G02</u>		Rivet, 3/16"	4
68	<u>16816G2</u>		Ratchet Rivet, .25" x .887"	8



3 Seatbelt Structure Hardware Kit includes items 4 - 6

12 Seatbelt Installation Hardware Kit includes items 13 - 17



THE USE OF NON U.L. PARTS WILL VOID ANY U.L. LISTING.

When ordering parts, please specify the model and serial number of the product.

* Indicates a component that is not available as an individual part.

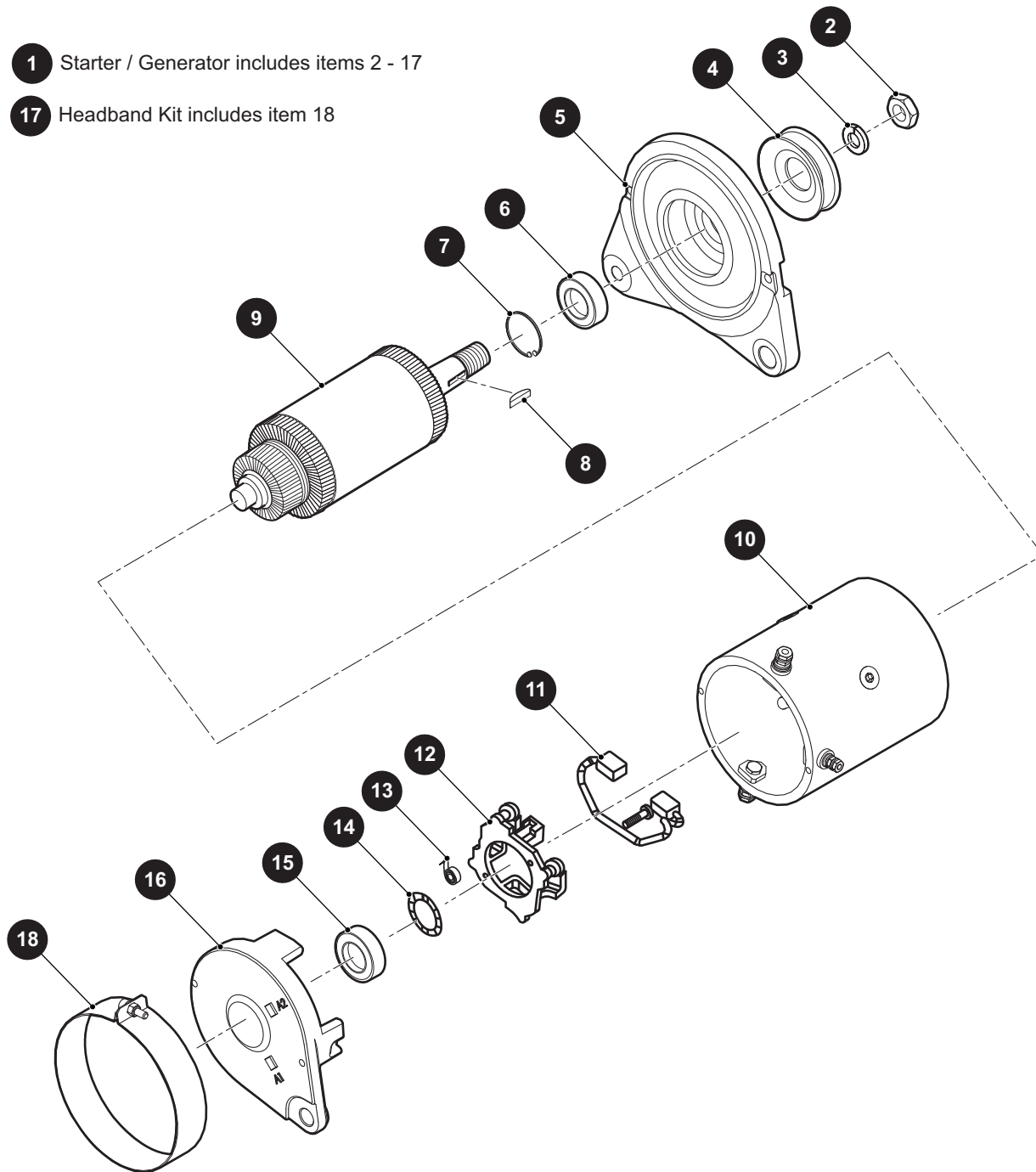
*** Indicates consult Customer Service Department for additional information.

ITEM	PART NO.	1 2 3 4 5	DESCRIPTION	QTY.
1	610739		Seatbelt Weldment.....	1
2				
3	612126		Seatbelt Structure Hardware Kit (Includes Items 4 - 6).....	1
4	<u>602415</u>		Flanged Hex Head Bolt, M10 - 1.5 x 80mm Lg	4
5	<u>600525</u>		Flanged Lock Nut, M10 - 1.5	4
6	<u>604066</u>		Flat Washer (Steel), M10	4
7				
8	<u>609031</u>		Seat Belt Buckle, 9" Lg	2
9	661524		Seat Belt Buckle, 6" Lg	2
10	<u>649131</u>		Seat Belt Retractor Assembly	4
11				
12	612127		Seatbelt Installation Hardware Kit (Includes Items 13 - 17)	1
13	605686		Cap (Vinyl)	4
14	612346		Hex Head Bolt, 7/16" - 20 x 2.5" Lg, Grade 5	2
15	<u>610753</u>		Hex Head Bolt, 7/16" - 20 x 1" Lg, Grade 5	8
16	<u>00560G2</u>		Flat Washer, 7/16"	16
17	<u>00734G3</u>		Lock Nut, 7/16" - 20	14

STARTER AND GENERATOR

1 Starter / Generator includes items 2 - 17

17 Headband Kit includes item 18



STARTER AND GENERATOR

THE USE OF NON U.L. PARTS WILL VOID ANY U.L. LISTING.

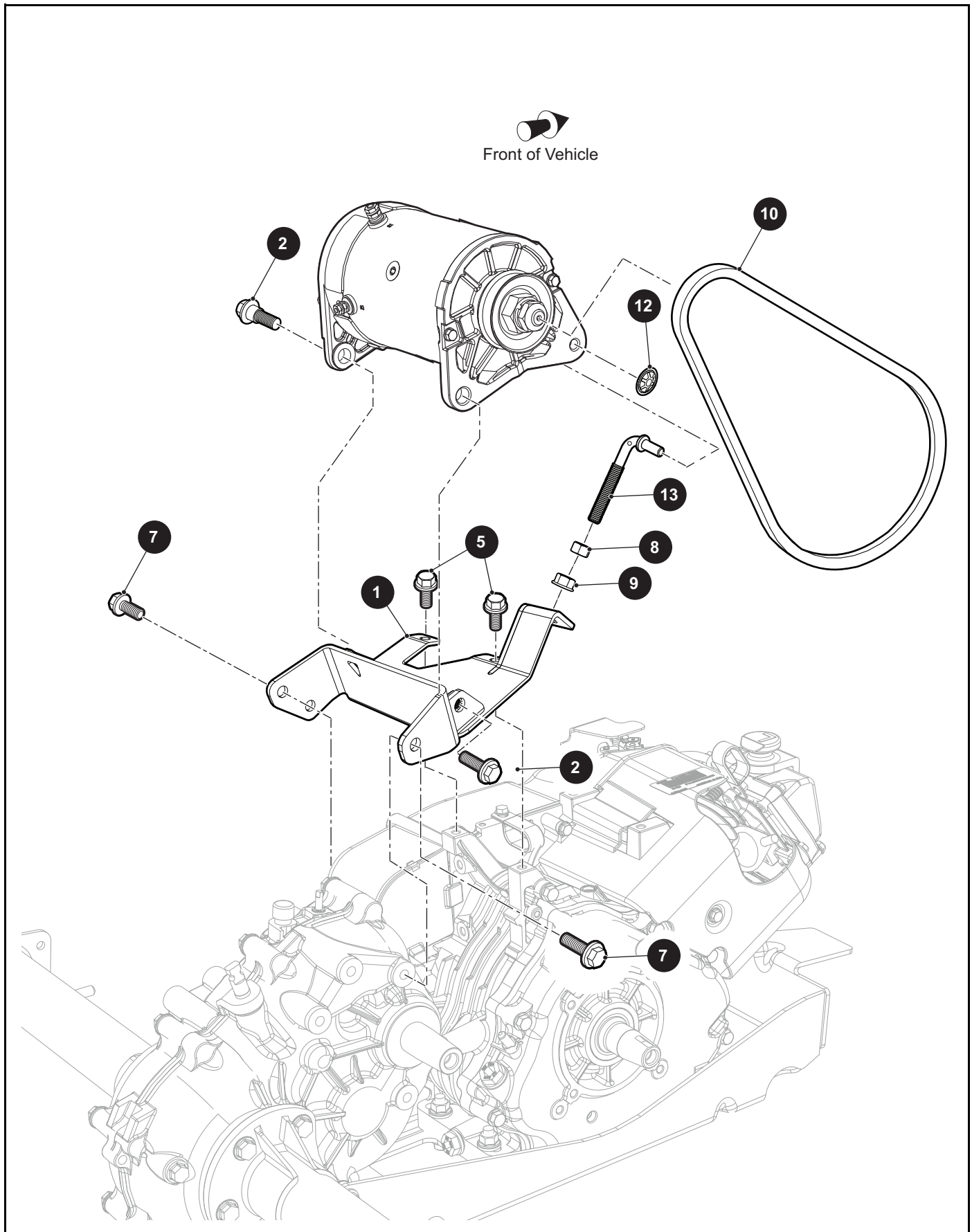
When ordering parts, please specify the model and serial number of the product.

* Indicates a component that is not available as an individual part.

*** Indicates consult Customer Service Department for additional information.

ITEM	PART NO.	1 2 3 4 5	DESCRIPTION	QTY.
1	<u>660379</u>		Starter / Generator (Includes Items 2 - 17)	1
2	<u>612029</u>		Hex Nut.....	1
3	<u>612030</u>		Lock Washer.....	1
4	<u>625716</u>		Pulley, 2.5" O.D.	1
5	<u>654715</u>		Drive End Head	1
6	<u>612033</u>		Bearing	1
7	<u>612034</u>		Retaining Ring	1
8	<u>612035</u>		Woodruff Key	1
9	<u>612036</u>		Armature Assembly	1
10	<u>654716</u>		Frame And Field Assembly.....	1
11	<u>612038</u>		Brush Lead And Terminal Package	1
12	<u>654717</u>		Brush Box Assembly.....	1
13	<u>656659</u>		Brush Spring	4
14	<u>612043</u>		Wavy Washer	1
15	<u>612044</u>		Bearing	1
16	<u>612045</u>		Commutator End Head.....	1
17	<u>658172</u>		Headband Kit (Includes Item 18).....	1
18	<u>654718</u>		Headband.....	1

STARTER AND GENERATOR



STARTER AND GENERATOR

THE USE OF NON U.L. PARTS WILL VOID ANY U.L. LISTING.

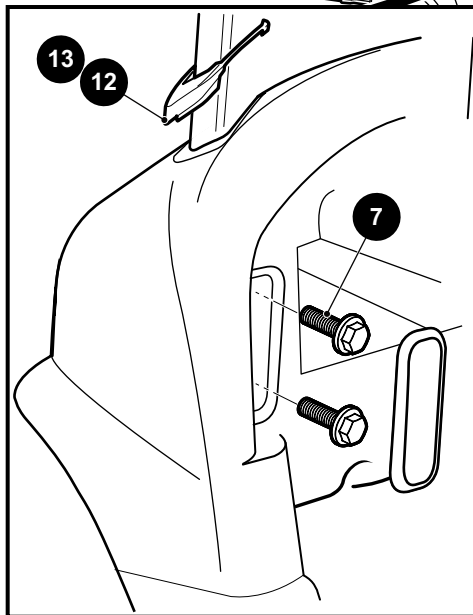
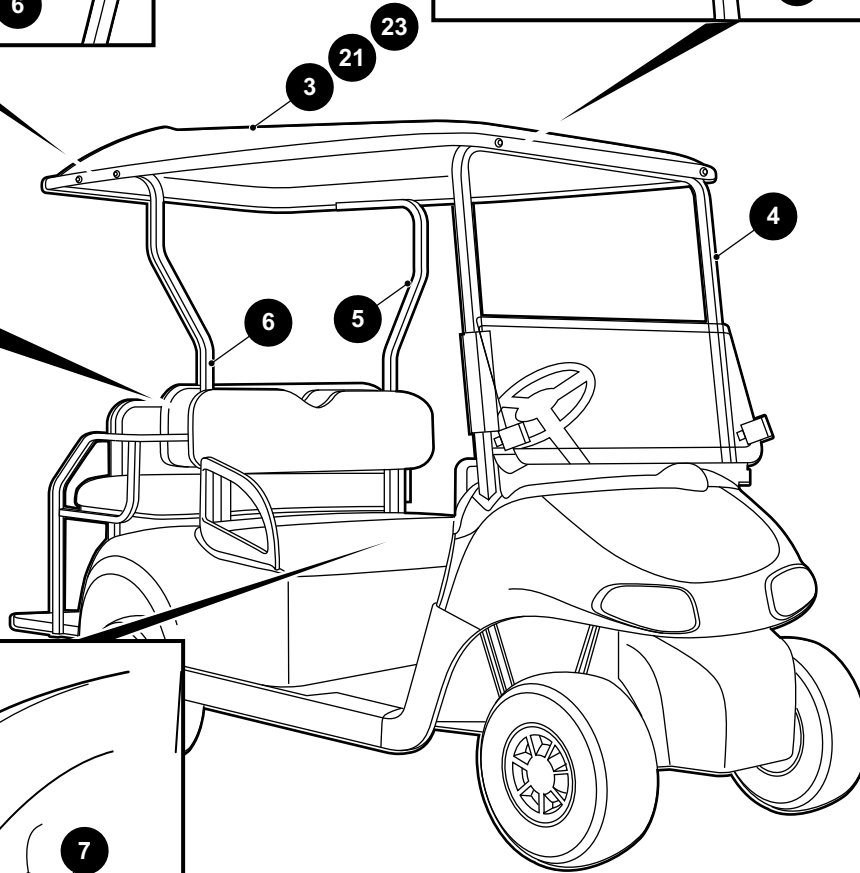
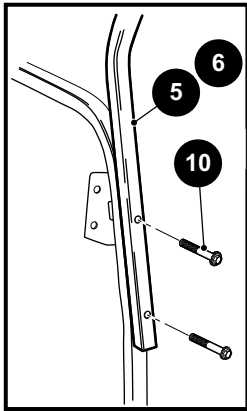
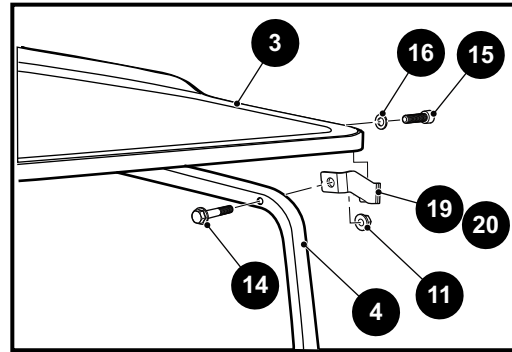
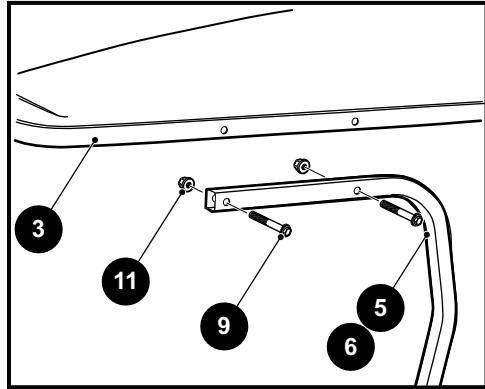
When ordering parts, please specify the model and serial number of the product.

* Indicates a component that is not available as an individual part.

*** Indicates consult Customer Service Department for additional information.

ITEM	PART NO.	1 2 3 4 5	DESCRIPTION	QTY.
1	699755		Starter/Generator Support Bracket	1
2	<u>606235</u>		Flanged Hex Head Bolt, M10 - 1.25 x 20mm Lg	2
3				
4				
5	<u>606261</u>		Flanged Hex Head Bolt, M8 - 1.25 x 20mm Lg, Grade 8.8	2
6				
7	<u>606256</u>		Flanged Hex Head Bolt, M10 - 1.25 x 25mm Lg, Grade 8.8	3
8	<u>606255</u>		Hex Jam Nut, M10 - 1.25	1
9	<u>606274</u>		Flanged Hex Nut, M10 - 1.25	1
10	<u>630587</u>		Starter/generator Belt	1
11				
12	<u>12064G6</u>		Push Nut, 5/16"	1
13	<u>629763</u>		Tensioner Bolt	1

WEATHER PROTECTION



- 1 Sun Top Kit, Stone Beige includes items 3 - 18
- 2 Sun Top Kit, Oyster includes items 4 - 18, 21
- 8 Sun Top Hardware Kit includes items 9 - 16
- 18 Sun Top Hardware Kit includes items 19 - 20
- 22 Sun Top Kit, Oyster includes items 4 - 18, 23

WEATHER PROTECTION

THE USE OF NON U.L. PARTS WILL VOID ANY U.L. LISTING.

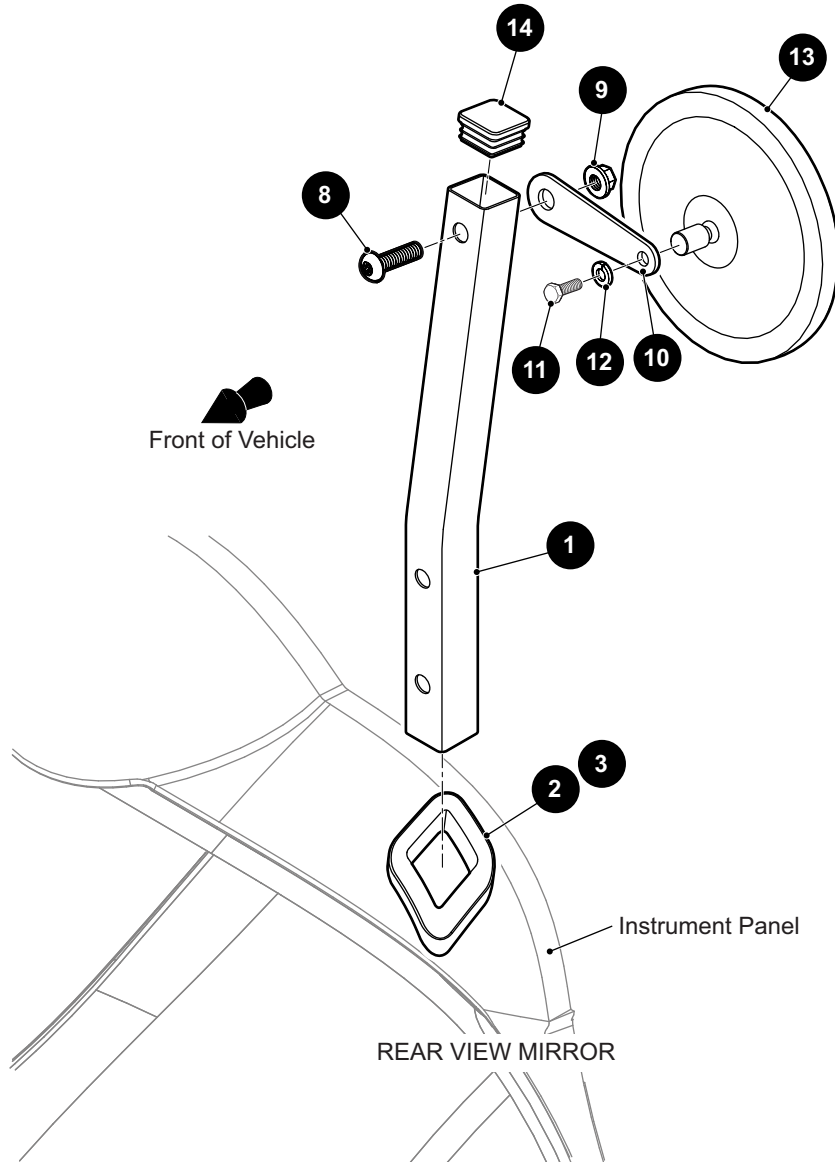
When ordering parts, please specify the model and serial number of the product.

* Indicates a component that is not available as an individual part.

*** Indicates consult Customer Service Department for additional information.

ITEM	PART NO.	1 2 3 4 5	DESCRIPTION	QTY.
1	<u>610461</u>		Sun Top Kit, Stone Beige (Includes Items 3 - 18)	1
2	<u>610462</u>		Sun Top Kit, Oyster (Includes Items 4 -18, 21)	1
3	<u>610434</u>		Sun Top	1
4	<u>603203</u>		Front Strut Tube.....	1
5	<u>604423</u>		Rear Strut (Driver Side).....	1
6	<u>604424</u>		Rear Strut (Passenger Side)	1
7	<u>603800</u>		Flanged Hex Head Bolt, M10 - 1.5 x 50mm Lg, Grade 8.8	2
8	<u>610468</u>		Sun Top Hardware Kit (Includes Items 9 - 16).....	1
9	<u>601414</u>		Flanged Hex Head Bolt, M10 - 1.5 x 65mm Lg, Grade 8.8.....	4
10	<u>602415</u>		Flanged Hex Head Bolt, M10 - 1.5 x 80mm Lg, Grade 12.9.....	4
11	<u>600525</u>		Flanged Lock Nut, M10 - 1.5.....	8
12	<u>602770</u>		Strut Grommet (Driver Side)	1
13	<u>602992</u>		Strut Grommet (Passenger Side).....	1
14	<u>603800</u>		Flanged Hex Head Bolt, M10 - 1.5 x 50mm Lg, Grade 8.8.....	2
15	<u>608653</u>		Socket Head Bolt, M10 - 1.5 x 35mm Lg	2
16	<u>00560G1</u>		Flat Washer, 3/8"	2
17				
18	<u>610472</u>		Sun Top Hardware Kit (Includes Items 19 - 20).....	1
19	<u>610424</u>		Bracket (Driver Side).....	1
20	<u>610425</u>		Bracket (Passenger Side)	1
21	<u>610433</u>		Sun Top	1
22	<u>10006741</u>		Sun Top Kit, Black (Includes Items 4 -18, 23)	1
23	<u>606937</u>		Sun Top	1
24				
25	<u>664522G02</u>		GPS Mounting System (Not Illustrated)	1

WEATHER PROTECTION



WEATHER PROTECTION

THE USE OF NON U.L. PARTS WILL VOID ANY U.L. LISTING.

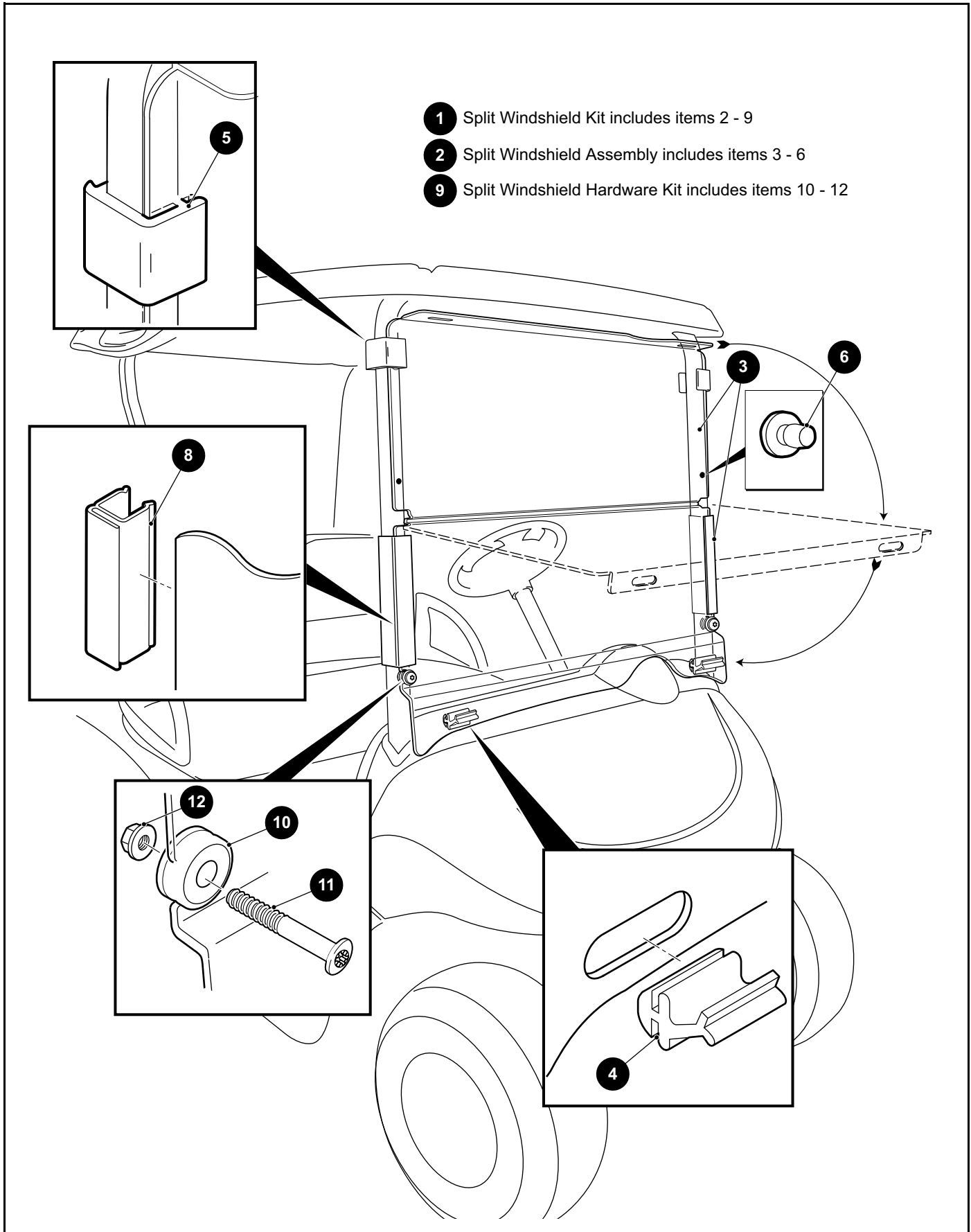
When ordering parts, please specify the model and serial number of the product.

* Indicates a component that is not available as an individual part.

*** Indicates consult Customer Service Department for additional information.

ITEM	PART NO.	1 2 3 4 5	DESCRIPTION	QTY.
1	<u>648473</u>		Strut	1
2	<u>602770</u>		Strut Grommet (Driver Side)	1
3	<u>602992</u>		Strut Grommet (Passenger Side).....	1
4				
5				
6				
7				
8	<u>600527</u>		Button Head Torx Bolt, M10 - 1.5 x 6mm Lg, Grade 8.8	1
9	<u>600525</u>		Lock Nut, M10 - 1.5.....	1
10	<u>648528</u>		Mirror Bracket.....	1
11	*		Hex Head Bolt, 1/4" - 20 x 5/8" Lg	1
12	*		Lock Washer, 1/4"	1
13	<u>74202G01</u>		Round Mirror	1
14	<u>620634</u>		End Cap	1

WEATHER PROTECTION



WEATHER PROTECTION

THE USE OF NON U.L. PARTS WILL VOID ANY U.L. LISTING.

When ordering parts, please specify the model and serial number of the product.

* Indicates a component that is not available as an individual part.

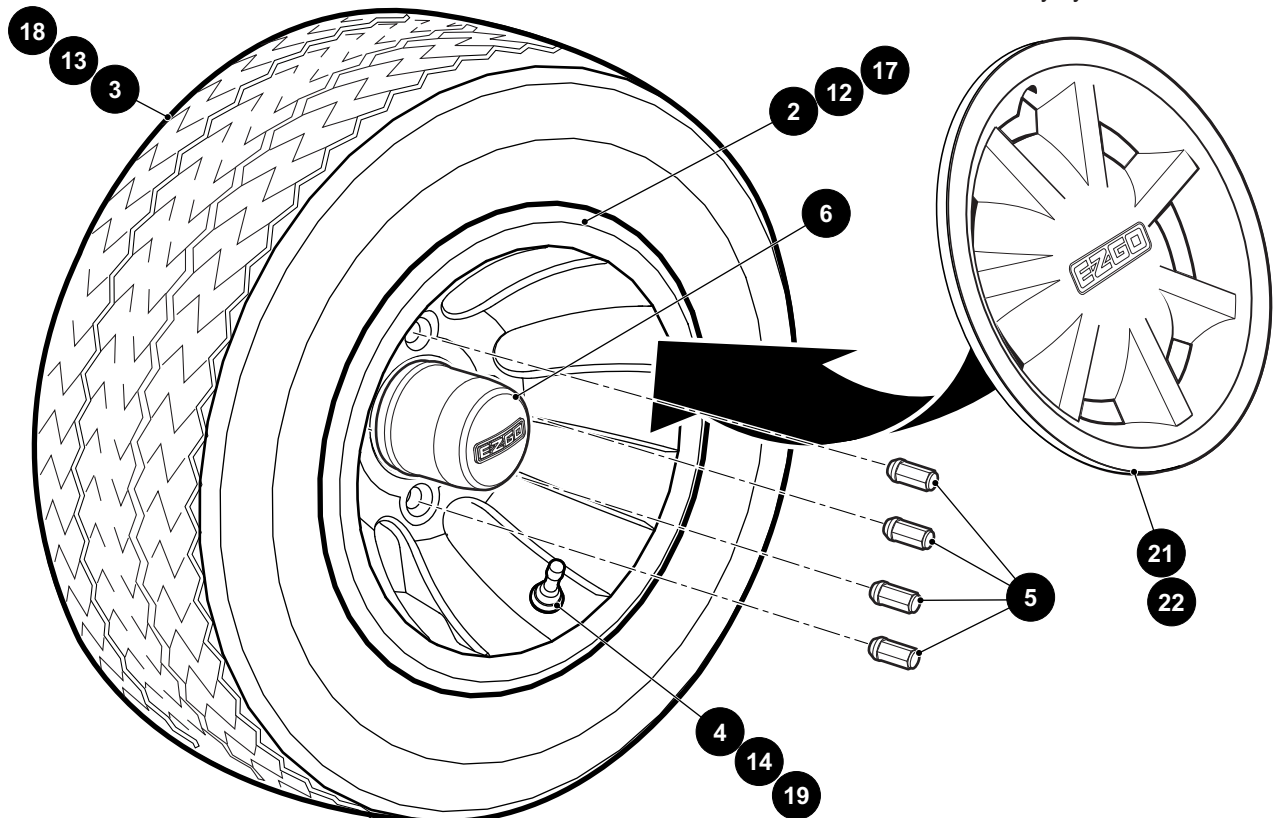
*** Indicates consult Customer Service Department for additional information.

ITEM	PART NO.	1 2 3 4 5	DESCRIPTION	QTY.
FOR VEHICLES MANUFACTURED BEFORE 27SEP2020				
1	<u>606584</u>		Split Windshield Kit (Includes Items 2 - 9).....	1
2	<u>606623</u>		Split Windshield Assembly (Includes Items 3 - 6).....	1
3	<u>603738</u>		Split Windshield.....	1
4	<u>603201</u>		Lower Windshield Latch	2
5	<u>603198</u>		Upper Windshield Latch	2
6	<u>604115</u>		Windshield Isolator	2
7				
8	<u>613136</u>		Windshield Attachment Sash, 10".....	2
9	668122		Split Windshield Hardware Kit (Includes Items 10 - 12)	1
10	<u>604116</u>		Grommet	2
11	<u>600527</u>		Button Head Torx Bolt, M10 - 1.5 x 60mm Lg	2
12	<u>600525</u>		Lock Nut, M10 - 1.5.....	2
FOR VEHICLES MANUFACTURED AFTER 27SEP2020				
1	10009762		Split Windshield Kit (Includes Items 2 - 9).....	1
2	<u>606623</u>		Split Windshield Assembly (Includes Items 3 - 6).....	1
3	<u>603738</u>		Split Windshield.....	1
4	<u>603201</u>		Lower Windshield Latch	2
5	<u>603198</u>		Upper Windshield Latch	2
6	<u>604115</u>		Windshield Isolator	2
7				
8	10009146		Windshield Attachment Sash, 9".....	2
9	668122		Split Windshield Hardware Kit (Includes Items 10 - 12)	1
10	<u>604116</u>		Grommet	2
11	<u>600527</u>		Button Head Torx Bolt, M10 - 1.5 x 60mm Lg	2
12	<u>600525</u>		Lock Nut, M10 - 1.5.....	2

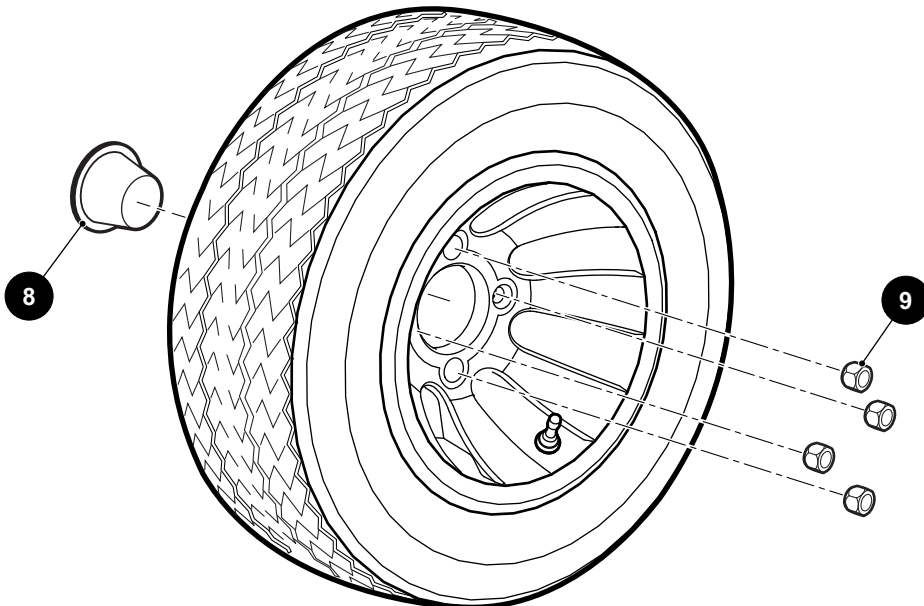
WHEELS AND TIRES

- 1 Wheel and Tire Assembly (Machine Alloy) includes items 2 - 4
- 11 Wheel and Tire Assembly (Hole-N-One) includes items 12 - 14
- 16 Wheel and Tire Assembly (USA Trail) includes items 17 - 19

Wheel cover design may vary by Part Number



Tire design may vary by Part Number



WHEELS AND TIRES

THE USE OF NON U.L. PARTS WILL VOID ANY U.L. LISTING.

When ordering parts, please specify the model and serial number of the product.

* Indicates a component that is not available as an individual part.

*** Indicates consult Customer Service Department for additional information.

ITEM	PART NO.	1 2 3 4 5	DESCRIPTION	QTY.
1	<u>647042</u>		Wheel and Tire Assembly (Machine Alloy) (Includes Items 2 - 4)	1
2	<u>653593</u>		Wheel, 10"	1
3	<u>647044</u>		Tire (Kenda), 205/50 - 10"	1
4	<u>604915</u>		Valve Stem (Chrome)	1
5	<u>605310</u>		Lug Nut (Chrome)	4
6	<u>652122</u>		Wheel Cap (Chrome)	1
7				
8	<u>74175G01</u>		Dust Cap	1
9	<u>14723G1</u>		Lug Nut, 1/2" - 20	4
10				
11	<u>612772</u>		Wheel and Tire Assembly (Hole-N-One) (Includes Items 12 - 14)	1
12	<u>612770</u>		Wheel, 8"	1
13	<u>612771</u>		Tire (Kenda).....	1
14	<u>11657G2</u>		Valve Stem	1
15				
16	<u>28842G01</u>		Wheel and Tire Assembly (USA Trail) (Includes Items 17 - 19)	1
17	<u>28759G01</u>		Wheel (White).....	1
18	<u>28764G08</u>		Tire (Carlisle).....	1
19	<u>11657G2</u>		Valve Stem	1
20				
21	<u>665149</u>		Wheel Cover (Metallic Gold)	1
22	<u>665144</u>		Wheel Cover (Metallic Silver).....	1

DECALS AND LABELS

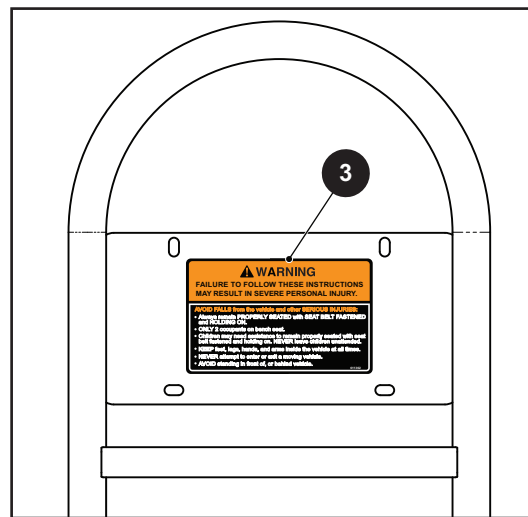
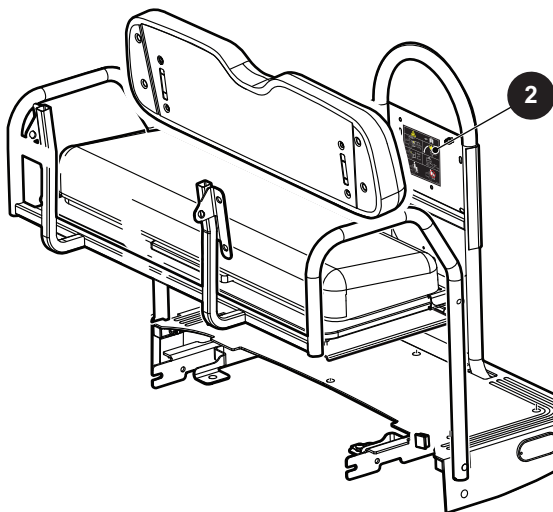
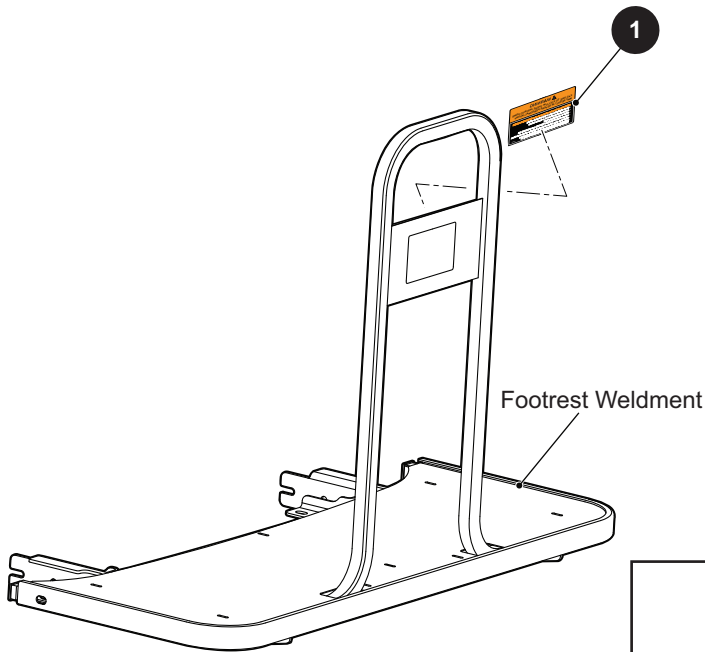
THE USE OF NON U.L. PARTS WILL VOID ANY U.L. LISTING.

When ordering parts, please specify the model and serial number of the product.

* Indicates a component that is not available as an individual part.

*** Indicates consult Customer Service Department for additional information.

ITEM	PART NO.	1 2 3 4 5	DESCRIPTION	QTY.
1	10011930		E-Z-GO Name Plate (Platinum)	1
2	<u>608528</u>		Warning Label (Instrument Panel)	1
3	<u>690342</u>		Shuttle 2+2 EFI Decal	1
4	664789		Warning Label (Steering Wheel)	1
5	<u>608527</u>		Governor Warning Label	1
6	685698		MADE IN USA Decal	1
7	<u>647213</u>		Anti Rollback Label	1



Rear Seat Footrest Weldment

DECALS AND LABELS

THE USE OF NON U.L. PARTS WILL VOID ANY U.L. LISTING.

When ordering parts, please specify the model and serial number of the product.

* Indicates a component that is not available as an individual part.

*** Indicates consult Customer Service Department for additional information.

ITEM	PART NO.	1 2 3 4 5	DESCRIPTION	QTY.
1	<u>608537</u>		Rear Facing Seat Warning Label	1
2	<u>610631</u>		Clays Bed Label	1
3	611362		Rear Facing Seat Label	1



A Textron Company

Textron Specialized Vehicles, Inc.,
1451 Marvin Griffin Road
Augusta, Georgia 30906 - 3852 USA

CONTACT INFORMATION

North America:

Technical Assistance & Warranty Phone: 1-800-774-3946, FAX: 1-800-448-8124
Service Parts Phone: 1-888-438-3946, FAX: 1-800-752-6175

International: Phone: 001-706-798-4311, FAX: 001-706-771-4609

Owner's Guides and Repair Manuals
are available from a local Distributor, an authorized Branch,
Parts & Accessories Department or at www.shop.txtsv.com/shop-ezgo

Copyrighted Material
This manual may not be reproduced in whole or
in part without the express permission of
Textron Specialized Vehicles
Technical Publications Department