



A Textron Company

# **Express L6**

## **Service Parts Manual**

10015775 - A  
ISSUED FEBRUARY 2021



# SERVICE PARTS MANUAL

## GASOLINE EFI POWERED VEHICLE

### EXPRESS L6

### STARTING MODEL YEAR 2021

Never modify the vehicle in any way that will alter the weight distribution of the vehicle, decrease its stability or increase the speed beyond the factory specifications. Such modifications can cause serious personal injury or death. Textron Specialized Vehicles prohibits and dis-claims responsibility for any such modifications or any other alteration which would adversely affect the safety of the vehicle.

TSV reserves the right to incorporate engineering and design changes to products in this manual, without obligation to include these changes on units sold previously.

The information contained in this manual may be revised periodically by TSV, and therefore is subject to change without notice.

TSV DISCLAIMS LIABILITY FOR ERRORS IN THIS MANUAL, and SPECIFICALLY DISCLAIMS LIABILITY FOR INCIDENTAL AND CONSEQUENTIAL DAMAGES resulting from the use of the information and materials in this manual.

These are the original instructions as defined by 2006/42/EC.

#### TO CONTACT US:

Textron Specialized Vehicles, Inc.  
1451 Marvin Griffin Road  
Augusta, Georgia, USA 30906-3852

#### NORTH AMERICA:

Technical Assistance & Warranty PHONE: 1-800-774-3946, FAX: 1-800-448-8124

Service Parts PHONE: 1-888-438-3946, FAX: 1-800-752-6175

International: PHONE: 001-706-798-4311, FAX: 001-706-771-4609

## GENERAL INFORMATION

To obtain a copy of the limited warranty applicable to the vehicle, call or write a local Distributor, authorized Branch or the Warranty Department with vehicle serial number and manufacturer code.

The use of non Original Equipment Manufacturer (OEM) approved parts may void the warranty.

Tampering with or adjusting the governor to permit vehicle to operate at above factory specifications will void the vehicle warranty.

When servicing engines, all adjustments and replacement components must be per original vehicle specifications in order to maintain the United States of America Federal and State emission certification applicable at the time of manufacture.

### BATTERY PROLONGED STORAGE

All batteries will self discharge over time. The rate of self discharge varies depending on the ambient temperature and the age and condition of the batteries.

A fully charged battery will not freeze in winter temperatures unless the temperature falls below -75° F (-60° C).

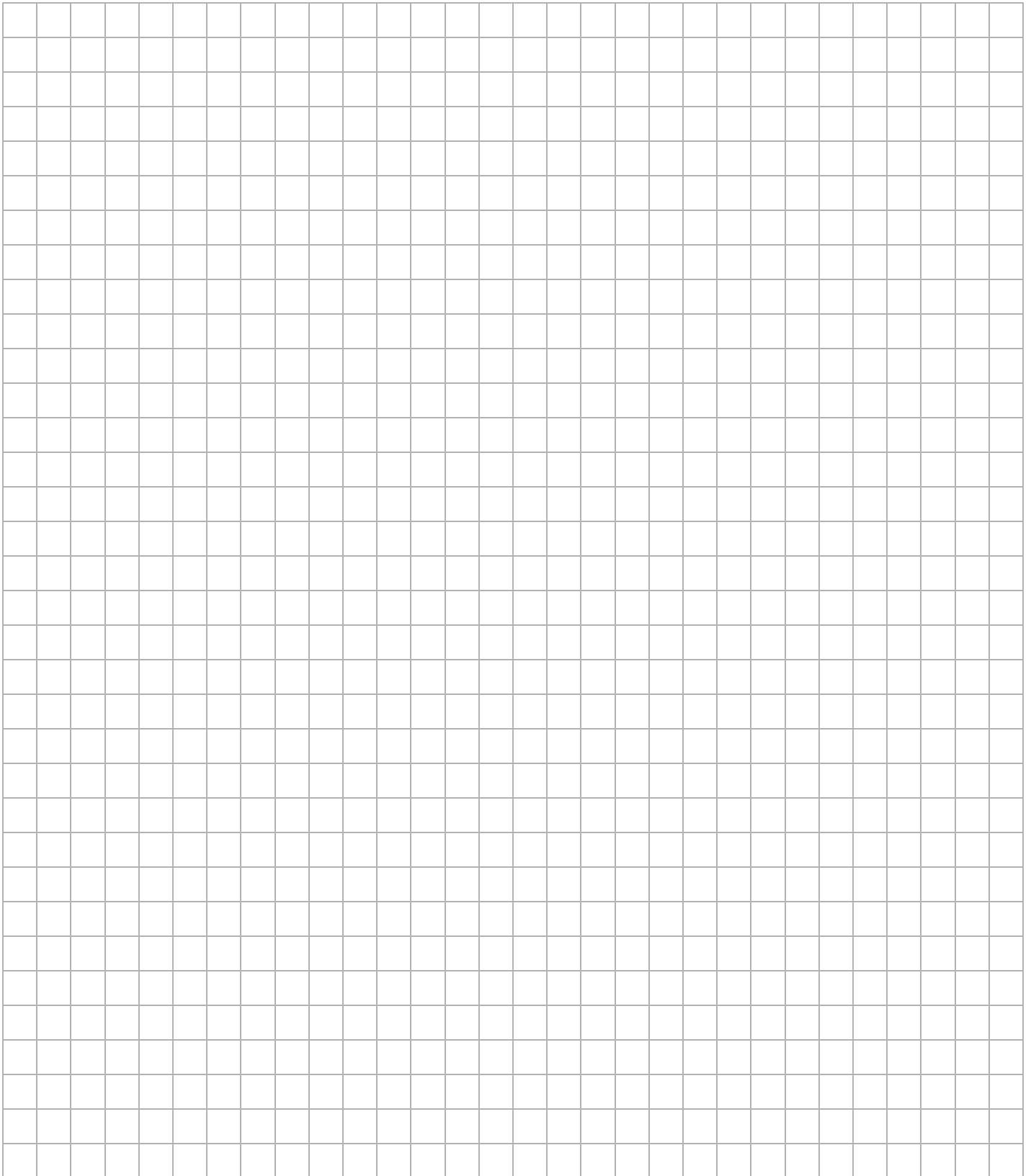
### BATTERY DISPOSAL

Lead-acid batteries are recyclable. Return whole scrap batteries to distributor, manufacturer or lead smelter for recycling. For neutralized spills, place residue in acid-resistant containers with absorbent material, sand or earth and dispose of in accordance with local, state and federal regulations for acid and lead compounds. Contact local and/or state environmental officials regarding disposal information.

# TABLE OF CONTENTS

<b>SECTION</b>	<b>Page No.</b>
<b>HOW TO USE THE SERVICE PARTS MANUAL</b> .....	<b>V</b>
<b>ACCELERATOR</b> .....	<b>A - 1</b>
<b>AIR FILTER</b> .....	<b>B - 1</b>
<b>BODY</b> .....	<b>C - 1</b>
<b>BRAKES</b> .....	<b>D - 1</b>
<b>CLUTCH</b> .....	<b>E - 1</b>
<b>DIRECTION SELECTOR</b> .....	<b>F - 1</b>
<b>ELECTRICAL</b> .....	<b>G - 1</b>
<b>ENGINE AND MUFFLER</b> .....	<b>H - 1</b>
<b>ENGINE MOUNTING</b> .....	<b>J - 1</b>
<b>FRONT SUSPENSION AND STEERING</b> .....	<b>K - 1</b>
<b>FUEL SYSTEM</b> .....	<b>L - 1</b>
<b>REAR AXLE</b> .....	<b>M - 1</b>
<b>REAR SUSPENSION</b> .....	<b>N - 1</b>
<b>SEATING</b> .....	<b>P - 1</b>
<b>STARTER/GENERATOR</b> .....	<b>R - 1</b>
<b>WEATHER PROTECTION</b> .....	<b>S - 1</b>
<b>WHEELS AND TIRES</b> .....	<b>T - 1</b>
<b>DECALS AND LABELS</b> .....	<b>U - 1</b>

# NOTES

A large, empty grid of small squares, intended for handwritten notes. The grid is 30 columns wide and 30 rows high, providing a structured space for organizing information.

# HOW TO USE THE SERVICE PARTS MANUAL

This manual is divided into several sections:

- GENERAL INFORMATION
- ILLUSTRATED PARTS BREAKDOWN

The first section, GENERAL INFORMATION, contains the following information:

- WARRANTY INFORMATION
- TABLE OF CONTENT
- HOW TO USE THE SERVICE PARTS MANUAL

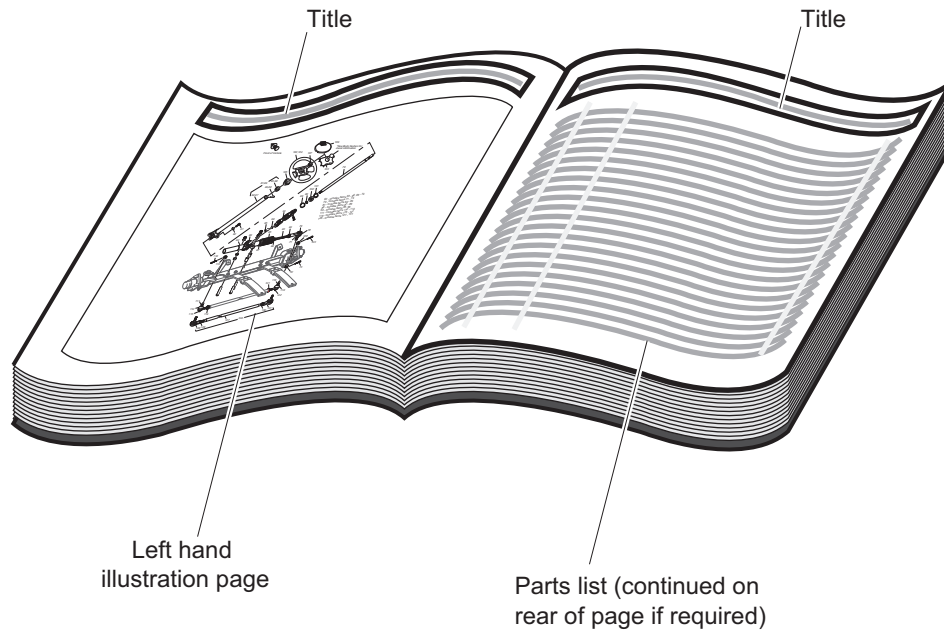
The second section, ILLUSTRATED PARTS BREAKDOWN, contains illustrations and parts lists for all systems of your vehicle.

## USE OF THE MANUAL

To use this manual, consult the TABLE OF CONTENTS to locate the information or illustration required.

Introduction of some revisions varies due to supply of components; therefore, it is possible that various combinations of components may be found that are not directly reflected by each illustration. Consult the illustration that best suits your situation and then contact the Service Parts Department. It is important that the serial number or VIN of your vehicle and the model name be supplied to Service Parts when ordering any replacement components.

# HOW TO USE THE SERVICE PARTS MANUAL



## 1. WHEN THE PART NUMBER IS NOT KNOWN

- Determine the function and application of the part required. Turn to the Table of Content and select the most appropriate title.
- Turn to the page number indicated and locate the desired part on the illustration.
- From the illustration, obtain the item number assigned to the desired part. Refer to the accompanying description for specific information regarding the part.

## 2. IF YOU KNOW THE PART NUMBER

- Locate the part number or description in the appropriate column on the parts list page.

NOTE: It is suggested that you confirm that the part selected is correct by verifying it with the pictorial representation on the illustrated page.

Should an asterisk (\*) appear in the part number column on the parts list page, read upwards until a part number is found. The part number is the lowest assembly sold by Service Parts and the asterisk (\*) indicates that the part depicted is not available for purchase.

NOTE: Descriptions are indented under the assembly that they are used on. That assembly is, in turn listed under the assembly that it is used on. This process is repeated until the highest final assembly is reached.

**To facilitate the maintenance and repair of the vehicle, a Repair and Service Manual is available from the Service Parts Department.**

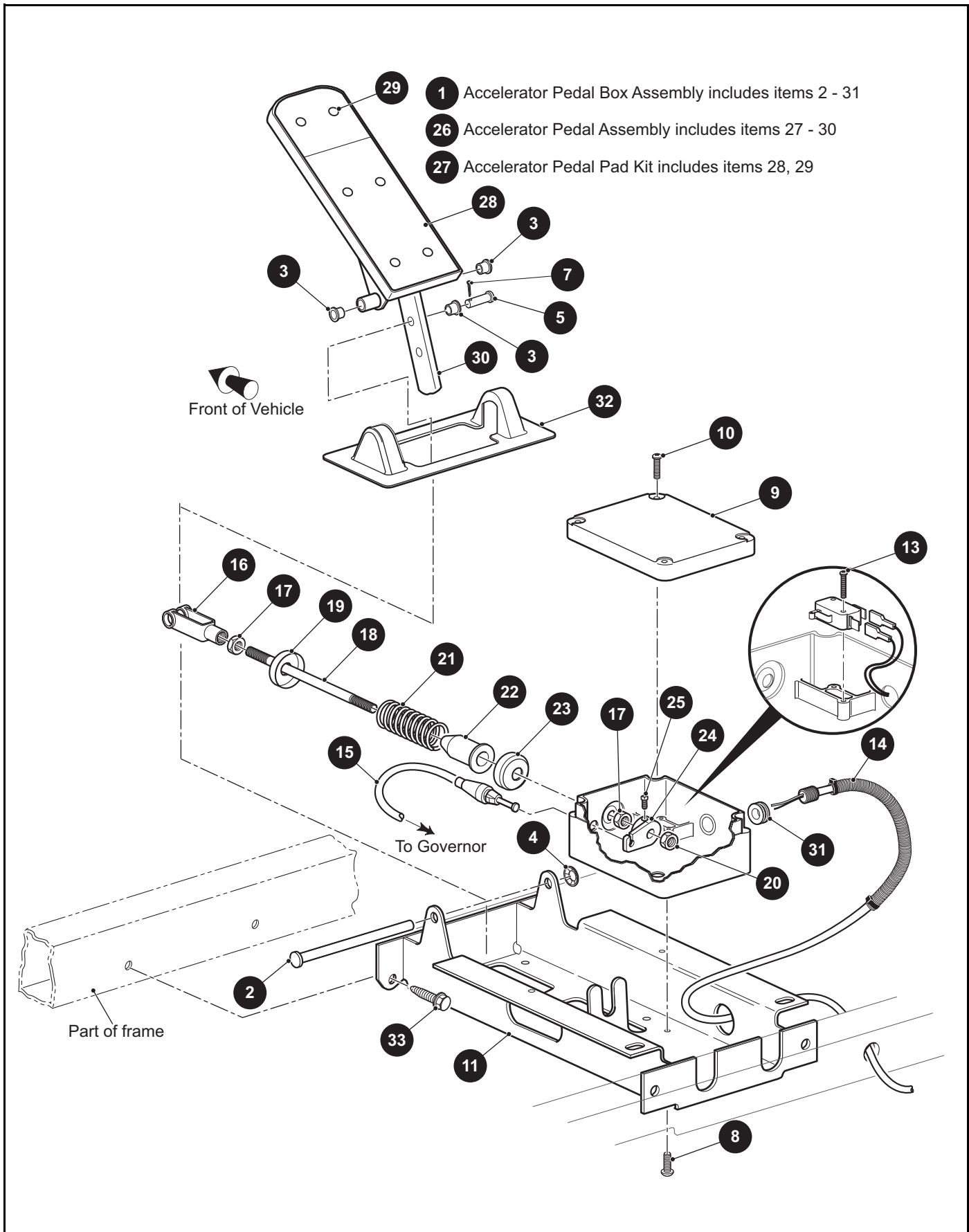


## 3. COLOR CODE FOR BODY COMPONENTS

The last two digits of the part number for the body part will denote the color code, locate the part number for the cowl, rear body, seat pod, side panel or seat wrap then locate your color in the list below, replace the last \*\* or XX with the two digit color code.

<b><u>CODE #</u></b>	<b><u>DESCRIPTION</u></b>
02	SPECIAL COLOR
11	BLACK
19	PATRIOT BLUE PEARL
20	INFERNO RED METALLIC
31	METALLIC CHARCOAL
35	SAFETY YELLOW
36	IVORY
37	FOREST GREEN
38	BRIGHT WHITE
39	FLAME RED
41	ELECTRIC BLUE
42	PLATINUM
43	BURGUNDY
44	ALMOND
72	MATTE BLACK
79	JACOBSEN ORANGE 172
89	TRUE TIMBER KANATI
A5	OCEAN GRAY
A6	TRUMP PEARL WHITE
A7	SLATE GRAY

# ACCELERATOR



THE USE OF NON U.L. PARTS WILL VOID ANY U.L. LISTING.

When ordering parts, please specify the model and serial number of the product.

\* Indicates a component that is not available as an individual part.

\*\*\* Indicates consult Customer Service Department for additional information.

ITEM	PART NO.	1 2 3 4 5	DESCRIPTION	QTY.
1	660447		Accelerator Pedal Box Assembly (Includes Items 2 - 31) .....	1
2	<u>74432G01</u>		Pedal Pivot Pin .....	1
3	<u>17838G1</u>		Nylon Bushing .....	3
4	<u>12064G6</u>		Push Nut.....	1
5	<u>10386G3</u>		Clevis Pin, 5/16" x 13/16" .....	1
6				
7	<u>10387G3</u>		Cotter Pin, 3/32" x 3/4" .....	1
8	<u>01051G01</u>		Pan Head Phillips Screw, #8 - 16 x 1/2" Lg .....	4
9	<u>25853G03</u>		Pedal Box and Cover.....	1
10	<u>00684G6</u>		Truss Head Phillips Screw, #8 - 16 x 1/2" Lg.....	2
11	<u>652241G03</u>		Accelerator Pedal Bracket.....	1
12				
13	<u>01050G02</u>		Pan Head Torx Screw, #4 - 20 x 5/8" Lg.....	2
14	<u>658940</u>		Pedal Box Harness.....	1
15	<u>608618</u>		Accelerator Cable .....	1
16	10385G4		Clevis Yoke .....	1
17	<u>00532G4</u>		Hex Nut, 5/16" - 24 .....	2
18	72072G01		Accelerator Rod.....	1
19	<u>17677G2</u>		Spring Retainer.....	1
20	<u>15126G1</u>		Lock Nut, 5/16" - 24 .....	1
21	<u>73046G01</u>		Compression Spring .....	1
22	<u>17979G1</u>		Accelerator Rod Bushing.....	1
23	<u>17677G1</u>		Spring Retainer.....	1
24	<u>72716G01</u>		Cam (Micro Switch) .....	1
25	<u>00487G3</u>		Socket Head Screw, 1/4" - 20 x 3/8" Lg.....	1
26	<u>25799G03</u>		Accelerator Pedal Assembly (Includes Items 27 - 30).....	1
27	<u>27844G01</u>		Accelerator Pedal Pad Kit (Includes Items 28, 29).....	1
28	<u>27512G01</u>		Pedal Pad .....	1
29	<u>15766G1</u>		Oval Rivet, 3/8" x 15/32" Lg.....	6
30	*		Accelerator Pedal.....	1
31	<u>654645</u>		Grommet (Rubber) .....	1

# ACCELERATOR

THE USE OF NON U.L. PARTS WILL VOID ANY U.L. LISTING.

When ordering parts, please specify the model and serial number of the product.

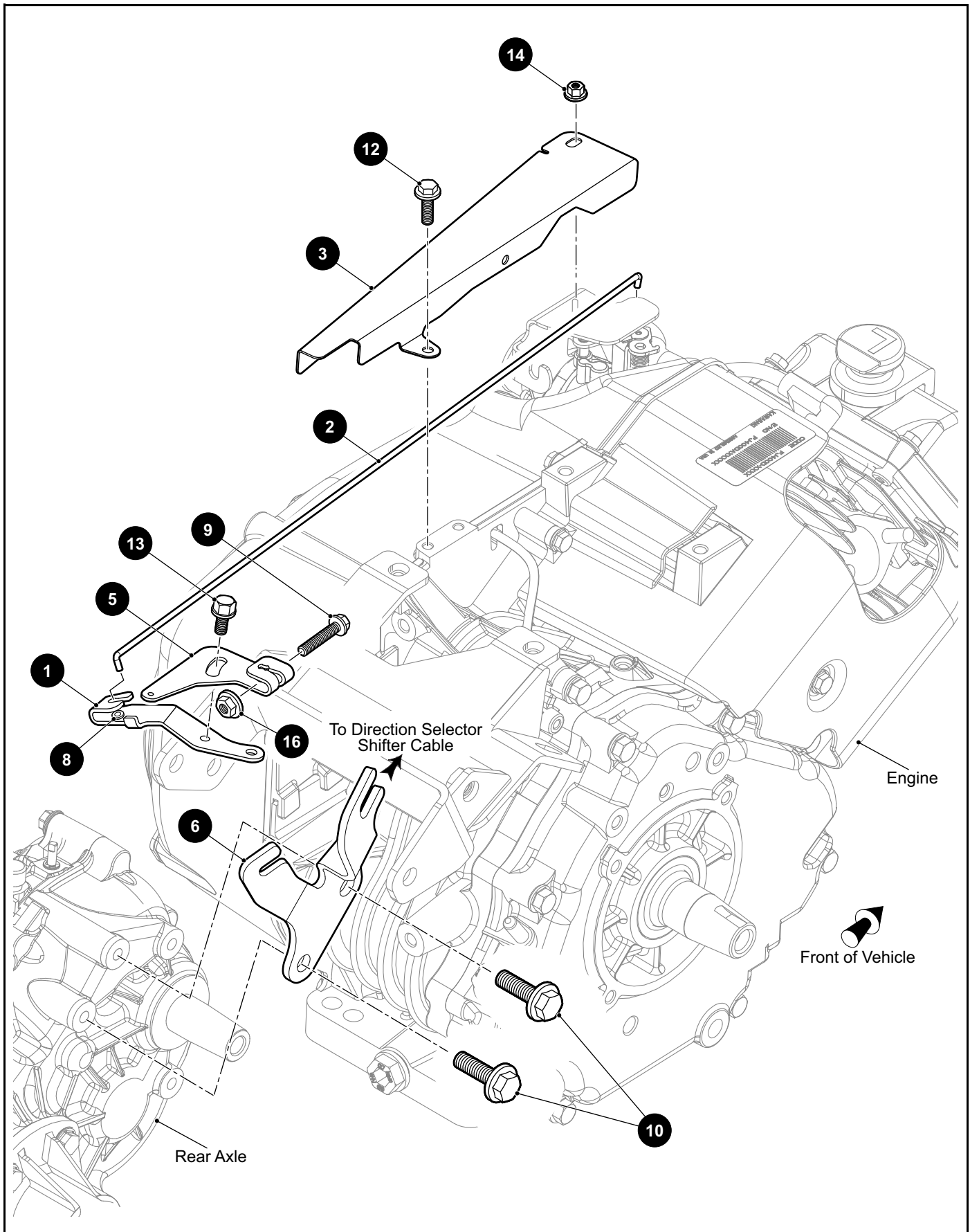
\* Indicates a component that is not available as an individual part.

\*\*\* Indicates consult Customer Service Department for additional information.

ITEM	PART NO.	1 2 3 4 5	DESCRIPTION	QTY.
32	<u>70135G01</u>		Pedal Pivot Cover .....	1
33	<u>00715G2</u>		Hex Washer Head Screw, 5/16" - 18 x 3/4" Lg .....	4
34				
35	<u>17618G1</u>		Nylon Clamp, 8" Lg (Not Illustrated) .....	3



# ACCELERATOR



THE USE OF NON U.L. PARTS WILL VOID ANY U.L. LISTING.

When ordering parts, please specify the model and serial number of the product.

\* Indicates a component that is not available as an individual part.

\*\*\* Indicates consult Customer Service Department for additional information.

ITEM	PART NO.	1 2 3 4 5	DESCRIPTION	QTY.
1	<u>606005</u>		Governor Bracket (Lower).....	1
2	<u>606284</u>		Governor Link Rod .....	1
3	<u>660005</u>		Governor Rod Guard.....	1
4				
5	<u>606083</u>		Governor Bracket (Upper).....	1
6	<u>632936</u>		Governor Cable / Direction Selector Bracket .....	1
7				
8	<u>606283</u>		Governor Lever Bushing .....	1
9	<u>606421</u>		Flanged Hex Head Bolt, M6 - 1 x 30mm Lg, Grade 8.8 .....	1
10	<u>606256</u>		Flanged Hex Head Bolt, M10 - 1.25 x 25mm Lg, Grade 8.8 .....	2
11				
12	<u>606264</u>		Flanged Hex Head Bolt, M6 - 1 x 20mm Lg, Grade 8.8 .....	1
13	<u>73876G01</u>		Flanged Hex Head Bolt, M6 - 1 x 12mm Lg, Grade 8.8 .....	1
14	<u>601476</u>		Lock Nut, M6 - 1 .....	1
15				
16	<u>450452</u>		Flanged Hex Nut, M6 - 1 .....	1



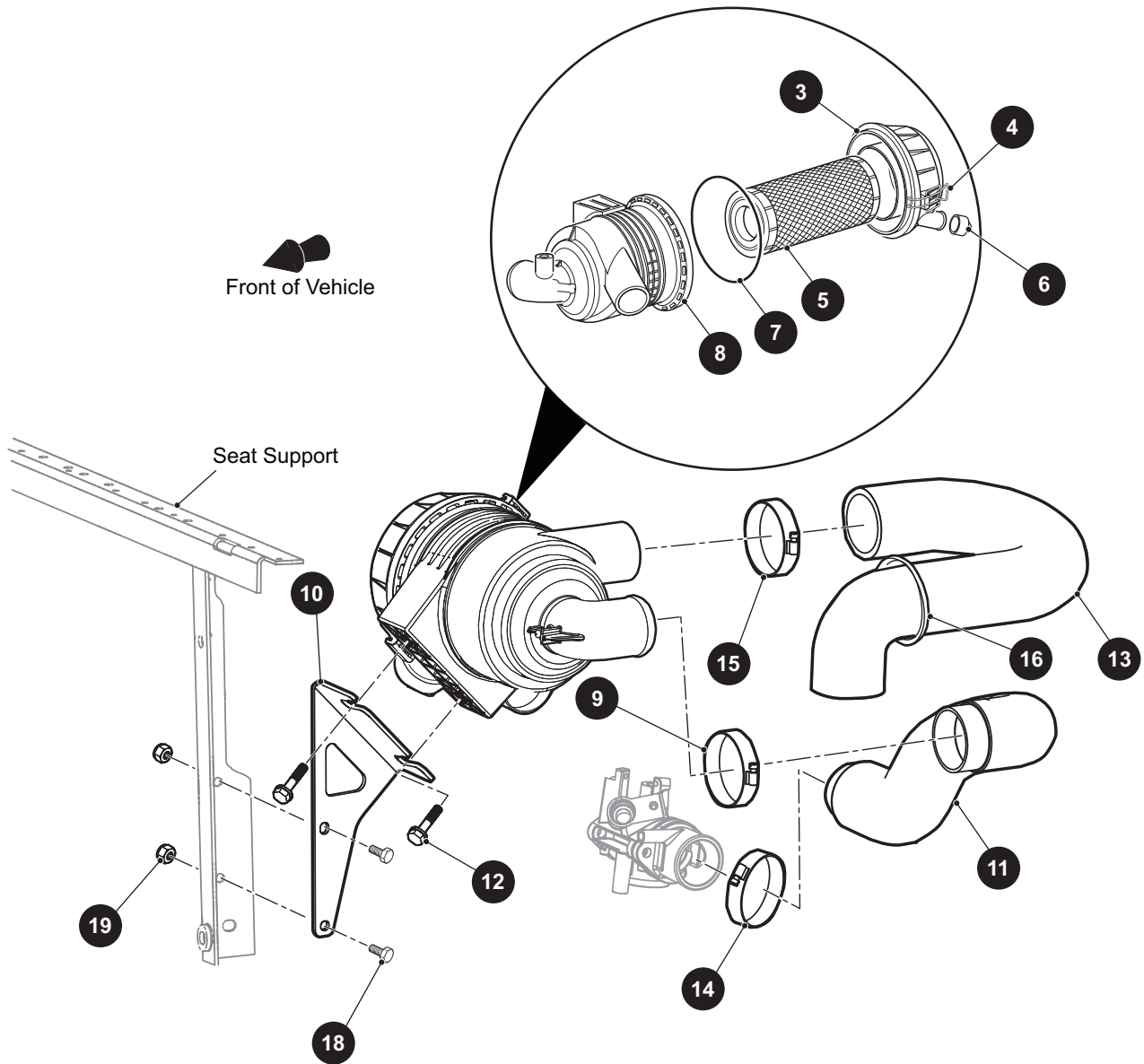




# AIR FILTER

1 Air Filter Assembly includes items 2 - 12

2 Air Cleaner Assembly includes items 3 - 8



THE USE OF NON U.L. PARTS WILL VOID ANY U.L. LISTING.

When ordering parts, please specify the model and serial number of the product.

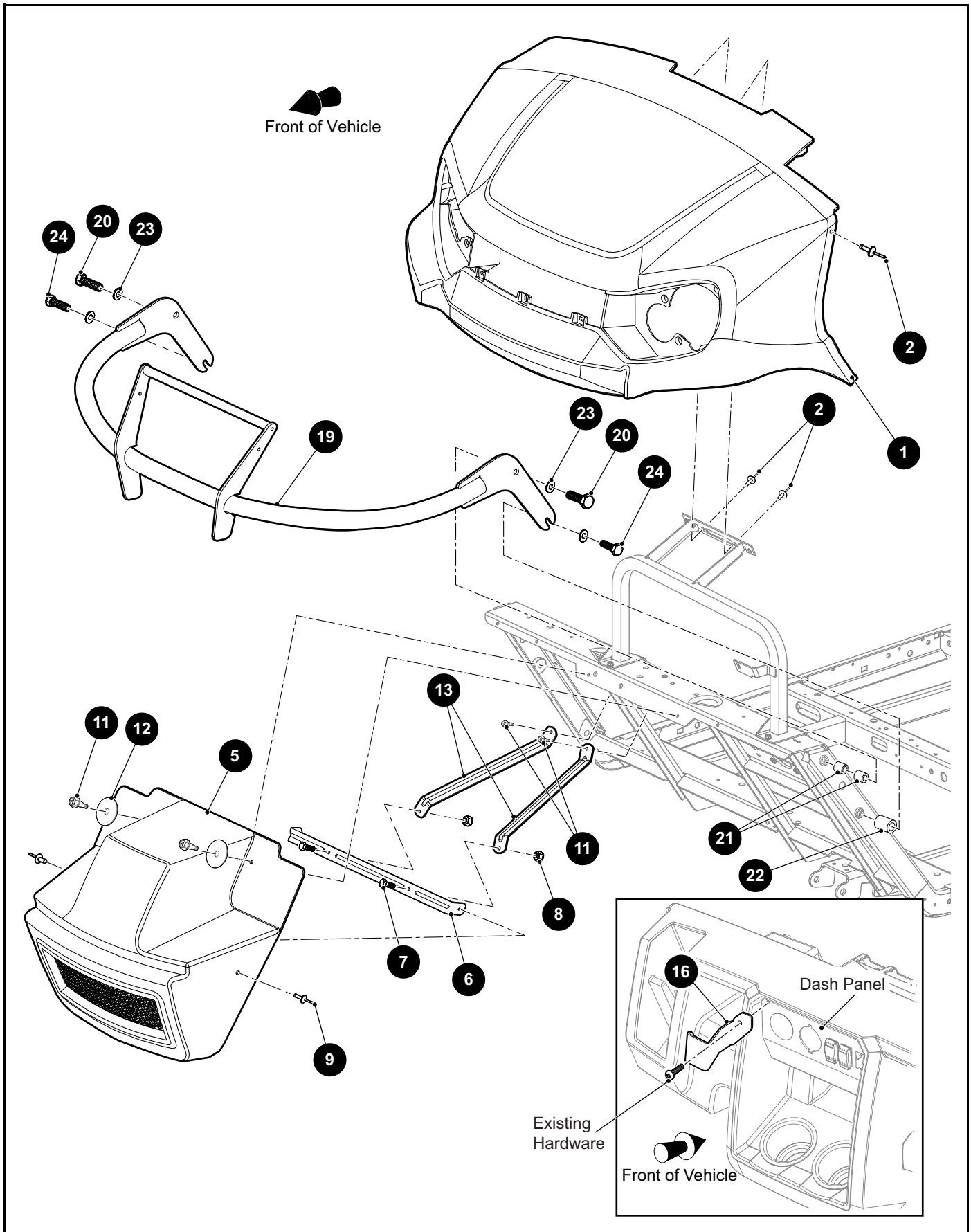
\* Indicates a component that is not available as an individual part.

\*\*\* Indicates consult Customer Service Department for additional information.

ITEM	PART NO.	1 2 3 4 5	DESCRIPTION	QTY.
1	697026		Air Filter Assembly (Includes Items 2 - 12).....	1
2	688989		Air Cleaner Assembly (Includes Items 3 - 8) .....	1
3	691746		Air Cleaner Cover.....	1
4	<u>72604G01</u>		Air Cleaner Clip.....	2
5	<u>28463G01</u>		Air Filter.....	1
6	<u>28462G01</u>		Dust Ejector Valve.....	1
7	689987		Seal.....	1
8	689988		Air Cleaner Housing.....	1
9	<u>11391G7</u>		Hose Clamp, 1.56".....	1
10	<u>659142</u>		Air Cleaner Mounting Bracket.....	1
11	<u>601910</u>		Air Filter Tube .....	1
12	<u>606261</u>		Flanged Hex Head Bolt, M8 - 1.25 x 20mm Lg, Grade 8.8 .....	2
13	<u>661661</u>		Intake Extension Hose .....	1
14	<u>11391G5</u>		Hose Clamp, .81" .....	1
15	<u>11391G7</u>		Hose Clamp, 1.56" .....	1
16	<u>12416G2</u>		Nylon Clamp, 11.8" Lg .....	1
17				
18	<u>00414G7</u>		Hex Head Bolt, 1/4" - 20 x 7/8" Lg, Grade 5 .....	2
19	<u>14390G4</u>		Lock Nut, 1/4" - 20 .....	2

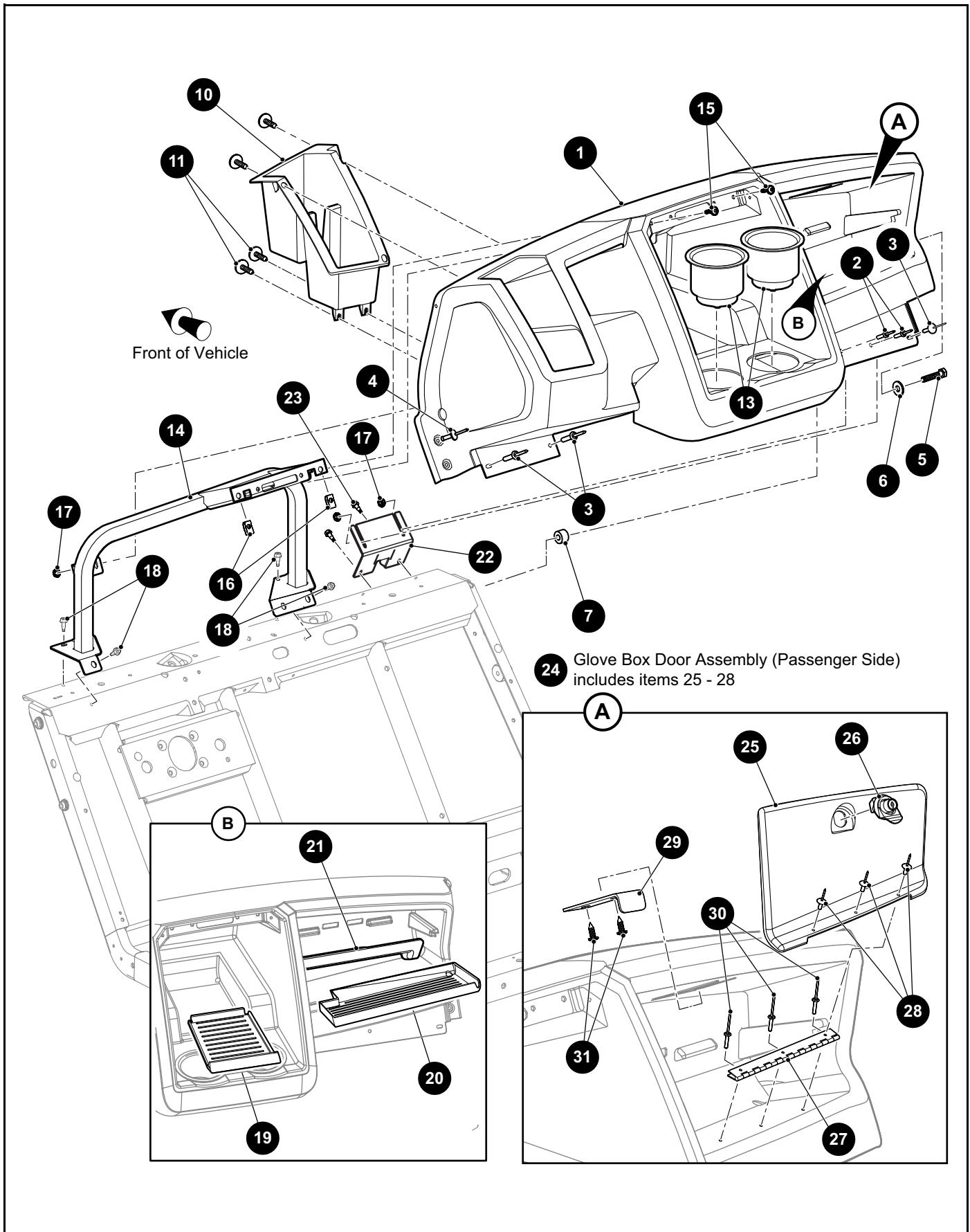






THE USE OF NON U.L. PARTS WILL VOID ANY U.L. LISTING.  
 When ordering parts, please specify the model and serial number of the product.  
 \* Indicates a component that is not available as an individual part.  
 \*\*\* Indicates consult Customer Service Department for additional information.

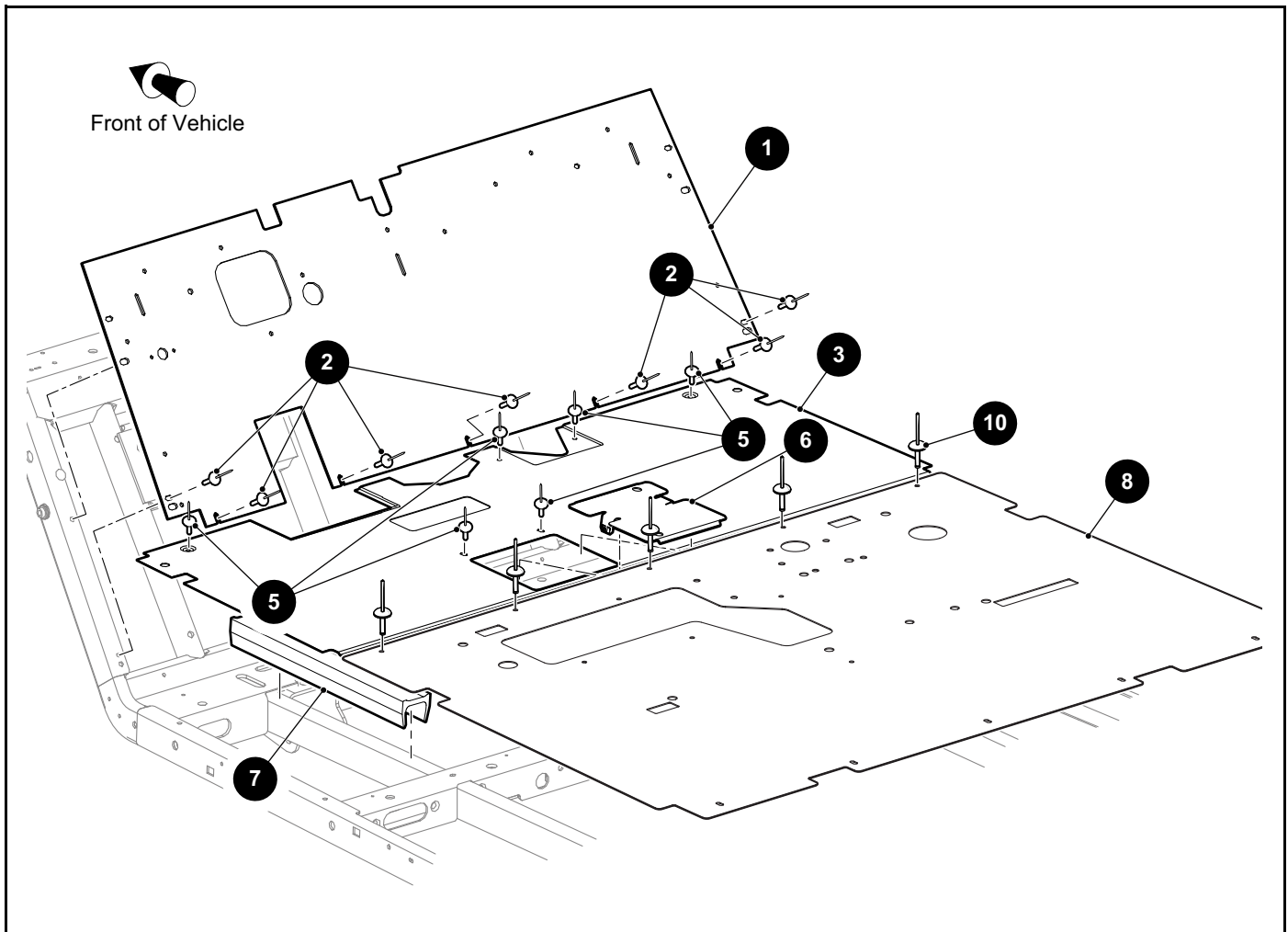
ITEM	PART NO.	1 2 3 4 5	DESCRIPTION	QTY.
1	648566G00**		Cowl (See COLOR CODE in HOW TO USE Section) .....	1
2	<u>71055G02</u>		Rivet (Aluminum), 3/16" .....	6
3				
4				
5	<u>613273</u>		Front Fascia .....	1
6	<u>654275</u>		Mounting Bracket .....	1
7	<u>00414G6</u>		Hex Head Bolt, 1/4" - 20 x 3/4" Lg, Grade 5 .....	2
8	<u>14390G4</u>		Lock Nut, 1/4" - 20 .....	2
9	<u>15058G1</u>		Rivet (Aluminum), 3/16" x .45" Lg .....	2
10				
11	<u>01038G01</u>		Hex Washer Head Swageform Screw, 1/4" - 20 x .70" Lg .....	4
12	<u>16469G1</u>		Fender Washer .....	2
13	654276		Front Fascia Mounting Brace .....	1
14				
15				
16	<u>664044</u>		Radio Clip.....	1
17				
18				
19	<u>662022</u>		Brush Guard .....	1
20	<u>00441G2</u>		Hex Head Bolt, 5/16" - 18 x 3 1/4" Lg .....	2
21	<u>75048G04</u>		Spacer, .328" I.D. x .75" O.D. x 1" Lg .....	4
22	<u>75048G03</u>		Spacer, .328" I.D. x .75" O.D. x 1.5" Lg .....	2
23	00559G8		Flat Washer, .349" I.D. x .692" O.D. ....	4
24	<u>00440G6</u>		Hex Head Bolt, 5/16" - 18 x 2 3/4" Lg, Grade 5 .....	2





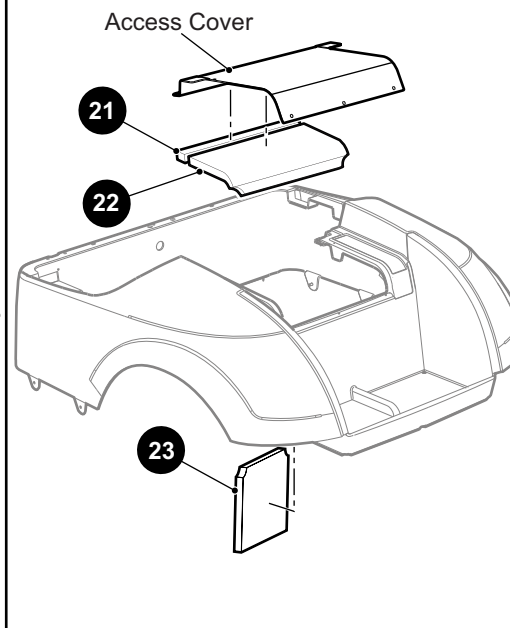
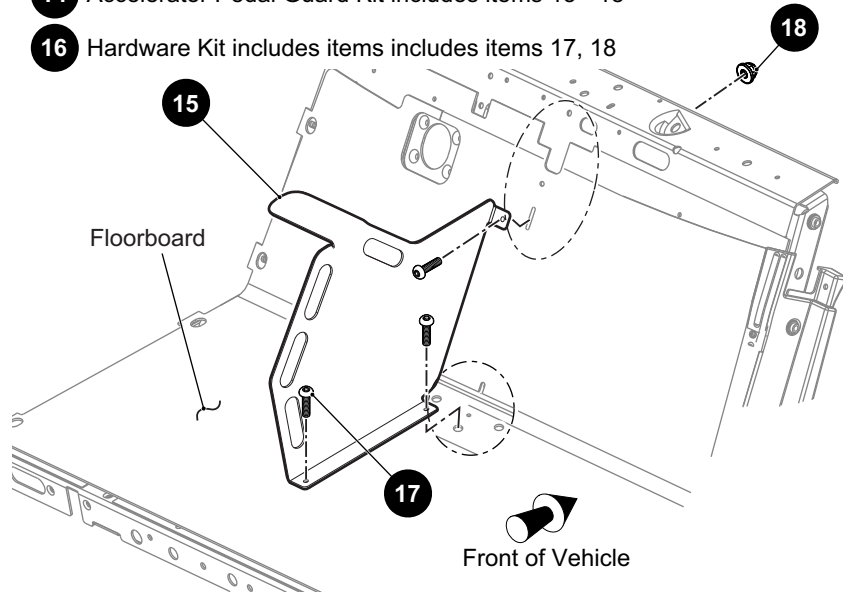
THE USE OF NON U.L. PARTS WILL VOID ANY U.L. LISTING.  
 When ordering parts, please specify the model and serial number of the product.  
 \* Indicates a component that is not available as an individual part.  
 \*\*\* Indicates consult Customer Service Department for additional information.

ITEM	PART NO.	1 2 3 4 5	DESCRIPTION	QTY.
1	<u>648568</u>		Instrument Panel .....	1
2	<u>71055G01</u>		Rivet (Aluminum), 3/16" x 1 1/8" Lg .....	2
3	<u>14601G11</u>		Rivet (Aluminum), 3/16" x 9/16" Lg .....	3
4	<u>71055G01</u>		Rivet (Aluminum), 3/16" x 1.18" Lg .....	2
5	<u>651011</u>		Hex Head Bolt, 5/16" - 18 x 1.5" Lg, Grade 5 .....	2
6	<u>634808</u>		Flat Washer, 5/16" .....	2
7	<u>75048G01</u>		Spacer, .328" x .75" x .5" .....	2
8				
9				
10	<u>648562</u>		Cup Holder (Driver Side) .....	1
11	<u>613373</u>		Pan Head Tapping Screw (with Washer), M4.8 - 1.6 x 22mm Lg .....	4
12				
13	<u>650913</u>		Single Center Cup Holder .....	2
14	<u>666298</u>		Instrument Panel Support .....	1
15	<u>645323</u>		Pan Washer Head Torx Screw, M6 - 1 x 23.4mm Lg .....	2
16	<u>602409</u>		Barrel Clip, M6 - 1 .....	2
17	<u>71597G01</u>		Self Threading Nut, 5mm x 10mm x 15mm .....	3
18	<u>01038G01</u>		Hex Washer Head Swageform Screw, 1/4" - 20 x .70" Lg .....	4
19	<u>660844</u>		Mat (Center Instrument Panel).....	1
20	<u>660880</u>		Glove Box Mat.....	1
21	<u>648561</u>		Tray Panel (Passenger Side).....	1
22	<u>666244</u>		Instrument Panel Support Bracket (Passenger Side) .....	1
23	<u>01038G01</u>		Hex Washer Head Swageform Screw, 1/4" - 20 x .70" Lg .....	2
24	<u>650784</u>		Glove Box Assembly (Passenger Side) (Includes Items 25 - 28).....	1
25	<u>650813</u>		Glove Box Door .....	1
26	<u>654475</u>		Glove Box Lock Assembly .....	1
27	<u>652386</u>		Piano Hinge .....	1
28	<u>14601G10</u>		Rivet (Aluminum), 5/32".....	3
29	<u>652390</u>		Glove Box Striker .....	1
30	<u>71045G01</u>		Black Aluminum Rivet, 5/23" x .38" .....	3
31	<u>00614G4</u>		Self Drilling Pan Head Phillips Screw, #8 - 18 x 1/2" LG.....	2



**14** Accelerator Pedal Guard Kit includes items 15 - 18

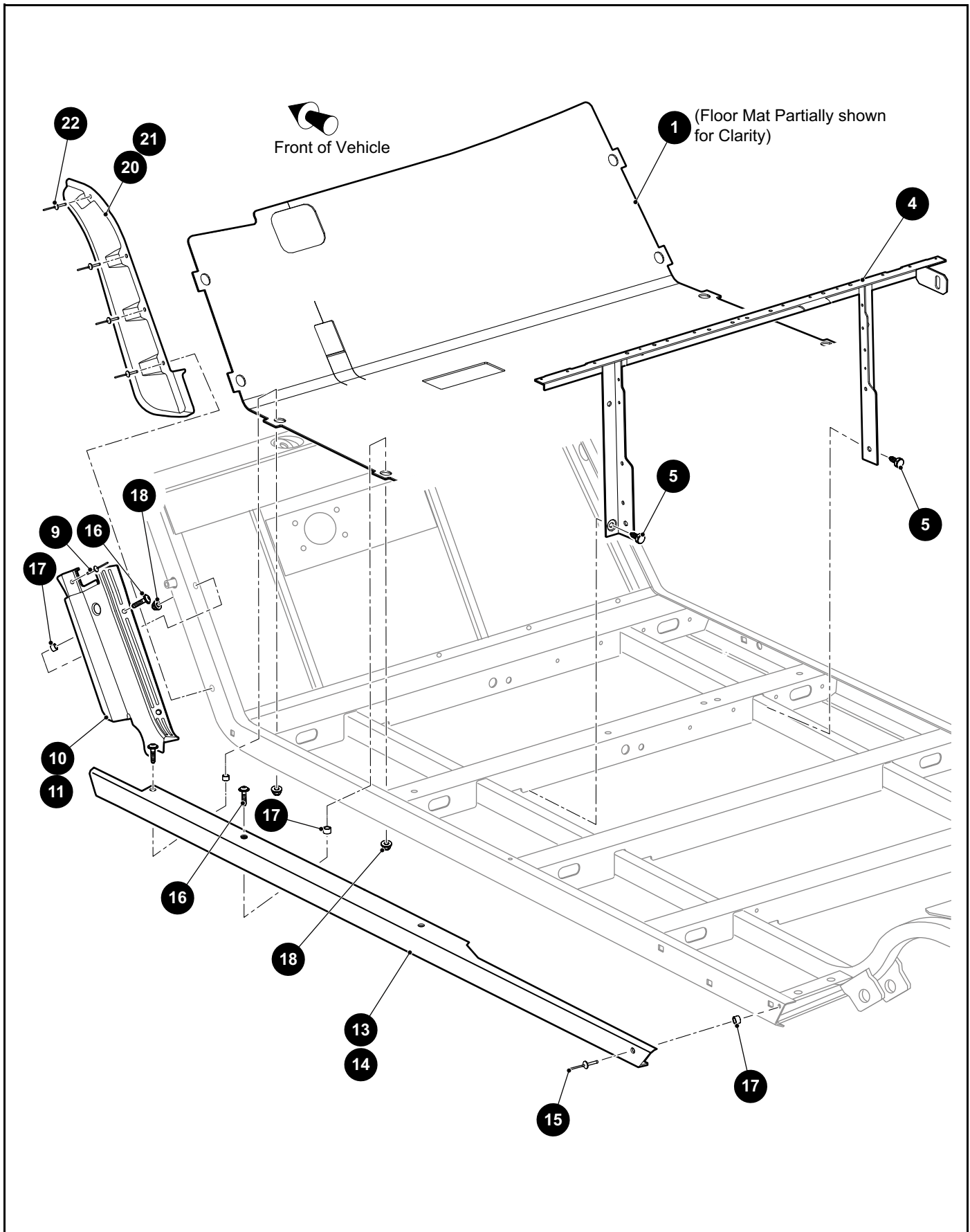
**16** Hardware Kit includes items 17, 18



THE USE OF NON U.L. PARTS WILL VOID ANY U.L. LISTING.  
 When ordering parts, please specify the model and serial number of the product.  
 \* Indicates a component that is not available as an individual part.  
 \*\*\* Indicates consult Customer Service Department for additional information.

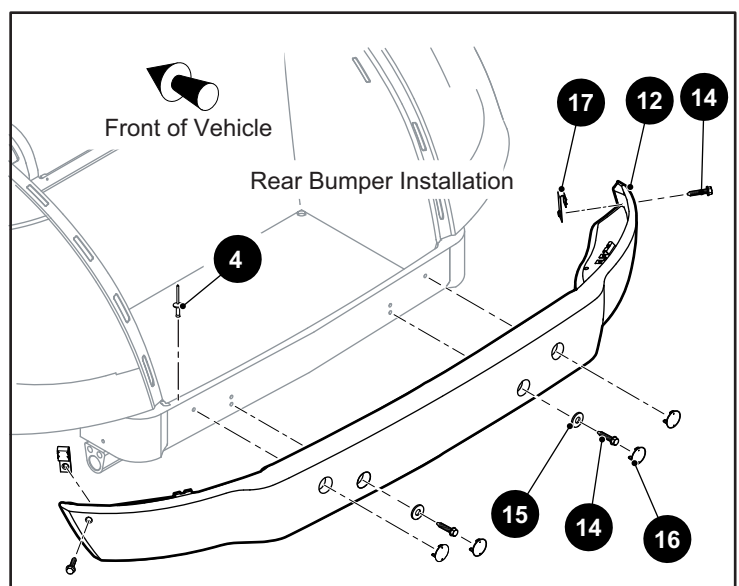
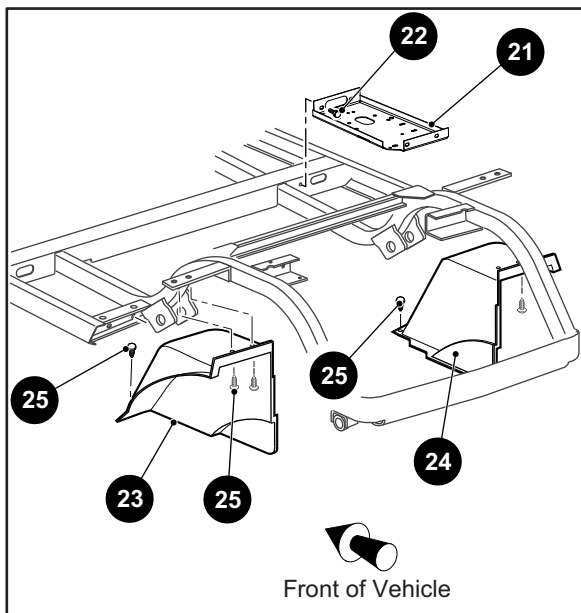
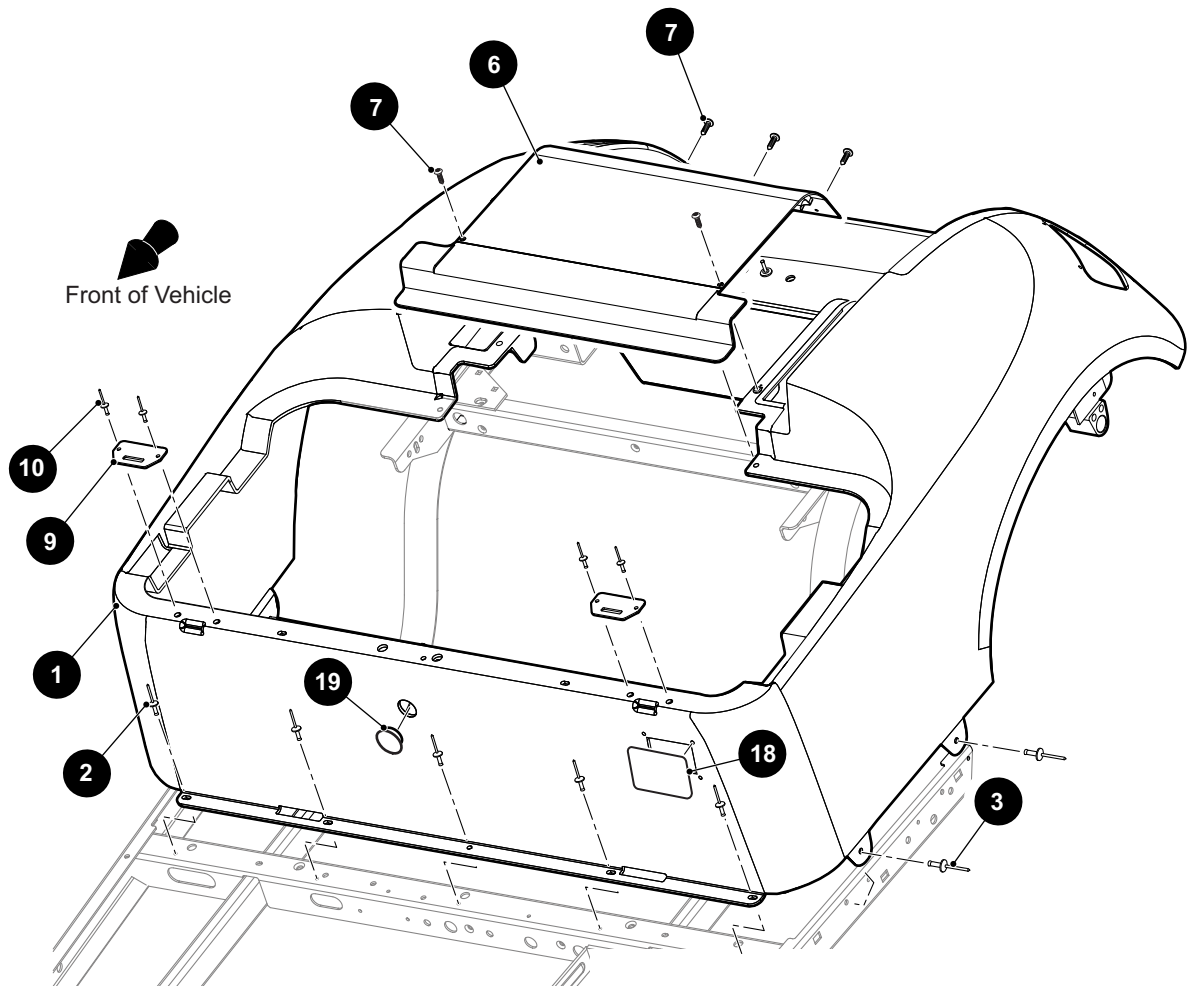
ITEM	PART NO.	1 2 3 4 5	DESCRIPTION	QTY.
1	<u>641260</u>		Upper Floor Panel .....	1
2	<u>14601G11</u>		Rivet (Aluminum), 3/16" x .575" Lg .....	7
3	<u>664052G02</u>		Floor Mat (Lower) .....	1
4				
5	<u>14601G11</u>		Rivet (Aluminum), 3/16" x .575" Lg .....	7
6	<u>665025</u>		Access Cover (Micro Switch) .....	1
7	<u>664735</u>		Floorboard Spacer .....	2
8	<u>648840</u>		Floor Panel, (Rear).....	1
9				
10	<u>10570G10</u>		Domed Rivet (SS), 5/32" x 9/16".....	5
11				
12				
13				
14	666379		Accelerator Pedal Guard Kit (Includes Items 15 - 18).....	1
15	<u>662991</u>		Accelerator Pedal Guard.....	1
16	<u>666380</u>		Hardware Kit (Includes Items 17, 18) .....	1
17	<u>645323</u>		Torx Head Screw, M6 x 1 - 23.4mm Lg.....	3
18	<u>601476</u>		Lock Nut, M6 - 1.....	3
19				
20				
21	<u>659357</u>		Sound Treatment, Small (Access Cover).....	1
22	<u>657950</u>		Sound Treatment, Large (Access Cover).....	1
23	<u>657953</u>		Sound Treatment (Rear Body) .....	1

# BODY



THE USE OF NON U.L. PARTS WILL VOID ANY U.L. LISTING.  
 When ordering parts, please specify the model and serial number of the product.  
 \* Indicates a component that is not available as an individual part.  
 \*\*\* Indicates consult Customer Service Department for additional information.

ITEM	PART NO.	1 2 3 4 5	DESCRIPTION	QTY.
1	10010645		Floor Mat (Hexagonal) .....	1
2				
3				
4	<u>659143</u>		Seat Frame .....	1
5	<u>00715G2</u>		Hex Washer Head Bolt, 5/16" - 18 x .8" Lg .....	2
6				
7				
8				
9	<u>71055G02</u>		Rivet (Aluminum), 3/16" .....	1
10	<u>655917G03</u>		Upper Rocker Panel with Fender Flare Mounting Holes (Driver Side) .....	1
11	<u>655917G04</u>		Upper Rocker Panel with Fender Flare Mounting Holes (Passenger Side) ....	1
12				
13	10012037G01		Rocker Panel (Driver Side) .....	1
14	10012037G02		Rocker Panel (Passenger Side) .....	1
15	<u>15058G6</u>		Rivet (Aluminum), 3/16" x .95" Lg .....	2
16	<u>645323</u>		Pan Washer Head Torx Screw, M6 - 1 x 23.4mm Lg .....	5
17	<u>23726G4</u>		Spacer, .5" O.D. x .38" I.D. x .325" Lg .....	6
18	<u>601476</u>		Flanged Lock Nut, M6 - 1 .....	5
19				
20	<u>674546G01</u>		Large Front Fender Flare (Driver Side) .....	1
21	<u>674546G02</u>		Large Front Fender Flare (Passenger Side) .....	1
22	<u>71055G02</u>		Rivet (Aluminum), 3/16" .....	4



THE USE OF NON U.L. PARTS WILL VOID ANY U.L. LISTING.  
 When ordering parts, please specify the model and serial number of the product.  
 \* Indicates a component that is not available as an individual part.  
 \*\*\* Indicates consult Customer Service Department for additional information.

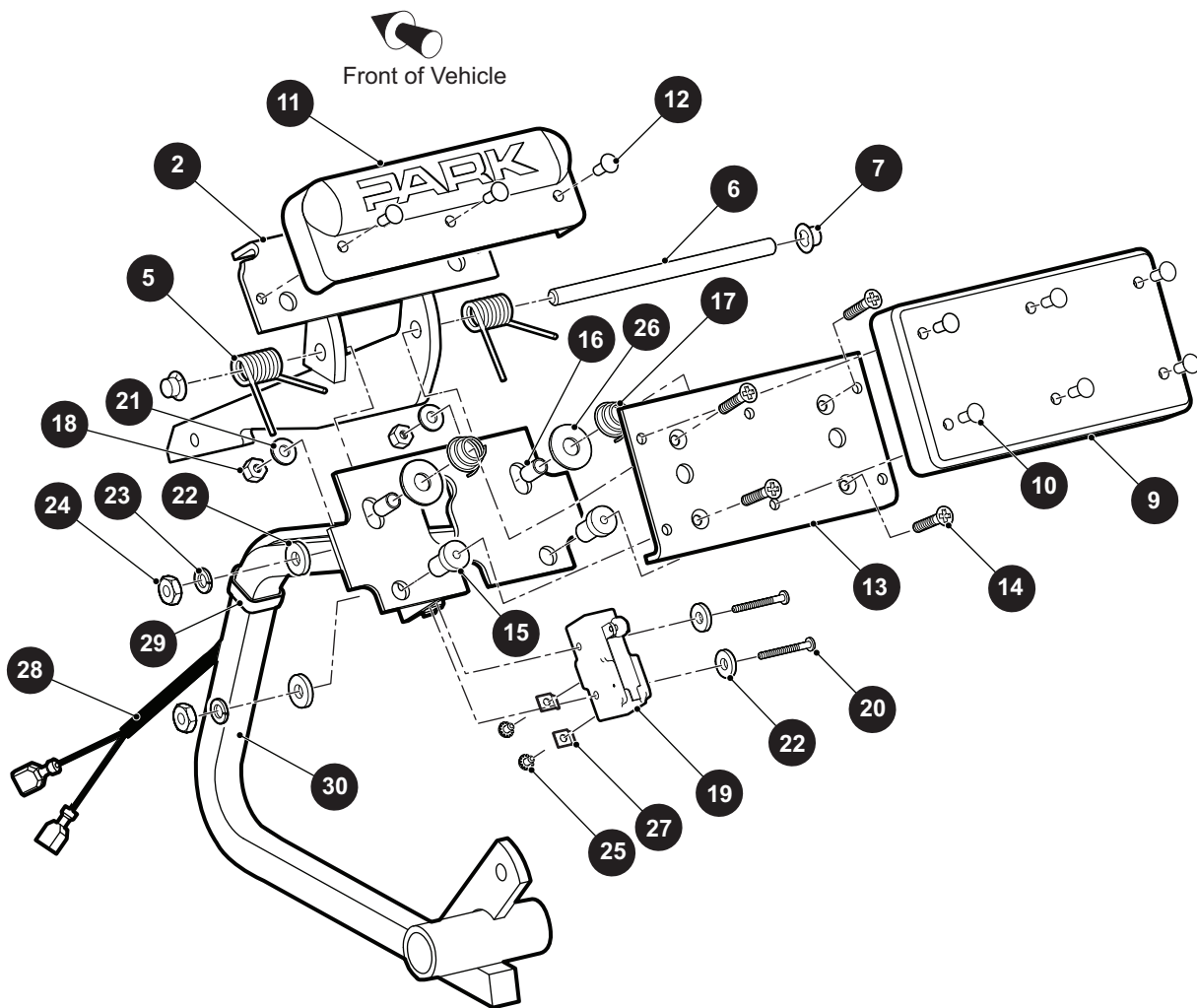
ITEM	PART NO.	1 2 3 4 5	DESCRIPTION	QTY.
1	625272G1**		Rear Body (See HOW TO USE Section for COLOR CODES) .....	1
2	<u>10570G10</u>		Rivet (SS), 5/32" x 9/16" Lg .....	5
3	10570G12		Rivet (Aluminum), .257" x .556" Lg .....	4
4	<u>633917</u>		Rivet (Plastic).....	2
5				
6	<u>71320G01</u>		Access Panel .....	1
7	<u>01107G01</u>		Pan Head Torx Screw (SS), #8 x .63" Lg .....	5
8				
9	<u>71609G01</u>		Seat Hinge Plate .....	2
10	<u>10570G11</u>		Rivet (SS), 5/32" x .70" Lg .....	4
11				
12	<u>71451G02</u>		Rear Bumper.....	1
13				
14	<u>71102G01</u>		Hex Head Bolt, 1/4" - 20 x 3/4" Lg, Grade 5 .....	4
15	<u>00571G2</u>		Flat Washer, 5/16" .....	2
16	<u>71455G01</u>		Bumper Plug .....	4
17	<u>71554G01</u>		"J" Type Nut Retainer, 1/4" - 20.....	4
18	<u>666066</u>		Receptacle Cover.....	1
19	<u>71316G01</u>		Hole Plug .....	1
20				
21	<u>70244G05</u>		Splash Pan.....	1
22	<u>00715G2</u>		Hex Washer Head Bolt, 5/16" - 18 x 4/5" Lg .....	4
23	635054G04		Fender Liner (Driver Side).....	1
24	<u>635054G01</u>		Fender Liner (Passenger Side).....	1
25	<u>16816G2</u>		Ratchet Fastener, 1/4" x .887" .....	4







- 1 Brake Pedal Assembly includes items 2 - 30



# BRAKES

THE USE OF NON U.L. PARTS WILL VOID ANY U.L. LISTING.

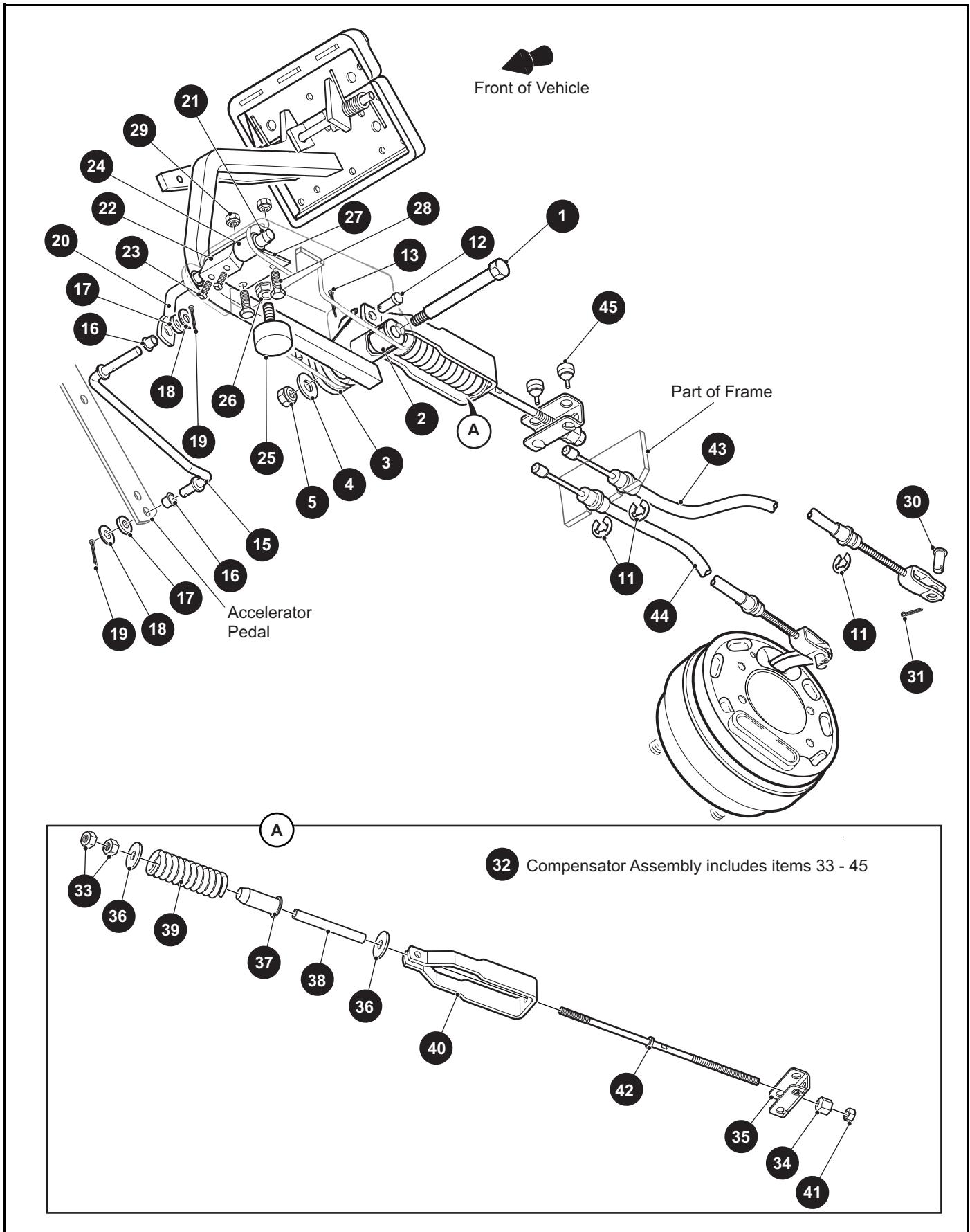
When ordering parts, please specify the model and serial number of the product.

\* Indicates a component that is not available as an individual part.

\*\*\* Indicates consult Customer Service Department for additional information.

ITEM	PART NO.	1 2 3 4 5	DESCRIPTION	QTY.
1	70690G02		Brake Pedal Assembly (Includes Items 2 - 30) .....	1
2	<u>652253G03</u>		Park Brake Pedal.....	1
3				
4				
5	<u>70681G01</u>		Torsion Spring.....	2
6	<u>70682G01</u>		Pivot Pin .....	1
7	<u>658825</u>		Push Nut, 5/16" - 24 .....	2
8				
9	<u>70257G01</u>		Service Brake Pad.....	1
10	<u>16409G1</u>		Oval Rivet, .375" x .468" Lg.....	6
11	<u>70256G01</u>		Park Brake Pedal Pad .....	1
12	<u>16409G1</u>		Oval Rivet, .375" x .468" Lg.....	3
13	<u>652820</u>		Service Brake Pedal Plate .....	1
14	<u>00737G8</u>		Flat Head Phillips Screw, #10 - 24 x .875" Lg, Grade 5.....	4
15	<u>00739G1</u>		Rubber Well Nut, #10 - 24 .....	2
16	<u>652355</u>		Brake Pedal Spacer.....	2
17	<u>27137G01</u>		Conical Spring .....	2
18	<u>14390G10</u>		Lock Nut, #10 - 24 .....	2
19	10606G8		Micro Switch .....	1
20	<u>00645G2</u>		Pan Head Phillips Screw, #6 - 32 x 1 1/4" Lg .....	1
21	<u>00559G5</u>		Flat Washer, #10.....	2
22	<u>00559G3</u>		Flat Washer, #6.....	2
23	<u>00565G3</u>		Lock Washer, #6 .....	1
24	<u>00525G5</u>		Lock Nut, #6 - 32 .....	1
25	<u>13514G1</u>		Limit Switch Screw, #6 - 32 x .22" Lg .....	1
26	<u>00642G8</u>		Flat Washer, 5/16" .....	2
27	<u>14628G1</u>		Faston Tab.....	1
28	<u>24605G1</u>		Wire Harness (Brake Light) .....	1
29	<u>17618G1</u>		Wire Tie .....	2
30	<u>652791G03</u>		Brake Pedal .....	1

# BRAKES



THE USE OF NON U.L. PARTS WILL VOID ANY U.L. LISTING.

When ordering parts, please specify the model and serial number of the product.

\* Indicates a component that is not available as an individual part.

\*\*\* Indicates consult Customer Service Department for additional information.

ITEM	PART NO.	1 2 3 4 5	DESCRIPTION	QTY.
1	<u>70582G01</u>		Shoulder Bolt (SS), 3/8" - 16 x 3.406" Lg.....	1
2	<u>70581G01</u>		Flanged Bushing, .1.062" O.D. x .795" I.D.....	2
3	<u>70676G01</u>		Torsion Spring .....	1
4	<u>00643G1</u>		Lock Washer, 3/8" .....	1
5	<u>11098G5</u>		Lock Nut, 3/8" - 16 .....	1
6	<u>01038G01</u>		Hex Washer Head Bolt, 1/4" - 20 x .7" Lg (Not Illustrated).....	1
7	<u>12416G2</u>		Nylon Wedge Lock Clamp (Not Illustrated).....	3
8				
9				
10				
11	<u>01111G01</u>		Retaining Ring (SS), Dia. .8".....	4
12	<u>10386G3</u>		Clevis Pin, .438" x .938" Lg.....	1
13	<u>10387G3</u>		Cotter Pin, .094" x .75" Lg.....	1
14				
15	<u>70601G01</u>		Kick-off Link.....	1
16	<u>17838G1</u>		Nylon Bushing, .37" O.D. x .31" I.D.....	2
17	<u>20835G1</u>		Teflon Washer, 3/8" .....	2
18	<u>00559G8</u>		Flat Washer, 5/16" .....	2
19	<u>10387G3</u>		Cotter Pin, .094" x .75" Lg.....	2
20	<u>70098G01</u>		Kick-off Cam Pivot.....	1
21	<u>10097G6</u>		Flanged Bearing.....	2
22	<u>70587G01</u>		Kick-off Cam.....	1
23	<u>71215G01</u>		Set Screw with Patch Lock, 1/4" - 20 x 1/2" Lg .....	2
24	<u>14134G4</u>		Spacer, .76" O.D. x .395" I.D. x 1.25" Lg .....	1
25	<u>70113G01</u>		Adjustable Bumper.....	1
26	<u>11027G1</u>		Lock Nut, 5/16 - 18" .....	1
27	<u>70080G02</u>		Catch Bracket.....	1
28	<u>00414G6</u>		Hex Head Bolt, 1/4" - 20 x 3/4" Lg, Grade 5 .....	2
29	<u>14390G4</u>		Lock Nut (SS), 1/4" - 20 .....	2
30	<u>10386G3</u>		Clevis Pin, .438" x .938" Lg.....	1
31	<u>10387G3</u>		Cotter Pin, .094" x .75" Lg.....	1

# BRAKES

THE USE OF NON U.L. PARTS WILL VOID ANY U.L. LISTING.

When ordering parts, please specify the model and serial number of the product.

\* Indicates a component that is not available as an individual part.

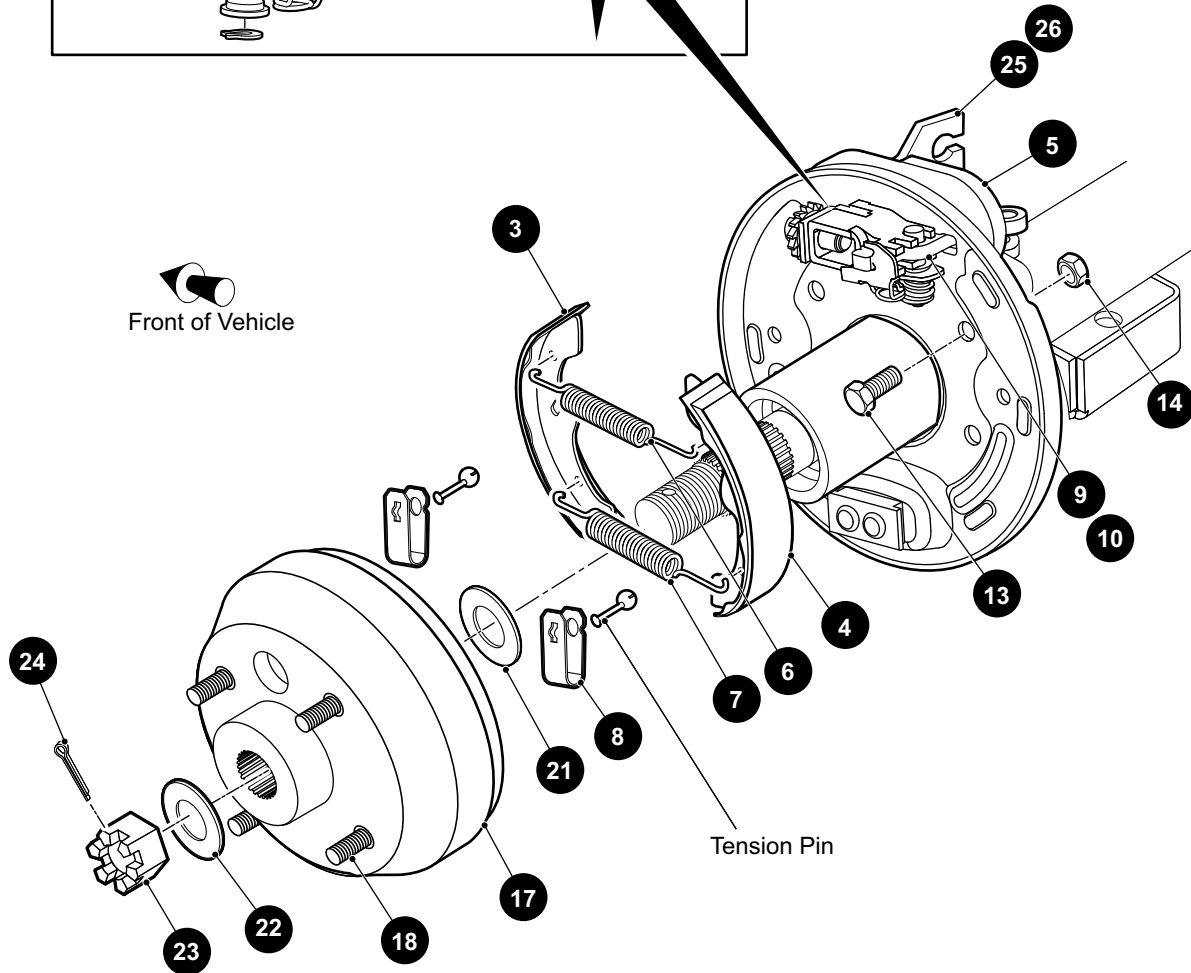
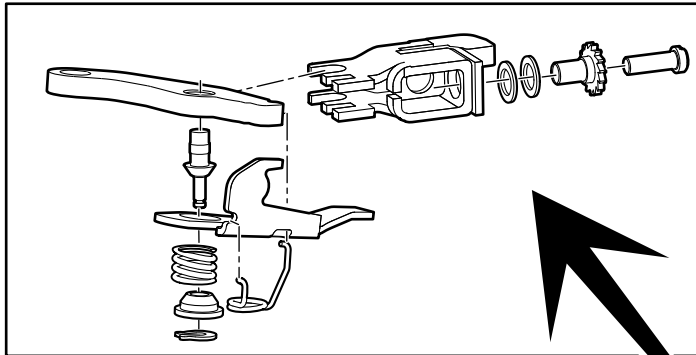
\*\*\* Indicates consult Customer Service Department for additional information.

ITEM	PART NO.	1 2 3 4 5	DESCRIPTION	QTY.
32	654665		Compensator Assembly (Includes Items 33 - 45).....	1
33	<u>00532G4</u>		Hex Nut, 1/4" - 20.....	2
34	<u>629486</u>		Spherical Hex Nut, 5/16" - 24.....	1
35	<u>28082G01</u>		Equalizer Bracket.....	1
36	<u>15121G1</u>		Flat Washer, 5/16".....	2
37	<u>17979G1</u>		Accelerator Rod Bushing, .464" I.D. x 1" O.D. x 2" Lg.....	1
38	<u>23061G2</u>		Tube.....	1
39	<u>23463G1</u>		Compression Spring.....	1
40	<u>652256</u>		Brake Yoke.....	1
41	<u>11098G9</u>		Hex Lock Nut, 5/16" - 24.....	1
42	<u>612557</u>		Compensator Link Rod.....	1
43	<u>624695</u>		Brake Cable (Driver Side).....	1
44	<u>624696</u>		Brake Cable (Passenger Side).....	1
45	<u>28083G01</u>		Brake Compensator Bumper.....	2



# BRAKES

- 1 Brake Assembly (Driver Side) includes items 3 - 9
- 2 Brake Assembly (Passenger Side) includes items 3 - 8, 10
- 16 Brake Drum Assembly includes items 17, 18





# BRAKES

THE USE OF NON U.L. PARTS WILL VOID ANY U.L. LISTING.

When ordering parts, please specify the model and serial number of the product.

\* Indicates a component that is not available as an individual part.

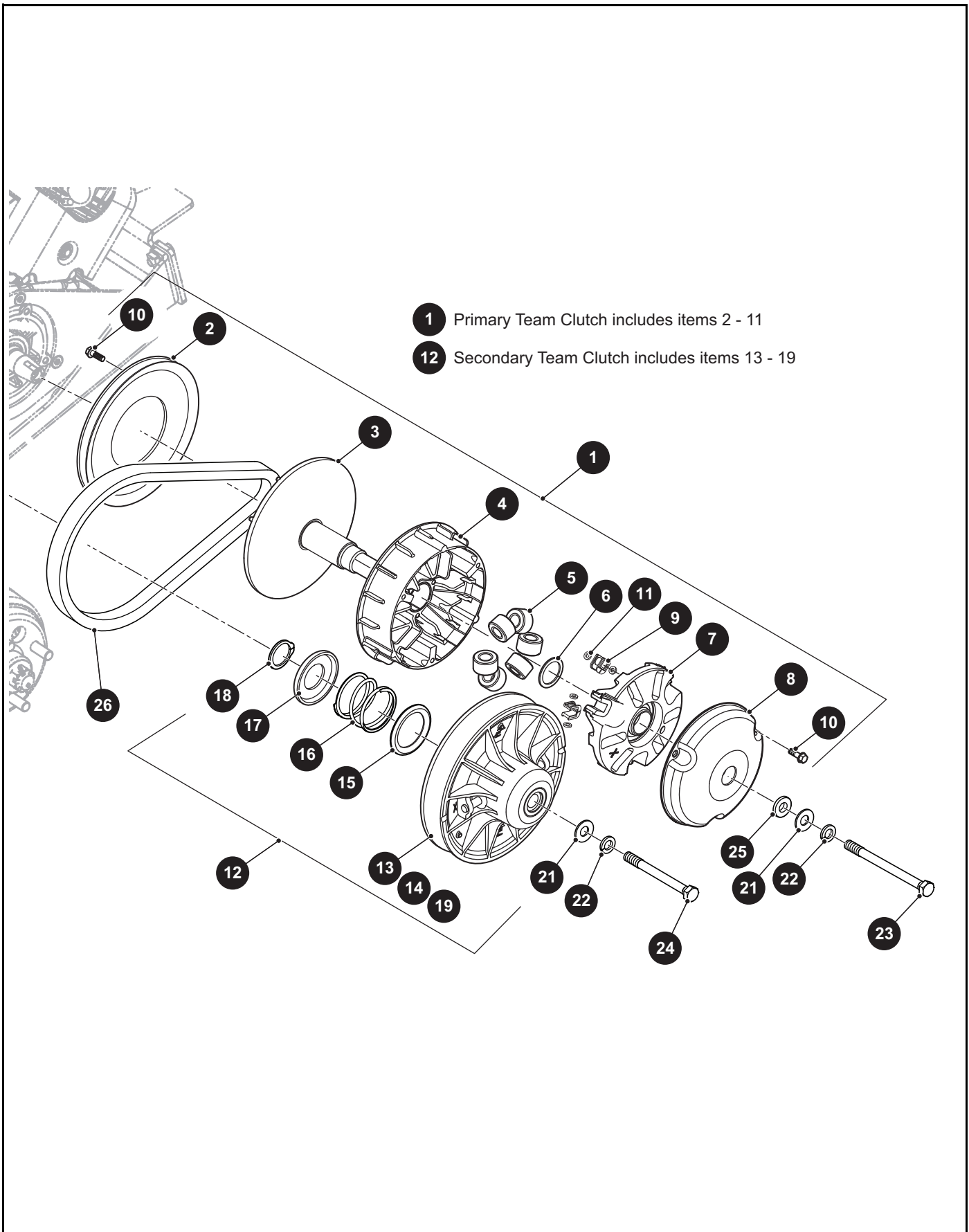
\*\*\* Indicates consult Customer Service Department for additional information.

ITEM	PART NO.	1 2 3 4 5	DESCRIPTION	QTY.
1	<u>612189</u>		Brake Assembly (Driver Side) (Includes Items 3 - 9) .....	1
2	<u>612211</u>		Brake Assembly (Passenger Side) (Includes Items 3 - 8, 10).....	1
3	<u>612411</u>		Brake Shoe, Leading .....	1
4	<u>612412</u>		Brake Shoe, Trailing .....	1
5	<u>612413</u>		Dust Cover.....	1
6	<u>612415</u>		Brake Spring, Top .....	1
7	<u>612414</u>		Brake Spring, Bottom .....	1
8	<u>612416</u>		Shoe Clamp.....	2
9	<u>612417</u>		Gear Adjuster (Driver Side) .....	1
10	<u>612418</u>		Gear Adjuster (Passenger Side).....	1
11				
12				
13	<u>17083G2</u>		Hex Head Bolt, 5/16" - 24 x 1" Lg, Grade 8 .....	4
14	<u>15126G1</u>		Lock Nut, 5/16" - 24 .....	4
15				
16	<u>21807G2</u>		Brake Drum Assembly (Includes Items 17, 18).....	1
17	<u>20947G1</u>		Brake Drum .....	1
18	<u>19862G2</u>		Lug Bolt, 1/2" - 20 X 1.718" Lg .....	4
19				
20				
21	<u>21809G1</u>		Flat Washer (Inner Wheel Rim), .984" x 1.31" x .031" .....	1
22	<u>606945</u>		Brake Drum Washer.....	1
23	<u>612928</u>		Slotted Hex Nut, 3/4" - 16 .....	1
24	<u>10387G1</u>		Cotter Pin, 5/32" x 1 3/4" Lg.....	1
25	<u>652248</u>		Brake Cable Bracket (Passenger Side) .....	1
26	<u>652249</u>		Brake Cable Bracket (Driver Side).....	1





# CLUTCH



THE USE OF NON U.L. PARTS WILL VOID ANY U.L. LISTING.

When ordering parts, please specify the model and serial number of the product.

\* Indicates a component that is not available as an individual part.

\*\*\* Indicates consult Customer Service Department for additional information.

ITEM	PART NO.	1 2 3 4 5	DESCRIPTION	QTY.
1	672688		Primary Team Clutch (Includes Items 2 - 11) .....	1
2	<u>619333</u>		Primary Starter Pulley.....	1
3	*		Stationary Assembly .....	1
4	*		Moveable Primary Assembly .....	1
5	<u>624112</u>		Shift Roller Assembly.....	6
6	<u>619337</u>		Shim, 39.5mm x 31.75mm.....	1
7	<u>644303</u>		Primary Spider Assembly .....	1
8	*		Primary Dust Cover Assembly.....	1
9	<u>644305</u>		Torque Primary Button .....	6
10	<u>619332</u>		Hex Washer Head Bolt, 1/4" - 20 x 3/4" Lg.....	7
11	<u>644306</u>		Torque Primary Plug .....	6
12	<u>623949</u>		Secondary Team Clutch (Includes Items 13 - 19) .....	1
13	*		Secondary Stationary .....	1
14	*		Moveable Secondary.....	1
15	<u>619327</u>		Inner Retainer Spring .....	1
16	<u>624111</u>		Compression Spring .....	1
17	<u>619329</u>		Outer Spring Retainer.....	1
18	<u>652515</u>		External Retainer Ring .....	1
19	<u>619331</u>		Thrust Washer, 1 53" x 1 83" x 1" .....	1
20				
21	<u>606239</u>		Conical Washer, M12 .....	2
22	<u>00566G3</u>		Lock Washer (Spring Type), 3/8" .....	2
23	<u>606245</u>		Hex Head Bolt, M12 - 1.25 x 160mm Lg, Grade 8.8 .....	1
24	<u>606243</u>		Hex Head Bolt, M12 - 1.25 x 120mm Lg, Grade 8.8 .....	1
25	<u>606230</u>		Clutch Washer, 27.5 Dia. O.D. x 13.06 Dia. I.D. ....	1
26	<u>618630</u>		Drive Belt.....	1

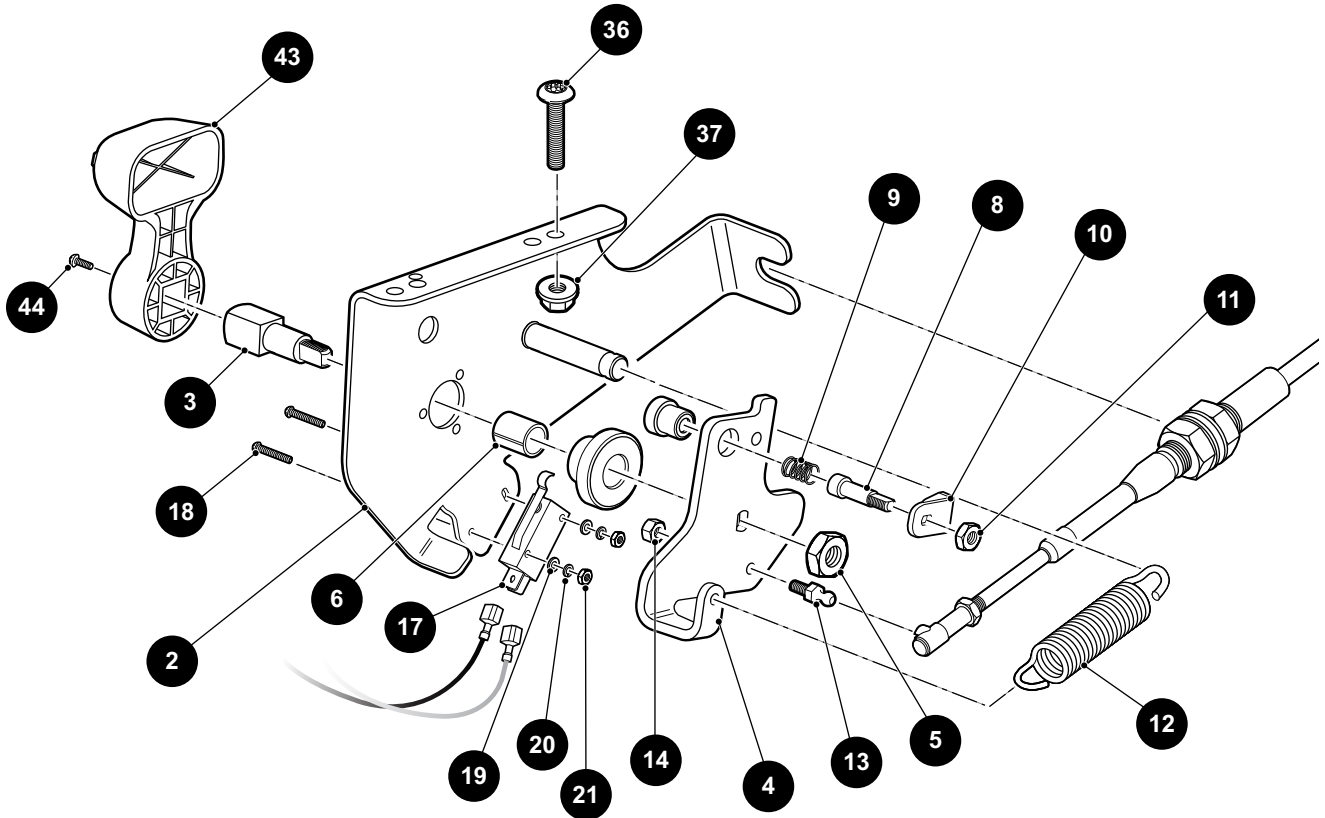




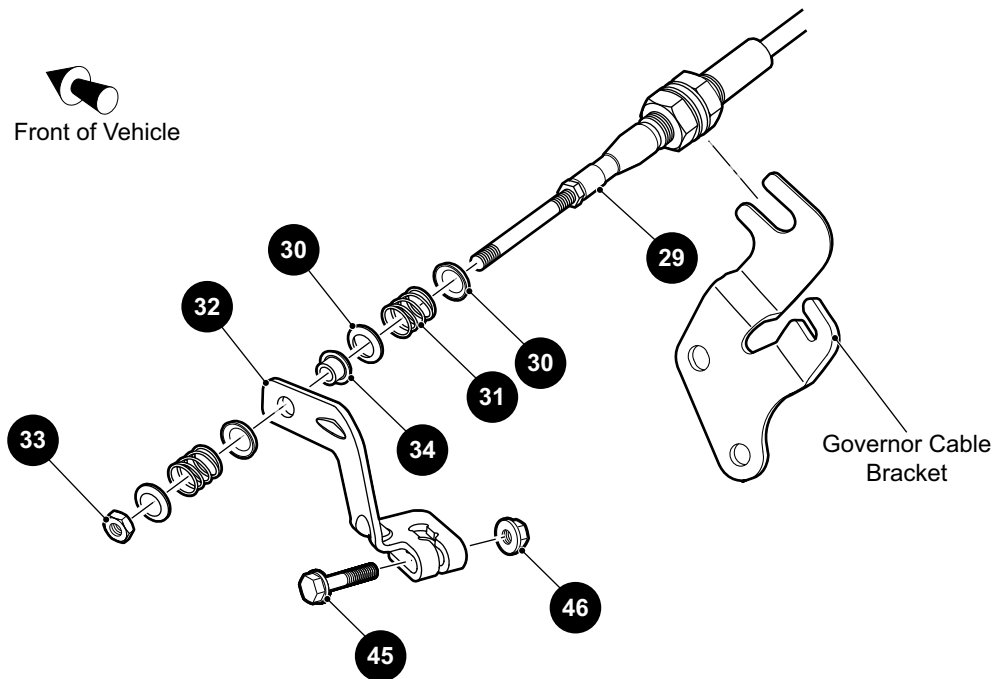
# DIRECTION SELECTOR

1 Direction Selector Assembly includes items 2 - 34

28 Shifter Cable Assembly includes items 29 - 34



Front of Vehicle





# DIRECTION SELECTOR

THE USE OF NON U.L. PARTS WILL VOID ANY U.L. LISTING.

When ordering parts, please specify the model and serial number of the product.

\* Indicates a component that is not available as an individual part.

\*\*\* Indicates consult Customer Service Department for additional information.

ITEM	PART NO.	1 2 3 4 5	DESCRIPTION	QTY.
1	<u>605999</u>		Direction Selector Assembly (Includes Items 2 - 34).....	1
2	<u>603627</u>		Direction Selector Bracket .....	1
3	<u>606266</u>		Direction Selector Shaft.....	1
4	<u>603700</u>		Direction Selector Cam.....	1
5	<u>14390G1</u>		Lock Nut, 3/8" - 24 .....	1
6	<u>25664G2</u>		Bushing, 1/2" x .750" Lg .....	1
7				
8	<u>72724G01</u>		Neutral Lock Pin .....	1
9	<u>72733G01</u>		Compression Spring .....	1
10	<u>72729G01</u>		Neutral Lock Latch.....	1
11	<u>00734G2</u>		Lock Nut, 1/4" - 28 .....	1
12	<u>28574G01</u>		Extension Spring .....	1
13	<u>72732G01</u>		Ball Stud, #10 - 32 .....	1
14	<u>00734G5</u>		Lock Nut, #10 - 32 .....	1
15				
16				
17	<u>72736G01</u>		Micro Switch .....	1
18	<u>01062G01</u>		Round Head Screw, #4 - 40 x 1" Lg .....	2
19	<u>00559G1</u>		Flat Washer, #4.....	2
20	<u>00565G1</u>		Lock Washer, #4 .....	2
21	<u>00526G2</u>		Hex Nut, #4 - 40 .....	2
22				
23				
24				
25				
26				
27				
28	<u>608184</u>		Shifter Cable Assembly (Includes Items 29 - 34).....	1
29	<u>605809</u>		Shifter Cable .....	1
30	<u>25727G01</u>		Cup Washer, 1/4" .....	4
31	<u>72735G01</u>		Compression Spring.....	2

## DIRECTION SELECTOR

THE USE OF NON U.L. PARTS WILL VOID ANY U.L. LISTING.

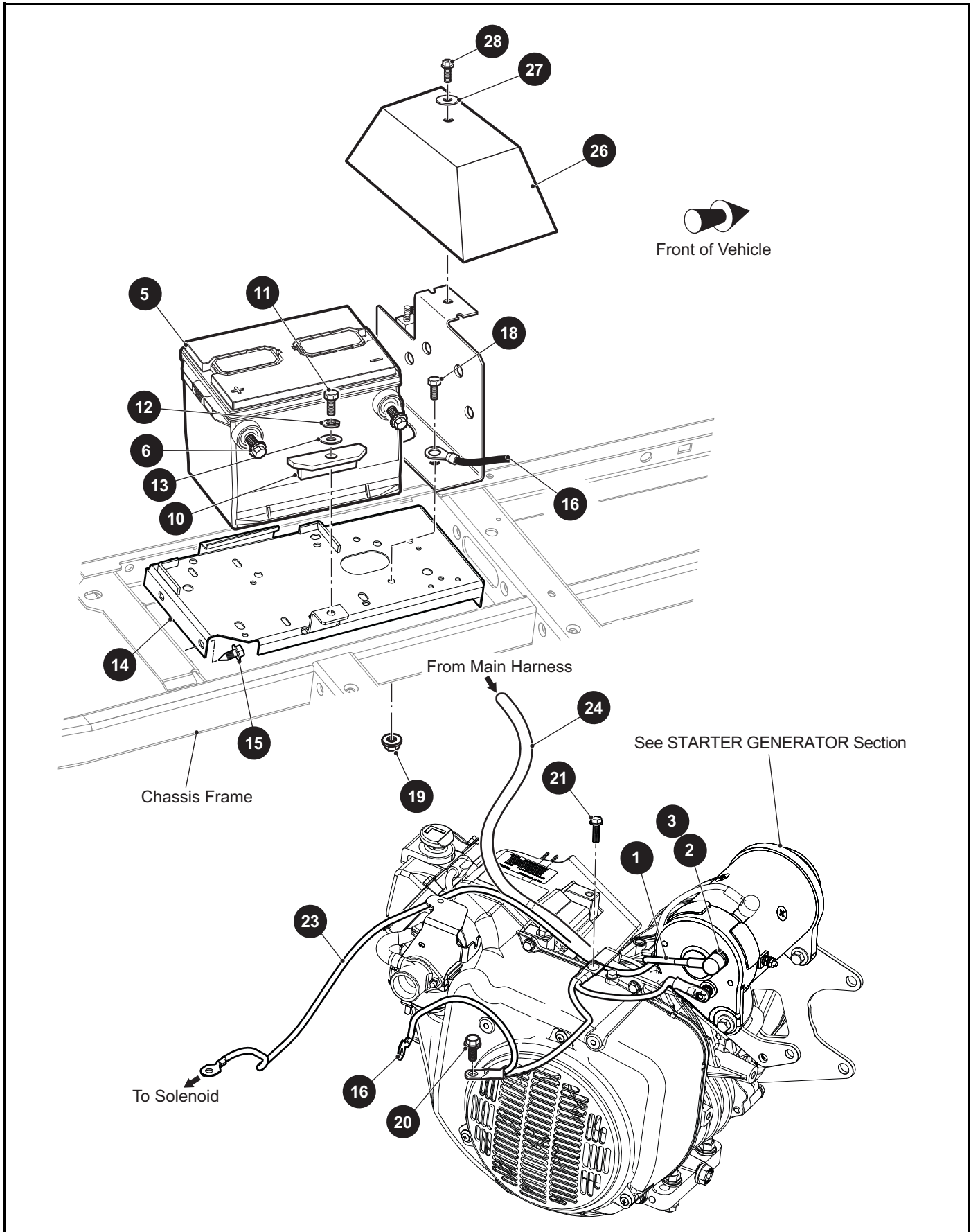
When ordering parts, please specify the model and serial number of the product.

\* Indicates a component that is not available as an individual part.

\*\*\* Indicates consult Customer Service Department for additional information.

ITEM	PART NO.	1	2	3	4	5	DESCRIPTION	QTY.
32	<u>632891</u>						Pivot Bracket .....	1
33	<u>00734G5</u>						Lock Nut, #10 - 32 .....	1
34	<u>22754G4</u>						Bushing (Flip Lok), .250" .....	1
35								
36	<u>70227G01</u>						Socket Head Bolt, 1/4" - 20 x 7/8" Lg, Grade 8 .....	2
37	<u>11027G2</u>						Flanged Lock Nut, 1/4" - 20 .....	2
38								
39								
40								
41								
42	<u>31539G1</u>						Nylon Clamp, 15.5" Lg (Not Illustrated) .....	1
43	<u>71205G01</u>						Direction Selector Handle .....	1
44	<u>01037G02</u>						Pan Head Torx Screw, #10 - 32 x 1/2" Lg .....	1
45	<u>606421</u>						Flanged Hex Head Bolt, M6 - 1 x 30mm Lg, Grade 8.8 .....	1
46	<u>450452</u>						Hex Nut, M6 - 1 .....	1





THE USE OF NON U.L. PARTS WILL VOID ANY U.L. LISTING.

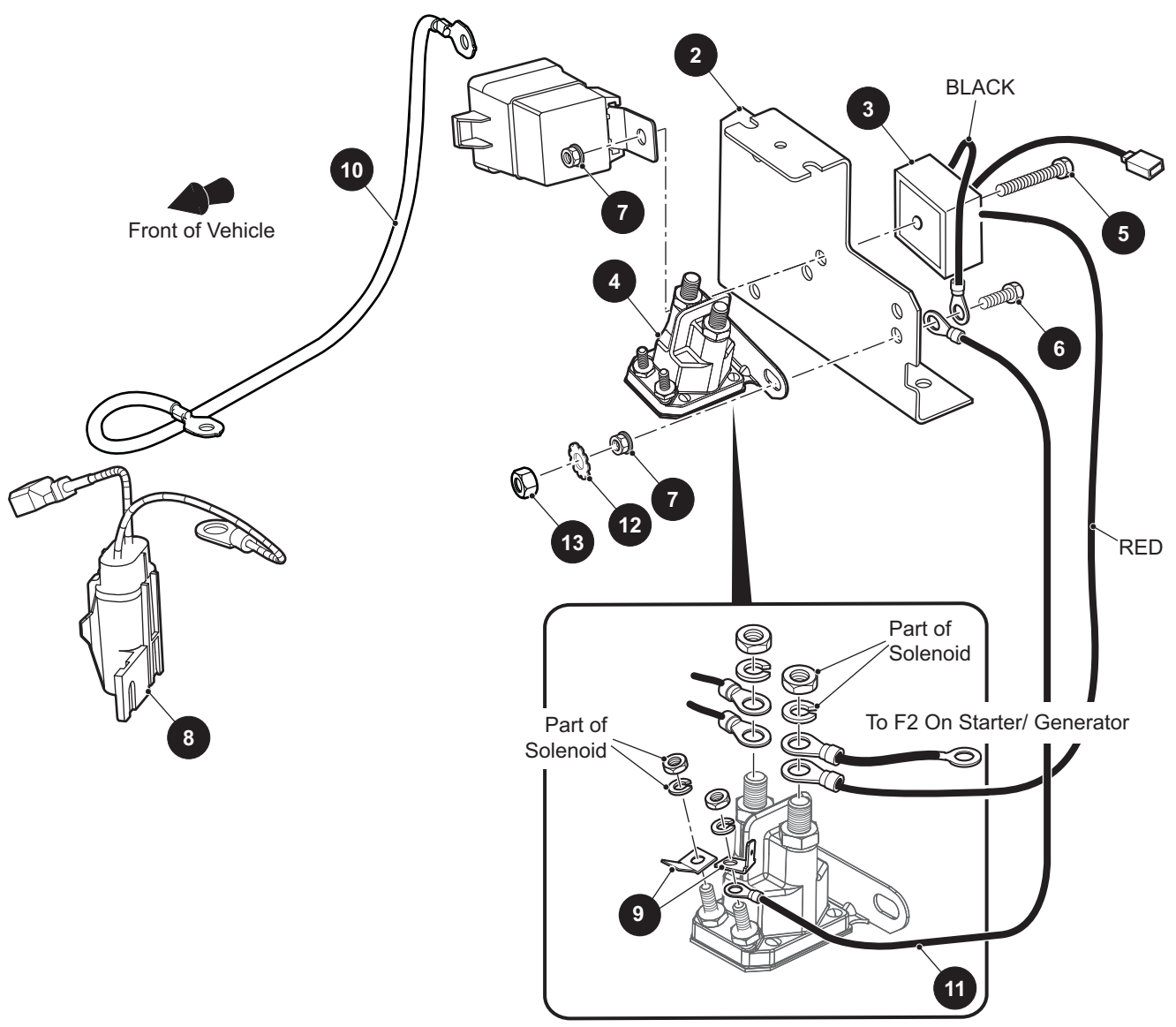
When ordering parts, please specify the model and serial number of the product.

\* Indicates a component that is not available as an individual part.

\*\*\* Indicates consult Customer Service Department for additional information.

ITEM	PART NO.	1 2 3 4 5	DESCRIPTION	QTY.
1	<u>607053</u>		#6 GA Wire (Black 6", F1 - A2).....	1
2	<u>25682G01</u>		Terminal Cover .....	1
3	<u>25682G01</u>		Terminal Cover (For CE Certified Vehicles) .....	2
4				
5	<u>637484</u>		Battery, 12V, HD.....	1
6	<u>640488</u>		Battery Bolt .....	2
7				
8				
9				
10	<u>72101G02</u>		Battery Hold Down .....	1
11	00438G6		Hex Head Bolt, 5/16" - 18 x 3/4" Lg, Grade 5 .....	1
12	<u>00565G8</u>		Lock Washer, 5/16" .....	1
13	<u>00571G2</u>		Flat Washer (SS), 5/16" .....	1
14	652441G03		Battery Tray.....	1
15	<u>00715G2</u>		Hex Washer Head Bolt, 5/16" - 18 x .8" Lg .....	4
16	<u>645191</u>		Battery/Engine Ground Cable .....	1
17				
18	00438G6		Hex Head Bolt, 5/16" - 18 x 3/4" Lg, Grade 5 .....	2
19	<u>11027G1</u>		Flanged Lock Nut, 5/16" - 18 .....	2
20	<u>26676G01</u>		Flanged Hex Head Bolt, M6 - 1 x 23mm Lg .....	1
21	<u>606264</u>		Flanged Hex Head Bolt, M6 - 1 x 20mm Lg, Grade 8.8 .....	1
22				
23	<u>607103</u>		#6 GA Wire, 42" Lg .....	1
24	10011587		Main Harness .....	1
25				
26	<u>73049G01</u>		Direction Selector Cover .....	1
27	<u>16469G1</u>		Fender Washer, 1/4" .....	1
28	<u>00114G6</u>		Hex Washer Head Slotted Tapping Screw, 1/4" - 14 x 3/4" LG .....	1
29	608772		#6AWG Wire (Blue) (For CE Certified Vehicles) (Not Illustrated) .....	1
30	625757		#6AWG Wire (Blue) (Solenoid - F2) (For CE Certified Vehicles) (Not Illustrated)	1

1 Electrical Plate Assembly includes items 2 - 11



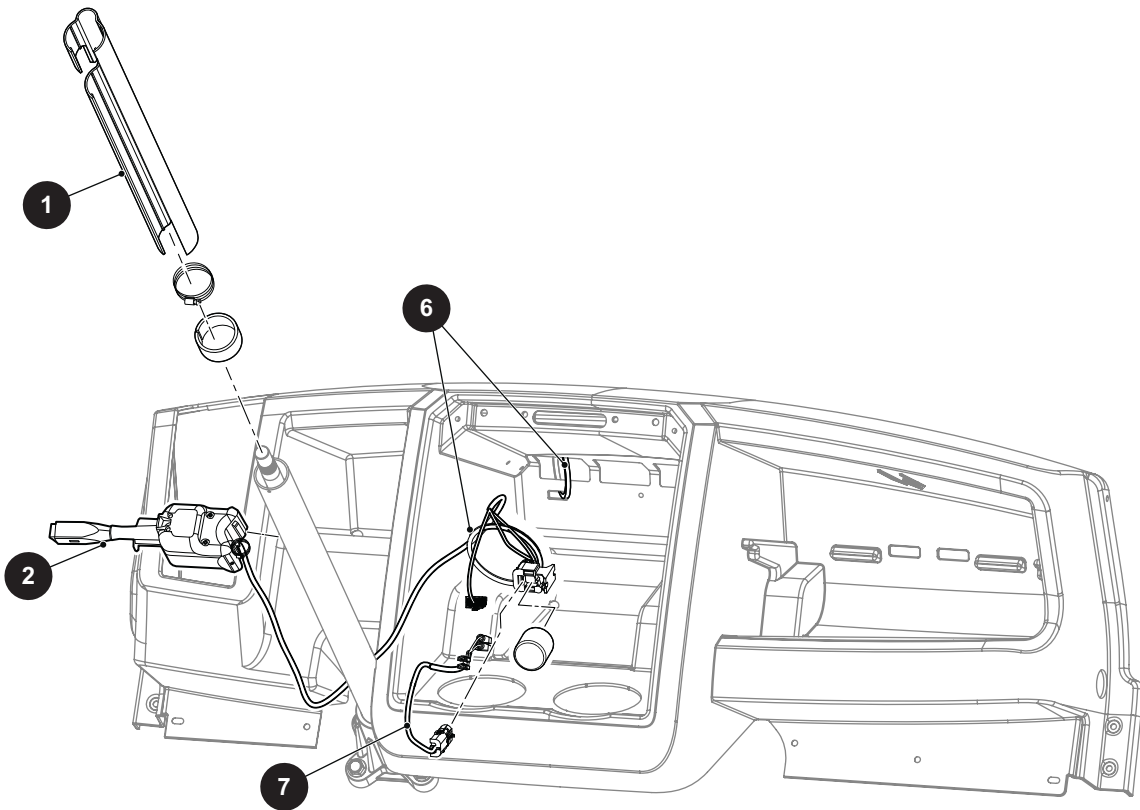
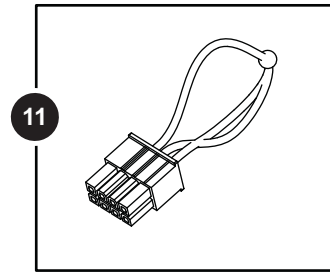
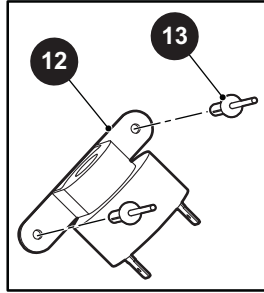
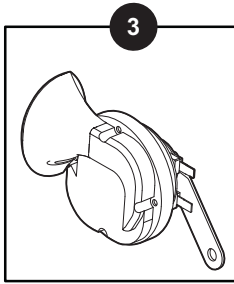
THE USE OF NON U.L. PARTS WILL VOID ANY U.L. LISTING.

When ordering parts, please specify the model and serial number of the product.

\* Indicates a component that is not available as an individual part.

\*\*\* Indicates consult Customer Service Department for additional information.

ITEM	PART NO.	1 2 3 4 5	DESCRIPTION	QTY.
1	660446		Electrical Plate Assembly (Includes Items 2 - 11) .....	1
2	<u>73057G02</u>		Bracket .....	1
3	<u>27739G01</u>		Voltage Regulator .....	1
4	<u>663716</u>		Solenoid.....	1
5	<u>303459</u>		Hex Head Bolt, 1/4" - 20 x 1 1/2" Lg, Grade 5.....	1
6	<u>00661G8</u>		Hex Head Bolt (SS), 1/4" - 20 x 1" Lg.....	1
7	<u>11027G2</u>		Flanged Lock Nut, 1/4" - 20.....	2
8	<u>658683</u>		Electrical Plate Harness .....	1
9	<u>73446G01</u>		Faston Tab, 90°.....	2
10	<u>645190</u>		#6 GA Wire Assembly.....	1
11	<u>25978G56</u>		#18 GA Wire Assembly (Black).....	1
12	<u>00567G7</u>		Lock Washer (External Tooth Type) .....	1
13	<u>00532G1</u>		Hex Nut, 1/4" - 20.....	1
14				
15	<u>15058G6</u>		Aluminum Rivet (Black) (Not Illustrated) .....	2
			(To Fix Main Harness on Fender Liner)	
16				
			<b>Items 17 - 22 Not Shown</b>	
17	<u>603282</u>		Relay, 1C, 40A, 12V.....	1
18	663593		Micro Relay, 12V .....	1
19	<u>636455G12</u>		Mini Fuse, 10A, 32V.....	1
20	<u>636455G13</u>		Mini Fuse, 15A, 32V.....	1
21	<u>636455G10</u>		Mini Fuse, 5A, 32V.....	1
22	<u>636455G14</u>		Mini Fuse, 20A, 32V.....	1





THE USE OF NON U.L. PARTS WILL VOID ANY U.L. LISTING.

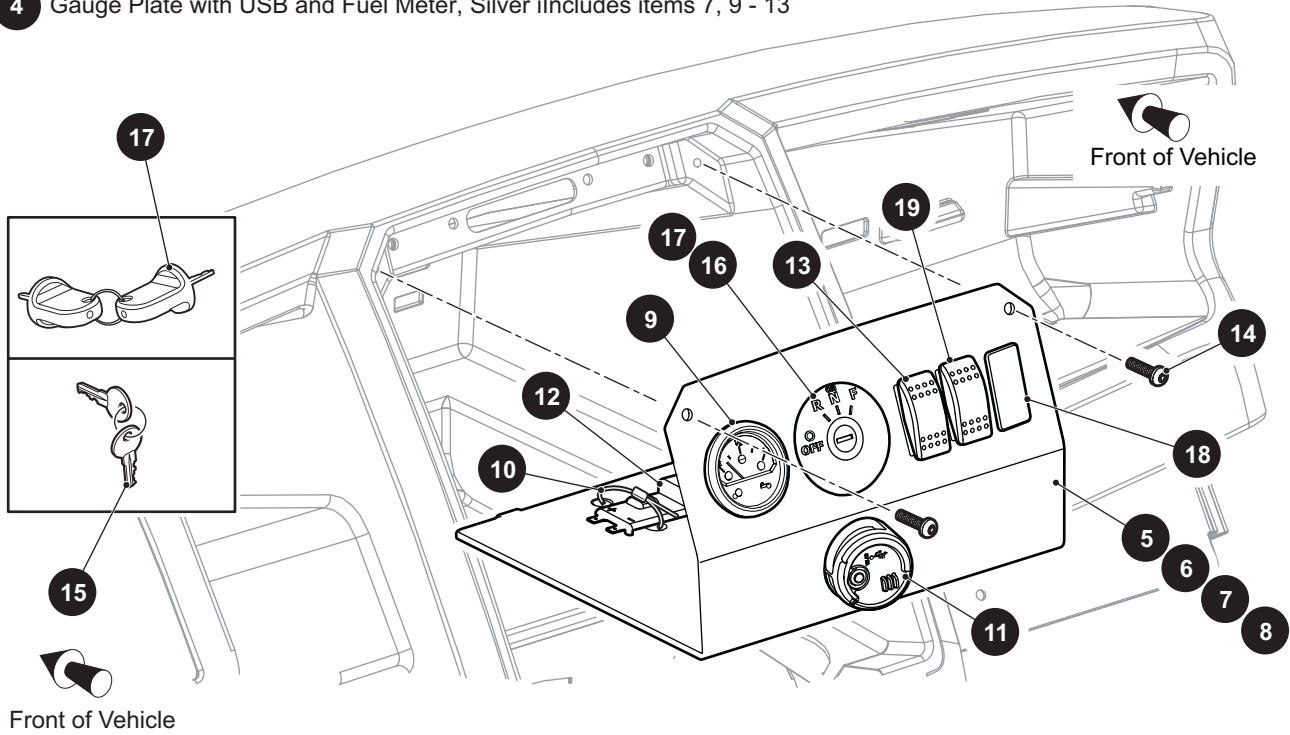
When ordering parts, please specify the model and serial number of the product.

\* Indicates a component that is not available as an individual part.

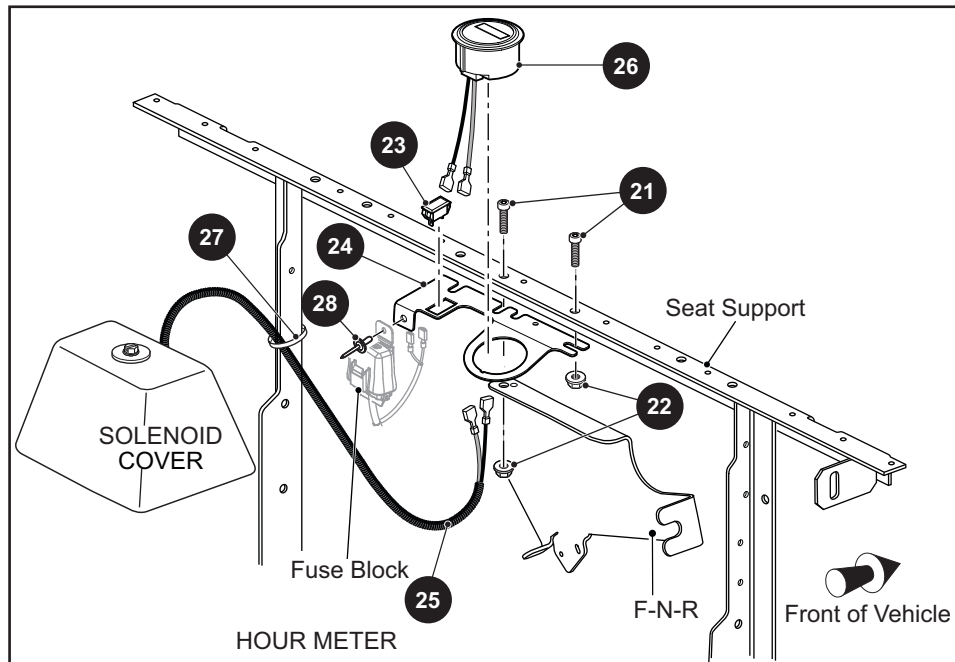
\*\*\* Indicates consult Customer Service Department for additional information.

ITEM	PART NO.	1 2 3 4 5	DESCRIPTION	QTY.
1	<u>20965G3</u>		Steering Column Cover.....	1
2	<u>615236</u>		Turn Signal Switch Assembly.....	1
3	<u>32860G1</u>		Horn .....	1
4	<u>19344G1</u>		Vinyl Tape (Not Illustrated).....	1
5				
6	<u>31539G1</u>		Nylon Clamp, 15.5' Lg.....	2
7	<u>664706</u>		Horn Jumper .....	1
8				
9	<u>17618G1</u>		Nylon Clamp, 15.5" (Not Illustrated).....	12
10				
11	<u>664780</u>		Jumper Harness, Turn Signal Lights (For Vehicles without Turn Signal) .....	1
12	<u>73290G03</u>		Buzzer.....	1
13	<u>01041G01</u>		Rivet, 5/32".....	2

- 1 Gauge Plate with Fuel Meter includes items 5, 9, 13
- 2 Gauge Plate with Fuel Meter, Silver includes items 6, 9, 13
- 3 Gauge Plate with USB and Fuel Meter includes items 8 - 13
- 4 Gauge Plate with USB and Fuel Meter, Silver includes items 7, 9 - 13



## KEY SWITCH, INDICATOR LIGHT(S), AND FUEL GAUGE



THE USE OF NON U.L. PARTS WILL VOID ANY U.L. LISTING.

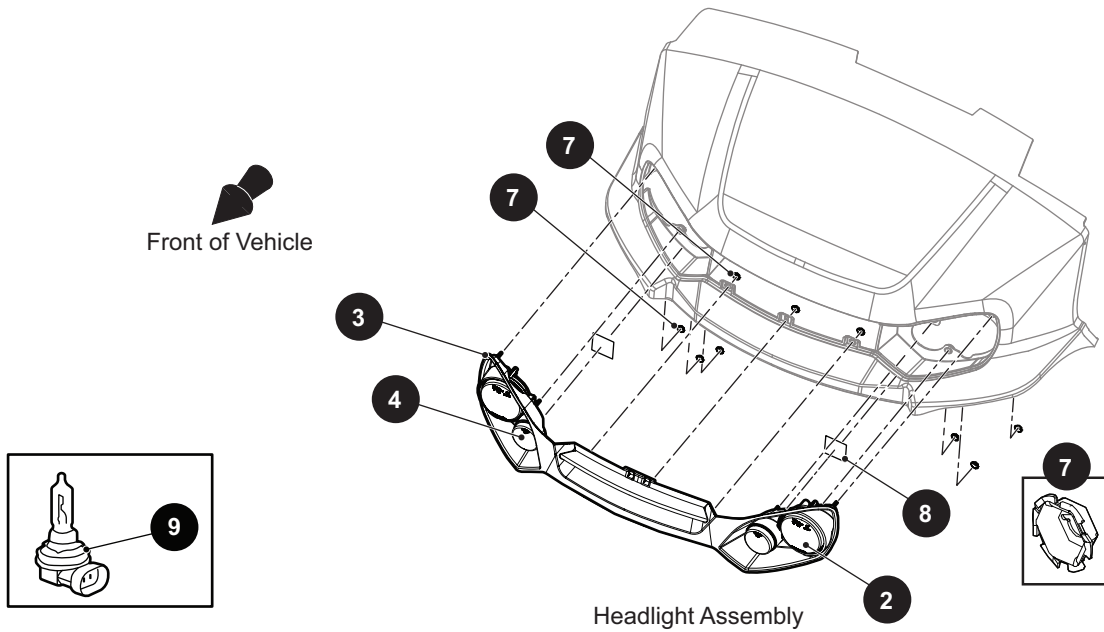
When ordering parts, please specify the model and serial number of the product.

\* Indicates a component that is not available as an individual part.

\*\*\* Indicates consult Customer Service Department for additional information.

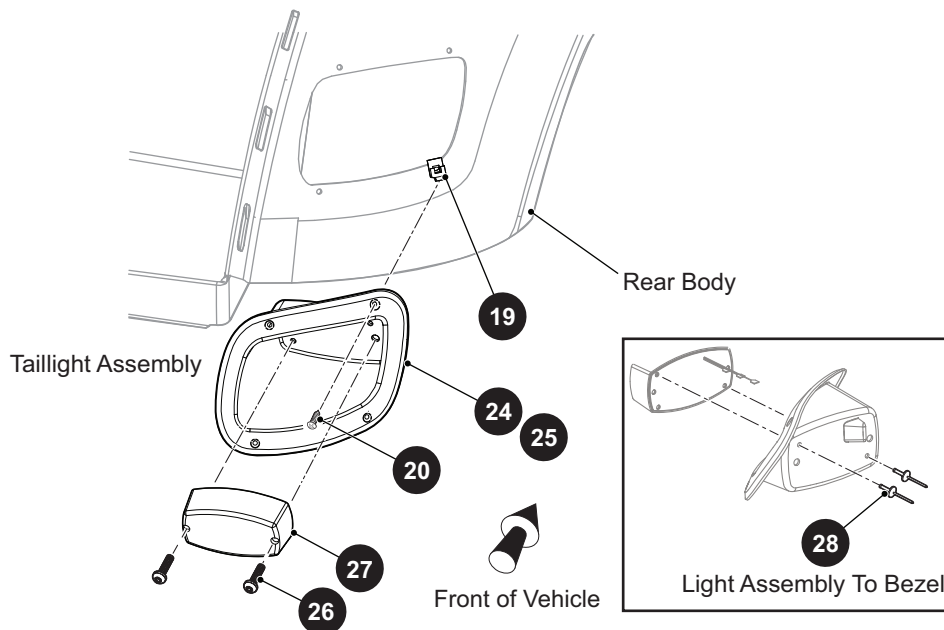
ITEM	PART NO.	1 2 3 4 5	DESCRIPTION	QTY.
1	666085G02		Gauge Plate with Fuel Meter (Includes Items 5, 9, 13).....	1
2	666085G16		Gauge Plate with Fuel Meter, Silver (Includes Items 6, 9, 13).....	1
3	666085G14		Gauge Plate with USB and Fuel Meter (Includes Items 8 - 13).....	1
4	666085G12		Gauge Plate with USB and Fuel Meter, Silver (Includes Items 7, 9 - 13).....	1
5	<u>662083G01</u>		Gauge Plate.....	1
6	662083G04		Gauge Plate (Silver).....	1
7	662083G05		Gauge Plate (Silver) with USB.....	1
8	662083G06		Gauge Plate with USB.....	1
9	<u>612314</u>		Fuel Meter (State of Charge).....	1
10	<u>17618G1</u>		Nylon Clamp, 15.5" Lg.....	1
11	<u>639384</u>		USB Port Housing Assembly.....	1
12	10001356		USB Electronics.....	1
13	<u>651897G01</u>		Horn Switch (2 Position).....	1
14	<u>649803</u>		Pan Head Torx Screw, M6 - 2.65 x 25mm Lg.....	2
15	<u>611282</u>		Common Key Set.....	1
16	<u>611284</u>		Keypad.....	1
17	<u>609696</u>		Key and Keypad (Unique).....	1
18	<u>627035</u>		Switch Panel Plug.....	1
19	<u>651897G03</u>		Headlight Switch, Hi/Low (3 Position).....	1
20				
21	<u>70227G01</u>		Socket Head Bolt, 1/4" - 20 x 7/8" Lg, Grade 8.....	2
22	<u>11027G2</u>		Flanged Lock Nut, 1/4" - 20.....	2
23	<u>659101</u>		Malfunction Indicator Light.....	1
24	<u>662631</u>		Fuse Bracket.....	1
25	664689		Hour Meter Harness.....	1
26	<u>617074</u>		Hour Meter.....	1
27	<u>17618G1</u>		Nylon Clamp, 15.5" Lg.....	2
28	<u>71055G01</u>		Rivet, 3/16" Dia.....	1

- 1 Front Grille with LED Headlight Assembly (Hi/Low) includes items 2 - 4



- 22 Taillight Assembly, (Driver Side) includes items 24, 26 - 28

- 23 Taillight Assembly, (Passenger Side) includes items 25 - 28



THE USE OF NON U.L. PARTS WILL VOID ANY U.L. LISTING.

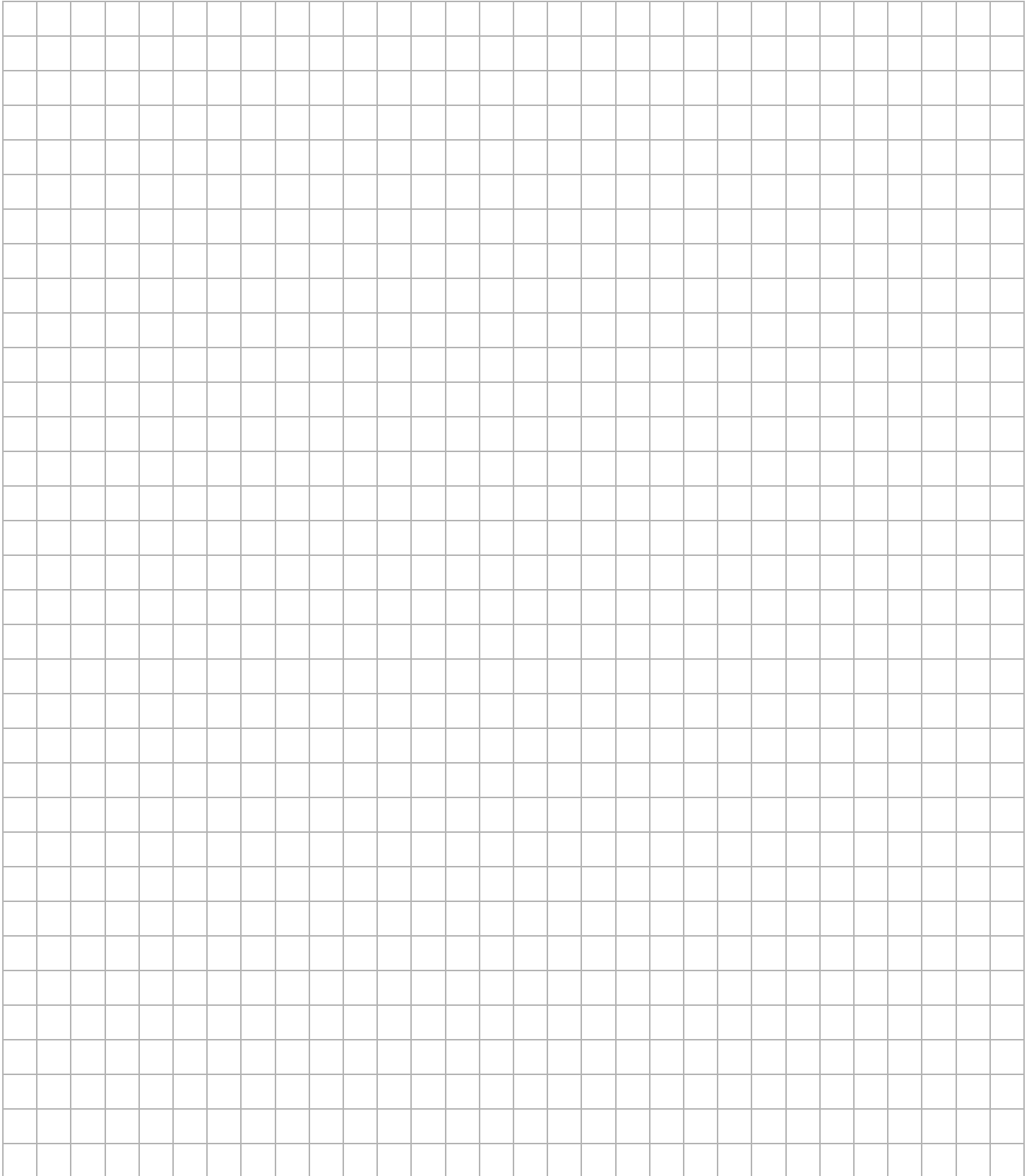
When ordering parts, please specify the model and serial number of the product.

\* Indicates a component that is not available as an individual part.

\*\*\* Indicates consult Customer Service Department for additional information.

ITEM	PART NO.	1 2 3 4 5	DESCRIPTION	QTY.
1	<u>651698G03</u>		Front Grille with LED Headlight Assembly (Hi/Low) (Includes Items 2 - 4) .....	1
2	<u>651411G03</u>		LED Headlight .....	2
3	648564		Front Grille with Lights .....	1
4	651437		Lens Cover .....	2
5				
6				
7	<u>71597G01</u>		Self Threading Nut .....	9
8	<u>71781G02</u>		Vinyl Tape.....	2
9	<u>619102</u>		Turn Signal Bulb.....	1
10				
11				
12				
13	10013736		Jumper Harness, Taillight Halogen (Not Illustrated).....	1
14				
15				
16				
17				
18				
19	71364G02		"J" Type Nut, #8 .....	4
20	71425G01		Tapping Screw, #8 - 18 X 3/4" Lg.....	4
21				
22	655170		Taillight Assembly (Driver Side) (Includes Items 24, 26 - 28).....	1
23	655171		Taillight Assembly (Passenger Side) (Includes Items 25 - 28) .....	1
24	<u>74371G01</u>		Taillight Bezel (Driver Side) .....	1
25	<u>74371G02</u>		Taillight Bezel (Passenger Side).....	1
26	00513G4		Pan Head Phillips Screw, #8 - 18 x 3/4" Lg .....	2
27	22288G1		Taillight Assembly. ....	1
28	14601G11		Rivet (Aluminum), 3/16" X 9/16" .....	2

# Notes:

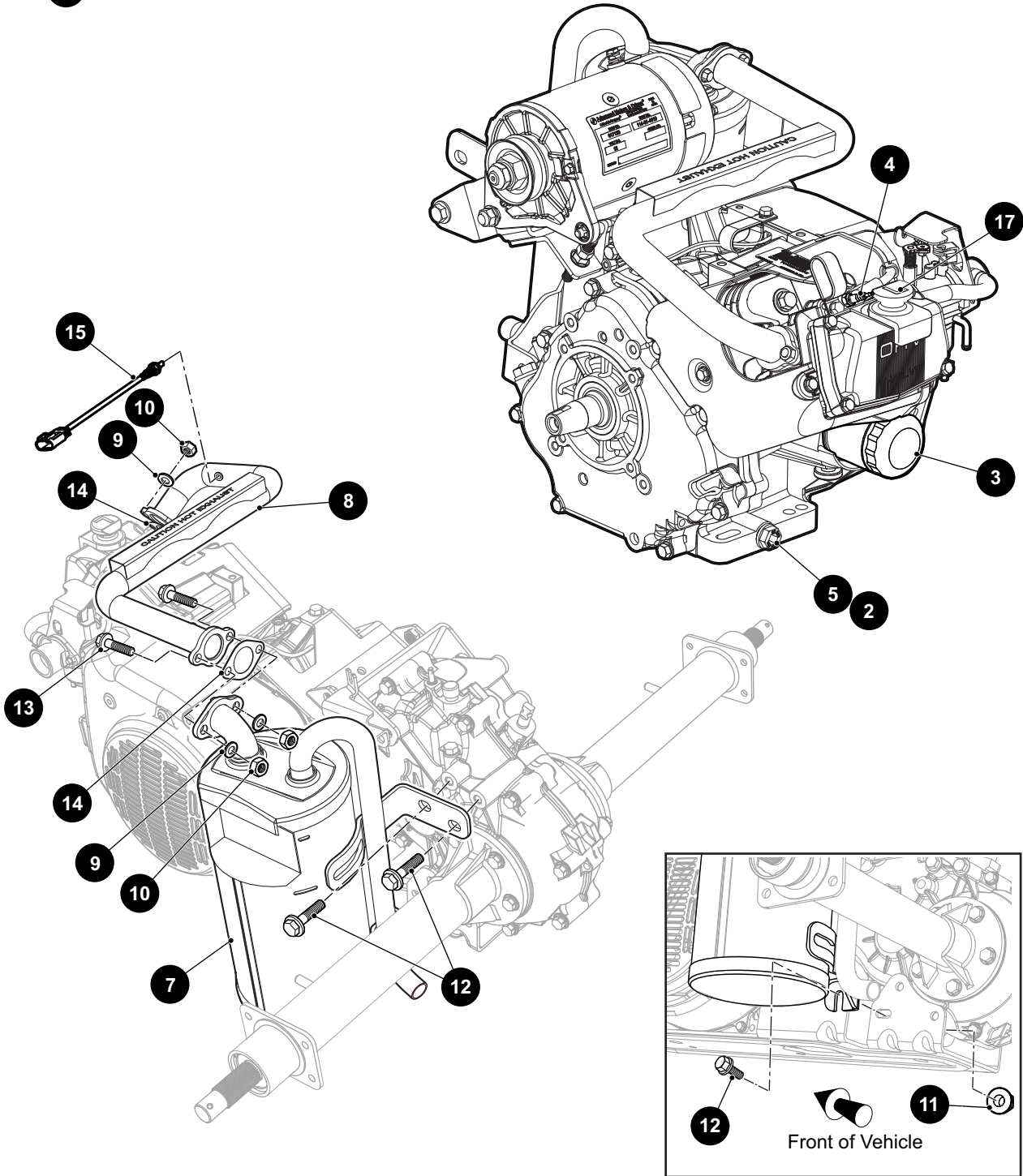
A large grid of graph paper for taking notes, consisting of 30 columns and 30 rows of small squares.

**Notes:**

A large grid of graph paper for taking notes, consisting of 25 columns and 30 rows of small squares.

# ENGINE AND MUFFLER

1 EFI Engine, 13.5 HP includes items 2 - 5





# ENGINE AND MUFFLER

THE USE OF NON U.L. PARTS WILL VOID ANY U.L. LISTING.

When ordering parts, please specify the model and serial number of the product.

\* Indicates a component that is not available as an individual part.

\*\*\* Indicates consult Customer Service Department for additional information.

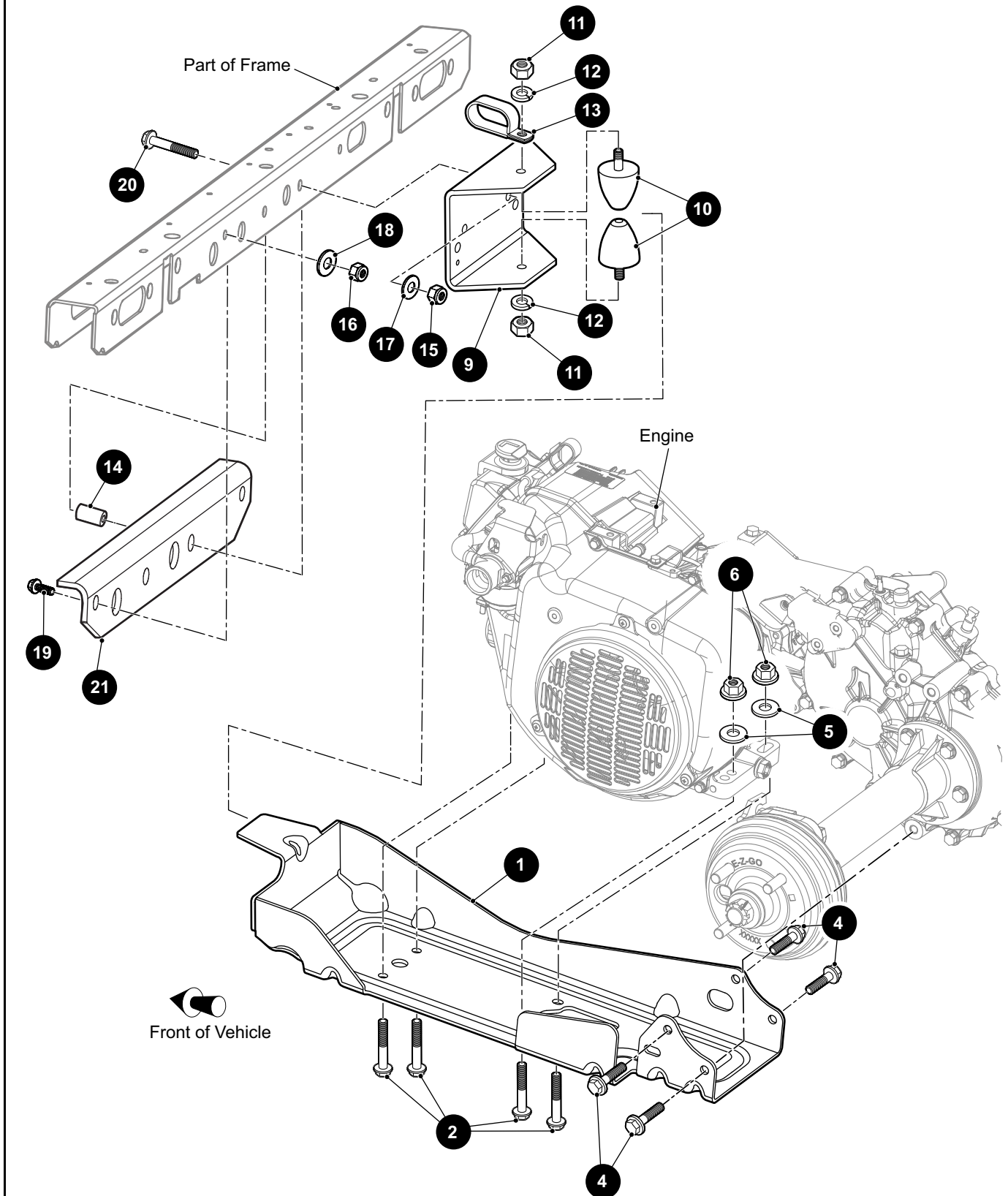
ITEM	PART NO.	1 2 3 4 5	DESCRIPTION	QTY.
1	<u>658237</u>		EFI Engine, 13.5 HP (Includes Items 2 - 5).....	1
2	<u>603562</u>		O-Ring, 16mm .....	1
3	<u>607454</u>		Oil Filter .....	1
4	<u>607462</u>		Spark Plug .....	1
5	<u>603557</u>		Oil Drain Plug .....	1
6				
7	<u>695386</u>		Muffler .....	1
8	<u>657450</u>		Exhaust Manifold.....	1
9	<u>606272</u>		Lock Washer, 8mm .....	4
10	<u>606267</u>		Hex Jam Nut, M8 - 1.25 .....	4
11	<u>606279</u>		Flanged Hex Nut, M10 - 1.25 .....	1
12	<u>606256</u>		Flanged Hex Head Bolt, M10 - 1.25 x 25mm Lg, Grade 8.8.....	3
13	<u>602330</u>		Flanged Hex Head Bolt, M8 - 1.25 x 30mm Lg, Grade 8.8.....	2
14	<u>603599</u>		Exhaust Gasket.....	2
15	<u>657449</u>		Oxygen Sensor .....	1
16				
17	<u>689936G02</u>		Oil Dip Stick.....	1





# ENGINE MOUNTING

8 Front Mount Bracket Assembly includes items 9 - 13



# ENGINE MOUNTING

THE USE OF NON U.L. PARTS WILL VOID ANY U.L. LISTING.

When ordering parts, please specify the model and serial number of the product.

\* Indicates a component that is not available as an individual part.

\*\*\* Indicates consult Customer Service Department for additional information.

ITEM	PART NO.	1 2 3 4 5	DESCRIPTION	QTY.
1	<u>630776</u>		Engine Pan .....	1
2	<u>606259</u>		Flanged Hex Head Bolt, M10 - 1.25 x 45mm Lg, Grade 8.8 .....	4
3				
4	<u>606256</u>		Flanged Hex Head Bolt, M10 - 1.25 x 25mm Lg, Grade 8.8 .....	4
5	<u>603823</u>		Flat Washer, M10 .....	4
6	<u>606279</u>		Flanged Hex Nut, M10 - 1.25 .....	4
7				
8	<u>662794</u>		Front Mount Bracket Assembly (Includes Items 9 - 13) .....	1
9	<u>10000283</u>		Front Mount Bracket .....	1
10	<u>605757</u>		Rubber Bumper .....	2
11	<u>00974G01</u>		Hex Nut, M10 - 1.5 .....	2
12	<u>608654</u>		Lock Washer, 10mm .....	2
13	<u>692754</u>		Tube Clamp (Wide), 1" .....	1
14	<u>72016G01</u>		Tube Spacer .....	2
15	<u>11098G5</u>		Lock Nut, 3/8" - 16 .....	2
16	<u>01109G01</u>		Lock Nut, 5/16" - 18 .....	2
17	<u>00643G1</u>		Flat Washer, 3/8" .....	2
18	<u>00559G8</u>		Flat Washer, 5/16" .....	2
19	<u>00438G7</u>		Hex Head Bolt, 5/16" - 18 x 7/8" Lg, Grade 5 .....	2
20	<u>00428G8</u>		Hex Head Bolt, 3/8" - 16 x 2.75" Lg .....	2
21	<u>652247</u>		Cross-member Brace .....	1

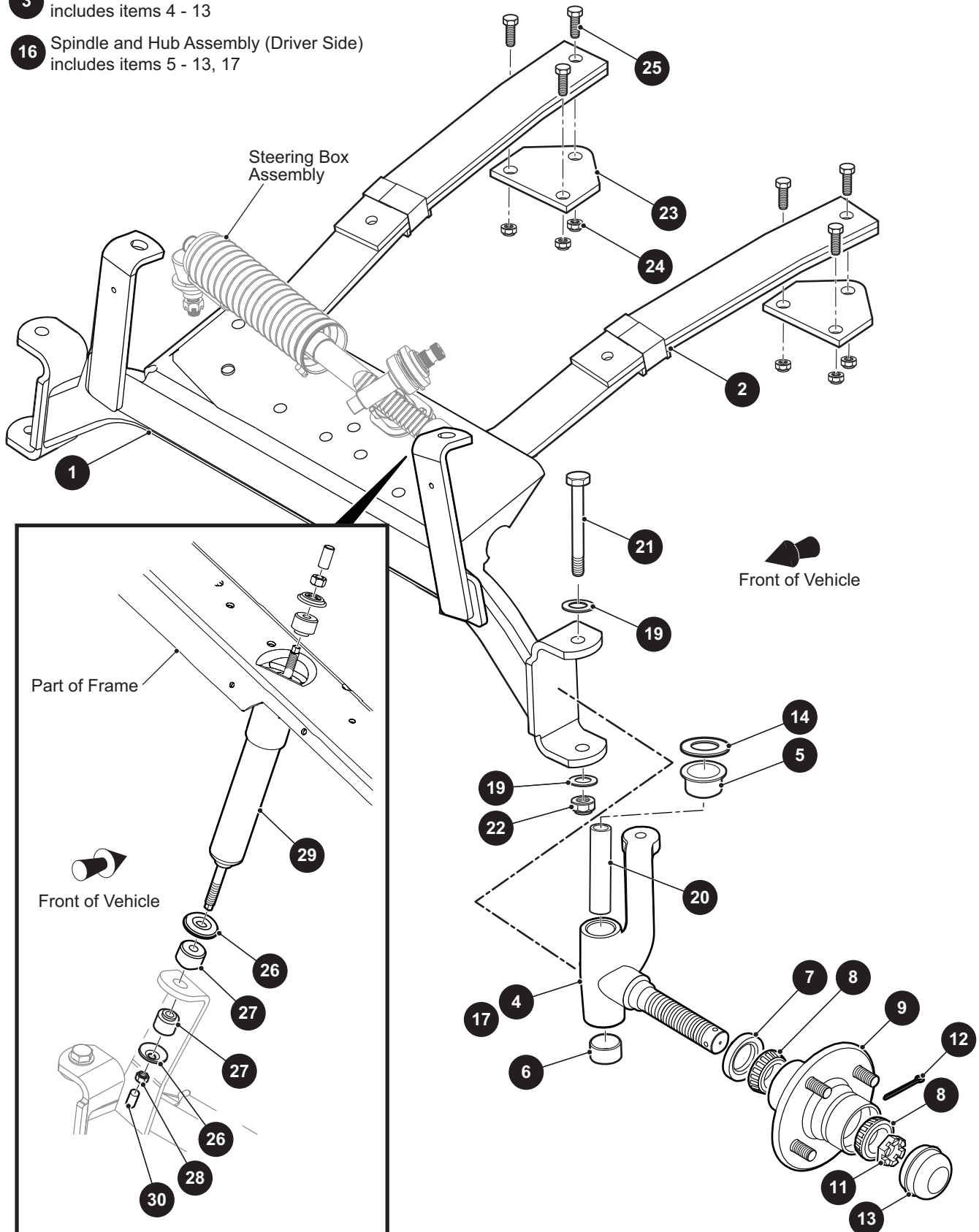




# FRONT SUSPENSION AND STEERING

**3** Spindle and Hub Assembly, 4 Lug (Passenger Side)  
includes items 4 - 13

**16** Spindle and Hub Assembly (Driver Side)  
includes items 5 - 13, 17





## FRONT SUSPENSION AND STEERING

THE USE OF NON U.L. PARTS WILL VOID ANY U.L. LISTING.

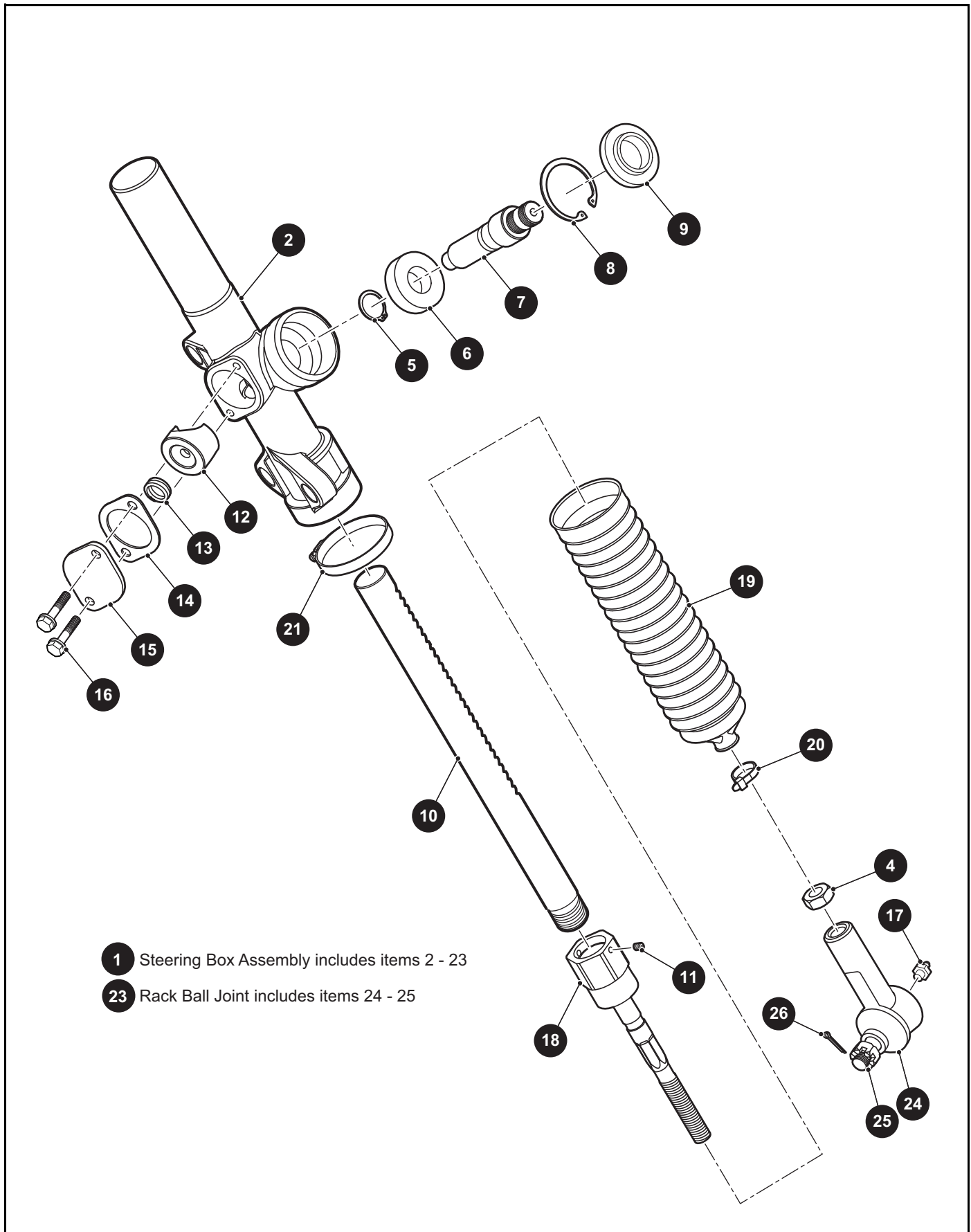
When ordering parts, please specify the model and serial number of the product.

\* Indicates a component that is not available as an individual part.

\*\*\* Indicates consult Customer Service Department for additional information.

ITEM	PART NO.	1 2 3 4 5	DESCRIPTION	QTY.
1	<u>633795</u>		Front Axle .....	1
2	<u>70990G03</u>		Leaf Spring.....	2
3	<u>70930G01</u>		Spindle and Hub Assembly, 4 Lug (Passenger Side) (Includes Items 4 - 13)..	1
4	<u>70802G01</u>		Spindle Assembly .....	1
5	<u>632925</u>		Flanged Bushing, O.D 35mm x I.D 25mm .....	1
6	<u>632926</u>		Bearing, O.D 28mm.....	1
7	<u>25146G1</u>		Grease Seal.....	1
8	<u>11750G2</u>		Roller Bearing and Race Assembly .....	2
9	<u>35886G01</u>		Wheel Hub .....	1
10				
11	<u>12093G1</u>		Slotted Nut, #1 - 14.....	1
12	<u>00798G8</u>		Cotter Pin, 5/32" x 1 3/4" Lg .....	1
13	<u>12091G2</u>		Spindle Cap .....	1
14	<u>70754G01</u>		Thrust Washer (SS), 1.3" .....	1
15				
16	<u>70931G01</u>		Spindle and Hub Assembly, 4 Lug (Driver Side) (Includes Items 5 - 13, 17) ...	1
17	<u>70803G01</u>		Spindle Assembly .....	1
18				
19	<u>00560G3</u>		Flat Washer, 1/2" .....	2
20	<u>70745G01</u>		King Pin Tube, 4.36" Lg .....	1
21	<u>00407G6</u>		Hex Head Bolt, 1/2" - 13 x 6" Lg, Grade 5 .....	1
22	<u>14390G6</u>		Lock Nut, 1/2" - 13 .....	1
23	<u>652258</u>		Spring Plate.....	2
24	<u>00734G1</u>		Lock Nut, 7/16" - 14 .....	6
25	<u>00463G11</u>		Hex Head Bolt, 7/16" - 14 x 1 1/2" Lg, Grade 5 .....	6
26	<u>10435G1</u>		Shock Absorber Washer .....	4
27	<u>10194G1</u>		Rubber Shock Absorber Bushing.....	4
28	<u>00532G6</u>		Hex Nut, 1/4" - 20.....	2
29	<u>76419G01</u>		Shock Absorber.....	2
30	<u>10044G01</u>		Vinyl Cap.....	2

# FRONT SUSPENSION AND STEERING



## FRONT SUSPENSION AND STEERING

THE USE OF NON U.L. PARTS WILL VOID ANY U.L. LISTING.

When ordering parts, please specify the model and serial number of the product.

\* Indicates a component that is not available as an individual part.

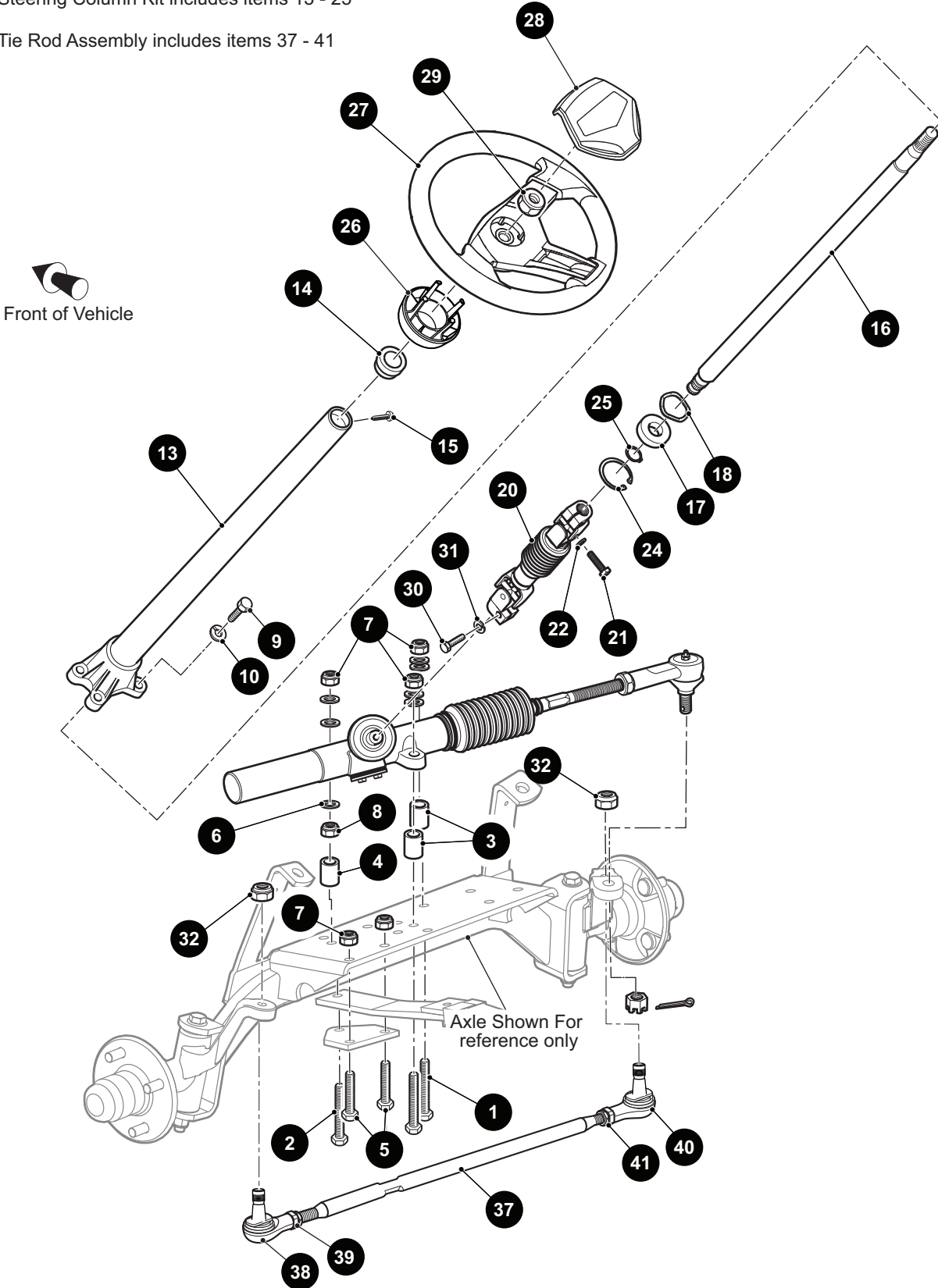
\*\*\* Indicates consult Customer Service Department for additional information.

ITEM	PART NO.	1 2 3 4 5	DESCRIPTION	QTY.
1	<u>70964G01</u>		Steering Box Assembly (Includes Items 2 - 23) .....	1
2	<u>70965G01</u>		Steering Rack Cover and Bearing .....	1
3				
4	*		Jam Nut, 1/2" - 20 .....	1
5	<u>70750G01</u>		Retaining Ring (External) .....	1
6	<u>15112G1</u>		Ball Bearing, O.D 1.65" x I.D .78" .....	1
7	<u>70603G01</u>		Pinion .....	1
8	<u>70751G01</u>		Retaining Ring (Internal).....	1
9	<u>70638G01</u>		Seal (Pinion) .....	1
10	<u>70604G01</u>		Steering Rack .....	1
11	*		Set Screw, #10 - 32 x .25" Lg .....	1
12	<u>70590G01</u>		Rack Loader .....	1
13	<u>70666G01</u>		Compression Spring .....	1
14	<u>70645G01</u>		Gasket (Rack Loader Cover).....	1
15	<u>652259</u>		Cover (Rack Loader) .....	1
16	<u>71102G01</u>		Hex Washer Head Bolt, 1/4" - 20 x 11/16" Lg, Grade 5 .....	2
17	<u>10389G3</u>		Grease Fitting (Straight) .....	1
18	<u>70694G01</u>		Rod End (Inner) .....	1
19	<u>70961G01</u>		Rack Boot .....	1
20	<u>12416G2</u>		Nylon Clamp, 10" Lg.....	1
21	<u>11391G8</u>		Hose Clamp, 1.81".....	1
22				
23	<u>70695G01</u>		Tie Rod End (Outer) (Includes Items 24 - 25).....	1
24	<u>50641G1</u>		Grommet .....	1
25	<u>50209G02</u>		Hex Slotted Nut, 7/16" - 20 .....	1
26	<u>10387G2</u>		Cotter Pin, 3/32" x 1" .....	1

# FRONT SUSPENSION AND STEERING

12 Steering Column Kit includes items 13 - 25

36 Tie Rod Assembly includes items 37 - 41



## FRONT SUSPENSION AND STEERING

THE USE OF NON U.L. PARTS WILL VOID ANY U.L. LISTING.

When ordering parts, please specify the model and serial number of the product.

\* Indicates a component that is not available as an individual part.

\*\*\* Indicates consult Customer Service Department for additional information.

ITEM	PART NO.	1 2 3 4 5	DESCRIPTION	QTY.
1	<u>00464G6</u>		Hex Head Bolt, 7/16" - 14 x 2 3/4" Lg, Grade 5 .....	2
2	<u>01068G01</u>		Hex Head Bolt, 7/16" - 14 x 3.5" Lg, Grade 5 .....	1
3	<u>70667G02</u>		Spacer, O.D, 1" X I.D .46" x 1.2" Lg .....	2
4	<u>70667G04</u>		Spacer, O.D 1" X I.D .46" x .69" Lg .....	1
5	<u>00463G11</u>		Hex Head Bolt, 7/16" - 14 x 1 1/2" Lg, Grade 5 .....	2
6	<u>00560G2</u>		Flat Washer, 7/16" .....	7
7	<u>00734G1</u>		Lock Nut, 7/16" - 14 .....	3
8	<u>00532G7</u>		Hex Nut, 1/4" - 20 .....	1
9	<u>01006G01</u>		Hex Washer Head Bolt, 3/8" - 16 x 1 1/4" Lg .....	4
10	<u>00879G1</u>		Lock Washer, 3/8" .....	4
11				
12	<u>70758G05</u>		Steering Column Assembly (Includes Items 13 - 25) .....	1
13	<u>70610G03</u>		Steering Column .....	1
14	<u>28569G01</u>		Steering Column Bushing .....	1
15	10026871		Pan Head Torx Screw, #6 - 20 x .25" Lg .....	1
16	<u>70607G01</u>		Steering Shaft .....	1
17	<u>15112G1</u>		Ball Bearing, O.D 1.65" x I.D .78" .....	1
18	<u>70887G01</u>		Wave Washer .....	1
19				
20	<u>70580G01</u>		Intermediate Shaft .....	1
21	<u>01055G01</u>		Hex Head Bolt, M8 - 1.25 x 1.18" Lg, Grade 5 .....	1
22	<u>00565G8</u>		Lock Washer, 5/16" .....	1
23				
24	<u>70751G01</u>		Retaining Ring (Internal) .....	1
25	<u>70888G01</u>		Retaining Ring (External) .....	1
26	10012163		Steering Wheel Adapter .....	1
27	10013920		Steering Wheel (Premium) .....	1
28	0405-620		Center Cap (Steering Wheel) .....	1
29	<u>14390G2</u>		Lock Nut, 5/8" - 18 .....	1
30	<u>01055G01</u>		Hex Head Bolt, M8 - 1.25 x 1.18" Lg, Grade 5 .....	1
31	<u>00565G8</u>		Lock Washer, 5/16" .....	1

## FRONT SUSPENSION AND STEERING

THE USE OF NON U.L. PARTS WILL VOID ANY U.L. LISTING.

When ordering parts, please specify the model and serial number of the product.

\* Indicates a component that is not available as an individual part.

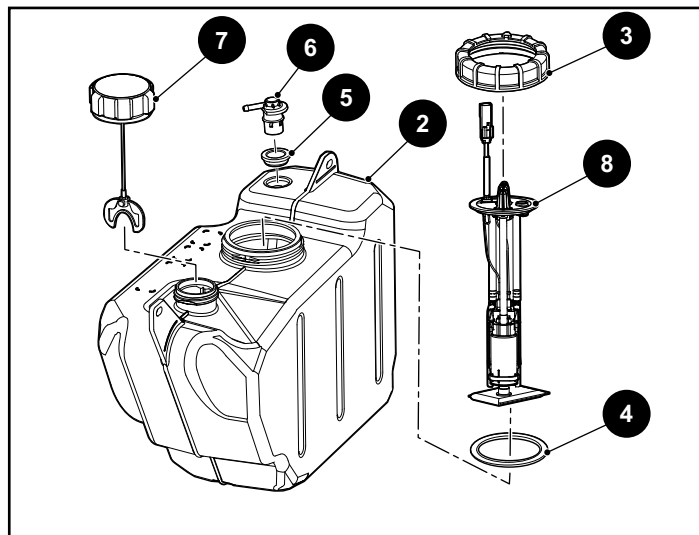
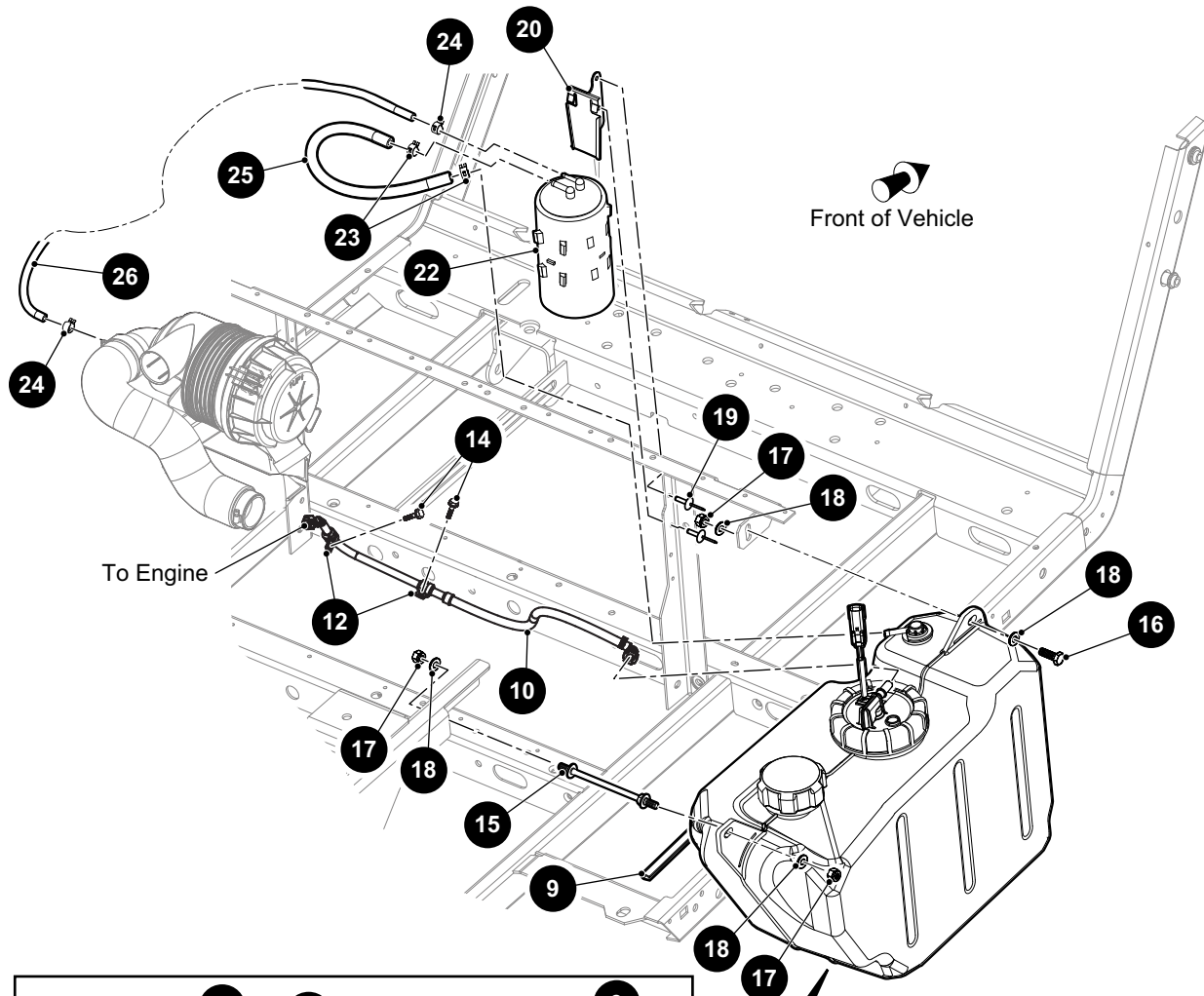
\*\*\* Indicates consult Customer Service Department for additional information.

ITEM	PART NO.	1 2 3 4 5	DESCRIPTION	QTY.
32	<u>00734G1</u>		Lock Nut, 7/16" - 14 .....	2
33				
34				
35				
36	<u>70876G02</u>		Tie Rod Assembly 26.44" Lg (Includes Items 37 - 41).....	1
37	<u>70897G02</u>		Threaded Rod (24" Lg) .....	1
38	<u>70902G01</u>		Tie Rod End (Left Hand Threads) .....	1
39	<u>01069G01</u>		Jam Nut, M12 x 1.25 - 05 (Left Hand Threads).....	1
40	<u>70902G02</u>		Tie Rod End (Right Hand Threads).....	1
41	<u>01069G02</u>		Jam Nut, M12 x 1.25 - 05 (Right Hand Threads) .....	1



# FUEL SYSTEM

- 1 Fuel Tank Assembly includes items 2 - 8
- 21 Carbon Canister Assembly includes items 22 - 26





THE USE OF NON U.L. PARTS WILL VOID ANY U.L. LISTING.

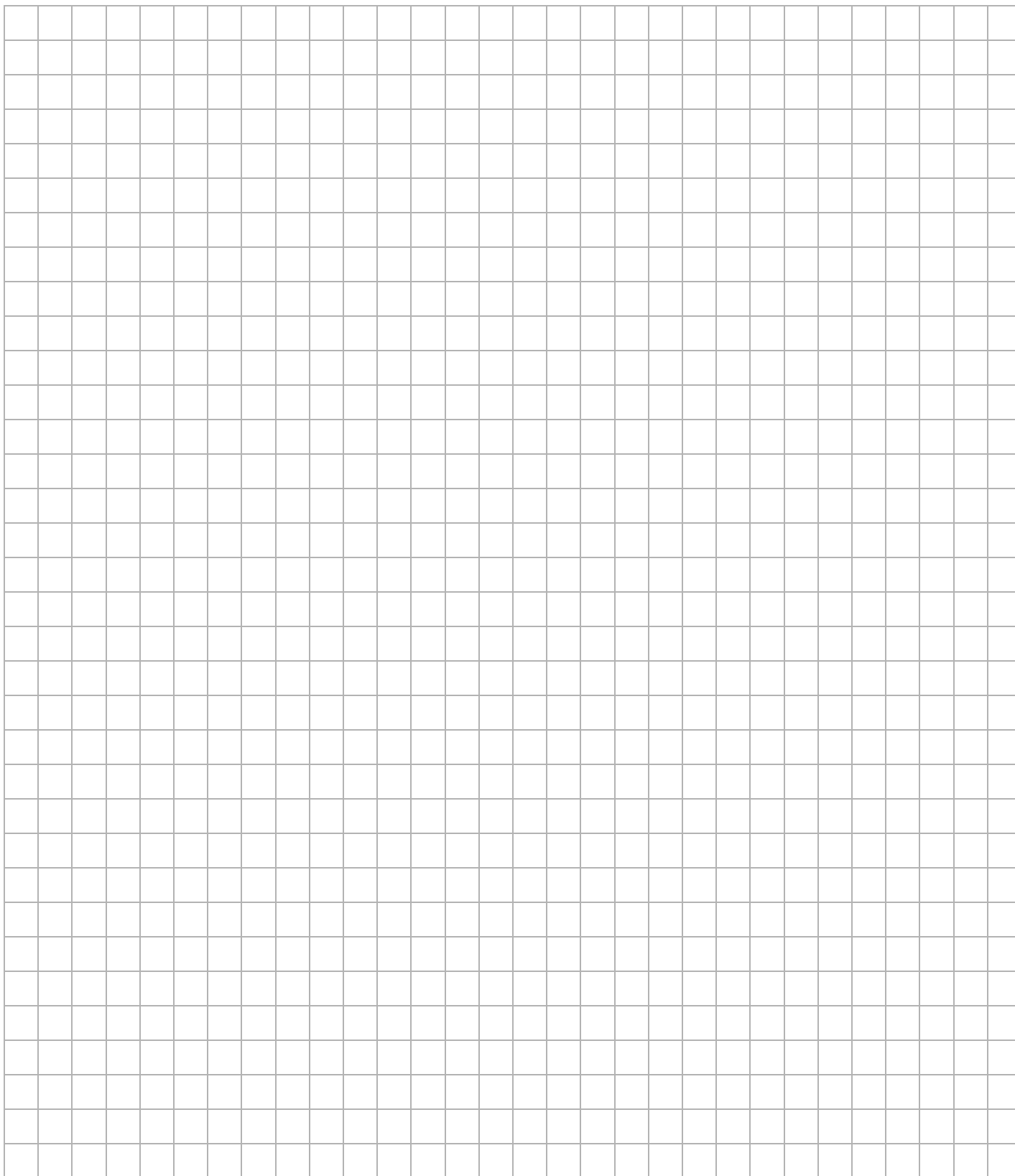
When ordering parts, please specify the model and serial number of the product.

\* Indicates a component that is not available as an individual part.

\*\*\* Indicates consult Customer Service Department for additional information.

ITEM	PART NO.	1 2 3 4 5	DESCRIPTION	QTY.
1	<u>646825</u>		Fuel Tank Assembly (with Sender Unit) (Includes Items 2 - 8).....	1
2	646306		Fuel Tank .....	1
3	<u>646837</u>		Fuel Pump Retaining Ring.....	1
4	<u>646838</u>		Seal .....	1
5	<u>647810</u>		Grommet.....	1
6	<u>647809</u>		Rollover Valve.....	1
7	670898		Fuel Cap .....	1
8	<u>646353</u>		Fuel Pump with Sender Assembly .....	1
9	<u>32372G6</u>		Vinyl Trim, 6.25" Lg .....	1
10	666351		Fuel Hose Assembly .....	1
11				
12	664747		Tube Clamp, .5" .....	2
13				
14	<u>606264</u>		Flanged Hex Head Bolt, M6 - 1 x 20mm Lg, Grade 8.8 .....	2
15	<u>70483G01</u>		Spacer, 5/16" - 18 .....	1
16	<u>00438G8</u>		Hex Head Bolt, 5/16" - 18 x 1" Lg, Grade 5 .....	1
17	11098G6		Lock Nut, 5/16" - 18 .....	3
18	00559G8		Flat Washer, 5/16" .....	4
19	<u>10570G11</u>		Domed Rivet, 3/16" .....	2
20	<u>606310</u>		Carbon Canister Mounting Bracket.....	1
21	662807		Carbon Canister Assembly (Includes Items 22 - 26) .....	1
22	10006822		Carbon Canister .....	1
23	<u>18292G1</u>		Tube Clamp, 1/2" O.D .....	2
24	<u>606963</u>		Tube Clamp, 3/16" I.D .....	2
25	<u>27184G14</u>		Fuel System Tube, 13" Lg .....	1
26	<u>662608</u>		Hose, 3/16" I.D. x 37" Lg .....	1

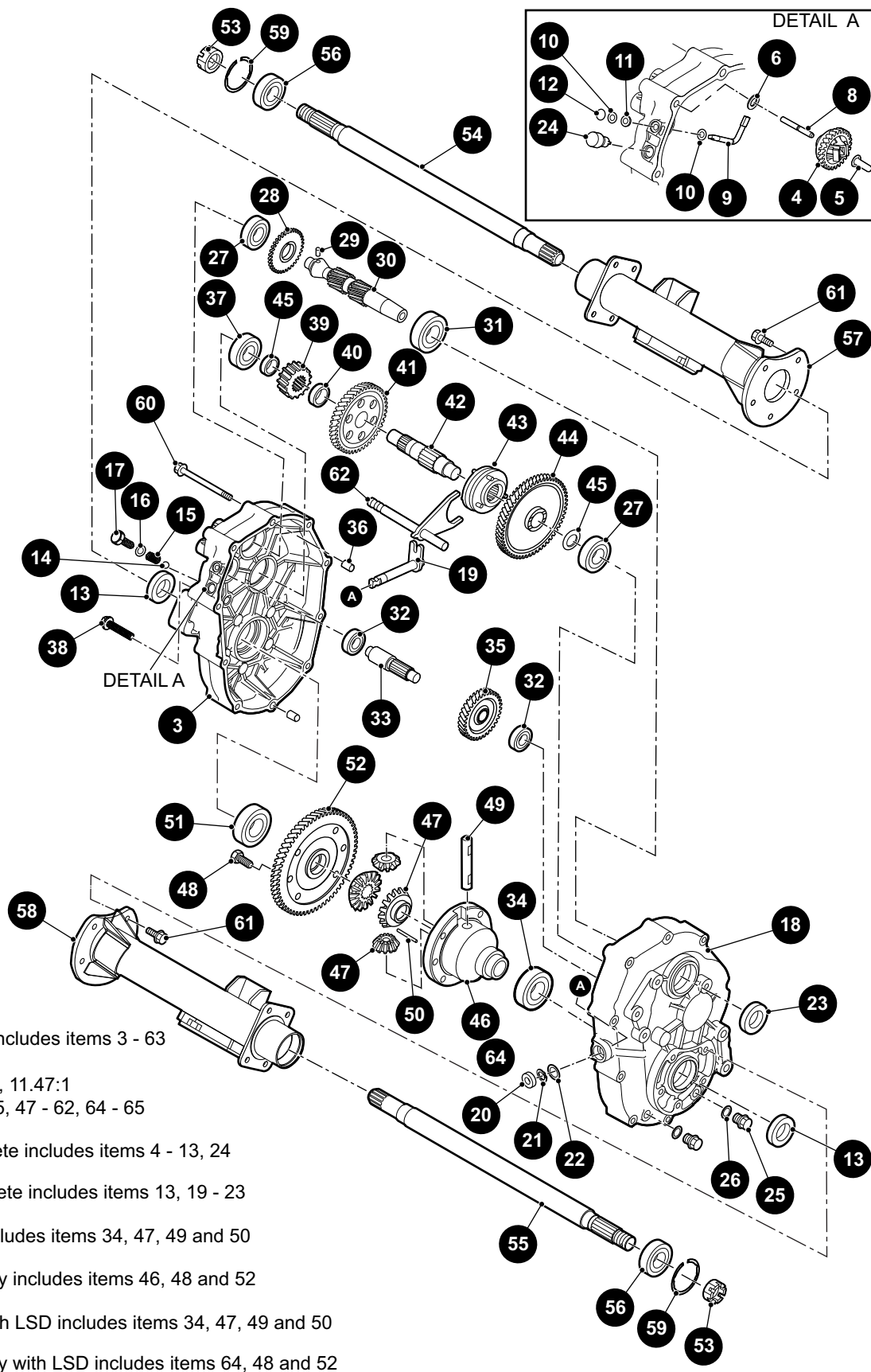
## Notes:

A large rectangular grid of graph paper, consisting of approximately 25 columns and 25 rows of small squares, intended for taking notes.

**Notes:**

A large rectangular area filled with a grid of small squares, intended for writing notes or technical diagrams. The grid is empty.

# REAR AXLE



- 1 Rear Axle, 11.47:1 includes items 3 - 63
- 2 Rear Axle With LSD, 11.47:1 includes items 3 - 45, 47 - 62, 64 - 65
- 3 Axle Case L Complete includes items 4 - 13, 24
- 18 Axle Case R Complete includes items 13, 19 - 23
- 46 Differential Case includes items 34, 47, 49 and 50
- 63 Differential Assembly includes items 46, 48 and 52
- 64 Differential Case with LSD includes items 34, 47, 49 and 50
- 65 Differential Assembly with LSD includes items 64, 48 and 52

THE USE OF NON U.L. PARTS WILL VOID ANY U.L. LISTING.

When ordering parts, please specify the model and serial number of the product.

\* Indicates a component that is not available as an individual part.

\*\*\* Indicates consult Customer Service Department for additional information.

ITEM	PART NO.	1 2 3 4 5	DESCRIPTION	QTY.
1	<u>670468</u>		Rear Axle, 11.47:1 (Includes Items 3 - 63) .....	1
2	<u>670470</u>		Rear Axle with LSD, 11.47:1 (Includes Items 3 - 45, 47 - 62, 64 - 65) .....	1
3	<u>639859</u>		Axle Case L Complete (Includes Items 4 - 13, 24) .....	1
4	<u>665887</u>		Governor Gear .....	1
5	<u>639689</u>		Governor Sleeve .....	1
6	<u>607904</u>		Flat Washer .....	1
7				
8	<u>639698</u>		Governor Gear Shaft.....	1
9	<u>639707</u>		Governor Shaft.....	1
10	<u>639736</u>		Flat Washer, 6mm .....	2
11	<u>607911</u>		Oil Seal, 6 x 10 x 2.5mm .....	1
12	<u>607913</u>		Retaining Ring, E5 .....	1
13	<u>639738</u>		Oil Seal, 24 x 40 x 9mm .....	2
14	<u>26818G01</u>		Steel Ball .....	1
15	<u>26819G01</u>		Spring .....	1
16	<u>26831G01</u>		Gasket, 10 .....	1
17	<u>26820G01</u>		Flanged Hex Head Bolt, M10 - 1.25 x 12mm Lg .....	1
18	<u>639865</u>		Axle Case R Complete (Includes Items 13, 19 - 23) .....	1
19	<u>639746</u>		Select Shaft.....	1
20	<u>607915</u>		Oil Seal, 13 x 22 x 5mm .....	1
21	<u>607916</u>		Snap Ring, 13mm .....	1
22	<u>607917</u>		Spacer, 13 x 1mm .....	1
23	<u>640093</u>		Oil Seal, 28 x 47 x 9mm .....	1
24	<u>607919</u>		Air Breather .....	1
25	<u>639747</u>		Oil Drain Plug .....	2
26	<u>639748</u>		Gasket, 14mm .....	2
27	<u>26785G01</u>		Ball Bearing (6204).....	2
28	<u>665888</u>		Governor Gear,34.....	1
29	<u>607920</u>		Pin .....	1
30	<u>639750</u>		Input Shaft .....	1
31	<u>607922</u>		Ball Bearing (62/28).....	1

# REAR AXLE

THE USE OF NON U.L. PARTS WILL VOID ANY U.L. LISTING.

When ordering parts, please specify the model and serial number of the product.

\* Indicates a component that is not available as an individual part.

\*\*\* Indicates consult Customer Service Department for additional information.

ITEM	PART NO.	1	2	3	4	5	DESCRIPTION	QTY.
32	<u>639868</u>						Ball Bearing (TMB202).....	2
33	<u>639755</u>						Counter Shaft.....	1
34	<u>640744</u>						Ball Bearing (6006) .....	1
35	<u>639758</u>						Gear, 34 .....	1
36	<u>639869</u>						Knock Pipe.....	2
37	<u>639760</u>						Ball Bearing (6304) .....	2
38	<u>639768</u>						Flanged Hex Head Bolt, M8 - 1.25 x 40mm Lg.....	1
39	<u>639769</u>						Gear, 17 .....	1
40	<u>28689G01</u>						Collar, 24 x 7.5mm .....	1
41	<u>639771</u>						Gear, 52 .....	1
42	<u>670697</u>						Center Shaft.....	1
43	<u>639774</u>						Clutch Pin.....	1
44	<u>670696</u>						Gear, 61 .....	1
45	<u>639797</u>						Spacer, 20 x 2mm .....	2
46	<u>639872</u>						Differential Case (Includes Items 34, 47, 49 and 50).....	1
47	<u>639800</u>						Differential Pair Gear.....	1
48	<u>26808G01</u>						Hex Head Bolt, M10 - 1.25 x 26mm Lg .....	6
49	<u>28723G01</u>						Differential Shaft.....	1
50	<u>28697G01</u>						Spring Pin, 4 x 40L.....	1
51	<u>639801</u>						Ball Bearing (6007) .....	1
52	<u>640739</u>						Gear, 60 Complete (Includes Item 51).....	1
53	<u>607938</u>						Castle Nut, M22 - 1.5 .....	2
54	<u>639876</u>						Axle Shaft L Complete (Includes Item 56).....	1
55	<u>639881</u>						Axle Shaft R Complete (Includes Item 56).....	1
56	<u>639836</u>						Ball Bearing (6205DD).....	2
57	<u>607939</u>						Axle Case L Complete .....	1
58	<u>607940</u>						Axle Case R Complete.....	1
59	<u>26814G01</u>						Snap Ring, 52mm .....	2
60	<u>639839</u>						Flanged Hex Head Bolt, M8 - 1.25 x 60mm Lg.....	9
61	<u>639840</u>						Flanged Hex Head Bolt, M10 - 1.25 x 25mm Lg.....	10
62	<u>639844</u>						Shift Shaft Complete .....	1

THE USE OF NON U.L. PARTS WILL VOID ANY U.L. LISTING.

When ordering parts, please specify the model and serial number of the product.

\* Indicates a component that is not available as an individual part.

\*\*\* Indicates consult Customer Service Department for additional information.

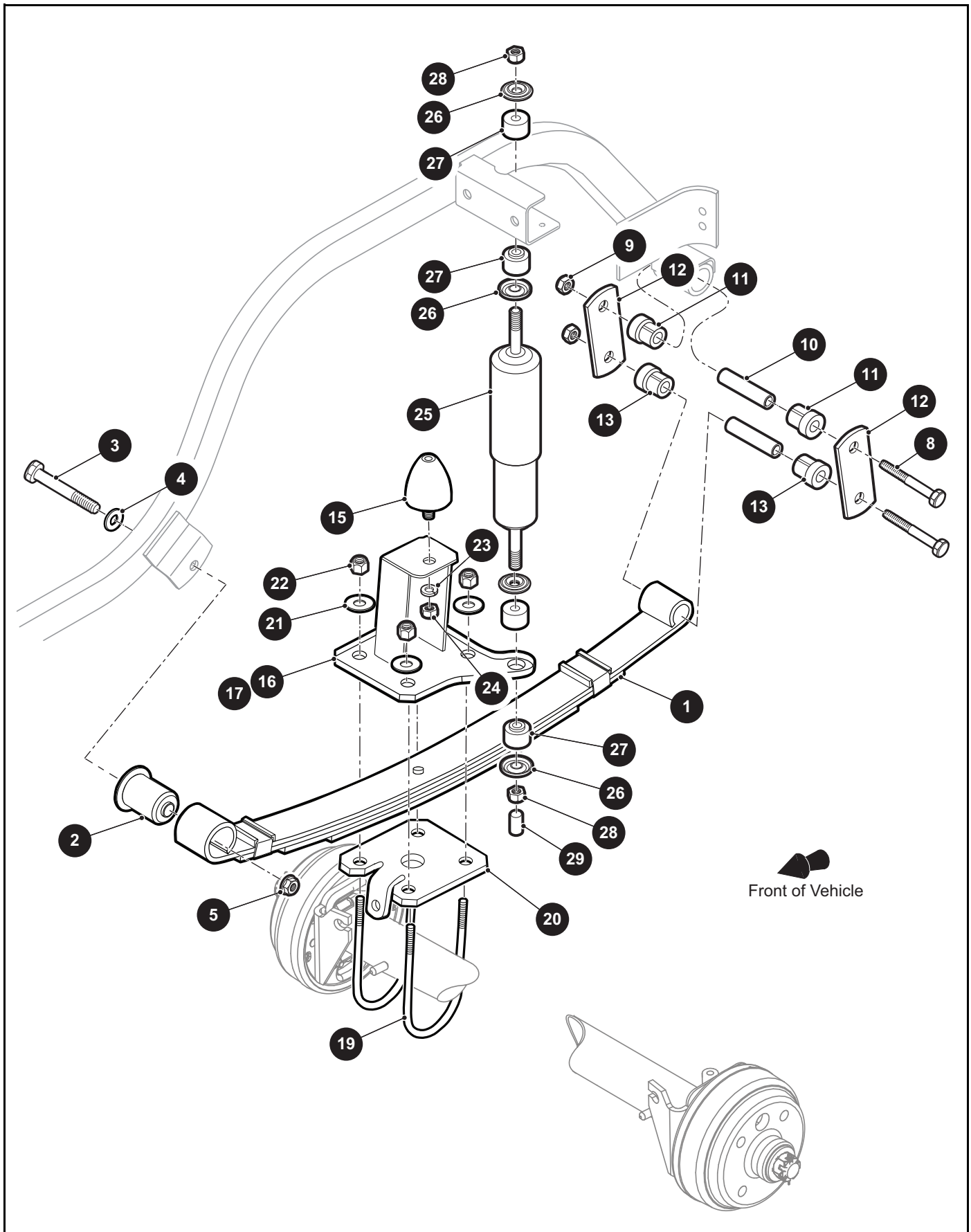
ITEM	PART NO.	1 2 3 4 5 DESCRIPTION	QTY.
63	<u>639847</u>	Differential Assembly (Includes Items 46, 48 and 52).....	1
64	640098	Differential Case with LSD (Includes Items 34, 47, 49 and 50).....	1
65	<u>639847</u>	Differential Assembly with LSD (Includes Items 64, 48 and 52) .....	1







# REAR SUSPENSION



## REAR SUSPENSION

THE USE OF NON U.L. PARTS WILL VOID ANY U.L. LISTING.

When ordering parts, please specify the model and serial number of the product.

\* Indicates a component that is not available as an individual part.

\*\*\* Indicates consult Customer Service Department for additional information.

ITEM	PART NO.	1 2 3 4 5	DESCRIPTION	QTY.
1	<u>605721</u>		Leaf Spring.....	2
2	<u>605445</u>		Leaf Spring Bushing (Front).....	2
3	<u>00665G9</u>		Hex Head Bolt (SS), 3/8" - 16 x 3.5" Lg.....	1
4	<u>00643G1</u>		Flat Washer, 3/8".....	1
5	<u>12262G1</u>		Flanged Lock Nut, 3/8" - 16.....	1
6				
7				
8	<u>00665G9</u>		Hex Head Bolt (SS), 3/8" - 16 x 3.5" Lg.....	2
9	<u>11098G5</u>		Lock Nut, 3/8" - 16.....	2
10	<u>70289G02</u>		Split Spacer (Steel), I.D .376" x O.D 1" x 1" Lg.....	2
11	<u>624030</u>		Flanged Bushing.....	2
12	<u>652245</u>		Shackle Plate.....	2
13	<u>624030</u>		Flanged Bushing.....	2
14				
15	<u>70492G01</u>		Rubber Bumper.....	1
16	<u>652629G103</u>		Spring Plate (Driver Side).....	1
17	<u>652629G203</u>		Spring Plate (Passenger Side).....	1
18				
19	<u>32195G3</u>		U-Bolt, 3/8" - 16 x 5" Lg.....	2
20	<u>652580</u>		Rear Suspension Plate.....	1
21	<u>00643G1</u>		Flat Washer, 3/8".....	4
22	<u>11098G5</u>		Lock Nut, 3/8" - 16.....	4
23	<u>608654</u>		Split Lock Washer, M10.....	1
24	<u>00974G01</u>		Hex Nut, M10.....	1
25	<u>642085</u>		Shock Absorber.....	2
26	<u>10435G1</u>		Shock Absorber Washer, 1.25" O.D x .406" I.D.....	4
27	<u>10194G1</u>		Rubber Bushing.....	4
28	<u>00532G6</u>		Hex Nut, 3/8" - 24.....	2
29	<u>10044G01</u>		Vinyl Cap.....	1



**Notes:**

Grid area for handwritten notes.

# SEATING

**1** Seat Back Assembly includes items 2 - 9

**4** Seat Back Assembly includes items 5 - 9

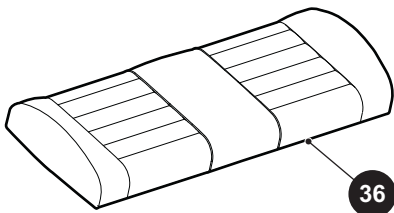
**10** Premium Seat Back Assembly includes items 2 - 3, 11

Front of Vehicle

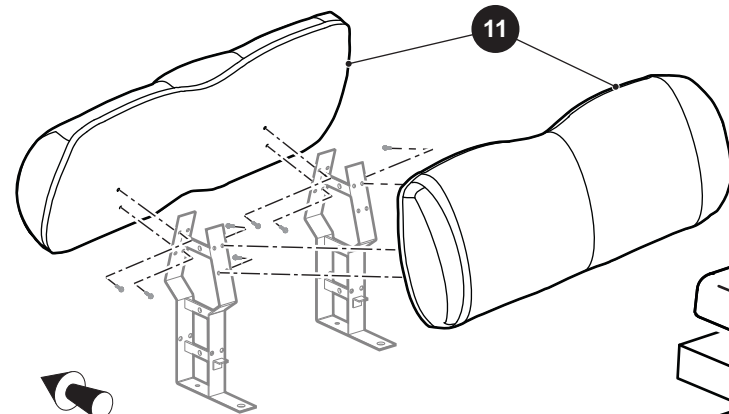
**16** Seat Bottom Assembly includes items 17 - 26

**27** Premium Seat Bottom Assembly includes items 17 - 21, 24

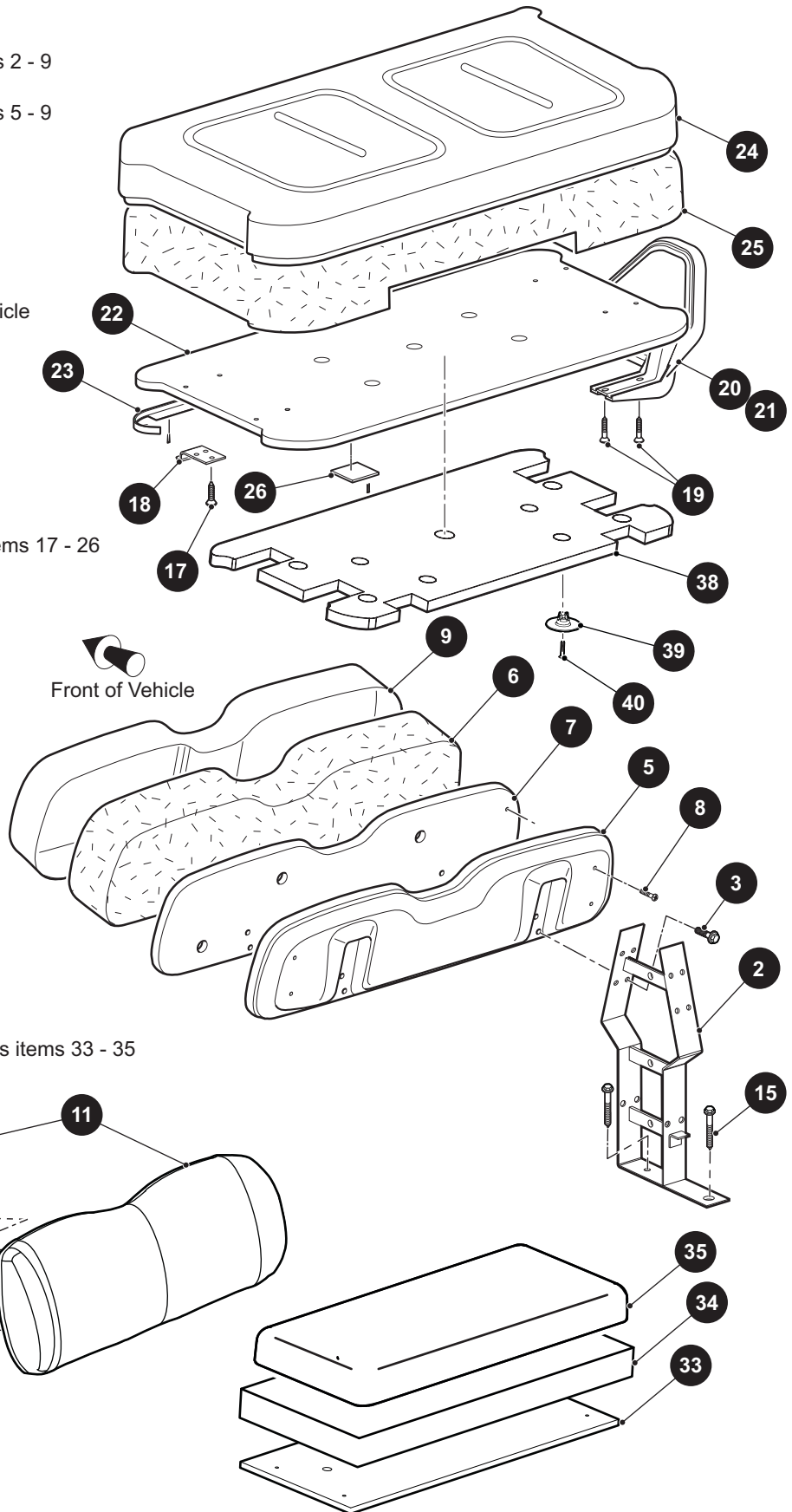
Front of Vehicle



**30** Flip Seat Bottom Assembly includes items 33 - 35



Front of Vehicle



THE USE OF NON U.L. PARTS WILL VOID ANY U.L. LISTING.

When ordering parts, please specify the model and serial number of the product.

\* Indicates a component that is not available as an individual part.

\*\*\* Indicates consult Customer Service Department for additional information.

ITEM	PART NO.	1 2 3 4 5	DESCRIPTION	QTY.
1	***		Seat Back Assembly (Includes Items 2 - 9)..... 632818G01 Oyster 632818G03 Tan 632818G04 Gray 632818G06 Black 10000522G0114 Gray/Black 10000522G0122 White/Beige	1
2	<u>634178</u>		Support Weldment.....	1
3	<u>71204G01</u>		Hex Washer Head Bolt With Patch Lock, 1/4" - 20 x .875" Lg.....	4
4	***		Seat Back Assembly (Includes Items 5 - 9)..... 71751G03 Oyster 71751G04 Tan 71751G02 Gray 71751G07 Black 10000520G0114 Gray/Black 10000520G0122 White/Beige	2
5	<u>71752G01</u>		Cover (Plastic).....	1
6	<u>71754G01</u>		Padding (Foam) .....	1
7	<u>645021</u>		Base Assembly .....	1
8	<u>01107G01</u>		Pan Head Torx Screw, #8 x .63" Lg.....	4
8	<u>648271</u>		Pan Head Torx Screw, #8 - 15 x 1" Lg (For Gray/Black& White/Beige)	4
9	***		Vinyl Cover..... 71753G02 Gray 71753G03 Oyster 71753G04 Tan 71753G07 Black 10004901G14 Gray/Black 10000417G22 White/Beige	1
10	***		Premium Seat Back Assembly (Includes Items 2 - 3, 11)..... 692961G18 Mushroom 692961G21 Premium Black	1
11	***		Seat Back Assembly..... 654084G18 Mushroom 654084G21 Premium Black	2
12				
13				
14				
15	<u>01006G01</u>		Hex Washer Head Thread Forming Screw, 3/8" - 16 x 1.25" Lg.....	2
16	***		Seat Bottom Assembly (Includes Items 17 - 26)..... 629269G0101 Oyster	1

# SEATING

THE USE OF NON U.L. PARTS WILL VOID ANY U.L. LISTING.

When ordering parts, please specify the model and serial number of the product

\* Indicates a component that is not available as an individual part.

\*\*\* Indicates consult Customer Service Department for additional information.

ITEM	PART NO.	1	2	3	4	5	DESCRIPTION	QTY.
							629269G0103 Tan 629269G0104 Gray 629269G0106 Black 629269G3014 Gray/Black 629269G3022 White/Beige	
17	<u>00720G08</u>						Flat Head Phillips Tapping Screw, #12 - 14 x 1" Lg.....	6
18	<u>71610G01</u>						Seat Hinge .....	2
19	<u>615417</u>						Button Head Torx Bolt, M10 - 1.5 x 25mm Lg .....	4
20	<u>617644</u>						Hip Restraint (Passenger Side).....	1
21	<u>617645</u>						Hip Restraint (Driver Side) .....	1
22	<u>645492</u>						Base.....	1
23	<u>71012G01</u>						Trim (Polypropylene).....	1
24	***						Vinyl Cover..... 71602G02 Gray 71602G03 Oyster 71602G04 Tan 71602G06 Black 10004900G14 Gray/Black 10000416G22 White/Beige 654085G18 Mushroom 654085G21 Premium Black	1
25	<u>71603G02</u>						Padding (Foam) .....	1
26	<u>17074G1</u>						Soiling Slab .....	2
27	***						Premium Seat Bottom Assembly (Includes Items 17 - 21, 24) ..... 629269G2818 Mushroom 629269G2821 Black	1
28								
29								
30	***						Flip Seat Bottom Assembly (Includes Item 33 - 35)..... 699321G01 Oyster 699321G03 Tan 699321G04 Gray 699321G06 Black 699321G14 Gray/Black 699321G22 White/Beige	1
31								
32								
33	669061						Seat Bottom .....	1



THE USE OF NON U.L. PARTS WILL VOID ANY U.L. LISTING.

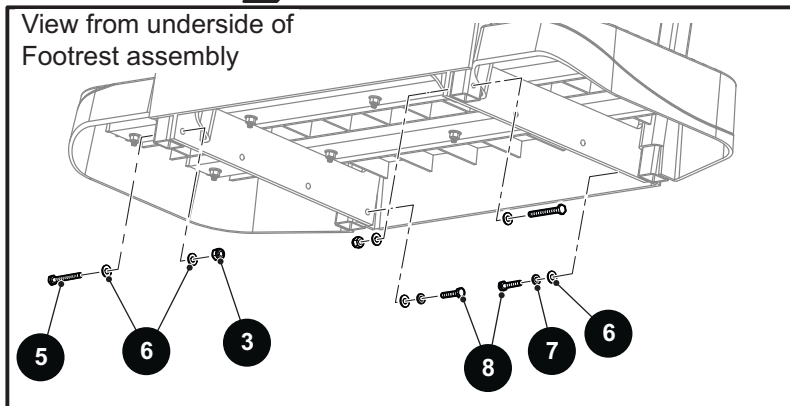
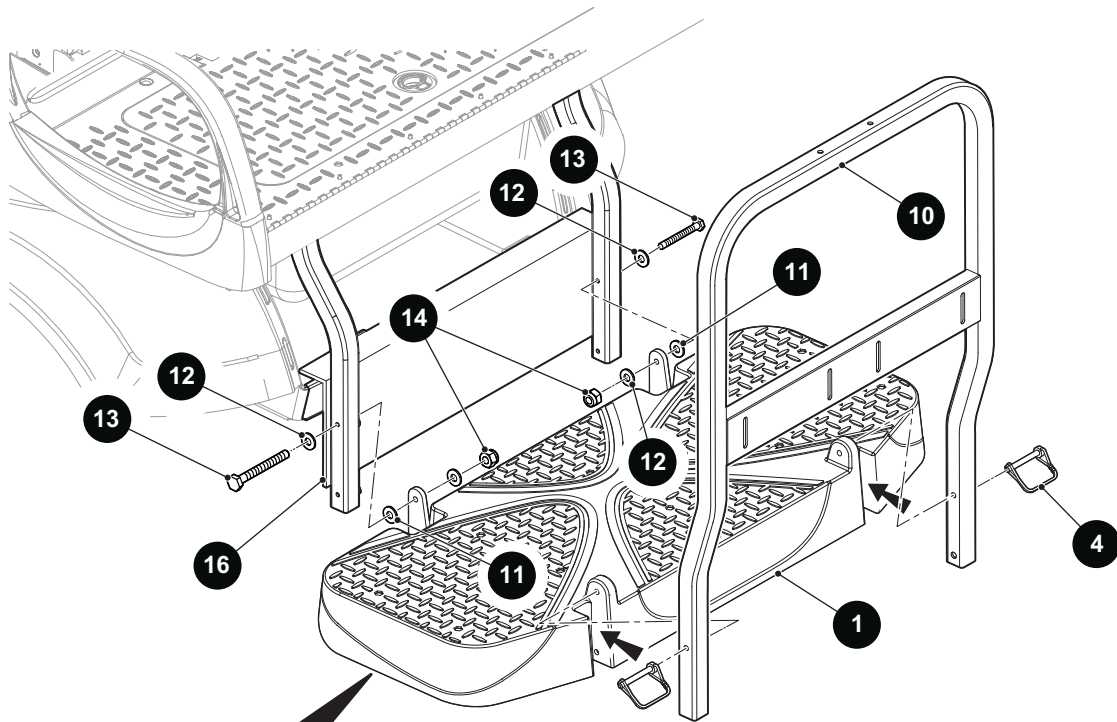
When ordering parts, please specify the model and serial number of the product.

\* Indicates a component that is not available as an individual part.

\*\*\* Indicates consult Customer Service Department for additional information.

ITEM	PART NO.	1 2 3 4 5	DESCRIPTION	QTY.
34	699297		Seat Bottom (Foam) .....	1
35	***		Seat Bottom (Vinyl)..... 615646 Oyster 615647 Tan 617892 Gray 615648 Black 10004899G14 Gray/Black 10000413G22 White/Beige	1
36	***		Flip Seat Bottom Assembly (Premium) ..... 600082G18 Mushroom 600082G21 Black	1
37				
38	<u>657949</u>		Seat Bottom Sound Treatment.....	1
39	<u>663426</u>		Sound Treatment Retainer .....	4
40	<u>00720G08</u>		Flat Head Phillips Screw, #12 - 14 x 1" Lg .....	4

2 Rear Facing Seat Hardware Kit includes items 3 - 8



THE USE OF NON U.L. PARTS WILL VOID ANY U.L. LISTING.

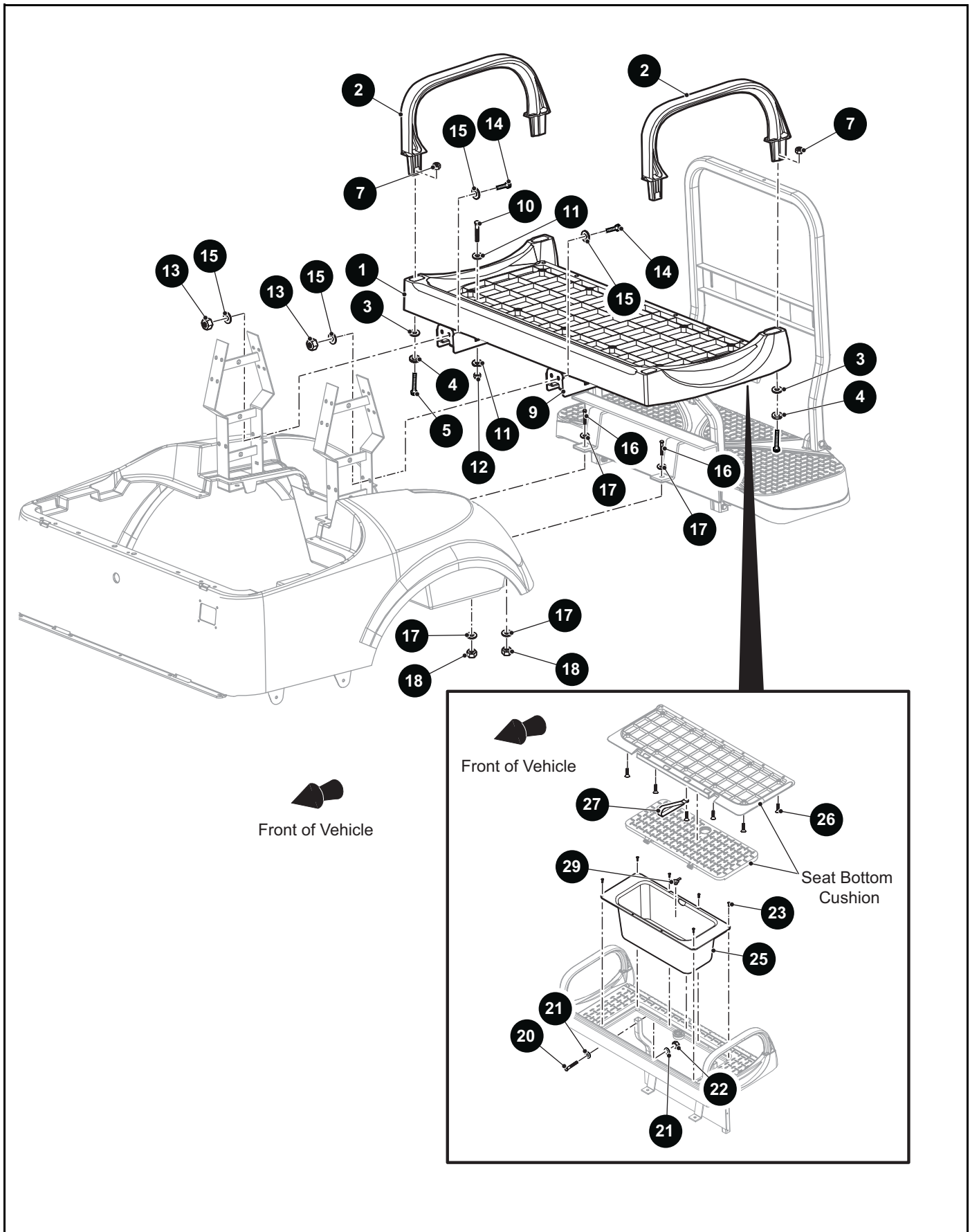
When ordering parts, please specify the model and serial number of the product.

\* Indicates a component that is not available as an individual part.

\*\*\* Indicates consult Customer Service Department for additional information.

ITEM	PART NO.	1 2 3 4 5	DESCRIPTION	QTY.
1	699422		Footrest Assembly.....	1
2	10007049		Rear Facing Seat Hardware Kit (Includes Items 3 - 8).....	1
3	<u>14390G4</u>		Lock Nut, 1/4" - 20 .....	2
4	699594		Locking Pin, 5/16" x 2.3" .....	2
5	400122J		Hex Head Bolt, 1/4" - 20 x 2 1/4" Lg .....	2
6	<u>00559G7</u>		Flat Washer, .286" I.D x .63" O.D .....	6
7	446130		Lock Washer, 1/4" .....	2
8	<u>00415G2</u>		Hex Head Bolt, 1/4" - 20 x 1 1/4" Lg .....	2
9				
10	10024185		Safety Bar .....	1
11	<u>20835G1</u>		Teflon Washer, 3/8" .....	2
12	<u>00559G7</u>		Flat Washer, 1/4" .....	4
13	400122J		Hex Head Bolt, 1/4" - 20 x 2 1/4" Lg .....	2
14	<u>14390G4</u>		Lock Nut, 1/4" - 20 .....	2
15				
16	10023041		Bumper Weldment .....	1

# SEATING



THE USE OF NON U.L. PARTS WILL VOID ANY U.L. LISTING.

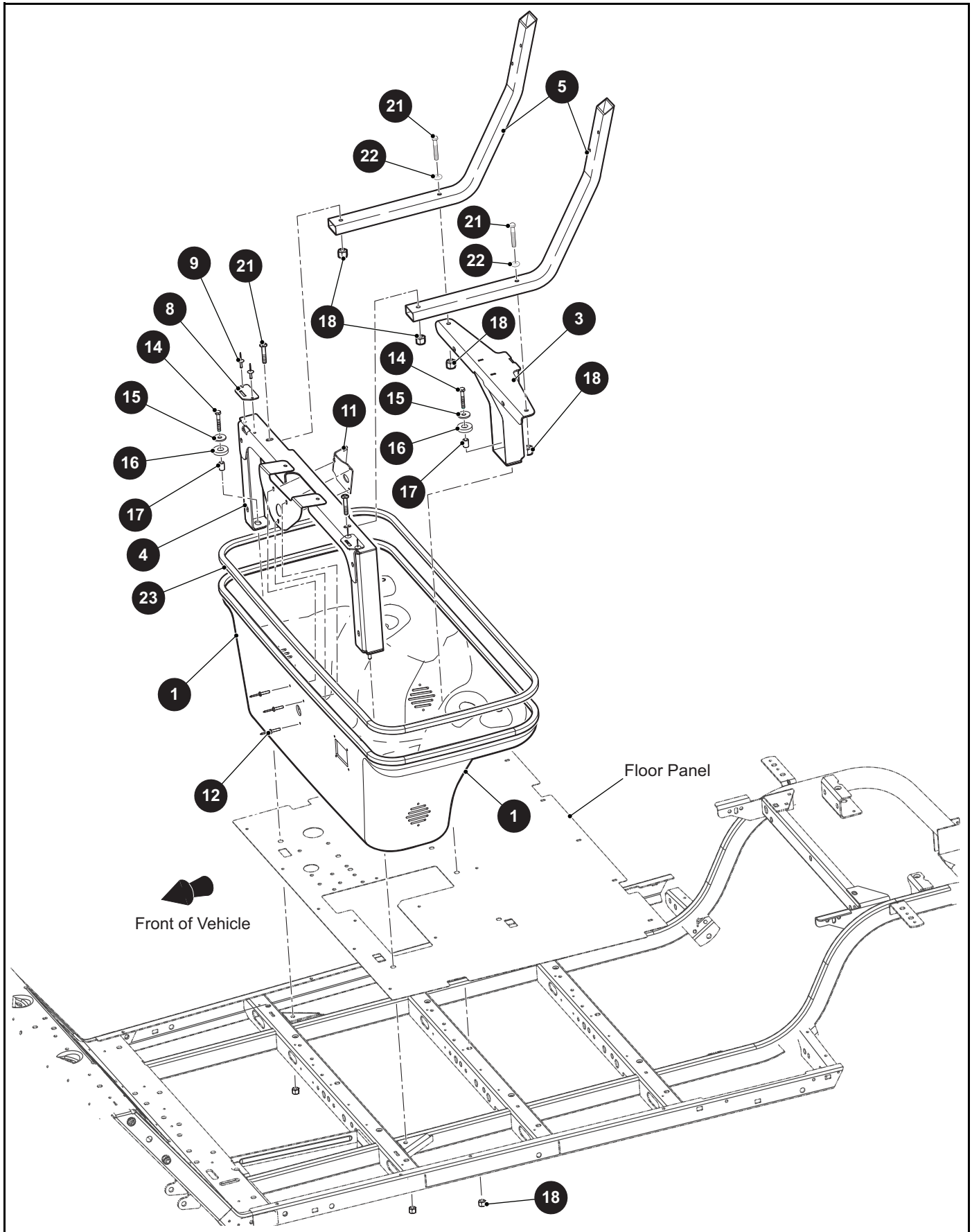
When ordering parts, please specify the model and serial number of the product.

\* Indicates a component that is not available as an individual part.

\*\*\* Indicates consult Customer Service Department for additional information.

ITEM	PART NO.	1 2 3 4 5	DESCRIPTION	QTY.
1	699418		Base Seat Assembly .....	1
2	699419		Restraint Hip .....	2
3	<u>00559G7</u>		Flat Washer, 1/4" .....	4
4	446130		Lock Washer, 1/4" .....	4
5	400124J		Hex Head Bolt, 1/4" - 20 x 2 1/2" Lg .....	2
6	<u>00415G2</u>		Hex Head Bolt, 1/4" - 20 x 2" Lg .....	2
7	697319		Square Nut, 1/4" - 20 .....	4
8				
9	10000073		Flip Seat Bracket.....	2
10	400116J		Hex Head Bolt, 1/4" - 20 x 1 1/2" Lg .....	2
11	<u>00559G7</u>		Flat Washer, 1/4" .....	4
12	<u>14390G4</u>		Lock Nut, 1/4" - 20 .....	2
13	<u>11098G5</u>		Lock Nut, 3/8" - 16 .....	4
14	<u>00427G2</u>		Hex Head Bolt, 3/8" - 16 x 1 1/4" Lg, Grade 5 .....	4
15	<u>614221</u>		Flat Washer, 3/8" Grade 8.....	8
16	<u>00427G6</u>		Hex Head Bolt, 3/8" - 16 x 1 1/4" Lg, Grade 5 .....	2
17	<u>614221</u>		Flat Washer, 3/8" Grade 8.....	4
18	<u>11098G5</u>		Lock Nut, 3/8" - 16 .....	2
19				
20	400120J		Hex Head Bolt, 1/4" - 20 x 2" Lg .....	2
21	<u>00559G7</u>		Flat Washer, 1/4" .....	4
22	<u>14390G4</u>		Lock Nut, 1/4" - 20 .....	2
23	<u>71425G01</u>		Flat Head Phillips Tapping Screw, #8 - 18 x 3/4" Lg.....	8
24				
25	699428		Plastic Bucket.....	1
26	<u>00205-G4</u>		Flat Head Phillips Tapping Screw, 1/4" - 20 x 1 1/2" Lg, Grade 2 .....	10
27	<u>617402</u>		Seat Strap .....	1
28				
29	10001207		Rubber Plug .....	1

# SEATING



THE USE OF NON U.L. PARTS WILL VOID ANY U.L. LISTING.

When ordering parts, please specify the model and serial number of the product.

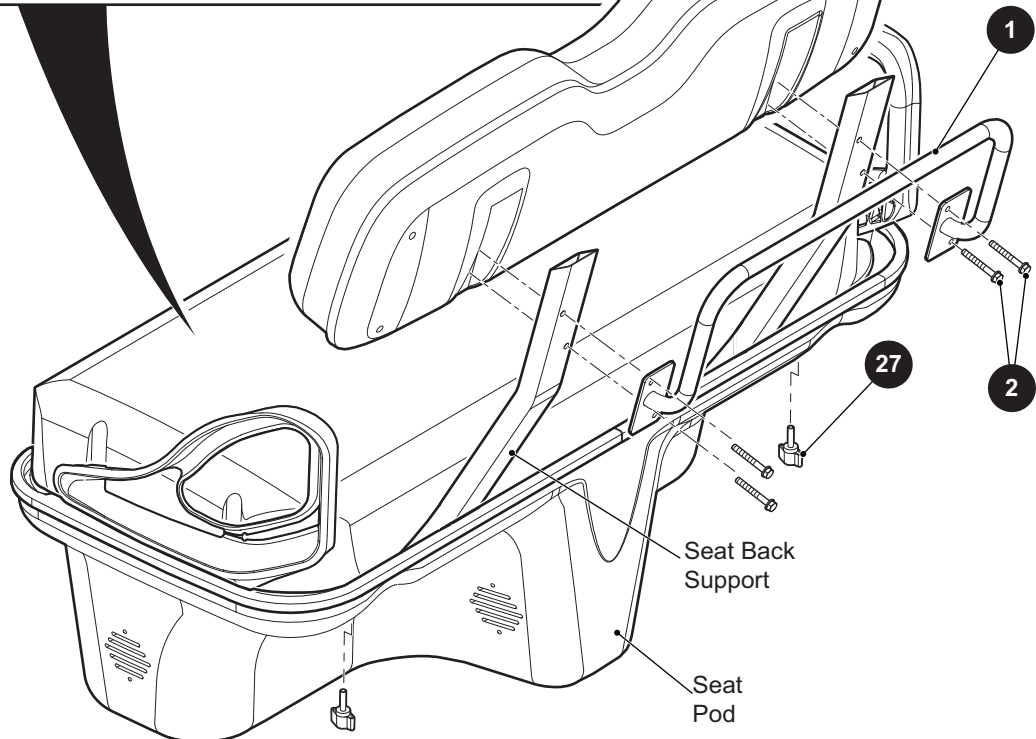
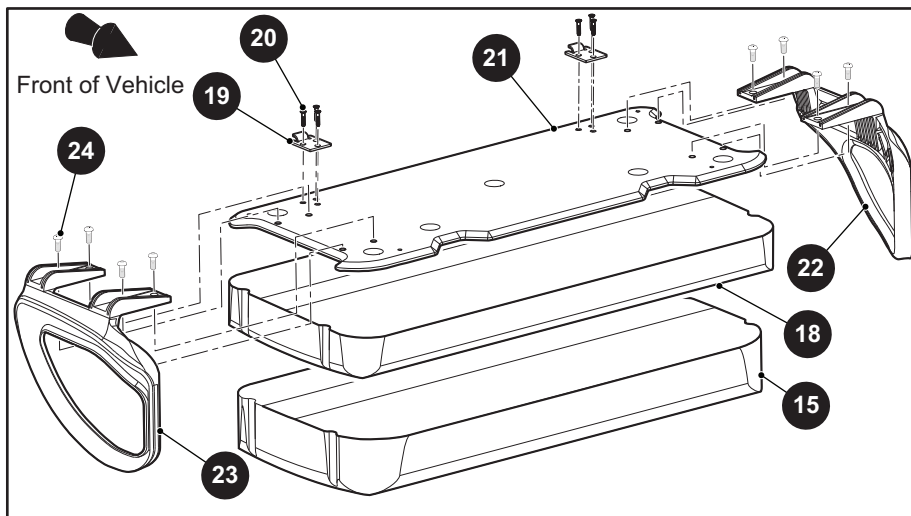
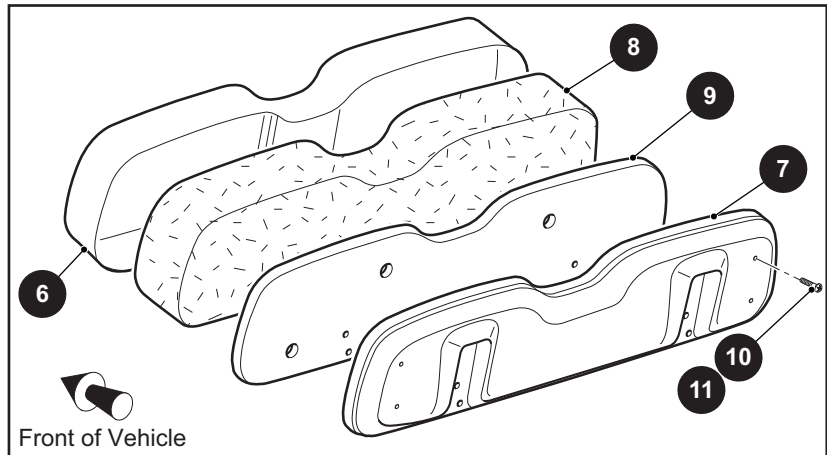
\* Indicates a component that is not available as an individual part.

\*\*\* Indicates consult Customer Service Department for additional information.

ITEM	PART NO.	1 2 3 4 5	DESCRIPTION	QTY.
1	648313G**		Seat Pod .....	1
2				
3	<u>657681</u>		Rear Seat Support .....	1
4	<u>654767</u>		Seat Support .....	1
5	694377		Seat Back Support Tube .....	2
6				
7				
8	<u>71609G01</u>		Hinge Plate.....	2
9	<u>10570G11</u>		Rivet (SS), 3/16" x .70" Lg .....	4
10				
11	<u>605869</u>		Direction Selector Mounting Bracket.....	1
12	<u>71055G01</u>		Rivet (Aluminum), 3/16" x 1" Lg .....	3
13				
14	00439G8		Hex Head Bolt (SS), 5/16" - 18 x 2" Lg .....	3
15	<u>00675G1</u>		Flat Washer (SS), .398" I.D. x 1.25" O.D. x .115" Lg .....	3
16	<u>71883G01</u>		Rubber Washer, .625" I.D. x 1.50" O.D. x .312" Lg.....	3
17	<u>23726G9</u>		Spacer, .312" I.D. x .562" O.D. x .750" Lg .....	3
18	11098G6		Lock Nut, 5/16" - 18 .....	7
19				
20				
21	<u>00439G6</u>		Hex Head Bolt, 5/16" - 18 - 1 3/4" Lg, Grade 5.....	4
22	<u>00560G1</u>		Flat Washer, 3/8".....	4
23	<u>32805G6</u>		Trim, 118" Lg.....	1

# SEATING

- 4 Seat Back Assembly includes items 6 - 9, 11
- 5 Seat Back Assembly includes items 6 - 10
- 13 Seat Bottom Assembly includes items 15 - 24





THE USE OF NON U.L. PARTS WILL VOID ANY U.L. LISTING.

When ordering parts, please specify the model and serial number of the product.

\* Indicates a component that is not available as an individual part.

\*\*\* Indicates consult Customer Service Department for additional information.

ITEM	PART NO.	1 2 3 4 5	DESCRIPTION	QTY.
1	<u>71632G01</u>		Hand Grip Weldment.....	1
2	<u>71204G02</u>		Hex Washer Head Bolt with Patch Lock, 1/4" - 20 x 2" Lg.....	4
3				
4	***		Seat Back Assembly (Includes Item 6 - 9, 11)..... 71751G02 Gray 71751G03 Oyster 71751G04 Tan 71751G07 Black 71751G05 Special	2
5	***		Seat Back Assembly (Includes Item 6 - 10) ..... 10000520G0114 Gray/Black 10000520G0122 White/Beige	2
6	***		Vinyl Seat Back Cover ..... 71753G02 Gray 71753G03 Oyster 71753G04 Tan 71753G07 Black 71753G05 Special 10004901G14 Gray/Black 10000417G22 White/Beige	1
7	<u>71752G01</u>		Rear Seat Back Cover.....	1
8	<u>71754G01</u>		Seat Back Padding .....	1
9	<u>645021</u>		Seat Back Base .....	1
10	<u>648271</u>		Pan Head Torx Screw (SS), #8 - 15 x 1" Lg .....	4
11	<u>01107G01</u>		Pan Head Torx Screw (SS), #8 x .63" Lg.....	4
12				
13	***		Seat Bottom Assembly (Includes Item 15 - 24)..... 629269G1701 Oyster 629269G1703 Tan 629269G1704 Gray 629269G1706 Black 629269G1708 Custom Solid 629269G3114 Gray/Black 629269G3122 White/Beige	1
14				
15	***		Vinyl Seat Cover..... 71624G03 Oyster 71624G04 Tan 71624G02 Gray 71624G07 Black 71624G05 Custom Solid	1

# SEATING

THE USE OF NON U.L. PARTS WILL VOID ANY U.L. LISTING.

When ordering parts, please specify the model and serial number of the product

\* Indicates a component that is not available as an individual part.

\*\*\* Indicates consult Customer Service Department for additional information.

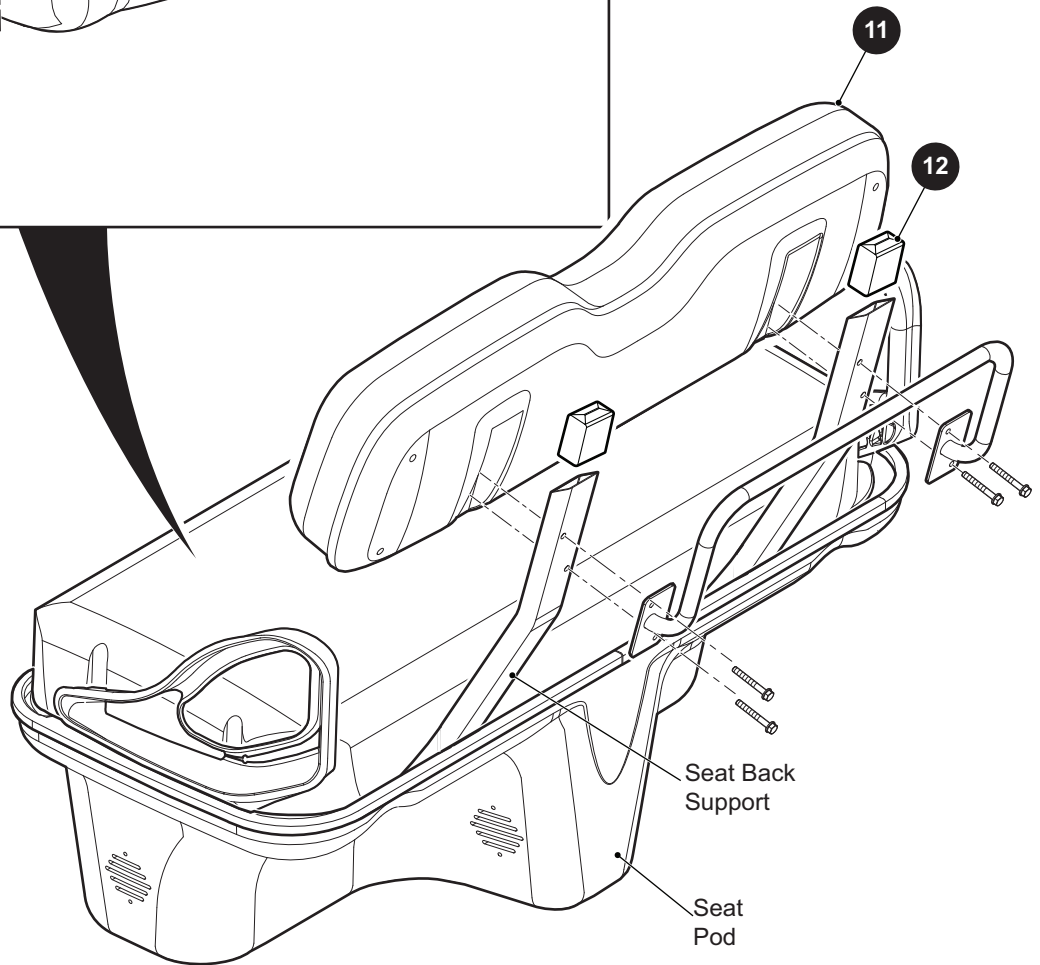
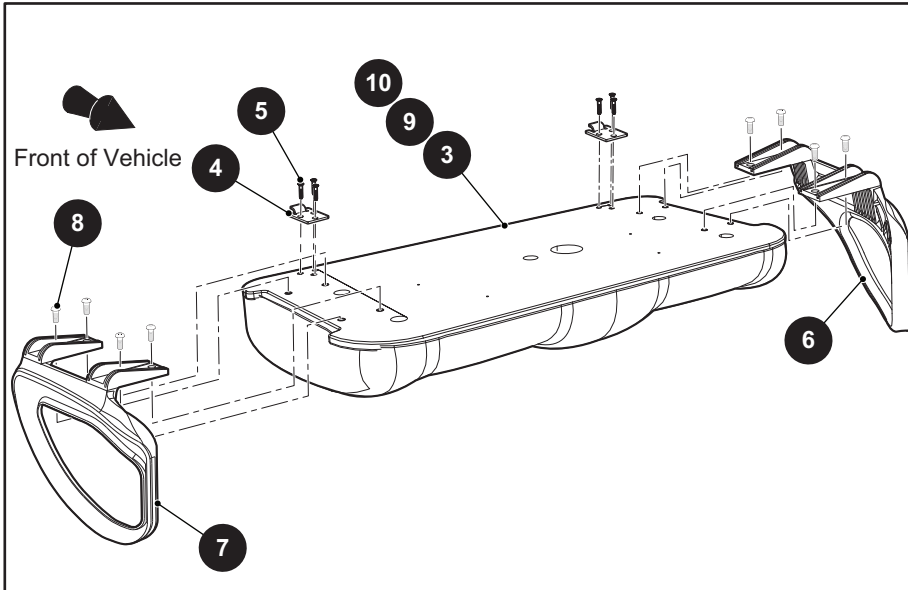
ITEM	PART NO.	1	2	3	4	5	DESCRIPTION	QTY.
16							10000415G14 Gray/Black	
17							10004898G22 White/Beige	
18	<u>71625G01</u>						Seat Bottom Padding .....	1
19	<u>71610G01</u>						Seat Hinge .....	2
20	<u>00720G08</u>						Flat Head Phillips Screw, #12 -14 x 1" Lg .....	6
21	<u>649851</u>						Seat Bottom Base .....	1
22	<u>617645</u>						Hip Restraint (Driver Side) .....	1
23	<u>617644</u>						Hip Restraint (Passenger Side).....	1
24	<u>615417</u>						Button Head Torx Bolt, M10 - 1.5 x 25mm Lg .....	8
25								
26								
27	70864G01						T-knob Stud, 1/4" - 20 x 1" Lg.....	2



# SEATING

1 Premium Seat Bottom Assembly includes items 3 - 8

2 Premium Seat Bottom Assembly includes items 4 - 9



THE USE OF NON U.L. PARTS WILL VOID ANY U.L. LISTING.

When ordering parts, please specify the model and serial number of the product.

\* Indicates a component that is not available as an individual part.

\*\*\* Indicates consult Customer Service Department for additional information.

ITEM	PART NO.	1 2 3 4 5	DESCRIPTION	QTY.
1	***		Premium Seat Bottom Assembly (Includes Items 3 - 8)..... 629269G2818 Mushroom 629269G2821 Premium Black	1
2	***		Premium Seat Bottom Assembly (Includes Items 4 - 9)..... 629269G2518 Mushroom 629269G2521 Premium Black	1
3	***		Premium Seat Bottom Assembly ..... 654085G18 Mushroom 654085G21 Premium Black	1
4	<u>71610G01</u>		Seat Hinge.....	2
5	<u>00720G08</u>		Flat Head Phillips Screw, #12 -14 x 1" Lg.....	6
6	<u>617645</u>		Hip Restraint (Driver Side).....	1
7	<u>617644</u>		Hip Restraint (Passenger Side).....	1
8	<u>615417</u>		Button Head Torx Bolt, M10 - 1.5 x 25mm Lg.....	8
9	***		Premium Seat Bottom Assembly ..... 693086G18 Mushroom 693086G21 Premium Black	1
10	***		Premium Seat Bottom Assembly..... 600082G18 Mushroom 600082G21 Premium Black	1
11	***		Premium Seat Back Assembly ..... 654084G18 Mushroom 654084G21 Premium Black	1
12	697694		Seat Back Tube Cap .....	1

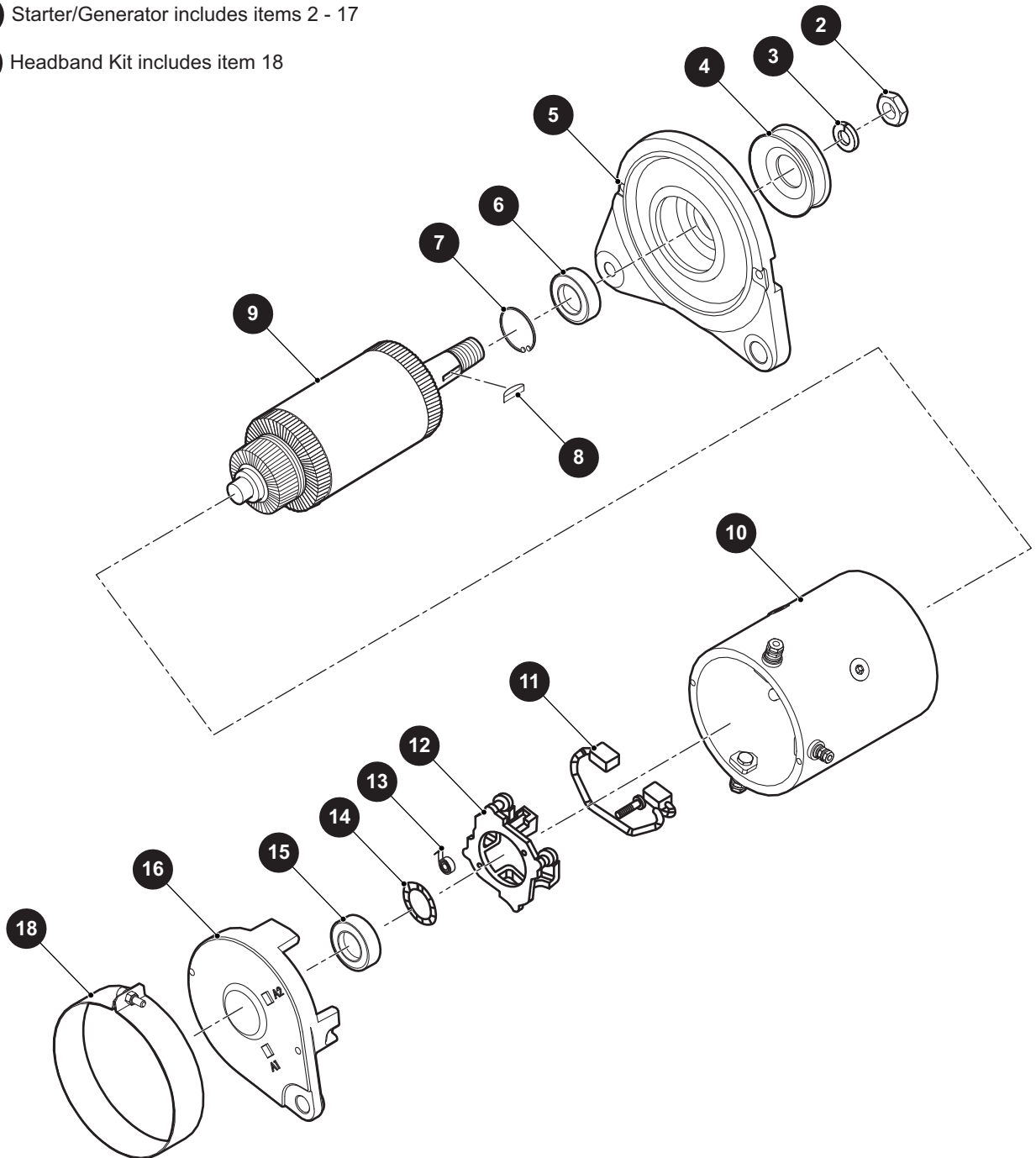




# STARTER GENERATOR

1 Starter/Generator includes items 2 - 17

17 Headband Kit includes item 18



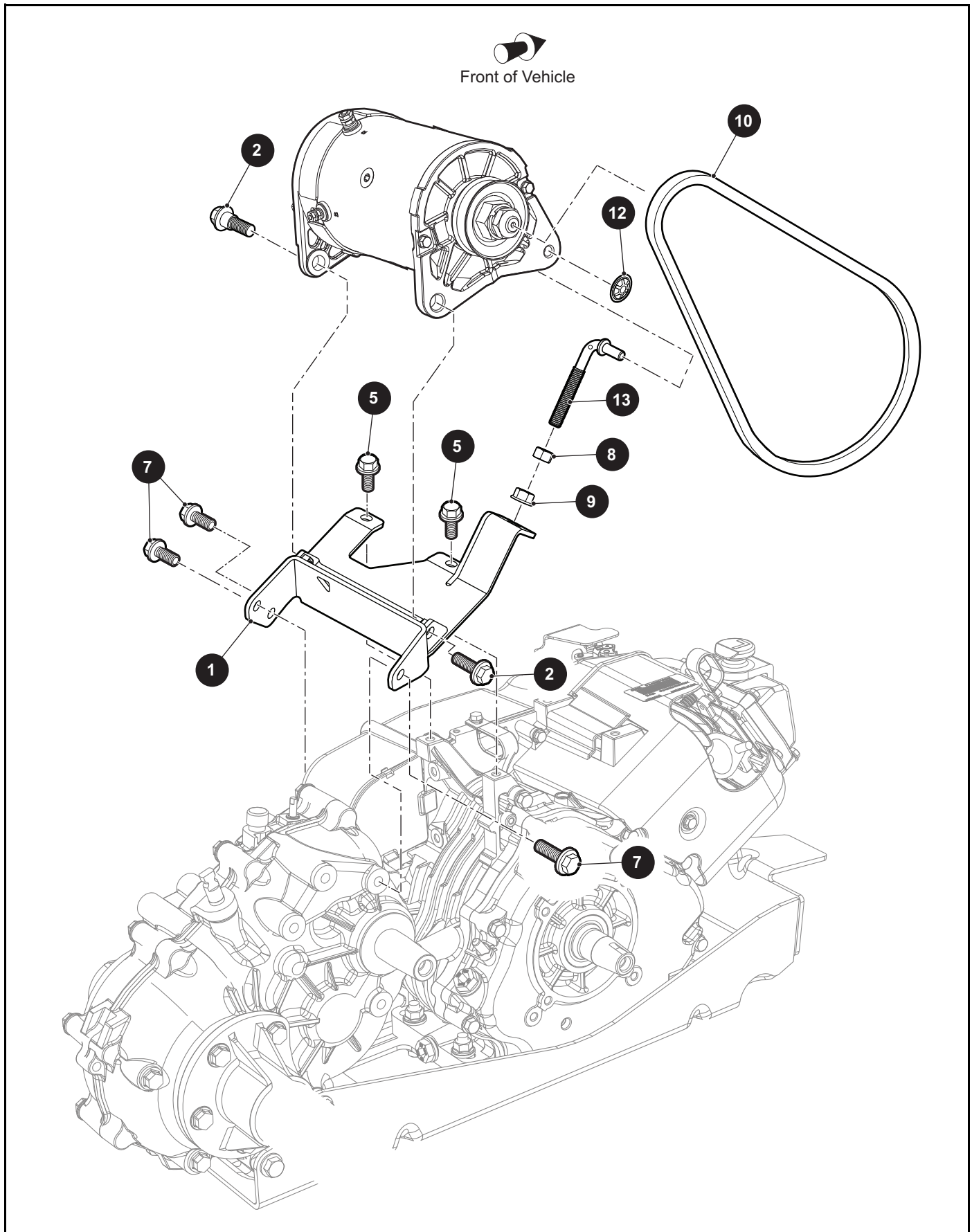


# STARTER GENERATOR

THE USE OF NON U.L. PARTS WILL VOID ANY U.L. LISTING.  
 When ordering parts, please specify the model and serial number of the product.  
 \* Indicates a component that is not available as an individual part.  
 \*\*\* Indicates consult Customer Service Department for additional information.

ITEM	PART NO.	1 2 3 4 5	DESCRIPTION	QTY.
1	<u>660379</u>		Starter/Generator (Includes Items 2 - 17) .....	1
2	<u>612029</u>		Hex Nut.....	1
3	<u>612030</u>		Lock Washer.....	1
4	<u>625716</u>		Pulley, 2.5" O.D. ....	1
5	<u>654715</u>		Drive End Head .....	1
6	<u>612033</u>		Bearing .....	1
7	<u>612034</u>		Retaining Ring .....	1
8	<u>612035</u>		Woodruff Key .....	1
9	<u>612036</u>		Armature Assembly .....	1
10	<u>654716</u>		Frame and Field Assembly .....	1
11	<u>612038</u>		Brush Lead and Terminal Package.....	1
12	<u>654717</u>		Brush Box Assembly.....	1
13	<u>656659</u>		Brush Spring .....	4
14	<u>612043</u>		Wavy Washer .....	1
15	<u>612044</u>		Bearing .....	1
16	<u>612045</u>		Commutator End Head.....	1
17	<u>658172</u>		Headband Kit (Includes Item 18).....	1
18	<u>654718</u>		Head Band .....	1

# STARTER GENERATOR



# STARTER GENERATOR

THE USE OF NON U.L. PARTS WILL VOID ANY U.L. LISTING.  
 When ordering parts, please specify the model and serial number of the product.  
 \* Indicates a component that is not available as an individual part.  
 \*\*\* Indicates consult Customer Service Department for additional information.

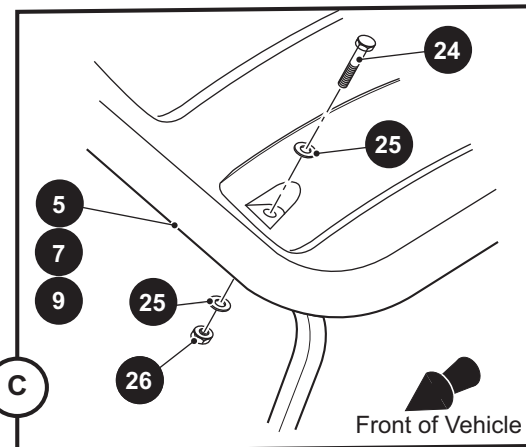
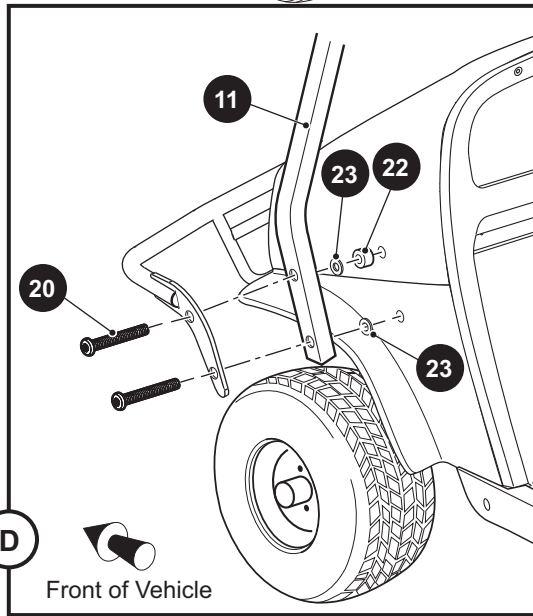
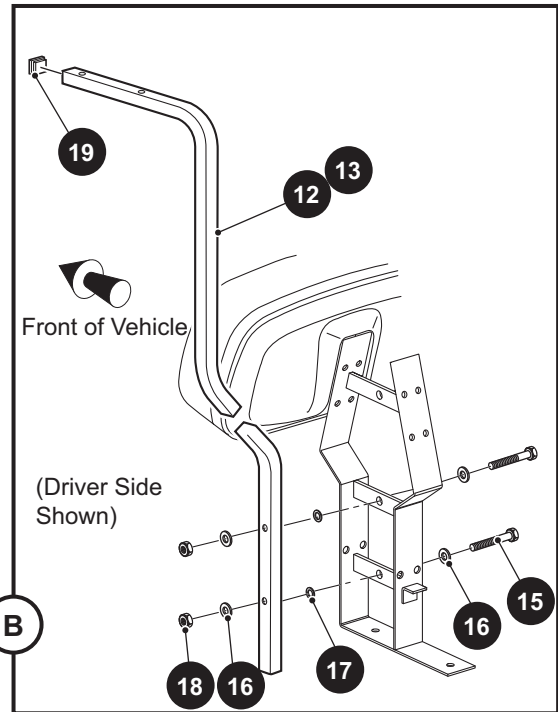
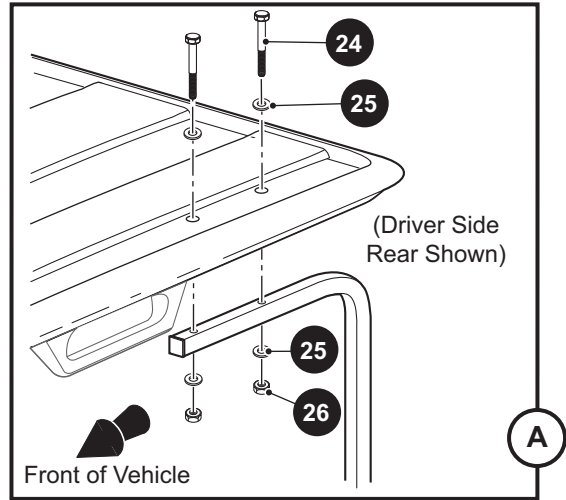
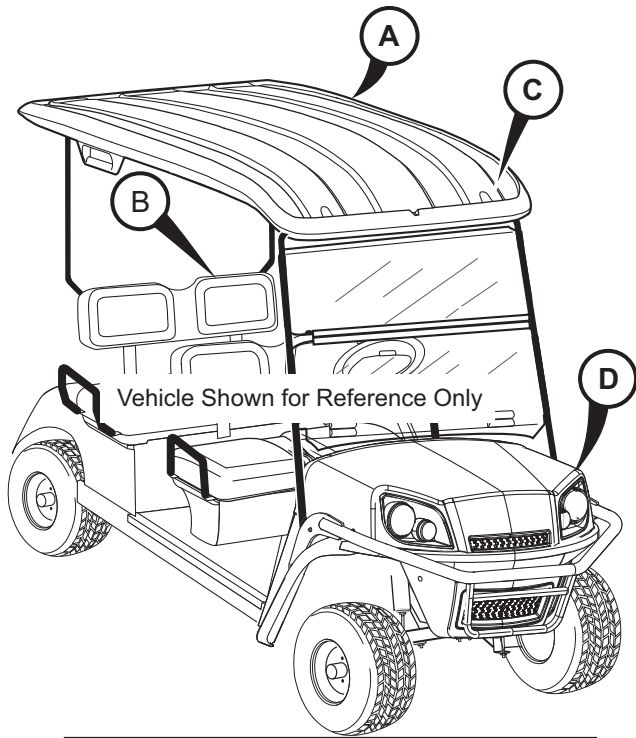
ITEM	PART NO.	1 2 3 4 5	DESCRIPTION	QTY.
1	699755		Starter/Generator Support Bracket .....	1
2	<u>606235</u>		Flanged Hex Head Bolt, M10 - 1.25 x 20mm Lg.....	2
3				
4				
5	<u>606261</u>		Flanged Hex Head Bolt, M8 - 1.25 x 20mm Lg, Grade 8.8.....	2
6				
7	<u>606256</u>		Flanged Hex Head Bolt, M10 - 1.25 x 25mm Lg, Grade 8.8.....	3
8	<u>606255</u>		Hex Jam Nut, M10 - 1.25 .....	1
9	<u>606274</u>		Flanged Hex Nut, M10 - 1.25 .....	1
10	<u>630587</u>		Starter/Generator Belt .....	1
11				
12	<u>12064G6</u>		Push Nut, 5/16" .....	1
13	<u>629763</u>		Tensioner Bolt .....	1



**Notes:**

A large rectangular grid area for taking notes, consisting of 20 columns and 20 rows of small squares.

# WEATHER PROTECTION



- 1 Sun Top Kit, 82" (Black) includes items 5, 11 - 26
- 2 Sun Top Kit, 82" (White) includes items 7, 11 - 26
- 3 Sun Top Kit, 82" (Tan) includes items 9, 11 - 26
- 14 Sun Top Hardware Kit includes items 15 - 26

# WEATHER PROTECTION

THE USE OF NON U.L. PARTS WILL VOID ANY U.L. LISTING.

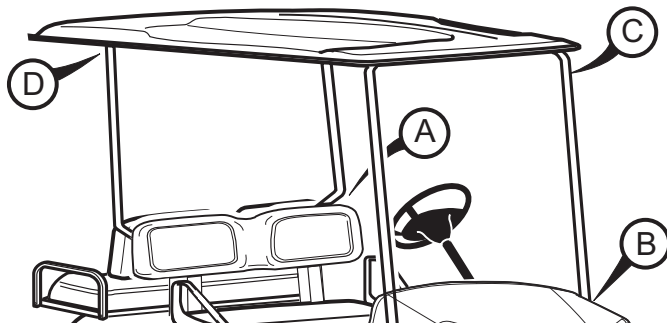
When ordering parts, please specify the model and serial number of the product.

\* Indicates a component that is not available as an individual part.

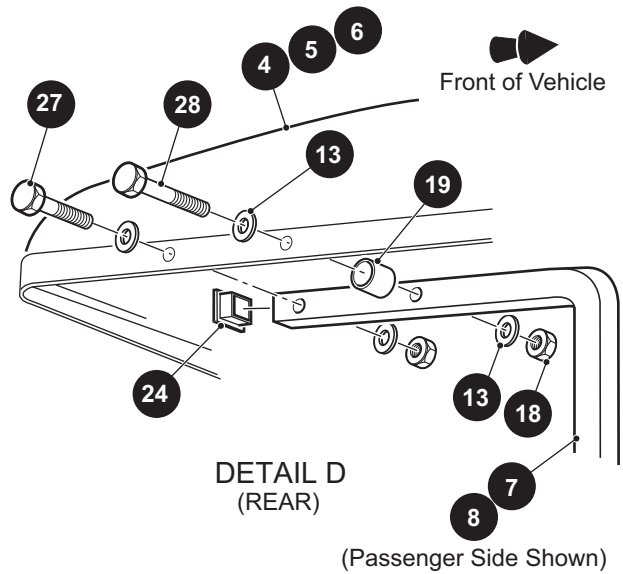
\*\*\* Indicates consult Customer Service Department for additional information.

ITEM	PART NO.	1 2 3 4 5	DESCRIPTION	QTY.
1	10012623G05		Sun Top Kit, 82" (Black) (Includes Items 5, 11 - 26).....	1
2	10012623G04		Sun Top Kit, 82" (White) (Includes Items 7, 11 - 26).....	1
3	10012623G06		Sun Top Kit, 82" (Tan) (Includes Items 9, 11 - 26).....	1
4				
5	<u>607258</u>		Sun Top, Black.....	1
6				
7	<u>607580</u>		Sun Top, White .....	1
8				
9	<u>643212</u>		Sun Top, Tan.....	1
10				
11	10011801		Front Support.....	1
12	<u>617943</u>		Rear Support (Driver Side).....	1
13	<u>617942</u>		Rear Support (Passenger Side) .....	1
14	10013156		Sun Top Hardware Kit (Includes Items 15 - 26).....	1
15	<u>00665G5</u>		Hex Head Bolt (SS), 3/8" - 16 x 1" Lg .....	4
16	<u>00679G1</u>		Flat Washer (SS), 3/8" .....	8
17	<u>00771G5</u>		Nylon Washer, 3/8".....	4
18	<u>00891G5</u>		Lock Nut, 3/8" - 16 .....	4
19	<u>19853G1</u>		End Cap, 1" Sq .....	2
20	<u>652311</u>		Round Head Torx Bolt (Black), 5/16" - 18 x 3" Lg .....	4
21				
22	<u>634807</u>		Spacer, .328" x .75" x .5".....	2
23	<u>634808</u>		Flat Washer, 5/16" .....	4
24	<u>00441G2</u>		Hex Head Bolt, 5/16" - 18 x 3 1/4" Lg .....	6
25	<u>00907G2</u>		Flat Washer (SS), 5/16" .....	12
26	11098G6		Lock Nut, 5/16" - 18 .....	6

# WEATHER PROTECTION



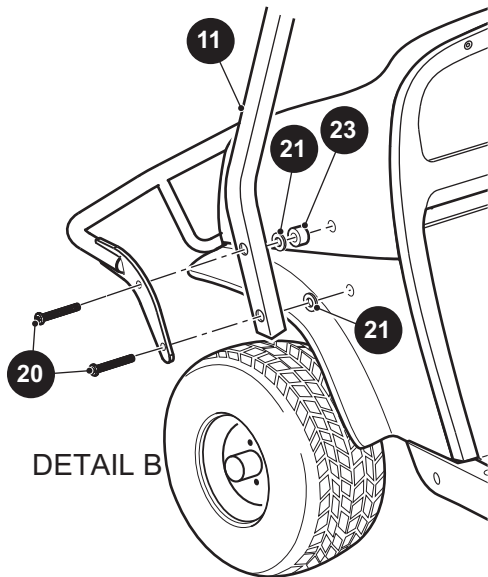
VEHICLE SHOWN FOR REFERENCE ONLY



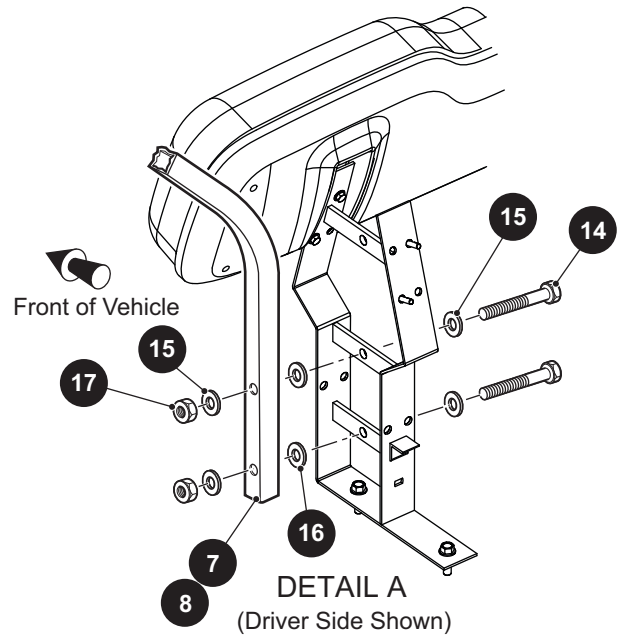
DETAIL D  
(REAR)

(Passenger Side Shown)

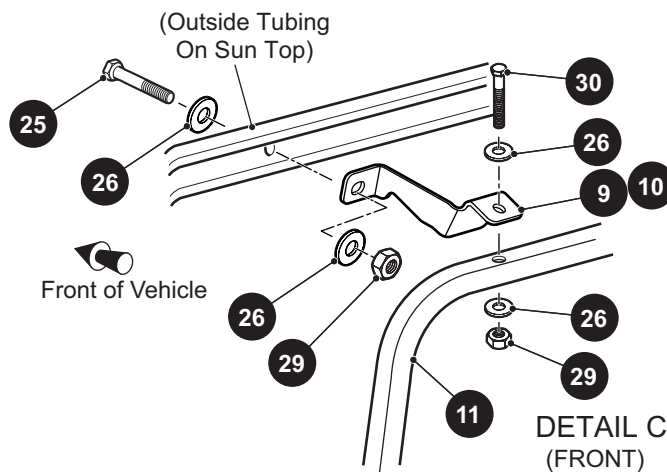
- 1 Sun Top Kit (Black), 116" Lg includes items 4, 7 - 30
- 2 Sun Top Kit (White), 116" Lg includes items 5, 7 - 30
- 3 Sun Top Kit (Beige), 116" Lg includes items 6, 7 - 30
- 12 Sun Top Hardware Kit includes items 13 - 30



DETAIL B



DETAIL A  
(Driver Side Shown)



DETAIL C  
(FRONT)



# WEATHER PROTECTION

THE USE OF NON U.L. PARTS WILL VOID ANY U.L. LISTING.

When ordering parts, please specify the model and serial number of the product.

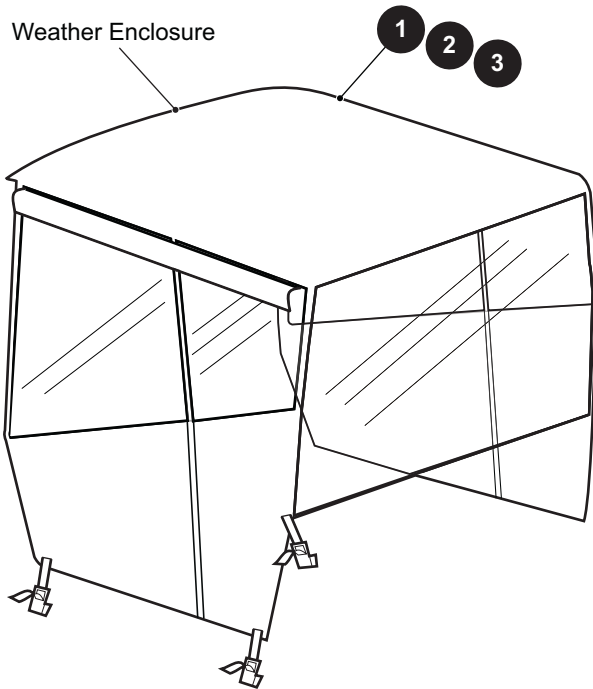
\* Indicates a component that is not available as an individual part.

\*\*\* Indicates consult Customer Service Department for additional information.

ITEM	PART NO.	1 2 3 4 5	DESCRIPTION	QTY.
1	10012624G02		Sun Top Kit (Black), 116" Lg (Includes Items 4, 7 - 30).....	1
2	10012624G01		Sun Top Kit (White), 116" Lg (Includes Items 5, 7 - 30) .....	1
3	10012624G03		Sun Top Kit (Beige), 116" Lg (Includes Items 6, 7 - 30) .....	1
4	<u>610263</u>		Sun Top, Black.....	1
5	<u>610265</u>		Sun Top, White .....	1
6	<u>610264</u>		Sun Top, Beige .....	1
7	10011317G01		Rear Strut (Driver Side) .....	1
8	10011317G02		Rear Strut (Passenger Side) .....	1
9	10010148G01		Mounting Bracket (Driver Side) .....	1
10	10010148G02		Mounting Bracket (Passenger Side).....	1
11	<u>648270</u>		Front Strut.....	1
12	10013155		Sun Top Hardware Kit (Includes Items 13 - 30).....	1
13	<u>00679G1</u>		Flat Washer (SS), 3/8" .....	8
14	<u>00665G5</u>		Hex Head Bolt (SS), 3/8" - 16 x 1 3/4" Lg .....	4
15	<u>00679G1</u>		Flat Washer (SS), 3/8" .....	8
16	<u>00771G5</u>		Nylon Washer, 3/8".....	4
17	<u>00891G5</u>		Lock Nut, 3/8" - 16 .....	4
18	<u>00891G5</u>		Lock Nut, 3/8" - 16 .....	4
19	24647G1		Spacer, 1/4".....	2
20	<u>652311</u>		Round Head Torx Bolt, 5/16" - 18 x 3" Lg.....	4
21	<u>634808</u>		Flat Washer, 5/16" .....	4
22				
23	<u>634807</u>		Spacer, .328" x .75" x .5".....	2
24	<u>19853G1</u>		End Cap, 1 Sq" .....	2
25	<u>00427G2</u>		Hex Head Bolt, 3/8" - 16 x 1 1/4" Lg .....	2
26	<u>00679G1</u>		Flat Washer (SS), 3/8" .....	8
27	<u>00665G6</u>		Hex Head Bolt (SS), 3/8" - 16 x 2" Lg .....	2
28	00665G3		Hex Head Bolt (SS), 3/8" - 16 x 2 1/2" Lg .....	2
29	<u>00891G5</u>		Lock Nut, 3/8" - 16 .....	4
30	<u>00427G8</u>		Hex Head Bolt, 3/8" - 16 x 2" Lg, Grade 5 .....	2

# WEATHER PROTECTION

Weather Enclosure

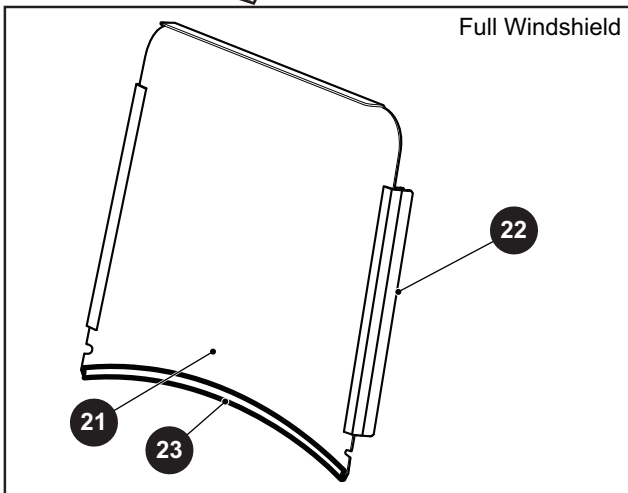


- 10 Split Windshield Utility Kit includes items 11 - 17, 25
- 13 Split Windshield Assembly includes items 14 - 17
- 20 Full Windshield Kit includes items 21 - 25
- 25 Windshield Hardware Kit includes items 26 - 28
- 32 Split Windshield Kit, Short includes items 33 - 41, 25
- 33 Split Windshield Assembly, Short includes items 34 - 39

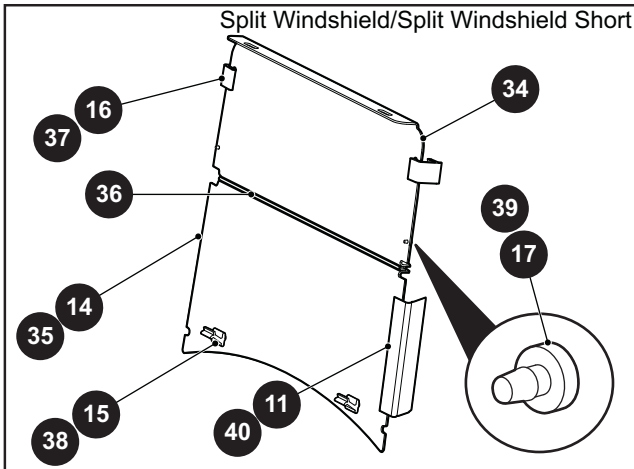
43



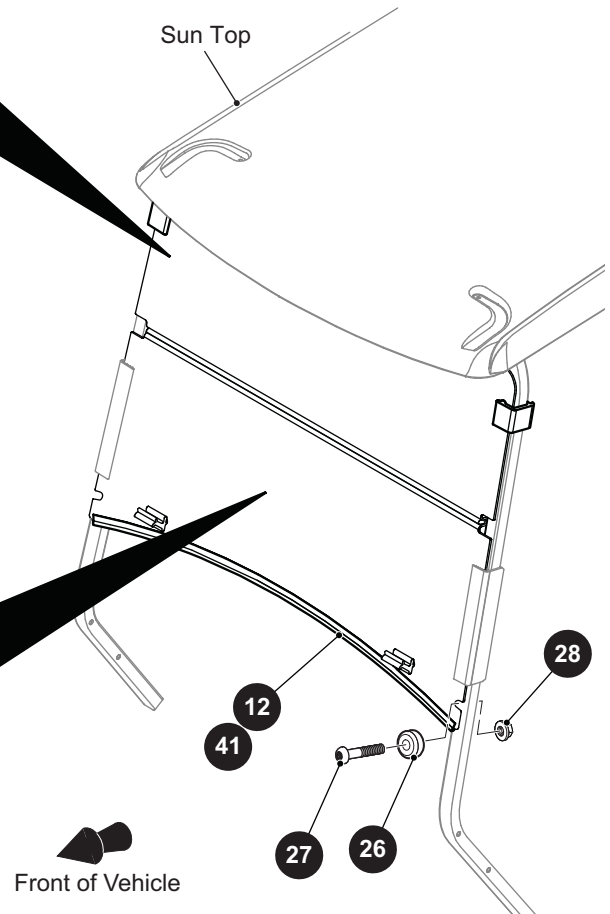
Full Windshield



Split Windshield/Split Windshield Short



Sun Top



Front of Vehicle

# WEATHER PROTECTION

THE USE OF NON U.L. PARTS WILL VOID ANY U.L. LISTING.

When ordering parts, please specify the model and serial number of the product.

\* Indicates a component that is not available as an individual part.

\*\*\* Indicates consult Customer Service Department for additional information.

ITEM	PART NO.	1 2 3 4 5	DESCRIPTION	QTY.
1	10013532G01		Top Enclosure (White), 116".....	1
2	10013532G02		Top Enclosure (Black), 116".....	1
3	10013532G03		Top Enclosure (Tan), 116".....	1
4				
5				
6				
7				
8				
9				
10	<u>649825</u>		Split Windshield Kit (Includes Items 11 - 17, 25).....	1
11	<u>613136</u>		Sash.....	2
12	<u>649836</u>		Seal.....	1
13	649849		Split Windshield Assembly (Includes Items 14 - 17).....	1
14	649824		Windshield.....	1
15	<u>603201</u>		Lower Latch.....	2
16	<u>603198</u>		Upper Latch.....	2
17	<u>604115</u>		Grommet.....	2
18				
19				
20	<u>649883</u>		Full Windshield Kit (Includes Items 21 - 25).....	1
21	649882		Flat Windshield.....	1
22	<u>649885</u>		Sash.....	2
23	<u>649836</u>		Seal.....	1
24				
25	668122		Windshield Hardware Kit (Includes Items 26 - 28).....	1
26	<u>604116</u>		Grommet.....	2
27	<u>600527</u>		Button Head Torx Bolt, M10 - 1.5 x 60mm Lg.....	2
28	<u>600525</u>		Flanged Lock Nut, M10 - 1.5.....	2
29				
30				
31				

## WEATHER PROTECTION

THE USE OF NON U.L. PARTS WILL VOID ANY U.L. LISTING.

When ordering parts, please specify the model and serial number of the product.

\* Indicates a component that is not available as an individual part.

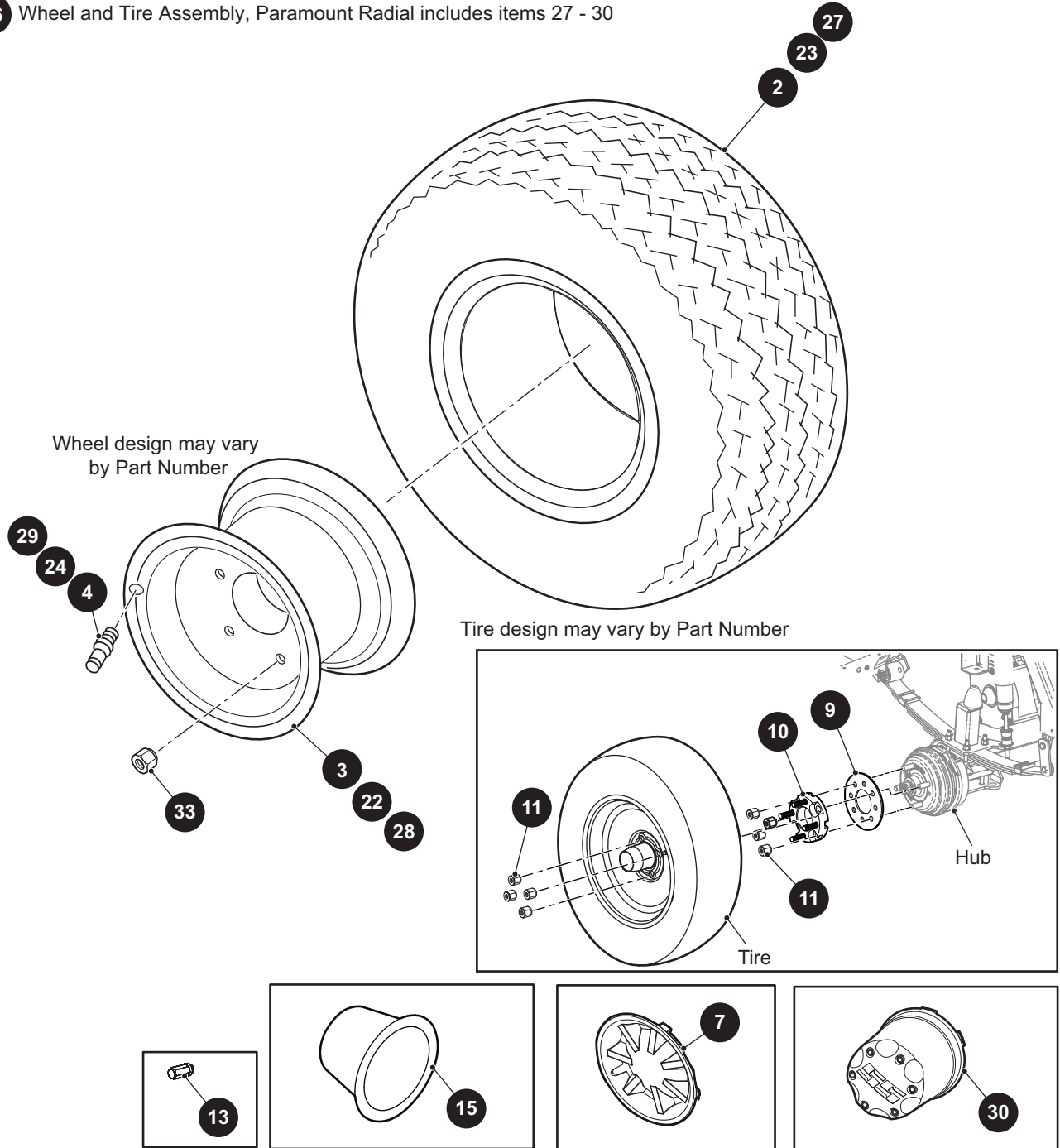
\*\*\* Indicates consult Customer Service Department for additional information.

ITEM	PART NO.	1	2	3	4	5	DESCRIPTION	QTY.
32	10011929						Split Windshield Kit, Short (Includes Items 33 - 41, 25) .....	1
33	10011938						Split Windshield Assembly Short (Includes Items 34 - 39).....	1
34	*						Windshield (Top).....	1
35	*						Windshield (Bottom) .....	1
36	*						Hinge, 37.5" .....	1
37	<u>603201</u>						Upper Latch .....	2
38	<u>603198</u>						Lower Latch .....	2
39	<u>604115</u>						Grommet.....	2
40	10009146						Sash.....	2
41	<u>649836</u>						Seal.....	1
42								
43	<u>690087</u>						Rear View Mirror Kit .....	1
44	<u>601379</u>						Rear View Mirror Kit, Five Panel (Not Illustrated).....	1



# WHEELS AND TIRES

- 1 Wheel and Tire Assembly, Kenda includes items 2 - 4
- 21 Wheel and Tire Assembly, Kenda includes items 22 - 24
- 26 Wheel and Tire Assembly, Paramount Radial includes items 27 - 30



# WHEELS AND TIRES

THE USE OF NON U.L. PARTS WILL VOID ANY U.L. LISTING.

When ordering parts, please specify the model and serial number of the product.

\* Indicates a component that is not available as an individual part.

\*\*\* Indicates consult Customer Service Department for additional information.

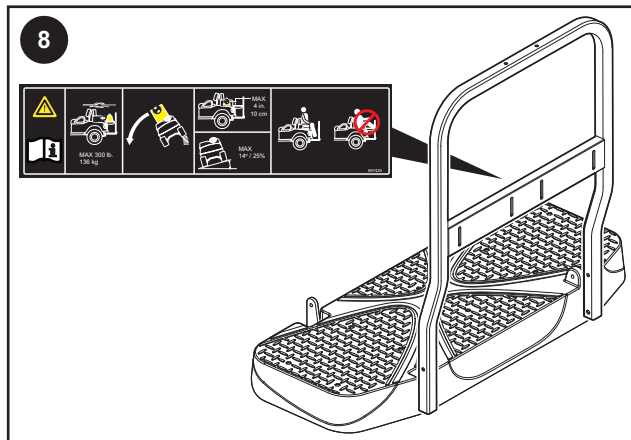
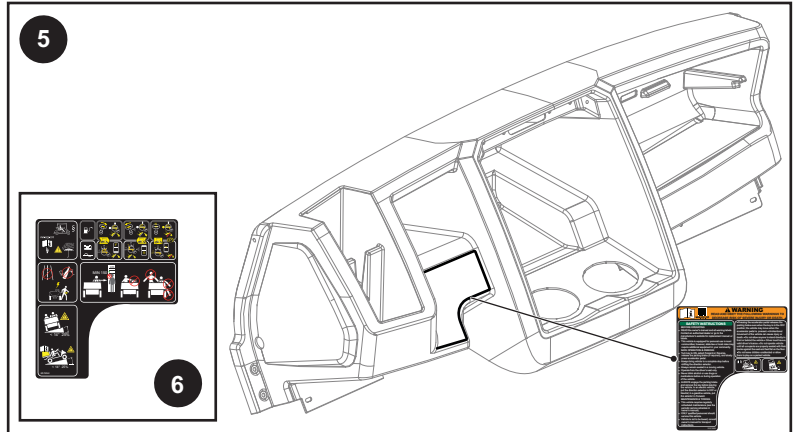
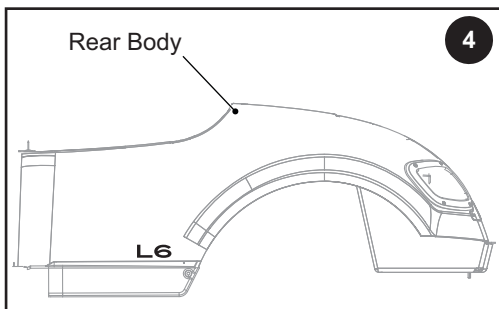
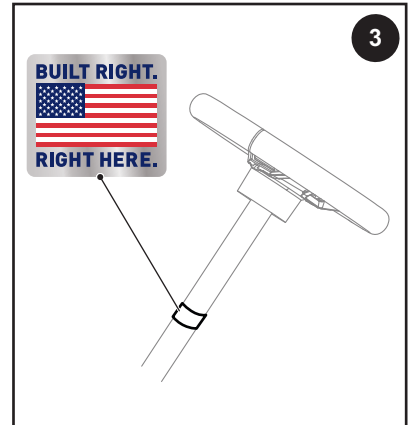
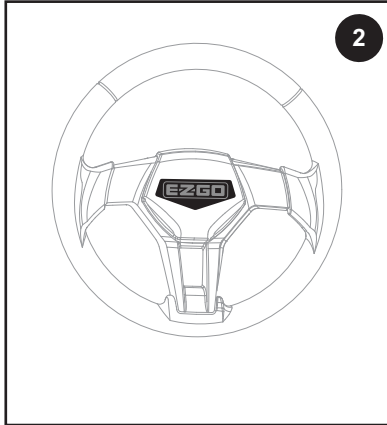
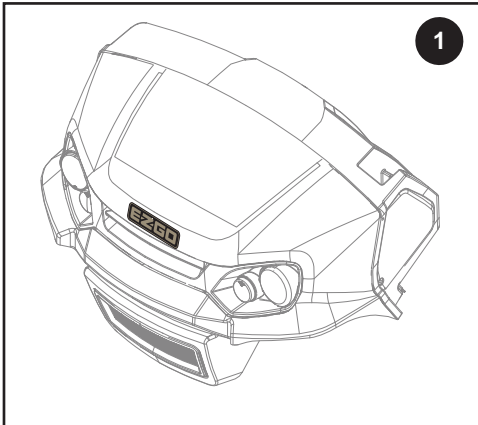
ITEM	PART NO.	1 2 3 4 5	DESCRIPTION	QTY.
1	<u>652263</u>		Wheel and Tire Assembly, Kenda (Includes Items 2 - 4).....	1
2	<u>652986</u>		Tire, 20" x 8" - 10".....	1
3	<u>643934</u>		Wheel, 10" x 6".....	1
4	<u>643948</u>		Valve Stem.....	1
5				
6				
7	<u>665151</u>		Wheel Cover, 10" (Silver).....	1
8				
9	<u>631744</u>		Wheel Spacer (8 Holes) (Only for Rear Hubs).....	1
10	10014790		Wheel Spacer with Studs (Aluminum).....	1
11	<u>14723G1</u>		Lug Nut, 1/2" - 20.....	4
12				
13	<u>605310</u>		Lug Nut (Chrome).....	4
14				
15	<u>74175G01</u>		Dust Cap, Molded.....	1
16				
17	25808G12		Standard Wheel Cover (Not Illustrated).....	1
18				
19				
20				
21	<u>652392</u>		Wheel and Tire Assembly, Kenda (Includes Items 22 - 24).....	1
22	<u>643934</u>		Wheel, 10" x 6".....	1
23	<u>652992</u>		Tire, Kenda, 205/65-10.....	1
24	<u>643948</u>		Valve Stem.....	1
25				
26	10013361		Wheel and Tire Assembly, Paramount M/T (Includes Items 27 - 30).....	1
27	10007692		Tire, 23" x 10 R14.....	1
28	695907		Wheel, 14" x 7".....	1
29	<u>604915</u>		Valve Stem (Chrome).....	1
30	<u>685275</u>		Wheel Cap (SS), Black.....	1







# DECALS AND LABELS



## DECALS AND LABELS

THE USE OF NON U.L. PARTS WILL VOID ANY U.L. LISTING.

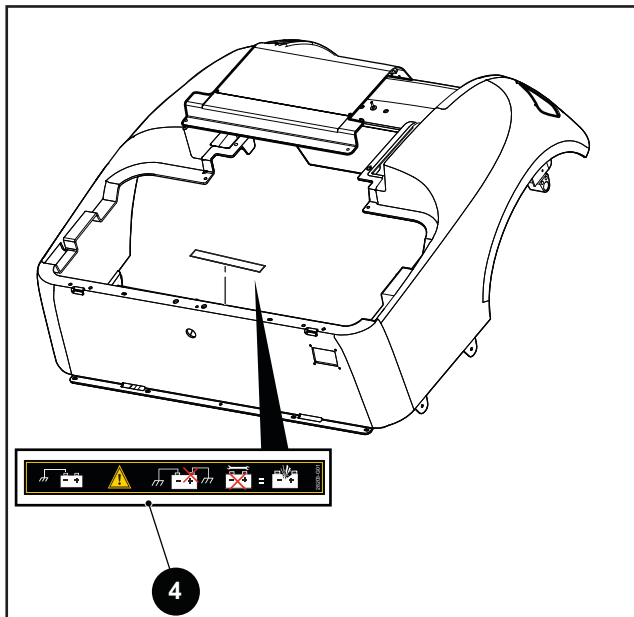
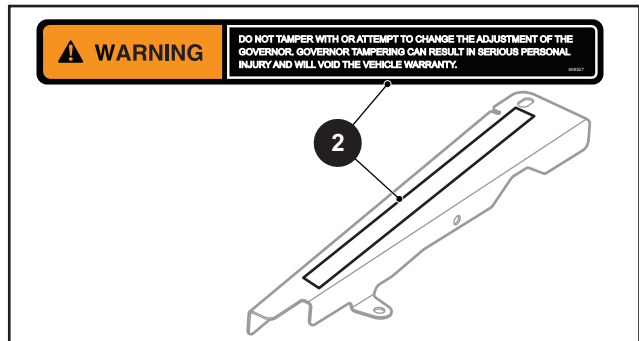
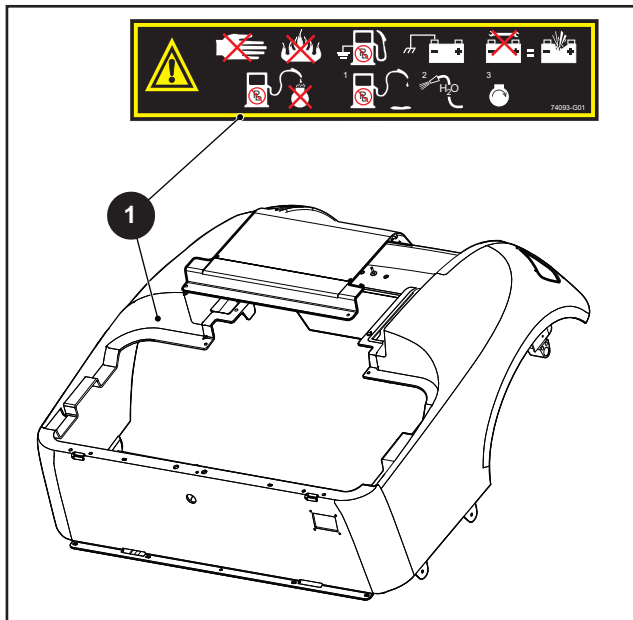
When ordering parts, please specify the model and serial number of the product.

\* Indicates a component that is not available as an individual part.

\*\*\* Indicates consult Customer Service Department for additional information.

ITEM	PART NO.	1 2 3 4 5	DESCRIPTION	QTY.
1	10011930		E-Z-GO Name Plate.....	1
2	10013296		Steering Wheel Decal .....	1
3	685698		MADE IN USA Decal.....	1
4	10007733		L6 Branding Decal.....	1
5	10013899		Operator Instructions Label.....	1
6	<u>651654</u>		Operator Instructions Label (For CE Certified Vehicles).....	1
7				
8	697425		Rear Facing Seat Warning Label.....	1

# DECALS AND LABELS



## DECALS AND LABELS

THE USE OF NON U.L. PARTS WILL VOID ANY U.L. LISTING.

When ordering parts, please specify the model and serial number of the product.

\* Indicates a component that is not available as an individual part.

\*\*\* Indicates consult Customer Service Department for additional information.

ITEM	PART NO.	1 2 3 4 5	DESCRIPTION	QTY.
1	<u>74093G01</u>		Engine Warning Label.....	1
2	<u>608527</u>		Governor Warning Label.....	1
3				
4	<u>28203G01</u>		Battery Warning Decal (For CE Certified Vehicles).....	1
5	<u>601783</u>		CE Symbol Decal (For CE Certified Vehicles).....	1
6	<u>608822</u>		Governor Decal (For CE Certified Vehicles).....	1







A Textron Company

**Textron Specialized Vehicles, Inc.,**  
1451 Marvin Griffin Road  
Augusta, Georgia 30906 - 3852 USA

**CONTACT INFORMATION**

North America:

**Technical Assistance & Warranty** Phone: 1-800-774-3946, FAX: 1-800-448-8124  
**Service Parts** Phone: 1-888-438-3946, FAX: 1-800-752-6175

International: Phone: 001-706-798-4311, FAX: 001-706-771-4609

Owner's Guides and Repair Manuals  
are available from a local Distributor, an authorized Branch,  
Parts & Accessories Department or at [www.shop.txtsv.com/shop-ezgo](http://www.shop.txtsv.com/shop-ezgo)

Copyrighted Material  
This manual may not be reproduced in whole or  
in part without the express permission of  
Textron Specialized Vehicles  
Technical Publications Department