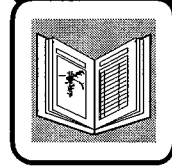


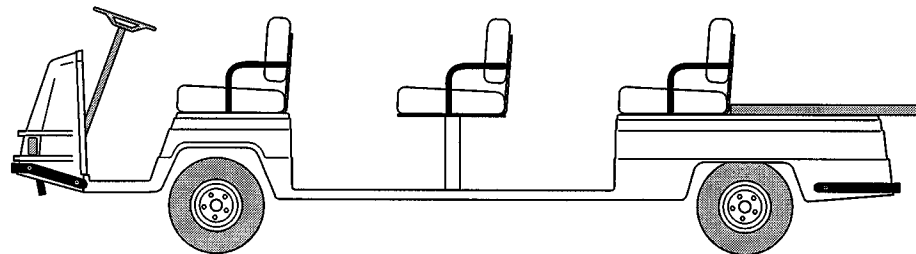
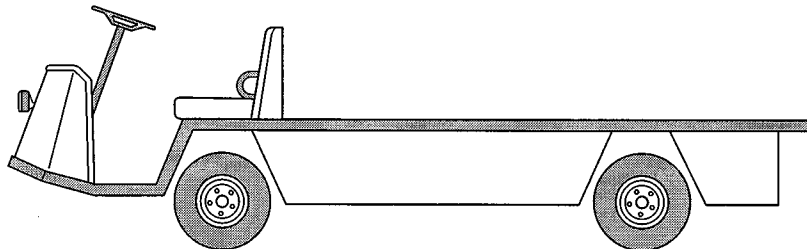
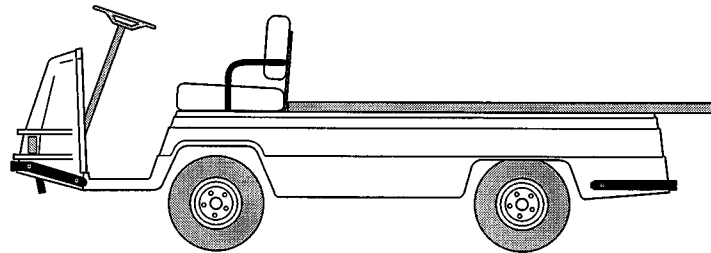
35117-G01



a **TEXTRON** Company



# SERVICE PARTS MANUAL



## **GASOLINE POWERED CARGO AND PERSONNEL CARRIERS**

STARTING MODEL YEAR: 1994

REVISED: 4/99

# **SERVICE PARTS MANUAL**

## **GASOLINE POWERED CARGO AND PERSONNEL CARRIERS**

### **CARGO CARRIERS**

GXI - 875

GXT - 875

### **PERSONNEL CARRIERS**

PC - 952GX

PC - 954GX

PC - 956GX

### **CARGO/PERSONNEL CARRIER**

GXI - 875P

GXT - 875P

### **BEVERAGE CARRIER**

BC - 960GX

Grand Oasis™

**CUSTOMER SERVICE DEPARTMENT PHONE 1-800-227-7029 FAX 1-800-752-6175**  
E-Z-GO DIVISION OF TEXTRON, INC., P.O. BOX 388, AUGUSTA, GEORGIA 30903-0388, 1-800-241-5855

## LIMITED WARRANTY

**TO OBTAIN A COPY OF THE LIMITED WARRANTY THAT IS APPLICABLE TO THE VEHICLE, CALL OR WRITE THE LOCAL DISTRIBUTOR, BRANCH OR E-Z-GO WARRANTY DEPARTMENT WITH VEHICLE SERIAL NUMBER AND MANUFACTURE CODE.**

**THE USE OF NON E-Z-GO PARTS MAY VOID THE WARRANTY.**

**TAMPERING WITH OR ADJUSTING OF GOVERNOR TO PERMIT THE VEHICLE TO OPERATE AT ABOVE FACTORY SETTING OF 15 M.P.H. WILL VOID YOUR WARRANTY.**

# GENERAL INDEX

## SECTIONS ..... Page No.

How to use the **E-Z-GO** Service Parts Manual.....vii

### ILLUSTRATED PARTS BREAKDOWN:

ACCELERATOR ASSEMBLY .....A-1

- Accelerator Linkage Rod
- Accelerator Pedal
- Governor Assembly

BRAKES, HYDRAULIC, FRONT .....B-1

- Brake Shoes
- Hub and Drum

BRAKES, HYDRAULIC, REAR .....B-7

- Brake Linkage
- Brake Pedal
- Master Cylinder
- Brake Shoes and Drums

CARBURETOR ..... C-1

- Jets

CLUTCHES ..... D-1

- Drive Belt
- Drive and Driven Clutches

DIRECTION SELECTOR .....E-1

- Contact Board
- Handle Kit
- Reverse Warning Buzzer

ELECTRICAL SYSTEM .....F-1

- Electrical Plate
- Ignition Switch and Key

ENGINE AND MUFFLER ..... G-1

- Engine
- Muffler
- Oil Filter
- Spark Plugs

ENGINE/STARTER MOUNTING ..... H-1

- Engine Guard
- Isolator
- Starter/Generator Adjuster

# GENERAL INDEX

## Illustrated Parts Breakdown: .....Page No.

### FILTERED AIR SYSTEM ..... J-1

- Air Cleaner
- Air Filter

### FRONT SUSPENSION ..... L-1

- Front Axle
- Hub and Spindle Assemblies
- Leaf Springs and Idler
- Tie Rod

### FUEL SYSTEM ..... M-1

- Fuel Gauge
- Fuel Pump
- Fuel Tank

### HORN AND LIGHTING ..... N-1

- Headlamp
- Horn
- Rear Lamp
- Turn Signal
- Wire Harness

### LOAD DECK (PC - 952GX, PC - 954GX, PC - 956GX AND BC - 960GX) ..... O-1

- Deck Assembly

### LOAD DECK (Grand Oasis™) ..... O-5

- Vending Unit
- Deck Assembly
- Windshield

### LOAD DECK (GX/I/T - 875 AND GX/I/T - 875P) ..... P-1

- Deck
- Support Rod

### MODEL DETAILS ..... Q-1

- 4-Cup Console
- Bar
- Cowl
- Deck Frame
- Instrument Panel

### REAR AXLE ..... R-1

- Axle Shaft
- Differential

# GENERAL INDEX

<b>Illustrated Parts Breakdown:</b>	<b>Page No.</b>
REAR SUSPENSION .....	S-1
• Compression Spring	
• Shock Absorber	
SEATING, BENCH .....	T-1
• Hinge	
• Seat	
SEATING, CONVERTIBLE .....	T-1
• Hinge	
• Seat	
SEATING, FRONT (PC - 952GX, PC - 954GX, PC - 956GX AND BC - 960GX).....	T-5
• Hinge	
• Seat	
SEATING, FRONT (GXI/T - 875 AND GXI/T - 875P).....	T-9
• Seat Back	
• Seat Bottom	
STARTER/GENERATOR.....	U-1
• Brush Holder	
• Pulley	
• Terminal	
STEERING.....	V-1
• Rack and Rod	
• Steering Wheel	
• Tie Rod	
WHEELS AND TIRES.....	W-1
• Tire and Wheel	
• Valve Stem	
• Wheel Rim	
<b>SPECIAL TOOLS LISTING</b> .....	Appendix-A
<b>VEHICLE SPECIFICATIONS</b> .....	Appendix-B
<b>VEHICLE WIRING DIAGRAM</b> .....	Appendix-C

# GENERAL INDEX

# HOW TO USE THE E-Z-GO SERVICE PARTS MANUAL

This manual is divided into several sections:

- GENERAL INFORMATION
- ILLUSTRATED PARTS BREAKDOWN
- APPENDIX

The first section, GENERAL INFORMATION, contains the following information:

- WARRANTY INFORMATION
- GENERAL INDEX
- HOW TO USE THE E-Z-GO SERVICE PARTS MANUAL

The second section, ILLUSTRATED PARTS BREAKDOWN, contains illustrations and parts lists for all systems of the vehicle.

The third section, APPENDIX, contains a partial listing of E-Z-GO special tools that may be purchased from the company to aid in the servicing of the vehicle.

The fourth section, VEHICLE SPECIFICATIONS, contains specifications pertaining to the vehicle.

The fifth section, DIAGRAMS AND SCHEMATICS, provides electrical information to troubleshoot or maintain the vehicle.

## USE OF THE MANUAL

To use this manual, consult the GENERAL INDEX to locate the information or illustration required.

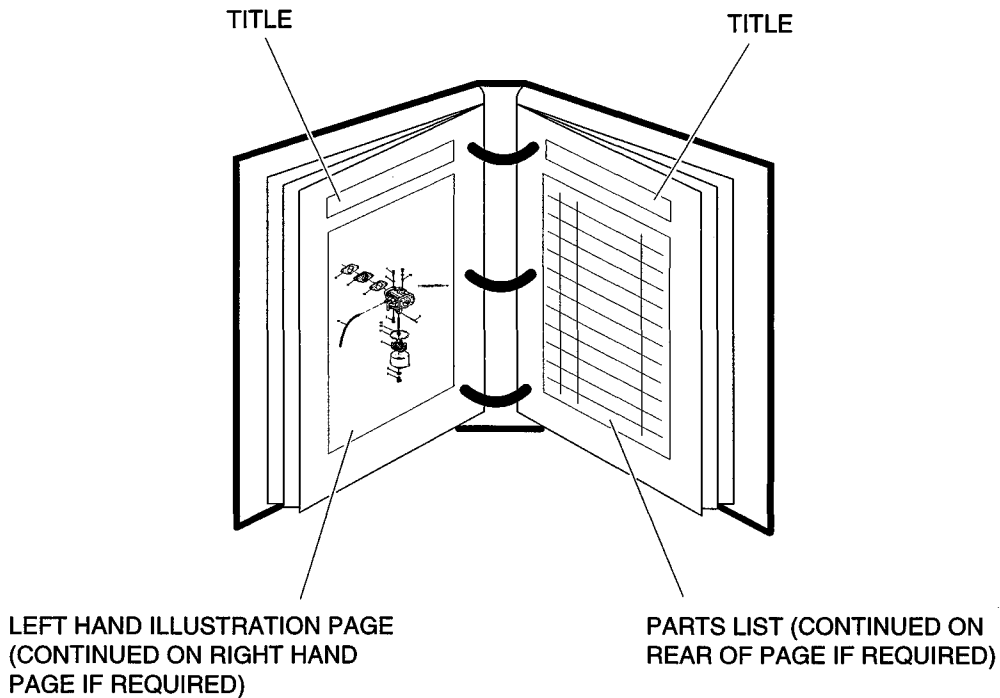
Introduction of some revisions varies due to supply of components; therefore, it is possible that various combinations of components may be found that are not directly reflected by each illustration. Consult the illustration that best suits your situation and then contact the Service Parts Department. It is important that the serial number of your vehicle and its model number be supplied to Service Parts when ordering any replacement components.

Locate the serial number plate (see Model Details section) and note the complete vehicle serial number and manufacture code shown on the plate.

All relevant systems are listed in the general index and has an alphabetical prefix. The illustration always appears first and is followed by its related parts list.



# HOW TO USE THE E-Z-GO SERVICE PARTS MANUAL



## 1. WHEN THE PART NUMBER IS NOT KNOWN

- Determine the function and application of the part required. Turn to the page number indicated and locate the desired part on the illustration.
- From the illustration, obtain the item number assigned to the desired part. Refer to the accompanying description for specific information regarding the part.

## 2. IF YOU KNOW THE PART NUMBER

- Turn to the General Index and select the most appropriate title.
- Locate the part number or description in the appropriate column on the parts list page.

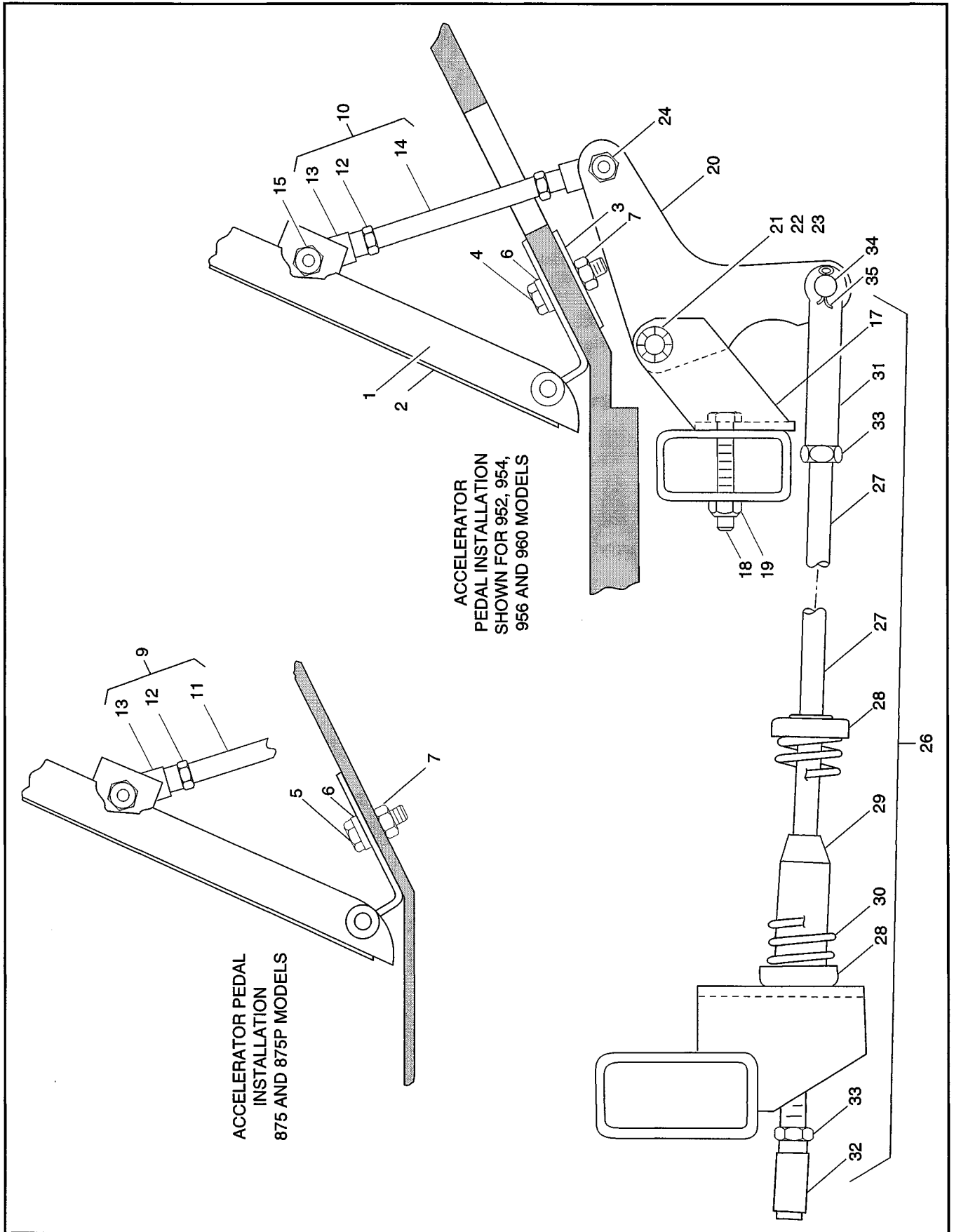
NOTE: It is suggested that you confirm that the part selected is correct by verifying it with the pictorial representation on the illustrated page.

Should an asterisk (\*) appear in the part number column on the parts list page, read upwards until a part number is found. The part number is the *lowest* assembly sold by E-Z-GO and the asterisk (\*) indicates that the part depicted is not available for sale by E-Z-GO.

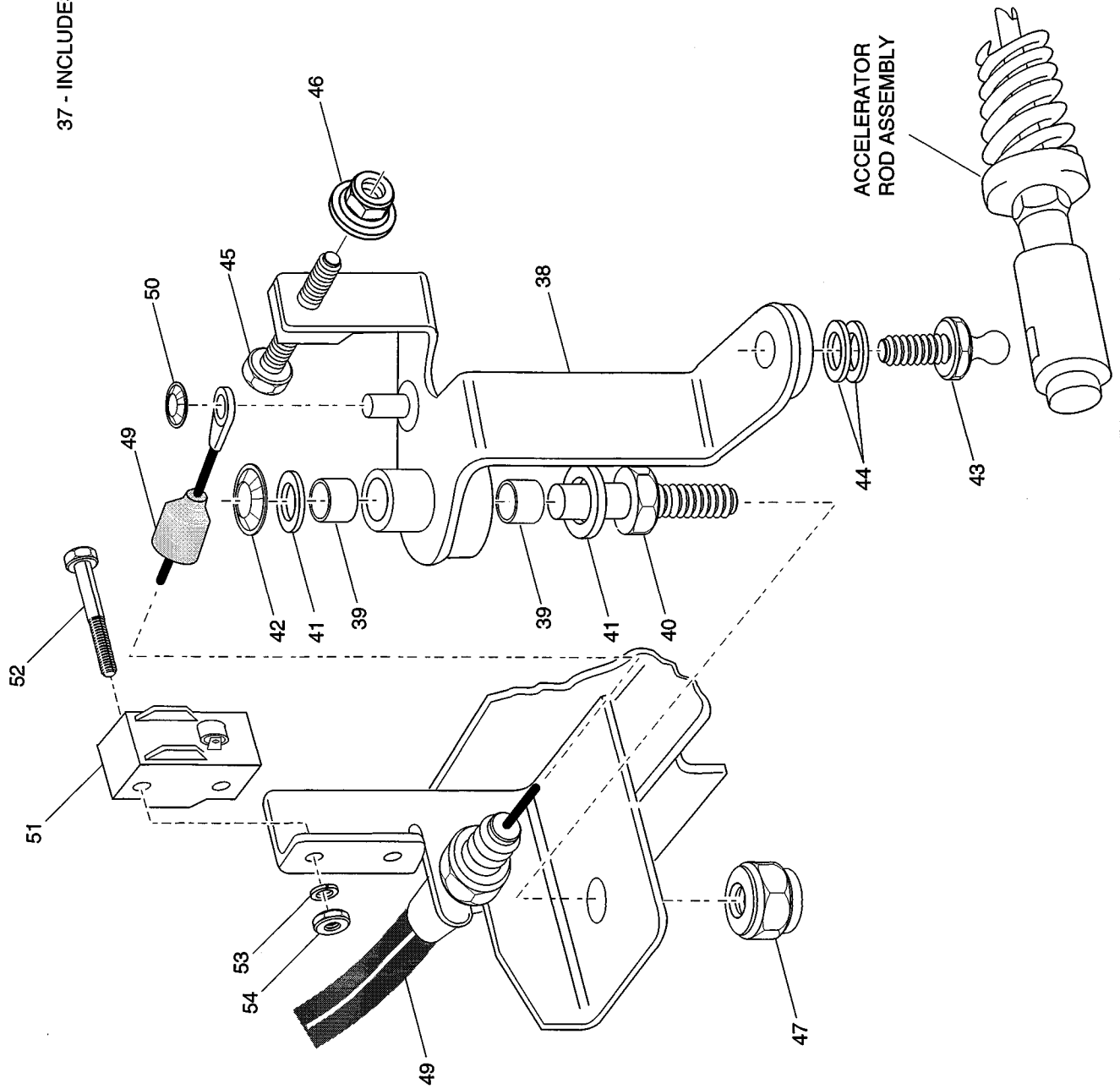
NOTE: Descriptions are *indented* under the assembly that they are used on. That assembly is, in turn listed under the assembly that it is used on. This process is repeated until the highest *final assembly* is reached.



# ILLUSTRATED PARTS BREAKDOWN



37 - INCLUDES ITEMS 38 - 46





When ordering parts, please specify the model and serial number of the product.  
 \* Indicates a component that is not available as an individual part.  
 G\*\* Indicates consult Customer Service Department for additional information.

**MODEL**  
 ALL MODELS  
 UNLESS SPECIFIED

ITEM	PART NO.	1 2 3 4 5	DESCRIPTION	QTY.		
1	33509-G01		PEDAL, ACCELERATOR.....	1		
2	21531-G1		STRIP, ADHESIVE.....	1		
3	33519-G01		PLATE, BACKING (FOR USE ON 952, 954, 956 AND 960 MODELS ONLY) .....	1		
4	00661-G7		BOLT, 1/4 - 20 X 1LG. (FOR USE ON 952, 954, 956 AND 960 MODELS).....	1		
5	00661-G5		BOLT, 1/4 - 20 X 5/8 LG. (FOR USE ON 875 AND 875P MODELS ONLY) .....	1		
6	00660-G7		WASHER, 1/4.....	1		
7	14390-G4		NUT, LOCK, 1/4 - 20 .....	1		
8						
9	33517-G01		PEDAL LINK ASSEMBLY (INCLUDES ITEMS 11 - 13) FOR USE ON 875 AND 875P MODELS ONLY .....	1		
10	33517-G02		PEDAL LINK ASSEMBLY (INCLUDES ITEMS 12 - 14) FOR USE ON 952, 954, 956 AND 960 MODELS ONLY .....	1		
11	33514-G01		ROD, LINK (FOR USE ON 875 AND 875P MODELS ONLY).....	1		
12	00544-G2		NUT, JAM, 1/4 - 20 .....	2		
13	10089-G2		SOCKET, BALL JOINT .....	2		
14	33514-G02		ROD, LINK (FOR USE ON 952, 954, 956 AND 960 MODELS ONLY).....	1		
15	00734-G2		NUT, LOCK, 1/4 - 28 .....	1		
16						
17	33259-G01		SUPPORT, ACCELERATOR PEDAL.....	1		
18	00660-G7		BOLT, 5/16 - 18 X 1 3/4 LG. ....	1		
19	11098-G6		NUT, LOCK 5/16 - 18 .....	1		
20	33512-G01		BELL CRANK, ACCELERATOR .....	1		
21	17838-G4		BUSHING, NYLINER .....	2		
22	32440-G2		PIN, ACCELERATOR PEDAL.....	1		
23	12064-G2		NUT, PUSH, 1/4 .....	1		
24	00734-G2		NUT, LOCK, 1/4 - 28 .....	1		
25						
26	33464-G01		ACCELERATOR ROD ASSEMBLY (INCLUDES ITEMS 27 - 33).....	1		

# ACCELERATOR ASSEMBLY

Gasoline Vehicle

When ordering parts, please specify the model and serial number of the product.  
 \* Indicates a component that is not available as a individual part.  
 G\*\* Indicates consult Customer Service Department for additional information.

<b>MODEL</b>
<b>ALL MODELS UNLESS SPECIFIED</b>

ITEM	PART NO.	1	2	3	4	5	DESCRIPTION	QTY.	
27	33462-G01						ACCELERATOR ROD .....	1	
28	17677-G1						RETAINER, SPRING .....	2	
29	17979-G1						BUSHING, ACCELERATOR ROD .....	1	
30	17675-G1						SPRING, COMPRESSION .....	1	
31	10385-G4						CLEVIS, YOKE .....	1	
32	14444-G3						SOCKET, BALL JOINT .....	1	
33	00544-G4						NUT, JAM, 5/16 - 24.....	2	
34	10386-G3						PIN, CLEVIS, 5/16 x 3/4 LG. ....	1	
35	10387-G3						PIN, COTTER, 3/32 X 3/4 LG. ....	1	
36									
37	33429-G01						CONTROL ARM ASSEMBLY (INCLUDES ITEMS 38 - 46) .....	1	
38	33396-G01						CONTROL ARM .....	1	
39	23860-G1						BEARING.....	2	
40	25768-G01						ROD, PIVOT .....	1	
41	24621-G1						WASHER, NYLON.....	2	
42	12064-G1						NUT, PUSH, 5/16.....	1	
43	15944-G3						BALL STUD .....	1	
44	00559-G8						WASHER, 5/16 .....	2	
45	18759-G1						BOLT, 1/4 - 20 X 1 LG.....	1	
46	11027-G2						NUT, LOCK, 1/4 - 20.....	1	
47	14390-G1						NUT, LOCK, 3/8 - 24 .....	1	
48									
49	33346-G01						ACCELERATOR CABLE.....	1	
50	12064-G3						NUT, PUSH, 3/16 .....	1	
51	10606-G2						SWITCH, MICRO .....	1	
52	00957-G1						BOLT, #6 - 32 X 1 1/4 LG. ....	2	
53	00565-G3						WASHER, LOCK, #6 .....	2	
54	00525-G5						NUT, #6 - 32 .....	2	
55	33415-G01						BRACKET, CABLE .....	1	
56	24548-G1						CLAMP, THROTTLE CABLE.....	1	

When ordering parts, please specify the model and serial number of the product.

\* Indicates a component that is not available as an individual part.

G\*\* Indicates consult Customer Service Department for additional information.

<b>MODEL</b>
<b>ALL MODELS UNLESS SPECIFIED</b>

ITEM	PART NO.	1 2 3 4 5	DESCRIPTION	QTY.		
57	00414-G6		BOLT, 1/4 - 20 X 3/4 LG. ....		1	
58	11027-G2		NUT, 1/4 - 20. ....		1	
59	22729-G3		CLAMP, NYLON. ....		3	
60	25653-G01		BRACKET, ACCELERATOR CABLE (DIFFERENTIAL) ....		1	
61						
62						
63	25765-G01		PIVOT ARM, GOVERNOR ....		1	
64	23602-G1		BRACKET ASSEMBLY ....		1	
65						
66						
67	25655-G01		BRACKET, PIVOT. ....		1	
68	00565-G8		WASHER, LOCK, 5/16. ....		2	
69	00276-G6		SCREW, 5/16 - 24 X 3/4 LG. ....		2	
70						
71						
72						
73	24479-G1		BALL STUD. ....		1	
74	00734-G5		NUT, LOCK, #10 - 32 ....		1	
75	14390-G4		NUT, LOCK, 1/4 - 20 ....		1	
76	25788-G01		SPRING ....		1	
77	12064-G3		NUT, PUSH, 3/16 ....		1	
78	25286-G1		SAFETY SEAL ....		1	
79						
80	25737-G03		ROD, GOVERNOR LINKAGE (INCLUDES ITEMS 81 - 83) ....		1	
81	23722-G1		ROD, THREADED ....		1	
82	00526-G4		NUT, JAM, #10 - 32 ....		2	
83	24465-G1		SOCKET, BALL JOINT ....		2	
84						
85	25702-G01		PIVOT, GOVERNOR. ....		1	
86						



# ACCELERATOR ASSEMBLY

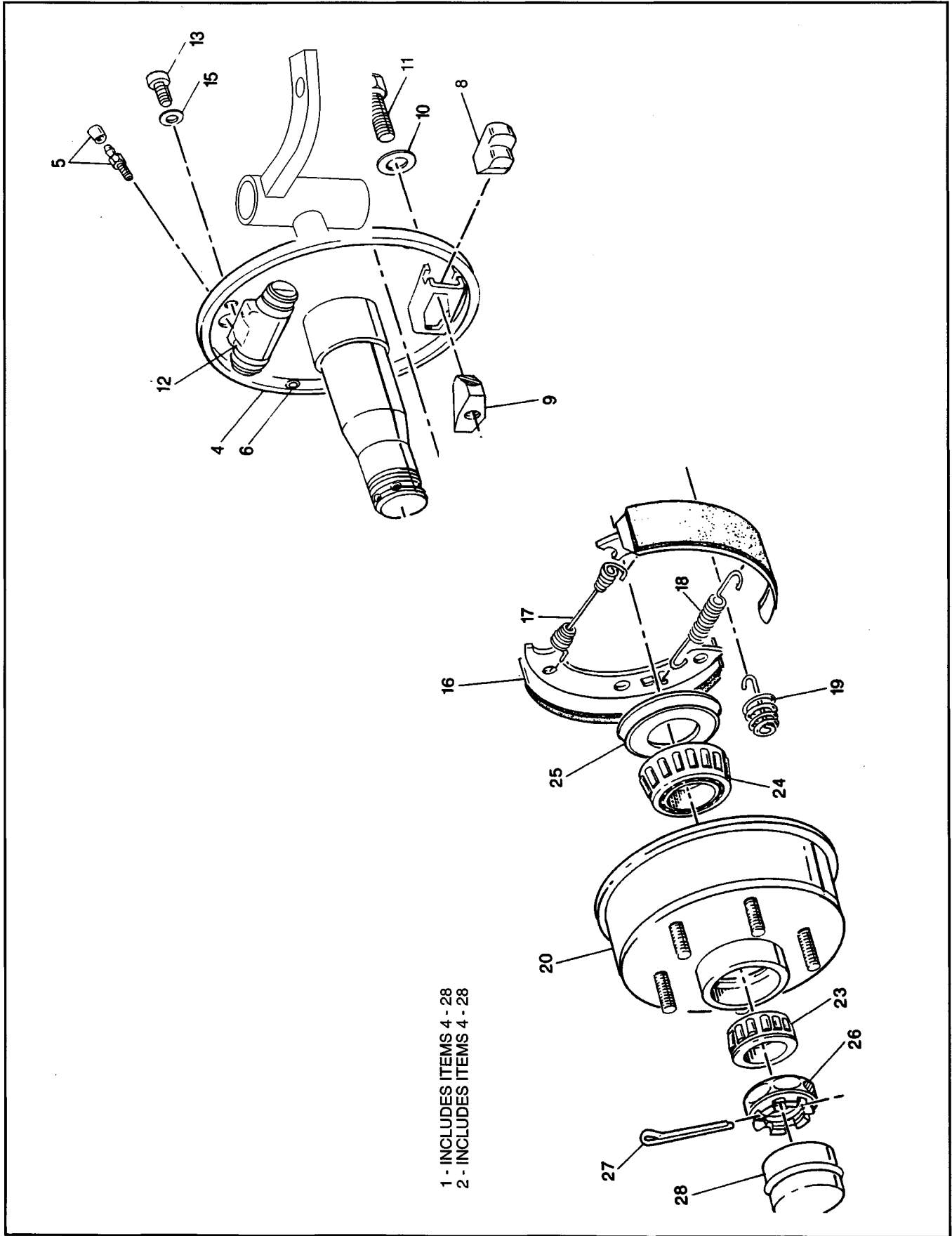
# Gasoline Vehicle

When ordering parts, please specify the model and serial number of the product.  
 \* Indicates a component that is not available as a individual part.  
 G\*\* Indicates consult Customer Service Department for additional information.

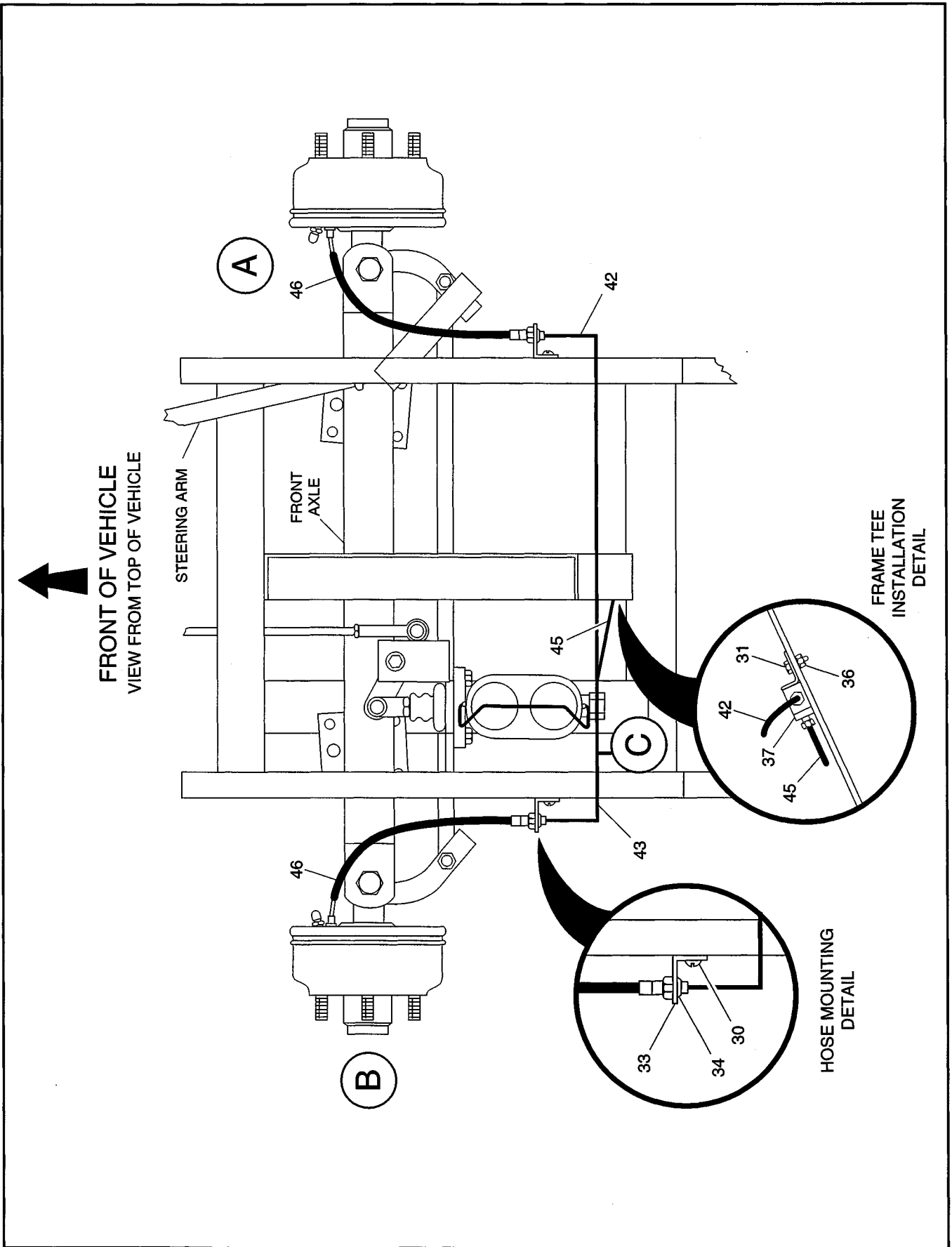
**MODEL**  
**ALL MODELS**  
**UNLESS SPECIFIED**

ITEM	PART NO.	1	2	3	4	5	DESCRIPTION	QTY.		
87										
88	25737-G01						ROD, GOVERNOR LINKAGE (INCLUDES ITEMS 89 - 91) .....		1	
89	23772-G1						ROD, THREADED .....		1	
90	00526-G4						NUT, #10 - 32.....		2	
91	24465-G1						SOCKET, BALL JOINT .....		2	
92										
93										
94	14390-G1						NUT, LOCK, 3/8 - 24 .....		1	
95										
96	25737-G02						ROD, GOVERNOR LINKAGE (INCLUDES ITEMS 97 - 99) .....		1	
97	22602-G5						ROD, THREADED .....		1	
98	00526-G4						NUT, #10 - 32.....		2	
99	24465-G1						SOCKET, BALL JOINT .....		2	
100	28130-G01						SLEEVE, GOVERNOR ROD .....		1	
101										
102	25760-G01						PIVOT, CARBURETOR.....		1	
103	14390-G1						NUT, LOCK, 3/8 - 24 .....		1	

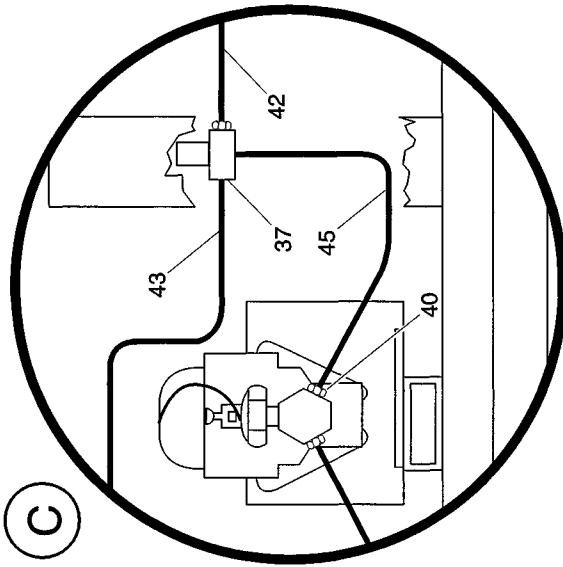




1 - INCLUDES ITEMS 4 - 28  
2 - INCLUDES ITEMS 4 - 28

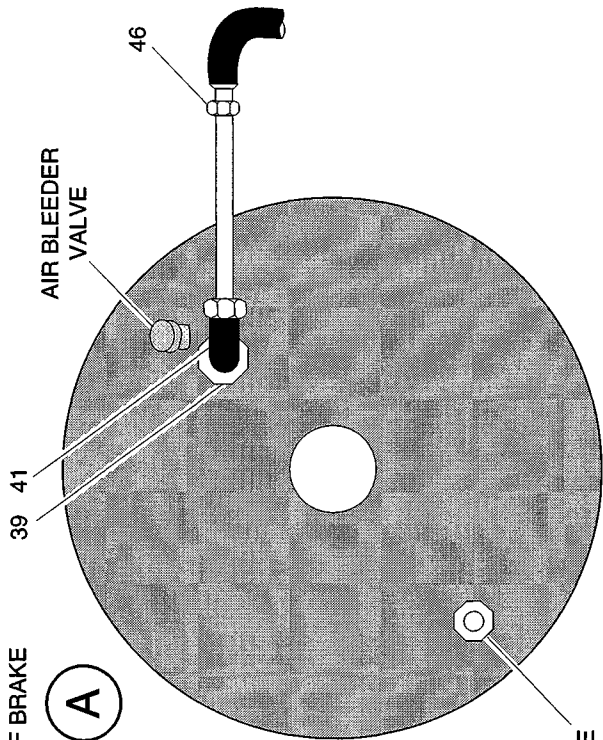


FRONT DETAIL OF  
MASTER CYLINDER



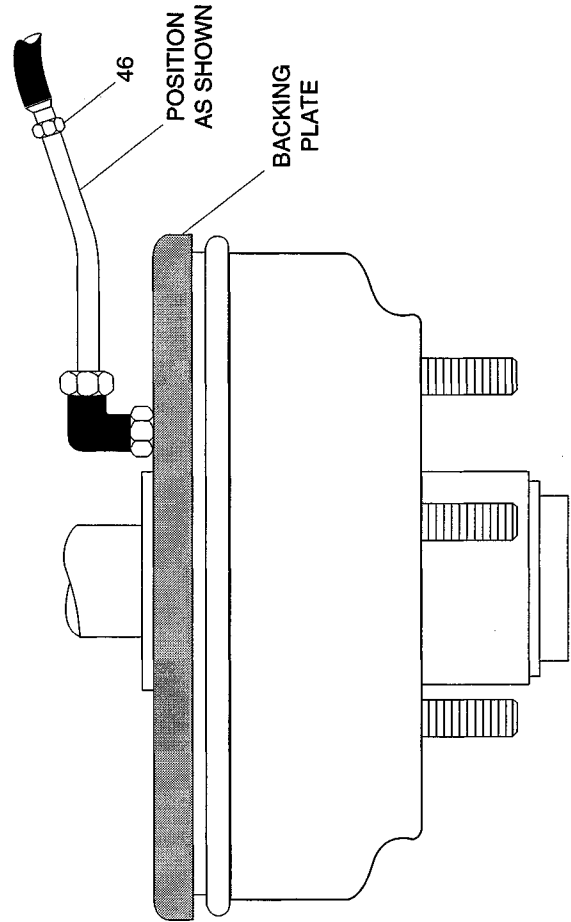
**C**

BACK DETAIL  
OF BRAKE



**A**

TOP DETAIL  
OF BRAKE



**B**

BACKING  
PLATE

THE USE OF NON U.L. PARTS WILL VOID ANY U.L. LISTING.  
 When ordering parts, please specify the model and serial number of the product.  
 \* Indicates a component that is not available as an individual part.  
 G\*\* Indicates consult Customer Service Department for additional information.

**MODEL**  
**IF**  
**APPLICABLE**

ITEM	PART NO.	1	2	3	4	5	DESCRIPTION	QTY.		
1	33300-G01						KNUCKLE, BRAKE AND STEERING, PASSENGER SIDE (INCLUDES ITEMS 4 - 28) .....		1	
2	33301-G01						KNUCKLE, BRAKE AND STEERING, DRIVER' S SIDE (INCLUDES ITEMS 4 - 28) .....		1	
3										
4	32817-G1						STUD WITH BACKING PLATE .....		1	
5	*						BLEEDER VALVE WITH COVER .....		1	
6	*						PLUG, PLASTIC .....		2	
7										
8	32819-G1						BLOCK, ADJUSTING .....		2	
9	32820-G1						WEDGE .....		1	
10	*						WASHER .....		1	
11	32821-G1						BOLT, M10 X 33 LG.....		1	
12	32998-G01						WHEEL CYLINDER.....		1	
13	32747-G1						SCREW, SOCKET HEAD, M6 X 15 LG.....		2	
14										
15	32748-G1						WASHER, LOCK, M6 .....		2	
16	32822-G1						SHOE ASSEMBLY .....		2	
17	32750-G1						SPRING, RETURN.....		1	
18	32751-G1						SPRING, RETURN.....		1	
19	32823-G1						SPRING, HOLD DOWN.....		2	
20	32824-G1						HUB AND DRUM.....		1	
21										
22										
23	32755-G1						BEARING, TAPERED.....		1	
24	32756-G1						BEARING, TAPERED.....		1	
25	32757-G1						PLATE, SEAR.....		1	
26	32758-G1						NUT, CASTLE, M20 X 1.5 .....		1	
27	32579-G1						PIN, COTTER, 4 X 40 LG.....		1	
28	32760-G1						CAP, DUST .....		1	
29										

# BRAKES, HYDRAULIC, FRONT

Gasoline Vehicle

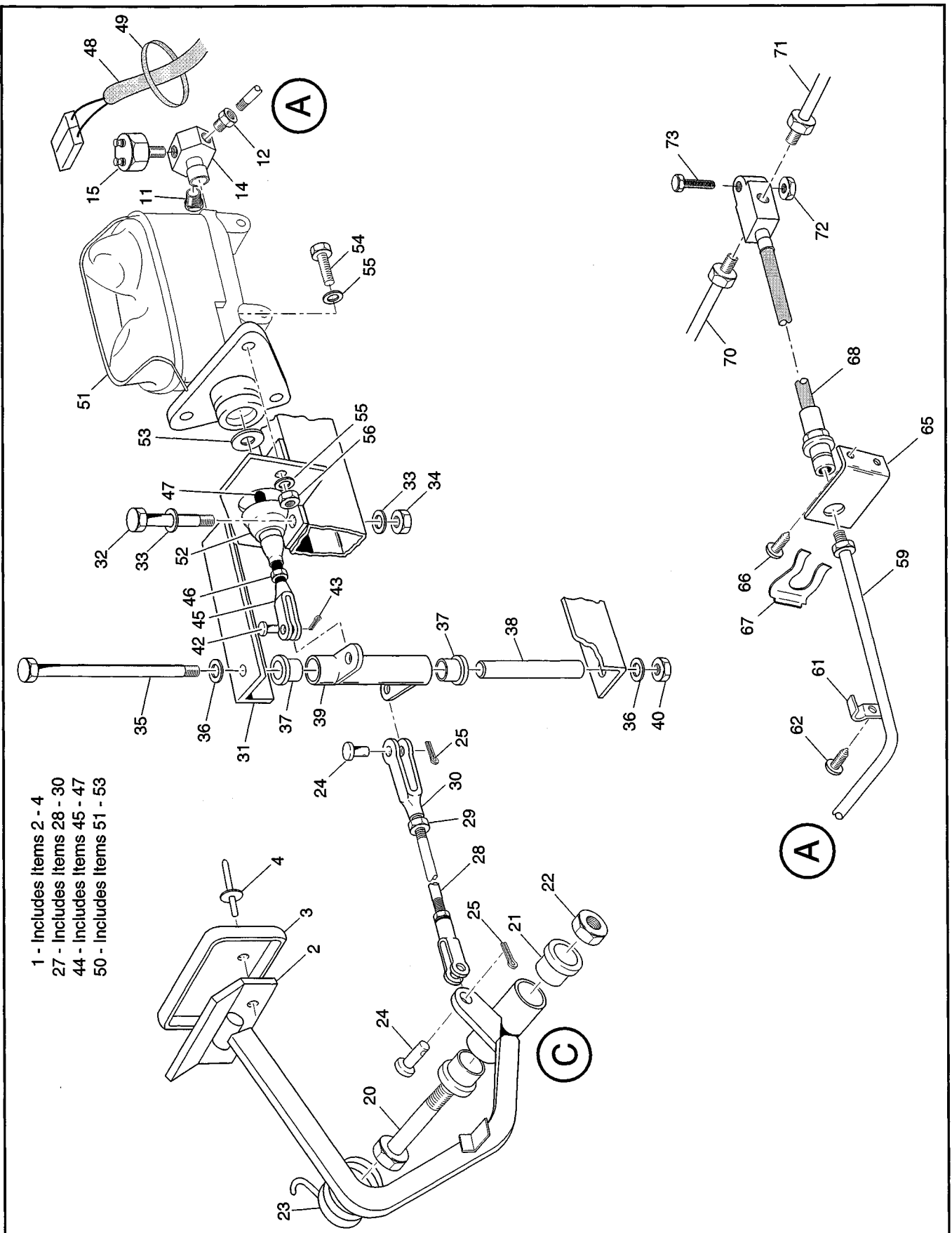
THE USE OF NON U.L. PARTS WILL VOID ANY U.L.LISTING.  
 When ordering parts, please specify the model and serial number of the product.  
 \* Indicates a component that is not available as a individual part.  
 G\*\* Indicates consult Customer Service Department for additional information.

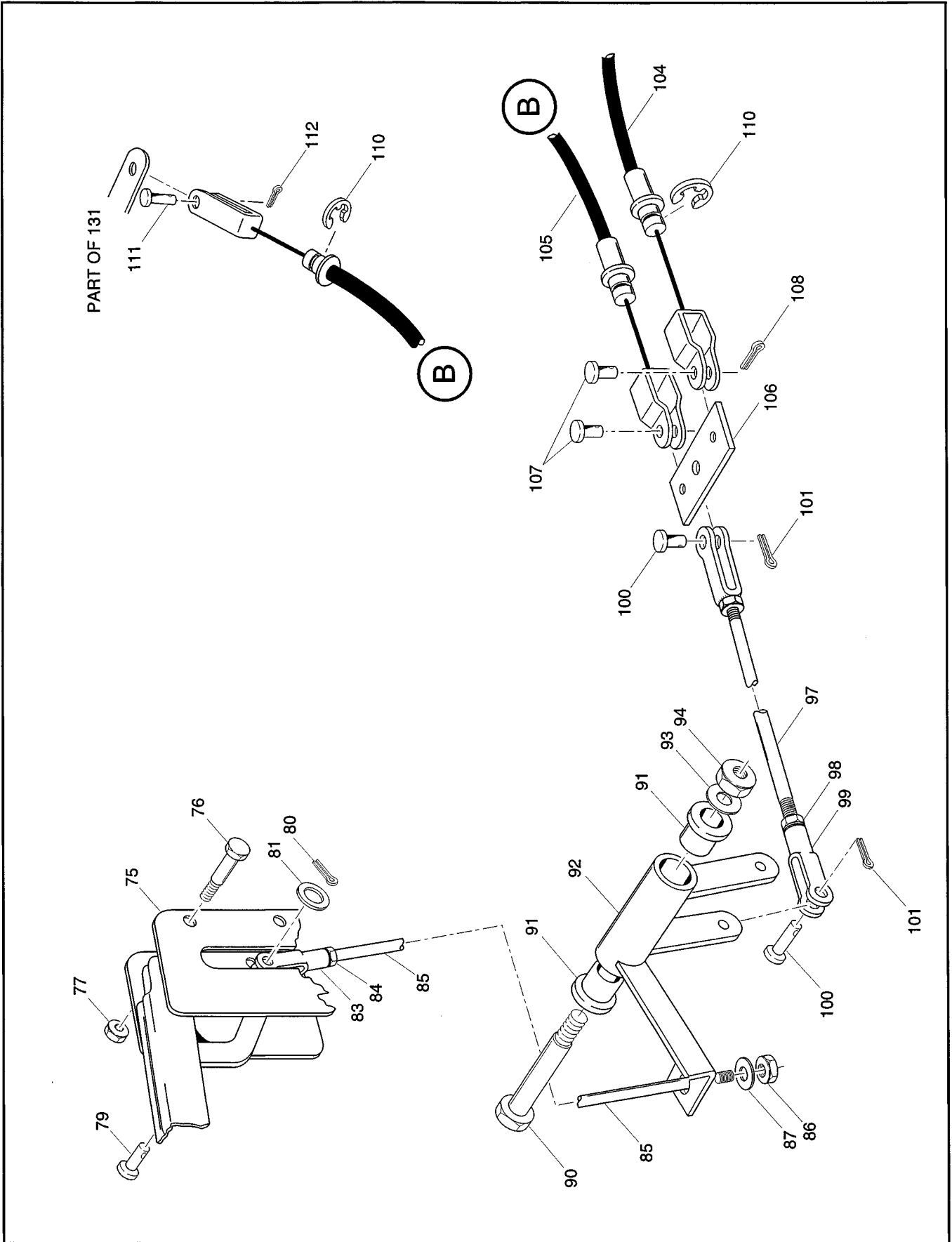
<b>MODEL</b>
<b>IF APPLICABLE</b>

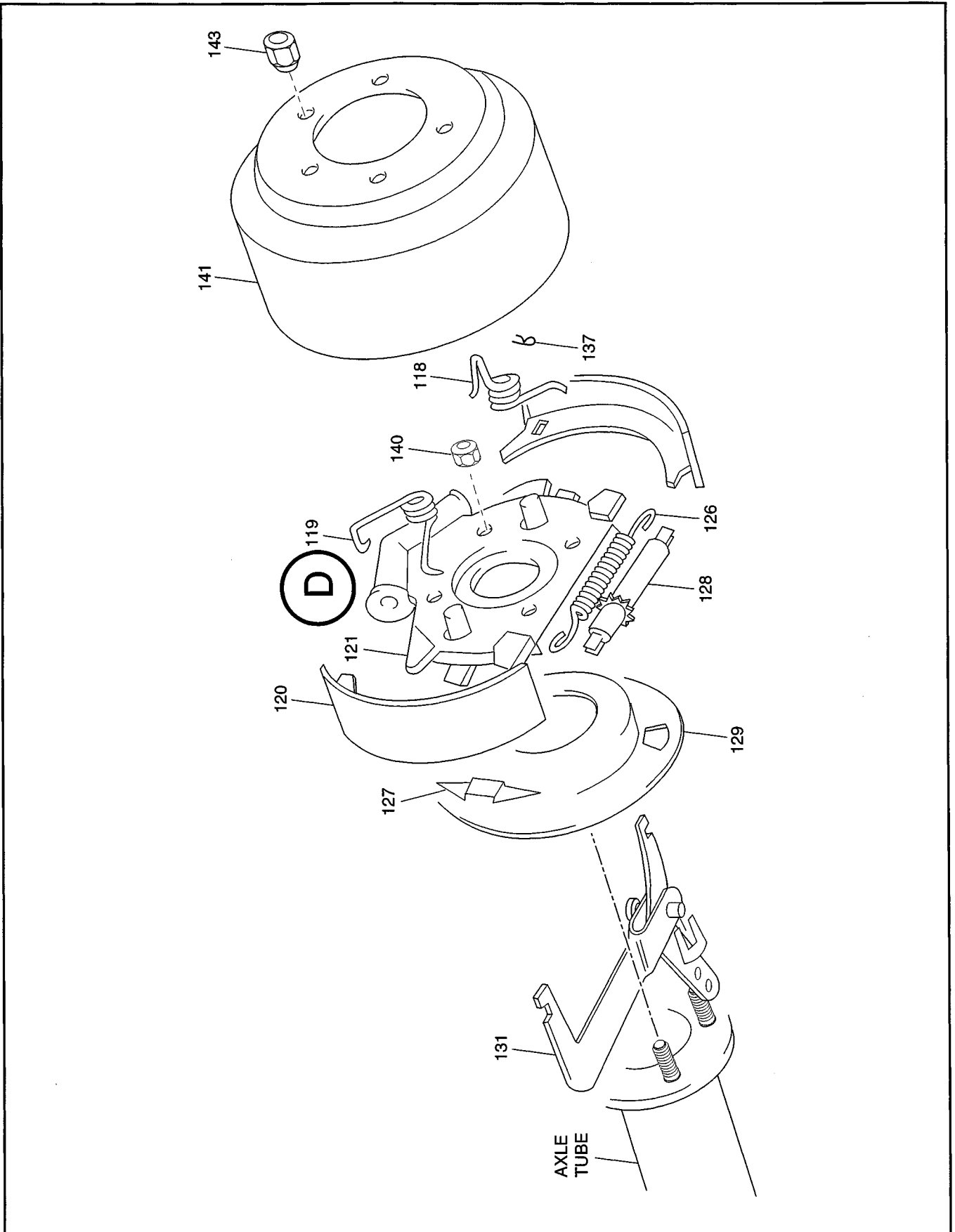
ITEM	PART NO.	1 2 3 4 5	DESCRIPTION	QTY.		
30	00106-G6		SCREW, #12 - 24 X 3/4 LG.....	4		
31	00414-G6		SCREW, 1/4 - 20 X 3/4 LG.....	1		
32						
33	11332-G2		BRACKET, TUBE FASTENER .....	2		
34	11456-G1		CLIP, HOSE.....	2		
35						
36	14390-G4		NUT, 1/4 - 20 .....	1		
37	21103-G1		FRAME TEE.....	1		
38						
39	30383-G1		MALE CONNECTOR.....	2		
40	21505-G1		NIPPLE, MALE CONNECTOR.....	1		
41	33428-G01		FITTING, SWIVEL NUT .....	2		
42	33469-G01		BRAKE LINE WITH NUTS, PASSENGER SIDE.....	1		
43	33469-G02		BRAKE LINE WITH NUTS, DRIVER'S SIDE .....	1		
44						
45	33473-G01		BRAKE LINE WITH NUTS .....	1		
46	33668-G01		HOSE .....	2		
47						
48						
49	32825-G1		MASTER CYLINDER REPAIR KIT.....	AR		
50	32746-G1		WHEEL CYLINDER, COMPLETE.....	1		

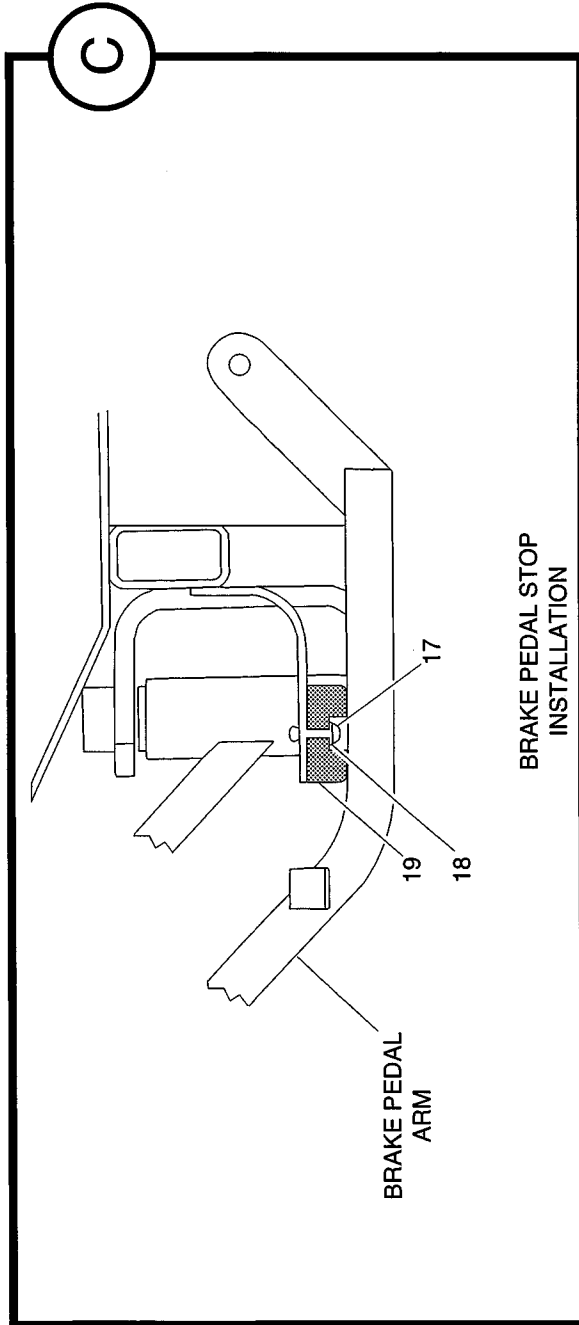
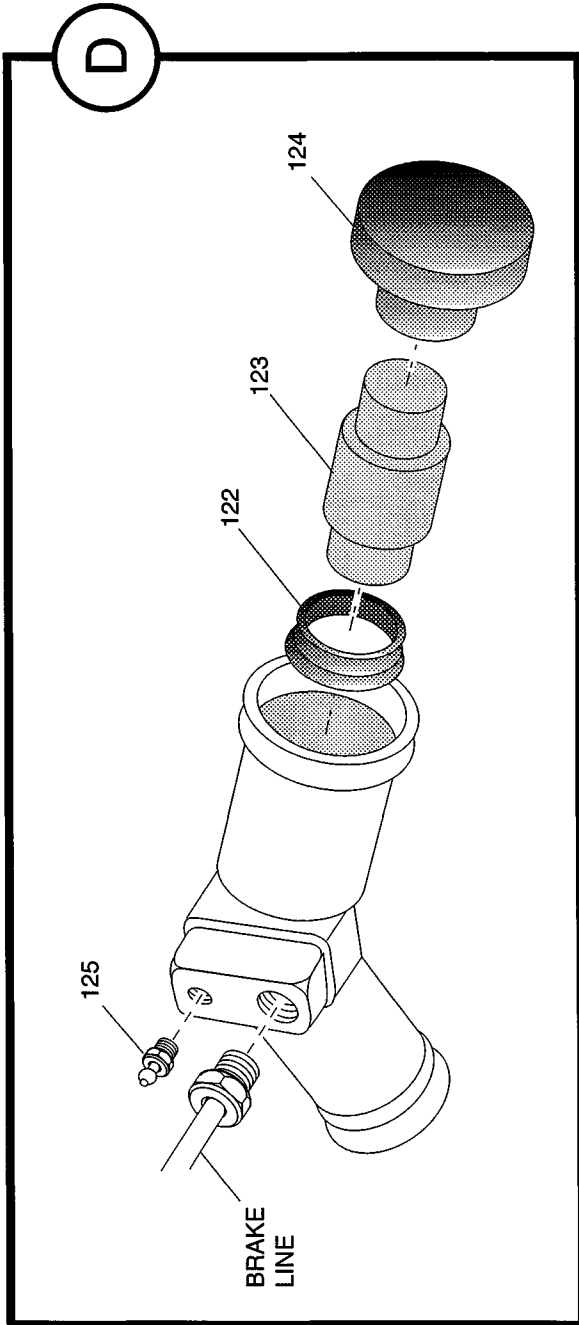












# BRAKES, HYDRAULIC, REAR

# Gasoline Vehicle

When ordering parts, please specify the model and serial number of the product.

\* Indicates a component that is not available as a individual part.

G\*\* Indicates consult Customer Service Department for additional information.

**MODEL**  
ALL MODELS  
UNLESS SPECIFIED

ITEM	PART NO.	1 2 3 4 5	DESCRIPTION	QTY.
1	33228-G01		BRAKE PEDAL ASSEMBLY (INCLUDES ITEMS 2 - 4).....	1
2	33227-G01		PEDAL, BRAKE .....	1
3	11039-G1		PAD, BRAKE PEDAL.....	1
4	14269-G1		RIVET, 3/16 x 1/2" LG.....	1
5				
6				
7				
8				
9				
10				
11	21503-G1		PLUG, PIPE .....	1
12	33724-G01		FITTING, INVERTED MALE.....	1
13				
14	26469-G01		TEE, MALE BRANCH .....	1
15	21510-G1		SWITCH, BRAKE LIGHT .....	1
16				
17	14601-G1		RIVET, 3/16 X 7/8" LG.....	1
18	00559-G5		WASHER, #4.....	1
19	13728-G1		RUBBER BUMPER .....	1
20	14158-G1		BOLT, SHOULDER, 1/2 X 2 3/4" LG. ....	1
21	11079-G1		BUSHING, FLANGED .....	2
22	13521-G4		NUT, LOCK, 3/8 - 16 .....	1
23	13197-G1		SPRING, TORSION .....	1
24	10386-G3		PIN, CLEVIS, 5/16 X 3/4" LG. ....	2
25	10387-G3		PIN, COTTER, 3/32 X 3/4" LG. ....	2
26				
27	30295-G1		LINKAGE ROD ASSEMBLY (INCLUDES ITEMS 28 - 30).....	1
28	30297-G1		ROD, LINKAGE .....	1
29	00544-G4		NUT, 5/16 - 24.....	2
30	10385-G4		YOKE.....	2

When ordering parts, please specify the model and serial number of the product.  
 \* Indicates a component that is not available as an individual part.  
 G\*\* Indicates consult Customer Service Department for additional information.

**MODEL**  
 ALL MODELS  
 UNLESS SPECIFIED

ITEM	PART NO.	1 2 3 4 5	DESCRIPTION	QTY.
31	32769-G1		BRACKET, MASTER CYLINDER/PIVOT.....	1
32	00427-G8		BOLT, 3/8 - 16 X 2" LG.....	2
33	00560-G1		WASHER, 3/8.....	4
34	11098-G5		NUT, LOCK, 3/8 - 16 .....	2
35	00733-G9		BOLT, 3/8 - 16 X 7 1/2" LG.....	1
36	00560-G1		WASHER, 3/8.....	2
37	11079-G2		FLANGED NYLON BUSHING, 1/2 - 3/4 X 5/8" LG.....	2
38	30292-G2		SLEEVE, PIVOT .....	1
39	32772-G1		PIVOT .....	1
40	13521-G4		NUT, LOCK, 3/8 - 16 .....	1
41				
42	14443-G3		PIN, CLEVIS, 5/16 X 1 1/8" LG.....	1
43	10387-G3		PIN, COTTER, 3/32 X 3/4" LG.....	1
44	30298-G2		PUSH ROD ASSEMBLY (INCLUDES ITEMS 45 - 47) .....	1
45	21508-G1		YOKE.....	1
46	00544-G6		NUT, 3/8 - 24.....	1
47	30293-G2		PUSH ROD, 3 1/8" LG.....	1
48	33535-G01		WIRE HARNESS, BRAKE SWITCH.....	1
49	17618-G1		CLAMP, NYLON.....	4
50	70643-G01		MASTER CYLINDER SERVICE KIT (INCLUDES ITEMS 51 - 53).....	1
51	*		MASTER CYLINDER.....	1
52	32768-G1		MASTER CYLINDER BOOT .....	1
53	00675-G1		WASHER, 3/8".....	1
54	00427-G4		SCREW, 3/8 - 16 X 1 1/2" LG. ....	3
55	00560-G1		WASHER, 3/8" .....	6
56	11098-G5		NUT, LOCK, 3/8 - 16 .....	3
57				
58				
59	21104-G10		BRAKE LINE .....	1
60				

# BRAKES, HYDRAULIC, REAR

# Gasoline Vehicle

When ordering parts, please specify the model and serial number of the product.  
 \* Indicates a component that is not available as a individual part.  
 G\*\* Indicates consult Customer Service Department for additional information.

<b>MODEL</b>
<b>ALL MODELS UNLESS SPECIFIED</b>

ITEM	PART NO.	1 2 3 4 5	DESCRIPTION	QTY.	
61	11845-G5		CLIP, CABLE, INSULATED .....	4	
62	00106-G6		SCREW, SELF TAPPING, #12 - 24 X 3/4" LG. ....	4	
63					
64					
65	33596-G01		BRACKET, TUBE FASTENER .....	1	
66	00106-G6		SCREW, SELF TAPPING, #12 - 24 X 3/4" LG. ....	2	
67	11456-G1		CLIP, HOSE.....	1	
68	33534-G02		HOSE, FLEXIBLE .....	1	
69					
70	33593-G01		BRAKE LINE, PASSENGER SIDE, REAR.....	1	
71	33594-G01		BRAKE LINE, DRIVER'S SIDE, REAR. ....	1	
72	11098-G6		NUT, LOCK, 5/16 - 18 .....	1	
73	00439-G2		BOLT, 5/16-18 X 1 1/4" LG. ....	1	
74					
75	30197-G1		LEVER, BRAKE .....	1	
76	00439-G6		SCREW, 5/16 - 18 X 3/4" LG.....	2	
77	11098-G6		NUT, LOCK, 5/16 - 18 .....	2	
78					
79	10386-G9		PIN, CLEVIS, 5/16 X 1 3/8" LG. ....	1	
80	10387-G9		PIN, COTTER, 1/16 X 1/2" LG. ....	1	
81	00559-G8		WASHER, 5/16.....	1	
82					
83	10385-G4		YOKE .....	1	
84	00544-G4		NUT, 5/16 - 24 .....	1	
85	30196-G1		LINK .....	1	
86	11098-G9		NUT, LOCK, 5/16 - 24 .....	1	
87	00559-G8		WASHER, 5/16.....	1	
88					
89					
90	14158-G1		BOLT, SHOULDER, 3/8 - 16 X 2 3/4" LG. ....	1	

When ordering parts, please specify the model and serial number of the product.

\* Indicates a component that is not available as an individual part.

G\*\* Indicates consult Customer Service Department for additional information.

<b>MODEL</b>
<b>ALL MODELS UNLESS SPECIFIED</b>

ITEM	PART NO.	1 2 3 4 5	DESCRIPTION	QTY.		
91	11079-G1		BUSHING, FLANGED.....		2	
92	30221-G1		PIVOT .....		1	
93	00560-G3		WASHER, 3/8.....		2	
94	11098-G5		NUT, LOCK, 3/8 - 16 .....		1	
95						
96						
97	30297-G1		ROD, THREADED .....		1	
98	00544-G4		NUT, 5/16 - 24 .....		2	
99	10385-G4		CLEVIS, YOKE .....		2	
100	10386-G3		PIN, CLEVIS, 5/16 X 3/4" LG. ....		2	
101	10387-G3		PIN, COTTER, 3/32 X 3/4" LG.....		2	
102						
103	70273-G02		EQUALIZER/BRAKE CABLE ASSEMBLY (COMPLETE) (INCLUDES ITEMS 104 - 108) .....		1	
104	*		BRAKE CABLE, DRIVER'S SIDE.....		1	
105	*		BRAKE CABLE, PASSENGER SIDE .....		1	
106	*		BAR, EQUALIZER.....		1	
107	*		PIN, CLEVIS, 5/16 X 3/4" LG. ....		2	
108	*		PIN, COTTER, 3/32 X 3/4" LG. ....		2	
109						
110	12305-G1		RING, RETAINER .....		4	
111	10387-G3		PIN, CLEVIS, 5/16 X 3/4" LG. ....		2	
112	10387-G3		PIN, COTTER, 3/32 X 3/4" LG.....		2	
113						
114						
115						
116						
117						
118	21091-G1		SPRING, GREEN.....		1	
119	21092-G1		SPRING, RED.....		1	



# BRAKES, HYDRAULIC, REAR

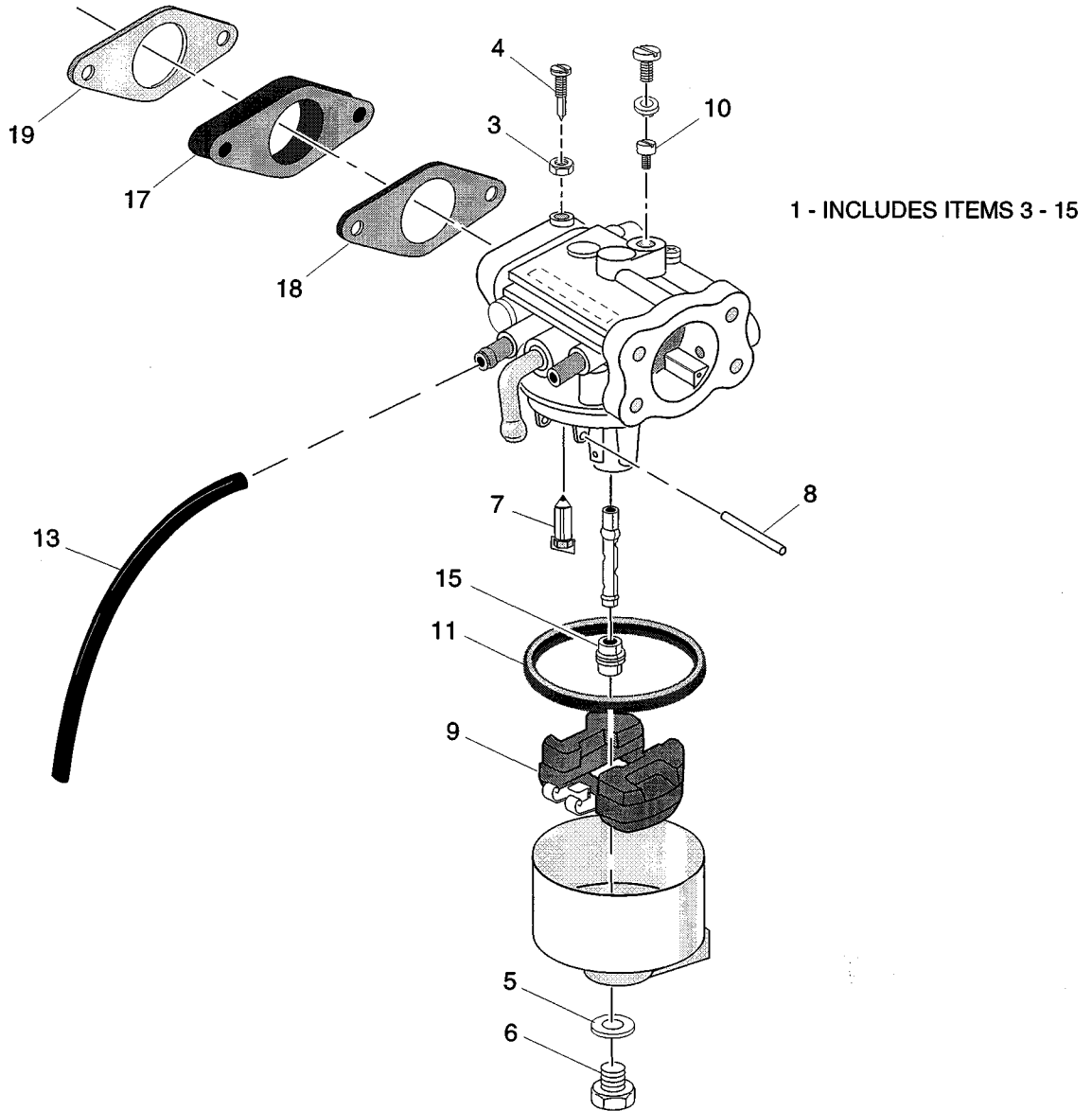
Gasoline Vehicle

When ordering parts, please specify the model and serial number of the product.  
 \* Indicates a component that is not available as a individual part.  
 G\*\* Indicates consult Customer Service Department for additional information.

**MODEL**  
 ALL MODELS  
 UNLESS SPECIFIED

ITEM	PART NO.	1 2 3 4 5	DESCRIPTION	QTY.	
120	33726-G01		SHOES, LINED (SET OF 2).....	1	
121	21086-G1		TORQUE, SPIDER.....	1	
122	21088-G1		CUP, HYDRAULIC.....	2	
123	21087-G1		PISTON, WHEEL CYLINDER.....	2	
124	21089-G1		SEAL.....	2	
125	21094-G1		VALVE, BLEEDER.....	1	
126	21095-G1		SPRING, LOWER.....	1	
127	21096-G1		SPRING, UPPER.....	2	
128	21097-G1		ADJUSTER.....	1	
129	21098-G1		SHIELD, DUST.....	1	
130					
131	30197-G1		PARKING BRAKE LEVER (COMPLETE).....	1	
132					
133					
134					
135					
136					
137	13468-G1		CLIP.....	2	
138					
139					
140	21562-G1		NUT, 5/16 - 24.....	8	
141	17953-G2		DRUM, REAR, BRAKE, 1/2" STUDS.....	2	
142					
143	14723-G1		NUT, LUG, 1/2 - 20.....	10	
144	32825-G1		MASTER CYLINDER REBUILD KIT (NOT SHOWN).....	AR	



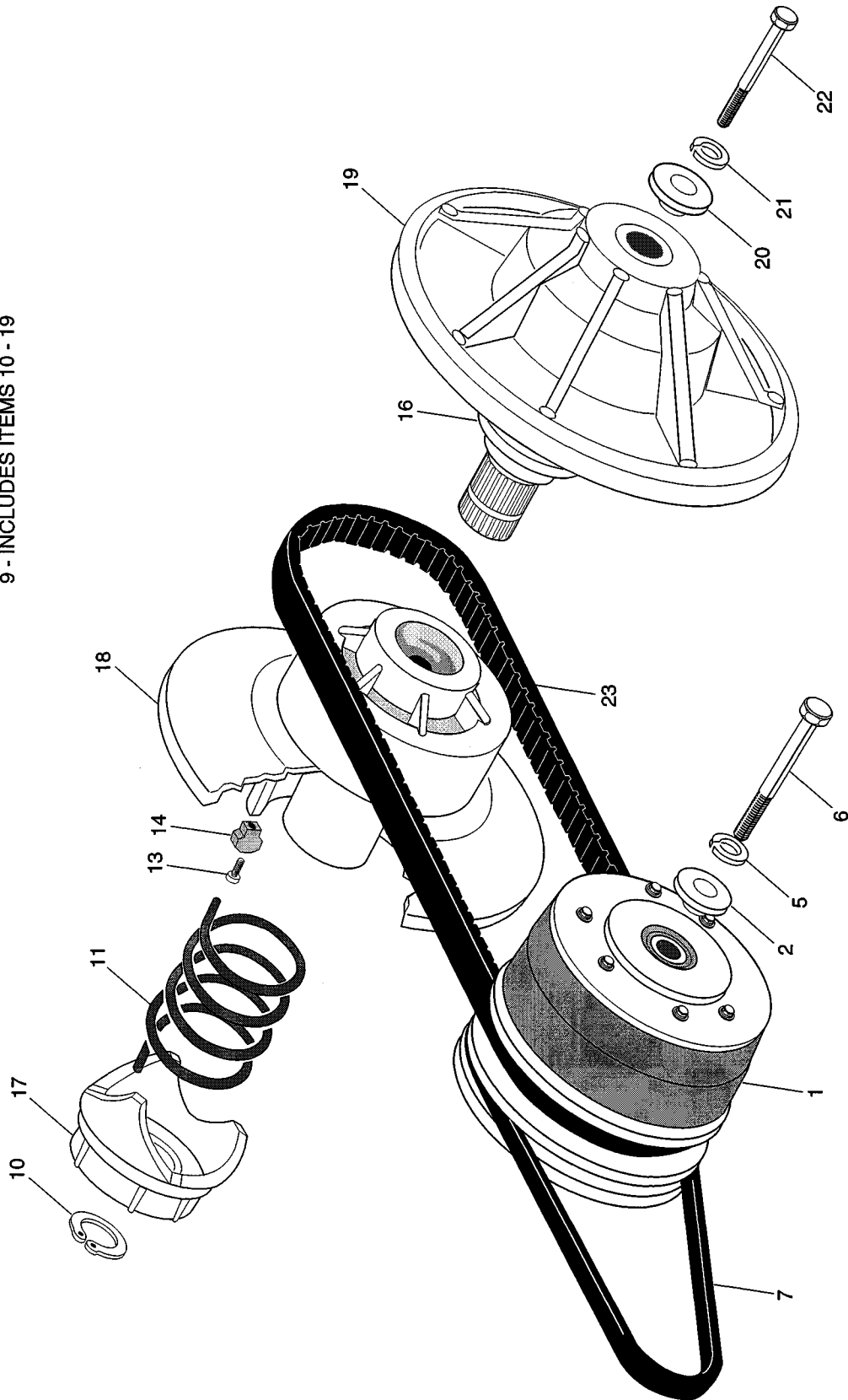


When ordering parts, please specify the model and serial number of the product.  
 \* Indicates a component that is not available as an individual part.  
 G\*\* Indicates consult Customer Service Department for additional information.

**MODEL**  
**ALL MODELS**  
**UNLESS SPECIFIED**

ITEM	PART NO.	1	2	3	4	5	DESCRIPTION	QTY.		
1	26645-G03	CARBURETOR ASSEMBLY (INCLUDES ITEMS 3 - 15) .....							1	
2										
3	26847-G01	NUT, PILOT SCREW .....							2	
4	26835-G01	SCREW, PILOT .....							1	
5	26838-G01	GASKET, BOWL SCREW.....							1	
6	26839-G01	SCREW, BOWL.....							1	
7	26647-G01	NEEDLE VALVE .....							1	
8	26840-G01	PIN, FLOAT .....							1	
9	26648-G01	FLOAT .....							1	
10	26649-G03	JET, PILOT (#50).....							1	
11	26843-G01	GASKET, FLOAT BOWL.....							1	
12										
13	26650-G01	TUBE, CARBURETOR VENT .....							2	
14										
15	26646-G04	JET, MAIN (#92) .....							1	
16										
17	26637-G01	INSULATOR, CARBURETOR.....							1	
18	26725-G01	GASKET, CARBURETOR MOUNT.....							1	
19	26726-G01	GASKET, CARBURETOR MOUNT.....							1	

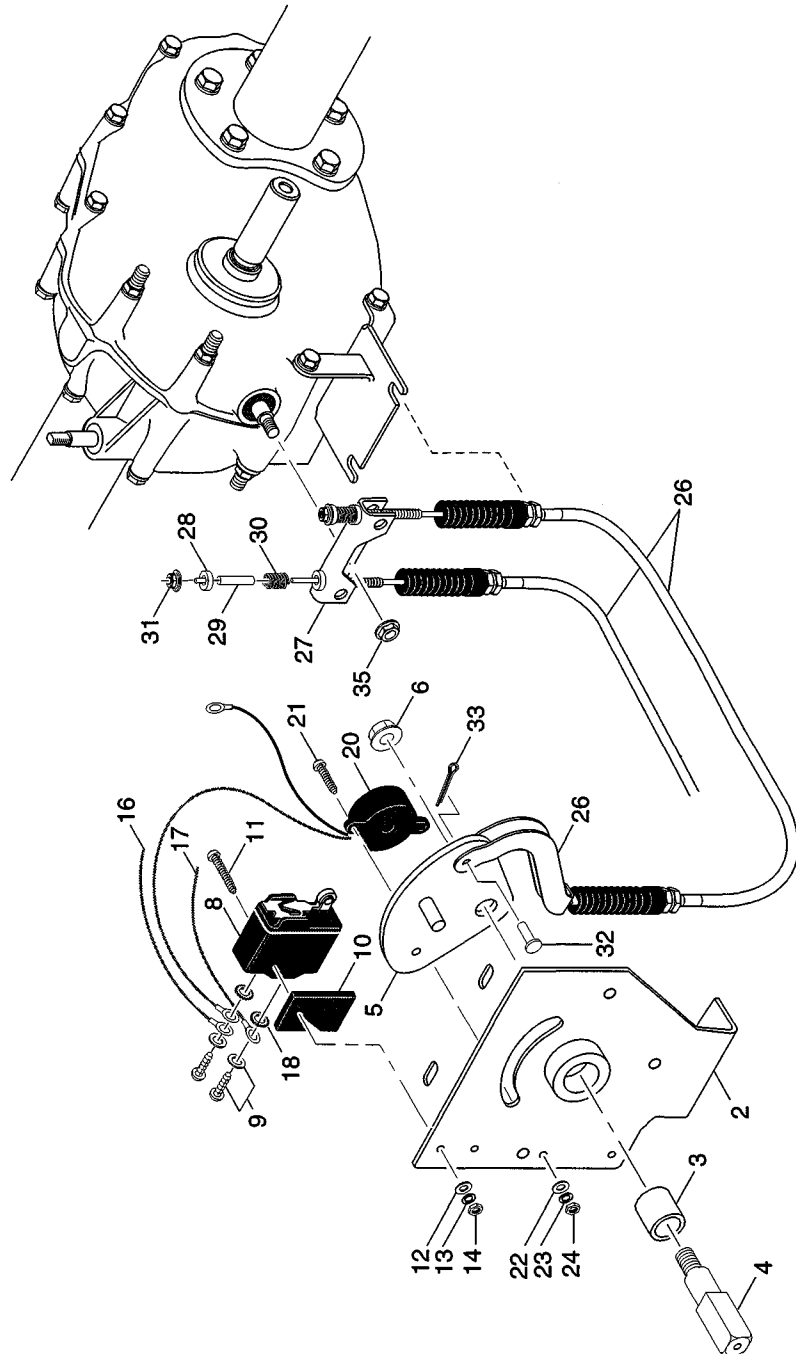
9 - INCLUDES ITEMS 10 - 19

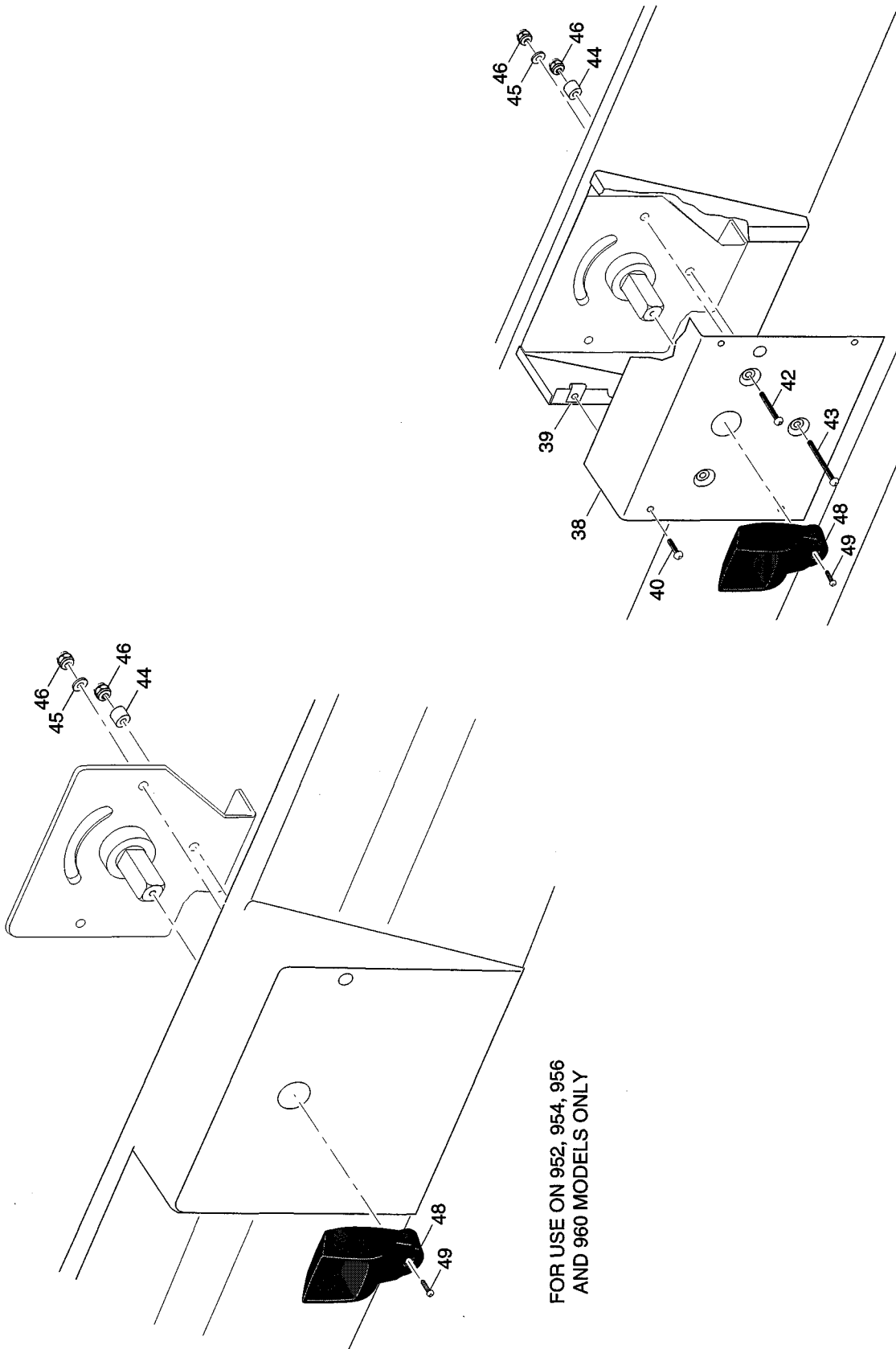


When ordering parts, please specify the model and serial number of the product.  
 \* Indicates a component that is not available as an individual part.  
 G\*\* Indicates consult Customer Service Department for additional information.

**MODEL**  
**ALL MODELS**  
**UNLESS SPECIFIED**

ITEM	PART NO.	1	2	3	4	5	DESCRIPTION	QTY.		
1	26952-G01						DRIVE CLUTCH.....		1	
2	25757-G1						WASHER, PILOT .....		1	
3										
4										
5	00566-G2						WASHER, LOCK, 7/16.....		1	
6	00473-G9						BOLT, 7/16 - 20 X 6 1/2 LG. ....		1	
7	26414-G01						BELT, STARTER/GENERATOR .....		1	
8										
9	26301-G02						DRIVEN CLUTCH ASSEMBLY (INCLUDES ITEMS 10 - 19) .....		1	
10	27270-G01						RETAINING RING, HEAVY DUTY.....		1	
11	26304-G01						SPRING, COMPRESSION .....		1	
12										
13	00979-G01						SCREW, #10 - 24 .....		3	
14	26479-G01						RAMP BUTTON.....		3	
15										
16	24600-G1						WASHER, SPACER.....		1	
17	*						CAM.....		1	
18	*						SHEAVE, MOVABLE .....		1	
19	*						SHEAVE AND POST .....		1	
20	25756-G1						WASHER, RETAINING .....		1	
21	00566-G2						WASHER, LOCK, 7/16.....		1	
22	00473-G9						BOLT, 7/16 - 20 X 6 1/2 LG. ....		1	
23	72024-G01						BELT, DRIVE .....		1	
24	**						PULLER, DRIVE CLUTCH.....		AR	
** SEE SERVICE ACCESSORIES AND SPECIAL TOOLS										





FOR USE ON 875 AND  
875P MODELS ONLY

FOR USE ON 952, 954, 956  
AND 960 MODELS ONLY



# DIRECTION SELECTOR

# Gasoline Vehicle

When ordering parts, please specify the model and serial number of the product.  
 \* Indicates a component that is not available as a individual part.  
 G\*\* Indicates consult Customer Service Department for additional information.

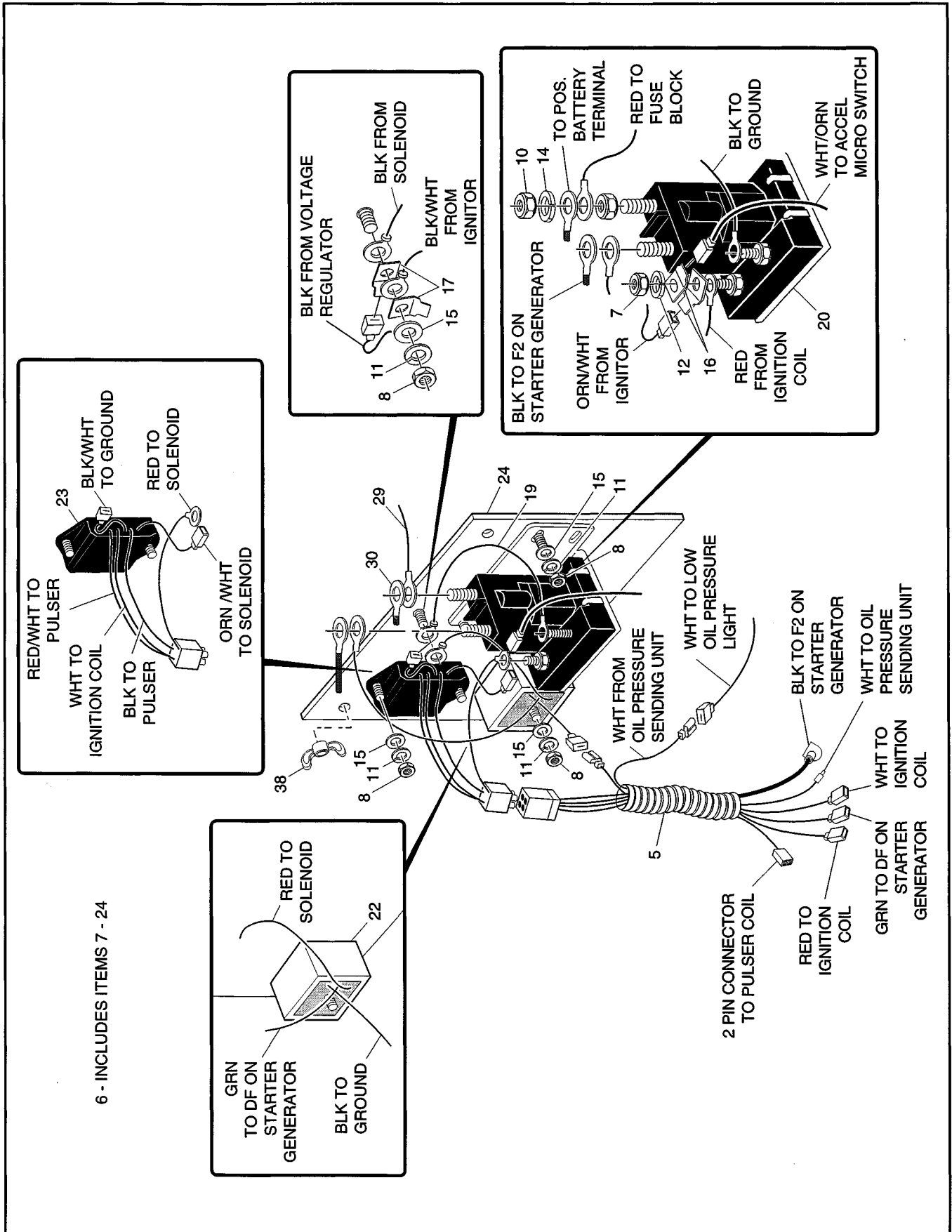
MODEL
ALL MODELS UNLESS SPECIFIED

ITEM	PART NO.	1	2	3	4	5	DESCRIPTION	QTY.		
1										
2	33418-G01						BRACKET, DIRECTION SELECTOR.....		1	
3	25664-G1						BUSHING .....		1	
4	27537-G01						SHAFT, DIRECTION SELECTOR .....		1	
5	25745-G01						CAM, DIRECTION SELECTOR .....		1	
6	14390-G1						NUT, LOCK, 3/8 - 24 .....		1	
7										
8	10606-G6						SWITCH, MICRO .....		1	
9	*						SCREW AND WASHER ASSEMBLY.....		2	
10	27151-G1						SPACER, MICRO SWITCH.....		1	
11	00645-G2						SCREW, #6 - 32 X 1 1/4 LG.....		2	
12	00559-G3						WASHER, #6.....		2	
13	00565-G3						WASHER, LOCK, #6 .....		2	
14	00525-G5						NUT, #6 - 32 .....		2	
15										
16	25977-G15						WIRE (TO BACKUP LIGHTS).....		1	
17	25977-G26						WIRE (TO HARNESS) .....		1	
18	00567-G3						WASHER, LOCK, #6 .....		2	
19										
20	17940-G1						BUZZER, REVERSE WARNING.....		1	
21	00138-G5						SCREW, #6 - 32 X 5/8 LG.....		2	
22	00559-G3						WASHER, #6.....		2	
23	00565-G3						WASHER, LOCK, #6 .....		2	
24	00525-G5						NUT, #6 - 32 .....		2	
25										
26	33348-G01						SHIFTER CONTROL CABLE.....		2	
27	25946-G01						PIVOT ARM.....		1	
28	25727-G01						WASHER, CUP .....		4	
29	23726-G5						SPACER.....		2	
30	27764-G01						SPRING.....		2	

When ordering parts, please specify the model and serial number of the product.  
 \* Indicates a component that is not available as an individual part.  
 G\*\* Indicates consult Customer Service Department for additional information.

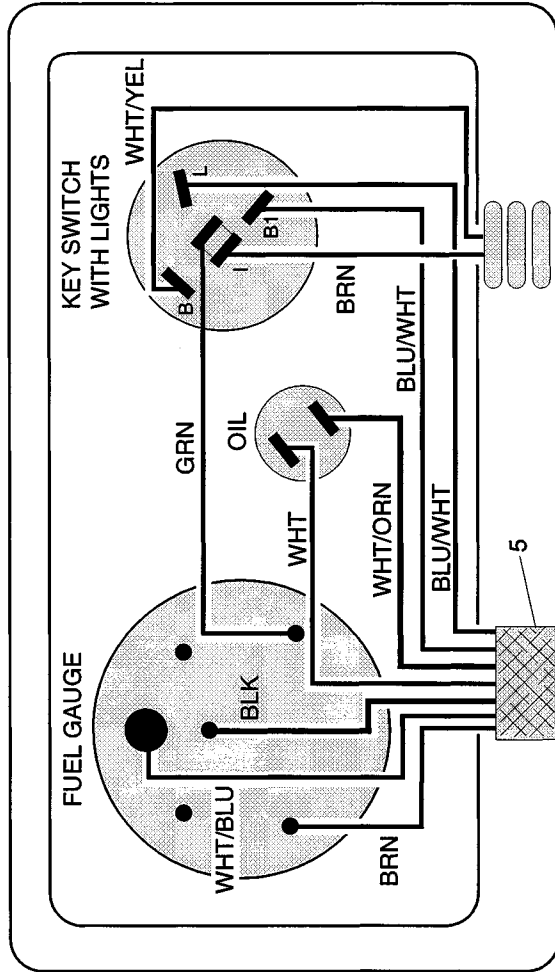
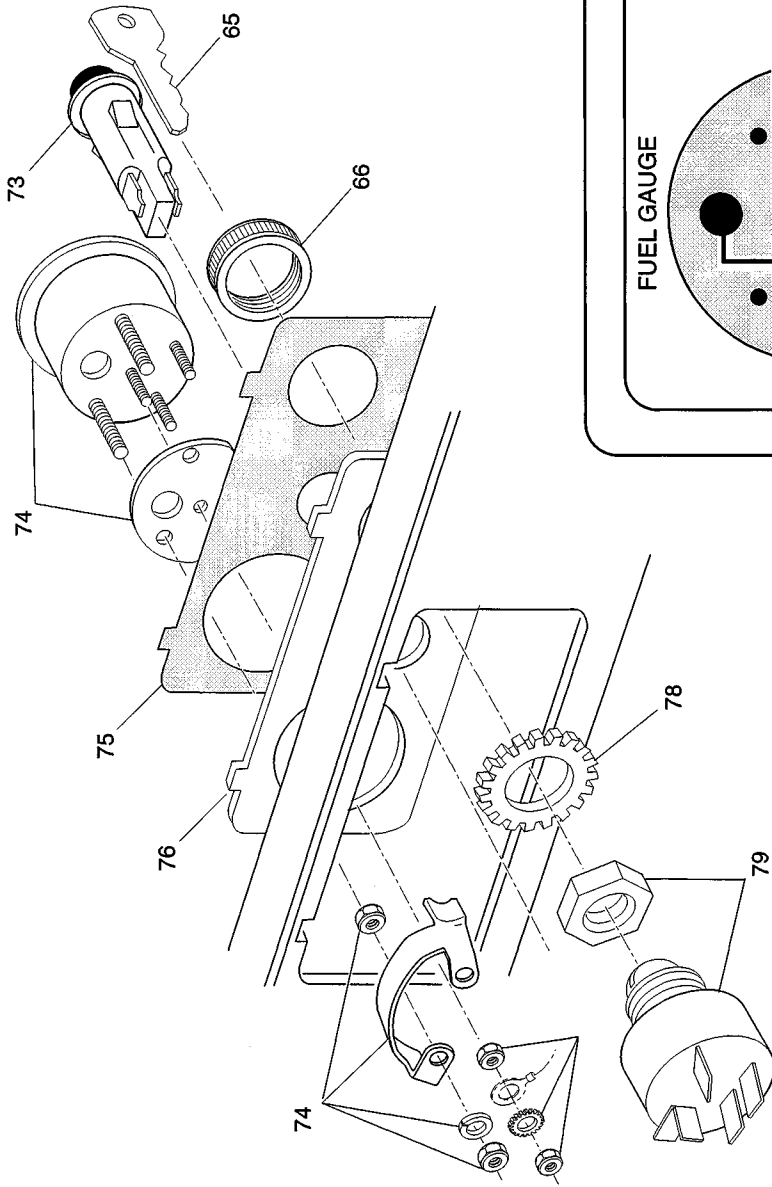
**MODEL**  
**ALL MODELS**  
**UNLESS SPECIFIED**

ITEM	PART NO.	1 2 3 4 5	DESCRIPTION	QTY.		
31	11098-G7		NUT, #10 - 24 .....		2	
32	23176-G1		PIN, CLEVIS, 5/16 X 1/2 LG .....		2	
33	10387-G8		PIN, COTTER, 1/16 X 3/4 LG .....		2	
34						
35	26830-G01		NUT, SHIFT LEVER, M8 X 1.25 MM .....		1	
36						
37						
38	33547-G01		PLATE, DIRECTION SELECTOR COVER (FOR USE ON 875 MODEL ONLY).....		1	
39	14776-G1		RETAINER, NUT, 1/4 - 20 (FOR USE ON 875 MODEL ONLY) .....		4	
40	16705-G2		BOLT, 1/4 - 20 X 5/8 LG. (FOR USE ON 875 MODEL ONLY) .....		4	
41						
42	16705-G5		SCREW, 1/4 - 20 X 1 1/2 LG. (FOR USE ON 875 MODEL ONLY).....		2	
43	16705-G8		SCREW, 1/4 - 20 X 2 LG. (FOR USE ON 875 MODEL ONLY).....		1	
44	23726-G3		SPACER.....		1	
45	00559-G7		WASHER, 1/4.....		2	
46	14390-G4		NUT, LOCK, 1/4 - 20 .....		3	
47						
48	71905-G01		HANDLE, DIRECTION SELECTOR .....		1	
49	00740-G4		SCREW, STAINLESS STEEL, #10 - 32 X 1/2 LG.....		1	

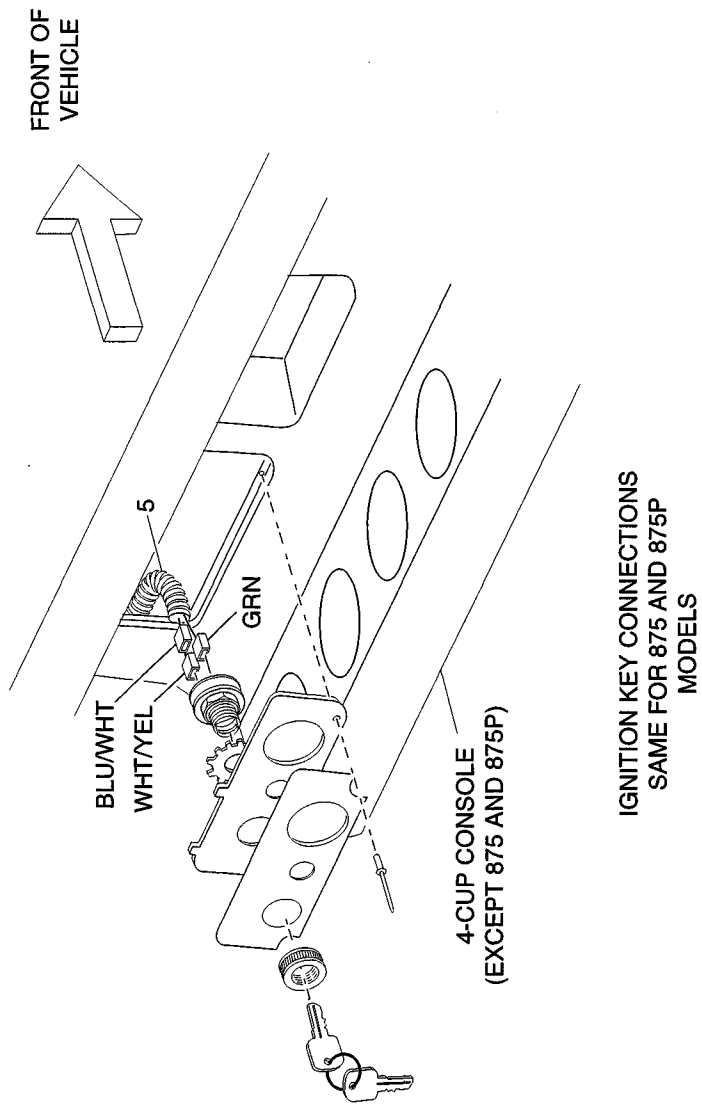




CONSOLE INSERT PLATE,  
IGNITION SWITCH AND LOW OIL  
INDICATOR INSTALLATION



REAR VIEW OF CONNECTIONS FOR FUEL GAUGE,  
KEY SWITCH AND LOW OIL INDICATOR



# ELECTRICAL

# Gasoline Vehicle

When ordering parts, please specify the model and serial number of the product.  
 \* Indicates a component that is not available as a individual part.  
 G\*\* Indicates consult Customer Service Department for additional information.

**MODEL**  
**ALL MODELS**  
**UNLESS SPECIFIED**

ITEM	PART NO.	1 2 3 4 5	DESCRIPTION	QTY.
1	26651-G01		PULSER ASSEMBLY (INCLUDES ITEM 2).....	1
2	26707-G01		BOLT AND WASHER ASSEMBLY, M5 X.8 X 10 MM LG. ....	1
3	XXXXX-G**		BATTERY, 12 VOLT .....	1
4	33475-G01		SHIELD, BATTERY .....	1
5	33500-G01		WIRE HARNESS, POWER .....	1
6	33591-G02		ELECTRICAL PLATE ASSEMBLY (INCLUDES ITEMS 7 - 24) .....	1
7	*		NUT, #10 - 32.....	2
8	00532-G1		NUT, 1/4 - 20.....	6
9				
10	*		NUT, 5/16 - 24.....	2
11	00565-G7		WASHER, LOCK, 1/4 .....	6
12	*		WASHER, LOCK, #10 .....	2
13				
14	*		WASHER, LOCK, 5/16 .....	2
15	00650-G7		WASHER, 1/4 .....	6
16	12914-G1		TAB, FASTON.....	2
17	12914-G2		TAB, FASTON.....	2
18				
19	25978-G56		WIRE, 5 3/4 LG.....	1
20	27153-G01		SOLENOID .....	1
21				
22	27739-G01		VOLTAGE REGULATOR .....	1
23	27746-G01		IGNITOR.....	1
24	33590-G01		PLATE, ELECTRONICS .....	1
25				
26				
27	25682-G1		COVER, TERMINAL .....	3
28				
29	25977-G16		WIRE .....	1
30	25887-G05		WIRE, 8 1/2 LG. (TO SOLENOID) .....	1

When ordering parts, please specify the model and serial number of the product.  
 \* Indicates a component that is not available as an individual part.  
 G\*\* Indicates consult Customer Service Department for additional information.

**MODEL**  
**ALL MODELS**  
**UNLESS SPECIFIED**

ITEM	PART NO.	1 2 3 4 5	DESCRIPTION	QTY.	
31	17618-G1		CLAMP, NYLON .....	1	
32					
33	14419-G1		NUT, WING, 1/4 - 20 .....	2	
34	11845-G5		CLIP, CABLE INSULATED .....	1	
35	11098-G6		NUT, LOCK, 5/16 - 18 .....	1	
36					
37	11027-G2		NUT, LOCK, 1/4 - 20 .....	1	
38	01001-G01		NUT, WING, 1/4 - 20 .....	3	
39					
40					
41					
42					
43					
44	00438-G6		SCREW, 5/16 - 18 X 3/4 LG.....	1	
45	00414-G6		SCREW, 1/4 - 20 X 3/4 LG.....	1	
46	26652-G01		IGNITION COIL ASSEMBLY (INCLUDES ITEMS 47 - 52) .....	1	
47	*		COIL, IGNITION .....	1	
48	*		SPACER .....	1	
49					
50	*		WASHER, LOCK .....	1	
51	*		NUT .....	1	
52	*		SCREW .....	1	
53					
54	XXXXX-XX		STARTER/GENERATOR (SEE SEPARATE SECTION FOR PARTS LIST AND QUANTITY .....	X	
55					
56					
57	*		BOLT, 5/16 X 3/4 LG. ....	2	
58	*		NUT, 5/16 .....	2	
59	*		WASHER, LOCK, 5/16.....	2	

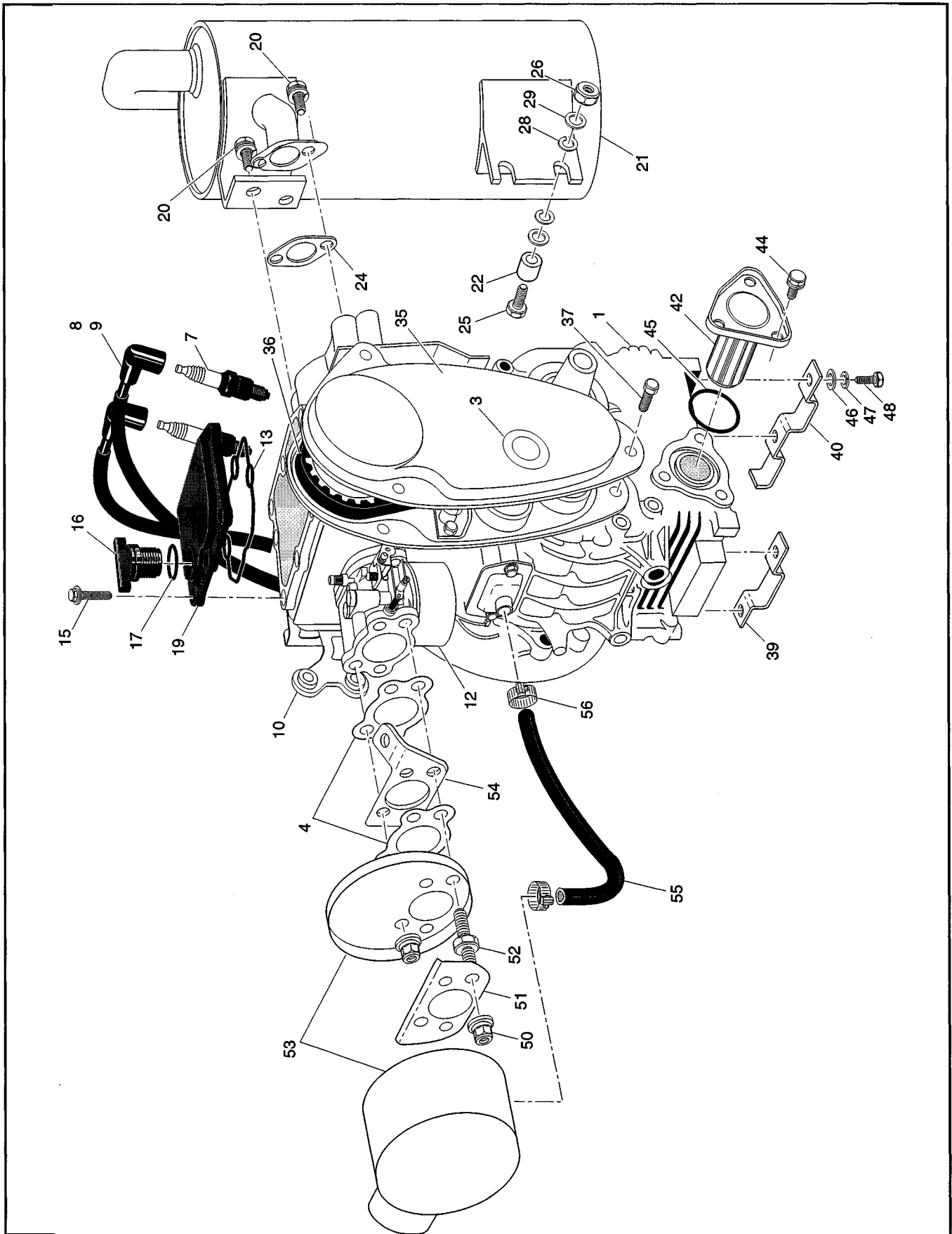


When ordering parts, please specify the model and serial number of the product.  
 \* Indicates a component that is not available as a individual part.  
 G\*\* Indicates consult Customer Service Department for additional information.

<b>MODEL</b>
<b>ALL MODELS UNLESS SPECIFIED</b>

ITEM	PART NO.	1	2	3	4	5	DESCRIPTION	QTY.		
60										
61	13632-G1						NUT, M6 X 1 LG. ....		2	
62	26676-G01						SCREW, M6 X 1 X 23 MM LG.....		1	
63										
64	33443-G01						CABLE, GROUND.....		1	
65	17063-G1						KEY, IGNITION.....		2	
66	17137-G1						NUT, FACE.....		1	
67										
68	33416-G02						CLAMP, BATTERY HOLD DOWN.....		1	
69	00565-G8						WASHER, LOCK, 5/16.....		1	
70	00561-G8						WASHER, 5/16.....		1	
71	00438-G6						SCREW, 5/16 - 18 X 3/4 LG.....		1	
72										
73	21235-G1						LIGHT, GAUGE.....		1	
74	21553-G1						FUEL GAUGE (COMPLETE WITH HARDWARE).....		1	
75	33625-G01						DECAL, CONSOLE PLATE WITH LIGHTS.....		1	
76	33617-G01						PLATE, CONSOLE INSERT.....		1	
77										
78	00568-G6						WASHER, LOCK, 3/4.....		1	
79	33713-G01						SWITCH, IGNITION/LIGHTS.....		1	





When ordering parts, please specify the model and serial number of the product.  
 \* Indicates a component that is not available as an individual part.  
 G\*\* Indicates consult Customer Service Department for additional information.

<b>MODEL</b>
<b>ALL MODELS</b>

ITEM	PART NO.	1 2 3 4 5	DESCRIPTION	QTY.	
1	26700-G01		ENGINE .....	1	
2					
3	26631-G01		GROMMET, TIMING BELT COVER.....	1	
4	26727-G01		GASKET, CARBURETOR.....	2	
5					
6					
7	25523-G02		SPARK PLUG, NGK BP4ES .....	2	
8	26733-G01		SPARK PLUG WIRE SET (2 WITH BOOTS).....	1	
9					
10	26657-G01		BRACKET, IGNITION COIL .....	1	
11					
12	XXXXX-XX		CARBURETOR (SEE SEPARATE SECTION FOR PART NUMBER AND QUANTITY.....	X	
13	26719-G01		GASKET, VALVE COVER .....	1	
14					
15	26676-G01		BOLT, FLANGED, M6 X 1 X 23 MM LG.....	6	
16	26601-G01		CAP, OIL FILLER .....	1	
17	26720-G01		"O" RING .....	1	
18					
19	26600-G01		COVER, VALVE .....	1	
20	25532-G1		BOLT AND WASHER, M8 X 1.25 X 18 MM LG. ....	4	
21	33431-G01		MUFFLER .....	1	
22	30318-G4		SPACER.....	2	
23					
24	25531-G1		GASKET, EXHAUST .....	1	
25	00768-G2		BOLT, 5/16 - 18 X 1 1/4 LG. ....	1	
26	00532-G3		NUT, 5/16 - 18 .....	2	
27					
28	00565-G8		WASHER, LOCK, 5/16.....	2	
29	00642-G8		WASHER, 5/16.....	2	

# ENGINE AND MUFFLER

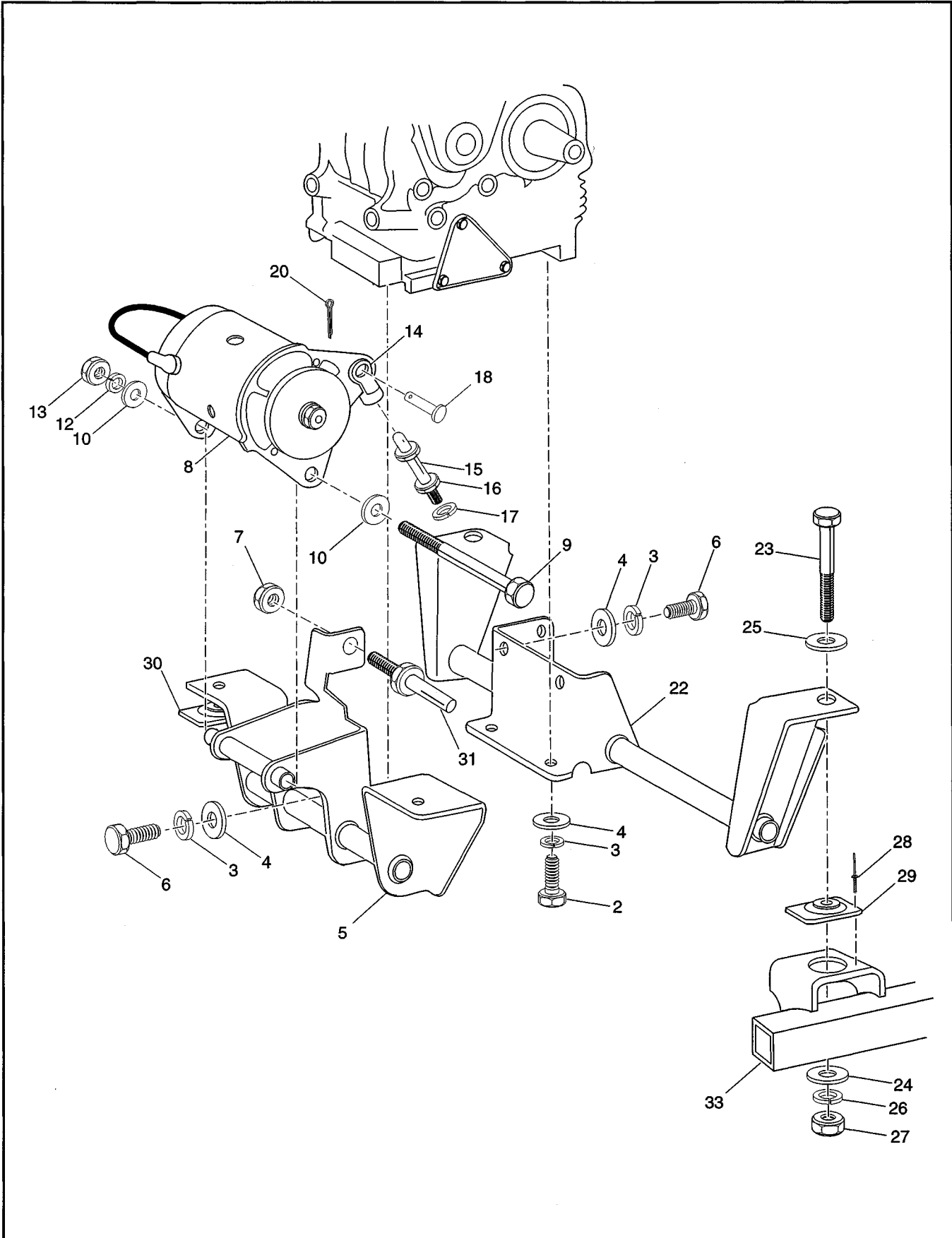
# Gasoline Vehicle

When ordering parts, please specify the model and serial number of the product.  
 \* Indicates a component that is not available as a individual part.  
 G\*\* Indicates consult Customer Service Department for additional information.

<b>MODEL</b>
<b>ALL MODELS</b>

ITEM	PART NO.	1 2 3 4 5	DESCRIPTION	QTY.		
30						
31	25655-G01		BRACKET, PIVOT .....		1	
32						
33						
34						
35	26630-G01		COVER, TIMING BELT .....		1	
36	26626-G01		TIMING BELT .....		1	
37	26678-G01		BOLT, M6 X 1 X 12 MM LG. ....		3	
38						
39	33392-G01		SADDLE, FRONT SHIFTER CABLE.....		1	
40	33391-G01		SADDLE, REAR SHIFTER CABLE .....		1	
41						
42	26591-G01		FILTER, OIL .....		1	
43						
44	26680-G01		BOLT AND WASHER, M6 X 1 X 12 MM LG. ....		3	
45	26710-G01		"O" RING, OIL FILTER .....		1	
46	00922-G3		WASHER, 7/16.....		4	
47	00566-G2		WASHER, LOCK, 7/16.....		4	
48	00463-G4		BOLT, 7/16 - 14 X 1 1/2 LG. ....		4	
49						
50	26706-G01		NUT, M6 X 1 .....		2	
51	35124-G01		PLATE, INTAKE CHAMBER.....		1	
52	35125-G01		STUD, PLATE SPACER.....		2	
53	25262-G01		CHAMBER, INTAKE (COMPLETE).....		1	
54	35126-G01		BRACKET, INTAKE CHAMBER .....		1	
55	35123-G01		PIPE, BREATHER .....		1	
56	11391-G4		CLAMP, HOSE .....		2	





When ordering parts, please specify the model and serial number of the product.  
 \* Indicates a component that is not available as an individual part.  
 G\*\* Indicates consult Customer Service Department for additional information.

<b>MODEL</b>
<b>ALL MODELS</b>

ITEM	PART NO.	1	2	3	4	5	DESCRIPTION	QTY.		
1										
2	00463-G4						BOLT, 7/16 - 14 X 1 1/2 LG .....			4
3	00566-G2						WASHER, LOCK, 7/16.....			8
4	00922-G3						WASHER, 7/16.....			8
5	33362-G01						BRACKET, FRONT ENGINE MOUNTING.....			1
6	00288-G8						BOLT, 7/16 - 14 X 1 LG .....			4
7	14390-G1						NUT, LOCK, 3/8 - 24 .....			1
8	XXXX-XX						STARTER/GENERATOR (SEE SEPARATE SECTION FOR PART NUMBER AND QUANTITY) .....			X
9	00938-G4						BOLT, 1/2 -13 X 8 LG .....			1
10	00560-G3						WASHER, 1/2.....			2
11										
12	00566-G3						WASHER, LOCK, 1/2.....			1
13	00533-G1						NUT, 1/2 - 13 .....			1
14	25708-G01						YOKE, CLEVIS .....			1
15	24667-G1						PIN, ADJUSTING.....			1
16	00532-G6						NUT, 3/8 - 24 .....			1
17	00566-G1						WASHER, LOCK, 3/8.....			1
18	14443-G3						PIN, CLEVIS, 5/16 X 1 LG .....			1
19										
20	10387-G4						PIN, COTTER, 1/8 X 1 LG. ....			1
21										
22	33365-G01						BRACKET, REAR ENGINE MOUNTING .....			1
23	00427-G8						BOLT, 3/8 - 16 X 2 LG .....			4
24	00560-G1						WASHER, 1.25 O.D. X .38 I.D. ....			4
25	15121-G1						WASHER, 1.25 O.D. X .38 I.D. ....			2
26	00566-G1						WASHER, LOCK, 3/8.....			4
27	00550-G5						NUT, LOCK, 3/8 - 16 .....			4
28	14601-G5						RIVET, 3/16 X 13/32 LG.....			16
29	14137-G1						MOUNT, ISOLATION, 25 LB .....			3

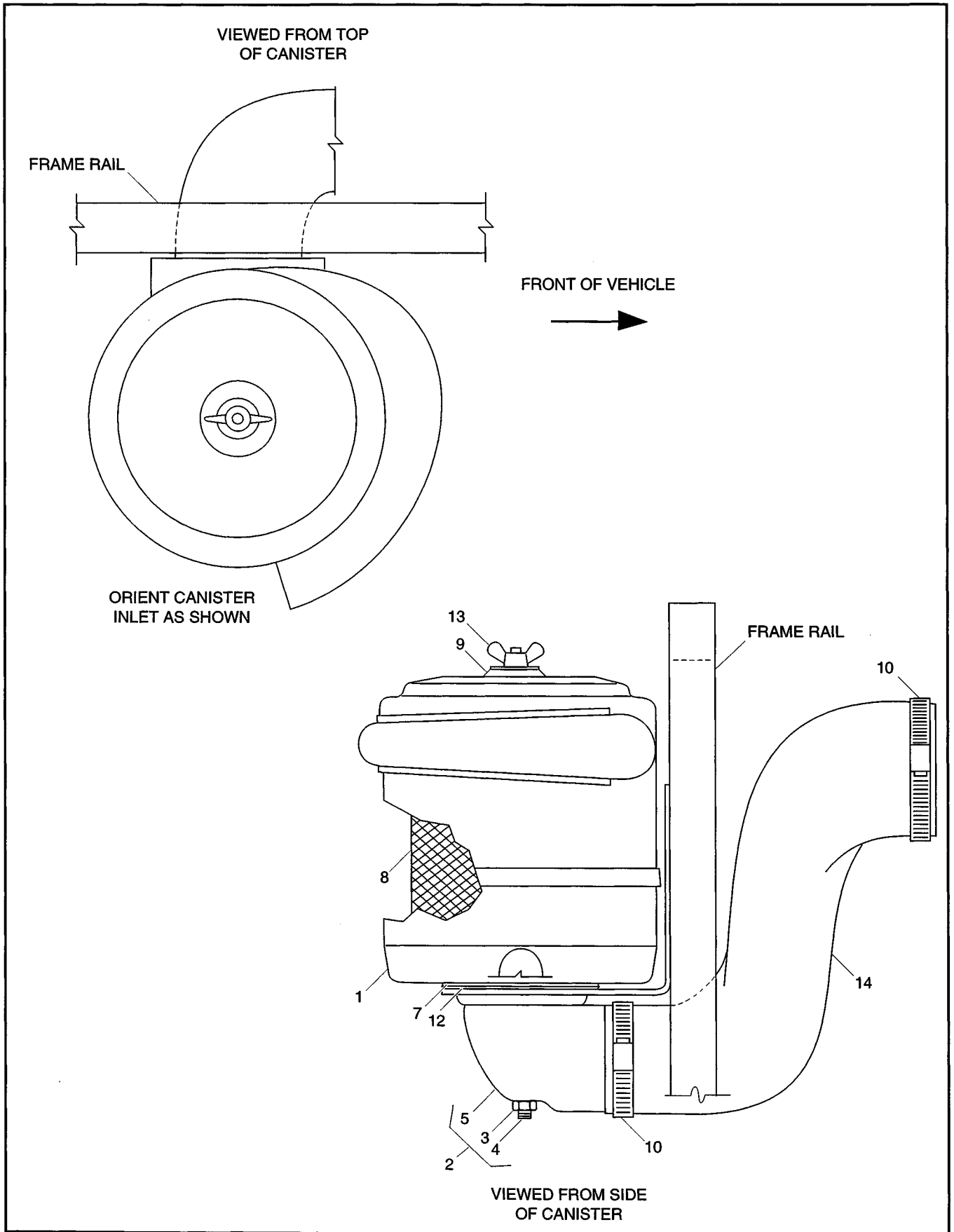


When ordering parts, please specify the model and serial number of the product.  
 \* Indicates a component that is not available as a individual part.  
 G\*\* Indicates consult Customer Service Department for additional information.

<b>MODEL</b>
<b>ALL MODELS</b>

ITEM	PART NO.	1	2	3	4	5	DESCRIPTION	QTY.		
30	14137-G2						MOUNT, ISOLATION, 35 LB .....		1	
31	XXXXX-XX						ARM, PIVOT (SEE SEPARATE SECTION FOR PART NUMBER AND QUANTITY).....		X	
32										
33	33350-G01						FRAME, INNER.....		1	

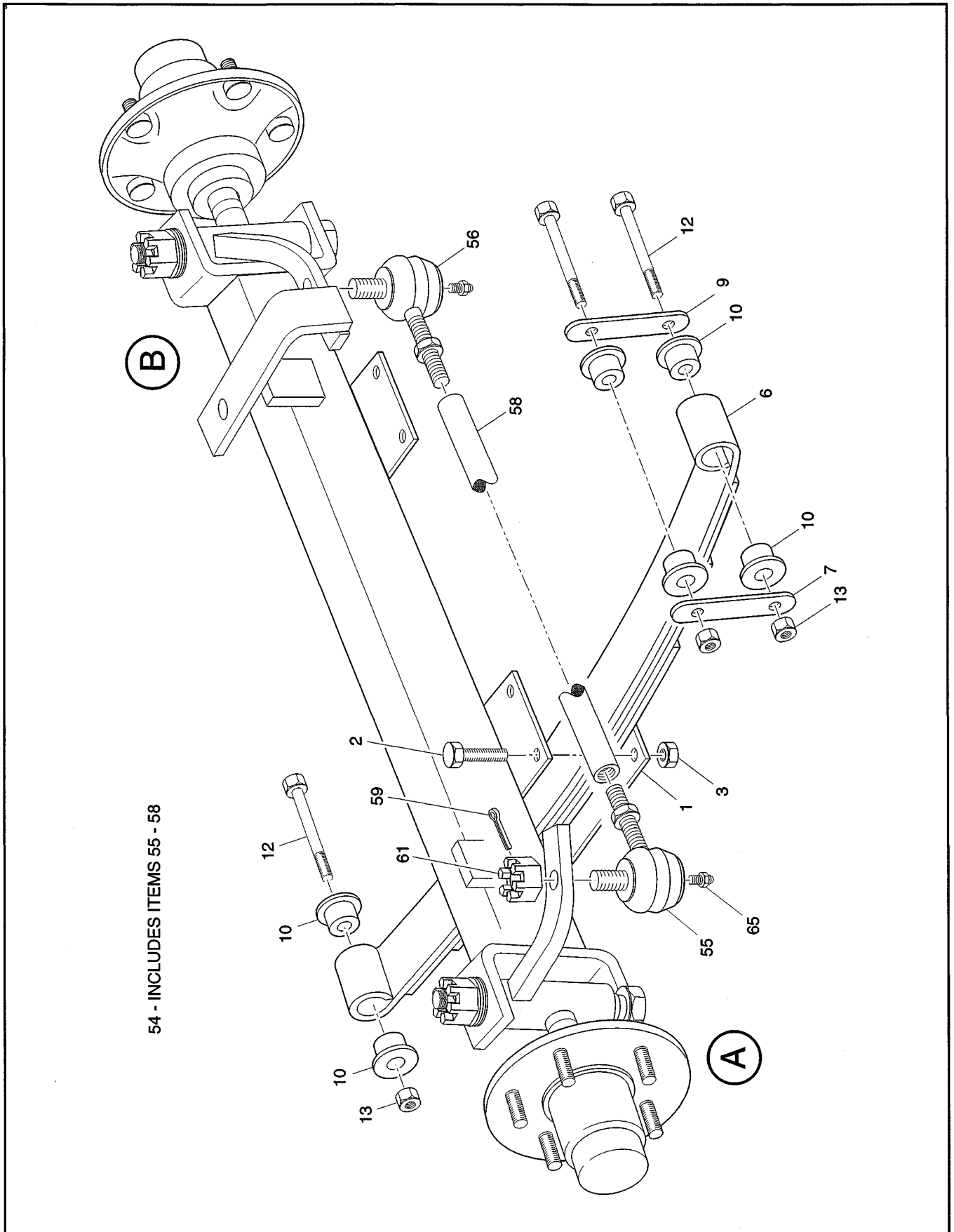


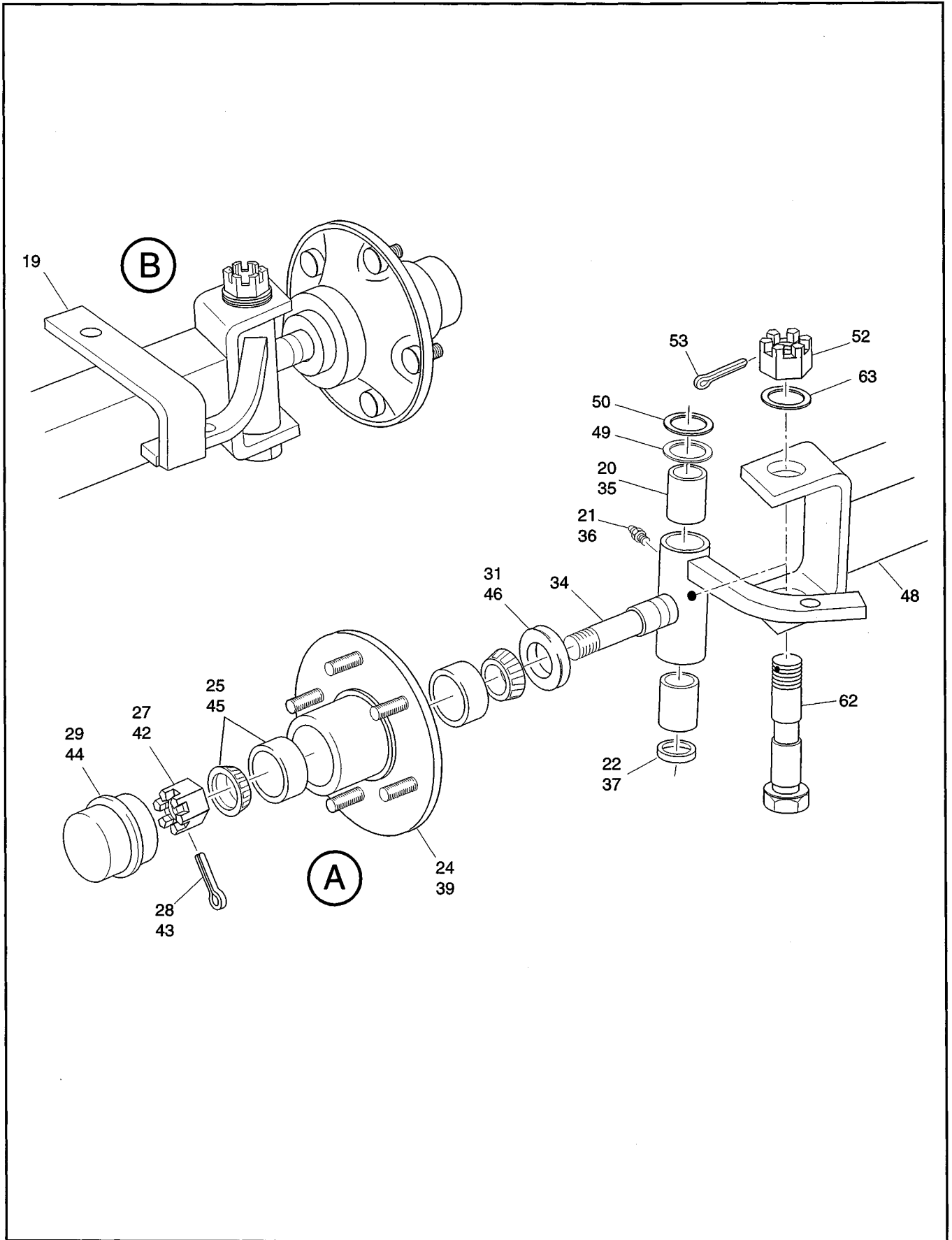


When ordering parts, please specify the model and serial number of the product.  
 \* Indicates a component that is not available as an individual part.  
 G\*\* Indicates consult Customer Service Department for additional information.

<b>MODEL</b>
<b>ALL MODELS UNLESS SPECIFIED</b>

ITEM	PART NO.	1	2	3	4	5	DESCRIPTION	QTY.		
1	14415-G1						AIR CLEANER .....		1	
2	24543-G5						AIR CLEANER ADAPTER ASSEMBLY (INCLUDES ITEMS 3 - 5) .....		1	
3	11027-G2						NUT, LOCK, .....		2	
4	18364-G1						ROD, AIR CLEANER .....		1	
5	24536-G2						ADAPTER, AIR CLEANER.....		1	
6										
7	*						GASKET, AIR CLEANER .....		1	
8	14416-G1						ELEMENT, AIR CLEANER.....		1	
9	00559-G7						WASHER, 1/4.....		1	
10	11391-G2						CLAMP, HOSE .....		2	
11										
12	18620-G1						RETAINER .....		1	
13	14419-G1						NUT, WING.....		1	
14	33669-G01						HOSE, AIR CLEANER.....		1	





# FRONT SUSPENSION

# Gasoline Vehicle

When ordering parts, please specify the model and serial number of the product.  
 \* Indicates a component that is not available as a individual part.  
 G\*\* Indicates consult Customer Service Department for additional information.

MODEL
ALL MODELS

ITEM	PART NO.	1 2 3 4 5	DESCRIPTION	QTY.	
1	30135-G2		PLATE, SPRING MOUNTING.....	2	
2	00428-G4		SCREW, 3/8 - 16 X 2 1/2 LG.....	8	
3	11098-G5		NUT, LOCK, 3/8 - 16.....	8	
4					
5					
6	30159-G2		FRONT LEAF SPRING (4 LEAF).....	2	
7	30035-G2		SHACKLE, SPRING.....	2	
8					
9	30035-G1		SHACKLE, SPRING.....	2	
10	20098-G1		BUSHING, RUBBER.....	12	
11					
12	15727-G1		BOLT, SHOULDER, 1/2 X 2 3/8 LG.....	6	
13	13521-G4		NUT, 3/8 - 16.....		
14					
15					
16					
17					
18					
19	32963-G01		SPINDLE.....	1	
20	16623-G1		BEARING.....	2	
21	10389-G3		GREASE FITTING.....	1	
22	16626-G1		SEAL, OIL.....	1	
23					
24	32783-G1		HUB ASSEMBLY (5 BOLT).....	1	
25	50892-G1		ROLLER BEARING AND RACE.....	2	
26					
27	12093-G1		NUT, CASTLELLATED, 17/32 - 14.....	1	
28	00798-G8		PIN, COTTER, 5/32 X 1 3/4 LG.....	1	
29	30146-G1		CAP, DUST.....	1	
30					

When ordering parts, please specify the model and serial number of the product.  
 \* Indicates a component that is not available as an individual part.  
 G\*\* Indicates consult Customer Service Department for additional information.

**MODEL**  
**ALL MODELS**

ITEM	PART NO.	1 2 3 4 5	DESCRIPTION	QTY.	
31	12092-G1		SEAL, GREASE .....	1	
32					
33					
34	32962-G01		SPINDLE .....	1	
35	16623-G1		BEARING .....	2	
36	10389-G3		GREASE FITTING .....	1	
37	16626-G1		SEAL, OIL .....	1	
38					
39	32783-G1		HUB ASSEMBLY (5 BOLT) .....	1	
40					
41					
42	12093-G1		NUT, CASTLELLATED, 17/32 - 14 .....	1	
43	00798-G8		PIN, COTTER, 5/32 x 1 3/4 LG. ....	1	
44	30146-G1		CAP, DUST .....	1	
45	50892-G1		ROLLER BEARING AND RACE .....	2	
46	12092-G1		SEAL, GREASE .....	1	
47					
48	32967-G01		AXLE, FRONT .....	1	
49	16982-G1		BEARING, THRUST .....	2	
50	00879-G7		WASHER, 7/8 .....	2	
51					
52	00886-G1		NUT, 5/8 - 18 .....	2	
53	19060-G1		PIN, COTTER, STAINLESS STEEL, 1/8 X 1 1/4 LG. ....	2	
54	20788-G3		TIE ROD ASSEMBLY (INCLUDES ITEMS 55 - 58) .....	1	
55	20795-G1		TIE ROD END, DRIVER'S SIDE .....	1	
56	20795-G2		TIE ROD END, PASSENGER SIDE .....	1	
57					
58	70583-G04		THREADED TUBE WITH FLAT .....	1	
59	10387-G2		PIN, COTTER, 3/32 x 2 LG. ....	2	
60					



# FRONT SUSPENSION

Gasoline Vehicle

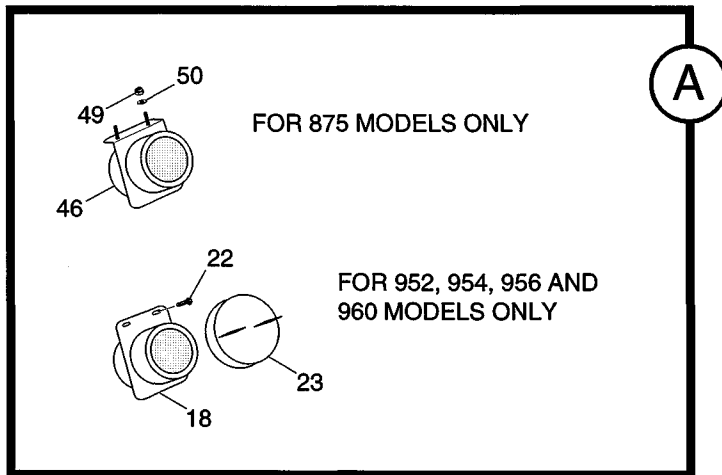
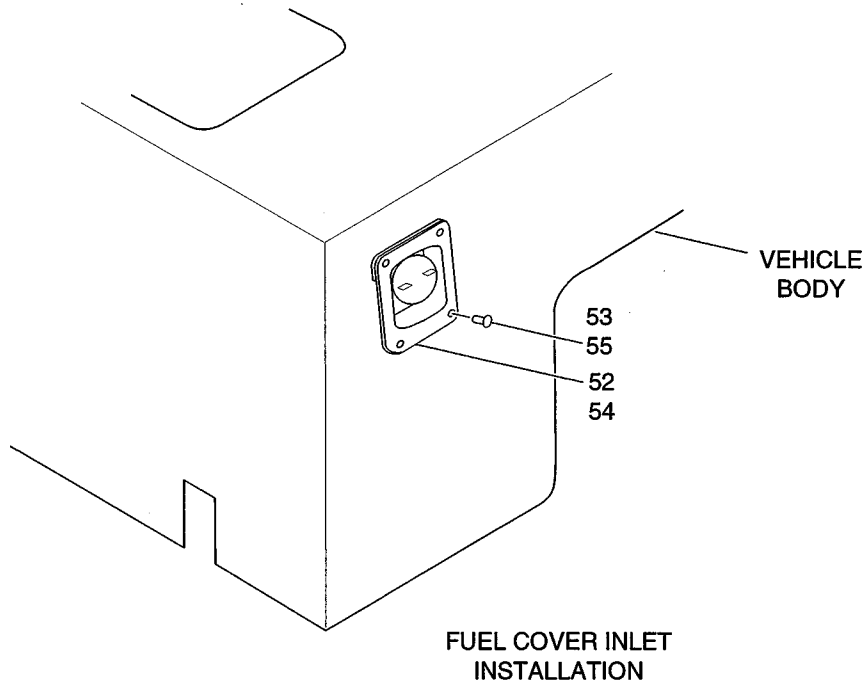
When ordering parts, please specify the model and serial number of the product.  
 \* Indicates a component that is not available as a individual part.  
 G\*\* Indicates consult Customer Service Department for additional information.

<b>MODEL</b>
<b>ALL MODELS</b>

ITEM	PART NO.	1	2	3	4	5	DESCRIPTION	QTY.		
61	50209-G1						NUT, 7/16 - 20 .....		2	
62	25177-G2						KING PIN .....		2	
63	00879-G5						WASHER, 5/8.....		2	
64										
65	10389-G3						GREASE FITTING .....		2	







# FUEL SYSTEM

# Gasoline Vehicle

When ordering parts, please specify the model and serial number of the product.  
 \* Indicates a component that is not available as a individual part.  
 G\*\* Indicates consult Customer Service Department for additional information.

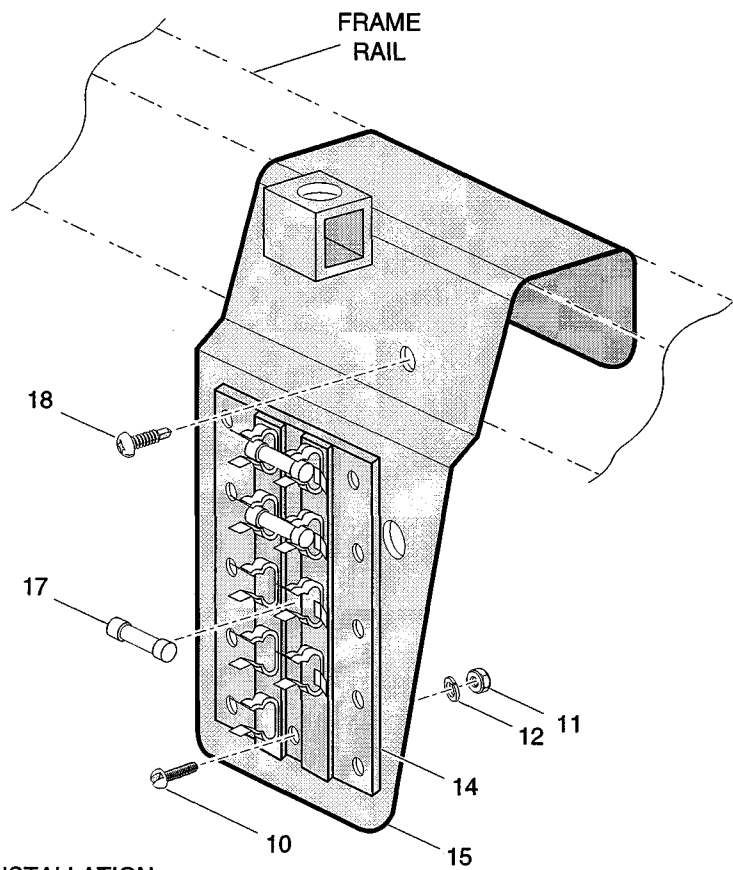
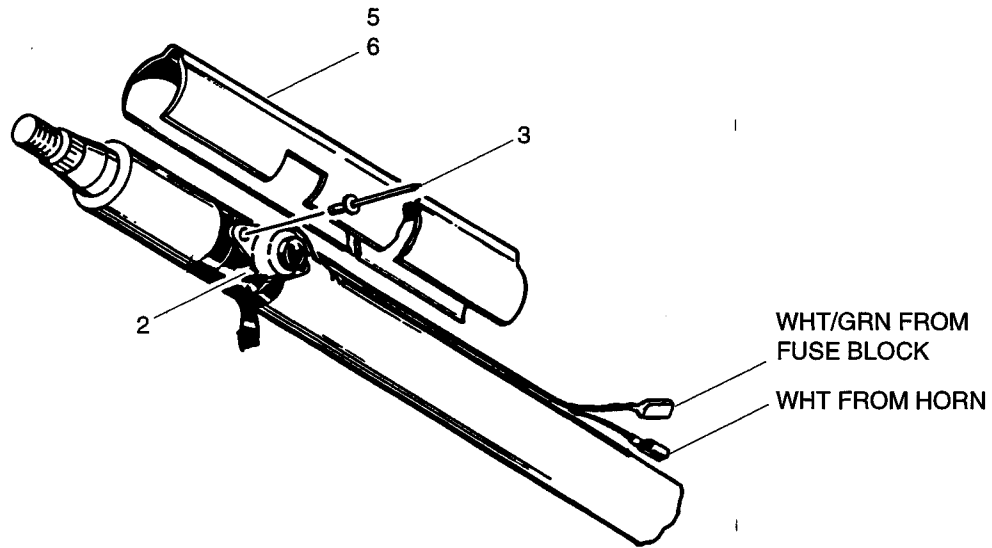
**MODEL**  
**ALL MODELS  
 UNLESS SPECIFIED**

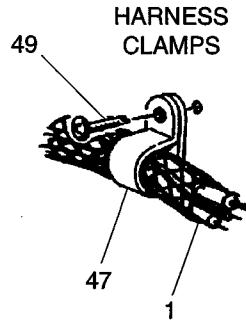
ITEM	PART NO.	1 2 3 4 5					DESCRIPTION	QTY.		
1										
2	00559-G7						WASHER, 1/4.....			2
3	14390-G4						NUT, LOCK, 1/4 - 20 .....			2
4										
5	14601-G5						RIVET, STAINLESS STEEL, 3/16 X 3/8 LG. ....			2
6	18302-G4						STRAP, FUEL TANK .....			2
7	20048-G3						SENDER, FUEL LEVEL .....			1
8	22281-G3						TRIM.....			1
9	26060-G01						BUSHING .....			1
10	27210-G03						TUBE, SIPHON .....			1
11	*						SCREW .....			5
12	33432-G01						TANK, FUEL.....			1
13	33459-G01						MAT, FUEL TANK.....			1
14	33461-G01						PAN, TANK SUPPORT.....			1
15										
16	00559-G8						WASHER, 5/16.....			6
17	11098-G6						NUT, LOCK, 5/16 - 18 .....			6
18	33359-G01						FILLER/RETAINER (FOR USE ON 952, 954, 956 AND 960 MODELS ONLY).....			1
19	25346-G8						TUBE, CARBURETOR INLET (ORANGE STRIPE).....			1
20	27184-G07						TUBE, FUEL PULSE (WHITE STRIPE).....			1
21										
22	00713-G1						SCREW, #12 - 24 X 1/2 LG. (FOR USE ON 952, 954, 956 AND 960 MODELS ONLY).....			2
23	33433-G01						CAP, FUEL .....			1
24	33337-G01						HOSE, FUEL INLET .....			1
25	11391-G2						CLAMP, HOSE .....			2
26										
27	00414-G6						SCREW, 1/4 - 20 X 3/4 LG.....			2
28	11027-G2						NUT, LOCK, 1/4 - 20 .....			2
29	25683-G1						FUEL PUMP .....			1

When ordering parts, please specify the model and serial number of the product.  
 \* Indicates a component that is not available as an individual part.  
 G\*\* Indicates consult Customer Service Department for additional information.

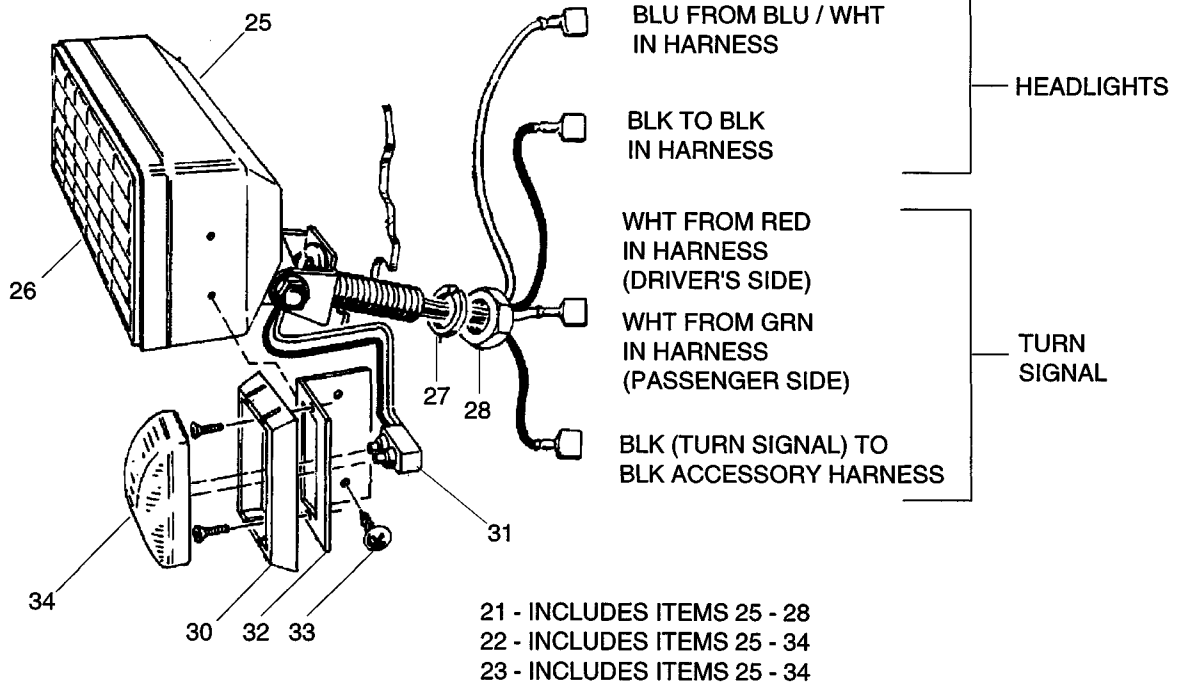
**MODEL**  
**ALL MODELS**  
**UNLESS SPECIFIED**

ITEM	PART NO.	1 2 3 4 5	DESCRIPTION	QTY.		
30	33389-G01		PLATE, MOUNTING .....	1		
31						
32	00106-G6		SCREW, #12 - 24 x 3/4 LG. ....	1		
33						
34	72084-G01		FILTER, FUEL LINE .....	1		
35	18929-G1		CLAMP, TUBING.....	2		
36						
37	17470-G1		TUBE, FUEL SYSTEM (ORDER TO NEAREST FOOT) .....	AR		
38						
39						
40	11391-G4		CLAMP, HOSE .....	1		
41	18292-G1		CLAMP, HOSE .....	3		
42	11845-G7		CLIP, INSULATED CABLE .....	1		
43	15058-G1		RIVET, 3/16 X 5/8 LG. ....	1		
44	17618-G1		CLAMP, NYLON.....	1		
45						
46	33528-G01		FILLER/RETAINER (FOR USE ON 875 MODEL ONLY) .....	1		
47						
48						
49	14390-G4		NUT, LOCK, 1/4 - 20 (FOR USE ON 875 AND 875P MODELS ONLY) .....	2		
50	00559-G7		WASHER, 1/4 (FOR USE ON 875 AND 875P MODELS ONLY) .....	1		
51						
52	33728-G01		COVER, FUEL INLET (FOR USE ON 952, 954, 956 AND 960 MODELS ONLY) .....	1		
53	71055-G01		RIVET, 3/16 X 3/8 LG. (FOR USE ON 952, 954, 956 AND 960 MODELS ONLY) .....	4		
54	33556-G01		COVER, FUEL INLET (FOR USE ON 875 AND 875P MODELS ONLY) .....	1		
55	14601-G8		RIVET, 3/16 X 3/8 LG. (FOR USE ON 875 AND 875P MODELS ONLY).....	4		

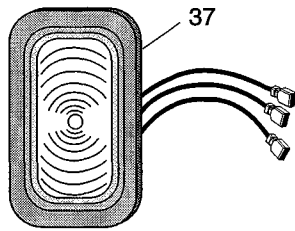




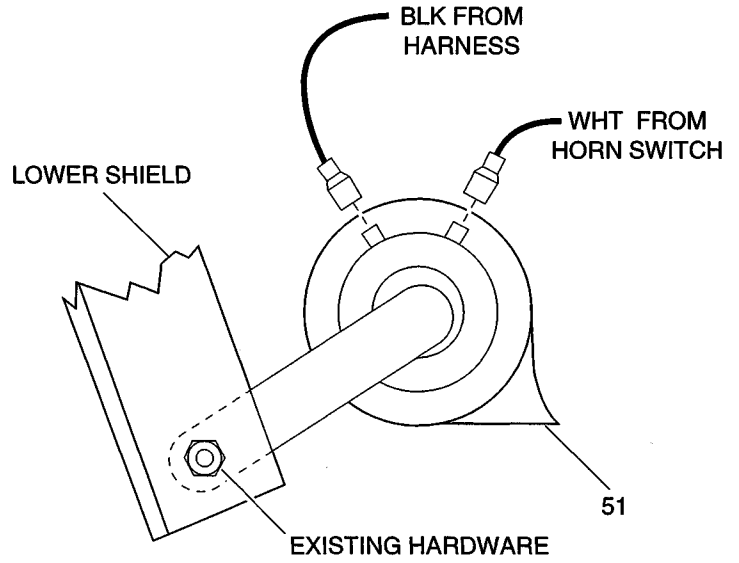
HEADLIGHT INSTALLATION





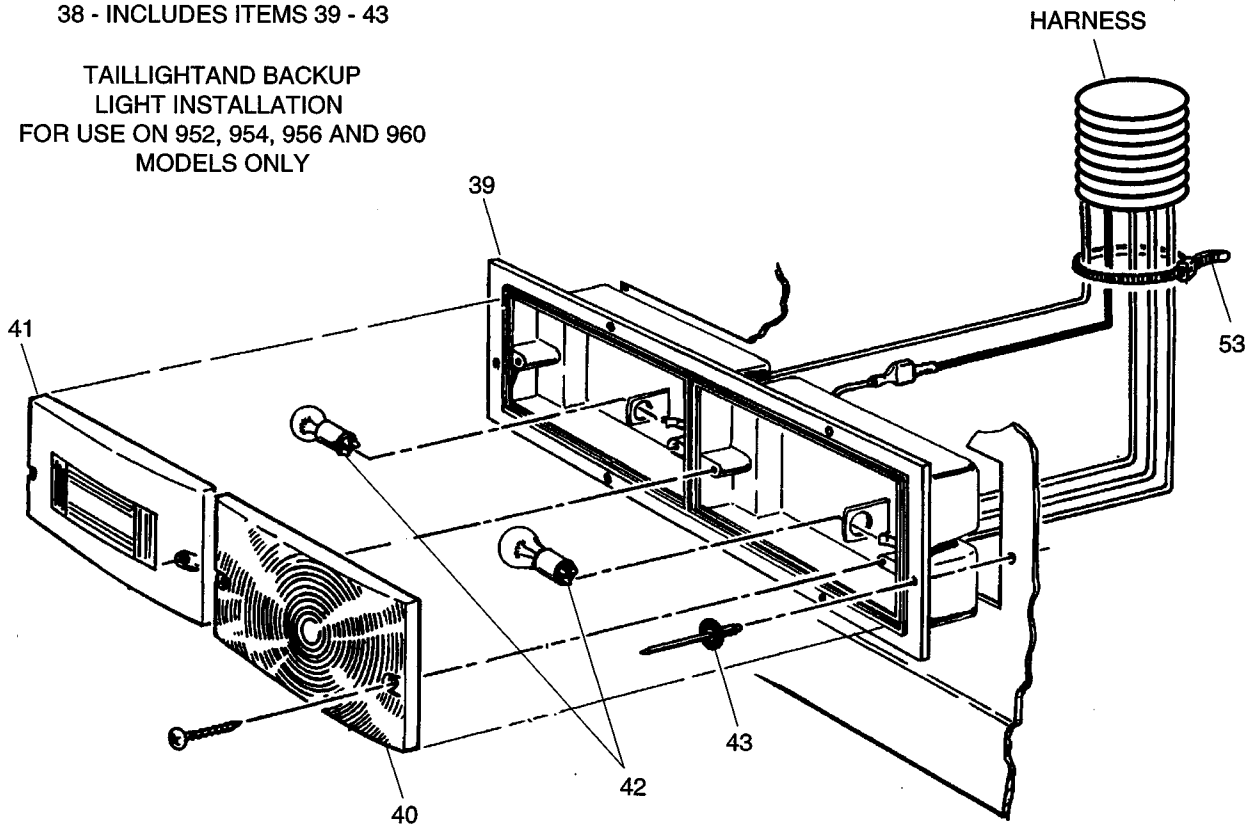


REAR LIGHT  
FOR USE ON 875 AND 875P  
MODELS ONLY

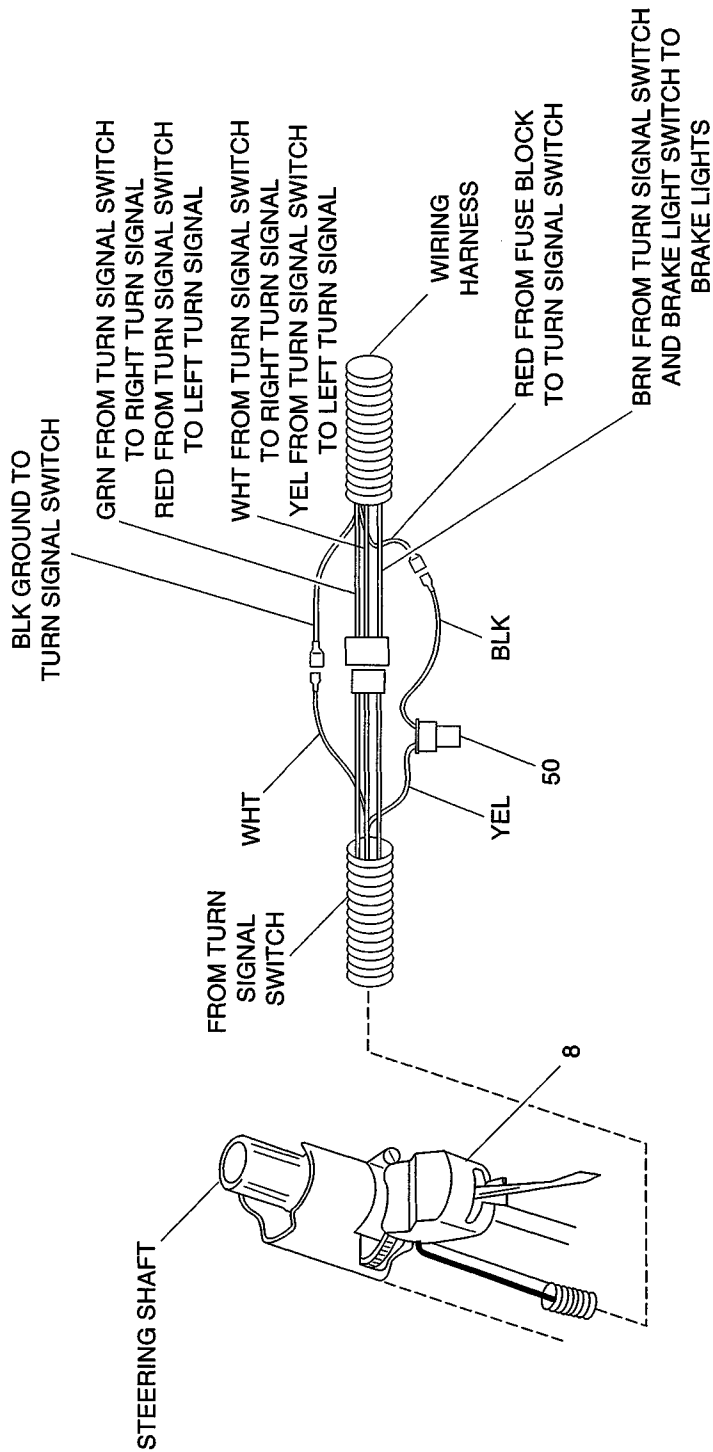


38 - INCLUDES ITEMS 39 - 43

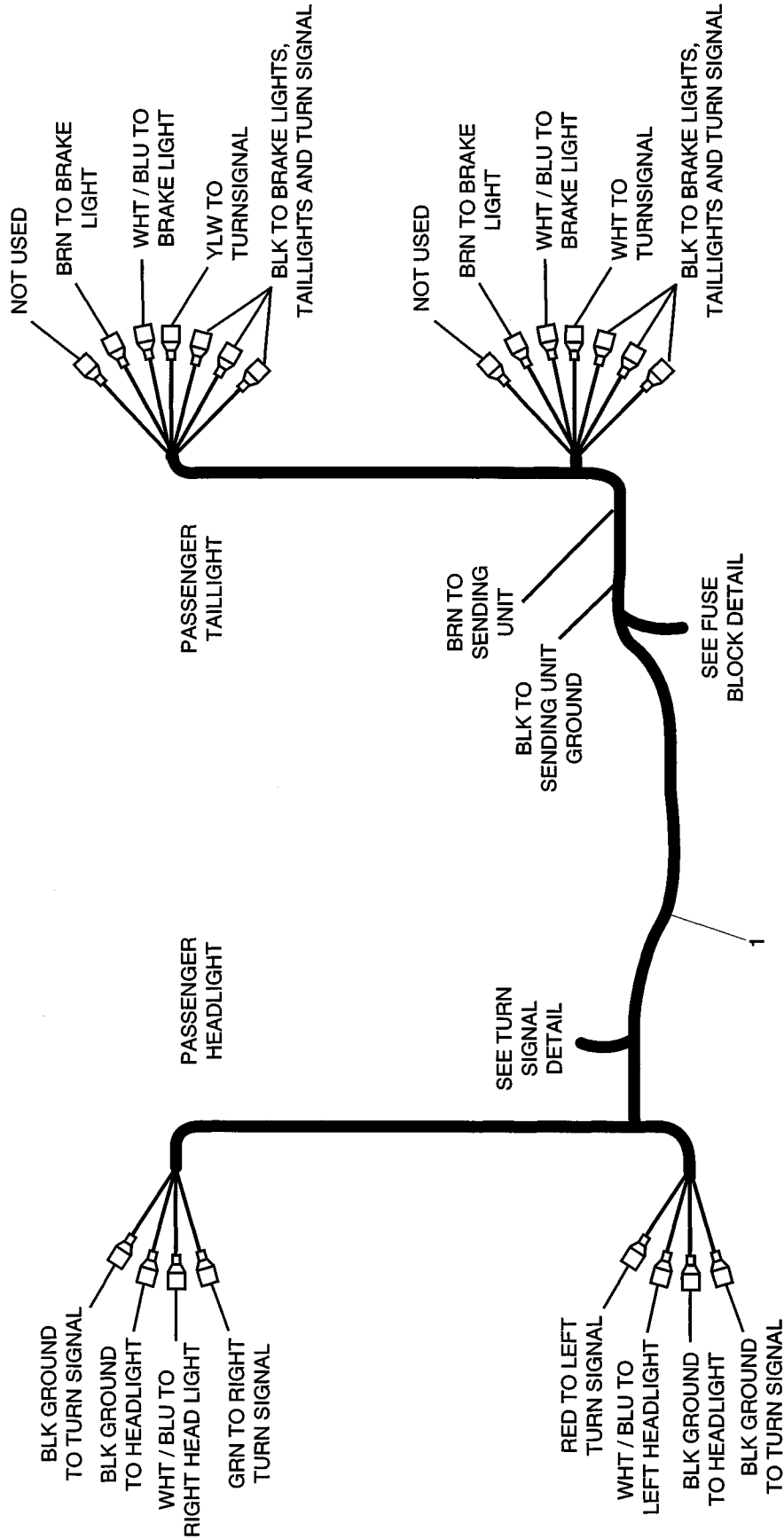
TAILLIGHT AND BACKUP  
LIGHT INSTALLATION  
FOR USE ON 952, 954, 956 AND 960  
MODELS ONLY

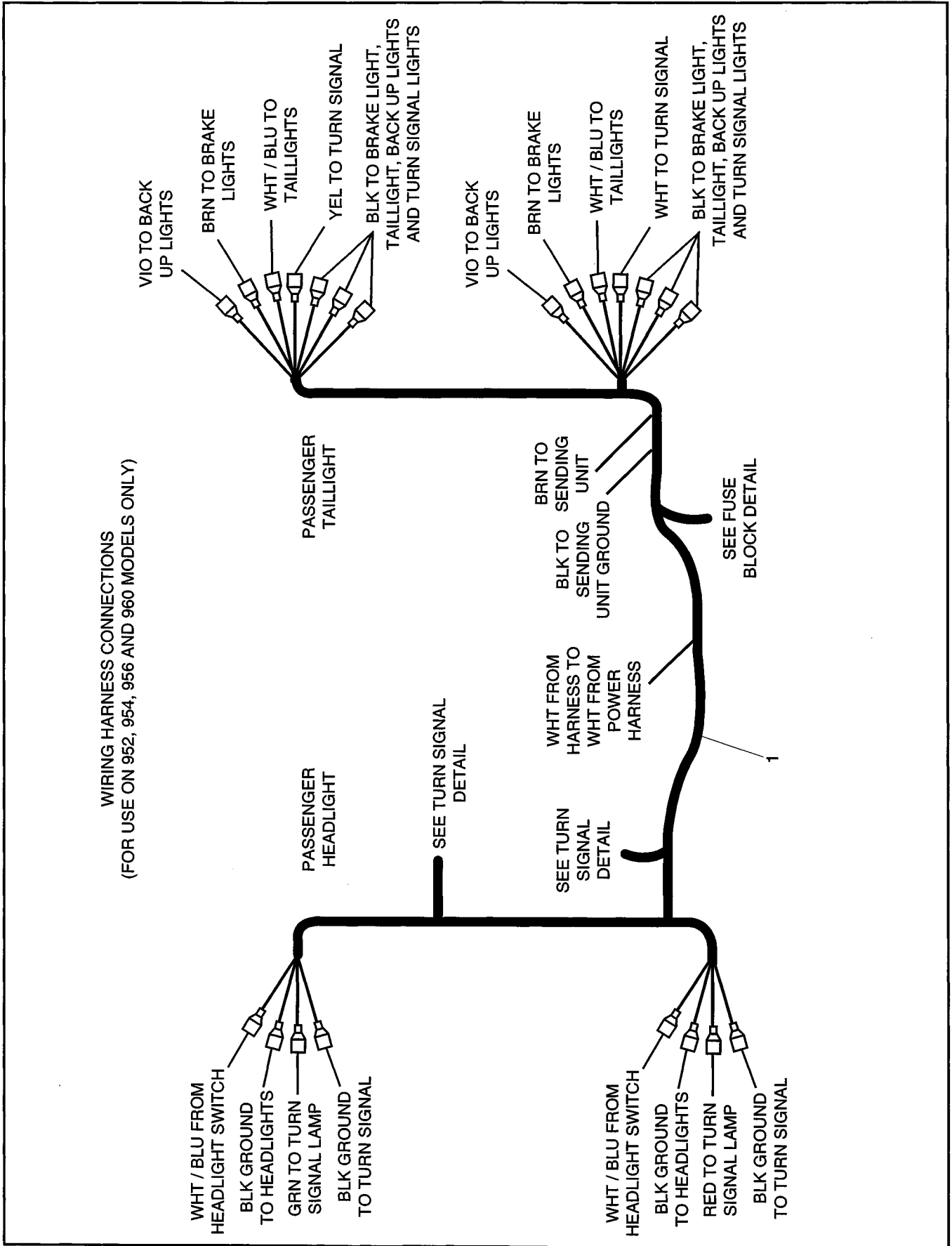


TURN SIGNAL SWITCH CONNECTIONS

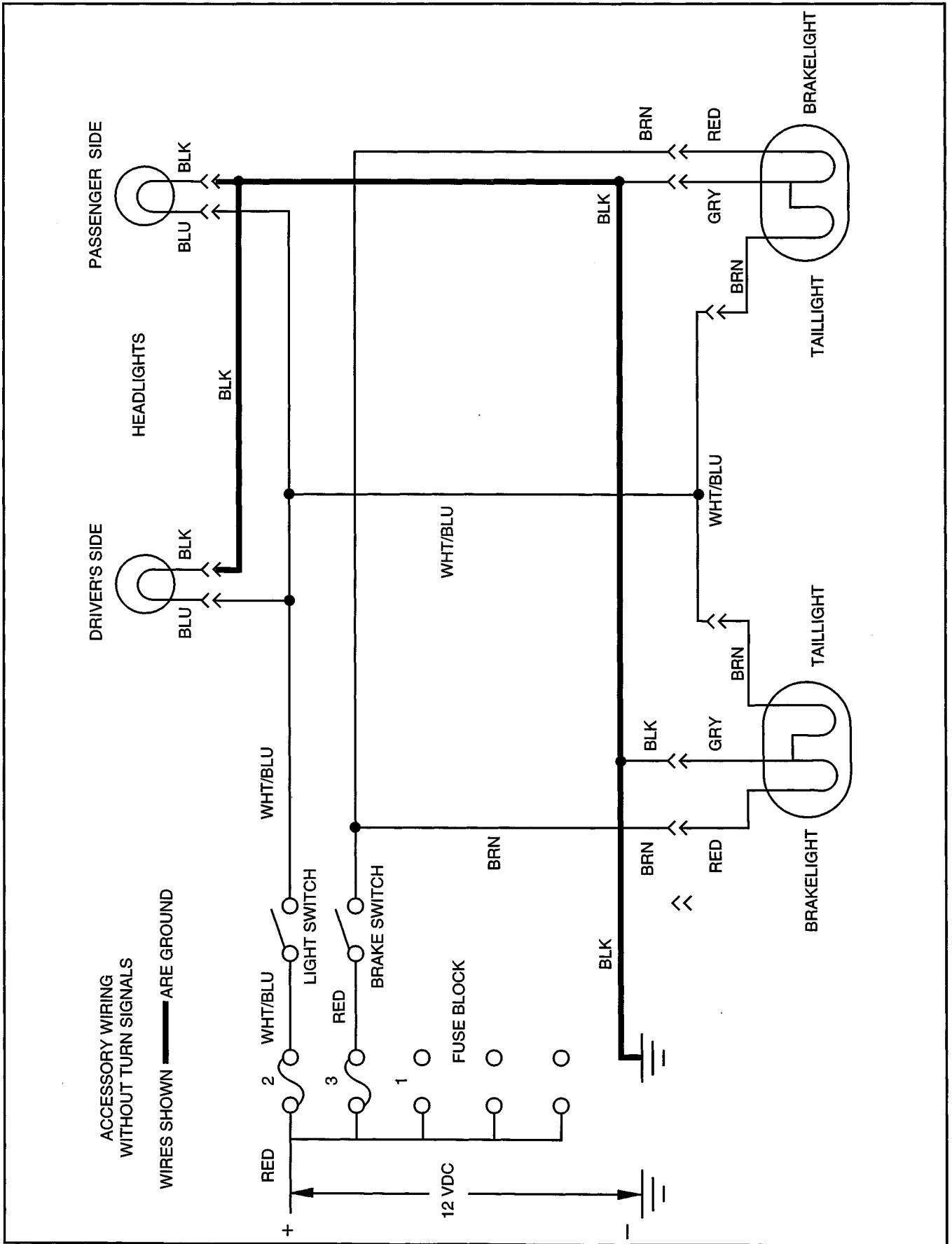


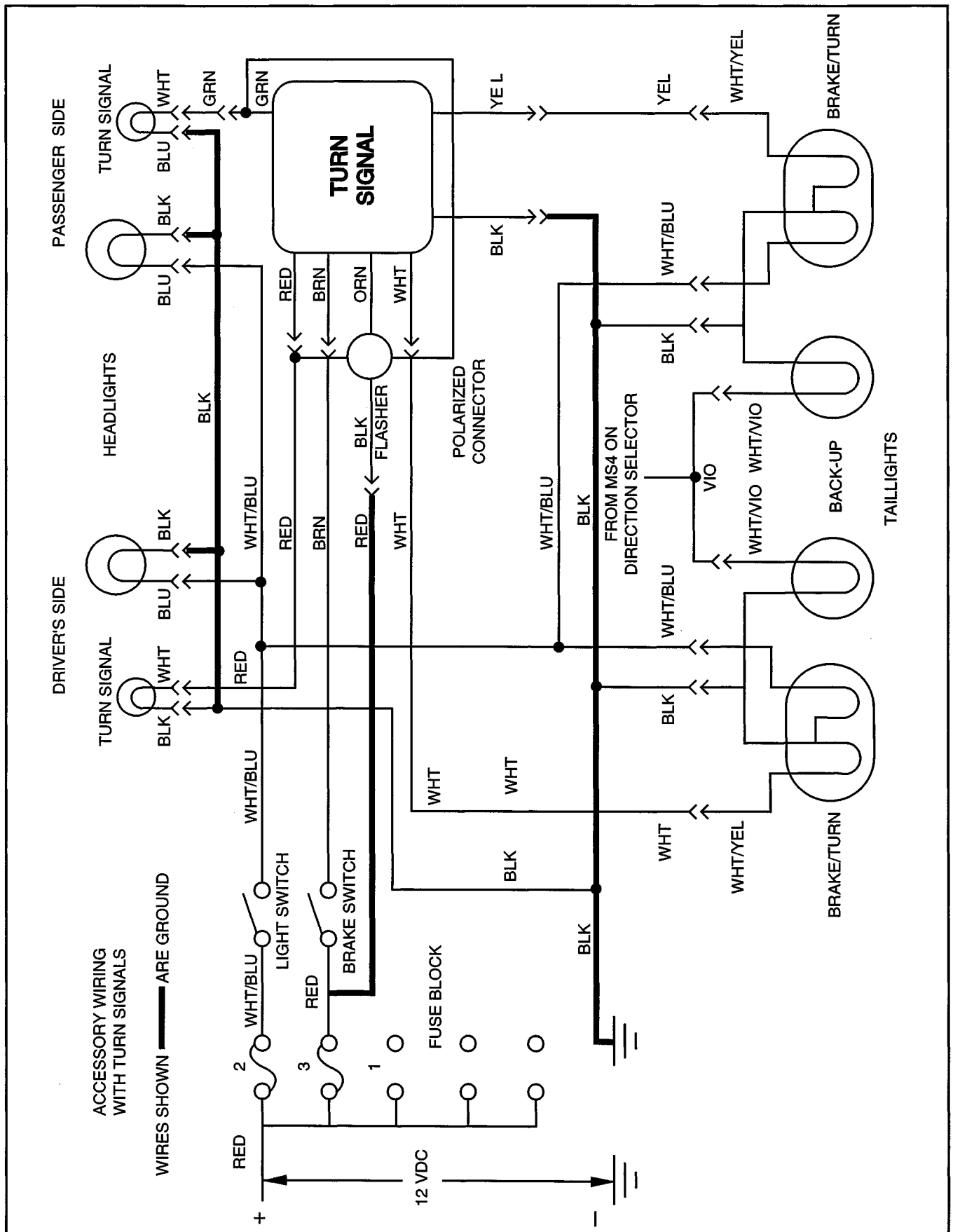
WIRING HARNESS CONNECTIONS  
(FOR USE ON 875 AND 875P MODELS ONLY)















# HORN AND LIGHTING

# Gasoline Vehicle

When ordering parts, please specify the model and serial number of the product.  
 \* Indicates a component that is not available as a individual part.  
 G\*\* Indicates consult Customer Service Department for additional information.

**MODEL**  
**ALL MODELS UNLESS SPECIFIED**

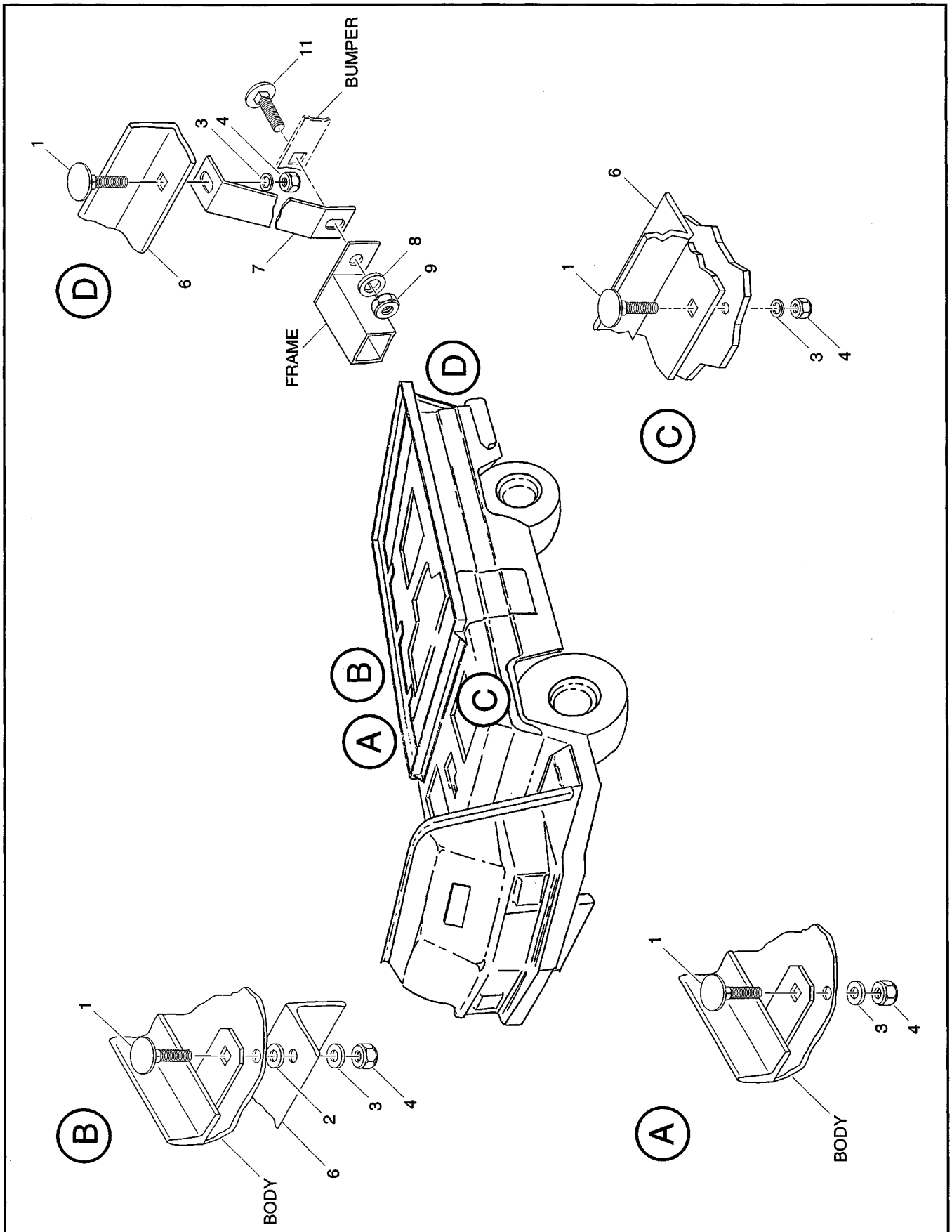
ITEM	PART NO.	1 2 3 4 5	DESCRIPTION	QTY.
1	33456-G01		WIRE HARNESS, CONTROL .....	1
2	33762-G01		SWITCH, HORN.....	1
3	14601-G8		RIVET, 3/16 X 29/64 LG.....	2
4				
5	32674-G1		COVER, STEERING COLUMN (WITHOUT TURN SIGNALS).....	1
6	32675-G1		COVER, STEERING COLUMN (WITH TURN SIGNALS) .....	1
7				
8	17867-G1		SWITCH, TURN SIGNAL .....	1
9				
10	00138-G4		SCREW, #6 - 32 X 1/2 LG.....	2
11	00525-G5		NUT, #6 - 32 .....	2
12	00565-G3		WASHER, LOCK, #6.....	2
13				
14	22674-G1		FUSE BLOCK.....	1
15	33488-G01		BRACKET, MOUNTING .....	1
16				
17	18392-G1		FUSE, 15 AMP .....	4
18	00106-G6		SCREW, #12 - 24 X 3/4 LG.....	1
19				
20				
21	30394-G1		HEADLAMP ASSEMBLY (INCLUDES ITEMS 25 - 28) FOR USE ON VEHICLES WITHOUT TURN SIGNALS).....	1
22	30395-G1		HEADLAMP AND TURN SIGNAL ASSEMBLY, DRIVER'S SIDE (INCLUDES ITEMS 25 - 34) IF EQUIPPED .....	1
23	30395-G2		HEADLAMP AND TURN SIGNAL ASSEMBLY, PASSENGER SIDE (INCLUDES ITEMS 25 - 34) IF EQUIPPED .....	1
24				
25	30394-G1		HEADLIGHT .....	1
26	22523-G1		BULB (REPLACEMENT) .....	AR
27	00560-G3		WASHER, 1/2 .....	1
28	00551-G1		NUT, 1/2 - 13.....	1

When ordering parts, please specify the model and serial number of the product.  
 \* Indicates a component that is not available as an individual part.  
 G\*\* Indicates consult Customer Service Department for additional information.

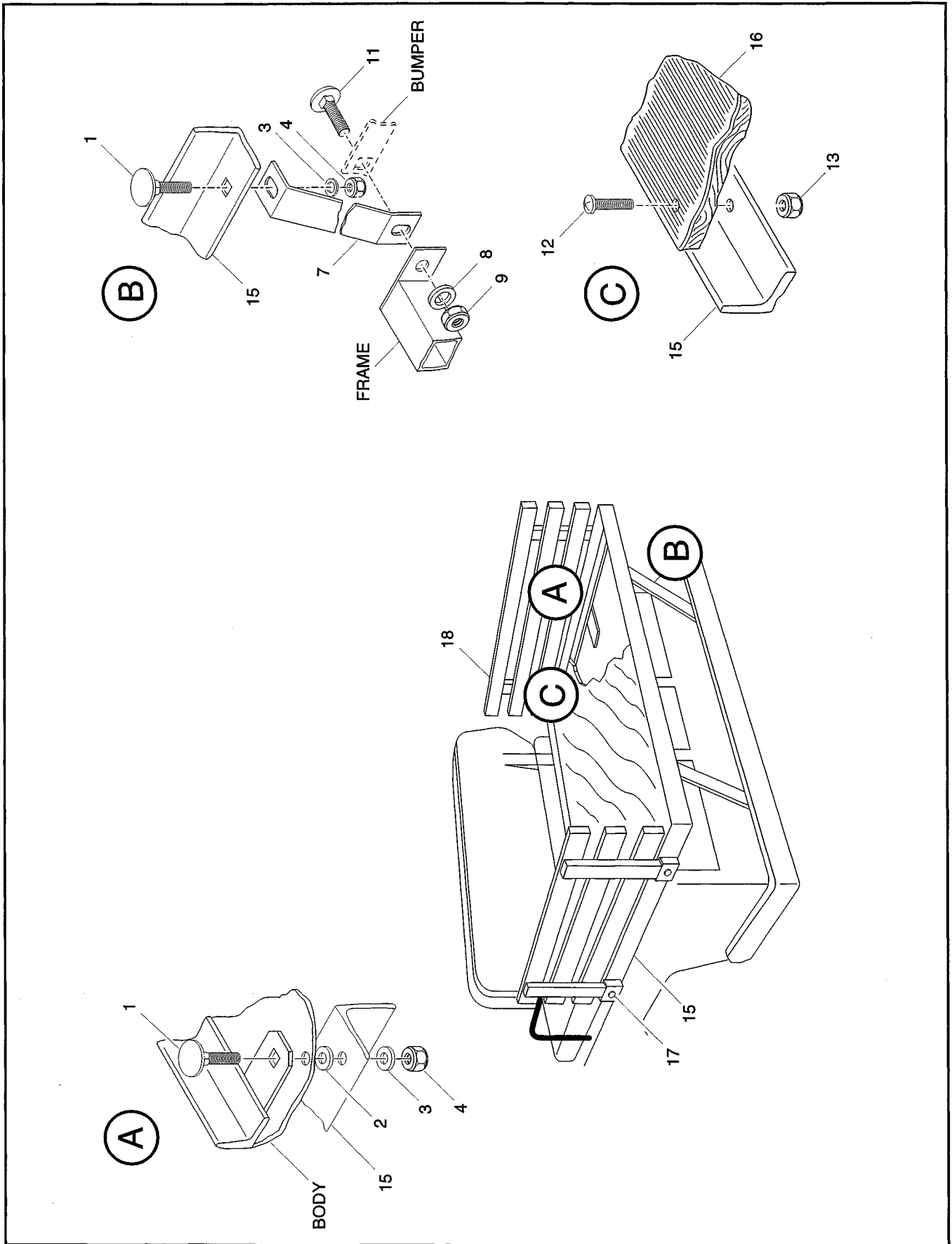
**MODEL**  
 ALL MODELS  
 UNLESS SPECIFIED

ITEM	PART NO.	1	2	3	4	5	DESCRIPTION	QTY.
29								
30	18927-G1						ADAPTER KIT (INCLUDES MOUNTING SCREWS) .....	1
31	18927-G8						PLUG AND HARNESS .....	1
32	21806-G1						BRACKET, TURN SIGNAL .....	1
33	00598-G4						SCREW, SELF TAPPING, #10 - 16 X 1/2 LG.....	2
34	19180-G2						BULB, YELLOW (REPLACEMENT).....	AR
35								
36								
37	32739-G2						TAILLIGHT ASSEMBLY, COMPLETE (FOR USE ON 875 AND 875P MODELS ONLY) .....	2
38	30509-G2						TAILLIGHT ASSEMBLY (FOR USE ON 952, 954, 956 AND 960 MODELS ONLY) INCLUDES ITEMS 39 - 43.....	2
39	30509-G1						TAILLIGHT ASSEMBLY (INCLUDES ITEMS 40 - 43).....	1
40	30530-G1						LENS, TAILLIGHT/STOP LIGHT.....	1
41	30531-G1						LENS, BACKUP LIGHT .....	1
42	21759-G1						BULB, TAILLIGHT (REPLACEMENT).....	AR
43	14601-G7						RIVET, 3/16 x 11/16 LG.....	12
44								
45								
46								
47	11845-G4						CLIP, INSULATED.....	4
48								
49	00116-G4						SCREW, #10 - 16 X 1/2 LG.....	4
50	21640-G1						FLASHER.....	1
51	32860-G1						HORN.....	1
52								
53	14607-G1						CLAMP, NYLON.....	AR

# LOAD DECK (PC-952, 954, 956GX AND BC-960 GX) Gasoline Vehicle



# Gasoline Vehicle LOAD DECK (PC-952, 954, 956GX AND BC-960 GX)



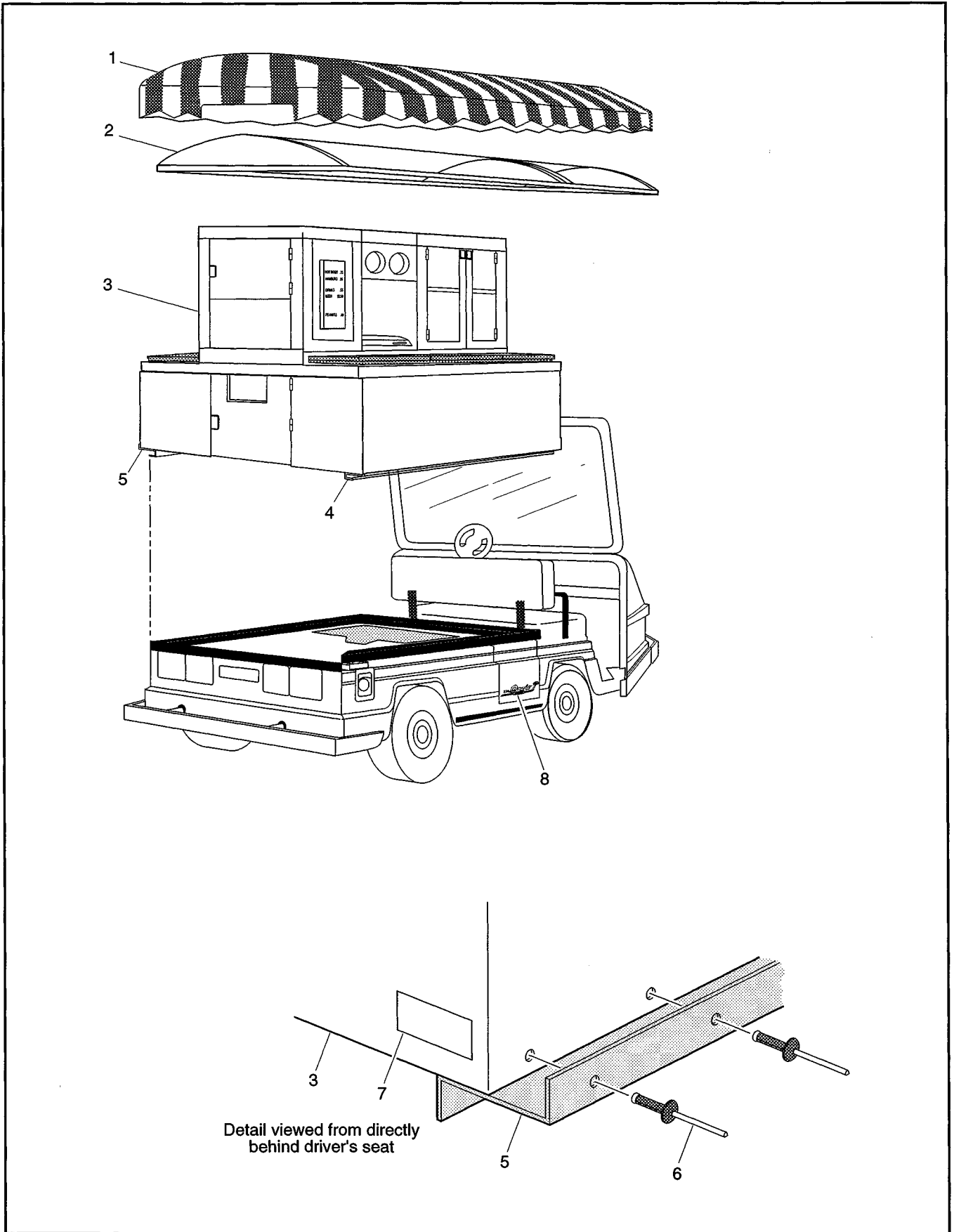
# LOAD DECK (PC-952, 954, 956GX AND BC-960 GX) Gasoline Vehicle

When ordering parts, please specify the model and serial number of the product.  
 \* Indicates a component that is not available as a individual part.  
 G\*\* Indicates consult Customer Service Department for additional information.

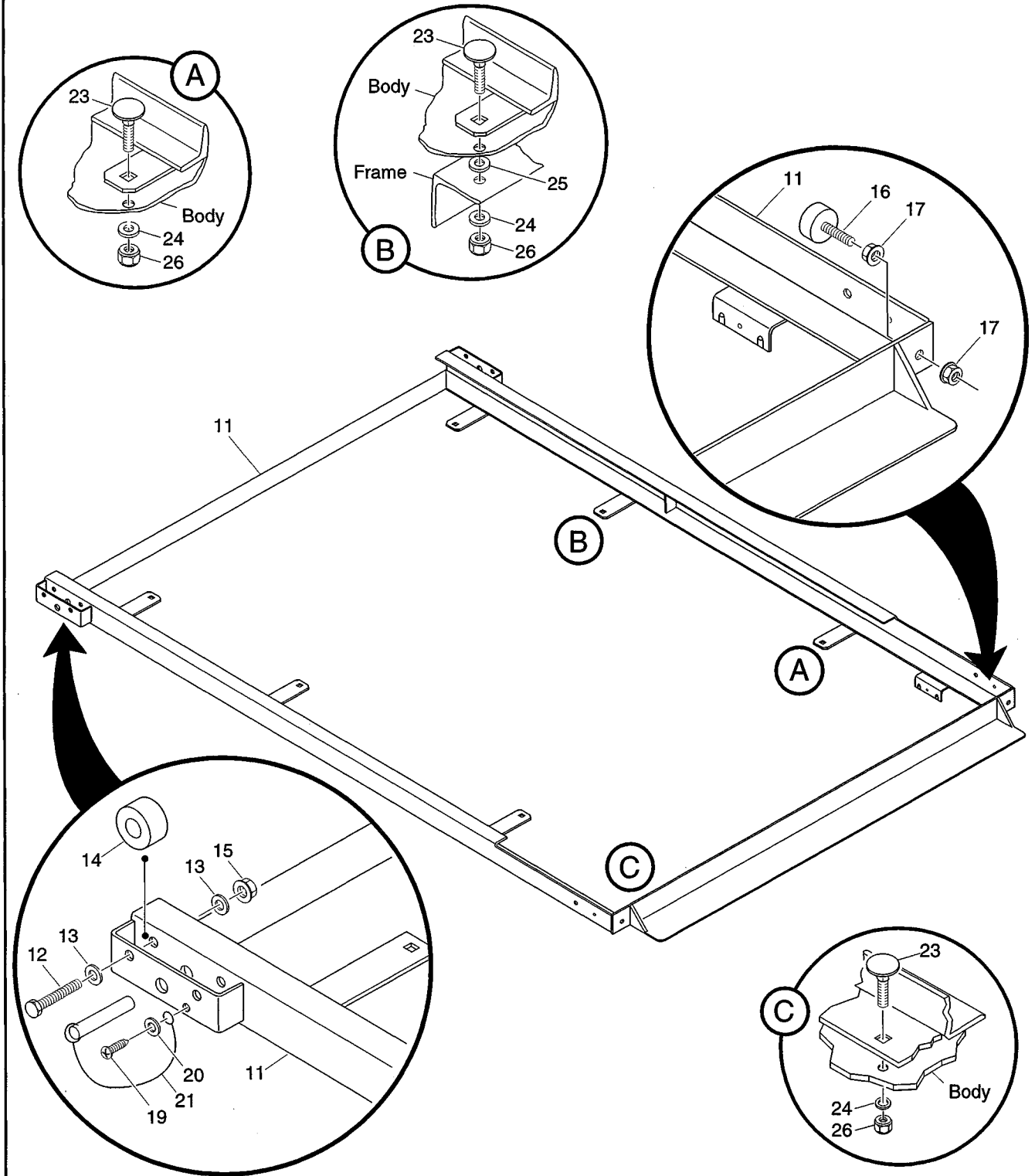
MODEL		
952	956	
954	960	

ITEM	PART NO.	1	2	3	4	5	DESCRIPTION	QTY.		
1	00724-G5						BOLT, CARRIAGE, 5/16 - 18 X 2 LG. ....	4	10	
2	30036-G1						WASHER, RUBBER.....	4	4	
3	00660-G8						WASHER, STAINLESS STEEL, 5/8.....	4	10	
4	000891-G3						NUT, LOCK, 5/16 - 18 .....	4	10	
5										
6	30141-G1						FRAME DECK (FOR USE ON 952 AND 960 MODELS ONLY).....	1	1	
7	30205-G1						BRACE, FRAME DECK .....	2	2	
8	00653-G1						WASHER, STAINLESS STEEL, 3/8.....	2	-	
9	00891-G5						NUT, LOCK, 3/18 - 16 .....	2	-	
10										
11	00725-G5						BOLT, CARRIAGE, STAINLESS STEEL, 3/8 - 16.....	2	-	
12	00774-G2						SCREW, STAINLESS STEEL, 1/4 - 20 X 1 1/4 LG. ....	4	-	
13	00891-G2						NUT, LOCK, 1/4 - 20 .....	4	-	
14										
15	30142-G1						FRAME DECK (FOR USE ON 954 MODEL ONLY).....	1	-	
16	33096-G01						CARGO DECK .....	1	-	
17	00372-G8						SCREW, #8 - 32 X 1 LG.....	4	-	
18	31193-G1						SIDES, WOODEN STAKE.....	2	-	

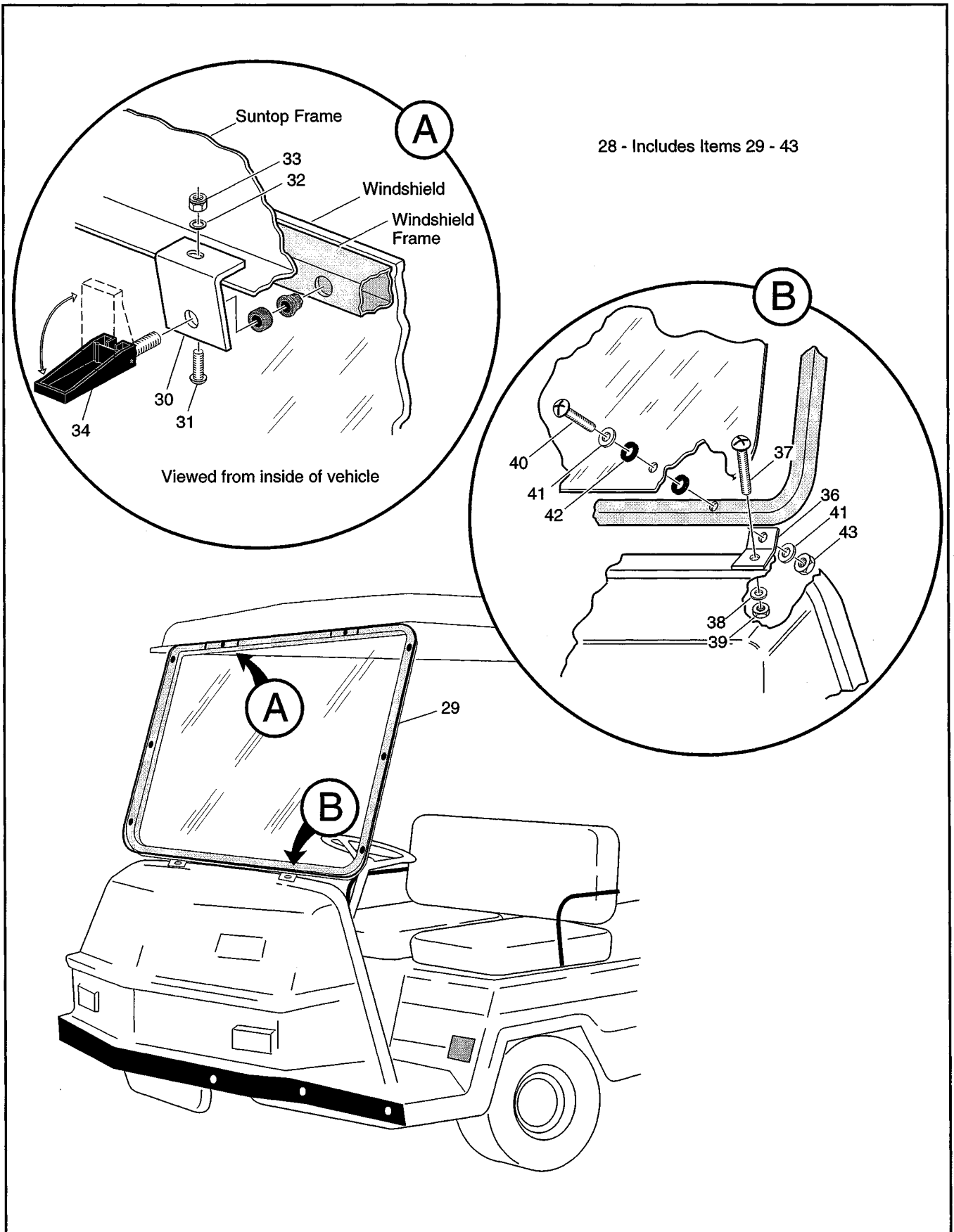
**Gasoline Vehicle LOAD DECK (PC-952, 954, 956GX AND BC-960 GX)**



10 - Includes Items 11 - 17







\*\*\*\* Indicates component only available through Carts of Colorado. Phone: (303) 288-1000

When ordering parts, please specify the model and serial number of the product.

\* Indicates a component that is not available as an individual part.

G\*\* Indicates consult Customer Service Department for additional information.

MODEL	
GRAND OASIS	

ITEM	PART NO.	1 2 3 4 5	DESCRIPTION	QTY.	
1	****		CANOPY .....	1	
2	****		CANOPY FRAME .....	1	
3	****		VENDING UNIT .....	1	
4	35178-G01		'Z' CHANNEL (PASSENGER SIDE) .....	1	
5	35178-G02		'Z' CHANNEL (DRIVER SIDE).....	1	
6	14601-G10		RIVET, 5/32 .....	12	
7	35185-G01		LABEL (PINS) .....	1	
8	35205-G01		LABEL (GRAND OASIS™) .....	2	
9					
10	35161-G01		DECK FRAME ASSEMBLY .....	1	
11	35160-G01		FRAME WELDMENT.....	1	
12	00439-G8		BOLT, 5/16-18 X 2 LG.....	4	
13	00559-G8		WASHER, 5/16 .....	8	
14	35164-G01		RUBBER WHEEL .....	4	
15	11098-G6		LOCK NUT, 5/16-18.....	4	
16	70113-G01		RUBBER BUMPER .....	2	
17	11027-G1		LOCK NUT, 5/16-18.....	4	
18					
19	00588-G4		SCREW, #10-24 X 1/2 LG.....	4	
20	00559-G5		WASHER, #10.....	4	
21	35191-G01		LANYARD ASSEMBLY .....	4	
22					
23	00724-G5		ELEVATOR BOLT, 5/16-18 X 2 LG. ....	8	
24	00660-G8		WASHER, 5/16.....	8	
25	30036-G1		RUBBER WASHER.....	4	
26	11098-G6		LOCK NUT, 5/16-18 .....	8	
27					
28	35171-G01		WINDSHIELD KIT .....	1	
29	35173-G01		WINDSHIELD .....	1	
30	35169-G01		BRACKET .....	2	

\*\*\*\* Indicates component only available through Carts of Colorado. Phone: (303) 288-1000

When ordering parts, please specify the model and serial number of the product.

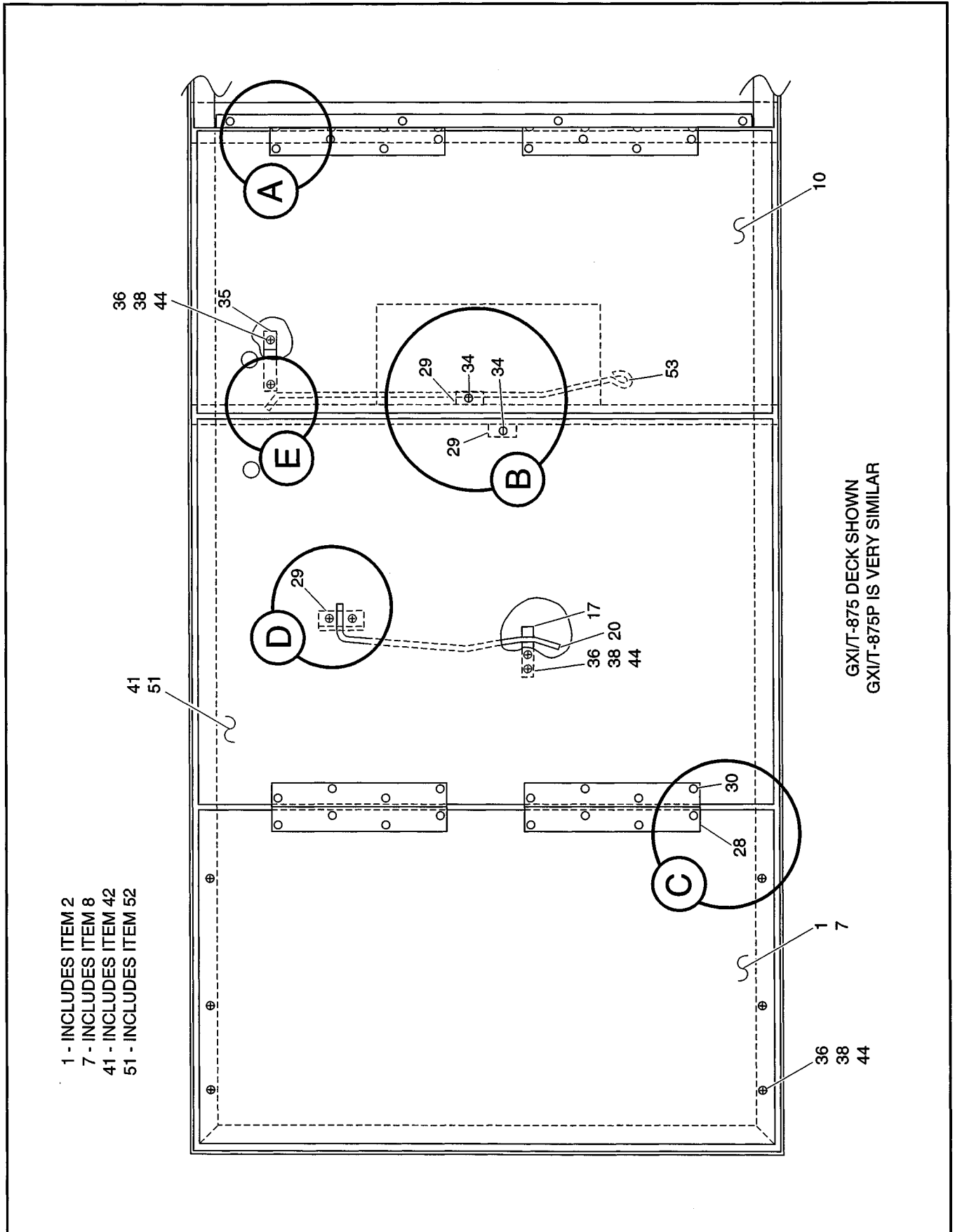
\* Indicates a component that is not available as a individual part.

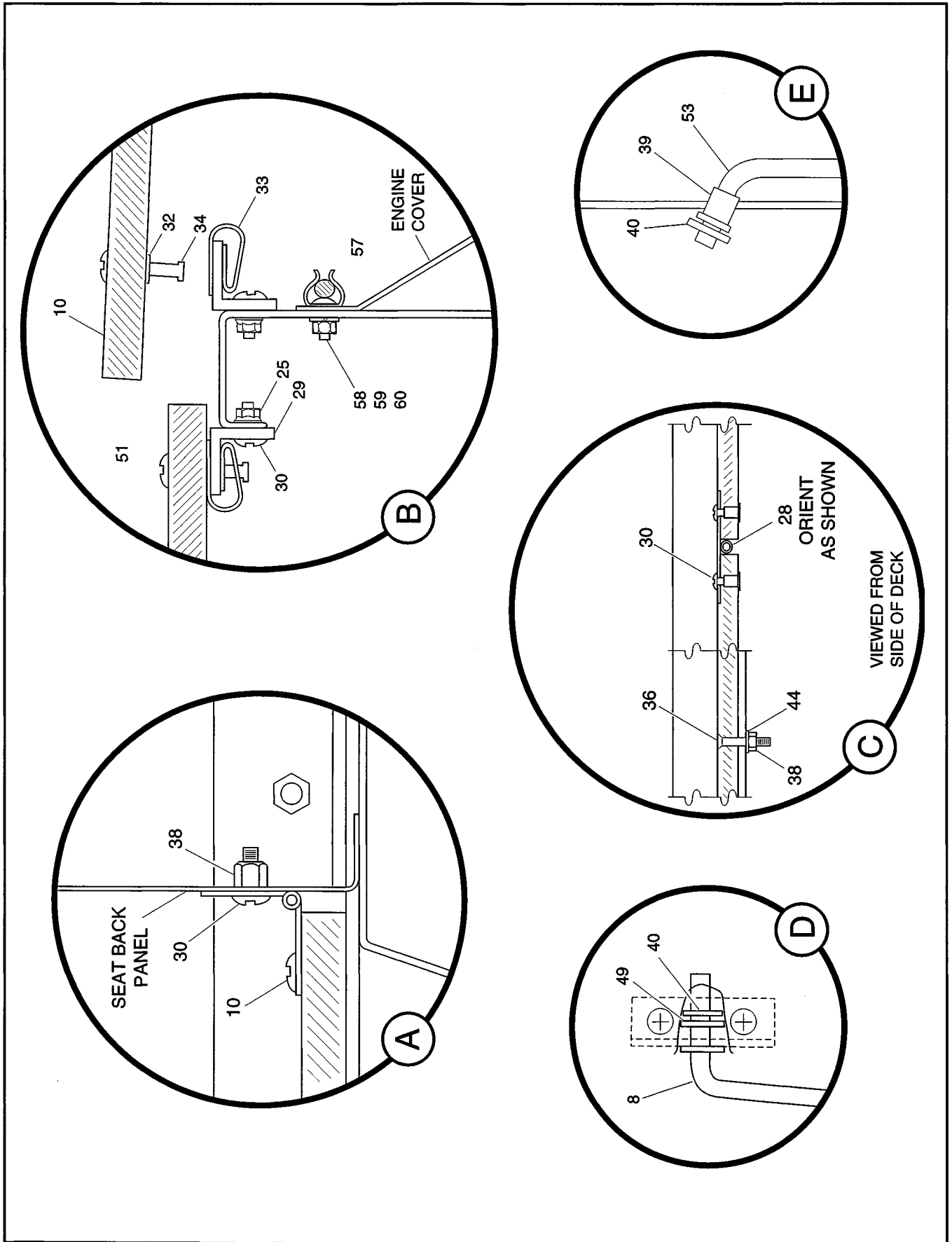
G\*\* Indicates consult Customer Service Department for additional information.

MODEL	
GRAND OASIS	

ITEM	PART NO.	1	2	3	4	5	DESCRIPTION	QTY.	
31	00372-G4						SCREW, #8-32 X 1/2 LG .....	2	
32	00559-G4						WASHER, #8 .....	2	
33	14390-G8						LOCK NUT, #8-32 .....	2	
34	35170-G01						SWELL LATCH .....	2	
35									
36	35198-G1						BRACKET .....	2	
37	00762-G4						BOLT, 5/16-18 X 1 1/2 LG.....	2	
38	00660-G8						WASHER, 5/16 .....	2	
39	00891-G3						LOCK NUT, 5/16-18.....	2	
40	16705-G8						BOLT, 1/4-20 X 2 LG.....	2	
41	00660-G7						WASHER, 1/4 .....	4	
42	00795-G1						RUBBER WASHER .....	4	
43	00891-G2						LOCK NUT, 1/4-20.....	2	







# LOAD DECK (GXI/T-875 AND GXI/T-875P)

# Gasoline Vehicle

When ordering parts, please specify the model and serial number of the product.  
 \* Indicates a component that is not available as a individual part.  
 G\*\* Indicates consult Customer Service Department for additional information.

MODEL		
875	875P	

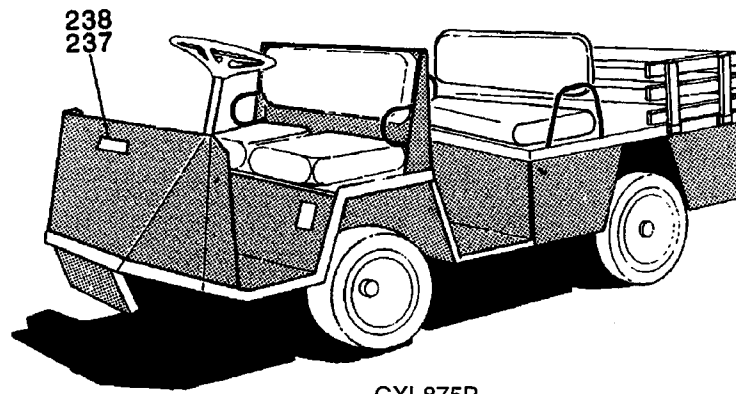
ITEM	PART NO.	1 2 3 4 5	DESCRIPTION	QTY.	
				875	875P
1	33132-G01		DECK, REAR (INCLUDES ITEM 2) .....	-	1
2	11782-G2		NUT, TEE, 1/4 - 20.....	-	8
3					
4					
5					
6					
7	33133-G01		DECK, REAR (INCLUDES ITEM 8) .....	1	-
8	11782-G2		NUT, TEE, 1/4 - 20.....	8	-
9					
10					
11	16705-G2		SCREW, STAINLESS STEEL, 1/4 - 20 X 5/8 LG.....	8	-
12	30538-G1		DECK, FRONT .....	1	-
13	33121-G01		HINGE .....	2	-
14	11782-G2		NUT, TEE, 1/4 - 20 .....	8	-
15					
16					
17	27308-G01		RETAINER, SEAT PROP .....	1	1
18					
19					
20					
21	00559-G8		WASHER, 5/16.....	1	1
22	33273-G01		ROD, SUPPORT .....	1	1
23					
24					
25	11027-G2		NUT, LOCK, 1/4 - 20 .....	4	2
26					
27					
28	33121-G01		HINGE .....	2	2
29	22501-G2		MOUNT .....	3	2
30	16705-G2		SCREW, STAINLESS STEEL, 1/4 - 20 X 5/8 LG.....	28	26

When ordering parts, please specify the model and serial number of the product.  
 \* Indicates a component that is not available as an individual part.  
 G\*\* Indicates consult Customer Service Department for additional information.

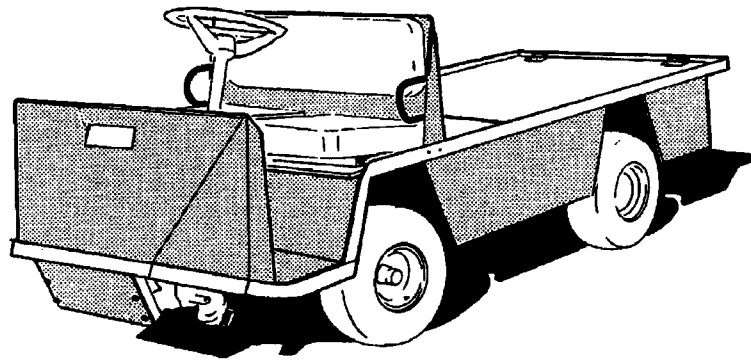
MODEL		
875	875P	

ITEM	PART NO.	1 2 3 4 5	DESCRIPTION	QTY.		
				875	875P	
31						
32	16836-G1		RETAINER, PUSHON.....	2	1	
33	16837-G1		TURN RECEPTACLE, CLIP ON.....	2	1	
34	00773-G1		STUD, OVAL.....	2	1	
35	18270-G2		BRACKET.....	1	-	
36	00205-G4		SCREW, 1/4 - 20 X 1 1/2 LG.....	10	8	
37						
38	00891-G2		NUT, LOCK, 1/4 - 20.....	18	6	
39	17838-G1		BUSHING, NYLINER.....	1	-	
40	12064-G1		PUSHNUT, 5/16.....	2	-	
41	33549-G02		DECK, HINGED (INCLUDES ITEM 42).....	-	1	
42	11782-G2		NUT, TEE, 1/4 - 20.....	-	8	
43						
44	00660-G7		WASHER, 1/4.....	10	6	
45						
46						
47						
48						
49	00660-G8		WASHER, STAINLESS STEEL, 5/16.....	1	1	
50						
51	33549-G01		DECK, HINGED (INCLUDES ITEM 52).....	1	-	
52	11782-G2		NUT, TEE, 1/4 - 20.....	8	-	
53						
54	00559-G8		WASHER, 5/16.....	1	-	
55	30541-G4		ROD, SUPPORT.....	1	-	
56						
57	21548-G1		CLIP, FASTENER.....	1	-	
58	00138-G4		SCREW, #6 - 32 X 1/2 LG.....	1	-	
59	00525-G5		NUT, #6 - 32.....	1	-	
60	00565-G3		WASHER, LOCK.....	1	-	

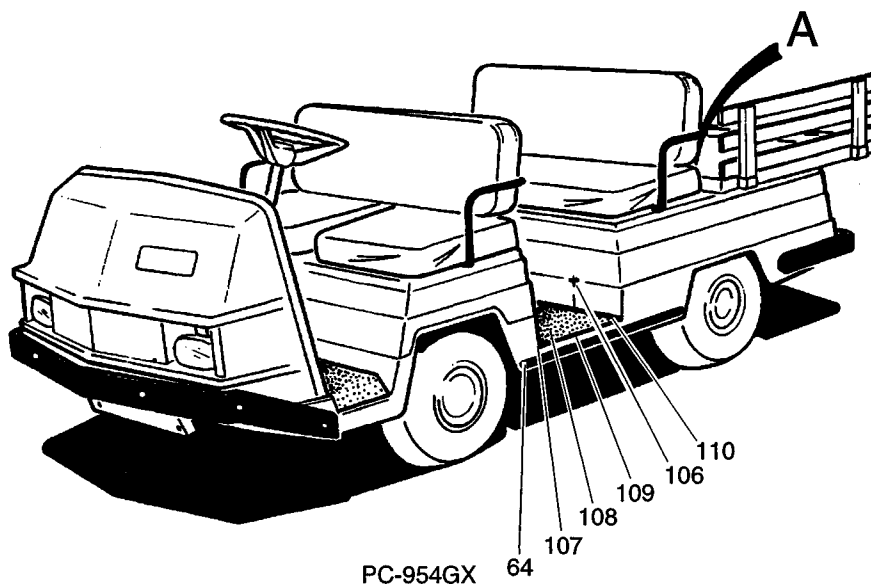




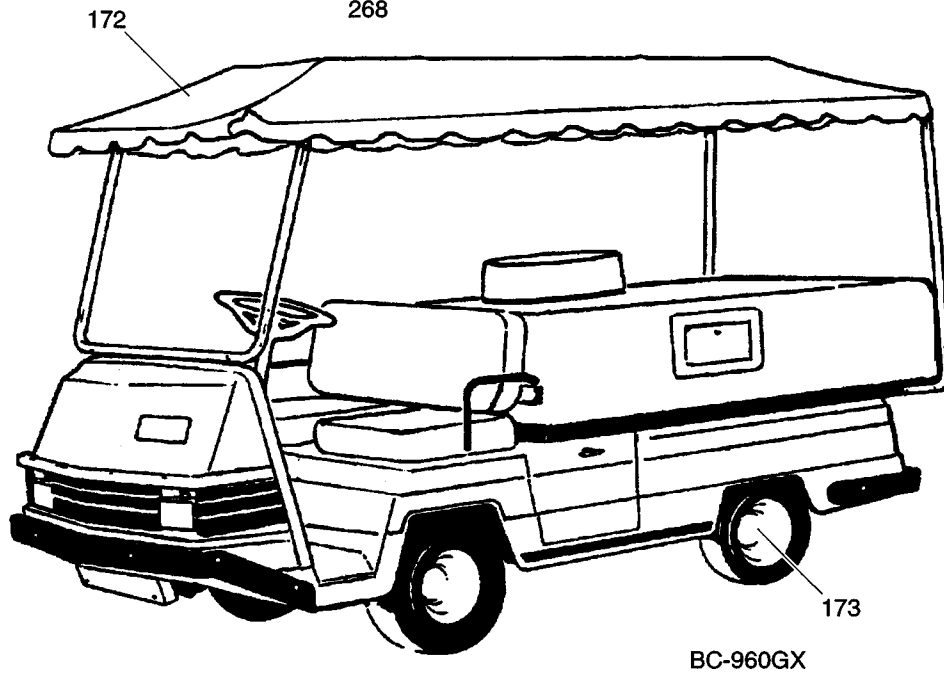
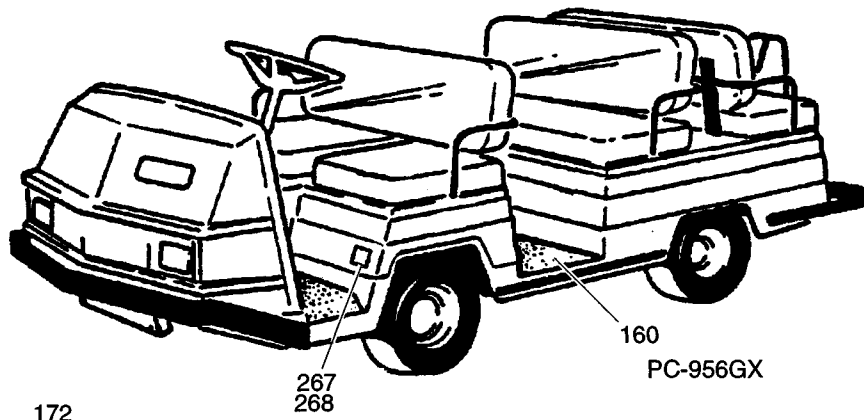
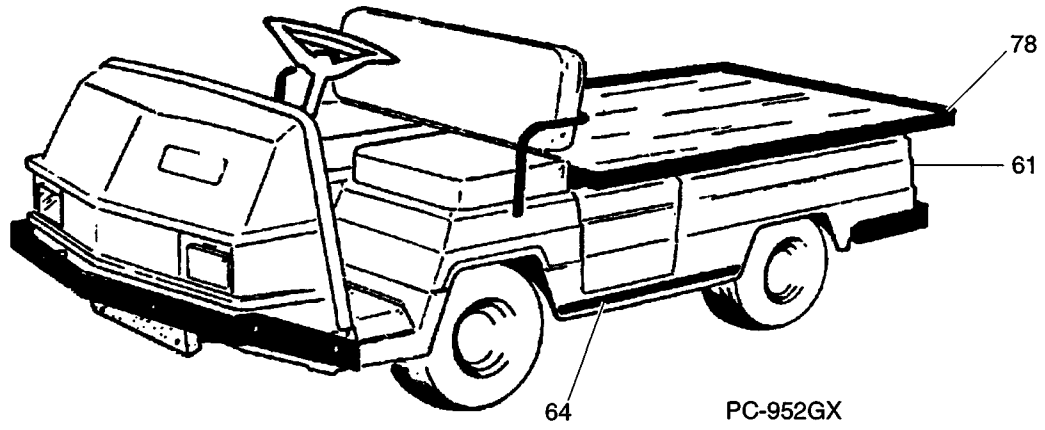
GXI-875P



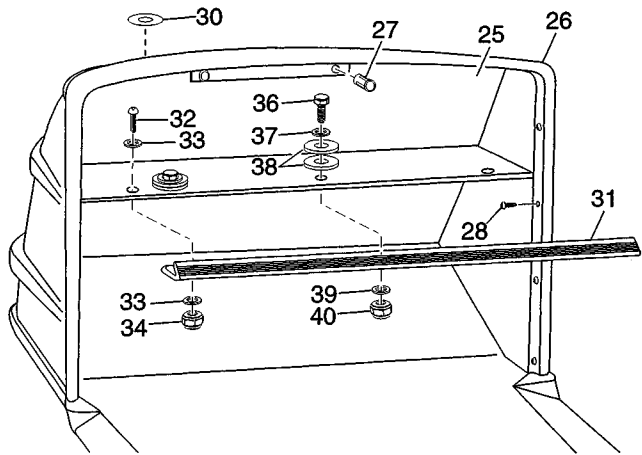
GXI-875



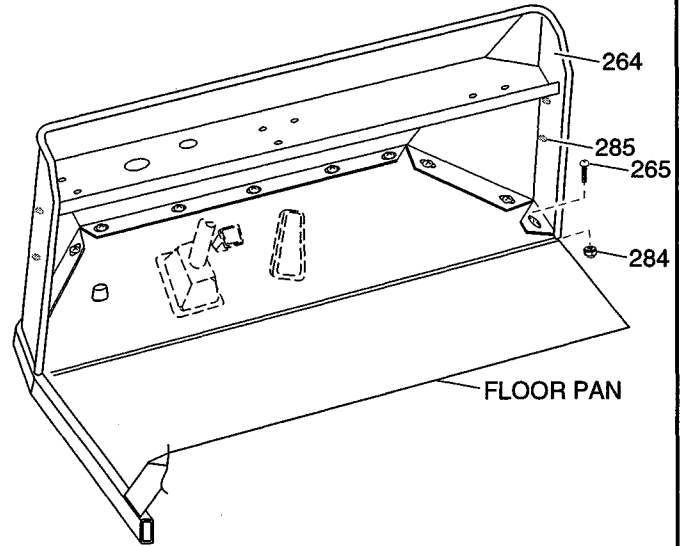
PC-954GX



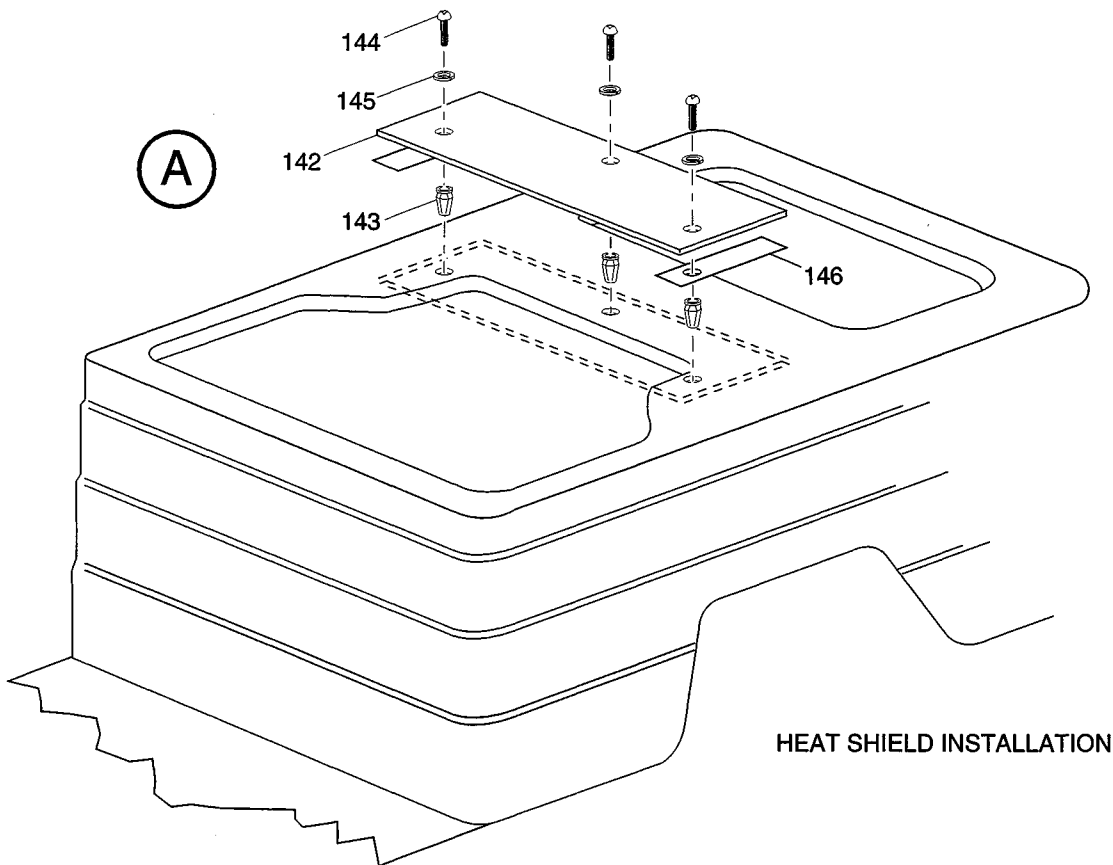
COWL INSTALLATION - FIBERGLASS BODIES



COWL INSTALLATION - METAL BODIES

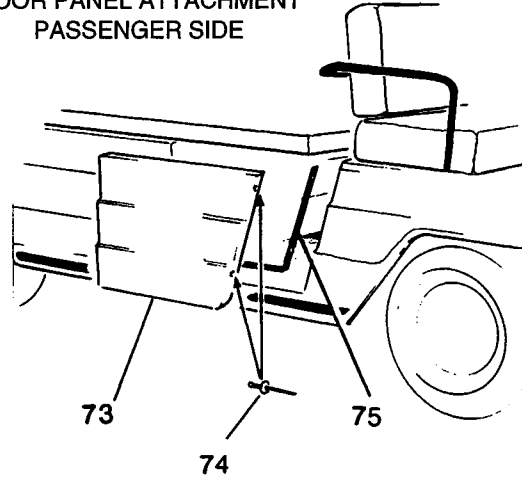


(A)

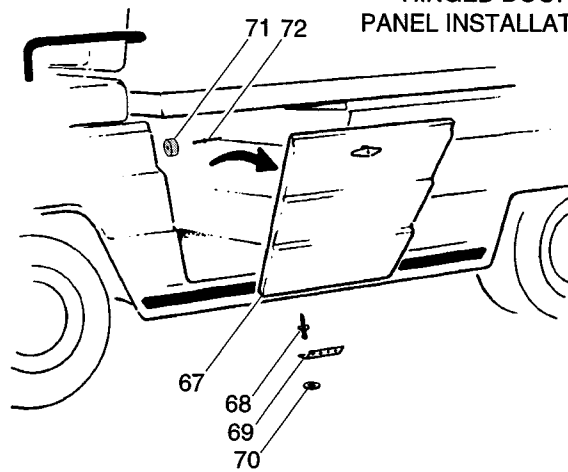


HEAT SHIELD INSTALLATION

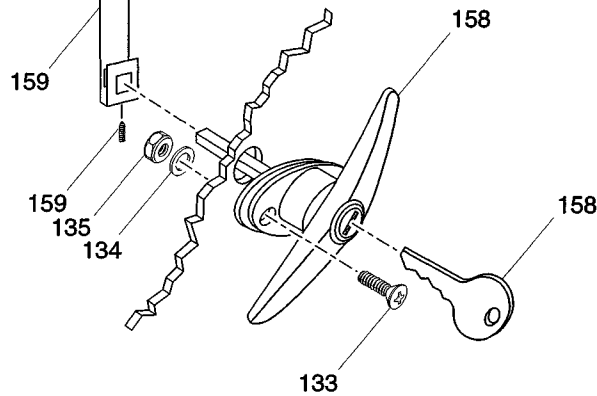
DOOR PANEL ATTACHMENT  
PASSENGER SIDE

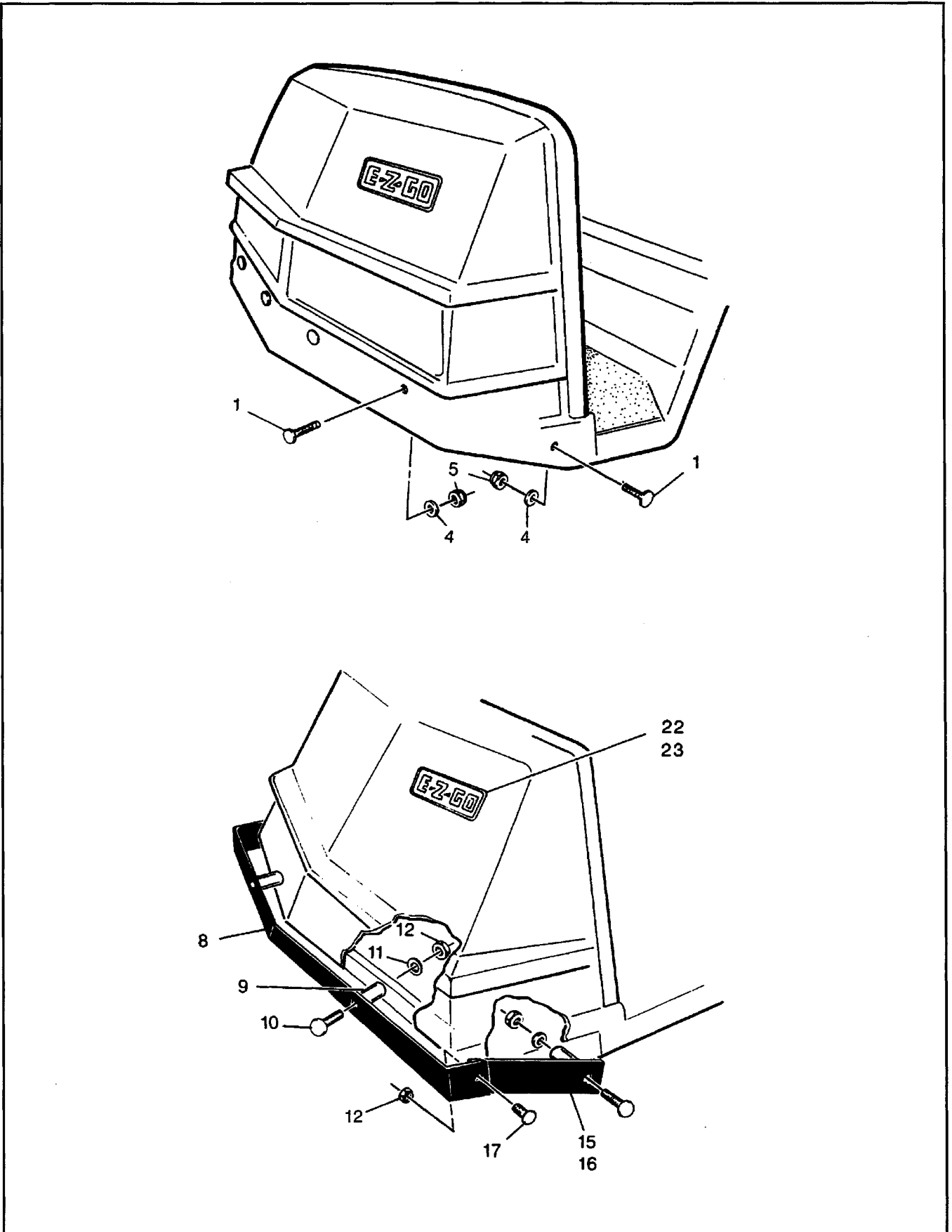


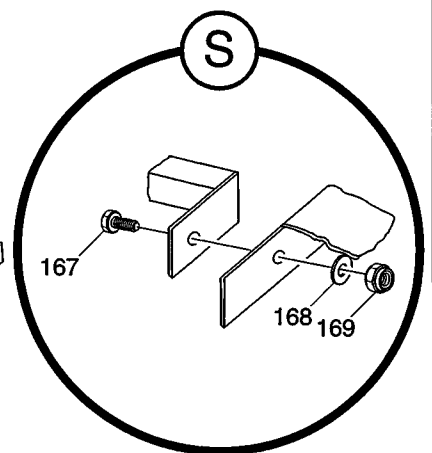
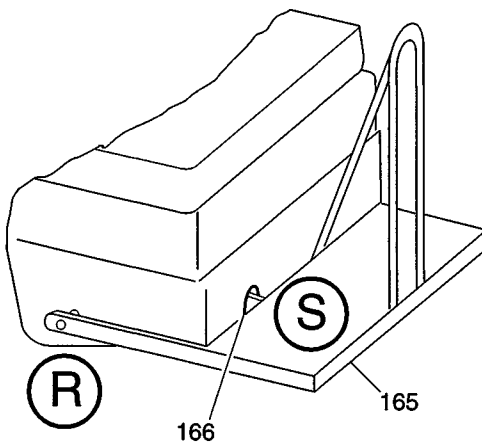
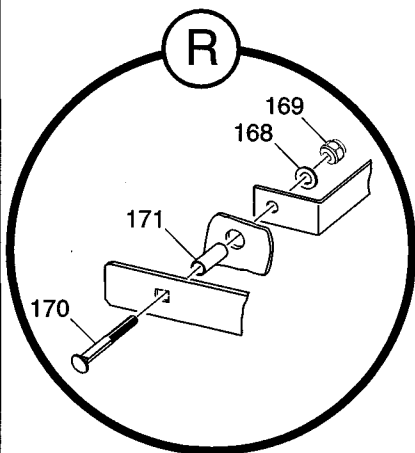
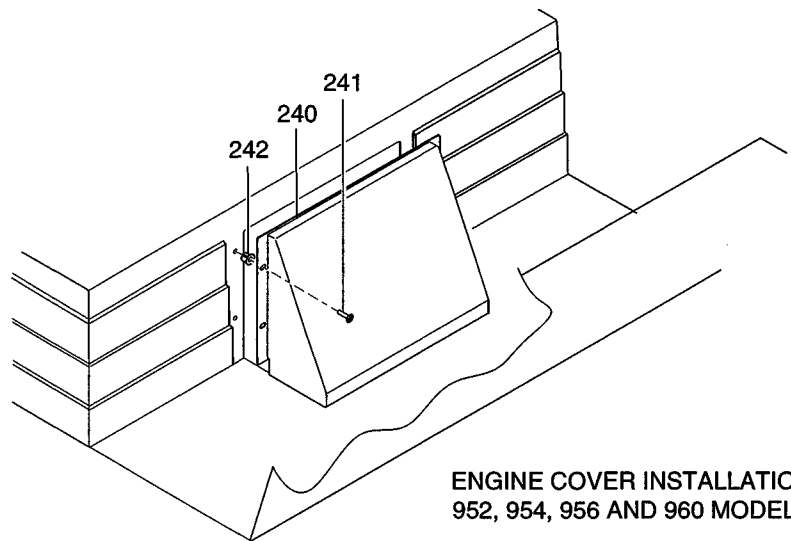
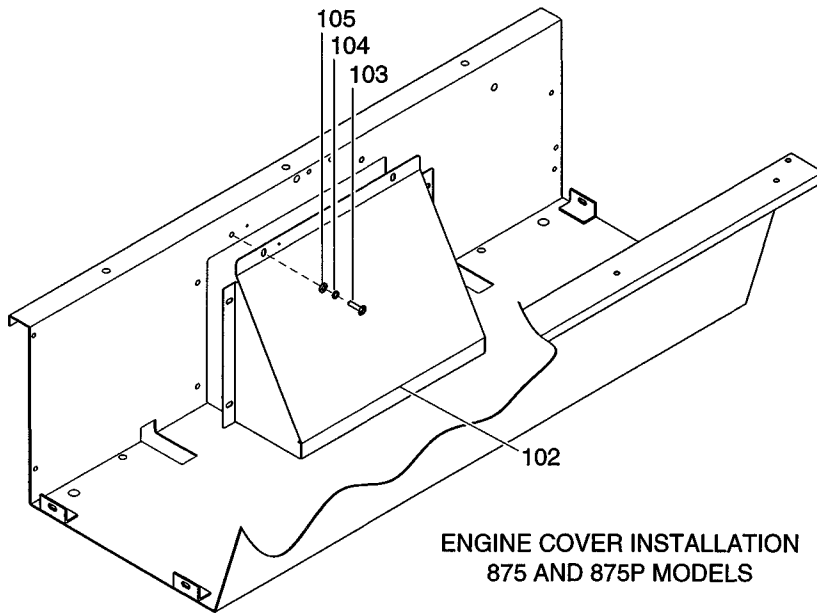
HINGED DOOR  
PANEL INSTALLATION

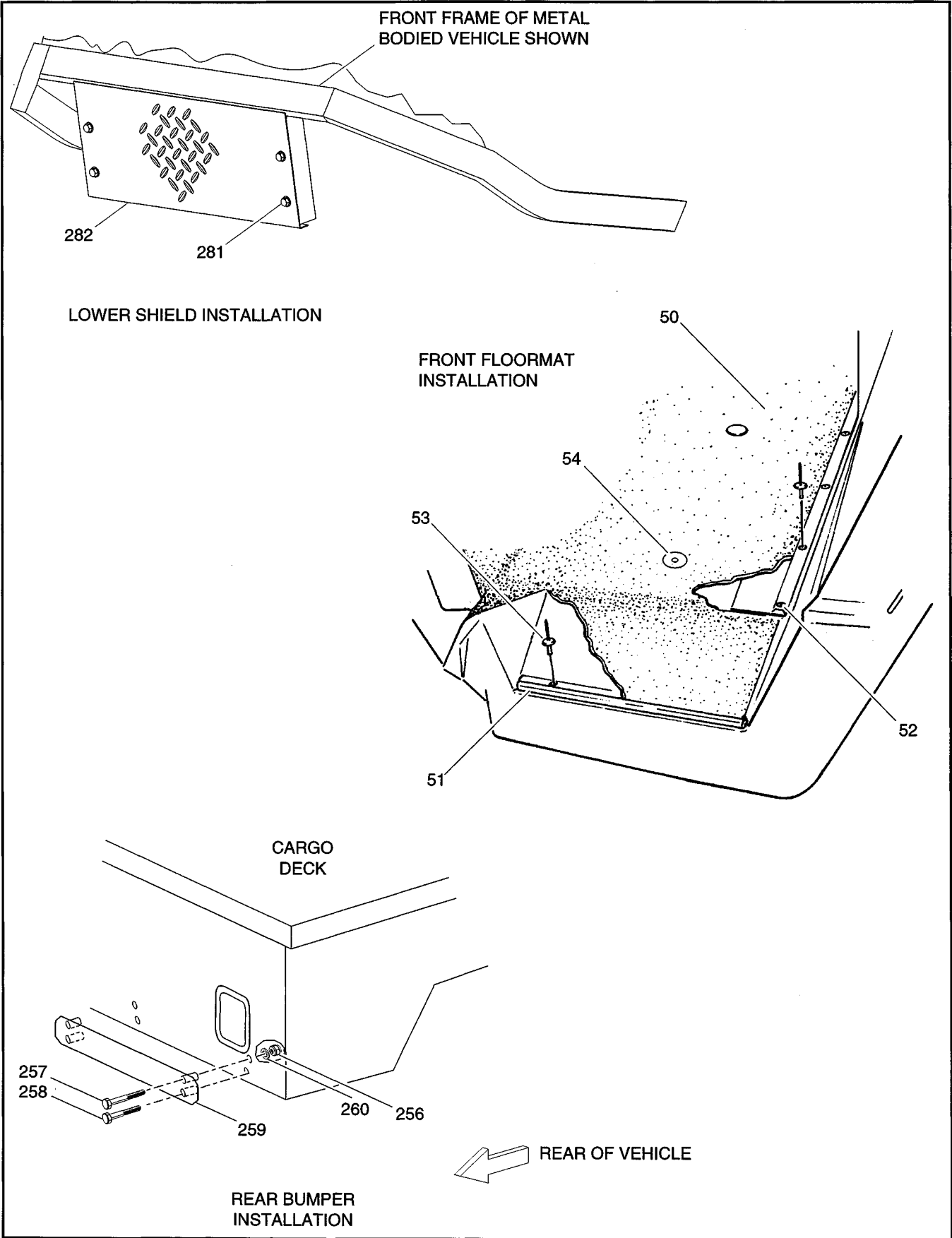


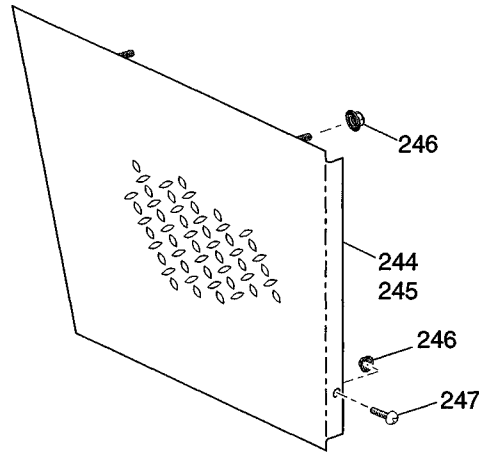
DOOR LOCK  
INSTALLATION



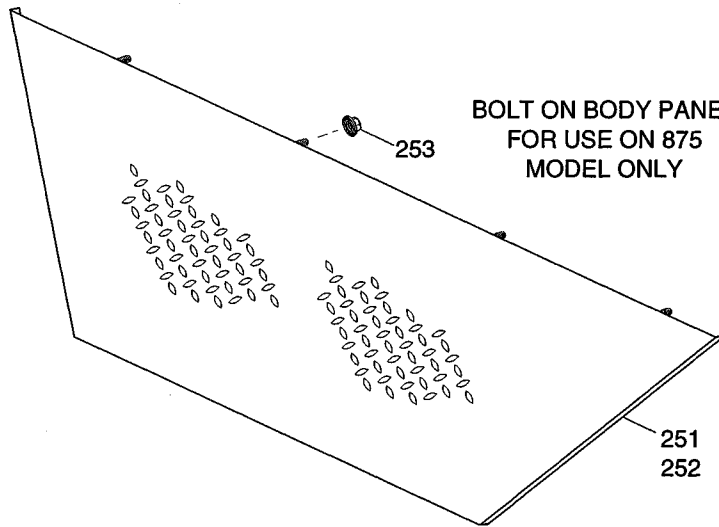




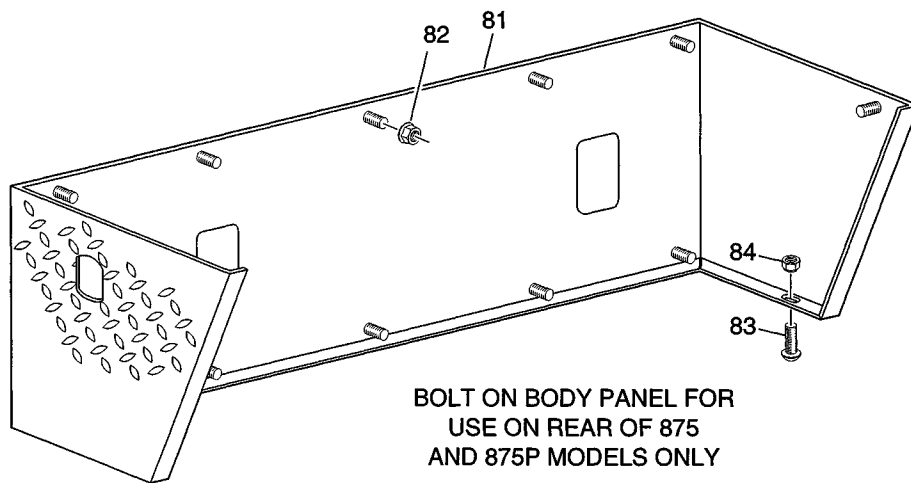




BOLT ON BODY PANEL  
FOR USE ON 875P  
MODEL ONLY

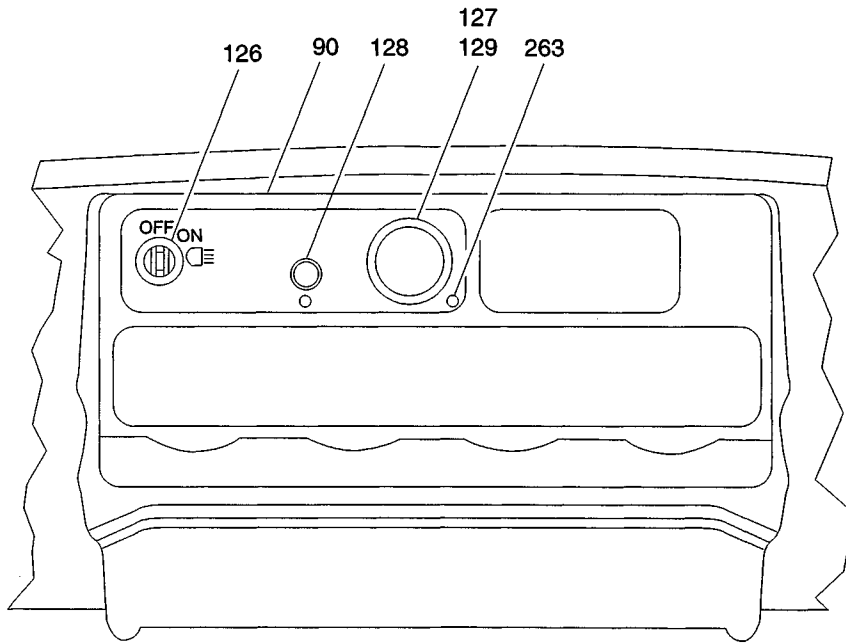


BOLT ON BODY PANEL  
FOR USE ON 875  
MODEL ONLY

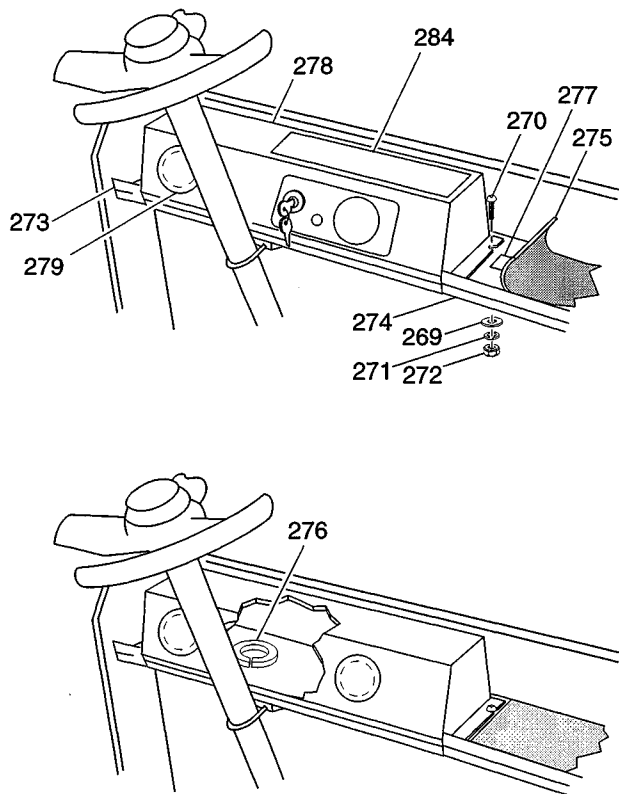


BOLT ON BODY PANEL FOR  
USE ON REAR OF 875  
AND 875P MODELS ONLY

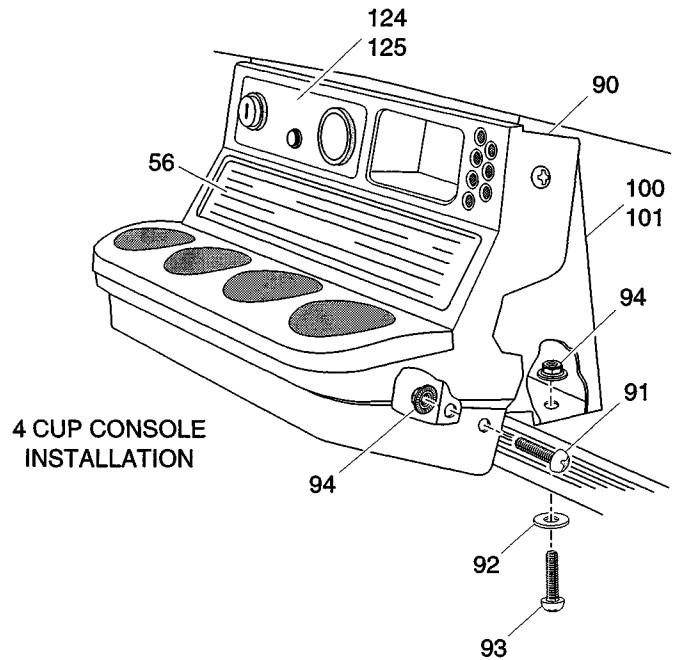




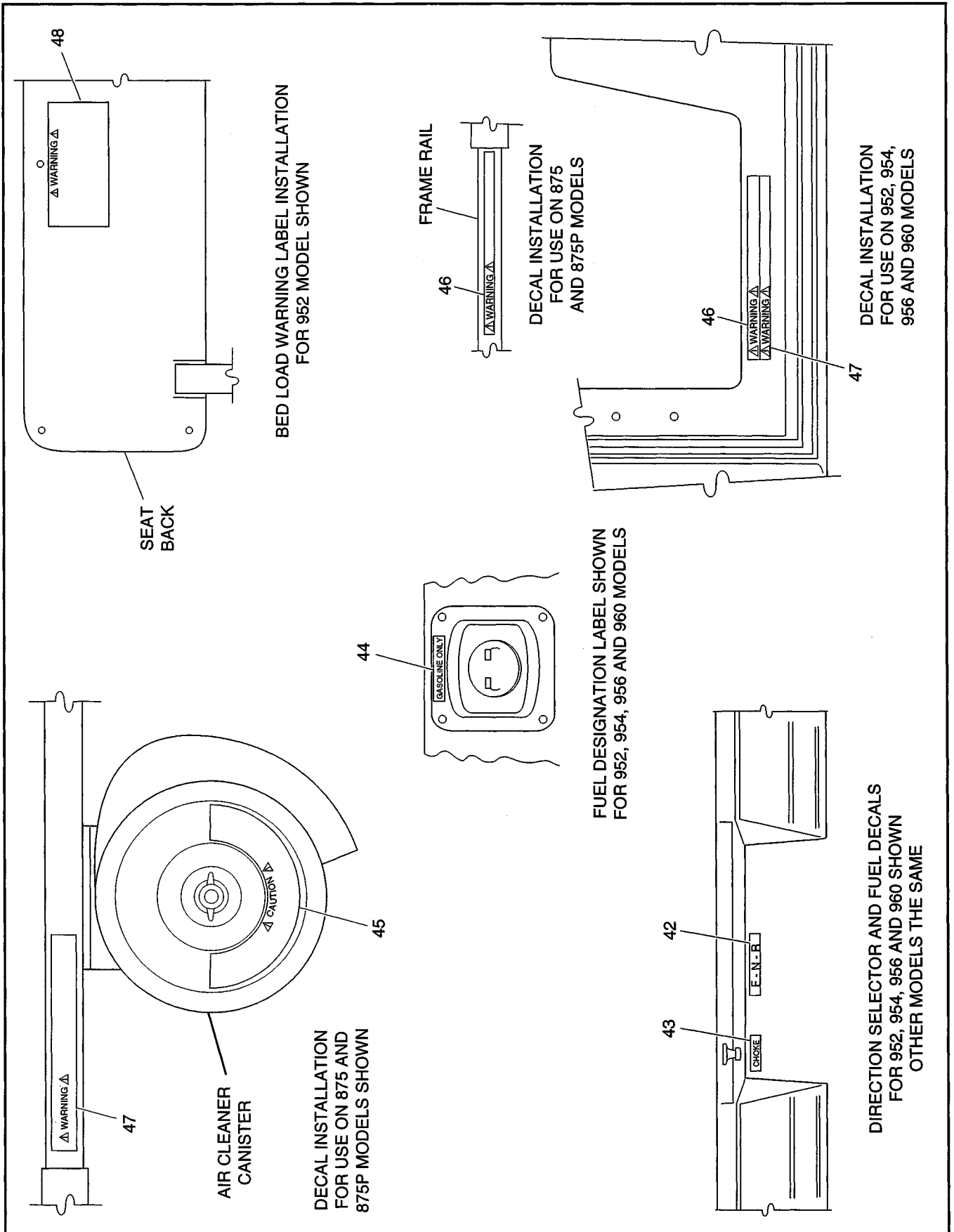
FRONT VIEW OF 4 CUP CONSOLE



INSTRUMENT PANEL  
INSTALLATION

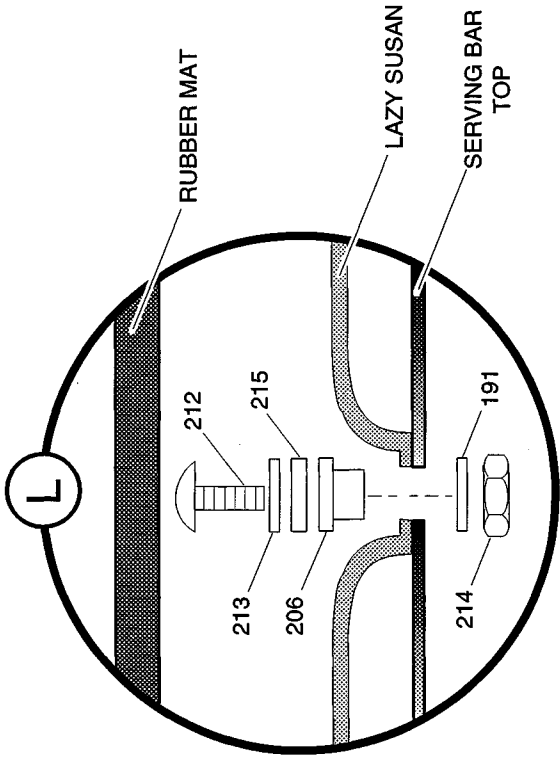


4 CUP CONSOLE  
INSTALLATION

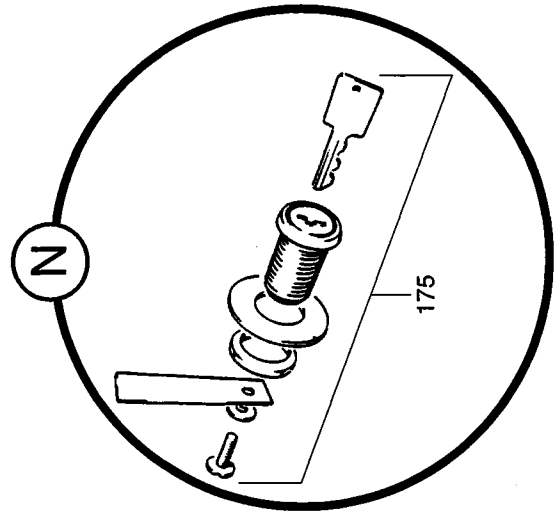




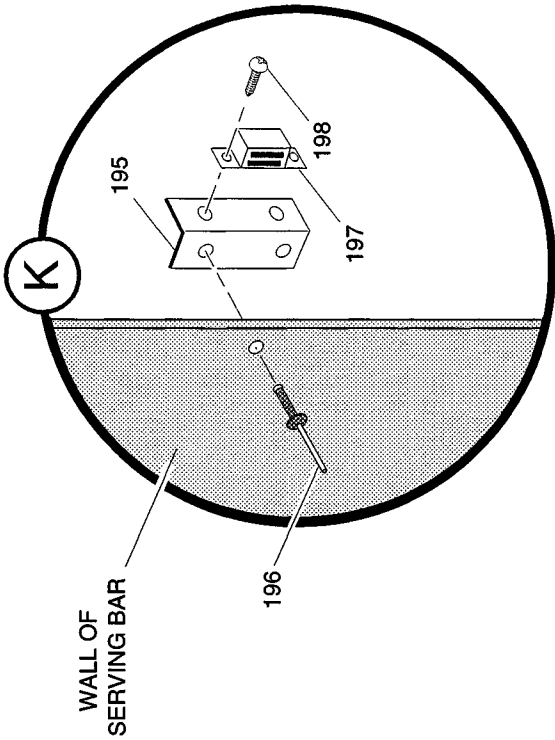
LAZY SUSAN INSTALLATION



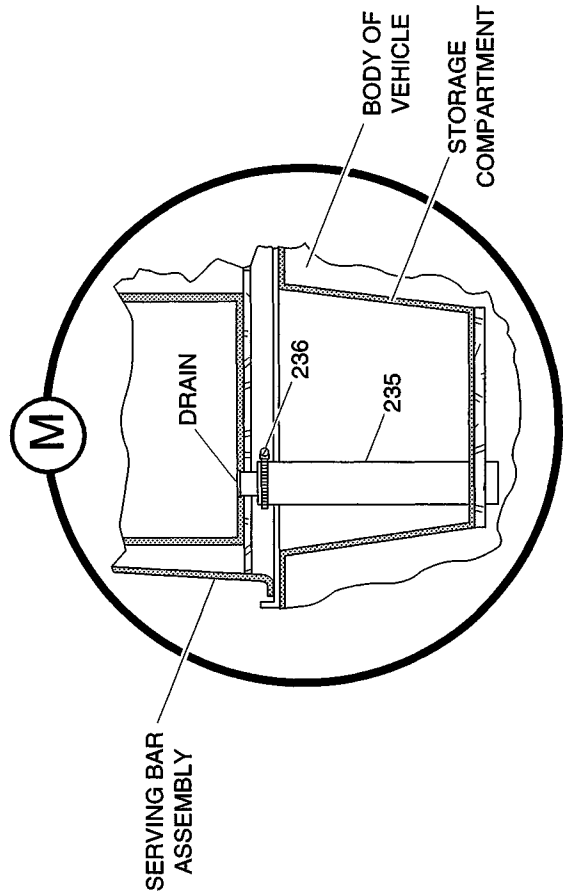
DRAWER LOCK INSTALLATION



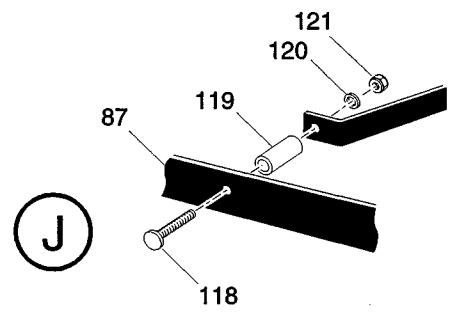
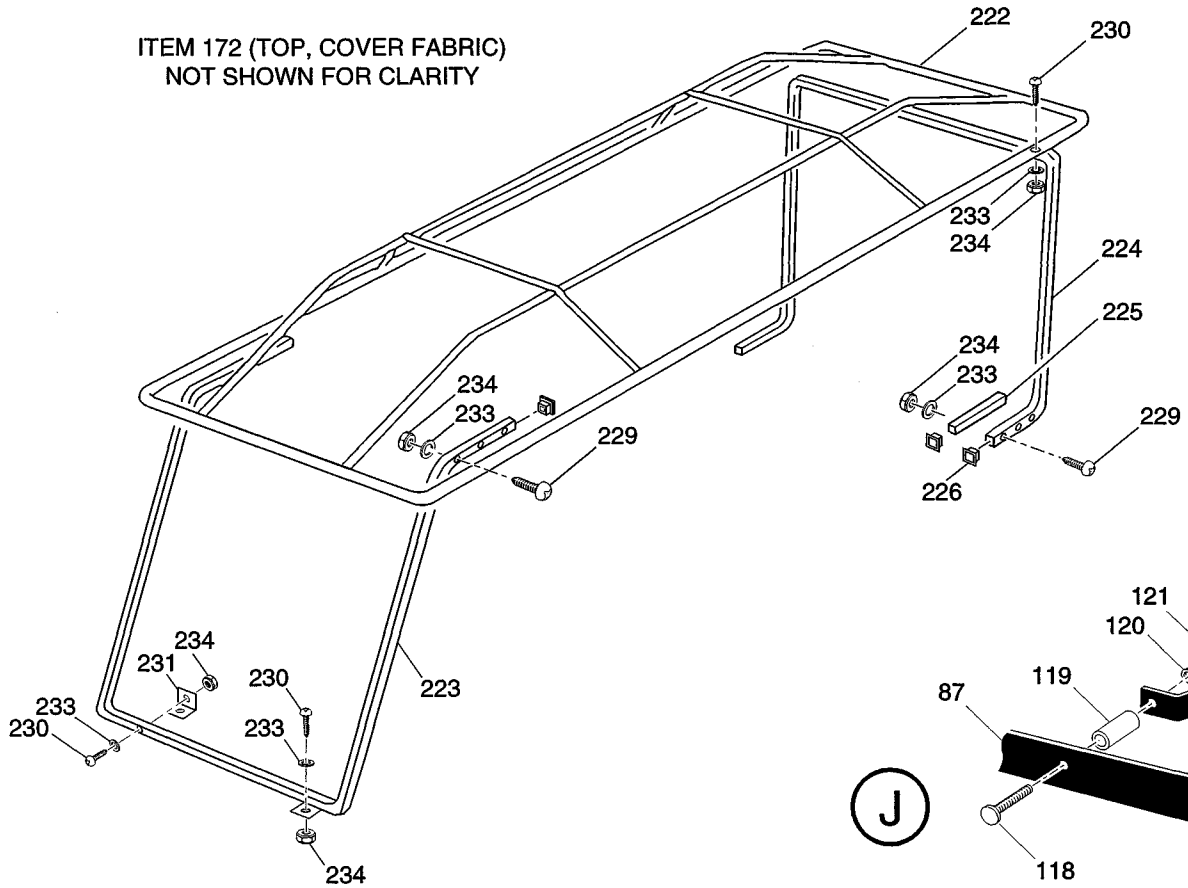
SIDE DOOR INSTALLATION



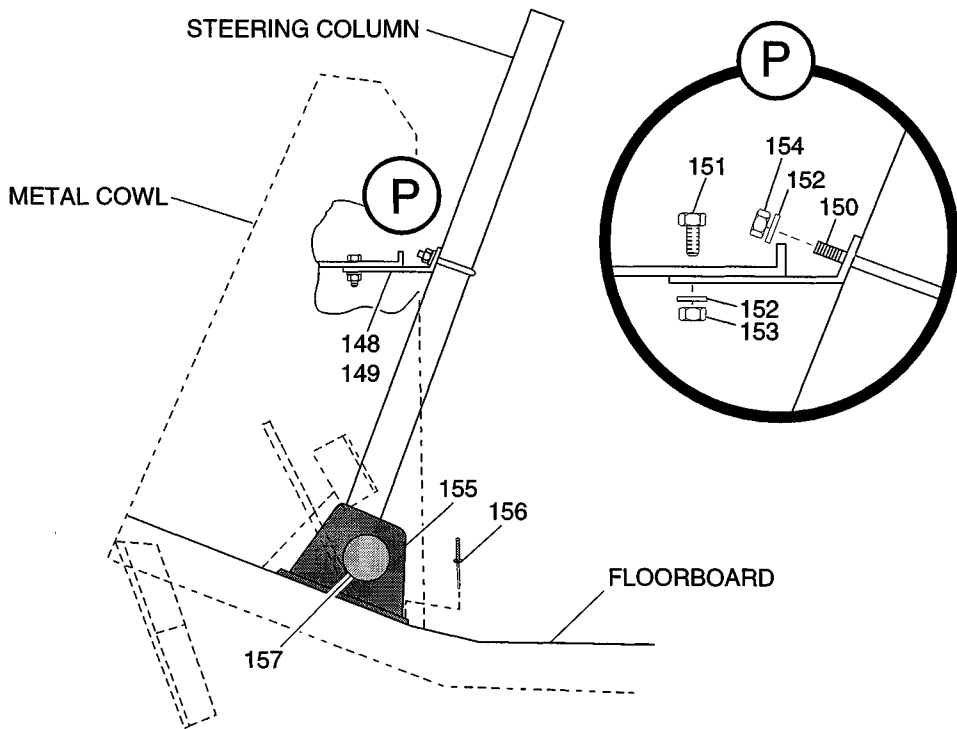
FRONT COMPARTMENT DRAIN INSTALLATION



ITEM 172 (TOP, COVER FABRIC)  
NOT SHOWN FOR CLARITY



REAR BUMPER INSTALLATION



When ordering parts, please specify the model and serial number of the product.  
 \* Indicates a component that is not available as an individual part.  
 G\*\* Indicates consult Customer Service Department for additional information.

MODEL		
875	952	956
875P	954	960

ITEM	PART NO.	1 2 3 4 5	DESCRIPTION	QTY.		
				875	952	956
1	00724-G3		BOLT, 5/16 - 18 X 1 /2 LG. ....	-	6	6
2						
3						
4	00660-G8		WASHER, STAINLESS STEEL, 5/16.....	-	6	6
5	00891-G3		NUT, LOCK, 5/16 - 18 .....	-	6	6
6						
7						
8	30059-G1		BUMPER, FRONT .....	-	1	1
9	30049-G1		STANDOFF, BUMPER .....	-	2	2
10	00725-G2		BOLT, CARRIAGE, STAINLESS STEEL, 3/8 - 16 X 3 1/2 LG. ....	-	4	4
11	00653-G1		WASHER, 3/8.....	-	4	4
12	00891-G5		NUT, LOCK, STAINLESS STEEL, 3/8 - 16 .....	-	6	6
13						
14						
15	30060-G2		BUMPER, DRIVER'S SIDE.....	-	1	1
16	30060-G1		BUMPER, PASSENGER SIDE .....	-	1	1
17	00725-G1		BOLT, CARRIAGE, 3/8 - 16 X 1 LG. ....	-	2	2
18						
19	33569-G01		COVER, PARKING BRAKE .....	1	1	1
20	71055-G01		RIVET, 3/16 x 3/8 lg. ....	4	4	4
21						
22	19817-G1		NAMEPLATE, E-Z-GO .....	-	2	2
23	23803-G2		DOUBLE SIDED ADHESIVE TAPE (ORDER TO THE NEAREST YARD) .....	AR	AR	AR
24						
25	30041-G**		COWL, FIBERGLASS.....	-	1	1
26	30052-G1		SUPPORT, COWL .....	-	1	1
27	30054-G1		NUT, MOLLY JACK, 1/4 - 20.....	-	2	2
28	18449-G3		SCREW, SELF TAPPING, #8 - 18 X 5/8 LG. ....	-	12	12
29						

# MODEL DETAILS

# Gasoline Vehicle

When ordering parts, please specify the model and serial number of the product.  
 \* Indicates a component that is not available as a individual part.  
 G\*\* Indicates consult Customer Service Department for additional information.

MODEL		
875 875P	952 954	956 960

ITEM	PART NO.	1 2 3 4 5	DESCRIPTION	QTY.		
				875 875P	952 954	956 960
30	20271-G1		PLUG, HOLE .....	-	2	2
31	30055-G1		DASH TRIM.....	-	1	1
32	16705-G9		SCREW, STAINLESS STEEL, 1/4 - 20 X 1 1/4 LG.....	-	2	2
33	00660-G7		WASHER, STAINLESS STEEL, 1/4.....	-	4	4
34	00891-G2		NUT, LOCK, 1/4 - 20 .....	-	2	2
35						
36	16705-G6		SCREW, 1/4 - 20 X 1 3/4 LG.....	-	2	2
37	00559-G7		WASHER, 1/4.....	-	3	3
38	30036-G1		WASHER, RUBBER, 1 1/2 DIA.....	-	2	2
39	00559-G7		WASHER, 1/4.....	-	2	2
40	00891-G2		NUT, LOCK, 1/4 - 20 .....	-	2	2
41						
42	21976-G1		LABEL, DIRECTION SELECTOR .....	1	1	1
43	33483-G01		LABEL, CHOKE .....	1	1	1
44	26459-G01		LABEL, GASOLINE ONLY .....	1	1	1
45	22592-G1		LABEL, CAUTION .....	1	1	1
46	24376-G1		LABEL, WARNING, BATTERY .....	1	1	1
47	24880-G1		LABEL, WARNING, GOVERNOR .....	1	1	1
48	33559-G01		LABEL, WARNING, BED LOAD (FOR USE ON 875, 875P AND 952 MODELS ONLY) .....	1	1	-
49						
50	33447-G01		FLOORMAT, FRONT (FOR USE ON 952, 954, 956, AND 960 MODELS ONLY).....	-	1	1
51	30068-G3		RETAINER, FLOORMAT .....	-	2	2
52	30067-G1		RETAINER, REAR FLOORMAT .....	-	1	1
53	10570-G3		RIVET, 1/8 x 1/2 LG.....	-	14	14
54	15058-G2		RIVET, 3/16 X 3/8.....		2	2
55						
56	33647-G01		LABEL, SAFETY .....	1	1	1
57						
58						

When ordering parts, please specify the model and serial number of the product.  
 \* Indicates a component that is not available as an individual part.  
 G\*\* Indicates consult Customer Service Department for additional information.

MODEL		
875 875P	952 954	956 960

ITEM	PART NO.	1 2 3 4 5	DESCRIPTION	QTY.		
				875 875P	952 954	956 960
59						
60						
61	33440-G**		BODY, FIBERGLASS (FOR USE ON 952, 954, 956, 960 MODELS ONLY) .....	-	1	1
62						
63						
64	30078-G1		TRIM, SIDE, 32 3/4" LG.....	-	2	2
65						
66						
67	30320-G**		DOOR, HINGED PANEL, DRIVER'S SIDE (ITEMS 67 - 103 ARE FOR USE ON 952 AND 960 MODELS ONLY).....	-	1	1
68	10570-G4		RIVET, 3/16 X 11/16 LG.....	-	8	8
69	30501-G1		HINGE, DOOR.....	-	2	2
70	00660-G5		WASHER, #10.....		4	4
71	30077-G1		BUMPER, RUBBER.....		2	2
72	30073-G1		RIVET, 1/8 X 5/8 LG.....		2	2
73	30311-G**		DOOR, PANEL, PASSENGER SIDE .....	-	1	1
74	14601-G1		RIVET, ALUMINIUM, 3/16.....	-	4	4
75	22524-G1		TAPE, FOAM.....	-	1	1
76						
77						
78	30141-G1		FRAME DECK (FOR USE ON 952 AND 960 MODELS ONLY).....	-	1	1
79						
80						
81	31877-G5		PANEL, REAR BODY (ITEMS 81 - 84 ARE FOR USE ON 875 AND 875P MODELS ONLY) .....	1	-	-
82	11027-G2		NUT, LOCK, 1/4 - 20 .....	12	-	-
83	16705-G4		SCREW, 1/4 - 20 X 1/2 LG.....	2	-	-
84	00891-G2		NUT, LOCK, 1/4 - 20 .....	2	-	-
85						
86						



# MODEL DETAILS

# Gasoline Vehicle

When ordering parts, please specify the model and serial number of the product.  
 \* Indicates a component that is not available as a individual part.  
 G\*\* Indicates consult Customer Service Department for additional information.

MODEL		
875	952	956
875P	954	960

ITEM	PART NO.	1 2 3 4 5	DESCRIPTION	QTY.		
				875	952	956
87	30126-G1		BUMPER, REAR (FOR USE ON 952, 954 AND 960 MODELS ONLY)- .....	-	1	1
88						
89						
90	33619-G01		CONSOLE, 4 CUP .....	-	1	1
91	16705-G3		SCREW, STAINLESS STEEL, 1/4 - 20 X 3/4 LG. ....	-	4	4
92	00793-G2		WASHER, STAINLESS STEEL, 1/4 .....	-	4	4
93	16705-G9		SCREW, STAINLESS STEEL, 1/4 - 20 X 1 1/4.....	-	4	4
94	11027-G2		NUT, 1/4 - 20 .....	-	8	8
95						
96						
97						
98						
99						
100	33642-G02		BRACKET, CONSOLE SUPPORT, DRIVER'S SIDE .....	-	1	1
101	33642-G01		BRACKET, CONSOLE SUPPORT, PASSENGER SIDE.....	-	1	1
102	33520-G01		COVER, ENGINE.....	1	-	-
103	16705-G2		BOLT, 1/4 - 20 X 5/8 LG. ....	6	-	-
104	00660-G7		WASHER, 1/4.....	6	-	-
105	00664-G7		NUT, LOCK, 1/4 - 20 .....	6	-	-
106	10570-G3		RIVET, 1/8 X 1/2 LG. (ITEMS 106 - 108 ARE FOR 954 MODEL ONLY).....	-	20	-
107	30067-G2		RETAINER, FLOORMAT .....	-	1	-
108	32290-G3		FLOORMAT, RUBBER .....	-	1	-
109	30068-G2		TRIM, ALUMINUM .....		2	2
110	33445-G02		TRIM, ALUMINUM .....		2	2
111						
112						
113						
114						
115						

When ordering parts, please specify the model and serial number of the product.

\* Indicates a component that is not available as an individual part.

G\*\* Indicates consult Customer Service Department for additional information.

MODEL		
875	952	956
875P	954	960

ITEM	PART NO.	1	2	3	4	5	DESCRIPTION	QTY.		
								875	952	956
116										
117										
118	00725-G2						BOLT, CARRIAGE, STAINLESS STEEL, 3/8 - 16 X 3 1/2 LG. ....	-	2	-
119	30049-G1						STANDOFF BUMPER.....	-	2	-
120	00653-G1						WASHER, STAINLESS STEEL, 3/8.....	-	4	-
121	00891-G5						NUT, LOCK, 3/18 - 16 .....	-	4	-
122										
123										
124	33617-G02						PLATE, CONSOLE INSERT (WITH HOUR METER).....	-	1	1
125	33625-G01						LABEL, CONSOLE INSERT .....	1	1	1
126	33713-G01						SWITCH, IGNITION AND LIGHTS .....	1	1	1
127	21553-G1						FUEL GAUGE .....	1	1	1
128	23474-G1						LIGHT, OIL PRESSURE .....	1	1	1
129	21235-G1						GAUGE LIGHT .....	1	1	1
130										
131										
132										
133	00741-G7						SCREW, STAINLESS STEEL, #10 - 24 X 7/8 LG.....	-	-	2
134	00660-G5						WASHER, #10.....	-	-	2
135	14390-G10						NUT, LOCK, #10 - 24 .....	-	-	2
136										
137										
138										
139										
140										
141										
142	33126-G01						SHIELD, HEAT (ITEMS 142 - 145 ARE FOR USE ON 954 AND 956 MODELS ONLY) .....	-	1	1
143	30054-G1						NUT, MOLLY JACK, 1/4 - 20 .....	-	3	3
144	16705-G1						SCREW, STAINLESS STEEL, 1/4 - 20 X 1 LG.....	-	3	3

# MODEL DETAILS

# Gasoline Vehicle

When ordering parts, please specify the model and serial number of the product.  
 \* Indicates a component that is not available as a individual part.  
 G\*\* Indicates consult Customer Service Department for additional information.

MODEL		
875 875P	952 954	956 960

ITEM	PART NO.	1 2 3 4 5	DESCRIPTION	QTY.		
				875 875P	952 954	956 960
145	00664-G7		WASHER, LOCK, STAINLESS STEEL, 1/4 .....	-	3	3
146	14382-G1		STRIP, NOISE SUPPRESSION.....	-	2	2
147						
148	30056-G1		STEERING, COLUMN BRACE .....	1	-	-
149	30056-G2		STEERING, COLUMN BRACE .....	-	1	1
150	11162-G1		U-BOLT .....	1	1	1
151	00414-G8		SCREW, 1/4 - 20 X 1 LG.....	2	2	2
152	00559-G7		WASHER, 1/4.....	4	4	4
153	00654-G2		NUT, LOCK, 1/4 - 20 .....	4	4	4
154	14390-G10		NUT, LOCK, #10 - 24 .....	4	4	4
155	33423-G01		COVER, STEERING .....	1	1	1
156	14601-G2		RIVET, 3/16 X 5/8 LG. ....	3	3	3
157	20271-G3		PLUG, HOLE.....	1	1	1
158	30589-G1		HANDLE, DOOR LOCK (WITH KEY) .....	-	-	1
159	30590-G1		LATCH, DOOR (WITH SETSCREW) .....	-	-	1
160	32290-G3		FLOORMAT, RUBBER (FOR USE ON 956 MODEL ONLY) .....	-	-	1
161						
162						
163						
164						
165	30042-G1		STEP PLATE AND RAIL (ITEMS 166 - 171 ARE FOR USE ON 956 MODEL ONLY).....	-	-	1
166	22280-G1		TRIM, EDGE .....	-	-	2
167	00725-G5		SCREW, STAINLESS STEEL, 3/8 - 16 X 1 1/2 LG.....	-	-	2
168	00653-G1		WASHER, LOCK, STAINLESS STEEL, 3/8 .....	-	-	4
169	00891-G5		NUT, STAINLESS STEEL, 3/8 - 16 .....	-	-	4
170	00725-G2		BOLT, CARRIAGE, 3/8-16 X 3 1/2 LG.....			2
171	30049-G1		STANDOFF, BUMPER .....			2
172	30627-G**		TOP COVER, FABRIC (USE ON 960 MODEL ONLY).....	-	-	1
173	31760-G1		HUB CAP, CHROME (USE ON 960 MODEL ONLY) .....	-	-	4

When ordering parts, please specify the model and serial number of the product.  
 \* Indicates a component that is not available as an individual part.  
 G\*\* Indicates consult Customer Service Department for additional information.

MODEL		
875 875P	952 954	956 960

ITEM	PART NO.	1	2	3	4	5	DESCRIPTION	QTY.		
								875 875P	952 954	956 960
174										
175	30611-G1						DRAWER LOCK (FOR USE ON 960 MODELS ONLY) .....	-	-	1
176	30591-G**						COMPLETE BAR ASSEMBLY (FOR USE ON 960 MODEL ONLY) INCLUDES ITEMS 177 - 234 .....	-	-	1
177	30592-G**						BAR TOP, FIBERGLASS .....	-	-	1
178	30593-G**						LID, CHEST .....	-	-	2
179										
180	30612-G**						DOOR, SIDE .....	-	-	1
181										
182										
183	30609-G**						DRAWER, SIDE .....	-	-	1
184										
185	30599-G1						LAZY SUSAN .....	-	-	1
186	30600-G1						MAT, RUBBER, 18 3/4 DIA. ....	-	-	1
187	30603-G1						CUTTING BOARD .....	-	-	1
188	30602-G1						HOLDER, SILVERWARE .....	-	-	2
189	31434-G1						CUP DISPENSER (WITH MOUNTING BRACKET AND WING NUTS) .....	-	-	1
190										
191	00559-G7						WASHER, 1/4 .....	-	-	21
192	31607-G1						HANDLE, LIFT .....	-	-	4
193	30403-G2						RIVET, 1/4 X 9/16 LG. ....	-	-	20
194	23803-G1						DOUBLE SIDED TAPE .....			2
195	30605-G1						BRACKET, DOOR CATCHING .....	-	-	1
196	14601-G6						RIVET, 3/16 X 11/16 LG. ....	-	-	2
197	30606-G1						CATCH, MAGNETIC .....	-	-	2
198	00138-G6						SCREW, MAGNETIC CATCH MOUNTING .....	-	-	2
199	31490-G1						HINGE, CHROME .....	-	-	2
200	00128-G4						SCREW, 5-20 X 1/2 LG. ....	-	-	6
201	00559-G3						WASHER, #6 .....	-	-	8
202	00565-G3						WASHER, LOCK, #6 .....	-	-	8

# MODEL DETAILS

# Gasoline Vehicle

When ordering parts, please specify the model and serial number of the product.

\* Indicates a component that is not available as a individual part.

G\*\* Indicates consult Customer Service Department for additional information.

MODEL		
875	952	956
875P	954	960

ITEM	PART NO.	1	2	3	4	5	DESCRIPTION	QTY.		
203	14309-G9						NUT, #6 - 32.....	-	-	2
204	00978-G5						SCREW, #6 - 18 X 5/8 LG. ....	-	-	6
205	32645-G1						STOP, DOOR.....	-	-	6
206	30215-G1						BUSHING, NYLON.....	-	-	1
207	*						PLATE, MAGNETIC CATCH.....	-	-	1
208	14601-G6						RIVET, 3/16 X 11/16 LG.....	-	-	2
209	30596-G1						HINGE, LID.....	-	-	3
210	00881-G6						SCREW, STAINLESS STEEL, #8 - 15 X 3/4 LG. ....	-	-	17
211	31491-G1						HANDLE, LID.....	-	-	2
212	00712-G4						SCREW, 1/4 - 20 X 1 1/2 LG. ....	-	-	1
213	16469-G1						WASHER, FENDER.....	-	-	1
214	14390-G4						NUT, LOCK, 1/4 - 20.....	-	-	1
215	30036-G1						BUMPER, RUBBER.....	-	-	1
216	32805-G5						TRIM EDGE.....	-	-	2
217	13785-G1						RIVET, 3/16 X 1/2 LG.....	-	-	2
218										
219										
220	00881-G6						SCREW, STAINLESS STEEL, #8 - 15 X 3/4 LG. ....	-	-	18
221										
222	30572-G1						FRAME, CANOPY (ITEMS 222 - 234 ARE FOR USE ON 960 MODEL ONLY).....	-	-	1
223	30628-G1						SUPPORT, FRONT.....	-	-	1
224	30629-G1						SUPPORT, REAR.....	-	-	1
225	30625-G1						SPACER, FRAME.....	-	-	2
226	31395-G1						CAP, TUBE.....	-	-	8
227										
228										
229	00762-G9						SCREW, STAINLESS STEEL, 5/16 - 18 X 2 1/2 LG.....	-	-	8
230	00762-G6						SCREW, STAINLESS STEEL, 5/16 - 18 X 1 3/4 LG.....	-	-	6
231	30630-G1						BRACKET, CANOPY MOUNTING.....	-	-	2

When ordering parts, please specify the model and serial number of the product.  
 \* Indicates a component that is not available as an individual part.  
 G\*\* Indicates consult Customer Service Department for additional information.

MODEL		
875 875P	952 954	956 960

ITEM	PART NO.	1	2	3	4	5	DESCRIPTION	QTY.		
								875 875P	952 954	956 960
232										
233	00660-G1						WASHER, STAINLESS STEEL, 5/16.....	-	-	14
234	00891-G3						NUT, LOCK, 5/16 - 18 .....	-	-	14
235	22938-G2						TUBING, FLEXIBLE.....	-	-	1
236	11391-G5						CLAMP, HOSE .....	-	-	1
237	19817-G1						NAMEPLATE, E-Z-GO .....	1	-	-
238	12064-G3						PUSHNUT, 3/16 .....	3	-	-
239										
240	33438-G**						COVER, ENGINE.....	-	1	1
241	16705-G3						BOLT, 1/4 - 20 X 3/4 LG. ....	-	4	4
242	30054-G2						NUT, MOLLYJACK, 1/4 - 20.....	-	4	4
243										
244	32118-G2						PANEL, BODY, DRIVER'S SIDE (ITEMS 244 - 247 ARE FOR USE ON 875P VEHICLE ONLY).....	1	-	-
245	32118-G1						PANEL, BODY, PASSENGER SIDE .....	1	-	-
246	11027-G2						NUT, LOCK, 1/4 - 20 .....	4	-	-
247	16705-G3						SCREW, STAINLESS STEEL, 1/4 - 20 X 3/4 LG.....	1	-	-
248										
249										
250										
251	31876-G2						PANEL, BODY, DRIVER'S SIDE (ITEMS 251 - 253 ARE FOR USE ON 875 VEHICLES ONLY).....	1	-	-
252	31876-G1						PANEL, BODY, PASSENGER SIDE .....	1	-	-
253	11027-G2						NUT, LOCK, 1/4 - 20 .....	7	-	-
254										
255										
256	00891-G3						NUT, LOCK, 5/16 - 18 .....	4	-	-
257	00722-G4						BOLT, CARRIAGE, 5/16 - 18 X 1 1/2 LG. (UPPER) .....	2	-	-
258	00722-G6						BOLT, CARRIAGE, 5/16 - 18 X 1 3/4 LG. (LOWER).....	2	-	-
259	31121-G1						BUMPER, REAR (FOR USE ON 875 AND 875P MODELS ONLY) ...	1	-	-
260	00660-G8						WASHER, 5/16.....	4	-	-

# MODEL DETAILS

# Gasoline Vehicle

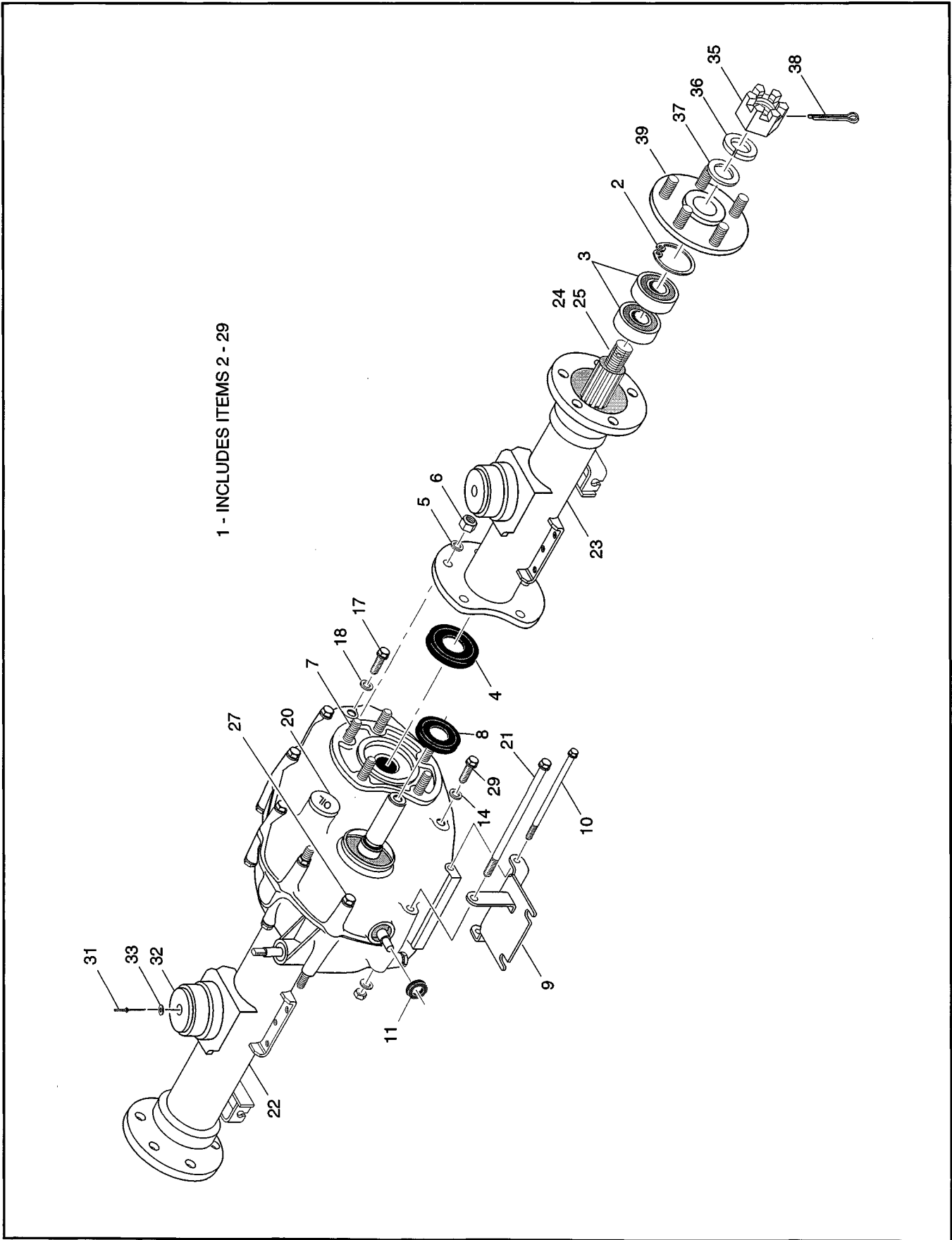
When ordering parts, please specify the model and serial number of the product.  
 \* Indicates a component that is not available as a individual part.  
 G\*\* Indicates consult Customer Service Department for additional information.

MODEL		
875 875P	952 954	956 960

ITEM	PART NO.	1	2	3	4	5	DESCRIPTION	QTY.		
261										
262										
263	33623-G01						RIVET, 5/32 X 1/4 LG. ....	-	3	3
264	30685-G**						COWL, METAL.....	1	-	-
265	16705-G4						SCREW, STAINLESS STEEL, 1/4 - 20 X 5/8 LG.....	11	-	-
266										
267	10570-G9						RIVET, 1/8 X 11/32 LG. ....	4	4	4
268	*						LABEL IDENTIFICATION.....	1	1	1
269	00559-G5						WASHER, #10.....	4	-	-
270	00378-G4						SCREW, #10 - 24 X 1/2 LG.....	4	-	-
271	00565-G5						WASHER, LOCK, #10 .....	4	-	-
272	00526-G3						NUT, #10 - 24 .....	4	-	-
273	22281-G9						TRIM, DASH, 2 1/4 LG.....	1	-	-
274	22281-G7						TRIM, DASH, 21 1/2 LG.....	1	-	-
275	30707-G1						MAT, DASH .....	1	-	-
276	22497-G2						SNAP BUSHING. ....	1	-	-
277	23803-G4						TAPE, DOUBLE SIDED (ORDER TO THE NEAREST YARD) .....	AR	-	-
278	33552-G01						PANEL, INSTRUMENT .....	1	-	-
279	30392-G1						PLUG, INSTRUMENT PANEL.....	1	-	-
280										
281	00715-G1						SCREW, STAINLESS STEEL, 5/16 - 24 X 3/4 LG.....	4	4	4
282	33340-G01						SHIELD, LOWER .....	1	1	1
283										
284	00891-G2						NUT, LOCK, 1/4 - 20 .....	11	-	-
285	20271-G4						HOLE, PLUG.....	4	-	-







When ordering parts, please specify the model and serial number of the product.  
 \* Indicates a component that is not available as an individual part.  
 G\*\* Indicates a consultant Customer Service Department for additional information.

**MODEL**

ITEM	PART NO.	1	2	3	4	5	DESCRIPTION	QTY.		
1	33660-G01						REAR AXLE AND BRAKE ASSEMBLY, COMPLETE (INCLUDES ITEMS 2 - 29) .....		1	
2	33687-G01						RING, RETAINING .....		2	
3	33686-G01						BALL BEARING.....		4	
4	26766-G01						SEAL, AXLE SHAFT.....		1	
5	26828-G01						WASHER, 10 MM.....		10	
6	26829-G01						NUT, 10 MM X 1.5 MM .....		10	
7	26667-G01						STUD, M10 X 1.5 X 40 MM LG. ....		5	
8	26761-G01						SEAL, INPUT SHAFT .....		1	
9	26815-G01						BRACKET, SHIFTER CABLE .....		1	
10	26823-G01						BOLT, FLANGE, M8 X 1.25 X 100 MM LG.....		7	
11	26762-G01						SEAL, SHIFTER SHAFT .....		1	
12										
13										
14	26771-G01						GASKET, 14 MM.....		1	
15										
16										
17	26768-G01						CHECK PLUG, OIL.....		1	
18	26769-G01						GASKET, 8 MM.....		1	
19										
20	26772-G01						PLUG, OIL FILLER.....		1	
21	72053-G01						BOLT, FLANGE, M8 X 1.25 X 130 MM LG. ....		1	
22	33680-G01						TUBE, AXLE SHAFT, PASSENGER SIDE .....		1	
23	33681-G01						TUBE, AXLE SHAFT, DRIVER'S SIDE.....		1	
24	33682-G01						SHAFT, AXLE, PASSENGER SIDE.....		1	
25	33683-G01						SHAFT, AXLE, DRIVER'S SIDE .....		1	
26										
27	72053-G01						BOLT, FLANGE, M8 X 1.25 X 120 MM LG. ....		1	
28										
29	26770-G01						DRAIN PLUG, OIL .....		1	

# REAR AXLE

# Gasoline Vehicle

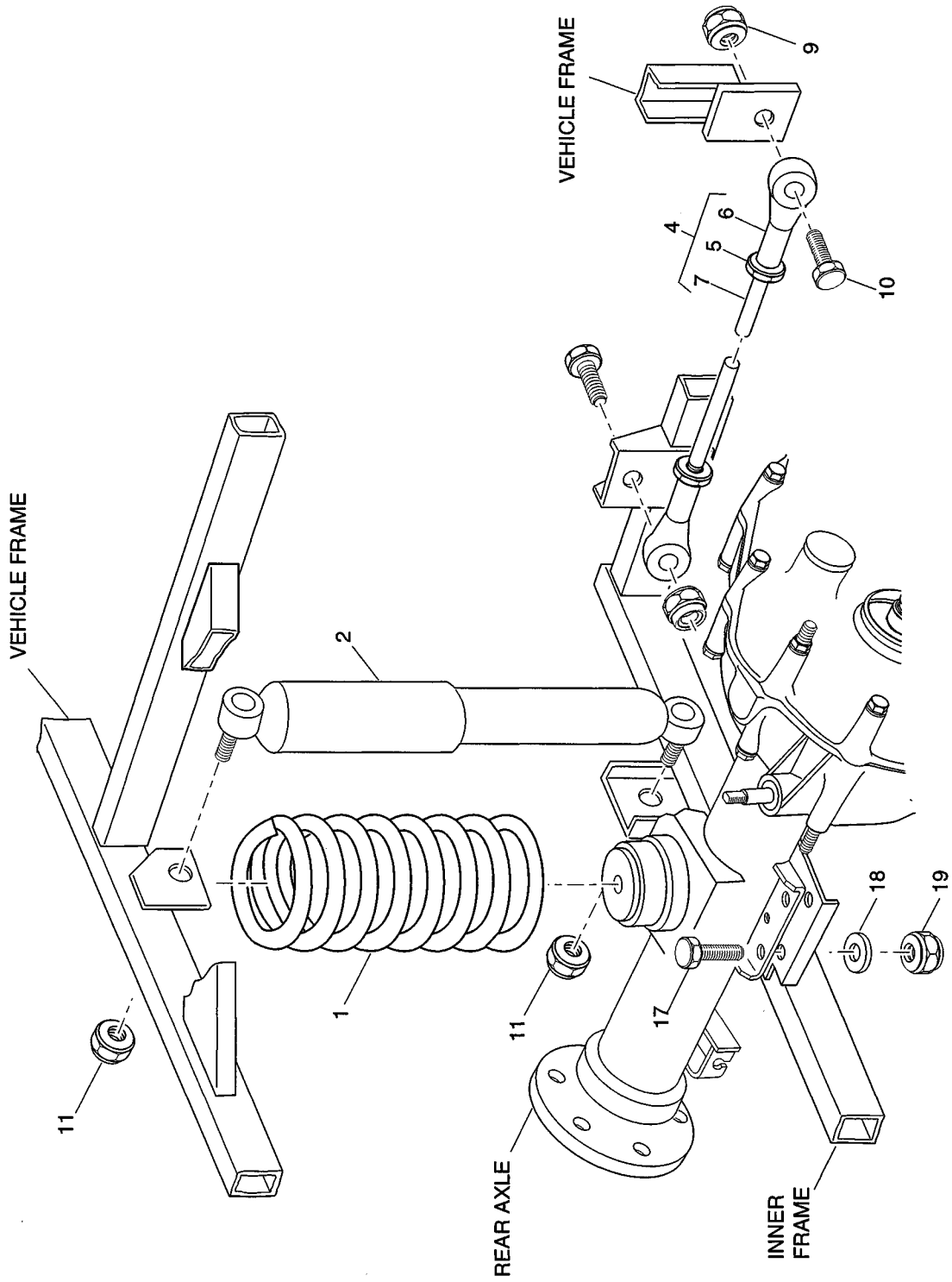
When ordering parts, please specify the model and serial number of the product.  
 \* Indicates a component that is not available as a individual part.  
 G\*\* Indicates consult Customer Service Department for additional information.

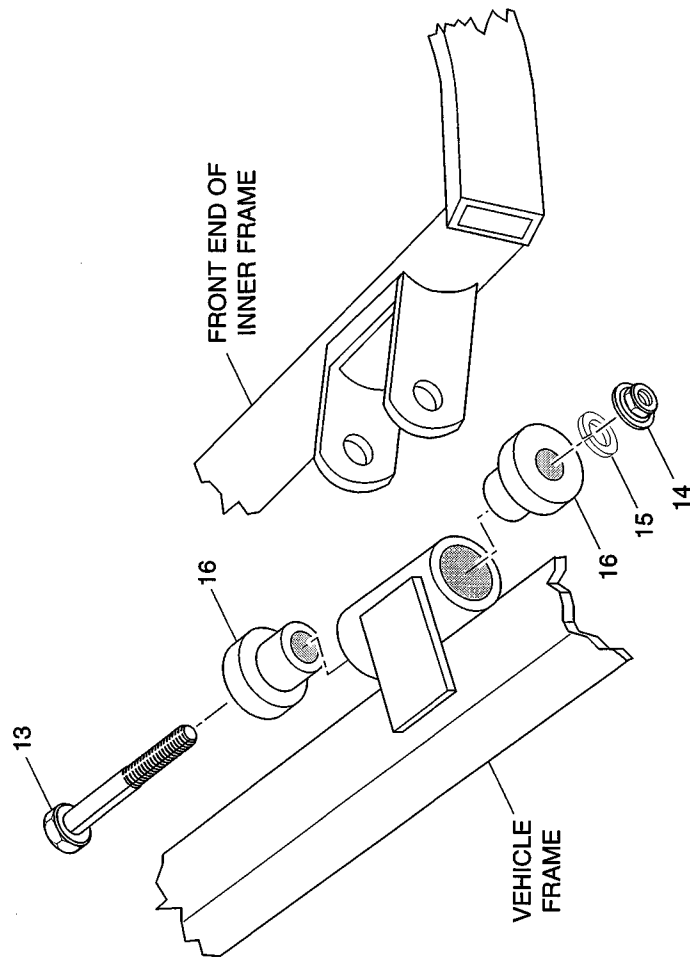
**MODEL**

**ALL  
MODELS**

ITEM	PART NO.	1	2	3	4	5	DESCRIPTION	QTY.		
30										
31	14601-G1						RIVET, ALUMINUM .....		2	
32	13728-G1						RUBBER BUMPER .....		2	
33	00559-G5						WASHER, #10 .....		2	
34										
35	00518-G8						NUT, SLOTTED, 3/4 - 16.....		2	
36	00566-G6						WASHER, LOCK, 3/4 .....		2	
37	33665-G01						WASHER, 3/4 .....		2	
38	10387-G1						PIN, COTTER, 1/8 X 1 1/2 LG. ....		2	
39	33661-G01						FLANGE, DRUM MOUNTING.....		2	







# REAR SUSPENSION

Gasoline Vehicle

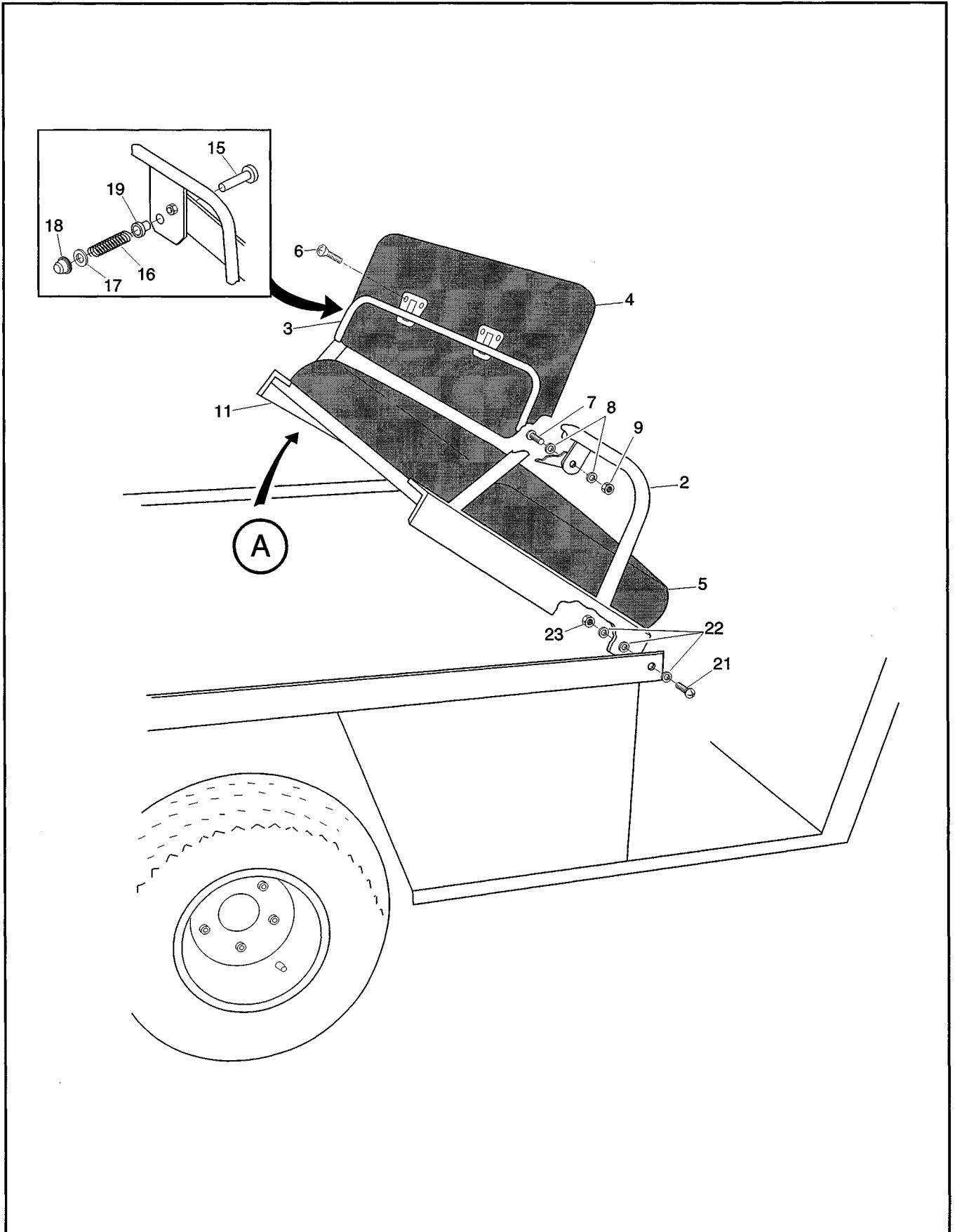
When ordering parts, please specify the model and serial number of the product.  
 \* Indicates a component that is not available as a individual part.  
 G\*\* Indicates consult Customer Service Department for additional information.

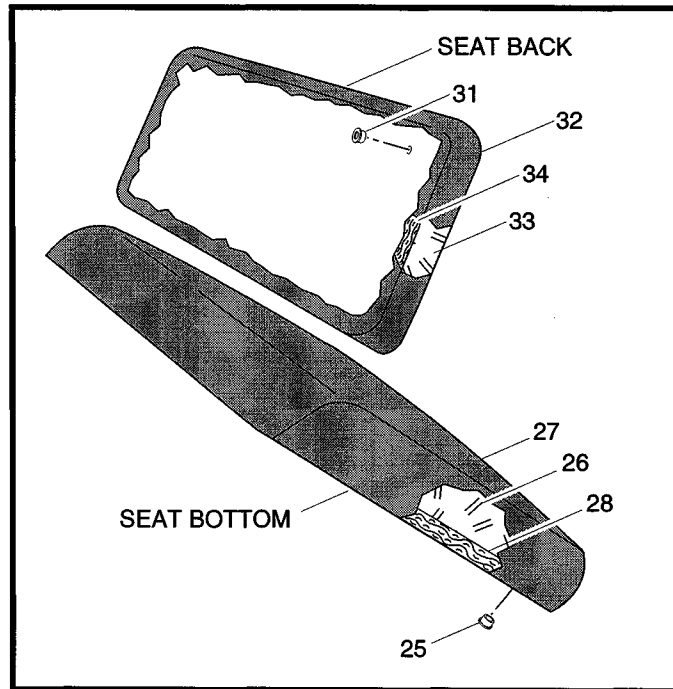
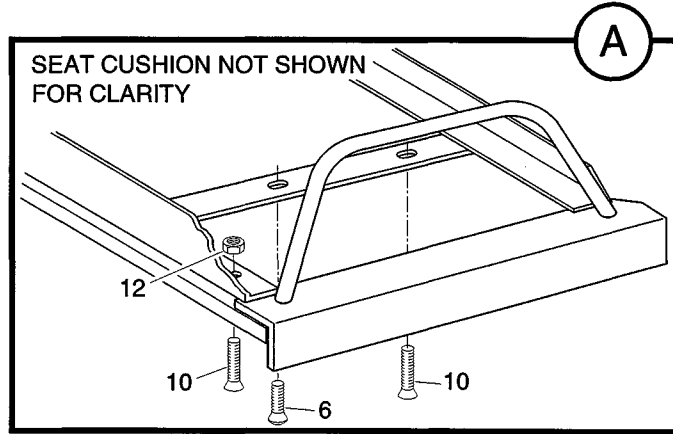
<b>MODEL</b>
<b>ALL MODELS</b>

ITEM	PART NO.	1 2 3 4 5	DESCRIPTION	QTY.	
1	33182-G03		SPRING, COMPRESSION.....	2	
2	11428-G1		SHOCK ABSORBER.....	2	
3					
4	33466-G01		LINKAGE ROD ASSEMBLY (INCLUDES ITEMS 5 - 7).....	1	
5	00545-G2		NUT, 1/2 - 20.....	2	
6	24215-G1		BALL JOINT.....	2	
7	33467-G01		ROD, THREADED .....	1	
8					
9	00551-G2		NUT, LOCK, 1/2 - 20 .....	2	
10	00409-G8		SCREW, 1/2 - 20 X 2 LG.....	2	
11	00734-G4		NUT, LOCK, 1/2 - 13 .....	4	
12					
13	00406-G4		SCREW, 1/2 - 13 X 4 1/2 LG.....	2	
14	00551-G1		NUT, LOCK, 1/2 - 13 .....	2	
15	00566-G3		WASHER, LOCK, 1/2.....	2	
16	12302-G2		MOUNT, ISOLATION.....	4	
17	00426-G8		BOLT, 3/8-16 X 1 LG .....	8	
18	00560-G5		WASHER, 3/8.....	8	
19	00550-G5		NUT, LOCK, 3/8-16 .....	8	









SEAT COMPONENTS

# SEATING, CONVERTIBLE

# Gasoline Vehicle

When ordering parts, please specify the model and serial number of the product.

\* Indicates a component that is not available as a individual part.

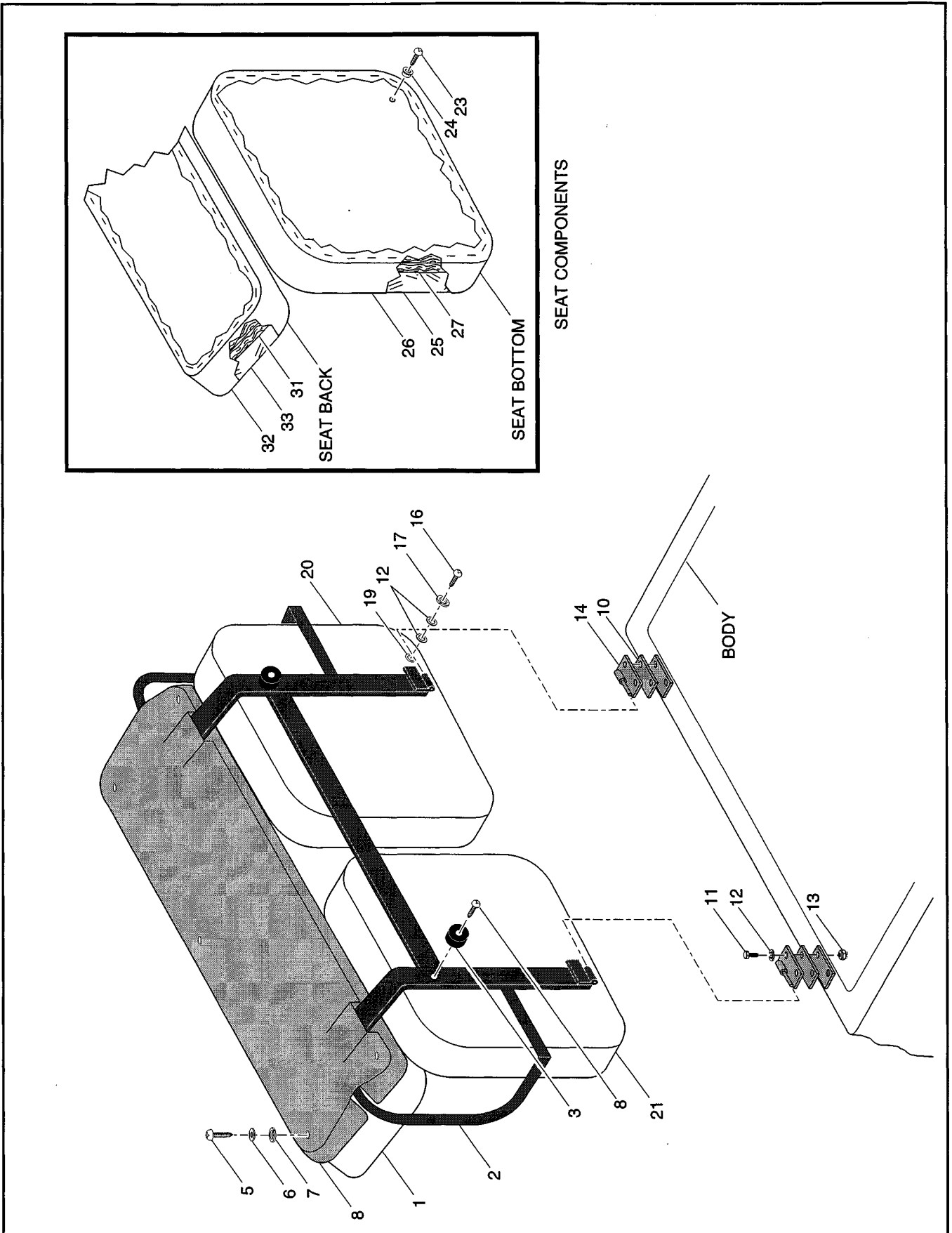
G\*\* Indicates consult Customer Service Department for additional information.

							MODEL	
							875P	
ITEM	PART NO.	1	2	3	4	5	DESCRIPTION	QTY.
1								
2	33060-G01						CONVERTIBLE SEAT .....	1
3	33043-G01						SEAT BACK SUPPORT .....	1
4	25807-G**						SEAT BACK .....	1
5								
6	16705-G3						SCREW, STAINLESS STEEL, 1/4 - 20 X 3/4 LG. ....	6
7	00976-G08						SCREW, STAINLESS STEEL, 5/16 - 18 X 1 LG. ....	2
8	00660-G8						WASHER, STAINLESS STEEL, 5/16 .....	4
9	00891-G3						NUT, LOCK, 5/16 - 18 .....	2
10	00205-G4						SCREW, 1/4 - 20 X 1 LG. ....	4
11	33061-G01						SEAT DECK .....	1
12	00891-G2						NUT, LOCK, 1/4 - 20 .....	2
13								
14								
15	33179-G01						PIN, ACTUATOR .....	1
16	33180-G01						SPRING, COMPRESSION .....	1
17	00793-G2						WASHER, 1/4 .....	1
18	33178-G01						PUSHNUT .....	1
19	30215-G1						BUSHING .....	1
20								
21	00976-G08						SCREW, STAINLESS STEEL, 5/16 - 18 X 1 LG. ....	2
22	00660-G8						WASHER, 5/16 .....	6
23	00891-G3						NUT, LOCK, 5/16 - 18 .....	2
24								
25	11782-G2						NUT, TEE, 1/4 - 20 .....	4
26	26557-G01						FOAM, SEAT BOTTOM .....	1
27	26558-G**						COVER, SEAT BOTTOM .....	1
28	32882-G01						PLYWOOD, SEAT BOTTOM .....	1
29								
30								

When ordering parts, please specify the model and serial number of the product.  
 \* Indicates a component that is not available as an individual part.  
 G\*\* Indicates consult Customer Service Department for additional information.

MODEL	
875P	

ITEM	PART NO.	1	2	3	4	5	DESCRIPTION	QTY.	
31	11782-G2						NUT, TEE, 1/4 - 20 .....	4	
32	26565-G03						COVER, BACKREST .....	1	
33	26566-G02						FOAM, BACKREST .....	1	
34	33705-G01						PLYWOOD, BACKREST.....	1	



When ordering parts, please specify the model and serial number of the product.  
 \* Indicates a component that is not available as an individual part.  
 G\*\* Indicates consult Customer Service Department for additional information.

MODEL		
952	956	
954	960	

ITEM	PART NO.	1	2	3	4	5	DESCRIPTION	QTY.		
1										
2	30021-G1						SEAT FRAME .....	1	1	
3	13728-G1						RUBBER BUMPER.....	2	2	
4										
5	16705-G1						SCREW, STAINLESS STEEL, 1/4 - 20 X 1 LG.....	18	18	
6	00660-G7						WASHER, STAINLESS STEEL, 1/4.....	11	11	
7	00664-G7						WASHER, STAINLESS STEEL, 1/4.....	11	11	
8	26584-G01						CAP, BACKREST .....	1	1	
9										
10	30408-G1						SPACER, HINGE .....	4	4	
11	16705-G5						SCREW, 1/4 - 20 X 1 1/2 LG.....	4	4	
12	00660-G7						WASHER, 1/4.....	6	6	
13	00891-G2						NUT, LOCK, 1/4 - 20 .....	4	4	
14	30031-G2						HINGE, MALE .....	2	2	
15										
16	16705-G1						SCREW, 1/4 - 20 X 1 LG.....	1	1	
17	00664-G7						WASHER, LOCK, 1/4.....	1	1	
18										
19	30054-G2						NUT, MOLLY JACK, 1/4 - 20.....	1	1	
20	33015-G**						SEAT BOTTOM, PASSENGER SIDE (INCLUDES ITEMS 23 - 29).....	1	1	
21	33015-G**						SEAT BOTTOM, DRIVER'S SIDE (INCLUDES ITEMS 23 - 29).....	1	1	
22										
23	00115-G2						SCREW, 1/4 - 14 X 1/4 LG.....	2	2	
24	11782-G2						NUT, TEE, 1/4 - 20 .....	4	4	
25	26557-G01						FOAM, SEAT BOTTOM .....	1	1	
26	26558-G**						COVER, SEAT BOTTOM.....	1	1	
27	26559-G01						PLYWOOD, SEAT BOTTOM.....	1	1	
28										
29										

When ordering parts, please specify the model and serial number of the product.  
 \* Indicates a component that is not available as a individual part.  
 G\*\* Indicates consult Customer Service Department for additional information.

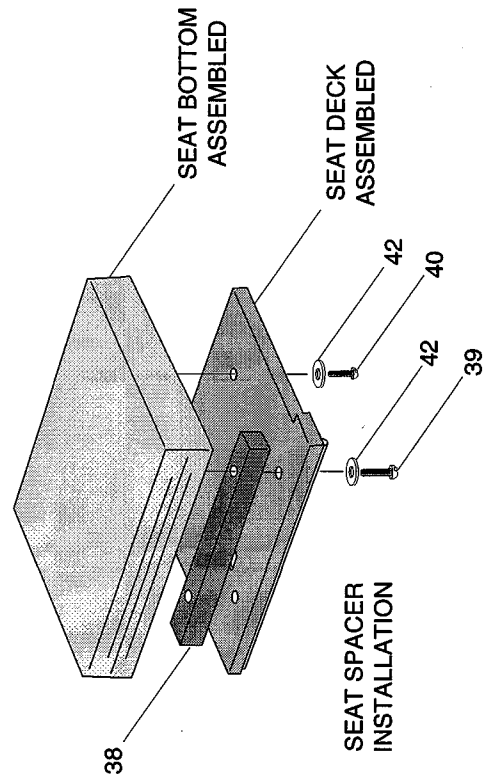
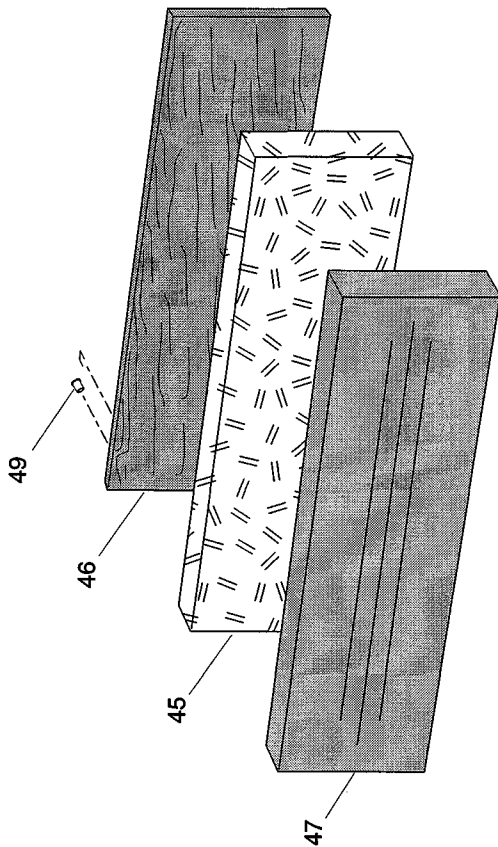
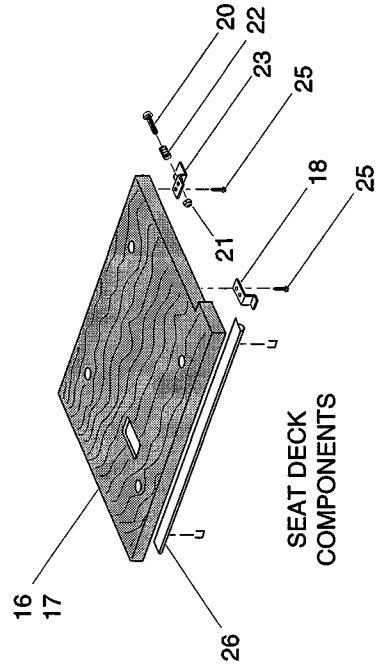
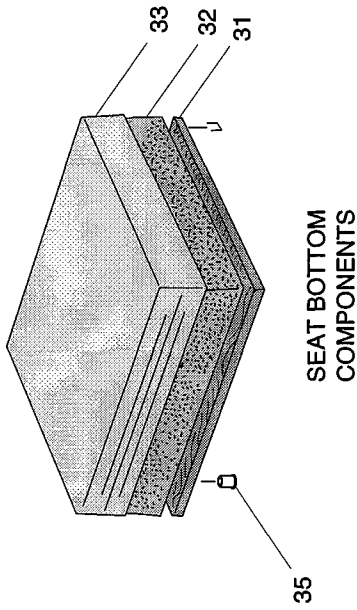
MODEL		
952	956	
954	960	

ITEM	PART NO.	1	2	3	4	5	DESCRIPTION	QTY.		
30										
31	26564-G01						PLYWOOD, SEAT BACK .....	1	1	
32	26565-G**						COVER, SEAT BACK.....	1	1	
33	26566-G01						FOAM, SEAT BACK.....	1	1	









# SEATING, FRONT

# Gasoline Vehicle

When ordering parts, please specify the model and serial number of the product.  
 \* Indicates a component that is not available as a individual part.  
 G\*\* Indicates consult Customer Service Department for additional information.

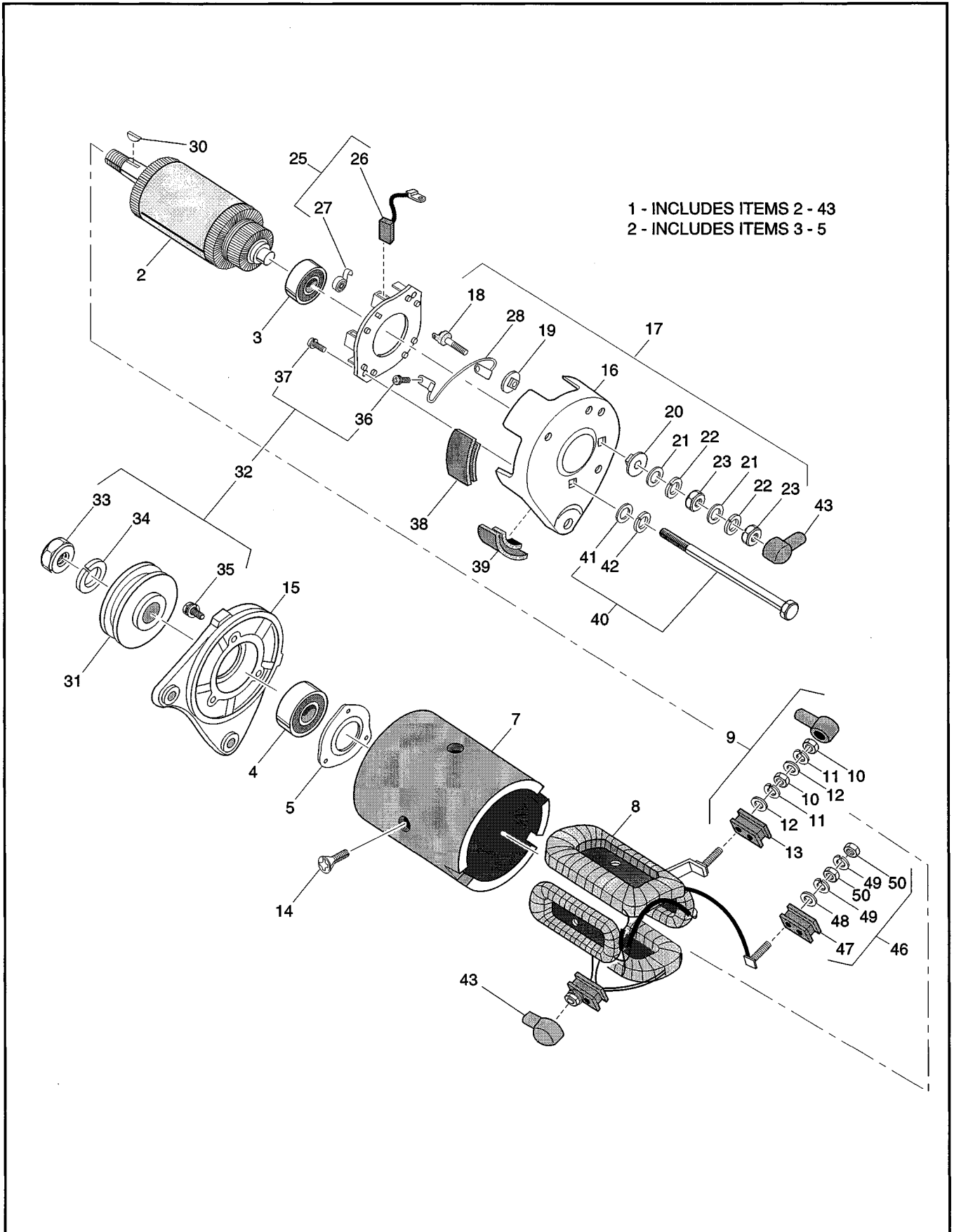
MODEL		
875	875P	

ITEM	PART NO.	1 2 3 4 5	DESCRIPTION	QTY.		
1	33545-G01		SEAT BACK SUPPORT .....	1	1	
2	16705-G3		SCREW, STAINLESS STEEL, 1/4 - 20 X 3/4 LG. ....	8	8	
3	00891-G2		NUT, LOCK, 1/4 - 20 .....	8	8	
4						
5	16705-G1		SCREW, STAINLESS STEEL, 1/4 - 20 X 1 .....	4	4	
6	00664-G7		WASHER, STAINLESS STEEL, 1/4 .....	4	4	
7	00915-G1		WASHER, #14 .....	4	4	
8						
9	00654-G3		NUT, LOCK, STAINLESS STEEL, 5/16 - 18 .....	2	2	
10	00722-G4		BOLT, STAINLESS STEEL, 5/16 - 18 X 1 1/2 LG. ....	2	2	
11	30746-G1		HANDLE .....	2	2	
12	00660-G8		WASHER, STAINLESS STEEL, 5/16 .....	8	8	
13						
14						
15						
16	33772-G01		DECK, SEAT, PASSENGER SIDE .....	1	1	
17	33772-G02		DECK, SEAT, DRIVER'S SIDE (WITH HOLE) .....	1	1	
18	33769-G01		BRACKET, SEAT .....	2	2	
19						
20	00762-G6		SCREW, STAINLESS STEEL, 5/16 - 18 X 1 3/4 LG. ....	1	1	
21	11098-G6		NUT, LOCK, 5/16 - 18 .....	1	1	
22	33768-G01		SPRING, COMPRESSION .....	1	1	
23	33770-G01		BRACKET, RETAINER .....	1	1	
24						
25	00114-G6		SCREW, 1/4 - 14 X 3/4 LG. ....	8	8	
26	12727-G12		GASKET, SEAT .....	1	1	
27						
28						
29						
30						

When ordering parts, please specify the model and serial number of the product.  
 \* Indicates a component that is not available as an individual part.  
 G\*\* Indicates consult Customer Service Department for additional information.

MODEL		
875	875P	

ITEM	PART NO.	1	2	3	4	5	DESCRIPTION	QTY.		
31	32882-G01						PLYWOOD, SEAT BOTTOM.....	1	1	
32	26557-G01						FOAM, SEAT BOTTOM .....	1	1	
33	26558-G**						COVER, SEAT BOTTOM.....	1	1	
34										
35	11782-G2						NUT, TEE, 1/4 - 20 .....	4	4	
36										
37										
38	30680-G1						SPACER, DECK.....	1	1	
39	00774-G1						SCREW, STAINLESS, STEEL, 1/4 - 20 X 3 LG.....	2	2	
40	16705-G8						SCREW, STAINLESS, STEEL, 1/4 - 20 X 2 LG.....	2	2	
41										
42	16469-G1						WASHER, 1/4.....	4	4	
43										
44										
45	26566-G02						FOAM, BACK REST .....	1	1	
46	33705-G01						PLYWOOD, BACK REST.....	1	1	
47	26565-G**						COVER, BACK REST .....	1	1	
48										
49	11782-G2						NUT, TEE, 1/4 - 20 .....	4	4	



When ordering parts, please specify the model and serial number of the product.  
 \* Indicates a component that is not available as an individual part.  
 G\*\* Indicates consult Customer Service Department for additional information.

<b>MODEL</b>
<b>ALL MODELS</b>

ITEM	PART NO.	1	2	3	4	5	DESCRIPTION	QTY.		
1	27065-G01						STARTER / GENERATOR ASSEMBLY (INCLUDES ITEMS 2 - 43) .....		1	
2	26870-G01						ARMATURE ASSEMBLY (INCLUDES ITEMS 3 - 5) .....		1	
3	26871-G01						BALL BEARING, REAR .....		1	
4	26872-G01						BALL BEARING, FRONT .....		1	
5	26873-G01						HOLDER, BEARING .....		1	
6										
7										
8	26875-G01						COIL, FIELD .....		1	
9	26876-G01						"F" INSULATING BRUSH ASSEMBLY (INCLUDES ITEMS 10 - 13) .....		2	
10	*						NUT .....		2	
11	*						WASHER, LOCK .....		2	
12	*						WASHER .....		2	
13	*						INSULATOR .....		1	
14	26877-G01						SCREW, POLE CORE SET .....		4	
15	26878-G01						COVER, FRONT .....		1	
16	26879-G01						COVER, REAR .....		1	
17	26880-G01						"A" TERMINAL ASSEMBLY (INCLUDES ITEMS 18 - 23) .....		2	
18	*						TERMINAL .....		2	
19	*						INSULATOR .....		2	
20	*						INSULATOR .....		2	
21	*						WASHER .....		4	
22	*						WASHER, LOCK .....		4	
23	*						NUT .....		4	
24										
25	26881-G01						BRUSH HOLDER ASSEMBLY (INCLUDES ITEMS 26 - 28) .....		1	
26	26658-G01						BRUSH .....		4	
27	26882-G01						BRUSH SPRING .....		4	

# STARTER / GENERATOR

# Gasoline Vehicle

When ordering parts, please specify the model and serial number of the product.  
 \* Indicates a component that is not available as a individual part.  
 G\*\* Indicates consult Customer Service Department for additional information.

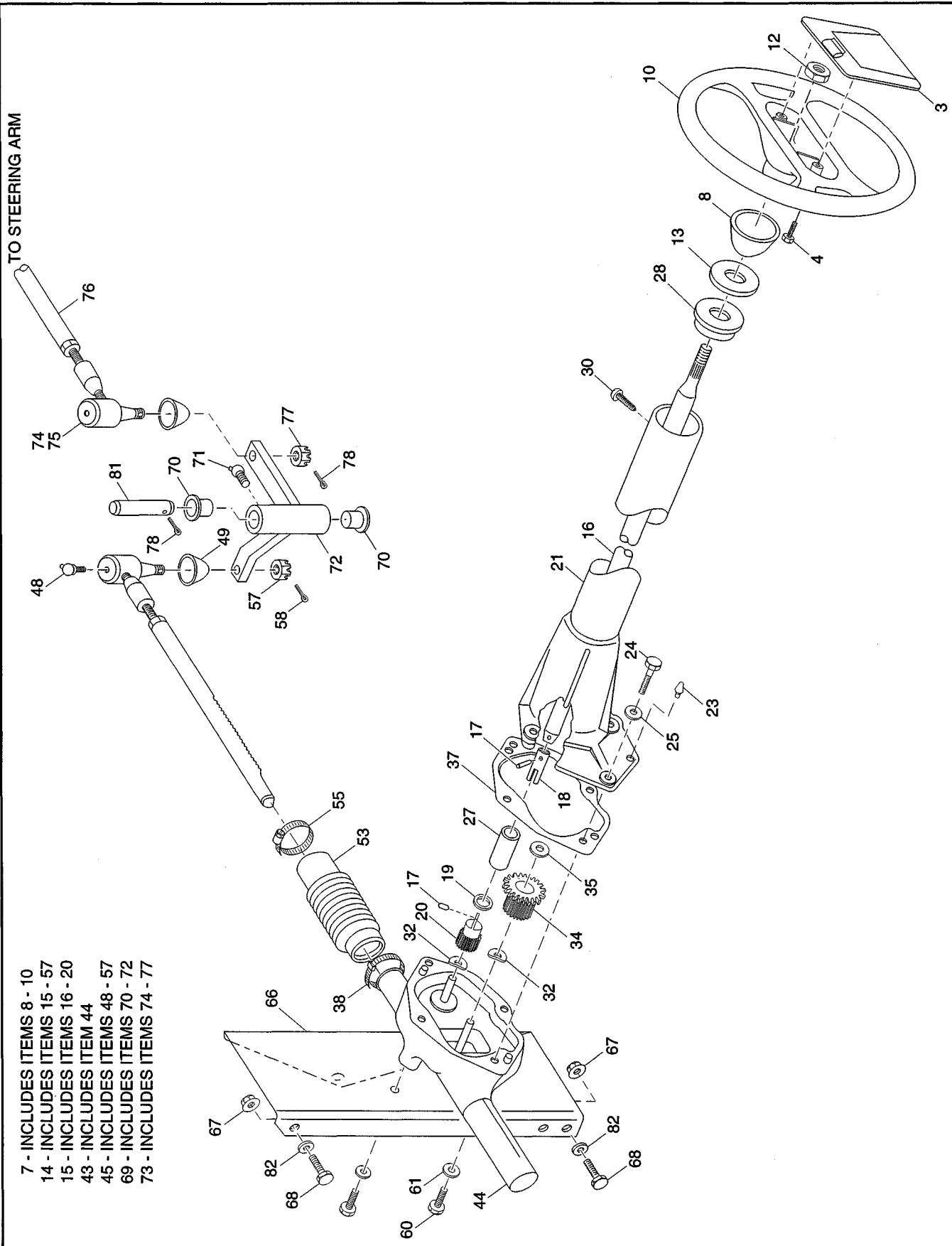
MODEL
ALL MODELS

ITEM	PART NO.	1	2	3	4	5	DESCRIPTION	QTY.	
28	26883-G01						BRUSH CONNECTOR.....	2	
29									
30	26884-G01						KEY.....	1	
31	26885-G01						PULLEY.....	1	
32	26886-G01						PULLEY ASSEMBLY (INCLUDES ITEMS 33 - 37).....	1	
33	*						NUT.....	1	
34	*						WASHER, LOCK.....	1	
35	*						SCREW.....	3	
36	*						SCREW.....	4	
37	*						SCREW.....	2	
38	26887-G01						BRUSH 1 COVER.....	2	
39	26888-G01						BRUSH 2 COVER.....	3	
40	26889-G01						BOLT AND WASHER ASSEMBLY (INCLUDES ITEMS 41, 42).....	2	
41	*						WASHER.....	2	
42	*						WASHER, LOCK.....	2	
43	16896-G1						TERMINAL COVER.....	4	
44									
45									
46	16882-G1						"DF" INSULATED BUSHING ASSEMBLY (INCLUDES ITEMS 47 - 50).....	1	
47	*						INSULATOR.....	1	
48	*						WASHER.....	1	
49	*						WASHER, LOCK.....	2	
50	*						NUT, .....	2	





TO STEERING ARM



- 7 - INCLUDES ITEMS 8 - 10
- 14 - INCLUDES ITEMS 15 - 57
- 15 - INCLUDES ITEMS 16 - 20
- 43 - INCLUDES ITEM 44
- 45 - INCLUDES ITEMS 48 - 57
- 69 - INCLUDES ITEMS 70 - 72
- 73 - INCLUDES ITEMS 74 - 77

When ordering parts, please specify the model and serial number of the product.  
 \* Indicates a component that is not available as an individual part.  
 G\*\* Indicates consult Customer Service Department for additional information.

<b>MODEL</b>
<b>ALL MODELS</b>

ITEM	PART NO.	1	2	3	4	5	DESCRIPTION	QTY.		
1										
2										
3	27102-G01						HOLDER, CLIPBOARD .....		1	
4	18464-G1						SCREW, #8 X 7/8 LG. ....		2	
5										
6										
7	18325-G1						STEERING WHEEL ASSEMBLY (INCLUDES ITEMS 8 - 10) .....		1	
8	23225-G1						HUB, COVER EXTENSION .....		1	
9										
10	23172-G1						WHEEL, STEERING .....		1	
11										
12	14390-G2						NUT, LOCK, 5/8 - 18 .....		1	
13	16772-G1						SEAL, STEERING WHEEL .....		1	
14	19152-G8						STEERING UNIT ASSEMBLY (INCLUDES ITEMS 15 - 57) .....		1	
15	17163-G3						STEERING SHAFT ASSEMBLY (INCLUDES ITEMS 16 - 20) .....		1	
16	*						SHAFT, STEERING .....		1	
17	*						PIN, DOWEL, 1/4 .....		2	
18	*						COUPLING .....		1	
19	*						WASHER, THRUST .....		1	
20	*						PINION, STEERING .....		1	
21	19153-G5						STEERING COLUMN UNIT .....		1	
22										
23	*						GREASE FITTING .....		1	
24	00444-G8						SCREW, 5/16 - 24 X 1 LG. ....		4	
25	00565-G8						WASHER, LOCK, 5/16 .....		4	
26										
27	17140-G1						SLEEVE .....		1	
28	17161-G1						BUSHING .....		1	
29										

When ordering parts, please specify the model and serial number of the product.  
 \* Indicates a component that is not available as an individual part.  
 G\*\* Indicates consult Customer Service Department for additional information.

<b>MODEL</b>
<b>ALL MODELS</b>

ITEM	PART NO.	1	2	3	4	5	DESCRIPTION	QTY.	
30	00118-G2						SCREW, #6 - 18 X 1/4 LG. ....	1	
31									
32	51294-G1						WASHER, WAVE .....	2	
33									
34	23279-G1						GEAR, REDUCTION .....	1	
35	13059-G2						WASHER, THRUST .....	1	
36									
37	19154-G1						GASKET, HOUSING.....	1	
38	17618-G1						CLAMP, NYLON.....	1	
39									
40									
41									
42									
43	13097-G1						HOUSING ASSEMBLY (INCLUDES ITEM 44).....	1	
44	13570-G1						COVER, RACK.....	1	
45	15407-G1						RACK AND ROD END ASSEMBLY (INCLUDES ITEMS 48 - 57).....	1	
46									
47									
48	18456-G1						GREASE FITTING .....	1	
49	*						RUBBER BOOT, TIE ROD END.....	1	
50									
51									
52									
53	17617-G1						BELLOWS .....	1	
54									
55	11391-G1						CLAMP, HOSE .....	1	
56									
57	50209-G1						NUT, CASTELLATED, 7/16 - 20 .....	1	
58	10387-G2						PIN, COTTER, 3/16 X 1 LG. ....	1	

When ordering parts, please specify the model and serial number of the product.  
 \* Indicates a component that is not available as an individual part.  
 G\*\* Indicates consult Customer Service Department for additional information.

<b>MODEL</b>
<b>ALL MODELS</b>

ITEM	PART NO.	1	2	3	4	5	DESCRIPTION	QTY.		
59										
60	00276-G6						SCREW, 5/16 - 24 X 3/4 LG.....			3
61	00565-G8						WASHER, LOCK, 5/16.....			3
62										
63										
64										
65										
66	33225-G01						CHANNEL, STEERING.....			1
67	11098-G6						NUT, LOCK, 5/16 - 18.....			7
68	00438-G7						SCREW, 5/16 - 18 X 7/8 LG.....			7
69	33265-G01						IDLER ASSEMBLY (INCLUDES ITEMS 70 - 72).....			1
70	15012-G1						BUSHING.....			2
71	10389-G3						GREASE FITTING.....			1
72	33265-G01						IDLER.....			1
73	20788-G2						TIE ROD ASSEMBLY, RUBBER BOOT INCLUDED (INCLUDES ITEMS 74 - 77).....			1
74	20795-G1						TIE ROD END, DRIVER'S SIDE.....			1
75	20795-G2						TIE ROD END, PASSENGER SIDE.....			1
76	70583-G03						THREADED TUBE WITH FLAT.....			1
77	*						NUT, CASTELLATED, 7/16 - 20.....			3
78	10387-G6						PIN, COTTER, 3/16 x 1 /4 LG.....			3
79										
80										
81	33264-G01						SHAFT, IDLER.....			1
82	00559-G8						WASHER, 5/16.....			3



When ordering parts, please specify the model and serial number of the product.  
 \* Indicates a component that is not available as an individual part.  
 G\*\* Indicates consult Customer Service Department for additional information.

<b>MODEL</b>
<b>ALL MODELS</b>

ITEM	PART NO.	1 2 3 4 5	DESCRIPTION	QTY.		
1	32028-G2		WHEEL AND TIRE ASSEMBLY, 18.5 X 8.5 - 8 (INCLUDES ITEMS 2 - 4) .....		4	
2	10641-G2		WHEEL .....		1	
3	11657-G1		STEM, VALVE .....		1	
4	27775-G02		TIRE .....		1	
5						
6	14723-G1		LUG NUT, 1/2 - 20 .....		5	





# SPECIAL TOOLS LISTING



# SPECIAL TOOLS

**Part No.**

## SPECIAL TOOLS

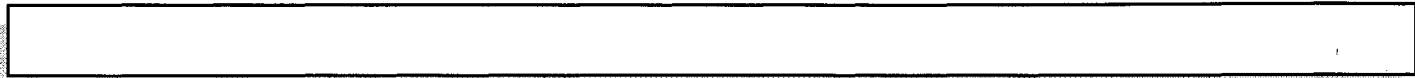
COMPRESSION TESTER.....	72524-G01
PULLER, DRIVE CLUTCH .....	19779-G2
PULLER, FLYWHEEL.....	27111-G01
CAM PULLEY TOOL.....	27851-G01
CURRENT INDICATOR.....	16489-G2
MULTI-METER, DIGITAL.....	27481-G01
SLIDE HAMMER (AXLE REMOVAL).....	18753-G1
TACHOMETER.....	72526-G01
FEELER GAUGE.....	72525-G01
4-CYCLE ENGINE REBUILD MANUAL.....	27615-G01

## OIL, 10W-30

5 GALLONS.....	25730-G03
12 QUART CASE.....	25730-G04
55 GALLON DRUM.....	25730-G05

## PAINT

CONTACT CUSTOMER REPRESENTATIVE FOR COLOR SPECIFICATIONS AND PART NUMBERS



# VEHICLE SPECIFICATIONS



# VEHICLE SPECIFICATIONS

## GASOLINE PERSONNEL CARRIER PC - 954GX

### FIVE PASSENGER COURTESY/CARGO VEHICLE

WEIGHT (with empty gas tank) .....	1,005 LBS. (456.0 kg)
LENGTH (total) .....	129.0 IN. (327.7 cm)
LENGTH (rear deck) .....	37.0 IN. (94.0 cm)
WIDTH (at rear wheels) .....	48.0 IN. (122.0 cm)
HEIGHT (at steering wheel).....	45.5 IN. (115.6 cm)
HEIGHT (at deck) .....	28.0 IN. (71.1 cm)
HEIGHT (at top if equipped) .....	75.0 IN. (190.5 cm)
FLOOR HEIGHT .....	11.0 IN. (27.9 cm)
GROUND CLEARANCE (at differential) .....	5.0 IN. (12.7 cm)
SEAT HEIGHT .....	29.0 IN. (73.7 cm)
WHEEL BASE.....	52.5 IN. (133.4 cm)
WHEEL TREAD .....	35.0 IN. (88.9 cm)
TURNING CLEARANCE DIAMETER.....	22.0 FT. (6.7 m)
INTERSECTING AISLE CLEARANCE .....	77.0 IN. (195.6 cm)
TIRES (6 ply rated) .....	18.5 x 8.5 x 8
TIRE PRESSURE .....	50 P.S.I. Cold (344.0 kPa)
LOAD CAPACITY (including operator, passengers, cargo and accessories) .....	1,600 LBS. (726.0 kg)
CARGO DECK WIDTH .....	46.0 IN. (116.8 cm)
CARGO DECK LENGTH .....	37.0 IN. (94.0 cm)
SPEED.....	15 m.p.h (24.1 km/h)
CHASSIS .....	Welded high yield strength tubular steel
BODY .....	Frost beige fiberglass reinforced plastic
SAFETY .....	Removable switch key, electric horn, brake lights, handgrip and hip restraints, reverse warning indicator, 'deadman' accelerator control, manual forward and reverse switch
LIGHTING PACKAGE .....	Dual halogen headlights, taillights, backup lights and brake lights
STEERING WHEEL.....	Molded high impact plastic, dual handgrips, pencil holder, and clipboard
CARGO DECK.....	Removable for access to drive package
FRONT SUSPENSION .....	Heavy duty multiple leaf springs
REAR SUSPENSION .....	Coil springs with hydraulic shock absorbers
STEERING.....	Double reduction rack and pinion
CENTER CONSOLE.....	Instrument panel with four drink holders
SEATING.....	Fabric backed vinyl over cushion foam
BRAKES .....	Dual rear wheel hydraulic drum brakes
ENGINE .....	8.5 h.p. at 3,000 r.p.m., 4 cycle, 295 cc twin cylinder, air cooled
BATTERY .....	12 Volt maintenance free, 360 CCA with 51 minute reserve
FUEL.....	6.5 Gallon tank

Specifications are subject to change without notice.

# VEHICLE SPECIFICATIONS

## GASOLINE PERSONNEL CARRIER PC - 956GX

### EIGHT PASSENGER COURTESY VEHICLE

WEIGHT (without empty gas tank) .....	1,005 LBS. (456.0 kg)
LENGTH (total) .....	129.0 IN. (327.7 cm)
WIDTH (at rear wheels) .....	46.0 IN. (116.9 cm)
HEIGHT (at steering wheel) .....	45.5 IN. (115.6 cm)
HEIGHT (at top of rear seat) .....	41.5 IN. (105.4 cm)
HEIGHT (at top if equipped) .....	75.0 IN. (190.5 cm)
FLOOR HEIGHT .....	11.0 IN. (27.9 cm)
GROUND CLEARANCE (at differential) .....	5.0 IN. (12.7 cm)
SEAT HEIGHT .....	29.0 IN. (73.7 cm)
WHEEL BASE .....	52.5 IN. (133.4 cm)
WHEEL TREAD .....	35.0 IN. (88.9 cm)
TURNING CLEARANCE DIAMETER .....	22.0 FT. (6.7 m)
INTERSECTING AISLE CLEARANCE .....	77.0 IN. (195.6 cm)
TIRES (6 ply rated) .....	18.5 x 8.5 x 8
TIRE PRESSURE .....	50 P.S.I. Cold (344.0 kPa)
LOAD CAPACITY (including operator, passengers, cargo and accessories) .....	1,600 LBS. (726.0 kg)
SPEED .....	15 m.p.h (24.1 km/h)
CHASSIS .....	Welded high yield strength tubular steel
BODY .....	Frost beige fiberglass reinforced plastic
SAFETY .....	Removable switch key, electric horn, brake lights, handgrip and hip restraints, reverse warning indicator, 'deadman' accelerator control, manual forward and reverse switch
LIGHTING PACKAGE .....	Dual halogen headlights, taillights, backup lights and brake lights
STEERING WHEEL .....	Molded high impact plastic, dual handgrips, pencil holder, and clipboard
FRONT SUSPENSION .....	Heavy duty multiple leaf springs
REAR SUSPENSION .....	Coil springs with hydraulic shock absorbers
STEERING .....	Double reduction rack and pinion
CENTER CONSOLE .....	Instrument panel with four drink holders
SEATING .....	Fabric backed vinyl over cushion foam
BRAKES .....	Dual rear wheel hydraulic drum brakes
ENGINE .....	8.5 h.p. at 3,000 r.p.m., 4 cycle, 295 cc twin cylinder, air cooled
BATTERY .....	12 Volt maintenance free, 360 CCA with 51 minute reserve
FUEL .....	6.5 Gallon tank

Specifications are subject to change without notice.

# VEHICLE SPECIFICATIONS

## GASOLINE PERSONNEL CARRIER BC - 960GX

### TWO PASSENGER BEVERAGE VEHICLE

WEIGHT (without batteries).....	1,220 LBS. (554.0 kg)
LENGTH .....	129.0 IN. (327.7 cm)
LENGTH (rear deck).....	74.0 IN. (188.0 cm)
WIDTH (at rear bumper).....	48.0 IN. (122.0cm)
HEIGHT (at steering wheel).....	45.5 IN. (115.6 cm)
HEIGHT (at deck) .....	28.0 IN. (71.1 cm)
HEIGHT (at top if equipped) .....	75.0 IN. (190.5 cm)
FLOOR HEIGHT.....	11.0 IN. (27.9 cm)
GROUND CLEARANCE (at differential).....	5.0 IN. (12.7 cm)
SEAT HEIGHT .....	29.0 IN. (73.7 cm)
WHEEL BASE.....	53 IN. (135.0 cm)
WHEEL TREAD.....	35.0 IN. (88.9 cm)
TURNING CLEARANCE DIAMETER.....	22.0 FT. (6.7 m)
INTERSECTING AISLE CLEARANCE.....	77.0 IN. (195.6 cm)
TIRES (6 ply rated).....	18.5 x 8.5 x 8
TIRE PRESSURE.....	50 P.S.I. Cold (344.0 kPa)
LOAD CAPACITY (including operator, passengers, cargo and accessories).....	1,600 LBS. (726.0 kg)
SPEED.....	15 m.p.h (24.1km/h)
CHASSIS .....	Welded high yield strength tubular steel
BODY.....	White fiberglass reinforced plastic
SAFETY.....	Removable switch key, electric horn, brake lights, handgrip and hip restraints, reverse warning indicator, 'deadman' accelerator control, manual forward and reverse switch
LIGHTING PACKAGE .....	Dual halogen headlights, taillights, backup lights and brake lights
STEERING WHEEL.....	Molded high impact plastic, dual handgrips, pencil holder, and clipboard
FRONT SUSPENSION.....	Heavy duty multiple leaf springs
REAR SUSPENSION .....	Coil springs with hydraulic shock absorbers
STEERING.....	Double reduction rack and pinion
CENTER CONSOLE.....	Instrument panel with four drink holders
SEATING.....	Fabric backed vinyl over cushion foam
BRAKES .....	Dual rear wheel hydraulic drum brakes
ENGINE.....	8.5 h.p. rated, 4 cycle, 295 cc twin cylinder, air cooled
BATTERY.....	12 Volt maintenance free, 360 CCA with 51 minute reserve
SUN CANOPY .....	Vinyl coated cloth surrey canopy
FUEL.....	6.5 Gallon tank

Specifications are subject to change without notice.

# VEHICLE SPECIFICATIONS

## GASOLINE PERSONNEL CARRIER GXI-875

### TWO PASSENGER PERSONNEL/CARGO TRUCK

WEIGHT (with empty gas tank) .....	1,036 LBS. (470.0 kg)
LENGTH (total) .....	118.0 IN. (299.7 cm)
LENGTH (from bulkhead) .....	72.0 IN. (182.9 cm)
LENGTH (internal storage) .....	14.0 IN. (35.6 cm)
WIDTH (at rear wheels) .....	44.0 IN. (111.8 cm)
WIDTH (internal storage) .....	43.0 IN. (109.2 cm)
HEIGHT (at steering wheel) .....	47.0 IN. (119.4 cm)
HEIGHT (at deck) .....	25.5 IN. (64.8 cm)
HEIGHT (internal storage) .....	12.0 IN. (30.5 cm)
Height (at bulkhead) .....	41.5 IN. (105.4 cm)
GROUND CLEARANCE (at differential) .....	5.0 IN. (12.7 cm)
WHEEL BASE .....	53.0 IN. (134.6 cm)
TURNING CLEARANCE DIAMETER .....	234 IN. (594.4 cm)
INTERSECTING AISLE CLEARANCE .....	77.0 IN. (195.6 cm)
TIRES (6 ply rated) .....	18.5 x 8.5 x 8 (front and rear)
TIRE PRESSURE .....	50 P.S.I. Cold (344.0 kPa)
LOAD CAPACITY (including operator, passengers, cargo and accessories) .....	1,600 LBS. (726.0 kg)
CARGO DECK WIDTH .....	44.0 IN. (111.8 cm)
CARGO DECK LENGTH .....	72.0 IN. (182.9 cm)
SPEED .....	15 m.p.h (24.1 km/h)
CHASSIS .....	Welded high yield strength tubular steel
BODY .....	Heavy duty four-way diamond pattern tread plate body panels
SAFETY .....	Removable switch key, electric horn, brake lights, handgrip and hip restraints, reverse warning indicator, 'deadman' accelerator control, manual forward and reverse switch
LIGHTING PACKAGE .....	Dual halogen headlights, taillights and brake lights
STEERING WHEEL .....	Molded high impact plastic, dual handgrips, pencil holder, and clipboard
CARGO DECK .....	Removable for access to drive package
FRONT SUSPENSION .....	Heavy duty multiple leaf springs
REAR SUSPENSION .....	Coil springs with hydraulic shock absorbers
STEERING .....	Double reduction rack and pinion
SEATING .....	Fabric backed vinyl over cushion foam
BRAKES .....	Dual rear wheel hydraulic drum brakes
ENGINE .....	8.5 h.p. rated, 4 cycle, 295 cc twin cylinder, air cooled
BATTERY .....	12 Volt maintenance free, 360 CCA with 51 minute reserve
FUEL .....	6.5 Gallon tank

Specifications are subject to change without notice.

# VEHICLE SPECIFICATIONS

## GASOLINE PERSONNEL CARRIER GXI-875P

### FOUR PASSENGER PERSONNEL/CARGO TRUCK

WEIGHT (with empty gas tank) .....	1,036 LBS. (470.0 kg)
LENGTH (with seat in down position) .....	114 IN. (289.6 cm)
LENGTH (from front bulkhead) .....	66.5 IN. (168.9 cm)
HEIGHT (at steering wheel) .....	47.0 IN. (119.4 cm)
HEIGHT (at deck) .....	25.5 IN. (64.8 cm)
HEIGHT (at second seat) .....	41.5 IN. (105.4 cm)
GROUND CLEARANCE (at differential) .....	5.0 IN. (12.7 cm)
WHEEL BASE .....	53.0 IN. (134.6 cm)
TURNING CLEARANCE DIAMETER .....	234 IN. (594.4 cm)
INTERSECTING AISLE CLEARANCE .....	85.0 IN. (215.9 cm)
TIRES (6 ply rated) .....	18.5 x 8.5 x 8 (front and rear)
TIRE PRESSURE .....	50 P.S.I. Cold (344.0 kPa)
LOAD CAPACITY (including operator, passengers, cargo and accessories) .....	1,600 LBS. (726.0 kg)
CARGO DECK WIDTH .....	44.0 IN. (111.8 cm)
CARGO DECK LENGTH (seat in up position) .....	30.0 IN. (74.93 cm)
CARGO DECK LENGTH (seat in down position) .....	67.0 IN. (170.1 cm)
SPEED .....	15 m.p.h (24.1 km/h)
CHASSIS .....	Welded high yield strength tubular steel
BODY .....	Heavy duty four-way diamond pattern tread plate body panels
SAFETY .....	Removable switch key, electric horn, brake lights, handgrip and hip restraints, reverse warning indicator, 'deadman' accelerator control, manual forward and reverse switch
LIGHTING PACKAGE .....	Dual halogen headlights, taillights and brake lights
STEERING WHEEL .....	Molded high impact plastic, dual handgrips, pencil holder, and clipboard
CARGO DECK .....	Removable for access to drive package
FRONT SUSPENSION .....	Heavy duty multiple leaf springs
REAR SUSPENSION .....	Coil springs with hydraulic shock absorbers
STEERING .....	Double reduction rack and pinion
SEATING .....	Fabric backed vinyl over cushion foam
BRAKES .....	Dual rear wheel hydraulic drum brakes
ENGINE .....	8.5 h.p. rated, 4 cycle, 295 cc twin cylinder, air cooled
BATTERY .....	12 Volt maintenance free, 360 CCA with 51 minute reserve
FUEL .....	6.5 Gallon tank

Specifications are subject to change without notice.

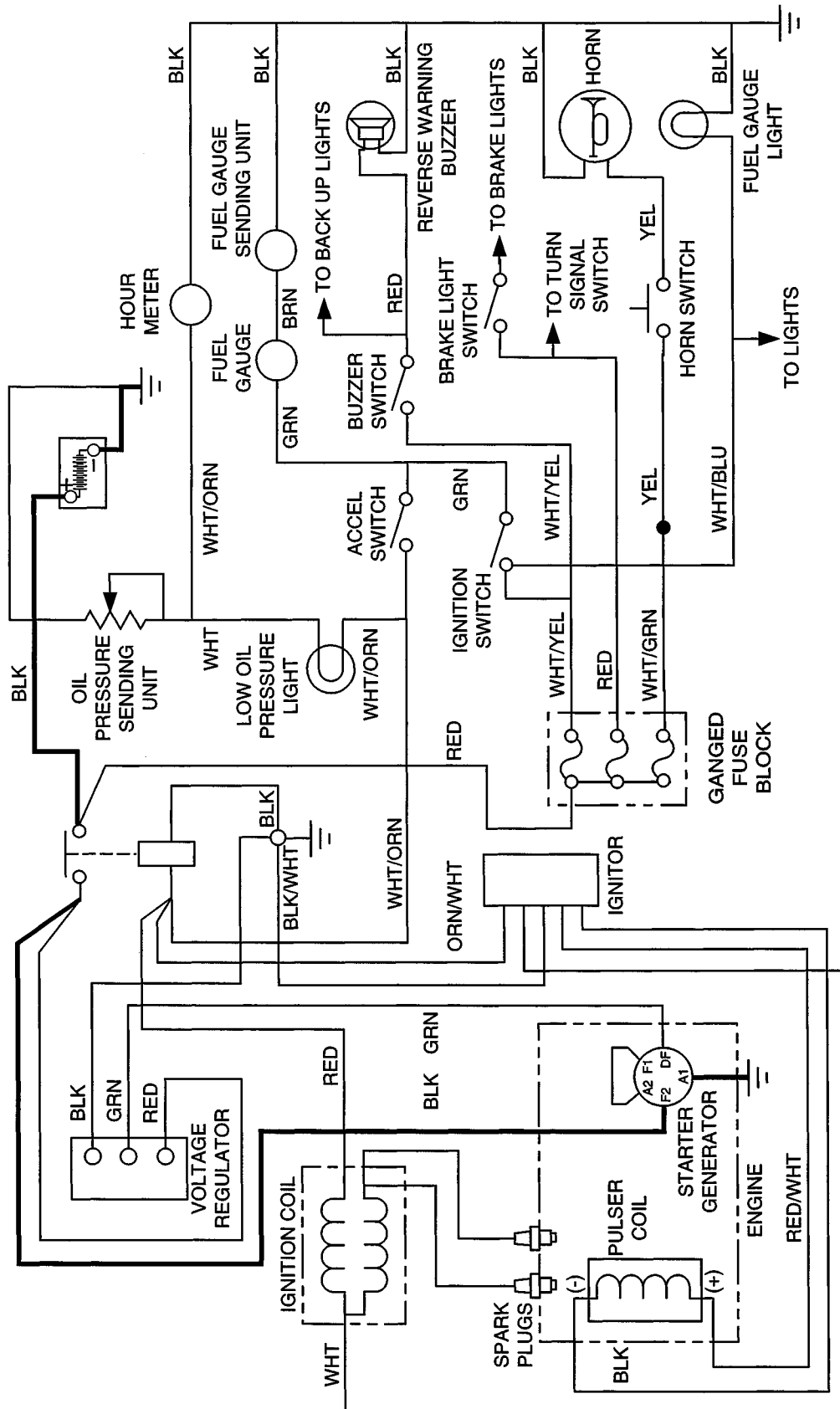






# VEHICLE WIRING DIAGRAM

# WIRING DIAGRAM









a **TEXTRON** Company

E-Z-GO Division of Textron Inc.

P.O. Box 388 Augusta, Georgia USA 30903-0388

Inside USA Phone: 1-800-227-7029, FAX: 1-800-752-6175

Outside USA Phone: 010-1-706-798-4311, FAX: 010-1-706-771-4601

Copyrighted Material  
This manual may not be reproduced in whole or  
in part without the express permission of  
E-Z-GO Division of Textron Inc.  
Technical Communications Department