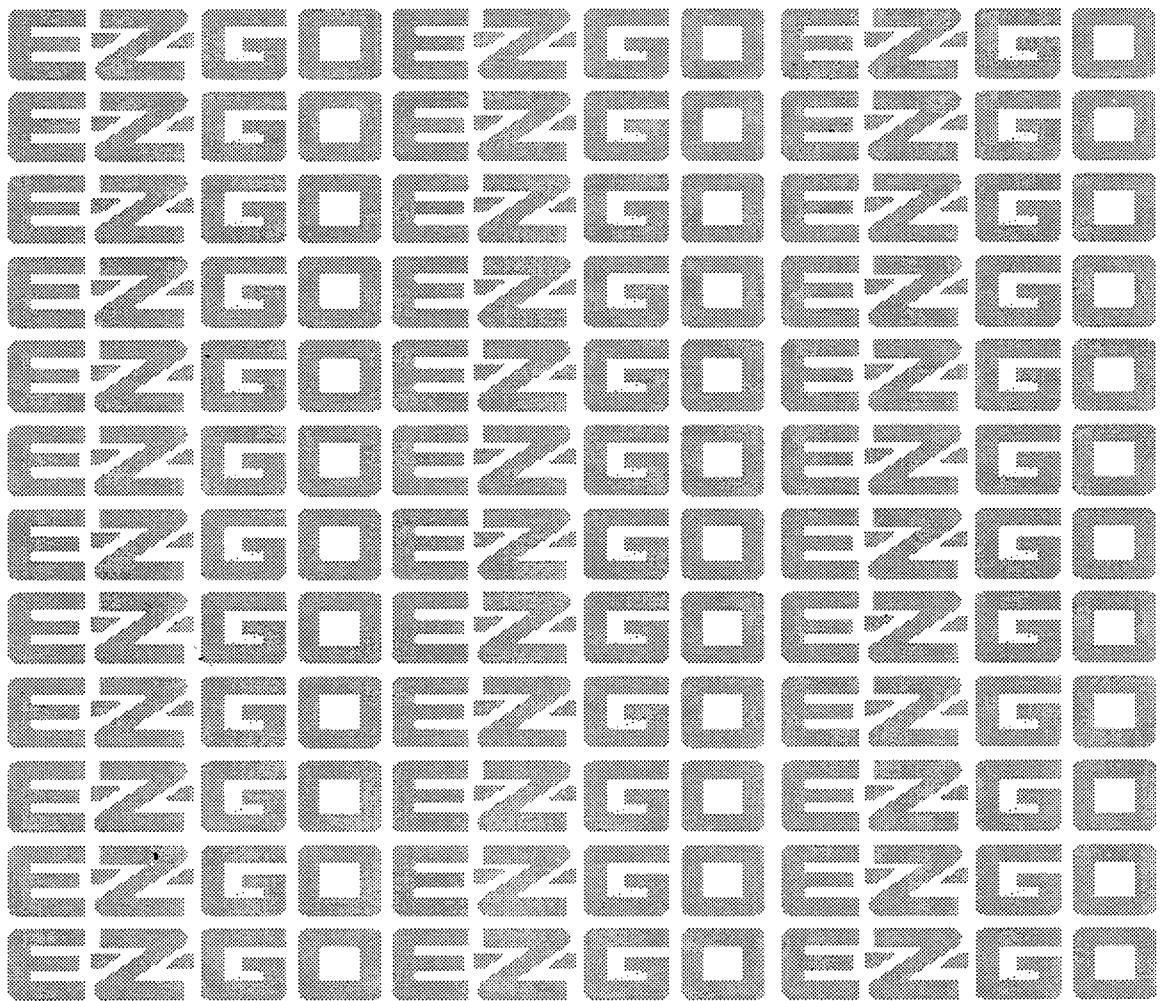




GASOLINE AND ELECTRIC POWERED PERSONNEL CARRIERS

SERVICE PARTS MANUAL



MODEL YEARS: 1989/1990/1991 MANUAL NO. 26287-G1 ISSUED 09/15/90

SERVICE PARTS MANUAL

GASOLINE AND ELECTRIC POWERED PERSONNEL CARRIERS

MODEL YEARS: 1989/1990/1991

MANUAL NO. 26287-G1 ISSUED: 09/15/90

PERSONNEL CARRIERS

PC4GX

PC4X

PC4GXJ (LIBERTY)

PC4XJ (LIBERTY)

PC4XI

PC4GXI

CUSTOMER SERVICE DEPARTMENT PHONE 1-800-227-7029 FAX 1-800-752-6175

E-Z-GO DIVISION OF TEXTRON, INC., P.O. BOX 388, AUGUSTA, GEORGIA 30913-2699, 1-800-241-5855

LIMITED WARRANTY

TO OBTAIN A COPY OF THE LIMITED WARRANTY THAT IS APPLICABLE TO YOUR VEHICLE, CALL OR WRITE YOUR LOCAL DISTRIBUTOR, BRANCH, OR E-Z-GO WARRANTY DEPARTMENT.

NOTE

The use of NON E-Z-GO parts may void your warranty.

GENERAL INDEX

SECTIONS	Page No.
How to use the E-Z-GO Service Manual	v

ILLUSTRATED PARTS BREAKDOWN

Illustration	ELECTRIC VEHICLE Page No.	GASOLINE VEHICLE Page No.	ELECTRIC/GASOLINE VEHICLE Page No.
ACCELERATOR AND HILL BRAKE LINKAGE	A-1	A-5	
Accelerator Pedal			
Accelerator Rod			
ACCELERATOR SWITCH	B-1		
Accelerator Switch Wire Harness			
Brush and Lead Assembly			
Contact Board Assembly			
ACCELERATOR SWITCH (1990)	B-5		
Accelerator Switch Wire Harness			
Brush and Lead Assembly			
Contact Board Assembly			
BATTERY CHARGER, 36 VOLT (U.L.)	C-1		
BLOWER HOUSING		D-1	
Cylinder Baffle			
Retainer, Spark Plug Wire			
Support, Choke Cable			
BODY AND ASSOCIATED PARTS			E-1
Bagwell			
Battery Racks			
Center Console			
Floorboard			
F-N-R Indicator			
Hip Handhold			
Seat Wrap			
Vinyl Bumper Body Trim			
BRAKE LINKAGE			F-1
Brake Linkage Assembly			
Brake Pedal Assembly			
Compensating Link Assembly			
BRAKE LINKAGE (1990)			F-7
Brake Linkage Assembly			
Brake Pedal Assembly			
Compensating Link Assembly			

GENERAL INDEX

Illustration	ELECTRIC VEHICLE Page No.	GASOLINE VEHICLE Page No.	ELECTRIC/GASOLINE VEHICLE Page No.
CARBURETOR		G-1	
Jet Kit			
Throttle Lever Kit			
CLUTCHES		H-1	
Drive Belt			
Drive Clutch			
Driven Clutch			
CRANKCASE		J-1	
CRANKSHAFT AND PISTON		K-1	
Piston and Ring Kit			
Piston Pin			
CYLINDER		L-1	
Cylinder Overhaul Kit			
Gasket Set			
Intake Manifold Assembly			
ELECTRICAL SYSTEM		M-1	
Battery			
Coil and Bracket Assembly			
Fuse Holder			
Ignition Switch			
Ignitor Unit			
Voltage Regulator			
Wiring Harness, Starter/Generator			
ELECTRICAL SYSTEM (1990)		M-7	
Battery			
Coil and Bracket Assembly			
Fuse Holder			
Ignition Switch			
Ignitor Unit			
Voltage Regulator			
Wiring Harness, Starter/Generator			
ENGINE AND STARTER		N-1	
Engine			
Exhaust Tube			
Support, Starter/generator			
FORWARD-NEUTRAL-REVERSE SWITCH			P-1
Buzzer			
Contact Board Assembly			
Switch Handle Kit			
Switch, Micro			

GENERAL INDEX

Illustration	ELECTRIC VEHICLE	GASOLINE VEHICLE	ELECTRIC/GASOLINE VEHICLE
Illustration	Page No.	Page No.	Page No.
FORWARD-NEUTRAL-REVERSE SWITCH (SOLID STATE SPEED CONTROL)			P-5
Buzzer			
Contact Board Assembly			
Switch Handle Kit			
Switch, Micro			
FOUR WHEEL FRONT SUSPENSION			Q-1
Front Axle Assembly			
Hub Assembly			
Idler Assembly			
Leaf Springs			
Spindle Assembly			
Tie Rod Assembly			
FOUR WHEEL FRONT SUSPENSION (1990)			Q-5
Front Axle Assembly			
Hub Assembly			
Idler Assembly			
Leaf Springs			
Spindle Assembly			
Tie Rod Assembly			
FRONT BUMPER AND SHIELD (X/GX-444, FREEDOM)			S-1
FRONT SHIELD (1990) (X/GX-444, FREEDOM)			S-3
FRESH AIR INTAKE SYSTEM		T-1	
Air Cleaner Assembly			
Air Inlet Funnel			
Convolute Hose			
FUEL SYSTEM		U-1	
Choke Cable			
Fuel Filter			
Fuel Gauge			
Fuel Pump			
Fuel Tank Assembly			
HORN AND ACCESSORY WIRING (FREEDOM, SPIRIT)			V-1
Headlamp			
Horn			
Rear Lamp Assembly			
State of Charge Meter			
Turn Signal Assembly			
Wire Harness			

GENERAL INDEX

Illustration	ELECTRIC VEHICLE Page No.	GASOLINE VEHICLE Page No.	ELECTRIC/GASOLINE VEHICLE Page No.
INNER FRAME AND POWERTRAIN SUPPORT		W-1	
Engine Frame			
Inner Frame			
Muffler			
Muffler Pan Support Assembly			
MOTOR	Y-1		
OIL INJECTION		Z-1	
Adjusting Rod Assembly			
Oil Pump Kit			
Oil Tank Assembly			
POWER WIRING (RESISTOR COIL VERSION)	BB-1		
Charger Wiring Harness			
Control Wiring Harness			
F-N-R Switch Wiring Harness			
Ignition Switch Kit			
POWER WIRING (1990) (SOLID STATE VERSION)	BB-5		
Charger Wiring Harness			
F-N-R Switch Wiring Harness			
Ignition Switch Kit			
REAR AXLE	CC-1	CC-5	
Adjusting Rod Assembly			
Differential Assembly			
Governor Bracket and Arm Assembly			
Rear Axle and Brake Assembly			
Rear Axle Assembly			
Rear Axle, Motor and Brake Assembly			
Vent Tube Assembly			
REAR GUARD AND FOOTREST			DD-1
REAR SUSPENSION COMPONENTS	EE-1		
Leaf Springs			
Shock Absorber			
Spring Shackle			
RESISTOR COIL AND HOUSING	FF-1		
Resistor Board Assembly			
Resistor Coil Assembly			
Resistor Coil Retro-Fit Kit			
SEATING			HH-1

GENERAL INDEX

Illustration	ELECTRIC VEHICLE Page No.	GASOLINE VEHICLE Page No.	ELECTRIC/GASOLINE VEHICLE Page No.
SOLID STATE CONTROL MODULE	II-1		
Control Rod			
Electronic Speed Control Assembly			
Mounting Assembly			
Solenoid			
Speed Control Cover			
SOLID STATE IGNITION		JJ-1	
Fan			
Flywheel			
Pulser Assembly			
Rotor			
STARTER/GENERATOR		KK-1	
Bushing Assembly			
Pulley			
Terminal Assembly			
STEERING			LL-1
Rack and Rod Assembly			
Scorecard Holder Assembly			
Steering Unit Assembly			
Steering Wheel			
WHEEL BRAKE			NN-1
Brake Assembly			
Brake Drum Assembly			
Brake Shoe Set			
Lug Bolt			
WHEEL BRAKE (1990)			NN-5
Brake Assembly			
Brake Drum Assembly			
Brake Shoe Set			
Lug Bolt			
WHEELS AND TIRES			OO-1
Tire			
Tire and Wheel Rim Assembly			
Valve Stem			
Wheel Rim			
 APPENDIX			
SERVICE ACCESSORIES AND SPECIAL TOOLS			Appendix-1

GENERAL INDEX

HOW TO USE THE E-Z-GO SERVICE PARTS MANUAL

This manual is divided into several sections:

1. GENERAL INFORMATION
2. ILLUSTRATED PARTS BREAKDOWN FOR ELECTRIC AND GASOLINE POWERED PERSONNEL CARRIERS
3. APPENDIX A

The first section, **GENERAL INFORMATION**, contains the following informations:

1. WARRANTY INFORMATION
2. GENERAL INDEX
3. HOW TO USE THE E-Z-GO SERVICE PARTS MANUAL

The second section, **ILLUSTRATED PARTS BREAKDOWN (IPB) FOR ELECTRIC AND GASOLINE POWERED PERSONNEL CARRIERS**, contains illustrations and parts lists for all systems of the electric and gasoline powered personnel carriers.

The third section, **SERVICE ACCESSORIES AND SPECIAL TOOLS**, contains a listing of E-Z-GO service accessories and special tools that may be purchased from the company to aid in the servicing of the vehicle.

USE OF THE MANUAL

To use this manual, consult the **GENERAL INDEX** (located in the first section) to locate the information or illustration required.

E-Z-GO manuals are revised annually to coincide with the model year change. The manual will cover all models and model years stated on the cover page. Sections that remain unchanged have the last date that they were revised in the lower inside margin. New components that are interchangeable with the previous year are automatically revised and the issue date is changed.

Revisions to part numbers or descriptions that have been made since the last issue of the individual sections are indicated by a (▶) that is placed in the left margin adjacent to the revised part number.

Changes that are not interchangeable with the previous model year are added to the parts list or illustration with applicable model year descriptions. In cases where this is not practical, a new illustration and parts list will be added to the section and the first year that the section is applicable to is indicated below the section title.

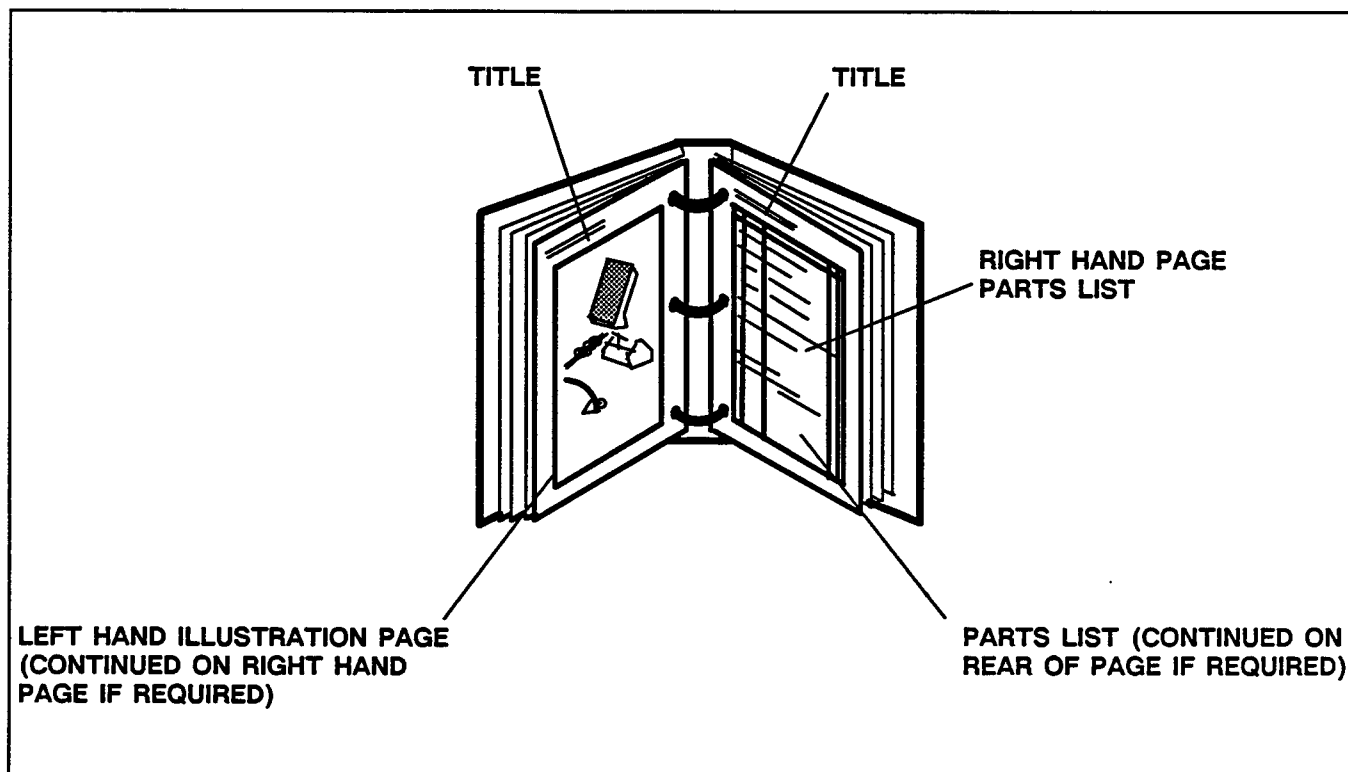
Introduction of some revisions varies due to supply of components; therefore, it is possible that various combinations of components may be found that are not directly reflected by each illustration. Consult the illustration that best suits your situation and contact the Service Parts Department. It is important that the serial number of your vehicle and its model number be supplied to Service Parts when ordering any replacement components.

Locate the serial number plate (see Body and Associated Parts located in the IPB section of this manual for its location) and note the complete number shown on the plate.

Each system is listed in the index and has an alphabetical prefix. The illustration always appears first and is followed by its related parts list. Additional illustrations and parts lists with the same prefix indicate significant changes that have taken place since the last issue. Note the latest version always appears first.

Note that many alphabetical prefixes are omitted. These prefixes have been assigned to systems that are not relevant to your vehicle. The index lists all relevant sections that pertain to your vehicle.

HOW TO USE THE E-Z-GO SERVICE PARTS MANUAL



1. WHEN THE PART NUMBER IS *NOT* KNOWN.

- a. Determine the function and application of the part required. Turn to the General Index and select the most appropriate title.
- b. Turn to the page number indicated and locate the desired part on the illustration.
- c. From the illustration, obtain the item number assigned to the desired part. Refer to the accompanying description for specific information regarding the part.

2. IF YOU KNOW THE PART NUMBER.

Locate the part number or description in the appropriate column on the parts list page.

NOTE: It is suggested that you confirm that the part selected is correct by verifying it with the pictorial representation on the illustration page.

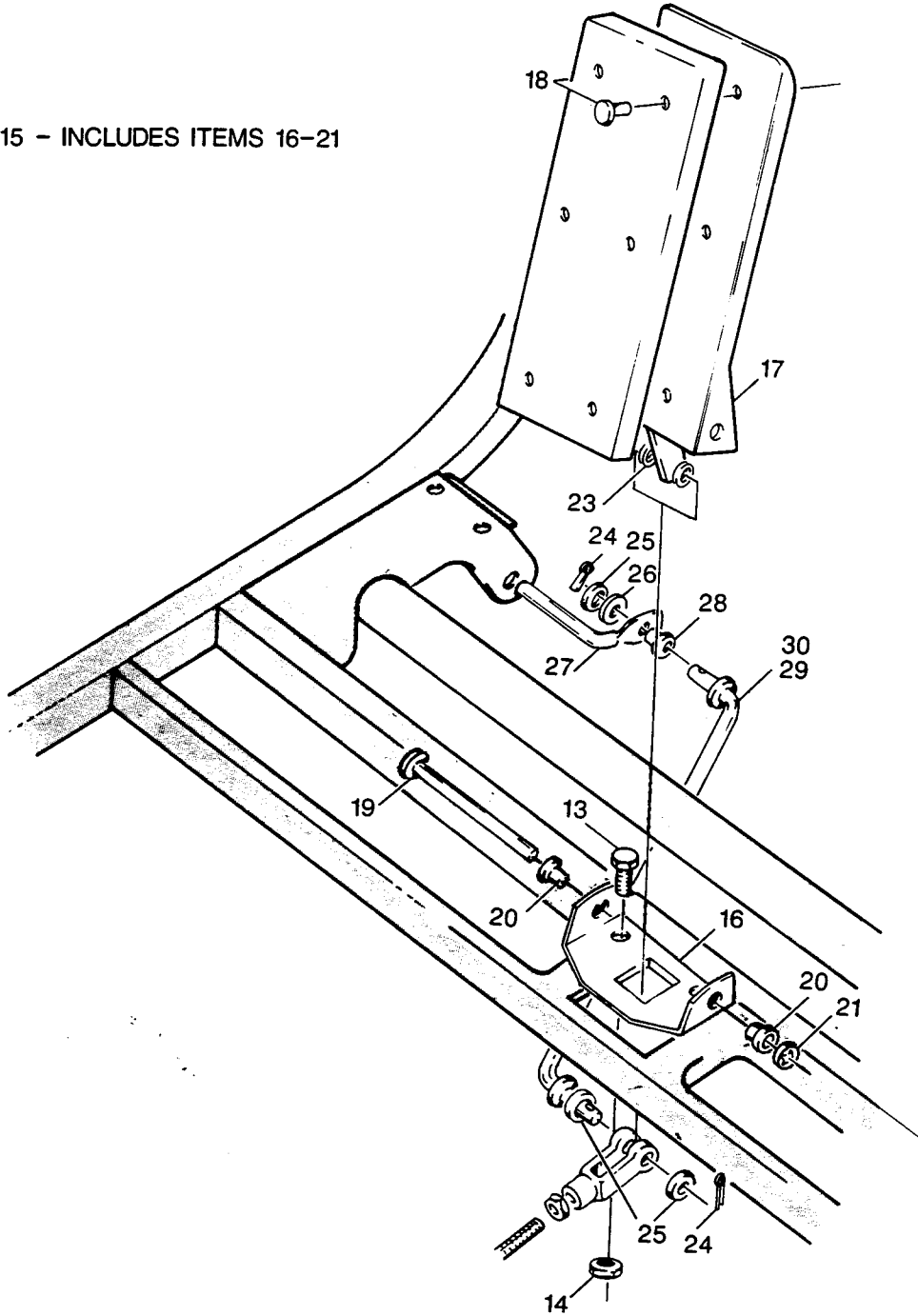
Should an asterisk(*) appear in the part number column on the parts list page, read upwards until a part number is found. The part number is the *lowest* assembly sold by E-Z-GO and the asterisk (*) indicates that the part depicted is not available for sale by E-Z-GO.

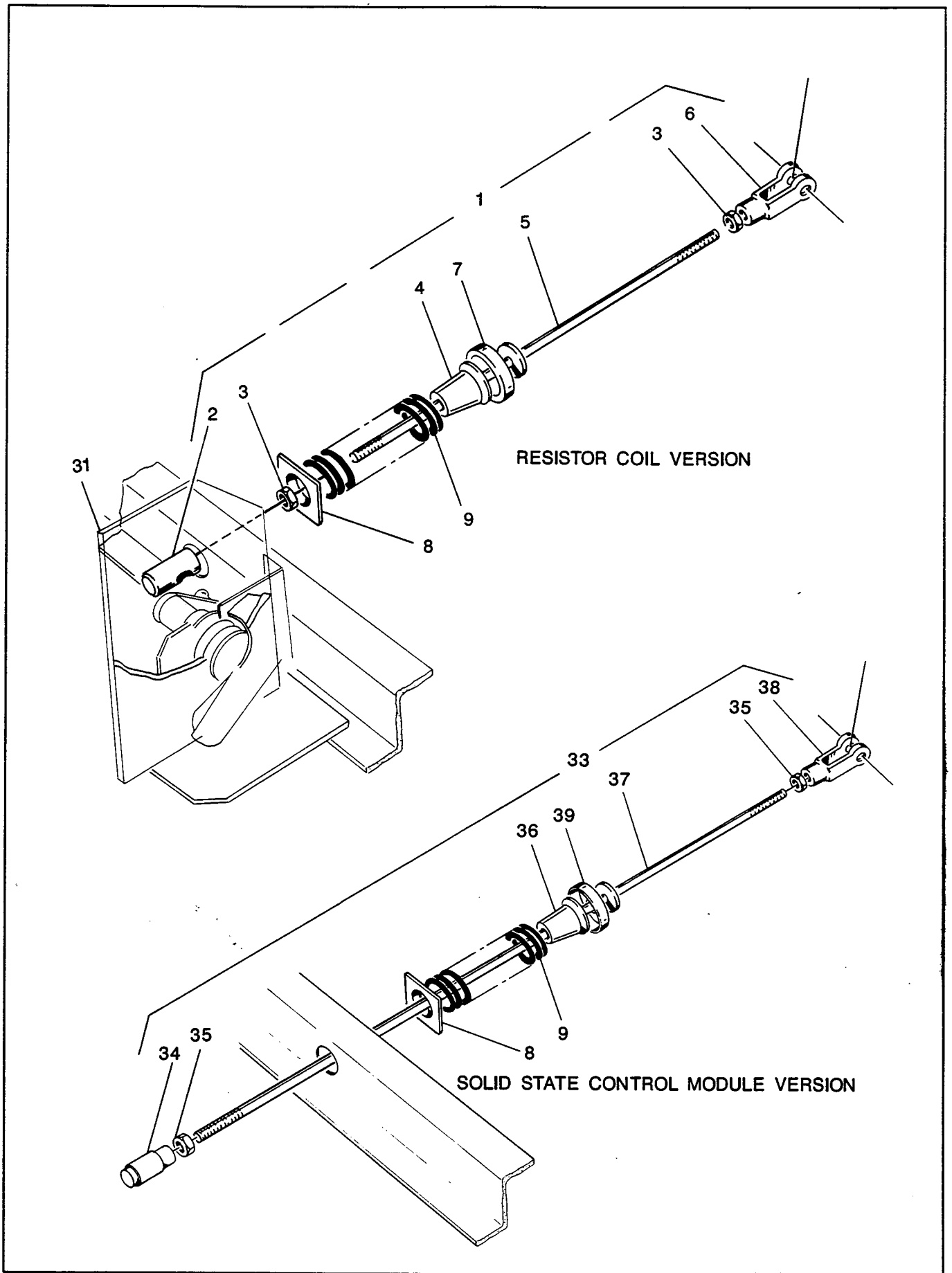
NOTE: Descriptions are *indented* under the assembly that they are used on. That assembly is, in turn, listed under the assembly that it is used on. This process is repeated until the highest or *final assembly* is reached.

To facilitate the maintenance and repair of vehicle, an Operation and Service Manual is available from the E-Z-GO Service Parts Department.

ILLUSTRATED PARTS BREAKDOWN
ELECTRIC AND GASOLINE POWERED PERSONNEL CARRIERS

15 - INCLUDES ITEMS 16-21





ACCELERATOR AND HILL BRAKE LINKAGE

ELECTRIC POWERED VEHICLE

THE USE OF NON U.L. PARTS WILL VOID ANY U.L. LISTING.

When ordering parts, please specify the model and serial number of the product.

* Indicates a component that is not available as an individual part.

4 WHEEL

ITEM	PART NO.	1	2	3	4	5	DESCRIPTION	QTY
▶ 1	25780-G1						ACCELERATOR ROD ASSEMBLY (INCLUDES ITEMS 2 - 7)	1
	2						BALL JOINT, SOCKET	1
	3						NUT, 5/16 - 24	2
	4						BUSHING, ACCELERATOR ROD	1
▶	5						ACCELERATOR ROD	1
	6						CLEVIS YOKE	1
▶	7						RETAINER, SPRING	2
	8						RETAINER, SPRING	1
	9						SPRING, COMPRESSION	1
	10							
	11							
	12							
	13	00414-G6					SCREW, 1/4 - 20 X 3/4 LG.	2
	14	11027-G2					NUT, LOCK, 1/4 - 20	2
	15	18083-G1					ACCELERATOR PEDAL ASSEMBLY (INCLUDES ITEMS 16 - 21)	1
	16	12511-G1					BASE PLATE, ACCELERATOR	1
	17	18084-G1					PEDAL, ACCELERATOR	1
	18	15827-G1					ACCELERATOR PEDAL, PAD KIT (INCLUDES RIVETS)	1
	19	12512-G1					PIN, ACCELERATOR PEDAL	1
	20	12513-G1					BEARING, PLASTIC	2
	21	12064-G2					NUT, PUSH	1
	22							
	23	17255-G1					WASHER, TEFLON	2
	24	10387-G3					COTTER PIN, 3/16 X 3/4 LG.	2
	25	00559-G8					WASHER, FLAT, 5/16	2
	26	20835-G1					WASHER, NYLON	1
	27	19708-G1					ARM, PIVOT	1
	28	17838-G1					BUSHING, NYLINER	1
▶	29	24030-G1					ROD, LINKAGE	1
	30							
	31	XXXX-XX					ACCELERATOR SWITCH ASSEMBLY (SEE ACCELERATOR SWITCH ASSEMBLY ILLUSTRATION	1
	32							
	33	18043-G3					ACCELERATOR ROD ASSEMBLY, SOLID STATE CONTROL MODULE ONLY (INCLUDES ITEMS 34-39)	1

ACCELERATOR AND HILL BRAKE LINKAGE

ELECTRIC POWERED VEHICLE

THE USE OF NON U.L. PARTS WILL VOID ANY U.L. LISTING.

When ordering parts, please specify the model and serial number of the product.

* Indicates a component that is not available as an individual part.

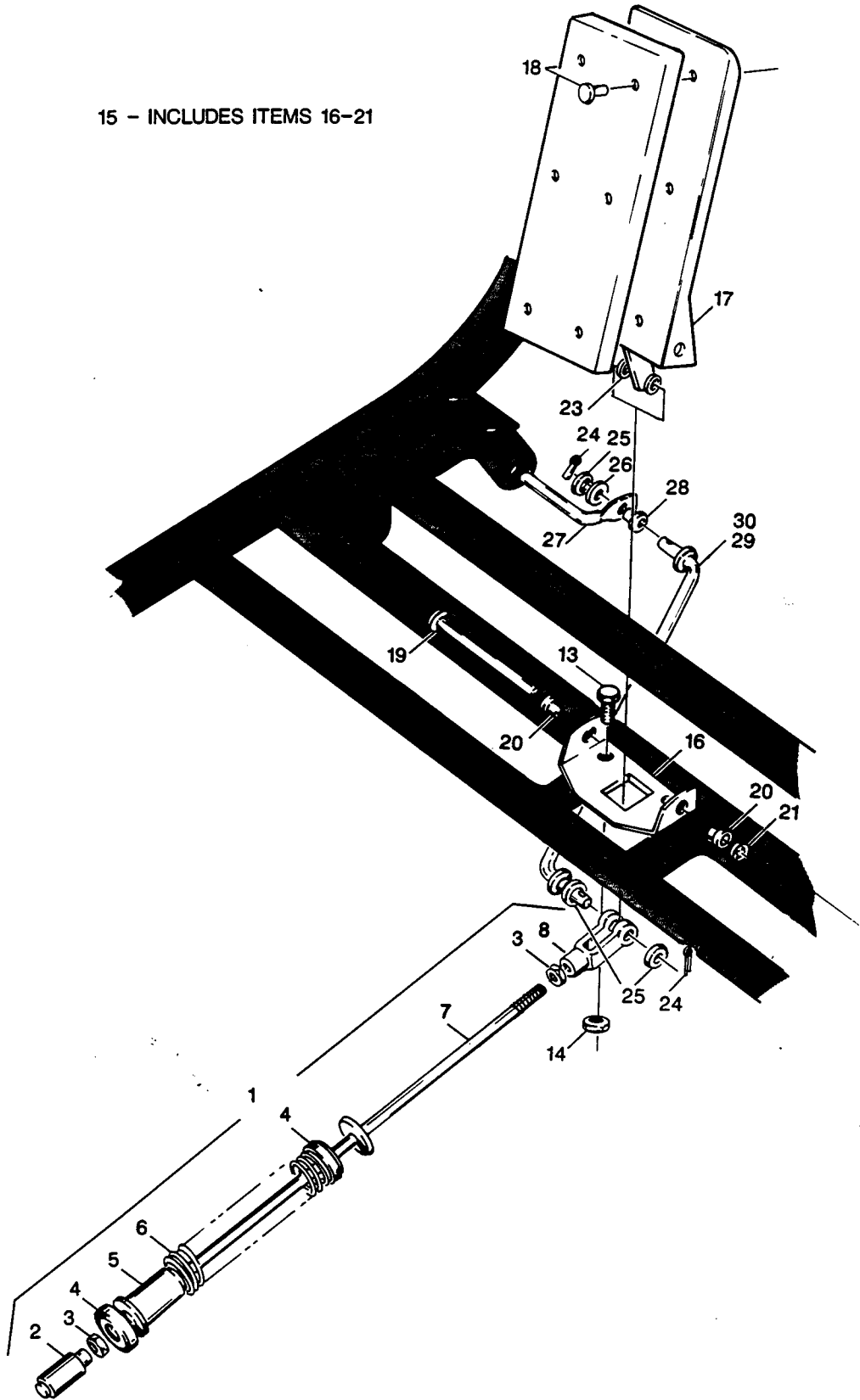
4 WHEEL

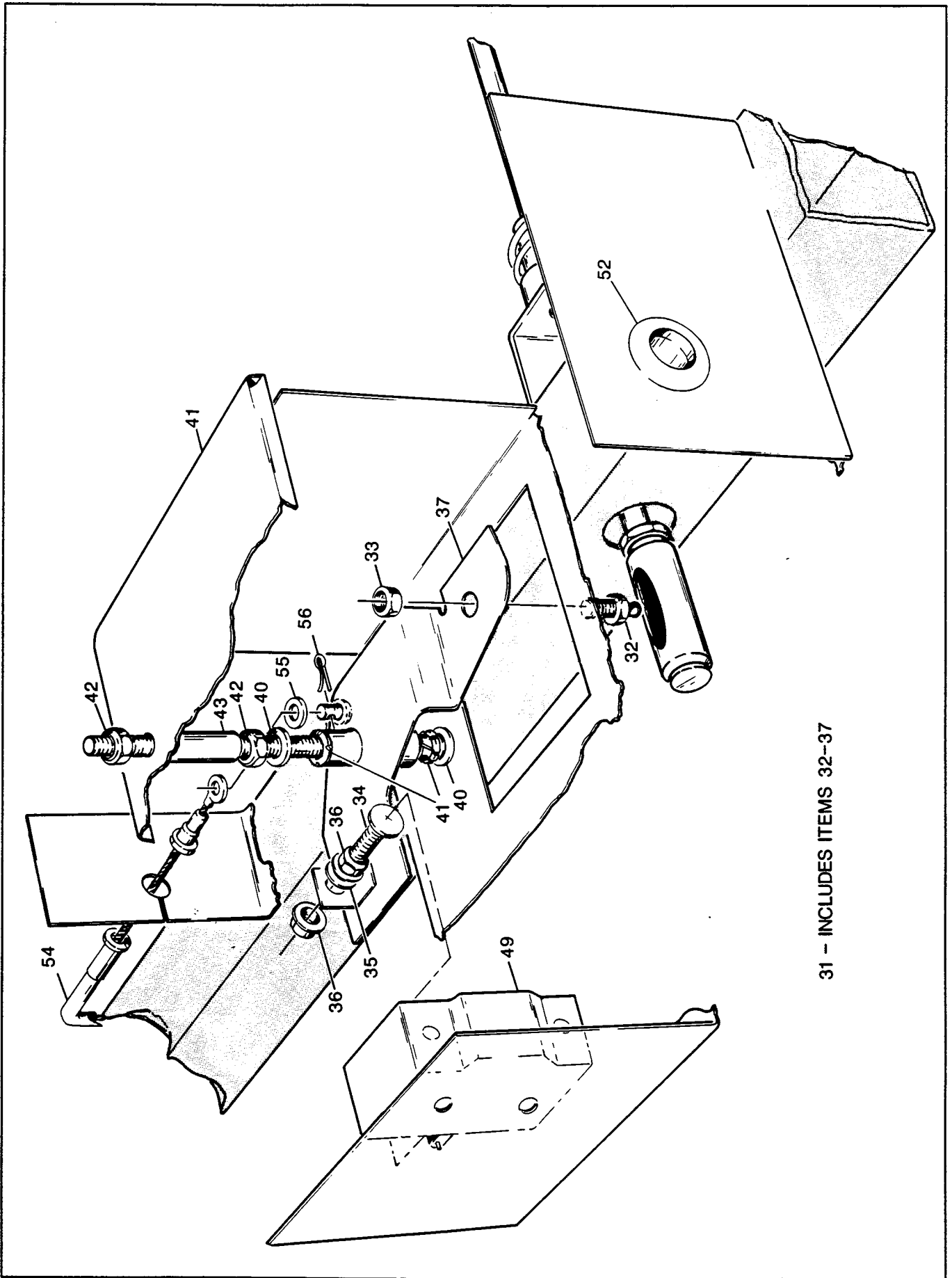
ITEM	PART NO.	1	2	3	4	5	DESCRIPTION	QTY	
34	14444-G3						BALL JOINT, SOCKET		1
35	00544-G4						NUT, 5/16-24		2
36	19979-G1						BUSHING, ACCELERATOR ROD		1
37	19710-G1						ACCELERATOR ROD		1
38	10385-G4						CLEVIS YOKE		1
39	17677-G1						RETAINER, SPRING'		1

ACCELERATOR AND HILL BRAKE LINKAGE

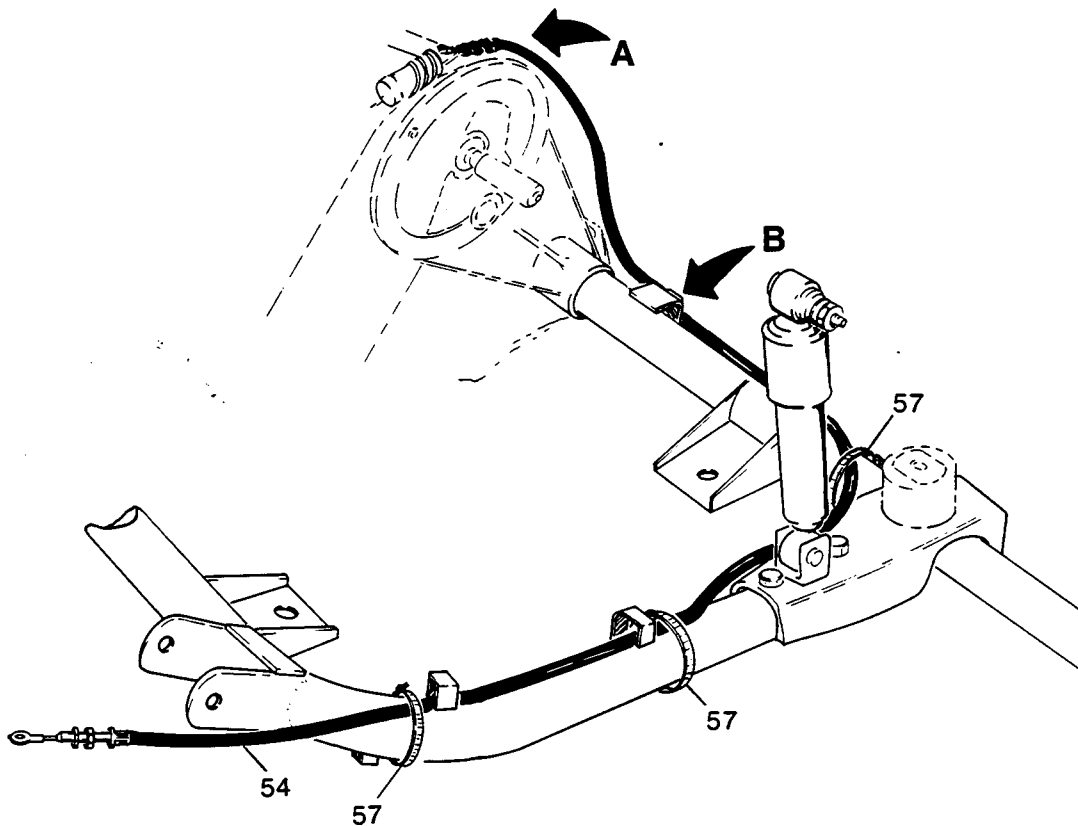
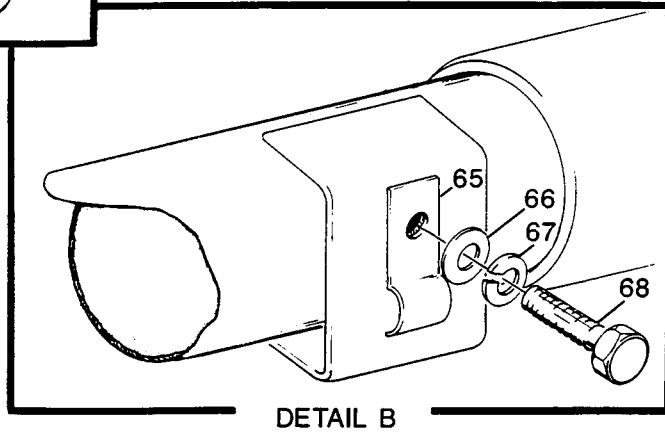
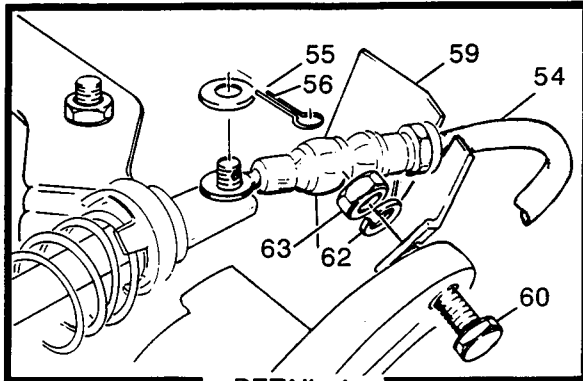
GASOLINE POWERED VEHICLE

15 - INCLUDES ITEMS 16-21





31 - INCLUDES ITEMS 32-37



ACCELERATOR AND HILL BRAKE LINKAGE

GASOLINE POWERED VEHICLE

THE USE OF NON U.L. PARTS WILL VOID ANY U.L. LISTING.

When ordering parts, please specify the model and serial number of the product.

* Indicates a component that is not available as an individual part.

4 WHEEL

ITEM	PART NO.	1	2	3	4	5	DESCRIPTION	QTY
1	18091-G1						ACCELERATOR ROD ASSEMBLY (INCLUDES ITEMS 2 - 8)	1
2	14444-G3						BALL JOINT, SOCKET	1
3	00544-G4						NUT, 5/16 - 24	2
4	17677-G1						RETAINER, SPRING	2
5	17979-G1						BUSHING, ACCELERATOR ROD	1
6	17675-G1						SPRING, COMPRESSION	1
7	19710-G1						ACCELERATOR ROD	1
8	10385-G4						CLEVIS, YOKE, REAMED	1
9								
10								
11								
12								
13	00414-G6						SCREW, 1/4 - 20 X 3/4 LG.	2
14	11027-G2						NUT, LOCK, 1/4 - 20	2
15	18083-G1						ACCELERATOR PEDAL ASSEMBLY (INCLUDES ITEMS 16 - 21)	1
16	12511-G1						BASE PLATE, ACCELERATOR	1
17	18084-G1						PEDAL, ACCELERATOR	1
18	15827-G1						PAD KIT, ACCELERATOR PEDAL (INCLUDES RIVETS)	1
19	12512-G1						PIN, ACCELERATOR PEDAL	1
20	12513-G1						BEARING, PLASTIC	2
21	12064-G2						NUT, PUSH	1
22								
23	17255-G1						WASHER, TEFLON	2
24	10387-G3						COTTER PIN, 3/16 X 3/4 LG.	2
25	00559-G8						WASHER, 5/16	3
26	20835-G1						WASHER, NYLON	1
27	19708-G1						ARM, PIVOT	1
28	20835-G1						WASHER, NYLON	1
29	24030-G1						ROD, LINKAGE	1
30								
31	22641-G1						CONTROL PLATE ASSEMBLY (INCLUDES ITEMS 32 - 37)	1
32	15944-G3						BALL JOINT, 5/16	1
33	11098-G9						NUT, LOCK, 5/16 - 24	1
34	18759-G1						SCREW, SPECIAL	1

ACCELERATOR AND HILL BRAKE LINKAGE

GASOLINE POWERED VEHICLE

THE USE OF NON U.L. PARTS WILL VOID ANY U.L. LISTING.

When ordering parts, please specify the model and serial number of the product.

* Indicates a component that is not available as an individual part.

4 WHEEL

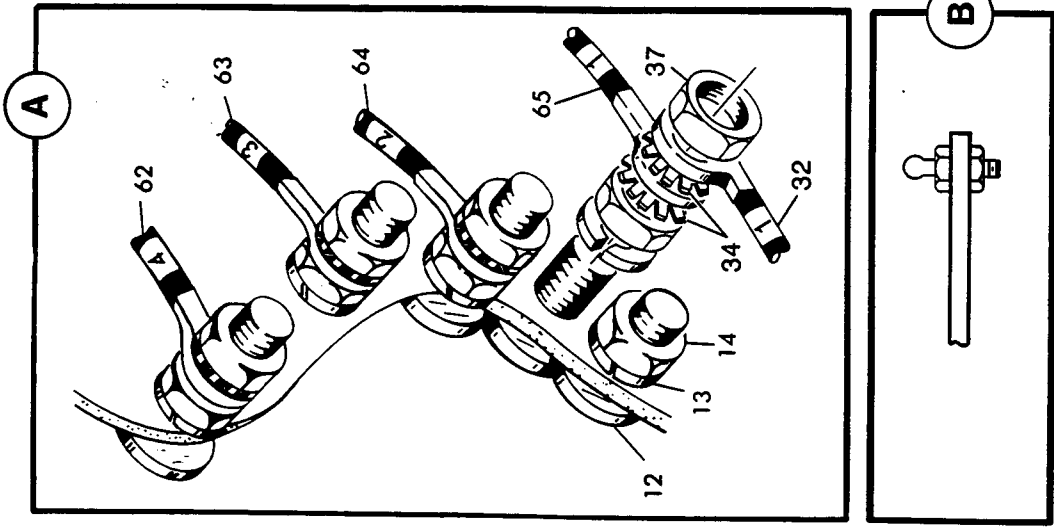
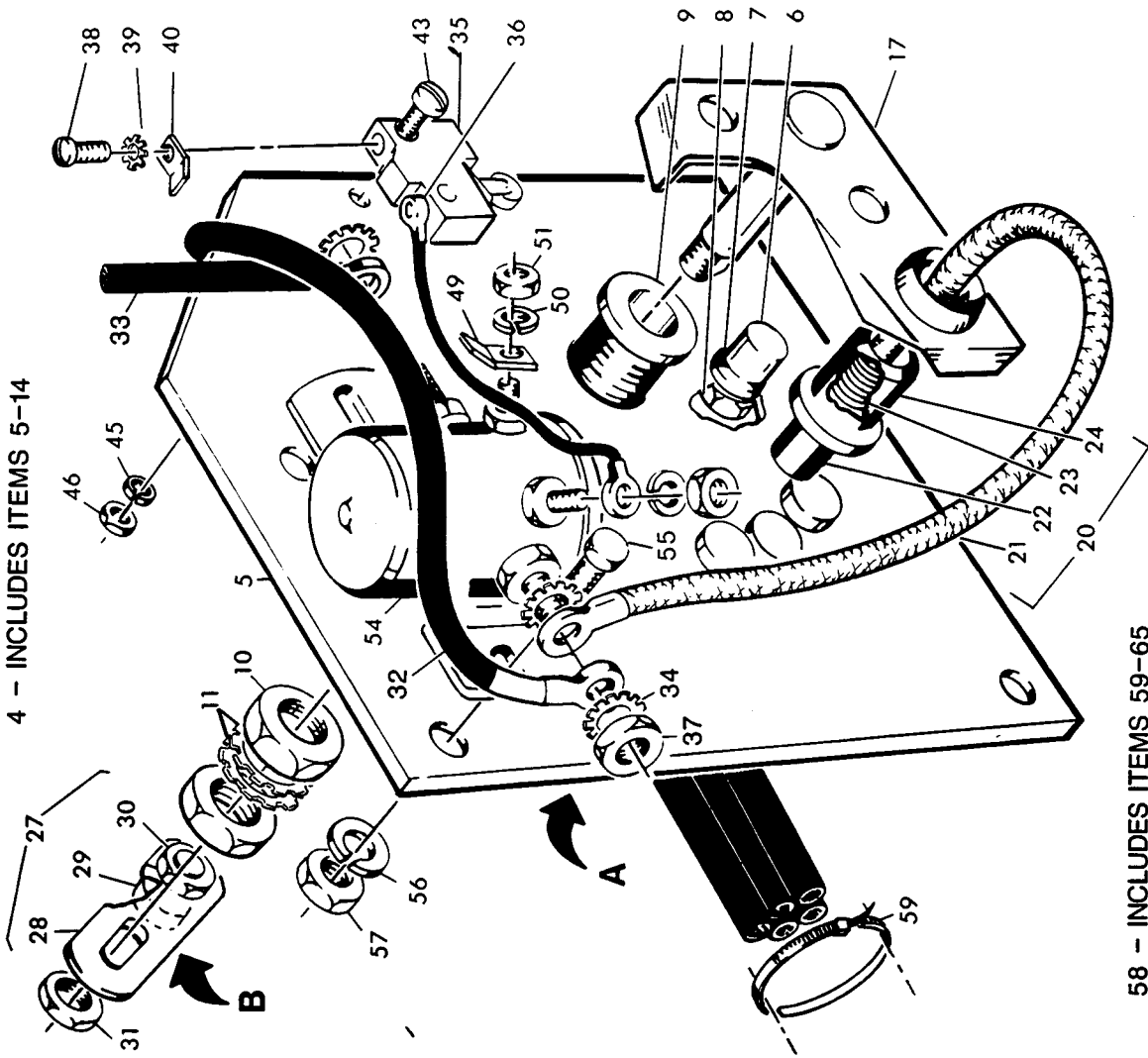
ITEM	PART NO.	1	2	3	4	5	DESCRIPTION	QTY
35	00559-G8						WASHER, 5/16	1
36	11027-G2						NUT, LOCK, 1/4 - 20	2
37	22406-G1						CONTROL PLATE	1
38								
39								
40	00559-G7						WASHER, 1/4	2
41	17838-G1						BUSHING, NYLON	2
42	14390-G4						NUT, LOCK, 1/4 - 20	2
43	22531-G1						SPACER	1
44	22409-G1						COVER, CONTROL HOUSING	1
45								
46								
47								
48								
49	XXXXX-XX						SWITCH, MICRO (SEE SECTION M FOR PART NUMBER AND QUANTITY)	
50								
51								
52	22497-G1						BUSHING, SNAP	1
53								
54	22334-G1						CABLE, THROTTLE	1
55	00559-G5						WASHER, #10	2
56	10387-G8						PIN, COTTER, 1/16 X 3/4 LG.	2
57	22729-G1						CLAMP, NYLON	3
58								
59	23815-G1						SUPPORT, CABLE	1
60	00414-G8						SCREW, 1/4 - 20 X 1 LG.	2
61								
62	00565-G7						WASHER, LOCK, 1/4	2
63	00532-G1						NUT, 1/4 - 20	2
64								
65	24548-G1						CLAMP, THROTTLE CABLE	1
66	00559-G7						WASHER, 1/4	1
67	00565-G7						WASHER, LOCK, 1/4	1
68	00240-G4						SCREW, 1/4 - 20 X 1/2 LG.	1

ACCELERATOR SWITCH ASSEMBLY

ELECTRIC POWERED VEHICLE

1 - INCLUDES ITEMS 4-57
4 - INCLUDES ITEMS 5-14

58 - INCLUDES ITEMS 59-65



ACCELERATOR SWITCH ASSEMBLY

ELECTRIC POWERED VEHICLE

THE USE OF NON U.L. PARTS WILL VOID ANY U.L. LISTING.

When ordering parts, please specify the model and serial number of the product.

* Indicates a component that is not available as an individual part.

ITEM	PART NO.	1	2	3	4	5	DESCRIPTION	4 WHEEL	
								QTY	
1	19255-G2						ACCELERATOR SWITCH ASSEMBLY (INCLUDES ITEMS 4 - 57)		1
2									
3									
4	18741-G1						CONTACT BOARD ASSEMBLY (INCLUDES ITEMS 5 - 14)		1
5	*						PLATE, ACCELERATOR		1
6	17491-G1						STUD, STOP		1
7	00560-G1						WASHER, 3/8		1
8	14390-G1						NUT, LOCK, 3/8 - 24		1
9	11902-G1						BUSHING, SHAFT		1
10	00545-G8						NUT, 3/4 - 16		2
11	00568-G6						WASHER, LOCK, EXTERNAL TOOTH, 3/4		2
12	*						STUD, CONTACT		5
13	*						WASHER, LOCK, 5/16		5
14	*						NUT, 5/16 - 24		5
15									
16									
17	17973-G1						SHAFT AND ARM ASSEMBLY		1
18									
19									
20	17504-G1						BRUSH AND LEAD ASSEMBLY (INCLUDES ITEMS 21 - 24)		1
21	*						TERMINAL, RING, #6 X 5/16		1
22	*						COPPER BRUSH WITH LEAD		1
23	*						SPRING, ARM CONTACT		1
24	*						HOLDER, BRUSH		1
25									
26									
27	17663-G1						PIVOT ARM ASSEMBLY (INCLUDES ITEMS 28 - 30)		1
28	17655-G1						ARM, ACCELERATOR LINKAGE		1
29	15944-G3						BALL, BALL JOINT		1
30	11098-G9						NUT, LOCK, 5/16 - 24		1
31	11098-G3						NUT, LOCK, 1/2 - 20		1
32	17965-G1						WIRE, LO SPEED, SOLENOID		1
33	13493-G1						WIRE, SOLENOID, F-N-R SWITCH		1
34	00567-G8						WASHER, LOCK, EXTERNAL TOOTH, 5/16		9

ACCELERATOR SWITCH ASSEMBLY

ELECTRIC POWERED VEHICLE

THE USE OF NON U.L. PARTS WILL VOID ANY U.L. LISTING.

When ordering parts, please specify the model and serial number of the product.

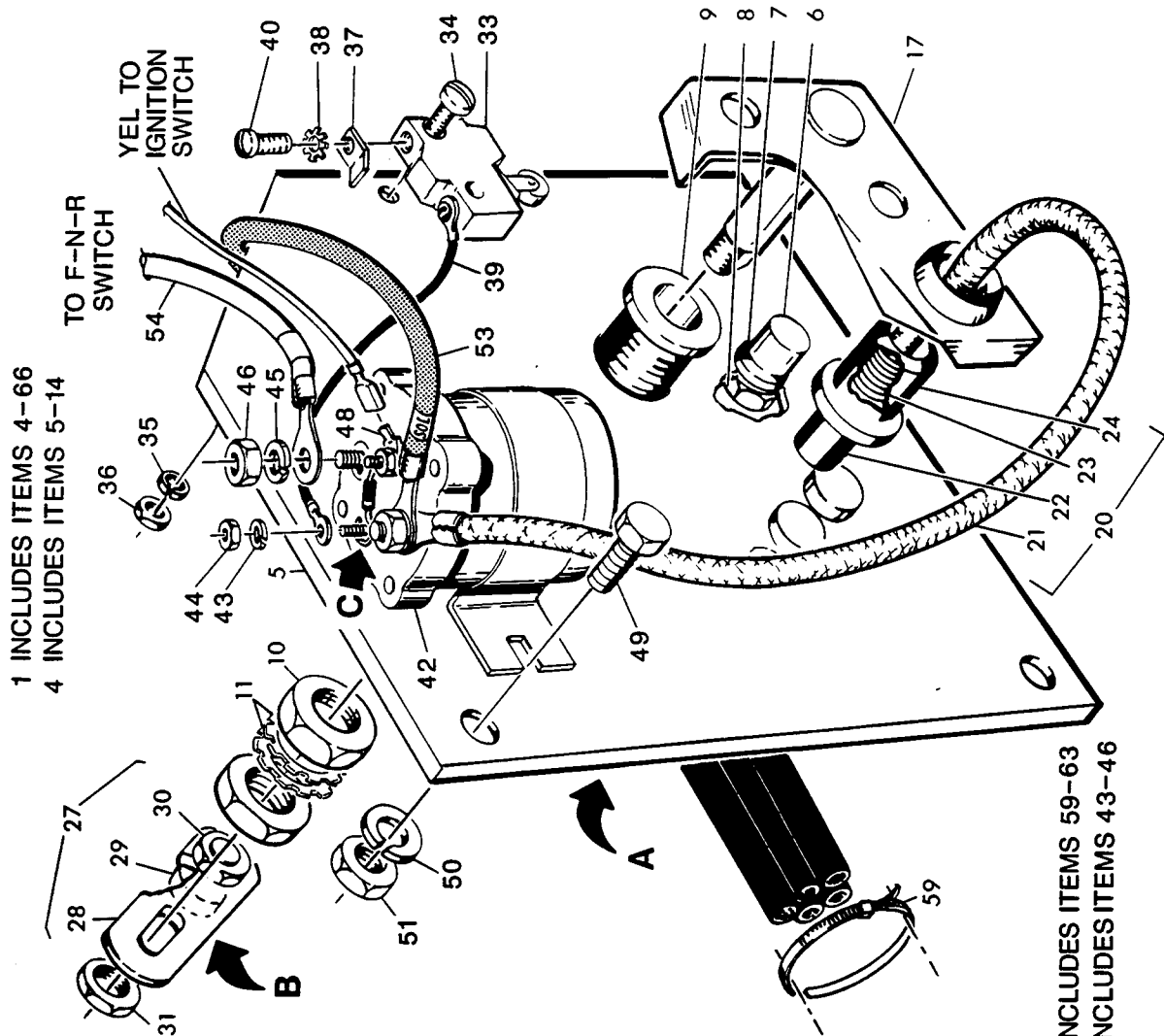
* Indicates a component that is not available as an individual part.

ITEM	PART NO.	1	2	3	4	5	DESCRIPTION	4 WHEEL	
								QTY	
35	10606-G2						SWITCH, MICRO	1	
36	17969-G1						WIRE, BLACK	1	
37	00544-G4						NUT, 5/16 - 24	6	
38	13514-G1						SCREW, BRASS, #8	2	
39	00567-G4						WASHER, LOCK, EXTERNAL TOOTH, #8	1	
40	14628-G1						FASTON TAB	1	
41									
42									
43	00139-G2						SCREW, #6 - 32 X 1 1/4 LG.	2	
44									
45	00565-G3						WASHER, LOCK, #6	2	
46	00525-G5						NUT, #6 - 32	2	
47									
48									
49	12914-G1						FASTON TAB	1	
50	00565-G5						WASHER, LOCK, #10	2	
51	00526-G4						NUT, #10 - 32	2	
52									
53									
54	11761-G1						SOLENOID, 36 VOLT	1	
55	00414-G6						SCREW, 1/4 - 20 X 3/4 LG.	2	
56	00565-G7						WASHER, LOCK, 1/4	2	
57	00532-G1						NUT, 1/4 - 20	2	
58	18902-G1						WIRE HARNESS, ACCELERATOR SWITCH ASSEMBLY (INCLUDES ITEMS 59 - 65)	1	
59	17618-G1						CLAMP, NYLON	5	
60									
61									
62	18897-G5						WIRE, #4	1	
63	18897-G4						WIRE, #3	1	
64	18897-G2						WIRE, #2	1	
65	18897-G1						WIRE, #1	1	

ACCELERATOR SWITCH ASSEMBLY

FIRST USED FOR MODEL YEAR 1990

ELECTRIC POWERED VEHICLE

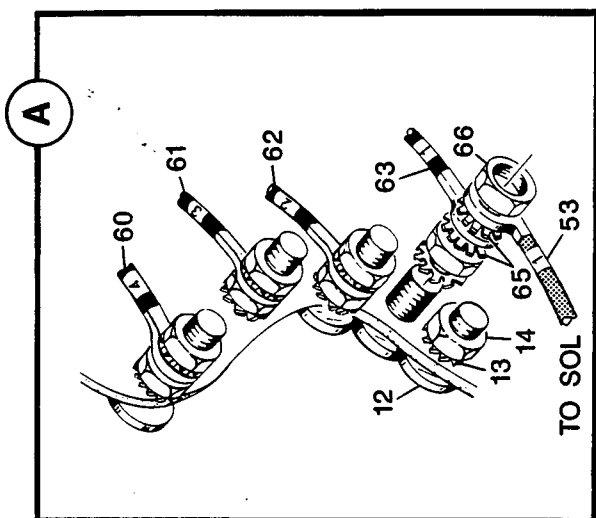


1 INCLUDES ITEMS 4-66

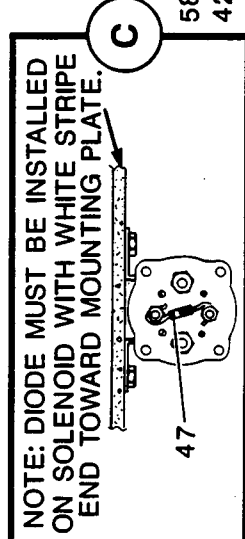
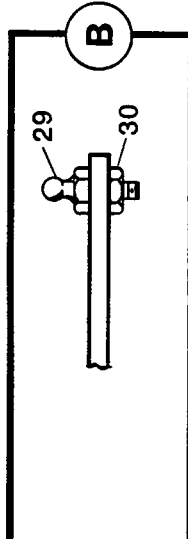
4 INCLUDES ITEMS 5-14

58 INCLUDES ITEMS 59-63

42 INCLUDES ITEMS 43-46



TO SOL



NOTE: DIODE MUST BE INSTALLED ON SOLENOID WITH WHITE STRIPE END TOWARD MOUNTING PLATE.

ACCELERATOR SWITCH ASSEMBLY

ELECTRIC POWERED VEHICLE

FIRST USED FOR MODEL YEAR 1990

THE USE OF NON U.L. PARTS WILL VOID ANY U.L. LISTING.

When ordering parts, please specify the model and serial number of the product.

* Indicates a component that is not available as an individual part.

4 WHEEL

ITEM	PART NO.	1	2	3	4	5	DESCRIPTION	QTY
1	20467-G2						ACCELERATOR SWITCH ASSEMBLY, HEAVY DUTY (INCLUDES ITEMS 4 - 66)	1
2								
3								
4	18741-G1						CONTACT BOARD ASSEMBLY (INCLUDES ITEMS 5 - 14)	1
5	*						PLATE, ACCELERATOR	1
6	17491-G1						STUD, STOP	1
7	00560-G1						WASHER, 3/8	1
8	14390-G1						NUT, LOCK, 3/8 - 24	1
9	11902-G1						BUSHING, SHAFT	1
10	00545-G8						NUT, 3/4 - 16	2
11	00568-G6						WASHER, LOCK, EXTERNAL TOOTH, 3/4	2
12	*						STUD, CONTACT	5
13	*						WASHER, LOCK, EXTERNAL TOOTH, 5/16	5
14	*						NUT, 5/16 - 24	5
15								
16								
17	17973-G1						SHAFT AND ARM ASSEMBLY	1
18								
19								
20	17504-G2						BRUSH AND LEAD ASSEMBLY (INCLUDES ITEMS 21 - 24)	1
21	*						TERMINAL, RING, #6 X 5/16	1
22	*						COPPER BRUSH WITH LEAD	1
23	*						SPRING, ARM CONTACT	1
24	*						HOLDER, BRUSH	1
25								
26								
27	17663-G1						PIVOT ARM ASSEMBLY (INCLUDES ITEMS 28 - 30)	1
28	17655-G1						ARM, ACCELERATOR LINKAGE	1
29	15944-G3						BALL, BALL JOINT	1
30	11098-G9						NUT, LOCK, 5/16 - 24	1
31	11098-G3						NUT, LOCK, 1/2 - 20	1
32								
33	10606-G2						SWITCH, MICRO	1
34	00139-G2						SCREW, #6 - 32 X 1 1/4 LG.	2

ACCELERATOR SWITCH ASSEMBLY

ELECTRIC POWERED VEHICLE

FIRST USED FOR MODEL YEAR 1990

THE USE OF NON U.L. PARTS WILL VOID ANY U.L. LISTING.

When ordering parts, please specify the model and serial number of the product.

* Indicates a component that is not available as an individual part.

4 WHEEL

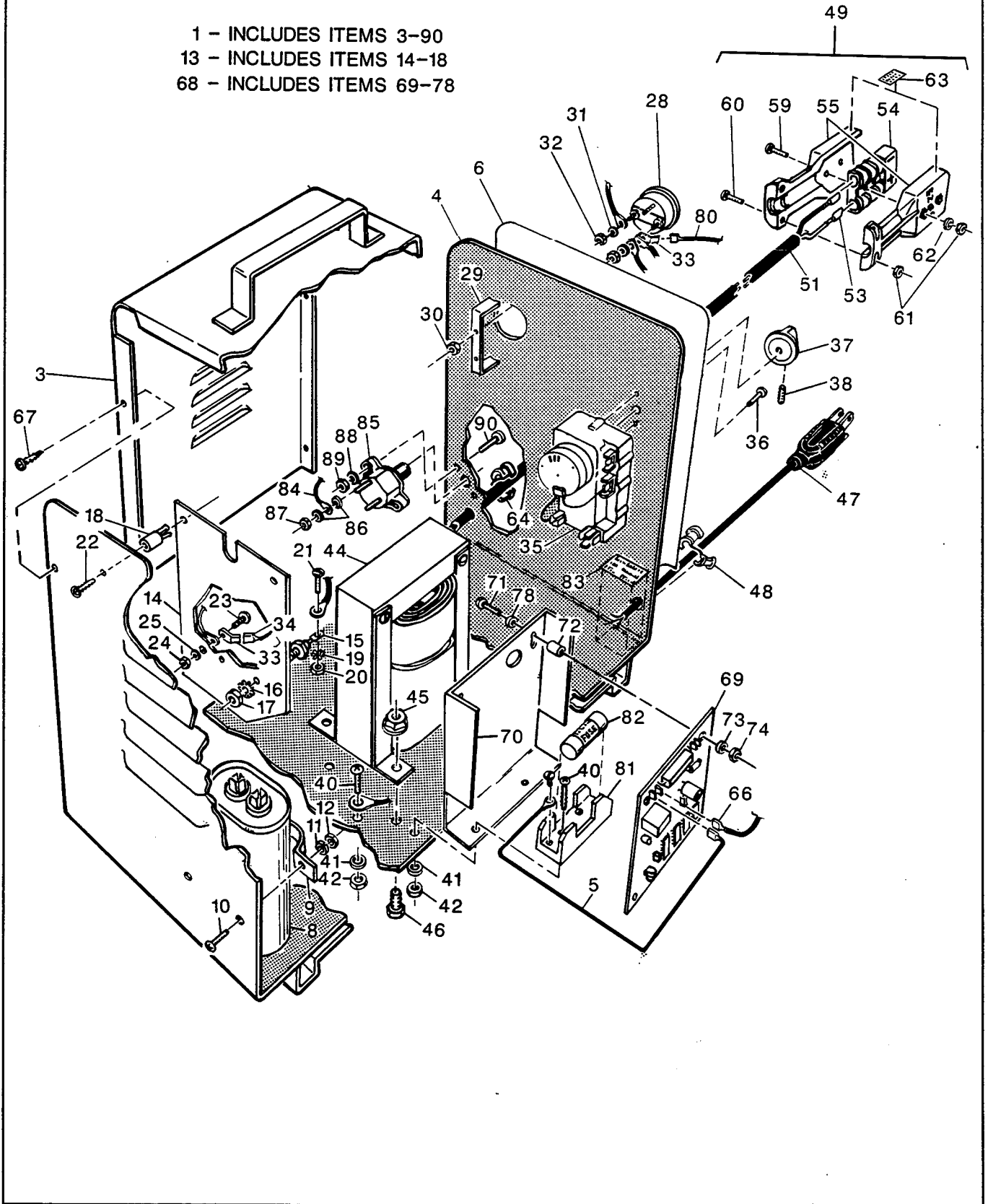
ITEM	PART NO.	1	2	3	4	5	DESCRIPTION	QTY
35	00565-G3						WASHER, LOCK, #6	2
36	00525-G5						NUT, #6 - 32	2
37	14628-G1						FASTON TAB	1
38	00567-G4						WASHER, LOCK, EXTERNAL TOOTH, #8	1
▶ 39	20464-G1						WIRE, BLACK	1
40	13514-G1						SCREW, BRASS, #8	2
41								
▶ 42	20468-G1						SOLENOID, 36 VOLT, HEAVY DUTY (INCLUDES ITEMS 43 - 46) ...	1
43	00565-G5						WASHER, LOCK, #10	2
44	00526-G4						NUT, #10 - 32	2
45	00565-G8						WASHER, LOCK, #10 - 32	2
46	00544-G4						NUT, 5/16 - 24	2
▶ 47	30353-G1						DIODE	1
48	12914-G1						FASTON TAB	1
49	00414-G6						SCREW, 1/4 - 20 X 3/4 LG.	2
50	00565-G7						WASHER, LOCK, 1/4	2
51	00532-G1						NUT, 1/4 - 20	2
52								
53	17965-G1						WIRE, LO SPEED, SOLENOID	1
54	13493-G1						WIRE, SOLENOID, F-N-R SWITCH	1
55								
56								
57								
58	18902-G1						WIRE HARNESS, ACCELERATOR SWITCH ASSEMBLY (INCLUDES ITEMS 59 - 63)	1
59	17618-G1						CLAMP, NYLON	4
60	18897-G5						WIRE, #4	1
61	18897-G4						WIRE, #3	1
62	18897-G2						WIRE, #2	1
63	18897-G1						WIRE, #1	1
64								
65	00567-G8						WASHER, LOCK, EXTERNAL TOOTH, 5/16	5
66	00544-G4						NUT, 5/16 - 24	4

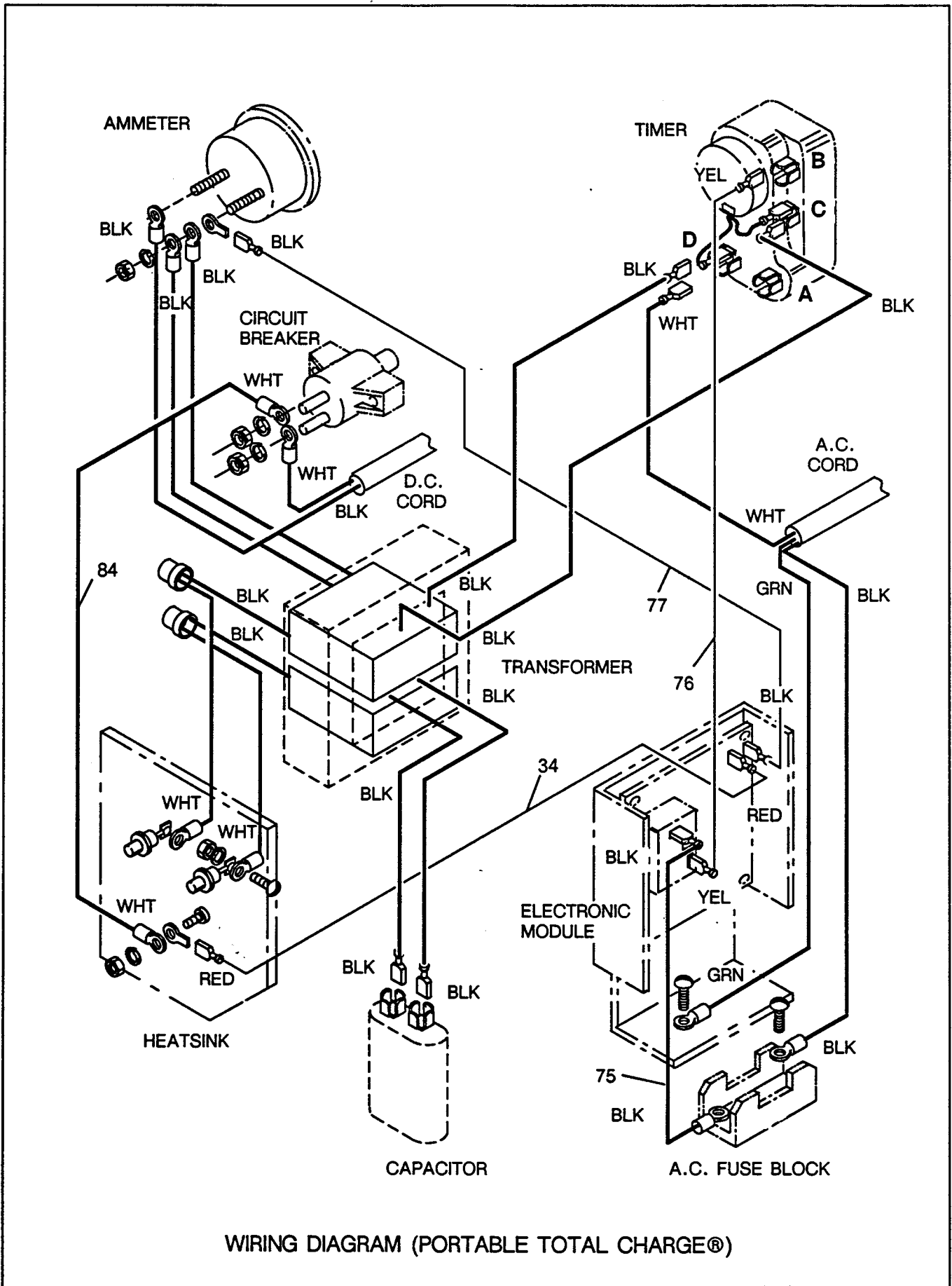
ACCELERATOR SWITCH ASSEMBLY

ELECTRIC POWERED VEHICLE

FIRST USED FOR MODEL YEAR 1990

- 1 - INCLUDES ITEMS 3-90
- 13 - INCLUDES ITEMS 14-18
- 68 - INCLUDES ITEMS 69-78





WIRING DIAGRAM (PORTABLE TOTAL CHARGE®)

BATTERY CHARGER, TOTAL CHARGE®

ELECTRIC POWERED VEHICLE

THE USE OF NON U.L. PARTS WILL VOID ANY U.L. LISTING.

When ordering parts, please specify the model and serial number of the product.

* Indicates a component that is not available as an individual part.

ITEM	PART NO.	1	2	3	4	5	DESCRIPTION	QTY	
									4 WHEEL
1	20484-G1						BATTERY CHARGER, 36V, 10 FT. D.C. CORD (INCLUDES ITEMS 3 - 90)	1	
2									
3	19096-G1						TOP COVER	1	
4	24919-G1						CHASSIS	1	
5									
6	*						LABEL, OPERATING INSTRUCTIONS (SERIALIZED)	1	
7									
8	17077-G1						CAPACITOR (INCLUDES ITEM 9)	1	
9	11559-G1						BRACKET, CAPACITOR	1	
10	00372-G4						SCREW, #8 - 32 X 1/2 LG.	2	
11	00565-G4						WASHER, LOCK, #8	2	
12	00526-G1						NUT, #8 - 32	2	
13	18726-G2						HEAT SINK ASSEMBLY, SERVICE (INCLUDES ITEMS 14 - 18)	1	
14	18489-G1						HEAT SINK	1	
15	18488-G1						DIODE, SILICONE RECTIFIER	2	
16	00567-G7						WASHER, LOCK, 1/4	2	
17	00532-G2						NUT, 1/4 - 28	2	
18	11572-G2						NUT, PLASTIC EXPANSION	3	
19	00567-G3						WASHER, LOCK, EXTERNAL TOOTH, #6	2	
20	00525-G5						NUT, #6 - 32	2	
21	00138-G3						SCREW, #6 - 32 X 3/8 LG.	2	
22	00512-G7						SCREW, SELF-TAPPING, #8 X 7/8 LG.	3	
23	00378-G4						SCREW, #10 - 24 X 1/2 LG.	1	
24	00526-G3						NUT, #10 - 24	1	
25	00565-G5						WASHER, LOCK, #10	1	
26									
27									
28	18764-G1						AMMETER	1	
29	*						BRACKET, AMMETER	1	
30	00525-G5						NUT, #6 - 32	2	
31	00565-G5						WASHER, LOCK, #10	2	
32	00526-G4						NUT, #10 - 32	2	
33	12914-G1						FASTON TAB	2	
34	19952-G1						WIRE, 18 GAUGE, RED	1	

BATTERY CHARGER, TOTAL CHARGE®

ELECTRIC POWERED VEHICLE

THE USE OF NON U.L. PARTS WILL VOID ANY U.L. LISTING.

When ordering parts, please specify the model and serial number of the product.

* Indicates a component that is not available as an individual part.

4 WHEEL

ITEM	PART NO.	1	2	3	4	5	DESCRIPTION	QTY
35	18052-G1						TIMER	1
36	00372-G2						SCREW, #8 - 32 X 1/4 LG.	2
37	11575-G1						KNOB, TIMER	1
38	00486-G4						SETSCREW, #8 - 32 X 1/2 LG.	1
39								
40	00372-G3						SCREW, #8 - 32 X 3/8 LG.	1
41	00565-G4						WASHER, LOCK, #8	1
42	00526-G1						NUT, #8 - 32	1
43								
44	19928-G1						TRANSFORMER	1
45	11027-G2						NUT, LOCK, 1/4 - 20	4
46	00414-G5						SCREW, 1/4 - 20 X 5/8 LG.	4
47	19388-G1						A.C. CORD	1
48	13557-G2						STRAIN RELIEF, PLASTIC (A.C. CORD)	1
49	20731-G1						D.C. CORD ASSEMBLY, 10 FT. (INCLUDES ITEMS 51 - 63)	1
50								
51	14489-G2						D.C. CORD, 10 FT.	1
52								
53	*						CONTACT, CONNECTOR	2
54	18782-G1						CONNECTOR (BLACK)	1
55	18972-G1						HANDLE INSTALLATION KIT (INCLUDES ITEMS 56 - 63)	1
56	*						HANDLE, HALF, L.H.	1
57	*						HANDLE, HALF, R.H.	1
58								
59	00647-G8						SCREW, STAINLESS STEEL, #6 - 32 X 29/32 LG.	2
60	00647-G3						SCREW, STAINLESS STEEL, #6 - 32 X 3/8 LG.	2
61	13521-G5						NUT, LOCK, #6 - 32	4
62	00650-G2						WASHER, FLAT, #5	AR
63	20628-G1						LABEL, CAUTION	1
64	13557-G3						STRAIN RELIEF, PLASTIC (D.C. CORD)	1
65								
66								
67	00614-G4						SCREW, SELF-TAPPING, #8 X 1/2 LG.	10
68	19950-G1						ELECTRONIC MODULE ASSEMBLY (INCLUDES ITEMS 69 - 78)	1

BATTERY CHARGER, TOTAL CHARGE®

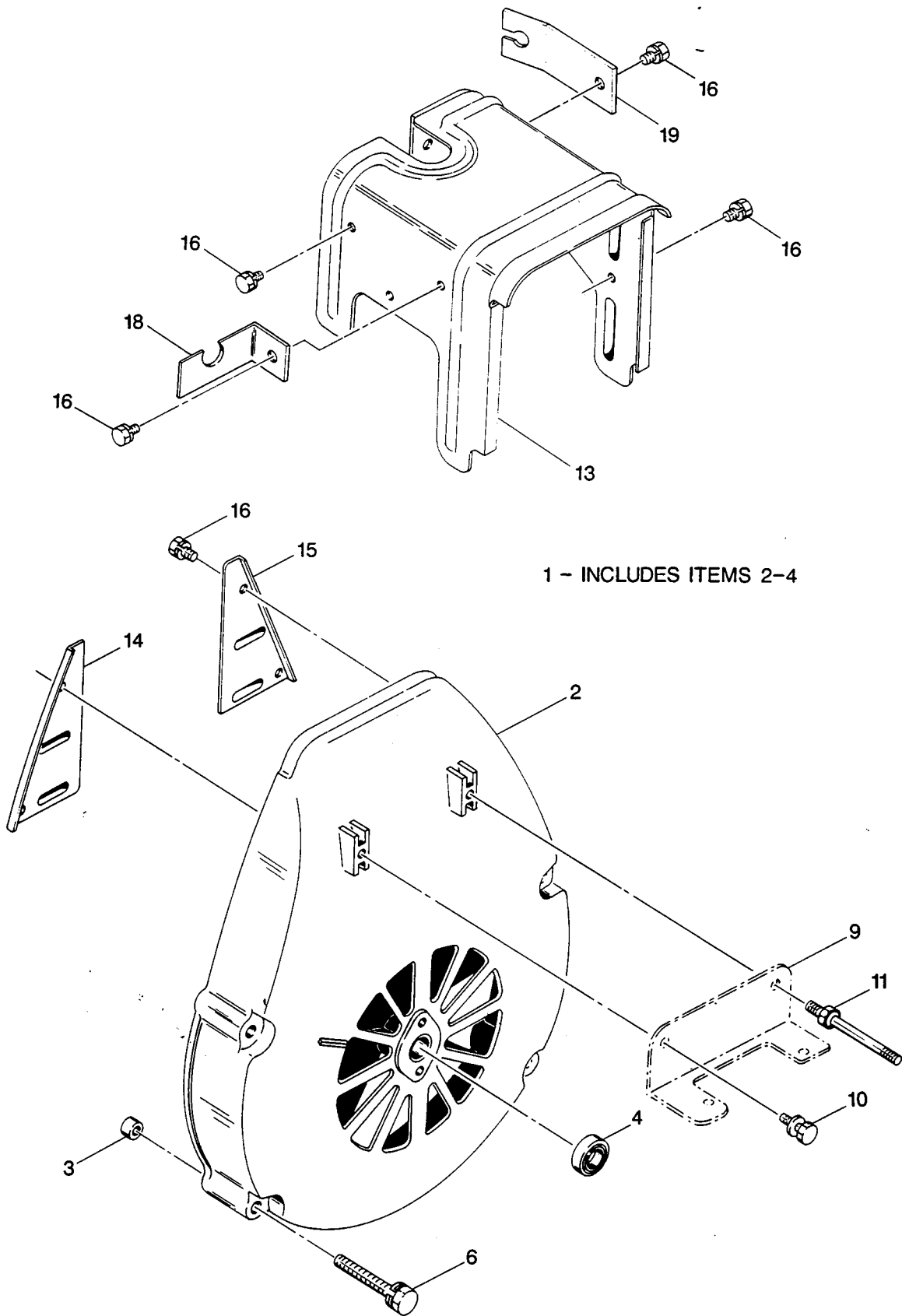
ELECTRIC POWERED VEHICLE

THE USE OF NON U.L. PARTS WILL VOID ANY U.L. LISTING.

When ordering parts, please specify the model and serial number of the product.

* Indicates a component that is not available as an individual part.

ITEM	PART NO.	1	2	3	4	5	DESCRIPTION	4 WHEEL	
								QTY	
69	*						MODULE		1
70	19459-G1						BRACKET		1
71	00138-G5						SCREW, #6 - 32 X 5/8 LG.		4
72	19081-G1						STANDOFF		4
73	00736-G1						WASHER, FLAT, NYLON		4
74	00735-G1						NUT, NYLON, #6 - 32		4
75	19402-G1						WIRE, 16 GAUGE, BLACK		1
76	19949-G1						WIRE, 16 GAUGE, YELLOW		1
77	19954-G1						WIRE, 18 GAUGE, BLACK		1
78	00559-G3						WASHER, #8		2
79									
80									
81	19363-G1						FUSE BLOCK		1
82	19361-G1						FUSE, 15 AMP		1
83	19434-G1						LABEL, IDENTIFICATION		1
84	19441-G1						WIRE, 12 GAUGE, WHITE		1
85	19362-G1						CIRCUIT BREAKER, 50 AMP (INCLUDES ITEMS 86 AND 87)		2
86	00559-G5						WASHER, #10		4
87	00526-G4						NUT, #10 - 32		2
88	00565-G4						WASHER, LOCK, #8		2
89	00526-G1						NUT, #8 - 32		2
90	00372-G6						SCREW, #8 - 32 X 3/4 LG.		2



1 - INCLUDES ITEMS 2-4

THIS ILLUSTRATION TO BE USED IN CONJUNCTION WITH OIL INJECTION ILLUSTRATION

BLOWER HOUSING

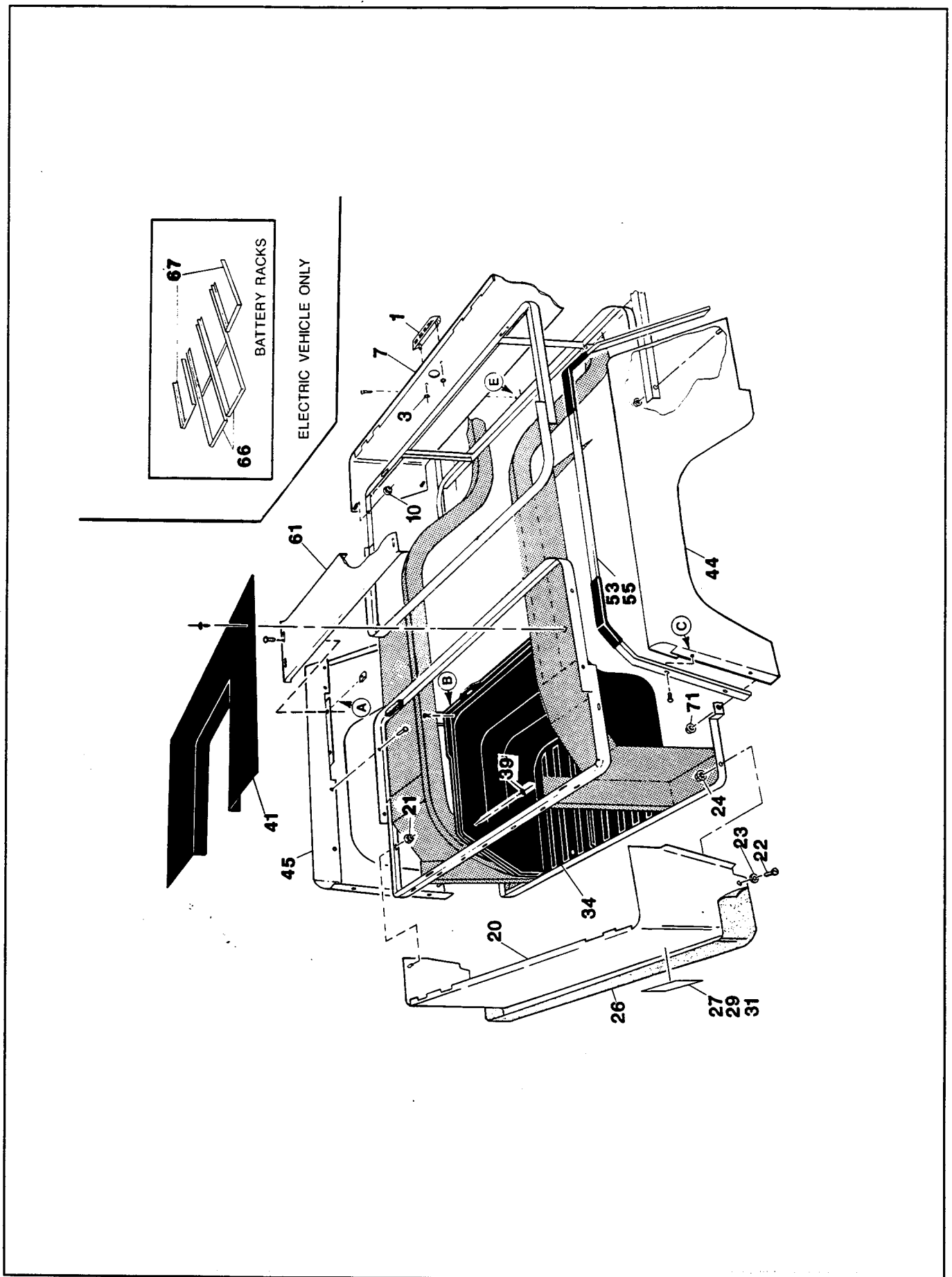
GASOLINE POWERED VEHICLE

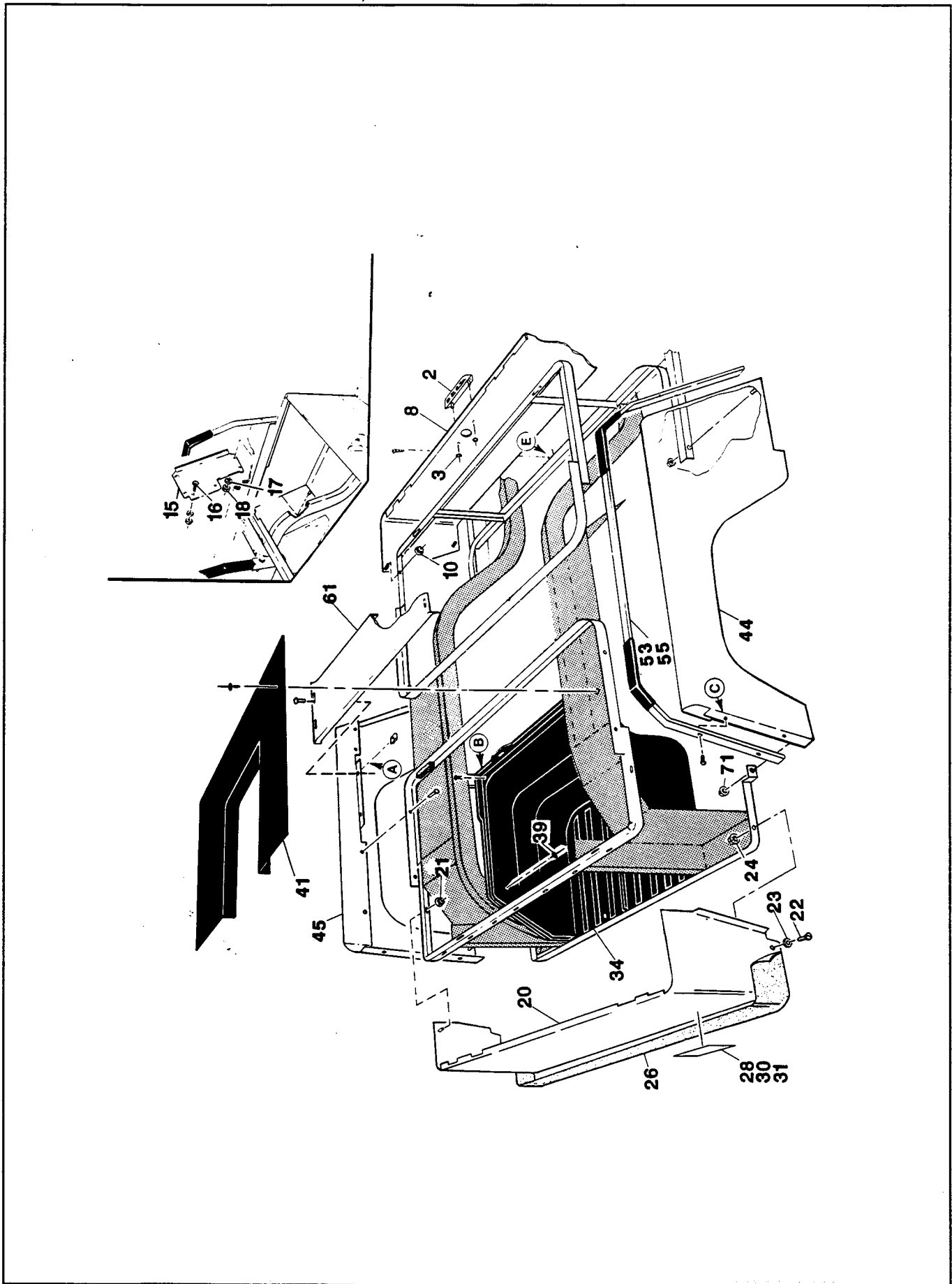
THE USE OF NON U.L. PARTS WILL VOID ANY U.L. LISTING.

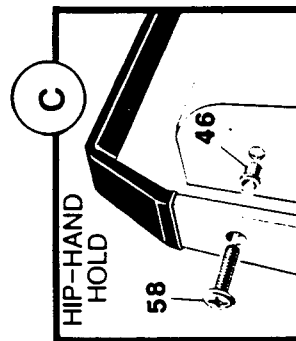
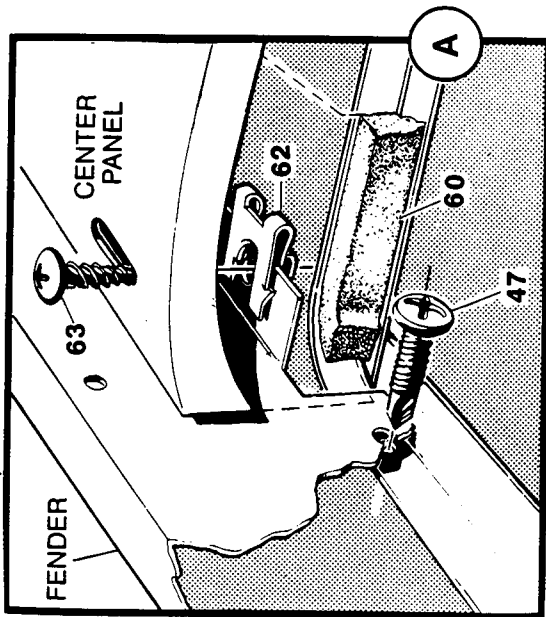
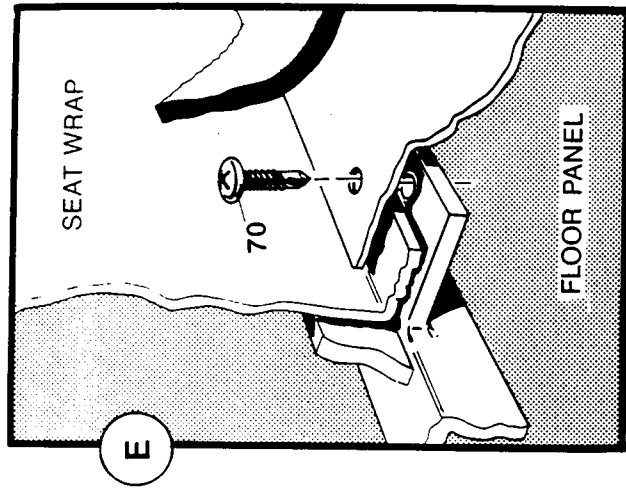
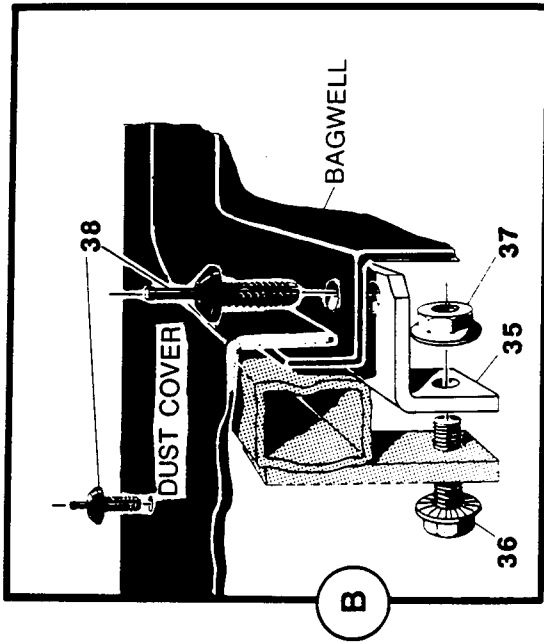
When ordering parts, please specify the model and serial number of the product.

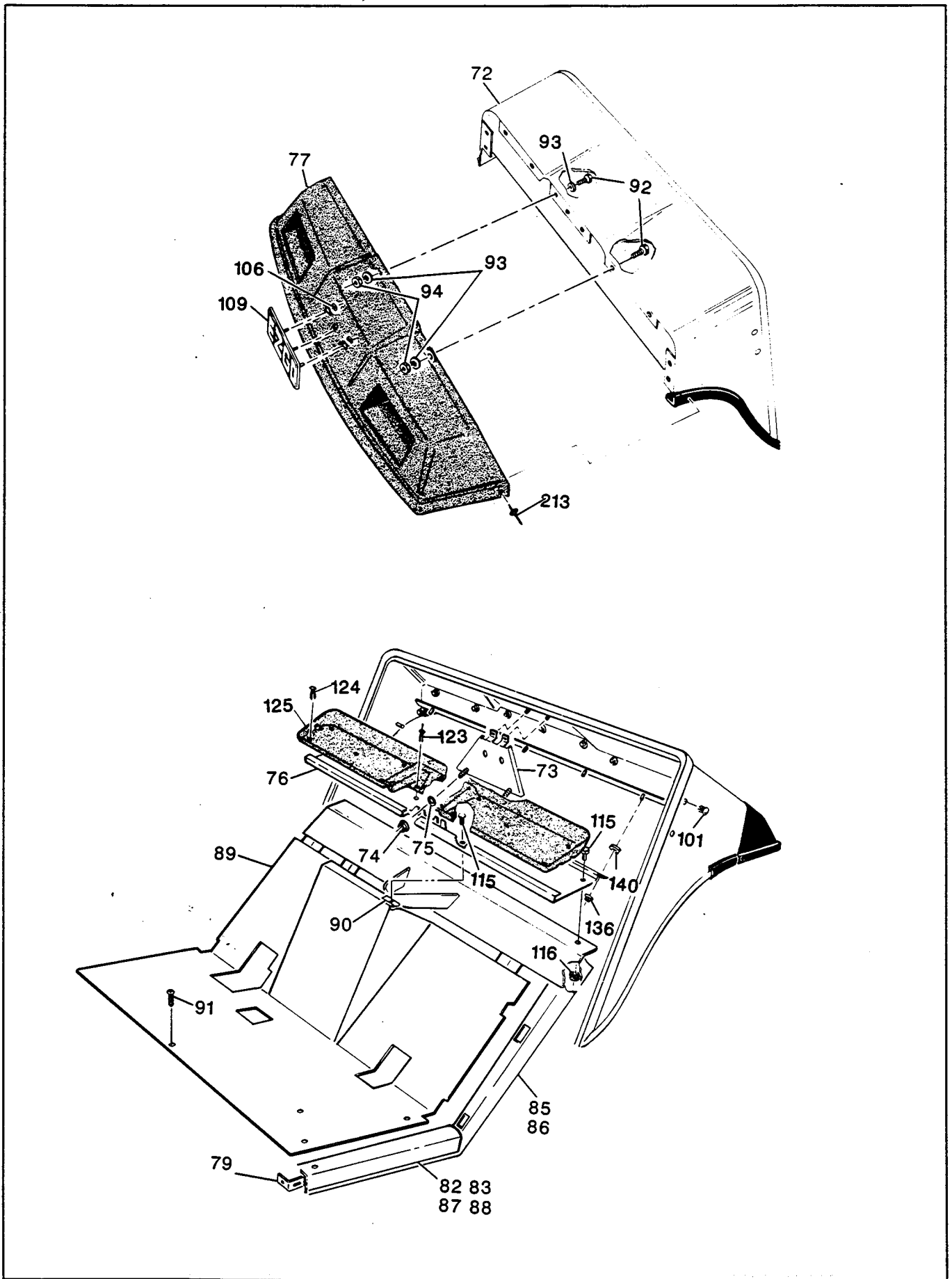
* Indicates a component that is not available as an individual part.

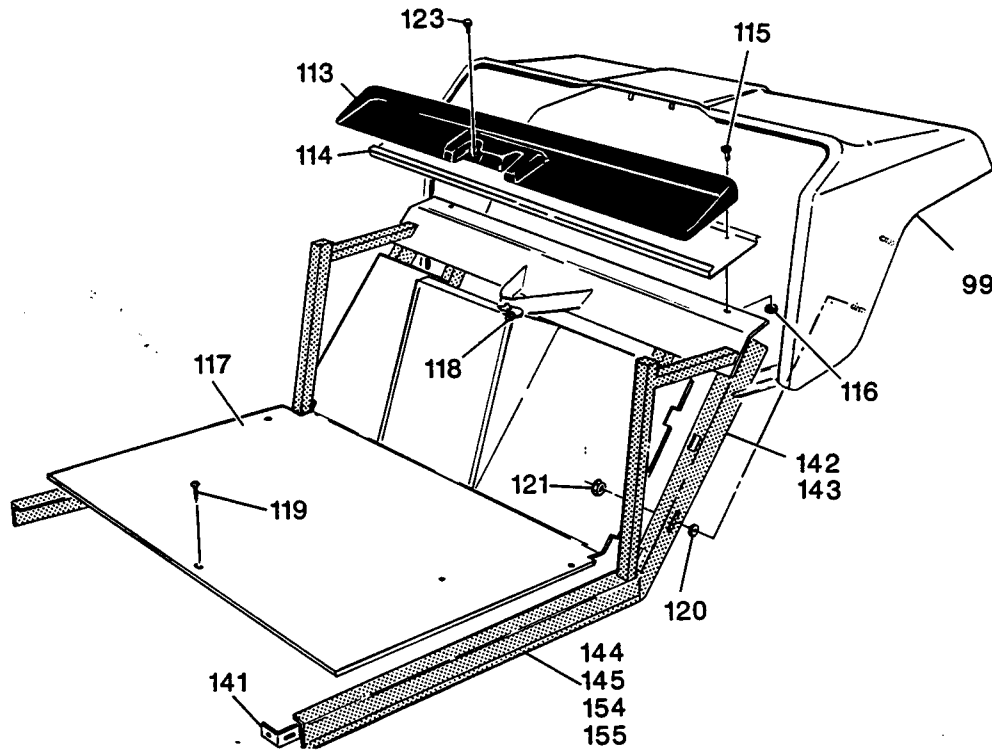
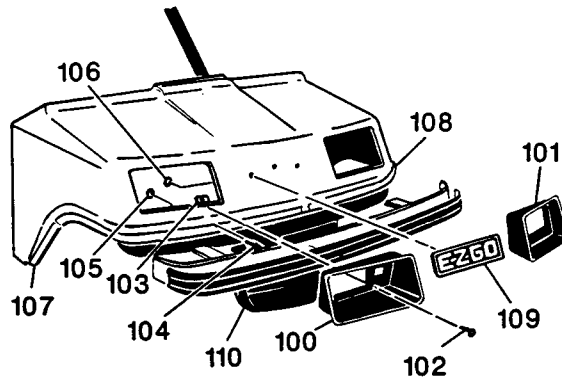
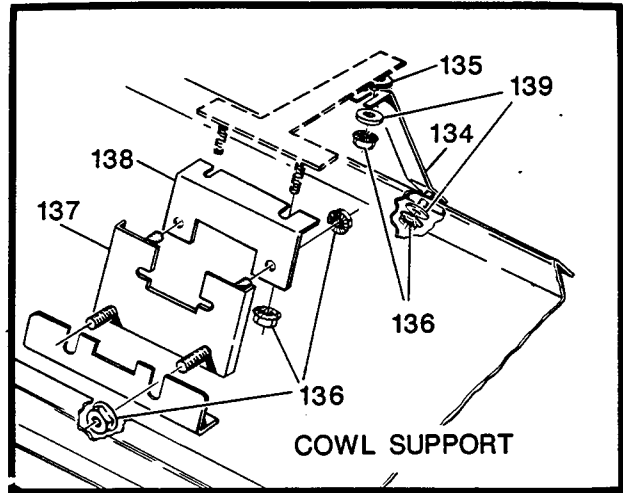
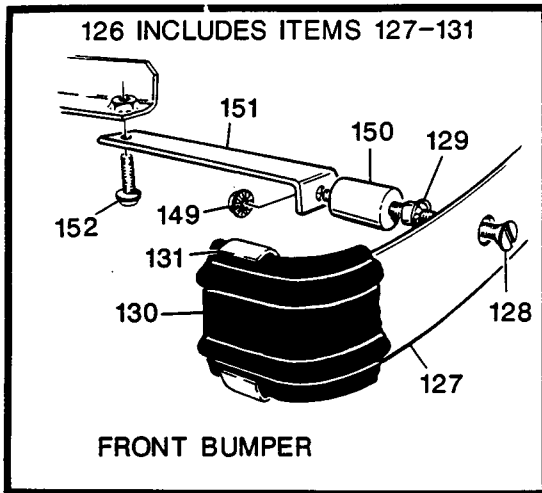
ITEM	PART NO.	1	2	3	4	5	DESCRIPTION	4 WHEEL	
								QTY	
▶ 1	24515-G1						BLOWER HOUSING ASSEMBLY (INCLUDES ITEMS 2 - 4)		1
2	*						BLOWER HOUSING		1
3	17445-G1						SPACER		2
▶ 4	17416-G1						OIL SEAL		1
5									
6	18467-G1						BOLT AND CAPTIVE WASHER, M8 X 1.25 X 55 mm LG.		4
7									
8									
9	XXXXX-XX						BRACKET, COIL (SEE SECTION M FOR PART NUMBER AND QUANTITY)		
▶ 10	24299-G1						BOLT AND CAPTIVE WASHER, M6 X 1.00 X 18 mm LG.		1
▶ 11	22367-G1						ROD, PIVOT		1
12									
▶ 13	24517-G1						CYLINDER BAFFLE 1		1
14	16870-G1						CYLINDER BAFFLE 2		1
15	16871-G1						CYLINDER BAFFLE 3		1
16	16872-G1						BOLT AND CAPTIVE WASHER, M6 X 1.00 X 12 mm LG.		11
17									
▶ 18	18303-G1						RETAINER, SPARK PLUG WIRE		1
▶ 19	24032-G1						SUPPORT, CHOKE CABLE		1

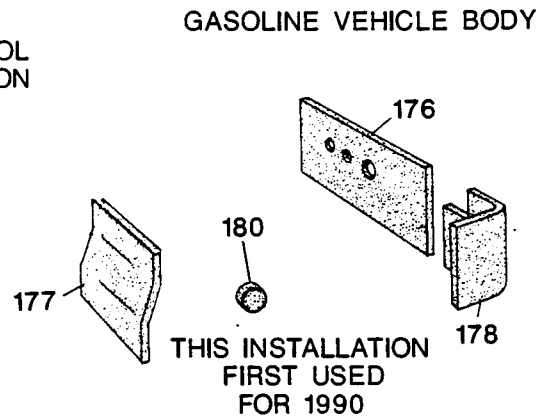
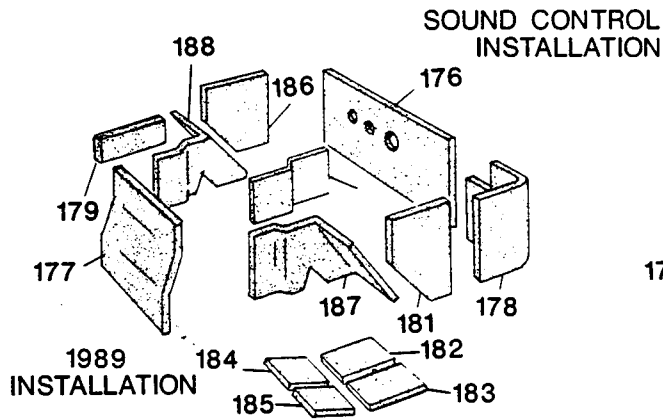
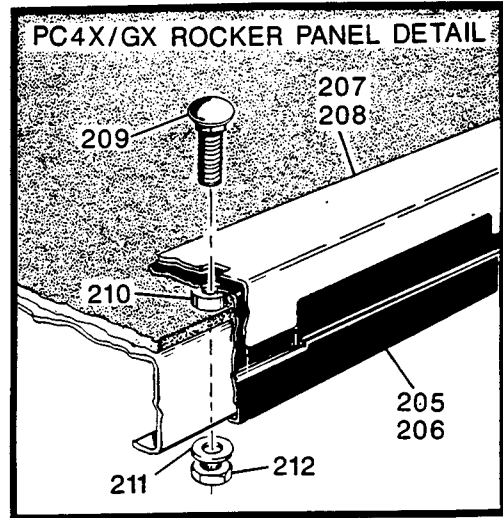
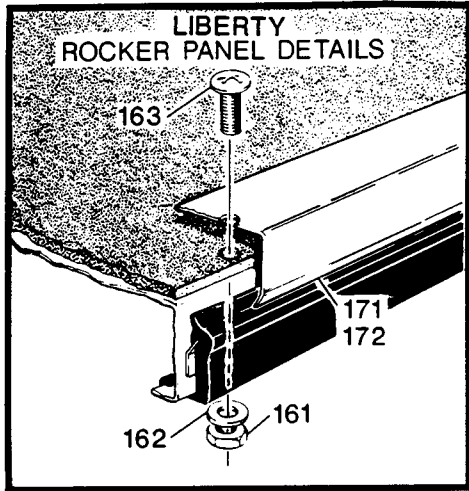


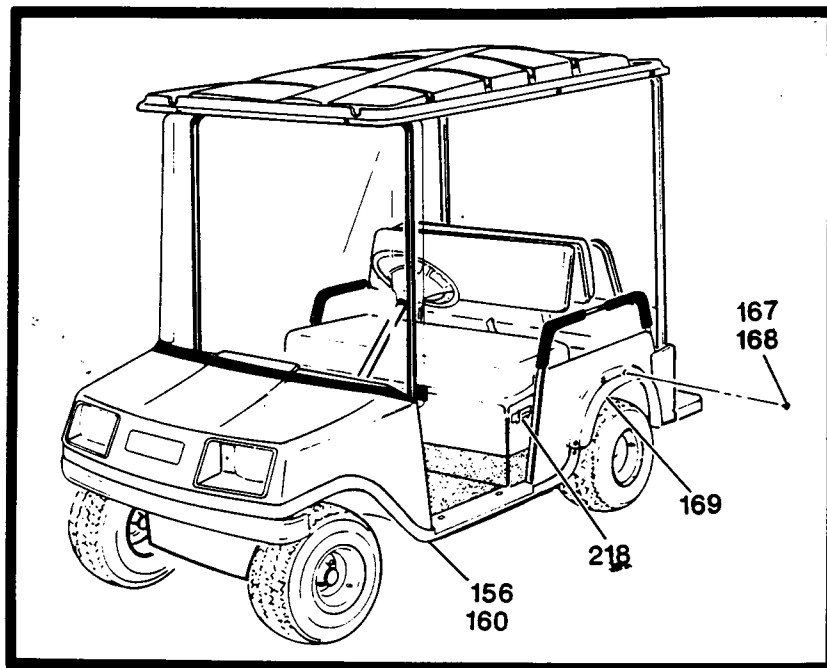
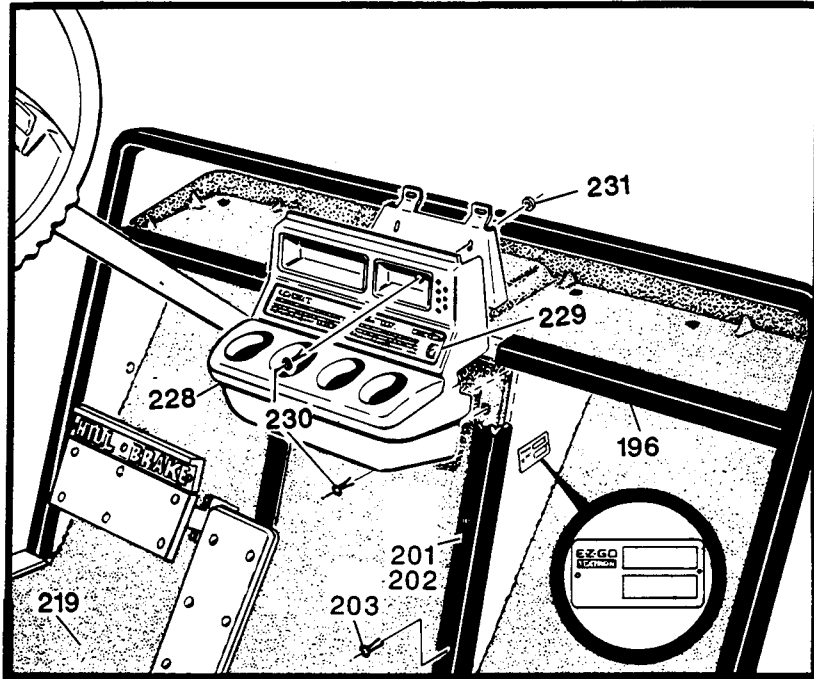


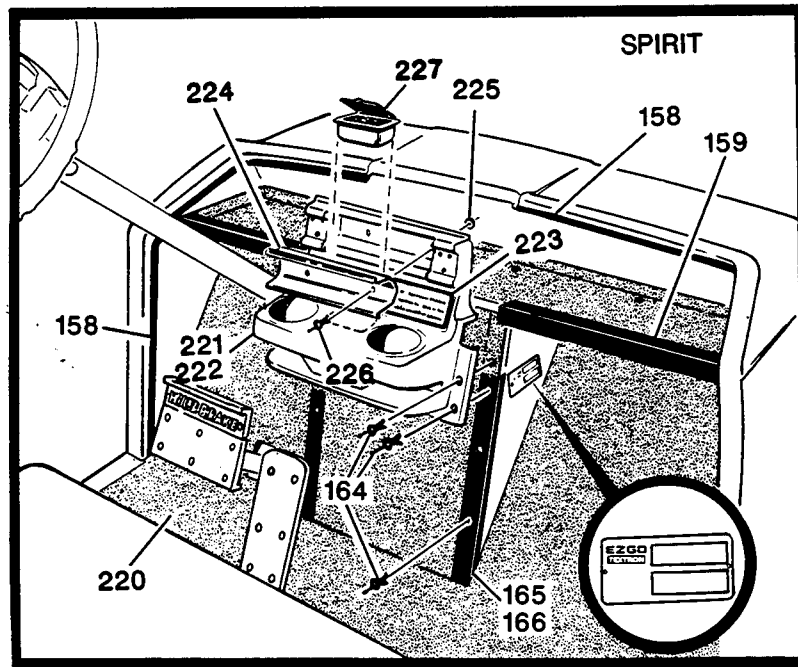
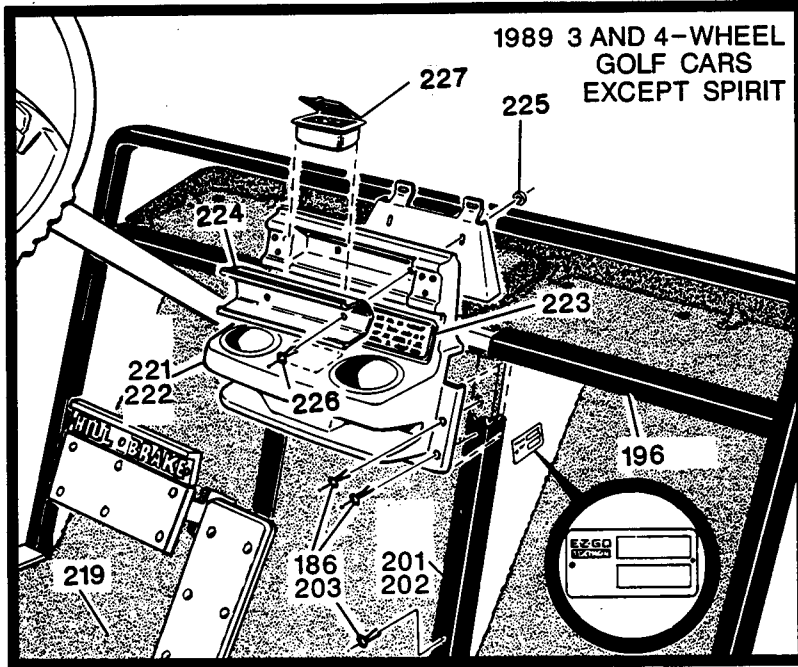












BODY AND ASSOCIATED PARTS

ELECTRIC/GASOLINE POWERED VEHICLE

THE USE OF NON U.L. PARTS WILL VOID ANY U.L. LISTING.

When ordering parts, please specify the model and serial number of the product.

* Indicates a component that is not available as an individual part.

PC4-X/GX	LIBERTY
----------	---------

ITEM	PART NO.	1	2	3	4	5	DESCRIPTION	QTY	
								PC4-X/GX	LIBERTY
1	19882-G1						INDICATOR, FORWARD-NEUTRAL-REVERSE, ELECTRIC VEHICLE	1	1
2	23791-G3						INDICATOR, FORWARD-NEUTRAL-REVERSE, GASOLINE VEHICLE	1	1
3	12064-G3						RETAINER, PUSHON	3	3
4									
5									
6									
7	20297-G4						SEAT WRAP, ELECTRIC (VEHICLES WITH HEADLAMPS)	1	1
8	24031-G6						SEAT WRAP, GASOLINE (VEHICLES WITH HEADLAMPS)	1	1
9									
10	11027-G2						NUT, LOCK, 1/4 - 20	8	8
11									
12									
13									
14									
15	19936-G1						SHIELD, FUEL TANK	1	1
16	00414-G5						SCREW, 1/4 - 20 X 5/8 LG.	2	2
17	00660-G7						WASHER, STAINLESS STEEL, 1/4	6	6
18	00654-G2						NUT, LOCK, STAINLESS STEEL 1/4 - 20	6	6
19									
20	18880-G1						SEAT WRAP, REAR	1	1
21	11027-G2						NUT, LOCK, 1/4 - 20	14	14
22	00438-G6						SCREW, 5/16 - 18 X 3/4 LG.	2	2
23	00559-G8						WASHER, 5/16	2	2
24	11027-G2						NUT, LOCK, 1/4 - 20	2	2
25									
26	18787-G1						SCUFFGUARD, SEAT WRAP	2	2
27	19993-G1						LABEL, PC4-X	1	X
28	19993-G1						LABEL, PC4-GX	1	X
29	19993-G1						LABEL, PC4-XI	1	X
30	19993-G1						LABEL, PC4-GXI	1	X
31	21835-G1						LABEL, LIBERTY	X	2
32									
33									
34	19034-G1						BAGWELL, PLASTIC	1	1

BODY AND ASSOCIATED PARTS

ELECTRIC/GASOLINE POWERED VEHICLE

THE USE OF NON U.L. PARTS WILL VOID ANY U.L. LISTING.

When ordering parts, please specify the model and serial number of the product.

* Indicates a component that is not available as an individual part.

PC4-X/GX	LIBERTY
----------	---------

ITEM	PART NO.	1	2	3	4	5	DESCRIPTION	QTY	
35	19524-G1						MOUNT, BAGWELL	2	2
36	13437-G4						SCREW, LOCK, 3/8 - 16 X 1 LG.	2	2
37	11027-G5						NUT, LOCK, 3/8 - 16	2	2
38	18436-G1						RIVET, PLASTIC, DRIVE, 1/4	4	4
39	15058-G1						RIVET, ALUMINUM, BLACK, 3/16	2	2
40									
41	22300-G1						DUSTCOVER	1	1
42	18436-G1						RIVET, PLASTIC, DRIVE, 1/4	4	4
43									
44	22372-G3						SIDE PANEL, PASSENGER SIDE (INCLUDES ITEM 46)	1	1
45	22373-G4						SIDE PANEL, DRIVER'S SIDE (INCLUDES ITEM 46)	1	1
46	*						NUTSERT	4	4
47	00106-G6						SCREW, SELF-DRILL AND TAP, #12 - 24 X 3/4 LG.	8	8
48									
49									
50									
51									
52									
53	23947-G2						RESTRAINT, HIP HANDHOLD ASSEMBLY, PASSENGER SIDE (INCLUDES ITEMS 54 AND 57)	1	1
54	23762-G2						RESTRAINT, HIP HANDHOLD, PASSENGER SIDE	1	1
55	23947-G1						RESTRAINT, HIP HANDHOLD ASSEMBLY, DRIVER'S SIDE (INCLUDES ITEMS 56 AND 57)	1	1
56	23762-G1						RESTRAINT, HIP HANDHOLD, DRIVER'S SIDE	1	1
57	23785-G1						HANDGRIP	1	1
58	16705-G1						SCREW, TRUSS, 1/4 - 20 X 1 LG.	8	8
59									
60	18391-G1						NOISE SUPPRESSOR	4	4
61	18870-G5						PANEL, CENTER	1	1
62	15844-G1						NUT,SPEED "U" TYPE, 1/4 - 20	4	4
63	00666-G6						SCREW, SELF-THREADING, #10 - 16 X 3/4 LG.	4	4
64									
65									
66	25457-G1						BATTERY RACK	1	1
67	25000-G1						BATTERY RACK OUTER	1	1

BODY AND ASSOCIATED PARTS

ELECTRIC/GASOLINE POWERED VEHICLE

THE USE OF NON U.L. PARTS WILL VOID ANY U.L. LISTING.

When ordering parts, please specify the model and serial number of the product.

* Indicates a component that is not available as an individual part.

PG4-X/GX	LIBERTY
----------	---------

ITEM	PART NO.	1	2	3	4	5	DESCRIPTION	QTY	
								PG4-X/GX	LIBERTY
68									
69									
70	00106-G6						SCREW, SELF-DRILL AND TAP, #12 - 24 X 3/4 LG.	13	13
71	11027-G1						NUT, LOCK, 5/16 - 18	4	4
72	23063-G5						COWL	1	X
73	23148-G1						COWL SUPPORT	1	X
74	11027-G2						NUT, LOCK, 1/4 - 20	4	X
75	00560-G1						WASHER 3/8	2	X
76	18353-G2						DASH TRAY	1	X
77	23674-G1						CAP, COWL	1	X
78									
79	19013-G2						ANGLE, RAIL, ELECTRIC VEHICLES	2	X
80									
81									
82	24081-G1						SIDE RAIL, PASSENGER SIDE, ELECTRIC VEHICLES	1	X
83	24081-G2						SIDE RAIL, DRIVER'S SIDE, ELECTRIC VEHICLE	1	X
84									
85	15536-G1						TOP RAIL, PASSENGER SIDE	1	X
86	15536-G2						TOP RAIL, DRIVER'S SIDE	1	X
87	24236-G1						SIDE RAIL, PASSENGER SIDE, GASOLINE VEHICLES.	1	X
88	24236-G2						SIDE RAIL, DRIVER'S SIDE, GASOLINE VEHICLES	1	X
89	15671-G2						FLOORBOARD ASSEMBLY (INCLUDES ITEM 90)	1	X
90	14776-G1						NUT, J' TYPE, 1/4 -20	2	2
91	00106-G6						SCREW, SELF-DRILL AND TAP, #12-24 X 3/4 LG	23	X
92	00228-G6						SCREW, #10-24 X 3/4 LG	9	X
93	00559-G5						WASHER #10	18	X
94	11098-G7						NUT, LOCK #10-24	9	X
95									
96									
97									
98									
99	20569-G2						COWL, PAINTABLE	X	1
100	21747-G1						HEADLAMP BEZEL, PASSENGER SIDE	X	1
101	21747-G2						HEADLAMP BEZEL, DRIVER'S SIDE	X	1

BODY AND ASSOCIATED PARTS

ELECTRIC/GASOLINE POWERED VEHICLE

THE USE OF NON U.L. PARTS WILL VOID ANY U.L. LISTING.

When ordering parts, please specify the model and serial number of the product.

* Indicates a component that is not available as an individual part.

PC4-X/GX	LIBERTY
----------	---------

ITEM	PART NO.	1	2	3	4	5	DESCRIPTION	QTY	
102	00744-G8						SCREW, #6 -18 X 1LG	X	4
103	00743-G3						NUT,SPEED, #6	X	4
104	14601-G6						RIVET, ALUMINUM	X	31
105	00559-G5						WASHER #10	X	31
106	12064-G3						RETAINER, PUSHON	3	3
107	20600-G1						TRIM, FLANGE, SIDE	X	2
108	20601-G1						TRIM, FLANGE,FRONT	X	2
109	19817-G1						NAMEPLATE, E-Z-GO	1	1
110	20571-G1						SHIELD	X	1
111									
112									
113	20575-G1						LINER,DASH TRAY	X	1
114	18353-G2						DASH TRAY	X	1
115	00414-G6						SCREW, 1/4-20 X3/4 LG	5	5
116	11027-G2						NUT, LOCK, 1/4 - 20	3	3
117	15671-G3						FLOORBOARD ASSEMBLY (INCLUDES ITEM 118)	X	1
118	14776-G1						NUT,"J" TYPE, 1/4-20	X	2
119	00106-G6						SCREW, SELF DRILL AND TAP ,#12 - 24 X 3/4 LG	X	13
120	11855-G1						WASHER, PLASTIC	X	4
121	11027-G2						NUT, LOCK, WASHER 1/4 - 20.	X	4
122									
123	18436-G1						RIVET, PLASTIC, DRIVE 1/4	2	2
124	16816-G1						FASTNER, RATCHET	2	X
125	22911-G1						LINER, DASH TRAY	1	X
126	20674-G1						BUMPER ASSEMBLY (INCLUDES ITEMS 127 - 131)	X	1
127	20583-G1						BUMPER	X	1
128	00743-G1						SCREW, 5/16 - 18 X 3 1/2 LG	X	2
129	11027-G1						NUT, LOCK, 5/16 - 18	X	2
130	20584-G1						TRIM, VINYL	X	1
131	20687-G1						CLIP	X	1
132									
133									
134	20578-G1						BRACKET, MOUNTING, COWL	X	1
135	12905-G1						SPACER, NEOPRENE	X	1

BODY AND ASSOCIATED PARTS

ELECTRIC/GASOLINE POWERED VEHICLE

THE USE OF NON U.L. PARTS WILL VOID ANY U.L. LISTING.

When ordering parts, please specify the model and serial number of the product.

* Indicates a component that is not available as an individual part.

PC4-X/GX	LIBERTY
----------	---------

ITEM	PART NO.	1	2	3	4	5	DESCRIPTION	QTY	
136	11027-G2						NUT, LOCK, 1/4 - 20	13	8
137	22347-G1						COWL SUPPORT	X	1
138	22522-G1						BRACKET, COWL SUPPORT	X	1
139	00559-G7						WASHER, 1/4	X	2
140	00559-G8						WASHER 5/16	5	X
141	19013-G1						ANGLE, RAIL, ELECTRIC VEHICLE	X	2
142	15536-G2						TOP RAIL, PASSENGER SIDE	X	1
143	15536-G2						TOP RAIL, DRIVER'S SIDE	X	1
144	24161-G1						SIDE RAIL, PASSENGER SIDE, ELECTRIC VEHICLE	X	1
145	24161-G2						SIDE RAIL, DRIVER'S SIDE ELECTRIC VEHICLES	X	1
146									
147									
148									
149	11027-G1						NUT, LOCK, 5/16 - 18	X	2
150	20653-G1						SPACER, BUMPER	X	2
151	20585-G1						BRACKET, BUMPER MOUNTING	X	2
152	13437-G4						SCREW, 3/8 - 16 X1 LG	X	2
153									
154	24273-G2						SIDE RAIL, DRIVER'S SIDE, GASOLINE VEHICLES	X	1
155	24273-G1						SIDE RAIL, PASSENGER SIDE GASOLINE VEHICLE	X	1
156	22835-G2						VINYL BUMPER TRIM KIT, (INCLUDES ITEMS 158 -172)	X	1
157									
158	20987-G1						VINYL BUMPER, BODY TRIM, COWL	X	2
159	17203-G9						VINYL BUMPER, BODY TRIM, DASH	X	2
160	17203-G8						VINYL BUMPER, BODY TRIM	X	1
161	14390-G1						NUT, LOCK, 1/4 - 20	X	4
162	00559-G7						WASHER, 1/4	X	4
163	16705-G1						SCREW, STAINLESS STEEL, 1/4 - 20 X1 LG.	X	4
164	18436-G1						RIVET, PLASTIC, DRIVE 1/4	X	8
165	24620-G2						TRIM, FLOORMAT, DRIVER'S SIDE	X	1
166	24620-G1						TRIM, FLOORMAT, PASSENGER SIDE	X	1
167	15058-G2						RIVET, ALUMINUM, BLACK	2	2
168	24198-G1						FASTNER,RATCHET TYPE	12	12
169	23931-G3						TRIM, FENDER	2	2

BODY AND ASSOCIATED PARTS

ELECTRIC/GASOLINE POWERED VEHICLE

THE USE OF NON U.L. PARTS WILL VOID ANY U.L. LISTING.

When ordering parts, please specify the model and serial number of the product.

* Indicates a component that is not available as an individual part.

PC4-X/GX	LIBERTY
----------	---------

ITEM	PART NO.	1 2 3 4 5					DESCRIPTION	QTY	
170									
171	22223-G1						TRIM, ROCKER PANEL, DRIVER'S SIDE	X	1
172	22223-G2						TRIM, ROCKER PANEL, PASSENGER SIDE	X	1
173									
174									
175									
176	22428-G1						PANEL, SOUND, FRONT	1	1
177	22744-G1						PANEL, BAGWELL	1	1
178	23451-G1						PANEL, SOUND INTAKE	1	1
179	23272-G1						PANEL, REAR (1989 ONLY)	2	2
180	24759-G1						FOAM , DROP (FIRST USED FOR 1990)	1	1
181	14399-G2						PANEL, SOUND, SIDE, PASSENGER SIDE (1989 ONLY)	1	1
182	22342-G4						PANEL, ENGINE FRAME, LEFT FRONT (1989 ONLY)	1	1
183	22342-G3						PANEL, ENGINE FRAME, LEFT FRONT (1989 ONLY)	1	1
184	22342-G2						PANEL, ENGINE FRAME, LEFT FRONT (1989 ONLY)	1	1
185	22342-G1						PANEL, ENGINE FRAME, LEFT FRONT (1989 ONLY)	1	1
186	14399-G1						PANEL, SOUND, SIDE, DRIVER'S SIDE (1989 ONLY)	1	1
187	22394-G1						PANEL, WHEEL LINER, PASSENGER SIDE (1989 ONLY)	1	1
188	18365-G2						PANEL, WHEEL LINER, DRIVER'S SIDE (1989 ONLY)	1	1
189	23271-G1						PANEL, SOUND,HEAT SHIELD(1989 ONLY))	1	1
190									
191									
192									
193	24579-G1						VINYL BUMPER, TRIM KIT, (INCLUDED ITEMS 194 - 212)	1	X
194	22888-G4						VINYL BUMPER, BULK LENGTH, 71 LG. (INCLUDES MATERIAL TO MAKE ITEMS 195, 196)	1	X
195	17203-G1						VINYL BUMPER, BODY TRIM, SIDES	1	X
196	17203-G9						VINYL BUMPER, BODY TRIM, DASH TRAY	2	X
197	22273-G1						VINYL BUMPER, BODY TRIM, BACK OF COWL	1	X
198	23931-G1						TRIM, FENDER, PASSENGER SIDE	1	X
199	23931-G2						TRIM, FENDER, DRIVER'S SIDE	1	X
200	24198-G1						FASTENER, RATCHET TYPE	12	X
201	24620-G1						TRIM, FLOORMAT, PASSENGER SIDE	1	X
202	24620-G2						TRIM, FLOORMAT, DRIVER'S SIDE	1	X
203	18436-G1						RIVET, PLASTIC, DRIVE, 1/4	4	X

BODY AND ASSOCIATED PARTS

ELECTRIC/GASOLINE POWERED VEHICLE

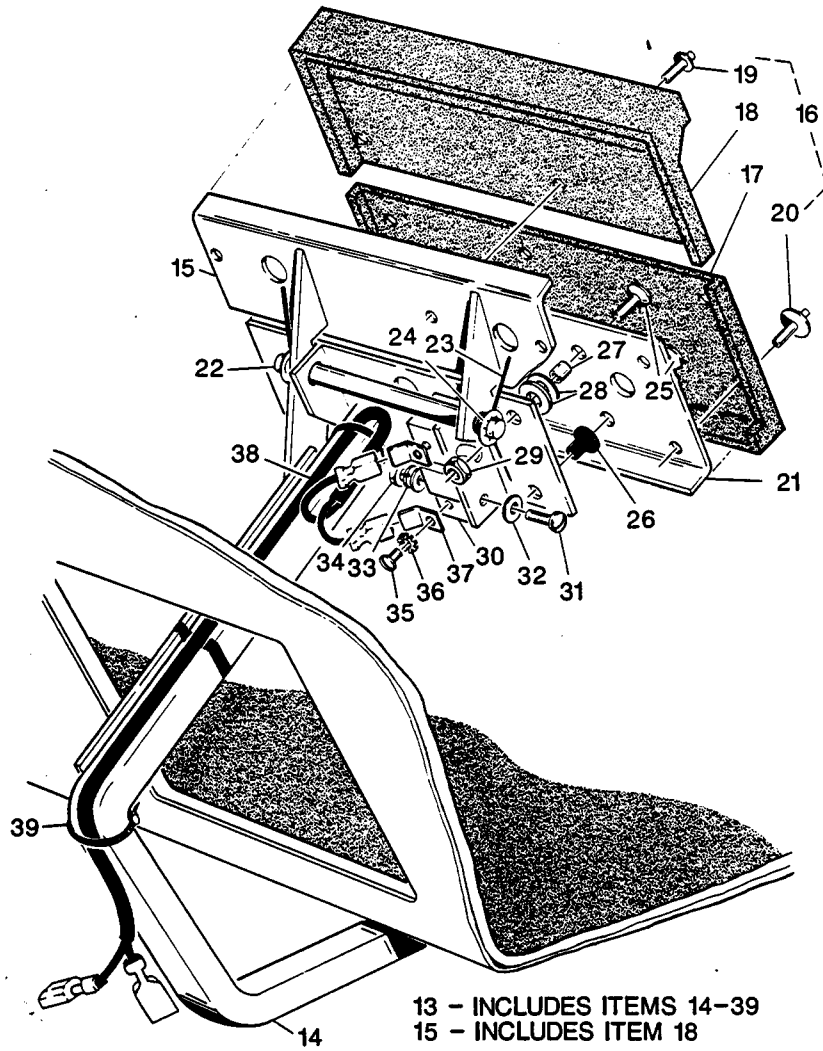
THE USE OF NON U.L. PARTS WILL VOID ANY U.L. LISTING.

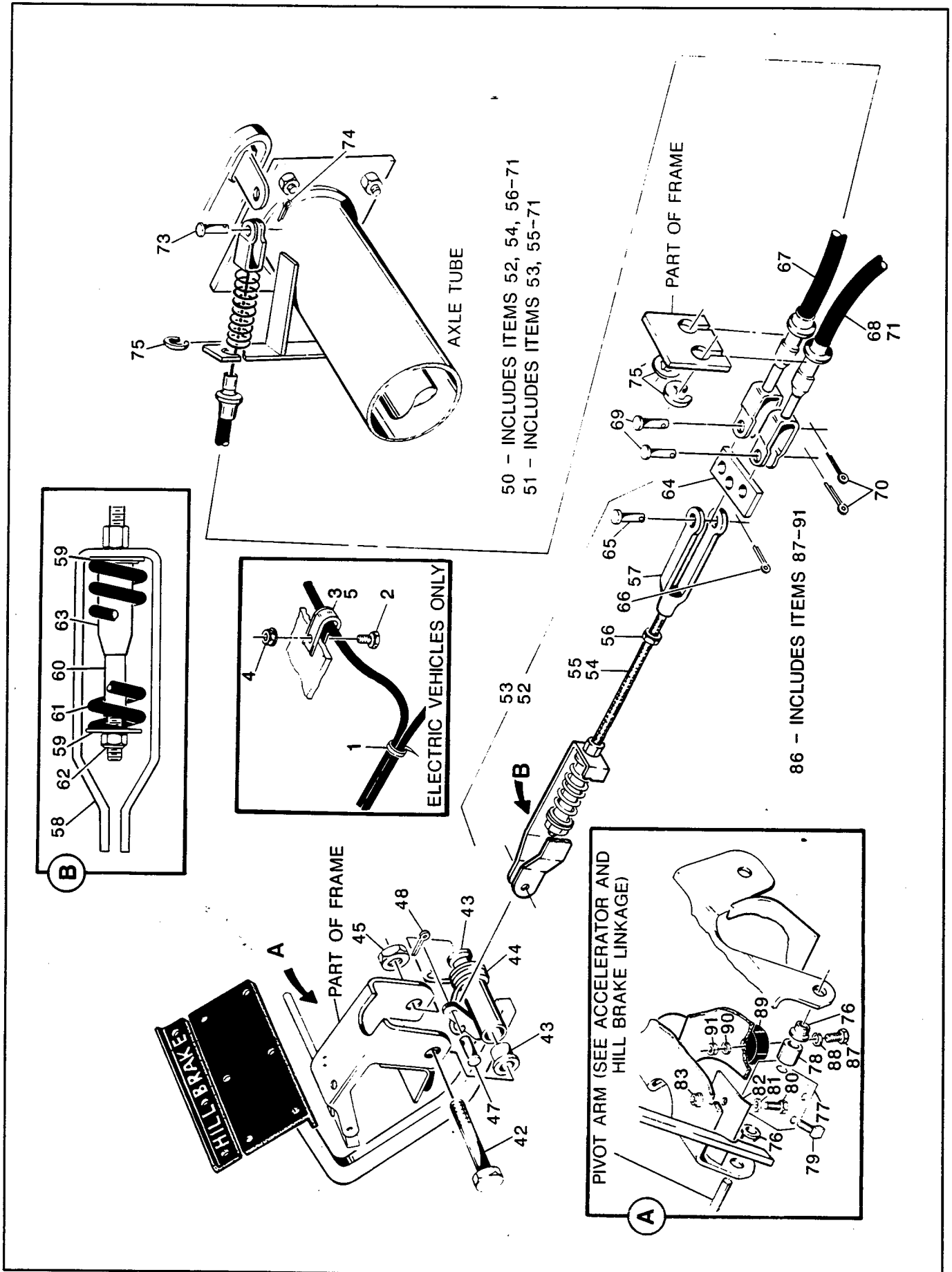
When ordering parts, please specify the model and serial number of the product.

* Indicates a component that is not available as an individual part.

PC4-X/GX	LIBERTY
----------	---------

ITEM	PART NO.	1	2	3	4	5	DESCRIPTION	QTY	
								PC4-X/GX	LIBERTY
204									
205	23868-G1						ROCKER PANEL, PASSENGER SIDE	1	X
206	23868-G2						ROCKER PANEL, DRIVER'S SIDE	1	X
207	23850-G1						SILL PLATE, ROCKER PANEL, PASSENGER SIDE	1	X
208	23850-G2						SILL PLATE, ROCKER PANEL, DRIVER'S SIDE	1	X
209	00827-G8						BOLT , CARRIAGE, STAINLESS STEEL, 1/4 - 20 X 1 LG.	4	X
210	23726-G1						SPACER	4	X
211	00660-G7						WASHER, 1/4	4	X
212	00891-G2						NUT , LOCK, 1/4 - 20	4	X
213	15058-G4						RIVET , ALUMINUM, BLACK	2	X
214									
215	20514-G1						DECAL, INSTALLATION KIT, TRAPEZOID (SPECIFY NO. 1 THROUGH 200)	AR	AR
216	22530-G1						DECAL, INSTALLATION KIT, RECTANGULAR (SPECIFY NO. 1 THROUGH 200)	AR	AR
217									
218	21837-G1						LABEL, LIBERTY	X	2
219	25091-G1						FLOORMAT, 3/16	1	X
220	23795-G1						FLOORMAT, LIBERTY	X	1
221	18487-G2						CONSOLE,CENTER (DOES NOT ACCEPT ASHTRAY)	1	X
222	18487-G4						CONSOLE, CENTER (ACCEPTS ASHTRAY)	1	X
223	20405-G1						DECAL, SAFETY (INCLUDED IN ITEMS 221 AND 222)	1	1
224	18275-G1						BALL HOLDER (USE WITH ITEMS 221 AND 222)	1	1
225	00559-G7						WASHER 1/4	2	2
226	18436-G1						RIVET , PLASTIC, DRIVE, 1/4	6	6
227	17581-G1						ASHTRAY	1	1
228	24967-G1						CONSOLE, 4-CUP, (FIRST USED IN 1990)	1	X
229	24968-G1						DECAL, SAFETY (INCLUDED IN ITEM 228)	1	X
230	18436-G1						RIVET , PLASTIC , DRIVE 1/4	4	X
231	00559-G7						WASCER, 1/4	2	X





BRAKE LINKAGE

ELECTRIC/GASOLINE POWERED VEHICLE

THE USE OF NON U.L. PARTS WILL VOID ANY U.L. LISTING.

When ordering parts, please specify the model and serial number of the product.

* Indicates a component that is not available as an individual part.

ITEM	PART NO.	1	2	3	4	5	DESCRIPTION	4 WHEEL	
								QTY	
1	16172-G1						CLAMP, NYLON	1	
2	00414-G6						SCREW, 1/4 - 20 X 3/4 LG.	3	
3	11845-G2						CLIP, CABLE	1	
4	11027-G2						NUT, LOCK, 1/4 - 20	3	
5	11845-G4						CLIP, CABLE	2	
6									
7									
8									
9									
10									
11									
12									
13	22449-G2						BRAKE PEDAL ASSEMBLY, (INCLUDES ITEMS 14-39)	1	
14	22357-G2						ARM, BRAKE PEDAL	1	
15	22360-G1						PEDAL, HILL BRAKE (COMPLETE WITH PAD, ITEM 18)	1	
16	15826-G1						BRAKE/HILL BRAKE PEDAL PAD KIT (INCLUDES ITEMS 17 - 20)	1	
17	*						PAD, BRAKE PEDAL	1	
18	*						PAD, HILL BRAKE PEDAL	1	
19	15766-G1						RIVET, SMALL HEAD	3	
20	15767-G1						RIVET, LARGE HEAD	6	
21	15809-G2						PLATE, BRAKE PEDAL	1	
22	15932-G1						PIN, HILL BRAKE PEDAL	1	
23	11737-G1						SPRING, TORSION	2	
24	12064-G1						PUSH NUT	1	
25	00737-G7						SCREW, #10 - 24 X 7/8 LG.	4	
26	00739-G1						NUT, RUBBER WELL, #10 - 24	2	
27	22362-G1						STANDOFF, BRAKE PEDAL	2	
28	00731-G2						WASHER, SPRING, CURVED	4	
29	11098-G7						NUT, LOCK, #10 - 24	2	
30	10606-G1						SWITCH, MICRO	1	
31	00139-G2						SCREW, #6 - 32 X 1 1/4 LG.	2	
32	00559-G3						WASHER, #6	4	
33	00565-G3						WASHER, LOCK, #6	2	
34	00525-G5						NUT, #6 - 32	2	

BRAKE LINKAGE

ELECTRIC/GASOLINE POWERED VEHICLE

THE USE OF NON U.L. PARTS WILL VOID ANY U.L. LISTING.

When ordering parts, please specify the model and serial number of the product.

* Indicates a component that is not available as an individual part.

4 WHEEL

ITEM	PART NO.	1	2	3	4	5	DESCRIPTION	QTY
35	13514-G1						SCREW, BRASS	2
36	00567-G3						WASHER, LOCK, EXTERNAL TOOTH, #6	2
37	14628-G1						FASTON TAB	2
38	22447-G1						WIRE HARNESS, BRAKE	1
39	16172-G1						CLAMP, NYLON	2
40								
41								
42	14158-G1						BOLT, SHOULDER, 3/8 - 16	1
43	11079-G1						BUSHING, FLANGED, NYLON	2
44	25292-G1*						SPRING, TORSION	1
45	13521-G4						NUT, LOCK, 3/8 - 16	1
46								
47	10386-G3						PIN, CLEVIS	1
48	10387-G3						COTTER PIN, 3/32 X 3/4 LG.	1
49								
50	23026-G1						BRAKE LINKAGE ASSEMBLY, GASOLINE VEHICLE (INCLUDES ITEMS 52, 54, 56 - 70)	1
51	23026-G2						BRAKE LINKAGE ASSEMBLY, ELECTRIC VEHICLE (INCLUDES ITEMS 53, 55 - 70)	1
52	23062-G1						COMPENSATING LINK ASSEMBLY, GASOLINE VEHICLE (INCLUDES ITEMS 54, 56 - 70)	1
53	23062-G2						COMPENSATING LINK ASSEMBLY, ELECTRIC VEHICLE (INCLUDES ITEMS 55 - 70)	1
54	23059-G1						ROD, GASOLINE VEHICLE	1
55	23059-G2						ROD, ELECTRIC VEHICLE	1
56	00544-G4						NUT, 5/16 - 24	1
57	10385-G4						YOKE, CLEVIS	1
58	23030-G1						YOKE, BRAKE	1
59	15121-G1						WASHER, 5/16	2
60	23061-G1						TUBE	1
61	23463-G1						SPRING, COMPRESSION	1
62	00892-G4						NUT, LOCK, 5/16 - 24	1
63	17979-G1						BUSHING, ACCELERATOR ROD	1
64	13659-G1						BAR, EQUALIZER	1
65	10386-G3						PIN, CLEVIS	1

BRAKE LINKAGE

ELECTRIC/GASOLINE POWERED VEHICLE

THE USE OF NON U.L. PARTS WILL VOID ANY U.L. LISTING.

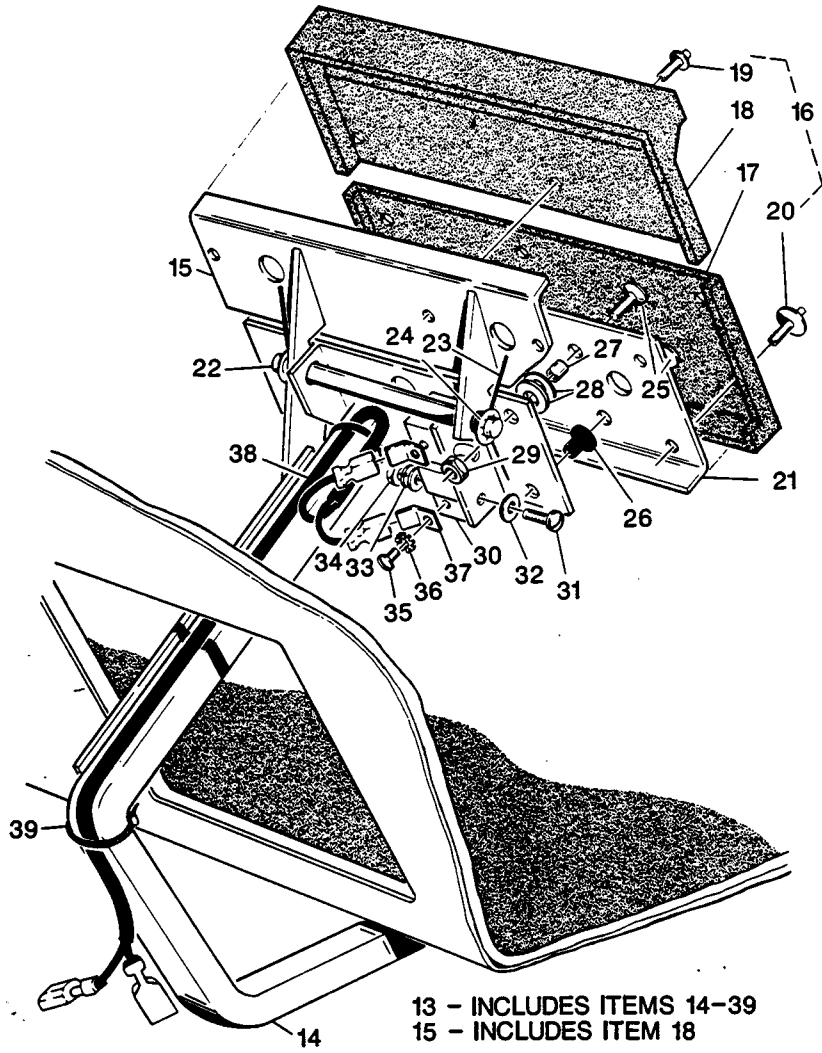
When ordering parts, please specify the model and serial number of the product.

* Indicates a component that is not available as an individual part.

ITEM	PART NO.	1	2	3	4	5	DESCRIPTION	4 WHEEL	
								QTY	
▶ 66	10387-G3						COTTER PIN, 3/32 X 3/4 LG.		1
▶ 67	25124-G2						CABLE, BRAKE, PASSENGER SIDE (GAS/ELEC)		1
▶ 68	25124-G1						CABLE, BRAKE, DRIVER'S SIDE (ELEC ONLY)		1
▶ 69	10386-G3						PIN, CLEVIS		2
▶ 70	10387-G3						COTTER PIN, 3/32 X 3/4 LG.		2
▶ 71	25124-G4						CABLE, BRAKE, DRIVER'S SIDE (GAS ONLY)		1
72									
73	10386-G3						PIN, CLEVIS		2
74	10387-G3						COTTER PIN, 3/32 X 3/4 LG.		2
75	12305-G1						RING, RETAINING		4
76	10097-G6						BEARING FLANGED		2
77	12156-G1						CAM, HILL BRAKE		1
78	14134-G2						SPACER		1
79	00491-G3						SETSCREW, 1/4 - 20 X 3/8 LG.		2
80	00414-G6						SCREW, 1/4 - 20 X 3/4 LG.		2
81	00565-G7						WASHER, LOCK, 1/4		2
82	15022-G1						BRACKET, CATCH		1
83	11027-G2						NUT, LOCK, 1/4 - 20		2
84									
85									
86	14061-G1						PEDAL BUMPER SERVICE KIT (INCLUDES ITEMS 87 - 91)		1
87	00150-G6						SCREW, #10 - 24 X 3/4 LG.		1
88	00559-G5						WASHER, #10		1
89	13728-G1						BUMPER, RUBBER		1
90	00565-G5						WASHER, LOCK, #10		1
91	00526-G3						NUT, #10 - 24		1

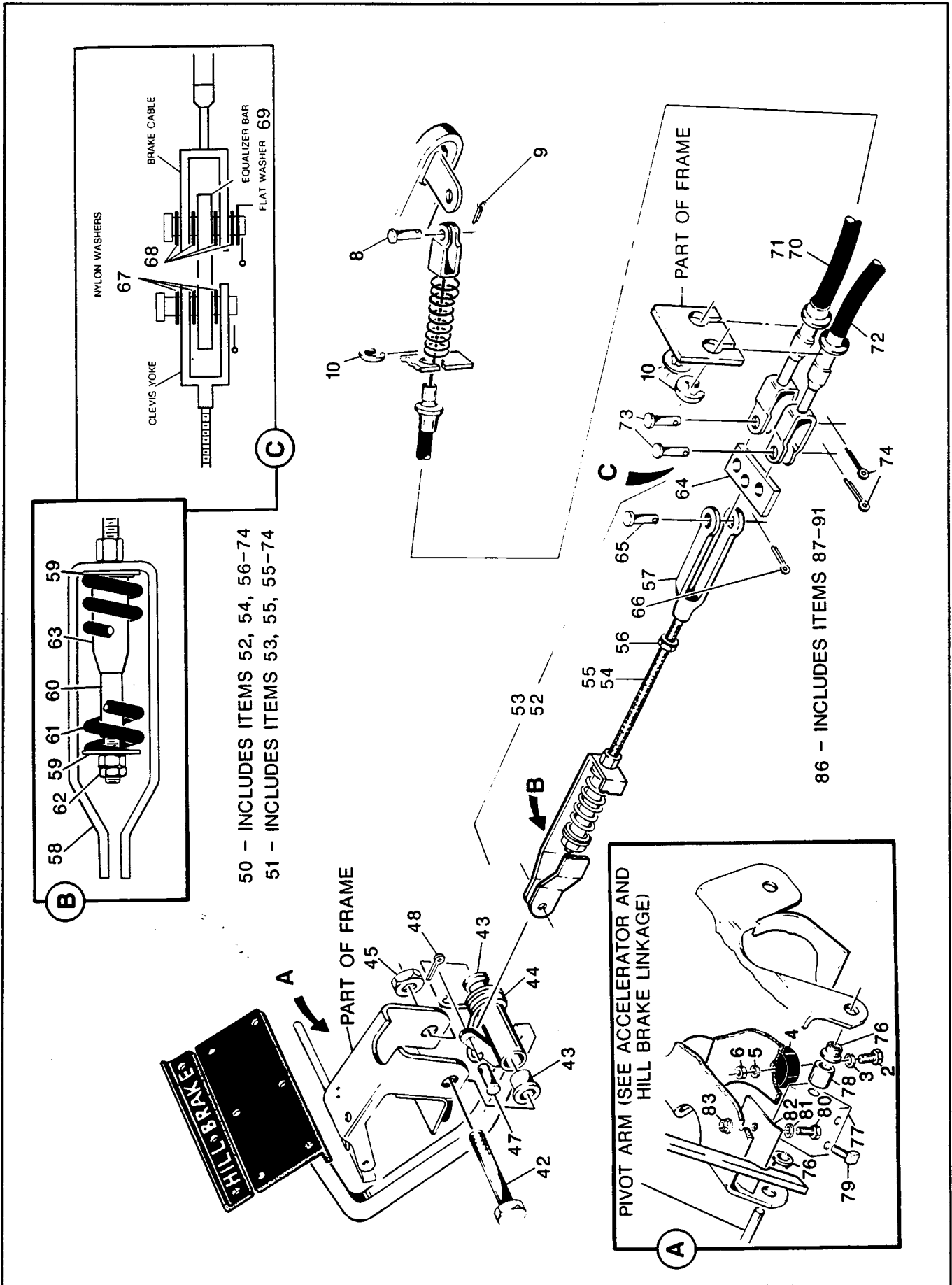
BRAKE LINKAGE

ELECTRIC/GASOLINE POWERED VEHICLE
FIRST USED FOR MODEL YEAR 1990



BRAKE LINKAGE

ELECTRIC/GASOLINE POWERED VEHICLE
FIRST USED FOR MODEL YEAR 1990



5/30/90

EZGO **TEXTRON**

Pg. F-8

PC2F

BRAKE LINKAGE

ELECTRIC/GASOLINE POWERED VEHICLE

FIRST USED FOR MODEL YEAR 1990

THE USE OF NON U.L. PARTS WILL VOID ANY U.L. LISTING.

When ordering parts, please specify the model and serial number of the product.

* Indicates a component that is not available as an individual part.

4 WHEEL

ITEM	PART NO.	1	2	3	4	5	DESCRIPTION	QTY
▶ 1	14061-G1						PEDAL BUMPER SERVICE KIT (INCLUDES ITEMS 2 - 6)	1
▶ 2	00150-G6						SCREW, #10 - 24 X 3/4 LG.	1
3	00559-G5						WASHER, #10	1
4	13728-G1						BUMPER, RUBBER	1
5	00565-G5						WASHER, LOCK, #10	1
6	00526-G3						NUT, #10 - 24	1
7								
8	10386-G3						PIN, CLEVIS	2
9	10387-G3						COTTER PIN, 3/32 X 3/4 LG.	2
10	12305-G1						RING, RETAINING	4
11								
12								
▶ 13	22449-G1						BRAKE PEDAL ASSEMBLY, VEHICLES WITH BRAKE LIGHTS (INCLUDES ITEMS 14 - 39)	1
▶ 14	22357-G1						ARM, BRAKE PEDAL	1
15	22360-G1						PEDAL, HILL BRAKE (COMPLETE WITH PAD, ITEM 18)	1
16	15826-G1						BRAKE/HILL BRAKE PEDAL PAD KIT (INCLUDES ITEMS 17 - 20)	1
17	*						PAD, BRAKE PEDAL	1
18	*						PAD, HILL BRAKE PEDAL	1
19	15766-G1						RIVET, SMALL HEAD	3
20	16409-G1						RIVET, LARGE HEAD	6
21	15809-G2						PLATE, BRAKE PEDAL	1
22	15932-G1						PIN, HILL BRAKE PEDAL	1
23	11737-G1						SPRING, TORSION	2
24	12064-G1						PUSH NUT	1
▶ 25	00737-G7						SCREW, #10 - 24 X 3/4 LG.	4
26	00739-G1						NUT, RUBBER WELD , #10 - 24	2
27	22362-G1						STANDOFF, BRAKE PEDAL	2
▶ 28	24938-G1						SPRING, CONICAL	2
29	11098-G7						NUT, LOCK, #10 - 24	2
30	10606-G1						SWITCH, MICRO	1
31	00139-G2						SCREW, #6 - 32 X 1 1/4 LG.	2
32	00559-G3						WASHER, #6	4
33	00565-G3						WASHER, LOCK, #6	2
34	00525-G5						NUT, #6 - 32	2

BRAKE LINKAGE

ELECTRIC/GASOLINE POWERED VEHICLE

FIRST USED FOR MODEL YEAR 1990

THE USE OF NON U.L. PARTS WILL VOID ANY U.L. LISTING.

When ordering parts, please specify the model and serial number of the product.

* Indicates a component that is not available as an individual part.

4 WHEEL

ITEM	PART NO.	1	2	3	4	5	DESCRIPTION	QTY
35	13514-G1						SCREW, BRASS	2
36	00567-G3						WASHER, LOCK, EXTERNAL TOOTH, #6	2
37	14628-G1						FASTON TAB	2
38	22447-G1						WIRE HARNESS, BRAKE	1
39	16172-G1						CLAMP, NYLON	2
40								
41								
42	14158-G1						BOLT, SHOULDER, 3/8 - 16	1
43	11079-G1						BUSHING, FLANGED, NYLON	2
▶ 44	13197-G1						SPRING, TORSION	1
45	13521-G4						NUT, LOCK, 3/8 - 16	1
46								
47	10386-G3						PIN, CLEVIS	1
48	10387-G3						COTTER PIN, 3/32 X 3/4 LG.	1
49								
▶ 50	25101-G1						BRAKE LINKAGE ASSEMBLY, GASOLINE VEHICLE (INCLUDES ITEMS 52, 54, 56 - 70)	1
▶ 51	25101-G2						BRAKE LINKAGE ASSEMBLY, ELECTRIC VEHICLE (INCLUDES ITEMS 53, 55 - 70)	1
52	23062-G1						COMPENSATING LINK ASSEMBLY, GASOLINE VEHICLE (INCLUDES ITEMS 54, 56 - 70)	1
53	23062-G2						COMPENSATING LINK ASSEMBLY, ELECTRIC VEHICLE (INCLUDES ITEMS 55 - 70)	1
▶ 54	23175-G1						ROD, GASOLINE VEHICLE	1
▶ 55	23175-G2						ROD, ELECTRIC VEHICLE	1
56	00544-G4						NUT, 5/16 - 24	1
57	10385-G4						YOKE, CLEVIS	1
58	23030-G1						YOKE, BRAKE	1
59	15121-G1						WASHER, 5/16	2
▶ 60	23061-G2						TUBE	1
61	23463-G1						SPRING, COMPRESSION	1
62	00532-G4						NUT, HEX, 5/16 - 24	1
63	17979-G1						BUSHING, ACCELERATOR ROD	1
64	13659-G1						BAR, EQUALIZER	1
65	10386-G3						PIN, CLEVIS	1

BRAKE LINKAGE

ELECTRIC/GASOLINE POWERED VEHICLE

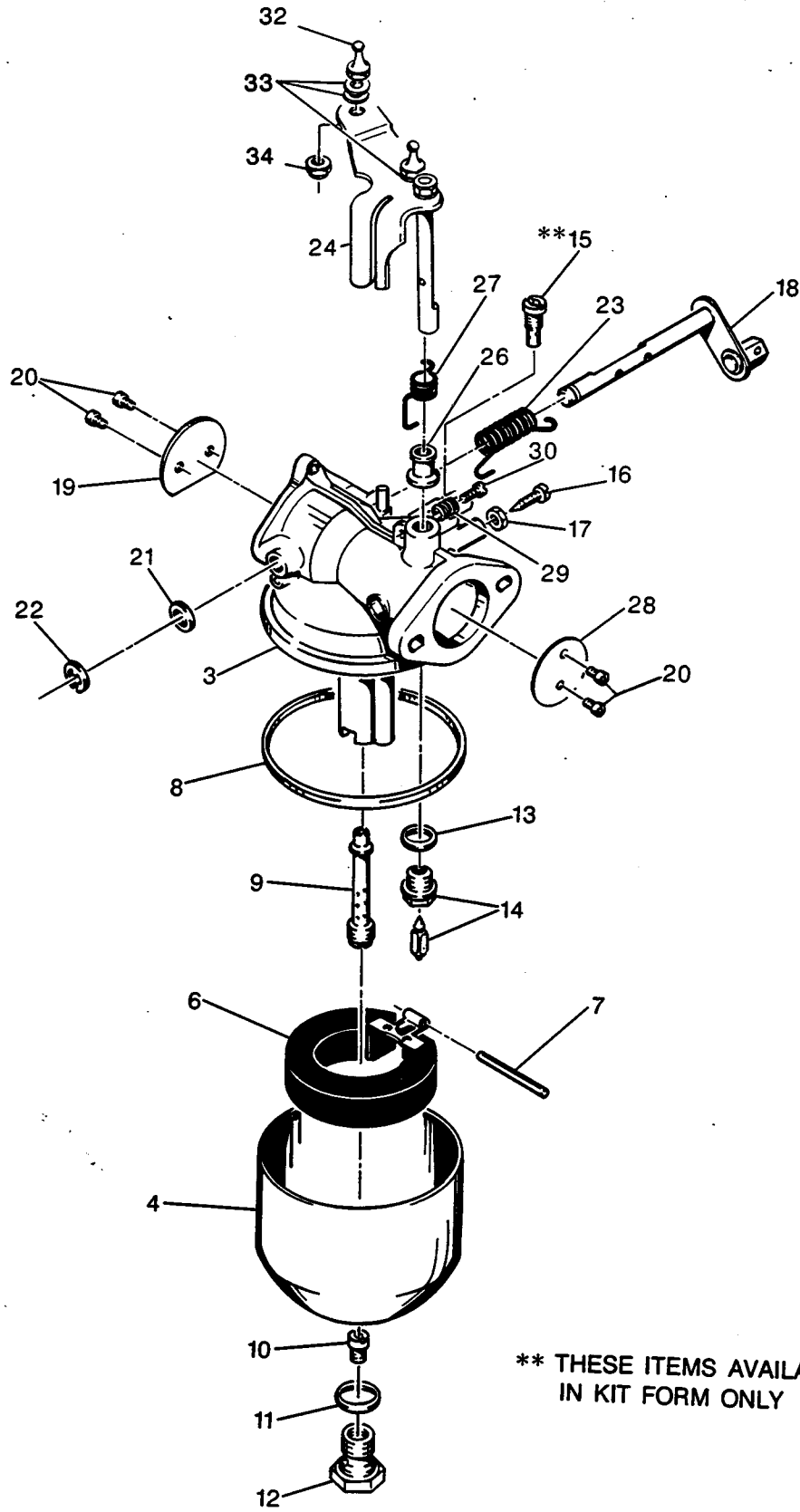
FIRST USED FOR MODEL YEAR 1990

THE USE OF NON U.L. PARTS WILL VOID ANY U.L. LISTING.

When ordering parts, please specify the model and serial number of the product.

* Indicates a component that is not available as an individual part.

ITEM	PART NO.	1	2	3	4	5	DESCRIPTION	4 WHEEL	
								QTY	
▶ 66	10387-G3						COTTER PIN, 3/32 X 3/4 LG.	1	
▶ 67	25187-G2						CABLE, BRAKE, PASSENGER SIDE (GAS ONLY)	1	
▶ 68	25187-G1						CABLE, BRAKE, DRIVER'S SIDE (GAS/ELEC)	1	
▶ 69	10386-G3						PIN, CLEVIS	2	
▶ 70	10387-G3						COTTER PIN, 3/32 X 3/4 LG.	2	
▶ 71	25187-G3						CABLE, BRAKE, PASSENGER SIDE (ELEC ONLY)	1	
▶ 72	25187-G1						CABLE, BRAKE, DRIVER'S SIDE (GAS/ELEC)	1	
▶ 73	10386-G3						PIN, CLEVIS	2	
▶ 74	10387-G3						COTTER PIN, 3/32 X 3/4 LG.	2	
▶ 75	12305-G1						RING, RETAINING	4	
▶ 76	10097-G6						BEARING FLANGED	2	
▶ 77	25103-G1						CAM, HILL BRAKE	1	
▶ 78	14134-G2						SPACER	1	
▶ 79	00491-G4						SETSCREW, 1/4 - 20 X 3/8 LG.	2	
▶ 80	00414-G6						SCREW, 1/4 - 20 X 3/4 LG.	2	
▶ 81	00565-G7						WASHER, LOCK, 1/4	2	
▶ 82	15022-G1						BRACKET, CATCH	1	
▶ 83	11027-G2						NUT, LOCK, 1/4 - 20	2	



CARBURETOR INTERNAL PARTS BV21

GASOLINE POWERED VEHICLE

THE USE OF NON U.L. PARTS WILL VOID ANY U.L. LISTING.

When ordering parts, please specify the model and serial number of the product.

* Indicates a component that is not available as an individual part.

4 WHEEL

ITEM	PART NO.	1	2	3	4	5	DESCRIPTION	QTY
1	24262-G1						CARBURETOR, BV 21-17 (INCLUDES ITEMS 3 - 30)	
2								
3	*						MIXING BODY	1
4	*						FLOAT BOWL	1
5								
6	24929-G1						FLOAT, CARBURETOR	1
7	24928-G1						FLOAT PIN	1
8	14677-G1						GASKET, FLOAT BOWL	1
9	24930-G1						NOZZLE	1
10	14908-G1						JET, MAIN	1
11	24932-G1						GASKET, MAIN JET	1
12	24931-G1						GUIDE, HOLDER (MAIN JET)	1
13	14818-G1						WASHER, NEEDLE VALVE	1
14	24927-G1						VALVE, NEEDLE	1
15	**						JET, PILOT	1
16	14820-G1						SCREW, PILOT ADJUSTING	1
17	13633-G1						NUT, 4mm	1
18	15804-G1						SHAFT, CHOKE	1
19	24926-G1						VALVE, CHOKE	1
20	14682-G1						VALVE, SETSCREW	3
21	18443-G1						PACKING (NYLON WASHER)	1
22	18444-G1						"E" RING, CHOKE SHAFT	1
23	24638-G1						SPRING, CHOKE	1
24	24935-G1						SHAFT, THROTTLE	1
25								
26	18442-G1						RING, THROTTLE SPRING	1
27	24936-G1						SPRING, THROTTLE	1
28	24925-G1						VALVE, THROTTLE	1
29	24934-G1						SPRING, THROTTLE ADJUSTING SCREW	1
30	24933-G1						SCREW, THROTTLE ADJUSTING	1
31								
32	24479-G1						BALL	2
33								
34	00734-G5						NUT, LOCK, #10 - 32	2



CARBURETOR INTERNAL PARTS BV 21

GASOLINE POWERED VEHICLE

THE USE OF NON U.L. PARTS WILL VOID ANY U.L. LISTING.

When ordering parts, please specify the model and serial number of the product.

* Indicates a component that is not available as an individual part.

ITEM	PART NO.	1	2	3	4	5	DESCRIPTION	4 WHEEL	
								QTY	
35									
36									
37									
38	24937-G1						CARBURETOR REBUILD KIT		1
							GASKET, FLOAT BOWL		1
							GASKET, MAIN JET		1
							JET, MAIN		1
							WASHER, NEEDLE VALVE		1
							NEEDLE VALVE		1
	**						JET, PILOT		1
	**						SCREW, PILOT ADJUSTING		1
							NUT, 4 mm		1
							SCREW, THROTTLE ADJUSTING		1
							SPRING, THROTTLE ADJUSTING SCREW		1
							NOZZLE		1
							PIN, FLOAT		1
39	18137-G4						JET KIT		1
							JET, MAIN		1
	**						JET, PILOT		1
							NOZZLE		1
							NEEDLE VALVE		1
							WASHER, NEEDLE VALVE		1
40	15793-G1						GASKET KIT		1
							GASKET, FLOAT BOWL		1
							GASKET, MAIN JET		1
							WASHER, NEEDLE VALVE		1
41	15794-G2						CHOKE LEVER KIT		1
							SHAFT, CHOKE		1
							VALVE, CHOKE		1
	**						SETSCREW, VALVE		2
							PACKING (NYLON WASHER)		1
							"E" RING, CHOKE SHAFT ASSEMBLY		1
							SPRING, CHOKE		1
42	24641-G2						THROTTLE LEVER KIT		1

CARBURETOR INTERNAL PARTS BV21

GASOLINE POWERED VEHICLE

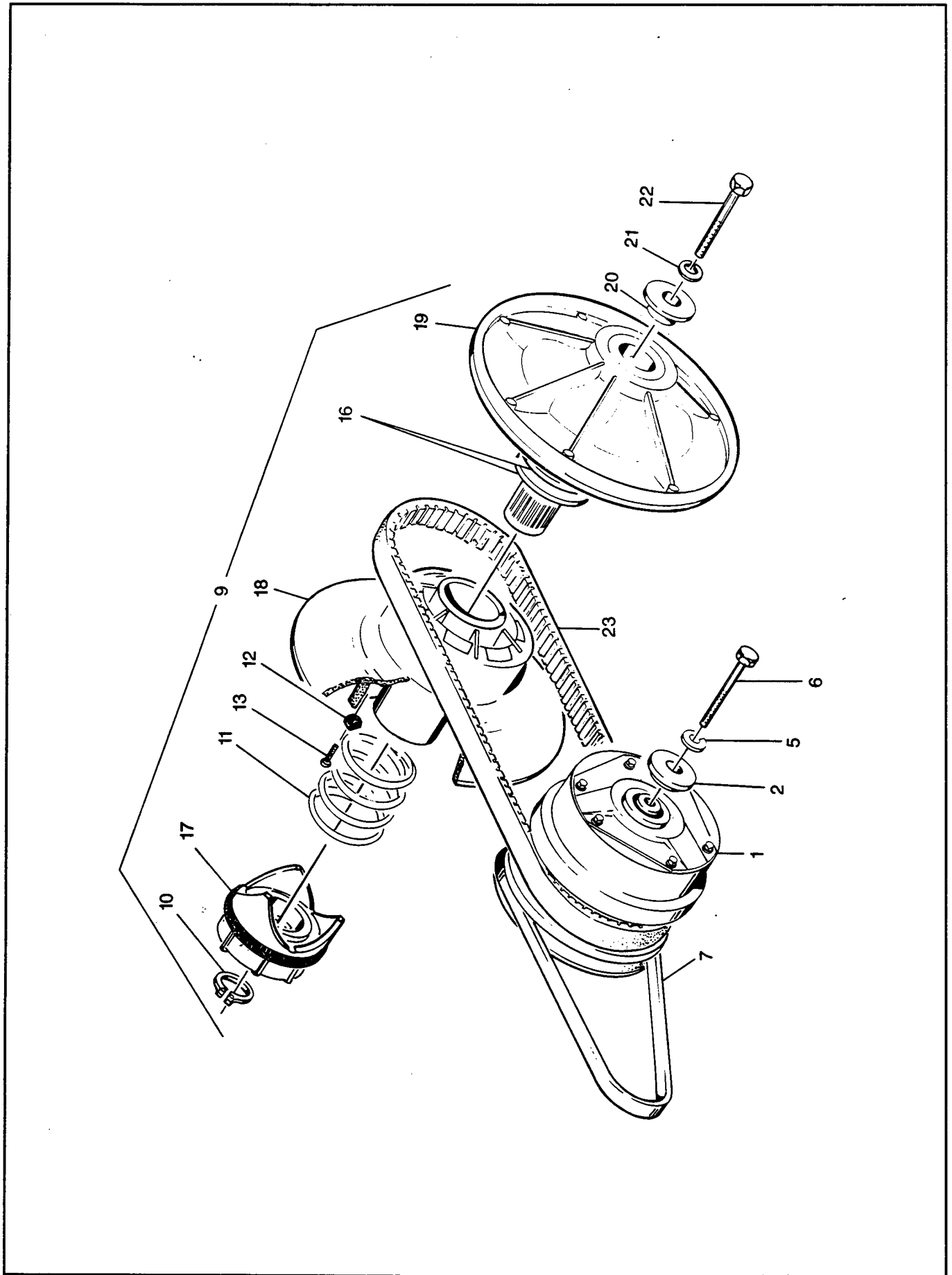
THE USE OF NON U.L. PARTS WILL VOID ANY U.L. LISTING.

When ordering parts, please specify the model and serial number of the product.

* Indicates a component that is not available as an individual part.

4 WHEEL

ITEM	PART NO.	1	2	3	4	5	DESCRIPTION	QTY
							SHAFT, THROTTLE	1
							RING, THROTTLE SPRING	1
							SPRING, THROTTLE	1
							VALVE, THROTTLE	1
	**						SETSCREW, VALVE	1
	**						THESE ITEMS AVAILABLE IN KIT FORM ONLY. ITEMS IN KITS WITHOUT PART NUMBERS ARE LISTED INDIVIDUALLY.	



CLUTCHES

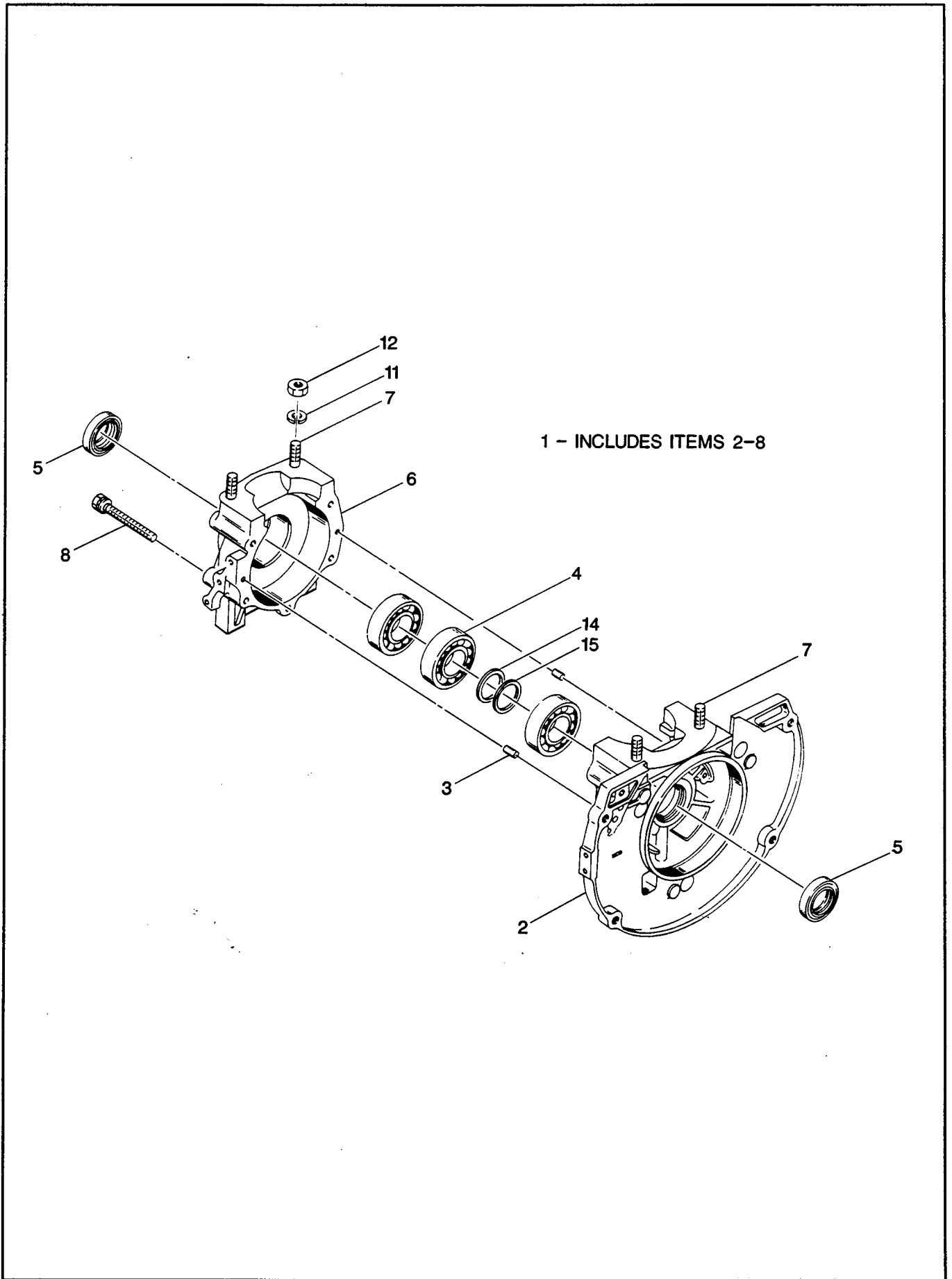
GASOLINE POWERED VEHICLE

THE USE OF NON U.L. PARTS WILL VOID ANY U.L. LISTING.

When ordering parts, please specify the model and serial number of the product.

* Indicates a component that is not available as an individual part.

ITEM	PART NO.	1	2	3	4	5	DESCRIPTION	QTY	
									4 WHEEL
1	23817-G1						CLUTCH, DRIVE	1	
2	23213-G1						WASHER, PILOT	1	
3									
4									
5	00566-G2						WASHER, LOCK, 7/16	1	
6	00473-G9						SCREW, 7/16 - 20 X 6 1/2 LG.	1	
7	XXXXX-XX						BELT, STARTER/GENERATOR (SEE SECTION N FOR PART NUMBER AND QUANTITY)		
8									
9	25244-G1						DRIVEN CLUTCH ASSEMBLY (INCLUDES ITEMS 10 - 16)	1	
10	24594-G1						RING, RETAINING	1	
11	25245-G1						SPRING, COMPRESSION	1	
12	24596-G1						BUTTON, RAMP	3	
13	24598-G1						SCREW, #8 - 32 X 3/4 LG.	3	
14									
15									
16	24600-G1						WASHER, SPACER	2	
17	*						RAMP	1	
18	*						SHEAVE, MOVEABLE	1	
19	*						SHEAVE AND POST	1	
20	22496-G1						WASHER, RETAINING	1	
21	00565-G8						WASHER, LOCK, 5/16	1	
22	00441-G8						SCREW, 5/16 - 18 X 4 LG.	1	
23	22337-G1						BELT, DRIVE	1	
24	**						PULLER, CLUTCH		AR
	**						SEE APPENDIX FOR SERVICE ACCESSORIES AND SPECIAL TOOLS		



CRANKCASE

GASOLINE POWERED VEHICLE

THE USE OF NON U.L. PARTS WILL VOID ANY U.L. LISTING.

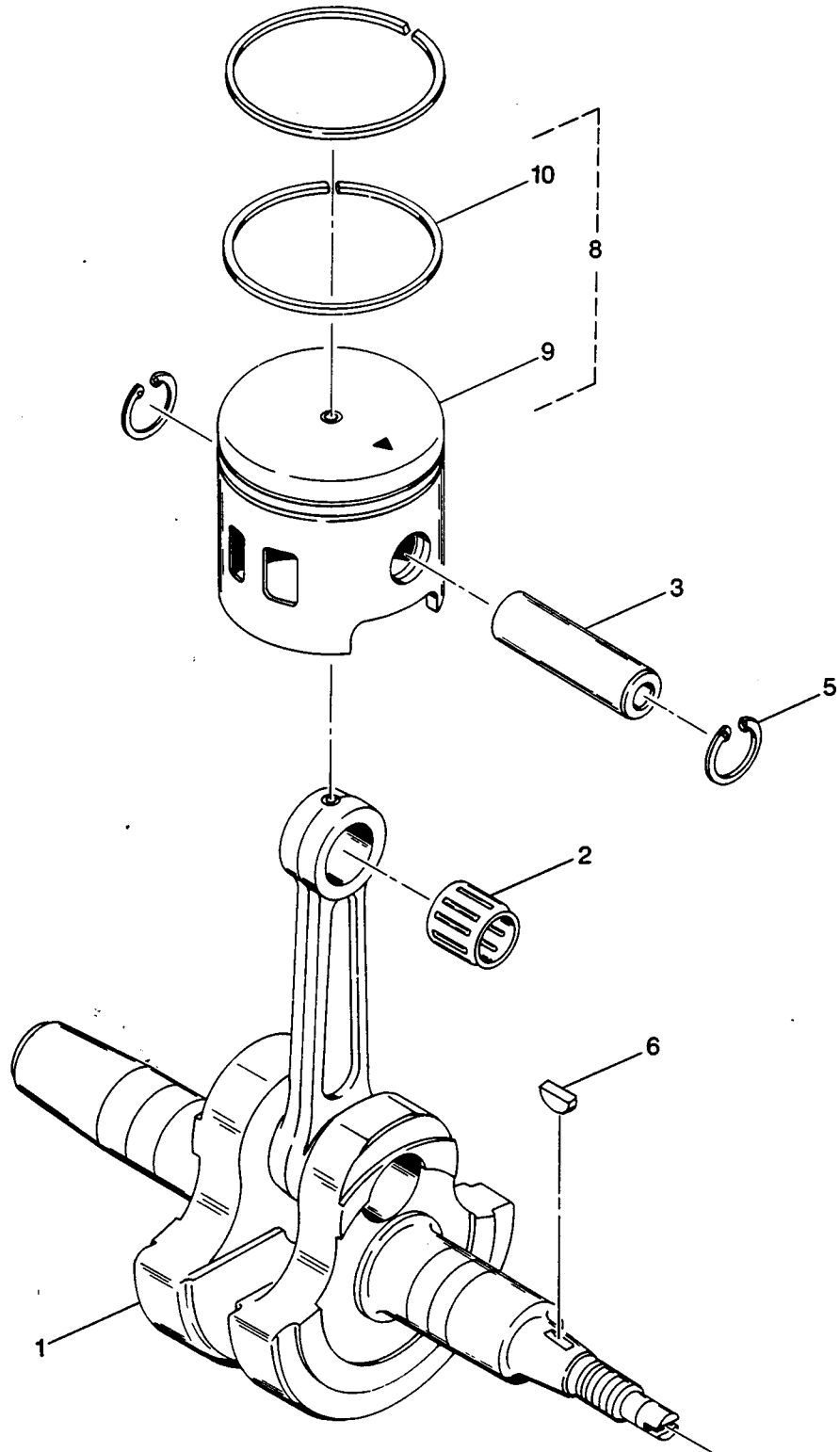
When ordering parts, please specify the model and serial number of the product.

* Indicates a component that is not available as an individual part.

4 WHEEL

ITEM	PART NO.	1	2	3	4	5	DESCRIPTION	QTY
1	24503-G1						CRANKCASE ASSEMBLY (INCLUDES ITEMS 2 - 8)	1
2	*						CRANKCASE HALF, FRONT	1
3	16582-G1						PIN, DOWEL	2
4	24504-G1						BEARING	3
5	14524-G1						SEAL, OIL	2
6	*						CRANKCASE HALF, REAR	1
7	14525-G1						STUD, M10 X 45 mm LG.	4
8	18437-G1						BOLT AND CAPTIVE WASHER, M8 X 1.25 X 75 mm LG.	3
9								
10								
11	14528-G1						WASHER, LOCK, 10 mm	4
12	14529-G1						NUT, M10 X 1.25	4
13								
14	15466-G1						SPACER, .2 mm	AR
15	15466-G2						SPACER, .1 mm	AR

PISTON UNIT, ITEM No. 8 AND PISTON RING, ITEM No. 10
ARE ALSO AVAILABLE AS PART OF TOP OVERHAUL KIT.
SEE CYLINDER BREAKDOWN FOR PART NUMBER.



CRANKSHAFT AND PISTON

GASOLINE POWERED VEHICLE

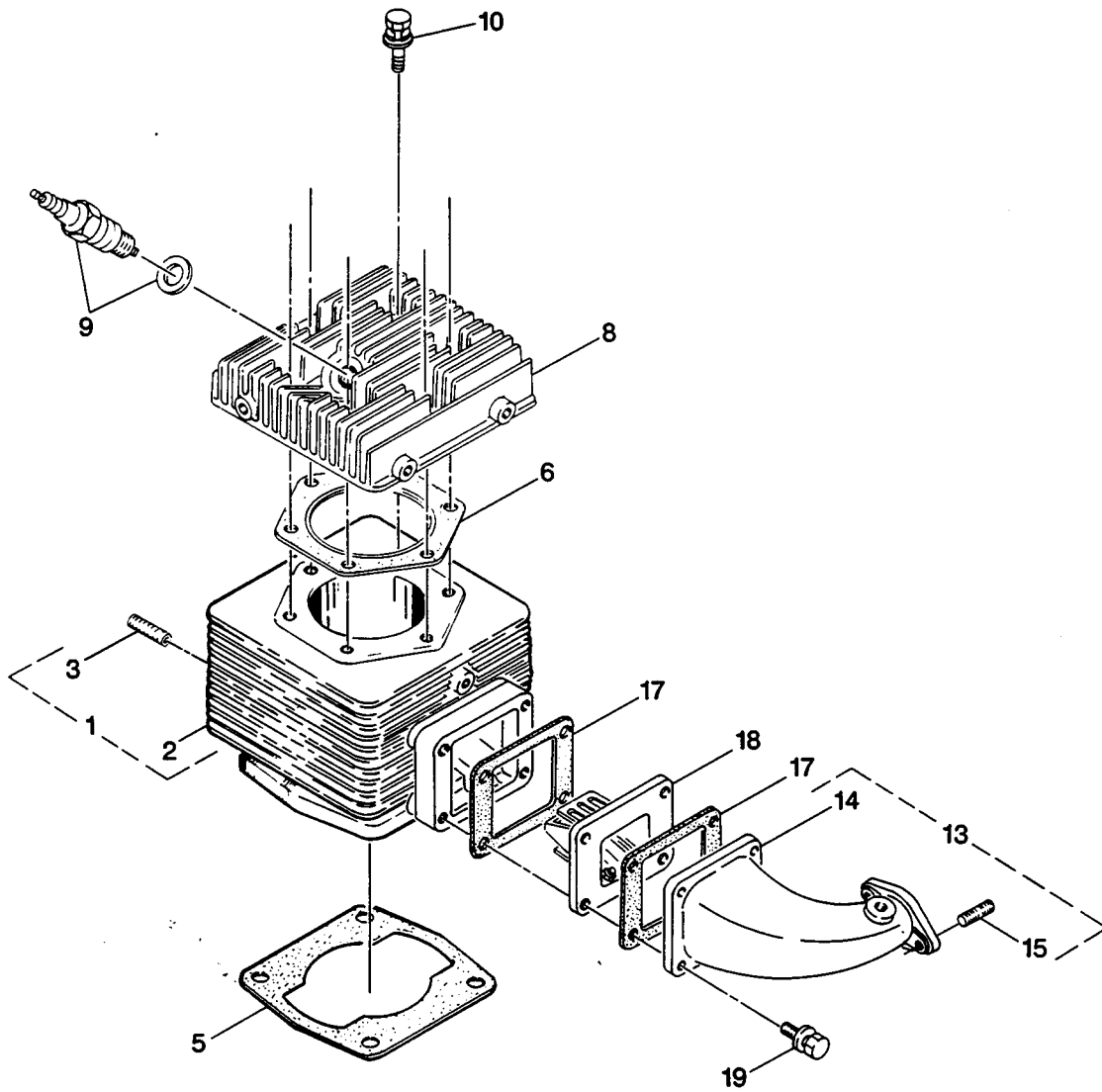
THE USE OF NON U.L. PARTS WILL VOID ANY U.L. LISTING.

When ordering parts, please specify the model and serial number of the product.

* Indicates a component that is not available as an individual part.

4 WHEEL

ITEM	PART NO.	1 2 3 4 5	DESCRIPTION	QTY
▶ 1	24513-G1		CRANKSHAFT/CONNECTING ROD UNIT	1
2	21965-G1		BEARING	1
3	21966-G1		PIN, PISTON	1
4				
5	14541-G1		RING, RETAINING	2
6	16863-G1		KEY, WOODRUFF	1
7				
▶ 8	24618-G1		PISTON AND RING KIT (INCLUDES ITEMS 9 AND 10)	1
9	24514-G1		PISTON	1
10	14995-G1		RING, PISTON	2



CYLINDER

GASOLINE POWERED VEHICLE

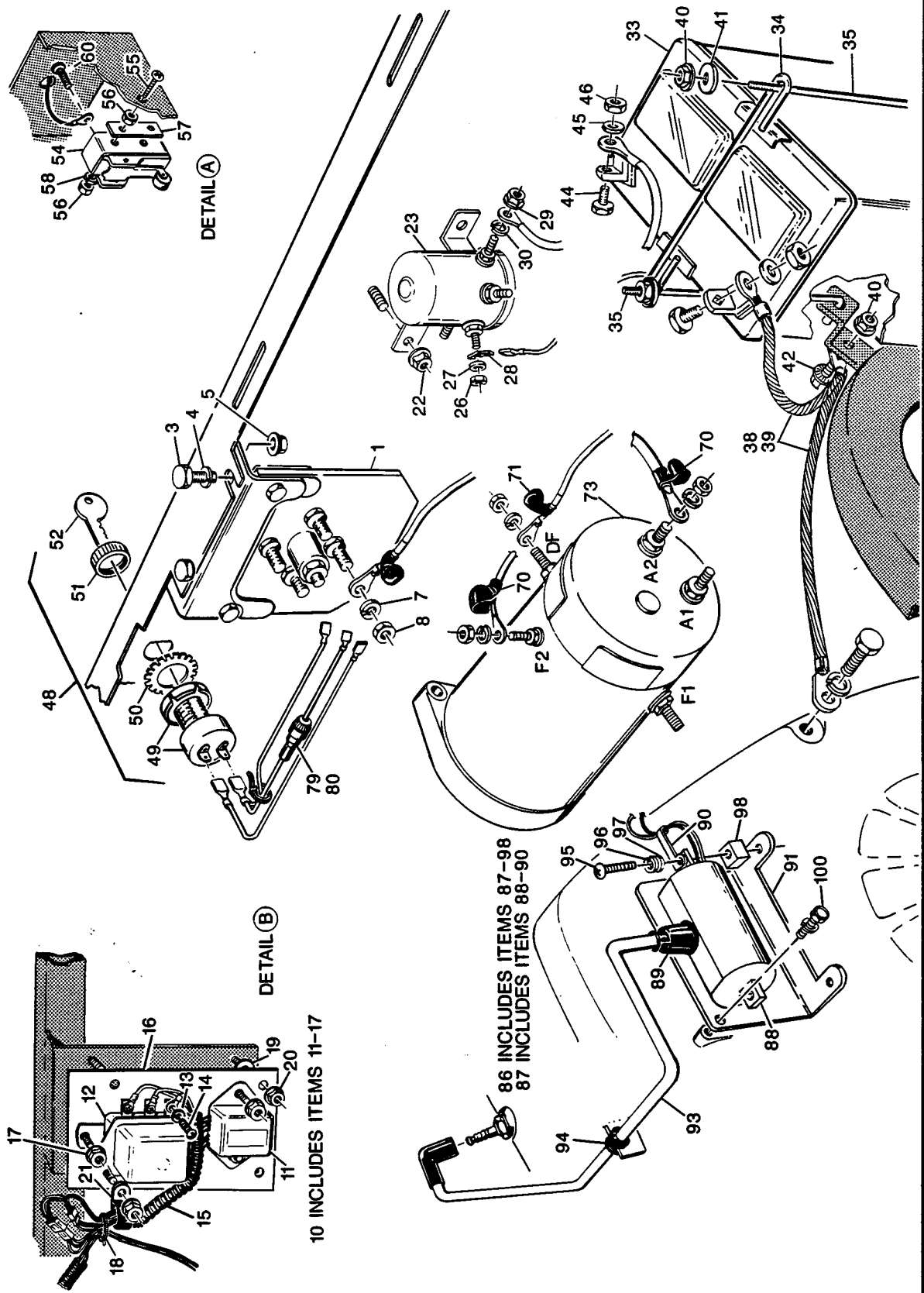
THE USE OF NON U.L. PARTS WILL VOID ANY U.L. LISTING.

When ordering parts, please specify the model and serial number of the product.

* Indicates a component that is not available as an individual part.

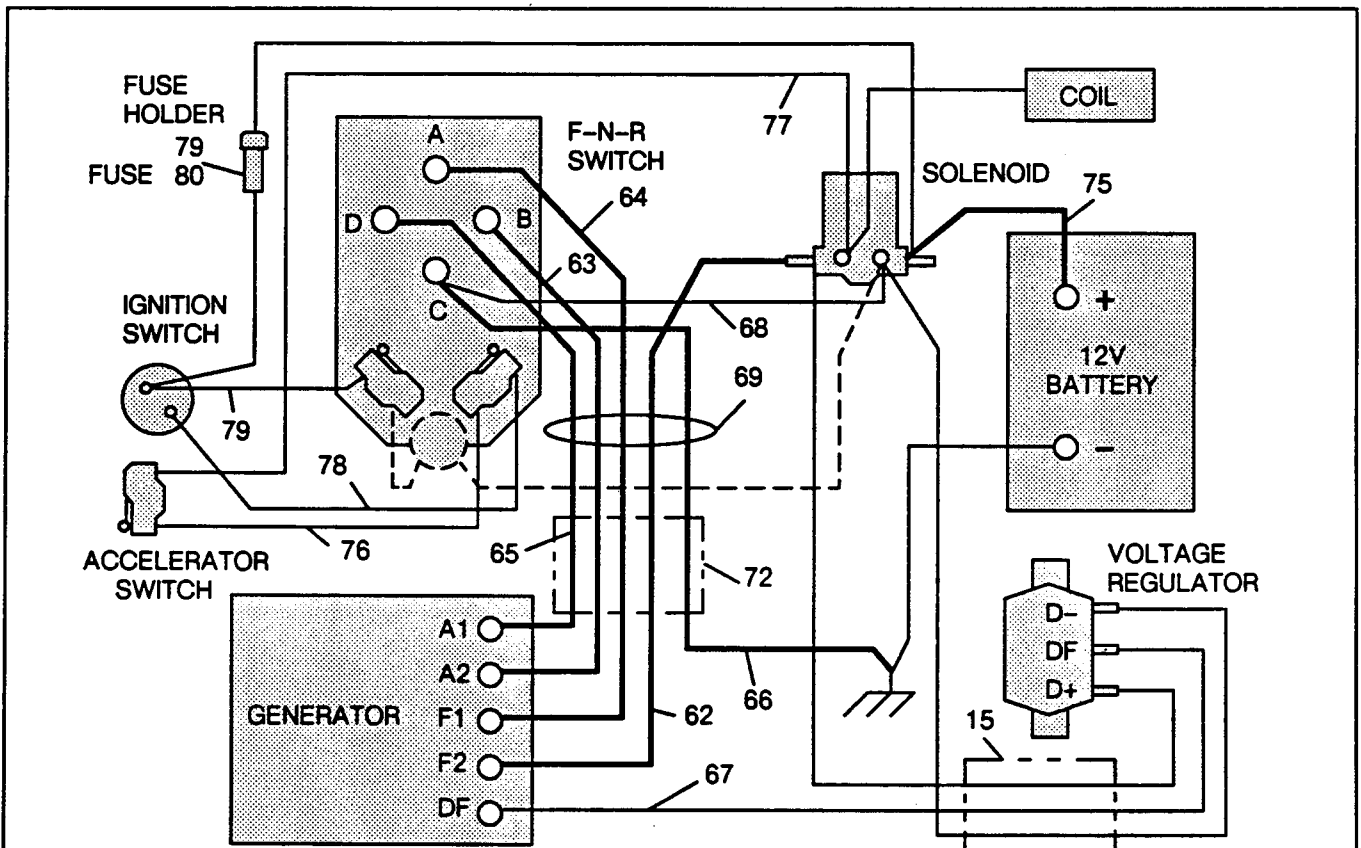
ITEM	PART NO.	1	2	3	4	5	DESCRIPTION	QTY	
									4 WHEEL
▶ 1	24505-G1						CYLINDER ASSEMBLY (INCLUDES ITEMS 2 AND 3)	1	
2	*						CYLINDER	1	
3	24506-G1						STUD, EXHAUST PORT, M8 X 1.25 / 5/16 X 18 X 36 mm LG.	2	
4									
5	14533-G1						GASKET, CYLINDER	1	
▶ 6	24512-G1						GASKET, HEAD	1	
7									
▶ 8	24511-G1						CYLINDER HEAD	1	
9	16430-G1						SPARK PLUG WITH WASHER	1	
10	24320-G1						BOLT AND CAPTIVE WASHER, M8 X 1.25 X 35 mm LG.	6	
11									
12									
▶ 13	24507-G1						INTAKE MANIFOLD ASSEMBLY (INCLUDES ITEMS 14 AND 15)	1	
14	*						INTAKE MANIFOLD	1	
15	14526-G1						STUD, M6 X 1.00 X 40 mm LG.	2	
16									
▶ 17	24509-G1						GASKET, REED VALVE	2	
▶ 18	24510-G1						REED VALVE UNIT	1	
▶ 19	24299-G2						BOLT AND CAPTIVE WASHER, M6 X 1.00 X 30 mm LG.	4	
20									
▶ 21	24619-G1						CYLINDER OVERHAUL KIT (INCLUDES CYLINDER, STUDS, PISTON AND RING KIT, AND REQUIRED GASKETS)	1	
22									
▶ 23	24624-G1						GASKET SET (INCLUDES ITEMS 5, 6, 17, EXHAUST GASKET AND INTAKE MANIFOLD TO CARBURETOR GASKET)	1	

NOTE: BEFORE ORDERING PARTS, CAREFULLY COMPARE YOUR VEHICLE'S VOLTAGE REGULATOR WITH DETAIL "B" TO DETERMINE WHICH SECTION TO ORDER PARTS FROM. THE LATER 1990 VERSION OF THE ELECTRICAL SYSTEM USES A SHORT JUMPER WIRE TO GROUND VOLTAGE REGULATOR.

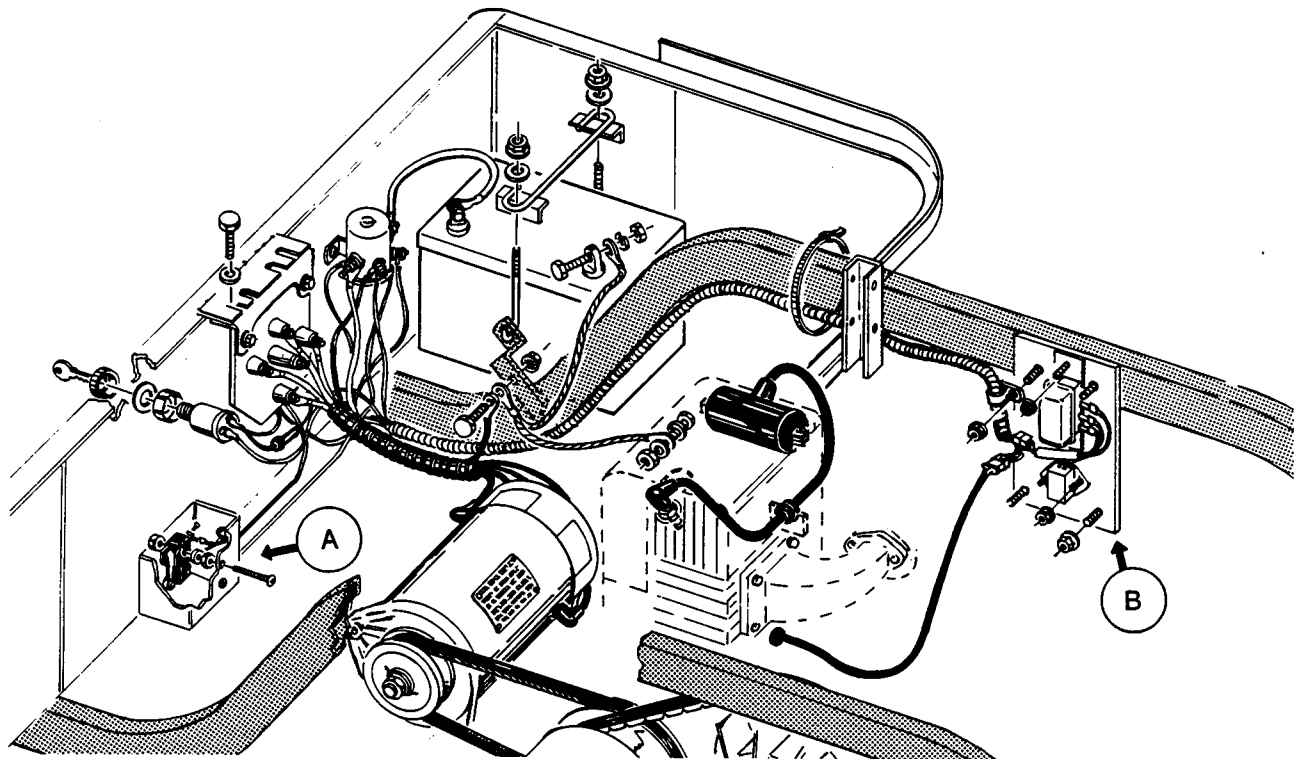


10 INCLUDES ITEMS 11-17

86 INCLUDES ITEMS 87-98
87 INCLUDES ITEMS 88-90



61 INCLUDES ITEMS 62 - 72
 THIS ILLUSTRATION IS FOR HARNESS AND WIRE IDENTIFICATION ONLY.
 SEE OPERATION AND SERVICE MANUAL FOR ACTUAL WIRING DIAGRAM.



NOTE: BEFORE ORDERING PARTS, CAREFULLY COMPARE YOUR VEHICLE'S VOLTAGE REGULATOR WITH DETAIL "B" TO DETERMINE WHICH SECTION TO ORDER PARTS FROM. THE LATER 1990 VERSION OF THE ELECTRICAL SYSTEM USES A SHORT JUMPER WIRE TO GROUND VOLTAGE REGULATOR.

ELECTRICAL SYSTEM – 1989/ EARLY 1990

GASOLINE POWERED VEHICLE

THE USE OF NON U.L. PARTS WILL VOID ANY U.L. LISTING.

When ordering parts, please specify the model and serial number of the product.

* Indicates a component that is not available as an individual part.

4 WHEEL

ITEM	PART NO.	1	2	3	4	5	DESCRIPTION	QTY
1	XXXXX-XX						FORWARD-NEUTRAL-REVERSE SWITCH (SEE SECTION P FOR PART NUMBER AND QUANTITY)	
2								
3	00414-G6						SCREW, 1/4 - 20 X 3/4 LG.	2
4	00559-G7						WASHER, 1/4	2
5	11027-G2						NUT, LOCK, 1/4 - 20	2
6								
7	00565-G8						WASHER, LOCK, 5/16	4
8	00544-G3						NUT, 5/16 - 18	4
9								
▶ 10	22658-G1						ELECTRICAL CONTROLS ASSEMBLY (1989/ EARLY 1990), (INCLUDES ITEMS 11 - 17)	1
11	23781-G1						IGNITOR UNIT (1989/ EARLY 1990)	1
12	16530-G1						REGULATOR, VOLTAGE (1989/ EARLY 1990)	1
13	*						WASHER, LOCK, 5 mm	3
14	*						SCREW, 5 mm X 8 mm LG.	3
15	22657-G1						WIRE HARNESS, VOLTAGE REGULATOR (1989/ EARLY 1990)	1
16	22369-G1						PANEL, ELECTRICAL	1
17	11027-G2						NUT, LOCK, 1/4 - 20	4
18	16172-G1						CLAMP	8
19	00561-G7						WASHER, 1/4	4
20	11027-G2						NUT, LOCK, 1/4 - 20	4
▶ 21	11845-G2						CLAMP, INSULATED	1
22	11027-G2						NUT, LOCK, 1/4 - 20	2
23	16542-G1						SOLENOID, 12 VOLT	1
▶ 24	22656-G1						WIRING HARNESS, SOLENOID	1
25								
26	00526-G4						NUT, #10 - 32	2
27	00565-G5						WASHER, #10	2
28	14628-G1						FASTON TAB	2
29	00544-G4						NUT, 5/16 - 18	2
30	00565-G8						WASHER, LOCK, 5/16	2
31								
32								
33	19548-G1						BATTERY, 12 VOLT	1

ELECTRICAL SYSTEM – 1989/ EARLY 1990

GASOLINE POWERED VEHICLE

THE USE OF NON U.L. PARTS WILL VOID ANY U.L. LISTING.

When ordering parts, please specify the model and serial number of the product.

* Indicates a component that is not available as an individual part.

ITEM	PART NO.	1	2	3	4	5	DESCRIPTION	QTY	
									4 WHEEL
34	19913-G1						RETAINER, BATTERY		1
35	18261-G2						ROD, BATTERY HOLD DOWN		1
36	19915-G1						ROD, BATTERY HOLD DOWN		1
37									
38	20294-G1						BATTERY CABLE, NEGATIVE, GXT-/GXI-800		1
39	20294-G3						BATTERY CABLE, NEGATIVE, GXT-/GXI-300		1
40	11027-G2						NUT, LOCK, 1/4 - 20		3
41	00571-G2						WASHER, 5/16		2
42	00414-G6						SCREW, 1/4 - 20 X 3/4 LG.		1
43									
44	00962-G1						SCREW, 5/16 - 18 X 1 1/4 LG.		2
45	00565-G8						WASHER, LOCK, 5/16		2
46	00532-G3						NUT, 5/16 - 18		2
47									
48	17421-G1						IGNITION SWITCH KIT (INCLUDES ITEMS 49 - 52 AND ADDITIONAL PUSHON TERMINALS)		1
49	*						SWITCH, IGNITION		1
50	00568-G6						WASHER, LOCK, 3/4		1
51	17137-G1						NUT, FACE		1
52	17063-G1						KEY, IGNITION		2
53									
54	10606-G2						SWITCH, MICRO		1
▶ 55	00139-G2						SCREW, #6 - 32 X 1 1/4 LG.		2
▶ 56	00525-G5						NUT, #6 - 32		4
▶ 57	24029-G1						SPACER		1
58	00565-G3						WASHER, LOCK, #6		2
59									
60	13514-G1						SCREW, BRASS, #6 - 32 X .22 LG.		2
▶ 61	22639-G1						WIRING HARNESS, STARTER/GENERATOR (INCLUDES ITEMS 62 - 72)		1
62	22620-G1						WIRE, (F2 TO SOLENOID)		1
63	22622-G1						WIRE, (A2 TO B)		1
64	22623-G1						WIRE, (F1 TO A)		1
65	22621-G1						WIRE, (A1 TO D)		1
66	22617-G1						WIRE, (C TO GROUND)		1
67	19641-G1						WIRE, (DF TO GENERATOR)		1

ELECTRICAL SYSTEM – 1989/ EARLY 1990

GASOLINE POWERED VEHICLE

THE USE OF NON U.L. PARTS WILL VOID ANY U.L. LISTING.

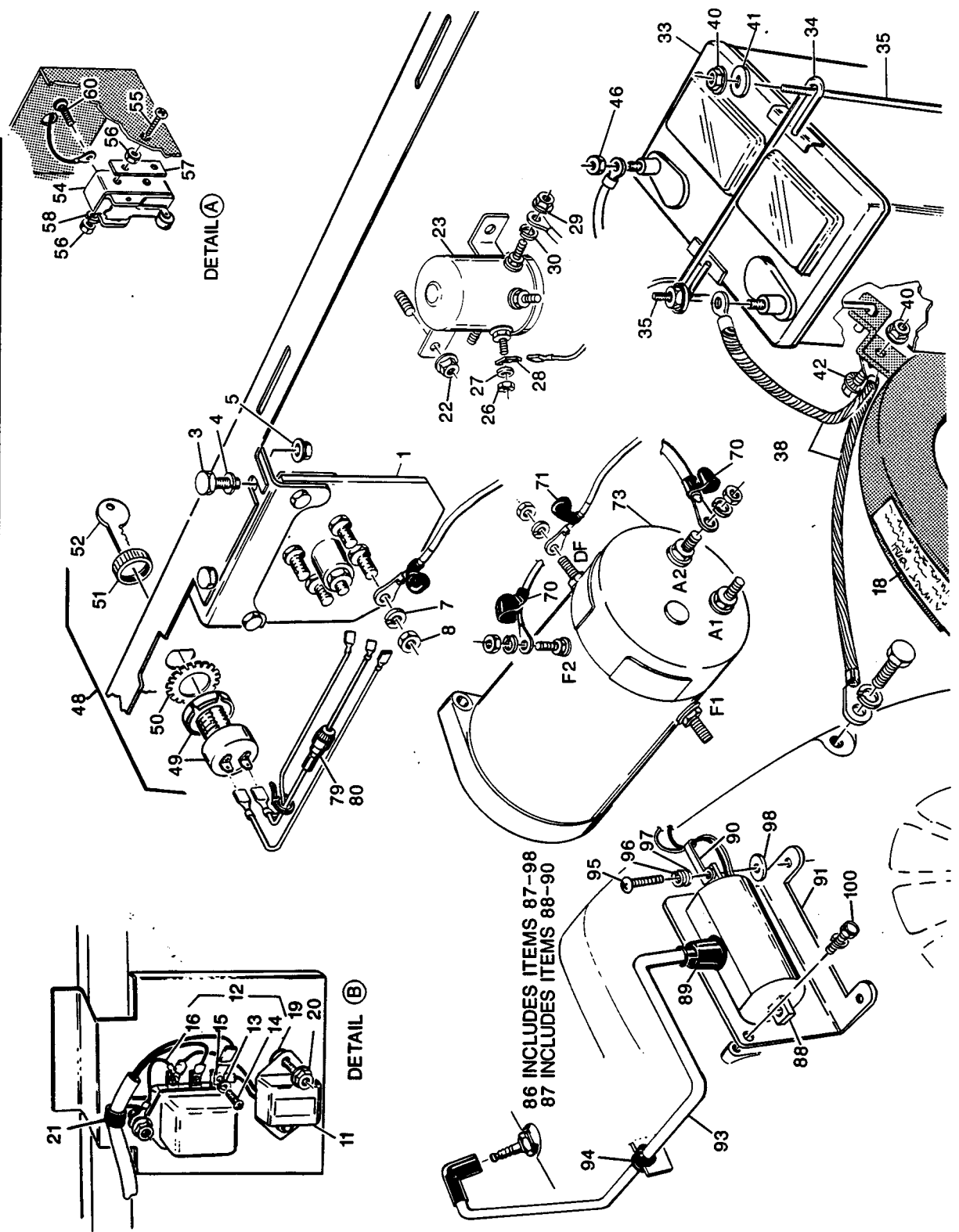
When ordering parts, please specify the model and serial number of the product.

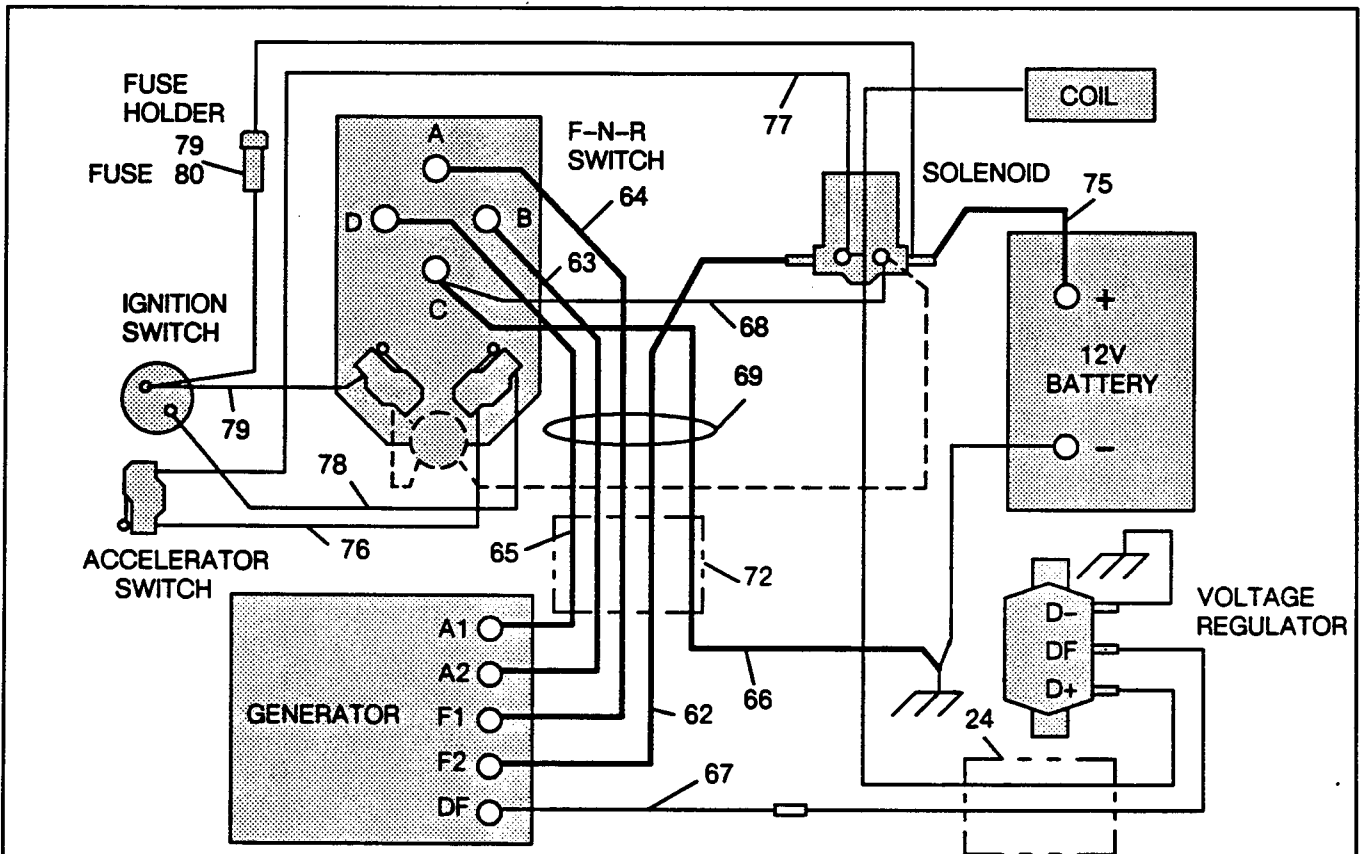
* Indicates a component that is not available as an individual part.

4 WHEEL

ITEM	PART NO.	1	2	3	4	5	DESCRIPTION	QTY
68	22615-G1						WIRE, (C TO SOLENOID)	1
69	17618-G1						CLAMP	7
70	16563-G1						BOOT, RUBBER	4
71	16563-G2						BOOT, RUBBER	1
72	18834-G1						LOOM, FLEX	1
73	XXXXX-XX						STARTER/GENERATOR (SEE SECTION KK FOR PART NUMBER AND QUANTITY)	
74								
75	19919-G2						BATTERY CABLE, POSITIVE	1
76	16754-G1						WIRE (ACCELERATOR MICRO SWITCH TO F-N-R MICRO SWITCH)	1
77	22625-G1						WIRE (ACCELERATOR MICRO SWITCH TO SOLENOID)	1
78	20867-G1						WIRE (IGNITION SWITCH TO F-N-R MICRO SWITCH)	1
79	22624-G1						FUSE HOLDER AND WIRE ASSEMBLY (INCLUDES ITEM 80)	1
80	18392-G3						FUSE, 25 AMP	1
81								
82								
83								
84								
85								
86	24202-G1						COIL AND BRACKET ASSEMBLY (INCLUDES ITEMS 87 - 98)	1
87	23782-G1						IGNITION COIL ASSEMBLY (INCLUDES ITEMS 88 - 90)	1
88	*						IGNITION COIL	1
89	17420-G1						NIPPLE, COIL	1
90	17373-G1						CLAMP, COIL	1
91	23794-G1						BRACKET, COIL	1
92								
93	17014-G1						LEAD, SPARK PLUG	1
94	18345-G1						GROMMET	1
95	24477-G1						SCREW, BRASS, 5 mm	2
96	51407-G1						WASHER, LOCK, 5 mm	2
97	51408-G1						WASHER, 5 mm	2
98	30202-G1						SPACER	2
99								
100	24299-G1						SCREW AND CAPTIVE WASHER, M6 X 1.00 X 18 mm LG.	1

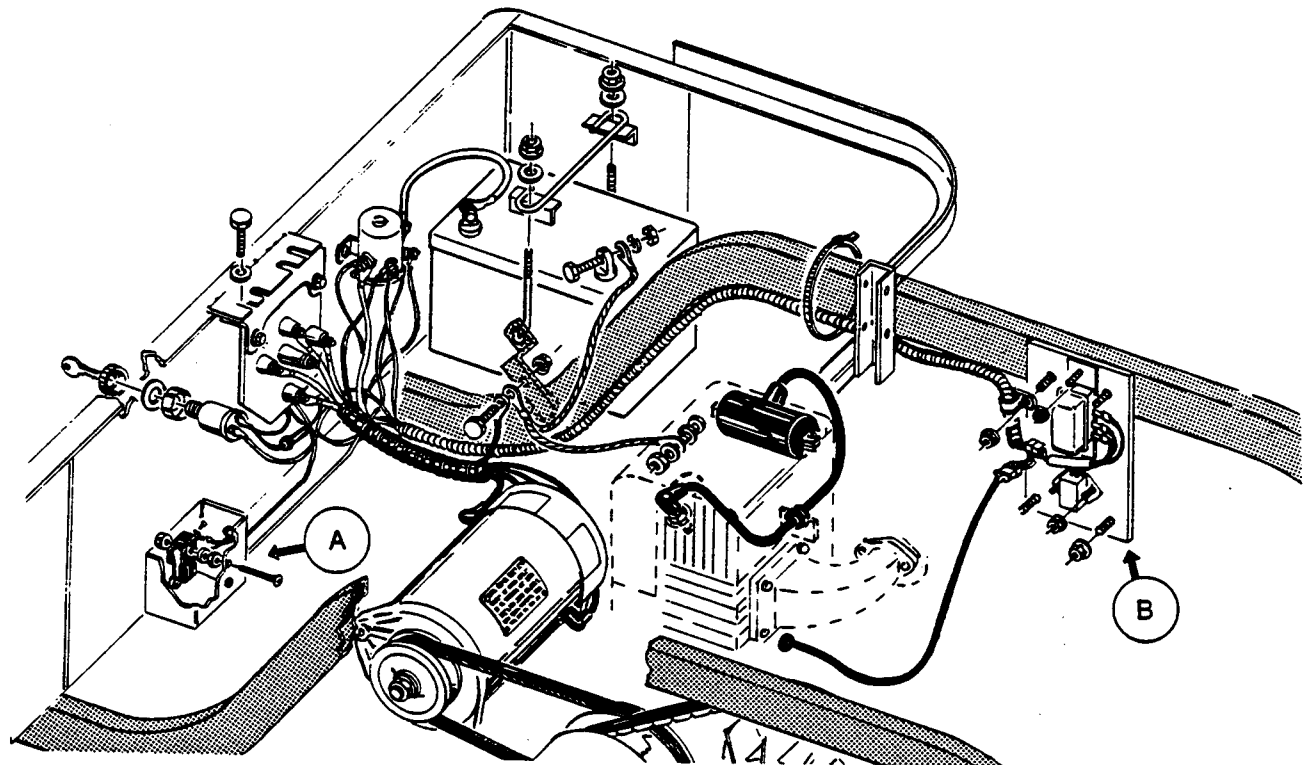
NOTE: BEFORE ORDERING PARTS, CAREFULLY COMPARE YOUR VEHICLE'S VOLTAGE REGULATOR WITH DETAIL "B" TO DETERMINE WHICH SECTION TO ORDER PARTS FROM. THE LATER 1990 VERSION OF THE ELECTRICAL SYSTEM USES A SHORT JUMPER WIRE TO GROUND VOLTAGE REGULATOR.





61 INCLUDES ITEMS 62 - 72

THIS ILLUSTRATION IS FOR HARNESS AND WIRE IDENTIFICATION ONLY.
SEE OPERATION AND SERVICE MANUAL FOR COMPLETE WIRING DIAGRAM.



NOTE: BEFORE ORDERING PARTS, CAREFULLY COMPARE YOUR VEHICLE'S VOLTAGE REGULATOR WITH DETAIL "B" TO DETERMINE WHICH SECTION TO ORDER PARTS FROM. THE LATER 1990 VERSION OF THE ELECTRICAL SYSTEM USES A SHORT JUMPER WIRE TO GROUND VOLTAGE REGULATOR.

ELECTRICAL SYSTEM - LATER 1990

GASOLINE POWERED VEHICLE

FIRST USED FOR LATER 1990 MODEL YEAR

THE USE OF NON U.L. PARTS WILL VOID ANY U.L. LISTING.

When ordering parts, please specify the model and serial number of the product.

* Indicates a component that is not available as an individual part.

4 WHEEL

ITEM	PART NO.	1	2	3	4	5	DESCRIPTION	QTY
1	XXXXX-XX						FORWARD-NEUTRAL-REVERSE SWITCH (SEE SECTION P FOR PART NUMBER AND QUANTITY)	
2								
3	00414-G6						SCREW, 1/4 - 20 X 3/4 LG.	2
4	00559-G7						WASHER, 1/4	2
5	11027-G2						NUT, LOCK, 1/4 - 20	2
6								
7	00565-G8						WASHER, LOCK, 5/16	4
8	00544-G3						NUT, 5/16 - 18	4
9								
10								
▶ 11	24881-G1						IGNITOR UNIT (LATER 1990)	1
▶ 12	24883-G1						REGULATOR, VOLTAGE ASSEMBLY (LATER 1990)	1
13	*						WASHER, LOCK, 5 mm	3
14	*						SCREW, 5 mm X 8 mm LG.	3
▶ 15	12914-G1						FASTON TAB	4
▶ 16	24882-G1						WIRE	1
17								
▶ 18	24876-G1						LABEL, WARNING - BATTERY GROUND	1
19	00561-G7						WASHER, 1/4	4
20	11027-G2						NUT, LOCK, 1/4 - 20	4
21	11845-G2						CLAMP, INSULATED	1
22	11027-G2						NUT, LOCK, 1/4 - 20	2
23	16542-G1						SOLENOID, 12 VOLT	1
▶ 24	24874-G1						WIRING HARNESS, ELECTRICAL CONTROLS (LATER 1990)	1
25								
26	00526-G4						NUT, #10 - 32	2
27	00565-G8						WASHER, LOCK #10	2
28	14628-G1						FASTON TAB	2
29	00544-G4						NUT, 5/16 - 18	2
30	00567-G8						WASHER, LOCK, 5/16	2
31								
32								
▶ 33	24775-G1						BATTERY, 12 VOLT	1
▶ 34	18258-G2						RETAINER, BATTERY	1

ELECTRICAL SYSTEM – LATER 1990

GASOLINE POWERED VEHICLE

FIRST USED FOR LATER 1990 MODEL YEAR

THE USE OF NON U.L. PARTS WILL VOID ANY U.L. LISTING.

When ordering parts, please specify the model and serial number of the product.

* Indicates a component that is not available as an individual part.

4 WHEEL

ITEM	PART NO.	1	2	3	4	5	DESCRIPTION	QTY
35	18261-G1						ROD, BATTERY HOLD DOWN	1
36	18262-G1						ROD, BATTERY HOLD DOWN	1
37								
38	20294-G1						BATTERY CABLE, NEGATIVE	1
39								
40	11027-G2						NUT, LOCK, 1/4 - 20	3
41	00571-G2						WASHER, 5/16	2
42	00414-G6						SCREW, 1/4 - 20 X 3/4 LG.	1
43								
44								
45								
46	00669-G3						NUT, 5/16 - 18	2
47								
48	17421-G1						IGNITION SWITCH KIT (INCLUDES ITEMS 49 - 52 AND ADDITIONAL PUSHON TERMINALS)	1
49	*						SWITCH, IGNITION	1
50	00568-G6						WASHER, LOCK, 3/4	1
51	17137-G1						NUT, FACE	1
52	17063-G1						KEY, IGNITION	2
53								
54	10606-G2						SWITCH, MICRO	1
55	00139-G2						SCREW, #6 - 32 X 1 1/4 LG.	2
56	00525-G5						NUT, #6 - 32	4
57	24029-G1						SPACER	1
58	00565-G3						WASHER, LOCK, #6	2
59								
60	13514-G1						SCREW, BRASS, #6 - 32 X .22 LG.	2
61	24767-G1						WIRING HARNESS, POWER (INCLUDES ITEMS 62 - 72)	1
62	24758-G2						WIRE, (F2 TO SOLENOID)	1
63	24758-G2						WIRE, (A2 TO B)	1
64	24758-G1						WIRE, (F1 TO A)	1
65	24758-G4						WIRE, (A1 TO D)	1
66	24758-G3						WIRE, (C TO GROUND)	1
67	19641-G3						WIRE, (DF TO GENERATOR)	1
68	22615-G1						WIRE, (C TO SOLENOID)	1

ELECTRICAL SYSTEM – LATER 1990

GASOLINE POWERED VEHICLE

FIRST USED FOR LATER 1990 MODEL YEAR

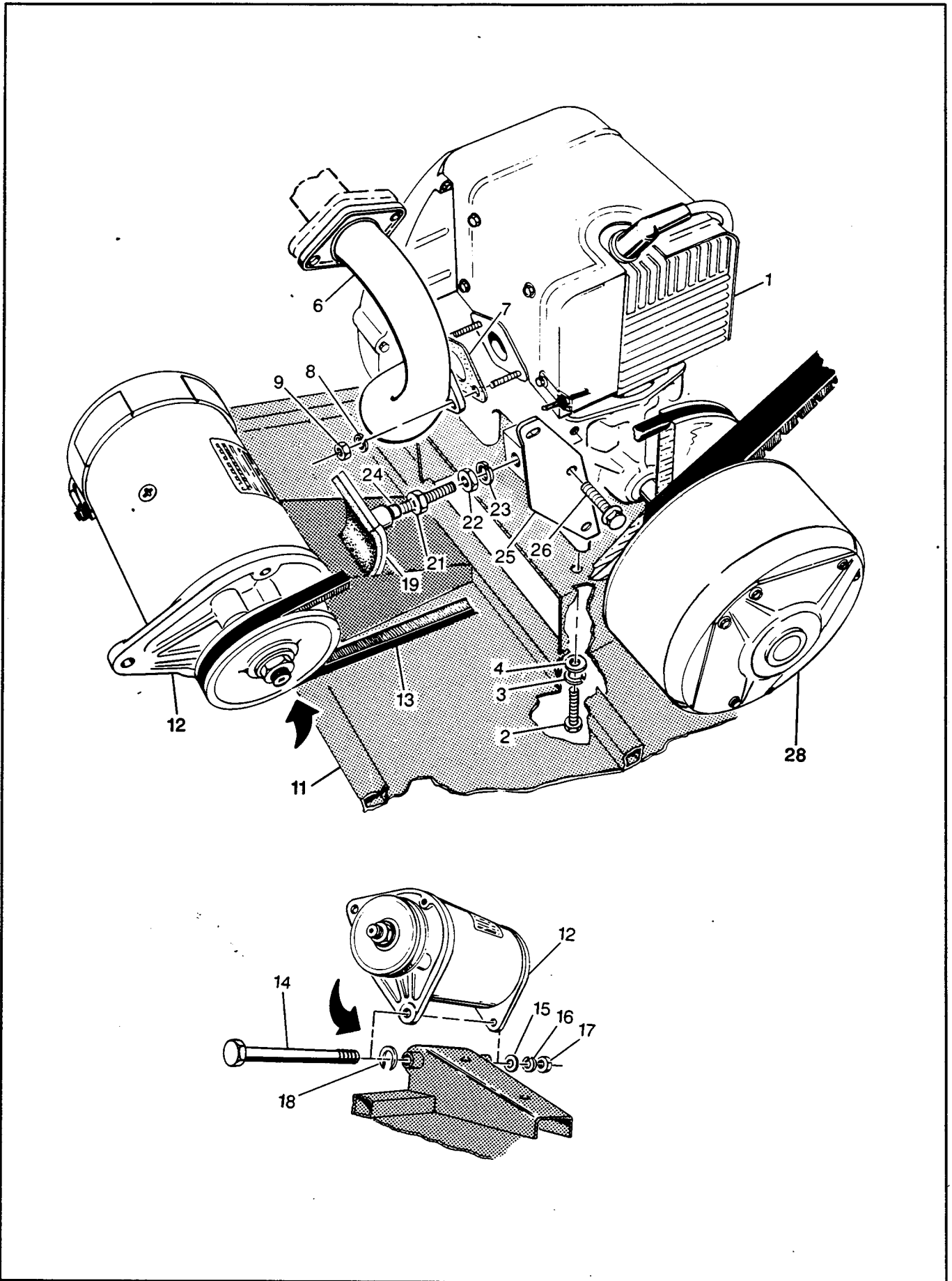
THE USE OF NON U.L. PARTS WILL VOID ANY U.L. LISTING.

When ordering parts, please specify the model and serial number of the product.

* Indicates a component that is not available as an individual part.

4 WHEEL

ITEM	PART NO.	1	2	3	4	5	DESCRIPTION	QTY
69	17618-G1						CLAMP, NYLON	7
70	16563-G1						BOOT, RUBBER	4
71	16563-G2						BOOT, RUBBER	1
▶ 72	18833-G1						LOOM, FLEX	1
73	XXXXX-XX						STARTER/GENERATOR (SEE SECTION KK FOR PART NUMBER AND QUANTITY)	
74								
▶ 75	25409-G1						BATTERY CABLE, POSITIVE	1
76	16754-G1						WIRE (ACCELERATOR MICRO SWITCH TO F-N-R MICRO SWITCH)	1
▶ 77	22625-G1						WIRE (ACCELERATOR MICRO SWITCH TO SOLENOID)	1
78	20867-G1						WIRE (IGNITION SWITCH TO F-N-R MICRO SWITCH)	1
▶ 79	22624-G1						FUSE HOLDER AND WIRE ASSEMBLY (INCLUDES ITEM 80)	1
80	18392-G3						FUSE, 25 AMP	1
81								
82	17618-G1						CLAMP, NYLON	8
83	11845-G2						CLAMP, INSULATED	1
84								
85								
▶ 86	24202-G1						COIL AND BRACKET ASSEMBLY (INCLUDES ITEMS 87 - 98)	1
87	23782-G1						IGNITION COIL ASSEMBLY (INCLUDES ITEMS 88 - 90)	1
88	*						IGNITION COIL	1
89	17420-G1						NIPPLE, COIL	1
90	17373-G1						CLAMP, COIL	1
91	23794-G1						BRACKET, COIL	1
92								
93	17014-G1						LEAD, SPARK PLUG	1
94	18345-G1						GROMMET	1
95	24477-G1						SCREW, BRASS, 5 mm	2
96	51407-G1						WASHER, LOCK, 5 mm	2
97	51408-G1						WASHER, 5 mm	2
▶ 98	00945-G1						WASHER, ALUMINUM	2
99								
100	24299-G1						SCREW AND CAPTIVE WASHER, M6 X 1.00 X 18 mm LG.	1



ENGINE AND STARTER

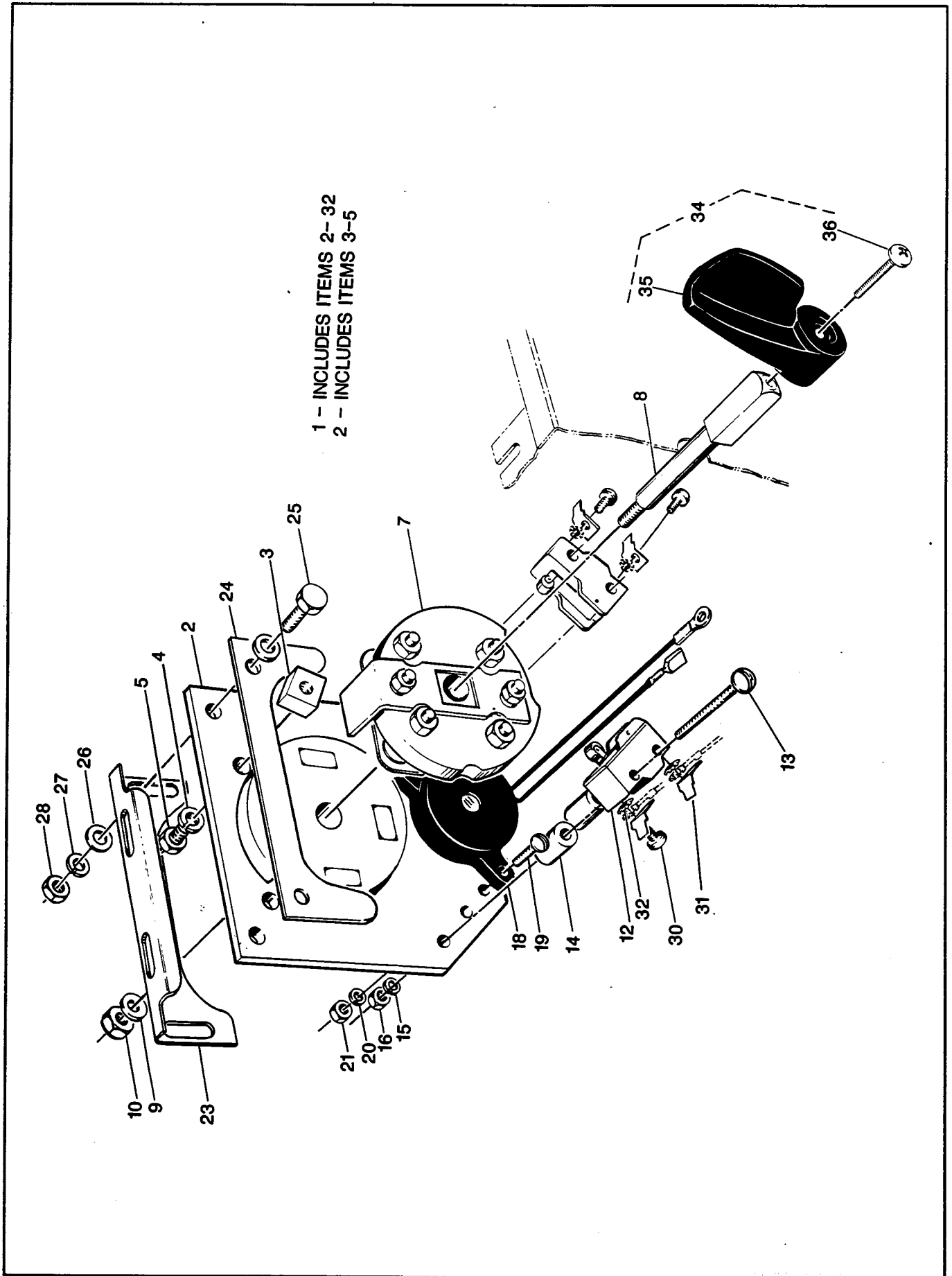
GASOLINE POWERED VEHICLE

THE USE OF NON U.L. PARTS WILL VOID ANY U.L. LISTING.

When ordering parts, please specify the model and serial number of the product.

* Indicates a component that is not available as an individual part.

ITEM	PART NO.	1	2	3	4	5	DESCRIPTION	4 WHEEL	
								QTY	
1	24623-G1						ENGINE, EC 25 - 3 PG., SERVICE		1
2	00288-G8						SCREW, 7/16 - 14 X 1 LG.		4
3	00566-G2						WASHER, LOCK, 7/16		4
4	00922-G3						WASHER, 7/16		4
5									
6	24260-G1						TUBE, EXHAUST		1
7	12394-G1						GASKET, EXHAUST		1
8	18110-G1						WASHER, LOCK, 8 mm		2
9	51401-G1						NUT, 5/16 - 18		2
10									
11	XXXXX-XX						ENGINE FRAME (SEE SECTION W FOR PART NUMBER AND QUANTITY)		
12	XXXXX-XX						STARTER/GENERATOR (SEE SECTION KK FOR PART NUMBER AND QUANTITY)		
13	16548-G1						BELT, STARTER		1
14	00938-G4						SCREW, 1/2 - 13 X 8 LG.		1
15	00560-G3						WASHER, 1/2		1
16	00566-G3						WASHER, LOCK, 1/2		1
17	00533-G1						NUT, 1/2 - 13		1
18	24635-G2						SHIMS	AR	
19	24686-G1						STARTER/GENERATOR SUPPORT		1
20									
21	24667-G1						ROD, ADJUSTING		1
22	00532-G6						NUT, 3/8 - 24		1
23	00566-G1						WASHER, LOCK, 3/8		1
24	24668-G1						BUSHING, GUIDE SUPPORT		1
25	24679-G1						BRACKET, STARTER		1
26	18711-G1						BOLT AND CAPTIVE WASHER, M8 X 1.25 X 80 mm LG.		2
27									
28	XXXX-XX						DRIVE CLUTCH (SEE SECTION H FOR PART NUMBER AND QUANTITY)		



FORWARD-NEUTRAL-REVERSE SWITCH

ELECTRIC/GASOLINE POWERED VEHICLE

THE USE OF NON U.L. PARTS WILL VOID ANY U.L. LISTING.

When ordering parts, please specify the model and serial number of the product.

* Indicates a component that is not available as an individual part.

ITEM	PART NO.	1	2	3	4	5	DESCRIPTION	QTY	
									4 WHEEL
1	22635-G2						FORWARD-NEUTRAL-REVERSE SWITCH ASSEMBLY (INCLUDES ITEMS 2 - 32)	1	
2	14651-G1						CONTACT BOARD ASSEMBLY (INCLUDES ITEMS 3 - 5)	1	
3	24940-G1						STOP	2	
4	00565-G7						WASHER, LOCK, 1/4	2	
5	00414-G6						SCREW, 1/4 - 20 X 3/4 LG.	2	
6									
7	12835-G1						CAM UNIT, FORWARD-NEUTRAL-REVERSE SWITCH	1	
8	19470-G1						SHAFT, FORWARD-NEUTRAL-REVERSE SWITCH	1	
9	00560-G1						WASHER, 3/8	1	
10	14390-G1						NUT, LOCK, 3/8 - 24	1	
11									
12	10606-G4						SWITCH, MICRO	2	
13	00139-G6						SCREW, #6 - 32 X 1 3/4 LG.	4	
14	12806-G1						SPACER, MICRO SWITCH	4	
15	00565-G3						WASHER, LOCK, #6	4	
16	00525-G5						NUT, #6 - 32	4	
17									
18	17940-G2						BUZZER	1	
19	00138-G5						SCREW, #6 - 32 X 5/8 LG.	2	
20	00565-G3						WASHER, LOCK, #6	2	
21	00525-G5						NUT, #6 - 32	2	
22									
23	12863-G1						BRACKET, MOUNTING	1	
24	15461-G1						SUPPORT, BRACKET MOUNTING	1	
25	00414-G8						SCREW, 1/4 - 20 X 1 LG.	2	
26	00559-G7						WASHER, 1/4	2	
27	00565-G7						WASHER, LOCK, 1/4	2	
28	00532-G1						NUT, 1/4 - 20	2	
29									
30	13514-G1						SCREW, BRASS, #6 - 32 X .22 LG.	4	
31	14628-G1						FASTON TAB	4	
32	00567-G3						WASHER, LOCK, EXTERNAL TOOTH, #6	4	
33									

FORWARD-NEUTRAL-REVERSE SWITCH

ELECTRIC/GASOLINE POWERED VEHICLE

THE USE OF NON U.L. PARTS WILL VOID ANY U.L. LISTING.

When ordering parts, please specify the model and serial number of the product.

* Indicates a component that is not available as an individual part.

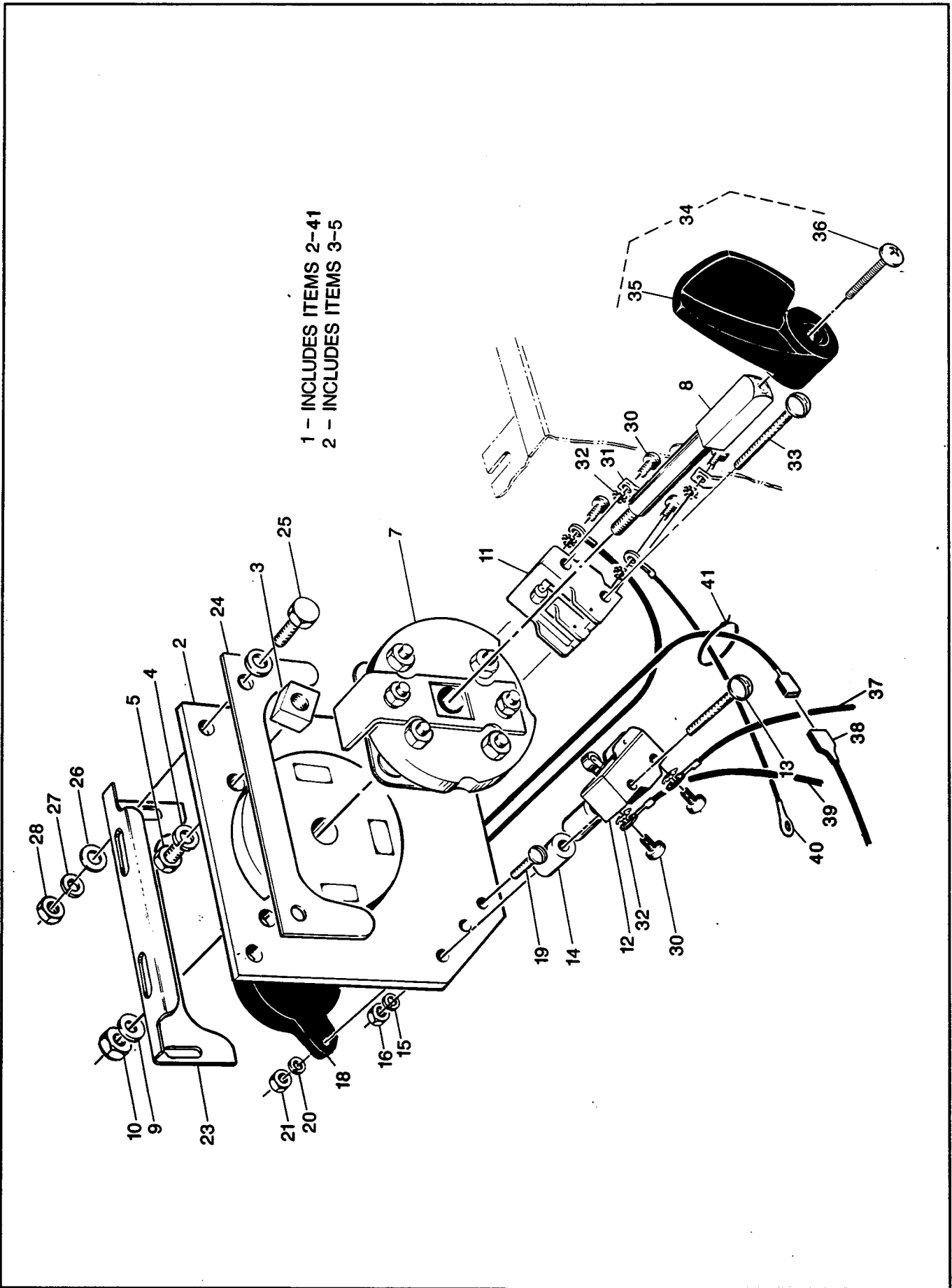
4 WHEEL

ITEM	PART NO.	1	2	3	4	5	DESCRIPTION	QTY	
34	20325-G1						SWITCH HANDLE KIT (INCLUDES ITEMS 35 AND 36)		1
35	19886-G1						HANDLE, PLASTIC		1
36	00740-G4						SCREW, #10 - 32 X 1/2 LG.		1

FORWARD-NEUTRAL-REVERSE SWITCH

ELECTRIC POWERED VEHICLE

VEHICLES EQUIPPED WITH SOLID STATE CONTROL MODULE ONLY



FORWARD-NEUTRAL-REVERSE SWITCH

ELECTRIC POWERED VEHICLE

VEHICLES EQUIPPED WITH SOLID STATE CONTROL MODULE ONLY

THE USE OF NON U.L. PARTS WILL VOID ANY U.L. LISTING.

When ordering parts, please specify the model and serial number of the product.

* Indicates a component that is not available as an individual part.

ITEM	PART NO.	1	2	3	4	5	DESCRIPTION	QTY	
									4 WHEEL
1	25259-G2						FORWARD-NEUTRAL-REVERSE SWITCH ASSEMBLY (INCLUDES ITEMS 2 - 41)	1	
2	14651-G1						CONTACT BOARD ASSEMBLY (INCLUDES ITEMS 3 - 5)	1	
3	24940-G1						STOP	2	
4	00565-G7						WASHER, LOCK, 1/4	2	
5	00414-G6						SCREW, 1/4 - 20 X 3/4 LG.	2	
6									
7	12835-G1						CAM UNIT, FORWARD-NEUTRAL-REVERSE SWITCH	1	
8	19470-G1						SHAFT, FORWARD-NEUTRAL-REVERSE SWITCH	1	
9	00560-G1						WASHER, 3/8	1	
10	14390-G1						NUT, LOCK, 3/8 - 24	1	
11	12796-G1						SWITCH, MICRO, DOUBLE	1	
12	10606-G4						SWITCH, MICRO	1	
13	00139-G6						SCREW, #6 - 32 X 1 3/4 LG.	2	
14	12806-G1						SPACER, MICRO SWITCH	2	
15	00565-G3						WASHER, LOCK, #6	4	
16	00525-G5						NUT, #6 - 32	4	
17									
18	17940-G1						BUZZER	1	
19	00138-G5						SCREW, #6 - 32 X 5/8 LG.	2	
20	00565-G3						WASHER, LOCK, #6	2	
21	00525-G5						NUT, #6 - 32	2	
22									
23	12863-G1						BRACKET, MOUNTING	1	
24	15461-G1						SUPPORT, BRACKET MOUNTING	1	
25	00414-G8						SCREW, 1/4 - 20 X 1 LG.	2	
26	00559-G7						WASHER, 1/4	2	
27	00565-G7						WASHER, LOCK, 1/4	2	
28	00532-G1						NUT, 1/4 - 20	2	
29									
30	13514-G1						SCREW, BRASS, #6 - 32 X .22 LG.	6	
31	14628-G1						TAB, FASTON	2	
32	00567-G3						WASHER, LOCK, EXTERNAL TOOTH, #6	6	
33	00139-G8						SCREW, #6 - 32 X 2 LG.	2	

FORWARD-NEUTRAL-REVERSE SWITCH

ELECTRIC POWERED VEHICLE

VEHICLES EQUIPPED WITH SOLID STATE CONTROL MODULE ONLY

THE USE OF NON U.L. PARTS WILL VOID ANY U.L. LISTING.

When ordering parts, please specify the model and serial number of the product.

* Indicates a component that is not available as an individual part.

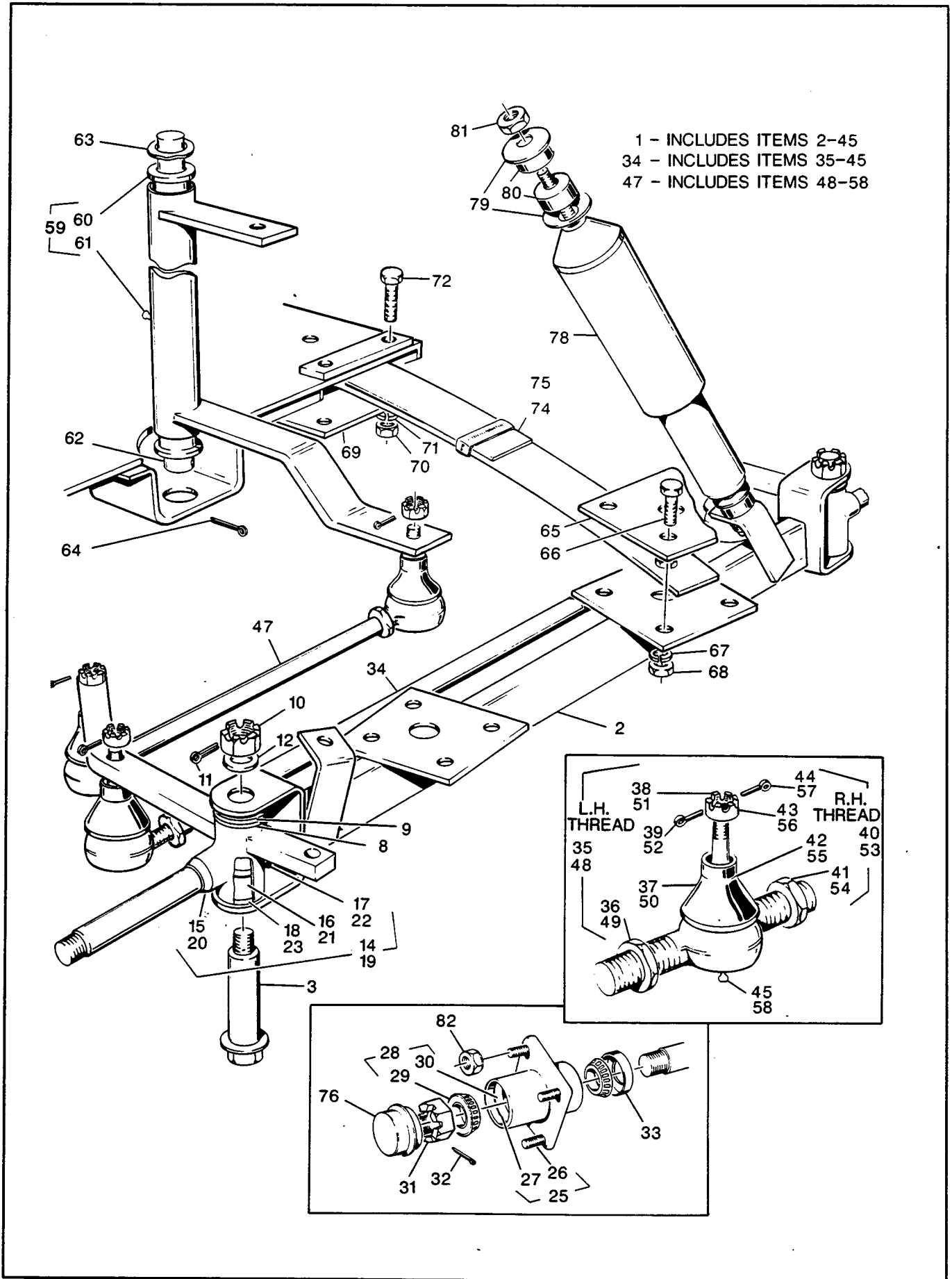
4 WHEEL

ITEM	PART NO.	1	2	3	4	5	DESCRIPTION	QTY
34	20325-G1						SWITCH HANDLE KIT (INCLUDES ITEMS 35 AND 36)	1
35	19886-G1						HANDLE, PLASTIC	1
36	00740-G4						SCREW, #10 - 32 X 1/2 LG.	1
37	14619-G2						WIRE (BLUE)	1
38	21743-G1						WIRE (BLACK)	1
39	23862-G2						WIRE (RED)	1
40	23645-G1						WIRE	1
41	17618-G1						CLAMP, NYLON	3

FORWARD-NEUTRAL-REVERSE SWITCH

ELECTRIC POWERED VEHICLE

VEHICLES EQUIPPED WITH SOLID STATE CONTROL MODULE ONLY



FOUR WHEEL FRONT SUSPENSION

ELECTRIC/GASOLINE POWERED VEHICLE

THE USE OF NON U.L. PARTS WILL VOID ANY U.L. LISTING.

When ordering parts, please specify the model and serial number of the product.

* Indicates a component that is not available as an individual part.

4 WHEEL

ITEM	PART NO.	1	2	3	4	5	DESCRIPTION	QTY
1	24054-G3						FRONT AXLE ASSEMBLY (INCLUDES ITEMS 2 - 45)	1
2	23918-G1						AXLE	1
3	23898-G1						KING PIN	2
4								
5								
6								
7								
8	16982-G1						BEARING, THRUST	2
9	00879-G7						WASHER, 7/8	2
10	00886-G1						NUT, SLOTTED, 5/8 - 18	2
11	10387-G1						COTTER PIN, 1/4 X 1 1/2 LG.	2
12	00879-G5						WASHER, 5/8	2
13								
14	23925-G1						SPINDLE ASSEMBLY, DRIVER'S SIDE (INCLUDES ITEMS 15 - 18) ..	1
15	*						SPINDLE , DRIVER'S SIDE	1
16	16623-G1						BEARING, BRONZE	2
17	10389-G3						GREASE FITTING	1
18	16626-G1						SEAL	1
19	23924-G1						SPINDLE ASSEMBLY, PASSENGER SIDE (INCLUDES ITEMS 20 - 23)	1
20	*						SPINDLE, PASSENGER SIDE	1
21	16623-G1						BEARING, BRONZE	2
22	10389-G3						GREASE FITTING	1
23	16626-G1						SEAL	1
24								
25	19932-G1						HUB ASSEMBLY (INCLUDES ITEMS 26 AND 27)	2
26	19862-G1						BOLT, HUB, 1/2 - 20	4
27	*						RACE, BEARING	2
28	50892-G1						BEARING AND RACE ASSEMBLY (INCLUDES ITEMS 29 AND 30) ...	2
29	11750-G2						ROLLER, BEARING	2
30	*						RACE, BEARING	2
31	12093-G1						NUT, SLOTTED, 1 - 14	2
32	10387-G1						COTTER PIN, 1/4 X 1 1/2 LG.	2
33	19472-G1						SEAL	
34	19202-G2						TIE ROD ASSEMBLY (INCLUDES ITEMS 35 - 45)	1

FOUR WHEEL FRONT SUSPENSION

ELECTRIC/GASOLINE POWERED VEHICLE

THE USE OF NON U.L. PARTS WILL VOID ANY U.L. LISTING.

When ordering parts, please specify the model and serial number of the product.

* Indicates a component that is not available as an individual part.

ITEM	PART NO.	1	2	3	4	5	DESCRIPTION	4 WHEEL	
								QTY	
35	20795-G1						TIE ROD END ASSEMBLY, L.H. THREAD (INCLUDES ITEMS 36 - 39)		1
36	18434-G1						NUT, 9/16 - 18, L.H. THREAD		1
37	50641-G1						BOOT, RUBBER		1
38	50209-G1						NUT, SLOTTED 7/16 - 20		1
39	10387-G2						COTTER PIN 3/16 X 1 LG.		1
40	20795-G2						TIE ROD END ASSEMBLY, R.H. THREAD (INCLUDES ITEMS 41 - 44)		1
41	18434-G2						NUT, 9/16 - 18, R.H. THREAD		1
42	50641-G1						BOOT, RUBBER		1
43	50209-G1						NUT, SLOTTED 7/16 - 20		1
44	10387-G2						COTTER PIN 3/16 X 1 LG.		1
45	10389-G3						GREASE FITTING		2
46									
47	18377-G1						TIE ROD ASSEMBLY (INCLUDES ITEMS 48 - 58)		1
48	20795-G1						TIE ROD END ASSEMBLY, L.H. THREAD (INCLUDES ITEMS 49 - 52)		1
49	18434-G1						NUT, 9/16 - 18, L.H. THREAD		1
50	50641-G1						BOOT, RUBBER		1
51	50209-G1						NUT, SLOTTED, 7/16 - 20		1
52	10387-G2						COTTER PIN, 3/16 X 1 LG.		1
53	20795-G2						TIE ROD END ASSEMBLY, R.H. THREAD (INCLUDES ITEMS 54 - 57)		1
54	18434-G2						NUT, 9/16 - 18, R.H. THREAD		1
55	50641-G1						BOOT, RUBBER		1
56	50209-G1						NUT, SLOTTED, 7/16 - 20		1
57	10387-G2						COTTER PIN, 3/16 X 1 LG.		1
58	10389-G3						GREASE FITTING		2
▶ 59	23929-G1						IDLER ASSEMBLY (INCLUDES ITEMS 60 AND 61)		1
60	15012-G1						BUSHING, FLANGED		2
61	10389-G3						GREASE FITTING		1
▶ 62	16417-G2						SHAFT, IDLER		1
63	13221-G1						WASHER, WAVE TYPE, SPRING		1
64	10387-G1						COTTER PIN, 1/4 X 1 1/2 LG.		1
65	15023-G2						RETAINER, SPRING		2

FOUR WHEEL FRONT SUSPENSION

ELECTRIC/GASOLINE POWERED VEHICLE

THE USE OF NON U.L. PARTS WILL VOID ANY U.L. LISTING.

When ordering parts, please specify the model and serial number of the product.

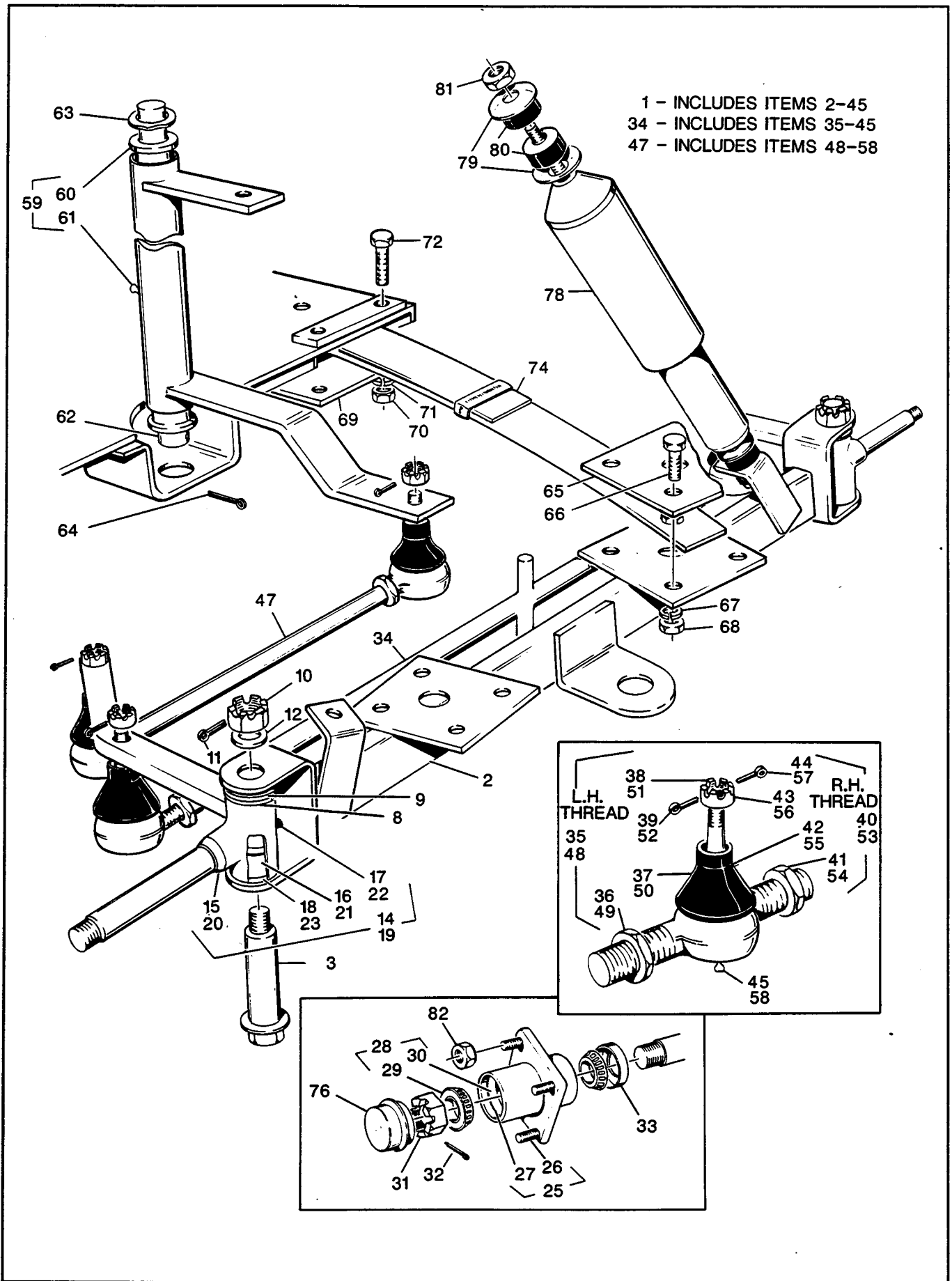
* Indicates a component that is not available as an individual part.

ITEM	PART NO.	1	2	3	4	5	DESCRIPTION	4 WHEEL	
								QTY	
▶ 66	00876-G4						SCREW, BLACK, 3/8 - 16 X 1 1/2 LG.		8
▶ 67	00878-G1						WASHER, LOCK, BLACK, 3/8		8
▶ 68	00877-G5						NUT, BLACK, 3/8 - 16		8
69	15023-G2						RETAINER, SPRING		2
70	00532-G5						NUT, 3/8 - 16		6
71	00566-G1						WASHER, LOCK, 3/8		6
72	00427-G8						SCREW, 3/8 - 16 X 2 LG.		6
73									
▶ 74	24025-G1						LEAF SPRING (2 LEAF)		2
▶ 75	24065-G1						LEAF SPRING (3 LEAF)		2
76	12091-G1						CAP, SPINDLE		2
77									
78	15707-G1						SHOCK ABSORBER		2
79	10435-G1						WASHER, 13/32		8
80	10194-G1						BUSHING, RUBBER		8
81	00532-G6						NUT, 3/8 - 24		4

FOUR WHEEL FRONT SUSPENSION

ELECTRIC/GASOLINE POWERED VEHICLE

FIRST USED FOR MODEL YEAR 1990



FOUR WHEEL FRONT SUSPENSION

ELECTRIC/GASOLINE POWERED VEHICLE

FIRST USED FOR MODEL YEAR 1990

THE USE OF NON U.L. PARTS WILL VOID ANY U.L. LISTING.

When ordering parts, please specify the model and serial number of the product.

* Indicates a component that is not available as an individual part.

4 WHEEL

ITEM	PART NO.	1	2	3	4	5	DESCRIPTION	QTY
▶ 1	24054-G5						FRONT AXLE ASSEMBLY (INCLUDES ITEMS 2 - 45)	1
▶ 2	23918-G2						AXLE	1
▶ 3	25177-G2						KING PIN	2
4								
5								
6								
7								
8	16982-G1						BEARING, THRUST	2
9	00879-G7						WASHER, 7/8	2
10	00886-G1						NUT, SLOTTED, 5/8 - 18	2
▶ 11	19060-G1						COTTER PIN, 1/4 X 1 1/2 LG.	2
12	00879-G5						WASHER, 5/8	2
13								
▶ 14	23925-G1						SPINDLE ASSEMBLY, DRIVER'S SIDE (INCLUDES ITEMS 15 - 18) ..	1
15	*						SPINDLE , DRIVER'S SIDE	1
16	16623-G1						BEARING, BRONZE	2
17	10389-G3						GREASE FITTING	1
18	16626-G1						SEAL	1
▶ 19	23924-G2						SPINDLE ASSEMBLY, PASSENGER SIDE (INCLUDES ITEMS 20 - 23)	1
20	*						SPINDLE, PASSENGER SIDE	1
21	16623-G1						BEARING, BRONZE	2
22	10389-G3						GREASE FITTING	1
23	16626-G1						SEAL	1
24								
25	19932-G1						HUB ASSEMBLY (INCLUDES ITEMS 26 AND 27)	2
26	19862-G1						BOLT, HUB, 1/2 - 20	4
27	*						RACE, BEARING	2
28	50892-G1						BEARING AND RACE ASSEMBLY (INCLUDES ITEMS 29 AND 30) ...	2
29	11750-G2						ROLLER, BEARING	2
30	*						RACE, BEARING	2
31	12093-G1						NUT, SLOTTED, 1 - 14	2
▶ 32	00798-G8						COTTER PIN, 1/4 X 1 1/2 LG.	2
▶ 33	25146-G1						SEAL	1
▶ 34	19202-G1						TIE ROD ASSEMBLY (INCLUDES ITEMS 35 - 45)	1

FOUR WHEEL FRONT SUSPENSION

ELECTRIC/GASOLINE POWERED VEHICLE

FIRST USED FOR MODEL YEAR 1990

THE USE OF NON U.L. PARTS WILL VOID ANY U.L. LISTING.

When ordering parts, please specify the model and serial number of the product.

* Indicates a component that is not available as an individual part.

4 WHEEL

ITEM	PART NO.	1	2	3	4	5	DESCRIPTION	QTY
35	20795-G1						TIE ROD END ASSEMBLY, L.H. THREAD (INCLUDES ITEMS 36 - 39)	1
36	18434-G1						NUT, 9/16 - 18, L.H. THREAD	1
37	50641-G1						BOOT, RUBBER	1
38	50209-G1						NUT, SLOTTED 7/16 - 20	1
39	10387-G2						COTTER PIN 3/16 X 1 LG.	1
40	20795-G2						TIE ROD END ASSEMBLY, R.H. THREAD (INCLUDES ITEMS 41 - 44)	1
41	18434-G2						NUT, 9/16 - 18, R.H. THREAD	1
42	50641-G1						BOOT, RUBBER	1
43	50209-G1						NUT, SLOTTED 7/16 - 20	1
44	10387-G2						COTTER PIN 3/16 X 1 LG.	1
45	10389-G3						GREASE FITTING	2
46								
47	18377-G1						TIE ROD ASSEMBLY (INCLUDES ITEMS 48 - 58)	1
48	20795-G1						TIE ROD END ASSEMBLY, L.H. THREAD (INCLUDES ITEMS 49 - 52)	1
49	18434-G1						NUT, 9/16 - 18, L.H. THREAD	1
50	50641-G1						BOOT, RUBBER	1
51	50209-G1						NUT, SLOTTED, 7/16 - 20	1
52	10387-G2						COTTER PIN, 3/16 X 1 LG.	1
53	20795-G2						TIE ROD END ASSEMBLY, R.H. THREAD (INCLUDES ITEMS 54 - 57)	1
54	18434-G2						NUT, 9/16 - 18, R.H. THREAD	1
55	50641-G1						BOOT, RUBBER	1
56	50209-G1						NUT, SLOTTED, 7/16 - 20	1
57	10387-G2						COTTER PIN, 3/16 X 1 LG.	1
58	10389-G3						GREASE FITTING	2
59	23929-G1						IDLER ASSEMBLY (INCLUDES ITEMS 60 AND 61)	1
60	15012-G1						BUSHING, FLANGED	2
61	10389-G3						GREASE FITTING	1
62	16417-G2						SHAFT, IDLER	1
63	13221-G1						WASHER, WAVE TYPE, SPRING	1
64	10387-G1						COTTER PIN, 1/4 X 1 1/2 LG.	1
65	15023-G2						RETAINER, SPRING	2

FOUR WHEEL FRONT SUSPENSION

ELECTRIC/GASOLINE POWERED VEHICLE

FIRST USED FOR MODEL YEAR 1990

THE USE OF NON U.L. PARTS WILL VOID ANY U.L. LISTING.

When ordering parts, please specify the model and serial number of the product.

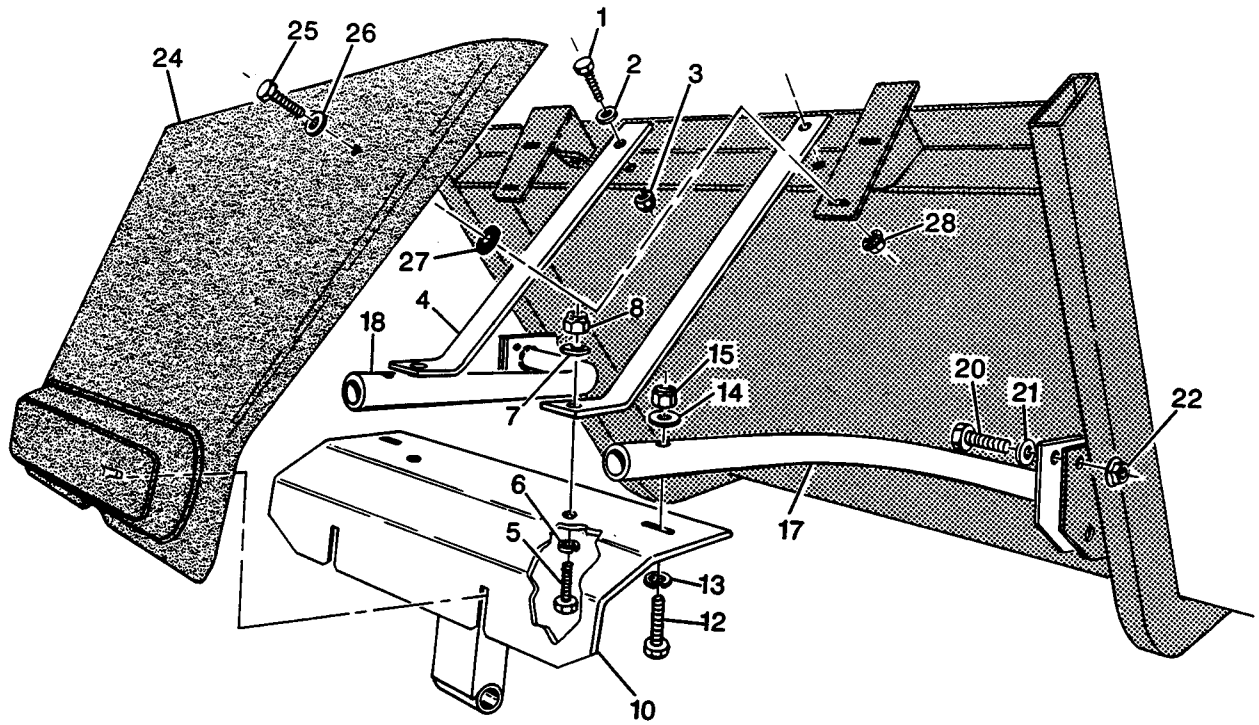
* Indicates a component that is not available as an individual part.

ITEM	PART NO.	1	2	3	4	5	DESCRIPTION	QTY	
									4 WHEEL
66	00876-G4						SCREW, BLACK, 3/8 - 16 X 1 1/2 LG.	8	
67	00878-G1						WASHER, LOCK, BLACK, 3/8	8	
68	00877-G5						NUT, BLACK, 3/8 - 16	8	
69	15023-G2						RETAINER, SPRING	2	
70	00532-G5						NUT, 3/8 - 16	6	
71	00566-G1						WASHER, LOCK, 3/8	6	
72	00427-G6						SCREW, 3/8 - 16 X 2 LG.	6	
73									
74	24025-G1						LEAF SPRING (2 LEAF)	2	
75	24065-G1						LEAF SPRING (3 LEAF)	2	
76	12091-G1						CAP, SPINDLE	2	
77									
78	15707-G1						SHOCK ABSORBER	2	
79	10435-G1						WASHER, 13/32	8	
80	10194-G1						BUSHING, RUBBER	8	
81	00532-G6						NUT, 3/8 - 24	4	

FRONT BUMPER AND SHIELD

1989 ONLY

ELECTRIC/GASOLINE POWERED VEHICLE



FRONT BUMPER AND SHIELD

ELECTRIC/GASOLINE POWERED VEHICLE

1989 ONLY

THE USE OF NON U.L. PARTS WILL VOID ANY U.L. LISTING.

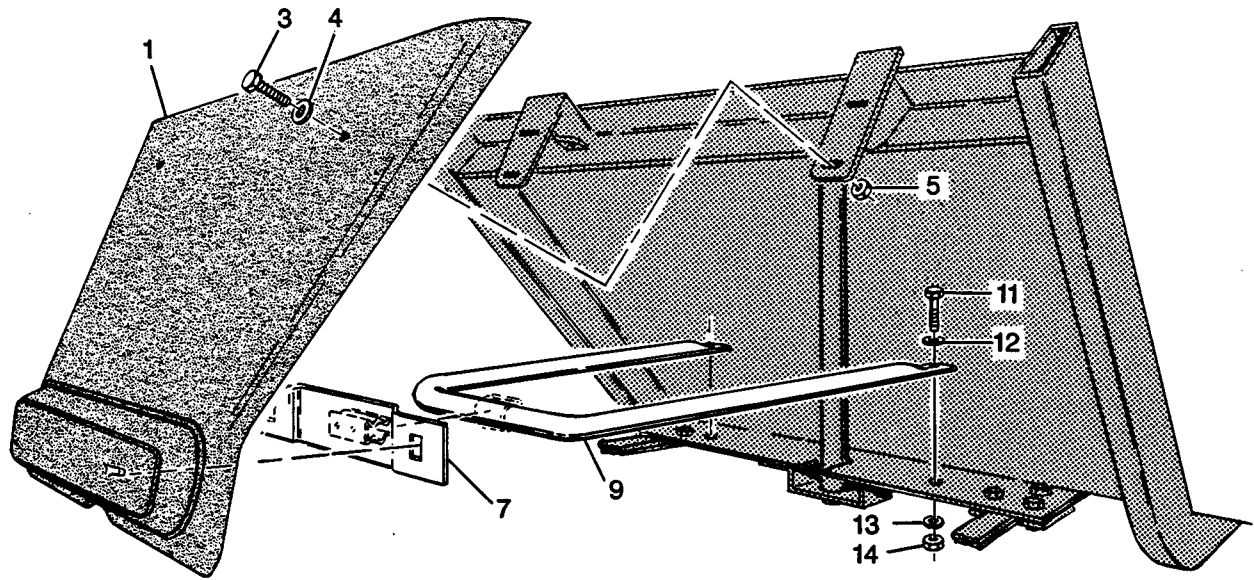
When ordering parts, please specify the model and serial number of the product.

* Indicates a component that is not available as an individual part.

ITEM	PART NO.	1	2	3	4	5	DESCRIPTION	QTY	
									4 WHEEL
1	00427-G2						SCREW, 3/8 - 16 X 1 1/4 LG.	2	
2	00560-G1						WASHER, 3/8	2	
3	11098-G5						NUT, LOCK, 3/8 - 16	2	
4	23885-G1						SUPPORT, BUMPER	2	
5	00427-G2						SCREW, 3/8 - 16 X 1 1/4 LG.	2	
6	00566-G1						WASHER, LOCK, 3/8	2	
7	00560-G1						WASHER, 3/8	2	
8	11098-G5						NUT, LOCK, 3/8 - 16	2	
9									
10	23876-G1						BUMPER	1	
11									
12	00427-G8						SCREW, 3/8 - 16 X 2 LG.	2	
13	00566-G1						WASHER, LOCK, 3/8	2	
14	00560-G1						WASHER, 3/8	2	
15	11098-G5						NUT, LOCK, 3/8 - 16	2	
16									
17	23879-G1						RAIL, BUMPER, DRIVER'S SIDE	1	
18	23879-G2						RAIL, BUMPER, PASSENGER SIDE	1	
19									
20	00427-G2						SCREW, 3/8 - 16 X 1 1/4 LG.	4	
21	00566-G1						WASHER, LOCK, 3/8	4	
22	11098-G5						NUT, LOCK, 3/8 - 16	4	
23									
24	23881-G1						SHIELD	1	
25	00414-G8						SCREW, 1/4 - 20 X 1 LG.	2	
26	00559-G7						WASHER, 1/4	2	
27	12905-G1						WASHER, NEOPRENE, 1/4	2	
28	14390-G4						NUT, LOCK, 1/4 - 20	2	

FRONT SHIELD

ELECTRIC/GASOLINE POWERED VEHICLE
FIRST USED FOR 1990



FRONT SHIELD

ELECTRIC/GASOLINE POWERED VEHICLE

FIRST USED FOR 1990

THE USE OF NON U.L. PARTS WILL VOID ANY U.L. LISTING.

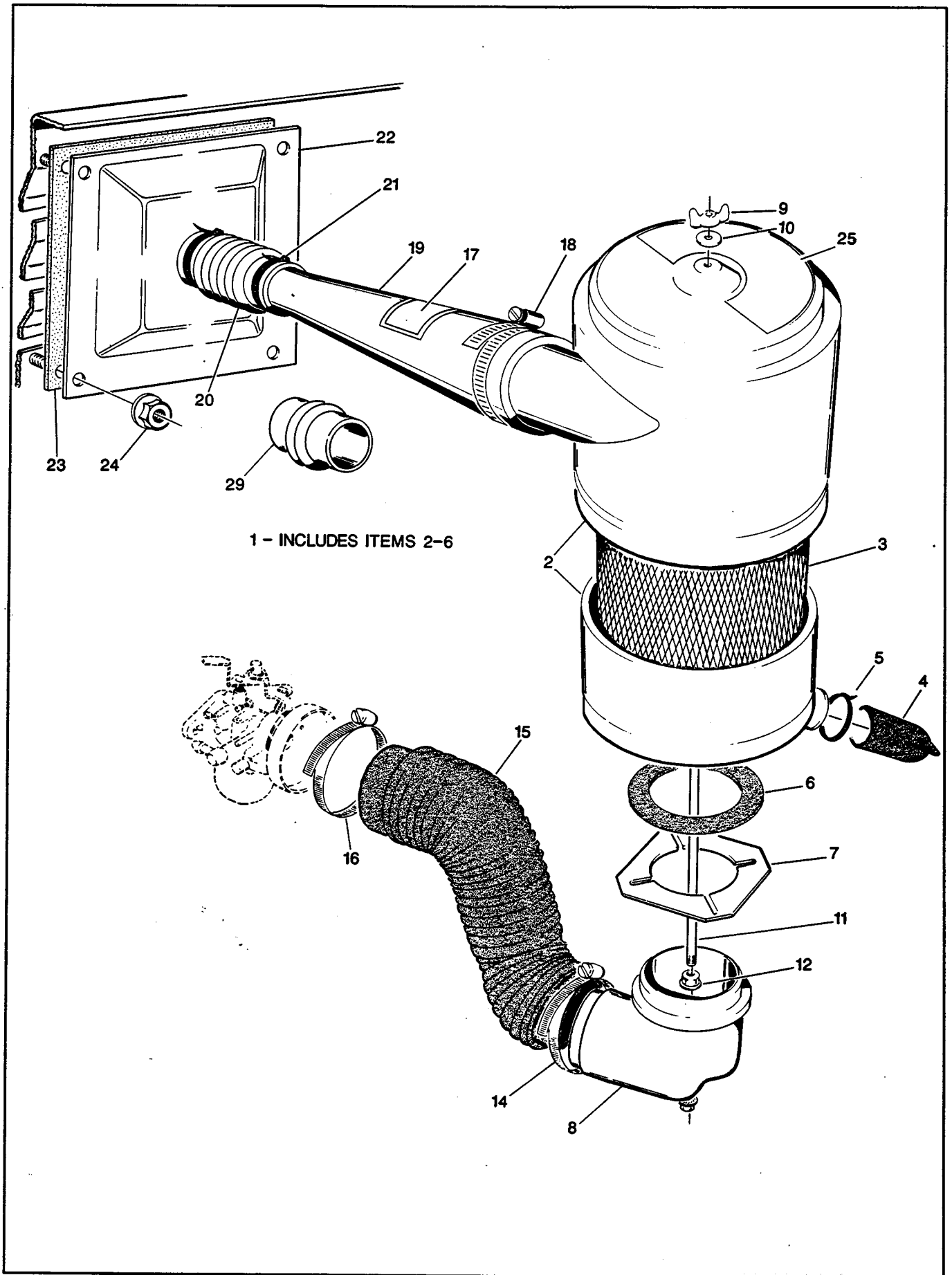
When ordering parts, please specify the model and serial number of the product.

* Indicates a component that is not available as an individual part.

4 WHEEL

ITEM	PART NO.	1	2	3	4	5	DESCRIPTION	QTY
1	23881-G1						SHIELD	1
2								
3	00414-G8						SCREW, 1/4 - 20 X 1 LG.	2
4	00559-G7						WASHER, 1/4	2
5	14390-G4						NUT, LOCK, 1/4 - 20	2
6								
7	25053-G1						PLATE, ADAPTER	1
8								
9	25054-G1						SUPPORT, SHIELD	1
10								
11	00438-G8						SCREW, 5/16 - 18 X 1 LG.	2
12	00559-G8						WASHER, 5/16	2
13	00565-G8						WASHER, LOCK, 5/16	2
14	00532-G3						NUT, 5/16 - 18	2





FRESH AIR INTAKE SYSTEM

GASOLINE POWERED VEHICLE

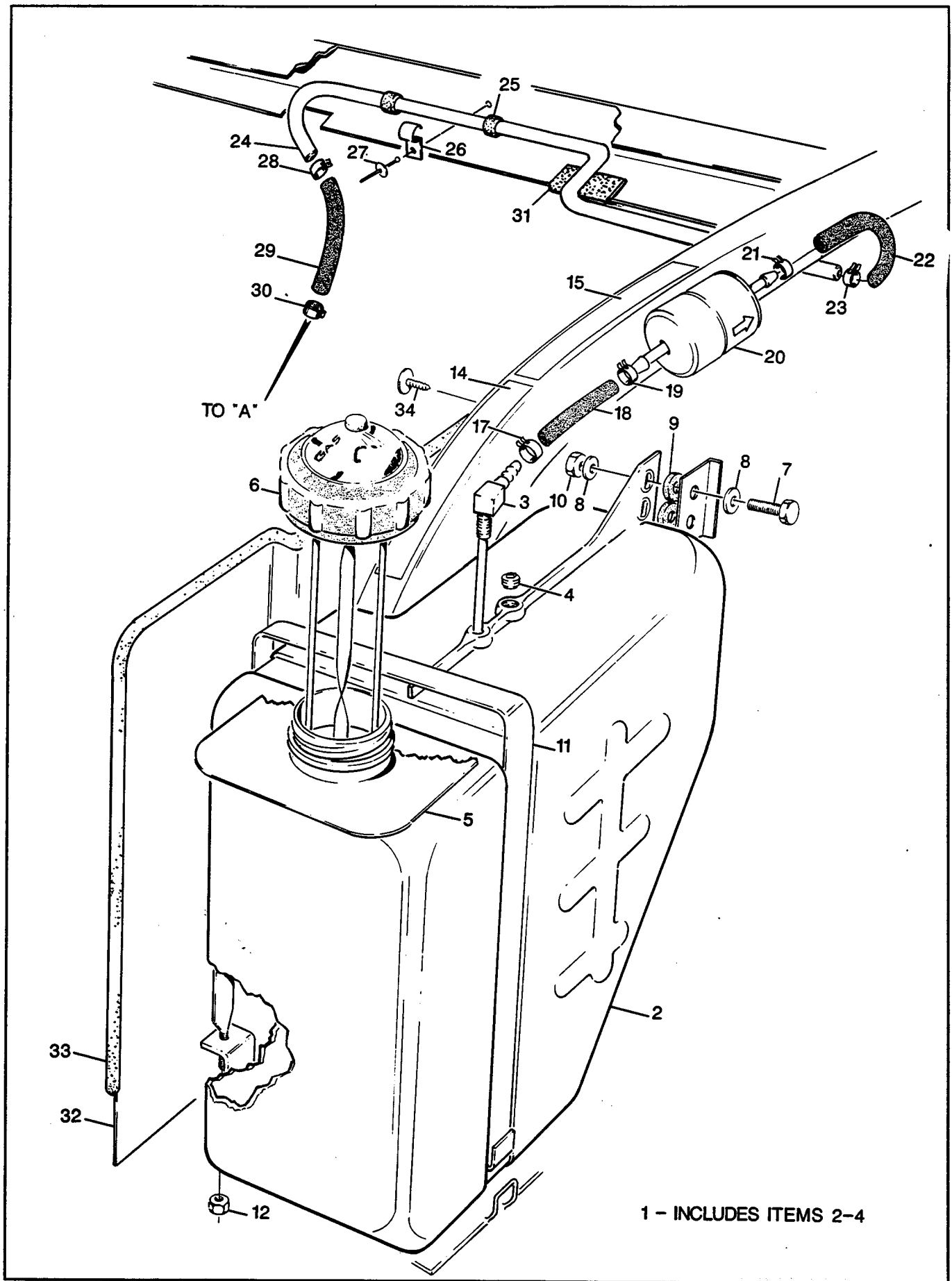
THE USE OF NON U.L. PARTS WILL VOID ANY U.L. LISTING.

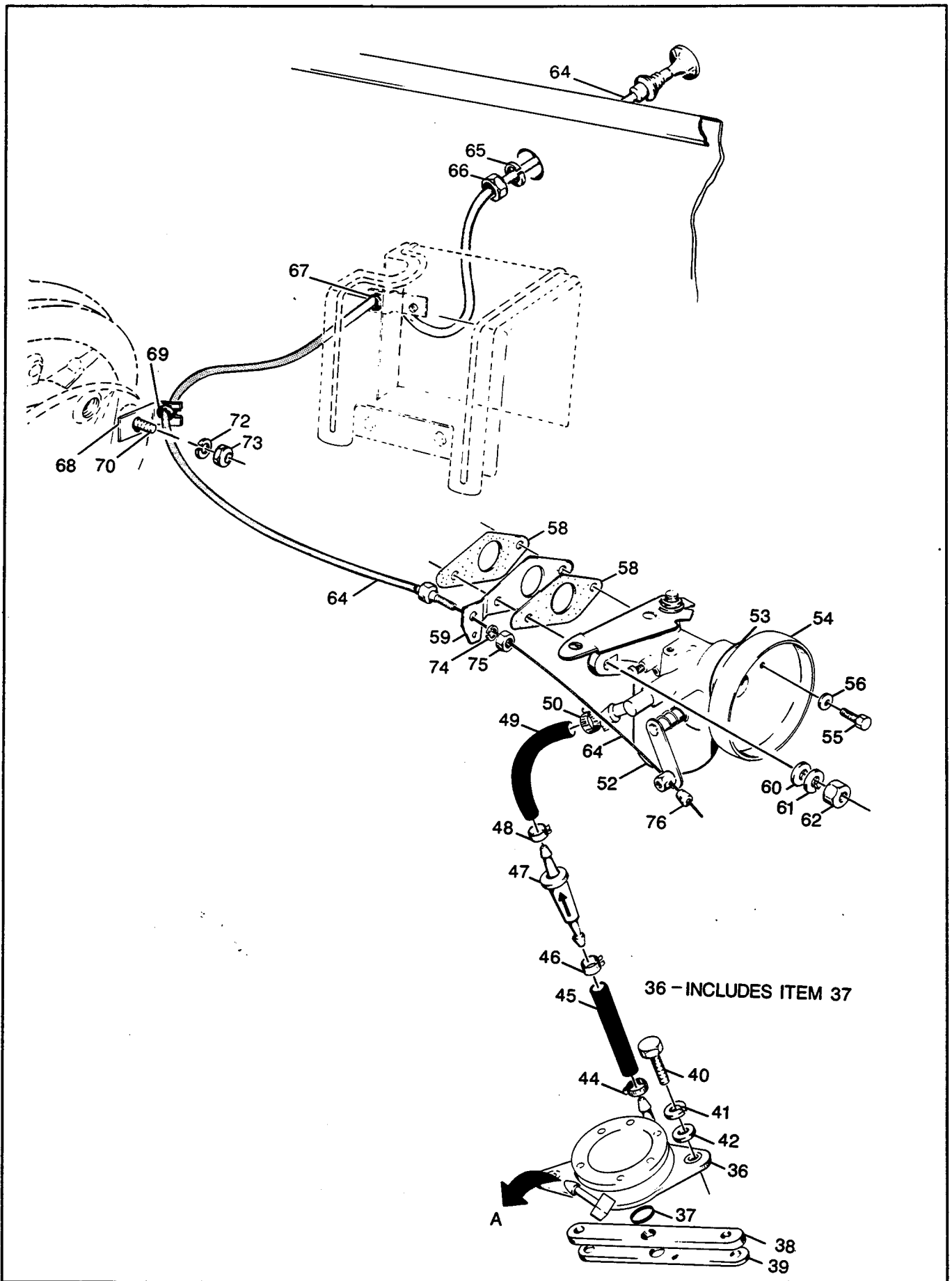
When ordering parts, please specify the model and serial number of the product.

* Indicates a component that is not available as an individual part.

3 WHEEL	4 WHEEL
---------	---------

ITEM	PART NO.	1	2	3	4	5	DESCRIPTION	QTY	
								3 WHEEL	4 WHEEL
1	23394-G1						AIR CLEANER ASSEMBLY (INCLUDES ITEMS 2 - 6)		
2	23403-G1						CANISTER		1
3	14416-G1						ELEMENT		1
4	14417-G1						UNLOADER, DUST		1
5	17618-G1						CLAMP, NYLON		1
6	14418-G1						GASKET		1
7	18620-G1						RETAINER		1
8	24536-G2						ADAPTER		1
9	14419-G1						WING NUT, LOCK, 1/4 - 20		1
10	00559-G7						WASHER, 1/4		1
11	18364-G1						ROD		1
12	11027-G2						NUT, LOCK, 1/4 - 20		2
13									
14	11391-G1						CLAMP, HOSE		1
15	22335-G1						HOSE, CONVOLUTED		1
16	11391-G2						CLAMP, HOSE		1
17	23658-G1						LABEL, CAUTION, AIR INTAKE		1
18	11391-G1						CLAMP, HOSE		1
19	23379-G2						FUNNEL, AIR INLET		1
20	23653-G1						HOSE, CONVOLUTED (9 RIBS)		1
21	17618-G1						CLAMP, NYLON		2
22	23376-G1						BOX, AIR INLET		1
23	23380-G1						GASKET, NEOPRENE		1
24	11027-G2						NUT, LOCK, 1/4 - 20		4
25	22592-G1						LABEL, AIR CLEANER		1
26									
27									
28									
29	23654-G1						HOSE, CONVOLUTED (2 RIBS, EARLY 1989)		1





FUEL SYSTEM

GASOLINE POWERED VEHICLE

THE USE OF NON U.L. PARTS WILL VOID ANY U.L. LISTING.

When ordering parts, please specify the model and serial number of the product.

* Indicates a component that is not available as an individual part.

4 WHEEL

ITEM	PART NO.	1	2	3	4	5	DESCRIPTION	QTY
1	18293-G1						FUEL TANK ASSEMBLY (INCLUDES ITEMS 2 - 4)	1
2	18166-G1						TANK, FUEL	1
3	18287-G1						TUBE, SIPHON	1
4	23551-G1						PLUG, PIPE	1
5	18695-G1						LABEL, CAUTION	1
6	14099-G2						GAUGE, FUEL	1
7	00439-G1						SCREW, 5/16 - 18 X 1 1/8 LG.	2
8	00559-G8						WASHER, 5/16	4
9	14091-G1						WASHER, NEOPRENE	2
10	11098-G6						NUT, LOCK, 5/16 - 18	2
11	18302-G1						STRAP, FUEL TANK	1
12	14390-G4						NUT, LOCK, 1/4 - 20	1
13								
14	18698-G1						LABEL, OIL INJECTION	1
15	18827-G1						LABEL, WARNING, FUELING HAZARD	1
16								
17	18292-G1						CLAMP	1
18	19702-G3						TUBING, 6 1/4 LG.	1
19	18292-G1						CLAMP	1
20	12902-G1						FILTER, FUEL	1
21	18292-G1						CLAMP	1
22	17471-G7						TUBING, 2 3/4 LG.	1
23	18292-G1						CLAMP	1
24	22555-G1						LINE, FUEL	1
25	17471-G8						BUMPER, FUEL SYSTEM	2
26	18358-G1						RETAINER, FUEL LINE	2
27	10570-G2						RIVET	2
28	18292-G1						CLAMP	1
29	17471-G2						TUBING, FUEL SYSTEM, 13.25 LG.	1
30	11391-G4						CLAMP, HOSE	1
31	22281-G9						TRIM, BLACK	1
32	19745-G1						SHIELD, FUEL TANK	1
33	18970-G2						STRIP, PROTECTIVE	1
34	15058-G1						RIVET	1

FUEL SYSTEM

GASOLINE POWERED VEHICLE

THE USE OF NON U.L. PARTS WILL VOID ANY U.L. LISTING.

When ordering parts, please specify the model and serial number of the product.

* Indicates a component that is not available as an individual part.

4 WHEEL

ITEM	PART NO.	1	2	3	4	5	DESCRIPTION	QTY
35								
36	24233-G1						PUMP, FUEL (INCLUDES ITEMS 37)	1
37	14566-G1						"O" RING, FUEL PUMP	1
38	14430-G1						INSULATOR, FUEL PUMP	1
39	14429-G1						GASKET, INSULATOR	1
40	24319-G1						SCREW, M6 X 1.00 X 28 mm LG.	2
41	51400-G1						WASHER, LOCK, 6 mm	2
42	51410-G1						WASHER, 6 mm	2
43								
44	11391-G4						CLAMP, HOSE	1
45	19702-G8						TUBE, FUEL SYSTEM, 3 1/4 LG.	1
46	18292-G1						CLAMP	1
47	23013-G1						FILTER	1
48	18292-G1						CLAMP	1
49	19702-G3						TUBE, FUEL SYSTEM, 5 LG.	1
50	11391-G4						CLAMP, HOSE	1
51								
52	XXXX-XX						CARBURETOR, BV 18 - 15 (SEE SECTION G FOR PART NUMBER AND QUANTITY)	
53	22611-G1						GASKET, AIR INTAKE	1
54	14147-G1						ADAPTER, AIR INTAKE	1
55	12547-G7						SCREW, M6 X 1.00 X 8 mm LG.	2
56	00565-G7						WASHER, 1/4	2
57								
58	14031-G1						GASKET, CARBURETOR	2
59	22375-G1						BRACKET, CHOKE	1
60	51410-G1						WASHER, 6 mm	2
61	51400-G1						WASHER, LOCK, 6 mm	2
62	13632-G1						NUT, 6 mm	2
63								
64	22431-G1						CABLE, CHOKE	1
65	00568-G4						WASHER, LOCK, 9/16	1
66	00545-G4						NUT, 9/16 - 18	1
67	23858-G1						GROMMET	1
68	24032-G1						SUPPORT, CHOKE CABLE	1

FUEL SYSTEM

GASOLINE POWERED VEHICLE

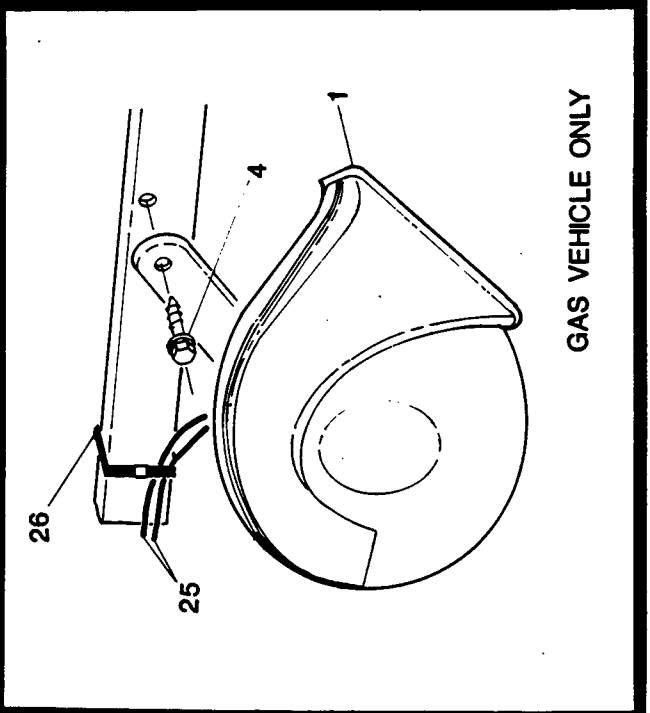
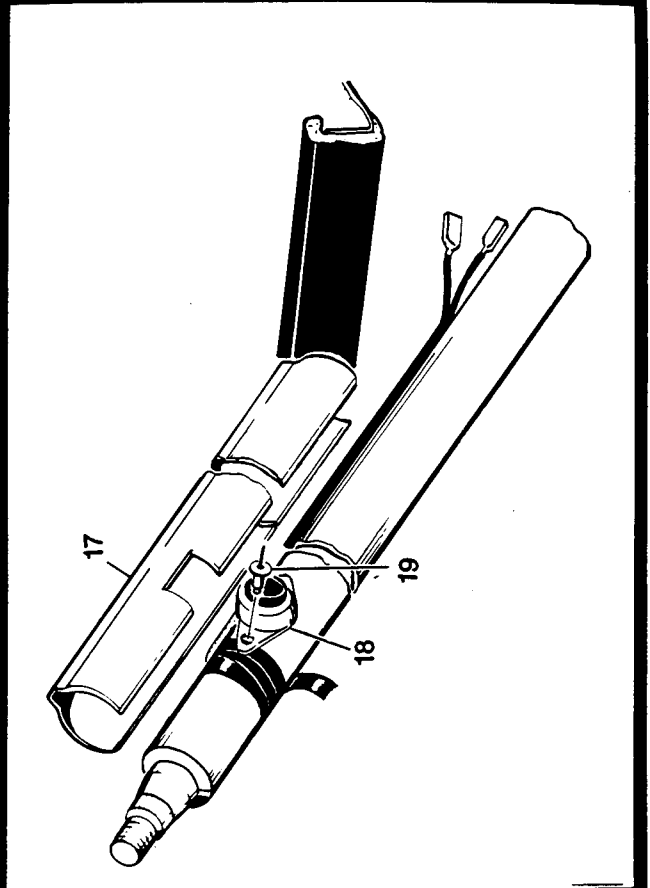
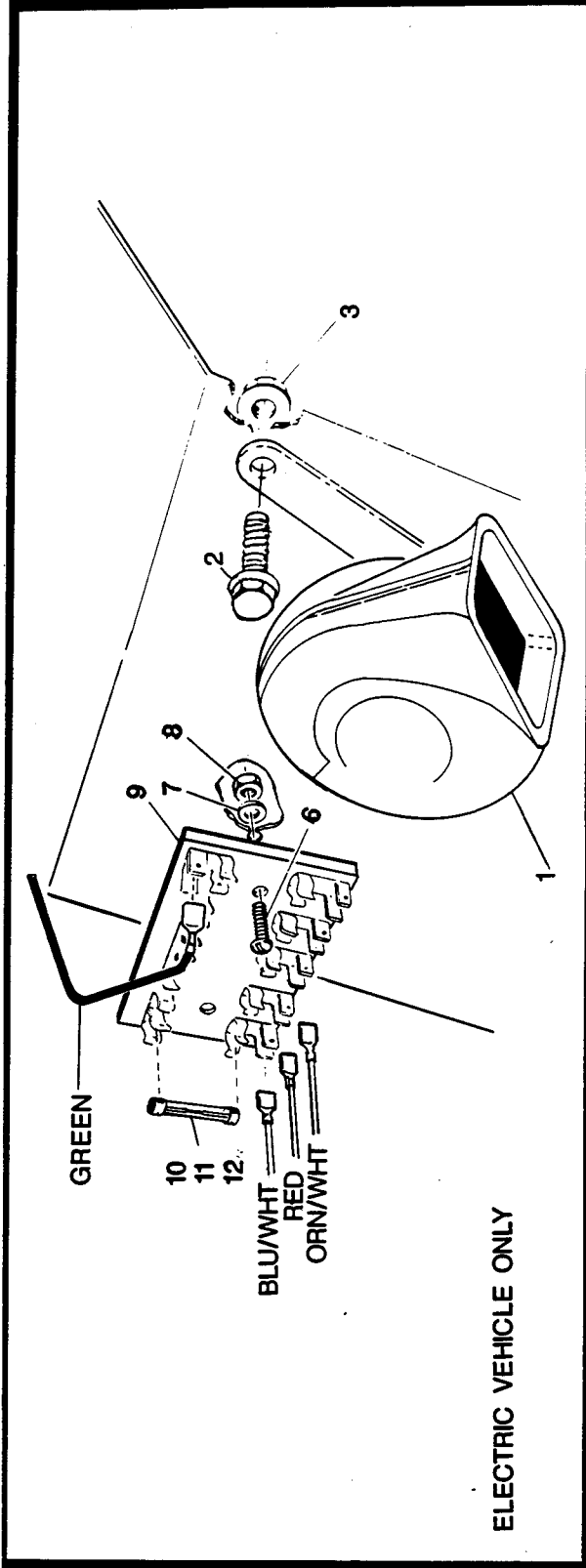
THE USE OF NON U.L. PARTS WILL VOID ANY U.L. LISTING.

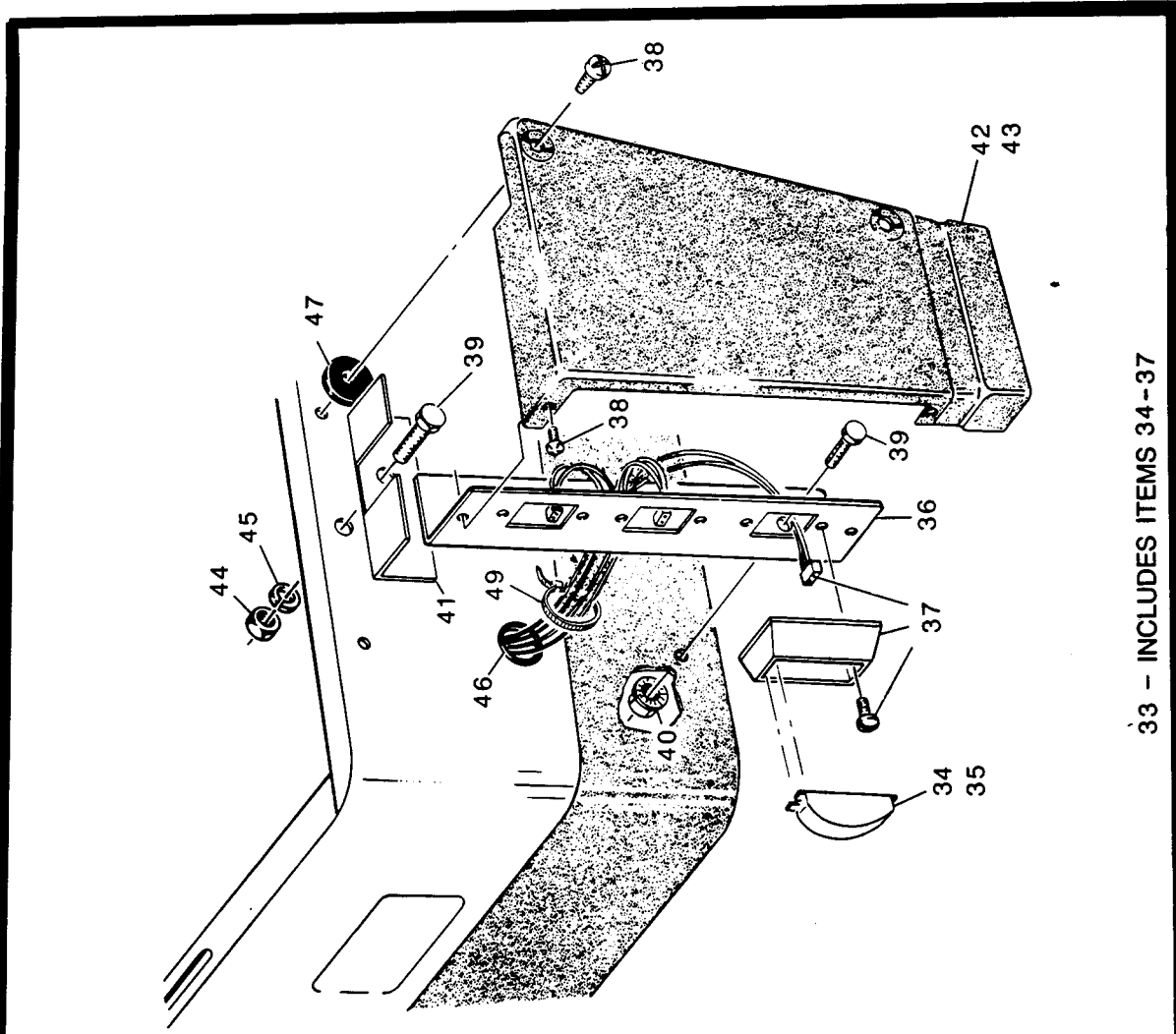
When ordering parts, please specify the model and serial number of the product.

* Indicates a component that is not available as an individual part.

4 WHEEL

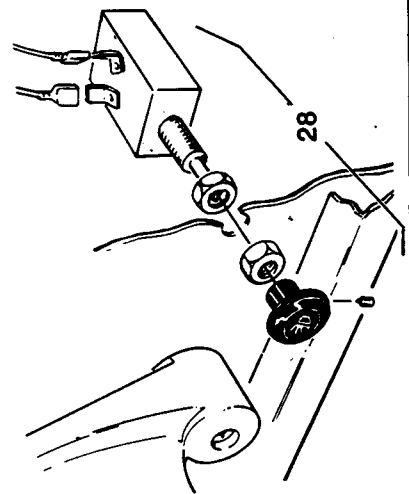
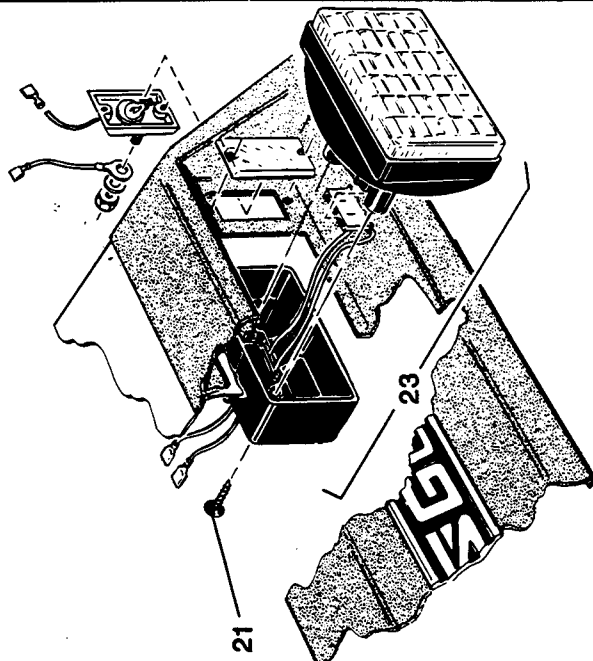
ITEM	PART NO.	1	2	3	4	5	DESCRIPTION	QTY
69	23858-G1						GROMMET	1
70	00414-G8						SCREW, 1/4 - 20 X 1 LG.	1
71								
72	00565-G7						WASHER, LOCK, 1/4	1
73	00532-G1						NUT, 1/4 - 20	1
74	00567-G8						WASHER, LOCK, 5/16	1
75	00544-G4						NUT, 5/16	2
76	51388-G1						CLAMP, CABLE KIT	1



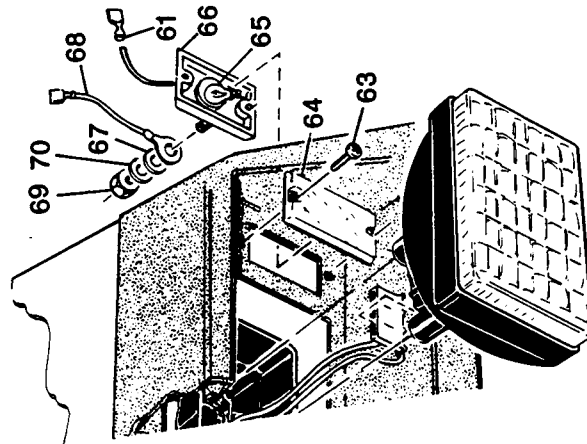
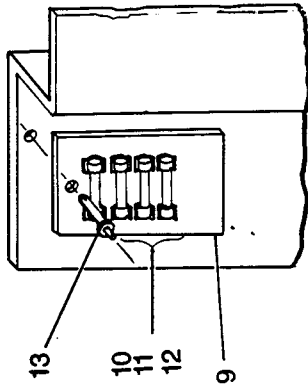


33 - INCLUDES ITEMS 34-37

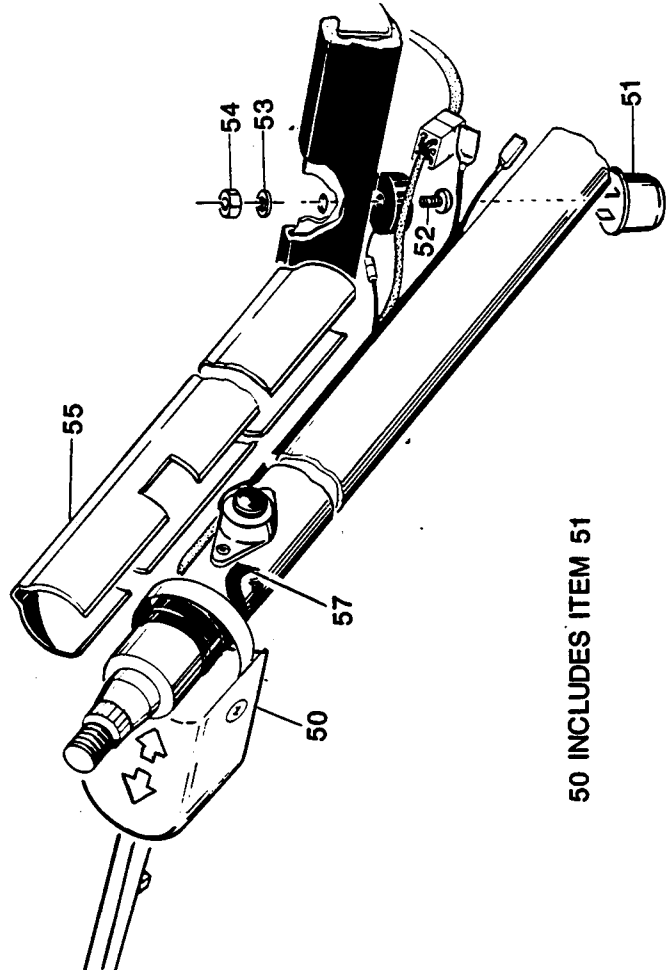
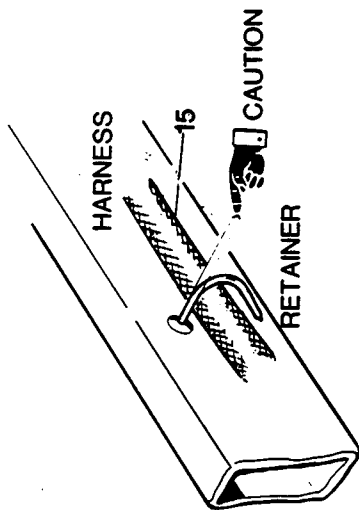
NOTE: TO INSTALL HEADLIGHT, REMOVE AND DISCARD EXISTING SCREWS AND REPLACE THEM WITH ITEM 21 AFTER INSTALLATION.



GAS VEHICLE ONLY

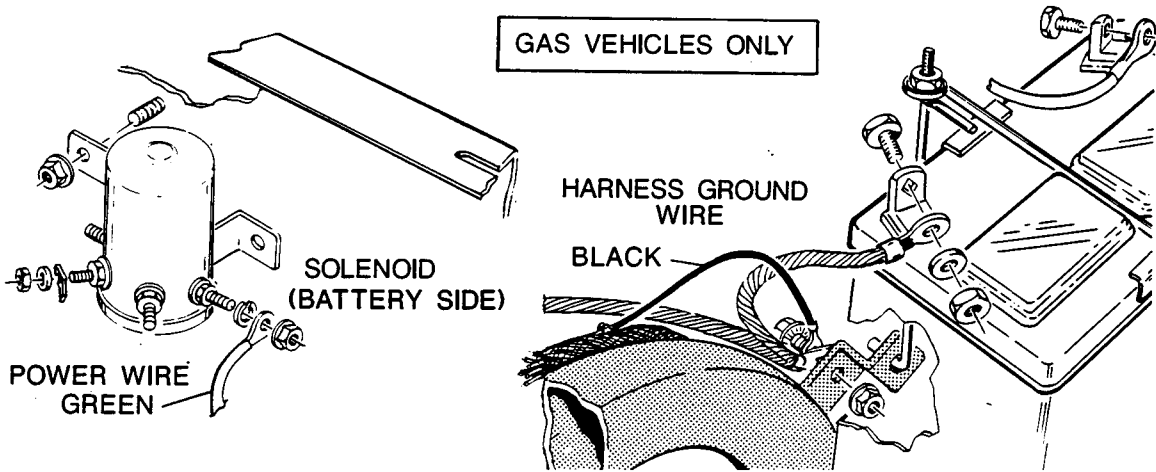


60 INCLUDES ITEM 61 TO 69
62 INCLUDES ITEM 63 TO 66

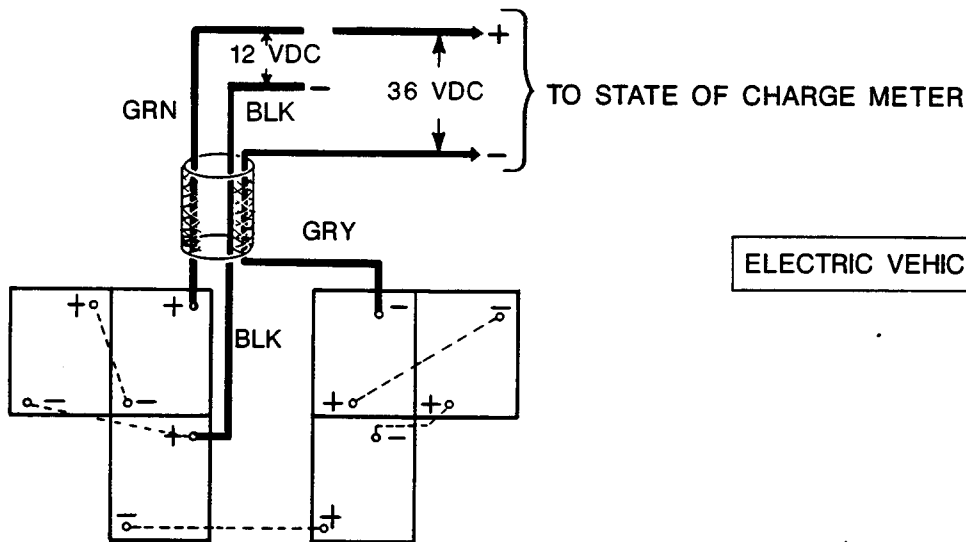


50 INCLUDES ITEM 51

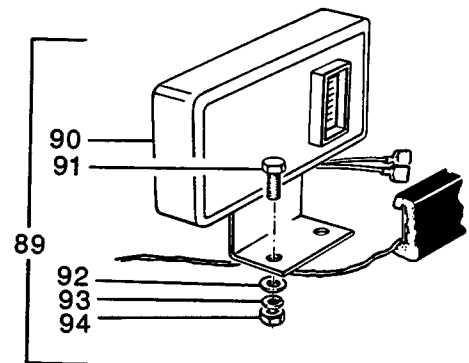
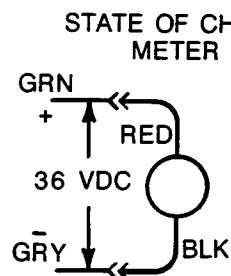
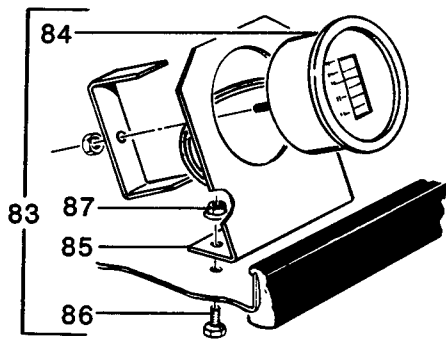
ACCESSORY HARNESS CONNECTIONS



ACCESSORY HARNESS CONNECTIONS



STATE OF CHARGE METERS



HORN AND ACCESSORY WIRING

ELECTRIC/GASOLINE POWERED VEHICLE

THE USE OF NON U.L. PARTS WILL VOID ANY U.L. LISTING.

When ordering parts, please specify the model and serial number of the product.

* Indicates a component that is not available as an individual part.

4 WHEEL

ITEM	PART NO.	1	2	3	4	5	DESCRIPTION	QTY
1	32860-G1						HORN	1
2	13437-G9						SCREW, 1/4-20 X 3/4	1
3	11027-G2						NUT, 1/4-20	1
4	00106-G6						SCREW, #12-24 X 3/4	1
5								
6	00138-G4						SCREW,#6-32 X 1/2	2
7	00565-G3						WASHER, LOCK, #6	2
8	00525-G5						NUT, #6-32	2
9	22674-G1						FUSE BLOCK	1
10	18392-G2						FUSE, 20 AMP (HEAD LIGHTS / TAIL LIGHTS)	1
11	18392-G1						FUSE, 15 AMP (HOUR METER)	1
12	18392-G2						FUSE 20 AMP (TURN SIGNAL / BRAKE LIGHT)	1
13	10570-G1						RIVET 1/8	2
14								
15	22069-G1						WIRE HARNESS	1
16								
17	20961-G3						COVER, STEERING COLUMN (WITHOUT TURN SIGNAL)	1
18	22242-G1						HORN SWITCH ASSEMBLY	1
19	14601-G8						RIVET	2
20								
21	00906-G6						SCREW, #10 - 16 X1	2
22								
23	23686-G1						HEADLAMP (REQUIRES ITEM 21 FOR INSTALLATION)	2
24								
25	24605-G1						WIRE ASSEMBLY, JUMPER	1
26	17618-G1						CLAMP, NYLON	10
27								
28	18431-G1						SWITCH HEADLAMP	1
29								
30								
31								
32								
33	18960-G1						REAR LAMP ASSEMBLY (INCLUDES ITEMS 34 -37)	2
34	19180-G1						SIGNAL LAMP, RED	2

HORN AND ACCESSORY WIRING

ELECTRIC/GASOLINE POWERED VEHICLE

THE USE OF NON U.L. PARTS WILL VOID ANY U.L. LISTING.

When ordering parts, please specify the model and serial number of the product.

* Indicates a component that is not available as an individual part.

4 WHEEL

ITEM	PART NO.	1	2	3	4	5	DESCRIPTION	QTY
35	19180-G2						SIGNAL LAMP, YELLOW	1
36	18957-G1						SUPPORT, REAR LAMP	1
37	18927-G2						ADAPTER, MOUNT KIT	3
38	18449-G1						SCREW, STAINLESS STEEL, #8 -18 X 1/2	8
39	00414-G5						SCREW, 1/4 - 20 X 5/8 LG	6
40	11027-G2						NUT, LOCK, 1/4- 20	4
41	19240-G1						SUPPORT, TAILLIGHT HOUSING	2
42	18956-G2						HOUSING, TAILLIGHT, DRIVER'S SIDE	1
43	18956-G1						HOUSING, TAILLIGHT, PASSENGER SIDE	1
44	00532-G1						NUT, 1/4 - 20	2
45	00565-G7						WASHER, LOCK, 1/4	2
46	19231-G1						GROMMET	2
47	12905-G1						SPACER, NEOPRENE	2
48								
49	17168-G1						CLAMP, NYLON	4
50	17867-G1						SWITCH, TURN SIGNAL ASSEMBLY (INCLUDES ITEM 51)	1
51	21640-G1						FLASHER, TURN SIGNAL	1
52	00372-G4						SCREW, #8 - 32 X 1/2 LG.	1
53	00565-G4						WASHER, LOCK, #8	1
54	00526-G1						NUT, #8 - 32	1
55	20965-G3						COVER, STEERING COLUMN (WITH TURN SIGNALS)	1
56								
57	19344-G1						TAPE, VINYL	AR
58								
59								
60	20570-G2						TURN SIGNAL ASSEMBLY (INCLUDES ITEMS 61 - 66)	2
61	18995-G1						TERMINAL, MALE	1
62	20574-G2						TURN SIGNAL, AMBER (INCLUDES ITEMS 63 - 66)	1
63	*						SCREW,	2
64	*						LENS, TURN SIGNAL	1
65	21760-G1						BULB	1
66	*						HOUSING, TURN SIGNAL	1
67	00567-G7						WASHER, LOCK, 1/4	1
68	20606-G1						WIRE, JUMPER	1

HORN AND ACCESSORY WIRING

ELECTRIC/GASOLINE POWERED VEHICLE

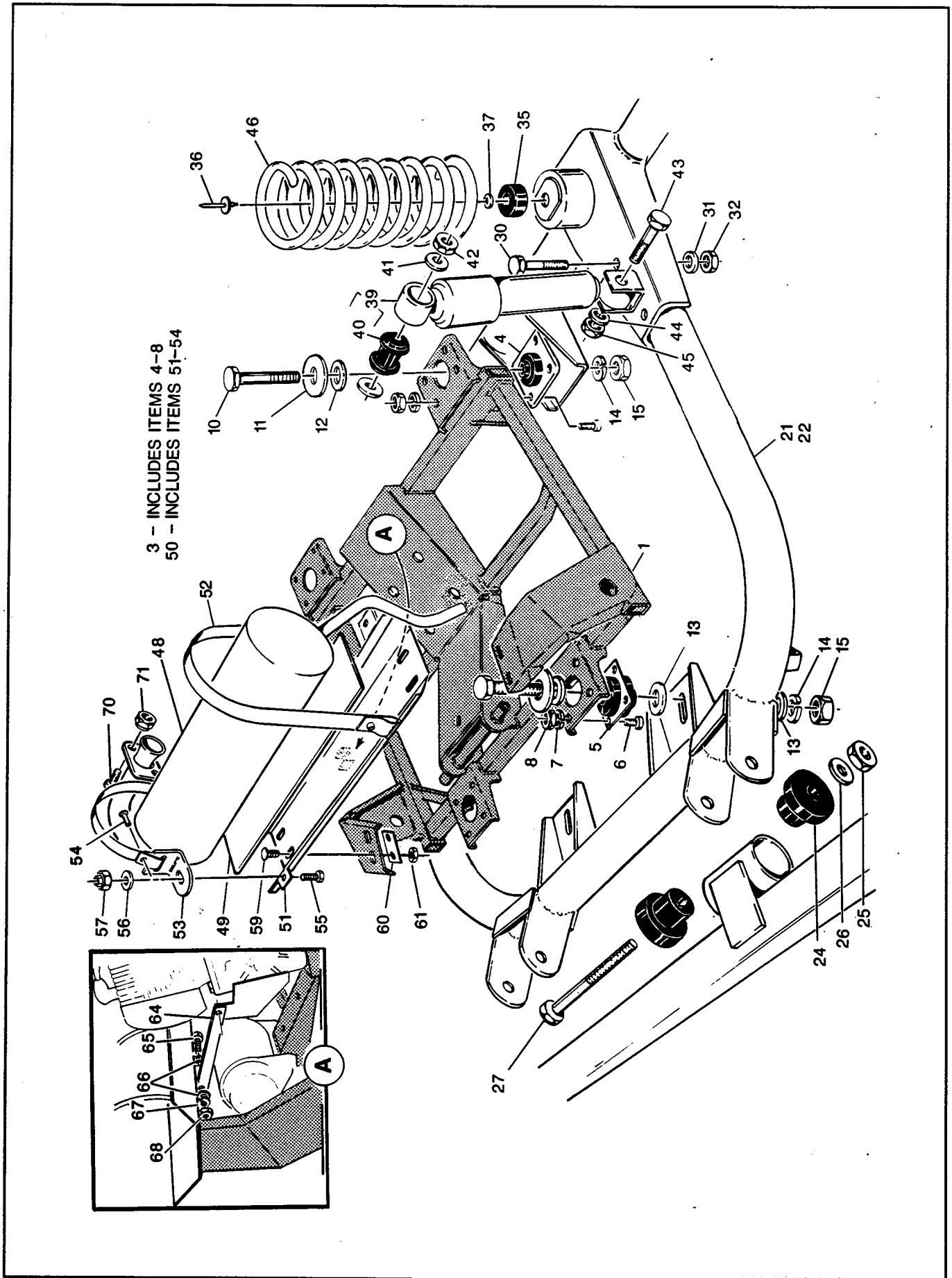
THE USE OF NON U.L. PARTS WILL VOID ANY U.L. LISTING.

When ordering parts, please specify the model and serial number of the product.

* Indicates a component that is not available as an individual part.

4 WHEEL

ITEM	PART NO.	1	2	3	4	5	DESCRIPTION	QTY
69	00532-G1						NUT, LOCK, 1/4-20	1
70	00660-G7						WASHER, FLAT, 1/4	1
71								
72	19197-G7						METER KIT, STATE OF CHARGE (ROUND) (INCLUDES ITEMS 74 - 77) .	1
73	19714-G1						METER, STATE OF CHARGE	1
74	18001-G1						BRACKET	1
75	00414-G4						SCREW, 1/4 - 20 X 1/2 LG.	2
76	11027-G2						NUT, LOCK, 1/4 - 20	2
77								
78	19197-G3						METER KIT, STATE OF CHARGE (SQUARE) (INCLUDES ITEMS 80 - 85)	1
79	19196-G2						METER, STATE OF CHARGE	1
80	00372-G5						SCREW, #8 - 32 X 5/8 LG.	2
81	00559-G4						WASHER, #8	2
82	00565-G4						WASHER, LOCK, #8	2
83	00526-G1						NUT, #8 - 32	2



INNER FRAME AND POWERTRAIN SUPPORT

GASOLINE POWERED VEHICLE

THE USE OF NON U.L. PARTS WILL VOID ANY U.L. LISTING.

When ordering parts, please specify the model and serial number of the product.

* Indicates a component that is not available as an individual part.

4 WHEEL

ITEM	PART NO.	1	2	3	4	5	DESCRIPTION	QTY
▶ 1	24714-G1						ENGINE FRAME COMPLETE (INCLUDES FACTORY INSTALLED ENGINE MOUNTS)	1
▶ 2								
3	14580-G3						ENGINE MOUNT KIT (INCLUDES ITEMS 4 - 8)	1
4	*						MOUNT, ISOLATION (25 LB., YELLOW COLOR CODED)	2
5	*						MOUNT, ISOLATION (35 LB., PLAIN)	2
6	00156-G4						SCREW, #10 - 32 X 1/2 LG.	16
7	00565-G5						WASHER, LOCK, #10	16
8	00526-G4						NUT, #10 - 32	16
9								
▶ 10	00428-G4						SCREW, 3/8 - 16 X 2 1/2 LG.	4
▶ 11	16537-G1						WASHER, SNUBBER	4
▶ 12	00560-G1						WASHER, 3/8	8
13	15121-G1						WASHER	4
14	00566-G1						WASHER, LOCK, 3/8	4
▶ 15	00550-G5						NUT, LOCK, 3/8 - 16	4
16								
17								
18								
19								
20								
▶ 21	25100-G1						INNER FRAME (1989 ONLY)	1
▶ 22	24991-G1						INNER FRAME (FIRST USED ON 1990 VEHICLES)	1
23								
24	12302-G2						MOUNT, ISOLATION	4
25	00551-G1						NUT, LOCK, 1/2 - 13	2
26	00566-G3						WASHER, LOCK, 1/2	2
27	00405-G8						SCREW, 1/2 - 13 X 4 LG.	2
28								
29								
30	00428-G6						SCREW, 3/8 - 16 X 2 3/4 LG.	4
31	00560-G1						WASHER, 3/8	4
32	00550-G5						NUT, LOCK, 3/8 - 16	4
33								

INNER FRAME AND POWERTRAIN SUPPORT

GASOLINE POWERED VEHICLE

THE USE OF NON U.L. PARTS WILL VOID ANY U.L. LISTING.

When ordering parts, please specify the model and serial number of the product.

* Indicates a component that is not available as an individual part.

4 WHEEL

ITEM	PART NO.	1	2	3	4	5	DESCRIPTION	QTY
34								
35	13728-G1						BUMPER	2
36	14601-G1						RIVET	2
37	00559-G5						WASHER, #10	2
38								
39	21780-G1						SHOCK ABSORBER ASSEMBLY (INCLUDES ITEM 40)	2
40	21779-G1						BUSHING, RUBBER	2
41	00560-G5						WASHER, 5/8	4
42	00551-G5						NUT, LOCK, 5/8 - 11	2
43	00428-G4						SCREW, 3/8 - 16 X 2 1/2 LG.	2
44	00566-G1						WASHER, LOCK, 3/8	2
45	00550-G5						NUT, LOCK, 3/8 - 16	2
46	14462-G2						SPRING, COMPRESSION	2
47								
▶ 48	22318-G2						MUFFLER	1
▶ 49	24208-G1						PAD, MUFFLER	1
▶ 50	24697-G1						MUFFLER PAN SUPPORT ASSEMBLY (INCLUDES ITEMS 51 - 54)	1
▶ 51	22677-G1						PAN, MUFFLER SUPPORT	1
▶ 52	24688-G1						STRAP, MUFFLER	2
▶ 53	24687-G1						ANGLE, STRAP	2
▶ 54	00943-G1						RIVET	4
▶ 55	00439-G2						SCREW, 5/16 - 18 X 1 1/4 LG.	2
▶ 56	00642-G8						WASHER, 5/16	2
▶ 57	00892-G3						NUT, LOCK, 5/16 - 18	2
58								
▶ 59	00764-G1						BOLT, CARRIAGE, 5/16 - 18 X 3/4 LG.	4
▶ 60	25315-G1						SPACER, LOWER	2
61	00892-G3						NUT, LOCK, 5/16 - 18	4
62								
63								
▶ 64	24680-G1						BAR, ENGINE	1
▶ 65	00929-G2						SCREW, 5/16 - 18 X 1 1/4 LG.	2
▶ 66	00928-G1						WASHER, 5/16	4
▶ 67	00931-G2						WASHER, LOCK, 5/16 - 18	2

INNER FRAME AND POWERTRAIN SUPPORT

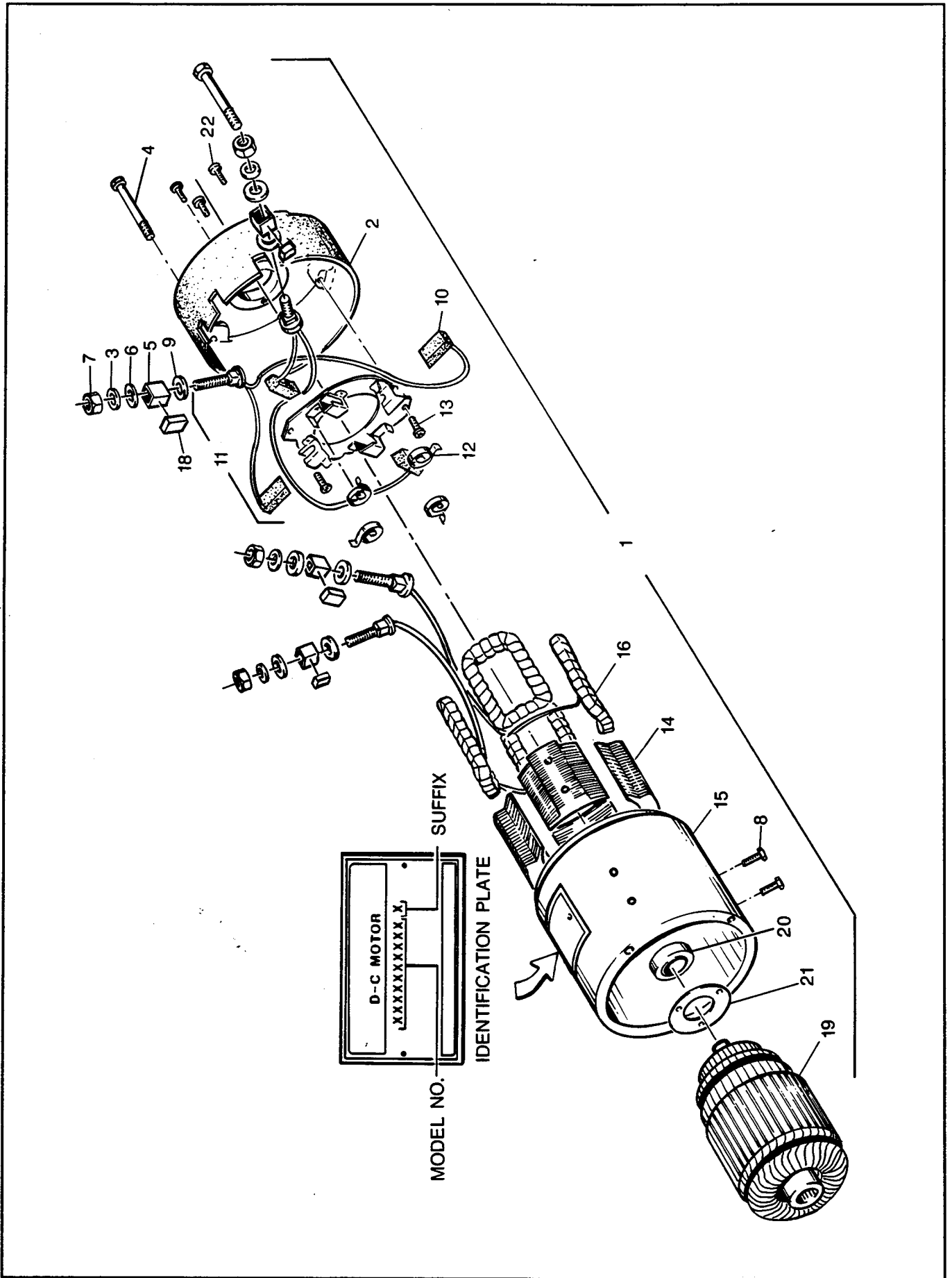
GASOLINE POWERED VEHICLE

THE USE OF NON U.L. PARTS WILL VOID ANY U.L. LISTING.

When ordering parts, please specify the model and serial number of the product.

* Indicates a component that is not available as an individual part.

ITEM	PART NO.	1	2	3	4	5	DESCRIPTION	4 WHEEL	
								QTY	
▶ 68	00930-G3						NUT, 5/16 - 18	2	
▶ 69									
▶ 70	00439-G2						SCREW, 5/16 - 18 X 1 1/4 LG.	2	
▶ 71	00892-G3						NUT, LOCK, 5/16 - 18	2	



MOTOR

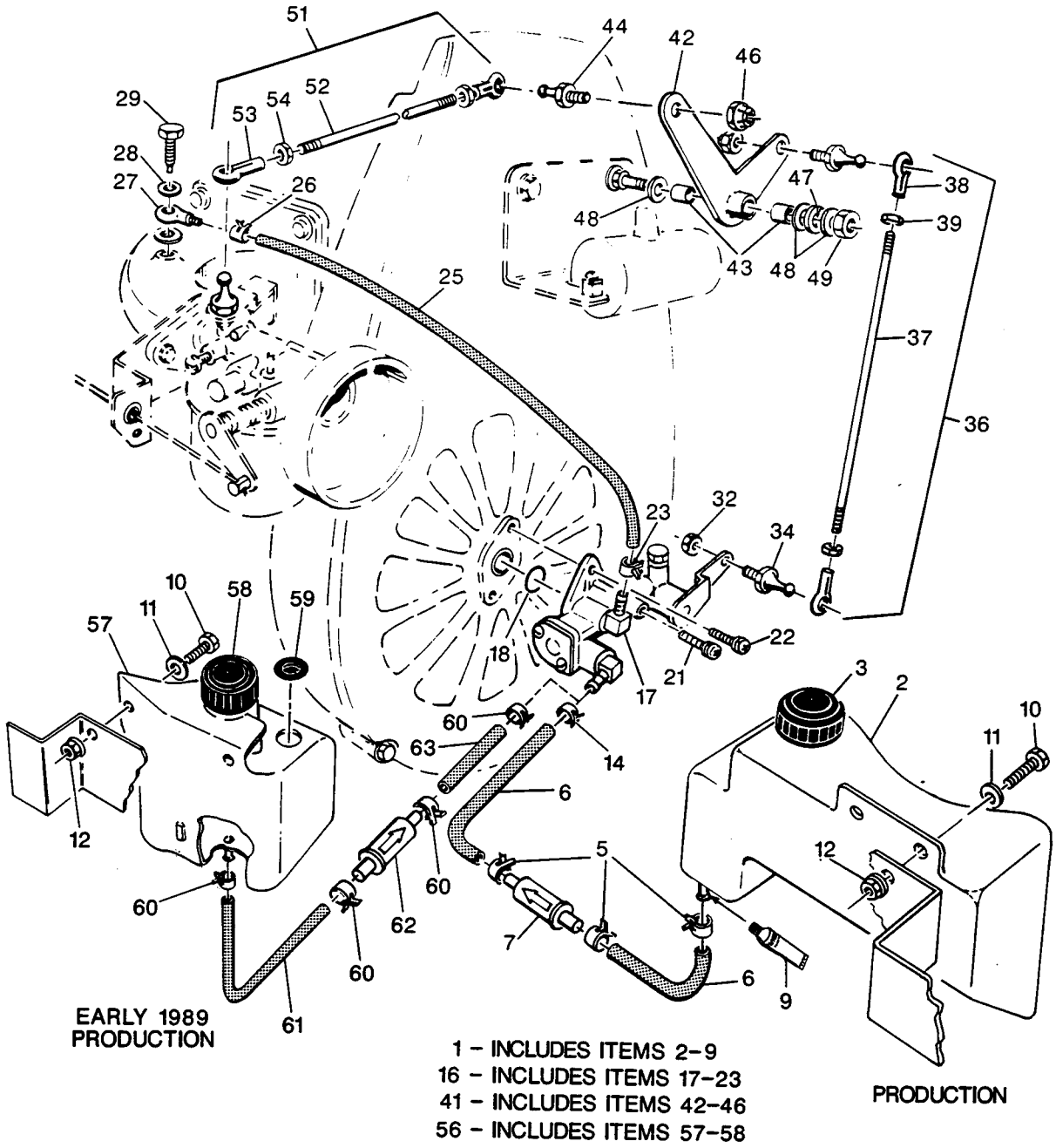
ELECTRIC POWERED VEHICLE

THE USE OF NON U.L. PARTS WILL VOID ANY U.L. LISTING.

When ordering parts, please specify the model and serial number of the product.

* Indicates a component that is not available as an individual part.

ITEM	PART NO.	1	2	3	4	5	DESCRIPTION	4 WHEEL	
								QTY	
1	22858-G1						MOTOR (INCLUDES ITEMS 2 -22)		1
2	16922-G1						ENDSHIELD, COMMUTATOR END		1
3	13483-G1						WASHER		4
4	16919-G1						SCREW, MOTOR CLAMP		2
5	15437-G1						BUSHING, INSULATOR		4
6	15438-G1						WASHER, INSULATOR		4
7	15440-G1						NUT, LOCK		4
8	23234-G1						SCREW, POLE PIECE		8
9	15442-G1						WASHER, INSULATOR, TERMINAL		4
10	16917-G1						BRUSH		2
11	16916-G1						BRUSH RIGGING (INCLUDES ITEM 12)		1
12	15446-G1						BRUSH SPRING		4
13	51333-G1						SCREW, BRUSH RIGGING MOUNT		2
14	*						FIELD POLE PIECES		4
15	*						SHELL, STATOR		1
16	23235-G1						FIELD COILS (SET)		1
17									
18	16948-G1						GASKET		4
19	23237-G1						ARMATURE		1
20	16918-G1						BALL BEARING, COMMUTATOR END		1
21	16930-G1						RETAINER, BEARING		1
22	23236-G1						SCREW, BEARING RETAINER		3



OIL INJECTION

GASOLINE POWERED VEHICLE

THE USE OF NON U.L. PARTS WILL VOID ANY U.L. LISTING.

When ordering parts, please specify the model and serial number of the product.

* Indicates a component that is not available as an individual part.

4 WHEEL

ITEM	PART NO.	1	2	3	4	5	DESCRIPTION	QTY
1	24076-G1						OIL TANK ASSEMBLY (INCLUDES ITEMS 2 - 9)	1
2	23838-G1						TANK, OIL	1
3	17430-G1						CAP	1
4								
5	18292-G1						CLAMP	3
6	24889-G2						TUBE, VINYL, 1/4 X 5 LG.	2
7	23013-G1						FILTER	1
8								
9	24861-G2						SEALANT, 1 OZ.	A/R
10	00414-G5						SCREW, 1/4 - 20 X 5/8 LG.	2
11	00642-G7						WASHER, 1/4	2
12	11027-G2						NUT, LOCK, 1/4 - 20	2
13								
14	18292-G1						CLAMP, HOSE	1
15								
16	23866-G1						OIL PUMP KIT (INCLUDES ITEMS 17 - 23)	1
17	23865-G1						OIL PUMP ASSEMBLY (INCLUDES ITEM 18)	1
18	17415-G1						"O" RING	1
19								
20								
21	24660-G1						SCREW AND CAPTIVE WASHER, M5 X 30 mm LG.	1
22	24140-G1						SCREW AND CAPTIVE WASHER, M5 X 20 mm LG.	1
23	17359-G1						CLAMP, HOSE	1
24								
25	17434-G3						TUBE, VINYL	1
26	17359-G1						CLAMP, HOSE	1
27	17361-G1						VALVE, CHECK	1
28	17363-G1						GASKET	2
29	17362-G1						BOLT, BANJO	1
30								
31								
32	00921-G8						NUT, LOCK, #10 - 32	1
33								
34	24479-G1						BALL	2

OIL INJECTION

GASOLINE POWERED VEHICLE

THE USE OF NON U.L. PARTS WILL VOID ANY U.L. LISTING.

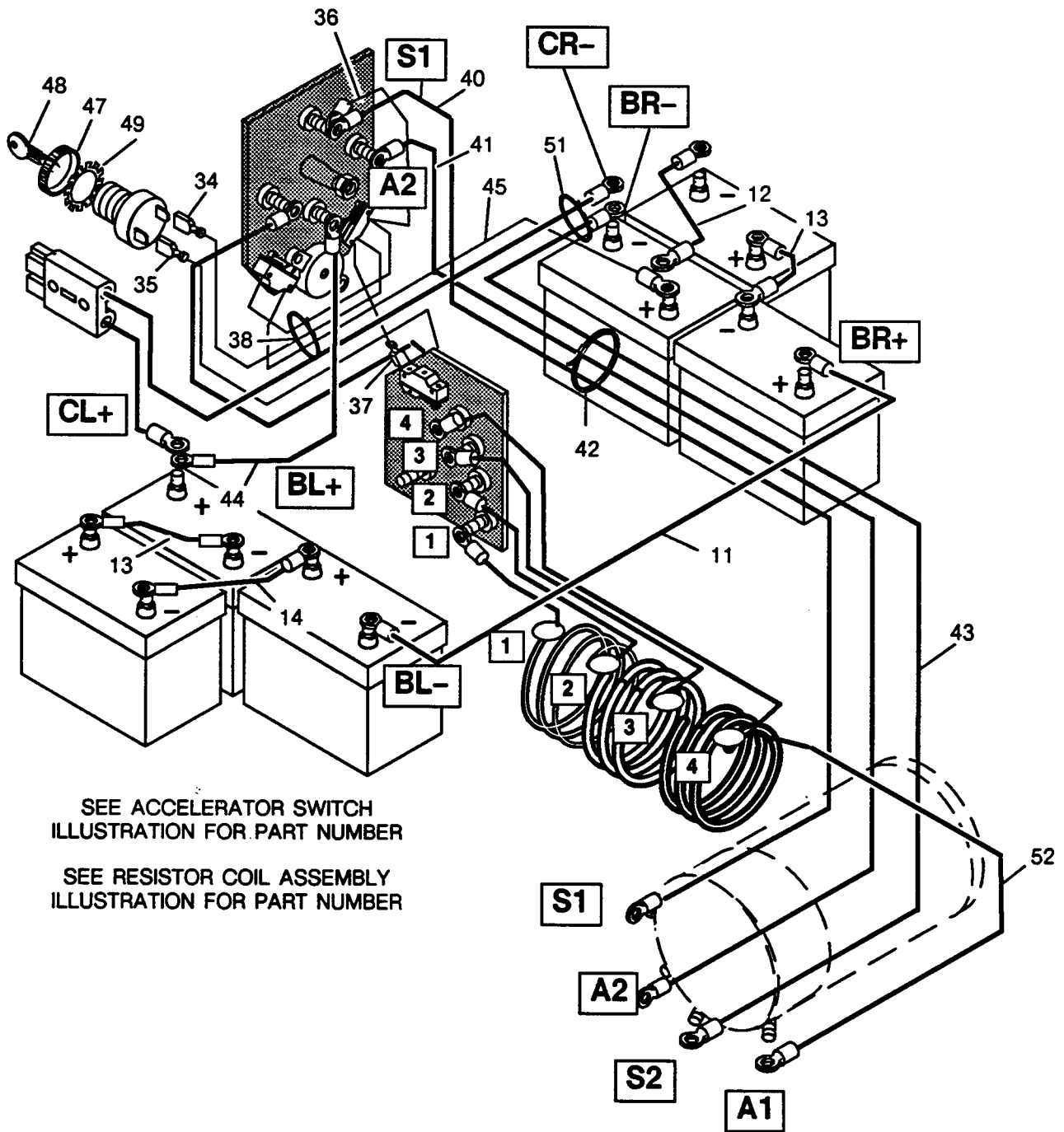
When ordering parts, please specify the model and serial number of the product.

* Indicates a component that is not available as an individual part.

ITEM	PART NO.	1	2	3	4	5	DESCRIPTION	4 WHEEL	
								QTY	
35									
36	22587-G1						ADJUSTING ROD ASSEMBLY (INCLUDES ITEMS 37 - 39)		1
37	22602-G1						ROD, ADJUSTING, 5.88 LG.		1
38	24465-G1						SOCKET		2
39	00526-G4						NUT, #10 - 32		2
40									
41	24203-G1						PIVOT ASSEMBLY (INCLUDES ITEMS 42 - 46)		1
42	22365-G1						PIVOT BRACKET		1
43	23860-G1						BEARING		2
44	24479-G1						BALL		2
45									
46	00921-G8						NUT, LOCK, #10 - 32		2
47	24609-G1						WASHER, SPRING		1
48	24621-G1						WASHER, NYLON, 5/16		3
49	00892-G4						NUT, LOCK, 5/16 - 24		1
50									
51	22587-G2						ADJUSTING ROD ASSEMBLY (INCLUDES ITEMS 52 - 54)		1
52	22602-G2						ROD, ADJUSTING, 8.80 LG.		1
53	24465-G1						SOCKET		2
54	00526-G4						NUT, #10 - 32		2
55									
56	19666-G1						OIL TANK ASSEMBLY (INCLUDES ITEMS 57 AND 58)		1
57	17401-G1						OIL TANK		1
58	17430-G1						CAP		1
59	23516-G1						PLUG, HOLE		1
60	17433-G1						CLAMP		4
61	17431-G3						TUBE, VINYL, 1/4 X 10 LG.		1
62	23013-G1						FILTER		1
63	17431-G1						TUBE, VINYL, 1/4 X 3 LG.		1

RESISTOR COIL VERSION

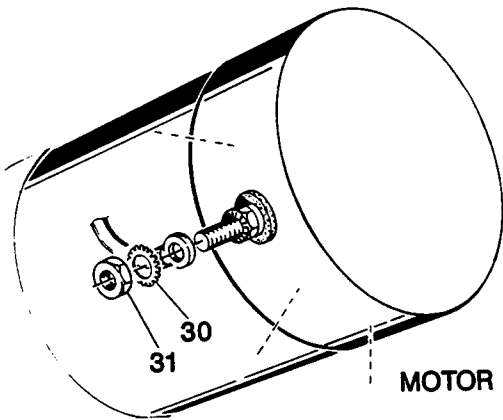
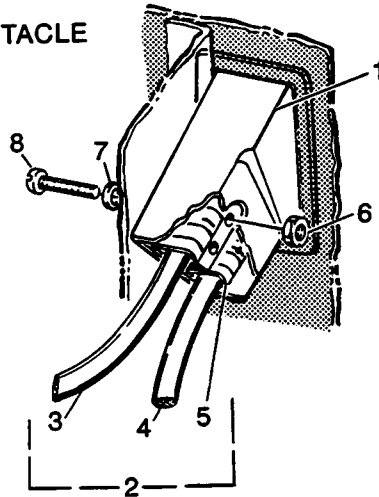
33 INCLUDES ITEMS 34 - 38
 39 INCLUDES ITEMS 40 - 43
 46 INCLUDES ITEMS 47 - 49



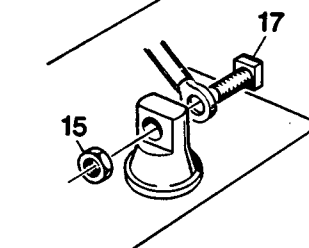
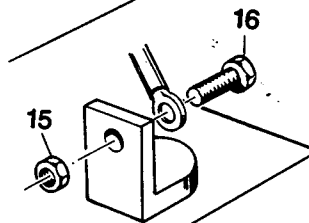
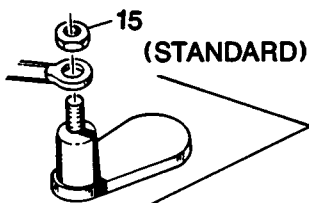
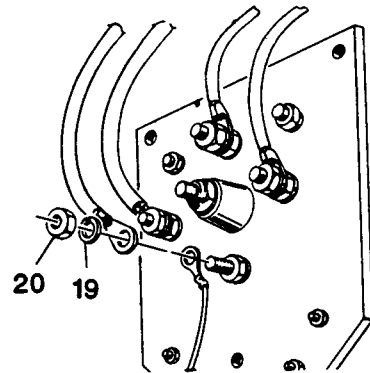
SEE ACCELERATOR SWITCH
 ILLUSTRATION FOR PART NUMBER

SEE RESISTOR COIL ASSEMBLY
 ILLUSTRATION FOR PART NUMBER

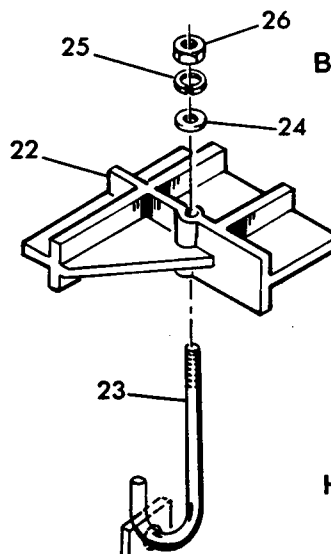
CHARGER RECEPTACLE



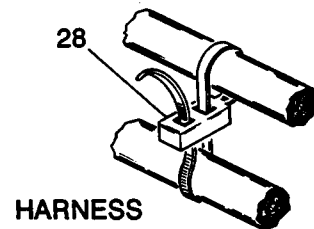
FORWARD-NEUTRAL-REVERSE SWITCH CONNECTIONS



BATTERIES



BATTERY HOLD-DOWN



HARNESS

POWER WIRING

RESISTOR COIL VERSION

ELECTRIC POWERED VEHICLE

THE USE OF NON U.L. PARTS WILL VOID ANY U.L. LISTING.

When ordering parts, please specify the model and serial number of the product.

* Indicates a component that is not available as an individual part.

4 WHEEL

ITEM	PART NO.	1	2	3	4	5	DESCRIPTION	QTY
1	18724-G1						CHARGER RECEPTACLE HOLDER	1
2	18784-G1						WIRING HARNESS CHARGER CONNECTOR (INCLUDES ITEMS 3 - 5) ...	1
3	14852-G1						WIRE (CR-)	1
4	14852-G2						WIRE (CL+)	1
5	18782-G1						CONNECTOR, ANDERSON	1
6	14390-G9						NUT, LOCK, #6 - 32	2
7	00559-G3						WASHER, #6	2
8	00645-G2						SCREW, #6 - 32 X 1 1/4 LG.	2
9								
10								
11	11885-G4						WIRE	1
12	23540-G1						WIRE	1
13	11893-G1						WIRE	2
14	11894-G1						WIRE	1
15	00702-G2						NUT, 5/16 - 18	12
16	00270-G6						SCREW, 5/16 - 18 X 3/4 LG.	12
17	12649-G1						BOLT, BATTERY, SQUARE HEAD, 5/16 - 18 X 1 LG.	12
18								
19	00565-G8						WASHER, LOCK, 5/16	4
20	00702-G2						NUT, 5/16 - 18	4
21								
22	15736-G1						BATTERY HOLD DOWN	2
23	15734-G2						J BOLT, BATTERY	2
24	00559-G8						WASHER, 5/16	2
25	00565-G8						WASHER, LOCK, 5/16	2
26	00702-G2						NUT, 5/16 - 18	2
27								
28	23544-G1						CLAMP, NYLON, DOUBLE	4
29								
30	00567-G8						WASHER, LOCK, EXTERNAL TOOTH, 5/16	2
31	00532-G3						NUT, 5/16 - 18	4
32								
33	17868-G1						CONTROL WIRING HARNESS, F-N-R SWITCH (INCLUDES ITEMS 34 - 38)	1
34	14619-G2						WIRE (LIGHT BLUE)	1

POWER WIRING

ELECTRIC POWERED VEHICLE

RESISTOR COIL VERSION

THE USE OF NON U.L. PARTS WILL VOID ANY U.L. LISTING.

When ordering parts, please specify the model and serial number of the product.

* Indicates a component that is not available as an individual part.

ITEM	PART NO.	1	2	3	4	5	DESCRIPTION	QTY	
									4 WHEEL
35	17870-G2						WIRE (YELLOW)		1
36	14615-G1						WIRE (BLACK)		1
37	17869-G1						WIRE (RED AND WHITE)		1
38	17618-G1						CLAMP, NYLON		2
39	18894-G1						WIRING HARNESS, F-N-R SWITCH (INCLUDES ITEMS 40 - 43)		1
40	17855-G1						WIRE (S1)		1
41	17856-G1						WIRE (A2)		1
42	17618-G1						CLAMP, NYLON (BLACK)		5
43	17858-G1						WIRE (S2)		1
44	14610-G1						WIRE (BL+)		1
45	23645-G1						WIRE		1
46	17421-G1						IGNITION SWITCH KIT (INCLUDES ITEMS 47 - 49)		1
47	17137-G1						FACE NUT		1
48	17063-G1						IGNITION KEY		1
49	00568-G6						WASHER, LOCK, EXTERNAL TOOTH, 3/4		1
50									
51	17618-G1						CLAMP, NYLON		2
52	18897-G3						WIRE (A1-4)		1
	**						CURRENT INDICATOR		NA
	**						BATTERY TESTER (DISCHARGE MACHINE)		NA
	**						HYDROMETER		NA
	**						OHM METER (MULTI-METER)		NA
							** SEE APPENDIX FOR SERVICE ACCESSORIES AND SPECIAL TOOLS		

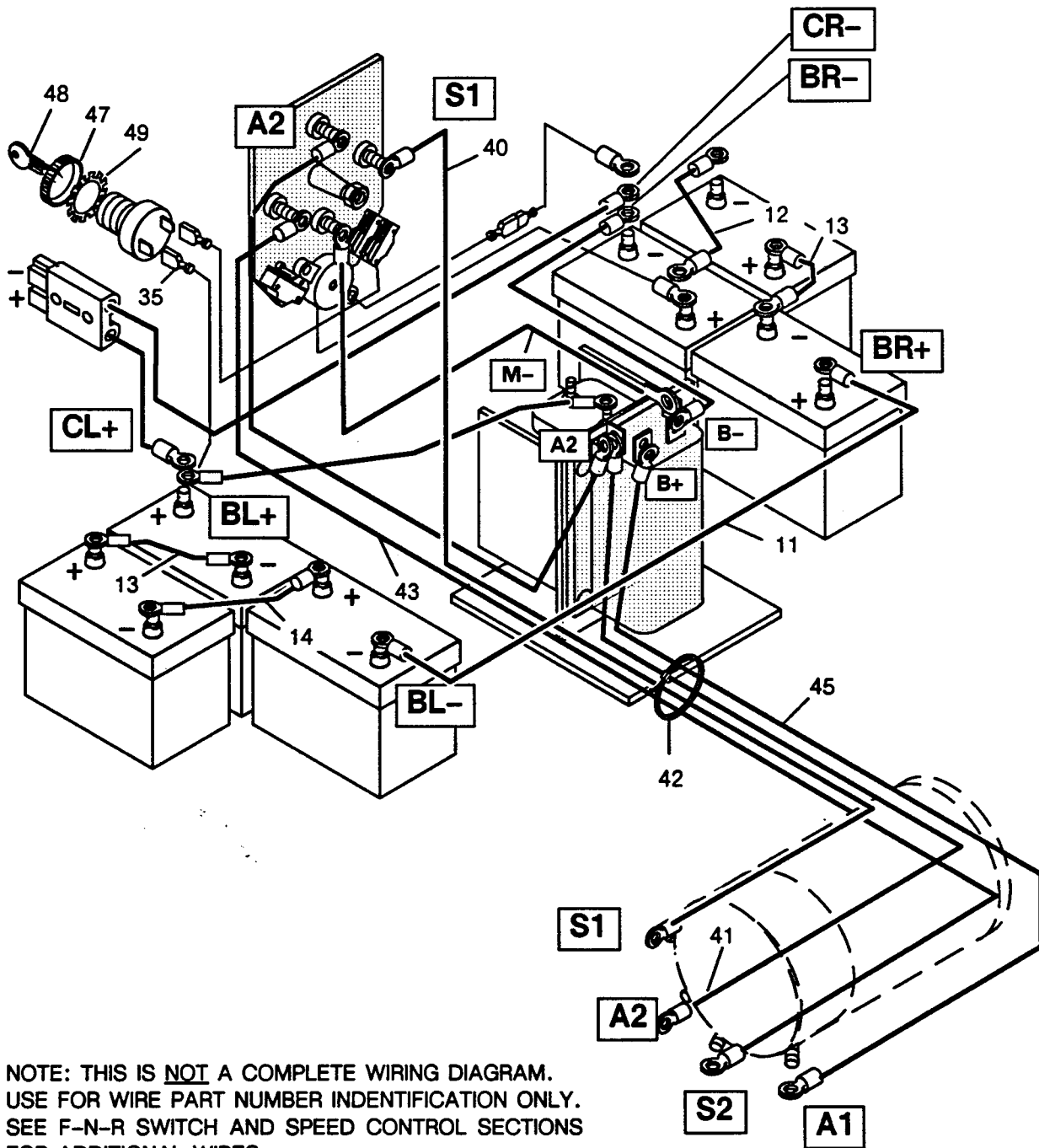
POWER WIRING

ELECTRIC POWERED VEHICLE

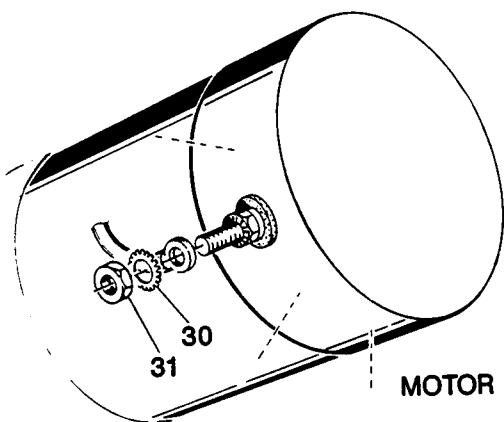
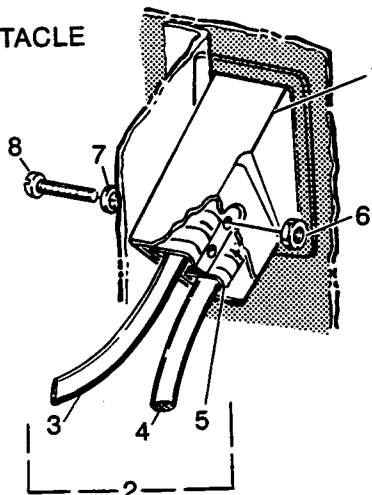
SOLID STATE SPEED CONTROL VERSION - FIRST USED FOR 1990 VEHICLES

39 INCLUDES ITEMS 40 - 45

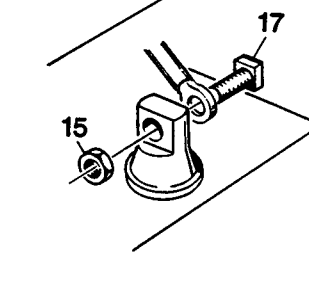
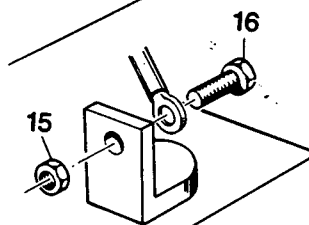
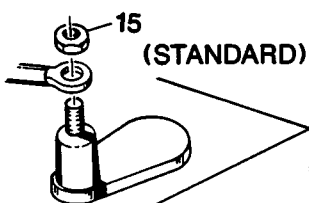
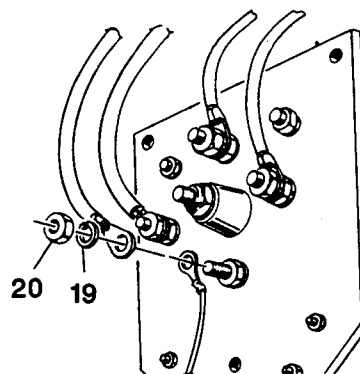
46 INCLUDES ITEMS 47 - 49



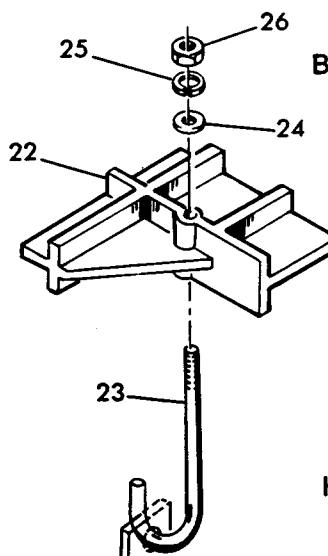
CHARGER RECEPTACLE



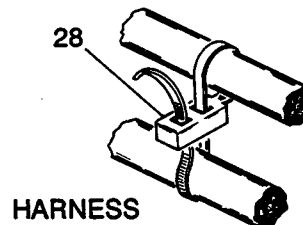
FORWARD-NEUTRAL-REVERSE SWITCH CONNECTIONS



BATTERIES



BATTERY HOLD-DOWN



HARNESS

POWER WIRING

ELECTRIC POWERED VEHICLE

SOLID STATE SPEED CONTROL VERSION - FIRST USED FOR 1990 VEHICLES

THE USE OF NON U.L. PARTS WILL VOID ANY U.L. LISTING.

When ordering parts, please specify the model and serial number of the product.

*** Indicates a component that is not available as an individual part.**

4 WHEEL

ITEM	PART NO.	1	2	3	4	5	DESCRIPTION	QTY
1	18724-G1						CHARGER RECEPTACLE HOLDER	1
2	18784-G1						WIRING HARNESS CHARGER CONNECTOR (INCLUDES ITEMS 3 - 5) ...	1
3	14852-G1						WIRE (CR-)	1
4	14852-G2						WIRE (CL+)	1
5	18782-G1						CONNECTOR, ANDERSON	1
6	14390-G9						NUT, LOCK, #6 - 32	2
7	00559-G3						WASHER, #6	2
8	00645-G2						SCREW, #6 - 32 X 1 1/4 LG.	2
9								
10								
11	11885-G4						WIRE	1
12	23540-G1						WIRE	1
13	11893-G1						WIRE	2
14	11894-G1						WIRE	1
15	00702-G2						NUT, 5/16 - 18	12
16	00270-G6						SCREW, 5/16 - 18 X 3/4 LG.	12
17	12649-G1						BOLT, BATTERY, SQUARE HEAD, 5/16 - 18 X 1 LG.	12
18								
19	00565-G8						WASHER, LOCK, 5/16	4
20	00702-G2						NUT, 5/16 - 18	4
21								
22	15736-G1						BATTERY HOLD DOWN	2
23	15734-G2						J BOLT, BATTERY	2
24	00559-G8						WASHER, 5/16	2
25	00565-G8						WASHER, LOCK, 5/16	2
26	00702-G2						NUT, 5/16 - 18	2
27								
28	23544-G1						CLAMP, NYLON, DOUBLE	4
29								
30	00567-G8						WASHER, LOCK, EXTERNAL TOOTH, 5/16	2
31	00532-G3						NUT, 5/16 - 18	4
32								
33								
34								

POWER WIRING

ELECTRIC POWERED VEHICLE

SOLID STATE SPEED CONTROL VERSION - FIRST USED FOR 1990 VEHICLES

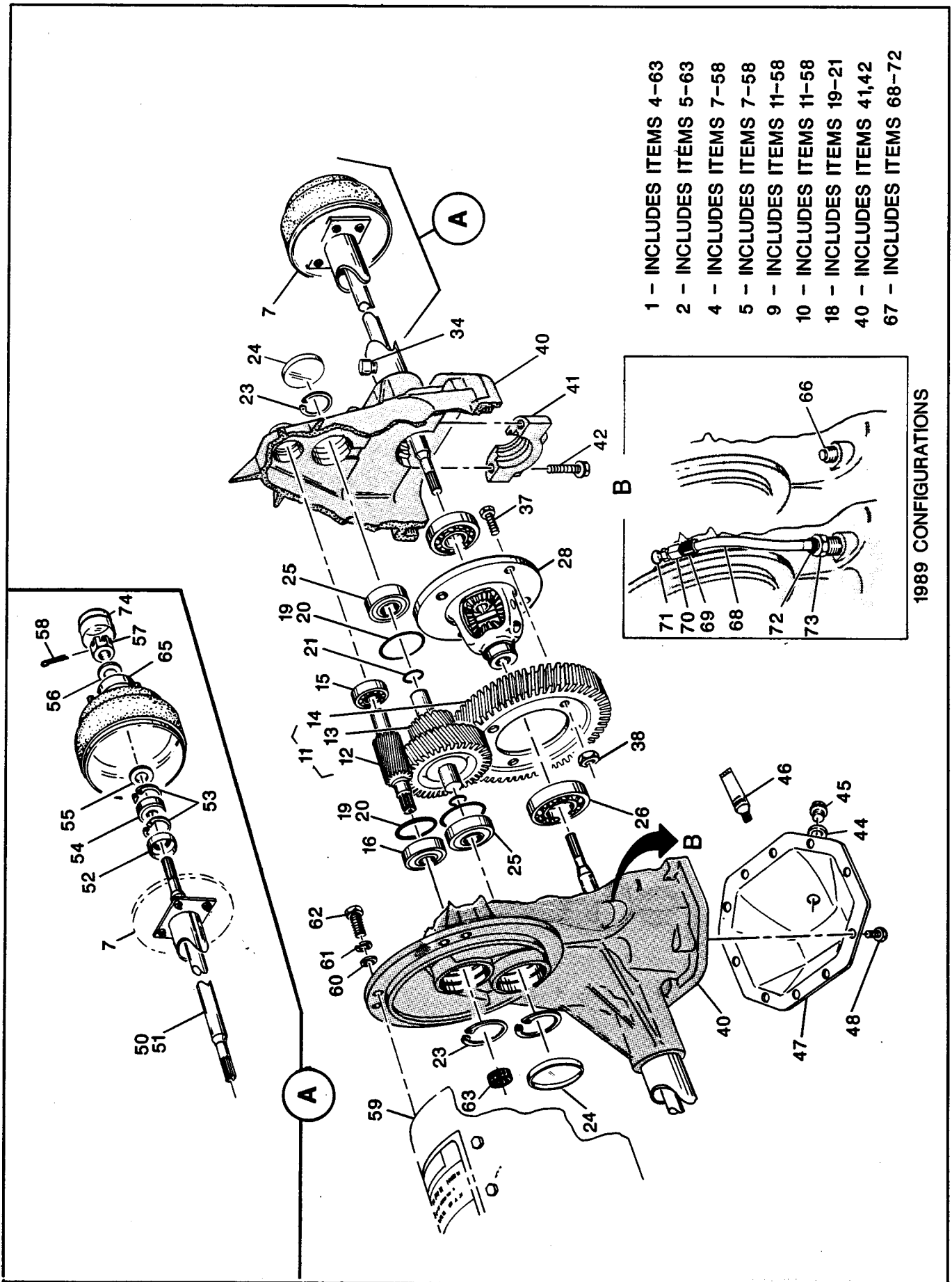
THE USE OF NON U.L. PARTS WILL VOID ANY U.L. LISTING.

When ordering parts, please specify the model and serial number of the product.

* Indicates a component that is not available as an individual part.

3 WHEEL	4 WHEEL
------------	------------

ITEM	PART NO.	1	2	3	4	5	DESCRIPTION	QTY	
								3 WHEEL	4 WHEEL
35	23968-G1						WIRE (RED)		1
36									
37									
38									
39	23978-G1						WIRING HARNESS, F-N-R SWITCH (INCLUDES ITEMS 40 - 45)		1
40	23793-G9						WIRE (S1)		1
41	23793-G7						WIRE (A2)		1
42	17618-G1						CLAMP, NYLON (BLACK)		5
43	23793-G8						WIRE (S2)		1
44									
45	23793-G6						WIRE (A1)		1
46	17421-G1						IGNITION SWITCH KIT (INCLUDES ITEMS 47 - 49)		1
47	17137-G1						FACE NUT		1
48	17063-G1						IGNITION KEY		1
49	00568-G6						WASHER, LOCK, EXTERNAL TOOTH, 3/4		1
50									
51	17618-G1						CLAMP, NYLON		2
	**						CURRENT INDICATOR		NA
	**						BATTERY TESTER (DISCHARGE MACHINE)		NA
	**						HYDROMETER		NA
	**						OHM METER (MULTI-METER)		NA
							** SEE APPENDIX FOR SERVICE ACCESSORIES AND SPECIAL TOOLS		



REAR AXLE

ELECTRIC POWERED VEHICLE

THE USE OF NON U.L. PARTS WILL VOID ANY U.L. LISTING.

When ordering parts, please specify the model and serial number of the product.

* Indicates a component that is not available as an individual part.

ITEM	PART NO.	1	2	3	4	5	DESCRIPTION	4 WHEEL	
								QTY	
1	23133-G1						REAR AXLE, MOTOR AND BRAKE ASSEMBLY, MODEL YEAR 1989 (INCLUDES ITEMS 4 - 63)	1	
2	25283-G1						REAR AXLE, MOTOR AND BRAKE ASSEMBLY, MODEL YEAR 1990 (INCLUDES ITEMS 5 - 63)	1	
3									
4	23524-G1						REAR AXLE AND BRAKE ASSEMBLY, MODEL YEAR 1989 (INCLUDES ITEMS 7 - 58)	1	
5	25283-G2						REAR AXLE AND BRAKE ASSEMBLY, MODEL YEAR 1990 (INCLUDES ITEMS 7 - 58)	1	
6									
7	XXXXX-XX						BRAKE SET (SEE SECTION NN FOR PART NO. AND QUANTITY)	X	
8									
9	23092-G1						REAR AXLE ASSEMBLY, MODEL YEAR 1989 (INCLUDES 11 - 58)	1	
10	25115-G3						REAR AXLE ASSEMBLY, MODEL YEAR 1990 (INCLUDES 11 - 58)	1	
11	23501-G1						GEAR SET (INCLUDES ITEMS 12 - 14)	1	
12	*						GEAR, INPUT	1	
13	*						GEAR, INTERMEDIATE	1	
14	*						GEAR, OUTPUT	1	
15	23520-G1						BALL BEARING, INPUT GEAR	1	
16	23519-G1						BALL BEARING, INPUT GEAR, MOTOR SIDE	1	
17									
18	24627-G1						SEAL SET (INCLUDES ITEMS 19 - 21)	1	
19	*						SEAL, "O"RING, THICK	AR	
20	*						SEAL, "O"RING, THIN	AR	
21	*						SEAL, "O"RING	2	
22									
23	23530-G1						RETAINING RING	3	
24	24461-G1						PLUG CAP	2	
25	23521-G1						BALL BEARING, INTERMEDIATE GEAR	2	
26	17473-G1						BALL BEARING, OUTPUT GEAR	2	
27									
28	18463-G1						DIFFERENTIAL ASSEMBLY	1	
29									
30									

REAR AXLE

ELECTRIC POWERED VEHICLE

THE USE OF NON U.L. PARTS WILL VOID ANY U.L. LISTING.

When ordering parts, please specify the model and serial number of the product.

* Indicates a component that is not available as an individual part.

4 WHEEL

ITEM	PART NO.	1	2	3	4	5	DESCRIPTION	QTY
31								
32								
33								
▶ 34	25229-G1						VALVE VENT, LATE 1989 AND 1990	1
35								
36								
37	00433-G1						SCREW, 3/8 - 24 X 1 1/8 LG.	4
38	00532-G6						NUT, 3/8 - 24	4
39								
40	*						AXLE HOUSING ASSEMBLY (INCLUDES ITEMS 41 AND 42) .	1
41	*						RETAINER, BEARING	2
42	15118-G1						SCREW, 3/8 - 16 X 2 1/8 LG.	4
43								
▶ 44	25227-G1						WASHER	1
▶ 45	25226-G1						PLUG, FILL/CHECK	1
46	20536-G1						SEALANT (ENOUGH FOR 1 APPLICATION)	1
▶ 47	25288-G1						COVER	1
48	15558-G1						SCREW, 5/16 - 18 X 3/4 LG.	10
49								
50	20377-G3						SHAFT, AXLE, PASSENGER SIDE	1
51	20377-G4						SHAFT, AXLE, DRIVER'S SIDE	1
52	15114-G1						SEAL, AXLE	2
53	15113-G1						RING, RETAINING	4
54	15112-G1						BALL BEARING, AXLE	2
55	15485-G1						WASHER, 20 MM	2
56	15487-G1						WASHER, BRAKE DRUM, 5/8	2
57	15483-G1						NUT, SLOTTED, 5/8 - 18	2
58	10387-G1						COTTER PIN, 1/8 X 1 1/2 LG.	2
59	XXXXX-XX						MOTOR (SEE SECTION Y FOR PART NO. AND QUANTITY)	X
60	00559-G7						WASHER, 1/4	3
61	00565-G7						WASHER, LOCK, 1/4	3
62	00797-G2						SCREW, 1/4 - 20 X 1 1/4 LG.	3
63	24261-G1						BUMPER, SPLINE	1
64								

REAR AXLE

ELECTRIC POWERED VEHICLE

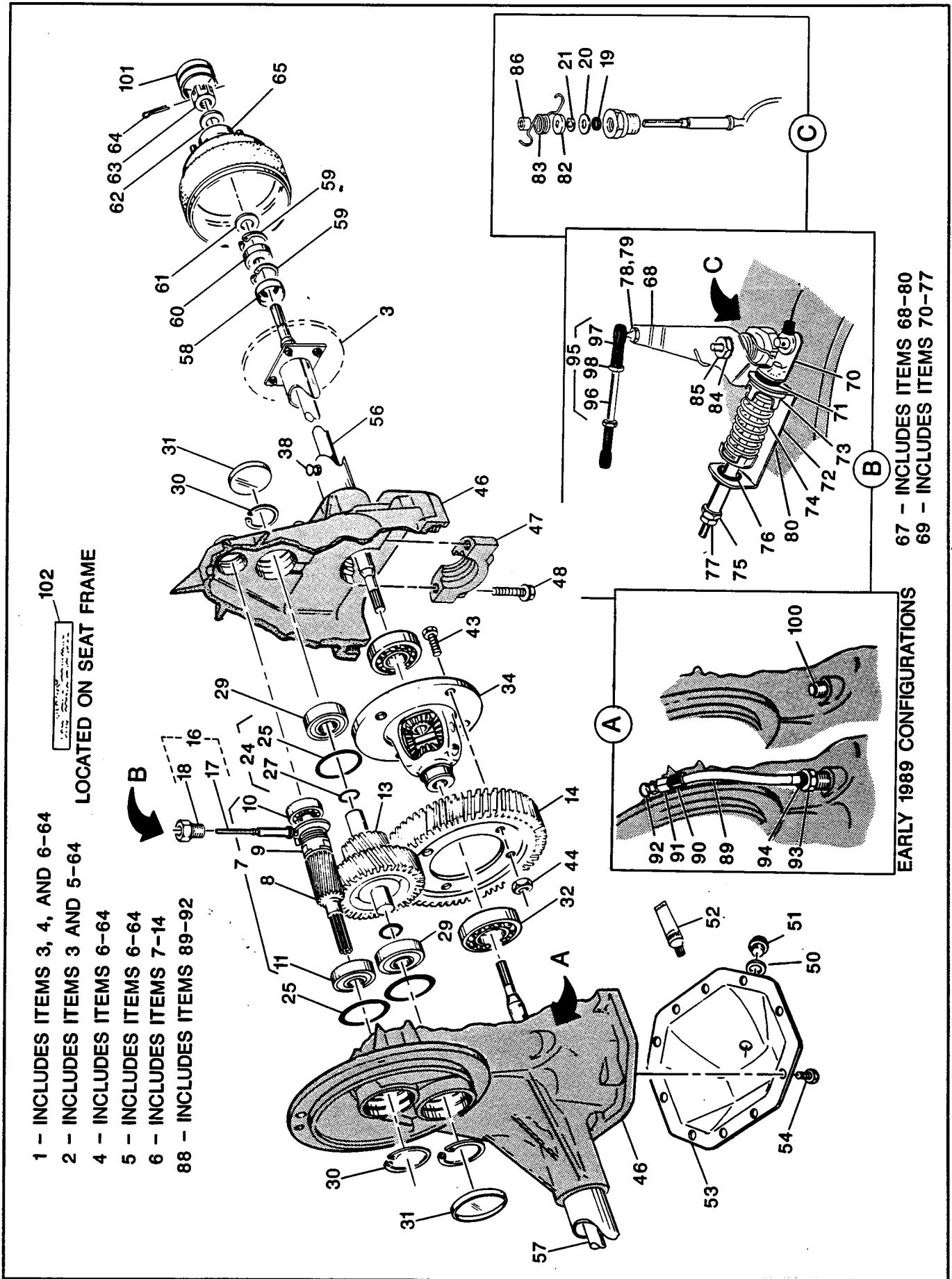
THE USE OF NON U.L. PARTS WILL VOID ANY U.L. LISTING.

When ordering parts, please specify the model and serial number of the product.

* Indicates a component that is not available as an individual part.

4 WHEEL

ITEM	PART NO.	1	2	3	4	5	DESCRIPTION	QTY
▶ 65	24939-G1						ADAPTOR, SPINDLE CAP, MODEL 1990	1
66	24459-G1						PLUG, PIPE, LATE 1989 MODELS	1
67	24502-G1						VENT TUBE ASSEMBLY, MODEL YEAR 1989 (INCLUDES ITEMS 68-72)	1
68	17431-G5						TUBE, VINYL, 1/4 I.D. (4 1/2 LG.)	1
69	11845-G5						CLAMP, CABLE, INSULATED	1
70	24466-G1						CONNECTOR, FEMALE	1
71	24464-G1						VENT, VALVE	1
72	17433-G1						CLAMP	1
73	24878-G1						FITTING, PLASTIC	1
▶ 74	12091-G1						SPINDLE CAP, MODEL YEAR 1990	1
75								
76	**						SLIDE HAMMER KIT	NA
77	**						TOOL, SEAL INSTALLATION	NA
** SEE APPENDIX FOR SERVICE ACCESSORIES AND SPECIAL TOOLS								



REAR AXLE

GASOLINE POWERED VEHICLE

THE USE OF NON U.L. PARTS WILL VOID ANY U.L. LISTING.

When ordering parts, please specify the model and serial number of the product.

* Indicates a component that is not available as an individual part.

4 WHEEL

ITEM	PART NO.	1	2	3	4	5	DESCRIPTION	QTY
1	23601-G2						REAR AXLE, GOVERNOR, AND BRAKE ASSEMBLY, MODEL YEAR 1989 (INCLUDES ITEMS 3, 4, 6-64)	1
2	25114-G2						REAR AXLE, GOVERNOR, AND BRAKE ASSEMBLY, MODEL YEAR 1990 (INCLUDES ITEMS 3, 5-64)	1
3	XXXXX-XX						BRAKE SET (SEE SECTION NN FOR PART NUMBER AND QUANTITY)	
4	23539-G2						REAR AXLE/GOVERNOR ASSEMBLY, MODEL YEAR 1989 (INCLUDES ITEMS 6 - 64)	1
5	25113-G2						REAR AXLE/GOVERNOR ASSEMBLY, MODEL YEAR 1990 (INCLUDES ITEMS 6 - 64)	1
6	24634-G1						GEAR SET (INCLUDES ITEMS 7 - 14)	1
7	*						INPUT GEAR, GOVERNOR AND BEARINGS ASSEMBLY (INCLUDES ITEMS 8 - 11)	1
8	*						GEAR, INPUT	1
9	*						GOVERNOR UNIT	1
10	23520-G1						BALL BEARING, INPUT GEAR	1
11	23519-G1						BALL BEARING, INPUT GEAR, CLUTCH SIDE	1
12								
13	*						GEAR, INTERMEDIATE	1
14	*						GEAR, OUTPUT	1
15								
16	24629-G1						ARM AND BUSHING SET (INCLUDES ITEMS 17 AND 18)	1
17	24630-G1						ACTUATOR ARM	1
18	24631-G1						BUSHING	1
19	25592-G1						SEAL, ACTUATOR ARM	1
20	24632-G1						WASHER, ACTUATOR ARM	1
21	24633-G1						RING, SNAP	1
22								
23								
24	24627-G1						SEAL SET (INCLUDES ITEMS 25 - 27)	1
25	*						SEAL, "O"RING, THICK	3
26	*						SEAL, "O"RING, THIN	3
27	*						SEAL, "O"RING	2
28								
29	23521-G1						BALL BEARING, INTERMEDIATE GEAR	2
30	23550-G1						RING, RETAINING	3
31	24461-G1						PLUG, CAP	2

REAR AXLE

GASOLINE POWERED VEHICLE

THE USE OF NON U.L. PARTS WILL VOID ANY U.L. LISTING.

When ordering parts, please specify the model and serial number of the product.

* Indicates a component that is not available as an individual part.

4 WHEEL

ITEM	PART NO.	1	2	3	4	5	DESCRIPTION	QTY
32	17473-G1						BALL BEARING, OUTPUT GEAR	2
33								
34	18463-G1						DIFFERENTIAL ASSEMBLY	1
35								
36								
37								
▶ 38	25229-G1						VALVE, VENT, LATE 1989 AND 1990	1
39								
40								
41								
42								
43	00433-G1						SCREW, 3/8 - 24 X 1 1/8 LG.	4
44	00532-G6						NUT, 3/8 - 24	4
45								
46	*						AXLE HOUSING ASSEMBLY (INCLUDES ITEMS 47 AND 48)	1
47	*						RETAINER, BEARING	2
48	15118-G1						SCREW, 3/8 - 16 X 2 1/8 LG.	4
49								
▶ 50	25227-G1						WASHER	1
▶ 51	25226-G1						PLUG, FILL/CHECK	1
52	20536-G1						SEALANT (ENOUGH FOR 1 APPLICATION)	1
▶ 53	25228-G1						COVER	1
54	15558-G1						SCREW, 5/16 - 18 X 3/4 LG.	10
55								
56	20377-G7						SHAFT, AXLE, PASSENGER SIDE	1
57	20377-G8						SHAFT, AXLE, DRIVER'S SIDE	1
58	15114-G1						SEAL, AXLE	2
59	15113-G1						RING, RETAINING	4
60	15112-G1						BALL BEARING, AXLE	2
61	15485-G1						WASHER, 20 mm	2
62	15487-G1						WASHER, BRAKE DRUM, 5/8	2
63	15483-G1						NUT, SLOTTED, 5/8 - 18	2
64	10387-G1						COTTER PIN, 1/8 X 1 1/2 LG.	2
▶ 65	24939-G1						ADAPTER, SPINDLE CAP, MODEL 1990	1

REAR AXLE

GASOLINE POWERED VEHICLE

THE USE OF NON U.L. PARTS WILL VOID ANY U.L. LISTING.

When ordering parts, please specify the model and serial number of the product.

* Indicates a component that is not available as an individual part.

4 WHEEL

ITEM	PART NO.	1	2	3	4	5	DESCRIPTION	QTY
66								
67	23602-G1						GOVERNOR BRACKET AND ARM ASSEMBLY (INCLUDES ITEMS 68 - 80)	1
68	23585-G1						ARM, GOVERNOR	1
69	22751-G2						GOVERNOR BRACKET ASSEMBLY (INCLUDES ITEMS 70 - 77)	1
70	25274-G1						ROD, GOVERNOR BRACKET	1
71	*						BUSHING	1
72	22752-G1						BRACKET, GOVERNOR	1
73	15292-G1						CAP, SPRING	2
74	23578-G1						SPRING, COMPRESSION	1
75	23859-G1						ADJUSTER, GOVERNOR	1
76	*						BUSHING	1
77	00526-G4						NUT, #10 - 32	1
78	24479-G1						BALL	1
79	00734-G5						NUT, #10 - 32	1
80	14390-G4						NUT, LOCK, 1/4 - 20	1
81								
82	23588-G1						WASHER, SPECIAL	1
83	23577-G1						SPRING, TORSION	1
84	00567-G7						WASHER, LOCK, 1/4	1
85	00544-G2						NUT, 1/4 - 28	1
86	23584-G1						TUBE, PIVOT	1
87								
88	24502-G1						VENT TUBE ASSEMBLY, MODEL YEAR 1989 (INCLUDES ITEMS 89-92)	1
89	17431-G5						TUBE, VINYL, 1/4 I.D. (4 1/2 LG.)	1
90	11845-G5						CLAMP, CABLE, INSULATED	1
91	24466-G1						CONNECTOR, FEMALE	1
92	24464-G1						VENT, VALVE	1
93	24878-G1						FITTING, PLASTIC	1
94	17433-G2						CLAMP	1
95	22587-G4						ADJUSTING ROD ASSEMBLY (INCLUDES ITEMS 96-98)	1
96	22602-G4						ROD, ADJUSTING	1
97	24465-G1						SOCKET	2
98	00526-G4						NUT, #10 - 32	2

REAR AXLE

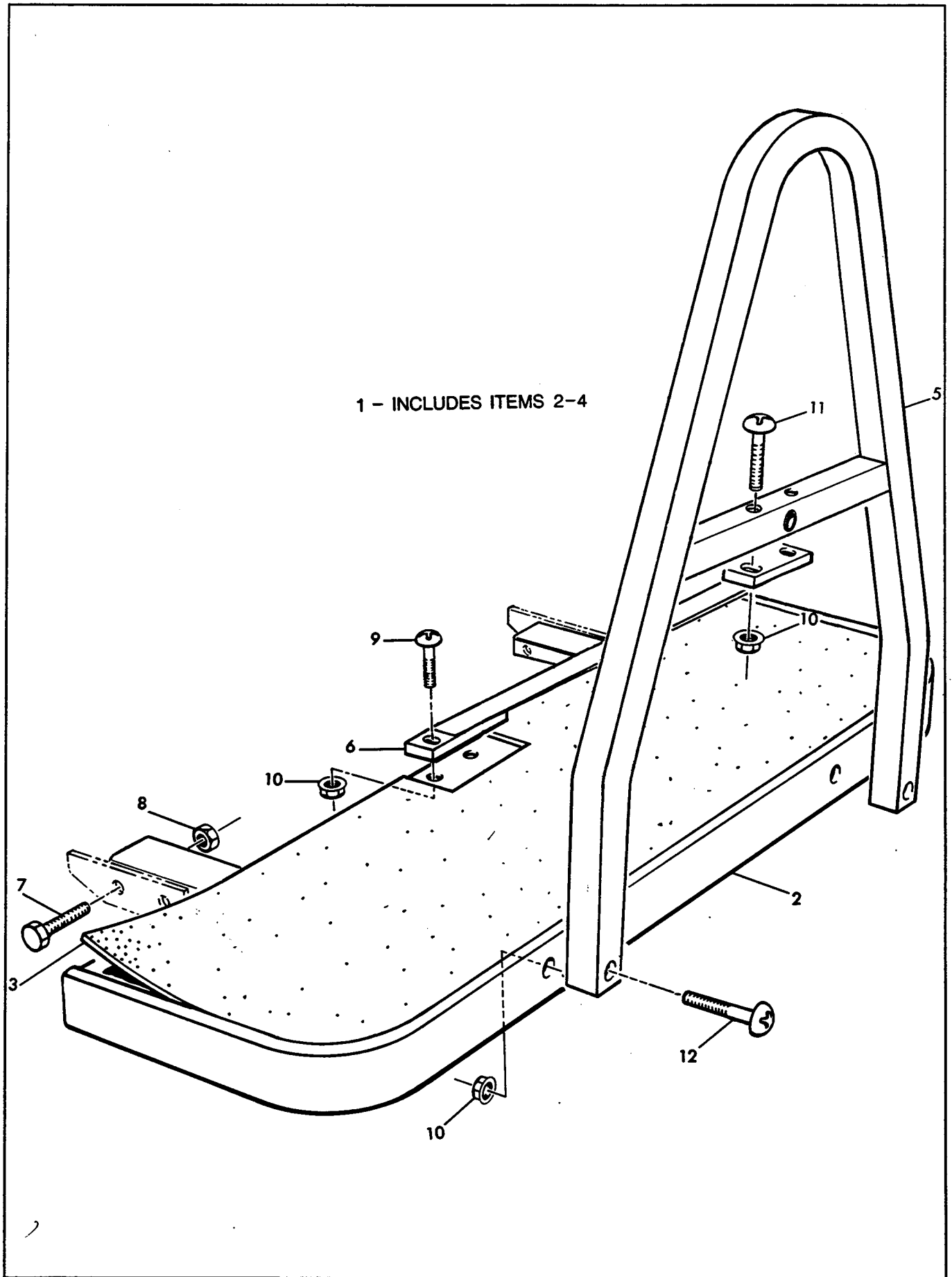
GASOLINE POWERED VEHICLE

THE USE OF NON U.L. PARTS WILL VOID ANY U.L. LISTING.

When ordering parts, please specify the model and serial number of the product.

* Indicates a component that is not available as an individual part.

ITEM	PART NO.	1	2	3	4	5	DESCRIPTION	QTY	
									4 WHEEL
99									
100	24459-G1						PLUG, PIPE, LATE 89 MODELS		1
101	12091-G1						SPINDLE CAP, MODEL YEAR 1990		2
102	24880-G1						DECAL, WARNING-GOVERNOR		1
103	**						SLIDE HAMMER KIT		NA
104	**						TOOL, SEAL INSTALLATION		NA
	**						SEE APPENDIX FOR SERVICE ACCESSORIES AND SPECIAL TOOLS		



REAR GUARD AND FOOTREST

ELECTRIC/GASOLINE POWERED VEHICLE

THE USE OF NON U.L. PARTS WILL VOID ANY U.L. LISTING.

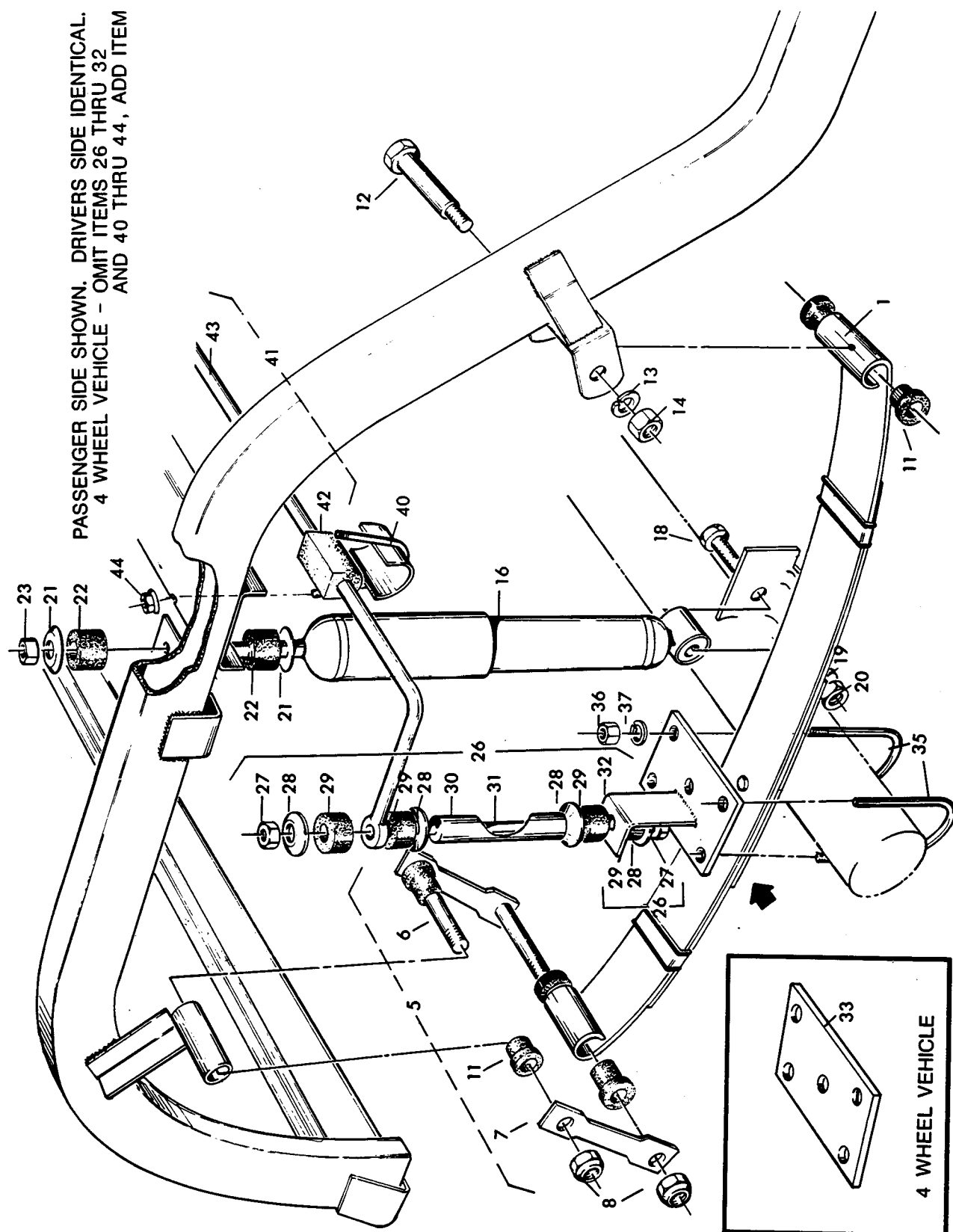
When ordering parts, please specify the model and serial number of the product.

* Indicates a component that is not available as an individual part.

	4 WHEEL
--	------------

ITEM	PART NO.	1 2 3 4 5					DESCRIPTION	QTY	
1	22277-G1						FOOTREST ASSEMBLY (INCLUDES ITEMS 2-4)		1
2	18891-G2						FOOTREST FRAME ASSEMBLY		1
3	18887-G2						MAT, FOOTREST		1
4	*						ADHESIVE, RUBBER		A/R
5	18876-G1						REAR GUARD		1
6	18875-G2						BRACE, REAR GUARD.		1
7	00659-G3						SCREW, STAINLESS STEEL, 1/2-13 X 1 1/4 LG.		4
▶ 8	14390-G6						NUT, LOCK, 1/2 - 13		4
▶ 9	16705-G3						SCREW, STAINLESS STEEL, 1/4-20 X 3/4 LG.		2
10	00891-G2						NUT, LOCK,, 1/4-20		6
11	16705-G5						SCREW, STAINLESS STEEL, 1/4-20 X 1 1/2 LG.		2
12	16705-G6						SCREW, STAINLESS STEEL, 1/4-20 X 1 3/4 LG.		2

PASSENGER SIDE SHOWN. DRIVERS SIDE IDENTICAL.
 4 WHEEL VEHICLE - OMIT ITEMS 26 THRU 32
 AND 40 THRU 44, ADD ITEM 33.



REAR SUSPENSION COMPONENTS

ELECTRIC POWERED VEHICLE

THE USE OF NON U.L. PARTS WILL VOID ANY U.L. LISTING.

When ordering parts, please specify the model and serial number of the product.

* Indicates a component that is not available as an individual part.

ITEM	PART NO.	1	2	3	4	5	DESCRIPTION	QTY	
									4 WHEEL
1	20398-G1						LEAF SPRING		2
2	11645-G2						LEAF SPRING, HEAVY DUTY		2
3									
4									
5	19675-G1						SPRING SHACKLE (INCLUDES ITEMS 6 - 8)		2
6	*						STUD PLATE, SHACKLE		2
7	*						PLATE, SHACKLE		2
8	19676-G1						NUT, LOCK, 3/8 - 24		4
9									
10									
11	20098-G1						BUSHING, RUBBER		12
12	15727-G1						BOLT, SHOULDER, 3/8 - 16		2
13	00566-G1						WASHER, LOCK, 3/8		2
14	00532-G5						NUT, 3/8 - 16		2
15									
16	20278-G1						SHOCK ABSORBER		2
17	20279-G1						SHOCK ABSORBER, HEAVY DUTY		2
18	00428-G4						SCREW, 3/8 - 16 X 2 1/2 LG.		2
19	00560-G1						WASHER, 3/8		2
20	00550-G5						NUT, LOCK, 3/8 - 16		2
21	10435-G1						WASHER, SHOCK ABSORBER		4
22	10194-G1						BUSHING, SHOCK ABSORBER		4
23	00532-G6						NUT, 3/8 - 24		2
24									
25									
26									
27									
28									
29									
30									
31									
32									
33	17034-G1						PLATE, SPRING RETAINER		2
34									

REAR SUSPENSION COMPONENTS

ELECTRIC POWERED VEHICLE

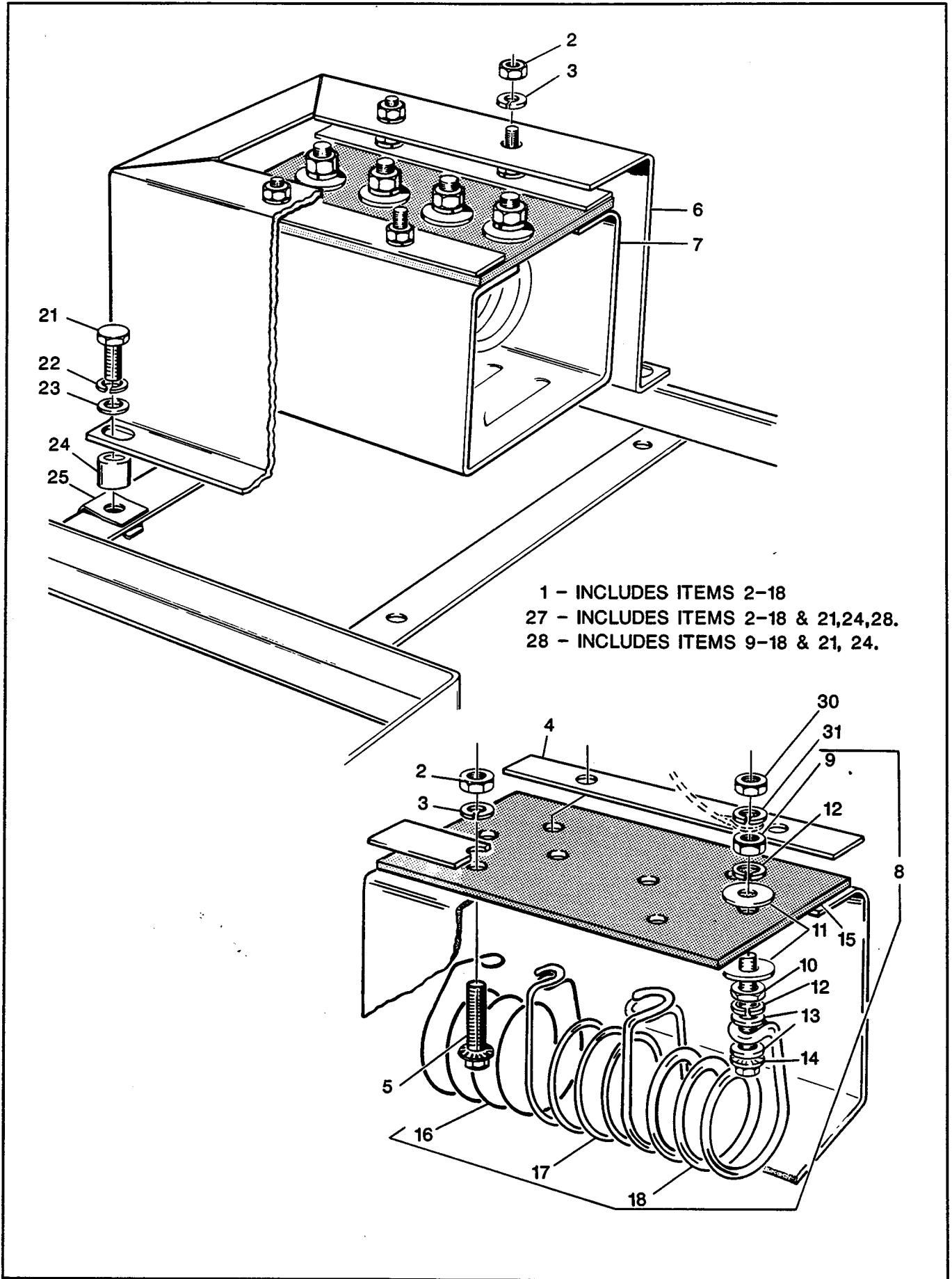
THE USE OF NON U.L. PARTS WILL VOID ANY U.L. LISTING.

When ordering parts, please specify the model and serial number of the product.

* Indicates a component that is not available as an individual part.

4 WHEEL

ITEM	PART NO.	1	2	3	4	5	DESCRIPTION	QTY
35	12058-G2						"U" BOLT, AXLE	4
36	00532-G5						NUT, 3/8 - 16	8
37	00566-G1						WASHER, LOCK, 3/8	8



RESISTOR COIL AND HOUSING ASSEMBLY

ELECTRIC POWERED VEHICLE

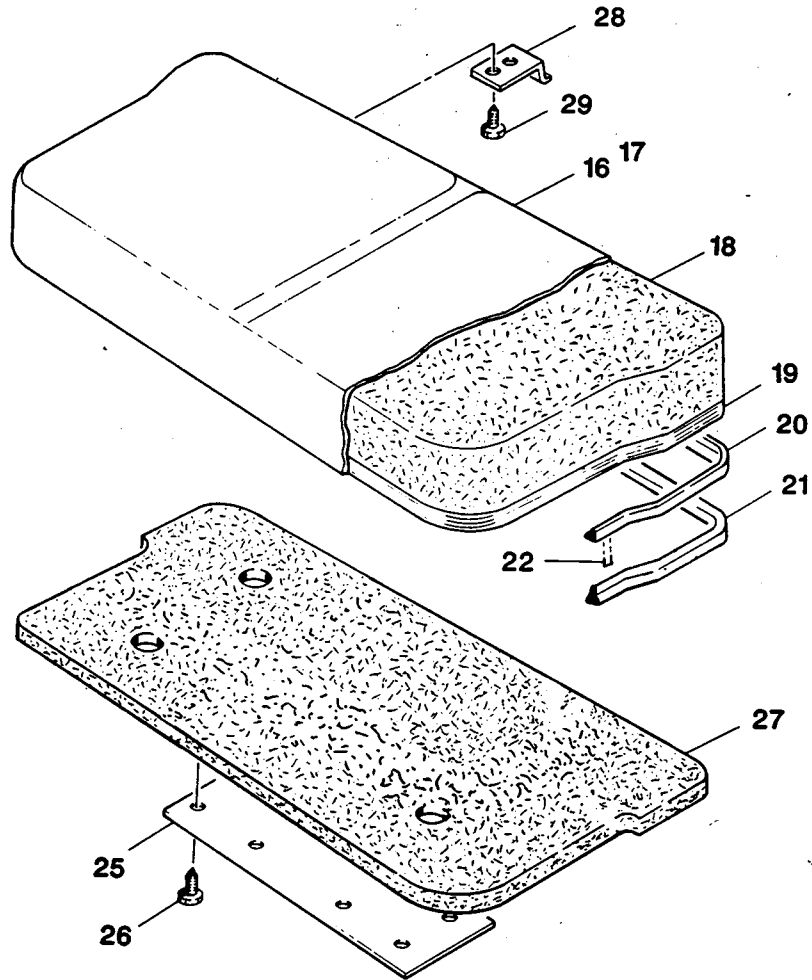
THE USE OF NON U.L. PARTS WILL VOID ANY U.L. LISTING.

When ordering parts, please specify the model and serial number of the product.

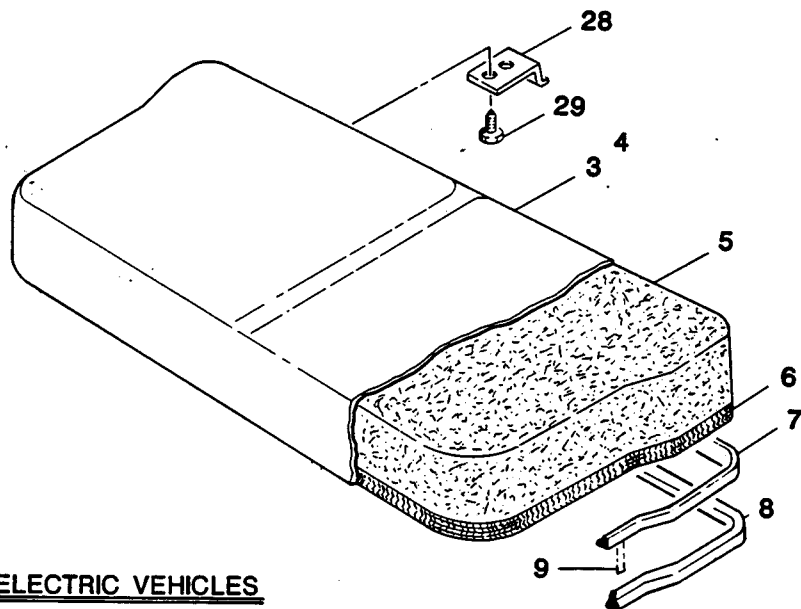
* Indicates a component that is not available as an individual part.

4 WHEEL

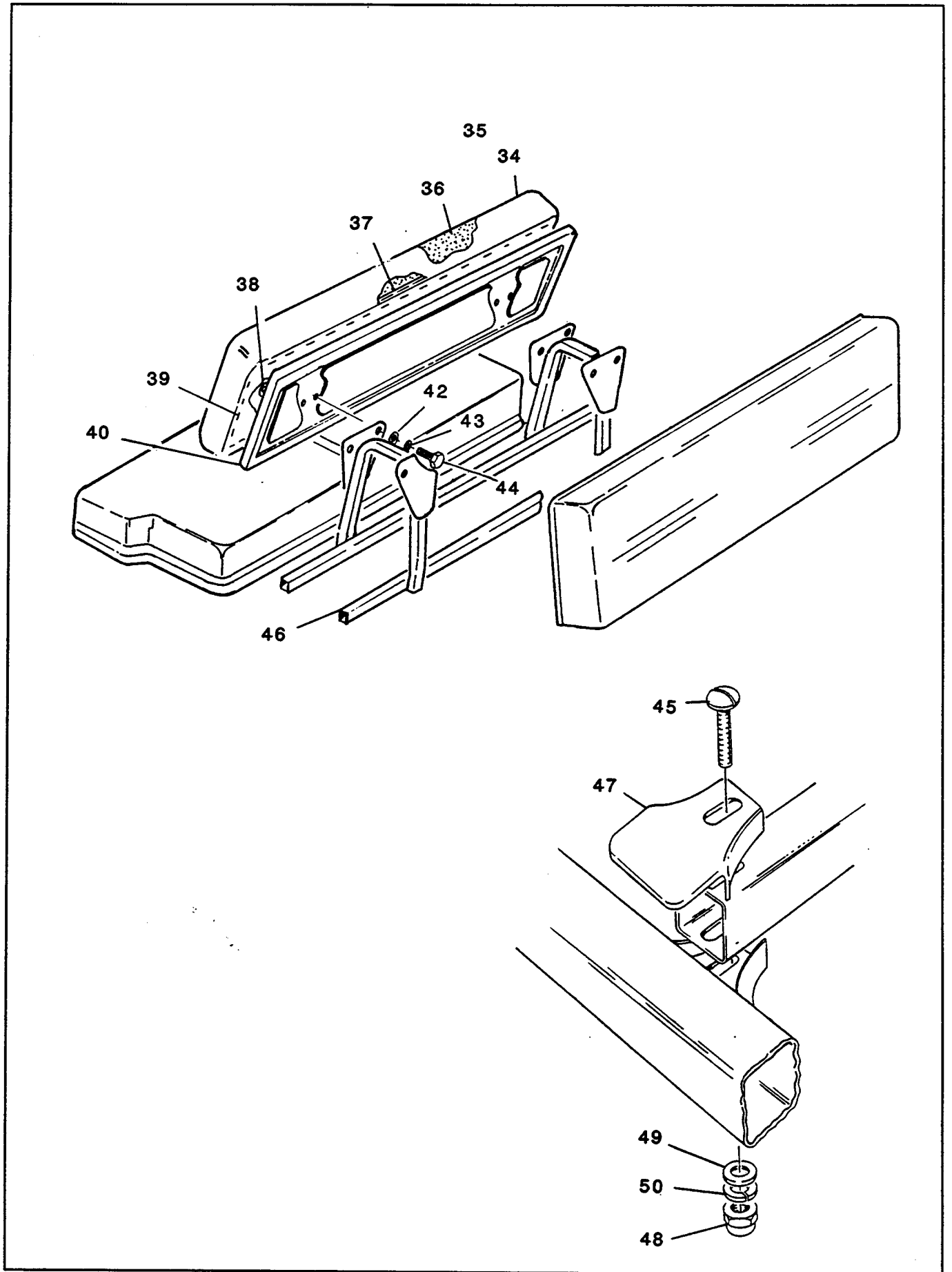
ITEM	PART NO.	1	2	3	4	5	DESCRIPTION	QTY
1	24904-G1						RESISTOR COIL ASSEMBLY (INCLUDES ITEMS 2 - 18) (SEE ITEM 27) .	1
2	00883-G1						NUT, 1/4 - 20	8
3	00664-G7						WASHER, LOCK, STAINLESS STEEL, 1/4	8
4	22951-G1						STRIP, SUPPORT	2
5	00661-G8						SCREW, STAINLESS STEEL, 1/4 - 20 X 1 LG.	4
6	18814-G1						SHIELD, RESISTOR	1
7	18812-G1						HOUSING, RESISTOR	1
8	24903-G1						RESISTOR BOARD ASSEMBLY (INCLUDES ITEMS 9 - 18) (SEE ITEM 28)	1
9	00883-G3						NUT, 5/16 - 18	4
10	00934-G1						NUT, 5/16 - 18	4
11	00932-G1						WASHER, 5/16	8
12	00882-G8						WASHER, LOCK, 5/16	8
13	00660-G8						WASHER, STAINLESS STEEL, 5/16	8
14	00880-G2						SCREW, LOCK, 5/16 - 18 X 2 LG.	4
15	18811-G1						BOARD, RESISTOR	1
16	23293-G1						COIL, RESISTOR, LIGHT	1
17	23294-G1						COIL, RESISTOR, MEDIUM	1
18	23295-G1						COIL, RESISTOR, HEAVY	1
19								
20								
21	00933-G1						SCREW, STAINLESS STEEL, 1/4 - 20 X 1 1/4 LG.	4
22	00664-G7						WASHER, LOCK, STAINLESS STEEL, 1/4	4
23	00660-G7						WASHER, STAINLESS STEEL, 1/4	4
24	24907-G1						SPACER	4
25	00709-G1						NUT, "U", 1/4 - 20	4
26								
27	23319-G1						RESISTOR COIL RETRO-FIT KIT, VEHICLES WITHOUT ITEM 24 (INCLUDES ITEMS 2 - 18 & 21, 24, 28)	1
28	23302-G1						RESISTOR BOARD RETRO-FIT KIT, VEHICLES WITHOUT ITEM 24 (INCLUDES ITEMS 9 - 18 & 21, 24)	1
29								
30	00883-G3						NUT, 5/16 - 18	4
31	00882-G8						WASHER, LOCK, 5/16	4



GASOLINE VEHICLES



ELECTRIC VEHICLES



SEATING

ELECTRIC/GASOLINE POWERED VEHICLE

THE USE OF NON U.L. PARTS WILL VOID ANY U.L. LISTING.

When ordering parts, please specify the model and serial number of the product.

* Indicates a component that is not available as an individual part.

ITEM	PART NO.	1	2	3	4	5	DESCRIPTION	QTY	
									4 WHEEL
1	18985-G2						SEAT BOTTOM ASSEMBLY, WHITE, ELECTRIC VEHICLE AND GASOLINE REAR SEAT (INCLUDES ITEMS 3 AND 5-11)	1	
2	18985-G6						SEAT BOTTOM ASSEMBLY, BLACK, ELECTRIC VEHICLE AND GASOLINE REAR SEAT (INCLUDES ITEMS 4-11)	1	
3	18146-G2						COVER, SEAT BOTTOM, WHITE	1	
4	18146-G3						COVER, SEAT BOTTOM, BLACK	1	
5	25432-G2						CUSHION, FOAM, SEAT BOTTOM	1	
6	18148-G2						SEAT BOTTOM, PLYWOOD	1	
7	17113-G1						TRIM, VINYL	1	
8	12727-G1						GASKET, SEAT	1	
9	*						STAPLE, FLAT,	110	
10									
11									
12									
13									
14	24056-G3						SEAT BOTTOM ASSEMBLY, WHITE, GASOLINE VEHICLE (INCLUDES ITEMS 16 AND 18-26)	1	
15	24056-G5						SEAT BOTTOM ASSEMBLY, BLACK, GASOLINE VEHICLE (INCLUDES ITEMS 17-26)	1	
16	18146-G2						COVER, SEAT BOTTOM, WHITE	1	
17	18146-G3						COVER, SEAT BOTTOM, BLACK	1	
18	25432-G2						CUSHION, FOAM, SEAT BOTTOM	1	
19	18148-G2						SEAT BOTTOM, PLYWOOD	1	
20	17113-G1						TRIM, VINYL	1	
21	12727-G1						GASKET, SEAT	1	
22	*						STAPLE, FLAT,	110	
23									
24									
25	25588-G1						SHIELD, HEAT	1	
26	00114-G6						SCREW, SELF-TAPPING, 1/4 - 10 X 3/4 LG.	10	
27	18151-G1						PANEL, SEAT BOTTOM	1	
28	18250-G1						BRACKET, SEAT HINGE	2	
29	00114-G6						SCREW, SELF-TAPPING, 1/4 - 10 X 3/4 LG.	4	
30									
31									

SEATING

ELECTRIC/GASOLINE POWERED VEHICLE

THE USE OF NON U.L. PARTS WILL VOID ANY U.L. LISTING.

When ordering parts, please specify the model and serial number of the product.

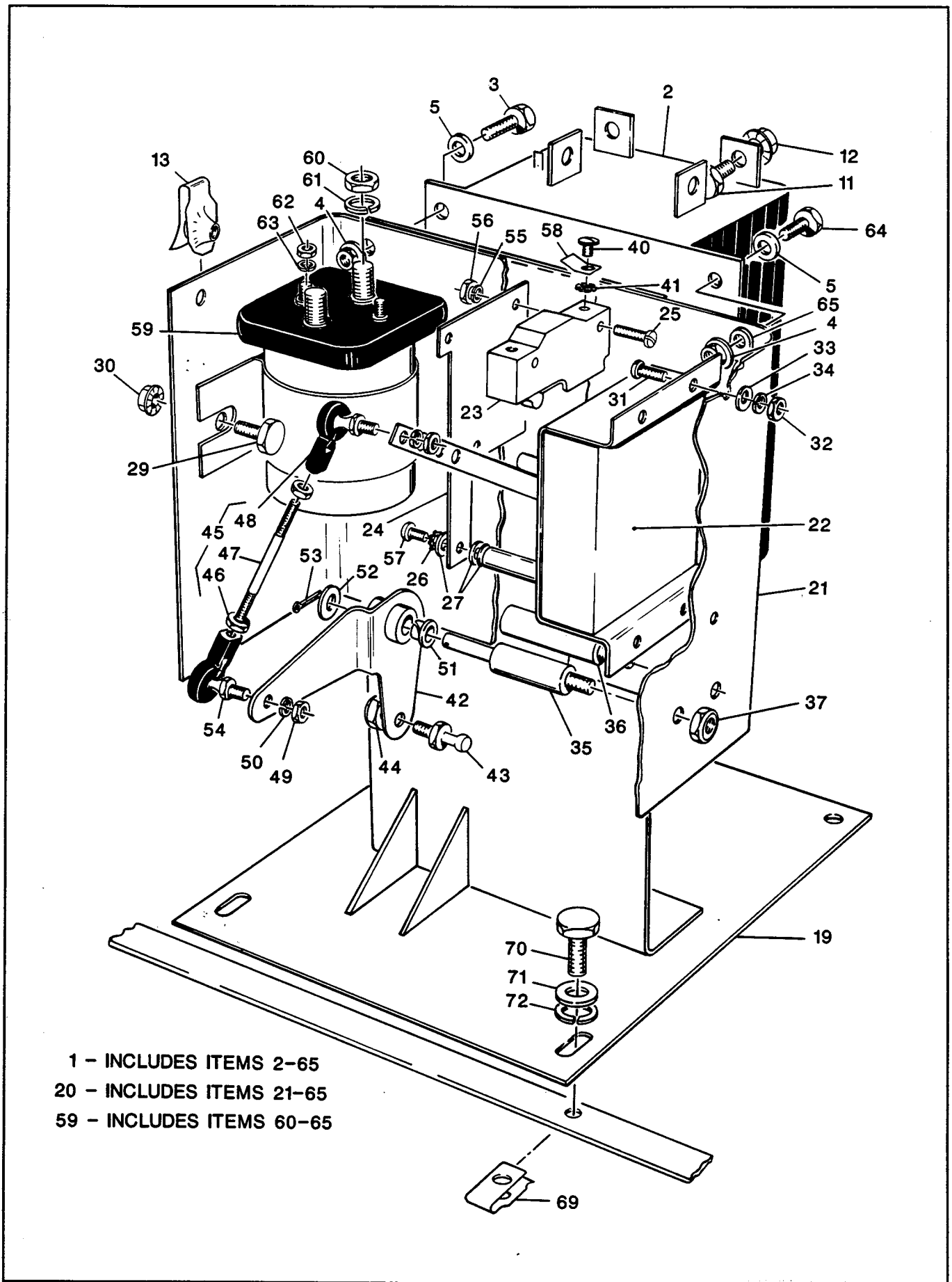
* Indicates a component that is not available as an individual part.

ITEM	PART NO.	1	2	3	4	5	DESCRIPTION	4 WHEEL	
								QTY	
32	18984-G1						SEAT BACK ASSEMBLY, WHITE (INCLUDES ITEMS 34 AND 36-40)		1
33	18984-G3						SEAT BACK ASSEMBLY, BLACK (INCLUDES ITEMS 35-40)		1
34	18868-G1						COVER, SEAT BACK, WHITE		1
35	18868-G3						COVER, SEAT BACK, BLACK		1
36	25433-G2						FOAM CUSHION		1
37	18951-G1						SEAT BACK, PLYWOOD		1
38	11782-G2						NUT, TEE, 1/4 - 20		8
39	*						STAPLE		95
40	18144-G1						COVER, BACK REST		1
41									
42	00661-G8						WASHER, STAINLESS STEEL, 1/4		8
43	00664-G7						WASHER, LOCK, STAINLESS STEEL, 1/4		8
44	00660-G7						WASHER, STAINLESS STEEL, 1/4		8
45	00902-G5						SCREW, 1/4 - 20 X 1 5/8 LG.		4
46	23763-G1						SEAT BACK SUPPORT TUBING		1
47	23758-G2						SUPPORT BRACKET		4
48	00903-G1						NUT, ACORN		4
49	00904-G7						WASHER, NARROW 1/4		4
50	00905-G7						WASHER, LOCK 1/4		4

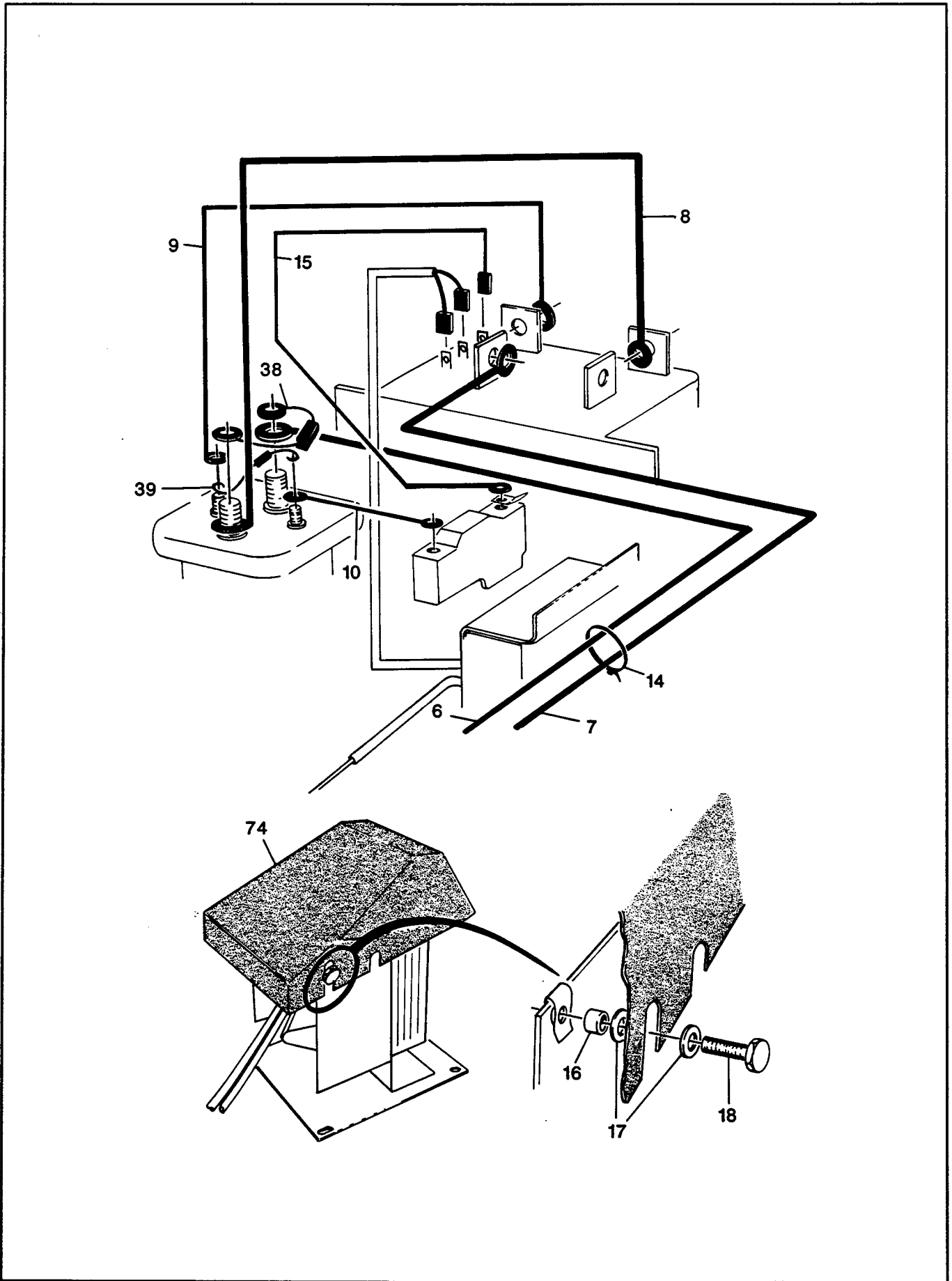
SOLID STATE CONTROL MODULE

ELECTRIC POWERED VEHICLE

FIRST USED FOR MODEL YEAR 1990



- 1 - INCLUDES ITEMS 2-65
- 20 - INCLUDES ITEMS 21-65
- 59 - INCLUDES ITEMS 60-65



SOLID STATE CONTROL MODULE

ELECTRIC POWERED VEHICLE

FIRST USED FOR MODEL YEAR 1990

THE USE OF NON U.L. PARTS WILL VOID ANY U.L. LISTING.

When ordering parts, please specify the model and serial number of the product.

* Indicates a component that is not available as an individual part.

4 WHEEL

ITEM	PART NO.	1	2	3	4	5	DESCRIPTION	QTY
1	25591-G1						ELECTRONIC SPEED CONTROL ASSEMBLY (INCLUDES ITEMS 2 - 65) .	1
2	20972-G1						CONTROL BOX, LDI	1
3	00414-G5						SCREW, 1/4 - 20 X 5/8 LG.	3
4	11027-G2						NUT, LOCK 1/4 - 20	4
5	00561-G7						WASHER, 1/4	4
6	23793-G3						WIRE, (SOL - BL+)	1
7	23793-G4						WIRE, (M - C)	1
8	23793-G1						WIRE, (SOL - B+)	1
9	24021-G1						WIRE, (BLACK)	1
10	23975-G1						WIRE, (ORANGE)	1
11	00270-G5						SCREW, 5/16 - 18 X 5/8 LG.	4
12	11027-G1						NUT, LOCK 5/16 - 18	4
13	00709-G1						'U' NUT	3
14	17618-G1						CLAMP, NYLON	1
15	24019-G2						WIRE, (BLUE)	1
16	23726-G1						SPACER	3
17	00559-G7						WASHER, 1/4	6
18	00414-G8						SCREW, 1/4 - 20 X 1 LG.	3
19	23608-G1						MOUNTING BRACKET	1
20	25261-G1						MOUNTING ASSEMBLY (INCLUDES ITEMS 21 - 65)	1
21	23603-G1						BRACKET, MOUNTING	1
22	25267-G2						POTENTIOMETER	1
23	10606-G5						MICRO SWITCH	1
24	23275-G1						SUPPORT, MICRO SWITCH	1
25	00138-G8						SCREW, #6 - 32 X 1 LG.	2
26	00567-G4						WASHER, LOCK, EXTERNAL #8	2
27	00559-G4						WASHER, #8	6
28								
29	00414-G4						SCREW, 1/4 - 20 X 1/2 LG.	2
30	11027-G2						NUT, LOCK 1/4 - 20	2
31	00150-G4						SCREW, #10 - 24 X 1/2 LG.	3
32	00526-G3						NUT, #10 - 24	3
33	00559-G5						WASHER, #10	3
34	00565-G5						WASHER, LOCK #10	3

SOLID STATE CONTROL MODULE

ELECTRIC POWERED VEHICLE

FIRST USED FOR MODEL YEAR 1990

THE USE OF NON U.L. PARTS WILL VOID ANY U.L. LISTING.

When ordering parts, please specify the model and serial number of the product.

* Indicates a component that is not available as an individual part.

4 WHEEL

ITEM	PART NO.	1	2	3	4	5	DESCRIPTION	QTY
35	23605-G1						ROD, PIVOT	1
36	23721-G1						ROD, STOP	1
37	14390-G1						NUT, 3/8 - 24	2
38	21764-G1						RESISTOR	1
39	30353-G1						DIODE	1
40	13514-G1						SCREW, BRASS #6 - 32 X 7/32 LG.	2
41	00567-G3						WASHER, LOCK, EXTERNAL TOOTH #6	1
42	24568-G1						PIVOT ARM	1
43	15944-G3						BALL, BALL JOINT, 5/16	1
44	11098-G9						NUT, LOCK 5/16 - 24	1
45	22587-G5						ROD, CONTROL ASSEMBLY (INCLUDES ITEMS 46 - 48)	1
46	00526-G4						NUT	2
47	23722-G1						ROD, CONTROL	1
48	24465-G1						SOCKET	2
49	00526-G4						NUT, #10 - 32	2
50	00565-G5						WASHER, LOCK #10	2
51	17838-G1						BUSHING, NYLINER	2
52	00559-G8						WASHER, 5/16	1
53	10387-G3						PIN, COTTER	1
54	24479-G1						BALL, BALL JOINT	2
55	00565-G3						WASHER, LOCK #6	2
56	00525-G5						NUT, #6 - 32	2
57	00372-G3						SCREW, #8 - 32 X 3/8 LG.	2
58	14628-G1						FASTON-TAB	1
59	20468-G1						SOLENOID (INCLUDES ITEMS 60 - 63)	1
60	00544-G4						NUT, JAM 5/16 - 24	2
61	00565-G8						WASHER, LOCK 5/16	2
62	00526-G4						NUT, #10 - 32	2
63	00565-G5						WASHER, LOCK #10	2
64	00414-G6						SCREW, 1/4 - 20 X 3/4 LG.	1
65	11845-G5						CLIP, CABLE	1
66								
67								
68								

SOLID STATE CONTROL MODULE

ELECTRIC POWERED VEHICLE

FIRST USED FOR MODEL YEAR 1990

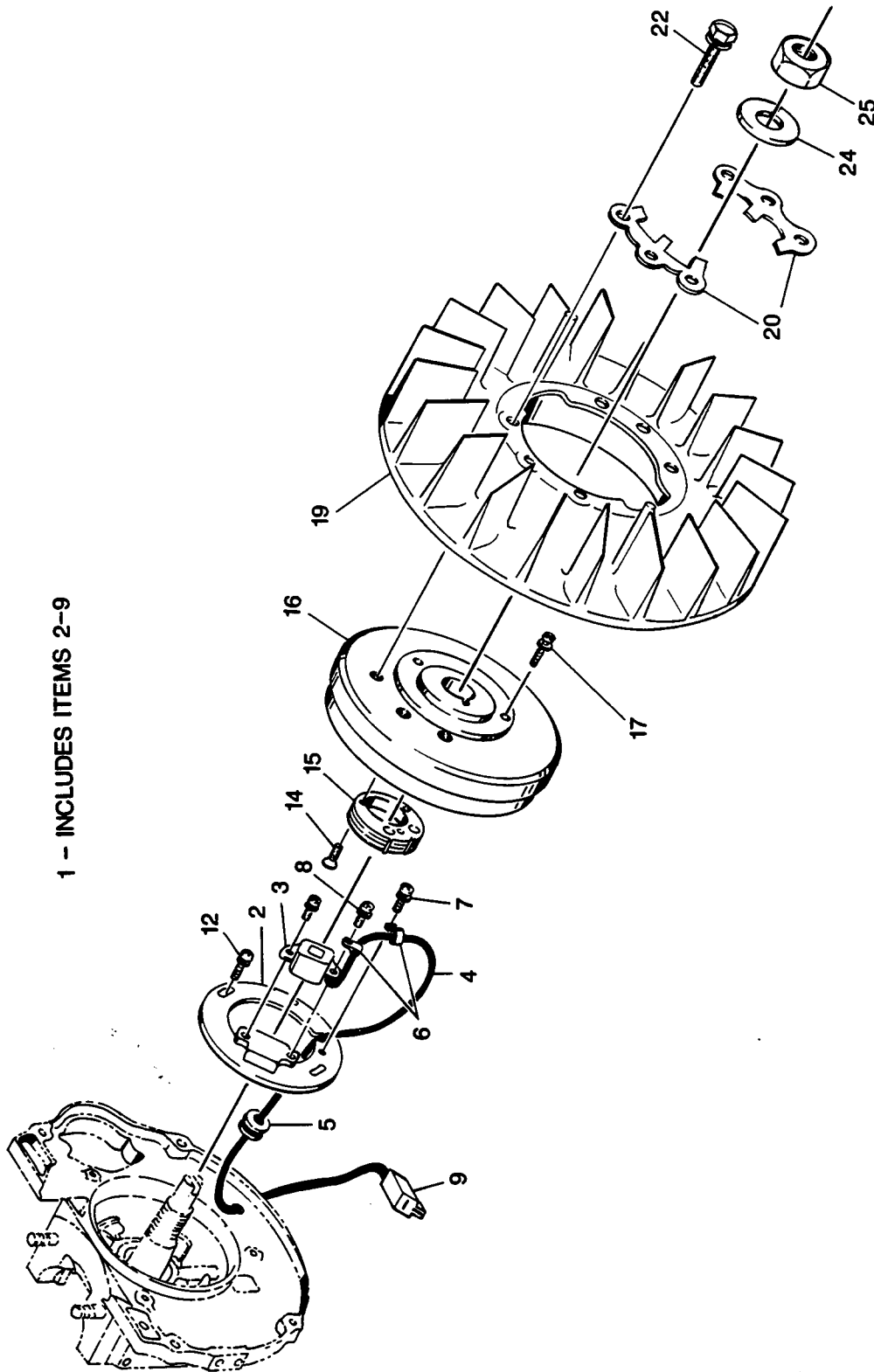
THE USE OF NON U.L. PARTS WILL VOID ANY U.L. LISTING.

When ordering parts, please specify the model and serial number of the product.

* Indicates a component that is not available as an individual part.

4 WHEEL

ITEM	PART NO.	1	2	3	4	5	DESCRIPTION	QTY
69	00709-G1						' U' NUT	4
70	00661-G6						SCREW, STAINLESS STEEL 1/4 - 20 X 3/4 LG.	4
71	00660-G7						WASHER, STAINLESS STEEL 1/4	4
72	00664-G7						WASHER, LOCK STAINLESS STEEL 1/4	4
73								
74	23723-G1						COVER, SPEED CONTROL	1



SOLID STATE IGNITION

GASOLINE POWERED VEHICLE

THE USE OF NON U.L. PARTS WILL VOID ANY U.L. LISTING.

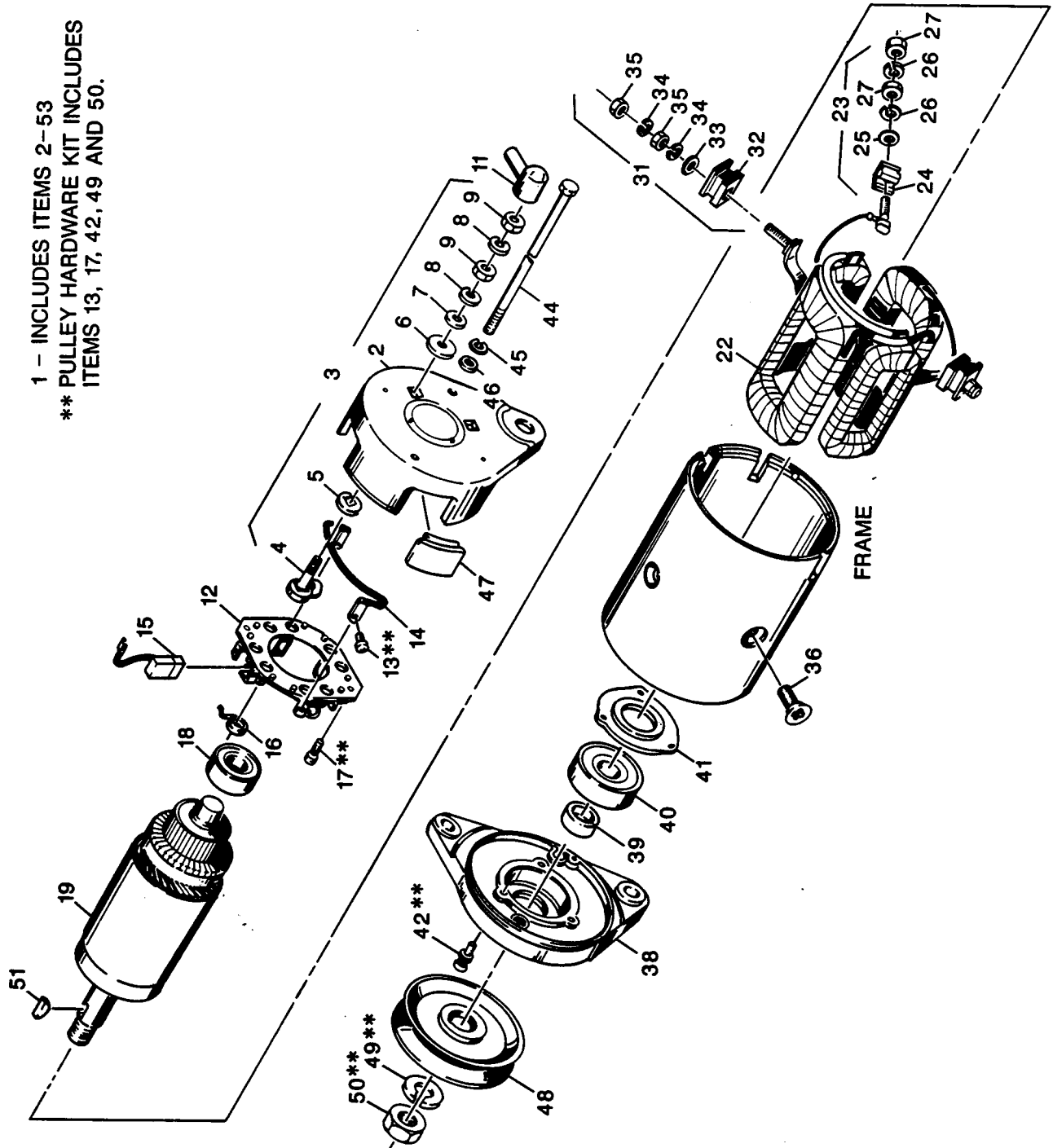
When ordering parts, please specify the model and serial number of the product.

* Indicates a component that is not available as an individual part.

4 WHEEL

ITEM	PART NO.	1	2	3	4	5	DESCRIPTION	QTY	
▶ 1	24518-G1						PULSER ASSEMBLY (INCLUDES ITEMS 2 - 9)		1
2	*						PLATE, COIL		1
3	17452-G1						COIL, PULSER		1
4	24508-G1						WIRE HARNESS		1
5	24516-G1						GROMMET		1
6	24520-G1						CLAMP		2
7	17456-G1						SCREW AND CAPTIVE WASHER, M4 X .70 X 3.5 mm LG.		1
8	17457-G1						SCREW AND CAPTIVE WASHER, M4 X .70 X 10 mm LG.		2
9	17459-G1						CONNECTOR		1
10									
11									
12	16908-G1						SCREW AND CAPTIVE WASHER, M5 X .80 X 16 mm LG.		2
13									
14	21968-G1						SCREW, FLAT HEAD, M4 X .70 X 15 mm LG.		3
15	17458-G1						ROTOR		1
16	18457-G1						FLYWHEEL		1
17	21967-G1						SCREW AND CAPTIVE WASHER, M6 X 1.00 X 9.5 mm LG.		2
18									
19	18458-G1						FAN		1
20	18459-G1						WASHER, LOCK		2
21									
▶ 22	12547-G2						BOLT AND CAPTIVE WASHER, M6 X 1.00 X 16 mm LG.		6
23									
24	16865-G1						WASHER, LOCK		1
25	16864-G1						NUT		1

1 - INCLUDES ITEMS 2-53
** PULLEY HARDWARE KIT INCLUDES
ITEMS 13, 17, 42, 49 AND 50.



STARTER/GENERATOR

GASOLINE POWERED VEHICLE

THE USE OF NON U.L. PARTS WILL VOID ANY U.L. LISTING.

When ordering parts, please specify the model and serial number of the product.

* Indicates a component that is not available as an individual part.

4 WHEEL

ITEM	PART NO.	1	2	3	4	5	DESCRIPTION	QTY
1	16511-G1						STARTER/GENERATOR, COMPLETE (INCLUDES ITEMS 2 - 53) (INTERCHANGEABLE WITH 16874-G1)	1
2	16885-G1						COVER, REAR	1
3	16886-G1						TERMINAL ASSEMBLY, A (INCLUDES ITEMS 4 - 9)	2
4	*						TERMINAL	2
5	*						INSULATOR	2
6	*						INSULATOR	2
7	*						WASHER	2
8	*						WASHER, LOCK	4
9	*						NUT	4
10								
11	16896-G1						COVER KIT, TERMINAL (INCLUDES 4 RUBBER BOOTS)	1
12	16887-G1						BRUSH HOLDER	1
13	*						SCREW	4
14	16890-G1						WIRE, BRUSH CONNECTION	2
15	16888-G1						BRUSH	4
16	16889-G1						SPRING, BRUSH	4
17	*						SCREW	2
18	16876-G1						BALL BEARING	1
19	16875-G1						ARMATURE	1
20								
21								
22	16880-G1						COIL, FIELD	1
23	16882-G1						BUSHING ASSEMBLY, INSULATING (DF) (INCLUDES ITEMS 24 - 27)	1
24	*						INSULATOR	1
25	*						WASHER	1
26	*						WASHER, LOCK	2
27	*						NUT	2
28								
29								
30								
31	16881-G1						BUSHING ASSEMBLY, INSULATING (F) (INCLUDES ITEMS 32 - 35)	2

STARTER/GENERATOR

GASOLINE POWERED VEHICLE

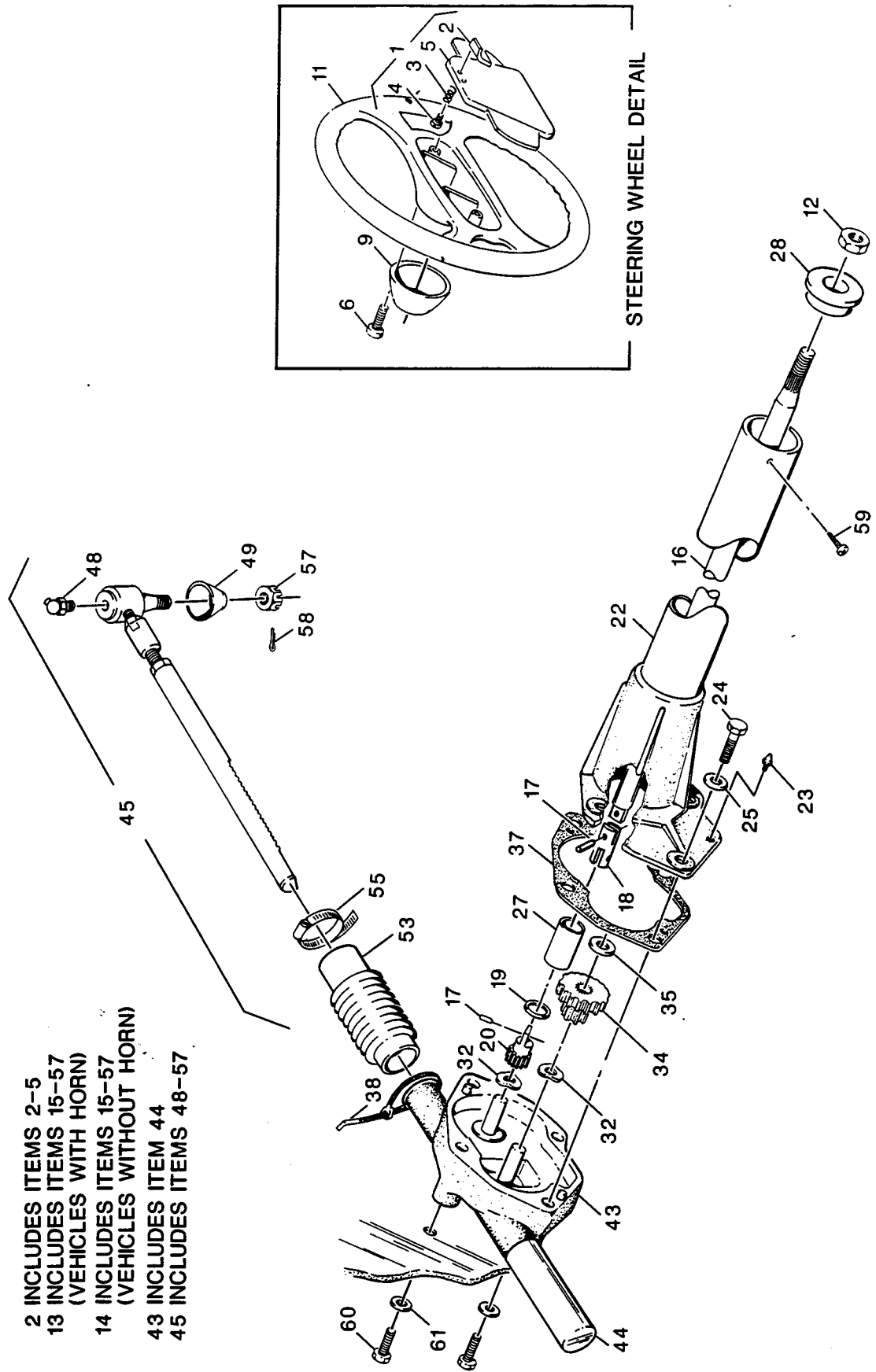
THE USE OF NON U.L. PARTS WILL VOID ANY U.L. LISTING.

When ordering parts, please specify the model and serial number of the product.

* Indicates a component that is not available as an individual part.

4 WHEEL

ITEM	PART NO.	1	2	3	4	5	DESCRIPTION	QTY
32	*						INSULATOR	1
33	*						WASHER	1
34	*						WASHER, LOCK	2
35	*						NUT	2
36	16883-G3						SCREW, POLE PIECE	4
37								
38	16884-G1						COVER, FRONT	1
39	16879-G1						SPACER	1
40	16877-G1						BALL BEARING	1
41	16878-G1						BEARING HOLDER	1
42	*						SCREW	3
43								
44	16895-G1						THROUGH BOLT (INCLUDES 45 AND 46)	2
45	*						WASHER, LOCK	2
46	*						WASHER	2
47	16894-G1						COVER, BRUSH	4
48	16892-G1						PULLEY	1
49	*						WASHER, LOCK	1
50	*						NUT	1
51	16891-G1						KEY	1
52								
53	16893-G1						PULLEY HARDWARE KIT (INCLUDES ITEMS 13, 17, 42, 49, AND 50)	1



- 2 INCLUDES ITEMS 2-5
- 13 INCLUDES ITEMS 15-57
(VEHICLES WITH HORN)
- 14 INCLUDES ITEMS 15-57
(VEHICLES WITHOUT HORN)
- 43 INCLUDES ITEM 44
- 45 INCLUDES ITEMS 48-57

STEERING

ELECTRIC/GASOLINE POWERED VEHICLE

THE USE OF NON U.L. PARTS WILL VOID ANY U.L. LISTING.

When ordering parts, please specify the model and serial number of the product.

* Indicates a component that is not available as an individual part.

4 WHEEL

ITEM	PART NO.	1	2	3	4	5	DESCRIPTION	QTY
▶ 1	23650-G1						PLATE, SCORECARD HOLDER ASSEMBLY (INCLUDES ITEMS 2 - 5) ...	1
▶ 2	23290-G1						CLIP, SCORECARD	1
3	18410-G1						SPRING, STAINLESS STEEL	2
4	18411-G1						SCREW, STAINLESS STEEL, #6 - 18 X 3/4 LG.	2
▶ 5	23289-G1						PLATE, SCORECARD HOLDER	1
6	18464-G1						SCREW, SELF-TAPPING, #8 X 7/8 LG.	2
7								
8								
9	23225-G1						HUB, COVER EXTENSION	1
10								
11	23172-G1						WHEEL, STEERING	1
▶ 12	14390-G2						NUT, LOCK, 5/8 - 18	1
▶ 13	19152-G3						STEERING UNIT ASSEMBLY (VEHICLES WITH HORN) (INCLUDES ITEMS 15 - 57)	1
14	19152-G1						STEERING UNIT ASSEMBLY (VEHICLES WITHOUT HORN) (INCLUDES ITEMS 15 - 57)	1
15	17163-G1						STEERING, SHAFT ASSEMBLY (INCLUDES ITEMS 16 - 20)	1
16	*						SHAFT, STEERING	1
17	*						PIN, DOWEL, 1/4	2
18	*						COUPLING	1
19	*						WASHER, THRUST	1
20	*						PINION, STEERING	1
21								
22	19153-G2						STEERING COLUMN UNIT	1
23	*						GREASE FITTING	1
24	00444-G8						SCREW, 5/16 - 24 X 1 LG.	4
25	00565-G8						WASHER, LOCK, 5/16	4
26								
27	17140-G1						SLEEVE	1
28	17161-G1						BUSHING AND SEAL	1
29								
30								
31								
32	51294-G1						WASHER, WAVE TYPE, SPRING	2
33								

STEERING

ELECTRIC/GASOLINE POWERED VEHICLE

THE USE OF NON U.L. PARTS WILL VOID ANY U.L. LISTING.

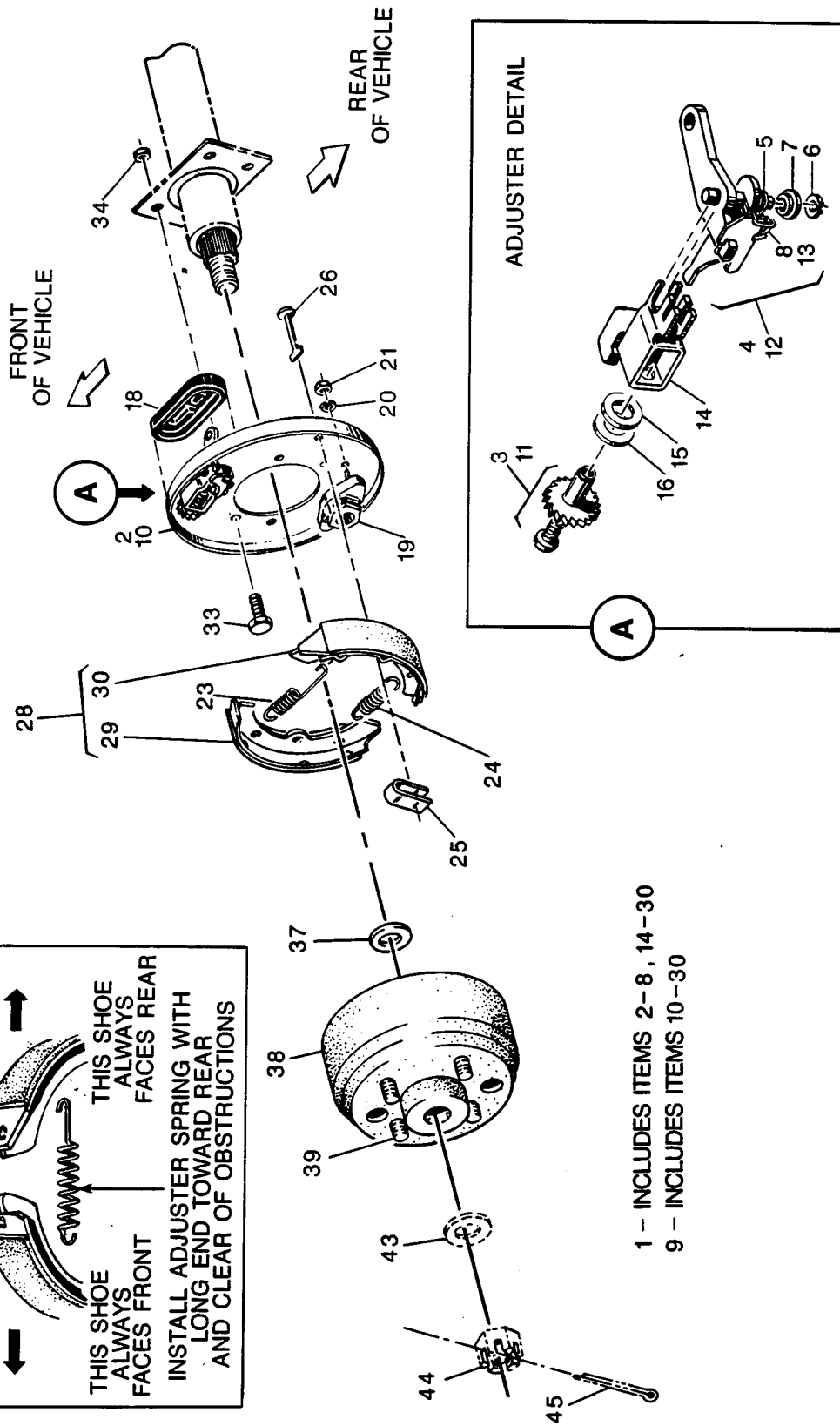
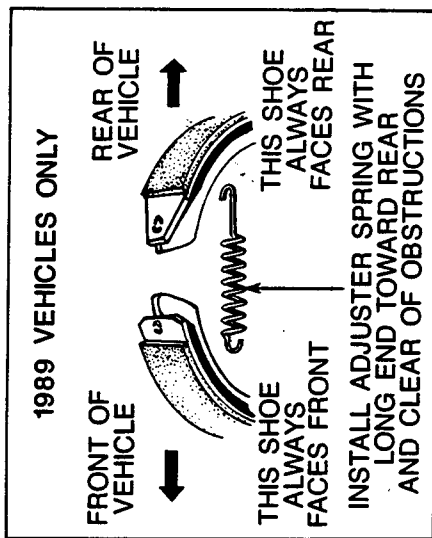
When ordering parts, please specify the model and serial number of the product.

* Indicates a component that is not available as an individual part.

4 WHEEL

ITEM	PART NO.	1	2	3	4	5	DESCRIPTION	QTY
34	23279-G1						GEAR, REDUCTION	1
35	13059-G2						WASHER, THRUST	1
36								
37	19154-G1						GASKET, HOUSING	1
38	17618-G1						CLAMP, NYLON	1
39								
40								
41								
42								
43	13097-G1						HOUSING ASSEMBLY (INCLUDES ITEM 44)	1
44	13570-G1						COVER, RACK	1
45	15407-G1						RACK AND ROD ASSEMBLY (INCLUDES ITEMS 48 - 57)	1
46								
47								
48	18456-G1						GREASE FITTING 90°	1
49	50641-G1						RUBBER BOOT, TIE ROD END	1
50								
51								
52								
53	17617-G1						BELLOWS	1
54								
55	11391-G1						CLAMP, HOSE	1
56								
57	50209-G1						NUT, SLOTTED, 7/16 - 20	1
58	10387-G2						COTTER PIN, 3/16 X 1 LG.	1
59	00118-G2						SCREW, SELF-TAPPING, #6 - 18 X 1/4 LG.	1
60	00276-G6						SCREW, 5/16 - 24 X 3/4 LG.	3
61	00565-G8						WASHER, LOCK, 5/16	3

SELF-ADJUSTING BRAKES
(DRIVER'S SIDE SHOWN)



WHEEL BRAKE

ELECTRIC/GASOLINE POWERED VEHICLE

1989 VEHICLES ONLY

THE USE OF NON U.L. PARTS WILL VOID ANY U.L. LISTING.

When ordering parts, please specify the model and serial number of the product.

* Indicates a component that is not available as an individual part.

ITEM	PART NO.	1	2	3	4	5	DESCRIPTION	QTY	
									4 WHEEL
1	22997-G2						BRAKE ASSEMBLY, DRIVER'S SIDE (INCLUDES ITEMS 2 - 8, 14 - 30)	1	
2	22518-G1						BACKING PLATE, DRIVER'S SIDE	1	
3	23360-G1						ADJUSTER, DRIVER'S SIDE	1	
4	23357-G1						LEVER ASSEMBLY, DRIVER'S SIDE (INCLUDES ITEMS 5 - 8)	1	
5	*						SPRING	1	
6	*						RETAINER	1	
7	*						WASHER, SHOULDER	1	
8	23536-G1						SPRING, TORSION, DRIVER'S SIDE	1	
9	22997-G1						BRAKE ASSEMBLY, PASSENGER SIDE (INCLUDES ITEMS 10 - 30)	1	
10	22519-G1						BACKING PLATE, PASSENGER SIDE	1	
11	23361-G1						ADJUSTER, PASSENGER SIDE	1	
12	23358-G1						LEVER ASSEMBLY, PASSENGER SIDE (INCLUDES ITEMS 5 - 7 AND 13)	1	
13	23537-G1						SPRING, TORSION, PASSENGER SIDE	1	
14	23363-G1						ADJUSTER BODY	1	
15	23382-G1						WASHER	1	
16	23362-G1						WASHER, THRUST	1	
17									
18	22519-G1						DUST COVER	1	
19	23356-G1						ANCHOR BLOCK	1	
20	00565-G1						WASHER, LOCK, 1/4	2	
21	13632-G1						NUT, 6 mm	2	
22									
23	23359-G1						SPRING, BRAKE, ADJUSTER	1	
24	17290-G1						SPRING, BRAKE, ANCHOR	1	
25	17291-G1						SPRING, SHOE, CLAMP	2	
26	17292-G1						PIN, TENSION	2	
27									
28	23364-G1						BRAKE SHOE SET (INCLUDES ITEMS 29 AND 30)	1	
29	*						BRAKE SHOE, LEADING	1	
30	*						BRAKE SHOE, TRAILING	1	
31									
32									
33	17083-G1						BOLT, 5/16 - 24 X 3/4 LG.	8	

WHEEL BRAKE

ELECTRIC/GASOLINE POWERED VEHICLE

1989 VEHICLES ONLY

THE USE OF NON U.L. PARTS WILL VOID ANY U.L. LISTING.

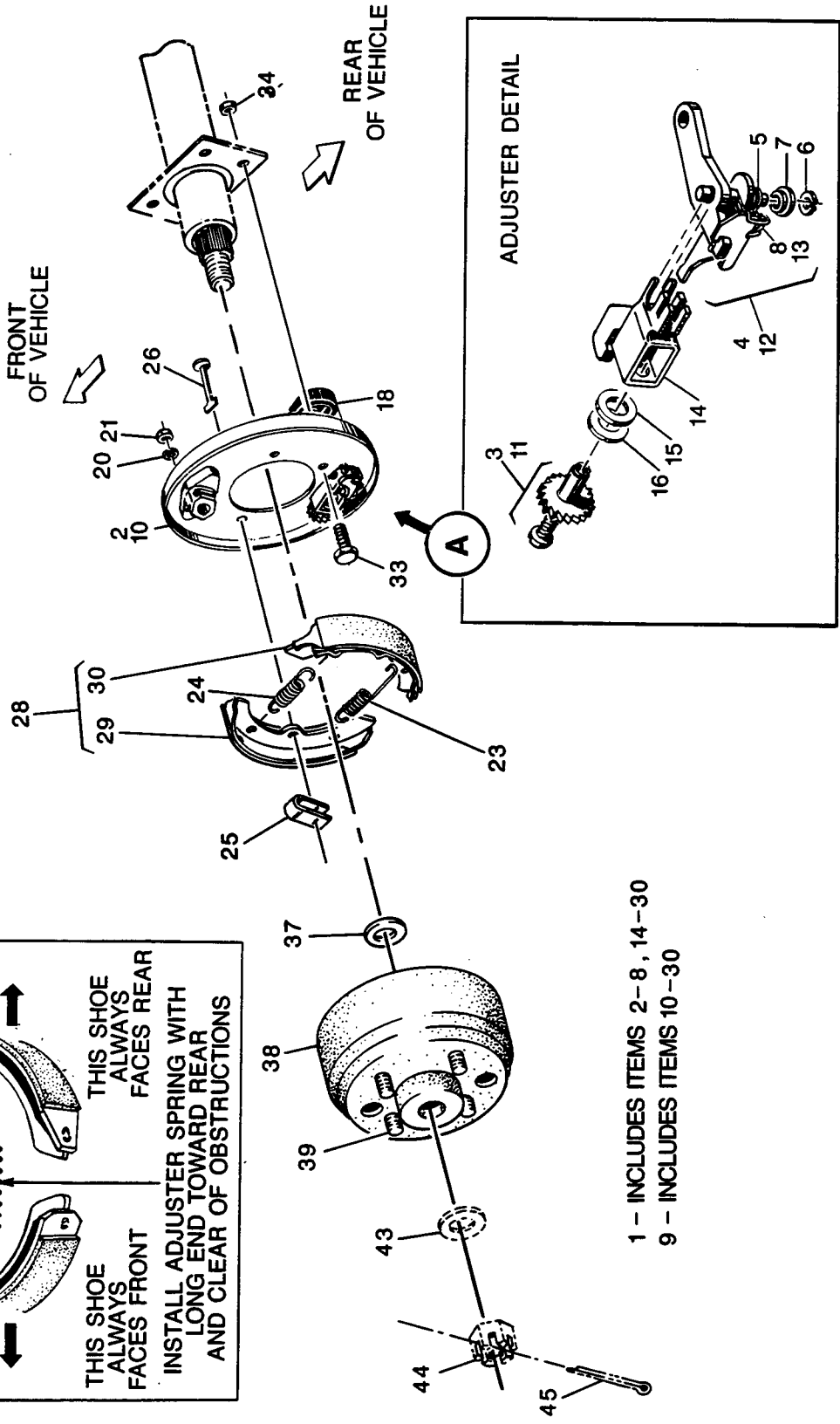
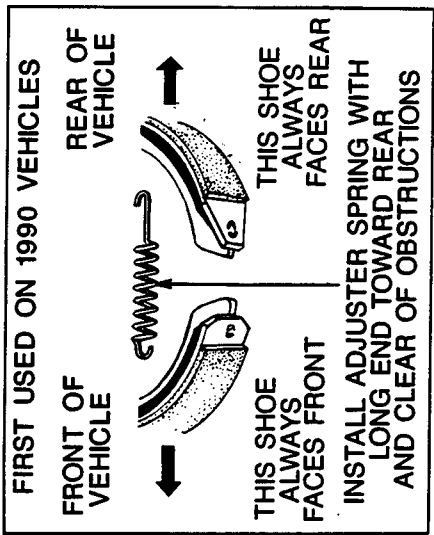
When ordering parts, please specify the model and serial number of the product.

* Indicates a component that is not available as an individual part.

4 WHEEL

ITEM	PART NO.	1	2	3	4	5	DESCRIPTION	QTY
34	15126-G1						NUT, LOCK, 5/16 - 24	8
35								
36								
37	15485-G1						WASHER, 5/164	2
38	19186-G1						BRAKE DRUM ASSEMBLY (INCLUDES ITEM 39)	2
39	19862-G1						LUG BOLT, 1/2 - 20 X 1 7/32 LG.	4
40								
41								
42								
43	XXXXX-XX						WASHER (SEE SECTION CC FOR PART NUMBER AND QUANTITY)	
44	XXXXX-XX						NUT, SLOTTED (SEE SECTION CC FOR PART NUMBER AND QUANTITY)	
45	XXXXX-XX						COTTER PIN (SEE SECTION CC FOR PART NUMBER AND QUANTITY)	

SELF-ADJUSTING BRAKES
(DRIVER'S SIDE SHOWN)



- 1 - INCLUDES ITEMS 2-8, 14-30
- 9 - INCLUDES ITEMS 10-30

WHEEL BRAKE

ELECTRIC/GASOLINE POWERED VEHICLE

FIRST USED FOR MODEL YEAR 1990

THE USE OF NON U.L. PARTS WILL VOID ANY U.L. LISTING.

When ordering parts, please specify the model and serial number of the product.

* Indicates a component that is not available as an individual part.

4 WHEEL

ITEM	PART NO.	1	2	3	4	5	DESCRIPTION	QTY
1	22997-G2						BRAKE ASSEMBLY, PASSENGER SIDE (INCLUDES ITEMS 2 - 8, 14 - 30)	1
2	22518-G1						BACKING PLATE, PASSENGER SIDE	1
3	23360-G1						ADJUSTER, PASSENGER SIDE	1
4	23357-G1						LEVER ASSEMBLY, PASSENGER SIDE (INCLUDES ITEMS 5 - 8) ...	1
5	*						SPRING	1
6	*						RETAINER	1
7	*						WASHER, SHOULDER	1
8	23536-G1						SPRING, TORSION, PASSENGER SIDE	1
9	22997-G1						BRAKE ASSEMBLY, DRIVER'S SIDE (INCLUDES ITEMS 10 - 30)	1
10	22519-G1						BACKING PLATE, DRIVER'S SIDE	1
11	23361-G1						ADJUSTER, DRIVER'S SIDE	1
12	23358-G1						LEVER ASSEMBLY, DRIVER'S SIDE (INCLUDES ITEMS 5 - 7 AND 13)	1
13	23537-G1						SPRING, TORSION, DRIVER'S SIDE	1
14	23363-G1						ADJUSTER BODY	1
15	23382-G1						WASHER	1
16	23362-G1						WASHER, THRUST	1
17								
18	22519-G1						DUST COVER	1
19	23356-G1						ANCHOR BLOCK	1
20	00565-G1						WASHER, LOCK, 1/4	2
21	13632-G1						NUT, 6 mm	2
22								
23	23359-G1						SPRING, BRAKE, ADJUSTER	1
24	17290-G1						SPRING, BRAKE, ANCHOR	1
25	17291-G1						SPRING, SHOE, CLAMP	2
26	17292-G1						PIN, TENSION	2
27								
28	23364-G1						BRAKE SHOE SET (INCLUDES ITEMS 29 AND 30)	1
29	*						BRAKE SHOE, LEADING	1
30	*						BRAKE SHOE, TRAILING	1
31								
32								
33	17083-G1						BOLT, 5/16 - 24 X 3/4 LG.	8

WHEEL BRAKE

ELECTRIC/GASOLINE POWERED VEHICLE

FIRST USED FOR MODEL YEAR 1990

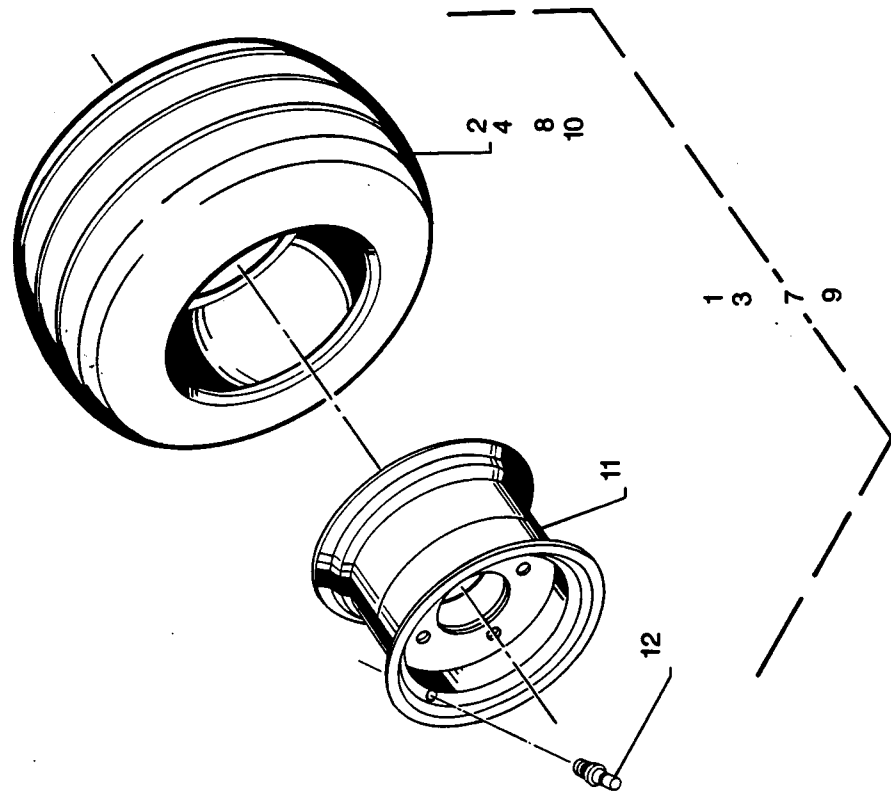
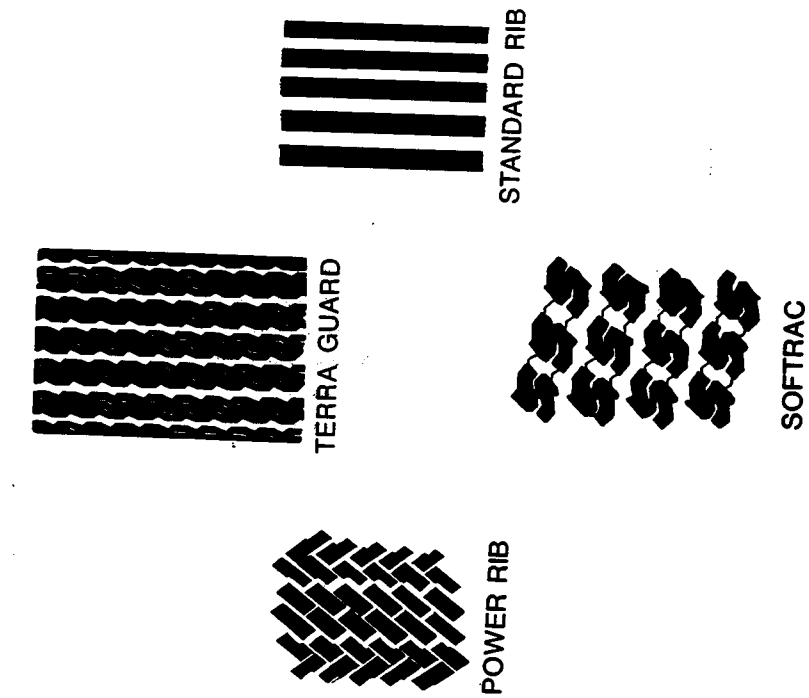
THE USE OF NON U.L. PARTS WILL VOID ANY U.L. LISTING.

When ordering parts, please specify the model and serial number of the product.

* Indicates a component that is not available as an individual part.

4 WHEEL

ITEM	PART NO.	1	2	3	4	5	DESCRIPTION	QTY
34	15126-G1						NUT, LOCK, 5/16 - 24	8
35								
36								
37	15485-G1						WASHER, 5/164	2
38	19186-G1						BRAKE DRUM ASSEMBLY (INCLUDES ITEM 39)	2
39	19862-G1						LUG BOLT, 1/2 - 20 X 1 7/32 LG.	4
40								
41								
42								
43	XXXXX-XX						WASHER (SEE SECTION CC FOR PART NUMBER AND QUANTITY)	
44	XXXXX-XX						NUT, SLOTTED (SEE SECTION CC FOR PART NUMBER AND QUANTITY)	
45	XXXXX-XX						COTTER PIN (SEE SECTION CC FOR PART NUMBER AND QUANTITY)	



WHEELS AND TIRES

ELECTRIC/GASOLINE POWERED VEHICLE

THE USE OF NON U.L. PARTS WILL VOID ANY U.L. LISTING.

When ordering parts, please specify the model and serial number of the product.

* Indicates a component that is not available as an individual part.

ITEM	PART NO.	1	2	3	4	5	DESCRIPTION	4 WHEEL	
								QTY	
1	15170-G1						18 X 8.50 X 8 TIRE AND WHEEL RIM ASSEMBLY, STANDARD RIB		AR
2	11594-G1						18 X 8.50 X 8 TIRE, STANDARD RIB		AR
3	14697-G2						18 X 8.50 X 8 TIRE AND WHEEL RIM ASSEMBLY, SOFTRAC		AR
4	14697-G1						18 X 8.50 X 8 TIRE, SOFTRAC		AR
5									
6									
7	14728-G2						18 X 8.50 X 8 TIRE AND WHEEL RIM ASSEMBLY, POWER RIB		AR
8	14728-G1						18 X 8.50 X 8 TIRE, POWER RIB		AR
9	20258-G1						18 X 8.50 X 8 TIRE AND WHEEL RIM ASSEMBLY, TERRA GUARD		AR
10	20259-G1						18 X 8.50 X 8 TIRE, TERRA GUARD		AR
11	15169-G1						WHEEL RIM, 1 PIECE 8.50/9.50 X 8, STANDARD (INCLUDED IN ITEMS 1, 3, 7, AND 9)		AR
12	11657-G1						VALVE STEM (INCLUDED IN ITEMS 1, 3, 7, AND 9)		AR

SERVICE ACCESSORIES AND SPECIAL TOOLS

SPECIAL TOOLS (GASOLINE VEHICLE)

PART NO.

AMMETER	16489-G2
DIPSTICK, SERVICE	24710-G1
PULLER, DRIVE CLUTCH	19779-G2
PULLER, FLYWHEEL	17086-G1
SEAL INSTALLATION TOOL (REAR AXLE SHAFT SEAL)	18739-G1
SLIDE HAMMER KIT (AXLE PULLER)	18753-G1
TOOL KIT, METRIC (244 cc ENGINE, INCLUDES CLUTCH PULLER)	14708-G2
VOLT OHM METER (VOM)	51020-G2

SPECIAL TOOLS (ELECTRIC VEHICLE)

PART NO.

CURRENT INDICATOR	16489-G2
DIPSTICK, SERVICE	24710-G1
MULTI-METER (OHM METER)	51020-G2
SEAL INSTALLATION TOOL (REAR AXLE SHAFT SEAL)	18739-G1
SLIDE HAMMER KIT (AXLE PULLER)	18753-G1

PAINT

<u>COLOR</u>	<u>SPRAY CAN</u>	<u>QUARTS</u>	<u>GALLONS</u>
PRIMER	51130-G1	-----	-----
GLOSS BLACK	50633-G1	50633-G3	50633-G4
FLAT BLACK	15430-G1	15632-G1	15632-G2
GLENWOOD GREEN	50628-G1	50628-G3	50628-G4
BIMINI BLUE (MIST BLUE)	50630-G1	50630-G3	50630-G4
ARCTIC WHITE (PURE WHITE)	50632-G1	50632-G3	50632-G4
PEARL GREY (GEORGIA GREY)	24643-G1	24643-G2	24643-G3
BRIGHT RED (BULLDOG RED)	24644-G1	24644-G2	24644-G3
FROST BEIGE	20874-G1	20874-G2	20874-G3



E-Z-GO Division of Textron Inc.
P.O. BOX 388 Augusta, Georgia 30913-2699
Telephone (404) 798-4311