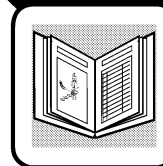
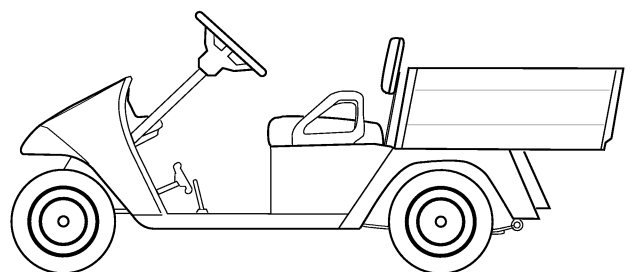
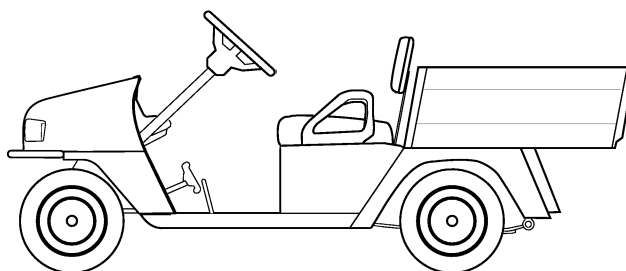


28728-G01

**TEXTRON**  
GOLF, TURF & SPECIALTY PRODUCTS



# SERVICE PARTS MANUAL



## **ELECTRIC POWERED UTILITY VEHICLE**

STARTING MODEL YEAR: 2002

# **SERVICE PARTS MANUAL**

## **ELECTRIC UTILITY VEHICLES**

**WORKHORSE<sup>®</sup> 800**

**WORKHORSE<sup>®</sup> 800 LX**

**INDUSTRIAL 800**

**COMMANDER<sup>™</sup> 280**

**COMMANDER<sup>™</sup> 280 SE**

TEXTRON Golf, Turf & Specialty Products reserves the right to make design changes without obligation to make these changes on units previously sold and the information contained in this manual is subject to change without notice.

TEXTRON Golf, Turf & Specialty Products is not liable for errors in this manual or for incidental or consequential damages that result from the use of the material in this manual.

**CUSTOMER SERVICE DEPARTMENT IN USA PHONE: 1-800-241-5855 FAX: 1-800-448-8124**

**OUTSIDE USA PHONE: 010-1-706-798-4311, FAX: 010-1-706-771-4609**

**TEXTRON GOLF, TURF & SPECIALTY PRODUCTS, P.O.BOX 388, AUGUSTA, GEORGIA USA 30903-0388**

## **NOTES**

To obtain a copy of the limited warranty applicable to the vehicle, call or write a local Distributor, authorized Branch or the Warranty Department with vehicle serial number and manufacturer code.

The use of non Original Equipment Manufacturer (OEM) parts may void the warranty.

Overfilling of batteries may void the warranty.

### **BATTERY PROLONGED STORAGE**

All batteries will self discharge over time. The rate of self discharge varies depending on the ambient temperature and the age and condition of the batteries.

A fully charged battery will not freeze in winter temperatures unless the temperature falls below  $-75^{\circ}\text{F}$  ( $-60^{\circ}\text{C}$ ).

As with all electric vehicles, the batteries must be checked and recharged as required or at a minimum of 30 day intervals.

# GENERAL INDEX

SECTION	Page No.
How to use the Service Parts Manual .....	vii
ILLUSTRATED PARTS BREAKDOWN:	
ACCELERATOR	
• Pedal Box Assembly, Accelerator Pedal .....	A-1
BATTERY CHARGER	
• PowerWise™ Battery Charger (Portable) .....	B-1
• PowerWise™ Battery Charger (On Board) .....	B-9
• Lester Battery Charger (Portable) .....	B-17
BODY	
• WorkHorse® 800 / Commander™ 280 Cowl, Front Shield, Instrument Panel, Floorboard .....	C-1
• LX and SE Cowl, Glove Box Door, Front Fenders .....	C-2
• Battery Rack, Splash Panel, Floormat, Seat Wrap, Side Panels, Rear Fenders, Rear Panel .....	C-3
• Ashtray, Ball Hitch, Clevis Hitch .....	C-4
• Industrial 800 Model Cowl, Front Splash Panel, Battery Racks, Seat Wrap Support .....	C-5
BRAKES	
• Brake Pedal (with brake lights) .....	D-1
• Brake Pedal (without brake lights) .....	D-2
• Brake Linkage .....	D-3
• Wheel Brake .....	D-4
CAB AND VAN BOX	
• Cab .....	E-1
• Cab Mounts, Windshield Wiper .....	E-2
• Steel Doors, Vinyl Doors, Strobe Light .....	E-3
• Control Panel, Defroster/Cooling Fan, Worklight .....	E-4
DIRECTION SELECTOR	
• Direction Selector, Reverse Warning Buzzer .....	F-1
ELECTRIC MOTOR	
• Electric Motor .....	G-1

# GENERAL INDEX

SECTION	Page No.
ELECTRICAL SYSTEM	
• Batteries.....	H-1
• Charger Receptacle, Fuse Blocks .....	H-2
• Ignition Switch, State of Charge Meter, Horn.....	H-3
• Headlight.....	H-4
• Brake Pedal and Taillight Connections .....	H-5
• Turn Signal, Hour Meter.....	H-6
• Worklights, Strobe Light.....	H-7
• (WorkHorse <sup>®</sup> 800 LX / Commander <sup>™</sup> 280 SE) Headlights, Turn Signal.....	H-8
ELECTRONIC SPEED CONTROL	
• Electronic Speed Control Wiring, Solenoid Wiring.....	J-1
• Electronic Speed Control, Cover, Solenoid.....	J-1
FRONT SUSPENSION (Early Production, for Jan. 2001 and later see 'FRONT SUSPENSION AND STEERING')	
• Front Axle, Spindle, Wheel Hub, Shock Absorber, Spring .....	K-1
FRONT SUSPENSION AND STEERING (Jan. 2001 and later)	
• Front Axle, Spindle, Wheel Hub, Tie Rod, Steering Column and Wheel .....	K-5
REAR AXLE	
• Differential Cover, Drain Plug, Vent, Differential Guard .....	L-1
REAR SUSPENSION	
• Leaf Spring, Shock Absorber .....	M-1
SEATS	
• Seat Back, Seat Bottom, Hip Restraint.....	N-1
TRUCKBED	
• Manual Dump Bed, Tailgate, Decals.....	Q-1
• Tilt Latch, Bed Stop Cable .....	Q-2
• Bed Liner, Bed Pivot Frame .....	Q-3
• Flat Bed .....	Q-4
• Electric Dump Bed, Tailgate, Decals.....	Q-9
• Bed Liner, Bed Pivot Frame .....	Q-10
• Actuator, Battery Connections, Toggle Switch .....	Q-11

# GENERAL INDEX

SECTION	Page No.
WEATHER PROTECTION	
• Sun Top.....	R-1
• Inside Mirror, 3-Sided Soft Enclosure .....	R-2
• Windshields .....	R-3
WHEELS AND TIRES	
• Tire and Wheel Assembly, Wheel, Valve Stem .....	S-1
• Wheel Covers .....	S-2
SPECIALTY PRODUCTS .....	Appendix - A
• Special Tools	
• Paint	
• Performance Products	
ACCESSORIES .....	Appendix - B
• Accessories Listing	



# HOW TO USE THE SERVICE PARTS MANUAL

This manual is divided into several sections:

- GENERAL INFORMATION
- ILLUSTRATED PARTS BREAKDOWN
- APPENDIX

The first section, GENERAL INFORMATION, contains the following information:

- WARRANTY INFORMATION
- GENERAL INDEX
- HOW TO USE THE SERVICE PARTS MANUAL

The second section, ILLUSTRATED PARTS BREAKDOWN, contains illustrations and parts lists for all systems of your vehicle.

The third section, APPENDIX, contains a listing of specialty products and accessories.

## USE OF THE MANUAL

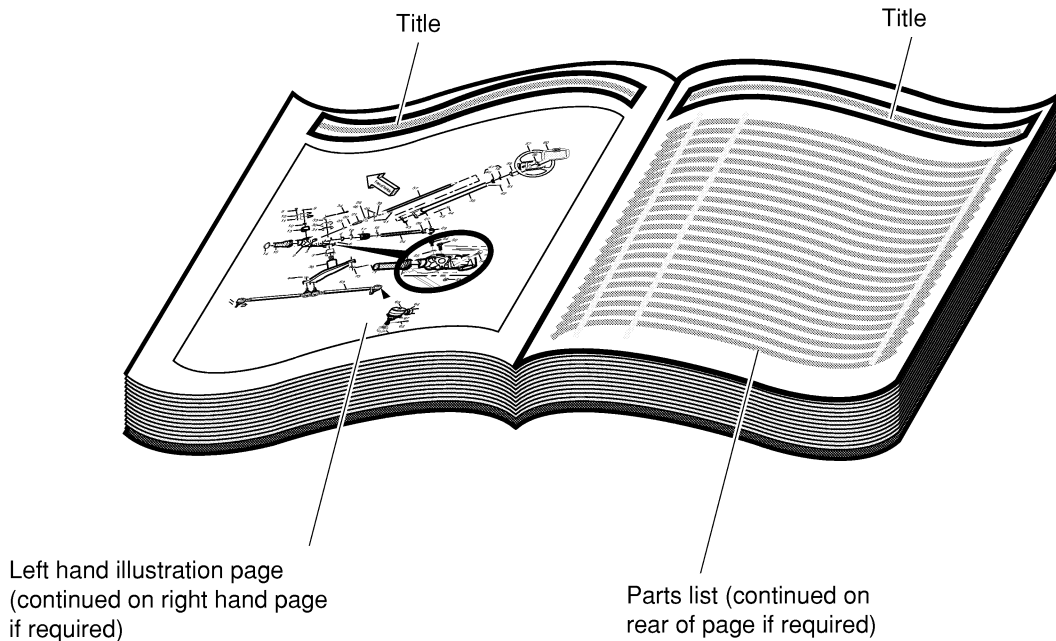
To use this manual, consult the GENERAL INDEX to locate the information or illustration required.

Introduction of some revisions varies due to supply of components; therefore, it is possible that various combinations of components may be found that are not directly reflected by each illustration. Consult the illustration that best suits your situation and then contact the Service Parts Department. It is important that the serial number of your vehicle and its model number be supplied to Service Parts when ordering any replacement components.

Locate the serial number plate (see BODY located in the Illustrated Parts Breakdown section of this manual for its location) and note the complete number shown on the plate.



# HOW TO USE THE SERVICE PARTS MANUAL



## 1. WHEN THE PART NUMBER IS NOT KNOWN

- Determine the function and application of the part required. Turn to the General Index and select the most appropriate title.
- Turn to the page number indicated and locate the desired part on the illustration.
- From the illustration, obtain the item number assigned to the desired part. Refer to the accompanying description for specific information regarding the part.

## 2. IF YOU KNOW THE PART NUMBER

- Locate the part number or description in the appropriate column on the parts list page.

**NOTE:** It is suggested that you confirm that the part selected is correct by verifying it with the pictorial representation on the illustrated page.

Should an asterisk (\*) appear in the part number column on the parts list page, read upwards until a part number is found. The part number is the lowest assembly sold and the asterisk (\*) indicates that the part depicted is not available for purchase.

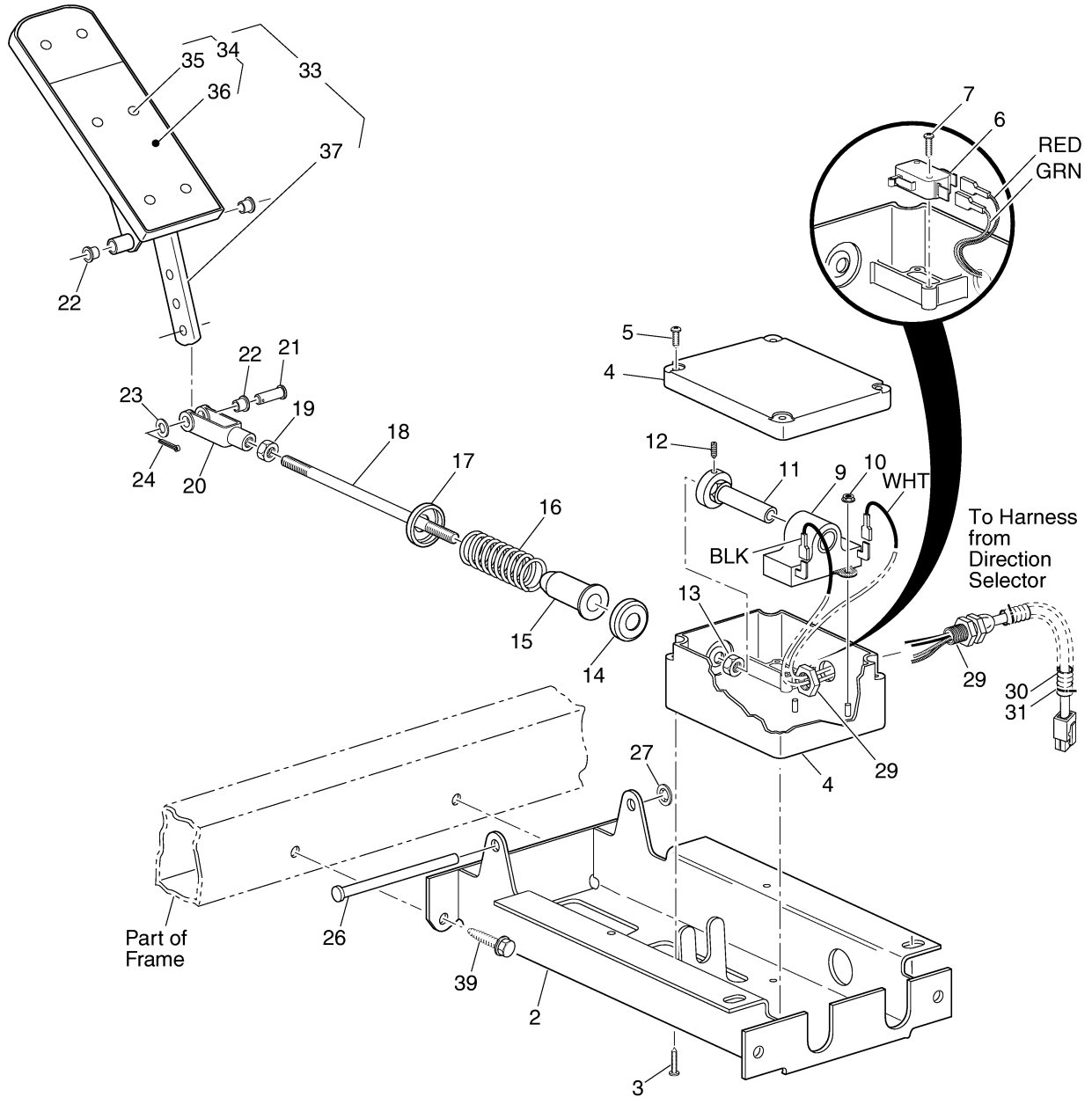
**NOTE:** Descriptions are indented under the assembly that they are used on. That assembly is, in turn listed under the assembly that it is used on. This process is repeated until the highest final assembly is reached.

**To facilitate the maintenance and repair of the vehicle, a Technician's Repair and Service Manual is available from the Service Parts Department.**

# **ILLUSTRATED PARTS BREAKDOWN**

# **ILLUSTRATED PARTS BREAKDOWN**

1 - Includes Items 2 - 37



THE USE OF NON UL PARTS WILL VOID ANY UL LISTING.

When ordering parts, please specify the model and serial number of the product.

\* Indicates a component that is not available as an individual part.

G\*\* Indicates consult Customer Service Department for additional information.

ITEM	PART NO.	1 2 3 4 5	DESCRIPTION	QTY.
1	25870-G03		PEDAL BOX ASSEMBLY (INCLUDES ITEMS 2 - 37).....	1
2	70116-G01		ACCELERATOR PEDAL BRACKET .....	1
3	00984-G01		SCREW, #8 - 10 X 1/2" LG .....	4
4	25853-G01		PEDAL BOX AND COVER.....	1
5	00684-G6		SCREW, #8 - 32 X 3/4" LG .....	4
6	25861-G01		MICRO SWITCH.....	1
7	00982-G01		SCREW, #4 - 14 X 5/8" LG.....	2
8				
9	25854-G01		INDUCTIVE THROTTLE SENSOR .....	1
10	00983-G01		SELF THREADING NUT, 3/16" .....	2
11	26551-G01		PLUNGER .....	1
12	00486-G2		SETSCREW, #8 - 32 X 1/8" LG .....	1
13	00550-G2		LOCK NUT, 1/4 - 28.....	1
14	17677-G1		SPRING RETAINER, 1/2".....	1
15	17979-G1		BUSHING .....	1
16	73046-G01		COMPRESSION SPRING .....	1
17	17677-G2		SPRING RETAINER, 3/8".....	1
18	25859-G01		ACCELERATOR ROD .....	1
19	00532-G4		LOCK NUT, 5/16 - 24.....	1
20	10385-G4		CLEVIS YOKE (ADJUSTABLE).....	1
21	10386-G3		CLEVIS PIN, 5/16" X 1" LG .....	1
22	17838-G1		NYLON BUSHING.....	3
23	17255-G1		TEFLON WASHER, 5/16".....	1
24	10387-G3		COTTER PIN, 3/32" X 3/4" LG .....	1
25				
26	70134-G01		PEDAL PIVOT PIN .....	1
27	00986-G01		PUSH NUT, 9/32" .....	1
28				
29	25879-G03		WIRING HARNESS (PEDAL BOX ASSEMBLY).....	1
30	17313-G1		LOOM FLEX, 3/8" X 6" LG (BULK).....	1

THE USE OF NON UL PARTS WILL VOID ANY UL LISTING.

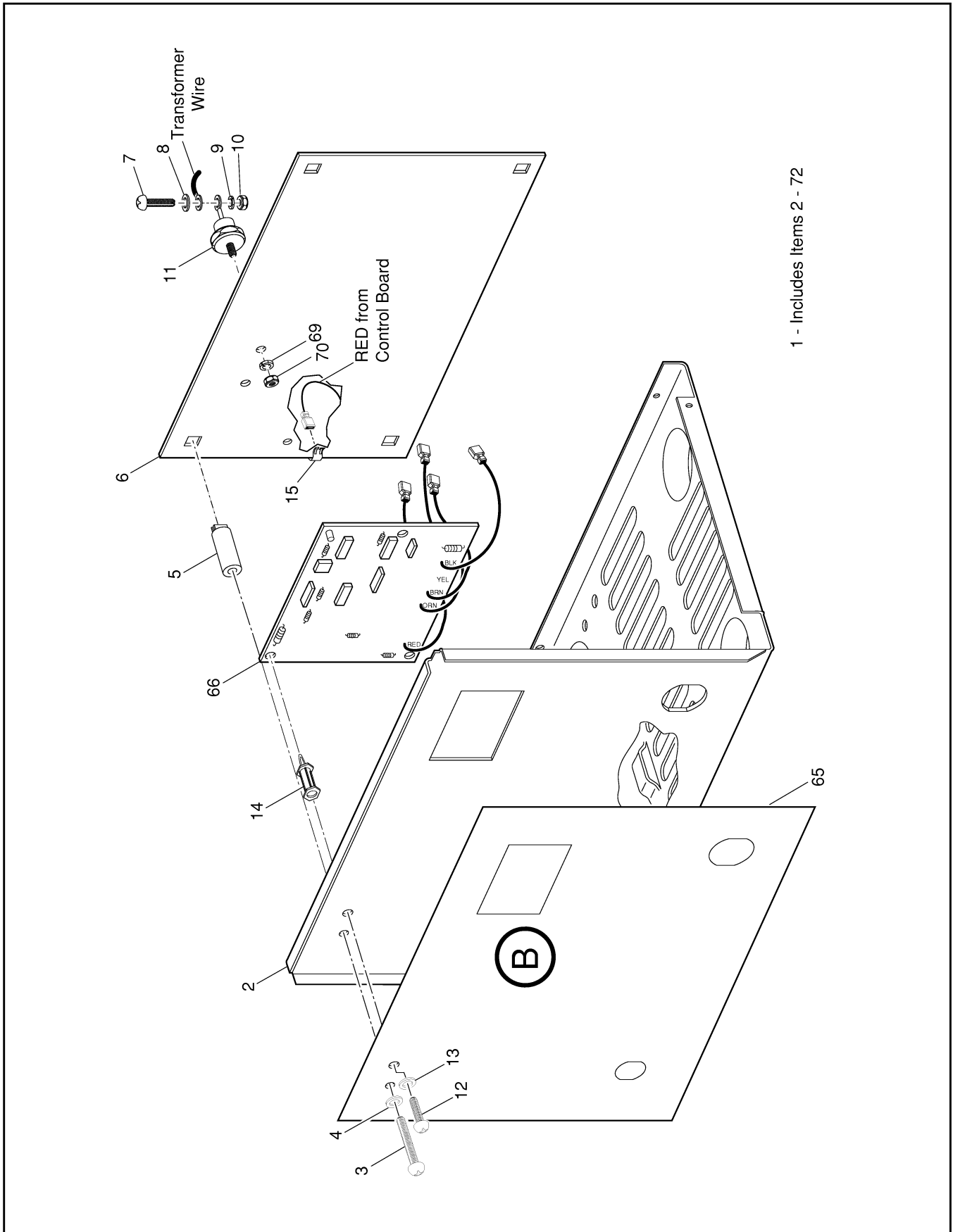
When ordering parts, please specify the model and serial number of the product.

\* Indicates a component that is not available as an individual part.

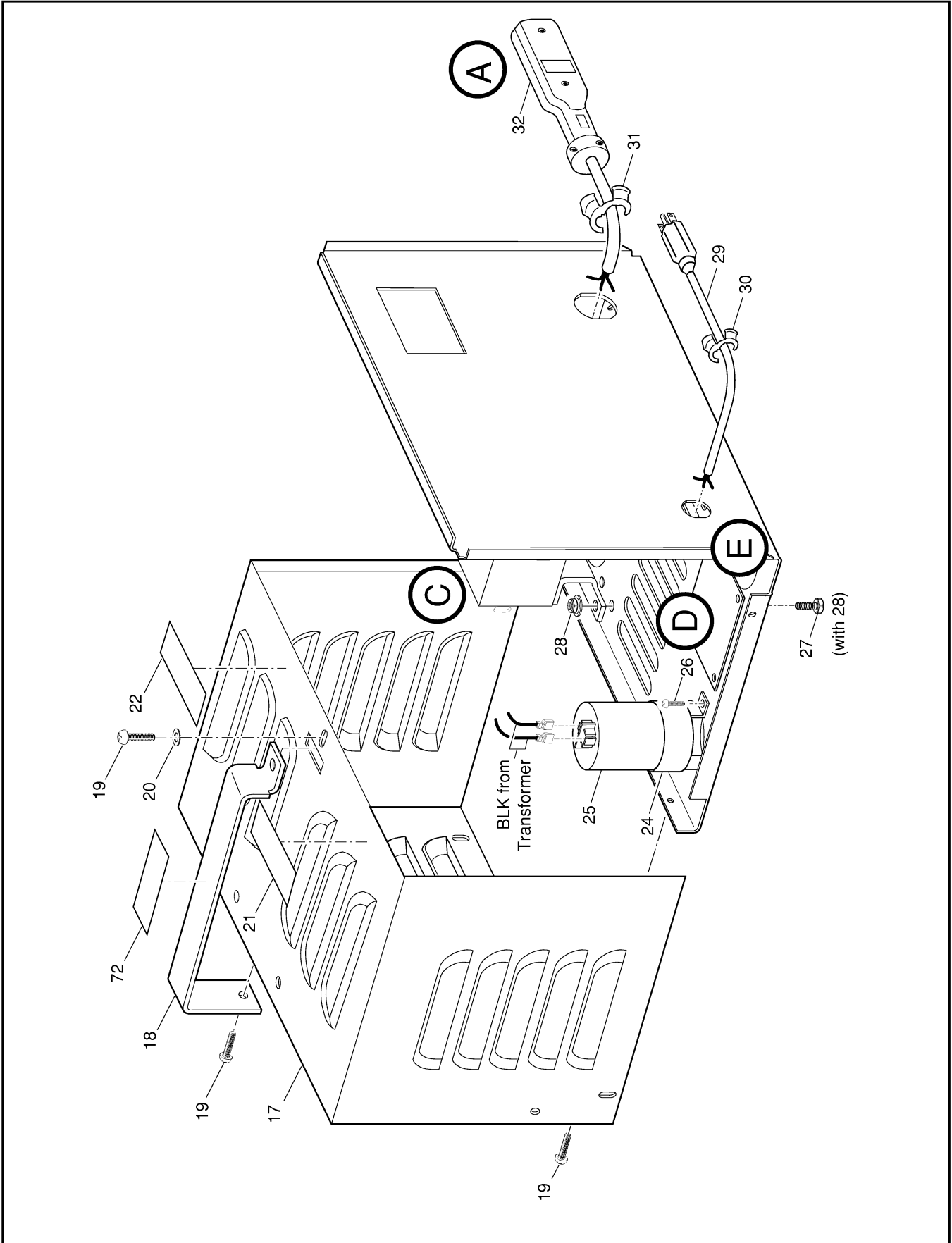
G\*\* Indicates consult Customer Service Department for additional information.

ITEM	PART NO.	1	2	3	4	5	DESCRIPTION	QTY.
31	17618-G1						WIRE TIE .....	2
32								
33	25799-G01						ACCELERATOR PEDAL ASSEMBLY (INCLUDES ITEMS 34 - 37).....	1
34	27844-G01						ACCELERATOR PEDAL PAD KIT (INCLUDES ITEMS 35 - 36).....	1
35	15766-G1						OVAL RIVET, 3/16" X 3/8" LG.....	6
36	27512-G01						ACCELERATOR PEDAL PAD .....	1
37	*						ACCELERATOR PEDAL .....	1
38								
39	00715-G2						BOLT, 5/16 - 18 X 13/16" LG .....	4

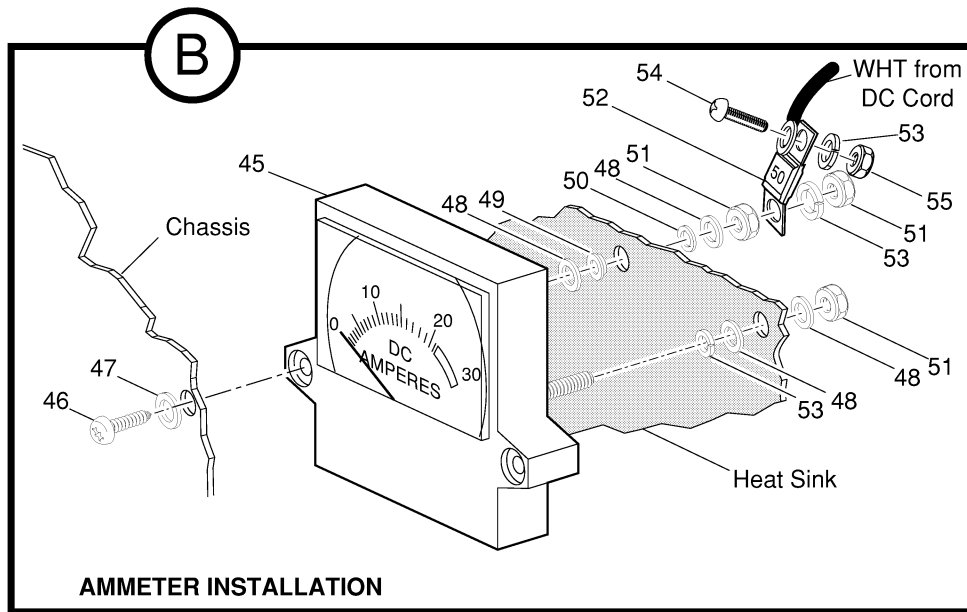
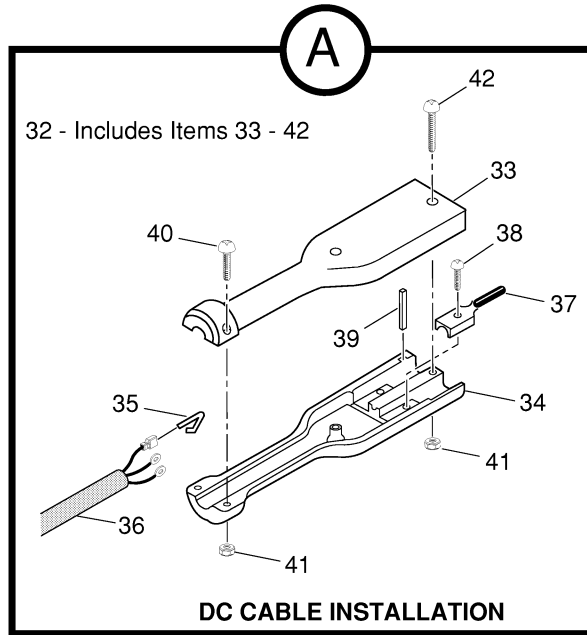


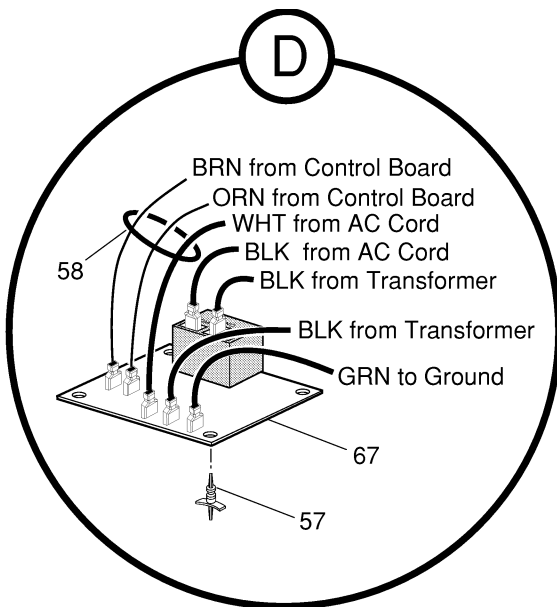
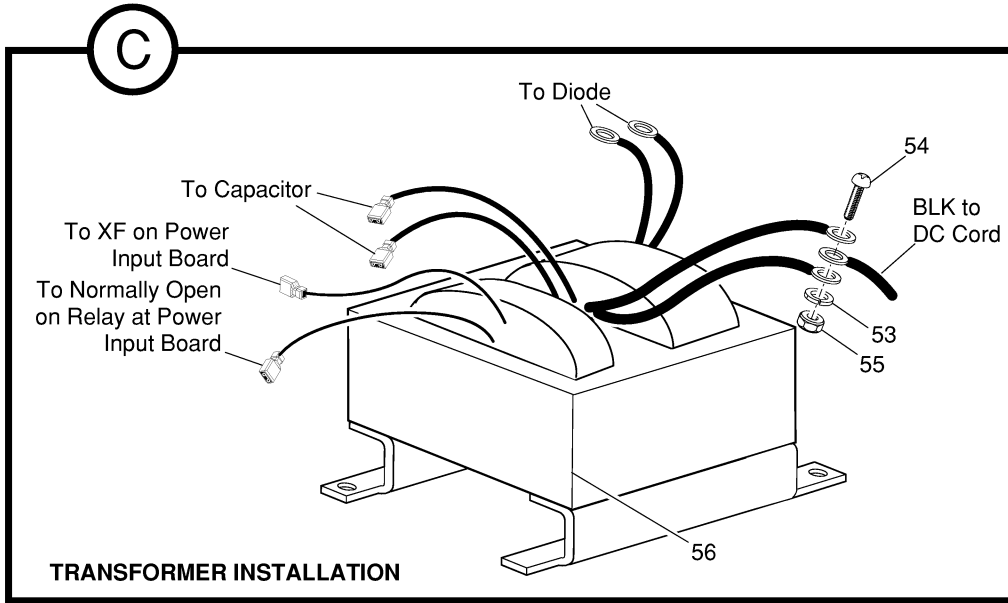


1 - Includes Items 2 - 72

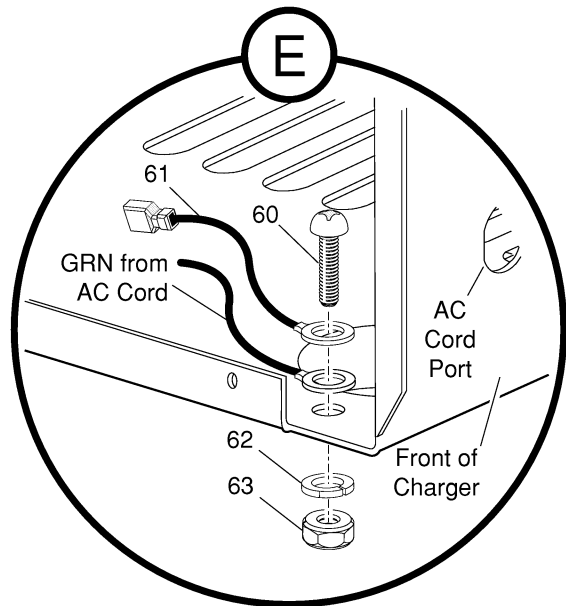








**POWER INPUT BOARD INSTALLATION**



**GROUNDING DETAIL**

# BATTERY CHARGER

# Electric Vehicle

THE USE OF NON UL PARTS WILL VOID ANY UL LISTING.

When ordering parts, please specify the model and serial number of the product.

\* Indicates a component that is not available as an individual part.

G\*\* Indicates consult Customer Service Department for additional information.

ITEM	PART NO.	1	2	3	4	5	DESCRIPTION	QTY.
1	28115-G04	POWERWISE™ CHARGER (INCLUDES ITEMS 2 - 72) .....					1	
2	*	CHASSIS .....					1	
3	00513-G6	SCREW, #8 - 18 X 1 3/4" LG. ....					2	
4	00559-G4	WASHER, #8 .....					2	
5	11572-G3	EXPANSION NUT .....					2	
6	28104-G01	HEAT SINK .....					1	
7	00138-G3	SCREW, #6 - 32 X 3/8" LG. ....					2	
8	00559-G3	WASHER, #6 .....					2	
9	00567-G3	LOCK WASHER, #6 .....					2	
10	00525-G5	NUT, #6 - 32.....					2	
11	18488-G1	DIODE.....					2	
12	01005-G01	SCREW, #6 - 19 X 5/16" LG. ....					3	
13	00559-G3	WASHER, #6 .....					3	
14	28111-G01	SUPPORT SPACER .....					3	
15	28110-G01	ELECTRICAL CLIP .....					1	
16								
17	*	COVER .....					1	
18	28102-G01	HANDLE .....					1	
19	00614-G4	SCREW, #8 - 18 X 1/2" LG. ....					6	
20	00559-G4	WASHER, #8 .....					1	
21	28136-G01	LABEL (VENTILATION) .....					1	
22	28136-G02	LABEL (DC CORD CONDITION) .....					1	
23								
24	26979-G01	CAPACITOR BRACKET .....					1	
25	28109-G01	CAPACITOR .....					1	
26	00969-G01	SCREW, #8 - 32 X 3/8" LG. ....					3	
27	00414-G5	BOLT, 1/4 - 20 X 5/8" LG. ....					3	
28	11027-G2	LOCK NUT, 1/4 - 20.....					3	
29	19388-G4	AC CORD .....					1	
30	13557-G2	STRAIN RELIEF (AC).....					1	

THE USE OF NON UL PARTS WILL VOID ANY UL LISTING.

When ordering parts, please specify the model and serial number of the product.

\* Indicates a component that is not available as an individual part.

G\*\* Indicates consult Customer Service Department for additional information.

ITEM	PART NO.	1	2	3	4	5	DESCRIPTION	QTY.
31	13557-G3						STRAIN RELIEF (DC) .....	1
32	28137-G01						DC CORD AND HANDLE ASSEMBLY (INCLUDES ITEMS 33 - 42) .....	1
33	73051-G11						PLUG (TOP HALF).....	1
34	73051-G12						PLUG (BOTTOM HALF).....	1
35	73051-G27						AUXILIARY CONTACT .....	1
36	73331-G01						DC CORD .....	1
37	73051-G14						MALE PIN .....	2
38	73051-G08						SCREW, #10 - 32 X 1/2" LG (BRASS).....	2
39	73051-G15						MAGNET .....	1
40	73051-G16						SCREW, #6 - 32 X 1/2" LG (STAINLESS STEEL) .....	2
41	73051-G10						LOCK NUT, #6 - 32 .....	4
42	73051-G17						SCREW, #6 - 32 X 1" LG (STAINLESS STEEL) .....	2
43								
44								
45	28105-G01						AMMETER.....	1
46	00984-G01						SCREW, #8 - 10 X 1/2" LG .....	2
47	00559-G4						WASHER, #8 .....	2
48	01003-G01						BRASS WASHER, #10 .....	4
49	22589-G2						SHOULDER WASHER, #10 .....	1
50	00771-G6						NYLON WASHER, #10.....	1
51	00528-G4						NUT, #10 - 32.....	3
52	28106-G01						50 AMP FUSE .....	1
53	00565-G5						LOCK WASHER, #10 .....	4
54	00378-G4						SCREW, #10 - 24 X 1/2" LG .....	2
55	00526-G3						NUT, #10 - 24.....	2
56	28103-G01						TRANSFORMER .....	1
57	27877-G01						SPACER SUPPORT .....	4
58	17618-G1						WIRE TIE.....	2
59								
60	00372-G3						SCREW, #8 - 32 X 3/8" LG .....	1

# BATTERY CHARGER

# Electric Vehicle

THE USE OF NON UL PARTS WILL VOID ANY UL LISTING.

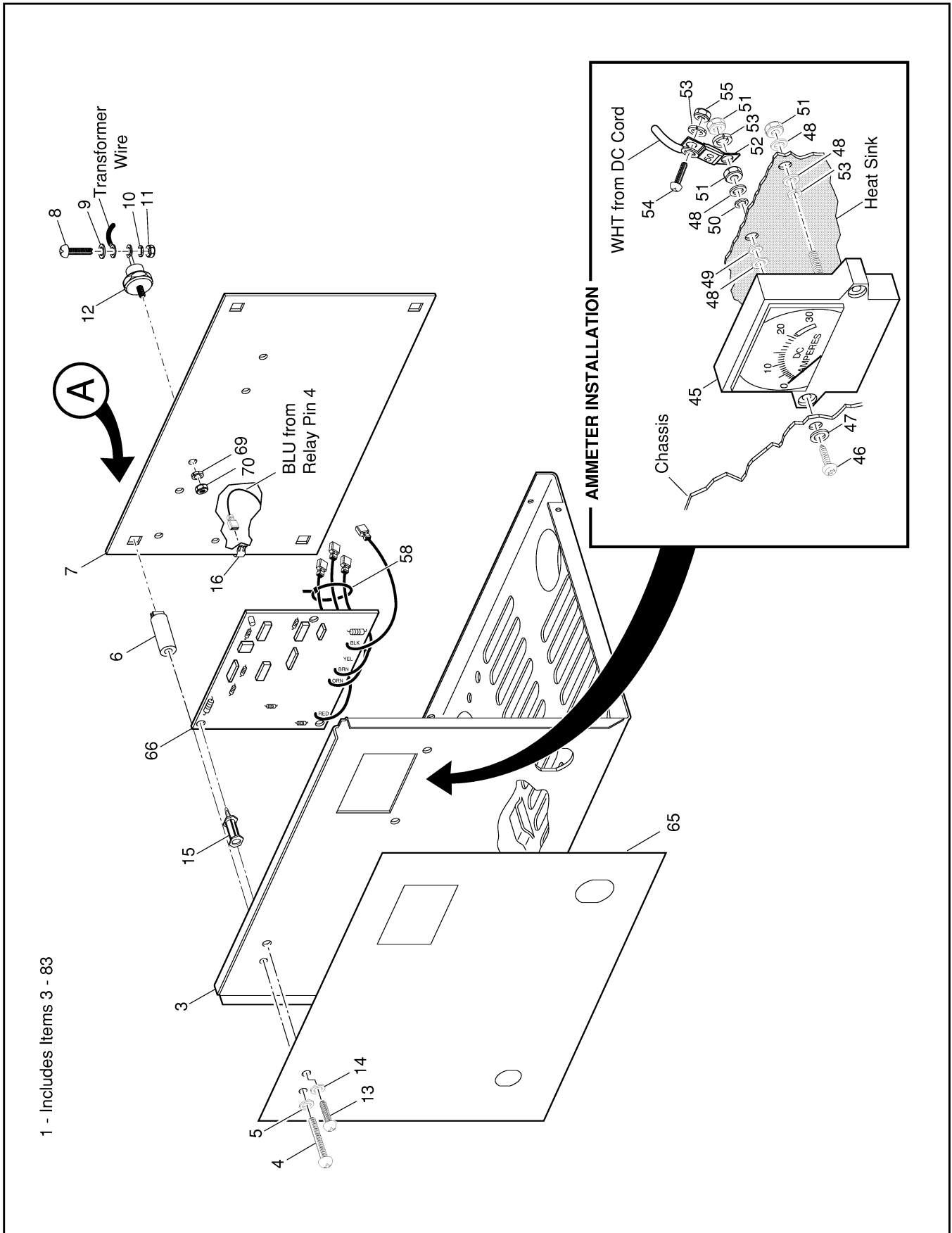
When ordering parts, please specify the model and serial number of the product.

\* Indicates a component that is not available as an individual part.

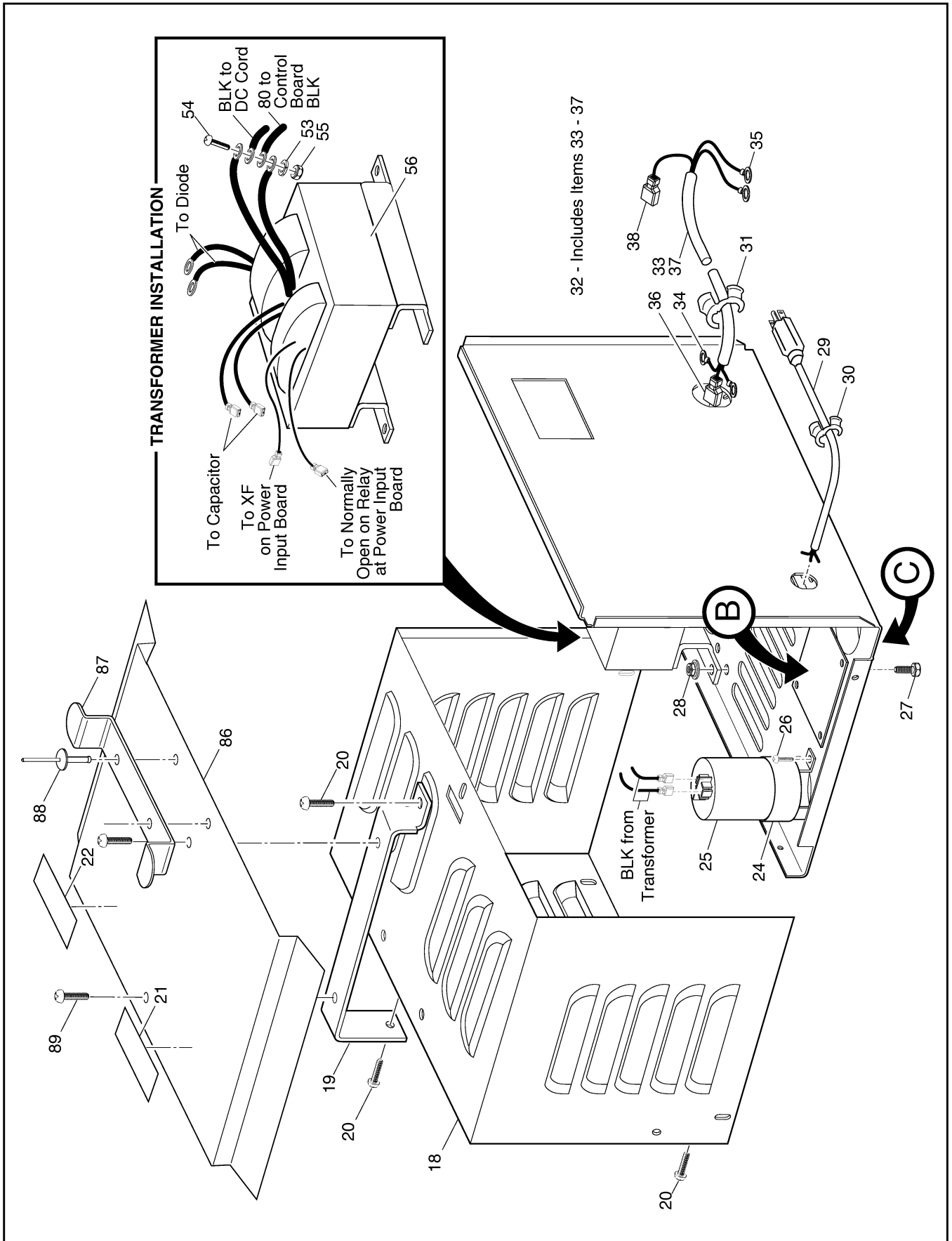
G\*\* Indicates consult Customer Service Department for additional information.

ITEM	PART NO.	1	2	3	4	5	DESCRIPTION	QTY.
61	25977-G32						16 GA WIRE (GREEN 4" LG) .....	1
62	00565-G4						LOCK WASHER, #8 .....	1
63	00526-G1						NUT, #8 - 32.....	1
64								
65	*						LABEL (POWERWISE™) .....	1
66	28126-G01						CONTROL BOARD (POWERWISE™).....	1
67	28126-G03						POWER INPUT BOARD (POWERWISE™) .....	1
68								
69	00565-G7						LOCK WASHER, 1/4" .....	2
70	00532-G2						NUT, 1/4 - 28.....	2
71								
72	71785-G01						LABEL (REMOVE BATTERY) .....	1



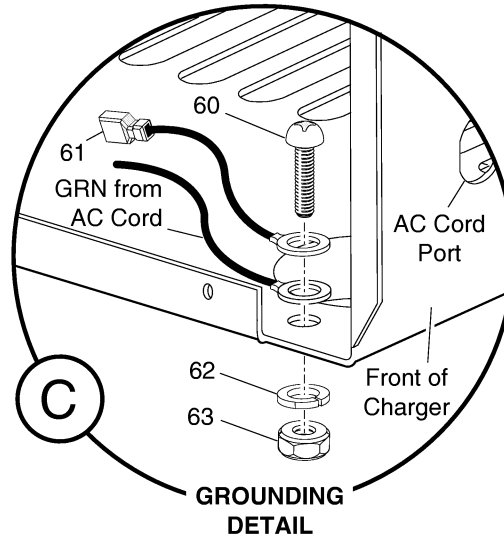
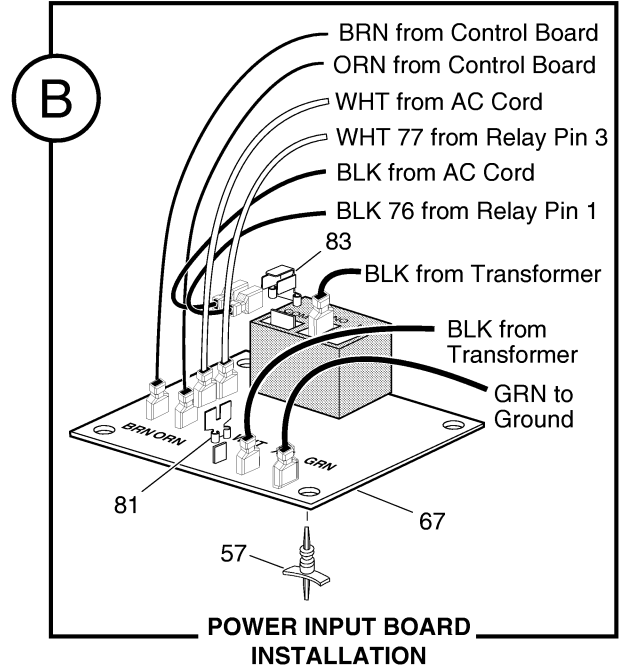
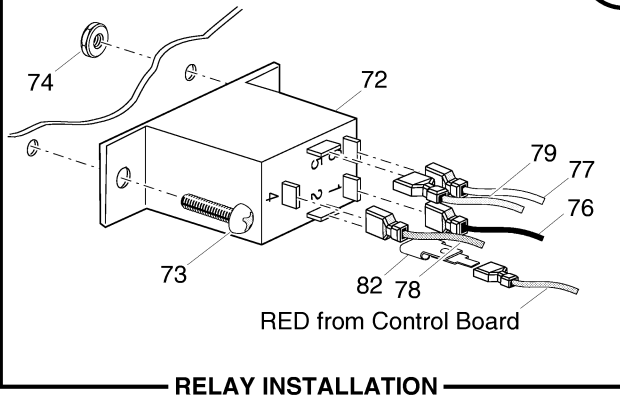


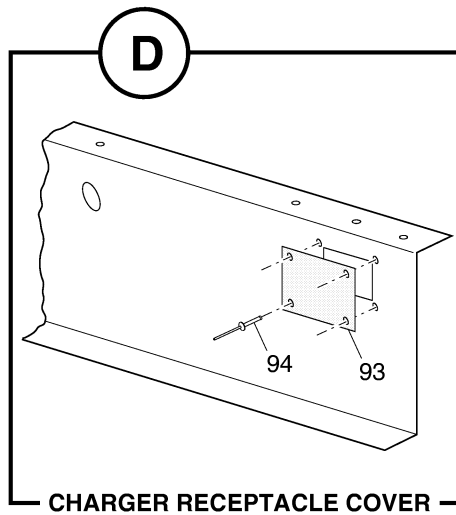
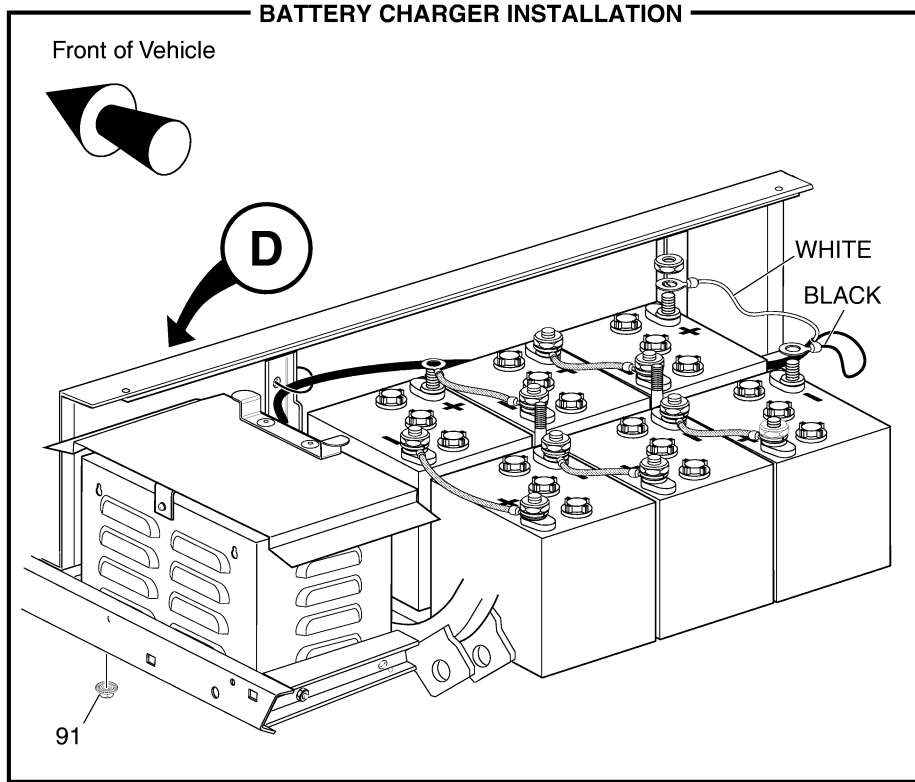
1 - Includes Items 3 - 83





- Pin 1 - Wire 76 to Input Board "COM"
- Pin 2 - Tab Adapter 82, RED wire from Control Board
- Pin 3 - Wire 77 to Input Board "WHT"
- Pin 4 - Wire 78 to Heat Sink Clip
- Pin 5 - Wire 79 to DC Cord RED Wire





**BATTERY CHARGER (ON BOARD)****Electric Vehicle**

THE USE OF NON UL PARTS WILL VOID ANY UL LISTING.

When ordering parts, please specify the model and serial number of the product.

\* Indicates a component that is not available as an individual part.

G\*\* Indicates consult Customer Service Department for additional information.

ITEM	PART NO.	1	2	3	4	5	DESCRIPTION	QTY.
1	28115-G06	POWERWISE™ CHARGER (ON BOARD) (INCLUDES ITEMS 3 - 83).....					1	
2								
3	*	CHASSIS .....					1	
4	00513-G6	SCREW, #8 - 18 X 1 3/4" LG .....					2	
5	00559-G4	WASHER, #8 .....					2	
6	11572-G3	EXPANSION NUT .....					2	
7	28104-G01	HEAT SINK .....					1	
8	00138-G3	SCREW, #6 - 32 X 3/8" LG .....					2	
9	00559-G3	WASHER, #6 .....					2	
10	00567-G3	LOCK WASHER, #6 .....					2	
11	00525-G5	NUT, #6 - 32.....					2	
12	18488-G1	DIODE.....					2	
13	01005-G01	SCREW, #6 - 19 X 5/16" LG .....					3	
14	00559-G3	WASHER, #6 .....					3	
15	28111-G01	SUPPORT SPACER.....					3	
16	28110-G01	ELECTRICAL CLIP.....					1	
17								
18	*	COVER .....					1	
19	28102-G01	HANDLE .....					1	
20	00614-G4	SCREW, #8 - 18 X 1/2" LG .....					6	
21	28136-G01	LABEL (VENTILATION) .....					1	
22	28136-G02	LABEL (CORD CONDITION).....					1	
23								
24	26979-G01	CAPACITOR BRACKET .....					1	
25	28109-G01	CAPACITOR .....					1	
26	00969-G01	SCREW, #8 - 32 X 3/8" LG .....					3	
27	00414-G5	BOLT, 1/4 - 20 X 5/8" LG .....					3	
28	11027-G2	LOCK NUT, 1/4 - 20.....					3	
29	19388-G5	AC CORD .....					1	
30	13557-G2	STRAIN RELIEF (AC).....					1	

THE USE OF NON UL PARTS WILL VOID ANY UL LISTING.

When ordering parts, please specify the model and serial number of the product.

\* Indicates a component that is not available as an individual part.

G\*\* Indicates consult Customer Service Department for additional information.

ITEM	PART NO.	1	2	3	4	5	DESCRIPTION	QTY.
31	13557-G3						STRAIN RELIEF (DC) .....	1
32	73331-G06						DC CORD ASSEMBLY (INCLUDES ITEMS 33 - 37) .....	1
33	28108-G01						DC CORD .....	1
34	11343-G3						RING TERMINAL, 3/16" .....	2
35	11343-G1						RING TERMINAL, 5/16" .....	2
36	17064-G1						FEMALE TERMINAL .....	2
37	22476-G1						HEAT SHRINK TUBING .....	A/R
38								
39								
40	22009-G1						ISOLATION MOUNT .....	4
41	00559-G7						WASHER, 1/4" .....	4
42	00565-G7						LOCK WASHER, 1/4" .....	4
43	00532-G1						NUT, 1/4 - 20 .....	4
44								
45	28105-G01						AMMETER .....	1
46	00984-G01						SCREW, #8 - 10 X 1/2" LG. ....	2
47	00559-G4						WASHER, #8 .....	2
48	01003-G01						BRASS WASHER, #10 .....	4
49	22589-G2						SHOULDER WASHER, #10 .....	1
50	00771-G6						NYLON WASHER, #10 .....	1
51	00528-G4						NUT, #10 - 32 .....	3
52	28106-G01						50 AMP FUSE .....	1
53	00565-G5						LOCK WASHER, #10 .....	4
54	00378-G4						SCREW, #10 - 24 X 1/2" LG. ....	2
55	00526-G3						NUT, #10 - 24 .....	2
56	28103-G01						TRANSFORMER .....	1
57	27877-G01						SPACER SUPPORT .....	4
58	17618-G1						WIRE TIE .....	3
59								
60	00372-G3						SCREW, #8 - 32 X 3/8" LG. ....	1

**BATTERY CHARGER (ON BOARD)****Electric Vehicle**

THE USE OF NON UL PARTS WILL VOID ANY UL LISTING.

When ordering parts, please specify the model and serial number of the product.

\* Indicates a component that is not available as an individual part.

G\*\* Indicates consult Customer Service Department for additional information.

ITEM	PART NO.	1	2	3	4	5	DESCRIPTION	QTY.
61	25977-G32						16 GA WIRE (GREEN 4") .....	1
62	00565-G4						LOCK WASHER, #8 .....	1
63	00526-G1						NUT, #8 - 32.....	1
64								
65	*						LABEL (POWERWISE™) .....	1
66	28126-G01						CONTROL BOARD.....	1
67	28126-G03						POWER INPUT BOARD.....	1
68								
69	00565-G7						LOCK WASHER, 1/4" .....	2
70	00532-G2						NUT, 1/4 - 28.....	2
71								
72	21971-G4						RELAY .....	1
73	00138-G4						SCREW, #6 - 32 X 1/2" LG .....	2
74	14390-G9						LOCK NUT, #6 - 32 .....	2
75								
76	25977-G38						16 GA WIRE (BLACK 4") (from Relay 1 to Power Input Board "COM") .....	1
77	25977-G37						16 GA WIRE (WHITE 5") (from Relay 3 to Power Input Board "WHT").....	1
78	25978-G161						18 GA WIRE (BLUE 6") (from Relay 4 to Heat Sink clip).....	1
79	25978-G162						18 GA WIRE (YELLOW 6") (from Relay 5 to DC Cord "RED").....	1
80	25978-G163						18 GA WIRE (BLACK 7") (from Transformer S2/S3 to Control Module "Black") .....	1
81	17902-G1						TAB ADAPTER (on Power Input Board "WHT" w/ 77 & AC Cord WHT) .....	1
82	28305-G01						TERMINAL ADAPTER (on Relay 2 w/ Control Board RED).....	1
83	27285-G01						TERMINAL ADAPTER (on Relay "COM" w/ 76 & AC Cord BLK).....	1
84								
85	71968-G01						SHIELD ASSEMBLY (INCLUDES ITEMS 86 - 88).....	1
86	71967-G01						SHIELD .....	1
87	22045-G01						CORD HOLDER .....	1
88	10570-G01						RIVET,.....	2
89	00106-G6						SCREW, #12 - 24 X 3/4" LG. ....	2

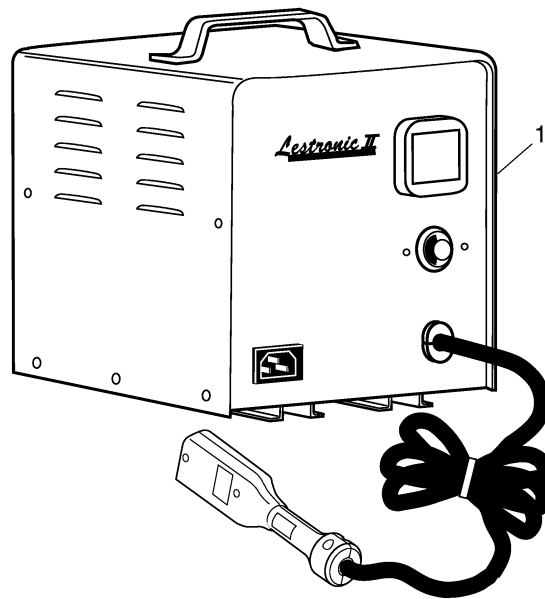
THE USE OF NON UL PARTS WILL VOID ANY UL LISTING.

When ordering parts, please specify the model and serial number of the product.

\* Indicates a component that is not available as an individual part.

G\*\* Indicates consult Customer Service Department for additional information.

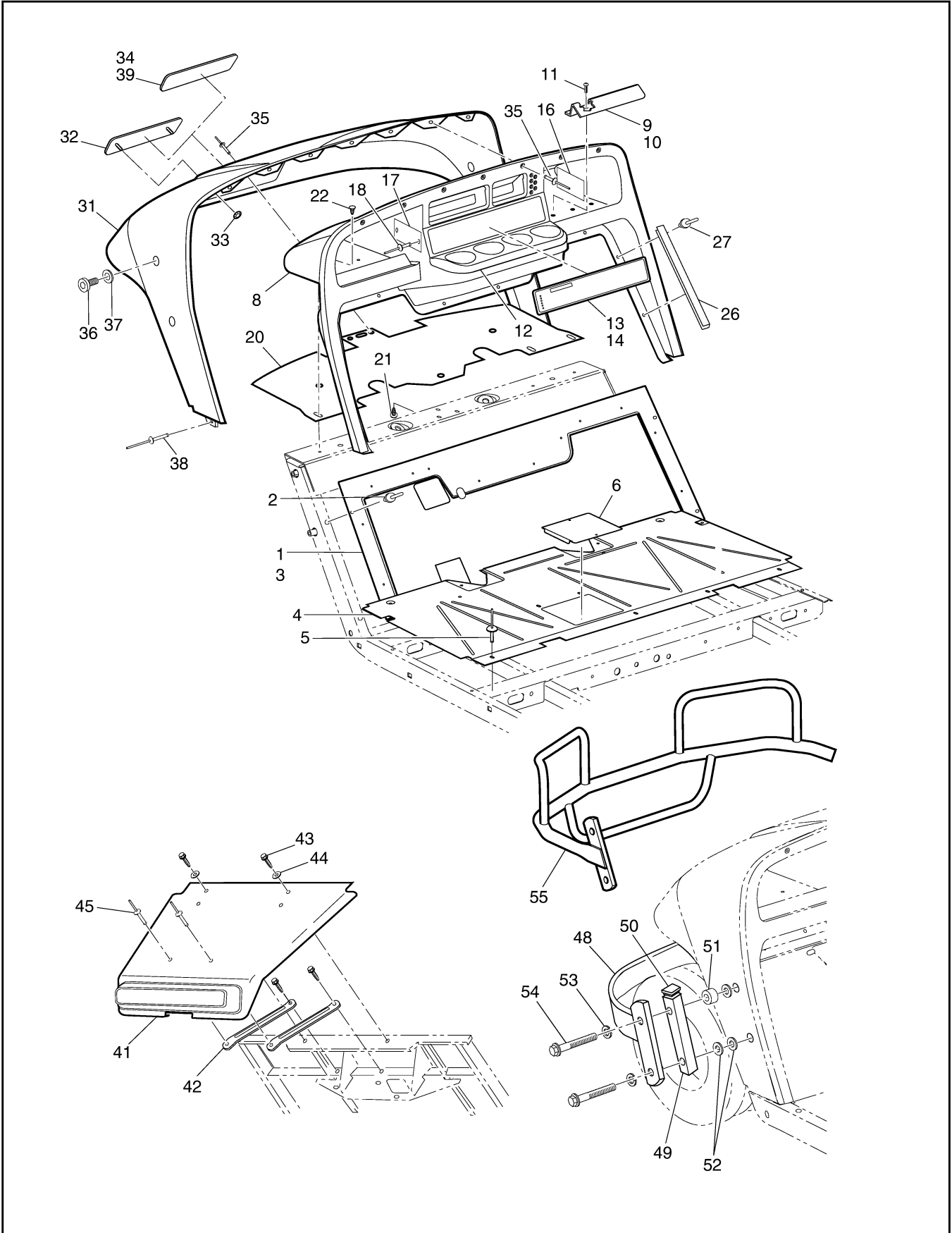
ITEM	PART NO.	1 2 3 4 5	DESCRIPTION	QTY.
90				
91	11027-G2		LOCK NUT, 1/4 - 20 .....	4
92				
93	73173-G01		COVER PLATE .....	1
94	14601-G10		RIVET, 5/32" X 7/16" LG .....	4

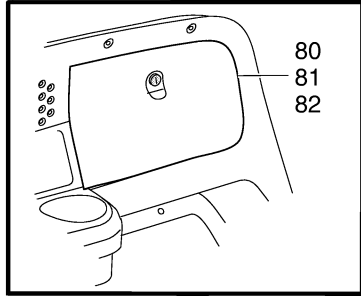
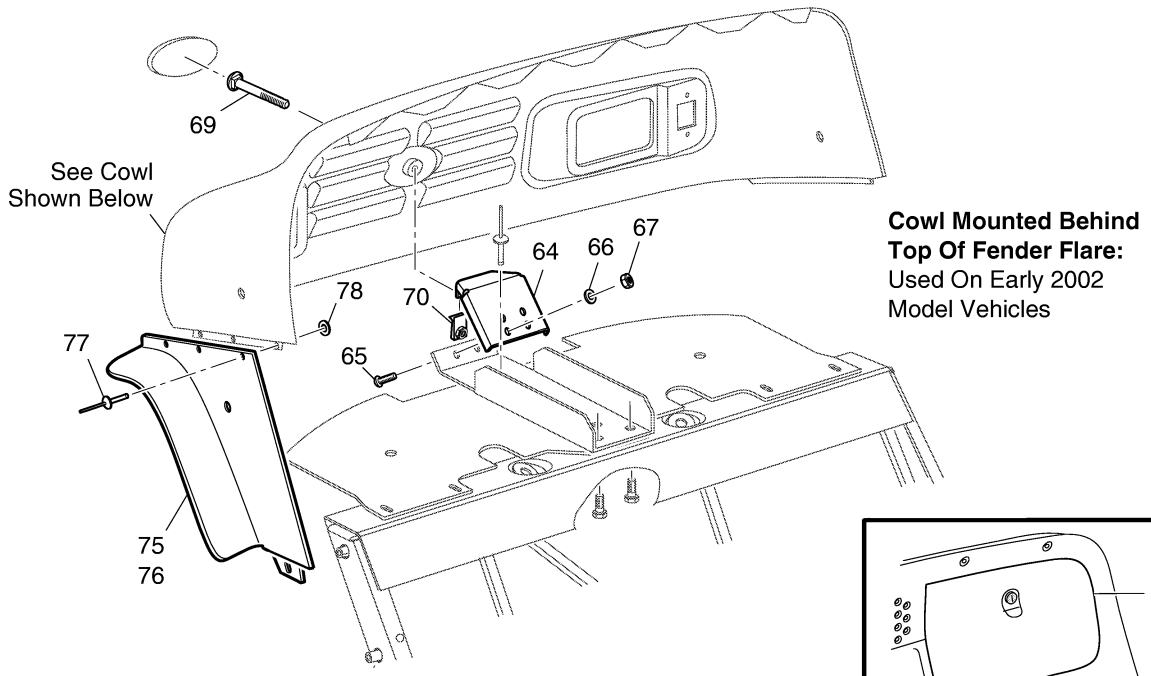


THE USE OF NON U.L. PARTS WILL VOID ANY U.L. LISTING.  
 When ordering parts, please specify the model and serial number of the product.  
 \* Indicates a component that is not available as an individual part.  
 G\*\* Indicates consult Customer Service Department for additional information.

ITEM	PART NO.	1 2 3 4 5 DESCRIPTION	QTY.
1	28516-G01	<p>BATTERY CHARGER, LESTER, 36 VOLT, PORTABLE WITH POWERWISE CONNECTOR, CE APPROVED (OPTIONAL)</p> <p>For service or replacement parts, contact:                      Lester Electrical                      625 West "A" Street                      Lincoln, NE 68522</p> <p>Phone: (402) 477-8988, FAX: (402) 474-1769</p> <p>Always provide the following information when requesting information or ordering replacement parts:</p> <p>Model Number:                      Serial Number: (stamped into housing)</p>	

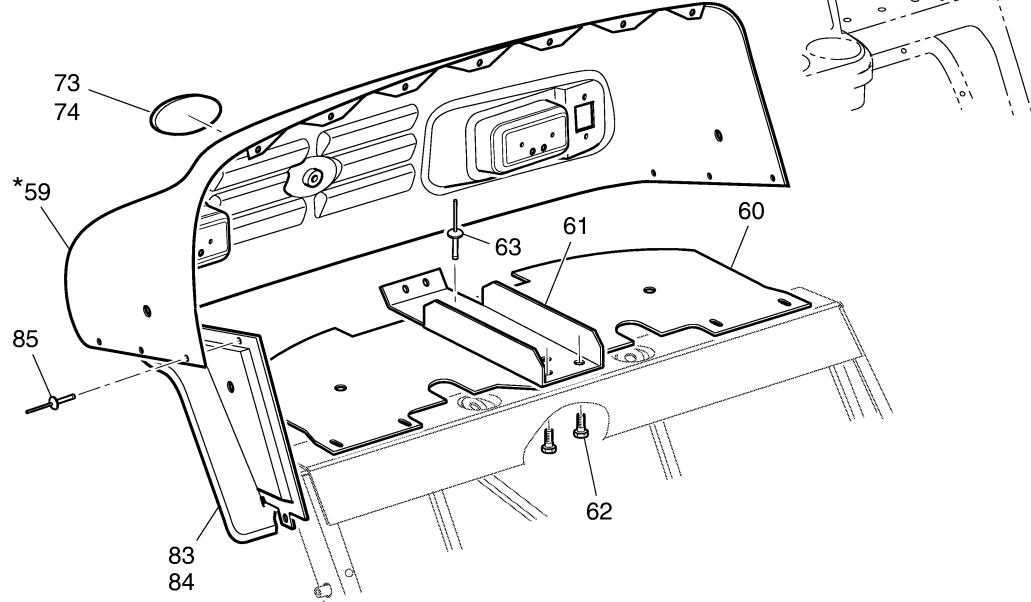




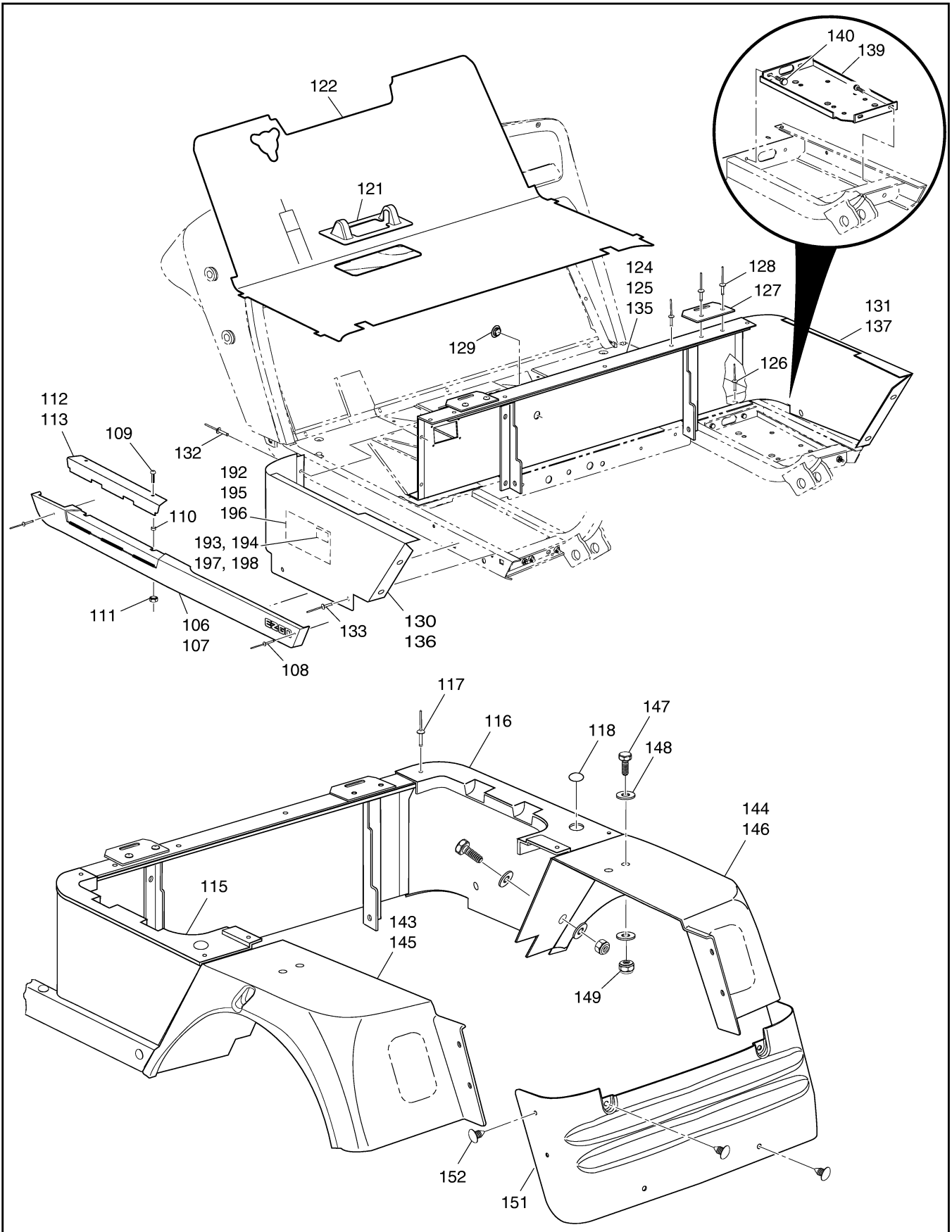


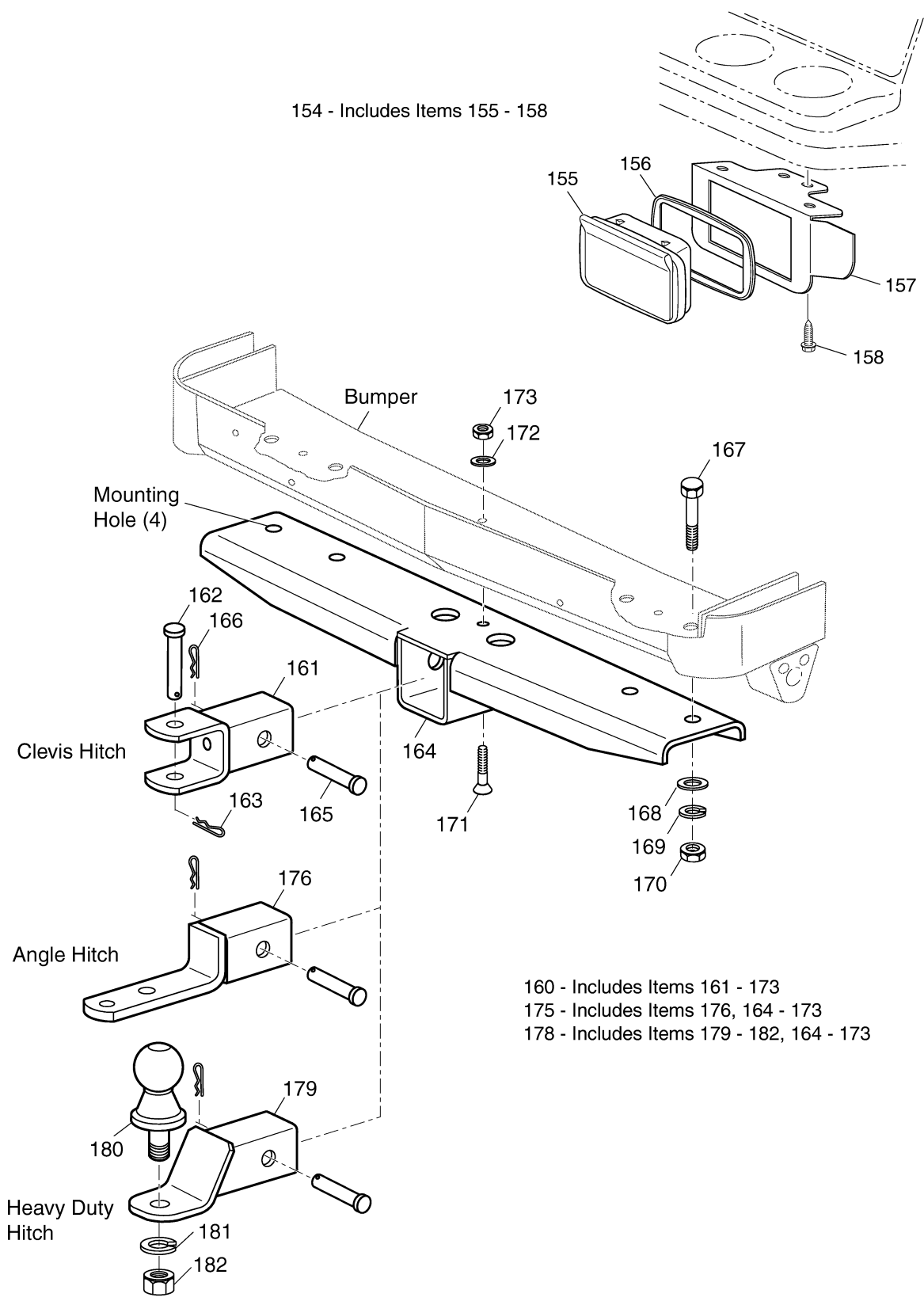
LX / SE Model

**Cowl Mounted Over Top Of Fender Flare:**  
Used On Most 2002 Model Vehicles

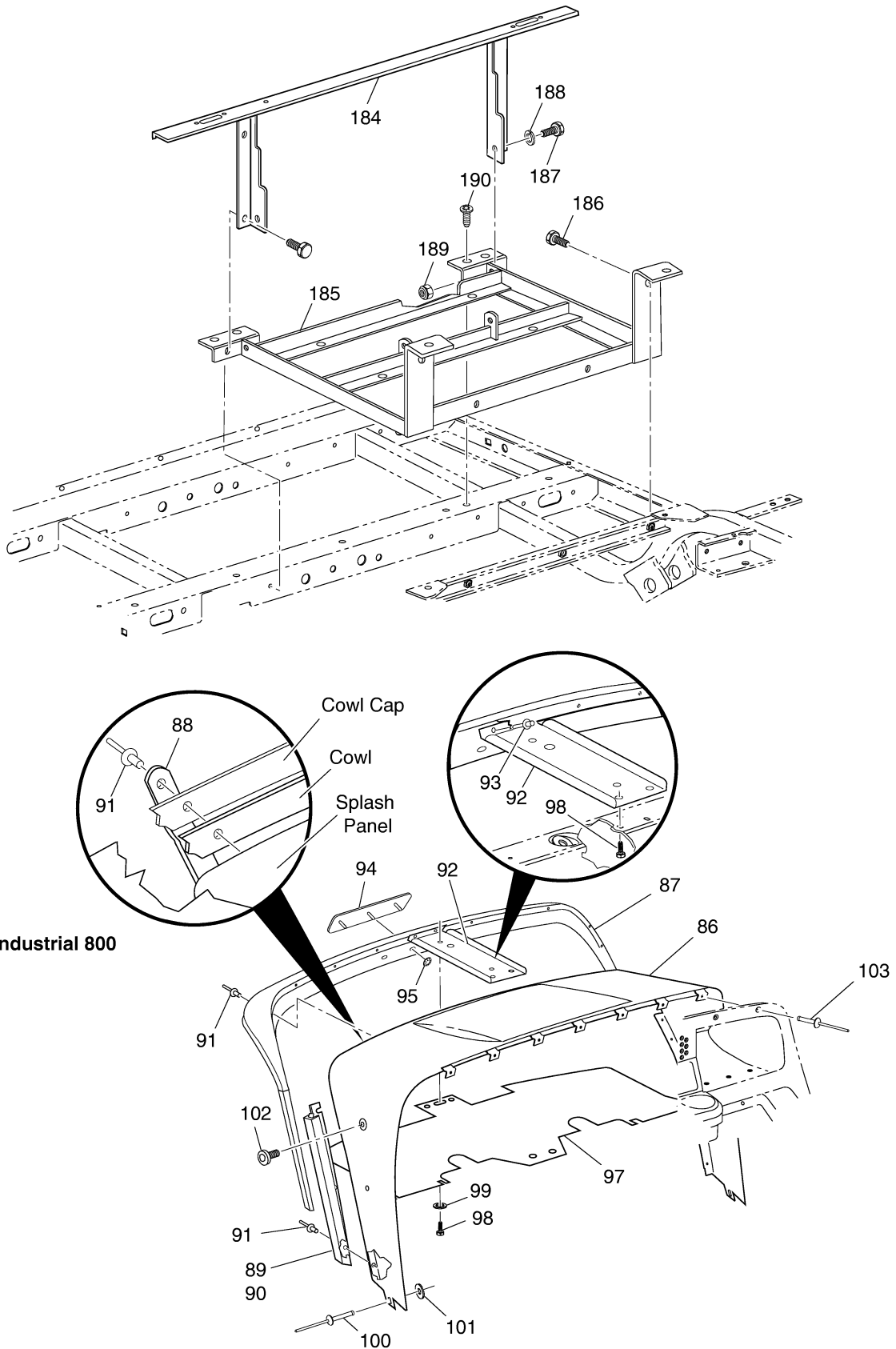


**\*NOTE:** This Cowl Is Service Replacement For All Prior Model Years When Ordered With Retrofit Kit (Item 206)





- 160 - Includes Items 161 - 173
- 175 - Includes Items 176, 164 - 173
- 178 - Includes Items 179 - 182, 164 - 173



When ordering parts, please specify the model and serial number of the product.

\* Indicates a component that is not available as an individual part.

G\*\* Indicates consult Customer Service Department for additional information.

ITEM	PART NO.	1 2 3 4 5	DESCRIPTION	QTY.
1	70662-G01		UPPER FLOORPAN (LATE PRODUCTION) .....	1
2	14601-G11		RIVET, 3/16" X 9/16" LG .....	9
3	71510-G01		UPPER FLOORPAN (EARLY PRODUCTION) .....	1
4	70451-G01		LOWER FLOORPAN.....	1
5	14601-G11		RIVET, 3/16" X 9/16" LG .....	7
6	70452-G01		ACCESS COVER.....	1
7				
8	71151-G01		INSTRUMENT PANEL ASSEMBLY (INCLUDES ITEMS 9 - 12) .....	1
9	71153-G01		DEFLECTOR (PASSENGER SIDE) .....	1
10	71154-G01		DEFLECTOR (DRIVER SIDE) .....	1
11	00614-G5		SCREW, #8 - 18 X 5/8" LG.....	6
12	71158-G01		INSTRUMENT PANEL INSERT (FOUR CUP) .....	1
13	71179-G03		LABEL (SAFETY) (TEXT) .....	1
14	74409-G01		LABEL (SAFETY) (PICTOGRAPH).....	1
15				
16	*		SERIAL NUMBER PLATE.....	1
17	*		CAPACITY PLATE .....	1
18	01041-G01		RIVET, 5/32" X 7/8" LG .....	4
19				
20	71413-G01		SPLASH PANEL.....	1
21	16816-G2		RATCHET FASTENER, 1/4" X 3/4" LG.....	1
22	16816-G2		RATCHET FASTENER, 1/4" X 3/4" LG.....	4
23				
24				
25				
26	71115-G01		VINYL TRIM .....	2
27	71055-G01		RIVET, 3/16" X 1" LG .....	10
28				
29				
30				

When ordering parts, please specify the model and serial number of the product.  
 \* Indicates a component that is not available as an individual part.  
 G\*\* Indicates consult Customer Service Department for additional information.

ITEM	PART NO.	1 2 3 4 5	DESCRIPTION	QTY.
31	71051-G**		COWL .....	1
32	71037-G02		NAMEPLATE (E-Z-GO).....	1
33	12064-G3		PUSHNUT, 3/16" .....	2
34	74403-G01		NAMEPLATE (CUSHMAN) .....	1
35	71055-G01		RIVET, 3/16" X 1" LG .....	9
36	71056-G01		BOLT, 5/16 - 18 X 5/8" LG.....	4
37	00570-G2		WASHER, 5/16" .....	4
38	14601-G13		RIVET, 5/32" X 9/16" LG .....	2
39	26947-G01		NAMEPLATE (JACOBSEN).....	1
40				
41	27166-G02		FRONT SHIELD.....	1
42	71015-G01		FRONT SHIELD BRACE.....	2
43	01038-G01		SCREW, 1/4 - 20 X 1/2" LG .....	4
44	16469-G7		WASHER, 1/4" .....	2
45	16816-G2		RATCHET FASTENER, 1/4" X 3/4" LG.....	2
46				
47				
48	74040-G01		FRONT BUMPER.....	1
49	74037-G01		SPACER TUBE .....	2
50	19859-G1		END CAP, 3/4" .....	2
51	75048-G01		SPACER, 1/2" .....	2
52	00570-G2		WASHER, 5/16" .....	6
53	00905-G8		LOCK WASHER, 5/16".....	4
54	01035-G02		BOLT, 5/16 - 18 X 2 1/2" LG.....	4
55	74265-G01		BUMPER (LX / SE) .....	1
56				
57				
58				
59	71219-G01		COWL, LX / SE .....	1
60	71413-G02		SPLASH PANEL.....	1

When ordering parts, please specify the model and serial number of the product.

\* Indicates a component that is not available as an individual part.

G\*\* Indicates consult Customer Service Department for additional information.

ITEM	PART NO.	1 2 3 4 5	DESCRIPTION	QTY.
61	71101-G01		COWL SUPPORT BRACKET .....	1
62	71102-G02		SELF TAPPING SCREW, 1/4 - 20 X 1/2" LG .....	3
63				
64	71462-G01		COWL SUPPORT BRACE .....	1
65	00740-G4		SCREW, #10 - 32 X 1/2" LG .....	2
66	00559-G5		WASHER, #10.....	2
67	00921-G8		LOCK NUT, #10 - 32 .....	2
68	71055-G02		RIVET, 3/16" X 1 1/8" LG .....	1
69	16705-G9		SCREW, 1/4 - 20 X 1 1/4" LG .....	1
70	14776-G1		RETAINER NUT ('J' TYPE), 1/4 - 20.....	1
71				
72				
73	71289-G01		NAMEPLATE (E-Z-GO) (OVAL) .....	1
74	74401-G01		NAMEPLATE (CUSHMAN) (OVAL) .....	1
75	71214-G01		FENDER FLARE (DRIVER SIDE).....	1
76	71214-G02		FENDER FLARE (PASSENGER SIDE) .....	1
77	71045-G01		RIVET, 5/32 X 3/4" LG.....	6
78	00559-G4		WASHER, #8.....	6
79				
80	75459-G01		GLOVE BOX DOORS (BOTH SIDES) .....	1
81	75459-G02		GLOVE BOX DOOR (DRIVER SIDE) .....	1
82	75459-G03		GLOVE BOX DOOR (PASSENGER SIDE).....	1
83				
84				
85	71025-G02		COWL ASSEMBLY (INDUSTRIAL) (INCLUDES ITEMS 86 - 95).....	1
86	71071-G**		COWL (INDUSTRIAL).....	1
87	71030-G01		COWL CAP .....	1
88	71076-G01		TAB.....	2
89	71035-G01		FENDER FLANGE (PASSENGER SIDE) .....	1
90	71036-G01		FENDER FLANGE (DRIVER SIDE).....	1



When ordering parts, please specify the model and serial number of the product.  
 \* Indicates a component that is not available as an individual part.  
 G\*\* Indicates consult Customer Service Department for additional information.

ITEM	PART NO.	1	2	3	4	5	DESCRIPTION	QTY.
91	14601-G10						RIVET, 5/32" X 7/16" LG.....	16
92	71101-G01						COWL SUPPORT BRACKET .....	1
93	10570-G10						RIVET, 5/32" X 9/16" LG.....	2
94	71037-G02						NAMEPLATE (E-Z-GO) (GOLD) .....	1
95	12064-G3						PUSHNUT, 3/16" .....	3
96								
97	71117-G01						FRONT COWL SPLASH PANEL .....	1
98	71102-G02						BOLT, 1/4 - 20 X 1/2" LG.....	4
99	16469-G7						WASHER, 1/4" .....	1
100	10570-G11						RIVET, 3/16" X 3/4" LG .....	2
101	15121-G3						WASHER, 1 1/4" X 7/32".....	2
102	71056-G01						BOLT, 5/16 - 18 X 5/8" LG.....	4
103	14601-G10						RIVET, 5/32" X 7/16" LG .....	7
104								
105								
106	71502-G01						ROCKER PANEL (DRIVER SIDE) .....	1
107	71501-G01						ROCKER PANEL (PASSENGER SIDE) .....	1
108	15058-G6						RIVET, 3/16" X 3/4" LG .....	4
109	16705-G1						SCREW, 1/4 - 20 X 1" LG .....	4
110	23726-G4						SPACER.....	4
111	00891-G2						LOCK NUT, 1/4 - 20 .....	4
112	71507-G02						SILL PLATE (DRIVER SIDE) .....	1
113	71507-G01						SILL PLATE (PASSENGER SIDE).....	1
114								
115	71588-G01						SEAT FILLER PANEL (DRIVER SIDE) .....	1
116	71588-G02						SEAT FILLER PANEL (PASSENGER SIDE).....	1
117	14601-G10						RIVET, 5/32" X 7/16" LG .....	6
118	20271-G3						HOLE PLUG, 2" .....	2
119								
120								

When ordering parts, please specify the model and serial number of the product.

\* Indicates a component that is not available as an individual part.

G\*\* Indicates consult Customer Service Department for additional information.

ITEM	PART NO.	1 2 3 4 5	DESCRIPTION	QTY.
121	70135-G01		PEDAL PIVOT COVER.....	1
122	70048-G**		FLOORMAT.....	1
123				
124	71844-G**		SEAT WRAP PANEL WITH LOUVERS .....	1
125				
126	10570-G10		RIVET, 5/32" X 9/16" LG .....	8
127	71609-G01		SEAT HINGE PLATE.....	2
128	10570-G11		RIVET, 3/16" X 3/4" LG .....	4
129	20271-G2		HOLE PLUG, 1/2".....	1
130	71259-G01		SIDE PANEL (DRIVER SIDE) .....	1
131	71259-G02		SIDE PANEL (PASSENGER SIDE) .....	1
132	10570-G10		RIVET, 5/32" X 9/16" LG .....	4
133	10570-G12		RIVET, 1/4" X 1/2" LG .....	4
134				
135	71379-G29		SEAT WRAP (INDUSTRIAL).....	1
136	71259-G13		SIDE PANEL (INDUSTRIAL) (DRIVER SIDE) .....	1
137	71259-G14		SIDE PANEL (INDUSTRIAL) (PASSENGER SIDE).....	1
138				
139	70244-G02		SPLASH PANEL.....	2
140	00715-G2		BOLT, 5/16 - 18 X 13/16" LG .....	8
141				
142				
143	71224-G01		FENDER (DRIVER SIDE) .....	1
144	71224-G02		FENDER (PASSENGER SIDE).....	1
145	71224-G03		FENDER WITH TAILLIGHT (DRIVER SIDE) .....	1
146	71224-G04		FENDER WITH TAILLIGHT (PASSENGER SIDE) .....	1
147	00414-G6		BOLT, 1/4 - 20 X 3/4" LG .....	8
148	00642-G7		WASHER, 1/4" .....	16
149	00891-G2		LOCK NUT, 1/4 - 20 .....	8
150				

When ordering parts, please specify the model and serial number of the product.  
 \* Indicates a component that is not available as an individual part.  
 G\*\* Indicates consult Customer Service Department for additional information.

ITEM	PART NO.	1 2 3 4 5	DESCRIPTION	QTY.
151	71225-G01		REAR PANEL.....	1
152	16816-G2		RATCHET FASTENER, 1/4" X 3/4" LG.....	8
153				
154	75109-G02		ASH TRAY KIT (INCLUDES ITEMS 155 - 158) .....	1
155	27731-G01		ASH TRAY.....	1
156	27736-G01		GASKET.....	1
157	75108-G01		BRACKET.....	1
158	00100-G4		SCREW, #10 - 16 X 1/2" LG.....	4
159				
160	74270-G07		CLEVIS HITCH KIT (INCLUDES ITEMS 161 - 173) .....	1
161	74338-G01		CLEVIS HITCH.....	1
162	14443-G7		CLEVIS PIN, 1/2" X 2 1/2" LG.....	1
163	19314-G1		COTTER PIN, 2 1/2" LG.....	1
164	74348-G01		HITCH RECEIVER .....	1
165	21317-G01		CLEVIS PIN, 5/8" X 3" LG .....	1
166	21683-G1		COTTER PIN, 15/32" X 2 11/16" LG .....	1
167	00463-G4		BOLT, 7/16 - 14 X 1 1/2" LG .....	4
168	00922-G3		WASHER, 7/16".....	4
169	00566-G2		LOCK WASHER, 7/16".....	4
170	00734-G1		LOCK NUT, 7/16 - 14.....	4
171	00198-G8		SCREW, 5/16 - 18 X 1" LG.....	1
172	00569-G2		WASHER, 5/16".....	1
173	11098-G6		LOCK NUT, 5/16 - 18.....	1
174				
175	74270-G05		ANGLE HITCH KIT (INCLUDES ITEMS 176 AND 164 - 173) .....	1
176	74339-G01		ANGLE HITCH .....	1
177				
178	74270-G03		HEAVY DUTY HITCH KIT (INCLUDES ITEMS 179 - 182 AND 164 - 173) .....	1
179	74351-G01		HEAVY DUTY HITCH.....	1
180	31757-G1		BALL, 1 7/8" .....	1

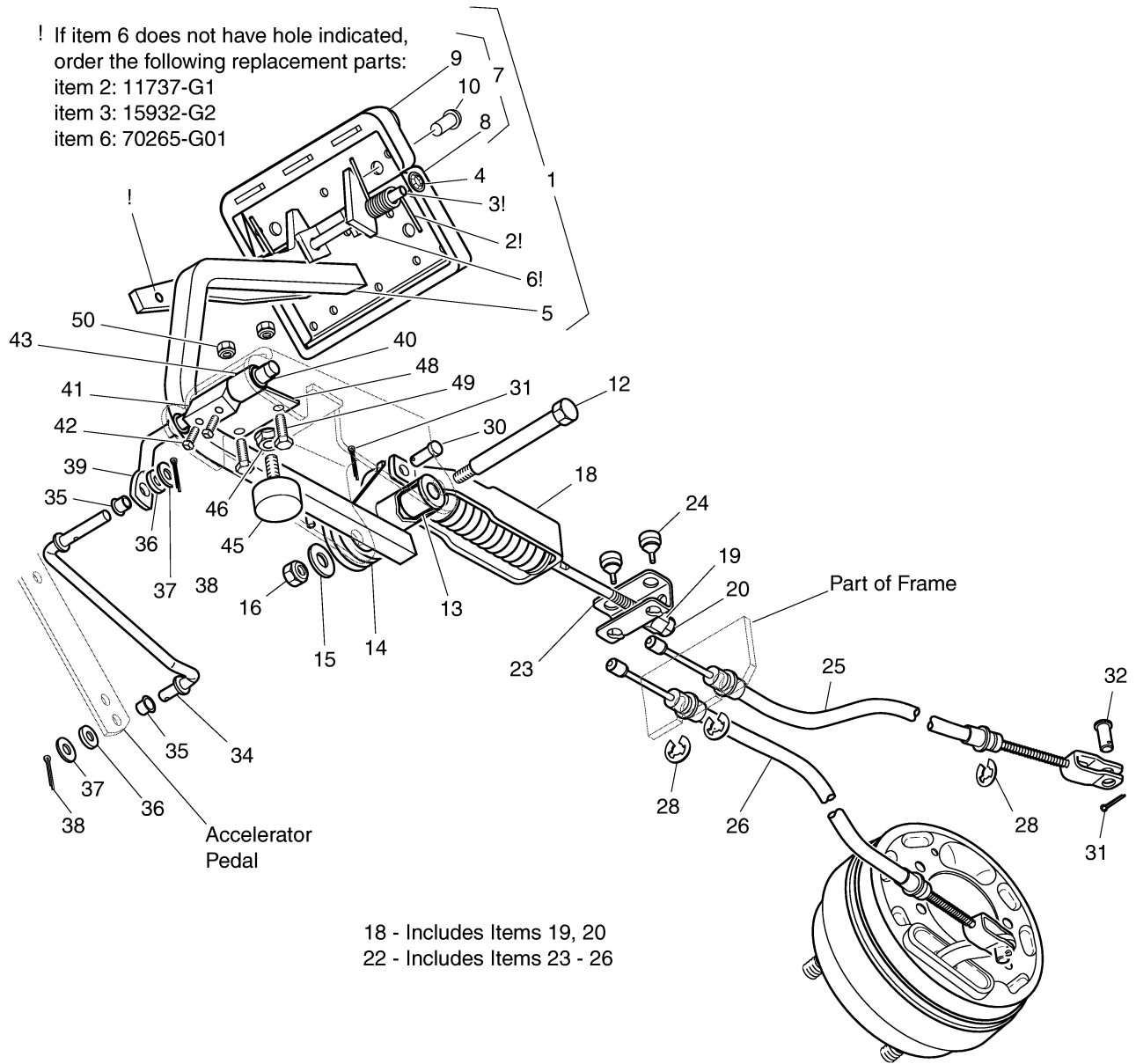
When ordering parts, please specify the model and serial number of the product.

\* Indicates a component that is not available as an individual part.

G\*\* Indicates consult Customer Service Department for additional information.

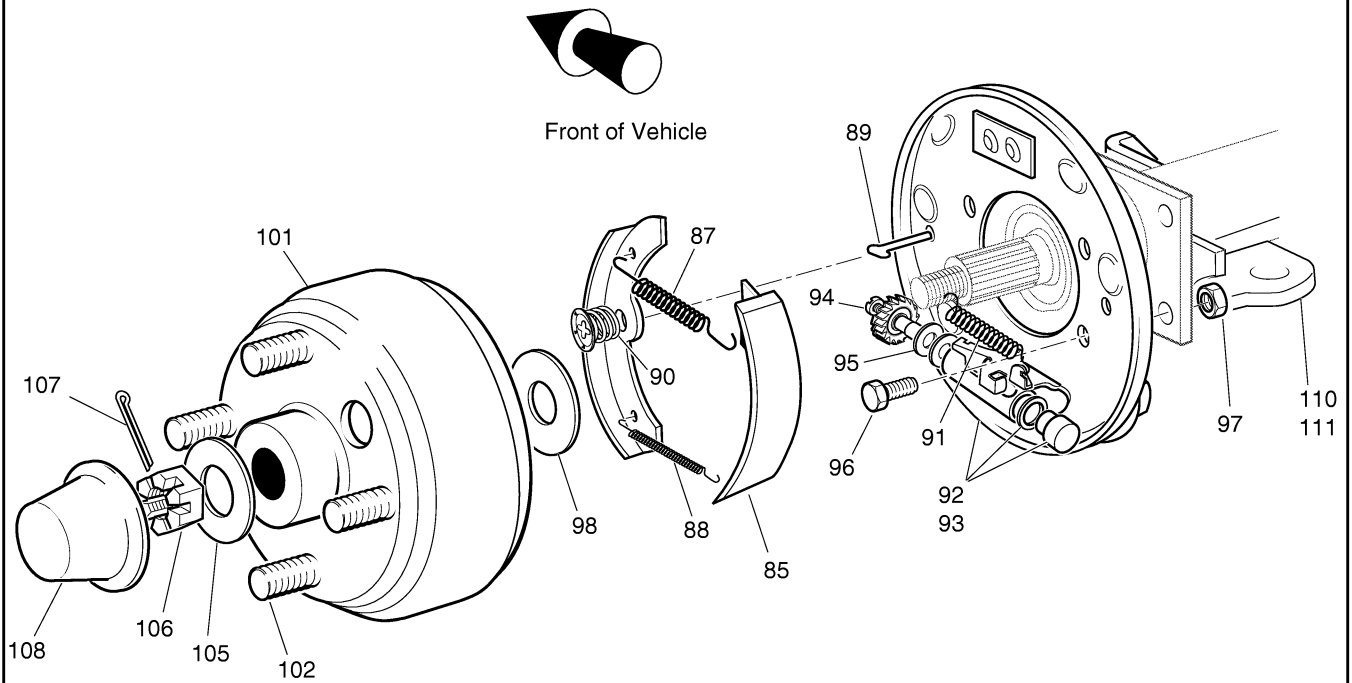
ITEM	PART NO.	1	2	3	4	5	DESCRIPTION	QTY.
181	00566-G6						LOCK WASHER, 3/4".....	1
182	00702-G11						NUT, 3/4 - 16 .....	1
183								
184	70441-G01						SEAT FRAME.....	1
185	70046-G01						BATTERY RACK.....	1
186	00715-G2						BOLT, 5/16 - 18 X 13/16" LG.....	4
187	00438-G6						BOLT, 5/16 - 18 X 3/4" LG.....	2
188	00559-G8						WASHER, 5/16" .....	2
189	11098-G6						LOCK NUT, 5/16 - 18 .....	2
190	70200-G01						SCREW, 3/8 - 16 X 1/4" LG .....	2
191								
192	35062-G01						DECAL (WORKHORSE®).....	2
193	35430-G07						DECAL (800).....	2
194	35430-G06						DECAL (800LX) .....	2
195	35432-G01						DECAL (INDUSTRIAL).....	2
196	74407-G01						DECAL (COMMANDER™) .....	2
197	74416-G06						DECAL (280).....	2
198	74416-G05						DECAL (280 SE) .....	2

! If item 6 does not have hole indicated,  
order the following replacement parts:  
item 2: 11737-G1  
item 3: 15932-G2  
item 6: 70265-G01



18 - Includes Items 19, 20  
22 - Includes Items 23 - 26





- 82 - Includes Items 84 - 92
- 83 - Includes Items 84-91, 93
- 84 - Includes Items 85
- 86 - Includes Items 87 - 91
- 92 - Includes Items 94, 95
- 93 - Includes Items 94, 95
- 100 - Includes Items 101, 102

When ordering parts, please specify the model and serial number of the product.

\* Indicates a component that is not available as an individual part.

G\*\* Indicates consult Customer Service Department for additional information.

ITEM	PART NO.	1 2 3 4 5	DESCRIPTION	QTY.
1	70612-G01		BRAKE PEDAL ASSEMBLY (WITHOUT BRAKE LIGHTS) (INCLUDES ITEMS 2 - 10) .....	1
2	70681-G01		TORSION SPRING .....	2
3	70682-G01		PIVOT PIN.....	1
4	12064-G1		PUSHNUT, 5/16" .....	1
5	*		BRAKE PEDAL.....	1
6	70611-G01		PARK BRAKE PEDAL.....	1
7	70274-G01		BRAKE/PARK BRAKE PEDAL PAD KIT (INCLUDES ITEMS 8 - 10) .....	1
8	*		SERVICE BRAKE PAD .....	1
9	*		PARK BRAKE PEDAL PAD.....	1
10	15766-G1		OVAL RIVET, 3/16" X 3/8" LG .....	9
11				
12	70582-G01		SHOULDER BOLT, 3/8 - 16 X 4" LG.....	1
13	70581-G01		FLANGED BUSHING .....	2
14	70676-G01		TORSION SPRING .....	1
15	00643-G1		WASHER, 3/8" .....	1
16	11098-G5		LOCK NUT, 3/8 - 16 .....	1
17				
18	70272-G04		COMPENSATOR ASSEMBLY (INCLUDES ITEMS 19, 20).....	1
19	00963-G01		SPHERICAL NUT, 5/16 - 24.....	1
20	11098-G9		LOCK NUT, 5/16 - 24.....	1
21				
22	70716-G03		EQUALIZER AND BRAKE CABLE ASSEMBLY (INCLUDES ITEMS 23-26) .....	1
23	28082-G01		EQUALIZER BRACKET .....	1
24	28083-G01		BRAKE COMPENSATOR BUMPER.....	2
25	*		BRAKE CABLE (DRIVER SIDE) .....	1
26	*		BRAKE CABLE (PASSENGER SIDE).....	1
27				
28	12305-G1		RETAINING RING .....	4
29				



When ordering parts, please specify the model and serial number of the product.  
 \* Indicates a component that is not available as an individual part.  
 G\*\* Indicates consult Customer Service Department for additional information.

ITEM	PART NO.	1 2 3 4 5	DESCRIPTION	QTY.
30	10386-G3		CLEVIS PIN, 5/16" X 1" LG.....	3
31	10387-G3		COTTER PIN, 3/32" X 3/4" LG.....	3
32	14443-G2		CLEVIS PIN, 5/16" X 3/4" LG.....	2
33				
34	70601-G01		KICK-OFF LINK .....	1
35	17838-G1		NYLON BUSHING.....	2
36	20835-G1		TEFLON WASHER, 3/8" .....	2
37	00559-G8		WASHER, 5/16" .....	2
38	10387-G3		COTTER PIN, 3/32" X 3/4" LG.....	2
39	70098-G01		KICK-OFF CAM PIVOT.....	1
40	10097-G6		FLANGED BEARING .....	2
41	70587-G01		KICK-OFF CAM.....	1
42	71215-G01		SETSCREW, 1/4 - 20 X 1/2" LG .....	2
43	14134-G4		SPACER.....	1
44				
45	70113-G01		ADJUSTABLE BUMPER.....	1
46	11027-G1		LOCK NUT, 5/16 - 18 .....	1
47				
48	70080-G01		CATCH BRACKET .....	1
49	00414-G6		BOLT, 1/4 - 20 X 3/4" LG.....	2
50	00891-G2		LOCK NUT, 1/4 - 20 .....	2
51				
52				
53	70690-G01		BRAKE PEDAL ASSEMBLY (WITH BRAKE LIGHTS) (INCLUDES ITEMS 54 - 80) .....	1
54	*		BRAKE PEDAL.....	1
55	70611-G01		PARK BRAKE PEDAL .....	1
56	70274-G01		BRAKE/PARK BRAKE PEDAL PAD KIT (INCLUDES ITEMS 57 - 59) .....	1
57	*		SERVICE BRAKE PAD .....	1
58	*		PARK BRAKE PAD .....	1

When ordering parts, please specify the model and serial number of the product.

\* Indicates a component that is not available as an individual part.

G\*\* Indicates consult Customer Service Department for additional information.

ITEM	PART NO.	1	2	3	4	5	DESCRIPTION	QTY.
59	15766-G1						OVAL RIVET, 3/16" x 3/8" LG.....	9
60								
61	70258-G02						SERVICE BRAKE PEDAL PLATE.....	1
62	70682-G01						PIVOT PIN.....	1
63	70681-G01						TORSION SPRING .....	2
64	12064-G1						PUSHNUT, 5/16" .....	1
65	00737-G8						SCREW, #10 - 24 X 1" LG.....	4
66	00739-G1						RUBBER NUT, #10 - 24 .....	2
67	22362-G3						BRAKE PEDAL STANDOFF .....	2
68	27137-G01						CONICAL SPRING.....	2
69	11098-G7						LOCK NUT, #10 - 24.....	2
70	10606-G8						MICRO SWITCH .....	1
71	00957-G1						SCREW, #6 - 32 X 1 1/4" LG.....	2
72	00559-G5						WASHER, #10.....	2
73	00559-G3						WASHER, #6.....	4
74	00565-G3						LOCK WASHER, #6.....	2
75	00525-G5						NUT, #6 - 32 .....	2
76	13514-G1						SCREW AND LOCK WASHER, #6 .....	2
77								
78	14628-G1						FASTON TAB .....	2
79	24605-G1						WIRE HARNESS (BRAKE LIGHT).....	1
80	17618-G1						WIRE TIE.....	3
81								
82	70793-G01						BRAKE ASSEMBLY (DRIVER SIDE) (INCLUDES ITEMS 84 - 95).....	1
83	70793-G02						BRAKE ASSEMBLY (PASSENGER SIDE) (INCLUDES ITEMS 84 - 95) .....	1
84	70794-G01						BRAKE SHOE KIT (INCLUDES ITEM 85) .....	2
85	*						BRAKE SHOE .....	2
86	27944-G01						BRAKE SPRING KIT (INCLUDES ITEMS 87 - 91) .....	2
87	*						UPPER SPRING .....	1
88	*						LOWER SPRING .....	1

# BRAKES

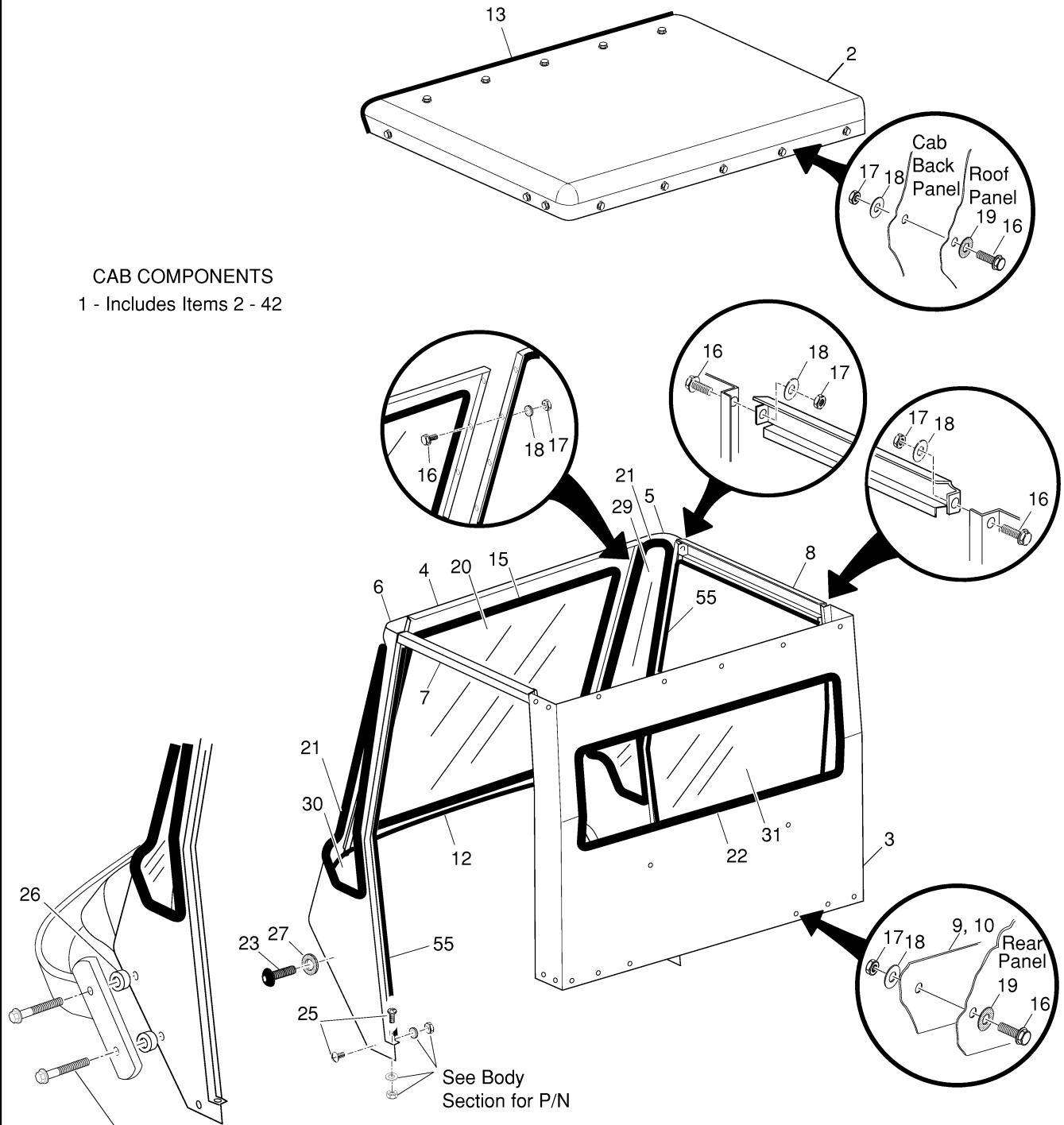
# Electric Vehicle

When ordering parts, please specify the model and serial number of the product.  
 \* Indicates a component that is not available as an individual part.  
 G\*\* Indicates consult Customer Service Department for additional information.

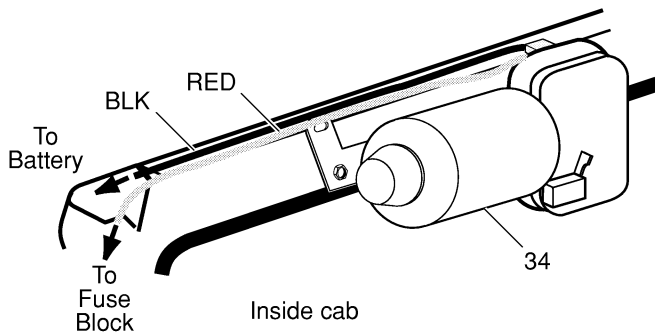
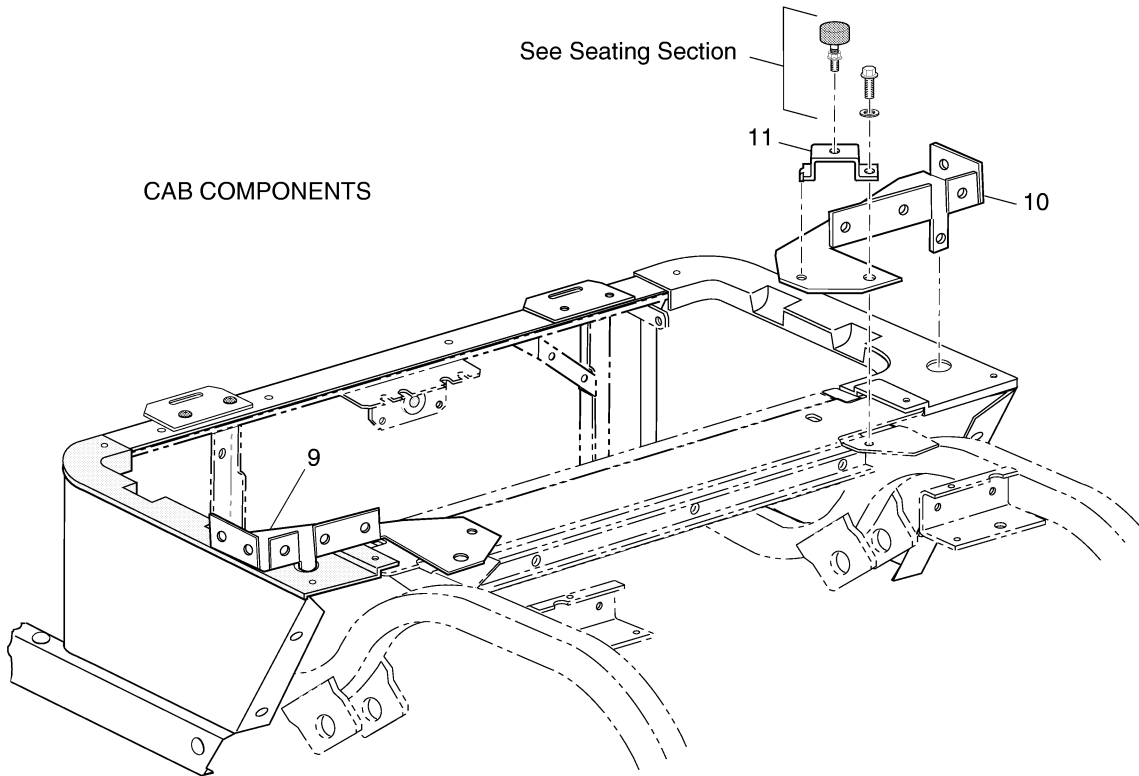
ITEM	PART NO.	1	2	3	4	5	DESCRIPTION	QTY.
89	*						PIN .....	2
90	*						CUP AND SPRING .....	2
91	*						ADJUSTER SPRING.....	1
92	72582-G01						BRAKE ADJUSTER KIT (DRIVER SIDE) (INCLUDES ITEMS 94, 95).....	1
93	72582-G02						BRAKE ADJUSTER KIT (PASSENGER SIDE) (INCL. ITEMS 94, 95) .....	1
94	*						ADJUSTER .....	1
95	*						TEFLON WASHER .....	2
96	17083-G2						BOLT, 5/16 - 24 X 1" LG.....	8
97	15126-G1						LOCK NUT, 5/16 - 24 .....	8
98	15485-G1						INNER BRAKE DRUM WASHER .....	2
99								
100	19186-G1						BRAKE DRUM ASSEMBLY (INCLUDES ITEMS 101 - 102) .....	2
101	*						BRAKE DRUM.....	1
102	19862-G1						LUG BOLT, 1/2 - 20 .....	4
103								
104								
105	15487-G1						WASHER, 1 3/8" O.D. X 21/32" .....	2
106	15483-G1						SLOTTED NUT, 5/8 - 18.....	2
107	10387-G1						COTTER PIN, 1/8" X 1 1/2" LG.....	2
108	74175-G01						SPINDLE CAP .....	2
109								
110	72036-G01						BRAKE CABLE BRACKET (PASSENGER SIDE) .....	1
111	72036-G02						BRAKE CABLE BRACKET (DRIVER SIDE).....	1



CAB COMPONENTS  
1 - Includes Items 2 - 42



CAB COMPONENTS



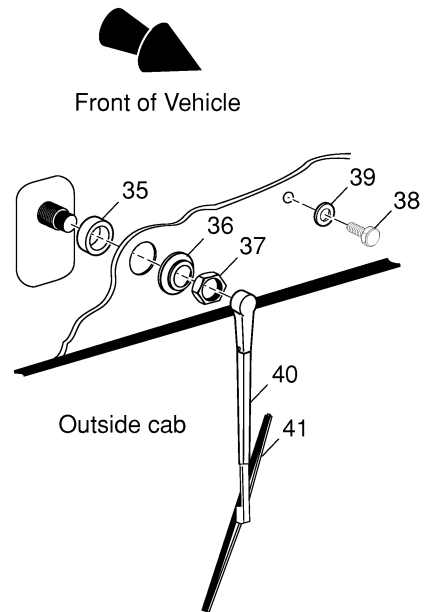
Front of Vehicle

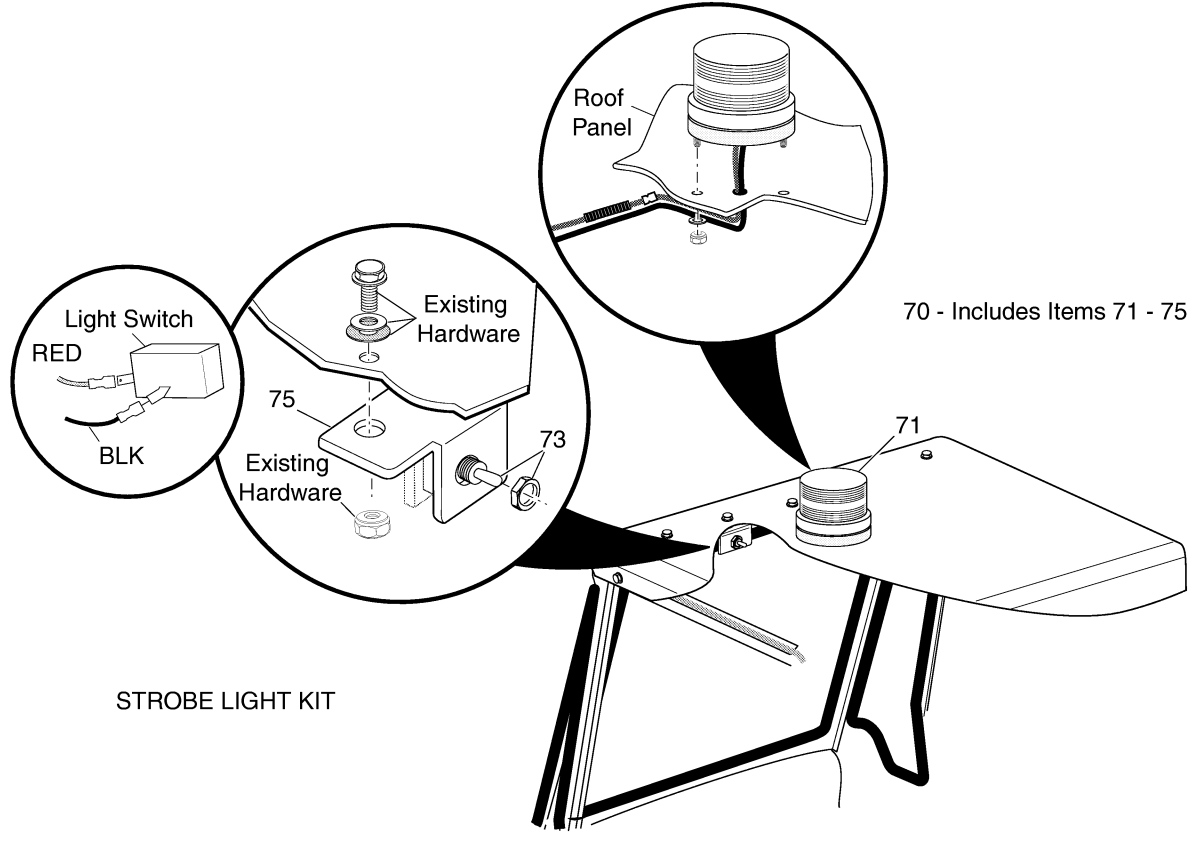
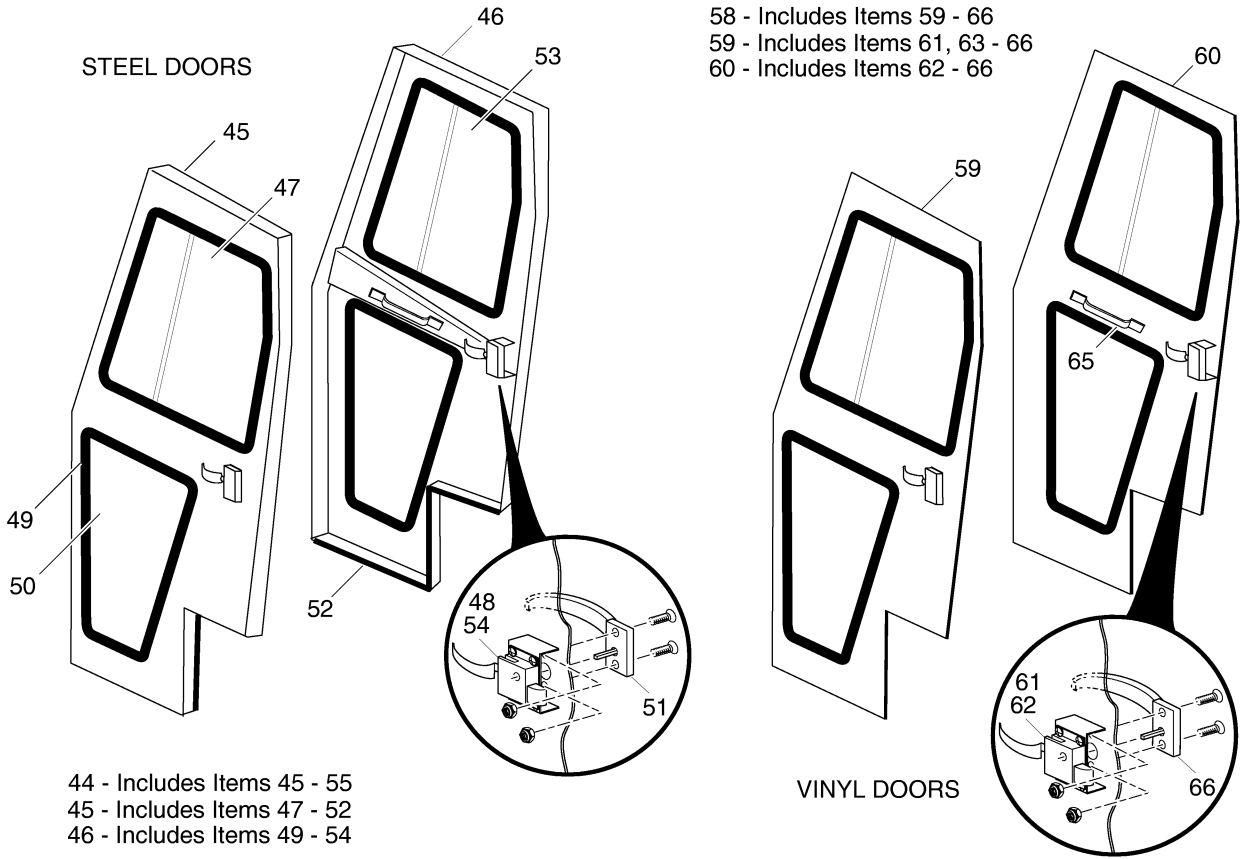


WINDSHIELD WIPER COMPONENTS

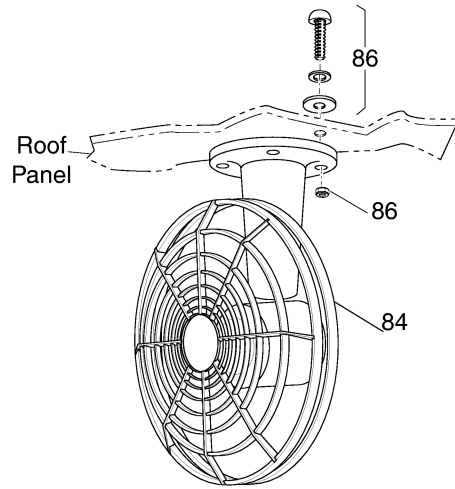
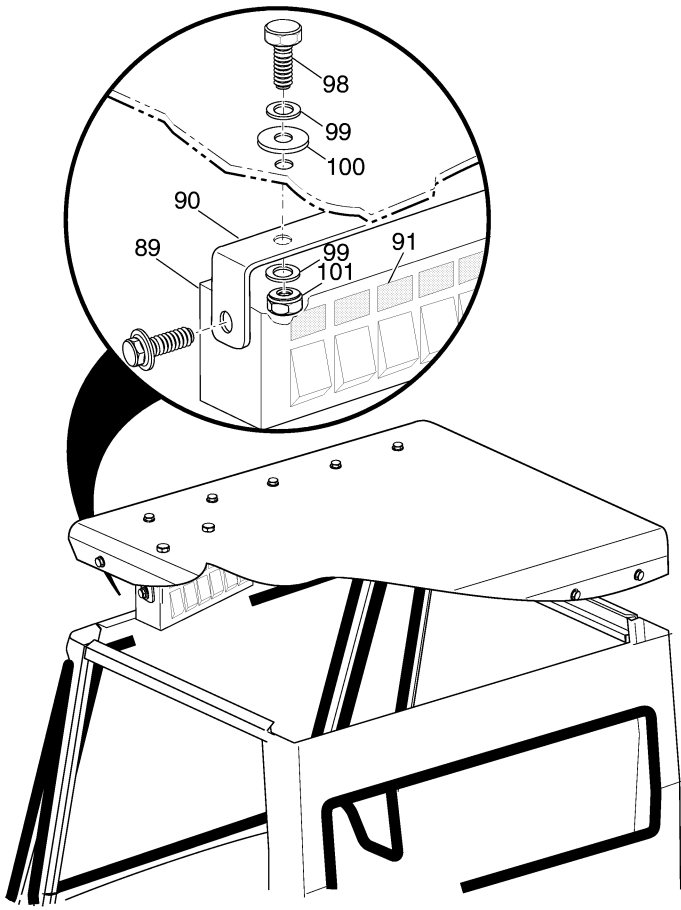
33 - Includes Items 34 - 42

34 - Includes Items 35 - 39

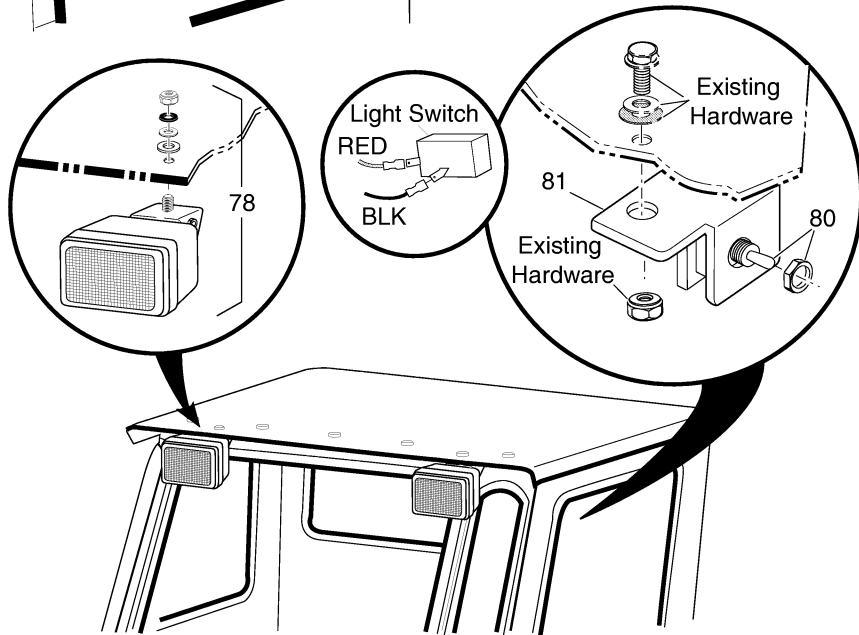




SWITCH PANEL KIT  
88 - Includes Items 89 - 103



DEFROSTER / COOLING FAN KIT  
83 - Includes Items 84 - 86



WORKLIGHT KIT  
77 - Includes Items 78 - 81



Replacement parts may be obtained from Curtis Tractor Cab Inc., 111 Higgins Street, Worcester, MA 01606. Telephone (508) 853-2200, or FAX (508) 854-3377.

\* Indicates a component that is not available as an individual part.

ITEM	PART NO.	1 2 3 4 5	DESCRIPTION	QTY.
1	74300-G0*		STEEL CAB KIT (WITHOUT DOORS) (INCLUDES ITEMS 2 - 42).....	1
2	74300-G0*A		ROOF PANEL .....	1
3	74300-G0*B		REAR PANEL .....	1
4	74300-G0*C		WINDSHIELD PANEL.....	1
5	74300-G0*D		FRONT CORNER PANEL (PASSENGER SIDE).....	1
6	74300-G0*E		FRONT CORNER PANEL (DRIVER SIDE) .....	1
7	74300-G0*F		RECEIVER (DRIVER SIDE) .....	1
8	74300-G0*G		RECEIVER (PASSENGER SIDE).....	1
9	74300-G0*H		LOWER MOUNTING BRACKET (DRIVER SIDE).....	1
10	74300-G0*I		LOWER MOUNTING BRACKET (PASSENGER SIDE) .....	1
11	6E05G		BUMPER BRACKET.....	2
12	1P004A		FRONT PANEL COWL SEAL GASKET (85" LG) .....	1
13	1P004D		ROOF TRIM (50") .....	1
14				
15	6E03		FRONT WINDSHIELD MOUNTING GASKET .....	1
16	6E03A		BOLT, 3/8 - 16 X 7/8" LG.....	44
17	6E03B		LOCK NUT, 3/8 - 16 .....	44
18	6E03C		WASHER, 3/8" .....	44
19	6E03D		NYLON WASHER, 3/8".....	26
20	6E03E		FRONT WINDSHIELD GLASS .....	1
21	6E03H		FRONT CORNER PANEL MOUNTING GASKET .....	2
22	6E03J		REAR PANEL WINDOW MOUNTING GASKET .....	1
23	6E03S		ALLEN BUTTON HEAD BOLT.....	4
24				
25	6E03U		BOLT, 1/4 - 20 X 1 1/2" LG.....	4
26	6E03V		NYLON SPACER, 1/4" .....	4
27	6E03W		WASHER, 5/16" .....	4
28				
29	6E05A		FRONT CORNER PANEL WINDOW (PASSENGER SIDE).....	1
30	6E05B		FRONT CORNER PANEL WINDOW (DRIVER SIDE) .....	1

Replacement parts may be obtained from Curtis Tractor Cab Inc., 111 Higgins Street, Worcester, MA 01606. Telephone (508) 853-2200, or FAX (508) 854-3377.

\* Indicates a component that is not available as an individual part.

ITEM	PART NO.	1	2	3	4	5	DESCRIPTION	QTY.
31	6E05C						REAR PANEL WINDOW .....	1
32								
33	74244-G01						WINDSHIELD WIPER KIT (INCLUDES ITEMS 34 - 42) .....	1
34	9PWM85						WIPER MOTOR (INCLUDES ITEMS 35 - 39) .....	1
35	*						SPACER .....	1
36	*						SHAFT COVER (SEAL) .....	1
37	*						NUT .....	1
38	*						BOLT .....	1
39	*						WASHER .....	1
40	9PWA						WIPER ARM .....	1
41	9PWB						WINDSHIELD WIPER BLADE .....	1
42	9E003						ELECTRICAL HARDWARE KIT (NOT ILLUSTRATED) .....	1
43								
44	74301-G0*						STEEL DOOR KIT (INCLUDES ITEMS 45 - 55).....	1
45	74301-G0*A						STEEL DOOR (DRIVER SIDE) (INCLUDES ITEMS 47 - 52) .....	1
46	74301-G0*B						STEEL DOOR (PASSENGER SIDE) (INCLUDES ITEMS 49 - 54).....	1
47	6E05D						SLIDING DOOR WINDOW ASSEMBLY (DRIVER SIDE).....	1
48	9DHSL						INSIDE DOOR LATCH (DRIVER SIDE).....	1
49	6E03P						LOWER DOOR WINDOW MOUNTING GASKET .....	1
50	6E05F						LOWER DOOR WINDOW .....	1
51	9DHOS1						OUTSIDE DOOR HANDLE (KEY LOCKING) .....	2
52	1P004B						LOWER DOOR SEAL GASKET (43" LG) .....	1
53	6E05E						SLIDING DOOR WINDOW ASSEMBLY (PASSENGER SIDE) .....	1
54	9DHSLR						INSIDE DOOR LATCH (PASSENGER SIDE) .....	1
55	1P004C						DOOR SEAL GASKET (123" LG).....	2
56	9P001A						REPLACEMENT DOOR HINGE KIT (NOT ILLUSTRATED) .....	A/R
57								
58	74242-G01						VINYL DOOR KIT (INCLUDES ITEMS 59 - 66).....	1
59	9DVK-L						VINYL DOOR (DRIVER SIDE) (INCLUDES ITEMS 61, 63 - 66) .....	1
60	9DVK-R						VINYL DOOR (PASSENGER SIDE) (INCLUDES ITEMS 62 - 66).....	1

Replacement parts may be obtained from Curtis Tractor Cab Inc., 111 Higgins Street, Worcester, MA 01606. Telephone (508) 853-2200, or FAX (508) 854-3377.

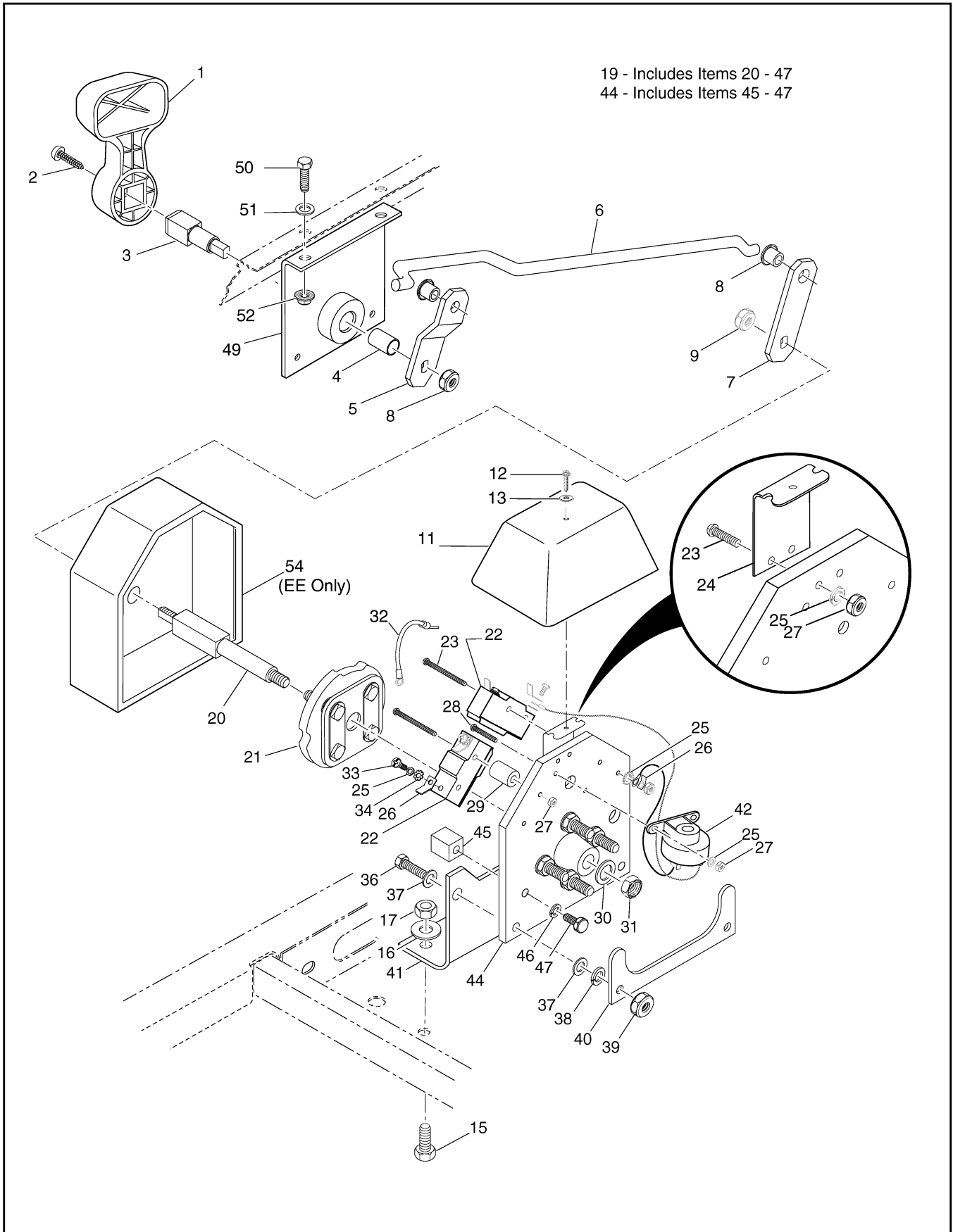
\* Indicates a component that is not available as an individual part.

ITEM	PART NO.	1 2 3 4 5	DESCRIPTION	QTY.
61	9DHSL		INSIDE DOOR LATCH (DRIVER SIDE).....	1
62	9DHSLR		INSIDE DOOR LATCH (PASSENGER SIDE) .....	1
63	9DCK		DOOR CHECK (NOT ILLUSTRATED) .....	1
64	9DSTK1		DOOR STRIKER (NOT ILLUSTRATED) .....	1
65	9DGH1		DOOR GRAB HANDLE .....	1
66	9DHOS1		OUTSIDE DOOR HANDLE (KEY LOCKING) .....	1
67	9PSSH		REPLACEMENT DOOR HINGE (DRIVER SIDE) (NOT ILLUSTRATED).....	1
68	9PSSHR		REPLACEMENT DOOR HINGE (PASSENGER SIDE) (NOT ILLUSTRATED) ..	1
69				
70	74245-G01		STROBE LIGHT KIT (INCLUDES ITEMS 71 - 75).....	1
71	9PSLRL		STROBE LENS.....	1
72	9E001		ELECTRICAL HARDWARE KIT (NOT ILLUSTRATED) .....	1
73	9E002		TOGGLE SWITCH.....	1
74	9PSLRB		REPLACEMENT BULB (NOT ILLUSTRATED) .....	1
75	9PB001		BRACKET .....	1
76				
77	74247-G01		WORK LIGHT KIT (INCLUDES ITEMS 78 - 81) .....	1
78	9LW1A		WORK LIGHT (INCLUDES HARDWARE).....	2
79	9E001		ELECTRICAL HARDWARE KIT (NOT ILLUSTRATED) .....	1
80	9E002		TOGGLE SWITCH.....	1
81	9PB001		BRACKET .....	1
82				
83	74248-G01		DEFROSTER / COOLING FAN KIT (INCLUDES ITEMS 84 - 86) .....	1
84	9PDF		FAN.....	1
85	9E001		ELECTRICAL HARDWARE KIT (NOT ILLUSTRATED) .....	1
86	9PFHK		HARDWARE KIT .....	1
87				
88	74250-G01		SWITCH PANEL KIT (INCLUDES ITEMS 89 - 103) .....	1
89	9PSF1-001		SWITCH PANEL .....	1
90	9PSF1-002		MOUNTING BRACKET AND HARDWARE .....	1

Replacement parts may be obtained from Curtis Tractor Cab Inc., 111 Higgins Street, Worcester, MA 01606. Telephone (508) 853-2200, or FAX (508) 854-3377.

\* Indicates a component that is not available as an individual part.

ITEM	PART NO.	1	2	3	4	5	DESCRIPTION	QTY.
91	9PSF1-003						ADHESIVE LABELS.....	1
92	9PSF1-004						3 AMP FUSE (NOT ILLUSTRATED) .....	2
93	9PSF1-005						5 AMP FUSE (NOT ILLUSTRATED) .....	3
94	9PSF1-006						7.5 AMP FUSE (NOT ILLUSTRATED) .....	1
95	9PSF1-007						FLEX LOOM, 5/8" X 10 FT LG (NOT ILLUSTRATED) .....	1
96	9PSF1-008						4-WAY BASE TIE (NOT ILLUSTRATED) .....	6
97	9PSF1-009						WIRE TIE (NOT ILLUSTRATED).....	14
98	9PSF1-010						BOLT, 1/4 - 20 X 7/8" LG .....	2
99	9PSF1-011						WASHER, 1/4" .....	4
100	9PSF1-012						NYLON WASHER, 1/4" .....	2
101	9PSF1-013						LOCK NUT, 1/4-20.....	2
102	9PSF1-014						10 GA WIRE (RED, 8" LG) (NOT ILLUSTRATED) .....	1
103	9PSF1-015						10 GA WIRE (BLACK, 8" LG) (NOT ILLUSTRATED).....	1
104								
105	74294-G0*						STEEL CAB KIT (WITHOUT DOORS) (LX / SE) (INCLUDES ITEMS 2 - 3, 7 - 42, 106 - 108) .....	1
106	74294-G0*C						WINDSHIELD PANEL.....	1
107	74294-G0*D						FRONT CORNER PANEL (PASSENGER SIDE) .....	1
108	74294-G0*E						FRONT CORNER PANEL (DRIVER SIDE) .....	1



THE USE OF NON UL PARTS WILL VOID ANY UL LISTING.

When ordering parts, please specify the model and serial number of the product.

\* Indicates a component that is not available as an individual part.

G\*\* Indicates consult Customer Service Department for additional information.

ITEM	PART NO.	1 2 3 4 5	DESCRIPTION	QTY.
1	71205-G01		DIRECTION SELECTOR HANDLE .....	1
2	00740-G4		SCREW, #10 - 32 X 1/2" LG. ....	1
3	70233-G01		DIRECTION SELECTOR SHAFT.....	1
4	25664-G2		BUSHING.....	1
5	70334-G01		OFFSET SHIFT LINKAGE ARM .....	1
6	70313-G01		LINKAGE ROD.....	1
7	70232-G03		SHIFT LINKAGE ARM .....	1
8	22754-G3		BUSHING.....	2
9	14390-G1		LOCK NUT, 3/8 - 24 .....	2
10				
11	73049-G01		COVER .....	1
12	00114-G6		SCREW, 1/4 - 14 x 3/4" LG. ....	1
13	16469-G7		WASHER, 1/4" .....	1
14				
15	00438-G6		BOLT, 5/16 - 18 X 3/4" LG.....	2
16	00571-G2		WASHER, 5/16" .....	2
17	11098-G6		LOCK NUT, 5/16 - 18 .....	2
18				
19	73036-G01		DIRECTION SELECTOR ASSEMBLY (INCLUDES ITEMS 20 - 47) .....	1
20	73027-G01		DIRECTION SELECTOR SHAFT .....	1
21	12835-G1		CAM.....	1
22	10606-G2		MICRO SWITCH.....	2
23	00139-G8		SCREW, #6 - 32 X 2" LG. ....	4
24	73048-G01		COVER BRACKET .....	1
25	00565-G3		LOCK WASHER, #6 .....	8
26	14628-G1		FASTON TAB.....	4
27	00525-G5		NUT, #6 - 32.....	8
28	00138-G6		SCREW, #6 - 32 X 3/4" LG. ....	3
29	12806-G1		SPACER .....	4
30	00560-G1		WASHER, 3/8" .....	1

**DIRECTION SELECTOR****Electric Vehicle**

THE USE OF NON UL PARTS WILL VOID ANY UL LISTING.

When ordering parts, please specify the model and serial number of the product.

\* Indicates a component that is not available as an individual part.

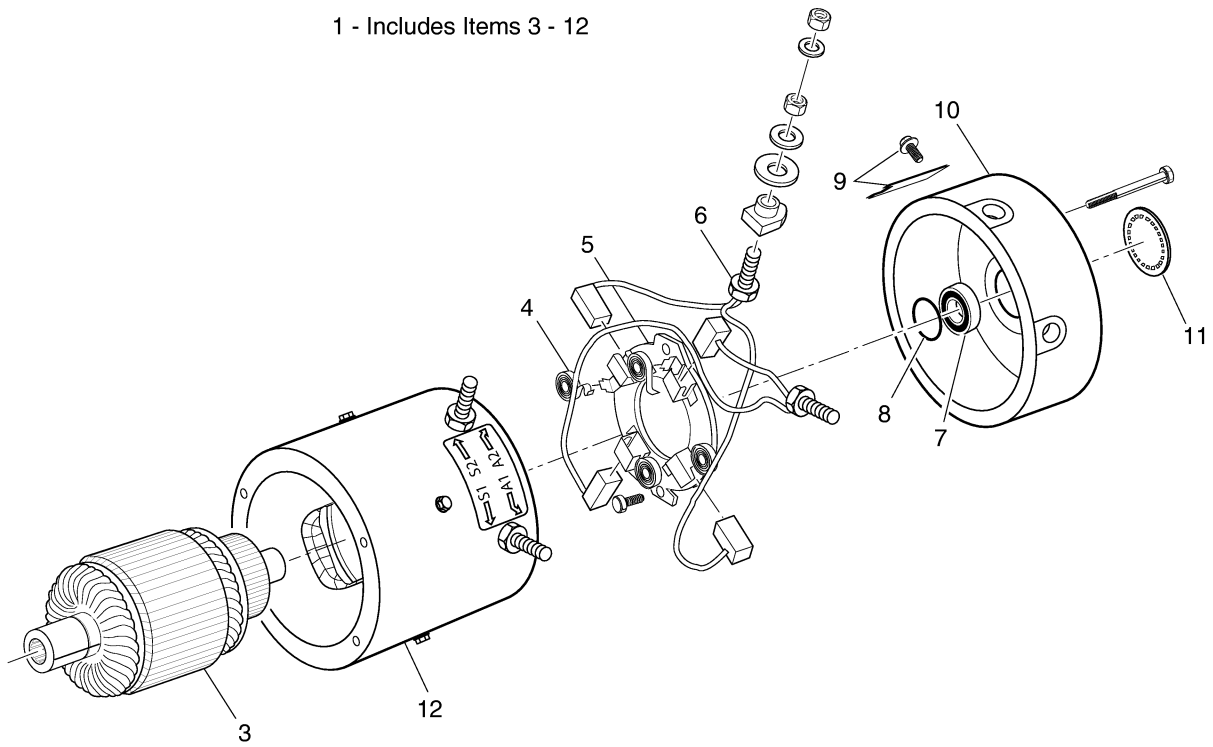
G\*\* Indicates consult Customer Service Department for additional information.

ITEM	PART NO.	1	2	3	4	5	DESCRIPTION	QTY.
31	14390-G1						LOCK NUT, 3/8 - 24 .....	2
32	25978-G37						18 GA WIRE (RED 6") .....	1
33	*						SCREW.....	4
34	00567-G3						LOCK WASHER, #6 .....	4
35								
36	00414-G8						BOLT, 1/4 - 20 X 1" LG.....	2
37	00559-G7						WASHER, 1/4" .....	4
38	00565-G7						LOCK WASHER, 1/4" .....	2
39	00532-G1						NUT, 1/4 - 20.....	2
40	15461-G1						SUPPORT BRACKET.....	1
41	73031-G01						DIRECTION SELECTOR MOUNTING BRACKET .....	1
42	73290-G02						REVERSE WARNING BUZZER .....	1
43								
44	14651-G1						CONTACT BOARD ASSEMBLY (INCLUDES ITEMS 45 - 47) .....	1
45	24940-G1						STOP.....	2
46	00565-G7						LOCK WASHER, 1/4".....	2
47	00414-G6						BOLT, 1/4 - 20 X 3/4" LG. ....	2
48								
49	70444-G01						BRACKET .....	1
50	28272-G01						BOLT, 1/4 - 20 X 5/8" LG .....	2
51	00559-G7						WASHER, 1/4" .....	2
52	11027-G2						LOCK NUT, 1/4 - 20 .....	2



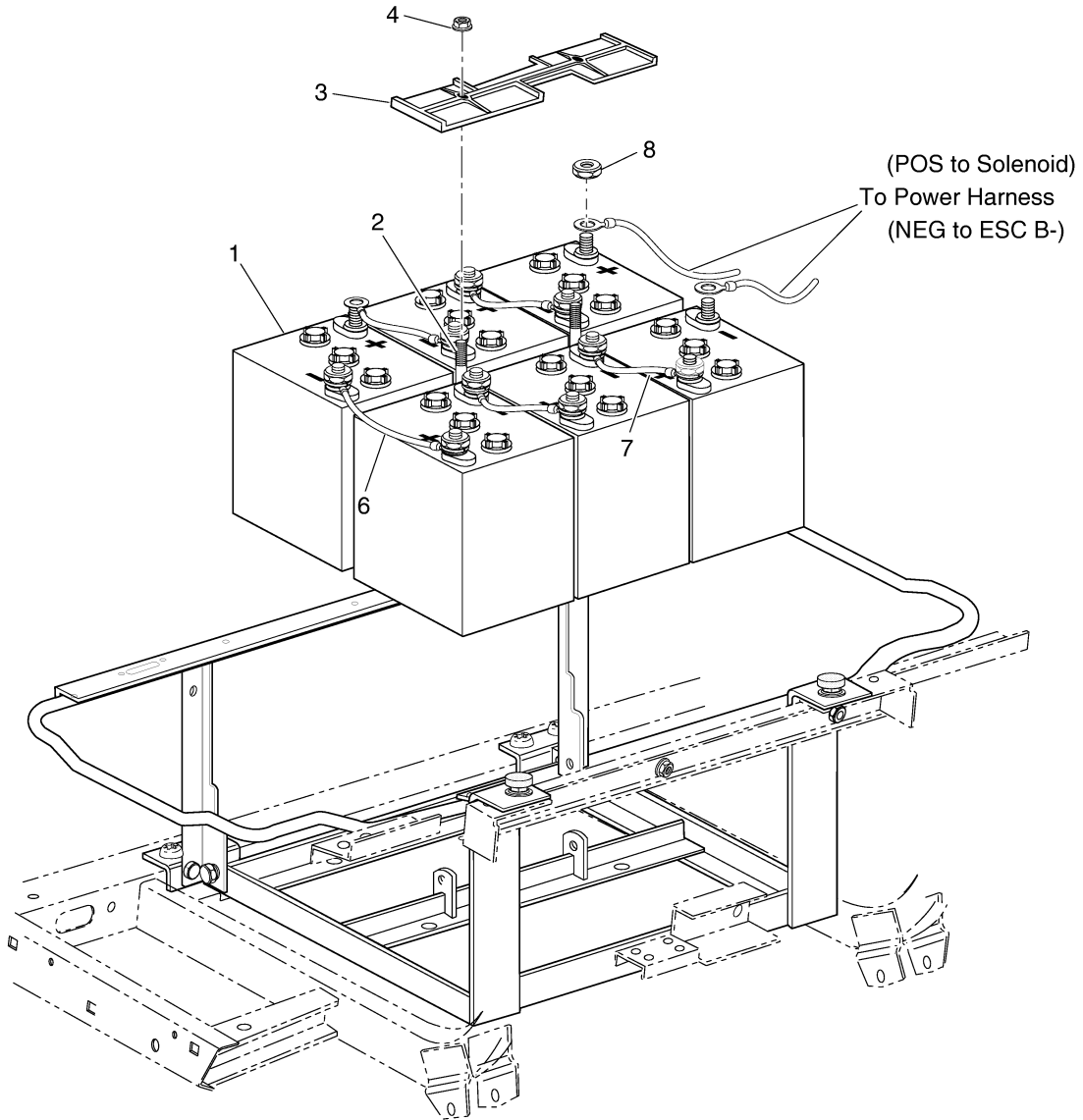


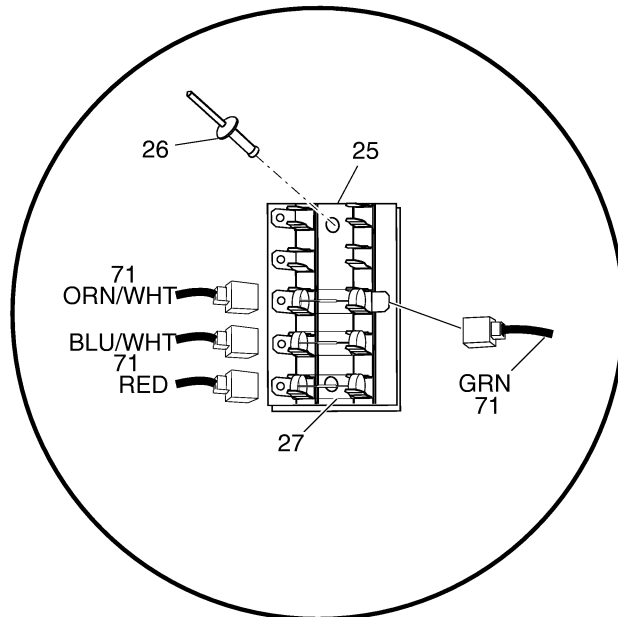
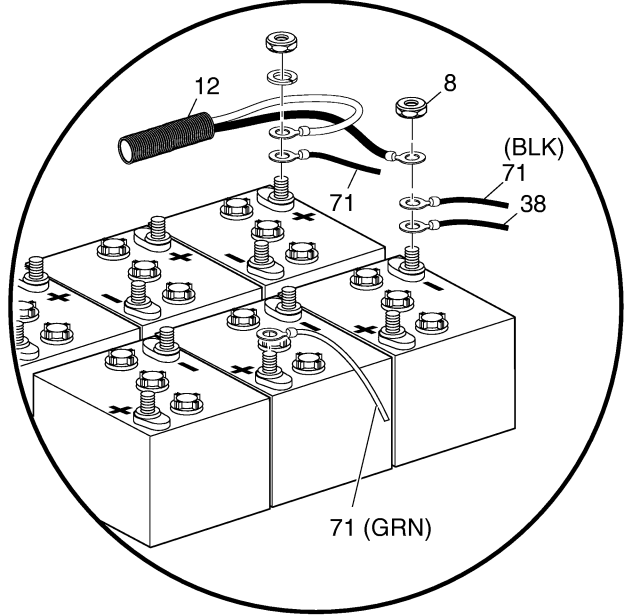
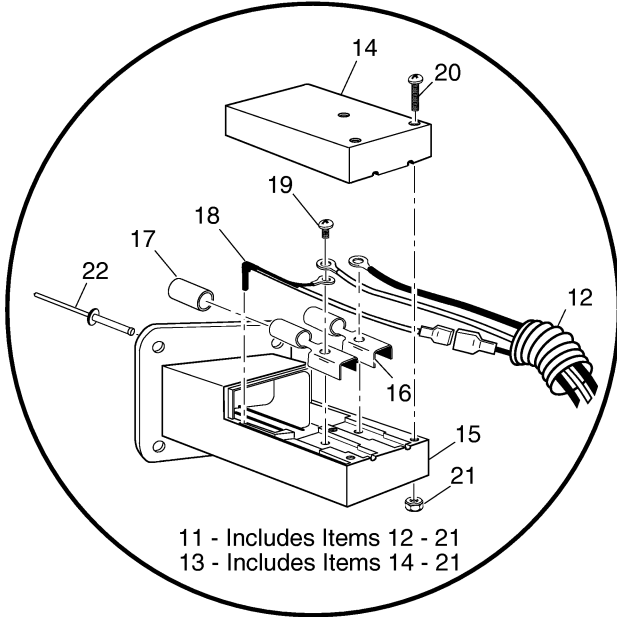
1 - Includes Items 3 - 12

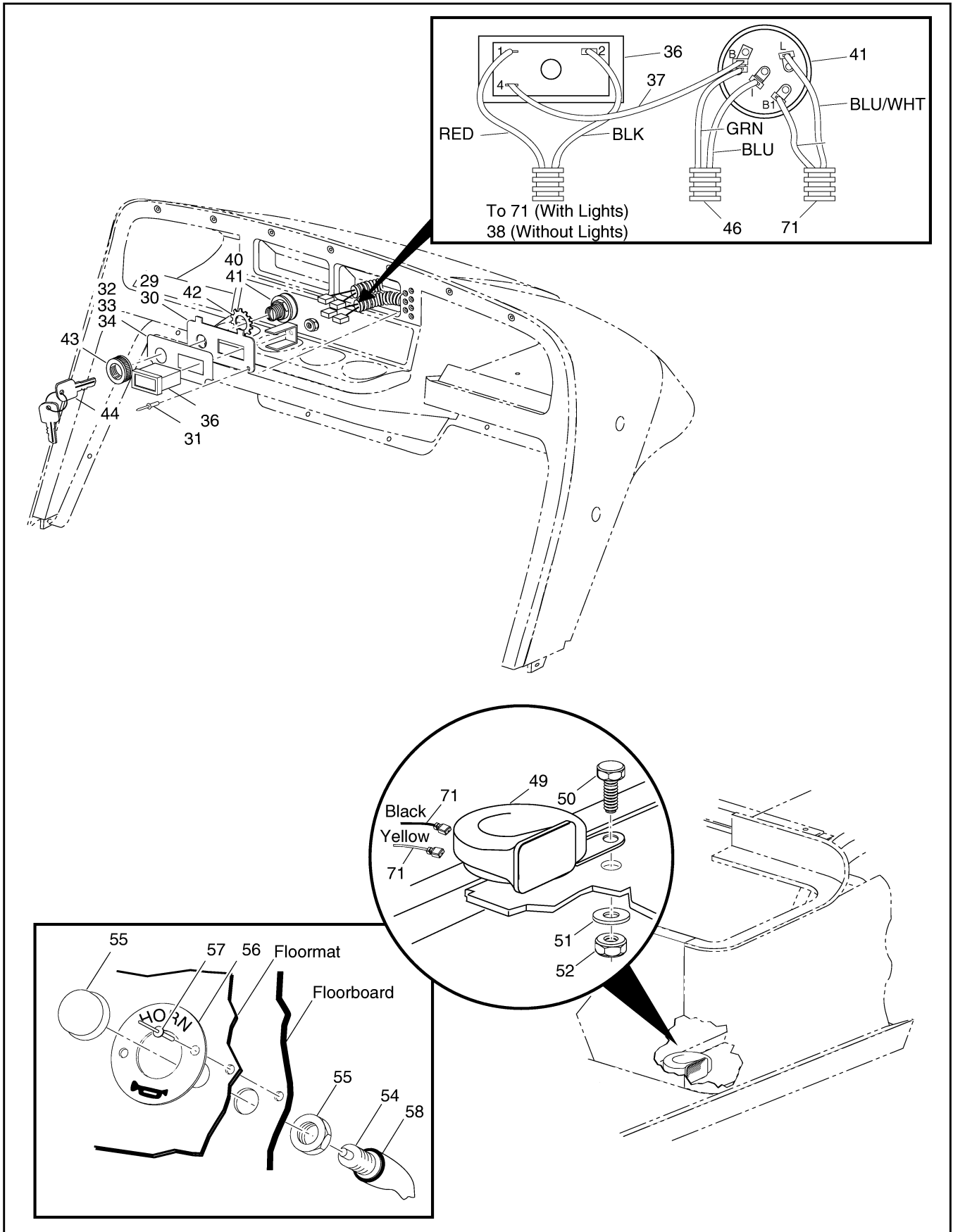


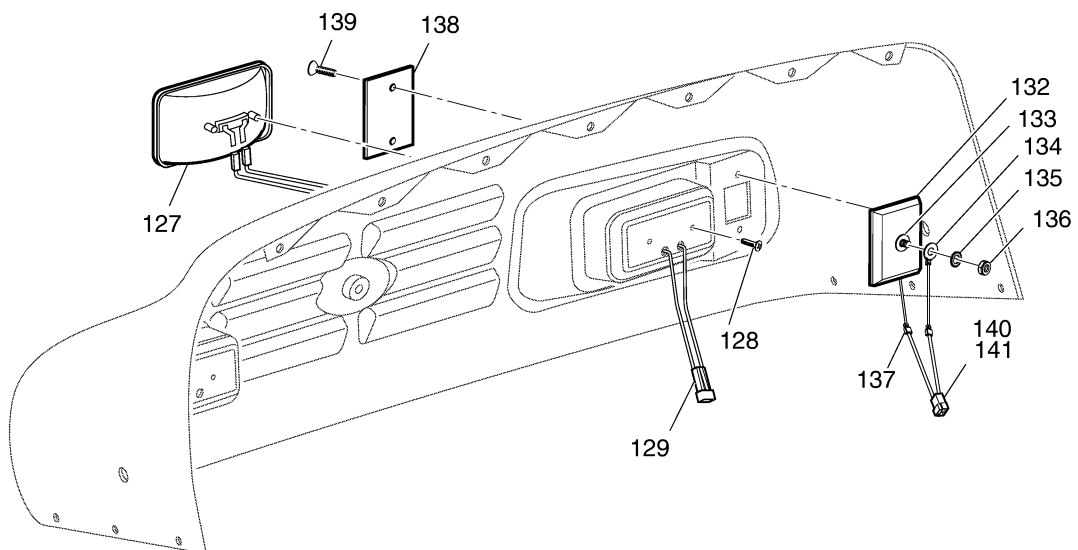
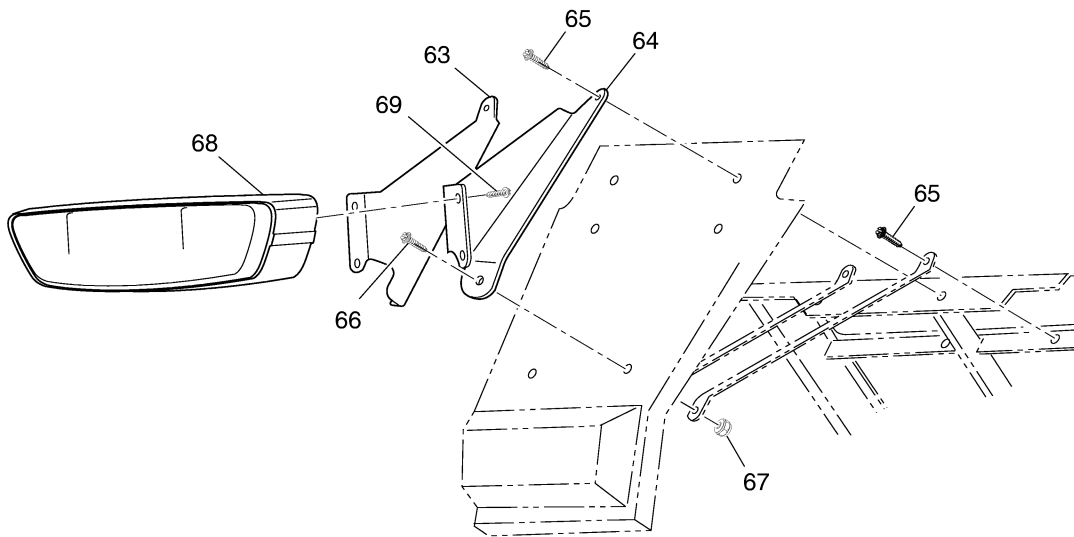
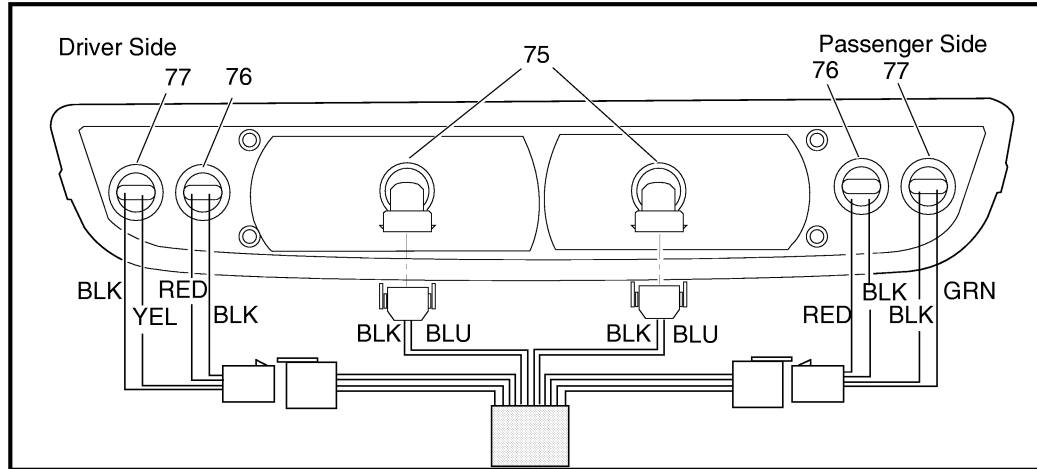
THE USE OF NON UL PARTS WILL VOID ANY UL LISTING.  
 When ordering parts, please specify the model and serial number of the product.  
 \* Indicates a component that is not available as an individual part.  
 G\*\* Indicates consult Customer Service Department for additional information.

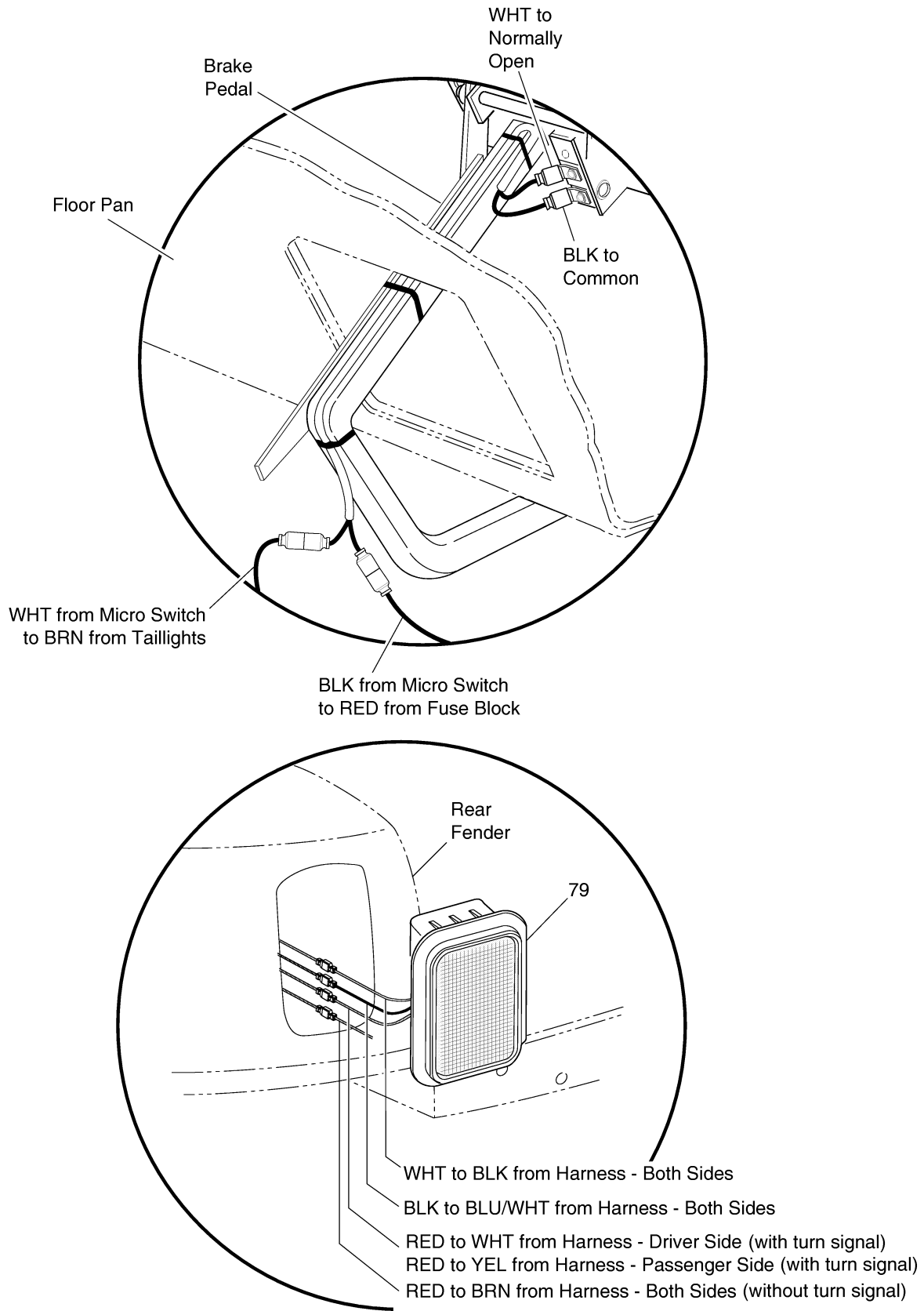
ITEM	PART NO.	1	2	3	4	5	DESCRIPTION	QTY.	
1	73124-G02	MOTOR (SERIES, FLEET SPEED) (INCLUDES ITEMS 3 - 12) .....							1
2									
3	73120-G01	ARMATURE .....							1
4	73120-G03	BRUSH SPRING .....							4
5	73120-G15	BRUSH PLATE AND BOX .....							1
6	73120-G25	BRUSH REPLACEMENT KIT (INCLUDES HARDWARE) .....							1
7	73120-G07	BEARING .....							1
8	73120-G06	SNAP RING .....							1
9	73120-G09	COVER PLATE AND SCREW .....							1
10	73120-G08	COVER COMMUTATOR END .....							1
11	73120-G16	CAP .....							1
12	73120-G29	FRAME AND FIELD COIL (G02 MOTOR) (INCLUDES HARDWARE) .....							1

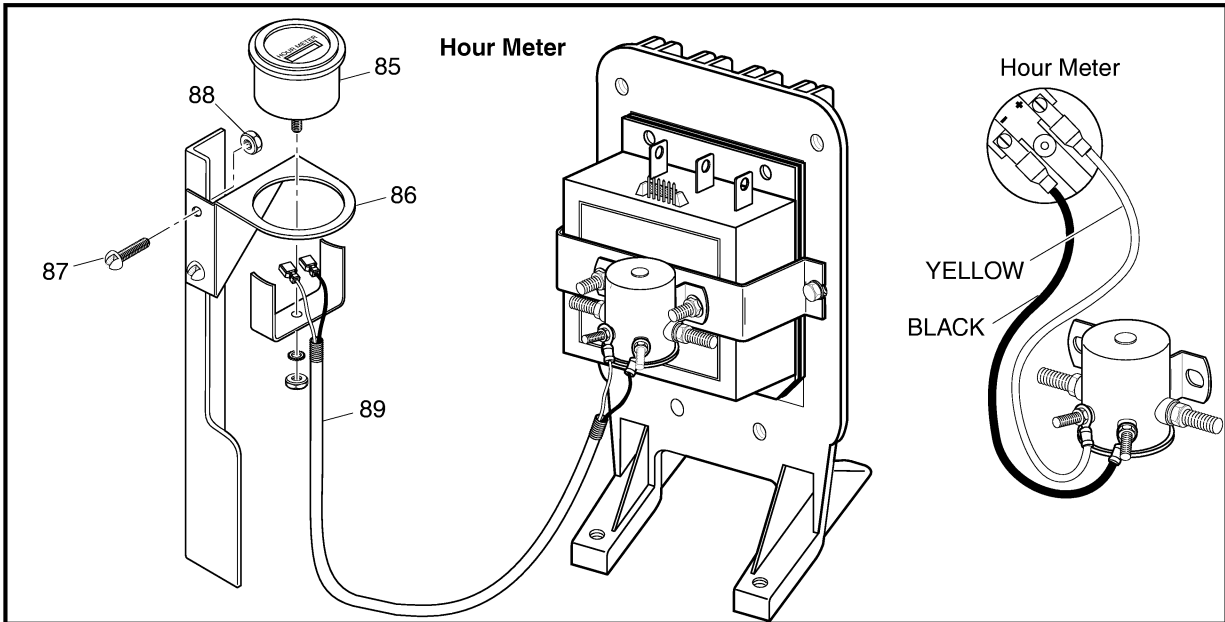
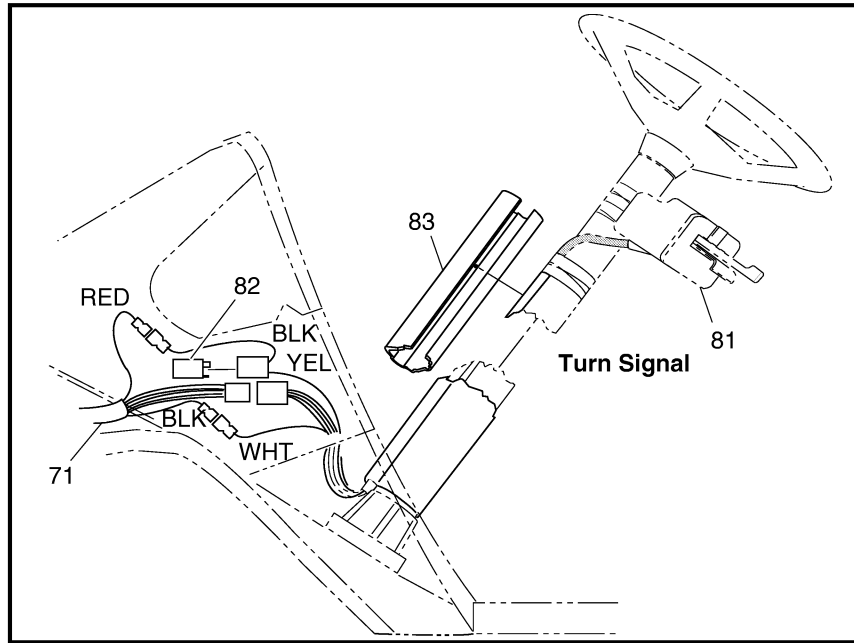




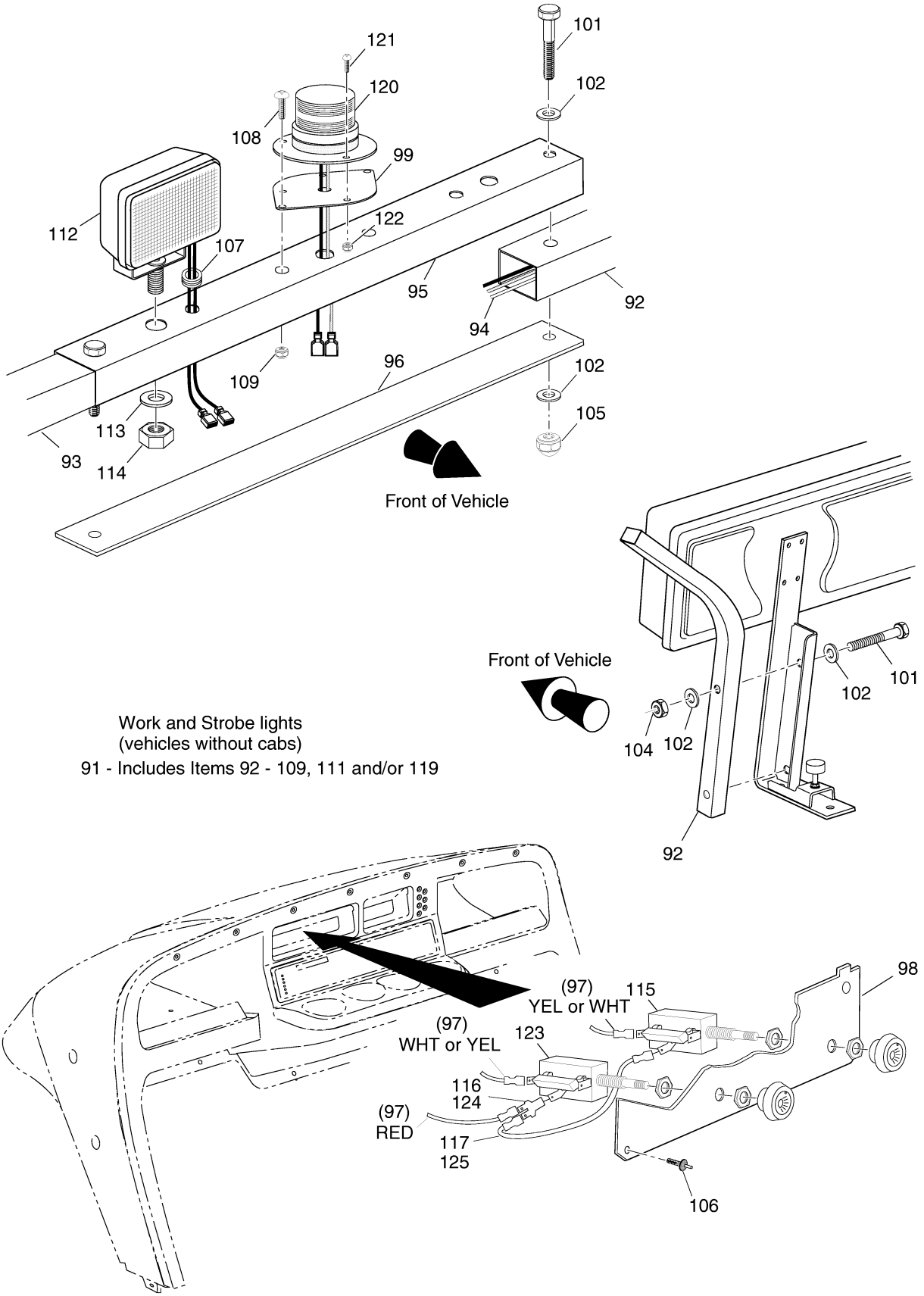












THE USE OF NON UL PARTS WILL VOID ANY UL LISTING.

When ordering parts, please specify the model and serial number of the product.

\* Indicates a component that is not available as an individual part.

G\*\* Indicates consult Customer Service Department for additional information.

ITEM	PART NO.	1 2 3 4 5	DESCRIPTION	QTY.
1	XXXXX-G**		BATTERY (6 VOLT) .....	6
2	70121-G01		HOLD DOWN BOLT .....	2
3	70045-G01		BATTERY RETAINER .....	1
4	11027-G1		LOCK NUT, 5/16 - 18 .....	2
5				
6	25972-G32		6 GA WIRE (BLACK 10 1/2") .....	1
7	25972-G40		6 GA WIRE (BLACK 6") .....	4
8	00702-G2		NUT, 5/16 - 18 .....	12
9				
10				
11	73063-G01		CHARGER WIRE HARNESS/RECEPTACLE ASSEMBLY (PORTABLE CHARGER) (INCLUDES ITEMS 12 - 21) .....	1
12	73082-G01		CHARGER HARNESS .....	1
13	73051-G01		CHARGER RECEPTACLE (INCLUDES ITEMS 14 - 21) .....	1
14	73051-G03		RECEPTACLE COVER .....	1
15	73051-G04		RECEPTACLE BOTTOM .....	1
16	73051-G05		FEMALE CONTACT .....	2
17	73051-G06		INSULATOR SLEEVE .....	1
18	73051-G18		REED SWITCH .....	1
19	73051-G08		SCREW, #10 - 32 X 1/2" LG. (BRASS, BINDING HEAD) .....	2
20	73051-G09		SCREW, #6 - 32 X 1 3/4" LG. (STAINLESS STEEL) .....	3
21	73051-G10		LOCK NUT, #6-32 .....	3
22	71055-G01		RIVET, 3/16" X 3/8" LG .....	4
23	17618-G1		WIRE TIE (NOT ILLUSTRATED) .....	3
24				
25	22674-G1		FUSE BLOCK .....	1
26	71010-G01		RIVET, 5/32" X 3/8" LG .....	2
27	18392-G1		FUSE, 15 AMP .....	3
28				
29	73030-G01		PLATE (IGNITION SWITCH ONLY) .....	1

# ELECTRICAL SYSTEM

# Electric Vehicle

THE USE OF NON UL PARTS WILL VOID ANY UL LISTING.

When ordering parts, please specify the model and serial number of the product.

\* Indicates a component that is not available as an individual part.

G\*\* Indicates consult Customer Service Department for additional information.

ITEM	PART NO.	1 2 3 4 5	DESCRIPTION	QTY.
30	73030-G02		PLATE (IGNITION WITH STATE OF CHARGE METER).....	1
31	33623-G02		DRIVE RIVET, 3/16 X 3/8" LG.....	2
32	71181-G02		DECAL (WITHOUT LIGHTS) .....	1
33	71123-G01		DECAL (WITHOUT LIGHTS, WITH STATE OF CHARGE METER) .....	1
34	71129-G01		DECAL (WITH LIGHTS AND STATE OF CHARGE METER) .....	1
35				
36	33636-G01		STATE OF CHARGE METER .....	1
37	25978-G74		18 GA WIRE (RED 6").....	1
38	74018-G01		STATE OF CHARGE METER HARNESS .....	1
39				
40	18602-G1		IGNITION SWITCH (WITHOUT LIGHTS) .....	1
41	33639-G01		IGNITION SWITCH (WITH LIGHTS).....	1
42	00568-G6		LOCK WASHER, 3/4".....	1
43	17137-G1		FACE NUT, 3/4 - 20.....	1
44	17063-G1		IGNITION KEY (SET).....	A/R
45				
46	73041-G01		IGNITION SWITCH HARNESS.....	1
47	17618-G1		WIRE TIE (NOT ILLUSTRATED) .....	1
48				
49	32860-G1		HORN.....	1
50	00414-G5		BOLT, 1/4 - 20 X 5/8" LG.....	1
51	00559-G7		WASHER, 1/4" .....	1
52	00891-G2		LOCK NUT, 1/4 - 20 .....	1
53				
54	17318-G1		HORN SWITCH (INCLUDES ITEM 55) .....	1
55	17318-G2		BUTTON AND NUT .....	1
56	19233-G1		HORN SWITCH PLATE.....	1
57	71055-G01		RIVET, 3/16 X 1" LG (STAINLESS STEEL) .....	2
58	27068-G01		HORN SWITCH BOOT .....	1
59				

THE USE OF NON UL PARTS WILL VOID ANY UL LISTING.

When ordering parts, please specify the model and serial number of the product.

\* Indicates a component that is not available as an individual part.

G\*\* Indicates consult Customer Service Department for additional information.

ITEM	PART NO.	1	2	3	4	5	DESCRIPTION	QTY.
60								
61								
62								
63	74236-G01						LIGHT BAR MOUNTING BRACKET (PASSENGER SIDE).....	1
64	74236-G02						LIGHT BAR MOUNTING BRACKET (DRIVER SIDE) .....	1
65	01038-G01						SCREW, 1/4 - 20 X 1/2" LG .....	4
66	00414-G6						BOLT, 1/4 - 20 X 3/4" LG.....	2
67	11027-G2						LOCK NUT, 1/4 - 20 .....	2
68	74001-G01						LIGHT BAR .....	1
69	00114-G6						SCREW, 1/4 - 14 X 3/4" LG .....	4
70								
71	73043-G01						WIRE HARNESS (ACCESSORY) .....	1
72	17618-G1						WIRE TIE (NOT ILLUSTRATED) .....	5
73	31539-G1						WIRE TIE (NOT ILLUSTRATED) .....	6
74								
75	74004-G01						HEADLIGHT BULB (REPLACEMENT).....	A/R
76	74005-G01						MARKER LIGHT BULB (REPLACEMENT) .....	A/R
77	74006-G01						TURN LIGHT BULB (REPLACEMENT).....	A/R
78								
79	32739-G2						STOP/TAIL LIGHT.....	2
80								
81	17867-G1						TURN SIGNAL (WITH MOUNTING HARDWARE) (INCLUDES ITEM 82).....	1
82	21640-G1						FLASHER .....	1
83	20965-G3						STEERING COLUMN COVER .....	1
84								
85	21573-G1						HOUR METER .....	1
86	74019-G01						BRACKET .....	1
87	00150-G4						SCREW. #10 - 24 X 1/2" LG .....	2
88	11098-G7						NUT, #10 - 24 .....	2
89	75117-G02						WIRE HARNESS (HOUR METER).....	1

THE USE OF NON UL PARTS WILL VOID ANY UL LISTING.

When ordering parts, please specify the model and serial number of the product.

\* Indicates a component that is not available as an individual part.

G\*\* Indicates consult Customer Service Department for additional information.

ITEM	PART NO.	1	2	3	4	5	DESCRIPTION	QTY.
90								
91	71323-G**						WORK LIGHT BAR WITH LIGHTS AND/OR STROBE (INCLUDES ITEMS 92 - 109, 111 AND/OR 119) .....	1
92	71328-G01						STRUT (DRIVER SIDE).....	1
93	71328-G02						STRUT (PASSENGER SIDE) .....	1
94	75346-G01						WIRE HARNESS (WORK LIGHT) .....	1
95	71294-G01						BRACE.....	1
96	71293-G01						COVER PLATE .....	1
97	75430-G01						SWITCH HARNESS .....	1
98	71077-G**						LIGHT SWITCH PLATE .....	1
99	33201-G02						STROBE LIGHT MOUNT (USED ONLY WITH STROBE LIGHT) .....	1
100	75365-G01						HARDWARE KIT (INCLUDES ITEMS 101 - 109).....	1
101	00685-G7						BOLT, 5/16 - 18 X 1 3/4" LG .....	6
102	00660-G8						WASHER, 5/16".....	12
103	15121-G1						WASHER, 3/8" X 1 1/4" .....	2
104	11098-G6						LOCK NUT, 5/16 - 18 .....	4
105	00918-G3						ACORN NUT, 5/16 - 18 .....	2
106	33623-G02						DRIVE RIVET, 3/16" X 3/8" LG.....	3
107	20367-G1						GROMMET .....	2
108	16705-G3						SCREW, 1/4 - 20 X 3/4" LG.....	2
109	14390-G4						LOCK NUT, 1/4 - 20 .....	2
110								
111	20383-G2						WORK LIGHT KIT (INCLUDES ITEMS 112-117) .....	1
112	20209-G2						WORK LIGHT (RECTANGULAR) .....	2
113	00566-G3						LOCK WASHER, 1/2" .....	2
114	00533-G1						NUT, 1/2 - 13 .....	2
115	17317-G1						LIGHT SWITCH.....	1
116	17902-G1						TAB ADAPTER.....	1
117	20053-G1						16 GA WIRE (RED 5 3/8").....	1
118								

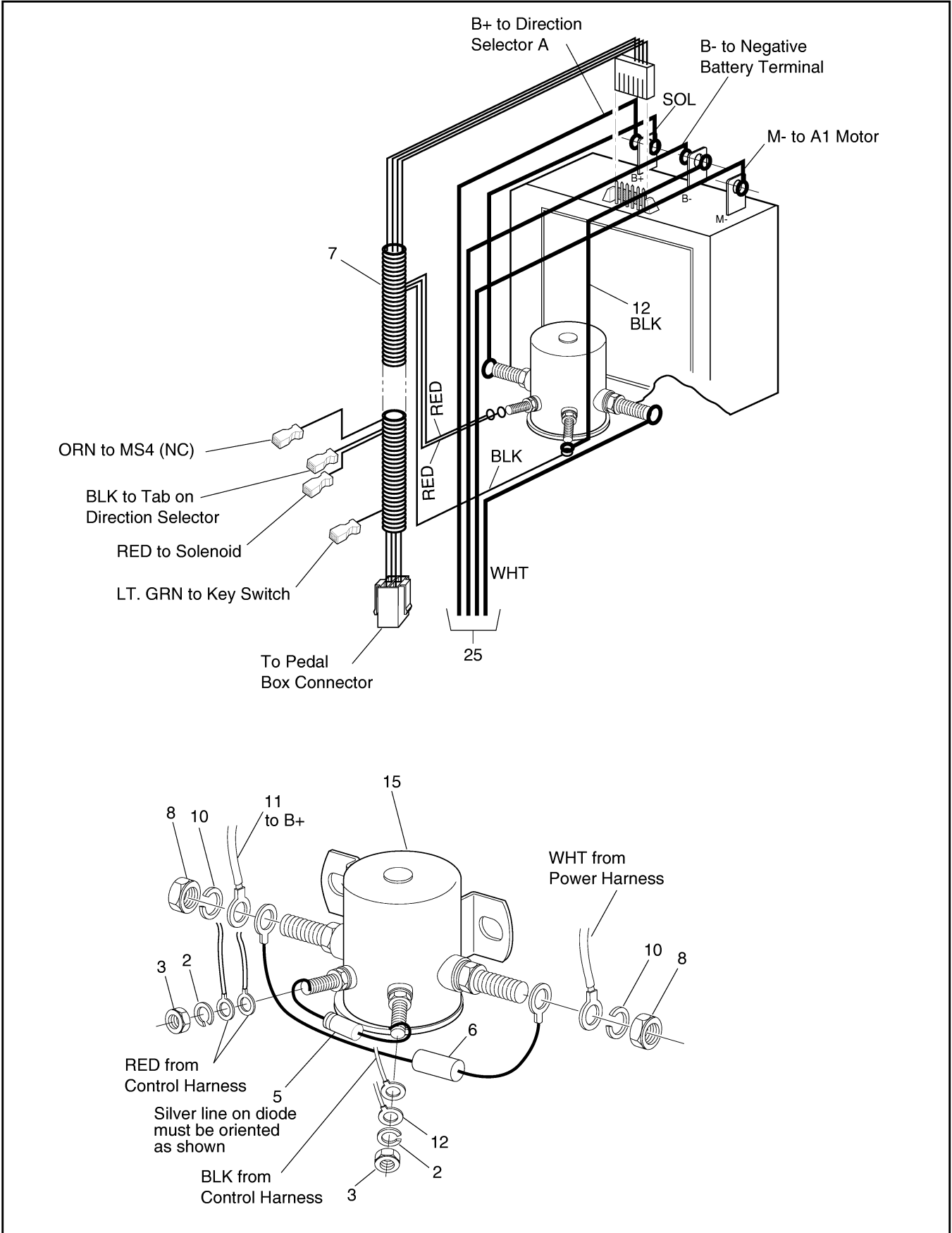
THE USE OF NON UL PARTS WILL VOID ANY UL LISTING.

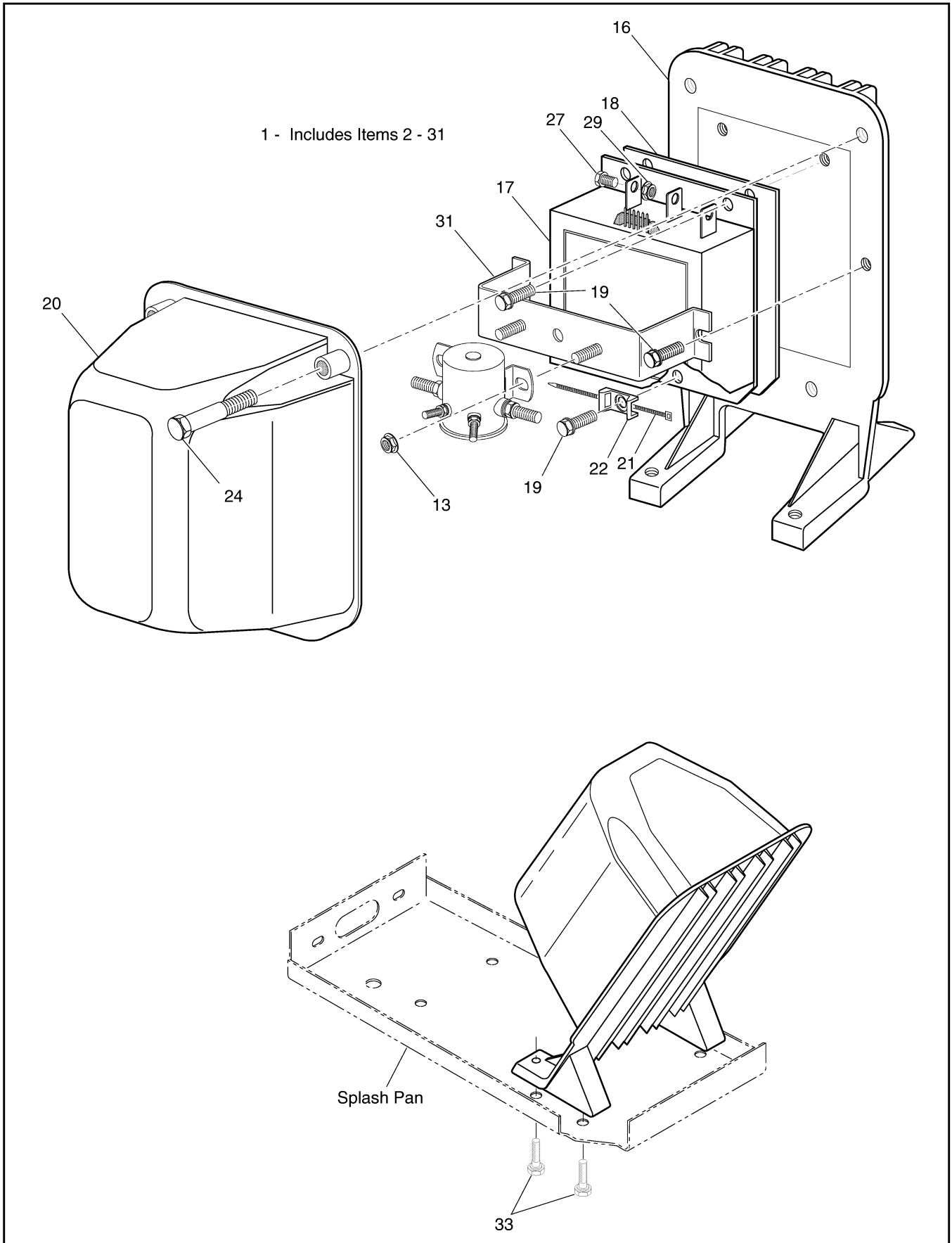
When ordering parts, please specify the model and serial number of the product.

\* Indicates a component that is not available as an individual part.

G\*\* Indicates consult Customer Service Department for additional information.

ITEM	PART NO.	1	2	3	4	5	DESCRIPTION	QTY.
119	20385-G2						STROBE LIGHT KIT (INCLUDES ITEMS 120 - 125) .....	1
120	20394-G1						STROBE LIGHT .....	1
121	00379-G4						SCREW, #10 - 24 x 1/2" LG .....	3
122	11098-G7						LOCK NUT, #10 - 24 .....	3
123	17317-G1						LIGHT SWITCH .....	1
124	17902-G1						TAB ADAPTER.....	1
125	20053-G1						16 GA WIRE (RED 5 3/8") .....	1
126								
127	20209-G3						HEADLIGHT (RECTANGULAR) (INCLUDES ITEM 128) .....	2
128	00906-G6						SCREW, #10 - 16 X 1" LG .....	2
129	74055-G01						JUMPER .....	2
130								
131	20570-G3						TURN SIGNAL LIGHT ASSEMBLY (INCLUDES ITEMS 132 - 137).....	2
132	20574-G3						TURN SIGNAL LIGHT .....	1
133	00660-G7						WASHER, 1/4" .....	1
134	20606-G1						WIRE ASSEMBLY .....	1
135	00567-G7						LOCK WASHER, 1/4" .....	1
136	00532-G1						NUT, 1/4 - 20.....	1
137	18995-G1						PUSH-ON MALE TERMINAL .....	1
138	20574-G5						LENS, AMBER .....	1
139	00118-G5						SCREW, #6 - 18 X 5/8" LG .....	2
140	74056-G01						JUMPER, RED/BLACK (PASSENGER SIDE) .....	1
141	74056-G02						JUMPER, GREEN/BLACK (DRIVER SIDE) .....	1







**ELECTRONIC SPEED CONTROL****Electric Vehicle**

THE USE OF NON UL PARTS WILL VOID ANY UL LISTING.

When ordering parts, please specify the model and serial number of the product.

\* Indicates a component that is not available as an individual part.

G\*\* Indicates consult Customer Service Department for additional information.

ITEM	PART NO.	1 2 3 4 5	DESCRIPTION	QTY.
1	73056-G04		ELECTRONIC SPEED CONTROL ASSEMBLY (INCLUDES ITEMS 2 - 31).....	1
2	*		LOCK WASHER, #10 .....	2
3	*		NUT, 10 - 32.....	2
4				
5	30353-G1		DIODE, 3 AMP.....	1
6	21764-G1		RESISTOR.....	1
7	73103-G02		WIRE HARNESS (CONTROL) .....	1
8	*		NUT, 5/16 - 24.....	2
9				
10	*		LOCK WASHER, 5/16" .....	2
11	25972-G02		6 GA WIRE (BLACK 6", SOL - B+) .....	1
12	25978-G10		18 GA WIRE (BLACK 6", SOL - B-) .....	1
13	11027-G2		LOCK NUT, 1/4 - 20 .....	2
14				
15	27855-G01		SOLENOID, 36 VOLT .....	1
16	73083-G01		HEATSINK .....	1
17	25864-G03		ELECTRONIC SPEED CONTROLLER .....	1
18	73190-G01		THERMAL MOUNTING PAD .....	1
19	71102-G01		BOLT, 1/4 - 20 X 3/4" LG.....	5
20	73028-G01		COVER .....	1
21	31539-G1		WIRE TIE .....	1
22	73053-G01		MOUNT .....	1
23				
24	71102-G03		BOLT, 1/4 - 20 X 1 1/4" LG.....	4
25	73039-G02		WIRE HARNESS (POWER) .....	1
26				
27	00270-G5		BOLT, 5/16 - 18 X 5/8" LG.....	3
28				
29	11027-G1		NUT, 5/16 - 18.....	3
30				

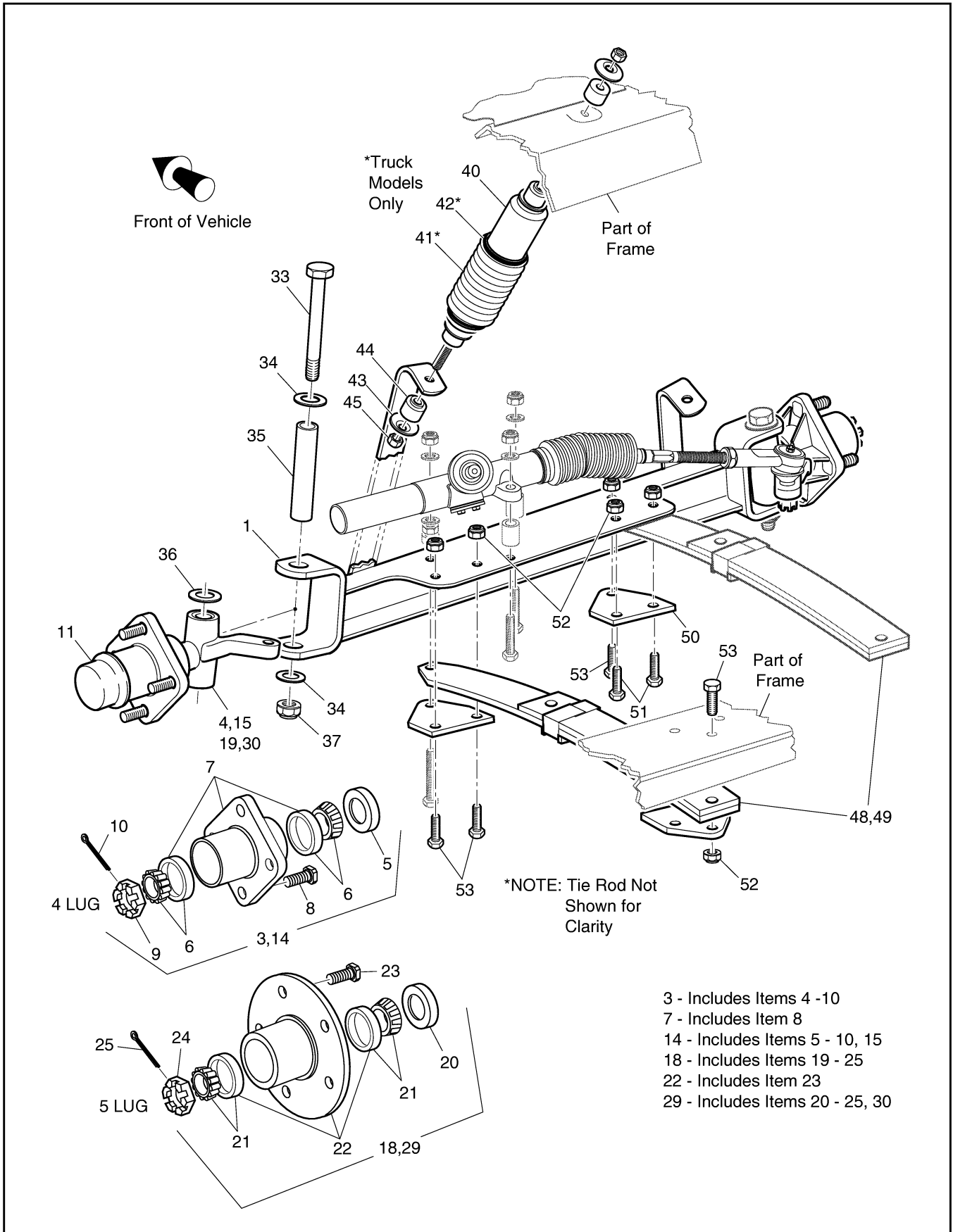
THE USE OF NON UL PARTS WILL VOID ANY UL LISTING.

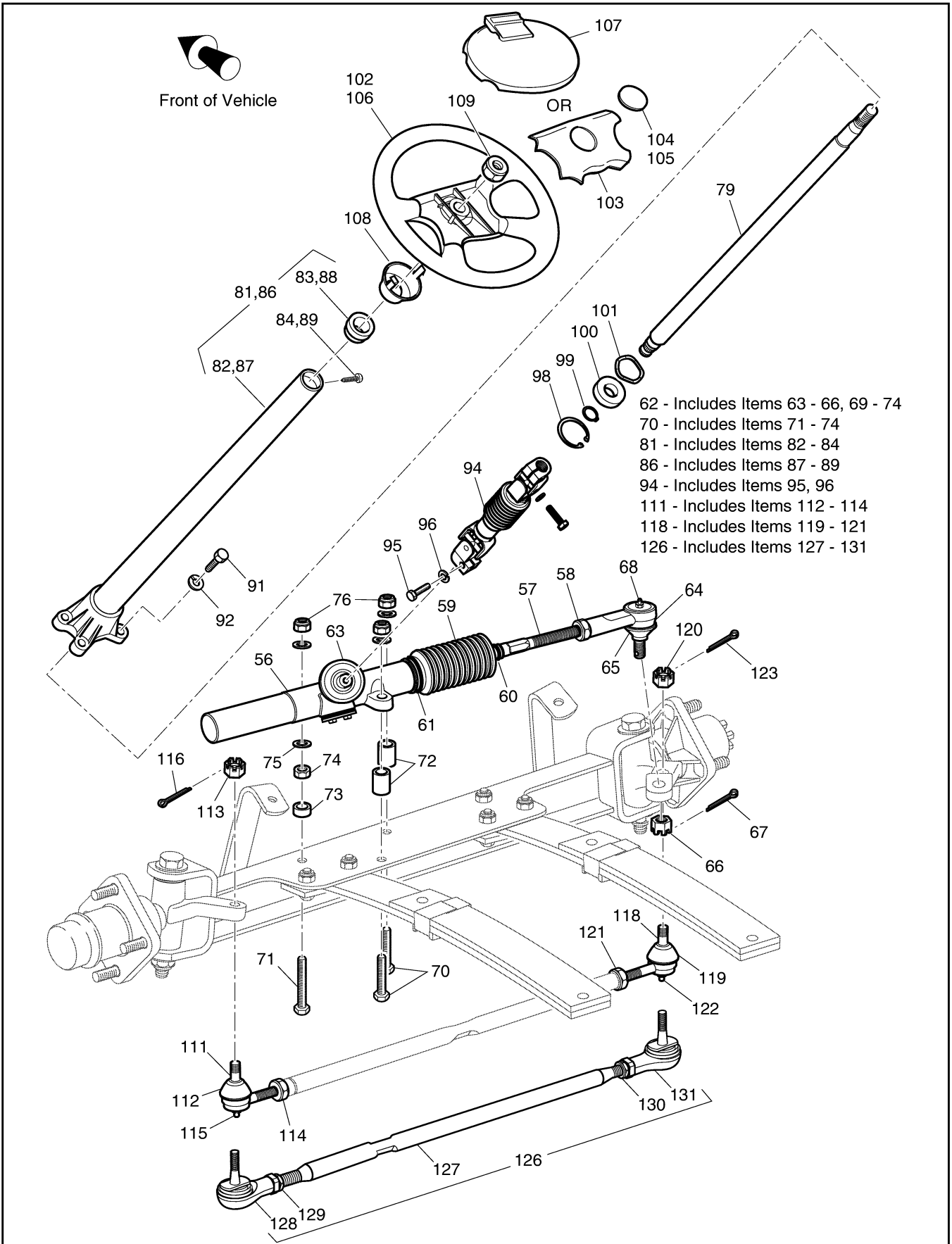
When ordering parts, please specify the model and serial number of the product.

\* Indicates a component that is not available as an individual part.

G\*\* Indicates consult Customer Service Department for additional information.

ITEM	PART NO.	1 2 3 4 5	DESCRIPTION	QTY.
31	25866-G01		SOLENOID BRACKET .....	1
32				
33	71102-G01		BOLT, 1/4 - 20 X 3/4" LG.....	4





# FRONT SUSPENSION/STEERING

# Electric Vehicle

When ordering parts, please specify the model and serial number of the product.

\* Indicates a component that is not available as an individual part.

G\*\* Indicates consult Customer Service Department for additional information.

ITEM	PART NO.	1 2 3 4 5	DESCRIPTION	QTY.
1	70744-G01		FRONT AXLE.....	1
2				
3	70942-G01		SPINDLE AND HUB ASSEMBLY, 4 LUG (PASSENGER SIDE) (INCLUDES ITEMS 4 - 10) .....	1
4	70942-G02		SPINDLE ASSEMBLY (PASSENGER SIDE) .....	1
5	25146-G1		GREASE SEAL .....	1
6	50892-G1		ROLLER BEARING AND RACE ASSEMBLY .....	2
7	70895-G01		WHEEL HUB ASSEMBLY WITH RACES, 4 LUG (INCLUDES ITEM 8).....	1
8	19862-G1		LUG BOLT, 1/2 - 20 X 1 7/32" LG.....	4
9	12093-G1		SLOTTED NUT, 1 - 14.....	1
10	00798-G8		COTTER PIN, 5/32" X 1 3/4" LG .....	1
11	12091-G2		SPINDLE CAP .....	2
12				
13				
14	70673-G01		SPINDLE AND HUB ASSEMBLY, 4 LUG (DRIVER SIDE) (INCLUDES ITEMS 5 - 10, 15) .....	1
15	70673-G02		SPINDLE ASSEMBLY (DRIVER SIDE).....	1
16				
17				
18	70943-G01		SPINDLE AND HUB ASSEMBLY, 5 LUG (PASSENGER SIDE) (INCLUDES ITEMS 19 - 25) .....	1
19	70942-G02		SPINDLE ASSEMBLY (PASSENGER SIDE) .....	1
20	12092-G1		GREASE SEAL .....	1
21	50892-G1		ROLLER BEARING AND RACE ASSEMBLY .....	2
22	70772-G01		WHEEL HUB ASSEMBLY WITH RACES, 5 LUG (INCLUDES ITEM 23).....	1
23	30143-G1		LUG BOLT, 1/2 - 20 X 1 7/32" LG.....	5
24	12093-G1		SLOTTED NUT, 1 - 14.....	1
25	00798-G8		COTTER PIN, 5/32" X 1 3/4" LG .....	1
26				
27				
28				

When ordering parts, please specify the model and serial number of the product.

\* Indicates a component that is not available as an individual part.

G\*\* Indicates consult Customer Service Department for additional information.

ITEM	PART NO.	1 2 3 4 5	DESCRIPTION	QTY.
29	70797-G01		SPINDLE AND HUB ASSEMBLY, 5 LUG (DRIVER SIDE) (INCLUDES ITEMS 20 - 25, 30) .....	1
30	70673-G02		SPINDLE ASSEMBLY (DRIVER SIDE).....	1
31				
32				
33	00407-G6		BOLT, 1/2 - 13 X 6" LG.....	2
34	00560-G3		WASHER, 1/2" .....	4
35	70745-G01		KING PIN TUBE.....	2
36	70754-G01		THRUST WASHER (STAINLESS STEEL).....	2
37	14390-G6		LOCK NUT, 1/2 - 13 .....	2
38				
39				
40	70928-G01		SHOCK ABSORBER .....	2
41	70509-G01		SHOCK ABSORBER BOOT .....	2
42	31539-G1		WIRE TIE .....	4
43	10435-G1		SHOCK ABSORBER WASHER.....	8
44	10194-G1		RUBBER SHOCK ABSORBER BUSHING .....	8
45	00532-G6		NUT, 3/8 - 24 .....	4
46				
47				
48	70597-G02		LEAF SPRING (SEE PART NUMBER ON SPRING).....	2
49	70664-G02		LEAF SPRING (HEAVY DUTY) (SEE PART NUMBER ON SPRING).....	2
50	70163-G02		SPRING PLATE .....	4
51	00463-G4		BOLT, 7/16 - 14 X 1 1/2" LG.....	2
52	00734-G1		LOCK NUT, 7/16 - 14 .....	9
53	00463-G6		BOLT, 7/16 - 14 X 1 3/4" LG.....	9
54				
55				
56	70602-G01		RACK AND PINION UNIT (COMPLETE) (INCLUDES ITEMS 57 - 60, 63 - 68).....	1
57	70694-G01		RACK EXTENSION.....	1

# FRONT SUSPENSION/STEERING

# Electric Vehicle

When ordering parts, please specify the model and serial number of the product.

\* Indicates a component that is not available as an individual part.

G\*\* Indicates consult Customer Service Department for additional information.

ITEM	PART NO.	1	2	3	4	5	DESCRIPTION	QTY.
58	*						JAM NUT, 1/2 - 20 .....	1
59	70675-G01						RACK BOOT .....	1
60	17618-G1						WIRE TIE.....	1
61	12416-G2						WIRE TIE .....	1
62								
63	70638-G01						PINION SEAL.....	1
64	70695-G01						RACK BALL JOINT (INCLUDES ITEMS 65 - 68).....	1
65	50641-G1						RUBBER BOOT .....	1
66	50209-G2						SLOTTED NUT, 7/16 - 20.....	1
67	10387-G2						COTTER PIN, 3/32" X 1" LG.....	1
68	10389-G3						GREASE FITTING, STRAIGHT.....	1
69								
70	00464-G6						BOLT, 7/16 - 14 X 2 3/4" LG.....	2
71	01068-G01						BOLT, 7/16 - 14 X 3 1/2" LG.....	1
72	70667-G02						SPACER.....	2
73	70667-G03						SPACER (SHORT).....	1
74	00532-G7						NUT, 7/16 - 14 .....	1
75	00560-G2						FLAT WASHER, 7/16" .....	4
76	00734-G1						LOCK NUT, 7/16 - 14 .....	3
77								
78								
79	70607-G01						STEERING SHAFT .....	1
80								
81	70758-G03						STEERING COLUMN KIT (INCLUDES ITEMS 82 - 84).....	1
82	70610-G01						STEERING COLUMN.....	1
83	28569-G01						STEERING COLUMN BUSHING .....	1
84	01022-G01						SCREW, #6 - 20 X 5/16" LG.....	1
85								
86	70758-G04						STEERING COLUMN KIT (HORN) (INCLUDES ITEMS 87 - 89).....	1
87	70610-G02						STEERING COLUMN.....	1

When ordering parts, please specify the model and serial number of the product.

\* Indicates a component that is not available as an individual part.

G\*\* Indicates consult Customer Service Department for additional information.

ITEM	PART NO.	1	2	3	4	5	DESCRIPTION	QTY.
88	28569-G01						STEERING COLUMN BUSHING .....	1
89	01022-G01						SCREW, #6 - 20 X 5/16" LG.....	1
90								
91	01006-G01						BOLT, 3/8 - 16 X 1 1/4" LG WITH PATCHLOCK .....	4
92	00879-G1						LOCK WASHER, 3/8".....	4
93								
94	70580-G01						INTERMEDIATE SHAFT (INCLUDES ITEMS 95, 96) .....	1
95	01055-G01						BOLT, M8 X 1 1/4" LG .....	2
96	00565-G8						LOCK WASHER, 5/16".....	2
97								
98	70751-G01						RETAINING RING (INTERNAL).....	1
99	70888-G01						RETAINING RING (EXTERNAL).....	1
100	15112-G1						BALL BEARING .....	1
101	70887-G01						WAVE WASHER .....	1
102	71146-G01						STEERING WHEEL .....	1
103	71147-G01						STEERING WHEEL COVER .....	1
104	71047-G01						DECAL (E-Z-GO) .....	1
105	74405-G01						DECAL (CUSHMAN).....	1
106	71948-G01						STEERING WHEEL .....	1
107	71950-G01						CLIPBOARD .....	1
108	71949-G01						HUB COVER.....	1
109	14390-G2						LOCK NUT, 5/8 - 18 .....	1
110								
111	27205-G01						TIE ROD END (LEFT HAND THREAD) (INCLUDES ITEMS 112 - 114).....	1
112	50641-G1						RUBBER BOOT .....	1
113	50209-G2						SLOTTED NUT, 7/16 - 20.....	1
114	18434-G3						JAM NUT, 9/16 - 18 (LEFT HAND THREAD).....	1
115	10389-G3						GREASE FITTING, STRAIGHT.....	1
116	10387-G2						COTTER PIN, 3/32" X 1" LG.....	1
117								



# FRONT SUSPENSION/STEERING

# Electric Vehicle

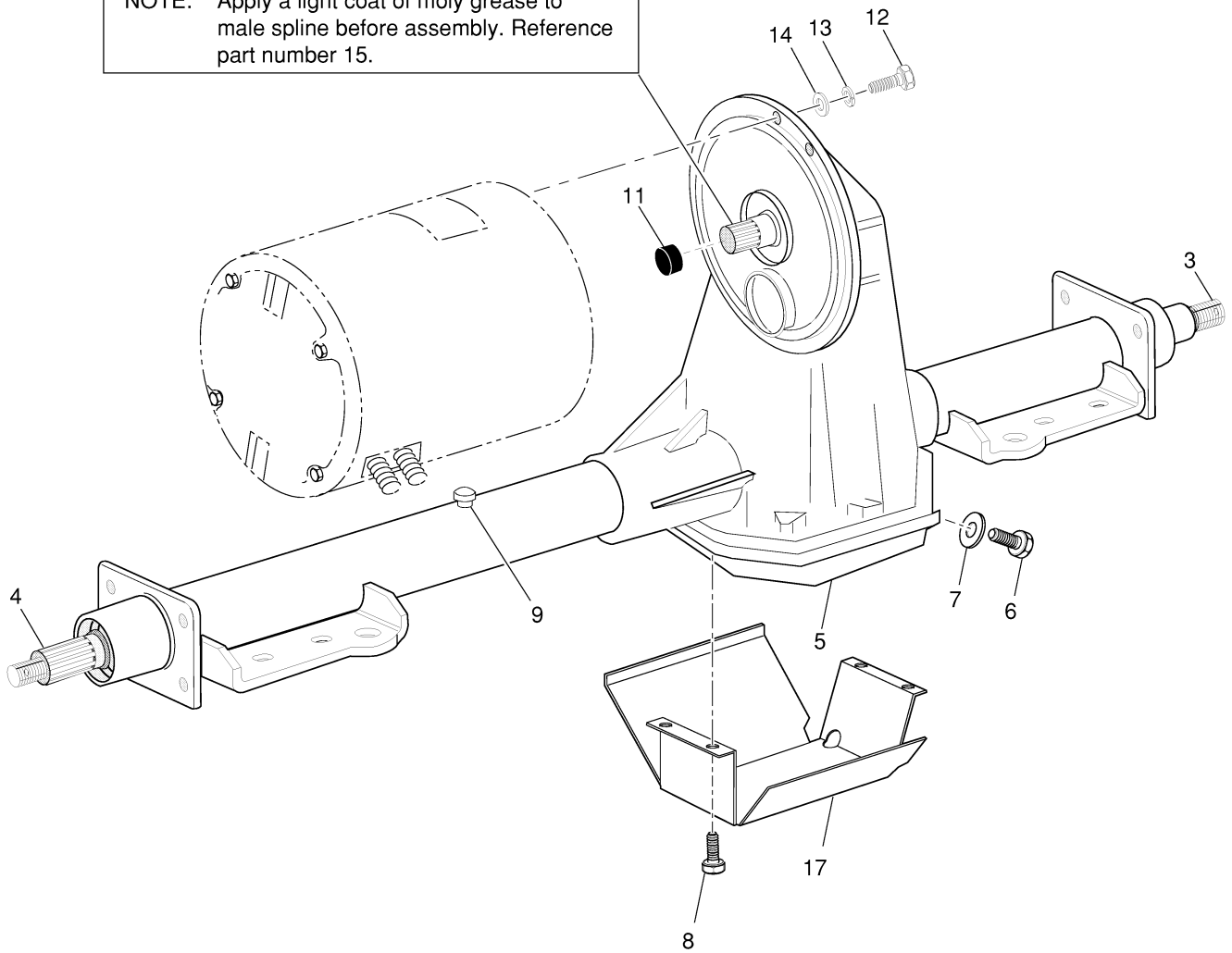
When ordering parts, please specify the model and serial number of the product.  
 \* Indicates a component that is not available as an individual part.  
 G\*\* Indicates consult Customer Service Department for additional information.

ITEM	PART NO.	1	2	3	4	5	DESCRIPTION	QTY.
118	27205-G02						TIE ROD END (RIGHT HAND THREAD) (INCLUDES ITEMS 119 - 121) .....	1
119	50641-G1						RUBBER BOOT .....	1
120	50209-G2						SLOTTED NUT, 7/16 - 20 .....	1
121	18434-G4						JAM NUT, 9/16 - 18 (RIGHT HAND THREAD).....	1
122	10389-G3						GREASE FITTING, STRAIGHT.....	1
123	10387-G2						COTTER PIN, 3/32" X 1" LG.....	1
124								
125								
126	70876-G02						TIE ROD ASSEMBLY (INCLUDES ITEMS 127 - 131).....	1
127	70897-G02						THREADED ROD (24" LG) .....	1
128	70902-G01						TIE ROD END (LEFT HAND THREADS).....	1
129	01069-G01						JAM NUT, M12 X 1.25-05 (LEFT HAND THREADS) .....	1
130	70902-G02						TIE ROD END (RIGHT HAND THREADS) .....	1
131	01069-G02						JAM NUT, M12 X 1.25-05 (RIGHT HAND THREADS).....	1
132								
133	00734-G1						LOCK NUT, 7/16 - 14 .....	2



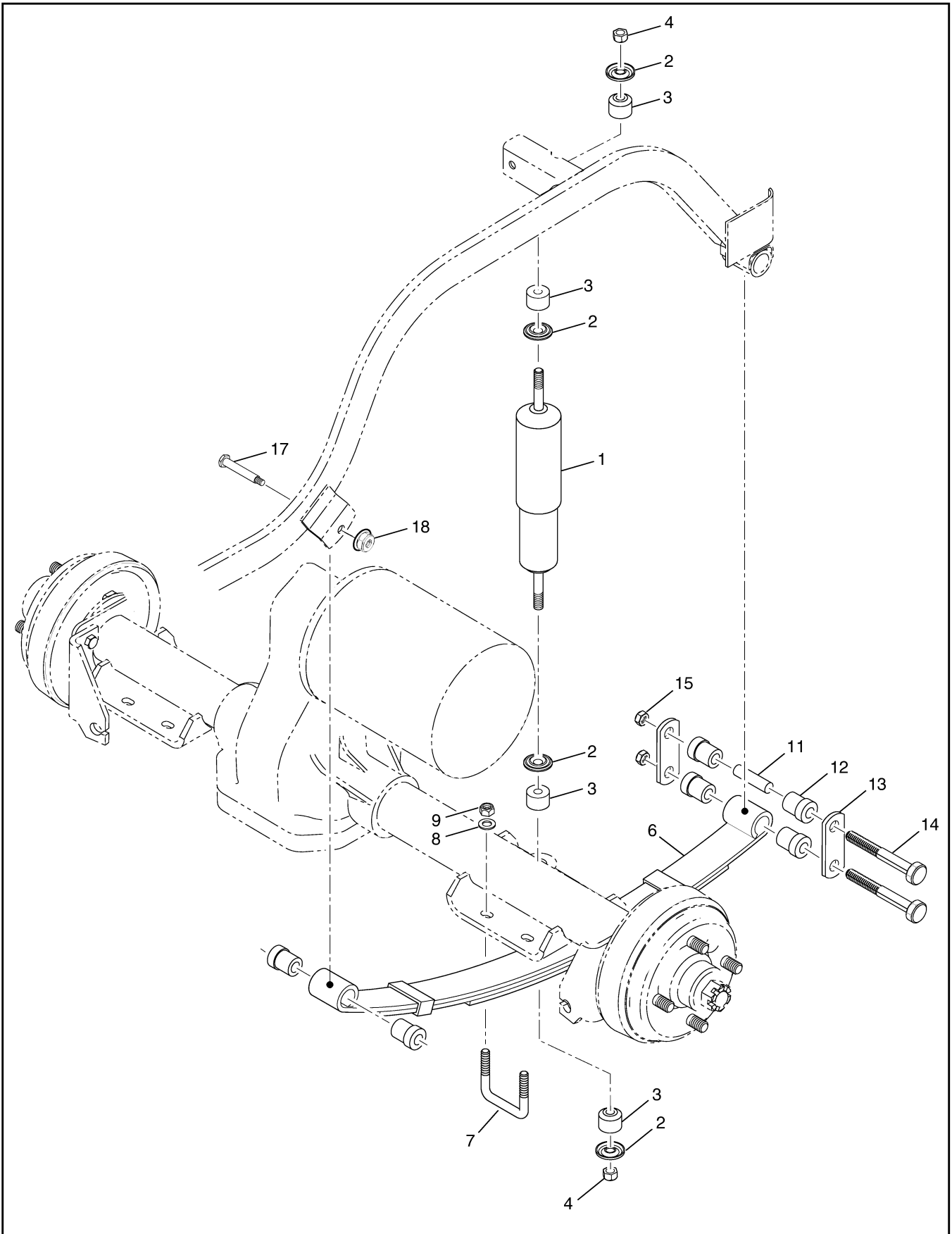
- 1 - Includes Items 3 - 9
- 2 - Includes Items 3 - 9

**NOTE:** Apply a light coat of moly grease to male spline before assembly. Reference part number 15.



THE USE OF NON UL PARTS WILL VOID ANY UL LISTING.  
 When ordering parts, please specify the model and serial number of the product.  
 \* Indicates a component that is not available as an individual part.  
 G\*\* Indicates consult Customer Service Department for additional information.

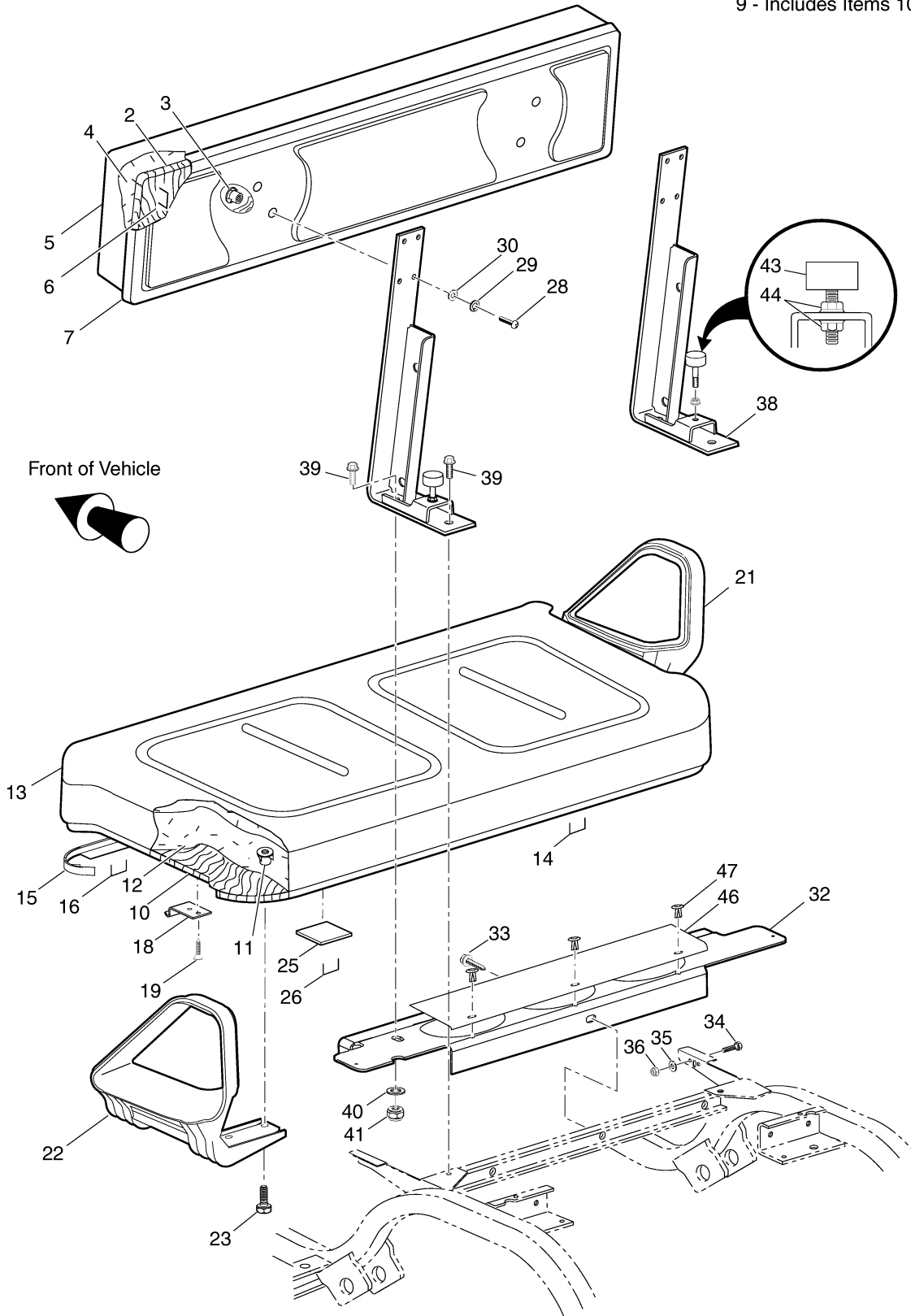
ITEM	PART NO.	1	2	3	4	5	DESCRIPTION	QTY.
1	73069-G01						REAR AXLE ASSEMBLY, 12.44:1 (INCLUDES ITEMS 3 - 9) (800 / LX / SE) ...	1
2	73001-G02						REAR AXLE ASSEMBLY 14.78:1 (INCLUDES ITEMS 3 - 9) (INDUSTRIAL) ...	1
3	20377-G12						AXLE SHAFT (PASSENGER SIDE) .....	1
4	20377-G11						AXLE SHAFT (DRIVER SIDE).....	1
5	25228-G1						DIFFERENTIAL COVER .....	1
6	25226-G1						FILL/CHECK PLUG .....	1
7	25227-G1						WASHER .....	1
8	15558-G1						SCREW, 5/16 - 18 X 3/4" LG.....	10
9	73050-G01						VENT .....	1
10								
11	24261-G1						BUMPER SPLINE .....	1
12	00797-G2						BOLT, 1/4 - 20 X 1 1/4" LG.....	3
13	00565-G7						LOCK WASHER, 1/4" .....	3
14	00559-G7						WASHER, 1/4" .....	3
15	28095-G01						MOLY LUBE, 2 OZ.....	AR
16								
17	25353-G1						DIFFERENTIAL GUARD.....	1



When ordering parts, please specify the model and serial number of the product.  
 \* Indicates a component that is not available as an individual part.  
 G\*\* Indicates consult Customer Service Department for additional information.

ITEM	PART NO.	1 2 3 4 5	DESCRIPTION	QTY.
1	70324-G01		SHOCK ABSORBER .....	2
2	10435-G1		SHOCK ABSORBER WASHER.....	8
3	10194-G1		RUBBER SHOCK ABSORBER BUSHING .....	8
4	00532-G6		NUT, 3/8 - 24 .....	4
5				
6	74207-G01		LEAF SPRING (HEAVY DUTY) .....	2
7	72618-G01		"U" BOLT, 3/8 - 16 .....	4
8	00560-G1		WASHER, 3/8" .....	8
9	11098-G5		LOCK NUT, 3/8 - 16 .....	8
10				
11	70289-G02		SPACER.....	4
12	70291-G01		RUBBER BUSHING.....	12
13	70290-G01		SHACKLE PLATE .....	4
14	00429-G4		BOLT, 3/8 - 16 X 3 1/2" LG.....	4
15	11098-G5		LOCK NUT, 3/8 - 16 .....	4
16				
17	14158-G1		SHOULDER BOLT, 3/8 - 16 X 3 1/4" LG.....	2
18	12262-G1		LOCK NUT, 3/8 - 16 .....	2

1 - Includes Items 2 - 7  
9 - Includes Items 10 - 23



When ordering parts, please specify the model and serial number of the product.

\* Indicates a component that is not available as an individual part.

G\*\* Indicates consult Customer Service Department for additional information.

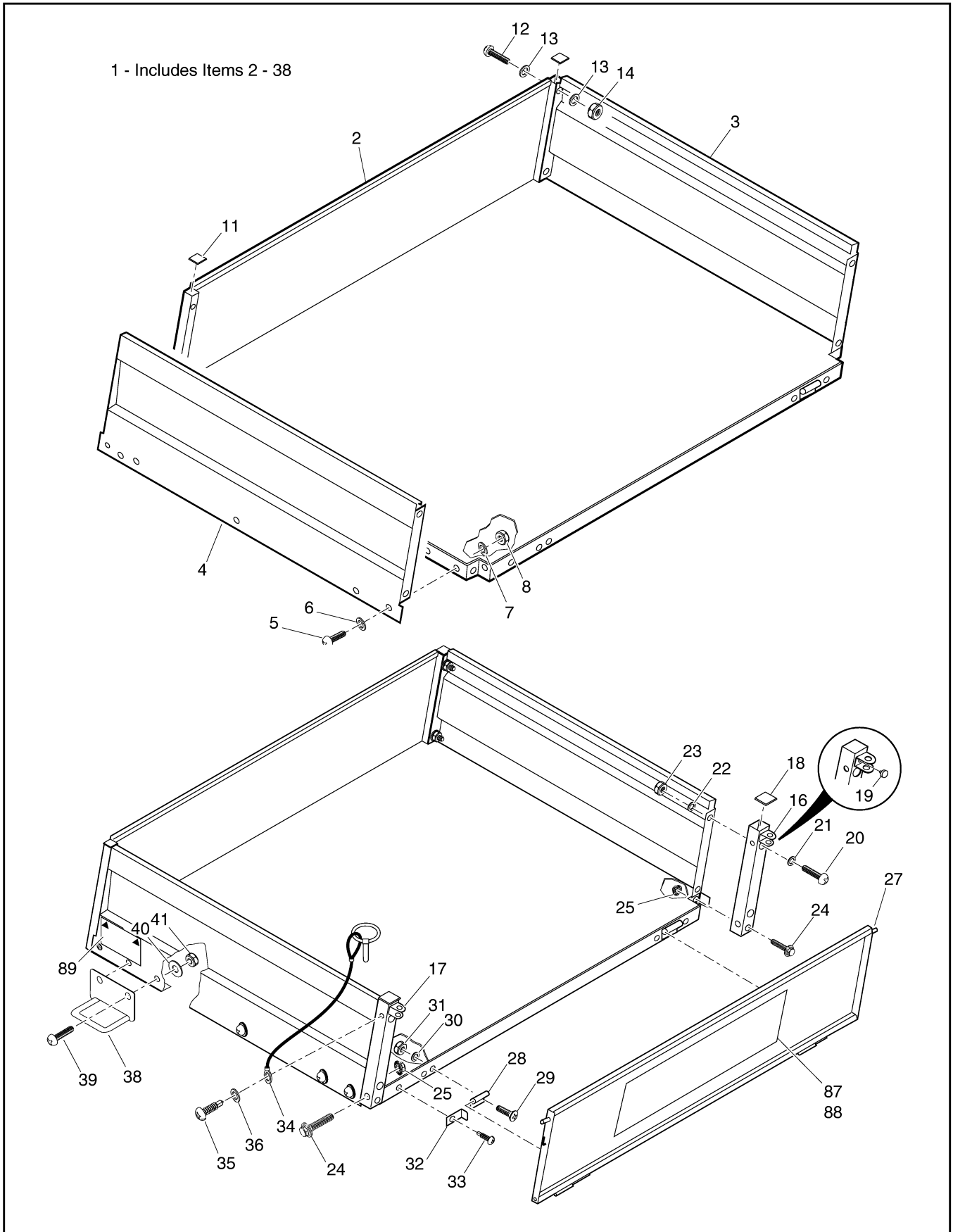
ITEM	PART NO.	1	2	3	4	5	DESCRIPTION	QTY.
1	71274-G**						SEAT BACK ASSEMBLY (INCLUDES ITEMS 3 - 8).....	1
2	*						PLYWOOD SEAT BACK .....	1
3	*						TEE NUT, 1/4 - 20 .....	4
4	*						FOAM.....	1
5	18144-G**						VINYL SEAT BACK COVER .....	1
6	*						FLAT STAPLES.....	A/R
7	18868-G4						PLASTIC SEAT BACK COVER (BLACK) .....	1
8								
9	71664-G**						SEAT BOTTOM ASSEMBLY (INCLUDES ITEMS 11 - 24).....	1
10	*						PLYWOOD BASE.....	1
11	*						TEE NUT, 1/4 - 20 .....	16
12	*						FOAM.....	1
13	71602-G**						VINYL SEAT BOTTOM COVER.....	1
14	*						FLAT STAPLES.....	A/R
15	71012-G01						VINYL TRIM (SEAT BOTTOM) .....	1
16	*						FLAT STAPLES.....	A/R
17								
18	71610-G01						SEAT HINGE.....	2
19	00720-G08						SCREW, #12 - 14 X 1" LG. ....	6
20								
21	71701-G01						HIP RESTRAINT (PASSENGER SIDE).....	1
22	71702-G01						HIP RESTRAINT (DRIVER SIDE) .....	1
23	71204-G01						BOLT, 1/4 - 20 X 7/8" LG.....	8
24								
25	17074-G1						BUMPER .....	2
26	*						FLAT STAPLES .....	A/R
27								
28	16705-G1						SCREW, 1/4 - 20 X 1" LG.....	4
29	00565-G7						LOCK WASHER, 1/4" .....	4
30	00559-G7						WASHER, 1/4" .....	4

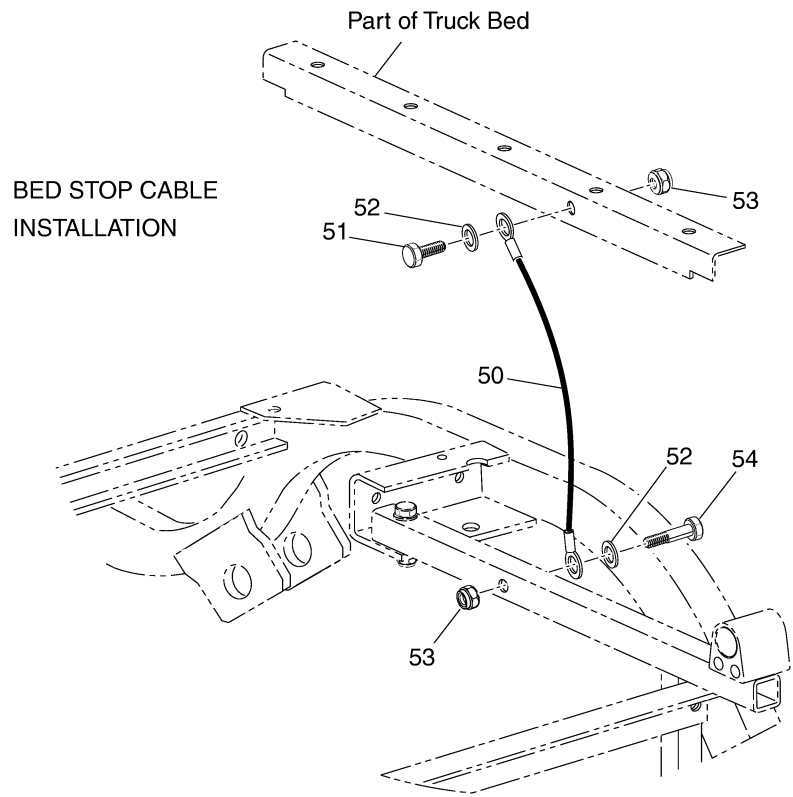
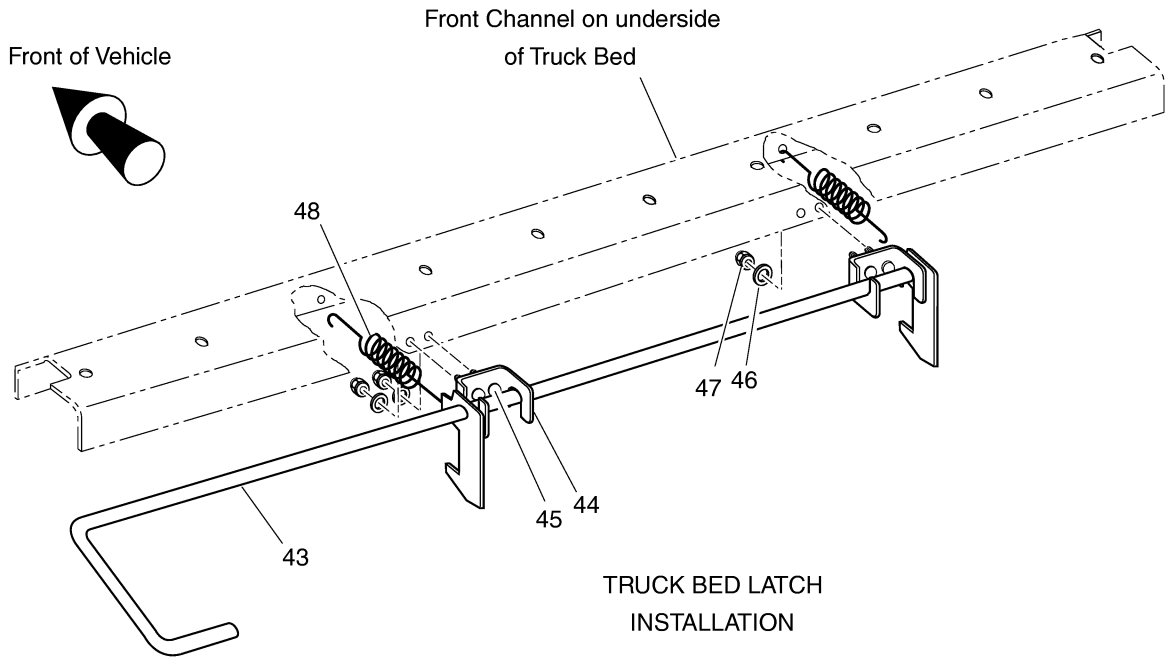


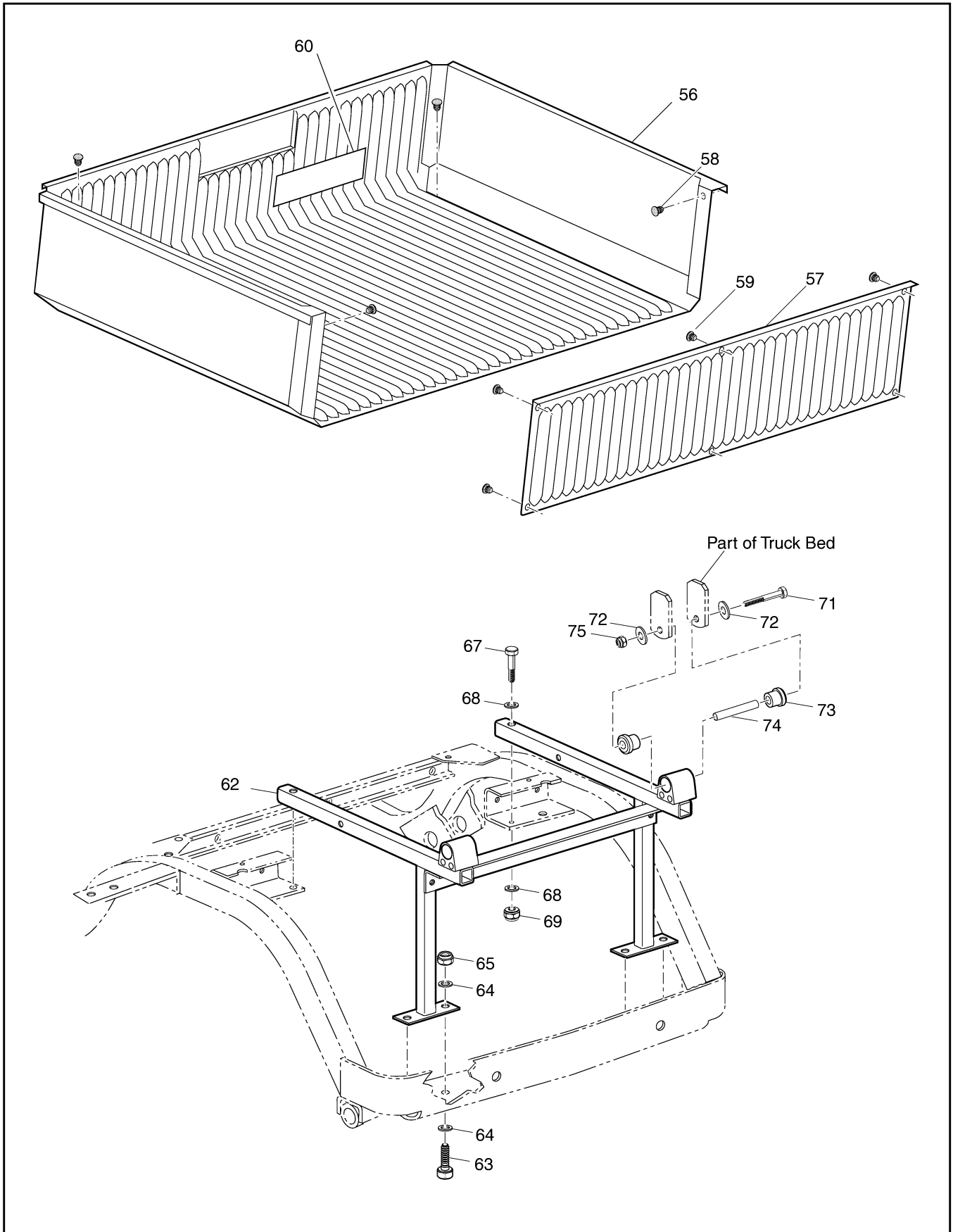
When ordering parts, please specify the model and serial number of the product.  
 \* Indicates a component that is not available as an individual part.  
 G\*\* Indicates consult Customer Service Department for additional information.

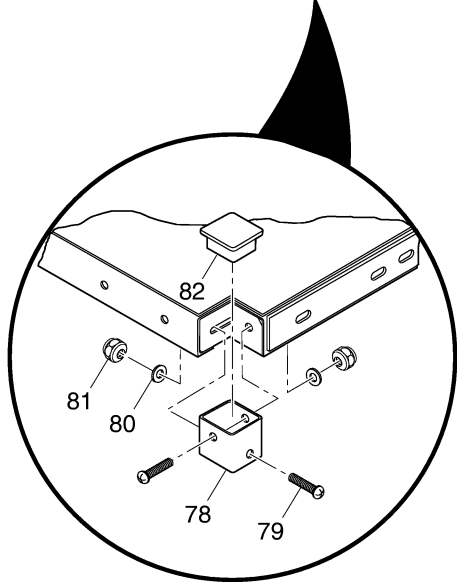
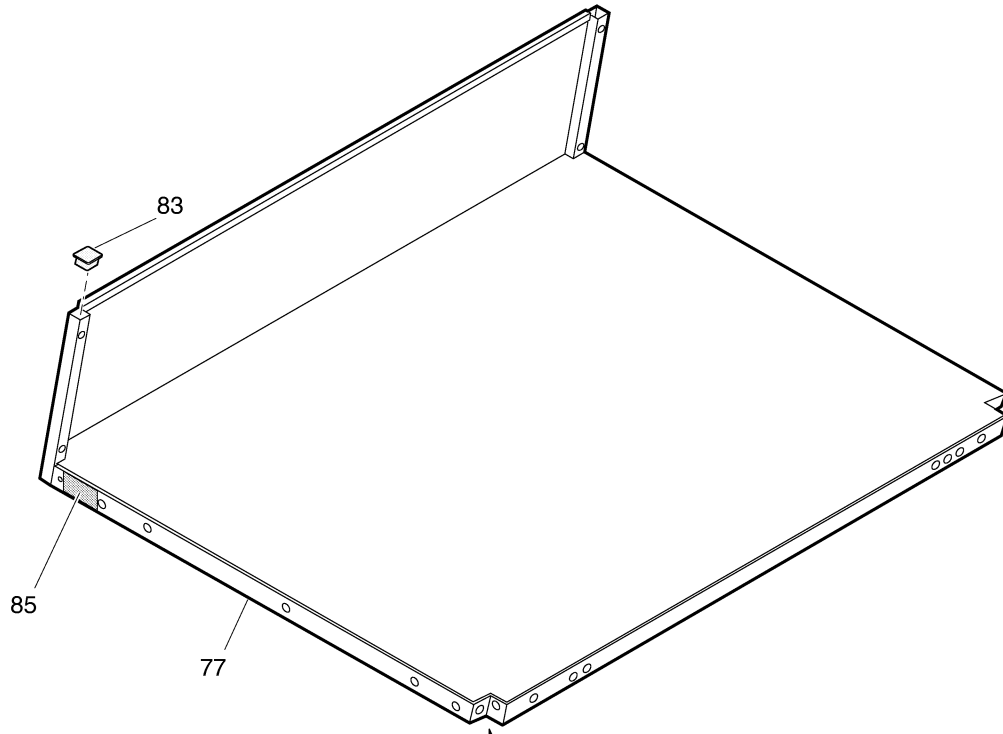
ITEM	PART NO.	1 2 3 4 5	DESCRIPTION	QTY.
31				
32	71262-G02		SEAT BACK SUPPORT .....	1
33	00715-G2		BOLT, 5/16 - 18 X 13/16" LG .....	1
34	00438-G6		BOLT, 5/16 - 18 X 3/4" LG .....	2
35	00642-G8		WASHER, 5/16" .....	2
36	11098-G6		LOCK NUT, 5/16 - 18 .....	2
37				
38	71436-G01		SEAT BACK SUPPORT BRACKET .....	2
39	01006-G1		BOLT, 3/8 - 16 X 1 1/4" LG .....	4
40	00560-G1		WASHER, 3/8" .....	2
41	11098-G5		LOCK NUT, 3/8 - 16 .....	2
42				
43	70113-G01		ADJUSTABLE BUMPER .....	2
44	11027-G1		LOCK NUT, 5/16 - 18 .....	4
45				
46	71263-G01		ACCESS COVER.....	1
47	18436-G1		DRIVE RIVET .....	3











When ordering parts, please specify the model and serial number of the product.  
 \* Indicates a component that is not available as an individual part.  
 G\*\* Indicates consult Customer Service Department for additional information.

ITEM	PART NO.	1 2 3 4 5	DESCRIPTION	QTY.
1	71260-G01		TRUCK BED ASSEMBLY (35") (INCLUDES ITEMS 2 - 38).....	1
2	71231-G01		BED (35").....	1
3	71248-G01		SIDE PANEL (35") (PASSENGER SIDE) .....	1
4	71248-G02		SIDE PANEL (35") (DRIVER SIDE).....	1
5	16705-G3		SCREW, 1/4-20 X 3/4" LG.....	10
6	00915-G1		BONDED WASHER, 1/4" .....	10
7	00559-G7		WASHER, 1/4" .....	10
8	14390-G4		LOCK NUT, 1/4-20.....	10
9				
10				
11	71717-G01		END CAP 1" .....	2
12	16705-G6		SCREW, 1/4-20 X 1 3/4" LG.....	4
13	00915-G1		BONDED WASHER, 1/4" .....	8
14	14390-G4		LOCK NUT, 1/4-20.....	4
15				
16	71322-G01		POST (PASSENGER SIDE) .....	1
17	71322-G02		POST (DRIVER SIDE).....	1
18	71718-G01		END CAP 1 1/2" .....	2
19	71838-G01		RUBBER BUMPER .....	2
20	16705-G3		SCREW, 1/4-20 X 3/4" LG.....	4
21	00915-G1		BONDED WASHER, 1/4" .....	4
22	00559-G7		WASHER, 1/4" .....	4
23	14390-G4		LOCK NUT, 1/4-20.....	4
24	13437-G8		LOCK SCREW, 3/8-16 X 2" LG .....	4
25	11027-G5		LOCK NUT, 3/8-16.....	4
26				
27	71245-G01		TAILGATE .....	1
28	27666-G01		HINGE .....	2
29	01002-G08		BOLT, 1/4-20 X 1" LG. ....	4
30	00559-G7		WASHER, 1/4" .....	4

When ordering parts, please specify the model and serial number of the product.

\* Indicates a component that is not available as an individual part.

G\*\* Indicates consult Customer Service Department for additional information.

ITEM	PART NO.	1	2	3	4	5	DESCRIPTION	QTY.
31	14390-G4						LOCK NUT, 1/4 - 20.....	4
32	71748-G01						TAILGATE KEEPER .....	1
33	16705-G3						SCREW, 1/4-20 X 3/4" LG.....	1
34	71083-G01						TAILGATE CABLE .....	2
35	00106-G6						SELF-TAPPING SCREW, #12 - 24 X 3/4" LG. ....	2
36	00915-G1						BONDED WASHER, 1/4" .....	2
37								
38	71794-G01						LIFT HANDLE .....	1
39	00976-G08						SCREW, 5/16 - 18 X 1" LG. ....	2
40	00559-G8						WASHER, 5/16" .....	2
41	11098-G6						LOCK NUT, 5/16 - 18 .....	2
42								
43	71264-G01						BED LATCH .....	1
44	71827-G01						LATCH BRACKET.....	2
45	01014-G03						CARRIAGE BOLT, 1/4 - 20 X 3/4" LG .....	4
46	00559-G7						WASHER, 1/4" .....	4
47	14390-G4						LOCK NUT, 1/4 - 20 .....	4
48	71965-G01						EXTENSION SPRING.....	2
49								
50	71273-G01						BED STOP CABLE .....	1
51	00438-G8						BOLT, 5/16 - 18 X 1" LG.....	1
52	00642-G8						WASHER, 5/16" .....	2
53	11098-G6						LOCK NUT, 5/16 - 18 .....	2
54	00439-G4						SCREW, 5/16 - 18 X 1 1/2" LG .....	1
55								
56	74231-G01						BED LINER .....	1
57	74232-G01						TAILGATE LINER.....	1
58	18436-G1						RIVET, 1/4" X 3/4" LG .....	4
59	14601-G10						RIVET, 3/16" X 3/8" LG .....	6
60	71517-G01						BED CAPACITY DECAL (500 LB) .....	1

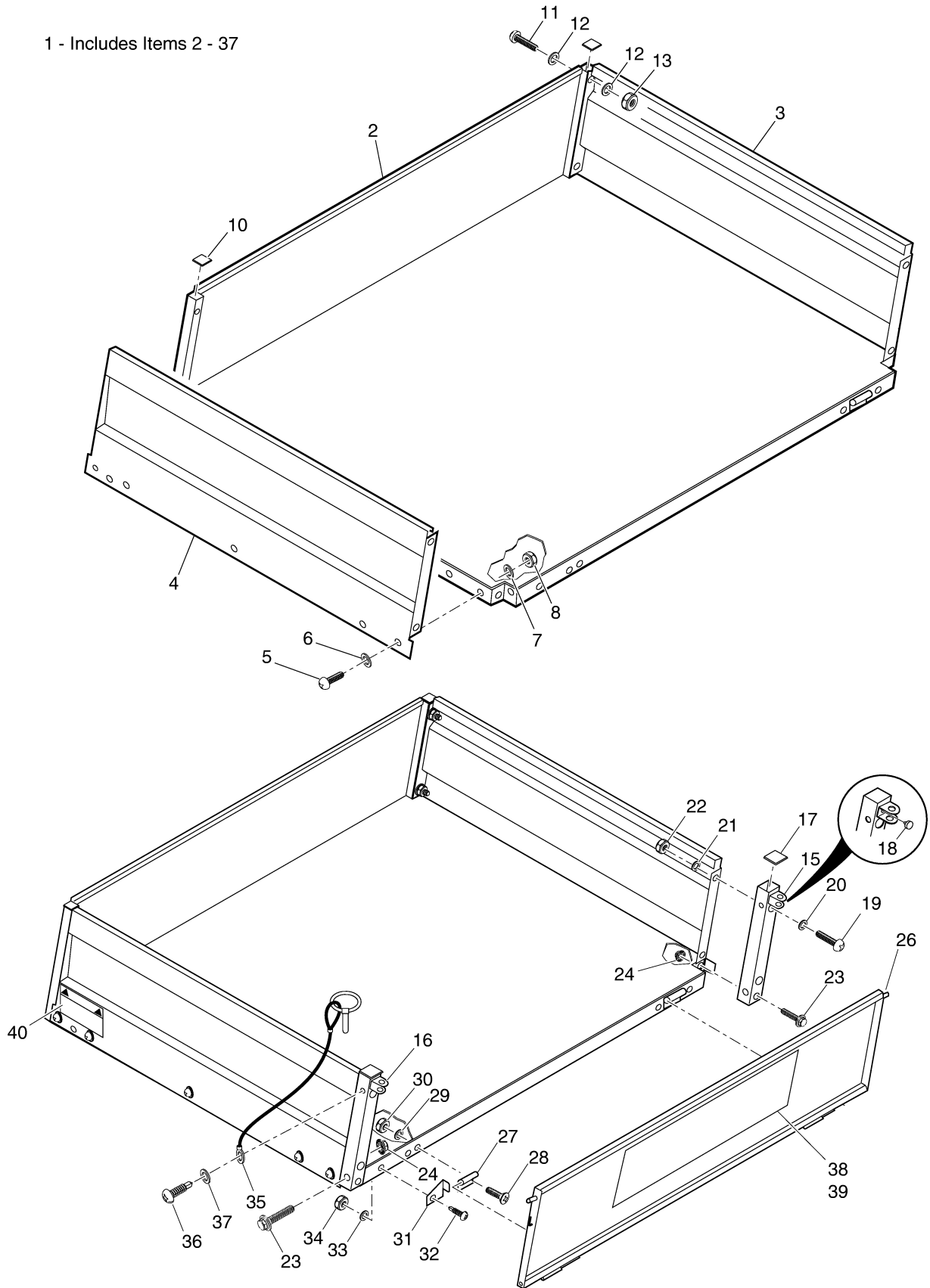


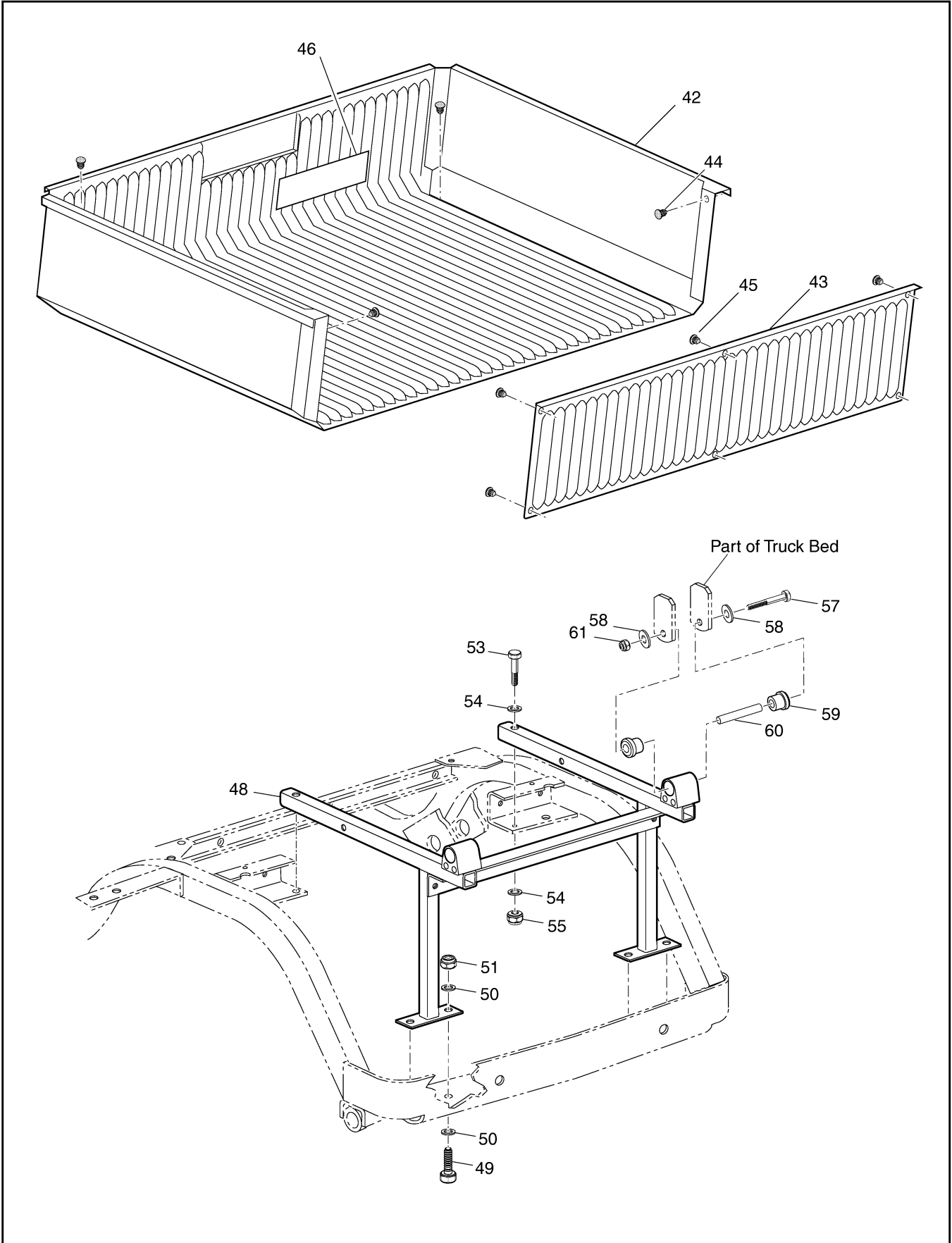
When ordering parts, please specify the model and serial number of the product.  
 \* Indicates a component that is not available as an individual part.  
 G\*\* Indicates consult Customer Service Department for additional information.

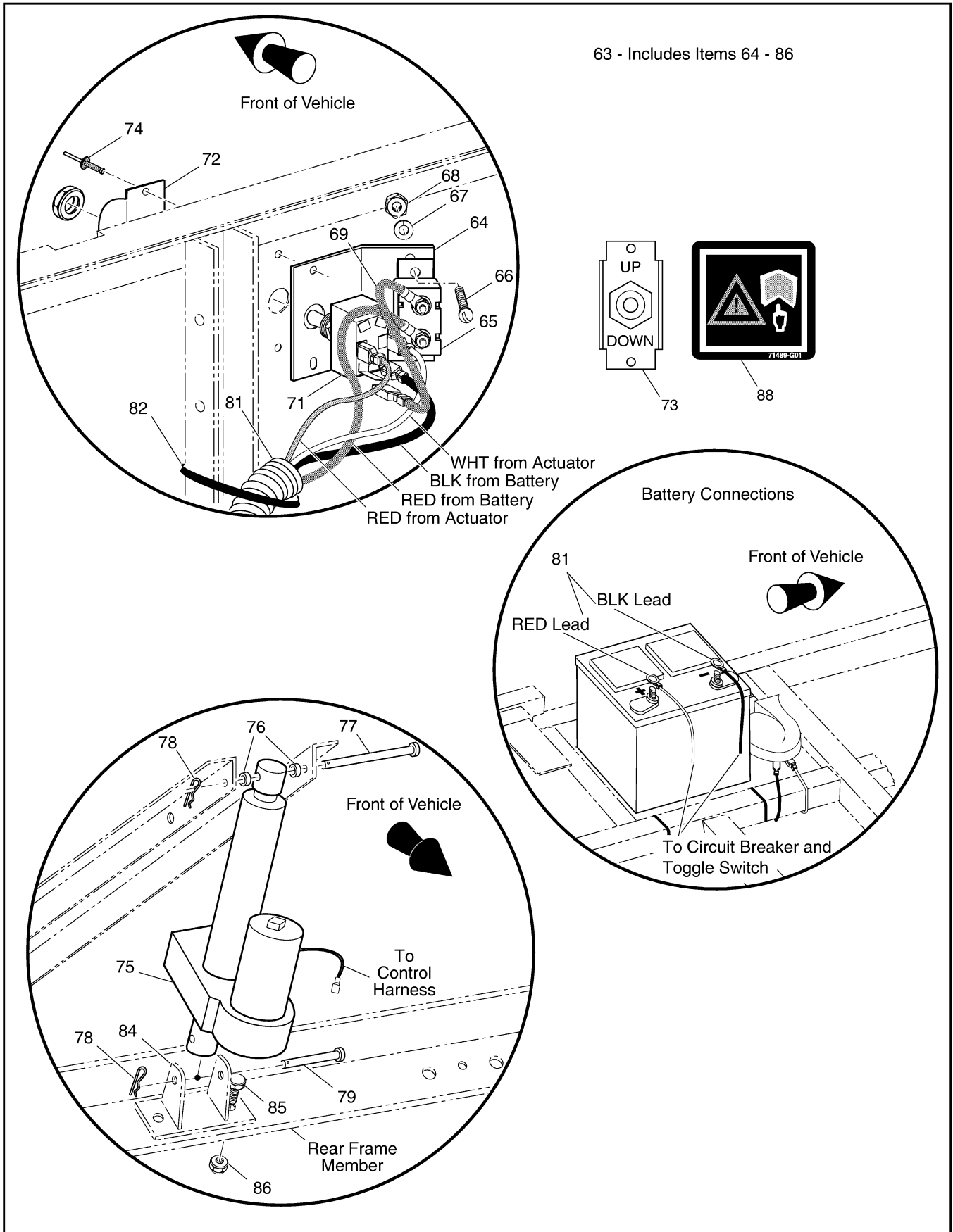
ITEM	PART NO.	1 2 3 4 5	DESCRIPTION	QTY.
61				
62	71258-G01		BED FRAME .....	1
63	00438-G8		SCREW, 5/16 - 18 X 1" LG .....	4
64	00642-G8		WASHER, 5/16" .....	8
65	11098-G6		LOCK NUT, 5/16 - 18 .....	4
66				
67	00415-G6		BOLT, 1/4 - 20 X 1 3/4" LG.....	2
68	00642-G7		WASHER, 1/4" .....	4
69	00891-G2		LOCK NUT, 1/4 - 20 .....	2
70				
71	00429-G4		BOLT, 3/8 - 16 X 3 1/2".....	2
72	00643-G1		WASHER, 3/8" .....	4
73	70291-G01		RUBBER BUSHING.....	4
74	70289-G02		SPACER.....	2
75	11098-G5		LOCK NUT, 3/8 - 16 .....	2
76				
77	71231-G01		BED, 35".....	1
78	71772-G01		CORNER TUBE .....	2
79	00762-G9		SCREW, 5/16 - 18 X 2 1/2" LG. ....	4
80	00559-G8		WASHER, 5/16" .....	4
81	00550-G3		LOCK NUT, 5/16 - 18 .....	4
82	71718-G01		END CAP, 1 1/2" .....	2
83	71717-G01		END CAP, 1" .....	2
84				
85	71777-G01		DECAL (WARNING) .....	1
86				
87	71901-G01		E-Z-GO DECAL (E-Z-GO).....	1
88	74411-G01		E-Z-GO DECAL (CUSHMAN) .....	1
89	71771-G01		LABEL (TILT WARNING) .....	1



1 - Includes Items 2 - 37







When ordering parts, please specify the model and serial number of the product.

\* Indicates a component that is not available as an individual part.

G\*\* Indicates consult Customer Service Department for additional information.

ITEM	PART NO.	1	2	3	4	5	DESCRIPTION	QTY.
1	71260-G01						TRUCK BED ASSEMBLY (35") (INCLUDES ITEMS 2 - 37).....	1
2	71231-G01						BED (35").....	1
3	71248-G01						SIDE PANEL (35") (PASSENGER SIDE) .....	1
4	71248-G02						SIDE PANEL (35") (DRIVER SIDE).....	1
5	16705-G3						SCREW, 1/4 - 20 X 3/4" LG.....	10
6	00915-G1						BONDED WASHER, 1/4" .....	10
7	00559-G7						WASHER, 1/4" .....	10
8	14390-G4						LOCK NUT, 1/4 - 20.....	10
9								
10	71717-G01						END CAP, 1" .....	2
11	16705-G6						SCREW, 1/4 - 20 X 1 3/4" LG.....	4
12	00915-G1						BONDED WASHER, 1/4" .....	8
13	14390-G4						LOCK NUT, 1/4 - 20.....	4
14								
15	71322-G01						POST (PASSENGER SIDE) .....	1
16	71322-G02						POST (DRIVER SIDE).....	1
17	71718-G01						END CAP, 1 1/2" .....	2
18	71838-G01						RUBBER BUMPER .....	2
19	16705-G3						SCREW, 1/4 - 20 X 3/4" LG.....	4
20	00915-G1						BONDED WASHER, 1/4" .....	4
21	00559-G7						WASHER, 1/4" .....	4
22	14390-G4						LOCK NUT, 1/4 - 20.....	4
23	13437-G8						LOCK SCREW, 3/8 - 16 X 2" LG .....	4
24	11027-G5						LOCK NUT, 3/8 - 16.....	4
25								
26	71245-G01						TAILGATE .....	1
27	27666-G01						HINGE .....	2
28	01002-G08						BOLT, 1/4 - 20 X 1" LG. ....	4
29	00559-G7						WASHER, 1/4" .....	4
30	14390-G4						LOCK NUT, 1/4 - 20.....	4

**TRUCK BED, ELECTRIC LIFT****Electric Vehicle**

When ordering parts, please specify the model and serial number of the product.

\* Indicates a component that is not available as an individual part.

G\*\* Indicates consult Customer Service Department for additional information.

ITEM	PART NO.	1 2 3 4 5	DESCRIPTION	QTY.
31	71748-G01		TAILGATE KEEPER .....	1
32	16705-G3		SCREW, 1/4 - 20 X 3/4" LG.....	1
33	00559-G7		WASHER, 1/4".....	1
34	14390-G4		LOCK NUT, 1/4 - 20.....	1
35	71083-G01		TAILGATE CABLE .....	2
36	00106-G6		SELF-TAPPING SCREW, #12 - 24 X 3/4" LG.....	2
37	00915-G1		BONDED WASHER, 1/4" .....	2
38	71901-G01		DECAL (E-Z-GO) .....	1
39	74411-G01		DECAL (CUSHMAN).....	1
40	71771-G01		LABEL (TILT WARNING) .....	1
41				
42	74231-G01		BED LINER .....	1
43	74232-G01		TAILGATE LINER.....	1
44	18436-G1		RIVET, 1/4" X 1/2" LG .....	4
45	14601-G10		RIVET, 3/16" X 3/8" LG .....	6
46	71517-G01		BED CAPACITY DECAL (500 LB) .....	1
47				
48	71258-G01		BED FRAME .....	1
49	00438-G8		SCREW, 5/16 - 18 X 1" LG .....	4
50	00642-G8		WASHER, 5/16" .....	8
51	11098-G6		LOCK NUT, 5/16 - 18 .....	4
52				
53	00415-G6		SCREW, 1/4 - 20 X 1 3/4" LG .....	2
54	00642-G7		WASHER, 5/16" .....	4
55	00891-G2		LOCK NUT, 1/4 - 20 .....	2
56				
57	00429-G4		BOLT, 3/8 - 16 X 3 1/2".....	2
58	00643-G1		WASHER, 3/8" .....	4
59	70291-G01		RUBBER BUSHING.....	4
60	70289-G02		SPACER.....	2

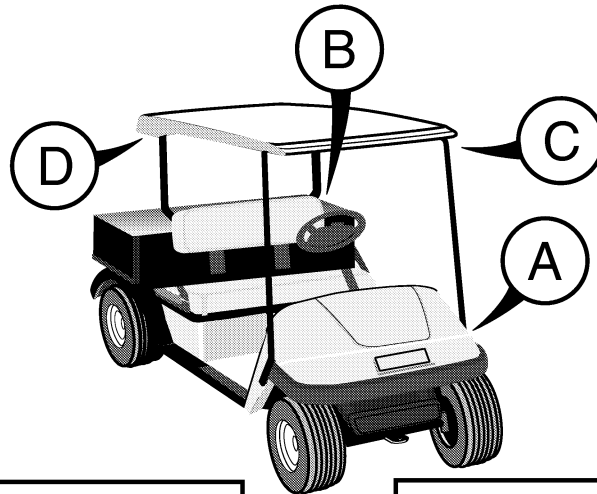
When ordering parts, please specify the model and serial number of the product.

\* Indicates a component that is not available as an individual part.

G\*\* Indicates consult Customer Service Department for additional information.

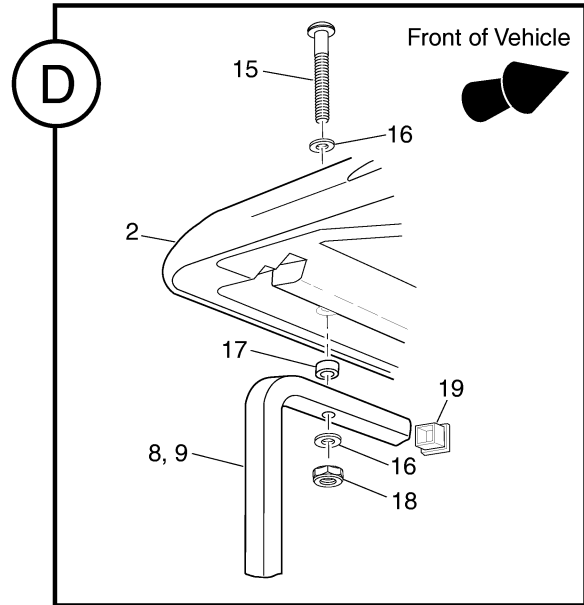
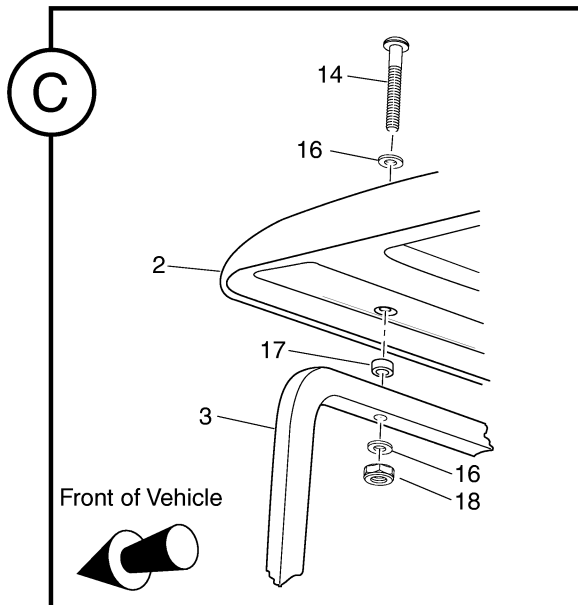
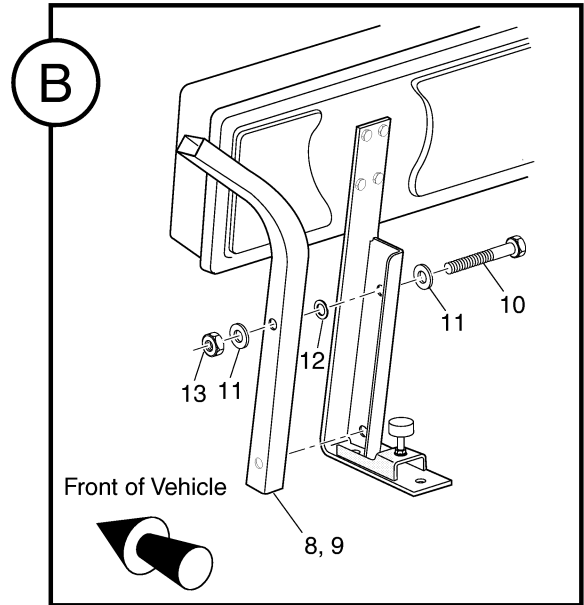
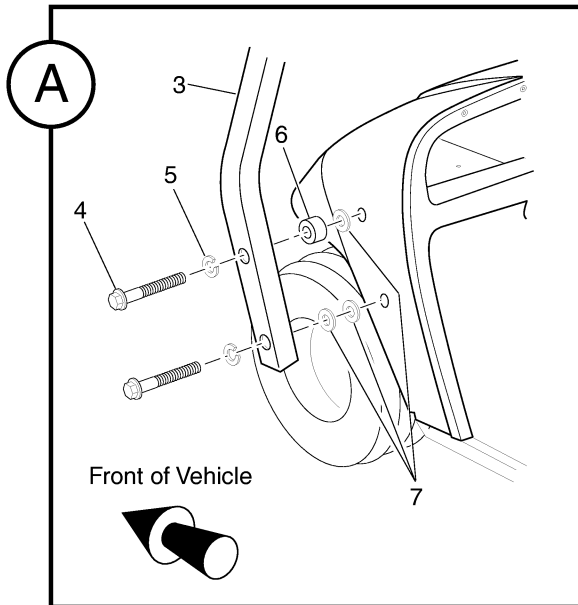
ITEM	PART NO.	1	2	3	4	5	DESCRIPTION	QTY.
61	11098-G5						LOCK NUT, 3/8 - 16 .....	2
62								
63	74052-G03						ELECTRIC DUMP KIT (INCLUDES ITEMS 64 - 86) .....	1
64	74165-G01						CIRCUIT BREAKER MOUNTING BRACKET .....	1
65	21320-G4						CIRCUIT BREAKER, 30 AMP, 12V .....	1
66	00150-G4						SCREW, #10 - 24 X 1/2" LG. ....	2
67	00565-G5						LOCK WASHER, #10 .....	2
68	00526-G3						NUT, #10 - 24.....	2
69	25976-G14						14 GA WIRE (RED 5").....	1
70								
71	27680-G01						TOGGLE SWITCH.....	1
72	27447-G01						TOGGLE GUARD.....	1
73	27446-G01						LABEL.....	1
74	10570-G9						RIVET, 1/8" X 11/32" LG. ....	2
75	27612-G03						ELECTRIC ACTUATOR .....	1
76	27613-G01						SPACER .....	2
77	14443-G10						CLEVIS PIN, 1/2" X 3" LG. ....	1
78	21683-G1						COTTER PIN, 2 11/16" LG .....	2
79	14443-G11						CLEVIS PIN, 1/2" X 1 3/4" LG .....	1
80								
81	74163-G01						WIRE HARNESS (CONTROL).....	1
82	17618-G1						WIRE TIE.....	8
83								
84	71283-G01						ELECTRIC LIFT BRACKET.....	1
85	00462-G7						BOLT, 7/16 - 14 X 7/8" LG .....	2
86	00734-G1						LOCK NUT, 7/16 - 14.....	2
87								
88	71489-G01						WARNING LABEL.....	1

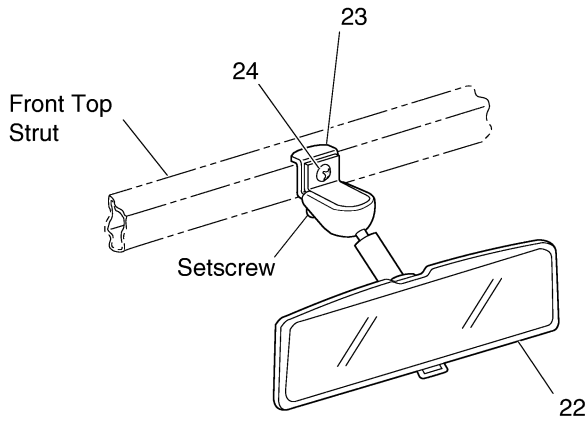




SUN TOP

1 - Includes Items 2 - 19

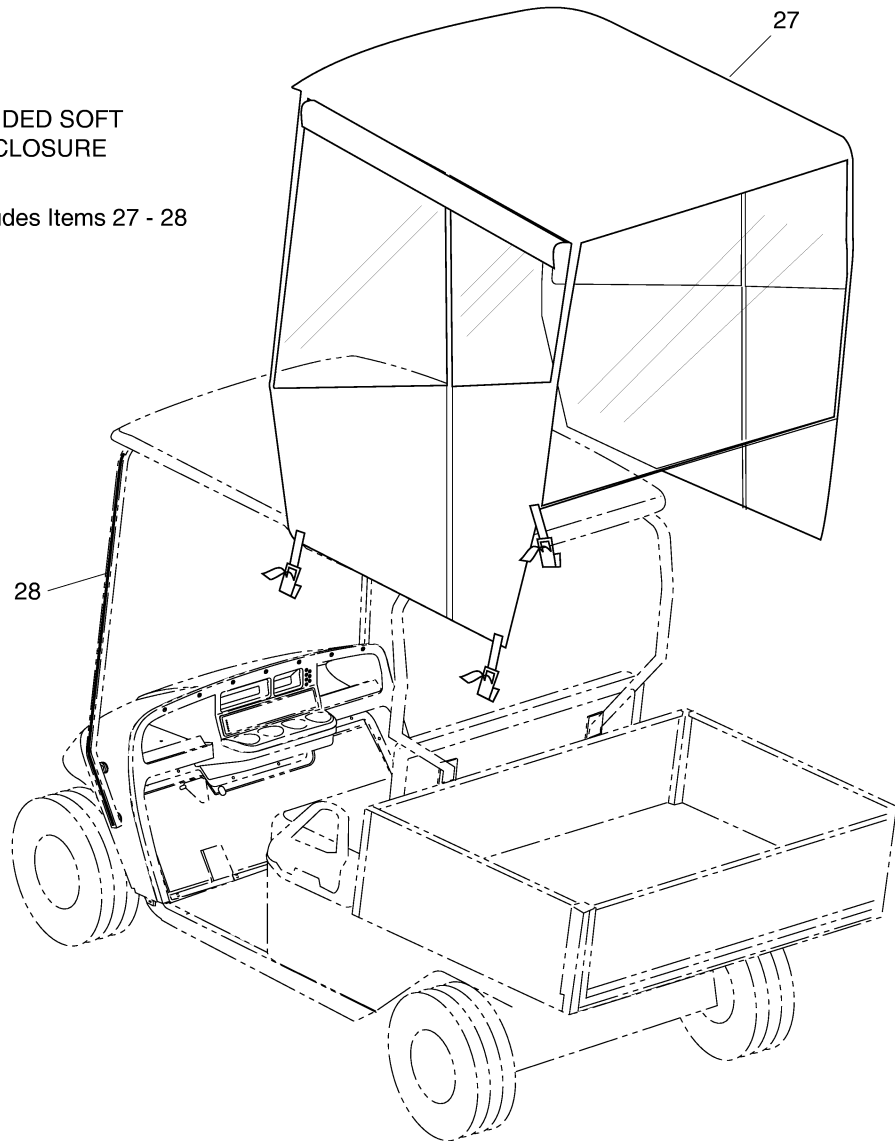


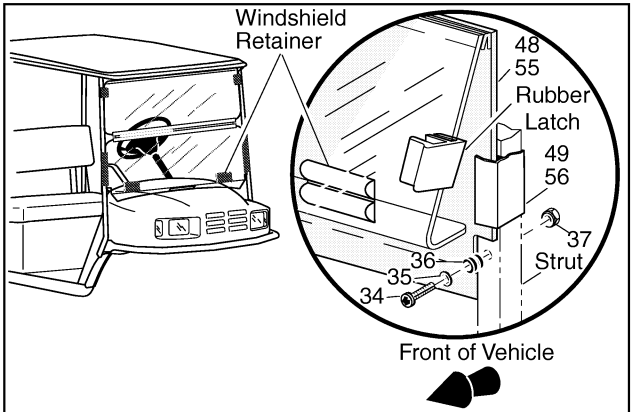
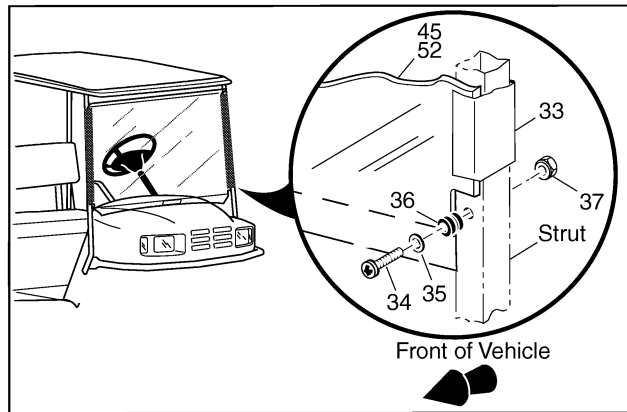
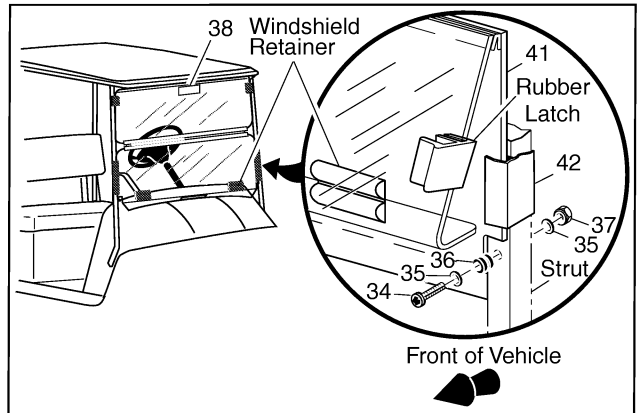
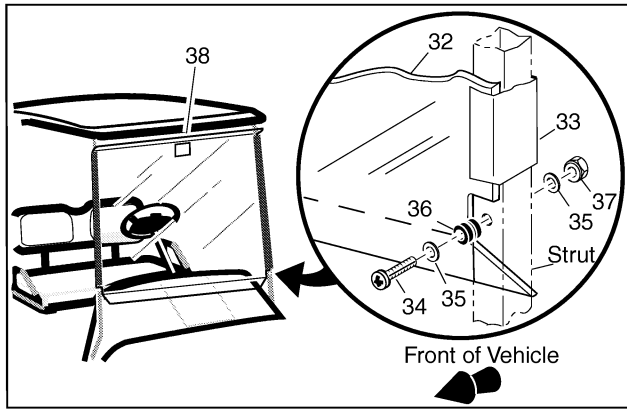


REAR VIEW MIRROR

21 - Includes Items 22 - 24

3-SIDED SOFT ENCLOSURE  
26 - Includes Items 27 - 28





When ordering parts, please specify the model and serial number of the product.

\* Indicates a component that is not available as an individual part.

G\*\* Indicates consult Customer Service Department for additional information.

ITEM	PART NO.	1 2 3 4 5	DESCRIPTION	QTY.
1	75040-G0*		SUN TOP KIT (INCLUDES ITEMS 2 -19) .....	1
2	27069-G07		SUN TOP.....	1
3	75045-G01		FRONT STRUT .....	1
4	01035-G01		BOLT, 5/16 - 18 X 2 1/4" LG .....	4
5	00905-G8		LOCK WASHER, 5/16".....	4
6	75048-G01		SPACER, 1/2".....	2
7	00570-G2		WASHER, 5/16".....	6
8	71328-G01		REAR STRUT (DRIVER SIDE) .....	1
9	71328-G02		REAR STRUT (PASSENGER SIDE).....	1
10	00439-G6		BOLT, 5/16 - 18 X 1 3/4" LG .....	4
11	00571-G2		WASHER, 5/16".....	8
12	17255-G1		NYLON WASHER, 5/16" .....	4
13	11098-G6		LOCK NUT, 5/16 - 18.....	4
14	00753-G5		SCREW, 1/4 - 20 X 2" LG (STAINLESS STEEL) .....	2
15	00753-G6		BOLT, 1/4 - 20 X 2 1/4" LG (STAINLESS STEEL).....	2
16	00559-G7		WASHER, 1/4".....	8
17	75051-G01		PLASTIC SPACER.....	4
18	00891-G2		LOCK NUT, 1/4 - 20.....	4
19	19853-G1		END CAP, 1".....	2
20				
21	19528-G2		REAR VIEW MIRROR KIT (REQUIRES SUN TOP) (INCLUDES ITEMS 22 - 24) .....	1
22	19496-G1		REAR VIEW MIRROR.....	1
23	19502-G2		SUPPORT BRACKET .....	1
24	19527-G1		SCREW, #8 - 32 X 5/8" LG (STAINLESS STEEL) .....	1
25				
26	75367-G01		3-SIDED SOFT ENCLOSURE KIT (REQUIRES SUN TOP) (INCLUDES ITEMS 27 - 28) .....	1
27	*		ENCLOSURE .....	1
28	*		VELCRO.....	AR
29				

# WEATHER PROTECTION

# Electric Vehicle

Replacement parts for the windshield may be obtained from Eagle Parts, Inc. 1811 Wilkinson Rd. Augusta, GA 30904. Telephone (706) 729-9911 or FAX (706) 729-9955

\* Indicates a component that is not available as an individual part.

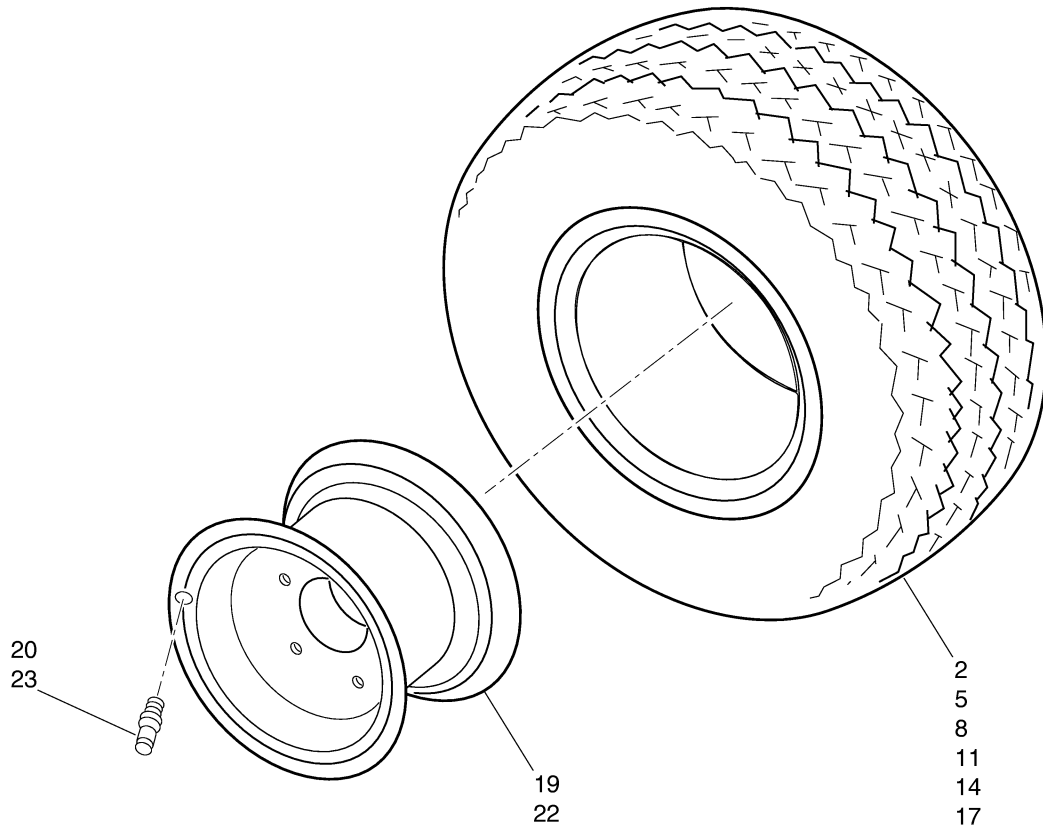
G\*\* Indicates consult Customer Service Department for additional information.

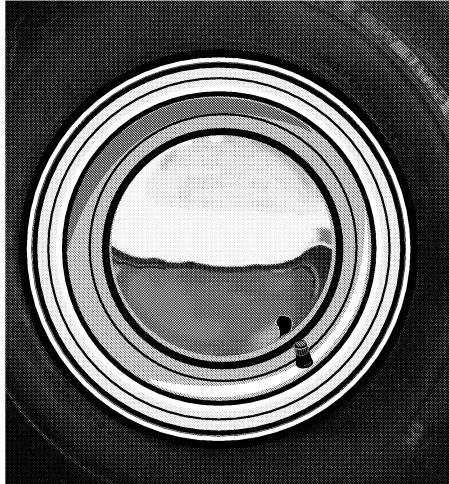
ITEM	PART NO.	1	2	3	4	5	DESCRIPTION	QTY.
30								
31	75524-G01						WINDSHIELD KIT (FULL) (800 / 280) (INCLUDES ITEMS 32 - 38).....	1
32	EGWFX03						WINDSHIELD (FULL).....	1
33	EGWHC12						SASH, 26" LG.....	2
34	EGWHS12						BOLT, 1/4 - 20 X 1 3/4' LG. (STAINLESS STEEL) .....	2
35	EGWHW12						WASHER, 1/4" (STAINLESS STEEL) .....	4
36	EGWHG13						RUBBER GROMMET .....	2
37	EGWHN12						LOCK NUT, 1/4 - 20 (STAINLESS STEEL) .....	2
38	EGWHL14						SAFETY LABEL .....	1
39								
40	75525-G01						WINDSHIELD KIT (SPLIT) (800 / 280) (INCLUDES ITEMS 41, 42, 34 - 38).....	1
41	EGWSX03						WINDSHIELD (SPLIT) .....	1
42	EGWHC10						SASH, 12" LG.....	2
43								
44	71966-G03						WINDSHIELD KIT (FULL) (800LX / 280 SE) (INCLUDES ITEMS 45, 33 - 37)...	1
45	71960-G01						WINDSHIELD (FULL) .....	1
46								
47	71966-G04						WINDSHIELD KIT (SPLIT) (800LX / 280 SE) (INCLUDES ITEMS 48, 49, 34 - 37)1	
48	71961-G01						WINDSHIELD (SPLIT).....	1
49	EGWHC10						SASH, 12" LG.....	2
50								
51	71966-G01						WINDSHIELD KIT (FULL) (800LX / 280 SE) (INCLUDES ITEMS 52, 33 - 37)...	1
52	71954-G01						WINDSHIELD (FULL) (LEXAN).....	1
53								
54	71966-G02						WINDSHIELD KIT (SPLIT) (800LX / 280 SE) (INCLUDES ITEMS 55, 56, 34 - 37)1	
55	71955-G01						WINDSHIELD (SPLIT) (LEXAN) .....	1
56	EGWHC10						SASH, 12" LG.....	2



- 1 - Includes Items 2, 19, 20
- 4 - Includes Items 5, 19, 20
- 7 - Includes Items 8, 19, 20
- 10 - Includes Items 11, 19, 20
- 13 - Includes Items 14, 22, 23
- 16 - Includes Items 17, 22, 23

Tire design may vary by Part Number





6"CHROME HUBCAP  
27



8"CHROME HUBCAP  
26



GOLD / SILVER SPOKE HUBCAP  
28, 29



# WHEELS AND TIRES

# Electric Vehicle

When ordering parts, please specify the model and serial number of the product.

\* Indicates a component that is not available as an individual part.

G\*\* Indicates consult Customer Service Department for additional information.

ITEM	PART NO.	1 2 3 4 5	DESCRIPTION	QTY.
1	27772-G01		WHEEL AND TIRE ASSEMBLY, LINKS (INCLUDES ITEMS 2, 19, 20) .....	A/R
2	27772-G05		CARLISLE TIRE (LINKS 18 X 8.5 - 8, 4 PLY RATED).....	A/R
3				
4	27772-G03		WHEEL AND TIRE ASSEMBLY, TURF SAVER (INCLUDES ITEMS 5, 19, 20) ..	A/R
5	27772-G07		CARLISLE TIRE (TURF SAVER 18 X 8.5 - 8, 4 PLY RATED) .....	A/R
6				
7	27772-G09		WHEEL AND TIRE ASSEMBLY, LINKS (INCLUDES ITEMS 8, 19, 20) .....	A/R
8	27772-G10		CARLISLE TIRE (LINKS 18 X 8.5 - 8, 4 PLY RATED).....	A/R
9				
10	27775-G01		WHEEL AND TIRE ASSEMBLY, USA TRAIL (INCLUDES ITEMS 11, 19, 20) ...	A/R
11	27775-G02		CARLISLE TIRE (USA TRAIL 6 PLY 18.5 X 8.5 - 8, LOAD RANGE C) .....	A/R
12				
13	27784-G02		WHEEL AND TIRE ASSEMBLY, USA TRAIL (INCLUDES ITEMS 14, 22, 23) ...	A/R
14	27784-G04		CARLISLE TIRE (USA TRAIL 18.5 X 5.7 - 8, LOAD RANGE C).....	A/R
15				
16	35154-G03		WHEEL AND TIRE ASSEMBLY, FOAM FILLED USA TRAIL (INCLUDES ITEMS 17, 22, 23) .....	A/R
17	27784-G01		CARLISLE TIRE (USA TRAIL 18.5 X 5.7 - 8).....	A/R
18				
19	15169-G2		WHEEL RIM (4 LUG).....	A/R
20	11657-G1		VALVE STEM.....	A/R
21				
22	33678-G01		WHEEL RIM (4 LUG).....	A/R
23	26482-G01		VALVE STEM (METAL).....	A/R
24				
25	14913-G*		8" CHROME HUBCAP (OPTIONAL).....	A/R
26	16042-G*		6" CHROME HUBCAP (OPTIONAL).....	A/R
27	19241-G*		GOLD SPOKE HUBCAP (OPTIONAL) .....	A/R
28	19241-G*		SILVER SPOKE HUBCAP (OPTIONAL) .....	A/R

## **SPECIALTY PRODUCTS**

# **SPECIALTY PRODUCTS**

## SPECIALTY PRODUCTS

<b>SPECIAL TOOLS</b>	<b>PART NO.</b>
BATTERY MAINTENANCE KIT .....	25587-G01
SEAL INSTALLATION TOOL (REAR AXLE SHAFT SEAL).....	18739-G1
BATTERY SET DISCHARGER, 36 VOLT, 75 AMP .....	28251-G01
CURRENT INDICATOR.....	16489-G2
DIGITAL MULTI-METER.....	27481-G01
CRIMPING TOOL .....	27765-G01
SLIDE HAMMER (AXLE/HUB REMOVAL) .....	15947-G1
SLIDE HAMMER (AXLE REMOVAL ONLY) .....	18753-G1

### PAINT

.6 OUNCE BRUSH ON PAINT - HUNTER GREEN.....	28432-G02
.6 OUNCE BRUSH ON PAINT - INDUSTRIAL YELLOW .....	28432-G03
12 OUNCE SPRAY - HUNTER GREEN .....	28140-G09
12 OUNCE SPRAY - INDUSTRIAL YELLOW .....	28140-G14

### PERFORMANCE PRODUCTS

FORMULA 40 VINYL-COAT® - WHITE.....	28166-G01
PLEXUS® CLEANER, 7 OUNCE (FOR WINDSHIELDS).....	28433-G01
PLEXUS® CLEANER, 13 OUNCE (FOR WINDSHIELDS).....	28433-G02
BATTERY PROTECTOR, 14 OUNCE SPRAY .....	75500-G01
WHITE LITHIUM GREASE, 14 OUNCE SPRAY .....	75502-G01
PENETRANT/LUBRICANT, 15 OUNCE SPRAY .....	75503-G01
MULTI-PURPOSE CLEANER & DEGREASER, 14 OUNCE SPRAY.....	75504-G01
MULTI-PURPOSE HAND CLEANER, 32 OUNCE LIQUID.....	75505-G01
BATTERY CLEANER, 32 OUNCE WITH TRIGGER SPRAYER .....	75506-G01
BIO-DEGRADABLE CLEANER, 32 OUNCE WITH TRIGGER SPRAYER .....	75507-G01
MULTI-PURPOSE VALUE PACK.....	75508-G01
• BATTERY PROTECTOR, 4 OUNCE SPRAY	
• PENETRANT/LUBRICANT, 4 OUNCE SPRAY	
• WHITE LITHIUM GREASE, 4 OUNCE SPRAY	
• CARBURETOR & CHOKE CLEANER, 4 OUNCE SPRAY	

# **ACCESSORIES**

## **ACCESSORIES LISTING**

# ACCESSORIES

ACCESSORIES LISTING	KIT NO.	
ASHTRAY KIT . . . . .	75109-G02 . . . . .	See BODY
BALL HITCH KIT . . . . .	75326-G02 . . . . .	See BODY
BUMPER KIT . . . . .	74041-G01 . . . . .	See BODY
CLEVIS HITCH KIT . . . . .	75327-G02 . . . . .	See BODY
CHROME HUB CAP 8" . . . . .	14913-G* . . . . .	See WHEELS AND TIRES
CHROME HUB CAP 6" . . . . .	16042-G* . . . . .	See WHEELS AND TIRES
DEFROSTER/COOLING FAN . . . . .	74248-G01 . . . . .	See CAB
DIFFERENTIAL GUARD . . . . .	25353-G01 . . . . .	See REAR AXLE
DOOR SET . . . . .	74301-G0* . . . . .	See CAB
DOOR SET (VINYL) . . . . .	74242-G01 . . . . .	See CAB
ELECTRIC DUMP KIT . . . . .	74052-G04 . . . . .	See TRUCKBED
GLOVE BOX DOOR . . . . .	75459-G0* . . . . .	See BODY
HOUR METER KIT . . . . .	75113-G02 . . . . .	See ELECTRICAL SYSTEM
INSIDE MIRROR . . . . .	27924-G01 . . . . .	See WEATHER PROTECTION
INSTRUMENT/SWITCH PANEL . . . . .	74250-G01 . . . . .	See CAB
REAR VIEW MIRROR KIT . . . . .	19528-G2 . . . . .	See WEATHER PROTECTION
SOFT ENCLOSURE . . . . .	75367-G01 . . . . .	See WEATHER PROTECTION
STEEL CAB, W/O DOORS (800 LX) . . . . .	74294-G0* . . . . .	See CAB
STEEL CAB, W/O DOORS (800 & INDUSTRIAL) . . . . .	74300-G0* . . . . .	See CAB
STROBE LIGHT . . . . .	74245-G01 . . . . .	See CAB
SUN TOP KIT . . . . .	75040-G0* . . . . .	See WEATHER PROTECTION
TURN SIGNAL KIT . . . . .	75107-G02 . . . . .	See ELECTRICAL SYSTEM
GOLD SPOKE WHEEL COVERS . . . . .	19241-G* . . . . .	See WHEELS AND TIRES
SILVER SPOKE WHEEL COVERS . . . . .	19241-G* . . . . .	See WHEELS AND TIRES
WINDSHIELD (FLAT) (800 & INDUSTRIAL) . . . . .	75524-G01 . . . . .	See WEATHER PROTECTION
WINDSHIELD (SPLIT) (800 & INDUSTRIAL) . . . . .	75525-G01 . . . . .	See WEATHER PROTECTION
WINDSHIELDS (800 LX MODEL) . . . . .	71966-G0* . . . . .	See WEATHER PROTECTION
WINDSHIELD WIPER . . . . .	74244-G01 . . . . .	See CAB
WORK LIGHTS . . . . .	74247-G01 . . . . .	See CAB
WORK LIGHT BAR WITH LIGHTS . . . . .	71323-G04 . . . . .	See ELECTRICAL SYSTEM
WORK LIGHT BAR WITH STROBE . . . . .	71323-G05 . . . . .	See ELECTRICAL SYSTEM
WORK LIGHT BAR WITH LIGHTS AND STROBE . . . . .	71323-G06 . . . . .	See ELECTRICAL SYSTEM



Textron Golf, Turf & Specialty Products.  
P.O. Box 388 Augusta, Georgia 30903-0388 USA  
Inside USA Phone: 1-800-241-5855, FAX: 1-800-448-8124  
Outside USA Phone: 010-1-706-798-4311, FAX: 010-1-706-771-4609

Copyrighted Material  
This manual may not be reproduced in whole or  
in part without the express permission of  
Textron Golf, Turf & Specialty Products  
Technical Communications Department