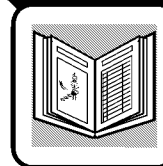
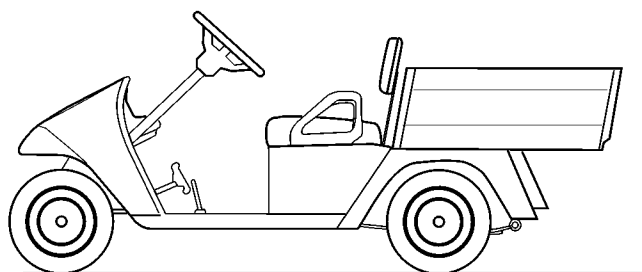
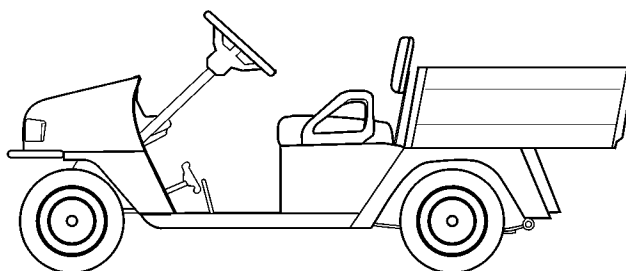


28663-G01



# SERVICE PARTS MANUAL



## **ELECTRIC POWERED UTILITY VEHICLE**

MODEL YEAR: 2001

REVISED: 11/2001

# **SERVICE PARTS MANUAL**

## **ELECTRIC UTILITY VEHICLES**

**WORKHORSE<sup>®</sup> 800**

**WORKHORSE<sup>®</sup> 800 LX**

**INDUSTRIAL 800**

**COMMANDER<sup>™</sup> 280**

**COMMANDER<sup>™</sup> 280 SE**

TEXTRON Golf, Turf & Specialty Products reserves the right to make design changes without obligation to make these changes on units previously sold and the information contained in this manual is subject to change without notice.

TEXTRON Golf, Turf & Specialty Products is not liable for errors in this manual or for incidental or consequential damages that result from the use of the material in this manual.

**CUSTOMER SERVICE DEPARTMENT IN USA PHONE: 1-800-241-5855 FAX: 1-800-448-8124**

**OUTSIDE USA PHONE: 010-1-706-798-4311, FAX: 010-1-706-771-4609**

**TEXTRON GOLF, TURF & SPECIALTY PRODUCTS, P.O.BOX 388, AUGUSTA, GEORGIA USA 30903-0388**

## **NOTES**

**To obtain a copy of the limited warranty applicable to the vehicle, call or write a local Distributor, authorized Branch or the Warranty Department with vehicle serial number and manufacturer code.**

**The use of non Original Equipment Manufacturer (OEM) parts may void the warranty.**

**Overfilling of batteries may void the warranty.**

### **BATTERY PROLONGED STORAGE**

**All batteries will self discharge over time. The rate of self discharge varies depending on the ambient temperature and the age and condition of the batteries.**

**A fully charged battery will not freeze in winter temperatures unless the temperature falls below -75° F (-60° C).**

**As with all electric vehicles, the batteries must be checked and recharged as required or at a minimum of 30 day intervals.**

# GENERAL INDEX

| SECTION  | Page No. |
|--|----------|
| How to use the Service Parts Manual .....  | vii      |
| ILLUSTRATED PARTS BREAKDOWN:   |          |
| ACCELERATOR  |          |
| • Pedal Box Assembly, Accelerator Pedal .....  | A-1      |
| BATTERY CHARGER  |          |
| • PowerWise™ Battery Charger (Portable) .....  | B-1      |
| • PowerWise™ Battery Charger (On Board) .....  | B-9      |
| • Lester Battery Charger (Portable) .....  | B-17     |
| BODY   |          |
| • (WorkHorse® 800 / Commander™ 280) Cowl, Front Shield, Instrument Panel, Floorboard ..... | C-1      |
| • (800 Industrial) Cowl, Front Shield, Instrument Panel, Floorboard .....                  | C-2      |
| • Battery Rack, Splash Panel, Floormat, Seat Wrap, Side Panels .....                       | C-3      |
| • Front Bumper, Seat Filler Panels, Rear Fenders, Rear Panel .....                         | C-4      |
| • Ashtray, Ball Hitch, Clevis Hitch .....  | C-5      |
| • (800 LX / 280 SE) Cowl, Glove Box Door, Front Fenders, Front Bumper .....                | C-6      |
| BRAKES   |          |
| • Brake Pedal (with brake lights) .....  | D-1      |
| • Brake Pedal (without brake lights) .....   | D-2      |
| • Brake Linkage .....  | D-3      |
| • Wheel Brake.....   | D-4      |
| CAB AND VAN BOX  |          |
| • Cab.....   | E-1      |
| • Cab Mounts, Windshield Wiper .....   | E-2      |
| • Steel Doors, Vinyl Doors, Strobe Light.....  | E-3      |
| • Control Panel, Defroster/Cooling Fan, Worklight .....                                    | E-4      |
| DIRECTION SELECTOR   |          |
| • Direction Selector, Reverse Warning Buzzer .....   | F-1      |
| ELECTRIC MOTOR   |          |
| • Electric Motor .....   | G-1      |

# GENERAL INDEX

| SECTION  | Page No. |
|--|----------|
| ELECTRICAL SYSTEM  |          |
| • Batteries.....   | H-1      |
| • Charger Receptacle, Fuse Blocks .....  | H-2      |
| • Ignition Switch, State of Charge Meter, Horn.....  | H-3      |
| • Headlight.....   | H-4      |
| • Brake Pedal and Taillight Connections .....  | H-5      |
| • Turn Signal, Hour Meter.....   | H-6      |
| • Worklights, Strobe Light.....  | H-7      |
| • (WorkHorse <sup>®</sup> 800 LX / Commander <sup>™</sup> 280 SE) Headlights, Turn Signal .....  | H-8      |
| ELECTRONIC SPEED CONTROL   |          |
| • Electronic Speed Control Wiring, Solenoid Wiring.....  | J-1      |
| • Electronic Speed Control, Cover, Solenoid.....   | J-1      |
| FRONT SUSPENSION (Early Production, for Jan. 2001 and later see 'FRONT SUSPENSION AND STEERING') |          |
| • Front Axle, Spindle, Wheel Hub, Shock Absorber, Spring.....                                    | K-1      |
| FRONT SUSPENSION AND STEERING (Jan. 2001 and later)  |          |
| • Front Axle, Spindle, Wheel Hub, Tie Rod, Steering Column and Wheel .....                       | K-5      |
| REAR AXLE  |          |
| • Differential Cover, Drain Plug, Vent, Differential Guard .....                                 | L-1      |
| REAR SUSPENSION  |          |
| • Leaf Spring, Shock Absorber.....   | M-1      |
| SEATS  |          |
| • Seat Back, Seat Bottom, Hip Restraint.....   | N-1      |
| STEERING (Early Production, for Jan. 2001 and later see 'FRONT SUSPENSION AND STEERING')         |          |
| • Rack and Pinion Assembly, Tie Rod Assembly, Steering Column, Steering Wheel .....              | P-1      |
| TRUCKBED   |          |
| • Manual Dump Bed, Tailgate, Decals.....   | Q-1      |
| • Tilt Latch, Bed Stop Cable .....   | Q-2      |
| • Bed Liner, Bed Pivot Frame.....  | Q-3      |
| • Flat Bed .....   | Q-4      |
| • Electric Dump Bed, Tailgate, Decals.....   | Q-9      |
| • Bed Liner, Bed Pivot Frame.....  | Q-10     |
| • Actuator, Battery Connections, Toggle Switch .....   | Q-11     |

# GENERAL INDEX

| SECTION  | Page No.     |
|--|--------------|
| WEATHER PROTECTION                                 |              |
| • Sun Top.....                                     | R-1          |
| • Inside Mirror, 3-Sided Soft Enclosure .....      | R-2          |
| • Windshields .....                                | R-3          |
| WHEELS AND TIRES                                   |              |
| • Tire and Wheel Assembly, Wheel, Valve Stem ..... | S-1          |
| • Wheel Covers .....                               | S-2          |
| SPECIALTY PRODUCTS .....                           | Appendix - A |
| • Special Tools                                    |              |
| • Paint  |              |
| • Performance Products                             |              |
| ACCESSORIES .....                                  | Appendix - B |
| • Accessories Listing                              |              |



# HOW TO USE THE SERVICE PARTS MANUAL

This manual is divided into several sections:

- GENERAL INFORMATION
- ILLUSTRATED PARTS BREAKDOWN
- APPENDIX

The first section, GENERAL INFORMATION, contains the following information:

- WARRANTY INFORMATION
- GENERAL INDEX
- HOW TO USE THE SERVICE PARTS MANUAL

The second section, ILLUSTRATED PARTS BREAKDOWN, contains illustrations and parts lists for all systems of your vehicle.

The third section, APPENDIX, contains a listing of specialty products and accessories.

## USE OF THE MANUAL

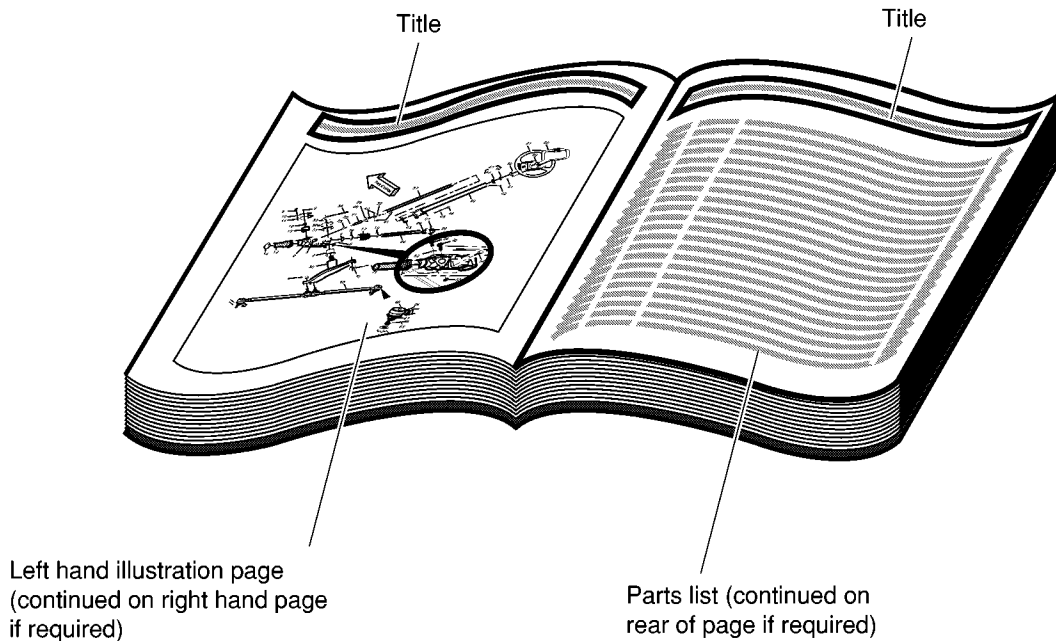
To use this manual, consult the GENERAL INDEX to locate the information or illustration required.

Introduction of some revisions varies due to supply of components; therefore, it is possible that various combinations of components may be found that are not directly reflected by each illustration. Consult the illustration that best suits your situation and then contact the Service Parts Department. It is important that the serial number of your vehicle and its model number be supplied to Service Parts when ordering any replacement components.

Locate the serial number plate (see BODY located in the Illustrated Parts Breakdown section of this manual for its location) and note the complete number shown on the plate.



# HOW TO USE THE SERVICE PARTS MANUAL



## 1. WHEN THE PART NUMBER IS NOT KNOWN

- Determine the function and application of the part required. Turn to the General Index and select the most appropriate title.
- Turn to the page number indicated and locate the desired part on the illustration.
- From the illustration, obtain the item number assigned to the desired part. Refer to the accompanying description for specific information regarding the part.

## 2. IF YOU KNOW THE PART NUMBER

- Locate the part number or description in the appropriate column on the parts list page.

**NOTE:** It is suggested that you confirm that the part selected is correct by verifying it with the pictorial representation on the illustrated page.

Should an asterisk (\*) appear in the part number column on the parts list page, read upwards until a part number is found. The part number is the lowest assembly sold and the asterisk (\*) indicates that the part depicted is not available for purchase.

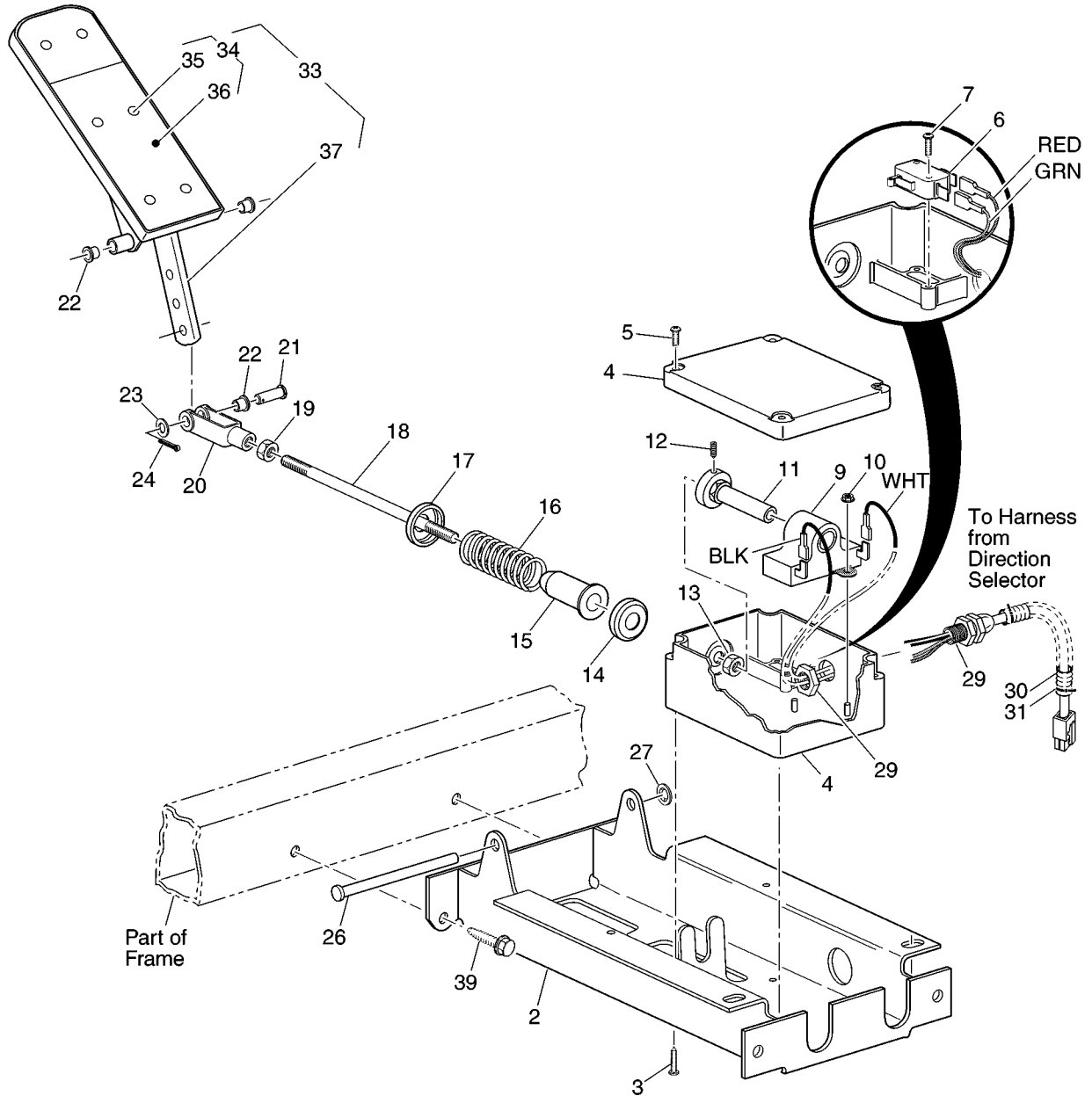
**NOTE:** Descriptions are indented under the assembly that they are used on. That assembly is, in turn listed under the assembly that it is used on. This process is repeated until the highest final assembly is reached.

**To facilitate the maintenance and repair of the vehicle, a Technician's Repair and Service Manual is available from the Service Parts Department.**

# **ILLUSTRATED PARTS BREAKDOWN**

# **ILLUSTRATED PARTS BREAKDOWN**

1 - Includes Items 2 - 37



THE USE OF NON UL PARTS WILL VOID ANY UL LISTING.

When ordering parts, please specify the model and serial number of the product.

\* Indicates a component that is not available as an individual part.

G\*\* Indicates consult Customer Service Department for additional information.

| ITEM | PART NO.  | 1 | 2 | 3 | 4 | 5 | DESCRIPTION                                     | QTY. |
|------|-----------|---|---|---|---|---|---|------|
| 1    | 25870-G03 |   |   |   |   |   | PEDAL BOX ASSEMBLY (INCLUDES ITEMS 2 - 37)..... | 1    |
| 2    | 70116-G01 |   |   |   |   |   | ACCELERATOR PEDAL BRACKET .....                 | 1    |
| 3    | 00984-G01 |   |   |   |   |   | SCREW, #8 - 10 X 1/2" LG.....                   | 4    |
| 4    | 25853-G01 |   |   |   |   |   | PEDAL BOX AND COVER.....                        | 1    |
| 5    | 00684-G6  |   |   |   |   |   | SCREW, #8 - 32 X 3/4" LG.....                   | 4    |
| 6    | 25861-G01 |   |   |   |   |   | MICRO SWITCH.....                               | 1    |
| 7    | 00982-G01 |   |   |   |   |   | SCREW, #4 - 14 X 5/8" LG.....                   | 2    |
| 8    |           |   |   |   |   |   |   |      |
| 9    | 25854-G01 |   |   |   |   |   | INDUCTIVE THROTTLE SENSOR .....                 | 1    |
| 10   | 00983-G01 |   |   |   |   |   | SELF THREADING NUT, 3/16" .....                 | 2    |
| 11   | 26551-G01 |   |   |   |   |   | PLUNGER .....                                   | 1    |
| 12   | 00486-G2  |   |   |   |   |   | SETSCREW, #8 - 32 X 1/8" LG.....                | 1    |
| 13   | 00550-G2  |   |   |   |   |   | LOCK NUT, 1/4 - 28.....                         | 1    |
| 14   | 17677-G1  |   |   |   |   |   | SPRING RETAINER, 1/2".....                      | 1    |
| 15   | 17979-G1  |   |   |   |   |   | BUSHING .....                                   | 1    |
| 16   | 73046-G01 |   |   |   |   |   | COMPRESSION SPRING .....                        | 1    |
| 17   | 17677-G2  |   |   |   |   |   | SPRING RETAINER, 3/8".....                      | 1    |
| 18   | 25859-G01 |   |   |   |   |   | ACCELERATOR ROD .....                           | 1    |
| 19   | 00532-G4  |   |   |   |   |   | LOCK NUT, 5/16 - 24.....                        | 1    |
| 20   | 10385-G4  |   |   |   |   |   | CLEVIS YOKE (ADJUSTABLE).....                   | 1    |
| 21   | 10386-G3  |   |   |   |   |   | CLEVIS PIN, 5/16" X 1" LG .....                 | 1    |
| 22   | 17838-G1  |   |   |   |   |   | NYLON BUSHING.....                              | 3    |
| 23   | 17255-G1  |   |   |   |   |   | TEFLON WASHER, 5/16".....                       | 1    |
| 24   | 10387-G3  |   |   |   |   |   | COTTER PIN, 3/32" X 3/4" LG .....               | 1    |
| 25   |           |   |   |   |   |   |   |      |
| 26   | 70134-G01 |   |   |   |   |   | PEDAL PIVOT PIN .....                           | 1    |
| 27   | 00986-G01 |   |   |   |   |   | PUSH NUT, 9/32" .....                           | 1    |
| 28   |           |   |   |   |   |   |   |      |
| 29   | 25879-G03 |   |   |   |   |   | WIRING HARNESS (PEDAL BOX ASSEMBLY).....        | 1    |
| 30   | 17313-G1  |   |   |   |   |   | LOOM FLEX, 3/8" X 6" LG (BULK).....             | 1    |

THE USE OF NON UL PARTS WILL VOID ANY UL LISTING.

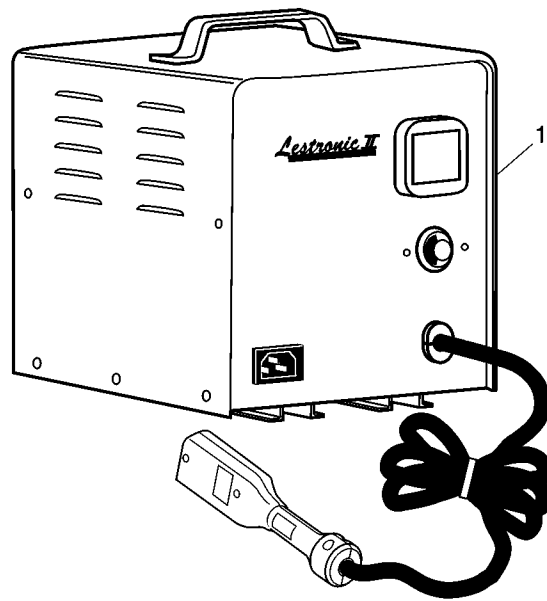
When ordering parts, please specify the model and serial number of the product.

\* Indicates a component that is not available as an individual part.

G\*\* Indicates consult Customer Service Department for additional information.

| ITEM | PART NO.  | 1 | 2 | 3 | 4 | 5 | DESCRIPTION  | QTY. |
|------|-----------|---|---|---|---|---|--|------|
| 31   | 17618-G1  |   |   |   |   |   | WIRE TIE .....   | 2    |
| 32   |           |   |   |   |   |   |  |      |
| 33   | 25799-G01 |   |   |   |   |   | ACCELERATOR PEDAL ASSEMBLY (INCLUDES ITEMS 34 - 37)..... | 1    |
| 34   | 27844-G01 |   |   |   |   |   | ACCELERATOR PEDAL PAD KIT (INCLUDES ITEMS 35 - 36).....  | 1    |
| 35   | 15766-G1  |   |   |   |   |   | OVAL RIVET, 3/16" X 3/8" LG.....                         | 6    |
| 36   | 27512-G01 |   |   |   |   |   | ACCELERATOR PEDAL PAD .....                              | 1    |
| 37   | *         |   |   |   |   |   | ACCELERATOR PEDAL .....                                  | 1    |
| 38   |           |   |   |   |   |   |  |      |
| 39   | 00715-G2  |   |   |   |   |   | BOLT, 5/16 - 18 X 13/16" LG .....                        | 4    |

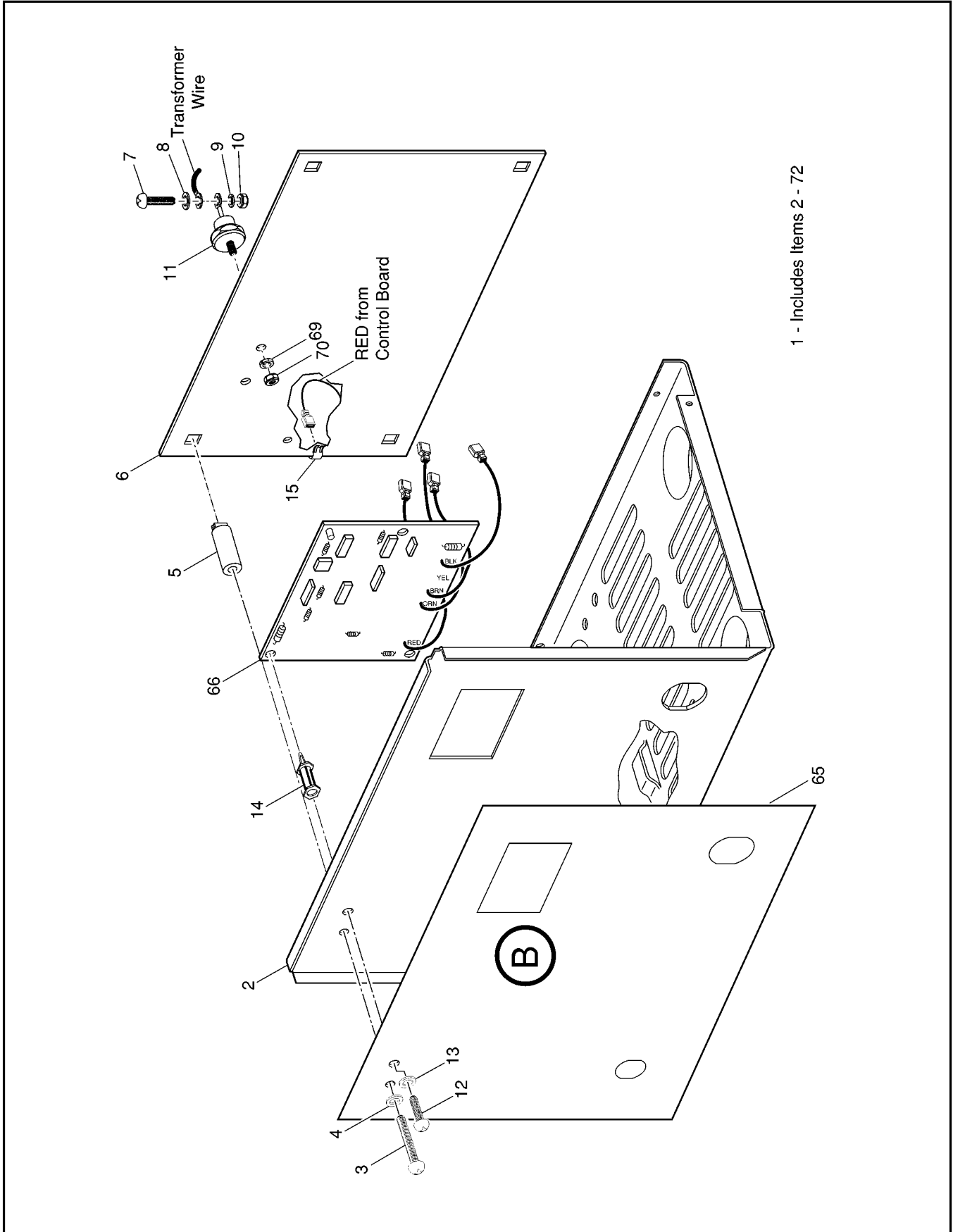




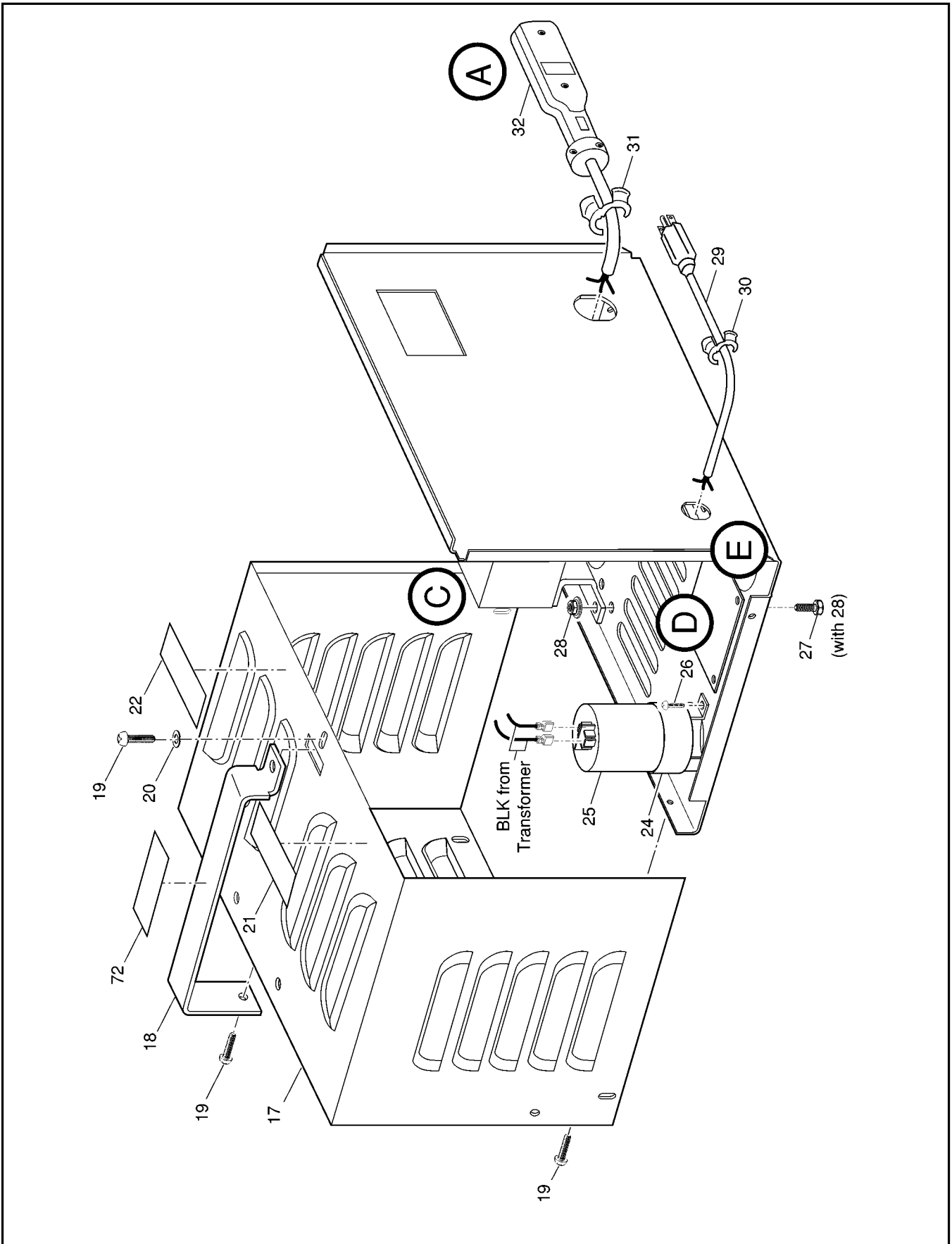
THE USE OF NON U.L. PARTS WILL VOID ANY U.L. LISTING.  
 When ordering parts, please specify the model and serial number of the product.  
 \* Indicates a component that is not available as an individual part.  
 G\*\* Indicates consult Customer Service Department for additional information.

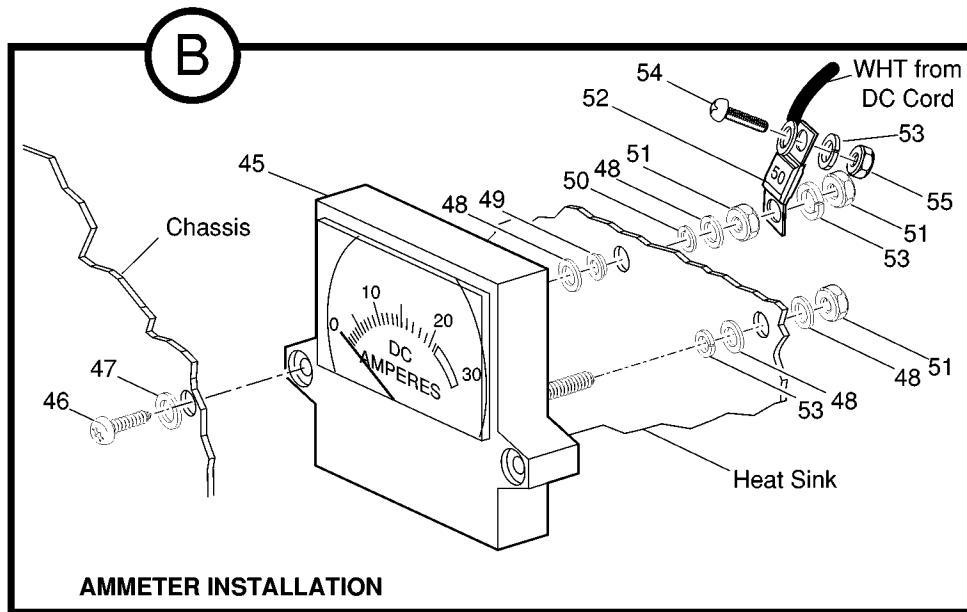
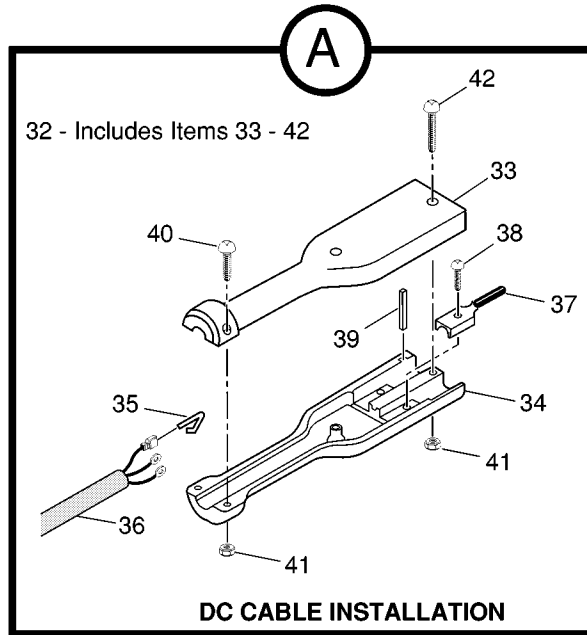
| ITEM | PART NO.  | 1 2 3 4 5 DESCRIPTION  | QTY. |
|------|-----------|--|------|
| 1    | 28516-G01 | <p>BATTERY CHARGER, LESTER, 36 VOLT, PORTABLE WITH POWERWISE CONNECTOR, CE APPROVED (OPTIONAL)</p> <p>For service or replacement parts, contact:<br/>                     Lester Electrical<br/>                     625 West "A" Street<br/>                     Lincoln, NE 68522</p> <p>Phone: (402) 477-8988, FAX: (402) 474-1769</p> <p>Always provide the following information when requesting information or ordering replacement parts:</p> <p>Model Number:<br/>                     Serial Number: (stamped into housing)</p> |      |

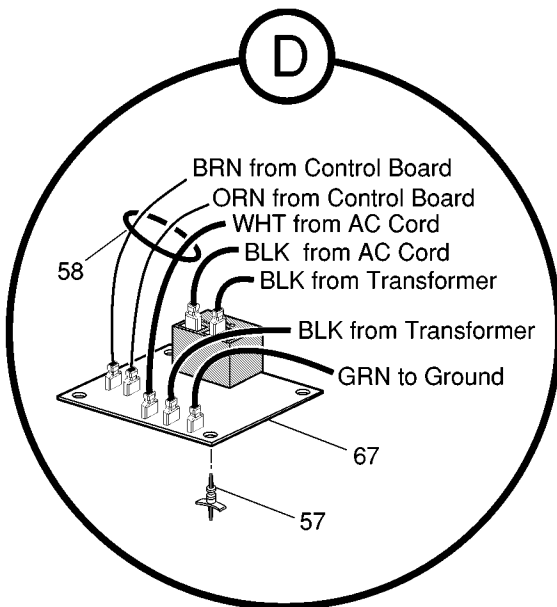
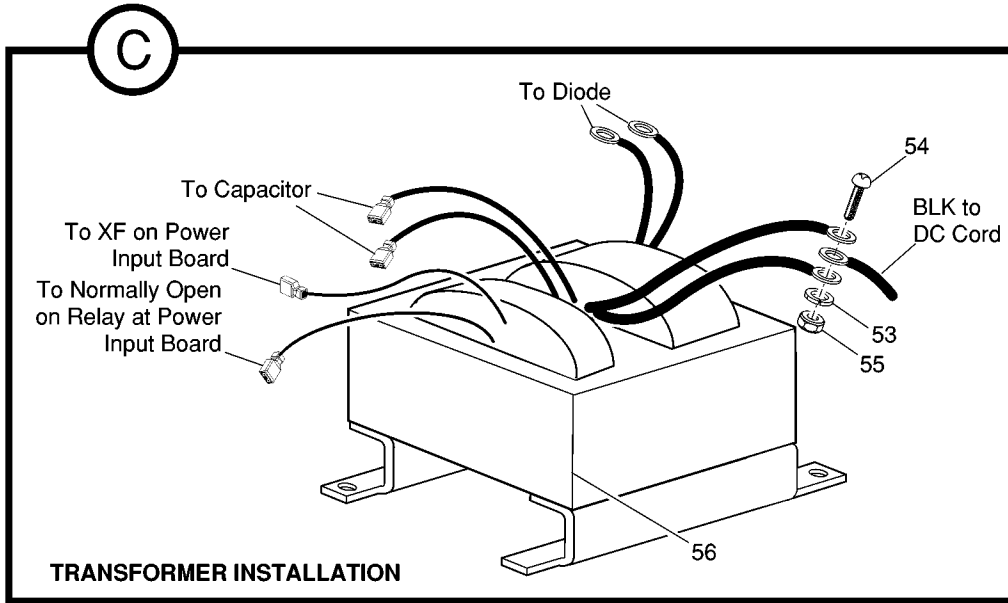




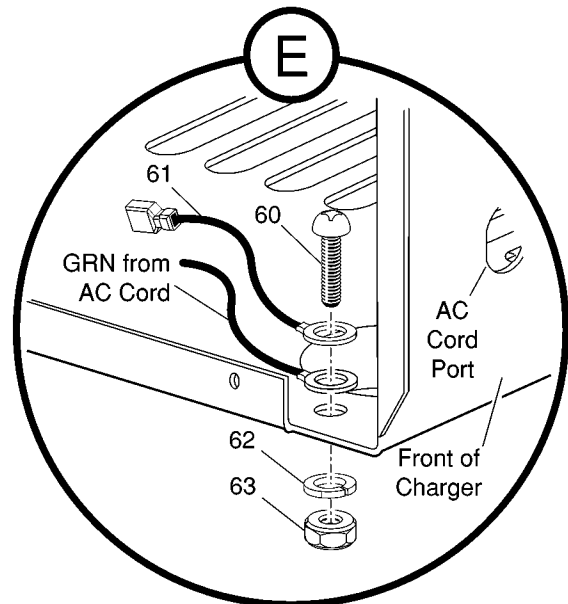
1 - Includes Items 2 - 72







**POWER INPUT BOARD  
INSTALLATION**



**GROUNDING  
DETAIL**

**BATTERY CHARGER****Electric Vehicle**

THE USE OF NON UL PARTS WILL VOID ANY UL LISTING.

When ordering parts, please specify the model and serial number of the product.

\* Indicates a component that is not available as an individual part.

G\*\* Indicates consult Customer Service Department for additional information.

| ITEM | PART NO.  | 1 2 3 4 5 | DESCRIPTION                                      | QTY. |
|------|-----------|-----------|--|------|
| 1    | 28115-G04 |           | POWERWISE™ CHARGER (INCLUDES ITEMS 2 - 72) ..... | 1    |
| 2    | *         |           | CHASSIS .....                                    | 1    |
| 3    | 00513-G6  |           | SCREW, #8 - 18 X 1 3/4" LG. ....                 | 2    |
| 4    | 00559-G4  |           | WASHER, #8 .....                                 | 2    |
| 5    | 11572-G3  |           | EXPANSION NUT .....                              | 2    |
| 6    | 28104-G01 |           | HEAT SINK .....                                  | 1    |
| 7    | 00138-G3  |           | SCREW, #6 - 32 X 3/8" LG. ....                   | 2    |
| 8    | 00559-G3  |           | WASHER, #6 .....                                 | 2    |
| 9    | 00567-G3  |           | LOCK WASHER, #6 .....                            | 2    |
| 10   | 00525-G5  |           | NUT, #6 - 32.....                                | 2    |
| 11   | 18488-G1  |           | DIODE.....                                       | 2    |
| 12   | 01005-G01 |           | SCREW, #6 - 19 X 5/16" LG. ....                  | 3    |
| 13   | 00559-G3  |           | WASHER, #6 .....                                 | 3    |
| 14   | 28111-G01 |           | SUPPORT SPACER .....                             | 3    |
| 15   | 28110-G01 |           | ELECTRICAL CLIP .....                            | 1    |
| 16   |           |           |  |      |
| 17   | *         |           | COVER .....                                      | 1    |
| 18   | 28102-G01 |           | HANDLE .....                                     | 1    |
| 19   | 00614-G4  |           | SCREW, #8 - 18 X 1/2" LG. ....                   | 6    |
| 20   | 00559-G4  |           | WASHER, #8 .....                                 | 1    |
| 21   | 28136-G01 |           | LABEL (VENTILATION) .....                        | 1    |
| 22   | 28136-G02 |           | LABEL (DC CORD CONDITION) .....                  | 1    |
| 23   |           |           |  |      |
| 24   | 26979-G01 |           | CAPACITOR BRACKET .....                          | 1    |
| 25   | 28109-G01 |           | CAPACITOR .....                                  | 1    |
| 26   | 00969-G01 |           | SCREW, #8 - 32 X 3/8" LG. ....                   | 3    |
| 27   | 00414-G5  |           | BOLT, 1/4 - 20 X 5/8" LG.....                    | 3    |
| 28   | 11027-G2  |           | LOCK NUT, 1/4 - 20.....                          | 3    |
| 29   | 19388-G4  |           | AC CORD .....                                    | 1    |
| 30   | 13557-G2  |           | STRAIN RELIEF (AC).....                          | 1    |

THE USE OF NON UL PARTS WILL VOID ANY UL LISTING.

When ordering parts, please specify the model and serial number of the product.

\* Indicates a component that is not available as an individual part.

G\*\* Indicates consult Customer Service Department for additional information.

| ITEM | PART NO.  | 1 | 2 | 3 | 4 | 5 | DESCRIPTION   | QTY. |
|------|-----------|---|---|---|---|---|---|------|
| 31   | 13557-G3  |   |   |   |   |   | STRAIN RELIEF (DC) .....                                  | 1    |
| 32   | 28137-G01 |   |   |   |   |   | DC CORD AND HANDLE ASSEMBLY (INCLUDES ITEMS 33 - 42)..... | 1    |
| 33   | 73051-G11 |   |   |   |   |   | PLUG (TOP HALF).....                                      | 1    |
| 34   | 73051-G12 |   |   |   |   |   | PLUG (BOTTOM HALF).....                                   | 1    |
| 35   | 73051-G27 |   |   |   |   |   | AUXILIARY CONTACT .....                                   | 1    |
| 36   | 73331-G01 |   |   |   |   |   | DC CORD .....   | 1    |
| 37   | 73051-G14 |   |   |   |   |   | MALE PIN .....  | 2    |
| 38   | 73051-G08 |   |   |   |   |   | SCREW, #10 - 32 X 1/2" LG (BRASS).....                    | 2    |
| 39   | 73051-G15 |   |   |   |   |   | MAGNET .....  | 1    |
| 40   | 73051-G16 |   |   |   |   |   | SCREW, #6 - 32 X 1/2" LG (STAINLESS STEEL) .....          | 2    |
| 41   | 73051-G10 |   |   |   |   |   | LOCK NUT, #6 - 32 .....                                   | 4    |
| 42   | 73051-G17 |   |   |   |   |   | SCREW, #6 - 32 X 1" LG (STAINLESS STEEL) .....            | 2    |
| 43   |           |   |   |   |   |   |   |      |
| 44   |           |   |   |   |   |   |   |      |
| 45   | 28105-G01 |   |   |   |   |   | AMMETER.....  | 1    |
| 46   | 00984-G01 |   |   |   |   |   | SCREW, #8 - 10 X 1/2" LG.....                             | 2    |
| 47   | 00559-G4  |   |   |   |   |   | WASHER, #8 .....  | 2    |
| 48   | 01003-G01 |   |   |   |   |   | BRASS WASHER, #10 .....                                   | 4    |
| 49   | 22589-G2  |   |   |   |   |   | SHOULDER WASHER, #10 .....                                | 1    |
| 50   | 00771-G6  |   |   |   |   |   | NYLON WASHER, #10.....                                    | 1    |
| 51   | 00528-G4  |   |   |   |   |   | NUT, #10 - 32.....  | 3    |
| 52   | 28106-G01 |   |   |   |   |   | 50 AMP FUSE .....   | 1    |
| 53   | 00565-G5  |   |   |   |   |   | LOCK WASHER, #10 .....                                    | 4    |
| 54   | 00378-G4  |   |   |   |   |   | SCREW, #10 - 24 X 1/2" LG.....                            | 2    |
| 55   | 00526-G3  |   |   |   |   |   | NUT, #10 - 24.....  | 2    |
| 56   | 28103-G01 |   |   |   |   |   | TRANSFORMER.....  | 1    |
| 57   | 27877-G01 |   |   |   |   |   | SPACER SUPPORT .....                                      | 4    |
| 58   | 17618-G1  |   |   |   |   |   | WIRE TIE.....   | 2    |
| 59   |           |   |   |   |   |   |   |      |
| 60   | 00372-G3  |   |   |   |   |   | SCREW, #8 - 32 X 3/8" LG.....                             | 1    |

**BATTERY CHARGER****Electric Vehicle**

THE USE OF NON UL PARTS WILL VOID ANY UL LISTING.

When ordering parts, please specify the model and serial number of the product.

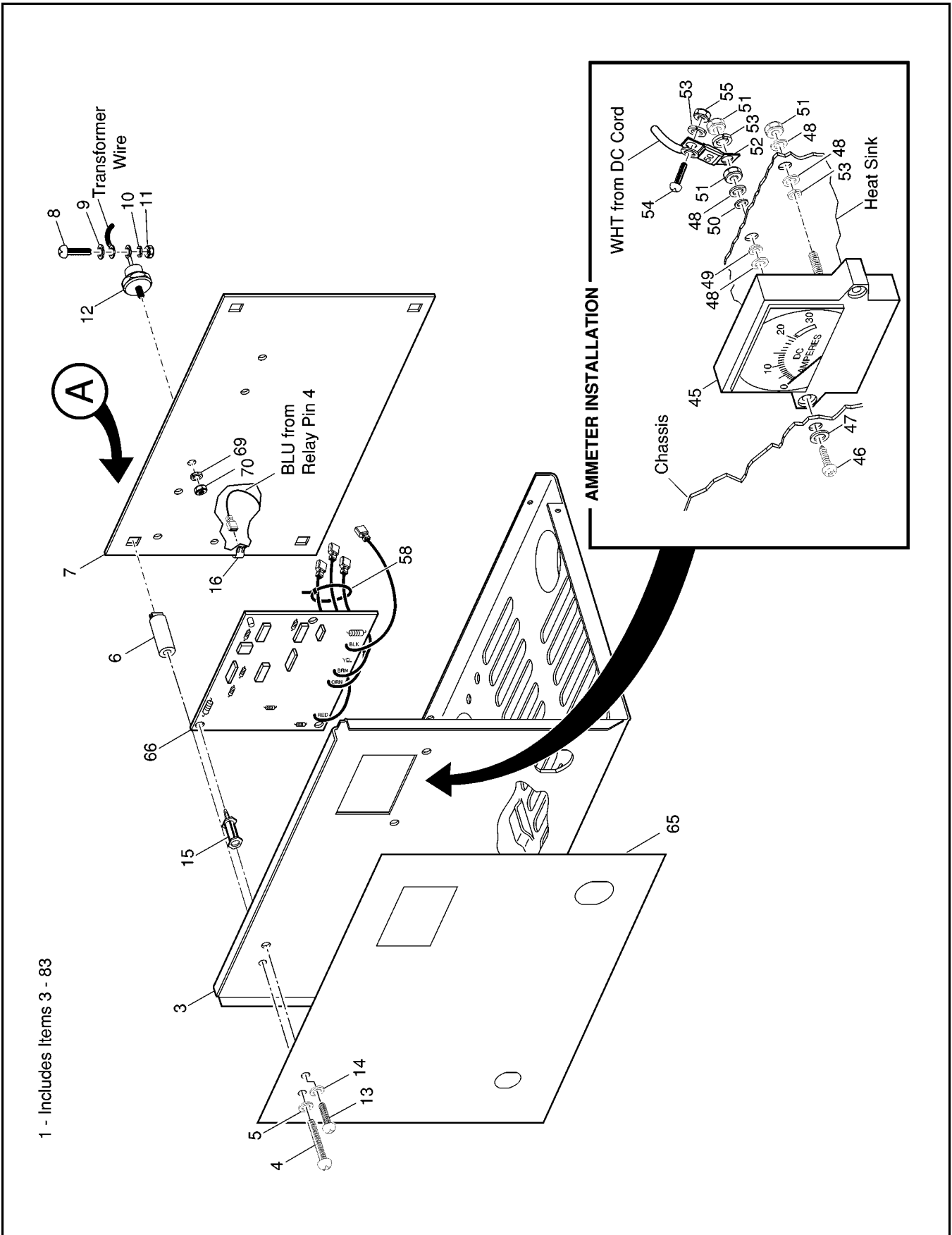
\* Indicates a component that is not available as an individual part.

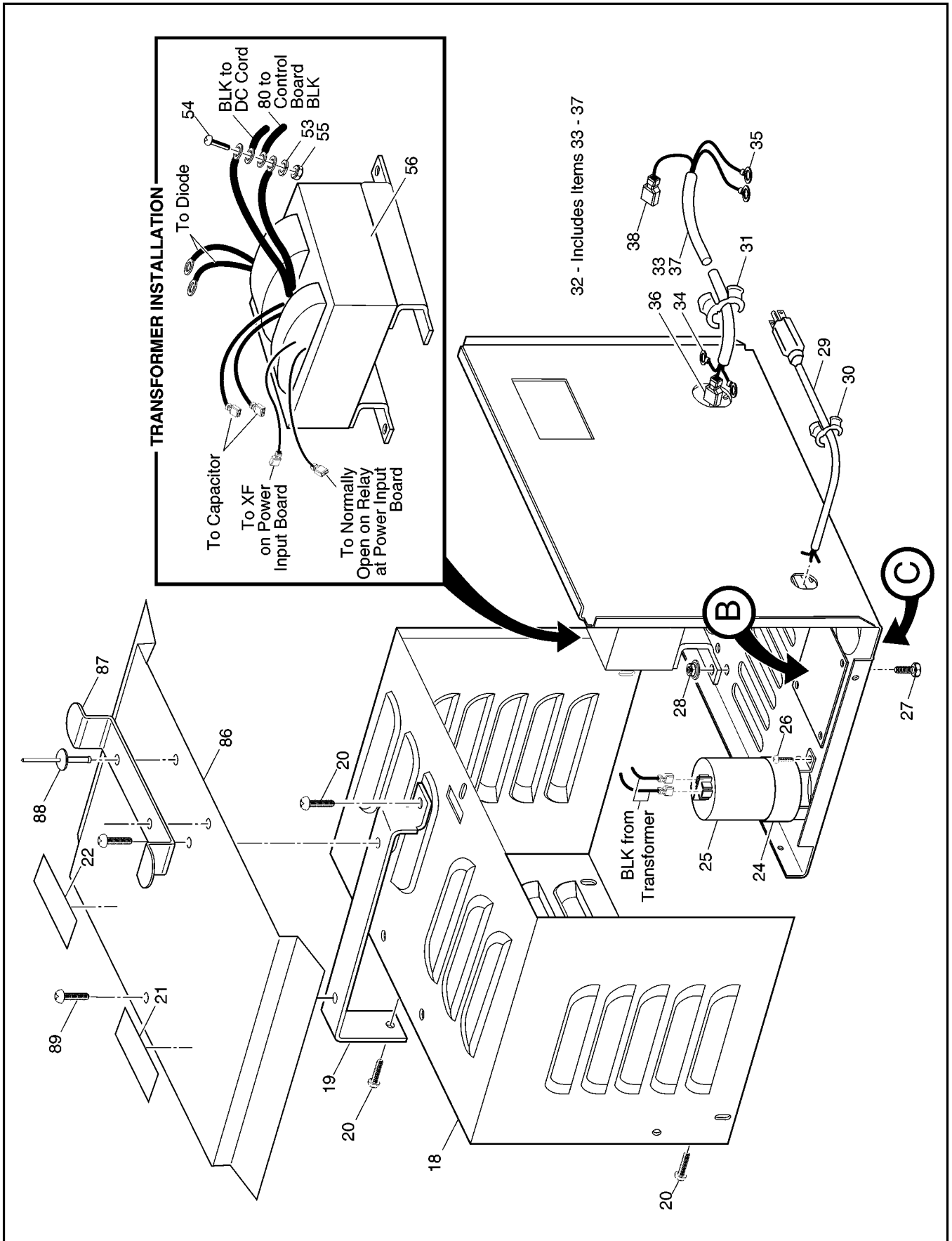
G\*\* Indicates consult Customer Service Department for additional information.

| ITEM | PART NO.  | 1 | 2 | 3 | 4 | 5 | DESCRIPTION                          | QTY. |
|------|-----------|---|---|---|---|---|--------------------------------------|------|
| 61   | 25977-G32 |   |   |   |   |   | 16 GA WIRE (GREEN 4" LG) .....       | 1    |
| 62   | 00565-G4  |   |   |   |   |   | LOCK WASHER, #8 .....                | 1    |
| 63   | 00526-G1  |   |   |   |   |   | NUT, #8 - 32.....                    | 1    |
| 64   |           |   |   |   |   |   |                                      |      |
| 65   | *         |   |   |   |   |   | LABEL (POWERWISE™) .....             | 1    |
| 66   | 28126-G01 |   |   |   |   |   | CONTROL BOARD (POWERWISE™).....      | 1    |
| 67   | 28126-G03 |   |   |   |   |   | POWER INPUT BOARD (POWERWISE™) ..... | 1    |
| 68   |           |   |   |   |   |   |                                      |      |
| 69   | 00565-G7  |   |   |   |   |   | LOCK WASHER, 1/4" .....              | 2    |
| 70   | 00532-G2  |   |   |   |   |   | NUT, 1/4 - 28.....                   | 2    |
| 71   |           |   |   |   |   |   |                                      |      |
| 72   | 71785-G01 |   |   |   |   |   | LABEL (REMOVE BATTERY) .....         | 1    |

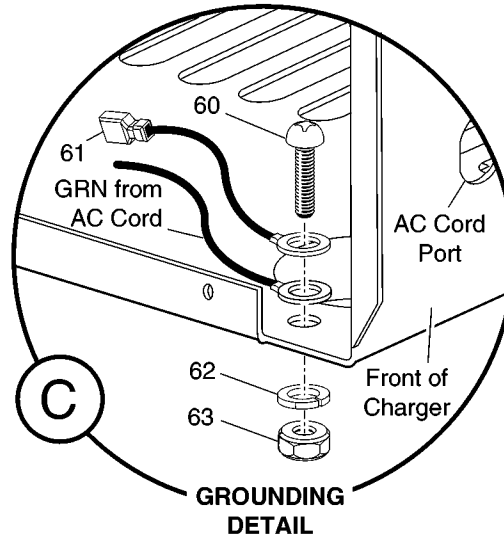
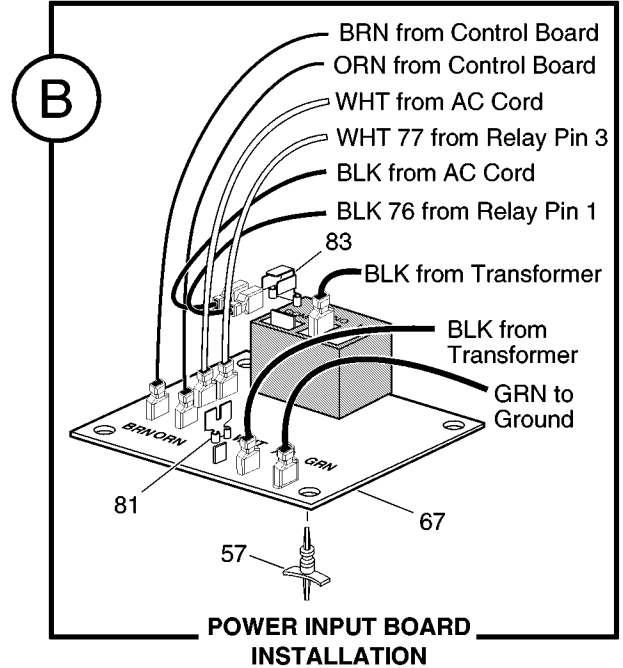
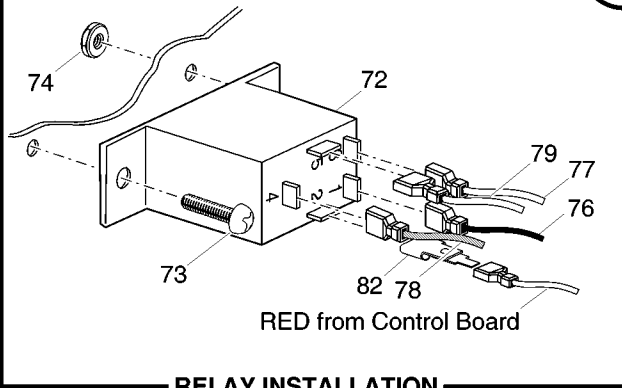


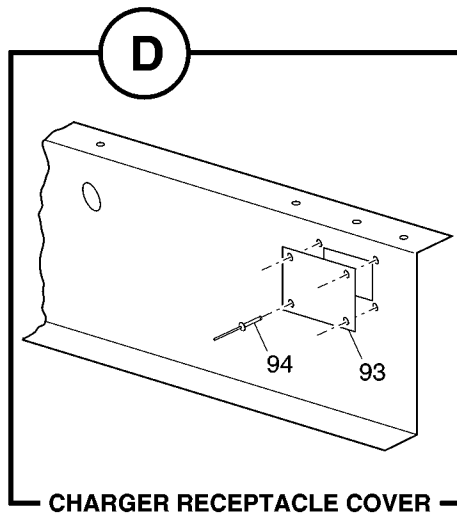
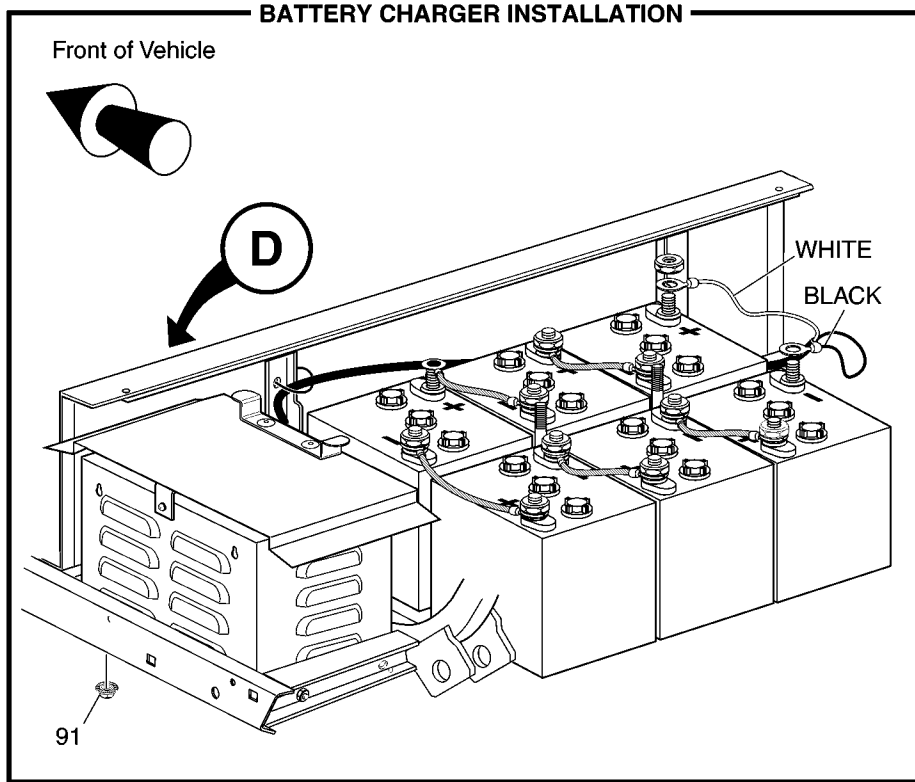






- Pin 1 - Wire 76 to Input Board "COM"
- Pin 2 - Tab Adapter 82, RED wire from Control Board
- Pin 3 - Wire 77 to Input Board "WHT"
- Pin 4 - Wire 78 to Heat Sink Clip
- Pin 5 - Wire 79 to DC Cord RED Wire





**BATTERY CHARGER (ON BOARD)****Electric Vehicle**

THE USE OF NON UL PARTS WILL VOID ANY UL LISTING.

When ordering parts, please specify the model and serial number of the product.

\* Indicates a component that is not available as an individual part.

G\*\* Indicates consult Customer Service Department for additional information.

| ITEM | PART NO.  | 1  | 2 | 3 | 4 | 5 | DESCRIPTION | QTY. |
|------|-----------|--|---|---|---|---|-------------|------|
| 1    | 28115-G06 | POWERWISE™ CHARGER (ON BOARD) (INCLUDES ITEMS 3 - 83)..... |   |   |   |   | 1           |      |
| 2    |           |  |   |   |   |   |             |      |
| 3    | *         | CHASSIS .....  |   |   |   |   | 1           |      |
| 4    | 00513-G6  | SCREW, #8 - 18 X 1 3/4" LG .....                           |   |   |   |   | 2           |      |
| 5    | 00559-G4  | WASHER, #8 .....   |   |   |   |   | 2           |      |
| 6    | 11572-G3  | EXPANSION NUT .....  |   |   |   |   | 2           |      |
| 7    | 28104-G01 | HEAT SINK .....  |   |   |   |   | 1           |      |
| 8    | 00138-G3  | SCREW, #6 - 32 X 3/8" LG .....                             |   |   |   |   | 2           |      |
| 9    | 00559-G3  | WASHER, #6 .....   |   |   |   |   | 2           |      |
| 10   | 00567-G3  | LOCK WASHER, #6 .....                                      |   |   |   |   | 2           |      |
| 11   | 00525-G5  | NUT, #6 - 32.....  |   |   |   |   | 2           |      |
| 12   | 18488-G1  | DIODE.....   |   |   |   |   | 2           |      |
| 13   | 01005-G01 | SCREW, #6 - 19 X 5/16" LG .....                            |   |   |   |   | 3           |      |
| 14   | 00559-G3  | WASHER, #6 .....   |   |   |   |   | 3           |      |
| 15   | 28111-G01 | SUPPORT SPACER.....  |   |   |   |   | 3           |      |
| 16   | 28110-G01 | ELECTRICAL CLIP.....                                       |   |   |   |   | 1           |      |
| 17   |           |  |   |   |   |   |             |      |
| 18   | *         | COVER .....  |   |   |   |   | 1           |      |
| 19   | 28102-G01 | HANDLE .....   |   |   |   |   | 1           |      |
| 20   | 00614-G4  | SCREW, #8 - 18 X 1/2" LG .....                             |   |   |   |   | 6           |      |
| 21   | 28136-G01 | LABEL (VENTILATION).....                                   |   |   |   |   | 1           |      |
| 22   | 28136-G02 | LABEL (CORD CONDITION).....                                |   |   |   |   | 1           |      |
| 23   |           |  |   |   |   |   |             |      |
| 24   | 26979-G01 | CAPACITOR BRACKET .....                                    |   |   |   |   | 1           |      |
| 25   | 28109-G01 | CAPACITOR .....  |   |   |   |   | 1           |      |
| 26   | 00969-G01 | SCREW, #8 - 32 X 3/8" LG .....                             |   |   |   |   | 3           |      |
| 27   | 00414-G5  | BOLT, 1/4 - 20 X 5/8" LG.....                              |   |   |   |   | 3           |      |
| 28   | 11027-G2  | LOCK NUT, 1/4 - 20.....                                    |   |   |   |   | 3           |      |
| 29   | 19388-G5  | AC CORD .....  |   |   |   |   | 1           |      |
| 30   | 13557-G2  | STRAIN RELIEF (AC).....                                    |   |   |   |   | 1           |      |

THE USE OF NON UL PARTS WILL VOID ANY UL LISTING.

When ordering parts, please specify the model and serial number of the product.

\* Indicates a component that is not available as an individual part.

G\*\* Indicates consult Customer Service Department for additional information.

| ITEM | PART NO.  | 1 | 2 | 3 | 4 | 5 | DESCRIPTION                                     | QTY. |
|------|-----------|---|---|---|---|---|---|------|
| 31   | 13557-G3  |   |   |   |   |   | STRAIN RELIEF (DC) .....                        | 1    |
| 32   | 73331-G06 |   |   |   |   |   | DC CORD ASSEMBLY (INCLUDES ITEMS 33 - 37) ..... | 1    |
| 33   | 28108-G01 |   |   |   |   |   | DC CORD .....                                   | 1    |
| 34   | 11343-G3  |   |   |   |   |   | RING TERMINAL, 3/16" .....                      | 2    |
| 35   | 11343-G1  |   |   |   |   |   | RING TERMINAL, 5/16" .....                      | 2    |
| 36   | 17064-G1  |   |   |   |   |   | FEMALE TERMINAL .....                           | 2    |
| 37   | 22476-G1  |   |   |   |   |   | HEAT SHRINK TUBING .....                        | A/R  |
| 38   |           |   |   |   |   |   |   |      |
| 39   |           |   |   |   |   |   |   |      |
| 40   | 22009-G1  |   |   |   |   |   | ISOLATION MOUNT .....                           | 4    |
| 41   | 00559-G7  |   |   |   |   |   | WASHER, 1/4" .....                              | 4    |
| 42   | 00565-G7  |   |   |   |   |   | LOCK WASHER, 1/4" .....                         | 4    |
| 43   | 00532-G1  |   |   |   |   |   | NUT, 1/4 - 20 .....                             | 4    |
| 44   |           |   |   |   |   |   |   |      |
| 45   | 28105-G01 |   |   |   |   |   | AMMETER .....                                   | 1    |
| 46   | 00984-G01 |   |   |   |   |   | SCREW, #8 - 10 X 1/2" LG. ....                  | 2    |
| 47   | 00559-G4  |   |   |   |   |   | WASHER, #8 .....                                | 2    |
| 48   | 01003-G01 |   |   |   |   |   | BRASS WASHER, #10 .....                         | 4    |
| 49   | 22589-G2  |   |   |   |   |   | SHOULDER WASHER, #10 .....                      | 1    |
| 50   | 00771-G6  |   |   |   |   |   | NYLON WASHER, #10 .....                         | 1    |
| 51   | 00528-G4  |   |   |   |   |   | NUT, #10 - 32 .....                             | 3    |
| 52   | 28106-G01 |   |   |   |   |   | 50 AMP FUSE .....                               | 1    |
| 53   | 00565-G5  |   |   |   |   |   | LOCK WASHER, #10 .....                          | 4    |
| 54   | 00378-G4  |   |   |   |   |   | SCREW, #10 - 24 X 1/2" LG. ....                 | 2    |
| 55   | 00526-G3  |   |   |   |   |   | NUT, #10 - 24 .....                             | 2    |
| 56   | 28103-G01 |   |   |   |   |   | TRANSFORMER .....                               | 1    |
| 57   | 27877-G01 |   |   |   |   |   | SPACER SUPPORT .....                            | 4    |
| 58   | 17618-G1  |   |   |   |   |   | WIRE TIE .....                                  | 3    |
| 59   |           |   |   |   |   |   |   |      |
| 60   | 00372-G3  |   |   |   |   |   | SCREW, #8 - 32 X 3/8" LG. ....                  | 1    |

**BATTERY CHARGER (ON BOARD)****Electric Vehicle**

THE USE OF NON UL PARTS WILL VOID ANY UL LISTING.

When ordering parts, please specify the model and serial number of the product.

\* Indicates a component that is not available as an individual part.

G\*\* Indicates consult Customer Service Department for additional information.

| ITEM | PART NO.   | 1 | 2 | 3 | 4 | 5 | DESCRIPTION   | QTY. |
|------|------------|---|---|---|---|---|---|------|
| 61   | 25977-G32  |   |   |   |   |   | 16 GA WIRE (GREEN 4") .....   | 1    |
| 62   | 00565-G4   |   |   |   |   |   | LOCK WASHER, #8 .....   | 1    |
| 63   | 00526-G1   |   |   |   |   |   | NUT, #8 - 32.....   | 1    |
| 64   |            |   |   |   |   |   |   |      |
| 65   | *          |   |   |   |   |   | LABEL (POWERWISE™) .....  | 1    |
| 66   | 28126-G01  |   |   |   |   |   | CONTROL BOARD.....  | 1    |
| 67   | 28126-G03  |   |   |   |   |   | POWER INPUT BOARD.....  | 1    |
| 68   |            |   |   |   |   |   |   |      |
| 69   | 00565-G7   |   |   |   |   |   | LOCK WASHER, 1/4" .....   | 2    |
| 70   | 00532-G2   |   |   |   |   |   | NUT, 1/4 - 28.....  | 2    |
| 71   |            |   |   |   |   |   |   |      |
| 72   | 21971-G4   |   |   |   |   |   | RELAY .....   | 1    |
| 73   | 00138-G4   |   |   |   |   |   | SCREW, #6 - 32 X 1/2" LG .....  | 2    |
| 74   | 14390-G9   |   |   |   |   |   | LOCK NUT, #6 - 32 .....   | 2    |
| 75   |            |   |   |   |   |   |   |      |
| 76   | 25977-G38  |   |   |   |   |   | 16 GA WIRE (BLACK 4") (from Relay 1 to Power Input Board "COM") .....             | 1    |
| 77   | 25977-G37  |   |   |   |   |   | 16 GA WIRE (WHITE 5") (from Relay 3 to Power Input Board "WHT").....              | 1    |
| 78   | 25978-G161 |   |   |   |   |   | 18 GA WIRE (BLUE 6") (from Relay 4 to Heat Sink clip).....                        | 1    |
| 79   | 25978-G162 |   |   |   |   |   | 18 GA WIRE (YELLOW 6") (from Relay 5 to DC Cord "RED").....                       | 1    |
| 80   | 25978-G163 |   |   |   |   |   | 18 GA WIRE (BLACK 7") (from Transformer S2/S3 to<br>Control Module "Black") ..... | 1    |
| 81   | 17902-G1   |   |   |   |   |   | TAB ADAPTER (on Power Input Board "WHT" w/ 77 & AC Cord WHT) .....                | 1    |
| 82   | 28305-G01  |   |   |   |   |   | TERMINAL ADAPTER (on Relay 2 w/ Control Board RED).....                           | 1    |
| 83   | 27285-G01  |   |   |   |   |   | TERMINAL ADAPTER (on Relay "COM" w/ 76 & AC Cord BLK).....                        | 1    |
| 84   |            |   |   |   |   |   |   |      |
| 85   | 71968-G01  |   |   |   |   |   | SHIELD ASSEMBLY (INCLUDES ITEMS 86 - 88).....                                     | 1    |
| 86   | 71967-G01  |   |   |   |   |   | SHIELD .....  | 1    |
| 87   | 22045-G01  |   |   |   |   |   | CORD HOLDER .....   | 1    |
| 88   | 10570-G01  |   |   |   |   |   | RIVET,.....   | 2    |
| 89   | 00106-G6   |   |   |   |   |   | SCREW, #12 - 24 X 3/4" LG.....  | 2    |

THE USE OF NON UL PARTS WILL VOID ANY UL LISTING.

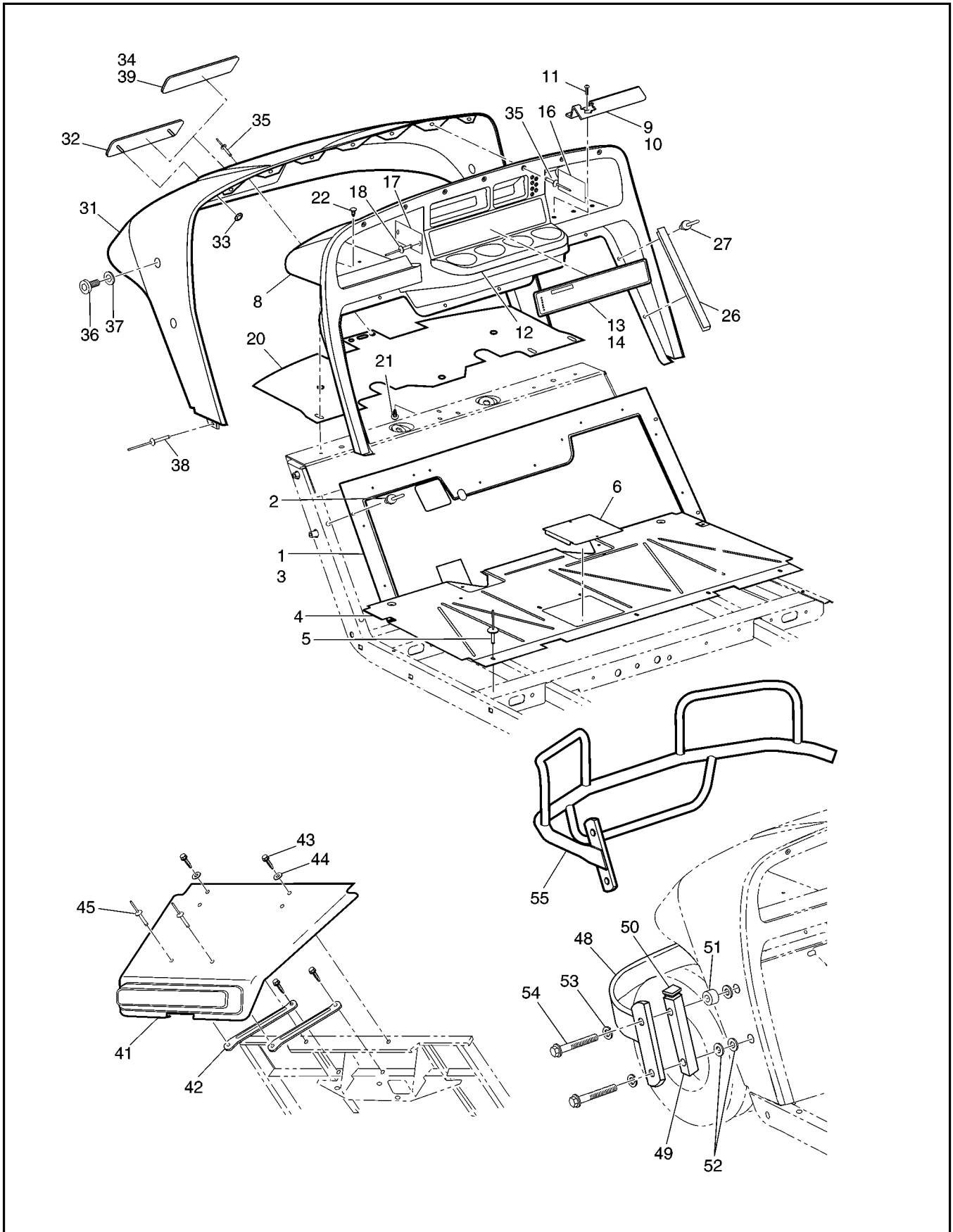
When ordering parts, please specify the model and serial number of the product.

\* Indicates a component that is not available as an individual part.

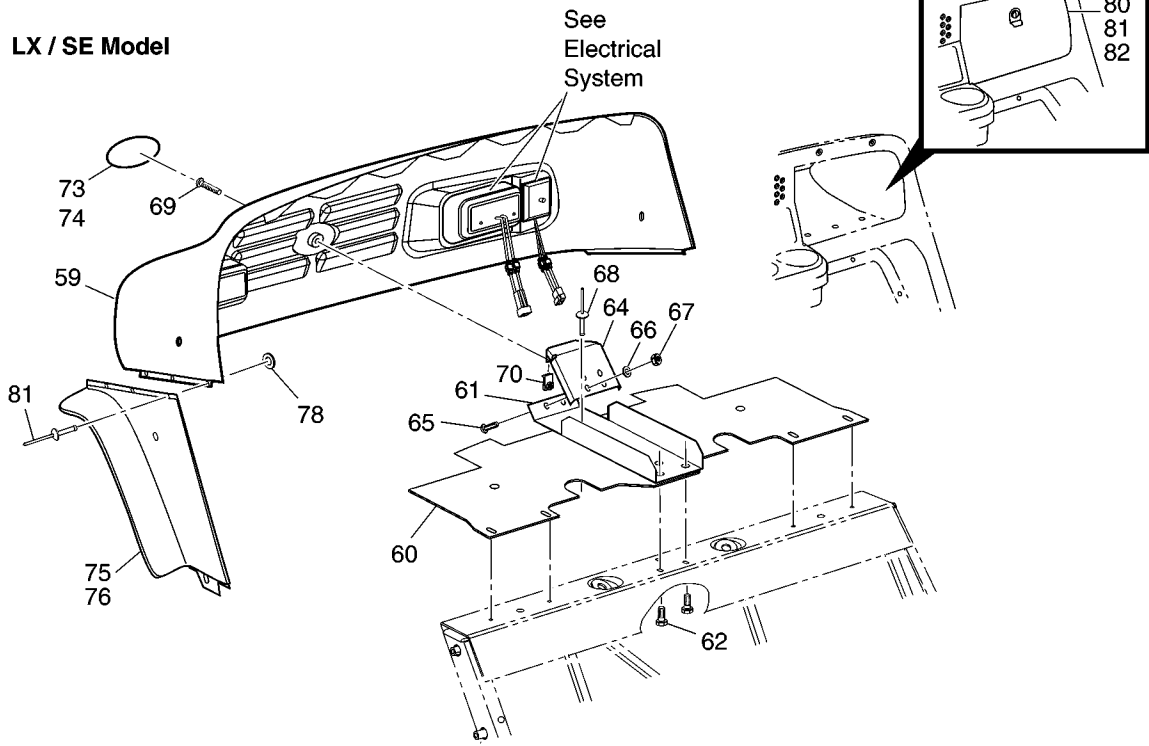
G\*\* Indicates consult Customer Service Department for additional information.

| ITEM | PART NO.  | 1 2 3 4 5 | DESCRIPTION                   | QTY. |
|------|-----------|-----------|-------------------------------|------|
| 90   |           |           |                               |      |
| 91   | 11027-G2  |           | LOCK NUT, 1/4 - 20 .....      | 4    |
| 92   |           |           |                               |      |
| 93   | 73173-G01 |           | COVER PLATE .....             | 1    |
| 94   | 14601-G10 |           | RIVET, 5/32" X 7/16" LG ..... | 4    |

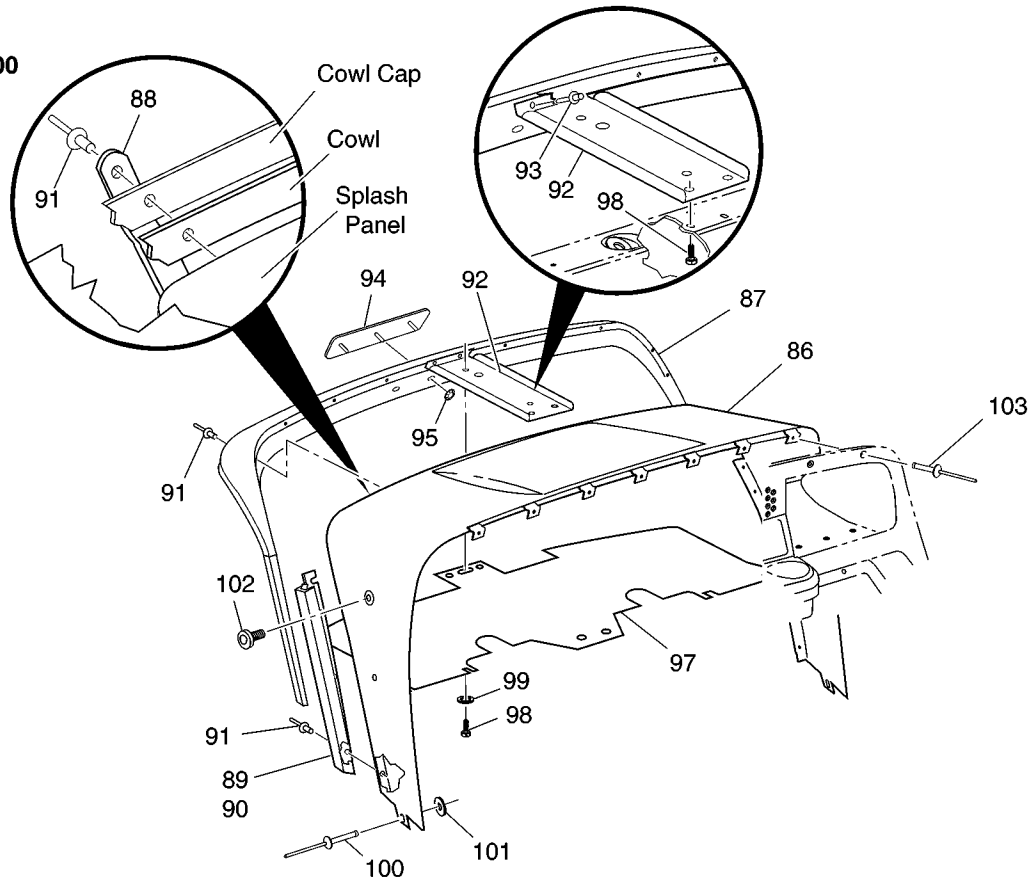


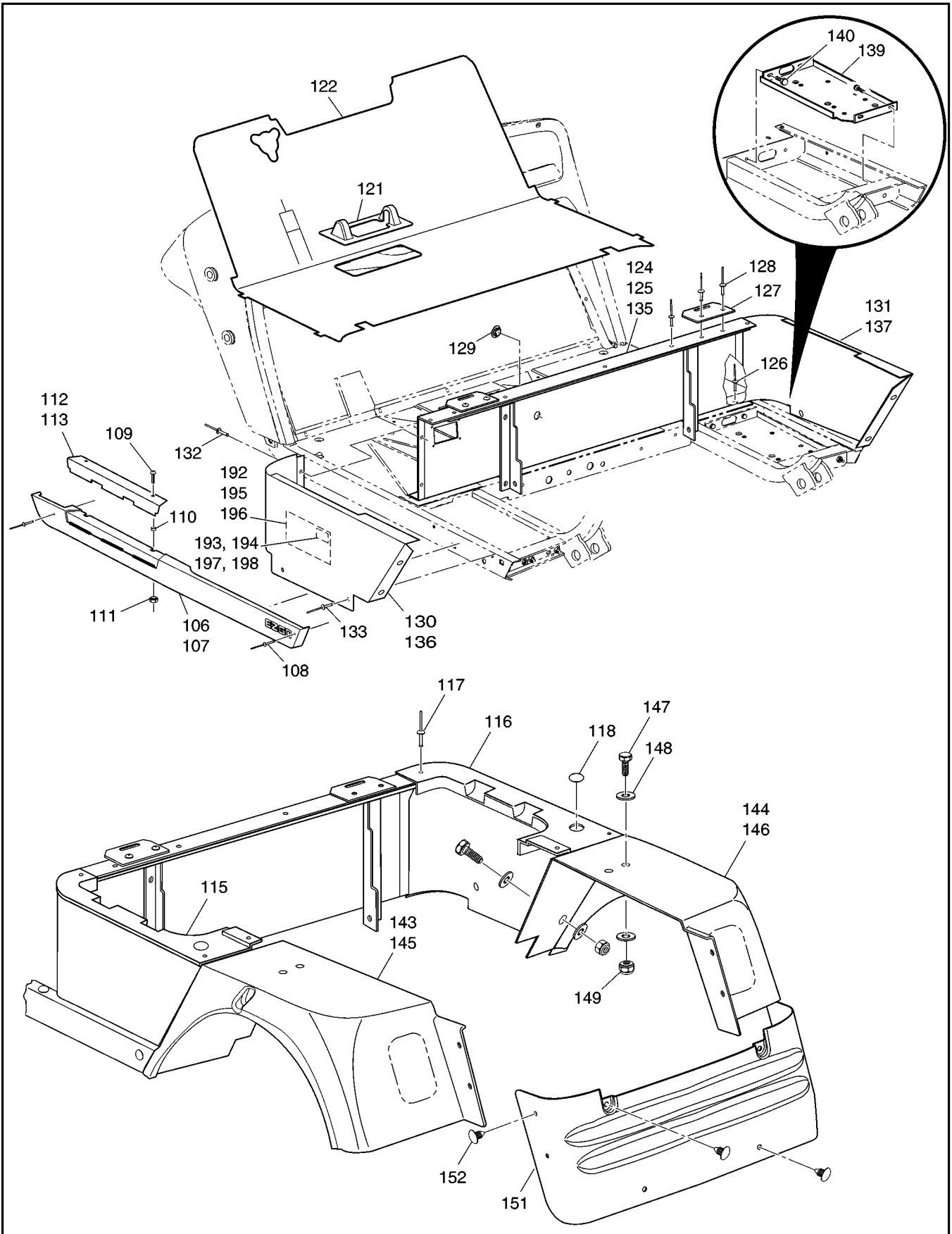


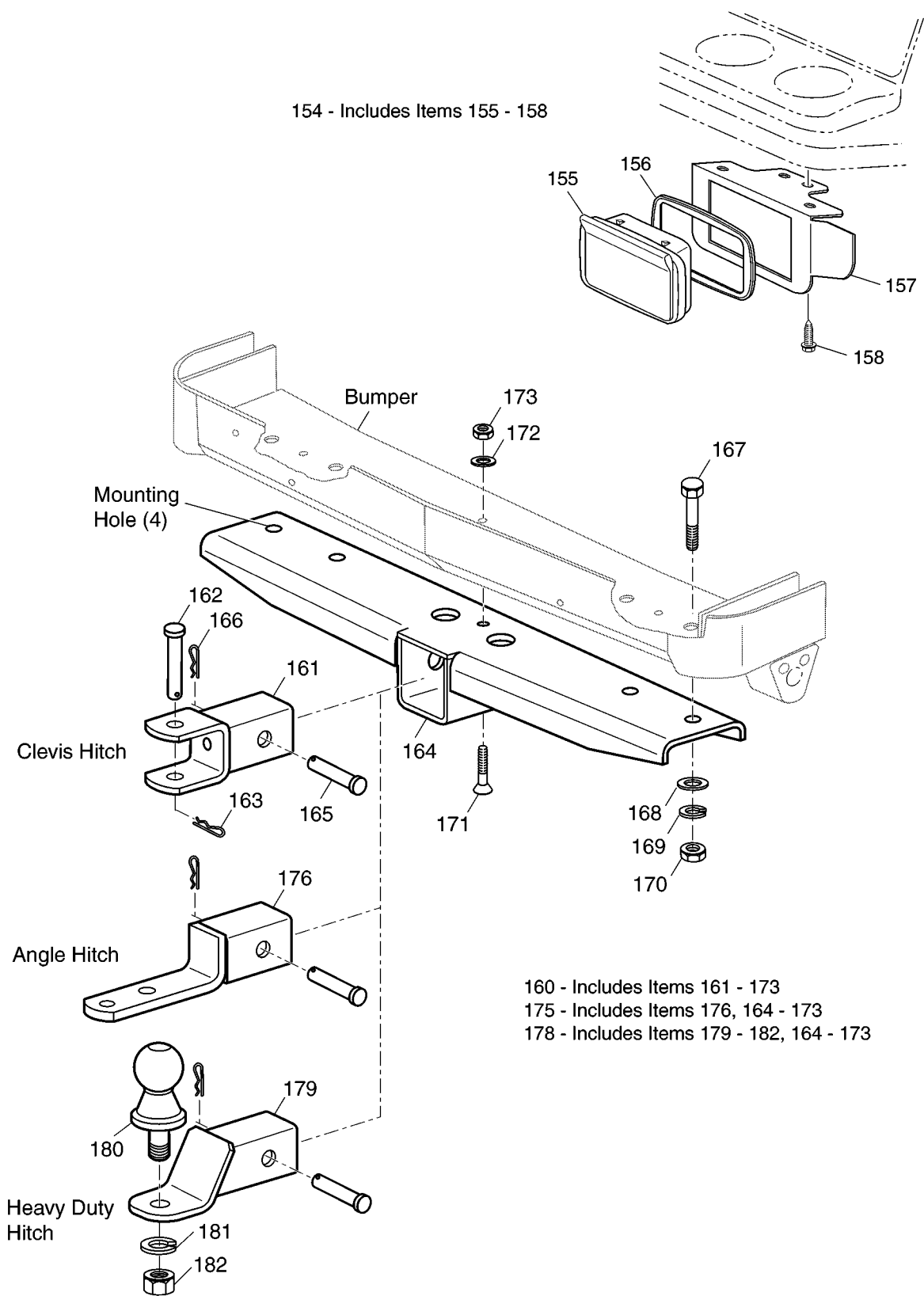
LX / SE Model

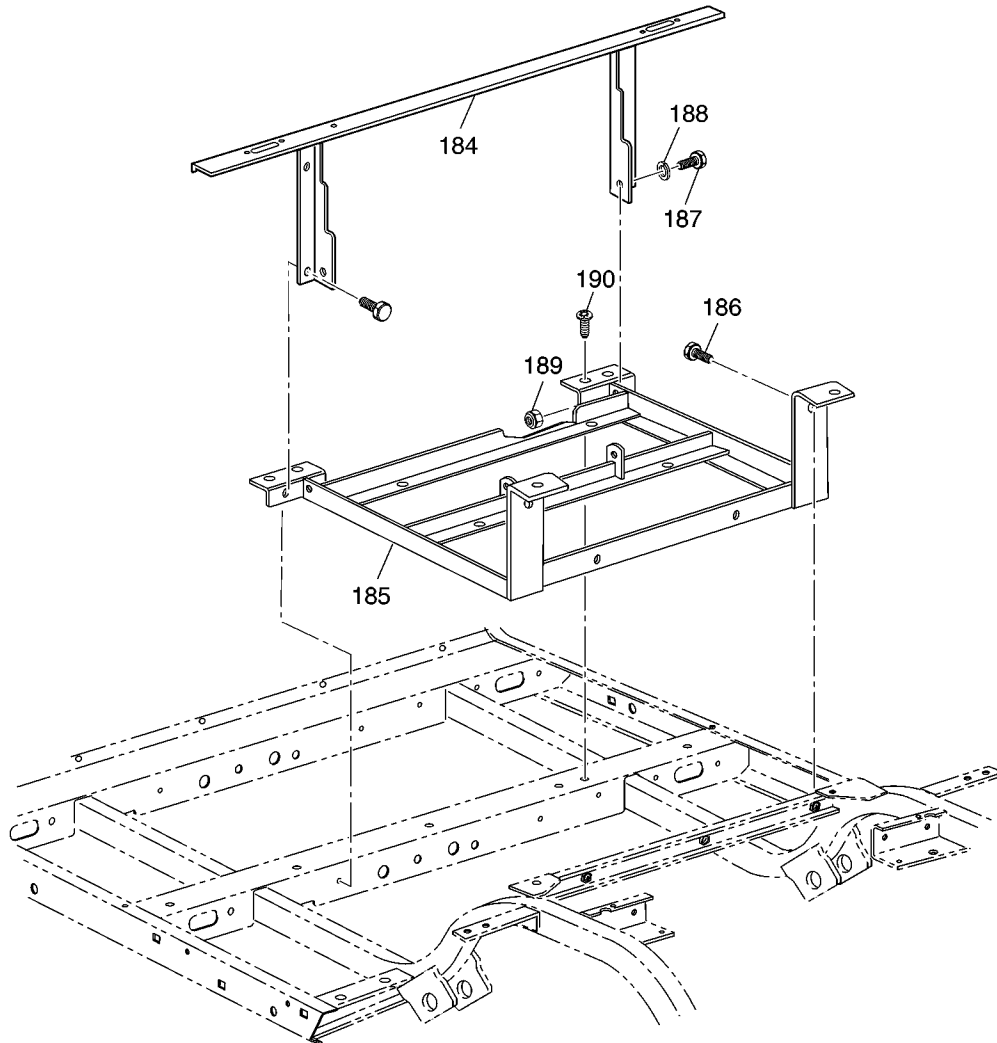


Industrial 800









When ordering parts, please specify the model and serial number of the product.

\* Indicates a component that is not available as an individual part.

G\*\* Indicates consult Customer Service Department for additional information.

| ITEM | PART NO.  | 1 2 3 4 5 | DESCRIPTION   | QTY. |
|------|-----------|-----------|---|------|
| 1    | 70662-G01 |           | UPPER FLOORPAN (LATE PRODUCTION) .....                  | 1    |
| 2    | 14601-G11 |           | RIVET, 3/16" X 9/16" LG .....                           | 9    |
| 3    | 71510-G01 |           | UPPER FLOORPAN (EARLY PRODUCTION) .....                 | 1    |
| 4    | 70451-G01 |           | LOWER FLOORPAN.....                                     | 1    |
| 5    | 14601-G11 |           | RIVET, 3/16" X 9/16" LG .....                           | 7    |
| 6    | 70452-G01 |           | ACCESS COVER.....                                       | 1    |
| 7    |           |           |   |      |
| 8    | 71151-G01 |           | INSTRUMENT PANEL ASSEMBLY (INCLUDES ITEMS 9 - 12) ..... | 1    |
| 9    | 71153-G01 |           | DEFLECTOR (PASSENGER SIDE).....                         | 1    |
| 10   | 71154-G01 |           | DEFLECTOR (DRIVER SIDE) .....                           | 1    |
| 11   | 00614-G5  |           | SCREW, #8 - 18 X 5/8" LG.....                           | 6    |
| 12   | 71158-G01 |           | INSTRUMENT PANEL INSERT (FOUR CUP) .....                | 1    |
| 13   | 71179-G03 |           | LABEL (SAFETY) (TEXT) .....                             | 1    |
| 14   | 74409-G01 |           | LABEL (SAFETY) (PICTOGRAPH).....                        | 1    |
| 15   |           |           |   |      |
| 16   | *         |           | SERIAL NUMBER PLATE.....                                | 1    |
| 17   | *         |           | CAPACITY PLATE .....                                    | 1    |
| 18   | 01041-G01 |           | RIVET, 5/32" X 7/8" LG .....                            | 4    |
| 19   |           |           |   |      |
| 20   | 71413-G01 |           | SPLASH PANEL.....                                       | 1    |
| 21   | 16816-G2  |           | RATCHET FASTENER, 1/4" X 3/4" LG.....                   | 1    |
| 22   | 16816-G2  |           | RATCHET FASTENER, 1/4" X 3/4" LG.....                   | 4    |
| 23   |           |           |   |      |
| 24   |           |           |   |      |
| 25   |           |           |   |      |
| 26   | 71115-G01 |           | VINYL TRIM .....  | 2    |
| 27   | 71055-G01 |           | RIVET, 3/16" X 1" LG .....                              | 10   |
| 28   |           |           |   |      |
| 29   |           |           |   |      |
| 30   |           |           |   |      |

When ordering parts, please specify the model and serial number of the product.

\* Indicates a component that is not available as an individual part.

G\*\* Indicates consult Customer Service Department for additional information.

| ITEM | PART NO.  | 1 2 3 4 5 | DESCRIPTION                           | QTY. |
|------|-----------|-----------|---------------------------------------|------|
| 31   | 71051-G** |           | COWL .....                            | 1    |
| 32   | 71037-G02 |           | NAMEPLATE (E-Z-GO).....               | 1    |
| 33   | 12064-G3  |           | PUSHNUT, 3/16" .....                  | 2    |
| 34   | 74403-G01 |           | NAMEPLATE (CUSHMAN) .....             | 1    |
| 35   | 71055-G01 |           | RIVET, 3/16" X 1" LG .....            | 9    |
| 36   | 71056-G01 |           | BOLT, 5/16 - 18 X 5/8" LG.....        | 4    |
| 37   | 00570-G2  |           | WASHER, 5/16" .....                   | 4    |
| 38   | 14601-G13 |           | RIVET, 5/32" X 9/16" LG .....         | 2    |
| 39   | 26947-G01 |           | NAMEPLATE (JACOBSEN).....             | 1    |
| 40   |           |           |                                       |      |
| 41   | 27166-G02 |           | FRONT SHIELD.....                     | 1    |
| 42   | 71015-G01 |           | FRONT SHIELD BRACE.....               | 2    |
| 43   | 01038-G01 |           | SCREW, 1/4 - 20 X 1/2" LG .....       | 4    |
| 44   | 16469-G7  |           | WASHER, 1/4" .....                    | 2    |
| 45   | 16816-G2  |           | RATCHET FASTENER, 1/4" X 3/4" LG..... | 2    |
| 46   |           |           |                                       |      |
| 47   |           |           |                                       |      |
| 48   | 74040-G01 |           | FRONT BUMPER.....                     | 1    |
| 49   | 74037-G01 |           | SPACER TUBE .....                     | 2    |
| 50   | 19859-G1  |           | END CAP, 3/4" .....                   | 2    |
| 51   | 75048-G01 |           | SPACER, 1/2" .....                    | 2    |
| 52   | 00570-G2  |           | WASHER, 5/16" .....                   | 6    |
| 53   | 00905-G8  |           | LOCK WASHER, 5/16".....               | 4    |
| 54   | 01035-G02 |           | BOLT, 5/16 - 18 X 2 1/2" LG.....      | 4    |
| 55   | 74265-G01 |           | BUMPER (LX / SE) .....                | 1    |
| 56   |           |           |                                       |      |
| 57   |           |           |                                       |      |
| 58   |           |           |                                       |      |
| 59   | 71219-G01 |           | COWL, LX / SE .....                   | 1    |
| 60   | 71413-G02 |           | SPLASH PANEL.....                     | 1    |

When ordering parts, please specify the model and serial number of the product.

\* Indicates a component that is not available as an individual part.

G\*\* Indicates consult Customer Service Department for additional information.

| ITEM | PART NO.  | 1 2 3 4 5 | DESCRIPTION  | QTY. |
|------|-----------|-----------|--|------|
| 61   | 71101-G01 |           | COWL SUPPORT BRACKET .....                               | 1    |
| 62   | 71102-G02 |           | SELF TAPPING SCREW, 1/4 - 20 X 1/2" LG .....             | 3    |
| 63   |           |           |  |      |
| 64   | 71462-G01 |           | COWL SUPPORT BRACE.....                                  | 1    |
| 65   | 00740-G4  |           | SCREW, #10 - 32 X 1/2" LG .....                          | 2    |
| 66   | 00559-G5  |           | WASHER, #10.....   | 2    |
| 67   | 00921-G8  |           | LOCK NUT, #10 - 32 .....                                 | 2    |
| 68   | 71055-G02 |           | RIVET, 3/16" X 1 1/8" LG .....                           | 1    |
| 69   | 16705-G9  |           | SCREW, 1/4 - 20 X 1 1/4" LG .....                        | 1    |
| 70   | 14776-G1  |           | RETAINER NUT ('J' TYPE), 1/4 - 20.....                   | 1    |
| 71   |           |           |  |      |
| 72   |           |           |  |      |
| 73   | 71289-G01 |           | NAMEPLATE (E-Z-GO) (OVAL) .....                          | 1    |
| 74   | 74401-G01 |           | NAMEPLATE (CUSHMAN) (OVAL) .....                         | 1    |
| 75   | 71214-G01 |           | FENDER FLARE (DRIVER SIDE).....                          | 1    |
| 76   | 71214-G02 |           | FENDER FLARE (PASSENGER SIDE) .....                      | 1    |
| 77   | 71045-G01 |           | RIVET, 5/32 X 3/4" LG.....                               | 6    |
| 78   | 00559-G4  |           | WASHER, #8.....  | 6    |
| 79   |           |           |  |      |
| 80   | 75459-G01 |           | GLOVE BOX DOORS (BOTH SIDES).....                        | 1    |
| 81   | 75459-G02 |           | GLOVE BOX DOOR (DRIVER SIDE) .....                       | 1    |
| 82   | 75459-G03 |           | GLOVE BOX DOOR (PASSENGER SIDE).....                     | 1    |
| 83   |           |           |  |      |
| 84   |           |           |  |      |
| 85   | 71025-G02 |           | COWL ASSEMBLY (INDUSTRIAL) (INCLUDES ITEMS 86 - 95)..... | 1    |
| 86   | 71071-G** |           | COWL (INDUSTRIAL).....                                   | 1    |
| 87   | 71030-G01 |           | COWL CAP .....   | 1    |
| 88   | 71076-G01 |           | TAB.....   | 2    |
| 89   | 71035-G01 |           | FENDER FLANGE (PASSENGER SIDE) .....                     | 1    |
| 90   | 71036-G01 |           | FENDER FLANGE (DRIVER SIDE).....                         | 1    |



When ordering parts, please specify the model and serial number of the product.  
 \* Indicates a component that is not available as an individual part.  
 G\*\* Indicates consult Customer Service Department for additional information.

| ITEM | PART NO.  | 1 2 3 4 5 | DESCRIPTION                             | QTY. |
|------|-----------|-----------|---|------|
| 91   | 14601-G10 |           | RIVET, 5/32" X 7/16" LG.....            | 16   |
| 92   | 71101-G01 |           | COWL SUPPORT BRACKET .....              | 1    |
| 93   | 10570-G10 |           | RIVET, 5/32" X 9/16" LG.....            | 2    |
| 94   | 71037-G02 |           | NAMEPLATE (E-Z-GO) (GOLD) .....         | 1    |
| 95   | 12064-G3  |           | PUSHNUT, 3/16" .....                    | 3    |
| 96   |           |           |   |      |
| 97   | 71117-G01 |           | FRONT COWL SPLASH PANEL .....           | 1    |
| 98   | 71102-G02 |           | BOLT, 1/4 - 20 X 1/2" LG.....           | 4    |
| 99   | 16469-G7  |           | WASHER, 1/4" .....                      | 1    |
| 100  | 10570-G11 |           | RIVET, 3/16" X 3/4" LG .....            | 2    |
| 101  | 15121-G3  |           | WASHER, 1 1/4" X 7/32".....             | 2    |
| 102  | 71056-G01 |           | BOLT, 5/16 - 18 X 5/8" LG.....          | 4    |
| 103  | 14601-G10 |           | RIVET, 5/32" X 7/16" LG .....           | 7    |
| 104  |           |           |   |      |
| 105  |           |           |   |      |
| 106  | 71502-G01 |           | ROCKER PANEL (DRIVER SIDE) .....        | 1    |
| 107  | 71501-G01 |           | ROCKER PANEL (PASSENGER SIDE) .....     | 1    |
| 108  | 15058-G6  |           | RIVET, 3/16" X 3/4" LG .....            | 4    |
| 109  | 16705-G1  |           | SCREW, 1/4 - 20 X 1" LG .....           | 4    |
| 110  | 23726-G4  |           | SPACER.....                             | 4    |
| 111  | 00891-G2  |           | LOCK NUT, 1/4 - 20 .....                | 4    |
| 112  | 71507-G02 |           | SILL PLATE (DRIVER SIDE) .....          | 1    |
| 113  | 71507-G01 |           | SILL PLATE (PASSENGER SIDE).....        | 1    |
| 114  |           |           |   |      |
| 115  | 71588-G01 |           | SEAT FILLER PANEL (DRIVER SIDE) .....   | 1    |
| 116  | 71588-G02 |           | SEAT FILLER PANEL (PASSENGER SIDE)..... | 1    |
| 117  | 14601-G10 |           | RIVET, 5/32" X 7/16" LG .....           | 6    |
| 118  | 20271-G3  |           | HOLE PLUG, 2" .....                     | 2    |
| 119  |           |           |   |      |
| 120  |           |           |   |      |

When ordering parts, please specify the model and serial number of the product.

\* Indicates a component that is not available as an individual part.

G\*\* Indicates consult Customer Service Department for additional information.

| ITEM | PART NO.  | 1 2 3 4 5 | DESCRIPTION                                   | QTY. |
|------|-----------|-----------|---|------|
| 121  | 70135-G01 |           | PEDAL PIVOT COVER.....                        | 1    |
| 122  | 70048-G** |           | FLOORMAT.....                                 | 1    |
| 123  |           |           |   |      |
| 124  | 71844-G** |           | SEAT WRAP PANEL WITH LOUVERS .....            | 1    |
| 125  |           |           |   |      |
| 126  | 10570-G10 |           | RIVET, 5/32" X 9/16" LG .....                 | 8    |
| 127  | 71609-G01 |           | SEAT HINGE PLATE.....                         | 2    |
| 128  | 10570-G11 |           | RIVET, 3/16" X 3/4" LG .....                  | 4    |
| 129  | 20271-G2  |           | HOLE PLUG, 1/2" .....                         | 1    |
| 130  | 71259-G01 |           | SIDE PANEL (DRIVER SIDE) .....                | 1    |
| 131  | 71259-G02 |           | SIDE PANEL (PASSENGER SIDE) .....             | 1    |
| 132  | 10570-G10 |           | RIVET, 5/32" X 9/16" LG .....                 | 4    |
| 133  | 10570-G12 |           | RIVET, 1/4" X 1/2" LG .....                   | 4    |
| 134  |           |           |   |      |
| 135  | 71379-G29 |           | SEAT WRAP (INDUSTRIAL).....                   | 1    |
| 136  | 71259-G13 |           | SIDE PANEL (INDUSTRIAL) (DRIVER SIDE) .....   | 1    |
| 137  | 71259-G14 |           | SIDE PANEL (INDUSTRIAL) (PASSENGER SIDE)..... | 1    |
| 138  |           |           |   |      |
| 139  | 70244-G02 |           | SPLASH PANEL.....                             | 2    |
| 140  | 00715-G2  |           | BOLT, 5/16 - 18 X 13/16" LG .....             | 8    |
| 141  |           |           |   |      |
| 142  |           |           |   |      |
| 143  | 71224-G01 |           | FENDER (DRIVER SIDE) .....                    | 1    |
| 144  | 71224-G02 |           | FENDER (PASSENGER SIDE).....                  | 1    |
| 145  | 71224-G03 |           | FENDER WITH TAILLIGHT (DRIVER SIDE) .....     | 1    |
| 146  | 71224-G04 |           | FENDER WITH TAILLIGHT (PASSENGER SIDE) .....  | 1    |
| 147  | 00414-G6  |           | BOLT, 1/4 - 20 X 3/4" LG .....                | 8    |
| 148  | 00642-G7  |           | WASHER, 1/4" .....                            | 16   |
| 149  | 00891-G2  |           | LOCK NUT, 1/4 - 20 .....                      | 8    |
| 150  |           |           |   |      |

When ordering parts, please specify the model and serial number of the product.  
 \* Indicates a component that is not available as an individual part.  
 G\*\* Indicates consult Customer Service Department for additional information.

| ITEM | PART NO.  | 1 2 3 4 5 | DESCRIPTION   | QTY. |
|------|-----------|-----------|---|------|
| 151  | 71225-G01 |           | REAR PANEL.....   | 1    |
| 152  | 16816-G2  |           | RATCHET FASTENER, 1/4" X 3/4" LG.....                               | 8    |
| 153  |           |           |   |      |
| 154  | 75109-G02 |           | ASH TRAY KIT (INCLUDES ITEMS 155 - 158) .....                       | 1    |
| 155  | 27731-G01 |           | ASH TRAY.....   | 1    |
| 156  | 27736-G01 |           | GASKET .....  | 1    |
| 157  | 75108-G01 |           | BRACKET.....  | 1    |
| 158  | 00100-G4  |           | SCREW, #10 - 16 X 1/2" LG.....                                      | 4    |
| 159  |           |           |   |      |
| 160  | 74270-G07 |           | CLEVIS HITCH KIT (INCLUDES ITEMS 161 - 173) .....                   | 1    |
| 161  | 74338-G01 |           | CLEVIS HITCH.....   | 1    |
| 162  | 14443-G7  |           | CLEVIS PIN, 1/2" X 2 1/2" LG.....                                   | 1    |
| 163  | 19314-G1  |           | COTTER PIN, 2 1/2" LG.....  | 1    |
| 164  | 74348-G01 |           | HITCH RECEIVER .....  | 1    |
| 165  | 21317-G01 |           | CLEVIS PIN, 5/8" X 3" LG .....                                      | 1    |
| 166  | 21683-G1  |           | COTTER PIN, 15/32" X 2 11/16" LG .....                              | 1    |
| 167  | 00463-G4  |           | BOLT, 7/16 - 14 X 1 1/2" LG .....                                   | 4    |
| 168  | 00922-G3  |           | WASHER, 7/16".....  | 4    |
| 169  | 00566-G2  |           | LOCK WASHER, 7/16".....   | 4    |
| 170  | 00734-G1  |           | LOCK NUT, 7/16 - 14.....  | 4    |
| 171  | 00198-G8  |           | SCREW, 5/16 - 18 X 1" LG.....                                       | 1    |
| 172  | 00569-G2  |           | WASHER, 5/16".....  | 1    |
| 173  | 11098-G6  |           | LOCK NUT, 5/16 - 18.....  | 1    |
| 174  |           |           |   |      |
| 175  | 74270-G05 |           | ANGLE HITCH KIT (INCLUDES ITEMS 176 AND 164 - 173) .....            | 1    |
| 176  | 74339-G01 |           | ANGLE HITCH .....   | 1    |
| 177  |           |           |   |      |
| 178  | 74270-G03 |           | HEAVY DUTY HITCH KIT (INCLUDES ITEMS 179 - 182 AND 164 - 173) ..... | 1    |
| 179  | 74351-G01 |           | HEAVY DUTY HITCH.....   | 1    |
| 180  | 31757-G1  |           | BALL, 1 7/8" .....  | 1    |

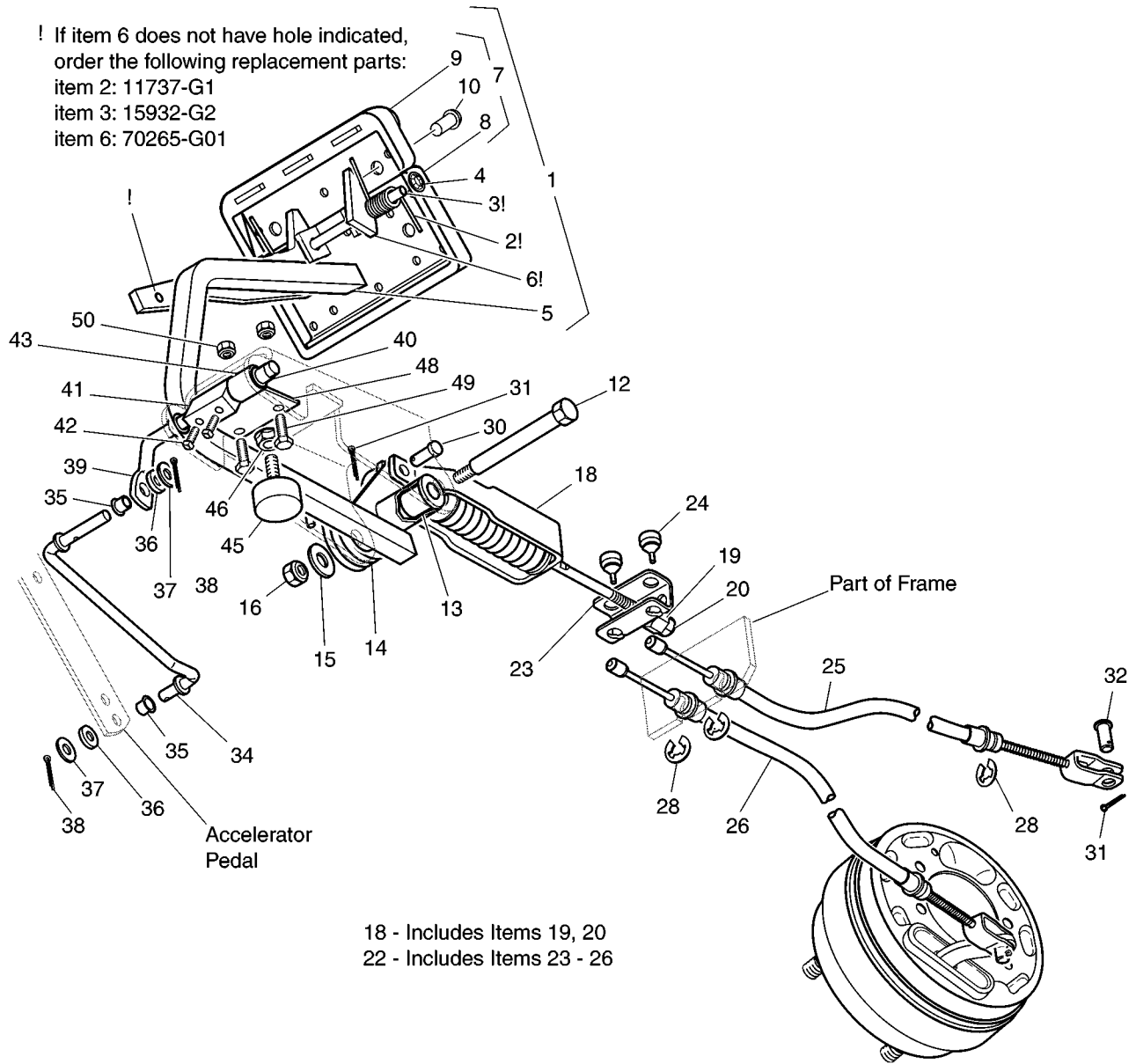
When ordering parts, please specify the model and serial number of the product.

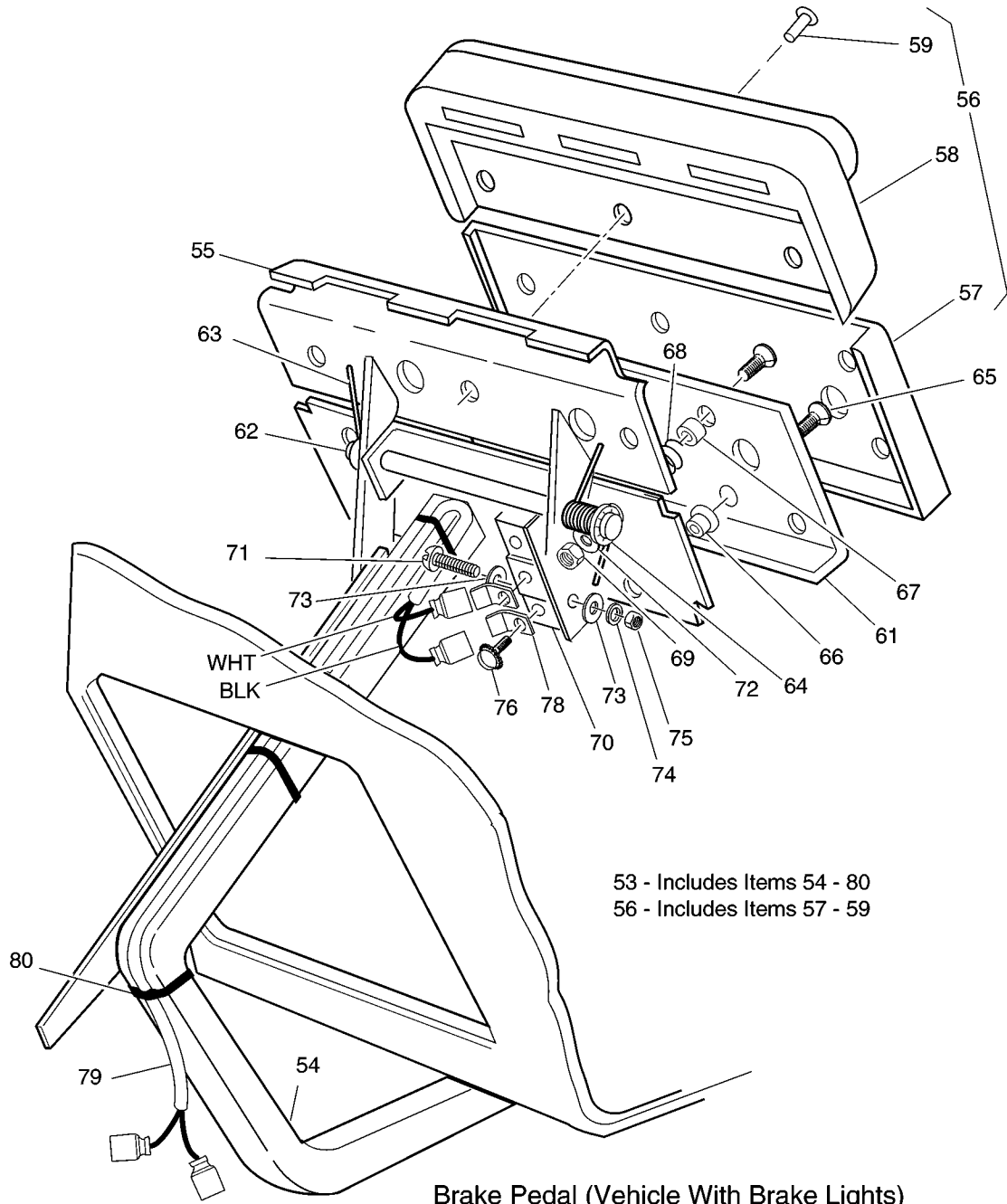
\* Indicates a component that is not available as an individual part.

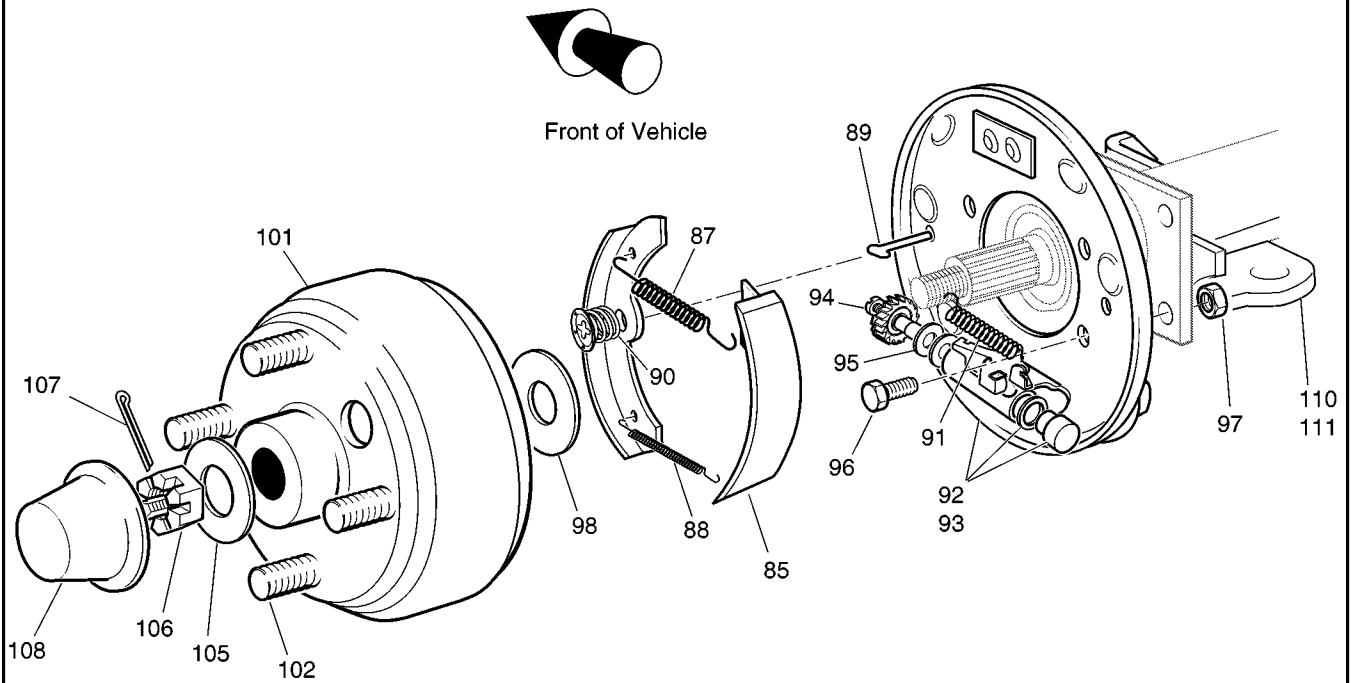
G\*\* Indicates consult Customer Service Department for additional information.

| ITEM | PART NO.  | 1 2 3 4 5 | DESCRIPTION                      | QTY. |
|------|-----------|-----------|----------------------------------|------|
| 181  | 00566-G6  |           | LOCK WASHER, 3/4".....           | 1    |
| 182  | 00702-G11 |           | NUT, 3/4 - 16 .....              | 1    |
| 183  |           |           |                                  |      |
| 184  | 70441-G01 |           | SEAT FRAME.....                  | 1    |
| 185  | 70046-G01 |           | BATTERY RACK.....                | 1    |
| 186  | 00715-G2  |           | BOLT, 5/16 - 18 X 13/16" LG..... | 4    |
| 187  | 00438-G6  |           | BOLT, 5/16 - 18 X 3/4" LG.....   | 2    |
| 188  | 00559-G8  |           | WASHER, 5/16" .....              | 2    |
| 189  | 11098-G6  |           | LOCK NUT, 5/16 - 18 .....        | 2    |
| 190  | 70200-G01 |           | SCREW, 3/8 - 16 X 1/4" LG .....  | 2    |
| 191  |           |           |                                  |      |
| 192  | 35062-G01 |           | DECAL (WORKHORSE®).....          | 2    |
| 193  | 35430-G07 |           | DECAL (800).....                 | 2    |
| 194  | 35430-G06 |           | DECAL (800LX) .....              | 2    |
| 195  | 35432-G01 |           | DECAL (INDUSTRIAL).....          | 2    |
| 196  | 74407-G01 |           | DECAL (COMMANDER™) .....         | 2    |
| 197  | 74416-G06 |           | DECAL (280).....                 | 2    |
| 198  | 74416-G05 |           | DECAL (280 SE) .....             | 2    |

! If item 6 does not have hole indicated,  
order the following replacement parts:  
item 2: 11737-G1  
item 3: 15932-G2  
item 6: 70265-G01







- 82 - Includes Items 84 - 92
- 83 - Includes Items 84-91, 93
- 84 - Includes Items 85
- 86 - Includes Items 87 - 91
- 92 - Includes Items 94, 95
- 93 - Includes Items 94, 95
- 100 - Includes Items 101, 102

When ordering parts, please specify the model and serial number of the product.

\* Indicates a component that is not available as an individual part.

G\*\* Indicates consult Customer Service Department for additional information.

| ITEM | PART NO.  | 1 2 3 4 5 | DESCRIPTION  | QTY. |
|------|-----------|-----------|--|------|
| 1    | 70612-G01 |           | BRAKE PEDAL ASSEMBLY (WITHOUT BRAKE LIGHTS)<br>(INCLUDES ITEMS 2 - 10) ..... | 1    |
| 2    | 70681-G01 |           | TORSION SPRING .....   | 2    |
| 3    | 70682-G01 |           | PIVOT PIN.....   | 1    |
| 4    | 12064-G1  |           | PUSHNUT, 5/16" .....   | 1    |
| 5    | *         |           | BRAKE PEDAL.....   | 1    |
| 6    | 70611-G01 |           | PARK BRAKE PEDAL.....  | 1    |
| 7    | 70274-G01 |           | BRAKE/PARK BRAKE PEDAL PAD KIT<br>(INCLUDES ITEMS 8 - 10).....               | 1    |
| 8    | *         |           | SERVICE BRAKE PAD .....  | 1    |
| 9    | *         |           | PARK BRAKE PEDAL PAD.....  | 1    |
| 10   | 15766-G1  |           | OVAL RIVET, 3/16" X 3/8" LG .....  | 9    |
| 11   |           |           |  |      |
| 12   | 70582-G01 |           | SHOULDER BOLT, 3/8 - 16 X 4" LG.....   | 1    |
| 13   | 70581-G01 |           | FLANGED BUSHING .....  | 2    |
| 14   | 70676-G01 |           | TORSION SPRING .....   | 1    |
| 15   | 00643-G1  |           | WASHER, 3/8" .....   | 1    |
| 16   | 11098-G5  |           | LOCK NUT, 3/8 - 16 .....   | 1    |
| 17   |           |           |  |      |
| 18   | 70272-G04 |           | COMPENSATOR ASSEMBLY (INCLUDES ITEMS 19, 20).....                            | 1    |
| 19   | 00963-G01 |           | SPHERICAL NUT, 5/16 - 24.....  | 1    |
| 20   | 11098-G9  |           | LOCK NUT, 5/16 - 24.....   | 1    |
| 21   |           |           |  |      |
| 22   | 70716-G03 |           | EQUALIZER AND BRAKE CABLE ASSEMBLY (INCLUDES ITEMS 23-26) .....              | 1    |
| 23   | 28082-G01 |           | EQUALIZER BRACKET .....  | 1    |
| 24   | 28083-G01 |           | BRAKE COMPENSATOR BUMPER .....   | 2    |
| 25   | *         |           | BRAKE CABLE (DRIVER SIDE) .....  | 1    |
| 26   | *         |           | BRAKE CABLE (PASSENGER SIDE).....  | 1    |
| 27   |           |           |  |      |
| 28   | 12305-G1  |           | RETAINING RING.....  | 4    |
| 29   |           |           |  |      |



When ordering parts, please specify the model and serial number of the product.  
 \* Indicates a component that is not available as an individual part.  
 G\*\* Indicates consult Customer Service Department for additional information.

| ITEM | PART NO.  | 1 2 3 4 5 | DESCRIPTION  | QTY. |
|------|-----------|-----------|--|------|
| 30   | 10386-G3  |           | CLEVIS PIN, 5/16" X 1" LG.....   | 3    |
| 31   | 10387-G3  |           | COTTER PIN, 3/32" X 3/4" LG.....   | 3    |
| 32   | 14443-G2  |           | CLEVIS PIN, 5/16" X 3/4" LG.....   | 2    |
| 33   |           |           |  |      |
| 34   | 70601-G01 |           | KICK-OFF LINK .....  | 1    |
| 35   | 17838-G1  |           | NYLON BUSHING.....   | 2    |
| 36   | 20835-G1  |           | TEFLON WASHER, 3/8" .....  | 2    |
| 37   | 00559-G8  |           | WASHER, 5/16" .....  | 2    |
| 38   | 10387-G3  |           | COTTER PIN, 3/32" X 3/4" LG.....   | 2    |
| 39   | 70098-G01 |           | KICK-OFF CAM PIVOT.....  | 1    |
| 40   | 10097-G6  |           | FLANGED BEARING .....  | 2    |
| 41   | 70587-G01 |           | KICK-OFF CAM.....  | 1    |
| 42   | 71215-G01 |           | SETSCREW, 1/4 - 20 X 1/2" LG .....   | 2    |
| 43   | 14134-G4  |           | SPACER.....  | 1    |
| 44   |           |           |  |      |
| 45   | 70113-G01 |           | ADJUSTABLE BUMPER.....   | 1    |
| 46   | 11027-G1  |           | LOCK NUT, 5/16 - 18 .....  | 1    |
| 47   |           |           |  |      |
| 48   | 70080-G01 |           | CATCH BRACKET .....  | 1    |
| 49   | 00414-G6  |           | BOLT, 1/4 - 20 X 3/4" LG.....  | 2    |
| 50   | 00891-G2  |           | LOCK NUT, 1/4 - 20 .....   | 2    |
| 51   |           |           |  |      |
| 52   |           |           |  |      |
| 53   | 70690-G01 |           | BRAKE PEDAL ASSEMBLY (WITH BRAKE LIGHTS)<br>(INCLUDES ITEMS 54 - 80) ..... | 1    |
| 54   | *         |           | BRAKE PEDAL.....   | 1    |
| 55   | 70611-G01 |           | PARK BRAKE PEDAL .....   | 1    |
| 56   | 70274-G01 |           | BRAKE/PARK BRAKE PEDAL PAD KIT (INCLUDES ITEMS 57 - 59) .....              | 1    |
| 57   | *         |           | SERVICE BRAKE PAD .....  | 1    |
| 58   | *         |           | PARK BRAKE PAD .....   | 1    |

When ordering parts, please specify the model and serial number of the product.

\* Indicates a component that is not available as an individual part.

G\*\* Indicates consult Customer Service Department for additional information.

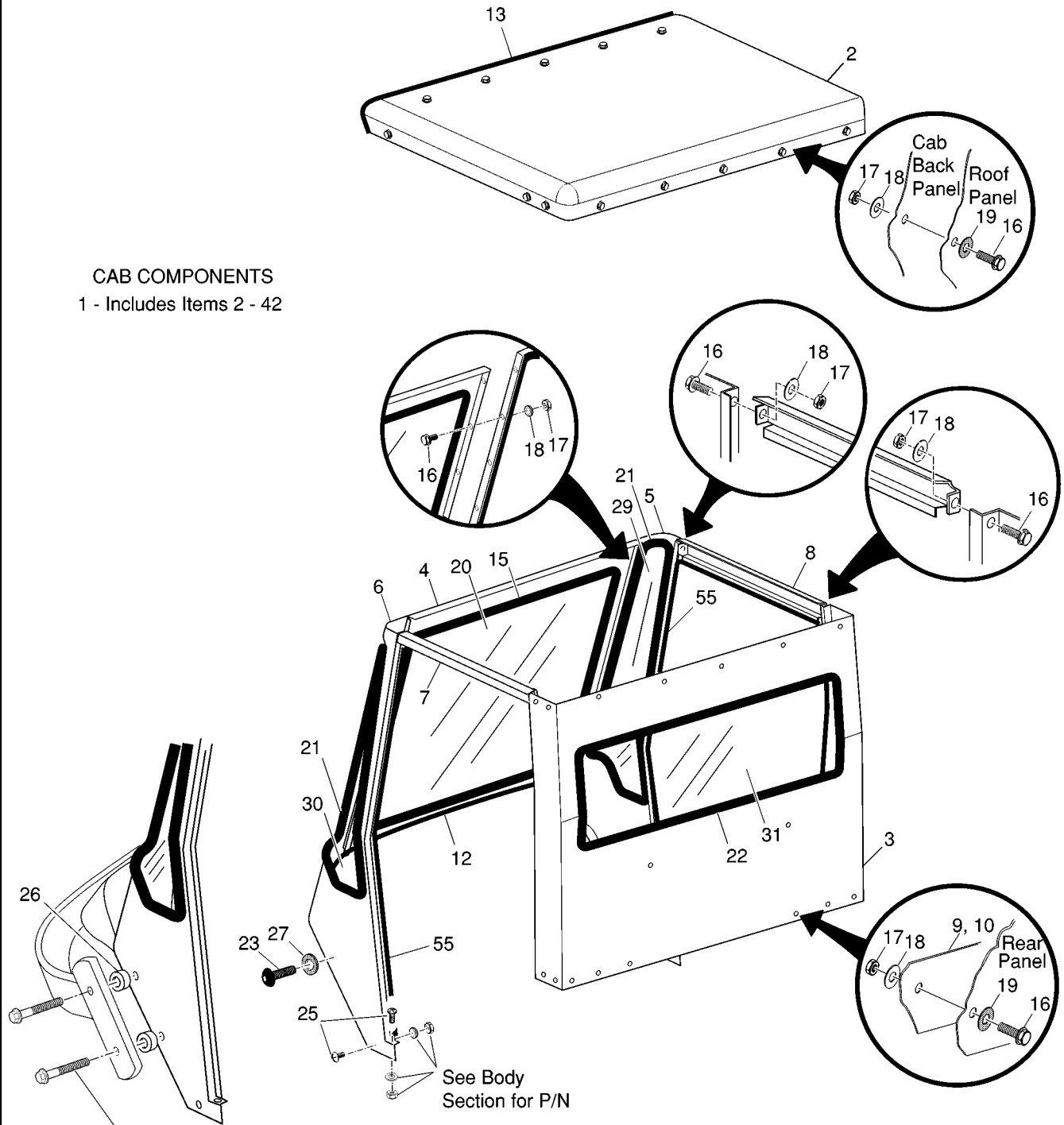
| ITEM | PART NO.  | 1 | 2 | 3 | 4 | 5 | DESCRIPTION  | QTY. |
|------|-----------|---|---|---|---|---|--|------|
| 59   | 15766-G1  |   |   |   |   |   | OVAL RIVET, 3/16" x 3/8" LG.....                               | 9    |
| 60   |           |   |   |   |   |   |  |      |
| 61   | 70258-G02 |   |   |   |   |   | SERVICE BRAKE PEDAL PLATE.....                                 | 1    |
| 62   | 70682-G01 |   |   |   |   |   | PIVOT PIN.....   | 1    |
| 63   | 70681-G01 |   |   |   |   |   | TORSION SPRING .....   | 2    |
| 64   | 12064-G1  |   |   |   |   |   | PUSHNUT, 5/16" .....   | 1    |
| 65   | 00737-G8  |   |   |   |   |   | SCREW, #10 - 24 X 1" LG.....                                   | 4    |
| 66   | 00739-G1  |   |   |   |   |   | RUBBER NUT, #10 - 24 .....                                     | 2    |
| 67   | 22362-G3  |   |   |   |   |   | BRAKE PEDAL STANDOFF .....                                     | 2    |
| 68   | 27137-G01 |   |   |   |   |   | CONICAL SPRING.....  | 2    |
| 69   | 11098-G7  |   |   |   |   |   | LOCK NUT, #10 - 24.....  | 2    |
| 70   | 10606-G8  |   |   |   |   |   | MICRO SWITCH .....   | 1    |
| 71   | 00957-G1  |   |   |   |   |   | SCREW, #6 - 32 X 1 1/4" LG.....                                | 2    |
| 72   | 00559-G5  |   |   |   |   |   | WASHER, #10.....   | 2    |
| 73   | 00559-G3  |   |   |   |   |   | WASHER, #6.....  | 4    |
| 74   | 00565-G3  |   |   |   |   |   | LOCK WASHER, #6.....   | 2    |
| 75   | 00525-G5  |   |   |   |   |   | NUT, #6 - 32 .....   | 2    |
| 76   | 13514-G1  |   |   |   |   |   | SCREW AND LOCK WASHER, #6 .....                                | 2    |
| 77   |           |   |   |   |   |   |  |      |
| 78   | 14628-G1  |   |   |   |   |   | FASTON TAB .....   | 2    |
| 79   | 24605-G1  |   |   |   |   |   | WIRE HARNESS (BRAKE LIGHT).....                                | 1    |
| 80   | 17618-G1  |   |   |   |   |   | WIRE TIE.....  | 3    |
| 81   |           |   |   |   |   |   |  |      |
| 82   | 70793-G01 |   |   |   |   |   | BRAKE ASSEMBLY (DRIVER SIDE) (INCLUDES ITEMS 84 - 95).....     | 1    |
| 83   | 70793-G02 |   |   |   |   |   | BRAKE ASSEMBLY (PASSENGER SIDE) (INCLUDES ITEMS 84 - 95) ..... | 1    |
| 84   | 70794-G01 |   |   |   |   |   | BRAKE SHOE KIT (INCLUDES ITEM 85) .....                        | 2    |
| 85   | *         |   |   |   |   |   | BRAKE SHOE.....  | 2    |
| 86   | 27944-G01 |   |   |   |   |   | BRAKE SPRING KIT (INCLUDES ITEMS 87 - 91) .....                | 2    |
| 87   | *         |   |   |   |   |   | UPPER SPRING .....   | 1    |
| 88   | *         |   |   |   |   |   | LOWER SPRING .....   | 1    |

When ordering parts, please specify the model and serial number of the product.  
 \* Indicates a component that is not available as an individual part.  
 G\*\* Indicates consult Customer Service Department for additional information.

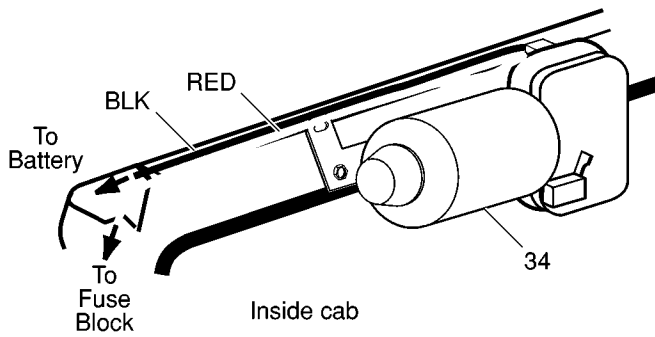
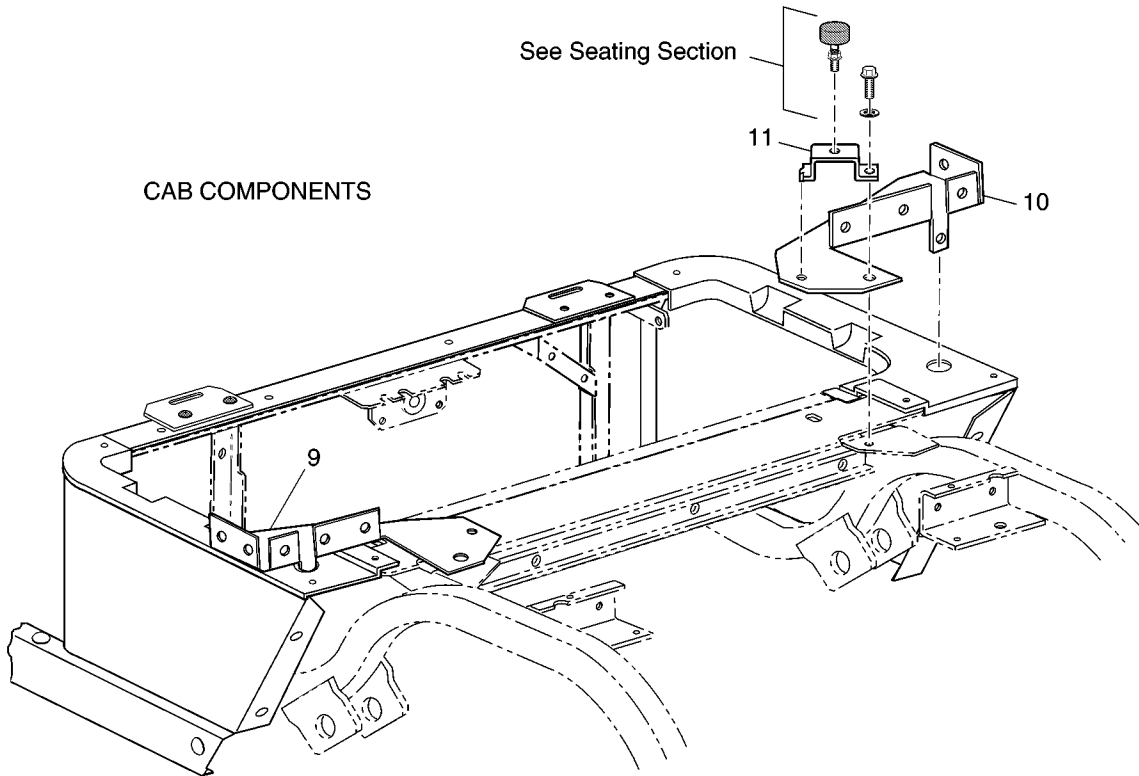
| ITEM | PART NO.  | 1 | 2 | 3 | 4 | 5 | DESCRIPTION  | QTY. |
|------|-----------|---|---|---|---|---|--|------|
| 89   | *         |   |   |   |   |   | PIN .....  | 2    |
| 90   | *         |   |   |   |   |   | CUP AND SPRING .....   | 2    |
| 91   | *         |   |   |   |   |   | ADJUSTER SPRING.....   | 1    |
| 92   | 72582-G01 |   |   |   |   |   | BRAKE ADJUSTER KIT (DRIVER SIDE) (INCLUDES ITEMS 94, 95).....  | 1    |
| 93   | 72582-G02 |   |   |   |   |   | BRAKE ADJUSTER KIT (PASSENGER SIDE) (INCL. ITEMS 94, 95) ..... | 1    |
| 94   | *         |   |   |   |   |   | ADJUSTER .....   | 1    |
| 95   | *         |   |   |   |   |   | TEFLON WASHER .....  | 2    |
| 96   | 17083-G2  |   |   |   |   |   | BOLT, 5/16 - 24 X 1" LG.....                                   | 8    |
| 97   | 15126-G1  |   |   |   |   |   | LOCK NUT, 5/16 - 24 .....                                      | 8    |
| 98   | 15485-G1  |   |   |   |   |   | INNER BRAKE DRUM WASHER .....                                  | 2    |
| 99   |           |   |   |   |   |   |  |      |
| 100  | 19186-G1  |   |   |   |   |   | BRAKE DRUM ASSEMBLY (INCLUDES ITEMS 101 - 102) .....           | 2    |
| 101  | *         |   |   |   |   |   | BRAKE DRUM.....  | 1    |
| 102  | 19862-G1  |   |   |   |   |   | LUG BOLT, 1/2 - 20 .....                                       | 4    |
| 103  |           |   |   |   |   |   |  |      |
| 104  |           |   |   |   |   |   |  |      |
| 105  | 15487-G1  |   |   |   |   |   | WASHER, 1 3/8" O.D. X 21/32" .....                             | 2    |
| 106  | 15483-G1  |   |   |   |   |   | SLOTTED NUT, 5/8 - 18.....                                     | 2    |
| 107  | 10387-G1  |   |   |   |   |   | COTTER PIN, 1/8" X 1 1/2" LG.....                              | 2    |
| 108  | 74175-G01 |   |   |   |   |   | SPINDLE CAP .....  | 2    |
| 109  |           |   |   |   |   |   |  |      |
| 110  | 72036-G01 |   |   |   |   |   | BRAKE CABLE BRACKET (PASSENGER SIDE) .....                     | 1    |
| 111  | 72036-G02 |   |   |   |   |   | BRAKE CABLE BRACKET (DRIVER SIDE).....                         | 1    |



CAB COMPONENTS  
1 - Includes Items 2 - 42



CAB COMPONENTS



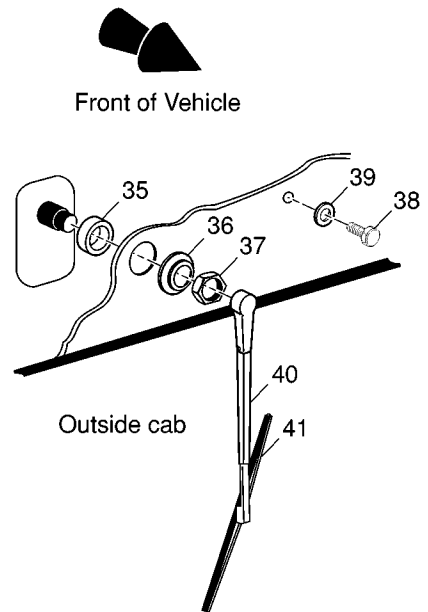
Front of Vehicle

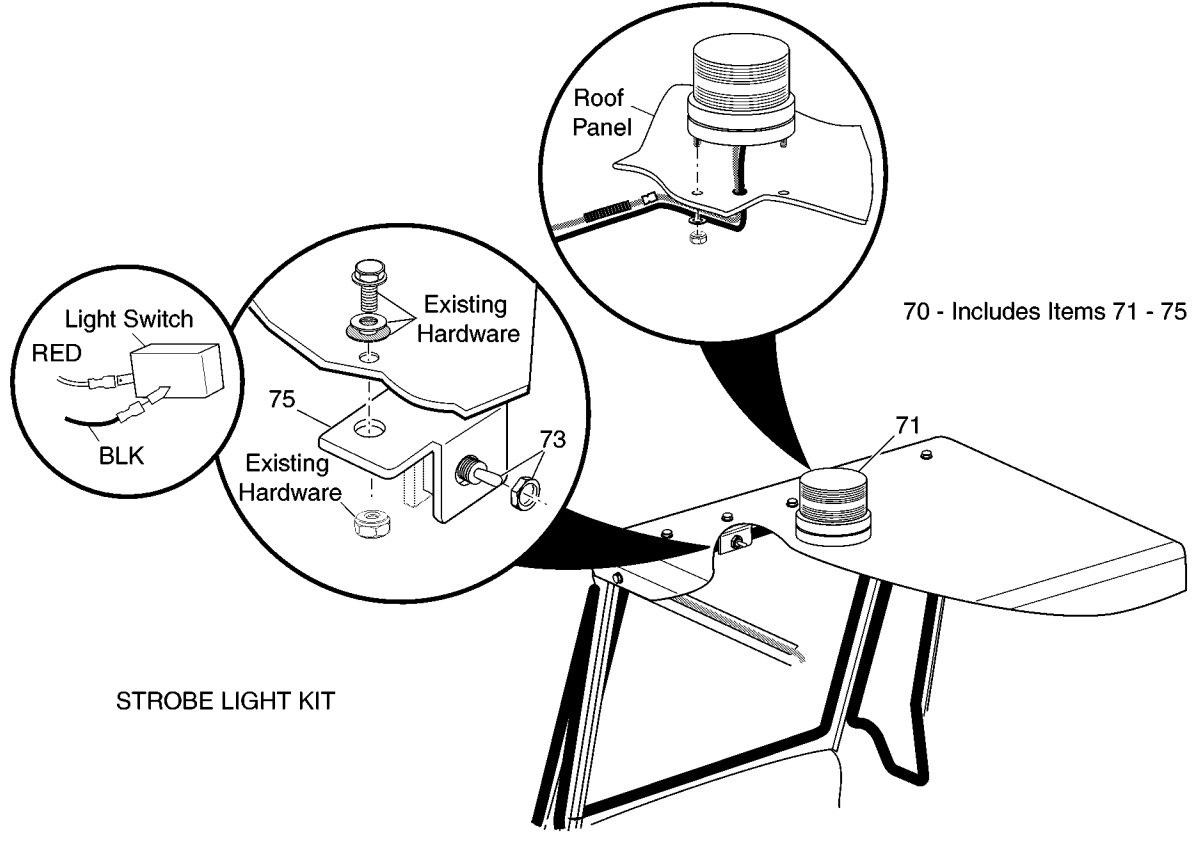
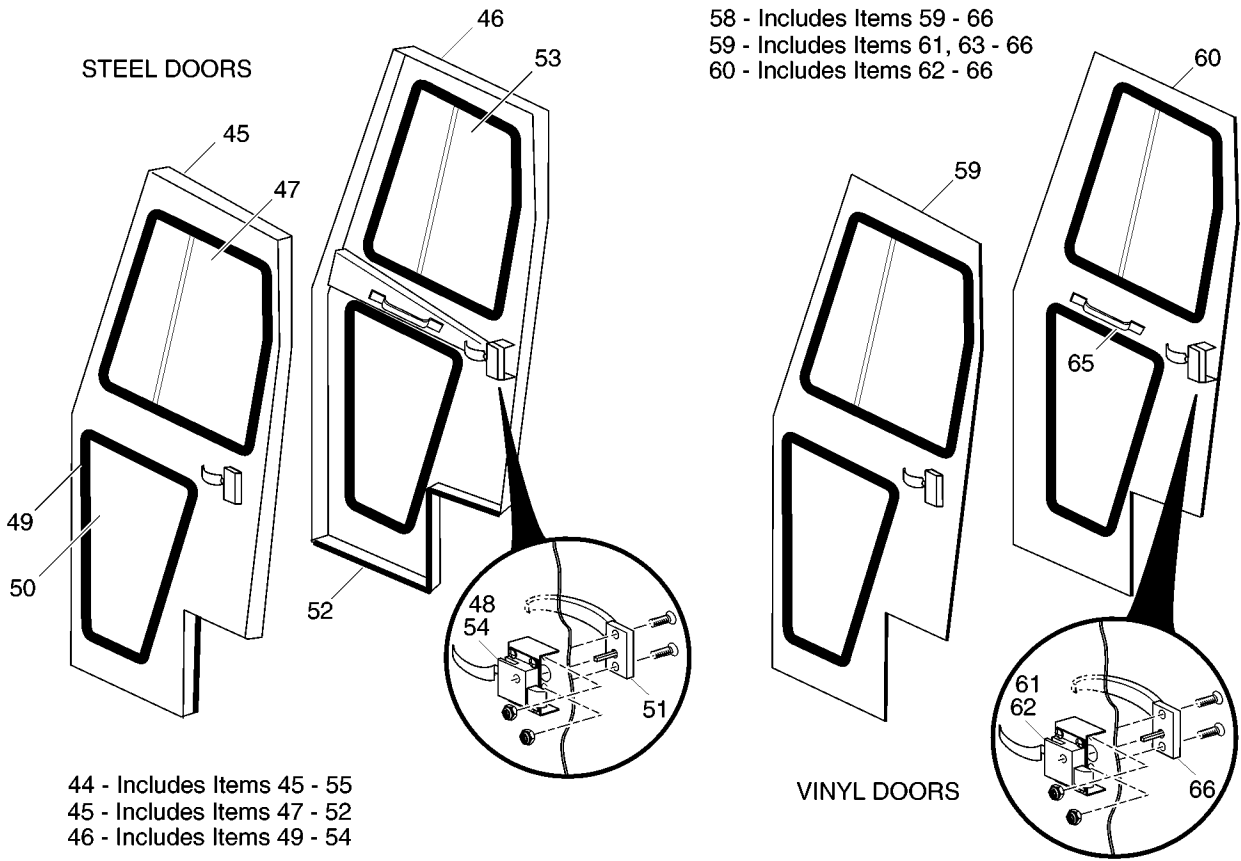


WINDSHIELD WIPER COMPONENTS

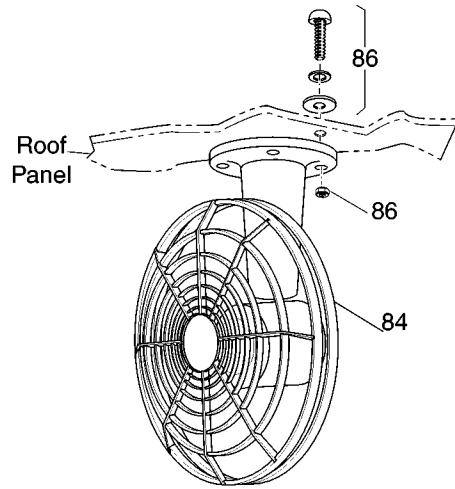
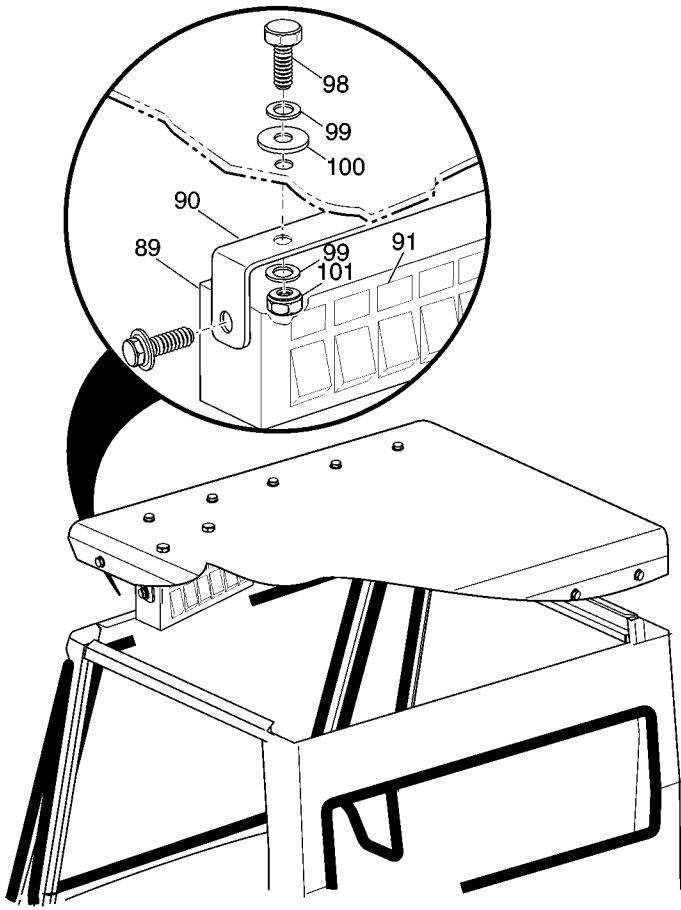
33 - Includes Items 34 - 42

34 - Includes Items 35 - 39

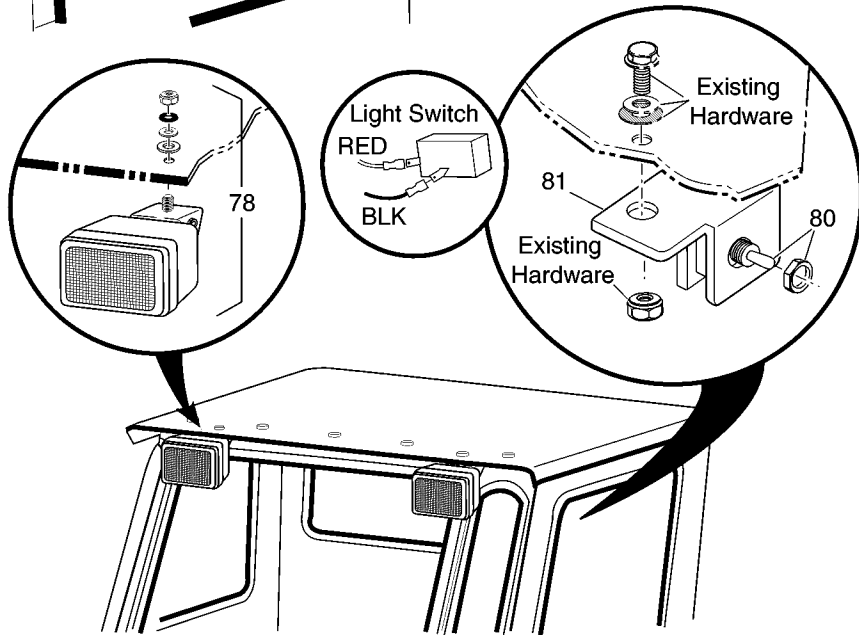




SWITCH PANEL KIT  
88 - Includes Items 89 - 103



DEFROSTER / COOLING FAN KIT  
83 - Includes Items 84 - 86



WORKLIGHT KIT  
77 - Includes Items 78 - 81



Replacement parts may be obtained from Curtis Tractor Cab Inc., 111 Higgins Street, Worcester, MA 01606. Telephone (508) 853-2200, or FAX (508) 854-3377.

\* Indicates a component that is not available as an individual part.

| ITEM | PART NO.   | 1 2 3 4 5 | DESCRIPTION  | QTY. |
|------|------------|-----------|--|------|
| 1    | 74300-G0*  |           | STEEL CAB KIT (WITHOUT DOORS) (INCLUDES ITEMS 2 - 42)..... | 1    |
| 2    | 74300-G0*A |           | ROOF PANEL .....   | 1    |
| 3    | 74300-G0*B |           | REAR PANEL .....   | 1    |
| 4    | 74300-G0*C |           | WINDSHIELD PANEL.....                                      | 1    |
| 5    | 74300-G0*D |           | FRONT CORNER PANEL (PASSENGER SIDE).....                   | 1    |
| 6    | 74300-G0*E |           | FRONT CORNER PANEL (DRIVER SIDE) .....                     | 1    |
| 7    | 74300-G0*F |           | RECEIVER (DRIVER SIDE) .....                               | 1    |
| 8    | 74300-G0*G |           | RECEIVER (PASSENGER SIDE).....                             | 1    |
| 9    | 74300-G0*H |           | LOWER MOUNTING BRACKET (DRIVER SIDE).....                  | 1    |
| 10   | 74300-G0*I |           | LOWER MOUNTING BRACKET (PASSENGER SIDE) .....              | 1    |
| 11   | 6E05G      |           | BUMPER BRACKET.....  | 2    |
| 12   | 1P004A     |           | FRONT PANEL COWL SEAL GASKET (85" LG) .....                | 1    |
| 13   | 1P004D     |           | ROOF TRIM (50") .....                                      | 1    |
| 14   |            |           |  |      |
| 15   | 6E03       |           | FRONT WINDSHIELD MOUNTING GASKET.....                      | 1    |
| 16   | 6E03A      |           | BOLT, 3/8 - 16 X 7/8" LG.....                              | 44   |
| 17   | 6E03B      |           | LOCK NUT, 3/8 - 16.....                                    | 44   |
| 18   | 6E03C      |           | WASHER, 3/8" .....   | 44   |
| 19   | 6E03D      |           | NYLON WASHER, 3/8".....                                    | 26   |
| 20   | 6E03E      |           | FRONT WINDSHIELD GLASS .....                               | 1    |
| 21   | 6E03H      |           | FRONT CORNER PANEL MOUNTING GASKET .....                   | 2    |
| 22   | 6E03J      |           | REAR PANEL WINDOW MOUNTING GASKET .....                    | 1    |
| 23   | 6E03S      |           | ALLEN BUTTON HEAD BOLT.....                                | 4    |
| 24   |            |           |  |      |
| 25   | 6E03U      |           | BOLT, 1/4 - 20 X 1 1/2" LG.....                            | 4    |
| 26   | 6E03V      |           | NYLON SPACER, 1/4" .....                                   | 4    |
| 27   | 6E03W      |           | WASHER, 5/16" .....  | 4    |
| 28   |            |           |  |      |
| 29   | 6E05A      |           | FRONT CORNER PANEL WINDOW (PASSENGER SIDE).....            | 1    |
| 30   | 6E05B      |           | FRONT CORNER PANEL WINDOW (DRIVER SIDE) .....              | 1    |

Replacement parts may be obtained from Curtis Tractor Cab Inc., 111 Higgins Street, Worcester, MA 01606. Telephone (508) 853-2200, or FAX (508) 854-3377.

\* Indicates a component that is not available as an individual part.

| ITEM | PART NO.   | 1 | 2 | 3 | 4 | 5 | DESCRIPTION   | QTY. |
|------|------------|---|---|---|---|---|---|------|
| 31   | 6E05C      |   |   |   |   |   | REAR PANEL WINDOW .....                                     | 1    |
| 32   |            |   |   |   |   |   |   |      |
| 33   | 74244-G01  |   |   |   |   |   | WINDSHIELD WIPER KIT (INCLUDES ITEMS 34 - 42) .....         | 1    |
| 34   | 9PWM85     |   |   |   |   |   | WIPER MOTOR (INCLUDES ITEMS 35 - 39) .....                  | 1    |
| 35   | *          |   |   |   |   |   | SPACER .....  | 1    |
| 36   | *          |   |   |   |   |   | SHAFT COVER (SEAL) .....                                    | 1    |
| 37   | *          |   |   |   |   |   | NUT .....   | 1    |
| 38   | *          |   |   |   |   |   | BOLT .....  | 1    |
| 39   | *          |   |   |   |   |   | WASHER .....  | 1    |
| 40   | 9PWA       |   |   |   |   |   | WIPER ARM .....   | 1    |
| 41   | 9PWB       |   |   |   |   |   | WINDSHIELD WIPER BLADE .....                                | 1    |
| 42   | 9E003      |   |   |   |   |   | ELECTRICAL HARDWARE KIT (NOT ILLUSTRATED) .....             | 1    |
| 43   |            |   |   |   |   |   |   |      |
| 44   | 74301-G0*  |   |   |   |   |   | STEEL DOOR KIT (INCLUDES ITEMS 45 - 55) .....               | 1    |
| 45   | 74301-G0*A |   |   |   |   |   | STEEL DOOR (DRIVER SIDE) (INCLUDES ITEMS 47 - 52) .....     | 1    |
| 46   | 74301-G0*B |   |   |   |   |   | STEEL DOOR (PASSENGER SIDE) (INCLUDES ITEMS 49 - 54) .....  | 1    |
| 47   | 6E05D      |   |   |   |   |   | SLIDING DOOR WINDOW ASSEMBLY (DRIVER SIDE) .....            | 1    |
| 48   | 9DHSL      |   |   |   |   |   | INSIDE DOOR LATCH (DRIVER SIDE) .....                       | 1    |
| 49   | 6E03P      |   |   |   |   |   | LOWER DOOR WINDOW MOUNTING GASKET .....                     | 1    |
| 50   | 6E05F      |   |   |   |   |   | LOWER DOOR WINDOW .....                                     | 1    |
| 51   | 9DHOS1     |   |   |   |   |   | OUTSIDE DOOR HANDLE (KEY LOCKING) .....                     | 2    |
| 52   | 1P004B     |   |   |   |   |   | LOWER DOOR SEAL GASKET (43" LG) .....                       | 1    |
| 53   | 6E05E      |   |   |   |   |   | SLIDING DOOR WINDOW ASSEMBLY (PASSENGER SIDE) .....         | 1    |
| 54   | 9DHSLR     |   |   |   |   |   | INSIDE DOOR LATCH (PASSENGER SIDE) .....                    | 1    |
| 55   | 1P004C     |   |   |   |   |   | DOOR SEAL GASKET (123" LG) .....                            | 2    |
| 56   | 9P001A     |   |   |   |   |   | REPLACEMENT DOOR HINGE KIT (NOT ILLUSTRATED) .....          | A/R  |
| 57   |            |   |   |   |   |   |   |      |
| 58   | 74242-G01  |   |   |   |   |   | VINYL DOOR KIT (INCLUDES ITEMS 59 - 66) .....               | 1    |
| 59   | 9DVK-L     |   |   |   |   |   | VINYL DOOR (DRIVER SIDE) (INCLUDES ITEMS 61, 63 - 66) ..... | 1    |
| 60   | 9DVK-R     |   |   |   |   |   | VINYL DOOR (PASSENGER SIDE) (INCLUDES ITEMS 62 - 66) .....  | 1    |

Replacement parts may be obtained from Curtis Tractor Cab Inc., 111 Higgins Street, Worcester, MA 01606. Telephone (508) 853-2200, or FAX (508) 854-3377.

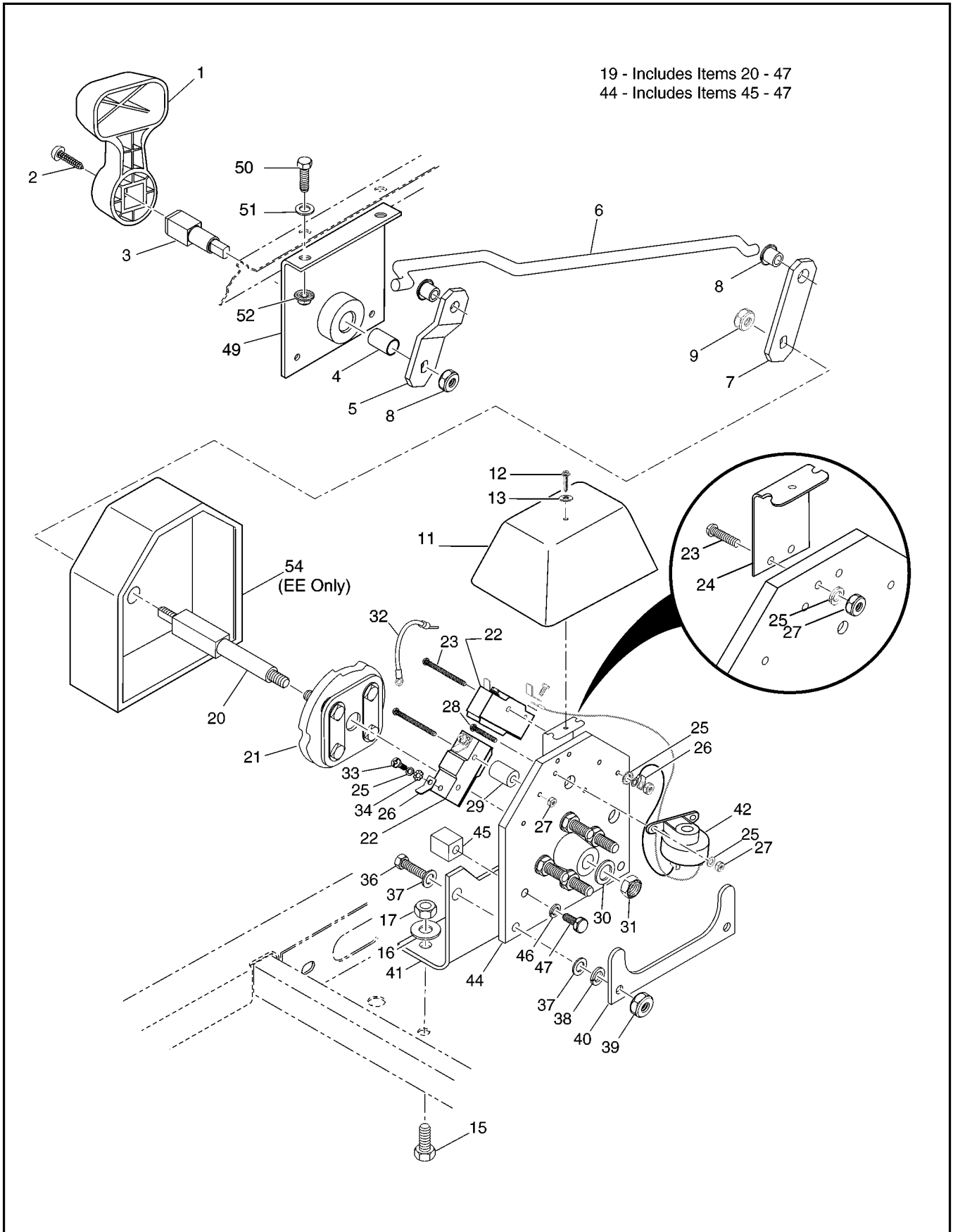
\* Indicates a component that is not available as an individual part.

| ITEM | PART NO.  | 1 2 3 4 5 | DESCRIPTION  | QTY. |
|------|-----------|-----------|--|------|
| 61   | 9DHSL     |           | INSIDE DOOR LATCH (DRIVER SIDE).....                         | 1    |
| 62   | 9DHSLR    |           | INSIDE DOOR LATCH (PASSENGER SIDE) .....                     | 1    |
| 63   | 9DCK      |           | DOOR CHECK (NOT ILLUSTRATED).....                            | 1    |
| 64   | 9DSTK1    |           | DOOR STRIKER (NOT ILLUSTRATED).....                          | 1    |
| 65   | 9DGH1     |           | DOOR GRAB HANDLE.....  | 1    |
| 66   | 9DHOS1    |           | OUTSIDE DOOR HANDLE (KEY LOCKING) .....                      | 1    |
| 67   | 9PSSH     |           | REPLACEMENT DOOR HINGE (DRIVER SIDE) (NOT ILLUSTRATED).....  | 1    |
| 68   | 9PSSHR    |           | REPLACEMENT DOOR HINGE (PASSENGER SIDE) (NOT ILLUSTRATED) .. | 1    |
| 69   |           |           |  |      |
| 70   | 74245-G01 |           | STROBE LIGHT KIT (INCLUDES ITEMS 71 - 75).....               | 1    |
| 71   | 9PSLRL    |           | STROBE LENS.....   | 1    |
| 72   | 9E001     |           | ELECTRICAL HARDWARE KIT (NOT ILLUSTRATED) .....              | 1    |
| 73   | 9E002     |           | TOGGLE SWITCH.....   | 1    |
| 74   | 9PSLRB    |           | REPLACEMENT BULB (NOT ILLUSTRATED) .....                     | 1    |
| 75   | 9PB001    |           | BRACKET.....   | 1    |
| 76   |           |           |  |      |
| 77   | 74247-G01 |           | WORK LIGHT KIT (INCLUDES ITEMS 78 - 81) .....                | 1    |
| 78   | 9LW1A     |           | WORK LIGHT (INCLUDES HARDWARE).....                          | 2    |
| 79   | 9E001     |           | ELECTRICAL HARDWARE KIT (NOT ILLUSTRATED) .....              | 1    |
| 80   | 9E002     |           | TOGGLE SWITCH.....   | 1    |
| 81   | 9PB001    |           | BRACKET.....   | 1    |
| 82   |           |           |  |      |
| 83   | 74248-G01 |           | DEFROSTER / COOLING FAN KIT (INCLUDES ITEMS 84 - 86) .....   | 1    |
| 84   | 9PDF      |           | FAN.....   | 1    |
| 85   | 9E001     |           | ELECTRICAL HARDWARE KIT (NOT ILLUSTRATED) .....              | 1    |
| 86   | 9PFHK     |           | HARDWARE KIT .....   | 1    |
| 87   |           |           |  |      |
| 88   | 74250-G01 |           | SWITCH PANEL KIT (INCLUDES ITEMS 89 - 103) .....             | 1    |
| 89   | 9PSF1-001 |           | SWITCH PANEL .....   | 1    |
| 90   | 9PSF1-002 |           | MOUNTING BRACKET AND HARDWARE.....                           | 1    |

Replacement parts may be obtained from Curtis Tractor Cab Inc., 111 Higgins Street, Worcester, MA 01606. Telephone (508) 853-2200, or FAX (508) 854-3377.

\* Indicates a component that is not available as an individual part.

| ITEM | PART NO.   | 1 | 2 | 3 | 4 | 5 | DESCRIPTION  | QTY. |
|------|------------|---|---|---|---|---|--|------|
| 91   | 9PSF1-003  |   |   |   |   |   | ADHESIVE LABELS.....   | 1    |
| 92   | 9PSF1-004  |   |   |   |   |   | 3 AMP FUSE (NOT ILLUSTRATED) .....   | 2    |
| 93   | 9PSF1-005  |   |   |   |   |   | 5 AMP FUSE (NOT ILLUSTRATED) .....   | 3    |
| 94   | 9PSF1-006  |   |   |   |   |   | 7.5 AMP FUSE (NOT ILLUSTRATED) .....   | 1    |
| 95   | 9PSF1-007  |   |   |   |   |   | FLEX LOOM, 5/8" X 10 FT LG (NOT ILLUSTRATED) .....   | 1    |
| 96   | 9PSF1-008  |   |   |   |   |   | 4-WAY BASE TIE (NOT ILLUSTRATED) .....   | 6    |
| 97   | 9PSF1-009  |   |   |   |   |   | WIRE TIE (NOT ILLUSTRATED).....  | 14   |
| 98   | 9PSF1-010  |   |   |   |   |   | BOLT, 1/4 - 20 X 7/8" LG .....   | 2    |
| 99   | 9PSF1-011  |   |   |   |   |   | WASHER, 1/4" .....   | 4    |
| 100  | 9PSF1-012  |   |   |   |   |   | NYLON WASHER, 1/4" .....   | 2    |
| 101  | 9PSF1-013  |   |   |   |   |   | LOCK NUT, 1/4-20.....  | 2    |
| 102  | 9PSF1-014  |   |   |   |   |   | 10 GA WIRE (RED, 8" LG) (NOT ILLUSTRATED) .....  | 1    |
| 103  | 9PSF1-015  |   |   |   |   |   | 10 GA WIRE (BLACK, 8" LG) (NOT ILLUSTRATED).....   | 1    |
| 104  |            |   |   |   |   |   |  |      |
| 105  | 74294-G0*  |   |   |   |   |   | STEEL CAB KIT (WITHOUT DOORS) (LX / SE)<br>(INCLUDES ITEMS 2 - 3, 7 - 42, 106 - 108) ..... | 1    |
| 106  | 74294-G0*C |   |   |   |   |   | WINDSHIELD PANEL.....  | 1    |
| 107  | 74294-G0*D |   |   |   |   |   | FRONT CORNER PANEL (PASSENGER SIDE) .....  | 1    |
| 108  | 74294-G0*E |   |   |   |   |   | FRONT CORNER PANEL (DRIVER SIDE) .....   | 1    |



THE USE OF NON UL PARTS WILL VOID ANY UL LISTING.

When ordering parts, please specify the model and serial number of the product.

\* Indicates a component that is not available as an individual part.

G\*\* Indicates consult Customer Service Department for additional information.

| ITEM | PART NO.  | 1 2 3 4 5 | DESCRIPTION  | QTY. |
|------|-----------|-----------|--|------|
| 1    | 71205-G01 |           | DIRECTION SELECTOR HANDLE .....                            | 1    |
| 2    | 00740-G4  |           | SCREW, #10 - 32 X 1/2" LG. ....                            | 1    |
| 3    | 70233-G01 |           | DIRECTION SELECTOR SHAFT.....                              | 1    |
| 4    | 25664-G2  |           | BUSHING.....   | 1    |
| 5    | 70334-G01 |           | OFFSET SHIFT LINKAGE ARM .....                             | 1    |
| 6    | 70313-G01 |           | LINKAGE ROD.....   | 1    |
| 7    | 70232-G03 |           | SHIFT LINKAGE ARM .....                                    | 1    |
| 8    | 22754-G3  |           | BUSHING.....   | 2    |
| 9    | 14390-G1  |           | LOCK NUT, 3/8 - 24 .....                                   | 2    |
| 10   |           |           |  |      |
| 11   | 73049-G01 |           | COVER .....  | 1    |
| 12   | 00114-G6  |           | SCREW, 1/4 - 14 x 3/4" LG.....                             | 1    |
| 13   | 16469-G7  |           | WASHER, 1/4" .....   | 1    |
| 14   |           |           |  |      |
| 15   | 00438-G6  |           | BOLT, 5/16 - 18 X 3/4" LG.....                             | 2    |
| 16   | 00571-G2  |           | WASHER, 5/16" .....  | 2    |
| 17   | 11098-G6  |           | LOCK NUT, 5/16 - 18 .....                                  | 2    |
| 18   |           |           |  |      |
| 19   | 73036-G01 |           | DIRECTION SELECTOR ASSEMBLY (INCLUDES ITEMS 20 - 47) ..... | 1    |
| 20   | 73027-G01 |           | DIRECTION SELECTOR SHAFT .....                             | 1    |
| 21   | 12835-G1  |           | CAM.....   | 1    |
| 22   | 10606-G2  |           | MICRO SWITCH.....  | 2    |
| 23   | 00139-G8  |           | SCREW, #6 - 32 X 2" LG.....                                | 4    |
| 24   | 73048-G01 |           | COVER BRACKET .....  | 1    |
| 25   | 00565-G3  |           | LOCK WASHER, #6 .....                                      | 8    |
| 26   | 14628-G1  |           | FASTON TAB.....  | 4    |
| 27   | 00525-G5  |           | NUT, #6 - 32.....  | 8    |
| 28   | 00138-G6  |           | SCREW, #6 - 32 X 3/4" LG.....                              | 3    |
| 29   | 12806-G1  |           | SPACER .....   | 4    |
| 30   | 00560-G1  |           | WASHER, 3/8" .....   | 1    |

**DIRECTION SELECTOR****Electric Vehicle**

THE USE OF NON UL PARTS WILL VOID ANY UL LISTING.

When ordering parts, please specify the model and serial number of the product.

\* Indicates a component that is not available as an individual part.

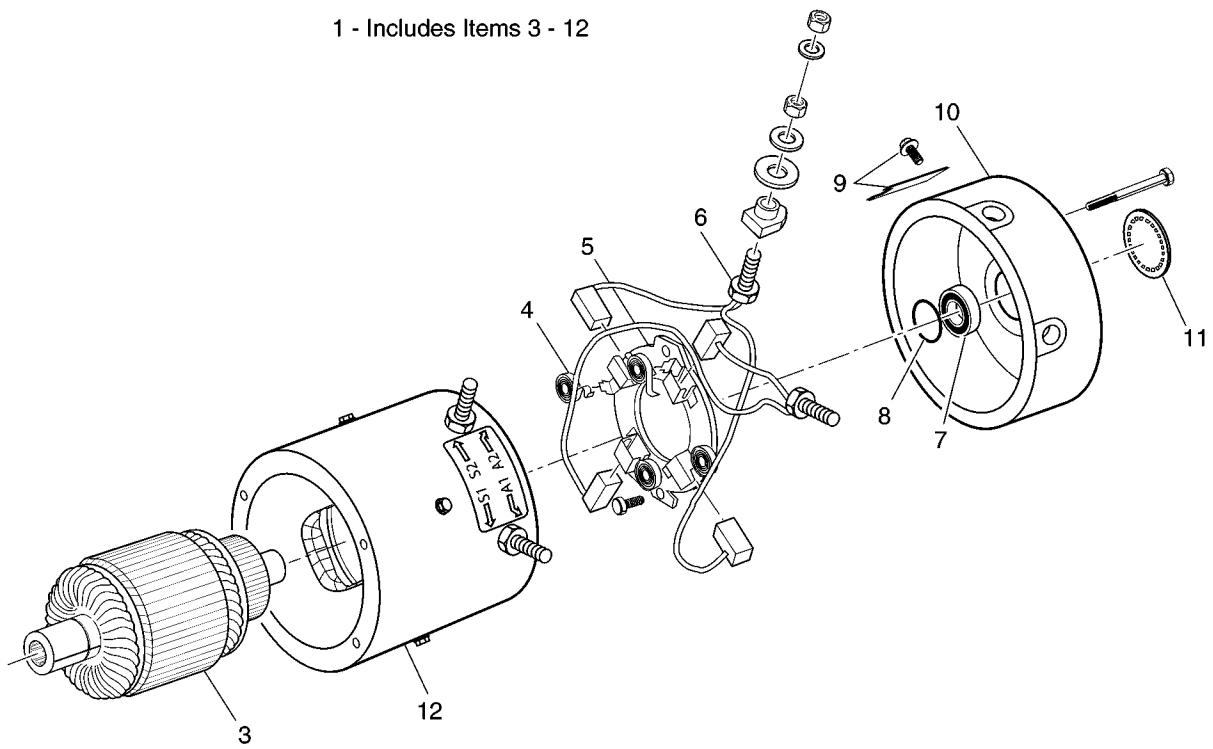
G\*\* Indicates consult Customer Service Department for additional information.

| ITEM | PART NO.  | 1 | 2 | 3 | 4 | 5 | DESCRIPTION   | QTY. |
|------|-----------|---|---|---|---|---|---|------|
| 31   | 14390-G1  |   |   |   |   |   | LOCK NUT, 3/8 - 24 .....                              | 2    |
| 32   | 25978-G37 |   |   |   |   |   | 18 GA WIRE (RED 6") .....                             | 1    |
| 33   | *         |   |   |   |   |   | SCREW.....  | 4    |
| 34   | 00567-G3  |   |   |   |   |   | LOCK WASHER, #6 .....                                 | 4    |
| 35   |           |   |   |   |   |   |   |      |
| 36   | 00414-G8  |   |   |   |   |   | BOLT, 1/4 - 20 X 1" LG.....                           | 2    |
| 37   | 00559-G7  |   |   |   |   |   | WASHER, 1/4" .....                                    | 4    |
| 38   | 00565-G7  |   |   |   |   |   | LOCK WASHER, 1/4" .....                               | 2    |
| 39   | 00532-G1  |   |   |   |   |   | NUT, 1/4 - 20.....                                    | 2    |
| 40   | 15461-G1  |   |   |   |   |   | SUPPORT BRACKET.....                                  | 1    |
| 41   | 73031-G01 |   |   |   |   |   | DIRECTION SELECTOR MOUNTING BRACKET .....             | 1    |
| 42   | 73290-G02 |   |   |   |   |   | REVERSE WARNING BUZZER .....                          | 1    |
| 43   |           |   |   |   |   |   |   |      |
| 44   | 14651-G1  |   |   |   |   |   | CONTACT BOARD ASSEMBLY (INCLUDES ITEMS 45 - 47) ..... | 1    |
| 45   | 24940-G1  |   |   |   |   |   | STOP.....   | 2    |
| 46   | 00565-G7  |   |   |   |   |   | LOCK WASHER, 1/4".....                                | 2    |
| 47   | 00414-G6  |   |   |   |   |   | BOLT, 1/4 - 20 X 3/4" LG. ....                        | 2    |
| 48   |           |   |   |   |   |   |   |      |
| 49   | 70444-G01 |   |   |   |   |   | BRACKET .....   | 1    |
| 50   | 28272-G01 |   |   |   |   |   | BOLT, 1/4 - 20 X 5/8" LG .....                        | 2    |
| 51   | 00559-G7  |   |   |   |   |   | WASHER, 1/4" .....                                    | 2    |
| 52   | 11027-G2  |   |   |   |   |   | LOCK NUT, 1/4 - 20 .....                              | 2    |





1 - Includes Items 3 - 12



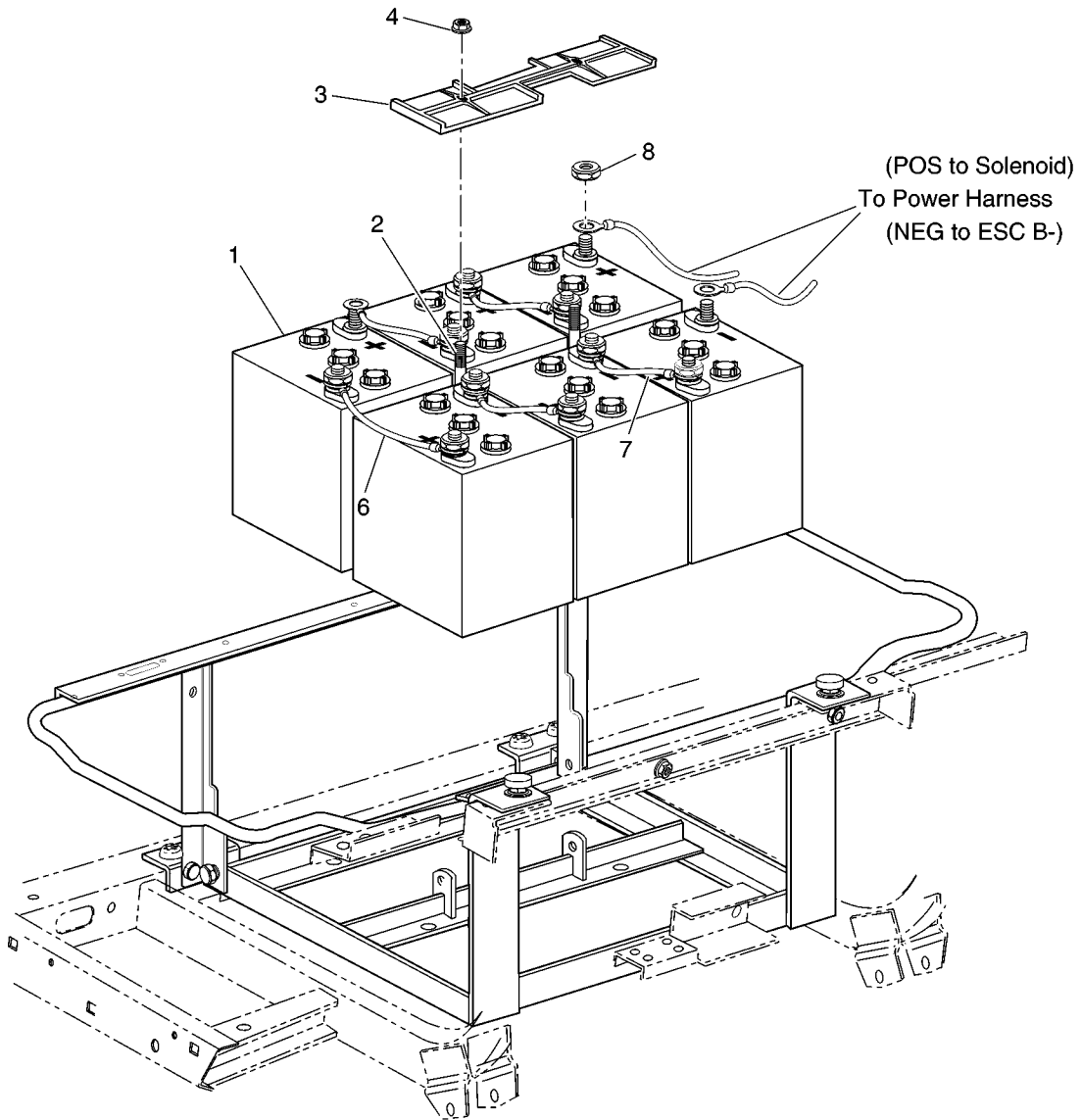
THE USE OF NON UL PARTS WILL VOID ANY UL LISTING.

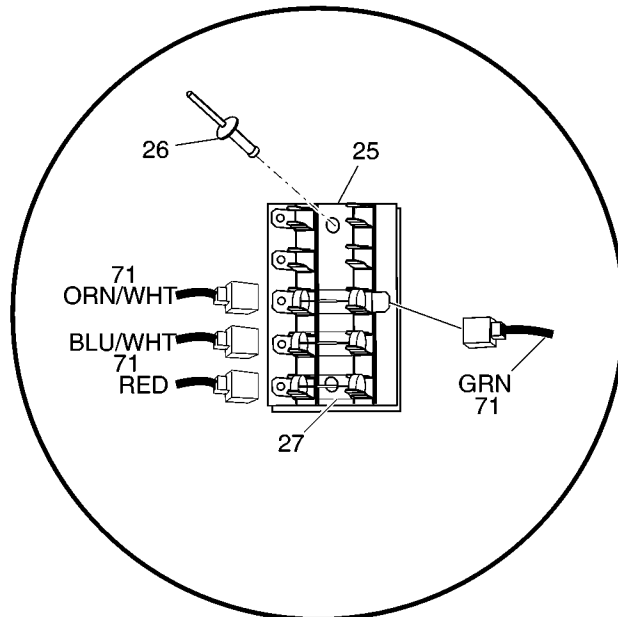
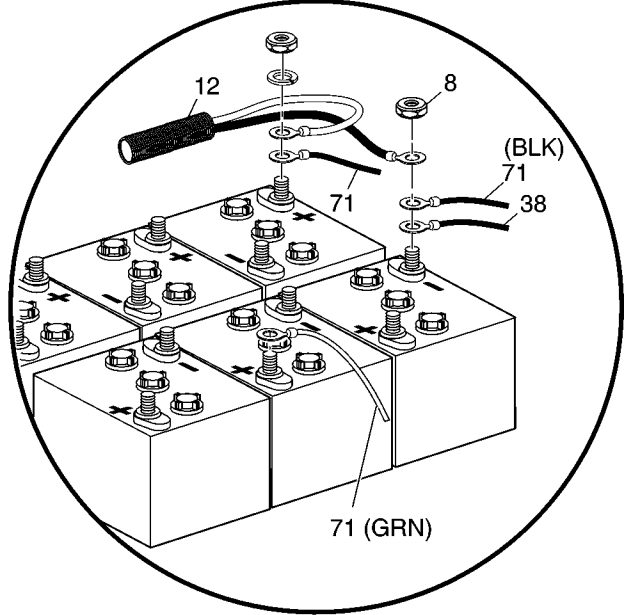
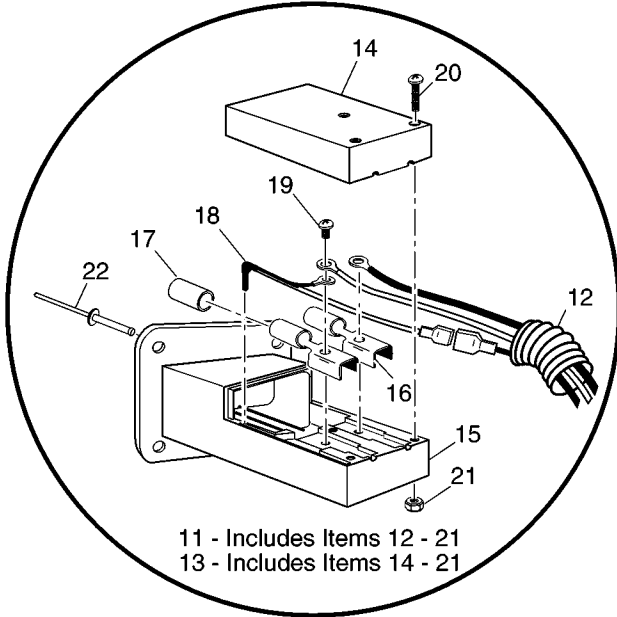
When ordering parts, please specify the model and serial number of the product.

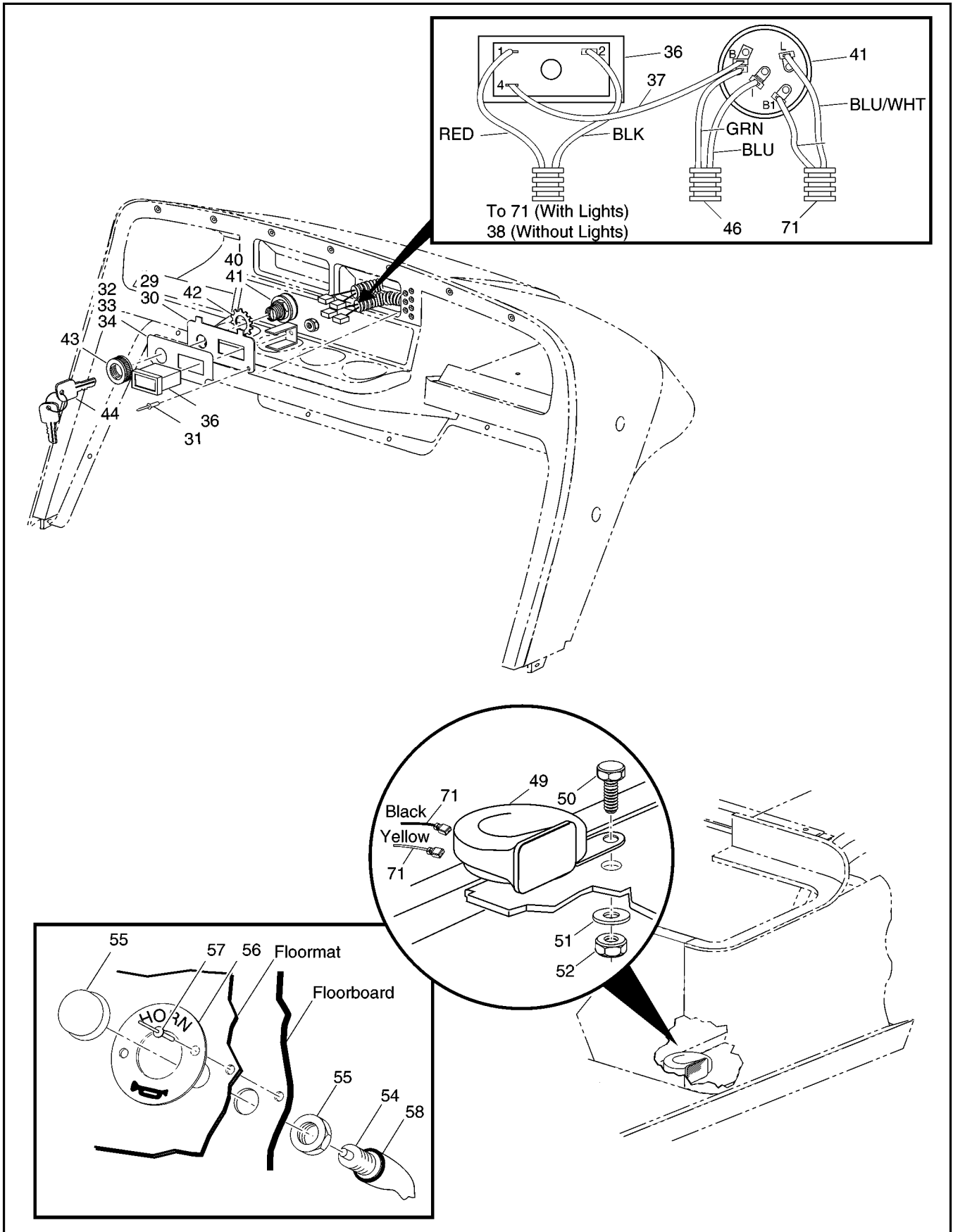
\* Indicates a component that is not available as an individual part.

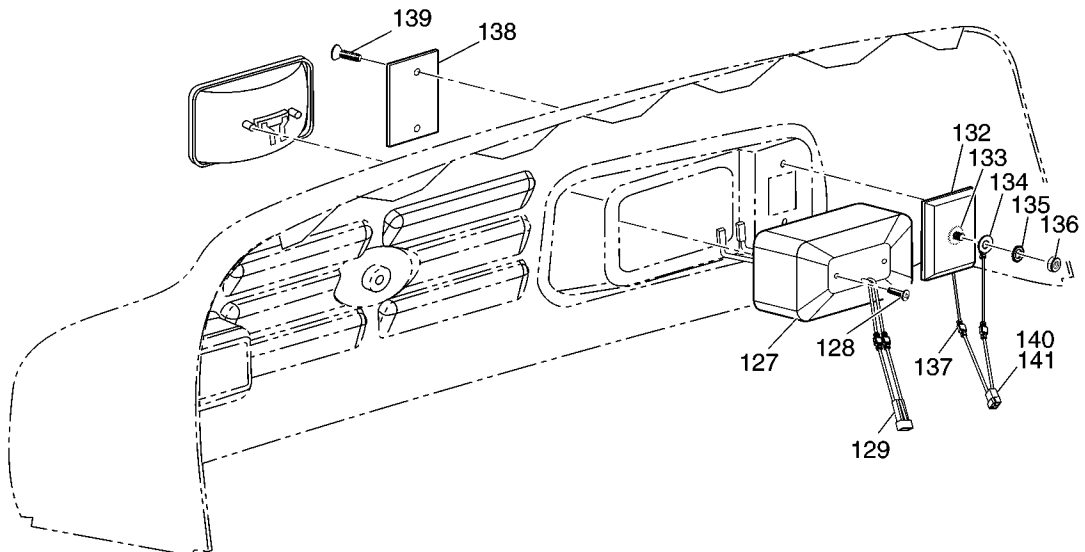
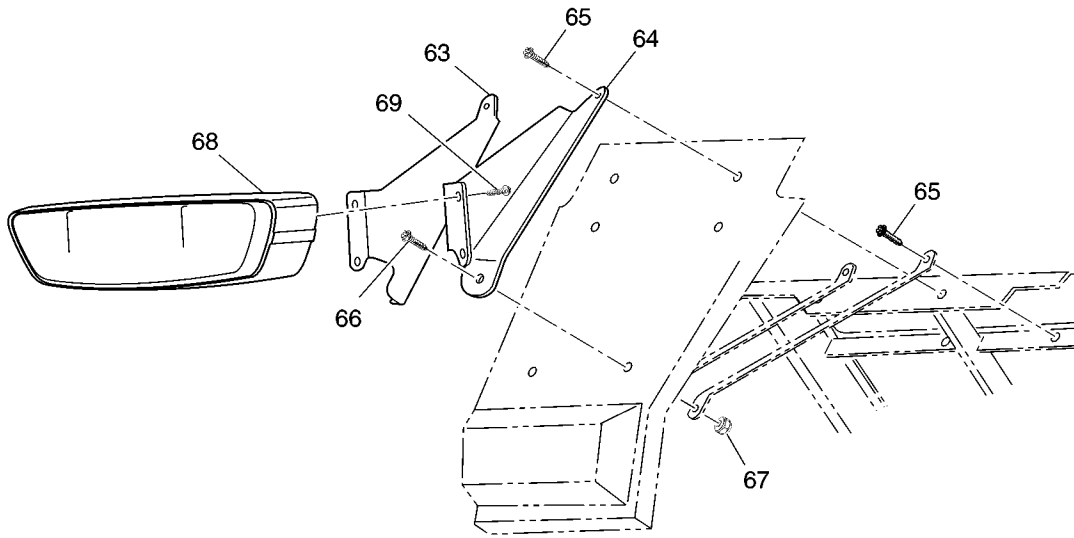
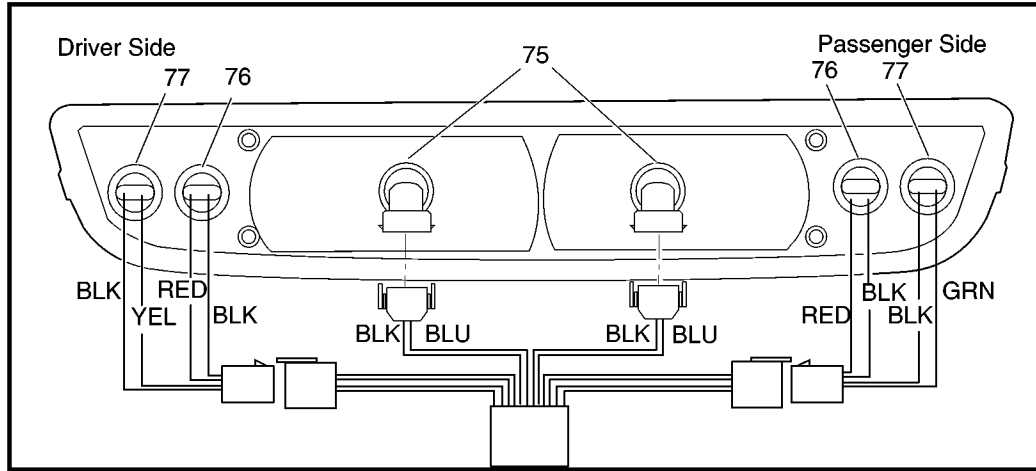
G\*\* Indicates consult Customer Service Department for additional information.

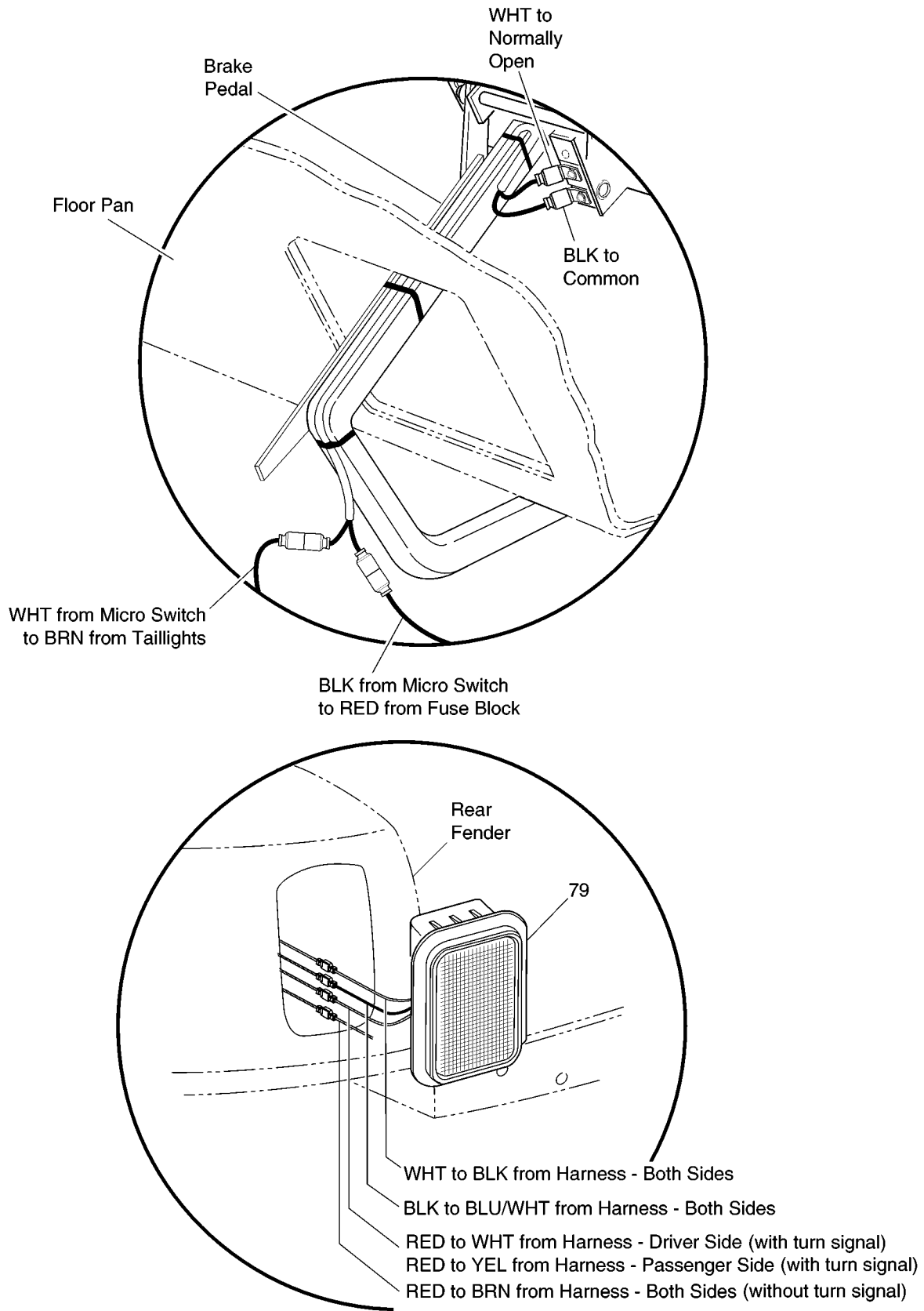
| ITEM | PART NO.  | 1  | 2 | 3 | 4 | 5 | DESCRIPTION | QTY. |   |
|------|-----------|--|---|---|---|---|-------------|------|---|
| 1    | 73124-G02 | MOTOR (SERIES, FLEET SPEED) (INCLUDES ITEMS 3 - 12) .....  |   |   |   |   |             |      | 1 |
| 2    |           |  |   |   |   |   |             |      |   |
| 3    | 73120-G01 | ARMATURE .....   |   |   |   |   |             |      | 1 |
| 4    | 73120-G03 | BRUSH SPRING .....   |   |   |   |   |             |      | 4 |
| 5    | 73120-G15 | BRUSH PLATE AND BOX .....                                  |   |   |   |   |             |      | 1 |
| 6    | 73120-G25 | BRUSH REPLACEMENT KIT (INCLUDES HARDWARE) .....            |   |   |   |   |             |      | 1 |
| 7    | 73120-G07 | BEARING .....  |   |   |   |   |             |      | 1 |
| 8    | 73120-G06 | SNAP RING .....  |   |   |   |   |             |      | 1 |
| 9    | 73120-G09 | COVER PLATE AND SCREW .....                                |   |   |   |   |             |      | 1 |
| 10   | 73120-G08 | COVER COMMUTATOR END .....                                 |   |   |   |   |             |      | 1 |
| 11   | 73120-G16 | CAP .....  |   |   |   |   |             |      | 1 |
| 12   | 73120-G29 | FRAME AND FIELD COIL (G02 MOTOR) (INCLUDES HARDWARE) ..... |   |   |   |   |             |      | 1 |

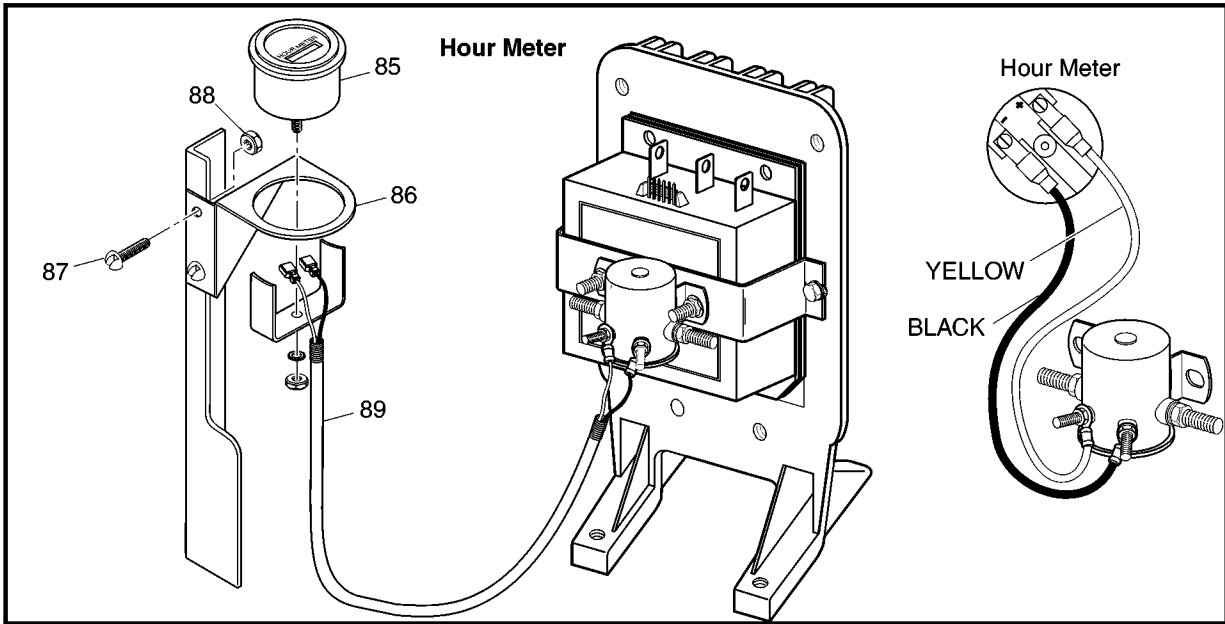
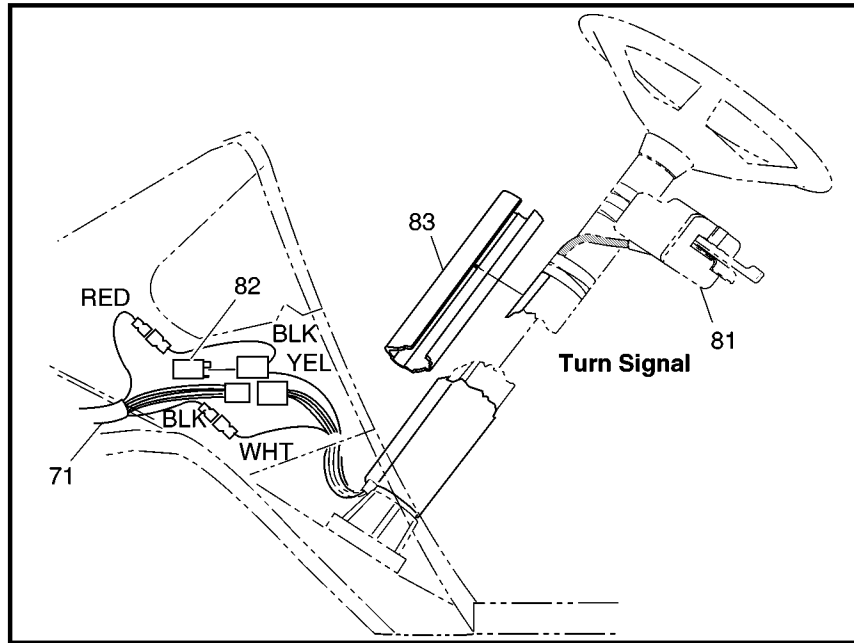




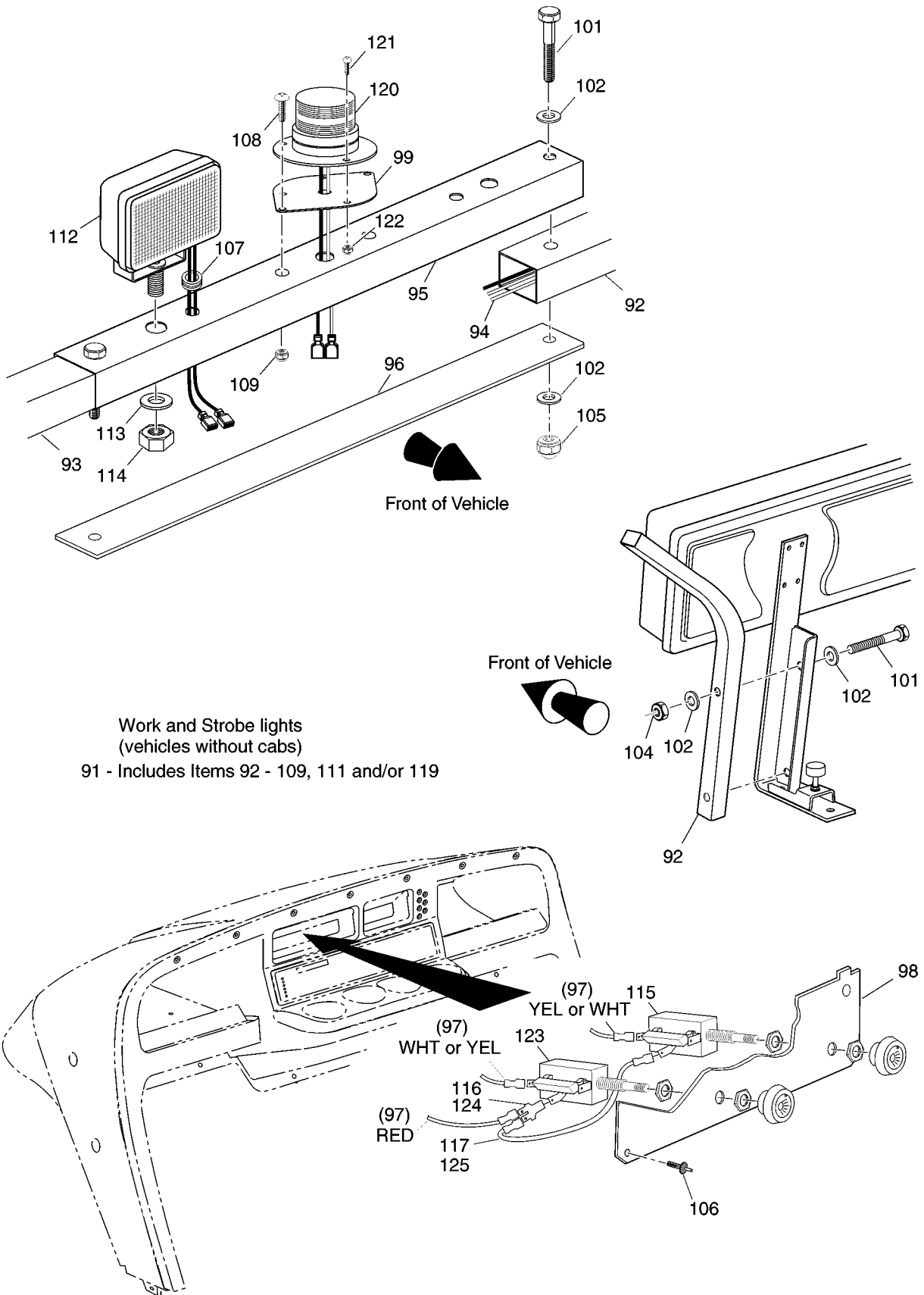












THE USE OF NON UL PARTS WILL VOID ANY UL LISTING.

When ordering parts, please specify the model and serial number of the product.

\* Indicates a component that is not available as an individual part.

G\*\* Indicates consult Customer Service Department for additional information.

| ITEM | PART NO.  | 1 2 3 4 5 | DESCRIPTION   | QTY. |
|------|-----------|-----------|---|------|
| 1    | XXXXX-G** |           | BATTERY (6 VOLT) .....  | 6    |
| 2    | 70121-G01 |           | HOLD DOWN BOLT .....  | 2    |
| 3    | 70045-G01 |           | BATTERY RETAINER .....  | 1    |
| 4    | 11027-G1  |           | LOCK NUT, 5/16 - 18 .....   | 2    |
| 5    |           |           |   |      |
| 6    | 25972-G32 |           | 6 GA WIRE (BLACK 10 1/2") .....   | 1    |
| 7    | 25972-G40 |           | 6 GA WIRE (BLACK 6") .....  | 4    |
| 8    | 00702-G2  |           | NUT, 5/16 - 18 .....  | 12   |
| 9    |           |           |   |      |
| 10   |           |           |   |      |
| 11   | 73063-G01 |           | CHARGER WIRE HARNESS/RECEPTACLE ASSEMBLY<br>(PORTABLE CHARGER) (INCLUDES ITEMS 12 - 21) ..... | 1    |
| 12   | 73082-G01 |           | CHARGER HARNESS .....   | 1    |
| 13   | 73051-G01 |           | CHARGER RECEPTACLE (INCLUDES ITEMS 14 - 21) .....   | 1    |
| 14   | 73051-G03 |           | RECEPTACLE COVER .....  | 1    |
| 15   | 73051-G04 |           | RECEPTACLE BOTTOM .....   | 1    |
| 16   | 73051-G05 |           | FEMALE CONTACT .....  | 2    |
| 17   | 73051-G06 |           | INSULATOR SLEEVE .....  | 1    |
| 18   | 73051-G18 |           | REED SWITCH .....   | 1    |
| 19   | 73051-G08 |           | SCREW, #10 - 32 X 1/2" LG. (BRASS, BINDING HEAD) .....  | 2    |
| 20   | 73051-G09 |           | SCREW, #6 - 32 X 1 3/4" LG. (STAINLESS STEEL) .....   | 3    |
| 21   | 73051-G10 |           | LOCK NUT, #6-32 .....   | 3    |
| 22   | 71055-G01 |           | RIVET, 3/16" X 3/8" LG .....  | 4    |
| 23   | 17618-G1  |           | WIRE TIE (NOT ILLUSTRATED) .....  | 3    |
| 24   |           |           |   |      |
| 25   | 22674-G1  |           | FUSE BLOCK .....  | 1    |
| 26   | 71010-G01 |           | RIVET, 5/32" X 3/8" LG .....  | 2    |
| 27   | 18392-G1  |           | FUSE, 15 AMP .....  | 3    |
| 28   |           |           |   |      |
| 29   | 73030-G01 |           | PLATE (IGNITION SWITCH ONLY) .....  | 1    |

**ELECTRICAL SYSTEM****Electric Vehicle**

THE USE OF NON UL PARTS WILL VOID ANY UL LISTING.

When ordering parts, please specify the model and serial number of the product.

\* Indicates a component that is not available as an individual part.

G\*\* Indicates consult Customer Service Department for additional information.

| ITEM | PART NO.  | 1 2 3 4 5 | DESCRIPTION  | QTY. |
|------|-----------|-----------|--|------|
| 30   | 73030-G02 |           | PLATE (IGNITION WITH STATE OF CHARGE METER).....         | 1    |
| 31   | 33623-G02 |           | DRIVE RIVET, 3/16 X 3/8" LG.....                         | 2    |
| 32   | 71181-G02 |           | DECAL (WITHOUT LIGHTS) .....                             | 1    |
| 33   | 71123-G01 |           | DECAL (WITHOUT LIGHTS, WITH STATE OF CHARGE METER) ..... | 1    |
| 34   | 71129-G01 |           | DECAL (WITH LIGHTS AND STATE OF CHARGE METER) .....      | 1    |
| 35   |           |           |  |      |
| 36   | 33636-G01 |           | STATE OF CHARGE METER .....                              | 1    |
| 37   | 25978-G74 |           | 18 GA WIRE (RED 6").....                                 | 1    |
| 38   | 74018-G01 |           | STATE OF CHARGE METER HARNESS .....                      | 1    |
| 39   |           |           |  |      |
| 40   | 18602-G1  |           | IGNITION SWITCH (WITHOUT LIGHTS) .....                   | 1    |
| 41   | 33639-G01 |           | IGNITION SWITCH (WITH LIGHTS).....                       | 1    |
| 42   | 00568-G6  |           | LOCK WASHER, 3/4".....                                   | 1    |
| 43   | 17137-G1  |           | FACE NUT, 3/4 - 20.....                                  | 1    |
| 44   | 17063-G1  |           | IGNITION KEY (SET).....                                  | A/R  |
| 45   |           |           |  |      |
| 46   | 73041-G01 |           | IGNITION SWITCH HARNESS.....                             | 1    |
| 47   | 17618-G1  |           | WIRE TIE (NOT ILLUSTRATED) .....                         | 1    |
| 48   |           |           |  |      |
| 49   | 32860-G1  |           | HORN.....  | 1    |
| 50   | 00414-G5  |           | BOLT, 1/4 - 20 X 5/8" LG .....                           | 1    |
| 51   | 00559-G7  |           | WASHER, 1/4" .....                                       | 1    |
| 52   | 00891-G2  |           | LOCK NUT, 1/4 - 20 .....                                 | 1    |
| 53   |           |           |  |      |
| 54   | 17318-G1  |           | HORN SWITCH (INCLUDES ITEM 55) .....                     | 1    |
| 55   | 17318-G2  |           | BUTTON AND NUT .....                                     | 1    |
| 56   | 19233-G1  |           | HORN SWITCH PLATE.....                                   | 1    |
| 57   | 71055-G01 |           | RIVET, 3/16 X 1" LG (STAINLESS STEEL) .....              | 2    |
| 58   | 27068-G01 |           | HORN SWITCH BOOT .....                                   | 1    |
| 59   |           |           |  |      |

THE USE OF NON UL PARTS WILL VOID ANY UL LISTING.

When ordering parts, please specify the model and serial number of the product.

\* Indicates a component that is not available as an individual part.

G\*\* Indicates consult Customer Service Department for additional information.

| ITEM | PART NO.  | 1 | 2 | 3 | 4 | 5 | DESCRIPTION  | QTY. |
|------|-----------|---|---|---|---|---|--|------|
| 60   |           |   |   |   |   |   |  |      |
| 61   |           |   |   |   |   |   |  |      |
| 62   |           |   |   |   |   |   |  |      |
| 63   | 74236-G01 |   |   |   |   |   | LIGHT BAR MOUNTING BRACKET (PASSENGER SIDE).....             | 1    |
| 64   | 74236-G02 |   |   |   |   |   | LIGHT BAR MOUNTING BRACKET (DRIVER SIDE) .....               | 1    |
| 65   | 01038-G01 |   |   |   |   |   | SCREW, 1/4 - 20 X 1/2" LG .....                              | 4    |
| 66   | 00414-G6  |   |   |   |   |   | BOLT, 1/4 - 20 X 3/4" LG.....                                | 2    |
| 67   | 11027-G2  |   |   |   |   |   | LOCK NUT, 1/4 - 20 .....                                     | 2    |
| 68   | 74001-G01 |   |   |   |   |   | LIGHT BAR .....  | 1    |
| 69   | 00114-G6  |   |   |   |   |   | SCREW, 1/4 - 14 X 3/4" LG .....                              | 4    |
| 70   |           |   |   |   |   |   |  |      |
| 71   | 73043-G01 |   |   |   |   |   | WIRE HARNESS (ACCESSORY) .....                               | 1    |
| 72   | 17618-G1  |   |   |   |   |   | WIRE TIE (NOT ILLUSTRATED) .....                             | 5    |
| 73   | 31539-G1  |   |   |   |   |   | WIRE TIE (NOT ILLUSTRATED) .....                             | 6    |
| 74   |           |   |   |   |   |   |  |      |
| 75   | 74004-G01 |   |   |   |   |   | HEADLIGHT BULB (REPLACEMENT).....                            | A/R  |
| 76   | 74005-G01 |   |   |   |   |   | MARKER LIGHT BULB (REPLACEMENT) .....                        | A/R  |
| 77   | 74006-G01 |   |   |   |   |   | TURN LIGHT BULB (REPLACEMENT).....                           | A/R  |
| 78   |           |   |   |   |   |   |  |      |
| 79   | 32739-G2  |   |   |   |   |   | STOP/TAIL LIGHT.....   | 2    |
| 80   |           |   |   |   |   |   |  |      |
| 81   | 17867-G1  |   |   |   |   |   | TURN SIGNAL (WITH MOUNTING HARDWARE) (INCLUDES ITEM 82)..... | 1    |
| 82   | 21640-G1  |   |   |   |   |   | FLASHER .....  | 1    |
| 83   | 20965-G3  |   |   |   |   |   | STEERING COLUMN COVER .....                                  | 1    |
| 84   |           |   |   |   |   |   |  |      |
| 85   | 21573-G1  |   |   |   |   |   | HOUR METER .....   | 1    |
| 86   | 74019-G01 |   |   |   |   |   | BRACKET .....  | 1    |
| 87   | 00150-G4  |   |   |   |   |   | SCREW. #10 - 24 X 1/2" LG .....                              | 2    |
| 88   | 11098-G7  |   |   |   |   |   | NUT, #10 - 24 .....  | 2    |
| 89   | 75117-G02 |   |   |   |   |   | WIRE HARNESS (HOUR METER).....                               | 1    |

THE USE OF NON UL PARTS WILL VOID ANY UL LISTING.

When ordering parts, please specify the model and serial number of the product.

\* Indicates a component that is not available as an individual part.

G\*\* Indicates consult Customer Service Department for additional information.

| ITEM | PART NO.  | 1 | 2 | 3 | 4 | 5 | DESCRIPTION   | QTY. |
|------|-----------|---|---|---|---|---|---|------|
| 90   |           |   |   |   |   |   |   |      |
| 91   | 71323-G** |   |   |   |   |   | WORK LIGHT BAR WITH LIGHTS AND/OR STROBE<br>(INCLUDES ITEMS 92 - 109, 111 AND/OR 119) ..... | 1    |
| 92   | 71328-G01 |   |   |   |   |   | STRUT (DRIVER SIDE).....  | 1    |
| 93   | 71328-G02 |   |   |   |   |   | STRUT (PASSENGER SIDE) .....  | 1    |
| 94   | 75346-G01 |   |   |   |   |   | WIRE HARNESS (WORK LIGHT) .....   | 1    |
| 95   | 71294-G01 |   |   |   |   |   | BRACE.....  | 1    |
| 96   | 71293-G01 |   |   |   |   |   | COVER PLATE .....   | 1    |
| 97   | 75430-G01 |   |   |   |   |   | SWITCH HARNESS .....  | 1    |
| 98   | 71077-G** |   |   |   |   |   | LIGHT SWITCH PLATE .....  | 1    |
| 99   | 33201-G02 |   |   |   |   |   | STROBE LIGHT MOUNT (USED ONLY WITH STROBE LIGHT) .....                                      | 1    |
| 100  | 75365-G01 |   |   |   |   |   | HARDWARE KIT (INCLUDES ITEMS 101 - 109).....  | 1    |
| 101  | 00685-G7  |   |   |   |   |   | BOLT, 5/16 - 18 X 1 3/4" LG .....   | 6    |
| 102  | 00660-G8  |   |   |   |   |   | WASHER, 5/16".....  | 12   |
| 103  | 15121-G1  |   |   |   |   |   | WASHER, 3/8" X 1 1/4" .....   | 2    |
| 104  | 11098-G6  |   |   |   |   |   | LOCK NUT, 5/16 - 18 .....   | 4    |
| 105  | 00918-G3  |   |   |   |   |   | ACORN NUT, 5/16 - 18 .....  | 2    |
| 106  | 33623-G02 |   |   |   |   |   | DRIVE RIVET, 3/16" X 3/8" LG.....   | 3    |
| 107  | 20367-G1  |   |   |   |   |   | GROMMET .....   | 2    |
| 108  | 16705-G3  |   |   |   |   |   | SCREW, 1/4 - 20 X 3/4" LG.....  | 2    |
| 109  | 14390-G4  |   |   |   |   |   | LOCK NUT, 1/4 - 20 .....  | 2    |
| 110  |           |   |   |   |   |   |   |      |
| 111  | 20383-G2  |   |   |   |   |   | WORK LIGHT KIT (INCLUDES ITEMS 112-117) .....   | 1    |
| 112  | 20209-G2  |   |   |   |   |   | WORK LIGHT (RECTANGULAR) .....  | 2    |
| 113  | 00566-G3  |   |   |   |   |   | LOCK WASHER, 1/2" .....   | 2    |
| 114  | 00533-G1  |   |   |   |   |   | NUT, 1/2 - 13 .....   | 2    |
| 115  | 17317-G1  |   |   |   |   |   | LIGHT SWITCH.....   | 1    |
| 116  | 17902-G1  |   |   |   |   |   | TAB ADAPTER.....  | 1    |
| 117  | 20053-G1  |   |   |   |   |   | 16 GA WIRE (RED 5 3/8").....  | 1    |
| 118  |           |   |   |   |   |   |   |      |

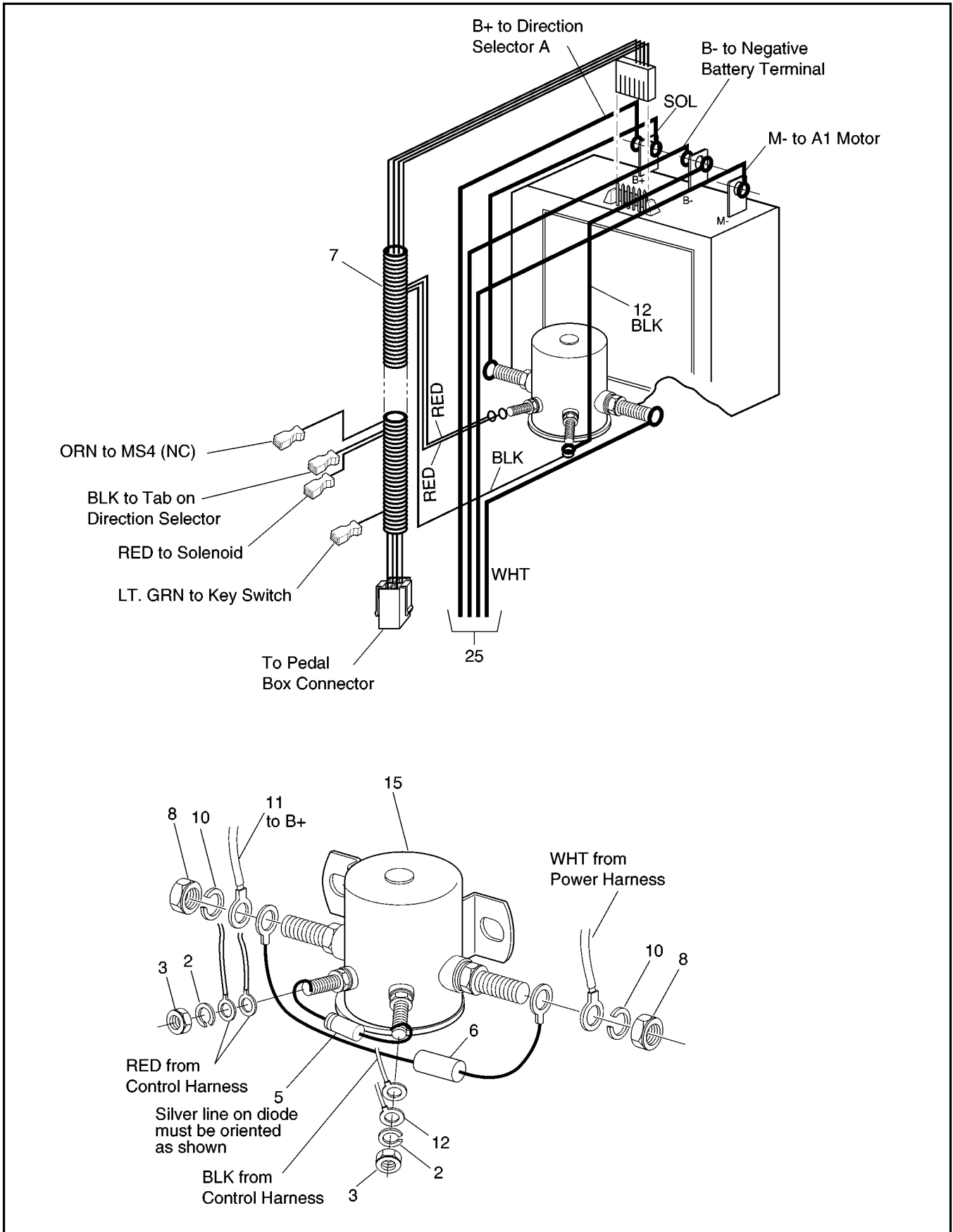
THE USE OF NON UL PARTS WILL VOID ANY UL LISTING.

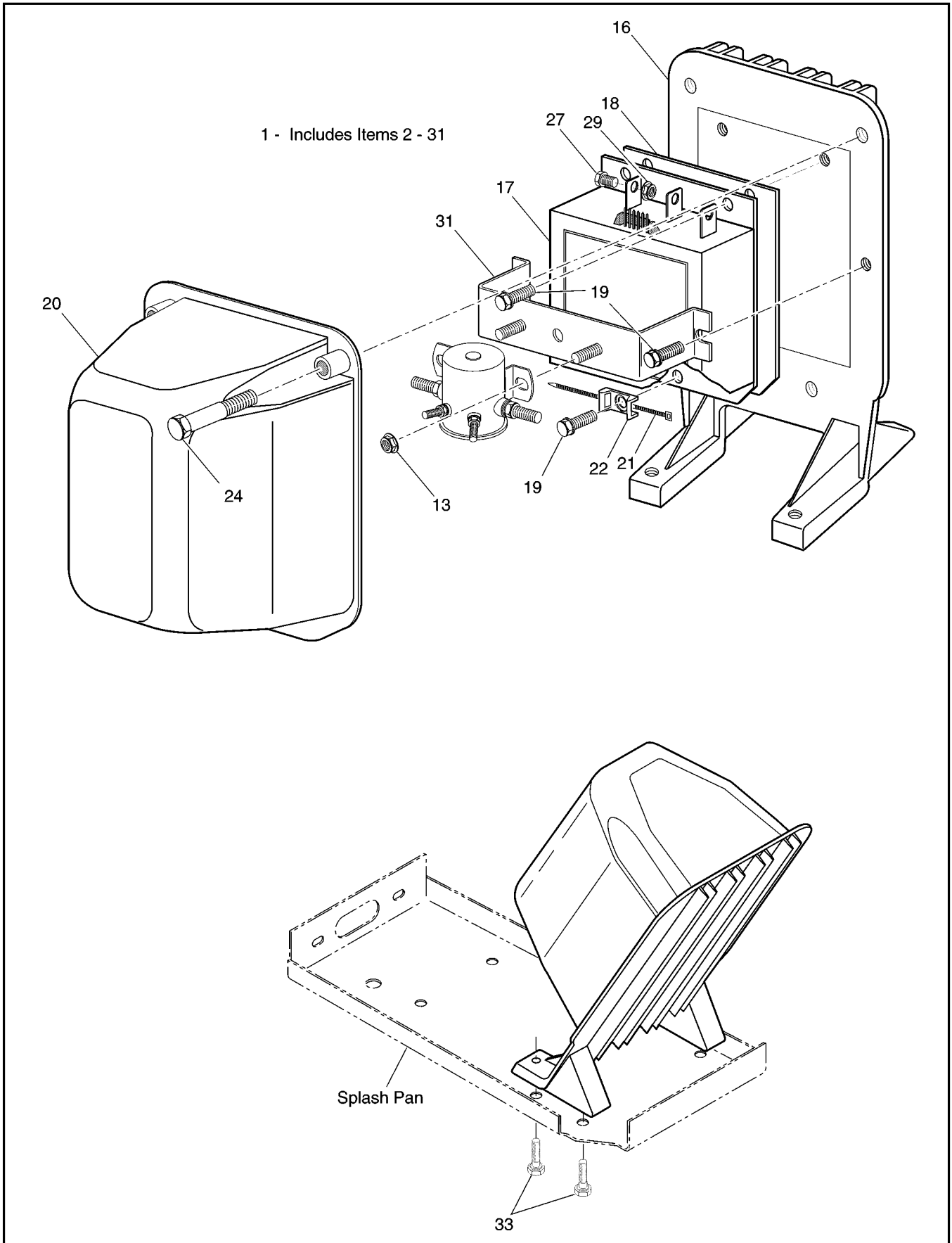
When ordering parts, please specify the model and serial number of the product.

\* Indicates a component that is not available as an individual part.

G\*\* Indicates consult Customer Service Department for additional information.

| ITEM | PART NO.  | 1 | 2 | 3 | 4 | 5 | DESCRIPTION  | QTY. |
|------|-----------|---|---|---|---|---|--|------|
| 119  | 20385-G2  |   |   |   |   |   | STROBE LIGHT KIT (INCLUDES ITEMS 120 - 125) .....          | 1    |
| 120  | 20394-G1  |   |   |   |   |   | STROBE LIGHT .....   | 1    |
| 121  | 00379-G4  |   |   |   |   |   | SCREW, #10 - 24 x 1/2" LG .....                            | 3    |
| 122  | 11098-G7  |   |   |   |   |   | LOCK NUT, #10 - 24 .....                                   | 3    |
| 123  | 17317-G1  |   |   |   |   |   | LIGHT SWITCH .....   | 1    |
| 124  | 17902-G1  |   |   |   |   |   | TAB ADAPTER.....   | 1    |
| 125  | 20053-G1  |   |   |   |   |   | 16 GA WIRE (RED 5 3/8") .....                              | 1    |
| 126  |           |   |   |   |   |   |  |      |
| 127  | 20209-G3  |   |   |   |   |   | HEADLIGHT (RECTANGULAR) (INCLUDES ITEM 128) .....          | 2    |
| 128  | 00906-G6  |   |   |   |   |   | SCREW, #10 - 16 X 1" LG.....                               | 2    |
| 129  | 74055-G01 |   |   |   |   |   | JUMPER .....   | 2    |
| 130  |           |   |   |   |   |   |  |      |
| 131  | 20570-G3  |   |   |   |   |   | TURN SIGNAL LIGHT ASSEMBLY (INCLUDES ITEMS 132 - 137)..... | 2    |
| 132  | 20574-G3  |   |   |   |   |   | TURN SIGNAL LIGHT .....                                    | 1    |
| 133  | 00660-G7  |   |   |   |   |   | WASHER, 1/4" .....   | 1    |
| 134  | 20606-G1  |   |   |   |   |   | WIRE ASSEMBLY .....  | 1    |
| 135  | 00567-G7  |   |   |   |   |   | LOCK WASHER, 1/4" .....                                    | 1    |
| 136  | 00532-G1  |   |   |   |   |   | NUT, 1/4 - 20.....   | 1    |
| 137  | 18995-G1  |   |   |   |   |   | PUSH-ON MALE TERMINAL .....                                | 1    |
| 138  | 20574-G5  |   |   |   |   |   | LENS, AMBER .....  | 1    |
| 139  | 00118-G5  |   |   |   |   |   | SCREW, #6 - 18 X 5/8" LG .....                             | 2    |
| 140  | 74056-G01 |   |   |   |   |   | JUMPER, RED/BLACK (PASSENGER SIDE) .....                   | 1    |
| 141  | 74056-G02 |   |   |   |   |   | JUMPER, GREEN/BLACK (DRIVER SIDE) .....                    | 1    |







**ELECTRONIC SPEED CONTROL****Electric Vehicle**

THE USE OF NON UL PARTS WILL VOID ANY UL LISTING.

When ordering parts, please specify the model and serial number of the product.

\* Indicates a component that is not available as an individual part.

G\*\* Indicates consult Customer Service Department for additional information.

| ITEM | PART NO.  | 1 2 3 4 5 | DESCRIPTION  | QTY. |
|------|-----------|-----------|--|------|
| 1    | 73056-G04 |           | ELECTRONIC SPEED CONTROL ASSEMBLY (INCLUDES ITEMS 2 - 31)..... | 1    |
| 2    | *         |           | LOCK WASHER, #10 .....   | 2    |
| 3    | *         |           | NUT, 10 - 32.....  | 2    |
| 4    |           |           |  |      |
| 5    | 30353-G1  |           | DIODE, 3 AMP.....  | 1    |
| 6    | 21764-G1  |           | RESISTOR.....  | 1    |
| 7    | 73103-G02 |           | WIRE HARNESS (CONTROL) .....                                   | 1    |
| 8    | *         |           | NUT, 5/16 - 24.....  | 2    |
| 9    |           |           |  |      |
| 10   | *         |           | LOCK WASHER, 5/16" .....                                       | 2    |
| 11   | 25972-G02 |           | 6 GA WIRE (BLACK 6", SOL - B+) .....                           | 1    |
| 12   | 25978-G10 |           | 18 GA WIRE (BLACK 6", SOL - B-) .....                          | 1    |
| 13   | 11027-G2  |           | LOCK NUT, 1/4 - 20 .....                                       | 2    |
| 14   |           |           |  |      |
| 15   | 27855-G01 |           | SOLENOID, 36 VOLT .....  | 1    |
| 16   | 73083-G01 |           | HEATSINK .....   | 1    |
| 17   | 25864-G03 |           | ELECTRONIC SPEED CONTROLLER .....                              | 1    |
| 18   | 73190-G01 |           | THERMAL MOUNTING PAD .....                                     | 1    |
| 19   | 71102-G01 |           | BOLT, 1/4 - 20 X 3/4" LG.....                                  | 5    |
| 20   | 73028-G01 |           | COVER .....  | 1    |
| 21   | 31539-G1  |           | WIRE TIE .....   | 1    |
| 22   | 73053-G01 |           | MOUNT .....  | 1    |
| 23   |           |           |  |      |
| 24   | 71102-G03 |           | BOLT, 1/4 - 20 X 1 1/4" LG.....                                | 4    |
| 25   | 73039-G02 |           | WIRE HARNESS (POWER) .....                                     | 1    |
| 26   |           |           |  |      |
| 27   | 00270-G5  |           | BOLT, 5/16 - 18 X 5/8" LG.....                                 | 3    |
| 28   |           |           |  |      |
| 29   | 11027-G1  |           | NUT, 5/16 - 18.....  | 3    |
| 30   |           |           |  |      |

THE USE OF NON UL PARTS WILL VOID ANY UL LISTING.

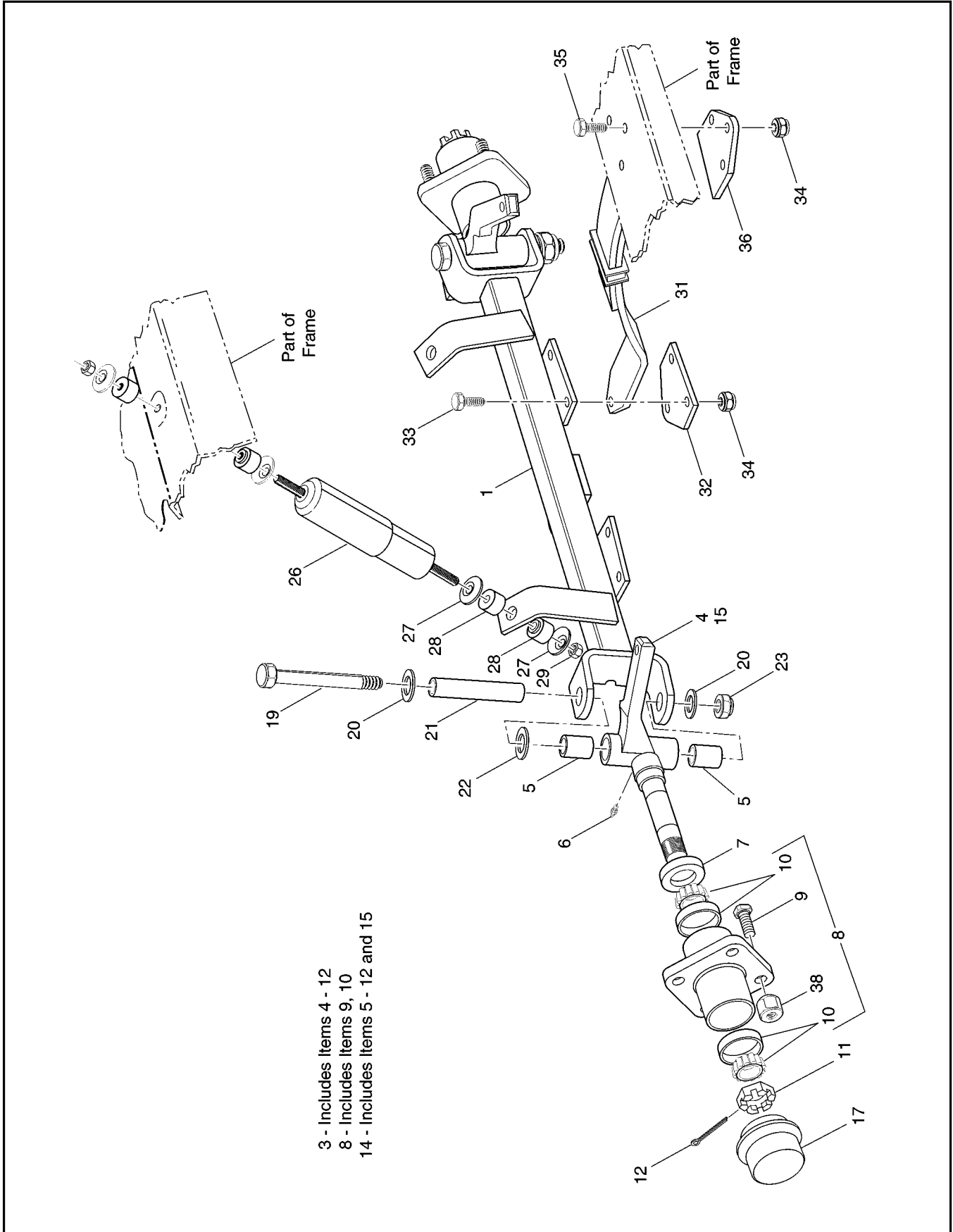
When ordering parts, please specify the model and serial number of the product.

\* Indicates a component that is not available as an individual part.

G\*\* Indicates consult Customer Service Department for additional information.

| ITEM | PART NO.  | 1 2 3 4 5 | DESCRIPTION                   | QTY. |
|------|-----------|-----------|-------------------------------|------|
| 31   | 25866-G01 |           | SOLENOID BRACKET .....        | 1    |
| 32   |           |           |                               |      |
| 33   | 71102-G01 |           | BOLT, 1/4 - 20 X 3/4" LG..... | 4    |

# FRONT SUSPENSION (EARLY PRODUCTION) Electric Vehicle



# Electric Vehicle FRONT SUSPENSION (EARLY PRODUCTION)

When ordering parts, please specify the model and serial number of the product.

\* Indicates a component that is not available as an individual part.

G\*\* Indicates consult Customer Service Department for additional information.

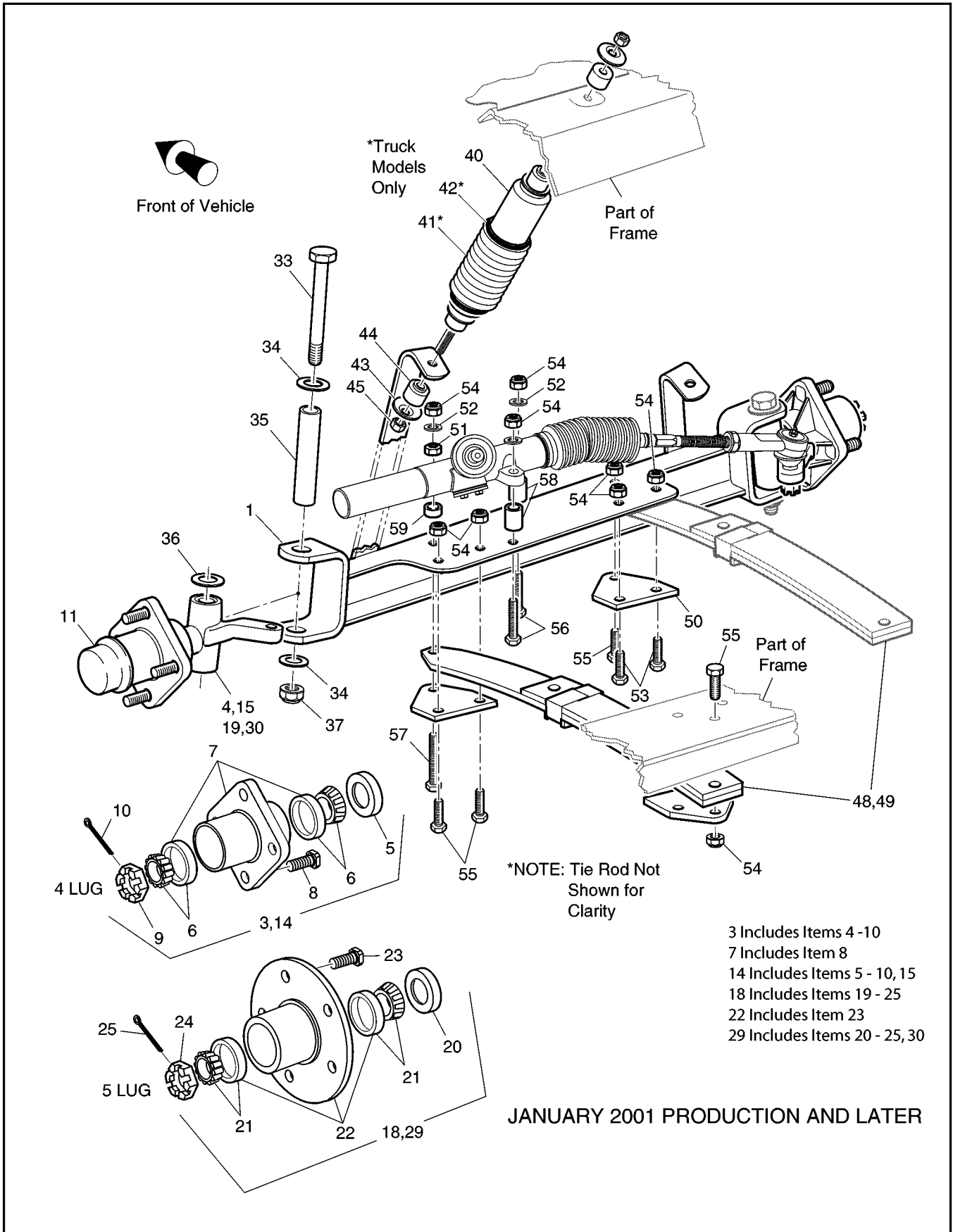
| ITEM | PART NO.  | 1 2 3 4 5 | DESCRIPTION   | QTY. |
|------|-----------|-----------|---|------|
| 1    | 70536-G01 |           | FRONT AXLE.....   | 1    |
| 2    |           |           |   |      |
| 3    | 70220-G01 |           | SPINDLE ASSEMBLY (DRIVER SIDE) (INCLUDES ITEMS 4 - 12).....       | 1    |
| 4    | *         |           | SPINDLE (DRIVER SIDE).....  | 1    |
| 5    | 16623-G1  |           | BEARING .....   | 2    |
| 6    | 10389-G3  |           | GREASE FITTING, STRAIGHT .....                                    | 1    |
| 7    | 25146-G1  |           | GREASE SEAL .....   | 1    |
| 8    | 19932-G1  |           | WHEEL HUB ASSEMBLY (INCLUDES ITEMS 9, 10) .....                   | 1    |
| 9    | 19862-G1  |           | LUG BOLT, 1/2 - 20 X 1 7/32" LG.....                              | 4    |
| 10   | 50892-G1  |           | BEARING AND RACE ASSEMBLY (COMPLETE) .....                        | 2    |
| 11   | 12093-G1  |           | SLOTTED NUT, 1 - 14.....  | 1    |
| 12   | 00798-G8  |           | COTTER PIN, 5/32" X 1 3/4" LG .....                               | 1    |
| 13   |           |           |   |      |
| 14   | 70221-G01 |           | SPINDLE ASSEMBLY (PASSENGER SIDE) (INCLUDES ITEMS 5 - 12, 15) ... | 1    |
| 15   | *         |           | SPINDLE (PASSENGER SIDE) .....                                    | 1    |
| 16   |           |           |   |      |
| 17   | 12091-G2  |           | SPINDLE CAP .....   | 2    |
| 18   |           |           |   |      |
| 19   | 01040-G01 |           | KING PIN, 1/2 - 13 X 5" LG.....                                   | 2    |
| 20   | 00571-G5  |           | WASHER, 1/2" .....  | 4    |
| 21   | 70328-G01 |           | KING PIN TUBE.....  | 2    |
| 22   | 16982-G1  |           | THRUST WASHER, 7/8".....  | 2    |
| 23   | 14390-G6  |           | LOCK NUT, 1/2 - 13 .....  | 2    |
| 24   |           |           |   |      |
| 25   |           |           |   |      |
| 26   | 70324-G01 |           | SHOCK ABSORBER .....  | 2    |
| 27   | 10435-G1  |           | SHOCK ABSORBER WASHER.....  | 8    |
| 28   | 10194-G1  |           | RUBBER SHOCK ABSORBER BUSHING .....                               | 8    |
| 29   | 00532-G6  |           | NUT, 3/8 - 24 .....   | 4    |
| 30   |           |           |   |      |

# FRONT SUSPENSION (EARLY PRODUCTION)    Electric Vehicle

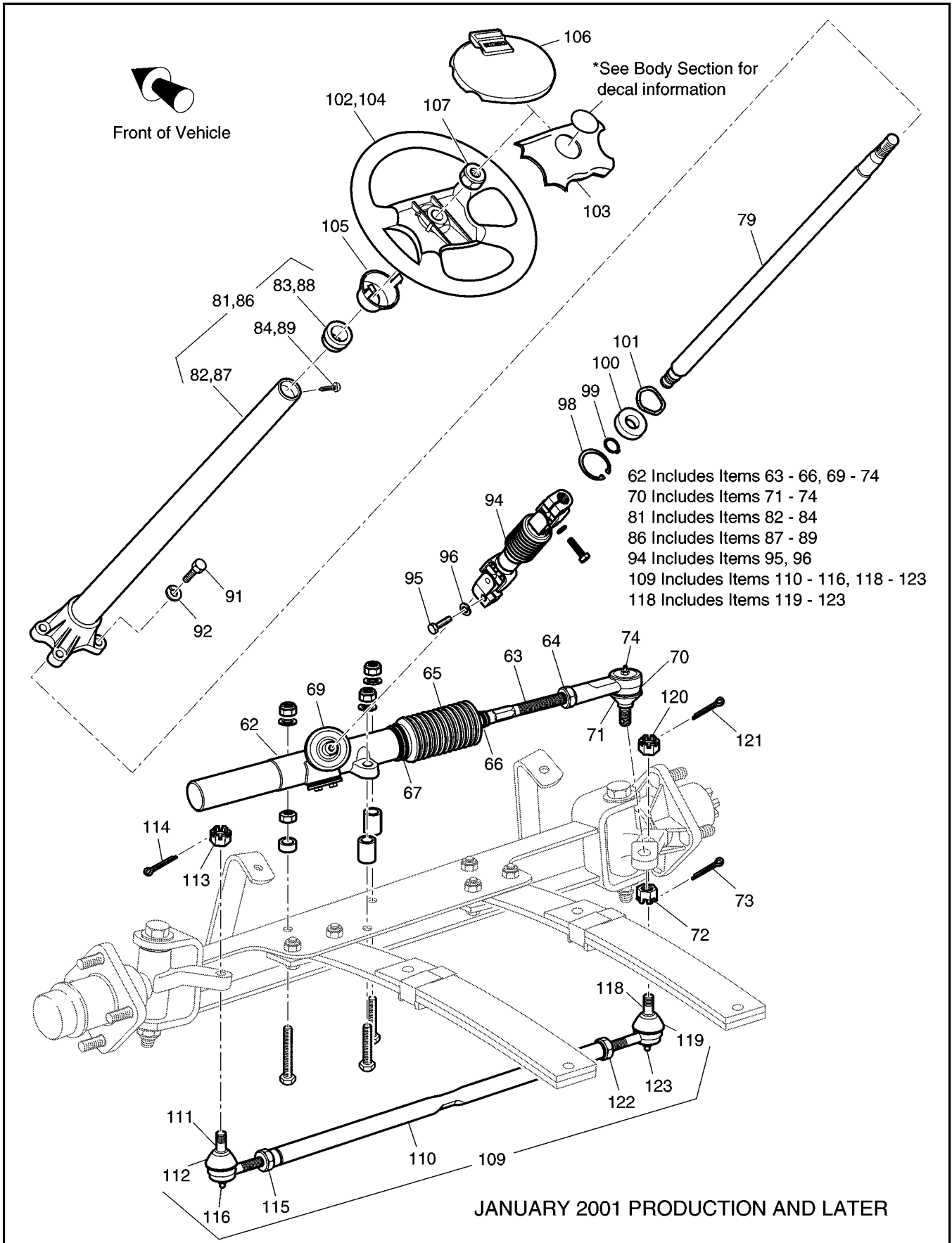
When ordering parts, please specify the model and serial number of the product.  
 \* Indicates a component that is not available as an individual part.  
 G\*\* Indicates consult Customer Service Department for additional information.

| ITEM | PART NO.  | 1   2   3   4   5 | DESCRIPTION                       | QTY. |
|------|-----------|-------------------|-----------------------------------|------|
| 31   | 70049-G01 |                   | LEAF SPRING .....                 | 2    |
| 32   | 70540-G02 |                   | SPRING PLATE .....                | 2    |
| 33   | 00463-G4  |                   | BOLT, 7/16 - 14 X 1 1/2" LG ..... | 6    |
| 34   | 00734-G1  |                   | LOCK NUT, 7/16 - 14 .....         | 12   |
| 35   | 00463-G6  |                   | BOLT, 7/16 - 14 X 1 3/4" LG ..... | 6    |
| 36   | 70163-G02 |                   | SPRING PLATE .....                | 2    |
| 37   |           |                   |                                   |      |
| 38   | 14723-G1  |                   | LUG NUT, 1/2 - 20.....            | 8    |

**Electric Vehicle FRONT SUSPENSION (EARLY PRODUCTION)**



# Electric Vehicle FRONT SUSPENSION/STEERING (JAN. 2001)





# FRONT SUSPENSION/STEERING (JAN. 2001)      Electric Vehicle

When ordering parts, please specify the model and serial number of the product.  
 \* Indicates a component that is not available as an individual part.  
 G\*\* Indicates consult Customer Service Department for additional information.

| ITEM | PART NO.  | 1 2 3 4 5 | DESCRIPTION  | QTY. |
|------|-----------|-----------|--|------|
| 1    | 70744-G01 |           | FRONT AXLE.....  | 1    |
| 2    |           |           |  |      |
| 3    | 70672-G01 |           | SPINDLE AND HUB ASSEMBLY, 4 LUG (PASSENGER SIDE)<br>(INCLUDES ITEMS 4 - 10) .....  | 1    |
| 4    | 70672-G02 |           | SPINDLE ASSEMBLY (PASSENGER SIDE) .....  | 1    |
| 5    | 25146-G1  |           | GREASE SEAL .....  | 1    |
| 6    | 50892-G1  |           | ROLLER BEARING AND RACE ASSEMBLY .....   | 2    |
| 7    | 70895-G01 |           | WHEEL HUB ASSEMBLY WITH RACES, 4 LUG (INCLUDES ITEM 8) .....                       | 1    |
| 8    | 19862-G1  |           | LUG BOLT, 1/2 - 20 X 1 7/32" LG.....   | 4    |
| 9    | 12093-G1  |           | SLOTTED NUT, 1 - 14.....   | 1    |
| 10   | 00798-G8  |           | COTTER PIN, 5/32" X 1 3/4" LG .....  | 1    |
| 11   | 12091-G2  |           | SPINDLE CAP.....   | 2    |
| 12   |           |           |  |      |
| 13   |           |           |  |      |
| 14   | 70673-G01 |           | SPINDLE AND HUB ASSEMBLY, 4 LUG (DRIVER SIDE)<br>(INCLUDES ITEMS 5 - 10, 15) ..... | 1    |
| 15   | 70673-G02 |           | SPINDLE ASSEMBLY (DRIVER SIDE).....  | 1    |
| 16   |           |           |  |      |
| 17   |           |           |  |      |
| 18   | 70796-G01 |           | SPINDLE AND HUB ASSEMBLY, 5 LUG (PASSENGER SIDE)<br>(INCLUDES ITEMS 19 - 25) ..... | 1    |
| 19   | 70672-G02 |           | SPINDLE ASSEMBLY (PASSENGER SIDE) .....  | 1    |
| 20   | 12092-G1  |           | GREASE SEAL .....  | 1    |
| 21   | 50892-G1  |           | ROLLER BEARING AND RACE ASSEMBLY .....   | 2    |
| 22   | 70772-G01 |           | WHEEL HUB ASSEMBLY WITH RACES, 5 LUG (INCLUDES ITEM 23).....                       | 1    |
| 23   | 30143-G1  |           | LUG BOLT, 1/2 - 20 X 1 7/32" LG.....   | 5    |
| 24   | 12093-G1  |           | SLOTTED NUT, 1 - 14.....   | 1    |
| 25   | 00798-G8  |           | COTTER PIN, 5/32" X 1 3/4" LG .....  | 1    |
| 26   |           |           |  |      |
| 27   |           |           |  |      |
| 28   |           |           |  |      |

# Electric Vehicle FRONT SUSPENSION/STEERING (JAN. 2001)

When ordering parts, please specify the model and serial number of the product.

\* Indicates a component that is not available as an individual part.

G\*\* Indicates consult Customer Service Department for additional information.

| ITEM | PART NO.  | 1 2 3 4 5 | DESCRIPTION   | QTY. |
|------|-----------|-----------|---|------|
| 29   | 70797-G01 |           | SPINDLE AND HUB ASSEMBLY, 5 LUG (DRIVER SIDE)<br>(INCLUDES ITEMS 20 - 25, 30) ..... | 1    |
| 30   | 70673-G02 |           | SPINDLE ASSEMBLY (DRIVER SIDE).....   | 1    |
| 31   |           |           |   |      |
| 32   |           |           |   |      |
| 33   | 00407-G6  |           | BOLT, 1/2 - 13 X 6" LG.....   | 2    |
| 34   | 00560-G3  |           | WASHER, 1/2" .....  | 4    |
| 35   | 70745-G01 |           | KING PIN TUBE.....  | 2    |
| 36   | 70754-G01 |           | THRUST WASHER (STAINLESS STEEL).....  | 2    |
| 37   | 14390-G6  |           | LOCK NUT, 1/2 - 13 .....  | 2    |
| 38   |           |           |   |      |
| 39   |           |           |   |      |
| 40   | 15707-G1  |           | SHOCK ABSORBER .....  | 2    |
| 41   | 70509-G01 |           | SHOCK ABSORBER BOOT .....   | 2    |
| 42   | 31539-G1  |           | WIRE TIE .....  | 4    |
| 43   | 10435-G1  |           | SHOCK ABSORBER WASHER.....  | 8    |
| 44   | 10194-G1  |           | RUBBER SHOCK ABSORBER BUSHING .....   | 8    |
| 45   | 00532-G6  |           | NUT, 3/8 - 24 .....   | 4    |
| 46   |           |           |   |      |
| 47   |           |           |   |      |
| 48   | 70597-G02 |           | LEAF SPRING .....   | 2    |
| 49   | 70664-G02 |           | LEAF SPRING (HEAVY DUTY) .....  | 2    |
| 50   | 70163-G02 |           | SPRING PLATE .....  | 4    |
| 51   | 00532-G7  |           | NUT, 7/16 - 14 .....  | 1    |
| 52   | 00560-G2  |           | FLAT WASHER, 7/16".....   | 4    |
| 53   | 00463-G4  |           | BOLT, 7/16 - 14 X 1 1/2" LG.....  | 2    |
| 54   | 00734-G1  |           | LOCK NUT, 7/16 - 14 .....   | 12   |
| 55   | 00463-G6  |           | BOLT, 7/16 - 14 X 1 3/4" LG.....  | 9    |
| 56   | 00464-G6  |           | BOLT, 7/16 - 14 X 2 3/4" LG.....  | 2    |
| 57   | 01068-G01 |           | BOLT, 7/16 - 14 X 3 1/2" LG.....  | 1    |

# FRONT SUSPENSION/STEERING (JAN. 2001)      Electric Vehicle

When ordering parts, please specify the model and serial number of the product.

\* Indicates a component that is not available as an individual part.

G\*\* Indicates consult Customer Service Department for additional information.

| ITEM | PART NO.  | 1 2 3 4 5 | DESCRIPTION  | QTY. |
|------|-----------|-----------|--|------|
| 58   | 70667-G02 |           | SPACER.....  | 2    |
| 59   | 70667-G03 |           | SPACER (SHORT).....  | 1    |
| 60   |           |           |  |      |
| 61   |           |           |  |      |
| 62   | 70602-G01 |           | RACK AND PINION UNIT (COMPLETE) (INCLUDES ITEMS 63 - 66, 69 - 74). | 1    |
| 63   | 70694-G01 |           | RACK EXTENSION.....  | 1    |
| 64   | *         |           | JAM NUT, 1/2" - 20.....  | 1    |
| 65   | 70675-G01 |           | RACK BOOT .....  | 1    |
| 66   | 17618-G1  |           | WIRE TIE.....  | 1    |
| 67   | 12416-G2  |           | WIRE TIE .....   | 1    |
| 68   |           |           |  |      |
| 69   | 70638-G01 |           | PINION SEAL.....   | 1    |
| 70   | 70695-G01 |           | RACK BALL JOINT (INCLUDES ITEMS 71 - 74).....                      | 1    |
| 71   | 50641-G1  |           | RUBBER BOOT .....  | 1    |
| 72   | 50209-G2  |           | SLOTTED NUT, 7/16 - 20.....  | 1    |
| 73   | 10387-G2  |           | COTTER PIN, 3/32" X 1" LG.....                                     | 1    |
| 74   | 10389-G3  |           | GREASE FITTING, STRAIGHT .....                                     | 1    |
| 75   |           |           |  |      |
| 76   |           |           |  |      |
| 77   |           |           |  |      |
| 78   |           |           |  |      |
| 79   | 70607-G01 |           | STEERING SHAFT .....   | 1    |
| 80   |           |           |  |      |
| 81   | 70758-G03 |           | STEERING COLUMN KIT (INCLUDES ITEMS 82 - 84).....                  | 1    |
| 82   | 70610-G01 |           | STEERING COLUMN.....   | 1    |
| 83   | 28569-G01 |           | STEERING COLUMN BUSHING .....                                      | 1    |
| 84   | 01022-G01 |           | SCREW, #6 - 20 X 5/16" LG.....                                     | 1    |
| 85   |           |           |  |      |
| 86   | 70758-G04 |           | STEERING COLUMN KIT (HORN) (INCLUDES ITEMS 87 - 89).....           | 1    |
| 87   | 70610-G02 |           | STEERING COLUMN.....   | 1    |

# Electric Vehicle FRONT SUSPENSION/STEERING (JAN. 2001)

When ordering parts, please specify the model and serial number of the product.

\* Indicates a component that is not available as an individual part.

G\*\* Indicates consult Customer Service Department for additional information.

| ITEM | PART NO.  | 1 | 2 | 3 | 4 | 5 | DESCRIPTION   | QTY. |
|------|-----------|---|---|---|---|---|---|------|
| 88   | 28569-G01 |   |   |   |   |   | STEERING COLUMN BUSHING .....                                   | 1    |
| 89   | 01022-G01 |   |   |   |   |   | SCREW, #6 - 20 X 5/16" LG.....                                  | 1    |
| 90   |           |   |   |   |   |   |   |      |
| 91   | 01006-G01 |   |   |   |   |   | BOLT, 3/8 - 16 X 1 1/4" LG WITH PATCHLOCK .....                 | 4    |
| 92   | 00879-G1  |   |   |   |   |   | LOCK WASHER, 3/8".....  | 4    |
| 93   |           |   |   |   |   |   |   |      |
| 94   | 70580-G01 |   |   |   |   |   | INTERMEDIATE SHAFT (INCLUDES ITEMS 95, 96).....                 | 1    |
| 95   | 01055-G01 |   |   |   |   |   | BOLT, M8 X 1 1/4" LG .....                                      | 2    |
| 96   | 00565-G8  |   |   |   |   |   | LOCK WASHER, 5/16".....   | 2    |
| 97   |           |   |   |   |   |   |   |      |
| 98   | 70751-G01 |   |   |   |   |   | RETAINING RING (INTERNAL).....                                  | 1    |
| 99   | 70888-G01 |   |   |   |   |   | RETAINING RING (EXTERNAL).....                                  | 1    |
| 100  | 15112-G1  |   |   |   |   |   | BALL BEARING .....  | 1    |
| 101  | 70887-G01 |   |   |   |   |   | WAVE WASHER .....   | 1    |
| 102  | 71146-G01 |   |   |   |   |   | STEERING WHEEL .....  | 1    |
| 103  | 71147-G01 |   |   |   |   |   | STEERING WHEEL COVER .....                                      | 1    |
| 104  | 71948-G01 |   |   |   |   |   | STEERING WHEEL .....  | 1    |
| 105  | 71949-G01 |   |   |   |   |   | HUB COVER.....  | 1    |
| 106  | 71950-G01 |   |   |   |   |   | CLIPBOARD .....   | 1    |
| 107  | 14390-G2  |   |   |   |   |   | LOCK NUT, 5/8 - 18 .....  | 1    |
| 108  |           |   |   |   |   |   |   |      |
| 109  | 20788-G2  |   |   |   |   |   | TIE ROD ASSEMBLY (INCLUDES ITEMS 110 - 116, 118 - 123) .....    | 1    |
| 110  | 70583-G03 |   |   |   |   |   | THREADED TUBE WITH FLAT .....                                   | 1    |
| 111  | 27205-G01 |   |   |   |   |   | TIE ROD END (LEFT HAND THREAD) (INCLUDES ITEMS 112 - 114) ..... | 1    |
| 112  | 50641-G1  |   |   |   |   |   | RUBBER BOOT .....   | 1    |
| 113  | 50209-G2  |   |   |   |   |   | SLOTTED NUT, 7/16 - 20.....                                     | 1    |
| 114  | 10387-G2  |   |   |   |   |   | COTTER PIN, 3/32" X 1" LG.....                                  | 1    |
| 115  | 18434-G3  |   |   |   |   |   | JAM NUT, 9/16 - 18 (LEFT HAND THREAD) .....                     | 1    |
| 116  | 10389-G3  |   |   |   |   |   | GREASE FITTING, STRAIGHT .....                                  | 1    |
| 117  |           |   |   |   |   |   |   |      |

# FRONT SUSPENSION/STEERING (JAN. 2001)      Electric Vehicle

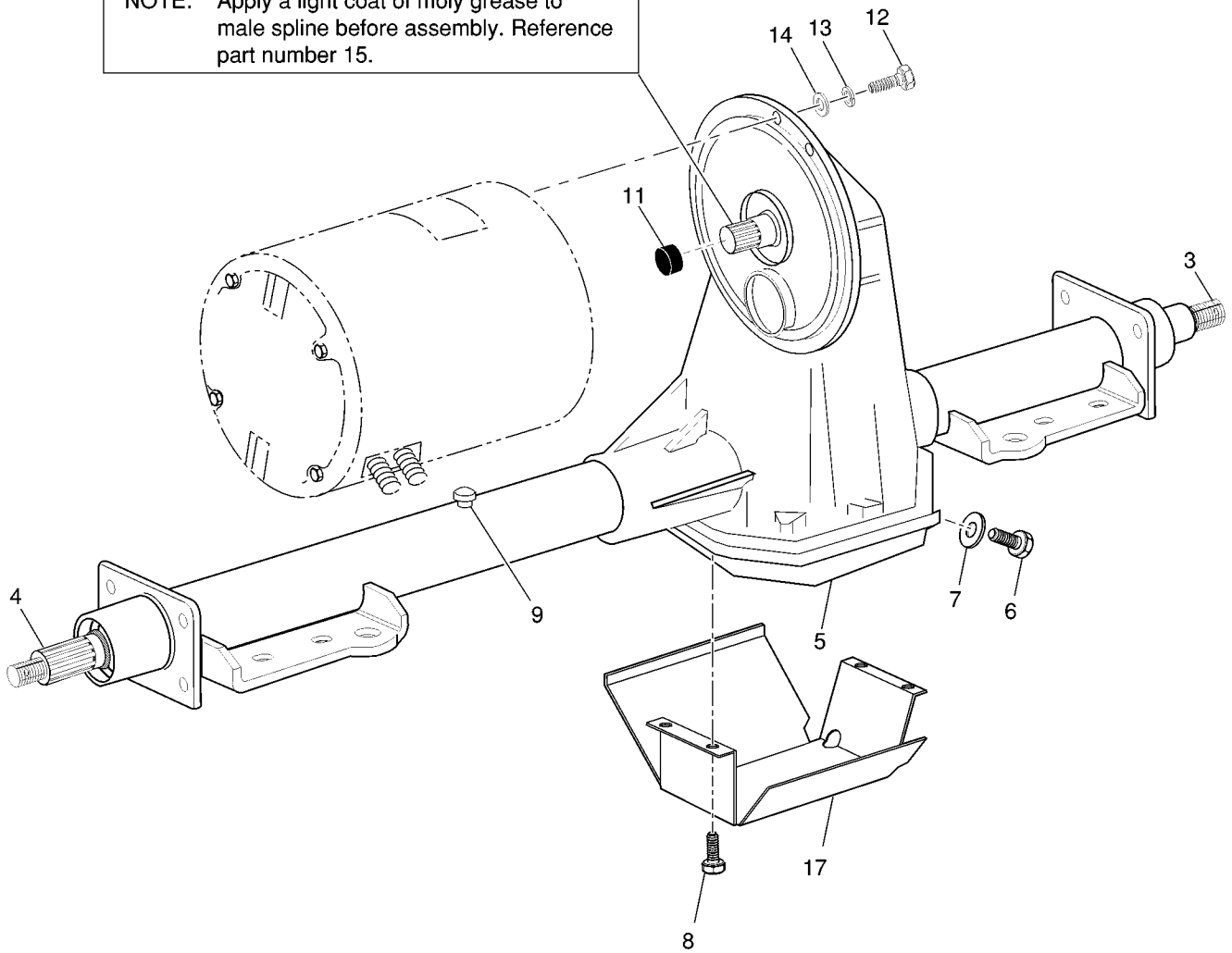
When ordering parts, please specify the model and serial number of the product.  
 \* Indicates a component that is not available as an individual part.  
 G\*\* Indicates consult Customer Service Department for additional information.

| ITEM | PART NO.  | 1 | 2 | 3 | 4 | 5 | DESCRIPTION   | QTY. |
|------|-----------|---|---|---|---|---|---|------|
| 118  | 27205-G02 |   |   |   |   |   | TIE ROD END (RIGHT HAND THREAD) (INCLUDES ITEMS 119 - 123) .... | 1    |
| 119  | 50641-G1  |   |   |   |   |   | RUBBER BOOT .....   | 1    |
| 120  | 50209-G2  |   |   |   |   |   | SLOTTED NUT, 7/16 - 20.....                                     | 1    |
| 121  | 10387-G2  |   |   |   |   |   | COTTER PIN, 3/32" X 1" LG.....                                  | 1    |
| 122  | 18434-G4  |   |   |   |   |   | JAM NUT, 9/16 - 18 (RIGHT HAND THREAD).....                     | 1    |
| 123  | 10389-G3  |   |   |   |   |   | GREASE FITTING, STRAIGHT .....                                  | 1    |



- 1 - Includes Items 3 - 9
- 2 - Includes Items 3 - 9

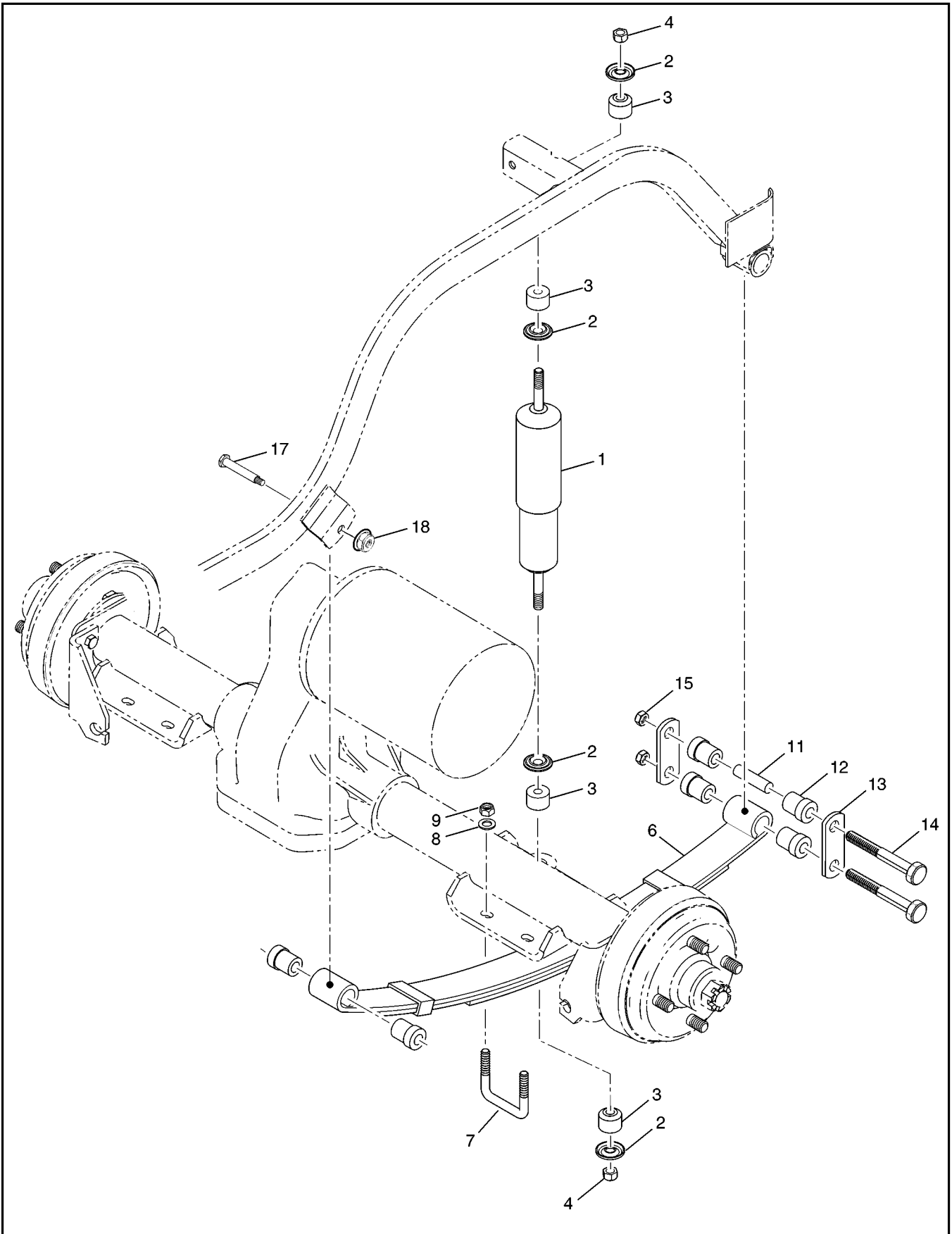
**NOTE:** Apply a light coat of moly grease to male spline before assembly. Reference part number 15.



THE USE OF NON UL PARTS WILL VOID ANY UL LISTING.  
 When ordering parts, please specify the model and serial number of the product.  
 \* Indicates a component that is not available as an individual part.  
 G\*\* Indicates consult Customer Service Department for additional information.

| ITEM | PART NO.  | 1 2 3 4 5 | DESCRIPTION   | QTY. |
|------|-----------|-----------|---|------|
| 1    | 73069-G01 |           | REAR AXLE ASSEMBLY, 12.44:1 (INCLUDES ITEMS 3 - 9) (800 / LX / SE)... | 1    |
| 2    | 73001-G02 |           | REAR AXLE ASSEMBLY 14.78:1 (INCLUDES ITEMS 3 - 9) (INDUSTRIAL) ...    | 1    |
| 3    | 20377-G12 |           | AXLE SHAFT (PASSENGER SIDE) .....                                     | 1    |
| 4    | 20377-G11 |           | AXLE SHAFT (DRIVER SIDE).....   | 1    |
| 5    | 25228-G1  |           | DIFFERENTIAL COVER .....  | 1    |
| 6    | 25226-G1  |           | FILL/CHECK PLUG .....   | 1    |
| 7    | 25227-G1  |           | WASHER .....  | 1    |
| 8    | 15558-G1  |           | SCREW, 5/16 - 18 X 3/4" LG.....                                       | 10   |
| 9    | 73050-G01 |           | VENT .....  | 1    |
| 10   |           |           |   |      |
| 11   | 24261-G1  |           | BUMPER SPLINE .....   | 1    |
| 12   | 00797-G2  |           | BOLT, 1/4 - 20 X 1 1/4" LG.....                                       | 3    |
| 13   | 00565-G7  |           | LOCK WASHER, 1/4" .....   | 3    |
| 14   | 00559-G7  |           | WASHER, 1/4" .....  | 3    |
| 15   | 28095-G01 |           | MOLY LUBE, 2 OZ.....  | AR   |
| 16   |           |           |   |      |
| 17   | 25353-G1  |           | DIFFERENTIAL GUARD.....   | 1    |

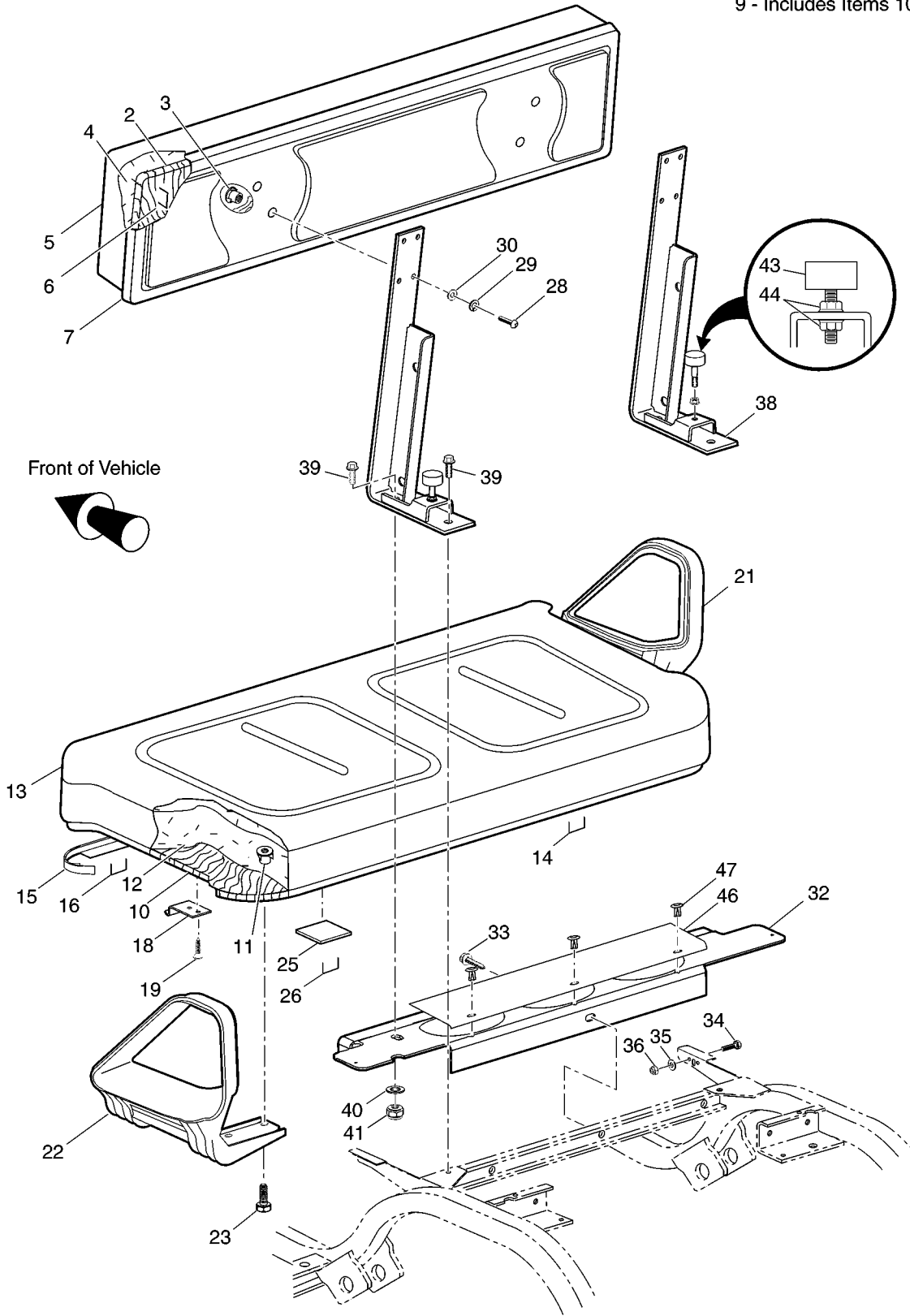




When ordering parts, please specify the model and serial number of the product.  
 \* Indicates a component that is not available as an individual part.  
 G\*\* Indicates consult Customer Service Department for additional information.

| ITEM | PART NO.  | 1 2 3 4 5 | DESCRIPTION                              | QTY. |
|------|-----------|-----------|--|------|
| 1    | 70324-G01 |           | SHOCK ABSORBER .....                     | 2    |
| 2    | 10435-G1  |           | SHOCK ABSORBER WASHER.....               | 8    |
| 3    | 10194-G1  |           | RUBBER SHOCK ABSORBER BUSHING .....      | 8    |
| 4    | 00532-G6  |           | NUT, 3/8 - 24 .....                      | 4    |
| 5    |           |           |  |      |
| 6    | 74207-G01 |           | LEAF SPRING (HEAVY DUTY) .....           | 2    |
| 7    | 72618-G01 |           | "U" BOLT, 3/8 - 16 .....                 | 4    |
| 8    | 00560-G1  |           | WASHER, 3/8" .....                       | 8    |
| 9    | 11098-G5  |           | LOCK NUT, 3/8 - 16 .....                 | 8    |
| 10   |           |           |  |      |
| 11   | 70289-G02 |           | SPACER.....                              | 4    |
| 12   | 70291-G01 |           | RUBBER BUSHING.....                      | 12   |
| 13   | 70290-G01 |           | SHACKLE PLATE .....                      | 4    |
| 14   | 00429-G4  |           | BOLT, 3/8 - 16 X 3 1/2" LG.....          | 4    |
| 15   | 11098-G5  |           | LOCK NUT, 3/8 - 16 .....                 | 4    |
| 16   |           |           |  |      |
| 17   | 14158-G1  |           | SHOULDER BOLT, 3/8 - 16 X 3 1/4" LG..... | 2    |
| 18   | 12262-G1  |           | LOCK NUT, 3/8 - 16 .....                 | 2    |

1 - Includes Items 2 - 7  
9 - Includes Items 10 - 23



When ordering parts, please specify the model and serial number of the product.  
 \* Indicates a component that is not available as an individual part.  
 G\*\* Indicates consult Customer Service Department for additional information.

| ITEM | PART NO.  | 1 | 2 | 3 | 4 | 5 | DESCRIPTION  | QTY. |
|------|-----------|---|---|---|---|---|--|------|
| 1    | 71274-G** |   |   |   |   |   | SEAT BACK ASSEMBLY (INCLUDES ITEMS 3 - 8).....     | 1    |
| 2    | *         |   |   |   |   |   | PLYWOOD SEAT BACK .....                            | 1    |
| 3    | *         |   |   |   |   |   | TEE NUT, 1/4 - 20 .....                            | 4    |
| 4    | *         |   |   |   |   |   | FOAM.....  | 1    |
| 5    | 18144-G** |   |   |   |   |   | VINYL SEAT BACK COVER .....                        | 1    |
| 6    | *         |   |   |   |   |   | FLAT STAPLES.....                                  | A/R  |
| 7    | 18868-G4  |   |   |   |   |   | PLASTIC SEAT BACK COVER (BLACK) .....              | 1    |
| 8    |           |   |   |   |   |   |  |      |
| 9    | 71664-G** |   |   |   |   |   | SEAT BOTTOM ASSEMBLY (INCLUDES ITEMS 11 - 24)..... | 1    |
| 10   | *         |   |   |   |   |   | PLYWOOD BASE.....                                  | 1    |
| 11   | *         |   |   |   |   |   | TEE NUT, 1/4 - 20 .....                            | 16   |
| 12   | *         |   |   |   |   |   | FOAM.....  | 1    |
| 13   | 71602-G** |   |   |   |   |   | VINYL SEAT BOTTOM COVER.....                       | 1    |
| 14   | *         |   |   |   |   |   | FLAT STAPLES.....                                  | A/R  |
| 15   | 71012-G01 |   |   |   |   |   | VINYL TRIM (SEAT BOTTOM) .....                     | 1    |
| 16   | *         |   |   |   |   |   | FLAT STAPLES.....                                  | A/R  |
| 17   |           |   |   |   |   |   |  |      |
| 18   | 71610-G01 |   |   |   |   |   | SEAT HINGE.....                                    | 2    |
| 19   | 00720-G08 |   |   |   |   |   | SCREW, #12 - 14 X 1" LG. ....                      | 6    |
| 20   |           |   |   |   |   |   |  |      |
| 21   | 71701-G01 |   |   |   |   |   | HIP RESTRAINT (PASSENGER SIDE).....                | 1    |
| 22   | 71702-G01 |   |   |   |   |   | HIP RESTRAINT (DRIVER SIDE) .....                  | 1    |
| 23   | 71204-G01 |   |   |   |   |   | BOLT, 1/4 - 20 X 7/8" LG.....                      | 8    |
| 24   |           |   |   |   |   |   |  |      |
| 25   | 17074-G1  |   |   |   |   |   | BUMPER .....                                       | 2    |
| 26   | *         |   |   |   |   |   | FLAT STAPLES .....                                 | A/R  |
| 27   |           |   |   |   |   |   |  |      |
| 28   | 16705-G1  |   |   |   |   |   | SCREW, 1/4 - 20 X 1" LG.....                       | 4    |
| 29   | 00565-G7  |   |   |   |   |   | LOCK WASHER, 1/4" .....                            | 4    |
| 30   | 00559-G7  |   |   |   |   |   | WASHER, 1/4" .....                                 | 4    |

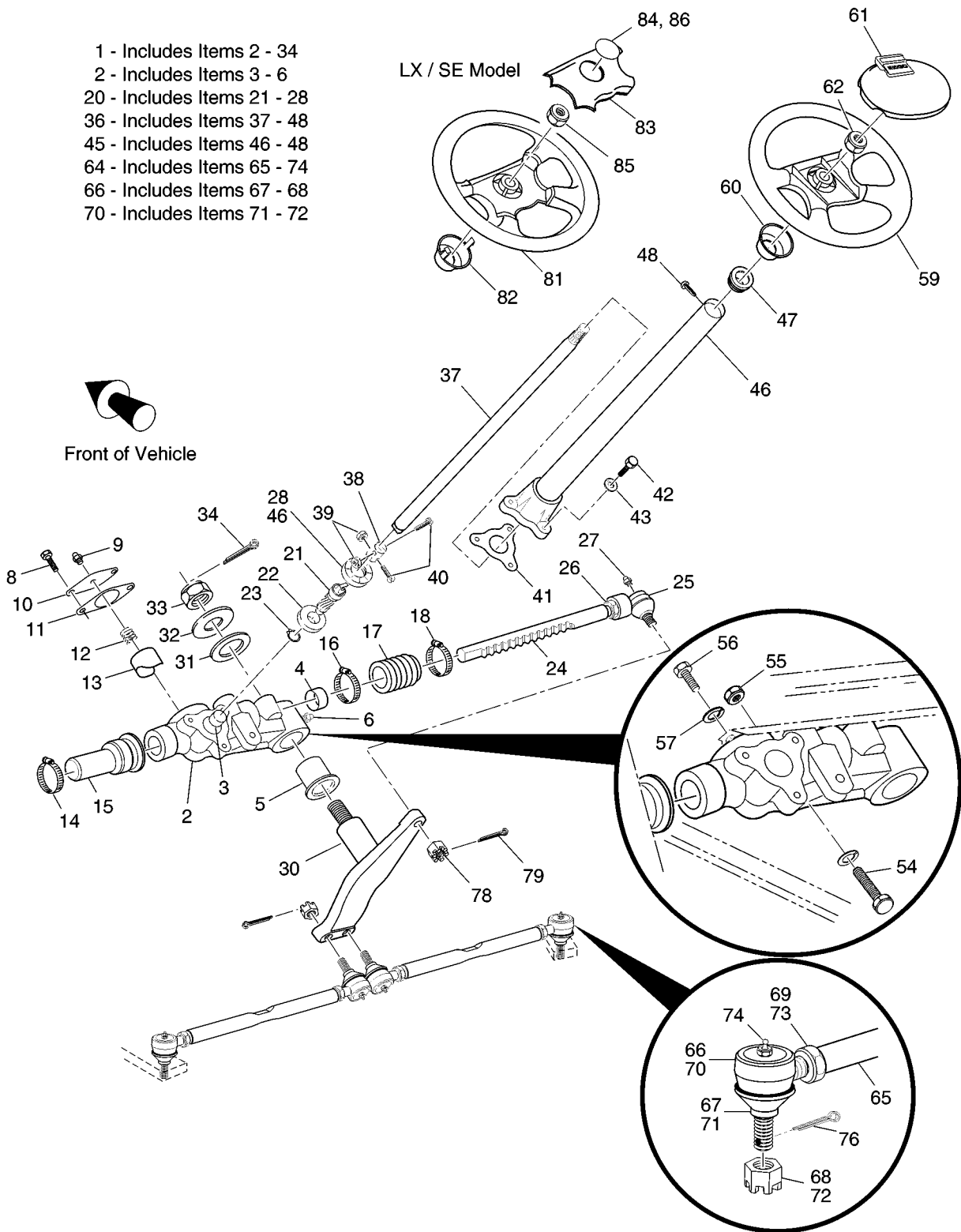
When ordering parts, please specify the model and serial number of the product.  
 \* Indicates a component that is not available as an individual part.  
 G\*\* Indicates consult Customer Service Department for additional information.

| ITEM | PART NO.  | 1 2 3 4 5 | DESCRIPTION                       | QTY. |
|------|-----------|-----------|-----------------------------------|------|
| 31   |           |           |                                   |      |
| 32   | 71262-G02 |           | SEAT BACK SUPPORT .....           | 1    |
| 33   | 00715-G2  |           | BOLT, 5/16 - 18 X 13/16" LG ..... | 1    |
| 34   | 00438-G6  |           | BOLT, 5/16 - 18 X 3/4" LG .....   | 2    |
| 35   | 00642-G8  |           | WASHER, 5/16" .....               | 2    |
| 36   | 11098-G6  |           | LOCK NUT, 5/16 - 18 .....         | 2    |
| 37   |           |           |                                   |      |
| 38   | 71436-G01 |           | SEAT BACK SUPPORT BRACKET .....   | 2    |
| 39   | 01006-G1  |           | BOLT, 3/8 - 16 X 1 1/4" LG .....  | 4    |
| 40   | 00560-G1  |           | WASHER, 3/8" .....                | 2    |
| 41   | 11098-G5  |           | LOCK NUT, 3/8 - 16 .....          | 2    |
| 42   |           |           |                                   |      |
| 43   | 70113-G01 |           | ADJUSTABLE BUMPER .....           | 2    |
| 44   | 11027-G1  |           | LOCK NUT, 5/16 - 18 .....         | 4    |
| 45   |           |           |                                   |      |
| 46   | 71263-G01 |           | ACCESS COVER.....                 | 1    |
| 47   | 18436-G1  |           | DRIVE RIVET .....                 | 3    |



FOR STEERING PRODUCTION AFTER JAN. 2001  
SEE 'FRONT SUSPENSION/STEERING (JAN. 2001)

- 1 - Includes Items 2 - 34
- 2 - Includes Items 3 - 6
- 20 - Includes Items 21 - 28
- 36 - Includes Items 37 - 48
- 45 - Includes Items 46 - 48
- 64 - Includes Items 65 - 74
- 66 - Includes Items 67 - 68
- 70 - Includes Items 71 - 72



When ordering parts, please specify the model and serial number of the product.

\* Indicates a component that is not available as an individual part.

G\*\* Indicates consult Customer Service Department for additional information.

| ITEM | PART NO.  | 1 | 2 | 3 | 4 | 5 | DESCRIPTION  | QTY. |
|------|-----------|---|---|---|---|---|--|------|
| 1    | 70314-G02 |   |   |   |   |   | STEERING BOX ASSEMBLY (COMPLETE) (INCLUDES ITEMS 2 - 34) ..... | 1    |
| 2    | 75364-G01 |   |   |   |   |   | STEERING HOUSING (INCLUDES ITEMS 3 - 6).....                   | 1    |
| 3    | *         |   |   |   |   |   | SLEEVE BEARING .....   | 1    |
| 4    | *         |   |   |   |   |   | SLEEVE BEARING .....   | 1    |
| 5    | *         |   |   |   |   |   | FLANGED BEARING .....  | 1    |
| 6    | 10389-G3  |   |   |   |   |   | GREASE FITTING, STRAIGHT .....                                 | 1    |
| 7    |           |   |   |   |   |   |  |      |
| 8    | 00426-G6  |   |   |   |   |   | BOLT, 3/8 - 16 X 3/4" LG .....                                 | 2    |
| 9    | 18456-G1  |   |   |   |   |   | GREASE FITTING, 90° .....                                      | 1    |
| 10   | 70177-G01 |   |   |   |   |   | RACK GUIDE COVER .....   | 1    |
| 11   | 70225-G01 |   |   |   |   |   | GASKET .....   | 1    |
| 12   | 70178-G01 |   |   |   |   |   | COMPRESSION SPRING .....                                       | 1    |
| 13   | 70179-G01 |   |   |   |   |   | RACK GUIDE .....   | 1    |
| 14   | 11391-G1  |   |   |   |   |   | CLAMP, 1 1/4" .....  | 1    |
| 15   | 70041-G01 |   |   |   |   |   | RACK COVER.....  | 1    |
| 16   | 11391-G1  |   |   |   |   |   | CLAMP, 1 1/4" .....  | 1    |
| 17   | 70183-G01 |   |   |   |   |   | BELLOWS .....  | 1    |
| 18   | 11391-G5  |   |   |   |   |   | CLAMP, 3/4" .....  | 1    |
| 19   |           |   |   |   |   |   |  |      |
| 20   | 70299-G01 |   |   |   |   |   | STEERING GEAR KIT (INCLUDES ITEMS 21 - 28).....                | 1    |
| 21   | 70297-G01 |   |   |   |   |   | GEAR PINION.....   | 1    |
| 22   | 15112-G1  |   |   |   |   |   | BALL BEARING .....   | 1    |
| 23   | 70190-G01 |   |   |   |   |   | EXTERNAL RETAINING RING .....                                  | 1    |
| 24   | 70298-G01 |   |   |   |   |   | STEERING RACK .....  | 1    |
| 25   | 70192-G01 |   |   |   |   |   | RACK BALL END .....  | 1    |
| 26   | 00532-G8  |   |   |   |   |   | NUT, 7/16 - 20 .....   | 1    |
| 27   | 18456-G1  |   |   |   |   |   | GREASE FITTING, 90° .....                                      | 1    |
| 28   | 70466-G01 |   |   |   |   |   | RETAINER .....   | 1    |
| 29   |           |   |   |   |   |   |  |      |
| 30   | 70184-G01 |   |   |   |   |   | IDLER.....   | 1    |



When ordering parts, please specify the model and serial number of the product.

\* Indicates a component that is not available as an individual part.

G\*\* Indicates consult Customer Service Department for additional information.

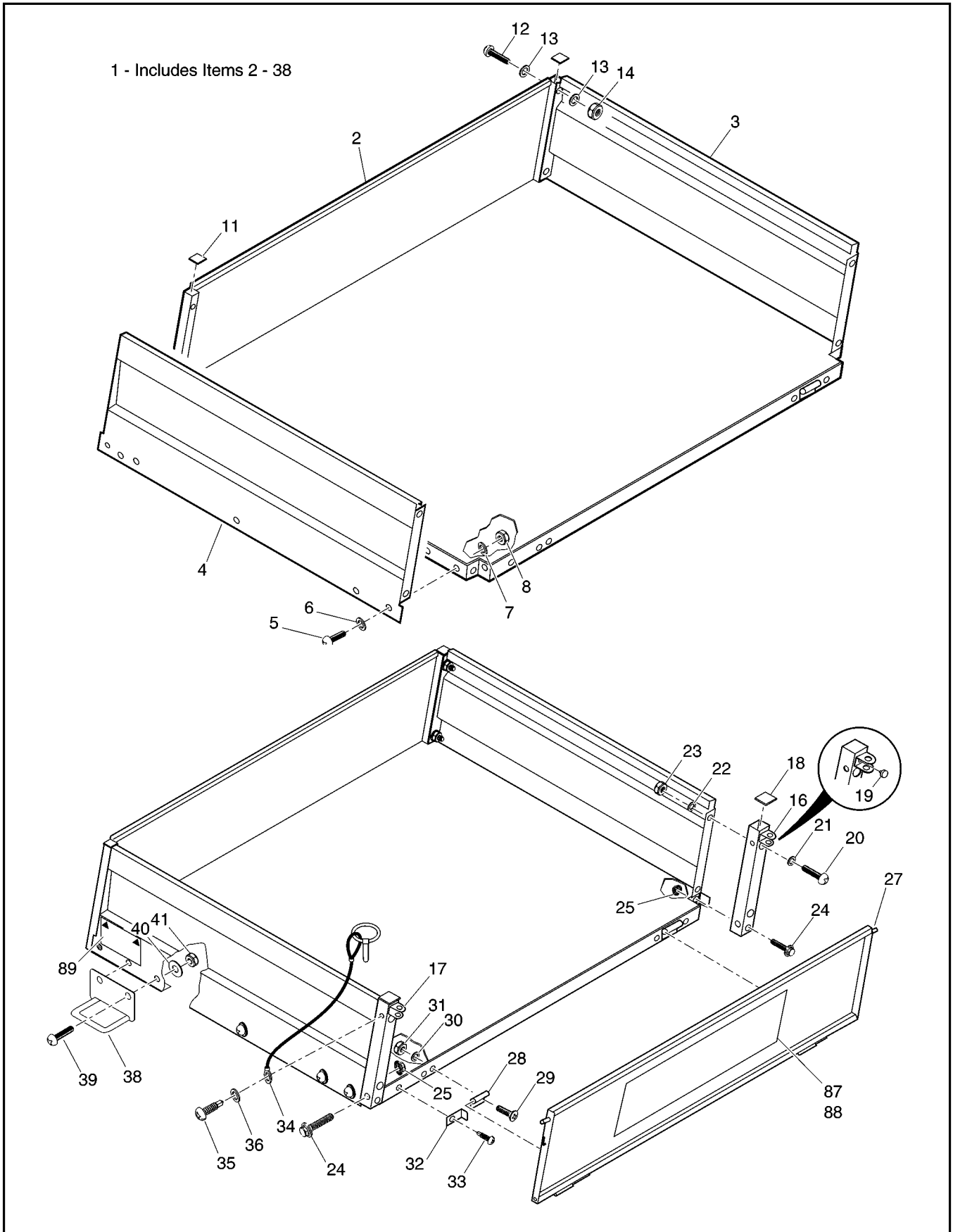
| ITEM | PART NO.  | 1 2 3 4 5 | DESCRIPTION  | QTY. |
|------|-----------|-----------|--|------|
| 31   | 70216-G01 |           | THRUST WASHER, 1 1/2" .....  | 1    |
| 32   | 70195-G01 |           | THRUST WASHER, 7/8" .....  | 1    |
| 33   | 00734-G6  |           | LOCK NUT, 7/8 - 9.....   | 1    |
| 34   | 00798-G8  |           | COTTER PIN, 5/32" X 1 3/4" LG .....                                      | 1    |
| 35   |           |           |  |      |
| 36   | 70360-G01 |           | STEERING SHAFT/COLUMN KIT (INCLUDES ITEMS 37 - 48) .....                 | 1    |
| 37   | 14322-G3  |           | STEERING SHAFT.....  | 1    |
| 38   | 70558-G01 |           | COUPLING.....  | 1    |
| 39   | 00550-G1  |           | LOCK NUT, 1/4 - 20.....  | 2    |
| 40   | 70227-G01 |           | BOLT, 1/4 - 20 X 7/8" LG .....   | 2    |
| 41   | 70223-G01 |           | GASKET .....   | 1    |
| 42   | 01034-G01 |           | BOLT, 3/8 - 16 X 1 1/2" LG WITH PATCHLOCK .....                          | 3    |
| 43   | 00878-G1  |           | LOCK WASHER, 3/8".....   | 3    |
| 44   | 70466-G01 |           | RETAINER.....  | 1    |
| 45   | 28633-G01 |           | STEERING COLUMN KIT (INCLUDES ITEMS 46 - 48) .....                       | 1    |
| 46   | *         |           | STEERING COLUMN .....  | 1    |
| 47   | 28569-G01 |           | STEERING COLUMN BUSHING (LATE PRODUCTION).....                           | 1    |
| 48   | 01022-G01 |           | SCREW, #6 - 20 X 5/16" LG .....  | 1    |
| 49   |           |           |  |      |
| 50   | 17161-G1  |           | BUSHING AND SEAL KIT (INCLUDES ITEMS 51, 52)<br>(EARLY PRODUCTION) ..... | 1    |
| 51   | *         |           | STEERING COLUMN BUSHING .....  | 1    |
| 52   | *         |           | SHAFT SEAL.....  | 1    |
| 53   |           |           |  |      |
| 54   | 00470-G4  |           | BOLT, 7/16 - 20 X 2 1/2" LG .....  | 1    |
| 55   | 00734-G3  |           | LOCK NUT, 7/16 - 20 .....  | 1    |
| 56   | 01033-G01 |           | BOLT, 7/16 - 14 X 1 1/4" LG WITH PATCHLOCK .....                         | 2    |
| 57   | 00566-G2  |           | LOCK WASHER, 7/16".....  | 3    |
| 58   |           |           |  |      |
| 59   | 71948-G01 |           | STEERING WHEEL .....   | 1    |

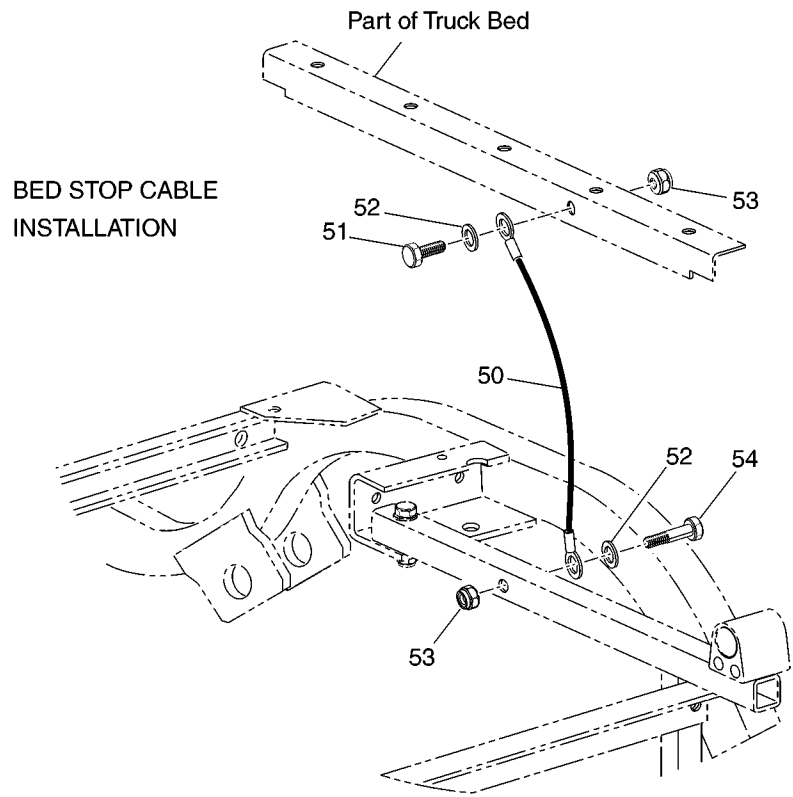
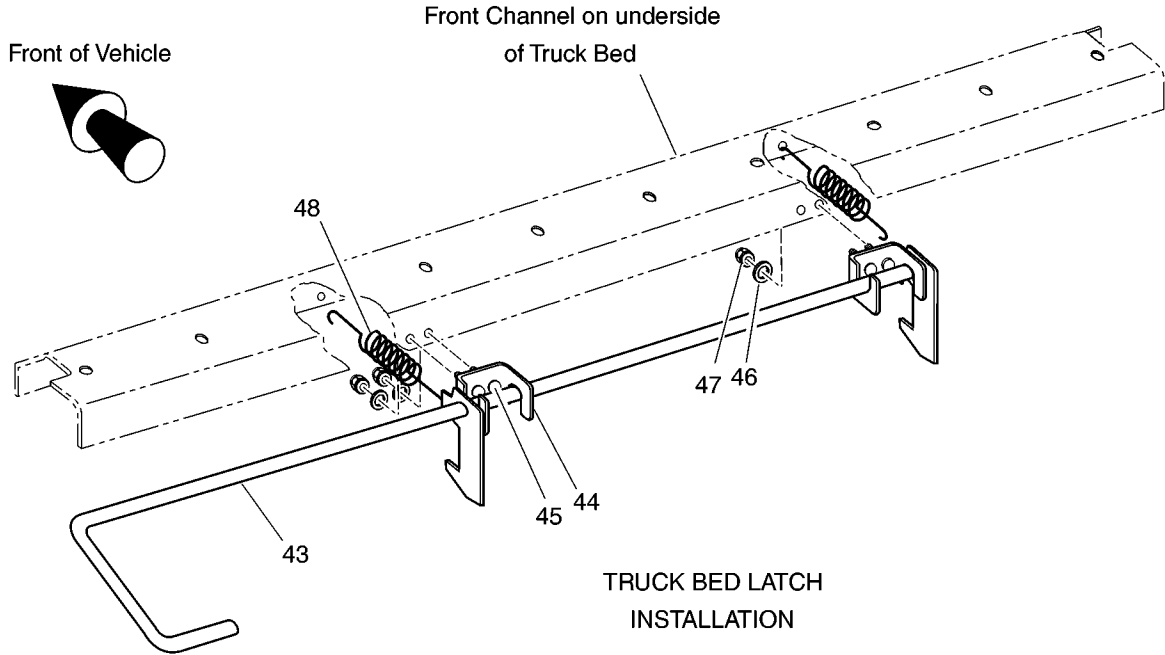
When ordering parts, please specify the model and serial number of the product.

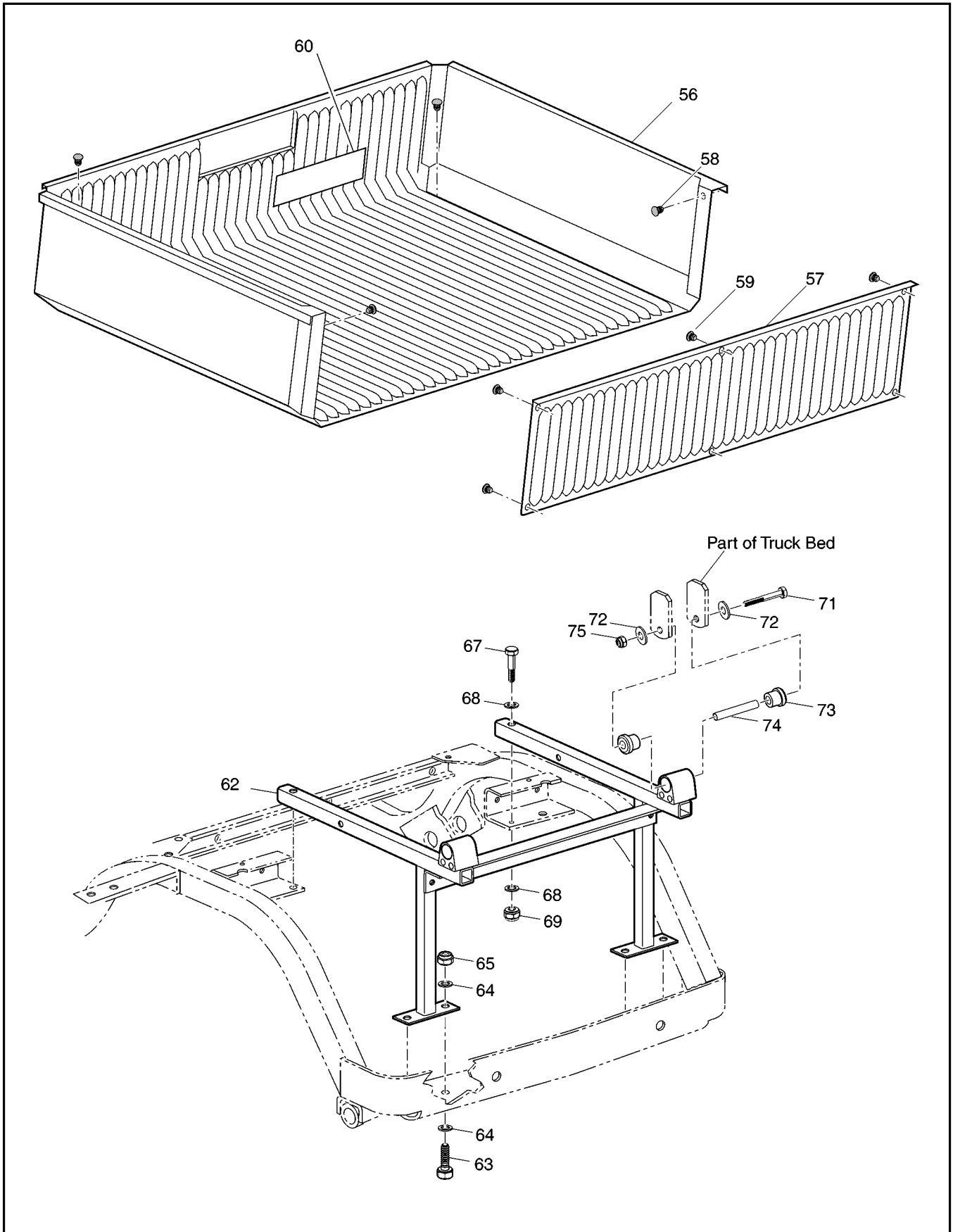
\* Indicates a component that is not available as an individual part.

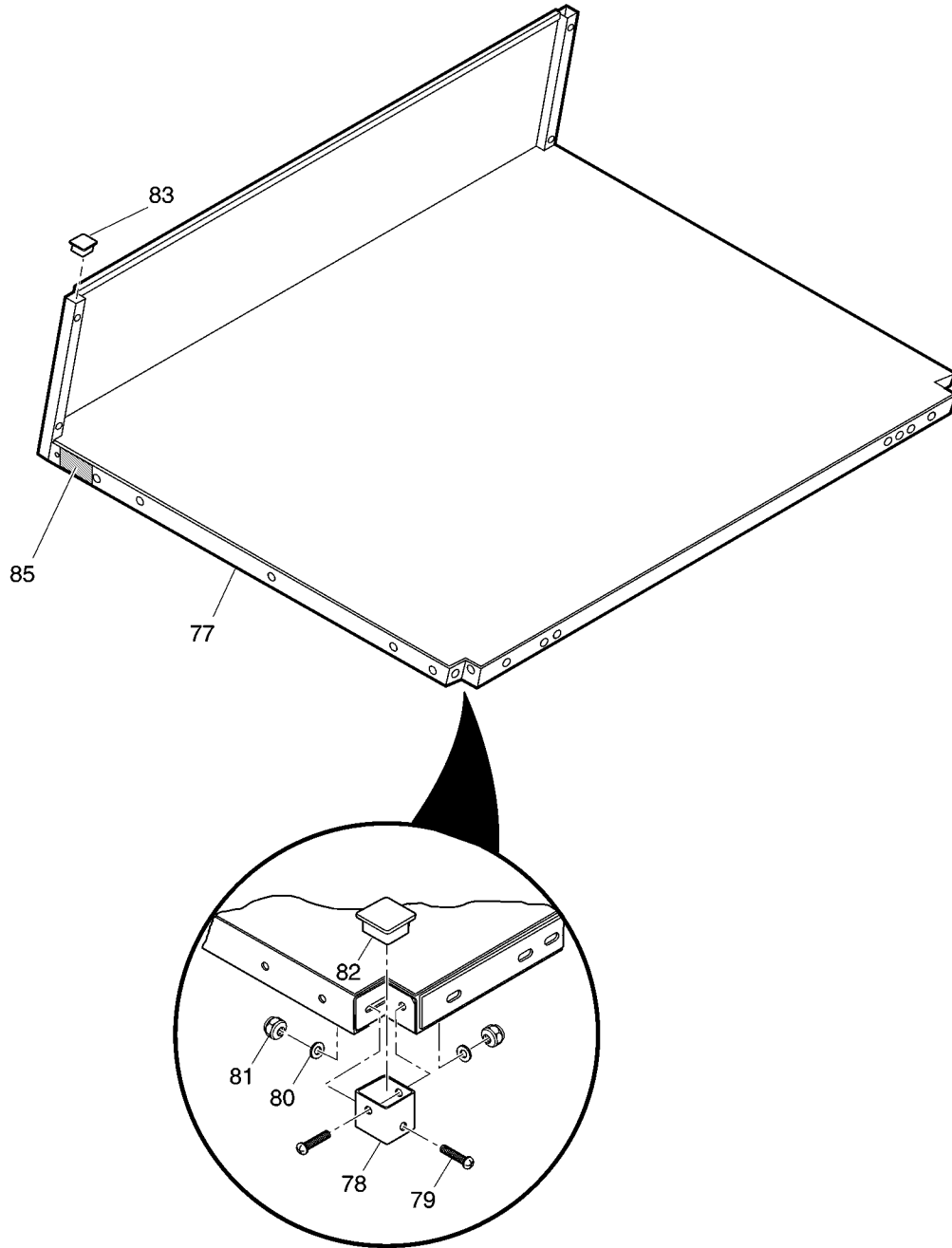
G\*\* Indicates consult Customer Service Department for additional information.

| ITEM | PART NO.  | 1 2 3 4 5 | DESCRIPTION   | QTY. |
|------|-----------|-----------|---|------|
| 60   | 71949-G01 |           | HUB.....  | 1    |
| 61   | 71950-G01 |           | CLIPBOARD .....   | 1    |
| 62   | 14390-G2  |           | LOCK NUT, 5/8 - 18 .....                                      | 1    |
| 63   |           |           |   |      |
| 64   | 70074-G01 |           | TIE ROD ASSEMBLY (INCLUDES ITEMS 65 - 74).....                | 2    |
| 65   | 70583-G02 |           | THREADED TUBE WITH FLAT .....                                 | 1    |
| 66   | 27205-G01 |           | TIE ROD END (LEFT HAND THREAD) (INCLUDES ITEMS 67 - 68).....  | 1    |
| 67   | 50641-G1  |           | RUBBER BOOT .....   | 1    |
| 68   | 50209-G2  |           | SLOTTED NUT, 7/16 - 20.....                                   | 1    |
| 69   | 18434-G3  |           | JAM NUT, 9/16 - 18 (LEFT HAND THREAD) .....                   | 1    |
| 70   | 27205-G02 |           | TIE ROD END (RIGHT HAND THREAD) (INCLUDES ITEMS 71 - 72)..... | 1    |
| 71   | 50641-G1  |           | RUBBER BOOT .....   | 1    |
| 72   | 50209-G2  |           | SLOTTED NUT, 7/16 - 20.....                                   | 1    |
| 73   | 18434-G4  |           | JAM NUT, 9/16 - 18 (RIGHT HAND THREAD).....                   | 1    |
| 74   | 10389-G3  |           | GREASE FITTING, STRAIGHT .....                                | 2    |
| 75   |           |           |   |      |
| 76   | 10387-G2  |           | COTTER PIN, 3/32" X 1" LG.....                                | 2    |
| 77   |           |           |   |      |
| 78   | 50209-G2  |           | SLOTTED NUT, 7/16 - 20 .....                                  | 1    |
| 79   | 10387-G2  |           | COTTER PIN, 3/32" X 1" LG.....                                | 1    |
| 80   |           |           |   |      |
| 81   | 71146-G01 |           | STEERING WHEEL .....  | 1    |
| 82   | 71949-G01 |           | HUB.....  | 1    |
| 83   | 71147-G01 |           | COVER .....   | 1    |
| 84   | 71047-G01 |           | DECAL (E-Z-GO) .....  | 1    |
| 85   | 14390-G2  |           | LOCK NUT, 5/8 - 18 .....                                      | 1    |
| 86   | 74405-G01 |           | DECAL (CUSHMAN).....  | 1    |









When ordering parts, please specify the model and serial number of the product.  
 \* Indicates a component that is not available as an individual part.  
 G\*\* Indicates consult Customer Service Department for additional information.

| ITEM | PART NO.  | 1 2 3 4 5 | DESCRIPTION   | QTY. |
|------|-----------|-----------|---|------|
| 1    | 71260-G01 |           | TRUCK BED ASSEMBLY (35") (INCLUDES ITEMS 2 - 38)..... | 1    |
| 2    | 71231-G01 |           | BED (35").....  | 1    |
| 3    | 71248-G01 |           | SIDE PANEL (35") (PASSENGER SIDE) .....               | 1    |
| 4    | 71248-G02 |           | SIDE PANEL (35") (DRIVER SIDE).....                   | 1    |
| 5    | 16705-G3  |           | SCREW, 1/4-20 X 3/4" LG.....                          | 10   |
| 6    | 00915-G1  |           | BONDED WASHER, 1/4" .....                             | 10   |
| 7    | 00559-G7  |           | WASHER, 1/4".....                                     | 10   |
| 8    | 14390-G4  |           | LOCK NUT, 1/4-20.....                                 | 10   |
| 9    |           |           |   |      |
| 10   |           |           |   |      |
| 11   | 71717-G01 |           | END CAP 1" .....                                      | 2    |
| 12   | 16705-G6  |           | SCREW, 1/4-20 X 1 3/4" LG.....                        | 4    |
| 13   | 00915-G1  |           | BONDED WASHER, 1/4" .....                             | 8    |
| 14   | 14390-G4  |           | LOCK NUT, 1/4-20.....                                 | 4    |
| 15   |           |           |   |      |
| 16   | 71322-G01 |           | POST (PASSENGER SIDE).....                            | 1    |
| 17   | 71322-G02 |           | POST (DRIVER SIDE).....                               | 1    |
| 18   | 71718-G01 |           | END CAP 1 1/2" .....                                  | 2    |
| 19   | 71838-G01 |           | RUBBER BUMPER .....                                   | 2    |
| 20   | 16705-G3  |           | SCREW, 1/4-20 X 3/4" LG.....                          | 4    |
| 21   | 00915-G1  |           | BONDED WASHER, 1/4" .....                             | 4    |
| 22   | 00559-G7  |           | WASHER, 1/4" .....                                    | 4    |
| 23   | 14390-G4  |           | LOCK NUT, 1/4-20.....                                 | 4    |
| 24   | 13437-G8  |           | LOCK SCREW, 3/8-16 X 2" LG .....                      | 4    |
| 25   | 11027-G5  |           | LOCK NUT, 3/8-16.....                                 | 4    |
| 26   |           |           |   |      |
| 27   | 71245-G01 |           | TAILGATE.....   | 1    |
| 28   | 27666-G01 |           | HINGE .....   | 2    |
| 29   | 01002-G08 |           | BOLT, 1/4-20 X 1" LG. ....                            | 4    |
| 30   | 00559-G7  |           | WASHER, 1/4" .....                                    | 4    |

When ordering parts, please specify the model and serial number of the product.

\* Indicates a component that is not available as an individual part.

G\*\* Indicates consult Customer Service Department for additional information.

| ITEM | PART NO.  | 1 | 2 | 3 | 4 | 5 | DESCRIPTION                                  | QTY. |
|------|-----------|---|---|---|---|---|--|------|
| 31   | 14390-G4  |   |   |   |   |   | LOCK NUT, 1/4 - 20.....                      | 4    |
| 32   | 71748-G01 |   |   |   |   |   | TAILGATE KEEPER .....                        | 1    |
| 33   | 16705-G3  |   |   |   |   |   | SCREW, 1/4-20 X 3/4" LG.....                 | 1    |
| 34   | 71083-G01 |   |   |   |   |   | TAILGATE CABLE .....                         | 2    |
| 35   | 00106-G6  |   |   |   |   |   | SELF-TAPPING SCREW, #12 - 24 X 3/4" LG. .... | 2    |
| 36   | 00915-G1  |   |   |   |   |   | BONDED WASHER, 1/4" .....                    | 2    |
| 37   |           |   |   |   |   |   |  |      |
| 38   | 71794-G01 |   |   |   |   |   | LIFT HANDLE .....                            | 1    |
| 39   | 00976-G08 |   |   |   |   |   | SCREW, 5/16 - 18 X 1" LG. ....               | 2    |
| 40   | 00559-G8  |   |   |   |   |   | WASHER, 5/16" .....                          | 2    |
| 41   | 11098-G6  |   |   |   |   |   | LOCK NUT, 5/16 - 18 .....                    | 2    |
| 42   |           |   |   |   |   |   |  |      |
| 43   | 71264-G01 |   |   |   |   |   | BED LATCH .....                              | 1    |
| 44   | 71827-G01 |   |   |   |   |   | LATCH BRACKET.....                           | 2    |
| 45   | 01014-G03 |   |   |   |   |   | CARRIAGE BOLT, 1/4 - 20 X 3/4" LG .....      | 4    |
| 46   | 00559-G7  |   |   |   |   |   | WASHER, 1/4" .....                           | 4    |
| 47   | 14390-G4  |   |   |   |   |   | LOCK NUT, 1/4 - 20 .....                     | 4    |
| 48   | 71965-G01 |   |   |   |   |   | EXTENSION SPRING.....                        | 2    |
| 49   |           |   |   |   |   |   |  |      |
| 50   | 71273-G01 |   |   |   |   |   | BED STOP CABLE .....                         | 1    |
| 51   | 00438-G8  |   |   |   |   |   | BOLT, 5/16 - 18 X 1" LG.....                 | 1    |
| 52   | 00642-G8  |   |   |   |   |   | WASHER, 5/16" .....                          | 2    |
| 53   | 11098-G6  |   |   |   |   |   | LOCK NUT, 5/16 - 18 .....                    | 2    |
| 54   | 00439-G4  |   |   |   |   |   | SCREW, 5/16 - 18 X 1 1/2" LG .....           | 1    |
| 55   |           |   |   |   |   |   |  |      |
| 56   | 74231-G01 |   |   |   |   |   | BED LINER .....                              | 1    |
| 57   | 74232-G01 |   |   |   |   |   | TAILGATE LINER.....                          | 1    |
| 58   | 18436-G1  |   |   |   |   |   | RIVET, 1/4" X 3/4" LG .....                  | 4    |
| 59   | 14601-G10 |   |   |   |   |   | RIVET, 3/16" X 3/8" LG .....                 | 6    |
| 60   | 71517-G01 |   |   |   |   |   | BED CAPACITY DECAL (500 LB) .....            | 1    |

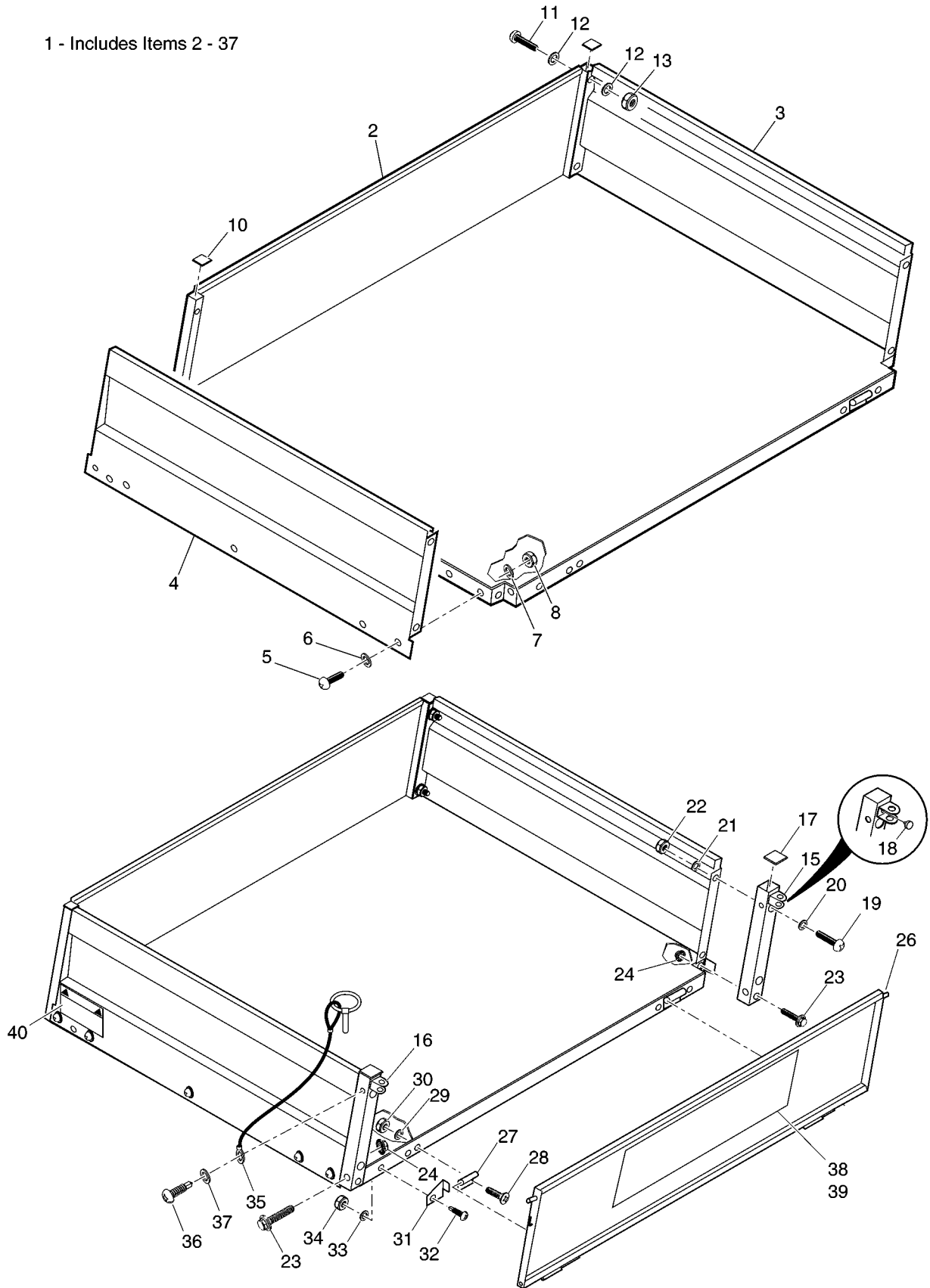


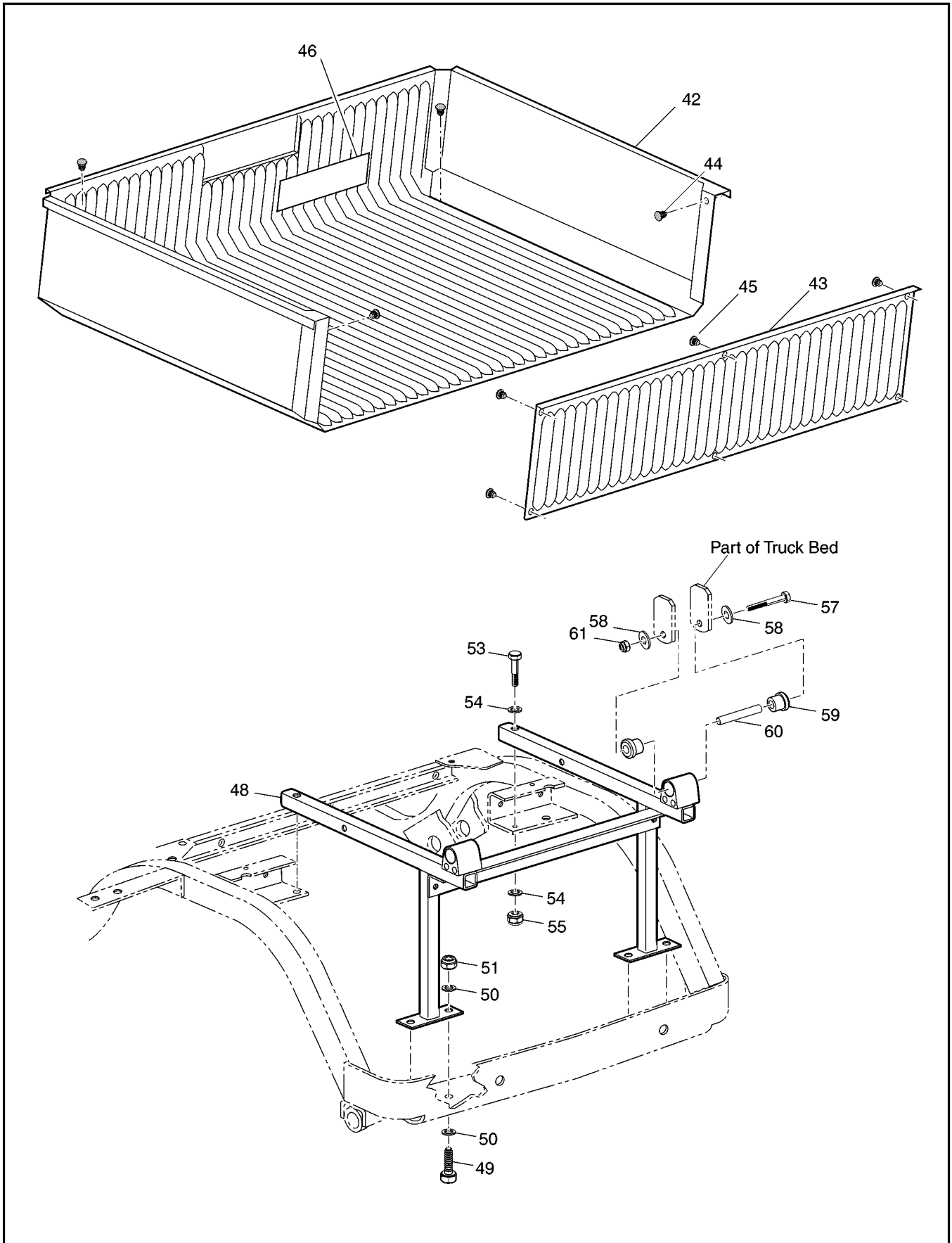
When ordering parts, please specify the model and serial number of the product.  
 \* Indicates a component that is not available as an individual part.  
 G\*\* Indicates consult Customer Service Department for additional information.

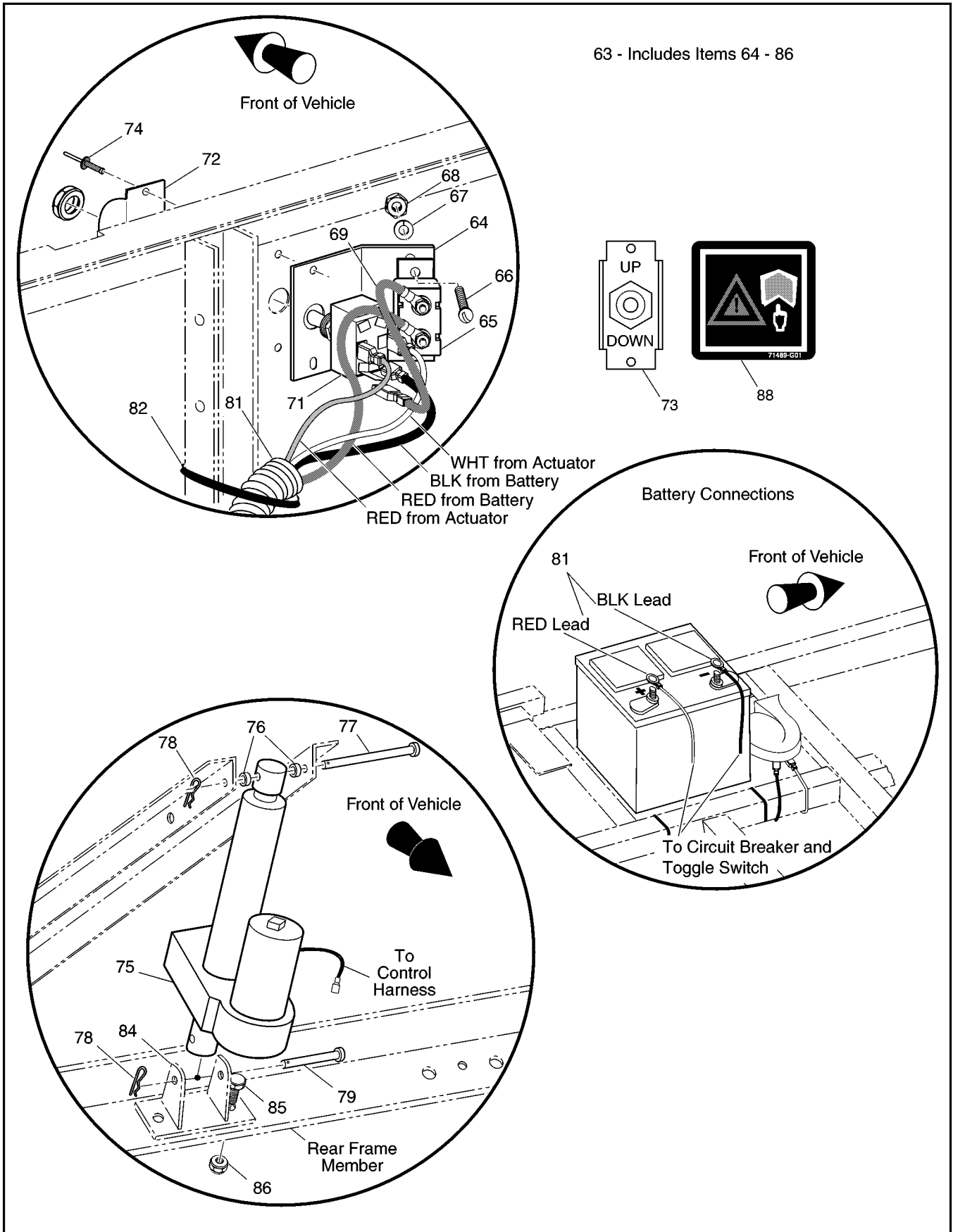
| ITEM | PART NO.  | 1 2 3 4 5 | DESCRIPTION                        | QTY. |
|------|-----------|-----------|------------------------------------|------|
| 61   |           |           |                                    |      |
| 62   | 71258-G01 |           | BED FRAME .....                    | 1    |
| 63   | 00438-G8  |           | SCREW, 5/16 - 18 X 1" LG .....     | 4    |
| 64   | 00642-G8  |           | WASHER, 5/16" .....                | 8    |
| 65   | 11098-G6  |           | LOCK NUT, 5/16 - 18 .....          | 4    |
| 66   |           |           |                                    |      |
| 67   | 00415-G6  |           | BOLT, 1/4 - 20 X 1 3/4" LG.....    | 2    |
| 68   | 00642-G7  |           | WASHER, 1/4" .....                 | 4    |
| 69   | 00891-G2  |           | LOCK NUT, 1/4 - 20 .....           | 2    |
| 70   |           |           |                                    |      |
| 71   | 00429-G4  |           | BOLT, 3/8 - 16 X 3 1/2".....       | 2    |
| 72   | 00643-G1  |           | WASHER, 3/8" .....                 | 4    |
| 73   | 70291-G01 |           | RUBBER BUSHING.....                | 4    |
| 74   | 70289-G02 |           | SPACER.....                        | 2    |
| 75   | 11098-G5  |           | LOCK NUT, 3/8 - 16 .....           | 2    |
| 76   |           |           |                                    |      |
| 77   | 71231-G01 |           | BED, 35".....                      | 1    |
| 78   | 71772-G01 |           | CORNER TUBE .....                  | 2    |
| 79   | 00762-G9  |           | SCREW, 5/16 - 18 X 2 1/2" LG. .... | 4    |
| 80   | 00559-G8  |           | WASHER, 5/16" .....                | 4    |
| 81   | 00550-G3  |           | LOCK NUT, 5/16 - 18 .....          | 4    |
| 82   | 71718-G01 |           | END CAP, 1 1/2" .....              | 2    |
| 83   | 71717-G01 |           | END CAP, 1" .....                  | 2    |
| 84   |           |           |                                    |      |
| 85   | 71777-G01 |           | DECAL (WARNING) .....              | 1    |
| 86   |           |           |                                    |      |
| 87   | 71901-G01 |           | E-Z-GO DECAL (E-Z-GO).....         | 1    |
| 88   | 74411-G01 |           | E-Z-GO DECAL (CUSHMAN) .....       | 1    |
| 89   | 71771-G01 |           | LABEL (TILT WARNING) .....         | 1    |



1 - Includes Items 2 - 37







When ordering parts, please specify the model and serial number of the product.

\* Indicates a component that is not available as an individual part.

G\*\* Indicates consult Customer Service Department for additional information.

| ITEM | PART NO.  | 1 | 2 | 3 | 4 | 5 | DESCRIPTION   | QTY. |
|------|-----------|---|---|---|---|---|---|------|
| 1    | 71260-G01 |   |   |   |   |   | TRUCK BED ASSEMBLY (35") (INCLUDES ITEMS 2 - 37)..... | 1    |
| 2    | 71231-G01 |   |   |   |   |   | BED (35").....  | 1    |
| 3    | 71248-G01 |   |   |   |   |   | SIDE PANEL (35") (PASSENGER SIDE) .....               | 1    |
| 4    | 71248-G02 |   |   |   |   |   | SIDE PANEL (35") (DRIVER SIDE).....                   | 1    |
| 5    | 16705-G3  |   |   |   |   |   | SCREW, 1/4 - 20 X 3/4" LG.....                        | 10   |
| 6    | 00915-G1  |   |   |   |   |   | BONDED WASHER, 1/4" .....                             | 10   |
| 7    | 00559-G7  |   |   |   |   |   | WASHER, 1/4".....                                     | 10   |
| 8    | 14390-G4  |   |   |   |   |   | LOCK NUT, 1/4 - 20.....                               | 10   |
| 9    |           |   |   |   |   |   |   |      |
| 10   | 71717-G01 |   |   |   |   |   | END CAP, 1" .....                                     | 2    |
| 11   | 16705-G6  |   |   |   |   |   | SCREW, 1/4 - 20 X 1 3/4" LG.....                      | 4    |
| 12   | 00915-G1  |   |   |   |   |   | BONDED WASHER, 1/4" .....                             | 8    |
| 13   | 14390-G4  |   |   |   |   |   | LOCK NUT, 1/4 - 20.....                               | 4    |
| 14   |           |   |   |   |   |   |   |      |
| 15   | 71322-G01 |   |   |   |   |   | POST (PASSENGER SIDE).....                            | 1    |
| 16   | 71322-G02 |   |   |   |   |   | POST (DRIVER SIDE).....                               | 1    |
| 17   | 71718-G01 |   |   |   |   |   | END CAP, 1 1/2" .....                                 | 2    |
| 18   | 71838-G01 |   |   |   |   |   | RUBBER BUMPER .....                                   | 2    |
| 19   | 16705-G3  |   |   |   |   |   | SCREW, 1/4 - 20 X 3/4" LG.....                        | 4    |
| 20   | 00915-G1  |   |   |   |   |   | BONDED WASHER, 1/4" .....                             | 4    |
| 21   | 00559-G7  |   |   |   |   |   | WASHER, 1/4".....                                     | 4    |
| 22   | 14390-G4  |   |   |   |   |   | LOCK NUT, 1/4 - 20.....                               | 4    |
| 23   | 13437-G8  |   |   |   |   |   | LOCK SCREW, 3/8 - 16 X 2" LG .....                    | 4    |
| 24   | 11027-G5  |   |   |   |   |   | LOCK NUT, 3/8 - 16.....                               | 4    |
| 25   |           |   |   |   |   |   |   |      |
| 26   | 71245-G01 |   |   |   |   |   | TAILGATE.....   | 1    |
| 27   | 27666-G01 |   |   |   |   |   | HINGE .....   | 2    |
| 28   | 01002-G08 |   |   |   |   |   | BOLT, 1/4 - 20 X 1" LG. ....                          | 4    |
| 29   | 00559-G7  |   |   |   |   |   | WASHER, 1/4".....                                     | 4    |
| 30   | 14390-G4  |   |   |   |   |   | LOCK NUT, 1/4 - 20.....                               | 4    |

**TRUCK BED, ELECTRIC LIFT****Electric Vehicle**

When ordering parts, please specify the model and serial number of the product.

\* Indicates a component that is not available as an individual part.

G\*\* Indicates consult Customer Service Department for additional information.

| ITEM | PART NO.  | 1 | 2 | 3 | 4 | 5 | DESCRIPTION                                 | QTY. |
|------|-----------|---|---|---|---|---|---|------|
| 31   | 71748-G01 |   |   |   |   |   | TAILGATE KEEPER .....                       | 1    |
| 32   | 16705-G3  |   |   |   |   |   | SCREW, 1/4 - 20 X 3/4" LG.....              | 1    |
| 33   | 00559-G7  |   |   |   |   |   | WASHER, 1/4".....                           | 1    |
| 34   | 14390-G4  |   |   |   |   |   | LOCK NUT, 1/4 - 20.....                     | 1    |
| 35   | 71083-G01 |   |   |   |   |   | TAILGATE CABLE .....                        | 2    |
| 36   | 00106-G6  |   |   |   |   |   | SELF-TAPPING SCREW, #12 - 24 X 3/4" LG..... | 2    |
| 37   | 00915-G1  |   |   |   |   |   | BONDED WASHER, 1/4" .....                   | 2    |
| 38   | 71901-G01 |   |   |   |   |   | DECAL (E-Z-GO) .....                        | 1    |
| 39   | 74411-G01 |   |   |   |   |   | DECAL (CUSHMAN).....                        | 1    |
| 40   | 71771-G01 |   |   |   |   |   | LABEL (TILT WARNING) .....                  | 1    |
| 41   |           |   |   |   |   |   |   |      |
| 42   | 74231-G01 |   |   |   |   |   | BED LINER .....                             | 1    |
| 43   | 74232-G01 |   |   |   |   |   | TAILGATE LINER.....                         | 1    |
| 44   | 18436-G1  |   |   |   |   |   | RIVET, 1/4" X 1/2" LG .....                 | 4    |
| 45   | 14601-G10 |   |   |   |   |   | RIVET, 3/16" X 3/8" LG .....                | 6    |
| 46   | 71517-G01 |   |   |   |   |   | BED CAPACITY DECAL (500 LB) .....           | 1    |
| 47   |           |   |   |   |   |   |   |      |
| 48   | 71258-G01 |   |   |   |   |   | BED FRAME .....                             | 1    |
| 49   | 00438-G8  |   |   |   |   |   | SCREW, 5/16 - 18 X 1" LG .....              | 4    |
| 50   | 00642-G8  |   |   |   |   |   | WASHER, 5/16" .....                         | 8    |
| 51   | 11098-G6  |   |   |   |   |   | LOCK NUT, 5/16 - 18 .....                   | 4    |
| 52   |           |   |   |   |   |   |   |      |
| 53   | 00415-G6  |   |   |   |   |   | SCREW, 1/4 - 20 X 1 3/4" LG .....           | 2    |
| 54   | 00642-G7  |   |   |   |   |   | WASHER, 5/16" .....                         | 4    |
| 55   | 00891-G2  |   |   |   |   |   | LOCK NUT, 1/4 - 20 .....                    | 2    |
| 56   |           |   |   |   |   |   |   |      |
| 57   | 00429-G4  |   |   |   |   |   | BOLT, 3/8 - 16 X 3 1/2".....                | 2    |
| 58   | 00643-G1  |   |   |   |   |   | WASHER, 3/8" .....                          | 4    |
| 59   | 70291-G01 |   |   |   |   |   | RUBBER BUSHING.....                         | 4    |
| 60   | 70289-G02 |   |   |   |   |   | SPACER.....                                 | 2    |

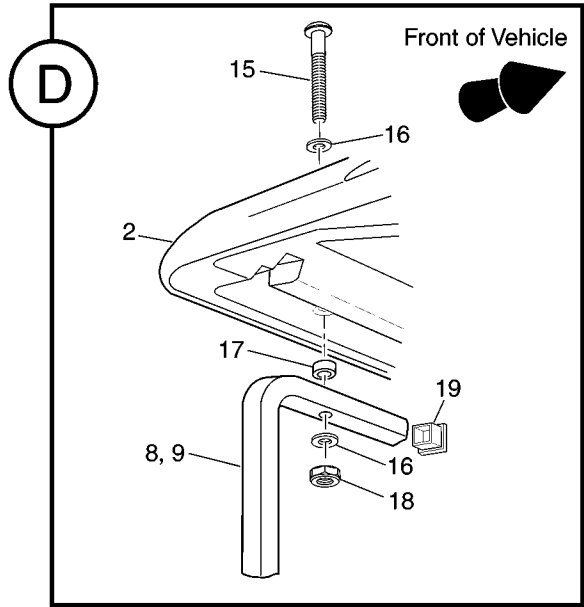
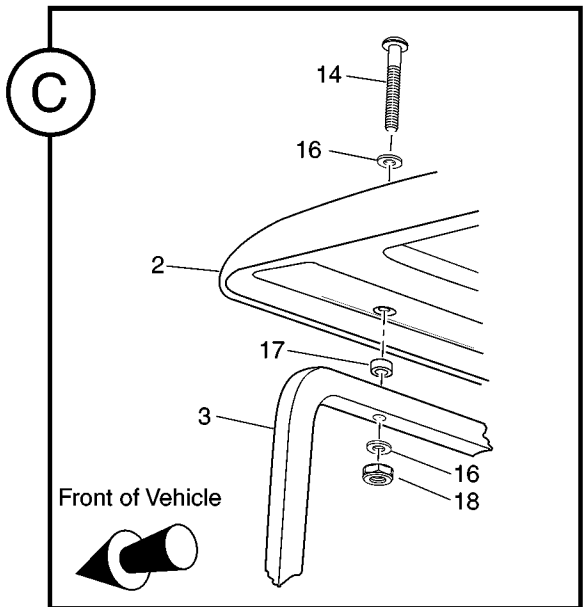
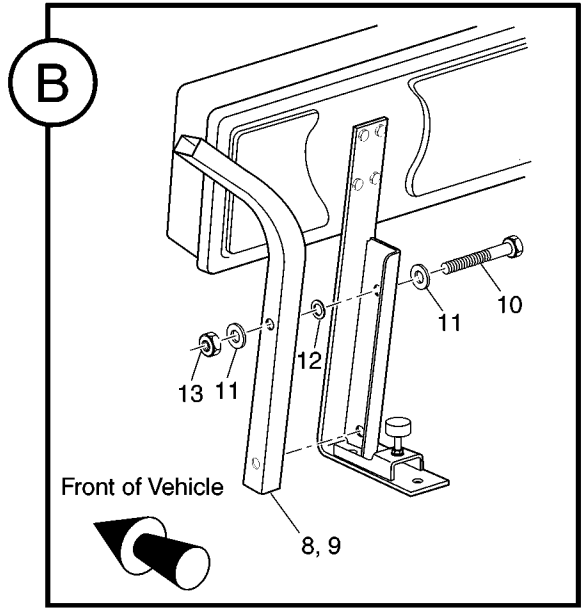
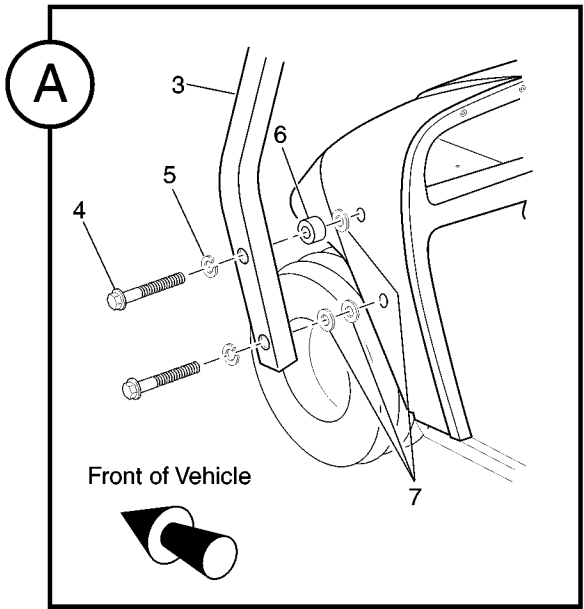
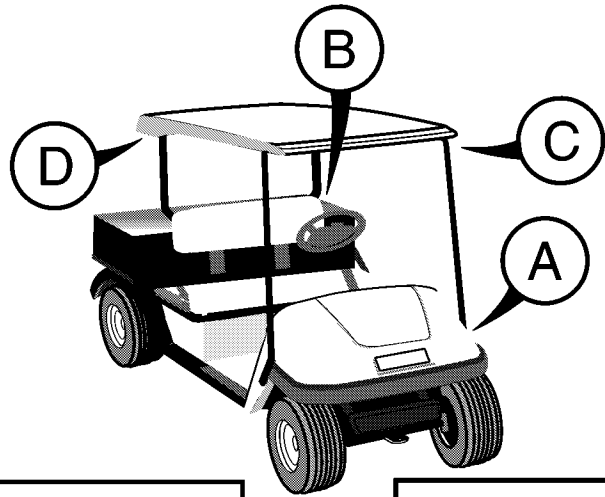
When ordering parts, please specify the model and serial number of the product.

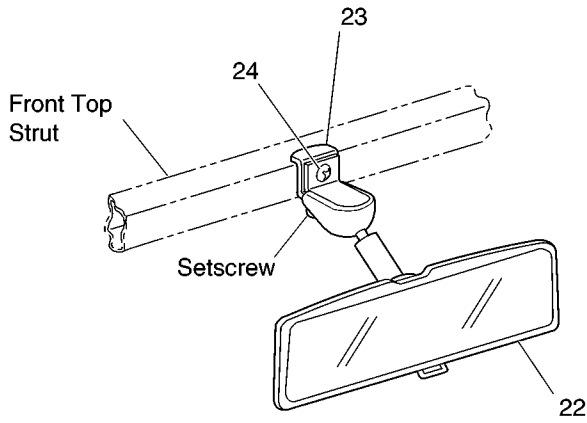
\* Indicates a component that is not available as an individual part.

G\*\* Indicates consult Customer Service Department for additional information.

| ITEM | PART NO.  | 1 | 2 | 3 | 4 | 5 | DESCRIPTION                                      | QTY. |
|------|-----------|---|---|---|---|---|--|------|
| 61   | 11098-G5  |   |   |   |   |   | LOCK NUT, 3/8 - 16 .....                         | 2    |
| 62   |           |   |   |   |   |   |  |      |
| 63   | 74052-G03 |   |   |   |   |   | ELECTRIC DUMP KIT (INCLUDES ITEMS 64 - 86) ..... | 1    |
| 64   | 74165-G01 |   |   |   |   |   | CIRCUIT BREAKER MOUNTING BRACKET .....           | 1    |
| 65   | 21320-G4  |   |   |   |   |   | CIRCUIT BREAKER, 30 AMP, 12V .....               | 1    |
| 66   | 00150-G4  |   |   |   |   |   | SCREW, #10 - 24 X 1/2" LG. ....                  | 2    |
| 67   | 00565-G5  |   |   |   |   |   | LOCK WASHER, #10 .....                           | 2    |
| 68   | 00526-G3  |   |   |   |   |   | NUT, #10 - 24.....                               | 2    |
| 69   | 25976-G14 |   |   |   |   |   | 14 GA WIRE (RED 5").....                         | 1    |
| 70   |           |   |   |   |   |   |  |      |
| 71   | 27680-G01 |   |   |   |   |   | TOGGLE SWITCH.....                               | 1    |
| 72   | 27447-G01 |   |   |   |   |   | TOGGLE GUARD.....                                | 1    |
| 73   | 27446-G01 |   |   |   |   |   | LABEL.....                                       | 1    |
| 74   | 10570-G9  |   |   |   |   |   | RIVET, 1/8" X 11/32" LG. ....                    | 2    |
| 75   | 27612-G03 |   |   |   |   |   | ELECTRIC ACTUATOR .....                          | 1    |
| 76   | 27613-G01 |   |   |   |   |   | SPACER .....                                     | 2    |
| 77   | 14443-G10 |   |   |   |   |   | CLEVIS PIN, 1/2" X 3" LG. ....                   | 1    |
| 78   | 21683-G1  |   |   |   |   |   | COTTER PIN, 2 11/16" LG .....                    | 2    |
| 79   | 14443-G11 |   |   |   |   |   | CLEVIS PIN, 1/2" X 1 3/4" LG .....               | 1    |
| 80   |           |   |   |   |   |   |  |      |
| 81   | 74163-G01 |   |   |   |   |   | WIRE HARNESS (CONTROL).....                      | 1    |
| 82   | 17618-G1  |   |   |   |   |   | WIRE TIE.....                                    | 8    |
| 83   |           |   |   |   |   |   |  |      |
| 84   | 71283-G01 |   |   |   |   |   | ELECTRIC LIFT BRACKET.....                       | 1    |
| 85   | 00462-G7  |   |   |   |   |   | BOLT, 7/16 - 14 X 7/8" LG .....                  | 2    |
| 86   | 00734-G1  |   |   |   |   |   | LOCK NUT, 7/16 - 14.....                         | 2    |
| 87   |           |   |   |   |   |   |  |      |
| 88   | 71489-G01 |   |   |   |   |   | WARNING LABEL.....                               | 1    |



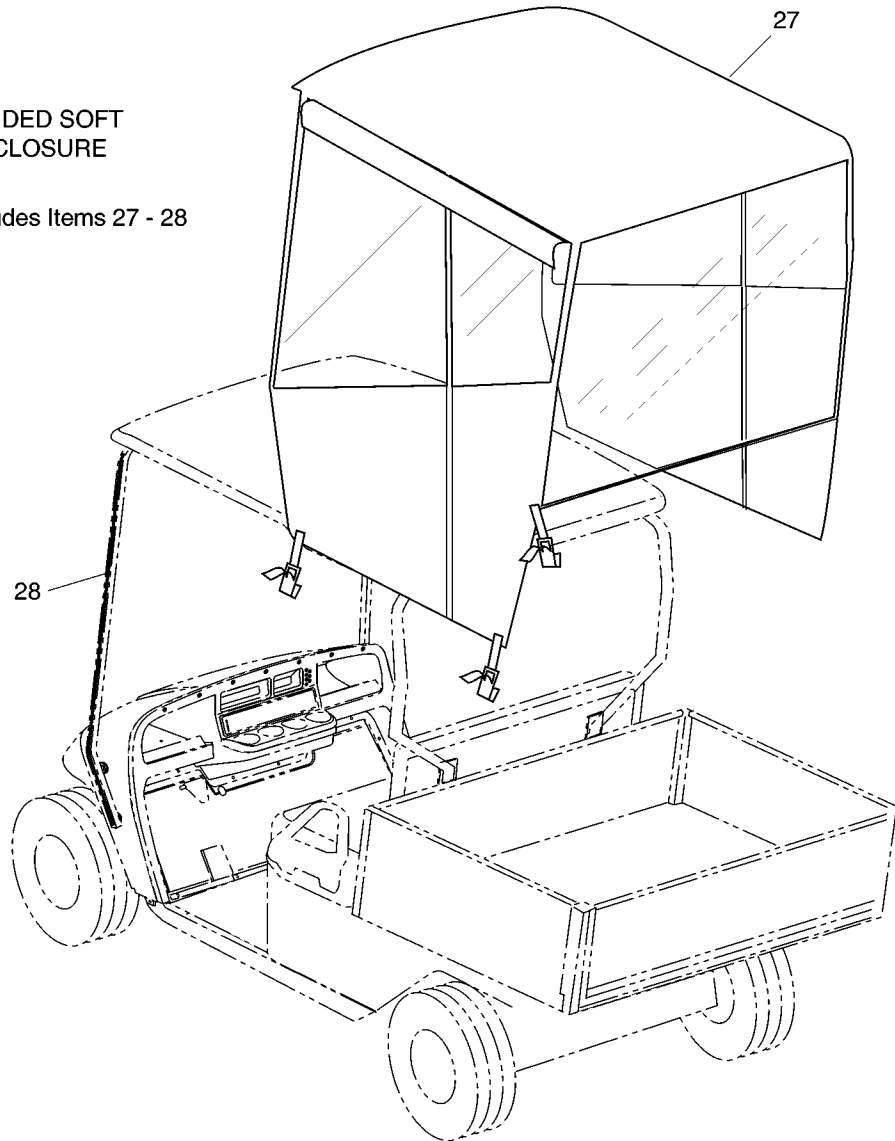


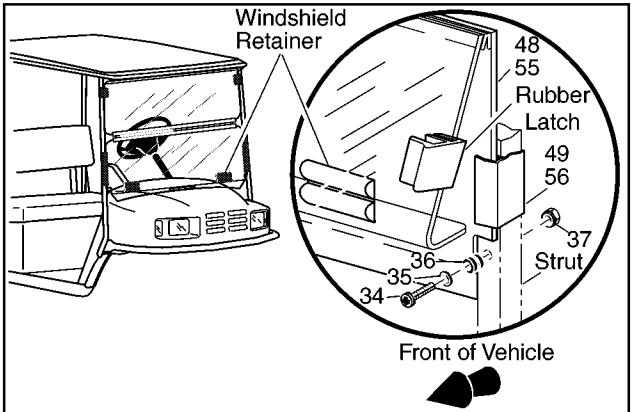
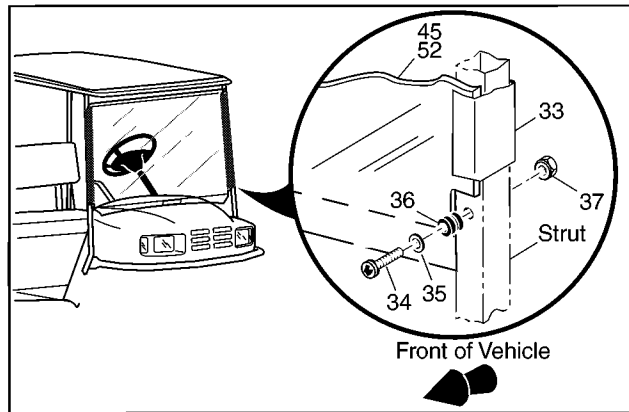
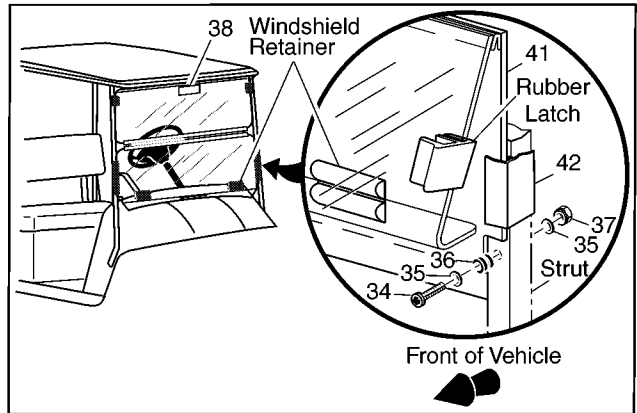
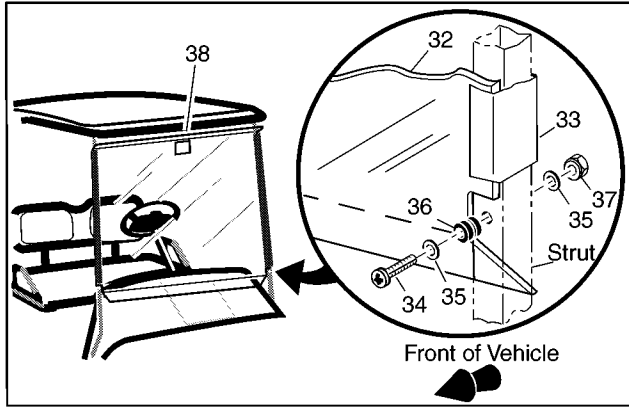


REAR VIEW MIRROR

21 - Includes Items 22 - 24

3-SIDED SOFT ENCLOSURE  
26 - Includes Items 27 - 28





When ordering parts, please specify the model and serial number of the product.

\* Indicates a component that is not available as an individual part.

G\*\* Indicates consult Customer Service Department for additional information.

| ITEM | PART NO.  | 1 2 3 4 5 | DESCRIPTION   | QTY. |
|------|-----------|-----------|---|------|
| 1    | 75040-G0* |           | SUN TOP KIT (INCLUDES ITEMS 2 -19) .....  | 1    |
| 2    | 27069-G07 |           | SUN TOP.....  | 1    |
| 3    | 75045-G01 |           | FRONT STRUT .....   | 1    |
| 4    | 01035-G01 |           | BOLT, 5/16 - 18 X 2 1/4" LG .....   | 4    |
| 5    | 00905-G8  |           | LOCK WASHER, 5/16".....   | 4    |
| 6    | 75048-G01 |           | SPACER, 1/2".....   | 2    |
| 7    | 00570-G2  |           | WASHER, 5/16".....  | 6    |
| 8    | 71328-G01 |           | REAR STRUT (DRIVER SIDE) .....  | 1    |
| 9    | 71328-G02 |           | REAR STRUT (PASSENGER SIDE).....  | 1    |
| 10   | 00439-G6  |           | BOLT, 5/16 - 18 X 1 3/4" LG .....   | 4    |
| 11   | 00571-G2  |           | WASHER, 5/16".....  | 8    |
| 12   | 17255-G1  |           | NYLON WASHER, 5/16" .....   | 4    |
| 13   | 11098-G6  |           | LOCK NUT, 5/16 - 18.....  | 4    |
| 14   | 00753-G5  |           | SCREW, 1/4 - 20 X 2" LG (STAINLESS STEEL) .....                                 | 2    |
| 15   | 00753-G6  |           | BOLT, 1/4 - 20 X 2 1/4" LG (STAINLESS STEEL).....                               | 2    |
| 16   | 00559-G7  |           | WASHER, 1/4".....   | 8    |
| 17   | 75051-G01 |           | PLASTIC SPACER.....   | 4    |
| 18   | 00891-G2  |           | LOCK NUT, 1/4 - 20.....   | 4    |
| 19   | 19853-G1  |           | END CAP, 1".....  | 2    |
| 20   |           |           |   |      |
| 21   | 19528-G2  |           | REAR VIEW MIRROR KIT (REQUIRES SUN TOP)<br>(INCLUDES ITEMS 22 - 24) .....       | 1    |
| 22   | 19496-G1  |           | REAR VIEW MIRROR.....   | 1    |
| 23   | 19502-G2  |           | SUPPORT BRACKET .....   | 1    |
| 24   | 19527-G1  |           | SCREW, #8 - 32 X 5/8" LG (STAINLESS STEEL) .....                                | 1    |
| 25   |           |           |   |      |
| 26   | 75367-G01 |           | 3-SIDED SOFT ENCLOSURE KIT (REQUIRES SUN TOP)<br>(INCLUDES ITEMS 27 - 28) ..... | 1    |
| 27   | *         |           | ENCLOSURE .....   | 1    |
| 28   | *         |           | VELCRO.....   | AR   |
| 29   |           |           |   |      |

# WEATHER PROTECTION

# Electric Vehicle

Replacement parts for the windshield may be obtained from Eagle Parts, Inc. 1811 Wilkinson Rd. Augusta, GA 30904. Telephone (706) 729-9911 or FAX (706) 729-9955

\* Indicates a component that is not available as an individual part.

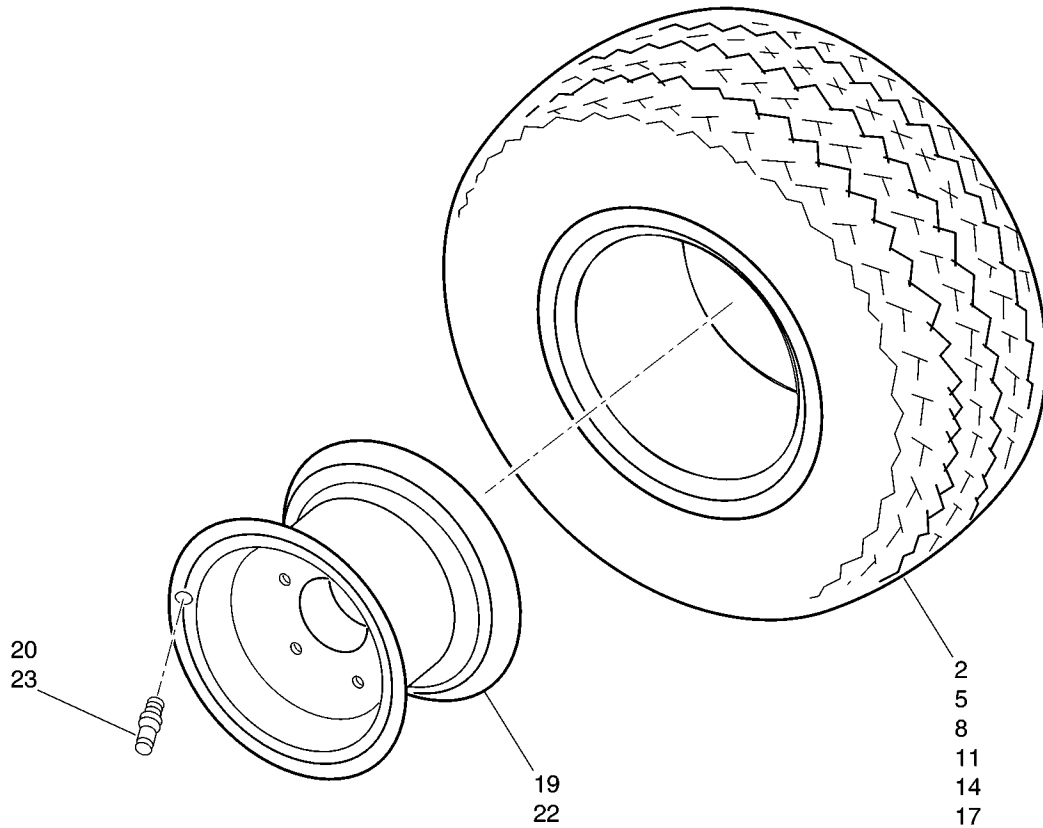
G\*\* Indicates consult Customer Service Department for additional information.

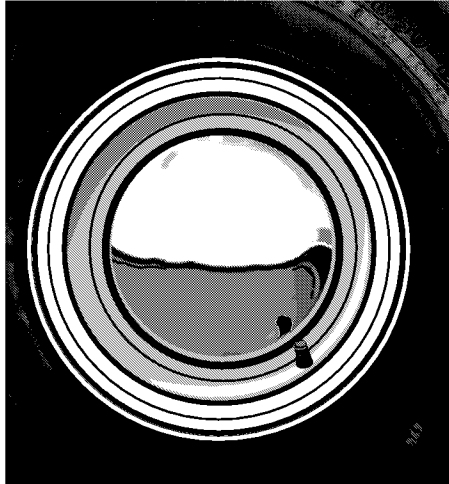
| ITEM | PART NO.  | 1 | 2 | 3 | 4 | 5 | DESCRIPTION   | QTY. |
|------|-----------|---|---|---|---|---|---|------|
| 30   |           |   |   |   |   |   |   |      |
| 31   | 75524-G01 |   |   |   |   |   | WINDSHIELD KIT (FULL) (800 / 280) (INCLUDES ITEMS 32 - 38).....           | 1    |
| 32   | EGWFX03   |   |   |   |   |   | WINDSHIELD (FULL).....  | 1    |
| 33   | EGWHC12   |   |   |   |   |   | SASH, 26" LG.....   | 2    |
| 34   | EGWHS12   |   |   |   |   |   | BOLT, 1/4 - 20 X 1 3/4' LG. (STAINLESS STEEL) .....                       | 2    |
| 35   | EGWHW12   |   |   |   |   |   | WASHER, 1/4" (STAINLESS STEEL) .....                                      | 4    |
| 36   | EGWHG13   |   |   |   |   |   | RUBBER GROMMET .....  | 2    |
| 37   | EGWHN12   |   |   |   |   |   | LOCK NUT, 1/4 - 20 (STAINLESS STEEL) .....                                | 2    |
| 38   | EGWHL14   |   |   |   |   |   | SAFETY LABEL .....  | 1    |
| 39   |           |   |   |   |   |   |   |      |
| 40   | 75525-G01 |   |   |   |   |   | WINDSHIELD KIT (SPLIT) (800 / 280) (INCLUDES ITEMS 41, 42, 34 - 38).....  | 1    |
| 41   | EGWSX03   |   |   |   |   |   | WINDSHIELD (SPLIT) .....  | 1    |
| 42   | EGWHC10   |   |   |   |   |   | SASH, 12" LG.....   | 2    |
| 43   |           |   |   |   |   |   |   |      |
| 44   | 71966-G03 |   |   |   |   |   | WINDSHIELD KIT (FULL) (800LX / 280 SE) (INCLUDES ITEMS 45, 33 - 37)...    | 1    |
| 45   | 71960-G01 |   |   |   |   |   | WINDSHIELD (FULL) .....   | 1    |
| 46   |           |   |   |   |   |   |   |      |
| 47   | 71966-G04 |   |   |   |   |   | WINDSHIELD KIT (SPLIT) (800LX / 280 SE) (INCLUDES ITEMS 48, 49, 34 - 37)1 |      |
| 48   | 71961-G01 |   |   |   |   |   | WINDSHIELD (SPLIT).....   | 1    |
| 49   | EGWHC10   |   |   |   |   |   | SASH, 12" LG.....   | 2    |
| 50   |           |   |   |   |   |   |   |      |
| 51   | 71966-G01 |   |   |   |   |   | WINDSHIELD KIT (FULL) (800LX / 280 SE) (INCLUDES ITEMS 52, 33 - 37)...    | 1    |
| 52   | 71954-G01 |   |   |   |   |   | WINDSHIELD (FULL) (LEXAN).....  | 1    |
| 53   |           |   |   |   |   |   |   |      |
| 54   | 71966-G02 |   |   |   |   |   | WINDSHIELD KIT (SPLIT) (800LX / 280 SE) (INCLUDES ITEMS 55, 56, 34 - 37)1 |      |
| 55   | 71955-G01 |   |   |   |   |   | WINDSHIELD (SPLIT) (LEXAN) .....  | 1    |
| 56   | EGWHC10   |   |   |   |   |   | SASH, 12" LG.....   | 2    |



- 1 - Includes Items 2, 19, 20
- 4 - Includes Items 5, 19, 20
- 7 - Includes Items 8, 19, 20
- 10 - Includes Items 11, 19, 20
- 13 - Includes Items 14, 22, 23
- 16 - Includes Items 17, 22, 23

Tire design may vary by Part Number

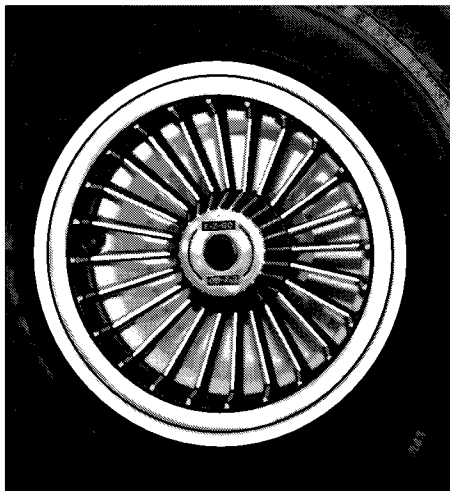




6"CHROME HUBCAP  
27



8"CHROME HUBCAP  
26



GOLD / SILVER SPOKE HUBCAP  
28, 29



# WHEELS AND TIRES

# Electric Vehicle

When ordering parts, please specify the model and serial number of the product.

\* Indicates a component that is not available as an individual part.

G\*\* Indicates consult Customer Service Department for additional information.

| ITEM | PART NO.  | 1 2 3 4 5 | DESCRIPTION   | QTY. |
|------|-----------|-----------|---|------|
| 1    | 27772-G01 |           | WHEEL AND TIRE ASSEMBLY, LINKS (INCLUDES ITEMS 2, 19, 20) .....                     | A/R  |
| 2    | 27772-G05 |           | CARLISLE TIRE (LINKS 18 X 8.5 - 8, 4 PLY RATED).....                                | A/R  |
| 3    |           |           |   |      |
| 4    | 27772-G03 |           | WHEEL AND TIRE ASSEMBLY, TURF SAVER (INCLUDES ITEMS 5, 19, 20) ..                   | A/R  |
| 5    | 27772-G07 |           | CARLISLE TIRE (TURF SAVER 18 X 8.5 - 8, 4 PLY RATED) .....                          | A/R  |
| 6    |           |           |   |      |
| 7    | 27772-G09 |           | WHEEL AND TIRE ASSEMBLY, LINKS (INCLUDES ITEMS 8, 19, 20) .....                     | A/R  |
| 8    | 27772-G10 |           | CARLISLE TIRE (LINKS 18 X 8.5 - 8, 4 PLY RATED).....                                | A/R  |
| 9    |           |           |   |      |
| 10   | 27775-G01 |           | WHEEL AND TIRE ASSEMBLY, USA TRAIL (INCLUDES ITEMS 11, 19, 20) ...                  | A/R  |
| 11   | 27775-G02 |           | CARLISLE TIRE (USA TRAIL 6 PLY 18.5 X 8.5 - 8, LOAD RANGE C) .....                  | A/R  |
| 12   |           |           |   |      |
| 13   | 27784-G02 |           | WHEEL AND TIRE ASSEMBLY, USA TRAIL (INCLUDES ITEMS 14, 22, 23) ...                  | A/R  |
| 14   | 27784-G04 |           | CARLISLE TIRE (USA TRAIL 18.5 X 5.7 - 8, LOAD RANGE C).....                         | A/R  |
| 15   |           |           |   |      |
| 16   | 35154-G03 |           | WHEEL AND TIRE ASSEMBLY, FOAM FILLED USA TRAIL<br>(INCLUDES ITEMS 17, 22, 23) ..... | A/R  |
| 17   | 27784-G01 |           | CARLISLE TIRE (USA TRAIL 18.5 X 5.7 - 8).....                                       | A/R  |
| 18   |           |           |   |      |
| 19   | 15169-G2  |           | WHEEL RIM (4 LUG).....  | A/R  |
| 20   | 11657-G1  |           | VALVE STEM.....   | A/R  |
| 21   |           |           |   |      |
| 22   | 33678-G01 |           | WHEEL RIM (4 LUG).....  | A/R  |
| 23   | 26482-G01 |           | VALVE STEM (METAL).....   | A/R  |
| 24   |           |           |   |      |
| 25   | 14913-G*  |           | 8" CHROME HUBCAP (OPTIONAL).....  | A/R  |
| 26   | 16042-G*  |           | 6" CHROME HUBCAP (OPTIONAL).....  | A/R  |
| 27   | 19241-G*  |           | GOLD SPOKE HUBCAP (OPTIONAL) .....  | A/R  |
| 28   | 19241-G*  |           | SILVER SPOKE HUBCAP (OPTIONAL) .....  | A/R  |

## **SPECIALTY PRODUCTS**

# **SPECIALTY PRODUCTS**

## SPECIALTY PRODUCTS

| <b>SPECIAL TOOLS</b>                               | <b>PART NO.</b> |
|--|-----------------|
| BATTERY MAINTENANCE KIT .....                      | 25587-G01       |
| SEAL INSTALLATION TOOL (REAR AXLE SHAFT SEAL)..... | 18739-G1        |
| BATTERY SET DISCHARGER, 36 VOLT, 75 AMP .....      | 28251-G01       |
| CURRENT INDICATOR.....                             | 16489-G2        |
| DIGITAL MULTI-METER.....                           | 27481-G01       |
| CRIMPING TOOL .....                                | 27765-G01       |
| SLIDE HAMMER (AXLE/HUB REMOVAL) .....              | 15947-G1        |
| SLIDE HAMMER (AXLE REMOVAL ONLY) .....             | 18753-G1        |

### PAINT

|   |           |
|---|-----------|
| .6 OUNCE BRUSH ON PAINT - HUNTER GREEN.....       | 28432-G02 |
| .6 OUNCE BRUSH ON PAINT - INDUSTRIAL YELLOW ..... | 28432-G03 |
| 12 OUNCE SPRAY - HUNTER GREEN .....               | 28140-G09 |
| 12 OUNCE SPRAY - INDUSTRIAL YELLOW .....          | 28140-G14 |

### PERFORMANCE PRODUCTS

|   |           |
|---|-----------|
| FORMULA 40 VINYL-COAT® - WHITE.....                         | 28166-G01 |
| PLEXUS® CLEANER, 7 OUNCE (FOR WINDSHIELDS).....             | 28433-G01 |
| PLEXUS® CLEANER, 13 OUNCE (FOR WINDSHIELDS).....            | 28433-G02 |
| BATTERY PROTECTOR, 14 OUNCE SPRAY .....                     | 75500-G01 |
| WHITE LITHIUM GREASE, 14 OUNCE SPRAY .....                  | 75502-G01 |
| PENETRANT/LUBRICANT, 15 OUNCE SPRAY .....                   | 75503-G01 |
| MULTI-PURPOSE CLEANER & DEGREASER, 14 OUNCE SPRAY.....      | 75504-G01 |
| MULTI-PURPOSE HAND CLEANER, 32 OUNCE LIQUID.....            | 75505-G01 |
| BATTERY CLEANER, 32 OUNCE WITH TRIGGER SPRAYER .....        | 75506-G01 |
| BIO-DEGRADABLE CLEANER, 32 OUNCE WITH TRIGGER SPRAYER ..... | 75507-G01 |
| MULTI-PURPOSE VALUE PACK.....                               | 75508-G01 |
| • BATTERY PROTECTOR, 4 OUNCE SPRAY                          |           |
| • PENETRANT/LUBRICANT, 4 OUNCE SPRAY                        |           |
| • WHITE LITHIUM GREASE, 4 OUNCE SPRAY                       |           |
| • CARBURETOR & CHOKE CLEANER, 4 OUNCE SPRAY                 |           |

# **ACCESSORIES**

## **ACCESSORIES LISTING**

# ACCESSORIES

| <b>ACCESSORIES LISTING</b>                        | <b>KIT NO.</b>      |                        |
|---|---------------------|------------------------|
| ASHTRAY KIT . . . . .                             | 75109-G02 . . . . . | See BODY               |
| BALL HITCH KIT . . . . .                          | 75326-G02 . . . . . | See BODY               |
| BUMPER KIT . . . . .                              | 74041-G01 . . . . . | See BODY               |
| CLEVIS HITCH KIT . . . . .                        | 75327-G02 . . . . . | See BODY               |
| CHROME HUB CAP 8" . . . . .                       | 14913-G* . . . . .  | See WHEELS AND TIRES   |
| CHROME HUB CAP 6" . . . . .                       | 16042-G* . . . . .  | See WHEELS AND TIRES   |
| DEFROSTER/COOLING FAN . . . . .                   | 74248-G01 . . . . . | See CAB                |
| DIFFERENTIAL GUARD . . . . .                      | 25353-G01 . . . . . | See REAR AXLE          |
| DOOR SET . . . . .                                | 74301-G0* . . . . . | See CAB                |
| DOOR SET (VINYL) . . . . .                        | 74242-G01 . . . . . | See CAB                |
| ELECTRIC DUMP KIT . . . . .                       | 74052-G04 . . . . . | See TRUCKBED           |
| GLOVE BOX DOOR . . . . .                          | 75459-G0* . . . . . | See BODY               |
| HOUR METER KIT . . . . .                          | 75113-G02 . . . . . | See ELECTRICAL SYSTEM  |
| INSIDE MIRROR . . . . .                           | 27924-G01 . . . . . | See WEATHER PROTECTION |
| INSTRUMENT/SWITCH PANEL . . . . .                 | 74250-G01 . . . . . | See CAB                |
| REAR VIEW MIRROR KIT . . . . .                    | 19528-G2 . . . . .  | See WEATHER PROTECTION |
| SOFT ENCLOSURE . . . . .                          | 75367-G01 . . . . . | See WEATHER PROTECTION |
| STEEL CAB, W/O DOORS (800 LX) . . . . .           | 74294-G0* . . . . . | See CAB                |
| STEEL CAB, W/O DOORS (800 & INDUSTRIAL) . . . . . | 74300-G0* . . . . . | See CAB                |
| STROBE LIGHT . . . . .                            | 74245-G01 . . . . . | See CAB                |
| SUN TOP KIT . . . . .                             | 75040-G0* . . . . . | See WEATHER PROTECTION |
| TURN SIGNAL KIT . . . . .                         | 75107-G02 . . . . . | See ELECTRICAL SYSTEM  |
| GOLD SPOKE WHEEL COVERS . . . . .                 | 19241-G* . . . . .  | See WHEELS AND TIRES   |
| SILVER SPOKE WHEEL COVERS . . . . .               | 19241-G* . . . . .  | See WHEELS AND TIRES   |
| WINDSHIELD (FLAT) (800 & INDUSTRIAL) . . . . .    | 75524-G01 . . . . . | See WEATHER PROTECTION |
| WINDSHIELD (SPLIT) (800 & INDUSTRIAL) . . . . .   | 75525-G01 . . . . . | See WEATHER PROTECTION |
| WINDSHIELDS (800 LX MODEL) . . . . .              | 71966-G0* . . . . . | See WEATHER PROTECTION |
| WINDSHIELD WIPER . . . . .                        | 74244-G01 . . . . . | See CAB                |
| WORK LIGHTS . . . . .                             | 74247-G01 . . . . . | See CAB                |
| WORK LIGHT BAR WITH LIGHTS . . . . .              | 71323-G04 . . . . . | See ELECTRICAL SYSTEM  |
| WORK LIGHT BAR WITH STROBE . . . . .              | 71323-G05 . . . . . | See ELECTRICAL SYSTEM  |
| WORK LIGHT BAR WITH LIGHTS AND STROBE . . . . .   | 71323-G06 . . . . . | See ELECTRICAL SYSTEM  |



Textron Golf, Turf & Specialty Products.  
P.O. Box 388 Augusta, Georgia 30903-0388 USA  
Inside USA Phone: 1-800-241-5855, FAX: 1-800-448-8124  
Outside USA Phone: 010-1-706-798-4311, FAX: 010-1-706-771-4609

Copyrighted Material  
This manual may not be reproduced in whole or  
in part without the express permission of  
Textron Golf, Turf & Specialty Products  
Technical Communications Department