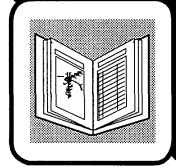


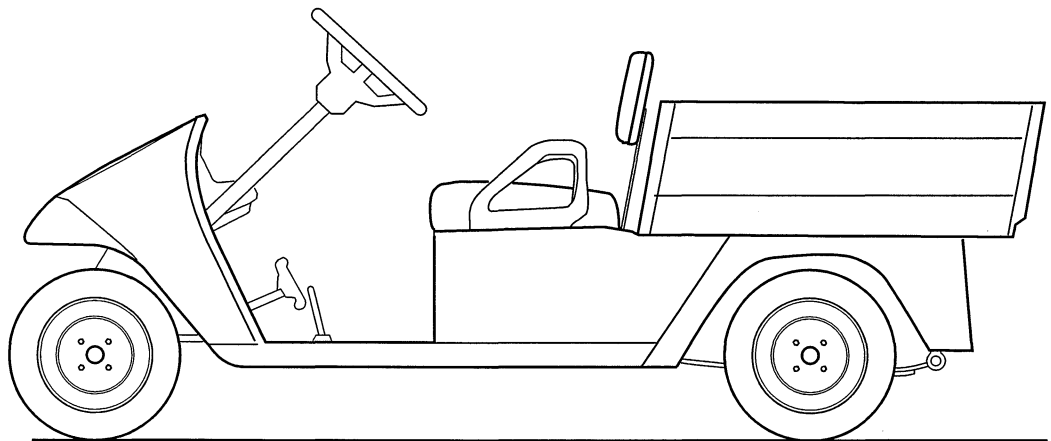
28449-G01



a **TEXTRON** Company



SERVICE PARTS MANUAL



ELECTRIC POWERED UTILITY VEHICLE (1000 SERIES)

MODEL YEAR: 1998

REVISED: 4/99

SERVICE PARTS MANUAL



ELECTRIC POWERED UTILITY VEHICLE

SERVICE PARTS DEPARTMENT INSIDE USA PHONE 1-800-227-7029 FAX 1-800-752-6175

OUTSIDE USA PHONE 010-1-706-798-4311 FAX 010-1-706-771-4601

E-Z-GO DIVISION OF TEXTRON, INC., P.O.BOX 388, AUGUSTA, GEORGIA 30903-0388



LIMITED WARRANTY

WARRANTY

TO OBTAIN A COPY OF THE LIMITED WARRANTY THAT IS APPLICABLE TO YOUR VEHICLE, CALL OR WRITE YOUR LOCAL DISTRIBUTOR, BRANCH OR THE E-Z-GO WARRANTY DEPARTMENT.

THE USE OF NON E-Z-GO PARTS AND HARDWARE MAY VOID YOUR WARRANTY.

OVERFILLING OF BATTERIES MAY VOID YOUR VEHICLE WARRANTY

GENERAL INDEX

SECTIONS Page No.

How to use the **E-Z-GO** Service Manual vii

Illustration Page No.

ACCELERATOR

- Accelerator Pedal, Pedal BoxA-1

BATTERY CHARGER

- PowerWise™ Battery Charger, PortableB-1
- PowerWise™ Battery Charger, On-Board.....B-9

BODY

- Front Cowl, Instrument Panel, Floor Panel, Ash Tray C-1
- Seat Frame, Battery Tray, Splash Panels C-2
- Floormat, Seat Wrap, Side Panels, Rocker Panels C-3
- Seat Filler Panels, Rear Fenders, Rear Panel, Front Bumper..... C-4
- Ball Hitch, "C" Hitch C-5

BRAKES

- Brake Pedal (with brake lights) D-1
- Brake Pedal (without brake lights) D-2
- Brake Linkage D-3
- Wheel Brake D-4

CAB & ACCESSORIES

- Cab.....E-1
- Doors.....E-2
- Wiper, Strobe Light.....E-3
- Work LightE-4
- Fan, Control Panel.....E-5

DIRECTION SELECTOR

- Direction SelectorF-1

ELECTRIC MOTOR

- Electric Motor G-1

ELECTRICAL SYSTEM

- Batteries H-1
- Charger Receptacle, Fuse Block..... H-2
- Ignition Switch, State of Charge Meter, Horn..... H-3
- Headlight H-4
- Brake Pedal & Taillight Connections..... H-5



GENERAL INDEX

Illustrated Parts Breakdown:

Illustration	Page No.
• Turn Signal, Hour Meter, Ground Strap.....	H-6
• Work Lights, Strobe Light.....	H-7
ELECTRONIC SPEED CONTROL - HD	
• Electronic Speed Control - HD, Cover, Solenoid.....	J-1
FRONT SUSPENSION	
• Front Axle, Spindle, Wheel Hub, Shock Absorber, Spring	K-1
REAR AXLE	
• Differential Cover, Drain Plug, Vent.....	L-1
REAR SUSPENSION	
• Spring, Shock Absorber.....	M-1
SEATING	
• Seat Bottom, Seat Back, Hip Restraint, Seat Lock.....	N-1
STEERING	
• Steering Box, Steering Shaft/Column/Wheel, Tie Rods.....	P-1
TRUCKBED	
• Manual Dump Bed, Pivot Mounting, Decals	Q-1
• Tilt Latch, Bed Prop	Q-2
• Bed Liner, Ramp	Q-3
• Electric Dump Bed, Pivot Mounting, Decal	Q-9
• Electric Circuit Breaker, Toggle Switch, Actuator	Q-10
• Bed Liner, Ramp	Q-11
• Flat Bed, Pivot Mounting.....	Q-17
• Tilt Latch, Bed Prop	Q-18
• Cargo Rack.....	Q-19
VAN BOX	
• Van Box.....	R-1
WEATHER PROTECTION	
• Sun Top.....	S-1
• Inside mirror.....	S-2
WHEELS AND TIRES	
• Tire and Wheel Assembly, Wheel Rim, Valve Stem	T-1
• Hubcaps.....	T-2

GENERAL INDEX

SPECIALTY PRODUCTS..... Appendix A

- Special Tools
- Paint
- Performance Products

ACCESSORIES Appendix B

- Accessory Listing



GENERAL INDEX

Notes:

HOW TO USE THE E-Z-GO SERVICE PARTS MANUAL

This manual is divided into several sections:

- GENERAL INFORMATION
- ILLUSTRATED PARTS BREAKDOWN
- APPENDIX

The first section, GENERAL INFORMATION, contains the following information:

- WARRANTY INFORMATION
- GENERAL INDEX
- HOW TO USE THE E-Z-GO SERVICE PARTS MANUAL

The second section, ILLUSTRATED PARTS BREAKDOWN, contains illustrations and parts lists for all systems of your vehicle.

The third section, APPENDIX, contains a list of Specialty Products and Accessories for your vehicle.

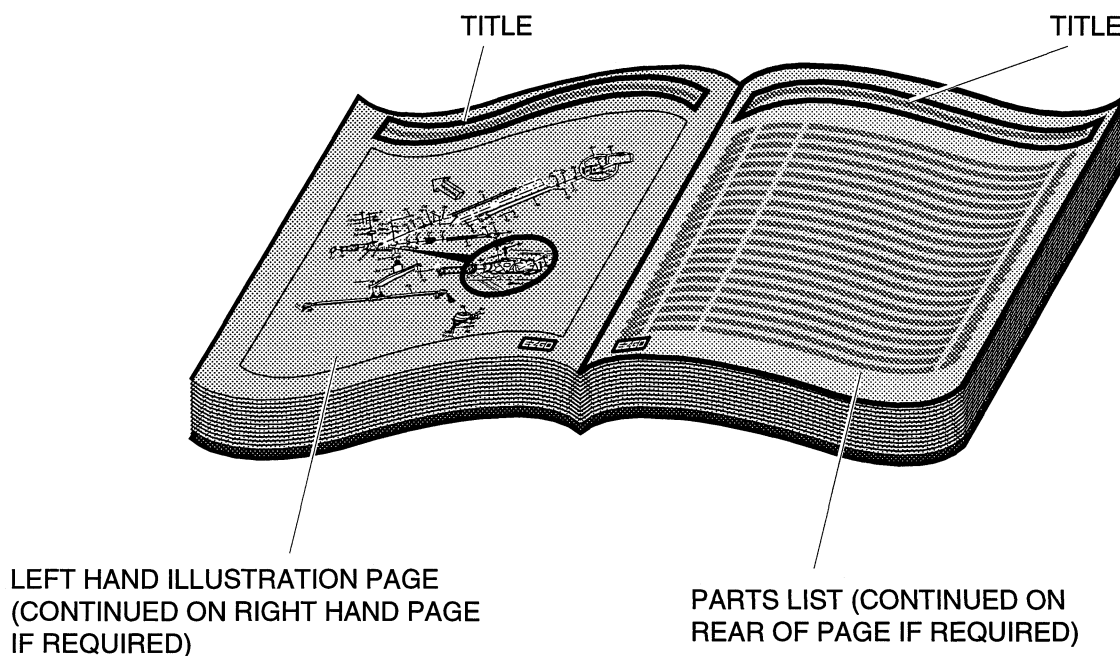
USE OF THE MANUAL

To use this manual, consult the GENERAL INDEX to locate the information or illustration required.

Introduction of some revisions varies due to supply of components; therefore, it is possible that various combinations of components may be found that are not directly reflected by each illustration. Consult the illustration that best suits your situation and then contact the Service Parts Department. It is important that the serial number of your vehicle and its model number be supplied to Service Parts when ordering any replacement components.

Locate the serial number plate (see Body located in the ILLUSTRATED PARTS BREAKDOWN section of this manual for its location) and note the complete number shown on the plate.

HOW TO USE THE E-Z-GO SERVICE PARTS MANUAL



1. WHEN THE PART NUMBER IS NOT KNOWN

- Determine the function and application of the part required. Turn to the General Index and select the most appropriate title.
- Turn to the page number indicated and locate the desired part on the illustration.
- From the illustration, obtain the item number assigned to the desired part. Refer to the accompanying description for specific information regarding the part.

2. IF YOU KNOW THE PART NUMBER

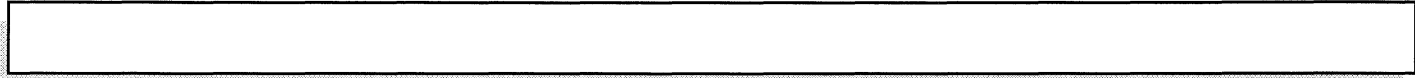
- Locate the part number or description in the appropriate column on the parts list page.

NOTE: It is suggested that you confirm that the part selected is correct by verifying it with the pictorial representation on the illustrated page.

Should an asterisk (*) appear in the part number column on the parts list page, read upwards until a part number is found. The part number is the lowest assembly sold by E-Z-GO and the asterisk (*) indicates that the part depicted is not available for sale by E-Z-GO.

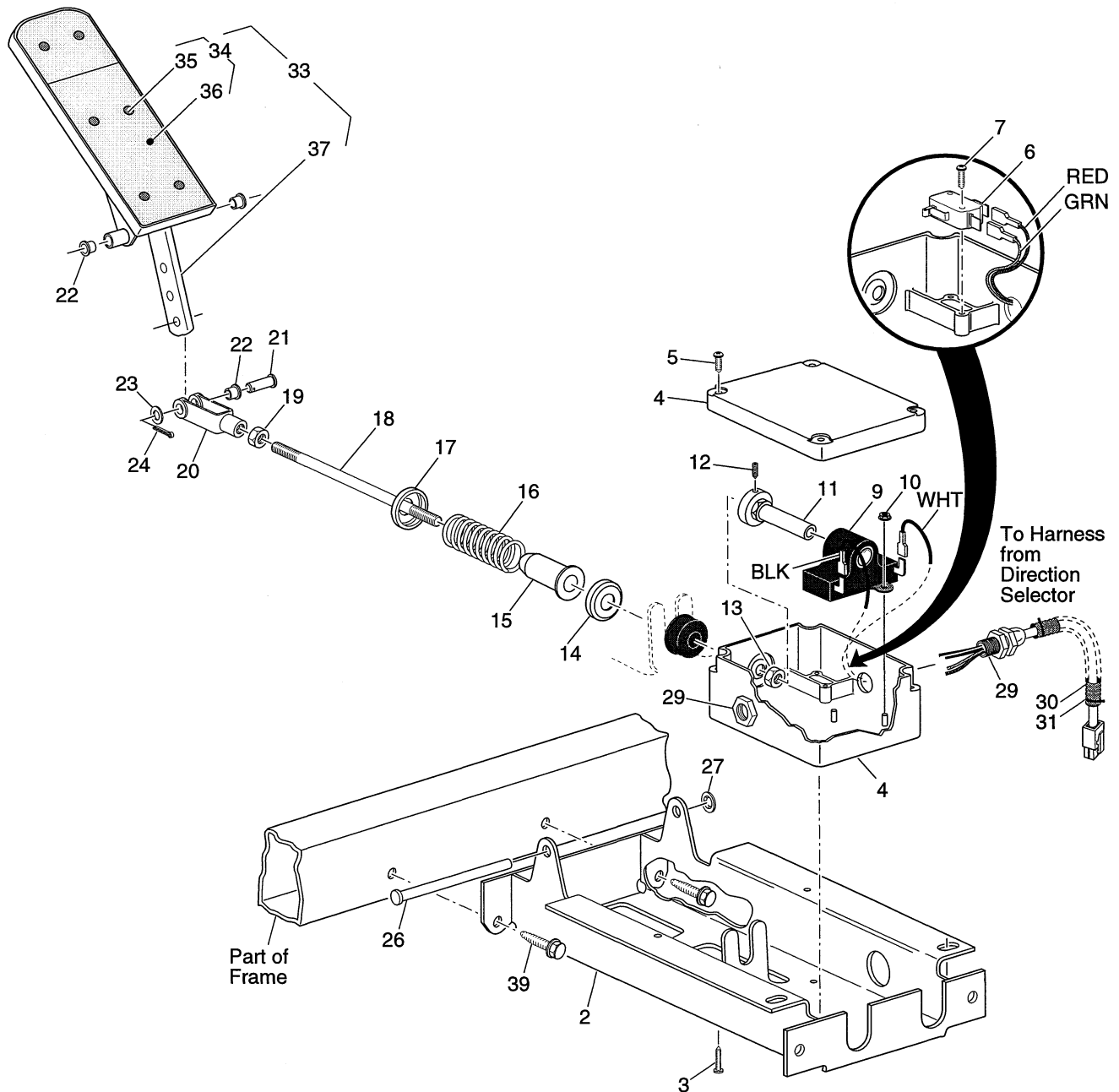
NOTE: Descriptions are indented under the assembly that they are used on. That assembly is, in turn listed under the assembly that it is used on. This process is repeated until the highest final assembly is reached.

To facilitate the maintenance and repair of the vehicle, a Technician's Repair and Service Manual will be available from the E-Z-GO Service Parts Department.



ILLUSTRATED PARTS BREAKDOWN

1 - Includes Items 2 - 37



THE USE OF NON UL PARTS WILL VOID ANY UL LISTING.

When ordering parts, please specify the model and serial number of the product.

* Indicates a component that is not available as an individual part.

G** Indicates consult Customer Service Department for additional information.

ITEM	PART NO.	1 2 3 4 5	DESCRIPTION	QTY.
1	25870-G03		PEDAL BOX ASSEMBLY (INCLUDES ITEMS 2 - 37).....	1
2	70116-G01		ACCELERATOR PEDAL BRACKET	1
3	00984-G01		SCREW, #8 - 10 X 1/2" LG.....	4
4	25853-G01		PEDAL BOX AND COVER.....	1
5	00684-G6		SCREW, #8 - 32 X 3/4" LG.....	4
6	25861-G01		MICRO SWITCH.....	1
7	00982-G01		SCREW, #4 - 14 X 5/8" LG.....	2
8				
9	25854-G01		INDUCTIVE THROTTLE SENSOR	1
10	00983-G01		SELF THREADING NUT, 3/16"	2
11	26551-G01		PLUNGER	1
12	00486-G2		SETSCREW, #8 - 32 X 1/8" LG.....	1
13	00550-G2		LOCK NUT, 1/4 - 28.....	1
14	17677-G1		SPRING RETAINER, 1/2".....	1
15	17979-G1		BUSHING	1
16	73046-G01		COMPRESSION SPRING	1
17	17677-G2		SPRING RETAINER, 3/8".....	1
18	25859-G01		ACCELERATOR ROD	1
19	00532-G4		LOCK NUT, 5/16 - 24.....	1
20	10385-G4		CLEVIS YOKE (ADJUSTABLE).....	1
21	10386-G3		CLEVIS PIN, 5/16" X 1" LG	1
22	17838-G1		NYLON BUSHING	3
23	17255-G1		TEFLON WASHER, 5/16".....	1
24	10387-G3		COTTER PIN, 3/32" X 3/4" LG	1
25				
26	70134-G01		PEDAL PIVOT PIN	1
27	00986-G01		PUSH NUT, 9/32"	1
28				
29	25879-G03		WIRING HARNESS (PEDAL BOX ASSEMBLY).....	1
30	17313-G1		LOOM FLEX, 3/8" X 6" LG (BULK).....	1



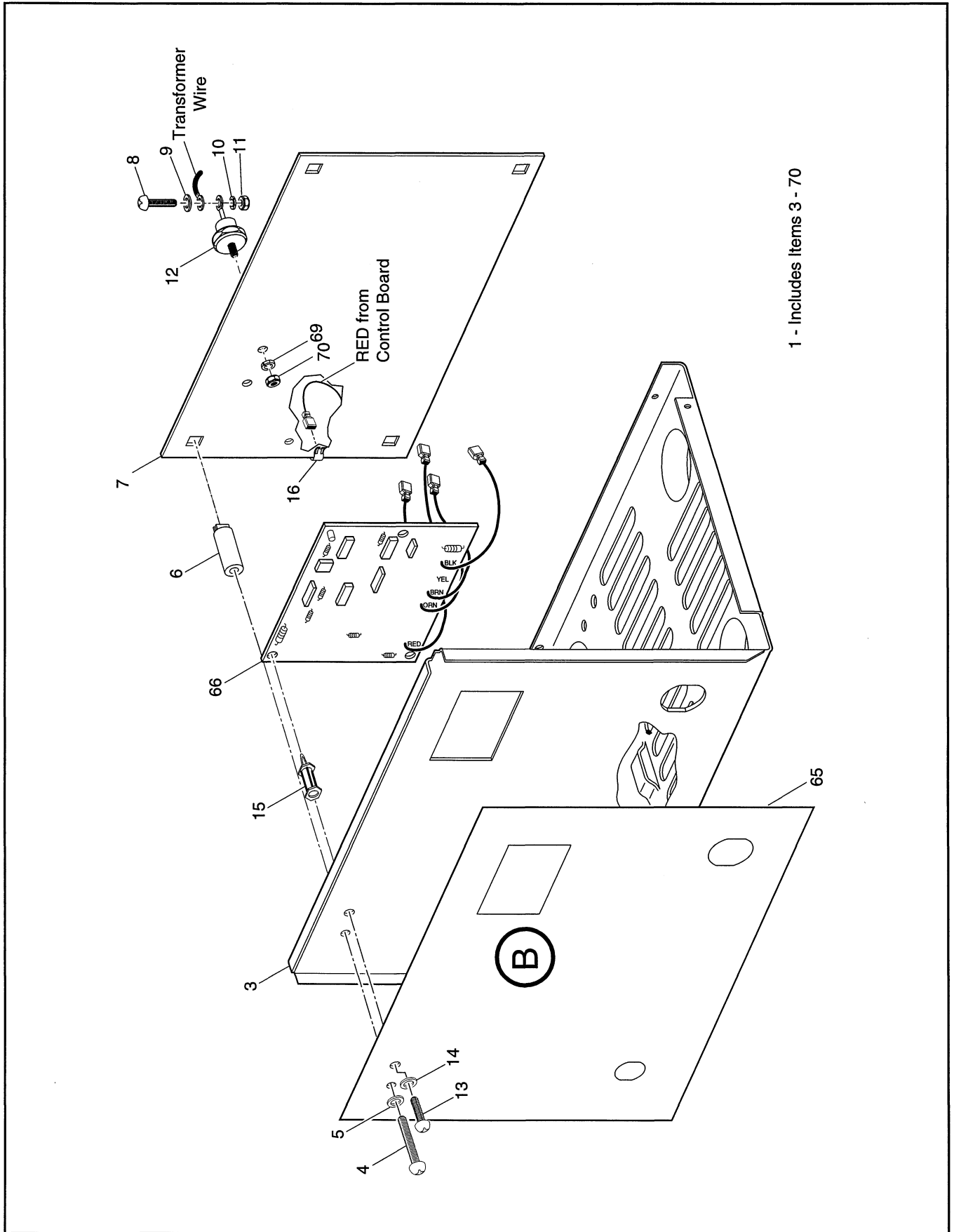
THE USE OF NON UL PARTS WILL VOID ANY UL LISTING.

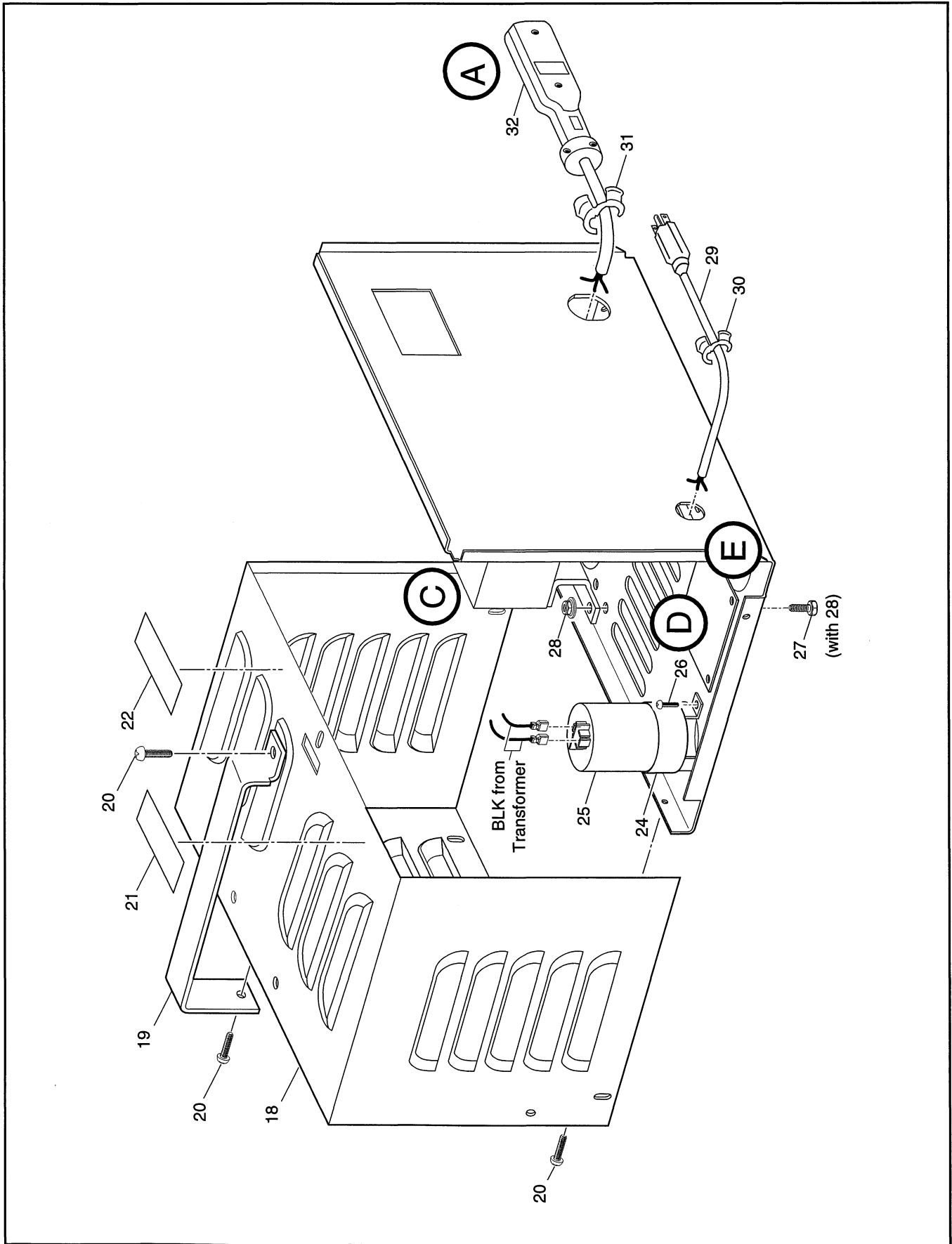
When ordering parts, please specify the model and serial number of the product.

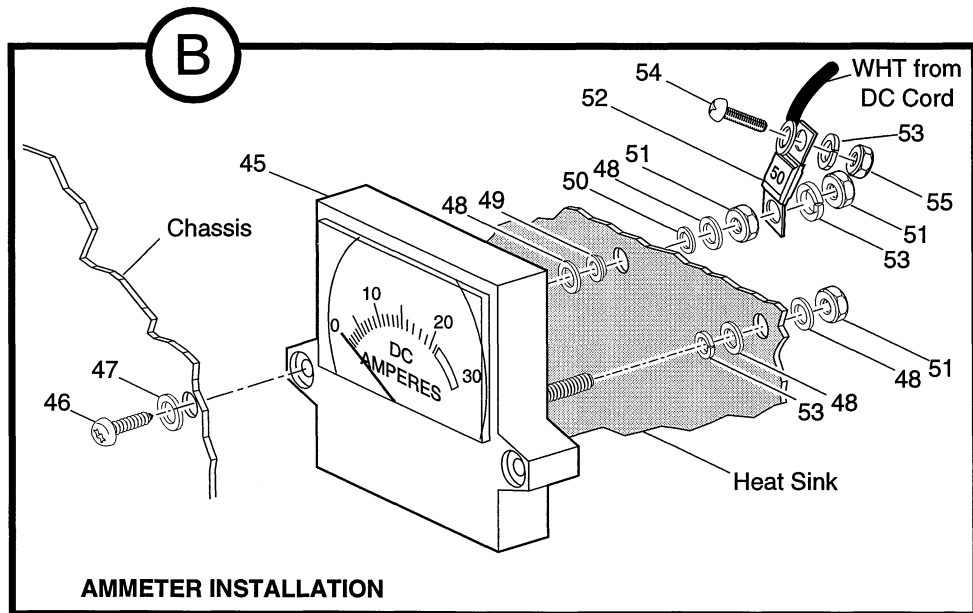
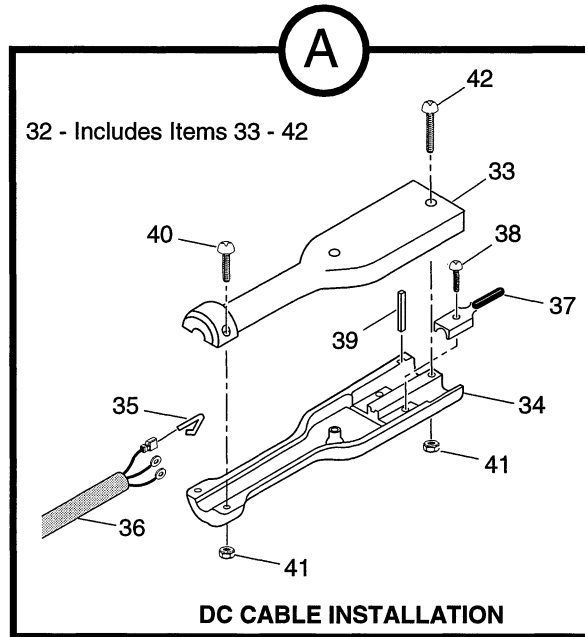
* Indicates a component that is not available as an individual part.

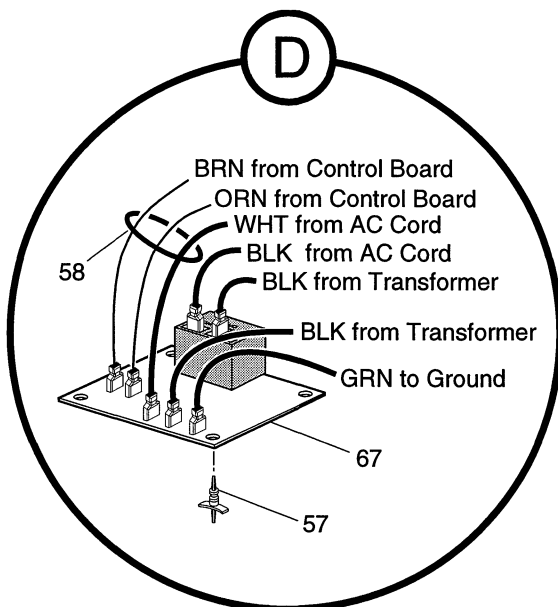
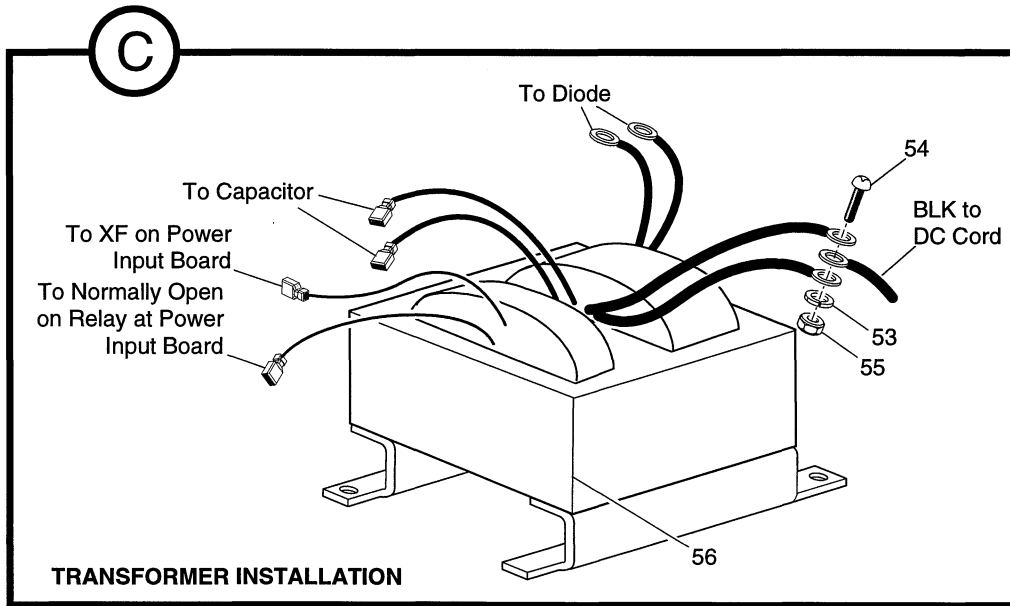
G** Indicates consult Customer Service Department for additional information.

ITEM	PART NO.	1	2	3	4	5	DESCRIPTION	QTY.
31	17618-G1						WIRE TIE	2
32								
33	25799-G01						ACCELERATOR PEDAL ASSEMBLY (INCLUDES ITEMS 34 - 37).....	1
34	27844-G01						ACCELERATOR PEDAL PAD KIT (INCLUDES ITEMS 35 - 36).....	1
35	15766-G1						OVAL RIVET, 3/16" X 3/8" LG.....	6
36	27512-G01						ACCELERATOR PEDAL PAD	1
37	*						ACCELERATOR PEDAL	1
38								
39	00715-G2						BOLT, 5/16 - 18 X 13/16" LG	2

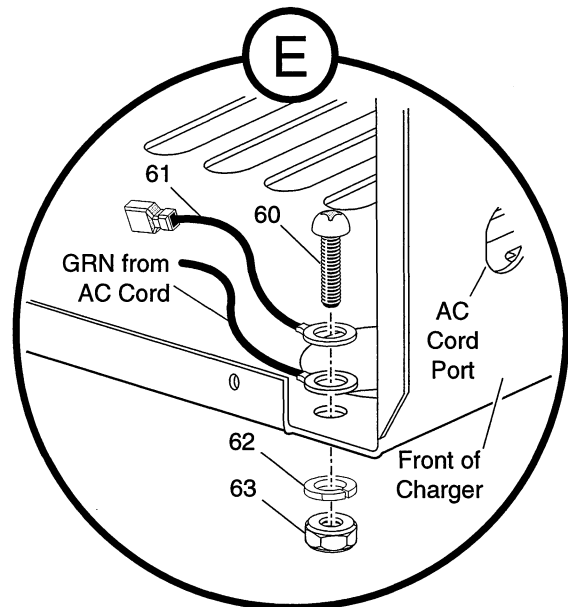








POWER INPUT BOARD INSTALLATION



GROUNDING DETAIL

BATTERY CHARGER (PORTABLE)

Electric Vehicle

THE USE OF NON UL PARTS WILL VOID ANY UL LISTING.

When ordering parts, please specify the model and serial number of the product.

* Indicates a component that is not available as an individual part.

G** Indicates consult Customer Service Department for additional information.

ITEM	PART NO.	1 2 3 4 5	DESCRIPTION	QTY.
1	28115-G01		POWERWISE™ CHARGER (INCLUDES ITEMS 3 - 70)	1
2				
3	*		CHASSIS	1
4	00513-G6		SCREW, #8 - 18 X 1 3/4" LG.	2
5	00559-G4		WASHER, #8	2
6	11572-G3		EXPANSION NUT	2
7	28104-G01		HEAT SINK	1
8	00138-G3		SCREW, #6 - 32 X 3/8" LG.	2
9	00559-G3		WASHER, #6	3
10	00567-G3		LOCK WASHER, #6	2
11	00525-G5		NUT, #6 - 32.....	2
12	18488-G1		DIODE.....	2
13	01005-G01		SCREW, #6 - 19 X 5/16" LG.	3
14	00559-G3		WASHER, #6	3
15	28111-G01		SUPPORT SPACER	3
16	28110-G01		ELECTRICAL CLIP.....	1
17				
18	*		COVER	1
19	28102-G01		HANDLE	1
20	00614-G4		SCREW, #8 - 18 X 1/2" LG.	6
21	28136-G01		LABEL (VENTILATION).....	1
22	28136-G02		LABEL (DC CORD CONDITION)	1
23				
24	26979-G01		CAPACITOR BRACKET	1
25	28109-G01		CAPACITOR	1
26	00969-G01		SCREW, #8 - 32 X 3/8" LG.	3
27	00414-G5		BOLT, 1/4 - 20 X 5/8" LG.....	3
28	11027-G2		LOCK NUT, 1/4 - 20	3
29	19388-G4		AC CORD	1
30	13557-G2		STRAIN RELIEF (AC).....	1

THE USE OF NON UL PARTS WILL VOID ANY UL LISTING.

When ordering parts, please specify the model and serial number of the product.

* Indicates a component that is not available as an individual part.

G** Indicates consult Customer Service Department for additional information.

ITEM	PART NO.	1	2	3	4	5	DESCRIPTION	QTY.
31	13557-G3						STRAIN RELIEF (DC)	1
32	28137-G01						DC CORD AND HANDLE ASSEMBLY (INCLUDES ITEMS 33 - 42)	1
33	73051-G11						PLUG (TOP HALF).....	1
34	73051-G12						PLUG (BOTTOM HALF).....	1
35	73051-G13						AUXILARY CONTACT	1
36	28114-G01						DC CORD	1
37	73051-G14						MALE PIN	2
38	73051-G08						SCREW, #10 - 32 X 1/2" LG (BRASS).....	2
39	73051-G15						MAGNET	1
40	73051-G16						SCREW, #6 - 32 X 1/2" LG (STAINLESS STEEL)	2
41	73051-G10						LOCK NUT, #6 - 32	4
42	73051-G17						SCREW, #6 - 32 X 1" LG (STAINLESS STEEL)	2
43								
44								
45	28105-G01						AMMETER.....	1
46	00984-G01						SCREW, #8 - 10 X 1/2" LG.....	2
47	00559-G4						WASHER, #8	2
48	01003-G01						BRASS WASHER, #10.....	4
49	22589-G2						SHOULDER WASHER, #10	1
50	00771-G6						NYLON WASHER, #10.....	1
51	00528-G4						NUT, #10 - 32.....	3
52	28106-G01						50 AMP FUSE	1
53	00565-G5						LOCK WASHER, #10	4
54	00378-G4						SCREW, #10 - 24 X 1/2" LG.....	2
55	00526-G3						NUT, #10 - 24.....	2
56	28103-G01						TRANSFORMER	1
57	27877-G01						SPACER SUPPORT	4
58	17618-G1						WIRE TIE.....	2
59								
60	00372-G3						SCREW, #8 - 32 X 3/8" LG.....	1



THE USE OF NON UL PARTS WILL VOID ANY UL LISTING.

When ordering parts, please specify the model and serial number of the product.

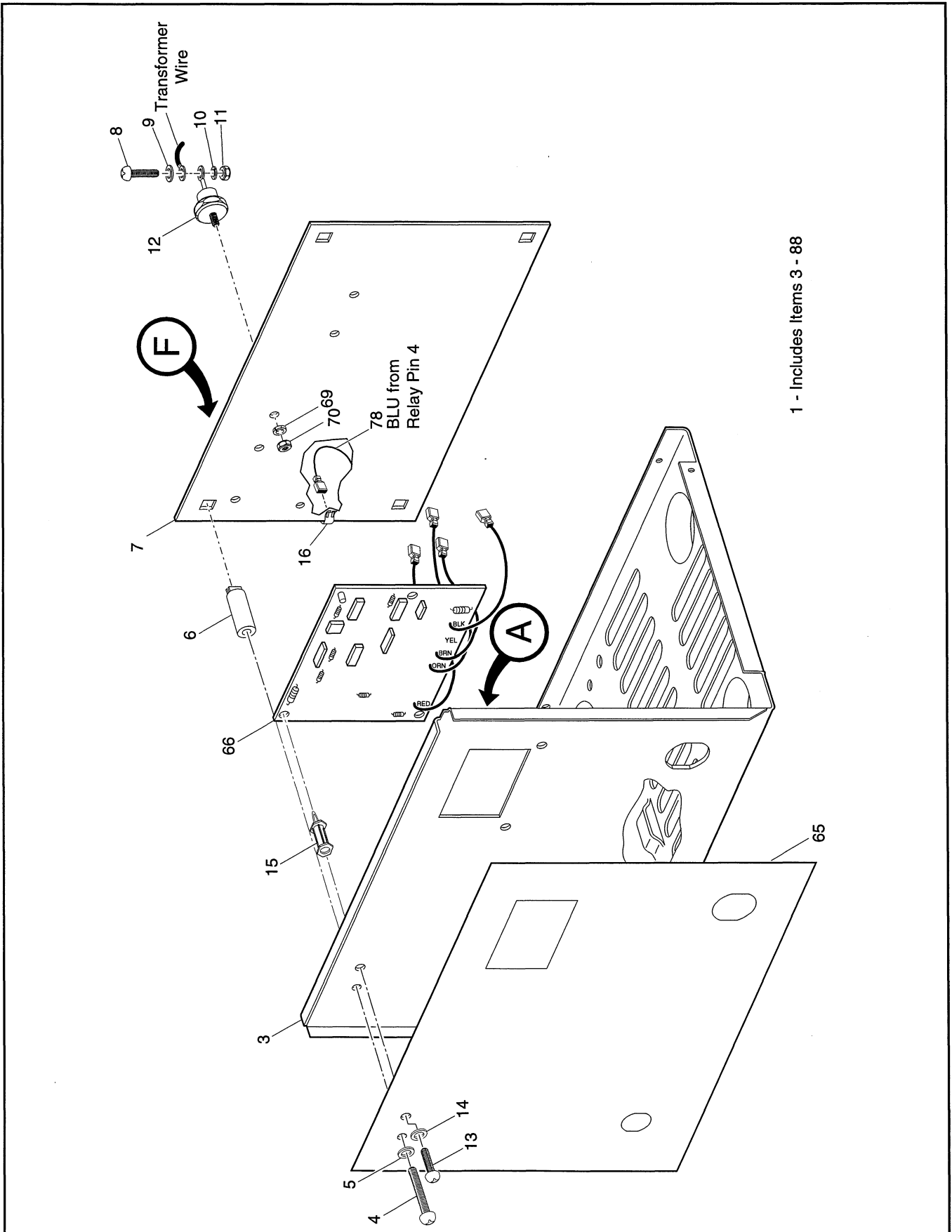
* Indicates a component that is not available as an individual part.

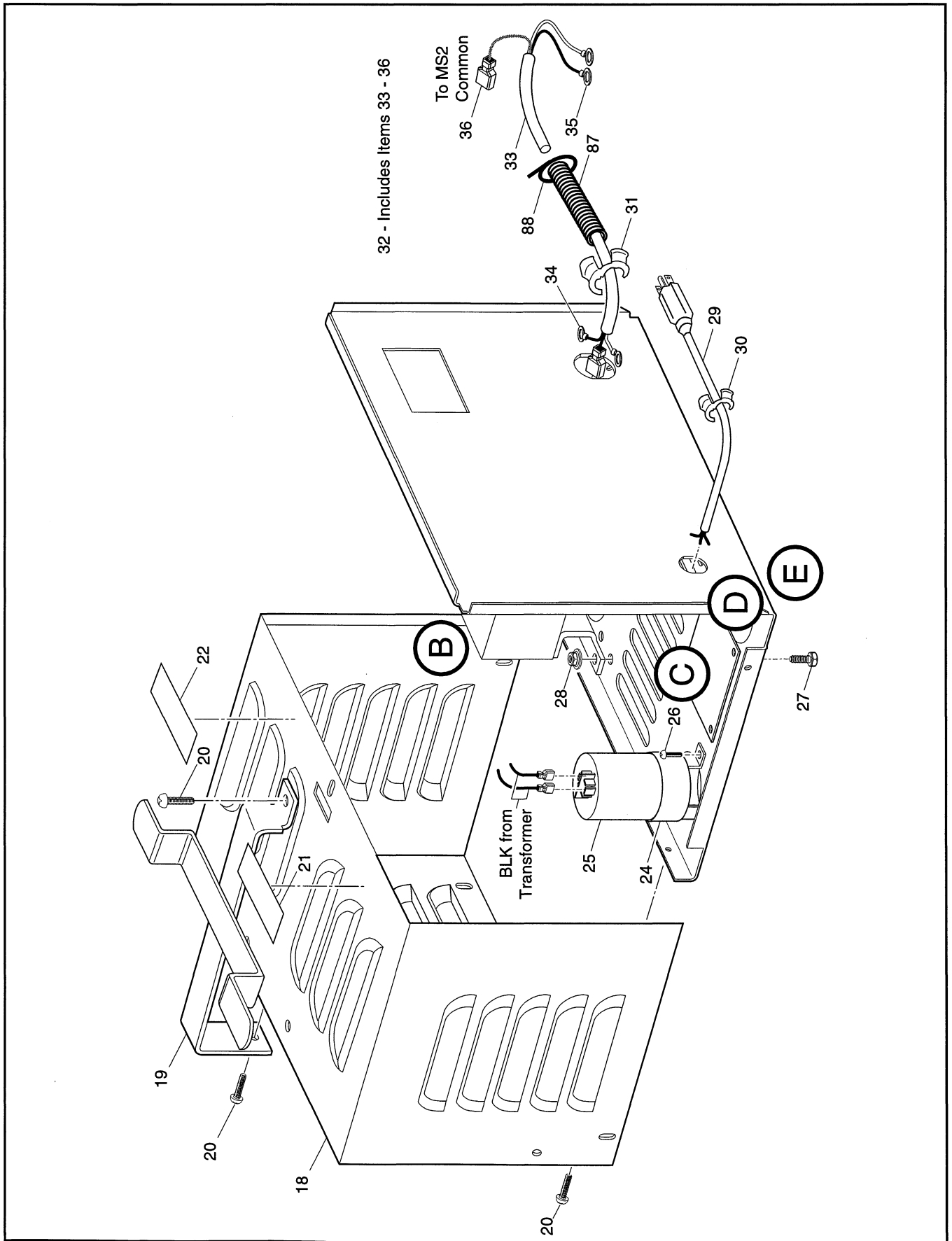
G** Indicates consult Customer Service Department for additional information.

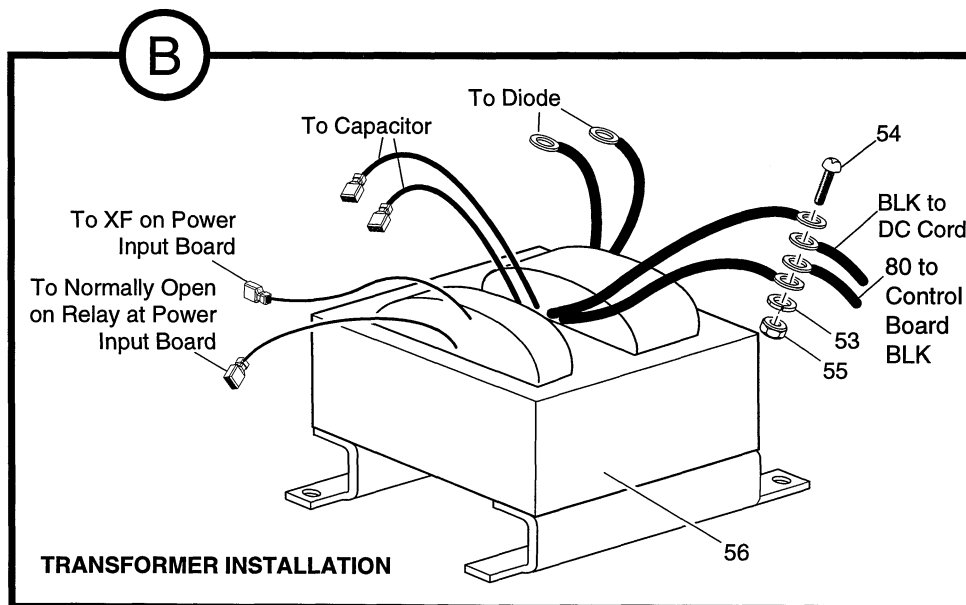
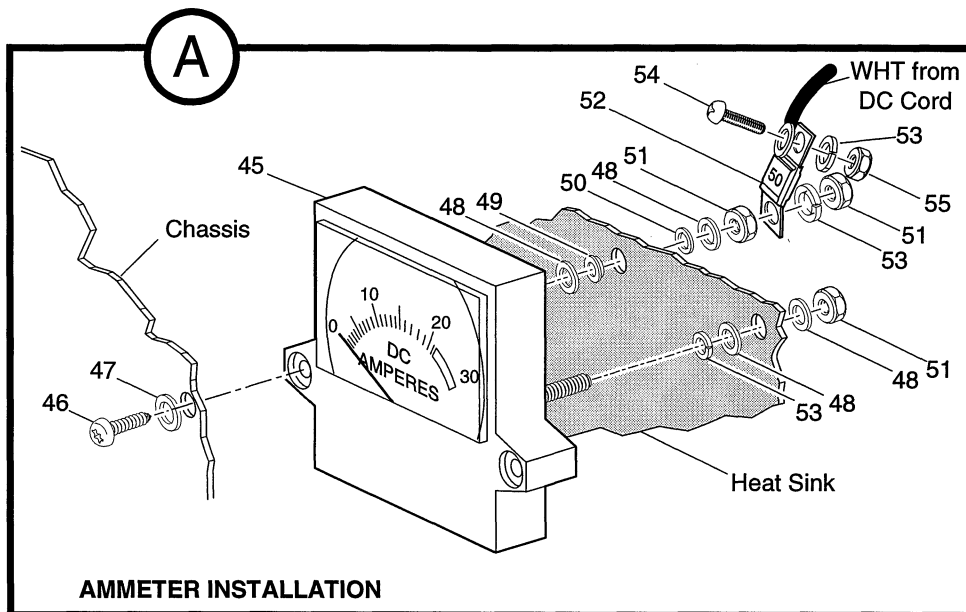
ITEM	PART NO.	1	2	3	4	5	DESCRIPTION	QTY.
61	25977-G32						16 GA WIRE (GREEN 4" LG)	1
62	00565-G4						LOCK WASHER, #8	1
63	00526-G1						NUT, #8 - 32.....	1
64								
65	*						LABEL (POWERWISE™)	1
66	28126-G01						CONTROL BOARD (POWERWISE™).....	1
67	28126-G03						POWER INPUT BOARD (POWERWISE™)	1
68								
69	00565-G7						LOCK WASHER, 1/4"	2
70	00532-G2						NUT, 1/4 - 28.....	2

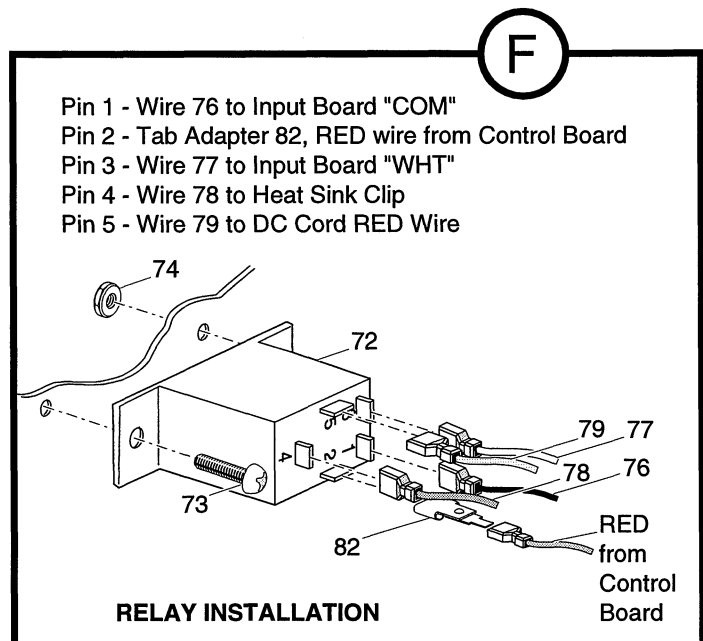
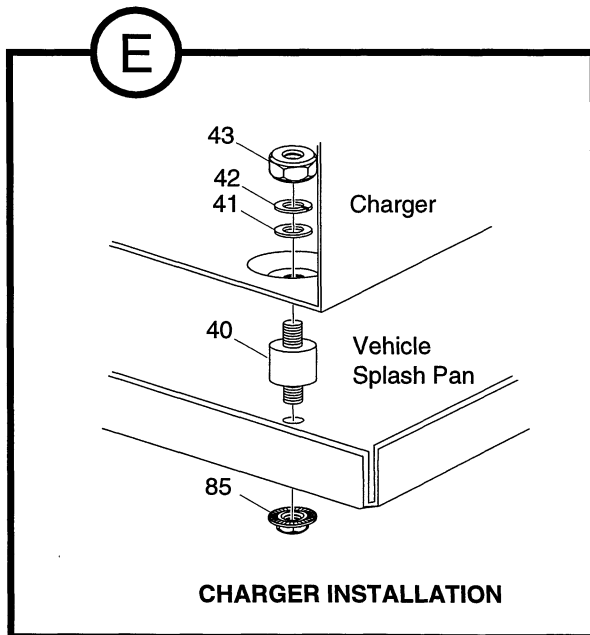
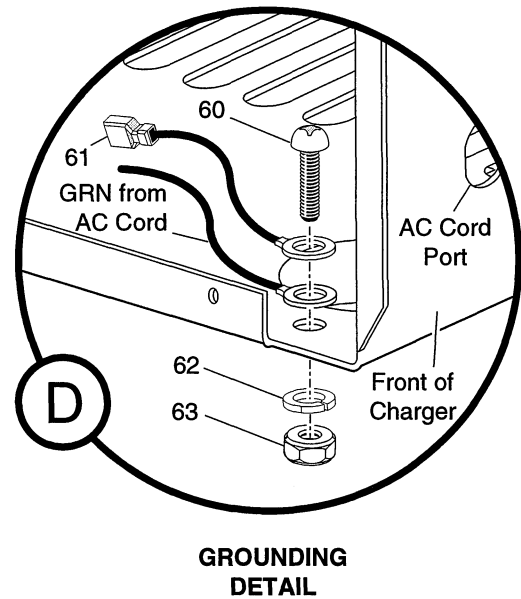
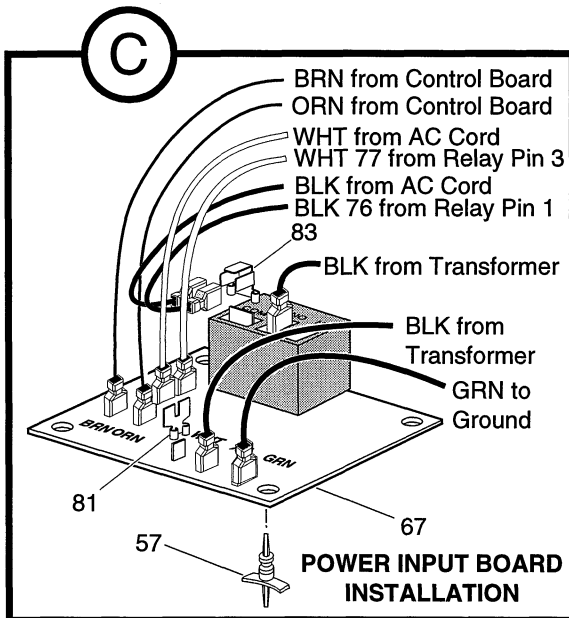












BATTERY CHARGER (ON-BOARD)

Electric Vehicle

THE USE OF NON UL PARTS WILL VOID ANY UL LISTING.

When ordering parts, please specify the model and serial number of the product.

* Indicates a component that is not available as an individual part.

G** Indicates consult Customer Service Department for additional information.

ITEM	PART NO.	1	2	3	4	5	DESCRIPTION	QTY.
1	28115-G06						POWERWISE™ CHARGER, ON BOARD (INCLUDES ITEMS 3 - 88)	1
2								
3	*						CHASSIS	1
4	00513-G6						SCREW, #8 - 18 X 1 3/4" LG.	2
5	00559-G4						WASHER, #8	2
6	11572-G3						EXPANSION NUT	2
7	28104-G01						HEAT SINK	1
8	00138-G3						SCREW, #6 - 32 X 3/8" LG.	2
9	00559-G3						WASHER, #6	2
10	00567-G3						LOCK WASHER, #6	2
11	00525-G5						NUT, #6 - 32	2
12	18488-G1						DIODE	2
13	01005-G01						SCREW, #6 - 19 X 5/16" LG.	3
14	00559-G3						WASHER, #6	3
15	28111-G01						SUPPORT SPACER	3
16	28110-G01						ELECTRICAL CLIP	1
17								
18	*						COVER	1
19	73208-G01						CABLE STORAGE	1
20	00614-G4						SCREW, #8 - 18 X 1/2" LG.	6
21	28136-G01						LABEL (VENTILATION)	1
22	28136-G02						LABEL (DC CORD CONDITION)	1
23								
24	26979-G01						CAPACITOR BRACKET	1
25	28109-G01						CAPACITOR	1
26	00969-G01						SCREW, #8 - 32 X 3/8" LG.	3
27	00414-G5						BOLT, 1/4 - 20 X 5/8" LG.	3
28	11027-G2						LOCK NUT, 1/4 - 20	3
29	19388-G5						AC CORD	1
30	13557-G2						STRAIN RELIEF (AC)	1



THE USE OF NON UL PARTS WILL VOID ANY UL LISTING.

When ordering parts, please specify the model and serial number of the product.

* Indicates a component that is not available as an individual part.

G** Indicates consult Customer Service Department for additional information.

ITEM	PART NO.	1	2	3	4	5	DESCRIPTION	QTY.
31	13557-G3						STRAIN RELIEF (DC)	1
32	28114-G06						DC CORD ASSEMBLY (INCLUDES ITEMS 33 - 36)	1
33	28108-G01						DC CORD	1
34	11343-G3						RING TERMINAL, 3/16"	2
35	11343-G1						RING TERMINAL, 5/16"	2
36	17064-G1						FEMALE TERMINAL.....	2
37	22476-G1						HEAT SHRINK TUBING (NOT ILLUSTRATED).....	AR
38								
39								
40	22009-G1						ISOLATION MOUNT.....	4
41	00559-G7						WASHER, 1/4"	4
42	00565-G7						LOCK WASHER, 1/4"	4
43	00532-G1						NUT, 1/4 - 20.....	4
44								
45	28105-G01						AMMETER.....	1
46	00984-G01						SCREW, #8 - 10 X 1/2" LG.....	2
47	00559-G4						WASHER, #8	2
48	01003-G01						BRASS WASHER, #10.....	4
49	22589-G2						SHOULDER WASHER, #10	1
50	00771-G6						NYLON WASHER, #10.....	1
51	00528-G4						NUT, #10 - 32.....	3
52	28106-G01						50 AMP FUSE	1
53	00565-G5						LOCK WASHER, #10	4
54	00378-G4						SCREW, #10 - 24 X 1/2" LG.....	2
55	00526-G3						NUT, #10 - 24.....	2
56	28103-G01						TRANSFORMER.....	1
57	27877-G01						SPACER SUPPORT	4
58	17618-G1						WIRE TIE.....	3
59								
60	00372-G3						SCREW, #8 - 32 X 3/8" LG.....	1



BATTERY CHARGER (ON-BOARD)

Electric Vehicle

THE USE OF NON UL PARTS WILL VOID ANY UL LISTING.

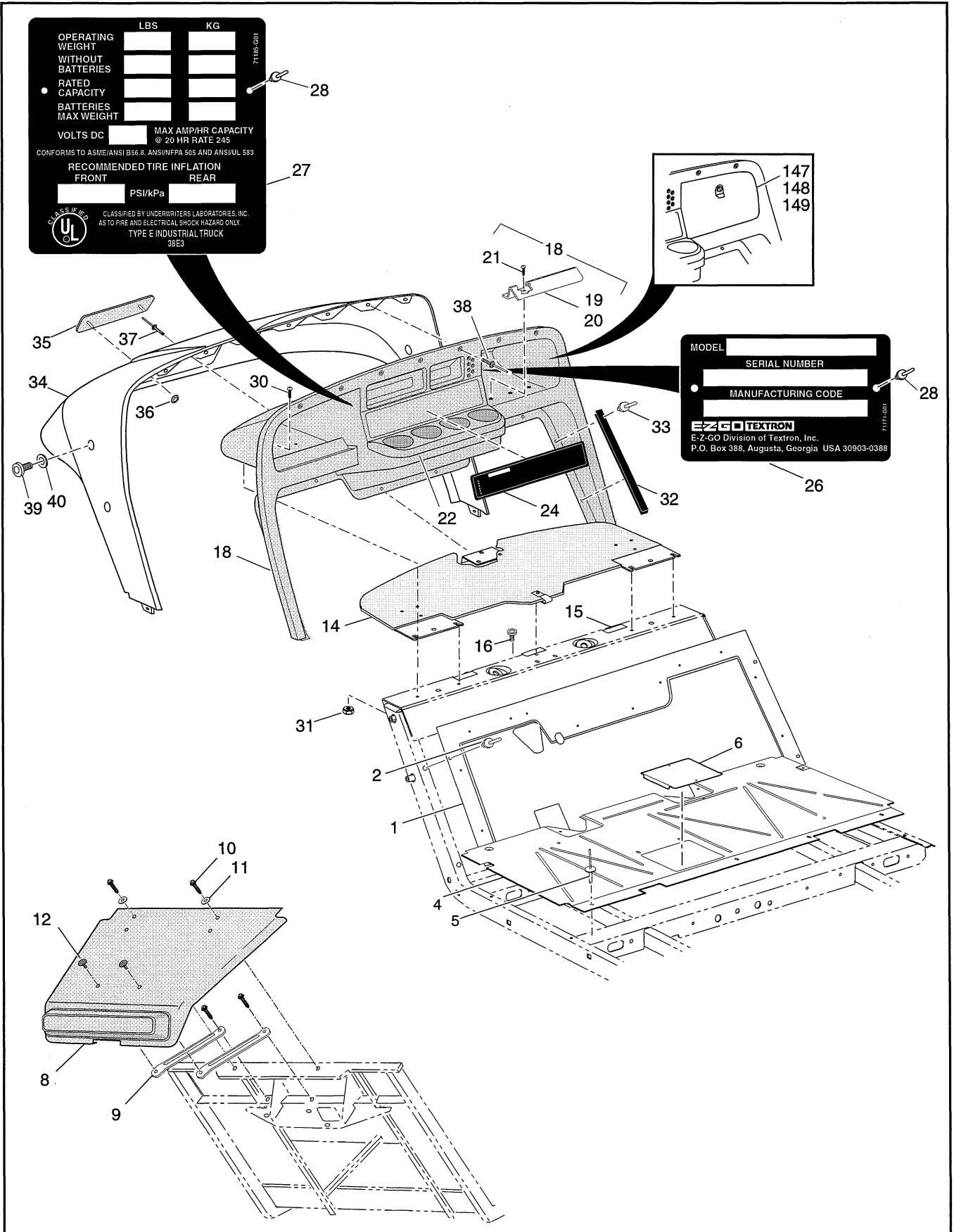
When ordering parts, please specify the model and serial number of the product.

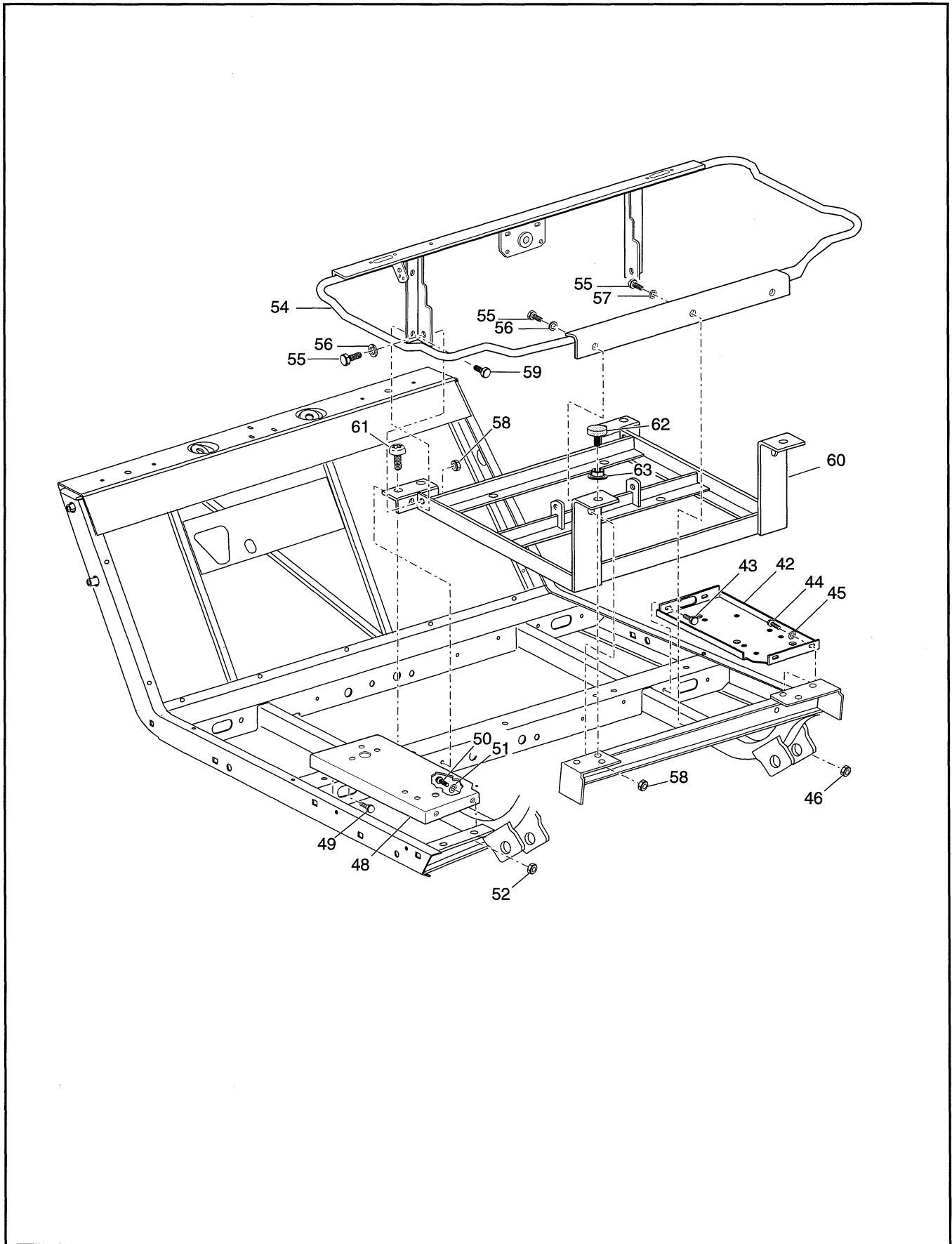
* Indicates a component that is not available as an individual part.

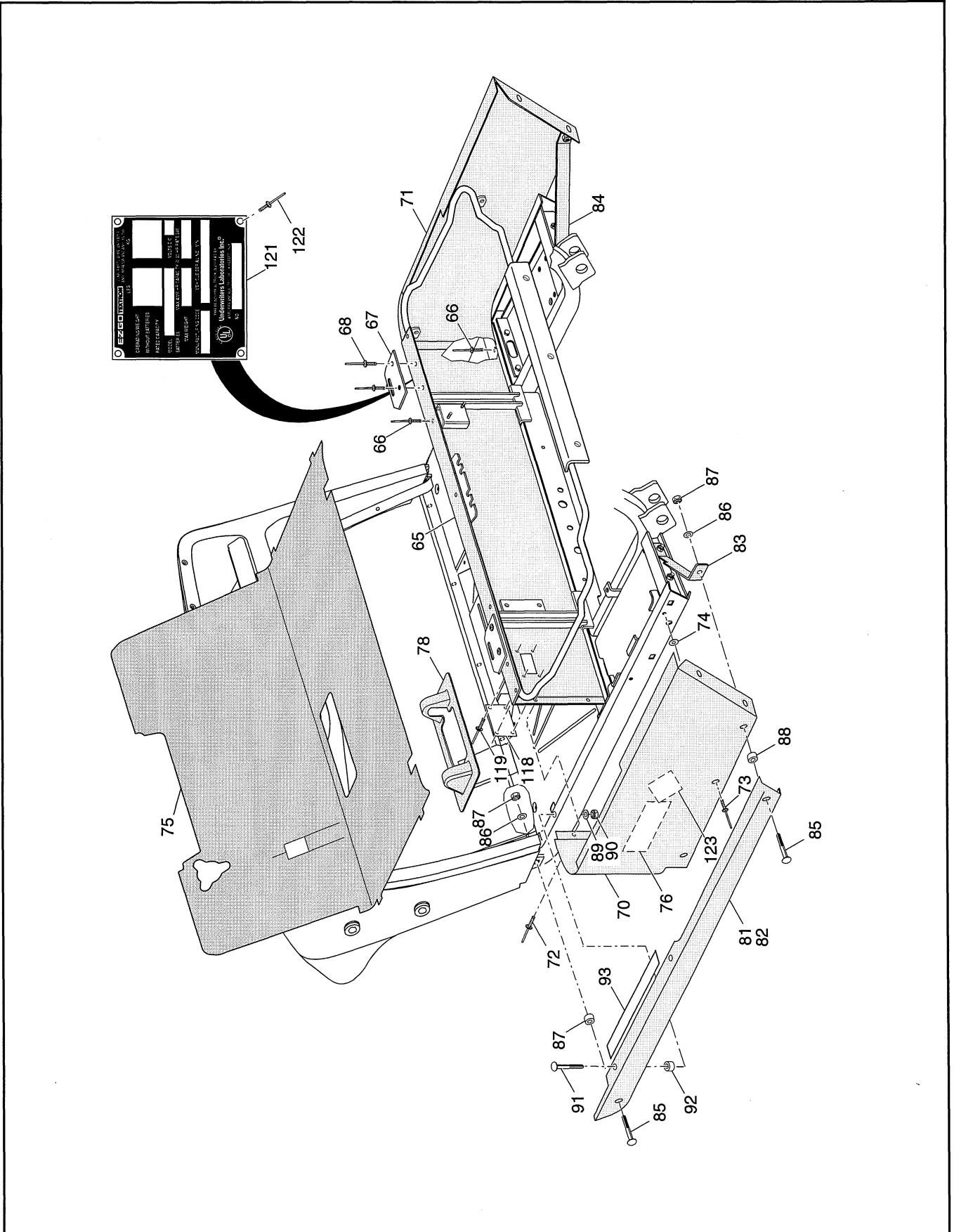
G** Indicates consult Customer Service Department for additional information.

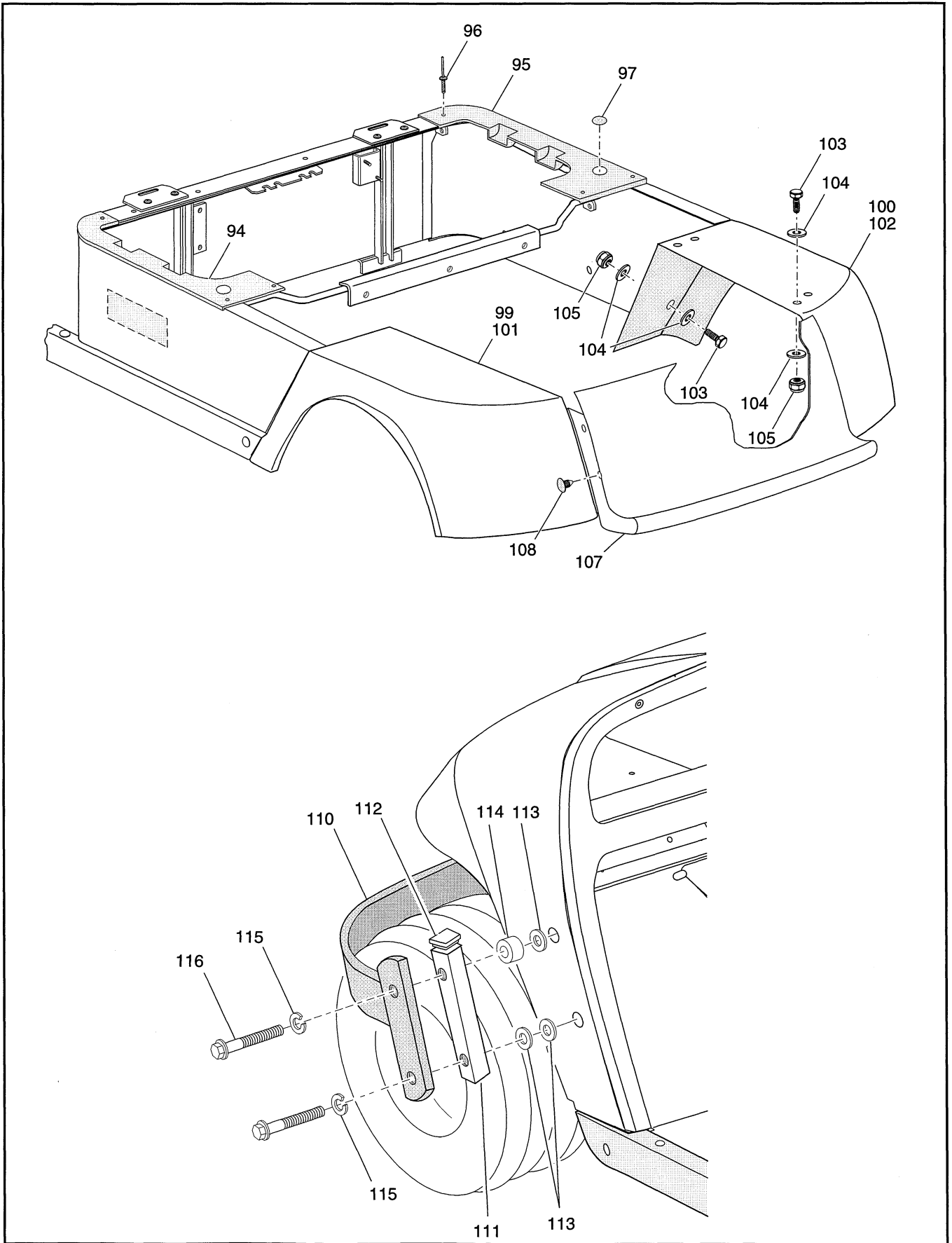
ITEM	PART NO.	1	2	3	4	5	DESCRIPTION	QTY.
61	25977-G32						16 GA WIRE (GREEN 4").....	1
62	00565-G4						LOCK WASHER, #8	1
63	00526-G1						NUT, #8 - 32.....	1
64								
65	*						LABEL (POWERWISE™)	1
66	28126-G01						CONTROL BOARD (POWERWISE™).....	1
67	28126-G03						POWER INPUT BOARD (POWERWISE™).....	1
68								
69	00565-G7						LOCK WASHER, 1/4"	2
70	00532-G2						NUT, 1/4 - 28.....	2
71								
72	21971-G4						RELAY	1
73	00138-G4						SCREW, #6 - 32 X 1/2"LG	2
74	14390-G9						LOCK NUT, #6 - 32.....	2
75								
76	25977-G38						16 GA WIRE (BLACK 4").....	1
77	25977-G37						16 GA WIRE (WHITE 5").....	1
78	25978-G161						18 GA WIRE (BLUE 6")	1
79	25978-G162						18 GA WIRE (YELLOW 6").....	1
80	25978-G163						18 GA WIRE (BLACK 7").....	1
81	17902-G1						TAB ADAPTER	1
82	28305-G01						TERMINAL ADAPTER.....	1
83	27285-G01						TERMINAL ADAPTER.....	1
84								
85	11027-G2						LOCK NUT, 1/4 - 20	4
86								
87	17313-G1						FLEX LOOM, 3/8", 7" LG (BULK).....	1
88	17618-G1						WIRE TIE	4

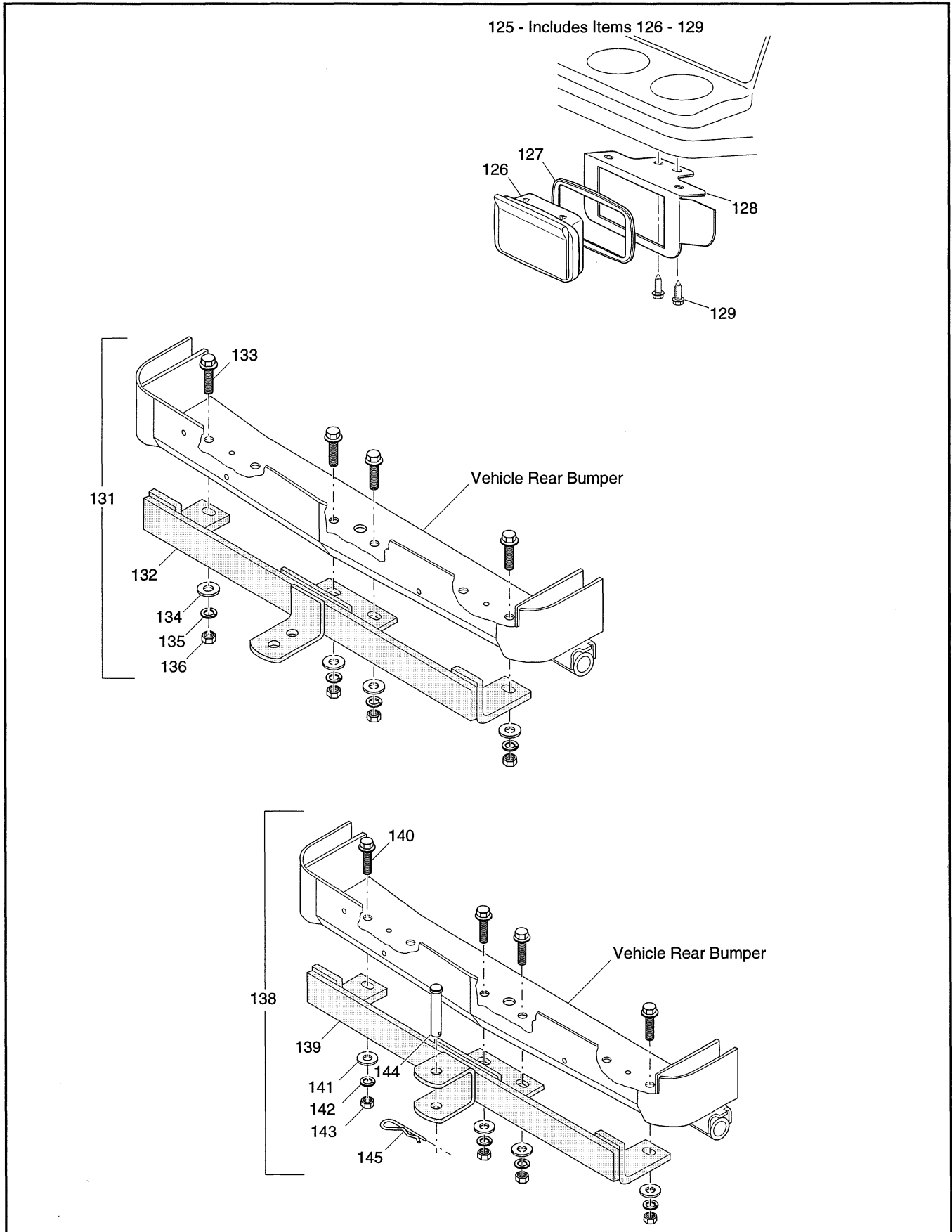












When ordering parts, please specify the model and serial number of the product.

* Indicates a component that is not available as an individual part.

G** Indicates consult Customer Service Department for additional information.

ITEM	PART NO.	1 2 3 4 5	DESCRIPTION	QTY.
1	70047-G01		UPPER FLOORPAN	1
2	14601-G11		RIVET, 3/16 X 9/16" LG.....	9
3				
4	70451-G01		LOWER FLOORPAN.....	1
5	14601-G11		RIVET, 3/16 X 9/16" LG.....	7
6	70452-G01		SWITCH ACCESS COVER.....	1
7				
8	27166-G02		FRONT SHIELD	1
9	71015-G01		FRONT SHIELD BRACE.....	2
10	01038-G01		SCREW, 1/4 - 20 X 1/2" LG	4
11	16469-G7		WASHER, 1/4"	2
12	16816-G2		RATCHET FASTENER, 1/4" X 5/8" LG.....	2
13				
14	71143-G01		SPLASH PANEL ASSEMBLY	1
15	27919-G02		FOAM TAPE, 3/4" X 2" LG	3
16	16816-G2		RATCHET FASTENER, 1/4" X 3/4" LG.....	1
17				
18	71151-G01		INSTRUMENT PANEL ASSEMBLY (INCLUDES ITEMS 19 - 22)	1
19	71153-G01		DEFLECTOR (PASSENGER SIDE).....	1
20	71154-G01		DEFLECTOR (DRIVER SIDE)	1
21	00614-G5		SCREW, #8 - 18 X 5/8" LG.....	6
22	71158-G01		INSTRUMENT PANEL INSERT (FOUR CUP)	1
23				
24	71179-G02		LABEL (SAFETY).....	1
25				
26	*		SERIAL NUMBER PLATE.....	1
27	*		CAPACITY PLATE	1
28	10570-G9		RIVET, 1/8 X 11/32" LG.....	4
29				
30	00740-G4		SCREW, #10 - 32 X 1/2" LG	4



When ordering parts, please specify the model and serial number of the product.

* Indicates a component that is not available as an individual part.

G** Indicates consult Customer Service Department for additional information.

ITEM	PART NO.	1 2 3 4 5	DESCRIPTION	QTY.
31	00921-G8		LOCK NUT, #10 - 32	4
32	71115-G01		VINYL TRIM	2
33	14601-G13		RIVET, 5/32" X 9/16" LG.	10
34	71051-G**		COWL	1
35	71037-G02		NAMEPLATE (E-Z-GO).....	1
36	12064-G3		PUSH NUT, 3/16"	2
37	14601-G13		RIVET, 5/32" X 9/16" LG.	2
38	71055-G01		RIVET, 3/16" X 3/8" LG.	7
39	71056-G01		BOLT, 5/16 - 18 X 5/8" LG.....	4
40	00570-G2		WASHER, 5/16"	4
41				
42	70244-G02		SPLASH PANEL.....	1
43	00715-G2		BOLT, 5/16 - 18 X 13/16" LG.....	2
44	00438-G8		BOLT, 5/16 - 18 X 1" LG.....	2
45	00559-G8		WASHER, 5/16"	2
46	11098-G6		LOCK NUT, 5/16 - 18	2
47				
48	70244-G01		SPLASH PANEL.....	1
49	00715-G2		BOLT, 5/16 - 18 X 13/16" LG.....	2
50	00438-G8		BOLT, 5/16 - 18 X 1" LG.....	2
51	00571-G2		WASHER, 5/16"	2
52	11098-G6		LOCK NUT, 5/16 - 18	2
53				
54	70494-G01		SEAT FRAME.....	1
55	00438-G8		BOLT, 5/16 - 18 X 1" LG.....	5
56	00559-G8		WASHER, 5/16"	2
57	00565-G8		LOCK WASHER, 5/16".....	1
58	11098-G6		LOCK NUT, 5/16 - 18	4
59	00715-G2		BOLT, 5/16 - 18 X 13/16" LG.....	2
60	70046-G01		BATTERY RACK.....	1

When ordering parts, please specify the model and serial number of the product.

* Indicates a component that is not available as an individual part.

G** Indicates consult Customer Service Department for additional information.

ITEM	PART NO.	1 2 3 4 5	DESCRIPTION	QTY.
61	70200-G01		SCREW, 3/8 - 16 X 1/4" LG	2
62	70113-G01		ADJUSTABLE BUMPER	2
63	11027-G1		LOCK NUT, 5/16 - 18	2
64				
65	71379-G**		SEAT WRAP PANEL	1
66	10570-G10		RIVET, 5/32" X 9/16" LG.	8
67	71609-G01		SEAT HINGE PLATE	2
68	10570-G11		RIVET, 3/16" X 3/4" LG	4
69				
70	71674-G**		SIDE PANEL (DRIVER SIDE)	1
71	71674-G**		SIDE PANEL (PASSENGER SIDE)	1
72	10570-G10		RIVET, 5/32" X 9/16" LG.	4
73	10570-G12		RIVET, 1/4" X 1/2" LG.	4
74	16469-G7		WASHER, 1/4"	4
75				
76	34799-G01		DECAL (WORKHORSE® 1000E)	2
77				
78	70135-G01		PEDAL PIVOT COVER	1
79	70048-G06		FLOORMAT	1
80				
81	71439-G01		ROCKER PANEL (DRIVER SIDE)	1
82	71439-G02		ROCKER PANEL (PASSENGER SIDE)	1
83	71440-G01		BRACE (DRIVER SIDE)	1
84	71440-G02		BRACE (PASSENGER SIDE)	1
85	00789-G2		SCREW, #10 - 24 X 1 1/4" LG.	4
86	00660-G5		WASHER, #10	4
87	11098-G7		LOCK NUT, #10 - 24	4
88	19247-G3		SPACER (9/32")	4
89	00559-G7		WASHER, 1/4"	4
90	14390-G4		LOCK NUT, 1/4 - 20	4



When ordering parts, please specify the model and serial number of the product.

* Indicates a component that is not available as an individual part.

G** Indicates consult Customer Service Department for additional information.

ITEM	PART NO.	1 2 3 4 5	DESCRIPTION	QTY.
91	16705-G1		SCREW, 1/4 - 20 X 1" LG.	4
92	23726-G2		SPACER (1/4")	4
93	71764-G01		SILL PLATE TREAD.....	2
94	71588-G01		SEAT FILLER PANEL (DRIVER SIDE)	1
95	71588-G02		SEAT FILLER PANEL (PASSENGER SIDE).....	1
96	10570-G10		RIVET, 5/32" X 9/16" LG.	6
97	20271-G3		HOLE PLUG, 2"	2
98				
99	71586-G01		FENDER (DRIVER SIDE)	1
100	71586-G02		FENDER (PASSENGER SIDE).....	1
101	71586-G03		FENDER WITH TAILLIGHT (DRIVER SIDE)	1
102	71586-G04		FENDER WITH TAILLIGHT (PASSENGER SIDE)	1
103	00414-G7		BOLT, 1/4 - 20 X 7/8" LG.....	12
104	00559-G7		WASHER, 1/4"	24
105	14390-G4		LOCK NUT, 1/4 - 20	12
106				
107	71587-G01		REAR PANEL.....	1
108	71055-G01		RIVET, 3/16" X 3/8" LG.	4
109				
110	74040-G01		FRONT BUMPER.....	1
111	74037-G01		SPACER TUBE	2
112	19859-G1		END CAP, 3/4"	2
113	00570-G2		WASHER, 5/16"	6
114	75048-G01		SPACER, 1/2"	2
115	00905-G8		LOCK WASHER, 5/16".....	4
116	01035-G02		BOLT, 5/16 - 18 X 2 1/2" LG.....	4
117				
118	73173-G01		COVER PLATE (ON-BOARD CHARGER MODELS ONLY).....	1
119	14601-G10		RIVET, 5/32" X 7/16" LG	4
120				



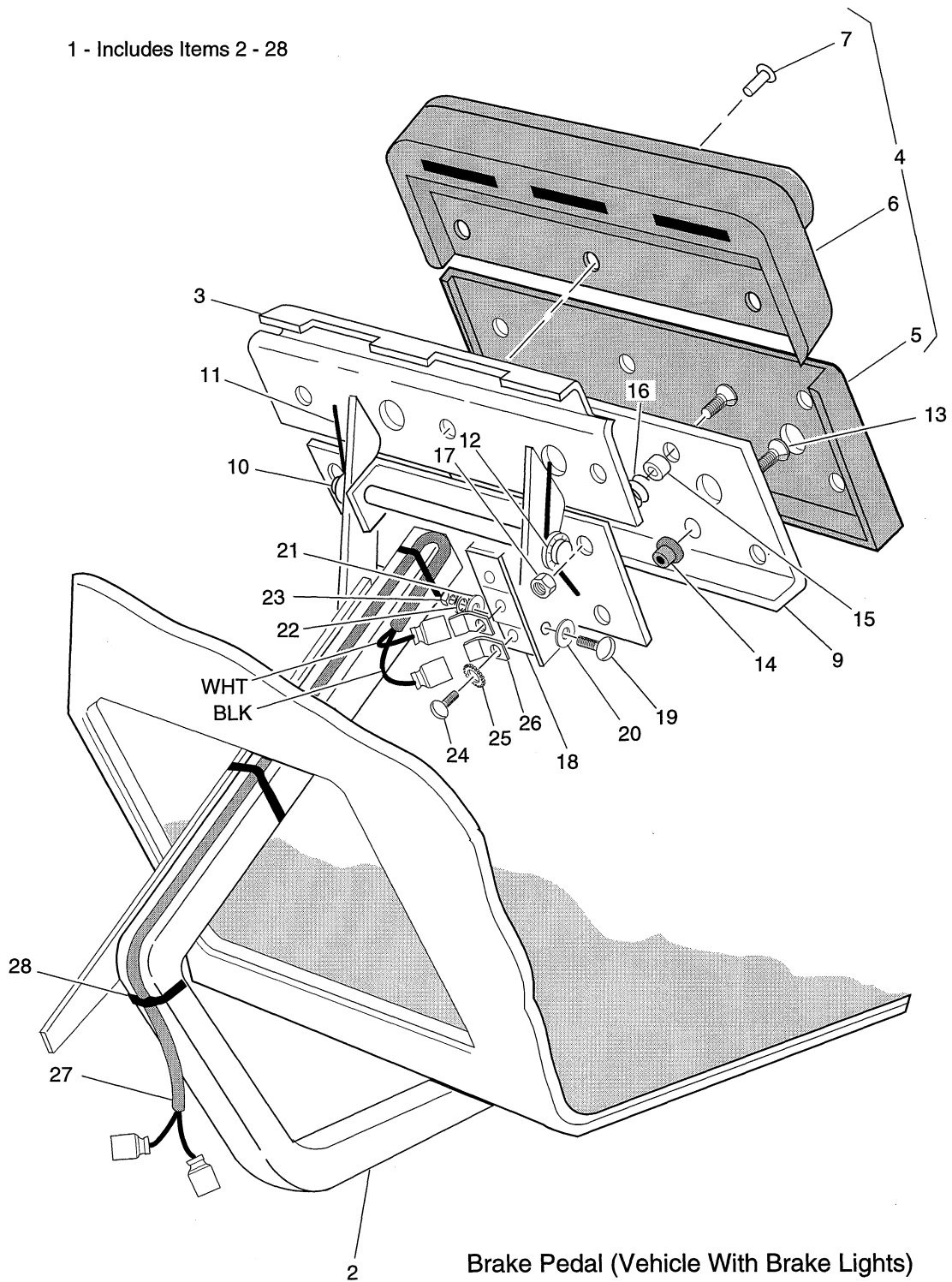
When ordering parts, please specify the model and serial number of the product.

* Indicates a component that is not available as an individual part.

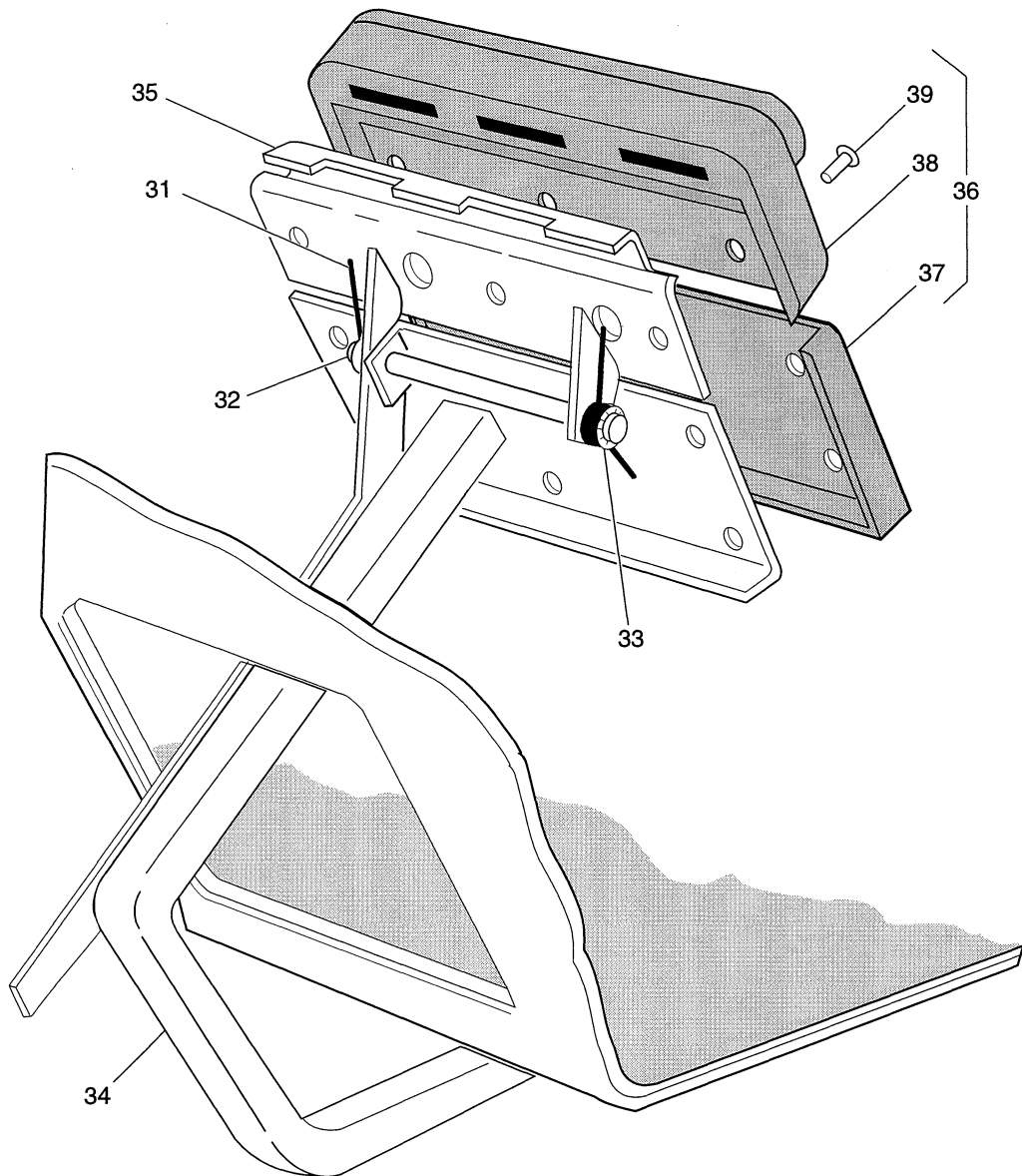
G** Indicates consult Customer Service Department for additional information.

ITEM	PART NO.	1	2	3	4	5	DESCRIPTION	QTY.
121	*						PLATE UL (EE)	1
122	10570-G9						RIVET, 1/8" X 11/32" LG.....	4
123	35216-G01						DECAL (EE)	2
124								
125	75109-G02						ASH TRAY KIT	1
126	27731-G01						ASH TRAY	1
127	27736-G01						GASKET	1
128	75108-G01						BRACKET	1
129	00100-G4						SCREW, #10 - 16 X 1/2" LG.....	4
130								
131	75326-G02						BALL HITCH KIT	1
132	75324-G01						BALL HITCH.....	1
133	13437-G5						LOCK SCREW, 3/8 - 16 X 1 1/2" LG.....	4
134	00571-G3						WASHER, 3/8".....	4
135	00566-G1						LOCK WASHER, 3/8".....	4
136	00532-G5						NUT, 3/8 - 16	4
137								
138	75327-G02						CLEVIS HITCH KIT	1
139	75325-G01						CLEVIS HITCH.....	1
140	13437-G5						LOCK SCREW, 3/16 - 16 X 1 1/2" LG.....	4
141	00571-G3						WASHER, 3/8".....	4
142	00566-G1						LOCK WASHER, 3/8".....	4
143	00532-G5						NUT, 3/8 - 16	4
144	14443-G7						CLEVIS PIN, 1/2" X 2 1/2" LG	1
145	19314-G1						COTTER PIN, 2 1/2" LG.....	1
146								
147	75459-G01						GLOVE BOX DOORS (BOTH SIDES)	1
148	75459-G02						GLOVE BOX DOOR (DRIVER SIDE)	1
149	75459-G03						GLOVE BOX DOOR (PASSENGER SIDE).....	1

1 - Includes Items 2 - 28

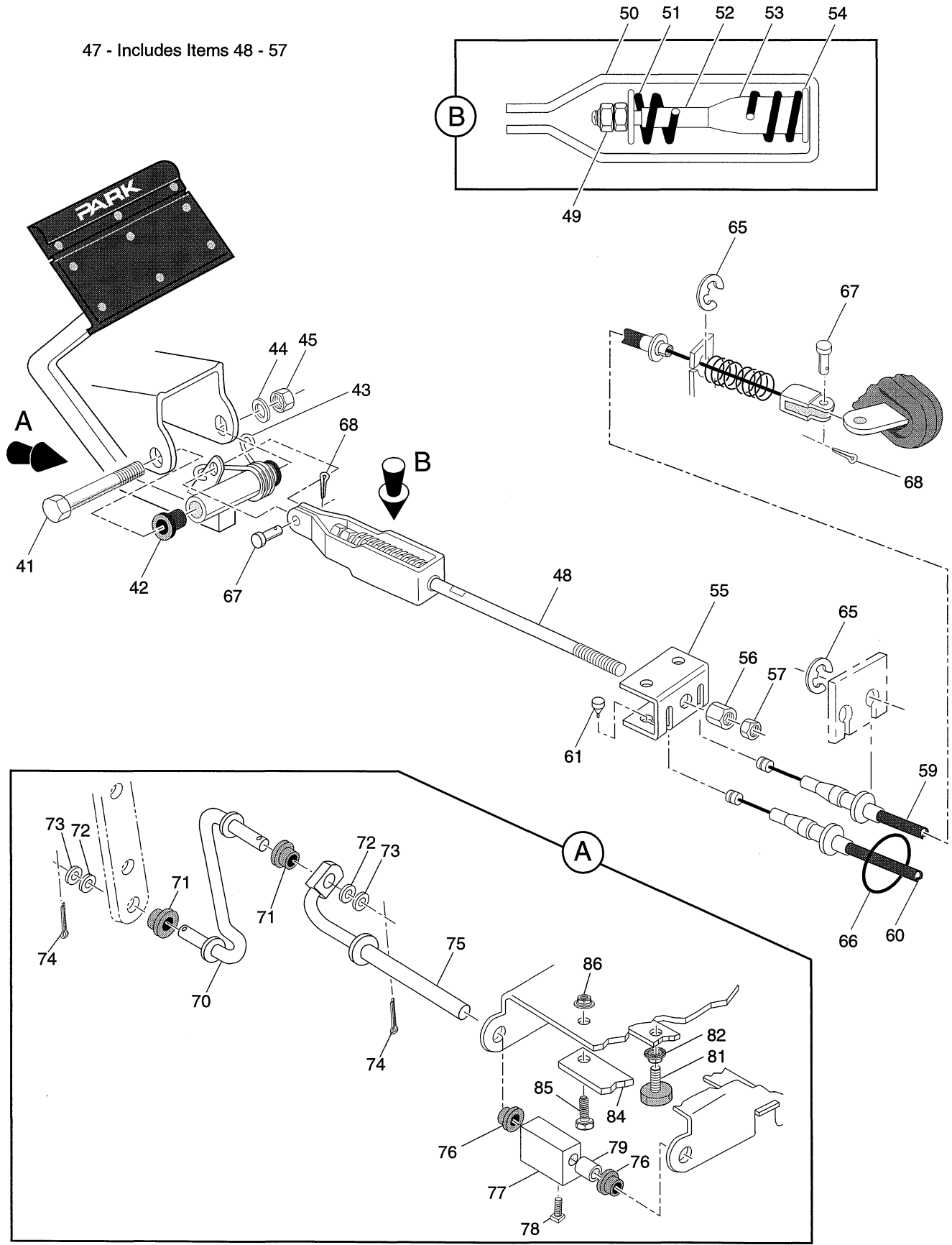


30 - Includes Items 31 - 39

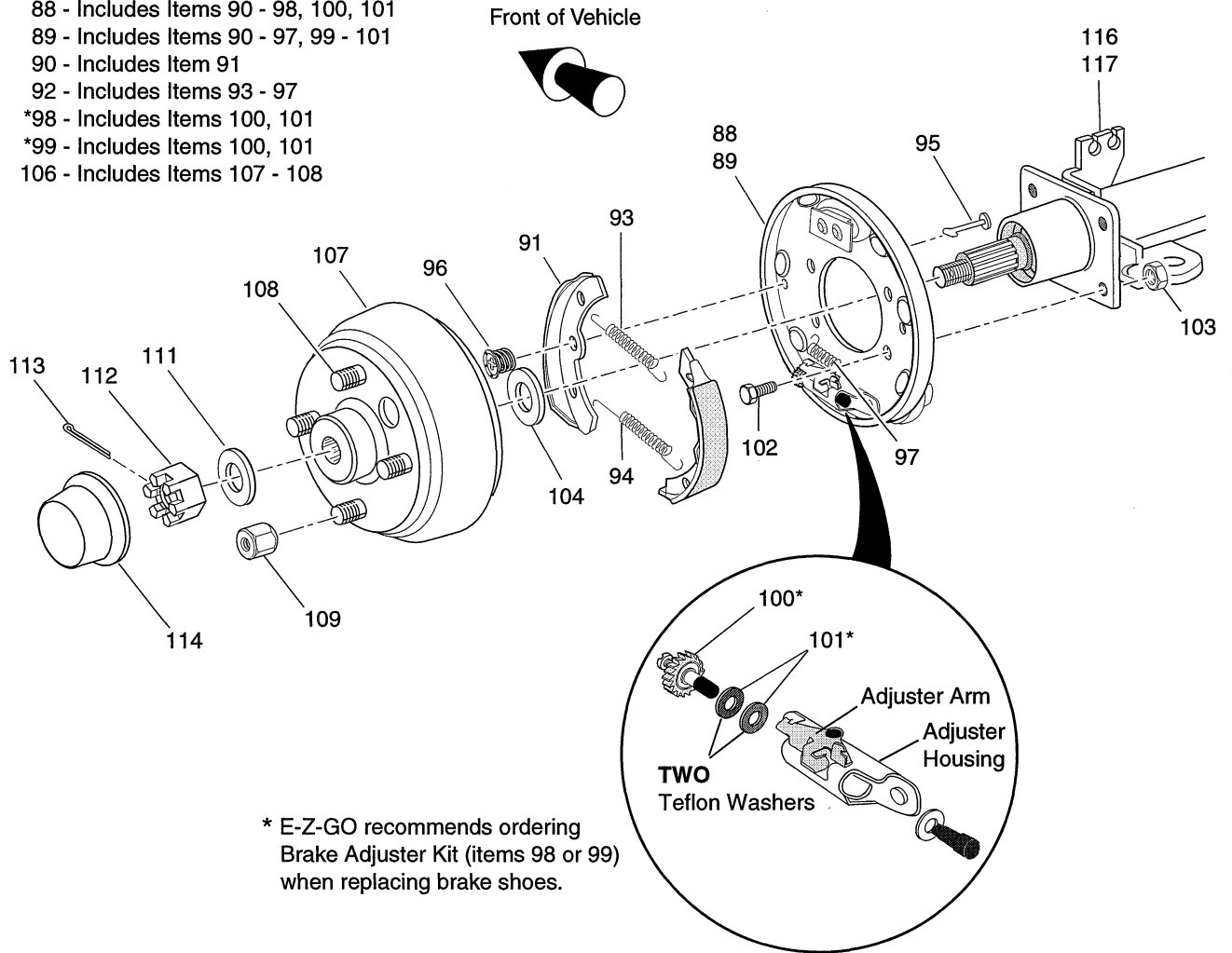


Brake Pedal (Vehicle Without Brake Lights)

47 - Includes Items 48 - 57



- 88 - Includes Items 90 - 98, 100, 101
- 89 - Includes Items 90 - 97, 99 - 101
- 90 - Includes Item 91
- 92 - Includes Items 93 - 97
- *98 - Includes Items 100, 101
- *99 - Includes Items 100, 101
- 106 - Includes Items 107 - 108



* E-Z-GO recommends ordering Brake Adjuster Kit (items 98 or 99) when replacing brake shoes.

BRAKES

Electric Vehicle

When ordering parts, please specify the model and serial number of the product.

* Indicates a component that is not available as an individual part.

G** Indicates consult Customer Service Department for additional information.

ITEM	PART NO.	1 2 3 4 5	DESCRIPTION	QTY.
1	70263-G01		BRAKE PEDAL ASSEMBLY (WITH BRAKE LIGHTS) (INCLUDES ITEMS 2 - 28)	1
2	*		BRAKE PEDAL.....	1
3	70265-G01		PARK BRAKE PEDAL	1
4	70274-G01		BRAKE/PARK BRAKE PEDAL PAD KIT (INCLUDES ITEMS 5 - 7)	1
5	*		SERVICE BRAKE PAD	1
6	*		PARK BRAKE PAD	1
7	15766-G1		OVAL RIVET, 3/16 x 3/8" LG.....	9
8				
9	*		SERVICE BRAKE PEDAL PLATE.....	1
10	15932-G2		PIVOT PIN.....	1
11	11737-G1		TORSION SPRING	2
12	12064-G1		PUSHNUT, 5/16"	1
13	00737-G8		SCREW, #10 - 24 X 1" LG.....	4
14	00739-G1		RUBBER NUT, #10 - 24	2
15	22362-G3		BRAKE PEDAL STANDOFF	2
16	27137-G01		CONICAL SPRING.....	2
17	11098-G7		LOCK NUT, #10 - 24.....	2
18	10606-G8		MICRO SWITCH	1
19	00645-G2		SCREW, #6 - 32 X 1 1/4" LG.....	2
20	00559-G5		WASHER, #10.....	2
21	00559-G3		WASHER, #6.....	2
22	00565-G3		LOCK WASHER, #6	2
23	00525-G5		NUT, #6 - 32	2
24	*		BRASS SCREW	2
25	00567-G3		LOCK WASHER, #6	6
26	14628-G1		FASTON TAB	2
27	24605-G1		WIRE HARNESS (BRAKE LIGHT).....	1
28	17618-G1		WIRE TIE.....	3
29				



When ordering parts, please specify the model and serial number of the product.

* Indicates a component that is not available as an individual part.

G** Indicates consult Customer Service Department for additional information.

ITEM	PART NO.	1 2 3 4 5	DESCRIPTION	QTY.
30	70264-G01		BRAKE PEDAL ASSEMBLY (WITHOUT BRAKE LIGHTS) (INCLUDES ITEMS 31 - 39)	1
31	11737-G1		TORSION SPRING	2
32	15932-G2		PIVOT PIN.....	1
33	12064-G1		PUSHNUT, 5/16"	1
34	*		BRAKE PEDAL.....	1
35	70265-G01		PARK BRAKE PEDAL	1
36	70274-G01		BRAKE/PARK BRAKE PEDAL PAD KIT (INCLUDES ITEMS 37 - 39)	1
37	*		SERVICE BRAKE PAD	1
38	*		PARK BRAKE PEDAL PAD.....	1
39	15766-G1		OVAL RIVET, 3/16" X 3/8" LG.	9
40				
41	70582-G01		SHOULDER BOLT, 3/8 - 16 X 4" LG.	1
42	70581-G01		FLANGED BUSHING	2
43	70138-G01		TORSION SPRING	1
44	00643-G1		WASHER, 3/8"	1
45	11098-G5		LOCK NUT, 3/8 - 16	1
46				
47	70272-G04		COMPENSATOR ASSEMBLY (INCLUDES ITEMS 48 - 57).....	1
48	25882-G04		LINKAGE ROD	1
49	00532-G4		NUT, 5/16 - 24	2
50	*		YOKE.....	1
51	23463-G1		COMPRESSION SPRING.....	1
52	23061-G2		COMPENSATOR STOP TUBE	1
53	17979-G1		BUSHING	1
54	15121-G1		WASHER, 3/8".....	2
55	28082-G01		EQUALIZER BRACKET	1
56	00963-G01		SPHERICAL NUT, 5/16 - 24.....	1
57	11098-G9		LOCK NUT, 5/16 - 24.....	1
58				



BRAKES

Electric Vehicle

When ordering parts, please specify the model and serial number of the product.

* Indicates a component that is not available as an individual part.

G** Indicates consult Customer Service Department for additional information.

ITEM	PART NO.	1 2 3 4 5	DESCRIPTION	QTY.
59	70349-G02		BRAKE CABLE (PASSENGER SIDE)	1
60	70453-G01		BRAKE CABLE (DRIVER SIDE)	1
61	28083-G01		BRAKE COMPENSATOR BUMPER.....	2
62				
63				
64				
65	12305-G1		RETAINING RING	4
66	12416-G2		WIRE TIE	2
67	10386-G3		CLEVIS PIN, 5/16" X 1" LG.....	3
68	10387-G3		COTTER PIN, 3/32" X 3/4" LG.....	3
69				
70	70097-G01		KICK-OFF LINK	1
71	17838-G1		NYLON BUSHING.....	2
72	20835-G1		TEFLON WASHER, 3/8"	2
73	00559-G8		WASHER, 5/16"	2
74	10387-G3		COTTER PIN, 3/32" X 3/4" LG.....	2
75	70098-G01		KICK OFF CAM PIVOT	1
76	10097-G6		FLANGED BEARING	2
77	25103-G1		KICK-OFF CAM.....	1
78	71215-G01		SETSCREW, 1/4 - 20 X 1/2" LG.	2
79	14134-G4		SPACER.....	1
80				
81	70113-G01		ADJUSTABLE BUMPER	1
82	11027-G1		LOCK NUT, 5/16 - 18	1
83				
84	70080-G01		CATCH BRACKET	1
85	00414-G6		BOLT, 1/4 - 20 X 3/4" LG.....	2
86	11027-G2		LOCK NUT, 1/4 - 20	2
87				
88	72422-G01		BRAKE ASSEMBLY (DRIVER SIDE) (INCLUDES ITEMS 90 - 98, 100, 101)....	1

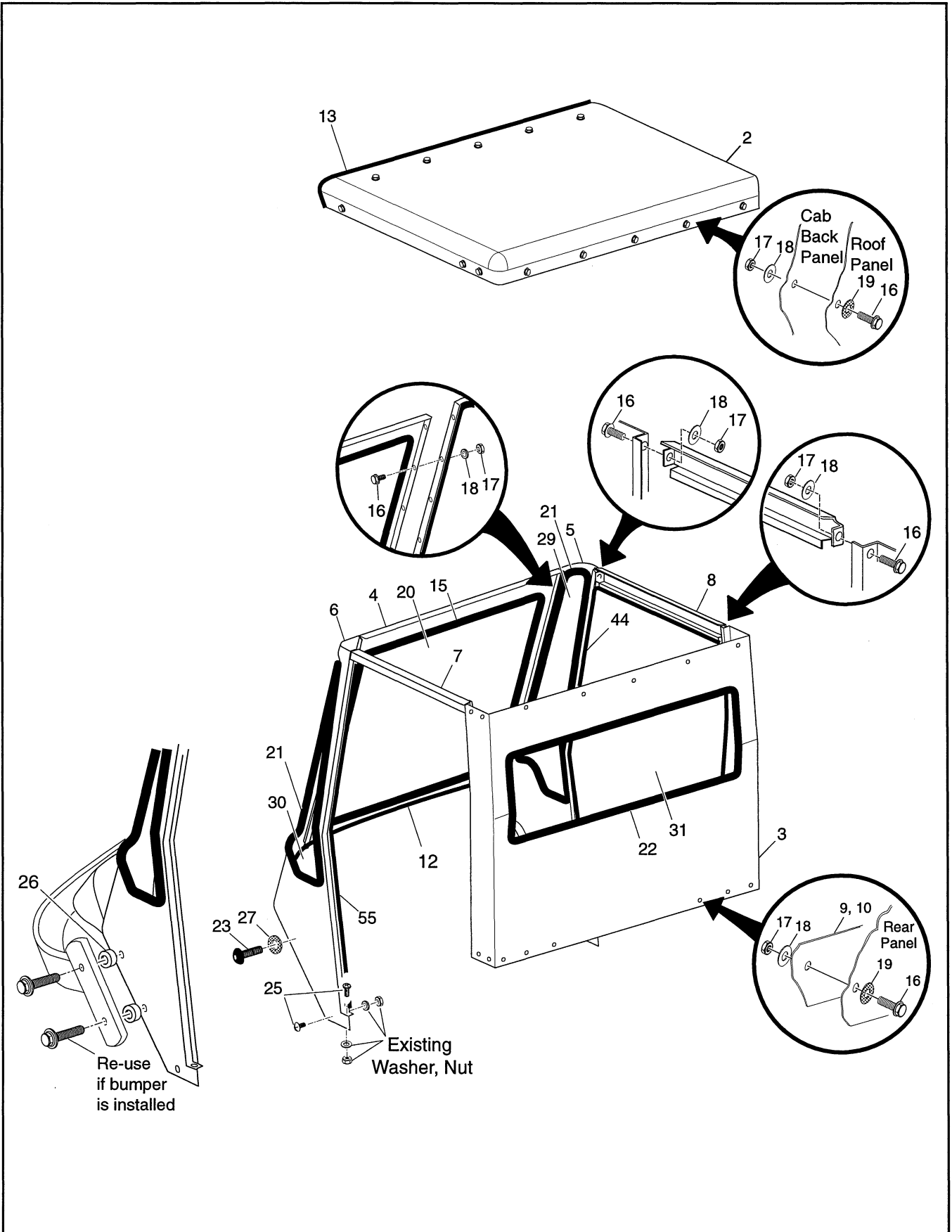
When ordering parts, please specify the model and serial number of the product.

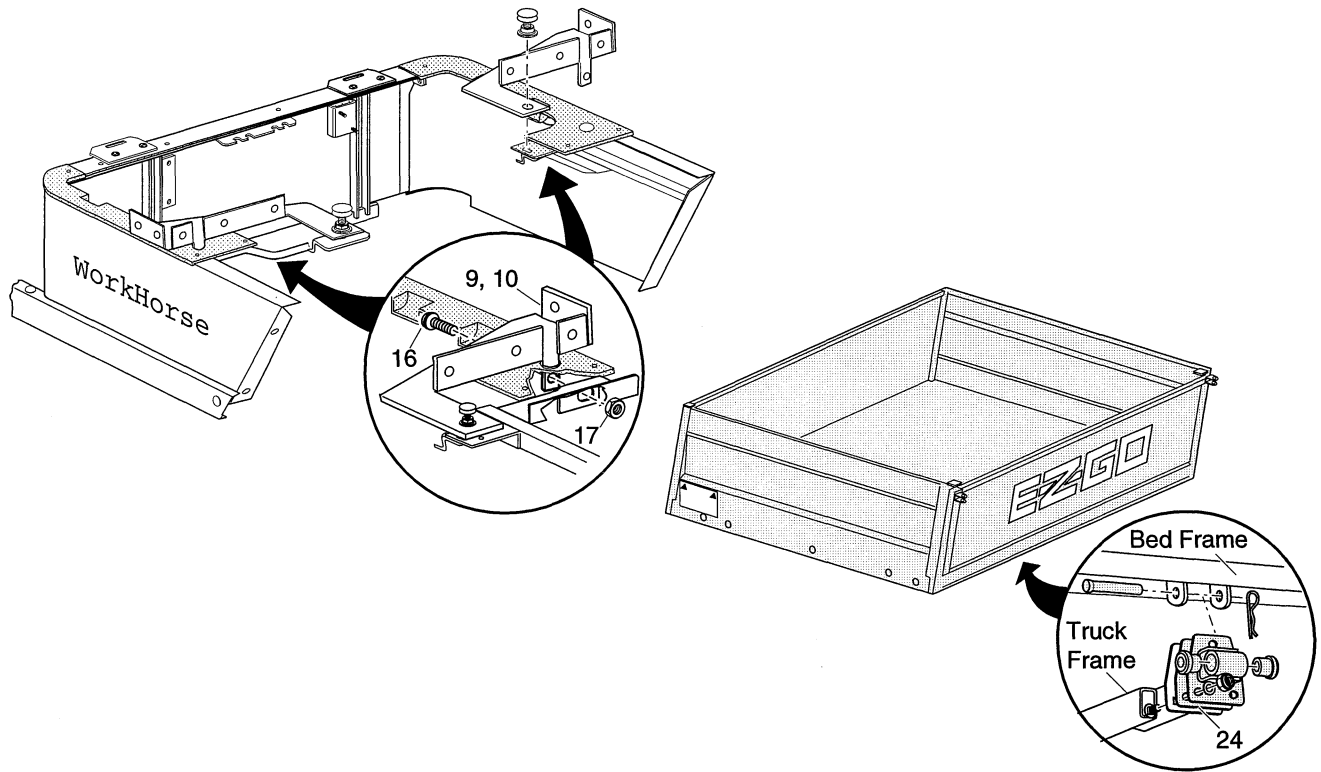
* Indicates a component that is not available as an individual part.

G** Indicates consult Customer Service Department for additional information.

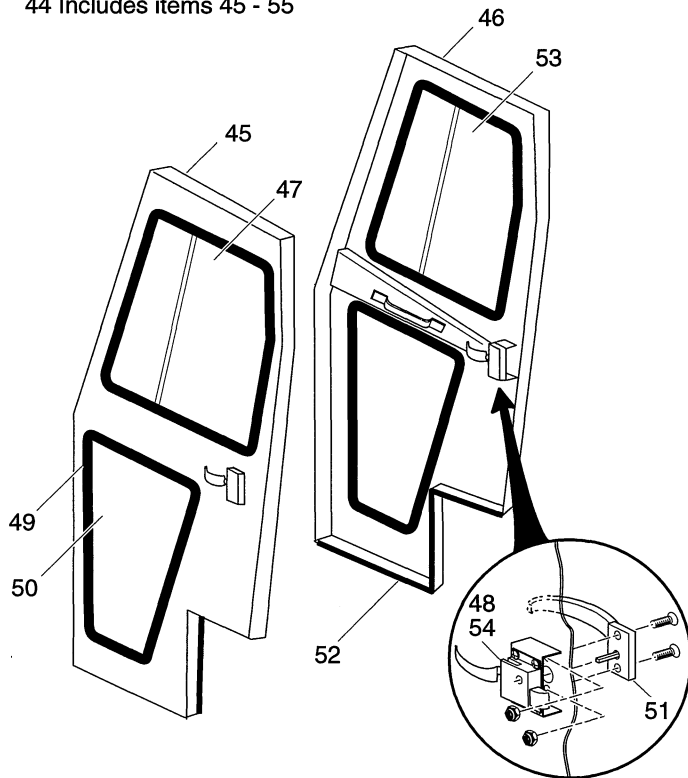
ITEM	PART NO.	1 2 3 4 5	DESCRIPTION	QTY.
89	72422-G02		BRAKE ASSEMBLY (PASSENGER SIDE) (INCL. ITEMS 90 - 97, 99 - 101)	1
90	27945-G01		BRAKE SHOE KIT (INCLUDES ITEM 91)	2
91	*		BRAKE SHOE	2
92	27944-G01		BRAKE SPRING KIT (INCLUDES ITEMS 93 - 97)	2
93	*		UPPER SPRING	1
94	*		LOWER SPRING	1
95	*		PIN	2
96	*		CUP AND SPRING	2
97	*		ADJUSTER SPRING.....	1
98	72582-G01		BRAKE ADJUSTER KIT (DRIVER SIDE) (INCLUDES ITEMS 100 - 101)....	1
99	72582-G02		BRAKE ADJUSTER KIT (PASSENGER SIDE) (INCL. ITEMS 100 - 101)....	1
100	*		ADJUSTER	1
101	*		TEFLON WASHER	2
102	17083-G2		BOLT, 5/16 - 24 X 1" LG.....	8
103	15126-G1		LOCK NUT, 5/16 - 24	8
104	15485-G1		INNER BRAKE DRUM WASHER	2
105				
106	19186-G1		BRAKE DRUM ASSEMBLY (INCLUDES ITEMS 107 - 108)	2
107	*		BRAKE DRUM.....	1
108	19862-G1		LUG BOLT, 1/2 - 20	4
109	14723-G1		LUG NUT, 1/2 - 20.....	8
110				
111	15487-G1		WASHER, 1 3/8" O.D. X 21/32"	2
112	15483-G1		SLOTTED NUT, 5/8 - 18	2
113	10387-G1		COTTER PIN, 1/8" x 1 1/2" LG	2
114	74175-G01		SPINDLE CAP	2
115				
116	72036-G02		BRAKE CABLE BRACKET (PASSENGER SIDE)	1
117	72237-G02		BRAKE CABLE BRACKET (DRIVER SIDE)	1



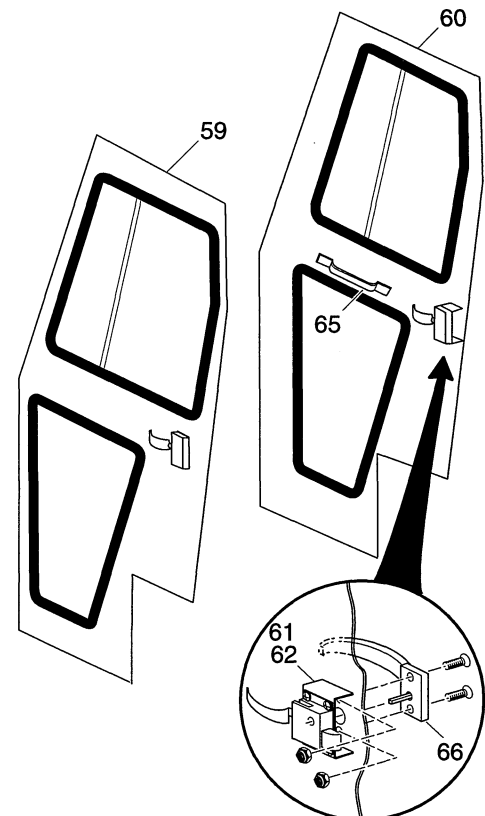




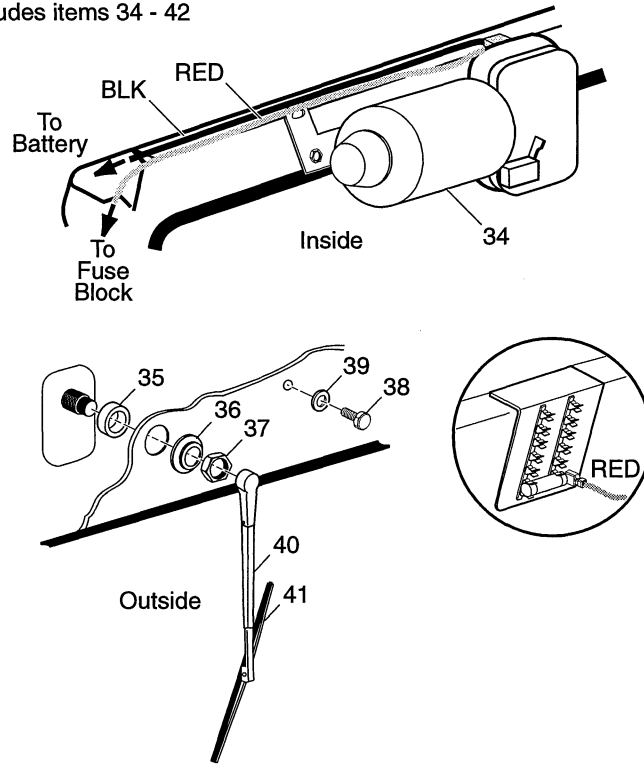
44 Includes items 45 - 55



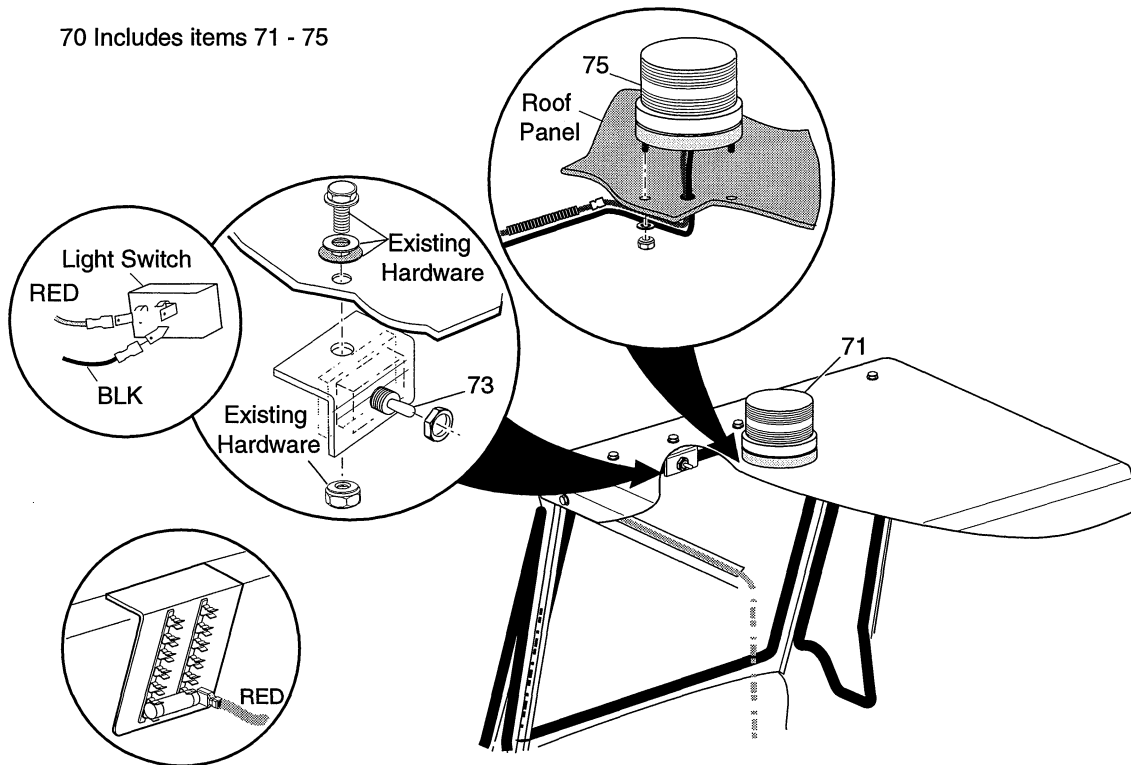
58 Includes items 59 - 66

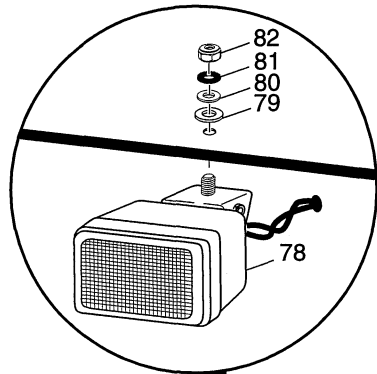


33 Includes items 34 - 42

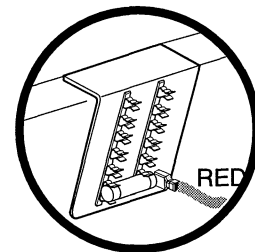
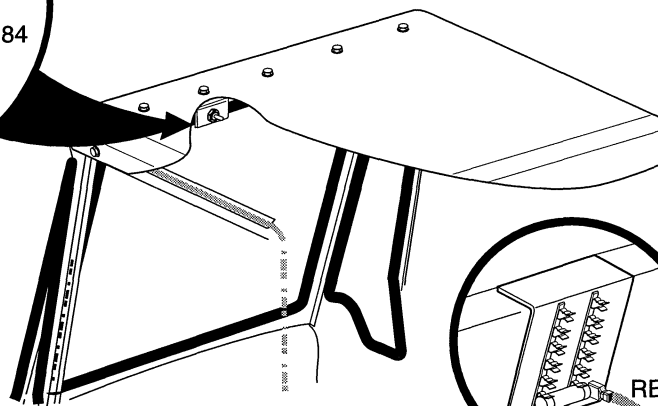
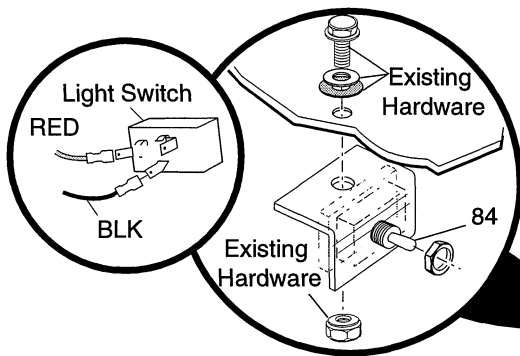
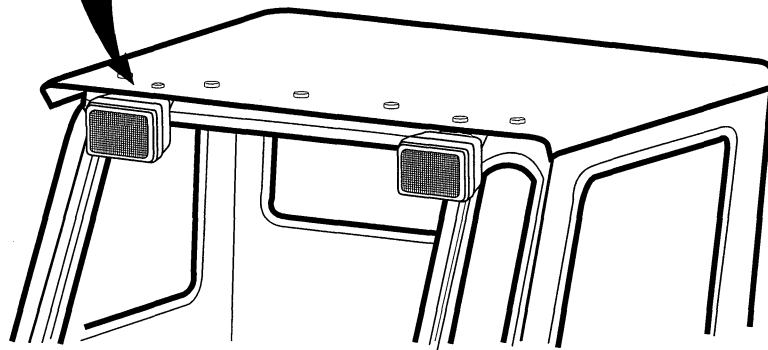


70 Includes items 71 - 75

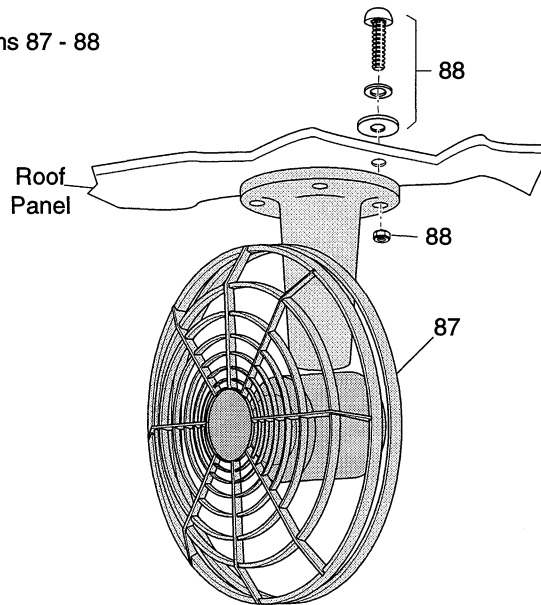




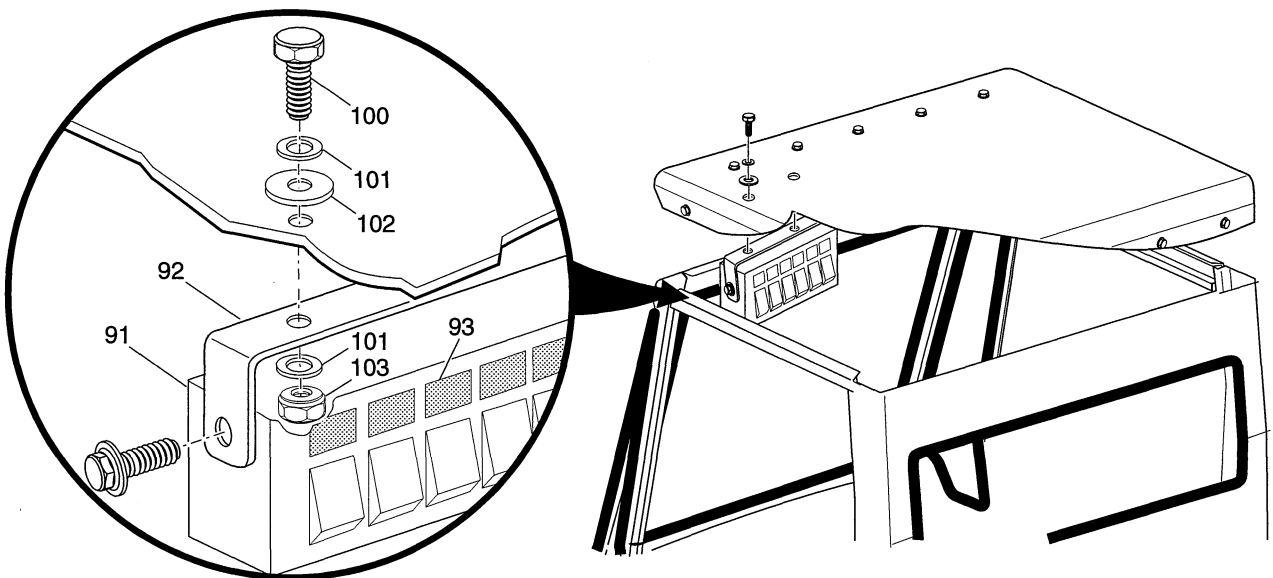
77 Includes items 78 - 84



86 - Includes Items 87 - 88



90 Includes items 91 - 106



Replacement parts may be obtained from Curtis Tractor Cab Inc., 111 Higgins Street, Worcester, MA 01606. Telephone (508) 853-2200, or FAX (508) 854-3377.

ITEM	PART NO.	1 2 3 4 5	DESCRIPTION	QTY.
1	74240-G0*		STEEL CAB KIT (WITHOUT DOORS) (INCLUDES ITEMS 2 - 42).....	1
2	74240-G0*A		ROOF PANEL.....	1
3	74240-G0*B		REAR PANEL.....	1
4	74240-G0*C		WINDSHIELD PANEL.....	1
5	74240-G0*D		FRONT CORNER PANEL (PASSENGER SIDE).....	1
6	74240-G0*E		FRONT CORNER PANEL (DRIVER SIDE).....	1
7	74240-G0*F		RECEIVER (DRIVER SIDE).....	1
8	74240-G0*G		RECEIVER (PASSENGER SIDE).....	1
9	74240-G0*H		LOWER MOUNTING BRACKET (DRIVER SIDE).....	1
10	74240-G0*I		LOWER MOUNTING BRACKET (PASSENGER SIDE).....	1
11				
12	1P004A		FRONT PANEL COWL SEAL GASKET (85" LONG).....	1
13	1P004D		ROOF TRIM (50").....	1
14				
15	6E03		FRONT WINDSHIELD MOUNTING GASKET.....	1
16	6E03A		BOLT, 3/8 - 16 X 7/8" LONG.....	44
17	6E03B		LOCK NUT, 3/8 - 16.....	44
18	6E03C		WASHER, 3/8".....	44
19	6E03D		NYLON WASHER, 3/8".....	26
20	6E03E		FRONT WINDSHIELD GLASS.....	1
21	6E03H		FRONT CORNER PANEL MOUNTING GASKET.....	2
22	6E03J		REAR PANEL WINDOW MOUNTING GASKET.....	1
23	6E03S		ALLEN BUTTON HEAD BOLT.....	4
24	6E03T		BED SPACER.....	2
25	6E03U		BOLT, 1/4 - 20 X 1 1/2" LONG.....	4
26	6E03V		NYLON SPACER, 1/4".....	4
27	6E03W		WASHER, 5/16".....	4
28				
29	6E05A		FRONT CORNER PANEL WINDOW (PASSENGER SIDE).....	1
30	6E05B		FRONT CORNER PANEL WINDOW (DRIVER SIDE).....	1



Replacement parts may be obtained from Curtis Tractor Cab Inc., 111 Higgins Street, Worcester, MA 01606. Telephone (508) 853-2200, or FAX (508) 854-3377.

ITEM	PART NO.	1	2	3	4	5	DESCRIPTION	QTY.
31	6E05C						REAR PANEL WINDOW.....	1
32								
33	74244-G01						WINDSHIELD WIPER KIT (INCLUDES ITEMS 34 - 42)	1
34	9PWM85						WIPER MOTOR (INCLUDES ITEMS 35 - 39).....	1
35	XXXXX						SPACER	1
36	XXXXX						SHAFT COVER.....	1
37	XXXXX						NUT.....	1
38	XXXXX						BOLT.....	1
39	XXXXX						WASHER	1
40	9PWA						WIPER ARM.....	1
41	9PWB						WIPER BLADE.....	1
42	9E003						ELECTRICAL HARDWARE KIT (NOT ILLUSTRATED).....	1
43								
44	74241-G0*						STEEL DOOR KIT (INCLUDES ITEMS 45 - 46, 55)	1
45	74241-G0*A						STEEL DOOR (DRIVER SIDE) (INCLUDES ITEMS 47 - 52).....	1
46	74241-G0*B						STEEL DOOR (PASSENGER SIDE) (INCLUDES ITEMS 49 - 54)	1
47	6E05D						SLIDING DOOR WINDOW ASSEMBLY (DRIVER SIDE)	1
48	9DHSL						INSIDE DOOR LATCH (DRIVER SIDE).....	1
49	6E03P						LOWER DOOR WINDOW MOUNTING GASKET.....	1
50	6E05F						LOWER DOOR WINDOW.....	1
51	9DHOS1						OUTSIDE DOOR HANDLE, KEY LOCKING.....	1
52	1P004B						LOWER DOOR SEAL GASKET (43" LONG).....	1
53	6E05E						SLIDING DOOR WINDOW ASSEMBLY (PASSENGER SIDE)	1
54	9DHSLR						INSIDE DOOR LATCH (PASSENGER SIDE)	1
55	1P004C						DOOR SEAL GASKET (121" LONG)	2
56	9POO1A						REPLACEMENT DOOR HINGE KIT (NOT ILLUSTRATED).....	AR
57								
58	74242-G01						VINYL DOOR KIT (INCLUDES ITEMS 59 - 66).....	1
59	9DVK-L						VINYL DOOR (DRIVER SIDE) (INCLUDES ITEMS 61, 63 - 66).....	1
60	9DVK-R						VINYL DOOR (PASSENGER SIDE) (INCLUDES ITEMS 62 - 66)	1

Replacement parts may be obtained from Curtis Tractor Cab Inc., 111 Higgins Street, Worcester, MA 01606. Telephone (508) 853-2200, or FAX (508) 854-3377.

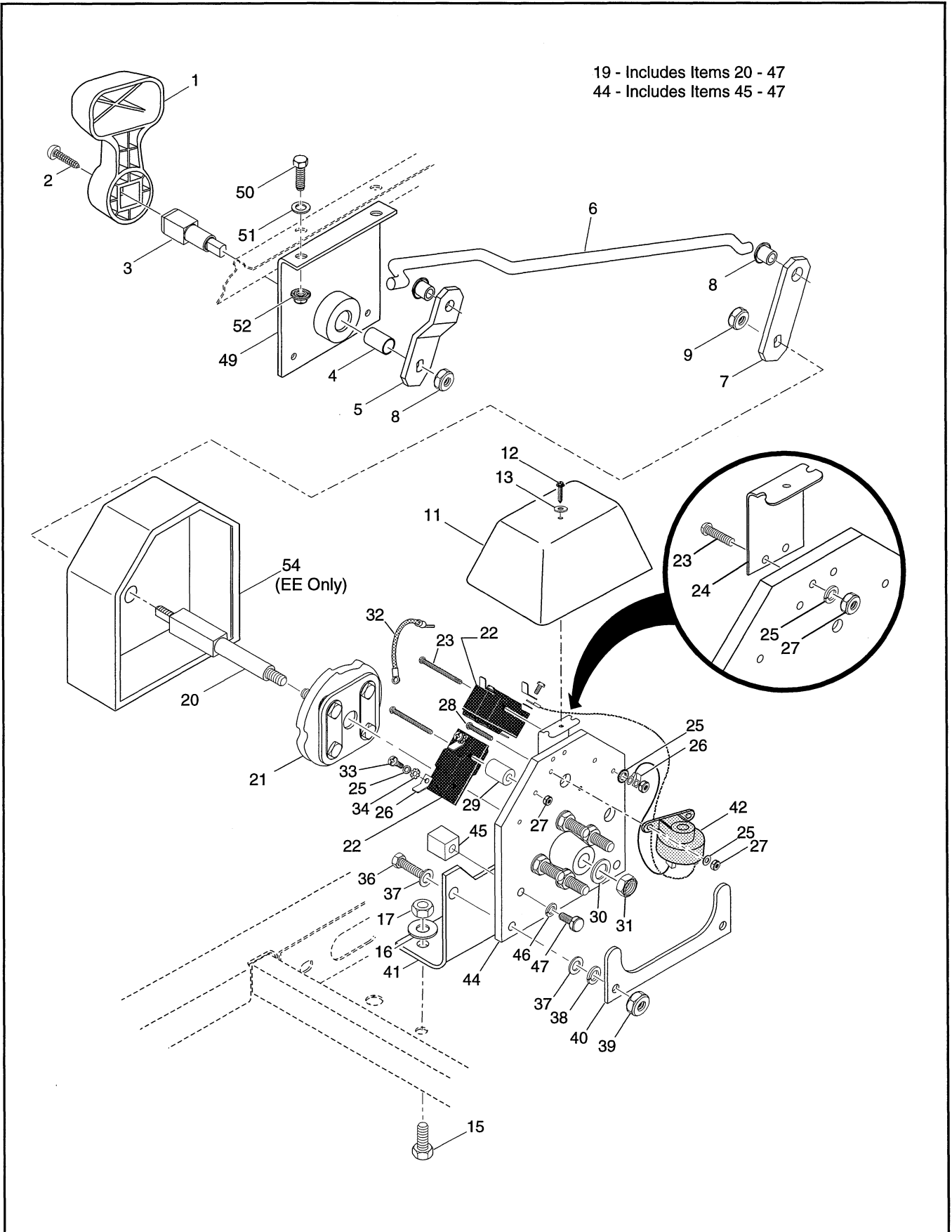
ITEM	PART NO.	1	2	3	4	5	DESCRIPTION	QTY.
61	9DHSLL						INSIDE DOOR LATCH (DRIVER SIDE).....	1
62	9DHS LR						INSIDE DOOR LATCH (PASSENGER SIDE)	1
63	9DCK						DOOR CHECK (NOT ILLUSTRATED).....	1
64	9DSTK1						DOOR STRIKER (NOT ILLUSTRATED).....	1
65	9DGH1						DOOR GRAB HANDLE.....	1
66	9DHOS1						OUTSIDE DOOR HANDLE, KEY LOCKING	1
67	9PSSHL						REPLACEMENT DOOR HINGE (DRIVER SIDE) (NOT ILLUSTRATED).....	1
68	9PSSHR						REPLACEMENT DOOR HINGE (PASSENGER SIDE) (NOT ILLUSTRATED) ..	1
69								
70	74245-G01						STROBE LIGHT KIT (INCLUDES ITEMS 71 - 74)	1
71	XXXXX						STROBE LIGHT	1
72	9E001						ELECTRICAL HARDWARE KIT (NOT ILLUSTRATED)	1
73	9E002						TOGGLE SWITCH.....	1
74	9PSLRB						REPLACEMENT BULB (NOT ILLUSTRATED)	1
75	9PSLRL						REPLACEMENT LENS	1
76								
77	74247-G01						WORK LIGHT KIT (INCLUDES ITEMS 77 - 83)	1
78	9LW1A						WORK LIGHT (INCLUDES HARDWARE 78 - 81)	2
79	XXXXX						NYLON WASHER	2
80	XXXXX						WASHER.....	2
81	XXXXX						LOCK WASHER.....	2
82	XXXXX						NUT	2
83	9E001						ELECTRICAL HARDWARE KIT (NOT ILLUSTRATED)	1
84	9E002						TOGGLE SWITCH.....	1
85								
86	74248-G01						DEFROSTER / COOLING FAN KIT	1
87	XXXXX						FAN.....	1
88	9E001						ELECTRICAL HARDWARE KIT (NOT ILLUSTRATED)	1
89								
90	74250-G01						SWITCH PANEL KIT	1



Replacement parts may be obtained from Curtis Tractor Cab Inc., 111 Higgins Street, Worcester, MA 01606. Telephone (508) 853-2200, or FAX (508) 854-3377.

ITEM	PART NO.	1	2	3	4	5	DESCRIPTION	QTY.
91	9PSF1-001						SWITCH PANEL	1
92	9PSF1-002						MOUNTING BRACKET WITH MOUNTING BOLTS	1
93	9PSF1-003						SWITCH LABEL SET.....	1
94	9PSF1-004						3 AMP FUSE (NOT ILLUSTRATED)	2
95	9PSF1-005						5 AMP FUSE (NOT ILLUSTRATED)	3
96	9PSF1-006						7.5 AMP FUSE (NOT ILLUSTRATED)	1
97	9PSF1-007						FLEX LOOM, 5/8" (NOT ILLUSTRATED).....	1
98	9PSF1-008						4-WAY BASE TIE (NOT ILLUSTRATED).....	6
99	9PSF1-009						WIRE TIE (NOT ILLUSTRATED).....	14
100	9PSF1-010						BOLT, 1/4-20 X 7/8" LG.....	2
101	9PSF1-011						WASHER, 1/4"	4
102	9PSF1-012						NYLON WASHER, 1/4".....	2
103	9PSF1-013						LOCK NUT, 1/4-20.....	2
104	9PSF1-014						10 GA WIRE (RED 8" LG) (NOT ILLUSTRATED)	1
105	9PSF1-015						10 GA WIRE (BLACK 8" LG) (NOT ILLUSTRATED)	1
106	9E001						ELECTRICAL HARDWARE KIT (NOT ILLUSTRATED)	1





THE USE OF NON UL PARTS WILL VOID ANY UL LISTING.

When ordering parts, please specify the model and serial number of the product.

* Indicates a component that is not available as an individual part.

G** Indicates consult Customer Service Department for additional information.

ITEM	PART NO.	1 2 3 4 5	DESCRIPTION	QTY.
1	71205-G01		DIRECTION SELECTOR HANDLE	1
2	00740-G4		SCREW, #10 - 32 X 1/2" LG.	1
3	70233-G01		DIRECTION SELECTOR SHAFT	1
4	25664-G2		BUSHING	1
5	70334-G01		OFFSET SHIFT LINKAGE ARM	1
6	70313-G01		LINKAGE ROD	1
7	70232-G03		SHIFT LINKAGE ARM	1
8	22754-G3		BUSHING	2
9	14390-G1		LOCK NUT, 3/8 - 24	2
10				
11	73049-G01		COVER	1
12	00114-G6		SCREW, 1/4 - 14 x 3/4" LG.	1
13	16469-G7		WASHER, 1/4"	1
14				
15	00438-G6		BOLT, 5/16 - 18 X 3/4" LG.	2
16	00571-G2		WASHER, 5/16"	2
17	11098-G6		LOCK NUT, 5/16 - 18	2
18				
19	73036-G01		DIRECTION SELECTOR ASSEMBLY (INCLUDES ITEMS 20 - 47)	1
20	73027-G01		DIRECTION SELECTOR SHAFT	1
21	12835-G1		CAM	1
22	10606-G2		MICRO SWITCH	2
23	00139-G8		SCREW, #6 - 32 X 2" LG.	4
24	73048-G01		COVER BRACKET	1
25	00565-G3		LOCK WASHER, #6	8
26	14628-G1		FASTON TAB	4
27	00525-G5		NUT, #6 - 32	8
28	00138-G6		SCREW, #6 - 32 X 3/4" LG.	3
29	12806-G1		SPACER	4
30	00560-G1		WASHER, 3/8"	1



THE USE OF NON UL PARTS WILL VOID ANY UL LISTING.

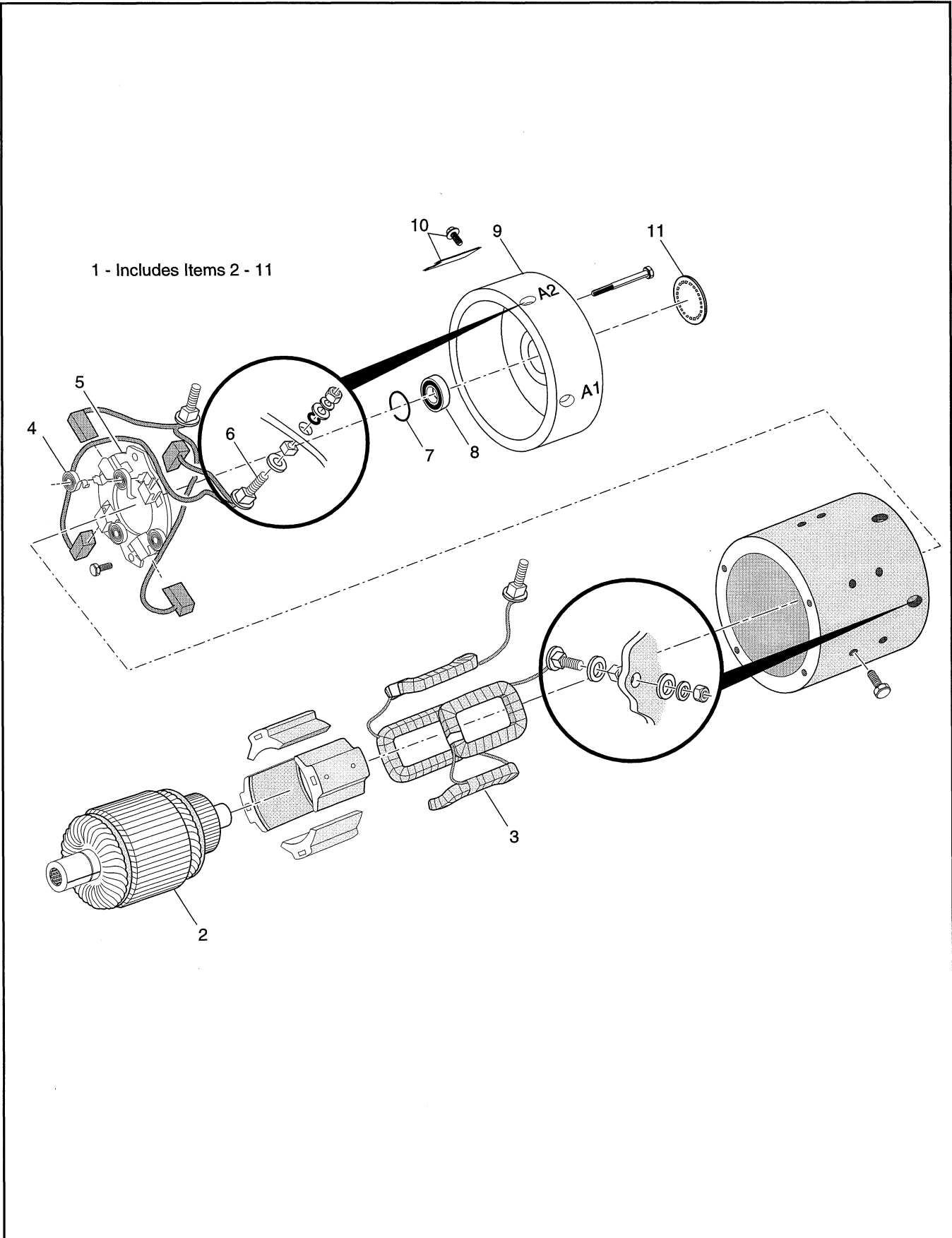
When ordering parts, please specify the model and serial number of the product.

* Indicates a component that is not available as an individual part.

G** Indicates consult Customer Service Department for additional information.

ITEM	PART NO.	1	2	3	4	5	DESCRIPTION	QTY.
31	14390-G1						LOCK NUT, 3/8 - 24	2
32	25978-G37						18 GA WIRE (RED 6")	1
33	*						SCREW.....	4
34	00567-G3						LOCK WASHER, #6	4
35								
36	00414-G8						BOLT, 1/4 - 20 X 1" LG.....	2
37	00559-G7						WASHER, 1/4"	4
38	00565-G7						LOCK WASHER, 1/4"	2
39	00532-G1						NUT, 1/4 - 20.....	2
40	15461-G1						SUPPORT BRACKET.....	1
41	73031-G01						DIRECTION SELECTOR MOUNTING BRACKET	1
42	73290-G02						REVERSE WARNING BUZZER	1
43								
44	14651-G1						CONTACT BOARD ASSEMBLY (INCLUDES ITEMS 45 - 47)	1
45	24940-G1						STOP	2
46	00565-G7						LOCK WASHER, 1/4"	2
47	00414-G6						BOLT, 1/4 - 20 X 3/4" LG.	2
48								
49	70444-G01						BRACKET	1
50	28272-G01						BOLT, 1/4 - 20 X 5/8" LG	2
51	00559-G7						WASHER, 1/4"	2
52	11027-G2						LOCK NUT, 1/4 - 20	2
53								
54	35209-G02						BOOT	1

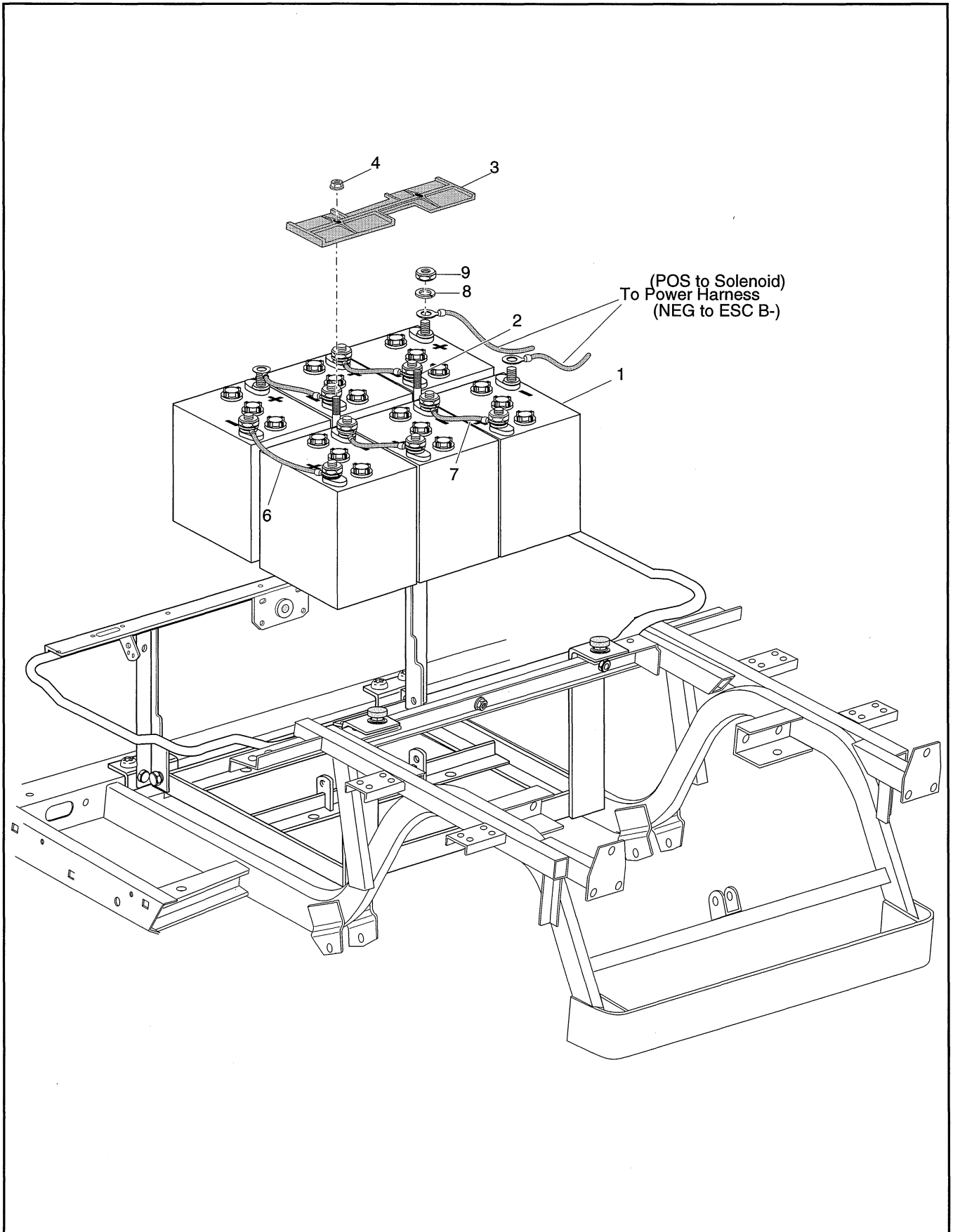


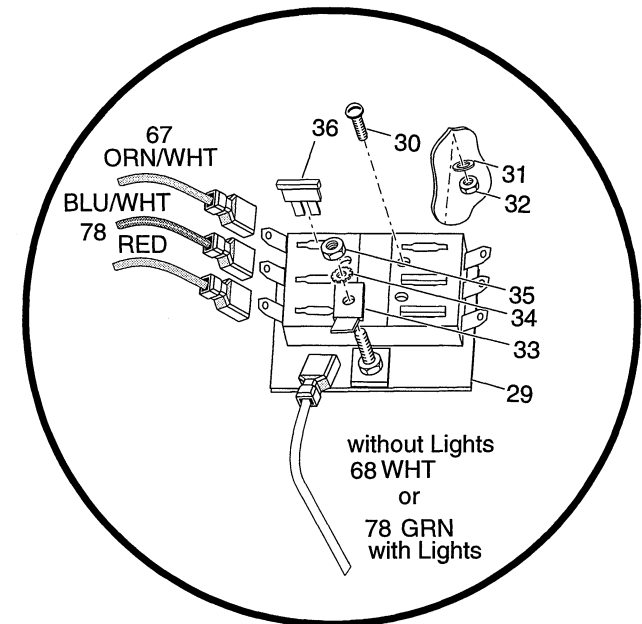
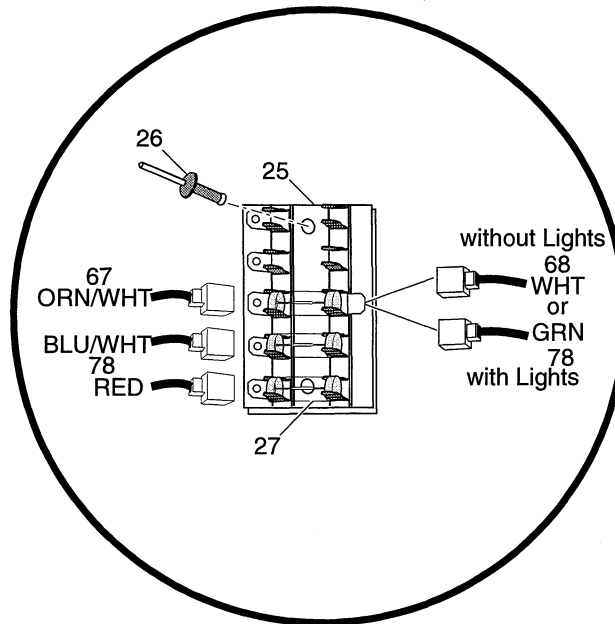
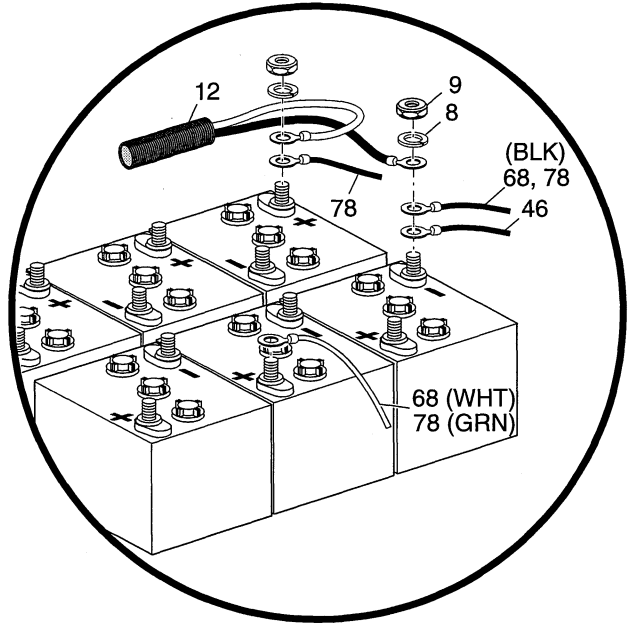
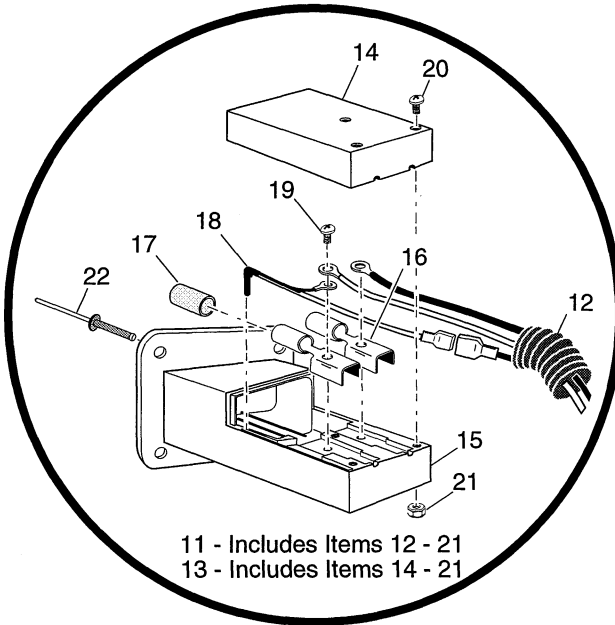


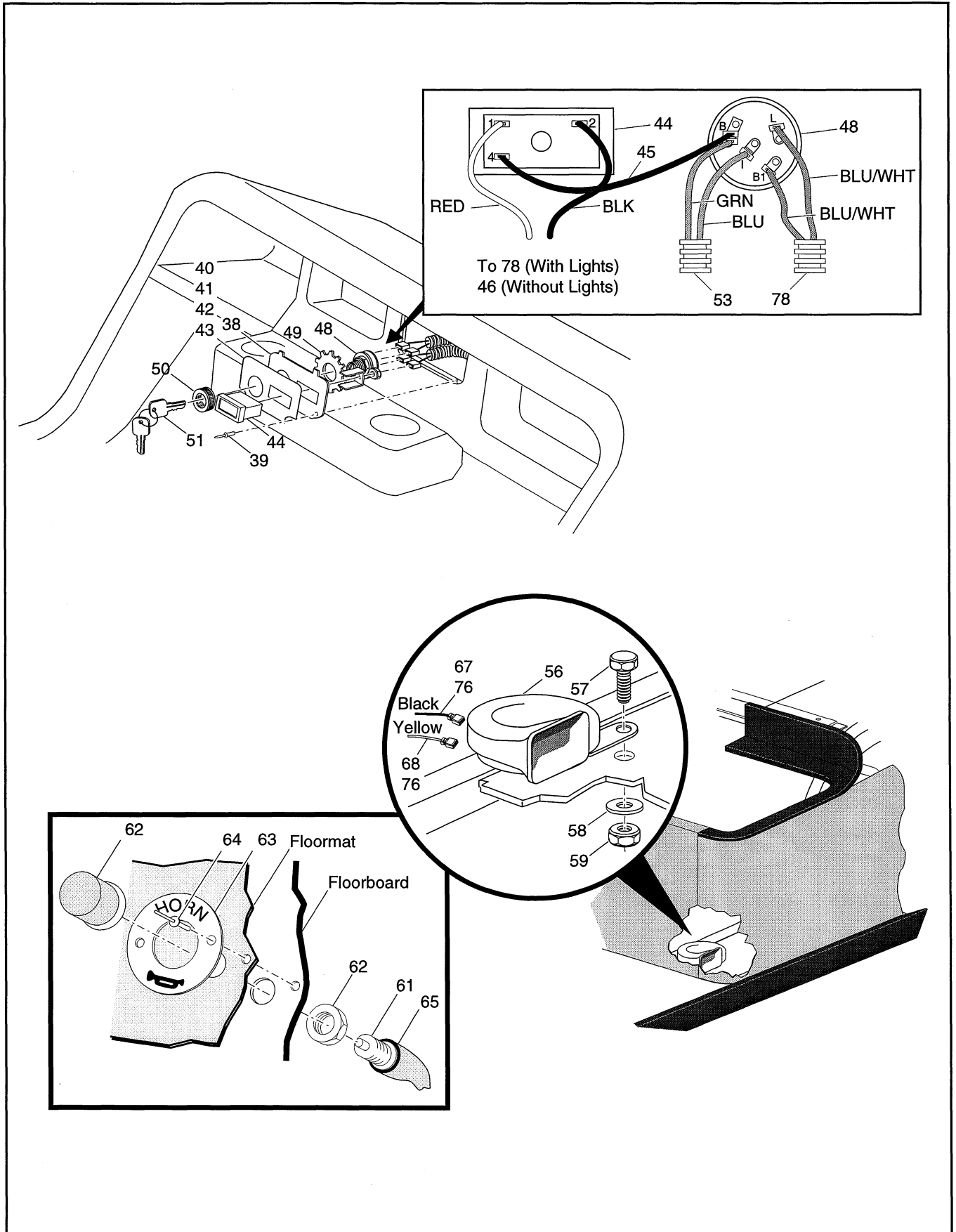
THE USE OF NON UL PARTS WILL VOID ANY UL LISTING.
 When ordering parts, please specify the model and serial number of the product.
 * Indicates a component that is not available as an individual part.
 G** Indicates consult Customer Service Department for additional information.

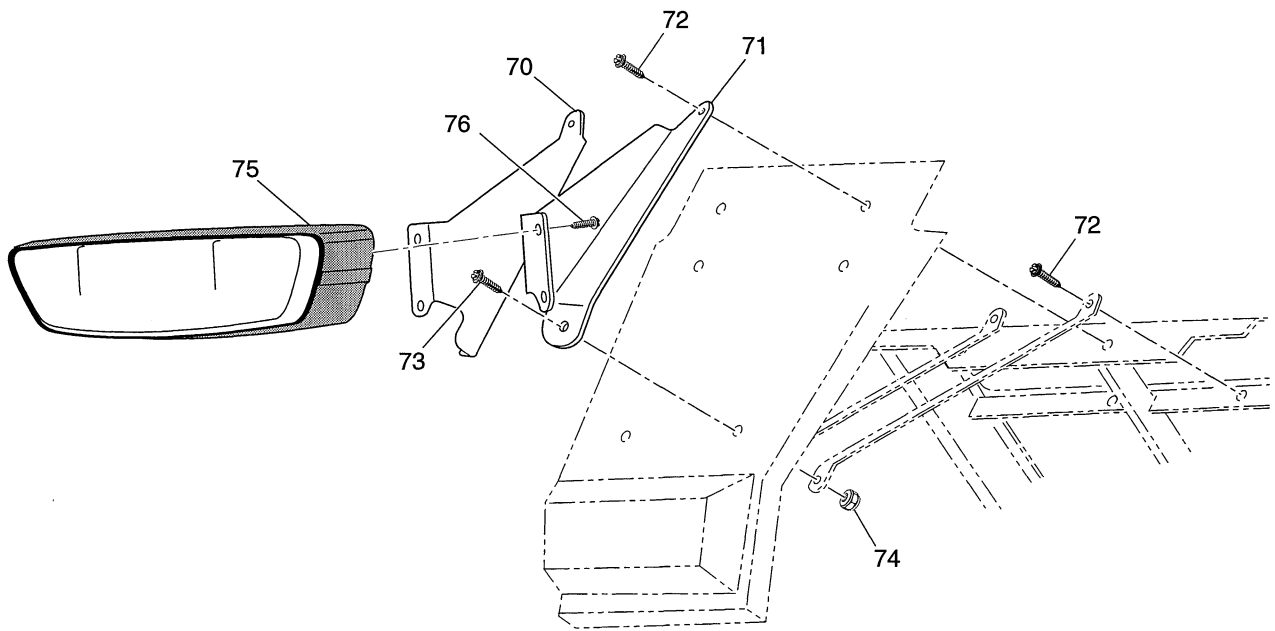
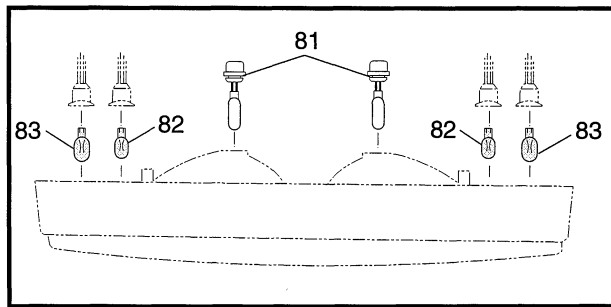
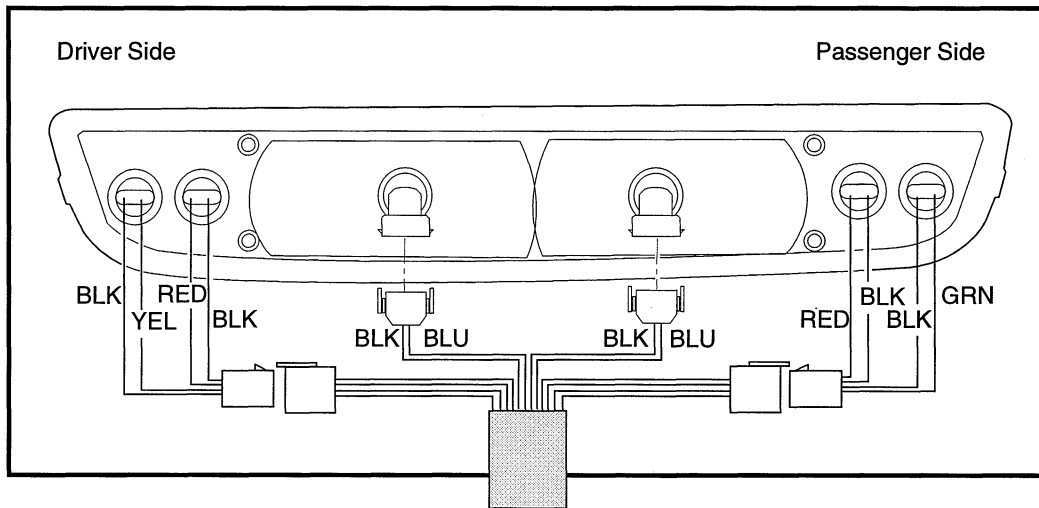
ITEM	PART NO.	1 2 3 4 5	DESCRIPTION	QTY.
1	73124-G02		MOTOR, FLEET SPEED, NON-VENTED (INCLUDES ITEMS 2 - 11)	1
2	73120-G01		ARMATURE.....	1
3	73120-G11		FIELD COIL KIT (INCLUDES HARDWARE)	1
4	73120-G03		BRUSH SPRING	4
5	73120-G15		BRUSH PLATE AND BOX.....	1
6	73120-G05		BRUSH REPLACEMENT KIT (INCLUDES HARDWARE)	1
7	73120-G06		SNAP RING	1
8	73120-G07		BEARING.....	1
9	73120-G08		COVER COMMUTATOR END	1
10	73120-G09		COVER PLATE AND SCREW	1
11	73120-G10		CAP	1

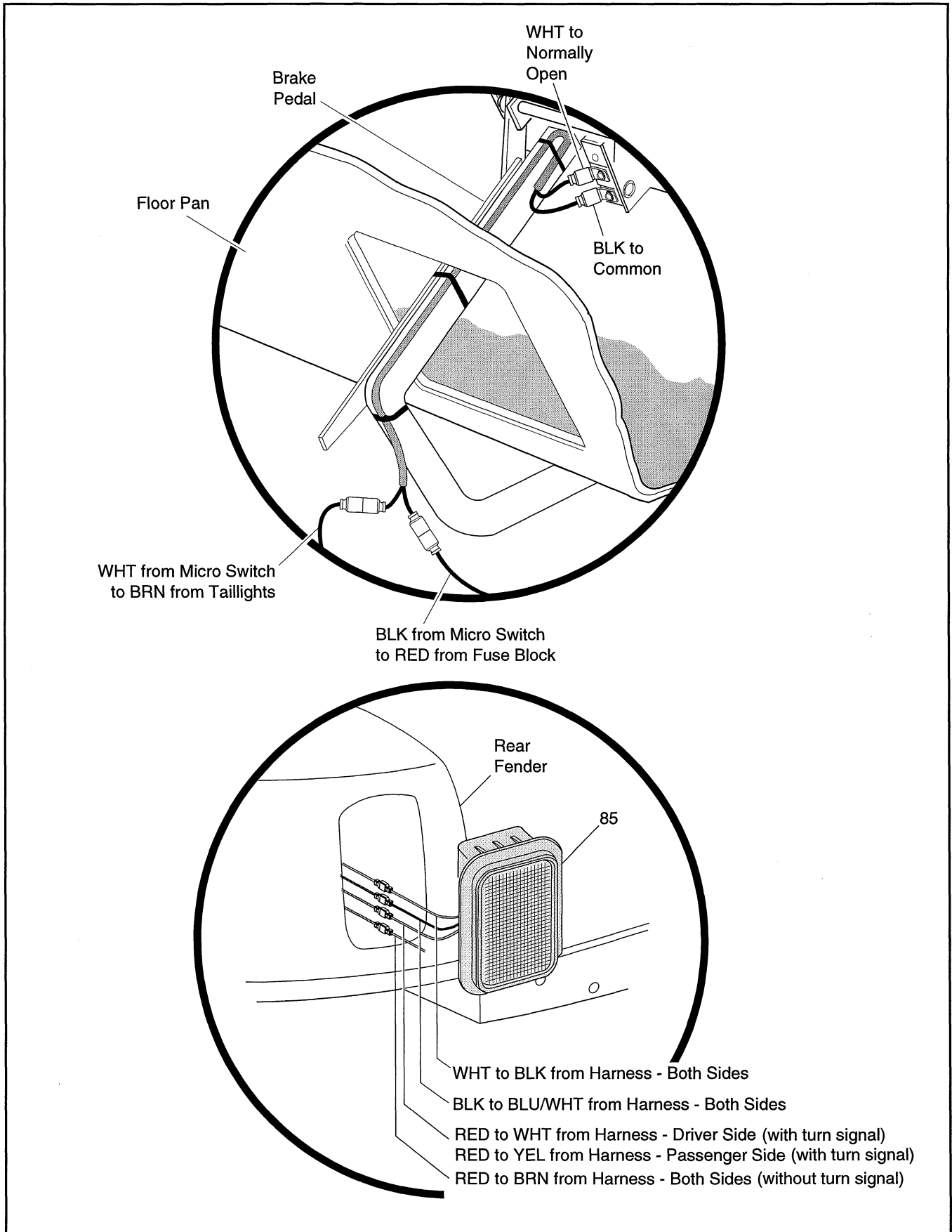


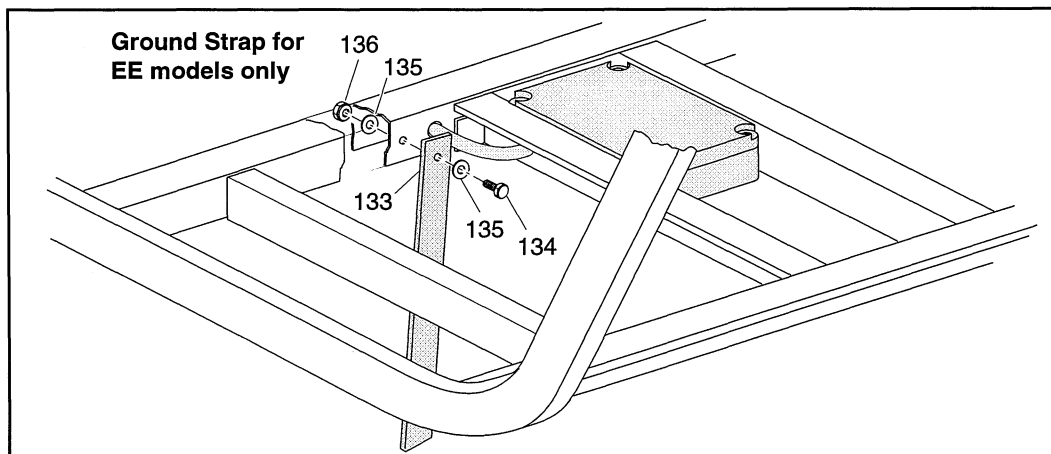
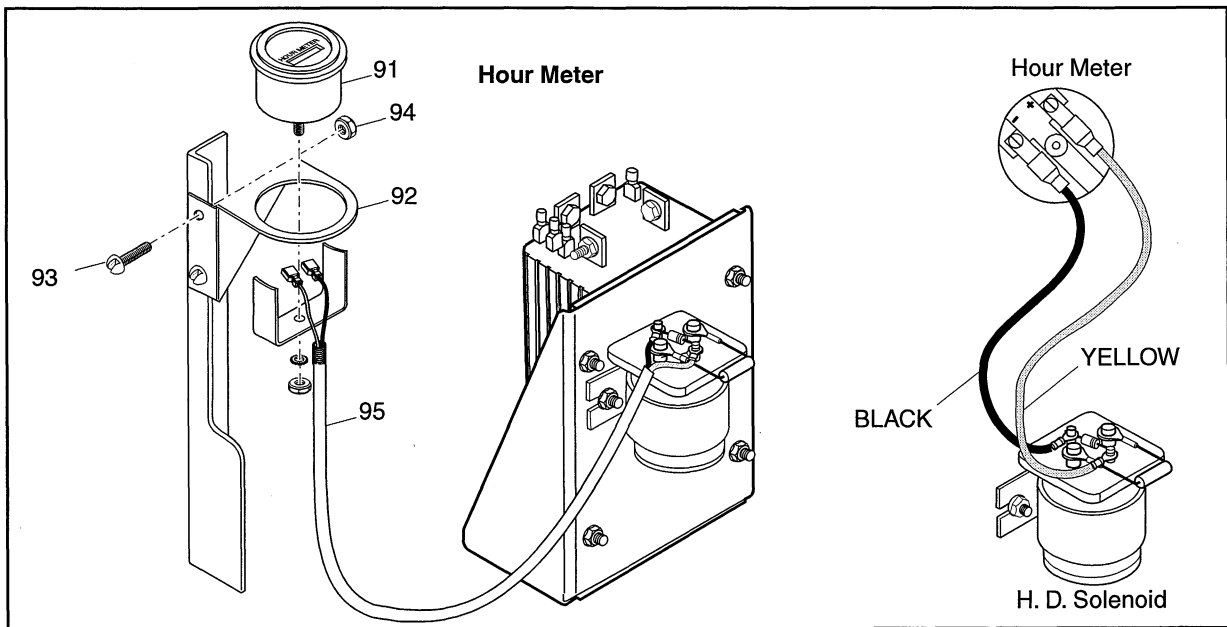
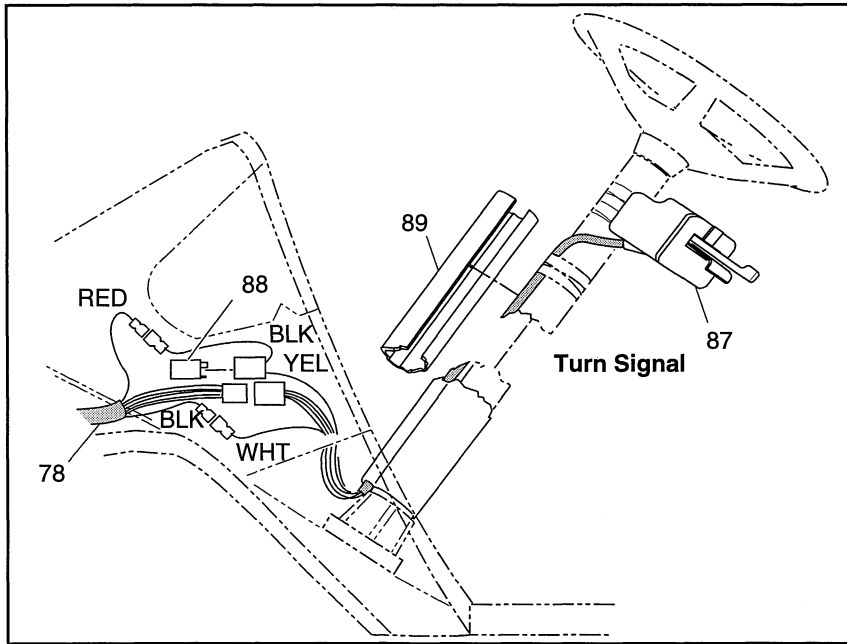


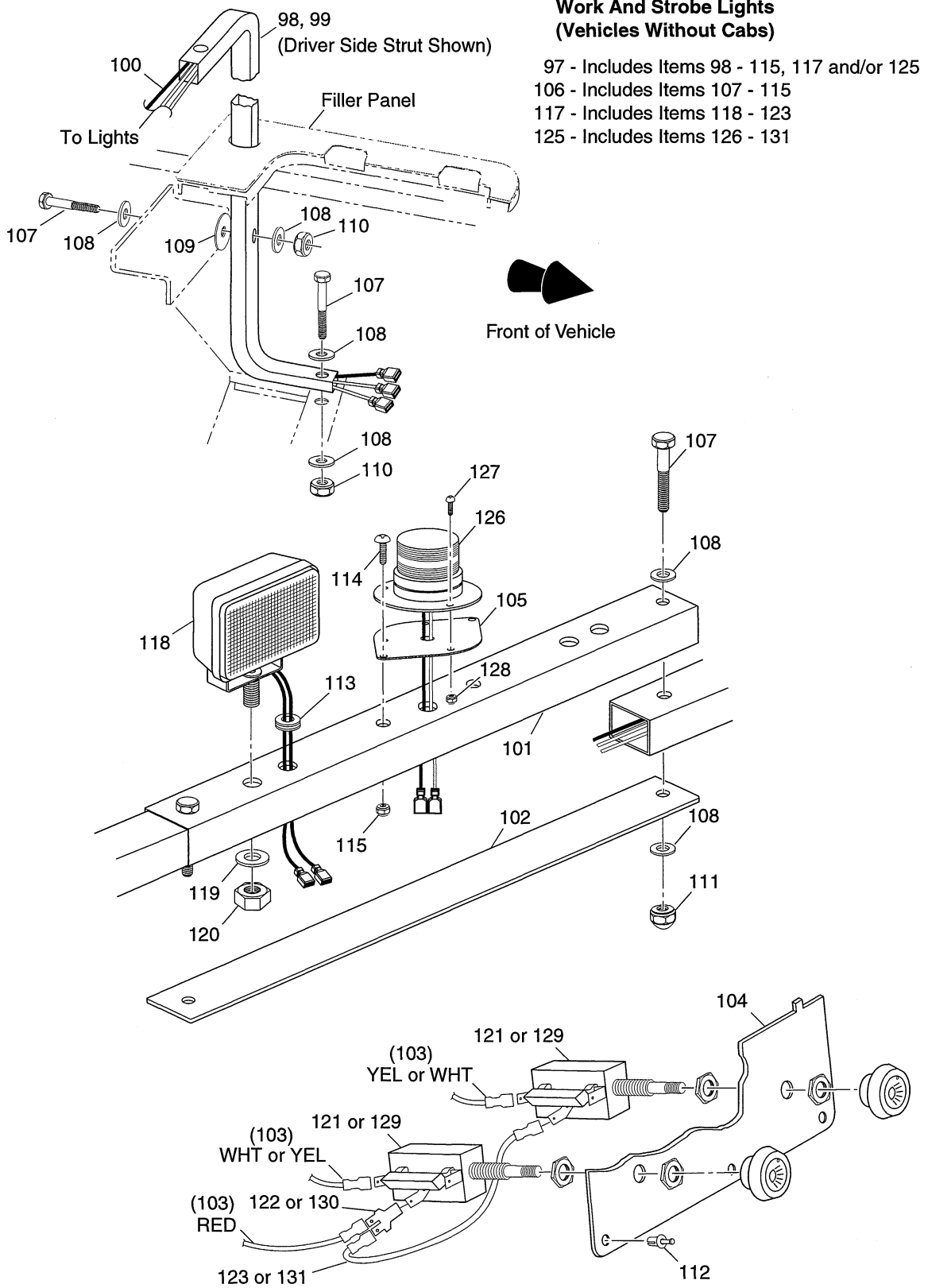












THE USE OF NON UL PARTS WILL VOID ANY UL LISTING.

When ordering parts, please specify the model and serial number of the product.

* Indicates a component that is not available as an individual part.

G** Indicates consult Customer Service Department for additional information.

ITEM	PART NO.	1 2 3 4 5	DESCRIPTION	QTY.
1	XXXXX-G**		BATTERY (6 VOLT)	6
2	70121-G01		HOLD DOWN BOLT	2
3	70045-G01		BATTERY RETAINER	1
4	11027-G1		LOCK NUT, 5/16 - 18	2
5				
6	25972-G32		6 GA WIRE (BLACK 10 1/2")	1
7	25972-G40		6 GA WIRE (BLACK 6")	4
8	00565-G8		LOCK WASHER, 5/16"	12
9	00702-G2		NUT, 5/16 - 18	12
10				
11	73063-G01		CHARGER WIRE HARNESS/RECEPTACLE ASSEMBLY (PORTABLE CHARGEDR) (INCLUDES ITEMS 12 - 21)	1
12	73082-G01		CHARGER HARNESS	1
13	73051-G01		WIRE HARNESS (CHARGER RECEPTACLE)(INCLUDES ITEMS 14 - 21)	1
14	73051-G03		RECEPTACLE COVER	1
15	73051-G04		RECEPTACLE BOTTOM	1
16	73051-G05		FEMALE RADSOK	2
17	73051-G06		INSULATOR SLEEVE	1
18	73051-G18		REED SWITCH	1
19	73051-G08		SCREW, #10 - 32 X 1/2" LG. (BRASS, BINDING HEAD)	2
20	73051-G09		SCREW, #6 - 32 X 1 3/4" LG. (STAINLESS STEEL)	3
21	73051-G10		LOCK NUT, #6-32	3
22	14601-G10		RIVET, 5/32" X 7/16" LG	4
23	17618-G1		WIRE TIE (NOT ILLUSTRATED)	3
24				
25	22674-G1		FUSE BLOCK	1
26	71010-G01		RIVET, 5/32" X 3/8" LG	2
27	18392-G1		15 AMP FUSE	3
28				
29	35211-G01		FUSE BLOCK	1

THE USE OF NON UL PARTS WILL VOID ANY UL LISTING.

When ordering parts, please specify the model and serial number of the product.

* Indicates a component that is not available as an individual part.

G** Indicates consult Customer Service Department for additional information.

ITEM	PART NO.	1 2 3 4 5	DESCRIPTION	QTY.
30	00379-G2		SCREW, #10 - 24 X 1 1/4" LG	2
31	00559-G5		WASHER, #10.....	2
32	14390-G10		LOCK NUT, #10 - 24	2
33	12914-G1		FASTON TAB	1
34	00567-G5		LOCK WASHER, #10.....	1
35	00526-G4		NUT, #10 - 32	1
36	35212-G01		15 AMP FUSE.....	3
37				
38	73030-G**		INSTRUMENT PANEL PLATE INSERT	1
39	33623-G02		DRIVE RIVET, 3/16 X 3/8" LG.....	2
40	71181-G01		DECAL (WITH LIGHTS).....	1
41	71181-G02		DECAL (WITHOUT LIGHTS)	1
42	71129-G01		DECAL (WITH LIGHTS AND STATE OF CHARGE METER)	1
43	71123-G01		DECAL (WITHOUT LIGHTS, WITH STATE OF CHARGE METER)	1
44	33636-G01		STATE OF CHARGE METER	1
45	25978-G74		18 GA WIRE (RED 6")	1
46	74018-G01		STATE OF CHARGE METER HARNESS.....	1
47				
48	33639-G**		IGNITION SWITCH (WITH LIGHTS).....	1
49	00568-G6		LOCK WASHER, 3/4".....	1
50	17137-G1		FACE NUT, 3/4 - 20.....	1
51	17063-G1		IGNITION KEY (SET).....	A/R
52				
53	73041-G01		IGNITION SWITCH HARNESS.....	1
54	17618-G1		WIRE TIE (NOT ILLUSTRATED)	1
55				
56	32860-G1		HORN.....	1
57	00414-G5		BOLT, 1/4 - 20 X 5/8" LG.....	1
58	00559-G8		WASHER, 5/16"	1
59	00891-G2		LOCK NUT, 1/4 - 20	1



THE USE OF NON UL PARTS WILL VOID ANY UL LISTING.

When ordering parts, please specify the model and serial number of the product.

* Indicates a component that is not available as an individual part.

G** Indicates consult Customer Service Department for additional information.

ITEM	PART NO.	1 2 3 4 5	DESCRIPTION	QTY.
60				
61	17318-G1		HORN SWITCH (INCLUDES ITEM 62)	1
62	17318-G2		BUTTON AND NUT	1
63	19233-G1		HORN SWITCH PLATE	1
64	14601-G7		RIVET, 3/16 X 11/16" LG (STAINLESS STEEL).....	2
65	27068-G01		HORN SWITCH BOOT	1
66				
67	73214-G01		WIRE HARNESS (HORN).....	1
68	73213-G01		WIRE HARNESS	1
69				
70	74002-G01		LIGHT BAR MOUNTING BRACKET (PASSENGER SIDE).....	1
71	74002-G02		LIGHT BAR MOUNTING BRACKET (DRIVER SIDE)	1
72	01028-G01		SCREW, 1/4 - 14 X 3/4" LG	4
73	00414-G6		BOLT, 1/4 - 20 X 3/4" LG.....	2
74	11027-G2		LOCK NUT, 1/4 - 20	2
75	74001-G01		LIGHT BAR	1
76	00114-G6		SCREW, 1/4 - 14 X 3/4" LG	4
77				
78	73043-G01		WIRE HARNESS (ACCESSORY).....	1
79	17618-G1		WIRE TIE (NOT ILLUSTRATED)	10
80				
81	74004-G01		HEADLIGHT BULB (REPLACEMENT)	A/R
82	74005-G01		MARKER LIGHT BULB (REPLACEMENT).....	A/R
83	74006-G01		TURN LIGHT BULB (REPLACEMENT).....	A/R
84				
85	32739-G2		STOP/TAIL LIGHT	2
86				
87	17867-G1		TURN SIGNAL (WITH MOUNTING HARDWARE)	1
88	21640-G1		FLASHER	1
89	20965-G3		STEERING COLUMN COVER.....	1

THE USE OF NON UL PARTS WILL VOID ANY UL LISTING.

When ordering parts, please specify the model and serial number of the product.

* Indicates a component that is not available as an individual part.

G** Indicates consult Customer Service Department for additional information.

ITEM	PART NO.	1	2	3	4	5	DESCRIPTION	QTY.
90								
91	21573-G1						HOUR METER	1
92	74019-G01						BRACKET	1
93	00150-G4						SCREW. #10 - 24 X 1/2" LG	2
94	11098-G7						NUT, #10 - 24	2
95	75117-G02						WIRE HARNESS (HOUR METER)	1
96								
97	75354-G**						WORK LIGHT BAR WITH LIGHTS AND/OR STROBE (INCLUDES ITEMS 98 - 115, 117 AND/OR 125)	1
98	75352-G01						STRUT (PASSENGER SIDE).....	1
99	75352-G02						STRUT (DRIVER SIDE)	1
100	75346-G01						WIRE HARNESS (WORK LIGHT).....	1
101	75353-G01						BRACE	1
102	75363-G01						COVER PLATE.....	1
103	75430-G01						SWITCH HARNESS	1
104	71077-G**						LIGHT SWITCH PLATE.....	1
105	33201-G02						STROBE LIGHT MOUNT (USED ONLY WITH STROBE LIGHT)	1
106	75365-G01						HARDWARE KIT (INCLUDES ITEMS 107 - 115).....	1
107	00685-G7						BOLT, 5/16 - 18 X 1 3/4" LG	6
108	00660-G8						WASHER, 5/16"	12
109	15121-G1						WASHER, 3/8" X 1 1/4"	2
110	11098-G6						LOCK NUT, 5/16 - 18	4
111	00918-G3						ACORN NUT, 5/16 - 18	2
112	33623-G02						RIVET, 3/16" X 3/8" LG	3
113	20367-G1						GROMMET.....	2
114	16705-G3						SCREW, 1/4 - 20 X 3/4" LG	2
115	14390-G4						LOCK NUT, 1/4 - 20	2
116								
117	20383-G2						WORK LIGHT KIT (INCLUDES ITEMS 118 - 123).....	1
118	20209-G2						WORK LIGHT (RECTANGULAR)	2

THE USE OF NON UL PARTS WILL VOID ANY UL LISTING.

When ordering parts, please specify the model and serial number of the product.

* Indicates a component that is not available as an individual part.

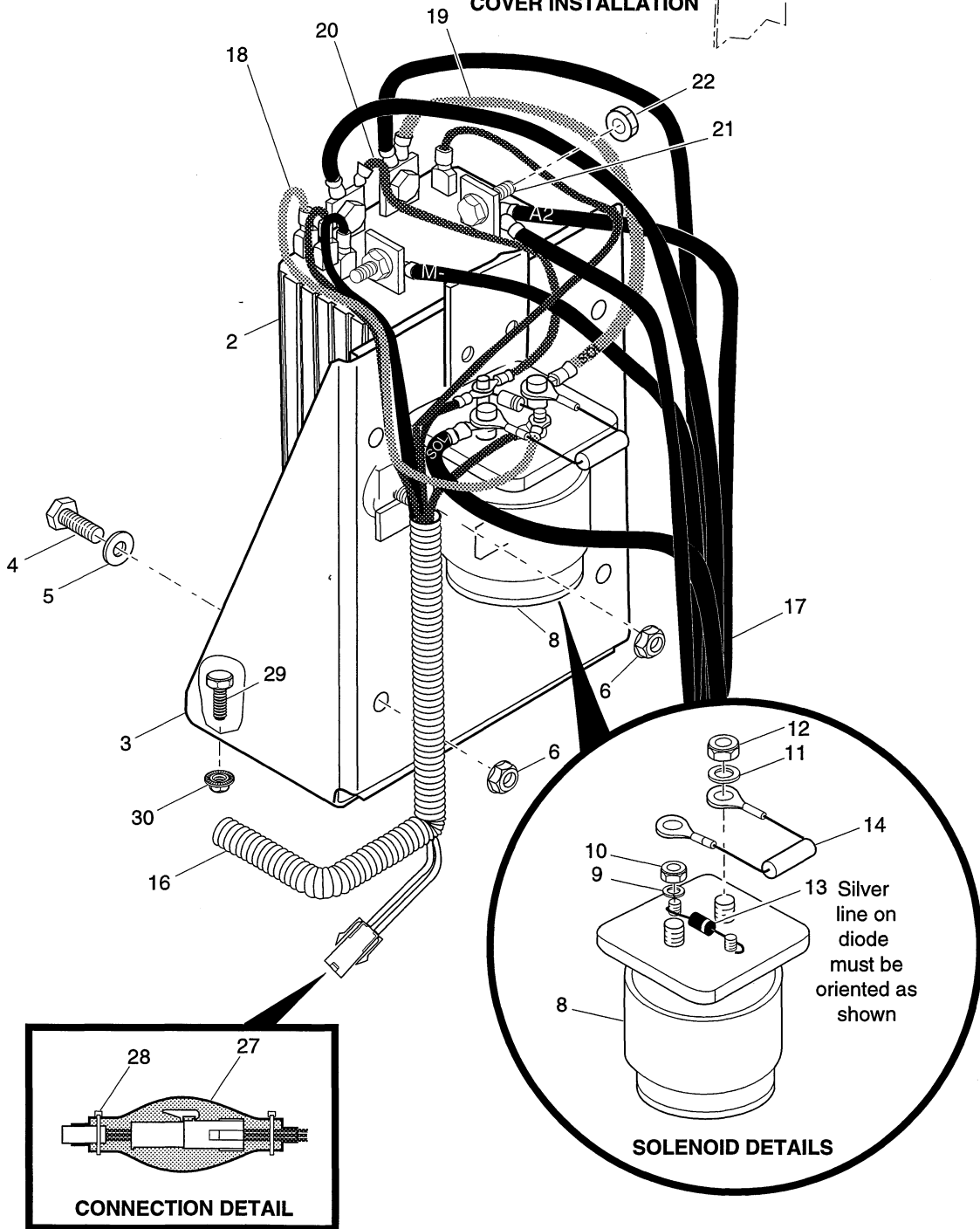
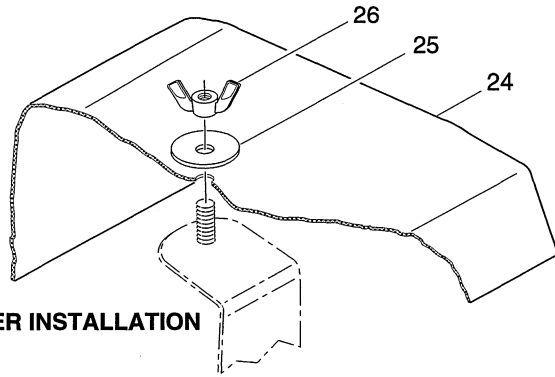
G** Indicates consult Customer Service Department for additional information.

ITEM	PART NO.	1	2	3	4	5	DESCRIPTION	QTY.
119	00566-G3						LOCK WASHER, 1/2".....	2
120	00533-G1						NUT, 1/2 - 13.....	2
121	17317-G1						LIGHT SWITCH.....	1
122	17902-G1						TAB ADAPTER.....	1
123	20053-G1						16 GA WIRE (RED, 5 3/8" LG.).....	1
124								
125	20385-G2						STROBE LIGHT KIT (INCLUDES ITEMS 126 - 131).....	1
126	20394-G1						STROBE LIGHT.....	1
127	00379-G4						SCREW, #10 - 24 x 1/2" LG.....	3
128	11098-G7						LOCK NUT, #10 - 24.....	3
129	17317-G1						LIGHT SWITCH.....	1
130	17902-G1						TAB ADAPTER.....	1
131	20053-G1						16 GA WIRE (RED, 5 3/8" LG.).....	1
132								
133	35213-G02						GROUND STRAP, 16" (EE ONLY).....	1
134	00426-G8						BOLT, 3/8 - 16 X 1" LG.....	1
135	00560-G1						WASHER, 3/8".....	2
136	11098-G4						LOCK NUT, 3/8 - 16.....	1



1 - Includes Items 2 - 22

COVER INSTALLATION



THE USE OF NON UL PARTS WILL VOID ANY UL LISTING.

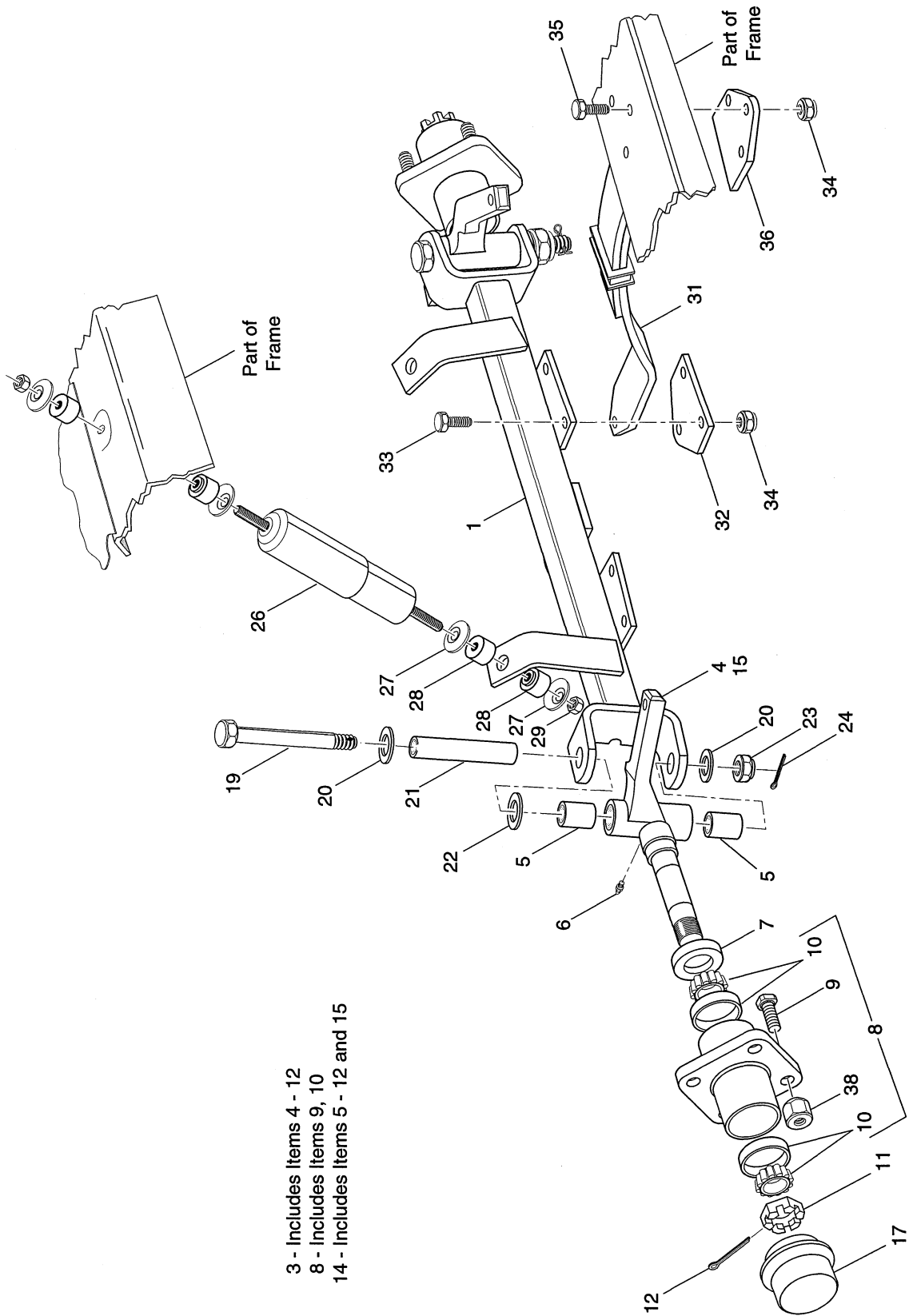
When ordering parts, please specify the model and serial number of the product.

* Indicates a component that is not available as an individual part.

G** Indicates consult Customer Service Department for additional information.

ITEM	PART NO.	1	2	3	4	5	DESCRIPTION	QTY.
1	73055-G04	ELECTRONIC SPEED CONTROL ASSEMBLY (INCLUDES ITEMS 2 - 23).....					1	
2	73060-G01	ELECTRONIC SPEED CONTROLLER.....					1	
3	74014-G01	CONTROLLER MOUNT					1	
4	00414-G5	BOLT, 1/4 - 20 X 5/8" LG.					4	
5	00559-G7	WASHER, 1/4"					2	
6	11027-G2	LOCK NUT, 1/4 - 20.....					6	
7								
8	20468-G1	SOLENOID (INCLUDES ITEMS 9 - 12)					1	
9	*	LOCK WASHER, #10					2	
10	*	NUT, #10 - 32					2	
11	*	WASHER, 5/16"					2	
12	*	NUT, 5/16 - 24					2	
13	30353-G1	DIODE, 3 AMP.....					1	
14	21764-G1	RESISTOR					1	
15								
16	73095-G02	WIRE HARNESS (CONTROL - HD).....					1	
17	73269-G01	WIRE HARNESS (POWER)					1	
18	25978-G88	18 GA WIRE (RED 9")					1	
19	25972-G02	6 GA WIRE (BLACK 6", SOL - B+)					1	
20	25978-G10	18 GA WIRE(BLACK 6", SOL - B-).....					1	
21	00270-G5	BOLT, 5/16 - 18 X 5/8" LG.					4	
22	11027-G1	LOCK NUT, 5/16 - 18.....					4	
23								
24	23723-G2	COVER.....					1	
25	16469-G1	WASHER, 1/4"					1	
26	14419-G1	WING NUT, 1/4 - 20					1	
27	28326-G02	GELTEK STRIP					1	
28	17618-G1	WIRE TIE					2	
29	00414-G5	BOLT, 1/4 - 20 X 5/8" LG.					4	
30	11027-G2	LOCK NUT, 1/4 - 20					4	





When ordering parts, please specify the model and serial number of the product.

* Indicates a component that is not available as an individual part.

G** Indicates consult Customer Service Department for additional information.

ITEM	PART NO.	1 2 3 4 5	DESCRIPTION	QTY.
1	70536-G01		FRONT AXLE.....	1
2				
3	70220-G01		SPINDLE ASSEMBLY (DRIVER SIDE) (INCLUDES ITEMS 4 - 12).....	1
4	*		SPINDLE (DRIVER SIDE).....	1
5	16623-G1		BEARING	2
6	10389-G3		GREASE FITTING, STRAIGHT	1
7	25146-G1		GREASE SEAL	1
8	19932-G1		WHEEL HUB ASSEMBLY (INCLUDES ITEMS 9, 10).....	1
9	19862-G1		LUG BOLT, 1/2 - 20 X 1 7/32" LG.....	4
10	50892-G1		BEARING AND RACE ASSEMBLY (COMPLETE).....	2
11	12093-G1		SLOTTED NUT, 1 - 14.....	1
12	00798-G8		COTTER PIN, 5/32" X 1 3/4" LG.	1
13				
14	70221-G01		SPINDLE ASSEMBLY (PASSENGER SIDE) (INCLUDES ITEMS 5 - 12, 15) ...	1
15	*		SPINDLE (PASSENGER SIDE)	1
16				
17	12091-G2		SPINDLE CAP	2
18				
19	70327-G01		KING PIN, 1/2 - 13 X 5 1/2" LG.....	2
20	00571-G5		WASHER, 1/2"	4
21	70328-G01		KING PIN TUBE	2
22	16982-G1		THRUST WASHER, 7/8"	2
23	14390-G6		LOCK NUT, 1/2 - 13	2
24	10387-G2		COTTER PIN, 3/32 X 1" LG.	2
25				
26	70324-G01		SHOCK ABSORBER	2
27	10435-G1		SHOCK ABSORBER WASHER	8
28	10194-G1		RUBBER SHOCK ABSORBER BUSHING	8
29	00532-G6		NUT, 3/8 - 24	4
30				



FRONT SUSPENSION

Electric Vehicle

When ordering parts, please specify the model and serial number of the product.

* Indicates a component that is not available as an individual part.

G** Indicates consult Customer Service Department for additional information.

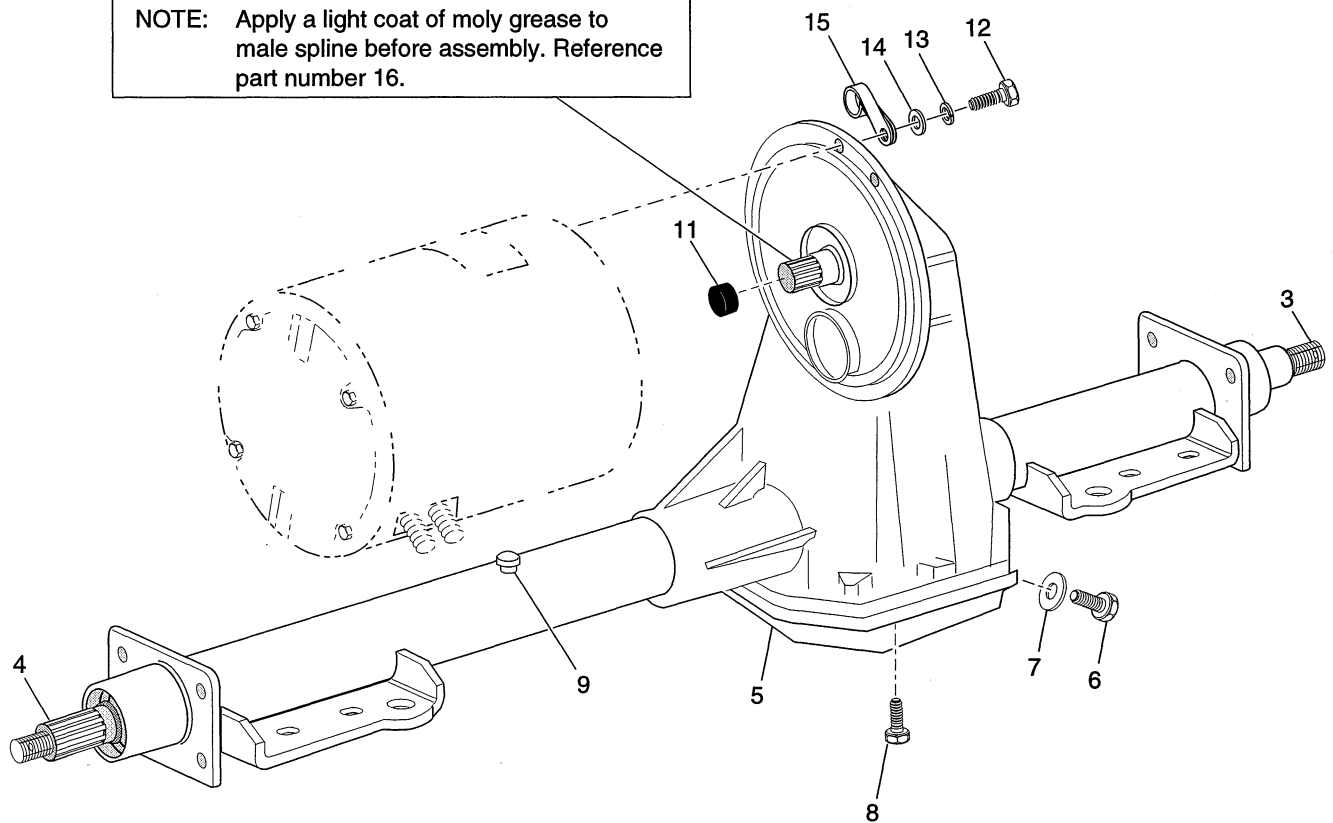
ITEM	PART NO.	1 2 3 4 5	DESCRIPTION	QTY.
31	70422-G01		LEAF SPRING (HEAVY DUTY)	2
32	70540-G02		SPRING PLATE.....	2
33	00463-G4		BOLT, 7/16 - 14 X 1 1/2" LG.	6
34	00734-G1		LOCK NUT, 7/16 - 14	12
35	00463-G6		BOLT, 7/16 - 14 X 1 3/4" LG.	6
36	70163-G02		SPRING PLATE.....	2
37				
38	14723-G1		LUG NUT, 1/2 - 20.....	8



1 - Includes Items 3 - 9

2 - Includes Items 3 - 9

NOTE: Apply a light coat of moly grease to male spline before assembly. Reference part number 16.

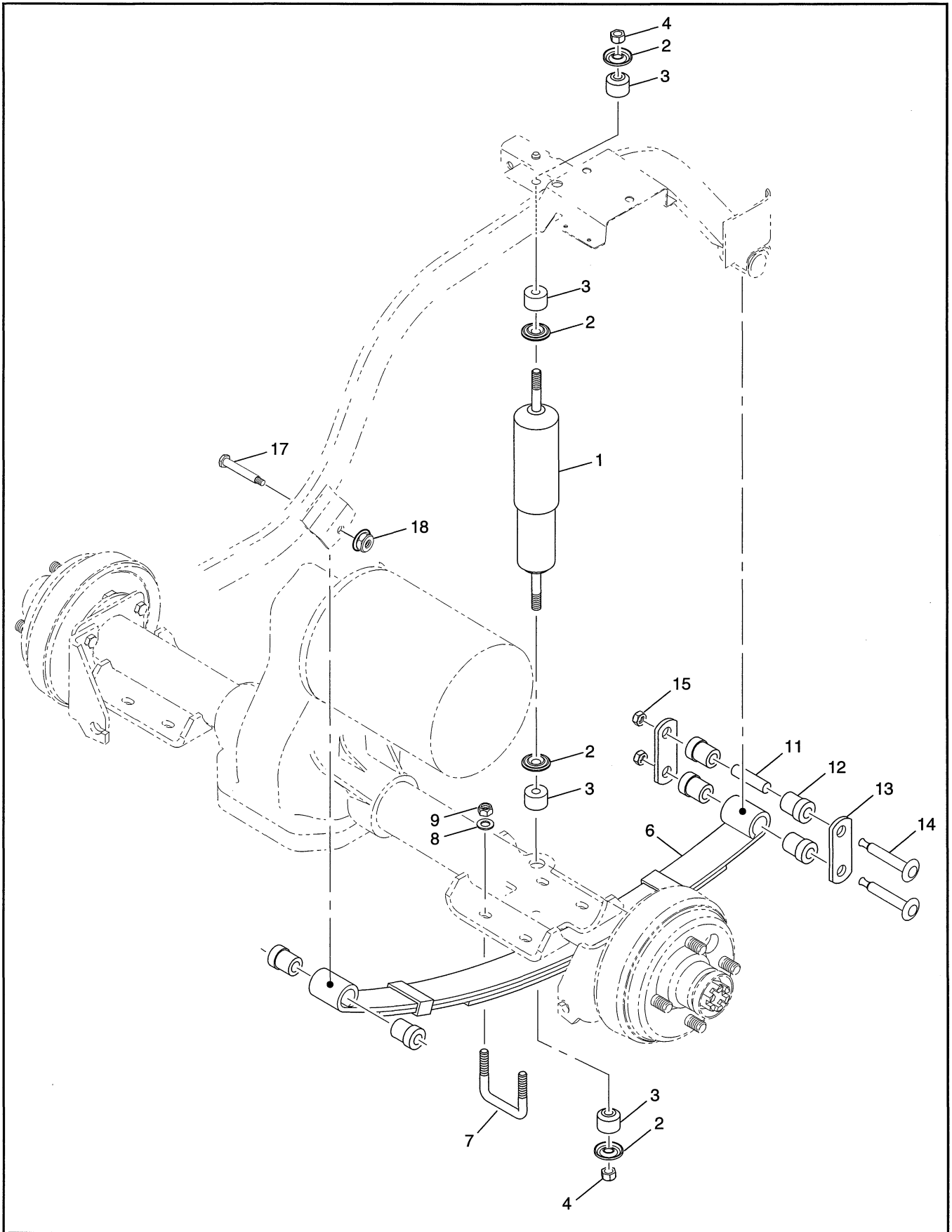


When ordering parts, please specify the model and serial number of the product.

* Indicates a component that is not available as an individual part.

G** Indicates consult Customer Service Department for additional information.

ITEM	PART NO.	1	2	3	4	5	DESCRIPTION	QTY.
1	73176-G01						REAR AXLE ASSEMBLY, 12.44:1, XT (INCLUDES ITEMS 3 - 9)	1
2	73176-G02						REAR AXLE ASSEMBLY, 14.87:1, XI (INCLUDES ITEMS 3 - 9)	1
3	20377-G03						AXLE SHAFT (DRIVER SIDE).....	1
4	20377-G04						AXLE SHAFT (PASSENGER SIDE)	1
5	25228-G1						DIFFERENTIAL COVER	1
6	25226-G1						FILL/CHECK PLUG	1
7	25227-G1						WASHER	1
8	15558-G1						BOLT, 5/16 - 18 X 3/4" LG.	10
9	73050-G01						VENT	1
10								
11	24261-G1						BUMPER SPLINE	1
12	00797-G2						BOLT, 1/4 - 20 X 1 1/4" LG.	3
13	00565-G7						LOCK WASHER, 1/4"	3
14	00559-G7						WASHER, 1/4"	3
15	27327-G01						CLAMP.....	1
16	28095-G01						MOLY LUBE, 2 OZ.	AR



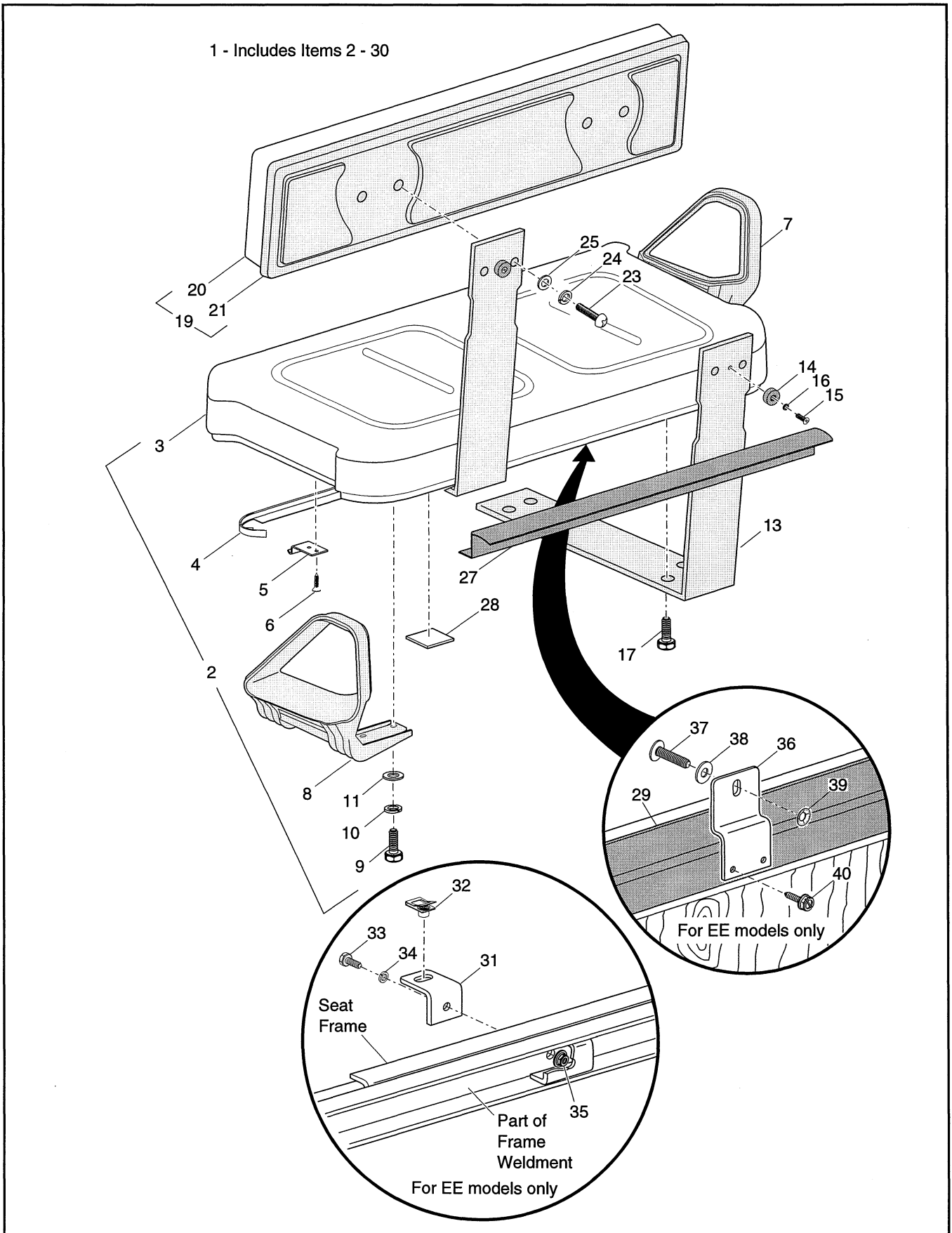
When ordering parts, please specify the model and serial number of the product.

* Indicates a component that is not available as an individual part.

G** Indicates consult Customer Service Department for additional information.

ITEM	PART NO.	1 2 3 4 5	DESCRIPTION	QTY.
1	70324-G01		SHOCK ABSORBER	2
2	10435-G1		SHOCK ABSORBER WASHER.....	8
3	10194-G1		RUBBER SHOCK ABSORBER BUSHING	8
4	00532-G6		NUT, 3/8 - 24	4
5				
6	70247-G01		LEAF SPRING	2
7	74124-G01		"U" BOLT, 3/8 - 16	4
8	00560-G1		WASHER, 3/8"	8
9	11098-G5		LOCK NUT, 3/8 - 16	8
10				
11	70289-G02		SPACER.....	4
12	70291-G01		RUBBER BUSHING.....	12
13	70290-G01		SHACKLE PLATE	4
14	00429-G4		BOLT, 3/8 - 16 X 3 1/2" LG.....	4
15	11098-G5		LOCK NUT, 3/8 - 16	4
16				
17	14158-G1		SHOULDER BOLT, 3/8 - 16 X 3 1/4" LG.....	2
18	12262-G1		LOCK NUT, 3/8 - 16	2





When ordering parts, please specify the model and serial number of the product.

* Indicates a component that is not available as an individual part.

G** Indicates consult Customer Service Department for additional information.

ITEM	PART NO.	1 2 3 4 5	DESCRIPTION	QTY.
1	71665-G**		SEAT ASSEMBLY (INCLUDES ITEMS 2 - 30)	1
2	71664-G**		SEAT BOTTOM ASSEMBLY (INCLUDES ITEMS 3 - 11).....	1
3	71602-G**		VINYL SEAT BOTTOM COVER.....	1
4	71012-G01		VINYL TRIM (SEAT BOTTOM)	1
5	71610-G01		SEAT HINGE.....	2
6	00720-G08		SCREW, #12 - 14 X 1" LG.	6
7	71701-G01		HIP RESTRAINT (PASSENGER SIDE)	1
8	71702-G01		HIP RESTRAINT (DRIVER SIDE)	1
9	00414-G8		BOLT, 1/4 - 20 X 1" LG.....	8
10	00565-G7		LOCK WASHER, 1/4".....	8
11	00559-G7		WASHER, 1/4"	8
12				
13	71662-G01		SEAT BACK SUPPORT BRACKET	2
14	13728-G1		RUBBER BUMPER	2
15	00106-G6		SELF THREADING SCREW, #12 - 24 X 3/4" LG.....	2
16	00559-G5		WASHER, #10.....	2
17	71204-G01		BOLT, 1/4 - 20 X 7/8" LG.	8
18				
19	27546-G**		SEAT BACK ASSEMBLY (INCLUDES ITEMS 20 - 21).....	1
20	18144-G**		VINYL SEAT BACK COVER	1
21	18868-G3		PLASTIC SEAT BACK COVER	1
22				
23	16705-G1		SCREW, 1/4 - 20 X 1" LG.....	4
24	00565-G7		LOCK WASHER, 1/4"	4
25	00559-G7		WASHER, 1/4"	4
26				
27	71762-G01		SEAL.....	1
28	17074-G1		BUMPER	2
29				
30				



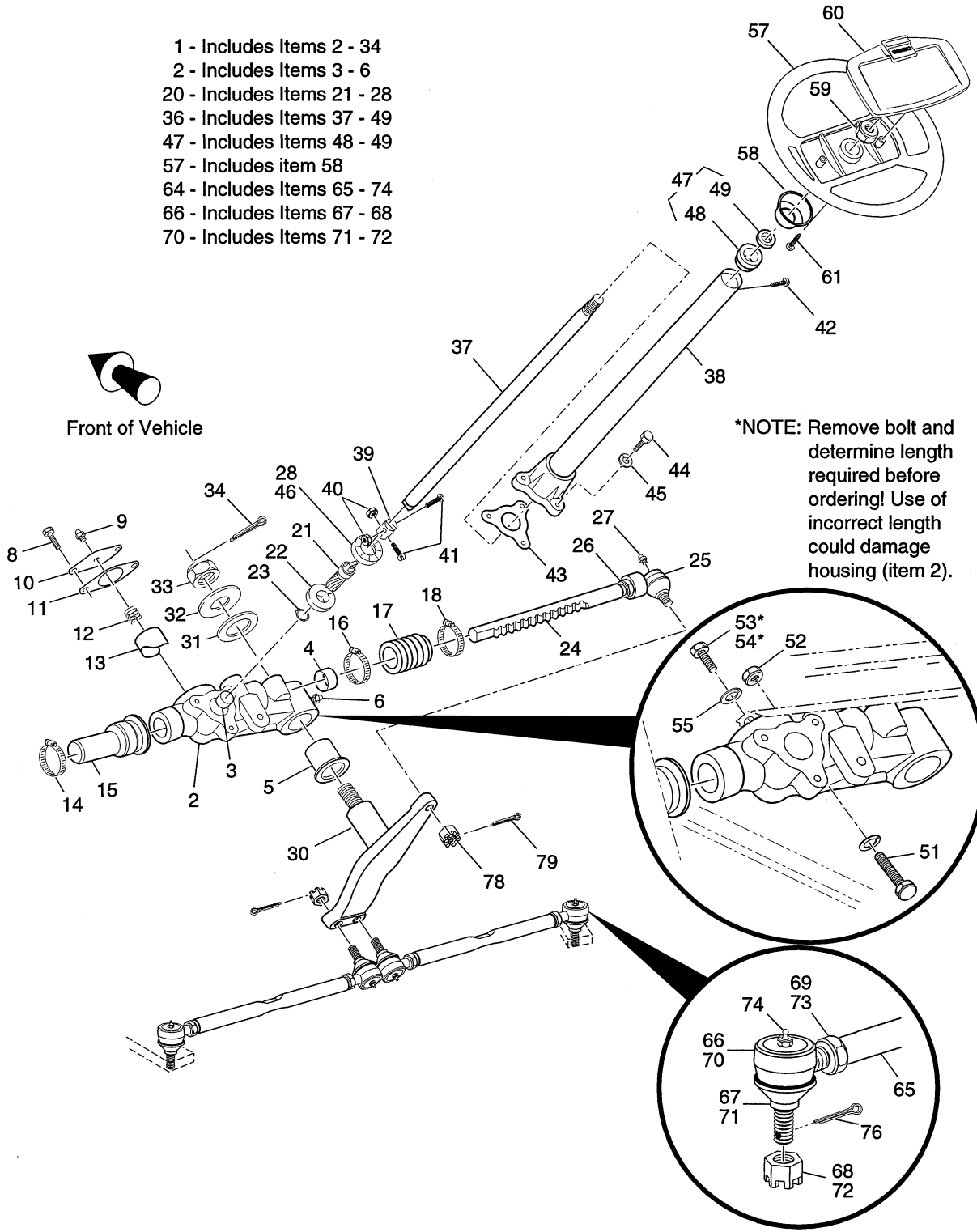
When ordering parts, please specify the model and serial number of the product.
 * Indicates a component that is not available as an individual part.
 G** Indicates consult Customer Service Department for additional information.

ITEM	PART NO.	1	2	3	4	5	DESCRIPTION	QTY.
31	74221-G01						SEAT LOCK ANGLE (EE ONLY).....	1
32	01024-G01						"U" TYPE NUT (EE ONLY).....	1
33	XXXXX-XX						BOLT (SEE ELECTRICAL SYSTEM).....	X
34	XXXXX-XX						WASHER (SEE ELECTRICAL SYSTEM).....	X
35	XXXXX-XX						NUT (SEE ELECTRICAL SYSTEM).....	X
36	74220-G01						LATCH SUPPORT BRACKET (EE ONLY).....	1
37	01023-G01						TORX SCREW 5/16-18 X 1" LG (EE ONLY).....	1
38	00559-G8						WASHER, 5/16" (EE ONLY).....	1
39	18315-G1						SELF-LOCKING FASTENER, 5/16" (EE ONLY).....	1
40	00114-G6						SCREW, 1/4 -14 X 3/4" LG (EE ONLY).....	2



- 1 - Includes Items 2 - 34
- 2 - Includes Items 3 - 6
- 20 - Includes Items 21 - 28
- 36 - Includes Items 37 - 49
- 47 - Includes Items 48 - 49
- 57 - Includes item 58
- 64 - Includes Items 65 - 74
- 66 - Includes Items 67 - 68
- 70 - Includes Items 71 - 72


 Front of Vehicle



*NOTE: Remove bolt and determine length required before ordering! Use of incorrect length could damage housing (item 2).

When ordering parts, please specify the model and serial number of the product.
 * Indicates a component that is not available as an individual part.
 G** Indicates consult Customer Service Department for additional information.

ITEM	PART NO.	1	2	3	4	5	DESCRIPTION	QTY.
1	70314-G02						STEERING BOX ASSEMBLY (COMPLETE) (INCLUDES ITEMS 2 - 34).....	1
2	75364-G01						STEERING HOUSING (INCLUDES ITEMS 3 - 6).....	1
3	*						SLEEVE BEARING	1
4	*						SLEEVE BEARING	1
5	*						FLANGED BEARING	1
6	10389-G3						GREASE FITTING, STRAIGHT	1
7								
8	00426-G6						BOLT, 3/8 - 16 X 3/4" LG.	2
9	18456-G1						GREASE FITTING, 90°	1
10	70177-G01						RACK GUIDE COVER.....	1
11	70225-G01						GASKET	1
12	70178-G01						COMPRESSION SPRING.....	1
13	70179-G01						RACK GUIDE	1
14	11391-G1						HOSE CLAMP, 1 1/4"	1
15	70041-G01						RACK COVER.....	1
16	11391-G1						HOSE CLAMP, 1 1/4"	1
17	70183-G01						BELLOWS	1
18	11391-G5						HOSE CLAMP, 3/4"	1
19								
20	70299-G01						STEERING GEAR KIT (INCLUDES ITEMS 21 - 28).....	1
21	70297-G01						GEAR PINION.....	1
22	15112-G1						BALL BEARING	1
23	70190-G01						EXTERNAL RETAINING RING	1
24	70298-G01						STEERING RACK.....	1
25	70192-G01						RACK BALL END	1
26	00532-G8						NUT, 7/16 - 20	1
27	18456-G1						GREASE FITTING, 90°	1
28	70466-G01						RETAINER.....	1
29								
30	70184-G01						IDLER.....	1

When ordering parts, please specify the model and serial number of the product.

* Indicates a component that is not available as an individual part.

G** Indicates consult Customer Service Department for additional information.

ITEM	PART NO.	1	2	3	4	5	DESCRIPTION	QTY.
31	70216-G01						THRUST WASHER, 1 1/2"	1
32	70195-G01						THRUST WASHER, 7/8"	1
33	00734-G6						LOCK NUT, 7/8 - 9.....	1
34	00798-G8						COTTER PIN, 5/32" X 1 3/4" LG.	1
35								
36	70360-G01						STEERING SHAFT/COLUMN KIT (INCLUDES ITEMS 37 - 49)	1
37	14322-G3						STEERING SHAFT	1
38	70333-G01						STEERING COLUMN	1
39	70558-G01						COUPLING.....	1
40	00550-G1						LOCK NUT, 1/4 - 20.....	2
41	70227-G01						BOLT, 1/4 - 20 X 7/8" LG.	2
42	01022-G01						SCREW, #6 - 20 X 5/16" LG.....	1
43	70223-G01						GASKET	1
44	01034-G01						BOLT, 3/8 - 16 X 1 1/2" LG. WITH PATCHLOCK	3
45	00878-G1						LOCK WASHER, 3/8"	3
46	70466-G01						RETAINER.....	1
47	17161-G1						BUSHING AND SEAL KIT (INCLUDES ITEMS 48, 49)	1
48	*						STEERING COLUMN BUSHING	1
49	*						SHAFT SEAL	1
50								
51	00470-G4						BOLT, 7/16 - 20 X 2 1/2" LG.....	1
52	00734-G3						LOCK NUT, 7/16 - 20	1
53	01033-G01						BOLT, 7/16 - 14 X 1 1/4" LG. WITH PATCHLOCK (PROD. SINCE 4-98).....	2
54	01033-G02						BOLT, 7/16 - 14 X 7/8" LG. WITH PATCHLOCK (PRIOR TO 4-98 PROD.)	2
55	00566-G2						LOCK WASHER, 7/16".....	3
56								
57	18325-G1						STEERING WHEEL (INCLUDES ITEM 58)	1
58	*						HUB.....	1
59	14390-G2						LOCK NUT, 5/8 - 18	1
60	27102-G01						CLIPBOARD.....	1

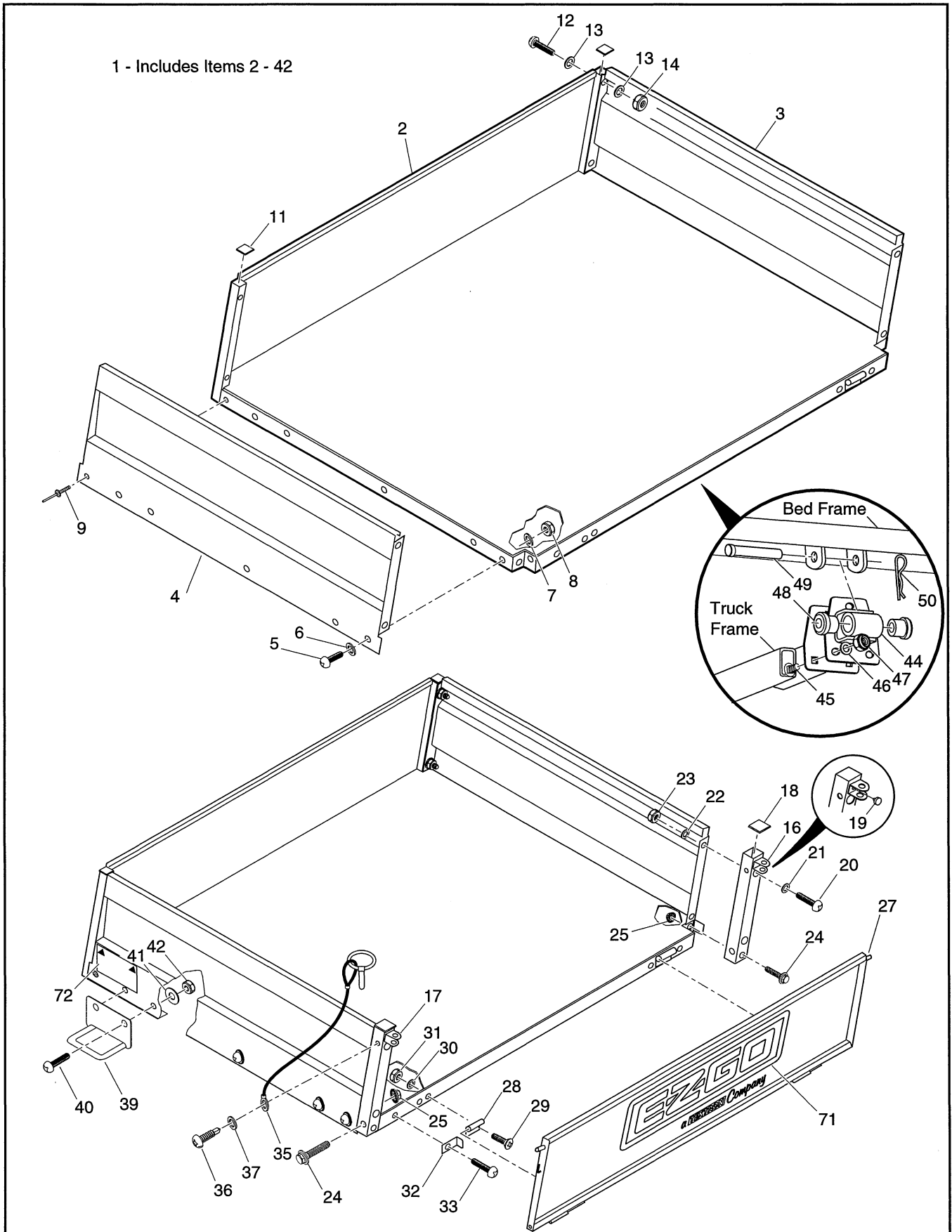
When ordering parts, please specify the model and serial number of the product.

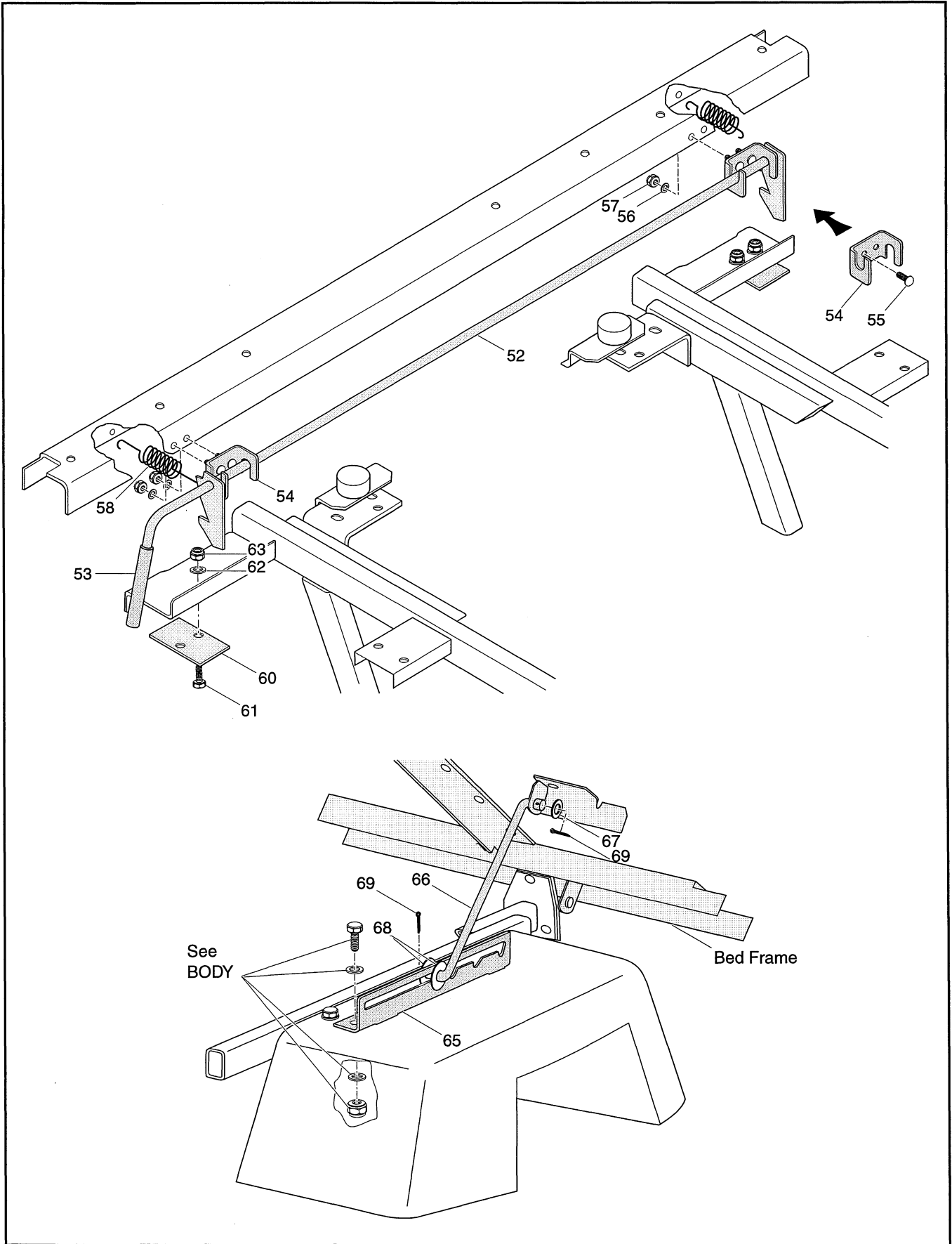
* Indicates a component that is not available as an individual part.

G** Indicates consult Customer Service Department for additional information.

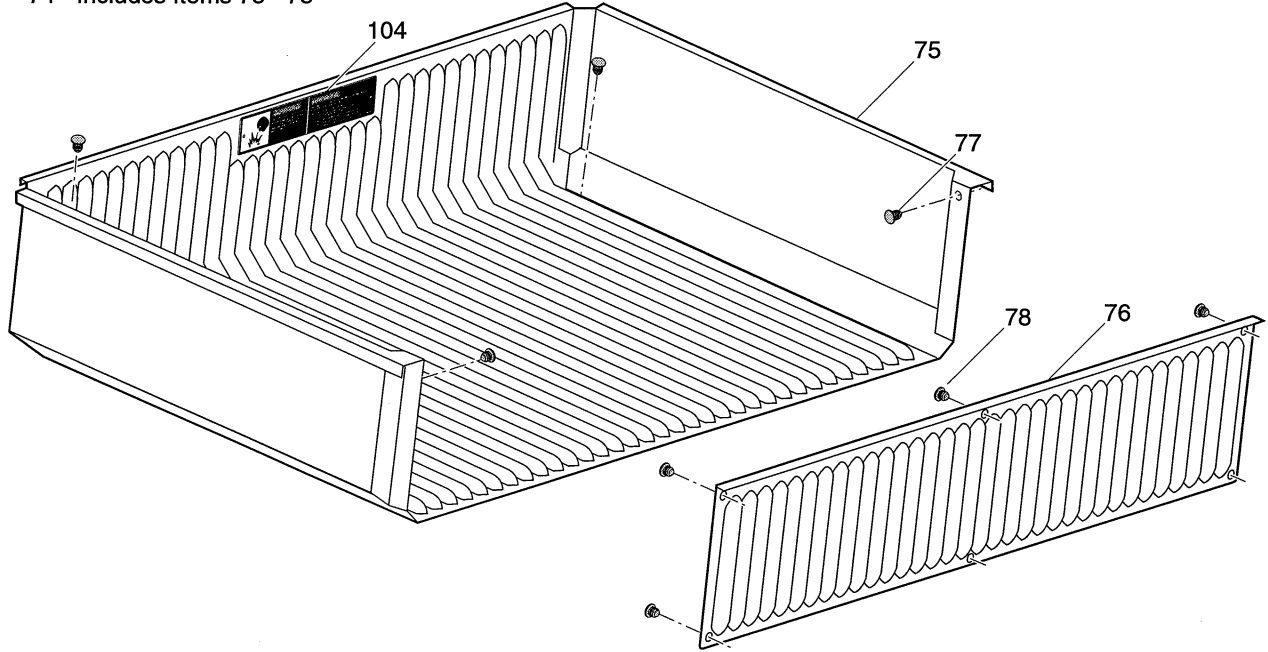
ITEM	PART NO.	1	2	3	4	5	DESCRIPTION	QTY.
61	00999-G01						SCREW, #8 - 18 X 7/8" LG.....	2
62								
63								
64	70074-G01						TIE ROD ASSEMBLY (INCLUDES ITEMS 65 - 74)	2
65	70583-G02						THREADED TUBE WITH FLAT	1
66	27205-G01						TIE ROD END (LEFT HAND THREAD) (INCLUDES ITEMS 67 - 68).....	1
67	50641-G1						RUBBER BOOT	1
68	50209-G2						SLOTTED NUT, 7/16 - 20.....	1
69	18434-G3						JAM NUT, 9/16 - 18 (LEFT HAND THREAD)	1
70	27205-G02						TIE ROD END (RIGHT HAND THREAD) (INCLUDES ITEMS 71 - 72)	1
71	50641-G1						RUBBER BOOT	1
72	50209-G2						SLOTTED NUT, 7/16 - 20.....	1
73	18434-G4						JAM NUT, 9/16 - 18 (RIGHT HAND THREAD).....	1
74	10389-G3						GREASE FITTING, STRAIGHT	2
75								
76	10387-G2						COTTER PIN, 3/32" X 1" LG.....	2
77								
78	50209-G2						SLOTTED NUT, 7/16 - 20.....	1
79	10387-G2						COTTER PIN, 3/32" X 1" LG.....	1



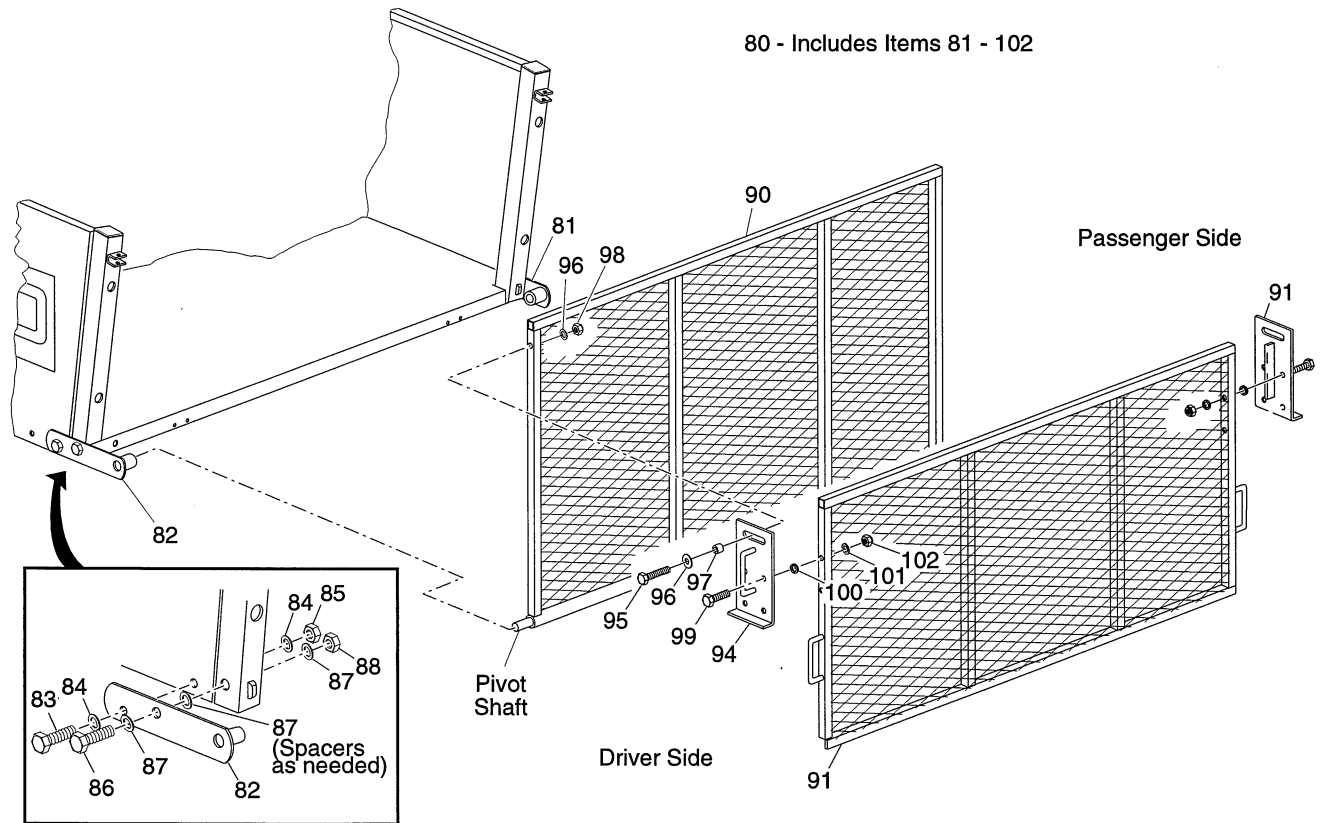




74 - Includes Items 75 - 78



80 - Includes Items 81 - 102



When ordering parts, please specify the model and serial number of the product.

* Indicates a component that is not available as an individual part.

G** Indicates consult Customer Service Department for additional information.

ITEM	PART NO.	1 2 3 4 5	DESCRIPTION	QTY.
1	71711-G03		TRUCK BED ASSEMBLY, 40" (MANUAL DUMP) (INCLUDES ITEMS 2 - 42)...	1
2	71719-G01		BED FRAME, 40"	1
3	71714-G01		SIDE PANEL, 40" (PASSENGER SIDE)	1
4	71714-G02		SIDE PANEL, 40" (DRIVER SIDE)	1
5	16705-G3		SCREW, 1/4 - 20 X 3/4" LG.....	8
6	00915-G1		BONDED WASHER, 1/4"	8
7	00559-G7		WASHER, 1/4".....	8
8	14390-G4		LOCK NUT, 1/4 - 20.....	8
9	14601-G8		RIVET, 3/8" X 7/16" LG. (ALUMINUM)	2
10				
11	71717-G01		END CAP, 1"	2
12	16705-G6		SCREW, 1/4 - 20 X 1 3/4" LG.....	4
13	00915-G1		BONDED WASHER, 1/4"	8
14	14390-G4		LOCK NUT, 1/4 - 20.....	4
15				
16	71837-G01		POST (PASSENGER SIDE).....	1
17	71837-G02		POST (DRIVER SIDE)	1
18	71718-G01		END CAP, 1 1/2"	2
19	71838-G01		RUBBER BUMPER	2
20	16705-G3		SCREW, 1/4 - 20 X 3/4" LG.....	4
21	00915-G1		BONDED WASHER, 1/4"	4
22	00559-G7		WASHER, 1/4".....	4
23	14390-G4		LOCK NUT, 1/4 - 20.....	4
24	13437-G8		LOCK SCREW, 3/8-16 X 2" LG.....	4
25	11027-G5		LOCK NUT, 3/8 - 16.....	4
26				
27	71732-G01		TAILGATE.....	1
28	27666-G01		HINGE	2
29	01002-G08		SCREW, 1/4 - 20 X 1" LG.....	4
30	00559-G7		WASHER, 1/4".....	4



When ordering parts, please specify the model and serial number of the product.

* Indicates a component that is not available as an individual part.

G** Indicates consult Customer Service Department for additional information.

ITEM	PART NO.	1 2 3 4 5	DESCRIPTION	QTY.
31	14390-G4		LOCK NUT, 1/4 - 20.....	4
32	71748-G01		TAILGATE KEEPER.....	1
33	16705-G3		SCREW, 1/4 - 20 X 3/4" LG.....	1
34				
35	71083-G01		TAILGATE CABLE.....	2
36	00106-G6		SELF THREADING SCREW, #12 - 24 X 3/4" LG.	2
37	00915-G1		BONDED WASHER, 1/4".....	2
38				
39	71794-G01		LIFT HANDLE.....	1
40	00976-G08		SCREW, 5/16 - 18 X 1" LG.....	2
41	00559-G8		WASHER, 5/16".....	2
42	11098-G6		LOCK NUT, 5/16 - 18.....	2
43				
44	70396-G01		BED PIVOT.....	2
45	00764-G2		CARRIAGE BOLT, 5/16 - 18 X 1" LG.	6
46	00559-G8		WASHER, 5/16".....	6
47	11098-G6		LOCK NUT, 5/16 - 18.....	6
48	70291-G01		FLANGED BUSHING.....	4
49	21682-G1		CLEVIS PIN, 1/2" X 2 7/8" LG.....	2
50	21683-G1		COTTER PIN, 15/32" X 2 11/16" LG.....	2
51				
52	71831-G01		BED LATCH.....	1
53	71704-G01		HANDLE GRIP.....	1
54	71827-G01		LATCH BRACKET.....	2
55	01014-G03		CARRIAGE BOLT, 1/4 - 20 X 3/4" LG.....	4
56	00559-G7		WASHER, 1/4".....	4
57	14390-G4		LOCK NUT, 1/4 - 20.....	4
58	71707-G01		EXTENSION SPRING.....	2
59				
60	71766-G01		CATCH BRACKET.....	2



When ordering parts, please specify the model and serial number of the product.

* Indicates a component that is not available as an individual part.

G** Indicates consult Customer Service Department for additional information.

ITEM	PART NO.	1 2 3 4 5	DESCRIPTION	QTY.
61	00414-G6		BOLT, 1/4 - 20 X 3/4" LG.....	4
62	00559-G7		WASHER, 1/4"	4
63	14390-G4		LOCK NUT, 1/4 - 20	4
64				
65	71673-G01		PROP BRACKET	1
66	71657-G01		PROP ROD	1
67	00560-G3		WASHER, 1/2"	1
68	15121-G1		WASHER, 3/8"	2
69	10387-G3		COTTER PIN, 3/32" X 3/4" LG.....	2
70				
71	71901-G01		DECAL (E-Z-GO)	1
72	71771-G01		LABEL (TILT WARNING)	1
73				
74	74035-G03		BED LINER KIT (INCLUDES ITEMS 75 - 78).....	1
75	74234-G01		BED LINER, 40"	1
76	74235-G01		TAILGATE LINER	1
77	18436-G1		RIVET, 1/4" X 3/4" LG.....	4
78	14601-G10		RIVET, 5/32" X 7/16" LG.....	6
79				
80	28334-G01		RAMP KIT (INCLUDES ITEMS 81 - 102).....	1
81	28331-G01		RAMP SUPPORT (PASSENGER SIDE).....	1
82	28331-G02		RAMP SUPPORT (DRIVER SIDE)	1
83	00438-G8		BOLT, 5/16 - 18 X 1" LG	2
84	00559-G8		WASHER, 5/16".....	4
85	11098-G6		LOCK NUT, 5/16 - 18.....	2
86	00428-G6		BOLT, 3/8 - 16 X 2 3/4" LG	2
87	00562-G1		WASHER, 3/8".....	6
88	11098-G5		LOCK NUT, 3/8 - 16.....	2
89				
90	20264-G1		UPPER RAMP.....	1



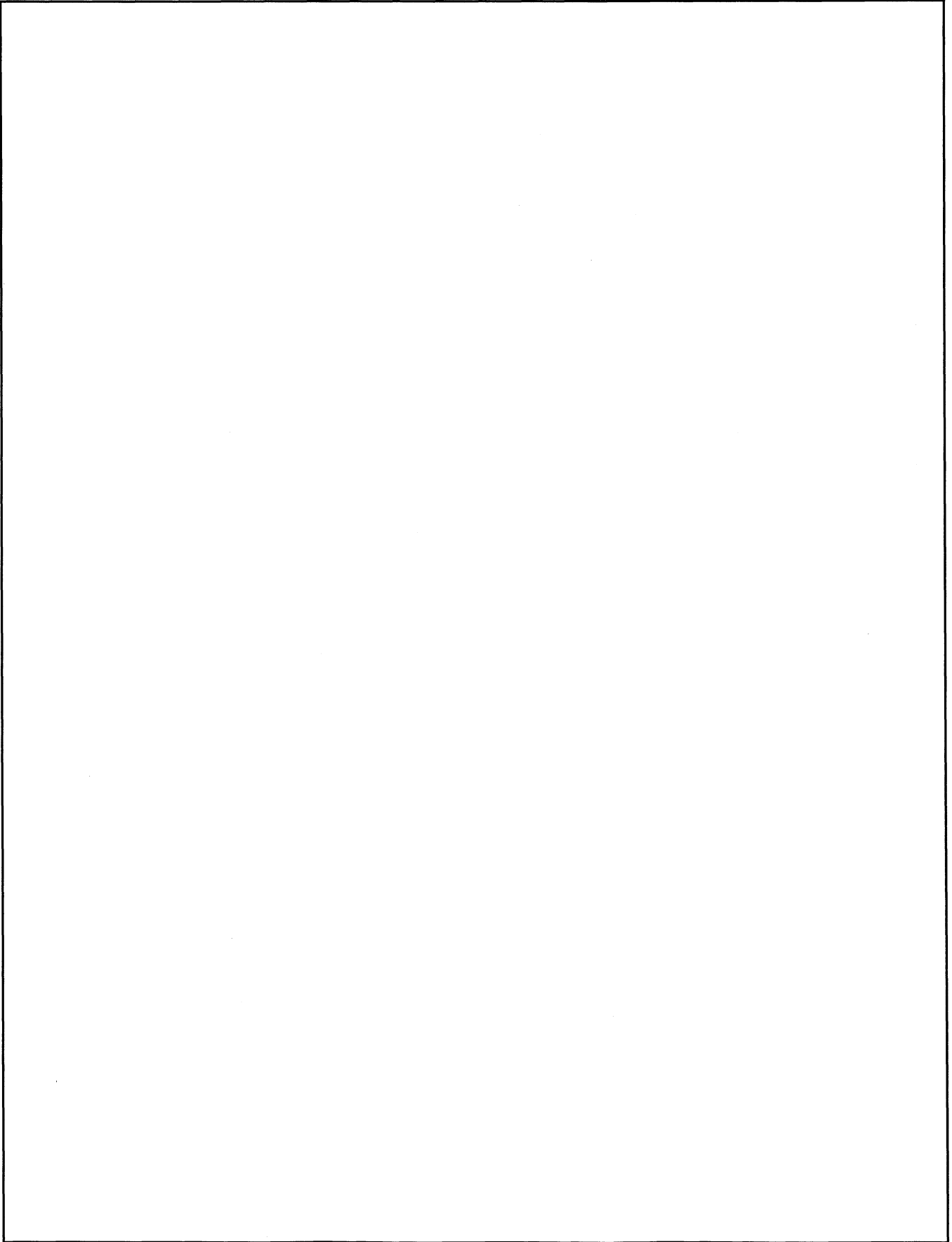
When ordering parts, please specify the model and serial number of the product.

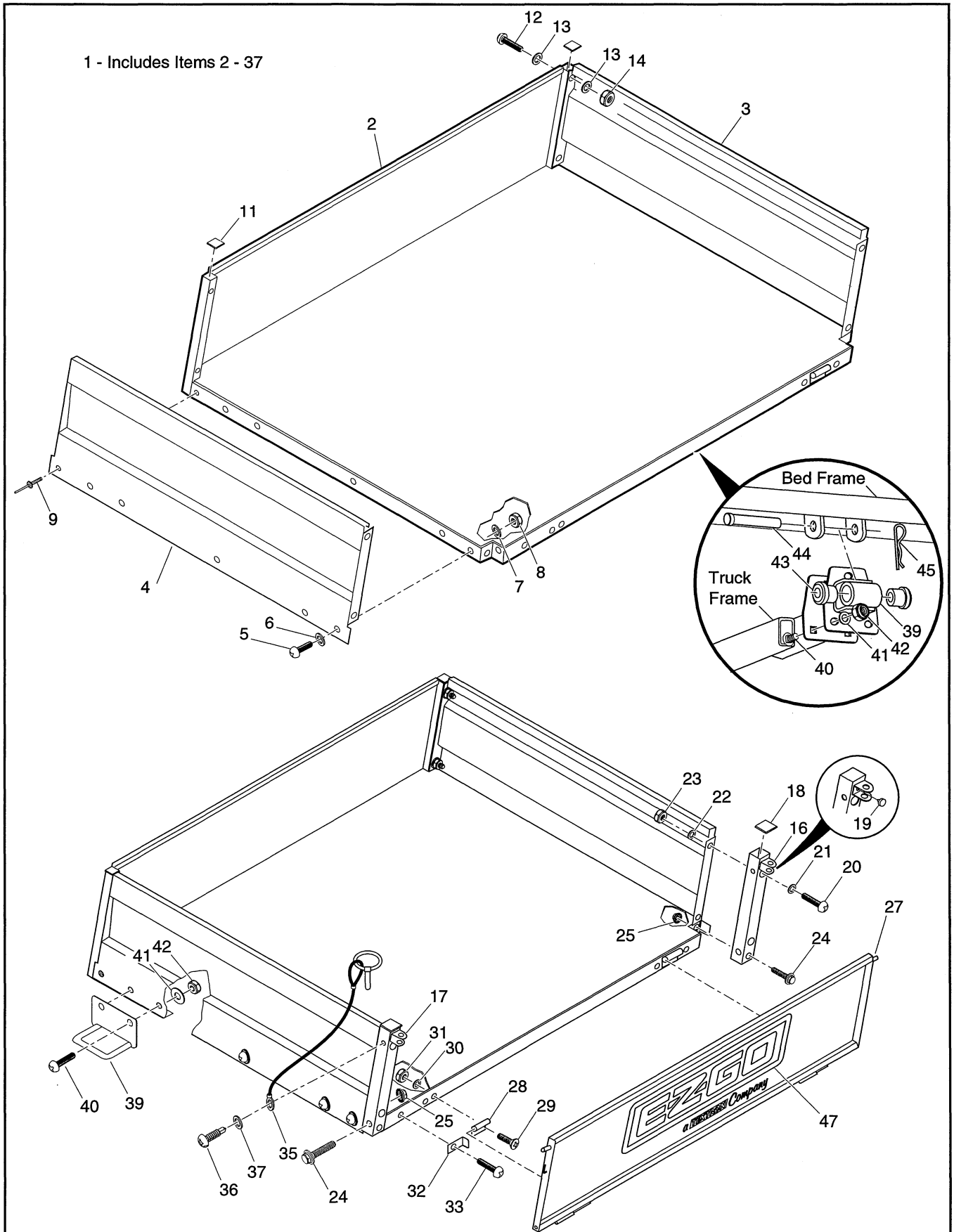
* Indicates a component that is not available as an individual part.

G** Indicates consult Customer Service Department for additional information.

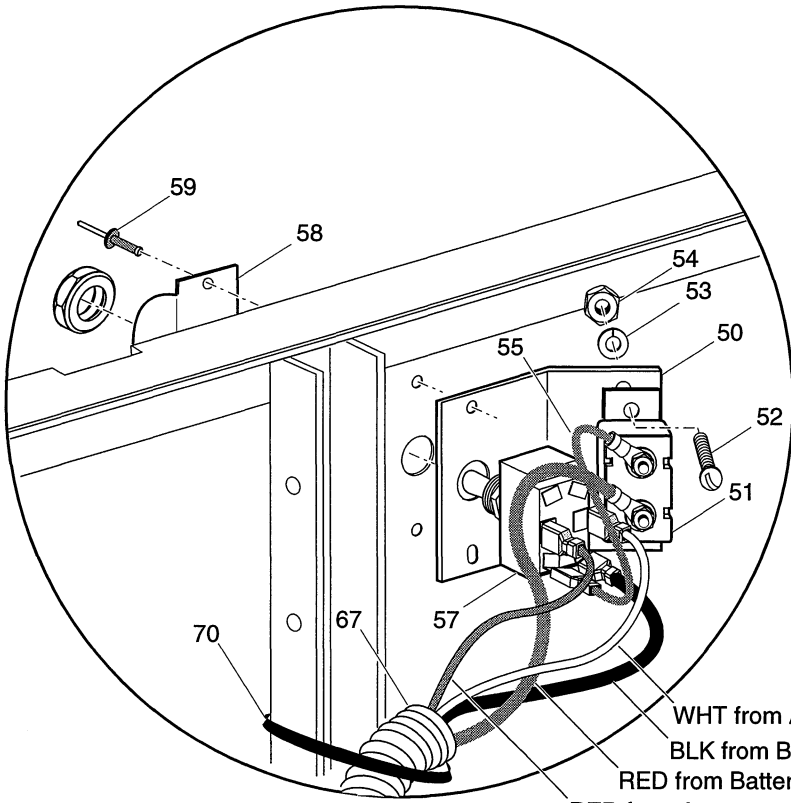
ITEM	PART NO.	1	2	3	4	5	DESCRIPTION	QTY.
91	20257-G2						LOWER RAMP	1
92								
93	20252-G1						PIVOT (PASSENGER SIDE)	1
94	20252-G2						PIVOT (DRIVER SIDE)	1
95	00427-G8						BOLT, 3/8 - 16 X 2" LG	2
96	00562-G1						WASHER, 3/8"	4
97	20275-G1						PIVOT SPACER	2
98	11098-G5						LOCK NUT, 3/8-16.....	2
99	00439-G6						BOLT, 5/16 - 18 X 1 3/4" LG	4
100	00569-G2						WASHER, 5/16"	4
101	00559-G8						WASHER, 5/16"	4
102	11098-G6						LOCK NUT, 5/16 - 18.....	4
103								
104	71517-G02						BED CAPACITY DECAL	1



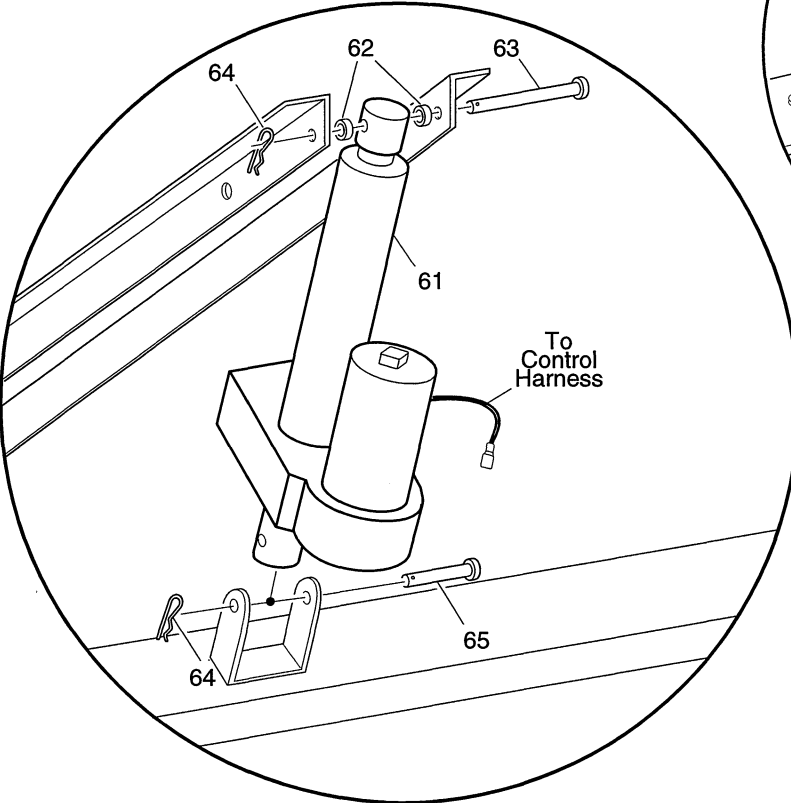
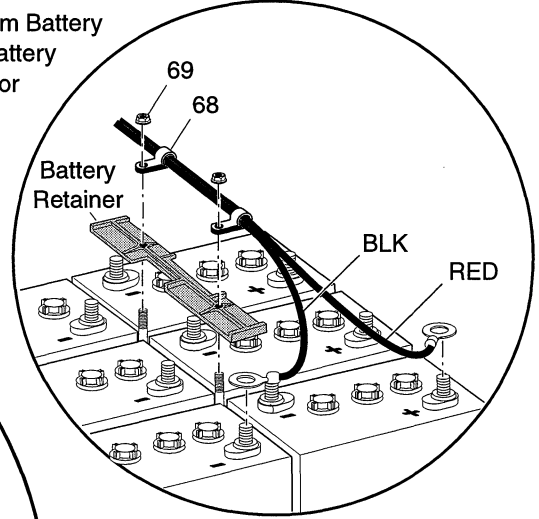




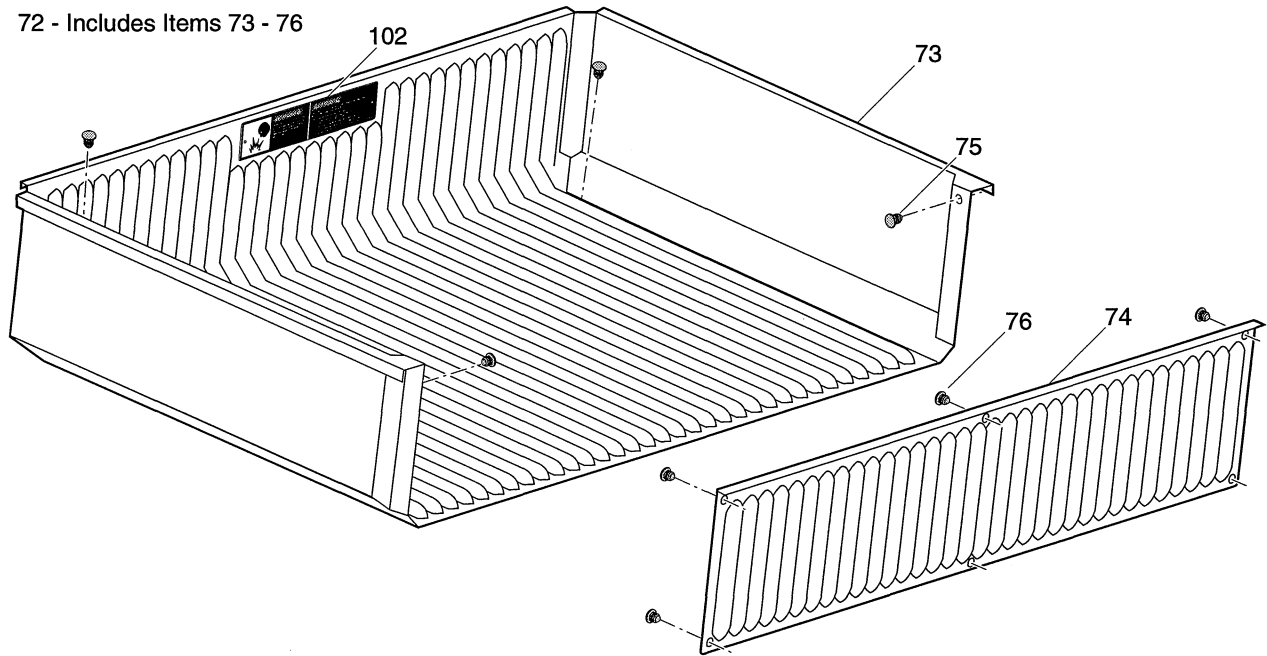
49 - Includes Items 50 - 70



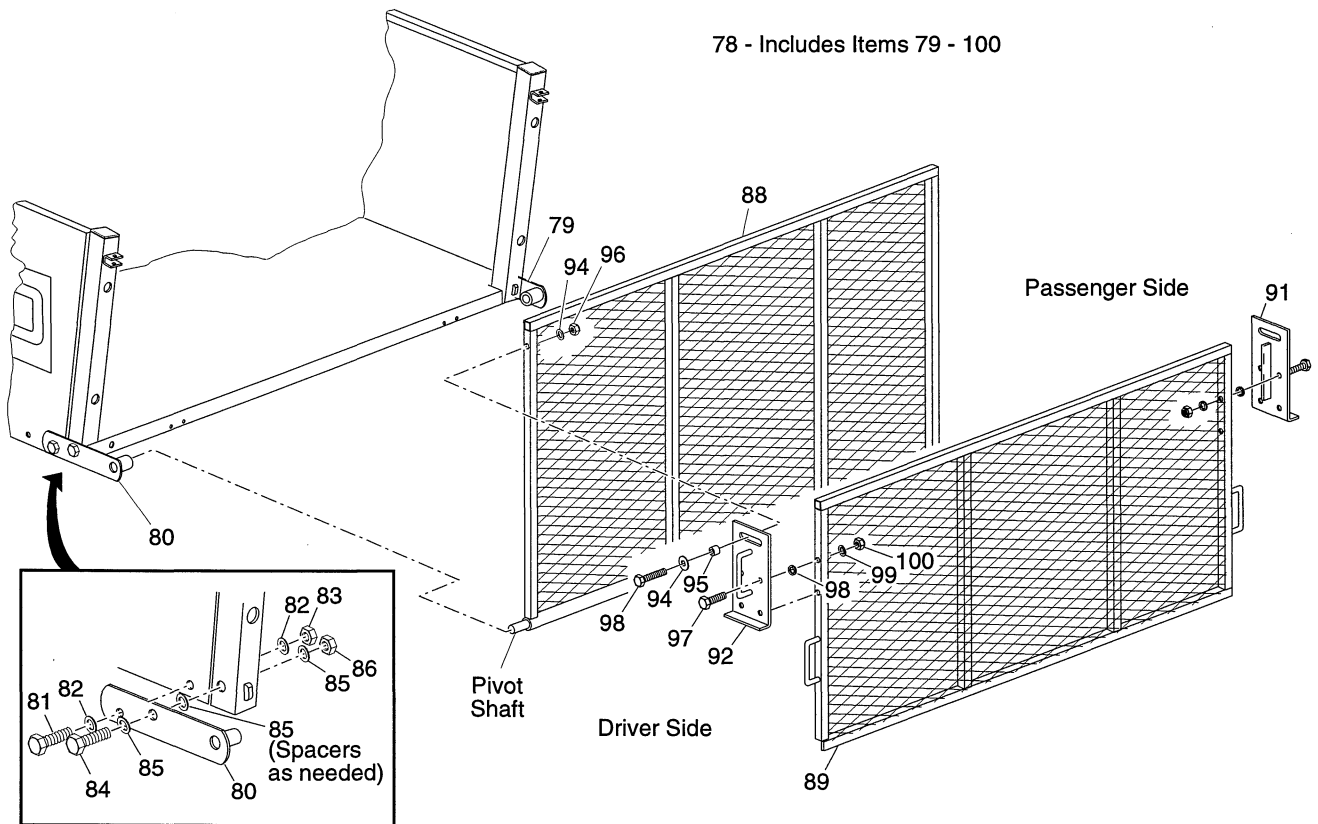
WHT from Actuator
BLK from Battery
RED from Battery
RED from Actuator



72 - Includes Items 73 - 76



78 - Includes Items 79 - 100



When ordering parts, please specify the model and serial number of the product.

* Indicates a component that is not available as an individual part.

G** Indicates consult Customer Service Department for additional information.

ITEM	PART NO.	1	2	3	4	5	DESCRIPTION	QTY.
1	71711-G01						TRUCK BED ASSEMBLY, 40" (ELECTRIC DUMP) (INCLUDES ITEMS 2-37)..	1
2	71719-G01						BED FRAME, 40"	1
3	71714-G01						SIDE PANEL, 40" (PASSENGER SIDE)	1
4	71714-G02						SIDE PANEL, 40" (DRIVER SIDE)	1
5	16705-G3						SCREW, 1/4 - 20 X 3/4" LG.....	10
6	00915-G1						BONDED WASHER, 1/4"	10
7	00559-G7						WASHER, 1/4".....	10
8	14390-G4						LOCK NUT, 1/4 - 20.....	10
9	14601-G8						RIVET, 3/8" X 7/16" LG.....	2
10								
11	71717-G01						END CAP, 1".....	2
12	16705-G6						SCREW, 1/4 - 20 X 1 3/4" LG.....	4
13	00915-G1						BONDED WASHER, 1/4"	8
14	14390-G4						LOCK NUT, 1/4 - 20.....	4
15								
16	71837-G01						POST (PASSENGER SIDE).....	1
17	71837-G02						POST (DRIVER SIDE)	1
18	71718-G01						END CAP, 1 1/2"	2
19	71838-G01						RUBBER BUMPER	2
20	16705-G3						SCREW, 1/4 - 20 X 3/4" LG.....	4
21	00915-G1						BONDED WASHER, 1/4"	4
22	00559-G7						WASHER, 1/4".....	4
23	14390-G4						LOCK NUT, 1/4 - 20.....	4
24	13437-G8						LOCK SCREW, 3/8 - 16 X 2" LG.....	4
25	11027-G5						LOCK NUT, 3/8 - 16.....	4
26								
27	71732-G01						TAILGATE.....	1
28	27666-G01						HINGE	2
29	01002-G08						SCREW, 1/4 - 20 X 1" LG.....	4
30	00559-G7						WASHER, 1/4".....	4



When ordering parts, please specify the model and serial number of the product.
 * Indicates a component that is not available as an individual part.
 G** Indicates consult Customer Service Department for additional information.

ITEM	PART NO.	1	2	3	4	5	DESCRIPTION	QTY.
31	14390-G4						LOCK NUT, 1/4 - 20.....	4
32	71748-G01						TAILGATE KEEPER	1
33	16705-G3						SCREW, 1/4 - 20 X 3/4" LG.....	1
34								
35	71083-G01						TAILGATE CABLE	2
36	00106-G6						SELF THREADING SCREW, #12 - 24 X 3/4" LG.	2
37	00915-G1						BONDED WASHER, 1/4"	2
38								
39	70396-G01						BED PIVOT	2
40	00764-G1						CARRIAGE BOLT, 5/16 - 18 X 3/4" LG.	6
41	00559-G8						WASHER, 5/16"	6
42	11098-G6						LOCK NUT, 5/16 - 18	6
43	70291-G01						FLANGED BUSHING	4
44	21682-G1						CLEVIS PIN, 1/2" X 2 7/8" LG.....	2
45	21683-G1						COTTER PIN, 15/32" X 2 11/16".....	2
46								
47	71901-G01						DECAL (E-Z-GO)	1
48								
49	74052-G02						ELECTRIC DUMP KIT (INCLUDES ITEMS 50 - 70).....	1
50	74165-G01						CIRCUIT BREAKER MOUNTING BRACKET	1
51	21320-G4						CIRCUIT BREAKER, 15 AMP	1
52	00150-G4						SCREW, #10 - 24 X 1/2" LG.....	2
53	00565-G5						LOCK WASHER, #10	2
54	00526-G3						NUT, #10 - 24	2
55	25976-G14						14 GA WIRE (RED 5").....	1
56								
57	27680-G01						TOGGLE SWITCH	1
58	27447-G01						TOGGLE GUARD.....	1
59	10570-G9						RIVET, 1/8" X 11/32" LG.....	2
60								



When ordering parts, please specify the model and serial number of the product.

* Indicates a component that is not available as an individual part.

G** Indicates consult Customer Service Department for additional information.

ITEM	PART NO.	1	2	3	4	5	DESCRIPTION	QTY.
61	27612-G03						ELECTRIC ACTUATOR	1
62	27613-G01						SPACER	2
63	14443-G10						CLEVIS PIN, 1/2" X 2 27/32" LG.	1
64	21683-G1						COTTER PIN, 2 11/16" LG.	2
65	14443-G11						CLEVIS PIN, 1/2" X 1 3/4" LG.	1
66								
67	74054-G01						WIRE HARNESS.....	1
68	11845-G3						CABLE CLIP, 11/16"	2
69	00532-G3						NUT, 5/16 - 18	2
70	17618-G1						WIRE TIE.....	8
71								
72	74035-G03						BED LINER KIT (INCLUDES ITEMS 73 - 76).....	1
73	74234-G01						BED LINER, 40"	1
74	74235-G01						TAILGATE LINER	1
75	18436-G1						RIVET, 1/4" X 3/4" LG.....	4
76	14601-G10						RIVET, 5/32" X 7/16" LG.....	6
77								
78	28334-G01						RAMP KIT (INCLUDES ITEMS 79 - 100).....	1
79	28331-G01						RAMP SUPPORT (PASSENGER SIDE).....	1
80	28331-G02						RAMP SUPPORT (DRIVER SIDE)	1
81	00438-G8						BOLT, 5/16 - 18 X 1" LG	2
82	00559-G8						WASHER, 5/16".....	4
83	11098-G6						LOCK NUT, 5/16 - 18.....	2
84	00428-G6						BOLT, 3/8-16 X 2 3/4" LG	2
85	00562-G1						WASHER, 3/8".....	6
86	11098-G5						LOCK NUT, 3/8 - 16.....	2
87								
88	20264-G1						UPPER RAMP.....	1
89	20257-G2						LOWER RAMP	1
90								



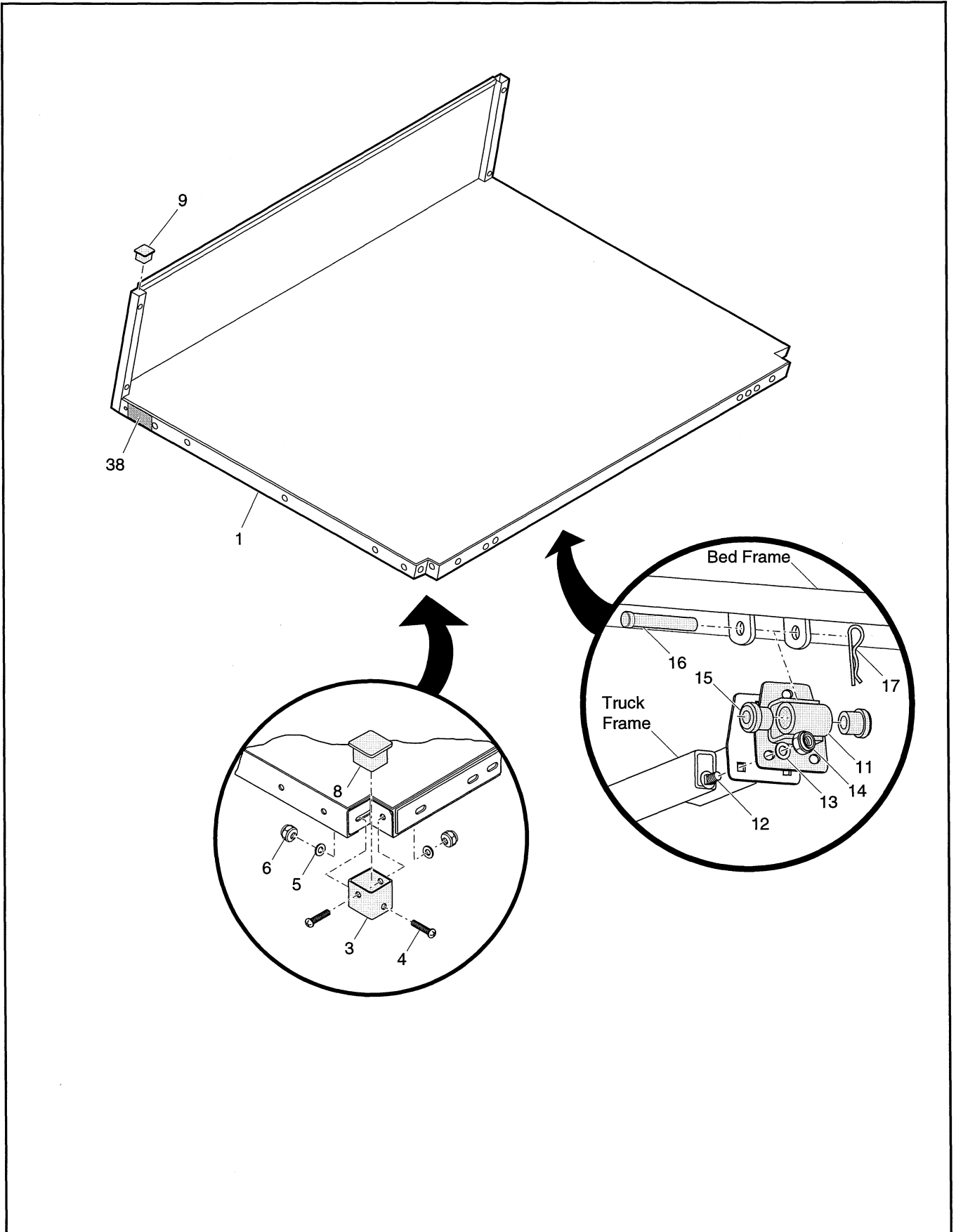
When ordering parts, please specify the model and serial number of the product.

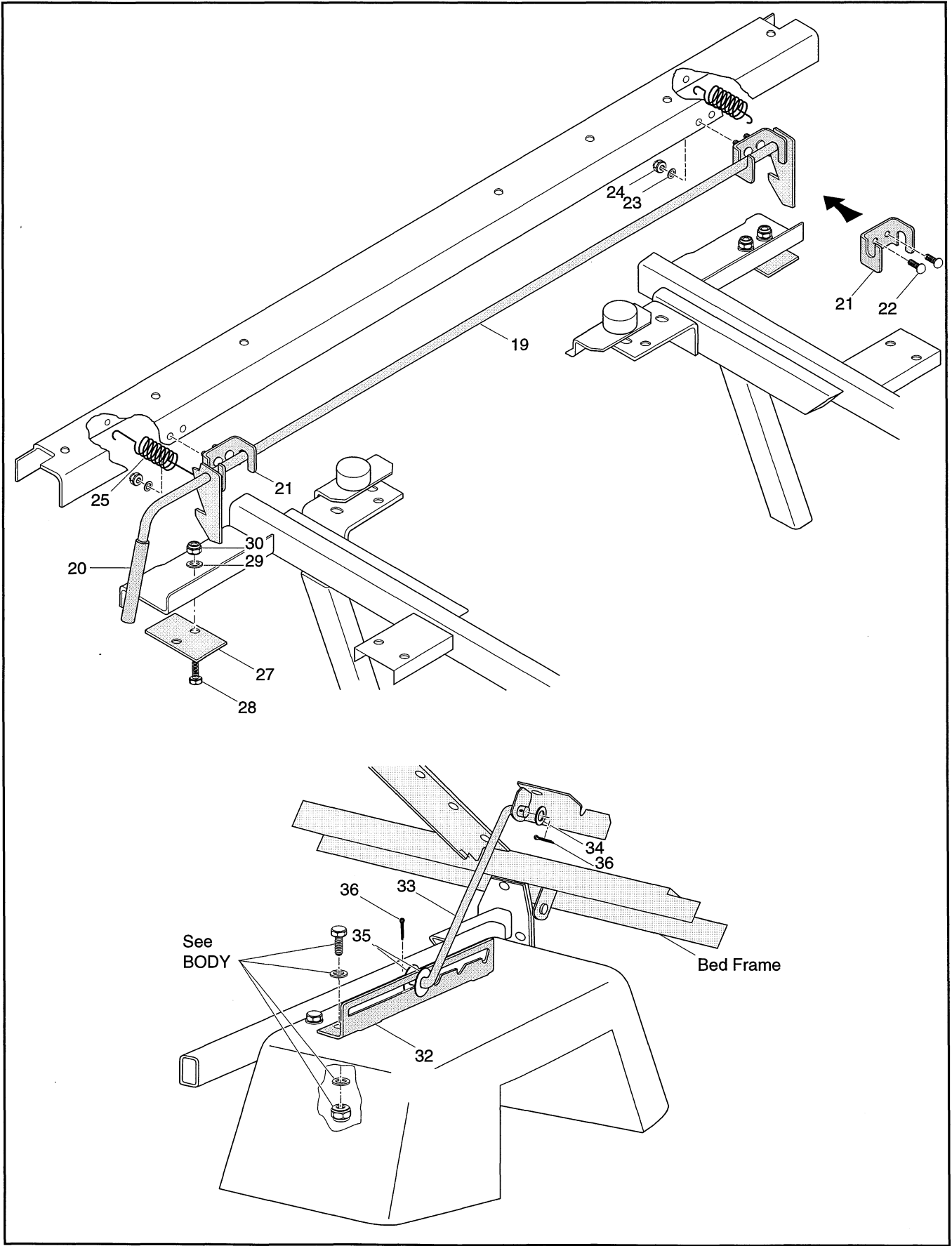
* Indicates a component that is not available as an individual part.

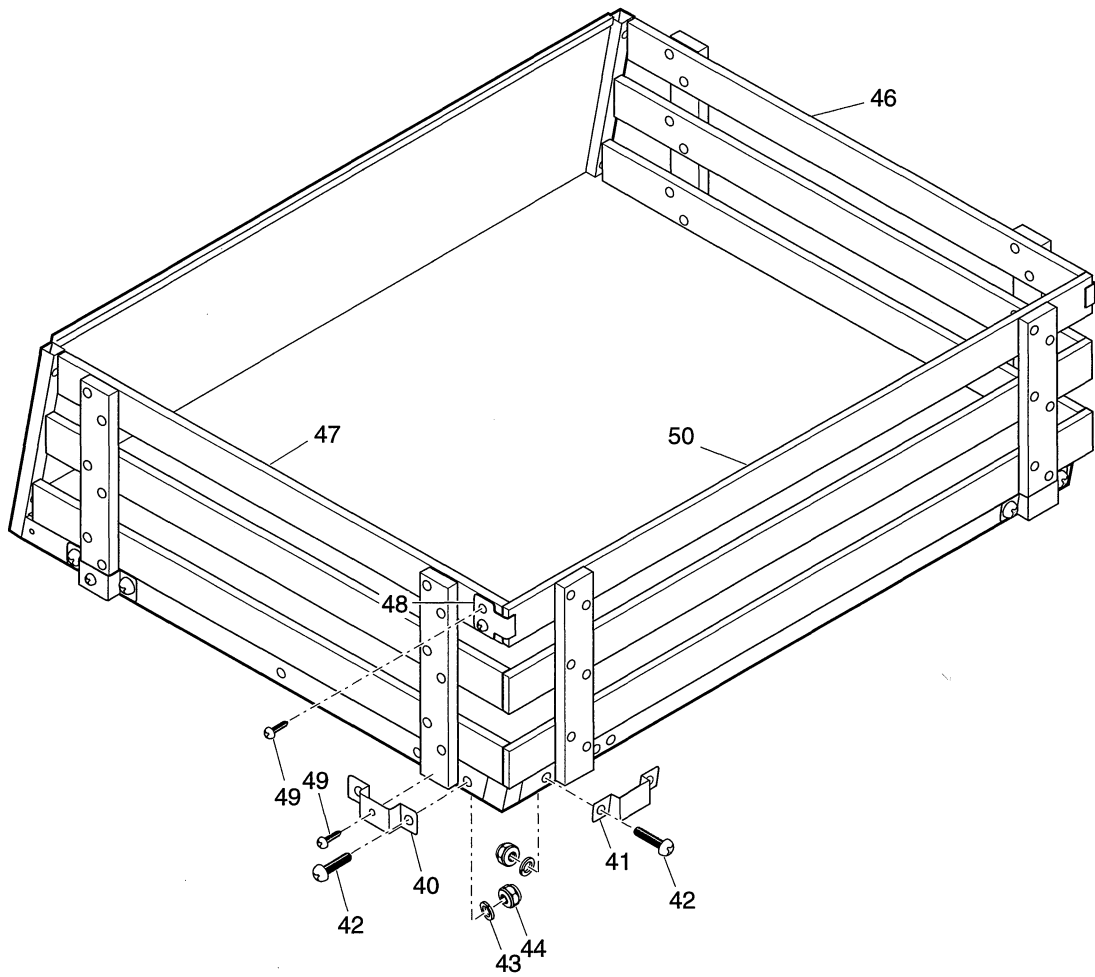
G** Indicates consult Customer Service Department for additional information.

ITEM	PART NO.	1	2	3	4	5	DESCRIPTION	QTY.
91	20252-G1						PIVOT (PASSENGER SIDE).....	1
92	20252-G2						PIVOT (DRIVER SIDE)	1
93	00427-G8						BOLT, 3/8 - 16 X 2" LG	2
94	00562-G1						WASHER, 3/8".....	4
95	20275-G1						PIVOT SPACER	2
96	11098-G5						LOCK NUT, 3/8-16.....	2
97	00439-G6						BOLT, 5/16-18 X 1 3/4" LG	4
98	00569-G2						WASHER, 5/16".....	4
99	00559-G8						WASHER, 5/16".....	4
100	11098-G6						LOCK NUT, 5/16 - 18.....	4
101								
102	71517-G02						BED CAPACITY DECAL	1









When ordering parts, please specify the model and serial number of the product.

* Indicates a component that is not available as an individual part.

G** Indicates consult Customer Service Department for additional information.

ITEM	PART NO.	1 2 3 4 5	DESCRIPTION	QTY.
1	71719-G01		FLAT BED	1
2				
3	71772-G01		CORNER TUBE	2
4	00762-G9		SCREW, 5/16 - 18 X 2 1/2" LG	4
5	00559-G8		WASHER, 5/16"	4
6	00550-G3		LOCK NUT, 5/16 - 18	4
7				
8	71718-G01		END CAP, 1 1/2"	2
9	71717-G01		END CAP, 1"	2
10				
11	70396-G01		BED PIVOT	2
12	00764-G2		CARRIAGE BOLT, 5/16 - 18 X 1" LG	6
13	00559-G8		WASHER, 5/16"	6
14	11098-G6		LOCK NUT, 5/16 - 18	6
15	70291-G01		FLANGED BUSHING	4
16	21682-G1		CLEVIS PIN, 1/2" X 2 7/8" LG	2
17	21683-G1		COTTER PIN, 15/32" X 2 11/16"	2
18				
19	71831-G01		BED LATCH	1
20	71704-G01		HANDLE GRIP	1
21	71827-G01		LATCH BRACKET	2
22	01014-G03		CARRIAGE BOLT, 1/4 - 20 X 3/4" LG	4
23	00559-G7		WASHER, 1/4"	4
24	14390-G4		LOCK NUT, 1/4 - 20	4
25	71707-G01		EXTENSION SPRING	2
26				
27	71766-G01		CATCH BRACKET	2
28	00414-G6		BOLT, 1/4 - 20 X 3/4" LG	4
29	00559-G7		WASHER, 1/4"	4
30	14390-G4		LOCK NUT, 1/4 - 20	4



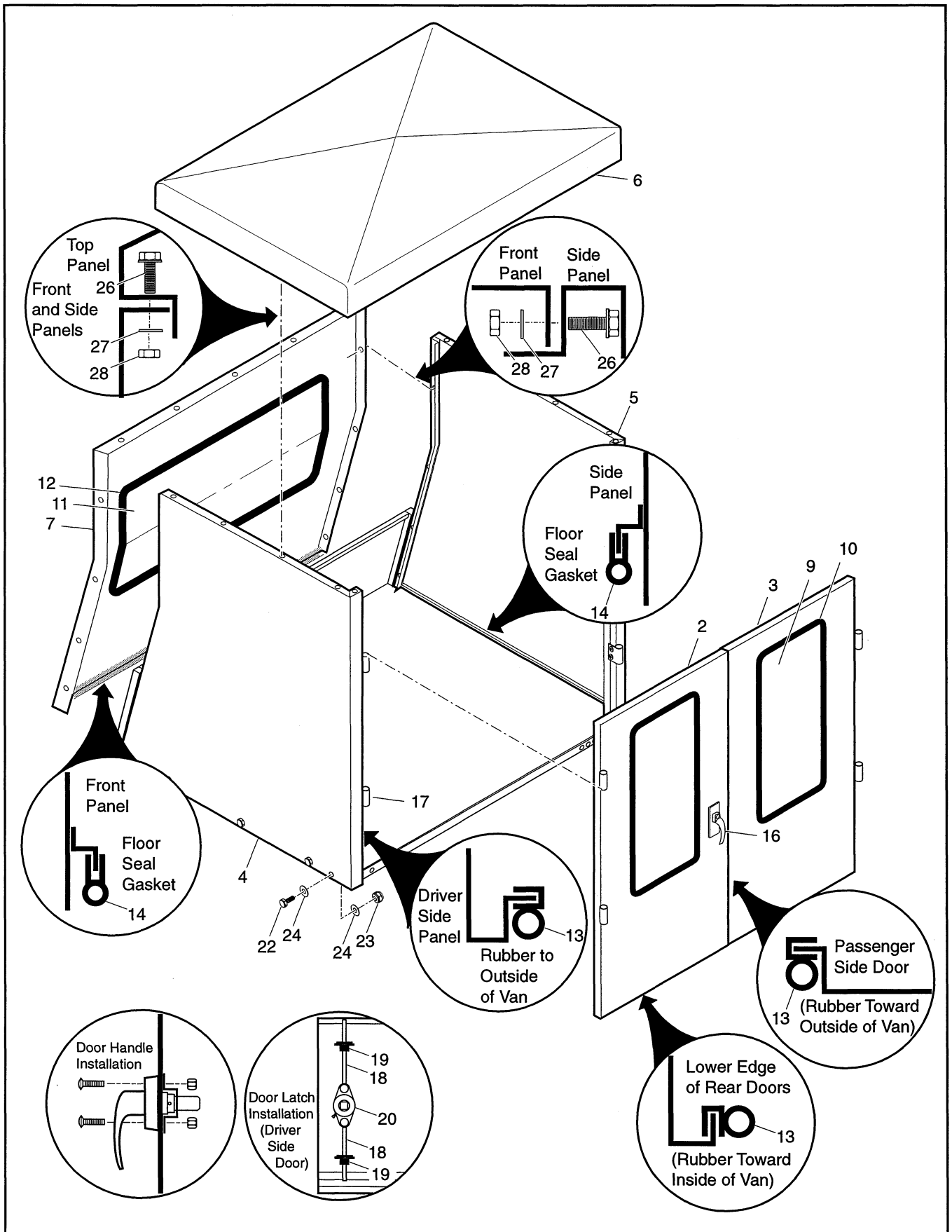
When ordering parts, please specify the model and serial number of the product.

* Indicates a component that is not available as an individual part.

G** Indicates consult Customer Service Department for additional information.

ITEM	PART NO.	1	2	3	4	5	DESCRIPTION	QTY.
31								
32	71673-G01						PROP BRACKET	1
33	71657-G01						PROP ROD	1
34	00560-G3						WASHER, 1/2"	1
35	15121-G1						WASHER, 3/8"	2
36	10387-G3						COTTER PIN, 3/32" X 3/4" LG.....	2
37								
38	71777-G01						DECAL (WARNING).....	1
39								
40	74157-G01						SIDE RAIL SUPPORT.....	4
41	74161-G01						BACK RAIL SUPPORT	2
42	16705-G1						SCREW, 1/4-20 X 1" LG	12
43	00559-G7						WASHER, 1/4"	12
44	14390-G4						NUT, 1/4-20	12
45								
46	74167-G01						SIDE CARGO RACK, 40" (PASSENGER SIDE).....	1
47	74167-G02						SIDE CARGO RACK, 40" (DRIVER SIDE)	1
48	74079-G01						TAILGATE RETAINER BRACKET.....	2
49	00666-G6						SCREW, #10 - 12 X 3/4" LG	8
50	74162-G03						REAR CARGO RACK	1

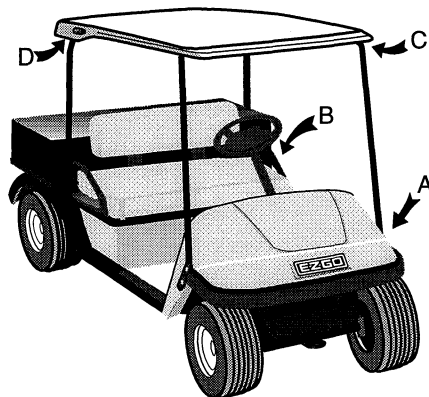




Replacement parts may be obtained from Curtis Tractor Cab Inc., 111 Higgins Street, Worcester, MA 01606. Telephone (508) 853-2200, or FAX (508) 854-3377.

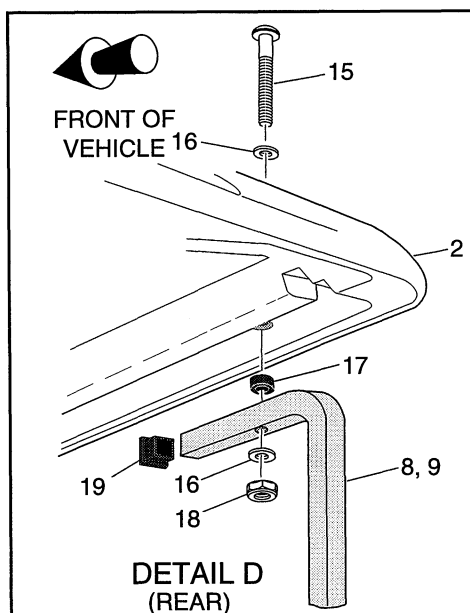
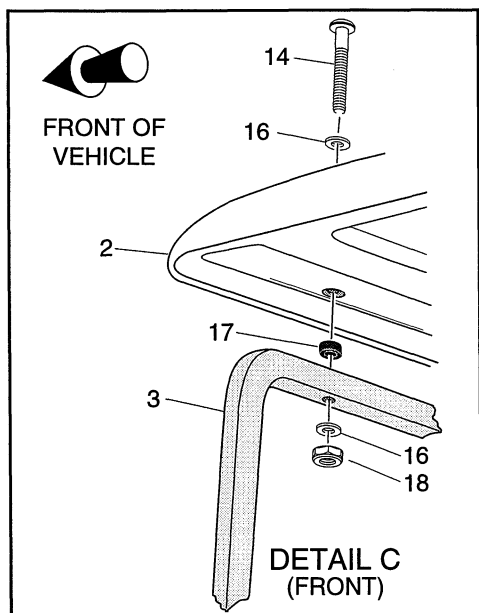
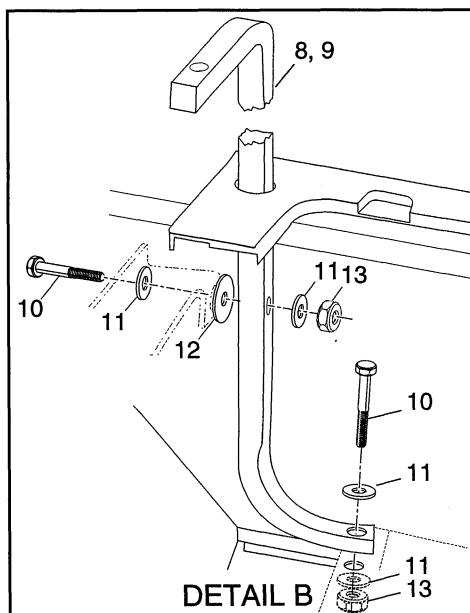
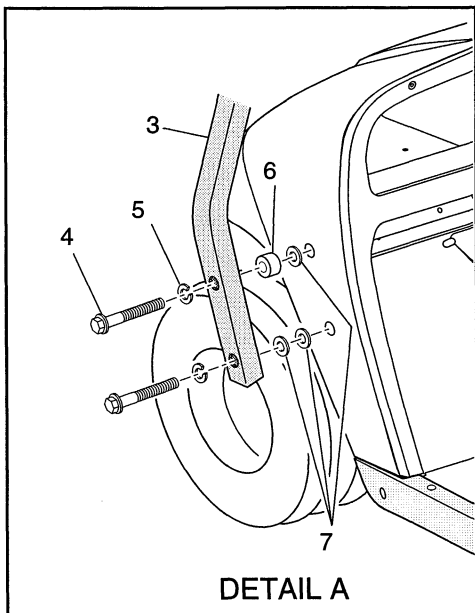
ITEM	PART NO.	1	2	3	4	5	DESCRIPTION	QTY.
1	28361-G01						VAN BOX (INCLUDES ITEMS 2 - 28).....	1
2	28361-G01A						REAR DOOR (DRIVER SIDE).....	1
3	28361-G01B						REAR DOOR (PASSENGER SIDE)	1
4	28361-G01C						SIDE PANEL (DRIVER SIDE)	1
5	28361-G01D						SIDE PANEL (PASSENGER SIDE).....	1
6	28361-G01E						ROOF	1
7	28361-G01F						FRONT PANEL.....	1
8								
9	1P002A						REPLACEMENT REAR DOOR WINDOW	2
10	1P002B						MOUNTING GASKET FOR REAR DOOR WINDOW	2
11	1P002C						REPLACEMENT FRONT PANEL WINDOW	1
12	1P002D						MOUNTING GASKET FOR FRONT PANEL WINDOW	1
13	1P002E						DOOR SEAL GASKET (196")	1
14	1P002F						FLOOR SEAL GASKET (123").....	1
15								
16	9DHOS1						OUTSIDE DOOR HANDLE, KEY LOCKING	1
17	9P001A						REPLACEMENT DOOR HINGE KIT (INCLUDING HARDWARE).....	4
18	9P001B						DOOR LATCH RODS	2
19	9P001C						PLASTIC ROD GUIDES	2
20	9P001D						LATCH ROD SWIVEL CAM (WITH SET SCREW).....	1
21								
22	6B01A						BOLT, 1/4 - 20 X 7/8" LG	10
23	6B01B						LOCK NUT, 1/4 - 20.....	10
24	6B01C						WASHER, 1/4".....	20
25								
26	6E01A						BOLT, 3/8 - 18 X 7/8" LG	23
27	6E01B						WASHER, 3/8".....	23
28	6E01C						LOCK NUT, 3/8 - 16.....	23

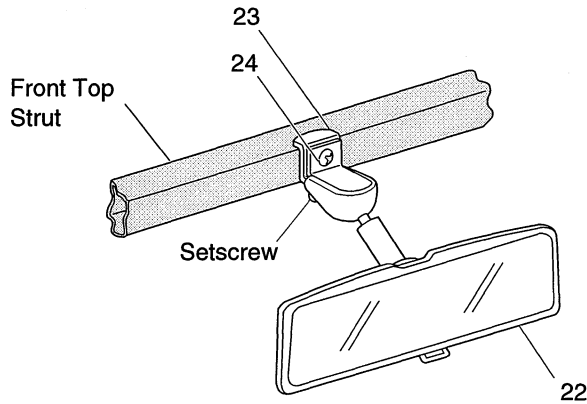




SUN TOP

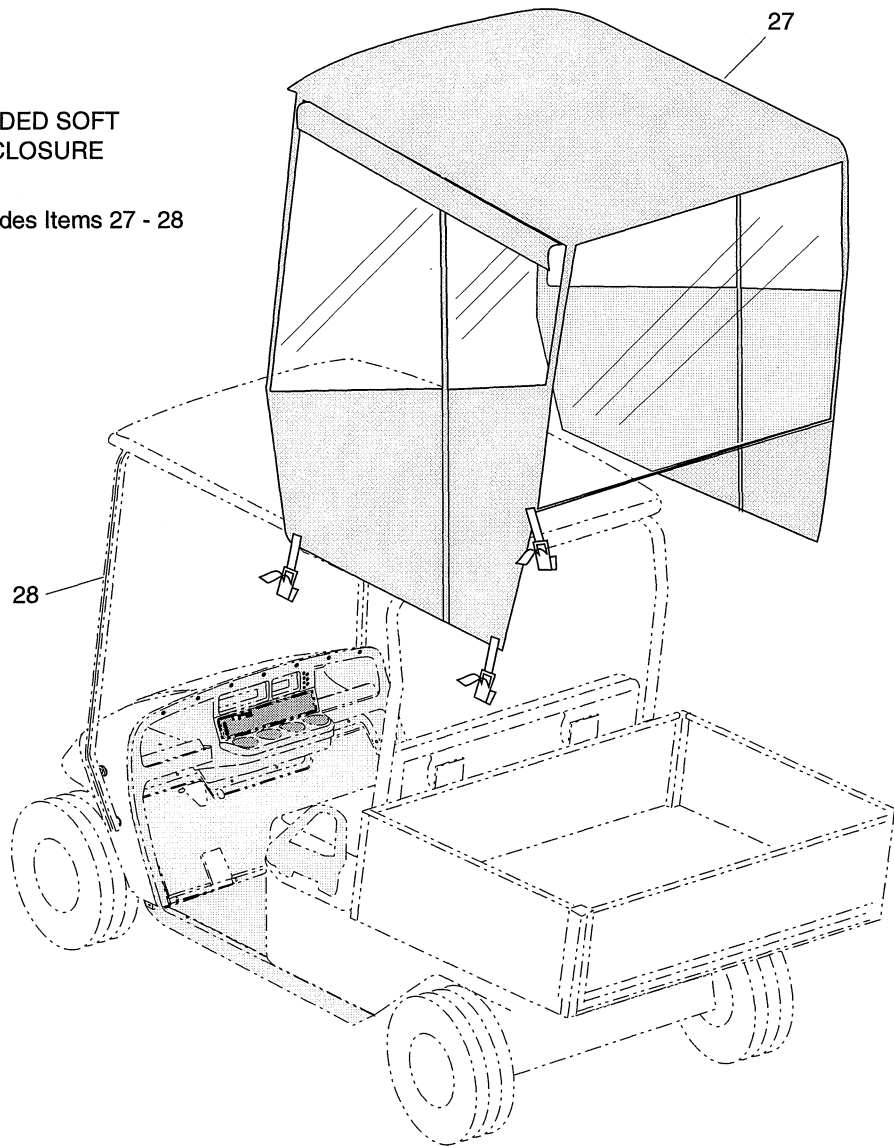
1 - Includes Items 2 - 19

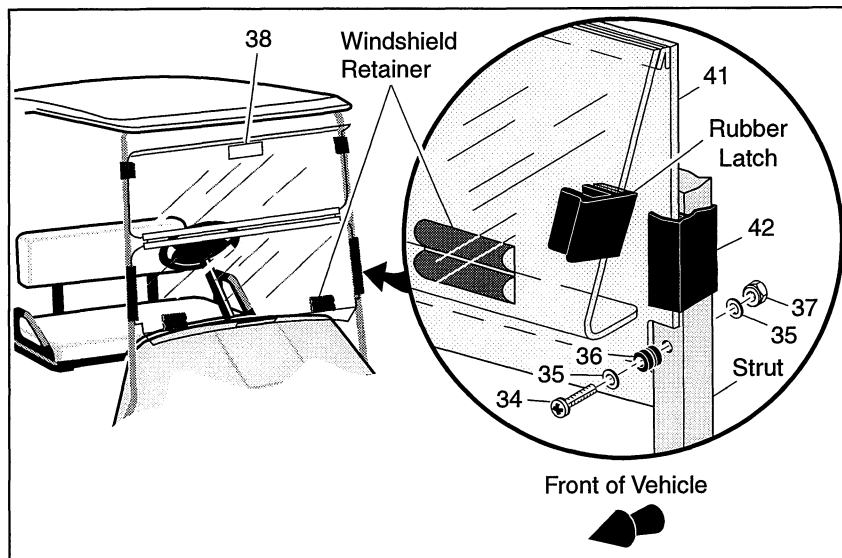
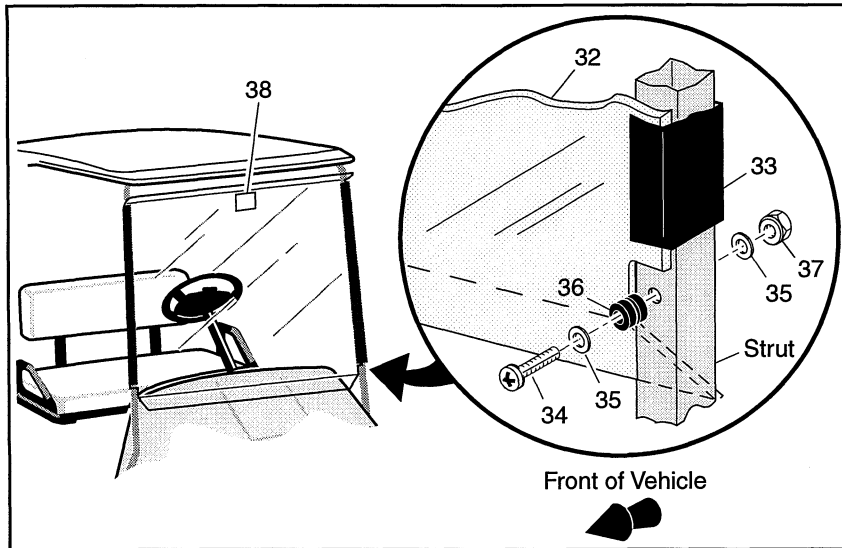




REAR VIEW MIRROR
21 - Includes Items 22 - 24

3-SIDED SOFT ENCLOSURE
26 - Includes Items 27 - 28





When ordering parts, please specify the model and serial number of the product.

* Indicates a component that is not available as an individual part.

G** Indicates consult Customer Service Department for additional information.

ITEM	PART NO.	1 2 3 4 5	DESCRIPTION	QTY.
1	75350-G**		SUN TOP KIT (INCLUDES ITEMS 2 - 19)	1
2	27069-G**		SUN TOP	1
3	75045-G01		FRONT STRUT	1
4	01035-G01		BOLT, 5/16 - 18 X 2 1/4" LG	4
5	00905-G8		LOCK WASHER, 5/16"	4
6	75048-G01		SPACER, 1/2"	2
7	00570-G2		WASHER, 5/16"	6
8	75343-G01		REAR STRUT (PASSENGER SIDE)	1
9	75343-G02		REAR STRUT (DRIVER SIDE)	1
10	00439-G6		BOLT, 5/16 - 18 X 1 3/4" LG	4
11	00571-G2		WASHER, 5/16"	8
12	15121-G1		WASHER, 3/8"	2
13	11098-G6		LOCK NUT, 5/16 - 18	4
14	00753-G5		SCREW, 1/4 - 20 X 2" LG (STAINLESS STEEL)	2
15	00753-G6		SCREW, 1/4 - 20 X 2 1/4" LG (STAINLESS STEEL)	2
16	00559-G7		WASHER, 1/4"	8
17	75051-G01		SPACER	4
18	00891-G2		LOCK NUT, 1/4 - 20	4
19	19853-G1		END CAP, 1"	2
20				
21	19528-G2		REAR VIEW MIRROR KIT (REQUIRES SUN TOP) (INCLUDES ITEMS 22 - 24)	1
22	19496-G1		REAR VIEW MIRROR	1
23	19502-G2		SUPPORT BRACKET	1
24	19527-G1		SCREW, #8 - 32 X 5/8" LG (STAINLESS STEEL)	1
25				
26	75367-G03		3 SIDED SOFT ENCLOSURE (REQUIRES SUN TOP) (INCL ITEMS 27 - 28)	1
27	*		ENCLOSURE	1
28	*		VELCRO	A/ R

Replacement parts for the windshield may be obtained from Eagle Parts, Inc. 1811 Wilkinson Rd. Augusta, GA 30904. Telephone (706) 729-9911 or FAX (706) 729-9955

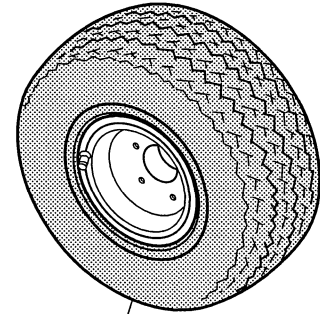
* Indicates a component that is not available as an individual part.

G** Indicates consult Customer Service Department for additional information.

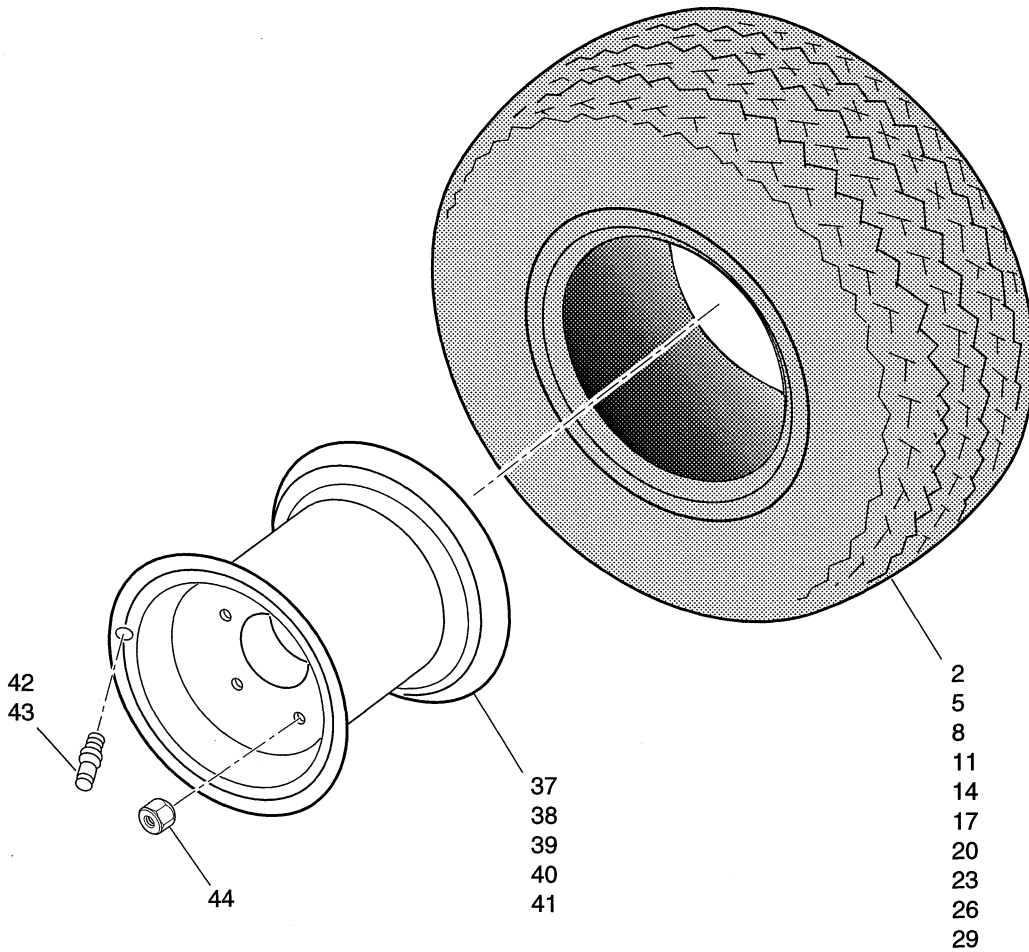
ITEM	PART NO.	1	2	3	4	5	DESCRIPTION	QTY.
29								
30								
31	75524-G01						WINDSHIELD KIT (FLAT) (INCLUDES ITEMS 32 - 38)	1
32	EGWFX03						WINDSHIELD (FLAT) (30/70 DURAYL)	1
33	EGWHC12						SASH, 26" LG.....	2
34	EGWHS12						BOLT, 1/4 - 20 X 1 3/4' LG. (STAINLESS STEEL)	2
35	EGWHW12						WASHER, 1/4" (STAINLESS STEEL)	4
36	EGWHG13						RUBBER GROMMET.....	2
37	EGWHN12						LOCK NUT, 1/4 - 20 (STAINLESS STEEL)	2
38	EGWHL14						SAFETY LABEL	1
39								
40	75525-G01						WINDSHIELD KIT (SPLIT) (INCLUDES ITEMS 41, 42, 34 - 38).....	1
41	EGWSX03						WINDSHIELD (SPLIT) (30/70 DURAYL).....	1
42	EGWHC10						SASH, 12" LG.....	2

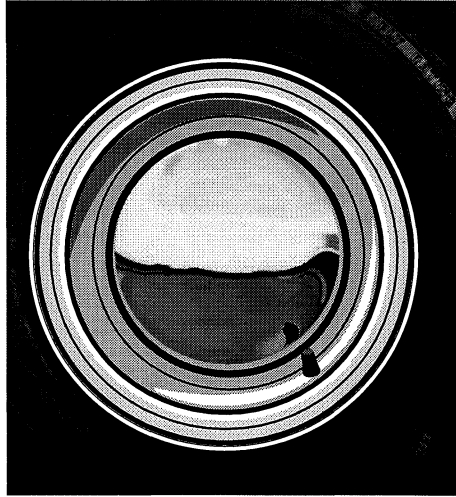


- 1 - Includes Item 2
- 4 - Includes Item 5
- 7 - Includes Items 8, 40, 42
- 10 - Includes Items 11, 39, 42
- 13 - Includes Items 14, 39, 43
- 16 - Includes Items 17, 37, 42
- 19 - Includes Items 20, 37, 42
- 22 - Includes Items 23, 38, 42
- 25 - Includes Items 26, 41, 43
- 28 - Includes Items 29, 41, 43



31
33
35

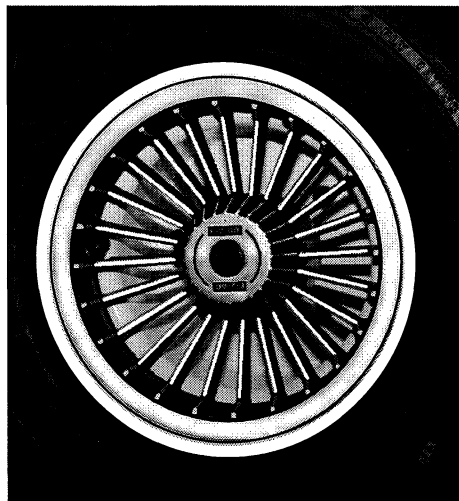




6" CHROME HUBCAP
46



8" CHROME HUBCAP
47



GOLD / SILVER SPOKE HUBCAP
48, 49

WHEELS AND TIRES

Electric Vehicle

When ordering parts, please specify the model and serial number of the product.

* Indicates a component that is not available as an individual part.

G** Indicates consult Customer Service Department for additional information.

ITEM	PART NO.	1 2 3 4 5	DESCRIPTION	QTY.
1	14697-G2		WHEEL AND TIRE ASSEMBLY, SOFTRAC (INCLUDES ITEM 2)	AR
2	14697-G1		8.50-8 GOODYEAR TIRE, SOFTRAC	AR
3				
4	14728-G2		WHEEL AND TIRE ASSEMBLY, POWER RIB (INCLUDES ITEM 5)	AR
5	14728-G1		18X8.5-8 GOODYEAR TIRE, POWER RIB	AR
6				
7	18992-G1		WHEEL AND TIRE ASSEMBLY, POWER CUSHION (INCLUDES ITEMS 8, 40, 42)	AR
8	18993-G1		18.5X8.5-8 GOODYEAR TIRE, POWER CUSHION	AR
9				
10	19352-G2		WHEEL AND TIRE ASSEMBLY, SUPER RIB, 4 PLY (INCLUDES ITEMS 11, 39, 42)	AR
11	11933-G1		5.70-8 GOODYEAR TIRE, SUPER RIB, 4 PLY	AR
12				
13	19352-G4		WHEEL AND TIRE ASSEMBLY, 6 PLY (INCLUDES ITEMS 14, 39, 43)	AR
14	11933-G2		5.70-8 GOODYEAR TIRE, 6 PLY	AR
15				
16	27772-G01		WHEEL AND TIRE ASSEMBLY, LINKS (STANDARD ON XT FRONT) (INCLUDES ITEMS 17, 37, 42)	AR
17	27772-G05		18 X 8.5 - 8 CARLISLE TIRE, LINKS	AR
18				
19	27772-G03		WHEEL AND TIRE ASSEMBLY, TURF SAVER (STANDARD ON XT REAR) (INCLUDES ITEMS 20, 37, 42)	AR
20	27772-G07		18 X 8.5 - 8 CARLISLE TIRE, TURF SAVER	AR
21				
22	27775-G01		WHEEL AND TIRE ASSEMBLY, USA TRAIL (INCLUDES ITEMS 23, 38, 42)	AR
23	27775-G02		18.5 X 8.5 - 8 CARLISLE TIRE, USA TRAIL	AR
24				
25	27784-G01		WHEEL AND TIRE ASSEMBLY, USA TRAIL (INCLUDES ITEMS 26, 41, 43)	AR
26	27784-G03		5.70 - 8 CARLISLE TIRE, USA TRAIL	AR



When ordering parts, please specify the model and serial number of the product.

* Indicates a component that is not available as an individual part.

G** Indicates consult Customer Service Department for additional information.

ITEM	PART NO.	1	2	3	4	5	DESCRIPTION	QTY.
27								
28	27784-G02						WHEEL ASSEMBLY, USA TRAIL (STANDARD ON XI FRONT / REAR) (INCLUDES ITEMS 29, 41, 43)	AR
29	27884-G04						18.5X5.70-8 CARLISLE TIRE, USA TRAIL	AR
30								
31	35154-G02						WHEEL AND TIRE ASSEMBLY (USA TRAIL, 5.70-8 CARLISLE TIRE, FOAM FILLED)	AR
32								
33	35154-G03						WHEEL AND TIRE ASSEMBLY (USA TRAIL, 18.5X5.70-8 CARLISLE TIRE, FOAM FILLED)	AR
34								
35	35155-G02						WHEEL AND TIRE ASSY (USA TRAIL, 18.5X5.70-8 CARLISLE TIRE, FOAM FILLED)	AR
36								
37	15169-G1						WHEEL RIM, 4 LUG	AR
38	15169-G2						WHEEL RIM, 4 LUG	AR
39	19350-G1						WHEEL RIM, 4 LUG	AR
40	20732-G1						WHEEL RIM, 4 LUG	AR
41	33678-G01						WHEEL RIM, 4 LUG	AR
42	11657-G1						VALVE STEM	AR
43	26482-G01						VALVE STEM	AR
44	14723-G1						LUG NUT, 1/2 - 20.....	AR
45								
46	14913-G*						8" CHROME HUBCAP (OPTIONAL)	AR
47	16042-G*						6" CHROME HUBCAP (OPTIONAL)	AR
48	19241-G*						GOLD SPOKE HUBCAP (OPTIONAL)	AR
49	19241-G*						SILVER SPOKE HUBCAP (OPTIONAL).....	AR





SPECIALTY PRODUCTS

SPECIALTY PRODUCTS



SPECIALTY PRODUCTS

SPECIAL TOOLS	Part No.
BATTERY MAINTENANCE KIT	25587-G01
SEAL INSTALLATION TOOL (REAR AXLE SHAFT SEAL).....	18739-G1
BATTERY SET DISCHARGER, 36 VOLT, 75 AMP.....	28251-G01
CURRENT INDICATOR.....	16489-G1
DIGITAL MULTI-METER.....	27481-G01
CRIMPING TOOL	27765-G01
SLIDE HAMMER (AXLE/HUB REMOVAL).....	15947-G1
SLIDE HAMMER (AXLE REMOVAL ONLY)	18753-G1

PAINT

HUNTER GREEN - TOUCH-UP PEN.....	28432-G02
INDUSTRIAL YELLOW - TOUCH-UP PEN	28432-G03
HUNTER GREEN - 12 OZ. AEROSOL.....	28140-G09
INDUSTRIAL YELLOW - 12 OZ. AEROSOL	28140-G14

PERFORMANCE PRODUCTS

BATTERY PROTECTOR, 14 OZ AEROSOL	75500-G01
WHITE LITHIUM GREASE, 14 OZ AEROSOL	75502-G01
PENETRANT/LUBRICANT, 15 OZ AEROSOL.....	75503-G01
MULTI-PURPOSE CLEANER & DEGREASER, 14 OZ AEROSOL	75504-G01
MULTI-PURPOSE HAND CLEANER, 32 OZ LIQUID	75505-G01
BATTERY CLEANER, 32 OZ W/TRIGGER SPRAYER	75506-G01
BIODEGRADABLE CLEANER, 32 OZ W/TRIGGER SPRAYER.....	75507-G01
MULTI-PURPOSE VALUE PACK.....	75508-G01
• BATTERY PROTECTOR, 4 OZ AEROSOL	
• PENETRANT/LUBRICANT, 4 OZ AEROSOL	
• WHITE LITHIUM GREASE, 4 OZ AEROSOL	
• CARBURETOR & CHOKE CLEANER, 4 OZ AEROSOL	

ACCESSORIES

ACCESSORIES LIST

ACCESSORIES

ACCESSORIES LIST

KIT NO.

ASHTRAY KIT	75109-G02	See BODY
BALL HITCH KIT.....	75326-G02	See BODY
“C” HITCH KIT.....	75327-G02	See BODY
CHROME HUB CAP 8".....	14913-G*	See WHEELS & TIRES
CHROME HUB CAP 6".....	16042-G*	See WHEELS & TIRES
DEFROSTER/COOLING FAN	74248-G01	See CAB & ACCESSORIES
DOME LIGHT.....	20495-G2	See CAB & ACCESSORIES
DOOR SET (TAN).....	74241-G01	See CAB & ACCESSORIES
DOOR SET (OTHER COLOR).....	74241-G02	See CAB & ACCESSORIES
DOOR SET (VINYL)	74242-G01	See CAB & ACCESSORIES
ELECTRIC DUMP KIT	74052-G02	See TRUCKBED
HEATER.....	22559-G2	
HOUR METER KIT	75113-G02	See ELECTRICAL SYSTEM
INSIDE MIRROR	27924-G01	See WEATHER PROTECTION
INSTRUMENT/SWITCH PANEL	74250-G01	See CAB & ACCESSORIES
RAMP KIT	28334-G01	See TRUCKBED
REAR VIEW MIRROR KIT	19528-G2	See WEATHER PROTECTION
ROTATING BEACON LIGHT KIT	75405-G01	
SIDE MIRROR KIT	75400-G01	See WEATHER PROTECTION
STEEL CAB, W/O DOORS (TAN).....	74240-G01	See CAB & ACCESSORIES
STEEL CAB W/O DOORS (OTHER COLOR)	74240-G02	See CAB & ACCESSORIES
STROBE LIGHT.....	74245-G01	See CAB & ACCESSORIES
SUN TOP KIT.....	75350-G0*	See WEATHER PROTECTION
TURN SIGNAL KIT	75107-G02	See ELECTRICAL SYSTEM
VAN BOX	28361-G01	See VAN BOX
GOLD SPOKE WHEEL COVERS.....	19241-G*	See WHEELS & TIRES
SILVER SPOKE WHEEL COVERS.....	19241-G*	See WHEELS & TIRES
WINDSHIELD KIT (REQUIRES SUN TOP KIT)	75524-G01	See WEATHER PROTECTION
SPLIT WINDSHIELD KIT (REQUIRES SUN TOP KIT).....	75525-G01	See WEATHER PROTECTION
WINDSHIELD WIPER.....	74244-G01	See CAB & ACCESSORIES
WORK LIGHTS.....	74247-G01	See CAB & ACCESSORIES
WORK LIGHT WITH LIGHTS	75354-G04	See ELECTRICAL SYSTEM
WORK LIGHT WITH STROBE	75354-G05	See ELECTRICAL SYSTEM
WORK LIGHT WITH LIGHTS AND STROBE.....	75354-G06	See ELECTRICAL SYSTEM





a **TEXTRON** Company

E-Z-GO Division of Textron Inc.

P.O. Box 388 Augusta, Georgia USA 30903-0388

Inside USA Phone: 1-800-227-7029, FAX: 1-800-752-6175

Outside USA Phone: 010-1-706-798-4311, FAX: 010-1-706-771-4601

Copyrighted Material
This manual may not be reproduced in whole or
in part without the express permission of
E-Z-GO Division of Textron Inc.
Technical Communications Department